



Spare Parts Catalogue

V Range V501, V651 & V801 - SW MKII

7037359 - Revision B

Foreword

Introduction

Chapters 1 to 12, listed on the front sheet, cover the major areas of the machine. Some of the more popular options such as the Supawash hi-pressure water system, Channel Brush Rotatilt, Powaboom and Littasnatch wanderhoses are also covered in these chapters. Other more specialised options will be found in the Optional Equipment Chapter 13.

The BoM numbers, shown in brackets after the section title, are for Johnston internal reference only.

Chassis Related Parts

Some parts shown in the Parts Section are chassis related and can vary due to the differences between chassis manufacturers.

It is important that only GENUINE JOHNSTON SPARE PARTS are used when servicing and maintaining the sweeper. This is especially important for consumables, filters etc. as the use of non-genuine parts may cause premature failure and invalidation of warranty.

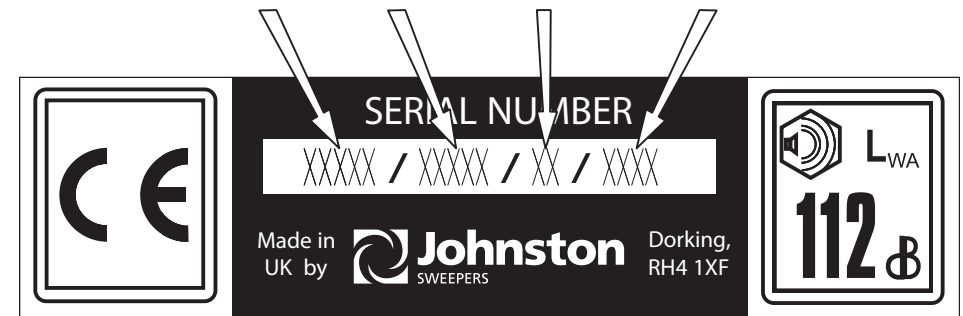
For the latest parts information please refer to our on-line interactive catalogues which are available through our E-Shop (www.shop.johnstonsweepers.com).

To open an account, please follow the instructions on the Johnston Sweepers website: www.johnstonsweepers.com

When making enquiries or ordering spare parts the Johnston Serial number should be quoted. The number will be found stamped on a plate similar to that shown below and attached to the rearmost crossmember of the subframe, below the rear door.

Serial number comprises:-

	Model No.	EQ No.	Year of manufacture	Manufacture sequence No.
Example.....	VT651	12345	12	1234



M02MS-002

**Safety Notice**

The universal safety symbol is used throughout this manual to indicate information which is essential for the health and safety of all operating personnel.

Abbreviations

The following abbreviations are used in this Manual:

LH = Left Hand.
RH = Right Hand.
WSB = Wide Sweep Brush.
CB = Channel Brush
CW = Clockwise.
CCW - Counterclockwise.
NO = Normally Open.
NC = Normally Closed.
Item 0 = Whole assembly shown.

Johnston® is a registered trade mark of Johnston Sweepers Limited.

Johnston Sweepers Limited

Curtis Road, Dorking, Surrey RH4 1XF, UK

Tel: +44 (0)1306 884722 Fax: +44 (0)1306 884151

E-mail: enquiries@johnstonsweepers.com Web: www.johnstonsweepers.com

Table of Contents

1 Cab Controls.....	8	2.2.1 Powapack Tub.....	72
1.1 Centre Console.....	10	2.2.2 Fuel Tank.....	76
1.2 Palm Control.....	12	2.2.3 AdBlue.....	78
1.3 Camera Options.....	14	2.2.4 Powapack Beams.....	82
2 Powapack.....	16	2.2.5 Systems Locker.....	84
2.1 Engine.....	18	2.2.6 Water Pump.....	86
2.1.1 JCB 55kW S4 Engine.....	20	2.2.6.1 Water Pump Spares.....	90
2.1.1.1 Engine Hoses.....	22	2.2.7 Valve and Water.....	92
2.1.2 JCB 85kW S3A Engine.....	26	2.2.8 Reverse Alarm.....	94
2.1.2.1 Engine Hoses.....	28	2.2.9 Gearbox Engage Control.....	96
2.1.3 JCB 93kW S3B Engine.....	32	2.2.10 Pressure Sender.....	98
2.1.3.1 Engine Hoses.....	34	2.3 Hydrostatic Gearbox.....	100
2.1.4 JCB 93kW S4 Engine.....	38	2.3.1 Hydrostatic Gearbox and Spares.....	102
2.1.4.1 Engine Hoses.....	40	2.3.2 Transmission Pump.....	104
2.1.4.2 SCU Install JCB 93kW T4.....	44	2.3.3 Transmission Motor.....	106
2.1.5 John Deere 86kW S3A Engine.....	46	2.3.4 Fan Pump.....	108
2.1.5.1 John Deere Engine Hoses.....	48	2.3.5 Oil Filler.....	110
2.1.5.2 John Deere Cranking Relay.....	52	2.3.6 Gearbox Mounts.....	112
2.1.6 JCB Gearbox Installation.....	54	2.4 Cooling Pack Assembly.....	114
2.1.7 John Deere Gearbox Installation.....	56	2.4.1 Expansion Tank & Air Filter.....	118
2.1.8 JCB Engine Mounts.....	58	2.4.2 JCB 93kw Stage 4 Expansion Tank & Air Filter.....	120
2.1.9 John Deere Engine Mounts.....	60	2.4.3 Control Box & Fuel Cooler.....	122
2.1.10 JCB Hydraulic Pump.....	62	2.4.4 Cooling Shroud.....	124
2.1.11 John Deere Hydraulic Pump.....	64	2.4.5 Fan - Oil Cooler.....	126
2.1.12 JCB Exhaust Silencer.....	66	2.5 Fan.....	128
2.1.13 JD Exhaust Silencer.....	68	2.5.1 Hydraulic Motor.....	132
2.2 Powapack Tub.....	70	2.6 Hydraulics.....	134
		2.6.1 Hydraulic Tank - Twin engine.....	136
		2.6.2 Hydraulic Tank - Single Engine.....	138
		2.6.3 Hydraulic System - Twin Engine.....	142

2.6.4	Hydraulic Manifold - Twin Engine	144	4.6.3	Hydraulic Manifold	214
2.6.5	Hydraulic System - Hydrostatic.....	146	4.7	Tandem Pump Valve Block.....	216
2.6.6	Hydraulic Manifold - Hydrostatic.....	150	5	Sweepgear.....	218
2.7	Handle.....	152	5.1	Channel Brush.....	220
2.8	Access Ladder.....	154	5.1.1	Channel Brush Install.....	222
2.9	Fuel Filter.....	156	5.1.2	Brush Arm.....	224
2.10	Pod Box.....	160	5.1.2.1	Upper Arm.....	226
2.11	Tailpipe.....	164	5.1.2.2	Pivot Head.....	230
2.12	Engine Drain Installation.....	166	5.1.2.3	Rotatilt.....	232
3	Systems Wafer	168	5.1.2.4	Brush Head.....	236
3.1	Electrical Assembly.....	170	5.1.3	Pivot Frame Assembly.....	238
3.2	Systems Tray Assembly.....	174	5.1.3.1	Pivot Frame Assembly.....	240
3.3	Filter Regulator Unit.....	178	5.1.3.2	Curtain/Flaps.....	244
3.4	Hydraulic Sweep Manifold.....	180	5.2	Wide Sweep Brush.....	246
3.5	Water Manifold.....	184	5.2.1	WSB Carriage.....	248
3.6	Pneumatic Valve Island.....	186	5.2.2	WSB Slew Assembly.....	252
3.7	Systems Wafer Light.....	188	5.2.3	Wide Sweep Brush Install.....	254
4	Subframe.....	190	5.2.3.1	Nozzle Quick Release.....	258
4.1	Subframe Assembly.....	192	5.2.4	WSB Spraybar.....	260
4.2	Crossmember and Intake Seat.....	194	5.2.5	WSB Motor Assembly.....	262
4.3	Subframe Sweep Config.....	196	5.2.6	WSB Bearing Assembly.....	264
4.3.1	RH Single Subframe Config.....	198	5.2.7	WSB Brush.....	266
4.3.2	LH Single Subframe Config.....	200	5.3	Nozzle.....	268
4.3.3	Dual Subframe Sweep Config.....	202	5.3.1	Nozzle.....	270
4.4	Subframe Extension.....	204	5.3.1.1	Nozzle Assembly.....	272
4.5	Lift Cylinder Installation.....	206	5.3.1.2	Carriage.....	276
4.6	Subframe Hose & Pipework.....	208	5.3.1.2.1	Carriage Assembly.....	278
4.6.1	Electric Discharge Pump.....	210	5.3.1.2.2	Nozzle Frame.....	282
4.6.2	P.O. Check Valve Assembly.....	212	5.3.1.2.3	Hi-Lift Nozzle.....	284
			5.3.1.3	Nozzle Wheels.....	286

5.3.2	Full Width Nozzle.....	288	6.12.1	Broom Stowage.....	366
5.3.2.1	Wide Mouth Full Width Nozzle.....	290	6.13	Wanderhose Dressing.....	368
5.3.2.2	Narrow Full Width Nozzle.....	294	7	Water Systems.....	370
5.3.2.3	Nozzle Carriage.....	298	7.1	Supawash.....	372
5.3.2.3.1	Nozzle Adjustment.....	302	7.2	Hydrant Kit.....	376
5.3.2.4	Nozzle Wheels.....	304	7.3	Water Recirculation System.....	380
5.3.3	Combivak Nozzle.....	306	7.4	Backflush System.....	384
5.3.3.1	Nozzle Assembly.....	308	7.5	Handwashing Unit.....	386
5.3.3.2	Combivak Carriage.....	310	7.6	Supawash Front Spraybar.....	388
5.3.3.3	Nozzle Wheels.....	314	8	Hopper & Cowl.....	390
5.3.3.4	Brush and Motor.....	316	8.1	Hopper.....	392
5.3.3.5	Nozzle Handle.....	320	8.1.1	Inlet Duct and Hood.....	396
5.3.4	Nozzle Installation.....	322	8.1.2	Hopper Pivot Assembly.....	398
5.3.5	Combivak Nozzle.....	324	8.1.3	Water Break Assembly.....	400
6	Ancillary Equipment.....	328	8.1.4	Blanking Plates.....	402
6.1	Top Mounted Wanderhose/Powaboom.....	330	8.1.5	Water Filter Assembly.....	404
6.1.1	Powaboom Suspension.....	332	8.2	Cowl.....	406
6.1.2	Wanderhose Suspension.....	336	8.2.1	Water Connection - Hydrant Filler.....	410
6.2	Rear Mounted Wanderhose Installation.....	338	8.2.2	Cowl Seal Assembly.....	412
6.3	Rear Wanderhose - Gantry Assembly.....	340	8.2.3	Radiator Shroud Seal.....	414
6.3.1	Hydraulic Cylinder.....	344	8.3	Hopper Access Door.....	416
6.4	Mesh Deflector Installation.....	346	8.4	Tip Cylinder.....	418
6.5	Rear Wanderhose - Coupling 8" Water Injection.....	348	8.5	Cowl mounted flap cylinders.....	420
6.6	Littasnatch - Gate Assembly.....	350	8.6	Body Prop.....	422
6.7	Littasnatch Installation.....	352	8.7	Deflector.....	424
6.8	Littasnatch - Davit Assembly.....	354	8.8	Latch Cassette.....	426
6.9	Turntable Base.....	356	8.9	Flushing Valve Assembly.....	428
6.10	Boom Stowage.....	358	8.10	Locker Doors.....	430
6.11	Wanderhose Extension.....	360	8.11	Discharge Chute.....	432
6.12	Broom & Shovel Stowage.....	362			

8.12 Hopper Controls.....	434	10.7 4 Rear LED Lights.....	502
8.13 Hopper Mesh.....	436	10.8 Rear Marker Light.....	504
8.14 Auxiliary Water/Fuel Tank.....	440	11 Miscellaneous.....	506
8.14.1 Ladder.....	444		
8.14.2 Valve Plate Assembly.....	448		
8.14.3 Water Filter Assembly.....	450		
8.15 Aux Water Tank Install.....	452		
8.16 Baffle Drop Link.....	454		
8.17 Sound Insulation Kit.....	456		
8.17.1 Sound Insulation Kit.....	460		
9 Rear Door.....	462		
9.1 Standard Door.....	464		
9.2 Contractor Door.....	466		
9.3 Options Frame.....	468		
9.4 Rear Mesh.....	470		
9.5 Rear Door Install.....	472		
9.6 Iris Valve.....	474		
9.7 Rear Access Door.....	476		
10 Trim and Lights.....	478		
10.1 Beacons.....	480		
10.2 Worklights - Side.....	482		
10.3 Worklights - Rear.....	484		
10.4 Side Marker Light.....	486		
10.5 Engine Bay Worklight.....	488		
10.6 Rear Arrow.....	490		
10.6.1 Rear Arrow.....	492		
10.6.2 LED Signboard.....	494		
10.6.3 Light Arrow Assembly.....	496		
10.6.4 LP13 Arrow Signboard Installation.....	498		

This page is intentionally left blank

Chapter 1 Cab Controls

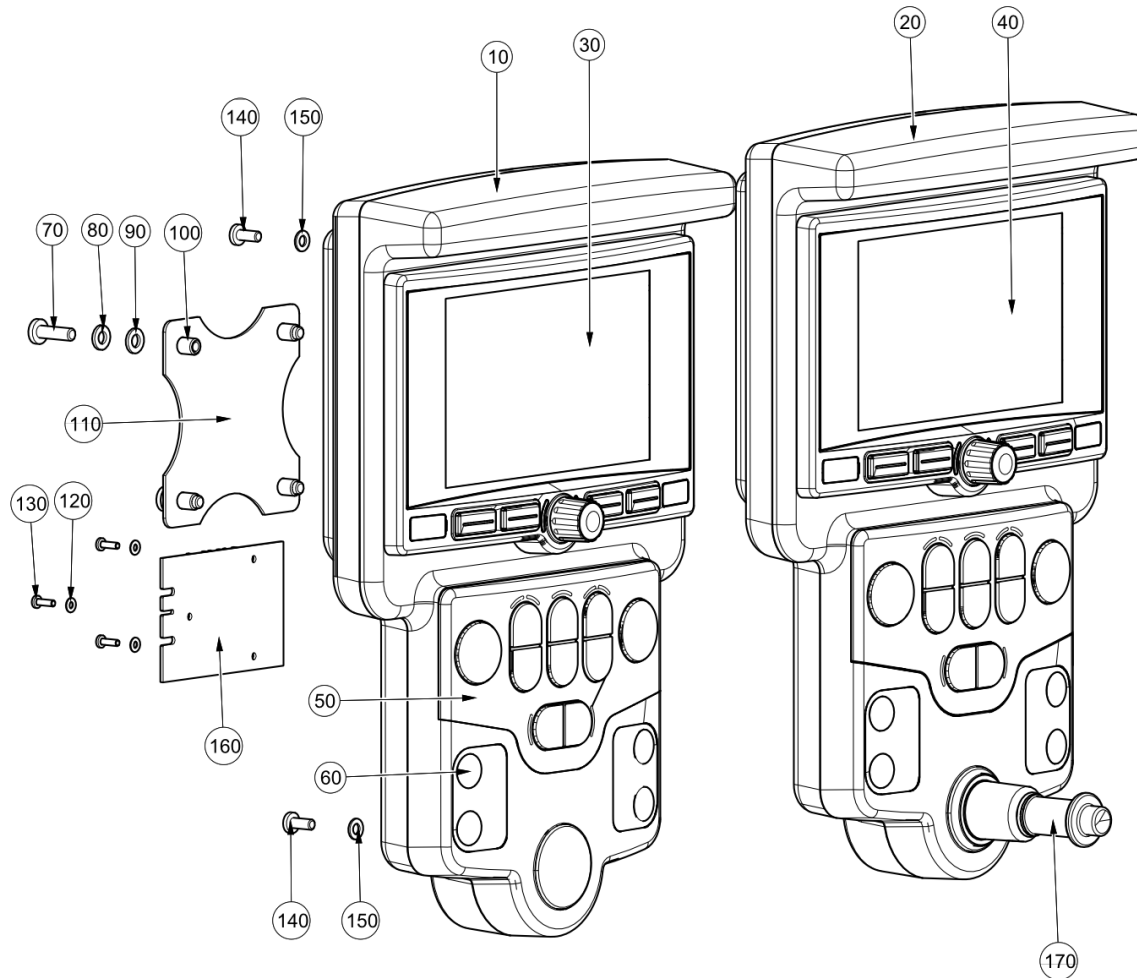


Table of Contents

Section	Page
1.1 Centre Console	10
1.2 Palm Control	12
1.3 Camera Options	14

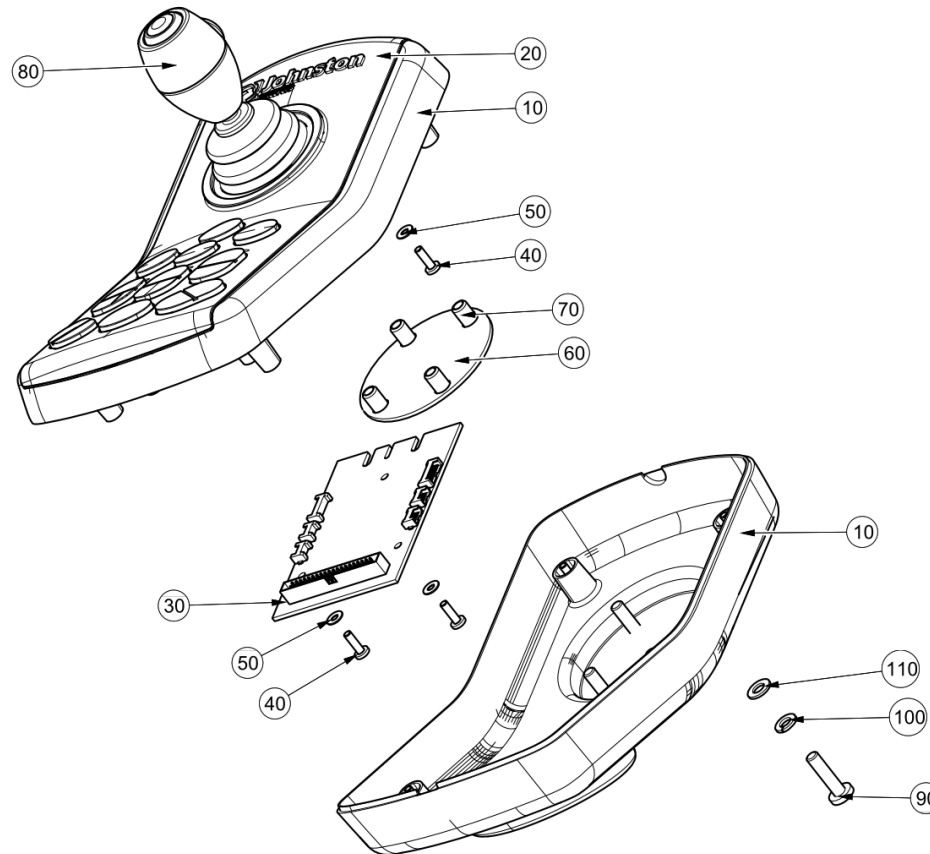
Item no.	Part no.	Description	QTY	Unit
20	7006676	Palm Control	1	PC
30	7008222	Discharge Pendant	1	PC

Centre Console ()
Cab Controls\Centre Console



Centre Console ()
Cab Controls\Centre Console

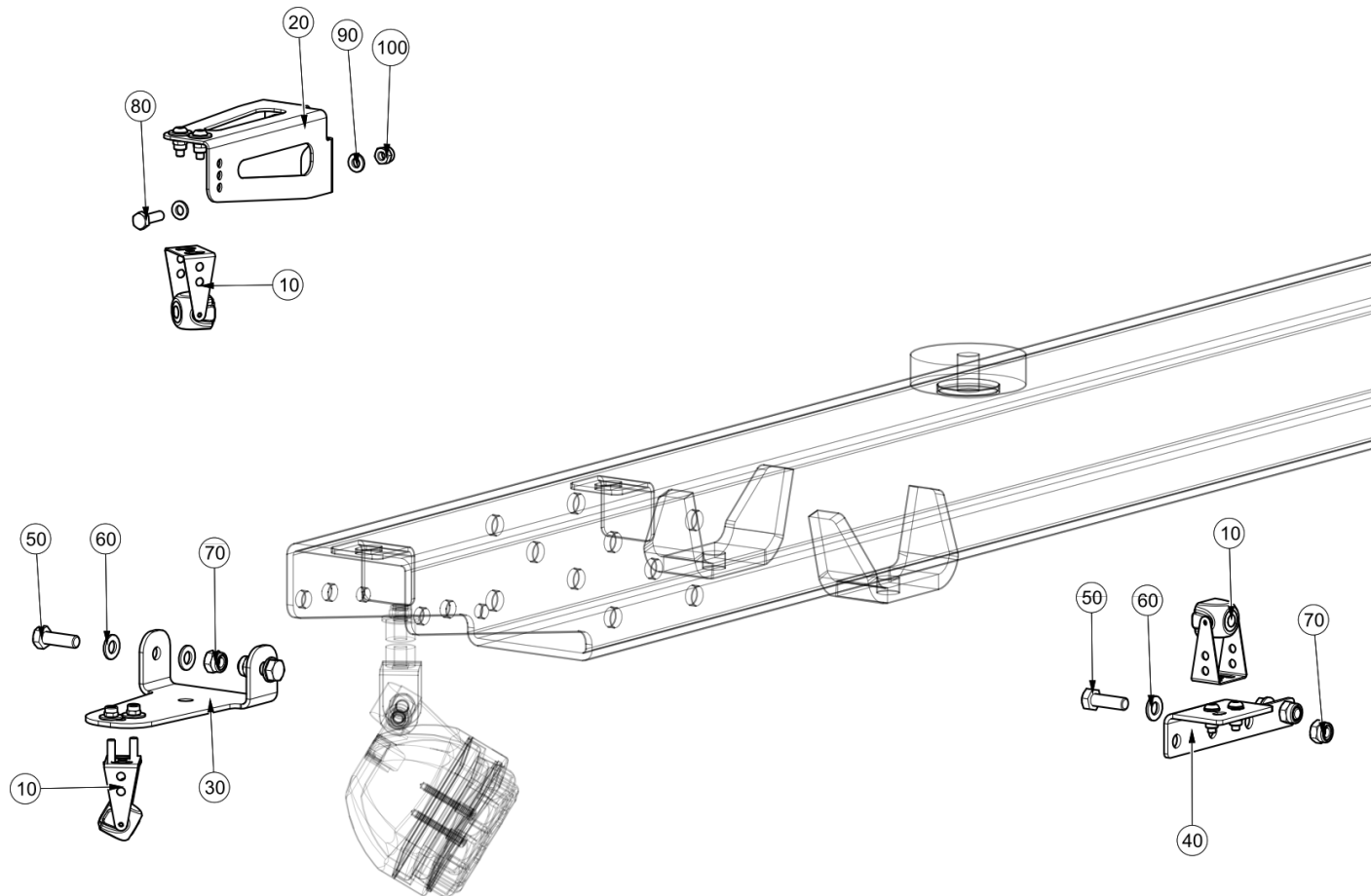
Item no.	Part no.	Description	QTY	Unit
10	7008752	Control panel - VT	1	PC
11	7008151	Cable Assembly	1	PC
20	7008754	Control panel - VS	1	PC
21	7022168	Cable Assembly	1	PC
30	7007470	JVM VT	1	PC
40	7007471	JVM VS	1	PC
50	7006881	Keypad - Centre Console	1	PC
60	44-70	Plug - Locking Hole, 14.3mm I/D	4	PC
70	134-74	Pan Head Screw-M6Cx20-4.8-Pozidriv	4	PC
80	93699708-0	Spring Washer - Plated M6	4	PC
90	93212009-0	Plain Washer - M6	4	PC
100	433-2	Rivet Nut - S.Cl. Nut M6c g0.5-3.0	4	PC
110	7030424	Centre Console, Mounting Plate	1	PC
120	93212005-0	Plain Washer M3	3	PC
130	134-12	Pan Head Screw - M3Cx10 - 4.8	3	PC
140	134-57	Pan Head Screw - M5Cx12 - 4.8	6	PC
150	93210109-0	Plain Washer M5	6	PC
160	7016414	Keypad Node - Centre Console	1	PC
170	48-83	Joystick-TwoWay(forward/revers	1	PC



Palm Control ()
Cab Controls\Palm Control

Item no.	Part no.	Description	QTY	Unit
10	7006589	Palm Control, Housing	2	PC
20	7006671	Keypad - Door Controller	1	PC
30	7006364	Control -Control system Keypad Node	1	PC
40	134-12	Pan Head Screw - M3Cx10 - 4.8	10	PC
50	93212005-0	Plain Washer M3	6	PC
60	7030460	Palm Control, Mounting Plate	1	PC
70	433-1	Rivet Nut - S. CI Nut M5c g0.5-3.0 Blind	4	PC
80	7006673	Joy Stick Harness	1	PC
90	134-59	Pan Head Screw - M5Cx20 - 4.8	4	PC
100	93699707-0	Spring Washer - Plated M5	4	PC
110	93210109-0	Plain Washer M5	4	PC
120	7006798	Key Pad Harness	1	PC

Camera Options ()
Cab Controls\Camera Options



Camera Options ()
Cab Controls\Camera Options

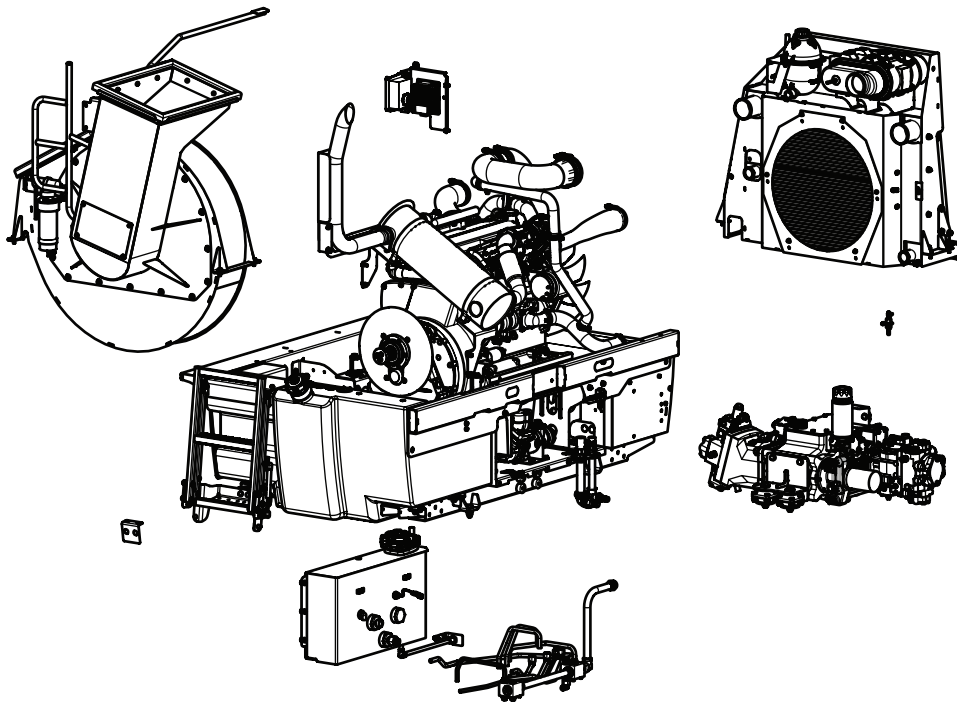
Item no.	Part no.	Description	QTY	Unit
10	657-150	Camera - IP69	1	PC
20	7041315	Camera Mounting Bracket	1	PC
30	7036843	Side worklight and camera bracket	1	PC
40	7028749	Rear Camera Mount	1	PC
50	92097376-0	Hex Head Screw - M8Cx25 - 8.8	2	PC
60	93212011-0	Plain Washer - M8	2	PC
70	93085805-0	Nyloc Hex Nut M8C - 8	2	PC
80	92097301-0	Hex Head Screw - M6Cx20 - 8.8	2	PC
90	93212009-0	Plain Washer - M6	2	PC
100	93085004-0	Nyloc Hex Nut M6C - 8	2	PC
110	7009024	Camera system -Control system MUX	1	PC
120	7009554	Cable Assembly - Multi Camera	1	PC
121	7009553	Cable Assembly - Single Camera	1	PC
130	657-15	Camera Cable-15M IP67 Fitting	4	PC

This page is intentionally left blank

Chapter 2 Powapack

Table of Contents

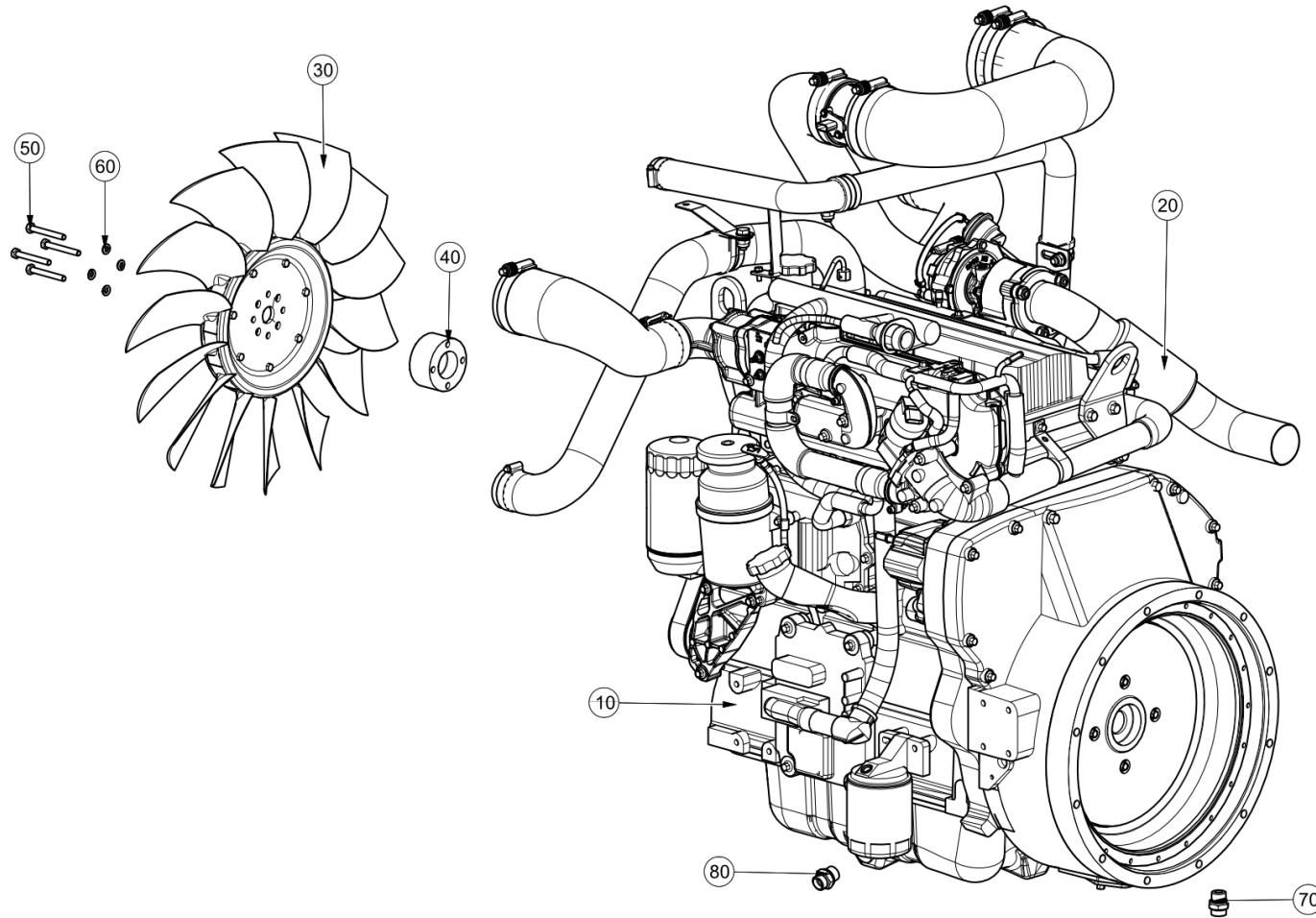
Section	Page
2.1 Engine.....	18
2.2 Powapack Tub.....	70
2.3 Hydrostatic Gearbox.....	100
2.4 Cooling Pack Assembly.....	114
2.5 Fan.....	128
2.6 Hydraulics.....	134
2.7 Handle.....	152
2.8 Access Ladder.....	154
2.9 Fuel Filter.....	156
2.10 Pod Box.....	160
2.11 Tailpipe.....	164
2.12 Engine Drain Installation.....	166



This page is intentionally left blank

This page is intentionally left blank

JCB 55kW S4 Engine ()
Powapack\Engine\JCB 55kW S4 Engine

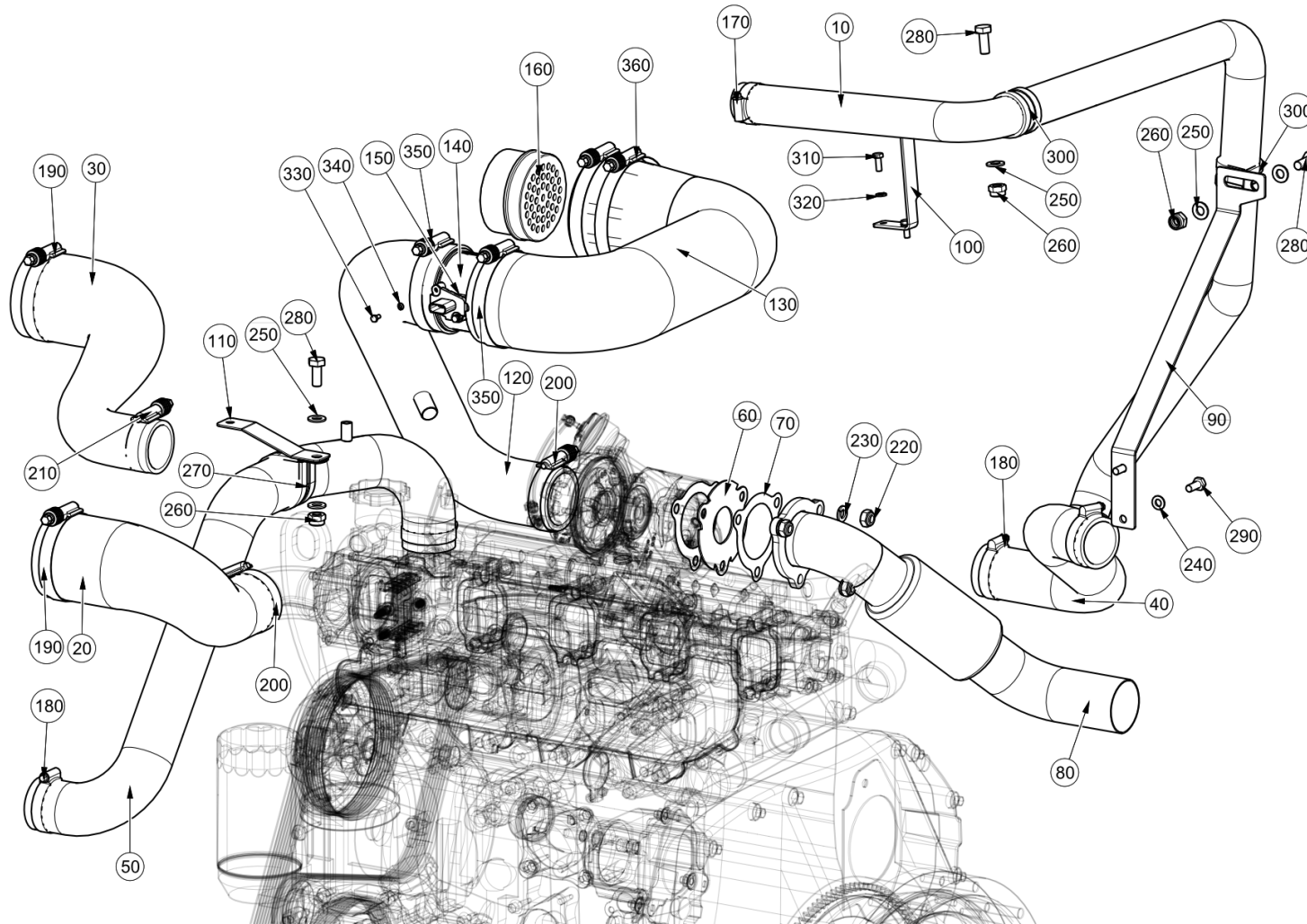


JCB 55kW S4 Engine ()
Powapack\Engine\JCB 55kW S4 Engine

Item no.	Part no.	Description	QTY	Unit
10	7028433	Engine - JCB 55kW S3B 12v	1	PC
10	7017176	Engine - JCB 55kW S3B 24v	1	PC
30	281-10	Fan - Cooling Puller 530 - 14 Blade	1	PC
40	7017798	Cooling Fan Spacer - JCB	1	PC
50	92067388-0	Hex Head Bolt - M8Cx65 - 8.8	4	PC
60	93699710-0	Spring Washer - Plated M8	4	PC
70	6601-1329	Stud Coupling Male G 1/2" x M22 x 1.5	1	PC
80	6601-1432	Stud Coupling Male M22 Straight	1	PC

Engine Hoses ()

Powapack\Engine\JCB 55kW S4 Engine\Engine Hoses



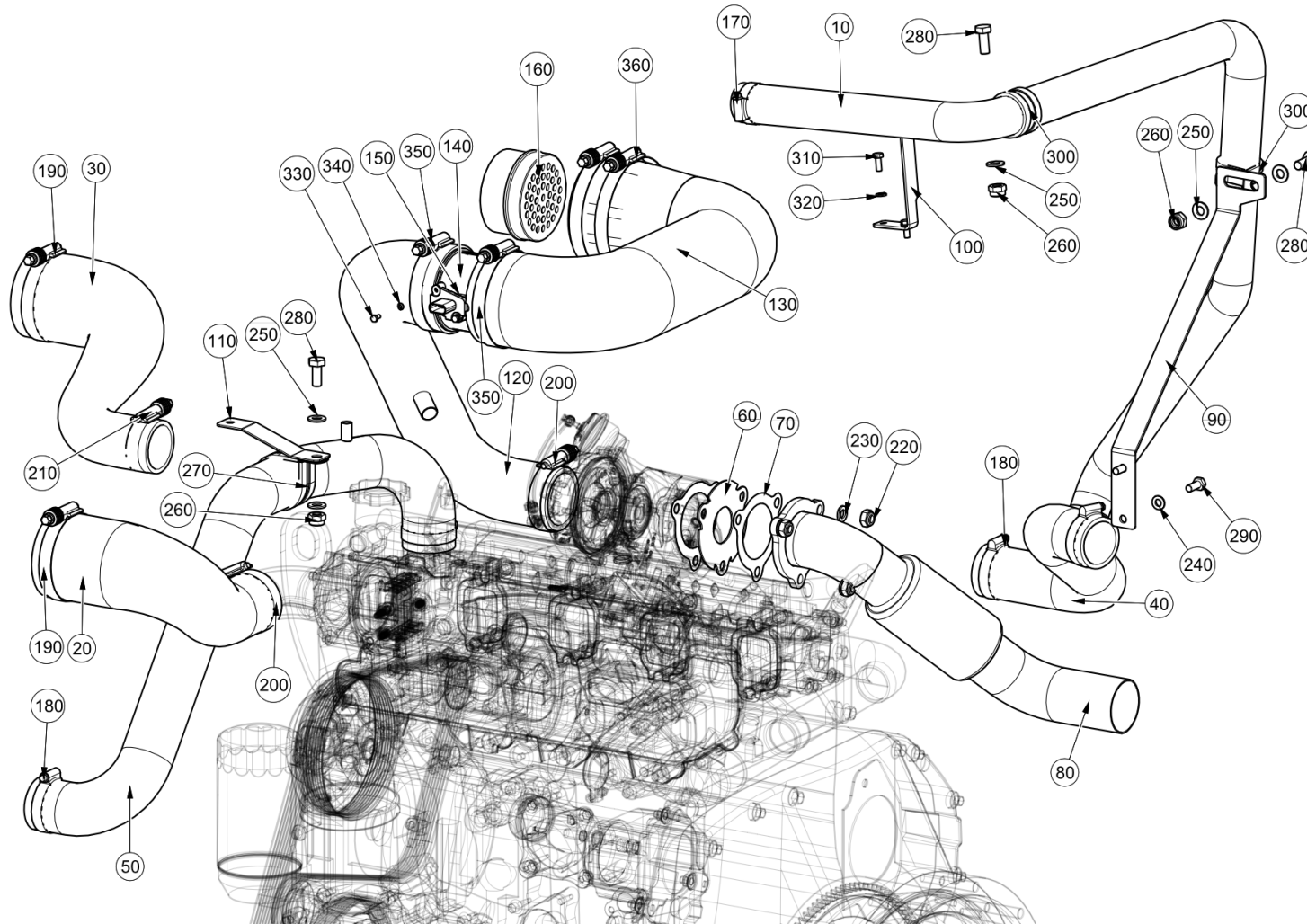
Engine Hoses ()

Powapack\Engine\JCB 55kW S4 Engine\Engine Hoses

Item no.	Part no.	Description	QTY	Unit
10	7023436	JCB Water Feed Hose	1	PC
20	7018059	Charge Air Hose - CAC OUT, JCB	1	PC
30	7018318	Charge Air Hose - CAC IN, JCB	1	PC
40	7017992	Coolant Hose, Bottom, JCB	1	PC
50	7018038	Coolant Hose, Top, JCB	1	PC
60	7027449	Exhaust Orifice Plate	1	PC
70	7027597	JCB Orifice Gasket	2	PC
80	7018612	Exhaust Inlet Pipe W/Assy, JCB 55kW	1	PC
90	7025055	JCB Water Hose Support	1	PC
100	7025173	Support	1	PC
110	7026899	Support Plate - Coolant Hose	1	PC
120	7026497	Induction Hose, Lower Section	1	PC
130	7026540	Induction Hose, Top Section	1	PC
140	7026498	Tube MAF Sensor JCB	1	PC
150	7023408	Sensor TMAF JCB	1	PC
160	7028956	Air Flow Restrictor JCB 55KW	1	PC
170	09531011-0	Hose Clip - Worm Drive (40-55)	2	PC
180	09531034-0	Hose Clip - Worm Drive (40-60)	4	PC
190	507-5	Hose Clamp - Constant Torque (83-105)	2	PC
200	507-3	Hose Clamp - Constant Torque (57-79)	2	PC
210	507-2	Hose Clamp - Constant Torque (45-67)	1	PC
220	93086056-0	Nut S/Lock Philidas M10cx17x10	3	PC
230	93699711-0	Spring Washer - Plated M10	3	PC
240	93212011-0	Plain Washer - M8	2	PC

Engine Hoses ()

Powapack\Engine\JCB 55kW S4 Engine\Engine Hoses

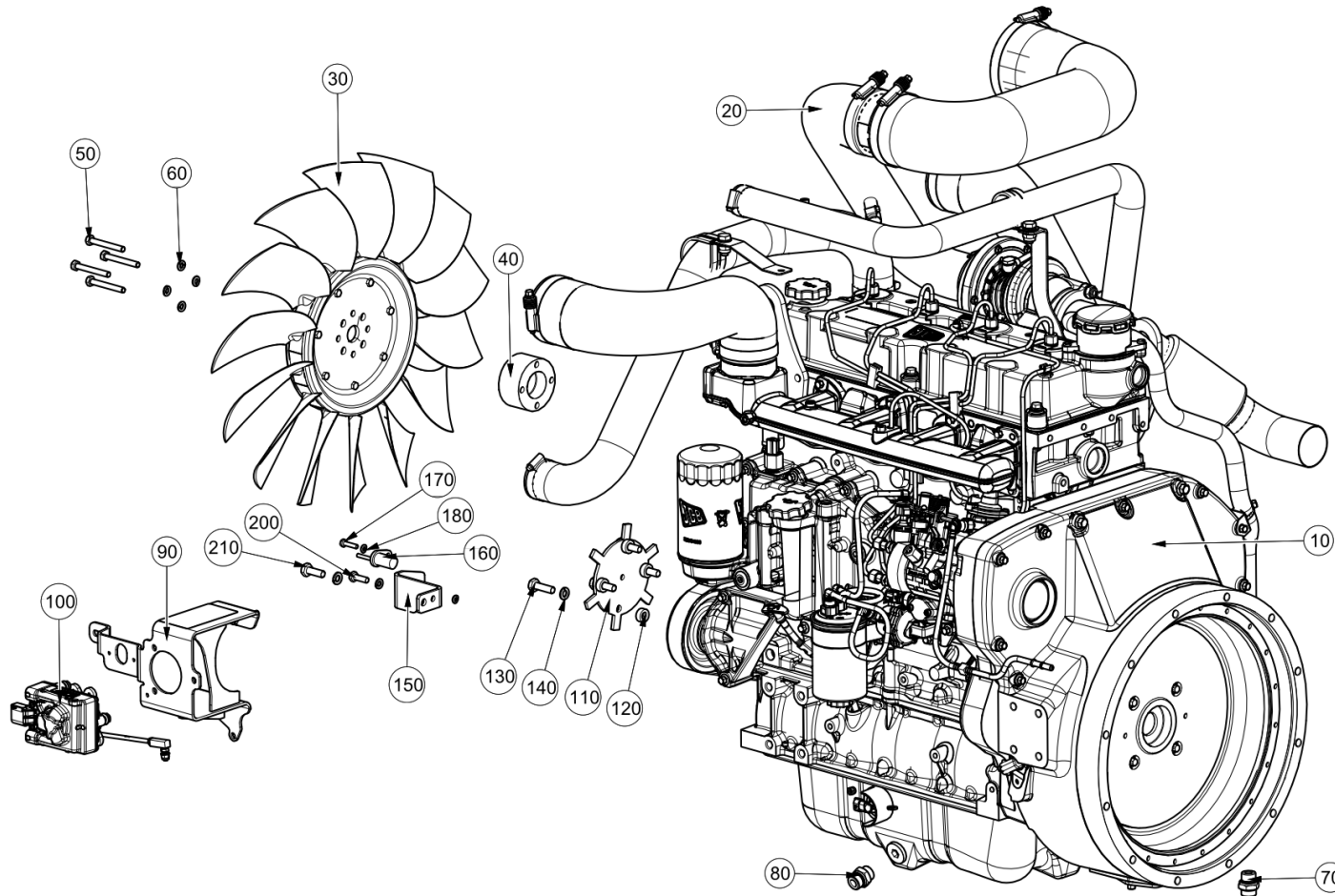


Engine Hoses ()

Powapack\Engine\JCB 55kW S4 Engine\Engine Hoses

Item no.	Part no.	Description	QTY	Unit
250	93212012-0	Plain Washer - M10	6	PC
260	93085806-0	Nyloc Hex Nut M10C - 8	3	PC
270	508-14	Clip - P Rubber Covered 57.20MM	1	PC
280	92097412-0	Hex Head Screw - M10Cx25 - 8.8	3	PC
290	92097374-0	Hex Head Screw - M8Cx20 - 8.8	2	PC
300	508-12	Clip - P Rubber Covered 44.50MM	2	PC
310	92097299-0	Hex Head Screw - M6Cx16 - 8.8	2	PC
320	93699708-0	Spring Washer - Plated M6	2	PC
330	92097225-0	Hex Head Screw - M4Cx10 - 8.8	2	PC
340	93699706-0	Spring Washer - Plated M4	2	PC
350	507-6	Hose Clamp - Constant Torque (95-118)	2	PC
360	507-7	Hose Clamp - Constant Torque (108-130)	2	PC
370	09531052-0	Hose Clip - Worm Drive (22-32)	2	PC
380	497-P02	Hose 3/4"	1	M
390	271-40	Hose - Silicone 12mm I/D	0.4	M
400	271-41	Hose - Silicone 9.5mm I/D	0.7	M
410	271-41	Hose - Silicone 9.5mm I/D	0.9	M
420	277-280	Tee - Nylon Hose Connector 8mm	1	PC
430	271-41	Hose - Silicone 9.5mm I/D	0.2	M
440	501-1	Hose Clip - Worm Drive (11-16)	8	PC

JCB 85kW S3A Engine ()
Powapack\Engine\JCB 85kW S3A Engine

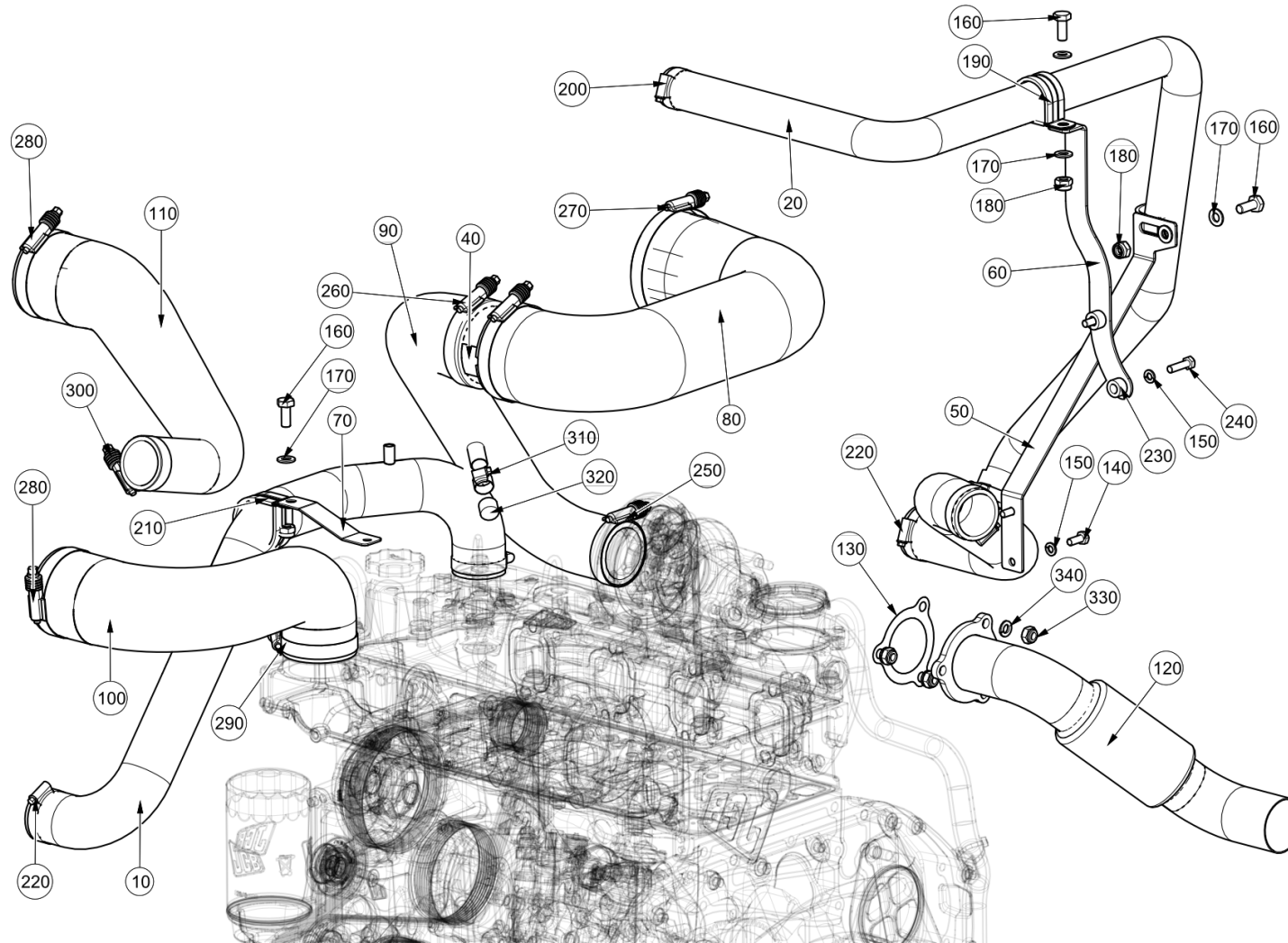


JCB 85kW S3A Engine ()
Powapack\Engine\JCB 85kW S3A Engine

Item no.	Part no.	Description	QTY	Unit
10	7028407	Engine - JCB 85kW S3A 24v	1	PC
30	281-10	Fan - Cooling Puller 530 - 14 Blade	1	PC
40	7017798	Cooling Fan Spacer - JCB	1	PC
50	92067388-0	Hex Head Bolt - M8Cx65 - 8.8	4	PC
60	93699710-0	Spring Washer - Plated M8	4	PC
70	6601-1329	Stud Coupling Male G 1/2" x M22 x 1.5	1	PC
80	6601-0630	Stud Coupling Male 7/8" - 14 UNF	1	PC
90	7029138	JCB 85KW Actuator Bracket	1	PC
100	7029137	JCB 85KW Actuator	1	PC
110	7029374	6 Tooth Speed Sensor Plate	1	PC
120	95200-2	Spacer - Bush 8mm x 11mm ID	4	PC
130	92097415-0	Hex Head Screw - M10Cx35 - 8.8	4	PC
140	93699711-0	Spring Washer - Plated M10	4	PC
150	7029328	Speed Sensor Bracket JCB 85kW	1	PC
160	280856-1	Speed / Crank Sensor with Loom	1	PC
170	92097303-0	Hex Head Screw - M6Cx25 - 8.8	1	PC
180	93212009-0	Plain Washer - M6	2	PC
190	93085004-0	Nyloc Hex Nut M6C - 8	1	PC
200	92097376-0	Hex Head Screw - M8Cx25 - 8.8	1	PC
210	92097414-0	Hex Head Screw - M10Cx30 - 8.8	1	PC

Engine Hoses ()

Powapack\Engine\JCB 85kW S3A Engine\Engine Hoses



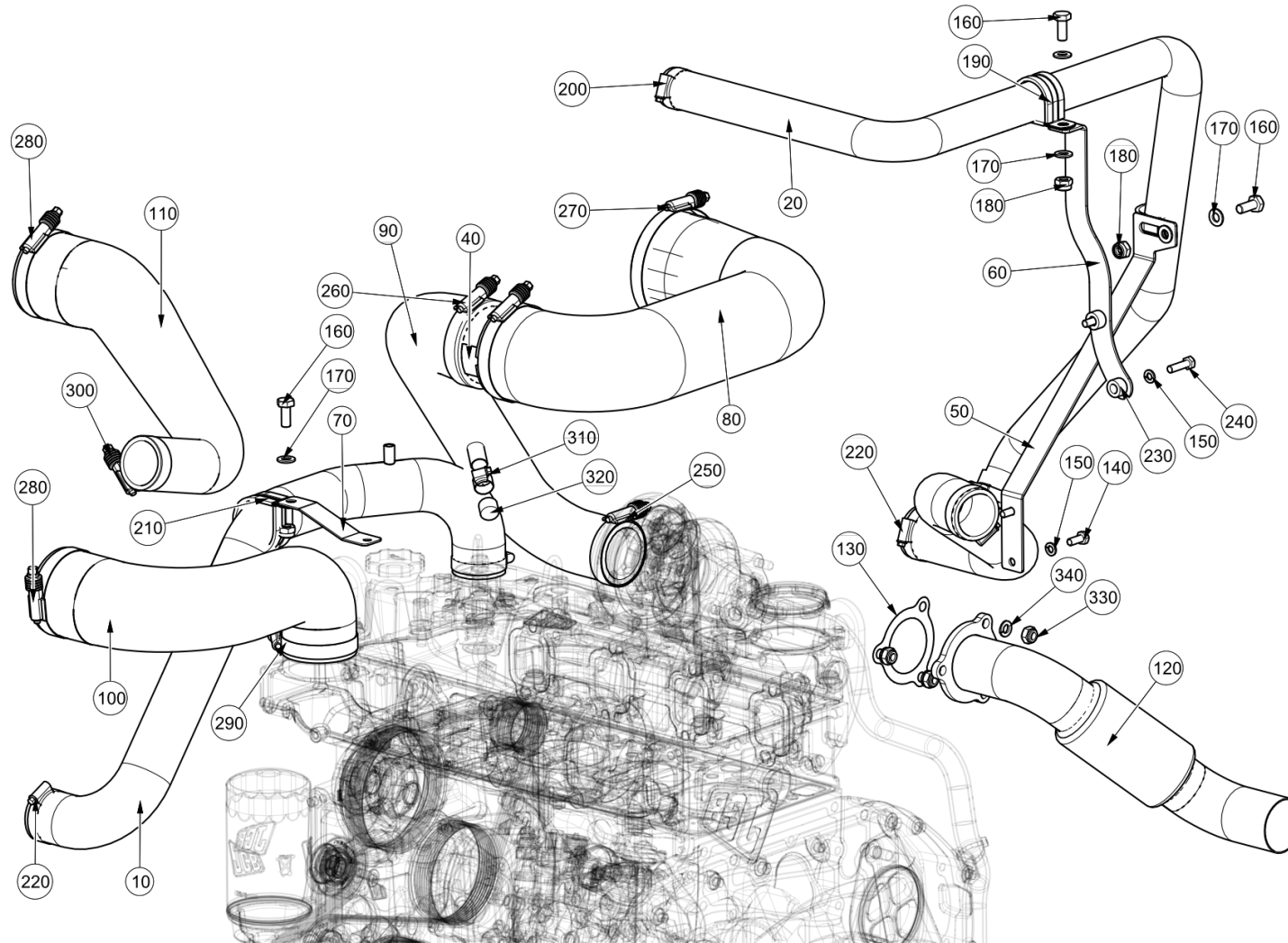
Engine Hoses ()

Powapack\Engine\JCB 85kW S3A Engine\Engine Hoses

Item no.	Part no.	Description	QTY	Unit
10	7018038	Coolant Hose, Top, JCB	1	PC
20	7023436	JCB Water Feed Hose	1	PC
30	7017992	Coolant Hose, Bottom, JCB	1	PC
40	7028677	Hose Connector (Air Intake)	1	PC
50	7025055	JCB Water Hose Support	1	PC
60	7028684	Support Bracket - Coolant Hose	1	PC
70	7026899	Support Plate - Coolant Hose	1	PC
80	7026540	Induction Hose, Top Section	1	PC
90	7026497	Induction Hose, Lower Section	1	PC
100	7028477	CAC OUT Pipe	1	PC
110	7028465	CAC IN Pipe	1	PC
120	7028631	Exhaust Front Pipe	1	PC
130	7027597	JCB Orifice Gasket	1	PC
140	92097374-0	Hex Head Screw - M8Cx20 - 8.8	2	PC
150	93699710-0	Spring Washer - Plated M8	5	PC
160	92097412-0	Hex Head Screw - M10Cx25 - 8.8	3	PC
170	93212012-0	Plain Washer - M10	6	PC
180	93085806-0	Nyloc Hex Nut M10C - 8	3	PC
190	508-12	Clip - P Rubber Covered 44.50MM	2	PC
200	09531011-0	Hose Clip - Worm Drive (40-55)	2	PC
210	508-14	Clip - P Rubber Covered 57.20MM	1	PC
220	09531034-0	Hose Clip - Worm Drive (40-60)	4	PC
230	95200-1	Spacer - Bush 12mm x 11mm ID	2	PC
240	92097378-0	Hex Head Screw - M8Cx30 - 8.8	2	PC

Engine Hoses ()

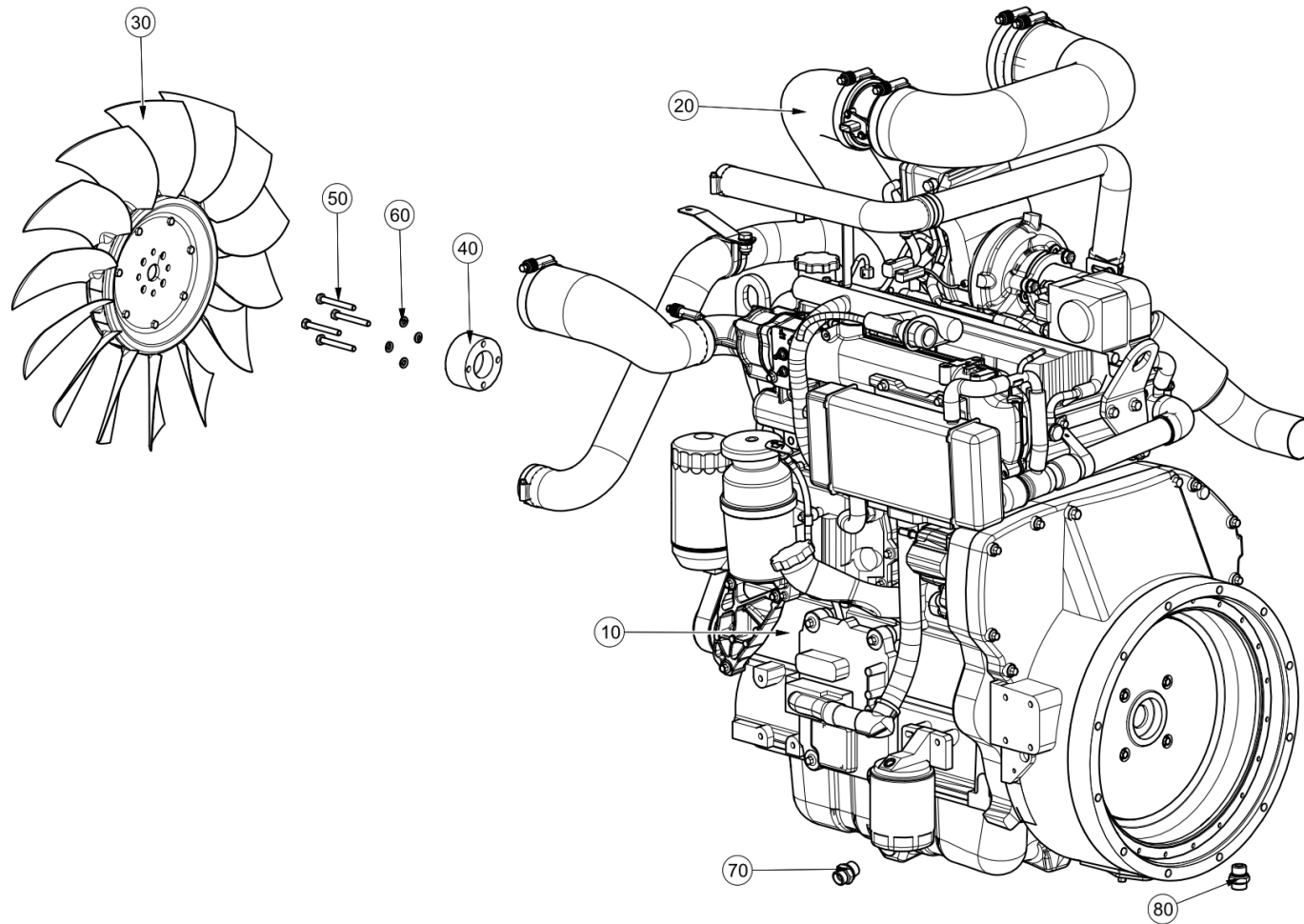
Powapack\Engine\JCB 85kW S3A Engine\Engine Hoses



Engine Hoses ()

Powapack\Engine\JCB 85kW S3A Engine\Engine Hoses

Item no.	Part no.	Description	QTY	Unit
250	507-3	Hose Clamp - Constant Torque (57-79)	1	PC
260	507-6	Hose Clamp - Constant Torque (95-118)	2	PC
270	507-7	Hose Clamp - Constant Torque (108-130)	1	PC
280	507-5	Hose Clamp - Constant Torque (83-105)	2	PC
290	09549340-0	Hose Clamp - Constant Torque (70-92)	1	PC
300	507-2	Hose Clamp - Constant Torque (45-67)	1	PC
310	501-2	Hose Clip - Worm Drive (14-22)	1	PC
320	288-49	Flexicap - Yellow 19.1mm x 12.7mm	1	PC
330	93086056-0	Nut S/Lock Philidas M10cx17x10	3	PC
340	93699711-0	Spring Washer - Plated M10	3	PC
350	271-40	Hose - Silicone 12mm I/D	0.4	M
360	271-41	Hose - Silicone 9.5mm I/D	2	M
370	501-1	Hose Clip - Worm Drive (11-16)	4	PC

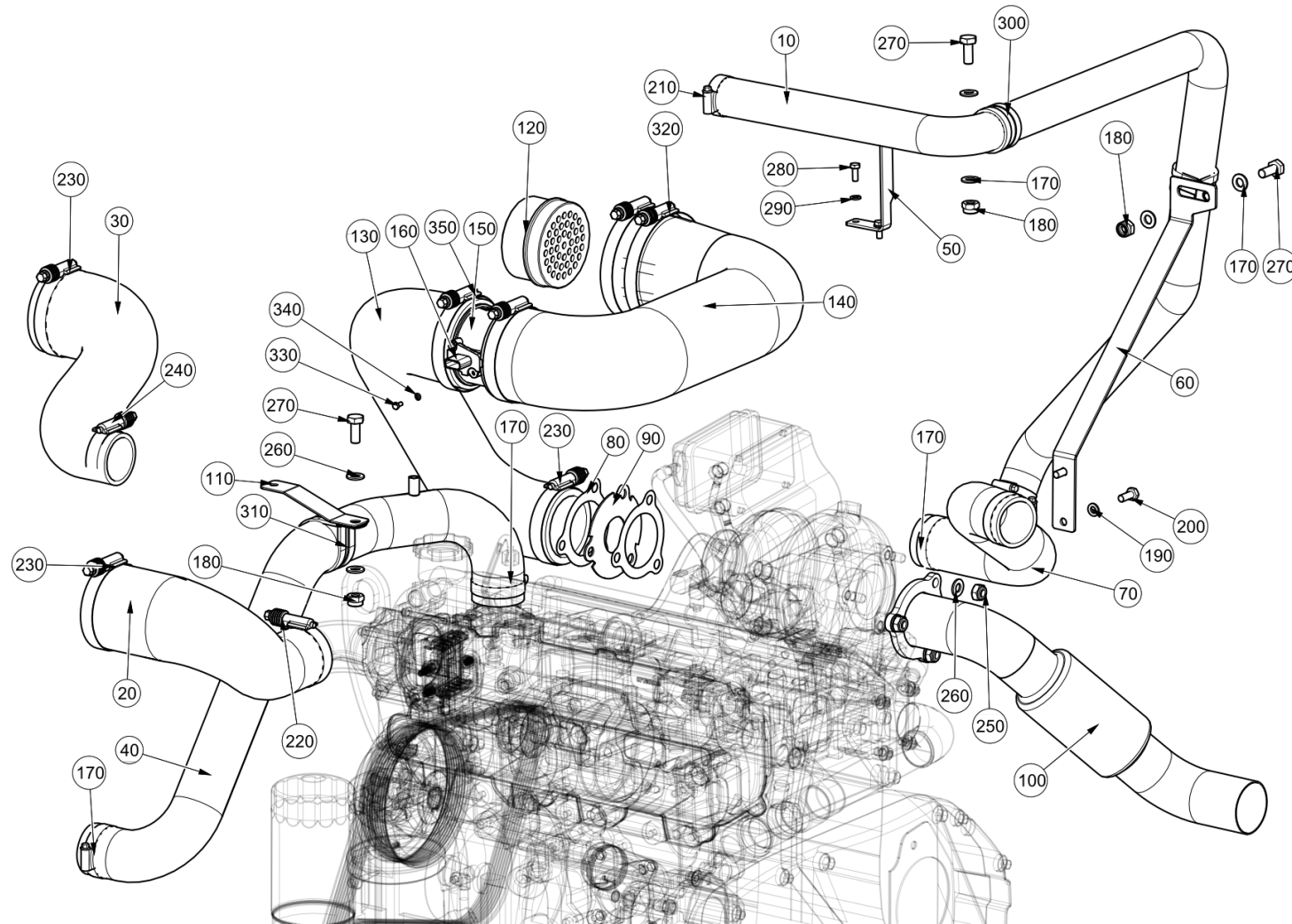


JCB 93kW S3B Engine ()
Powapack\Engine\JCB 93kW S3B Engine

Item no.	Part no.	Description	QTY	Unit
10	7025710	Engine - JCB 93kW S3B 12v	1	PC
10	7017181	Engine - JCB 93kW S3B 24v	1	PC
30	281-10	Fan - Cooling Puller 530 - 14 Blade	1	PC
40	7017798	Cooling Fan Spacer - JCB	1	PC
50	92067388-0	Hex Head Bolt - M8Cx65 - 8.8	4	PC
60	93699710-0	Spring Washer - Plated M8	4	PC
70	6601-1432	Stud Coupling Male M22 Straight	1	PC
80	6601-1329	Stud Coupling Male G 1/2" x M22 x 1.5	1	PC

Engine Hoses ()

Powapack\Engine\JCB 93kW S3B Engine\Engine Hoses



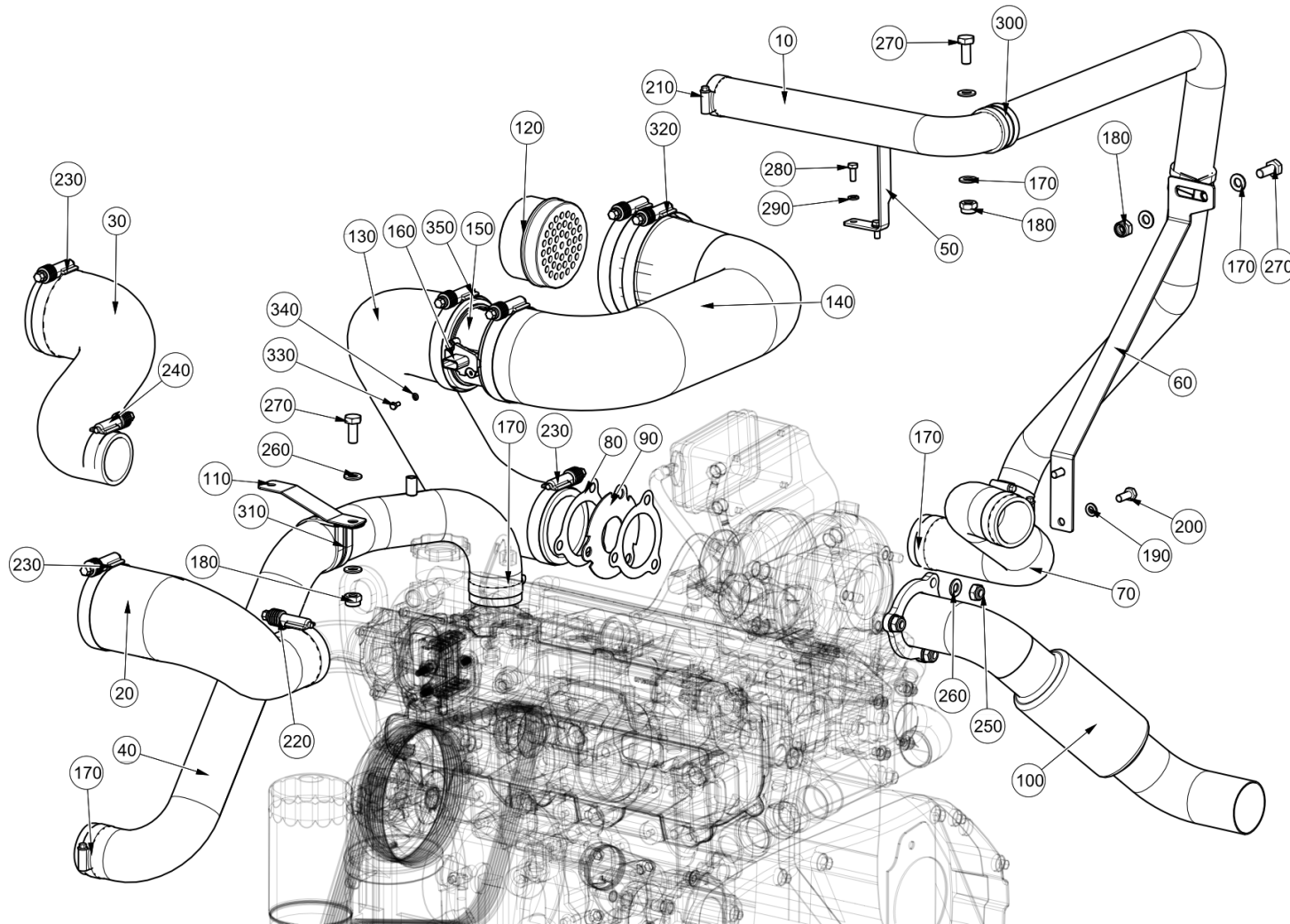
Engine Hoses ()

Powapack\Engine\JCB 93kW S3B Engine\Engine Hoses

Item no.	Part no.	Description	QTY	Unit
10	7023436	JCB Water Feed Hose	1	PC
20	7018059	Charge Air Hose - CAC OUT, JCB	1	PC
30	7018058	Charge Air Hose - CAC IN, JCB	1	PC
40	7018038	Coolant Hose, Top, JCB	1	PC
50	7025173	Support	1	PC
60	7025055	JCB Water Hose Support	1	PC
70	7017992	Coolant Hose, Bottom, JCB	1	PC
80	7027597	JCB Orifice Gasket	2	PC
90	7027449	Exhaust Orifice Plate	1	PC
100	7018257	Exhaust Inlet Pipe Welded Assembly, JCB	1	PC
110	7026899	Support Plate - Coolant Hose	1	PC
120	7028957	Air Flow Restrictor JCB 93/55 KW	1	PC
130	7026706	Induction Hose, Lower Section	1	PC
140	7026540	Induction Hose, Top Section	1	PC
150	7026498	Tube MAF Sensor JCB	1	PC
160	7023408	Sensor TMAF JCB	1	PC
170	09531012-0	Hose Clip - Worm Drive (60-80)	4	PC
180	93085806-0	Nyloc Hex Nut M10C - 8	3	PC
190	93699710-0	Spring Washer - Plated M8	2	PC
200	92097374-0	Hex Head Screw - M8Cx20 - 8.8	2	PC
210	09531011-0	Hose Clip - Worm Drive (40-55)	2	PC
220	507-3	Hose Clamp - Constant Torque (57-79)	1	PC
230	507-5	Hose Clamp - Constant Torque (83-105)	3	PC
240	507-2	Hose Clamp - Constant Torque (45-67)	1	PC

Engine Hoses ()

Powapack\Engine\JCB 93kW S3B Engine\Engine Hoses

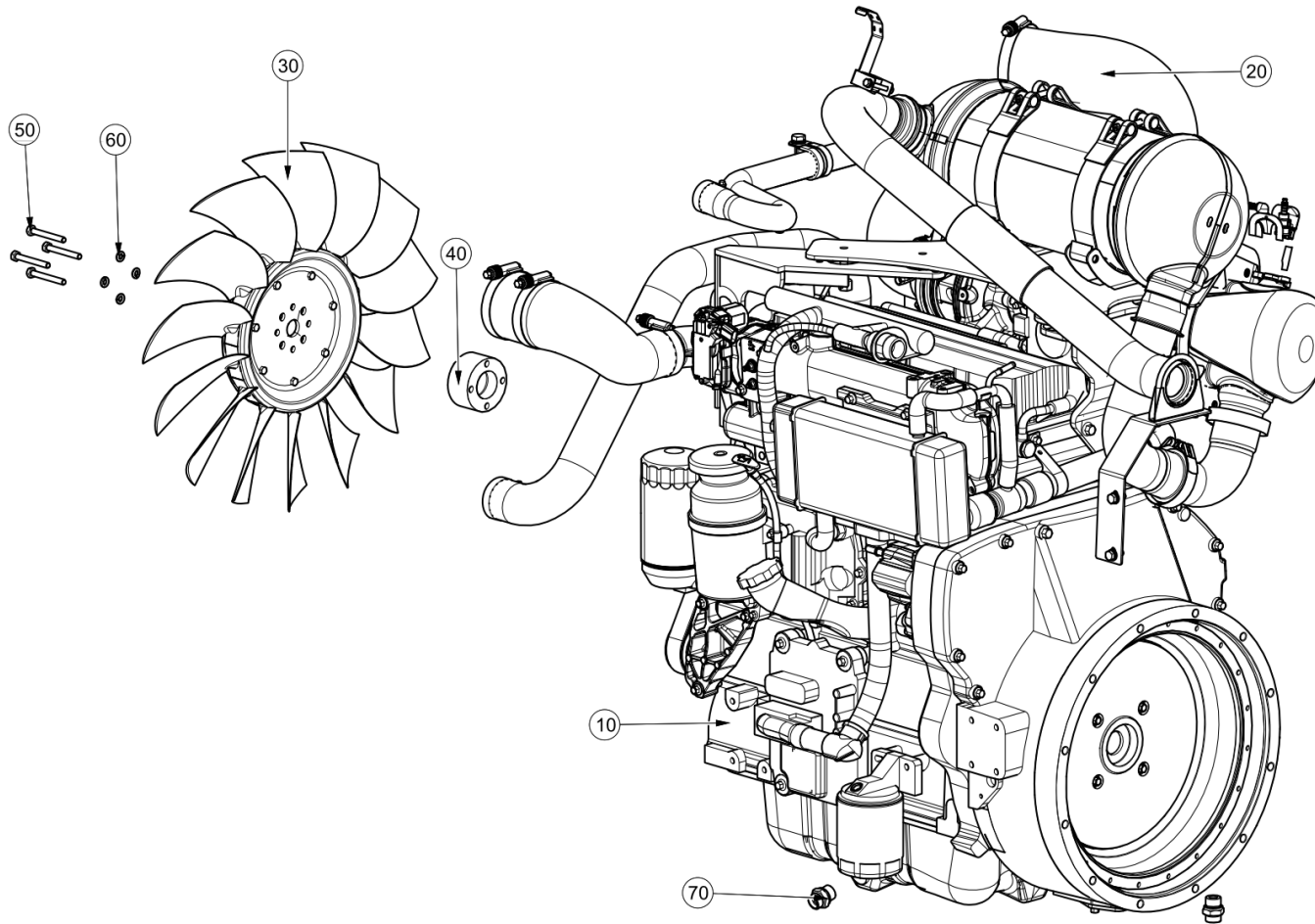


Engine Hoses ()

Powapack\Engine\JCB 93kW S3B Engine\Engine Hoses

Item no.	Part no.	Description	QTY	Unit
250	93086056-0	Nut S/Lock Philidas M10cx17x10	3	PC
260	93212012-0	Plain Washer - M10	9	PC
270	92097412-0	Hex Head Screw - M10Cx25 - 8.8	3	PC
280	92097299-0	Hex Head Screw - M6Cx16 - 8.8	2	PC
290	93699708-0	Spring Washer - Plated M6	2	PC
300	508-12	Clip - P Rubber Covered 44.50MM	2	PC
310	508-14	Clip - P Rubber Covered 57.20MM	1	PC
320	507-7	Hose Clamp - Constant Torque (108-130)	2	PC
330	92097225-0	Hex Head Screw - M4Cx10 - 8.8	2	PC
340	93699706-0	Spring Washer - Plated M4	2	PC
350	507-6	Hose Clamp - Constant Torque (95-118)	2	PC
360	501-1	Hose Clip - Worm Drive (11-16)	8	PC
370	271-40	Hose - Silicone 12mm I/D	0.4	M
380	277-280	Tee - Nylon Hose Connector 8mm	1	PC

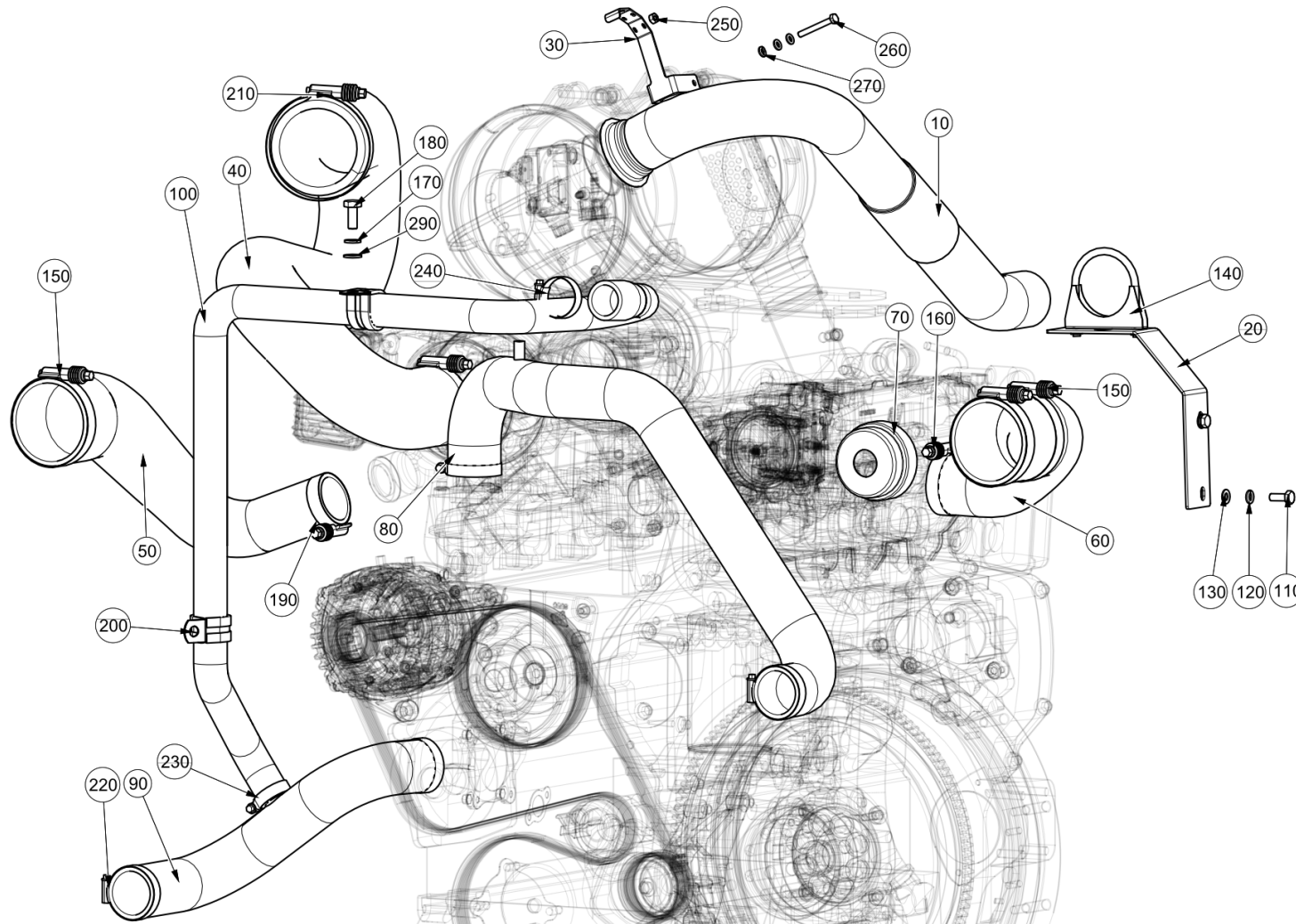
JCB 93kW S4 Engine ()
Powapack\Engine\JCB 93kW S4 Engine



JCB 93kW S4 Engine ()
Powapack\Engine\JCB 93kW S4 Engine

Item no.	Part no.	Description	QTY	Unit
10	7039193	JCB Engine 93kW T4 12v	1	PC
10	7039194	JCB Engine 93kW T4 24v	1	PC
30	281-10	Fan - Cooling Puller 530 - 14 Blade	1	PC
40	7017798	Cooling Fan Spacer - JCB	1	PC
50	92067388-0	Hex Head Bolt - M8Cx65 - 8.8	4	PC
60	93699710-0	Spring Washer - Plated M8	4	PC
70	6601-1432	Stud Coupling Male M22 Straight	2	PC

Engine Hoses ()
Powapack\Engine\JCB 93kW S4 Engine\Engine Hoses

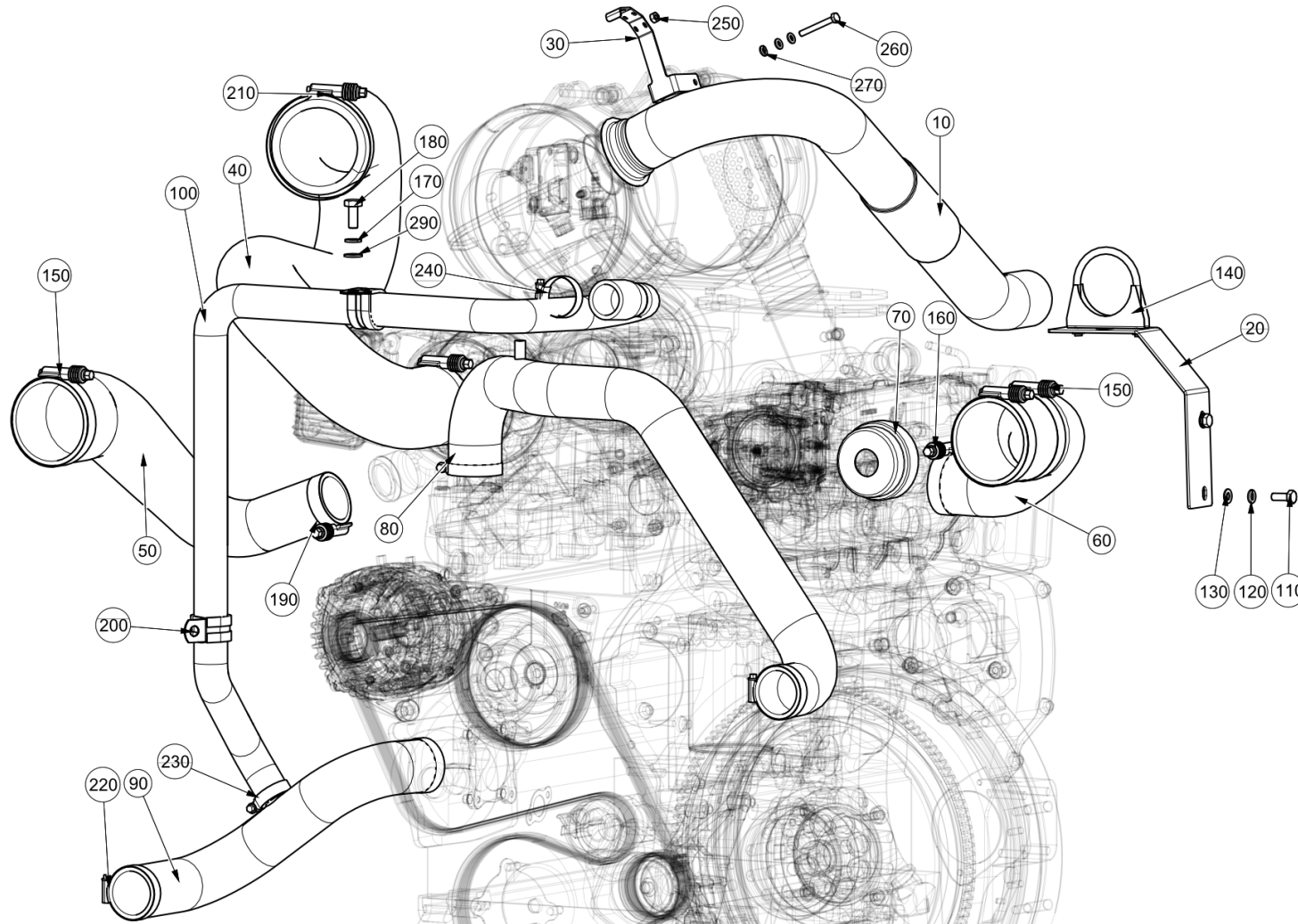


Engine Hoses ()

Powapack\Engine\JCB 93kW S4 Engine\Engine Hoses

Item no.	Part no.	Description	QTY	Unit
10	7035721	Front Pipe W/Assy	1	PC
20	7041650	Exhaust Mount Plate	1	PC
30	7043025	Cable Stay	1	PC
40	7035826	Induction Pipe	1	PC
50	7028465	CAC IN Pipe	1	PC
60	7018059	Charge Air Hose - CAC OUT, JCB	1	PC
70	7045139	Restrictor - CAC Out	1	PC
80	7018038	Coolant Hose, Top, JCB	1	PC
90	7036811	Bottom Coolant Hose JCB	1	PC
100	7036770	Coolant Feed Hose	1	PC
110	92097375-0	Hex Head Screw - M8Cx22 - 8.8	2	PC
120	93699710-0	Spring Washer - Plated M8	2	PC
130	93212011-0	Plain Washer - M8	2	PC
140	6645-14	Clip - Exhaust Banelli 2 3/4"	1	PC
150	507-5	Hose Clamp - Constant Torque (83-105)	4	PC
160	507-3	Hose Clamp - Constant Torque (57-79)	1	PC
170	93699711-0	Spring Washer - Plated M10	1	PC
180	92097412-0	Hex Head Screw - M10Cx25 - 8.8	1	PC
190	507-2	Hose Clamp - Constant Torque (45-67)	1	PC
200	508-10	CLIP - P RUBBER COVERED 38.1MM	2	PC
210	507-6	Hose Clamp - Constant Torque (95-118)	1	PC
220	09531034-0	Hose Clip - Worm Drive (40-60)	4	PC
230	501-11	Hose Clip - Worm Drive (35-50)	1	PC
240	09531011-0	Hose Clip - Worm Drive (40-55)	2	PC

Engine Hoses ()
Powapack\Engine\JCB 93kW S4 Engine\Engine Hoses

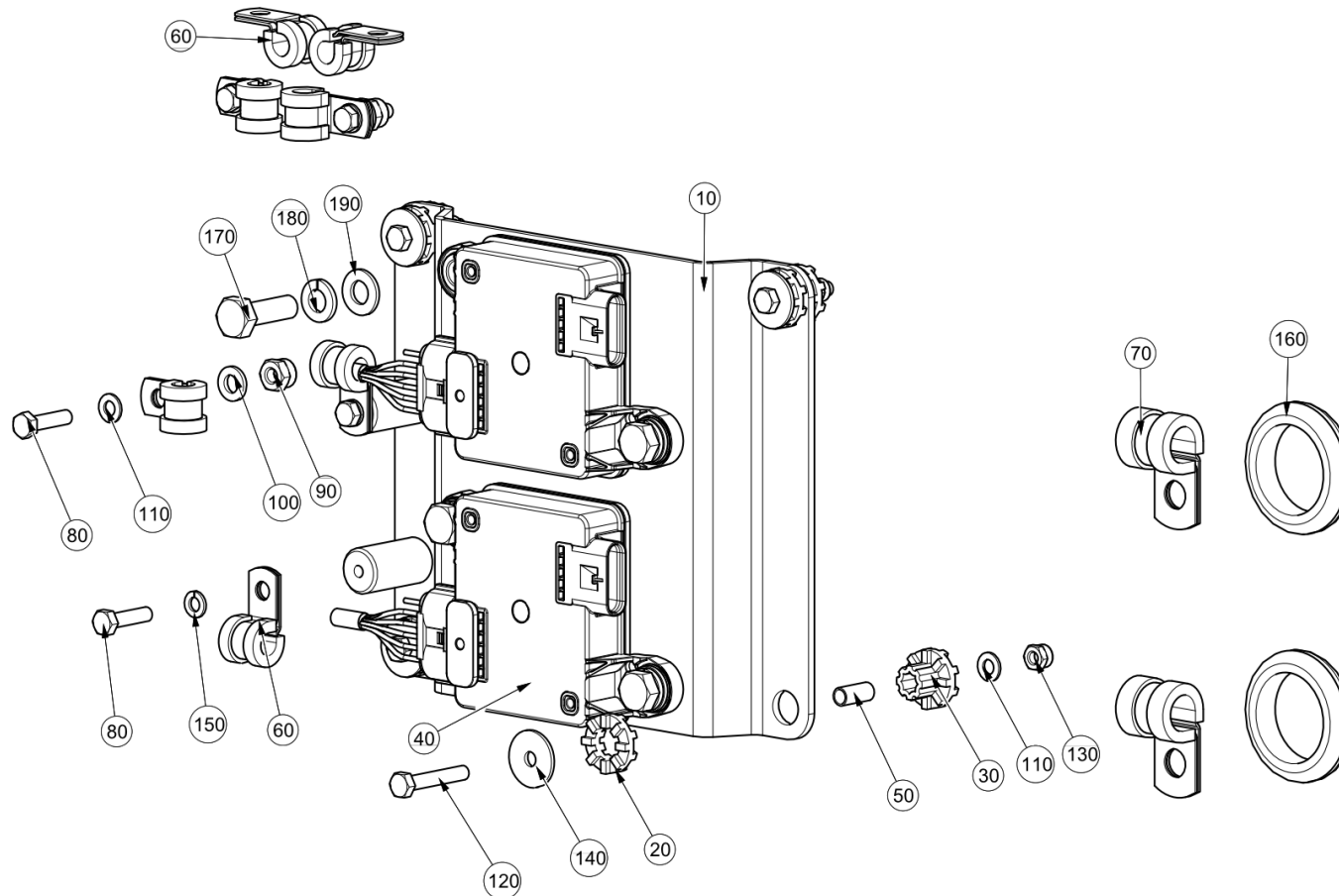


Engine Hoses ()

Powapack\Engine\JCB 93kW S4 Engine\Engine Hoses

Item no.	Part no.	Description	QTY	Unit
250	93056012-0	Hex Nut M6C-8	1	PC
260	92097309-0	Hex Head Screw - M6Cx50 - 8.8	1	PC
270	93699708-0	Spring Washer - Plated M6	1	PC
280	93212009-0	Plain Washer - M6	2	PC
290	93212012-0	Plain Washer - M10	1	PC
300	271-40	Hose - Silicone 12mm I/D	0.4	M
310	277-280	Tee - Nylon Hose Connector 8mm	1	PC
320	271-41	Hose - Silicone 9.5mm I/D	0.9	M
330	501-1	Hose Clip - Worm Drive (11-16)	8	PC

SCU Install JCB 93kW T4 ()
Powapack\Engine\JCB 93kW S4 Engine\SCU Install JCB 93kW T4

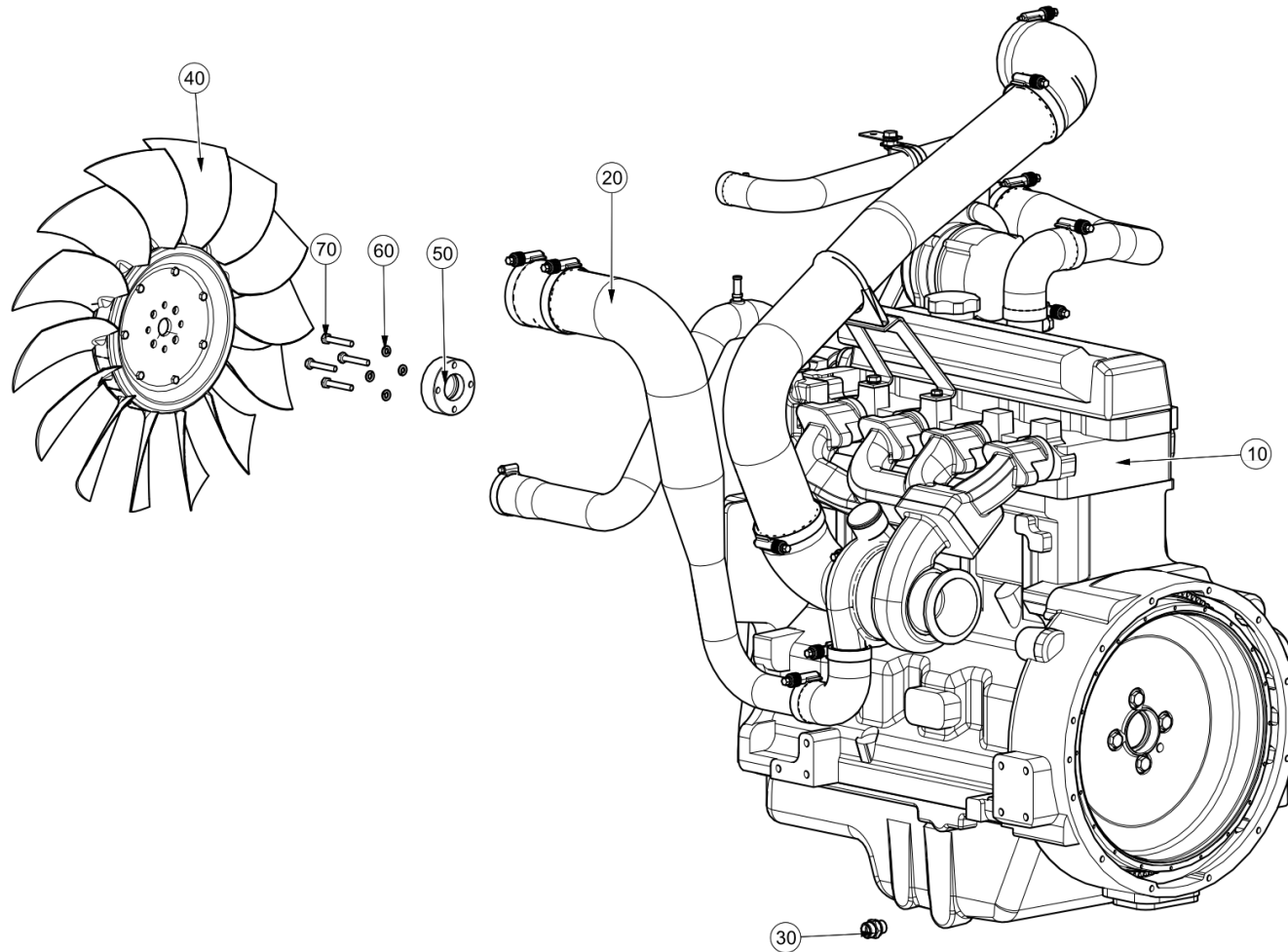


SCU Install JCB 93kW T4 ()

Powapack\Engine\JCB 93kW S4 Engine\SCU Install JCB 93kW T4

Item no.	Part no.	Description	QTY	Unit
10	7040185	NOX Sensor Mount Plate W/Assy	1	PC
20	290-120	AV Mount - Ring	4	PC
30	290-121	AV Mount - Bushing	4	PC
40	7037993	NOx Sensor	2	PC
50	7040210	Z_Spacer M5 x 14.3 x 6.4 OD	4	PC
60	508-102	Clip - P Rubber Covered 8.0mm	7	PC
70	508-1	Clip - P Rubber Covered 12.7mm	2	PC
80	92097265-0	Hex Head Screw - M5Cx20 - 8.8	5	PC
90	93085004-0	Nyloc Hex Nut M6C - 8	3	PC
100	93212009-0	Plain Washer - M6	3	PC
110	93210109-0	Plain Washer M5	7	PC
120	92097269-0	Hex Head Screw - M5Cx30 - 8.8	4	PC
130	93085003-0	Nyloc Hex Nut M5C - 8	4	PC
140	452-67	Washer - Repair M5 x 20 O/D x 1.5 Thick	4	PC
150	93699707-0	Spring Washer - Plated M5	2	PC
160	287-85	Grommet - Ø 38.1 O/D, 31.8 I/D 2.0 Thk	2	PC
170	92097376-0	Hex Head Screw - M8Cx25 - 8.8	4	PC
180	93699710-0	Spring Washer - Plated M8	4	PC
190	93212011-0	Plain Washer - M8	4	PC

John Deere 86kW S3A Engine ()
Powapack\Engine\John Deere 86kW S3A Engine

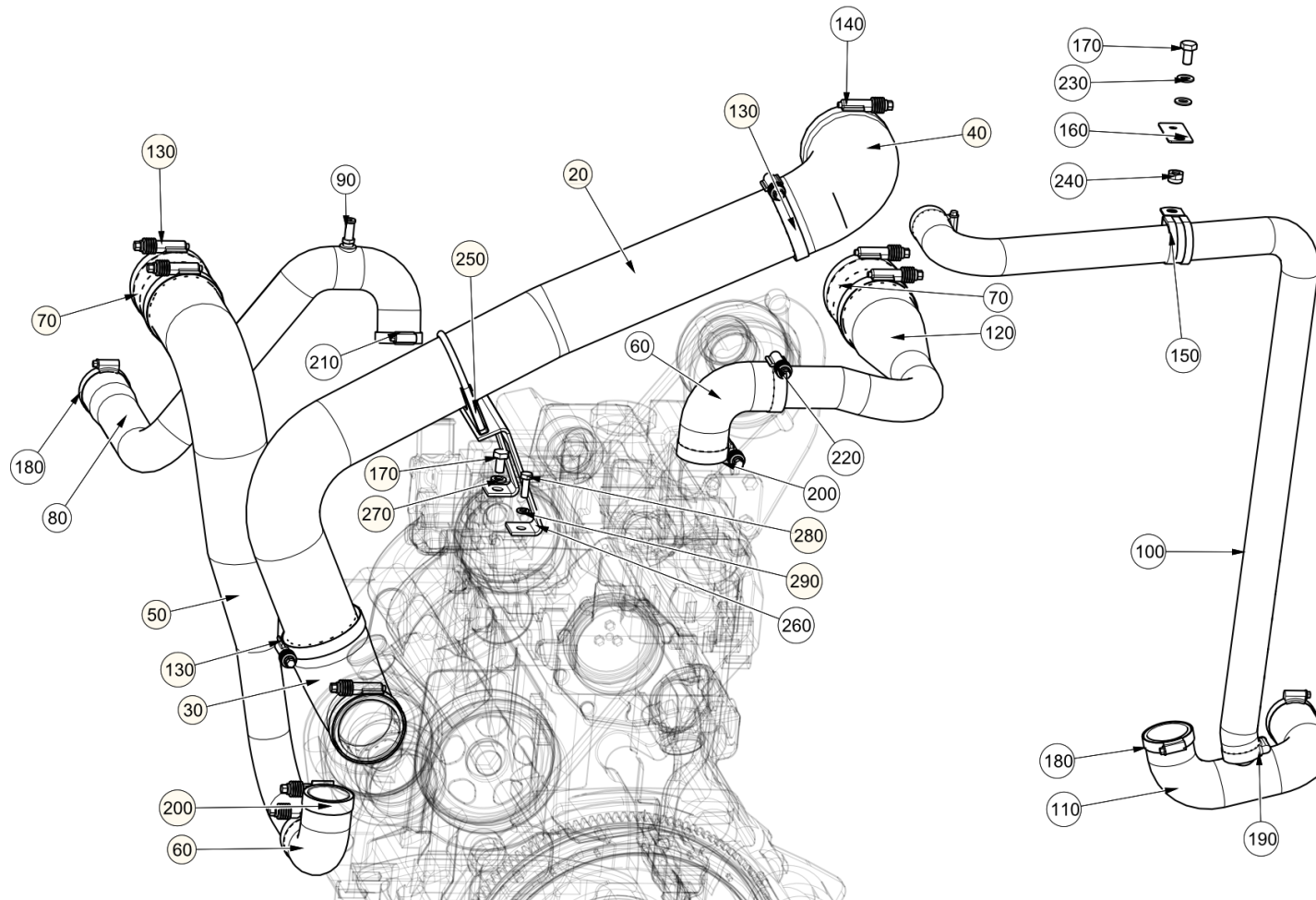


John Deere 86kW S3A Engine ()
Powapack\Engine\John Deere 86kW S3A Engine

Item no.	Part no.	Description	QTY	Unit
10	283791-12	Eng John Deere 4045HF285 86kw	1	PC
30	6601-1431	Stud Coupling Male M18x1.50 x M22x1.50	1	PC
31	H1SC12001-160	Hose - Hyd Straight x 45 Swept	1	PC
40	281-10	Fan - Cooling Puller 530 - 14 Blade	1	PC
50	295102-1	Spacer-Cooling Fan 27mm J.D	1	PC
60	93699710-0	Spring Washer - Plated M8	4	PC
70	92097382-0	Hex Head Screw - M8Cx50 - 8.8	4	PC

John Deere Engine Hoses ()

Powapack\Engine\John Deere 86kW S3A Engine\John Deere Engine Hoses



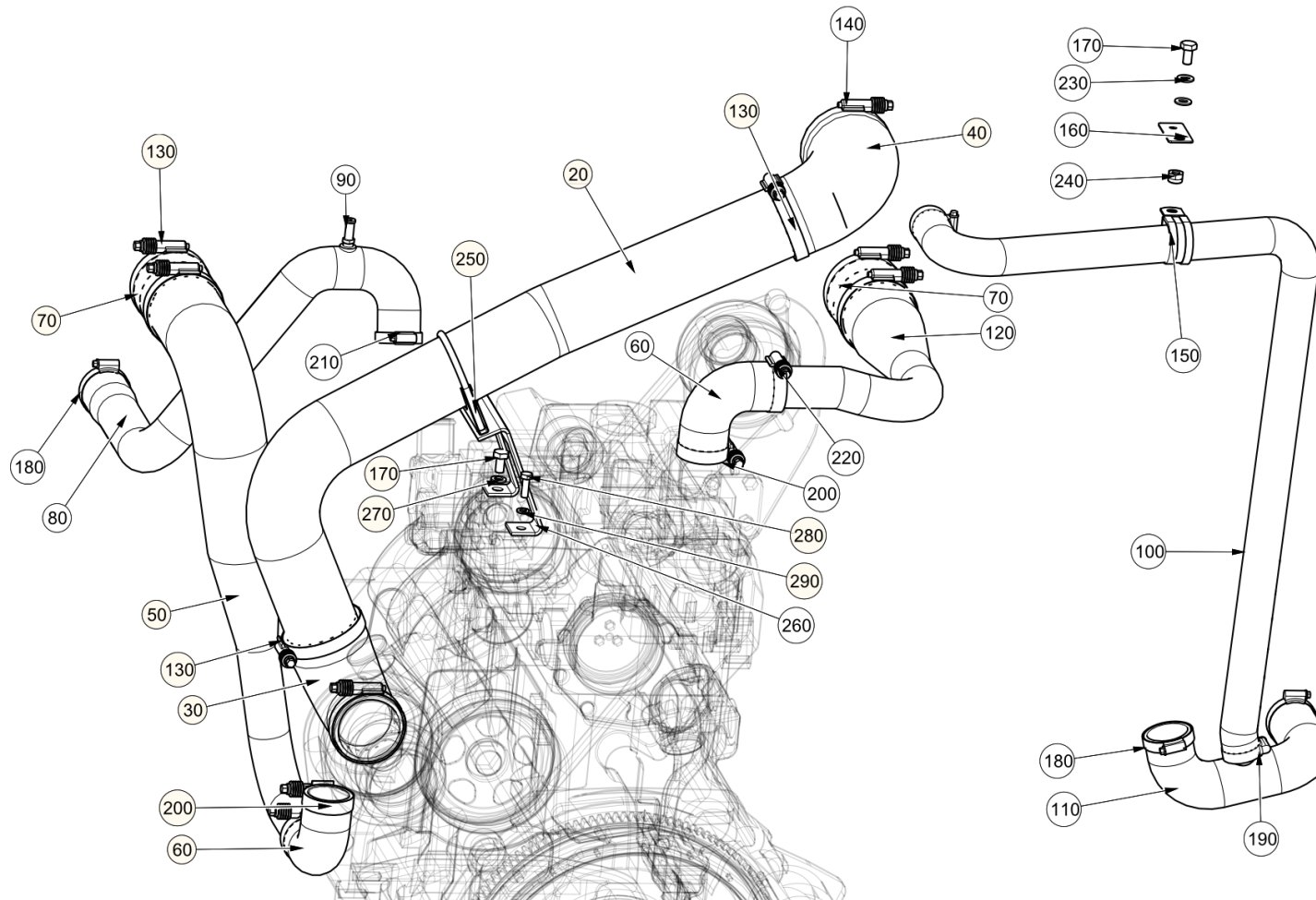
John Deere Engine Hoses ()

Powapack\Engine\John Deere 86kW S3A Engine\John Deere Engine Hoses

Item no.	Part no.	Description	QTY	Unit
20	7023960	Intake Manifold JD/86KW/S3A	1	PC
30	61096-3	Rubber Elbow	1	PC
40	904-62	Elbow 4" - 3 1/2" (Rubber)	1	PC
50	7011339	Pipe - Charge Air	1	PC
60	904-35	Elbow - Rubber 2" 90 Deg.	2	PC
70	7009101	Hose - Engine Ø89(P532956)	2	PC
80	7008215	Hose Top Radiator	1	PC
90	7009495	Adaptor Cooling System	1	PC
100	7024011	Radiator Feed Hose JD S3a S3b	1	PC
110	7018544	Coolant Hose, Bottom - JD	1	PC
120	7011335	Pipe - Charge Air	1	PC
130	507-5	Hose Clamp - Constant Torque (83-105)	7	PC
140	507-6	Hose Clamp - Constant Torque (95-118)	1	PC
150	508-12	Clip - P Rubber Covered 44.50MM	1	PC
160	7025527	Support Bracket	1	PC
170	92097410-0	Hex Head Screw - M10Cx20 - 8.8	2	PC
180	09531012-0	Hose Clip - Worm Drive (60-80)	3	PC
190	09531011-0	Hose Clip - Worm Drive (40-55)	2	PC
200	507-3	Hose Clamp - Constant Torque (57-79)	2	PC
210	09531034-0	Hose Clip - Worm Drive (40-60)	1	PC
220	507-2	Hose Clamp - Constant Torque (45-67)	2	PC
230	93212012-0	Plain Washer - M10	2	PC
240	93085806-0	Nyloc Hex Nut M10C - 8	1	PC
250	6645-21-A	Clip - Exhaust Banelli 3 5/8"	1	PC

John Deere Engine Hoses ()

Powapack\Engine\John Deere 86kW S3A Engine\John Deere Engine Hoses



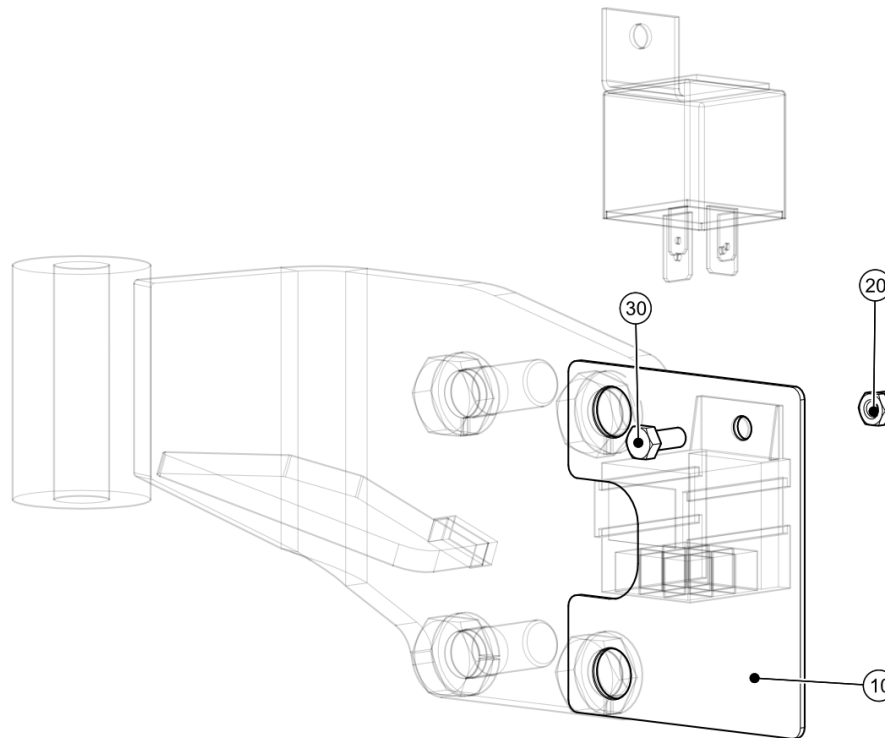
John Deere Engine Hoses ()

Powapack\Engine\John Deere 86kW S3A Engine\John Deere Engine Hoses

Item no.	Part no.	Description	QTY	Unit
260	7023928	Manifold Support Bracket	1	PC
270	93699711-0	Spring Washer - Plated M10	1	PC
280	92097376-0	Hex Head Screw - M8Cx25 - 8.8	1	PC
290	93699710-0	Spring Washer - Plated M8	1	PC

John Deere Cranking Relay ()

Powapack\Engine\John Deere 86kW S3A Engine\John Deere Cranking Relay

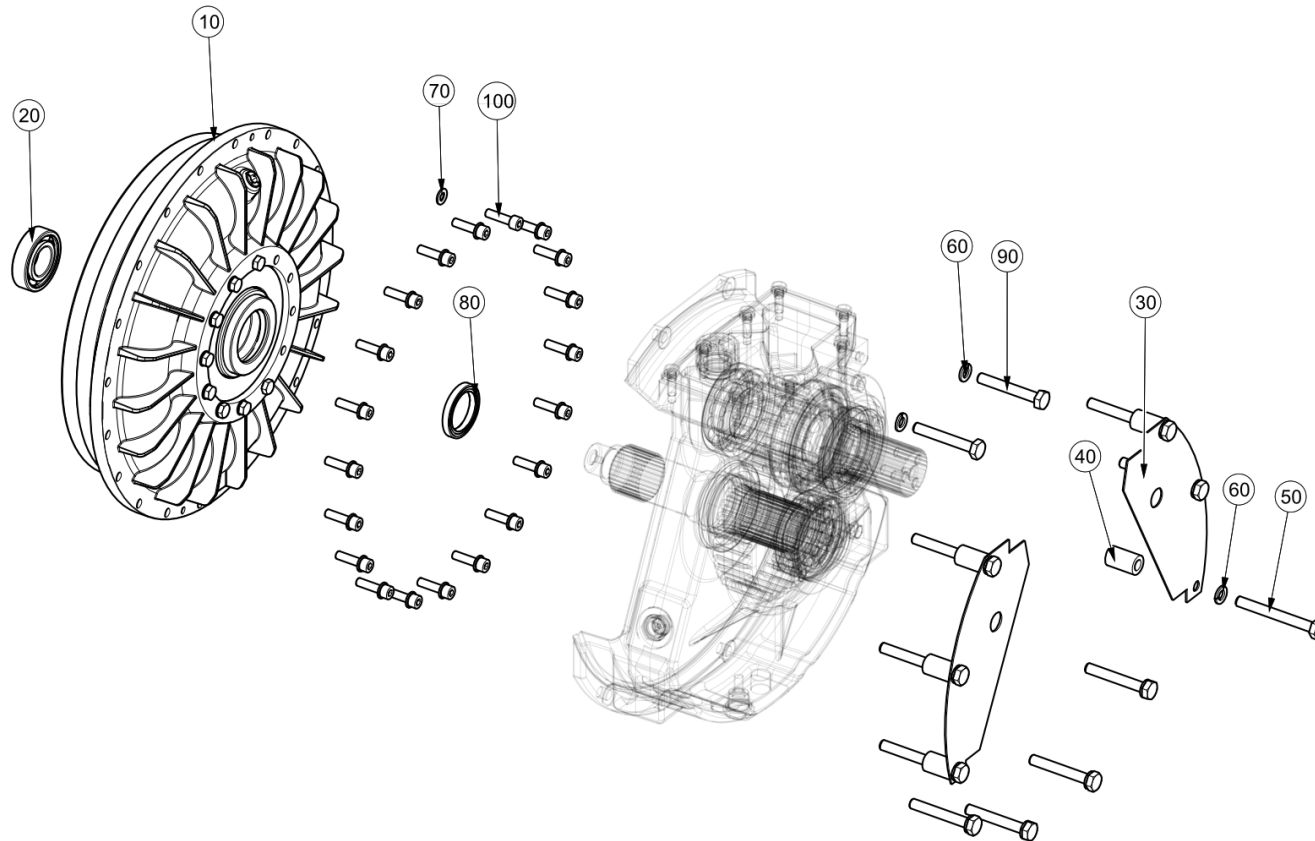


John Deere Cranking Relay ()

Powapack\Engine\John Deere 86kW S3A Engine\John Deere Cranking Relay

Item no.	Part no.	Description	QTY	Unit
10	7023188	Cranking Relay Bracket	1	PC
20	93085003-0	Nyloc Hex Nut M5C - 8	1	PC
30	92097262-0	Hex Head Screw - M5Cx12 - 8.8	1	PC

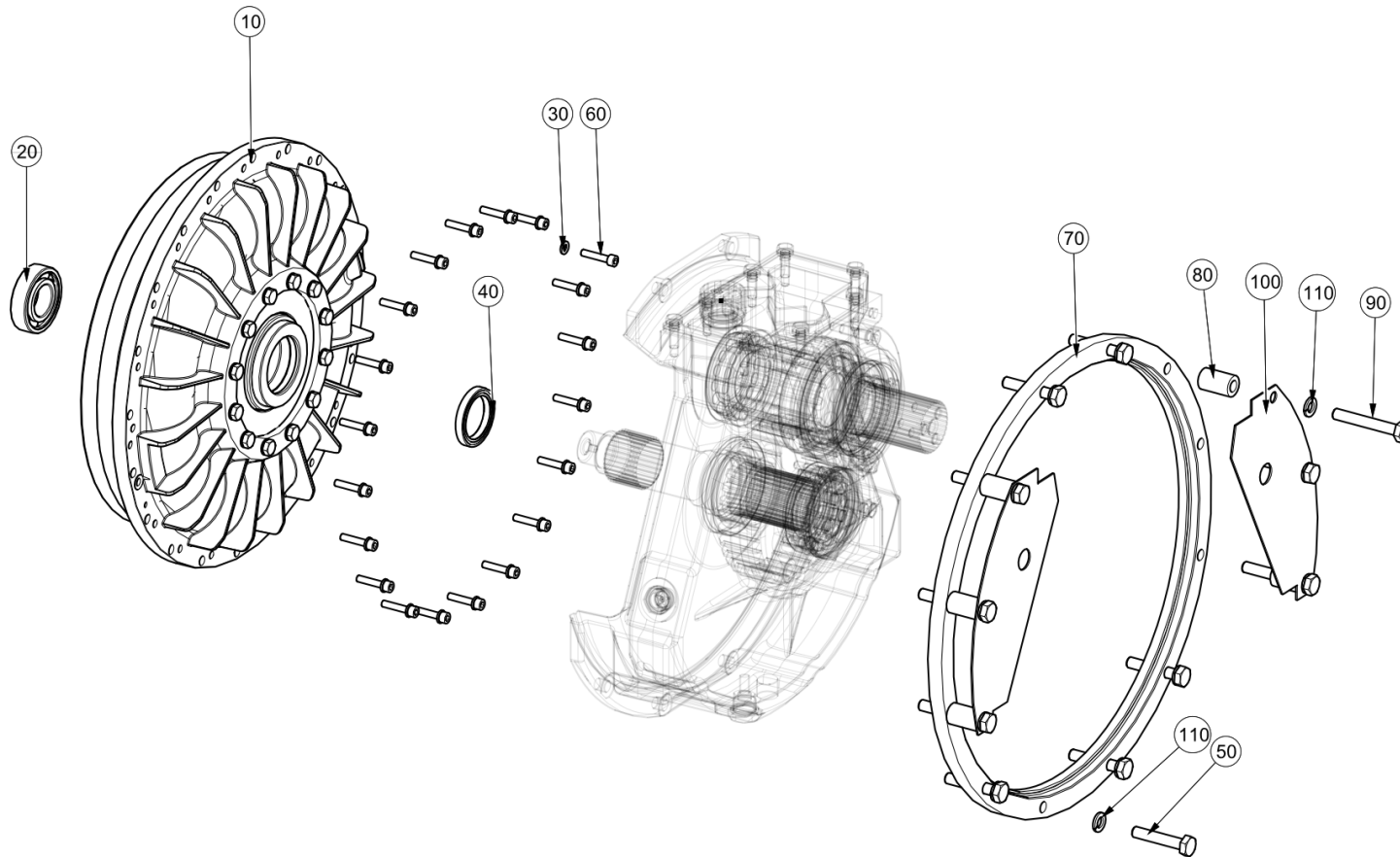
JCB Gearbox Installation ()
Powapack\Engine\JCB Gearbox Installation



JCB Gearbox Installation ()
Powapack\Engine\JCB Gearbox Installation

Item no.	Part no.	Description	QTY	Unit
10	295150-1	Fluid Coupling	1	PC
20	14-7	Bearing - 30x62x16	1	PC
30	42299-1-C	Cover - Safety	2	PC
40	920000-32	Spacer Nylon 20 Dia X 32mm Lg	6	PC
50	92067430-0	Hex Head Bolt - M10Cx90 - 8.8	6	PC
60	93699711-0	Spring Washer - Plated M10	12	PC
70	93212011-0	Plain Washer - M8	20	PC
80	77-39	Seal - Oil 40x55x7mm	1	PC
90	92067426-0	Hex Head Bolt - M10Cx70 - 8.8	6	PC
100	92137121-0	Hex Socket Cap Screw - M8Cx30 - 12.9	20	PC

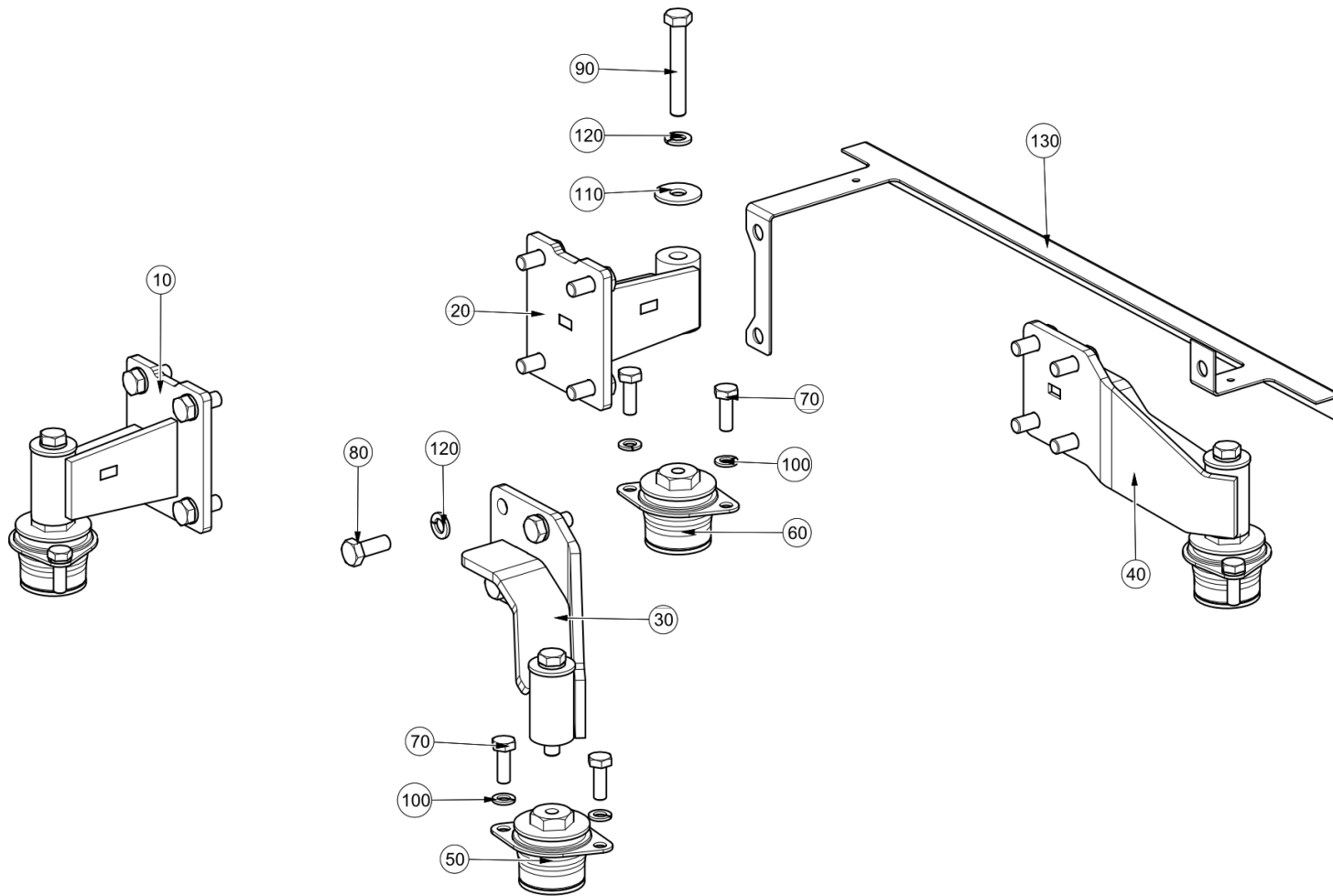
John Deere Gearbox Installation ()
Powapack\Engine\John Deere Gearbox Installation



John Deere Gearbox Installation ()
Powapack\Engine\John Deere Gearbox Installation

Item no.	Part no.	Description	QTY	Unit
10	295151-1	Fluid Coupling John Deere	1	PC
20	14-7	Bearing - 30x62x16	1	PC
30	93212009-0	Plain Washer - M6	20	PC
40	77-39	Seal - Oil 40x55x7mm	1	PC
50	92067423-0	Hex Head Bolt - M10Cx55 - 8.8	6	PC
60	92137084-0	Hex Socket Cap Screw - M6Cx30 - 12.9	20	PC
70	63641-1	Spacer Ring - John Deere	1	PC
80	920000-32	Spacer Nylon 20 Dia X 32mm Lg	6	PC
90	92067426-0	Hex Head Bolt - M10Cx70 - 8.8	6	PC
100	42299-1-C	Cover - Safety	2	PC
110	93699711-0	Spring Washer - Plated M10	12	PC

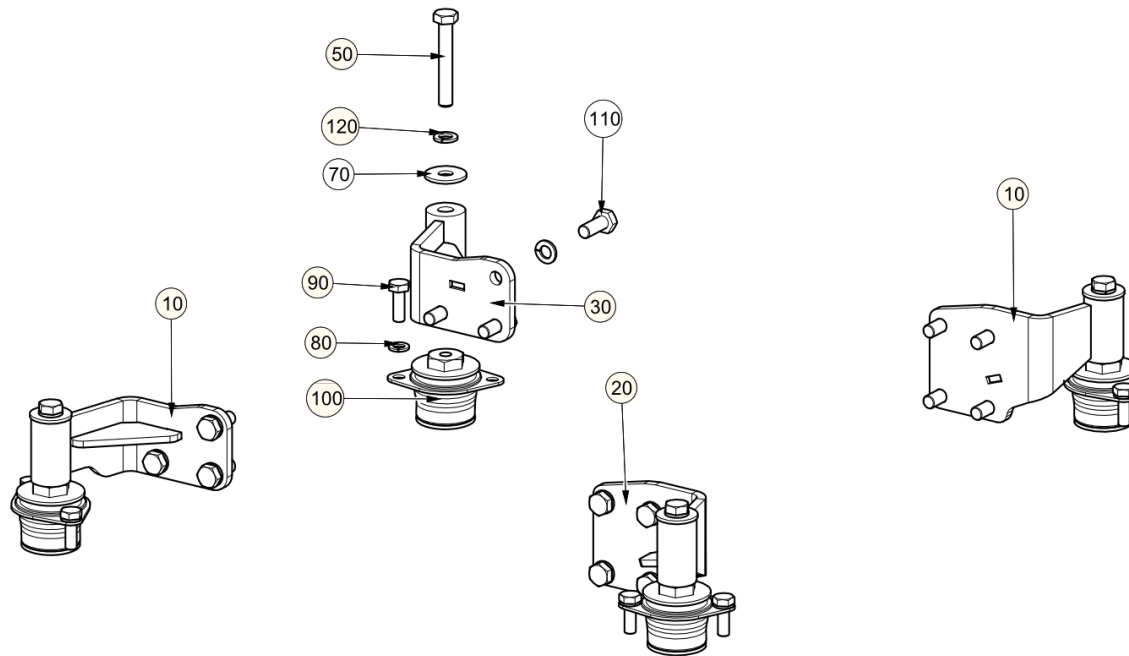
JCB Engine Mounts ()
Powapack\Engine\JCB Engine Mounts



JCB Engine Mounts ()
Powapack\Engine\JCB Engine Mounts

Item no.	Part no.	Description	QTY	Unit
10	7017897	Front Engine Mount LH - JCB	1	PC
20	7017911	Front Engine Mount RH - JCB	1	PC
30	7017872	Rear Engine Mount LH - JCB	1	PC
40	7017915	Rear Engine Mount RH - JCB	1	PC
50	22826-1-A	Rear Anti Vibration Mount - 70 S	1	PC
60	6953	Front Anti Vibration Mount - 60 S	2	PC
70	92097414-0	Hex Head Screw - M10Cx30 - 8.8	2	PC
80	92097450-0	Hex Head Screw - M12Cx30 - 8.8	4	PC
90	6105-1501	Hex Head Bolt - M12Cx80 - 8.8	1	PC
100	93699711-0	Spring Washer - Plated M10	2	PC
110	93300511-0	Plain Large Washer M12	1	PC
120	93699712-0	Spring Washer - Plated M12	5	PC
130	7028100	Cable Tray	1	PC

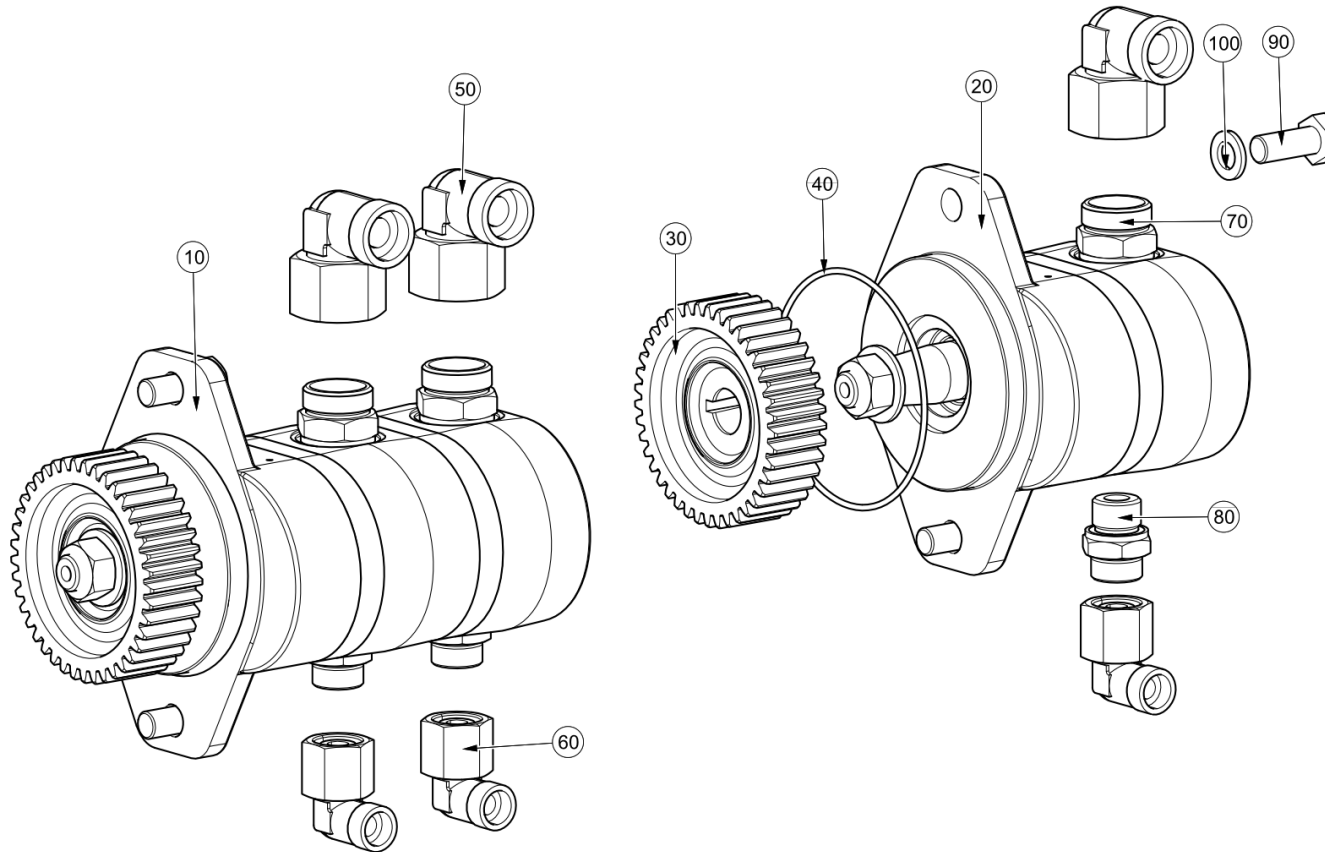
John Deere Engine Mounts ()
Powapack\Engine\John Deere Engine Mounts



John Deere Engine Mounts ()
Powapack\Engine\John Deere Engine Mounts

Item no.	Part no.	Description	QTY	Unit
10	7007707	Engine Mount Rear RH Side	1	PC
20	7007706	Engine Mount Rear LH Side	1	PC
30	7007628	Engine Mount Front RH Side	1	PC
40	7007627	Engine Mount Front LH Side	1	PC
50	6105-1501	Hex Head Bolt - M12Cx80 - 8.8	4	PC
70	93300511-0	Plain Large Washer M12	4	PC
80	93699711-0	Spring Washer - Plated M10	8	PC
90	92097414-0	Hex Head Screw - M10Cx30 - 8.8	8	PC
100	6953	Front Anti Vibration Mount - 60 S	4	PC
110	92097450-0	Hex Head Screw - M12Cx30 - 8.8	14	PC
120	93699712-0	Spring Washer - Plated M12	20	PC

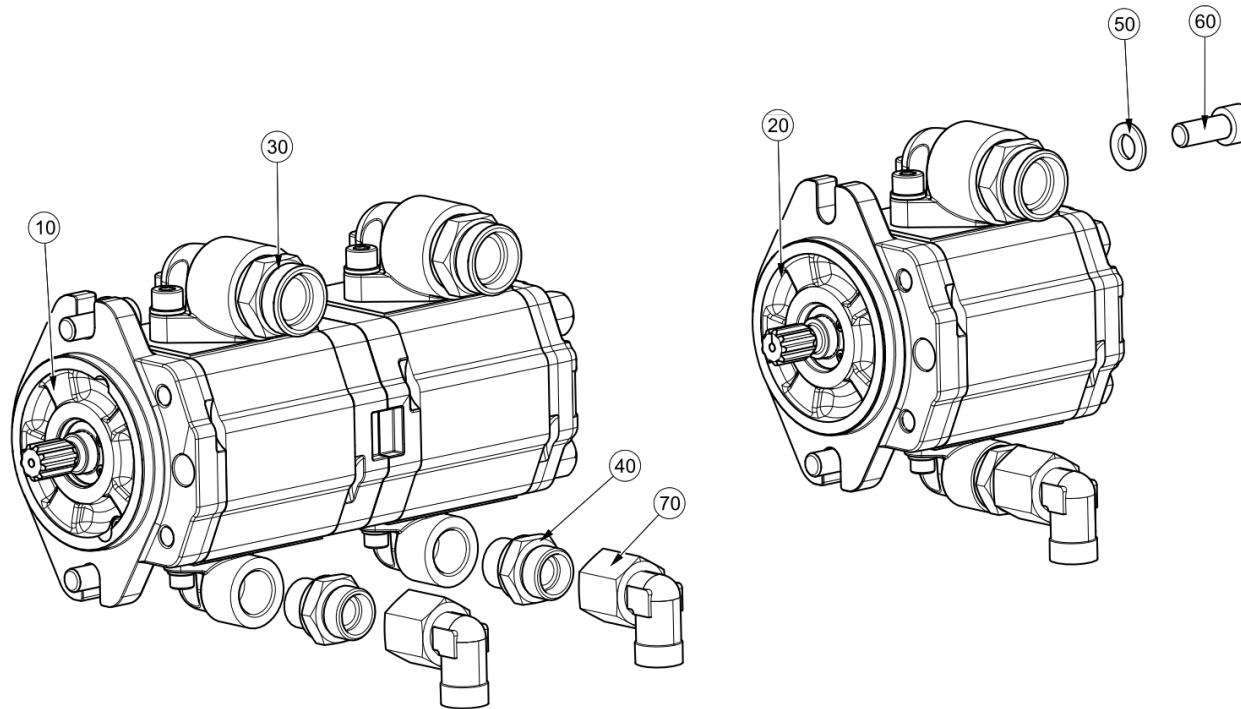
JCB Hydraulic Pump ()
Powapack\Engine\JCB Hydraulic Pump



JCB Hydraulic Pump ()
Powapack\Engine\JCB Hydraulic Pump

Item no.	Part no.	Description	QTY	Unit
10	7023393	Hydraulic Pump 12.6cc/rev x 2 CCW SAEB	1	PC
20	7023394	Hydraulic Pump 12.6cc/rev CCW SAEB	1	PC
30	7023395	Gear, PTO HD 41T JCB	1	PC
40	80-99	O-Ring - Hole Ø105, Shaft Ø100	1	PC
50	09571074-0	Adjustable Male Elbow - M30 x 2.0	2	PC
60	6613-0505	Adjustable Male Elbow - M22 x 1.5	2	PC
70	6601-1342	Stud Coupling Male G 3/4" x M30 x 2.0	2	PC
80	6601-1329	Stud Coupling Male G 1/2" x M22 x 1.5	2	PC
90	92097450-0	Hex Head Screw - M12Cx30 - 8.8	2	PC
100	93699712-0	Spring Washer - Plated M12	2	PC

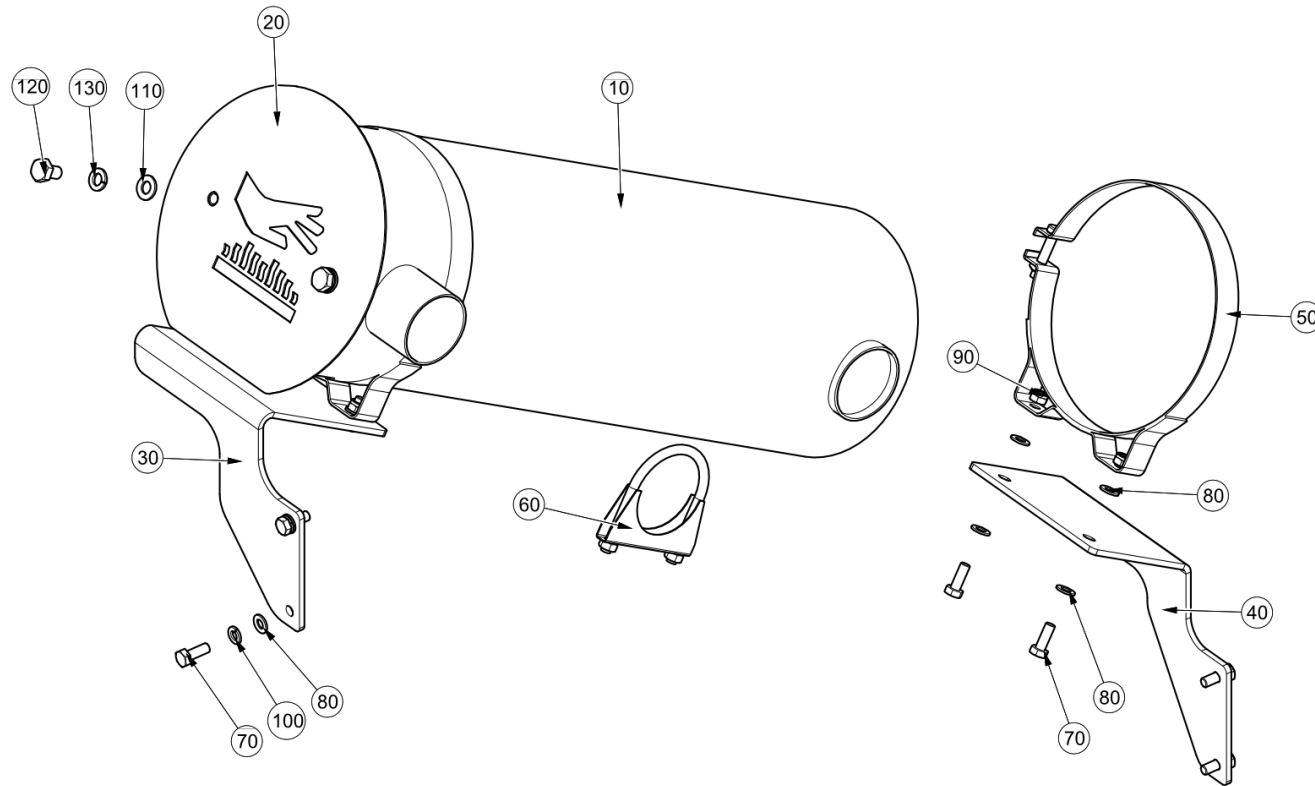
John Deere Hydraulic Pump ()
Powapack\Engine\John Deere Hydraulic Pump



John Deere Hydraulic Pump ()
Powapack\Engine\John Deere Hydraulic Pump

Item no.	Part no.	Description	QTY	Unit
10	7007776	Hydraulic Pump A17cc/revx2	1	PC
20	7007777	Hydraulic Pump A17cc/rev	1	PC
30	6601-1342	Stud Coupling Male G 3/4" x M30 x 2.0	2	PC
40	6601-1329	Stud Coupling Male G 1/2" x M22 x 1.5	2	PC
50	93212012-0	Plain Washer - M10	2	PC
60	92138157-0	Hex Socket Cap Screw - M10c x 25 A2	2	PC
70	6613-0505	Adjustable Male Elbow - M22 x 1.5	2	PC

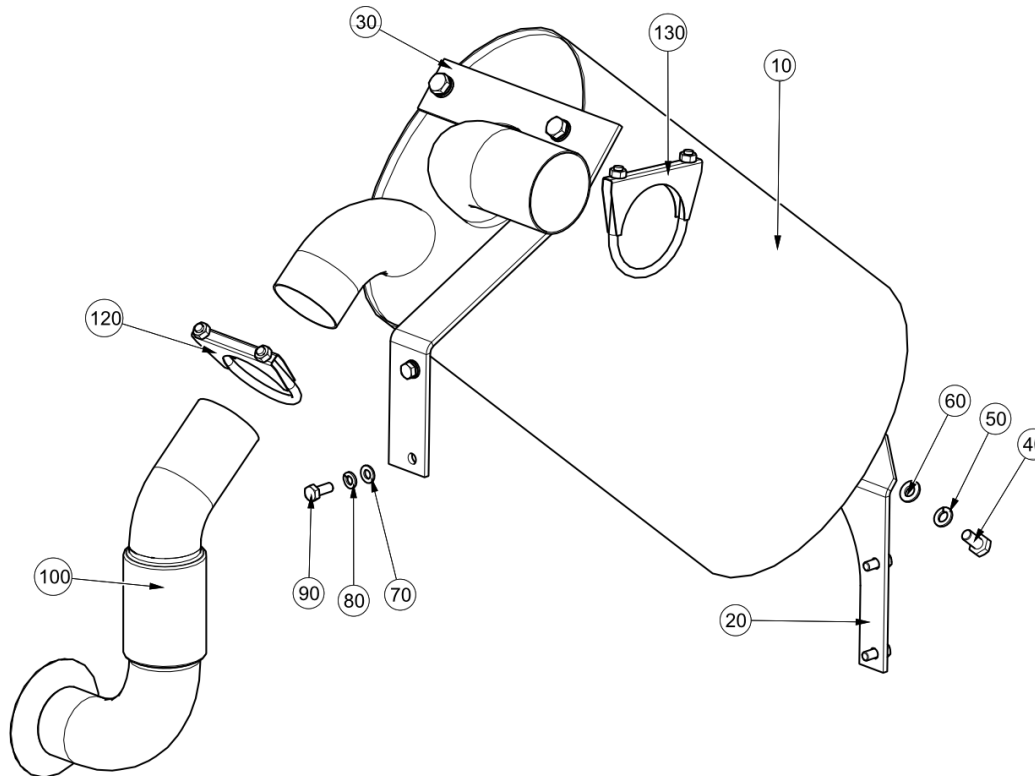
JCB Exhaust Silencer ()
Powapack\Engine\JCB Exhaust Silencer



JCB Exhaust Silencer ()
Powapack\Engine\JCB Exhaust Silencer

Item no.	Part no.	Description	QTY	Unit
10	7035582	JCB Exhaust Silencer	1	PC
20	7029684	Shield - Silencer	1	PC
30	7018912	Silencer Mounting Bracket	1	PC
40	7023397	Silencer Support - Rear	1	PC
50	903-120	Mounting Band 203 Dia (110 Centres)	2	PC
60	6645-14	Clip - Exhaust Banelli 2 3/4"	2	PC
70	92097375-0	Hex Head Screw - M8Cx22 - 8.8	8	PC
80	93212011-0	Plain Washer - M8	12	PC
90	93085005-0	Nyloc Hex Nut M8C - 8	4	PC
100	93699710-0	Spring Washer - Plated M8	4	PC
110	93212012-0	Plain Washer - M10	2	PC
120	92097408-0	Hex Head Screw - M10Cx16 - 8.8	2	PC
130	93699711-0	Spring Washer - Plated M10	2	PC

JD Exhaust Silencer ()
Powapack\Engine\JD Exhaust Silencer



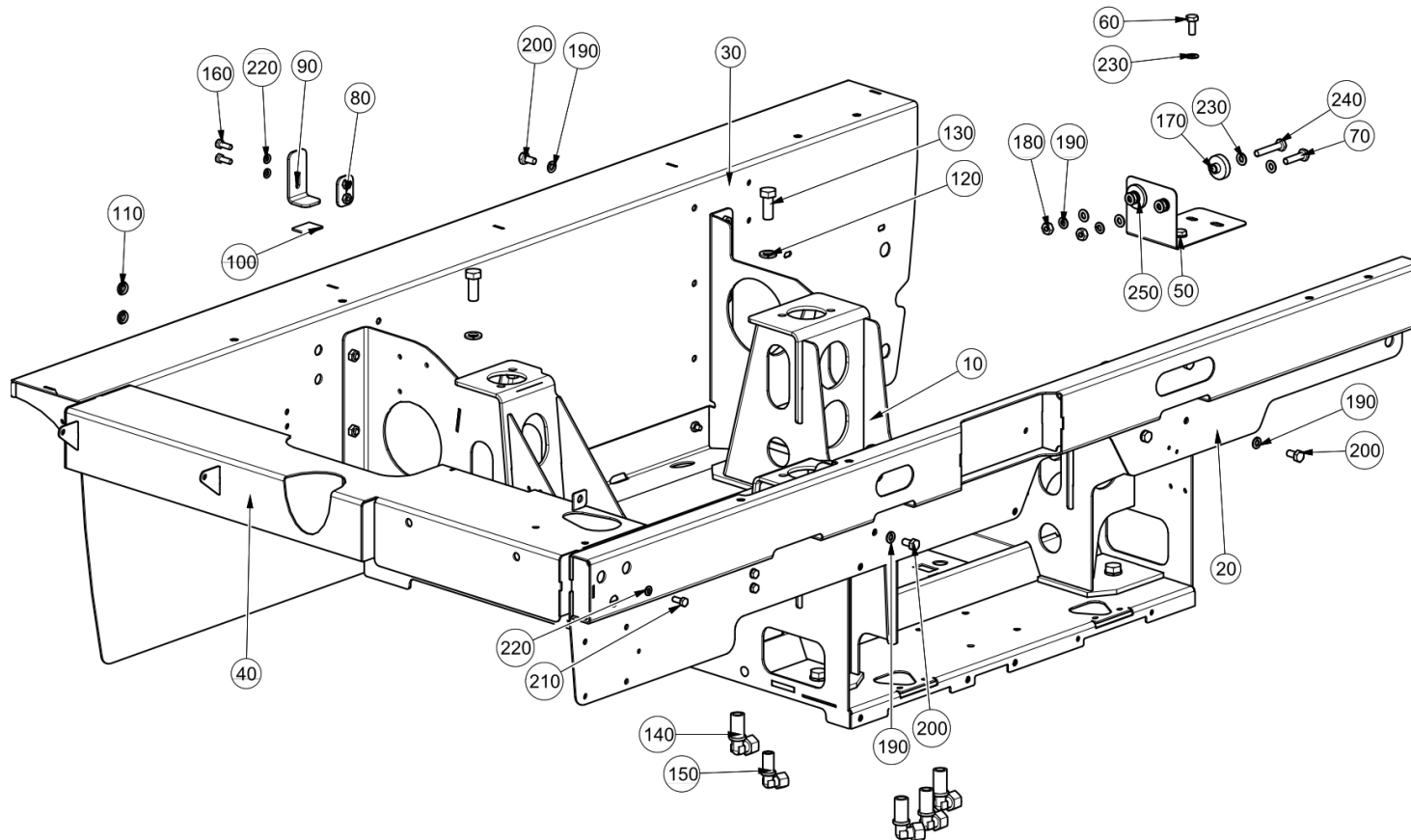
JD Exhaust Silencer ()
Powapack\Engine\JD Exhaust Silencer

Item no.	Part no.	Description	QTY	Unit
10	7009061	Exhaust Silencer - Exhaust System	1	PC
20	7023798	Exhaust Silencer Lower Mounting Bracket	1	PC
30	7035174	Angle Plate	1	PC
40	92097410-0	Hex Head Screw - M10Cx20 - 8.8	4	PC
50	93699711-0	Spring Washer - Plated M10	4	PC
60	93212012-0	Plain Washer - M10	4	PC
70	93212011-0	Plain Washer - M8	4	PC
80	93699710-0	Spring Washer - Plated M8	4	PC
90	92097374-0	Hex Head Screw - M8Cx20 - 8.8	4	PC
100	7024119	Pipe Inlet W/Bellows	1	PC
120	6645-14	Clip - Exhaust Banelli 2 3/4"	1	PC
130	6645-17-A	Clip - Exhaust Banelli 3 1/8"	1	PC

This page is intentionally left blank

This page is intentionally left blank

Powapack Tub ()
Powapack\Powapack Tub\Powapack Tub

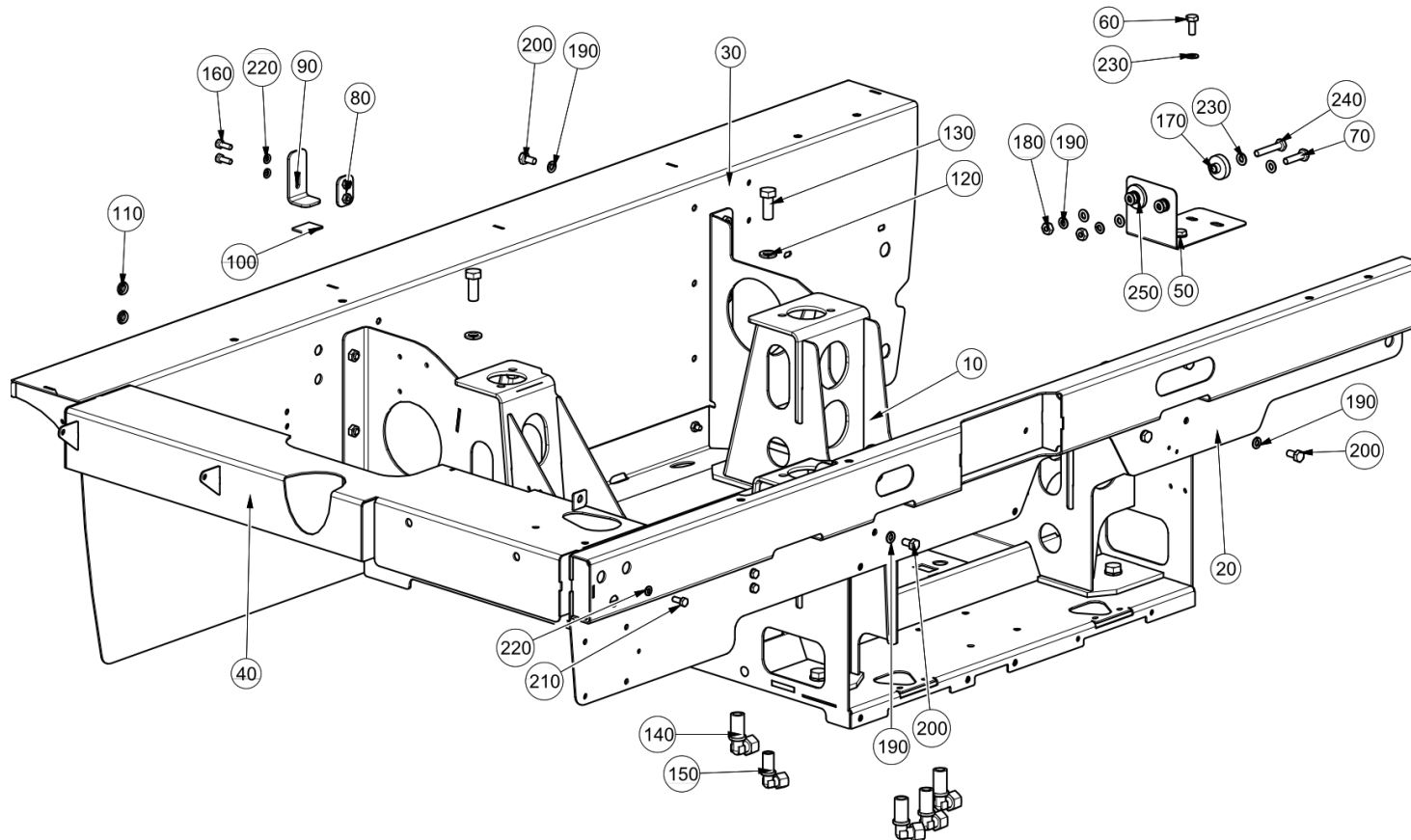


Powapack Tub ()

Powapack\Powapack Tub\Powapack Tub

Item no.	Part no.	Description	QTY	Unit
10	7028151	Engine Cradle Welded Assembly	1	PC
10	7018884	Engine Cradle Hydrostatic W/Assy	1	PC
20	7038346	Rear Valance W/Assy	1	PC
20	7007502	Rear Valance W/Assy Hydrostatic	1	PC
30	7038275	Valance Front Welded Assembly	1	PC
40	7038283	Tank Cover W/Assy	1	PC
50	7012424	Bracket	1	PC
60	92097412-0	Hex Head Screw - M10Cx25 - 8.8	2	PC
70	92097416-0	Hex Head Screw - M10Cx40 - 8.8	1	PC
80	7007992	Clamp Welded Assembly	2	PC
90	7007990	Foot - Power Pack	2	PC
100	217-8	Strip Sealing 3x30 White	0.15	M
110	288-52	Grommet - Blind 15.9 O/D x 3.2	2	PC
120	93699714-0	Spring Washer - Plated M16	4	PC
130	92097524-0	Hex Head Screw - M16Cx40 - 8.8	4	PC
140	09570487-0	Bulkhead Elbow Connector - M22 x 1.5	1	PC
150	09570472-0	Bulkhead Elbow Connector - M18 x 1.5	1	PC
160	92097375-0	Hex Head Screw - M8Cx22 - 8.8	7	PC
170	42660-1-A	Spacer - Ø40 ODx18Lg	1	PC
180	93056082-0	Hex Nut M10F-8	4	PC
190	93699711-0	Spring Washer - Plated M10	12	PC
200	92097410-0	Hex Head Screw - M10Cx20 - 8.8	14	PC
210	92097374-0	Hex Head Screw - M8Cx20 - 8.8	12	PC
220	93699710-0	Spring Washer - Plated M8	24	PC

Powapack Tub ()
Powapack\Powapack Tub\Powapack Tub

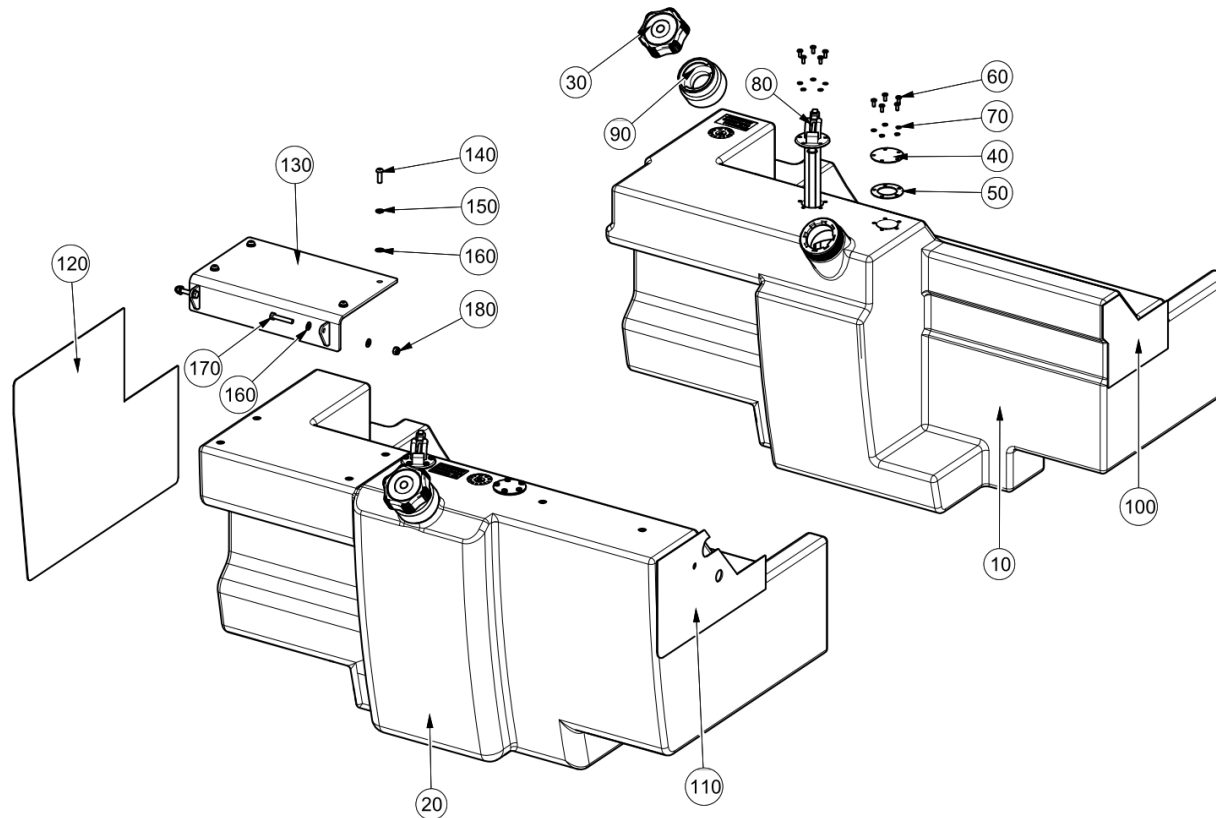


Powapack Tub ()

Powapack\Powapack Tub\Powapack Tub

Item no.	Part no.	Description	QTY	Unit
230	93212012-0	Plain Washer - M10	10	PC
240	92097419-0	Hex Head Screw - M10Cx55 - 8.8	1	PC
250	42661-1-A	Washer - Ø40 ODx6Lg	1	PC

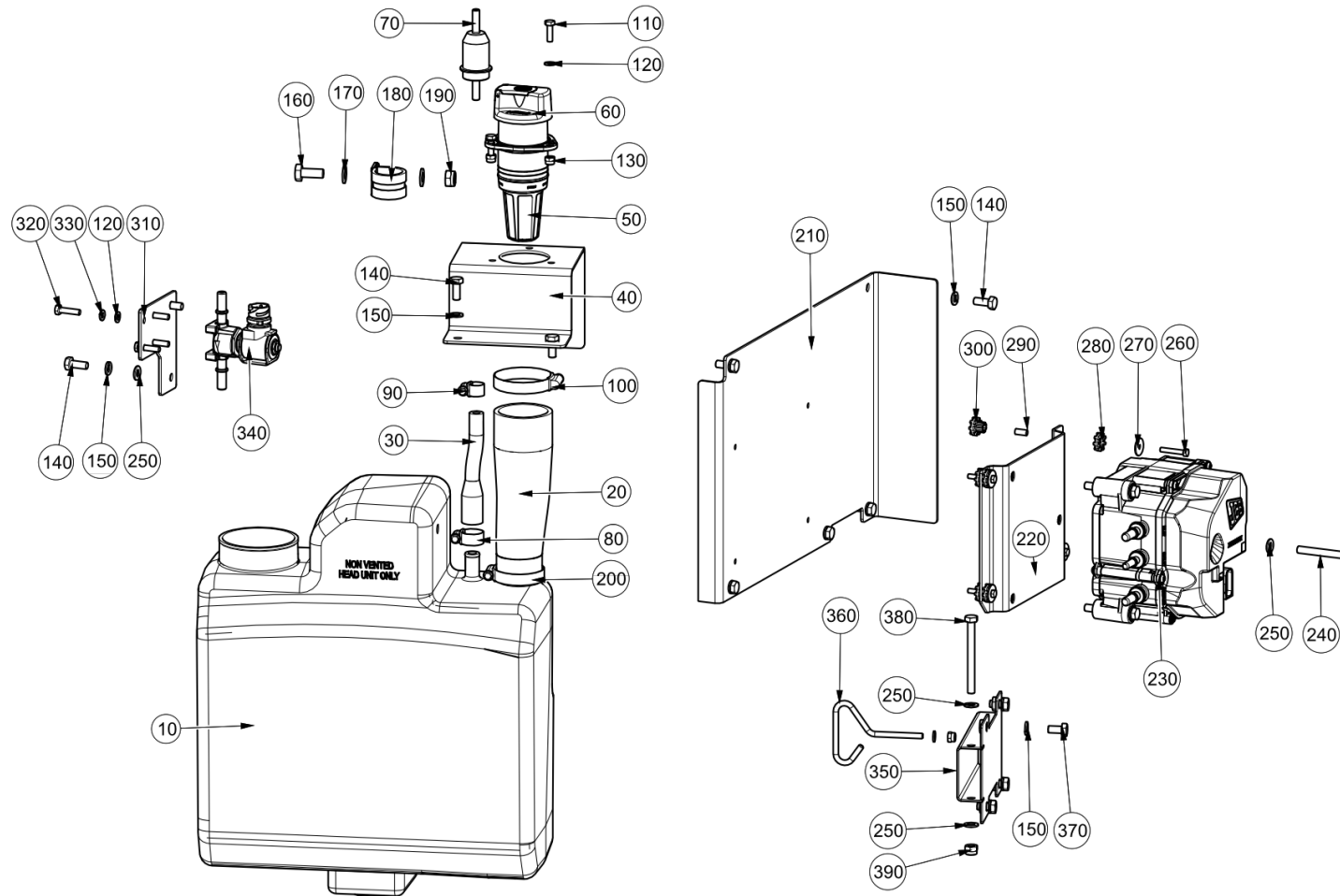
Fuel Tank ()
Powapack\Powapack Tub\Fuel Tank



Fuel Tank ()

Powapack\Powapack Tub\Fuel Tank

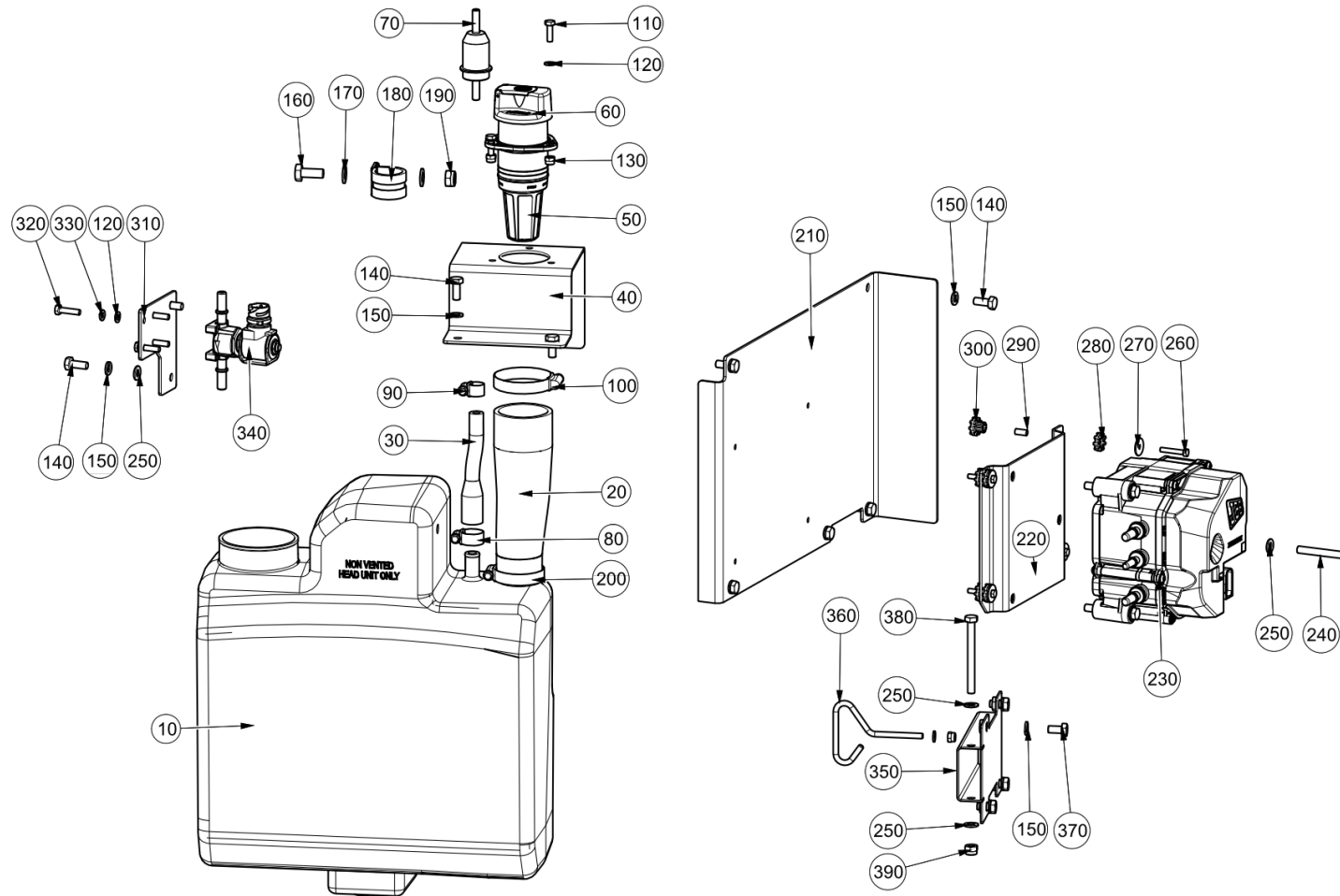
Item no.	Part no.	Description	QTY	Unit
10	7037756	Fuel Tank	1	PC
20	7018313	Fuel Tank, 200 litres	1	PC
30	69-42	Fuel Cap - Lockable	1	PC
40	7033097	Blanking Plate - Fuel Sender	1	PC
50	91-1	Gasket - Ø 65mm x 2mm Thick	1	PC
60	134-57	Pan Head Screw - M5Cx12 - 4.8	5	PC
70	93699707-0	Spring Washer - Plated M5	5	PC
80	7005071	Fuel Level Sensor	1	PC
90	7017740	Filler Neck	1	PC
100	7039218	Isolating Pad	1	PC
110	7032309	Isolating Pad - Fuel Tank	1	PC
120	7032312	Isolating Pad - Fuel Tank	1	PC
130	7021810	Mounting Bracket - Welded Assembly	1	PC
140	92330046-0	Hex Skt Button Head Screw M8x25 - 10.9	4	PC
150	93699710-0	Spring Washer - Plated M8	4	PC
160	93212011-0	Plain Washer - M8	8	PC
170	92097381-0	Hex Head Screw - M8Cx45 - 8.8	2	PC
180	93085005-0	Nyloc Hex Nut M8C - 8	2	PC



AdBlue ()

Powapack\Powapack Tub\AdBlue

Item no.	Part no.	Description	QTY	Unit
10	855-168	AdBlue Tank	1	PC
20	7042987	AdBlue Fill Hose	1	PC
30	7042989	AdBlue Breather Hose	1	PC
40	7045498	Adblue Filler Bracket	1	PC
50	855-171	AdBlue Filler Neck w/ Strainer	1	PC
60	855-170	AdBlue Cap	1	PC
70	855-3	Fuel Filter - (Tier 4)	1	PC
80	09531052-0	Hose Clip - Worm Drive (22-32)	1	PC
90	501-2	Hose Clip - Worm Drive (14-22)	1	PC
100	09531012-0	Hose Clip - Worm Drive (60-80)	1	PC
110	92097301-0	Hex Head Screw - M6Cx20 - 8.8	3	PC
120	93212009-0	Plain Washer - M6	3	PC
130	93085004-0	Nyloc Hex Nut M6C - 8	3	PC
140	92097374-0	Hex Head Screw - M8Cx20 - 8.8	7	PC
150	93699710-0	Spring Washer - Plated M8	7	PC
160	92097412-0	Hex Head Screw - M10Cx25 - 8.8	1	PC
170	93212012-0	Plain Washer - M10	2	PC
180	508-9	Clip - P Rubber Covered 31.24mm	1	PC
190	93085006-0	Nyloc Hex Nut M10C - 8	1	PC
200	09531034-0	Hose Clip - Worm Drive (40-60)	1	PC
210	7044790	Cover Plate	1	PC
220	7043251	AV Mount W/Assy	1	PC
230	855-169	AdBlue Supply Module	1	PC
240	92067384-0	Hex Head Bolt - M8Cx45 8.8	3	PC

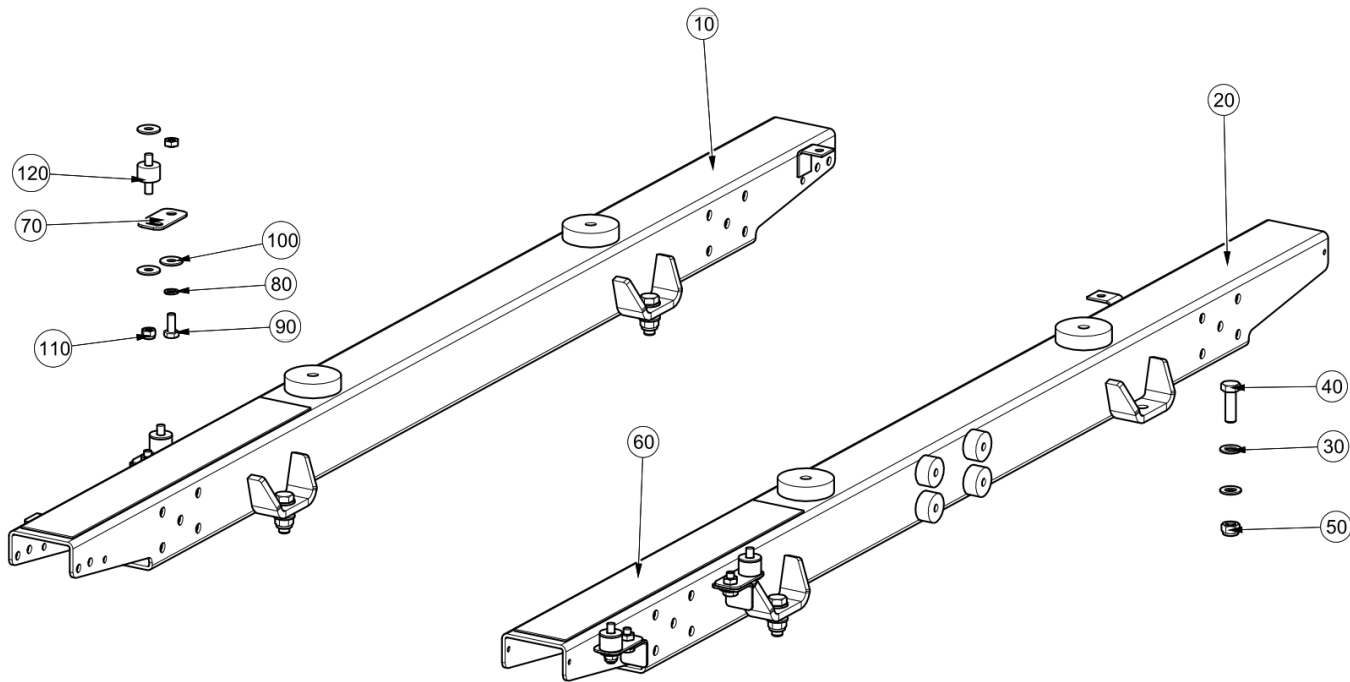


AdBlue ()

Powapack\Powapack Tub\AdBlue

Item no.	Part no.	Description	QTY	Unit
250	93212011-0	Plain Washer - M8	3	PC
260	92097269-0	Hex Head Screw - M5Cx30 - 8.8	4	PC
270	452-67	Washer - Repair M5 x 20 O/D x 1.5 Thick	4	PC
280	290-120	AV Mount - Ring	4	PC
290	7040210	Z_Spacer M5 x 14.3 x 6.4 OD	4	PC
300	290-121	AV Mount - Bushing	4	PC
310	7038002	Coolant Valve Plate	1	PC
320	92097303-0	Hex Head Screw - M6Cx25 - 8.8	4	PC
330	93699708-0	Spring Washer - Plated M6	4	PC
340	7040662	COM - Coolant Valve	1	PC
350	7038345	Strap Brace W/Assy	1	PC
360	7038233	Retainer Hook	1	PC
370	92097372-0	Hex Head Screw - M8Cx16 - 8.8	4	PC
380	92097389-0	Hex Head Screw - M8Cx85 - 8.8	1	PC
390	93085805-0	Nyloc Hex Nut M8C - 8	1	PC

Powapack Beams ()
Powapack\Powapack Tub\Powapack Beams

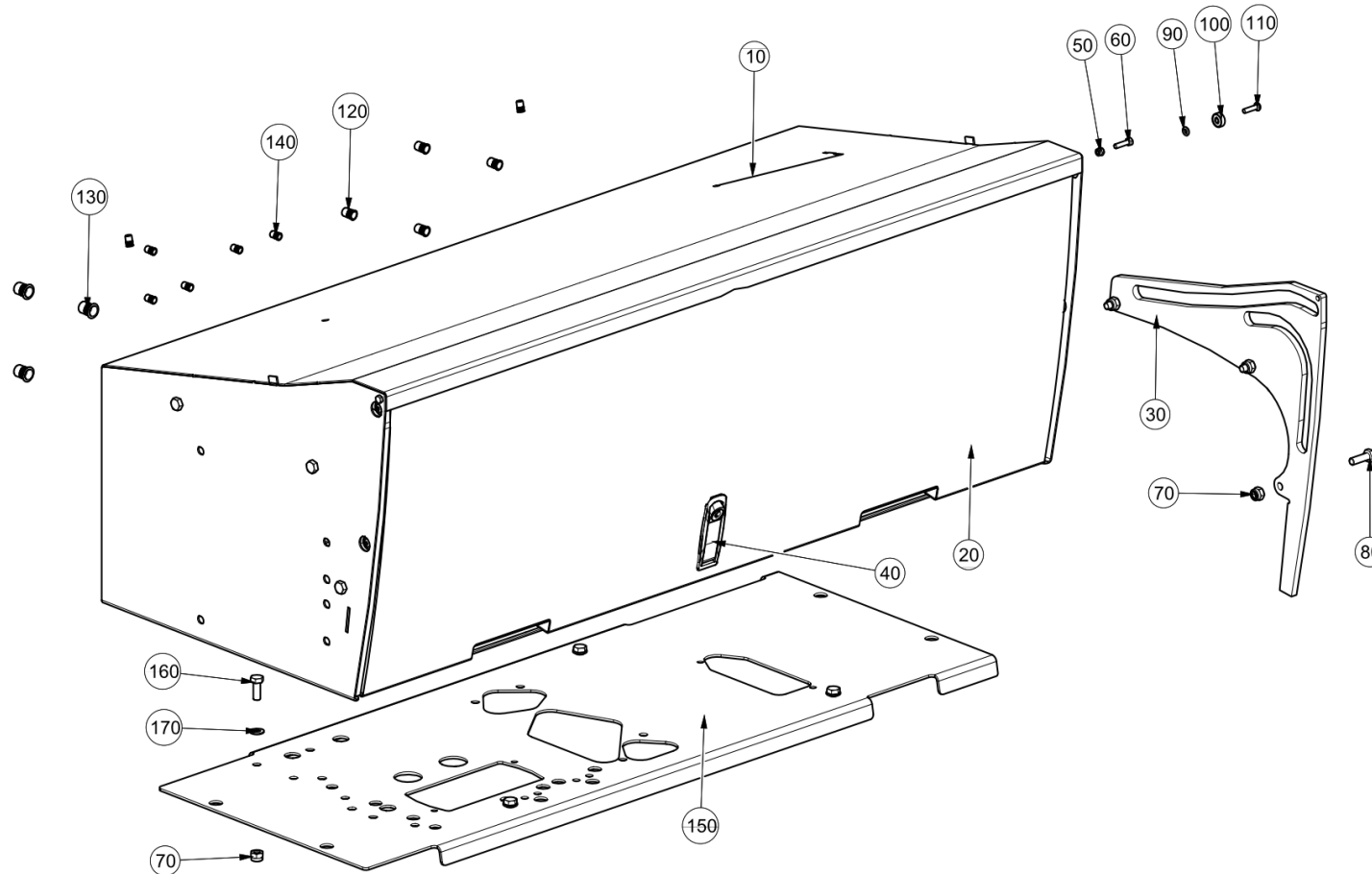


Powapack Beams ()

Powapack\Powapack Tub\Powapack Beams

Item no.	Part no.	Description	QTY	Unit
10	7000381	Engine Beam Front	1	PC
10	7018507	Engine Beam Front - Semi Hydro	1	PC
20	7000383	Engine Beam Rear	1	PC
30	93212015-0	Plain Washer M14	16	PC
40	92072212-0	Hex Head Bolt - M14Cx45 - 10.9	8	PC
50	404-17	Hex Nyloc Nut - M14c x Grade 10	8	PC
60	7032314	Isolating Pad - Fuel Tank	2	PC
70	7032435	Fuel Tank - Mount Bracket Assembly	4	PC
80	93699711-0	Spring Washer - Plated M10	4	PC
90	92097412-0	Hex Head Screw - M10Cx25 - 8.8	4	PC
100	457-5	Washer Plain Steel M10 Form G	12	PC
110	404-15	Hex Nyloc Nut - M10c x Grade 10	4	PC
120	290-105	Bobbin M/M M10 x 15/20	4	PC

Systems Locker ()
Powapack\Powapack Tub\System Locker

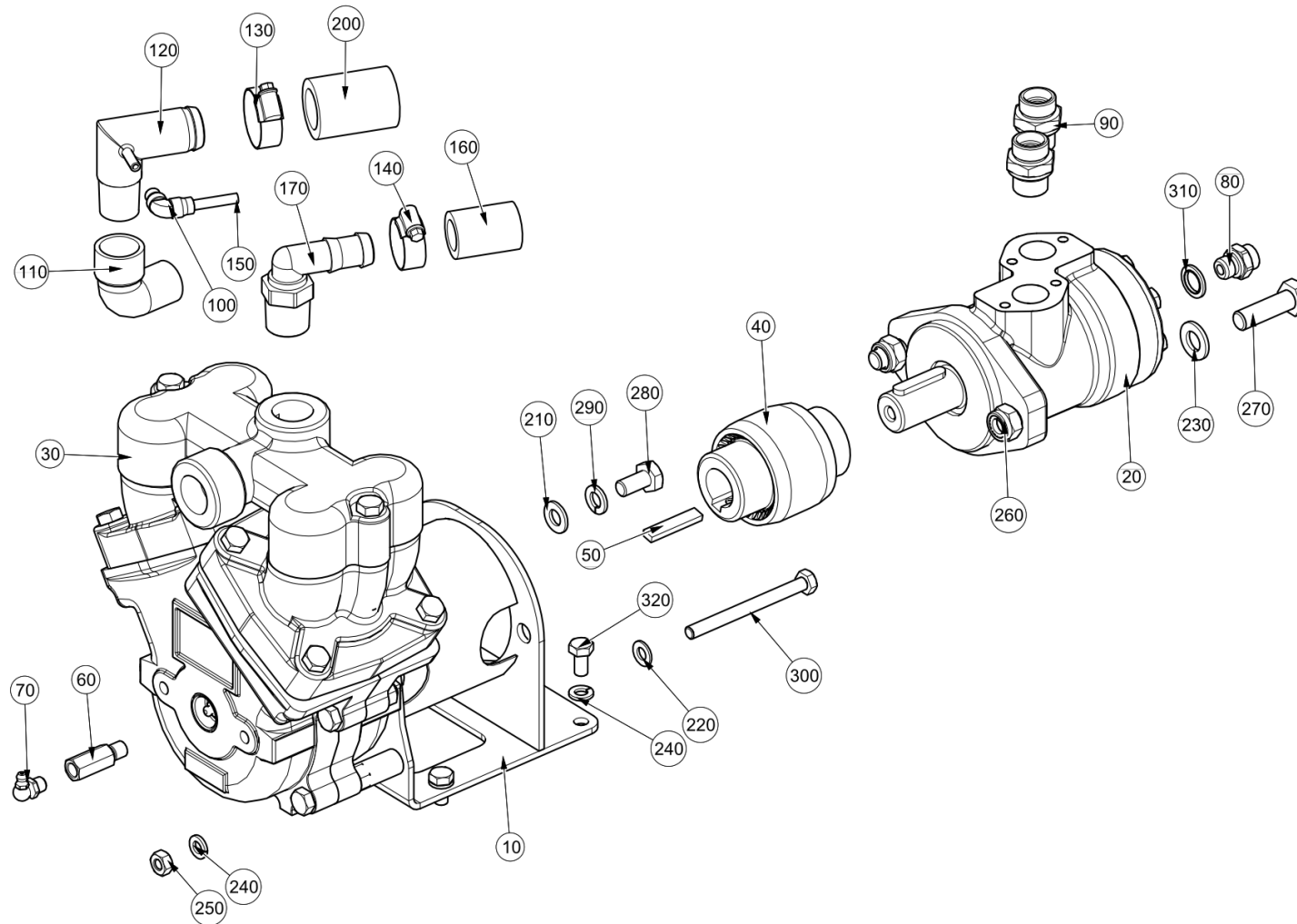


Systems Locker ()

Powapack\Powapack Tub\System Lockers

Item no.	Part no.	Description	QTY	Unit
10	7031346	Systems Locker Welded Assembly	1	PC
20	7026615	Door Welded Assembly	1	PC
30	7038750	Door Guide	2	PC
40	211-77	Raised Trigger Handle Latch, Key & Catch	1	PC
50	93085003-0	Nyloc Hex Nut M5C - 8	2	PC
60	92097265-0	Hex Head Screw - M5Cx20 - 8.8	2	PC
70	93085805-0	Nyloc Hex Nut M8C - 8	6	PC
80	92097376-0	Hex Head Screw - M8Cx25 - 8.8	6	PC
90	455-7	Washer Plain Plated Steel M5	4	PC
100	14-70	Deep Groove Ball Bearing 5x16x5	4	PC
110	92330027-0	Hex Skt Button Head Screw M5x20 - 10.9	4	PC
120	433-104	Insert, Small Hd, M6, 0.7-4.2, Open, MS	4	PC
130	433-121	Insert, Small Hd, M8, 0.7-3.8, Open, MS	3	PC
140	433-155	Insert, Small Hd, M5, 0.7-3.8, Open, MS	7	PC
150	7031821	Plate, Wafer Base	1	PC
160	92097375-0	Hex Head Screw - M8Cx22 - 8.8	4	PC
170	93212011-0	Plain Washer - M8	4	PC

Water Pump ()
 Powapack\Powapack Tub\Water Pump

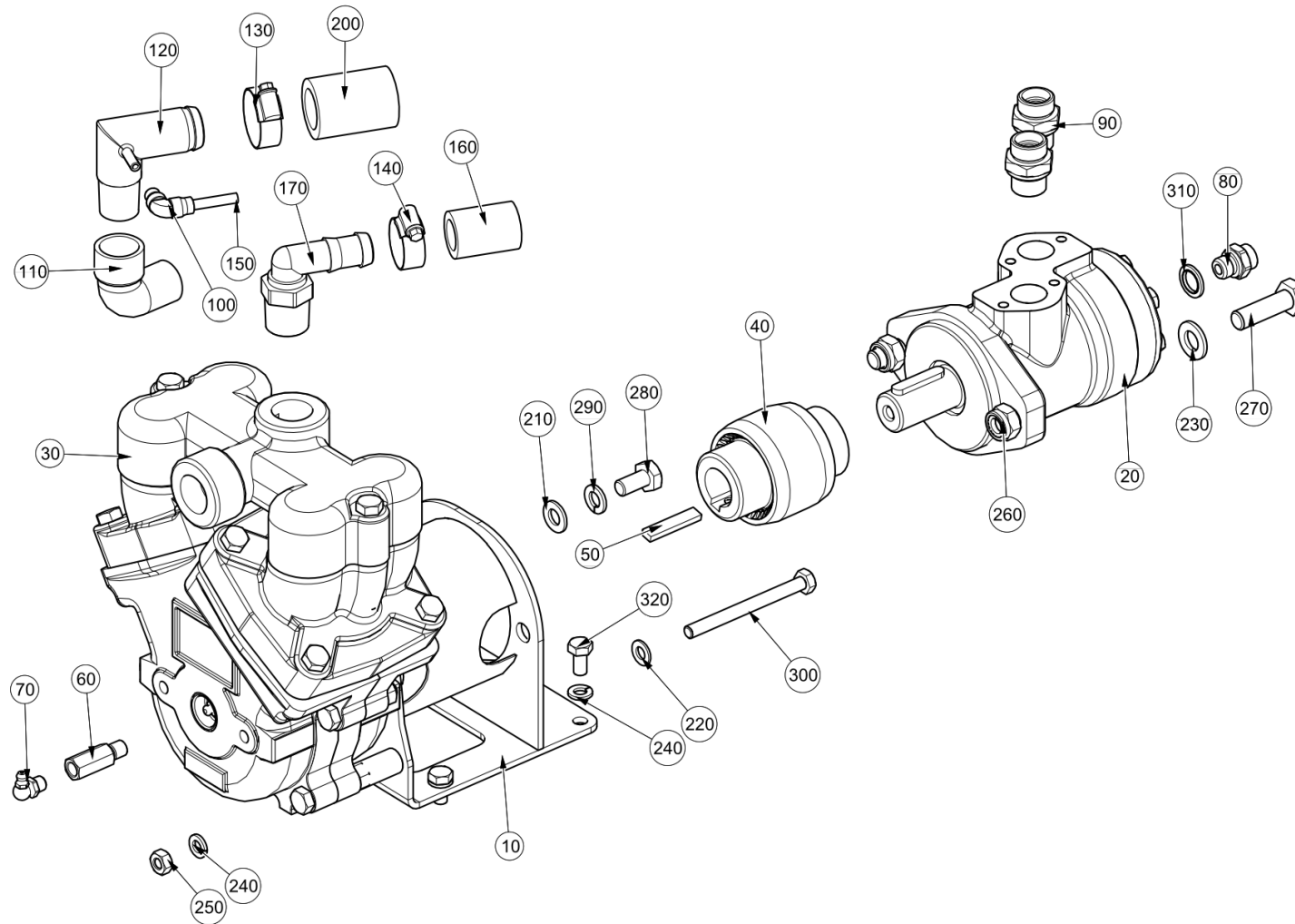


Water Pump ()

Powapack\Powapack Tub\Water Pump

Item no.	Part no.	Description	QTY	Unit
10	7027834	Frame Welded Assembly	1	PC
20	244-10	Motor - Hydraulic OMP32	1	PC
30	22599-1-B	Pump - Water	1	PC
40	282809-1	Coupling - Assembly	1	PC
50	282817-1	Key - Water Pump Coupling	1	PC
60	95780-1	Adaptor - G1/8 M-F	1	PC
70	38-8	Grease Nipple 1/8 BSP x 90 deg	1	PC
80	518-8	Adaptor Straight - 8 OD 1/4 BSP	1	PC
81	511-4	Olive - Tube 8mm O/D	3	PC
82	510-4	Nut - Tube 8mm O/D	3	PC
83	532-23	Tee - Stem 8mm	1	PC
84	41038-1-B	Stow - Barbed 90 Degree 3/4" Nylon	2	PC
85	520-4	Plug Tubing O/D 8	1	PC
86	12870	Tube - Nylon Black 8mm O/D	1	M
90	6601-1329	Stud Coupling Male G 1/2" x M22 x 1.5	2	PC
100	542-3	Adaptor - Elbow 6mm Push In	1	PC
110	66-42	Elbow - Poly. 90 ° 3/4 F x 3/4 M	1	PC
120	7036081	Elbow, Low Pressure Suction	1	PC
130	09531009-0	Hose Clip - Worm Drive (30-40)	1	PC
140	501-25	Hose Clip - Worm Drive (25-35)	1	PC
150	273-20	Tube - Nylon Blue 6mm O/D	0.5	M
160	497-H12	Hose - 3/4" Bore	0.6	M
170	277-231	Elbow - Poly. 90 ° 3/4 M x 3/4" Barb	1	PC
200	6117	Hose - 1" Bore	0.6	M

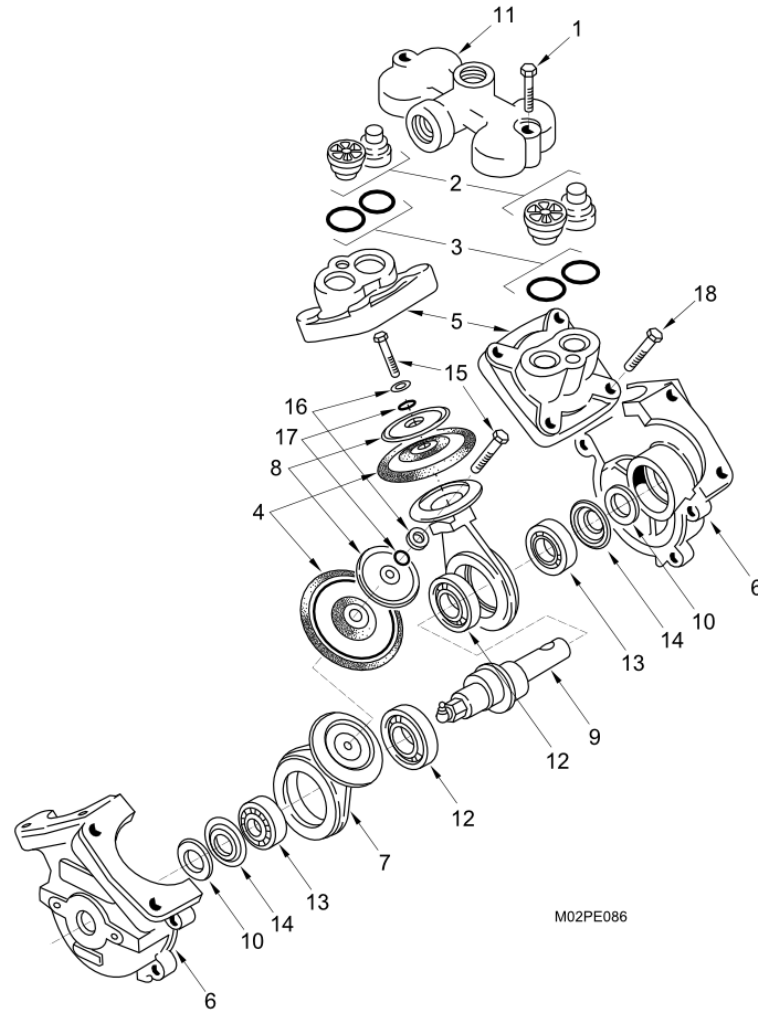
Water Pump ()
 Powapack\Powapack Tub\Water Pump



Water Pump ()
Powapack\Powapack Tub\Water Pump

Item no.	Part no.	Description	QTY	Unit
210	93212012-0	Plain Washer - M10	2	PC
220	93212011-0	Plain Washer - M8	2	PC
230	93212013-0	Plain Washer M12	2	PC
240	93699710-0	Spring Washer - Plated M8	2	PC
250	93056014-0	Hex Nut M8C-8	2	PC
260	93085007-0	Nyloc Hex Nut M12C - 8	2	PC
270	92067457-0	Hex Head Bolt - M12Cx40 - 8.8	2	PC
280	92097410-0	Hex Head Screw - M10Cx20 - 8.8	2	PC
290	93699711-0	Spring Washer - Plated M10	2	PC
300	92067393-0	Hex Head Bolt - M8Cx90 - 8.8	2	PC
310	451-17	Washer Bonded G1-4"	1	PC
320	92097372-0	Hex Head Screw - M8Cx16 - 8.8	4	PC

Water Pump Spares ()
Powapack\Powapack Tub\Water Pump\Water Pump Spares



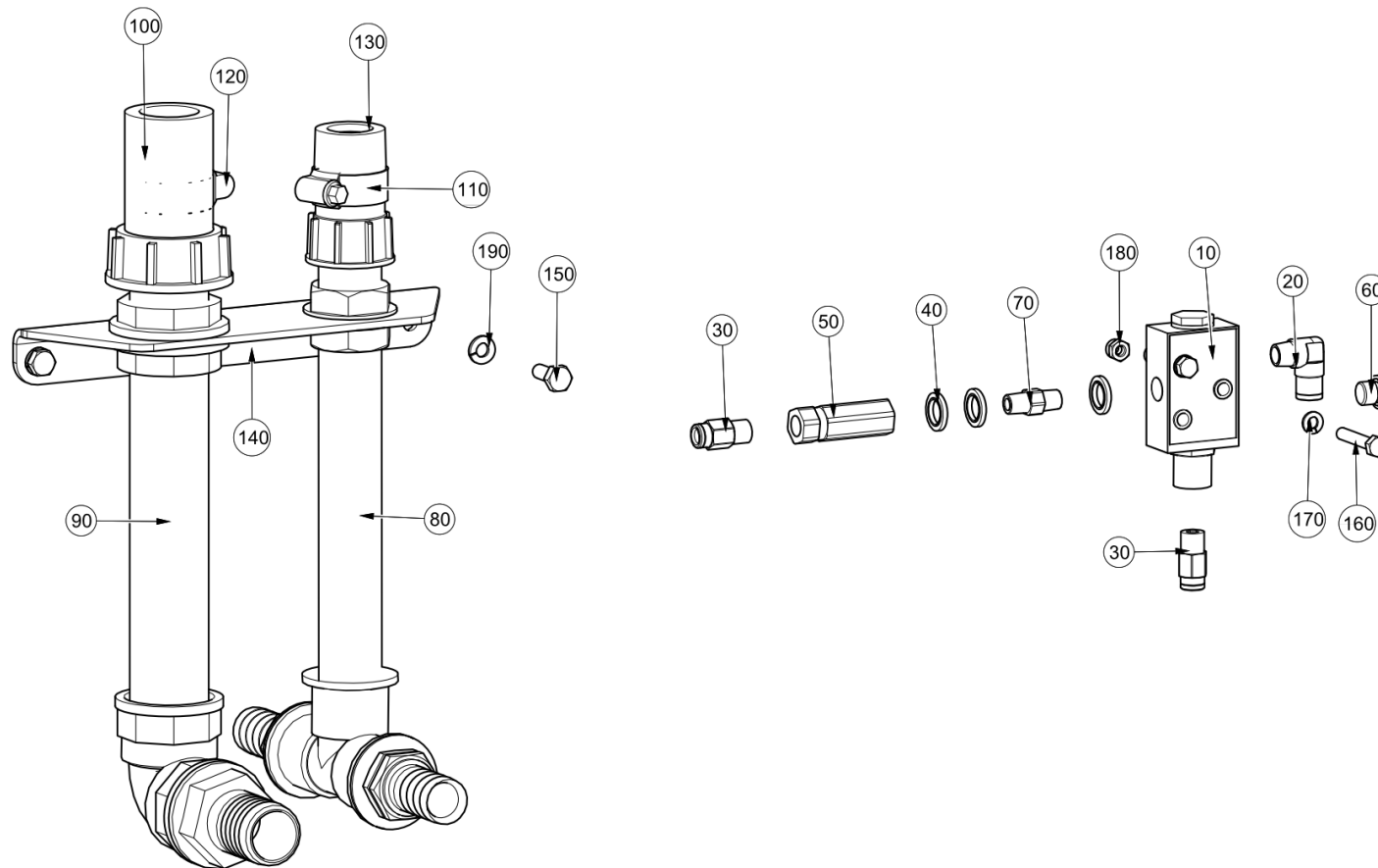
M02PE086

Water Pump Spares ()

Powapack\Powapack Tub\Water Pump\Water Pump Spares

Item no.	Part no.	Description	QTY	Unit
0	15824-6	Kit Pump Spares	1	PC
0	22599-1-B	Pump - Water	1	PC
1	15824-2-E	Bolt	4	PC
2	15824-3-E	Valve Assy - Complete	4	PC
3	15824-4-E	Seal - O Ring	4	PC
4	15824-5	Diaphragm	2	PC
5	15824-7-E	Head - Cylinder	2	PC
6	15824-8-E	Crankcase	1	PC
7	15824-9-E	Rod - Connecting	2	PC
8	15824-10-E	Pad - Tension	2	PC
9	22599-2	Crankshaft	1	PC
10	15824-12	O Ring	2	PC
11	15824-13-E	Manifold	1	PC
12	14-18	Bearing - 35x62x14	2	PC
13	14-32	Bearing - 25x52x15	2	PC
14	15824-16-E	Cover - Dust	2	PC
15	15824-17	Bolt	2	PC
16	15824-18	Washer	2	PC
17	15824-19-E	O Ring	2	PC
18	15824-2-E	Bolt	8	PC

Valve and Water ()
Powapack\Powapack Tub\Valve and Water

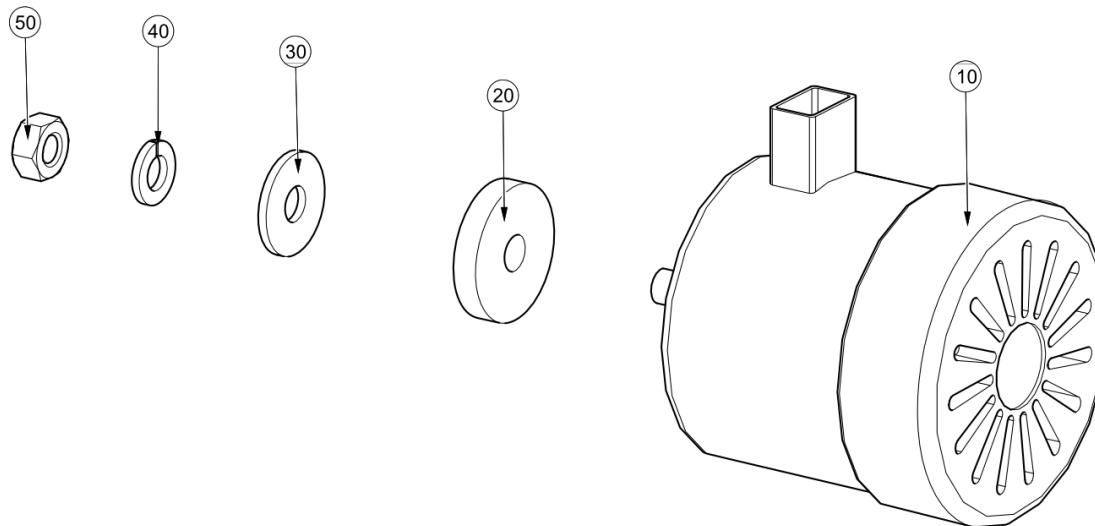


Valve and Water ()

Powapack\Powapack Tub\Valve and Water

Item no.	Part no.	Description	QTY	Unit
10	72-31	Valve - Pneumatic 3/2	1	PC
20	09593162-0	Adaptor - Push In 6mm Fixed Elbow R1/8"	1	PC
30	537-3	Adaptor-Push In 6mm x 1/8 BSPT Straight	2	PC
40	451-4	Washer Bonded G1-8"	3	PC
50	72-4	Valve Non Return	1	PC
60	09572132-0	Sealing Plug VS-R 1/8 WD	1	PC
70	532-7	Connector - Nippled	1	PC
80	281670-1	Water Feed Pipe Assembly	1	PC
90	283793-2	Water Pipe Assembly Less Supawash	1	PC
100	6117	Hose - 1" Bore	0.6	M
110	501-25	Hose Clip - Worm Drive (25-35)	1	PC
120	09531009-0	Hose Clip - Worm Drive (30-40)	1	PC
130	497-H12	Hose - 3/4" Bore	0.6	M
140	7008120	Bracket - Water System	1	PC
150	92097299-0	Hex Head Screw - M6Cx16 - 8.8	2	PC
160	92097269-0	Hex Head Screw - M5Cx30 - 8.8	2	PC
170	93699707-0	Spring Washer - Plated M5	2	PC
180	93085003-0	Nyloc Hex Nut M5C - 8	2	PC
190	93699708-0	Spring Washer - Plated M6	2	PC

Reverse Alarm ()
Powapack\Powapack Tub\Reverse Alarm

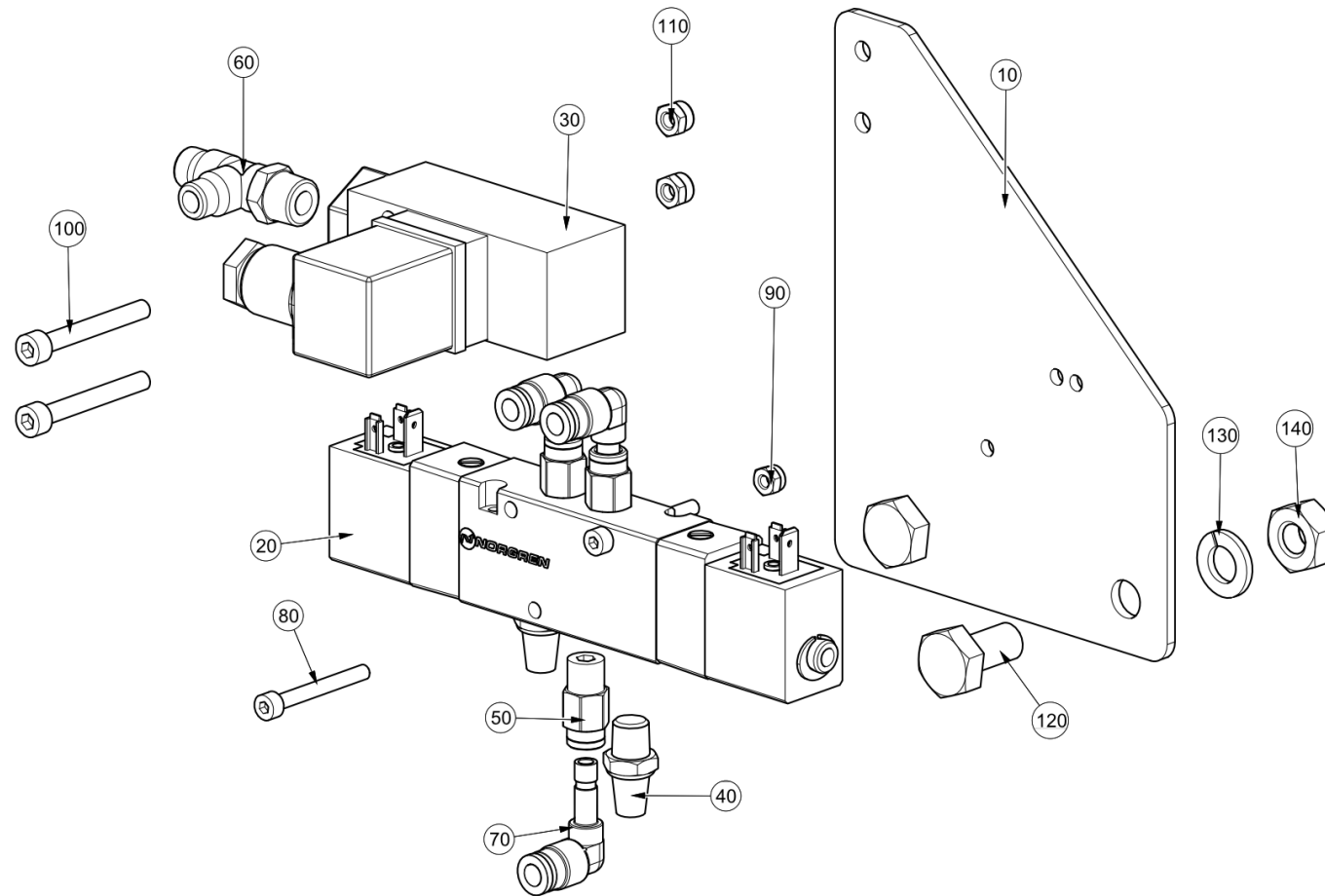


Reverse Alarm ()

Powapack\Powapack Tub\Reverse Alarm

Item no.	Part no.	Description	QTY	Unit
10	30-184	Alarm - Reverse	1	PC
20	283229-6	Spacer - DIM A 6mm	1	PC
30	93300509-0	Plain Large Washer - M8	1	PC
40	93699710-0	Spring Washer - Plated M8	1	PC
50	93056014-0	Hex Nut M8C-8	1	PC

Gearbox Engage Control ()
Powapack\Powapack Tub\Gearbox Engage Control

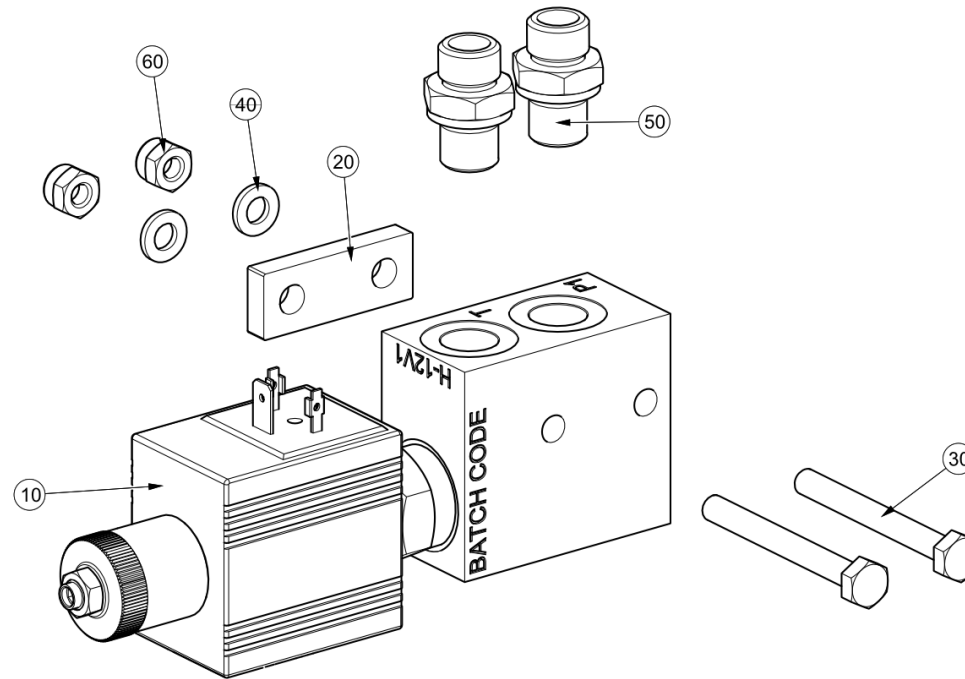


Gearbox Engage Control ()

Powapack\Powapack Tub\Gearbox Engage Control

Item no.	Part no.	Description	QTY	Unit
10	7011689	Plate - Air Valve and Pressure Switch	1	PC
20	72-100	Valve 5/2 Sol/Sol 24v	1	PC
20	72-107	Valve 5/2 Sol/Sol 12v	1	PC
30	72-52	Pneumatic Pressure Switch	1	PC
40	72-17	Exhaust Silencer	2	PC
50	537-3	Adaptor-Push In 6mm x 1/8 BSPT Straight	3	PC
60	540-7	Adaptor - Tee 6mm x 1/4 BSPT	1	PC
70	551-1	Adaptor - Stem Elbow 6mm	3	PC
80	92137016-0	Hex Socket Cap Screw - M4Cx35 - 12.9	2	PC
90	93085002-0	Nyloc Hex Nut M4C - 8	2	PC
100	92137049-0	Hex Socket Cap Screw - M5Cx40 - 12.9	2	PC
110	93085003-0	Nyloc Hex Nut M5C - 8	2	PC
120	92097410-0	Hex Head Screw - M10Cx20 - 8.8	2	PC
130	93699711-0	Spring Washer - Plated M10	2	PC
140	93056015-0	Hex Nut M10C-8	2	PC

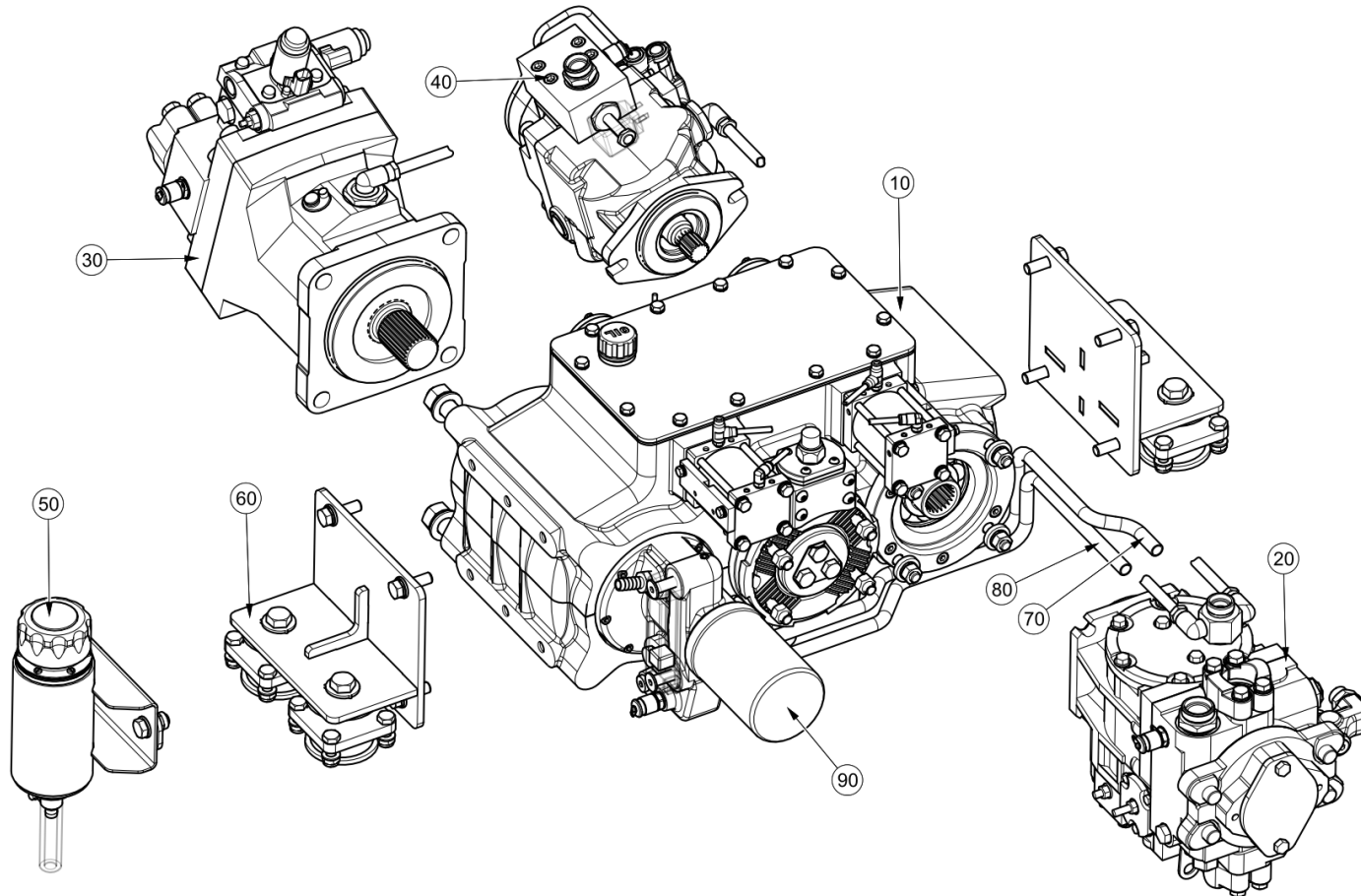
Pressure Sender ()
Powapack\Powapack Tub\Pressure Sender



Pressure Sender ()
Powapack\Powapack Tub\Pressure Sender

Item no.	Part no.	Description	QTY	Unit
10	7022518	Proportional Relief Valve 12V	1	PC
10	7005344	Proportional Relief Valve 24V	1	PC
20	7006312	Spacer	1	PC
30	92067312-0	Hex Head Bolt - M6Cx55 - 8.8	2	PC
40	93212009-0	Plain Washer - M6	2	PC
50	09570126-0	Stud Coupling Male G 1/4" x M14x1.5 (8L)	2	PC
60	93085004-0	Nyloc Hex Nut M6C - 8	2	PC

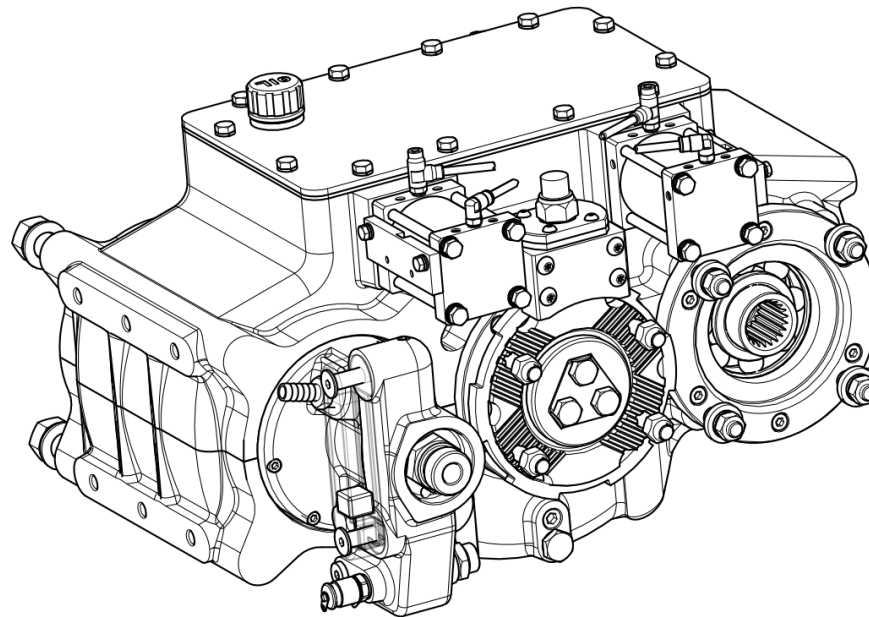
Hydrostatic Gearbox ()
Powapack\Hydrostatic Gearbox



Hydrostatic Gearbox ()
Powapack\Hydrostatic Gearbox

Item no.	Part no.	Description	QTY	Unit
70	7026904	Filter Supply Pipe	1	PC
80	7026906	Filter Return Pipe	1	PC
90	224-15	Oil filter (Transmission pump)	1	PC
100	7028873	Hydrostatic Gearbox MK2 Harness	1	PC

Hydrostatic Gearbox and Spares ()
Powapack\Hydrostatic Gearbox\Hydrostatic Gearbox and Spares

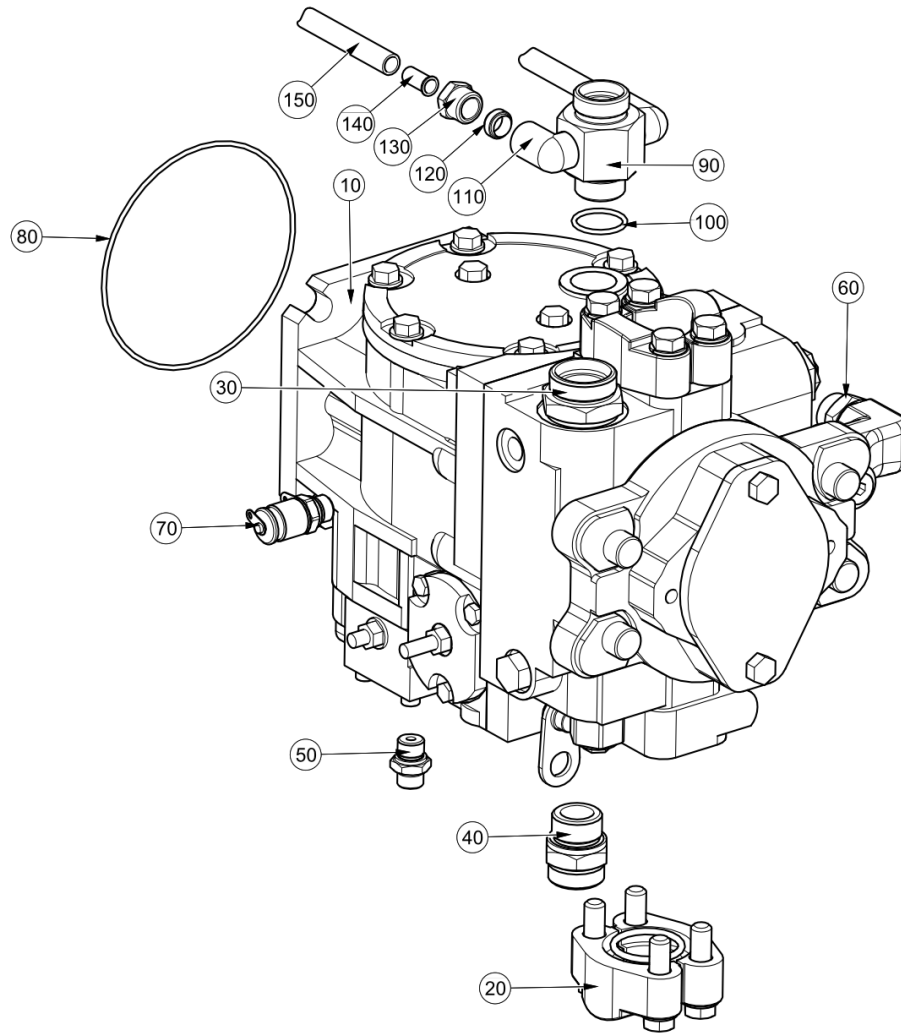


Hydrostatic Gearbox and Spares ()

Powapack\Hydrostatic Gearbox\Hydrostatic Gearbox and Spares

Item no.	Part no.	Description	QTY	Unit
10	7040900	Hydrostatic Gearbox Assembly	1	PC

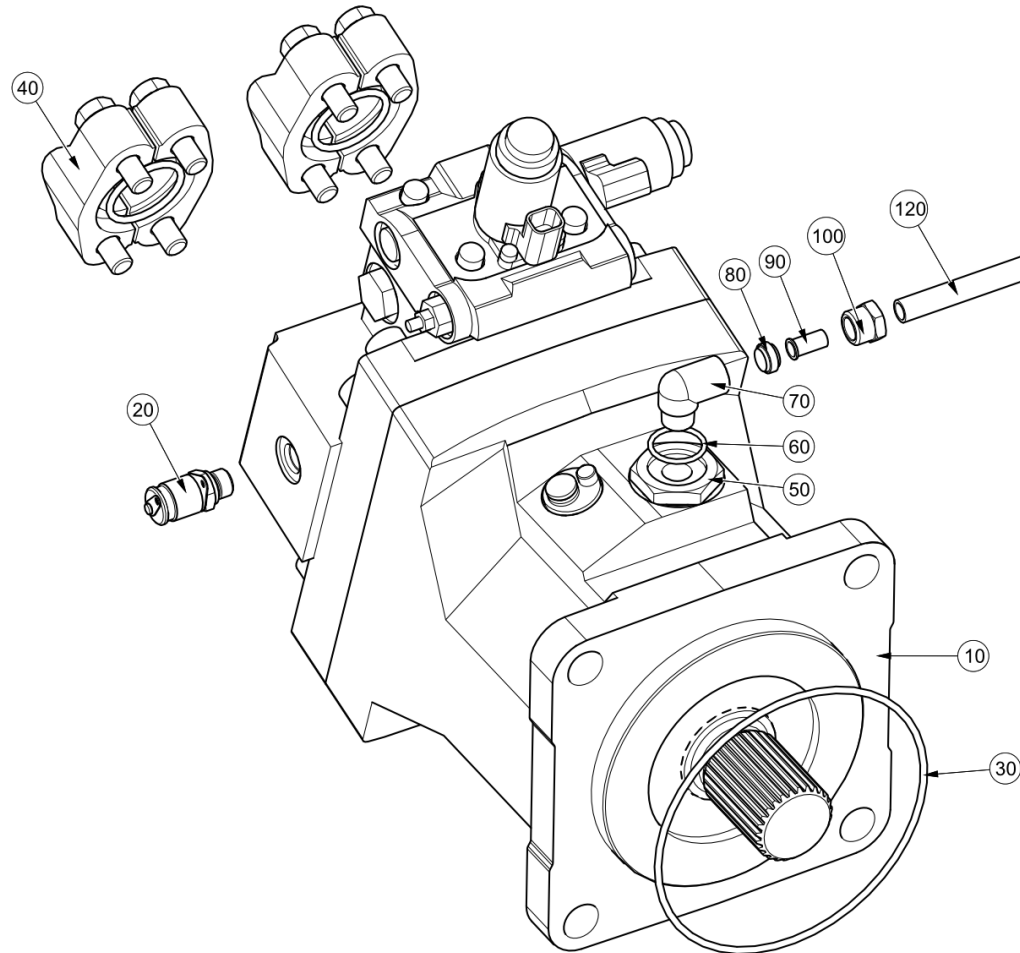
Transmission Pump ()
Powapack\Hydrostatic Gearbox\Transmission Pump



Transmission Pump ()
Powapack\Hydrostatic Gearbox\Transmission Pump

Item no.	Part no.	Description	QTY	Unit
10	7026317	Transmission Pump	1	PC
20	498-N09	SAE Split Flange Kit 1" 415 bar	2	PC
30	09570156-0	Stud Coupling Male 1 5/16"UNF x M36x2	1	PC
40	09570163-0	Stud Coupling Male 1 1/16"UNF x M30x2	1	PC
50	300-1	Stud Coupling Male 9/16" UNF M14x1.5	1	PC
60	6601-0630	Stud Coupling Male 7/8" - 14 UNF	2	PC
70	665-17	Test Coupling SMK20 - 9/16 - 18 UNF	1	PC
80	80-104	O-RING 125X3.0 NBR 70SH ORM 1245-30	1	PC
90	7028979	Adaptor - Drain Junction point	1	PC
100	80-74	O Ring - Hole Dia.30	1	PC
110	521-14	Adaptor - Male Elbow 12 O/D 3/8 BSP	2	PC
120	511-6	Olive - Tube 12mm O/D	2	PC
130	510-6	Nut - Tube 12mm O/D	2	PC
140	532-24	Tube Support O/D 12 I/D 9mm	2	PC
150	227-28	Eurotube Nylon 12mm OD Black	4	M

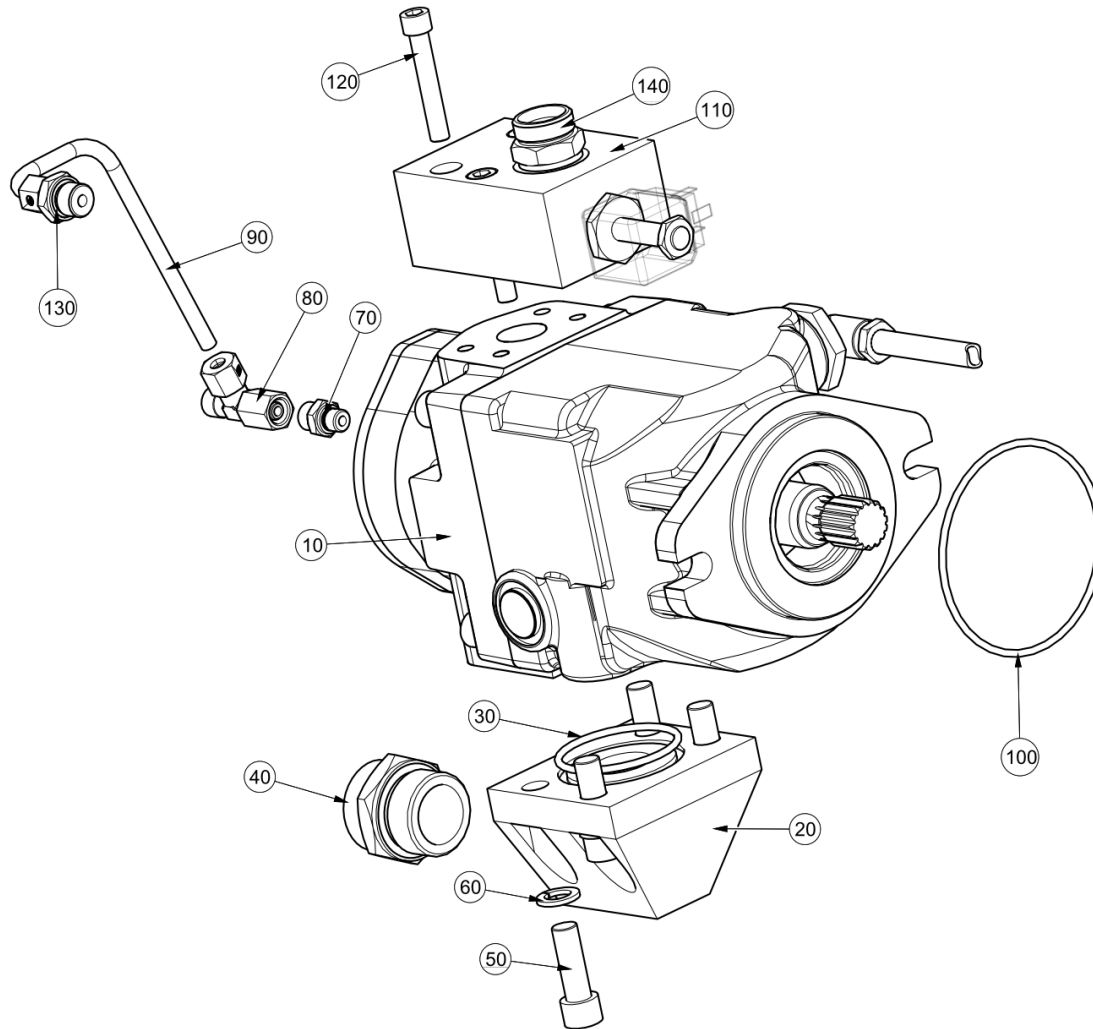
Transmission Motor ()
Powapack\Hydrostatic Gearbox\Transmission Motor



Transmission Motor ()
Powapack\Hydrostatic Gearbox\Transmission Motor

Item no.	Part no.	Description	QTY	Unit
10	7026277	Transmission Motor	1	PC
20	665-17	Test Coupling SMK20 - 9/16 - 18 UNF	2	PC
30	09534659-0	O-RING 151,99X3,53-S-NBR70	1	PC
40	498-N31	SAE Split Flange Kit M12 415 bar DN 32	2	PC
50	7028977	Adaptor - 1 1/16 - 3/8 BSPT	1	PC
60	80-74	O Ring - Hole Dia.30	1	PC
70	521-14	Adaptor - Male Elbow 12 O/D 3/8 BSP	1	PC
80	511-6	Olive - Tube 12mm O/D	1	PC
90	532-24	Tube Support O/D 12 I/D 9mm	1	PC
100	510-6	Nut - Tube 12mm O/D	1	PC
120	227-28	Eurotube Nylon 12mm OD Black	4	M

Fan Pump ()
Powapack\Hydrostatic Gearbox\Fan Pump

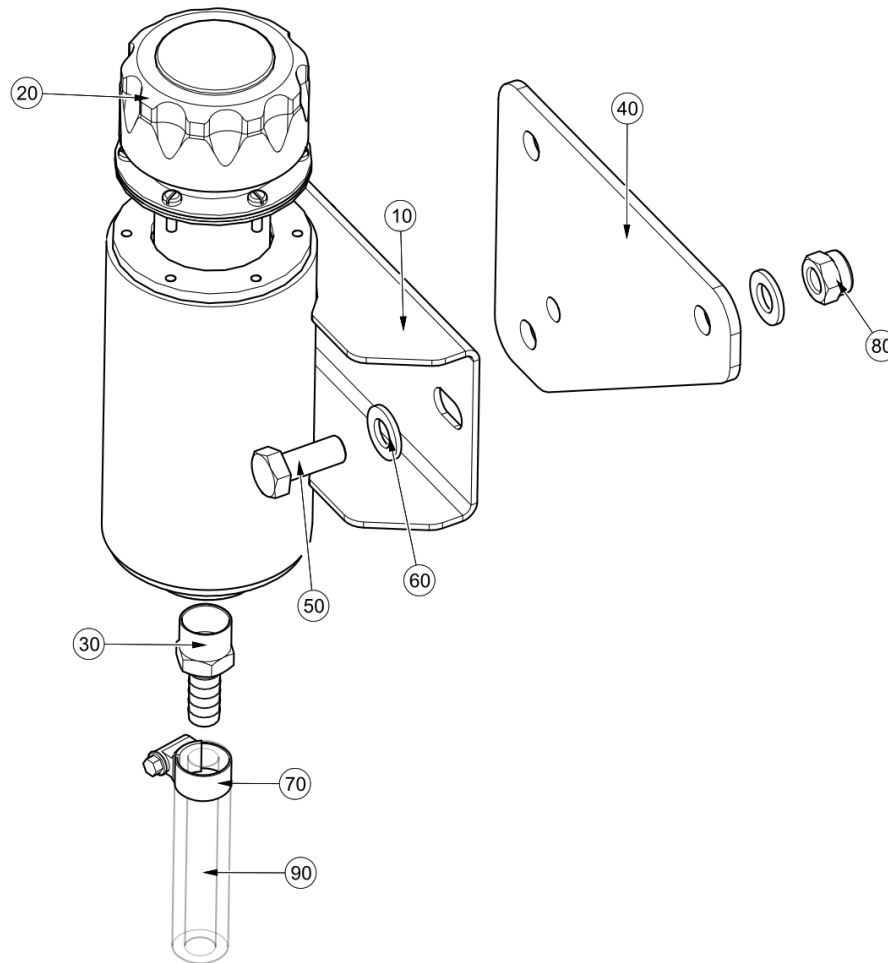


Fan Pump ()

Powapack\Hydrostatic Gearbox\Fan Pump

Item no.	Part no.	Description	QTY	Unit
10	7011065	Fan Drive Pump	1	PC
20	802853-1	Adaptor - 1 1/4" x 1 1/4" BSP	1	PC
30	09504434-0	O-Ring, BS 228 (2.234" ID x 0.139")	1	PC
40	09570133-0	Stud Coupling Male G 1 1/4" x M45 x 2.0	1	PC
50	151-115	Capscrew Skt Hd UNC 1/2x1 1/2	4	PC
60	450-31	Spring Washer Ø1/2"	4	PC
70	09570151-0	Stud Coupling Male 7/16" UNF x M14x1.50	1	PC
80	308-1	Adjustable Male Tee - M14 x 1.5	1	PC
90	7021927	Hydraulic Pipe Ø8x1	1	PC
100	09534242-0	O-Ring 3.984"	1	PC
110	7014387	Control Manifold	1	PC
120	151-76	Capscrew Skt Hd UNC 3/8"x 2 1/4"	4	PC
130	09570102-0	Stud Coupling Male G 3/8" x M14 x 1.5	1	PC
140	6601-1342	Stud Coupling Male G 3/4" x M30 x 2.0	1	PC

Oil Filler ()
Powapack\Hydrostatic Gearbox\Oil Filler

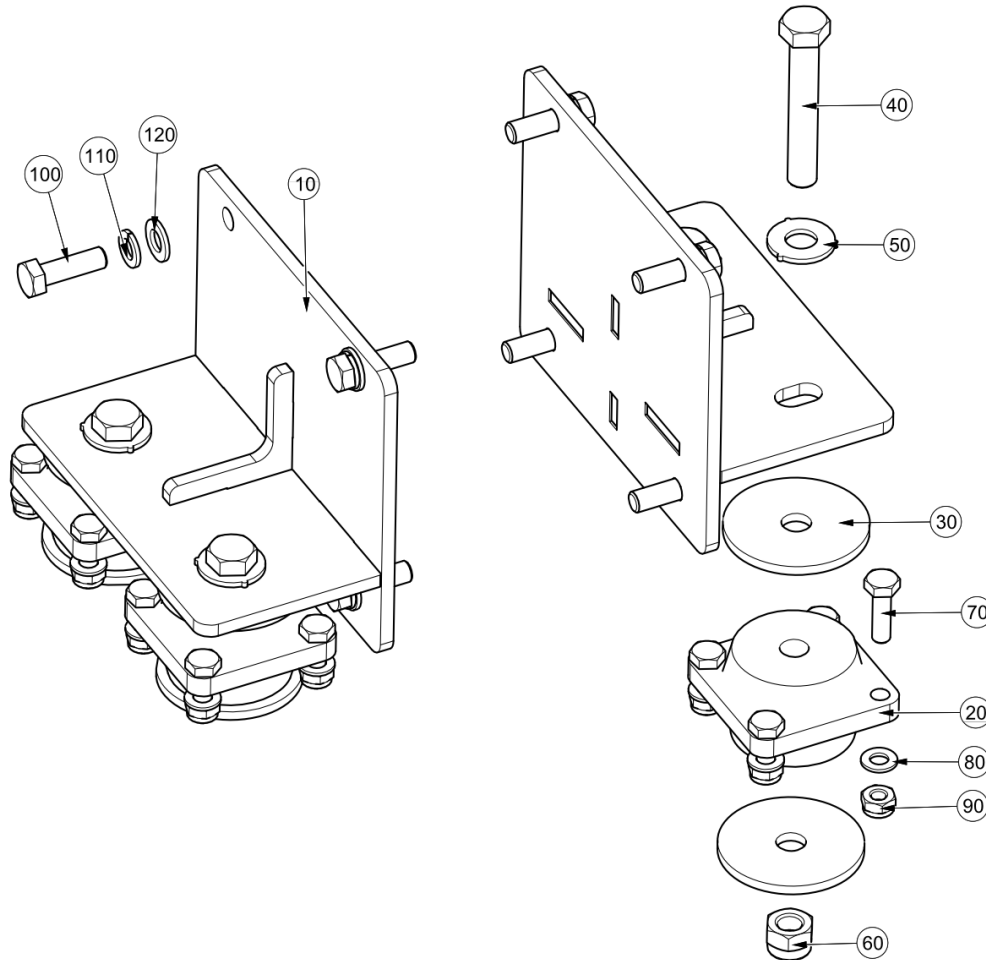


Oil Filler ()

Powapack\Hydrostatic Gearbox\Oil Filler

Item no.	Part no.	Description	QTY	Unit
10	7033328	Oil Filler W/Assy	1	PC
20	69-43	Breather Cap	1	PC
30	231-75	Adaptor - 1/2"BSPMx1/2" I/D	1	PC
40	7033517	Filler Mounting Bracket	1	PC
50	92097450-0	Hex Head Screw - M12Cx30 - 8.8	1	PC
60	93212013-0	Plain Washer M12	3	PC
70	504-2	Hose Clip - Worm Drive (16-22)	2	PC
80	93085807-0	Nyloc Hex Nut M12C - 8	1	PC
90	260-31	Hose - Reinforced 13mm I/D (30m reel)	2	M

Gearbox Mounts ()
Powapack\Hydrostatic Gearbox\Gearbox Mounts

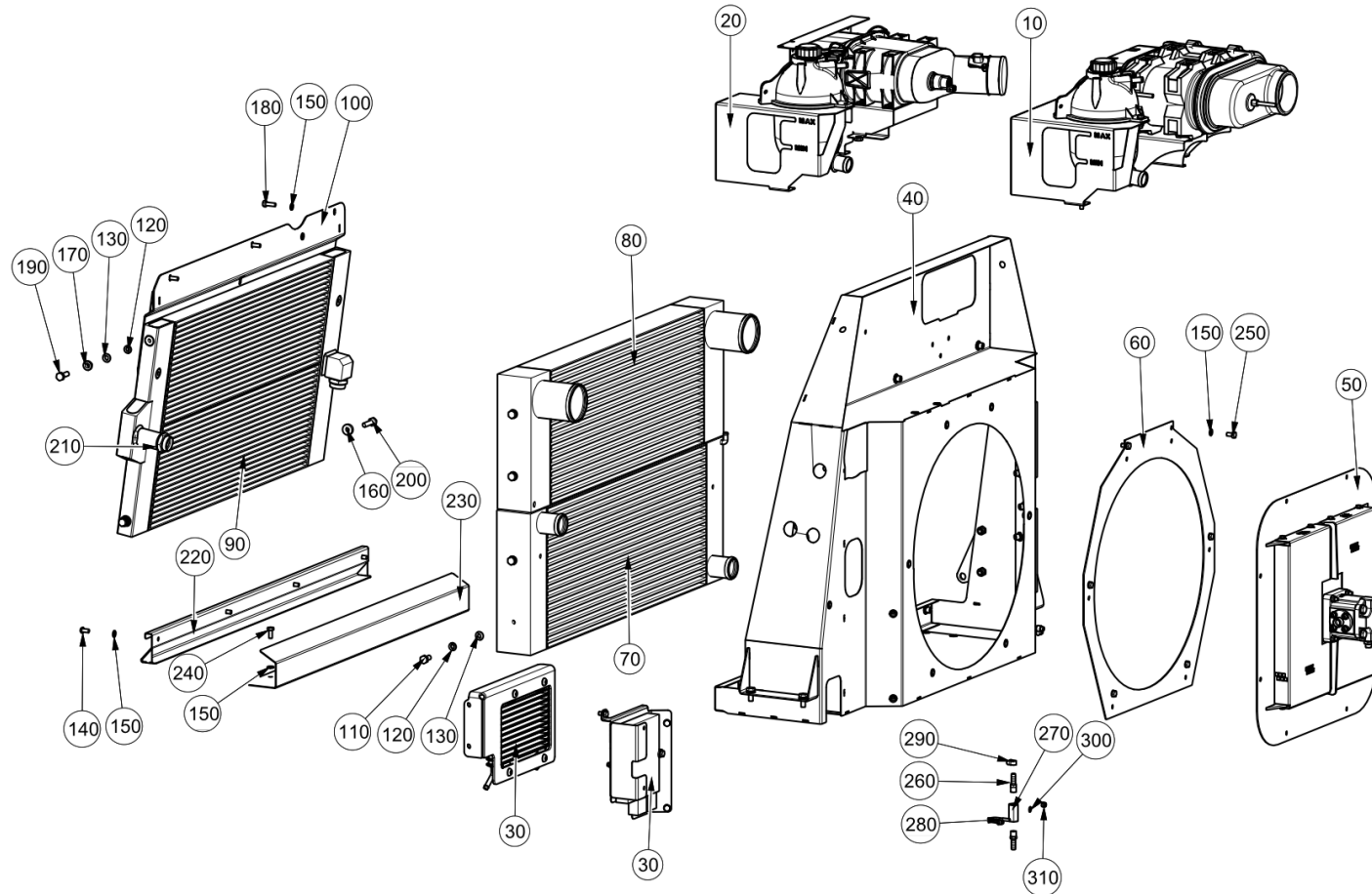


Gearbox Mounts ()

Powapack\Hydrostatic Gearbox\Gearbox Mounts

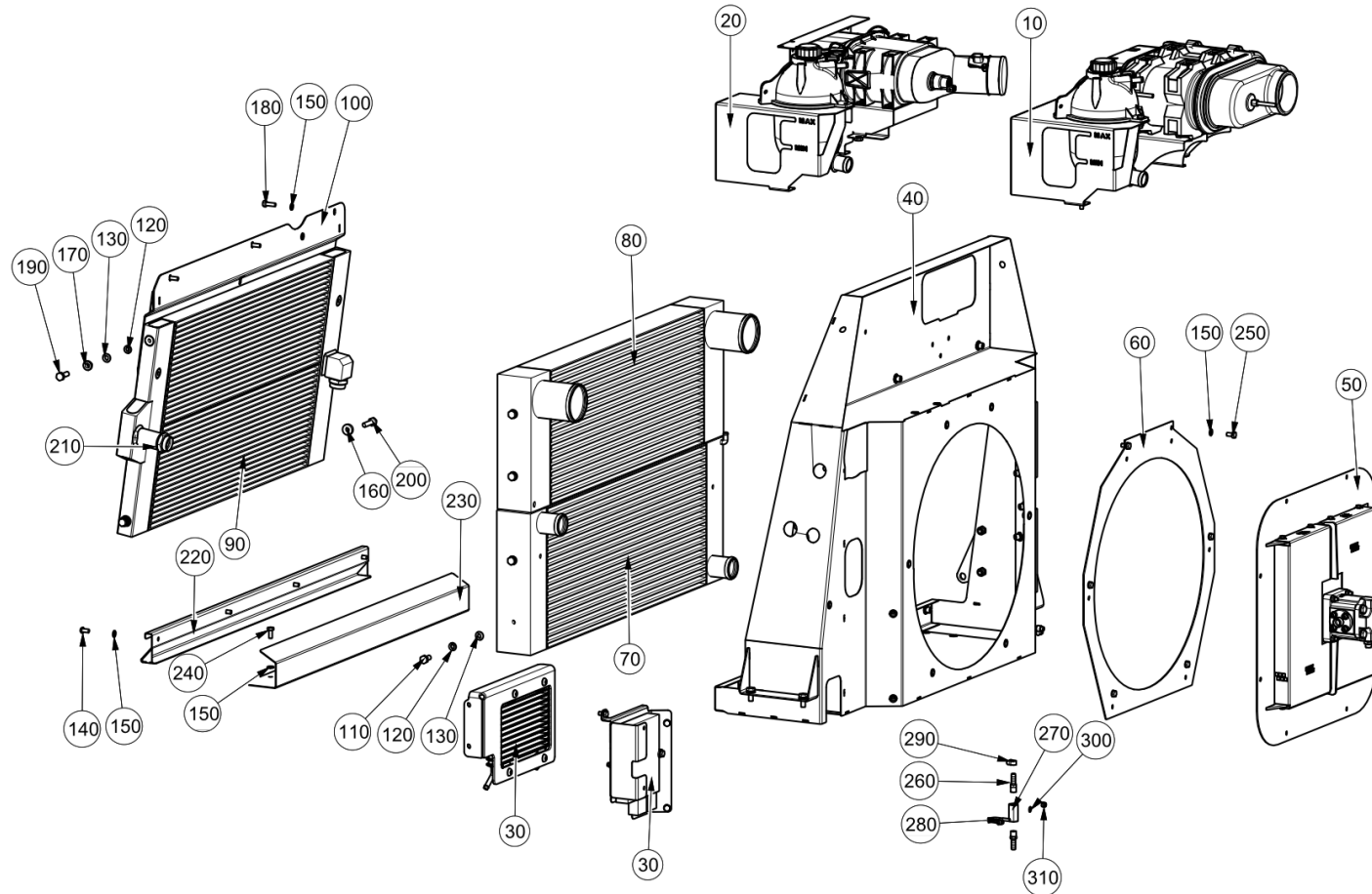
Item no.	Part no.	Description	QTY	Unit
10	7026703	Gearbox Mounting Bracket	2	PC
20	290-55	Cone Mounting 90mm ² Shore Hardness = 70	4	PC
30	290-50	Rebound Washer M16 (To Suit 290-46)	8	PC
40	92067543-0	Hex Head Bolt - M16x100C - 8.8	4	PC
50	459-16	Washer - M16 Hardened BS 4395	4	PC
60	93085009-0	Nyloc Hex Nut M16C - 8	4	PC
70	92067419-0	Hex Head Bolt - M10Cx35 - 8.8	16	PC
80	93212012-0	Plain Washer - M10	16	PC
90	93085006-0	Nyloc Hex Nut M10C - 8	16	PC
100	92067457-0	Hex Head Bolt - M12Cx40 - 8.8	8	PC
110	93699712-0	Spring Washer - Plated M12	8	PC
120	93212013-0	Plain Washer M12	8	PC

Cooling Pack Assembly ()
Powapack\Cooling Pack Assembly



Cooling Pack Assembly ()
Powapack\Cooling Pack Assembly

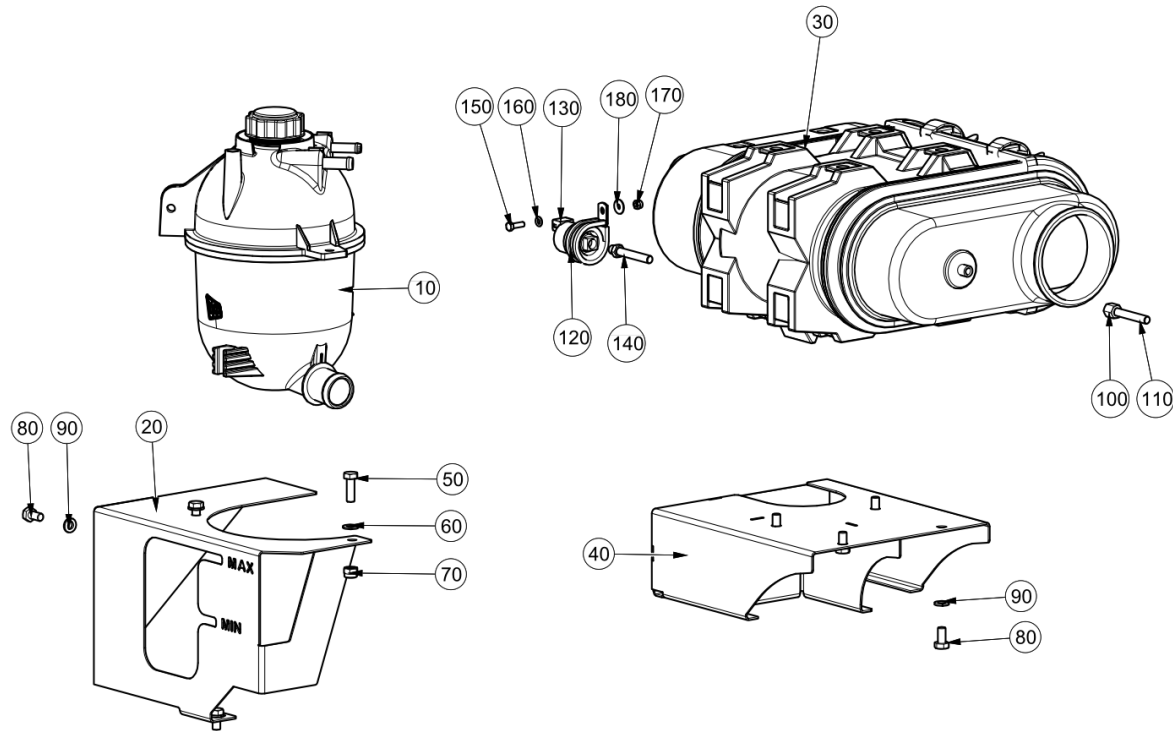
Item no.	Part no.	Description	QTY	Unit
60	7024236	Fan Height Adaptor	1	PC
70	7002540	Radiator	1	PC
80	7002541	Charge Air Cooler	1	PC
90	7035760	Hydraulic oil cooler	1	PC
100	7034082	Closing plate welded assembly	1	PC
110	92097412-0	Hex Head Screw - M10Cx25 - 8.8	8	PC
120	93699711-0	Spring Washer - Plated M10	9	PC
130	93212012-0	Plain Washer - M10	5	PC
140	92330044-0	Hex Skt Button Head Screw M8x16 - 10.9	4	PC
150	93699710-0	Spring Washer - Plated M8	10	PC
160	7036149	Spacer	1	PC
170	7034093	Pivot button	3	PC
180	92097376-0	Hex Head Screw - M8Cx25 - 8.8	3	PC
190	92097415-0	Hex Head Screw - M10Cx35 - 8.8	2	PC
200	92097416-0	Hex Head Screw - M10Cx40 - 8.8	1	PC
210	6601-1349	Stud Coupling Male G 1" x M36 x 2.0	2	PC
220	7022834	Interface Panel Welded Assembly	1	PC
220	7041805	Radiator Grill W/Assy JCB Stage 4 93kw	1	PC
230	7037668	Lower mask	1	PC
240	92097374-0	Hex Head Screw - M8Cx20 - 8.8	2	PC
250	92097372-0	Hex Head Screw - M8Cx16 - 8.8	10	PC
260	46382-3-B	Adaptor - Brass R 1/4	3	PC
270	88-51	Ball Valve - 1/4" F-F	1	PC
280	6105-1-C	Bolt - U M6c	1	PC

Cooling Pack Assembly ()
 Powapack\Cooling Pack Assembly


Cooling Pack Assembly ()
Powapack\Cooling Pack Assembly

Item no.	Part no.	Description	QTY	Unit
290	09531053-0	Hose Clip - Worm Drive (9.5 -12)	2	PC
291	271-41	Hose - Silicone 9.5mm I/D	0.5	M
300	93212009-0	Plain Washer - M6	2	PC
310	93085004-0	Nyloc Hex Nut M6C - 8	2	PC

Expansion Tank & Air Filter ()
Powapack\Cooling Pack Assembly\Expansion Tank & Air Filter

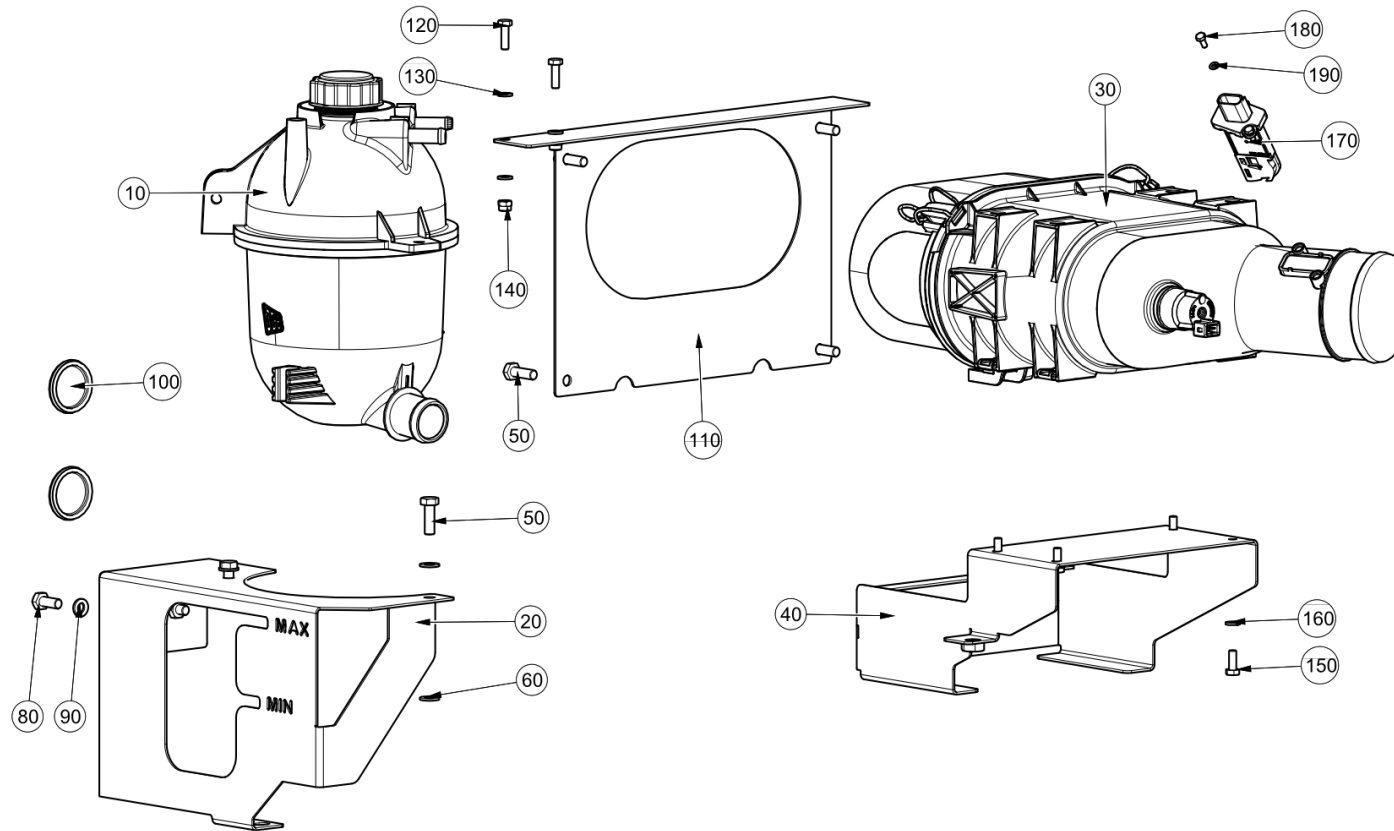


Expansion Tank & Air Filter ()

Powapack\Cooling Pack Assembly\Expansion Tank & Air Filter

Item no.	Part no.	Description	QTY	Unit
10	7017985	Expansion Tank	1	PC
20	7018406	Bracket Welded Assembly - Expansion Tank	1	PC
30	7006277	Air Filter Assembly	1	PC
40	7018375	Air Filter Bracket Welded Assembly	1	PC
50	92097376-0	Hex Head Screw - M8Cx25 - 8.8	2	PC
60	93212011-0	Plain Washer - M8	2	PC
70	93085805-0	Nyloc Hex Nut M8C - 8	2	PC
80	92097372-0	Hex Head Screw - M8Cx16 - 8.8	4	PC
90	93699710-0	Spring Washer - Plated M8	4	PC
100	904-58	Adaptor - R1/8" x 6mm	1	PC
110	12870	Tube - Nylon Black 8mm O/D	1	M
120	508-115	Clip - P Rubber Covered 35.00mm	1	PC
130	7007654	Pressure Switch - Engine 55 Pa (X770316)	1	PC
140	904-56	Adaptor - R 1/8" M x 6mm	1	PC
150	92097263-0	Hex Head Screw - M5Cx16 - 8.8	1	PC
160	93210109-0	Plain Washer M5	1	PC
170	93085003-0	Nyloc Hex Nut M5C - 8	1	PC
180	93300506-0	Plain Large Washer M5	1	PC

JCB 93kw Stage 4 Expansion Tank & Air Filter ()
Powapack\Cooling Pack Assembly\JCB 93kw Stage 4 Expansion Tank & Air Filter

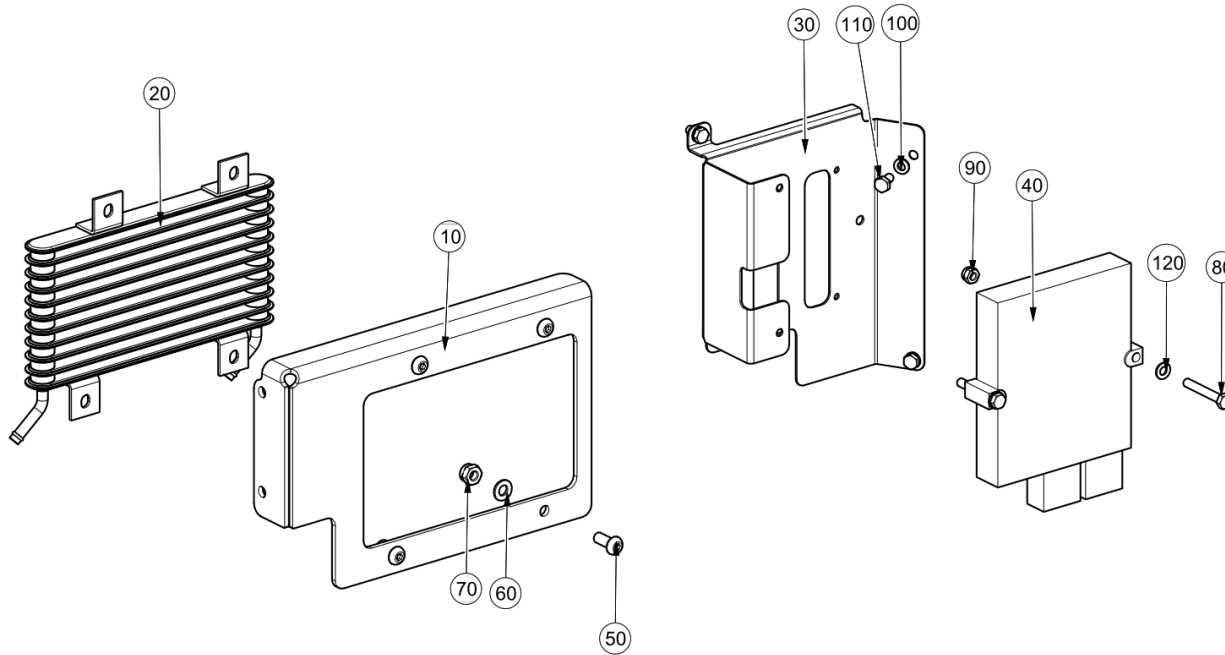


JCB 93kw Stage 4 Expansion Tank & Air Filter ()

Powapack\Cooling Pack Assembly\JCB 93kw Stage 4 Expansion Tank & Air Filter

Item no.	Part no.	Description	QTY	Unit
10	7017985	Expansion Tank	1	PC
20	7040444	Expansion Tank Bracket W/Assy	1	PC
30	7035828	JCB Air Cleaner	1	PC
40	7036630	Air Filter Bracket W/Assy	1	PC
50	92097376-0	Hex Head Screw - M8Cx25 - 8.8	6	PC
60	93212011-0	Plain Washer - M8	4	PC
70	93085005-0	Nyloc Hex Nut M8C - 8	2	PC
80	92097374-0	Hex Head Screw - M8Cx20 - 8.8	3	PC
90	93699710-0	Spring Washer - Plated M8	3	PC
100	288-54	Grommet - Blind 31.8 O/D x 2.4	2	PC
110	7036614	Service Plate	1	PC
120	92097301-0	Hex Head Screw - M6Cx20 - 8.8	2	PC
130	93212009-0	Plain Washer - M6	4	PC
140	93085004-0	Nyloc Hex Nut M6C - 8	2	PC
150	92097299-0	Hex Head Screw - M6Cx16 - 8.8	4	PC
160	93699708-0	Spring Washer - Plated M6	4	PC
170	7023408	Sensor TMAF JCB	1	PC
180	92097225-0	Hex Head Screw - M4Cx10 - 8.8	2	PC
190	93699706-0	Spring Washer - Plated M4	2	PC

Control Box & Fuel Cooler ()
Powapack\Cooling Pack Assembly\Control Box & Fuel Cooler

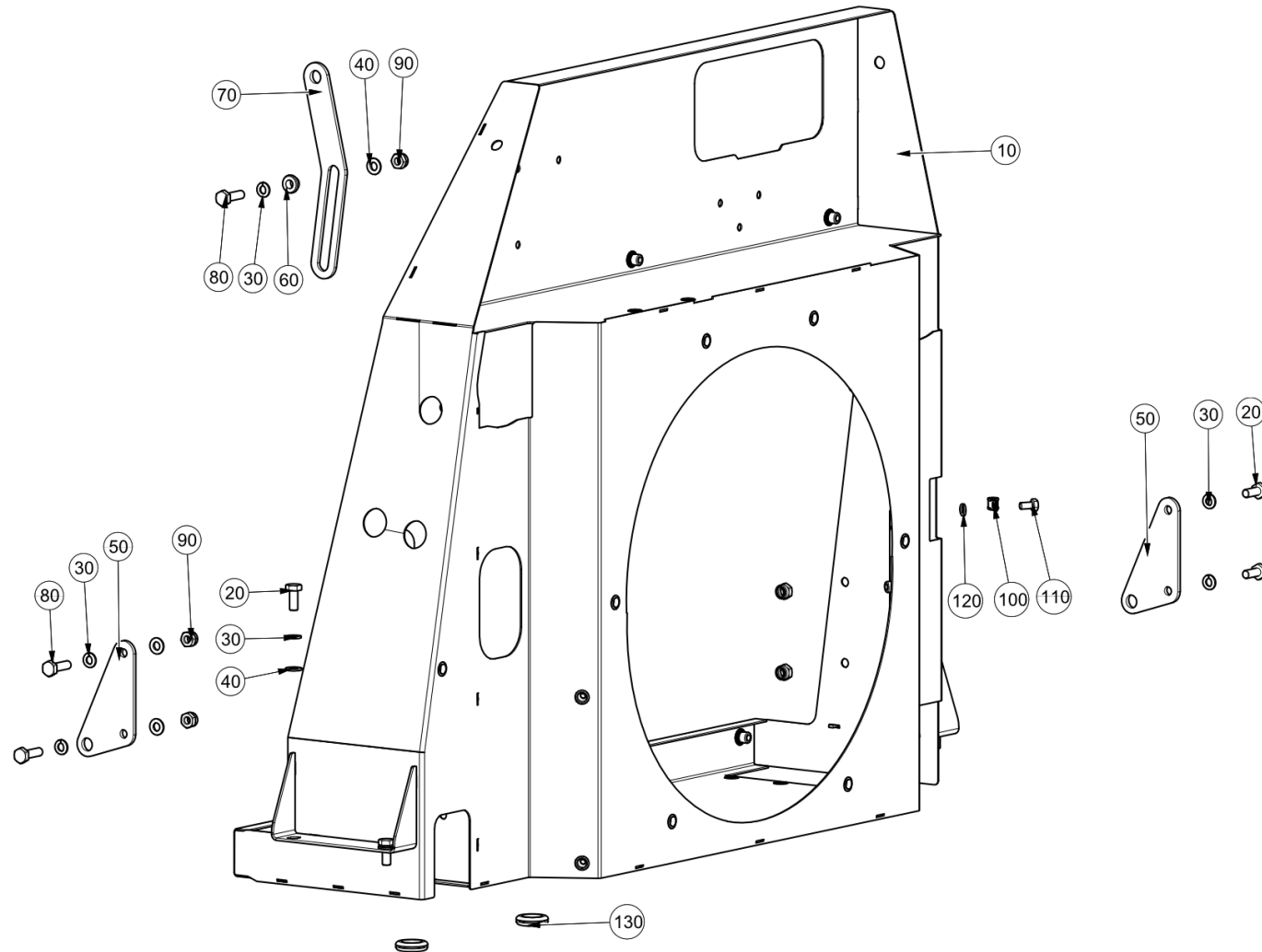


Control Box & Fuel Cooler ()

Powapack\Cooling Pack Assembly\Control Box & Fuel Cooler

Item no.	Part no.	Description	QTY	Unit
10	7034118	Fuel cooler mount	1	PC
20	7025735	Fuel Cooler	1	PC
30	7035809	Control box mount	1	PC
40	7035793	Engine Assembly JD/S3a/86/12v	1	PC
50	92330357-0	Hex Skt Button Head Screw M10x25 - 10.9	4	PC
60	93212012-0	Plain Washer - M10	4	PC
70	93085806-0	Nyloc Hex Nut M10C - 8	4	PC
80	92097383-0	Hex Head Screw - M8Cx55 - 8.8	2	PC
90	93085805-0	Nyloc Hex Nut M8C - 8	2	PC
100	93699710-0	Spring Washer - Plated M8	3	PC
110	92097372-0	Hex Head Screw - M8Cx16 - 8.8	3	PC
120	93212011-0	Plain Washer - M8	2	PC

Cooling Shroud ()
Powapack\Cooling Pack Assembly\Cooling Shroud

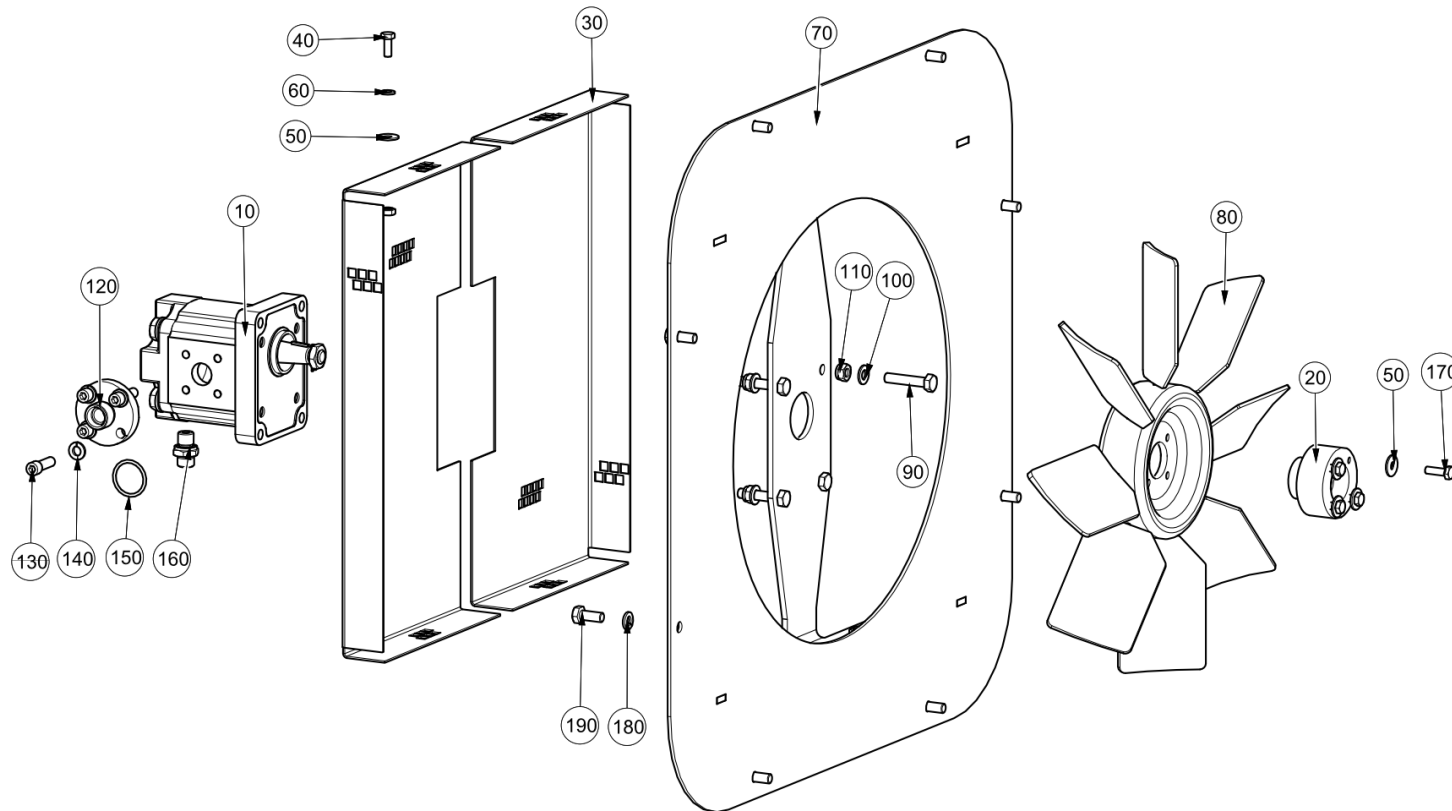


Cooling Shroud ()

Powapack\Cooling Pack Assembly\Cooling Shroud

Item no.	Part no.	Description	QTY	Unit
10	7034070	Radiator Shroud W/Assy	1	PC
10	7036595	Radiator Shroud W/Assy JCB Stage 4 93kw	1	PC
10	7035696	Radiator Shroud W/Assy Hydrostatic	1	PC
20	92097412-0	Hex Head Screw - M10Cx25 - 8.8	6	PC
30	93699711-0	Spring Washer - Plated M10	8	PC
40	93212012-0	Plain Washer - M10	5	PC
50	7034087	Pivot plate	2	PC
60	7034093	Pivot button	1	PC
70	7034105	Strap	1	PC
80	92097415-0	Hex Head Screw - M10Cx35 - 8.8	3	PC
90	93085806-0	Nyloc Hex Nut M10C - 8	4	PC
100	32-116	Cable Clip P Cable Dia 10	1	PC
110	92097372-0	Hex Head Screw - M8Cx16 - 8.8	1	PC
120	93699710-0	Spring Washer - Plated M8	1	PC
130	287-61	Grommet - Ø 31.8 O/D, 25.4 I/D 2.4 Thick	2	PC

Fan - Oil Cooler ()
Powapack\Cooling Pack Assembly\Fan - Oil Cooler

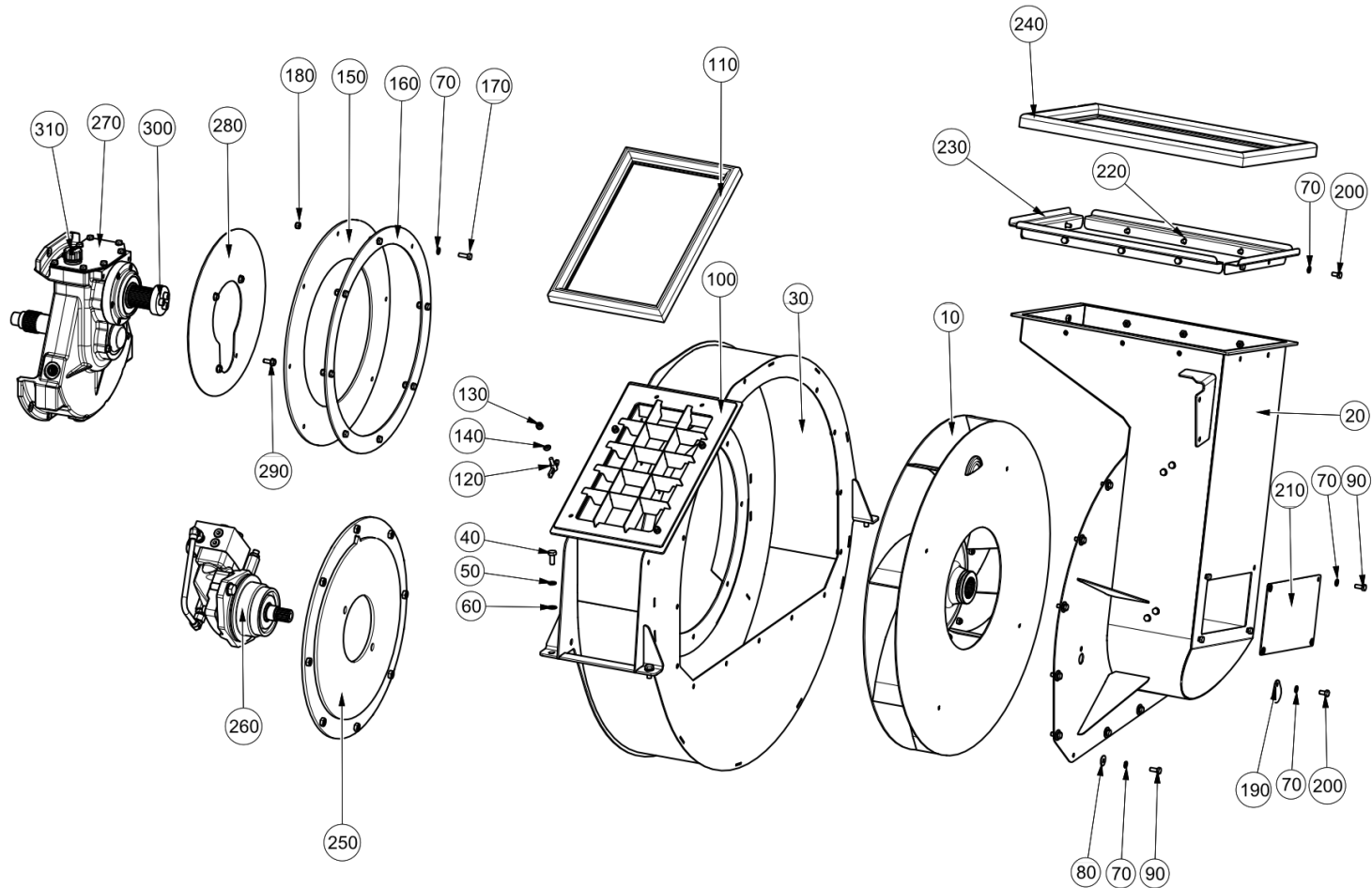


Fan - Oil Cooler ()

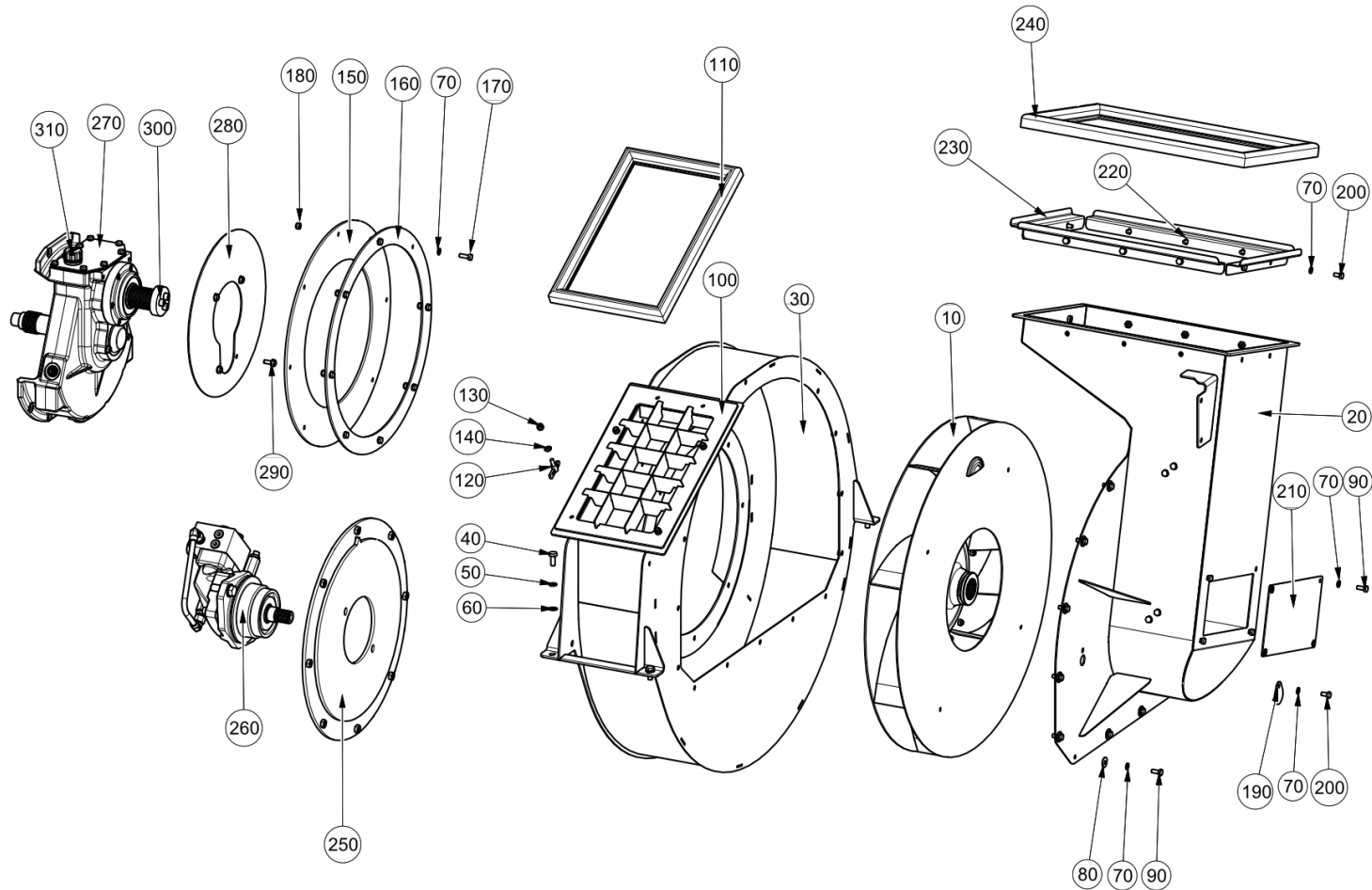
Powapack\Cooling Pack Assembly\Fan - Oil Cooler

Item no.	Part no.	Description	QTY	Unit
10	295046-1	Hydraulic Motor	1	PC
20	283295-1	Boss - Fan Drive	1	PC
30	7010850	Guard - Mesh	2	PC
40	92097299-0	Hex Head Screw - M6Cx16 - 8.8	8	PC
50	93300507-0	Plain Large Washer M6	12	PC
60	93699708-0	Spring Washer - Plated M6	8	PC
70	7010853	Support Hydraulic Motor Welded Assembly	1	PC
80	90829-1	Impeller - Oil Cooling Fan	1	PC
90	92097380-0	Hex Head Screw - M8Cx40 - 8.8	4	PC
100	93212011-0	Plain Washer - M8	4	PC
110	93085005-0	Nyloc Hex Nut M8C - 8	4	PC
120	7011027	Adaptor - Hydraulic Motor	2	PC
130	151-50	Capscrew Skt Hd UNC 5/16x1	8	PC
140	450-28	Washer Spring 5/16	8	PC
150	79-34	O-Ring - 1.049" Dia.	2	PC
160	09570126-0	Stud Coupling Male G 1/4" x M14x1.5 (8L)	1	PC
170	92097301-0	Hex Head Screw - M6Cx20 - 8.8	4	PC
180	93699710-0	Spring Washer - Plated M8	8	PC
190	92097374-0	Hex Head Screw - M8Cx20 - 8.8	8	PC

Fan ()
Powapack\Fan



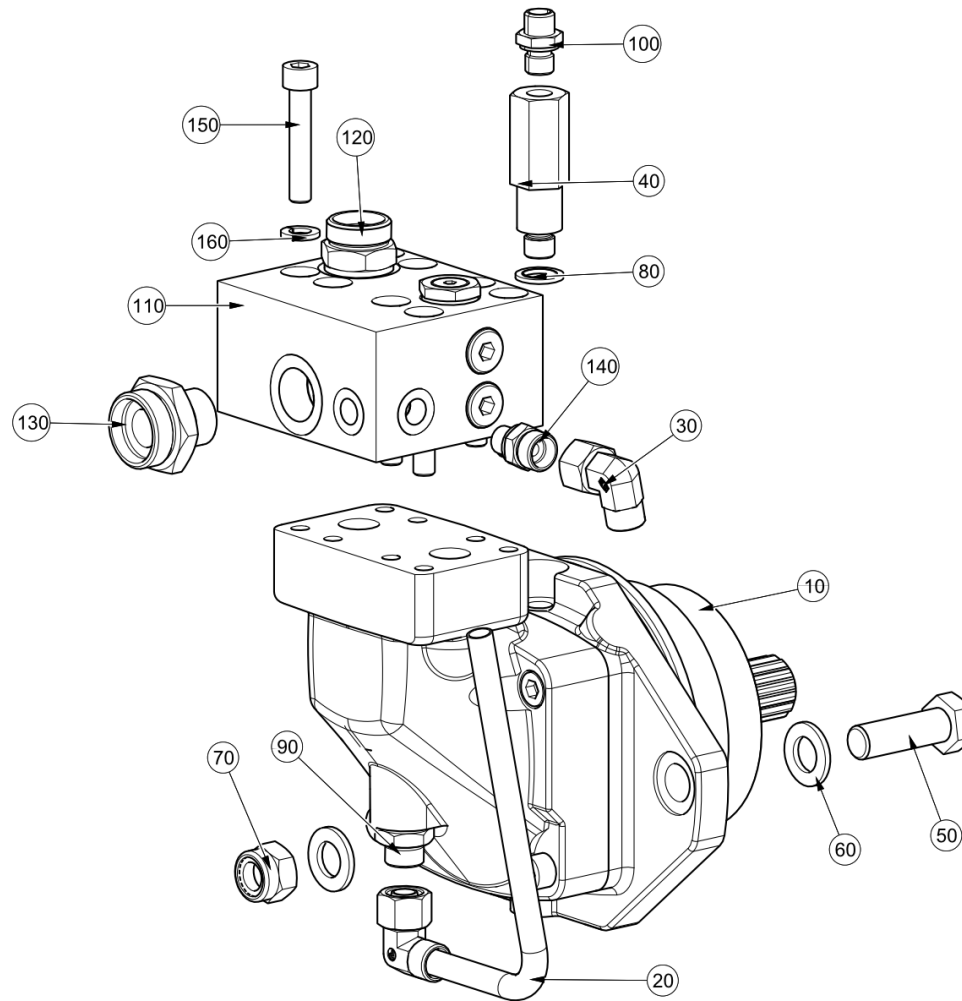
Item no.	Part no.	Description	QTY	Unit
10	7032948-SP	Fan Impeller Assembly 760dia. Spares	1	PC
10	7033091-SP	Fan Impeller Assembly 800 dia. Spares	1	PC
10	S7014196	Fan Imp.Kit Hydrostatic Spares	1	PC
20	7039838	Fancase Inlet Weld Assembly	1	PC
30	7010089	Fancase Welded Assembly	1	PC
40	92097412-0	Hex Head Screw - M10Cx25 - 8.8	4	PC
50	93699711-0	Spring Washer - Plated M10	4	PC
60	93212012-0	Plain Washer - M10	4	PC
70	93699710-0	Spring Washer - Plated M8	22	PC
80	93300509-0	Plain Large Washer - M8	14	PC
90	92097374-0	Hex Head Screw - M8Cx20 - 8.8	14	PC
100	7002366	Guard	1	PC
110	7002395	Seal - Fan outlet	1	PC
120	60-15	Pin - Antiluce, M8 x 18	4	PC
130	93085805-0	Nyloc Hex Nut M8C - 8	4	PC
140	93212011-0	Plain Washer - M8	4	PC
150	7017201	Diaphragm - Fancase Assembly	1	PC
160	7017203	Flange, Fancase Assembly	1	PC
170	92097376-0	Hex Head Screw - M8Cx25 - 8.8	8	PC
180	93085005-0	Nyloc Hex Nut M8C - 8	8	PC
190	7011909	Cover	1	PC
200	92097372-0	Hex Head Screw - M8Cx16 - 8.8	11	PC
210	7005177	Plate	1	PC
220	7010676	Seal Retainer - Long	2	PC



Fan ()
Powapack\Fan

Item no.	Part no.	Description	QTY	Unit
230	7010677	Seal Retainer - Short	2	PC
240	7003618	Seal - Fan inlet	1	PC
250	7044461	Motor mounting plate welded assembly	1	PC
270	42270-1-C	Gearbox Assembly	1	PC
280	7038915	Mask Plate	1	PC
290	837-37	Screw - Special M8c x 20	4	PC
300	7028458	Fixing Kit	1	PC
300	94-67	Synthetic Gear Oil 75w/90	2,500	ML

Hydraulic Motor ()
Powapack\Fan\Hydraulic Motor



Hydraulic Motor ()

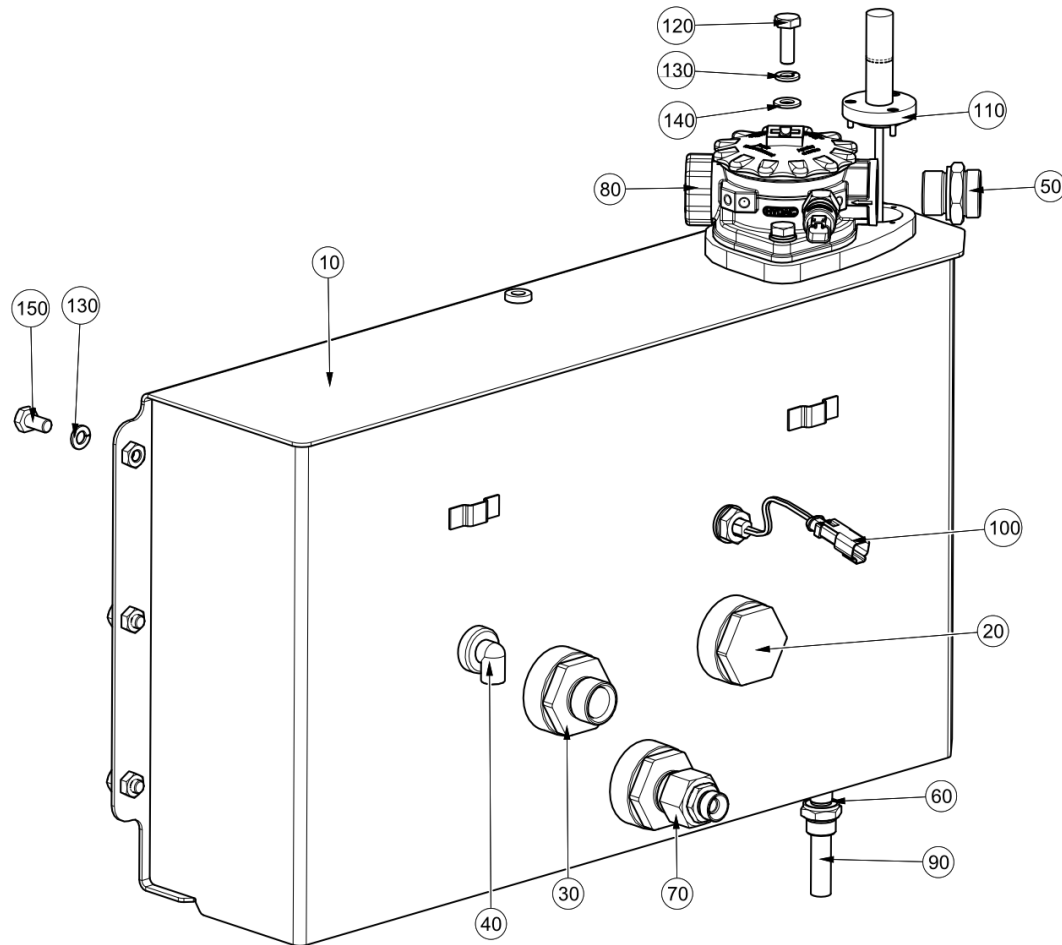
Powapack\Fan\Hydraulic Motor

Item no.	Part no.	Description	QTY	Unit
10	78184-1	Motor - Hydraulic	1	PC
20	7008932	Pipe - Hydraulic	1	PC
30	6613-0504	Adjustable Male Elbow - M18 x 1.5	2	PC
40	7006154	Adaptor - Hydraulic 1/4 x M14	1	PC
50	92067533-0	Hex Head Bolt - M16x50C - 8.8	2	PC
60	93210523-0	Plain Washer - M16	4	PC
70	93085009-0	Nyloc Hex Nut M16C - 8	2	PC
80	451-112	Washer Bonded Ø9-16" - Bolt	1	PC
90	09570105-0	Stud Coupling Male - M18x1.5 x M18x1.5	1	PC
100	09570126-0	Stud Coupling Male G 1/4" x M14x1.5 (8L)	1	PC
110	293441-24	Fan Control Block Hyd Sys 550	1	PC
120	6601-1342	Stud Coupling Male G 3/4" x M30 x 2.0	1	PC
130	6601-1346	Stud Coupling Male G 3/4" x M36 x 2.0	1	PC
140	09570128-0	Stud Coupling Male G 1/4" x M18 x 1.5	1	PC
150	92137163-0	Hex Socket Cap Screw - M10Cx55 - 12.9	8	PC
160	93699711-0	Spring Washer - Plated M10	8	PC

This page is intentionally left blank

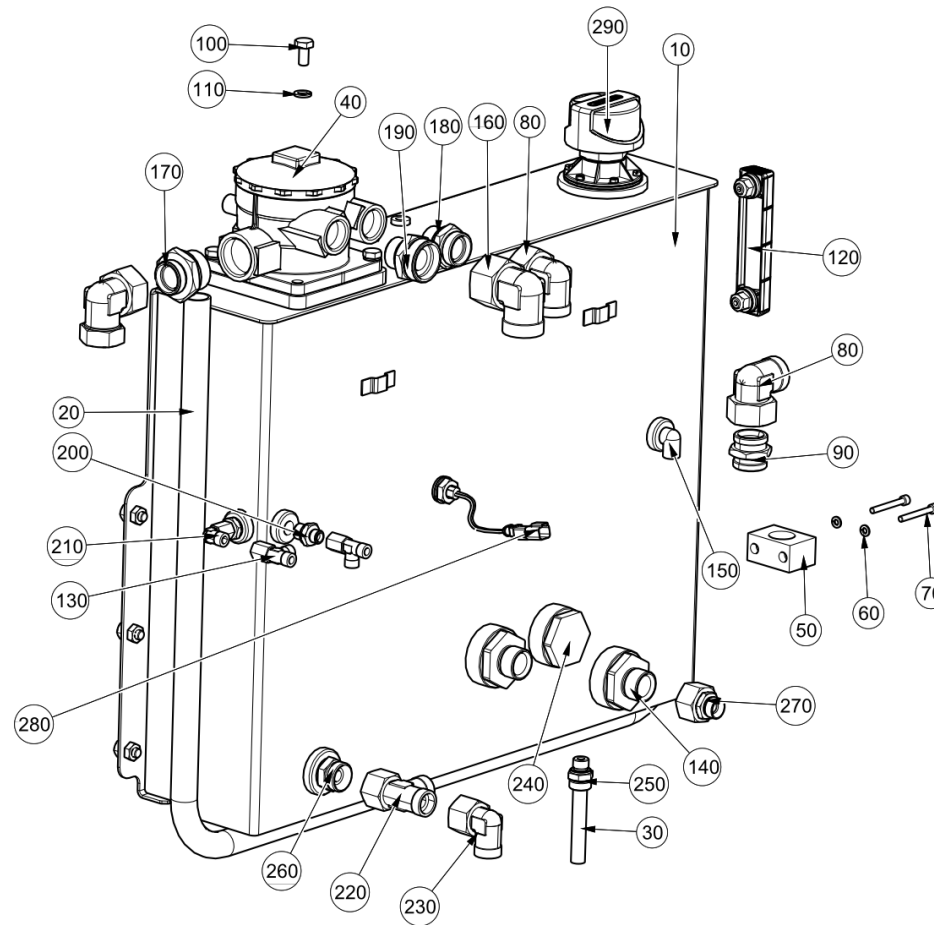
This page is intentionally left blank

Hydraulic Tank - Twin engine ()
Powapack\Hydraulics\Hydraulic Tank - Twin engine



Hydraulic Tank - Twin engine ()
Powapack\Hydraulics\Hydraulic Tank - Twin engine

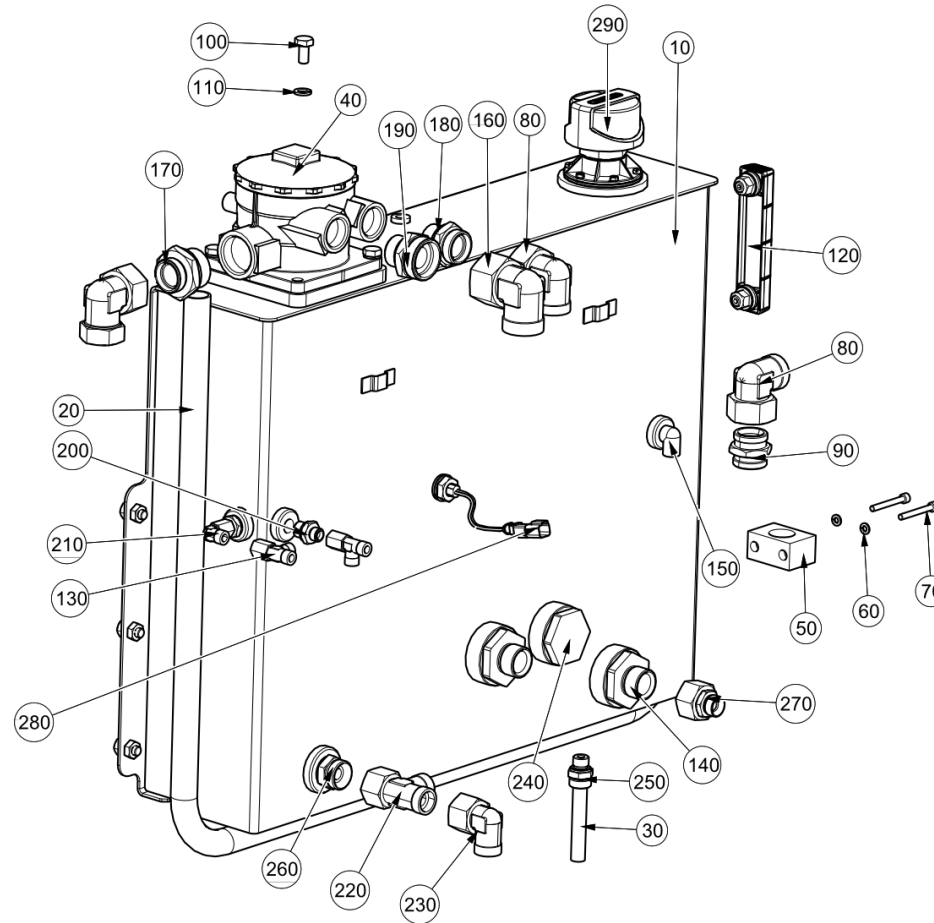
Item no.	Part no.	Description	QTY	Unit
10	7037788	Hydraulic Tank - W/Assy	1	PC
20	55-28	Plug - Solid Hex Head 1 7/8" With O Ring	1	PC
30	7005390	Filter - Hydraulic Suction	2	PC
40	521-12	Adaptor - Male Elbow 8 O/D 3/8 BSP	1	PC
50	6601-1349	Stud Coupling Male G 1" x M36 x 2.0	1	PC
60	6601-1326	Stud Coupling Male G 3/8" x M22 x 1.5	1	PC
70	306-3	Reducing Connector - M30x2 - M22x1.5	1	PC
80	7040295	Filter - Hydraulic Return	1	PC
90	7040322	Drain pipe - Hydraulic Tank	1	PC
100	48-328	Switch - Float and Deutsch Connector	1	PC
110	7040308	Level Switch - Visual Immersion	1	PC
120	92097414-0	Hex Head Screw - M10Cx30 - 8.8	2	PC
130	93699711-0	Spring Washer - Plated M10	8	PC
140	93212012-0	Plain Washer - M10	2	PC
150	92097410-0	Hex Head Screw - M10Cx20 - 8.8	6	PC
160	211-76	Safety Grip Tape Black Self Adhesive	500	MM

Hydraulic Tank - Single Engine ()
 Powapack\Hydraulics\Hydraulic Tank - Single Engine


Hydraulic Tank - Single Engine ()
Powapack\Hydraulics\Hydraulic Tank - Single Engine

Item no.	Part no.	Description	QTY	Unit
10	7030412	Hydraulic Tank Welded Assembly	1	PC
20	7035778	Pipe - Hydraulic return	1	PC
30	7007948	Pipe - Hydraulic	1	PC
40	7005394	Hydraulic Return Filter	1	PC
50	51-22	Clamp - Pipe Ø 28mm With Plate & Bolts	1	PC
60	93699708-0	Spring Washer - Plated M6	2	PC
70	92137088-0	Hex Socket Cap Screw - M6Cx50 - 12.9	2	PC
80	6613-0508	Adjustable Male Elbow - M36 x 2.0	3	PC
90	09570391-0	Straight Coupling Male M36 x 2.0	1	PC
100	92097410-0	Hex Head Screw - M10Cx20 - 8.8	10	PC
110	93699711-0	Spring Washer - Plated M10	10	PC
120	7005395	Hydraulic Level Gauge	1	PC
130	308-1	Adjustable Male Tee - M14 x 1.5	2	PC
140	7005390	Filter - Hydraulic Suction	2	PC
150	521-12	Adaptor - Male Elbow 8 O/D 3/8 BSP	1	PC
160	09571075-0	Adjustable Male Elbow - M45 x 2.0	1	PC
170	09570117-0	Stud Coupling Male G 1 1/4" x M36 x 2.0	1	PC
180	6601-1349	Stud Coupling Male G 1" x M36 x 2.0	1	PC
190	6601-1351	Stud Coupling Male G 1" x M45 x 2.0	1	PC
200	09570102-0	Stud Coupling Male G 3/8" x M14 x 1.5	2	PC
210	303-1	Adjustable Male Elbow - M14 x 1.5	1	PC
220	09571102-0	Adjustable Male Tee - M30 x 2	1	PC
230	09571074-0	Adjustable Male Elbow - M30 x 2.0	1	PC
240	55-28	Plug - Solid Hex Head 1 7/8" With O Ring	1	PC

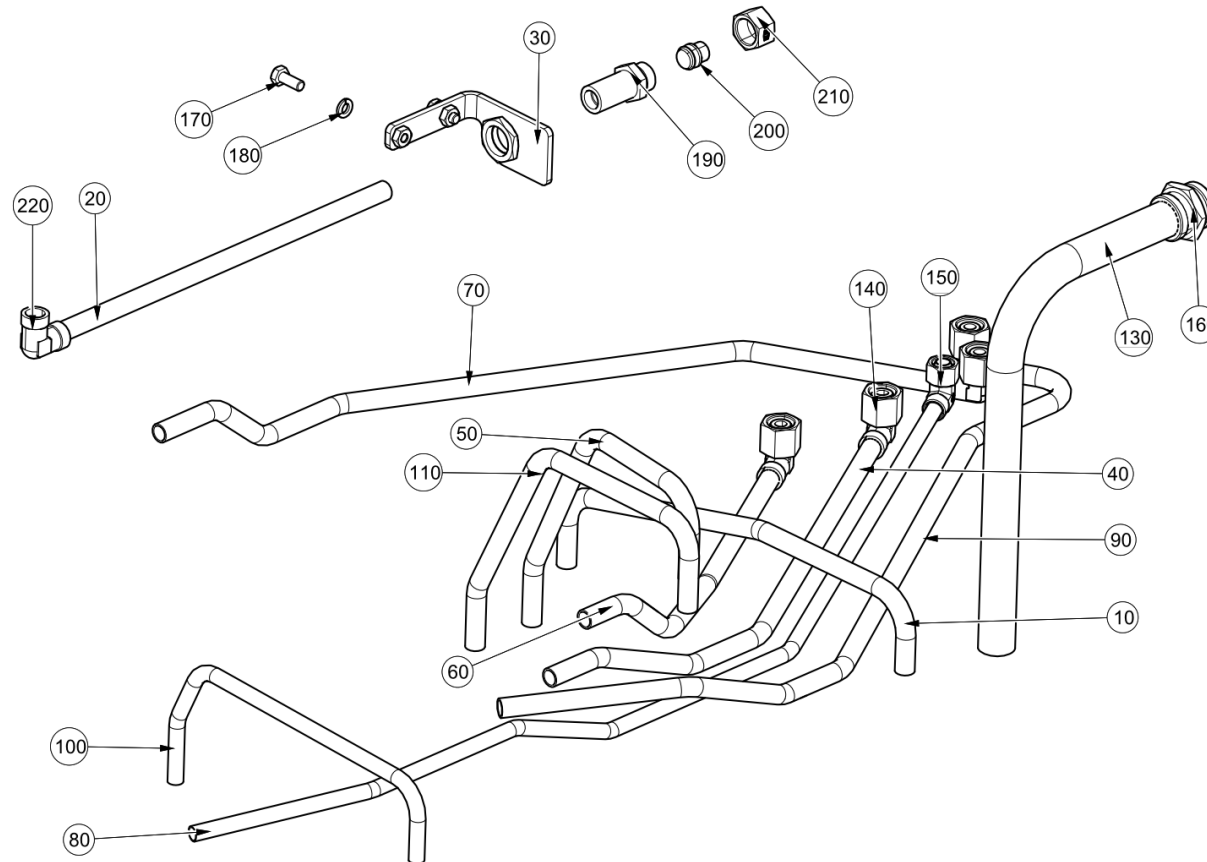
Hydraulic Tank - Single Engine ()
Powapack\Hydraulics\Hydraulic Tank - Single Engine



Hydraulic Tank - Single Engine ()
Powapack\Hydraulics\Hydraulic Tank - Single Engine

Item no.	Part no.	Description	QTY	Unit
250	6601-1326	Stud Coupling Male G 3/8" x M22 x 1.5	1	PC
260	6601-1342	Stud Coupling Male G 3/4" x M30 x 2.0	1	PC
270	306-3	Reducing Connector - M30x2 - M22x1.5	1	PC
280	48-328	Switch - Float and Deutsch Connector	1	PC
290	09552142-0	Vent Filter and Filler	1	PC

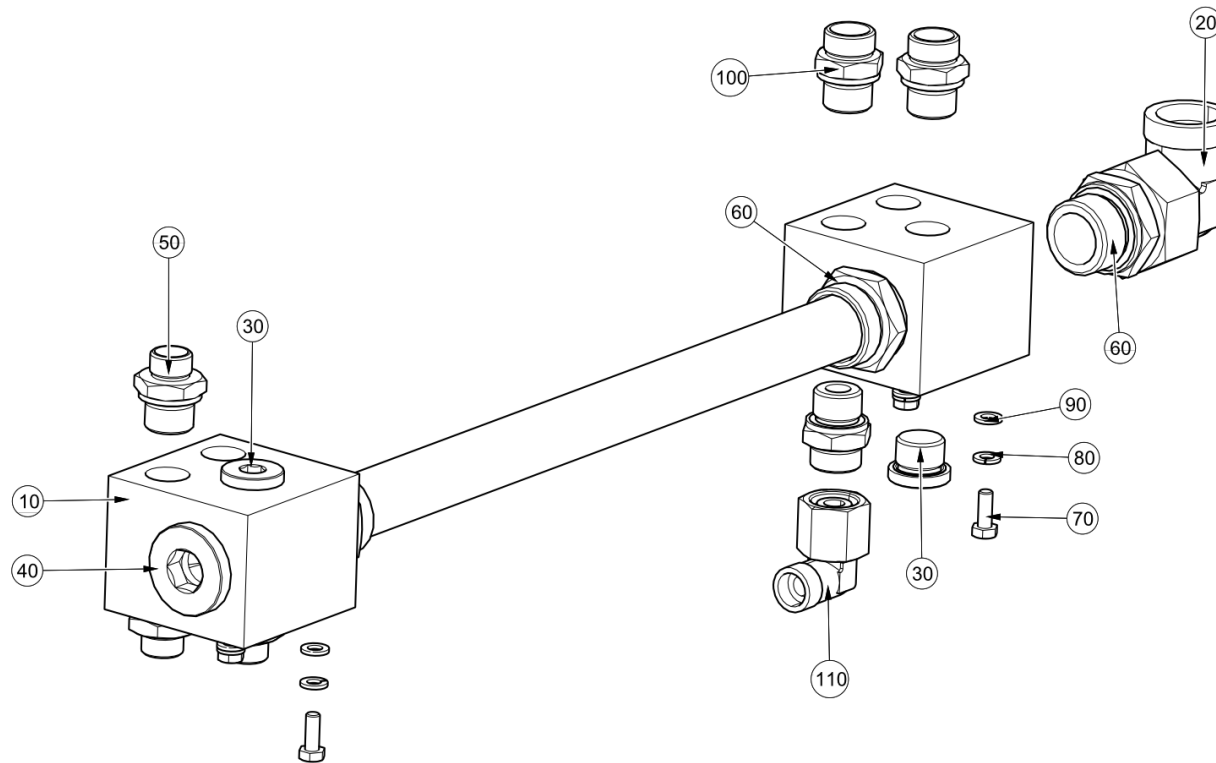
Hydraulic System - Twin Engine ()
Powapack\Hydraulics\Hydraulic System - Twin Engine



Hydraulic System - Twin Engine ()
Powapack\Hydraulics\Hydraulic System - Twin Engine

Item no.	Part no.	Description	QTY	Unit
10	7009162	Pipe - Hydraulic	1	PC
20	7007950	Pipe - Hydraulic	1	PC
30	7022850	Drain Bracket Welded Assembly	1	PC
40	7007945	Pipe - Hydraulic	1	PC
50	7017716	Hydraulic Pipe - Water Pump	1	PC
60	7007941	Pipe - Hydraulic	1	PC
70	7007940	Pipe - Hydraulic	1	PC
80	7027004	Pipe - Hydraulic	1	PC
90	7027002	Pipe - Hydraulic	1	PC
100	7027005	Pipe - Hydraulic	1	PC
110	7027003	Pipe - Hydraulic	1	PC
120	7007943	Pipe - Hydraulic	1	PC
130	7036570	Pipe - Hydraulic return to cooler	1	PC
140	6613-0505	Adjustable Male Elbow - M22 x 1.5	4	PC
150	6613-0504	Adjustable Male Elbow - M18 x 1.5	1	PC
160	09570391-0	Straight Coupling Male M36 x 2.0	1	PC
170	92097374-0	Hex Head Screw - M8Cx20 - 8.8	2	PC
180	93699710-0	Spring Washer - Plated M8	2	PC
190	302-3	Straight Bulkhead Connector - M22 x 1.5	1	PC
200	09572104-0	Plug Female - Tube O/D = 15mm	1	PC
210	09570009-0	Cap Nut - M22 x 1.5 (Tube O/D = 15mm)	1	PC
220	6613-1014	Equal Elbow Connector - M22 x 1.5	1	PC

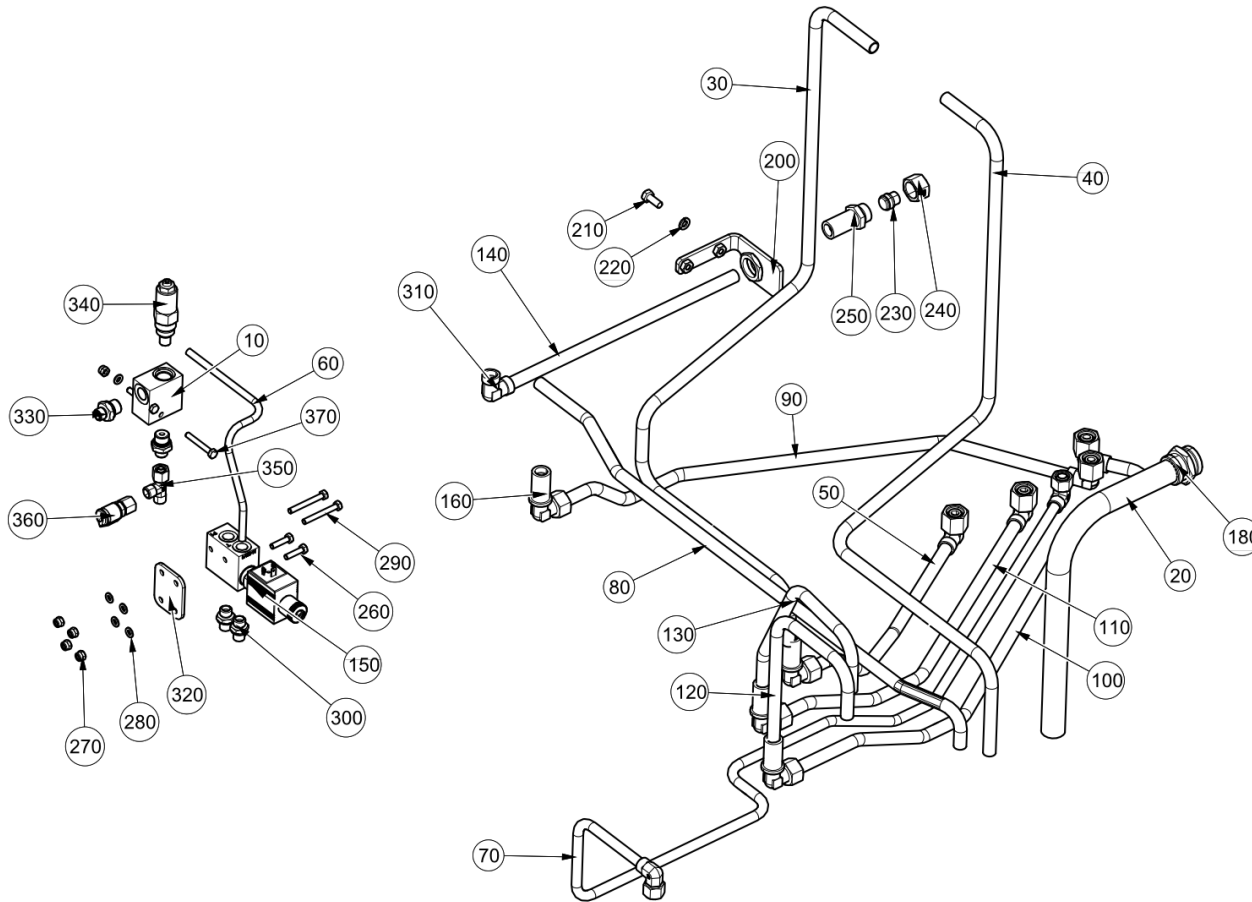
Hydraulic Manifold - Twin Engine ()
Powapack\Hydraulics\Hydraulic Manifold - Twin Engine



Hydraulic Manifold - Twin Engine ()
Powapack\Hydraulics\Hydraulic Manifold - Twin Engine

Item no.	Part no.	Description	QTY	Unit
10	7005626	Manifold - Hydraulic	1	PC
20	6613-0508	Adjustable Male Elbow - M36 x 2.0	1	PC
30	09572135-0	Plug - Collar 1/2 BSP	1	PC
40	09572137-0	Sealing Plug VS-R 1 WD	1	PC
50	09570131-0	Stud Coupling Male G 1/2" x M18 x 1.5	3	PC
60	6601-1349	Stud Coupling Male G 1" x M36 x 2.0	1	PC
70	92097299-0	Hex Head Screw - M6Cx16 - 8.8	2	PC
80	93699708-0	Spring Washer - Plated M6	2	PC
90	93212009-0	Plain Washer - M6	2	PC
100	6601-1329	Stud Coupling Male G 1/2" x M22 x 1.5	3	PC
110	6613-0505	Adjustable Male Elbow - M22 x 1.5	1	PC

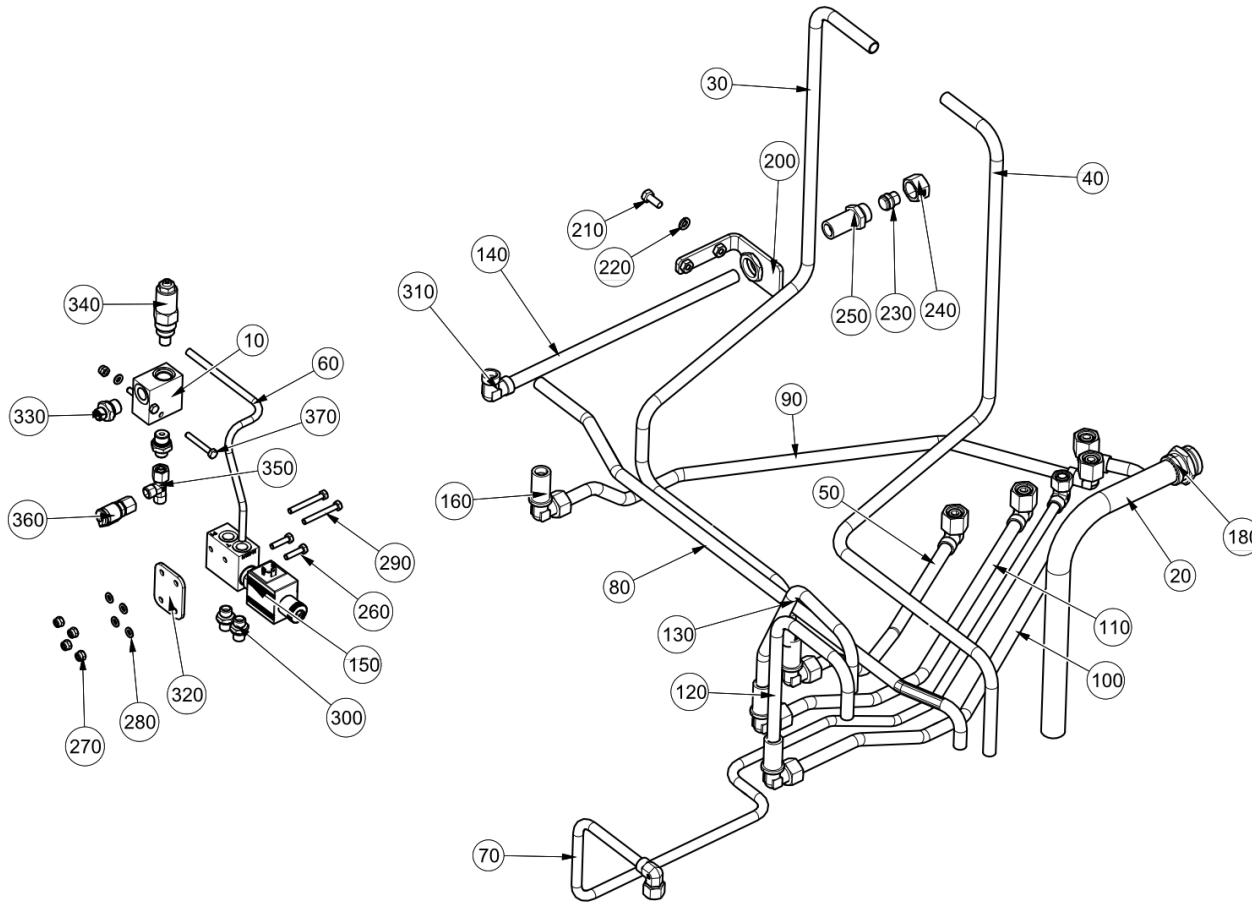
Hydraulic System - Hydrostatic ()
Powapack\Hydraulics\Hydraulic System - Hydrostatic



Hydraulic System - Hydrostatic ()
Powapack\Hydraulics\Hydraulic System - Hydrostatic

Item no.	Part no.	Description	QTY	Unit
10	72679-2	Block Only	1	PC
20	7036570	Pipe - Hydraulic return to cooler	1	PC
30	7021457	Pipe - Hydraulic	1	PC
40	7022447	Pipe - Hydraulic	1	PC
50	7007941	Pipe - Hydraulic	1	PC
60	7045700	Pipe - Hydraulic return	1	PC
70	7021505	Pipe - Hydraulic	1	PC
80	7037713	Pipe - Hydraulic Discharge Suction	1	PC
90	7007940	Pipe - Hydraulic	1	PC
100	7007944	Pipe - Hydraulic	1	PC
110	7007945	Pipe - Hydraulic	1	PC
120	7017685	Hydraulic Pipe - Water Pump	1	PC
130	7017716	Hydraulic Pipe - Water Pump	1	PC
140	7007950	Pipe - Hydraulic	1	PC
150	7005344	Proportional Relief Valve 24V	1	PC
160	09570487-0	Bulkhead Elbow Connector - M22 x 1.5	4	PC
170	6613-0505	Adjustable Male Elbow - M22 x 1.5	4	PC
180	09570391-0	Straight Coupling Male M36 x 2.0	1	PC
190	6613-0504	Adjustable Male Elbow - M18 x 1.5	2	PC
200	7022850	Drain Bracket Welded Assembly	1	PC
210	92097374-0	Hex Head Screw - M8Cx20 - 8.8	2	PC
220	93699710-0	Spring Washer - Plated M8	2	PC
230	09572104-0	Plug Female - Tube O/D = 15mm	1	PC
240	09570009-0	Cap Nut - M22 x 1.5 (Tube O/D = 15mm)	1	PC

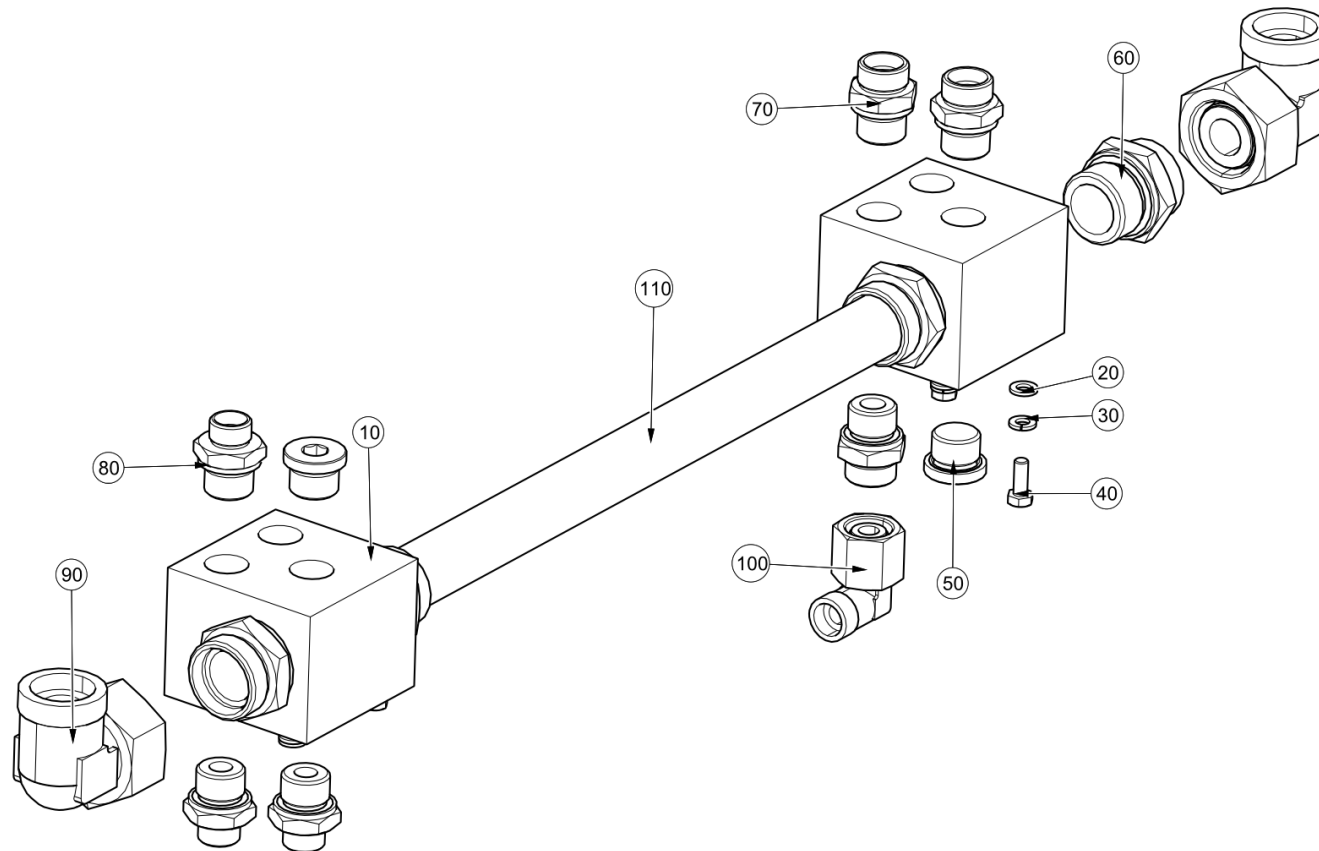
Hydraulic System - Hydrostatic ()
Powapack\Hydraulics\Hydraulic System - Hydrostatic



Hydraulic System - Hydrostatic ()
Powapack\Hydraulics\Hydraulic System - Hydrostatic

Item no.	Part no.	Description	QTY	Unit
250	302-3	Straight Bulkhead Connector - M22 x 1.5	1	PC
260	92067305-0	Hex Head Bolt - M6Cx25 - 8.8	2	PC
270	93085004-0	Nyloc Hex Nut M6C - 8	4	PC
280	93212009-0	Plain Washer - M6	4	PC
290	92067311-0	Hex Head Bolt - M6Cx50 - 8.8	2	PC
300	09570126-0	Stud Coupling Male G 1/4" x M14x1.5 (8L)	2	PC
310	6613-1014	Equal Elbow Connector - M22 x 1.5	1	PC
320	7045699	Mount plate	1	PC
330	09570102-0	Stud Coupling Male G 3/8" x M14 x 1.5	2	PC
340	847-130	Relief Valve - 4.8l/min 210 Bar	1	PC
350	09571084-0	Adjustable Male Tee - M14 x 1.5	1	PC
360	09518198-0	Test Coupling - Ø8 Pipe M14x1.5	1	PC
370	92067310-0	Hex Head Bolt - M6Cx45 - 8.8	2	PC

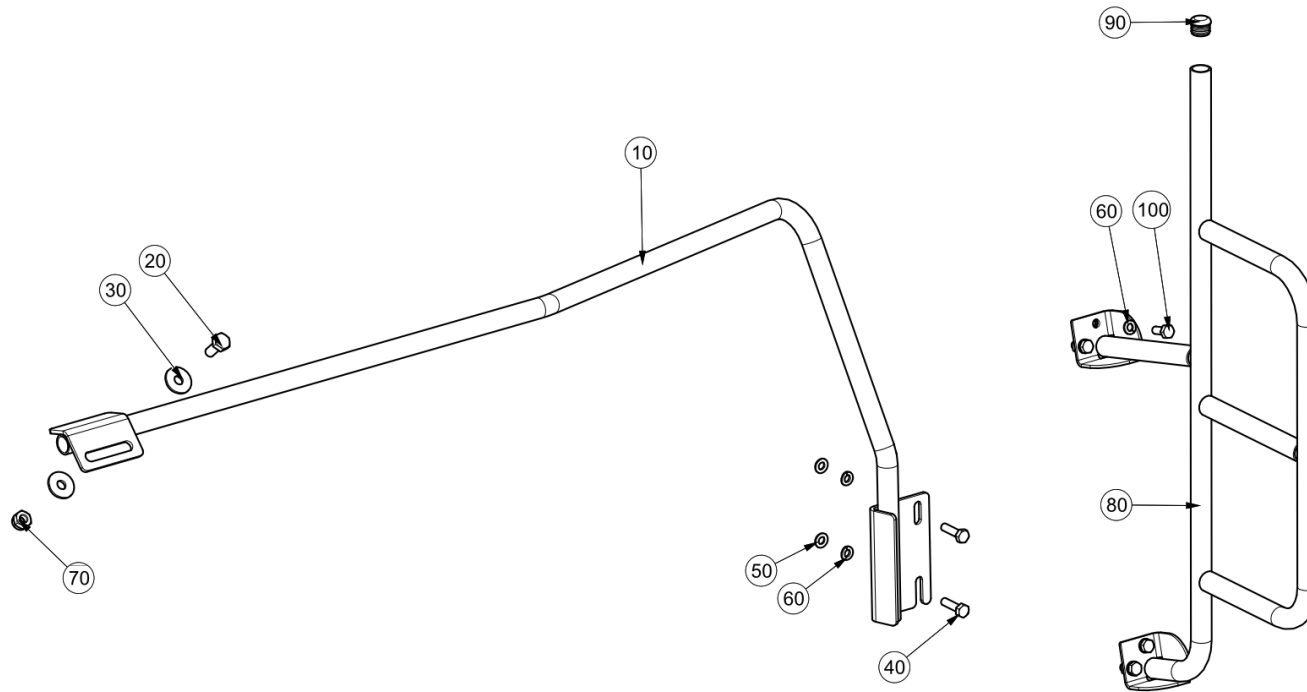
Hydraulic Manifold - Hydrostatic ()
Powapack\Hydraulics\Hydraulic Manifold - Hydrostatic



Hydraulic Manifold - Hydrostatic ()
Powapack\Hydraulics\Hydraulic Manifold - Hyrdrostatic

Item no.	Part no.	Description	QTY	Unit
10	7005626	Manifold - Hydraulic	1	PC
20	93212009-0	Plain Washer - M6	2	PC
30	93699708-0	Spring Washer - Plated M6	2	PC
40	92097299-0	Hex Head Screw - M6Cx16 - 8.8	2	PC
50	09572135-0	Plug - Collar 1/2 BSP	1	PC
60	6601-1349	Stud Coupling Male G 1" x M36 x 2.0	2	PC
70	6601-1329	Stud Coupling Male G 1/2" x M22 x 1.5	3	PC
80	09570131-0	Stud Coupling Male G 1/2" x M18 x 1.5	3	PC
90	6613-0508	Adjustable Male Elbow - M36 x 2.0	1	PC
100	6613-0505	Adjustable Male Elbow - M22 x 1.5	1	PC
110	7007943	Pipe - Hydraulic	1	PC

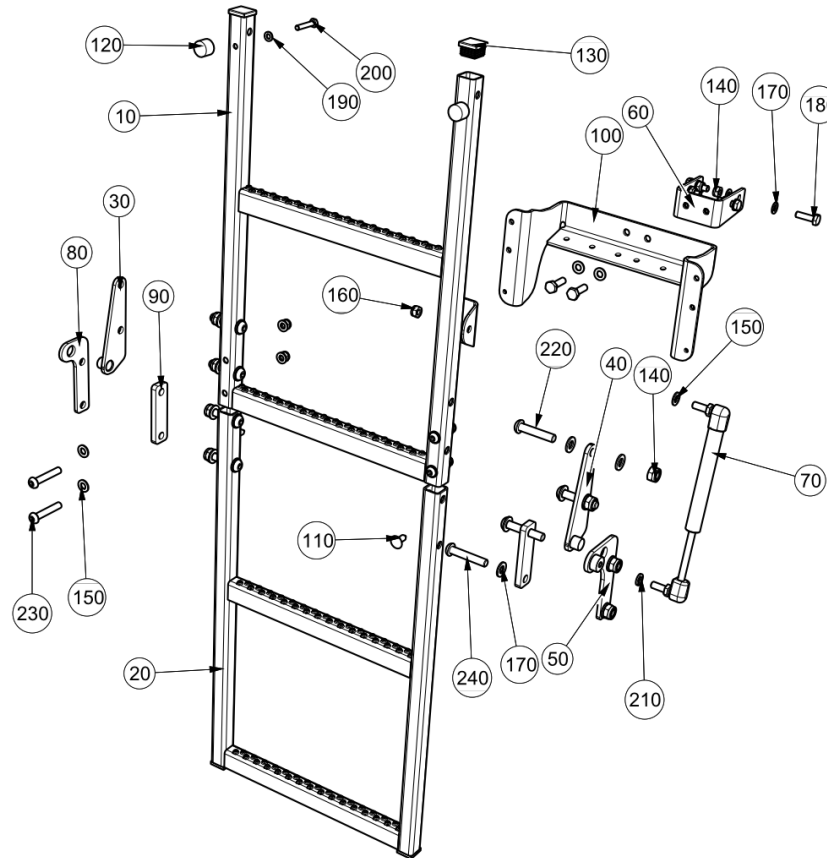
Handle ()
Powapack\Handle



Handle ()
Powapack\Handle

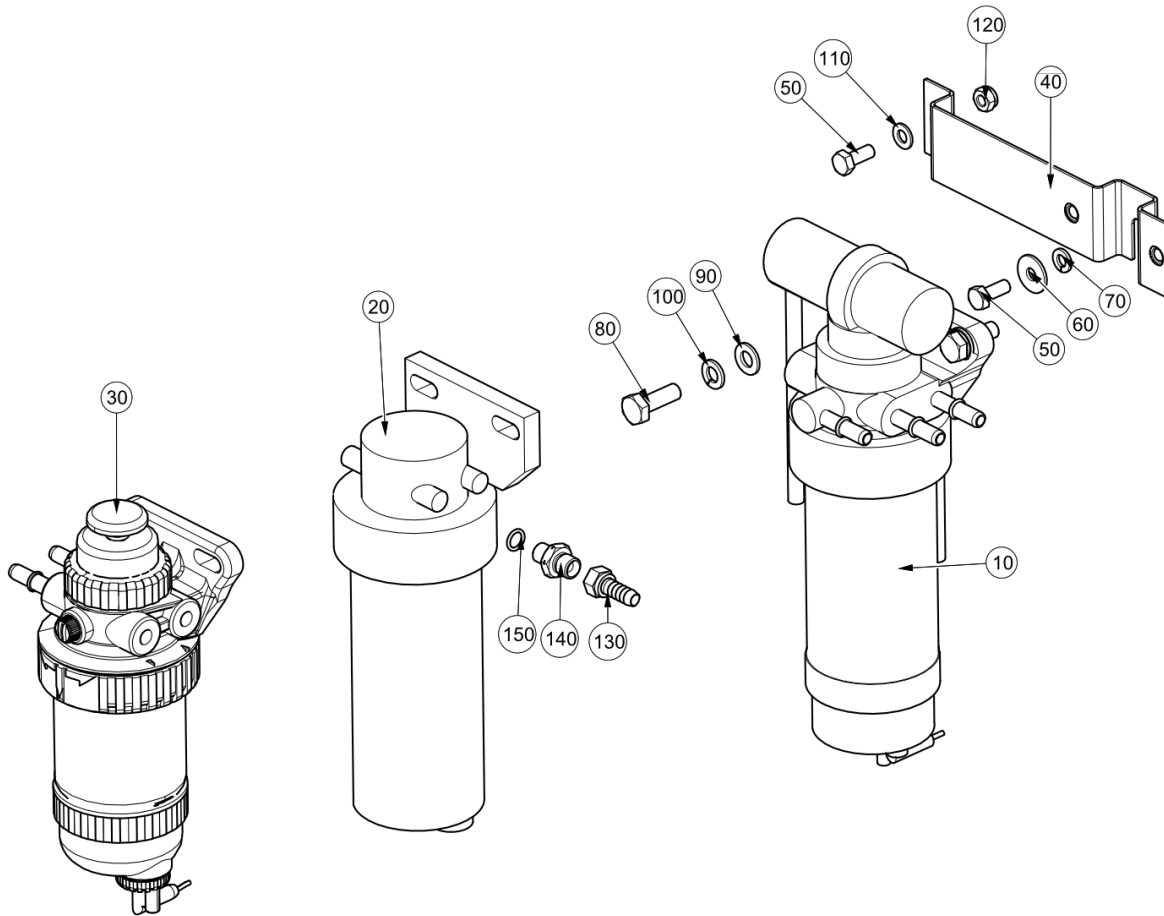
Item no.	Part no.	Description	QTY	Unit
10	7038403	Grab Handle - Powapack - Welded Assembly	1	PC
20	92097412-0	Hex Head Screw - M10Cx25 - 8.8	1	PC
30	93300510-0	Plain Large Washer M10	2	PC
40	92097378-0	Hex Head Screw - M8Cx30 - 8.8	2	PC
50	93212011-0	Plain Washer - M8	2	PC
60	93699710-0	Spring Washer - Plated M8	2	PC
70	93085806-0	Nyloc Hex Nut M10C - 8	1	PC
80	7023816	Grab Handle Welded Assembly	1	PC
90	220-65	Plug - Plastic	1	PC
100	92097374-0	Hex Head Screw - M8Cx20 - 8.8	4	PC

Access Ladder ()
Powapack\Access Ladder



Item no.	Part no.	Description	QTY	Unit
10	7044583	Ladder W/Assy - Upper	1	PC
20	7044400	Ladder W/Assy - Lower	1	PC
30	7044396	Hinge - Ladder	1	PC
40	7044397	Hinge - Ladder	1	PC
50	7044619	Pivot RH - Ladder	1	PC
60	7035293	Ladder Support	1	PC
70	293-3	Spring - Gas	1	PC
80	7045317	Pivot LH - Ladder	1	PC
90	7045266	Plate - Ladder	2	PC
100	7044495	Ladder Mount	1	PC
110	440-20	Fastener - Panel (Pine Tree)	2	PC
120	290-31	Mount - Anti Vibration F M6	2	PC
130	44-77	Insert - Plastic Tube 25.4x25.4	4	PC
140	93085006-0	Nyloc Hex Nut M10C - 8	14	PC
150	93212011-0	Plain Washer - M8	10	PC
160	93085005-0	Nyloc Hex Nut M8C - 8	5	PC
170	93212012-0	Plain Washer - M10	28	PC
180	92067419-0	Hex Head Bolt - M10Cx35 - 8.8	6	PC
190	93212009-0	Plain Washer - M6	2	PC
200	92067308-0	Hex Head Bolt - M6Cx35 - 8.8	2	PC
210	93699710-0	Spring Washer - Plated M8	1	PC
220	138-162	Hex Skt Button Head Screw M10x50 - 10.9	4	PC
230	92330050-0	Hex Skt Button Head Screw M8x45 - 10.9	4	PC
240	138-163	Hex Skt Button Head Screw M10x55 - 10.9	4	PC

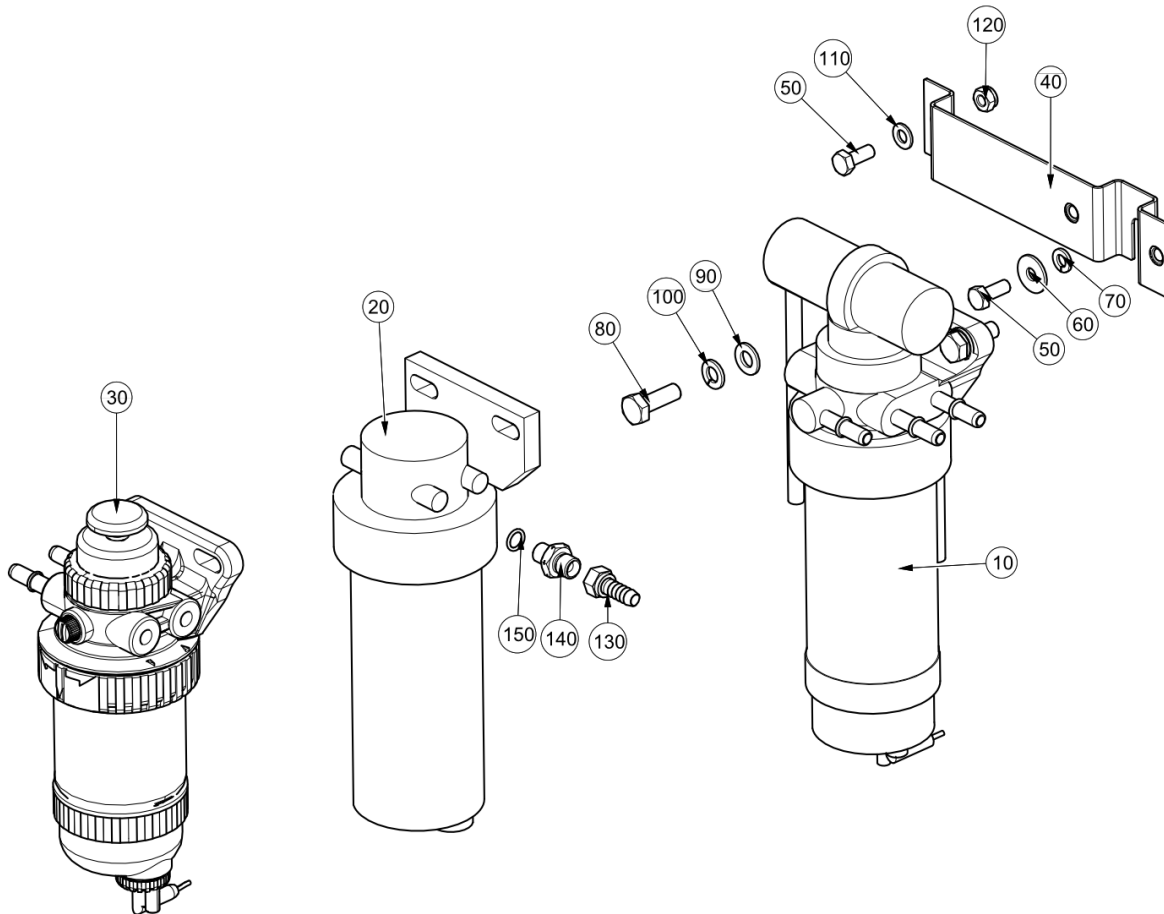
Fuel Filter ()
Powapack\Fuel Filter



Fuel Filter ()
Powapack\Fuel Filter

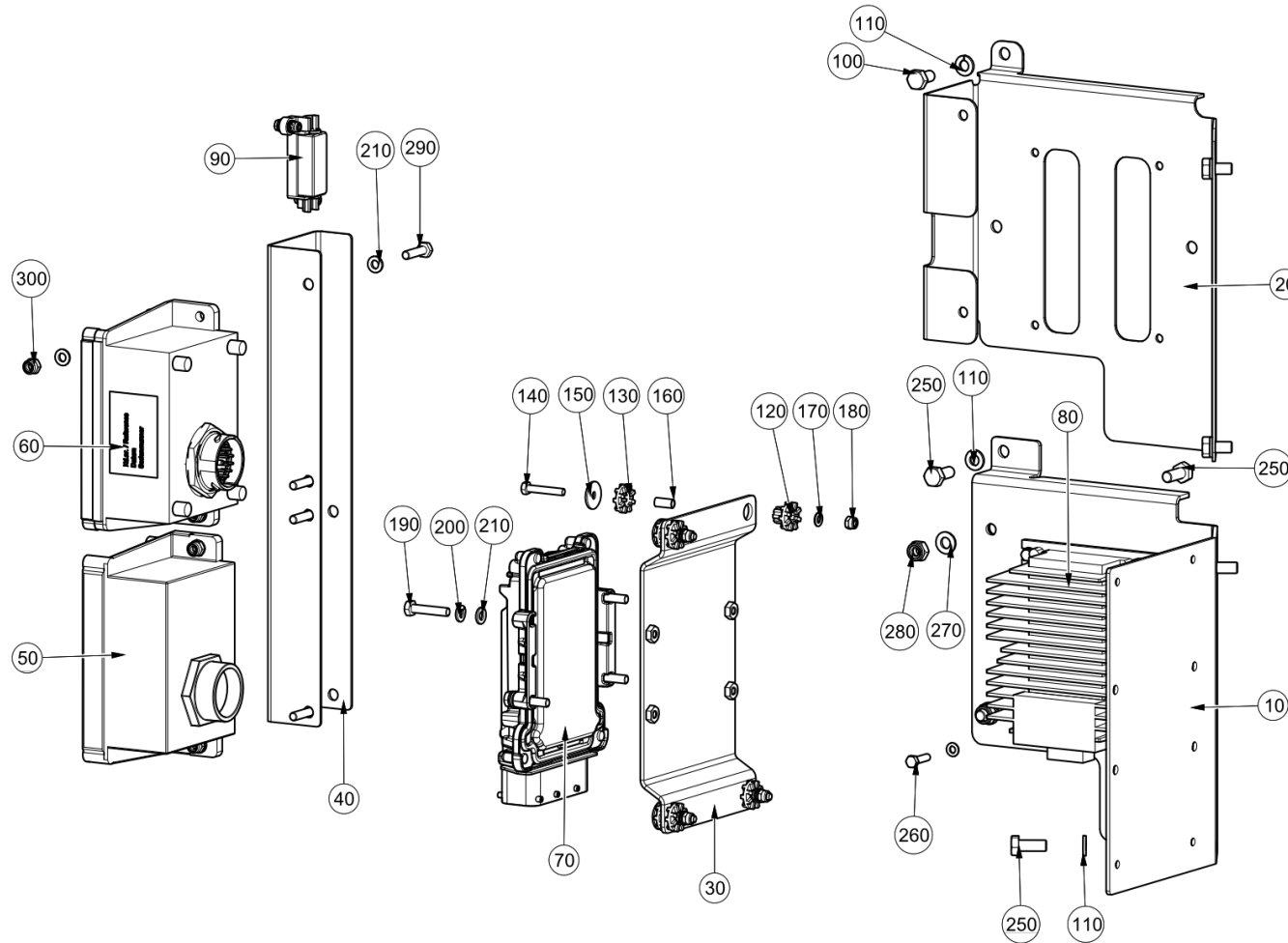
Item no.	Part no.	Description	QTY	Unit
10	855-121	Fuel Filter Pump Assembly	1	PC
11	7029972	JCB 55/93 Fuel Hose Assembly Ports A/B	1	PC
12	7029975	JCB 55/93 Fuel Hose Assembly Ports C/D	1	PC
13	7029976	JCB 55/93 Fuel Hose Assembly Ports E/F	1	PC
14	7029977	JCB 55/93 Fuel Hose Assembly Ports G/H/I	1	PC
20	7023858	Fuel Filter JD/S3a/86/12V	1	PC
21	273-27	Fuel Hose 10mm I/D 17mm O/D	4.2	M
22	242-57	Elbow - 90° Swivel 11/16 UNC F to Barb	1	PC
30	855-134	Filter Fuel - 24v-30 Micron Assembly	1	PC
31	7033243	Fuel Line Assy, Ports A/B	1	PC
32	7033247	Fuel Line Assy, Ports C/D	1	PC
33	7033250	Fuel Line Assy, Ports E/F	1	PC
40	7026414	Fuel Filter Bracket Welded Assembly	1	PC
50	92097374-0	Hex Head Screw - M8Cx20 - 8.8	2	PC
60	93300509-0	Plain Large Washer - M8	1	PC
70	93699710-0	Spring Washer - Plated M8	1	PC
80	92097414-0	Hex Head Screw - M10Cx30 - 8.8	2	PC
90	93212012-0	Plain Washer - M10	2	PC
100	93699711-0	Spring Washer - Plated M10	2	PC
110	93212011-0	Plain Washer - M8	2	PC
120	93085005-0	Nyloc Hex Nut M8C - 8	1	PC
130	277-307	Swivel Nut & Hosetail 1/4" BSPP 3/8" ID	2	PC
140	270-1	Adaptor - M12 x 1/4" BSP	1	PC
150	80-40	O-Ring - Hole Dia.14	1	PC

Fuel Filter ()
Powapack\Fuel Filter



Fuel Filter ()
Powapack\Fuel Filter

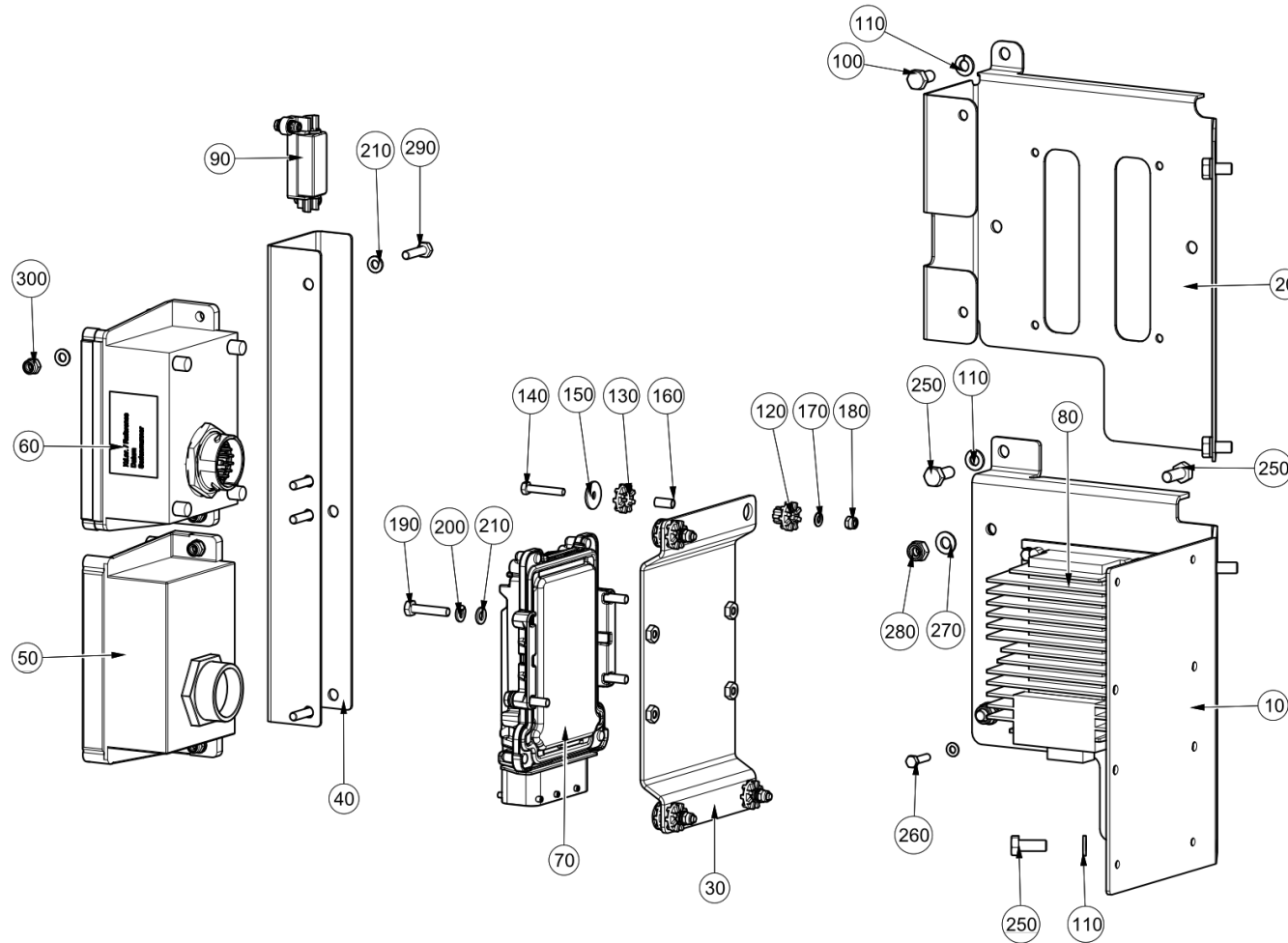
Item no.	Part no.	Description	QTY	Unit
160	501-2	Hose Clip - Worm Drive (14-22)	4	PC

**Pod Box ()
Powapack\Pod Box**


Pod Box ()
Powapack\Pod Box

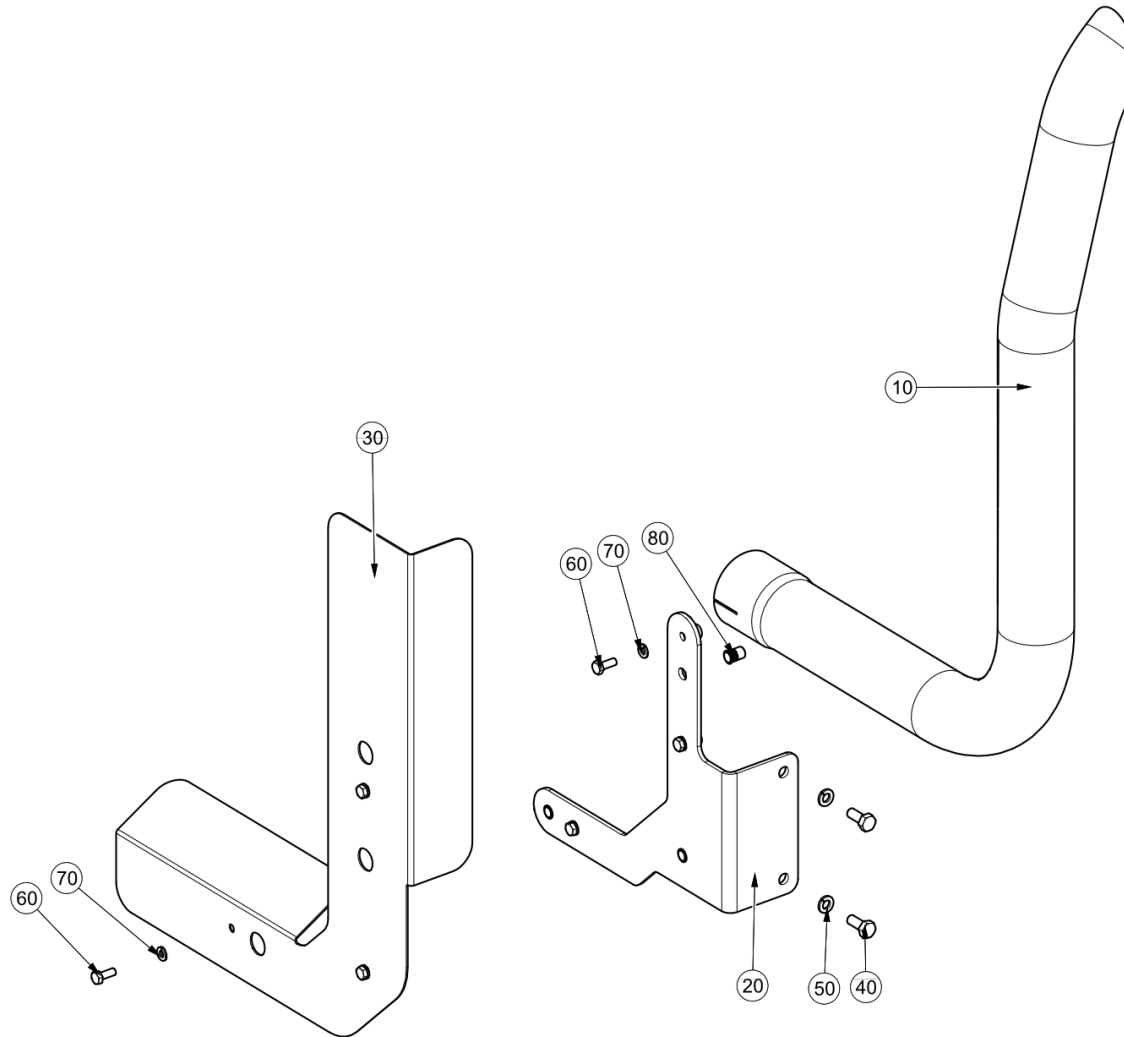
Item no.	Part no.	Description	QTY	Unit
10	7040151	JCB T4 Electrical Ancillaries Bracket	1	PC
20	7035809	Control box mount	1	PC
30	7043256	DCU AV Mount W/Assy	1	PC
40	7040164	Pod Box Bracket	1	PC
50	7022080	JCB Pod Box	1	PC
60	7038797	COM- JCB T4 Pod Box	1	PC
70	7037807	Dosing Control Unit (DCU)	1	PC
80	7034636	DC-DC CONVERTOR 24V-12V 20AMPS	1	PC
90	30-267	Fuse Holder - Midi	1	PC
100	92097372-0	Hex Head Screw - M8Cx16 - 8.8	3	PC
110	93699710-0	Spring Washer - Plated M8	3	PC
120	290-121	AV Mount - Bushing	4	PC
130	290-120	AV Mount - Ring	4	PC
140	92097269-0	Hex Head Screw - M5Cx30 - 8.8	4	PC
150	452-67	Washer - Repair M5 x 20 O/D x 1.5 Thick	4	PC
160	7040210	Z_Spacer M5 x 14.3 x 6.4 OD	4	PC
170	93210109-0	Plain Washer M5	12	PC
180	93085003-0	Nyloc Hex Nut M5C - 8	8	PC
190	92097305-0	Hex Head Screw - M6Cx30 - 8.8	4	PC
200	93699708-0	Spring Washer - Plated M6	4	PC
210	93212009-0	Plain Washer - M6	12	PC
220	93212007-0	Plain Washer M4	4	PC
230	93085002-0	Nyloc Hex Nut M4C - 8	2	PC
240	92097227-0	Hex Head Screw - M4Cx16 - 8.8	2	PC

Pod Box ()
Powapack\Pod Box



Pod Box ()
Powapack\Pod Box

Item no.	Part no.	Description	QTY	Unit
250	92097374-0	Hex Head Screw - M8Cx20 - 8.8	5	PC
260	92097265-0	Hex Head Screw - M5Cx20 - 8.8	4	PC
270	93212011-0	Plain Washer - M8	4	PC
280	93085005-0	Nyloc Hex Nut M8C - 8	2	PC
290	92097303-0	Hex Head Screw - M6Cx25 - 8.8	4	PC
300	93085004-0	Nyloc Hex Nut M6C - 8	4	PC



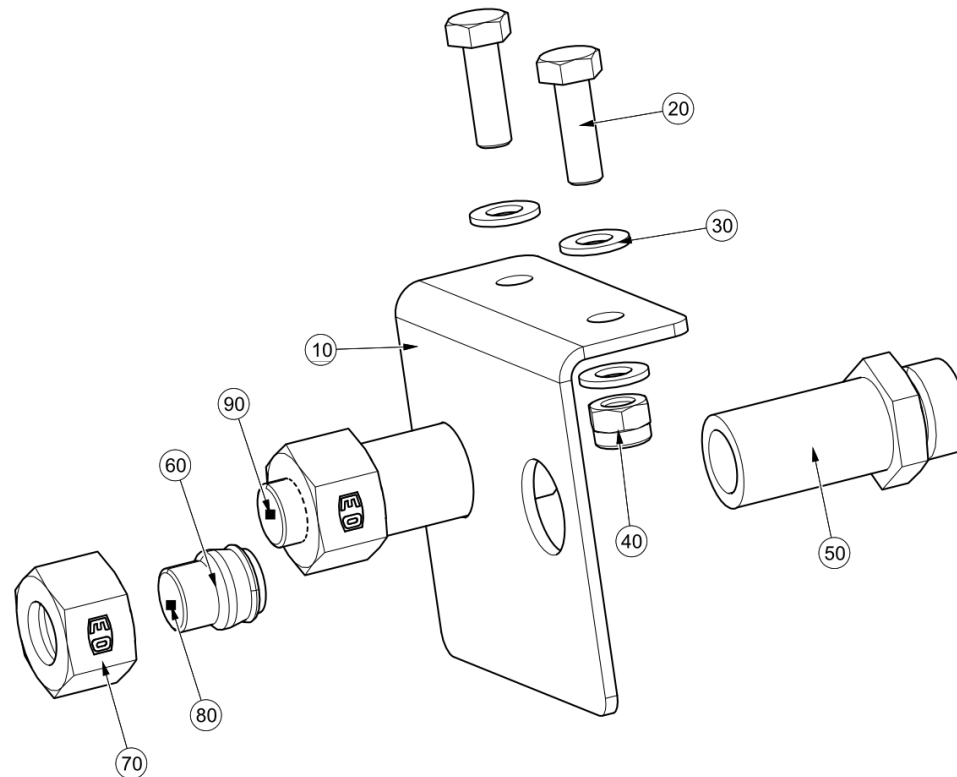
Tailpipe ()
Powapack\Tailpipe

Item no.	Part no.	Description	QTY	Unit
10	7026263	JCB Tailpipe Low Welded Assembly	1	PC
10	7023452	JD Tailpipe Low Welded Assembly	1	PC
10	7023482	JD Tailpipe High Welded Assembly	1	PC
10	7039958	JCB Tailpipe High Welded Assembly	1	PC
20	7039814	Tailpipe Bracket	1	PC
30	7039815	Tailpipe Cover	1	PC
40	92097374-0	Hex Head Screw - M8Cx20 - 8.8	2	PC
50	93699710-0	Spring Washer - Plated M8	2	PC
60	92097299-0	Hex Head Screw - M6Cx16 - 8.8	5	PC
70	93699708-0	Spring Washer - Plated M6	5	PC
80	433-104	Insert, Small Hd, M6, 0.7-4.2, Open, MS	2	PC

Engine Drain Installation ()

Powapack\Engine Drain Installation

Items 20, 30 and 40 are the fasteners for the JCB engine. Items 21, 31 and 41 are the fasteners for the John Deere engine.



Engine Drain Installation ()

Powapack\Engine Drain Installation

Items 20, 30 and 40 are the fasteners for the JCB engine. Items 21, 31 and 41 are the fasteners for the John Deere engine.

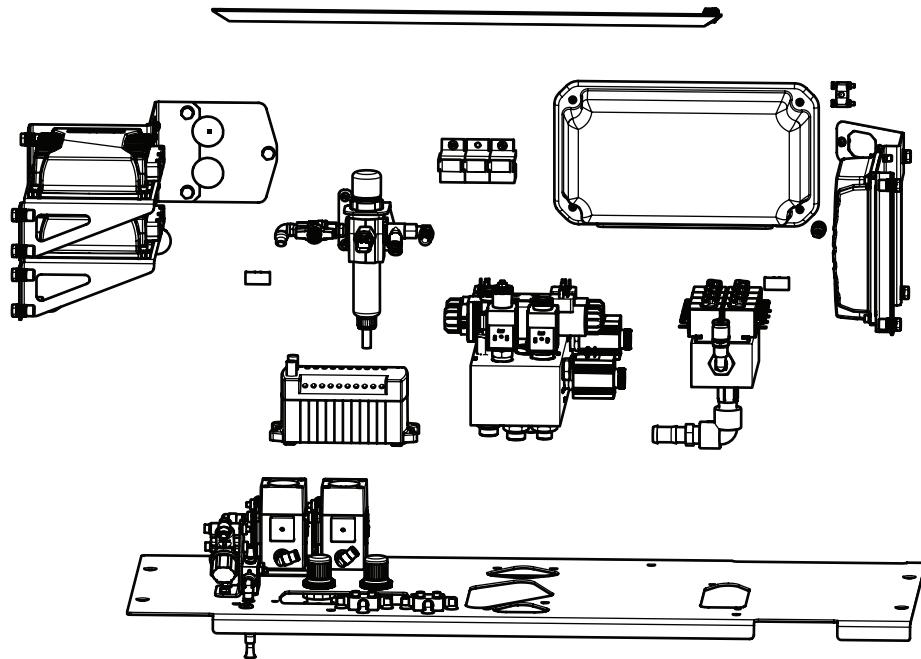
Item no.	Part no.	Description	QTY	Unit
10	7036870	Bracket - Engine Drain	1	PC
20	92097376-0	Hex Head Screw - M8Cx25 - 8.8	2	PC
21	92097448-0	Hex Head Screw - M12Cx25 - 8.8	2	PC
30	93212011-0	Plain Washer - M8	4	PC
31	93699712-0	Spring Washer - Plated M12	2	PC
40	93085805-0	Nyloc Hex Nut M8C - 8	2	PC
41	93085007-0	Nyloc Hex Nut M12C - 8	2	PC
50	302-3	Straight Bulkhead Connector - M22 x 1.5	2	PC
60	09572104-0	Plug Female - Tube O/D = 15mm	2	PC
70	09570009-0	Cap Nut - M22 x 1.5 (Tube O/D = 15mm)	2	PC
80	H1SC12001-160	Hose - Hyd Straight x 45 Swept	1	PC
90	H1SC12002-180	Hose - Hyd Straight x 90 Swept	1	PC

This page is intentionally left blank

Chapter 3

System Wafer

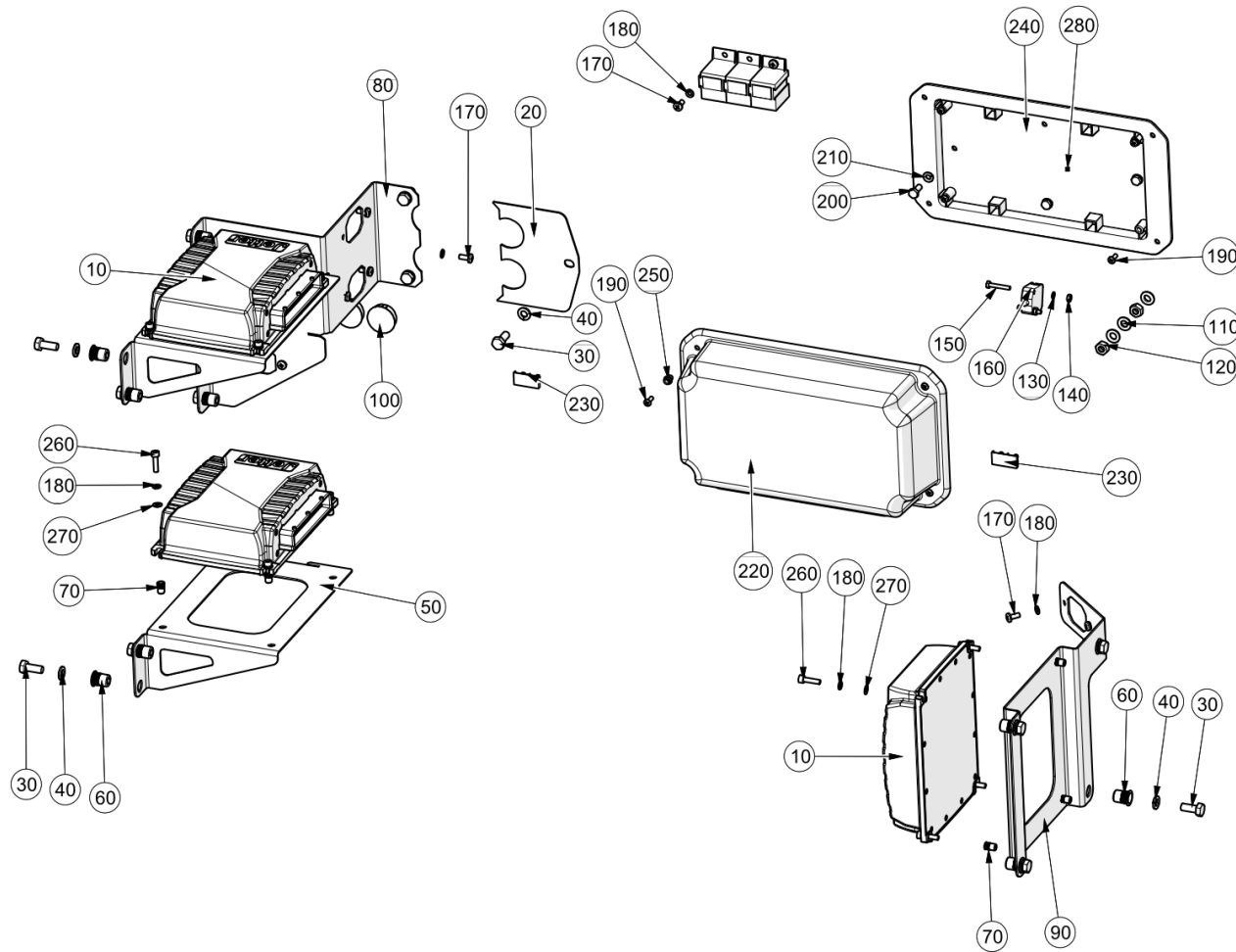
Table of Contents



Section	Page
3.1 Electrical Assembly.....	170
3.2 Systems Tray Assembly.....	174
3.3 Filter Regulator Unit.....	178
3.4 Hydraulic Sweep Manifold.....	180
3.5 Water Manifold.....	184
3.6 Pneumatic Valve Island.....	186
3.7 Systems Wafer Light.....	188

Item no.	Part no.	Description	QTY	Unit
10	7034335	Systems Wafer Dressing	1	PC
90	7032589	Systems Locker Power/Coms Harness	1	PC
100	7032715	Systems Locker Control Harness	1	PC
100	7032716	Systems Locker Control Harness	1	PC
100	7036557	Systems Locker Control Harness	1	PC

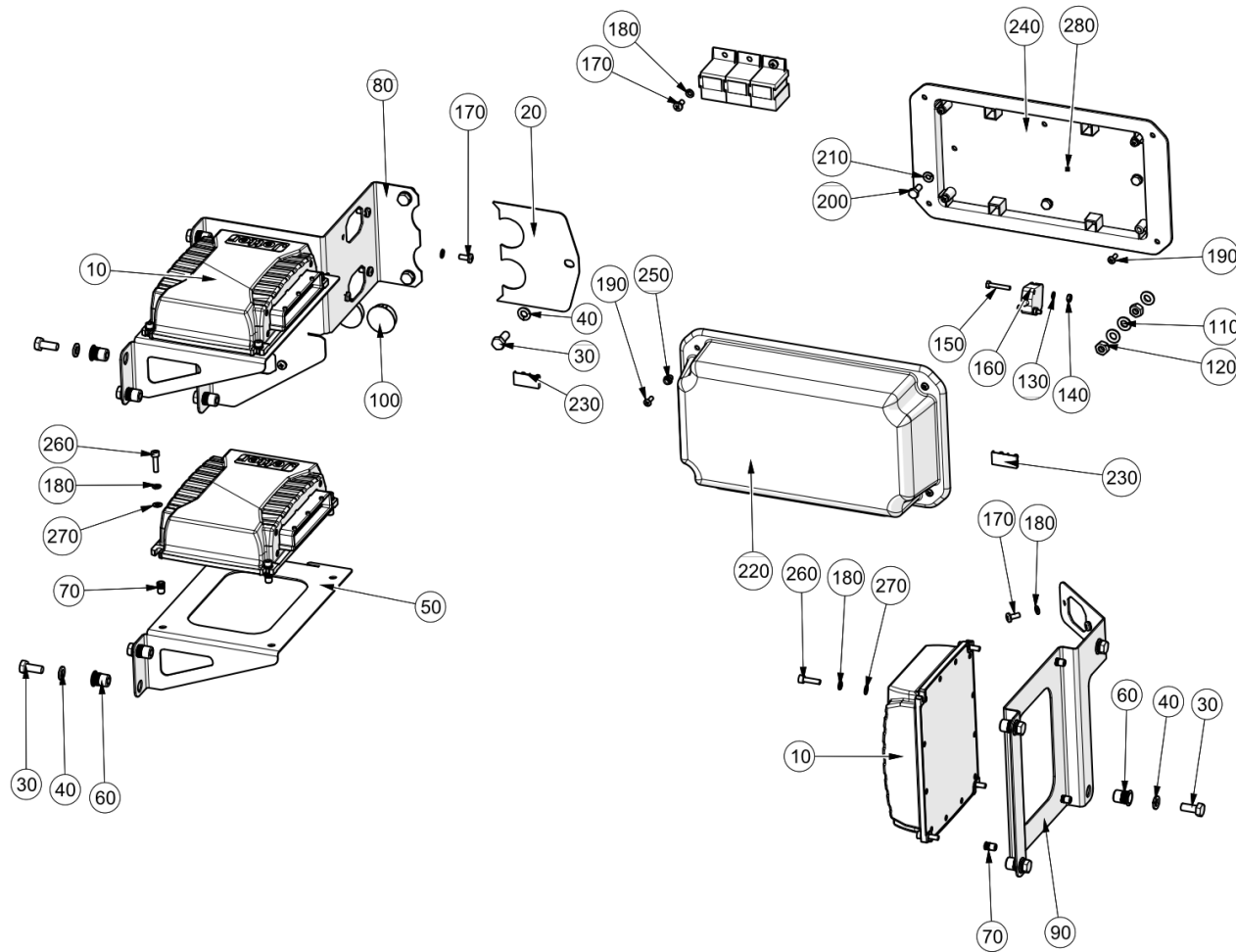
Electrical Assembly ()
Systems Wafer\Electrical Assembly



Electrical Assembly ()
Systems Wafer\Electrical Assembly

Item no.	Part no.	Description	QTY	Unit
10	7039112	Node - I/O JXM Universal	3	PC
20	7031557	Conduit Locking Plate	1	PC
30	92097374-0	Hex Head Screw - M8Cx20 - 8.8	13	PC
40	93699710-0	Spring Washer - Plated M8	13	PC
50	7031099	Bracket, Node platform	2	PC
60	433-121	Insert, Small Hd, M8, 0.7-3.8, Open, MS	4	PC
70	433-155	Insert, Small Hd, M5, 0.7-3.8, Open, MS	8	PC
80	7031098	Bracket, Bulkhead	1	PC
90	7031374	Bracket, Wafer Node	1	PC
100	44-33	Dome Plug Dia 30 Black	3	PC
110	93212011-0	Plain Washer - M8	3	PC
120	93056014-0	Hex Nut M8C-8	2	PC
130	93699706-0	Spring Washer - Plated M4	2	PC
140	93056010-0	Hex Nut M4C-8	2	PC
150	92097231-0	Hex Head Screw - M4Cx25 - 8.8	2	PC
160	48-382	Switch - N/O Push Button 16 A 400 V	1	PC
170	134-57	Pan Head Screw - M5Cx12 - 4.8	10	PC
180	93699707-0	Spring Washer - Plated M5	10	PC
190	134-42	Pan Head Screw - M4Cx12 - 4.8	8	PC
200	92097299-0	Hex Head Screw - M6Cx16 - 8.8	4	PC
210	93699708-0	Spring Washer - Plated M6	4	PC
220	7035821	Cover, P.C.B Enclosure	1	PC
230	24-17	Cable Tie Clip - Heavy Duty	2	PC
240	7035822	Base, P.C.B Enclosure	1	PC

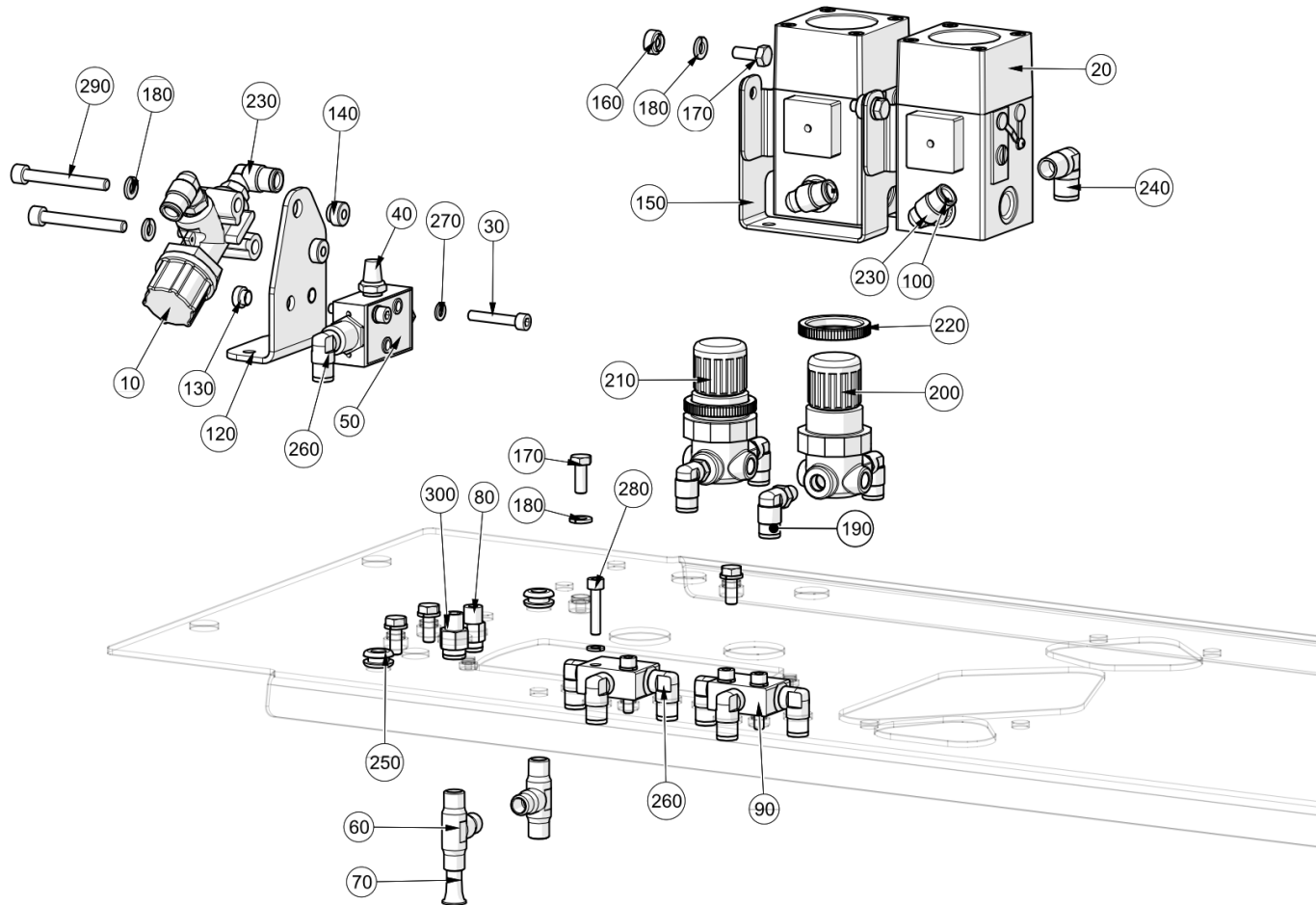
Electrical Assembly ()
Systems Wafer\Electrical Assembly



Electrical Assembly ()
Systems Wafer\Electrical Assembly

Item no.	Part no.	Description	QTY	Unit
250	433-9	Rivet Nut - S.CI Nut M10c g0.9-2.0 B Fla	4	PC
260	92137044-0	Hex Socket Cap Screw - M5Cx20 - 12.9	12	PC
270	93210109-0	Plain Washer M5	12	PC
280	7034173	NGS 24 Volt PCB Assembly	1	PC
280	7034175	NGS 12 Volt PCB Assembly	1	PC

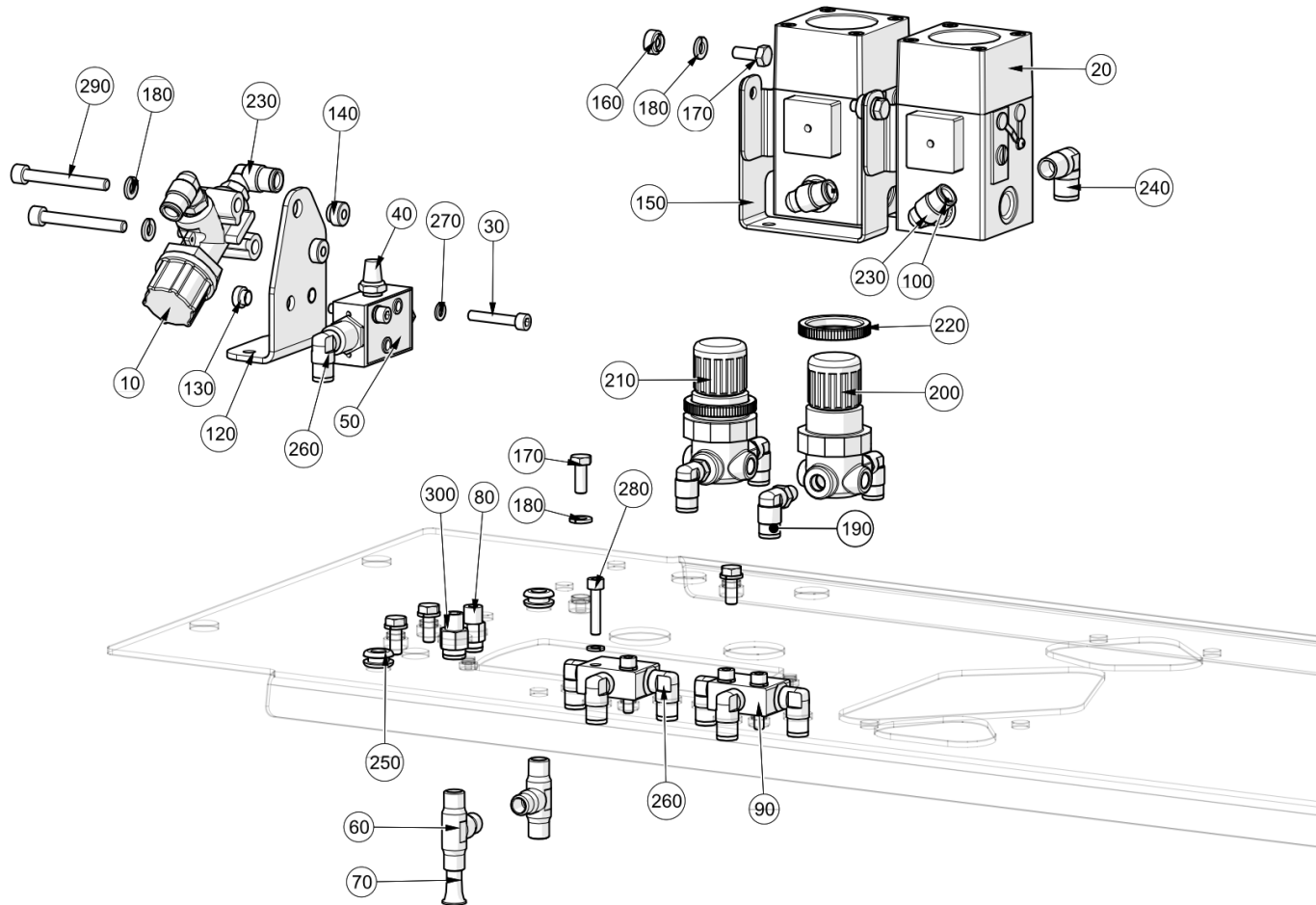
Systems Tray Assembly ()
Systems Wafer\Systems Tray Assembly



Systems Tray Assembly ()
Systems Wafer\Systems Tray Assembly

Item no.	Part no.	Description	QTY	Unit
10	6779	Valve Pressure Regulator	1	PC
20	7038318	Proportional Pressure Control Valve	2	PC
30	92137047-0	Hex Socket Cap Screw - M5Cx30 - 12.9	2	PC
40	72-17	Exhaust Silencer	1	PC
50	72-31	Valve - Pneumatic 3/2	1	PC
60	09598783-0	Pneumatic Tee Connector, Ø8mm Tube	2	PC
70	543-4	Plug - 8mm Push In Fittings	1	PC
80	537-3	Adaptor-Push In 6mm x 1/8 BSPT Straight	1	PC
90	72-1	Valve - Shuttle	2	PC
100	273-23	Tube - Nylon Red 8mm O/D 100m Reel	1.8	M
110	273-20	Tube - Nylon Blue 6mm O/D	1.4	M
120	7042679	Bracket - Pneumatic Valves	1	PC
130	427-56	Hank Bush - M5 Round Pattern (3mm plate)	2	PC
140	427-57	Hank Bush - M6 Round Pattern (3mm plate)	2	PC
150	7024302	Bracket - Proportional Pressure Valve	1	PC
160	427-52	Hank Bush-M6 Round Pattern (1.6mm plate)	4	PC
170	92097299-0	Hex Head Screw - M6Cx16 - 8.8	8	PC
180	93699708-0	Spring Washer - Plated M6	10	PC
190	09593147-0	Elbow Push-In Swivel 6mm x 1/8 BSPT	4	PC
200	283526-2	2.0 Bar Pre-Set Regulator	1	PC
210	283524-2	3.5 Bar Pre-Set Regulator	1	PC
220	72-15	Panel - Ring (Suit B72/14)	2	PC
230	09593151-0	Elbow Push-In Swivel 8mm x 1/4 BSPT	4	PC
240	552-8	Adaptor - Elbow 6mm x 1/4 BSPT	2	PC

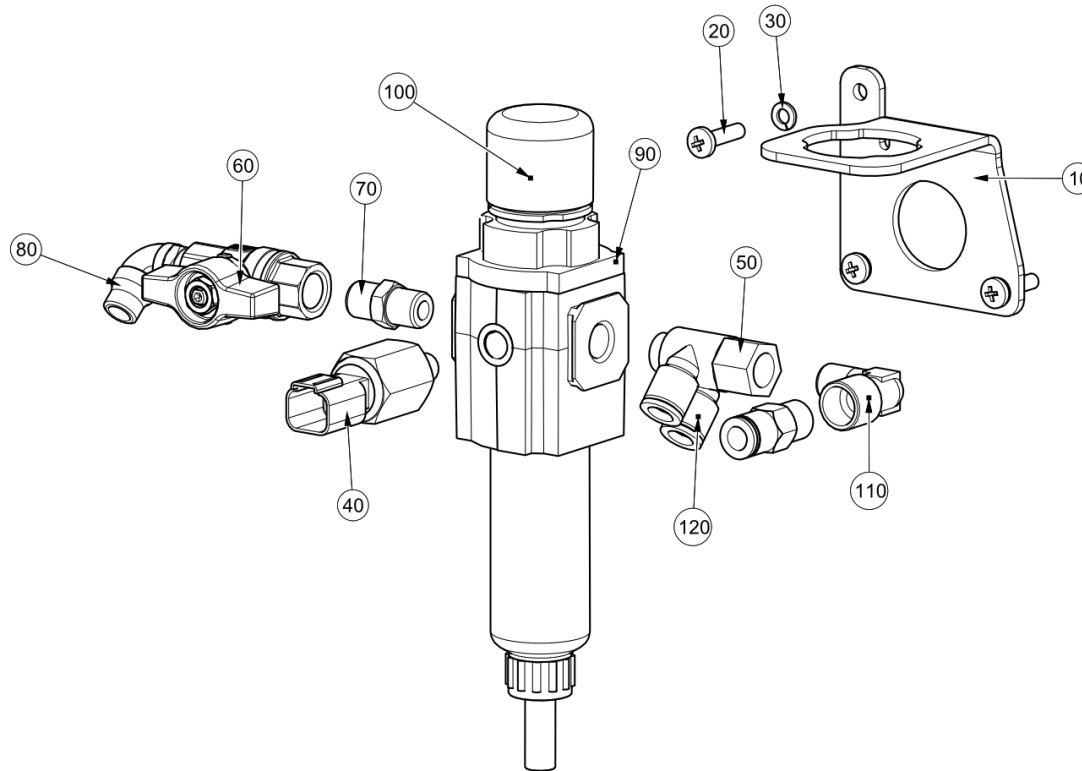
Systems Tray Assembly ()
Systems Wafer\Systems Tray Assembly



Systems Tray Assembly ()
Systems Wafer\Systems Tray Assembly

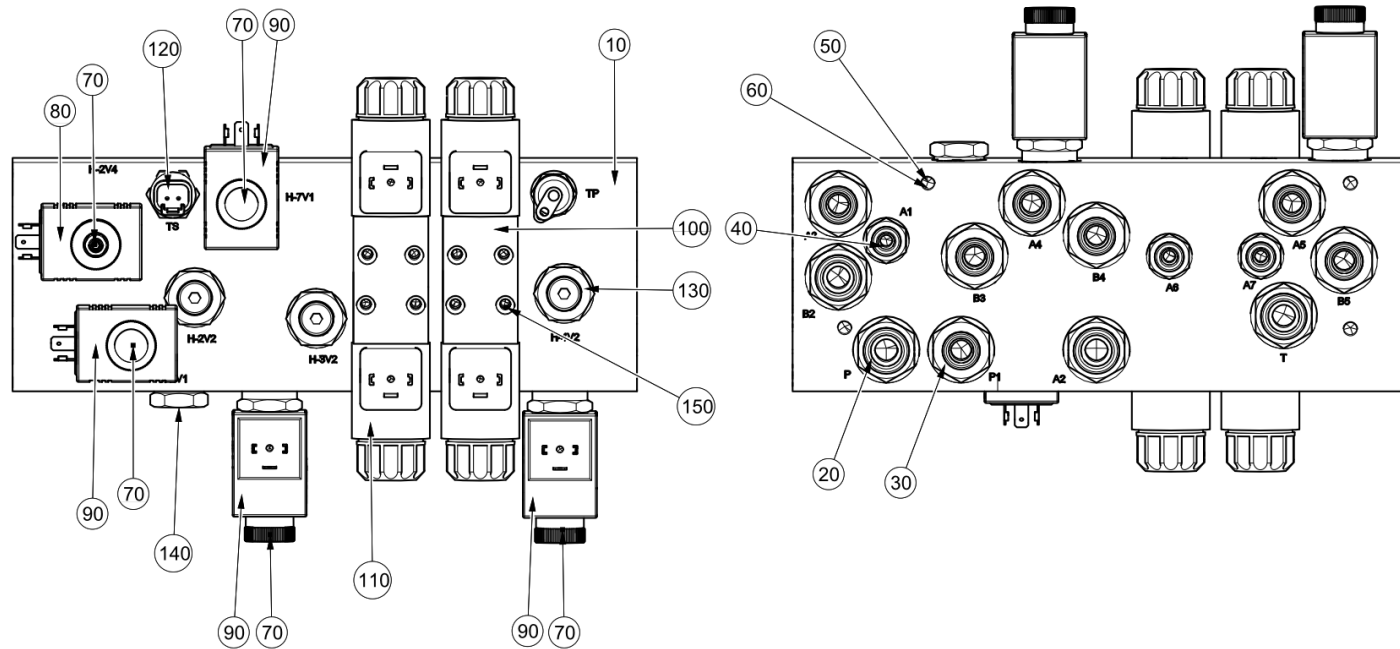
Item no.	Part no.	Description	QTY	Unit
250	287-81	Grommet - Ø 11.1 O/D, 8.0 I/D 3.2 Thick	2	PC
260	09593162-0	Adaptor - Push In 6mm Fixed Elbow R1/8"	7	PC
270	93699707-0	Spring Washer - Plated M5	6	PC
280	92137046-0	Hex Socket Cap Screw - M5Cx25 - 12.9	4	PC
290	92137088-0	Hex Socket Cap Screw - M6Cx50 - 12.9	2	PC
300	537-4	Adaptor-Push In 8mm x 1/8 BSPT Straight	1	PC

Filter Regulator Unit ()
Systems Wafer/Filter Regulator Unit



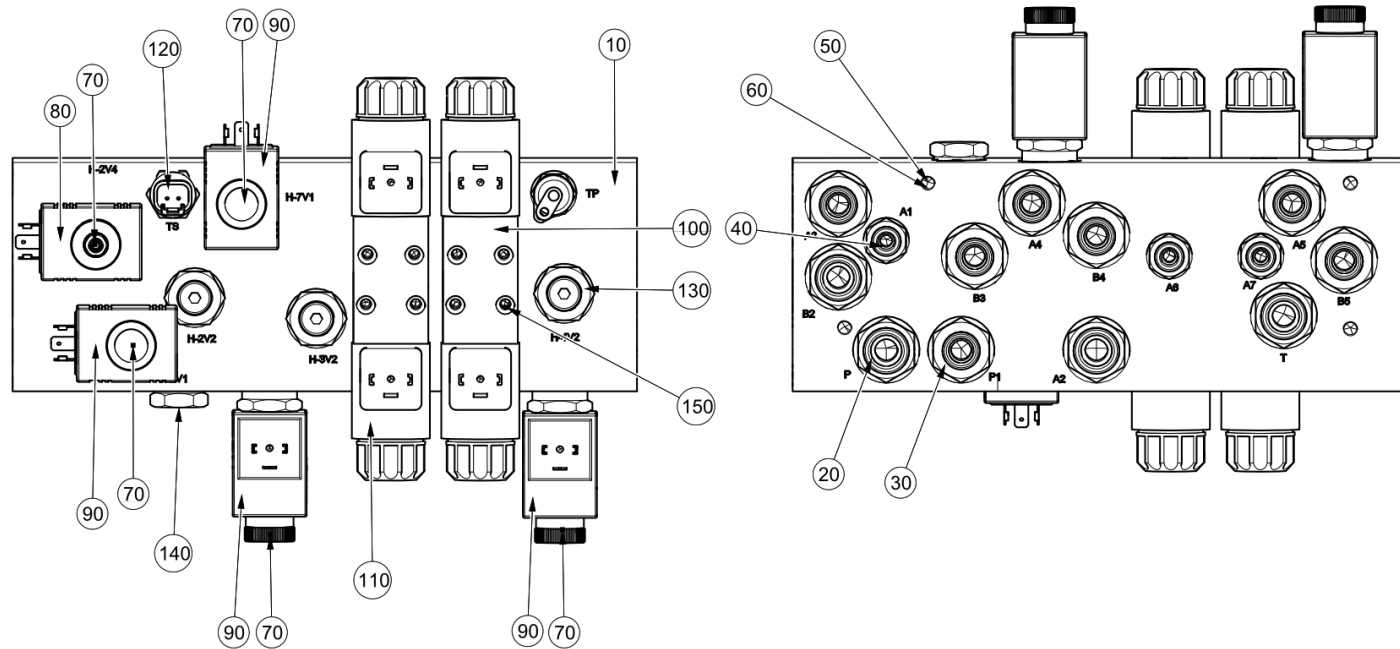
Filter Regulator Unit ()
Systems Wafer\Filter Regulator Unit

Item no.	Part no.	Description	QTY	Unit
10	7043452	Filter Regulator Unit Bracket	1	PC
20	134-59	Pan Head Screw - M5Cx20 - 4.8	3	PC
30	93699707-0	Spring Washer - Plated M5	3	PC
40	72-71	Switch - Pressure	1	PC
50	72-60	Elbow - 1/4M-1/4F	1	PC
60	72-98	Ball Valve 1/4" BSP For 283510/2	1	PC
70	538-3	Elbow Push-In 6mm x 1/8 BSPT	1	PC
80	538-9	Elbow Push-In 8mm x 1/4 BSPT	1	PC
90	72-118	Panel - Ring	1	PC
100	72-121	Filter / Regulator	1	PC
110	72-119	Self Sealing Fitting	1	PC
120	72-120	Branch Adaptor	1	PC

Hydraulic Sweep Manifold ()
 Systems Wafer\Hydraulic Sweep Manifold


Hydraulic Sweep Manifold ()
 Systems Wafer\Hydraulic Sweep Manifold

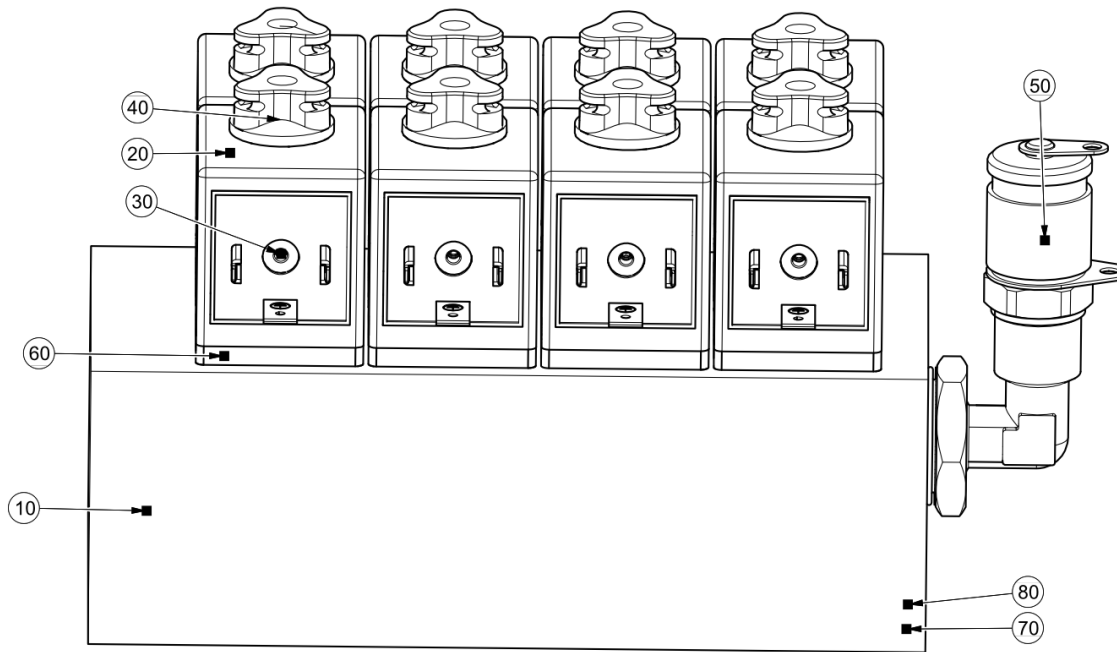
Item no.	Part no.	Description	QTY	Unit
10	7006095	Hydraulic Sweep Manifold 24v Single	1	PC
10	7005343	Hydraulic Sweep Manifold 24v Dual	1	PC
10	7024234	Hydraulic Sweep Manifold 12v Single	1	PC
10	7024235	Hydraulic Sweep Manifold 12v Dual	1	PC
20	6601-1329	Stud Coupling Male G 1/2" x M22 x 1.5	4	PC
30	09570131-0	Stud Coupling Male G 1/2" x M18 x 1.5	5	PC
For single order 5				
40	09570126-0	Stud Coupling Male G 1/4" x M14x1.5 (8L)	3	PC
For single order 2				
50	92097374-0	Hex Head Screw - M8Cx20 - 8.8	4	PC
60	93699710-0	Spring Washer - Plated M8	4	PC
70	847-9	Coil - 12v 19 watt	5	PC
For single order 4				
70	847-80	Coil - 24v 19 watt	5	PC
For single order 4				
80	847-82	Cartridge Valve Prop Flow	1	PC
90	847-59	Cartridge Valve - No 210 bar	4	PC
For single order 3				
100	847-143	Directional Control Valve	2	PC
For single order 1				
110	847-146	Coil 24v For Directional Control Valve	4	PC
For single order 2				
110	847-163	Coil DC 12v (Low Drain)	4	PC
For single order 2				

Hydraulic Sweep Manifold ()
 Systems Wafer\Hydraulic Sweep Manifold


Hydraulic Sweep Manifold ()
Systems Wafer\Hydraulic Sweep Manifold

Item no.	Part no.	Description	QTY	Unit
120	282920-1	Temperature Switch - 90c 1/4 BSP	1	PC
130	847-132	Check Valve 3.5bar Crack, 80L/MIN 350bar	3	PC
For single order 2				
140	847-131	Cavity Blank	1	PC
150	847-144	Cap Head Screw 5 x 35	8	PC
For single order 4				

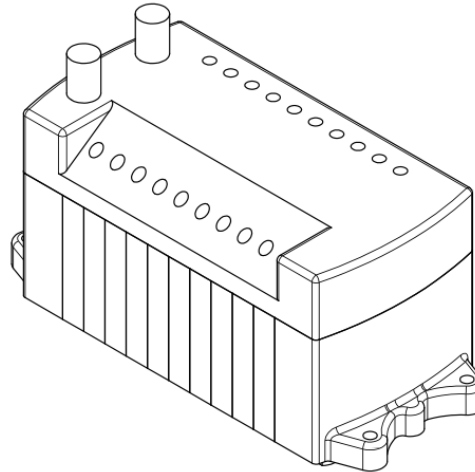
Water Manifold ()
Systems Wafer\Water Manifold



Water Manifold ()
Systems Wafer\Water Manifold

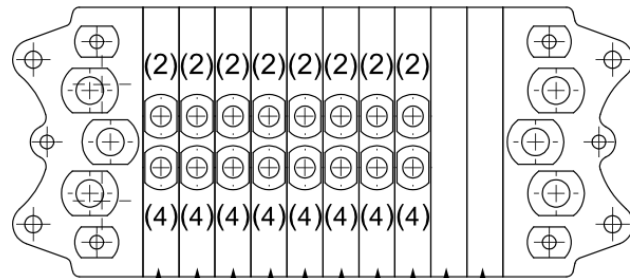
Item no.	Part no.	Description	QTY	Unit
10	7024457	Water Manifold Assembly Sing 12v	1	PC
10	7024456	Water Manifold Assembly Sing 24v	1	PC
10	7024331	Water Manifold Assembly Dual 12v	1	PC
10	7024322	Water Manifold Assembly Dual 24v	1	PC
20	7021285	Coil 12v Water Valve	6	PC
20	7021286	Coil 24v Water Valve	6	PC
30	7021284	Water Valve (No Coil)	1	PC
40	281372-5	Locknut - Valve Water Solenoid	1	PC
50	665-26	Valve - Testpoint G1/4 Type B	1	PC
60	7021289	O-Ring Water Valve	1	PC
70	93699708-0	Spring Washer - Plated M6	2	PC
80	92097301-0	Hex Head Screw - M6Cx20 - 8.8	2	PC

Pneumatic Valve Island ()
Systems Wafer\Pneumatic Valve Island



24V Standard Dual
SLICE

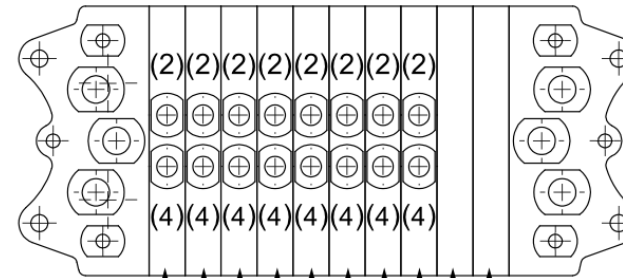
1 2 3 4 5 6 7 8 9 10



Standard Single	1	2	3	3	B	4	B	1	B	B
Option Single	1	2	3	3	B	4	B	1	1	1
Standard Dual	1	2	3	3	1	4	4	1	B	B
Option Dual	1	2	3	3	1	4	4	1	1	1

12V Standard Dual
SLICE

1 2 3 4 5 6 7 8 9 10

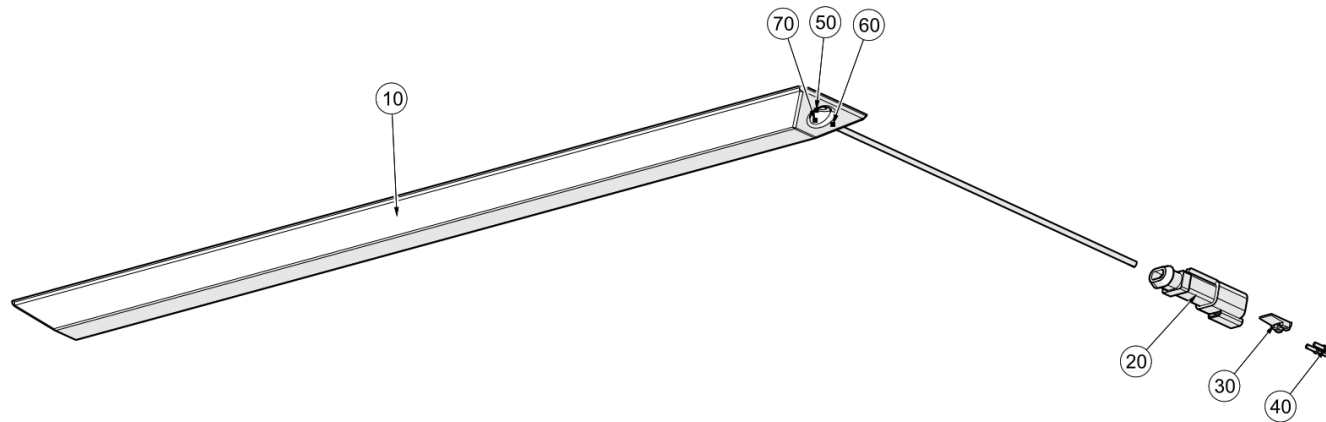


Standard Single	7	8	9	9	B	10	10	7	B	B
Option Single	7	8	9	9	B	10	10	7	7	7
Standard Dual	7	8	9	9	7	10	10	7	B	B
Option Dual	7	8	9	9	7	10	10	7	7	7

M02SW003

Pneumatic Valve Island ()
Systems Wafer\Pneumatic Valve Island

Item no.	Part no.	Description	QTY	Unit
B	860-30	Slice - Blank B000	4	PC
1	860-10	Slice 3/2 - (2xNC) 24v NA6U	5	PC
2	860-8	Slice 3/2 - (2xNO) 24v NB6U	1	PC
3	860-6	Slice 3/2 - (NO/NC) 24v NC6U	2	PC
4	860-4	Slice 5/2 - 24v NG6U	2	PC
5	860-1	Gasket - Black VM10 Valve Block	1	PC
6	860-2	Gasket - Red VM10 Valve Block	1	PC
7	860-9	Slice 3/2 - (2xNC) 12v TA6U	5	PC
8	860-7	Slice 3/2 - (2xNO) 12v TB6U	1	PC
9	860-5	Slice 3/2 - (NO/NC) 12v TC6U	2	PC
10	860-3	Slice 5/2 - 12v TG6U	2	PC
20	7012141	Pneumatic Valve Island 12v Sng	1	PC
20	7012139	Pneumatic Valve Island 24v Sng	1	PC
20	7012136	Pneumatic Valve Island 12v Dual	1	PC
20	7012135	Pneumatic Valve Island 24v Dual	1	PC
30	7012138	Pneumatic Valve Island 12v Sng Opts	1	PC
30	7012118	Pneumatic Valve Island 12v Dual Opts	1	PC
30	7012137	Pneumatic Valve Island 24v Sng Opts	1	PC
30	7012117	Pneumatic Valve Island 24v Dual Opts	1	PC



Systems Wafer Light ()
Systems Wafer\Systems Wafer Light

Item no.	Part no.	Description	QTY	Unit
10	745-83	Interior Lamp - 24v Nebula IP66	1	PC
10	745-82	Interior Lamp - 12v Nebula IP66	1	PC
20	31-252	Receptacle - Boot Adaptor, DT 2 Way	1	PC
30	31-253	Wedge - DT 2 Way, Receptacle	1	PC
40	710-80	Contact Pin, Size 16	2	PC
50	134-59	Pan Head Screw - M5Cx20 - 4.8	2	PC
60	67143-4	Spacer - 5mm (Plated)	2	PC
70	93210109-0	Plain Washer M5	2	PC

This page is intentionally left blank

Chapter 4 Subframe

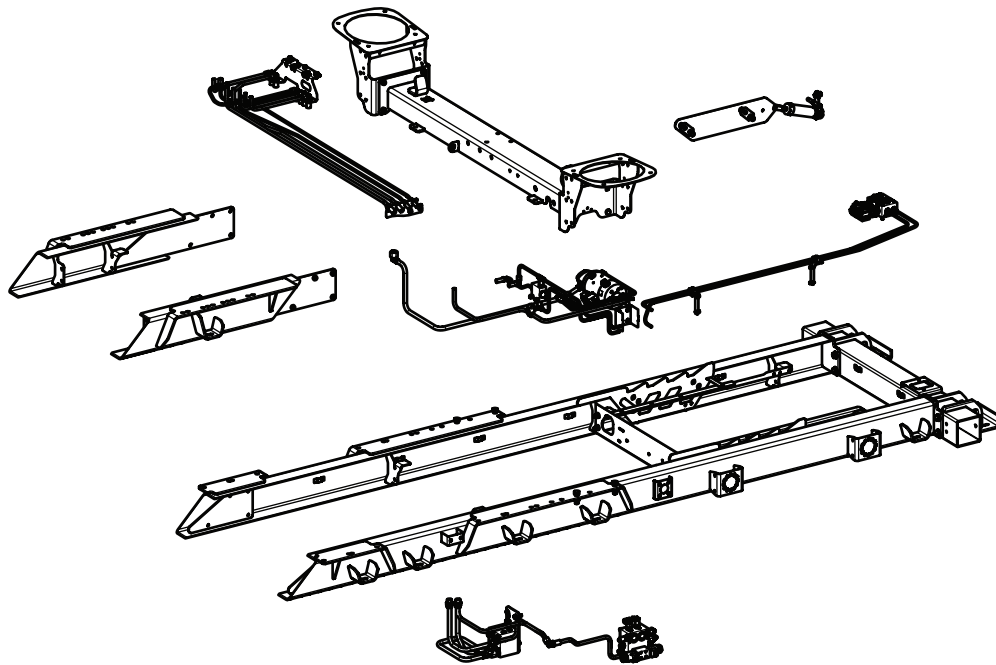
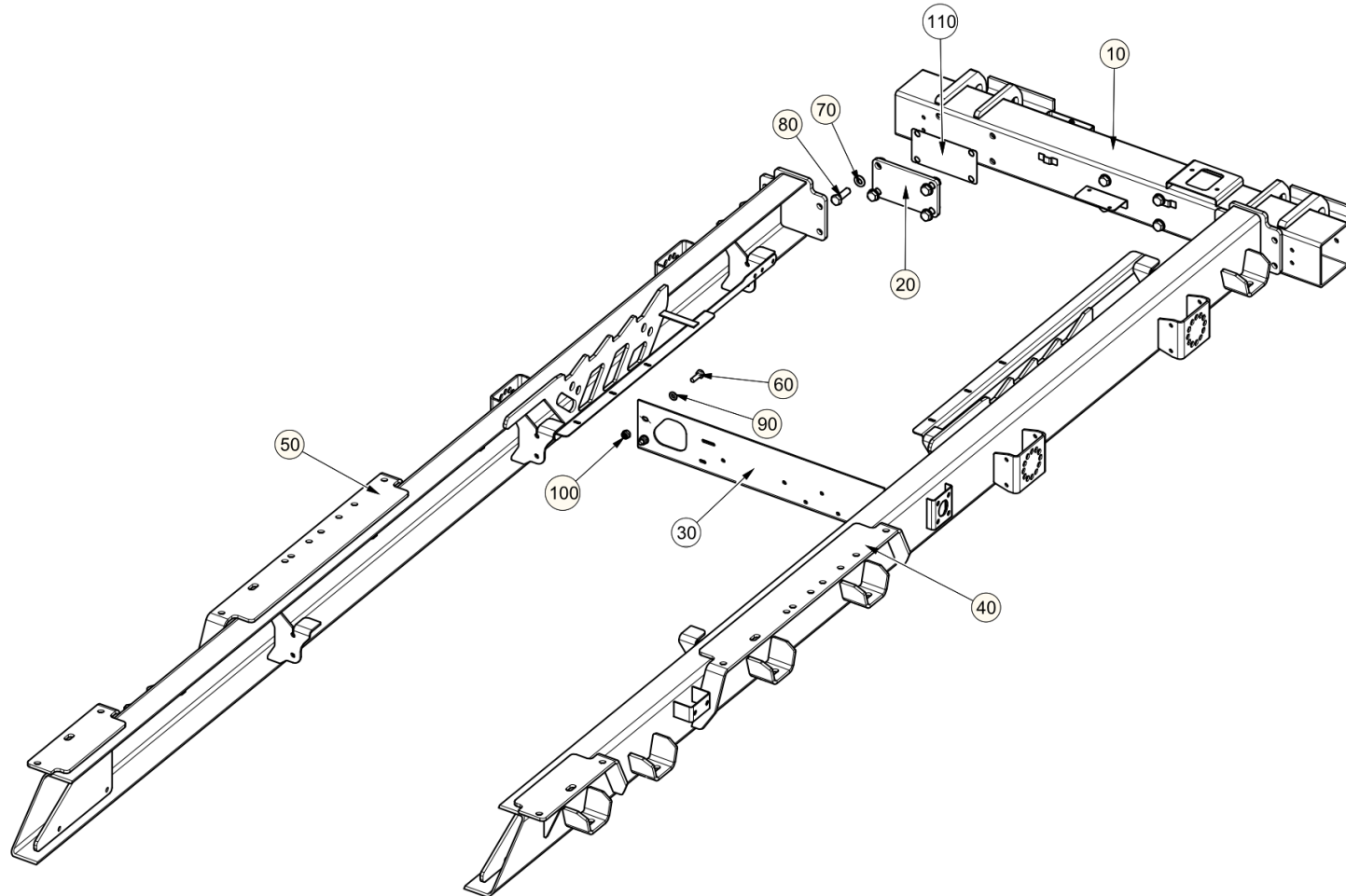


Table of Contents

Section	Page
4.1 Subframe Assembly.....	192
4.2 Crossmember and Intake Seat.....	194
4.3 Subframe Sweep Config.....	196
4.4 Subframe Extension.....	204
4.5 Lift Cyclinder Installation.....	206
4.6 Subframe Hose & Pipework.....	208
4.7 Tandem Pump Valve Block.....	216

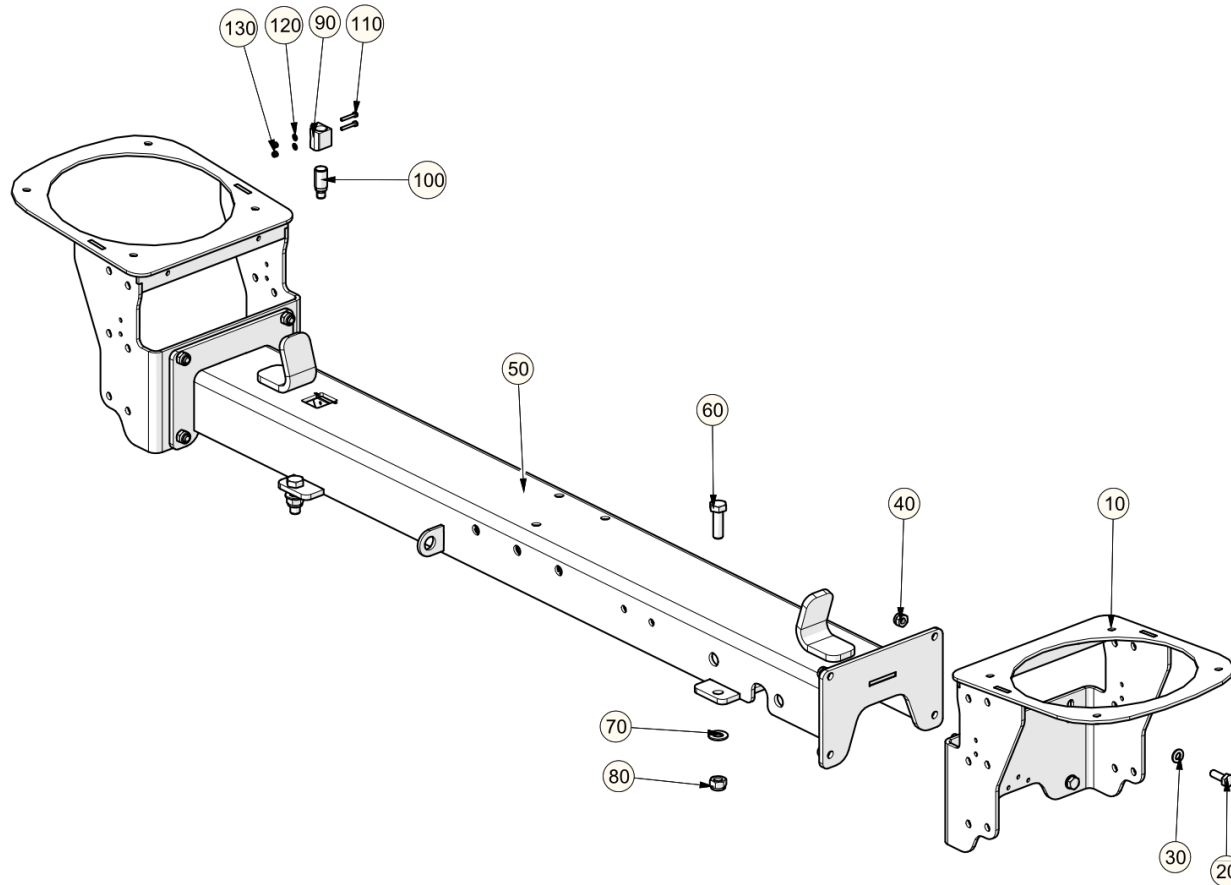
Subframe Assembly ()
Subframe\Subframe Assembly



Subframe Assembly ()
Subframe\Subframe Assembly

Item no.	Part no.	Description	QTY	Unit
10	7000316	Crossmember Rear	1	PC
20	281519-1	Stretch Plate Welded Assembly	2	PC
30	7004312	Crossmember	1	PC
40	7001450	LH Sidemember W/Assy 651 801	1	PC
40	7003301	LH Sidemember W/Assy 501	1	PC
50	7001451	RH Sidemember W/Assy 651 801	1	PC
50	7003332	RH Sidemember W/Assy 501	1	PC
60	92097414-0	Hex Head Screw - M10Cx30 - 8.8	4	PC
70	93212015-0	Plain Washer M14	8	PC
80	92072212-0	Hex Head Bolt - M14Cx45 - 10.9	8	PC
90	93212012-0	Plain Washer - M10	4	PC
100	93085806-0	Nyloc Hex Nut M10C - 8	4	PC
110	7045726	Shim plate	2	PC

Crossmember and Intake Seat ()
Subframe\Crossmember and Intake Seat



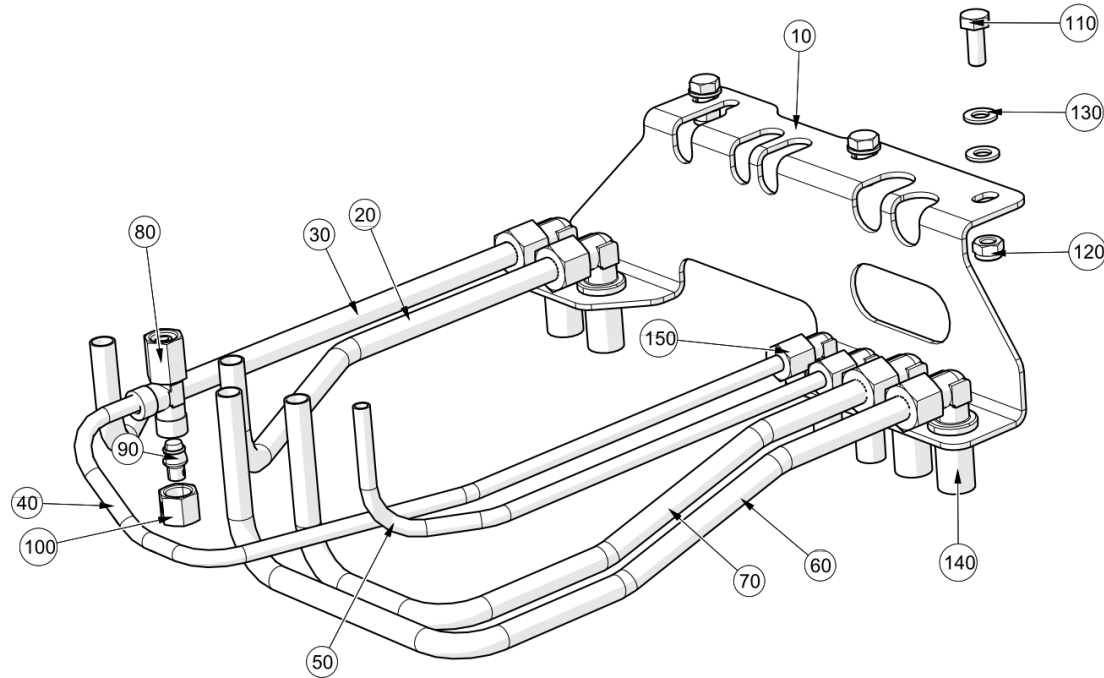
Crossmember and Intake Seat ()
Subframe\Crossmember and Intake Seat

Item no.	Part no.	Description	QTY	Unit
10	7028585	Intake Seat - Welded Assembly	1	PC
20	92097414-0	Hex Head Screw - M10Cx30 - 8.8	4	PC
30	93212012-0	Plain Washer - M10	4	PC
40	93085806-0	Nyloc Hex Nut M10C - 8	4	PC
50	7000624	Crossmember Welded Assembly	1	PC
50	7044317	Crossmember Welded Assembly	1	PC
60	92072212-0	Hex Head Bolt - M14Cx45 - 10.9	4	PC
70	93212015-0	Plain Washer M14	4	PC
80	404-17	Hex Nyloc Nut - M14c x Grade 10	4	PC
90	7003202	Sensor Mount	1	PC
100	7003201	Sensor	1	PC
110	92097231-0	Hex Head Screw - M4Cx25 - 8.8	2	PC
120	93212007-0	Plain Washer M4	2	PC
130	93085002-0	Nyloc Hex Nut M4C - 8	2	PC

This page is intentionally left blank

This page is intentionally left blank

RH Single Subframe Config ()
Subframe\Subframe Sweep Config\RH Single Subframe Config

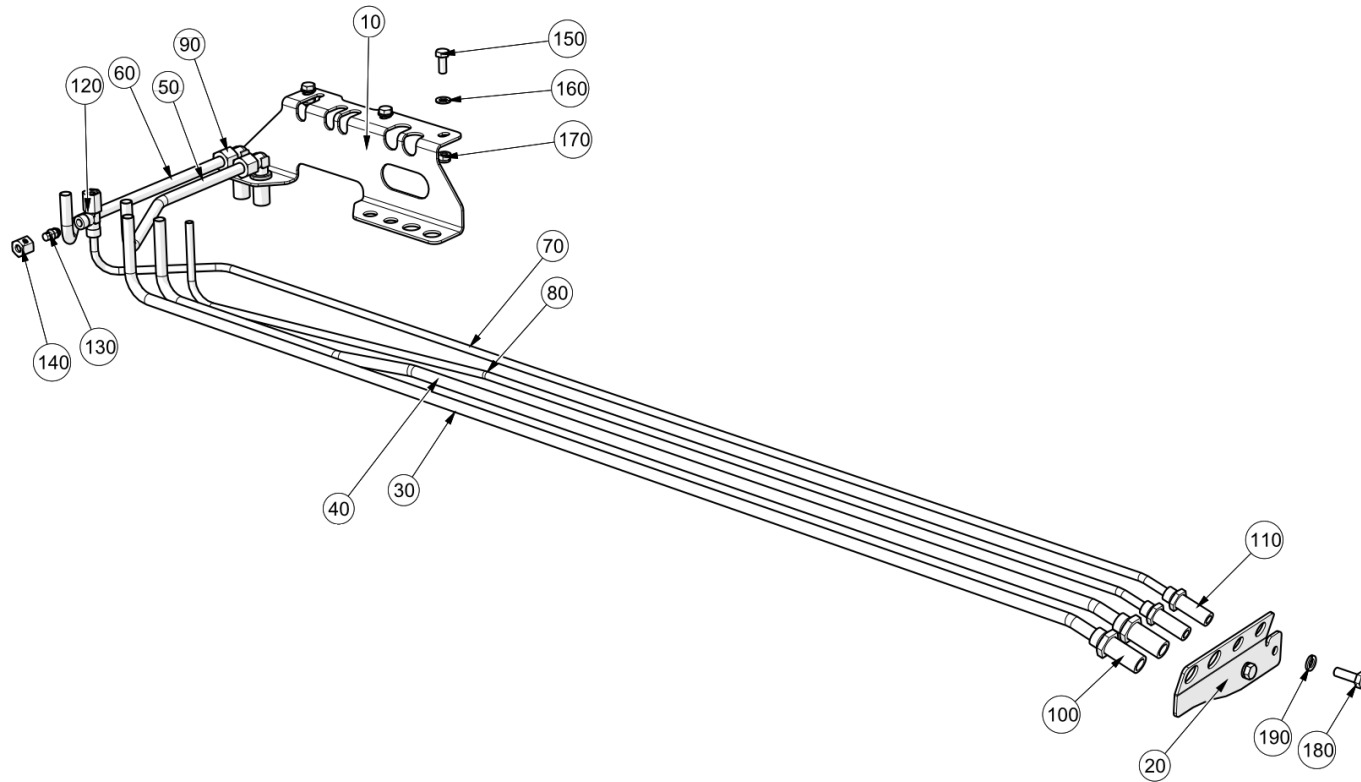


RH Single Subframe Config ()

Subframe\Subframe Sweep Config\RH Single Subframe Config

Item no.	Part no.	Description	QTY	Unit
10	7027630	Pipe Bracket	1	PC
20	7023418	Pipe - Hydraulic	1	PC
30	7023417	Pipe - Hydraulic	1	PC
40	7023454	Pipe - Hydraulic	1	PC
50	7023538	Pipe - Hydraulic	1	PC
60	7023541	Pipe - Hydraulic	1	PC
70	7023540	Pipe - Hydraulic	0	PC
80	308-1	Adjustable Male Tee - M14 x 1.5	1	PC
90	09572101-0	Plug Female - Tube O/D = 8mm	1	PC
100	09570007-0	Cap Nut - M14 x 1.5 (Tube O/D = 8mm)	1	PC
110	92097374-0	Hex Head Screw - M8Cx20 - 8.8	3	PC
120	93085005-0	Nyloc Hex Nut M8C - 8	3	PC
130	93212011-0	Plain Washer - M8	6	PC
140	09570472-0	Bulkhead Elbow Connector - M18 x 1.5	4	PC
150	09570473-0	Bulkhead Elbow Connector - M14 x 1.5	2	PC

LH Single Subframe Config ()
Subframe\Subframe Sweep Config\LH Single Subframe Config

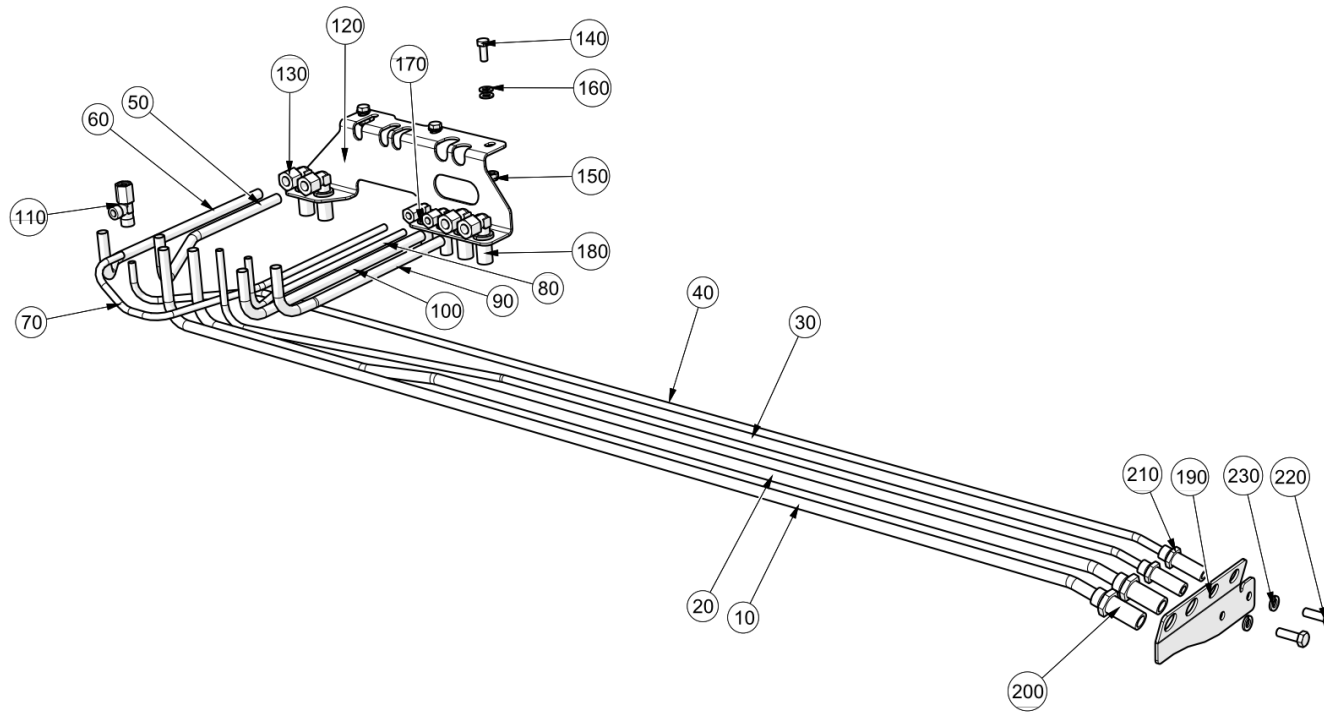


LH Single Subframe Config ()

Subframe\Subframe Sweep Config\LH Single Subframe Config

Item no.	Part no.	Description	QTY	Unit
10	7027630	Pipe Bracket	1	PC
20	7028065	Pipe Support	1	PC
30	7028075	Pipe - Hydraulic	1	PC
40	7028076	Pipe - Hydraulic	1	PC
50	7023418	Pipe - Hydraulic	1	PC
60	7023417	Pipe - Hydraulic	1	PC
70	7028078	Pipe - Hydraulic	1	PC
80	7028077	Pipe - Hydraulic	1	PC
90	09570472-0	Bulkhead Elbow Connector - M18 x 1.5	2	PC
100	302-2	Straight Bulkhead Connector M18 x 1.5	2	PC
110	09570456-0	Straight Bulkhead Connector M14 x 1.5	2	PC
120	308-1	Adjustable Male Tee - M14 x 1.5	1	PC
130	09572101-0	Plug Female - Tube O/D = 8mm	1	PC
140	09570007-0	Cap Nut - M14 x 1.5 (Tube O/D = 8mm)	1	PC
150	92097374-0	Hex Head Screw - M8Cx20 - 8.8	3	PC
160	93212011-0	Plain Washer - M8	6	PC
170	93085005-0	Nyloc Hex Nut M8C - 8	3	PC
180	92097376-0	Hex Head Screw - M8Cx25 - 8.8	2	PC
190	93699710-0	Spring Washer - Plated M8	2	PC

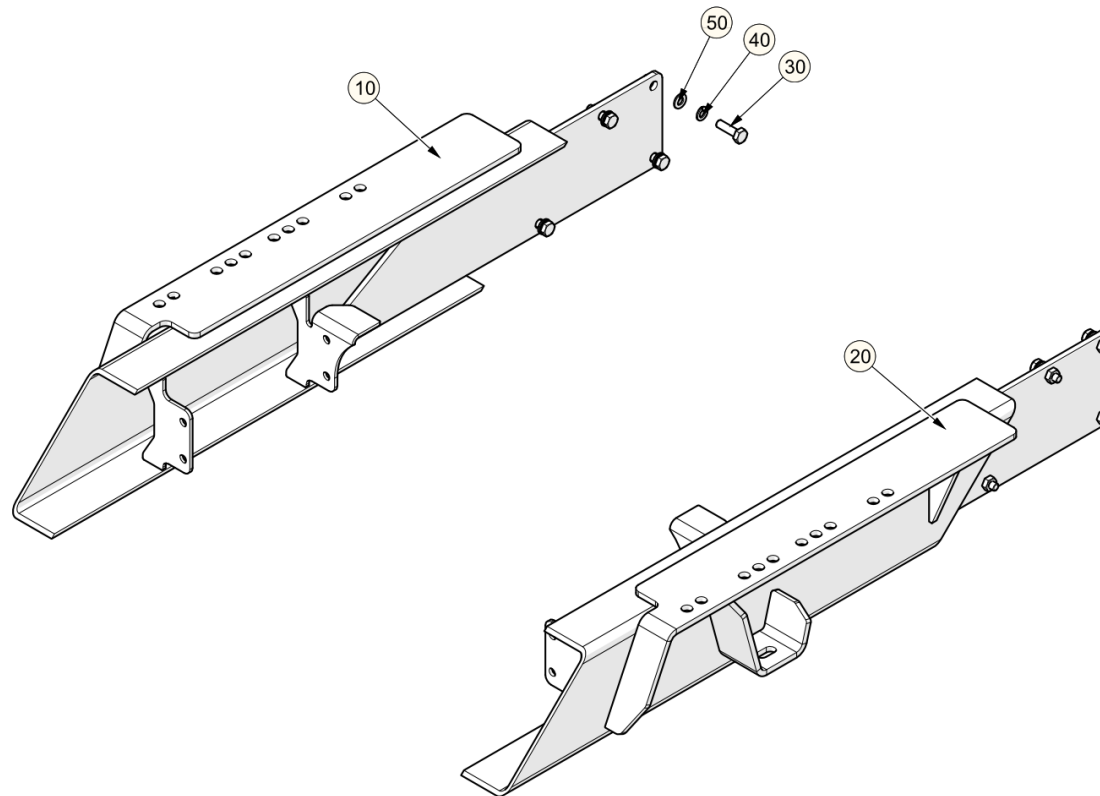
Dual Subframe Sweep Config ()
Subframe\Subframe Sweep Config\Dual Subframe Sweep Config



Dual Subframe Sweep Config ()

Subframe\Subframe Sweep Config\Dual Subframe Sweep Config

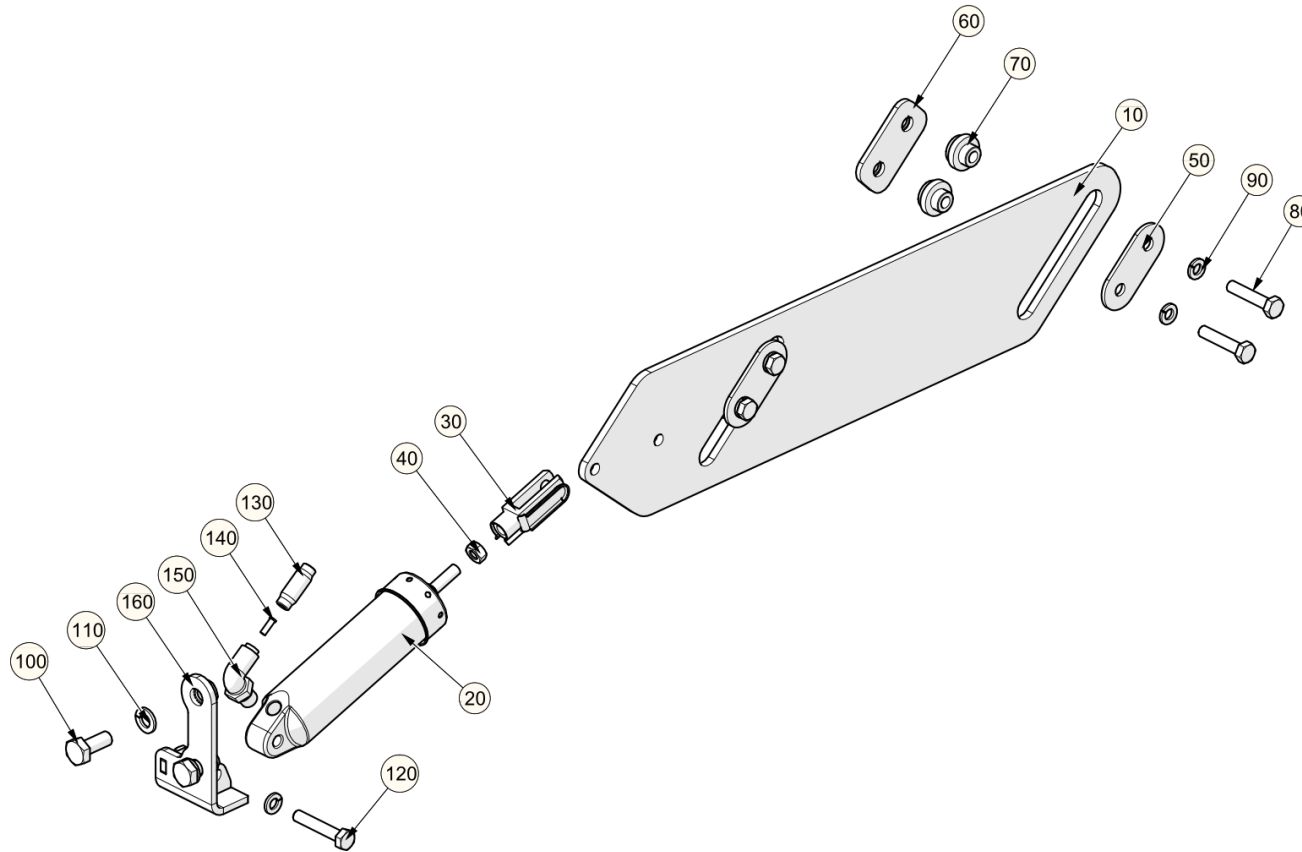
Item no.	Part no.	Description	QTY	Unit
10	7028075	Pipe - Hydraulic	1	PC
20	7028076	Pipe - Hydraulic	1	PC
30	7028077	Pipe - Hydraulic	1	PC
40	7028078	Pipe - Hydraulic	1	PC
50	7023418	Pipe - Hydraulic	1	PC
60	7023417	Pipe - Hydraulic	1	PC
70	7023454	Pipe - Hydraulic	1	PC
80	7023450	Pipe - Hydraulic	1	PC
90	7023443	Pipe - Hydraulic	1	PC
100	7023442	Pipe - Hydraulic	1	PC
110	308-1	Adjustable Male Tee - M14 x 1.5	1	PC
120	7027630	Pipe Bracket	1	PC
130	09570472-0	Bulkhead Elbow Connector - M18 x 1.5	2	PC
140	92097374-0	Hex Head Screw - M8Cx20 - 8.8	3	PC
150	93085005-0	Nyloc Hex Nut M8C - 8	3	PC
160	93212011-0	Plain Washer - M8	6	PC
170	09570473-0	Bulkhead Elbow Connector - M14 x 1.5	2	PC
180	09570472-0	Bulkhead Elbow Connector - M18 x 1.5	2	PC
190	7028065	Pipe Support	1	PC
200	302-2	Straight Bulkhead Connector M18 x 1.5	2	PC
210	09570456-0	Straight Bulkhead Connector M14 x 1.5	2	PC
220	92097376-0	Hex Head Screw - M8Cx25 - 8.8	2	PC
230	93699710-0	Spring Washer - Plated M8	2	PC



Subframe Extension ()
Subframe\Subframe Extension

Item no.	Part no.	Description	QTY	Unit
10	7025441	Subframe Extension 750mm RH	1	PC
10	7011388	Subframe Extension 900mm RH	1	PC
10	7025457	Subframe Extension 600mm RH	1	PC
20	7025440	Subframe Extension 750mm LH	1	PC
20	7011387	Subframe Extension 900mm LH	1	PC
20	7025458	Subframe Extension 600mm LH	1	PC
30	92072120-0	Hex Head Bolt - M10Cx35 - 10.9	8	PC
40	93699711-0	Spring Washer - Plated M10	8	PC
50	93212012-0	Plain Washer - M10	8	PC

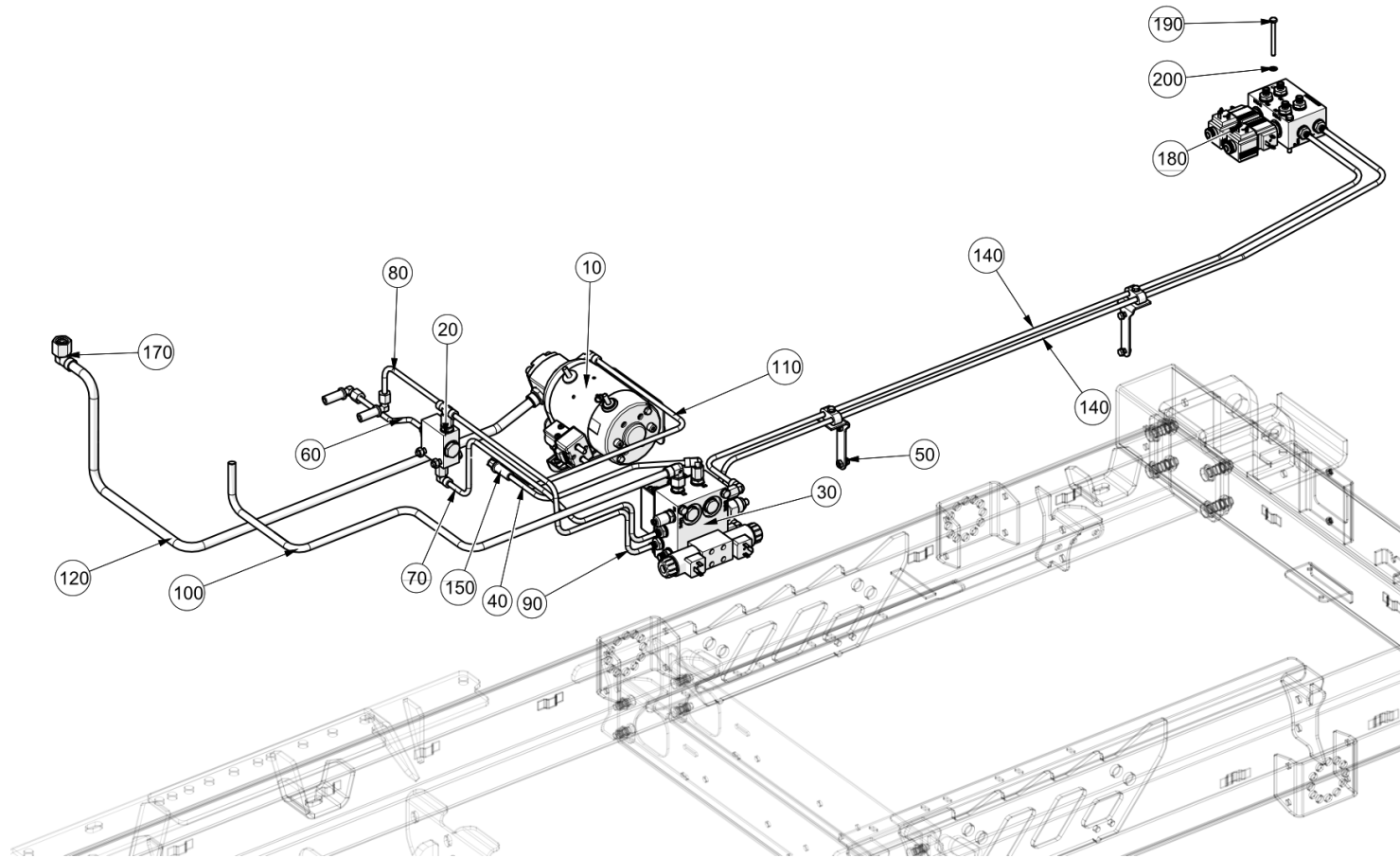
Lift Cylinder Installation ()
Subframe\Lift Cylinder Installation



Lift Cylinder Installation ()
Subframe\Lift Cylinder Installation

Item no.	Part no.	Description	QTY	Unit
10	7001223	Plate - Subframe	1	PC
20	7040115	Cylinder - Ø35 x 60	1	PC
30	6371-0081	Fork Joint	1	PC
40	93056014-0	Hex Nut M8C-8	1	PC
50	7001224	Plate Lock	2	PC
60	7036513	Clamp Plate Welded Assembly	2	PC
70	7036776	Boss	4	PC
80	92097380-0	Hex Head Screw - M8Cx40 - 8.8	4	PC
90	93699710-0	Spring Washer - Plated M8	5	PC
100	92097412-0	Hex Head Screw - M10Cx25 - 8.8	2	PC
110	93699711-0	Spring Washer - Plated M10	2	PC
120	92067384-0	Hex Head Bolt - M8Cx45 8.8	1	PC
130	09598742-0	BL-nector - Straight 6mm	1	PC
140	41041-1-A	Sleeve - Support, Pipe	1	PC
150	560-40	Elbow - M12x1.5	1	PC
160	7041060	Mounting bracket welded assembly	1	PC

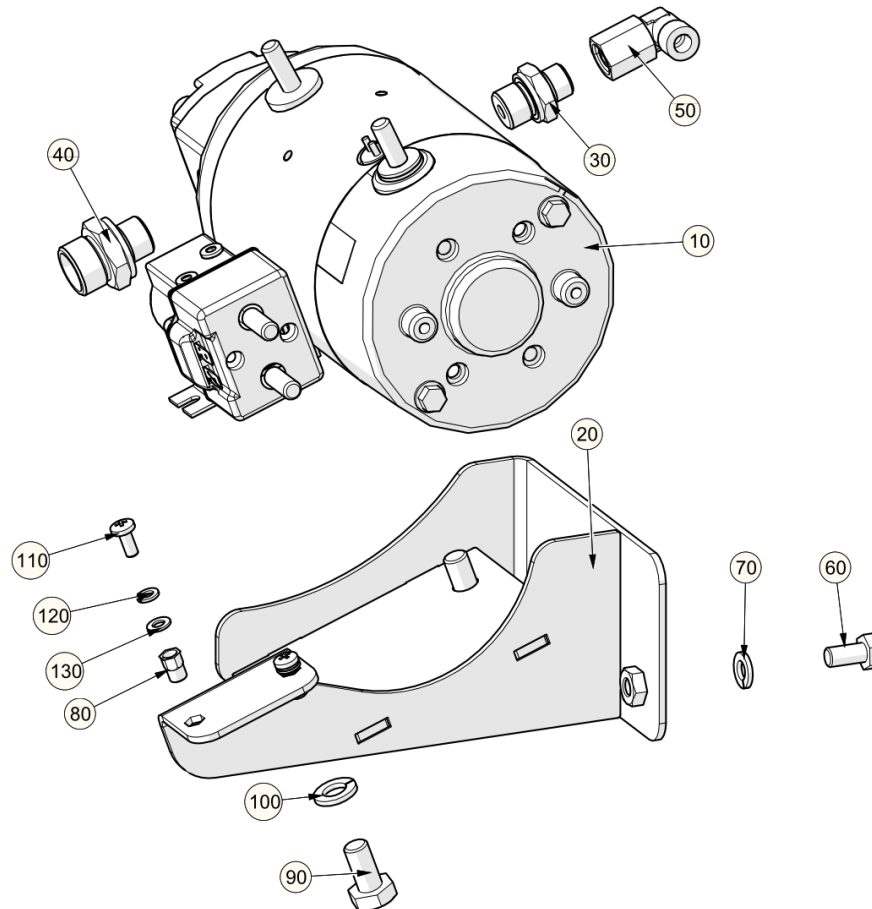
Subframe Hose & Pipework ()
Subframe\Subframe Hose & Pipework



Subframe Hose & Pipework ()
 Subframe\Subframe Hose & Pipework

Item no.	Part no.	Description	QTY	Unit
40	7035112	Pipe - Hydraulic	1	PC
50	7016391	Pipe Support	2	PC
60	7010820	Pipe - Hydraulic	1	PC
70	7013715	Pipe Hyd H8Z1(B) H-9V4(2)	1	PC
80	7010818	Pipe - Hydraulic	1	PC
90	7013712	Pipe Hyd H8Z1(A) H-9V3	1	PC
100	7007847	Pipe Hyd H8Z1(P1) H-0Z4	1	PC
110	7033998	Pipe Hyd H-0P3 H8Z1(P2)	1	PC
120	7033997	Pipe Hyd H-0Z4 H-0P3	1	PC
130	7016405	Pipe - Hydraulic	1	PC
140	7016406	Pipe - Hydraulic	1	PC
150	09570473-0	Bulkhead Elbow Connector - M14 x 1.5	3	PC
160	7013719	Pipe - Hydraulic	1	PC
170	6613-0505	Adjustable Male Elbow - M22 x 1.5	1	PC
180	7005340	Manifold - Hydraulic Door 24v	1	PC
190	6105-0771	Hex Head Bolt - M6Cx65 - 8.8	2	PC
200	93699708-0	Spring Washer - Plated M6	2	PC

Electric Discharge Pump ()
Subframe\Subframe Hose & Pipework\Electric Discharge Pump

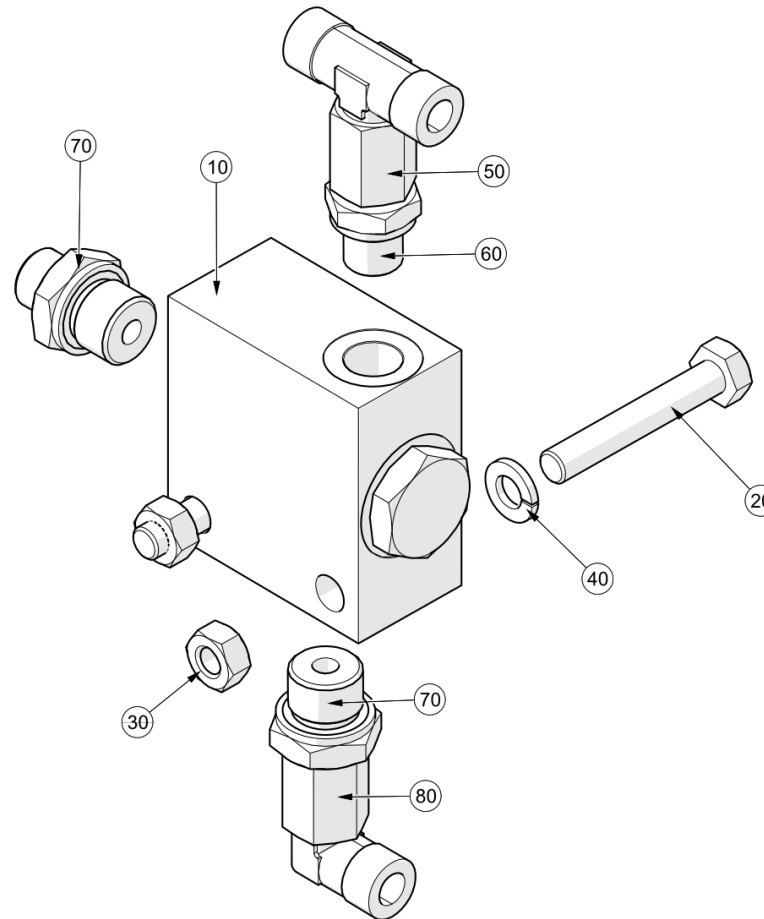


Electric Discharge Pump ()

Subframe\Subframe Hose & Pipework\Electric Discharge Pump

Item no.	Part no.	Description	QTY	Unit
10	7035297	Electric Discharge Pump 2.7cc 24v	1	PC
10	7035298	Electric Discharge Pump 2.7cc 12v	1	PC
20	7034074	Bracket Welded Assembly, Discharge Pump	1	PC
30	09570102-0	Stud Coupling Male G 3/8" x M14 x 1.5	1	PC
40	6601-1326	Stud Coupling Male G 3/8" x M22 x 1.5	1	PC
50	303-1	Adjustable Male Elbow - M14 x 1.5	1	PC
60	92097372-0	Hex Head Screw - M8Cx16 - 8.8	3	PC
70	93699710-0	Spring Washer - Plated M8	3	PC
80	433-21	Rivet Nut - S.Cl Nut M5c G 0.5-3.0 Open	2	PC
90	92097410-0	Hex Head Screw - M10Cx20 - 8.8	2	PC
100	93699711-0	Spring Washer - Plated M10	2	PC
110	134-57	Pan Head Screw - M5Cx12 - 4.8	2	PC
120	93699707-0	Spring Washer - Plated M5	2	PC
130	93210109-0	Plain Washer M5	2	PC

P.O. Check Valve Assembly ()
Subframe\Subframe Hose & Pipework\P.O. Check Valve Assembly

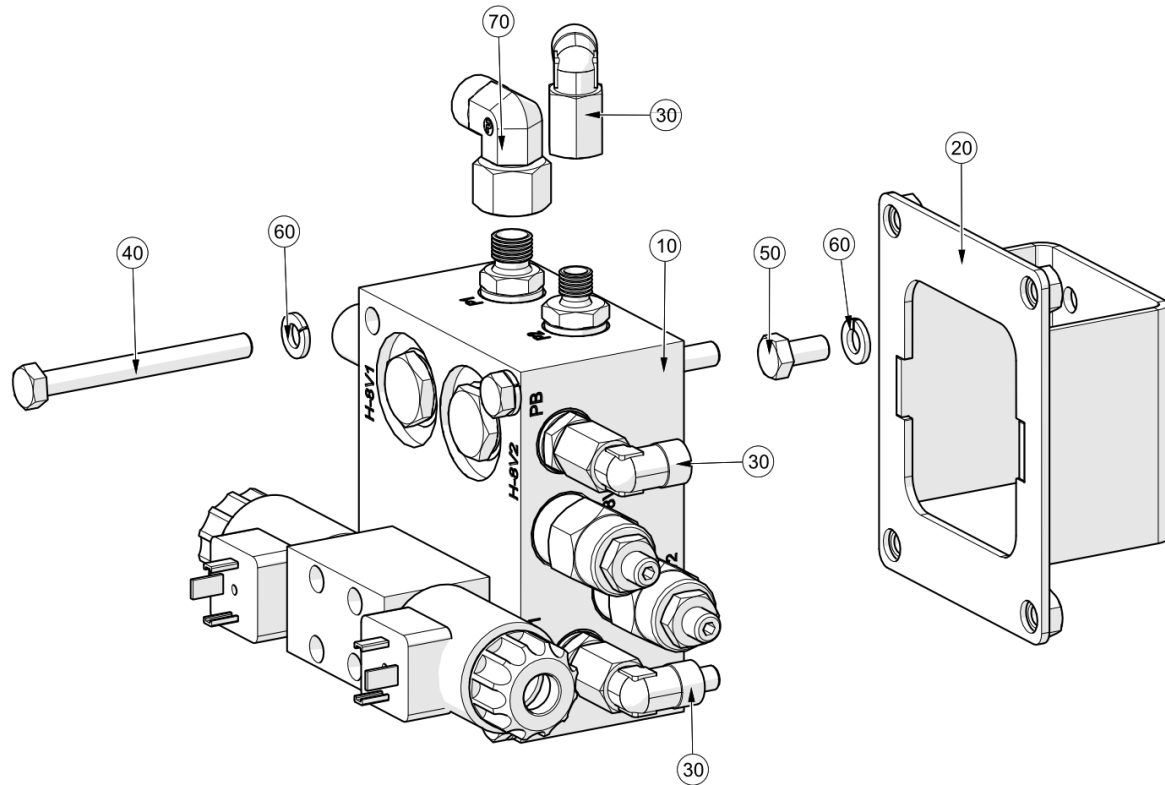


P.O. Check Valve Assembly ()

Subframe\Subframe Hose & Pipework\P.O. Check Valve Assembly

Item no.	Part no.	Description	QTY	Unit
10	847-129	Pilot Operated Check Valve 3/8 Ports	1	PC
20	92097382-0	Hex Head Screw - M8Cx50 - 8.8	2	PC
30	93056014-0	Hex Nut M8C-8	2	PC
40	93699710-0	Spring Washer - Plated M8	2	PC
50	6615-0502	Adjustable Equal Tee - M14 x 1.5	1	PC
60	09570126-0	Stud Coupling Male G 1/4" x M14x1.5 (8L)	1	PC
70	09570102-0	Stud Coupling Male G 3/8" x M14 x 1.5	2	PC
80	303-1	Adjustable Male Elbow - M14 x 1.5	1	PC

Hydraulic Manifold ()
Subframe\Subframe Hose & Pipework\Hydraulic Manifold

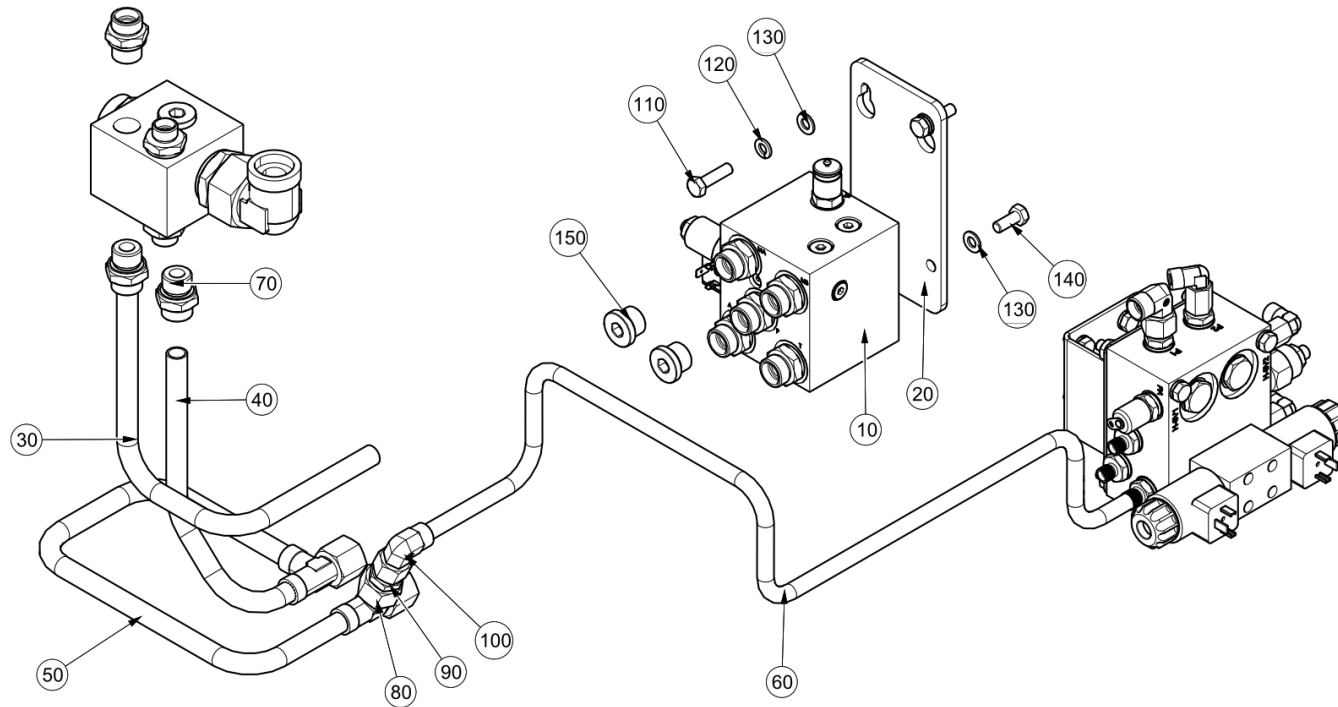


Hydraulic Manifold ()

Subframe\Subframe Hose & Pipework\Hydraulic Manifold

Item no.	Part no.	Description	QTY	Unit
10	7021315	Manifold - Hydraulic Body 12V	1	PC
10	7005341	Manifold - Hydraulic Body 24V	1	PC
20	7004123	Bracket	1	PC
30	303-1	Adjustable Male Elbow - M14 x 1.5	3	PC
40	92067391-0	Hex Head Bolt - M8Cx80 - 8.8	4	PC
50	92097372-0	Hex Head Screw - M8Cx16 - 8.8	4	PC
60	93699710-0	Spring Washer - Plated M8	8	PC
70	6613-0504	Adjustable Male Elbow - M18 x 1.5	1	PC

Tandem Pump Valve Block ()
Subframe\Tandem Pump Valve Block



Tandem Pump Valve Block ()
Subframe\Tandem Pump Valve Block

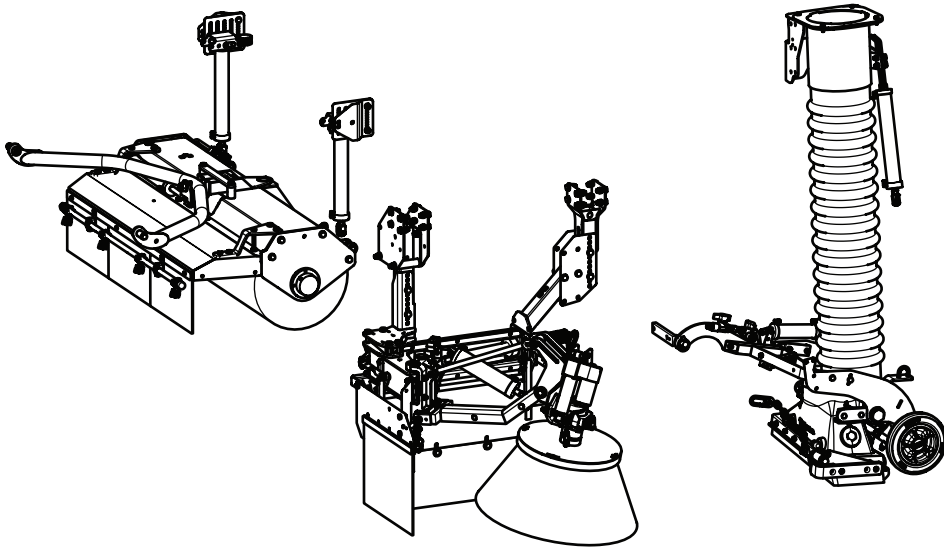
Item no.	Part no.	Description	QTY	Unit
10	7008195	Manifold - Hydraulic 24 Volt	1	PC
10	7008196	Manifold - Hydraulic 12 Volt	1	PC
20	7003608	Plate	1	PC
30	7007964	Pipe - Hydraulic	1	PC
40	7007879	Pipe - Hydraulic	1	PC
50	7007891	Pipe Hyd H12Z1(T) H12Z1(A)	1	PC
60	7013711	Pipe - Hydraulic	1	PC
70	6601-1329	Stud Coupling Male G 1/2" x M22 x 1.5	3	PC
80	6615-2320	Adjustable Male Tee - M22 x 1.5	2	PC
90	306-2	Reducing Connector - M22x1.5 - M18x1.5	1	PC
100	6613-0504	Adjustable Male Elbow - M18 x 1.5	1	PC
110	92097378-0	Hex Head Screw - M8Cx30 - 8.8	2	PC
120	93699710-0	Spring Washer - Plated M8	2	PC
130	93212011-0	Plain Washer - M8	4	PC
140	92097374-0	Hex Head Screw - M8Cx20 - 8.8	2	PC
150	09572135-0	Plug - Collar 1/2 BSP	2	PC
160	7008003	Cable Assembly	1	PC

This page is intentionally left blank

Chapter 5 Sweepgear

Table of Contents

Section	Page
5.1 Channel Brush.....	220
5.2 Wide Sweep Brush.....	246
5.3 Nozzle.....	270

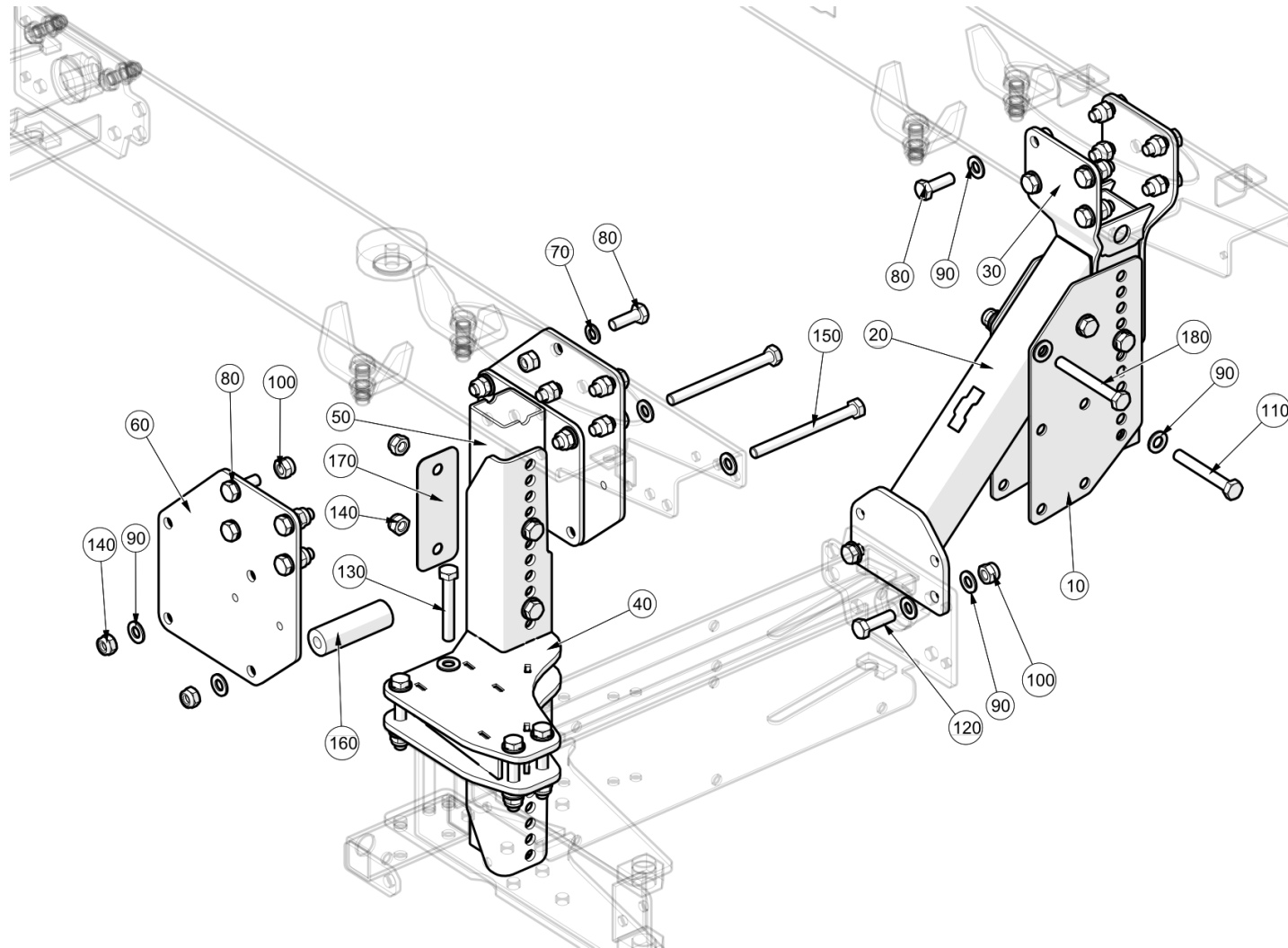


Item no.	Part no.	Description	QTY	Unit
40	94992-2	Trunking - 250dia Intake (HD)	1	PC
41	504-54	Hose Clip - Worm Drive (230-260)	2	PC

This page is intentionally left blank

This page is intentionally left blank

Channel Brush Install ()
Sweepgear\Channel Brush\Channel Brush Install



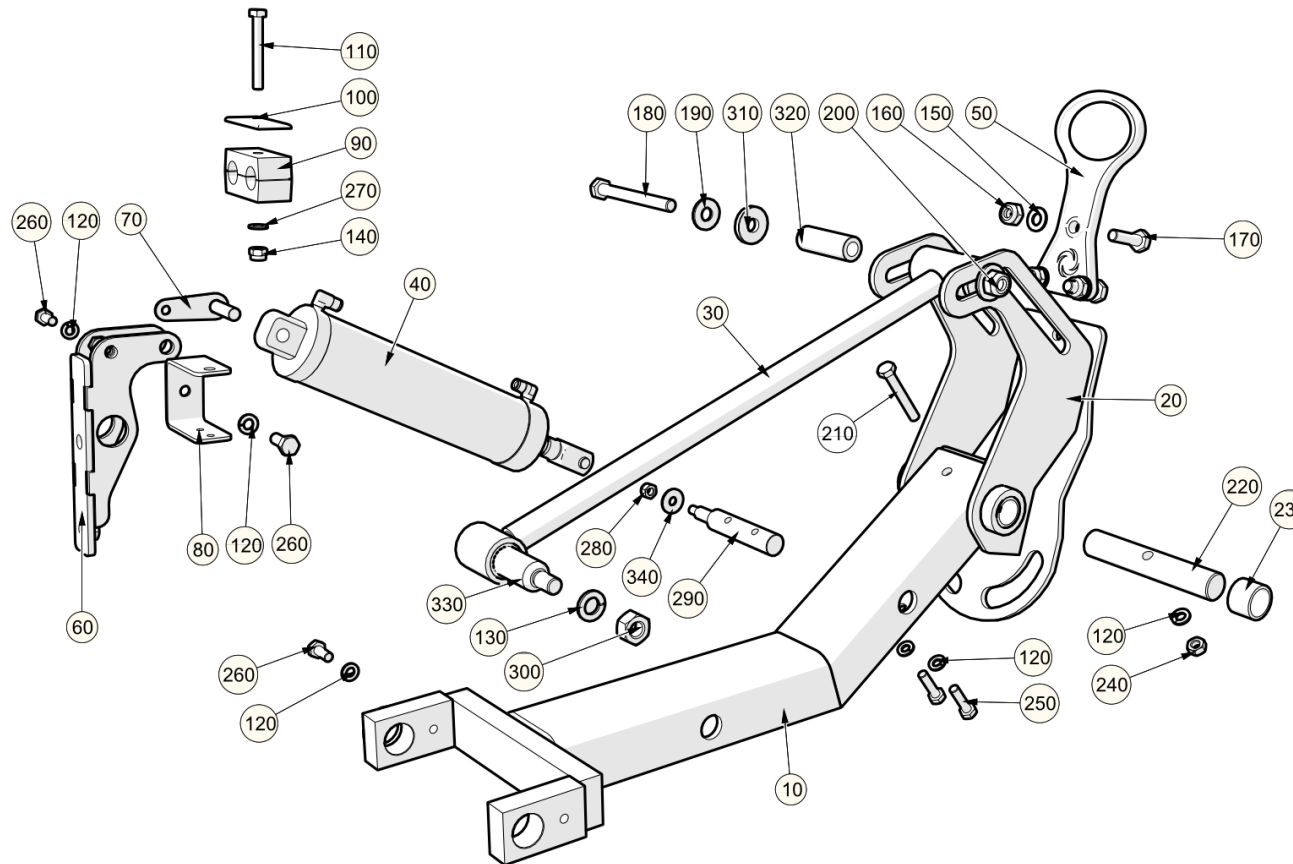
Channel Brush Install ()
Sweepgear\Channel Brush\Channel Brush Install

Item no.	Part no.	Description	QTY	Unit
10	7026400	Rear Leg Adjustment Plate	4	PC
20	7026401	Rear Channel Brush Arm Welded Assembly	2	PC
30	7026407	Leg Rear Welded Assembly	2	PC
40	7026975	Channel Brush Front Mount W/Assy	2	PC
50	7026930	Leg - Front Welded Assembly	2	PC
60	7026924	Mounting Plate - Sweepgear	4	PC
70	93699712-0	Spring Washer - Plated M12	8	PC
80	92097451-0	Hex Head Screw - M12Cx35 - 8.8	36	PC
90	93212013-0	Plain Washer M12	84	PC
100	93085807-0	Nyloc Hex Nut M12C - 8	49	PC
110	92067467-0	Hex Head Bolt - M12Cx90 - 8.8	8	PC
120	92067457-0	Hex Head Bolt - M12Cx40 - 8.8	4	PC
130	6105-1501	Hex Head Bolt - M12Cx80 - 8.8	8	PC
140	93085007-0	Nyloc Hex Nut M12C - 8	15	PC
150	92067473-0	Hex Head Bolt - M12Cx140 - 8.8	4	PC
160	45014-31	Spacer - 93mm	4	PC
170	7026966	Backing Plate - Sweepgear	2	PC
180	92067469-0	Hex Head Bolt - M12Cx100 - 8.8	4	PC

This page is intentionally left blank

This page is intentionally left blank

Upper Arm ()
Sweepgear\Channel Brush\Brush Arm\Upper Arm

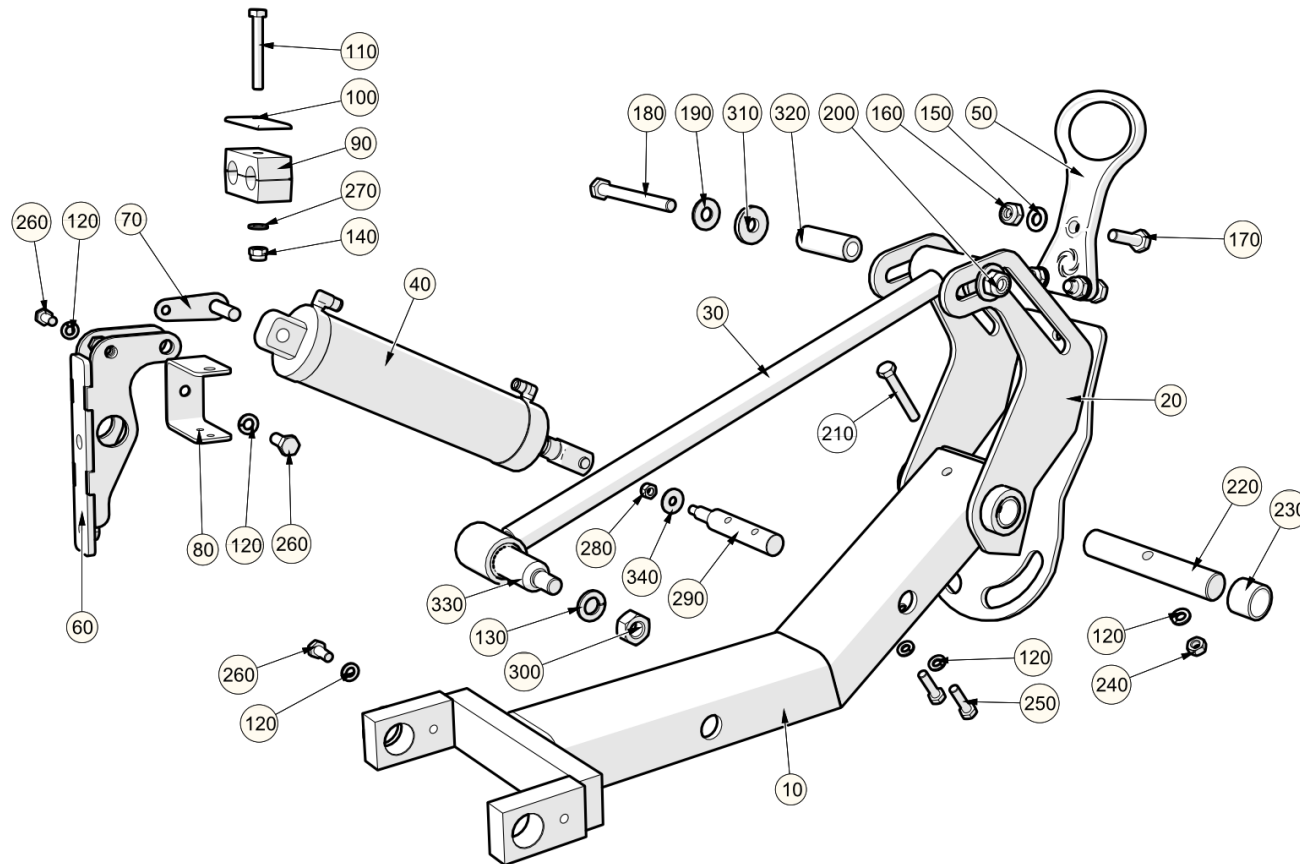


Upper Arm ()

Sweepgear\Channel Brush\Brush Arm\Upper Arm

Item no.	Part no.	Description	QTY	Unit
10	200025-1	Lower Arm Welded Assembly Channel Brush	1	PC
20	7016293	Motor Mount - Welded Assembly	1	PC
30	200026-1	Upper Arm Assembly - Channel Brush	1	PC
40	7004740	Cylinder Assembly Ø63x190	1	PC
50	7037992	Hose Guide	1	PC
60	7008886	Mast Welded Assembly	1	PC
70	7008889	Pin Welded Assembly	1	PC
80	7023826	Bracket - Channel Brush	1	PC
90	51-44	Clamp - Type 3 G1/2 G1/2	1	PC
100	51-43	Top Clamp Plate - 65x30	1	PC
110	92067387-0	Hex Head Bolt - M8Cx60 - 8.8	1	PC
120	93699710-0	Spring Washer - Plated M8	6	PC
130	93699712-0	Spring Washer - Plated M12	1	PC
140	93085805-0	Nyloc Hex Nut M8C - 8	1	PC
150	93212012-0	Plain Washer - M10	3	PC
160	93085006-0	Nyloc Hex Nut M10C - 8	3	PC
170	92097415-0	Hex Head Screw - M10Cx35 - 8.8	3	PC
180	92067471-0	Hex Head Bolt - M12Cx120 - 8.8	1	PC
190	7016376	Washer - Upper Arm	2	PC
200	93085007-0	Nyloc Hex Nut M12C - 8	1	PC
210	92097383-0	Hex Head Screw - M8Cx55 - 8.8	1	PC
220	7016311	Pivot Pin	1	PC
230	29128-4	Bush - ID22.2 OD27.2 19Lg	2	PC
240	93056014-0	Hex Nut M8C-8	1	PC

Upper Arm ()
Sweepgear\Channel Brush\Brush Arm\Upper Arm

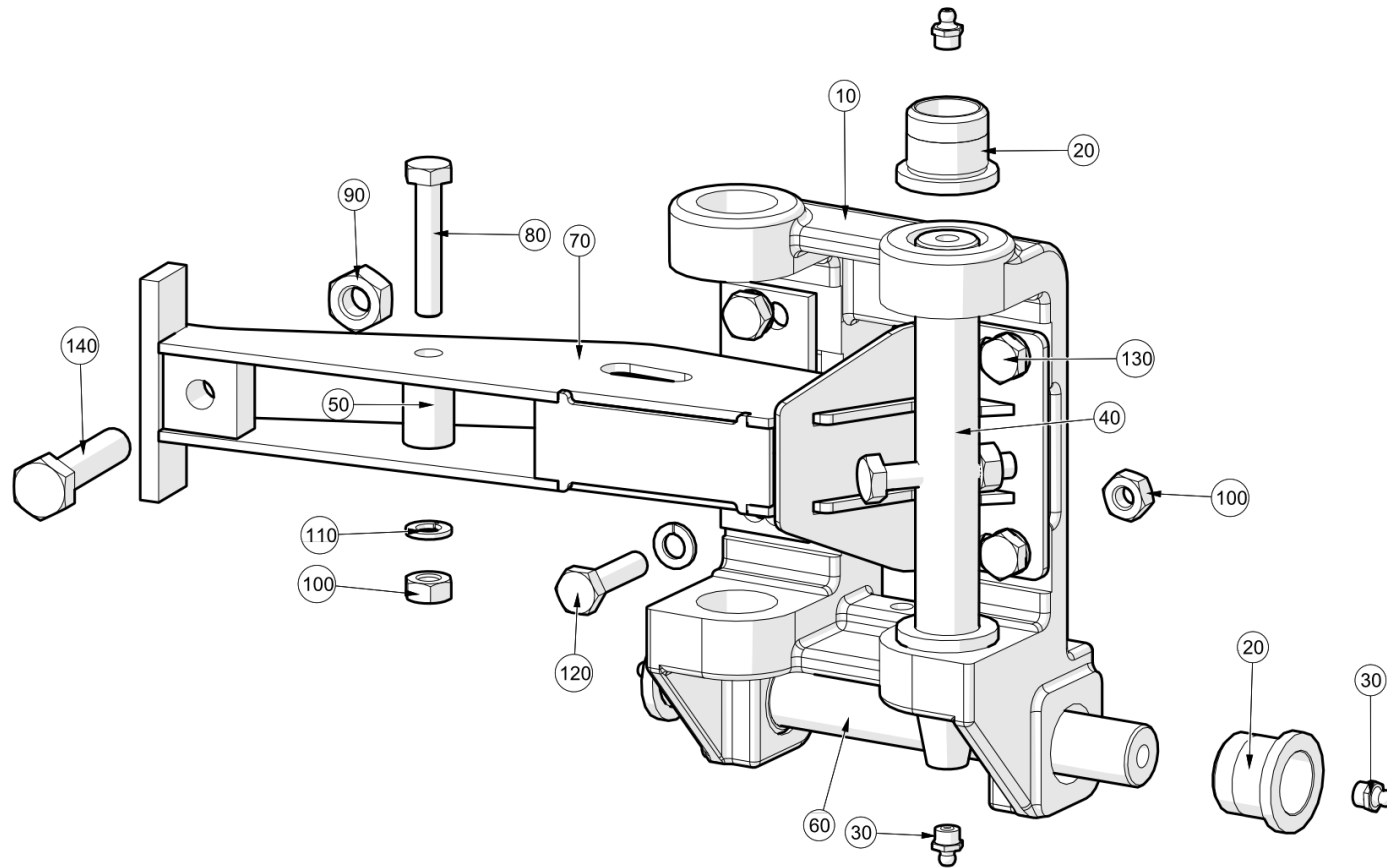


Upper Arm ()

Sweepgear\Channel Brush\Brush Arm\Upper Arm

Item no.	Part no.	Description	QTY	Unit
250	92097378-0	Hex Head Screw - M8Cx30 - 8.8	2	PC
260	92097374-0	Hex Head Screw - M8Cx20 - 8.8	3	PC
270	93212011-0	Plain Washer - M8	1	PC
280	93085005-0	Nyloc Hex Nut M8C - 8	1	PC
290	7008958	Pin -Sweep gear	1	PC
300	93056016-0	Hex Nut M12C-8	1	PC
310	7016375	Washer - Upper Arm	2	PC
320	7016372	Bush - Upper Arm	1	PC
330	40361-1-D	Pin Pivot Arm Upper Channel Brush	1	PC
340	93300509-0	Plain Large Washer - M8	1	PC

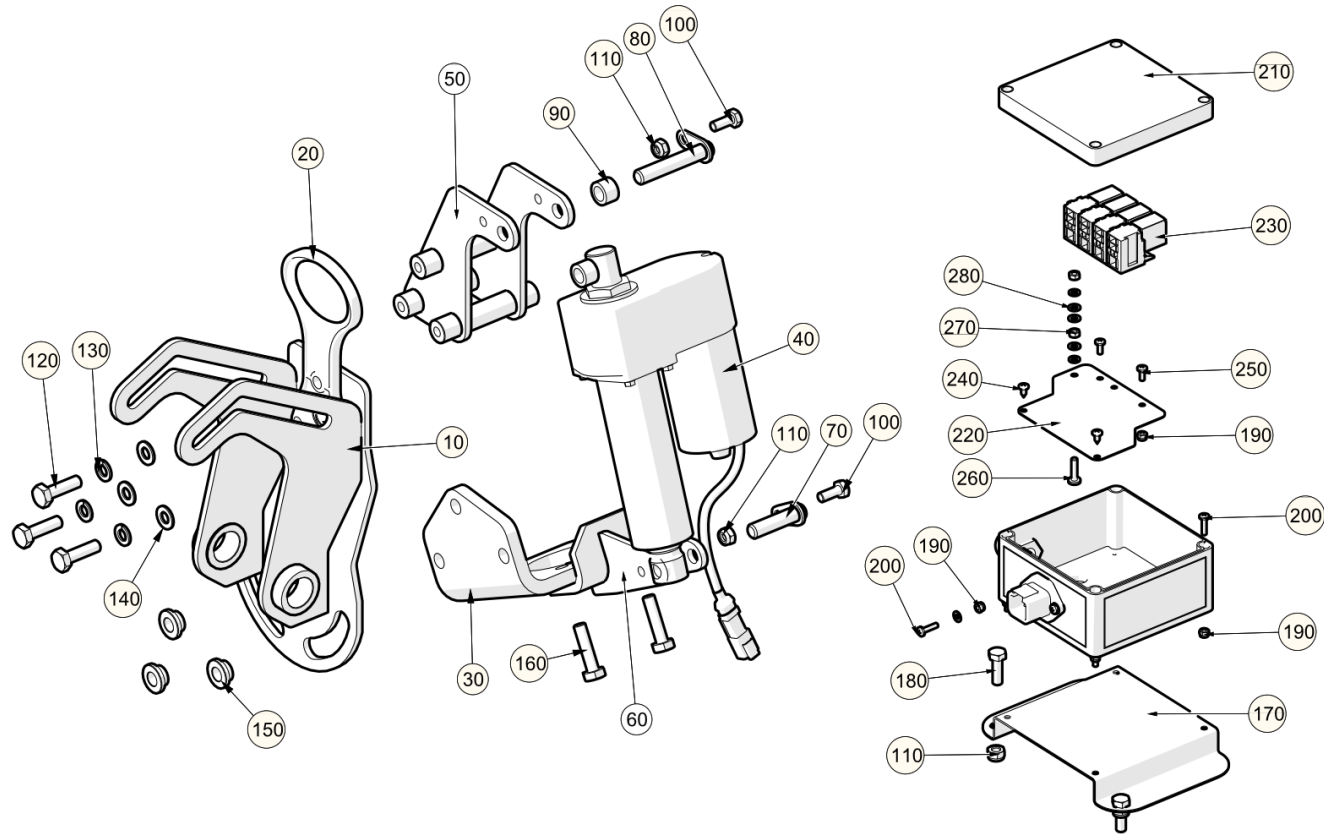
Pivot Head ()
Sweepgear\Channel Brush\Brush Arm\Pivot Head



Pivot Head ()

Sweepgear\Channel Brush\Brush Arm\Pivot Head

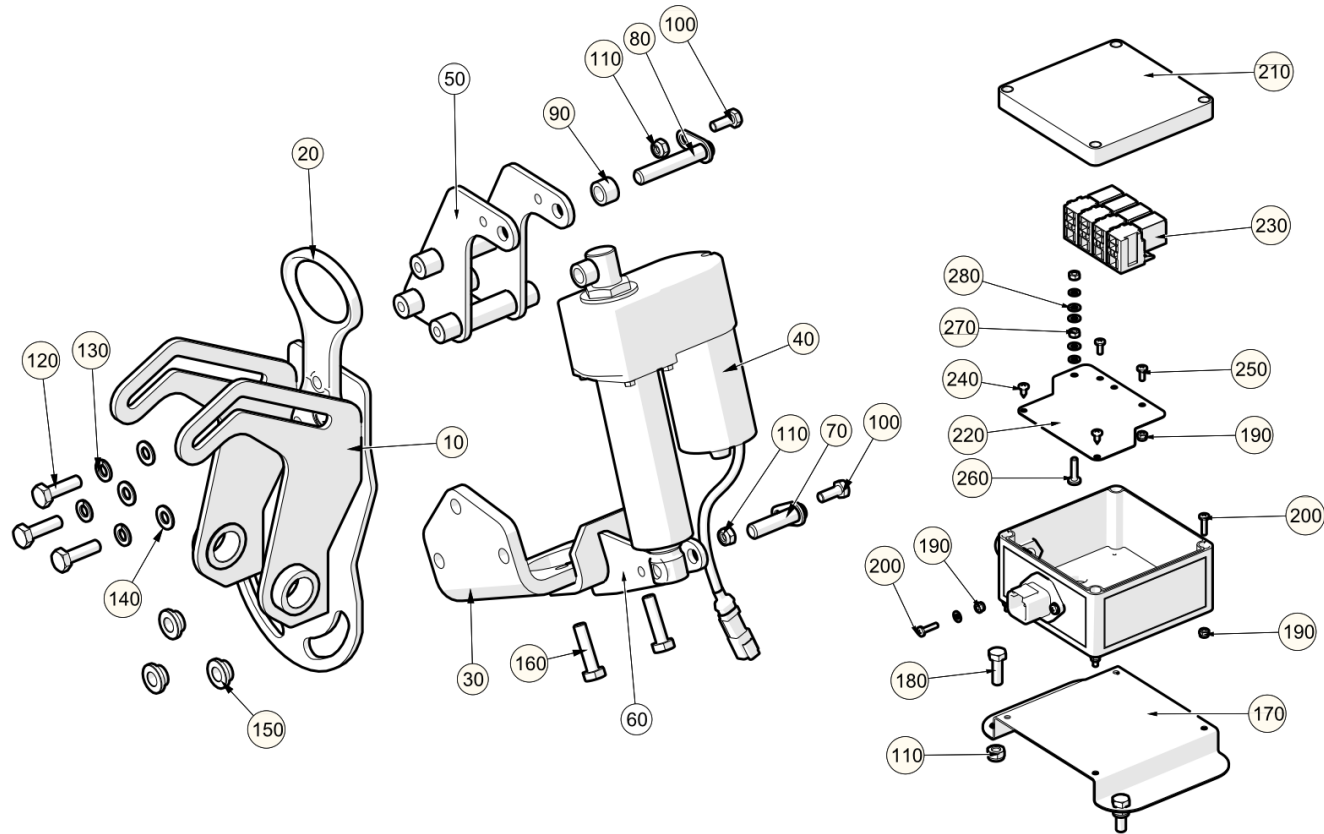
Item no.	Part no.	Description	QTY	Unit
10	40272-2	Pivot Head Channel Brush DOT3	1	PC
20	40292-1-D	Bush Channel Brush	4	PC
30	38-1	Grease Nipple Straight 1/8 BSP	4	PC
40	40360-1-E	Pin Pivot Channel Brush Head	1	PC
50	40377-1-E	Bush	1	PC
60	282028-1	Pivot Pin Welded Assembly - Lower Arm	1	PC
70	7038679	Pivot Head Lever Welded Assembly	1	PC
80	92097419-0	Hex Head Screw - M10Cx55 - 8.8	2	PC
90	93056061-0	Hex Nut M14F-8	1	PC
100	93056015-0	Hex Nut M10C-8	4	PC
110	93699711-0	Spring Washer - Plated M10	5	PC
120	92097416-0	Hex Head Screw - M10Cx40 - 8.8	2	PC
130	92097415-0	Hex Head Screw - M10Cx35 - 8.8	2	PC
140	92117122-0	Hex Head Screw - M14Fx1.50x60 - 8.8	1	PC



Rotatilt ()

Sweepgear\Channel Brush\Brush Arm\Rotatilt

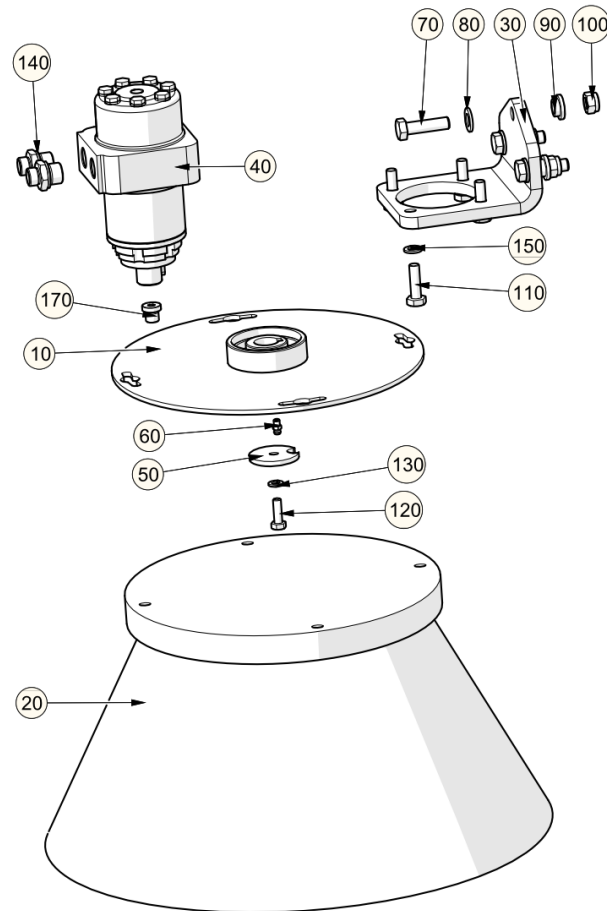
Item no.	Part no.	Description	QTY	Unit
10	7016293	Motor Mount - Welded Assembly	1	PC
20	7037992	Hose Guide	1	PC
30	7016170	Mounting - Brush Motor	1	PC
40	282508-24	Linear Actuator - 24v	1	PC
40	282508-12	Linear Actuator - 12v	1	PC
50	7018341	Upper Bracket - Welded Assembly	1	PC
60	7018330	Lower Bracket - Welded Assembly	1	PC
70	7018352	Pivot Pin - Welded Assembly	1	PC
80	7018353	Pivot Pin - Welded Assembly	1	PC
90	7018354	Spacer	2	PC
100	92097374-0	Hex Head Screw - M8Cx20 - 8.8	2	PC
110	93085005-0	Nyloc Hex Nut M8C - 8	2	PC
120	92097415-0	Hex Head Screw - M10Cx35 - 8.8	3	PC
130	93699711-0	Spring Washer - Plated M10	3	PC
140	93212012-0	Plain Washer - M10	3	PC
150	281325-1	Bush - Motor Mount Rotatilt	3	PC
160	92097416-0	Hex Head Screw - M10Cx40 - 8.8	2	PC
170	7022791	Rotatilt Relay Box Mount	1	PC
180	92097376-0	Hex Head Screw - M8Cx25 - 8.8	2	PC
190	93085002-0	Nyloc Hex Nut M4C - 8	4	PC
200	134-43	Pan Head Screw - M4Cx16 - 4.8	4	PC
210	7022814	Rotatilt Relay Box	1	PC
220	7022792	Rotatilt Relay Mount	1	PC
230	725-153	Relay - 24v N/O, 5 Pin Diode Protected	4	PC



Rotatilt ()
Sweepgear\Channel Brush\Brush Arm\Rotatilt

Item no.	Part no.	Description	QTY	Unit
230	725-152	Relay - 12v N/O, 5 Pin Diode Protected	4	PC
240	193-16	Pan Head Screw - 4.2x9.5 - 4.8	2	PC
250	134-41	Pan Head Screw - M4Cx10 - 4.8	2	PC
260	134-59	Pan Head Screw - M5Cx20 - 4.8	2	PC
270	93056011-0	Hex Nut M5C-8	2	PC
280	93210109-0	Plain Washer M5	3	PC
290	7022018	Cable Assembly	1	PC
290	7022864	Cable Assembly	1	PC

Brush Head ()
Sweepgear\Channel Brush\Brush Arm\Brush Head



Brush Head ()

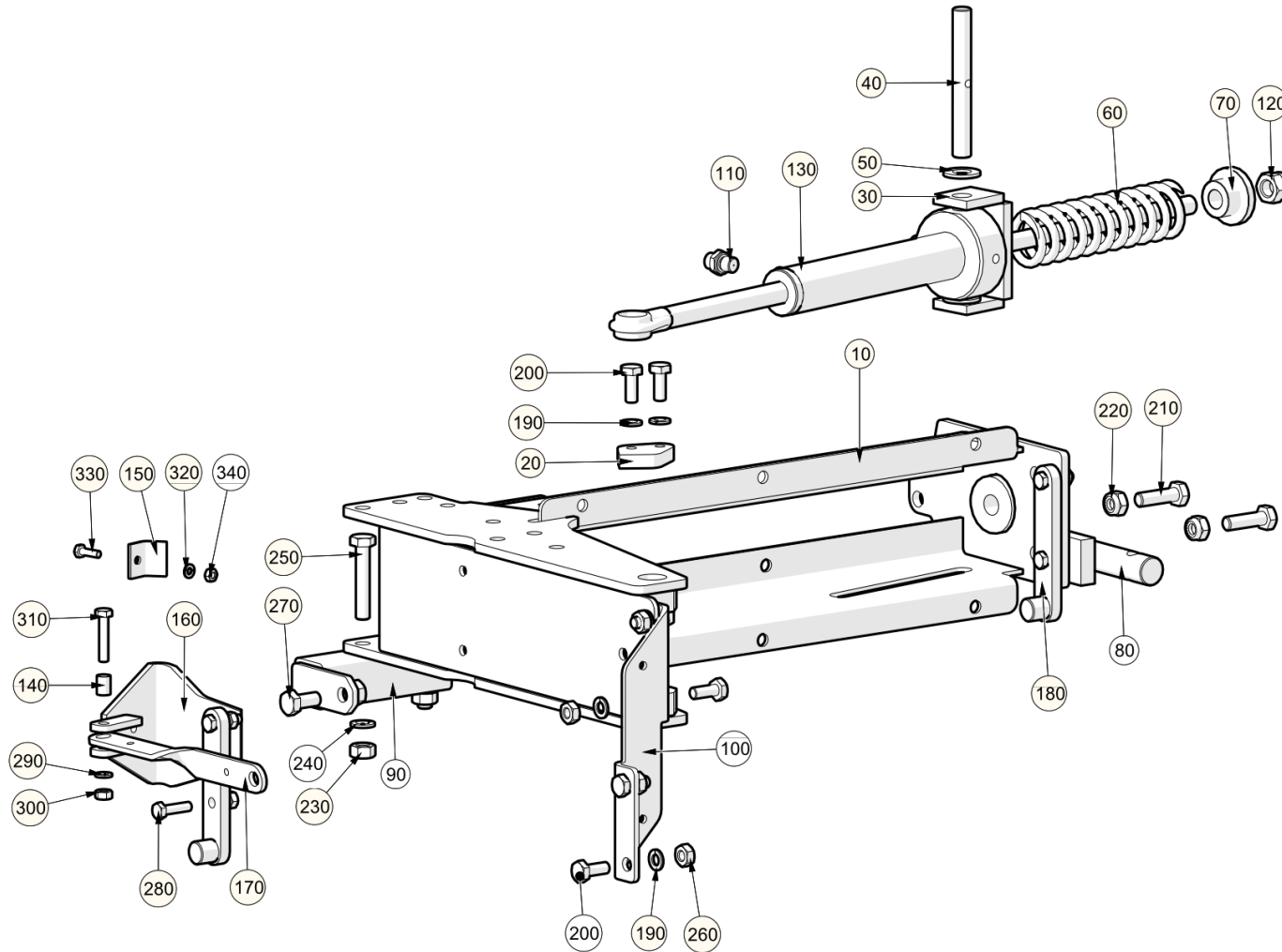
Sweepgear\Channel Brush\Brush Arm\Brush Head

Item no.	Part no.	Description	QTY	Unit
10	7024082	Drive Plate Welded Assembly	1	PC
10	7024081	Drive Plate Welded Assembly	1	PC
20	835-24	TMS Poly 650 mm channel brushes	2	PC
20	281899-10	Brush - CB 650mm Poly NatTop95	2	PC
20	46631-1-A	TMS Poly channel brush	2	PC
20	835-20	Brush - Weedrip	2	PC
30	7016170	Mounting - Brush Motor	1	PC
40	72250-1	Motor - Hydraulic OMPW 200	1	PC
50	7024133	Washer - Motor	1	PC
60	38-30	Grease Nipple M6 X 1	1	PC
70	92067458-0	Hex Head Bolt - M12Cx45 - 8.8	3	PC
80	93212013-0	Plain Washer M12	3	PC
90	281325-2	Bush - Motor Mount	3	PC
100	93085007-0	Nyloc Hex Nut M12C - 8	3	PC
110	92097415-0	Hex Head Screw - M10Cx35 - 8.8	4	PC
120	135-58	Hex Head Screw - 180° Patch M8Cx25	1	PC
130	93699710-0	Spring Washer - Plated M8	1	PC
140	09570131-0	Stud Coupling Male G 1/2" x M18 x 1.5	2	PC
150	93699711-0	Spring Washer - Plated M10	4	PC
160	09572133-0	Plug - Collar 1/4 BSP	1	PC

This page is intentionally left blank

This page is intentionally left blank

Pivot Frame Assembly ()
Sweepgear\Channel Brush\Pivot Frame Assembly\Pivot Frame Assembly

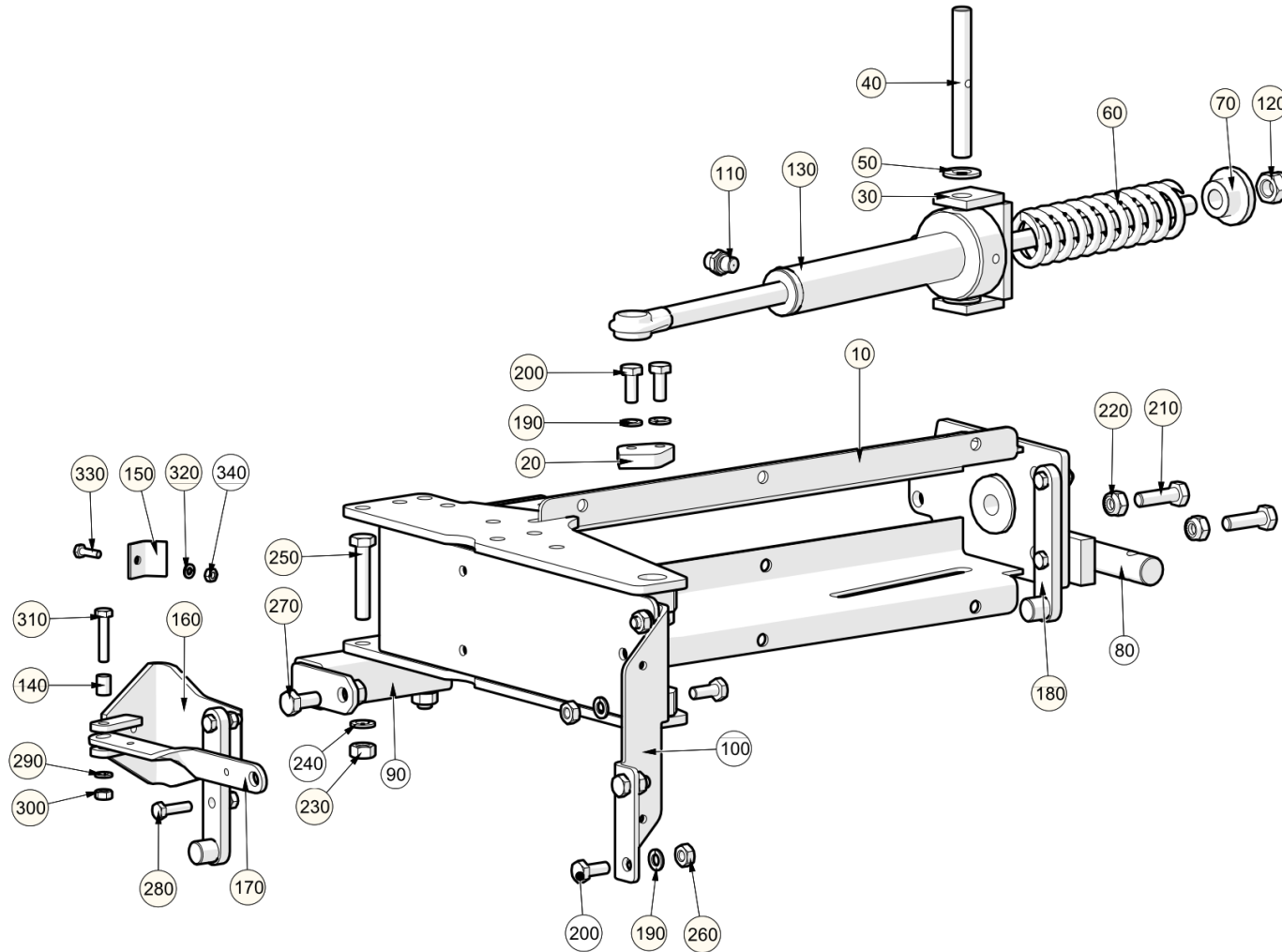


Pivot Frame Assembly ()

Sweepgear\Channel Brush\Pivot Frame Assembly\Pivot Frame Assembly

Item no.	Part no.	Description	QTY	Unit
10	200075-1	Pivot Frame - Channel Brush W/Assy	1	PC
20	281587-1	Stop - Channel Brush	2	PC
30	67348-1	Fork - Welded Assembly	1	PC
40	40420-1-B	Pin - Cylinder Channel Brush	1	PC
50	40421-1-F	Spacer - Cylinder Channel Brush	2	PC
60	41895-2	Spring - Compression Channel Brush	1	PC
70	41911-1	Nut - Kick Back Spring	1	PC
80	40295-1-F	Pin Welded Assembly - Tow, Nozzle	1	PC
90	810750-1	Box Towpoint - Weld Assy	1	PC
100	62822-1	Bracket - Mud Flap Mounting	1	PC
110	15062230-0	Adaptor - G 1/4 x M14x1.5	2	PC
120	93085009-0	Nyloc Hex Nut M16C - 8	1	PC
130	281601-1	Cylinder Assy C/Brush	1	PC
140	40383-1-B	Bush - Curtain, Channel Brush	1	PC
150	40384-1-B	Catch Curtain Lever Channel Brush	1	PC
160	800678-1	Lever - Brush Curtain Welded Assembly	1	PC
170	7038676	Curtain Link	1	PC
180	7038672	Davit Hinge Welded Assembly	2	PC
190	93699711-0	Spring Washer - Plated M10	8	PC
200	92097412-0	Hex Head Screw - M10Cx25 - 8.8	8	PC
210	92067457-0	Hex Head Bolt - M12Cx40 - 8.8	2	PC
220	93085007-0	Nyloc Hex Nut M12C - 8	2	PC
230	93056016-0	Hex Nut M12C-8	3	PC
240	93699712-0	Spring Washer - Plated M12	3	PC

Pivot Frame Assembly ()
Sweepgear\Channel Brush\Pivot Frame Assembly\Pivot Frame Assembly

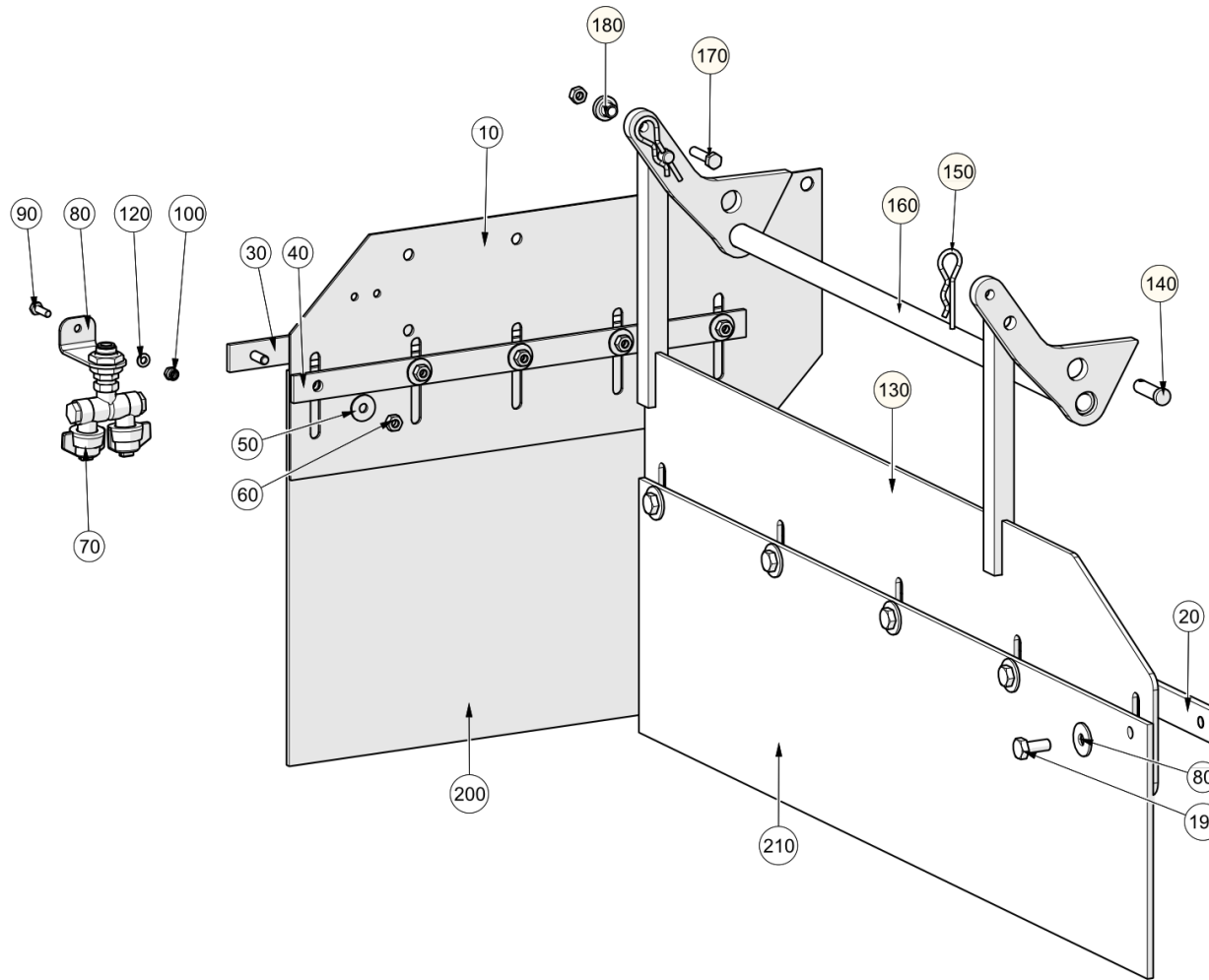


Pivot Frame Assembly ()

Sweepgear\Channel Brush\Pivot Frame Assembly\Pivot Frame Assembly

Item no.	Part no.	Description	QTY	Unit
250	92067462-0	Hex Head Bolt - M12Cx65 - 8.8	2	PC
260	93056015-0	Hex Nut M10C-8	4	PC
270	92097448-0	Hex Head Screw - M12Cx25 - 8.8	1	PC
280	92097378-0	Hex Head Screw - M8Cx30 - 8.8	4	PC
290	93699710-0	Spring Washer - Plated M8	5	PC
300	93056014-0	Hex Nut M8C-8	4	PC
310	92097380-0	Hex Head Screw - M8Cx40 - 8.8	1	PC
320	93699708-0	Spring Washer - Plated M6	1	PC
330	92097301-0	Hex Head Screw - M6Cx20 - 8.8	1	PC
340	93056012-0	Hex Nut M6C-8	1	PC

Curtain/Flaps ()
Sweepgear\Channel Brush\Pivot Frame Assembly\Curtain/Flaps



Curtain/Flaps ()

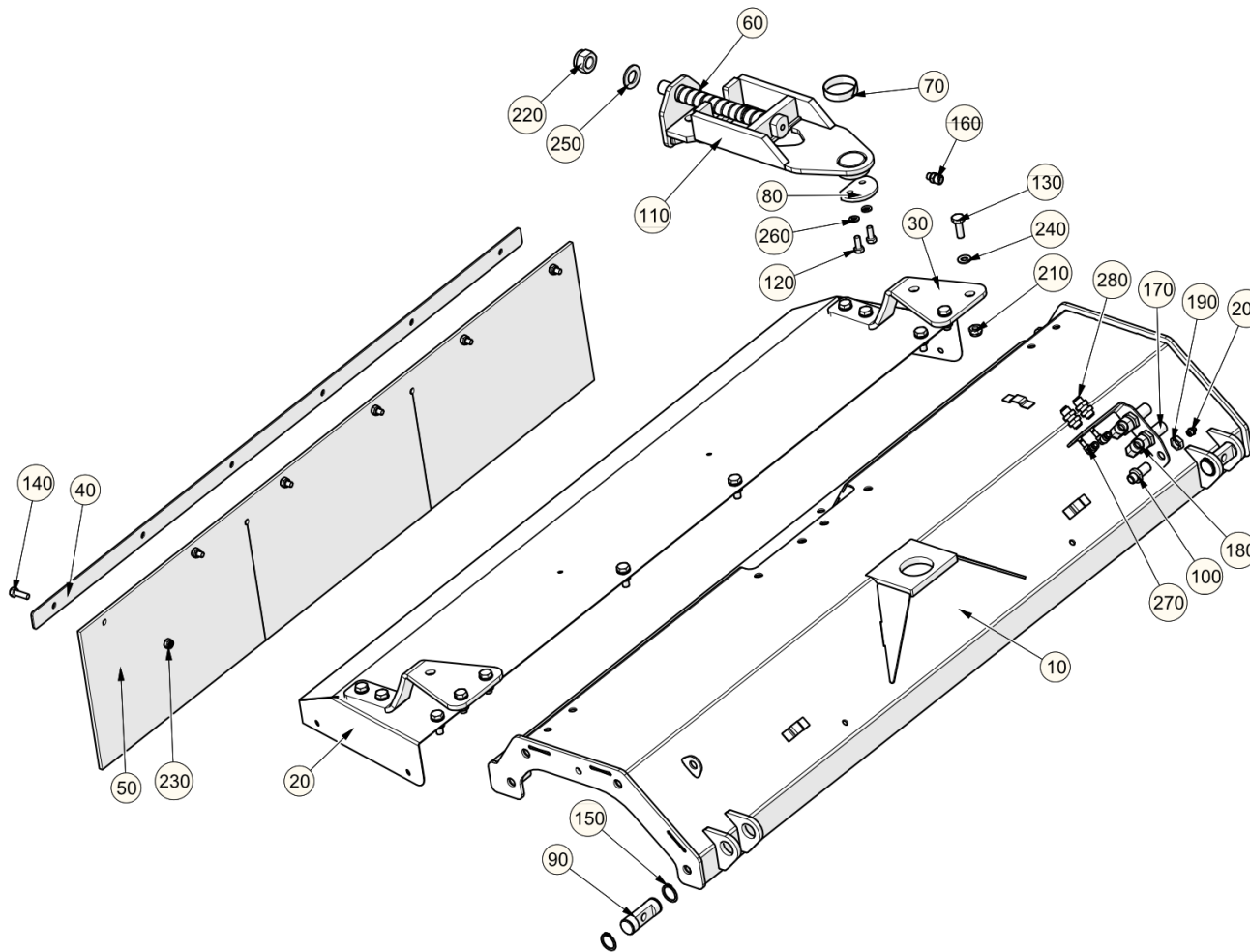
Sweepgear\Channel Brush\Pivot Frame Assembly\Curtain/Flaps

Item no.	Part no.	Description	QTY	Unit
10	67375-1	Plate - Mud Flap	1	PC
20	62454-1	Clamp - Strip	1	PC
30	67372-1	Clamp Strip Welded Assembly	1	PC
40	67378-1	Clamp Bar	1	PC
50	93300509-0	Plain Large Washer - M8	5	PC
60	93056014-0	Hex Nut M8C-8	6	PC
70	7024112	Water Spray Assembly	1	PC
80	93300510-0	Plain Large Washer M10	5	PC
80	7018998	Mounting Bracket, Water Spray	1	PC
90	92097301-0	Hex Head Screw - M6Cx20 - 8.8	1	PC
100	93085004-0	Nyloc Hex Nut M6C - 8	1	PC
120	93212009-0	Plain Washer - M6	1	PC
130	7038654	Curtain Welded Assembly	1	PC
140	63582-1	Pin - Curtain Quick Release	2	PC
150	09530004-0	Spring Cotter 4/20/60	2	PC
160	7038647	Davit Welded Assembly	1	PC
170	92097379-0	Hex Head Screw - M8Cx35 - 8.8	1	PC
180	40385-1-B	Pin Retaining Link	1	PC
190	92097412-0	Hex Head Screw - M10Cx25 - 8.8	5	PC
200	67368-1	Mud Flap	1	PC
210	63334-1	Curtain - Rubber Channel Brush	1	PC

This page is intentionally left blank

This page is intentionally left blank

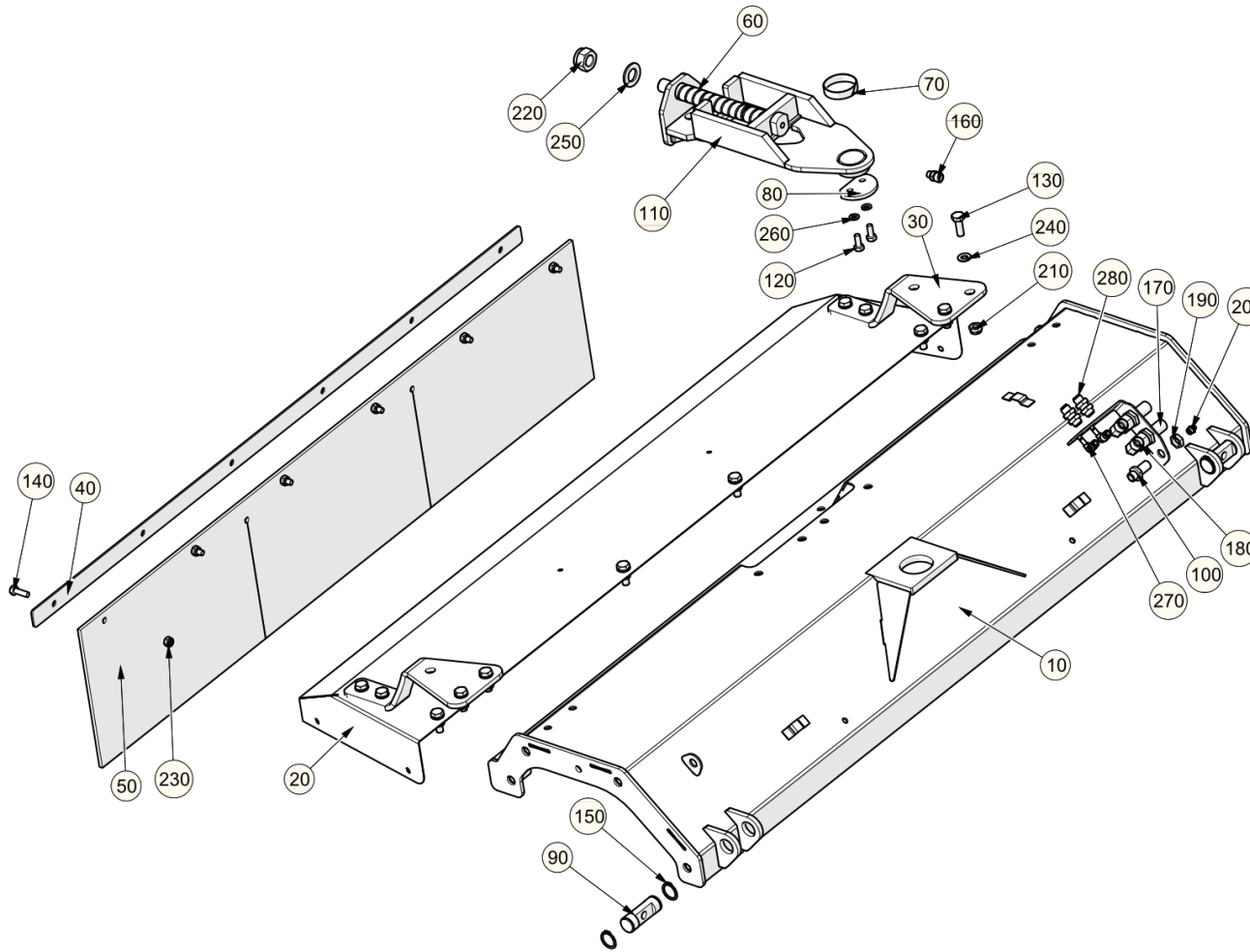
WSB Carriage ()
Sweepgear\Wide Sweep Brush\WSB Carriage



WSB Carriage ()
Sweepgear\Wide Sweep Brush\WSB Carriage

Item no.	Part no.	Description	QTY	Unit
10	7041824	Carriage Weld Assembly	1	PC
20	7037157	Curtain	1	PC
30	7036712	Curtain Support	2	PC
40	283126-1	Retaining Strip - Curtain WSB	1	PC
50	200055-1	Rubber Curtain (1275 WSB)	1	PC
60	283092-1	Shaft Compensator Assembly WSB	1	PC
70	29395-2	Bearing	1	PC
80	62095-1	Plate - Keeper	1	PC
90	62097-1	Pin Anchor - V650 & V800	2	PC
100	7023658	Bulkhead Adaptor	1	PC
110	7038188	Compensator - W/Assy	1	PC
120	92097374-0	Hex Head Screw - M8Cx20 - 8.8	2	PC
130	92097414-0	Hex Head Screw - M10Cx30 - 8.8	12	PC
140	92097376-0	Hex Head Screw - M8Cx25 - 8.8	6	PC
150	09500025-0	Circlips-External DIN471 25x1,2	4	PC
160	09570120-0	Stud Coupling Male G 1/8" x M14 x 1.5	1	PC
170	302-2	Straight Bulkhead Connector M18 x 1.5	2	PC
180	6613-0504	Adjustable Male Elbow - M18 x 1.5	2	PC
190	315-1	Counter Nut - M14x1.5	1	PC
200	38-1	Grease Nipple Straight 1/8 BSP	1	PC
210	93085006-0	Nyloc Hex Nut M10C - 8	12	PC
220	93085036-0	Nyloc Hex Nut M20 x 1.5 - 8	1	PC
230	93085005-0	Nyloc Hex Nut M8C - 8	6	PC
240	93212012-0	Plain Washer - M10	12	PC

WSB Carriage ()
Sweepgear\Wide Sweep Brush\WSB Carriage

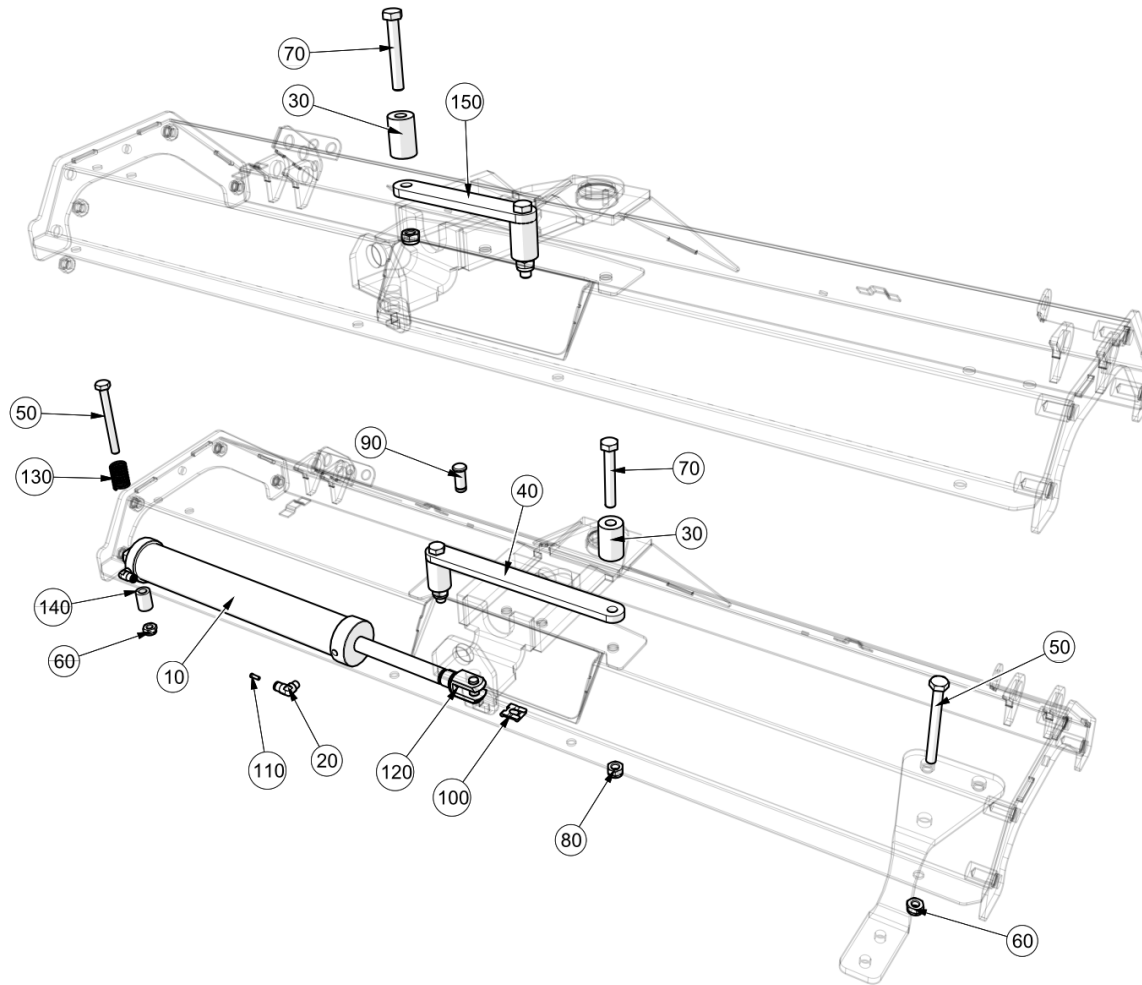


WSB Carriage ()

Sweepgear\Wide Sweep Brush\WSB Carriage

Item no.	Part no.	Description	QTY	Unit
250	93212018-0	Plain Washer M20	1	PC
260	93699710-0	Spring Washer - Plated M8	2	PC
270	551-1	Adaptor - Stem Elbow 6mm	2	PC
280	555-3	Adaptor Bulkhead 6mm x M14x1.5	2	PC

WSB Slew Assembly ()
Sweepgear\Wide Sweep Brush\WSB Slew Assembly

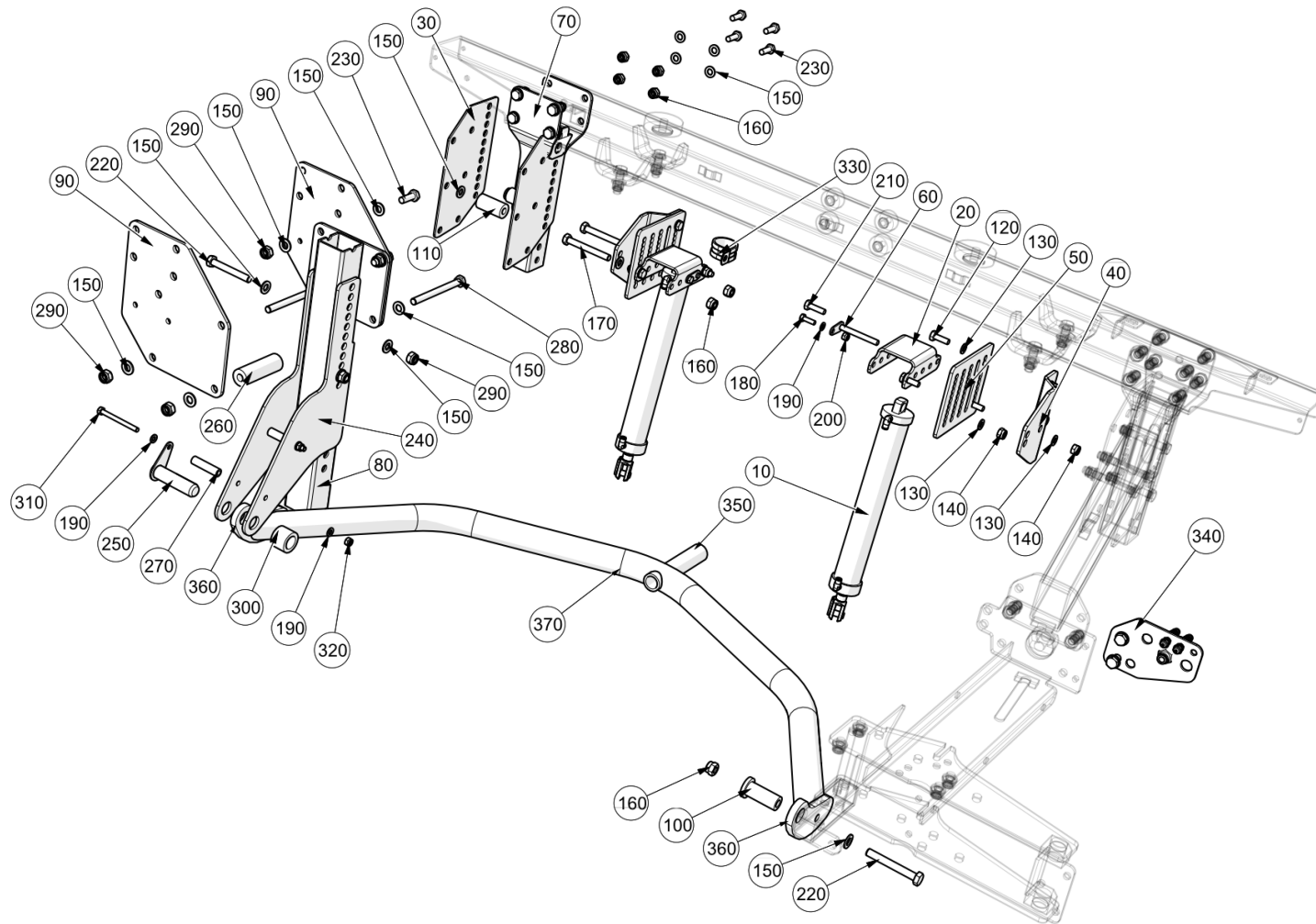


WSB Slew Assembly ()

Sweepgear\Wide Sweep Brush\WSB Slew Assembly

Item no.	Part no.	Description	QTY	Unit
10	7003988	Cylinder Pneum-Dual-Act Ø50x310	1	PC
20	09593162-0	Adaptor - Push In 6mm Fixed Elbow R1/8"	2	PC
30	283128-1	Spacer - Slew Retainer WSB	2	PC
40	283127-1	Slew Retainer WSB (DUAL)	1	PC
50	92067432-0	Hex Head Bolt - M10Cx100 - 8.8	2	PC
60	93085006-0	Nyloc Hex Nut M10C - 8	2	PC
70	6105-1501	Hex Head Bolt - M12Cx80 - 8.8	2	PC
80	93085007-0	Nyloc Hex Nut M12C - 8	2	PC
90	289-40	Pin - Clevis, Dia 12	1	PC
100	283-2	Clip - Spring Retaining	1	PC
110	41041-1-A	Sleeve - Support, Pipe	2	PC
120	7009106	Fork head Assembly M12x1.25xØ12	1	PC
130	285-14	Spring - Comp. 15/16"14 SWG 2" SS	1	PC
140	95200-6	Spacer - Bush 28mm x 11mm ID	1	PC
150	7043447	Slew Retainer (Single)	1	PC

Wide Sweep Brush Install ()
Sweepgear\Wide Sweep Brush\Wide Sweep Brush Install

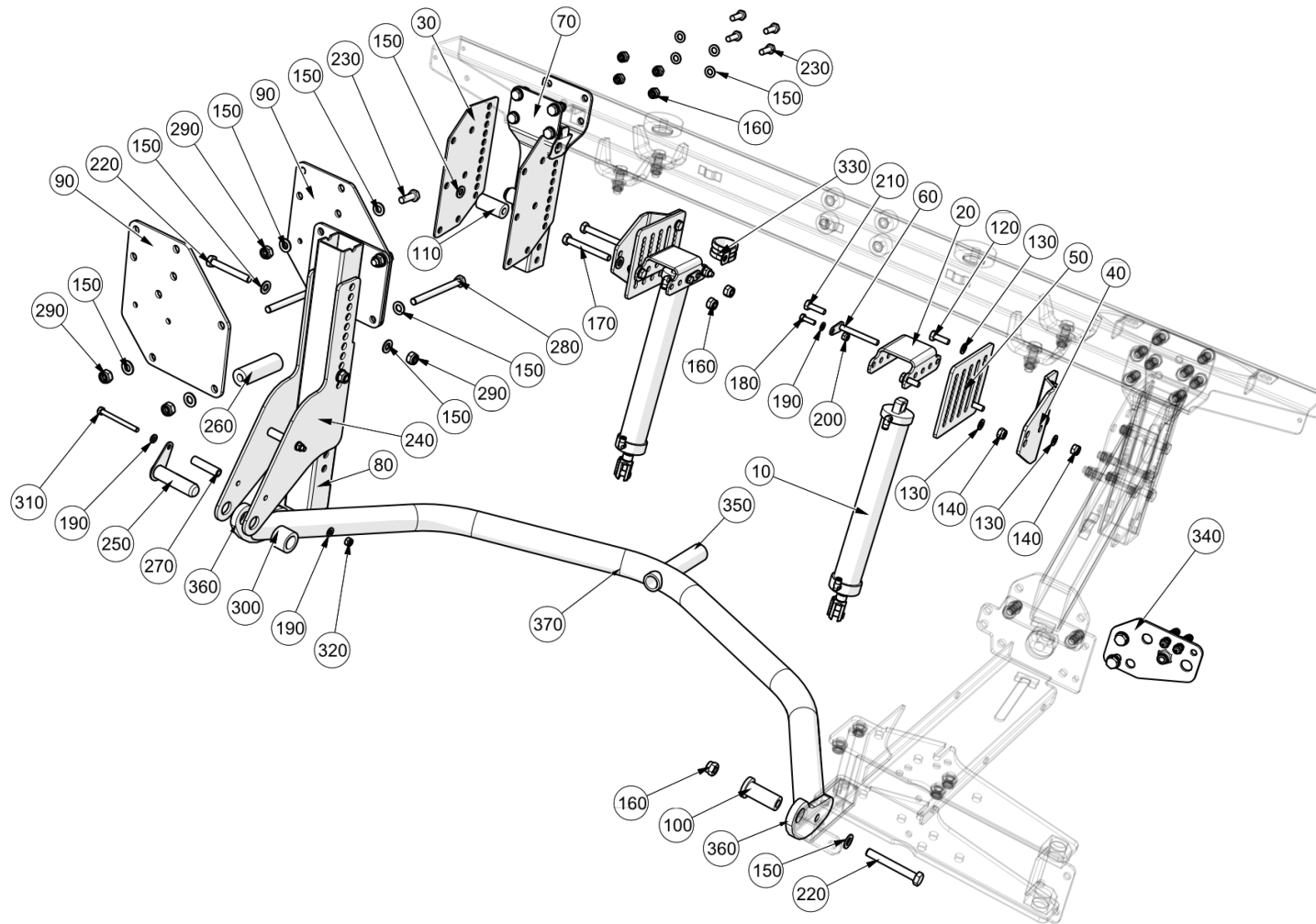


Wide Sweep Brush Install ()

Sweepgear\Wide Sweep Brush\Wide Sweep Brush Install

Item no.	Part no.	Description	QTY	Unit
10	7004696	Cylinder Assembly Ø50x310	2	PC
20	7027455	WSB Cylinder Height Adjustment Bracket	2	PC
30	7026400	Rear Leg Adjustment Plate	2	PC
40	7038691	WSB Cylinder Height Adjustment	2	PC
50	7038655	Adjustment Plate - WSB Cylinder	2	PC
60	7008793	Pin Welded Assembly	2	PC
70	7026407	Leg Rear Welded Assembly	1	PC
80	7026930	Leg - Front Welded Assembly	1	PC
90	7026924	Mounting Plate - Sweepgear	2	PC
100	62099-2	Bush - Tow Point 56 DIM.A	1	PC
110	45014-13-H	Spacer - 60mm	2	PC
120	92097414-0	Hex Head Screw - M10Cx30 - 8.8	7	PC
130	93212012-0	Plain Washer - M10	18	PC
140	93085806-0	Nyloc Hex Nut M10C - 8	9	PC
150	93212013-0	Plain Washer M12	25	PC
160	93085807-0	Nyloc Hex Nut M12C - 8	11	PC
170	92067469-0	Hex Head Bolt - M12Cx100 - 8.8	2	PC
180	92097376-0	Hex Head Screw - M8Cx25 - 8.8	2	PC
190	93212011-0	Plain Washer - M8	6	PC
200	93085805-0	Nyloc Hex Nut M8C - 8	2	PC
210	92097415-0	Hex Head Screw - M10Cx35 - 8.8	2	PC
220	92067467-0	Hex Head Bolt - M12Cx90 - 8.8	3	PC
230	92097451-0	Hex Head Screw - M12Cx35 - 8.8	10	PC
240	7033204	WSB Tow Plate (Single sweep)	2	PC

Wide Sweep Brush Install ()
Sweepgear\Wide Sweep Brush\Wide Sweep Brush Install

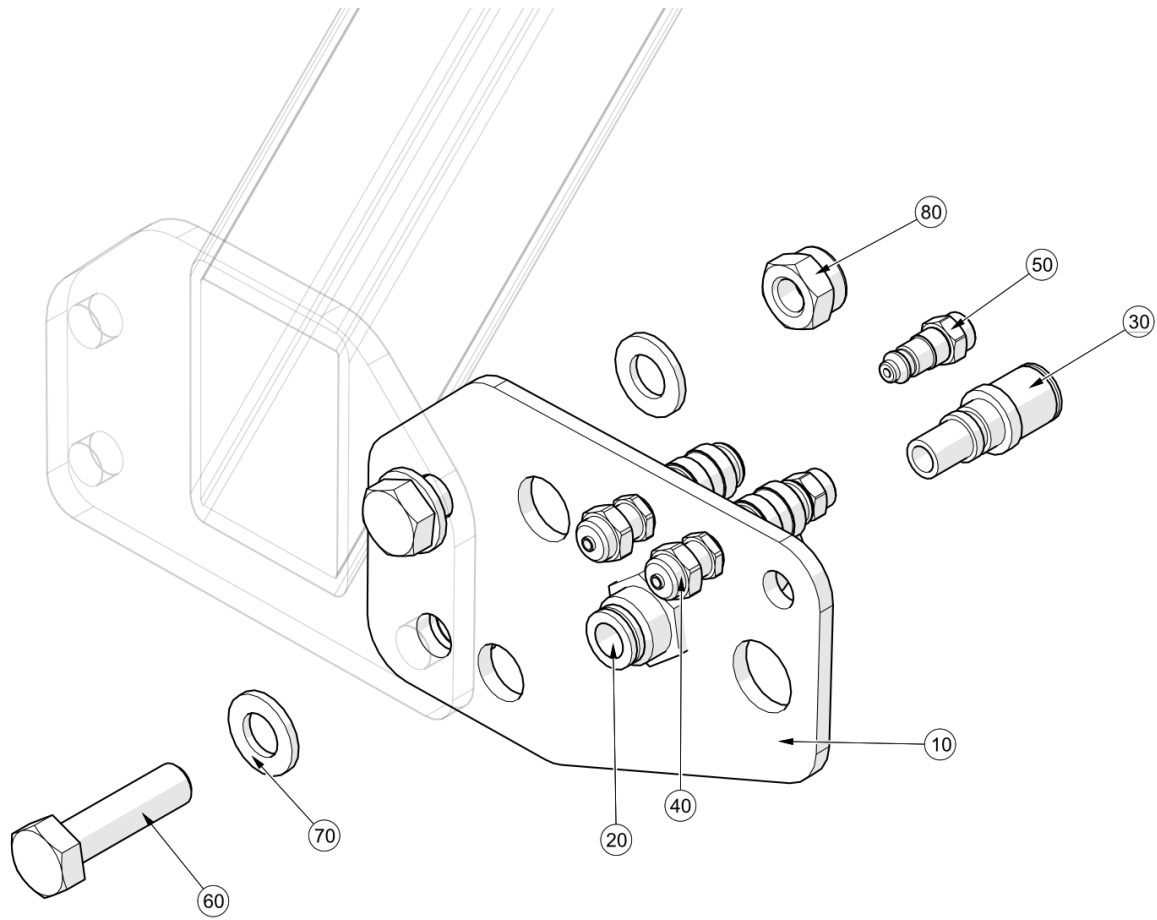


Wide Sweep Brush Install ()
Sweepgear\Wide Sweep Brush\Wide Sweep Brush Install

Item no.	Part no.	Description	QTY	Unit
250	7033210	Pivot pin welded assembly	1	PC
260	45014-31	Spacer - 93mm	2	PC
270	7033211	Spacer	2	PC
280	92067473-0	Hex Head Bolt - M12Cx140 - 8.8	2	PC
290	93085007-0	Nyloc Hex Nut M12C - 8	6	PC
300	7033217	Spacer	1	PC
310	92067393-0	Hex Head Bolt - M8Cx90 - 8.8	2	PC
320	93085005-0	Nyloc Hex Nut M8C - 8	2	PC
330	508-12	Clip - P Rubber Covered 44.50MM	1	PC
350	62071-1	Tube - Tow Bar	1	PC
360	7037136	Flange - Towbar	2	PC
370	7037137	Tube - Towbar	1	PC

Nozzle Quick Release ()

Sweepgear\Wide Sweep Brush\Wide Sweep Brush Install\Nozzle Quick Release

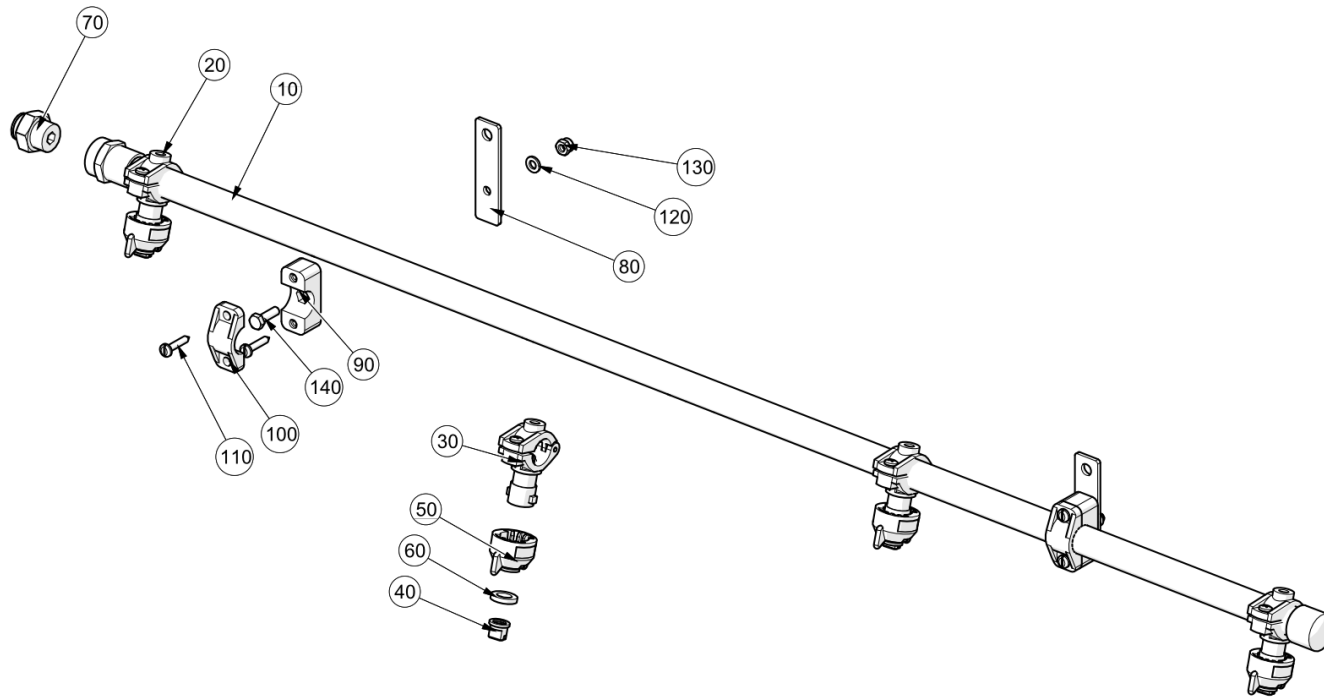


Nozzle Quick Release ()

Sweepgear\Wide Sweep Brush\Wide Sweep Brush Install\Nozzle Quick Release

Item no.	Part no.	Description	QTY	Unit
10	7030819	Plate, Quick Release	1	PC
20	297-156	Socket-Bulkhead, Body 1/4 Tubing O/D 10	1	PC
30	297-106	Plug-Straight Body 1/4 Tubing O/D 10mm	1	PC
40	559-100	Carrier - Bulkhead G 1/8"	2	PC
50	559-101	Probe 6-4mm OD/ID Tube	2	PC
60	92067458-0	Hex Head Bolt - M12Cx45 - 8.8	1	PC
70	93212013-0	Plain Washer M12	2	PC
80	93085807-0	Nyloc Hex Nut M12C - 8	1	PC

WSB Spraybar ()
Sweepgear\Wide Sweep Brush\WSB Spraybar

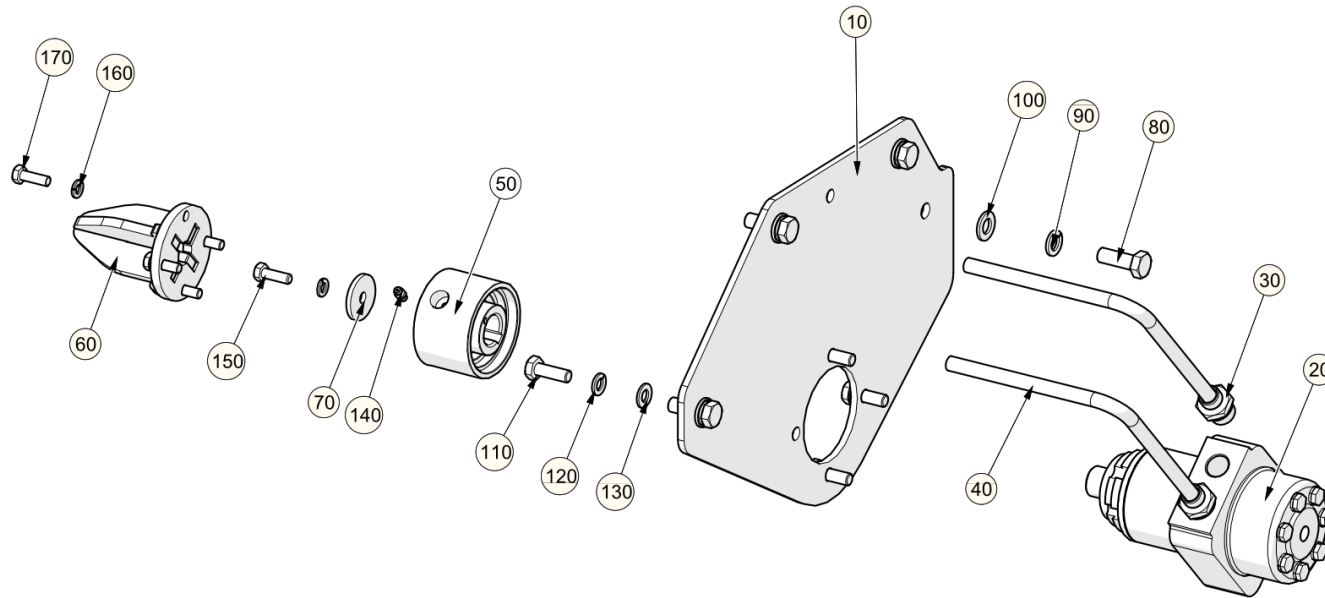


WSB Spraybar ()

Sweepgear\Wide Sweep Brush\WSB Spraybar

Item no.	Part no.	Description	QTY	Unit
10	21-334	Spraybar 1/2" NB PVC	1	PC
20	7019000	Nozzle Holder Assembly	4	PC
30	21-60	1/2" Quick Attachment Holder	1	PC
40	21-78	Tip - Fan Yellow	1	PC
50	21-63	Cap - Bayonet	1	PC
60	21-64	Seal - Bayonet Cap	1	PC
70	537-17	Adaptor-Push In 10mm x 1/2 BSPT Straight	1	PC
80	808407-1	Plate - Spraybar Mount	2	PC
90	21-337	Half Clamp	2	PC
100	21-336	Saddle	2	PC
110	21-338	Self Tap Screw	4	PC
120	93212009-0	Plain Washer - M6	2	PC
130	93085004-0	Nyloc Hex Nut M6C - 8	2	PC
140	92097301-0	Hex Head Screw - M6Cx20 - 8.8	2	PC

WSB Motor Assembly ()
Sweepgear\Wide Sweep Brush\WSB Motor Assembly

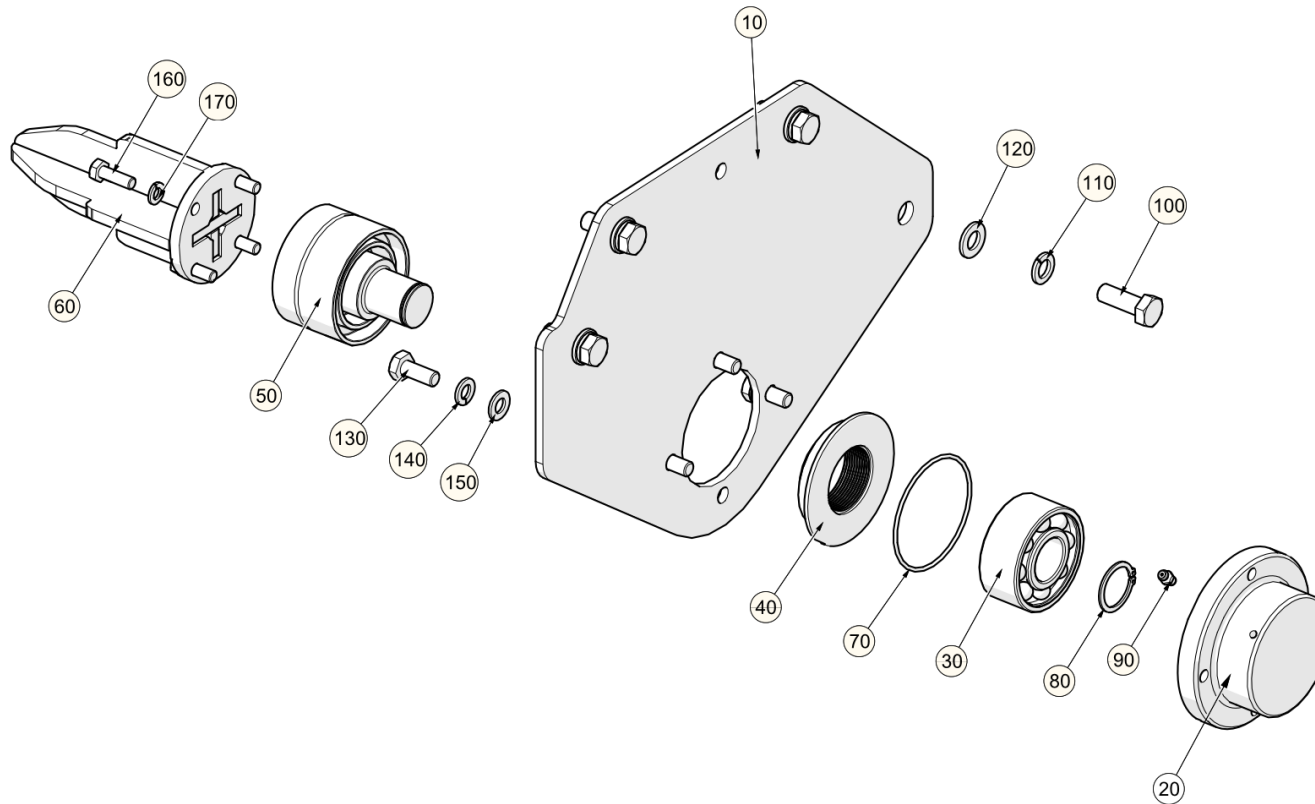


WSB Motor Assembly ()

Sweepgear\Wide Sweep Brush\WSB Motor Assembly

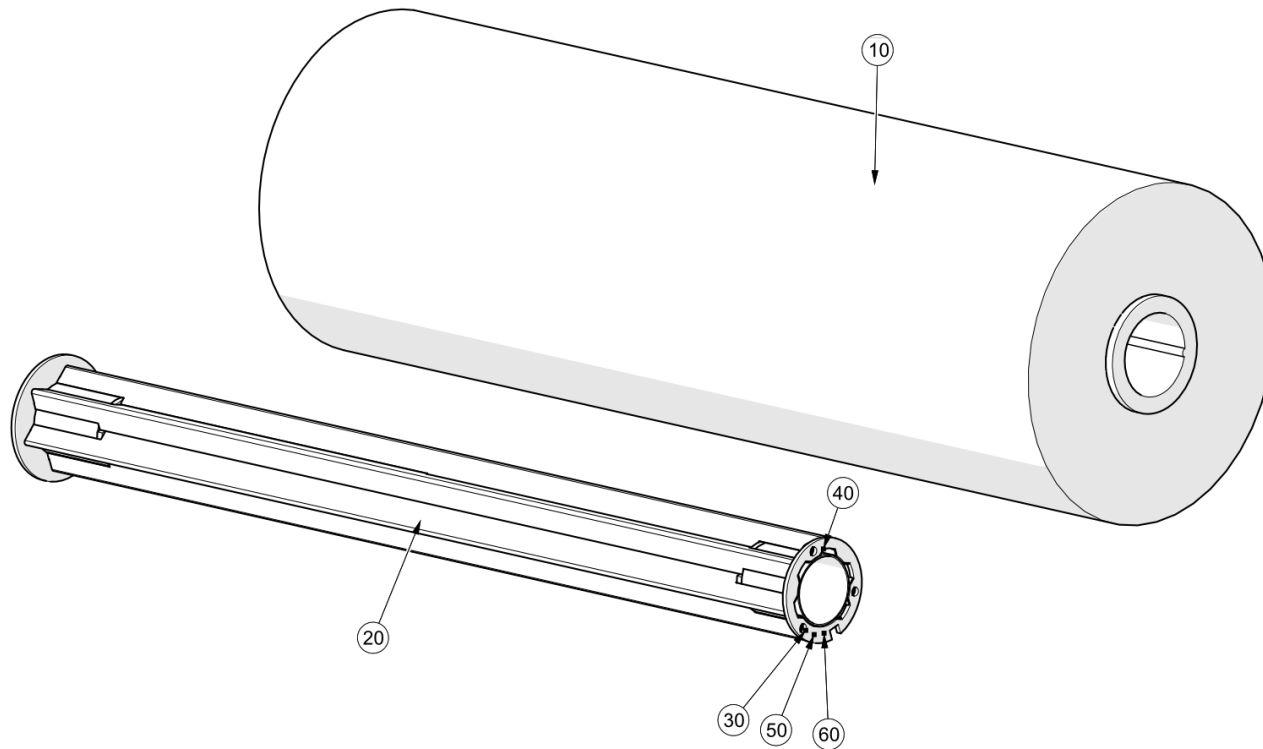
Item no.	Part no.	Description	QTY	Unit
10	7035856	End Plate V651 & 801	1	PC
20	72250-1	Motor - Hydraulic OMPW 200	1	PC
30	09570131-0	Stud Coupling Male G 1/2" x M18 x 1.5	2	PC
40	7041820	Pipe	2	PC
50	283109-1	Drive Adaptor Motor Wide Sweep Brush	1	PC
60	283105-1	Drive Dog Welded Assembly WSB	1	PC
70	62064-1	Washer - Special 38mm	1	PC
80	92097451-0	Hex Head Screw - M12Cx35 - 8.8	4	PC
90	93699712-0	Spring Washer - Plated M12	4	PC
100	93212013-0	Plain Washer M12	4	PC
110	92097414-0	Hex Head Screw - M10Cx30 - 8.8	4	PC
120	93699711-0	Spring Washer - Plated M10	4	PC
130	93212012-0	Plain Washer - M10	4	PC
140	38-30	Grease Nipple M6 X 1	1	PC
150	135-58	Hex Head Screw - 180° Patch M8Cx25	1	PC
160	93699710-0	Spring Washer - Plated M8	5	PC
170	92097376-0	Hex Head Screw - M8Cx25 - 8.8	4	PC

WSB Bearing Assembly ()
Sweepgear\Wide Sweep Brush\WSB Bearing Assembly



WSB Bearing Assembly ()
Sweepgear\Wide Sweep Brush\WSB Bearing Assembly

Item no.	Part no.	Description	QTY	Unit
10	7035856	End Plate V651 & 801	1	PC
20	283107-1	Housing - Bearing Wide Sweep Brush	1	PC
30	14-47	Bearing - 30x72x30.2 Double	1	PC
40	283121-1	Labyrinth - Bearing Wide Sweep Brush	1	PC
50	283108-1	Bearing - Drive Adaptor Wide Sweep Brush	1	PC
60	283106-1	Driven Dog Welded Assembly WSB	1	PC
70	80-94	O-Ring - Hole Dia.80	1	PC
80	09500030-0	Circlip - External 30x1.6	1	PC
90	38-30	Grease Nipple M6 X 1	1	PC
100	92099450-0	Hex Head Screw - M12Cx35 - A2	4	PC
110	93700212-0	Spring Washer M12 - A2	4	PC
120	93213012-0	Plain Washer M12 A2	4	PC
130	92097412-0	Hex Head Screw - M10Cx25 - 8.8	4	PC
140	93699711-0	Spring Washer - Plated M10	4	PC
150	93212012-0	Plain Washer - M10	4	PC
160	92097376-0	Hex Head Screw - M8Cx25 - 8.8	4	PC
170	93699710-0	Spring Washer - Plated M8	4	PC



WSB Brush ()
Sweepgear\Wide Sweep Brush\WSB Brush

Item no.	Part no.	Description	QTY	Unit
10	834-1	Segment - 1.2 x 406mm O/D WSB Poly	44	PC
10	13515	Spacer - Segment Brush	42	PC
10	295050-406	TMS Cartridge	1	PC
10	834-3	Segment - 406mm O/D WSB Wire	22	PC
20	283101-1	Stock - One Piece W/Assy WSB	1	PC
30	283115-1	Plate - Closing Stock Assembly WSB	1	PC
40	118-137	Setscrew Hexagon Hd M8cx25 SS	3	PC
50	454-8	Washer Plain St.Stl M8x17	3	PC
60	458-8	Washer Spring Single Coil M8SS	3	PC

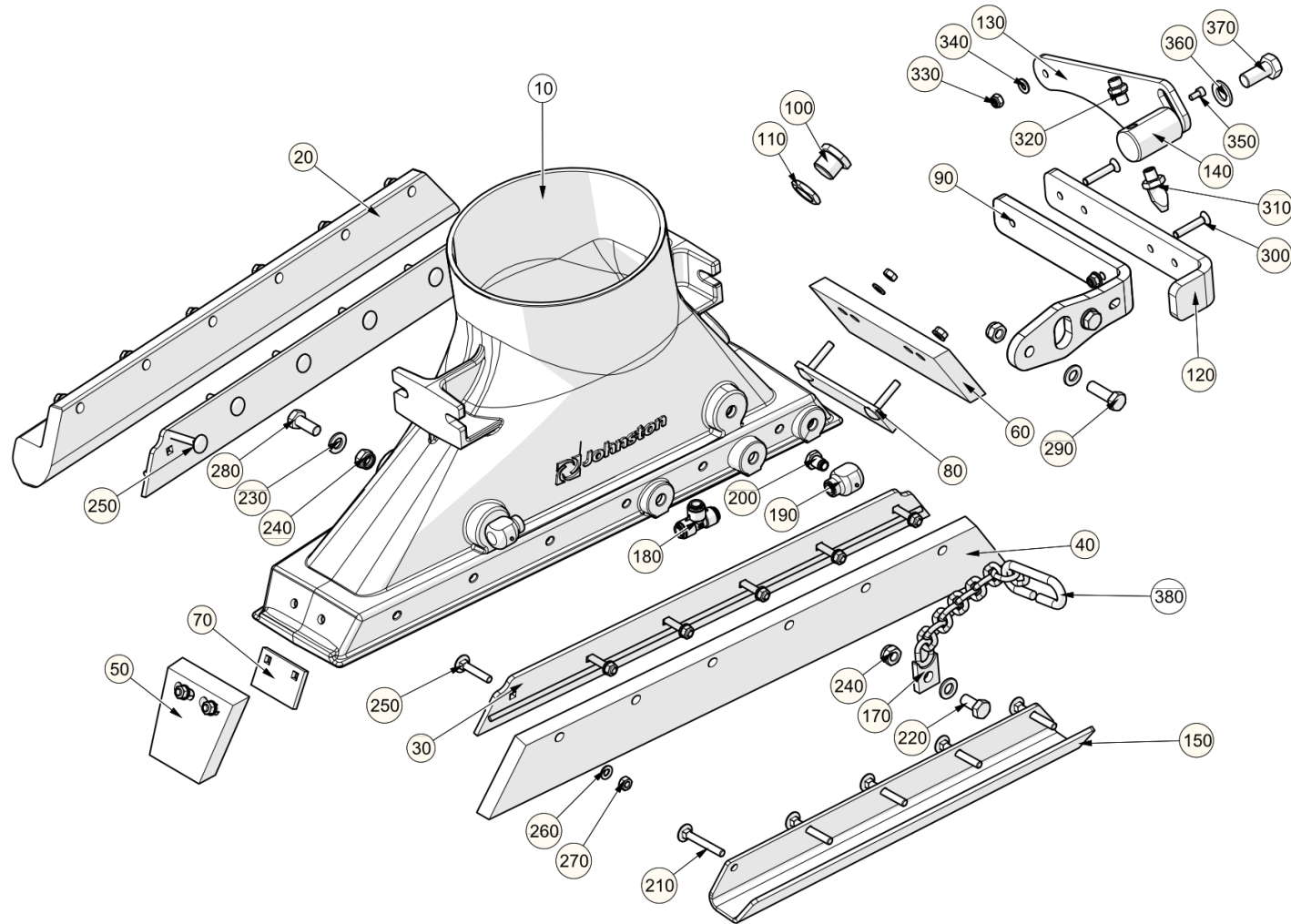
This page is intentionally left blank

This page is intentionally left blank

This page is intentionally left blank

This page is intentionally left blank

Nozzle Assembly ()
Sweepgear\Nozzle\Nozzle\Nozzle Assembly

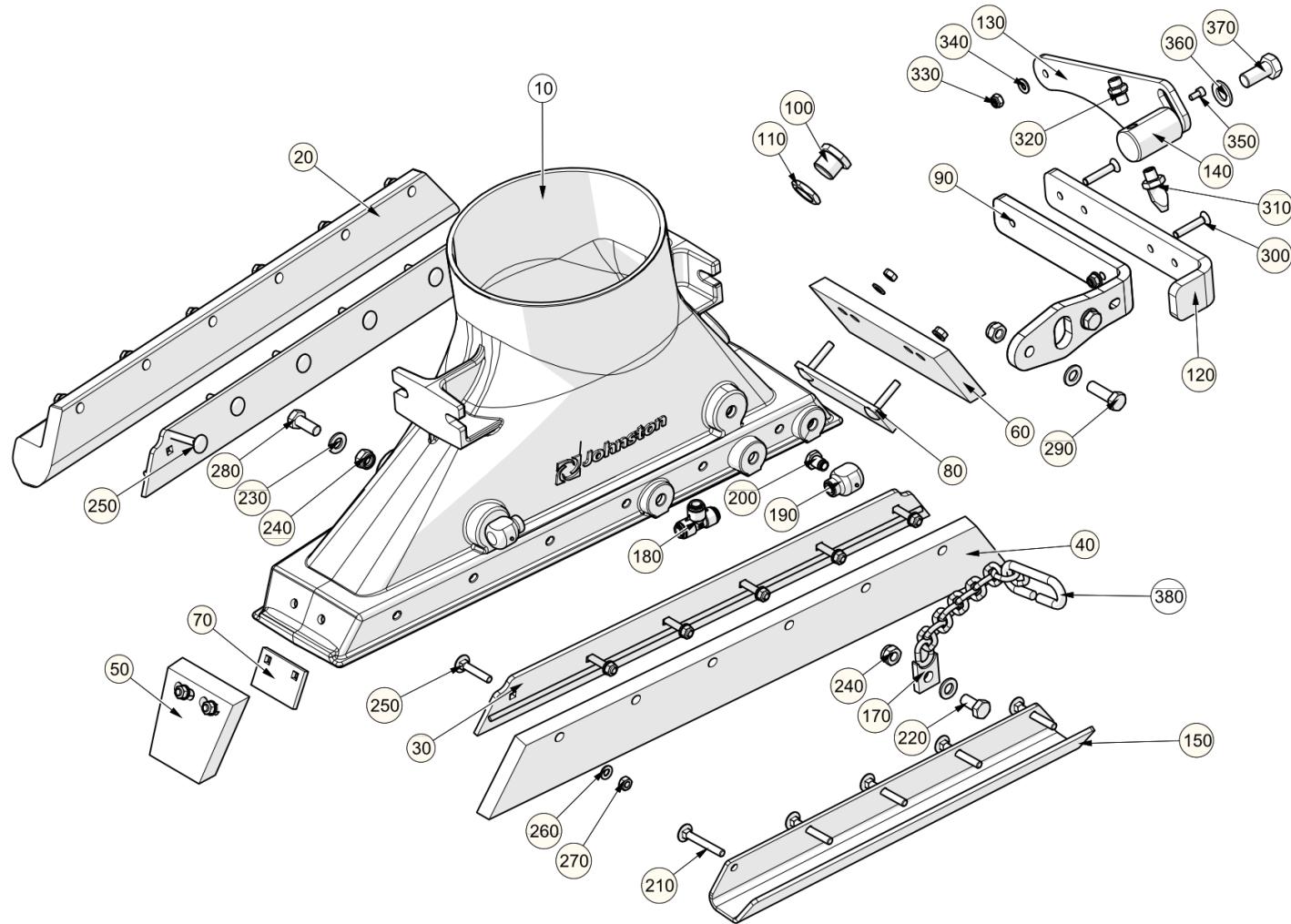


Nozzle Assembly ()

Sweepgear\Nozzle\Nozzle\Nozzle Assembly

Item no.	Part no.	Description	QTY	Unit
10	281420-2	Nozzle - 250 Dia R Lined	1	PC
20	282230-1	J - Section Rubber 250 D Nozzle	1	PC
30	94017-1	Clamping Plate, J - Rubber	2	PC
40	62005-1	Rubber Curtain - Nozzle	1	PC
50	281045-1	End - Nozzle Curtain Small	1	PC
60	281044-1	End - Nozzle Curtain Large	1	PC
70	63667-1	Strip - Clamping (Short)	1	PC
80	63666-1	Strip - Clamping (Medium)	1	PC
90	281754-1	Bumper	1	PC
100	281755-1	Plug - Re-Circ Port 250 Nozzle	1	PC
110	410-57	Locknut - 3/4 BSP Bulkhead Fitting	1	PC
120	7022060	Wear Plate - Heavy Duty Bumper	1	PC
130	7026913	Nozzle Bracket	1	PC
140	7026918	Nozzle Mounting Boss	1	PC
150	7035520	Heavy Duty Nozzle Buffer	1	PC
160	62353-4	Link Manual Adjuster	1	PC
170	7019550	Nozzle Jet Assembly, 1.6mm	1	PC
180	297-74	Tee Equal - Tube O/D 10	1	PC
181	297-1	Tubing - Polyurethane 10 Dia x 1.5 Wall	0.3	M
190	7019548	Water Jet - Body	2	PC
200	7019547	Jet, 1.6mm, Nozzle Spray	2	PC
210	92555562-0	Round Head Square Neck Bolt-M8Cx60-4.6	5	PC
220	92097448-0	Hex Head Screw - M12Cx25 - 8.8	1	PC
230	93212013-0	Plain Washer M12	5	PC

Nozzle Assembly ()
Sweepgear\Nozzle\Nozzle\Nozzle Assembly



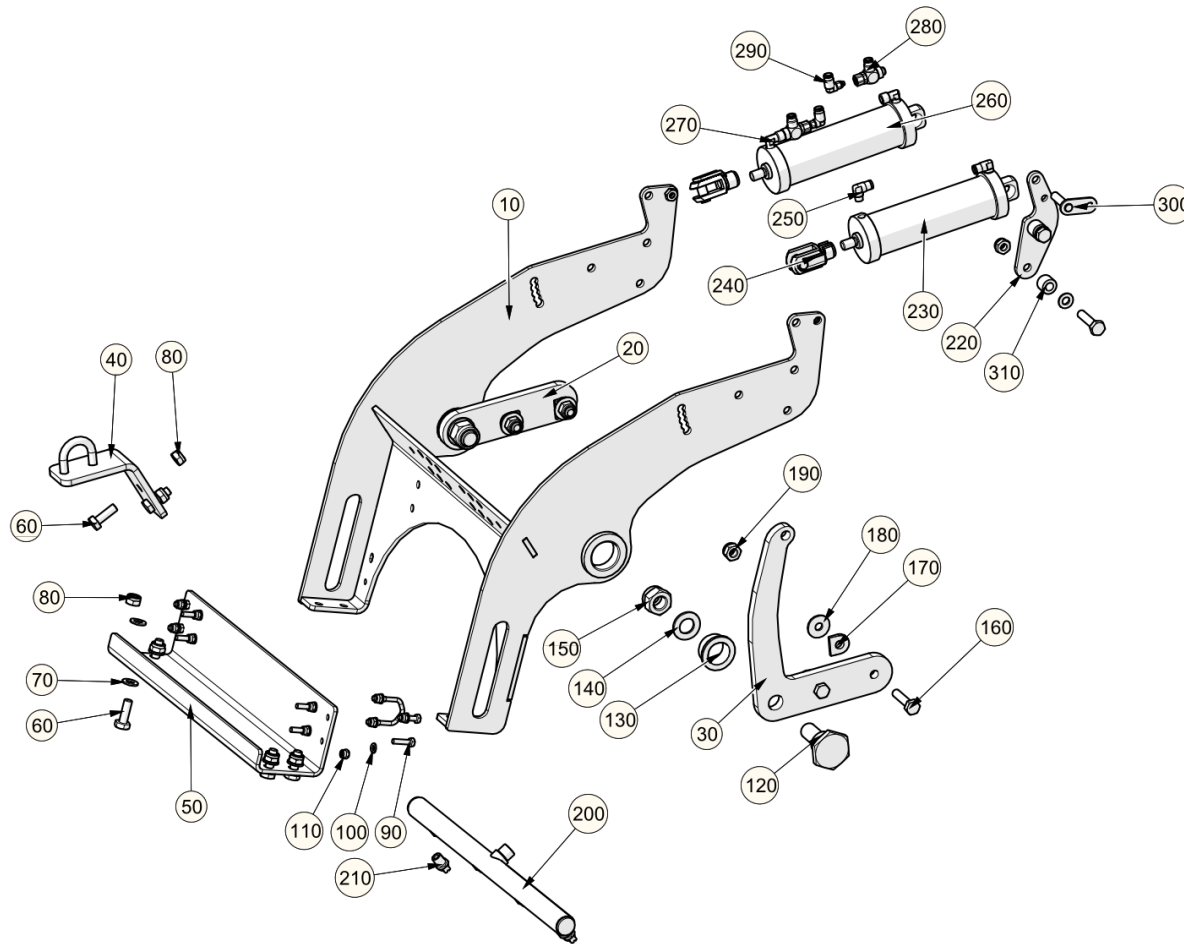
Nozzle Assembly ()
Sweepgear\Nozzle\Nozzle\Nozzle Assembly

Item no.	Part no.	Description	QTY	Unit
240	93085007-0	Nyloc Hex Nut M12C - 8	3	PC
250	92555559-0	Round Head Square Neck Bolt - M8Cx45 4.6	16	PC
260	93212011-0	Plain Washer - M8	16	PC
270	93057014-0	Nut - MC Hex M8 S.Stl	16	PC
280	92097450-0	Hex Head Screw - M12Cx30 - 8.8	2	PC
290	92097452-0	Hex Head Screw - M12Cx40 - 8.8	2	PC
300	92153069-0	Hex Socket CSK Screw M8Cx45 10.9	2	PC
310	21-79	Flat Spray Nozzle 50 ° 303 S.Steel	1	PC
320	09570126-0	Stud Coupling Male G 1/4" x M14x1.5 (8L)	1	PC
330	425-14	Nut Nyloc Hex MC M8	2	PC
340	455-10	Washer Plain Plated Steel M8	2	PC
350	92137078-0	Hex Socket Cap Screw - M6Cx12 - 12.9	1	PC
360	455-14	Washer Plain Plated Steel M16	1	PC
370	92097523-0	Hex Head Screw - M16Cx35 - 8.8	1	PC
380	282968-1	Adjusting Link - Nozzle	1	PC

This page is intentionally left blank

This page is intentionally left blank

Carriage Assembly ()
Sweepgear\Nozzle\Nozzle\Carriage\Carriage Assembly

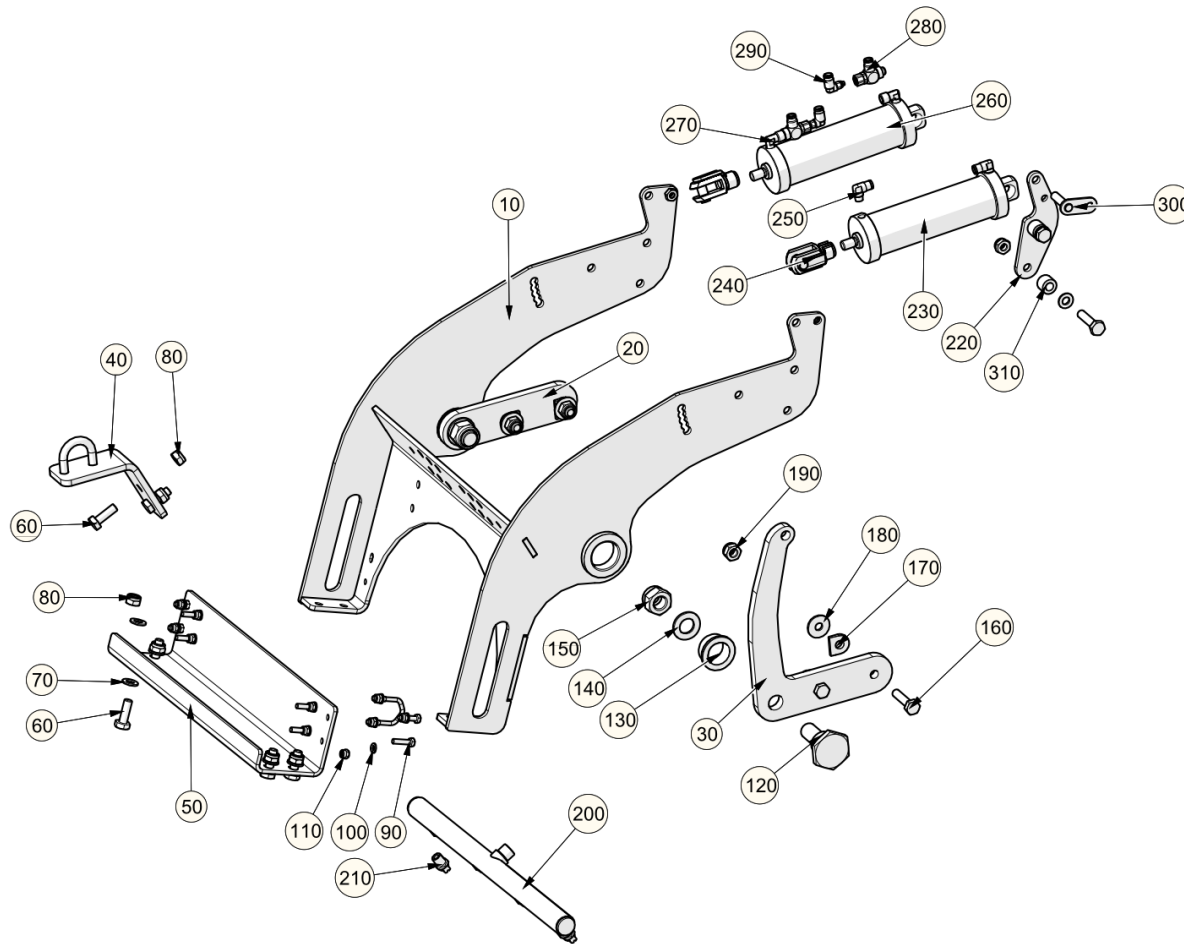


Carriage Assembly ()

Sweepgear\Nozzle\Nozzle\Carriage\Carriage Assembly

Item no.	Part no.	Description	QTY	Unit
10	7008962	Cradle Weld assembly	1	PC
20	7019275	Pivot Arm - Nozzle	1	PC
30	7008968	Lever - Nozzle	1	PC
40	7037475	Bottom Bracket - Welded Assembly	1	PC
50	7022068	Heavy Duty Nozzle Brace	1	PC
60	92097414-0	Hex Head Screw - M10Cx30 - 8.8	6	PC
70	93212012-0	Plain Washer - M10	10	PC
80	93085006-0	Nyloc Hex Nut M10C - 8	8	PC
90	92097303-0	Hex Head Screw - M6Cx25 - 8.8	4	PC
100	93212009-0	Plain Washer - M6	8	PC
110	93085004-0	Nyloc Hex Nut M6C - 8	4	PC
120	283363-1	Pivot Bolt - Suction Nozzle	2	PC
130	283374-1	Bush - Pivot Suction Nozzle	2	PC
140	93212018-0	Plain Washer M20	2	PC
150	93085011-0	Nyloc Hex Nut M20C - 8	2	PC
160	92097417-0	Hex Head Screw - M10CX45 - 8.8	6	PC
170	450-49	Washer Taper 3/8	4	PC
180	93300510-0	Plain Large Washer M10	4	PC
190	93085007-0	Nyloc Hex Nut M12C - 8	4	PC
200	7020074	Spraybar - Weld Assy	1	PC
210	21-31	Jet - Fan 65 deg. 1/4"	4	PC
220	7008963	Eye - Sweep Gear	1	PC
230	7004670	Cylinder Pneum-Sng-Act Ø50x75	1	PC
240	7009106	Fork head Assembly M12x1.25xØ12	1	PC

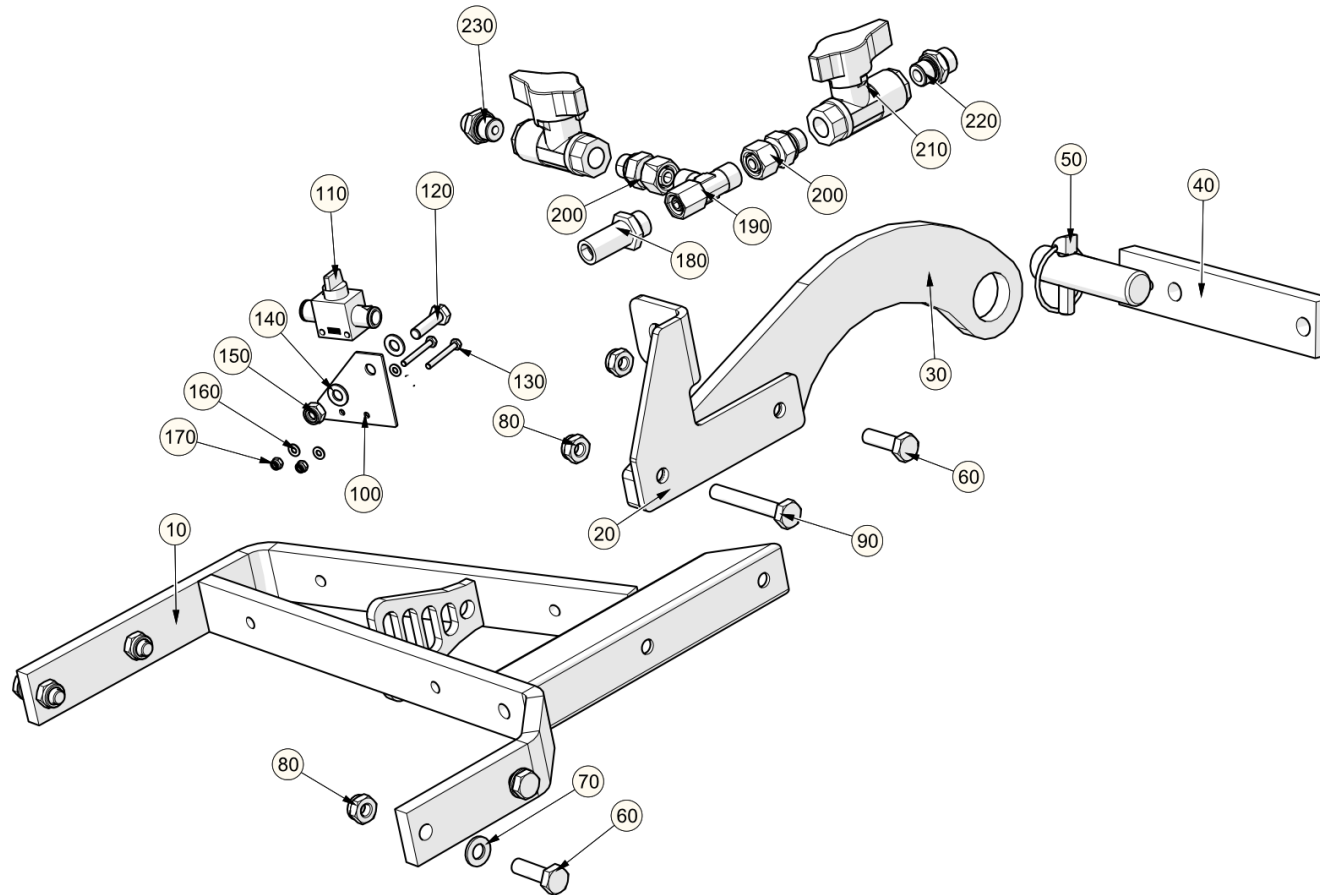
Carriage Assembly ()
Sweepgear\Nozzle\Nozzle\Carriage\Carriage Assembly



Carriage Assembly ()
Sweepgear\Nozzle\Nozzle\Carriage\Carriage Assembly

Item no.	Part no.	Description	QTY	Unit
250	09593162-0	Adaptor - Push In 6mm Fixed Elbow R1/8"	2	PC
260	7004673	Cylinder Pneum-Dual-Act Ø50x75	1	PC
270	72-114	Elbow - R1/8M x G1/8F	2	PC
280	09598716-0	Pilot Check Valve-1/8" BSPx6mm	2	PC
290	6603-1381	Adaptor-Elbow 6mmxM5x0.8	2	PC
300	7009104	Pin Welded Assembly	1	PC
310	7008966	Spacer - Nozzle	2	PC

Nozzle Frame ()
Sweepgear\Nozzle\Nozzle\Carriage\Nozzle Frame

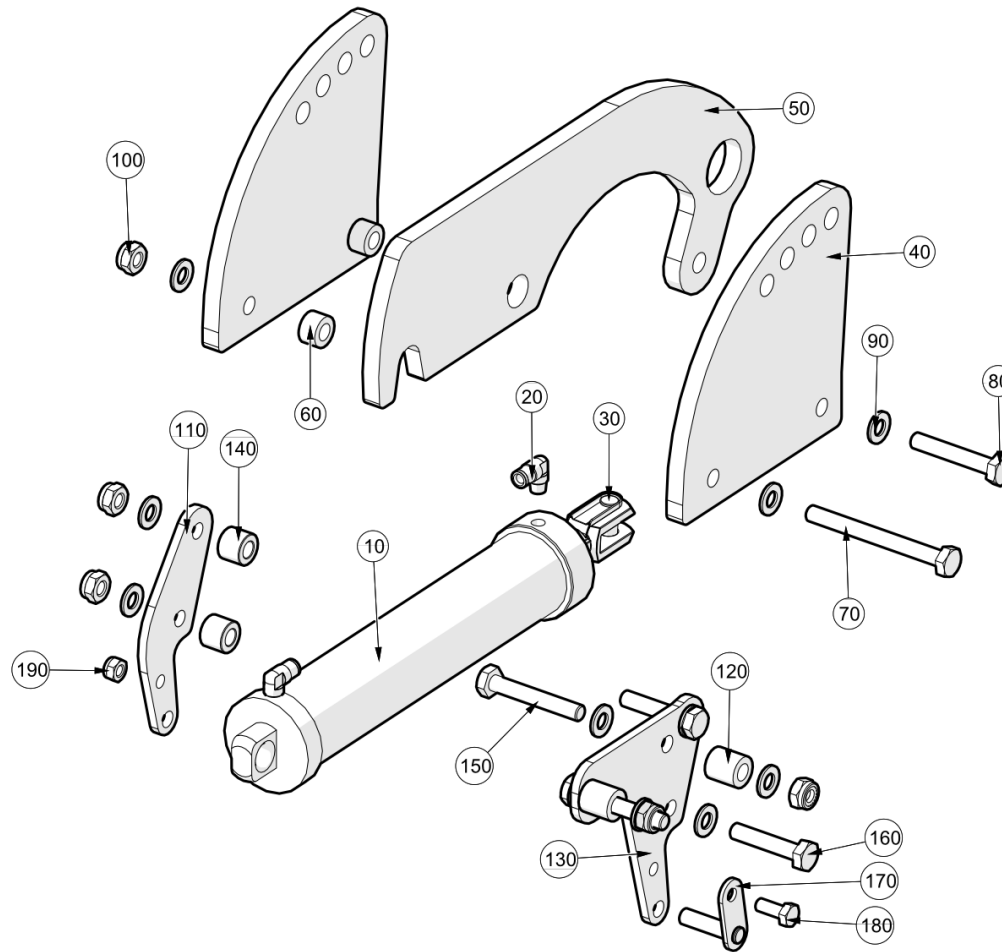


Nozzle Frame ()

Sweepgear\Nozzle\Nozzle\Carriage\Nozzle Frame

Item no.	Part no.	Description	QTY	Unit
10	7019586	Nozzle Towbar - W/Assy	1	PC
20	7016530	Bracket, Bulkhead	1	PC
30	201227-1	Tow Eye - Drawbar DOT4	1	PC
40	40295-1-F	Pin Welded Assembly - Tow, Nozzle	1	PC
50	60-1	Pin Linch with Ring 11mm Dia	1	PC
60	92097415-0	Hex Head Screw - M10Cx35 - 8.8	5	PC
70	93212012-0	Plain Washer - M10	4	PC
80	93085006-0	Nyloc Hex Nut M10C - 8	4	PC
90	92097422-0	Hex Head Screw - M10Cx70 - 8.8	1	PC
100	7023753	Finger Valve Bracket	1	PC
110	7023752	Finger Valve	1	PC
120	92067381-0	Hex Head Bolt - M8Cx30 - 8.8	1	PC
130	92067234-0	Hex Head Bolt - M4Cx35 - 8.8	2	PC
140	93212011-0	Plain Washer - M8	2	PC
150	93085005-0	Nyloc Hex Nut M8C - 8	1	PC
160	93212007-0	Plain Washer M4	4	PC
170	93085002-0	Nyloc Hex Nut M4C - 8	2	PC
180	302-2	Straight Bulkhead Connector M18 x 1.5	1	PC
190	6615-2319	Adjustable Male Tee - M18 x 1.5	1	PC
200	09571149-0	Standpipe Adaptor G 3/8 x M18x1.5	2	PC
210	88-49	Ball Valve 210 Bar 3/8" F	2	PC
220	6601-1322	Stud Coupling Male G 3/8" x M18 x 1.5	1	PC
230	09570102-0	Stud Coupling Male G 3/8" x M14 x 1.5	1	PC

Hi-Lift Nozzle ()
Sweepgear\Nozzle\Nozzle\Carriage\Hi-Lift Nozzle

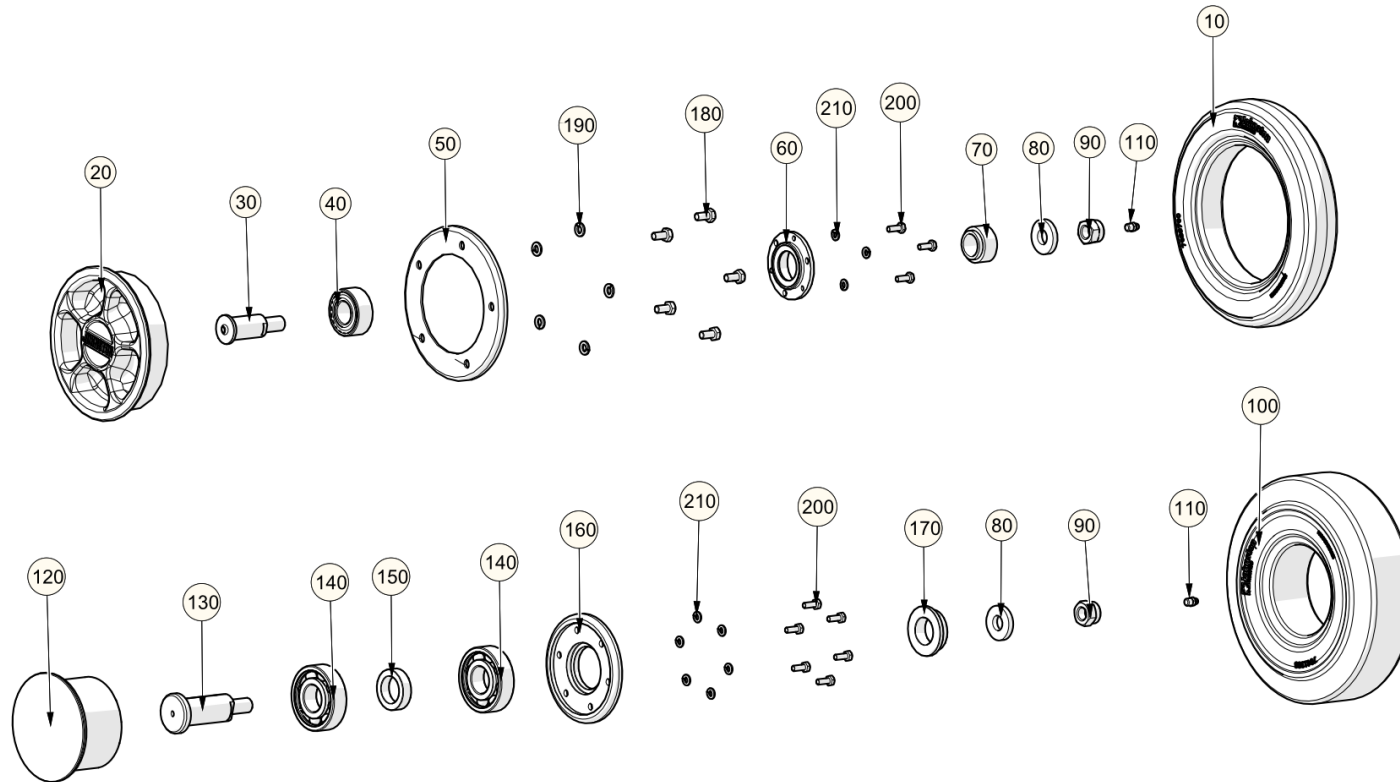


Hi-Lift Nozzle ()

Sweepgear\Nozzle\Nozzle\Carriage\Hi-Lift Nozzle

Item no.	Part no.	Description	QTY	Unit
10	7003985	Cylinder Pneum-Dual-Act Ø50x210	1	PC
20	09593162-0	Adaptor - Push In 6mm Fixed Elbow R1/8"	2	PC
30	7009106	Fork head Assembly M12x1.25xØ12	1	PC
40	7033114	Hi-Lift Nozzle Adjustment plate	2	PC
50	7026691	Tow Eye Pivot Plate	1	PC
60	95200-1	Spacer - Bush 12mm x 11mm ID	2	PC
70	92097428-0	Hex Head Screw - M10Cx100 - 8.8	1	PC
80	92097420-0	Hex Head Screw - M10Cx60 - 8.8	1	PC
90	93212012-0	Plain Washer - M10	12	PC
100	93085006-0	Nyloc Hex Nut M10C - 8	6	PC
110	7008963	Eye - Sweep Gear	1	PC
120	95200-7	Spacer - Bush 21mm x 11mm ID	2	PC
130	7026688	Actuator Spacer Plate	1	PC
140	7008966	Spacer - Nozzle	2	PC
150	92097421-0	Hex Head Screw - M10Cx65 - 8.8	2	PC
160	92097418-0	Hex Head Screw - M10Cx50 - 8.8	2	PC
170	7009104	Pin Welded Assembly	1	PC
180	92097374-0	Hex Head Screw - M8Cx20 - 8.8	1	PC
190	93085005-0	Nyloc Hex Nut M8C - 8	1	PC

Nozzle Wheels ()
Sweepgear\Nozzle\Nozzle\Nozzle Wheels



Nozzle Wheels ()

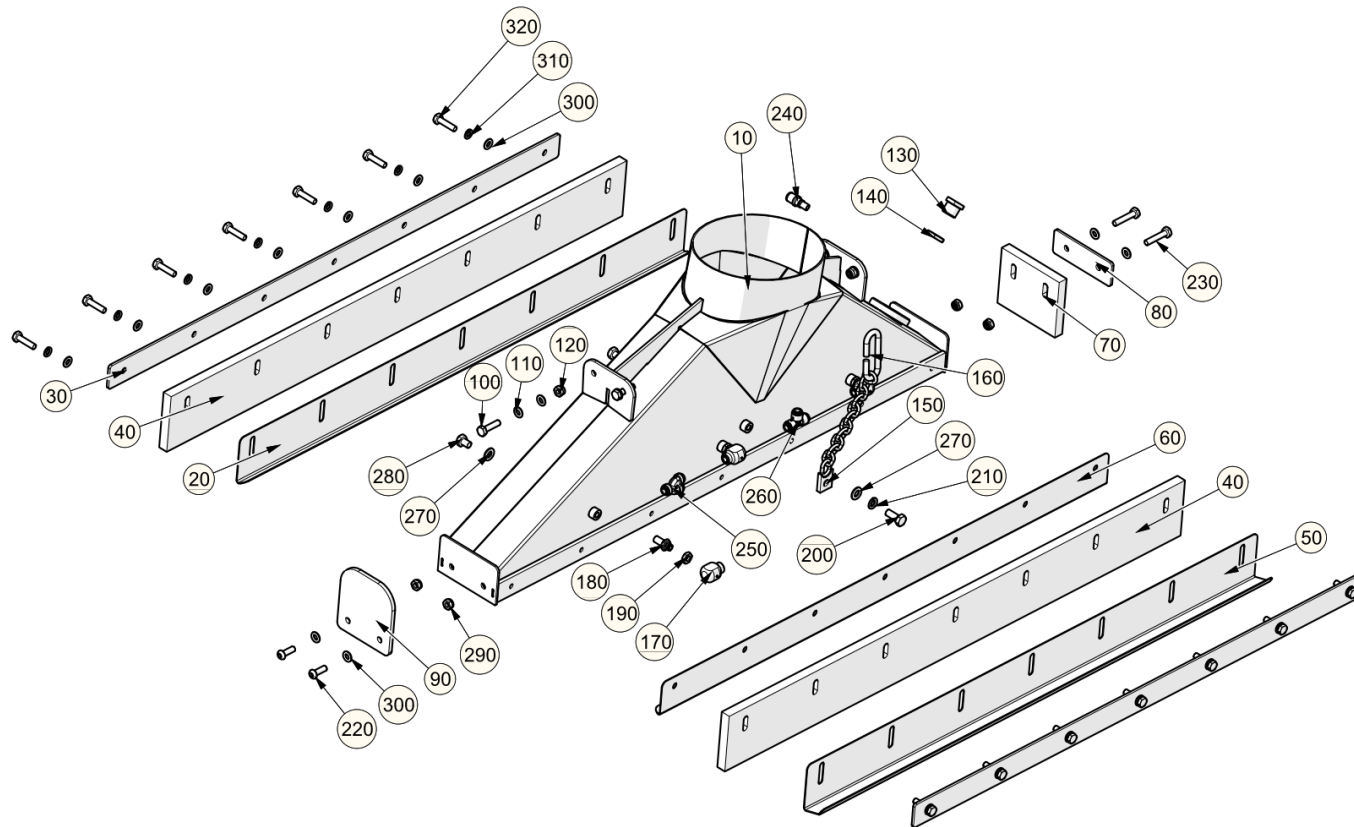
Sweepgear\Nozzle\Nozzle\Nozzle Wheels

Item no.	Part no.	Description	QTY	Unit
10	7039700	Nozzle Tyre	1	PC
20	63493-1	Hub - Nozzle Wheel	1	PC
30	7044091	Spindle - Nozzle Wheel	1	PC
40	14-52	Bearing - 25x52x20.6	1	PC
50	16750-1-C	Plate - Back, Tyre	1	PC
60	63495-1	Retainer - Nozzle Wheel	1	PC
70	63494-1	Collar - Nozzle Wheel	1	PC
80	9114-2-F	Washer	2	PC
90	93085009-0	Nyloc Hex Nut M16C - 8	2	PC
100	7041388	Heavy Duty Nozzle Tyre	1	PC
110	38-36	Grease Nipple Straight M8 x 1.00	2	PC
120	283355-1	Hub - Nozzle Wheel Assembly	1	PC
130	7044094	Spindle - Nozzle Wheel, Heavy Duty	1	PC
140	14-62	Bearing - 30x72x19	2	PC
150	283354-1	Spacer - Nozzle Wheel Assembly	1	PC
160	283357-1	Flange - Nozzle Wheel Assembly	1	PC
170	283356-1	Labyrinth - Nozzle Wheel Assembly	1	PC
180	92097372-0	Hex Head Screw - M8Cx16 - 8.8	5	PC
190	93699710-0	Spring Washer - Plated M8	5	PC
200	92097299-0	Hex Head Screw - M6Cx16 - 8.8	9	PC
210	93699708-0	Spring Washer - Plated M6	9	PC

This page is intentionally left blank

This page is intentionally left blank

Wide Mouth Full Width Nozzle ()
Sweepgear\Nozzle\Full Width Nozzle\Wide Mouth Full Width Nozzle

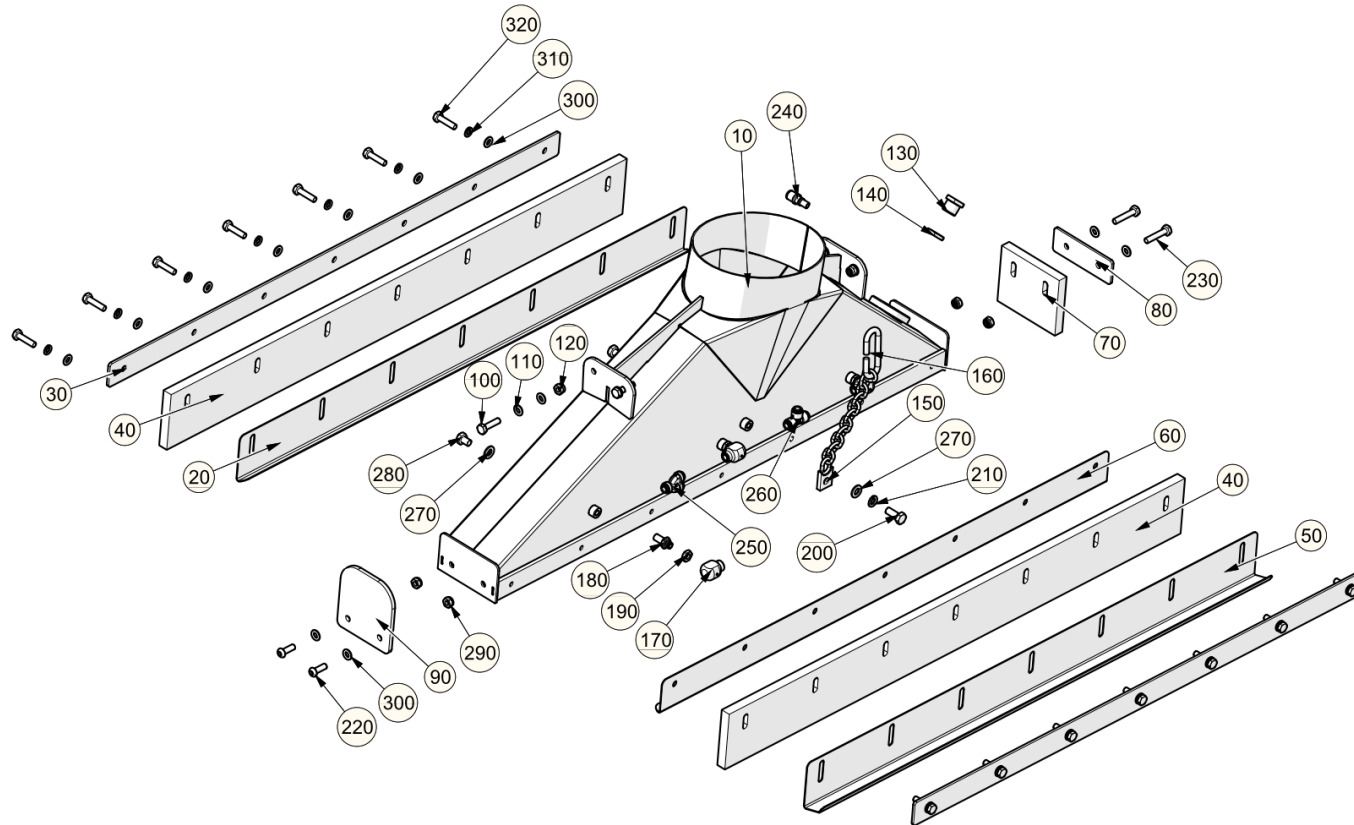


Wide Mouth Full Width Nozzle ()

Sweepgear\Nozzle\Full Width Nozzle\Wide Mouth Full Width Nozzle

Item no.	Part no.	Description	QTY	Unit
10	283460-1	Full Width Nozzle W/Assy Wide Mouth	1	PC
20	283494-1	Trailing Curtain Support	1	PC
30	283474-1	Curtain Retianer - Full Width Nozzle	2	PC
40	283471-1	Curtain - Full Width Nozzle	2	PC
50	283479-2	Leading Shoe - Full Width Nozzle	1	PC
60	283478-2	Deflector - Full Width Nozzle	1	PC
70	283473-1	Side Curtain - Full Width Nozzle	1	PC
80	283475-1	Curtain Retainer - Side Nozzle	1	PC
90	283537-1	Guide - Full Width Nozzle	1	PC
100	92097416-0	Hex Head Screw - M10Cx40 - 8.8	4	PC
110	93212012-0	Plain Washer - M10	8	PC
120	93085806-0	Nyloc Hex Nut M10C - 8	4	PC
130	281755-1	Plug - Re-Circ Port 250 Nozzle	1	PC
140	410-57	Locknut - 3/4 BSP Bulkhead Fitting	1	PC
150	62353-4	Link Manual Adjuster	1	PC
160	282968-1	Adjusting Link - Nozzle	1	PC
170	7019548	Water Jet - Body	3	PC
180	7019549	Water Jet - Adaptor	3	PC
190	416-12	Locknut - Stainless M12C	3	PC
200	92097450-0	Hex Head Screw - M12Cx30 - 8.8	1	PC
210	93699712-0	Spring Washer - Plated M12	1	PC
220	92330056-0	Hex Skt Button Head Screw M10x30 - 10.9	2	PC
230	92069422-0	Hex Head Bolt - M10Cx50 - A2-70	2	PC
240	297-106	Plug-Straight Body 1/4 Tubing O/D 10mm	1	PC

Wide Mouth Full Width Nozzle ()
Sweepgear\Nozzle\Full Width Nozzle\Wide Mouth Full Width Nozzle

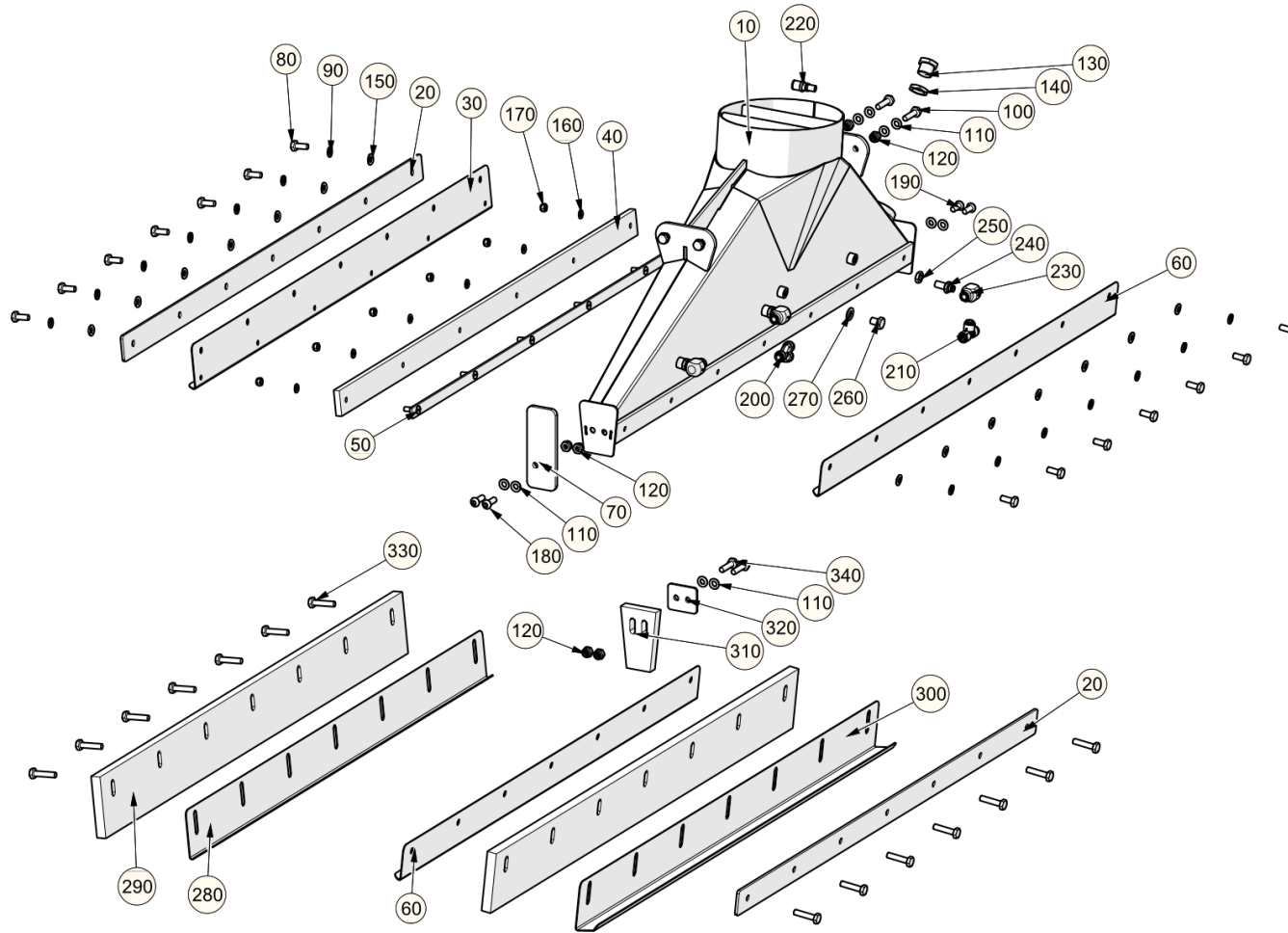


Wide Mouth Full Width Nozzle ()

Sweepgear\Nozzle\Full Width Nozzle\Wide Mouth Full Width Nozzle

Item no.	Part no.	Description	QTY	Unit
250	297-92	Two Way Divider - Tube O/D 10	1	PC
260	297-74	Tee Equal - Tube O/D 10	1	PC
261	297-1	Tubing - Polyurethane 10 Dia x 1.5 Wall	1.8	M
270	93212013-0	Plain Washer M12	5	PC
280	92097444-0	Hex Head Screw - M12Cx16 - 8.8	4	PC
290	93085606-0	Nyloc Hex Nut - M10c - A2	4	PC
300	93213011-0	Plain Washer M10 A2	18	PC
310	93700211-0	Spring Washer M10 - A2	14	PC
320	92069420-0	Hex Head Bolt - M10Cx40 - A2-70	14	PC

Narrow Full Width Nozzle ()
Sweepgear\Nozzle\Full Width Nozzle\Narrow Full Width Nozzle

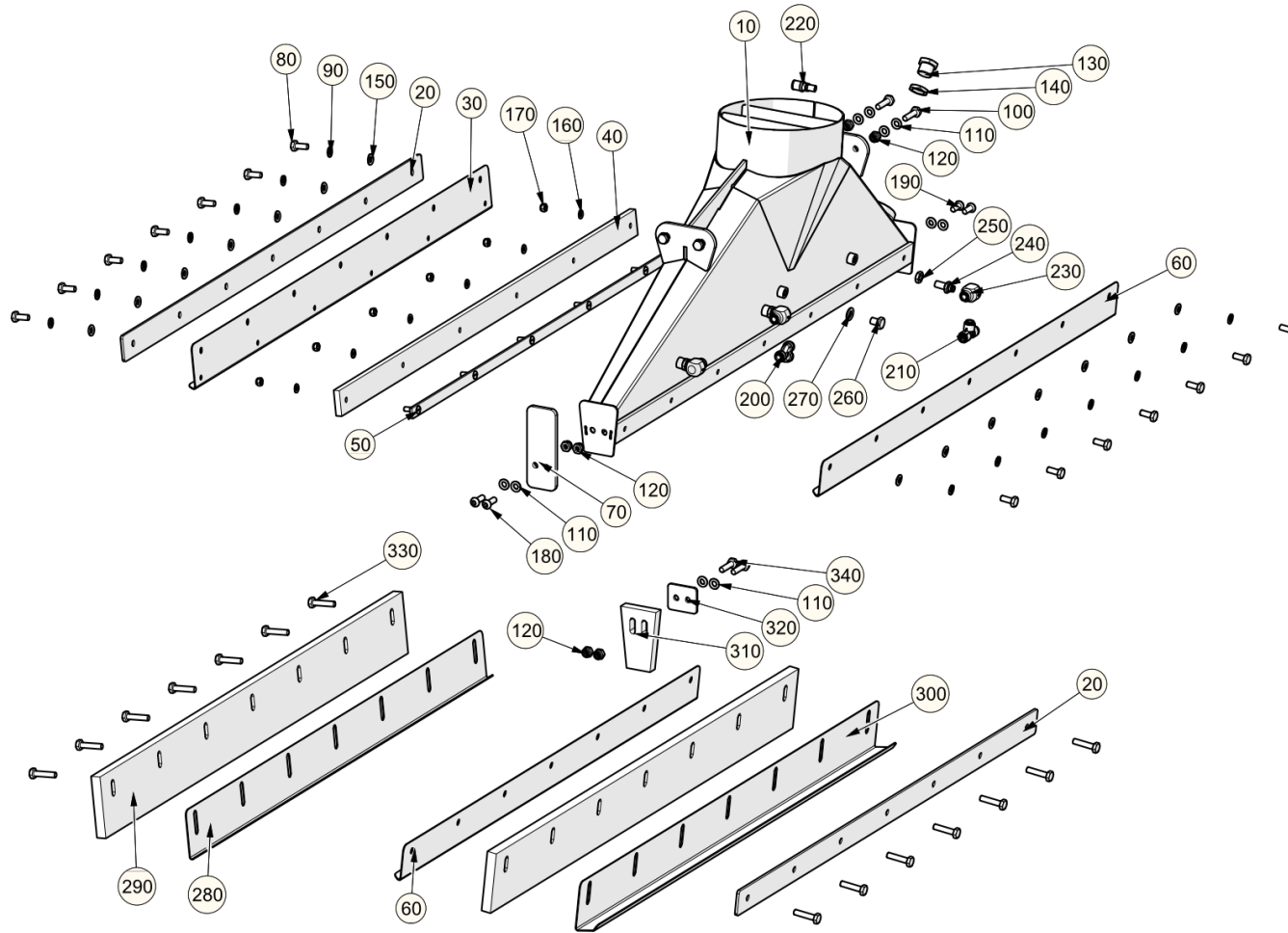


Narrow Full Width Nozzle ()

Sweepgear\Nozzle\Full Width Nozzle\Narrow Full Width Nozzle

Item no.	Part no.	Description	QTY	Unit
10	283470-1	Full Width Nozzle W/Assy Narrow Mouth	1	PC
20	283474-1	Curtain Retianer - Full Width Nozzle	2	PC
30	283477-2	Trailing Shoe - Full Width Nozzle	1	PC
40	40823-1-A	Rubber - Nozzle, Chipping	1	PC
50	40815-1-A	Clamp Strip W/Assy - Chipping Nozzle	1	PC
60	283478-2	Deflector - Full Width Nozzle	1	PC
70	283538-1	Guide - Full Width Nozzle Narrow Mouth	1	PC
80	92099409-0	Hex Head Screw - M10Cx25 - A2	14	PC
90	93700211-0	Spring Washer M10 - A2	14	PC
100	92097416-0	Hex Head Screw - M10Cx40 - 8.8	4	PC
110	93212012-0	Plain Washer - M10	12	PC
120	93085806-0	Nyloc Hex Nut M10C - 8	8	PC
130	281755-1	Plug - Re-Circ Port 250 Nozzle	1	PC
140	410-57	Locknut - 3/4 BSP Bulkhead Fitting	1	PC
150	93213011-0	Plain Washer M10 A2	14	PC
160	93213010-0	Plain Washer M8 A2	6	PC
170	93085605-0	Nyloc Hex Nut - M8c - A2	6	PC
180	92330056-0	Hex Skt Button Head Screw M10x30 - 10.9	2	PC
190	92330357-0	Hex Skt Button Head Screw M10x25 - 10.9	2	PC
200	297-92	Two Way Divider - Tube O/D 10	1	PC
210	297-74	Tee Equal - Tube O/D 10	1	PC
220	297-106	Plug-Straight Body 1/4 Tubing O/D 10mm	1	PC
230	7019548	Water Jet - Body	3	PC
231	297-1	Tubing - Polyurethane 10 Dia x 1.5 Wall	1.8	M

Narrow Full Width Nozzle ()
Sweepgear\Nozzle\Full Width Nozzle\Narrow Full Width Nozzle

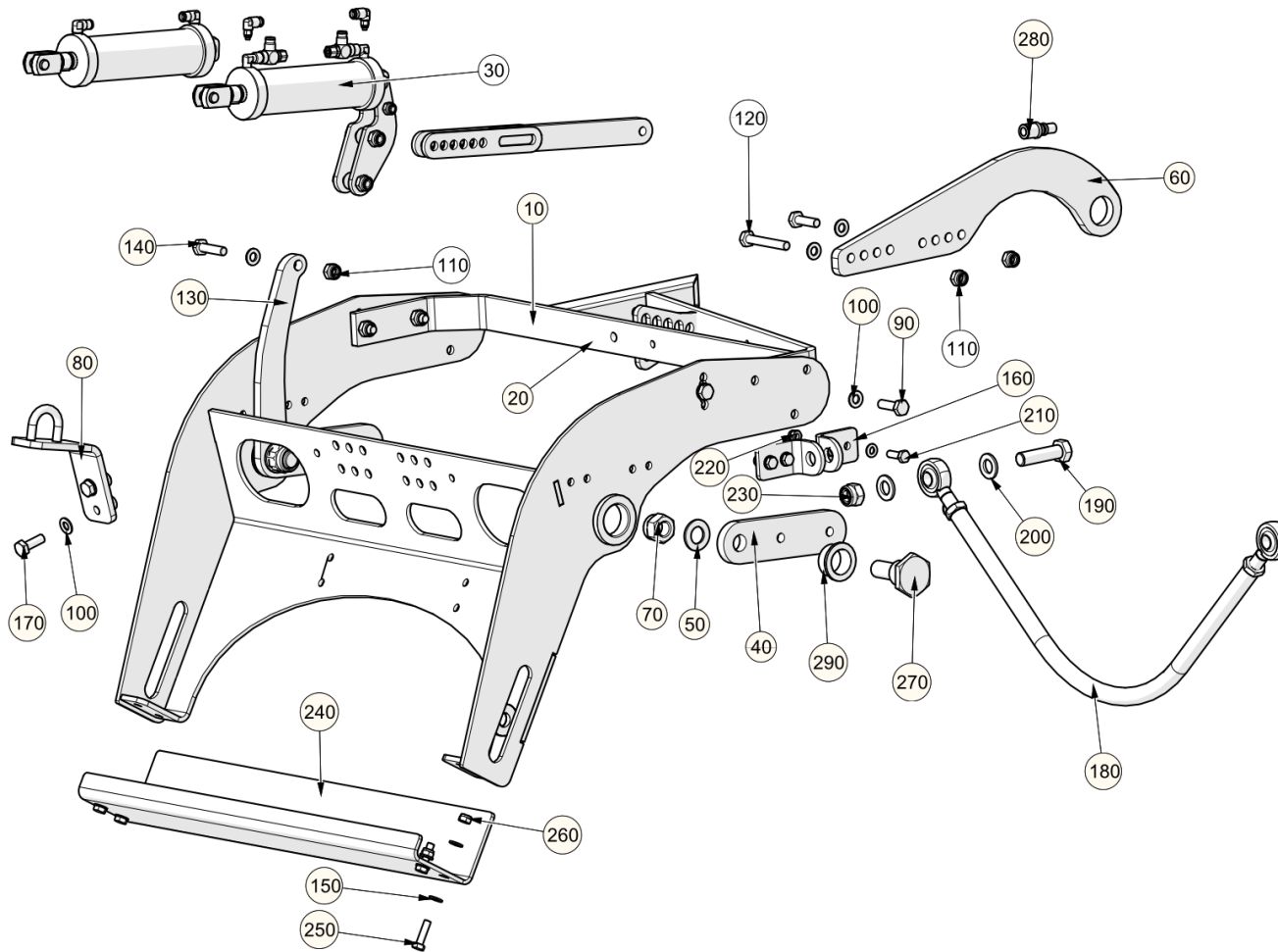


Narrow Full Width Nozzle ()

Sweepgear\Nozzle\Full Width Nozzle\Narrow Full Width Nozzle

Item no.	Part no.	Description	QTY	Unit
240	7019549	Water Jet - Adaptor	3	PC
250	416-12	Locknut - Stainless M12C	3	PC
260	92097444-0	Hex Head Screw - M12Cx16 - 8.8	5	PC
270	93212013-0	Plain Washer M12	5	PC
280	283494-1	Trailing Curtain Support	1	PC
290	283471-1	Curtain - Full Width Nozzle	2	PC
300	283479-2	Leading Shoe - Full Width Nozzle	1	PC
310	283472-1	Side Curtain - Full Width Nozzle	1	PC
320	283476-1	Curtain Retainer Side - Nozzle	2	PC
330	6105-1185	Hex Head Bolt - M10Cx45 - A2-70	14	PC
340	92069420-0	Hex Head Bolt - M10Cx40 - A2-70	2	PC

Nozzle Carriage ()
Sweepgear\Nozzle\Full Width Nozzle\Nozzle Carriage

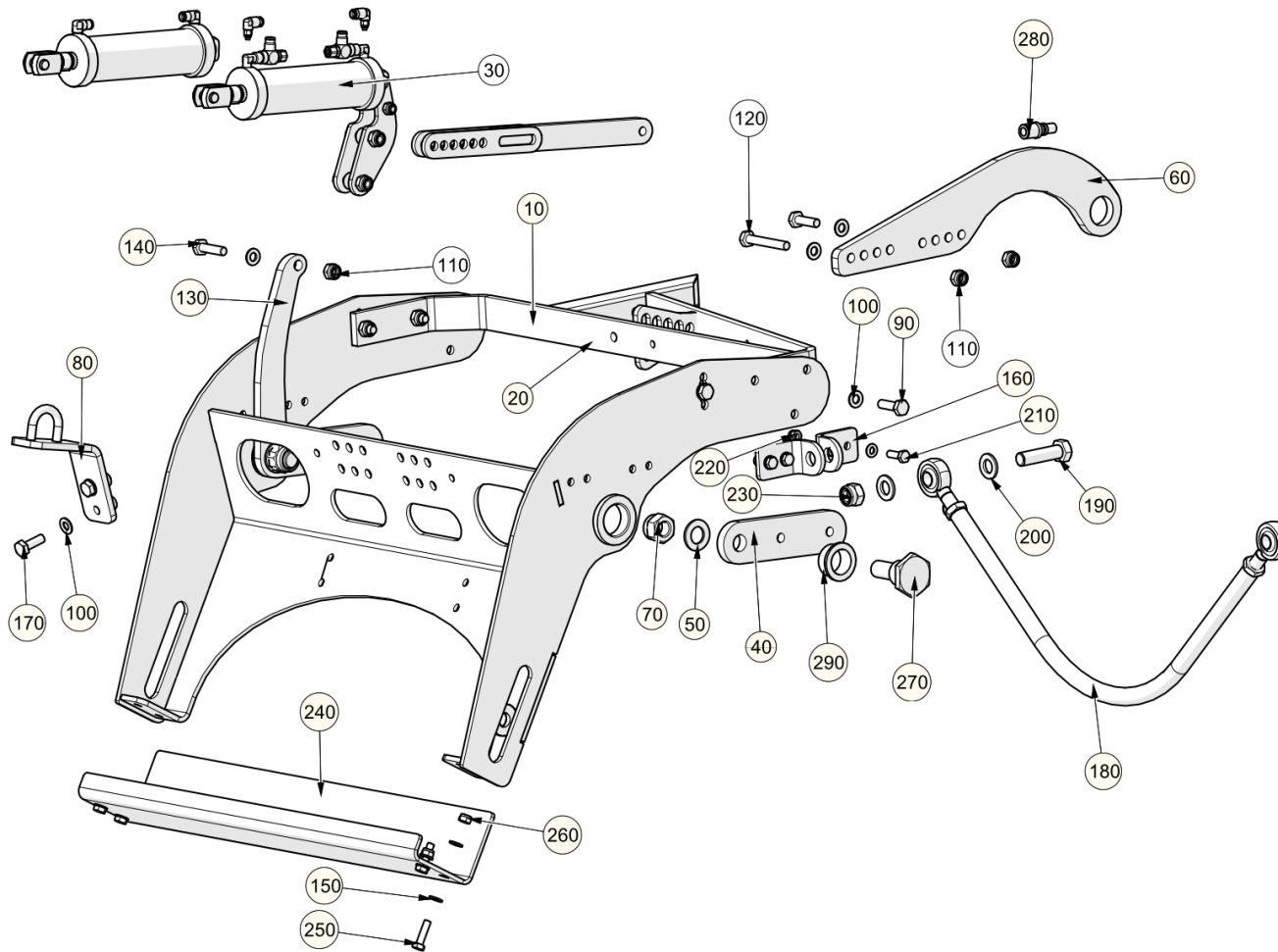


Nozzle Carriage ()

Sweepgear\Nozzle\Full Width Nozzle\Nozzle Carriage

Item no.	Part no.	Description	QTY	Unit
7008963	7008963	Eye - Sweep Gear	2	PC
7008966	7008966	Spacer - Nozzle	2	PC
7009104	7009104	Pin Welded Assembly	1	PC
92097417-0	92097417-0	Hex Head Screw - M10Cx45 - 8.8	2	PC
92097382-0	92097382-0	Hex Head Screw - M8Cx50 - 8.8	1	PC
93699710-0	93699710-0	Spring Washer - Plated M8	10	PC
9114-2-F	9114-2-F	Washer	2	PC
93699708-0	93699708-0	Spring Washer - Plated M6	6	PC
92097372-0	92097372-0	Hex Head Screw - M8Cx16 - 8.8	10	PC
92097299-0	92097299-0	Hex Head Screw - M6Cx16 - 8.8	6	PC
10	7020449	Carriage Welded Assembly	1	PC
20	7020620	Nozzle Drawbar Welded Assembly	1	PC
40	7019275	Pivot Arm - Nozzle	1	PC
50	93212018-0	Plain Washer M20	2	PC
60	283495-1	Tow Eye - Drawbar Full Width Nozzle	1	PC
70	93085011-0	Nyloc Hex Nut M20C - 8	2	PC
80	7037475	Bottom Bracket - Welded Assembly	1	PC
90	92097415-0	Hex Head Screw - M10Cx35 - 8.8	5	PC
100	93212012-0	Plain Washer - M10	10	PC
110	93085806-0	Nyloc Hex Nut M10C - 8	10	PC
120	92097422-0	Hex Head Screw - M10Cx70 - 8.8	1	PC
130	7008968	Lever - Nozzle	1	PC
140	92097416-0	Hex Head Screw - M10Cx40 - 8.8	1	PC
150	93212011-0	Plain Washer - M8	12	PC

Nozzle Carriage ()
Sweepgear\Nozzle\Full Width Nozzle\Nozzle Carriage

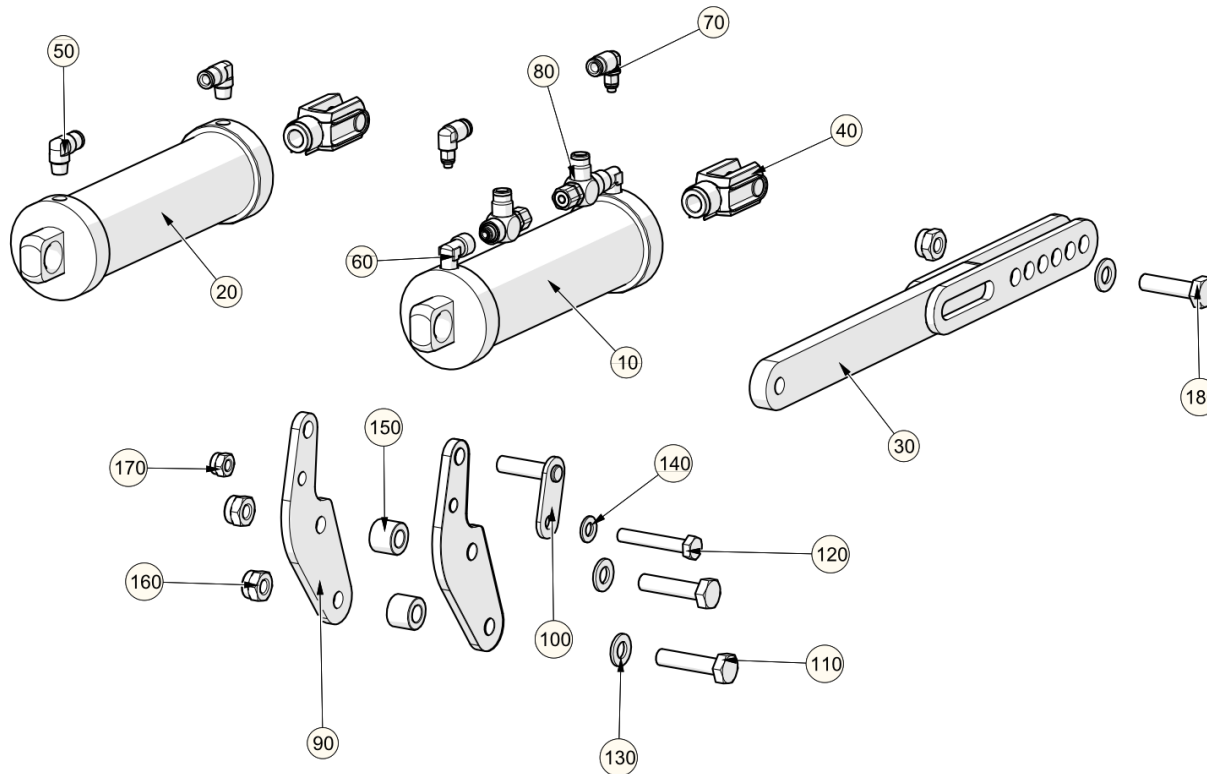


Nozzle Carriage ()

Sweepgear\Nozzle\Full Width Nozzle\Nozzle Carriage

Item no.	Part no.	Description	QTY	Unit
160	283488-1	Link Arm Anchor Full Width Nozzle	2	PC
170	92097414-0	Hex Head Screw - M10Cx30 - 8.8	2	PC
180	283493-1	Link Arm Assembly Full Width Nozzle	1	PC
190	92067535-0	Hex Head Bolt - M16x60C - 8.8	2	PC
200	93210523-0	Plain Washer - M16	4	PC
210	92097376-0	Hex Head Screw - M8Cx25 - 8.8	4	PC
220	93085805-0	Nyloc Hex Nut M8C - 8	4	PC
230	93085009-0	Nyloc Hex Nut M16C - 8	4	PC
240	7022440	Full Width Nozzle Brace	1	PC
250	92097378-0	Hex Head Screw - M8Cx30 - 8.8	4	PC
260	93085005-0	Nyloc Hex Nut M8C - 8	4	PC
270	283363-1	Pivot Bolt - Suction Nozzle	2	PC
280	297-106	Plug-Straight Body 1/4 Tubing O/D 10mm	1	PC
290	283374-1	Bush - Pivot Suction Nozzle	2	PC

Nozzle Adjustment ()
Sweepgear\Nozzle\Full Width Nozzle\Nozzle Carriage\Nozzle Adjustment

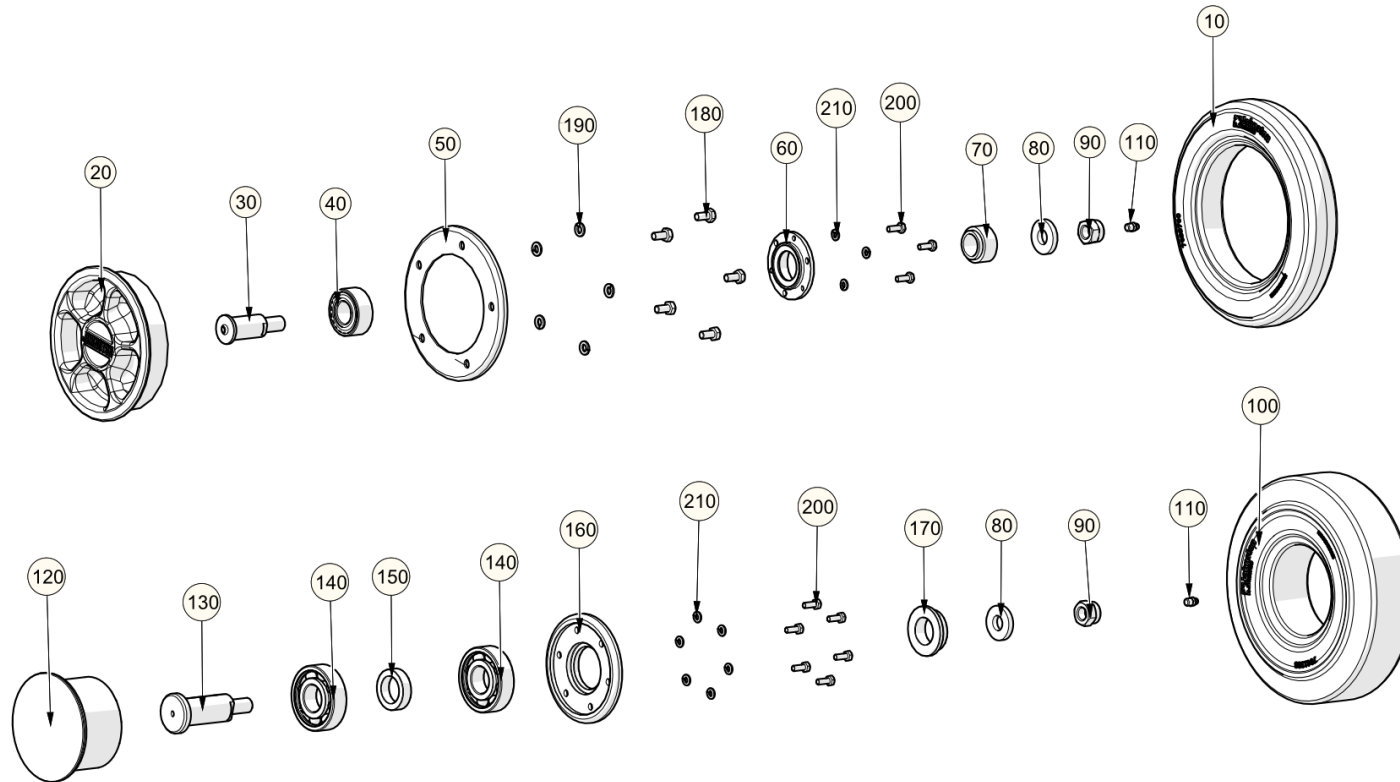


Nozzle Adjustment ()

Sweepgear\Nozzle\Full Width Nozzle\Nozzle Carriage\Nozzle Adjustment

Item no.	Part no.	Description	QTY	Unit
10	7004673	Cylinder Pneum-Dual-Act Ø50x75	1	PC
20	7004670	Cylinder Pneum-Sng-Act Ø50x75	1	PC
30	7020642	Adjuster Arm Welded Assembly	1	PC
40	7009106	Fork head Assembly M12x1.25xØ12	1	PC
50	09593162-0	Adaptor - Push In 6mm Fixed Elbow R1/8"	2	PC
60	72-114	Elbow - R1/8M x G1/8F	2	PC
70	6603-1381	Adaptor-Elbow 6mmxM5x0.8	2	PC
80	09598716-0	Pilot Check Valve-1/8" BSPx6mm	2	PC
90	7008963	Eye - Sweep Gear	2	PC
100	7009104	Pin Welded Assembly	1	PC
110	92097417-0	Hex Head Screw - M10CX45 - 8.8	2	PC
120	92097382-0	Hex Head Screw - M8Cx50 - 8.8	1	PC
130	93212012-0	Plain Washer - M10	2	PC
140	93212011-0	Plain Washer - M8	1	PC
150	7008966	Spacer - Nozzle	2	PC
160	93085806-0	Nyloc Hex Nut M10C - 8	2	PC
170	93085805-0	Nyloc Hex Nut M8C - 8	1	PC
180	92097416-0	Hex Head Screw - M10Cx40 - 8.8	1	PC

Nozzle Wheels ()
Sweepgear\Nozzle\Full Width Nozzle\Nozzle Wheels



Nozzle Wheels ()

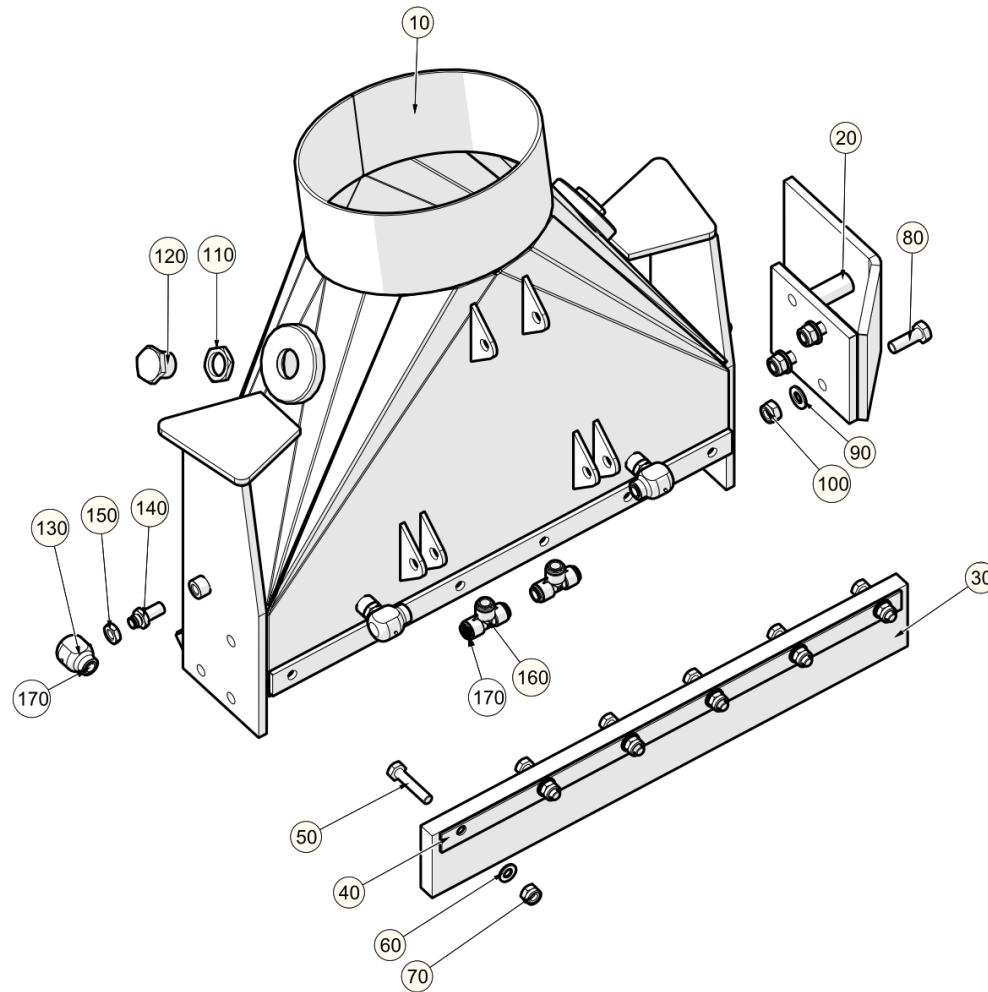
Sweepgear\Nozzle\Full Width Nozzle\Nozzle Wheels

Item no.	Part no.	Description	QTY	Unit
10	7039700	Nozzle Tyre	1	PC
20	63493-1	Hub - Nozzle Wheel	1	PC
30	7044091	Spindle - Nozzle Wheel	1	PC
40	14-52	Bearing - 25x52x20.6	1	PC
50	16750-1-C	Plate - Back, Tyre	1	PC
60	63495-1	Retainer - Nozzle Wheel	1	PC
70	63494-1	Collar - Nozzle Wheel	1	PC
80	9114-2-F	Washer	2	PC
90	93085009-0	Nyloc Hex Nut M16C - 8	2	PC
100	7041388	Heavy Duty Nozzle Tyre	1	PC
110	38-36	Grease Nipple Straight M8 x 1.00	2	PC
120	283355-1	Hub - Nozzle Wheel Assembly	1	PC
130	7044094	Spindle - Nozzle Wheel, Heavy Duty	1	PC
140	14-62	Bearing - 30x72x19	2	PC
150	283354-1	Spacer - Nozzle Wheel Assembly	1	PC
160	283357-1	Flange - Nozzle Wheel Assembly	1	PC
170	283356-1	Labyrinth - Nozzle Wheel Assembly	1	PC
180	92097372-0	Hex Head Screw - M8Cx16 - 8.8	5	PC
190	93699710-0	Spring Washer - Plated M8	5	PC
200	92097299-0	Hex Head Screw - M6Cx16 - 8.8	9	PC
210	93699708-0	Spring Washer - Plated M6	9	PC

This page is intentionally left blank

This page is intentionally left blank

Nozzle Assembly ()
Sweepgear\Nozzle\Combivak Nozzle\Nozzle Assembly

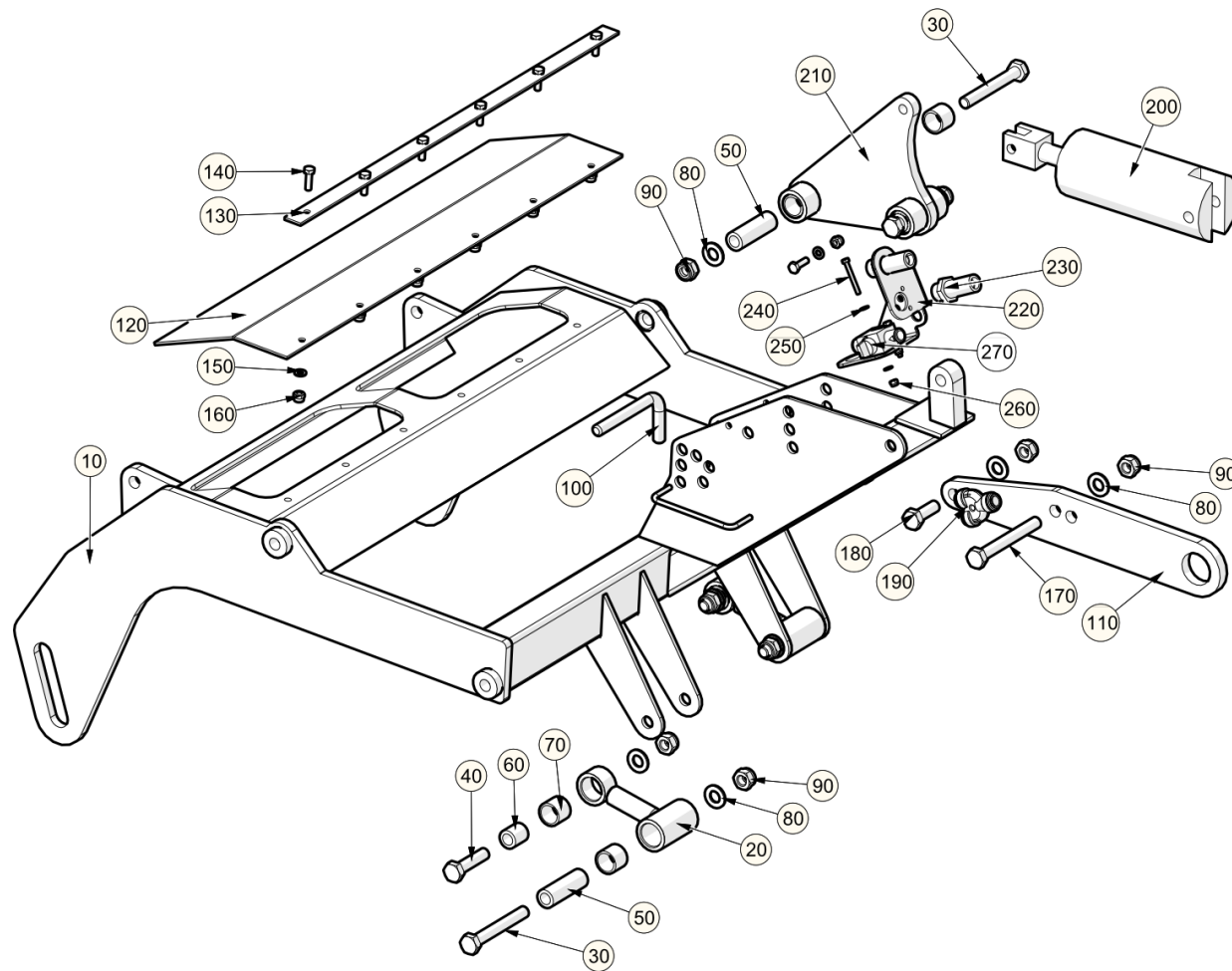


Nozzle Assembly ()

Sweepgear\Nozzle\Combivak Nozzle\Nozzle Assembly

Item no.	Part no.	Description	QTY	Unit
10	280920-2	Nozzle W/Assy - 250 Combivac Lined	1	PC
20	62170-1	Skid Welded Assembly	1	PC
30	62138-1	Nozzle - Front Rubber	1	PC
40	62148-1	Strip Clamp	1	PC
50	92097418-0	Hex Head Screw - M10Cx50 - 8.8	6	PC
60	93212012-0	Plain Washer - M10	6	PC
70	93085806-0	Nyloc Hex Nut M10C - 8	6	PC
80	92097451-0	Hex Head Screw - M12Cx35 - 8.8	3	PC
90	93212013-0	Plain Washer M12	3	PC
100	93085007-0	Nyloc Hex Nut M12C - 8	3	PC
110	410-57	Locknut - 3/4 BSP Bulkhead Fitting	2	PC
120	281755-1	Plug - Re-Circ Port 250 Nozzle	2	PC
130	7019548	Water Jet - Body	4	PC
140	7019549	Water Jet - Adaptor	4	PC
150	416-12	Locknut - Stainless M12C	4	PC
160	297-74	Tee Equal - Tube O/D 10	2	PC
170	297-1	Tubing - Polyurethane 10 Dia x 1.5 Wall	2.3	M

Combivak Carriage ()
Sweepgear\Nozzle\Combivak Nozzle\Combivak Carriage

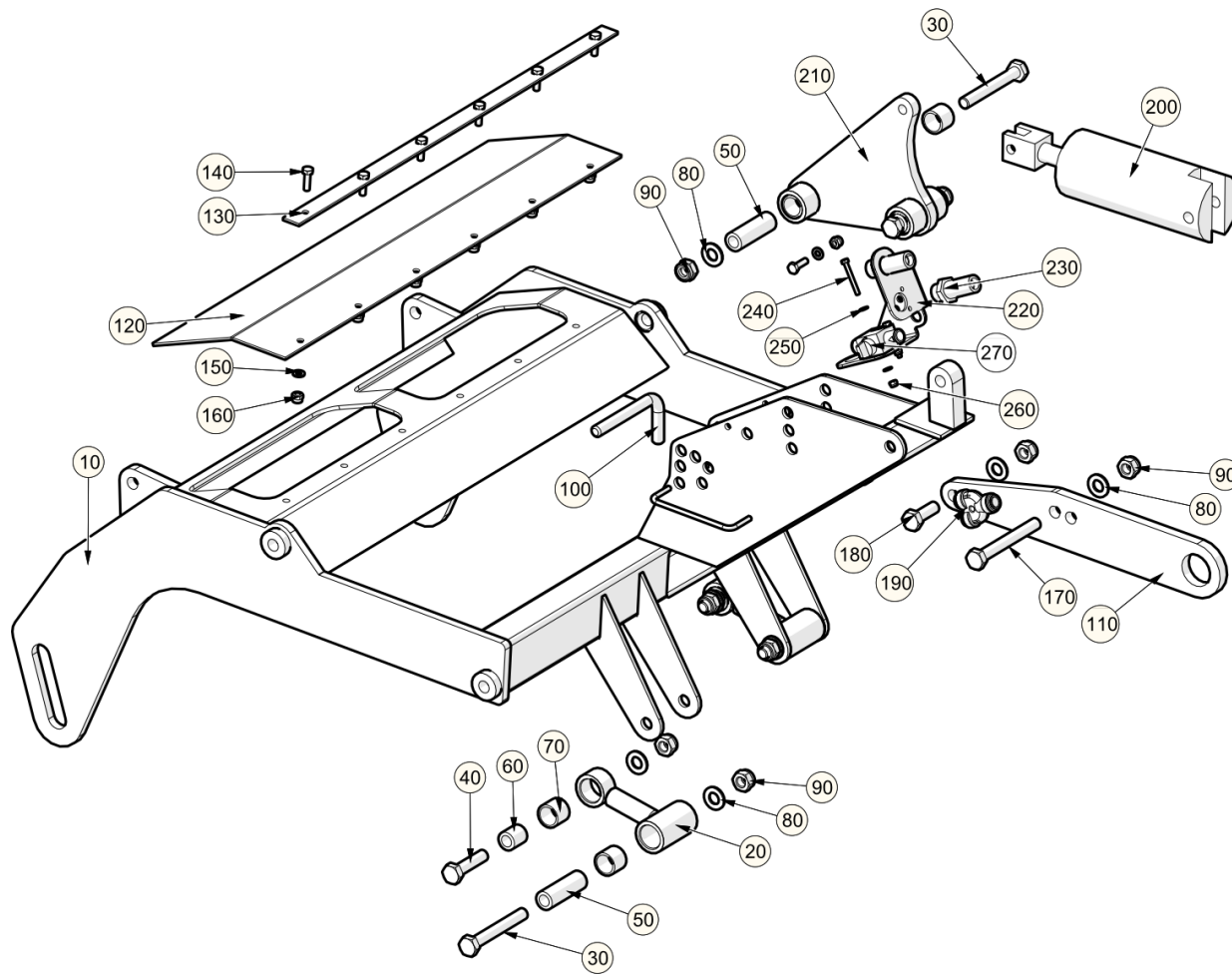


Combivak Carriage ()

Sweepgear\Nozzle\Combivak Nozzle\Combivak Carriage

Item no.	Part no.	Description	QTY	Unit
10	62882-2	Carriage Welded Assembly - Combivac	1	PC
20	62567-1	Arm Pivot Welded Assembly - Nozzle	2	PC
30	92067467-0	Hex Head Bolt - M12Cx90 - 8.8	4	PC
40	92067459-0	Hex Head Bolt - M12Cx50 - 8.8	2	PC
50	42733-2	Bush - Bearing	4	PC
60	42733-1-A	Bush - Bearing, Flaps	2	PC
70	29128-1-B	Bush - 20Lg	10	PC
80	93212013-0	Plain Washer M12	8	PC
90	93085007-0	Nyloc Hex Nut M12C - 8	8	PC
100	62135-1	Bolt - Nozzle Stop	1	PC
110	200377-1	Tow Eye - V/Brush Combivak	1	PC
120	41615-1-A	Curtain - Rubber	1	PC
130	41457-1-A	Strip Clamping	1	PC
140	92097301-0	Hex Head Screw - M6Cx20 - 8.8	7	PC
150	93212009-0	Plain Washer - M6	7	PC
160	93085004-0	Nyloc Hex Nut M6C - 8	7	PC
170	92067469-0	Hex Head Bolt - M12Cx100 - 8.8	1	PC
180	92097451-0	Hex Head Screw - M12Cx35 - 8.8	1	PC
190	297-92	Two Way Divider - Tube O/D 10	1	PC
200	29362-2	Cylinder Combivac Nozzle Assembly	1	PC
210	281884-1	Actuator Welded Assembly	1	PC
220	7032453	Bracket, Bulkhead	1	PC
230	302-2	Straight Bulkhead Connector M18 x 1.5	2	PC
240	92067234-0	Hex Head Bolt - M4Cx35 - 8.8	2	PC

Combivak Carriage ()
Sweepgear\Nozzle\Combivak Nozzle\Combivak Carriage

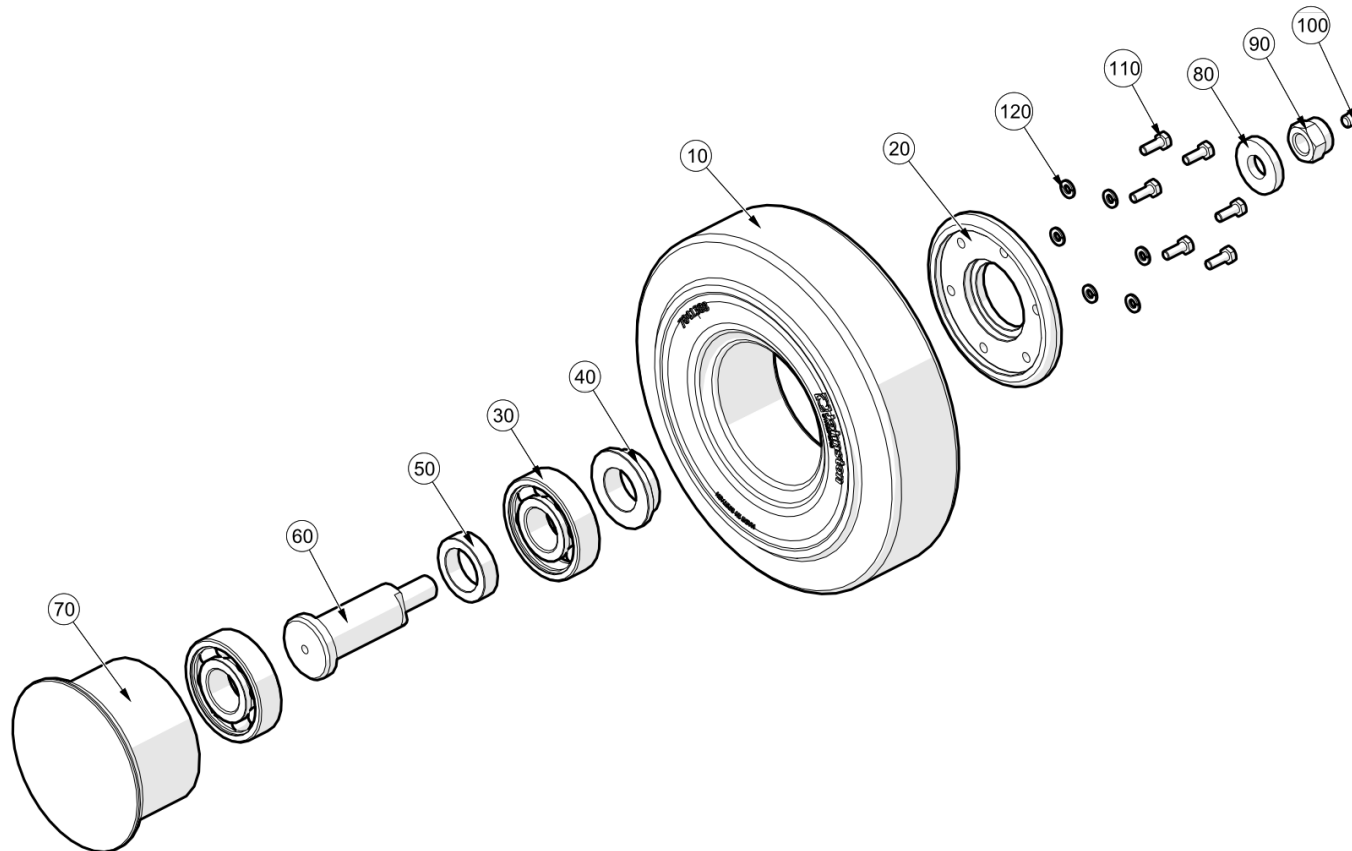


Combivak Carriage ()

Sweepgear\Nozzle\Combivak Nozzle\Combivak Carriage

Item no.	Part no.	Description	QTY	Unit
250	93212007-0	Plain Washer M4	4	PC
260	93085002-0	Nyloc Hex Nut M4C - 8	2	PC
270	7023752	Finger Valve	1	PC

Nozzle Wheels ()
Sweepgear\Nozzle\Combivak Nozzle\Nozzle Wheels

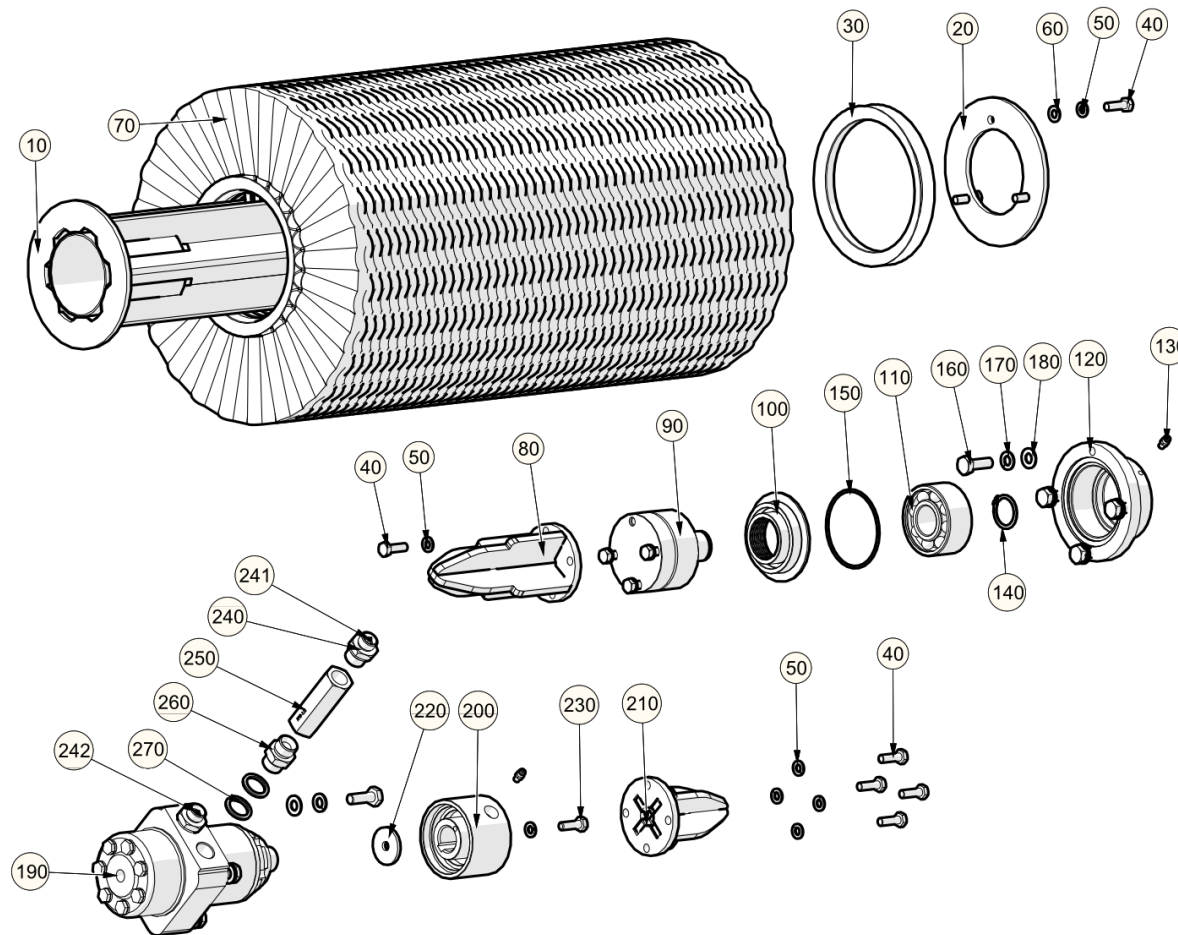


Nozzle Wheels ()

Sweepgear\Nozzle\Combivak Nozzle\Nozzle Wheels

Item no.	Part no.	Description	QTY	Unit
10	7041388	Heavy Duty Nozzle Tyre	2	PC
20	283357-1	Flange - Nozzle Wheel Assembly	2	PC
30	14-62	Bearing - 30x72x19	4	PC
40	283356-1	Labyrinth - Nozzle Wheel Assembly	2	PC
50	283354-1	Spacer - Nozzle Wheel Assembly	2	PC
60	7044094	Spindle - Nozzle Wheel, Heavy Duty	2	PC
70	283355-1	Hub - Nozzle Wheel Assembly	2	PC
80	9114-2-F	Washer	2	PC
90	93085009-0	Nyloc Hex Nut M16C - 8	2	PC
100	38-36	Grease Nipple Straight M8 x 1.00	2	PC
110	92097299-0	Hex Head Screw - M6Cx16 - 8.8	12	PC
120	93699708-0	Spring Washer - Plated M6	12	PC

Brush and Motor ()
 Sweepgear\Nozzle\Combivak Nozzle\Brush and Motor

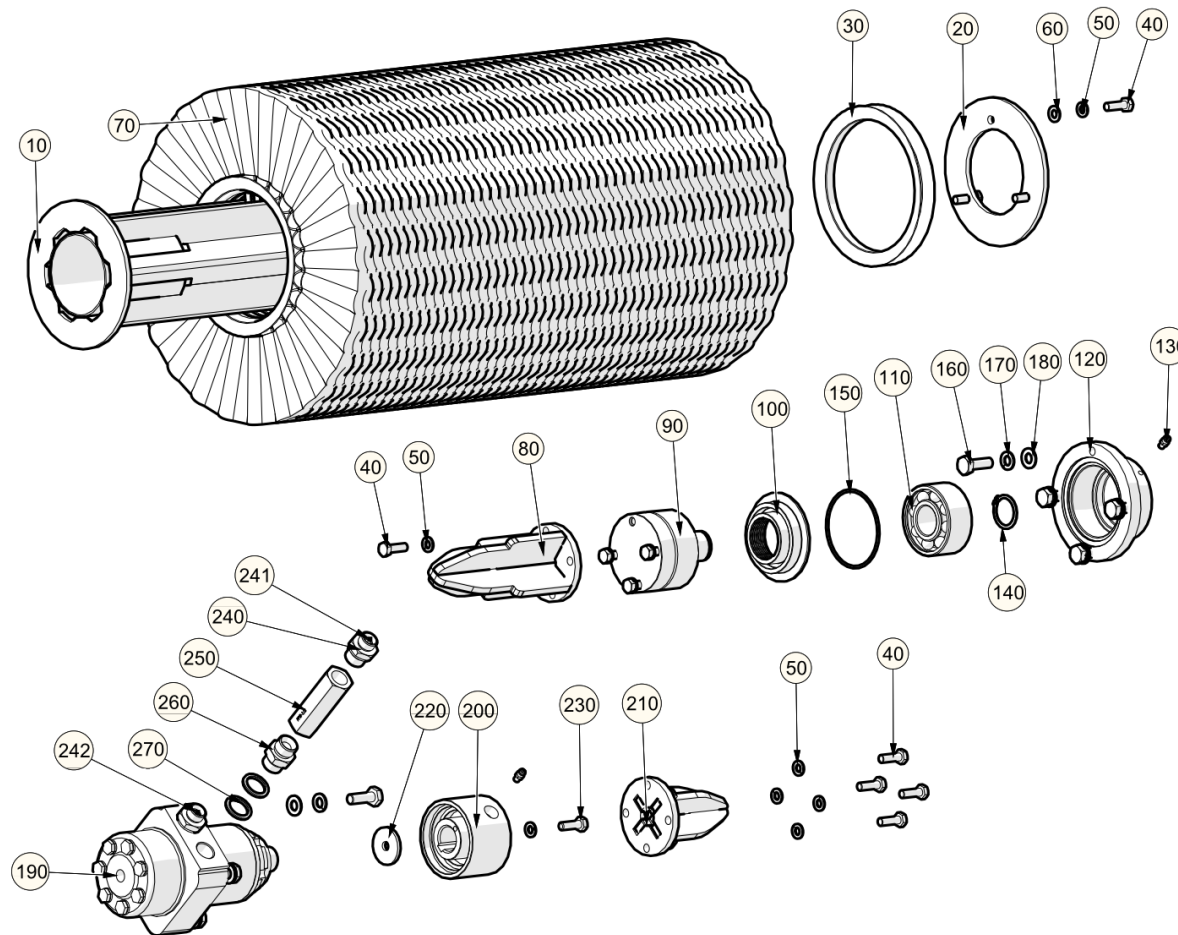


Brush and Motor ()

Sweepgear\Nozzle\Combivak Nozzle\Brush and Motor

Item no.	Part no.	Description	QTY	Unit
10	7020735	Combivak Stock	1	PC
20	283115-1	Plate - Closing Stock Assembly WSB	1	PC
30	13515	Spacer - Segment Brush	2	PC
40	92097376-0	Hex Head Screw - M8Cx25 - 8.8	7	PC
50	93699710-0	Spring Washer - Plated M8	3	PC
60	93212011-0	Plain Washer - M8	3	PC
70	283385-340	TMS 550 Segments	48	PC
80	283106-1	Driven Dog Welded Assembly WSB	1	PC
90	283108-1	Bearing - Drive Adaptor Wide Sweep Brush	1	PC
100	283121-1	Labyrinth - Bearing Wide Sweep Brush	1	PC
110	14-47	Bearing - 30x72x30.2 Double	1	PC
120	283107-1	Housing - Bearing Wide Sweep Brush	1	PC
130	38-30	Grease Nipple M6 X 1	1	PC
140	09500030-0	Circlip - External 30x1.6	1	PC
150	80-94	O-Ring - Hole Dia.80	1	PC
160	92097414-0	Hex Head Screw - M10Cx30 - 8.8	4	PC
170	93699711-0	Spring Washer - Plated M10	4	PC
180	93212012-0	Plain Washer - M10	4	PC
190	72250-1	Motor - Hydraulic OMPW 200	1	PC
200	283109-1	Drive Adaptor Motor Wide Sweep Brush	1	PC
210	283105-1	Drive Dog Welded Assembly WSB	1	PC
220	62064-1	Washer - Special 38mm	1	PC
230	135-58	Hex Head Screw - 180° Patch M8Cx25	1	PC
240	09570131-0	Stud Coupling Male G 1/2" x M18 x 1.5	2	PC

Brush and Motor ()
Sweepgear\Nozzle\Combivak Nozzle\Brush and Motor

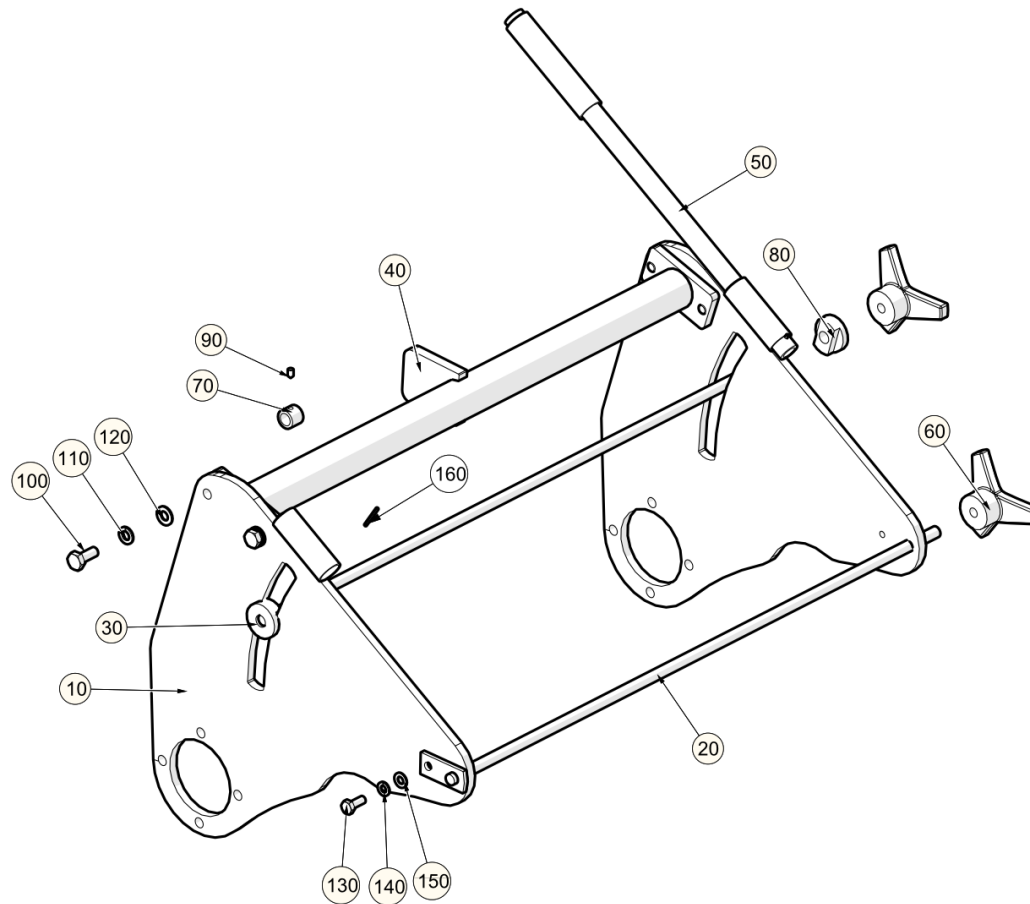


Brush and Motor ()

Sweepgear\Nozzle\Combivak Nozzle\Brush and Motor

Item no.	Part no.	Description	QTY	Unit
241	H2SC10000-75	Hose - Hydraulic	1	PC
242	H2SC10000-85	Hose - Hydraulic	1	PC
250	71457-1	Valve Check G1/2"	1	PC
260	263-4	Adaptor M/M 1/2 BSP BS5200	1	PC
270	451-19	Washer - Bonded G1-2"	2	PC

Nozzle Handle ()
Sweepgear\Nozzle\Combivak Nozzle\Nozzle Handle

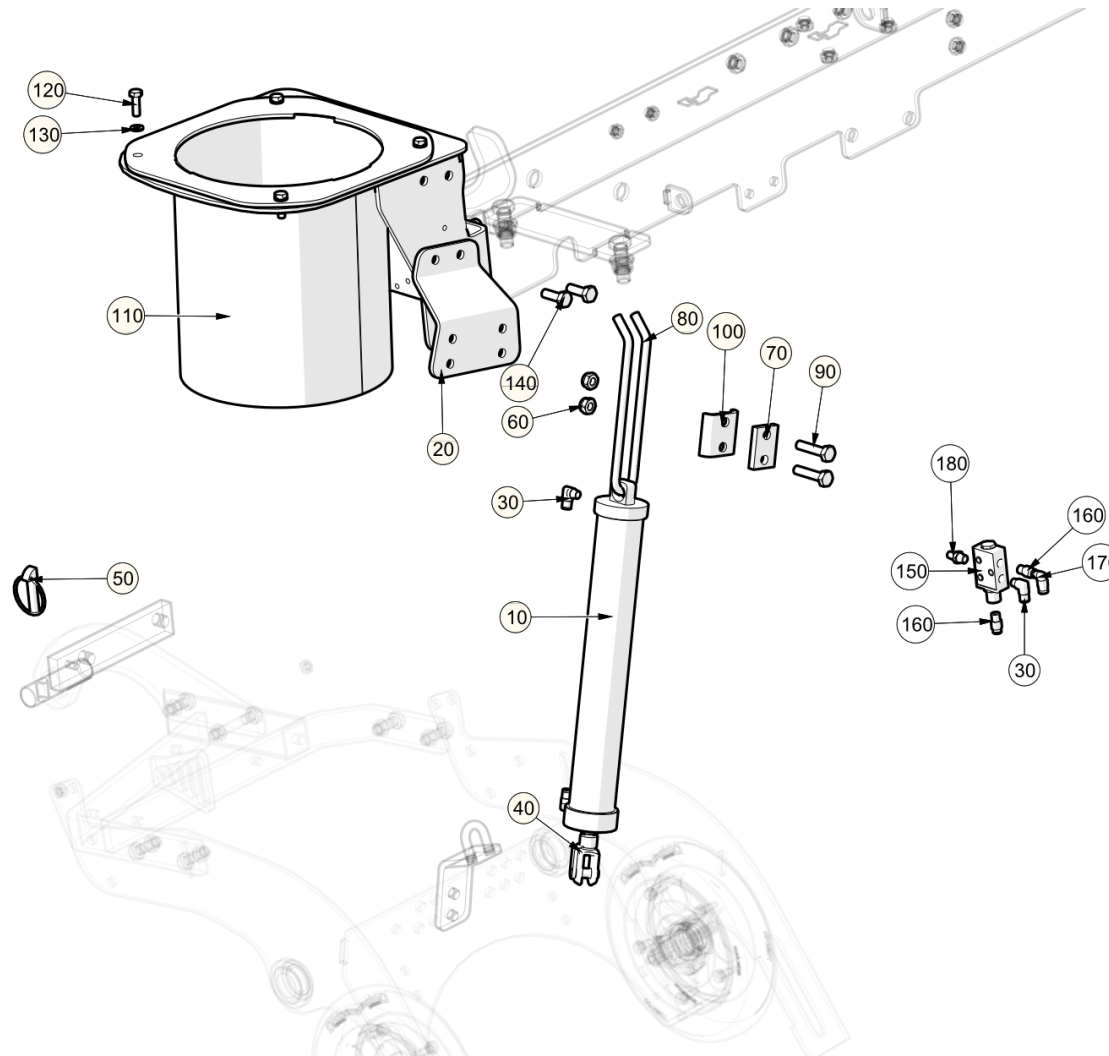


Nozzle Handle ()

Sweepgear\Nozzle\Combivak Nozzle\Nozzle Handle

Item no.	Part no.	Description	QTY	Unit
10	7020736	Cheek Plate Welded Assembly	2	PC
20	7020816	Pivot pin	1	PC
30	7020820	Adjuster Welded Assembly	1	PC
40	62828-1	Beam - Cross Welded Assembly	1	PC
50	62167-1	Handle Welded Assembly	1	PC
60	23-22	Knob (M12) - Cross Type	2	PC
70	62157-1	Clamp - Tube	1	PC
80	62127-2	Slider - Zinc Plate & Passivate	1	PC
90	135-23	Grub Screw - Cone Point M6c cx 10 Lg	1	PC
100	92097412-0	Hex Head Screw - M10Cx25 - 8.8	4	PC
110	93699711-0	Spring Washer - Plated M10	4	PC
120	93212012-0	Plain Washer - M10	4	PC
130	92097374-0	Hex Head Screw - M8Cx20 - 8.8	1	PC
140	93699710-0	Spring Washer - Plated M8	1	PC
150	93212011-0	Plain Washer - M8	1	PC
160	59-26	Pin Tension Spring 3 O/Dx30Lg	1	PC

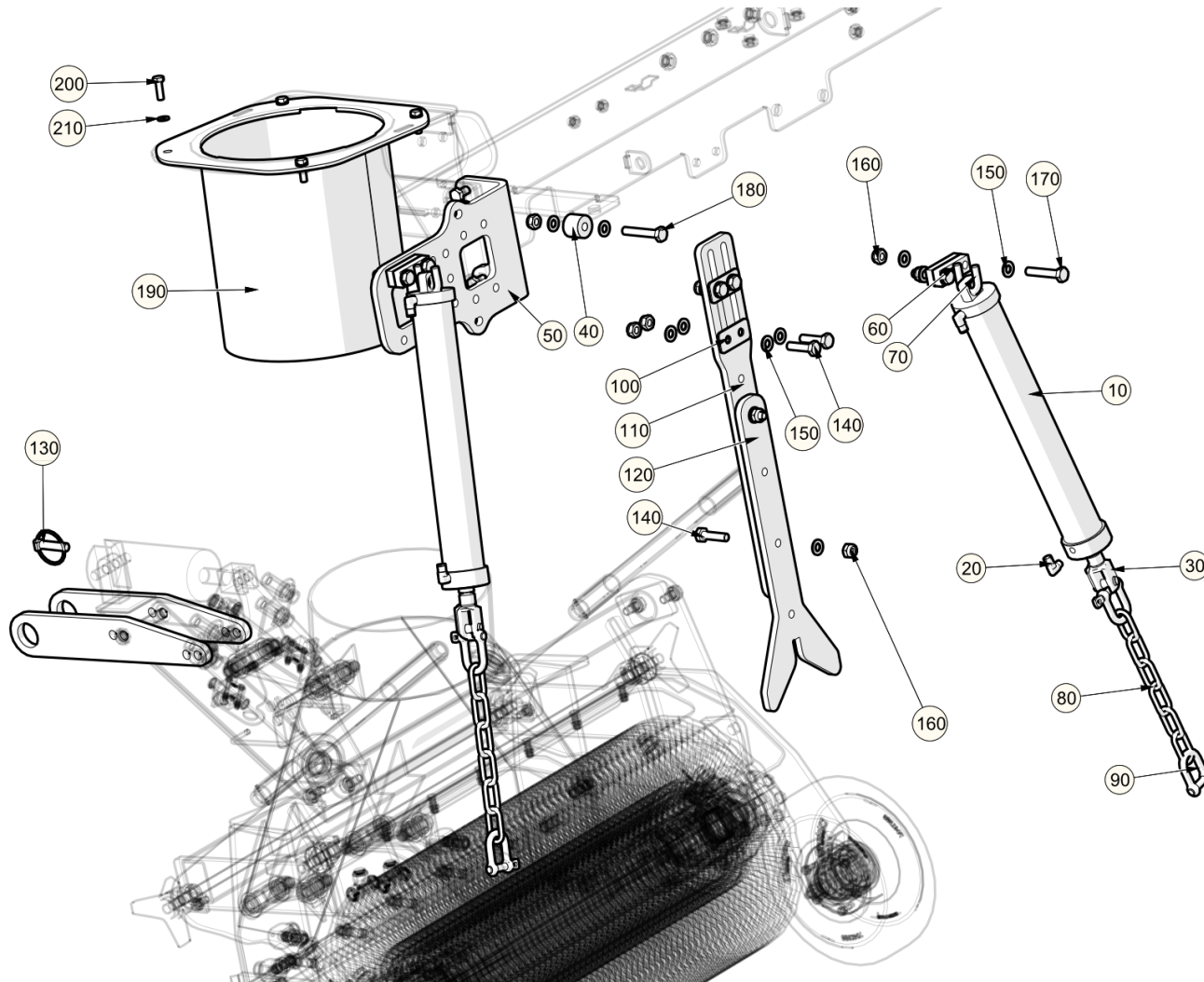
Nozzle Installation ()
Sweepgear\Nozzle\Nozzle Installation



Nozzle Installation ()
Sweepgear\Nozzle\Nozzle Installation

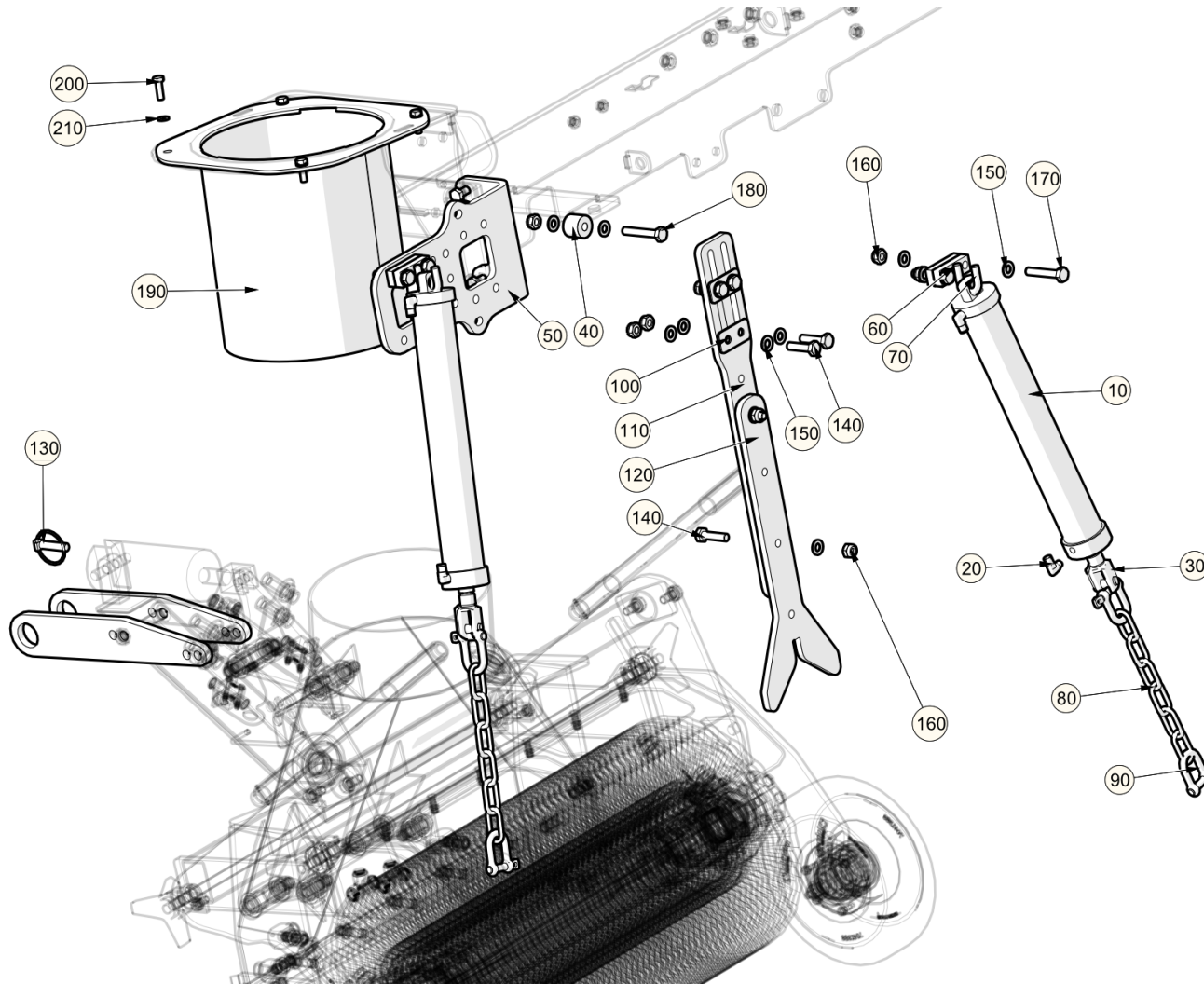
Item no.	Part no.	Description	QTY	Unit
10	7003988	Cylinder Pneum-Dual-Act Ø50x310	2	PC
20	284017-1	Nozzle Mounting - Anti Swing	2	PC
30	09593162-0	Adaptor - Push In 6mm Fixed Elbow R1/8"	4	PC
40	7009106	Fork head Assembly M12x1.25xØ12	2	PC
50	60-1	Pin Linch with Ring 11mm Dia	2	PC
60	93085006-0	Nyloc Hex Nut M10C - 8	8	PC
70	63345-1	Block - Clamp	2	PC
80	40405-1-B	Eye - Lifting Nozzle	2	PC
90	92097417-0	Hex Head Screw - M10CX45 - 8.8	4	PC
100	40404-1-C	Washer - Clamp, Carriage, Noz	2	PC
110	7028339	Duct 270mm W/Assy	1	PC
110	7026385	Duct 320 mm W/assy	1	PC
120	92097376-0	Hex Head Screw - M8Cx25 - 8.8	8	PC
130	93699710-0	Spring Washer - Plated M8	8	PC
140	92097414-0	Hex Head Screw - M10Cx30 - 8.8	4	PC
150	72-31	Valve - Pneumatic 3/2	2	PC
160	537-3	Adaptor-Push In 6mm x 1/8 BSPT Straight	4	PC
170	551-1	Adaptor - Stem Elbow 6mm	2	PC
180	72-17	Exhaust Silencer	2	PC

Combivak Nozzle ()
Sweepgear\Nozzle\Combivak Nozzle



Combivak Nozzle ()
Sweepgear\Nozzle\Combivak Nozzle

Item no.	Part no.	Description	QTY	Unit
504-54	504-54	Hose Clip - Worm Drive (230-260)	0	PC
92137048-0	92137048-0	Hex Socket Cap Screw - M5Cx35 - 12.9	0	PC
93085003-0	93085003-0	Nyloc Hex Nut M5C - 8	0	PC
443-3	443-3	Band Clamp-Hi Grip Quick Release 250-295	0	PC
443-50	443-50	Pin - Band Clamp Retaining	0	PC
H2SC10002-130	H2SC10002-130	Hose - Hydraulic	0	PC
273-20	273-20	Tube - Nylon Blue 6mm O/D	0	M
12869	12869	Tube - Nylon Black 6mm O/D	0	M
10	7003988	Cylinder Pneum-Dual-Act Ø50x310	4	PC
20	09593162-0	Adaptor - Push In 6mm Fixed Elbow R1/8"	8	PC
30	7009106	Fork head Assembly M12x1.25xØ12	4	PC
40	283307-3	Spacer - Silencer 25Lg Nylon 6	2	PC
50	283540-1	Bracket - Combivac	2	PC
60	40457-2	Bar - Lever Support	4	PC
70	40269-1-C	Hook Lifting Welded Assembly	4	PC
80	62165-6	Chain - 6 Links	4	PC
90	62172-1	Shackle D	8	PC
100	283567-1	Plate - Clamping	4	PC
110	7031955	Anti-swing Arm, Upper	2	PC
120	7031956	Anti-swing Arm, Lower	2	PC
130	60-1	Pin Linch with Ring 11mm Dia	2	PC
140	92097416-0	Hex Head Screw - M10Cx40 - 8.8	16	PC
150	93212012-0	Plain Washer - M10	44	PC
160	93085006-0	Nyloc Hex Nut M10C - 8	22	PC

Combivak Nozzle ()
Sweepgear\Nozzle\Combivak Nozzle

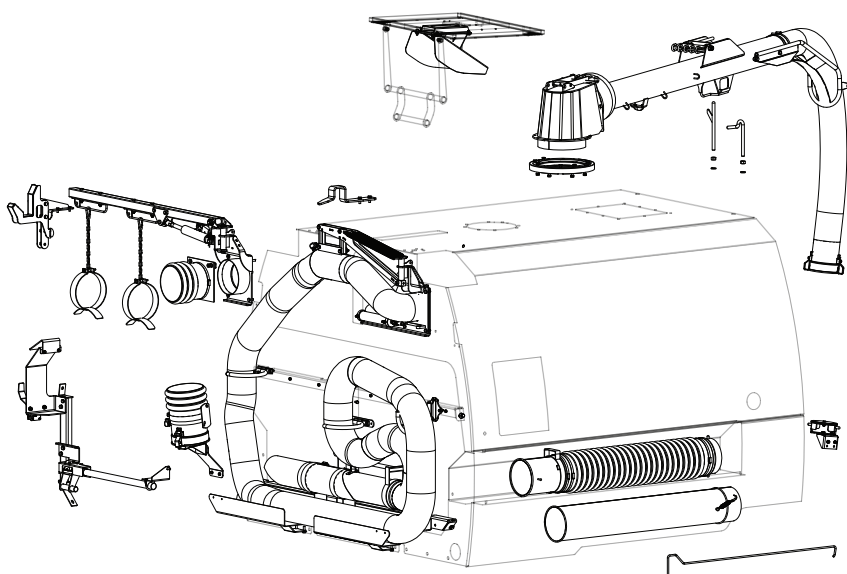
Combivak Nozzle ()
Sweepgear\Nozzle\Combivak Nozzle

Item no.	Part no.	Description	QTY	Unit
170	92067423-0	Hex Head Bolt - M10Cx55 - 8.8	8	PC
180	92067424-0	Hex Head Bolt - M10Cx60 - 8.8	2	PC
190	7028339	Duct 270mm W/Assy	2	PC
190	94992-2	Trunking - 250dia Intake (HD)	1	PC
200	92097376-0	Hex Head Screw - M8Cx25 - 8.8	8	PC
210	93699710-0	Spring Washer - Plated M8	8	PC
220	72-31	Valve - Pneumatic 3/2	2	PC
230	537-3	Adaptor-Push In 6mm x 1/8 BSPT Straight	4	PC
240	551-1	Adaptor - Stem Elbow 6mm	2	PC
250	72-17	Exhaust Silencer	2	PC

This page is intentionally left blank

Chapter 6 Ancillary Equipment

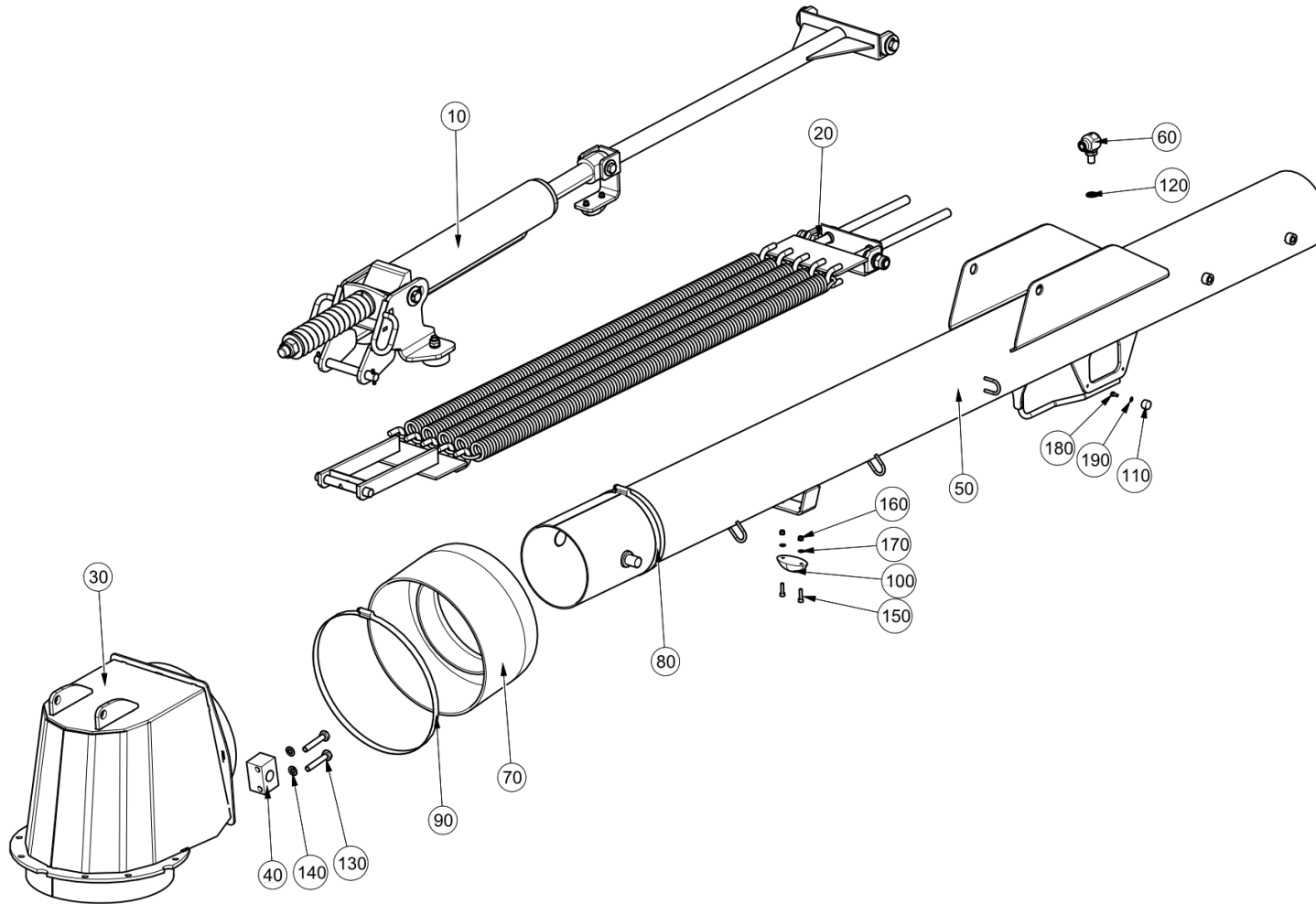
Table of Contents



Section	Page
6.1 Top Mounted Wanderhose/Powaboom.....	330
6.2 Rear Mounted Wanderhose Installation.....	338
6.3 Rear Wanderhose - Gantry Assembly.....	340
6.4 Mesh Deflector Installation.....	346
6.5 Rear Wanderhose - Coupling 8" Water Injection.....	348
6.6 Littasnatch - Gate Assembly.....	350
6.7 Littasnatch Installation.....	352
6.8 Littasnatch - Davit Assembly.....	354
6.9 Turntable Base.....	356
7.0 Boom Stowage.....	358
7.1 Wanderhose Extension.....	360
7.2 Broom & Shovel Stowage.....	362
7.3 Wanderhose Dressing.....	368

Item no.	Part no.	Description	QTY	Unit
110	40781-1-BUY	Grab Wanderhose UNPAINTED	1	PC
120	7020533	Hook - Wanderhose	1	PC
121	93056062-0	Hex Nut M16F-8	1	PC
122	93699714-0	Spring Washer - Plated M16	1	PC
130	7020540	Powaboom Support Welded Assembly	1	PC
140	60744-1	Duct - Plastic A = 750mm	1	PC
150	60744-4	Duct - Plastic 6.25 Metres Long	1	PC

Top Mounted Wanderhose/Powaboom ()
Ancillary Equipment\Top Mounted Wanderhose/Powaboom

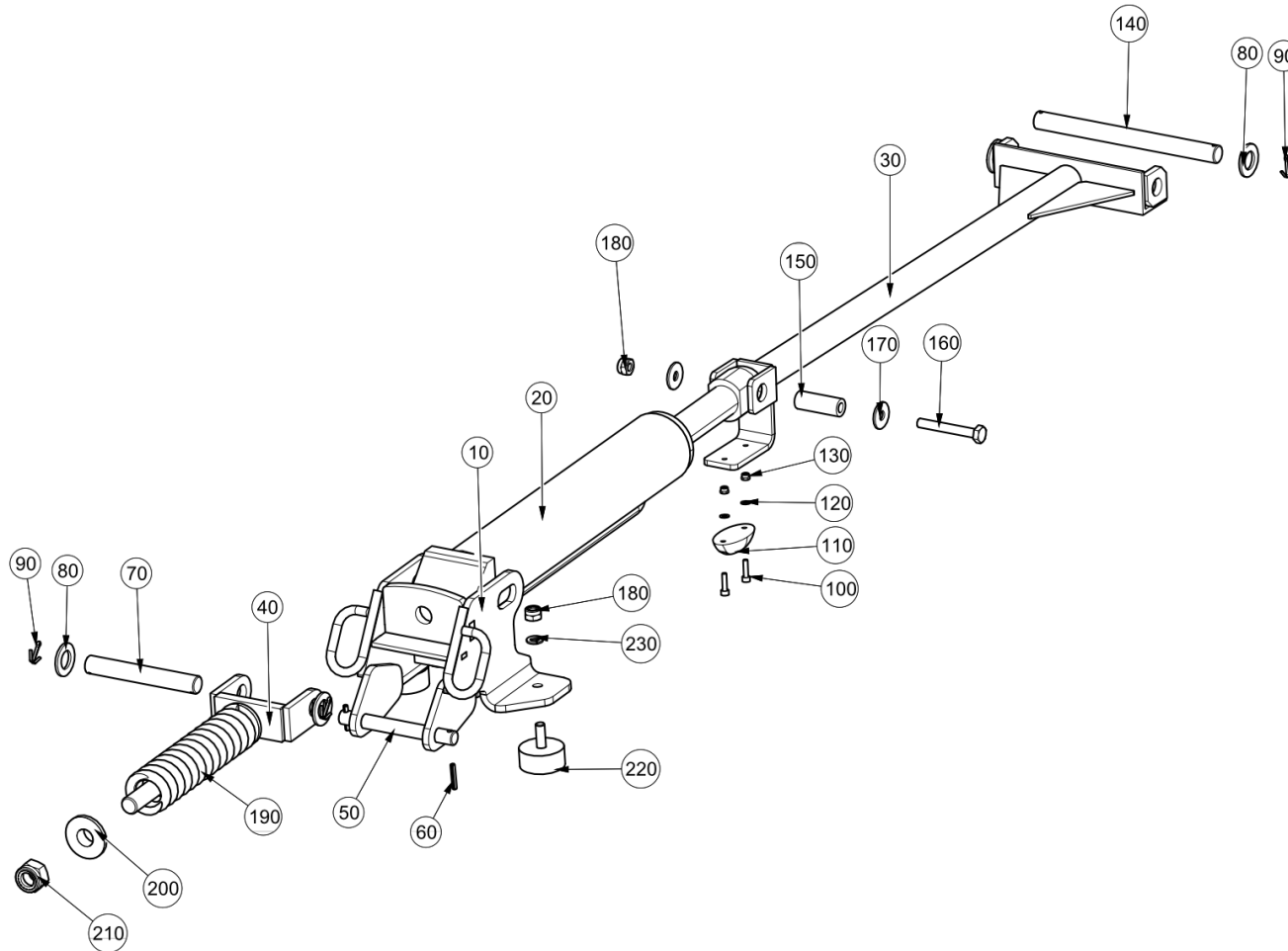


Top Mounted Wanderhose/Powaboom ()
Ancillary Equipment\Top Mounted Wanderhose/Powaboom

Item no.	Part no.	Description	QTY	Unit
30	41803-1	Turret - Lowline Wanderhose	1	PC
40	41833-1	Bearing - Lowline Wanderhose	2	PC
40	40728-1-C	Bearing - Wanderhose	2	PC
50	281255-1	Boom Welded Assembly (150) V651 & 801	1	PC
50	281089-1	Boom Welded Assembly (200) V651 & 801	1	PC
60	7019551	Water Jet Assembly	1	PC
70	40780-1-B	Joint - Flexible, Wanderhose	1	PC
80	504-51	Hose Clip - Worm Drive (150-180)	1	PC
80	504-52	Hose Clip - Worm Drive (190-220)	1	PC
90	504-55	Hose Clip - Worm Drive (270-300)	1	PC
100	39382	Buffer	1	PC
110	290-28	Bump Stop Rubber	1	PC
120	451-17	Washer Bonded G1-4"	1	PC
130	92067423-0	Hex Head Bolt - M10Cx55 - 8.8	4	PC
140	93699711-0	Spring Washer - Plated M10	4	PC
150	92137044-0	Hex Socket Cap Screw - M5Cx20 - 12.9	2	PC
160	93085003-0	Nyloc Hex Nut M5C - 8	2	PC
170	93210109-0	Plain Washer M5	2	PC
180	92097225-0	Hex Head Screw - M4Cx10 - 8.8	1	PC
190	93699706-0	Spring Washer - Plated M4	1	PC

Powaboom Suspension ()

Ancillary Equipment\Top Mounted Wanderhose/Powaboom\Powaboom Suspension



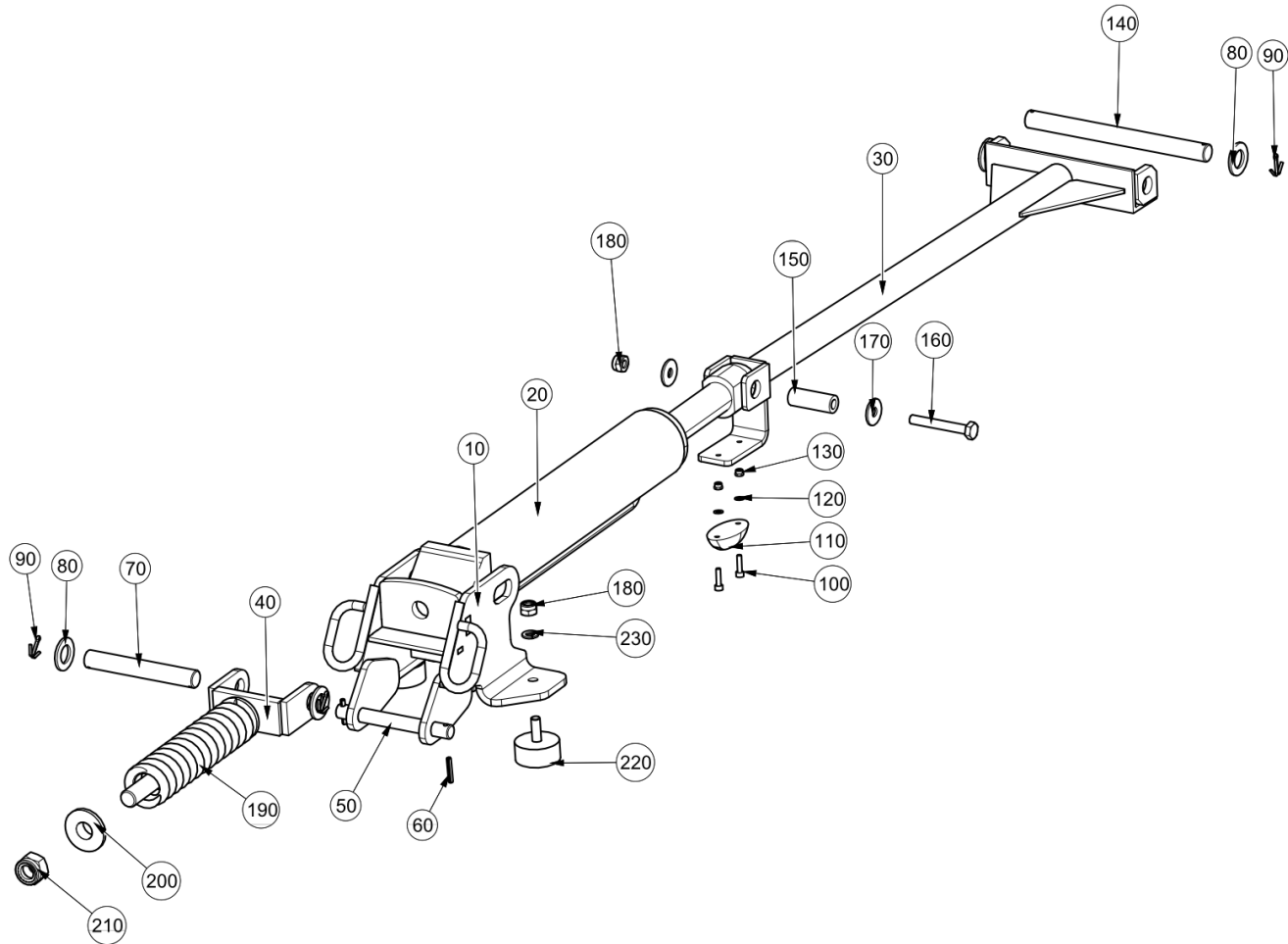
Powaboom Suspension ()

Ancillary Equipment\Top Mounted Wanderhose/Powaboom\Powaboom Suspension

Item no.	Part no.	Description	QTY	Unit
10	7033854	Anchor Welded Assembly	1	PC
20	7007583	Cylinder Assembly Ø70 x Ø35 x 324	1	PC
30	62953-1	Tube - Extension Powaboom 6"	1	PC
30	62608-1	Tube - Extension Welded Assembly	1	PC
40	7026325	Fork Welded Assembly	1	PC
50	41374-1-A	Pin - Powaslyd, Wanderhose	1	PC
60	93545287-0	Spring Pin (Slotted) - Ø5x30 C.Steel HD	2	PC
70	62365-1	Pin - Pivot	1	PC
80	93212018-0	Plain Washer M20	4	PC
90	500-106	Cotter Pin Split 1/8 x 1 1/4	4	PC
100	92137044-0	Hex Socket Cap Screw - M5Cx20 - 12.9	2	PC
110	39382	Buffer	1	PC
120	93210109-0	Plain Washer M5	2	PC
130	93085003-0	Nyloc Hex Nut M5C - 8	2	PC
140	62254-2	Pin - Pivot	1	PC
140	62254-1	Pin - Pivot	1	PC
150	40377-4-E	Bush	1	PC
160	92097423-0	Hex Head Screw - M10Cx75 - 8.8	1	PC
170	93300510-0	Plain Large Washer M10	2	PC
180	93085806-0	Nyloc Hex Nut M10C - 8	3	PC
190	13501	Spring - Comp. 11mm Wire x 200Lg	1	PC
200	44031-1-A	Locator	2	PC
210	93085036-0	Nyloc Hex Nut M20 x 1.5 - 8	1	PC
220	290-43	Cylinder Rubber Buffer 50 O/D	2	PC

Powaboom Suspension ()

Ancillary Equipment\Top Mounted Wanderhose/Powaboom\Powaboom Suspension



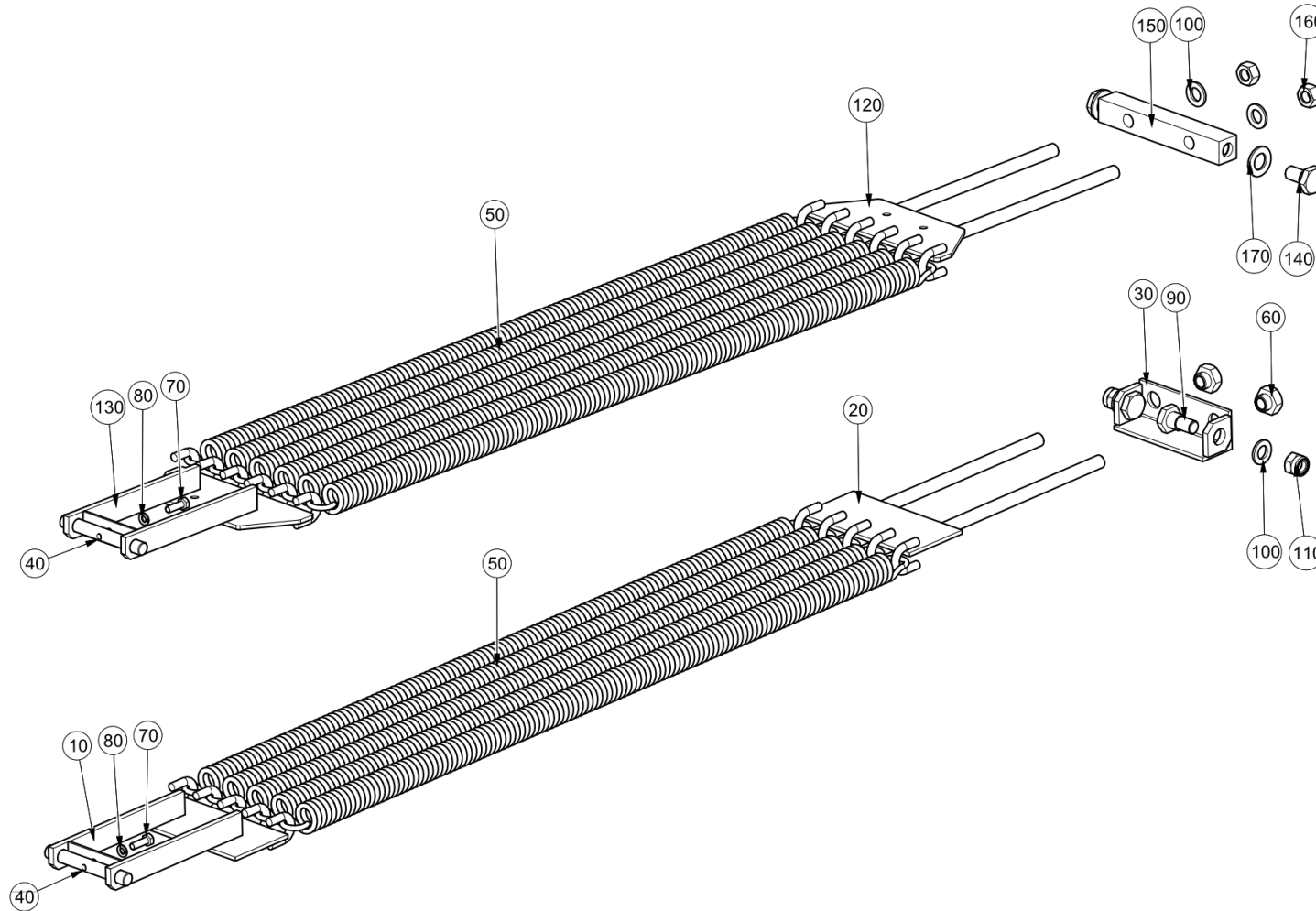
Powaboom Suspension ()

Ancillary Equipment\Top Mounted Wanderhose/Powaboom\Powaboom Suspension

Item no.	Part no.	Description	QTY	Unit
230	93699711-0	Spring Washer - Plated M10	2	PC

Wanderhose Suspension ()

Ancillary Equipment\Top Mounted Wanderhose/Powaboom\Wanderhose Suspension

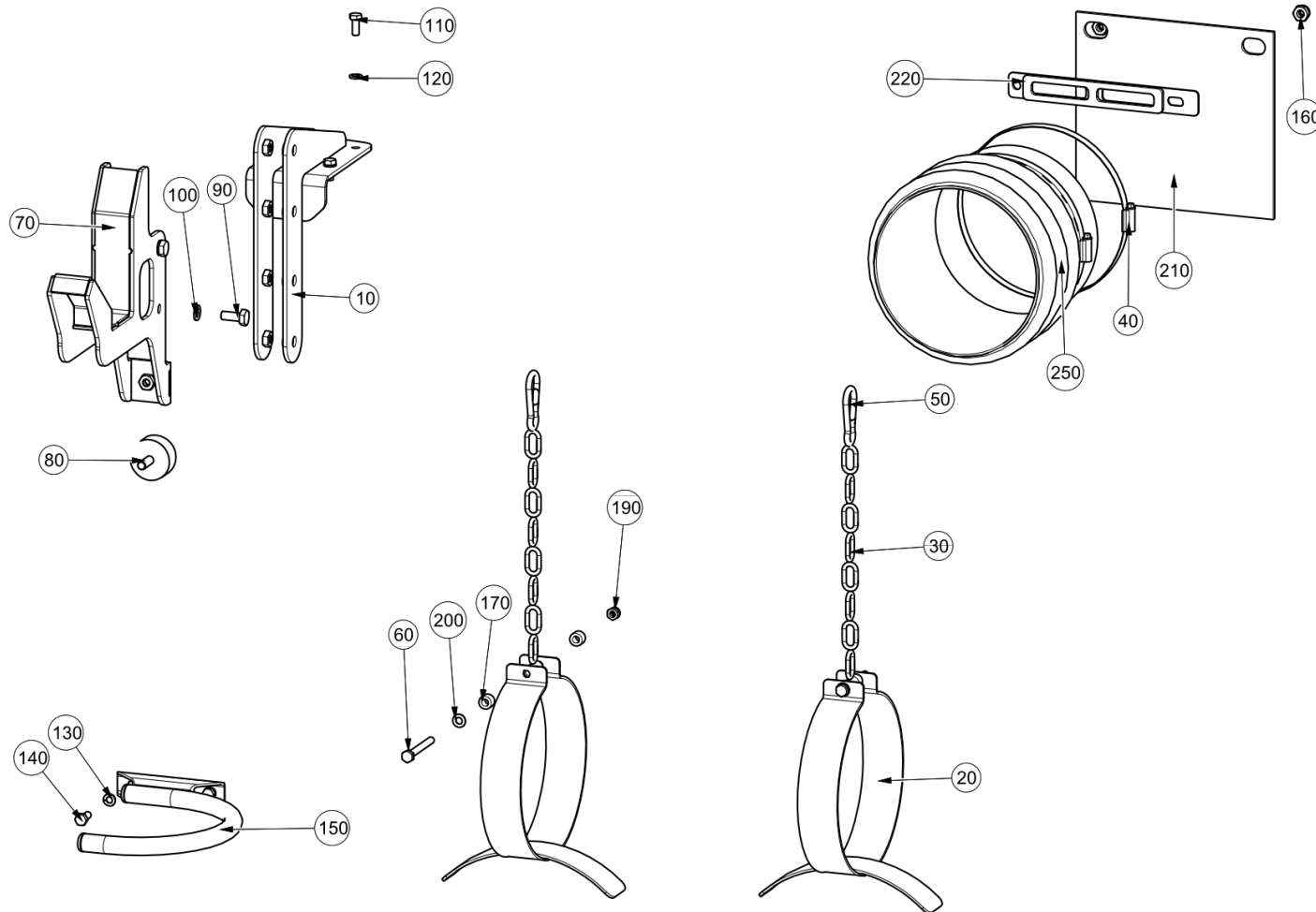


Wanderhose Suspension ()

Ancillary Equipment\Top Mounted Wanderhose/Powaboom\Wanderhose Suspension

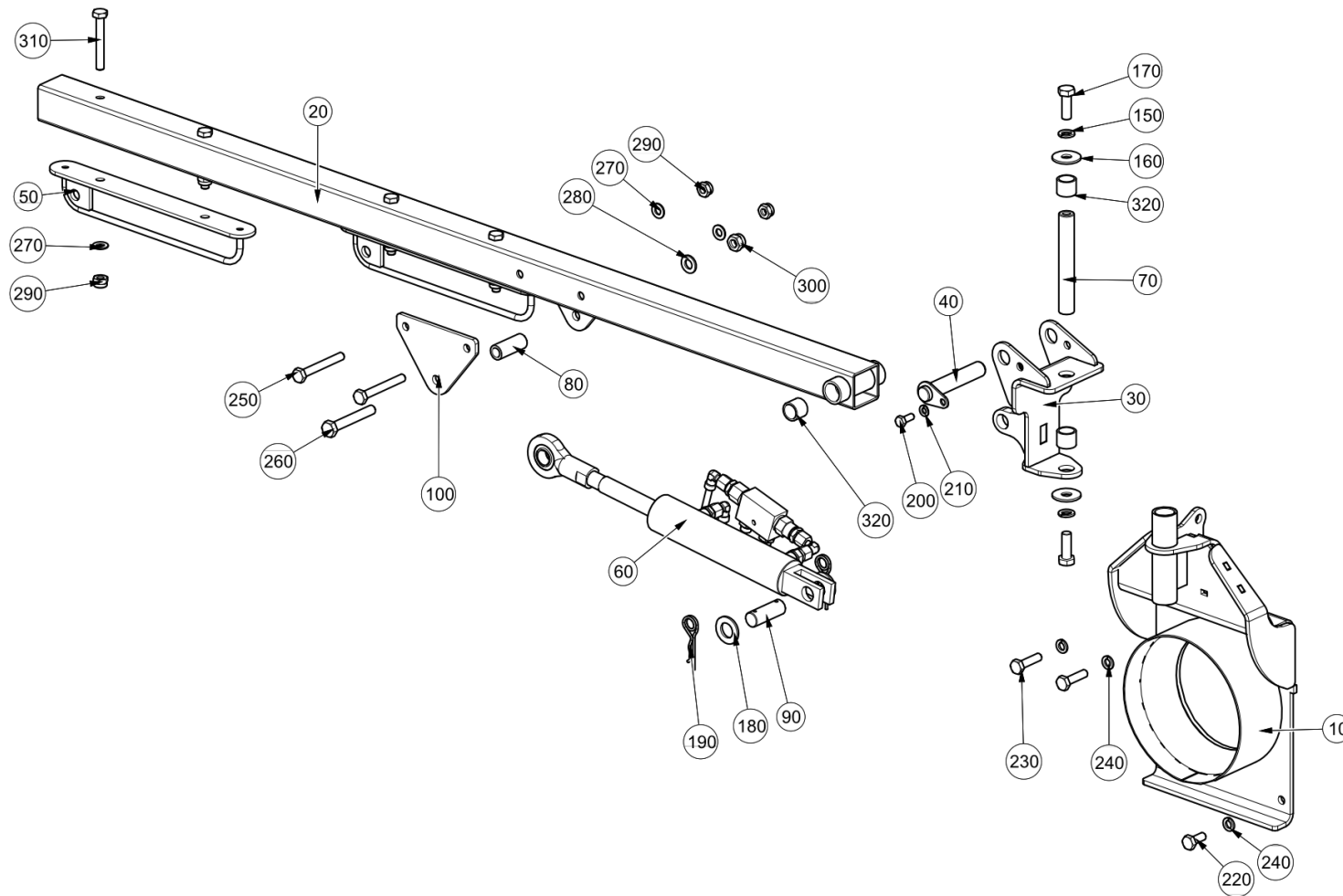
Item no.	Part no.	Description	QTY	Unit
10	40746-1-D	Claw - Wanderhose Assembly Link / Angle	1	PC
20	40746-2-D	Claw - Wanderhose Assembly Studs	1	PC
30	62952-1	Pivot - Wanderhose Spring W/Assy	1	PC
40	40420-1-B	Pin - Cylinder Channel Brush	1	PC
50	40691-1-C	Spring - Wanderhose, Lowline	5	PC
60	41836-1	Nut - Special	2	PC
70	92097376-0	Hex Head Screw - M8Cx25 - 8.8	1	PC
80	93699710-0	Spring Washer - Plated M8	1	PC
90	49053-1	Pin - Pivot	2	PC
100	93210523-0	Plain Washer - M16	2	PC
110	93085009-0	Nyloc Hex Nut M16C - 8	2	PC
120	41814-2	Claw - Wanderhose Assembly Studs	1	PC
130	41814-1	Claw - Wanderhose Assembly Link / Angle	1	PC
140	49052-1	Pin - Pivot	2	PC
150	49051-1	Pivot - Lowline 200	1	PC
160	93056018-0	Hex Nut M16C-8	2	PC
170	93212018-0	Plain Washer M20	2	PC

Rear Mounted Wanderhose Installation ()
 Ancillary Equipment\Rear Mounted Wanderhose Installation



Rear Mounted Wanderhose Installation ()
Ancillary Equipment\Rear Mounted Wanderhose Installation

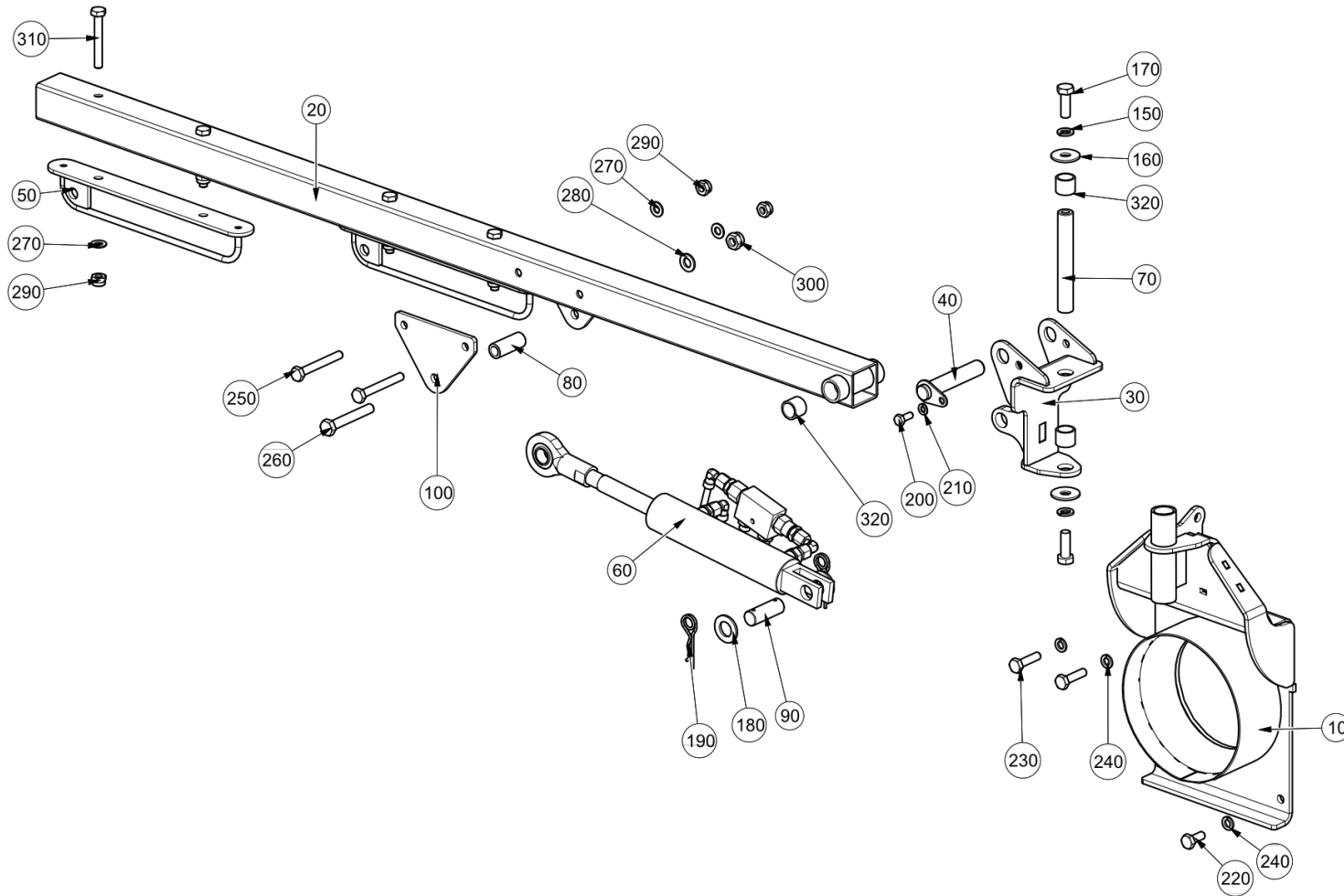
Item no.	Part no.	Description	QTY	Unit
10	7019992	Hook Mount Welded Assembly	1	PC
20	93863-1	Clamp - Hose Support Welded Assembly	2	PC
30	93865-1	Spigot and Chain (8 Link)	2	PC
40	504-52	Hose Clip - Worm Drive (190-220)	4	PC
50	09530792-0	Hook Carbine 60x6	2	PC
60	92067390-0	Hex Head Bolt - M8Cx75 - 8.8	2	PC
70	7020004	Hook Welded Assembly	1	PC
80	290-43	Cylinder Rubber Buffer 50 O/D	1	PC
90	92097412-0	Hex Head Screw - M10Cx25 - 8.8	4	PC
100	93699711-0	Spring Washer - Plated M10	4	PC
110	92099373-0	Hex Head Screw - M8Cx20 - A2	4	PC
120	93700210-0	Spring Washer M8 - A2	4	PC
130	93699710-0	Spring Washer - Plated M8	2	PC
140	92097374-0	Hex Head Screw - M8Cx20 - 8.8	2	PC
150	282504-1	Hook - Littasnatch, Assembly	1	PC
160	93085606-0	Nyloc Hex Nut - M10c - A2	2	PC
170	56569-10	Spacer - 16 Dia x 11 M8	4	PC
190	93085805-0	Nyloc Hex Nut M8C - 8	2	PC
200	93212011-0	Plain Washer - M8	2	PC
210	7020302	Flap	1	PC
220	7015072	Securing Plate	1	PC
230	297-1	Tubing - Polyurethane 10 Dia x 1.5 Wall	10	M
240	24-10	Cable Tie - Black, 368 x 4.8 mm	16	PC
250	221771-1	Duct, Rear Wanderhose	1	PC

Rear Wanderhose - Gantry Assembly ()
Ancillary Equipment\Rear Wanderhose - Gantry Assembly

Rear Wanderhose - Gantry Assembly ()
Ancillary Equipment\Rear Wanderhose - Gantry Assembly

Item no.	Part no.	Description	QTY	Unit
10	7019762	Backplate Welded Assembly	1	PC
20	7019772	Support Beam Welded Assembly	1	PC
30	7019770	Support Pivot Welded Assembly	1	PC
40	7019779	Pivot Pin Welded Assembly	1	PC
50	7008574	Anchor Assembly	2	PC
70	7035417	Pivot Pin - Rear Wanderhose	1	PC
80	7005983	Spacer - Rear Door	1	PC
90	7019794	Pin - Cylinder Mount	1	PC
100	7019782	Eye - Lift Cylinder Mount	2	PC
150	93700212-0	Spring Washer M12 - A2	2	PC
160	93300511-0	Plain Large Washer M12	2	PC
170	92097451-0	Hex Head Screw - M12Cx35 - 8.8	2	PC
180	93212018-0	Plain Washer M20	2	PC
190	09530003-0	Spring Cotter 3/16/73	2	PC
200	92097374-0	Hex Head Screw - M8Cx20 - 8.8	1	PC
210	93699710-0	Spring Washer - Plated M8	1	PC
220	92099409-0	Hex Head Screw - M10Cx25 - A2	2	PC
230	92099413-0	Hex Head Screw - M10Cx40 - A2	2	PC
240	93700211-0	Spring Washer M10 - A2	4	PC
250	92067428-0	Hex Head Bolt - M10Cx80 - 8.8	2	PC
260	6105-1501	Hex Head Bolt - M12Cx80 - 8.8	1	PC
270	93212012-0	Plain Washer - M10	6	PC
280	93212013-0	Plain Washer M12	1	PC
290	93085806-0	Nyloc Hex Nut M10C - 8	6	PC

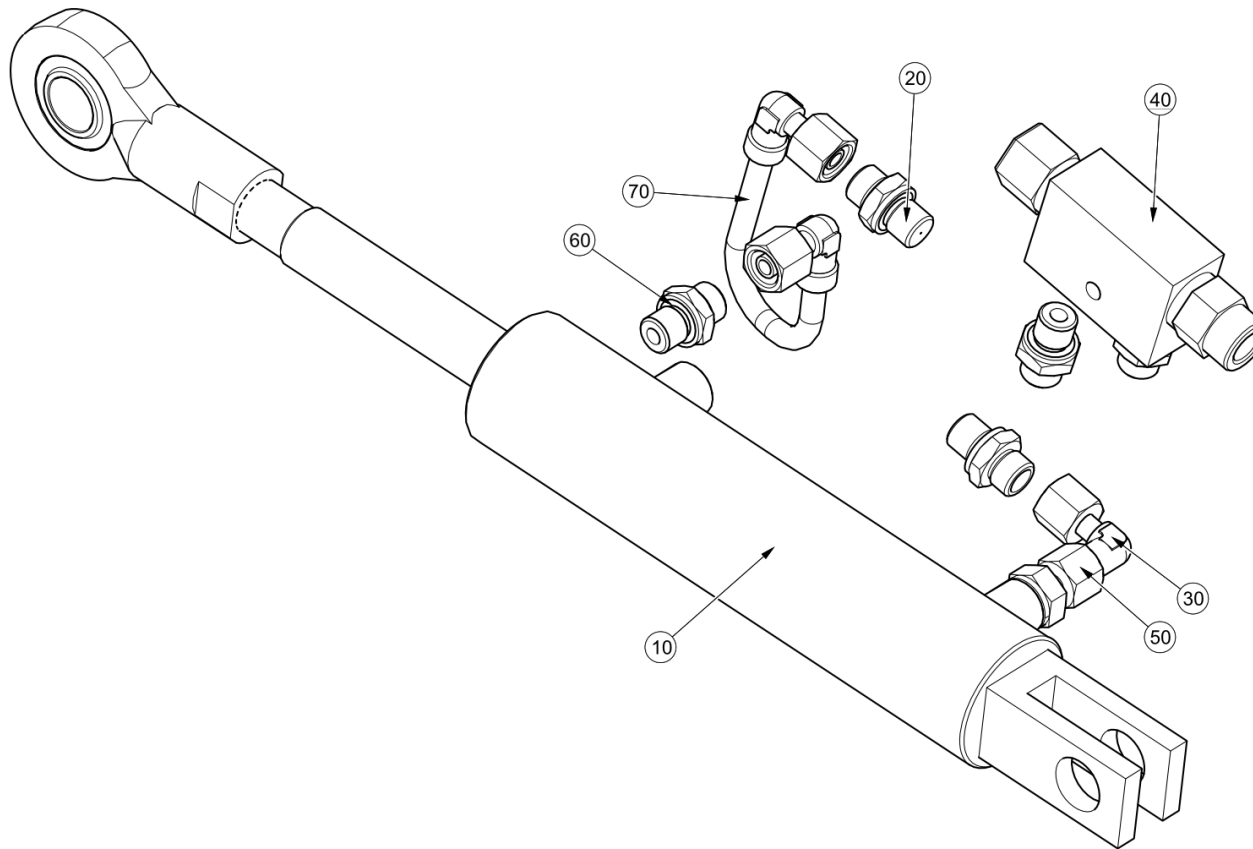
Rear Wanderhose - Gantry Assembly ()
Ancillary Equipment\Rear Wanderhose - Gantry Assembly



Rear Wanderhose - Gantry Assembly ()
Ancillary Equipment\Rear Wanderhose - Gantry Assembly

Item no.	Part no.	Description	QTY	Unit
300	93085807-0	Nyloc Hex Nut M12C - 8	1	PC
310	92067427-0	Hex Head Bolt - M10Cx75 - 8.8	4	PC
320	29128-1-B	Bush - 20Lg	4	PC

Hydraulic Cylinder ()
Ancillary Equipment\Rear Wanderhose - Gantry Assembly\Hydraulic Cylinder

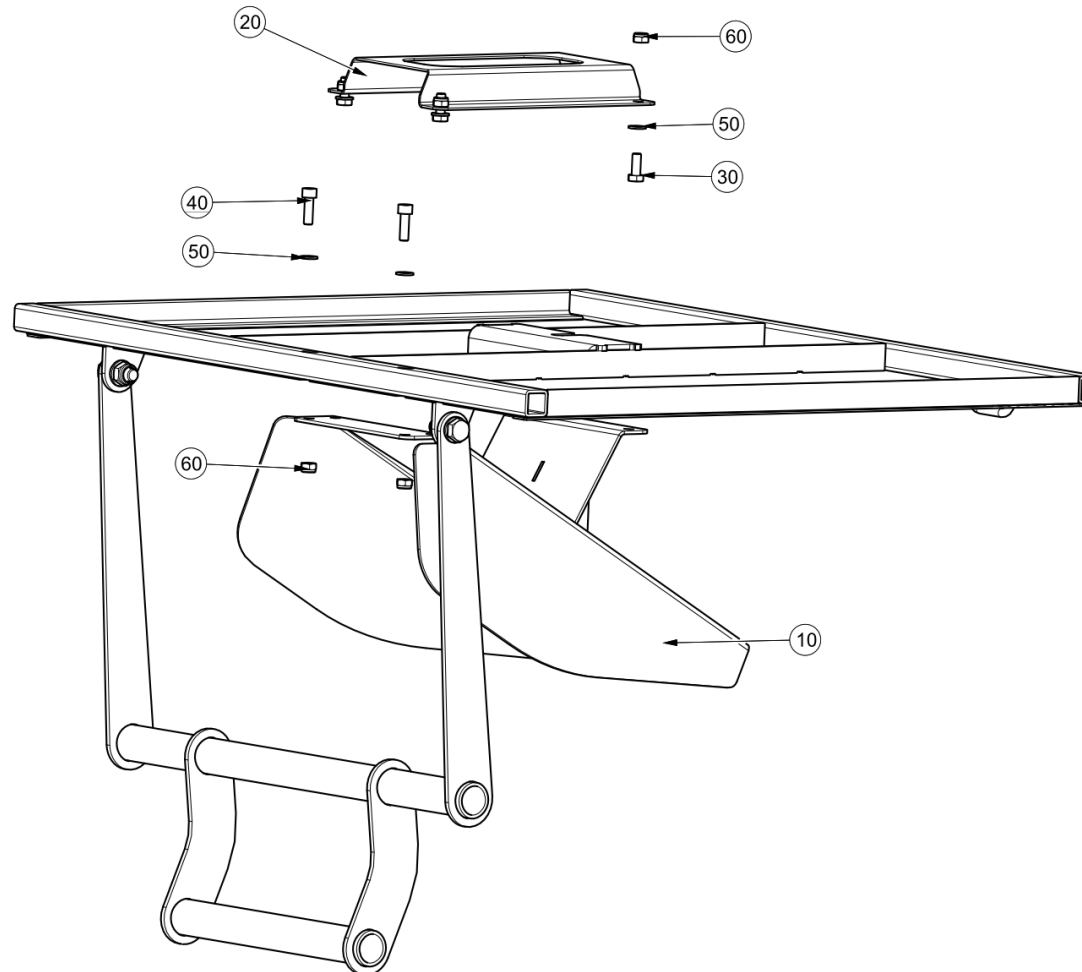


Hydraulic Cylinder ()

Ancillary Equipment\Rear Wanderhose - Gantry Assembly\Hydraulic Cylinder

Item no.	Part no.	Description	QTY	Unit
10	7014628	Hydraulic Cylinder	1	PC
20	15052908-0	Restrictor	2	PC
30	09571035-0	Adjustable Male Elbow - M14 x 1.5 A3C	3	PC
40	09544836-0	Check Valve - Pilot Operated	1	PC
50	09571177-0	Male Stud Connector G 1/4	1	PC
60	09570126-0	Stud Coupling Male G 1/4" x M14x1.5 (8L)	3	PC
70	7032363	Pipe - Rear Wanderhose Cylinder	1	PC

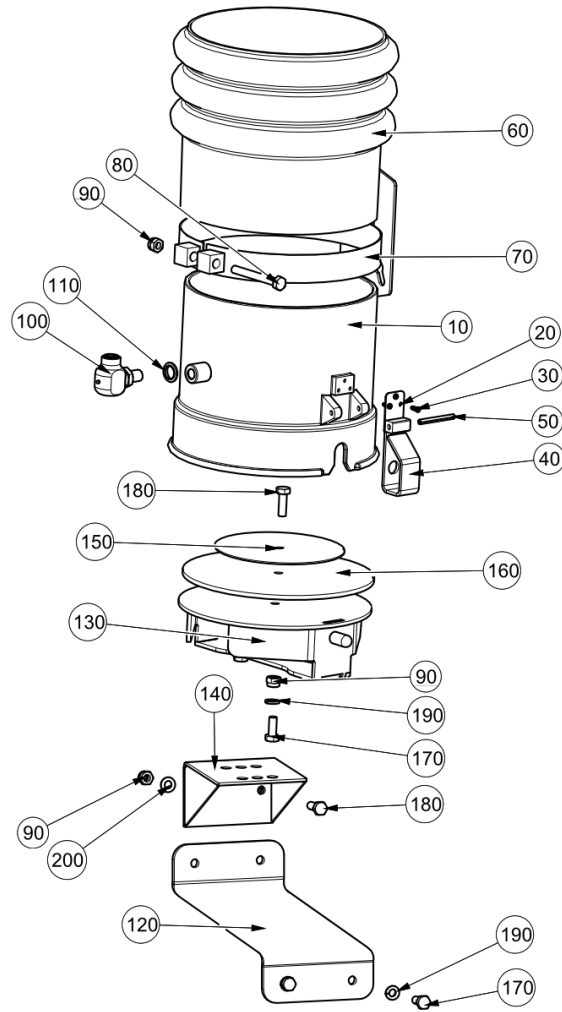
Mesh Deflector Installation ()
Ancillary Equipment\Mesh Deflector Installation



Mesh Deflector Installation ()
Ancillary Equipment\Mesh Deflector Installation

Item no.	Part no.	Description	QTY	Unit
10	7020200	Deflector Welded Assembly	1	PC
20	7020202	Spreader Plate	1	PC
30	92099373-0	Hex Head Screw - M8Cx20 - A2	4	PC
40	92137120-0	Hex Socket Cap Screw - M8Cx25 - 12.9	2	PC
50	93213010-0	Plain Washer M8 A2	6	PC
60	93085605-0	Nyloc Hex Nut - M8c - A2	6	PC
70	288-33	Round Insert - 18mm (1-2.25)	2	PC

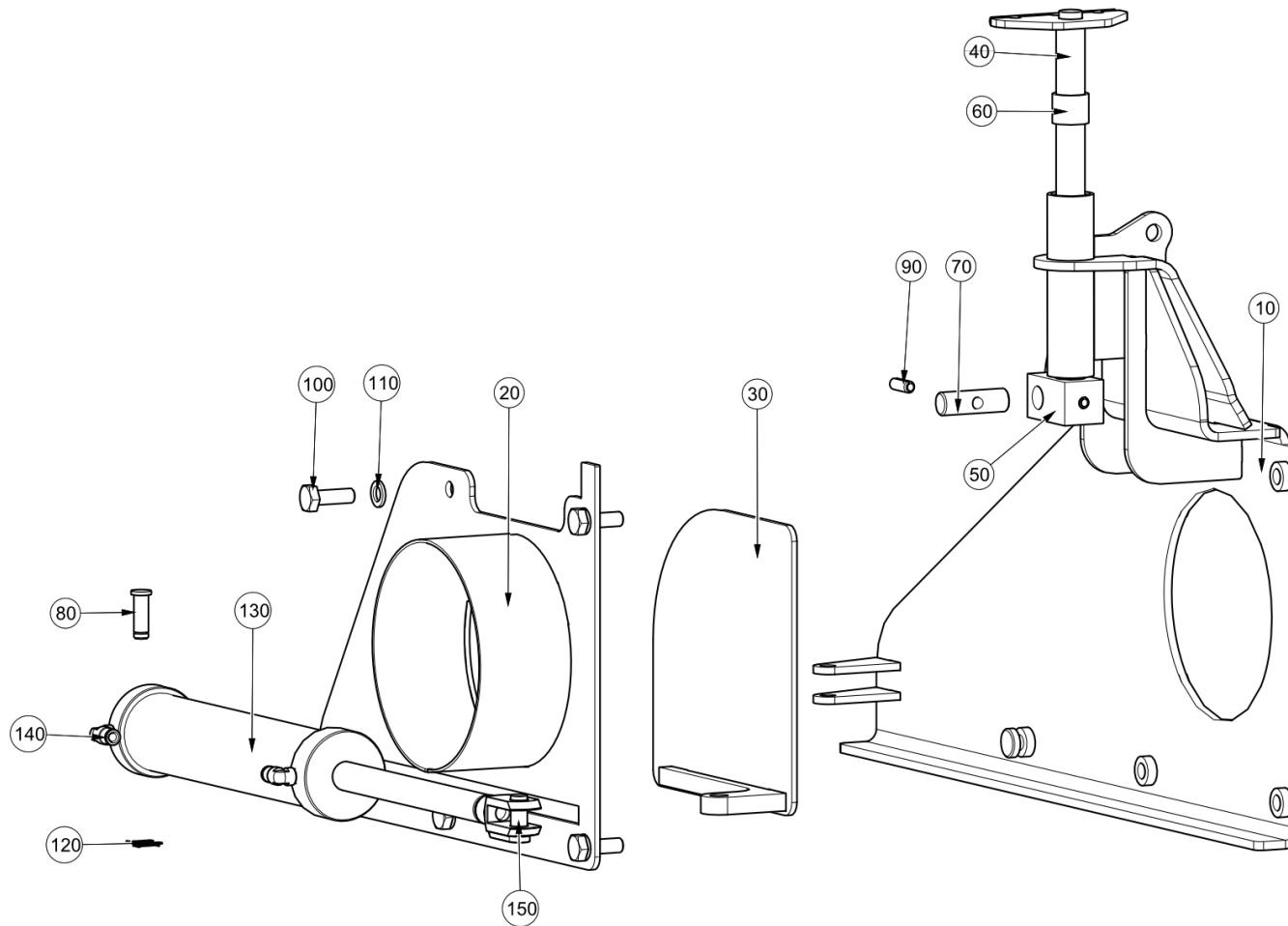
Rear Wanderhose - Coupling 8" Water Injection ()
Ancillary Equipment\Rear Wanderhose - Coupling 8" Water Injection



Rear Wanderhose - Coupling 8" Water Injection ()
 Ancillary Equipment\Rear Wanderhose - Coupling 8" Water Injection

Item no.	Part no.	Description	QTY	Unit
10	61046-2	Sleeve - Wanderhose Welded Assembly 8"	1	PC
20	6002-1-A	Spring - Coupling	2	PC
30	193-8	Screw Selftap Pan Hd No 6 x 9.5mm	6	PC
40	5999-1-C	Catch - Welded Assembly	2	PC
50	58-6	Pin - Adaptor 3/16 x 1 7/8"	2	PC
60	221771-1	Duct, Rear Wanderhose	1	PC
70	282638-2	Cable Supt W/Assy Ø200 (Less Hook)	1	PC
80	92067389-0	Hex Head Bolt - M8Cx70 - 8.8	1	PC
90	93085805-0	Nyloc Hex Nut M8C - 8	1	PC
100	7019551	Water Jet Assembly	1	PC
110	451-17	Washer Bonded G1-4"	1	PC
120	7042323	Stowage mounting bracket	1	PC
130	7023959	Anchorage Welded Assembly 8"	1	PC
140	42463-1-C	Anchorage - Bracket, Wanderhose	1	PC
150	6043-1-B	Adaptor Plate	1	PC
160	5688-2	Disc, Rubber 8" Dia	1	PC
170	92097374-0	Hex Head Screw - M8Cx20 - 8.8	4	PC
180	92097376-0	Hex Head Screw - M8Cx25 - 8.8	3	PC
190	93699710-0	Spring Washer - Plated M8	4	PC
200	93212011-0	Plain Washer - M8	3	PC

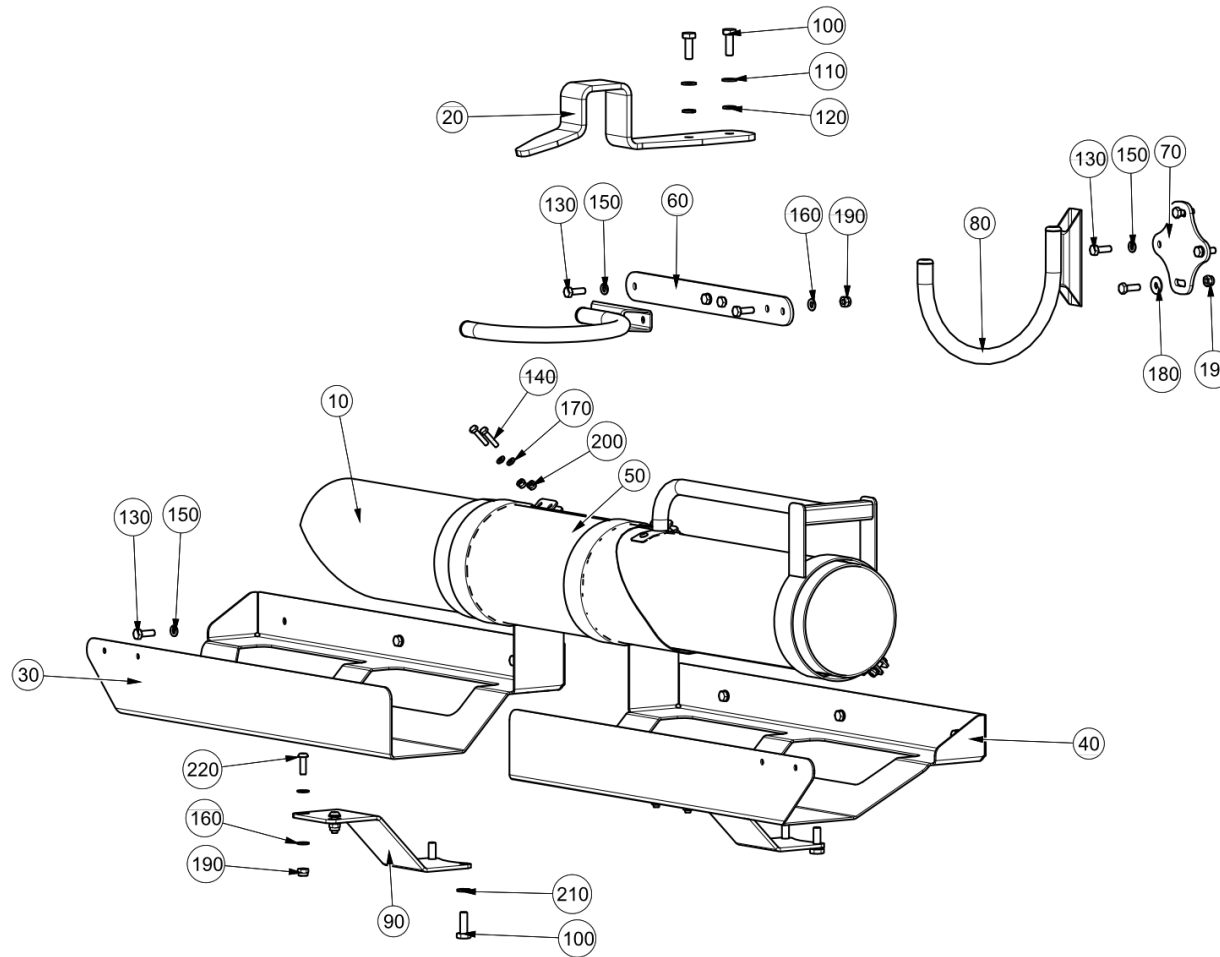
Littasnatch - Gate Assembly ()
Ancillary Equipment\Littasnatch - Gate Assembly



Littasnatch - Gate Assembly ()
Ancillary Equipment\Littasnatch - Gate Assembly

Item no.	Part no.	Description	QTY	Unit
10	7018669	Backplate Welded Assembly	1	PC
20	7018672	Front Plate Welded Assembly	1	PC
30	7018675	Gate Welded Assembly	1	PC
40	7018680	Pivot Welded Assembly	1	PC
50	60309-1-A	Joint Universal	1	PC
60	29128-1-B	Bush - 20Lg	2	PC
70	60317-1-A	Pin Pivot	1	PC
80	29145-2-C	Clevis Pin (33mm Lg)	1	PC
90	93545352-0	Spring Pin (Slotted) - Ø8x24 C.Steel HD	2	PC
100	92099411-0	Hex Head Screw - M10Cx30 - A2	4	PC
110	93700211-0	Spring Washer M10 - A2	4	PC
120	39624	Slim Safety Fastener	1	PC
130	7003985	Cylinder Pneum-Dual-Act Ø50x210	1	PC
140	09593162-0	Adaptor - Push In 6mm Fixed Elbow R1/8"	2	PC
150	7009106	Fork head Assembly M12x1.25xØ12	1	PC

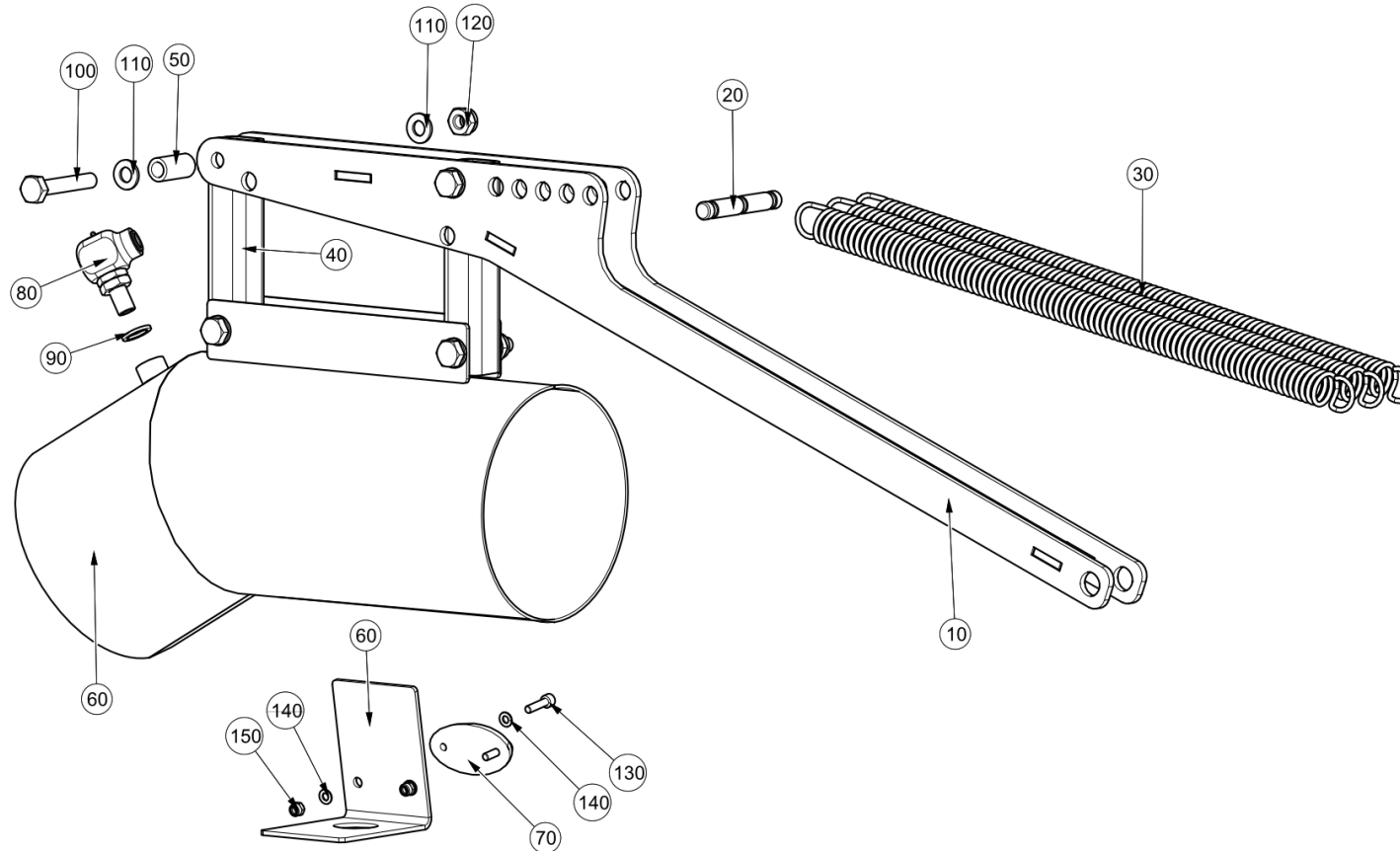
Littasnatch Installation ()
Ancillary Equipment\Littasnatch Installation



Littasnatch Installation ()
Ancillary Equipment\Littasnatch Installation

Item no.	Part no.	Description	QTY	Unit
10	282448-2	Tube - Suction, Assembly Littasnatch	1	PC
20	7020256	Stowage Plate - V501 V651	1	PC
20	7026991	Stowage Plate - V801	1	PC
30	7042381	Hose tray welded assembly (LH)	1	PC
40	7042382	Hose tray welded assembly (RH)	1	PC
50	280560-1	Holster - Littasnatch	1	PC
60	7042325	Stowage bracket	1	PC
70	281579-1	Plate - Hook Support	1	PC
80	282504-1	Hook - Littasnatch, Assembly	3	PC
90	7043320	Tray support	2	PC
100	92099411-0	Hex Head Screw - M10Cx30 - A2	2	PC
110	93213011-0	Plain Washer M10 A2	2	PC
120	93700211-0	Spring Washer M10 - A2	2	PC
130	92097376-0	Hex Head Screw - M8Cx25 - 8.8	16	PC
140	92097305-0	Hex Head Screw - M6Cx30 - 8.8	4	PC
150	93699710-0	Spring Washer - Plated M8	12	PC
160	93212011-0	Plain Washer - M8	10	PC
170	93212009-0	Plain Washer - M6	4	PC
180	93300509-0	Plain Large Washer - M8	2	PC
190	93085805-0	Nyloc Hex Nut M8C - 8	8	PC
200	93085004-0	Nyloc Hex Nut M6C - 8	4	PC
210	93699711-0	Spring Washer - Plated M10	4	PC
220	92330046-0	Hex Skt Button Head Screw M8x25 - 10.9	4	PC

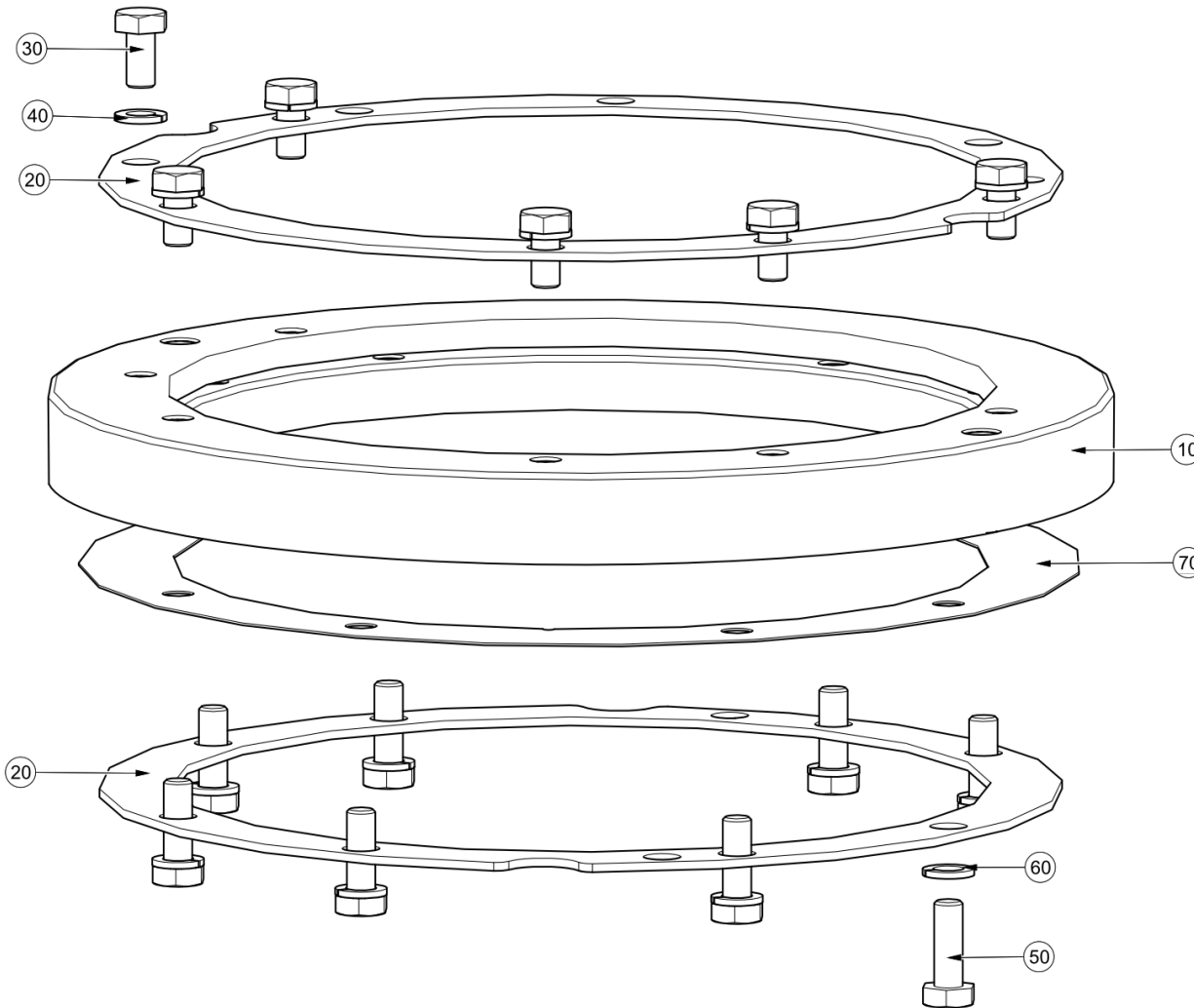
Littasnatch - Davit Assembly ()
Ancillary Equipment\Littasnatch - Davit Assembly



Littasnatch - Davit Assembly ()
Ancillary Equipment\Littasnatch - Davit Assembly

Item no.	Part no.	Description	QTY	Unit
10	282990-1	Davit - Rear Littasnatch Welded Assembly	1	PC
20	60326-1-A	Pin Spring Location	1	PC
30	3637-1	Spring - Tension	3	PC
40	60724-1	Link - Tube Suspension	2	PC
50	60734-1	Spacer Ø16 OD x Ø10.5 ID	4	PC
60	283328-1	Tube Wanderhose Connection	1	PC
70	39382	Buffer	1	PC
80	7019551	Water Jet Assembly	1	PC
90	451-17	Washer Bonded G1-4"	1	PC
100	92067424-0	Hex Head Bolt - M10Cx60 - 8.8	4	PC
110	93212012-0	Plain Washer - M10	8	PC
120	93085006-0	Nyloc Hex Nut M10C - 8	4	PC
130	92137044-0	Hex Socket Cap Screw - M5Cx20 - 12.9	2	PC
140	93210109-0	Plain Washer M5	4	PC
150	93085003-0	Nyloc Hex Nut M5C - 8	2	PC

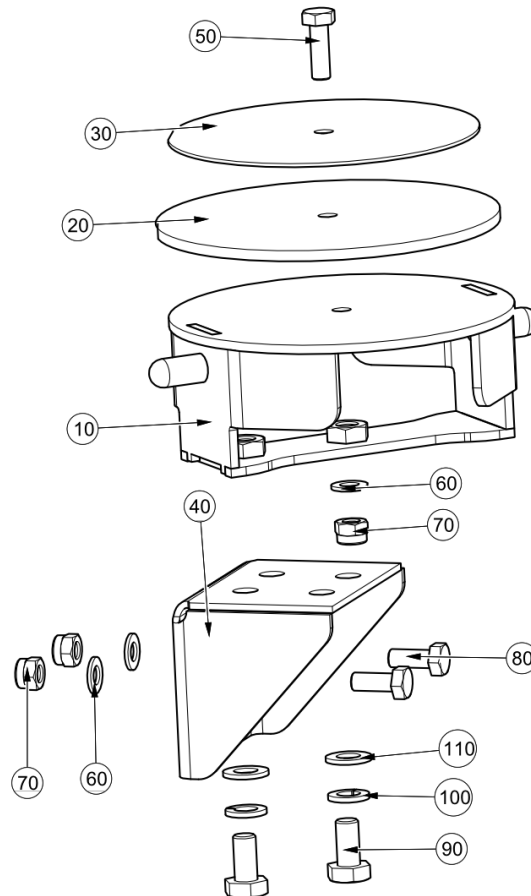
Turntable Base ()
Ancillary Equipment\Turntable Base



Turntable Base ()
Ancillary Equipment\Turntable Base

Item no.	Part no.	Description	QTY	Unit
10	7020278	Race Wanderhose	1	PC
20	5955-1	Seal	2	PC
30	92097410-0	Hex Head Screw - M10Cx20 - 8.8	6	PC
40	93699711-0	Spring Washer - Plated M10	6	PC
50	92099411-0	Hex Head Screw - M10Cx30 - A2	8	PC
60	93700211-0	Spring Washer M10 - A2	8	PC
70	40723-1-C	Seal - Plate, Turntable, Wanderhose	1	PC
80	22-8	Ball Steel 10	105	PC

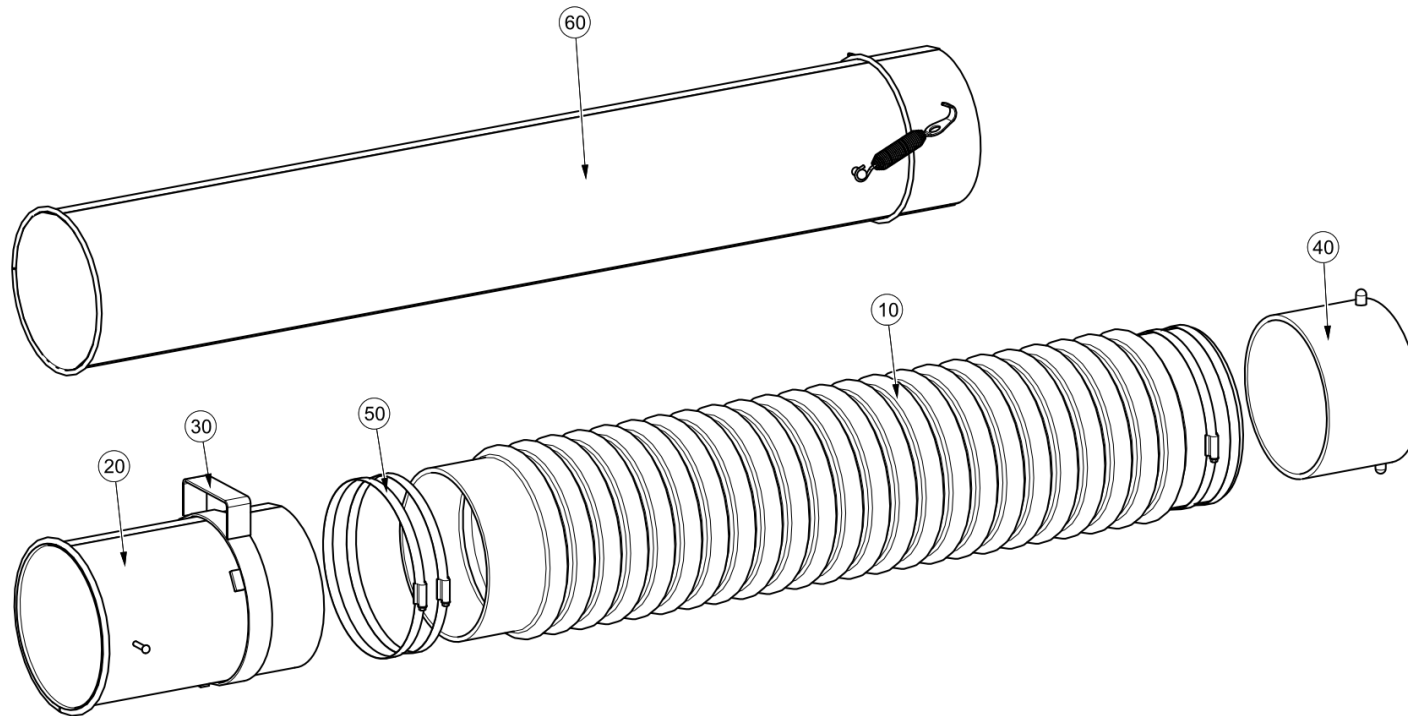
Boom Stowage ()
Ancillary Equipment\Boom Stowage



Boom Stowage ()
Ancillary Equipment\Boom Stowage

Item no.	Part no.	Description	QTY	Unit
10	7023952	Anchorage Welded Assembly 6"	1	PC
10	7023959	Anchorage Welded Assembly 8"	1	PC
20	5688-1-B	Disc, Rubber 6" Dia	1	PC
20	5688-2	Disc, Rubber 8" Dia	1	PC
30	6043-1-B	Adaptor Plate	1	PC
40	7026016	Stowage Bracket - V501 V651	1	PC
40	7020502	Stowage Bracket - V801	1	PC
50	92097376-0	Hex Head Screw - M8Cx25 - 8.8	1	PC
60	93212011-0	Plain Washer - M8	3	PC
70	93085805-0	Nyloc Hex Nut M8C - 8	3	PC
80	92097374-0	Hex Head Screw - M8Cx20 - 8.8	2	PC
90	92097410-0	Hex Head Screw - M10Cx20 - 8.8	2	PC
100	93699711-0	Spring Washer - Plated M10	2	PC
110	93212012-0	Plain Washer - M10	2	PC

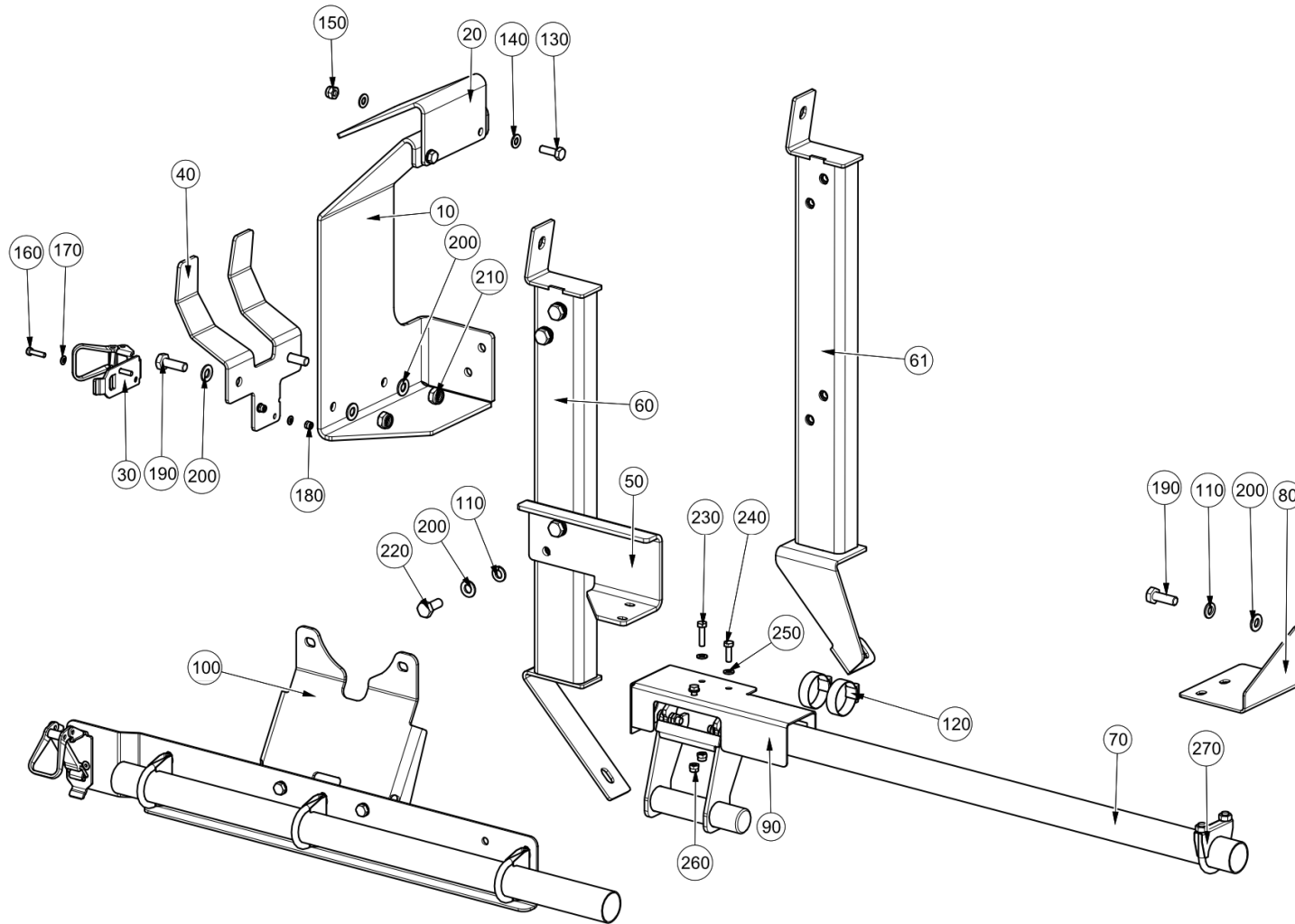
Wanderhose Extension ()
Ancillary Equipment\Wanderhose Extension



Wanderhose Extension ()
Ancillary Equipment\Wanderhose Extension

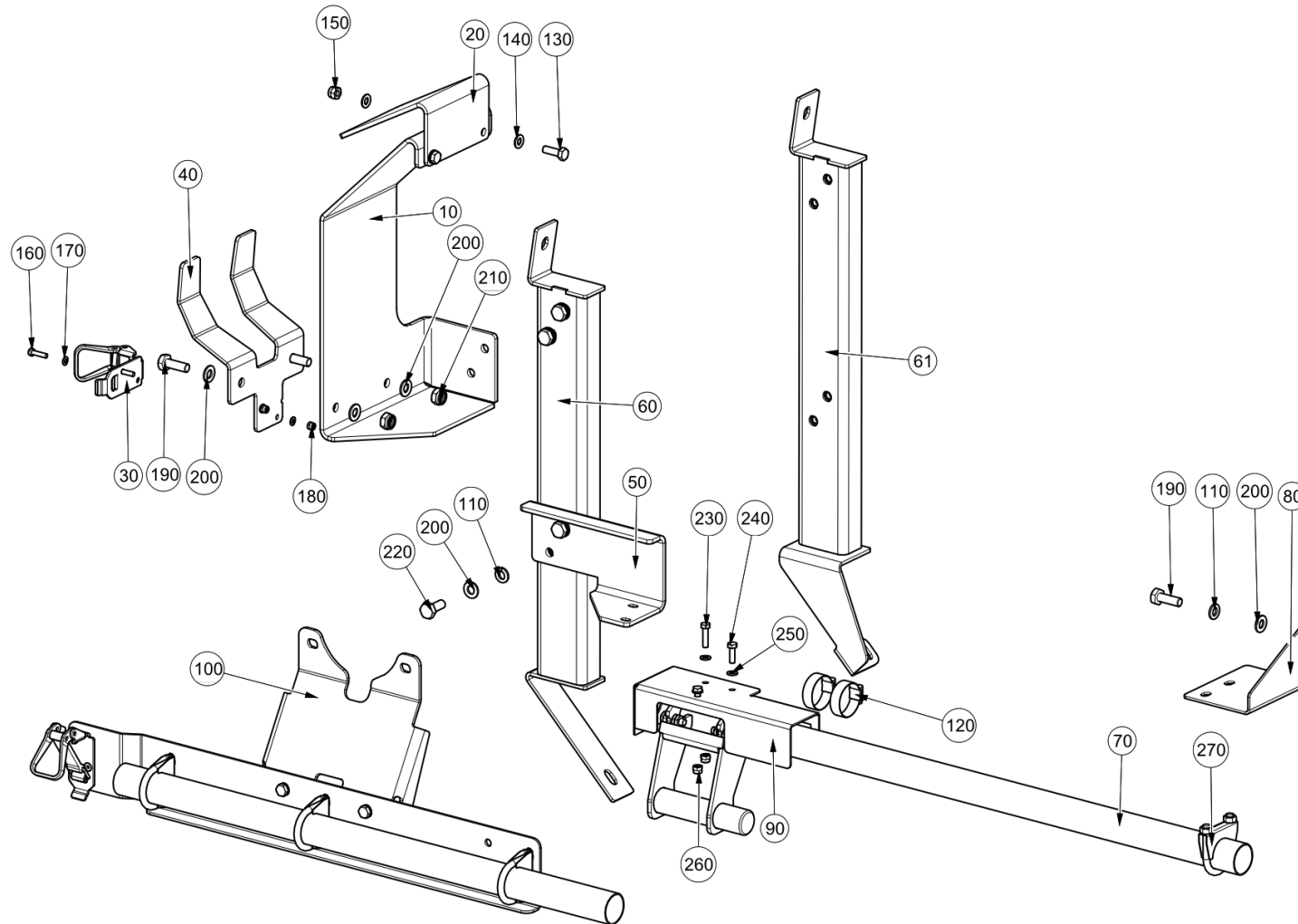
Item no.	Part no.	Description	QTY	Unit
10	15917-1-B	Hose Extension - Flexible Ø200	1	PC
10	6005-1-B	Hose Extension - Flexible Ø150	0	PC
20	7022614	Hose End Fitting - W/Assy	1	PC
20	7020470	Wanderhose Extension W/Assy Ø150	1	PC
20	7020468	Wanderhose Extension W/Assy Ø200	1	PC
30	15920-1-C	Handle Welded Assembly - Wanderhose Ø200	1	PC
30	6212-1-R	Handle Welded Assembly - Wanderhose Ø150	1	PC
40	5996-4	Sleeve - Ø200 W/Assy	1	PC
40	5996-1-D	Sleeve - Ø150 W/Assy	1	PC
50	504-52	Hose Clip - Worm Drive (190-220)	4	PC
50	504-51	Hose Clip - Worm Drive (150-180)	4	PC
60	282890-3	Wanderhose Extension Assembly 8" 1250Lg	1	PC

Broom & Shovel Stowage ()
Ancillary Equipment\Broom & Shovel Stowage



Broom & Shovel Stowage ()
Ancillary Equipment\Broom & Shovel Stowage

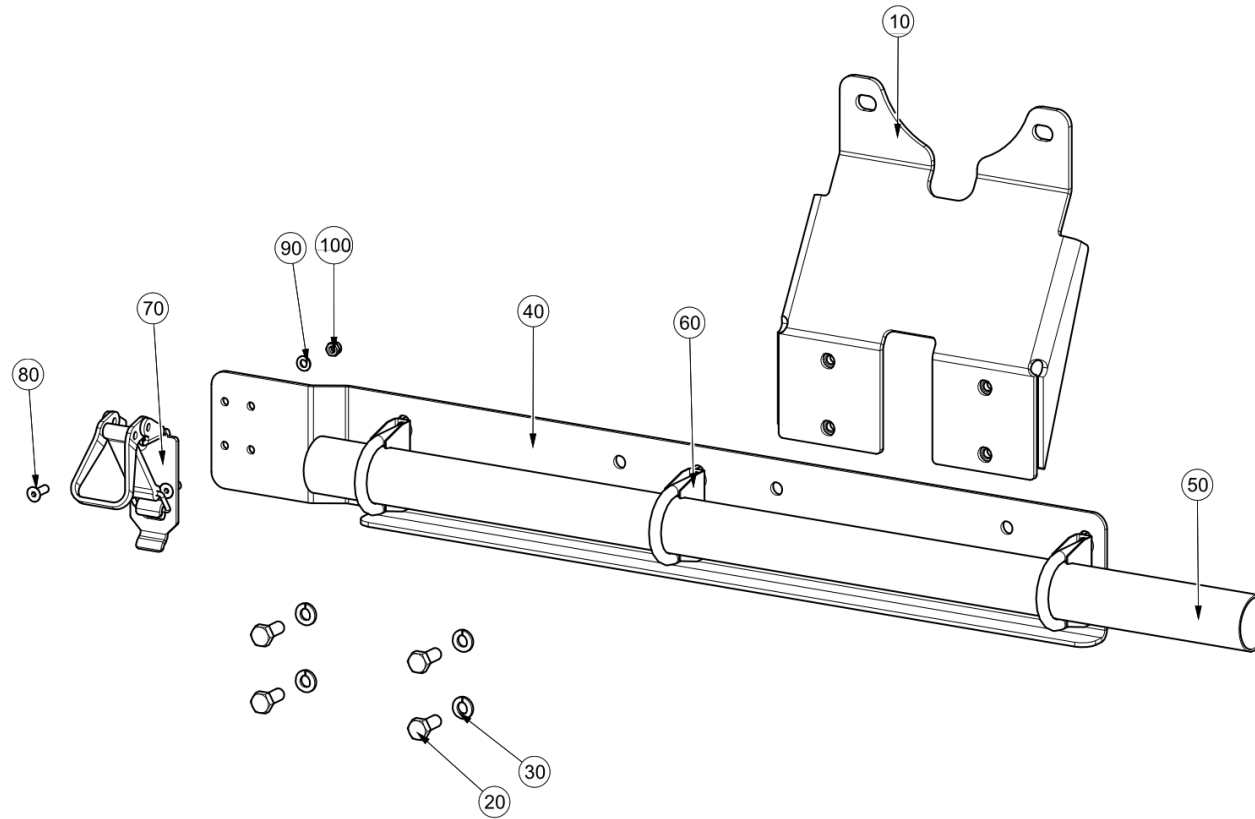
Item no.	Part no.	Description	QTY	Unit
10	7027071	Backing Plate	1	PC
20	7027117	Guard Plate	1	PC
30	7221-0323	Latch - short Rubber	1	PC
40	7027101	Support Angle	1	PC
50	7028052	Support Bracket Broom Stowe	1	PC
60	7028074	Support Bracket W/Assy	1	PC
61	7042327	Mounting post welded assembly	1	PC
70	50914-4	Tube - Crossmember	1	PC
80	7020651	Tube Support	1	PC
90	807649-1	Clamp Assy-Broom Stowage	1	PC
110	93699711-0	Spring Washer - Plated M10	5	PC
120	09531009-0	Hose Clip - Worm Drive (30-40)	2	PC
130	92097376-0	Hex Head Screw - M8Cx25 - 8.8	2	PC
140	93212011-0	Plain Washer - M8	4	PC
150	93085805-0	Nyloc Hex Nut M8C - 8	2	PC
160	92153033-0	Hex Socket CSK Screw M5Cx16 10.9	2	PC
170	93210109-0	Plain Washer M5	4	PC
180	93085003-0	Nyloc Hex Nut M5C - 8	2	PC
190	92097414-0	Hex Head Screw - M10Cx30 - 8.8	3	PC
200	93212012-0	Plain Washer - M10	9	PC
210	93085806-0	Nyloc Hex Nut M10C - 8	2	PC
220	92097412-0	Hex Head Screw - M10Cx25 - 8.8	4	PC
230	92097303-0	Hex Head Screw - M6Cx25 - 8.8	1	PC
240	92097301-0	Hex Head Screw - M6Cx20 - 8.8	1	PC

Broom & Shovel Stowage ()
Ancillary Equipment\Broom & Shovel Stowage

Broom & Shovel Stowage ()
Ancillary Equipment\Broom & Shovel Stowage

Item no.	Part no.	Description	QTY	Unit
250	93212009-0	Plain Washer - M6	4	PC
260	93085004-0	Nyloc Hex Nut M6C - 8	2	PC
270	6645-4-A	Clip - Exhaust Banelli 1 1/2"	1	PC

Broom Stowage ()
Ancillary Equipment\Broom & Shovel Stowage\Broom Stowage

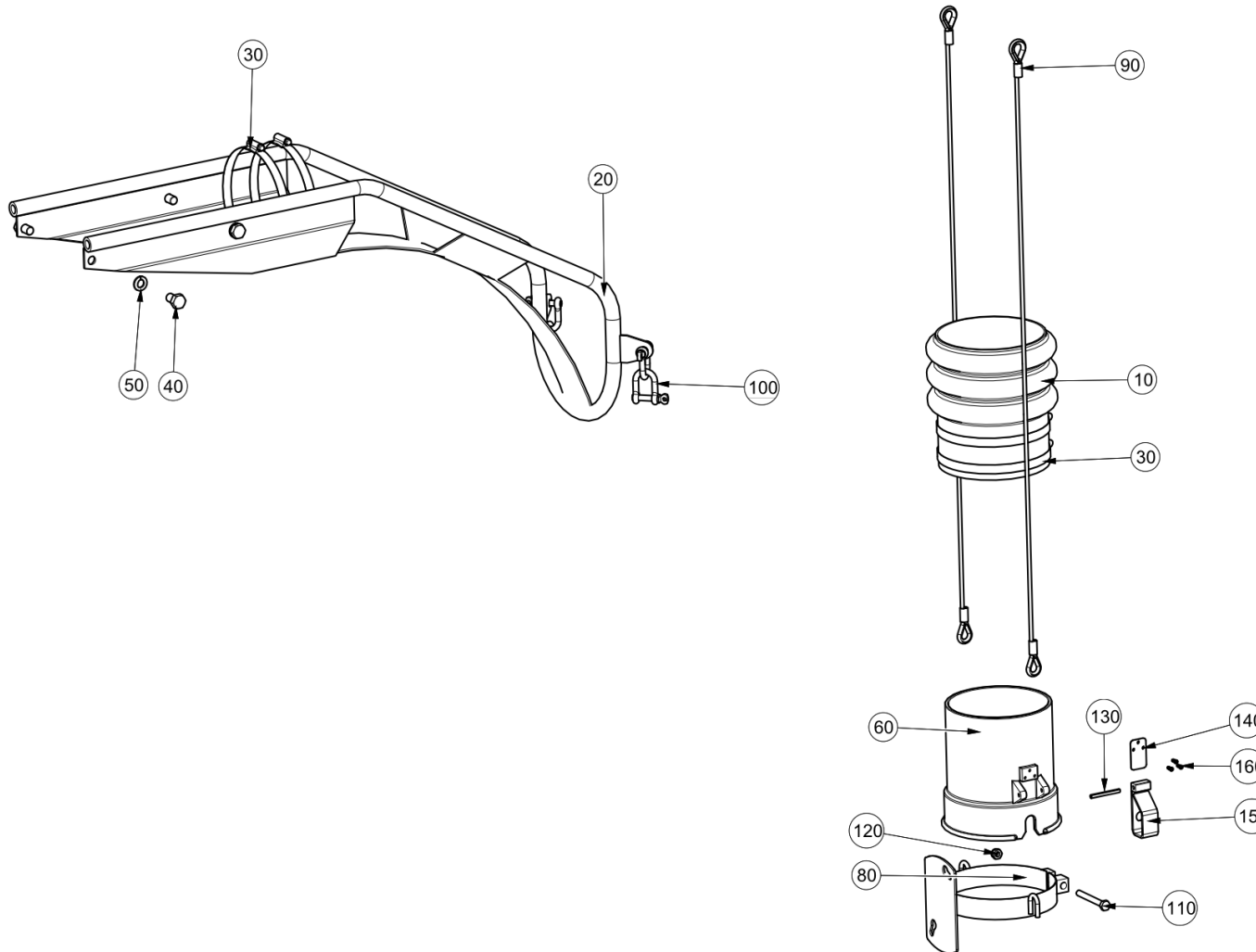


Broom Stowage ()

Ancillary Equipment\Broom & Shovel Stowage\Broom Stowage

Item no.	Part no.	Description	QTY	Unit
10	7043083	Broom stow mount welded assembly	1	PC
20	92097374-0	Hex Head Screw - M8Cx20 - 8.8	4	PC
30	93699710-0	Spring Washer - Plated M8	4	PC
40	7042328	Mounting plate	1	PC
50	50914-4	Tube - Crossmember	1	PC
60	6645-4-A	Clip - Exhaust Banelli 1 1/2"	3	PC
70	7221-0323	Latch - short Rubber	1	PC
80	92153033-0	Hex Socket CSK Screw M5Cx16 10.9	2	PC
90	93210109-0	Plain Washer M5	2	PC
100	93085003-0	Nyloc Hex Nut M5C - 8	2	PC

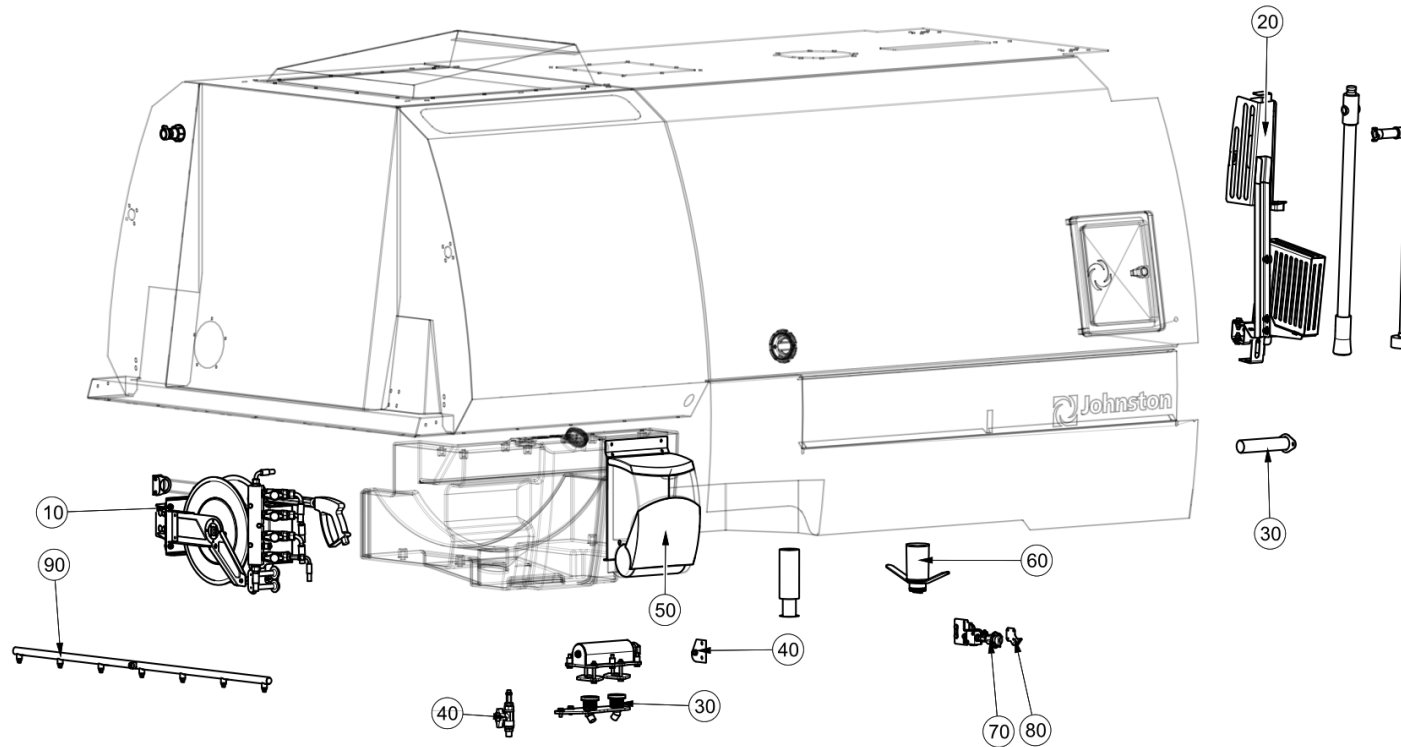
Wanderhose Dressing ()
Ancillary Equipment/Wanderhose Dressing



Wanderhose Dressing ()
Ancillary Equipment\Wanderhose Dressing

Item no.	Part no.	Description	QTY	Unit
10	6004-1-C	Hose - Flexible 6"	1	PC
10	15916-1-B	Hose - Flexible 8"	1	PC
20	282470-1	Jib W/Assy - Wanderhose & Powaboom Ø150	1	PC
20	282545-1	Jib W/Assy - Wanderhose & Powaboom Ø200	1	PC
30	504-51	Hose Clip - Worm Drive (150-180)	2	PC
30	504-52	Hose Clip - Worm Drive (190-220)	2	PC
40	92097446-0	Hex Head Screw - M12Cx20 - 8.8	4	PC
50	93699712-0	Spring Washer - Plated M12	4	PC
60	15895-1-B	Coupling 200/8"	1	PC
60	5992-1-E	Coupling 150/6"	1	PC
80	282637-1	Cable Supt Welded Assembly Ø150	1	PC
90	21216-8-I	Cable - Lift (940mm)	2	PC
100	6032-1-A	Shackle D	4	PC
110	92067389-0	Hex Head Bolt - M8Cx70 - 8.8	1	PC
120	93085005-0	Nyloc Hex Nut M8C - 8	1	PC
130	58-6	Pin - Adaptor 3/16 x 1 7/8"	2	PC
140	6002-1-A	Spring - Coupling	2	PC
150	5999-1-C	Catch - Welded Assembly	2	PC
160	193-1	Pan Head Screw - 2.9x6.5 - 4.8	6	PC

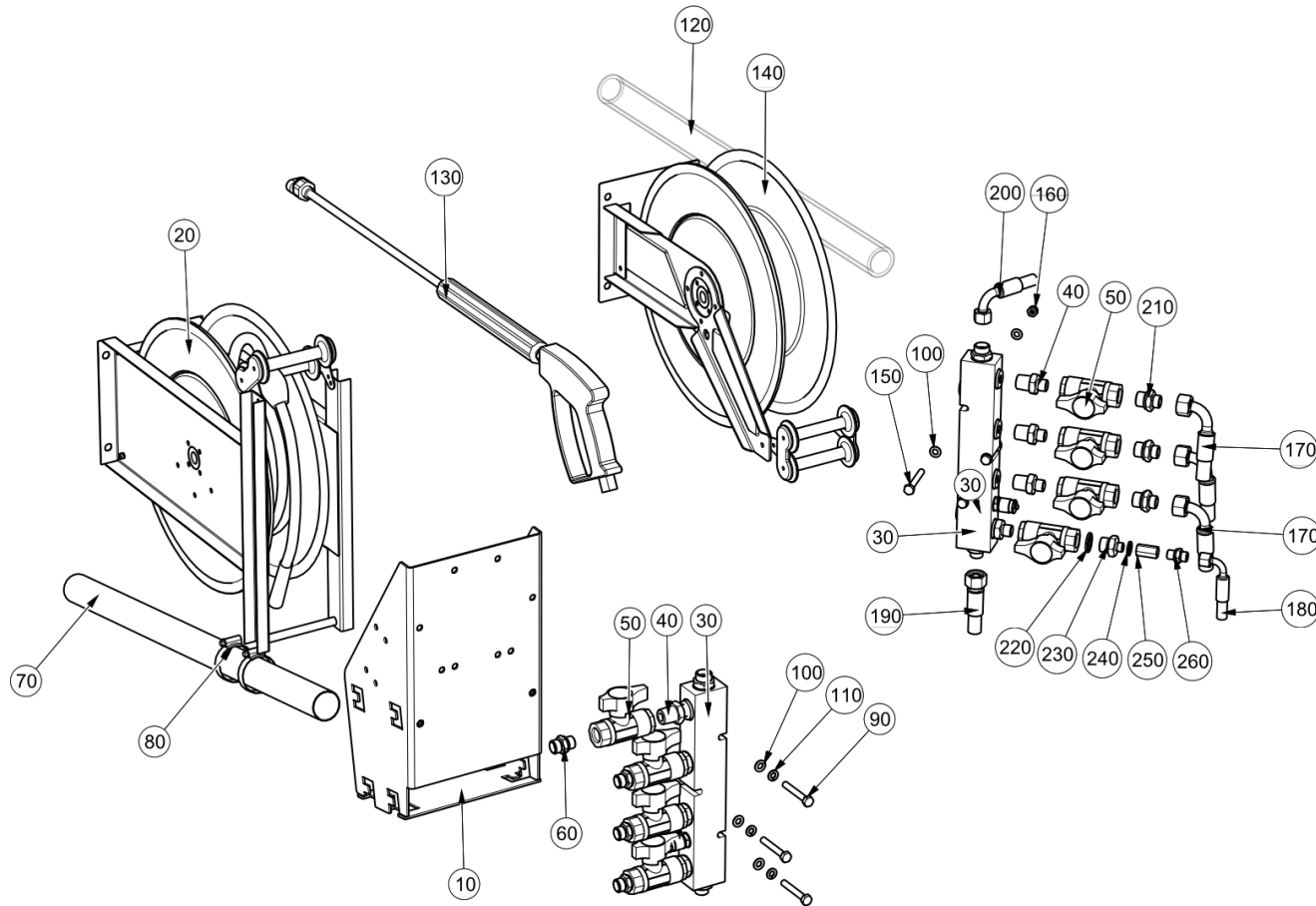
Water Systems ()
Water Systems



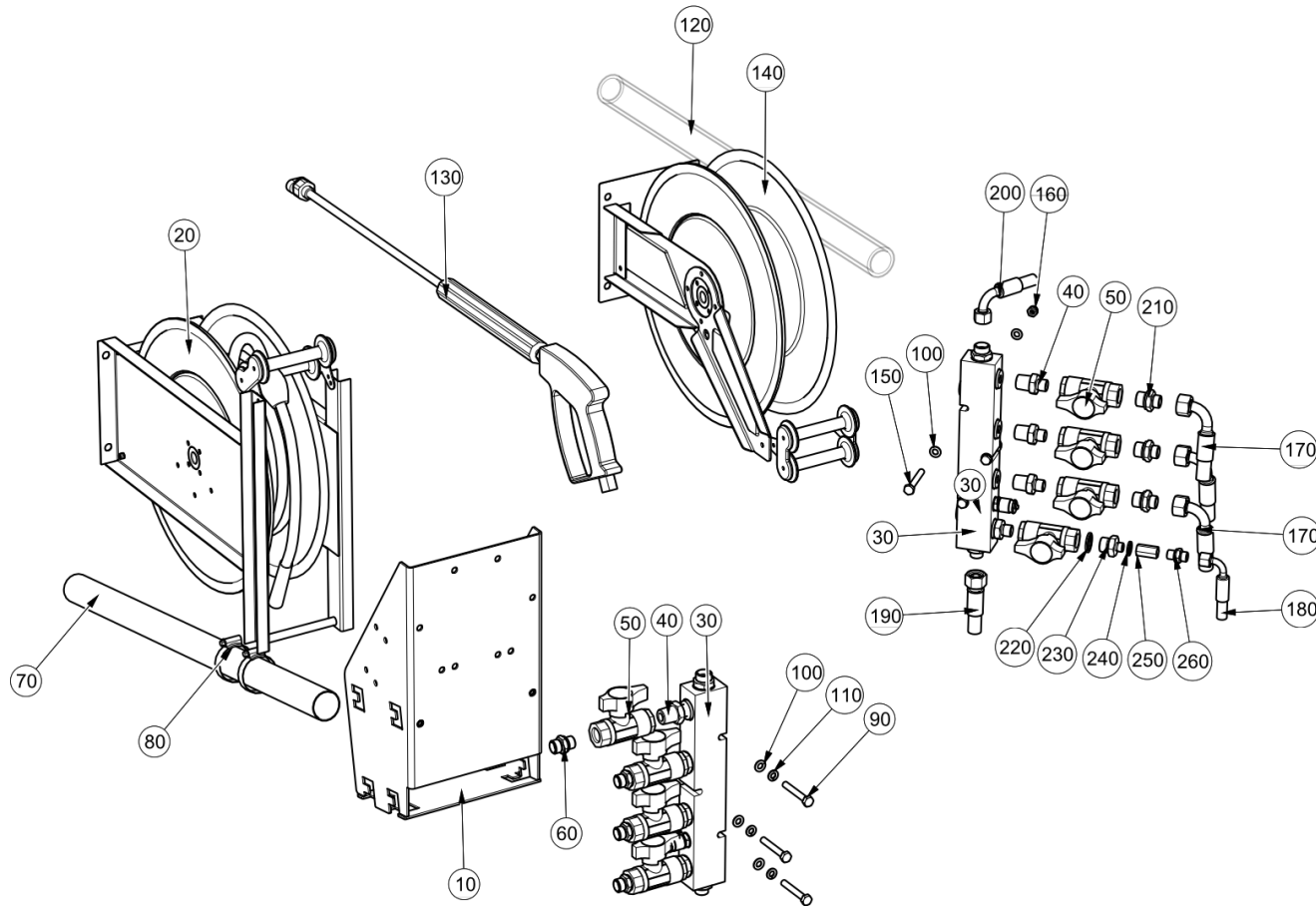
Water Systems ()

Water Systems

Item no.	Part no.	Description	QTY	Unit
60	282736-1-INST	WATER STRAINER ADAPTOR 95	1	PC
70	7024031	Washdown assembly	1	PC
80	7024065	Stowage bracket	1	PC

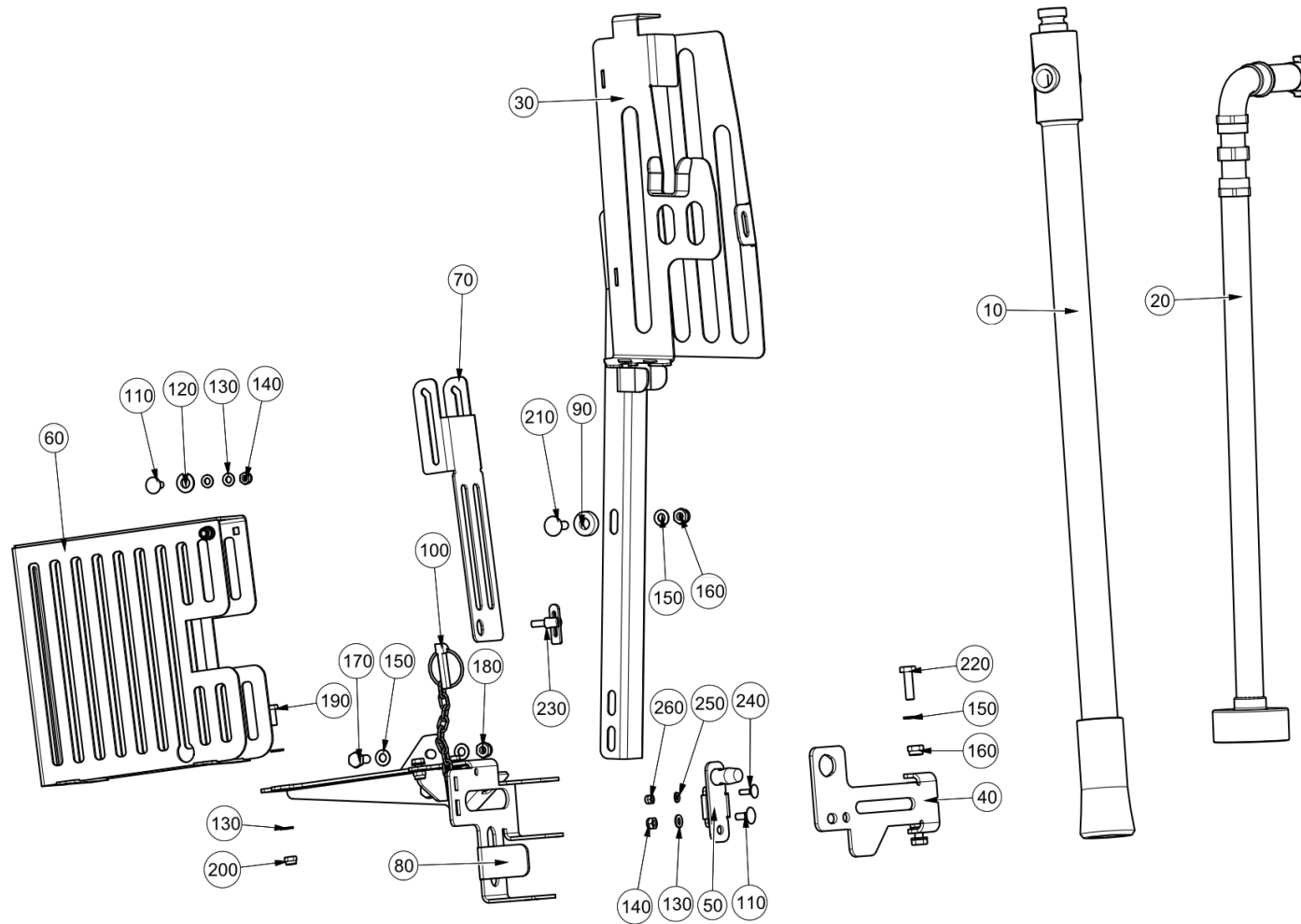


Item no.	Part no.	Description	QTY	Unit
10	807321-1	Support W/A - Manifold/Gun 95	1	PC
20	667-49	Hose Reel 15 Metre Coil	1	PC
30	7020166	Water Manifold - Assembly	1	PC
40	266-4	Adaptor M/M 1/2 - 1/2 BSP / BSPT	1	PC
50	88-33	Ball Valve 210 Bar 1/2" F	4	PC
60	6601-1322	Stud Coupling Male G 3/8" x M18 x 1.5	1	PC
70	804906-1	Tube-Lance Hose Reel Front Mnt	1	PC
80	09531011-0	Hose Clip - Worm Drive (40-55)	2	PC
90	92097383-0	Hex Head Screw - M8Cx55 - 8.8	3	PC
100	93212011-0	Plain Washer - M8	7	PC
110	93699710-0	Spring Washer - Plated M8	7	PC
120	293411-1	Tube - Lance Stowage 550	1	PC
130	21-71	Hand Lance Assembly 700mm	1	PC
140	667-92	Hose Reel With 15m x 3/8" ID Hose	1	PC
150	92097384-0	Hex Head Screw - M8Cx60 - 8.8	3	PC
160	93085805-0	Nyloc Hex Nut M8C - 8	3	PC
170	H1SC12002-80	Hose - Hyd straight x 90swept	0	PC
180	H1SC08002-130	Hose Hydr Straight Female x 90 Swept	0	PC
190	H1SC12002-175	Hose - Hyd straight x 90swept	0	PC
200	H1SC10002-45	Hose - Hyd straight x 90swept	0	PC
210	09570131-0	Stud Coupling Male G 1/2" x M18 x 1.5	3	PC
220	451-19	Washer - Bonded G1-2"	1	PC
230	265-3	Adaptor Reducing M/M 1/4 x 1/2 BSP	1	PC
240	451-17	Washer Bonded G1-4"	1	PC



Supawash ()
Water Systems\Supawash

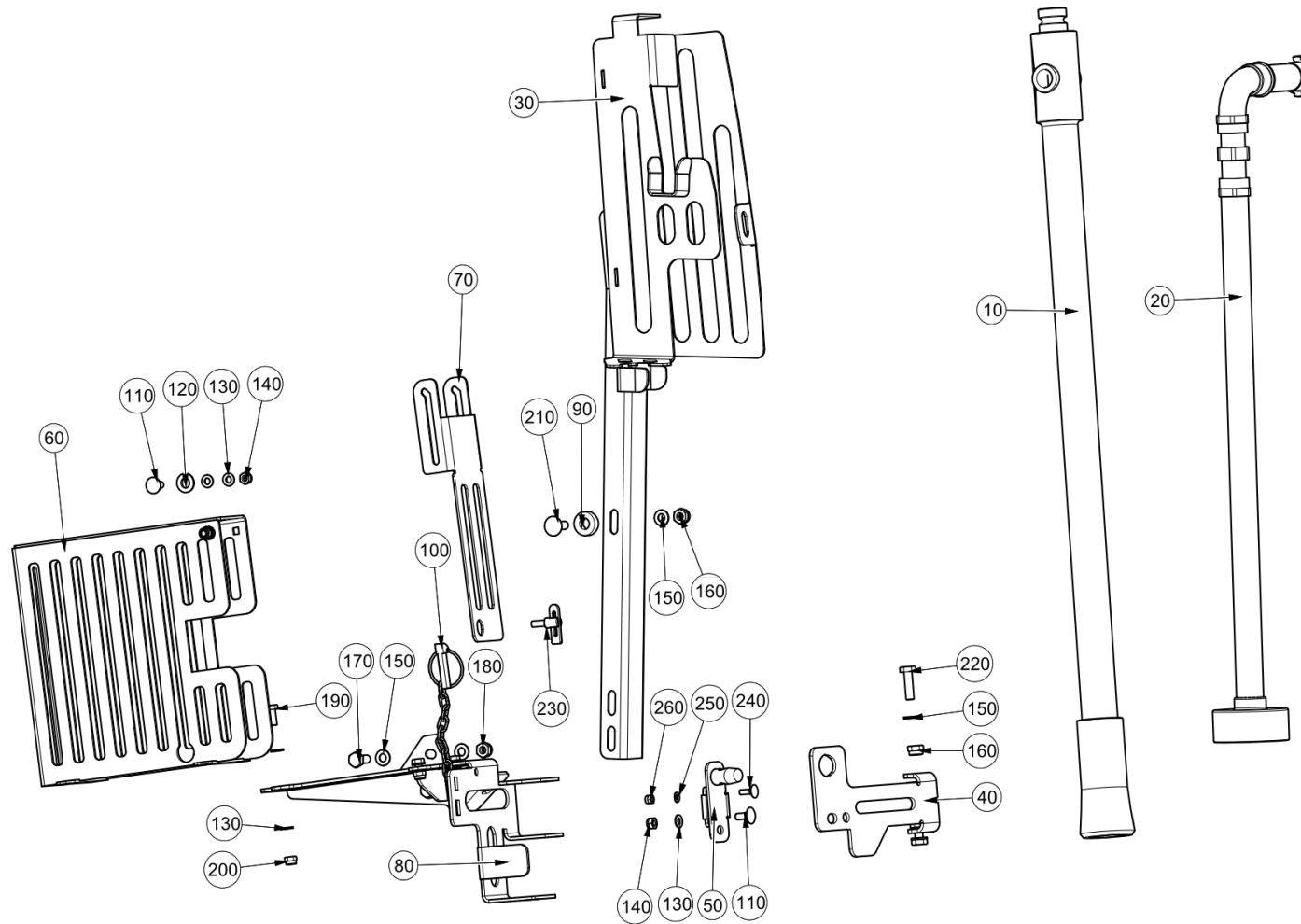
Item no.	Part no.	Description	QTY	Unit
250	241-279	Check Valve 1/4" F S/S	1	PC
260	09570126-0	Stud Coupling Male G 1/4" x M14x1.5 (8L)	1	PC

Hydrant Kit ()
 Water Systems\Hydrant Kit


Hydrant Kit ()
Water Systems\Hydrant Kit

Item no.	Part no.	Description	QTY	Unit
667-3	667-3	Coupling - Water	0	PC
667-4	667-4	Hose - 2" Bore x 15 Layflat (BLUE)	0	PC
501-5	501-5	Hose Clip - Worm Drive (40-55)	0	PC
10	667-6	Key - Hydrant Aluminium	1	PC
20	72688-1	Standpipe Assembly (UK)	1	PC
20	72688-11	Standpipe Assembly (Belfast)	1	PC
20	72688-2	Standpipe Assembly (German)	1	PC
21	72689-6	Hose Assy - 1" Bore, Q/Release	1	PC
21	72689-1	1" Bore Hose Assembly	1	PC
30	7020677	Hydrant wrench holder	1	PC
40	7005738	Latch	1	PC
50	7006820	Latch	1	PC
60	293785-1	Hose Stowage W/A Hyd Fill 550	1	PC
70	7008386	Door	1	PC
80	7037759	Hose Reel Bottom - W/Assy	1	PC
90	47264-19	Spacer - 9.5mm	1	PC
100	60-21	Linch Pin-9 Link Chain 11mm Dia	1	PC
110	92555554-0	Round Head Square Neck Bolt - M8Cx20 4.6	3	PC
120	93212013-0	Plain Washer M12	2	PC
130	93212011-0	Plain Washer - M8	12	PC
140	93085005-0	Nyloc Hex Nut M8C - 8	4	PC
150	93212012-0	Plain Washer - M10	9	PC
160	93085806-0	Nyloc Hex Nut M10C - 8	3	PC
170	92097412-0	Hex Head Screw - M10Cx25 - 8.8	2	PC

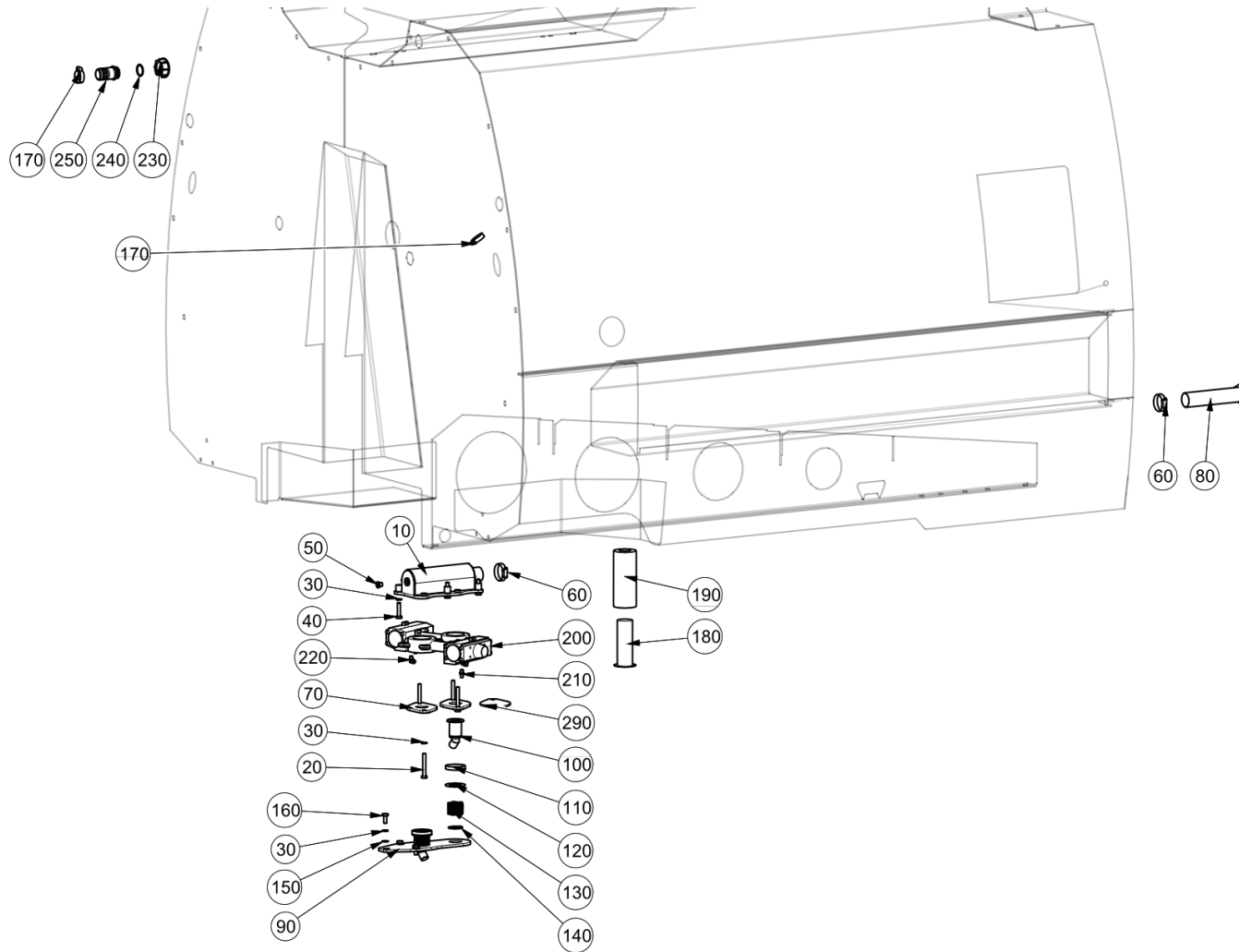
Hydrant Kit ()
Water Systems\Hydrant Kit



Hydrant Kit ()
Water Systems\Hydrant Kit

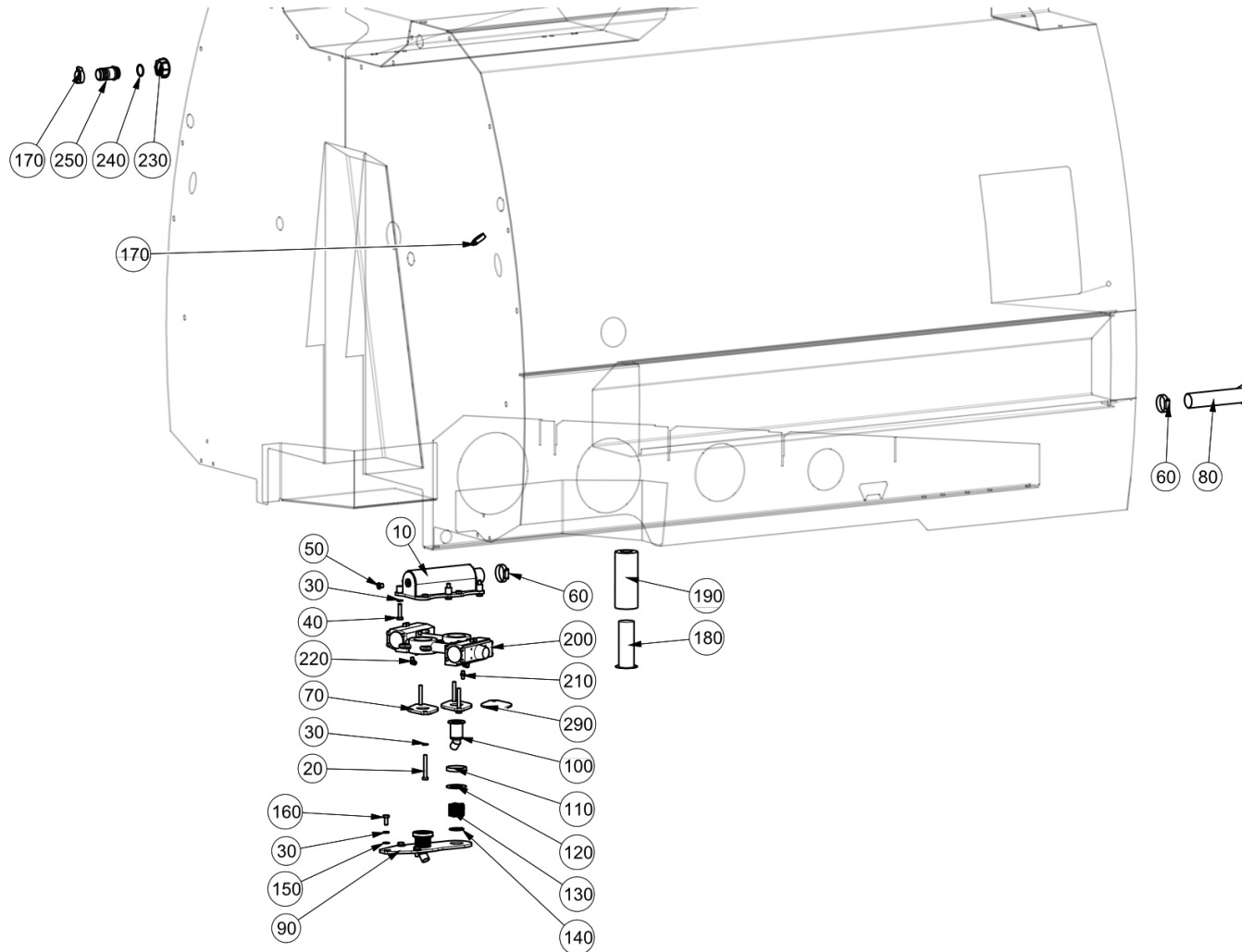
Item no.	Part no.	Description	QTY	Unit
180	93085006-0	Nyloc Hex Nut M10C - 8	2	PC
190	92097374-0	Hex Head Screw - M8Cx20 - 8.8	3	PC
200	93085805-0	Nyloc Hex Nut M8C - 8	3	PC
210	92555584-0	Round Head Square Neck Bolt-M10Cx30-4.6	1	PC
220	92097415-0	Hex Head Screw - M10Cx35 - 8.8	2	PC
230	60-15	Pin - Antiluce, M8 x 18	1	PC
240	92555528-0	Round Head Square Neck Bolt-M6Cx20-4.6	1	PC
250	93212009-0	Plain Washer - M6	1	PC
260	93085004-0	Nyloc Hex Nut M6C - 8	1	PC

Water Recirculation System ()
 Water Systems\Water Recirculation System



Water Recirculation System ()
Water Systems\Water Recirculation System

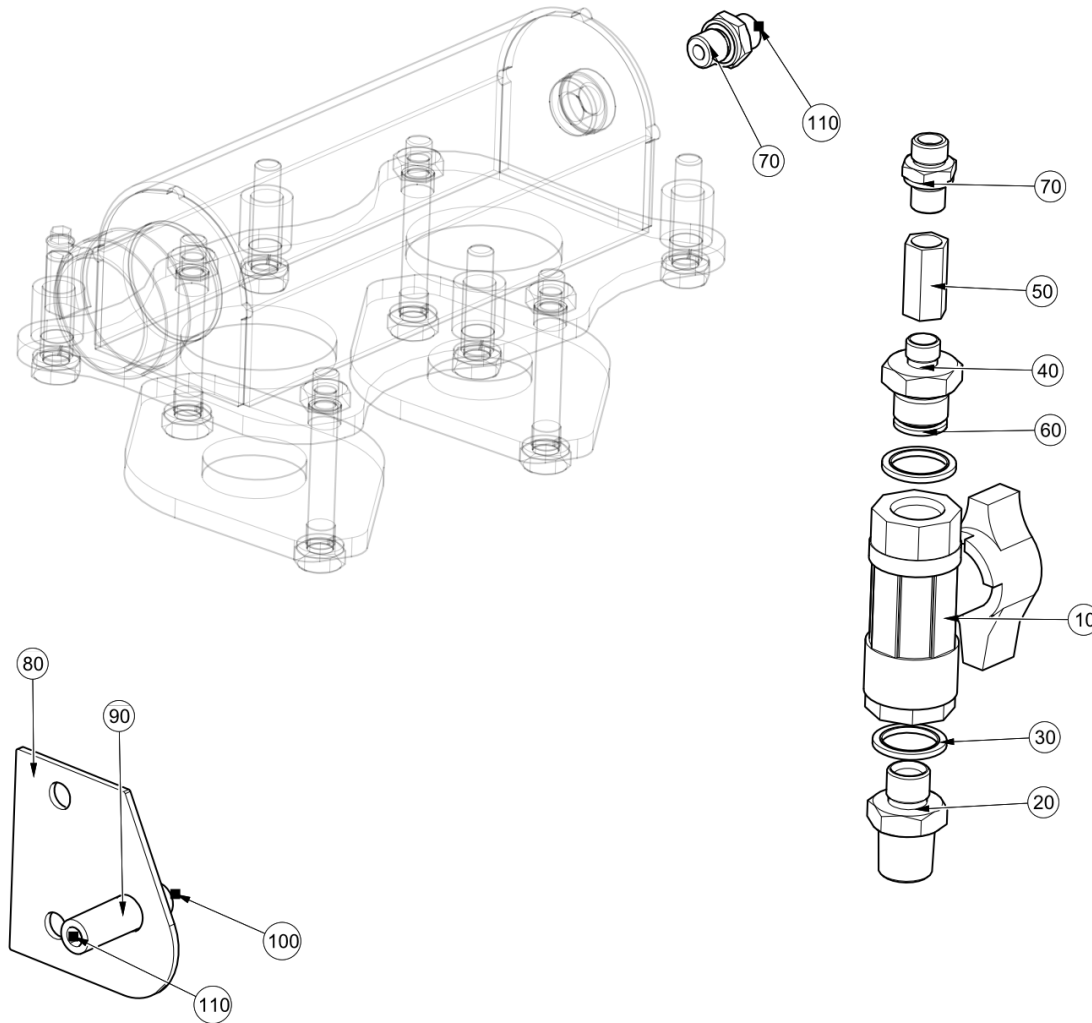
Item no.	Part no.	Description	QTY	Unit
7020179	7020179	Valve Stem Plate Assembly Single	0	PC
10	7020152	Valve Box, Water Recirc, Welded Assembly	1	PC
20	92097423-0	Hex Head Screw - M10Cx75 - 8.8	4	PC
30	93699711-0	Spring Washer - Plated M10	8	PC
40	92067421-0	Hex Head Bolt - M10Cx45 - 8.8	4	PC
50	09572133-0	Plug - Collar 1/4 BSP	1	PC
60	09531043-0	Hose Clip - Worm Drive (50-70)	1	PC
70	200431-1	Clamp Plate - Recirc Valve	2	PC
80	7020175	Tube, Welded Assembly	1	PC
90	200429-1	Mounting Plate Valve Stems	1	PC
100	7011134	Valve Stem - Welded Assembly	2	PC
110	282765-1	Re-Circ Seal (Moulded)	2	PC
120	282752-1	Seal Supt Water Re-Circ System	2	PC
130	200174-1	Wave Spring	2	PC
140	09500040-0	Circlips - External DIN471 40x1.85	2	PC
150	93212012-0	Plain Washer - M10	3	PC
160	92097412-0	Hex Head Screw - M10Cx25 - 8.8	3	PC
170	09531009-0	Hose Clip - Worm Drive (30-40)	2	PC
180	39402	Filter	1	PC
190	7017527	Hydrant Filler - 187 x 50	1	PC
200	200402-1	50mm Diameter Butterfly Valve	2	PC
210	72-17	Exhaust Silencer	2	PC
220	09593162-0	Adaptor - Push In 6mm Fixed Elbow R1/8"	2	PC
230	277-170	Flynut - 1 1/2 F	1	PC

Water Recirculation System ()
 Water Systems\Water Recirculation System


Water Recirculation System ()
Water Systems\Water Recirculation System

Item no.	Part no.	Description	QTY	Unit
240	277-171	O-Ring	1	PC
250	277-183	Flynut Hose Tail 38mm Barb	1	PC
260	272-15	2" Clear Plastic Braided Hose	2	M
270	273-20	Tube - Nylon Blue 6mm O/D	7.6	M
280	272-21	Layflat Hose 1 1/2"	1	M
290	200788-1	Blank Plate - Recirc Valve	1	PC

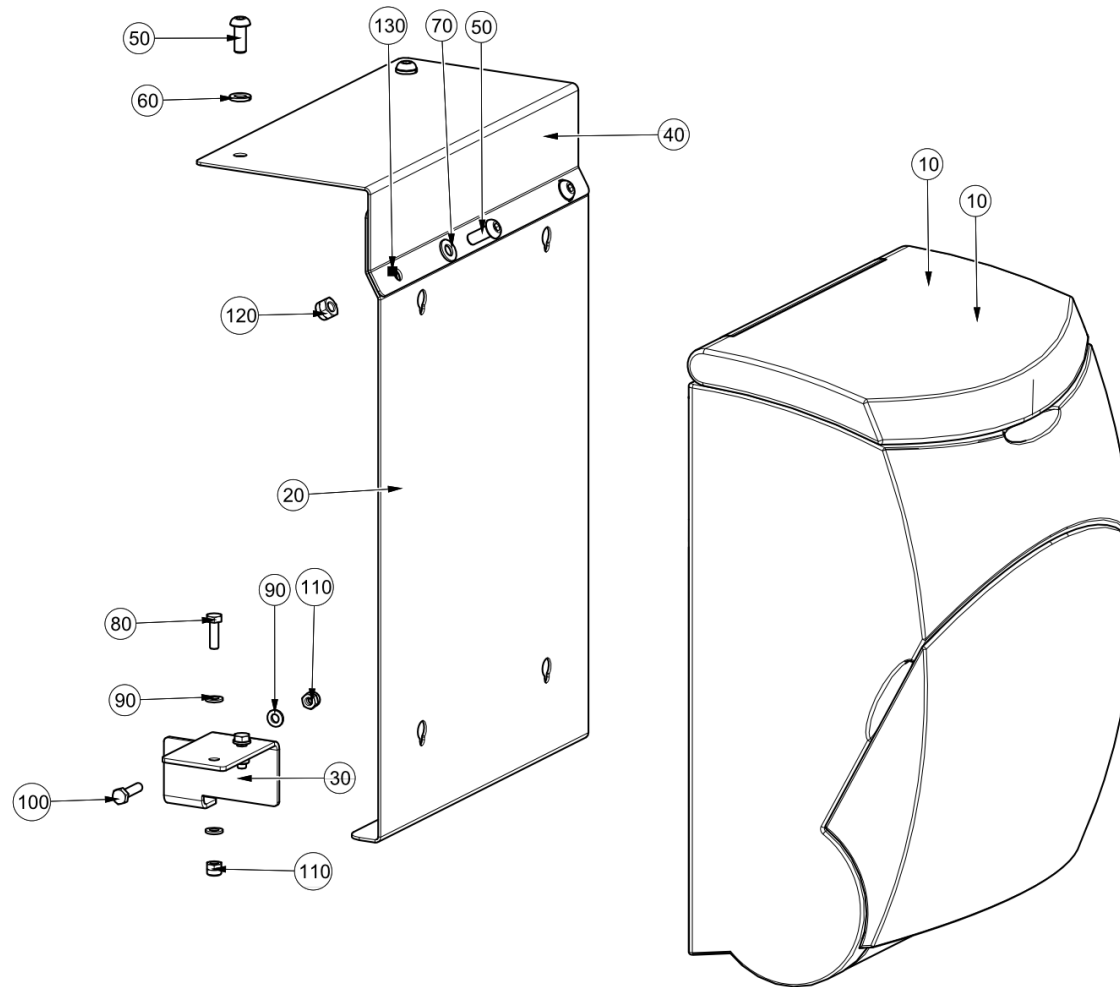
Backflush System ()
Water Systems\Backflush System



Backflush System ()
Water Systems\Backflush System

Item no.	Part no.	Description	QTY	Unit
10	88-33	Ball Valve 210 Bar 1/2" F	1	PC
20	266-4	Adaptor M/M 1/2 - 1/2 BSP / BSPT	1	PC
30	451-19	Washer - Bonded G1-2"	2	PC
40	265-3	Adaptor Reducing M/M 1/4 x 1/2 BSP	1	PC
50	241-279	Check Valve 1/4" F S/S	1	PC
60	451-17	Washer Bonded G1-4"	1	PC
70	09570126-0	Stud Coupling Male G 1/4" x M14x1.5 (8L)	2	PC
80	7028219	Bulkhead Plate	1	PC
90	09570456-0	Straight Bulkhead Connector M14 x 1.5	1	PC
100	H2SC06002-400	Hose-Hyd Straight femalex90 Swept	1	PC
110	H2SC06002-345	Hose-Hyd Straight femalex90 Swept	1	PC

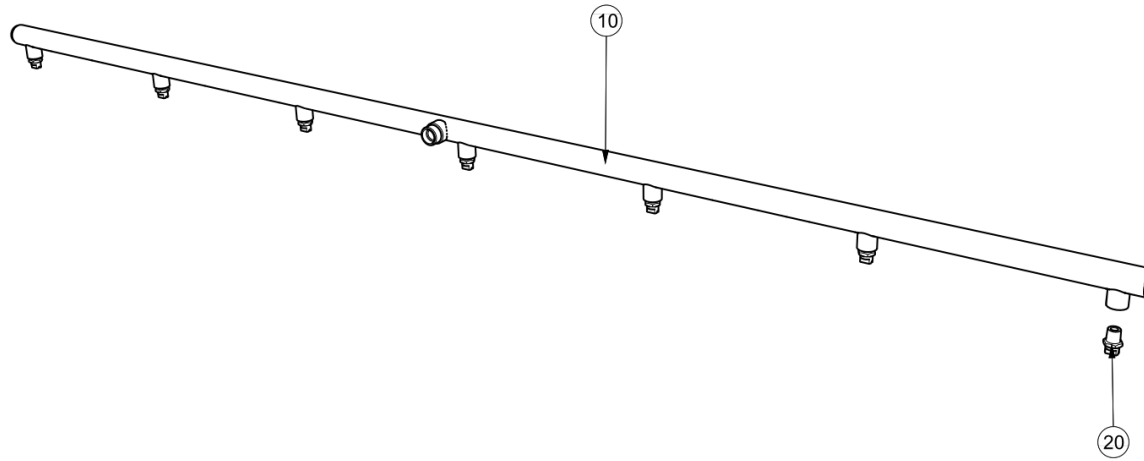
Handwashing Unit ()
Water Systems\Handwashing Unit



Handwashing Unit ()
Water Systems\Handwashing Unit

Item no.	Part no.	Description	QTY	Unit
10	222-93	Handwash 24v	1	PC
20	7045100	Mounting bracket - Handwash	1	PC
30	7045098	Bottom bracket - Handwash	1	PC
40	7045111	Top bracket - Handwash	1	PC
50	92330045-0	Hex Skt Button Head Screw M8x20 - 10.9	4	PC
60	93699710-0	Spring Washer - Plated M8	2	PC
70	93212011-0	Plain Washer - M8	2	PC
80	92097301-0	Hex Head Screw - M6Cx20 - 8.8	2	PC
90	93212009-0	Plain Washer - M6	5	PC
100	92097303-0	Hex Head Screw - M6Cx25 - 8.8	1	PC
110	93085004-0	Nyloc Hex Nut M6C - 8	3	PC
120	93085805-0	Nyloc Hex Nut M8C - 8	2	PC
130	433-121	Insert, Small Hd, M8, 0.7-3.8, Open, MS	2	PC

Supawash Front Spraybar ()
Water Systems\Supawash Front Spraybar



Supawash Front Spraybar ()
Water Systems\Supawash Front Spraybar

Item no.	Part no.	Description	QTY	Unit
266-4	266-4	Adaptor M/M 1/2 - 1/2 BSP / BSPT	1	PC
451-19	451-19	Washer - Bonded G1-2"	1	PC
88-33	88-33	Ball Valve 210 Bar 1/2" F	1	PC
6601-1329	6601-1329	Stud Coupling Male G 1/2" x M22 x 1.5	1	PC
H2SC12002-430	H2SC12002-430	Hose - Hyd Straight x 90°Swept	1	PC
10	7040120	Spraybar Welded Assembly	1	PC
20	21-31	Jet - Fan 65 deg. 1/4"	7	PC

This page is intentionally left blank

Chapter 8

Hopper & Cowl

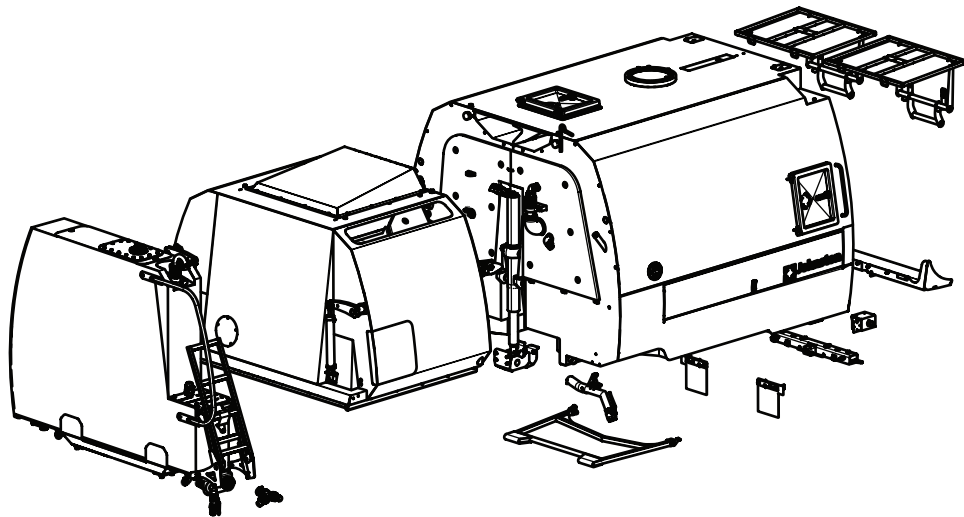
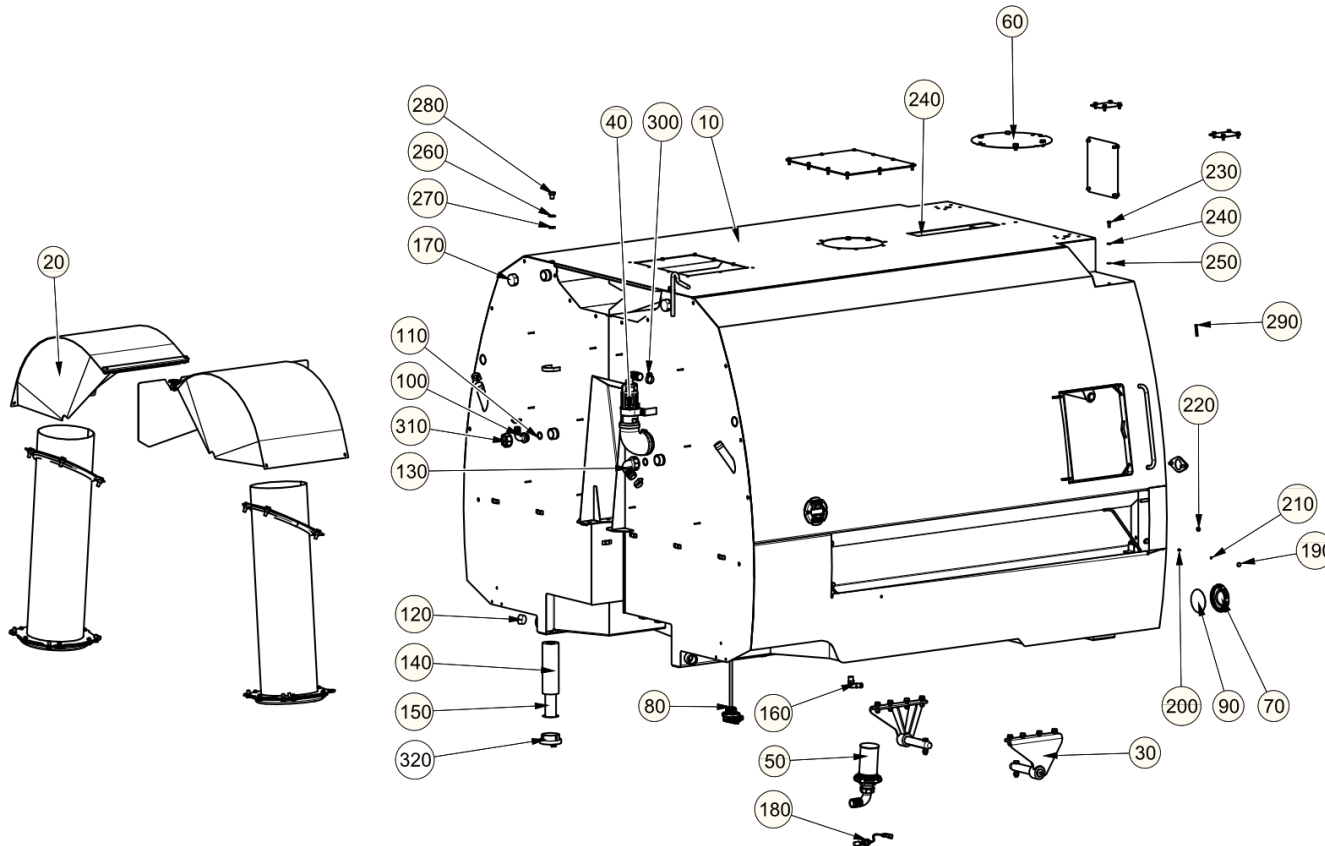


Table of Contents

Section	Page
8.1 Hopper.....	392
8.2 Cowl.....	406
8.3 Hopper Access Door.....	416
8.4 Tip Cylinder.....	418
8.5 Cowl Mounted Flap Cylinders.....	420
8.6 Body Prop.....	422
8.7 Deflector.....	424
8.8 Latch Cassette.....	426
8.9 Flushing Valve Assembly.....	428
8.10 Locker Doors.....	430
8.11 Discharge Chute.....	432
8.12 Hopper Controls.....	434
8.13 Hopper Mesh.....	436
8.14 Auxiliary Water/Fuel Tank.....	440
8.15 Auxiliary Water Tank Install.....	452
8.16 Baffle Drop Link.....	454
8.17 Sound Insulation Kit.....	456

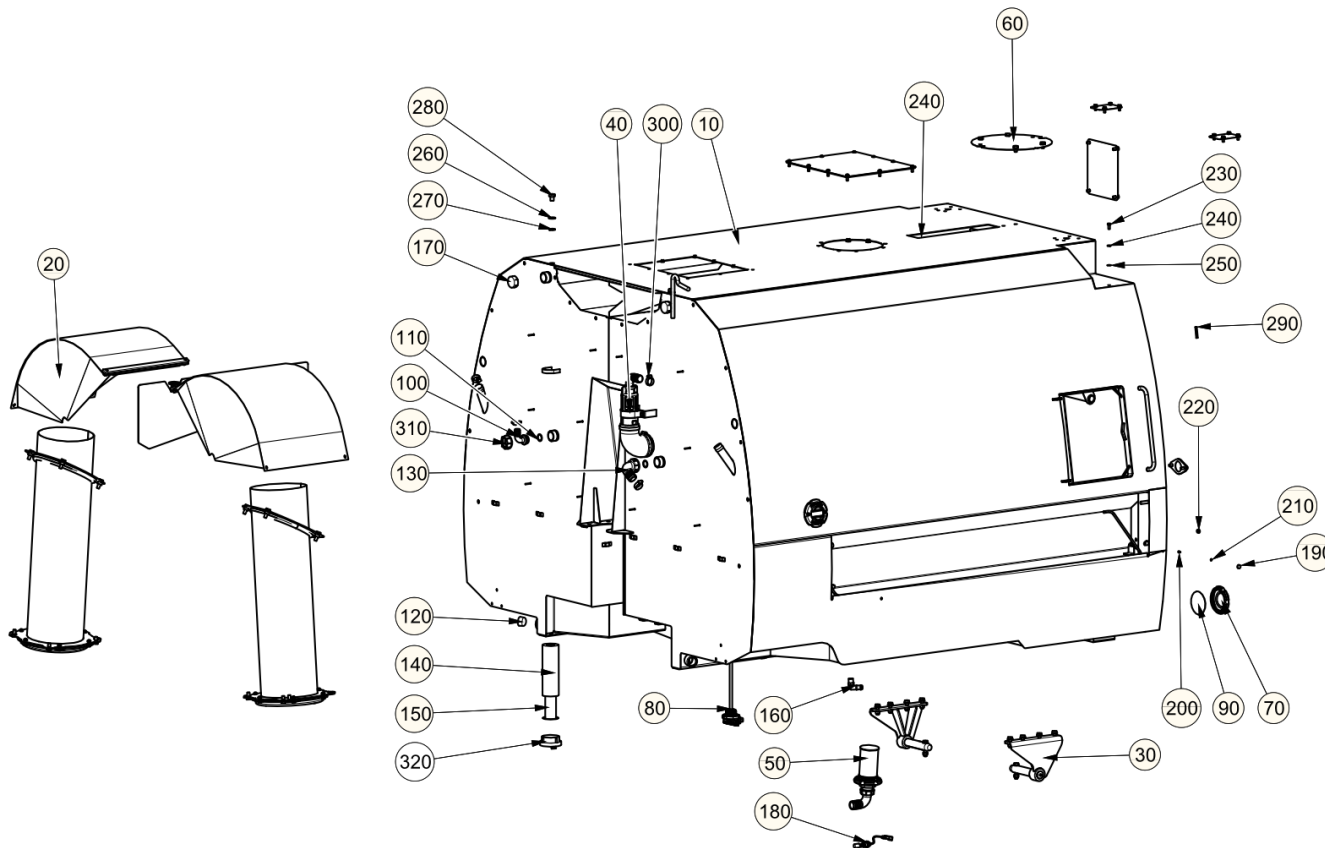
Hopper ()
Hopper & Cow/Hopper



Hopper ()
Hopper & Cowl/Hopper

Item no.	Part no.	Description	QTY	Unit
10	7008975	Hopper W/Assy 651 1.4003	1	PC
10	7019109	Hopper W/Assy 651 1.4301	1	PC
10	7029125	Hopper W/Assy 2000L	1	PC
10	7022121	Hopper W/Assly 501 1.4003	1	PC
10	7022499	Hopper W/Assy 801 1.4003	1	PC
10	7022712	Hopper W/Assy 501 1.4301	1	PC
10	7023856	Hopper W/Assy 801 1.4301	1	PC
70	284040-1	Cap - Water Tank Drain	4	PC
80	7002529	Level Sender	1	PC
90	40643-1-C	Washer - Seal, Drain, Water Tank	4	PC
100	277-244	Flynut Hosetail - 90° Barb = 25mm	1	PC
110	277-209	Seal - 1 1/2" BSP	2	PC
120	55-4	Plug - 1 1/4" BSPT	1	PC
130	277-208	Cap and Liner 90 Degree	1	PC
140	7017520	Hydrant Filler - 237 x 30	1	PC
150	39402	Filter	1	PC
160	277-230	Elbow - Poly. 90 ° 1/2 M x 3/4" Barb	1	PC
170	44-10	Cap Seal Outer Plastic RP 1 1/2	2	PC
180	48-328	Switch - Float and Deutsch Connector	1	PC
190	290-28	Bump Stop Rubber	4	PC
200	92097225-0	Hex Head Screw - M4Cx10 - 8.8	4	PC
210	93699706-0	Spring Washer - Plated M4	4	PC
220	288-39	Blanking Plug 17.5/13.2x8	2	PC
230	92099373-0	Hex Head Screw - M8Cx20 - A2	4	PC

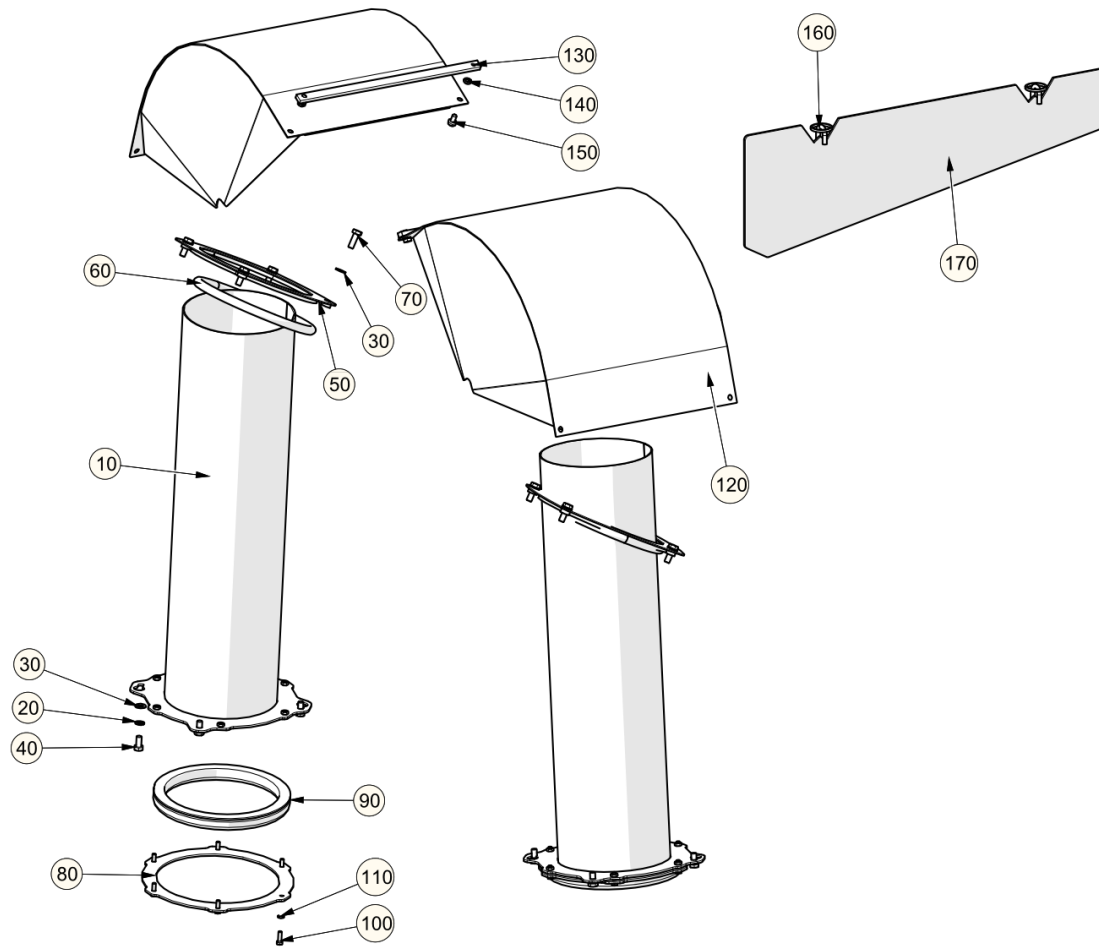
Hopper ()
Hopper & Cow/Hopper



Hopper ()
Hopper & Cowl/Hopper

Item no.	Part no.	Description	QTY	Unit
240	93700210-0	Spring Washer M8 - A2	4	PC
250	93213010-0	Plain Washer M8 A2	4	PC
260	93213014-0	Plain Washer M16 A2	2	PC
270	93700214-0	Spring Washer M16 - A2	2	PC
280	92099517-0	Hex Head Bolt - M16Cx20 - A2-70	2	PC
290	217-1	Grommet Strip Size 5	0.42	M
300	501-25	Hose Clip - Worm Drive (25-35)	4	PC
310	277-170	Flynut - 1 1/2 F	1	PC
320	18684-1-C	Hydrant Coupling - UK	1	PC
320	667-31	Coupling - Stortz 2.5" BSP	1	PC

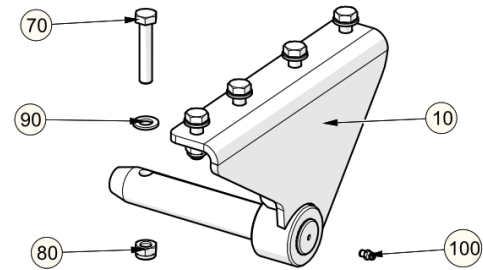
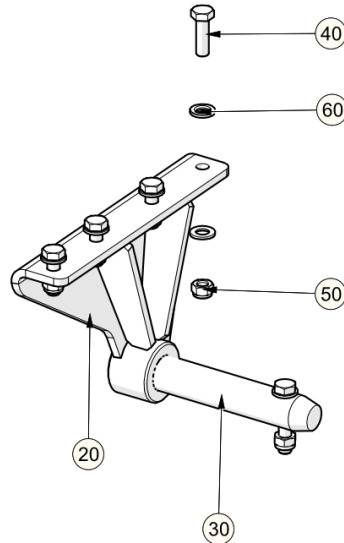
Inlet Duct and Hood ()
Hopper & Cowl\Hopper\Inlet Duct and Hood



Inlet Duct and Hood ()
Hopper & Cowl/Hopper/Inlet Duct and Hood

Item no.	Part no.	Description	QTY	Unit
10	7011974	Duct Inlet Welded Assembly V501 & 651	2	PC
10	7019765	Duct Inlet (Lined) Welded Assembly	2	PC
20	93700212-0	Spring Washer M12 - A2	8	PC
30	93213012-0	Plain Washer M12 A2	8	PC
40	92099447-0	Hex Head Screw - M12Cx25 - A2	8	PC
50	7012978	Clamp Welded Assembly	2	PC
60	93400-1	Seal - Intake Duct	2	PC
70	92099450-0	Hex Head Screw - M12Cx35 - A2	8	PC
80	7003890	Plate	2	PC
90	7003891	Seal	2	PC
100	92099376-0	Hex Head Screw - M8Cx25 - A2	12	PC
110	93700210-0	Spring Washer M8 - A2	12	PC
120	7019793	Wear Plate, Heavy Duty	2	PC
120	7015594	Wear Plate Weld Assembly Bonded	2	PC
130	40223-1-B	Clamp - Bar Wear Plate	2	PC
140	93700211-0	Spring Washer M10 - A2	4	PC
150	92099407-0	Hex Head Screw - M10Cx20 - A2	4	PC
160	41234-1-A	Locking Ring - Centre Baffle	2	PC
170	7022699	Baffle Welded Assembly	1	PC

Hopper Pivot Assembly ()
Hopper & Cowl\Hopper\Hopper Pivot Assembly

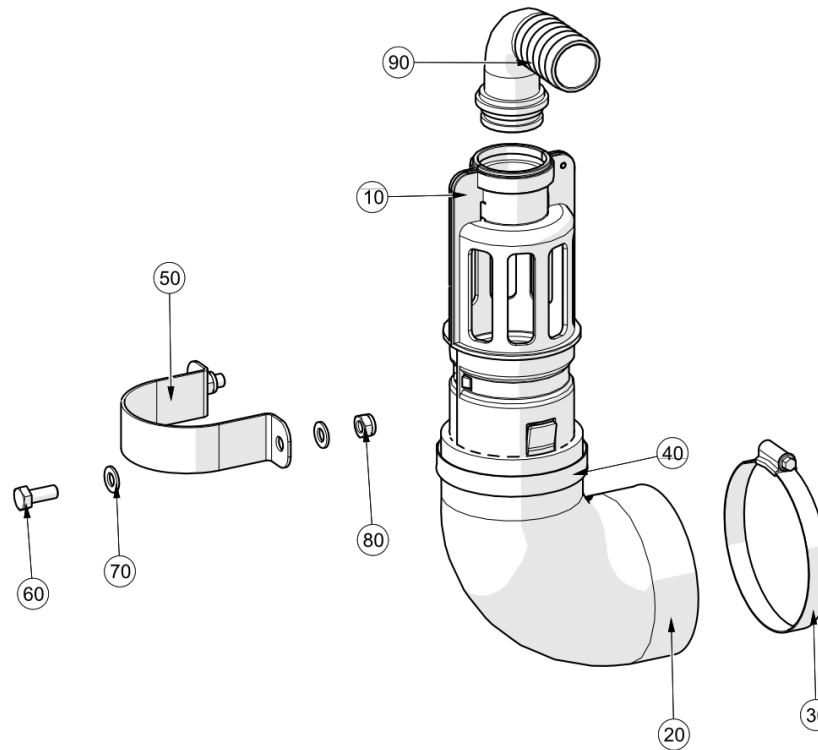


Hopper Pivot Assembly ()

Hopper & Cowl\Hopper\Hopper Pivot Assembly

Item no.	Part no.	Description	QTY	Unit
10	7000739	Pivot Left	1	PC
20	7000740	Pivot Right	1	PC
30	201248-1	Shaft Pivot Body	2	PC
40	92072181-0	Hex Head Bolt - M12Cx40 - 10.9	8	PC
50	404-16	Hex Nyloc Nut - M12c x Grade 10	8	PC
60	93715020-0	M12x24 Hard Stl Heavy Washer Galv	16	PC
70	92067462-0	Hex Head Bolt - M12Cx65 - 8.8	2	PC
80	93085007-0	Nyloc Hex Nut M12C - 8	2	PC
90	93212013-0	Plain Washer M12	2	PC
100	38-30	Grease Nipple M6 X 1	2	PC

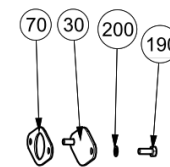
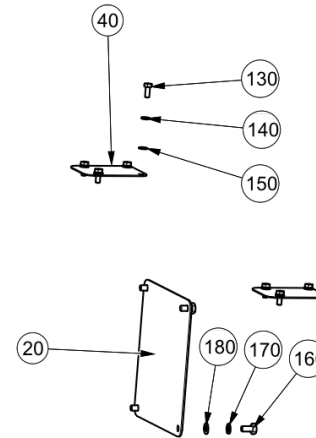
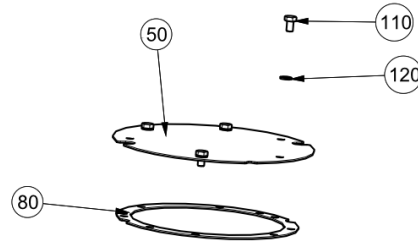
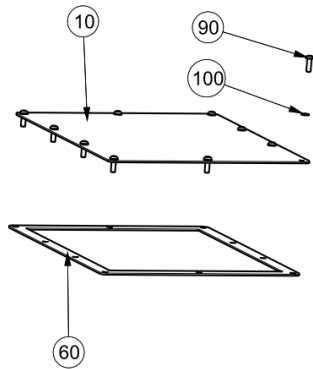
Water Break Assembly ()
Hopper & Cow\Hopper\Water Break Assembly



Water Break Assembly ()
Hopper & Cow\Hopper\Water Break Assembly

Item no.	Part no.	Description	QTY	Unit
10	7038288	Water Break - Half	2	PC
20	61096-2	Rubber Elbow	1	PC
30	501-9	Hose Clip - Worm Drive (90-120)	1	PC
40	09531001-0	Hose Clip - Worm Drive (70-90)	1	PC
50	7005457	Clamp	1	PC
60	92097374-0	Hex Head Screw - M8Cx20 - 8.8	2	PC
70	93212011-0	Plain Washer - M8	4	PC
80	93085005-0	Nyloc Hex Nut M8C - 8	2	PC
90	277-208	Cap and Liner 90 Degree	1	PC

Blanking Plates ()
Hopper & Cowl\Hopper\Blanking Plates

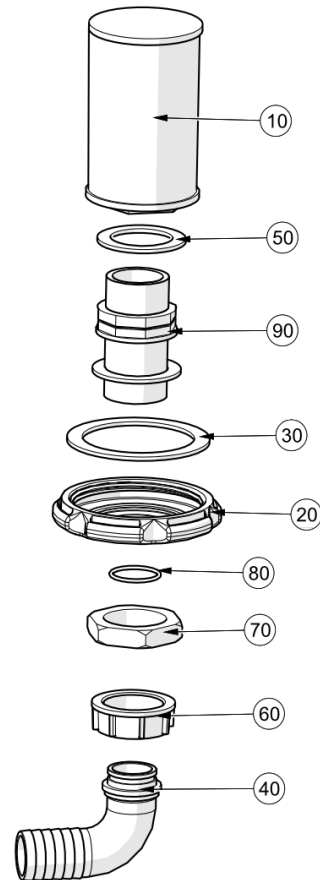


Blanking Plates ()

Hopper & Cowl\Hopper\Blanking Plates

Item no.	Part no.	Description	QTY	Unit
10	7018545	Blanking Plate - Access Door	1	PC
20	281947-2	Plate-Blanking Rr WH LS 4003	1	PC
30	7012880	Flange Blanking Recirculation	1	PC
40	281377-2	Blanking Plate - Mesh Shaker	2	PC
50	281376-2	Blanking Plate Wander Hose	1	PC
60	283613-1	Gasket - Access Panel Roof	1	PC
70	282574-1	Flange Blank Gasket	1	PC
80	5955-1	Seal	1	PC
90	6122-2082	Hex Socket Button Head Screw M8Cx25 A2	10	PC
100	451-3	Washer Bonded Ø5-16" - Bolt	10	PC
110	92099445-0	Hex Head Screw - M12Cx20 - A2	4	PC
120	93700212-0	Spring Washer M12 - A2	4	PC
130	92099373-0	Hex Head Screw - M8Cx20 - A2	8	PC
140	93700210-0	Spring Washer M8 - A2	8	PC
150	93213010-0	Plain Washer M8 A2	8	PC
160	92099407-0	Hex Head Screw - M10Cx20 - A2	4	PC
170	93700211-0	Spring Washer M10 - A2	4	PC
180	93213011-0	Plain Washer M10 A2	4	PC
190	92099409-0	Hex Head Screw - M10Cx25 - A2	2	PC
200	451-140	Plain Small Washer M10 Brass	2	PC

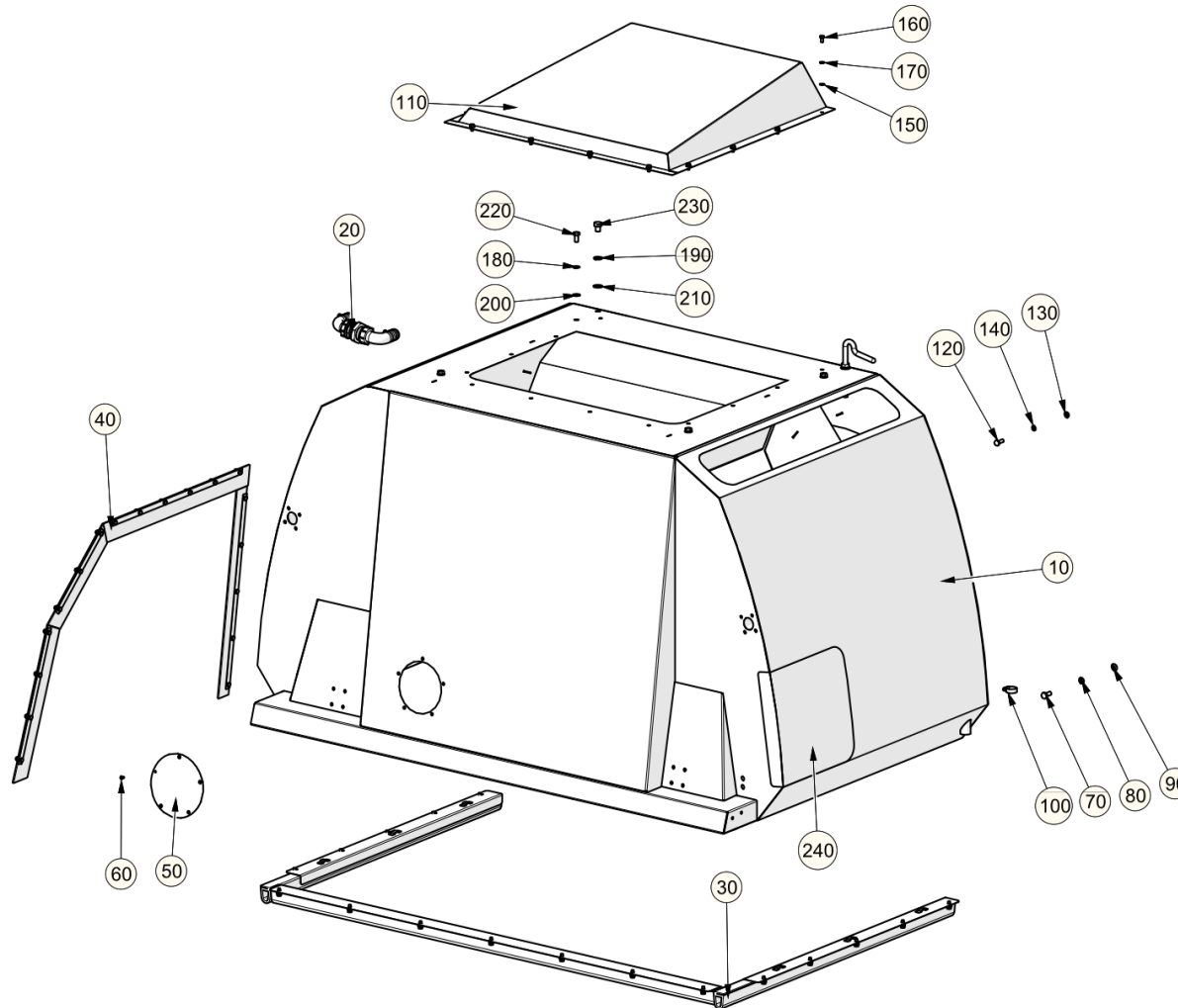
Water Filter Assembly ()
Hopper & Cowl\Hopper\Water Filter Assembly



Water Filter Assembly ()
Hopper & Cow/Hopper/Water Filter Assembly

Item no.	Part no.	Description	QTY	Unit
10	6974-1-C	Filter - Water Tank	1	PC
20	7018121	Mounting Cap	1	PC
30	7018119	Gasket Ring	1	PC
40	277-213	Flynut Hosetail - 90° Barb = 38mm	1	PC
50	277-214	Gasket - 67mm O/D 47mm I/D	2	PC
60	277-170	Flynut - 1 1/2 F	1	PC
70	277-198	Backnut 1 1/2 F	1	PC
80	277-171	O-Ring	1	PC
90	277-212	Nipple - G 1 1/2 50 x 24mm	1	PC

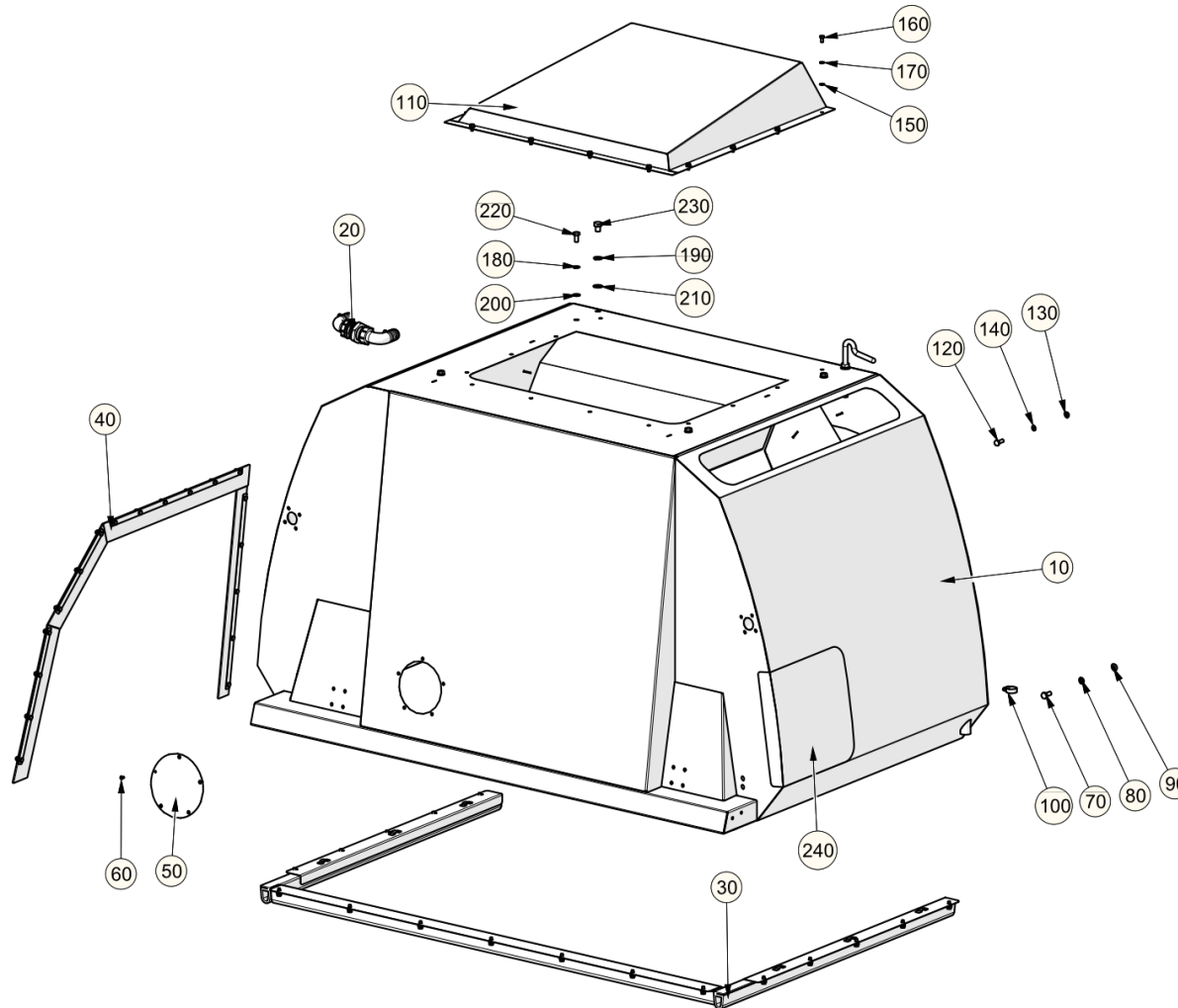
Cowl ()
Hopper & Cowl\Cowl



Cowl ()
Hopper & Cowl\Cowl

Item no.	Part no.	Description	QTY	Unit
10	7009800	Cowl Welded Assembly	1	PC
10	7020261	Cowl Welded Assembly 1.4301	1	PC
50	7019893	Cover Plate - Tank Access	1	PC
60	92330033-0	Hex Skt Button Head Screw M6x12 - 10.9	5	PC
70	92097450-0	Hex Head Screw - M12Cx30 - 8.8	4	PC
70	92099450-0	Hex Head Screw - M12Cx35 - A2	4	PC
80	93699712-0	Spring Washer - Plated M12	4	PC
90	93212013-0	Plain Washer M12	4	PC
100	501-25	Hose Clip - Worm Drive (25-35)	1	PC
110	7024408	Hood Welded Assembly	1	PC
110	7028512	Hood Welded Assembly (1.4301)	1	PC
120	92097414-0	Hex Head Screw - M10Cx30 - 8.8	12	PC
120	92099411-0	Hex Head Screw - M10Cx30 - A2	12	PC
130	93212012-0	Plain Washer - M10	12	PC
130	93213011-0	Plain Washer M10 A2	12	PC
140	93699711-0	Spring Washer - Plated M10	12	PC
140	93700211-0	Spring Washer M10 - A2	12	PC
150	93212011-0	Plain Washer - M8	12	PC
150	93213010-0	Plain Washer M8 A2	12	PC
160	92097372-0	Hex Head Screw - M8Cx16 - 8.8	12	PC
160	92099371-0	Hex Head Screw - M8Cx16 - A2	12	PC
170	93699710-0	Spring Washer - Plated M8	12	PC
170	93700210-0	Spring Washer M8 - A2	12	PC
180	93700212-0	Spring Washer M12 - A2	4	PC

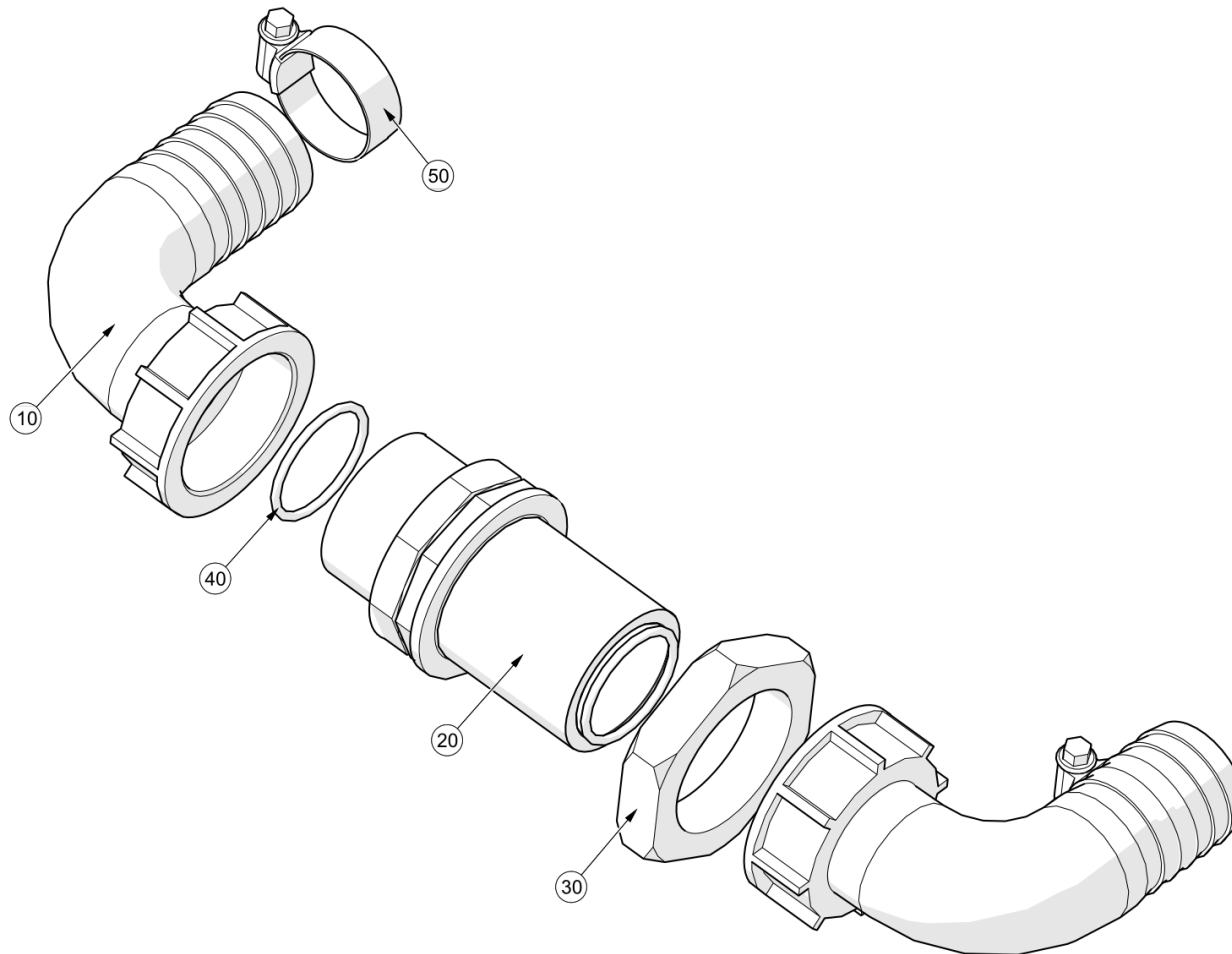
Cowl ()
Hopper & Cowl\Cowl



Cowl ()
Hopper & Cowl\Cowl

Item no.	Part no.	Description	QTY	Unit
190	93700214-0	Spring Washer M16 - A2	2	PC
200	93213012-0	Plain Washer M12 A2	4	PC
210	93213014-0	Plain Washer M16 A2	2	PC
220	92099447-0	Hex Head Screw - M12Cx25 - A2	4	PC
230	92099517-0	Hex Head Bolt - M16Cx20 - A2-70	2	PC
240	7020375	Shield Welded Assembly	1	PC

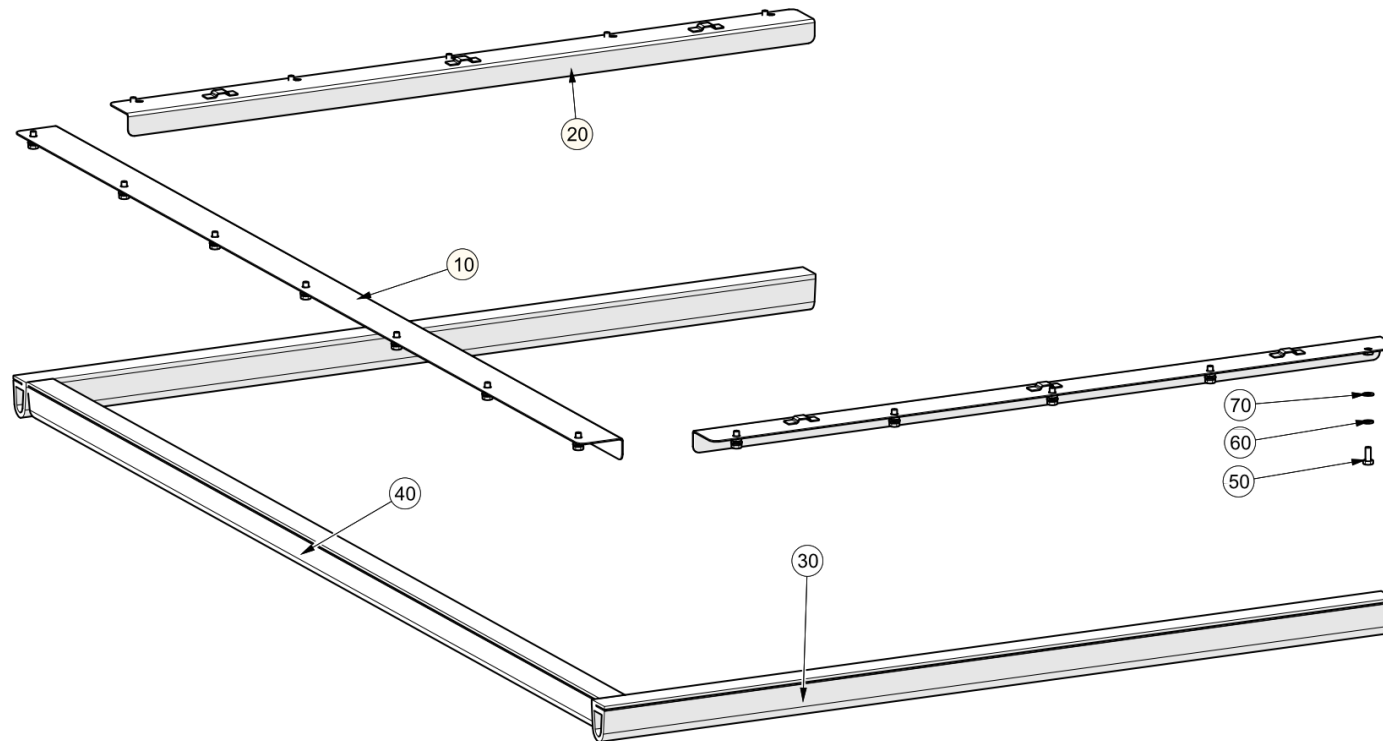
Water Connection - Hydrant Filler ()
Hopper & Cowl\Cowl\Water Connection - Hydrant Filler



Water Connection - Hydrant Filler ()
Hopper & Cowl\Cowl\Water Connection - Hydrant Filler

Item no.	Part no.	Description	QTY	Unit
10	277-208	Cap and Liner 90 Degree	2	PC
10	277-199	Spigoted 1 1/2" Cap & Liner	1	PC
20	277-212	Nipple - G 1 1/2 50 x 24mm	1	PC
30	277-198	Backnut 1 1/2 F	1	PC
40	277-171	O-Ring	2	PC
50	501-25	Hose Clip - Worm Drive (25-35)	2	PC

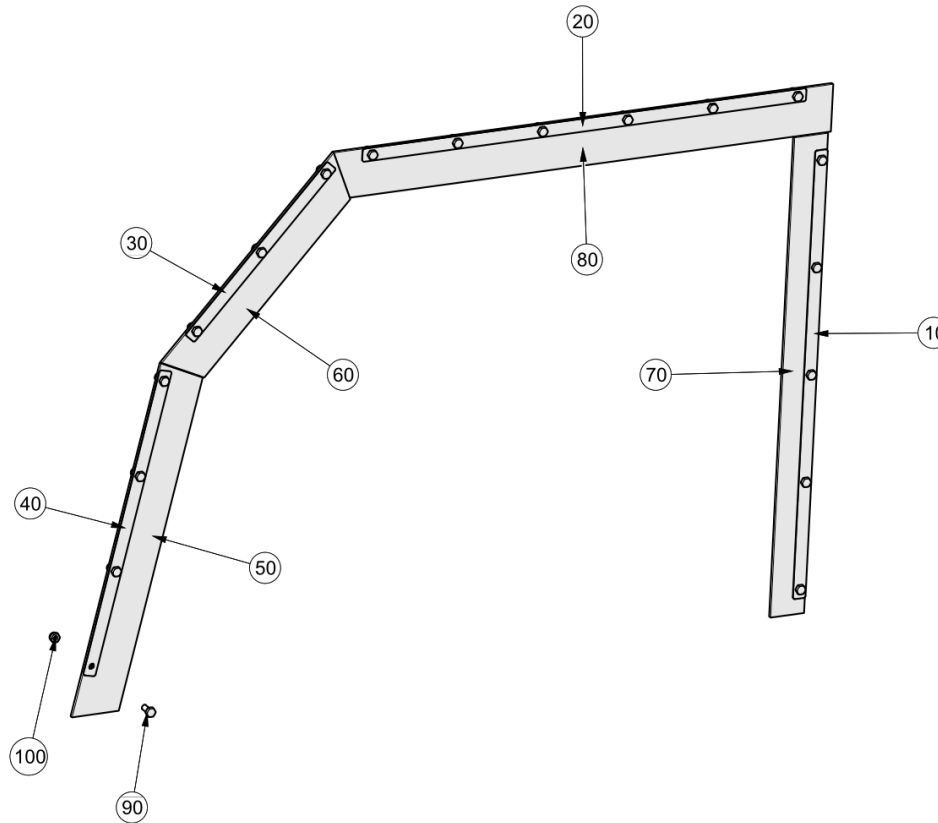
Cowl Seal Assembly ()
Hopper & Cowl\Cowl\Cowl Seal Assembly



Cowl Seal Assembly ()
Hopper & Cowl\Cowl\Cowl Seal Assembly

Item no.	Part no.	Description	QTY	Unit
10	7009998	Clamp Front Seal Welded Assembly	1	PC
10	7020276	Clamp Front Seal Welded Assembly	1	PC
20	7009984	Clamp Side Seal Welded Assembly	2	PC
20	7020273	Clamp Side Seal Welded Assembly	1	PC
30	7010257	Seal Side Cowl	2	PC
40	7010258	Seal Front Cowl	1	PC
50	92097374-0	Hex Head Screw - M8Cx20 - 8.8	17	PC
50	92099373-0	Hex Head Screw - M8Cx20 - A2	17	PC
60	93699710-0	Spring Washer - Plated M8	17	PC
60	93700210-0	Spring Washer M8 - A2	17	PC
70	93212011-0	Plain Washer - M8	17	PC
70	93213010-0	Plain Washer M8 A2	17	PC

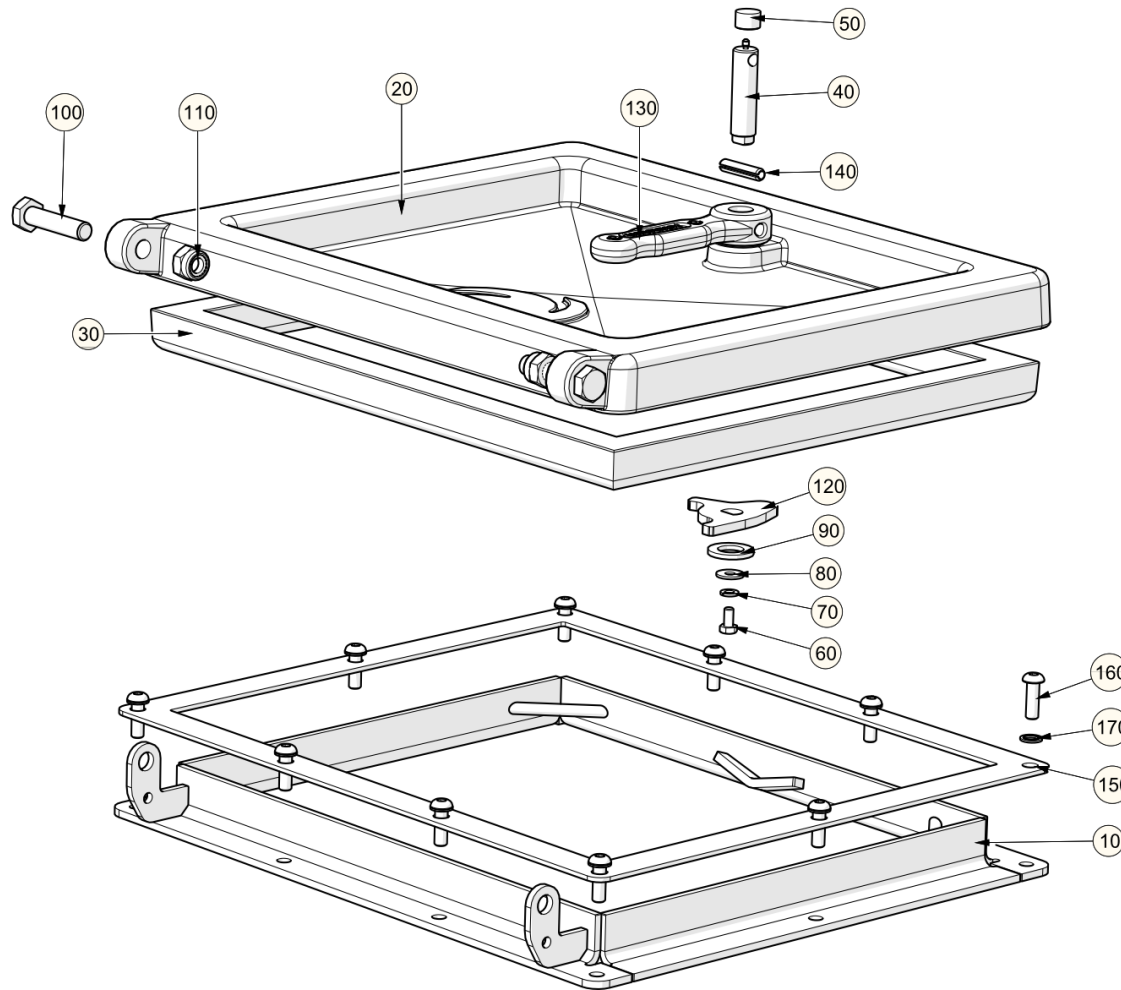
Radiator Shroud Seal ()
Hopper & Cow\Cow\Radiator Shroud Seal



Radiator Shroud Seal ()
Hopper & Cow\Cow\Radiator Shroud Seal

Item no.	Part no.	Description	QTY	Unit
10	7020009	Retaining Strip Rear	1	PC
20	7019998	Retaining Strip Top	1	PC
30	7019996	Retaining Strip Chamfer	1	PC
40	7019994	Retaining Strip Front	1	PC
50	7010373	Seal Radiator Front	1	PC
60	7010371	Seal Radiator Chamfer	1	PC
70	7010368	Seal Radiator Rear	1	PC
80	7010367	Seal Radiator Top	1	PC
90	92097374-0	Hex Head Screw - M8Cx20 - 8.8	18	PC
100	93085005-0	Nyloc Hex Nut M8C - 8	18	PC

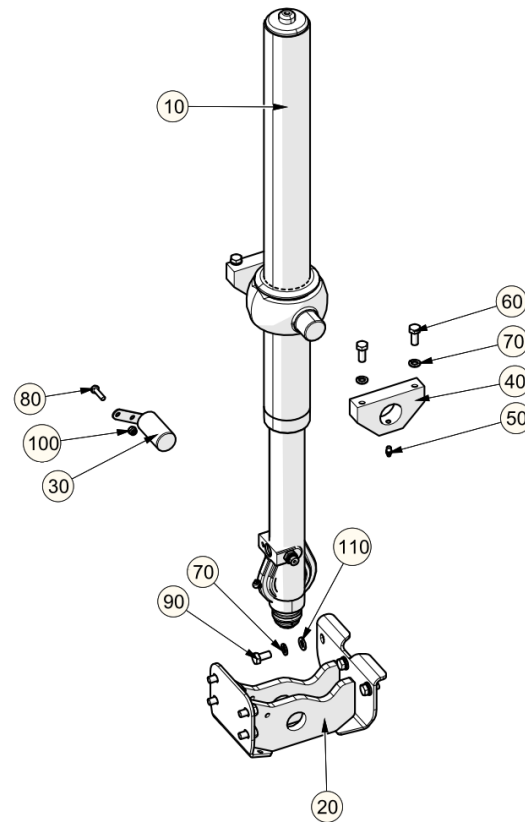
Hopper Access Door ()
Hopper & Cow\\Hopper Access Door



Hopper Access Door ()
Hopper & Cow\Hopper Access Door

Item no.	Part no.	Description	QTY	Unit
10	283596-2	Frame W/Assy - Rear / Roof Acc Door	1	PC
20	284345-1	Access Door	1	PC
30	281217-1	Seal - Access Door Moulded	1	PC
40	284348-1	Spindle	1	PC
50	290-28	Bump Stop Rubber	1	PC
60	92099298-0	Hex Head Screw - M6Cx12 - A2	1	PC
70	93699708-0	Spring Washer - Plated M6	1	PC
80	93300507-0	Plain Large Washer M6	1	PC
90	93210523-0	Plain Washer - M16	1	PC
100	92067460-0	Hex Head Bolt - M12Cx55 - 8.8	2	PC
110	93085807-0	Nyloc Hex Nut M12C - 8	2	PC
120	200342-1	Lock	1	PC
130	7017706	Handle - Access Door	1	PC
140	93545357-0	Spring Pin (Slotted) - Ø8x36 C.Steel HD	1	PC
150	283613-1	Gasket - Access Panel Roof	1	PC
160	6122-2082	Hex Socket Button Head Screw M8Cx25 A2	10	PC
170	451-3	Washer Bonded Ø5-16" - Bolt	10	PC

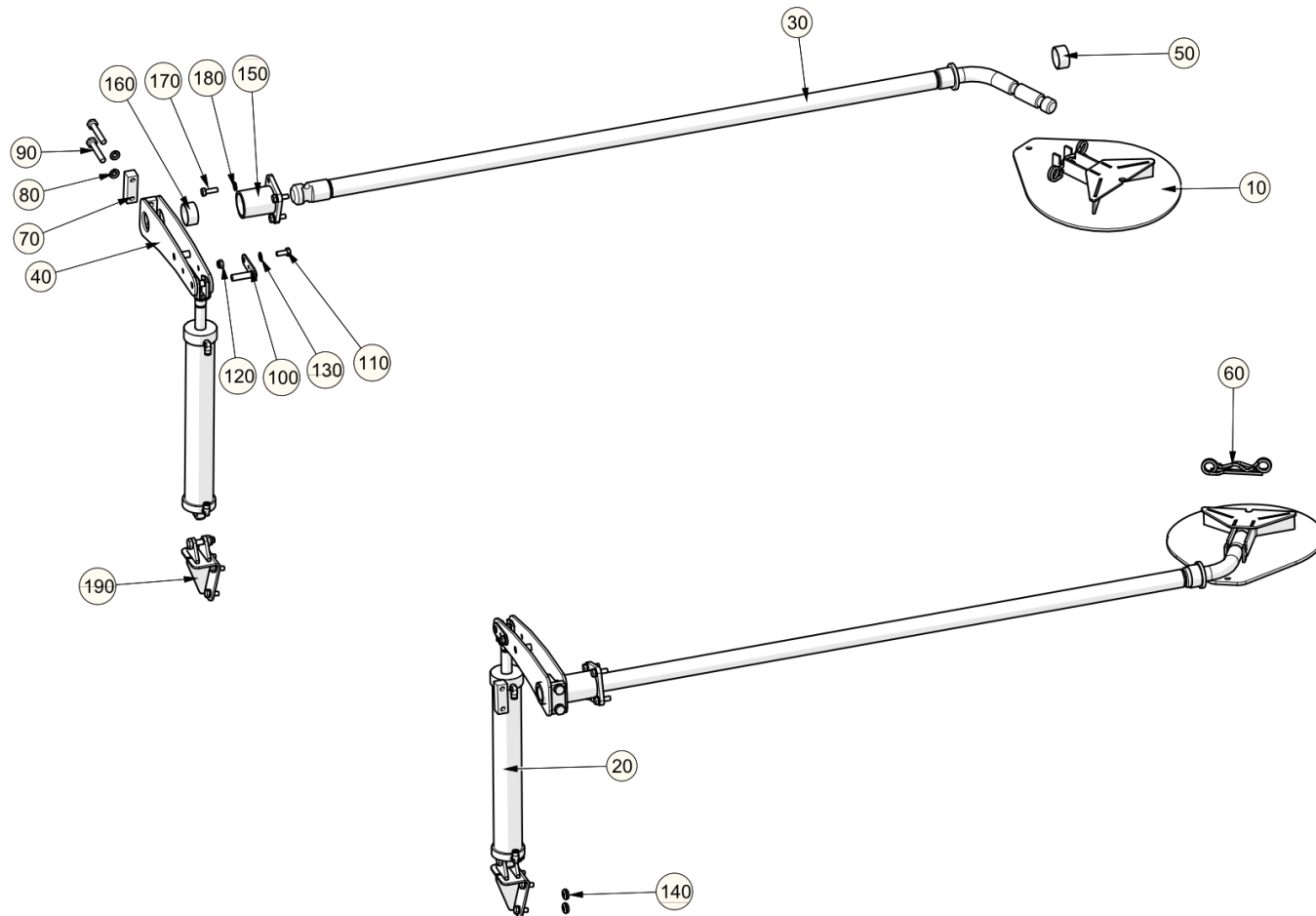
Tip Cylinder ()
Hopper & Cowl\Tip Cylinder



Tip Cylinder ()
Hopper & Cowl\Tip Cylinder

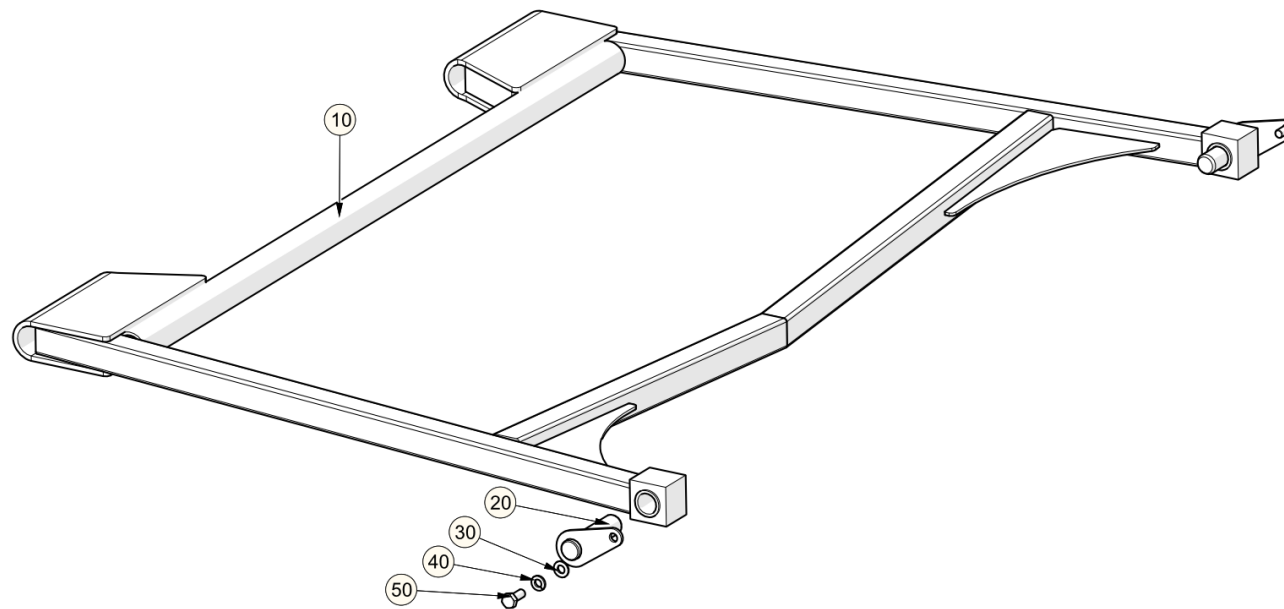
Item no.	Part no.	Description	QTY	Unit
10	7007541	Cylinder Assembly Ø75 x 1633 651	1	PC
10	7014581	Cylinder Assembly Ø75 x 1371 501	1	PC
10	7007939	Cylinder Assembly Ø75 x 1733 801	1	PC
20	7000862	Pivot Assembly	1	PC
30	42432-1-A	Pin - Pivot	1	PC
40	42072-1-A	Block Trunnion Cyl Tip Body	2	PC
50	38-1	Grease Nipple Straight 1/8 BSP	2	PC
60	92097450-0	Hex Head Screw - M12Cx30 - 8.8	4	PC
70	93699712-0	Spring Washer - Plated M12	11	PC
80	92097378-0	Hex Head Screw - M8Cx30 - 8.8	1	PC
90	92097448-0	Hex Head Screw - M12Cx25 - 8.8	7	PC
100	93085805-0	Nyloc Hex Nut M8C - 8	1	PC
110	93212013-0	Plain Washer M12	7	PC

Cowl mounted flap cylinders ()
Hopper & Cowl\Cowl mounted flap cylinders



Cowl mounted flap cylinders ()
Hopper & Cowl\Cowl mounted flap cylinders

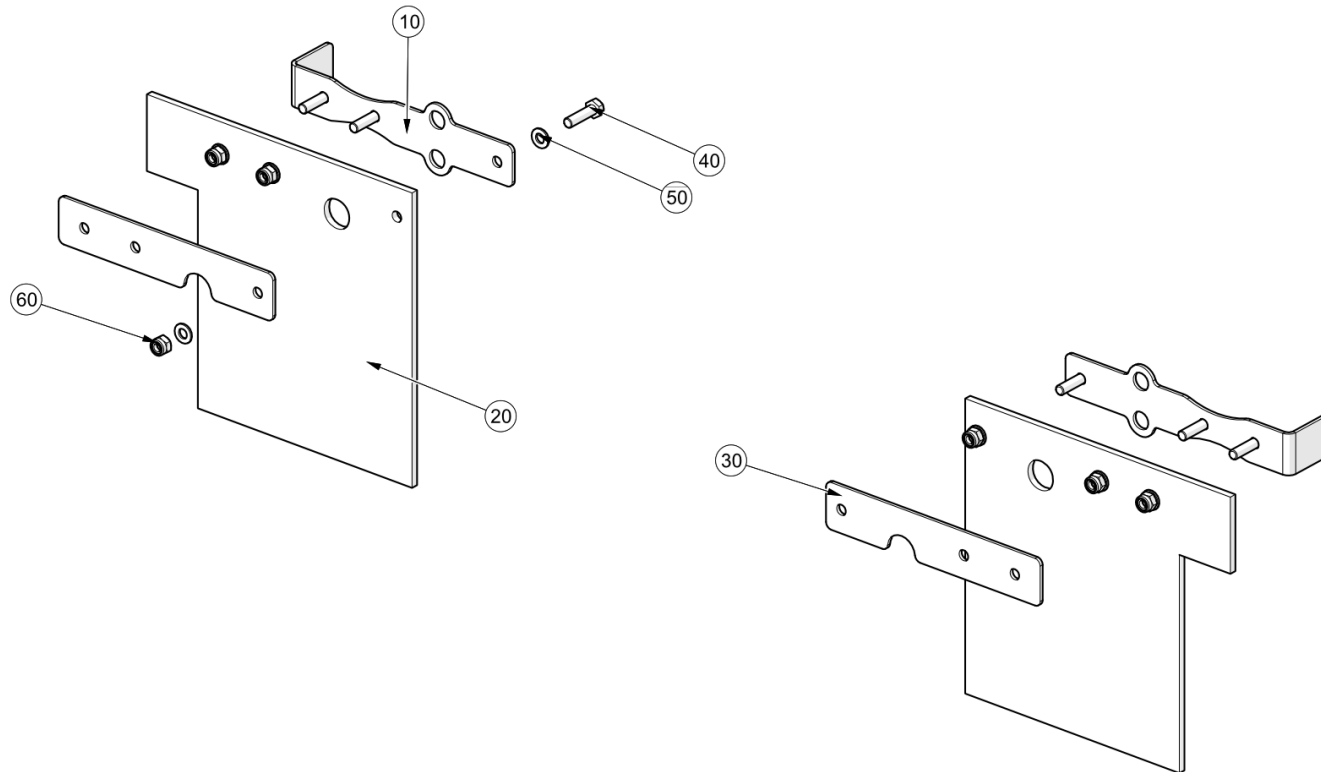
Item no.	Part no.	Description	QTY	Unit
10	282577-1	Intake Flap	2	PC
20	7004696	Cylinder Assembly Ø50x310	2	PC
30	7020088	Shaft Welded Assembly	2	PC
40	7038643	Actuator Arm - Welded Assembly	2	PC
50	29128-2-B	Bush	2	PC
60	40516-1-B	Spring Clip - Double Wound , Ø 19mm	4	PC
70	40456-2	Bar - Lever Mounting	2	PC
80	93699711-0	Spring Washer - Plated M10	4	PC
90	92097420-0	Hex Head Screw - M10Cx60 - 8.8	4	PC
100	7040101	Pin - 11.5 x 48 - W/Assy	2	PC
110	92097374-0	Hex Head Screw - M8Cx20 - 8.8	2	PC
120	93085005-0	Nyloc Hex Nut M8C - 8	2	PC
130	93212011-0	Plain Washer - M8	2	PC
140	287-38	Grommet - Ø 12.7 O/D, 8.0 I/D 1.6 Thick	4	PC
150	7034454	Flap bearing welded assembly	2	PC
160	29128-2-B	Bush	2	PC
170	92097376-0	Hex Head Screw - M8Cx25 - 8.8	8	PC
180	93699710-0	Spring Washer - Plated M8	8	PC
190	7020165	Flap Cylinder Bracket - Welded Assembly	2	PC



Body Prop ()
Hopper & Cow\Body Prop

Item no.	Part no.	Description	QTY	Unit
10	7000965	Prop Assembly 651 801	1	PC
10	7005542	Prop Assembly 501	1	PC
20	283445-1	Pivot Pin	2	PC
30	93212011-0	Plain Washer - M8	2	PC
40	93699710-0	Spring Washer - Plated M8	2	PC
50	92097374-0	Hex Head Screw - M8Cx20 - 8.8	2	PC

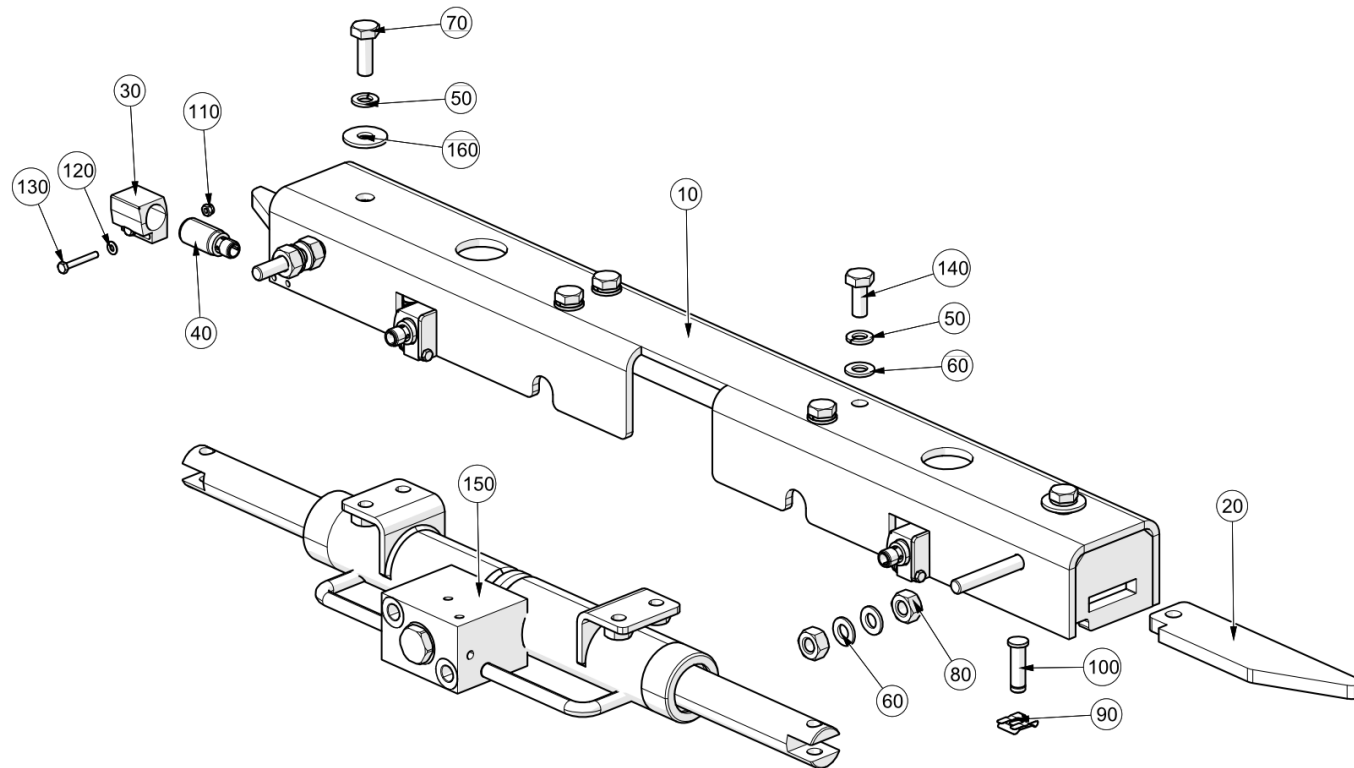
Deflector ()
Hopper & Cow\Deflector



Deflector ()
Hopper & Cowl\Deflector

Item no.	Part no.	Description	QTY	Unit
10	7028784	Bracket	1	PC
20	7028810	Chute Curtain	1	PC
30	7028785	Press Plate	1	PC
40	92097378-0	Hex Head Screw - M8Cx30 - 8.8	3	PC
50	93212011-0	Plain Washer - M8	6	PC
60	93085805-0	Nyloc Hex Nut M8C - 8	3	PC

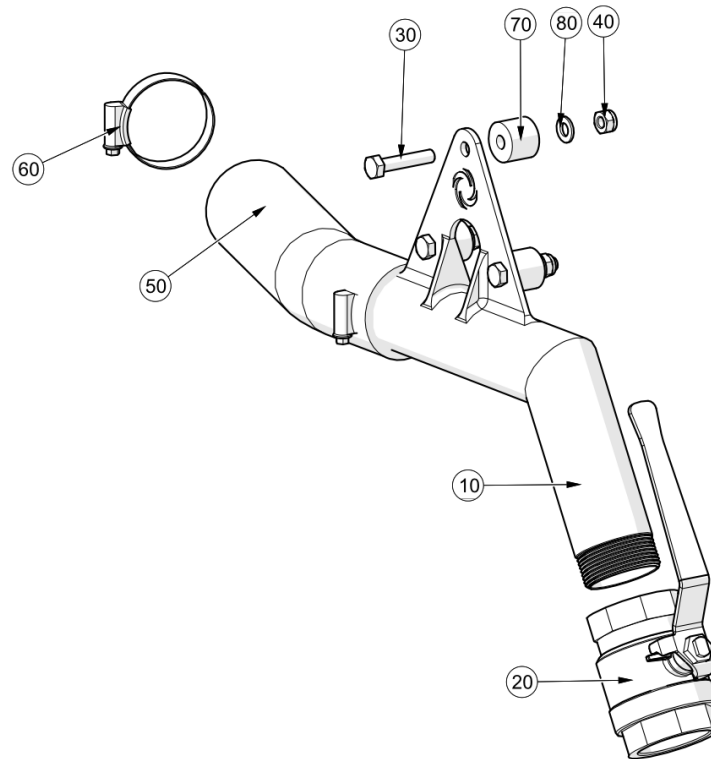
Latch Cassette ()
Hopper & Cow\Latch Cassette



Latch Cassette ()
Hopper & Cow\Latch Cassette

Item no.	Part no.	Description	QTY	Unit
10	7001164	Channel Assembly	1	PC
20	7001165	Latch	2	PC
30	7003202	Sensor Mount	3	PC
40	7003201	Sensor	3	PC
50	93699711-0	Spring Washer - Plated M10	6	PC
60	93212012-0	Plain Washer - M10	8	PC
70	92097414-0	Hex Head Screw - M10Cx30 - 8.8	2	PC
80	93056016-0	Hex Nut M12C-8	4	PC
90	39624	Slim Safety Fastener	2	PC
100	29145-1-B	Clevis Pin (37.5mm Lg)	2	PC
110	93085002-0	Nyloc Hex Nut M4C - 8	6	PC
120	93212007-0	Plain Washer M4	6	PC
130	6107-0661	Hex Head Screw - M4Cx30 - 8.8	6	PC
140	92097412-0	Hex Head Screw - M10Cx25 - 8.8	4	PC
150	7001169	Cylinder Rear Door Latch	1	PC
160	93300510-0	Plain Large Washer M10	2	PC

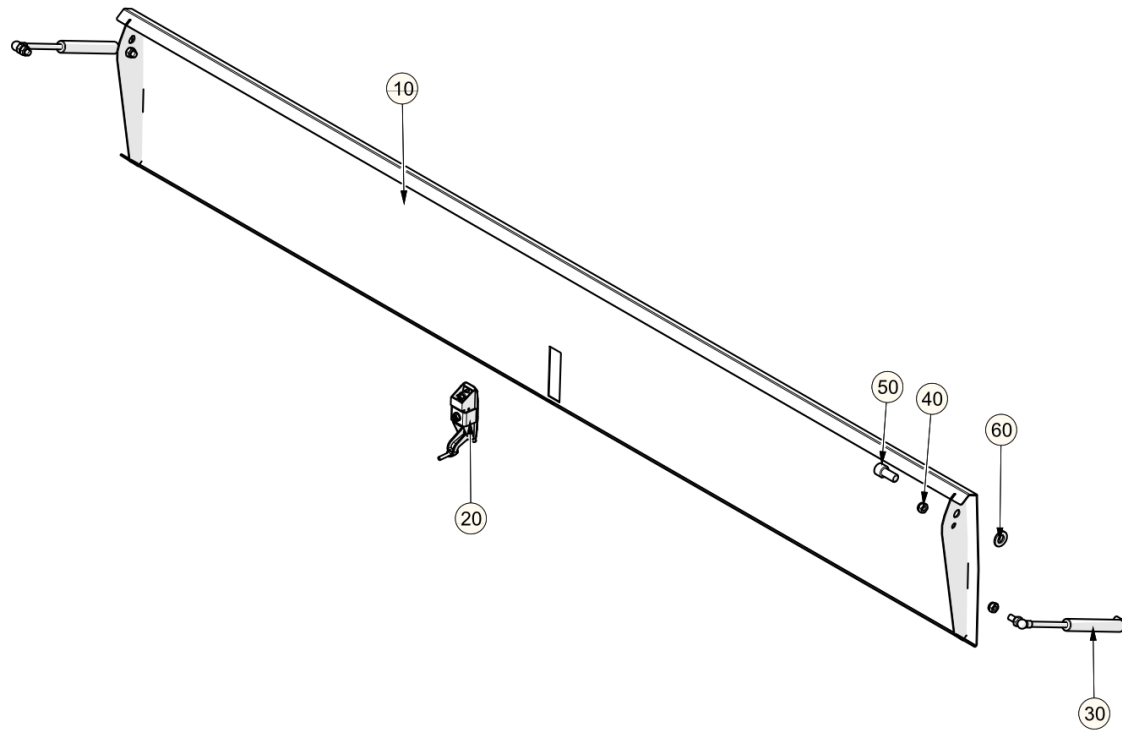
Flushing Valve Assembly ()
Hopper & Cow\Flushing Valve Assembly



Flushing Valve Assembly ()
Hopper & Cow\Flushing Valve Assembly

Item no.	Part no.	Description	QTY	Unit
10	7028740	Flushing Valve	1	PC
20	39253	Valve Ball 1 1/2 BSP	1	PC
30	92097380-0	Hex Head Screw - M8Cx40 - 8.8	3	PC
40	93085005-0	Nyloc Hex Nut M8C - 8	3	PC
50	42213-1-A	Hose Flushing Valve	1	PC
60	09531011-0	Hose Clip - Worm Drive (40-55)	2	PC
70	7023615	Spacer - Valve Bank Label	3	PC
80	93212011-0	Plain Washer - M8	3	PC

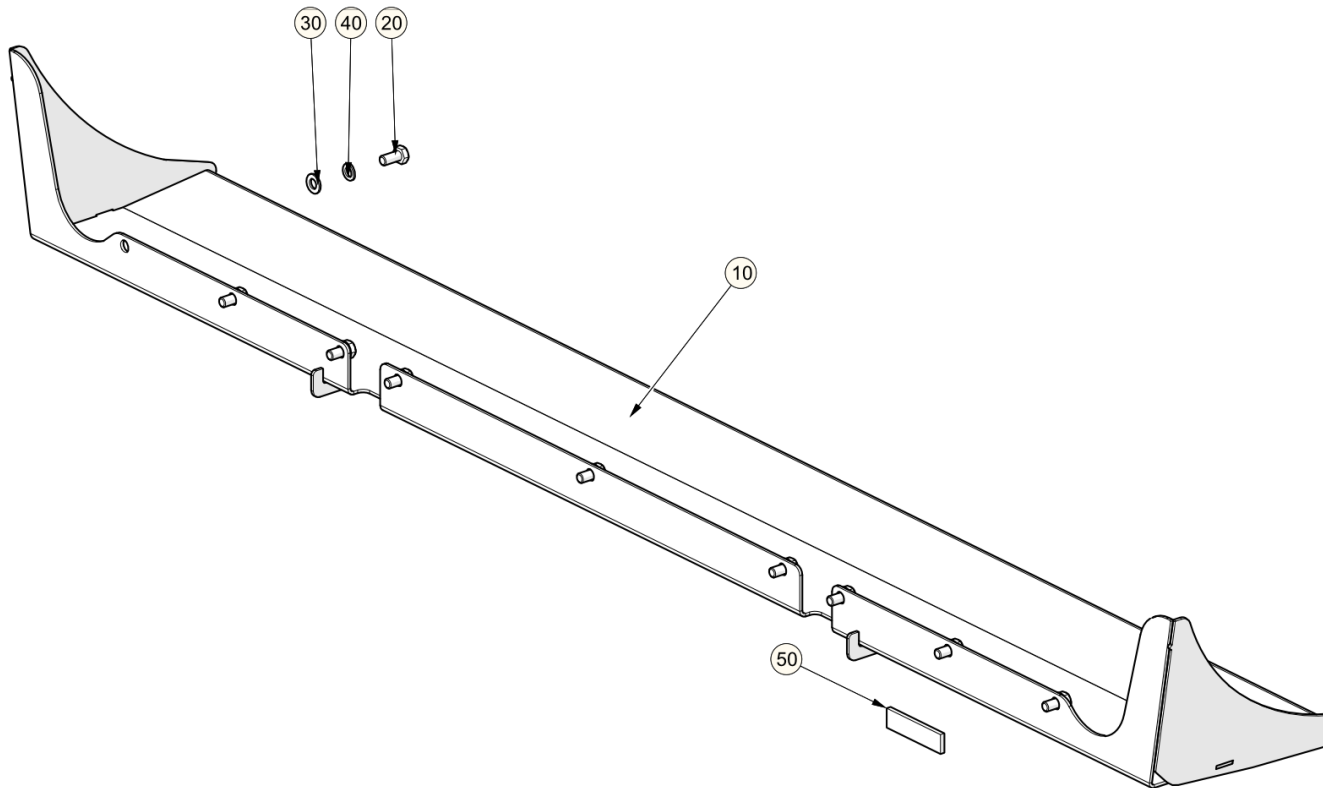
Locker Doors ()
Hopper & Cowl/Locker Doors



Locker Doors ()
Hopper & Cowl\Locker Doors

Item no.	Part no.	Description	QTY	Unit
7043354	7043354	Locker Door W/Assy, RH- 1440	0	PC
7043353	7043353	Locker Door W/Assy- 1440	0	PC
10	7043384	Locker Door W/Assy, LH- 1815	1	PC
10	7043385	Locker Door W/Assy, RH- 1815	1	PC
20	211-77	Raised Trigger Handle Latch, Key & Catch	1	PC
30	293-14	Strut - Gas 236mm Centres	2	PC
40	93085005-0	Nyloc Hex Nut M8C - 8	4	PC
50	92137194-0	Hex Socket Cap Screw - M12Cx25 - 12.9	1	PC
60	93212013-0	Plain Washer M12	1	PC

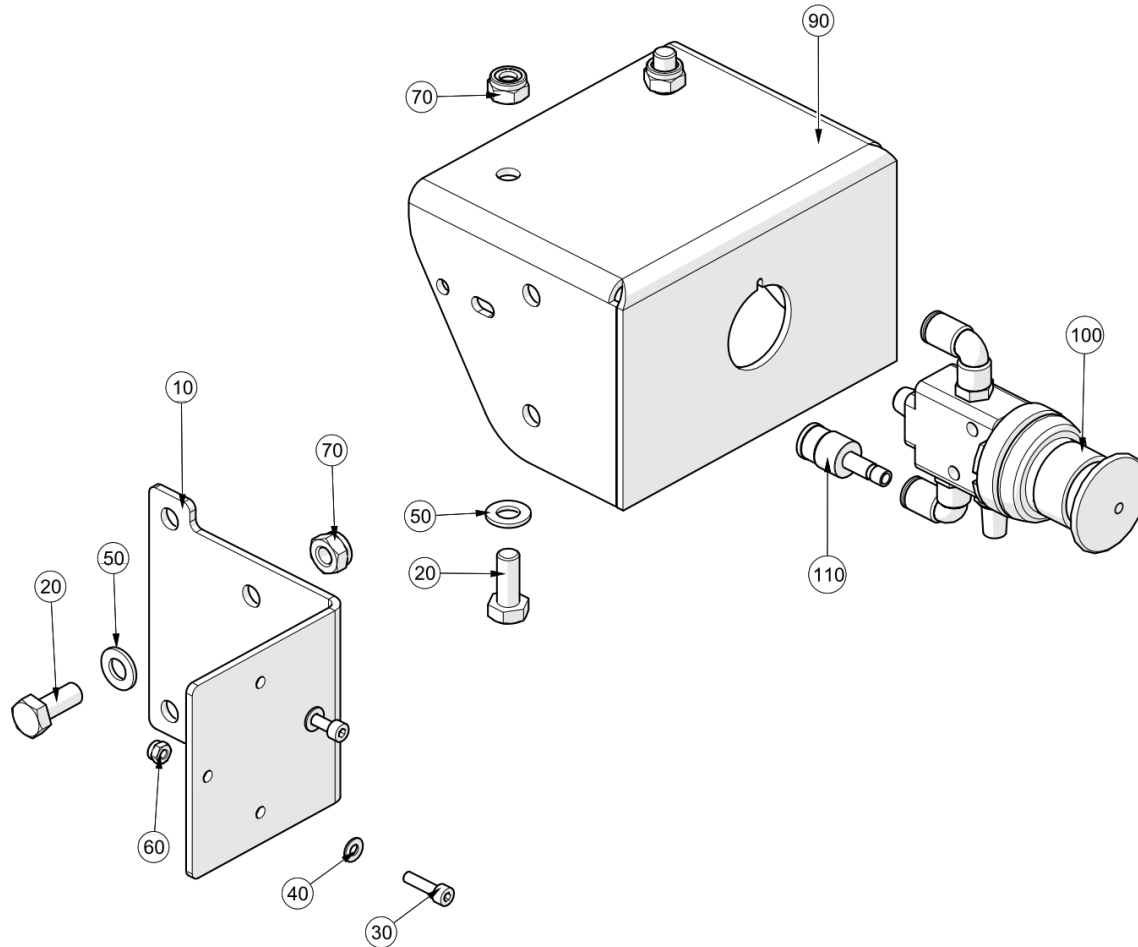
Discharge Chute ()
Hopper & Cowl\Discharge Chute



Discharge Chute ()
Hopper & Cowl\Discharge Chute

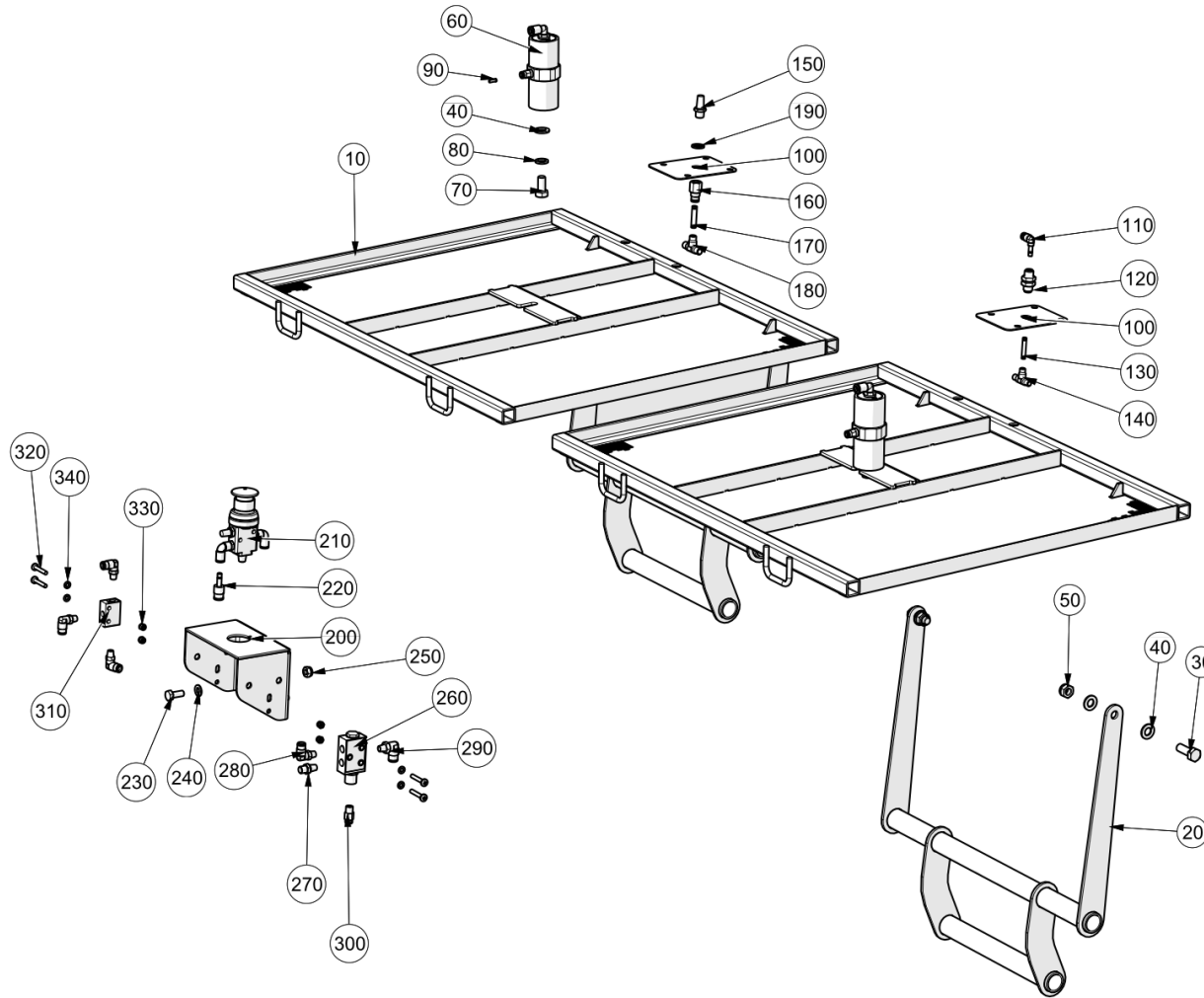
Item no.	Part no.	Description	QTY	Unit
10	7022289	Discharge Chute Welded Assembly	1	PC
20	92099447-0	Hex Head Screw - M12Cx25 - A2	9	PC
30	93213012-0	Plain Washer M12 A2	9	PC
40	93700212-0	Spring Washer M12 - A2	9	PC
50	217-35	Foam - Self Adhesive Black 25x6	2	PC

Hopper Controls ()
Hopper & Cowl/Hopper Controls



Hopper Controls ()
Hopper & Cowl/Hopper Controls

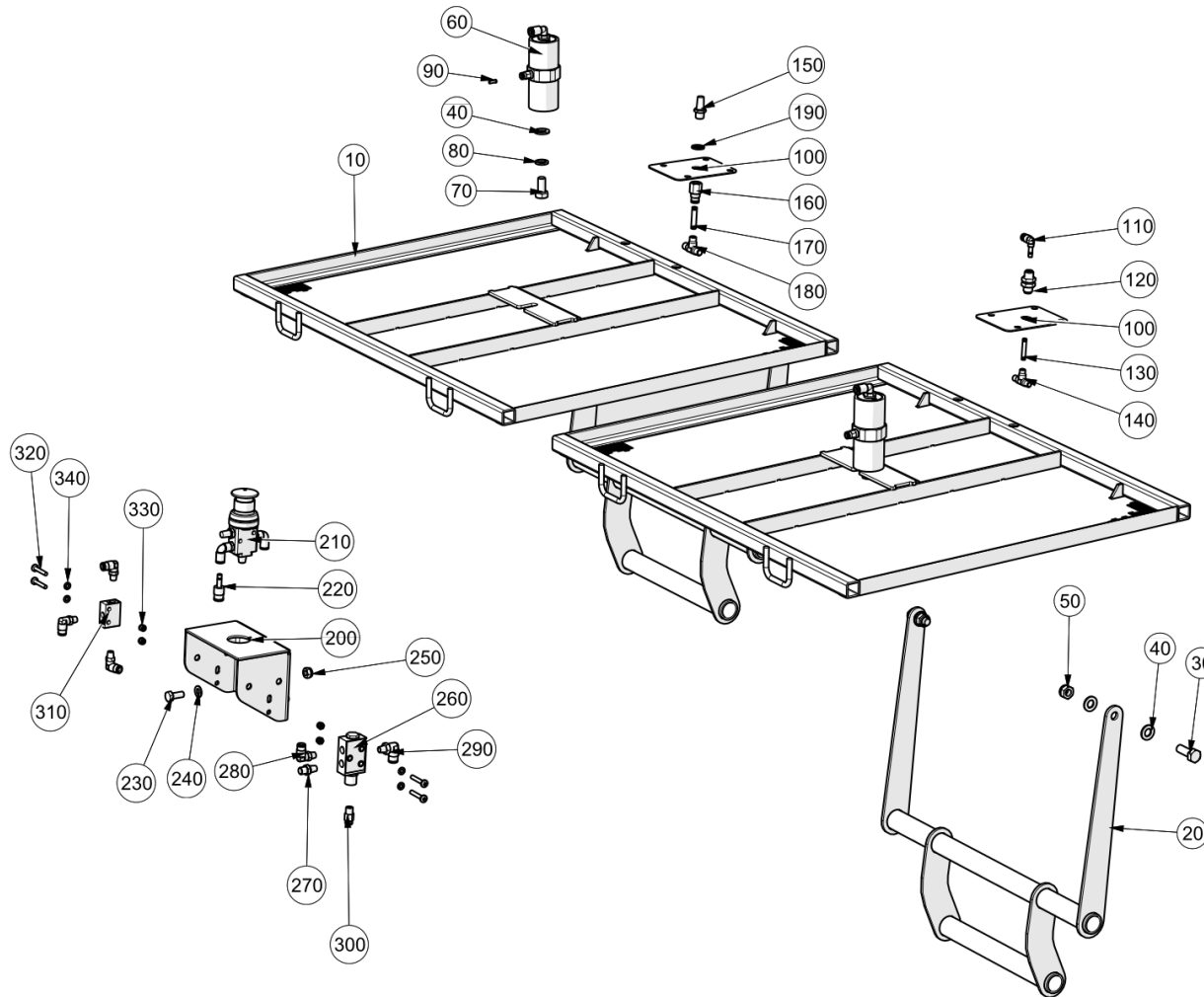
Item no.	Part no.	Description	QTY	Unit
10	7029463	Bracket, External Throttle	1	PC
20	92097374-0	Hex Head Screw - M8Cx20 - 8.8	4	PC
30	92137012-0	Hex Socket Cap Screw - M4Cx16 - 12.9	2	PC
40	93212007-0	Plain Washer M4	2	PC
50	93212011-0	Plain Washer - M8	4	PC
60	93085002-0	Nyloc Hex Nut M4C - 8	2	PC
70	93085005-0	Nyloc Hex Nut M8C - 8	4	PC
80	7033276	Harness - External Throttle MK2	1	PC
90	7019819	Bracket, Pneumatic Control	1	PC
100	72-51	Push Button Pneu Switch	1	PC
110	548-20	Adaptor - Expanding 8mm x 6mm	1	PC

Hopper Mesh ()
Hopper & Cowl\Hopper Mesh


Hopper Mesh ()

Hopper & Cowl\Hopper Mesh

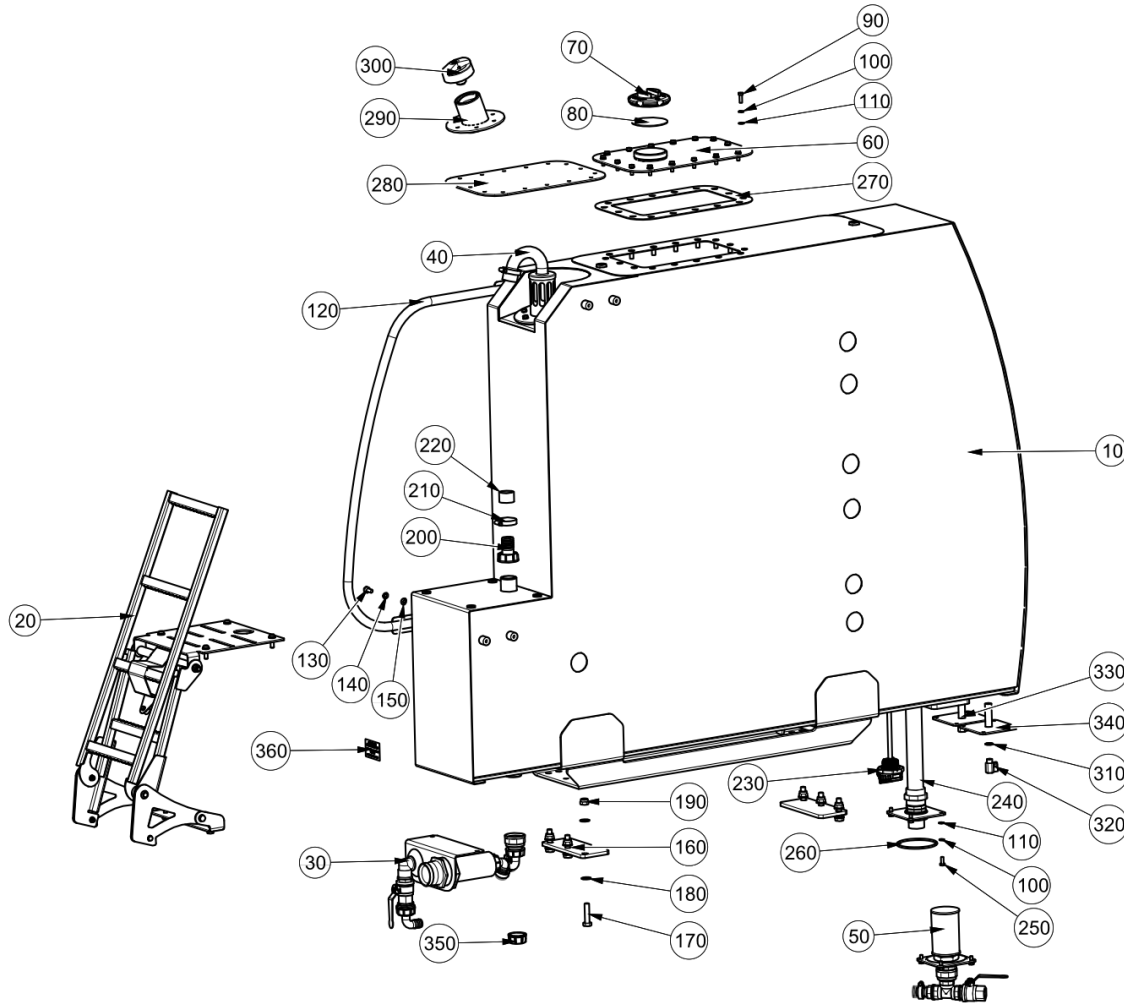
Item no.	Part no.	Description	QTY	Unit
10	7015783	Rear Mesh Welded Assembly	2	PC
20	7020222	Handle Welded Assembly	2	PC
30	92099450-0	Hex Head Screw - M12Cx35 - A2	4	PC
40	93213012-0	Plain Washer M12 A2	10	PC
50	93085607-0	Nyloc Hex Nut - M12c - A2	4	PC
60	283806-1	Pneumatic Piston Vibrator	2	PC
70	92099447-0	Hex Head Screw - M12Cx25 - A2	2	PC
80	93700212-0	Spring Washer M12 - A2	2	PC
90	41041-1-A	Sleeve - Support, Pipe	2	PC
100	282515-2	Plate - Connection Vibrator Pneu	2	PC
110	551-1	Adaptor - Stem Elbow 6mm	1	PC
120	555-3	Adaptor Bulkhead 6mm x M14x1.5	1	PC
130	549-3	Pneumatic Stem Connector, Ø6mm Tube	1	PC
140	09598782-0	Pneumatic Tee Connector, Ø6mm Tube	1	PC
150	09552117-0	Air Silencer 1/4"	1	PC
160	541-8	Adaptor - Female Straight 8mm x 1/4 BSP	1	PC
170	549-4	Pneumatic Stem Connector, Ø8mm Tube	1	PC
180	09598783-0	Pneumatic Tee Connector, Ø8mm Tube	2	PC
190	451-17	Washer Bonded G1-4"	1	PC
200	7019819	Bracket, Pneumatic Control	1	PC
210	72-51	Push Button Pneu Switch	1	PC
220	548-20	Adaptor - Expanding 8mm x 6mm	1	PC
230	92097374-0	Hex Head Screw - M8Cx20 - 8.8	2	PC
240	93212011-0	Plain Washer - M8	2	PC

**Hopper Mesh ()
Hopper & Cowl\Hopper Mesh**

Hopper Mesh ()
Hopper & Cow\Hopper Mesh

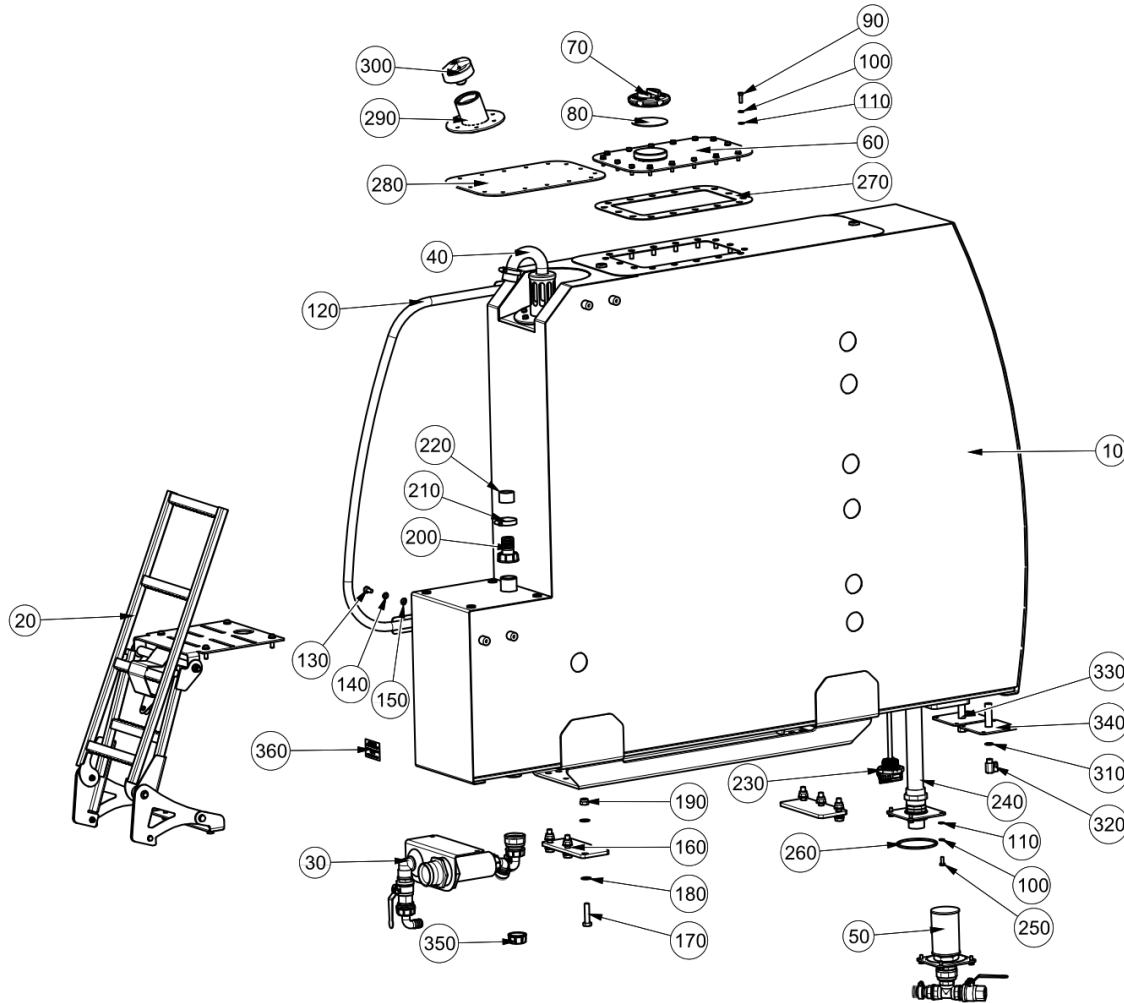
Item no.	Part no.	Description	QTY	Unit
250	93085005-0	Nyloc Hex Nut M8C - 8	2	PC
260	72-31	Valve - Pneumatic 3/2	1	PC
270	72-17	Exhaust Silencer	1	PC
280	09593147-0	Elbow Push-In Swivel 6mm x 1/8 BSPT	4	PC
290	09593150-0	Elbow Push-In Swivel 8mm x 1/8 BSPT	1	PC
300	537-3	Adaptor-Push In 6mm x 1/8 BSPT Straight	1	PC
310	72-1	Valve - Shuttle	1	PC
320	134-61	Pan Head Screw - M5Cx30 - 4.8	4	PC
330	93085003-0	Nyloc Hex Nut M5C - 8	4	PC
340	93210109-0	Plain Washer M5	4	PC

Auxiliary Water/Fuel Tank ()
Hopper & Cowl/Auxiliary Water/Fuel Tank



Auxiliary Water/Fuel Tank ()
Hopper & Cow/Auxiliary Water/Fuel Tank

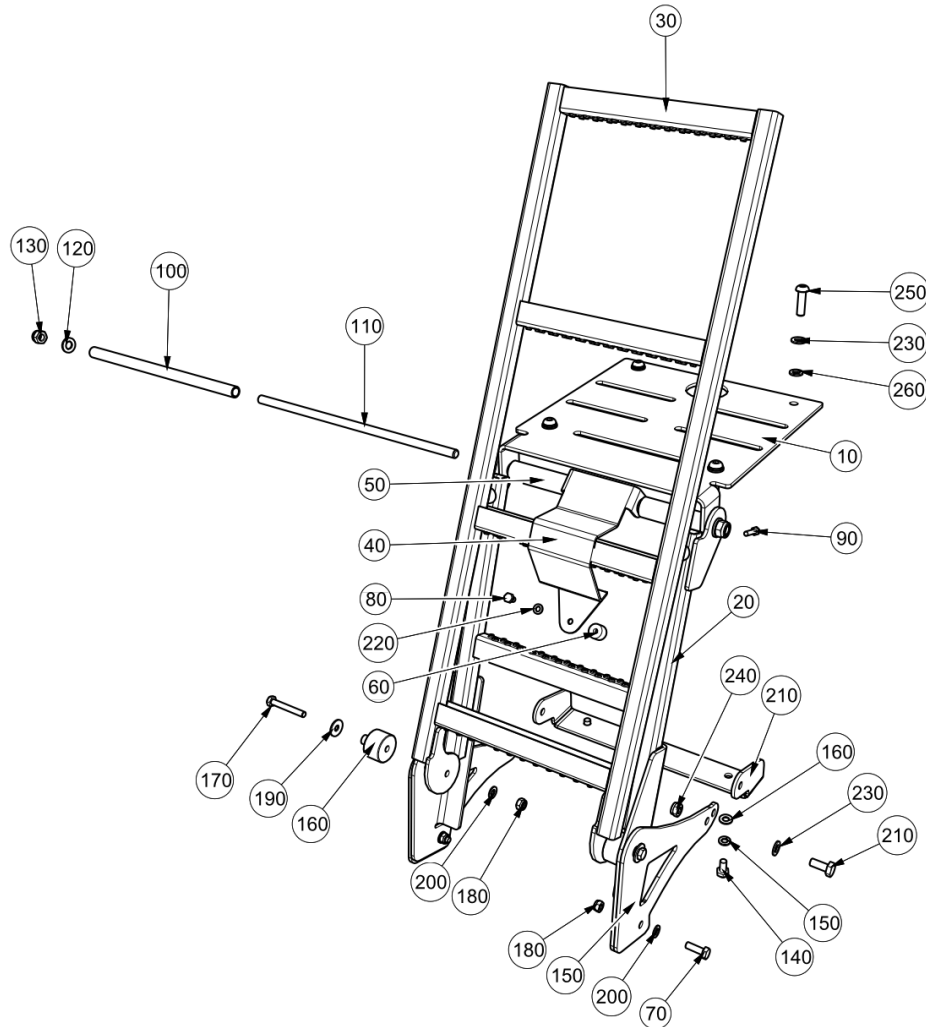
Item no.	Part no.	Description	QTY	Unit
10	7024413	Auxillary Water Tank Assembly	1	PC
10	7024655	Auxiliary Fuel Tank Assembly	1	PC
60	283024-1	Cover Plate W/Assy Aux Tank	1	PC
70	284040-1	Cap - Water Tank Drain	1	PC
80	40643-1-C	Washer - Seal, Drain, Water Tank	1	PC
90	92097376-0	Hex Head Screw - M8Cx25 - 8.8	16	PC
100	93699710-0	Spring Washer - Plated M8	30	PC
110	93212011-0	Plain Washer - M8	30	PC
120	283039-1	Grab Rail W/A Auxiliary Tank	1	PC
130	92097412-0	Hex Head Screw - M10Cx25 - 8.8	4	PC
140	93699711-0	Spring Washer - Plated M10	10	PC
150	93212012-0	Plain Washer - M10	10	PC
160	283073-1	Mount-Anti Vibration Aux Tank	2	PC
170	92072215-0	Hex Head Bolt - M14Cx60 - 10.9	6	PC
180	93212015-0	Plain Washer M14	12	PC
190	93085008-0	Nyloc Hex Nut M14C - 8	6	PC
200	277-199	Spigoted 1 1/2" Cap & Liner	1	PC
210	09531011-0	Hose Clip - Worm Drive (40-55)	2	PC
220	272-17	Hose 35i/d Trichoflex (Water)	0.9	M
230	7002529	Level Sender	1	PC
240	283032-1	Overflow Assy Auxiliary Tank	1	PC
250	92097374-0	Hex Head Screw - M8Cx20 - 8.8	14	PC
260	80-143	O-Ring	1	PC
270	283023-1	Gasket-Cover Plate Aux Tank	1	PC

Auxiliary Water/Fuel Tank ()
Hopper & Cowl/Auxiliary Water/Fuel Tank


Auxiliary Water/Fuel Tank ()
Hopper & Cow\Auxiliary Water/Fuel Tank

Item no.	Part no.	Description	QTY	Unit
280	283569-1	Cover Plate-Auxiliary Tank 95	1	PC
290	283030-1	Fuel Filler Neck W/A-Aux Tank	1	PC
300	69-27	Fuel Cap - Lockable 80mm	1	PC
310	451-18	Washer Bonded G3/8"	2	PC
320	88-28	Ball Valve 3/8"MF Short Handle	2	PC
330	283071-1	Flange W/A Fuel Tank DIM A 46	1	PC
340	283071-2	Flange W/A Fuel Tank DIM A 71	1	PC
350	277-203	Blanking Cap - 1 1/2"	1	PC
360	7043012	Tank Ident Plate	1	PC

Ladder ()
Hopper & Cowl\Auxiliary Water/Fuel Tank\Ladder

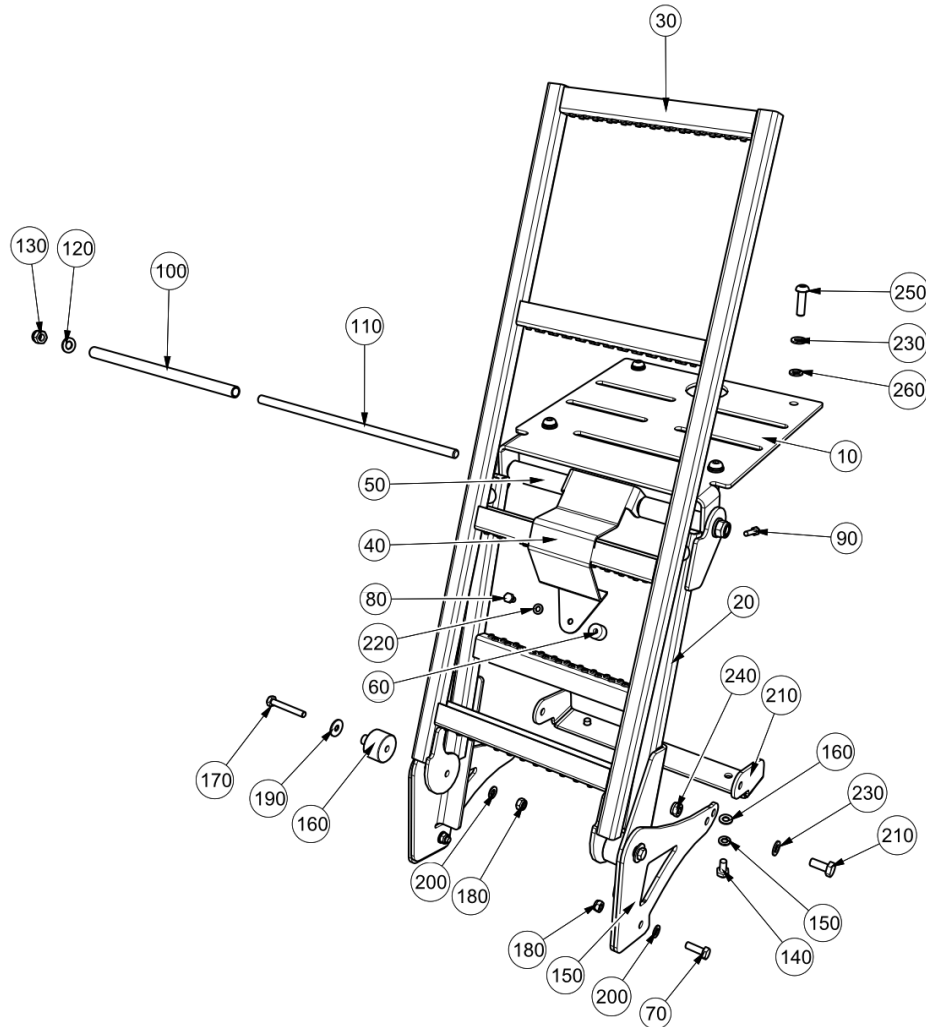


Ladder ()

Hopper & Cowl\Auxiliary Water/Fuel Tank\Ladder

Item no.	Part no.	Description	QTY	Unit
10	283043-1	Foot Plate Assy Auxiliary Tank	1	PC
20	283046-1	Upper Ladder W/Assy Aux Tank	1	PC
30	283056-1	Lower Ladder W/Assy Aux Tank	1	PC
40	283297-1	Retaining Hook - Access Ladder	1	PC
50	283367-1	Hook Locator Ladder Assy	2	PC
60	290-31	Mount - Anti Vibration F M6	3	PC
70	92097376-0	Hex Head Screw - M8Cx25 - 8.8	2	PC
80	92097297-0	Hex Head Screw - M6Cx10 - 8.8	1	PC
90	92097305-0	Hex Head Screw - M6Cx30 - 8.8	2	PC
100	283052-1	Pivot Tube Ladder Assy	1	PC
110	283053-1	Pivot Stud - Ladder Assy	1	PC
120	93212013-0	Plain Washer M12	2	PC
130	93085007-0	Nyloc Hex Nut M12C - 8	2	PC
140	283054-1	Bracket - Mounting Ladder Assy	1	PC
150	283288-1	Stay - Ladder Assy Aux Tank 95	2	PC
160	283058-1	Spacer - Pivot Ladder Assy	2	PC
170	92067387-0	Hex Head Bolt - M8Cx60 - 8.8	2	PC
180	93085005-0	Nyloc Hex Nut M8C - 8	2	PC
190	93300509-0	Plain Large Washer - M8	2	PC
200	93212011-0	Plain Washer - M8	4	PC
210	92097412-0	Hex Head Screw - M10Cx25 - 8.8	2	PC
220	93212009-0	Plain Washer - M6	3	PC
230	93212012-0	Plain Washer - M10	2	PC
240	93085006-0	Nyloc Hex Nut M10C - 8	2	PC

Ladder ()
Hopper & Cowl\Auxiliary Water/Fuel Tank\Ladder

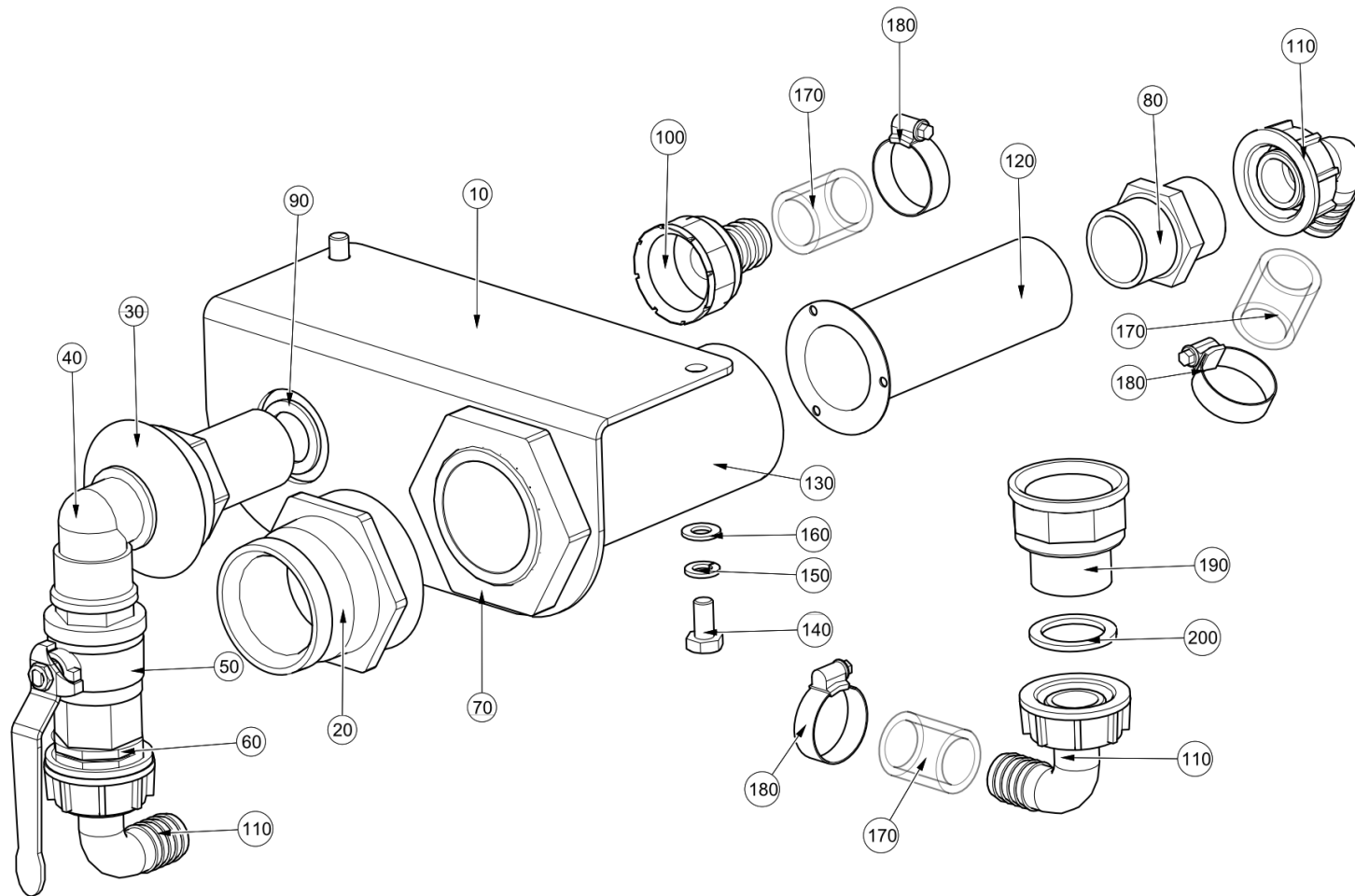


Ladder ()

Hopper & Cow\Auxiliary Water/Fuel Tank\Ladder

Item no.	Part no.	Description	QTY	Unit
250	92330057-0	Hex Skt Button Head Screw M10x35 - 10.9	4	PC
260	93699711-0	Spring Washer - Plated M10	4	PC

Valve Plate Assembly ()
Hopper & Cow\Auxiliary Water/Fuel Tank\Valve Plate Assembly

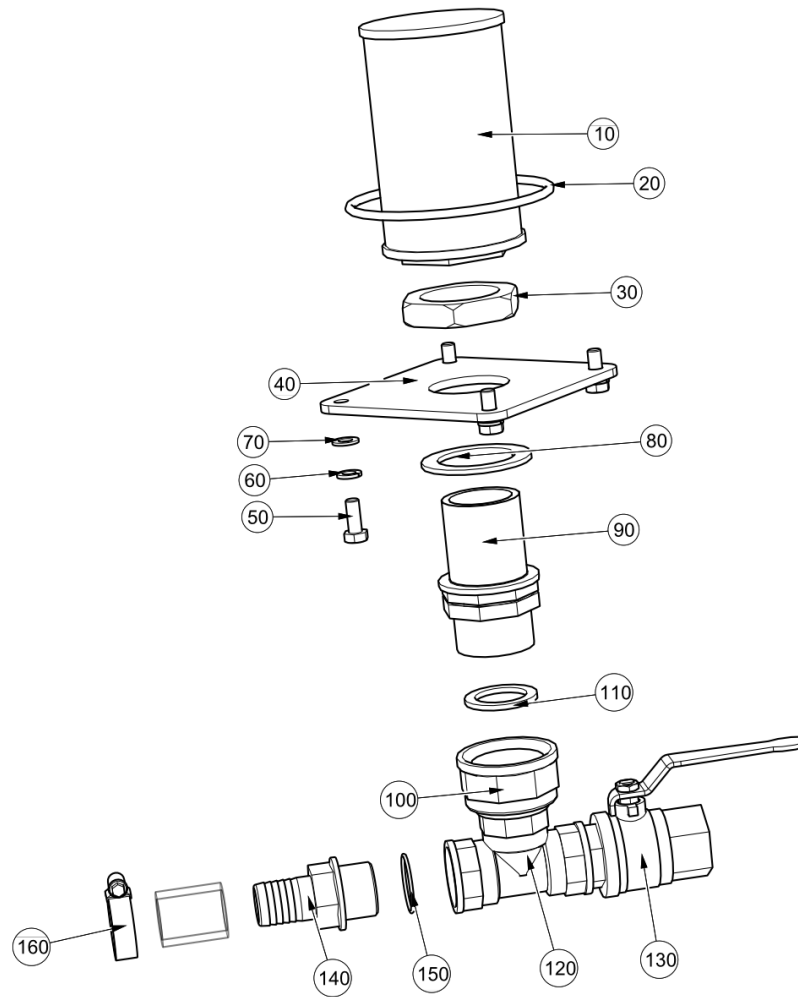


Valve Plate Assembly ()

Hopper & Cow\Auxiliary Water/Fuel Tank\Valve Plate Assembly

Item no.	Part no.	Description	QTY	Unit
10	283064-1	Plate Valve - Auxiliary Tank	1	PC
20	18684-1-C	Hydrant Coupling - UK	1	PC
30	277-195	Tank Outlet Bulkhead Ass 1"BSP	1	PC
40	277-196	Elbow 1" M / 1" F 90 Deg	1	PC
50	88-26	Ball Valve 1" BSP M/F	1	PC
60	277-197	Nipple-Reducing 1 - 1 1/4" BSP	1	PC
70	410-210	Nut - Back 2 1/2"	1	PC
80	277-194	Hexagonal Nipple - 1 1/4" BSP	1	PC
90	277-268	Gasket - 39.5 mm O/D 27.5mm I/D	1	PC
100	277-266	Hosetail - Female G 1 1/4" x 25mm	1	PC
110	277-140	Cap 1 1/4"BSP(F)&Liner 25mm 1"	3	PC
111	6117	Hose - 1" Bore	4.5	M
112	504-4	Hose Clip - Worm Drive (27-40)	1	PC
120	39402	Filter	1	PC
130	7017527	Hydrant Filler - 187 x 50	1	PC
140	92097410-0	Hex Head Screw - M10Cx20 - 8.8	2	PC
150	93699711-0	Spring Washer - Plated M10	4	PC
160	93212012-0	Plain Washer - M10	4	PC
170	272-20	Clear Ducting 25mm Bore x 20m	2.1	M
180	09531009-0	Hose Clip - Worm Drive (30-40)	3	PC
190	277-138	Bush 1 1/2"BSP(F)x1 1/4"BSP(M)	1	PC
200	277-262	Gasket - 45mm O/D 33mm I/D	1	PC
210	283054-1	Bracket - Mounting Ladder Assy	1	PC

Water Filter Assembly ()
Hopper & Cowl/Auxiliary Water/Fuel Tank/Water Filter Assembly

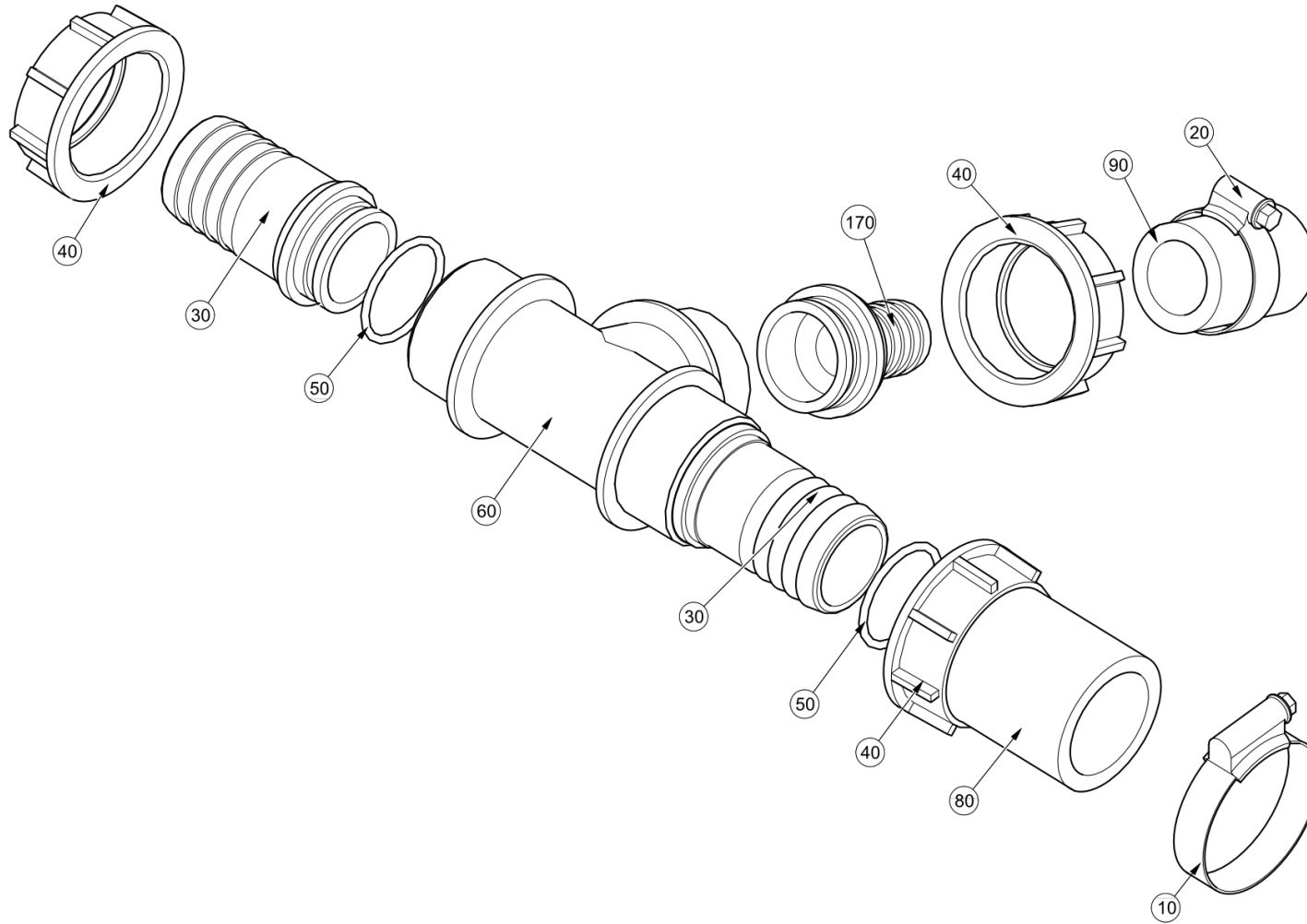


Water Filter Assembly ()

Hopper & Cowl\Auxiliary Water/Fuel Tank\Water Filter Assembly

Item no.	Part no.	Description	QTY	Unit
10	6974-1-C	Filter - Water Tank	1	PC
20	80-143	O-Ring	1	PC
30	277-198	Backnut 1 1/2 F	1	PC
40	283033-1	Flange - Auxiliary Tank	1	PC
50	92097374-0	Hex Head Screw - M8Cx20 - 8.8	4	PC
60	93699710-0	Spring Washer - Plated M8	4	PC
70	93212011-0	Plain Washer - M8	4	PC
80	277-214	Gasket - 67mm O/D 47mm I/D	1	PC
90	277-212	Nipple - G 1 1/2 50 x 24mm	1	PC
100	277-192	Bush - Reducing 1 1/2" F 1" M	1	PC
110	277-201	1" Rubber Washer (Male Thread)	1	PC
120	277-128	Tee Female - G 1 Equal	1	PC
130	88-26	Ball Valve 1" BSP M/F	1	PC
140	277-125	Hosetail 1" BSP	1	PC
150	277-149	Seal O-Ring For 1" Thread	1	PC
160	09531009-0	Hose Clip - Worm Drive (30-40)	1	PC

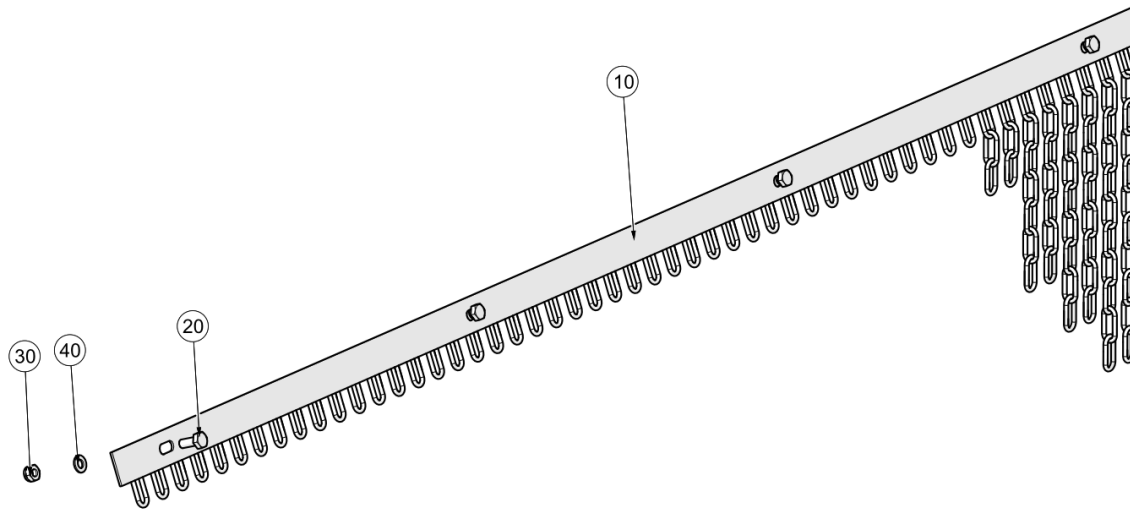
Aux Water Tank Install ()
Hopper & Cow\Aux Water Tank Install



Aux Water Tank Install ()
Hopper & Cow\Aux Water Tank Install

Item no.	Part no.	Description	QTY	Unit
10	09549314-0	Hose Clip - Worm Drive (40-55)	2	PC
20	504-4	Hose Clip - Worm Drive (27-40)	1	PC
30	277-183	Flynut Hose Tail 38mm Barb	2	PC
40	277-170	Flynut - 1 1/2 F	3	PC
50	277-171	O-Ring	3	PC
60	277-215	Tee - 1 1/2" BSP	1	PC
70	277-169	Flynut Hose Tail 25mm Barb	1	PC
80	497-H24	Hose - Premoflex, 1 1/2" Bore	0.15	M
90	6117	Hose - 1" Bore	0	M

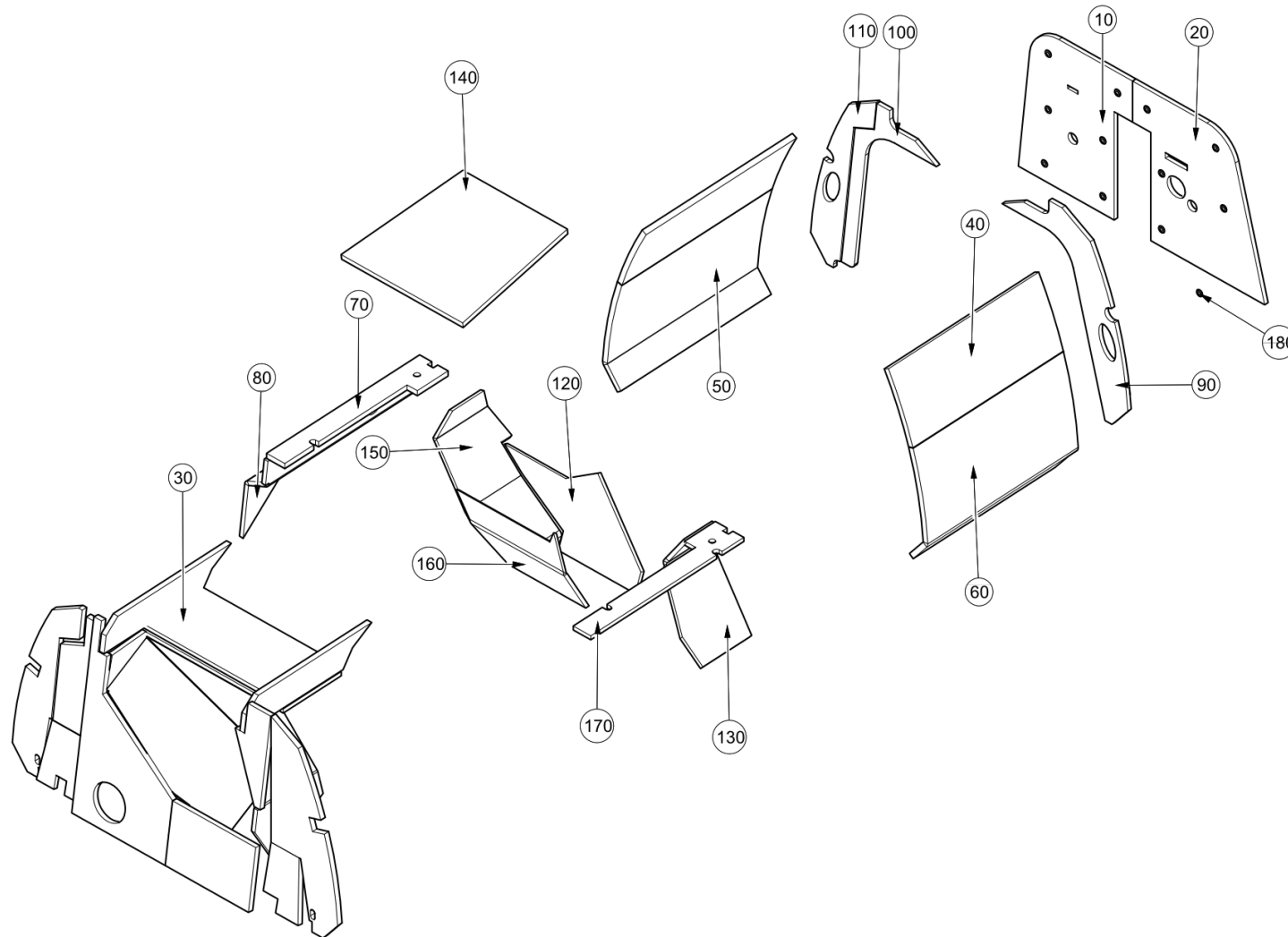
Baffle Drop Link ()
Hopper & Cow\Baffle Drop Link



Baffle Drop Link ()
Hopper & Cow\Baffle Drop Link

Item no.	Part no.	Description	QTY	Unit
10	50097-4	Baffle W/Assy Drop Link St.Steel	1	PC
20	92099409-0	Hex Head Screw - M10Cx25 - A2	4	PC
30	93085606-0	Nyloc Hex Nut - M10c - A2	4	PC
40	93213011-0	Plain Washer M10 A2	4	PC

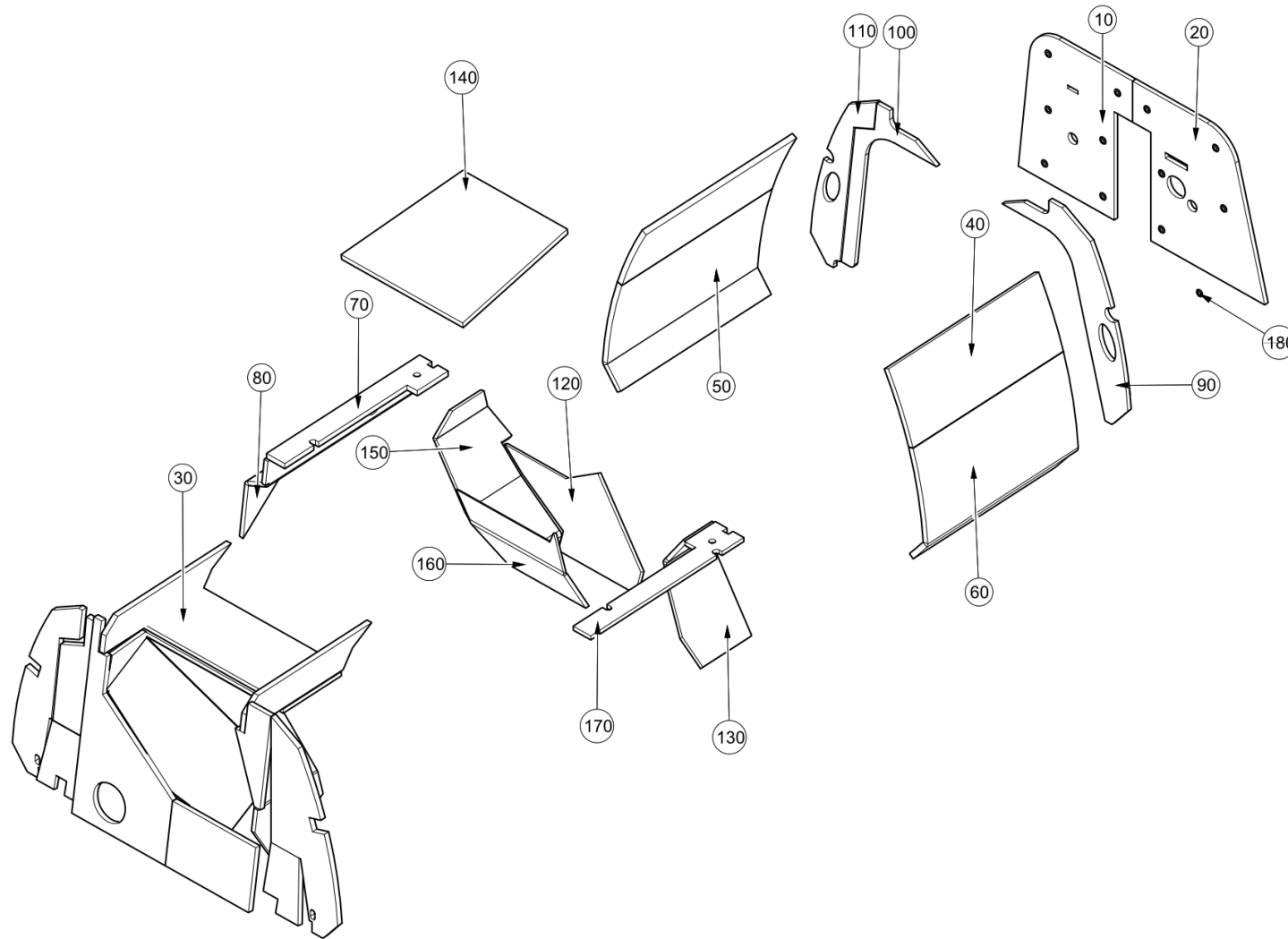
Sound Insulation Kit ()
Hopper & Cowl\Sound Insulation Kit



Sound Insulation Kit ()
Hopper & Cowl\Sound Insulation Kit

Item no.	Part no.	Description	QTY	Unit
10	7015474	Insulation Panel RH 601 501	1	PC
10	7023136	Insulation Panel RH 801	1	PC
20	7015473	Insulation Panel LH 651 501	1	PC
20	7023137	Insulation Panel LH 801	1	PC
40	7019842	Insulation Panel 651 501	2	PC
40	7023213	Insulation Panel 801	2	PC
50	7024813	Insulation Panel 651 501	1	PC
50	7023496	Insulation Panel 801	1	PC
60	7019843	Insulation Panel 651 501	1	PC
60	7023212	Insulation Panel 801	1	PC
70	7029989	Insulation Panel - Roof RH 651 501	1	PC
70	7030177	Insulation Panel - Roof RH 801	1	PC
80	7019853	Insulation Panel 651 501	1	PC
80	7023211	Insulation Panel 801	1	PC
90	7019887	Insulation Panel 651 501	1	PC
90	7023221	Insulation Panel 801	1	PC
100	7019890	Insulation Panel 651 501	1	PC
100	7023220	Insulation Panel 801	1	PC
110	7019891	Insulation Panel 651 501	1	PC
110	7023218	Insulation Panel 801	1	PC
120	7029991	Insulation Panel - Duct Rear 651 501	1	PC
120	7030173	Insulation Panel - Duct Rear 801	1	PC
130	7029992	Insulation Panel - Inlet Duct LH 651 501	1	PC
130	7030168	Insulation Panel - Inlet Duct LH 801	1	PC

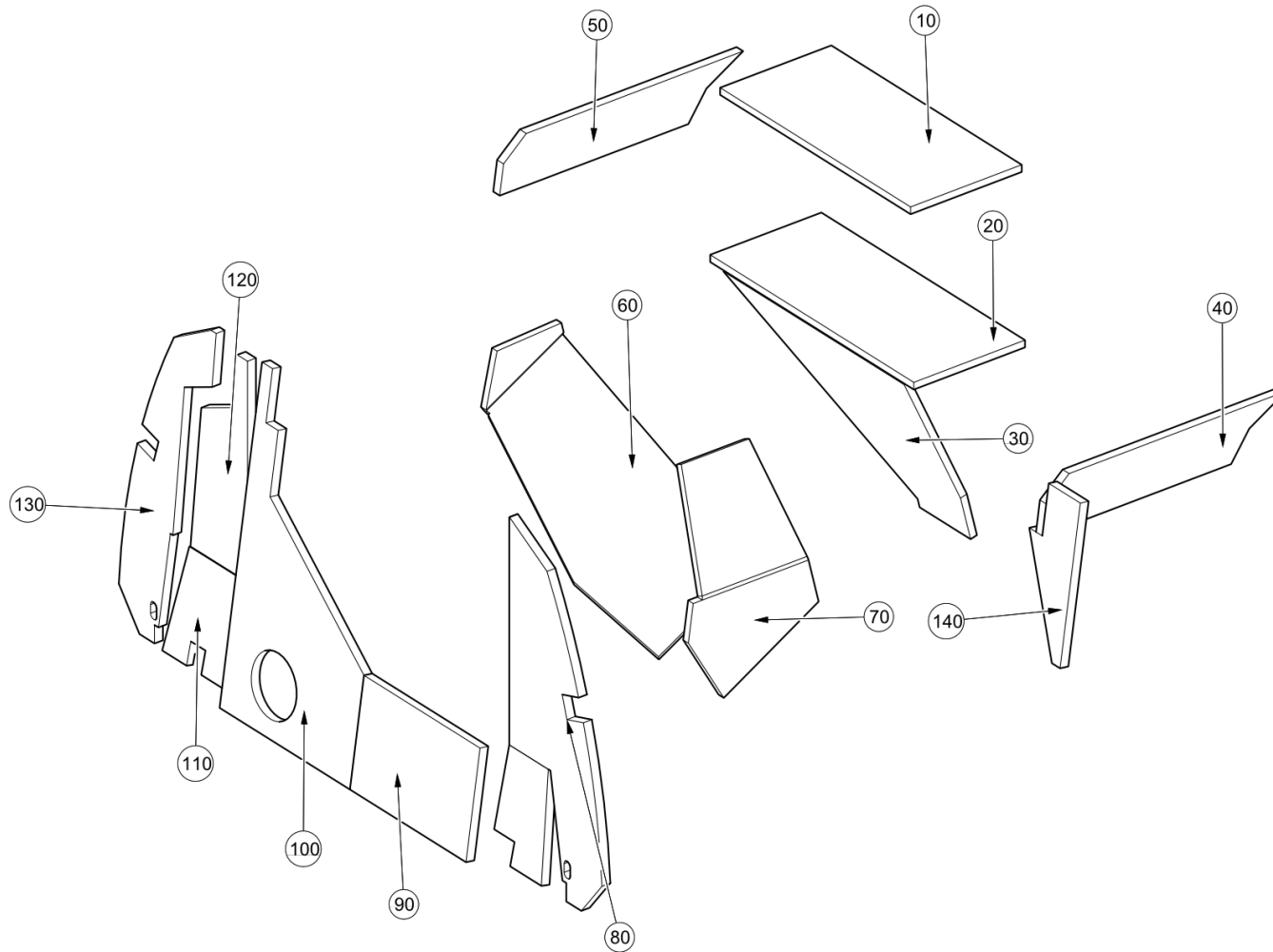
Sound Insulation Kit ()
Hopper & Cowl/Sound Insulation Kit



Sound Insulation Kit ()
Hopper & Cowl\Sound Insulation Kit

Item no.	Part no.	Description	QTY	Unit
140	7026678	Sound Insulation Panel	1	PC
150	7029993	Insulation Panel - Inlet Duct RH 651 501	1	PC
150	7030169	Insulation Panel - Inlet Duct RH 801	1	PC
160	7029990	Insulation Panel - Inlet Front 651 501	1	PC
160	7030170	Insulation Panel - Inlet Front 801	1	PC
170	7029988	Insulation Panel - Roof LH 651 501	1	PC
170	7030176	Insulation Panel - Roof LH 801	1	PC
180	283-25	Spring Clip Ø3mm / Ø39mm	117	PC

Sound Insulation Kit ()
Hopper & Cowl\Sound Insulation Kit\Sound Insulation Kit



Sound Insulation Kit ()

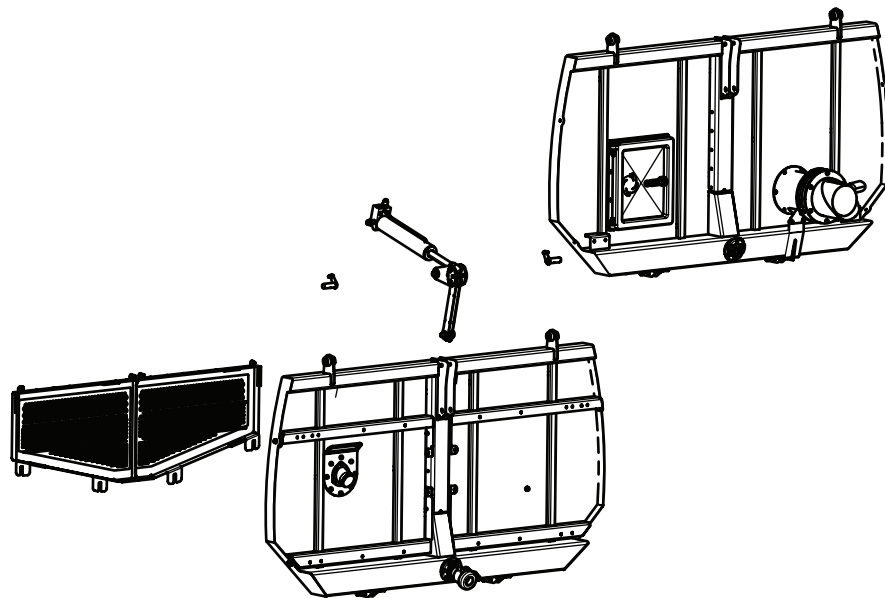
Hopper & Cowl\Sound Insulation Kit\Sound Insulation Kit

Item no.	Part no.	Description	QTY	Unit
10	7030003	Insulation Panel - Duct Floor	1	PC
20	7030002	Insulation Panel- Duct Underside	1	PC
30	7029995	Insulation Panel - Ex Duct Rear 651 501	1	PC
30	7030167	Insulation Panel - Ex Duct Rear 801	1	PC
40	7030004	Insulation Panel - Duct LH	1	PC
50	7030006	Insulation Panel - Duct RH	1	PC
60	7030001	Insulation Panel - Exhaust RH 651 501	1	PC
60	7030166	Insulation Panel - Exhaust RH 801	1	PC
70	7029997	Insulation Panel - Ex Duct LH 651 501	1	PC
70	7030165	Insulation Panel - Ex Duct LH 801	1	PC
80	7019764	Insulation Panel 651 501	1	PC
80	7023152	Insulation Panel 801	1	PC
90	7029984	Insulation Panel - Front LH 651 501	1	PC
100	7029986	Insulation Panel - Front RH 651 501	1	PC
100	7030174	Insulation Panel - Centre Front 801	1	PC
110	7019922	Insulation Panel 651 501	1	PC
110	7026365	Insulation Panel 801	1	PC
120	7019776	Insulation Panel 651 501	1	PC
120	7023151	Insulation Panel 801	1	PC
130	7019785	Insulation Panel 651 501	1	PC
130	7023215	Insulation Panel 801	1	PC
140	7029987	Insulation Panel - Front LH Top 651 501	1	PC
140	7030175	Insulation Panel - Upper Front 801	1	PC

This page is intentionally left blank

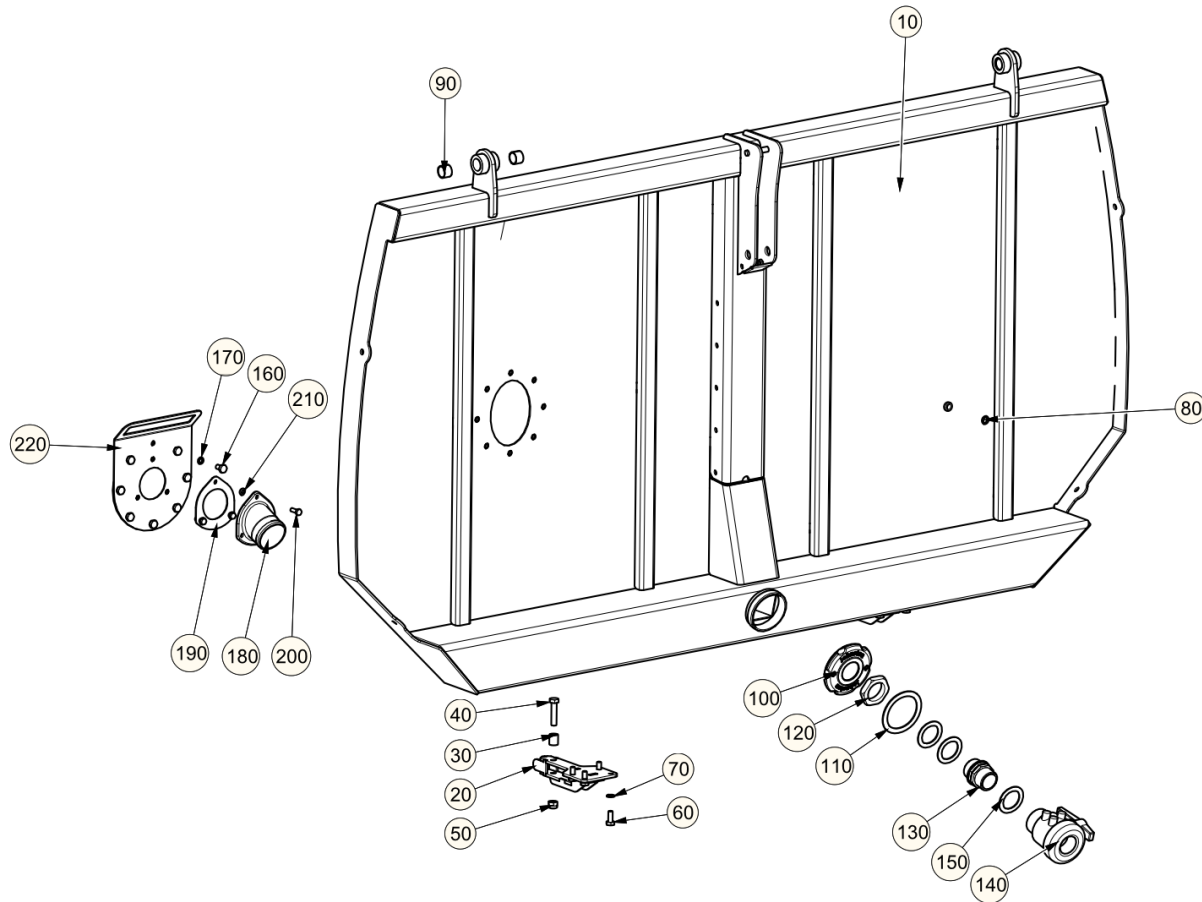
Chapter 9 Rear Door

Table of Contents



Section	Page
9.1 Standard Door.....	464
9.2 Contractor Door.....	466
9.3 Options Frame.....	468
9.4 Rear Mesh.....	470
9.5 Rear Door Install.....	472
9.6 Iris Valve.....	474
9.7 Rear Access Door.....	476

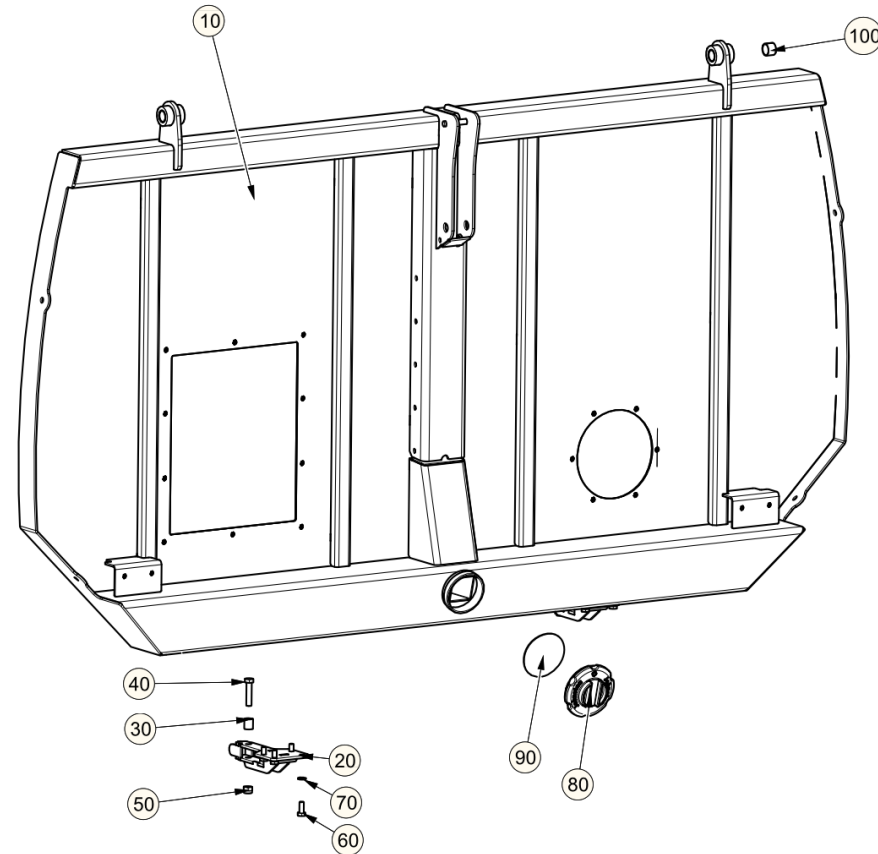
Standard Door ()
Rear Door\Standard Door



Standard Door ()
Rear Door\Standard Door

Item no.	Part no.	Description	QTY	Unit
10	7034236	Rear Door (1.4003)	1	PC
10	7034248	Rear Door (1.4301)	1	PC
20	7017243	Latch Welded Assembly	2	PC
30	7001183	Roller	2	PC
40	6105-1455	Hex Head Bolt - M12Cx55 - A2-70	2	PC
50	93085807-0	Nyloc Hex Nut M12C - 8	2	PC
60	92099409-0	Hex Head Screw - M10Cx25 - A2	8	PC
70	93699711-0	Spring Washer - Plated M10	8	PC
80	451-124	Washer Copper 1/4" BSP	1	PC
90	18-30	Bearing - Dry Metric 25mm I/D x 20Lg	4	PC
100	7018121	Mounting Cap	1	PC
110	7018119	Gasket Ring	1	PC
120	277-198	Backnut 1 1/2 F	1	PC
130	277-313	Nipple - G 1 1/2 24 x 24mm	1	PC
140	88-46	Ball Valve 1 1/2" Female	1	PC
150	277-214	Gasket - 67mm O/D 47mm I/D	3	PC
160	92099407-0	Hex Head Screw - M10Cx20 - A2	8	PC
170	451-6	Washer Bonded M10 - Bolt	8	PC
180	284085-1	Spigot - Drain Rear Door (Nylon)	1	PC
190	281411-1	Gasket - Spigot Layflat Hose	1	PC
200	92099376-0	Hex Head Screw - M8Cx25 - A2	3	PC
210	93213010-0	Plain Washer M8 A2	3	PC
220	282727-1	Stowage - Layflat W/Assy (1.4003)	1	PC

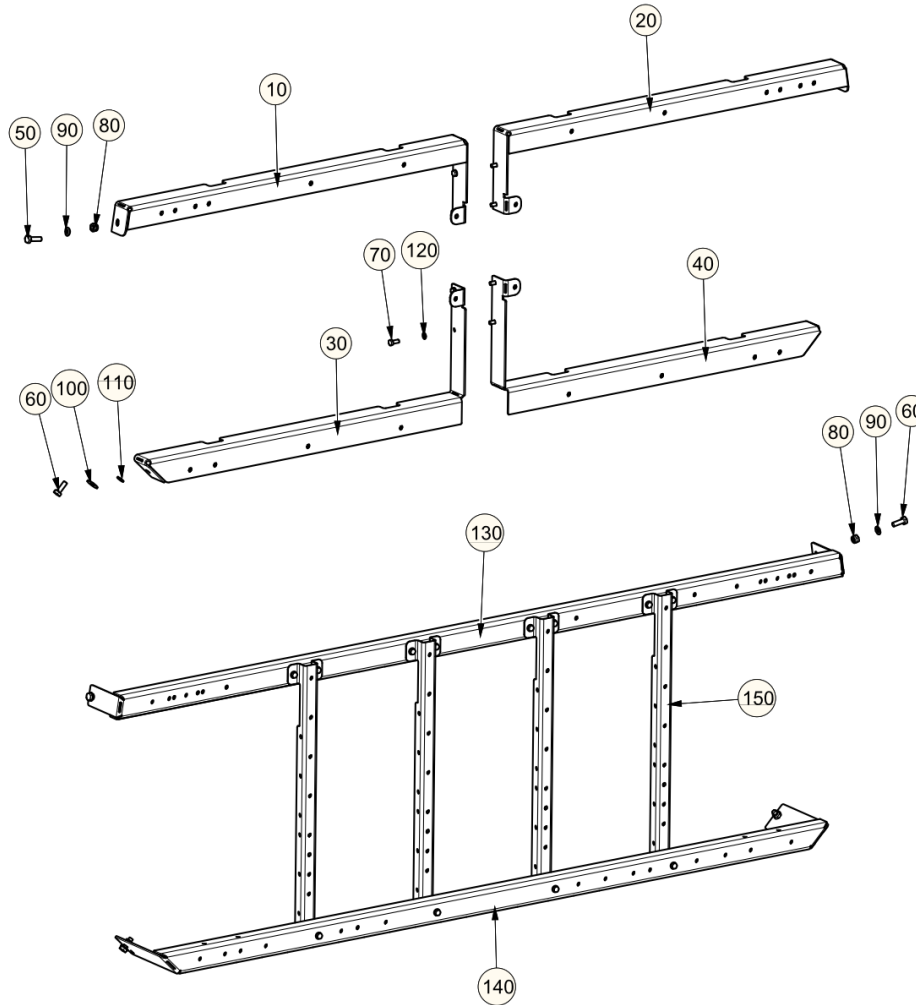
Contractor Door ()
Rear Door\Contractor Door



Contractor Door ()
Rear Door\Contractor Door

Item no.	Part no.	Description	QTY	Unit
10	7018146	Contractor Door (1.4301)	1	PC
10	7017817	Contractor Door	1	PC
20	7017243	Latch Welded Assembly	2	PC
30	7001183	Roller	2	PC
40	6105-1455	Hex Head Bolt - M12Cx55 - A2-70	2	PC
50	93085807-0	Nyloc Hex Nut M12C - 8	2	PC
60	92099409-0	Hex Head Screw - M10Cx25 - A2	8	PC
70	93699711-0	Spring Washer - Plated M10	8	PC
80	284040-1	Cap - Water Tank Drain	1	PC
90	40643-1-C	Washer - Seal, Drain, Water Tank	1	PC
100	18-30	Bearing - Dry Metric 25mm I/D x 20Lg	4	PC

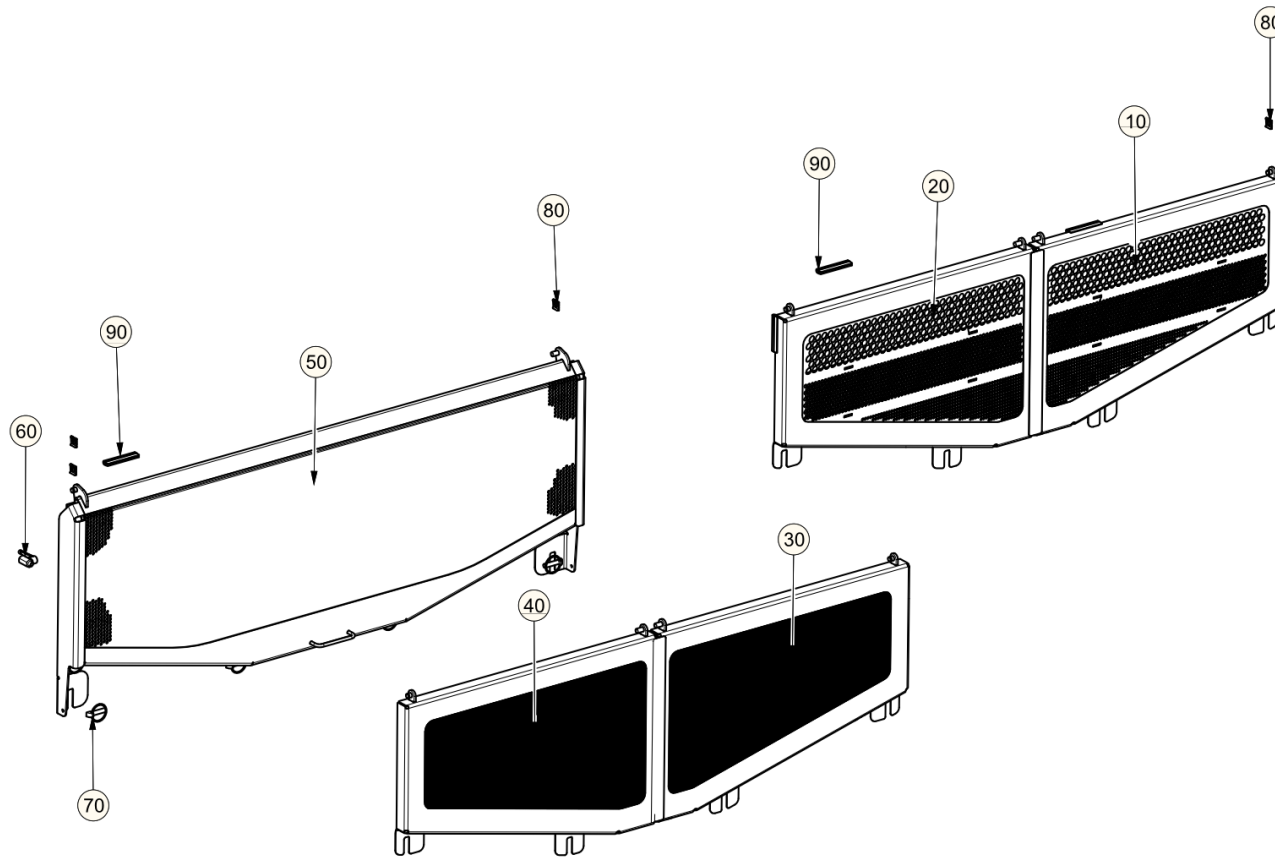
Options Frame ()
Rear Door\Options Frame



Options Frame ()
Rear Door\Options Frame

Item no.	Part no.	Description	QTY	Unit
10	7042384	Upper beam welded assembly (LH)	1	PC
20	7042385	Upper beam welded assembly (RH)	1	PC
30	7042317	Lower beam welded assembly (LH)	1	PC
40	7042318	Lower beam welded assembly (RH)	1	PC
50	92097415-0	Hex Head Screw - M10Cx35 - 8.8	2	PC
60	92097414-0	Hex Head Screw - M10Cx30 - 8.8	2	PC
70	92097374-0	Hex Head Screw - M8Cx20 - 8.8	8	PC
80	93085806-0	Nyloc Hex Nut M10C - 8	2	PC
90	93212012-0	Plain Washer - M10	2	PC
100	93300510-0	Plain Large Washer M10	4	PC
110	93699711-0	Spring Washer - Plated M10	2	PC
120	93699710-0	Spring Washer - Plated M8	8	PC
130	7017437	Upper Beam	1	PC
140	7017438	Lower Beam	1	PC
150	282439-1	Strut - Vertical, Assembly	4	PC

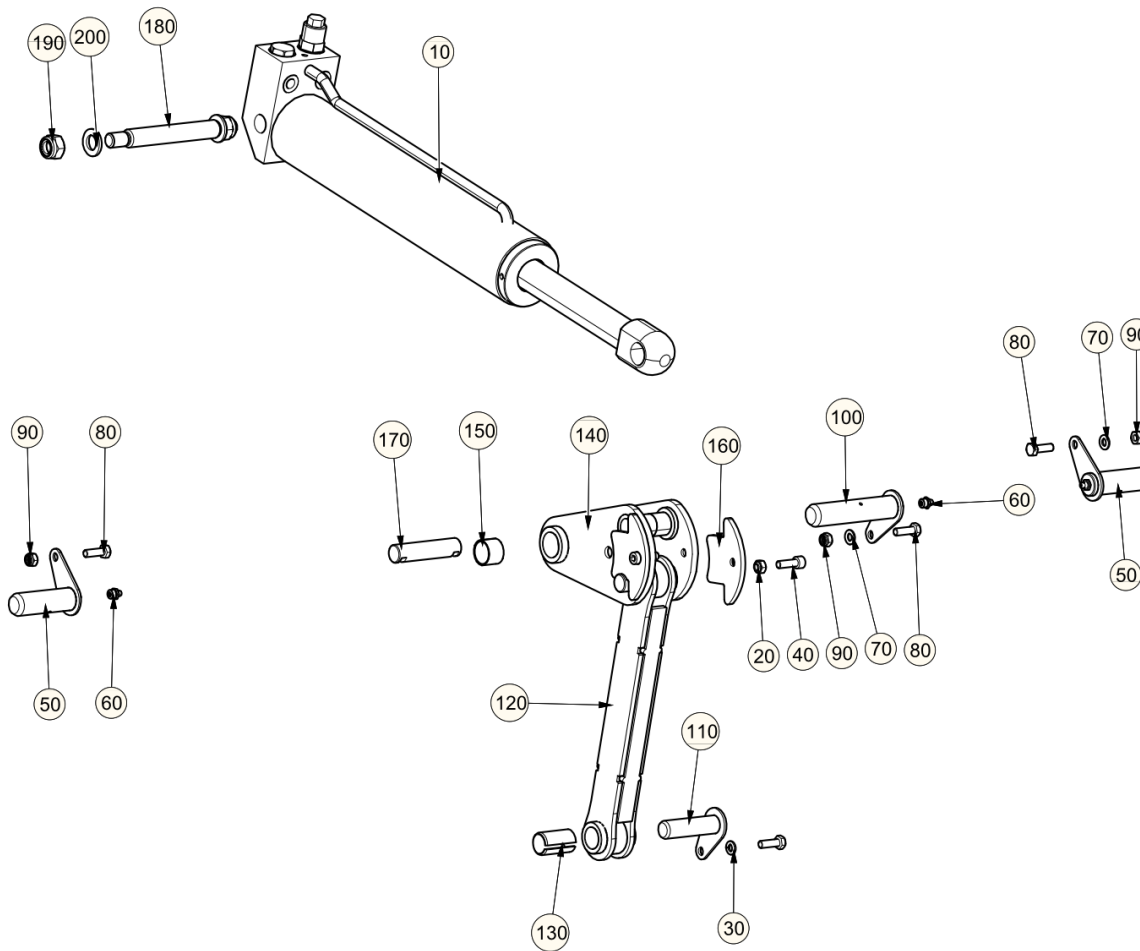
Rear Mesh ()
Rear Door\Rear Mesh



Rear Mesh ()
Rear Door\Rear Mesh

Item no.	Part no.	Description	QTY	Unit
10	7034290	Screen Welded Assembly (LH)	1	PC
20	7034291	Screen Welded Assembly (RH)	1	PC
30	7033745	Wedge - Wire Screen Welded Assembly (LH)	1	PC
40	7033748	Wedge - Wire Screen Welded Assembly (RH)	1	PC
50	7033756	Primary Mesh Welded Assembly	1	PC
60	88-15	Ball Valve 1/4" Long Handle	1	PC
70	60-1	Pin Linch with Ring 11mm Dia	6	PC
80	283-2	Clip - Spring Retaining	3	PC
90	211-78	Top Seal - Panel Thickness 1-3mm	4	M

Rear Door Install ()
Rear Door\Rear Door Install

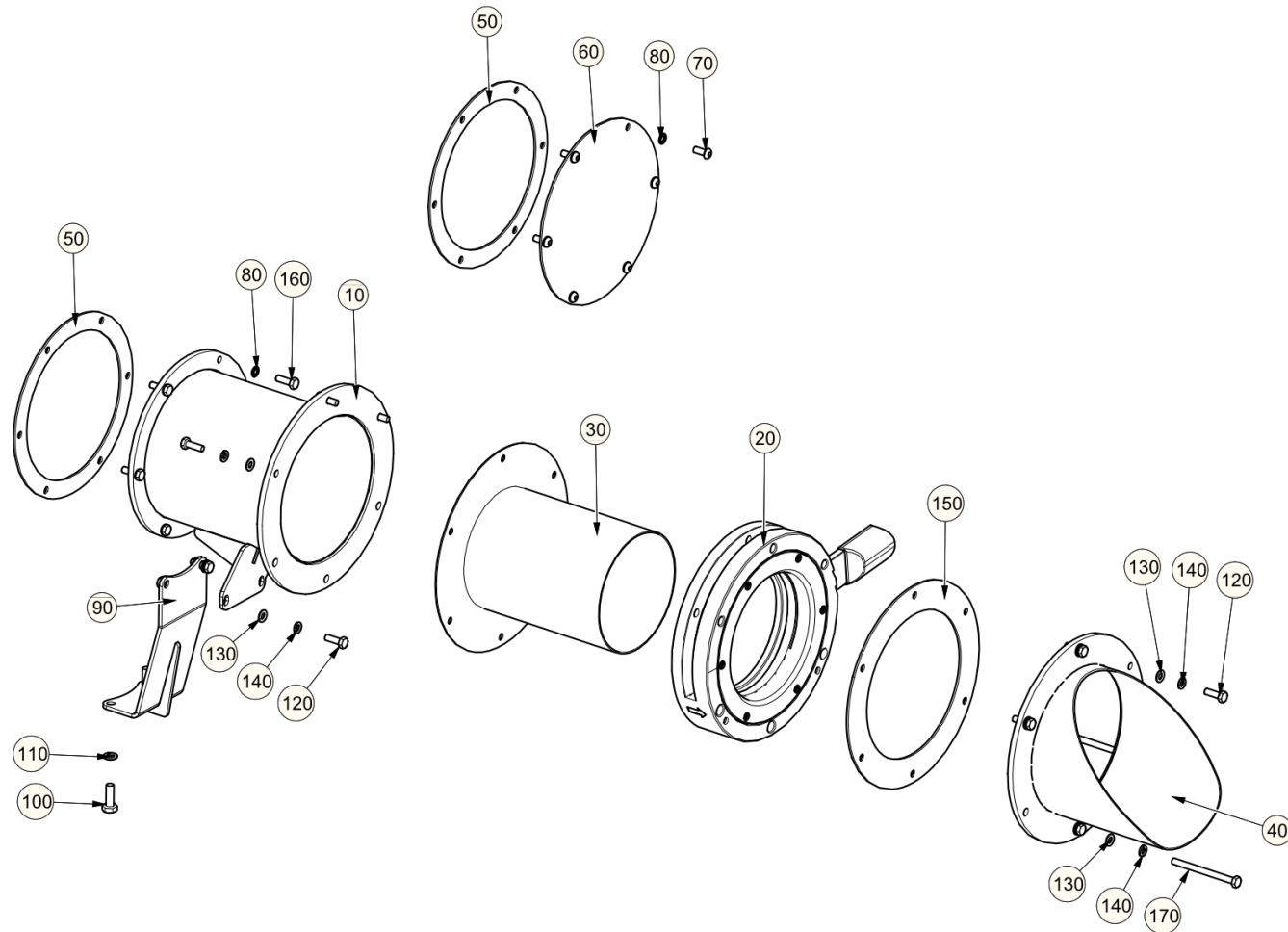


Rear Door Install ()

Rear Door\Rear Door Install

Item no.	Part no.	Description	QTY	Unit
10	7007583	Cylinder Assembly Ø70 x Ø35 x 324	1	PC
20	93086035-0	Nut S/Lock Philidas M8cx13x8	2	PC
30	93699710-0	Spring Washer - Plated M8	1	PC
40	92137120-0	Hex Socket Cap Screw - M8Cx25 - 12.9	2	PC
50	7017656	Hinge Pin Welded Assembly	2	PC
60	38-1	Grease Nipple Straight 1/8 BSP	2	PC
70	93213010-0	Plain Washer M8 A2	2	PC
80	92099376-0	Hex Head Screw - M8Cx25 - A2	2	PC
90	93085605-0	Nyloc Hex Nut - M8c - A2	2	PC
100	7017665	Hinge Pin Welded Assembly	1	PC
110	7039459	Pin welded assembly	1	PC
120	7031765	Link welded assembly	1	PC
130	28404	Bush - Elastic	2	PC
140	7031760	Relay welded assembly	1	PC
150	18-30	Bearing - Dry Metric 25mm I/D x 20Lg	2	PC
160	7040142	Keeper plate	2	PC
170	7040139	Pin	2	PC
180	7040209	Pin - Hydraulic door cylinder pivot	1	PC
190	93085609-0	Nyloc Hex Nut - M16c - A2	2	PC
200	93213014-0	Plain Washer M16 A2	2	PC

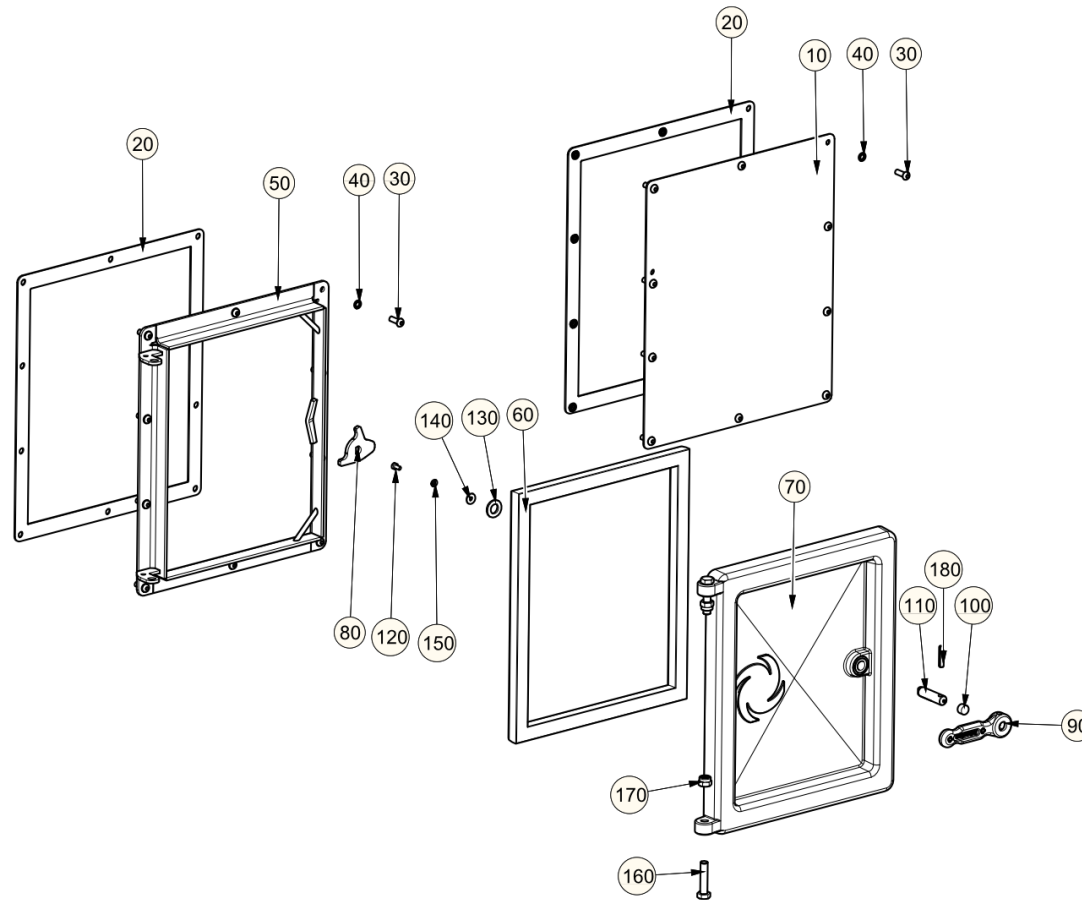
Iris Valve ()
Rear Door\Iris Valve



Iris Valve ()
Rear Door\Iris Valve

Item no.	Part no.	Description	QTY	Unit
10	7018430	Extension Tube Welded Assembly	1	PC
20	88-45	8" Iris Valve	1	PC
30	88-48	Liner For 8" Iris Valve	1	PC
40	283864-1	Chute - Iris Valve Welded Assembly	1	PC
50	283865-1	Gasket - Iris Extension Tube	1	PC
60	283862-3	Blanking Plate Rear Door S.Stl	1	PC
70	92330231-0	Hex Socket Button Head Screw M8Cx20 A2	6	PC
80	451-3	Washer Bonded Ø5-16" - Bolt	12	PC
90	7018457	Support Welded Assembly	1	PC
100	92097414-0	Hex Head Screw - M10Cx30 - 8.8	2	PC
110	93699711-0	Spring Washer - Plated M10	2	PC
120	92097376-0	Hex Head Screw - M8Cx25 - 8.8	8	PC
130	93212011-0	Plain Washer - M8	11	PC
140	93699710-0	Spring Washer - Plated M8	11	PC
150	283866-1	Gasket - Iris Extension Tube	1	PC
160	92099376-0	Hex Head Screw - M8Cx25 - A2	6	PC
170	92097392-0	Hex Head Screw - M8Cx100 - 8.8	3	PC

Rear Access Door ()
Rear Door\Rear Access Door



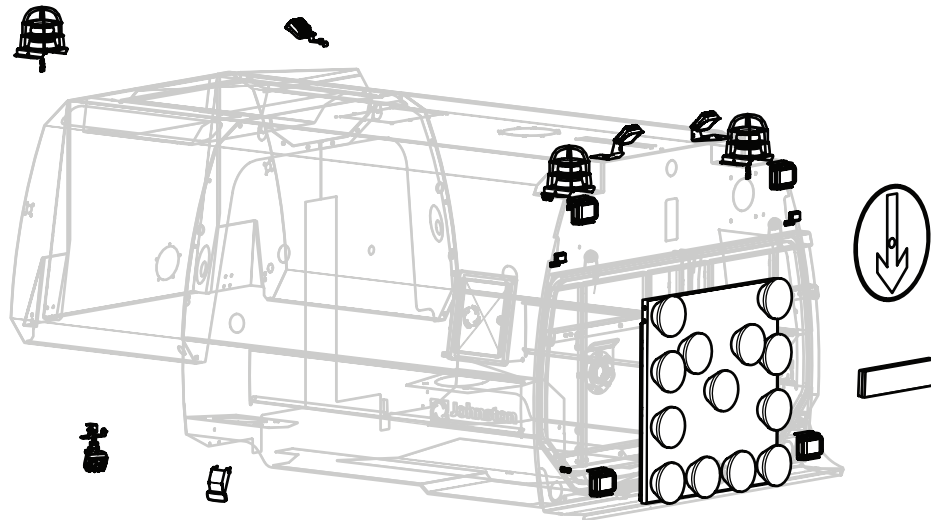
Rear Access Door ()
Rear Door\Rear Access Door

Item no.	Part no.	Description	QTY	Unit
10	7018546	Blanking Plate - Access Door	1	PC
20	283613-1	Gasket - Access Panel Roof	1	PC
30	6122-2082	Hex Socket Button Head Screw M8Cx25 A2	10	PC
40	451-3	Washer Bonded Ø5-16" - Bolt	10	PC
50	283596-2	Frame W/Assy - Rear / Roof Acc Door	1	PC
60	281217-1	Seal - Access Door Moulded	1	PC
70	284345-1	Access Door	1	PC
80	200342-1	Lock	1	PC
90	7017706	Handle - Access Door	1	PC
100	290-28	Bump Stop Rubber	1	PC
110	284348-1	Spindle	1	PC
120	92099298-0	Hex Head Screw - M6Cx12 - A2	1	PC
130	93210523-0	Plain Washer - M16	1	PC
140	93300507-0	Plain Large Washer M6	1	PC
150	93699708-0	Spring Washer - Plated M6	1	PC
160	92067460-0	Hex Head Bolt - M12Cx55 - 8.8	2	PC
170	93085807-0	Nyloc Hex Nut M12C - 8	2	PC
180	93545357-0	Spring Pin (Slotted) - Ø8x36 C.Steel HD	1	PC

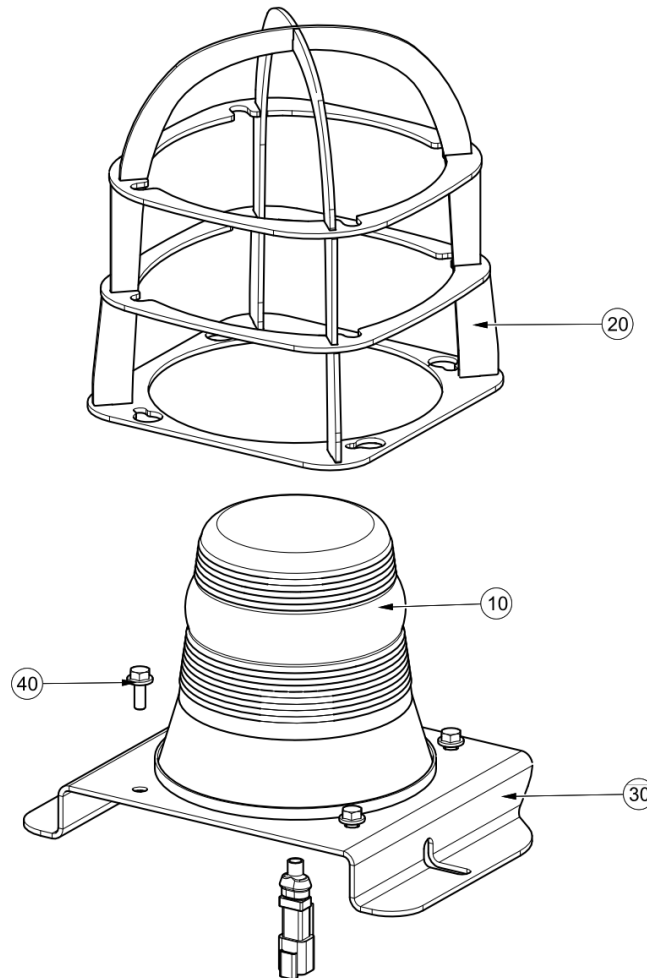
This page is intentionally left blank

Chapter 10 Trim & Lights

Table of Contents



Section	Page
10.1 Beacons.....	480
10.2 Worklights - Side.....	482
10.3 Worklights - Rear.....	484
10.4 Side Marker Lights.....	486
10.5 Engine Bay Worklight.....	498
10.6 Rear Arrow.....	490
10.7 4 Rear LED Lights.....	502
10.8 Rear Marker Lights.....	504

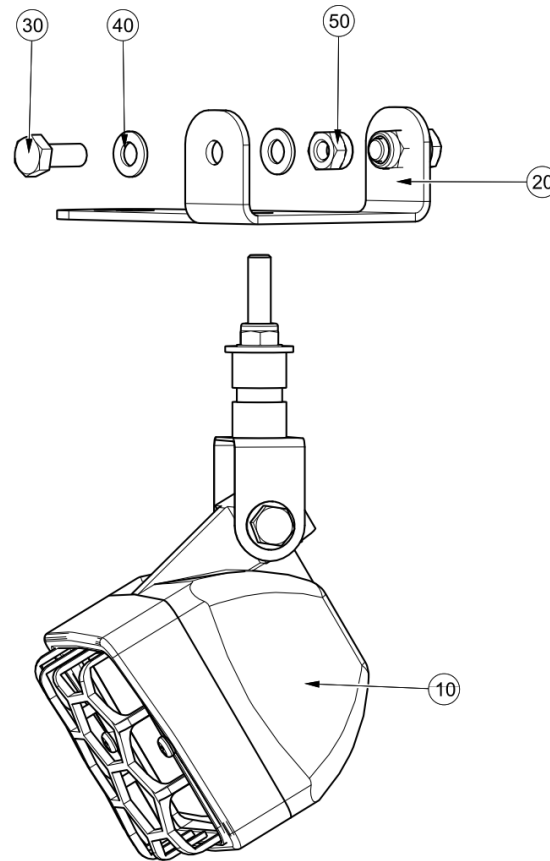


Beacons ()

Trim and Lights\Beacons

Item no.	Part no.	Description	QTY	Unit
10	46-426	LED Beacon 12/24	2	PC
10	282793-12	Beacon - Rotating Rear 12v	2	PC
10	282793-24	Beacon - Rotating Rear 24v	2	PC
10	282959-12	Beacon-Airport Flashing 12v	2	PC
10	282959-24	Beacon-Airport Flashing 24v	2	PC
10	46-15-24	Beacon - Britax 24v	1	PC
10	744-5	LED Beacon 12/24 4 (Metre Cable)	1	PC
10	46-264	Beacon - Airport Flash, 24v	1	PC
11	46-290	Lightbar-5ft Amber Rotating	1	PC
12	745-72	Beacon - Bar 1524mm 24v LED	1	PC
20	295078-1	Beacon Cage W/Assy	2	PC
30	295079-1	Beacon Base W/Assy	2	PC
40	92119004-0	Hex Flange Bolt - M6Cx16 - 8.8	8	PC

Worklights - Side ()
Trim and Lights\Worklights - Side

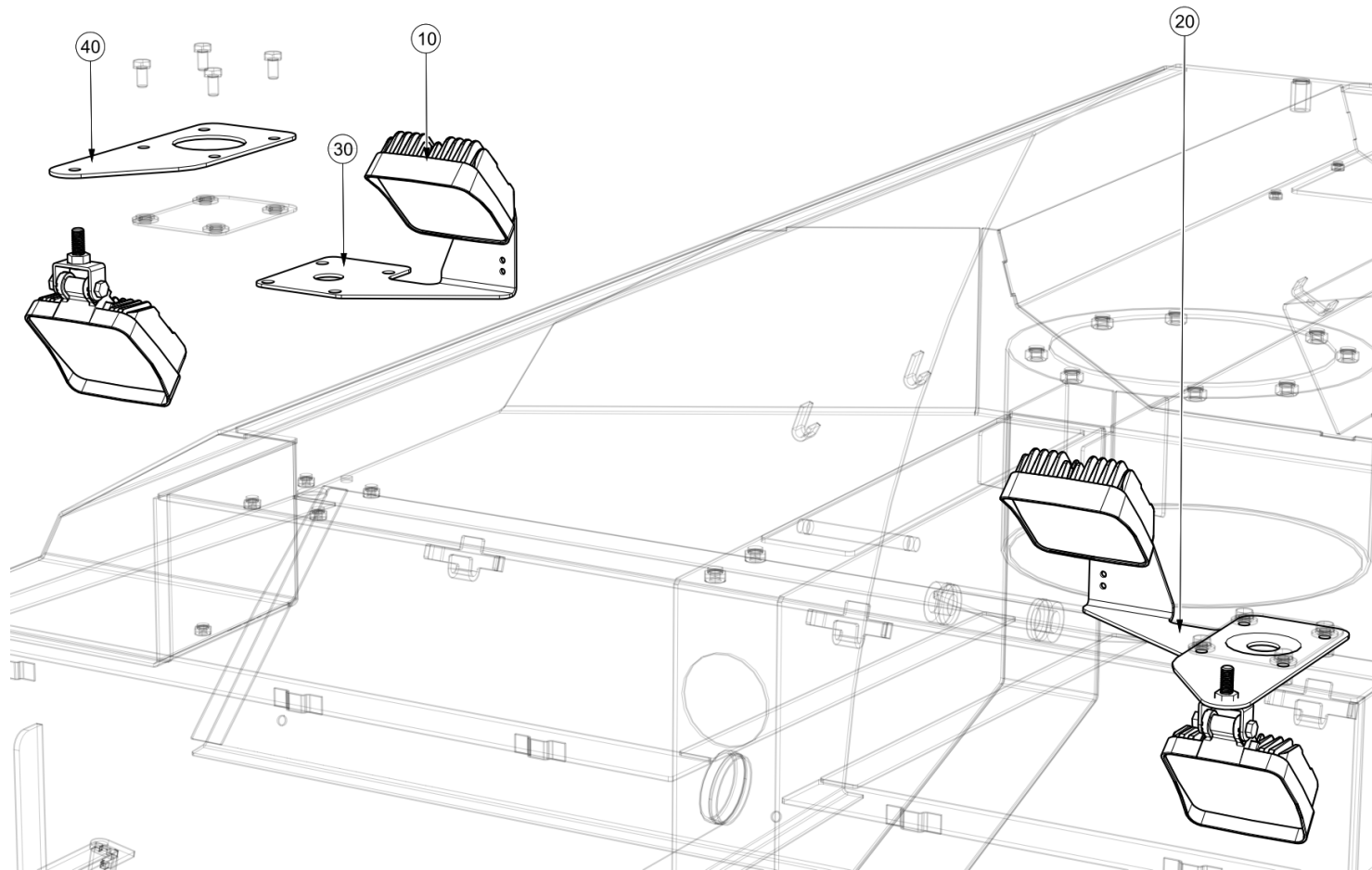


Worklights - Side ()

Trim and Lights\Worklights - Side

Item no.	Part no.	Description	QTY	Unit
10	283230-1	Halogen Worklight - 12v Caged	1	PC
10	283230-2	Halogen Worklight - 24v Caged	1	PC
20	7036843	Side worklight and camera bracket	2	PC
30	92097376-0	Hex Head Screw - M8Cx25 - 8.8	4	PC
40	93212011-0	Plain Washer - M8	8	PC
50	93085805-0	Nyloc Hex Nut M8C - 8	4	PC

Worklights - Rear ()
Trim and Lights\Worklights - Rear

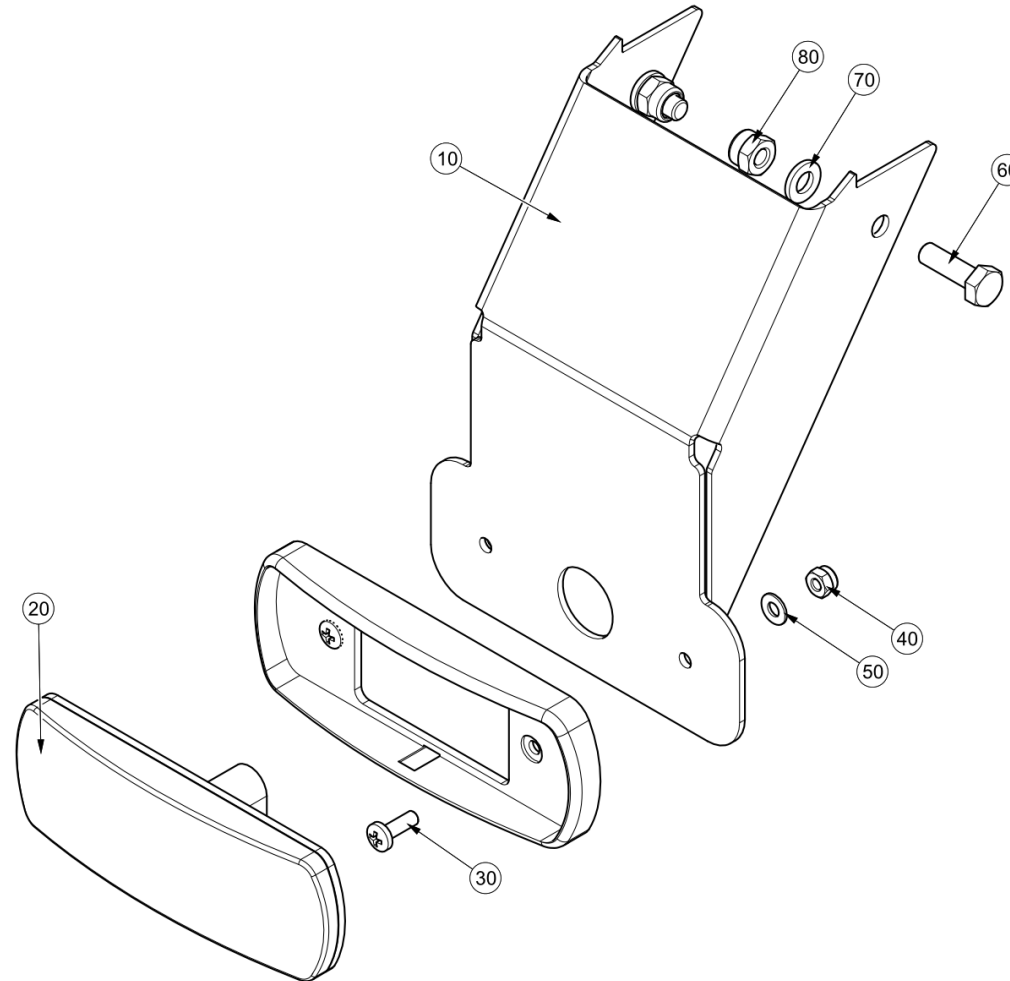


Worklights - Rear ()

Trim and Lights\Worklights - Rear

Item no.	Part no.	Description	QTY	Unit
10	7023519	LED Work Lamp 9 - 36v	2	PC
20	7016102	Bracket, Rear Worklights	1	PC
30	7016103	Bracket, Rear Worklights	1	PC
40	283976-1	Lamp Mounting Plate	2	PC
50	7024200	Cable Assembly	1	PC
50	7033304	Harness - Additional Work Lights MK2	1	PC
50	7026305	Cable Assembly	1	PC

Side Marker Light ()
Trim and Lights\Side Marker Light

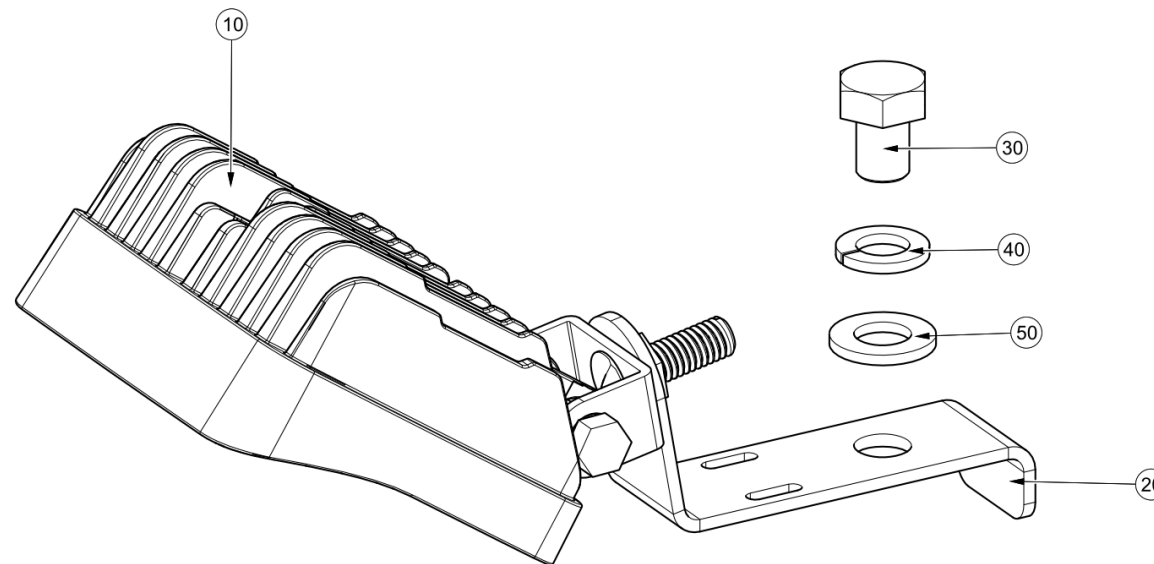


Side Marker Light ()

Trim and Lights\Side Marker Light

Item no.	Part no.	Description	QTY	Unit
10	7023194	Marker Light Mount	2	PC
20	46-267	Light - Amber LED Flush	2	PC
30	134-42	Pan Head Screw - M4Cx12 - 4.8	4	PC
40	93085002-0	Nyloc Hex Nut M4C - 8	4	PC
50	93212007-0	Plain Washer M4	4	PC
60	92097301-0	Hex Head Screw - M6Cx20 - 8.8	4	PC
70	93212009-0	Plain Washer - M6	4	PC
80	93085004-0	Nyloc Hex Nut M6C - 8	4	PC
90	7006987	Cable Assembly	1	PC

Engine Bay Worklight ()
Trim and Lights\Engine Bay Worklight



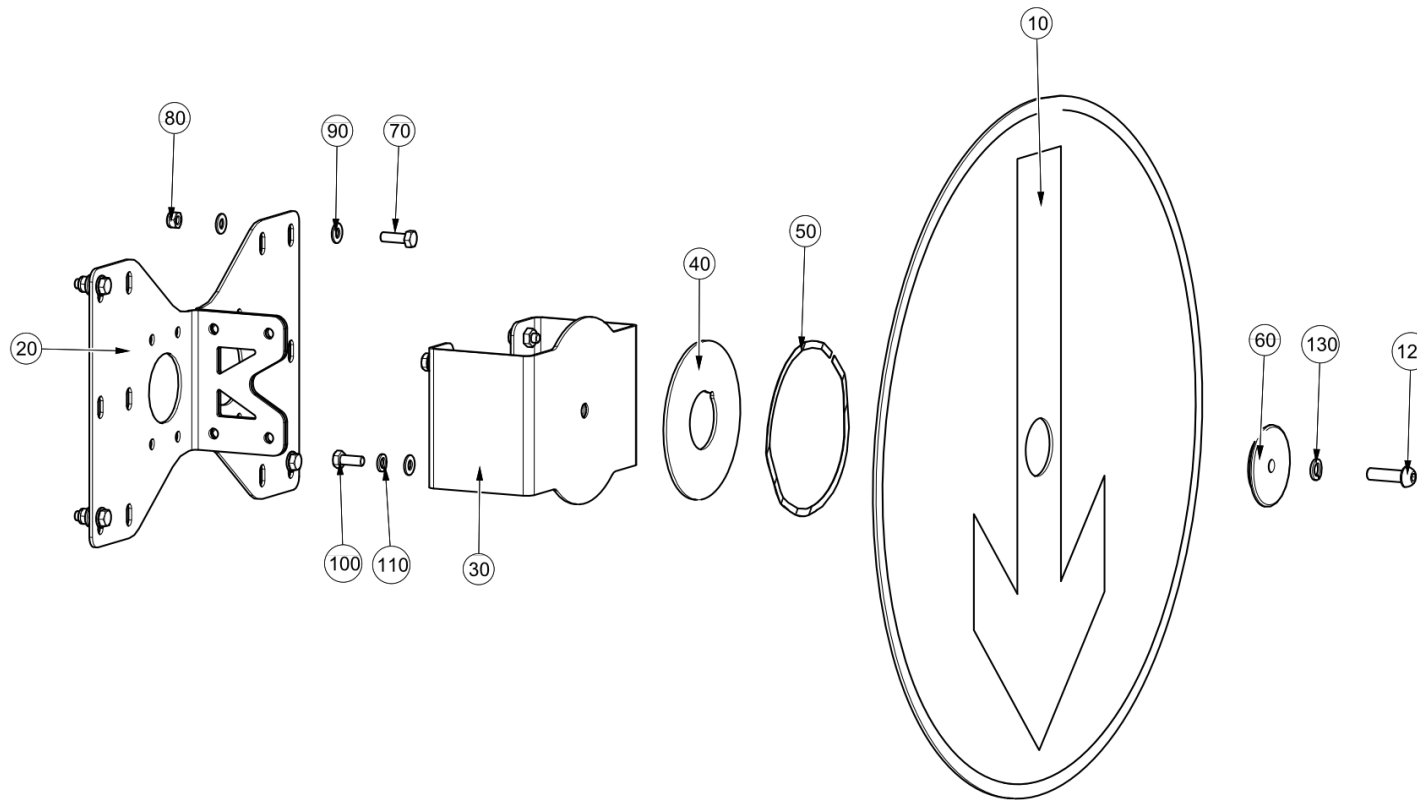
Engine Bay Worklight ()
Trim and Lights\Engine Bay Worklight

Item no.	Part no.	Description	QTY	Unit
10	7023519	LED Work Lamp 9 - 36v	1	PC
20	7029367	Worklight bracket	1	PC
30	92097444-0	Hex Head Screw - M12Cx16 - 8.8	1	PC
40	93699712-0	Spring Washer - Plated M12	1	PC
50	93212013-0	Plain Washer M12	1	PC

This page is intentionally left blank

This page is intentionally left blank

Rear Arrow ()
Trim and Lights\Rear Arrow\Rear Arrow

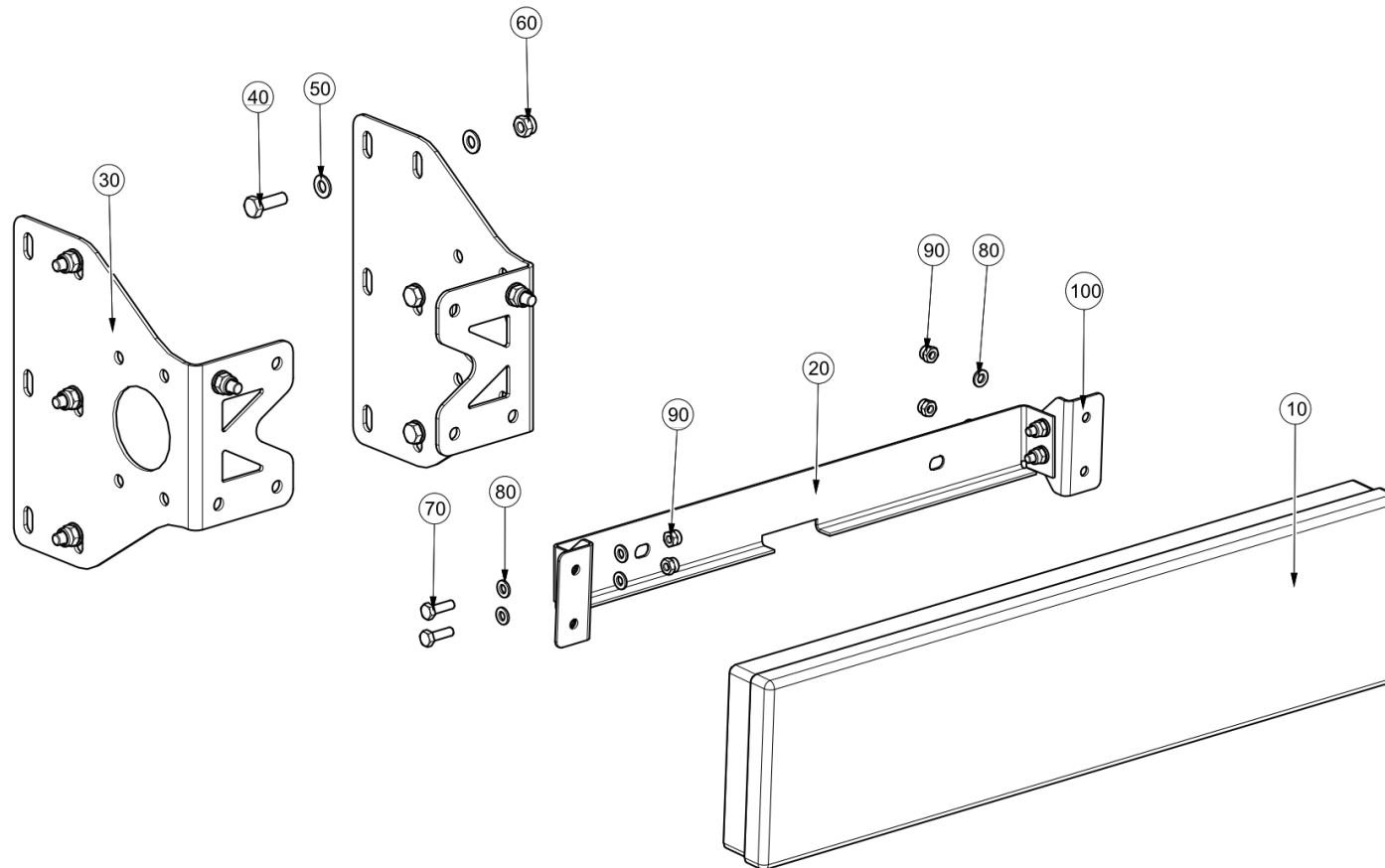


Rear Arrow ()

Trim and Lights\Rear Arrow\Rear Arrow

Item no.	Part no.	Description	QTY	Unit
10	282486-1	Arrow Advisor Rr Rotatable 95	1	PC
11	282844-1	Cover - Arrow Advisor DIA 600	1	PC
20	282410-1	Plate - Mtg Rotatable Sign 95	2	PC
30	282412-1	Plate Mtg W/A Rotatable Sign95	1	PC
40	282414-2	Disc - Rotatable Signboard 95	1	PC
50	285-26	Spring-Wave 95	1	PC
60	282413-1	Bush - Ctr Rotatable Signboard	1	PC
70	124-137	Setscrew M8C x 25	4	PC
80	425-14	Nut Nyloc Hex MC M8	4	PC
90	455-10	Washer Plain Plated Steel M8	12	PC
100	124-135	Setscrew M8C x 20	4	PC
110	460-10	Washer Spring Single Coil M8	4	PC
120	138-158	Screw - Skt Button Hd M10cx35	1	PC
130	460-11	Washer Spring Single Coil M10	1	PC

LED Signboard ()
Trim and Lights\Rear Arrow\LED Signboard

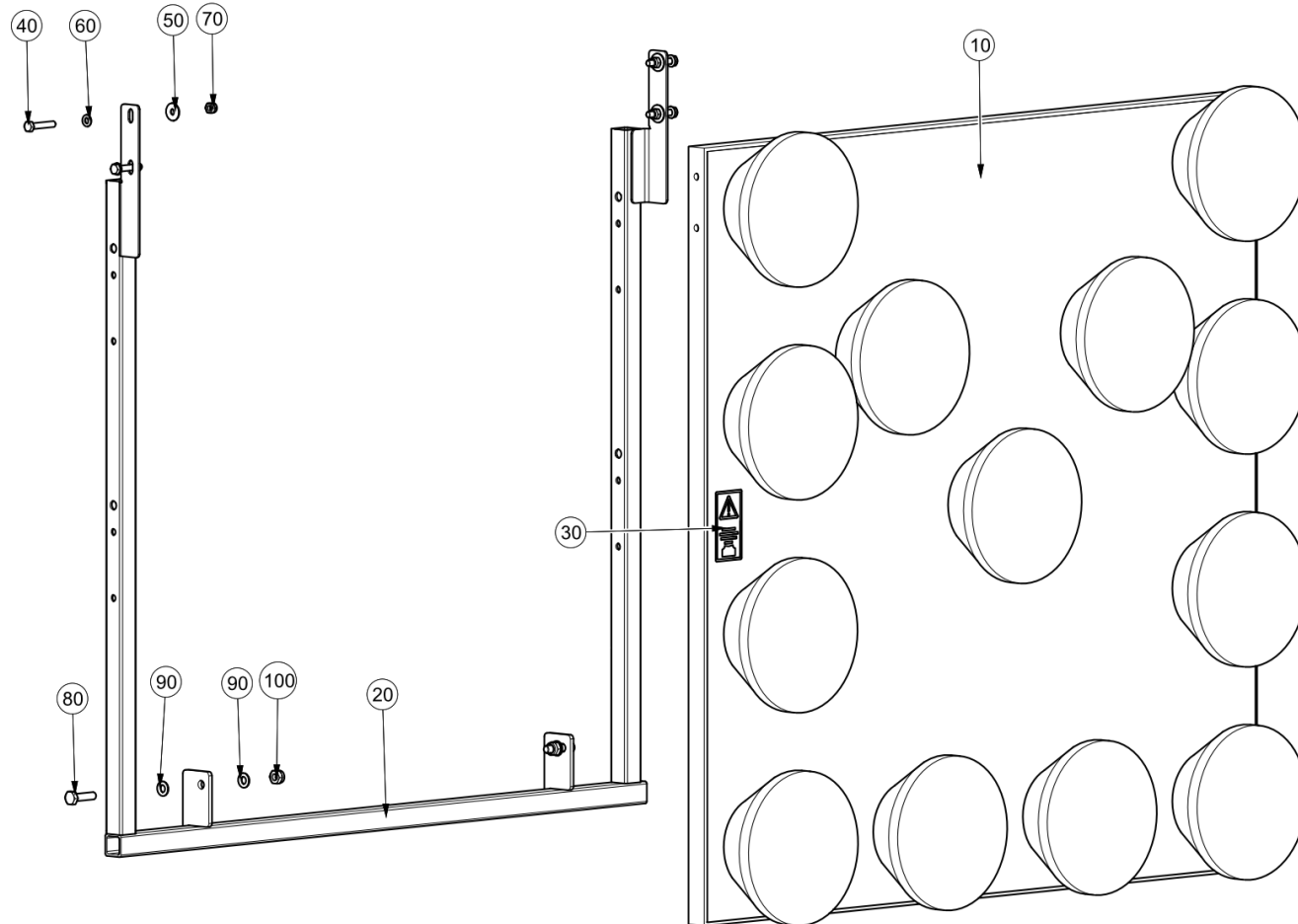


LED Signboard ()

Trim and Lights\Rear Arrow\LED Signboard

Item no.	Part no.	Description	QTY	Unit
32-152	32-152	Cable - 4 Core Brown/Green/Red/White	10	M
710-181	710-181	Receptacle - DT 4 Way	2	PC
710-80	710-80	Contact Pin, Size 16	8	PC
31-258	31-258	Wedge - DT 4 Way, Receptacle	2	PC
710-198	710-198	Receptacle - Conduit/Backshell DT 4 Way	2	PC
710-178	710-178	Plug - DT 4 Way	2	PC
710-81	710-81	Contact 16 Socket 0462-209-16141	8	PC
31-256	31-256	Wedge - DT 4 Way, Plug	2	PC
710-199	710-199	Plug - Conduit/Backshell DT 4 Way	2	PC
50-3	50-3	Terminal-Shrouded Female Receptacle RED	2	PC
31-552	31-552	Converter-Volt, 24V-12V	1	PC
7032006	7032006	LED Message Board Ignition Feed Harness	1	PC
10	745-150	LED Sign Board 12V	1	PC
20	7027233	Support Bracket	1	PC
30	282410-1	Plate - Mtg Rotatable Sign 95	2	PC
40	92097376-0	Hex Head Screw - M8Cx25 - 8.8	8	PC
50	93212011-0	Plain Washer - M8	16	PC
60	93085805-0	Nyloc Hex Nut M8C - 8	8	PC
70	92097301-0	Hex Head Screw - M6Cx20 - 8.8	4	PC
80	93212009-0	Plain Washer - M6	12	PC
90	93085004-0	Nyloc Hex Nut M6C - 8	8	PC
100	7027232	Support Angle	2	PC

Light Arrow Assembly ()
Trim and Lights\Rear Arrow\Light Arrow Assembly

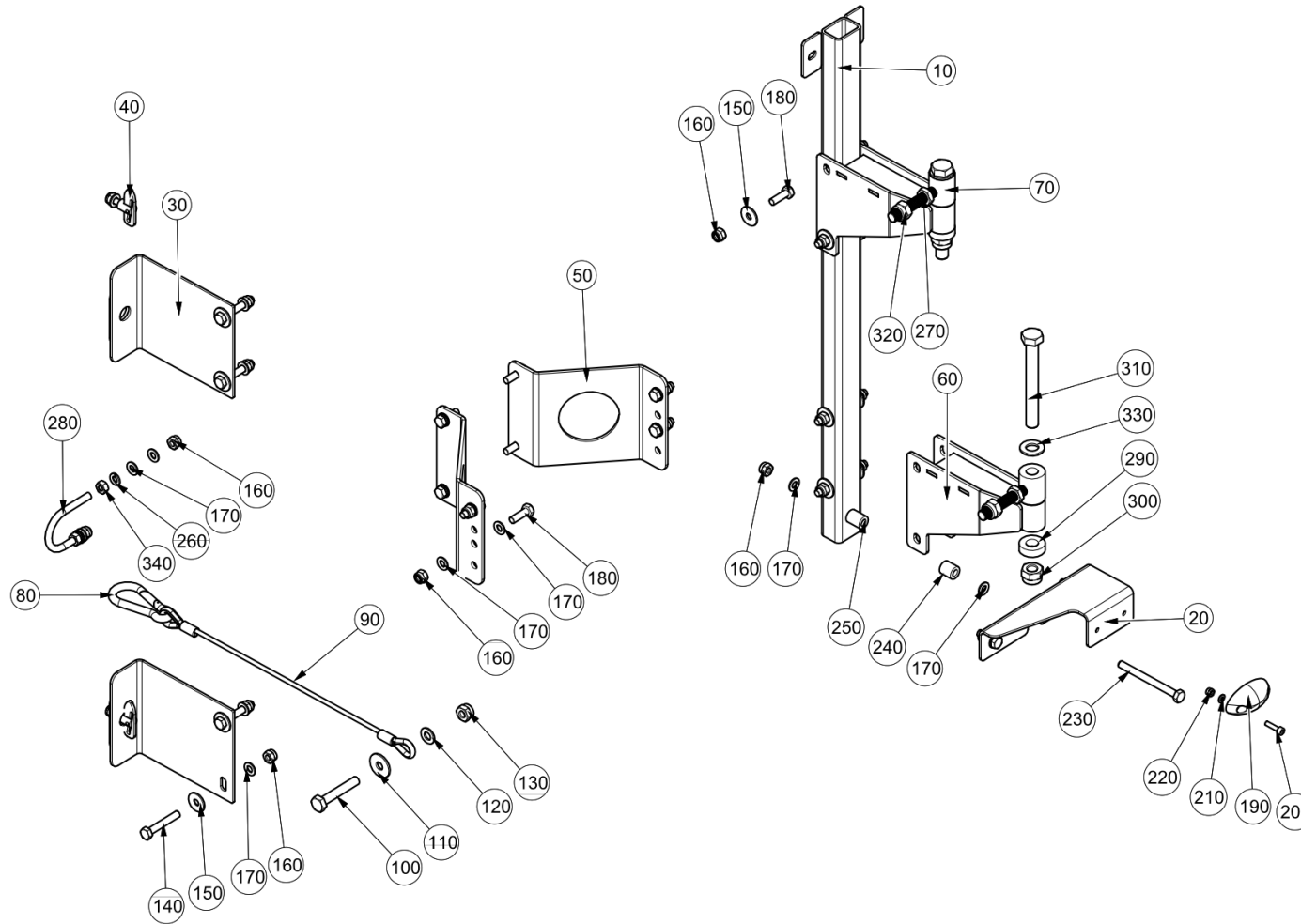


Light Arrow Assembly ()

Trim and Lights\Rear Arrow\Light Arrow Assembly

Item no.	Part no.	Description	QTY	Unit
10	745-140	Light Arrow LP 13 (LED)	1	PC
20	7009421	Subframe -Light arrow	1	PC
30	7012201	Decal LP15 Arrow Board	1	PC
40	92097381-0	Hex Head Screw - M8Cx45 - 8.8	4	PC
50	93300509-0	Plain Large Washer - M8	4	PC
60	93212011-0	Plain Washer - M8	4	PC
70	93085805-0	Nyloc Hex Nut M8C - 8	4	PC
80	92097416-0	Hex Head Screw - M10Cx40 - 8.8	2	PC
90	93212012-0	Plain Washer - M10	4	PC
100	93085806-0	Nyloc Hex Nut M10C - 8	2	PC

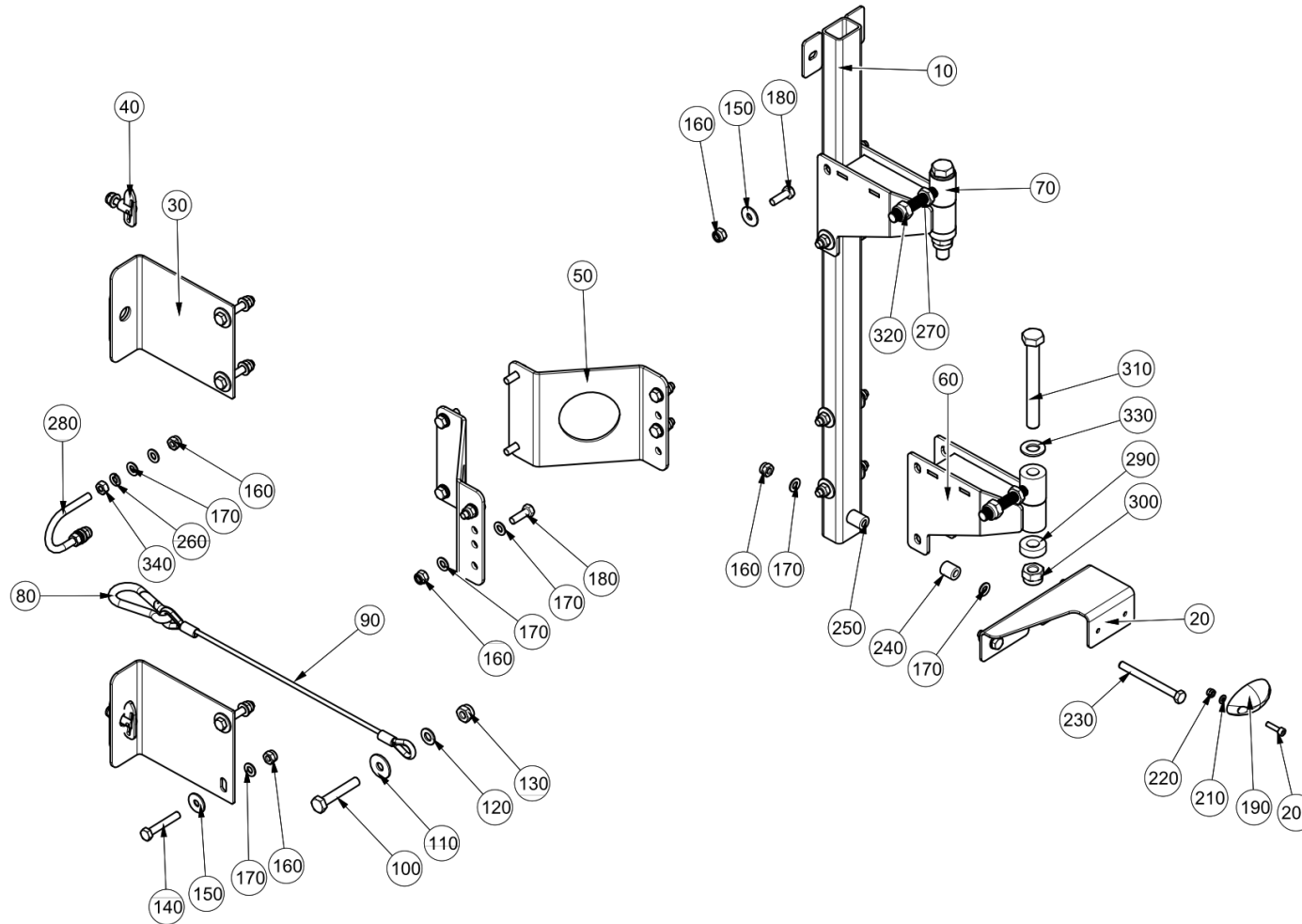
LP13 Arrow Signboard Installation ()
Trim and Lights\Rear Arrow\LP13 Arrow Signboard Installation



LP13 Arrow Signboard Installation ()
Trim and Lights\Rear Arrow\LP13 Arrow Signboard Installation

Item no.	Part no.	Description	QTY	Unit
10	7041887	Vertical Strut - Alternative	1	PC
20	7037460	Stop Bracket	1	PC
30	7036948	Spacer Weld Assembly	2	PC
40	283-36	Pin - Antiluce 8mm x 21mm ZP	2	PC
50	7036946	Strengthening Bracket	2	PC
60	7036951	Pivot Weld Assembly	2	PC
70	7009941	Studding W/assy	2	PC
80	284-21	Hook Carbine - Zinc Plated	1	PC
90	21216-12	Cable - Lift(385mm)	1	PC
100	92097420-0	Hex Head Screw - M10Cx60 - 8.8	1	PC
110	93300510-0	Plain Large Washer M10	1	PC
120	93212012-0	Plain Washer - M10	1	PC
130	93085806-0	Nyloc Hex Nut M10C - 8	1	PC
140	92097382-0	Hex Head Screw - M8Cx50 - 8.8	4	PC
150	93300509-0	Plain Large Washer - M8	12	PC
160	93085805-0	Nyloc Hex Nut M8C - 8	21	PC
170	93212011-0	Plain Washer - M8	34	PC
180	92097376-0	Hex Head Screw - M8Cx25 - 8.8	18	PC
190	39382	Buffer	1	PC
200	92137044-0	Hex Socket Cap Screw - M5Cx20 - 12.9	2	PC
210	93210109-0	Plain Washer M5	2	PC
220	93085003-0	Nyloc Hex Nut M5C - 8	2	PC
230	92067393-0	Hex Head Bolt - M8Cx90 - 8.8	1	PC
240	56569-3	Spacer - 16 Dia x 17 M8	1	PC

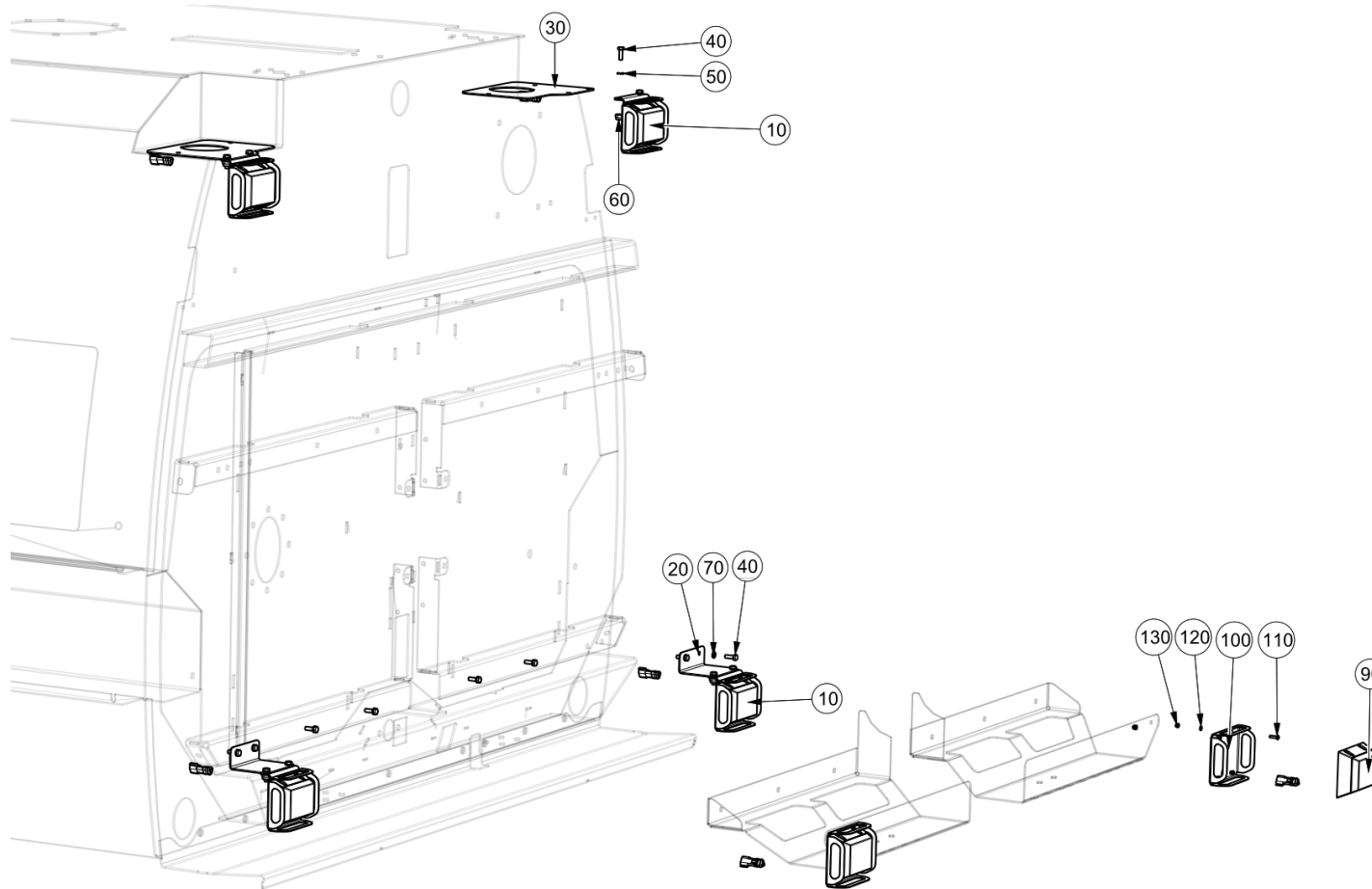
LP13 Arrow Signboard Installation ()
Trim and Lights\Rear Arrow\LP13 Arrow Signboard Installation



LP13 Arrow Signboard Installation ()
Trim and Lights\Rear Arrow\LP13 Arrow Signboard Installation

Item no.	Part no.	Description	QTY	Unit
250	56569-6	Spacer - 16 Dia x 20 M8	1	PC
260	93699710-0	Spring Washer - Plated M8	6	PC
270	93076057-0	Locknut - MC Hex, M12	2	PC
280	6645-5	Clip - Exhaust Banelli 1 5/8"	1	PC
290	47264-19	Spacer - 9.5mm	2	PC
300	93085008-0	Nyloc Hex Nut M14C - 8	2	PC
310	92067508-0	Hex Head Bolt - M14Cx120 - 8.8	2	PC
320	93085807-0	Nyloc Hex Nut M12C - 8	2	PC
330	93212015-0	Plain Washer M14	2	PC
340	93056014-0	Hex Nut M8C-8	2	PC

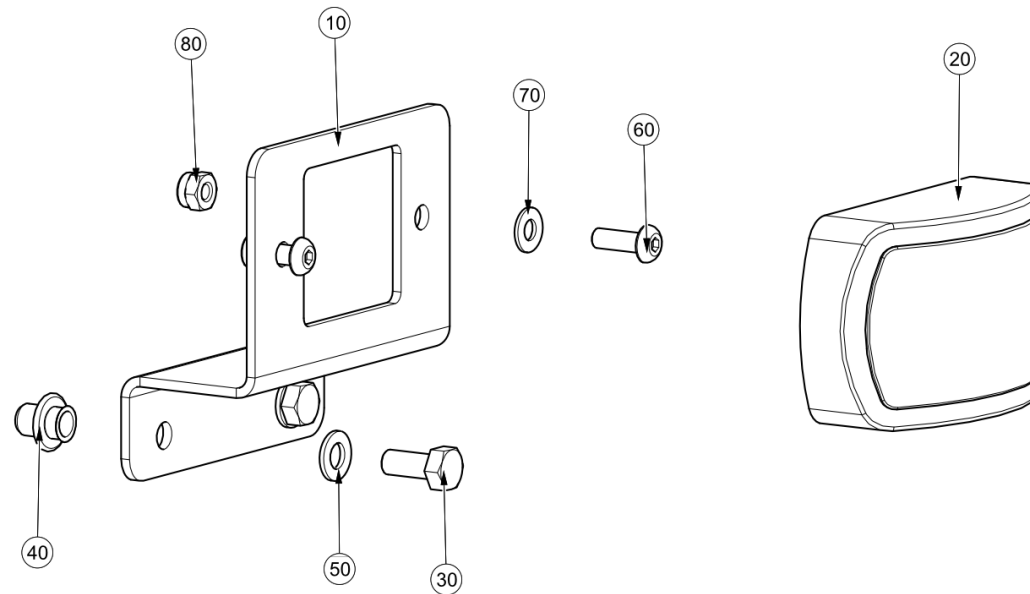
4 Rear LED Lights ()
Trim and Lights\4 Rear LED Lights



4 Rear LED Lights ()
Trim and Lights\4 Rear LED Lights

Item no.	Part no.	Description	QTY	Unit
10	7023808	LED Light Assembly	4	PC
20	7042346	Light mount	2	PC
30	7023847	Light Mount plate	2	PC
40	92097376-0	Hex Head Screw - M8Cx25 - 8.8	16	PC
50	93212011-0	Plain Washer - M8	8	PC
60	93085806-0	Nyloc Hex Nut M10C - 8	8	PC
70	93699710-0	Spring Washer - Plated M8	8	PC
80	32-116	Cable Clip P Cable Dia 10	8	PC
90	7023785	LED Light with Connector	2	PC
100	7022612	Rear Strobe Guard	2	PC
110	92330027-0	Hex Skt Button Head Screw M5x20 - 10.9	8	PC
120	93210109-0	Plain Washer M5	8	PC
130	93085003-0	Nyloc Hex Nut M5C - 8	8	PC

Rear Marker Light ()
Trim and Lights\Rear Marker Light



Rear Marker Light ()
Trim and Lights\Rear Marker Light

Item no.	Part no.	Description	QTY	Unit
10	7023529	Rear Marker Light Bracket	2	PC
20	46-270	Light - Red LED	2	PC
30	92097262-0	Hex Head Screw - M5Cx12 - 8.8	4	PC
40	433-1	Rivet Nut - S. CI Nut M5c g0.5-3.0 Blind	4	PC
50	93210109-0	Plain Washer M5	4	PC
60	92330015-0	Hex Skt Button Head Screw M4x12 - 10.9	4	PC
70	93212007-0	Plain Washer M4	4	PC
80	93085002-0	Nyloc Hex Nut M4C - 8	4	PC

Miscellaneous ()

Miscellaneous

Item no.	Part no.	Description	QTY	Unit
10	282499-1	Tool Kit 94/95	1	PC
20	39523	First Aid Kit+Tray-Clayton1113	1	PC
30	220-41	Extinguisher 1kg.Dry Powder	1	PC