



## Spare Parts Catalogue

V Range V501, V651 & V801

7028112 - Revision 04

## Foreword

### Introduction

Chapters 1 to 12, listed on the front sheet, cover the major areas of the machine. Some of the more popular options such as the Supawash hi-pressure water system, Channel Brush Rotatilt, Powaboom and Littasnatch wanderhoses are also covered in these chapters. Other more specialised options will be found in the Optional Equipment Chapter 13.

The BoM numbers, shown in brackets after the section title, are for Johnston internal reference only.

### Chassis Related Parts

Some parts shown in the Parts Section are chassis related and can vary due to the differences between chassis manufacturers.

It is important that only GENUINE JOHNSTON SPARE PARTS are used when servicing and maintaining the sweeper. This is especially important for consumables, filters etc. as the use of non-genuine parts may cause premature failure and invalidation of warranty.

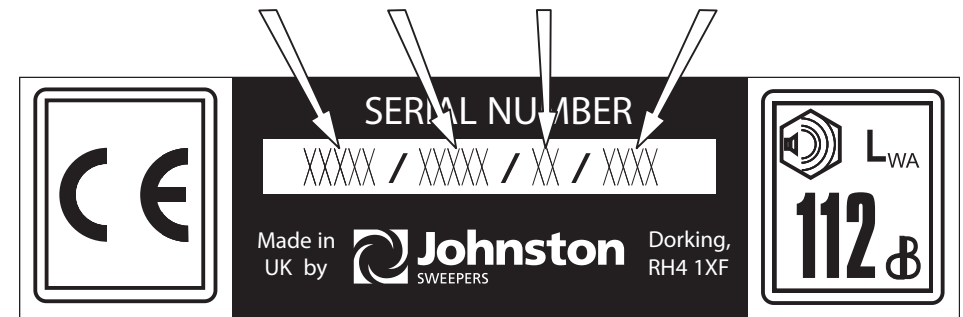
**For the latest parts information please refer to our on-line interactive catalogues which are available through our E-Shop ([www.shop.johnstonsweepers.com](http://www.shop.johnstonsweepers.com)).**

**To open an account, please follow the instructions on the Johnston Sweepers website: [www.johnstonsweepers.com](http://www.johnstonsweepers.com)**

When making enquiries or ordering spare parts the Johnston Serial number should be quoted. The number will be found stamped on a plate similar to that shown below and attached to the rearmost crossmember of the subframe, below the rear door.

Serial number comprises:-

	Model No.	EQ No.	Year of manufacture	Manufacture sequence No.
Example.....	VT651	12345	12	1234



M02MS-002

**Safety Notice**

The universal safety symbol is used throughout this manual to indicate information which is essential for the health and safety of all operating personnel.

**Abbreviations**

The following abbreviations are used in this Manual:

LH = Left Hand.  
RH = Right Hand.  
WSB = Wide Sweep Brush.  
CB = Channel Brush  
CW = Clockwise.  
CCW - Counterclockwise.  
NO = Normally Open.  
NC = Normally Closed.  
Item 0 = Whole assembly shown.

**Johnston®** is a registered trade mark of Johnston Sweepers Limited.

**Johnston Sweepers Limited**

Curtis Road, Dorking, Surrey RH4 1XF, UK

Tel: +44 (0)1306 884722 Fax: +44 (0)1306 884151

E-mail: [enquiries@johnstonsweepers.com](mailto:enquiries@johnstonsweepers.com) Web: [www.johnstonsweepers.com](http://www.johnstonsweepers.com)

## Table of Contents

<b>1 Hopper &amp; Cowl</b> .....	<b>10</b>	2.2 Rear Door Assembly.....	74
1.1 Hopper & Hoses.....	12	2.3 Contractor Door.....	78
1.2 Hopper Common Parts.....	14	2.4 Basic Contractor Door.....	80
1.3 Doors.....	18	2.5 Options.....	82
1.4 Water Components.....	22	2.5.1 Rear Door De-watering.....	82
1.5 Discharge Components.....	26	2.5.2 Rear Door Re-circulation Water.....	84
1.6 Discharge Chute.....	30	2.5.3 Rear Door - Standard.....	86
1.7 Hopper Blanking Plates.....	32	2.5.4 Options Frame Assembly.....	88
1.8 Sweep Configuration.....	34	2.5.5 Access Door & Frame.....	90
1.8.1 Sweep Configuration - Hopper Intake.....	34	2.5.6 Iris Valve.....	92
1.8.2 Sweep Configuration - Hopper Common Parts.....	36	2.5.7 Layflat Drain.....	94
1.8.3 Sweep Configuration - Cowl Flaps.....	38	2.5.8 G4" Drain.....	96
1.9 Roof Mesh.....	40	<b>3 Subframe</b> .....	<b>98</b>
1.9.1 Roof Mesh Assembly.....	42	3.1 Common Parts.....	100
1.10 Insulation Kits.....	44	3.1.1 Subframe Hoses.....	100
1.10.1 Insulation Kits V651 & V501.....	44	3.1.2 Subframe Common Parts.....	102
1.10.2 Insulation Kit V801.....	48	3.1.3 Subframe Body Prop.....	106
1.11 Cowl Common Parts.....	52	3.1.4 Node Cover Plate.....	110
1.11.1 Cowl Common Parts Steel.....	52	3.2 Sweep Components.....	112
1.11.2 Cowl Common Parts Stainless Steel.....	54	3.2.1 Left Hand Single.....	112
1.11.3 Cowl Common Parts.....	58	3.2.2 Right Hand Single.....	114
1.12 Options.....	62	3.2.3 Dual.....	116
1.12.1 Mesh Shaker.....	62	3.2.4 Components.....	118
1.12.2 Backflush System Water Re-circulation.....	66	3.3 Services.....	120
1.12.3 Baffle Drop Link.....	68	3.4 Hose & Pipe Work.....	126
<b>2 Rear Door</b> .....	<b>70</b>	3.5 Weight Load Indicator.....	132
2.1 Door.....	72	3.6 Options.....	134
		3.6.1 Subframe Extensions.....	134
		3.6.2 Tandem Pump Valve Block.....	136
		3.6.3 Supawash Pump Assembly.....	138

3.6.3.1	Supawash Assembly.....	140	4.1.3	John Deere.....	212
3.6.3.2	Unloader Supawash Assembly .....	142	4.1.3.1	Engine Assembly JD/S3a/86/12v.....	212
3.6.3.3	Water Pipe Assembly & Supawash.....	144	4.1.3.2	Fuel Filter Installation JD/86/S3a/12V.....	220
3.6.4	Ancillary Water Assembly.....	146	4.1.3.3	Engine Mounts.....	222
3.6.5	Marker Lights.....	148	4.1.3.4	Exhaust Silencer .....	224
3.6.5.1	Marker Lights - Rear.....	148	4.1.3.5	Tailpipe Assembly.....	226
3.6.5.2	Marker Lights Side.....	150	4.1.3.6	Transmission Installation - John Deere.....	228
<b>4</b>	<b>Powapack &amp; Exhaust.....</b>	<b>152</b>	4.1.3.6.1	Gearbox Assembly.....	230
4.1	Twin Engines.....	154	4.1.3.6.1.1	Gearbox Assembly.....	232
4.1.1	Powapack Tub/Twin.....	154	4.1.3.6.2	Fluid Coupling John Deere.....	234
4.1.1.1	Engine Tub Assembly .....	154	4.1.4	Cooling System.....	236
4.1.1.1.1	Powapack Tub Components.....	160	4.1.4.1	Cooling Pack Assembly.....	236
4.1.1.1.2	Water Pump Assembly.....	164	4.1.4.1.1	Expansion Tank Installation .....	240
4.1.2	JCB.....	168	4.1.4.1.2	Air Cleaner Installation.....	242
4.1.2.1	Dressed Engine JCB 93kW S3B.....	168	4.1.4.1.3	Bracket Control System.....	244
4.1.2.2	Dressed Engine JCB 55kW S4 .....	174	4.1.4.1.4	Cover Power Pack Assembly.....	246
4.1.2.3	Dressed Engine JCB 85kW S3A.....	180	4.1.4.2	Cooling Fan Installation.....	248
4.1.2.4	Fuel Filter - JCB Assembly 93 & 55kW.....	186	4.1.5	Hydraulic System .....	250
4.1.2.5	Fuel Filter - JCB Assembly 85 kW.....	188	4.1.5.1	Hydraulic System - JD.....	250
4.1.2.6	Fuel Hose Installation 93 & 55kW.....	190	4.1.5.2	Hydraulic System - JCB .....	252
4.1.2.7	Fuel Hose Installation 85kW.....	192	4.1.5.3	Hydraulic System Installation.....	254
4.1.2.8	93kW & 55kW Sensors .....	194	4.1.5.3.1	Hydraulic Tank Assembly.....	256
4.1.2.9	Engine Mounts .....	196	4.1.5.3.2	Hydraulic Manifold Assembly RH.....	258
4.1.2.10	Exhaust.....	198	4.1.5.3.3	Hydraulic Return Manifold - LH.....	260
4.1.2.11	Transmission Installation - JCB.....	200	4.1.5.3.4	Drain Bracket Assembly.....	262
4.1.2.11.1	Gearbox Assembly.....	202	4.1.5.4	Hydraulic Pump.....	264
4.1.2.11.1.1	Gearbox Assembly.....	204	4.1.5.4.1	Hydraulic Pump Assembly Single - 17cc/rev.....	264
4.1.2.11.2	Fluid Coupling .....	206	4.1.5.4.2	Hydraulic Pump Assembly Tandem - 17cc/rev .....	266
4.1.2.12	JCB Pod Box Assembly .....	208	4.1.5.4.3	Hydraulic Pump Assembly JCB Tandem.....	268
4.1.2.13	Cranking Relay Assembly.....	210	4.1.5.4.4	Hydraulic Pump Assembly JCB Single.....	270

4.1.6	Access Ladder Installation .....	272	5.1.2	24V Pneumatic Valve Island .....	342
4.2	Hydrostatic .....	274	5.1.3	12V Pneumatic Valve Island .....	344
4.2.1	Powapack Tub Installation .....	274	5.1.4	Water Valves .....	346
4.2.1.1	Powapack Tub Installation - Details .....	278	5.2	Hydraulic Valve Bank .....	348
4.2.1.2	Cooling Pack Assembly .....	282	5.3	Node .....	352
4.2.1.2.1	Fan-Oil Cooler .....	284	5.4	Options .....	354
4.2.1.3	Front Valance Assembly .....	286	5.4.1	Systems Wafer Light .....	354
4.2.1.4	Rear Valance Assembly .....	288	<b>6</b>	<b>Channel Brush .....</b>	<b>356</b>
4.2.1.5	Water Pump Assembly .....	290	6.1	Channel Brush Installation .....	358
4.2.2	Hydrostatic .....	294	6.1.1	Channel Brush .....	360
4.2.2.1	Engine Installation - Hydrostatic .....	294	6.2	Channel Brush Assembly .....	362
4.2.2.1.1	Pressure Sender Assembly .....	298	6.2.1	Pivot Frame Assembly .....	362
4.2.2.1.2	Battery Connections .....	300	6.2.1.1	Water Spray Assembly .....	366
4.2.2.2	Hydraulic System - Hydrostatic .....	302	6.2.2	Arm Assembly .....	368
4.2.2.2.1	Hydraulic Tank Assembly .....	304	6.2.3	Brush Head Assembly .....	372
4.2.2.2.2	Hydraulic Manifold Assembly .....	308	6.3	Dressing .....	374
4.2.2.2.3	Drain Bracket Assembly .....	310	6.4	Options .....	376
4.2.2.3	Transmission Assembly .....	312	6.4.1	Rotatilts .....	376
4.2.2.3.1	Transmission Pump Sub Assembly .....	314	6.4.1.1	Rotatilt Assembly .....	376
4.2.2.3.2	Pump Fan Sub Assembly .....	316	6.4.1.2	Rotatilt Control Assembly .....	378
4.2.2.3.3	Gearbox Mounting Assembly .....	318	6.4.1.2.1	Rotatilt Relay Box Assembly .....	380
4.2.2.3.4	Remote Oil Filter Installation .....	320	<b>7</b>	<b>Wide Sweep Brush .....</b>	<b>382</b>
4.3	Suction System .....	322	7.1	Wide Sweep Brush Installation .....	384
4.3.1	Fancase Assembly .....	324	7.1.1	Wide Sweep Installation .....	384
4.3.2	Fan Impeller Assembly .....	328	7.1.2	Spraybar Assembly .....	388
4.3.3	Mounting Plate Assembly .....	330	7.2	Wide Sweep Brush Assembly .....	390
4.3.4	Hydraulic Motor Assembly .....	332	7.2.1	Carriage Assembly .....	390
<b>5</b>	<b>Systems Wafer .....</b>	<b>334</b>	7.2.1.1	Carriage Assembly .....	392
5.1	Systems Wafer .....	336	7.2.2	Slew Cylinder Assembly .....	396
5.1.1	System Tray Assembly - Standard Parts .....	340			

7.2.3	Motor Assembly.....	398	8.3.10	Full Width NZ Wide Universal.....	464
7.2.4	Bearing Assembly.....	400	8.3.10.1	Full Width Nozzle Assembly.....	466
7.3	Dressing.....	402	8.3.10.1.1	Full Width Nozzle Dressing.....	468
7.3.1	Stock Assembly.....	404	8.3.11	Nozzle Carriage Assembly.....	472
<b>8</b>	<b>Nozzle.....</b>	<b>406</b>	8.3.11.1	Nozzle Wheel Assembly.....	474
8.1	Nozzle Installation.....	408	8.3.12	Line Spray Jets.....	476
8.1.1	Nozzle Installation.....	408	8.3.12.1	Line Spray Taps & Jet.....	478
8.1.1.1	Nozzle Installation.....	410	<b>9</b>	<b>Wanderhose.....</b>	<b>480</b>
8.1.2	Intake Duct.....	412	9.1	Top Mounted.....	482
8.2	Nozzle Assembly.....	414	9.1.1	Wanderhose Assembly.....	482
8.2.1	Carriage Assembly.....	414	9.1.1.1	Top Mounted Wanderhose Boom.....	482
8.2.1.1	Wheel Assembly - Nozzle.....	416	9.1.1.2	Top Mounted Wanderhose Support Base.....	484
8.2.2	Dressing Assembly - Nozzle.....	418	9.1.1.3	Top Mounted Wanderhose Support Powa Boom.....	486
8.3	Options.....	422	9.1.2	Wanderhose Dressing Ø150.....	490
8.3.1	Combivak Nozzle Installation.....	422	9.1.2.1	Wanderhose Extension Assembly Ø150.....	492
8.3.2	Combivak Hydraulics Installation.....	424	9.1.3	Wanderhose Trunking - Base Ø150.....	494
8.3.3	Combivack Nozzle Assembly.....	426	9.1.3.1	Wanderhose Trunking - Base Ø150.....	496
8.3.3.1	Combivack Components.....	432	9.1.4	Wanderhose Dressing Ø200.....	498
8.3.4	Coupling-Q/R 1/2".....	436	9.1.4.1	Wanderhose Extension Assembly Ø200.....	500
8.3.5	Nozzle Re-circulation.....	438	9.1.5	Wanderhose Trunking - Base Ø200.....	502
8.3.6	Water Re-circulation.....	440	9.1.5.1	Wanderhose Trunking - Base Ø200.....	504
8.3.6.1	Water Re-circulation Components.....	442	9.1.5.1.1	Wanderhose Trunking - Base 200.....	506
8.3.7	Heavy Duty Nozzle.....	444	9.1.6	Boom Stow.....	508
8.3.7.1	Heavy Duty Nozzle Wheel Assembly & Bumper.....	446	9.1.7	Wanderhose Support.....	510
8.3.8	Add Nozzle Water.....	448	9.1.8	Turntable Base.....	512
8.3.8.1	Finger Valve Bracket Assembly.....	450	9.1.9	Autolubrication.....	514
8.3.9	Full Width NZ Narrow Chipping / Fluid Recovery.....	452	9.2	Rear Mounted.....	516
8.3.9.1	Chipping / Fluid Recovery Nozzle Assembly.....	454	9.2.1	Wanderhose Assembly Rear Mounted.....	516
8.3.9.1.1	Chipping Nozzle Dressing.....	456	9.2.1.1	Rear Wanderhose Details.....	518
8.3.9.1.2	Fluid Recovery Nozzle Dressing.....	460	9.2.1.2	Mesh Deflector Installation.....	520

9.2.1.3	Gantry Assembly.....	522	11.3	LED Light Assembly.....	576
9.2.1.4	Anchor.....	526	11.4	Rear Camera Installation.....	578
9.2.1.5	Extensions.....	528	11.5	Side Camera Installation.....	580
9.2.1.6	Coupling Assembly.....	530	11.6	Camera Options.....	582
9.2.2	Wanderhose Controls Rear/Powaboom.....	532	<b>12 Miscellaneous.....</b>		<b>584</b>
9.2.3	Ancillary Water Feed.....	534	12.1	First Aid, Fire Extinguisher & Tool Kit.....	586
9.3	Littasnatch.....	536	12.2	Label Sets.....	588
9.3.1	Littasnatch Installation.....	536	12.3	Chassis Engine Fuel Supply.....	590
9.3.1.1	Gate/Davit Assembly - Littasnatch.....	538	<b>13 Options.....</b>		<b>592</b>
9.3.1.1.1	Littasnatch Gate Assembly.....	540	13.1	Rear Arrow Advisor.....	594
9.3.1.1.2	Davit Assembly - Littasnatch.....	542	13.2	Handwash Installation.....	596
9.3.1.2	Stowage Frame - Littasnatch.....	544	13.3	Additional Water Tank.....	598
9.3.1.3	Tube Suction Assembly - Littasnatch.....	546	13.3.1	Water System - Auxiliary Tank.....	600
9.3.1.4	Mesh Deflector Installation.....	548	13.3.1.1	Folding Ladder Assembly - Auxiliary Tank.....	604
<b>10 Controls.....</b>		<b>550</b>	13.3.2	Auxiliary Tank.....	608
10.1	Centre Console Installation.....	552	13.4	Fuel System - Auxiliary Tank.....	610
10.2	Centre Console Assembly - Standard.....	554	13.4.1	Folding Ladder Assembly - Auxiliary Tank.....	614
10.3	Centre Console Assembly - Hydrostatic.....	556	13.5	Drain Grid Lifter Install.....	618
10.4	Door Controller.....	558	13.6	Supawash.....	622
10.4.1	Control Panel - Sweep Gear.....	560	13.6.1	Supawash Front Spraybar.....	622
10.5	Discharge Pendant.....	562	13.6.1.1	Front Spraybar Assembly.....	624
10.6	Options.....	564	13.6.2	Supawash Nozzle Spraybar.....	626
10.6.1	Powasave / Thrust.....	564	13.6.2.1	Nozzle Spraybar Assembly.....	628
<b>11 Beacons, Worklights &amp; Camera.....</b>		<b>566</b>	13.6.3	Supawash Hose Reel & Lance Basic.....	630
11.1	Rear Beacons.....	568	13.6.3.1	Water Manifold Assembly.....	632
11.2	Work Lights.....	570	13.7	Broom Stowage Installation.....	634
11.2.1	Side Worklight Installation.....	570	13.8	Shovel Stowe Rear Door.....	636
11.2.2	Rear Worklight.....	572	13.9	Wash Down Hose.....	638
11.2.3	High Current Option Node.....	574	13.10	Hydrant Standpipe Options.....	640

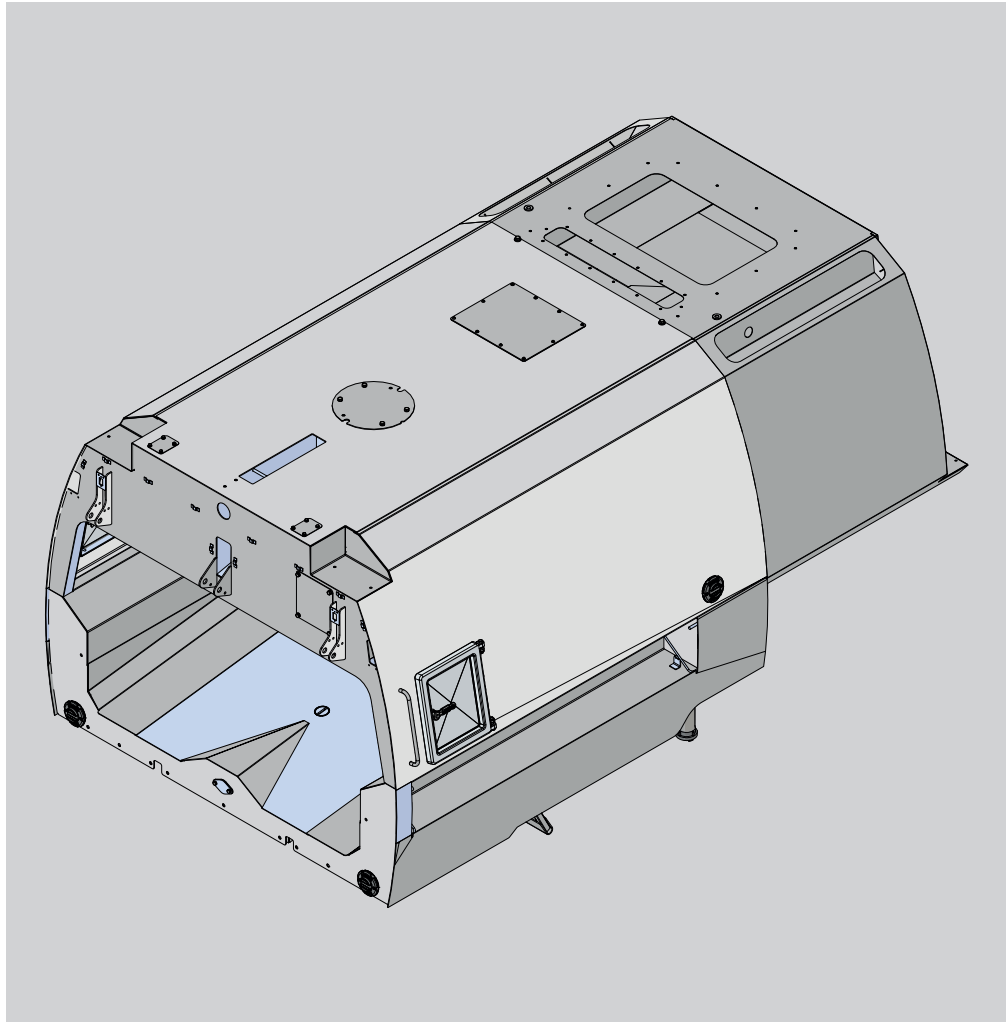


13.10.1	Hydrant Hose, Standpipe & Key.....	640
13.10.2	Hydrant Hose, Standpipe & Key Open Ended.....	642
13.10.3	Hydrant Wrench Holder.....	644
13.11	External Throttle.....	646
13.12	Water Strainer.....	648
13.13	LED Signboard.....	650

This page is intentionally left blank

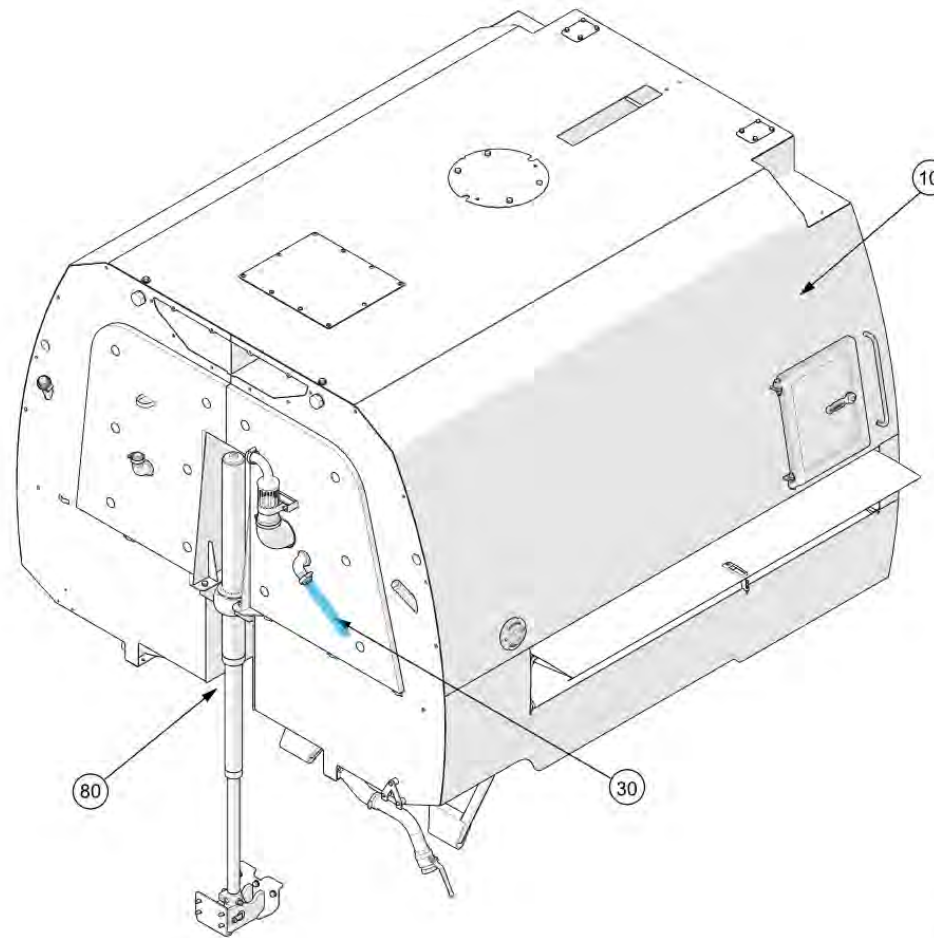
# Chapter 1

## Hopper & Cowl



### Table of Contents

Section	Page
1.1 Hopper & Hoses.....	12
1.2 Hopper Common Parts .....	14
1.3 Doors.....	18
1.4 Water Components.....	22
1.5 Discharge Components.....	26
1.6 Discharge Chute.....	30
1.7 Hopper Blanking Plates.....	32
1.8 Sweep Configuration.....	34
1.9 Roof Mesh.....	40
1.10 Insulation Kits.....	44
1.11 Cowl Common Parts.....	52
1.12 Options.....	62



MO2HC002

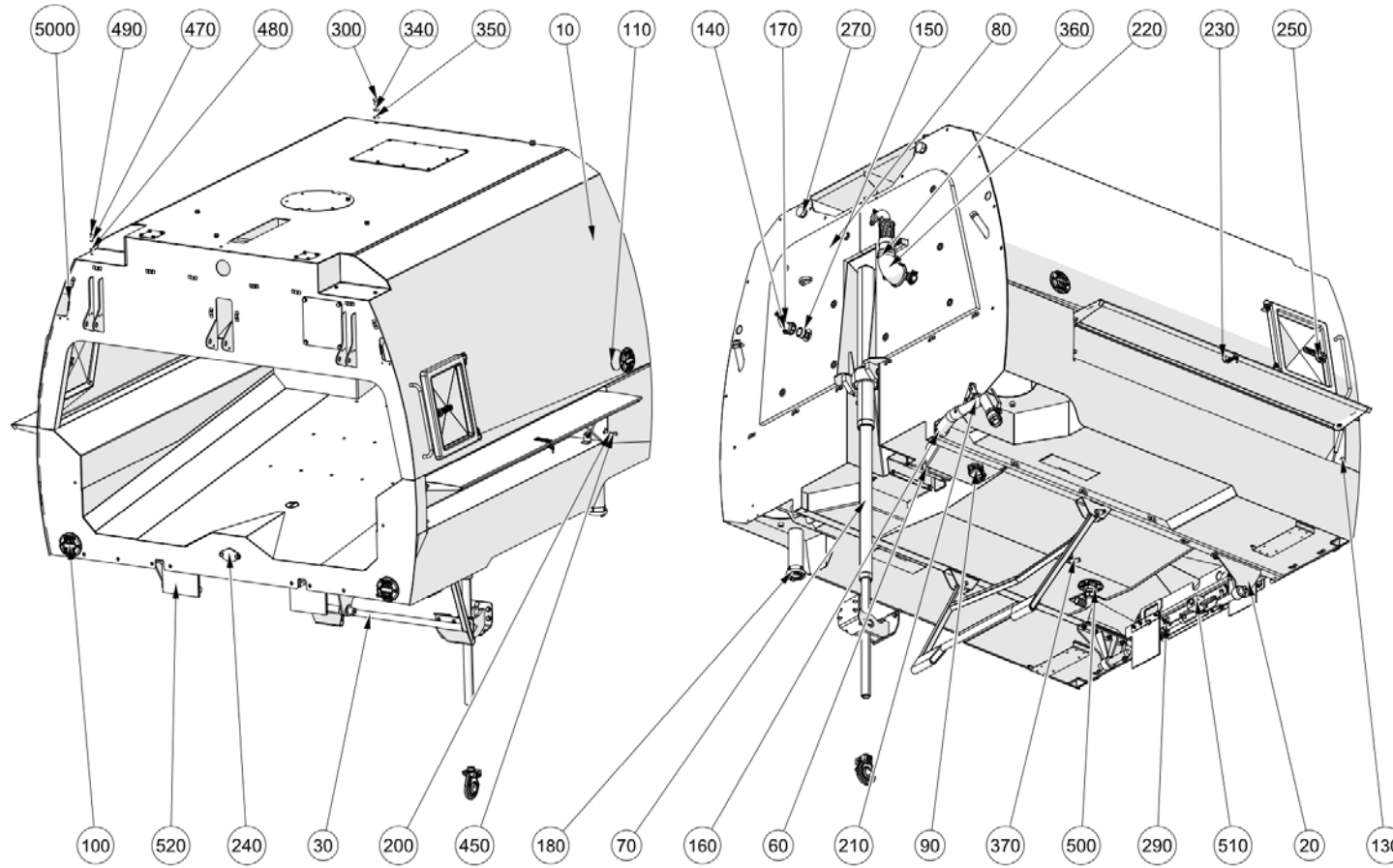
Hopper & Hoses (6520411-001, 6520411-002, 5020411-001, 8020411-001, 8020411-002)

Hopper & Cowl/Hopper & Hoses

Item no.	Part no.	Description	QTY	Unit
10	7019079	Hopper Common Parts Installation	1	PC
4103				
30	272-17	Hose 35i/d Trichoflex (Water)	2.6	M
80	7023550	Cable Assembly	1	PC
10	7015460	Hopper Common Parts Installation	1	PC
4003				
10	7022763	Hopper Common Parts Installation	1	PC
V501 4003				
10	7023128	Hopper Common Parts Installation	1	PC
V801 4003 S.Steel				
10	7023980	Hopper Common Parts Installation	1	PC
V801 4301 S.Steel				
80	7026410	Cable Assembly	1	PC
V801				

**Hopper Common Parts (7015460E710811)**

Hopper &amp; Cow\Hopper Common Parts



M02HC023

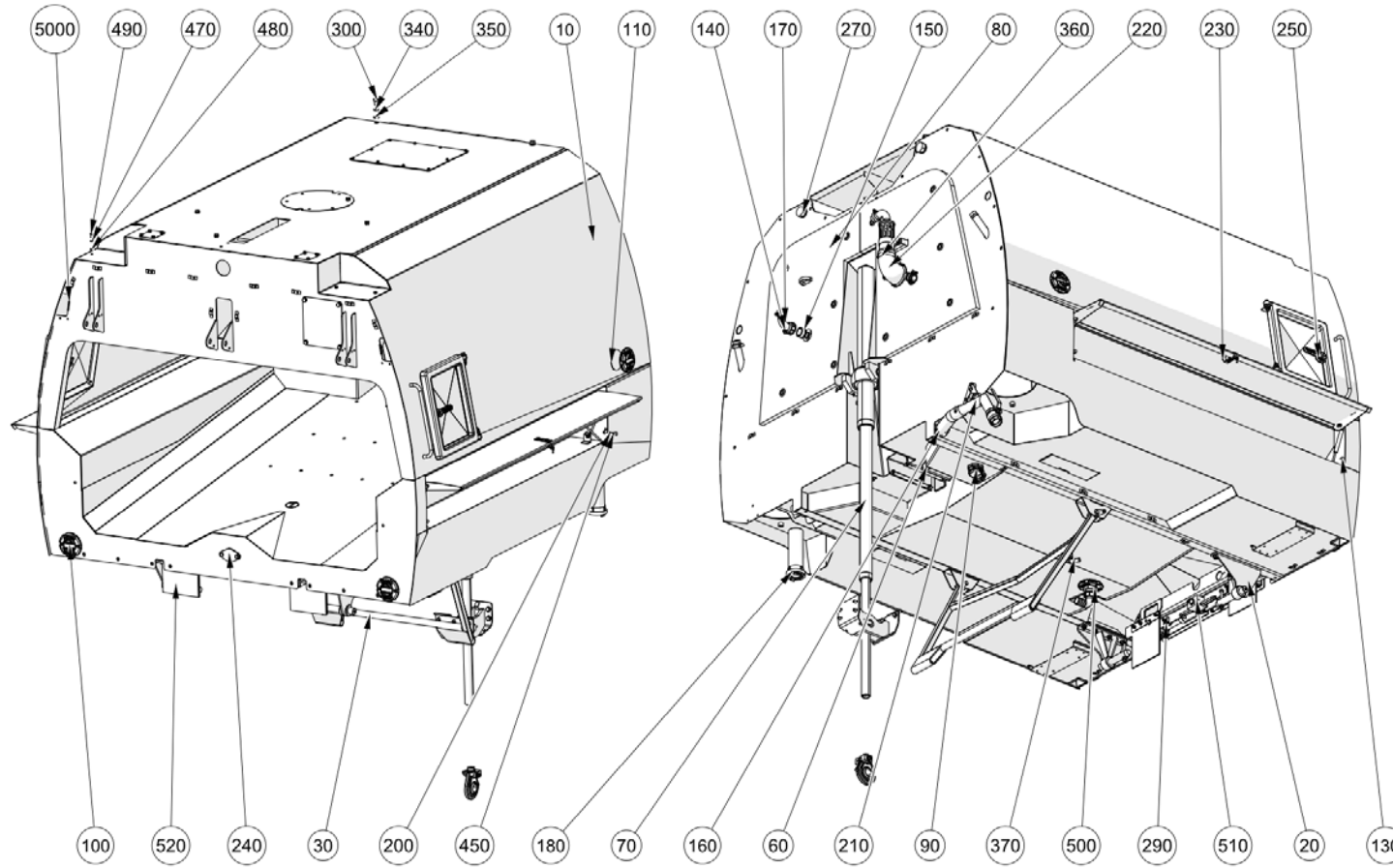
**Hopper Common Parts (7015460E710811)**

Hopper & Cowl\Hopper Common Parts

Item no.	Part no.	Description	QTY	Unit
10	7008975	Hopper welded assembly	1	PC
20	7028092	Hopper pivot assembly	1	PC
30	7012802	Body prop installation	1	PC
60	7012776	Sensor body tip installation	1	PC
70	7012781	Tip cylinder installation	1	PC
80	7024233	body Sound Insulation Kit	1	PC
90	7002529	Level Sender	1	PC
100	284040-1	Cap - Water Tank Drain	4	PC
110	40643-1-C	Washer - Seal, Drain, W/Tank	4	PC
130	290-28	Bump Stop Rubber	4	PC
140	283-25	Fastener-Plastic cover 3mm	12	PC
150	277-209	Seal - 1 1/2" BSP	2	PC
160	55-4	Plug - 1 1/4" BSPT	1	PC
170	277-208	Cap and Liner 90 Degree	2	PC
180	7012770	Hydrant body installation	1	PC
200	92097225-0	Hex Head Screw - M4Cx10 - 8.8	4	PC
210	7015521	Flushing Valve Assy	1	PC
220	7012774	Filler hydrant installation	1	PC
230	7015536	Locker Door Assy	2	PC
240	7028102	Hopper blanking plates assy	1	PC
250	7015492	Access Door Assembly	2	PC
270	44-10	Cap Seal Outer Plastic RP 1 1/2	2	PC
290	48-328	Switch - Float + Deutsch Conn	1	PC
300	92099517-0	Hex Head Bolt - M16Cx20 - A2-70	2	PC

**Hopper Common Parts (7015460E710811)**

Hopper &amp; Cow\Hopper Common Parts



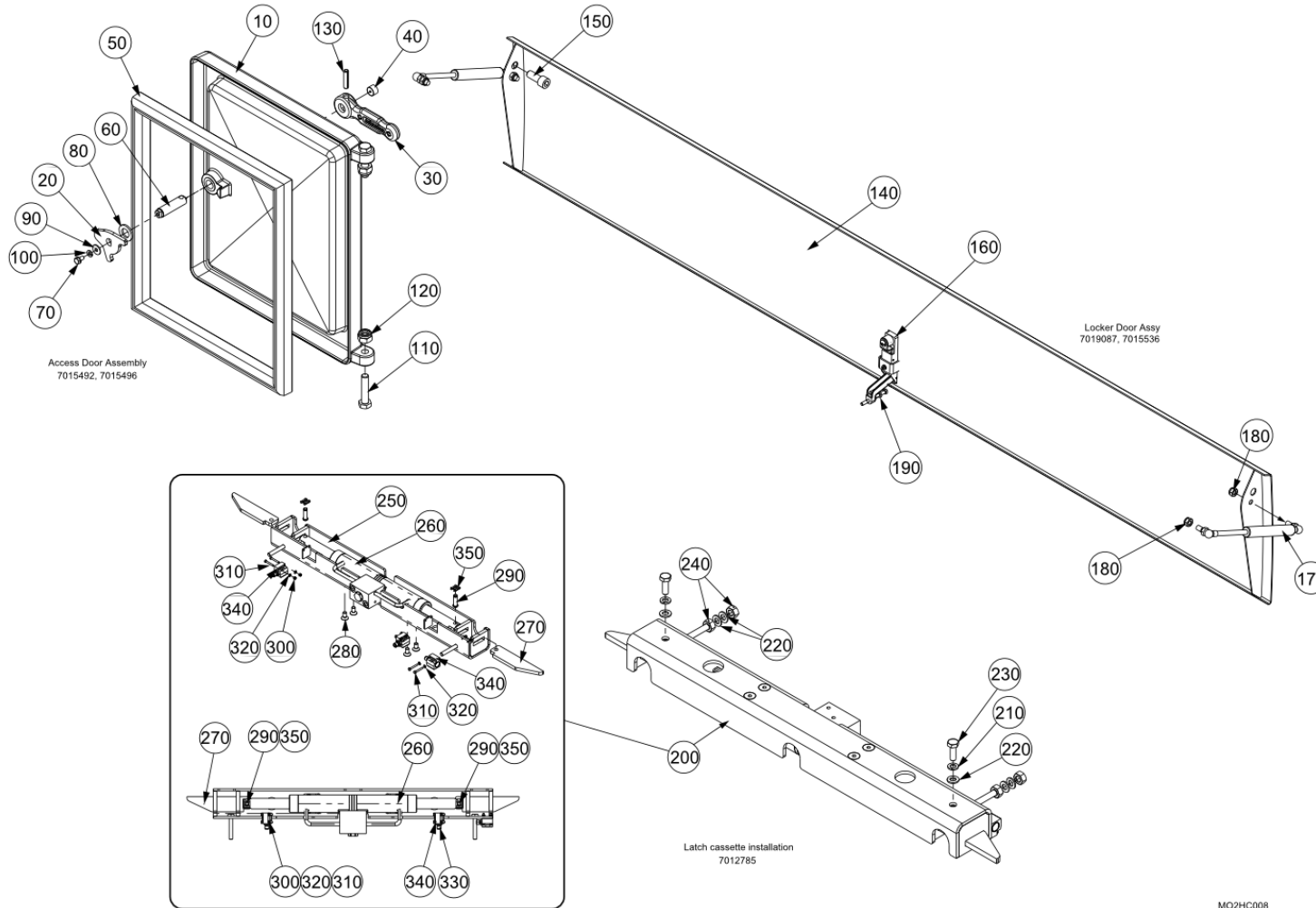
M02HC023



**Hopper Common Parts (7015460E710811)**

Hopper &amp; Cowl\Hopper Common Parts

Item no.	Part no.	Description	QTY	Unit
340	93213014-0	Plain Washer M16 A2	2	PC
350	93700214-0	Spring Washer M16 - A2	2	PC
360	501-11	Hose Clip - Worm Drive (35-50)	4	PC
370	277-230	Elbow & Hosetail 1/2"BSPTx3/4"	1	PC
450	93699706-0	Spring Washer - Plated M4	4	PC
470	93700210-0	Spring Washer M8 - A2	4	PC
480	93213010-0	Plain Washer M8 A2	4	PC
490	92099373-0	Hex Head Screw - M8Cx20 - A2	4	PC
500	7018857	Water filter assembly	1	PC
510	7012785	Latch cassette installation	1	PC
520	7028811	Deflector Assembly	2	PC
5000	217-1	Grommet Strip Size 5	0.42	M
540	277-170	FLYNUT # G1-1/2#	1	PC
530	277-244	Flynut Hosetail - 90° Barb = 25mm	1	PC

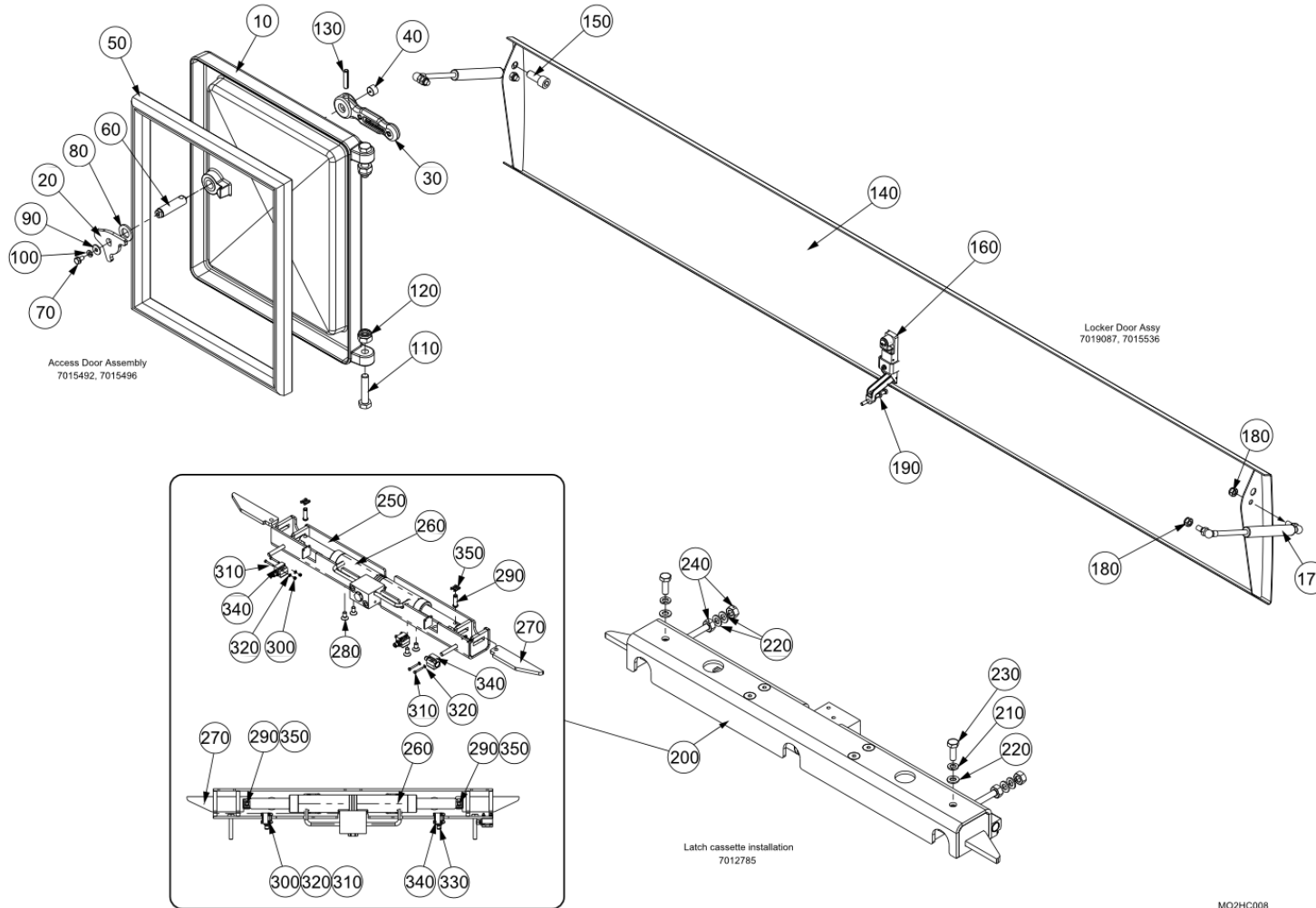


MO2HC008

Doors (7015492 , 7015496 , 7019087 , 7015536 , 7012785 , 7001170)

Hopper & Cow\Doors

Item no.	Part no.	Description	QTY	Unit
10	284345-1	Access Door	1	PC
20	200342-1	Lock	1	PC
30	7017706	Handle - Access Door	1	PC
40	290-28	Bump Stop Rubber	1	PC
50	281217-1	Seal- Access Door Moulded	1	PC
60	284348-1	Spindle	1	PC
70	92099298-0	Hex Head Screw - M6Cx12 - A2	1	PC
80	93210523-0	Plain Washer M16	1	PC
90	93300507-0	Plain Large Washer M6	1	PC
100	93699708-0	Spring Washer - Plated M6	1	PC
110	92067460-0	Hex Head Bolt - M12Cx55 - 8.8	2	PC
120	6211-0482	Nyloc Hex Thin Nut M14F - 8	2	PC
130	93545357-0	Spring Pin (Slotted) - Ø8x36 C.Steel HD	1	PC
150	92137195-0	Hex Socket Cap Screw - M12Cx30 - 12.9	2	PC
160	211-40	Push Button Trigger Latch	2	PC
170	293-14	Strut - Gas 236mm Centres	4	PC
140	7019092	Locker Door W/Assy	2	PC
4031 S.Steel				
140	7009759	Locker Door W/Assy	2	PC
4003 S.Steel				
180	93085005-0	Nyloc Hex Thin Nut M8C - 8	8	PC
190	134-61	Pan Head Screw-M5Cx30-4.8-Pozidriv	2	PC
200	7001170	Door Latch Cassette	1	PC
230	92097414-0	Hex Head Screw - M10Cx30 - 8.8	2	PC



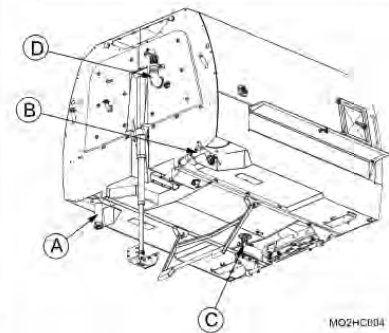
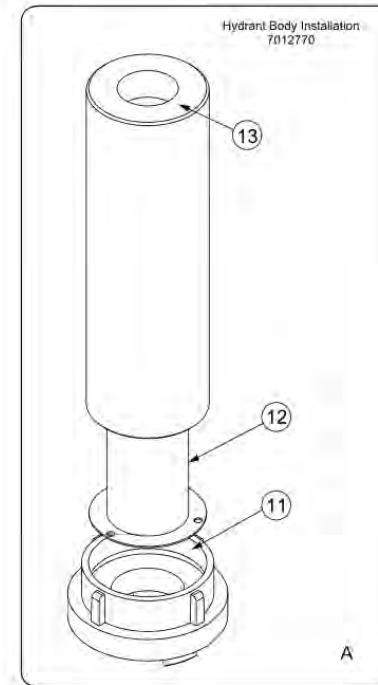
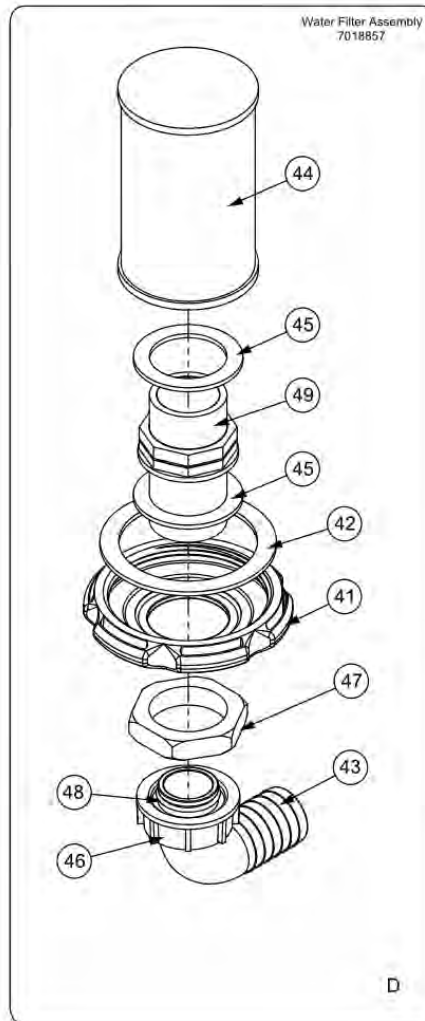
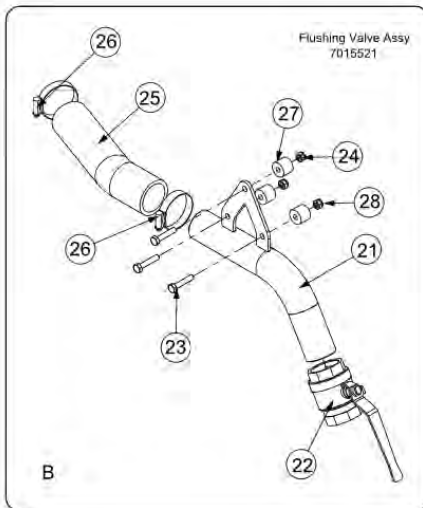
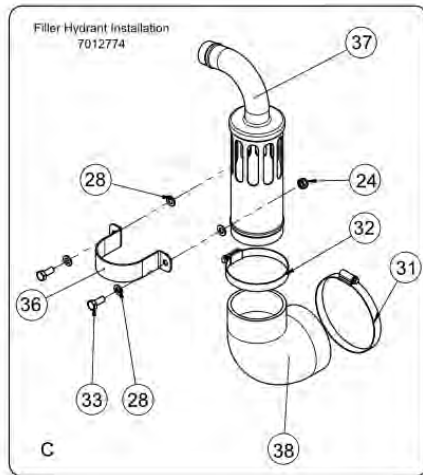
MO2HC008

Doors (7015492 , 7015496 , 7019087 , 7015536 , 7012785 , 7001170)

Hopper & Cow\Doors

Item no.	Part no.	Description	QTY	Unit
240	93056016-0	Hex Nut M12C-8	4	PC
210	93212012-0	Plain Washer M10	6	PC
220	93699711-0	Spring Washer - Plated M10	2	PC
250	7001164	Channel Assembly	1	PC
270	7001165	Latch	2	PC
260	7001169	Cylinder Rear Door Latch	1	PC
290	29145-1-B	Clevis pin (37.5mm Lg)	2	PC
330	7003201	Sensor	3	PC
340	7003202	Sensor mount	3	PC
310	6107-0661	Hex Head Screw - M4Cx30 - 8.8	6	PC
300	93085002-0	Nyloc Hex Nut M4C - 8	6	PC
320	93212007-0	Plain Washer M4	6	PC
350	39624	Slim Safety Fastener	2	PC
140	7022800	Locker Door W/Assy	2	PC
V501				
280	92097412-0	Hex Head Screw - M10Cx25 - 8.8	4	PC

Water Components (7012770 , 7015521 , 7012774 , 7018857 E710889)  
Hopper & Cow\Water Components

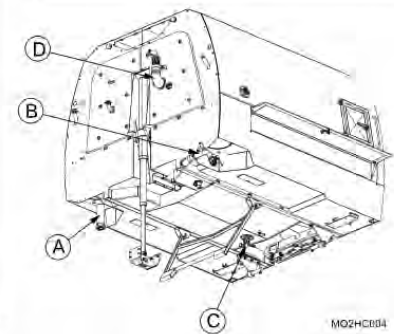
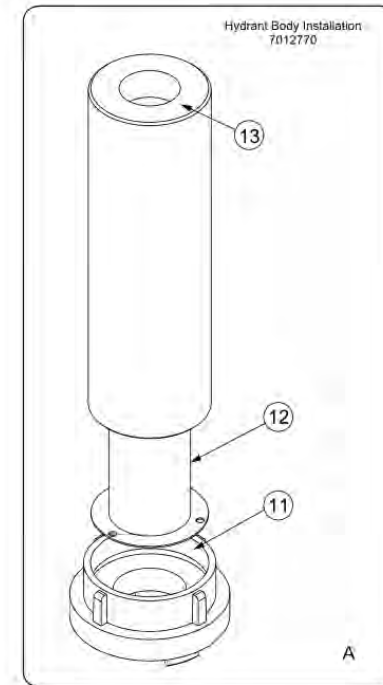
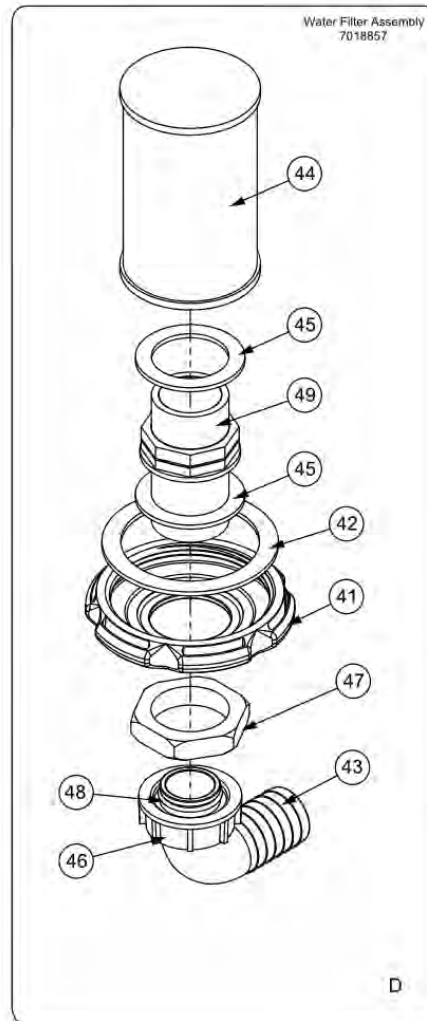
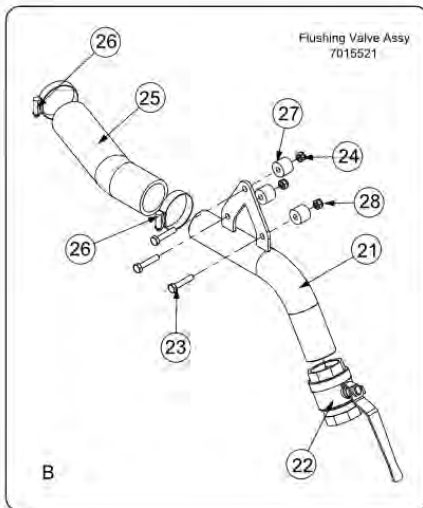
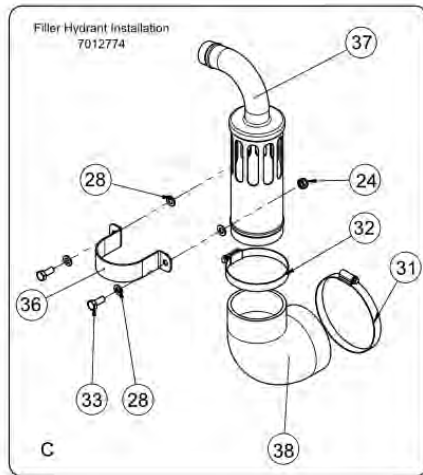


Water Components (7012770 , 7015521 , 7012774 , 7018857 E710889)

Hopper & Cow\Water Components

Item no.	Part no.	Description	QTY	Unit
11	667-31	Coupling-Stortz 2.5" BSP	1	PC
12	39402	Filter	1	PC
13	7017520	Hydrant Filler - 237 x 30	1	PC
22	39253	Valve Ball 1 1/2 BSP	1	PC
23	92097380-0	Hex Head Screw - M8Cx40 - 8.8	3	PC
24	93085005-0	Nyloc Hex Thin Nut M8C - 8	3	PC
25	42213-1-A	Hose Flushing Valve	1	PC
26	09531004-0	HOSE CLAMP 50-70 wd12 C7 W2	2	PC
27	7023615	Spacer-Valve Bank Label	3	PC
28	93212011-0	Plain Washer M8	3	PC
41	7018121	Mounting cap	1	PC
42	7018119	Gasket ring	1	PC
43	277-213	1 1/2" x 90 Barbed Hose Tail	1	PC
44	6974-1-C	Filter - Water Tank	1	PC
45	277-214	Gasket - 1 1/2"	2	PC
46	277-170	FLYNUT # G1-1/2#	1	PC
47	277-198	Back Nut 1 1/2" BSP	1	PC
48	277-171	'O' Ring	1	PC
49	277-212	Nipple - 1 1/2" BSP	1	PC
11	18684-1-C	Hydrant coupling - UK	1	PC
31	501-9	Hose Clip - Worm Drive (90-120)	0	PC
32	09531001-0	Hose Clip - Worm Drive (70-90)	0	PC
33	92097374-0	Hex Head Screw - M8Cx20 - 8.8	0	PC
36	7005457	Clamp	0	PC

Water Components (7012770 , 7015521 , 7012774 , 7018857 E710889)  
Hopper & Cow\Water Components





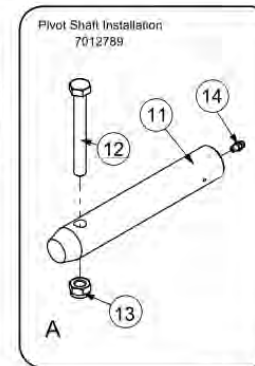
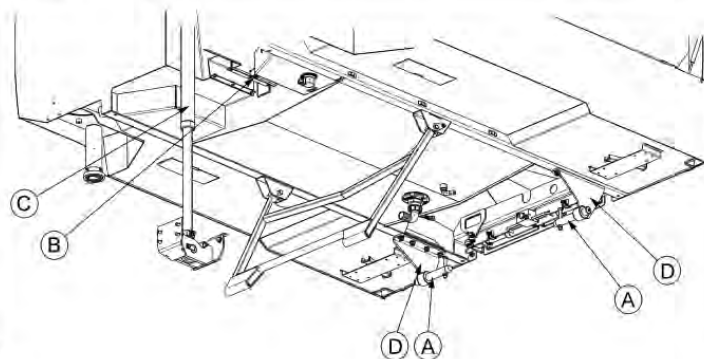
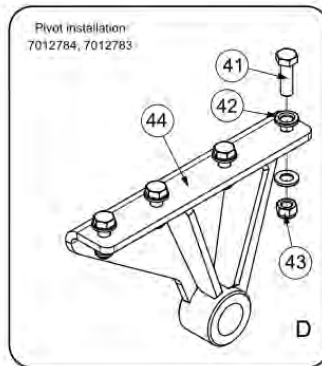
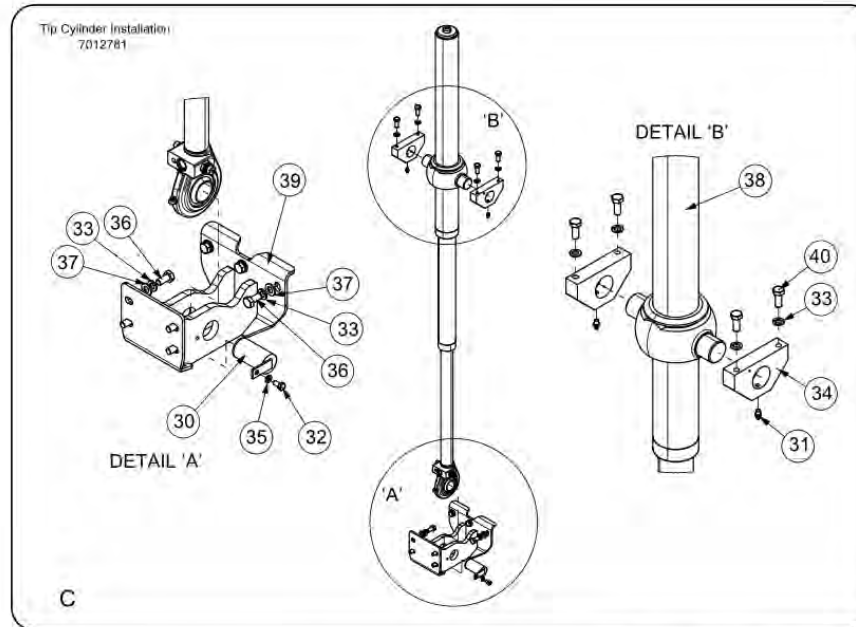
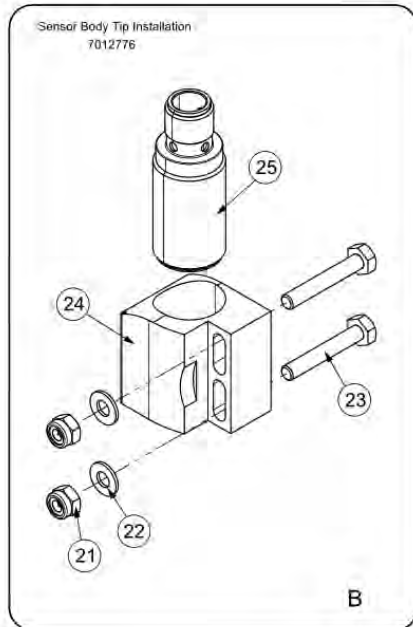
## Water Components (7012770 , 7015521 , 7012774 , 7018857 E710889)

Hopper &amp; Cow\\Water Components

Item no.	Part no.	Description	QTY	Unit
37	7004072	Filler Hydrant Fill	0	PC
38	61096-2	Rubber elbow	0	PC
21	7028740	Flushing valve	1	PC

Discharge Components (7012789 , 7012776 , 7012781 , 7012784 , 7012783)

Hopper & Cowl\Discharge Components



MO2HC003

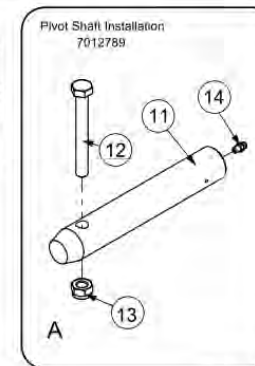
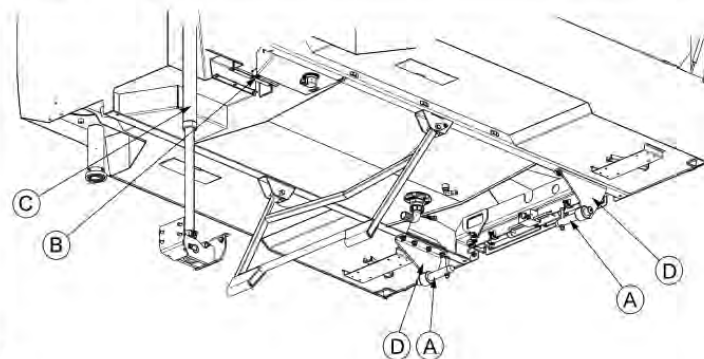
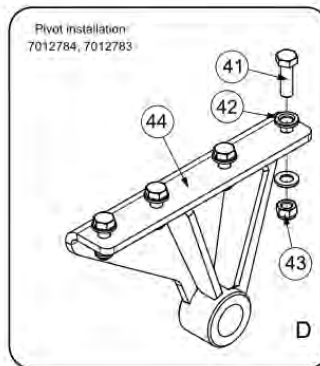
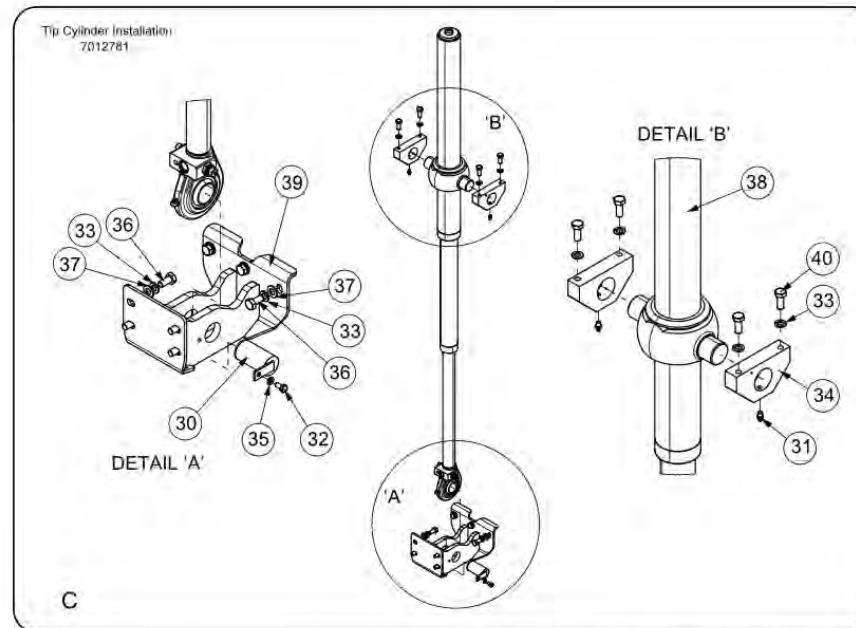
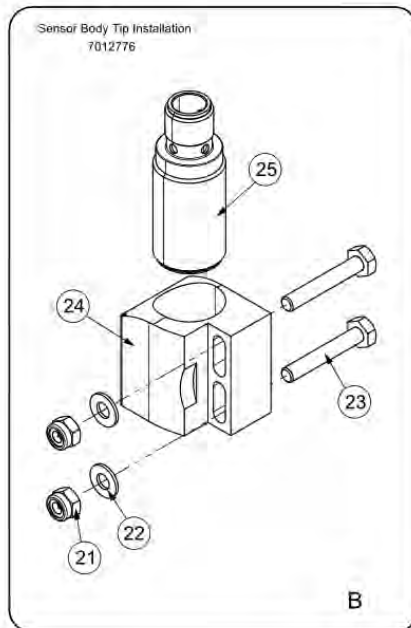
Discharge Components (7012789 , 7012776 , 7012781 , 7012784 , 7012783)

Hopper & Cowl\Discharge Components

Item no.	Part no.	Description	QTY	Unit
44	7000740	Pivot Right	1	PC
43	404-16	Hex Nyloc Nut - M12c x Grade 10	4	PC
41	92072181-0	Hex Head Bolt - M12Cx40 - 10.9	4	PC
42	93715020-0	M12x24 Hard Stl Heavy Washer Galv	8	PC
44	7000739	Pivot Left	1	PC
21	93085002-0	Nyloc Hex Nut M4C - 8	2	PC
22	93212007-0	Plain Washer M4	2	PC
23	92097231-0	Hex Head Screw - M4Cx25 - 8.8	2	PC
24	7003202	Sensor mount	1	PC
25	7003201	Sensor	1	PC
31	38-1	Nipple Grease Straight 1/8 BSP	2	PC
32	92097372-0	Hex Head Screw - M8Cx16 - 8.8	1	PC
33	93699712-0	Spring Washer - Plated M12	11	PC
34	42072-1-A	Block Trunnion Cyl Tip Body	2	PC
35	93699710-0	Spring Washer - Plated M8	1	PC
36	92097448-0	Hex Head Screw - M12Cx25 - 8.8	7	PC
37	93212013-0	Plain Washer M12	7	PC
38	7007541	Cylinder Assembly Ø75 x 1633	1	PC
39	7000862	Pivot Assembly	1	PC
30	42432-1-A	Pin - Pivot	1	PC
40	92097450-0	Hex Head Screw - M12Cx30 - 8.8	4	PC
11	201248-1	Shaft Pivot Body	2	PC
12	92067469-0	Hex Head Bolt - M12Cx100 - 8.8	2	PC
13	93085007-0	Nyloc Hex Thin Nut M12C - 8	2	PC

Discharge Components (7012789 , 7012776 , 7012781 , 7012784 , 7012783)

Hopper & Cowl\Discharge Components



MO2HC003

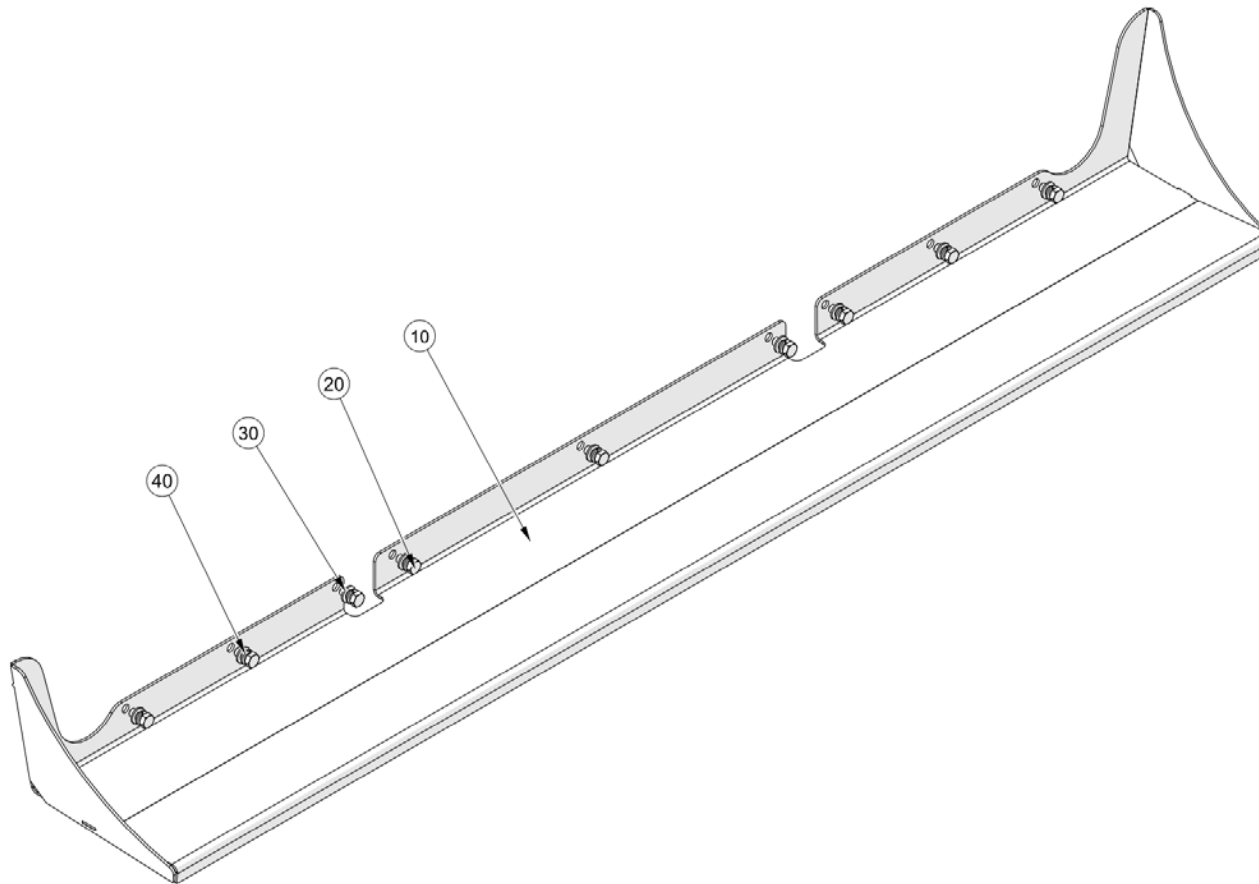
## Discharge Components (7012789 , 7012776 , 7012781 , 7012784 , 7012783)

Hopper &amp; Cowl\Discharge Components

Item no.	Part no.	Description	QTY	Unit
14	38-30	Nipple Grease M6 X 1	2	PC
44	7022782	Pivot Bracket LH W/Assy	1	PC
V501				
44	7022781	Pivot Bracket RH W/Assy	1	PC
V501				
38	7007939	Cylinder Assembly Ø75 x 1733	1	PC
V801				

**Discharge Chute (7022308 / E710838)**

Hopper & Cowl\Discharge Chute



M02HC017

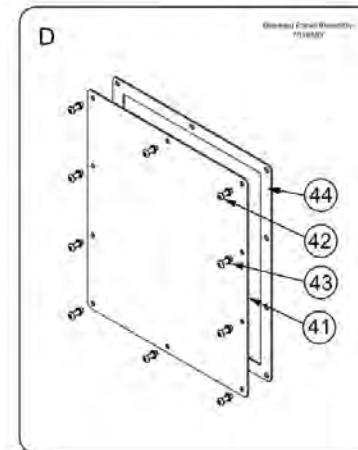
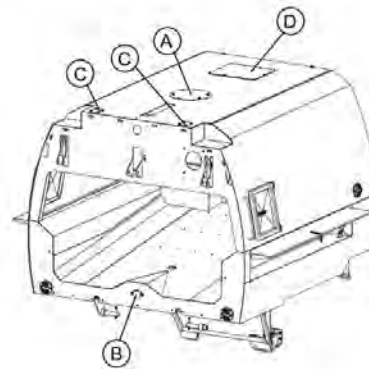
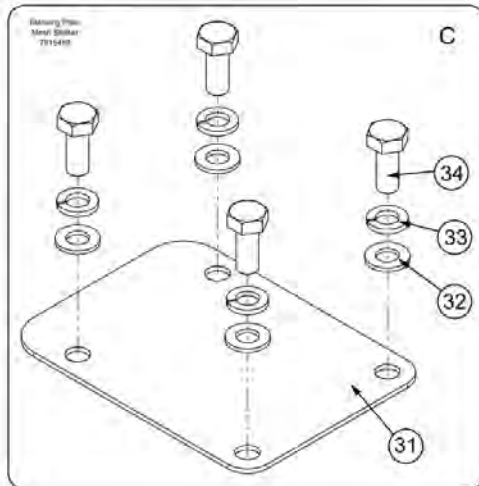
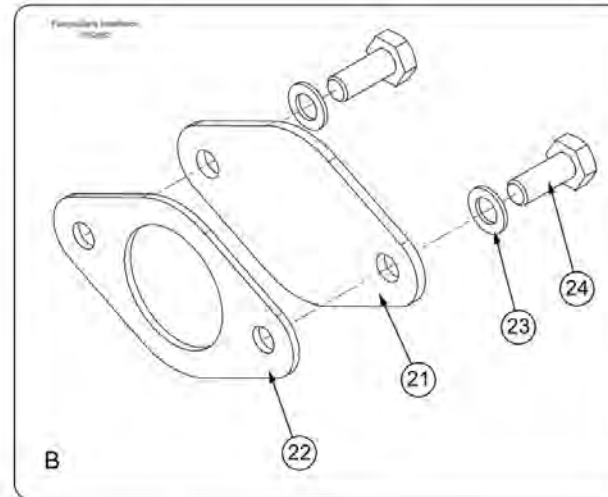
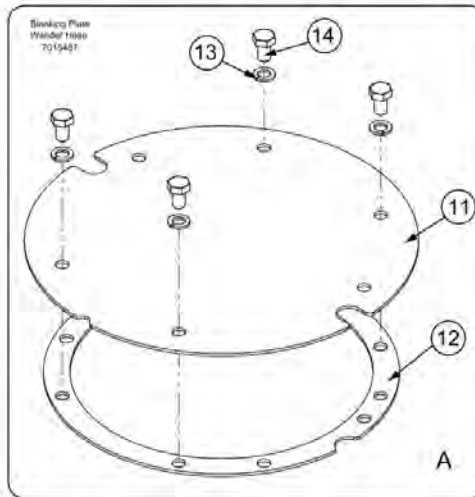
**Discharge Chute (7022308 / E710838)**

Hopper &amp; Cowl\Discharge Chute

Item no.	Part no.	Description	QTY	Unit
10	7022289	Discharge chute w/assy	1	PC
20	92099447-0	Hex Head Screw - M12Cx25 - A2	9	PC
30	93213012-0	Plain Washer M12 A2	9	PC
40	93700212-0	Spring Washer M12 - A2	9	PC
5000	217-35	Foam-Self Adhesive Black 25x6	2	PC

Hopper Blanking Plates (7015487 , 7012882 , 7015489 , 7018552)

Hopper & Cowl/Hopper Blanking Plates



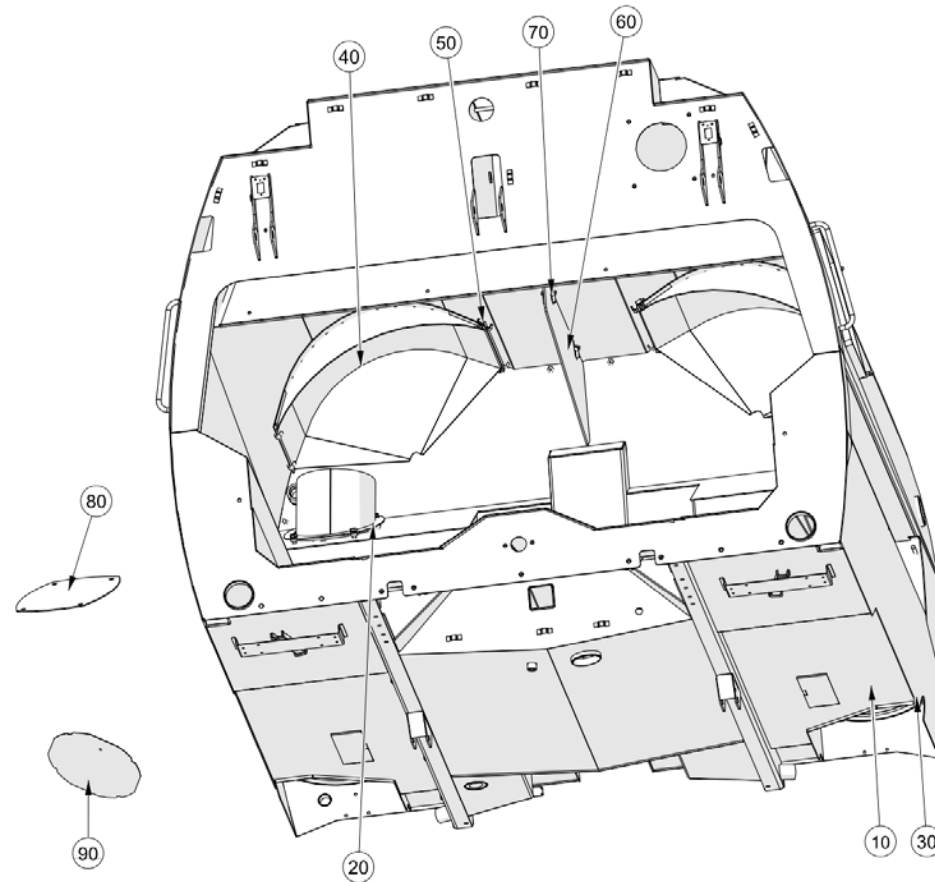


Hopper Blanking Plates (7015487 , 7012882 , 7015489 , 7018552)

Hopper & Cowl\Hopper Blanking Plates

Item no.	Part no.	Description	QTY	Unit
11	281376-2	Blanking Plate Wander Hose	1	PC
12	5955-1	Seal	1	PC
13	93700212-0	Spring Washer M12 - A2	4	PC
14	92099445-0	Hex Head Screw - M12Cx20 - A2	4	PC
21	7012880	Flange blanking recirculation	1	PC
22	282574-1	Flange blank gasket	1	PC
23	451-140	Washer Brass M10 DIN433	2	PC
24	92099409-0	Hex Head Screw - M10Cx25 - A2	2	PC
31	281377-2	Blanking plate - Mesh shaker	2	PC
32	93213010-0	Plain Washer M8 A2	8	PC
33	93700210-0	Spring Washer M8 - A2	8	PC
34	92099373-0	Hex Head Screw - M8Cx20 - A2	8	PC
41	7018545	Blanking plate - Access door	1	PC
42	6122-2082	Hex Socket Button Head Screw M8Cx25 A2	10	PC
43	451-3	Washer Bonded Ø5-16" - Bolt	10	PC
44	283613-1	Gasket - Access Panel Roof	1	PC

**Sweep Configuration - Hopper Intake ( )**  
Hopper & Cowl\Sweep Configuration\Sweep Configuration - Hopper Intake



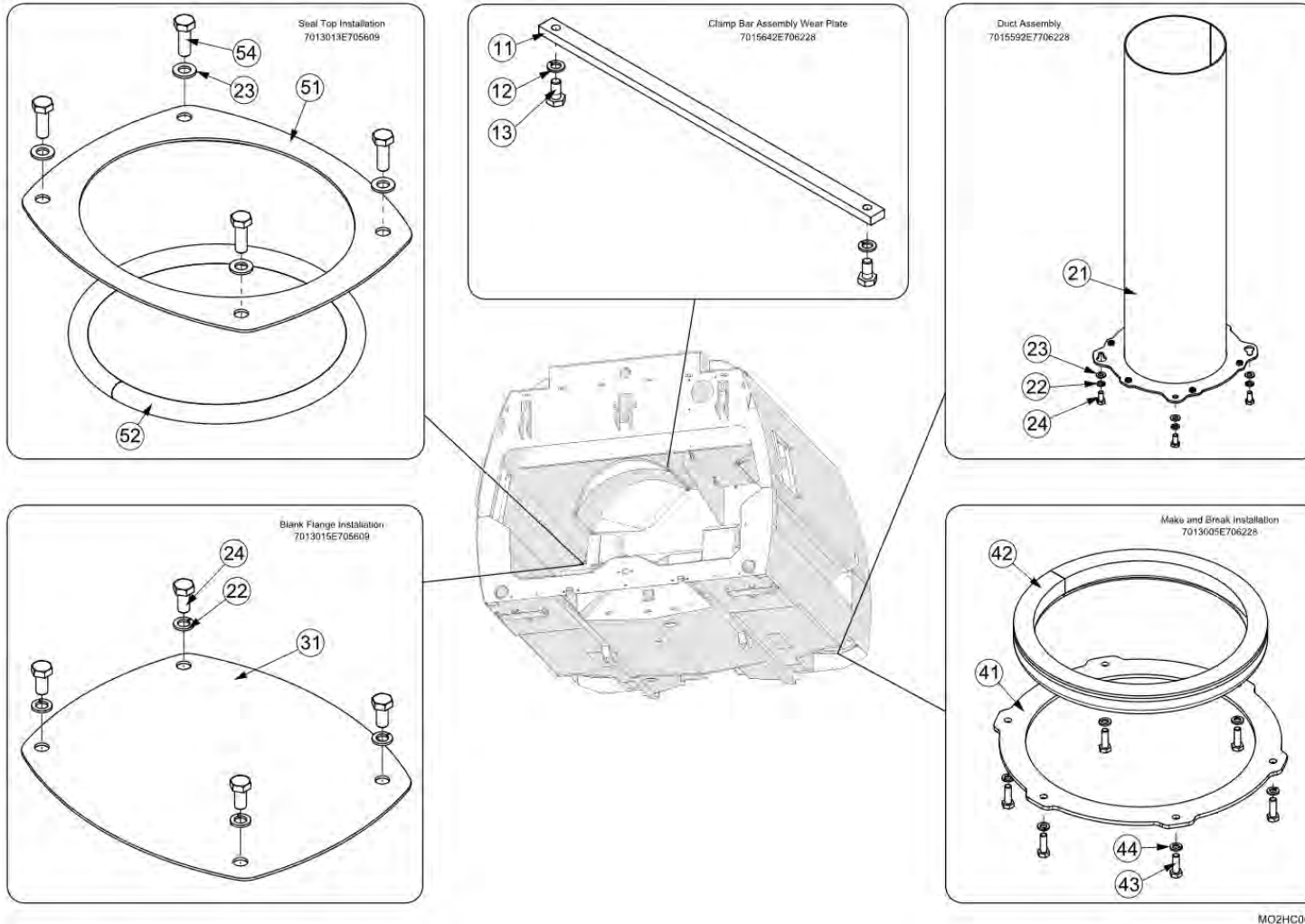
M02HC016

Sweep Configuration - Hopper Intake ( )

Hopper & Cowl\Sweep Configuration\Sweep Configuration - Hopper Intake

Item no.	Part no.	Description	QTY	Unit
10	7015592	Duct Assembly	2	PC
20	7013013	Seal top installation	2	PC
30	7013005	Make and break installation	2	PC
40	7015594	Wear Plate Weld Assembly Bonded	2	PC
50	7015642	Clamp Bar Assembly Wear Plate	2	PC
60	41234-1-A	Locking ring - Centre baffle	2	PC
70	7022699	Baffle welded assembly	1	PC
The following additional parts supplied with single machine.				
80	7013015	Blank flange installation	1	PC
90	7024210	Blanking Plate W/Assy	1	PC
40	7019793	Wear Plate, Heavy Duty	1	PC
Option				
70	7022822	Baffle welded assembly	1	PC
V501 dual				
10	7026265	Duct Assembly 801	1	PC
V801				

Sweep Configuration - Hopper Common Parts (7015642, 7015592, 7013015, 7013005, 7013013, 7026550, 7026568)  
 Hopper & Cowl\Sweep Configuration\Sweep Configuration - Hopper Common Parts

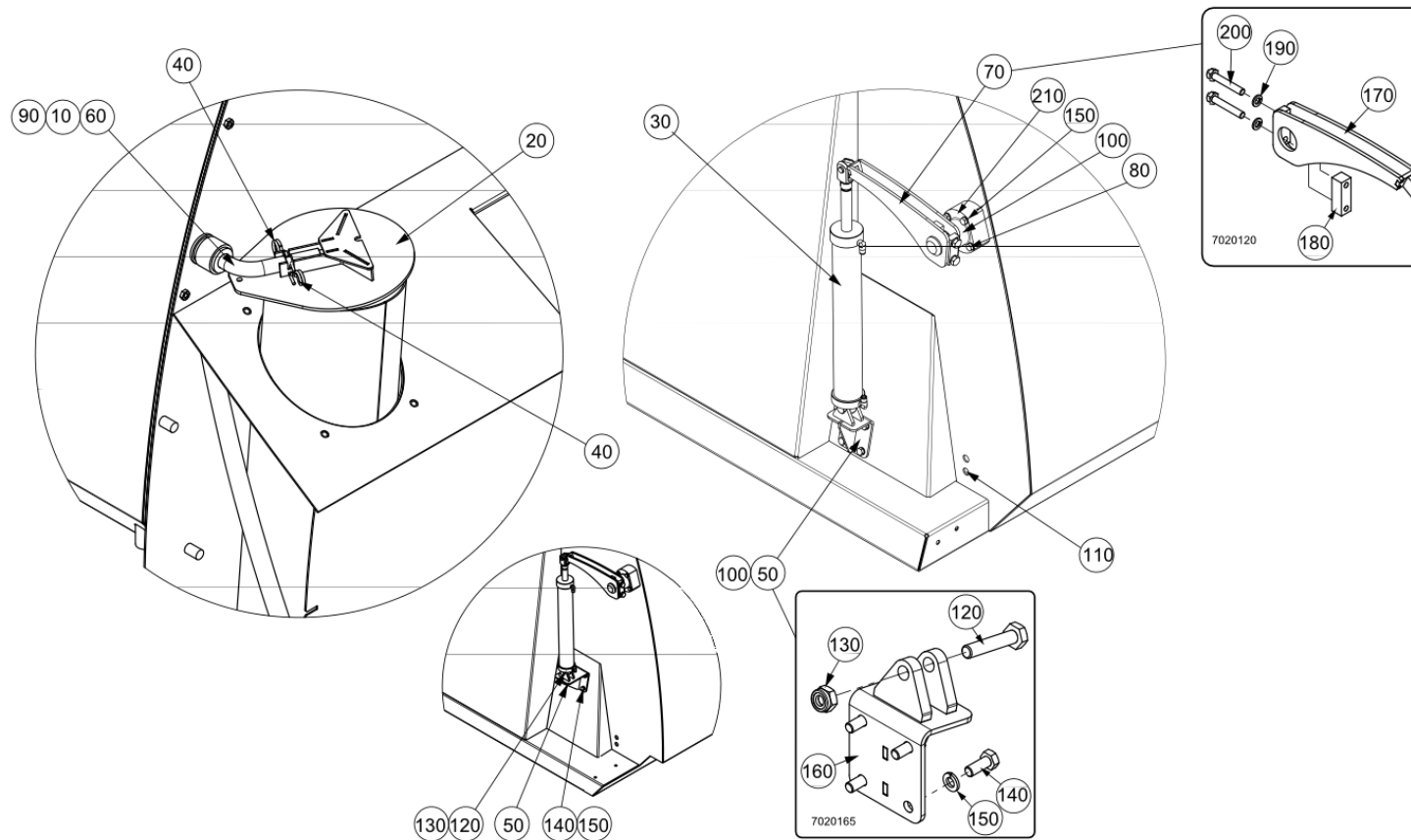


**Sweep Configuration - Hopper Common Parts (7015642, 7015592, 7013015, 7013005, 7013013, 7026550, 7026568)**

Hopper &amp; Cowl\Sweep Configuration\Sweep Configuration - Hopper Common Parts

Item no.	Part no.	Description	QTY	Unit
11	40223-1-B	Clamp - Bar Wear Plate	1	PC
12	93700211-0	Spring Washer M10 - A2	2	PC
13	92099407-0	Hex Head Screw - M10Cx20 - A2	2	PC
21	7011974	Duct inlet welded assy	1	PC
22	93700212-0	Spring Washer M12 - A2	4	PC
23	93213012-0	Plain Washer M12 A2	4	PC
24	92099447-0	Hex Head Screw - M12Cx25 - A2	4	PC
31	7012939	Flange blank inlet duct	1	PC
41	7003890	Plate	1	PC
42	7003891	Seal	1	PC
43	92099376-0	Hex Head Screw - M8Cx25 - A2	6	PC
44	93700210-0	Spring Washer M8 - A2	6	PC
51	7012978	Clamp welded assembly	1	PC
52	93400-1	Seal - Intake Duct	1	PC
54	92099450-0	Hex Head Screw - M12Cx35 - A2	4	PC
21	7019765	Duct, Inlet (Lined) Welded Assy	1	PC
Option				
21	7026266	Duct Inlet W/Assy 801	1	PC
V801				

**Sweep Configuration - Cowl Flaps (7020430 , 7020000 , 7026557)**  
Hopper & Cowl\Sweep Configuration\Sweep Configuration - Cowl Flaps

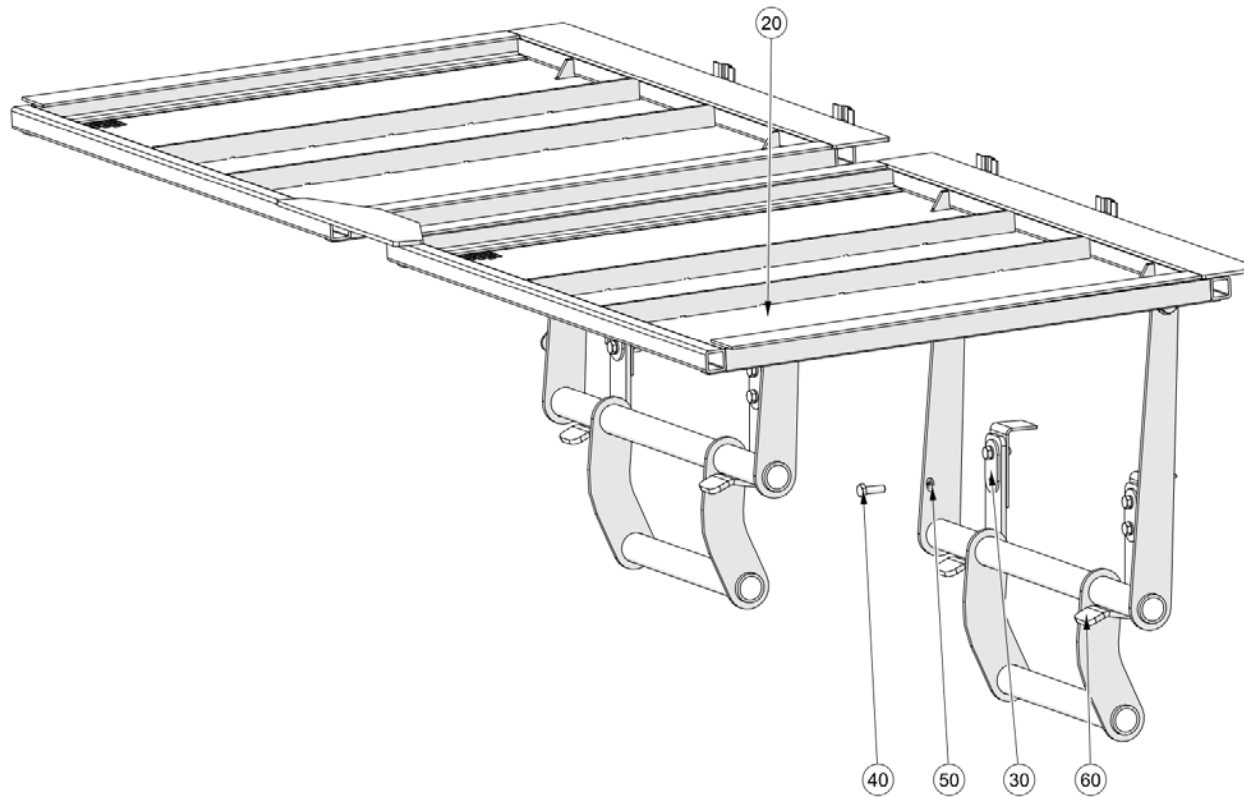


7020430 - Single comprises items 90 to 110  
7020000 - Dual comprises items 10 to 80  
7026557 - Items 120 to 150 are for V801 Dual only

MO2HC009

**Sweep Configuration - Cowl Flaps (7020430 , 7020000 , 7026557)**  
Hopper & Cowl\Sweep Configuration\Sweep Configuration - Cowl Flaps

Item no.	Part no.	Description	QTY	Unit
10	29128-2-B	Bush - ID38.2 OD42.2 20Lg	2	PC
20	282577-1	Intake Flap	2	PC
30	7004696	Cylinder Assembly Ø50x310	2	PC
40	40516-1-B	Spring clip - Double wound , Ø 19mm	4	PC
50	7020165	Bracket Assy - flap cylinder	2	PC
60	7020088	Shaft W/Assy	2	PC
70	7020120	Arm Assy	2	PC
90	42956-1-B	Blanking Plug	2	PC
50	7026292	Bracket W/Assy - Flap Cylinder	2	PC
V801				
100	7020117	Blanking plate Assy	4	PC
120	92067422-0	Hex Head Bolt - M10Cx50 - 8.8	4	PC
130	93085006-0	Nyloc Hex Thin Nut M10C - 8	4	PC
140	92097374-0	Hex Head Screw - M8Cx20 - 8.8	24	PC
150	93699710-0	Spring Washer - Plated M8	24	PC
160	7019795	Bracket W/Assy - flap cylinder	2	PC
170	7020096	Arm W/Assy	2	PC
180	40456-2	Bar - Lever Mtg.	2	PC
190	93699711-0	Spring Washer - Plated M10	4	PC
200	92097420-0	Hex Head Screw - M10Cx60 - 8.8	4	PC
80	92067386-0	Hex Head Bolt - M8Cx55 - 8.8	4	PC
110	287-38	Grommet - Ø 12.7 O/D, 8.0 I/D 1.6 Thick	4	PC
210	7034460	Flap bearing sub-assembly	2	PC



M02HC019

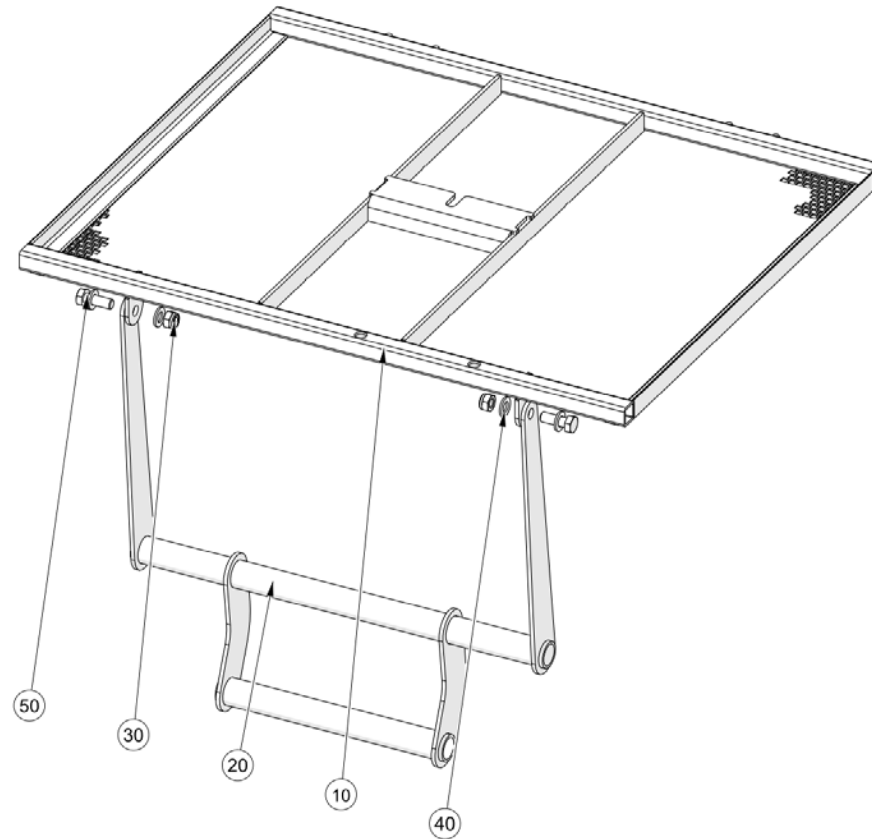


**Roof Mesh (6520413-001)**

Hopper &amp; Cowl\Roof Mesh

Item no.	Part no.	Description	QTY	Unit
20	7015647	Roof Mesh Assembly	2	PC
30	7020237	Clamp plate	4	PC
40	92097376-0	Hex Head Screw - M8Cx25 - 8.8	8	PC
50	93699710-0	Spring Washer - Plated M8	8	PC
60	7020236	Mesh catch	4	PC

**Roof Mesh Assembly (7015647 / E708013)**  
Hopper & Cowl\Roof Mesh\Roof Mesh Assembly



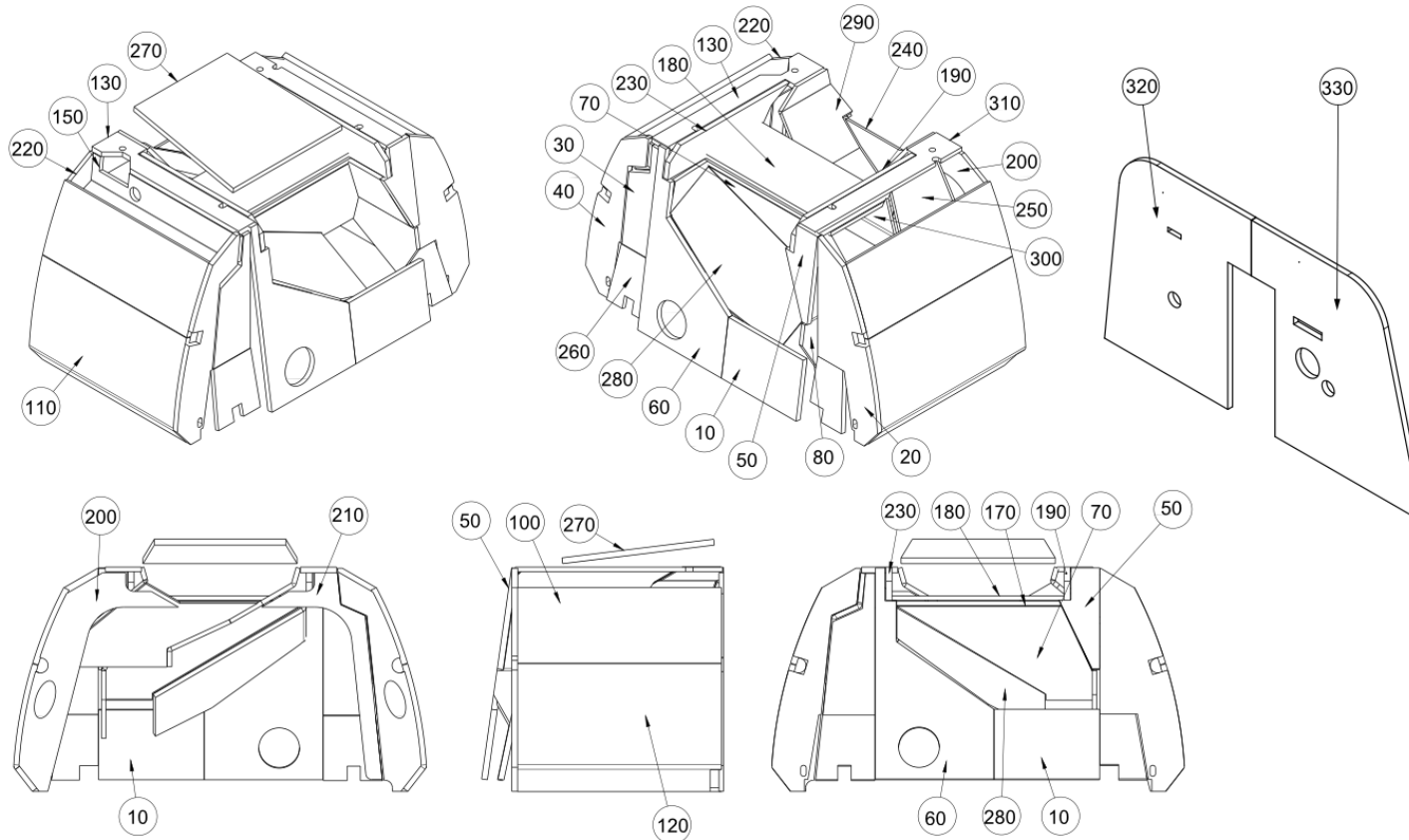
M02HC018

**Roof Mesh Assembly (7015647 / E708013)**  
Hopper & Cow\Roof Mesh\Roof Mesh Assembly

Item no.	Part no.	Description	QTY	Unit
10	7015783	Rear Mesh Welded Assy	2	PC
20	7020222	Handle welded assembly	2	PC
30	93085607-0	Nyloc Hex Nut - M12c - A2	4	PC
40	93213012-0	Plain Washer M12 A2	8	PC
50	92099450-0	Hex Head Screw - M12Cx35 - A2	4	PC

**Insulation Kits V651 & V501 (7024795 / E710618 , 7024233 / E710618)**

Hopper &amp; Cowl\Insulation Kits\Insulation Kits V651 &amp; V501



M02HC021

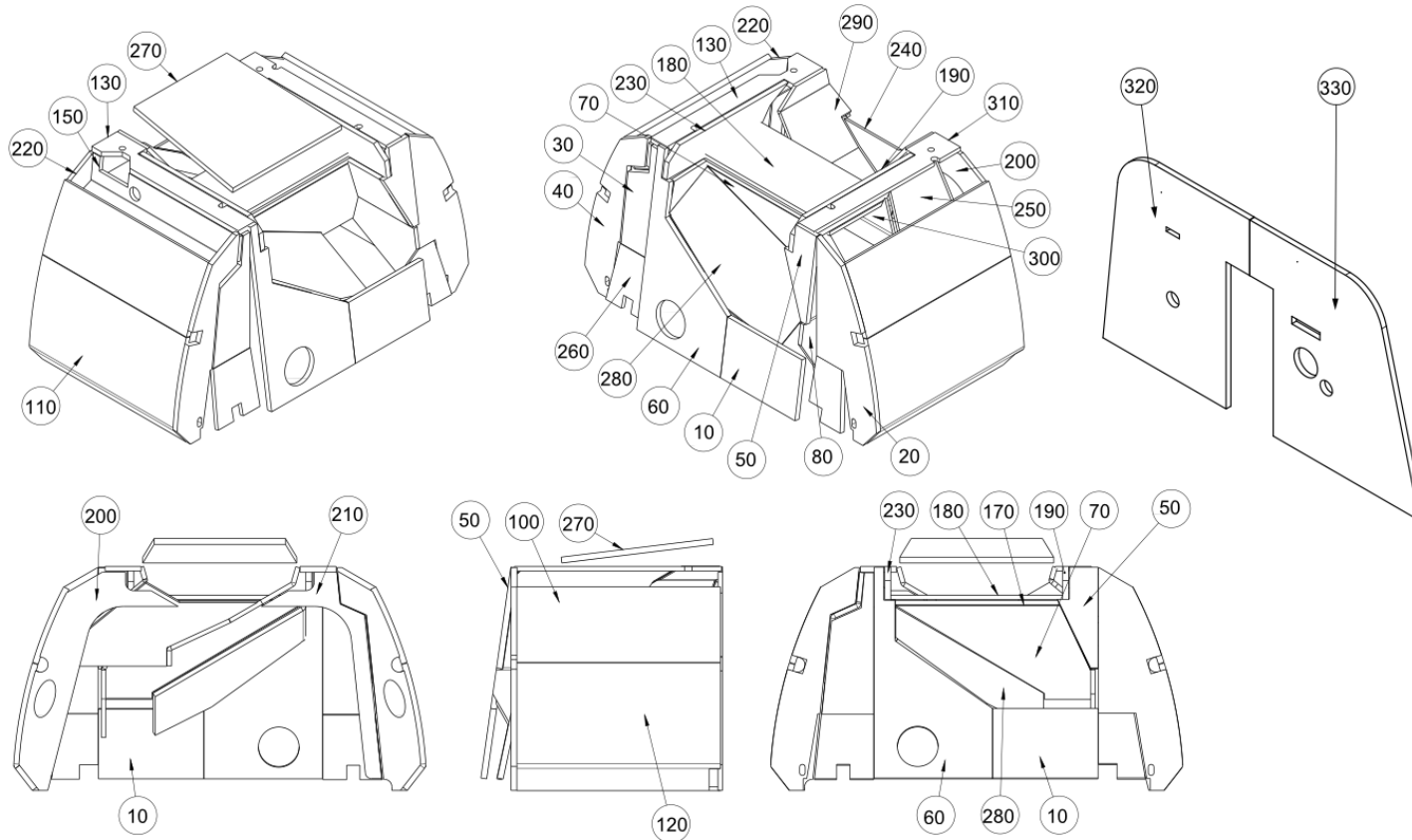
Insulation Kits V651 & V501 (7024795 / E710618 , 7024233 / E710618)

Hopper & Cowl\Insulation Kits\Insulation Kits V651 & V501

Item no.	Part no.	Description	QTY	Unit
10	7029984	Insulation panel - front LH	1	PC
20	7019764	Insulation Panel	1	PC
30	7019776	Insulation Panel	1	PC
40	7019785	Insulation Panel	1	PC
50	7029987	Insulation panel - front LH top	1	PC
60	7029986	Insulation panel - front RH	1	PC
70	7029995	Insulation panel - exhaust duct rear	1	PC
80	7029997	Insulation panel - exhaust duct LH	1	PC
100	7019842	Insulation Panel	2	PC
110	7024813	Insulation Panel	1	PC
120	7019843	Insulation Panel	1	PC
130	7029989	Insulation panel - roof RH	1	PC
150	7019853	Insulation Panel	1	PC
170	7030002	Insulation panel - outlet duct underside	1	PC
180	7030003	Insulation panel - outlet duct floor	1	PC
190	7030004	Insulation panel - outlet duct LH	1	PC
200	7019887	Insulation Panel	1	PC
210	7019890	Insulation Panel	1	PC
220	7019891	Insulation Panel	1	PC
230	7030006	Insulation panel - outlet duct RH	1	PC
240	7029991	Insulation panel - inlet duct rear	1	PC
250	7029992	Insulation panel - inlet duct LH	1	PC
260	7019922	Insulation Panel	1	PC
270	7026678	Sound Insulation Panel	1	PC

Insulation Kits V651 & V501 (7024795 / E710618 , 7024233 / E710618)

Hopper & Cowl\Insulation Kits\Insulation Kits V651 & V501



M02HC021

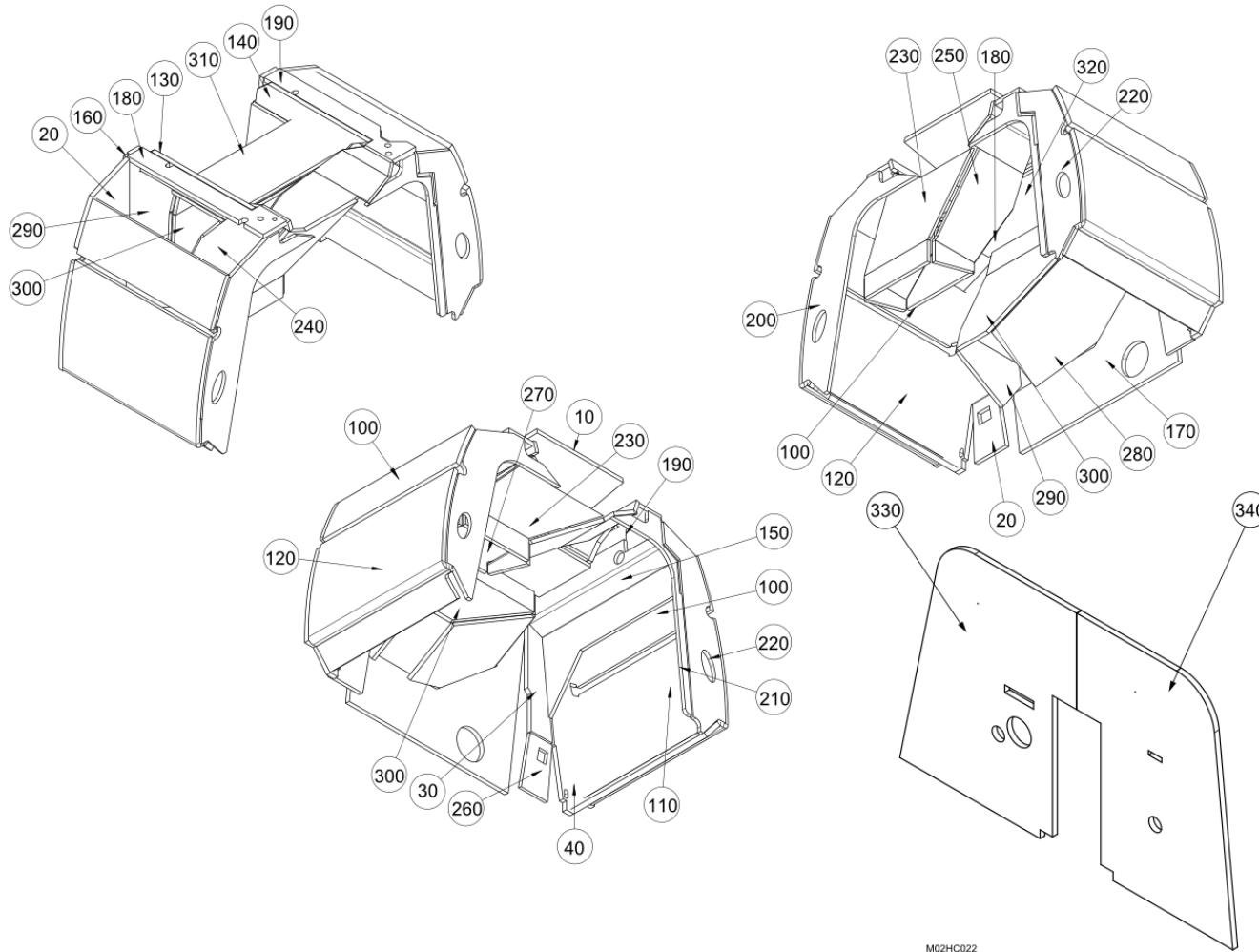
## Insulation Kits V651 &amp; V501 (7024795 / E710618 , 7024233 / E710618)

Hopper &amp; Cow\Insulation Kits\Insulation Kits V651 &amp; V501

Item no.	Part no.	Description	QTY	Unit
280	7030001	Insulation panel - exhaust duct RH	1	PC
290	7029993	Insulation panel - inlet duct RH	1	PC
300	7029990	Insulation panel - inlet duct front	1	PC
310	7029988	Insulation panel - roof LH	1	PC
320	7015474	Insulation Panel RH	1	PC
330	7015473	Insulation Panel LH	1	PC

**Insulation Kit V801 (7024027 / E710618 , 7023962 / E710618)**

Hopper &amp; Cowl\Insulation Kits\Insulation Kit V801





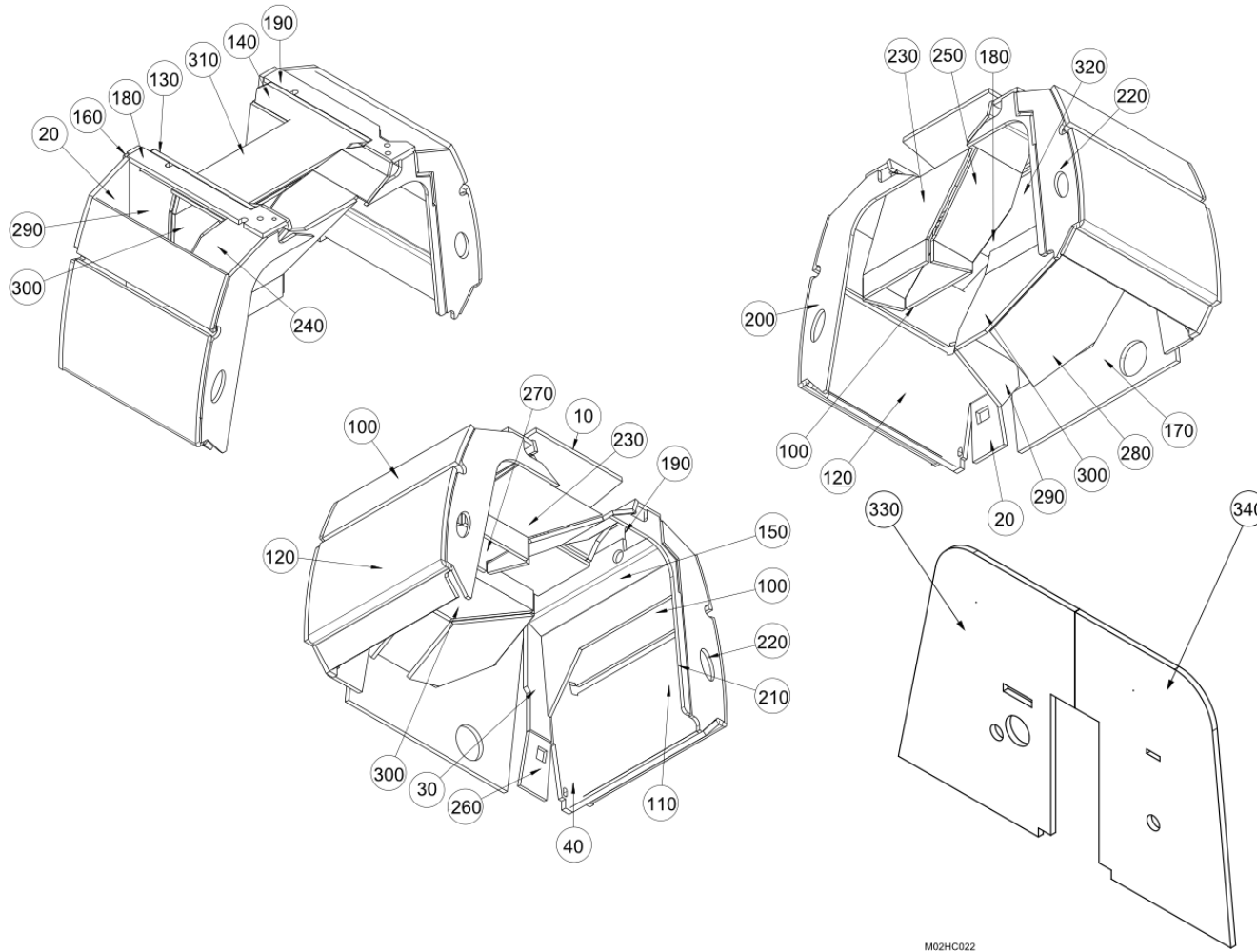
Insulation Kit V801 (7024027 / E710618 , 7023962 / E710618)

Hopper & Cow\Insulation Kits\Insulation Kit V801

Item no.	Part no.	Description	QTY	Unit
10	7026678	Sound Insulation Panel	1	PC
20	7023152	Insulation Panel	1	PC
30	7023151	Insulation Panel	1	PC
40	7023215	Insulation Panel	1	PC
100	7023213	Insulation Panel	2	PC
110	7023496	Insulation Panel	1	PC
120	7023212	Insulation Panel	1	PC
130	7030004	Insulation panel - outlet duct LH	1	PC
140	7030006	Insulation panel - outlet duct RH	1	PC
150	7023211	Insulation Panel	1	PC
160	7030175	Insulation panel - upper front	1	PC
170	7030174	Insulation panel - centre front	1	PC
180	7030176	Insulation panel - roof LH	1	PC
190	7030177	Insulation panel - roof RH	1	PC
200	7023221	Insulation Panel	1	PC
210	7023220	Insulation Panel	1	PC
220	7023218	Insulation Panel	1	PC
230	7030173	Insulation panel - inlet duct rear	1	PC
240	7030168	Insulation panel - inlet duct LH	1	PC
250	7030169	Insulation panel - inlet duct RH	1	PC
260	7026365	Insulation Panel Front	1	PC
270	7030170	Insulation panel - inlet duct front	1	PC
280	7030166	Insulation panel - exhaust duct RH	1	PC
290	7030165	Insulation panel - exhaust duct LH	1	PC

**Insulation Kit V801 (7024027 / E710618 , 7023962 / E710618)**

Hopper &amp; Cowl\Insulation Kits\Insulation Kit V801

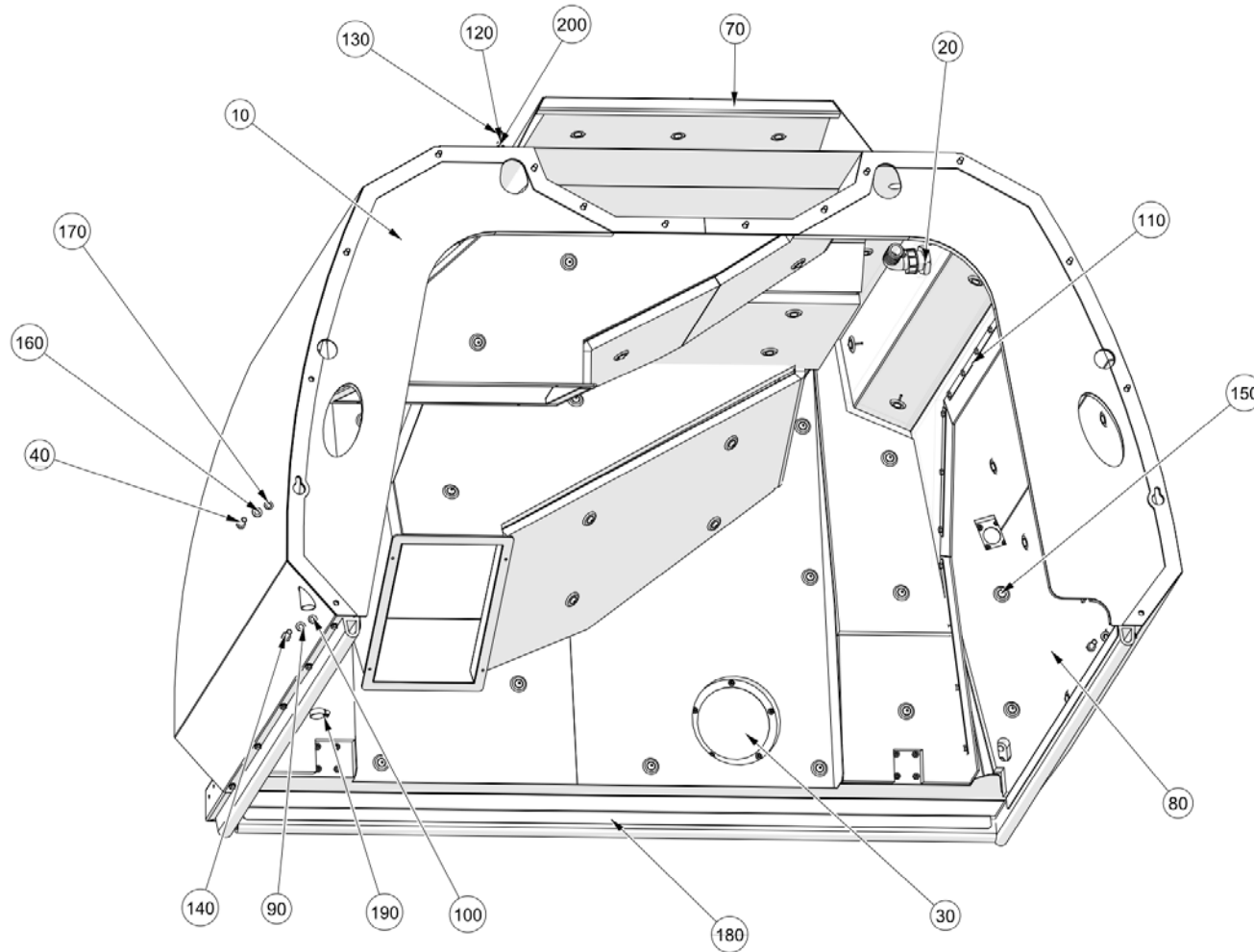


**Insulation Kit V801 (7024027 / E710618 , 7023962 / E710618)**

Hopper &amp; Cowl\Insulation Kits\Insulation Kit V801

Item no.	Part no.	Description	QTY	Unit
300	7030167	Insulation panel - exhaust duct rear	1	PC
310	7030003	Insulation panel - outlet duct floor	1	PC
320	7030002	Insulation panel - outlet duct underside	1	PC
330	7023137	Insulation Panel LH	1	PC
340	7023136	Insulation Panel RH	1	PC

**Cowl Common Parts Steel (7019488 / E711644)**  
Hopper & Cowl\Cowl Common Parts\Cowl Common Parts Steel



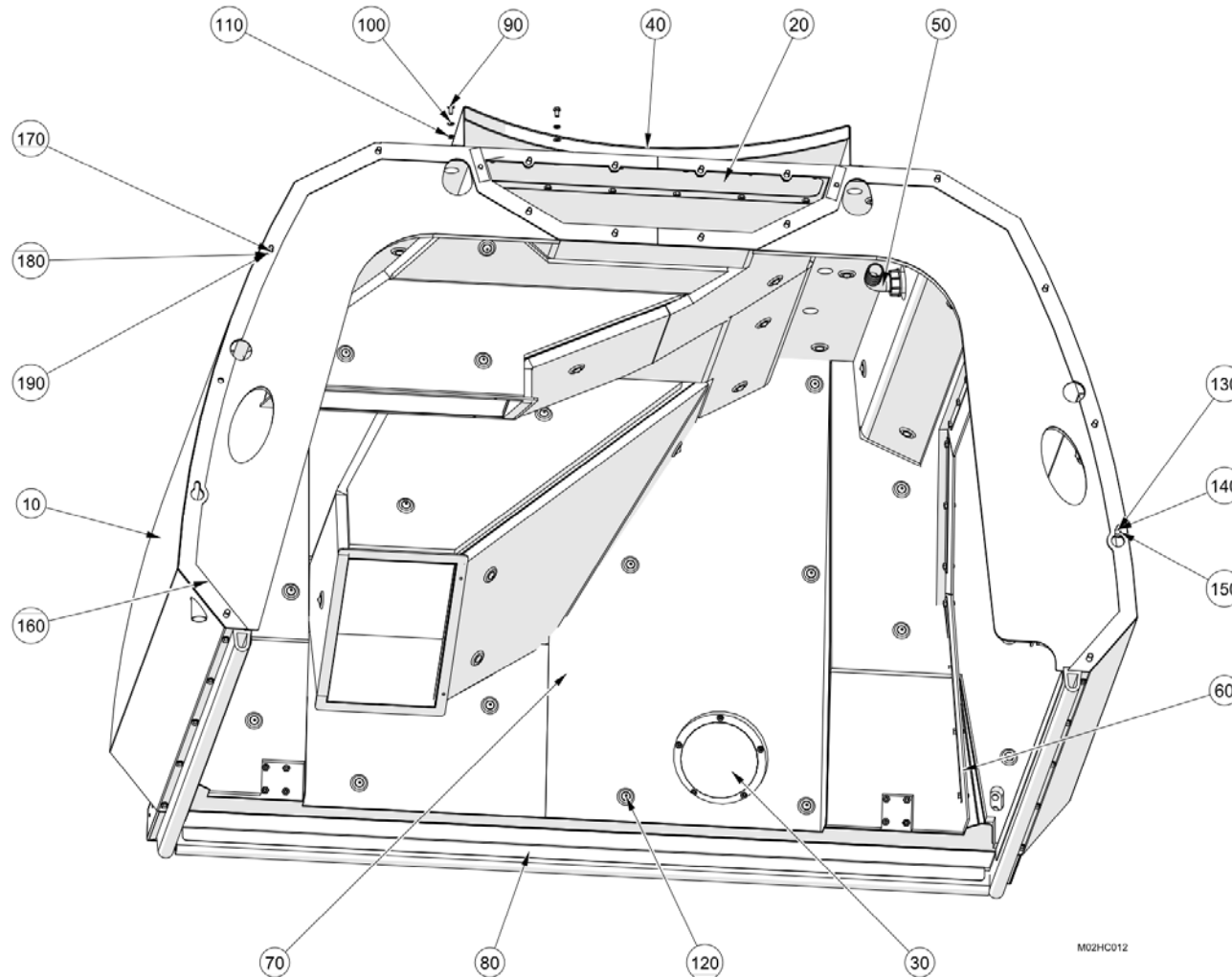
M02HC024

**Cowl Common Parts Steel (7019488 / E711644)**

Hopper & Cowl\Cowl Common Parts\Cowl Common Parts Steel

Item no.	Part no.	Description	QTY	Unit
10	7009800	Cowl Weld assembly	1	PC
20	7019898	Water Connection - Hydrant filler	1	PC
30	7019904	Cover Plate Assy	1	PC
40	92097414-0	Hex Head Screw - M10Cx30 - 8.8	12	PC
70	7024408	Hood welded assembly	1	PC
80	7024795	Cowl Insulation Kit 501/651	1	PC
90	93212013-0	Plain Washer M12	4	PC
100	93699712-0	Spring Washer - Plated M12	4	PC
110	7024869	Radiator Shroud Seal	1	PC
120	93699710-0	Spring Washer - Plated M8	12	PC
130	92097372-0	Hex Head Screw - M8Cx16 - 8.8	12	PC
140	92097450-0	Hex Head Screw - M12Cx30 - 8.8	4	PC
150	283-25	Fastener-Plastic cover 3mm	103	PC
160	93699711-0	Spring Washer - Plated M10	12	PC
170	93212012-0	Plain Washer M10	12	PC
180	7024867	Cowl Seal Assembly	1	PC
190	501-25	Hose Clip - Worm Drive (25-35)	1	PC
200	93212011-0	Plain Washer M8	12	PC

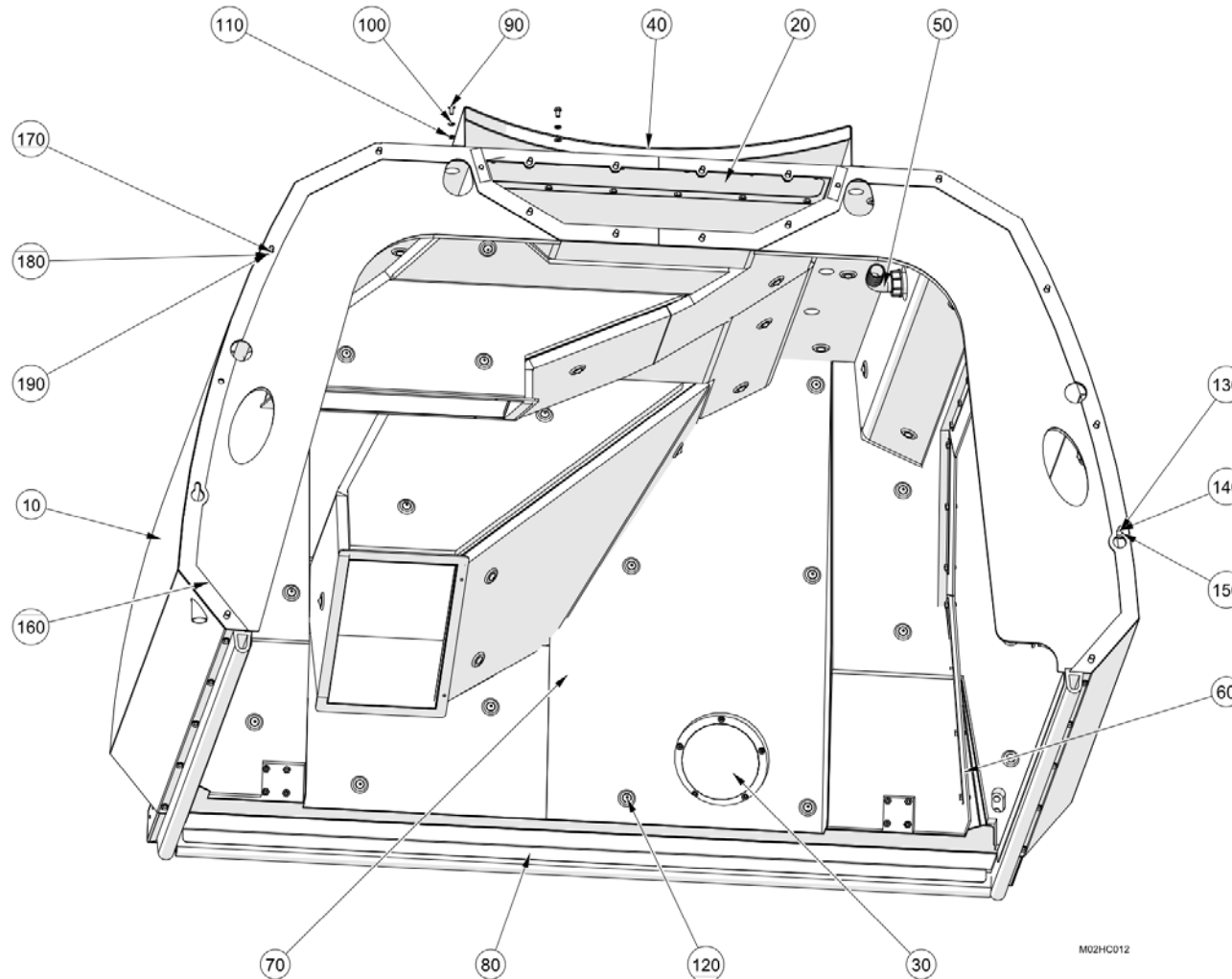
**Cowl Common Parts Stainless Steel (7020257 / E708968 , 7024051 / E709511)**  
Hopper & Cowl\Cowl Common Parts\Cowl Common Parts Stainless Steel



**Cowl Common Parts Stainless Steel (7020257 / E708968 , 7024051 / E709511)**

Hopper &amp; Cowl\Cowl Common Parts\Cowl Common Parts Stainless Steel

Item no.	Part no.	Description	QTY	Unit
10	7020261	Cowl weld assembly (St.steel)	1	PC
20	7009930	plate inspection	1	PC
30	7019904	Cover Plate Assy	1	PC
50	7019898	Water Connection - Hydrant filler	1	PC
60	7024869	Radiator Shroud Seal	1	PC
70	7024795	Cowl Insulation Kit 501/651	1	PC
80	7024945	Cowl seal assembly	1	PC
90	92099371-0	Hex Head Screw - M8Cx16 - A2	26	PC
100	93700210-0	Spring Washer M8 - A2	26	PC
110	93213010-0	Plain Washer M8 A2	26	PC
120	283-25	Fastener-Plastic cover 3mm	106	PC
For V801 order 121				
130	92099450-0	Hex Head Screw - M12Cx35 - A2	4	PC
140	93700212-0	Spring Washer M12 - A2	4	PC
150	93213012-0	Plain Washer M12 A2	4	PC
160	501-11	Hose Clip - Worm Drive (35-50)	1	PC
170	93213011-0	Plain Washer M10 A2	12	PC
For V801 order 18				
180	93700211-0	Spring Washer M10 - A2	12	PC
For V801 order 18				
190	92099411-0	Hex Head Screw - M10Cx30 - A2	12	PC
For V801 order 18				
10	7023914	Cowl Weld Assembly 801 1.4301	1	PC
70	7024027	Cowl Sound Insulation Kit 801	1	PC

**Cowl Common Parts Stainless Steel (7020257 / E708968 , 7024051 / E709511)**  
Hopper & Cowl\Cowl Common Parts\Cowl Common Parts Stainless Steel



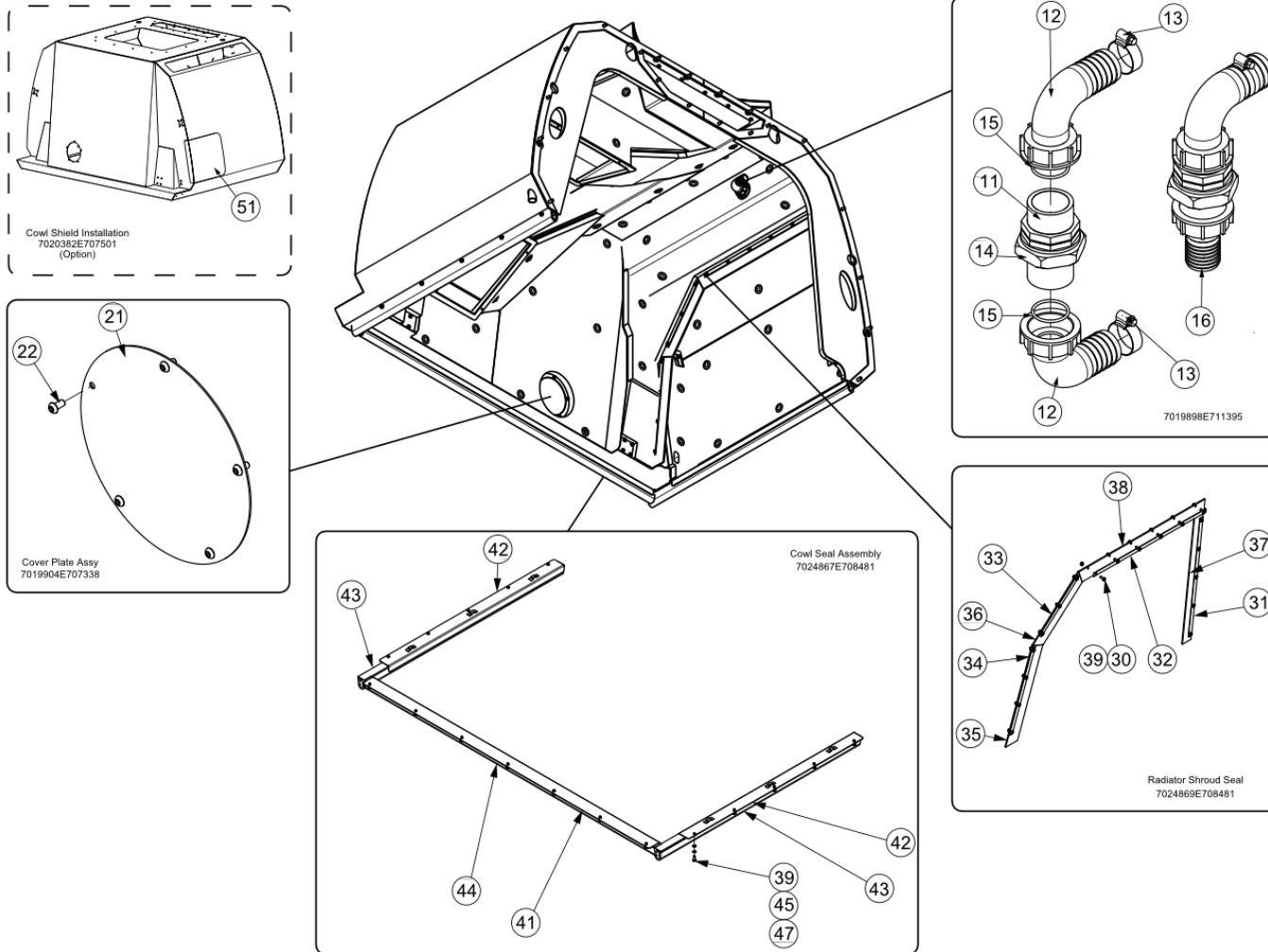
**Cowl Common Parts Stainless Steel (7020257 / E708968 , 7024051 / E709511)**

Hopper &amp; Cowl\Cowl Common Parts\Cowl Common Parts Stainless Steel

Item no.	Part no.	Description	QTY	Unit
40	7028512	Hood welded assembly (1.4301)	1	PC

Cowl Common Parts (7019898 , 7019904 , 7024869 , 7024867 , 7024945 , 7020382)

Hopper & Cowl\Cowl Common Parts\Cowl Common Parts



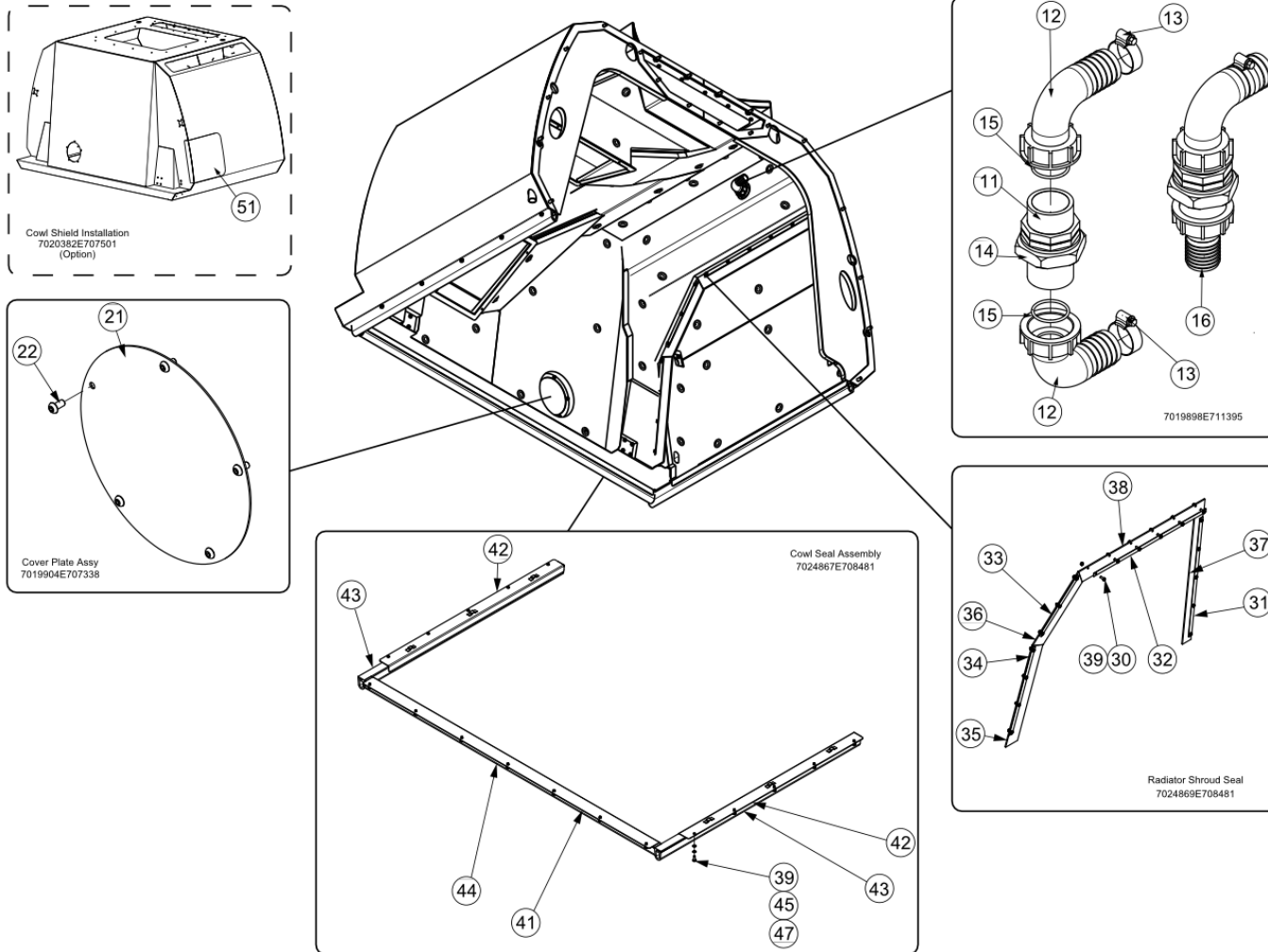
MO2HC006

**Cowl Common Parts (7019898 , 7019904 , 7024869 , 7024867 , 7024945 , 7020382)**

Hopper & Cowl\Cowl Common Parts\Cowl Common Parts

Item no.	Part no.	Description	QTY	Unit
21	7019893	Cover plate - Tank access	1	PC
22	92330033-0	Hex Skt Button Head Screw M6x12 - 10.9	5	PC
31	7020009	Retaining strip rear	1	PC
32	7019998	Retaining strip top	1	PC
33	7019996	Retaining strip chamfer	1	PC
34	7019994	Retaining strip front	1	PC
35	7010373	Seal radiator front	1	PC
36	7010371	Seal radiator chamfer	1	PC
37	7010368	Seal radiator rear	1	PC
38	7010367	Seal radiator top	1	PC
39	92097374-0	Hex Head Screw - M8Cx20 - 8.8	35	PC
30	93085005-0	Nyloc Hex Thin Nut M8C - 8	18	PC
41	7009998	Clamp front seal weld assembly	1	PC
4003 M.Steel				
42	7009984	Clamp side seal weld assembly	2	PC
4003 M.Steel				
43	7010257	Seal side cowl	2	PC
41	7020276	Clamp front seal W/Assy	1	PC
4301 S.Steel				
42	7020273	Clamp side seal W/Assy	2	PC
4301 S.Steel				
44	7010258	Seal front cowl	1	PC
45	93699710-0	Spring Washer - Plated M8	17	PC
4003 M.Steel				

Cowl Common Parts (7019898 , 7019904 , 7024869 , 7024867 , 7024945 , 7020382)  
 Hopper & Cowl\Cowl Common Parts\Cowl Common Parts

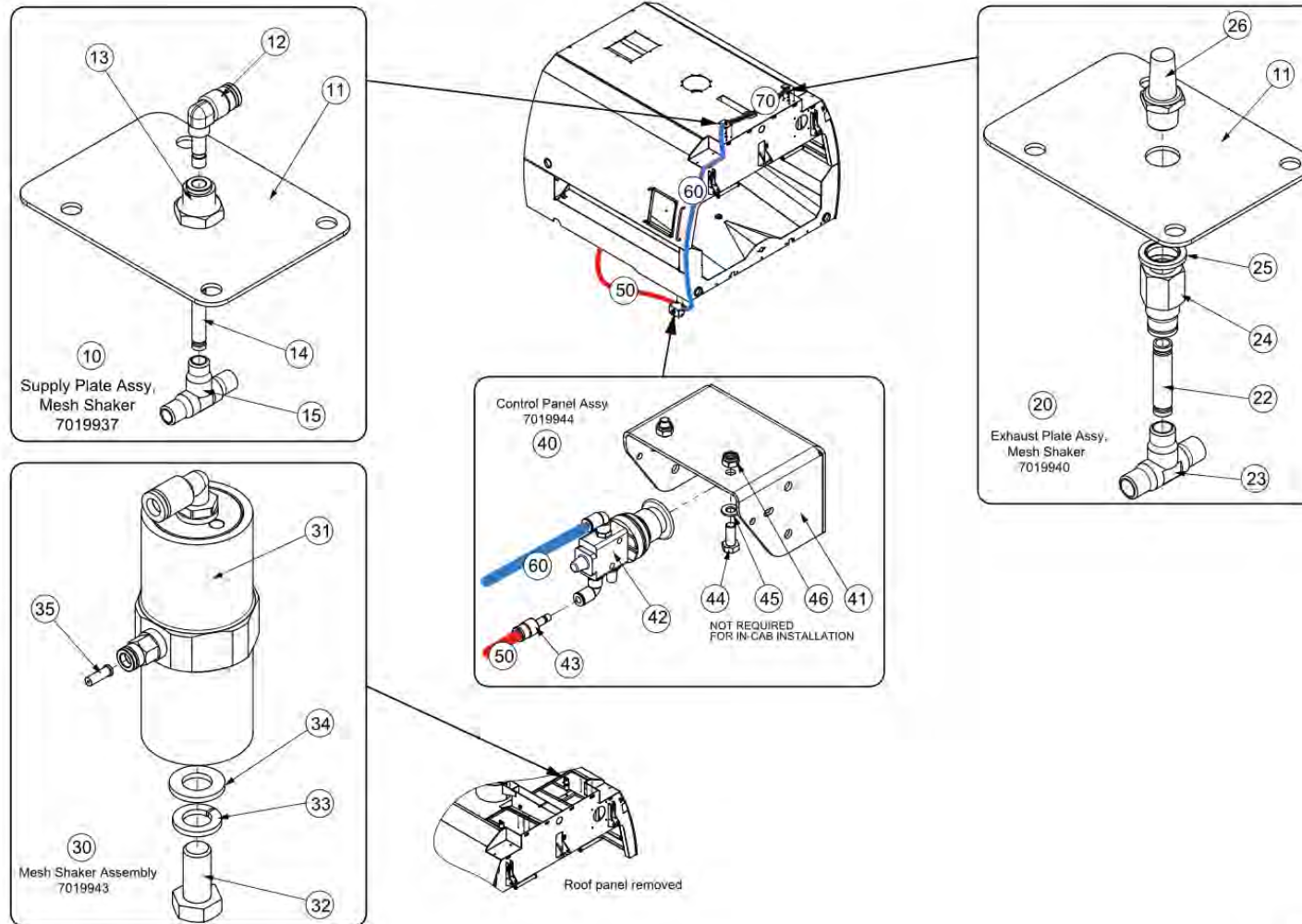


MO2HC006

Cowl Common Parts (7019898 , 7019904 , 7024869 , 7024867 , 7024945 , 7020382)

Hopper & Cowl\Cowl Common Parts\Cowl Common Parts

Item no.	Part no.	Description	QTY	Unit
47	93212011-0	Plain Washer M8	17	PC
4003 M.Steel				
45	93700210-0	Spring Washer M8 - A2	17	PC
4301 S.Steel				
47	93213010-0	Plain Washer M8 A2	17	PC
4301 S.Steel				
51	7020375	Shield welded assembly	1	PC
11	277-212	Nipple - 1 1/2" BSP	1	PC
12	277-208	Cap and Liner 90 Degree	2	PC
13	501-25	Hose Clip - Worm Drive (25-35)	2	PC
14	277-198	Back Nut 1 1/2" BSP	1	PC
15	277-171	'O' Ring	2	PC
16	277-199	Spigoted 1 1/2" Cap + Liner	1	PC

**Mesh Shaker (7019968 , 7019937 , 7019940 , 7019943 , 7019944)**  
 Hopper & Cow\Options\Mesh Shaker


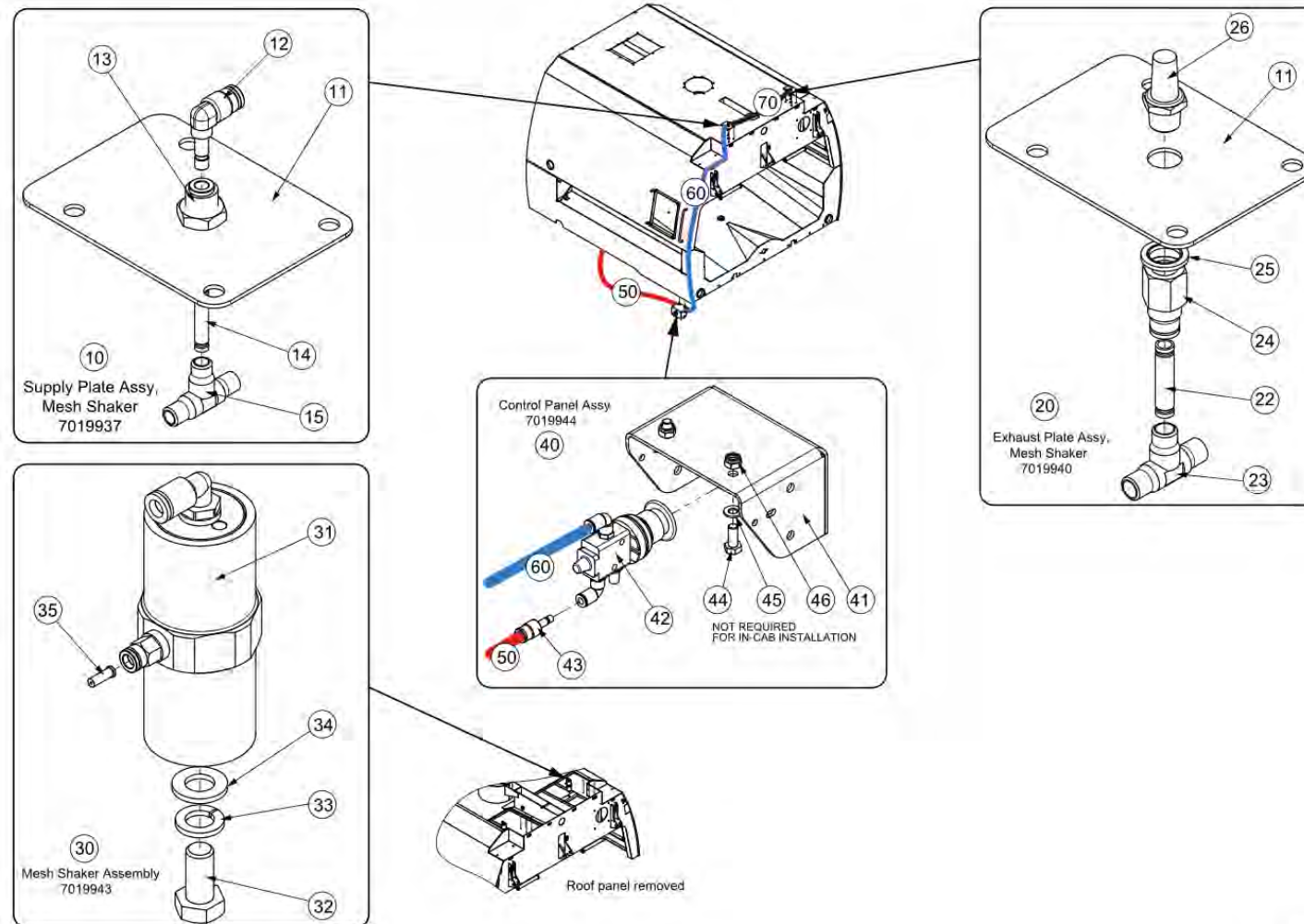
MO2HC007

Mesh Shaker (7019968 , 7019937 , 7019940 , 7019943 , 7019944)

Hopper & Cow\Options\Mesh Shaker

Item no.	Part no.	Description	QTY	Unit
10	7019937	Supply Plate Assy, Mesh Shaker	1	PC
20	7019940	Exhaust Plate Assy, Mesh Shaker	1	PC
30	7019943	Mesh Shaker Assembly	2	PC
40	7019944	Control Panel Assy	1	PC
11	282515-2	Plate-Connection Vibrator Pneu	1	PC
12	551-1	Adaptor - Stem Elbow 6mm	1	PC
13	555-3	Adaptor Bulkhead 6mm x M14x1.5	1	PC
14	549-3	Pneumatic Stem Connector, Ø6mm Tube	1	PC
15	09598782-0	Pneumatic Tee Connector, Ø6mm Tube	1	PC
22	549-4	Pneumatic Stem Connector, Ø8mm Tube	1	PC
23	09598783-0	Pneumatic Tee Connector, Ø8mm Tube	1	PC
24	541-8	Adaptor - STR 8mm x 1/4" BSP	1	PC
25	451-17	Washer Bonded G1-4"	1	PC
26	72-20	Air Silencer - 1/4 BSP	1	PC
31	283806-1	Pneumatic Piston Vibrator	2	PC
32	92099447-0	Hex Head Screw - M12Cx25 - A2	2	PC
33	93699712-0	Spring Washer - Plated M12	2	PC
34	93213012-0	Plain Washer M12 A2	2	PC
35	41041-1-A	Sleeve - Support, Pipe	2	PC
41	7019819	Bracket, Pneumatic Control	1	PC
42	72-51	Push Button Pneu Switch	1	PC
43	548-20	Adaptor - Expanding 8mm x 6mm	1	PC
44	92097374-0	Hex Head Screw - M8Cx20 - 8.8	2	PC
45	93212011-0	Plain Washer M8	2	PC

Mesh Shaker (7019968 , 7019937 , 7019940 , 7019943 , 7019944)  
 Hopper & Cow\Options\Mesh Shaker



MO2HC007

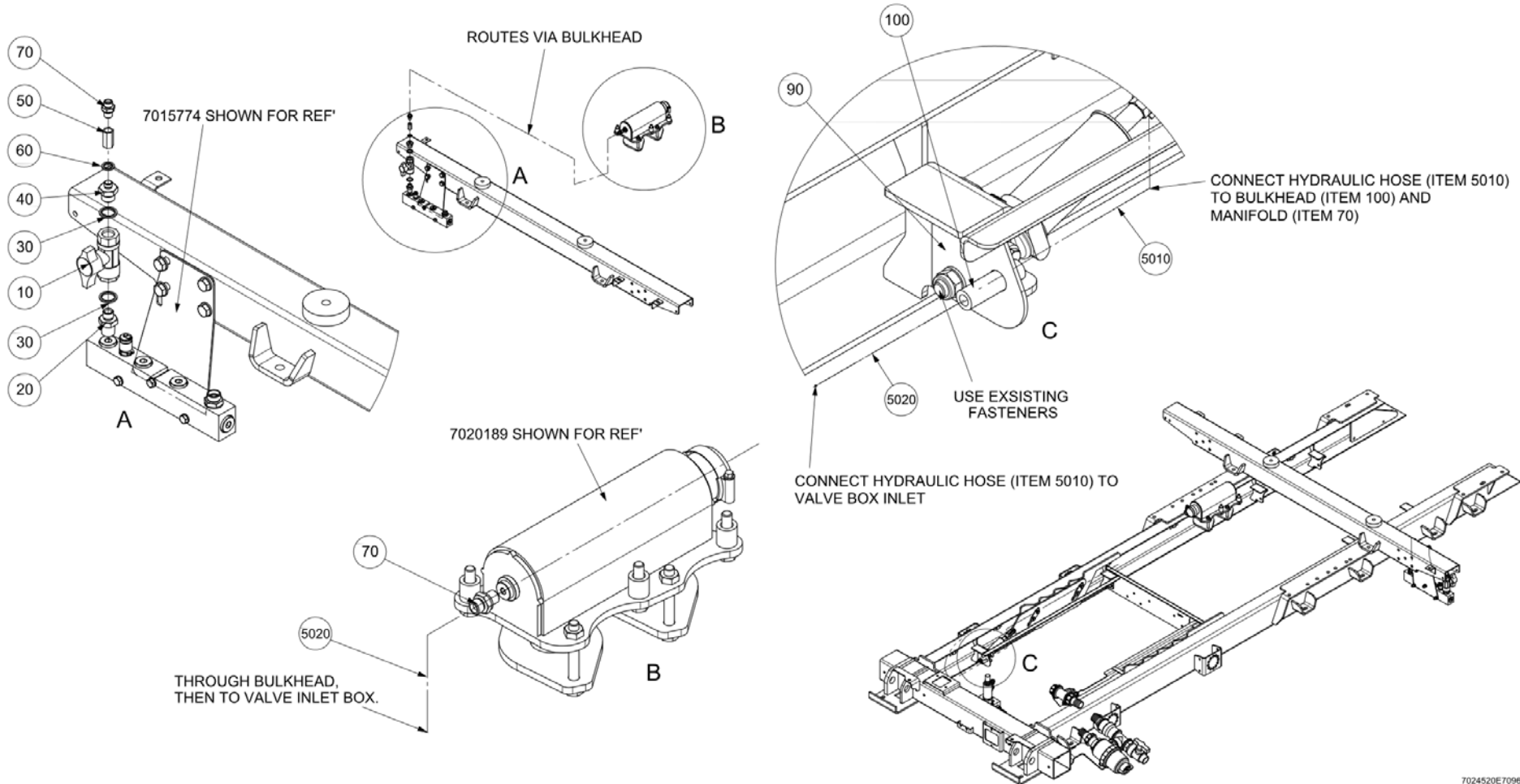


Mesh Shaker (7019968 , 7019937 , 7019940 , 7019943 , 7019944)

Hopper &amp; Cow\Options\Mesh Shaker

Item no.	Part no.	Description	QTY	Unit
46	93085005-0	Nyloc Hex Thin Nut M8C - 8	2	PC
50	273-23	Tube - Nylon Red 8mm O/D 100m REEL	4.6	M
60	273-20	Tube - Nylon Blue 6mm O/D 100m Reel	7.4	M
70	12870	Tube - Nylon Black 8mm O/D	3.5	M

**Backflush System Water Re-circulation (7024520 / E708326)**  
 Hopper & Cowl\Options\Backflush System Water Re-circulation



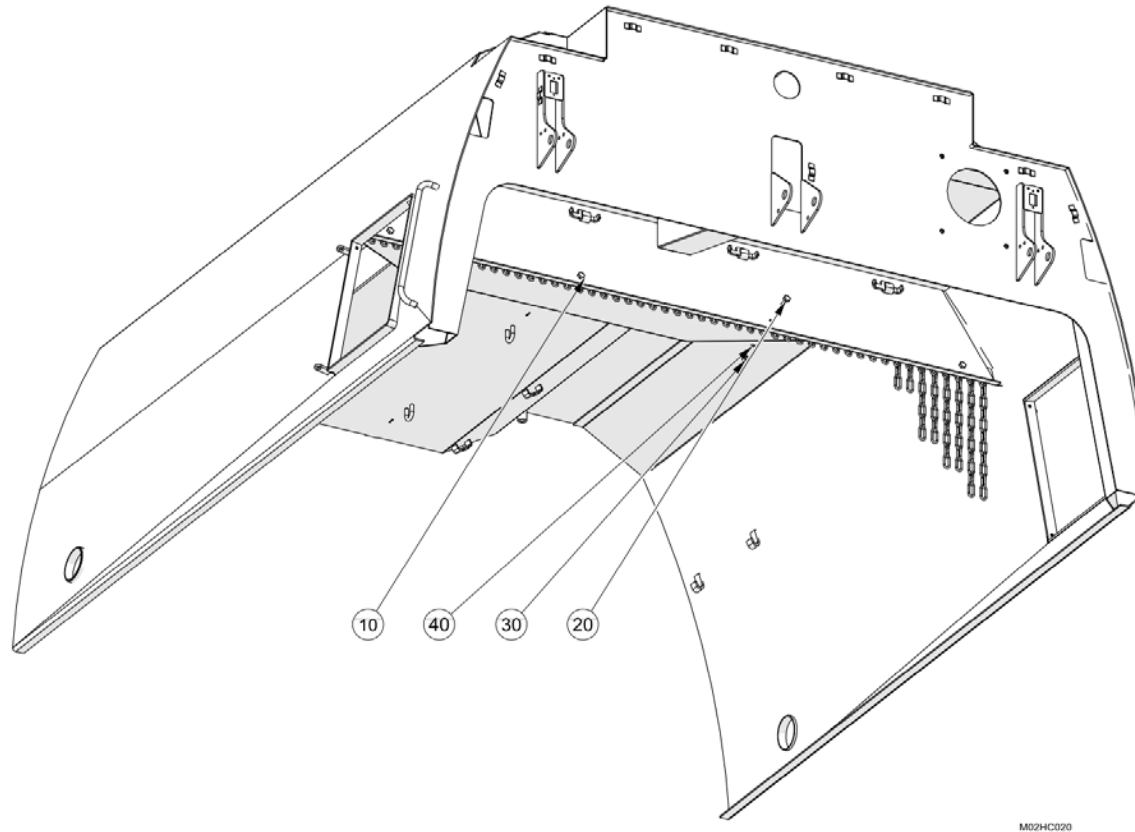
7024520E709646

**Backflush System Water Re-circulation (7024520 / E708326)**

Hopper &amp; Cowl\Options\Backflush System Water Re-circulation

Item no.	Part no.	Description	QTY	Unit
10	88-33	Ball Valve 210 Bar 1/2" F	1	PC
20	266-4	Adaptor M/M 1/2 - 1/2 BSP/BSPT	1	PC
30	451-19	Washer - Bonded G1-2"	2	PC
40	265-3	Adaptor Reducing M/M 1/4 x 1/2 BSP	1	PC
50	241-279	Check Valve 1/4" F S/S	1	PC
60	451-17	Washer Bonded G1-4"	1	PC
70	09570126-0	Stud Coupling Male G 1/4" x M14 x 1.5	2	PC
90	7028219	Bulkhead plate	1	PC
100	09570456-0	Straight Bulkhead Connector M14 x 1.5	1	PC
5010	HC06002-400	Hose - Megaflex 3/8" STRx90s	1	PC
5020	HC06002-345	Hose - Megaflex 3/8" STRx90s	1	PC

**Baffle Drop Link (7020623)**  
Hopper & Cowl\Options\Baffle Drop Link



**Baffle Drop Link (7020623)**

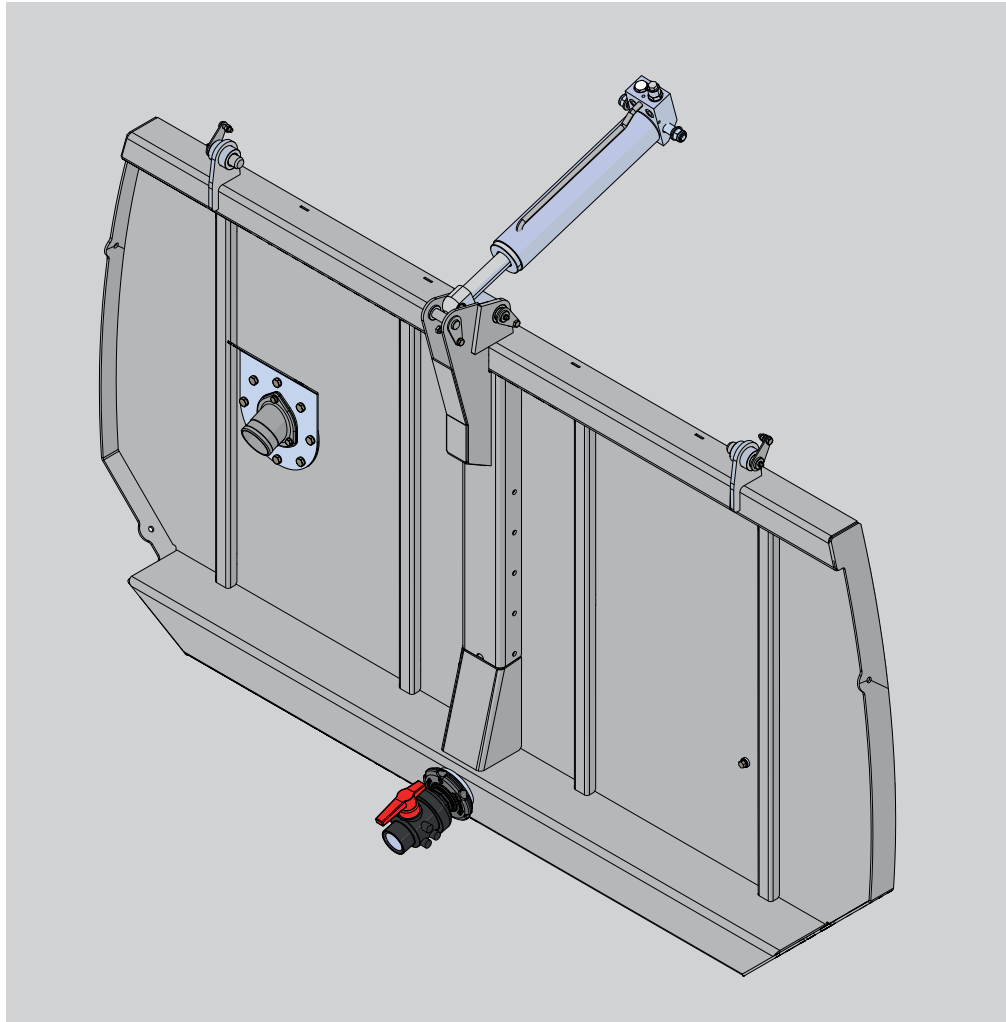
Hopper &amp; Cowl\Options\Baffle Drop Link

Item no.	Part no.	Description	QTY	Unit
10	50097-4	Baffle W/A Drop Link ST.STEEL	1	PC
20	92099409-0	Hex Head Screw - M10Cx25 - A2	4	PC
30	93085606-0	Nyloc Hex Nut - M10c - A2	4	PC
40	93213011-0	Plain Washer M10 A2	4	PC

This page is intentionally left blank

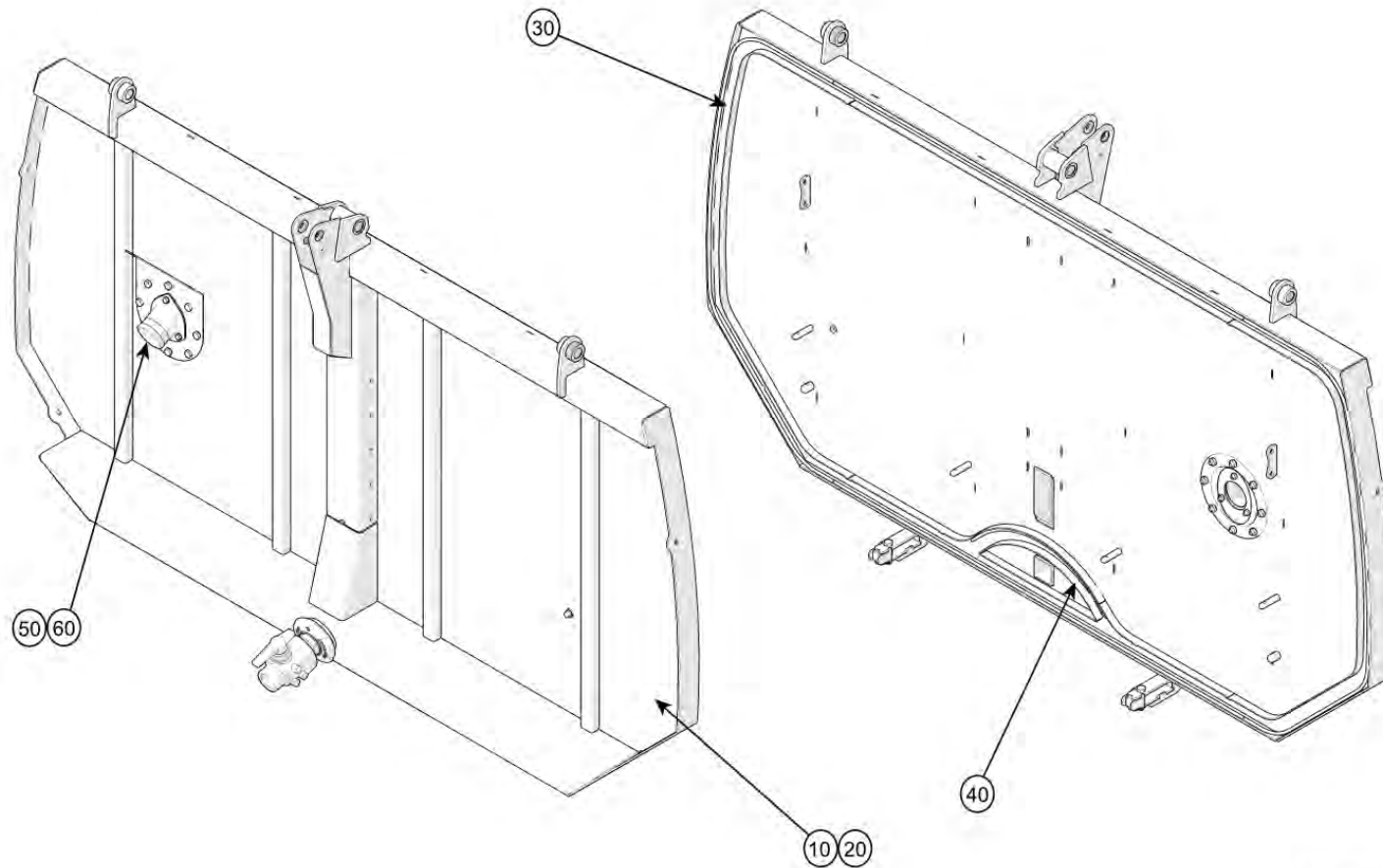
## Chapter 2

# Rear Door



### Table of Contents

Section	Page
2.1 Door.....	72
2.2 Rear door assembly.....	74
2.3 Contractor door.....	78
2.4 Basic Contractor door.....	80
2.5 Options.....	82



6520511-001



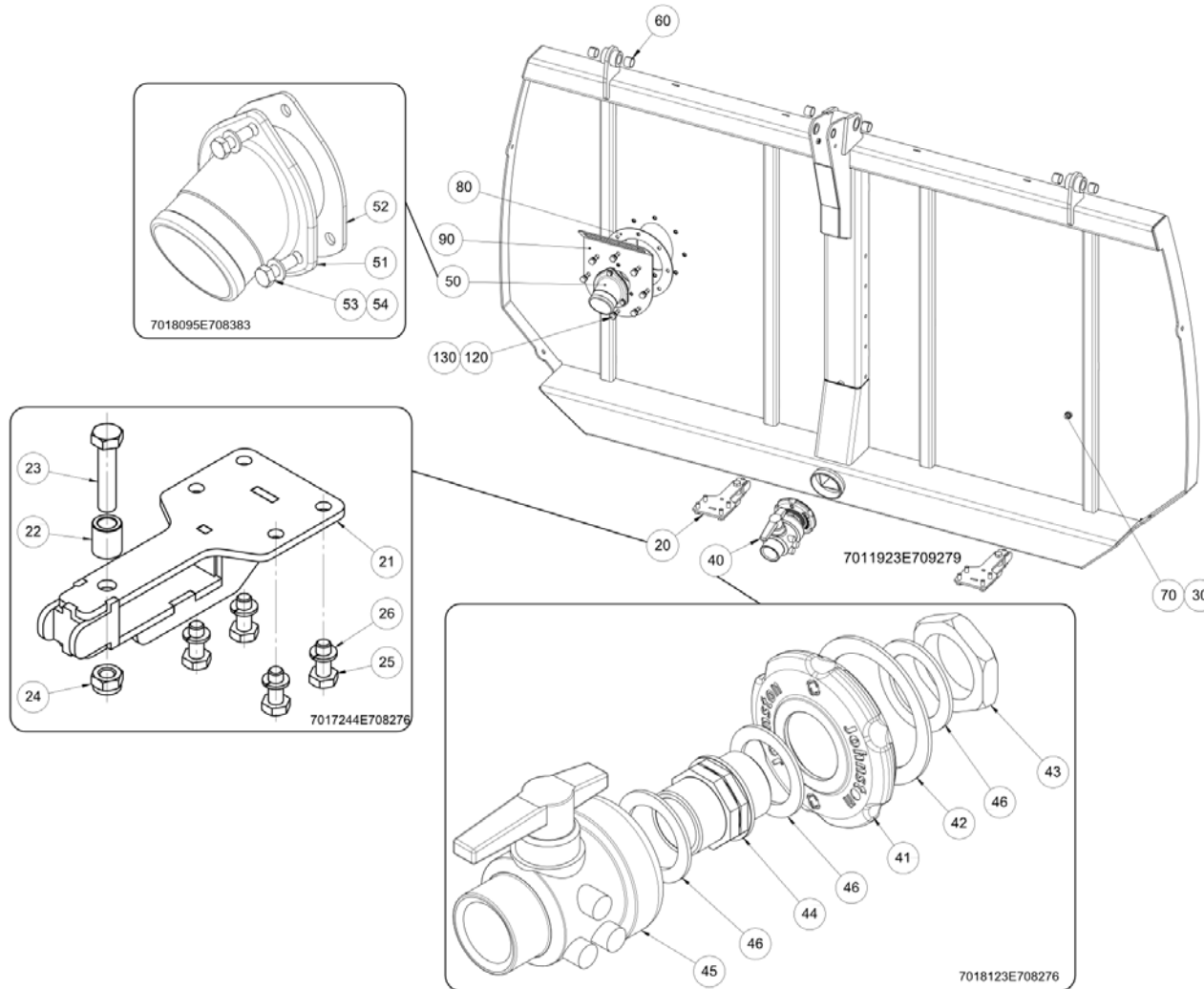
Door (6520511-001 , 6520511-002)

Rear Door\Door

Item no.	Part no.	Description	QTY	Unit
10	7010138	Rear Door	1	PC
20	7011923	Rear door assembly basic	1	PC
30	7012780	Seal + plug	1	PC
40	7005517	Seal	1	PC
50	9983	Hose - Drain	1	M
60	09531001-0	Hose Clip - Worm Drive (70-90)	1	PC
10	7018134	Rear Door (1.4301)	1	PC

Rear Door Assembly (7011923 / E709279)

Rear Door\Rear Door Assembly



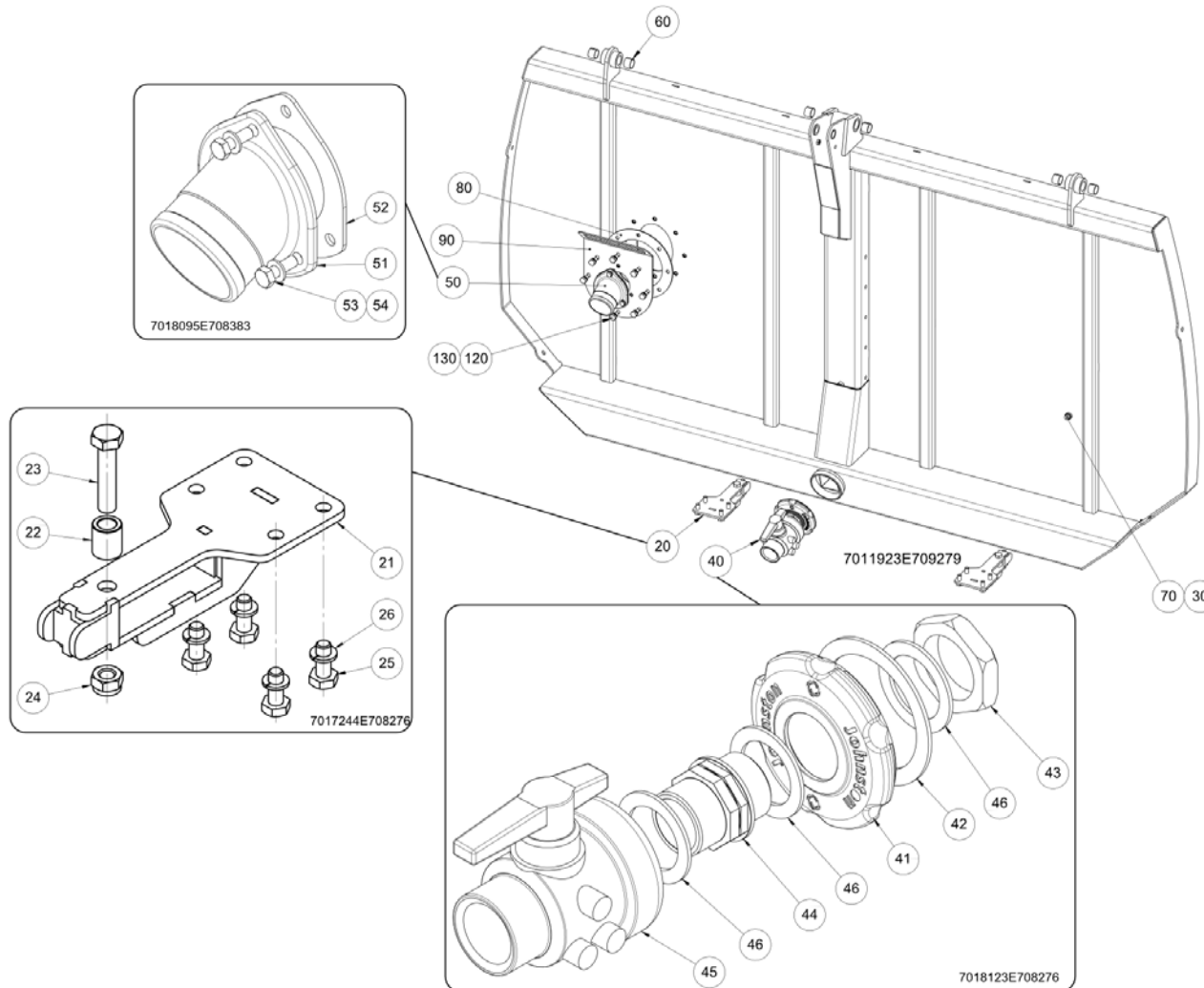
Rear Door Assembly (7011923 / E709279)

Rear Door\Rear Door Assembly

Item no.	Part no.	Description	QTY	Unit
20	7017244	Latch assembly	2	PC
30	451-124	Washer Copper 1/4" BSP	1	PC
40	7018123	Lower door drain	1	PC
50	7018095	Drain hose sub-assembly	1	PC
60	18-30	Bearing - Dry Metric 25mm I/D x 20Lg	6	PC
70	3162	Plug - Collar 1/4" BSP Brass	1	PC
80	281395-1	Gasket	1	PC
90	282727-1	Stowage - Layflat W/Assy (1.4003)	1	PC
120	92099407-0	Hex Head Screw - M10Cx20 - A2	8	PC
130	451-6	Washer Bonded M10 - Bolt	8	PC
21	7017243	Latch welded assembly	2	PC
22	7001183	Roller	2	PC
23	92097454-0	Hex Head Screw - M12Cx50 - 8.8	2	PC
24	93085007-0	Nyloc Hex Thin Nut M12C - 8	2	PC
25	92099409-0	Hex Head Screw - M10Cx25 - A2	8	PC
26	93699711-0	Spring Washer - Plated M10	8	PC
41	7018121	Mounting cap	1	PC
42	7018119	Gasket ring	1	PC
43	277-198	Back Nut 1 1/2" BSP	1	PC
44	277-313	Nipple - 1 1/2" BSP 24 x 24mm	1	PC
45	88-46	Ball Valve 1 1/2" Female	1	PC
46	277-214	Gasket - 1 1/2"	3	PC
51	284085-1	Spigot - Drain Rear Door (Nylon)	1	PC
52	281411-1	Gasket-Spigot Layflat Hose	1	PC

**Rear Door Assembly (7011923 / E709279)**

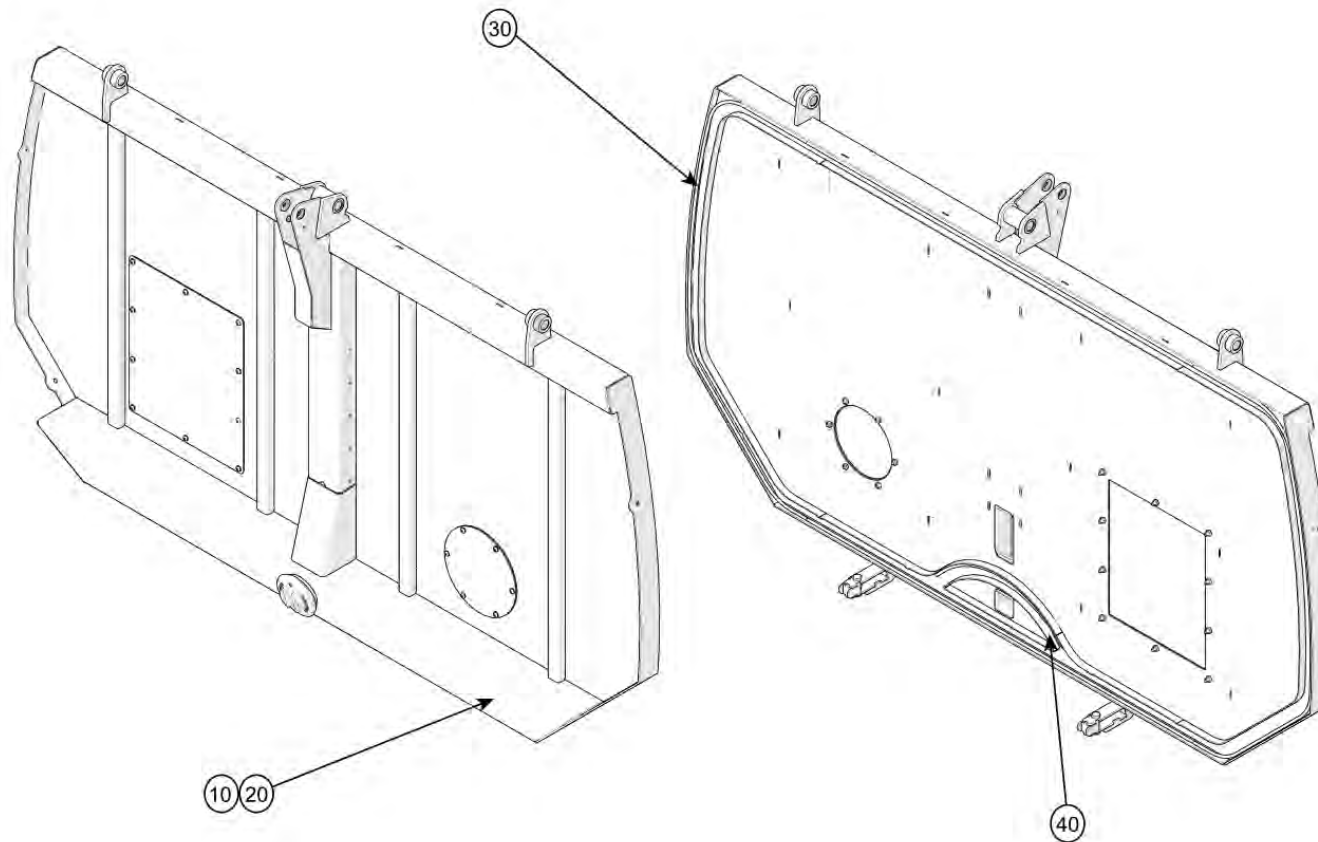
Rear Door\Rear Door Assembly



## Rear Door Assembly (7011923 / E709279)

Rear Door\Rear Door Assembly

Item no.	Part no.	Description	QTY	Unit
53	92099376-0	Hex Head Screw - M8Cx25 - A2	3	PC
54	93213010-0	Plain Washer M8 A2	3	PC

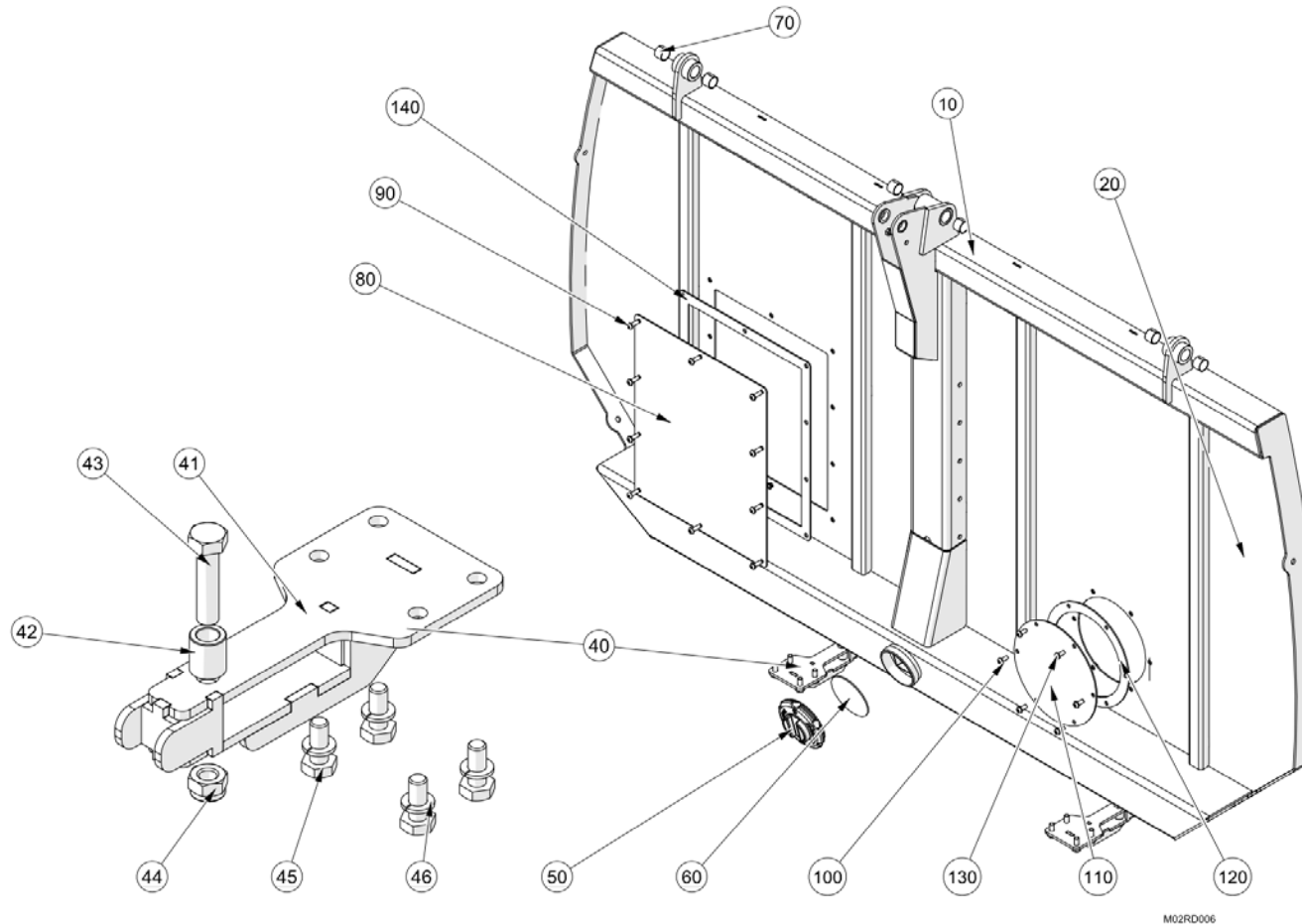


6520511-003

Contractor Door (6520511-003 , 6520511-004)

Rear Door\Contractor Door

Item no.	Part no.	Description	QTY	Unit
10	7017817	Contractor Door	1	PC
20	7018236	Contractor door - basic	1	PC
30	7012780	Seal + plug	1	PC
40	7005517	Seal	1	PC
20	7019616	Contractor door - basic 1.4301	1	PC





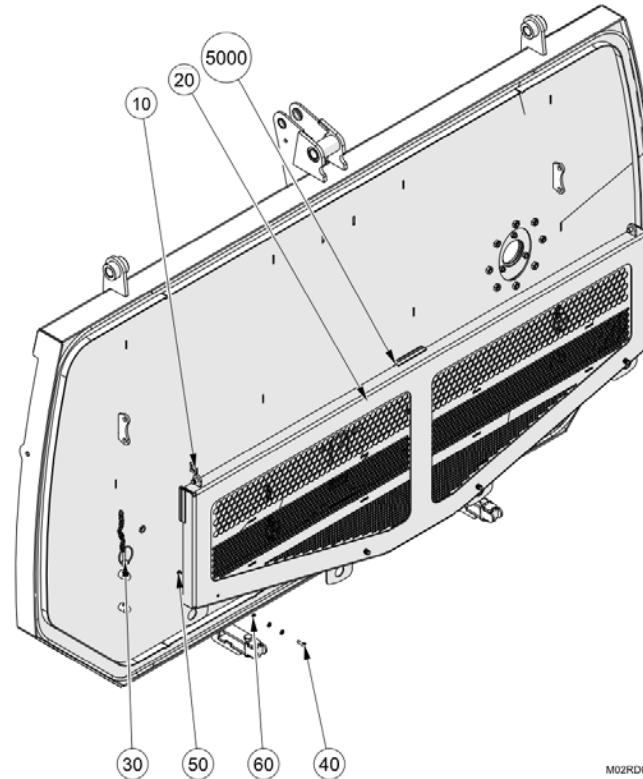
Basic Contractor Door (7019616 / E709279 ,7018236 / E708276 ,7017244 / E708276)

Rear Door\Basic Contractor Door

Item no.	Part no.	Description	QTY	Unit
41	7017243	Latch welded assembly	2	PC
42	7001183	Roller	2	PC
43	92097455-0	Hex Head Screw - M12Cx55 - 8.8	2	PC
44	93085007-0	Nyloc Hex Thin Nut M12C - 8	2	PC
45	92099409-0	Hex Head Screw - M10Cx25 - A2	8	PC
46	93699711-0	Spring Washer - Plated M10	8	PC
10	7018146	Contractor door (1.4301)	1	PC
20	7026783	Contractor Door Panel - (1.4301) W/Assy	1	PC
40	7017244	Latch assembly	2	PC
50	284040-1	Cap - Water Tank Drain	1	PC
60	40643-1-C	Washer - Seal, Drain, W/Tank	1	PC
70	18-30	Bearing - Dry Metric 25mm I/D x 20Lg	6	PC
80	7018546	Blanking plate - Access door	1	PC
4301				
90	6122-2082	Hex Socket Button Head Screw M8Cx25 A2	10	PC
100	451-3	Washer Bonded Ø5-16" - Bolt	16	PC
110	283862-3	Blanking Plate Rear Door S.Stl	1	PC
120	283865-1	Gasket - Iris Extension Tube	1	PC
130	92330231-0	Hex Socket Button Head Screw M8Cx20 A2	6	PC
140	283613-1	Gasket - Access Panel Roof	1	PC
110	283862-2	Blanking Plate Rear Door 4003	1	PC
80	7018545	Blanking plate - Access door	1	PC
4003				

**Rear Door De-watering (7018127 / E708764)**

Rear Door\Options\Rear Door De-watering

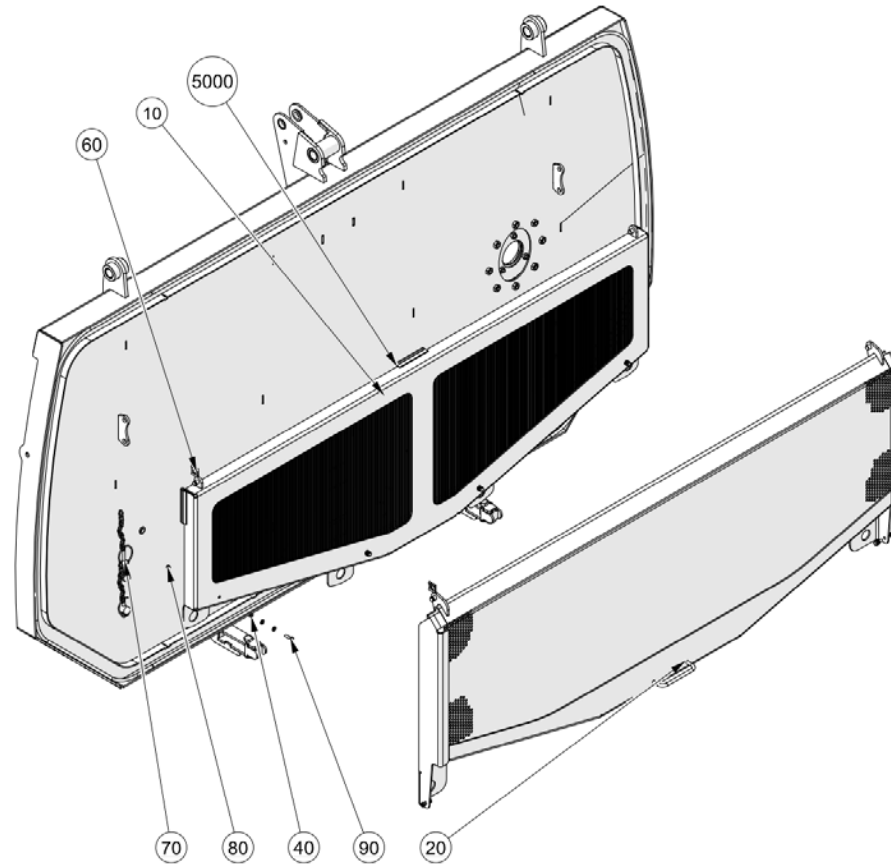


**Rear Door De-watering (7018127 / E708764)**

Rear Door\Options\Rear Door De-watering

Item no.	Part no.	Description	QTY	Unit
10	283-2	Clip - Spring Retaining	1	PC
20	7018021	Screen welded assembly	1	PC
30	60-23	Linch Pin-9 Link Chain 6mm Dia	4	PC
40	92099301-0	Hex Head Screw - M6Cx20 - A2	4	PC
50	93085604-0	Nyloc Hex Nut - M6c - A2	4	PC
60	93213009-0	Plain Washer M6 A2	12	PC
5000	211-78	Top Seal - Panel Thickness 1-3mm	3.5	M

**Rear Door Re-circulation Water (7018187 / E709780)**  
Rear Door\Options\Rear Door Re-circulation Water



M02RD001

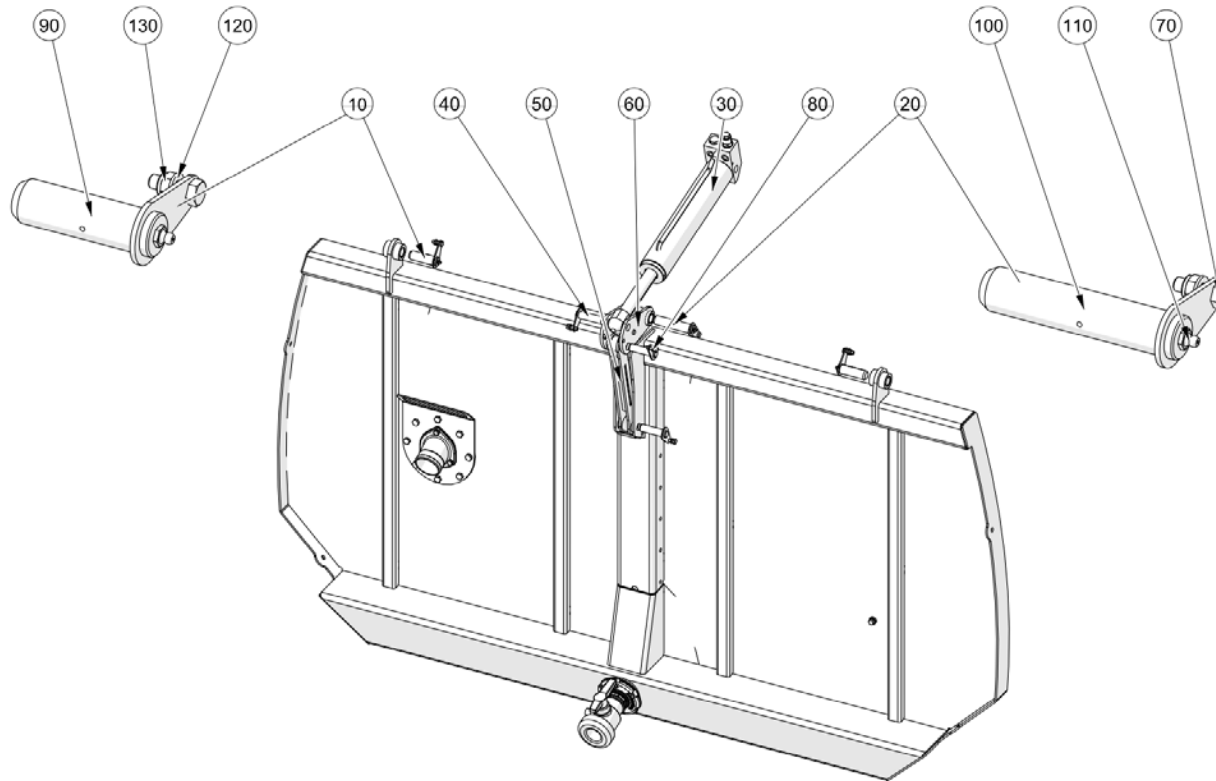
**Rear Door Re-circulation Water (7018187 / E709780)**

Rear Door\Options\Rear Door Re-circulation Water

Item no.	Part no.	Description	QTY	Unit
10	7018083	Wedge wire screen welded assy	1	PC
20	7017519	Primary mesh welded assembly	1	PC
40	93213009-0	Plain Washer M6 A2	18	PC
50	88-15	Ball Valve 1/4" Long Handle	1	PC
60	283-2	Clip - Spring Retaining	2	PC
70	60-23	Linch Pin-9 Link Chain 6mm Dia	6	PC
80	93085604-0	Nyloc Hex Nut - M6c - A2	6	PC
90	92099301-0	Hex Head Screw - M6Cx20 - A2	6	PC
5000	211-78	Top Seal - Panel Thickness 1-3mm	3.5	M

**Rear Door - Standard (7015834 / E710779)**

Rear Door\Options\Rear Door - Standard



M02RD007

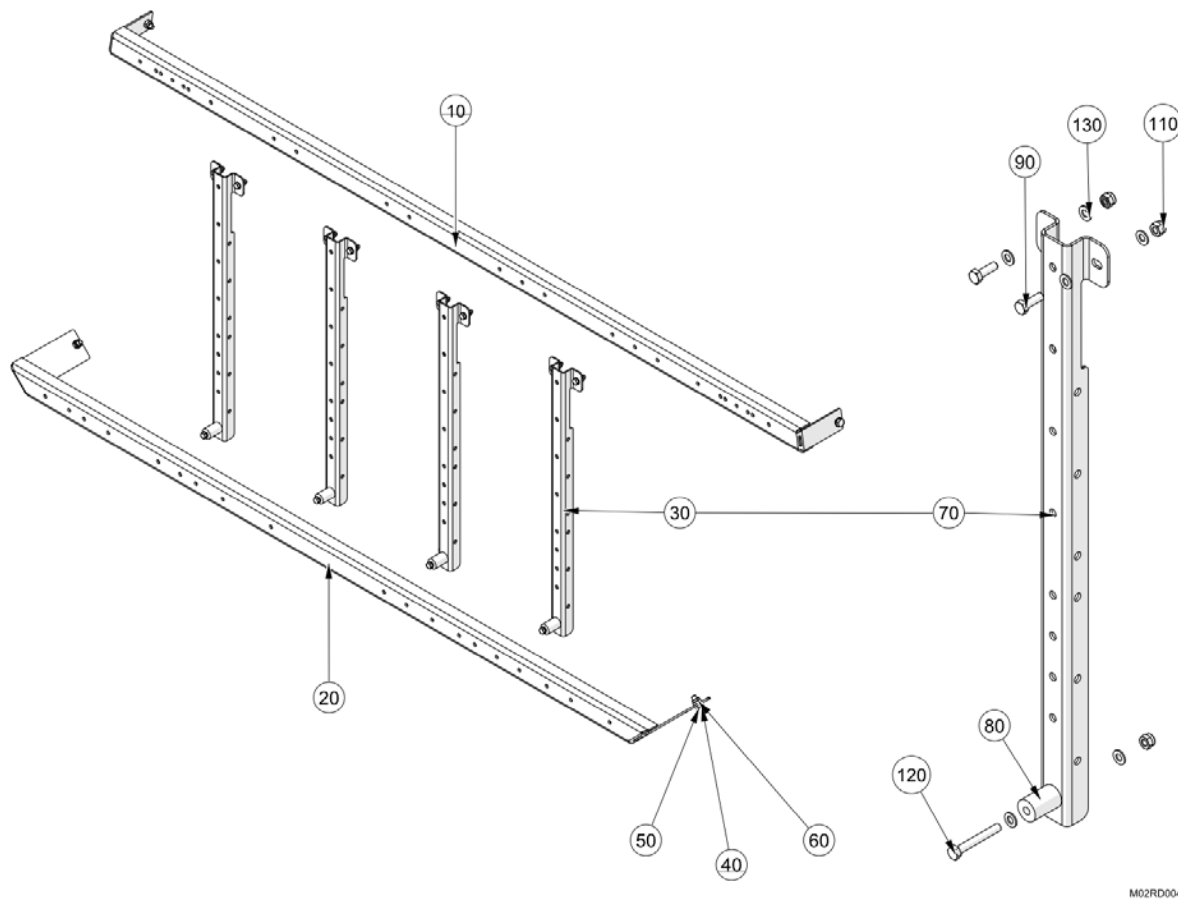
**Rear Door - Standard (7015834 / E710779)**

Rear Door\Options\Rear Door - Standard

Item no.	Part no.	Description	QTY	Unit
10	7018091	Hinge sub-assy (Rear door)	2	PC
Rear Door				
20	7018092	Hinge sub-assy (door relay)	1	PC
Relay				
30	7007583	Cylinder Assembly Ø70 x Ø35 x 324	1	PC
40	7031774	Pivot pin welded assembly	3	PC
50	7031782	Link assembly	1	PC
60	7032088	Relay sub-assembly	1	PC
70	92099376-0	Hex Head Screw - M8Cx25 - A2	3	PC
80	93699710-0	Spring Washer - Plated M8	3	PC
90	7017656	Hinge pin welded assembly	2	PC
Rear Door				
110	38-1	Nipple Grease Straight 1/8 BSP	2	PC
120	93213010-0	Plain Washer M8 A2	2	PC
130	93085605-0	Nyloc Hex Nut - M8c - A2	2	PC
100	7017665	Hinge pin welded assembly	1	PC
Relay				
S1	7007573	Valve	1	PC
CENTRE VALVE ON CYLINDER ASSEMBLY				
S2	7007574	Valve	1	PC
CHECK VALVE ON CYLINDER ASSEMBLY				

**Options Frame Assembly (7017439 / E710427)**

Rear Door\Options\Options Frame Assembly





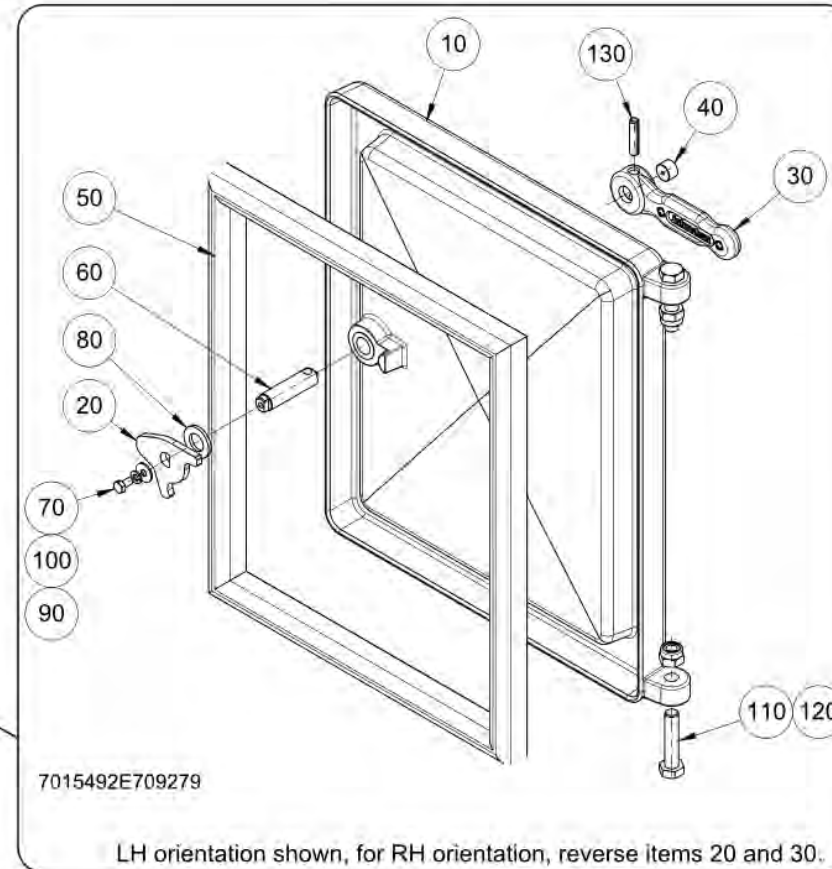
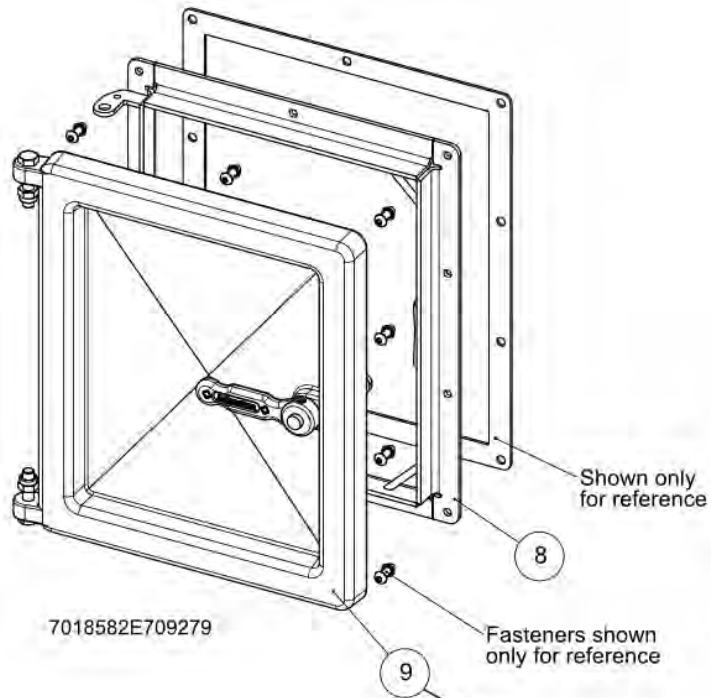
## Options Frame Assembly (7017439 / E710427)

Rear Door\Options\Options Frame Assembly

Item no.	Part no.	Description	QTY	Unit
10	7017437	Upper beam	1	PC
20	7017438	Lower beam	1	PC
30	282439-1	Strut - Vertical, Assembly	4	PC
130	93212011-0	Plain Washer M8	24	PC
70	282435-1	Strut Vertical-Rear Opt Frame	4	PC
80	282438-37	Spacer-DIM A 37	4	PC
90	92097376-0	Hex Head Screw - M8Cx25 - 8.8	8	PC
110	93085005-0	Nyloc Hex Thin Nut M8C - 8	12	PC
120	92067387-0	Hex Head Bolt - M8Cx60 - 8.8	4	PC
40	92097414-0	Hex Head Screw - M10Cx30 - 8.8	4	PC
50	93212012-0	Plain Washer M10	4	PC
60	93085806-0	Nyloc Hex Nut M10C - 8	4	PC

**Access Door & Frame (7018582 / E709279)**

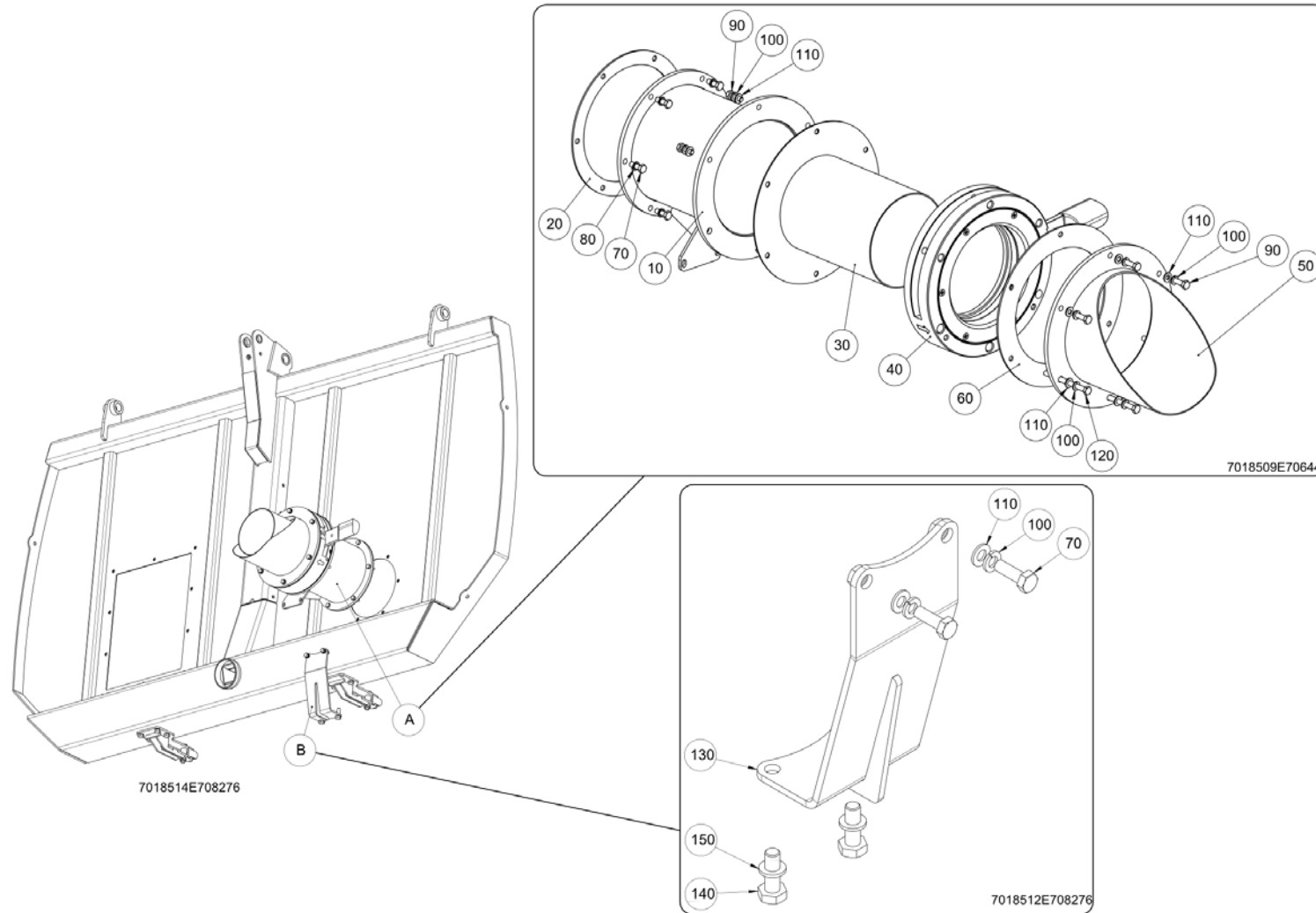
Rear Door\Options\Access Door &amp; Frame



**Access Door & Frame (7018582 / E709279)**

Rear Door\Options\Access Door & Frame

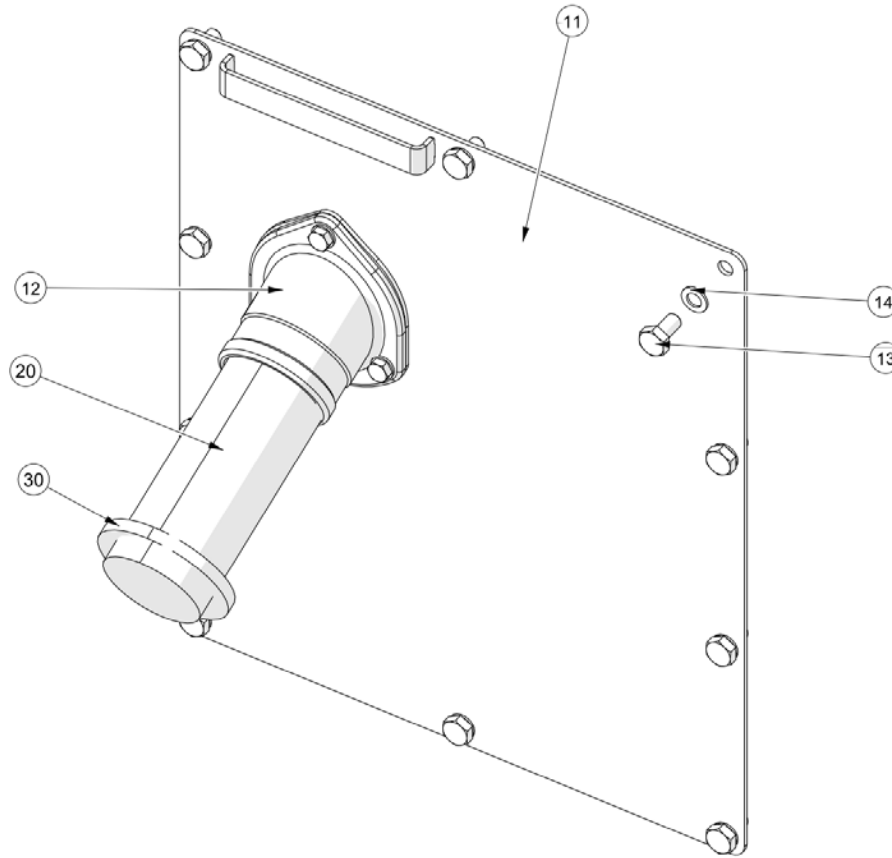
Item no.	Part no.	Description	QTY	Unit
8	283596-2	Frame W/A - Rear/Roof Acc Door	1	PC
9	7015492	Access Door Assembly	1	PC
10	284345-1	Access Door	1	PC
20	200342-1	Lock	1	PC
30	7017706	Handle - Access Door	1	PC
40	290-28	Bump Stop Rubber	1	PC
50	281217-1	Seal- Access Door Moulded	1	PC
60	284348-1	Spindle	1	PC
70	92099298-0	Hex Head Screw - M6Cx12 - A2	1	PC
80	93210523-0	Plain Washer M16	1	PC
90	93300507-0	Plain Large Washer M6	1	PC
100	93699708-0	Spring Washer - Plated M6	1	PC
110	92067460-0	Hex Head Bolt - M12Cx55 - 8.8	2	PC
120	93085807-0	Nyloc Hex Nut M12C - 8	2	PC
130	93545357-0	Spring Pin (Slotted) - Ø8x36 C.Steel HD	1	PC



Iris Valve (7018514 / E708276)

Rear Door\Options\Iris Valve

Item no.	Part no.	Description	QTY	Unit
A	7018509	Iris valve sub-assembly	1	PC
B	7018512	Support - Iris valve	1	PC
10	7018430	Extension tube welded assembly	1	PC
20	283865-1	Gasket - Iris Extension Tube	1	PC
30	88-48	Liner For 8" Iris Valve	1	PC
40	88-45	8" Iris Valve	1	PC
50	283864-1	Chute - Iris Valve W/Assy	1	PC
60	283866-1	Gasket - Iris Extension Tube	1	PC
70	92099376-0	Hex Head Screw - M8Cx25 - A2	8	PC
80	451-3	Washer Bonded Ø5-16" - Bolt	6	PC
90	92097376-0	Hex Head Screw - M8Cx25 - 8.8	6	PC
100	93699710-0	Spring Washer - Plated M8	11	PC
110	93212011-0	Plain Washer M8	11	PC
120	92097392-0	Hex Head Screw - M8Cx100 - 8.8	3	PC
130	7018457	Support welded assembly	1	PC
140	92097414-0	Hex Head Screw - M10Cx30 - 8.8	2	PC
150	93699711-0	Spring Washer - Plated M10	2	PC

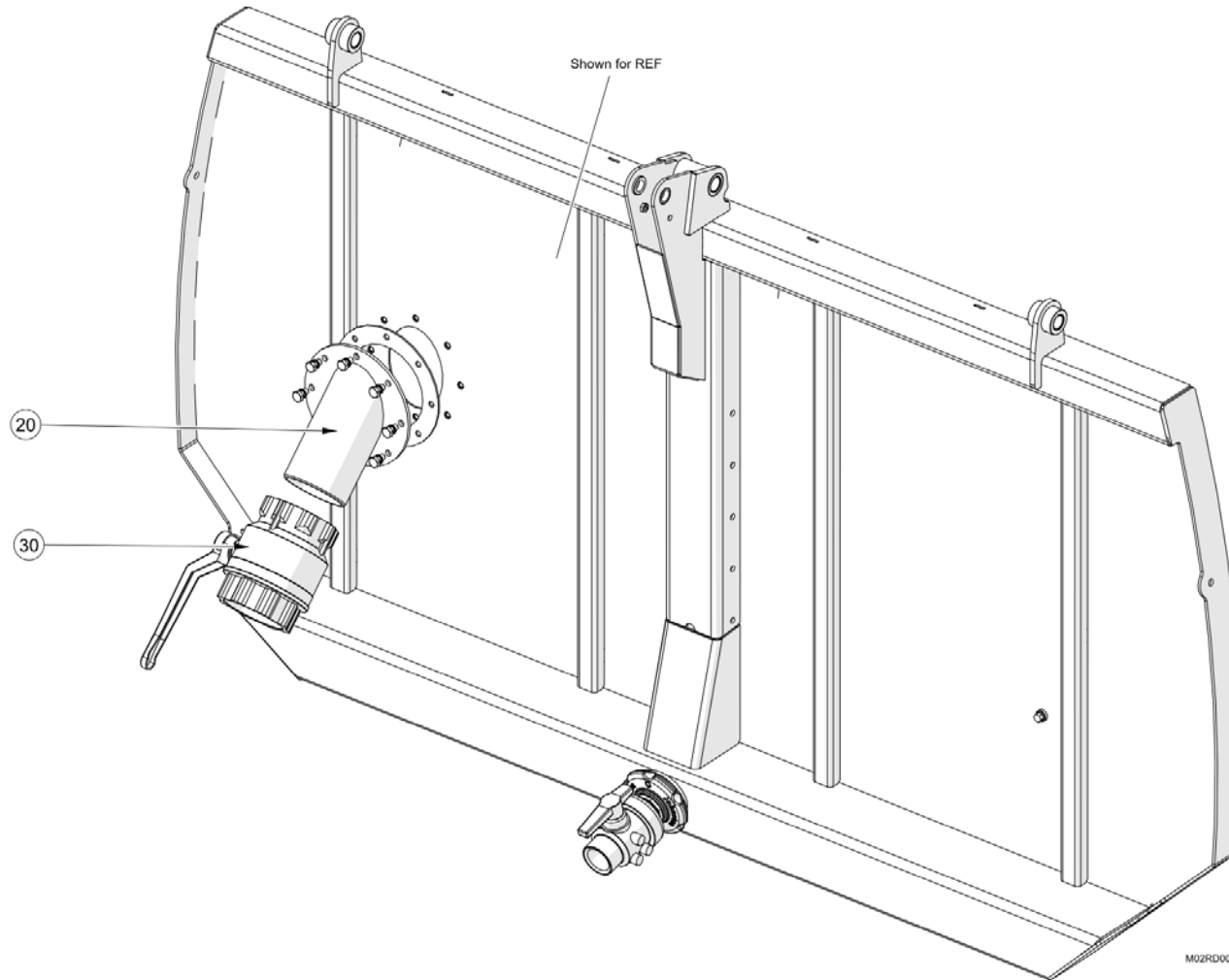


M02RD003

Layflat Drain (9652120-001 , 7017823)

Rear Door\Options\Layflat Drain

Item no.	Part no.	Description	QTY	Unit
10	7017823	Access panel - Assembly	1	PC
20	9983	Hose - Drain	1	M
30	09531001-0	Hose Clip - Worm Drive (70-90)	1	PC
11	7017822	Access panel - Welded assembly	1	PC
12	7018095	Drain hose sub-assembly	1	PC
13	92099407-0	Hex Head Screw - M10Cx20 - A2	10	PC
14	451-140	Washer Brass M10 DIN433	10	PC





**G4" Drain (7024279)**

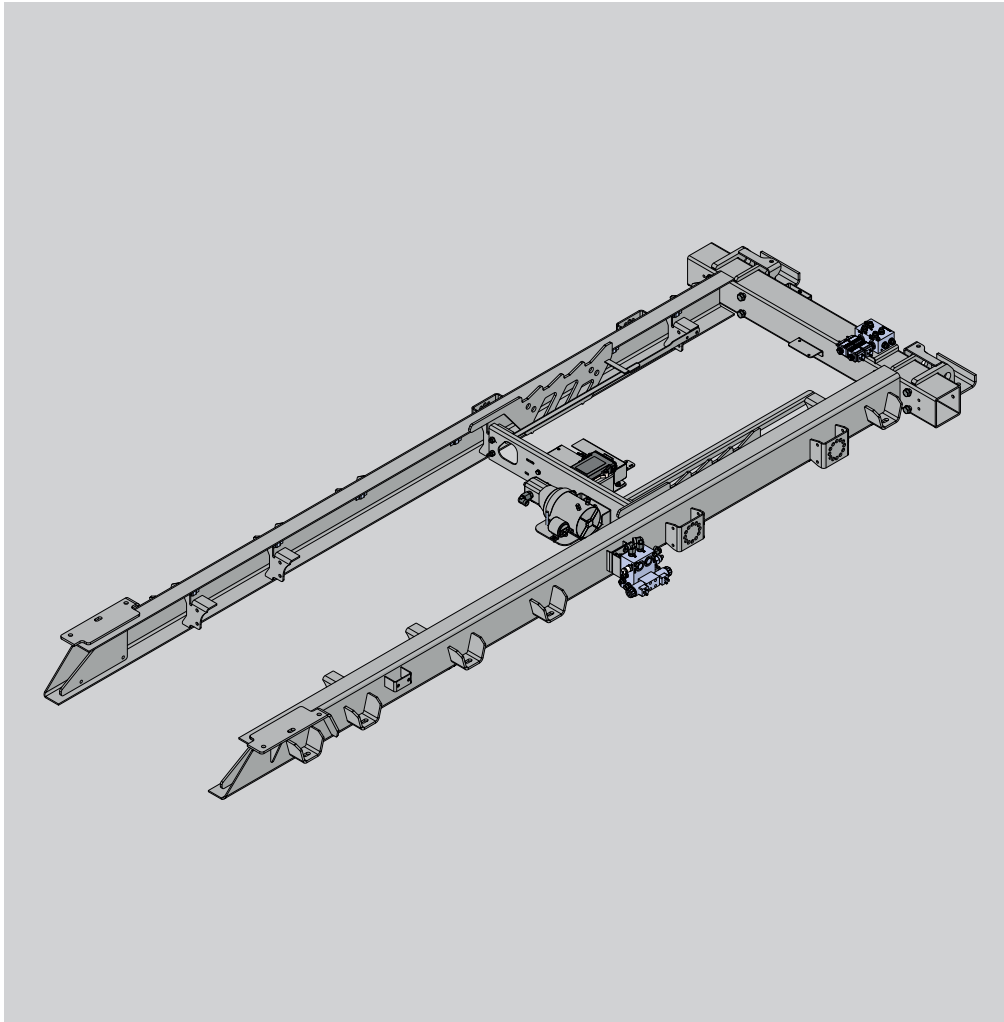
Rear Door\Options\G4" Drain

Item no.	Part no.	Description	QTY	Unit
20	281393-3	Valve Flange W/Assy - 4"	1	PC
30	88-24	Ball Valve 4" c/w Hand Drv F/F	1	PC

This page is intentionally left blank

## Chapter 3

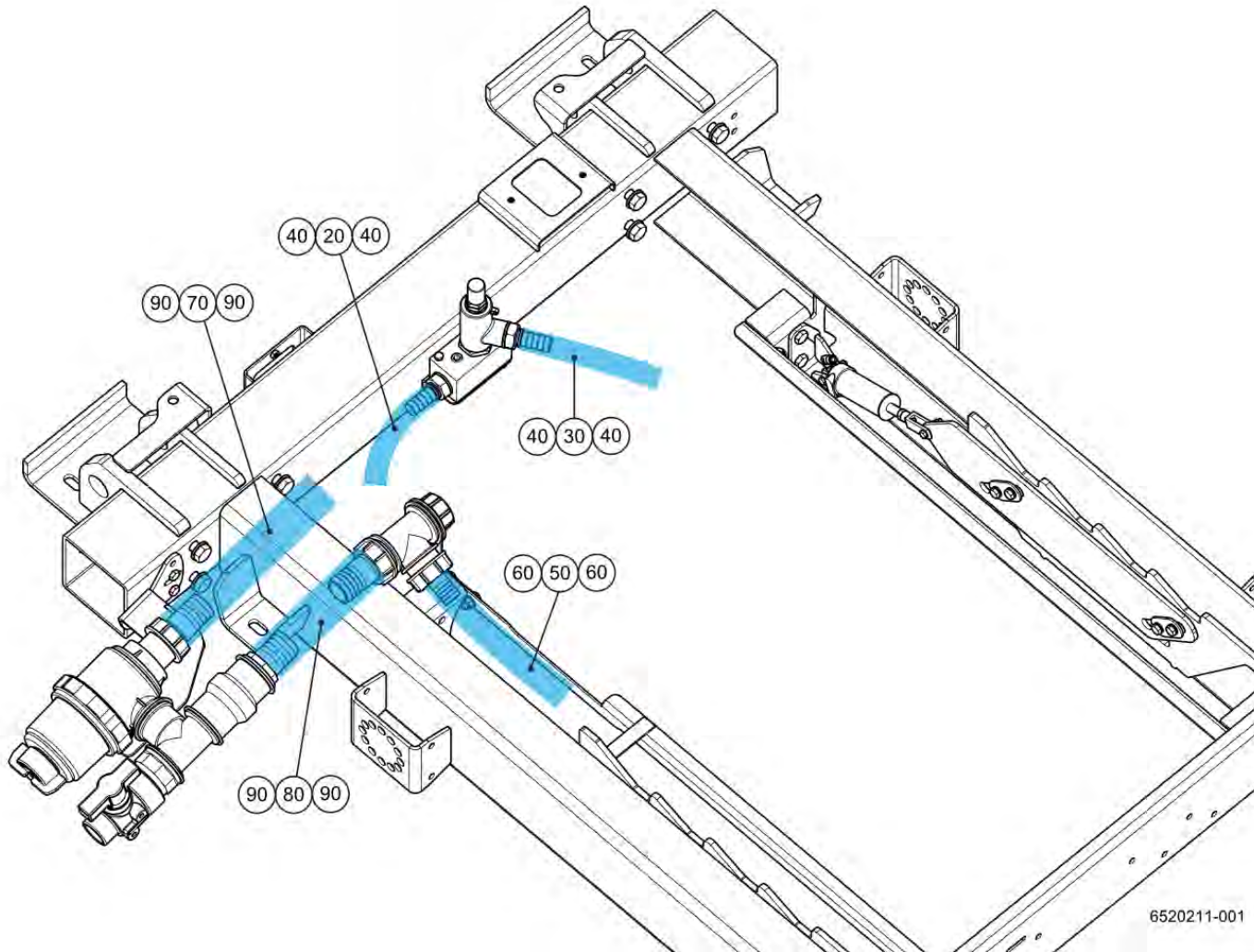
# Subframe



### Table of Contents

Section	Page
3.1 Common Parts.....	100
3.2 Sweep Components.....	112
3.3 Services.....	120
3.4 Hose & Pipe Work.....	126
3.5 Weight Load Indicator.....	132
3.6 Options.....	134

**Subframe Hoses (6520211-001)**  
Subframe\Common Parts\Subframe Hoses



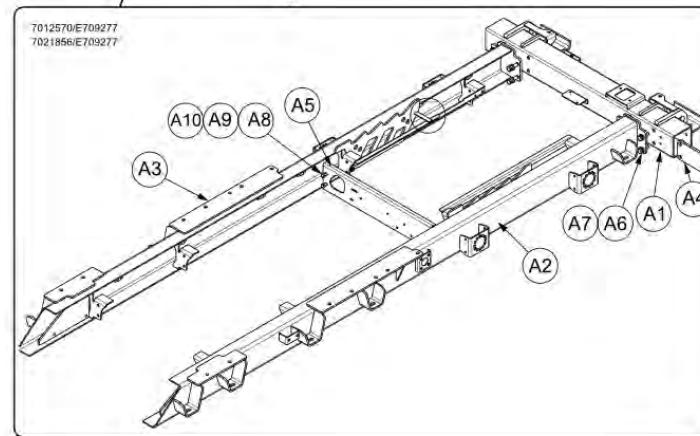
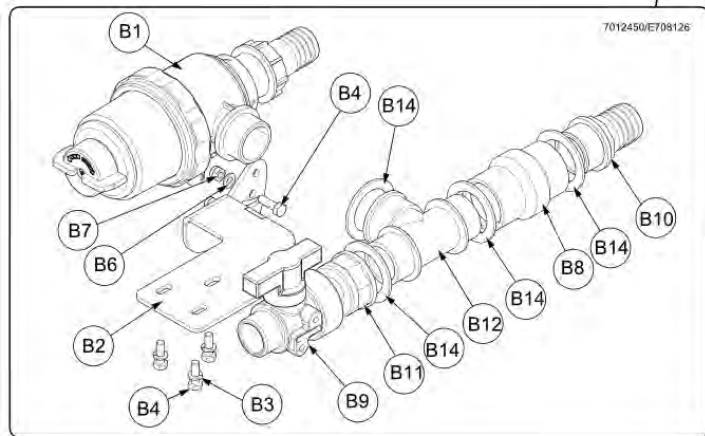
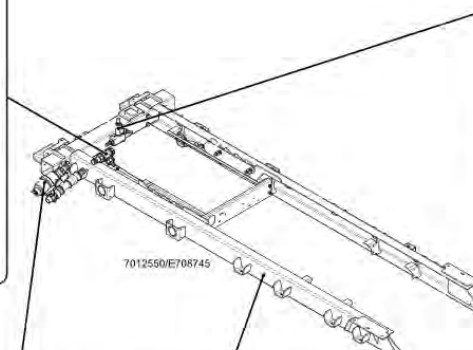
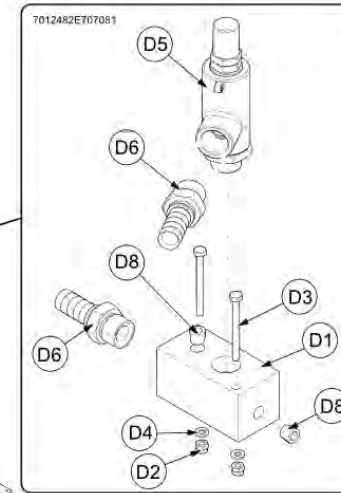
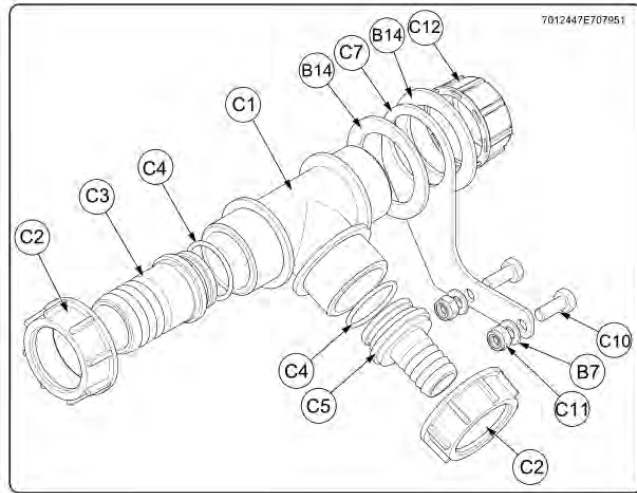
6520211-001

**Subframe Hoses (6520211-001)**

Subframe\Common Parts\Subframe Hoses

Item no.	Part no.	Description	QTY	Unit
20	497-H12	Hose - 3/4" Bore	2.25	M
30	497-H12	Hose - 3/4" Bore	0.8	M
40	501-3	Clip Hose Worm Drive 22-30mm	4	PC
50	6117	Hose - 1" Bore	1.6	M
60	501-4	Clip Hose Worm Drive 30-40mm	2	PC
70	497-H24	Hose-Premoflex, 1 1/2" Bore	1.25	M
80	497-H24	Hose-Premoflex, 1 1/2" Bore	0.35	M
90	501-11	Hose Clip - Worm Drive (35-50)	4	PC

**Subframe Common Parts (7012550 / E708745)**  
 Subframe\Common Parts\Subframe Common Parts

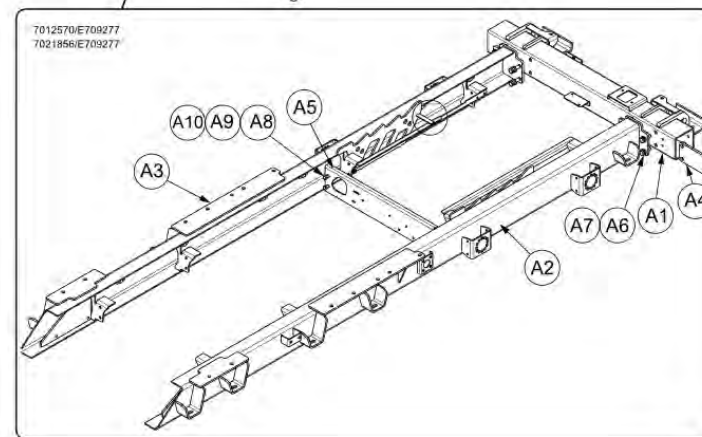
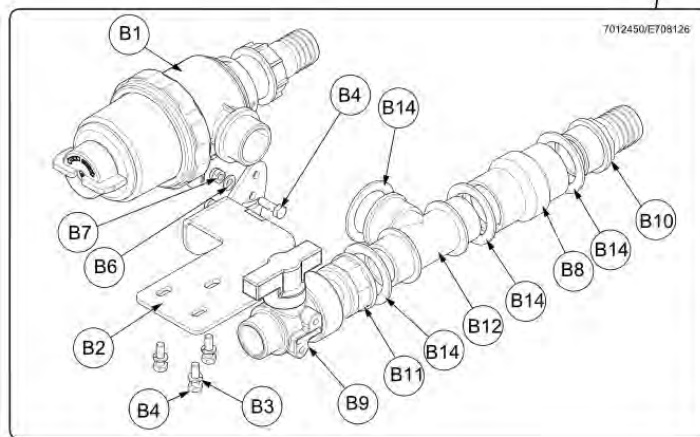
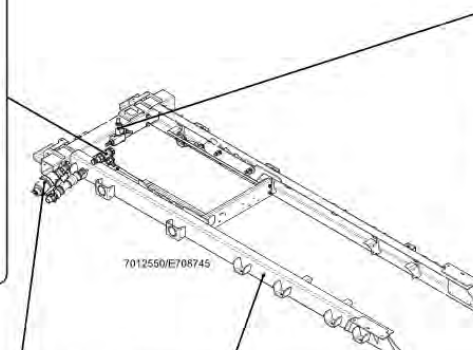
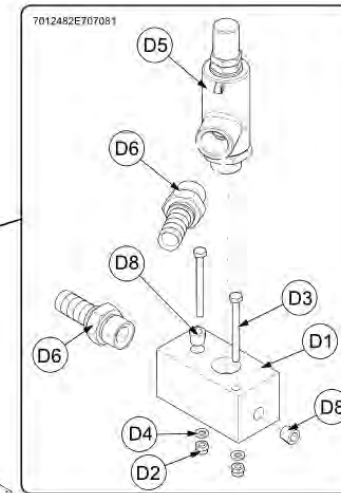
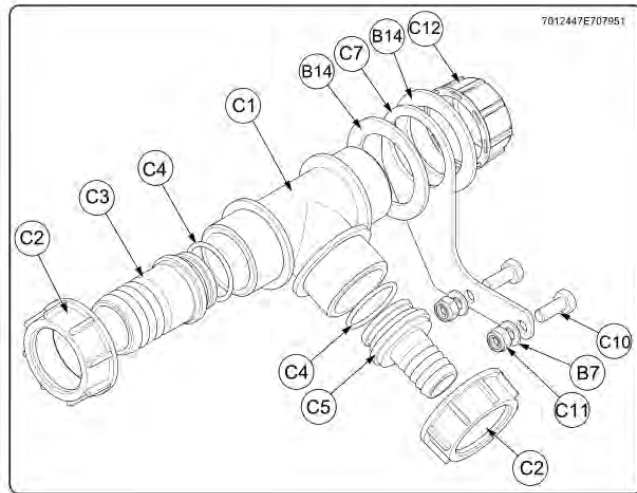


MO2SF001

**Subframe Common Parts (7012550 / E708745)**  
 Subframe\Common Parts\Subframe Common Parts

Item no.	Part no.	Description	QTY	Unit
A	7012570	Subframe assembly	1	PC
B	7012450	Filter water installation	1	PC
C	7012447	Tee water supply installation	1	PC
D	7012482	Water Relief Valve Installation	1	PC
B1	281750-20	Body - Water Filter	1	PC
B2	7022219	Water filter mount	1	PC
B3	93699710-0	Spring Washer - Plated M8	3	PC
B4	92097376-0	Hex Head Screw - M8Cx25 - 8.8	5	PC
B6	93085805-0	Nyloc Hex Nut M8C - 8	2	PC
B7	93212011-0	Plain Washer M8	4	PC
B8	277-278	Check Valve Polyprop 1 1/2"	1	PC
B9	88-43	Ball Valve 1" Female	1	PC
B10	277-252	Hosetail - 1 1/2" BSP M x 40mm	1	PC
B11	277-192	Bush - Reducing 1 1/2" F 1" M	1	PC
B12	277-306	Tee - G 1 1/2"F x G 1 1/2"M x G 1 1/2"M	1	PC
B14	277-214	Gasket - 1 1/2"	6	PC
C1	277-215	Tee - 1 1/2" BSP	1	PC
C2	277-170	FLYNUT # G1-1/2#	2	PC
C3	277-183	Flynut Hose Tail 38mm Barb	1	PC
C4	277-171	'O' Ring	2	PC
C5	277-169	Flynut Hose Tail 25mm Barb	1	PC
C7	7010766	Support - Water pipe	1	PC
C10	92097374-0	Hex Head Screw - M8Cx20 - 8.8	2	PC
C11	93085005-0	Nyloc Hex Thin Nut M8C - 8	2	PC

**Subframe Common Parts (7012550 / E708745)**  
 Subframe\Common Parts\Subframe Common Parts



MO2SF001

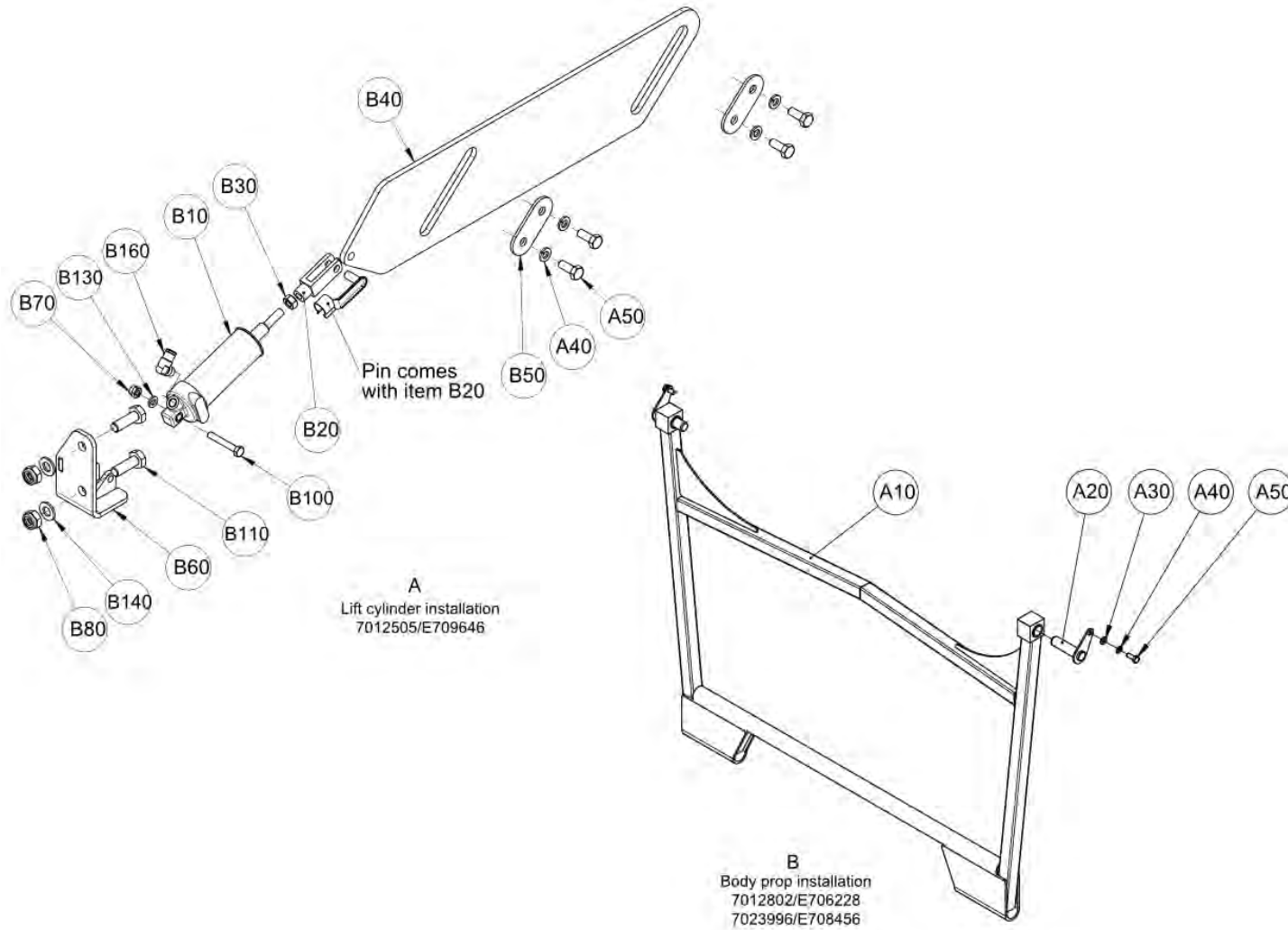


**Subframe Common Parts (7012550 / E708745)**  
 Subframe\Common Parts\Subframe Common Parts

Item no.	Part no.	Description	QTY	Unit
C12	277-203	Blanking cap - 1 1/2"	1	PC
D1	7004096	Manifold -Water system	1	PC
D2	93085004-0	Nyloc Hex Nut M6C - 8	2	PC
D3	6105-0771	Hex Head Bolt - M6Cx65 - 8.8	2	PC
D4	93212009-0	Plain Washer M6	2	PC
D5	284150-1	Safety Relief Valve 3/4"	1	PC
D6	277-297	Adaptor Straight 3/4 BSP x 3/4 Hosetail	2	PC
D8	9756	Plug - Tapered 1/4 BSP	2	PC
A1	7000316	Crossmember Rear	1	PC
A2	7001450	Sidemember Left	1	PC
A2	7003301	Sidemember Weld Assembly LH	1	PC
V501 only				
A3	7001451	Sidemember Right	1	PC
A3	7003332	Sidemember Weld assembly RH	1	PC
V501 only				
A4	281519-1	Stretch Plate W/Assy	2	PC
A5	7004312	Crossmember	1	PC
A6	92072212-0	Hex Head Bolt - M14Cx45 - 10.9	8	PC
A7	93212015-0	Plain Washer M14	8	PC
A8	92097412-0	Hex Head Screw - M10Cx25 - 8.8	4	PC
A9	93056015-0	Hex Nut M10C-8	4	PC
A10	93699711-0	Spring Washer - Plated M10	4	PC
A	7021856	Subframe assembly	1	PC
V501 only				

**Subframe Body Prop (7012505 , 7012802 , 7023996)**

Subframe\Common Parts\Subframe Body Prop



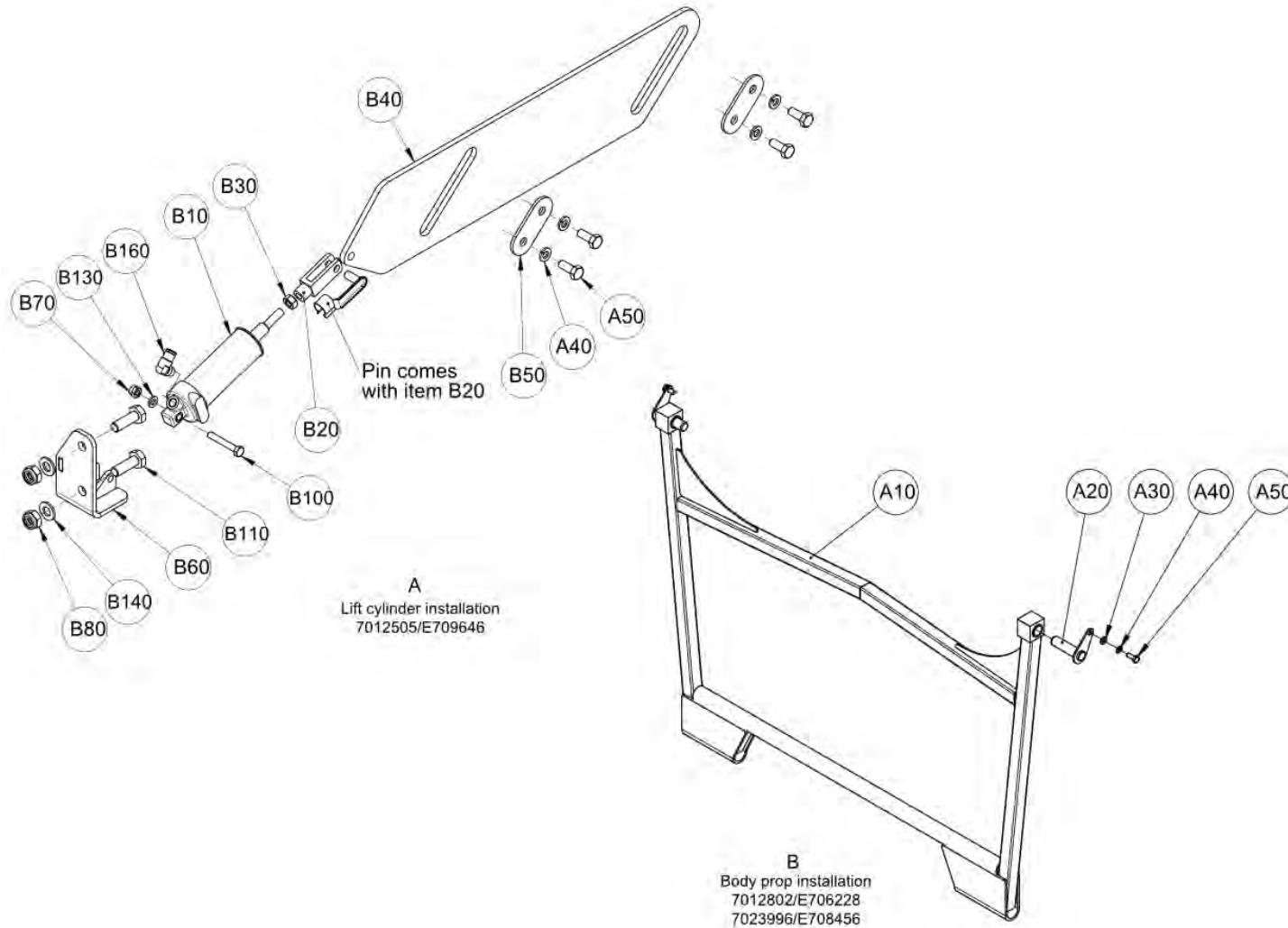
**Subframe Body Prop (7012505 , 7012802 , 7023996)**

Subframe\Common Parts\Subframe Body Prop

Item no.	Part no.	Description	QTY	Unit
A10	7000965	Prop Assembly	1	PC
A20	283445-1	Pivot Pin	2	PC
A30	93212011-0	Plain Washer M8	2	PC
A40	93699710-0	Spring Washer - Plated M8	2	PC
A50	92097374-0	Hex Head Screw - M8Cx20 - 8.8	2	PC
B10	7583-2011	COMPRESSED-AIR CYLINDER	1	PC
B20	6371-0081	FORK JOINT	1	PC
B30	93057014-0	Nut-MC Hex M8 S.Stl	1	PC
B40	7001223	Plate -Subframe	1	PC
B50	7001224	Plate Lock	2	PC
B60	7013382	Prop release bracket	1	PC
B70	93085004-0	Nyloc Hex Nut M6C - 8	2	PC
B80	93085006-0	Nyloc Hex Thin Nut M10C - 8	2	PC
B100	92097307-0	Hex Head Screw - M6Cx40 - 8.8	1	PC
B120	92097305-0	Hex Head Screw - M6Cx30 - 8.8	1	PC
B130	93212009-0	Plain Washer M6	2	PC
B140	93212012-0	Plain Washer M10	2	PC
B160	09593162-0	Adaptor-Push-In 6mm Fixed Elbow R1/8"	1	PC
A	7012505	Lift cylinder installation	1	PC
B	7012802	Body prop installation	1	PC
B	7023996	Body prop assembly	1	PC
V501				
A10	7005542	Prop Assembly	1	PC
V501				

**Subframe Body Prop (7012505 , 7012802 , 7023996)**

Subframe\Common Parts\Subframe Body Prop

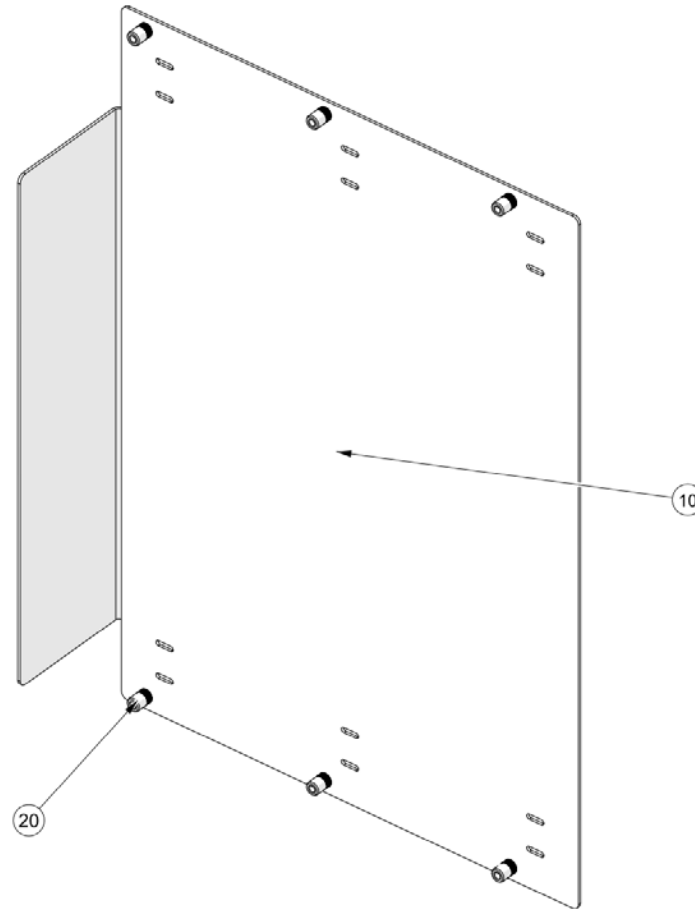


**Subframe Body Prop (7012505 , 7012802 , 7023996)**

Subframe\Common Parts\Subframe Body Prop

Item no.	Part no.	Description	QTY	Unit
B110	92097414-0	Hex Head Screw - M10Cx30 - 8.8	2	PC

**Node Cover Plate (7029388)**  
Subframe/Common Parts/Node Cover Plate

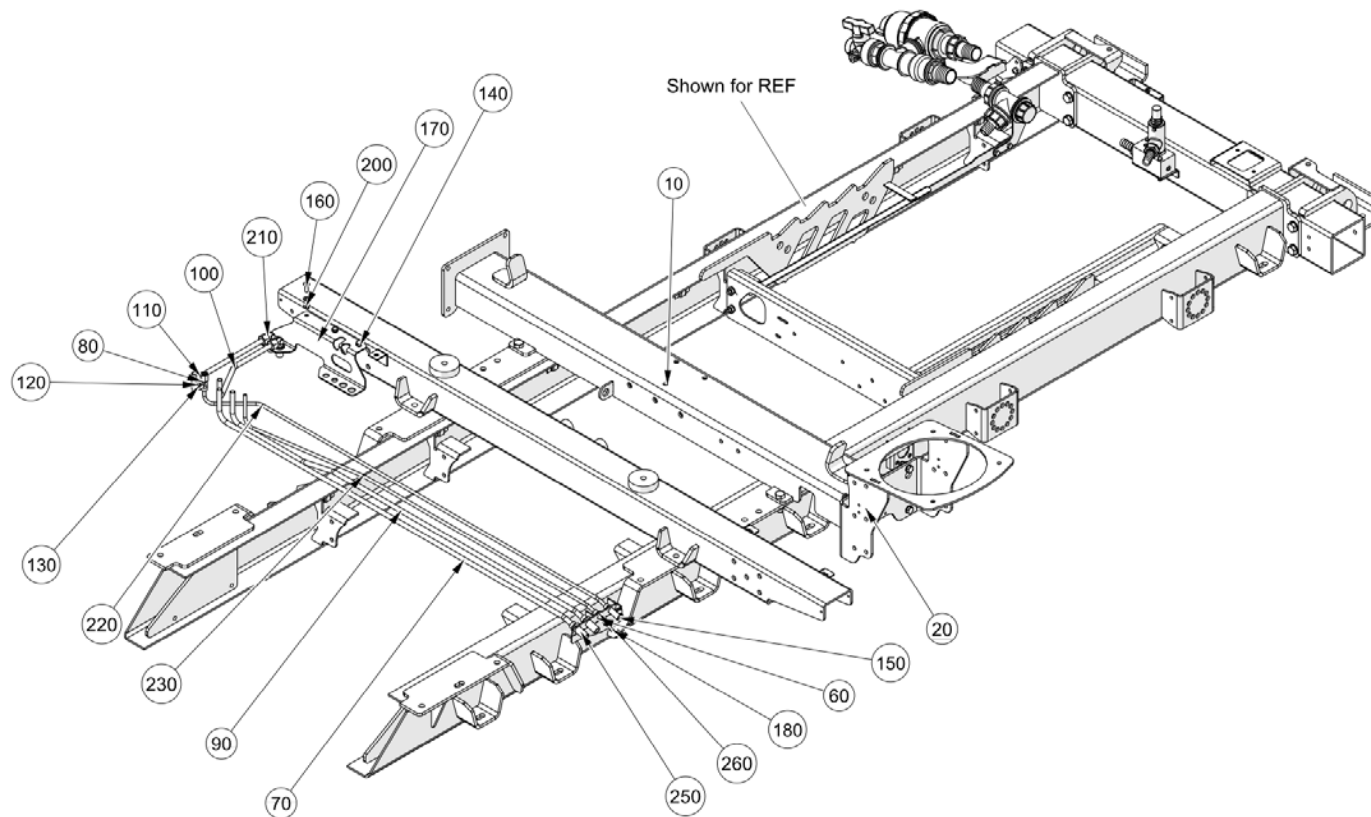


M029F020

**Node Cover Plate (7029388)**

Subframe\Common Parts\Node Cover Plate

Item no.	Part no.	Description	QTY	Unit
10	7025404	Plate water protection covers for nodes	1	PC
20	433-104	Insert, Small Hd, M6, 0.7-4.2, Open, MS	6	PC

**Left Hand Single (7016359 , 7024873)**  
Subframe\Sweep Components\Left Hand Single

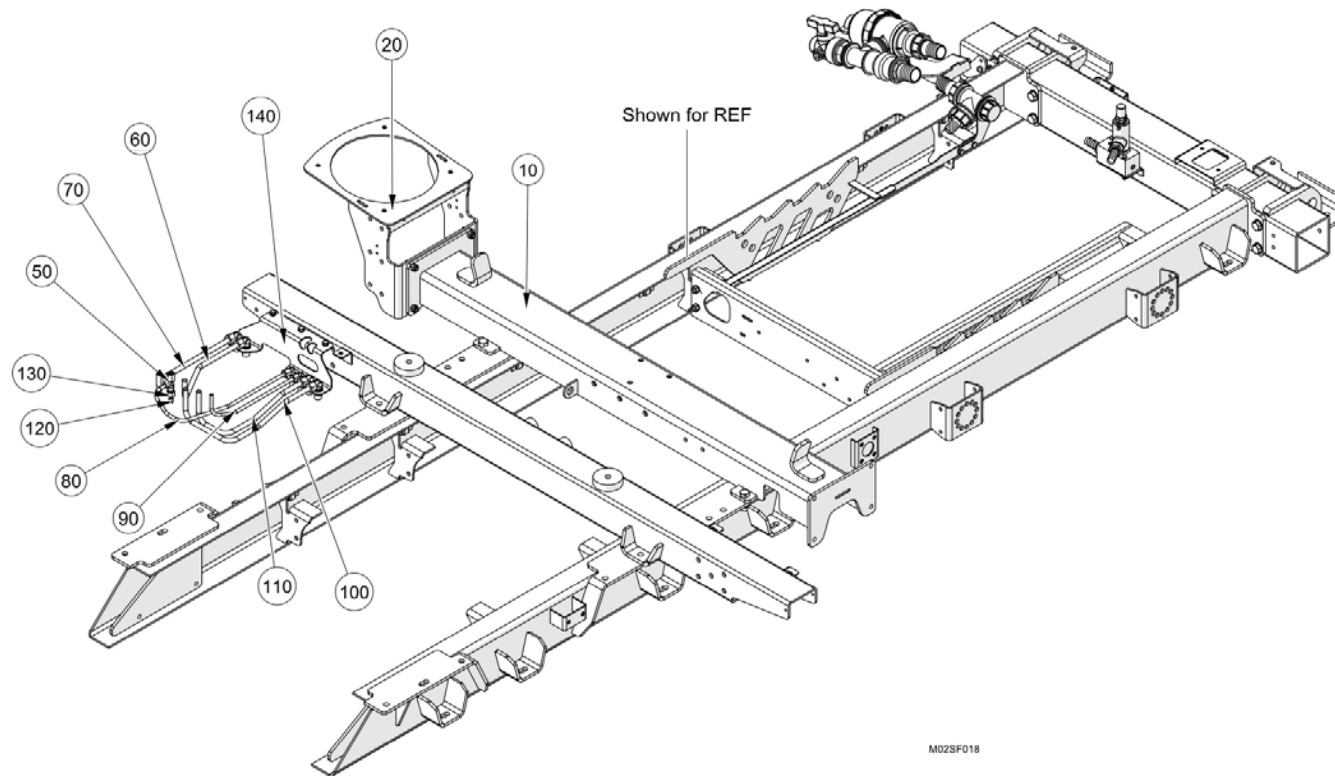
M025F017



**Left Hand Single (7016359 , 7024873)**  
 Subframe\Sweep Components\Left Hand Single

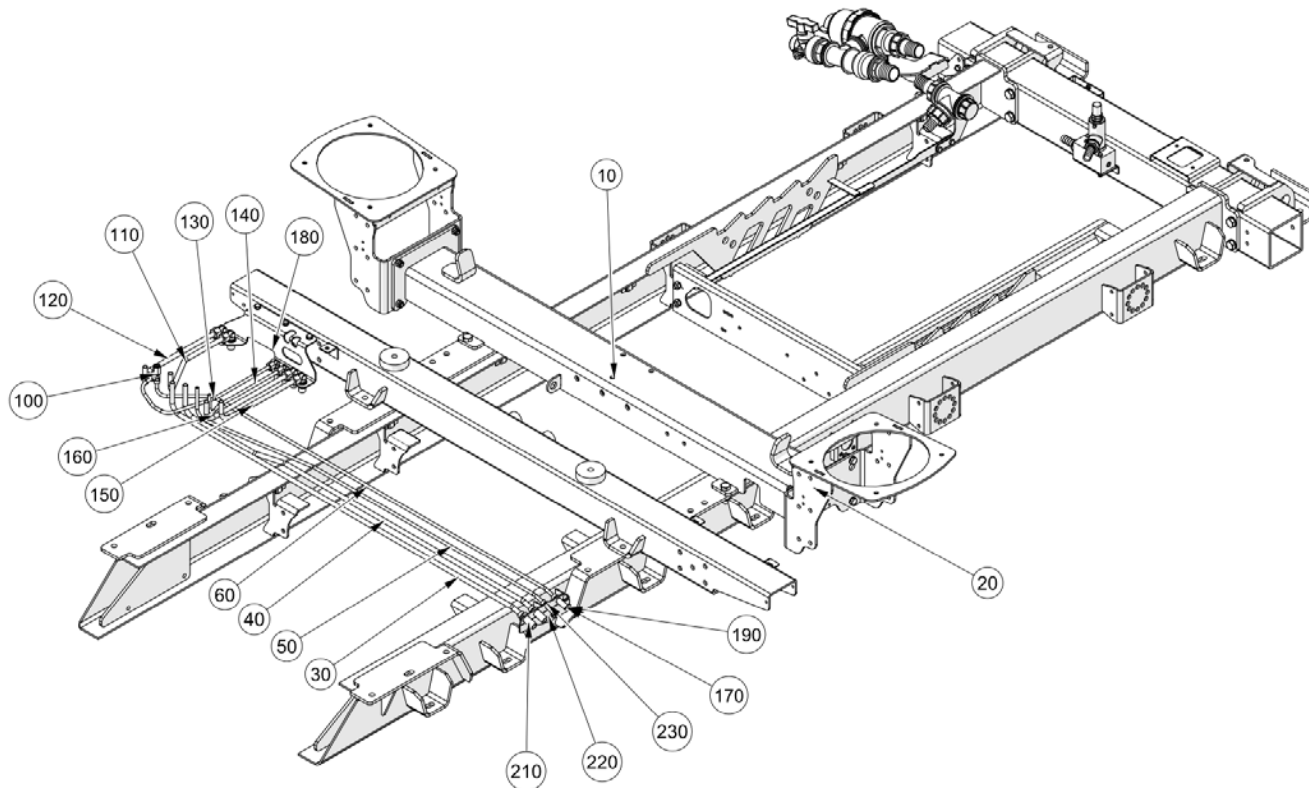
Item no.	Part no.	Description	QTY	Unit
10	7015969	Crossmember Assembly	1	PC
60	7028065	Pipe support	1	PC
V501 & 651				
70	7028075	Pipe - hydraulic	1	PC
80	308-1	Adjustable Male Tee - M14 x 1.5	1	PC
90	7028076	Pipe - hydraulic	1	PC
100	7023418	Pipe - Hydraulic	1	PC
110	7023417	Pipe - Hydraulic	1	PC
120	09572101-0	Plug Female - Tube O/D = 8mm	1	PC
130	09570007-0	Cap Nut - M14 x 1.5 (Tube O/D = 8mm)	1	PC
140	93212011-0	Plain Washer M8	6	PC
150	92097376-0	Hex Head Screw - M8Cx25 - 8.8	2	PC
160	92097374-0	Hex Head Screw - M8Cx20 - 8.8	3	PC
170	7027630	Pipe Bracket	1	PC
180	93699710-0	Spring Washer - Plated M8	2	PC
200	93085005-0	Nyloc Hex Thin Nut M8C - 8	3	PC
210	09570472-0	Bulkhead Elbow Connector - M18 x 1.5	2	PC
220	7028078	Pipe - hydraulic	1	PC
230	7028077	Pipe - hydraulic	1	PC
250	302-2	Straight Bulkhead Connector M18 x 1.5	2	PC
260	09570456-0	Straight Bulkhead Connector M14 x 1.5	2	PC
60	7028087	Pipe support	1	PC
V801				
20	7028899	Intake Seat Assembly	1	PC

**Right Hand Single (7023543 / E708241)**  
Subframe\Sweep Components\Right Hand Single



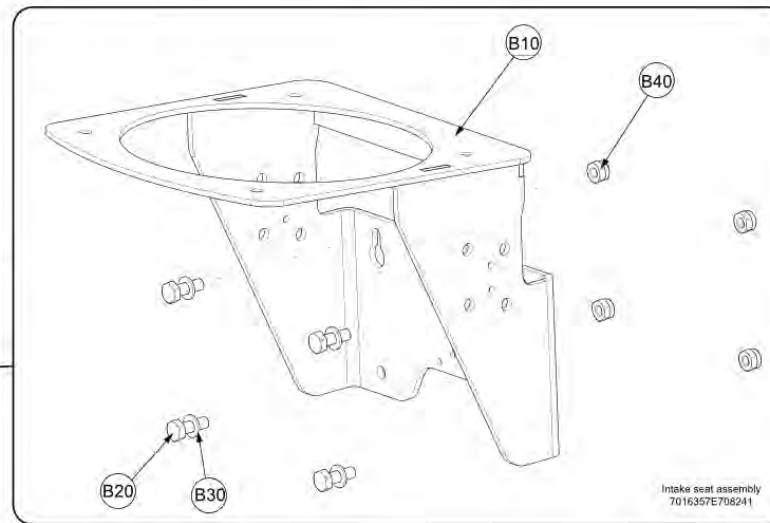
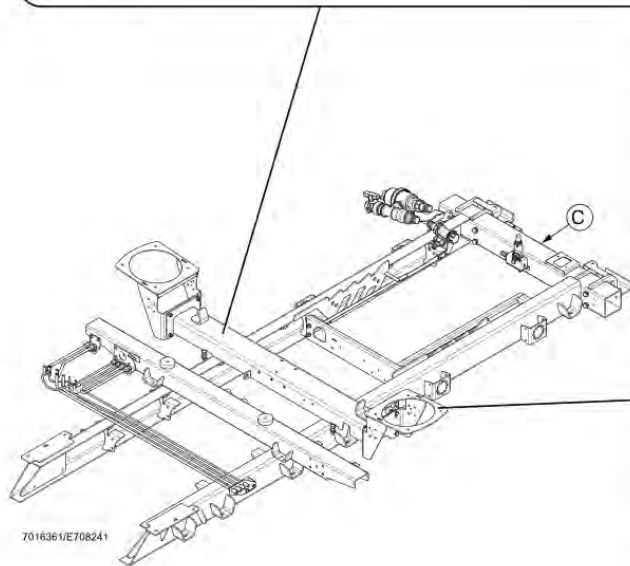
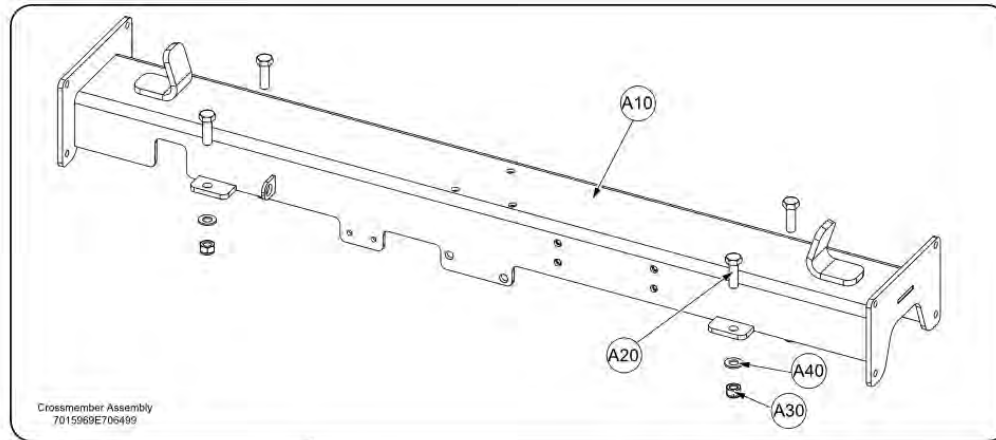
**Right Hand Single (7023543 / E708241)**  
Subframe\Sweep Components\Right Hand Single

Item no.	Part no.	Description	QTY	Unit
10	7015969	Crossmember Assembly	1	PC
50	308-1	Adjustable Male Tee - M14 x 1.5	1	PC
60	7023418	Pipe - Hydraulic	1	PC
70	7023417	Pipe - Hydraulic	1	PC
80	7023454	Pipe - Hydraulic	1	PC
90	7023538	Pipe - Hydraulic	1	PC
100	7023541	Pipe - Hydraulic	1	PC
110	7023540	Pipe - Hydraulic	1	PC
120	09572101-0	Plug Female - Tube O/D = 8mm	1	PC
130	09570007-0	Cap Nut - M14 x 1.5 (Tube O/D = 8mm)	1	PC
140	7027687	WSB & RH Channel Brush Pipe Bracket Assy	1	PC
20	7028899	Intake Seat Assembly	1	PC



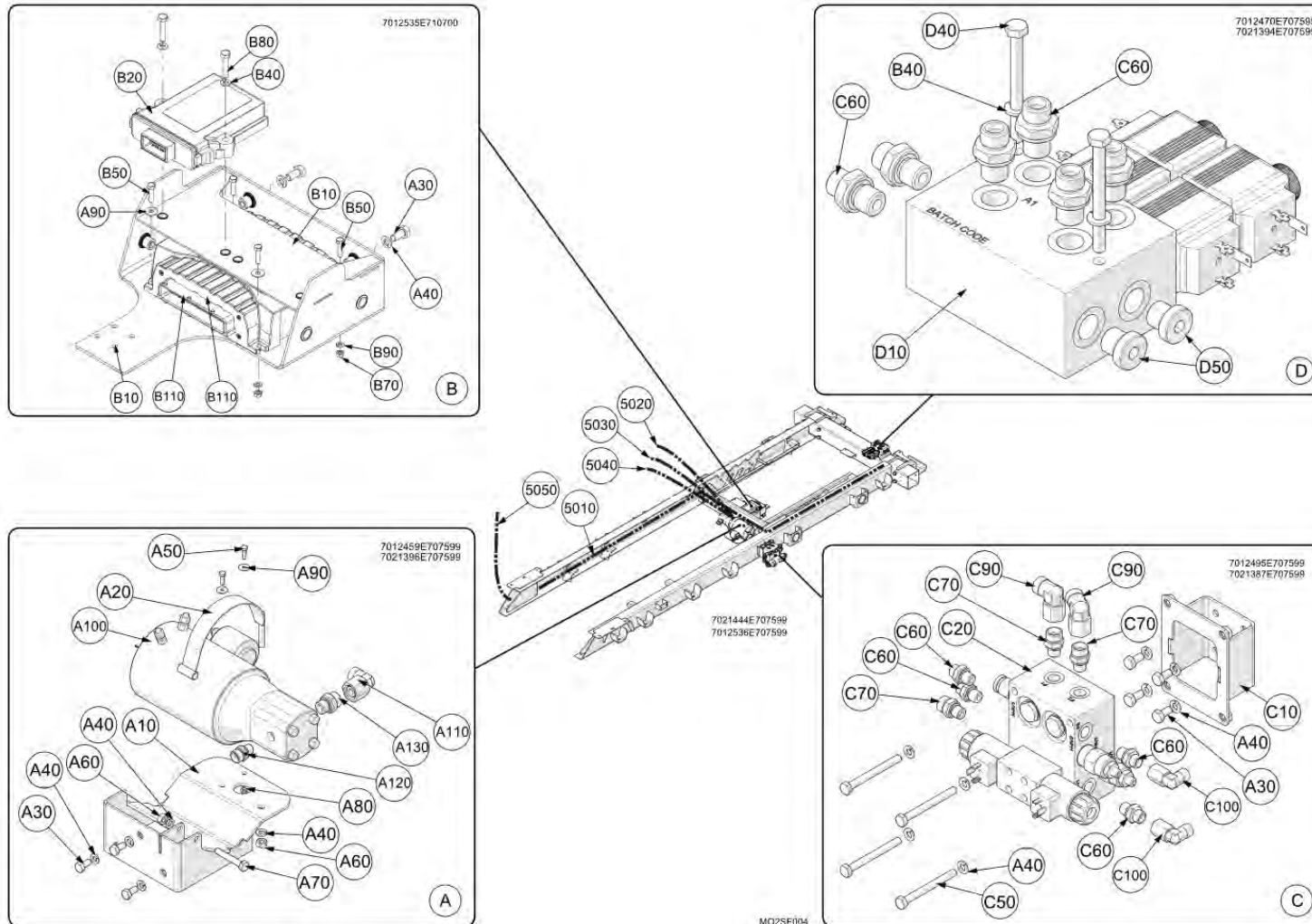
M02SF019

Item no.	Part no.	Description	QTY	Unit
10	7015969	Crossmember Assembly	1	PC
30	7028075	Pipe - hydraulic	1	PC
40	7028076	Pipe - hydraulic	1	PC
50	7028077	Pipe - hydraulic	1	PC
60	7028078	Pipe - hydraulic	1	PC
100	308-1	Adjustable Male Tee - M14 x 1.5	1	PC
110	7023418	Pipe - Hydraulic	1	PC
120	7023417	Pipe - Hydraulic	1	PC
130	7023454	Pipe - Hydraulic	1	PC
140	7023450	Pipe - Hydraulic	1	PC
150	7023443	Pipe - Hydraulic	1	PC
160	7023442	Pipe - Hydraulic	1	PC
170	92097376-0	Hex Head Screw - M8Cx25 - 8.8	2	PC
180	7027687	WSB & RH Channel Brush Pipe Bracket Assy	1	PC
190	93699710-0	Spring Washer - Plated M8	2	PC
210	302-2	Straight Bulkhead Connector M18 x 1.5	2	PC
220	7028065	Pipe support	1	PC
V501 & 651				
230	09570456-0	Straight Bulkhead Connector M14 x 1.5	2	PC
220	7028087	Pipe support	1	PC
V801				
20	7028899	Intake Seat Assembly	2	PC



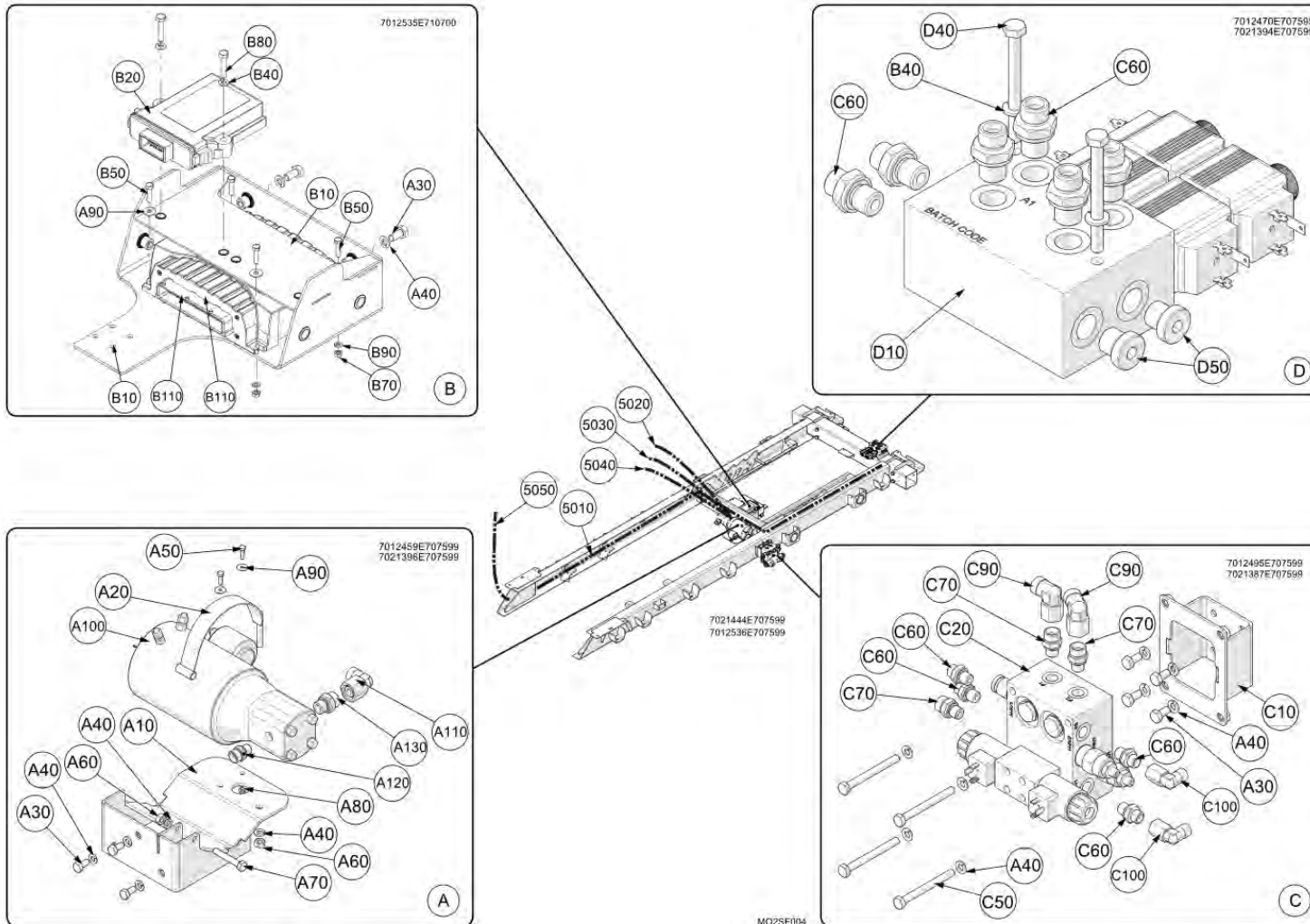
Components (7015969 , 7016357)  
Subframe\Sweep Components\Components

Item no.	Part no.	Description	QTY	Unit
A10	7000624	Crossmember Welded Assembly	1	PC
A20	92072212-0	Hex Head Bolt - M14Cx45 - 10.9	4	PC
A30	404-17	Hex Nyloc Nut - M14c x Grade 10	4	PC
A40	93212015-0	Plain Washer M14	4	PC
B10	7015988	Intake seat - Welded assembly	1	PC
B20	92097414-0	Hex Head Screw - M10Cx30 - 8.8	4	PC
B30	93212012-0	Plain Washer M10	4	PC
B40	93085806-0	Nyloc Hex Nut M10C - 8	4	PC
C	806953-1	Label Serial No Plate	1	PC





Item no.	Part no.	Description	QTY	Unit
A	7021396	Emergency discharge pump install 12v	1	PC
A	7012459	Emergency discharge pump installl 24v	1	PC
B	7012535	High powered node installation	1	PC
C	7021387	Hydraulic Manifold Install 12v	1	PC
C	7012495	Hydraulic manifold install 24v	1	PC
D	7021394	Hydraulic manifold install 12v	1	PC
D	7012470	Hydraulic manifold install 24v	1	PC
A10	7004140	Bracket	1	P
A20	7004340	Strap	1	PC
A30	92097372-0	Hex Head Screw - M8Cx16 - 8.8	3	PC
A40	93699710-0	Spring Washer - Plated M8	5	PC
A50	92097263-0	Hex Head Screw - M5Cx16 - 8.8	2	PC
A60	93056014-0	Hex Nut M8C-8	2	PC
A70	92097382-0	Hex Head Screw - M8Cx50 - 8.8	1	PC
A80	93085003-0	Nyloc Hex Nut M5C - 8	2	PC
A90	93300506-0	Plain Large Washer M5	2	PC
A100	7557-0872	Pump 3cc/rev w/Relay 24v	1	PC
A110	6613-0505	Adjustable Male Elbow - M22 x 1.5	1	PC
A120	6601-1425	Stud Coupling Male M14x1.5 x Ø12 Tube	1	PC
A130	6601-1431	Stud Coupling Male M18x1.50 x M22x1.50	1	PC
A100	7021408	Pump 3cc/rev w/Relay 12v	1	PC
C10	7004123	Bracket	1	PC
C20	7005341	Manifold -Hydraulic Body 24V	1	PC
C20	7021315	Manifold -Hydraulic Body 12V	1	PC



Services (7021444,7012563,7021396,7012459,7012535,7012495,7021387,7012470,7021394)

Subframe\Services

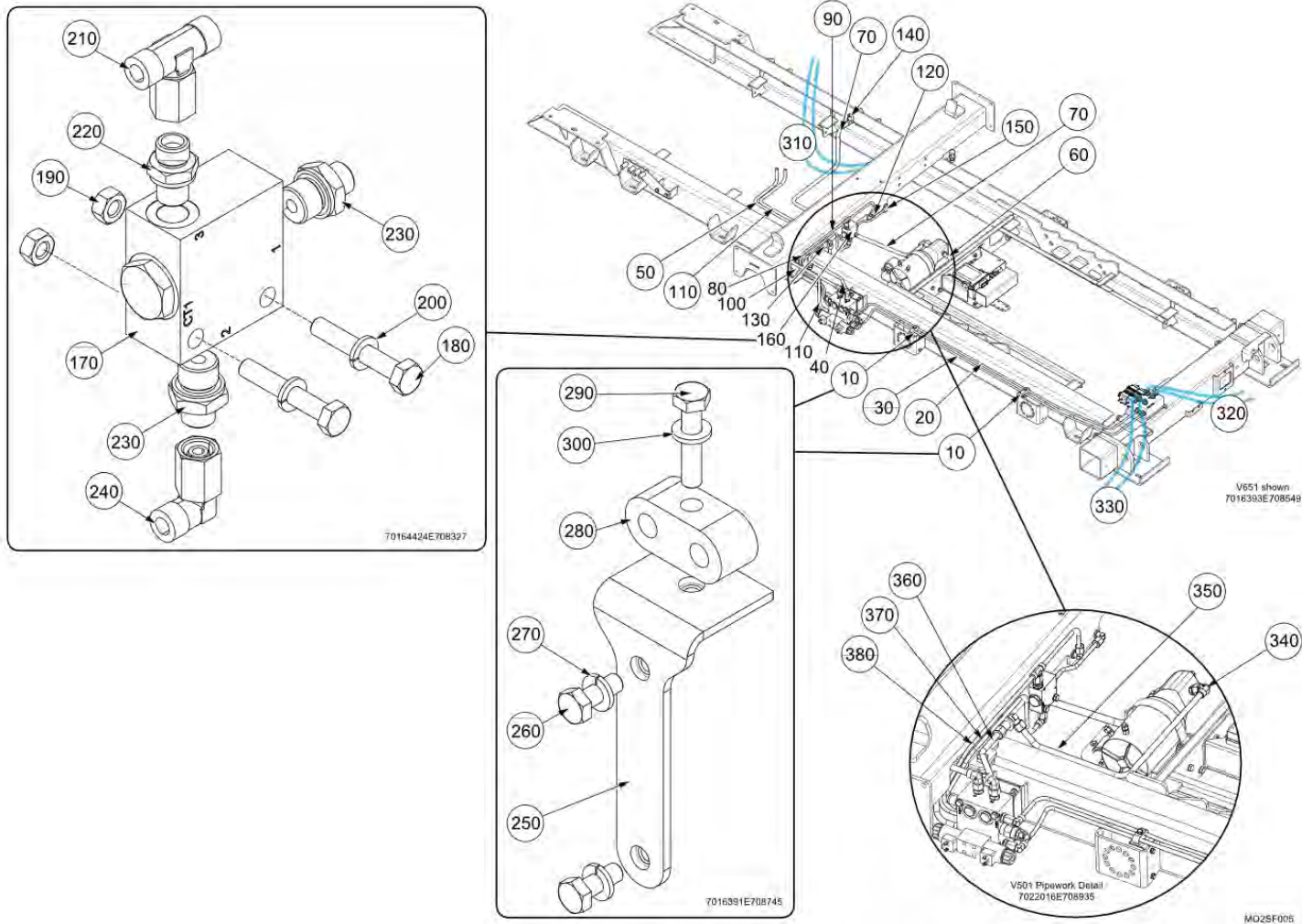
Item no.	Part no.	Description	QTY	Unit
C50	92067391-0	Hex Head Bolt - M8Cx80 - 8.8	4	PC
C60	09570126-0	Stud Coupling Male G 1/4" x M14 x 1.5	4	PC
C70	09570128-0	Stud Coupling Male G 1/4" x M18 x 1.5	3	PC
C90	6613-0503	Adjustable Male Elbow - M16 x 1.5	2	PC
C100	303-1	Adjustable Male Elbow - M14 x 1.5	2	PC
D10	7005340	Manifold -Hydraulic Door 24v	1	PC
D10	7021314	Manifold -Hydraulic Door 12V	1	PC
D40	6105-0771	Hex Head Bolt - M6Cx65 - 8.8	2	PC
D50	09572133-0	Sealing Plug VS-R 1/4 WD	2	PC
0	7021444	Subframe services 12v	1	PC
5010	7007349	Cable Assembly	1	PC
12V only				
5020	7006813	Cable Assembly	1	PC
0	7012563	Subframe services 24v	1	PC
5010	7005496	Cable Assembly	1	PC
24V only				
5030	7006814	Cable Assembly	1	PC
5040	7008979	Cable Assembly	1	PC
5050	7023299	Cable Assembly	1	PC
5020	7027601	16mm Red Cable	1	PC
V801				
5030	7027602	16mm Black Cable	1	PC
V801				
B10	7006441	Bracket -Subframe	1	PC



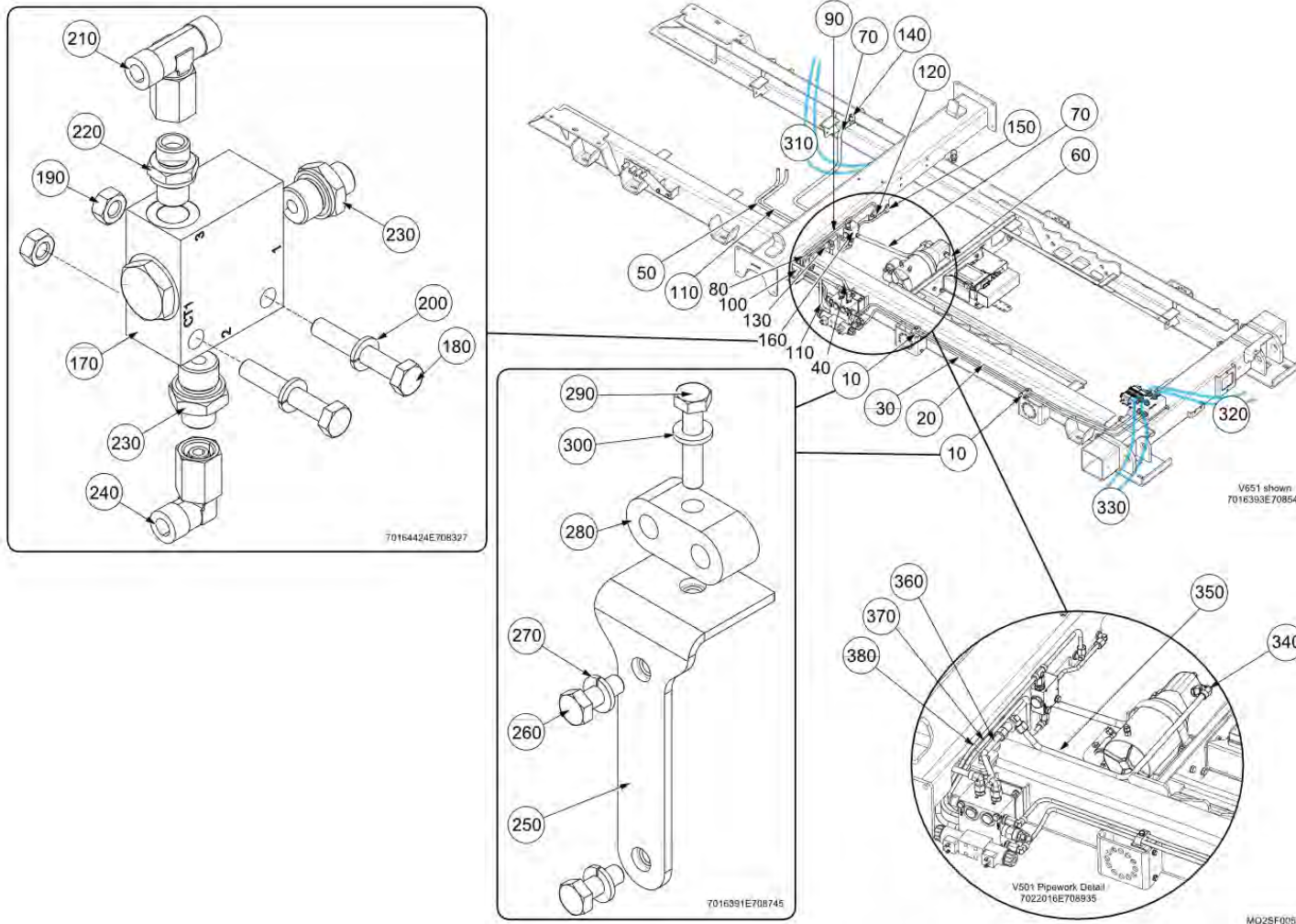
Services (7021444,7012563,7021396,7012459,7012535,7012495,7021387,7012470,7021394)

Subframe\Services

Item no.	Part no.	Description	QTY	Unit
B20	7006334	Node, High Power (ID=0x24)*	1	PC
B40	93699708-0	Spring Washer - Plated M6	2	PC
B50	92067266-0	Hex Head Bolt - M5Cx20 - 8.8	4	PC
B70	93056011-0	Hex Nut M5C-8	4	PC
B80	92067307-0	Hex Head Bolt - M6Cx30 - 8.8	2	PC
B90	93699707-0	Spring Washer - Plated M5	4	PC
B110	7005456	Control JXM IO Node	1	PC
S1	710-173	DEUTSCH CONNECTOR DT04-3PP006	1	PC
FOR VOLT CONNECTOR X71 24V & 12V				

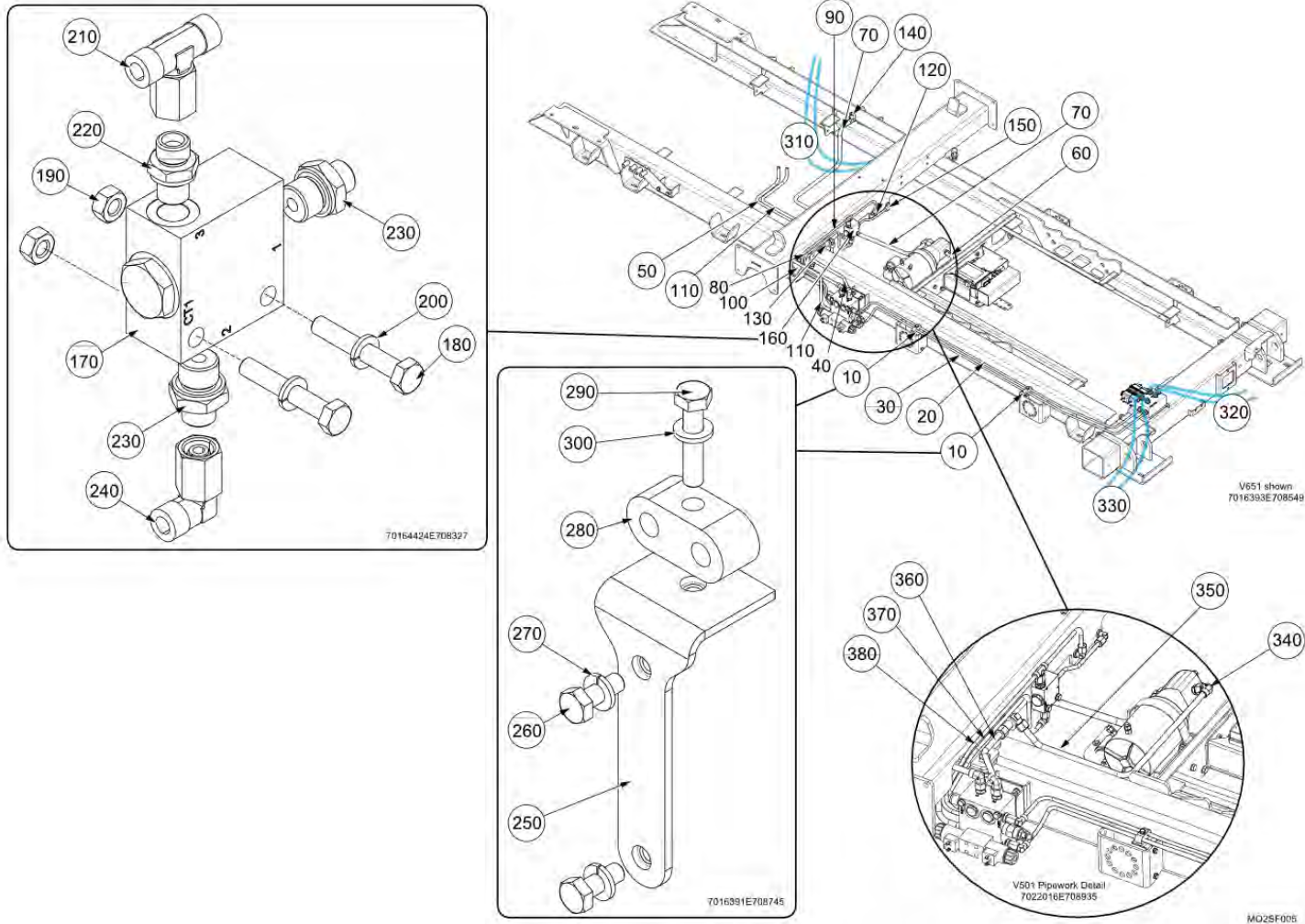


Item no.	Part no.	Description	QTY	Unit
10	7016391	Pipe support - anterior	2	PC
20	7016405	Pipe - Hydraulic	1	PC
30	7016406	Pipe - Hydraulic	1	PC
40	7014014	Pipe - Hydraulic	1	PC
50	7007847	Pipe-Hydraulic	1	PC
60	7014005	Pipe - Hydraulic	1	PC
70	7014018	Pipe - Hydraulic	1	PC
V651				
80	7013712	Pipe - Hydraulic	1	PC
90	7010818	Pipe-Hydraulic	1	PC
100	7013715	Pipe - Hydraulic	1	PC
V651				
110	7013719	Pipe - Hydraulic	1	PC
V651				
120	7010820	Pipe-Hydraulic	1	PC
130	09570472-0	Bulkhead Elbow Connector - M18 x 1.5	1	PC
150	09570473-0	Bulkhead Elbow Connector - M14 x 1.5	2	PC
160	7016424	P.O. Check valve assembly	1	PC
250	7005686	Bracket -Subframe	2	PC
260	92097299-0	Hex Head Screw - M6Cx16 - 8.8	4	PC
270	93699708-0	Spring Washer - Plated M6	4	PC
280	51-58	Clamp - Pipe, 8mm Double	2	PC
290	92097305-0	Hex Head Screw - M6Cx30 - 8.8	2	PC
300	93212009-0	Plain Washer M6	2	PC





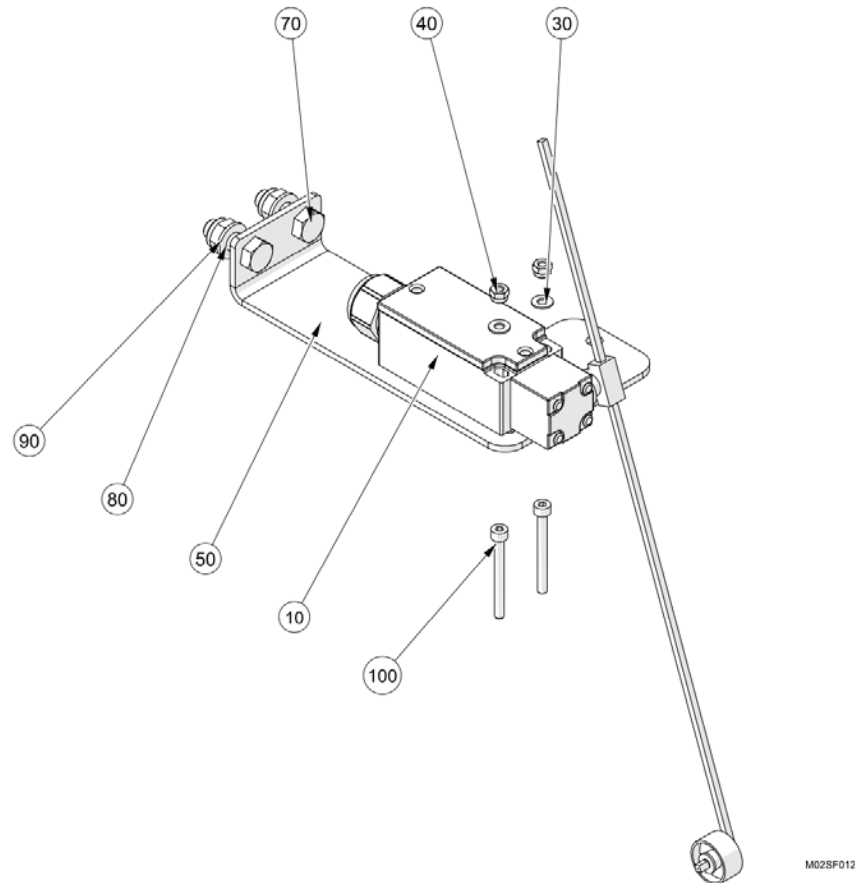
Item no.	Part no.	Description	QTY	Unit
170	847-129	Pilot Operated Check Valve 3/8 Ports	1	PC
180	92097382-0	Hex Head Screw - M8Cx50 - 8.8	2	PC
190	93056014-0	Hex Nut M8C-8	2	PC
200	93699710-0	Spring Washer - Plated M8	2	PC
210	6615-0502	Adjustable Equal Tee - M14 x 1.5	1	PC
220	09570126-0	Stud Coupling Male G 1/4" x M14 x 1.5	1	PC
230	09570102-0	Stud Coupling Male G 3/8" x M14 x 1.5	2	PC
240	303-1	Adjustable Male Elbow - M14 x 1.5	1	PC
310	H2SC06002-55	Hose - Hyd straight x 90swept	2	PC
320	H2SC06002-65	Hose - Hyd straight x 90swept	2	PC
330	H2SC06002-465	Hose - Hyd straight x 90swept	2	PC
140	6613-0505	Adjustable Male Elbow - M22 x 1.5	1	PC
350	7022036	Pipe - Hydraulic	1	PC
V501				
30	7010626	Pipe-Hydraulic	1	PC
V501				
100	7010627	Pipe-Hydraulic	1	PC
V501				
360	7022037	Pipe - Hydraulic	1	PC
V501				
370	7022042	Pipe - Hydraulic	1	PC
V501				
380	7022043	Pipe - Hydraulic	1	PC
V501				



Item no.	Part no.	Description	QTY	Unit
70	7022045	Pipe - Hydraulic	1	PC
V501				
340	6613-0504	Adjustable Male Elbow - M18 x 1.5	1	PC
V501				
40	7015134	Pipe - Hydraulic	1	PC
V801				
50	7012335	Pipe-Hydraulic	1	PC
V801				
60	7015129	Pipe - Hydraulic	1	PC
V801				
70	7015135	Pipe - Hydraulic	1	PC
V801				
80	7013859	Pipe - Hydraulic	1	PC
V801				
100	7013878	Pipe - Hydraulic	1	PC
V801				
110	7013879	Pipe - Hydraulic	1	PC
V801				

**Weight Load Indicator (7011103E710052)**

Subframe\Weight Load Indicator



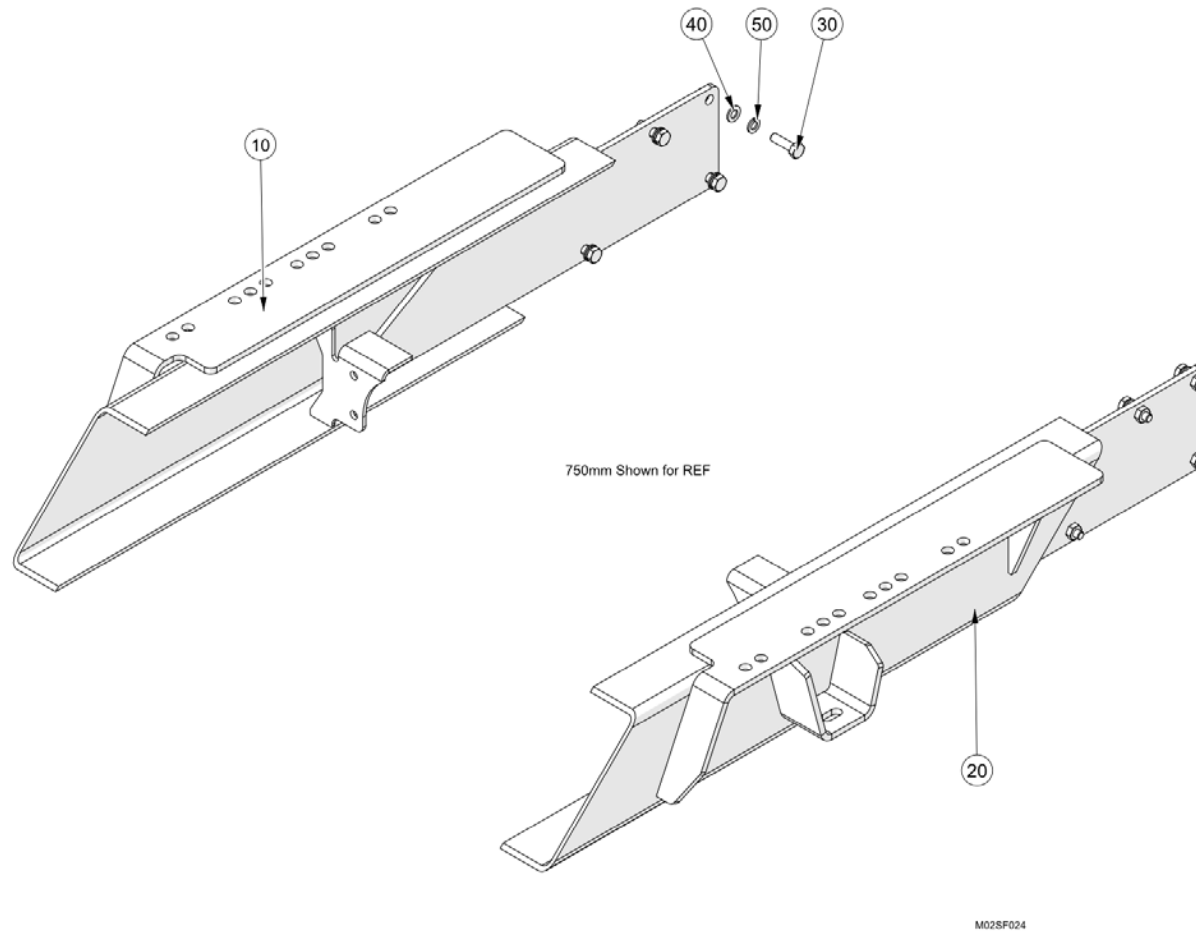
## Weight Load Indicator (7011103E710052)

Subframe\Weight Load Indicator

Item no.	Part no.	Description	QTY	Unit
10	7030302	Weight Load Indicator with cable	1	PC
30	93212007-0	Plain Washer M4	2	PC
40	93085002-0	Nyloc Hex Nut M4C - 8	2	PC
50	7027934	Load Sensing Bracket Side Mount	1	PC
70	92097376-0	Hex Head Screw - M8Cx25 - 8.8	2	PC
80	93212011-0	Plain Washer M8	2	PC
90	93085005-0	Nyloc Hex Thin Nut M8C - 8	2	PC
100	92136012-0	Hex Socket Cap Screw - M4Cx40 - 12.9	2	PC

**Subframe Extensions (7024552 , 7025439 , 7025456, 7032657)**

Subframe\Options\Subframe Extensions



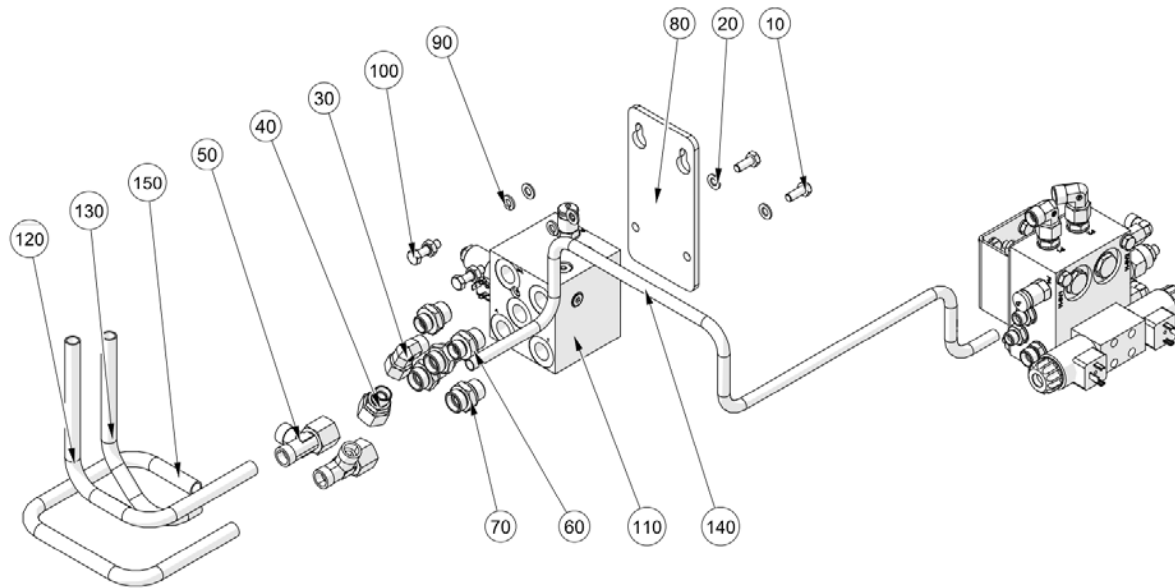
Subframe Extensions (7024552 , 7025439 , 7025456, 7032657)

Subframe\Options\Subframe Extensions

Item no.	Part no.	Description	QTY	Unit
10	7011388	Subframe extension (RH)	1	PC
900mm				
20	7011387	Subframe extension (LH)	1	PC
900mm				
30	92097414-0	Hex Head Screw - M10Cx30 - 8.8	8	PC
40	93212012-0	Plain Washer M10	8	PC
50	93699711-0	Spring Washer - Plated M10	8	PC
10	7025441	Subframe Extension 750mm RH	1	PC
20	7025440	Subframe Extension 750mm LH	1	PC
10	7025457	Subframe Extension 600mm RH	1	PC
20	7025458	Subframe Extension 600mm LH	1	PC
20	7032654	Subframe Extension LH W/Assy 450 LG	1	PC
450mm				
10	7032655	Subframe Extension RH W/Assy 450 LG	1	PC
450mm				
30	92072120-0	Hex Head Bolt - M10Cx35 - 10.9	8	PC
450mm Extensions Only				

**Tandem Pump Valve Block (7024976, 7023725 E710953)**

Subframe\Options\Tandem Pump Valve Block



M02SF015



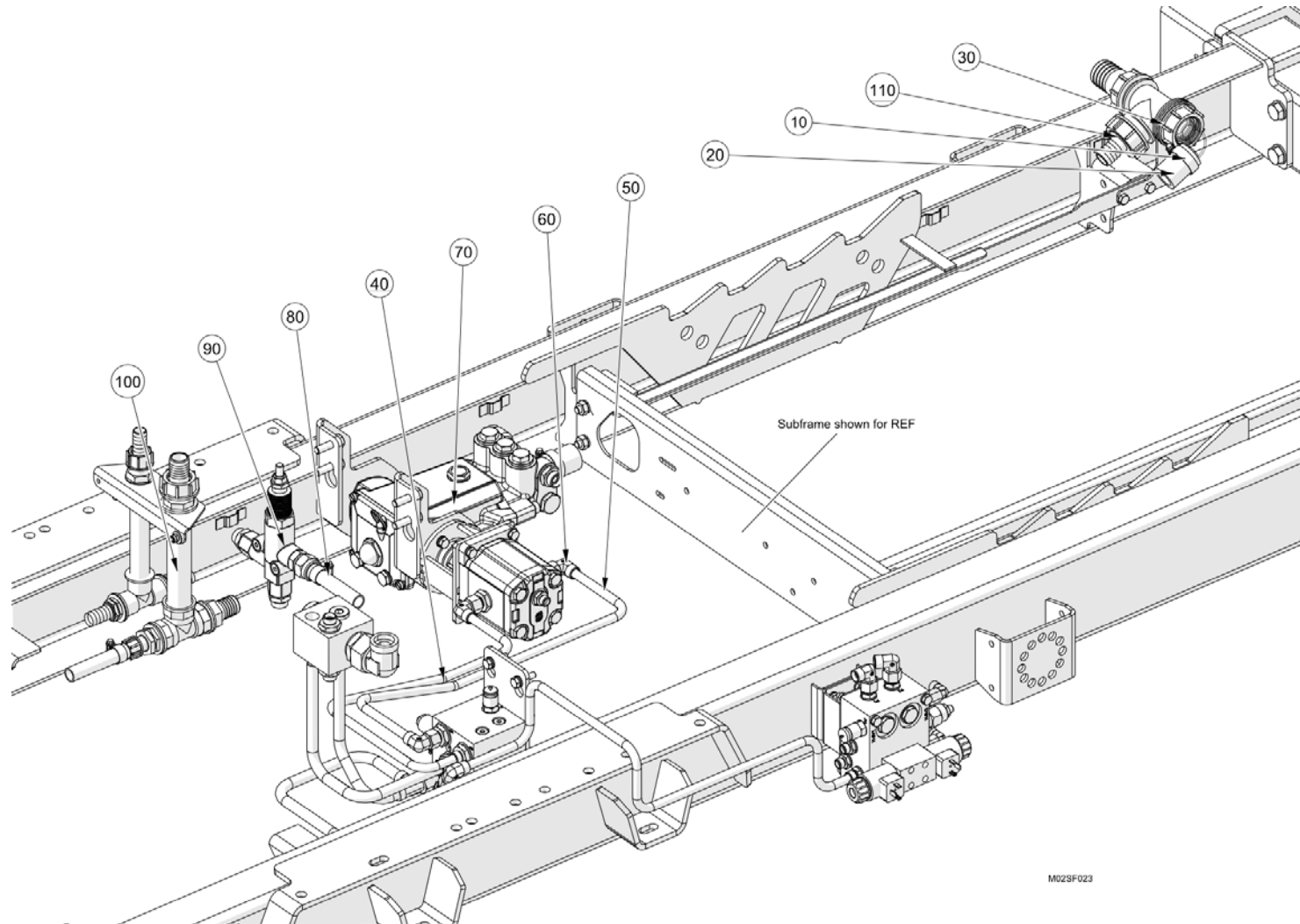
**Tandem Pump Valve Block (7024976, 7023725 E710953)**

Subframe\Options\Tandem Pump Valve Block

Item no.	Part no.	Description	QTY	Unit
10	92097374-0	Hex Head Screw - M8Cx20 - 8.8	2	PC
20	93212011-0	Plain Washer M8	4	PC
40	306-2	Reducing Connector - M22x1.5 - M18x1.5	1	PC
50	6615-2320	Adjustable Male Tee - M22 x 1.5	2	PC
60	09570131-0	Stud Coupling Male G 1/2" x M18 x 1.5	2	PC
70	6601-1329	Stud Coupling Male G 1/2" x M22 x 1.5	3	PC
80	7003608	Plate	1	PC
90	93699710-0	Spring Washer - Plated M8	2	PC
100	92097378-0	Hex Head Screw - M8Cx30 - 8.8	2	PC
110	7008195	Manifold -Hydraulic	1	PC
24V				
120	7007964	Pipe-Hydraulic	1	PC
130	7007879	Pipe-Hydraulic	1	PC
140	7013711	Pipe - Hydraulic	1	PC
V651				
150	7007891	Pipe-Hydraulic	1	PC
110	7008196	Manifold -Hydraulic 12 Volt	1	PC
30	6613-0504	Adjustable Male Elbow - M18 x 1.5	1	PC
140	7013856	Pipe - Hydraulic	1	PC
V801				
140	7010628	Pipe-Hydraulic	1	PC
V501				
5000	7008003	Cable Assembly	1	PC
24V				

**Supawash Pump Assembly (7023689 / E708373)**

Subframe\Options\Supawash Pump Assembly



M029F023

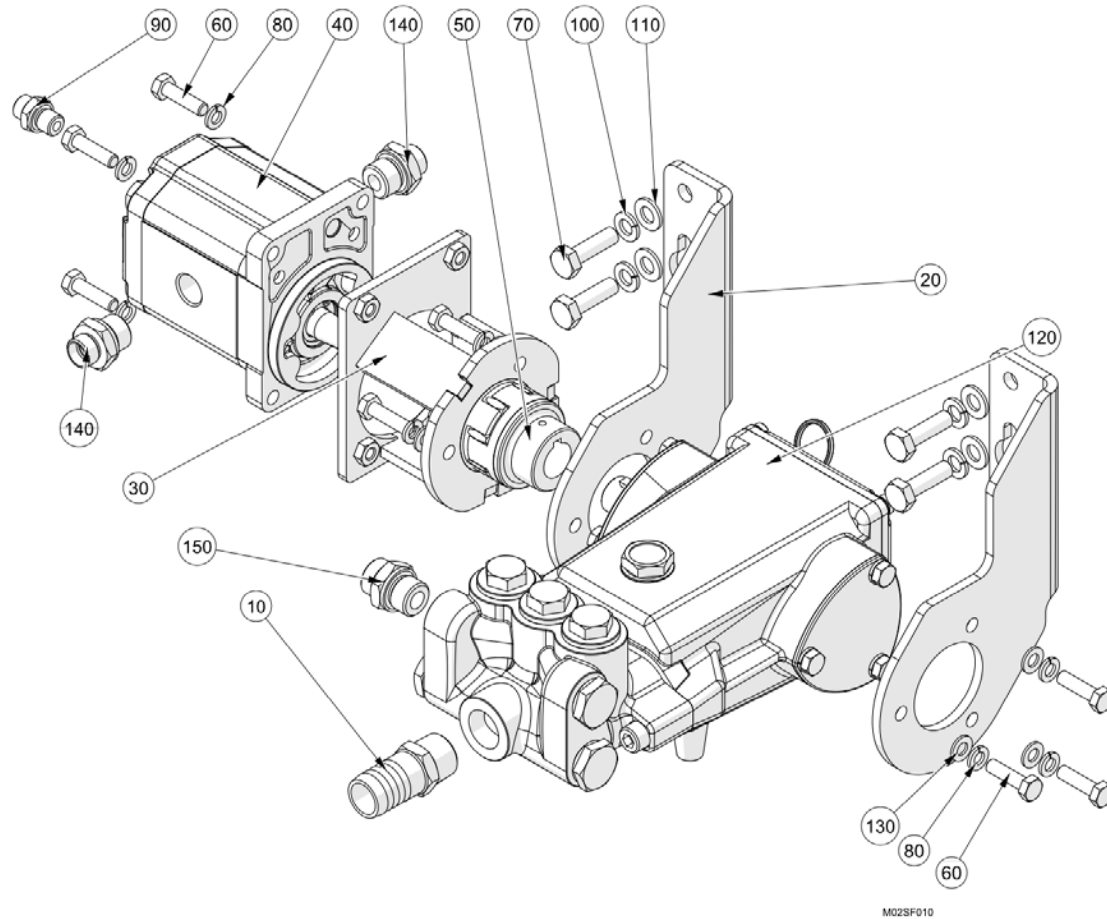
**Supawash Pump Assembly (7023689 / E708373)**

Subframe\Options\Supawash Pump Assembly

Item no.	Part no.	Description	QTY	Unit
10	09531009-0	Hose Clip - Worm Drive (30-40)	2	PC
20	277-244	Flynut Hosetail - 90° Barb = 25mm	1	PC
30	277-170	FLYNUT # G1-1/2#	1	PC
40	7007966	Pipe-Hydraulic	1	PC
50	7007965	Pipe-Hydraulic	1	PC
70	7008058	Super wash Assembly	1	PC
80	501-2	Hose Clip - Worm Drive (14-22)	2	PC
90	7012538	Unloader Assembly Supawash	1	PC
100	283793-1	Water Pipe Assy With Supawash	1	PC
5020	H2SC12002-85	Hose - Hyd straight x 90swept	1	PC
5000	6117	Hose - 1" Bore	1.2	M
5010	6111	Hose - Water 1/2"	0.5	M
60	6613-0504	Adjustable Male Elbow - M18 x 1.5	3	PC
110	277-214	Gasket - 1 1/2"	1	PC

**Supawash Assembly (7008058)**

Subframe\Options\Supawash Pump Assembly\Supawash Assembly

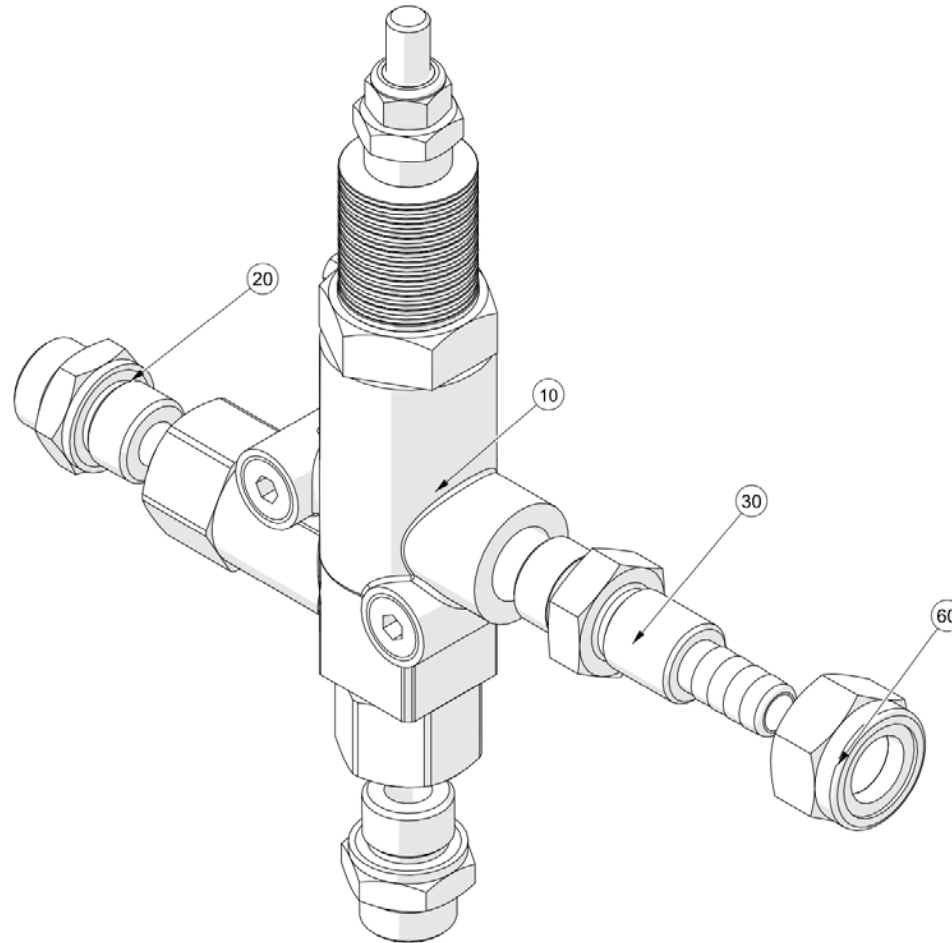


**Supawash Assembly (7008058)**

Subframe\Options\Supawash Pump Assembly\Supawash Assembly

Item no.	Part no.	Description	QTY	Unit
10	231-65	Hosetail 3/4" BSPT x 1" Brass	1	PC
20	7003006	Bracket high pressure waterpump	2	PC
30	7008087	Frame -Water system	1	PC
40	7008033	Motor -Hydraulic 19cc/rev	1	PC
50	283681-1	Drive Coupling Assy SW Pump	1	PC
60	92067381-0	Hex Head Bolt - M8Cx30 - 8.8	10	PC
70	92097415-0	Hex Head Screw - M10Cx35 - 8.8	4	PC
80	93699710-0	Spring Washer - Plated M8	10	PC
90	09570126-0	Stud Coupling Male G 1/4" x M14 x 1.5	1	PC
100	93699711-0	Spring Washer - Plated M10	4	PC
110	93212012-0	Plain Washer M10	4	PC
120	7008031	Water pump 100bar	1	PC
130	93212011-0	Plain Washer M8	6	PC
140	09570131-0	Stud Coupling Male G 1/2" x M18 x 1.5	2	PC
150	6601-1329	Stud Coupling Male G 1/2" x M22 x 1.5	1	PC

**Unloader Supawash Assembly (7012538E708373)**  
Subframe\Options\Supawash Pump Assembly\Unloader Supawash Assembly



M028F022

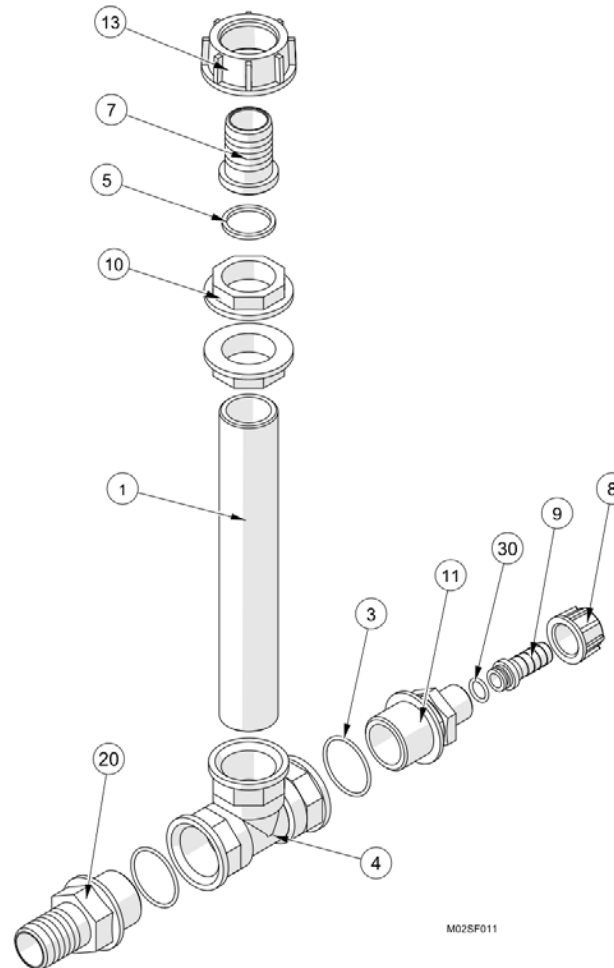
**Unloader Supawash Assembly (7012538E708373)**

Subframe\Options\Supawash Pump Assembly\Unloader Supawash Assembly

Item no.	Part no.	Description	QTY	Unit
10	283702-1	Unloader-Supawash Pump	1	PC
20	6601-1329	Stud Coupling Male G 1/2" x M22 x 1.5	2	PC
30	7005320	Connector	1	PC
60	93085011-0	Nyloc Hex Nut M20C - 8	1	PC

**Water Pipe Assembly & Supawash (283793-1)**

Subframe\Options\Supawash Pump Assembly\Water Pipe Assembly & Supawash



M02SF011



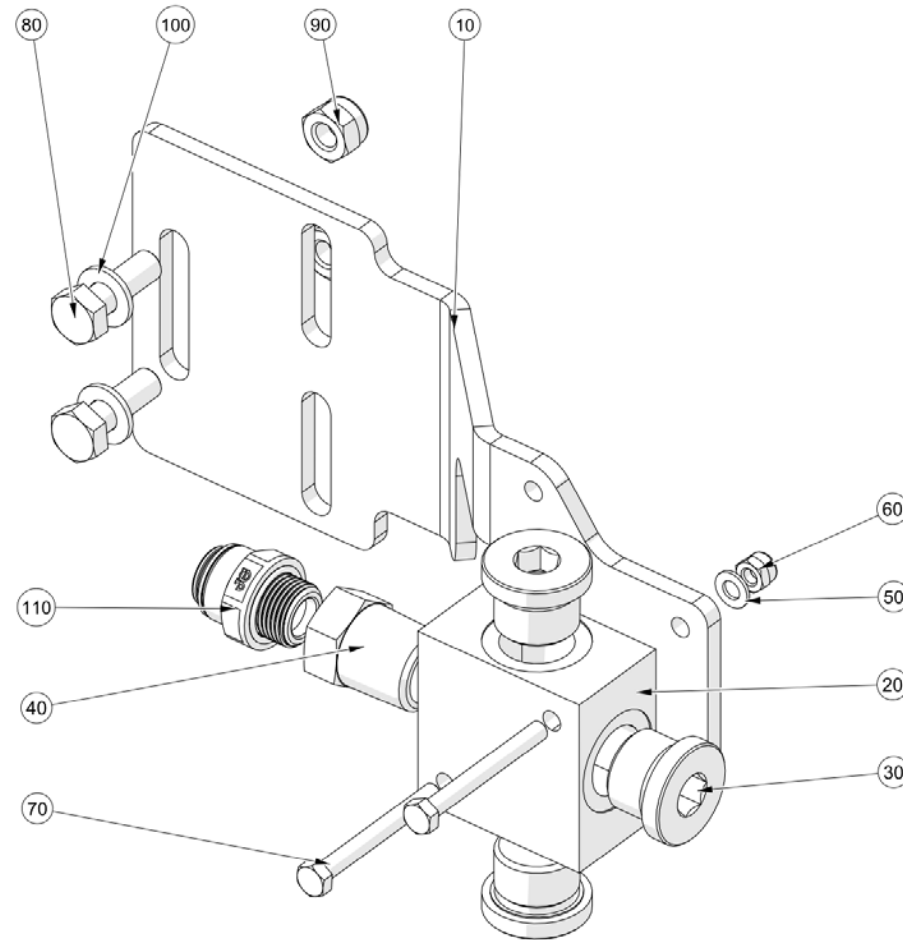
**Water Pipe Assembly & Supawash (283793-1)**

Subframe\Options\Supawash Pump Assembly\Water Pipe Assembly &amp; Supawash

Item no.	Part no.	Description	QTY	Unit
1	281667-1	Pipe - PVC Water 1" NB	1	PC
3	277-149	Seal O-Ring For 1" Thread	2	PC
4	277-128	Tee - 1" BSP Equal	1	PC
5	277-163	Gaske 1" For 277/161	1	PC
7	277-161	Hosetail - 25mm Flat Seat	1	PC
8	277-218	Flynut - 1/2", Geoline	1	PC
9	277-217	Flynut Hose Tail 13mm Barb	1	PC
10	277-165	Backnut 1" F	2	PC
11	277-216	Nipple Reducing G 1 x G 1/2	1	PC
13	277-162	Flynut 1" BSP	1	PC
20	277-125	Hosetail 1" BSP	1	PC
30	277-220	O Ring 1/2" BSP Cap & Liner	1	PC

**Ancillary Water Assembly (7024030 / E708480)**

Subframe\Options\Ancillary Water Assembly

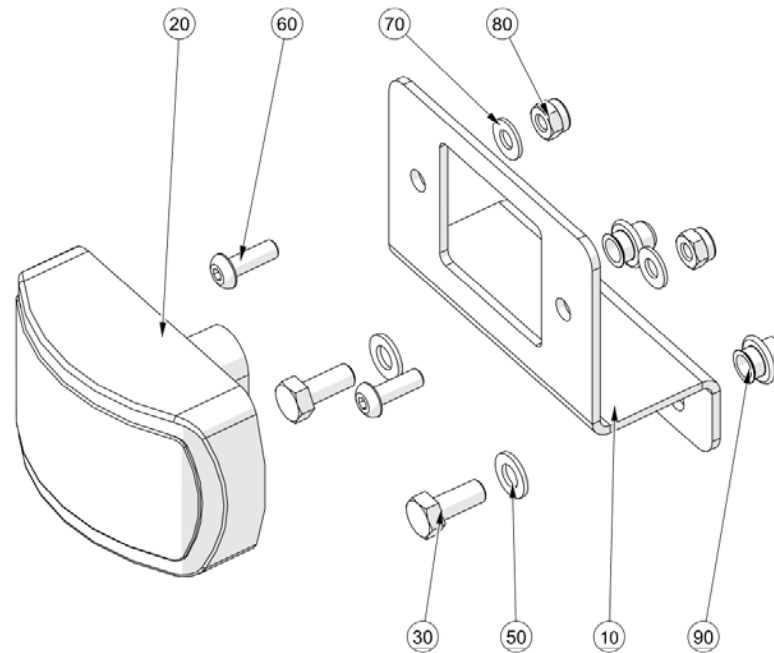


M025F025

**Ancillary Water Assembly (7024030 / E708480)**

Subframe\Options\Ancillary Water Assembly

Item no.	Part no.	Description	QTY	Unit
10	7022220	Washdown bracket	1	PC
20	09517457-0	CROSS UNION, 1/2" ALU CFG: 00	1	PC
30	09572135-0	Sealing Plug VS-R 1/2 WD	3	PC
40	492-14	Adaptor - R 1/2 - R 3/8 M/F Fixed	1	PC
50	93210109-0	Plain Washer M5	2	PC
60	93085003-0	Nyloc Hex Nut M5C - 8	2	PC
70	92067273-0	Hex Head Bolt - M5Cx45 - 8.8	2	PC
80	92097376-0	Hex Head Screw - M8Cx25 - 8.8	2	PC
90	93085805-0	Nyloc Hex Nut M8C - 8	2	PC
100	93212011-0	Plain Washer M8	2	PC
110	297-20	Adaptor Straight - 3/8 BSP	1	PC
5000	297-1	Tubing - Polyurethane 10 Dia x 1.5 Wall	2	M
5010	297-19	Adaptor Straight - 1/4 BSP	1	PC
5020	297-44	Elbow Stem - Tube O/D 10	1	PC

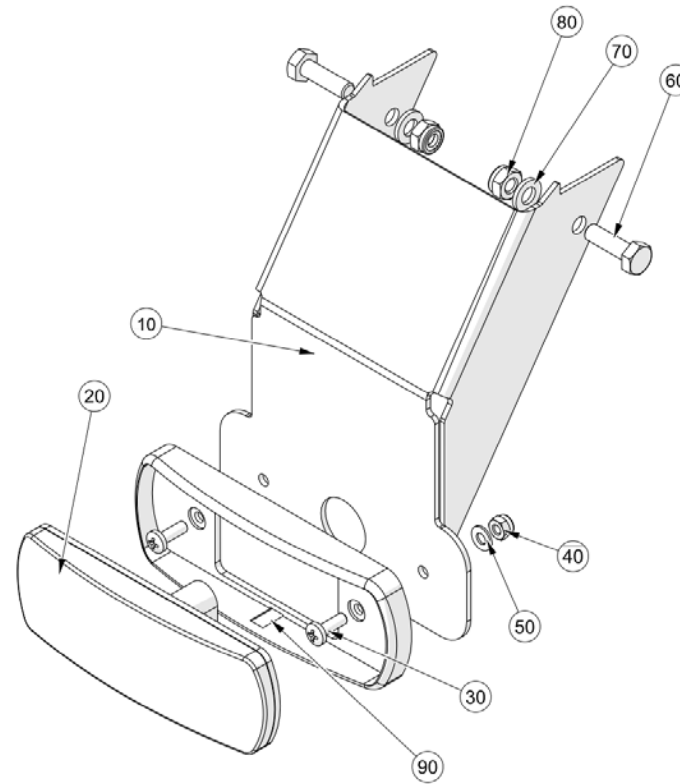
**Marker Lights - Rear (7024938 / E709547)**  
Subframe\Options\Marker Lights\Marker Lights - Rear

M02SF014

**Marker Lights - Rear (7024938 / E709547)**  
Subframe\Options\Marker Lights\Marker Lights - Rear

Item no.	Part no.	Description	QTY	Unit
10	7023529	Rear Marker Light Bracket	2	PC
20	46-270	Light - Red LED	2	PC
30	92097263-0	Hex Head Screw - M5Cx16 - 8.8	4	PC
50	93210109-0	Plain Washer M5	4	PC
60	92330015-0	Hex Skt Button Head Screw M4x12 - 10.9	4	PC
70	93212007-0	Plain Washer M4	4	PC
80	93085002-0	Nyloc Hex Nut M4C - 8	4	PC
90	433-1	Rivet Nut - S. CI Nut M5c g0.5-3.0 Blind	2	PC

**Marker Lights Side (7023197 E708184)**  
Subframe\Options\Marker Lights\Marker Lights Side



M023F016

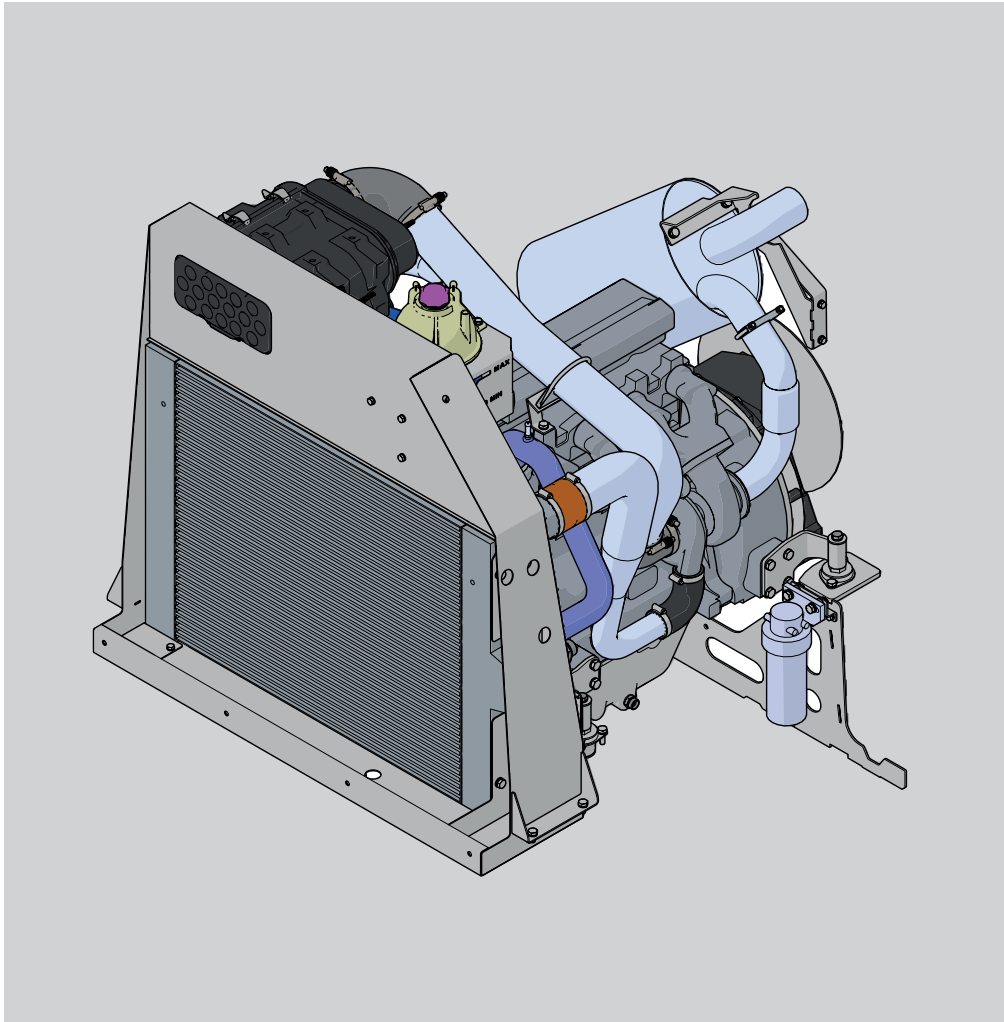
**Marker Lights Side (7023197 E708184)**  
 Subframe\Options\Marker Lights\Marker Lights Side

Item no.	Part no.	Description	QTY	Unit
10	7023194	Marker light mount	1	PC
20	46-267	Light-Amber LED Flush	1	PC
Used on both side Marker Lights				
30	134-42	Pan Head Screw-M4Cx12-4.8-Pozidriv	2	PC
Used on both side Marker Lights				
40	93085002-0	Nyloc Hex Nut M4C - 8	2	PC
Used on both side Marker Lights				
50	93212007-0	Plain Washer M4	2	PC
Used on both side Marker Lights				
60	92097301-0	Hex Head Screw - M6Cx20 - 8.8	2	PC
70	93212009-0	Plain Washer M6	2	PC
80	93085004-0	Nyloc Hex Nut M6C - 8	2	PC
90	7023197	Side marker light assembly	1	PC
5000	7006987	Cable Assembly	1	PC
Used on both side Marker Lights				

This page is intentionally left blank



## Chapter 4 Powapack & Exhaust

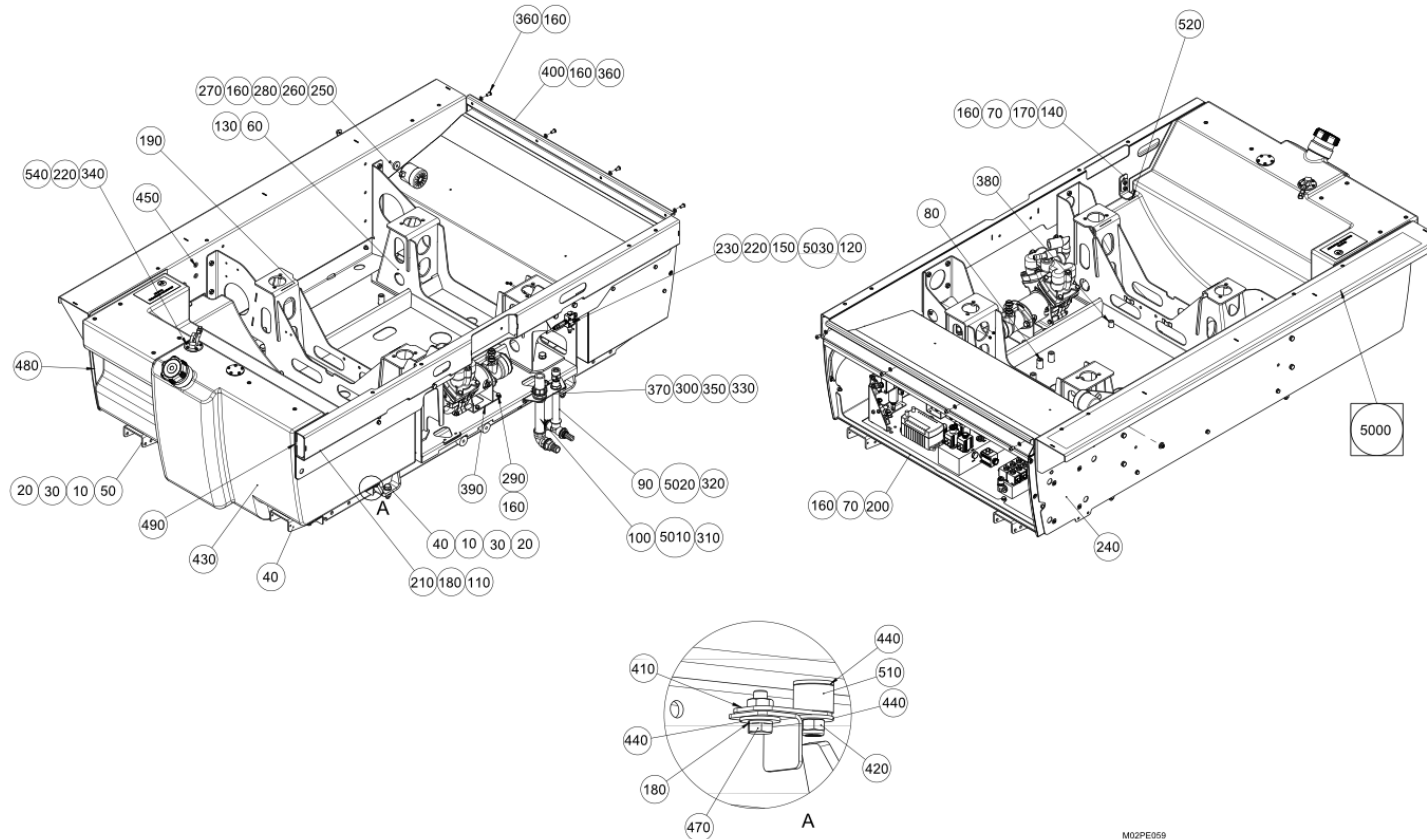


### Table of Contents

Section	Page
4.1 Twin Engines.....	154
4.2 Hydrostatic.....	274
4.3 Suction System.....	322

**Engine Tub Assembly (7016465 / E711132)**

Powapack &amp; Exhaust\Twin Engines\Powapack Tub/Twin\Engine Tub Assembly



M02PE059

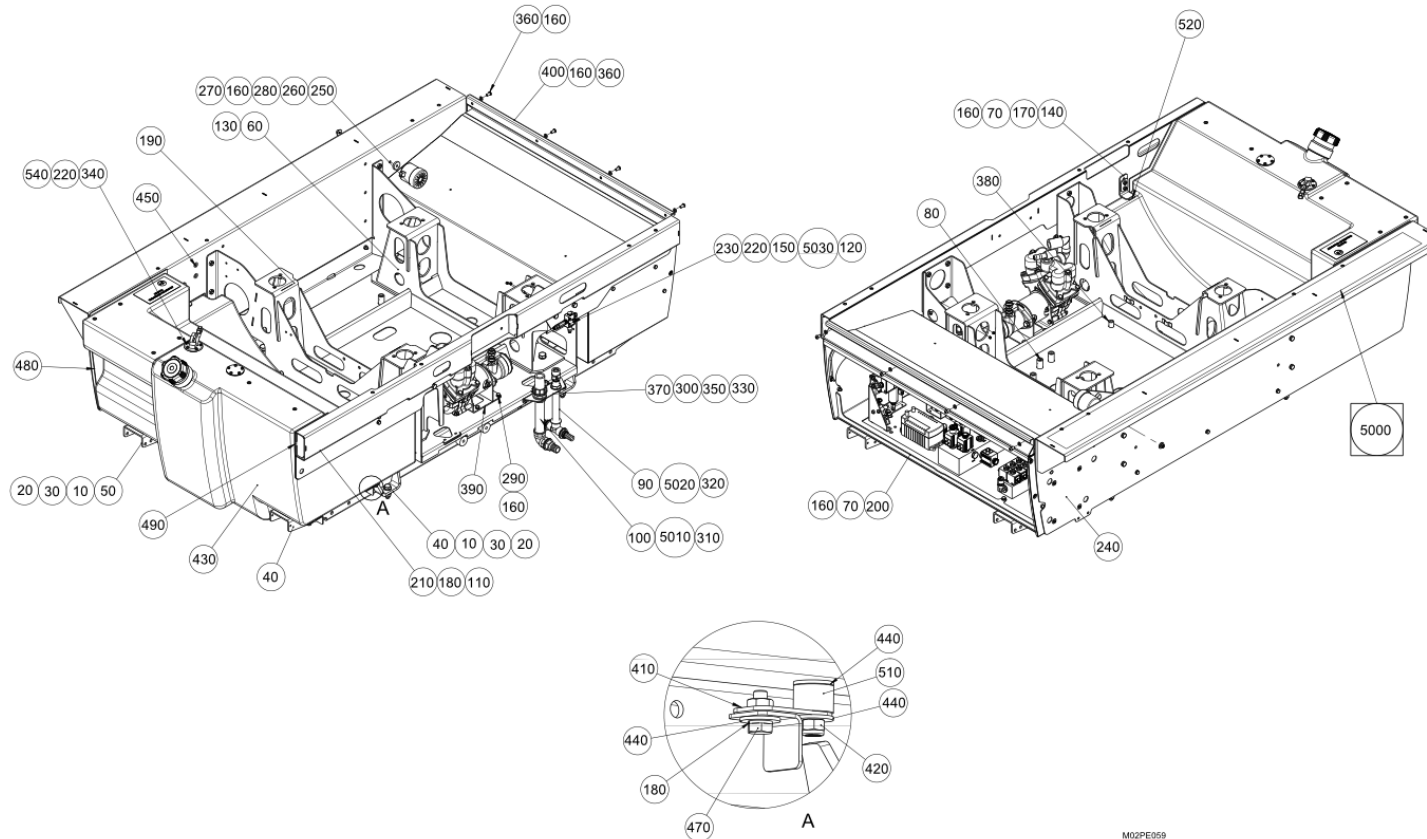
**Engine Tub Assembly (7016465 / E711132)**

Powapack & Exhaust\Twin Engines\Powapack Tub/Twin\Engine Tub Assembly

Item no.	Part no.	Description	QTY	Unit
10	92072212-0	Hex Head Bolt - M14Cx45 - 10.9	8	PC
20	404-17	Hex Nyloc Nut - M14c x Grade 10	8	PC
30	93212015-0	Plain Washer M14	16	PC
40	7000383	Engine beam Rear	1	PC
50	7000381	Engine beam Front	1	PC
60	92097524-0	Hex Head Screw - M16Cx40 - 8.8	4	PC
70	92097375-0	Hex Head Screw - M8Cx22 - 8.8	9	PC
80	09570487-0	Bulkhead Elbow Connector - M22 x 1.5	4	PC
90	281670-1	Water Feed Pipe Assembly	1	PC
100	283793-2	Water Pipe Assy Less Supawash	1	PC
110	92097410-0	Hex Head Screw - M10Cx20 - 8.8	12	PC
120	93085003-0	Nyloc Hex Nut M5C - 8	2	PC
130	93699714-0	Spring Washer - Plated M16	4	PC
140	7007990	Foot -Power pack	2	PC
150	92097269-0	Hex Head Screw - M5Cx30 - 8.8	2	PC
160	93699710-0	Spring Washer - Plated M8	18	PC
170	7007992	Clamp Weld assembly	2	PC
180	93699711-0	Spring Washer - Plated M10	16	PC
190	7028151	Engine Cradle Weld Assembly	1	PC
200	7012082	Systems Locker Assembly	1	PC
210	7007502	Valance Rear W/Assy	1	PC
220	93699707-0	Spring Washer - Plated M5	7	PC
230	7024074	Pressadrain Valve Assembly	1	PC
240	7007488	Valance Front W/Assy	1	PC

**Engine Tub Assembly (7016465 / E711132)**

Powapack & Exhaust\Twin Engines\Powapack Tub/Twin\Engine Tub Assembly



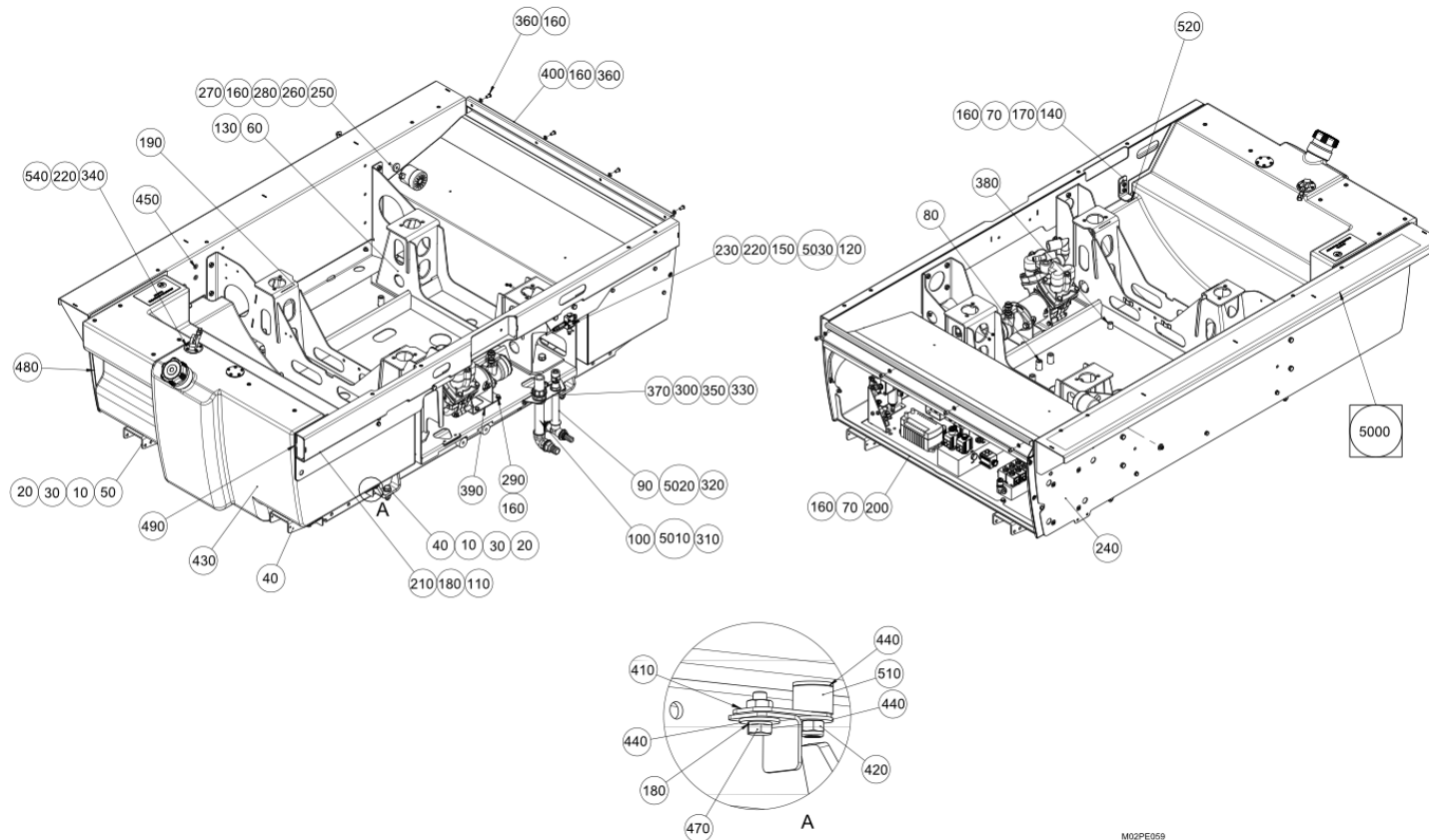
**Engine Tub Assembly (7016465 / E711132)**

Powapack & Exhaust\Twin Engines\Powapack Tub/Twin\Engine Tub Assembly

Item no.	Part no.	Description	QTY	Unit
250	30-184	Alarm - Reverse	1	PC
260	283229-6	Spacer-DIM A 6mm	1	PC
270	93056014-0	Hex Nut M8C-8	1	PC
280	93300509-0	Plain Large Washer M8	1	PC
290	92097372-0	Hex Head Screw - M8Cx16 - 8.8	4	PC
300	92097299-0	Hex Head Screw - M6Cx16 - 8.8	2	PC
310	09531009-0	Hose Clip - Worm Drive (30-40)	2	PC
320	501-25	Hose Clip - Worm Drive (25-35)	1	PC
330	93085004-0	Nyloc Hex Nut M6C - 8	2	PC
340	7005071	Fuel level sensor	1	PC
350	93300507-0	Plain Large Washer M6	2	PC
360	92330044-0	Hex Skt Button Head Screw M8x16 - 10.9	4	PC
370	7008120	Bracket - Water system	1	PC
380	09570472-0	Bulkhead Elbow Connector - M18 x 1.5	1	PC
390	7017629	Water Pump Assembly	1	PC
400	7022834	Interface panel welded assy	1	PC
410	7032435	Fuel Tank - Mount Bracket assy	4	PC
420	404-15	Hex Nyloc Nut - M10c x Grade 10	4	PC
430	7018790	Fuel Tank Assembly	1	PC
440	457-5	Washer Plain Steel M10 Form G	12	PC
450	288-52	Grommet - Blind 15.9 O/D x 3.2	2	PC
470	92097412-0	Hex Head Screw - M10Cx25 - 8.8	4	PC
480	7032312	Isolating Pad - Fuel Tank	1	PC
490	7032309	Isolating Pad - Fuel Tank	1	PC

**Engine Tub Assembly (7016465 / E711132)**

Powapack &amp; Exhaust\Twin Engines\Powapack Tub/Twin\Engine Tub Assembly



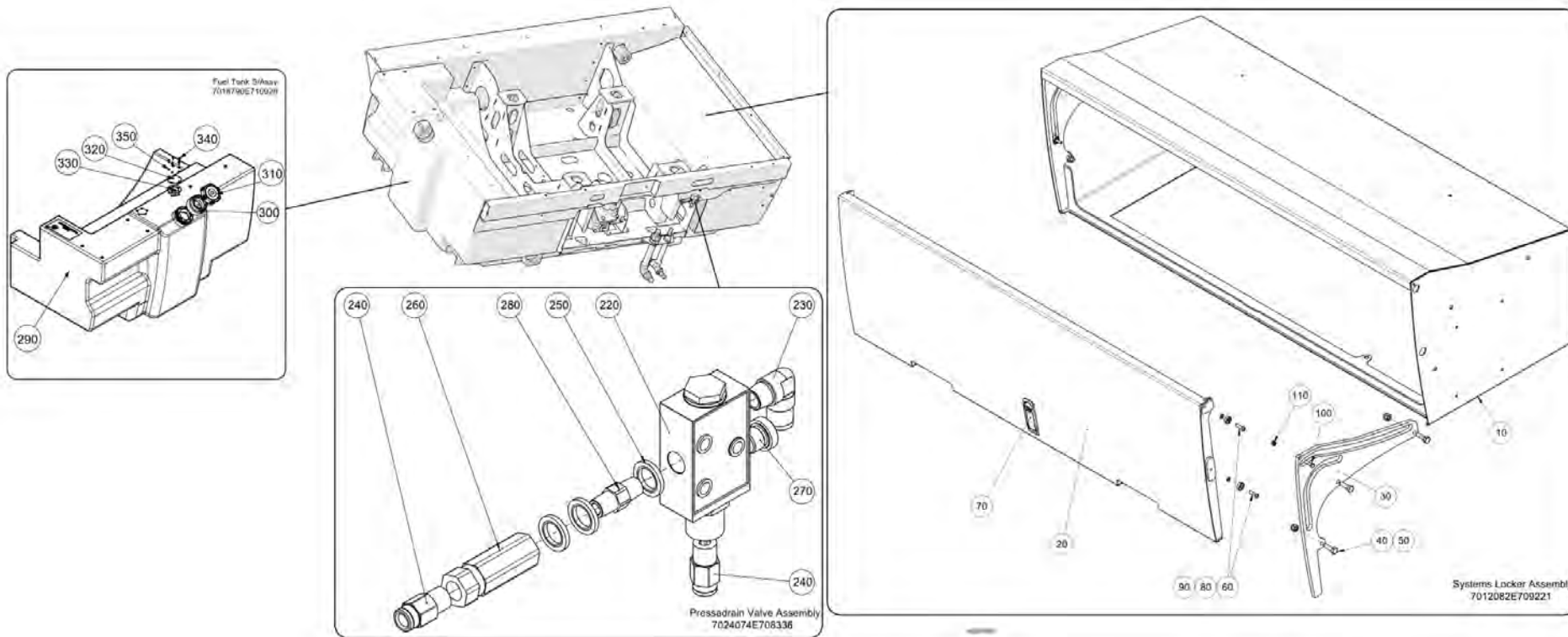
M02PE059

**Engine Tub Assembly (7016465 / E711132)**

Powapack &amp; Exhaust\Twin Engines\Powapack Tub/Twin\Engine Tub Assembly

Item no.	Part no.	Description	QTY	Unit
500	7032314	Isolating Pad - Fuel Tank	2	PC
510	290-105	Bobbin M/M M10 x 15/20	4	PC
520	217-8	Strip Sealing 3x30 white	1	M
540	134-57	Pan Head Screw-M5Cx12-4.8-Pozidriv	5	PC
5000	211-76	Safety Grip Tape Black Self Adhesive	1,900	MM
5010	6117	Hose - 1" Bore	0.6	M
5020	497-H12	Hose - 3/4" Bore	0.6	M
5030	273-20	Tube - Nylon Blue 6mm O/D 100m Reel	0.5	M

**Powapack Tub Components (7012082 / E709221 , 7019012 / E707579 , 7024074 / E708336)**  
 Powapack & Exhaust\Twin Engines\Powapack Tub/Twin\Engine Tub Assembly\Powapack Tub Components



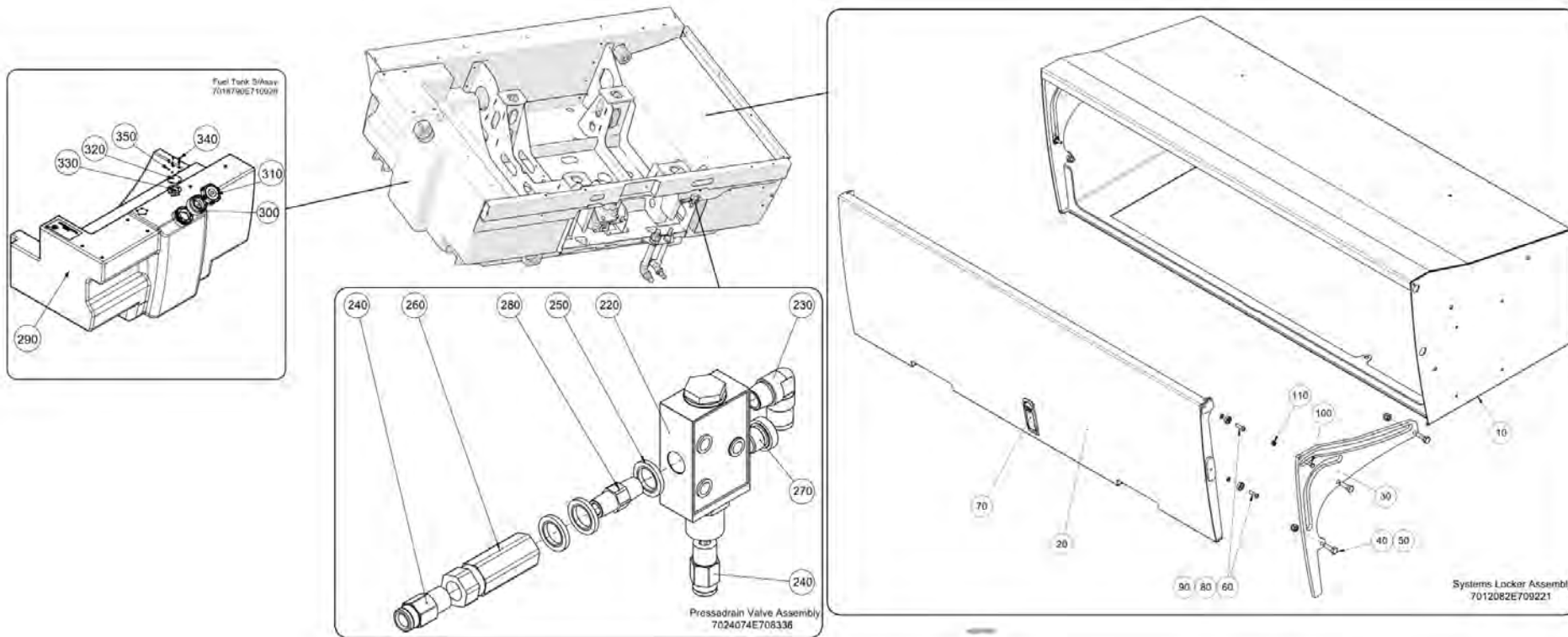


**Powapack Tub Components (7012082 / E709221 , 7019012 / E707579 , 7024074 / E708336)**

Powapack & Exhaust\Twin Engines\Powapack Tub/Twin\Engine Tub Assembly\Powapack Tub Components

Item no.	Part no.	Description	QTY	Unit
220	72-31	Valve - Pneumatic 3/2	1	PC
230	09593162-0	Adaptor-Push-In 6mm Fixed Elbow R1/8"	1	PC
240	537-3	Adaptor-Push In 6mm x 1/8 BSPT	2	PC
250	451-4	Washer Bonded G1-8"	3	PC
260	72-4	Valve Non Return	1	PC
270	09572132-0	Sealing Plug VS-R 1/8 WD	1	PC
280	532-7	Connector - Nippled	1	PC
10	7012034	Systems locker welded assembly	1	PC
20	7026615	Door Welded Assy	1	PC
30	7026620	Door Guide	2	PC
40	92097376-0	Hex Head Screw - M8Cx25 - 8.8	6	PC
50	93085805-0	Nyloc Hex Nut M8C - 8	6	PC
60	92330027-0	Hex Skt Button Head Screw M5x20 - 10.9	4	PC
70	211-77	Raised Trigger Handle Latch	1	PC
80	14-70	Deep Groove Ball Bearing 5x15x5	4	PC
90	455-7	Washer Plain Plated Steel M5	4	PC
100	92097265-0	Hex Head Screw - M5Cx20 - 8.8	2	PC
110	93085003-0	Nyloc Hex Nut M5C - 8	2	PC
290	7018313	Fuel Tank, 200 litres	1	PC
300	7017740	Jost Filler Neck SV60A	1	PC
310	69-42	Fuel Cap - Lockable	1	PC
320	7033097	Blanking Plate - Fuel Sender	1	PC
330	91-1	Gasket - Ø 65mm x 2mm Thick	1	PC
340	134-57	Pan Head Screw-M5Cx12-4.8-Pozidriv	5	PC

**Powapack Tub Components (7012082 / E709221 , 7019012 / E707579 , 7024074 / E708336)**  
 Powapack & Exhaust\Twin Engines\Powapack Tub/Twin\Engine Tub Assembly\Powapack Tub Components



**Powapack Tub Components (7012082 / E709221 , 7019012 / E707579 , 7024074 / E708336)**

Powapack &amp; Exhaust\Twin Engines\Powapack Tub/Twin\Engine Tub Assembly\Powapack Tub Components

Item no.	Part no.	Description	QTY	Unit
350	93699707-0	Spring Washer - Plated M5	5	PC



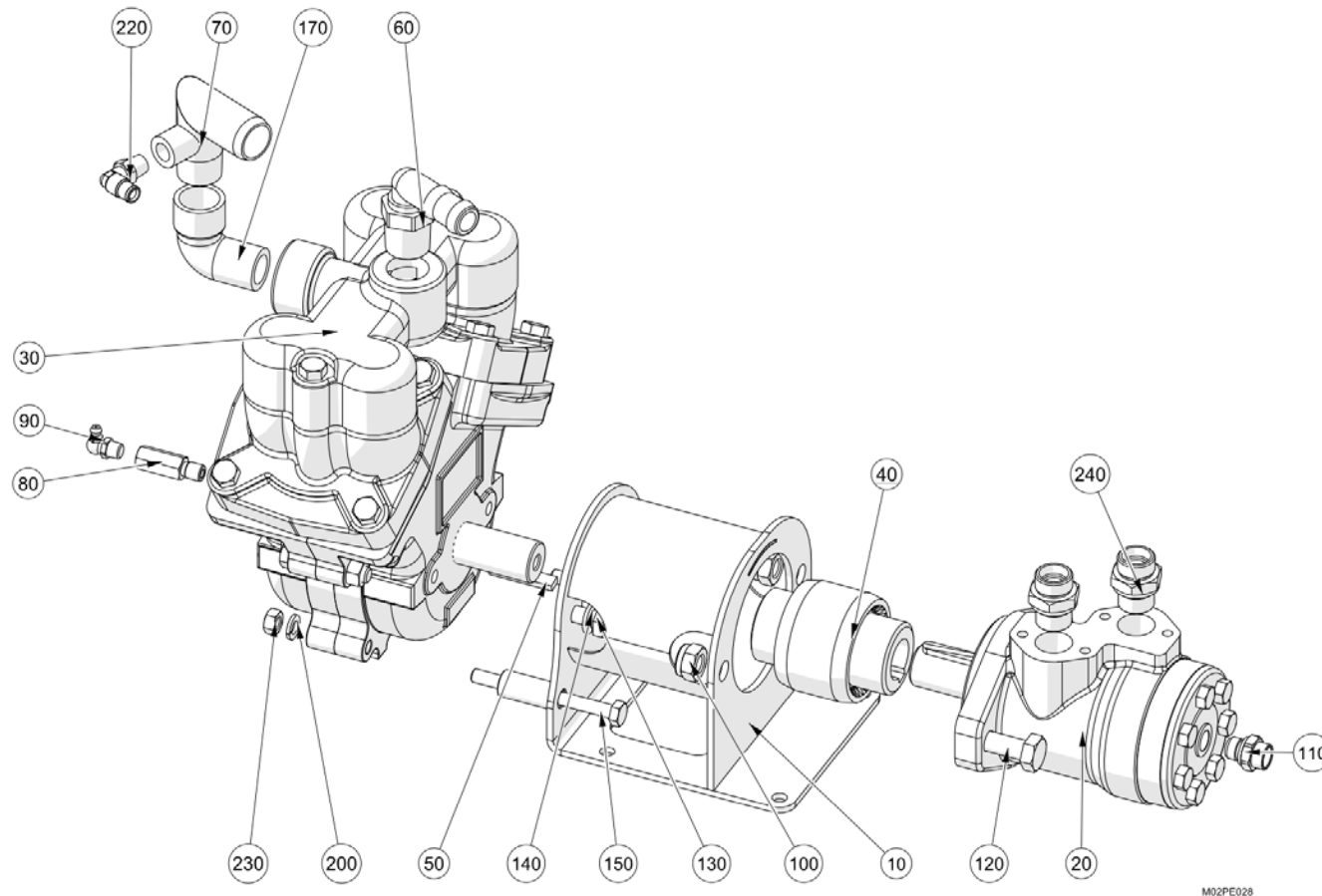
**Water Pump Assembly (7017629 / E710201)**

Powapack & Exhaust\Twin Engines\Powapack Tub/Twin\Engine Tub Assembly\Water Pump Assembly

Item no.	Part no.	Description	QTY	Unit
10	7027834	Frame welded assembly	1	PC
20	244-10	Motor - Hydraulic OMP32	1	PC
30	22599-1-B	Pump - Water	1	PC
40	282809-1	Coupling - Assembly	1	PC
50	282817-1	Key - Water Pump Coupling	1	PC
60	277-231	Elbow & Hosetail 3/4"BSPTx3/4"	1	PC
70	49827-1	Elbow	1	PC
80	95780-1	Adaptor - G1/8 M-F	1	PC
90	38-8	Nipple Grease 1/8 BSP x 90 deg	1	PC
100	93085007-0	Nyloc Hex Thin Nut M12C - 8	2	PC
110	518-8	Adaptor Straight 8 OD 1/4" BSP	1	PC
120	92067457-0	Hex Head Bolt - M12Cx40 - 8.8	2	PC
130	92097410-0	Hex Head Screw - M10Cx20 - 8.8	2	PC
140	93699711-0	Spring Washer - Plated M10	2	PC
150	92067393-0	Hex Head Bolt - M8Cx90 - 8.8	2	PC
170	66-42	Elbow-Poly.G3/4 str x 90 deg	1	PC
200	93699710-0	Spring Washer - Plated M8	2	PC
220	09593148-0	Elbow Push-In Swivel 6mmx1/4" BSP	1	PC
230	93056014-0	Hex Nut M8C-8	2	PC
240	6601-1329	Stud Coupling Male G 1/2" x M22 x 1.5	2	PC
5000	511-4	Olive - Tube 8mm O/D	2	PC
5010	510-4	Nut - Tube 8mm O/D	2	PC
5020	532-23	Tee - Stem 8mm	1	PC
5030	451-17	Washer Bonded G1-4"	1	PC

**Water Pump Assembly (7017629 / E710201)**

Powapack &amp; Exhaust\Twin Engines\Powapack Tub/Twin\Engine Tub Assembly\Water Pump Assembly



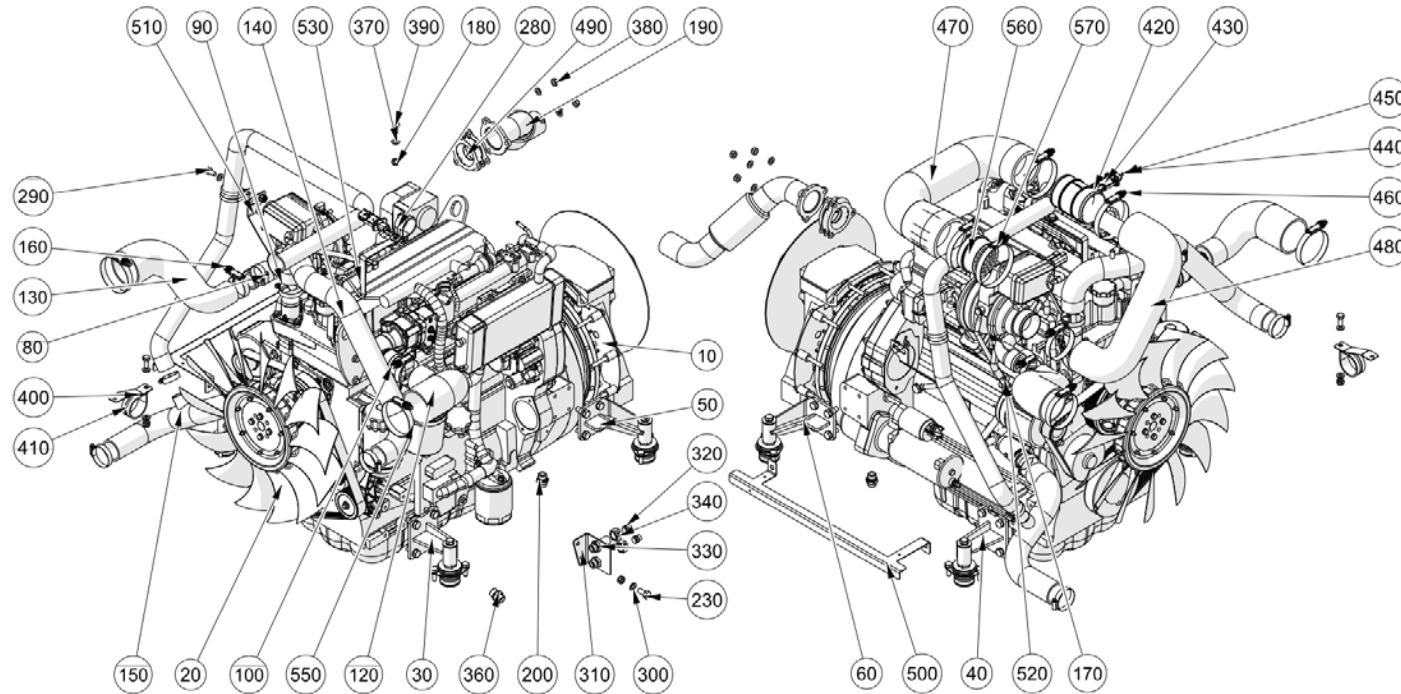
M02PE028

**Water Pump Assembly (7017629 / E710201)**

Powapack &amp; Exhaust\Twin Engines\Powapack Tub/Twin\Engine Tub Assembly\Water Pump Assembly

Item no.	Part no.	Description	QTY	Unit
5040	41038-1-B	Sleeve - Support, Pipe 8mm	1	PC
5050	520-4	Plug Tubing O/D 8	1	PC

**Dressed Engine JCB 93kW S3B (7017183 / E710180)**  
Powapack & Exhaust\Twin Engines\JCB\Dressed Engine JCB 93kW S3B



M02PE003

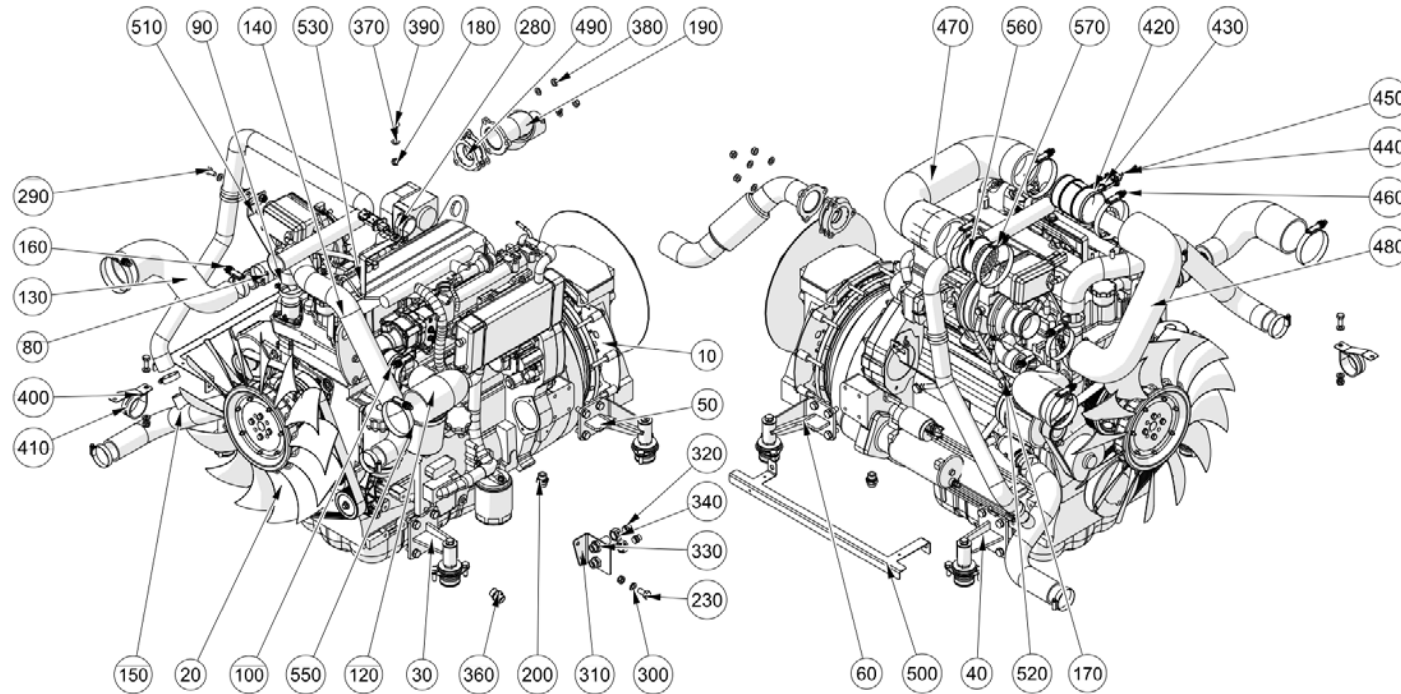


**Dressed Engine JCB 93kW S3B (7017183 / E710180)**

Powapack & Exhaust\Twin Engines\JCB\Dressed Engine JCB 93kW S3B

Item no.	Part no.	Description	QTY	Unit
10	7018310	Transmission Installation, JCB	1	PC
20	7018284	Cooling Fan Installation, JCB	1	PC
30	7017943	Engine Mt Assy, LH Front JCB	1	PC
40	7017938	Engine Mt Assy, RH Front JCB	1	PC
50	7017922	Engine Mnt Assy, LH Rear JCB	1	PC
60	7017935	Engine Mnt Assy, RH Rear JCB	1	PC
70	7023436	JCB Water Feed Hose	1	PC
80	09531011-0	Hose Clip - Worm Drive (40-55)	2	PC
90	09531012-0	Hose Clip - Worm Drive (60-80)	4	PC
100	507-3	Hose Clamp - Constant Torque (57-79)	1	PC
120	7018059	Charge Air Hose - CAC OUT, JCB	1	PC
130	7018058	Charge Air Hose - CAC IN, JCB	1	PC
140	7018038	Coolant Hose, Top, JCB	1	PC
150	7017992	Coolant Hose, Bottom, JCB	1	PC
160	507-2	Hose Clamp - Constant Torque (45-67)	1	PC
170	93699711-0	Spring Washer - Plated M10	1	PC
180	93085006-0	Nyloc Hex Thin Nut M10C - 8	4	PC
190	7018257	Exhaust Inlet Pipe WA, JCB	1	PC
200	6601-1329	Stud Coupling Male G 1/2" x M22 x 1.5	1	PC
210	92097374-0	Hex Head Screw - M8Cx20 - 8.8	2	PC
220	93699710-0	Spring Washer - Plated M8	2	PC
230	92097448-0	Hex Head Screw - M12Cx25 - 8.8	1	PC
240	93699708-0	Spring Washer - Plated M6	2	PC
250	92097299-0	Hex Head Screw - M6Cx16 - 8.8	2	PC

**Dressed Engine JCB 93kW S3B (7017183 / E710180)**  
Powapack & Exhaust\Twin Engines\JCB\Dressed Engine JCB 93kW S3B



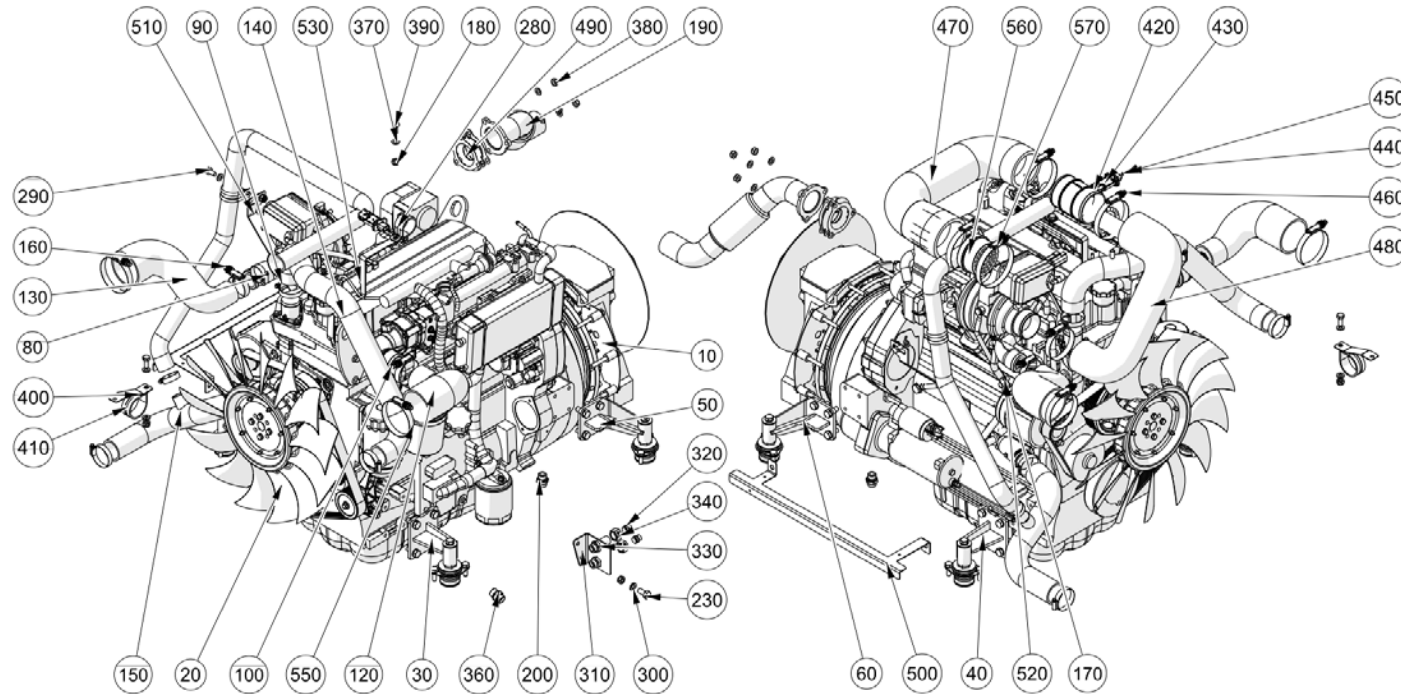
M02PE003

**Dressed Engine JCB 93kW S3B (7017183 / E710180)**

Powapack & Exhaust\Twin Engines\JCB\Dressed Engine JCB 93kW S3B

Item no.	Part no.	Description	QTY	Unit
280	508-12	Clip - P Rubber Covered 44.50MM	2	PC
290	92097410-0	Hex Head Screw - M10Cx20 - 8.8	1	PC
300	93699712-0	Spring Washer - Plated M12	1	PC
310	7023964	Bracket	1	PC
320	302-3	Straight Bulkhead Connector M22 x 1.5	2	PC
330	09572104-0	Plug Female - Tube O/D = 15mm	2	PC
340	09570009-0	Cap Nut - M22 x 1.5 (Tube O/D = 15mm)	2	PC
360	6601-1432	Stud Coupling Male M22 Straight	1	PC
370	93212012-0	Plain Washer M10	9	PC
380	93086056-0	Nut S/Lock Philidas M10cx17x10	3	PC
390	92097412-0	Hex Head Screw - M10Cx25 - 8.8	2	PC
400	7026899	Support Plate, Coolant Hose	1	PC
410	508-14	Clip - P Rubber Covered 57.20MM	1	PC
420	7026498	Tube MAF Sensor JCB	1	PC
430	7023408	Sensor TMAF JCB	1	PC
440	92097225-0	Hex Head Screw - M4Cx10 - 8.8	2	PC
450	93699706-0	Spring Washer - Plated M4	2	PC
460	507-6	Hose Clamp - Constant Torque (95-118)	2	PC
470	7026540	Induction Hose, Top Section	1	PC
480	7026706	Induction Hose, Lower Section	1	PC
490	7027449	Exhaust Orifice Plate	1	PC
500	7028100	Cable Tray	1	PC
510	7025055	JCB Water Hose Support	1	PC
520	92097408-0	Hex Head Screw - M10Cx16 - 8.8	1	PC

**Dressed Engine JCB 93kW S3B (7017183 / E710180)**  
Powapack & Exhaust\Twin Engines\JCB\Dressed Engine JCB 93kW S3B



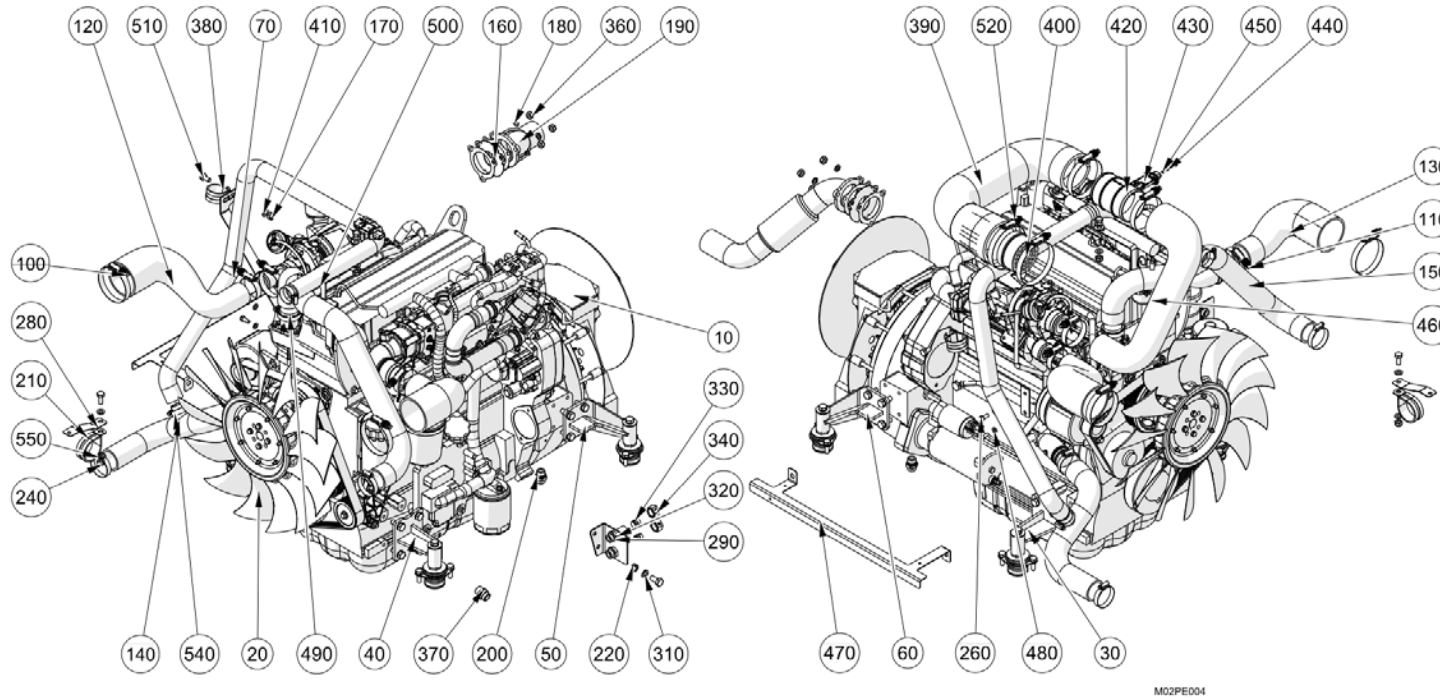
M02PE003

**Dressed Engine JCB 93kW S3B (7017183 / E710180)**

Powapack & Exhaust\Twin Engines\JCB\Dressed Engine JCB 93kW S3B

Item no.	Part no.	Description	QTY	Unit
530	7025173	Support	1	PC
550	507-5	Hose Clamp - Constant Torque (83-105)	3	PC
560	7028957	Air Flow Restrictor JCB 93/55 KW	1	PC
570	09549342-0	Hose Clamp - Constant Torque (121-143)	2	PC
5000	H1SC12001-160	Hose - Hyd straight x 45 swept	1	PC
5010	H1SC12002-180	Hose - Hyd straight x 90swept	1	PC
5040	271-40	Hose - Silicone 12mm I/D	0.4	M
5050	271-41	Hose - Silicone 9.5mm I/D	0.7	M
5060	271-41	Hose - Silicone 9.5mm I/D	0.9	M
5070	277-280	Tee - Nylon Hose Connector 8mm	1	PC
5080	271-41	Hose - Silicone 9.5mm I/D	0.2	M
5090	09531006-0	Hose Clip - Worm Drive (17-25)	8	PC
0	7017181	Engine - JCB 93kW S3B 24v	1	PC
24V				
0	7025710	Engine - JCB 93kW S3B 12v	1	PC
12V				

**Dressed Engine JCB 55kW S4 (7017421 / E710180)**  
Powapack & Exhaust\Twin Engines\JCB\Dressed Engine JCB 55kW S4

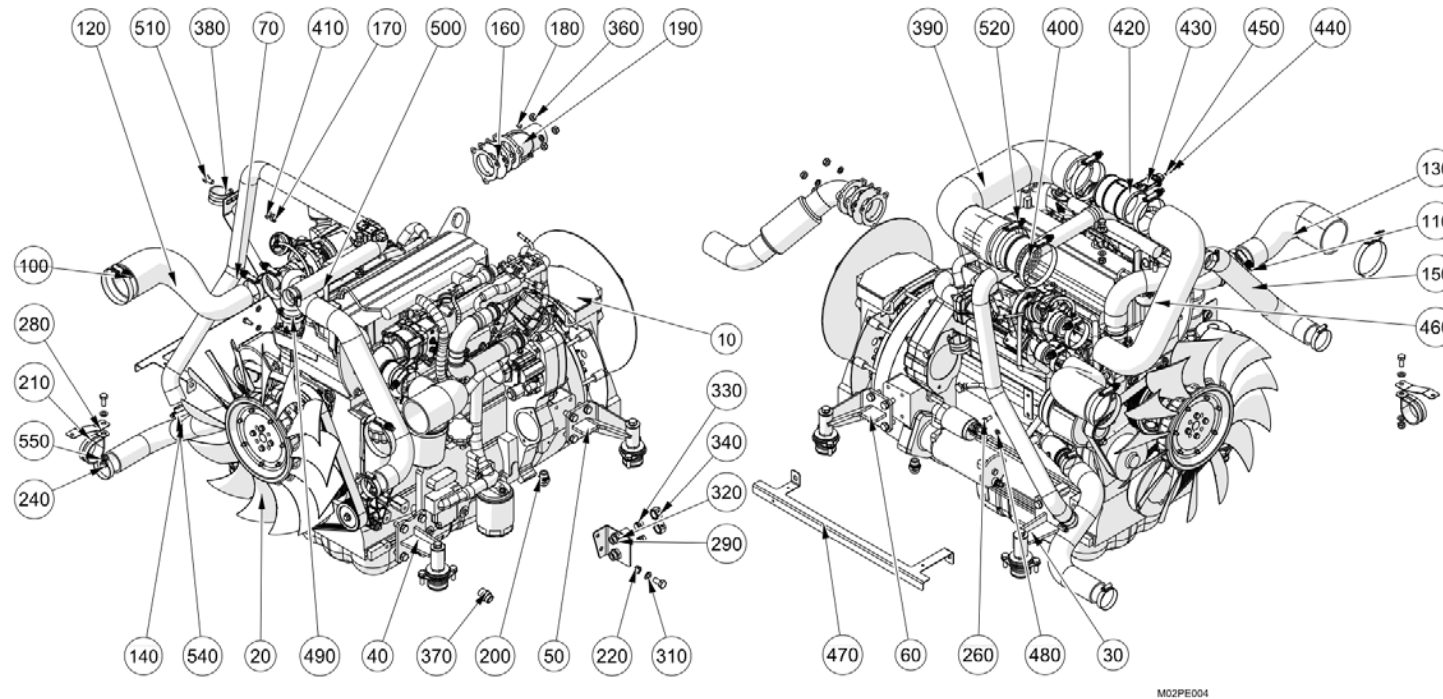


**Dressed Engine JCB 55kW S4 (7017421 / E710180)**

Powapack & Exhaust\Twin Engines\JCB\Dressed Engine JCB 55kW S4

Item no.	Part no.	Description	QTY	Unit
10	7018310	Transmission Installation, JCB	1	PC
20	7018284	Cooling Fan Installation, JCB	1	PC
30	7017938	Engine Mt Assy, RH Front JCB	1	PC
40	7017943	Engine Mt Assy, LH Front JCB	1	PC
50	7017922	Engine Mnt Assy, LH Rear JCB	1	PC
60	7017935	Engine Mnt Assy, RH Rear JCB	1	PC
70	7023436	JCB Water Feed Hose	1	PC
100	507-6	Hose Clamp - Constant Torque (95-118)	4	PC
110	507-3	Hose Clamp - Constant Torque (57-79)	3	PC
120	7018318	Charge Air Hose - CAC IN, JCB	1	PC
130	7018059	Charge Air Hose - CAC OUT, JCB	1	PC
140	7017992	Coolant Hose, Bottom, JCB	1	PC
150	7018038	Coolant Hose, Top, JCB	1	PC
160	7027449	Exhaust Orifice Plate	1	PC
170	93085006-0	Nyloc Hex Thin Nut M10C - 8	4	PC
180	93699711-0	Spring Washer - Plated M10	3	PC
190	7018612	Exhaust Inlet Pipe WA, JCB 55kW	1	PC
200	6601-1329	Stud Coupling Male G 1/2" x M22 x 1.5	1	PC
210	508-14	Clip - P Rubber Covered 57.20MM	1	PC
220	92097448-0	Hex Head Screw - M12Cx25 - 8.8	1	PC
230	93699710-0	Spring Washer - Plated M8	1	PC
240	92097412-0	Hex Head Screw - M10Cx25 - 8.8	2	PC
250	93699708-0	Spring Washer - Plated M6	2	PC
260	92097374-0	Hex Head Screw - M8Cx20 - 8.8	3	PC

**Dressed Engine JCB 55kW S4 (7017421 / E710180)**  
 Powapack & Exhaust \Twin Engines \JCB \Dressed Engine JCB 55kW S4



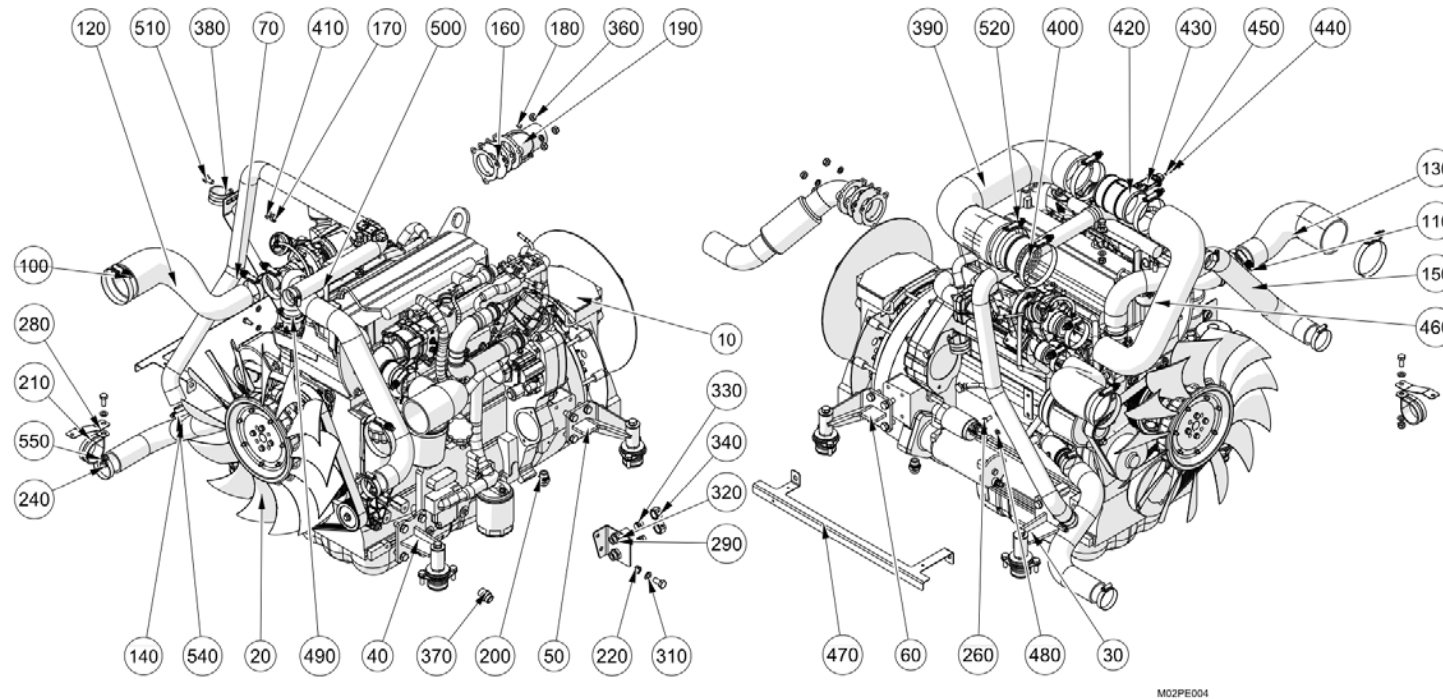


**Dressed Engine JCB 55kW S4 (7017421 / E710180)**

Powapack & Exhaust\Twin Engines\JCB\Dressed Engine JCB 55kW S4

Item no.	Part no.	Description	QTY	Unit
280	7026899	Support Plate, Coolant Hose	1	PC
290	7023964	Bracket	1	PC
300	92097299-0	Hex Head Screw - M6Cx16 - 8.8	2	PC
310	93699712-0	Spring Washer - Plated M12	1	PC
320	302-3	Straight Bulkhead Connector M22 x 1.5	2	PC
330	09572104-0	Plug Female - Tube O/D = 15mm	2	PC
340	09570009-0	Cap Nut - M22 x 1.5 (Tube O/D = 15mm)	2	PC
360	93086056-0	Nut S/Lock Philidas M10cx17x10	3	PC
370	6601-1432	Stud Coupling Male M22 Straight	1	PC
380	508-12	Clip - P Rubber Covered 44.50MM	2	PC
390	7026540	Induction Hose, Top Section	1	PC
400	7028956	Air Flow Restrictor JCB 55KW	1	PC
410	93212012-0	Plain Washer M10	6	PC
420	7026498	Tube MAF Sensor JCB	1	PC
430	7023408	Sensor TMAF JCB	1	PC
440	92097225-0	Hex Head Screw - M4Cx10 - 8.8	2	PC
450	93699706-0	Spring Washer - Plated M4	2	PC
460	7026497	Induction Hose, Lower Section	1	PC
470	7028100	Cable Tray	1	PC
480	93212011-0	Plain Washer M8	2	PC
490	7025055	JCB Water Hose Support	1	PC
500	7025173	Support	1	PC
510	92097410-0	Hex Head Screw - M10Cx20 - 8.8	1	PC
520	09549342-0	Hose Clamp - Constant Torque (121-143)	2	PC

**Dressed Engine JCB 55kW S4 (7017421 / E710180)**  
 Powapack & Exhaust \Twin Engines \JCB \Dressed Engine JCB 55kW S4



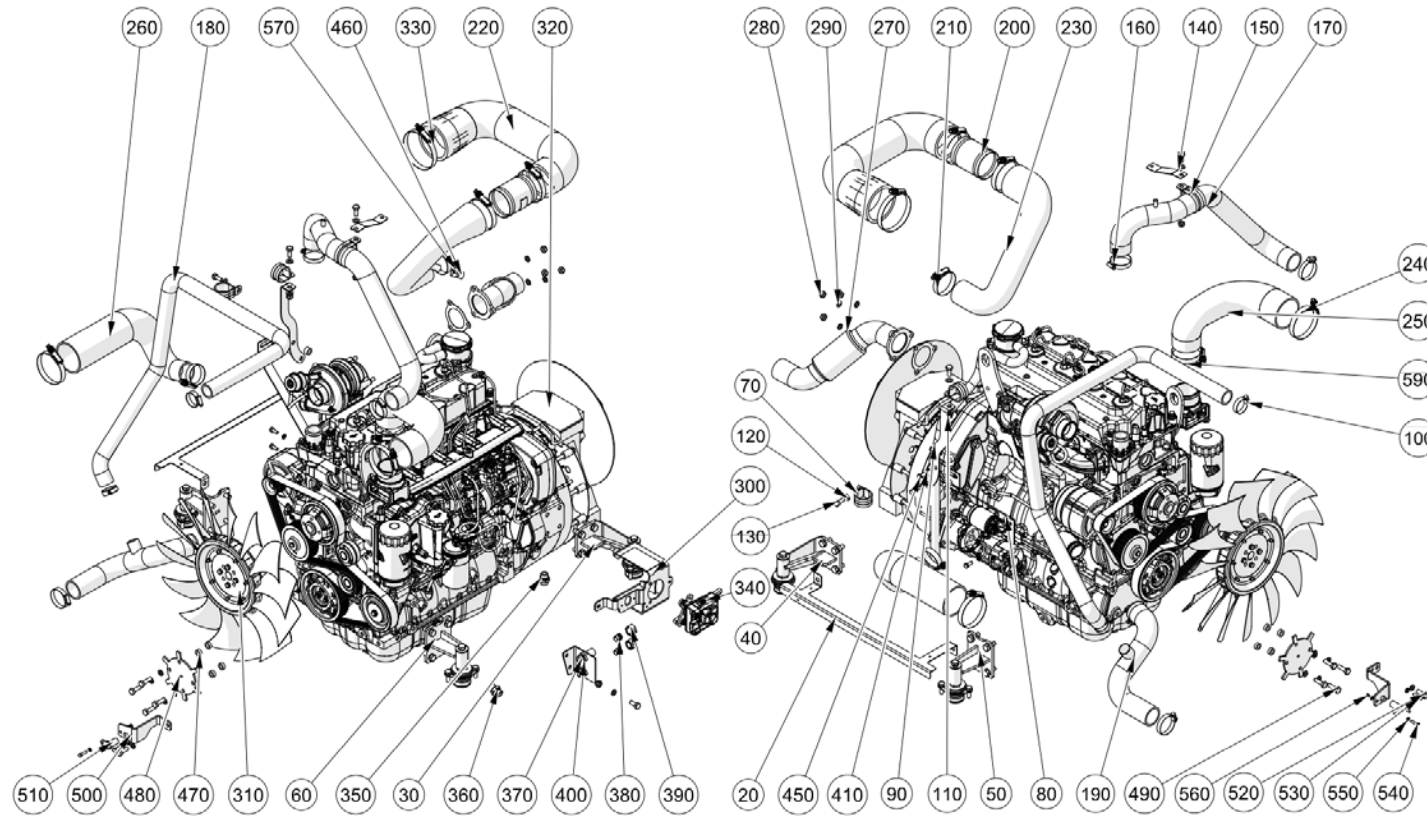
**Dressed Engine JCB 55kW S4 (7017421 / E710180)**

Powapack & Exhaust\Twin Engines\JCB\Dressed Engine JCB 55kW S4

Item no.	Part no.	Description	QTY	Unit
540	09531011-0	Hose Clip - Worm Drive (40-55)	2	PC
550	09531004-0	HOSE CLAMP 50-70 wd12 C7 W2	4	PC
5000	H1SC12001-160	Hose - Hyd straight x 45 swept	1	PC
5010	H1SC12002-180	Hose - Hyd straight x 90swept	1	PC
5020	497-P02	Hose 3/4"	1	M
5030	09531052-0	Hose Clip - Worm Drive (22-32)	2	PC
5040	271-40	Hose - Silicone 12mm I/D	0.4	M
5050	271-41	Hose - Silicone 9.5mm I/D	0.7	M
5060	271-41	Hose - Silicone 9.5mm I/D	0.9	M
5070	277-280	Tee - Nylon Hose Connector 8mm	1	PC
5080	271-41	Hose - Silicone 9.5mm I/D	0.2	M
5090	09531006-0	Hose Clip - Worm Drive (17-25)	8	PC
0	7017176	Engine - JCB 55kW S3B 24v	1	PC
24V				
0	7028433	Engine - JCB 55kW S3B 12v	1	PC
12V				

**Dressed Engine JCB 85kW S3A (7028414E709998)**

Powapack &amp; Exhaust\Twin Engines\JCB\Dressed Engine JCB 85kW S3A



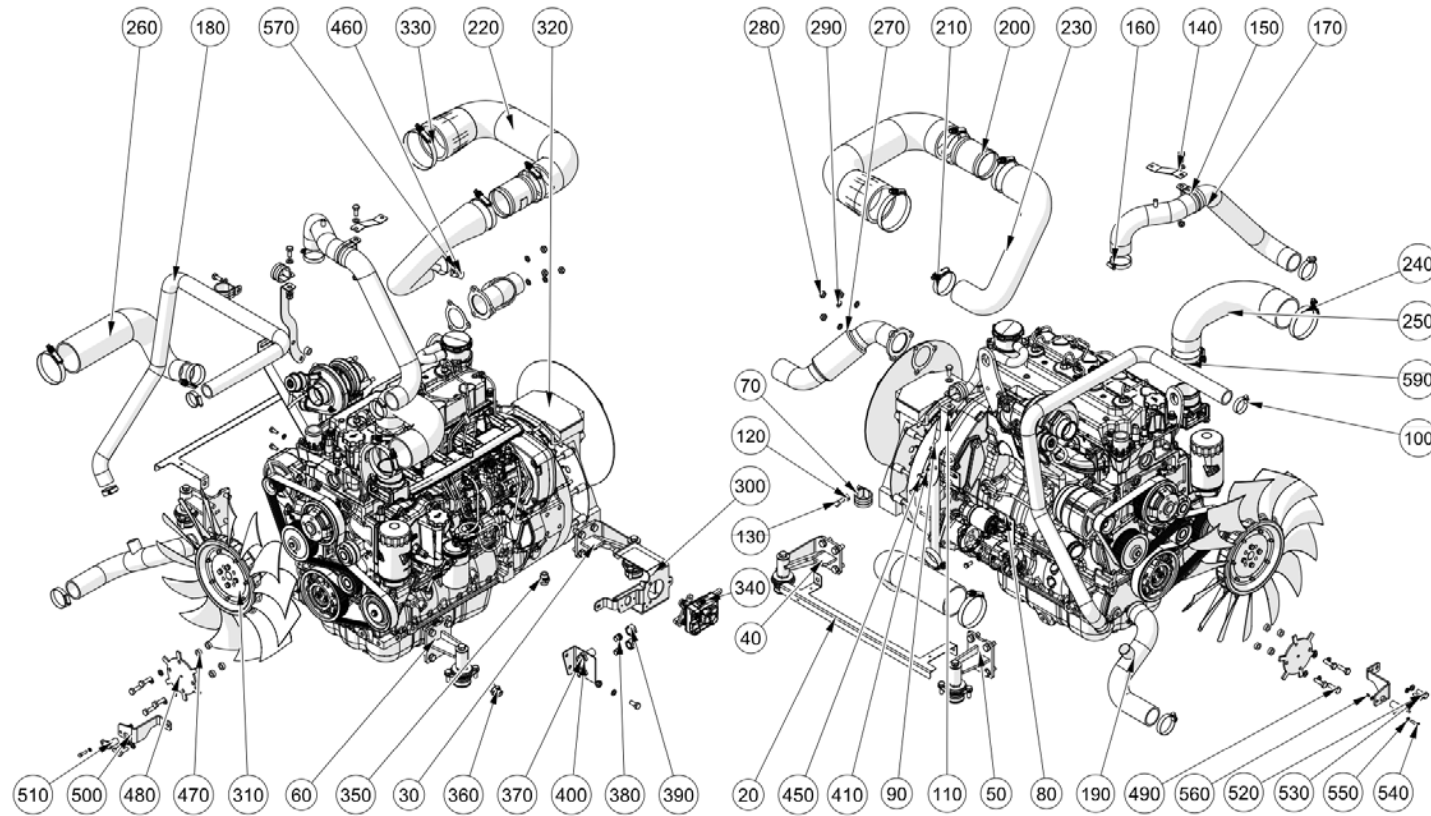
M02PE005

**Dressed Engine JCB 85kW S3A (7028414E709998)**

Powapack & Exhaust\Twin Engines\JCB\Dressed Engine JCB 85kW S3A

Item no.	Part no.	Description	QTY	Unit
10	92097374-0	Hex Head Screw - M8Cx20 - 8.8	2	PC
20	7028100	Cable Tray	1	PC
30	7017922	Engine Mnt Assy, LH Rear JCB	1	PC
40	7017935	Engine Mnt Assy, RH Rear JCB	1	PC
50	7017938	Engine Mt Assy, RH Front JCB	1	PC
60	7017943	Engine Mt Assy, LH Front JCB	1	PC
70	508-12	Clip - P Rubber Covered 44.50MM	2	PC
80	7025055	JCB Water Hose Support	1	PC
90	7028684	Support Bracket (Coolant Hose)	1	PC
100	09531011-0	Hose Clip - Worm Drive (40-55)	2	PC
110	93085006-0	Nyloc Hex Thin Nut M10C - 8	4	PC
120	93212012-0	Plain Washer M10	5	PC
130	92097412-0	Hex Head Screw - M10Cx25 - 8.8	4	PC
140	7026899	Support Plate, Coolant Hose	1	PC
150	508-14	Clip - P Rubber Covered 57.20MM	1	PC
160	09531004-0	HOSE CLAMP 50-70 wd12 C7 W2	4	PC
170	7018038	Coolant Hose, Top, JCB	1	PC
180	7023436	JCB Water Feed Hose	1	PC
190	7017992	Coolant Hose, Bottom, JCB	1	PC
200	7028677	Hose Connector (Air Intake)	1	PC
210	507-3	Hose Clamp - Constant Torque (57-79)	1	PC
220	7026540	Induction Hose, Top Section	1	PC
230	7026497	Induction Hose, Lower Section	1	PC
240	507-6	Hose Clamp - Constant Torque (95-118)	4	PC

**Dressed Engine JCB 85kW S3A (7028414E709998)**  
Powapack & Exhaust\Twin Engines\JCB\Dressed Engine JCB 85kW S3A



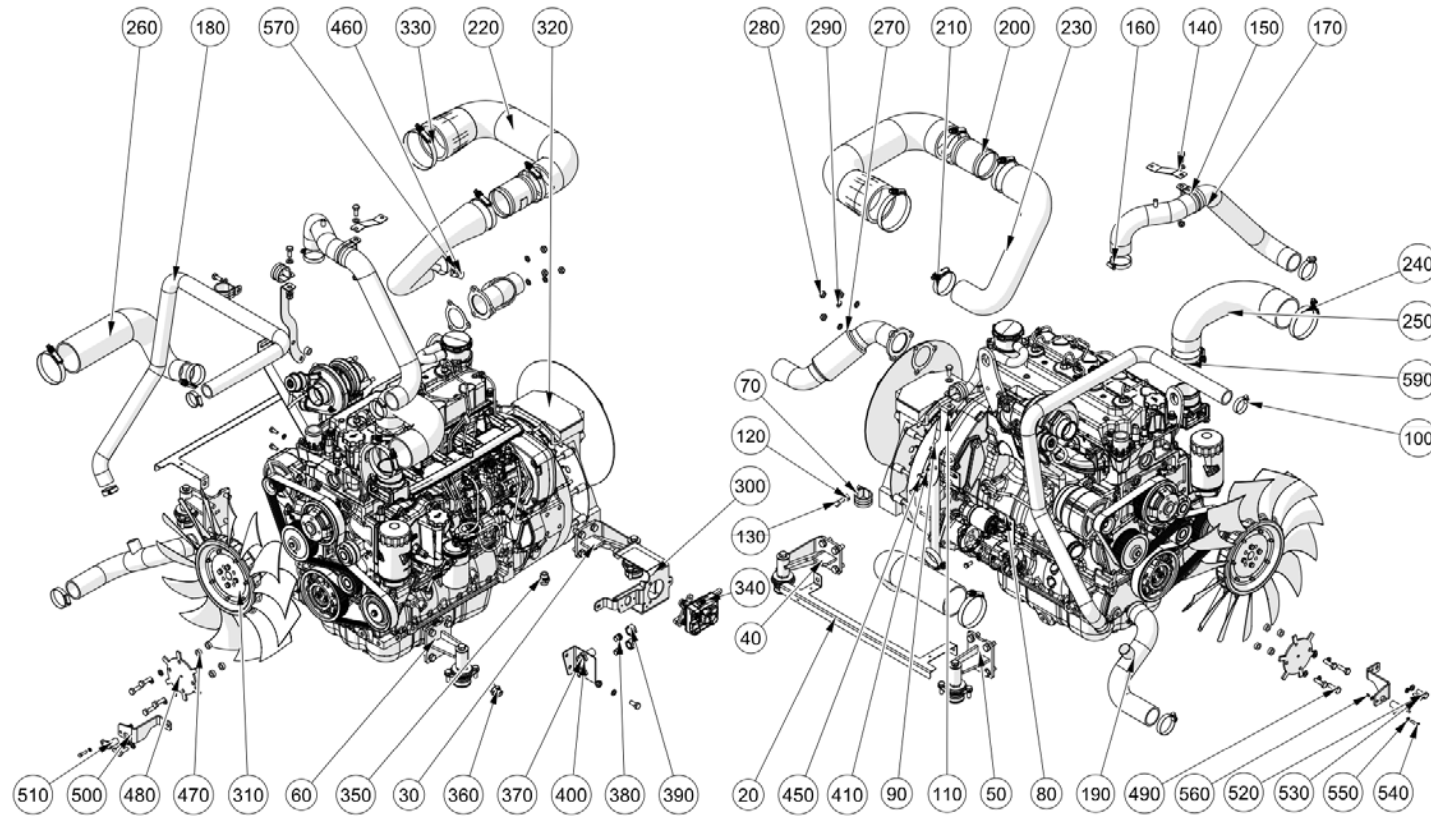
M02PE005

**Dressed Engine JCB 85kW S3A (7028414E709998)**

Powapack & Exhaust\Twin Engines\JCB\Dressed Engine JCB 85kW S3A

Item no.	Part no.	Description	QTY	Unit
250	7028477	CAC OUT	1	PC
260	7028465	CAC IN	1	PC
270	7028631	Exhaust Front Pipe	1	PC
280	93086056-0	Nut S/Lock Philidas M10cx17x10	3	PC
290	93699711-0	Spring Washer - Plated M10	9	PC
300	7029138	JCB 85KW Actuator Bracket	1	PC
310	7018284	Cooling Fan Installation, JCB	1	PC
320	7018310	Transmission Installation, JCB	1	PC
330	09549342-0	Hose Clamp - Constant Torque (121-143)	1	PC
340	7029137	JCB 85KW Actuator	1	PC
350	6601-1329	Stud Coupling Male G 1/2" x M22 x 1.5	1	PC
360	6601-0630	Stud Coupling Male 7/8" - 14 UNF	1	PC
370	302-3	Straight Bulkhead Connector M22 x 1.5	2	PC
380	09572104-0	Plug Female - Tube O/D = 15mm	2	PC
390	09570009-0	Cap Nut - M22 x 1.5 (Tube O/D = 15mm)	2	PC
400	7023964	Bracket	1	PC
410	93699710-0	Spring Washer - Plated M8	5	PC
440	95200-1	Spacer - Bush 12mm x 11mm ID	2	PC
450	92097378-0	Hex Head Screw - M8Cx30 - 8.8	2	PC
460	288-49	Flexicap - Yellow 19.1mm x 12.7mm	1	PC
470	95200-2	Spacer - Bush 8mm x 11mm ID	4	PC
480	7029374	6 Tooth Speed Sensor Plate	1	PC
490	92097415-0	Hex Head Screw - M10Cx35 - 8.8	4	PC
500	7029328	Speed Sensor Bracket JCB 85kW	1	PC

**Dressed Engine JCB 85kW S3A (7028414E709998)**  
Powapack & Exhaust\Twin Engines\JCB\Dressed Engine JCB 85kW S3A



M02PE005

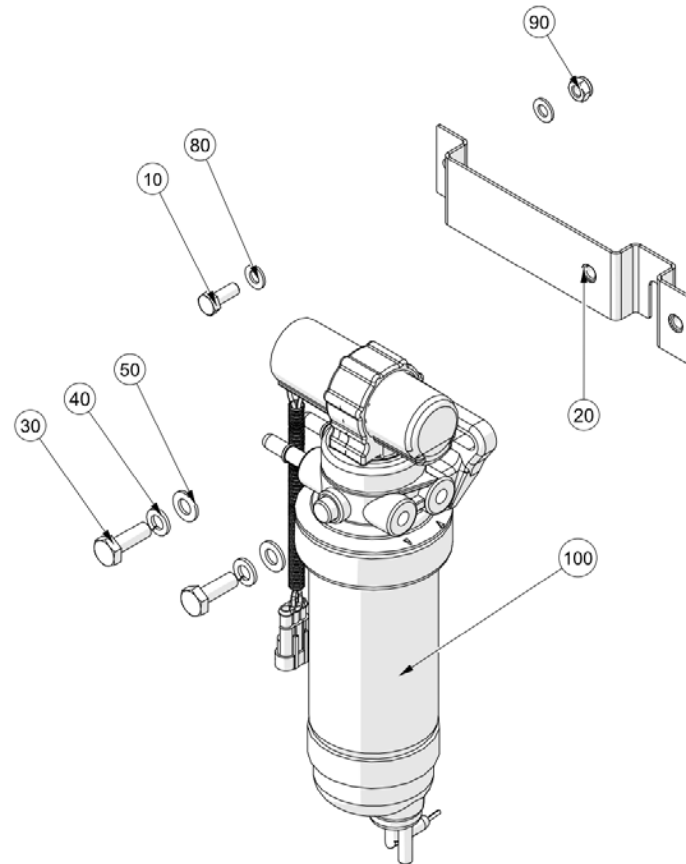


**Dressed Engine JCB 85kW S3A (7028414E709998)**

Powapack & Exhaust\Twin Engines\JCB\Dressed Engine JCB 85kW S3A

Item no.	Part no.	Description	QTY	Unit
510	280856-1	Speed Sensor with Loom	1	PC
520	92097414-0	Hex Head Screw - M10Cx30 - 8.8	1	PC
530	92097376-0	Hex Head Screw - M8Cx25 - 8.8	1	PC
540	92097303-0	Hex Head Screw - M6Cx25 - 8.8	1	PC
550	93212009-0	Plain Washer M6	2	PC
560	93085004-0	Nyloc Hex Nut M6C - 8	1	PC
570	501-2	Hose Clip - Worm Drive (14-22)	1	PC
580	507-2	Hose Clamp - Constant Torque (45-67)	1	PC
590	09549340-0	Hose Clamp - Constant Torque (70-92)	1	PC
5000	H1SC12001-160	Hose - Hyd straight x 45 swept	1	PC
5010	H1SC12002-180	Hose - Hyd straight x 90swept	1	PC
5020	271-40	Hose - Silicone 12mm I/D	0.4	M
5030	271-41	Hose - Silicone 9.5mm I/D	2	M
5040	09531053-0	Hose Clip - Worm Drive (9.5 -12)	4	PC
0	7028407	Engine - JCB 85kW S3A 24v	1	PC

**Fuel Filter - JCB Assembly 93 & 55kW (7021911 / E708336)**  
Powapack & Exhaust/Twin Engines\JCB\Fuel Filter - JCB Assembly 93 & 55kW



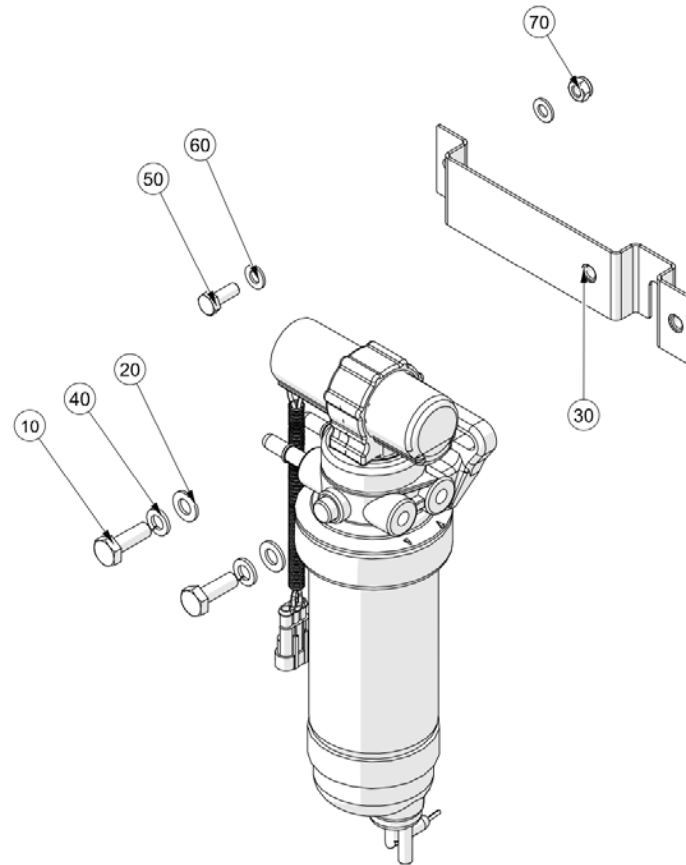
M02PE026

**Fuel Filter - JCB Assembly 93 & 55kW (7021911 / E708336)**

Powapack & Exhaust\Twin Engines\JCB\Fuel Filter - JCB Assembly 93 & 55kW

Item no.	Part no.	Description	QTY	Unit
10	92097374-0	Hex Head Screw - M8Cx20 - 8.8	1	PC
20	7026414	Fuel Filter Bracket W/Assy	1	PC
30	92097414-0	Hex Head Screw - M10Cx30 - 8.8	2	PC
40	93699711-0	Spring Washer - Plated M10	2	PC
50	93212012-0	Plain Washer M10	2	PC
80	93212011-0	Plain Washer M8	2	PC
90	93085005-0	Nyloc Hex Thin Nut M8C - 8	1	PC
S	855-1	Oil Filter - (Tier 3 And Tier 4)	1	PC
Loctaed on the front of the Engine				
S	855-3	Fuel Filter - (Tier 4)	1	PC
Loctaed on the front of the Engine. We would advise Fuel Filter removal tool (Part No. 855-34) is used.				
S	855-4	Crankcase Filter - (Tier 4)	1	PC
Loctaed on the front of the Engine				
S	855-5	Water Sedimentor Element	1	PC
Loctaed on the Fancase				
S	855-6	Sedimentor Seal - 'O' Ring	1	PC
Loctaed on the Fancase				
100	855-121	Filter Pump Assembly	1	PC
Loctaed on the Fancase				

**Fuel Filter - JCB Assembly 85 kW (7028764E710955)**  
Powapack & Exhaust\Twin Engines\JCB\Fuel Filter - JCB Assembly 85 kW



M02PE027

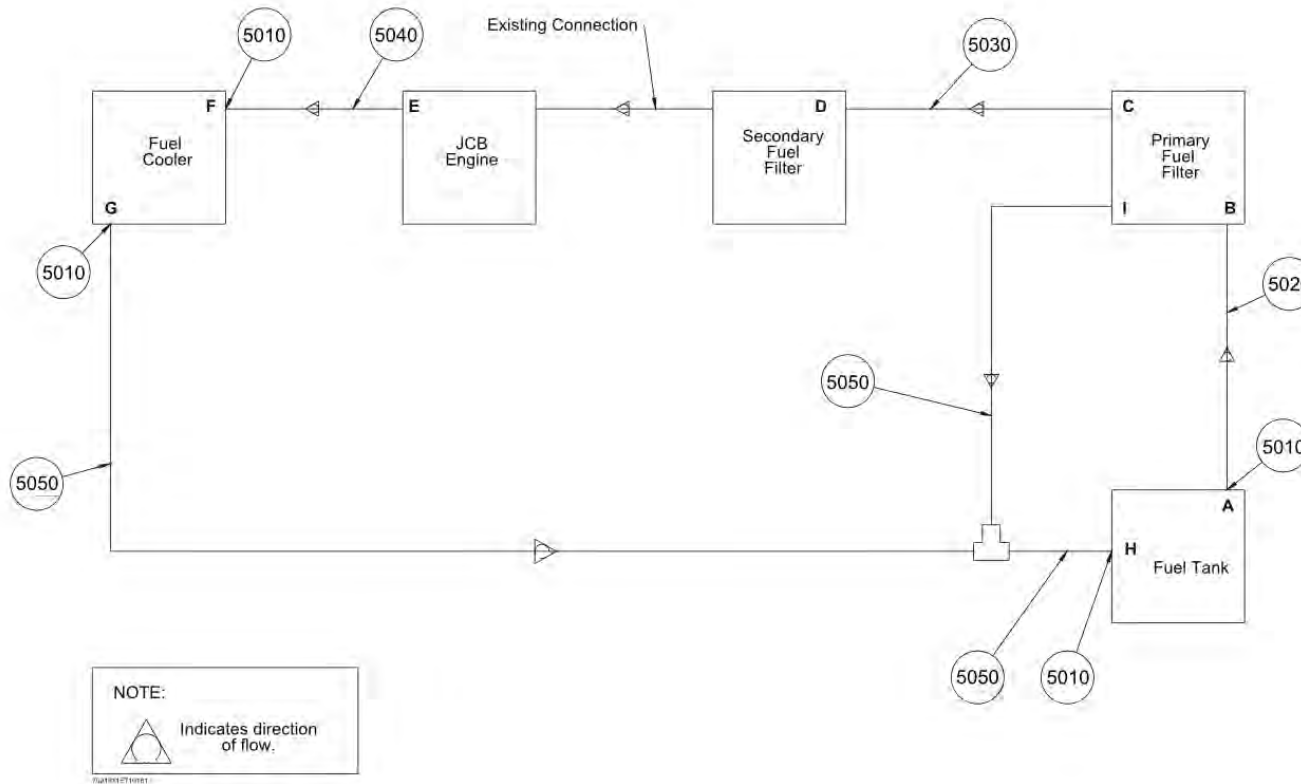
**Fuel Filter - JCB Assembly 85 kW (7028764E710955)**

Powapack &amp; Exhaust\Twin Engines\JCB\Fuel Filter - JCB Assembly 85 kW

Item no.	Part no.	Description	QTY	Unit
10	92097414-0	Hex Head Screw - M10Cx30 - 8.8	2	PC
20	93212012-0	Plain Washer M10	2	PC
30	7026414	Fuel Filter Bracket W/Assy	1	PC
40	93699711-0	Spring Washer - Plated M10	2	PC
50	92097374-0	Hex Head Screw - M8Cx20 - 8.8	1	PC
60	93212011-0	Plain Washer M8	2	PC
70	93085005-0	Nyloc Hex Thin Nut M8C - 8	1	PC

**Fuel Hose Installation 93 & 55kW (7021911E710161)**

Powapack & Exhaust\Twin Engines\JCB\Fuel Hose Installation 93 & 55kW

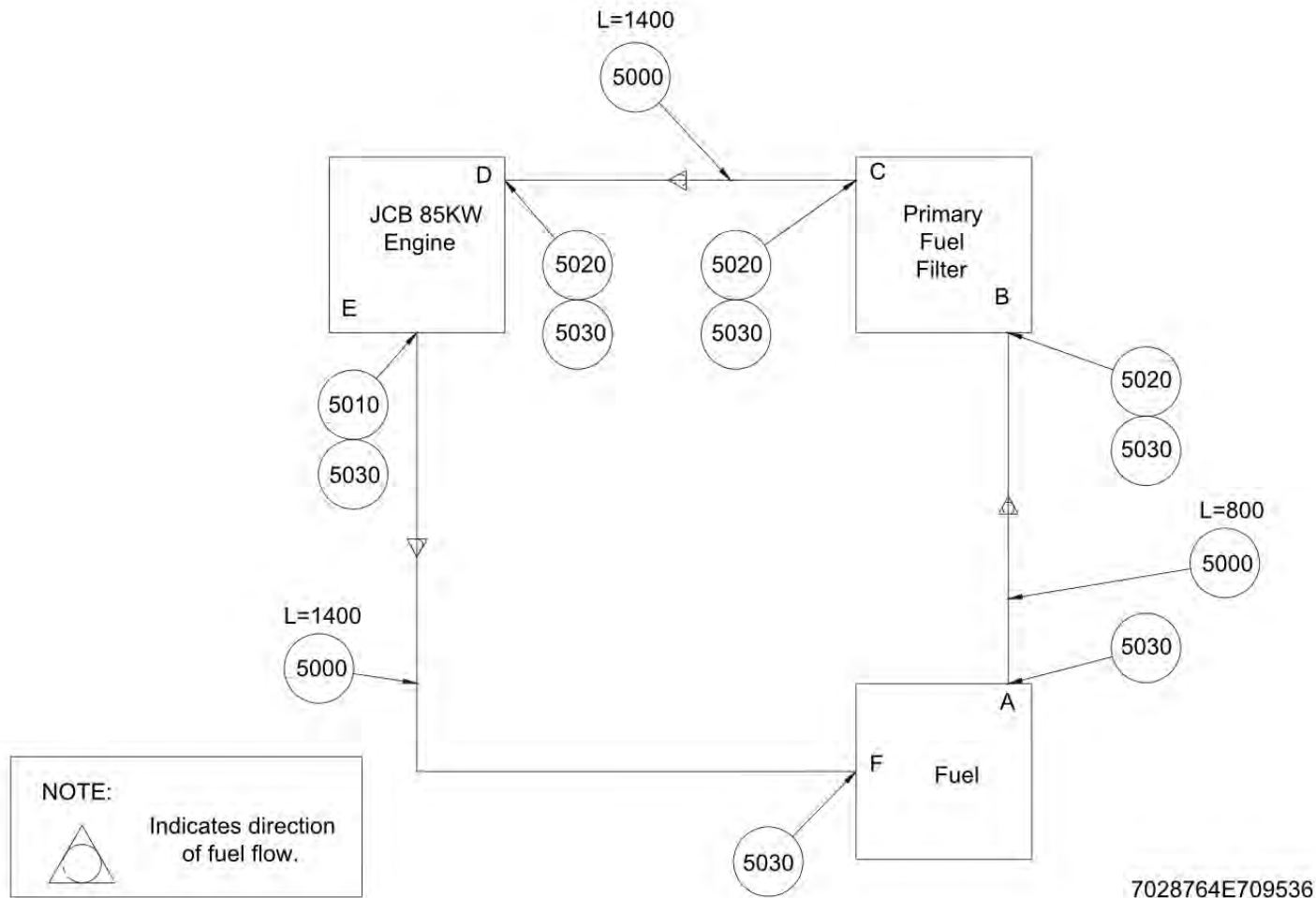


**Fuel Hose Installation 93 & 55kW (7021911E710161)**

Powapack &amp; Exhaust\Twin Engines\JCB\Fuel Hose Installation 93 &amp; 55kW

Item no.	Part no.	Description	QTY	Unit
5010	501-2	Hose Clip - Worm Drive (14-22)	4	PC
5020	7029972	JCB 55/93 Fuel Hose Assy Ports A/B	1	PC
5030	7029975	JCB 55/93 Fuel Hose Assy Ports C/D	1	PC
5040	7029976	JCB 55/93 Fuel Hose Assy Ports E/F	1	PC
5050	7029977	JCB 55/93 Fuel Hose Assy Ports G/H/I	1	PC

**Fuel Hose Installation 85kW (7028764 E710955)**  
 Powapack & Exhaust\Twin Engines\JCB\Fuel Hose Installation 85kW



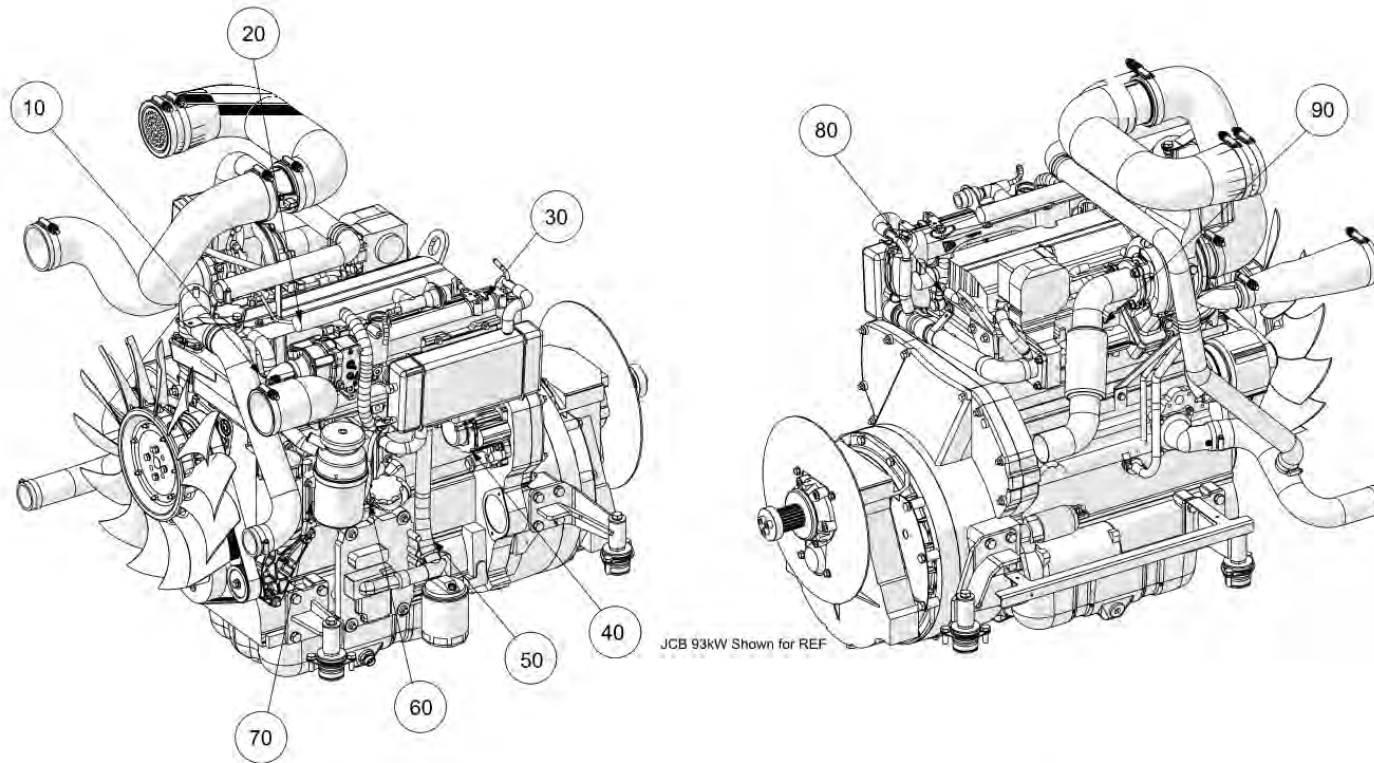


**Fuel Hose Installation 85kW (7028764 E710955)**

Powapack &amp; Exhaust\Twin Engines\JCB\Fuel Hose Installation 85kW

Item no.	Part no.	Description	QTY	Unit
5000	273-27	Fuel Hose 10mm I/D 17mm O/D	3.6	M
5010	602-52	SAE 7.89 Sraight 3/8 Hose Connector	1	PC
5020	602-51	Elbow Fuel Connector Ø 9.49mm	3	PC
5030	501-2	Hose Clip - Worm Drive (14-22)	6	PC

**93kW & 55kW Sensors (855-43SP)**  
Powapack & Exhaust\Twin Engines\JCB\93kW & 55kW Sensors

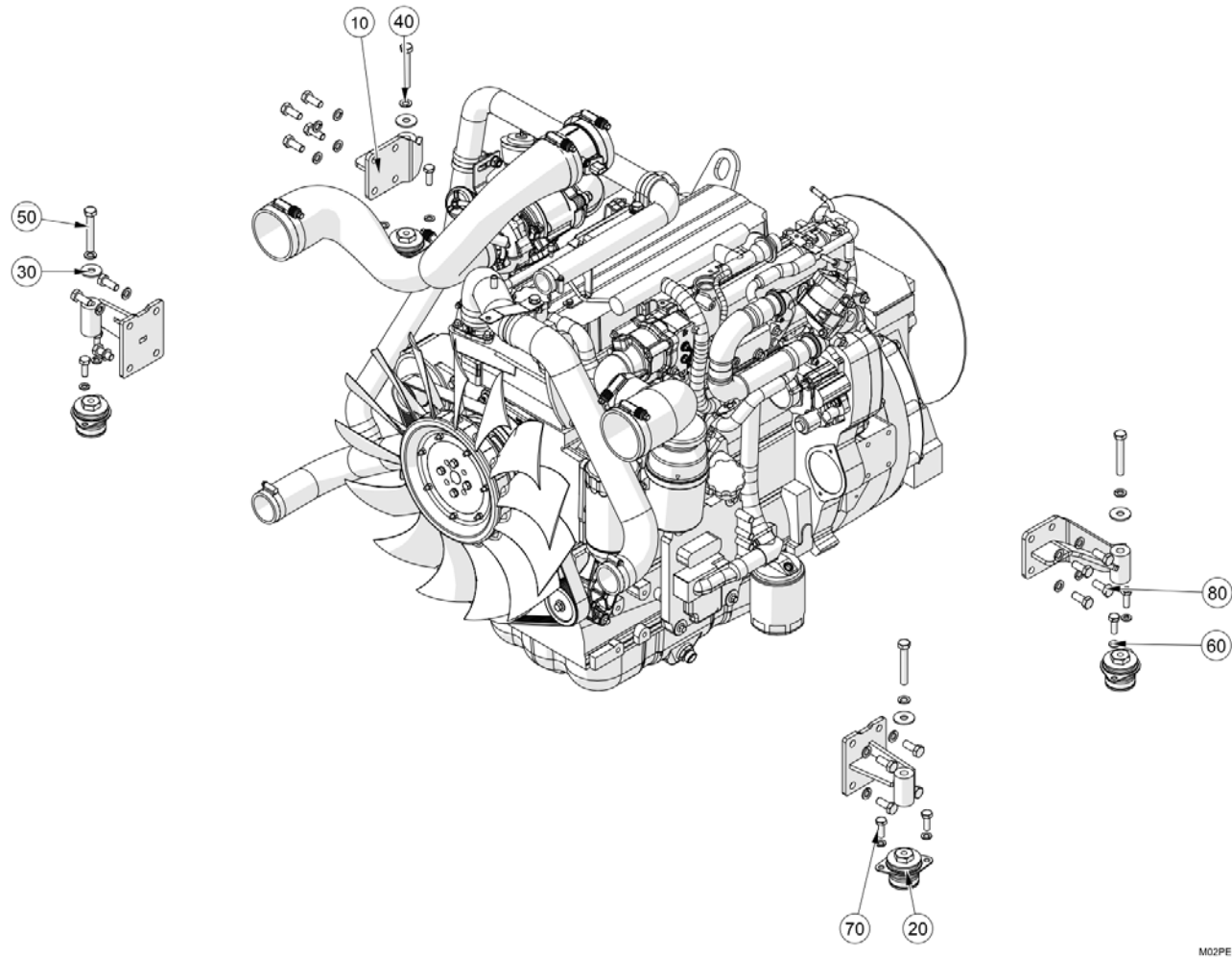


M02PE055

**93kW & 55kW Sensors (855-43SP)**

Powapack &amp; Exhaust\Twin Engines\JCB\93kW &amp; 55kW Sensors

Item no.	Part no.	Description	QTY	Unit
10	855-14	Water Temperature Sensor (15573404)	1	PC
20	855-115	Sensor Intercooler out Temp	1	PC
30	855-114	Sensor - Inlet Manifold	1	PC
40	855-113	Sensor - Camshaft Position	1	PC
50	855-116	Sensor Crank	1	PC
60	855-20	Oil Temperature Sensor	1	PC
70	855-19	Oil Pressure Switch	1	PC
80	855-117	Pressure Sensor	1	PC
90	855-112	Sensor - Turbine Temp	1	PC
100	855-104	Unit Accelerometer	1	PC
110	7023408	Sensor TMAF JCB	1	PC

**Engine Mounts (7017943, 7017938, 7017922, 7017935)**  
Powapack & Exhaust\Twin Engines\JCB\Engine Mounts

M02PE011

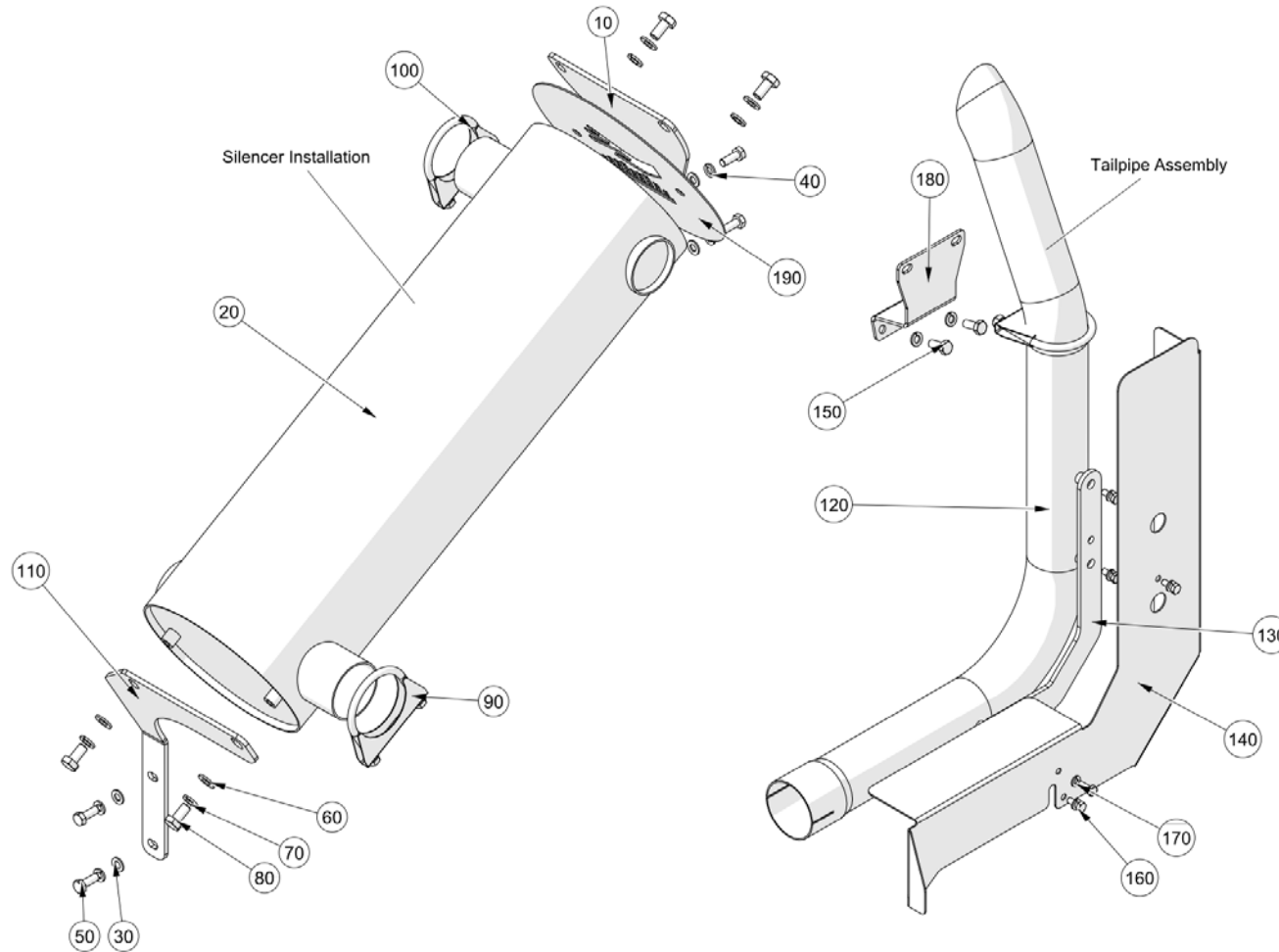
**Engine Mounts (7017943, 7017938, 7017922, 7017935)**

Powapack & Exhaust\Twin Engines\JCB\Engine Mounts

Item no.	Part no.	Description	QTY	Unit
10	7017897	Front Engine Mount LH - JCB	1	PC
10	7017911	Front Engine Mount RH - JCB	1	PC
10	7017872	Engine Mount, LH Rear JCB WA	1	PC
10	7017915	Engine Mount, Rear RH JCB WA	1	PC
20	6953	Anti Vibration Mount - 60 S	2	PC
Front				
20	22826-1-A	Anti Vibration Mount - 70 S	2	PC
Rear				
30	93300511-0	Plain Large Washer M12	4	PC
40	93699712-0	Spring Washer - Plated M12	20	PC
50	6105-1501	Hex Head Bolt - M12Cx80 - 8.8	4	PC
60	93699711-0	Spring Washer - Plated M10	8	PC
70	92097414-0	Hex Head Screw - M10Cx30 - 8.8	8	PC
80	92097450-0	Hex Head Screw - M12Cx30 - 8.8	16	PC

Exhaust (7018917 / E710084 , 7026264 / E710084 , 7027504 / E710084)

Powapack & Exhaust\Twin Engines\JCB\Exhaust



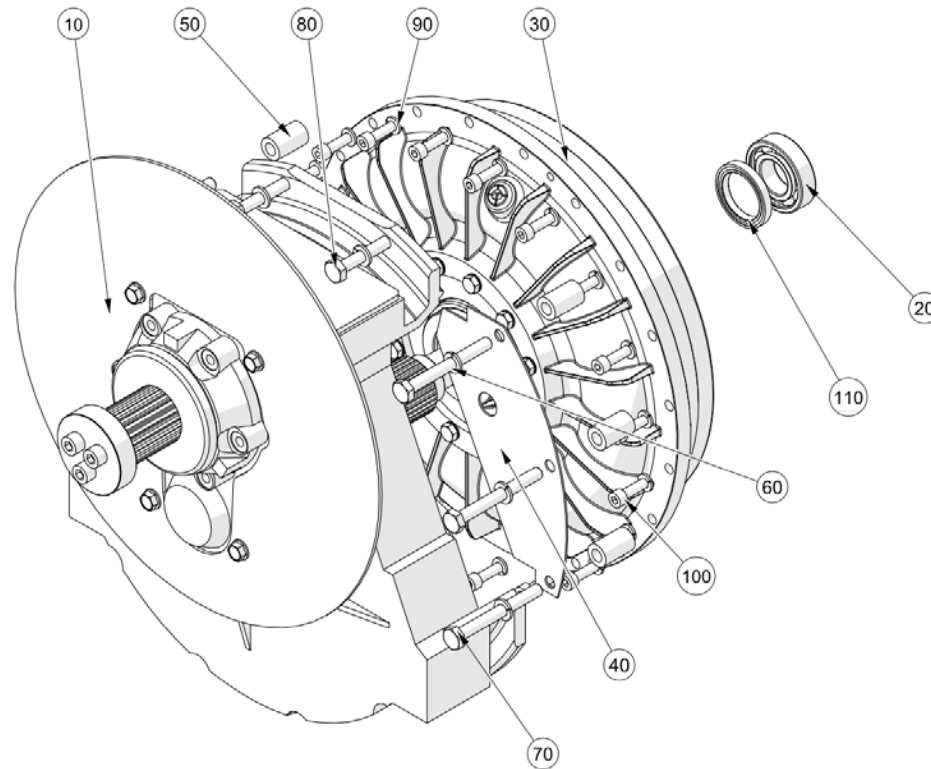
M02PE034

Exhaust (7018917 / E710084 , 7026264 / E710084 , 7027504 / E710084)

Powapack & Exhaust\Twin Engines\JCB\Exhaust

Item no.	Part no.	Description	QTY	Unit
10	7018912	Silencer Mounting Bracket	1	PC
30	93212011-0	Plain Washer M8	4	PC
40	93699710-0	Spring Washer - Plated M8	8	PC
50	92097375-0	Hex Head Screw - M8Cx22 - 8.8	4	PC
60	93212012-0	Plain Washer M10	4	PC
70	93699711-0	Spring Washer - Plated M10	4	PC
80	92097410-0	Hex Head Screw - M10Cx20 - 8.8	4	PC
90	6645-14	Clip - Exhaust Banelli 2 3/4"	1	PC
110	7023397	Silencer support - rear	1	PC
20	7026315	Exhaust Silencer 203.2 X 650	1	PC
100	6645-12-C	Clip - Exhaust Banelli 2 1/2"	2	PC
120	7026263	JCB Tailpipe Low W/Assy	1	PC
V501&V651				
120	7027501	JCB Tailpipe High W/Assy	1	PC
V801				
130	7026454	Tailpipe support W/Assy	1	PC
140	7026456	Heat Shield	1	PC
150	92097374-0	Hex Head Screw - M8Cx20 - 8.8	4	PC
160	92097299-0	Hex Head Screw - M6Cx16 - 8.8	5	PC
170	93699708-0	Spring Washer - Plated M6	5	PC
180	7027512	JCB Exhaust Clamp Bracket	1	PC
190	7029684	Shield - Silencer	1	PC

**Transmission Installation - JCB (7018310 / E707264)**  
Powapack & Exhaust\Twin Engines\JCB\Transmission Installation - JCB



M02PE033



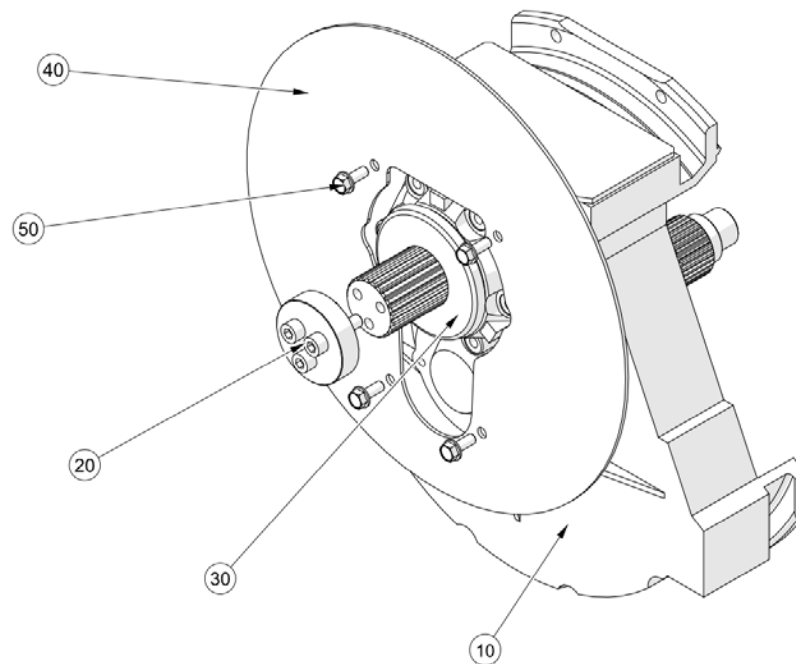
**Transmission Installation - JCB (7018310 / E707264)**

Powapack &amp; Exhaust\Twin Engines\JCB\Transmission Installation - JCB

Item no.	Part no.	Description	QTY	Unit
10	7017210	Gearbox Assembly	1	PC
20	14-7	Bearing - 30x62x16	1	PC
30	295150-1	Fluid Coupling	1	PC
40	42299-1-C	Cover - Safety	2	PC
50	920000-32	Spacer Nylon 20 Dia X 32mm Lg	6	PC
60	93699711-0	Spring Washer - Plated M10	12	PC
70	92067430-0	Hex Head Bolt - M10Cx90 - 8.8	6	PC
80	92067426-0	Hex Head Bolt - M10Cx70 - 8.8	6	PC
90	93699710-0	Spring Washer - Plated M8	20	PC
100	92137121-0	Hex Socket Cap Screw - M8Cx30 - 12.9	20	PC
110	77-39	Seal - Oil 40x55x7mm	1	PC

**Gearbox Assembly (7017210 / E707264)**

Powapack &amp; Exhaust\Twin Engines\JCB\Transmission Installation - JCB\Gearbox Assembly



M02PE029

**Gearbox Assembly (7017210 / E707264)**

Powapack &amp; Exhaust\Twin Engines\JCB\Transmission Installation - JCB\Gearbox Assembly

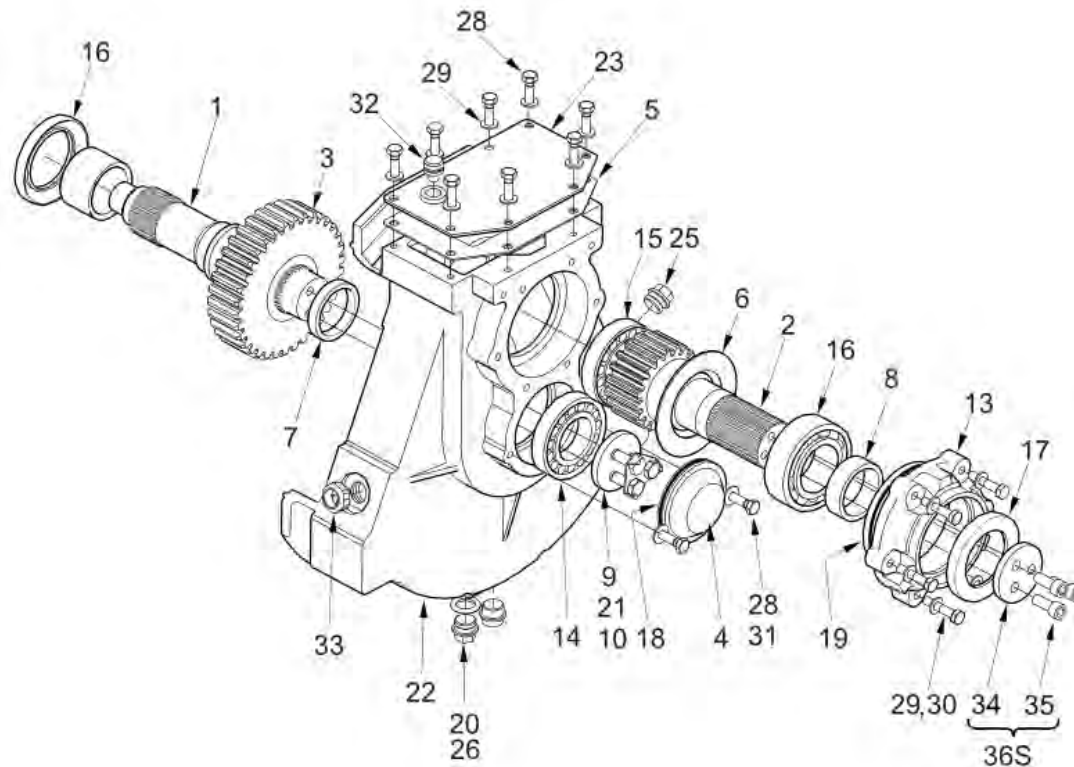
Item no.	Part no.	Description	QTY	Unit
10	42270-1-C	Gearbox Assembly	1	PC
30	62025-1	Spinner - Gearbox	1	PC
40	42284-1-B	Mask - Fancase	1	PC
50	837-37	Screw - Special M8c x 20	4	PC
20	7028458	Fixing Kit	1	PC

**Gearbox Assembly (42270-1-C)**

Powapack & Exhaust\Twin Engines\JCB\Transmission Installation - JCB\Gearbox Assembly\Gearbox Assembly

Gear Set 7024821 comprises the following :

Item	Description	Qty
1	Input Shaft	1
2	Output Shaft	1
3	Input Gear	1
4	Cap Bearing	1
5	Gasket	1
6	Washer	1
7	Spacer	1
8	Spacer	1
9	Set Screw M10F x25	3
10	Clamp Plate	1
11	Bearing Set (See below)	1



11 - Bearing Set 7024822 comprises the followin

Item	Description	Qty
13	Bearing Housing	1
14	Bearing	1
15	Bearing	1
16	Bearing	1
12	Seal Kit (See below)	1

12 - Seal Kit 7024823 comprises the following :

Item	Description	Qty
17	Rotary Seal	2
18	'O' Ring Seal	1
19	'O' Ring Seal	1
20	Washer - Dowty	2
21	Tab Washer	1

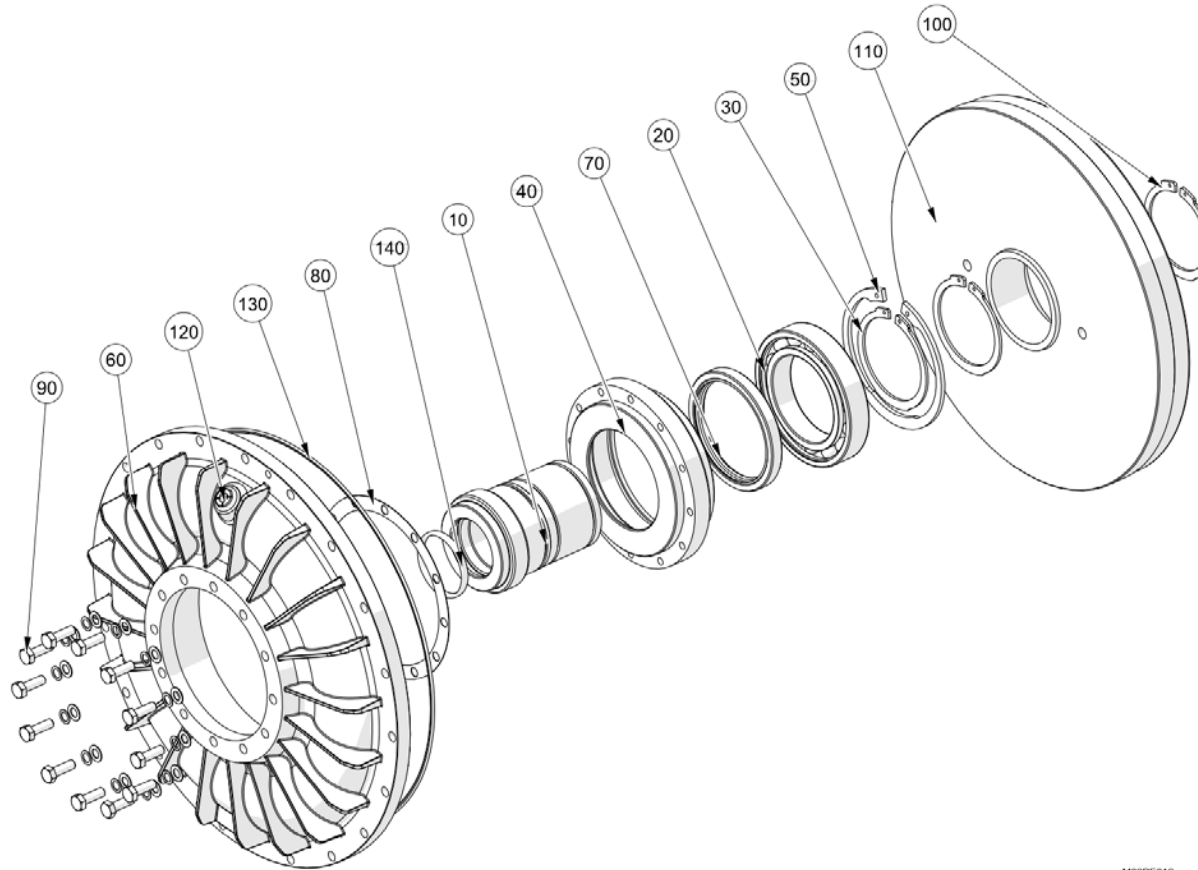
## Gearbox Assembly (42270-1-C)

Powapack &amp; Exhaust\Twin Engines\JCB\Transmission Installation - JCB\Gearbox Assembly\Gearbox Assembly

Item no.	Part no.	Description	QTY	Unit
0	7024821	Gear Set (Fan Drive Gearbox)	1	PC
35	148-1	Screw-Cap HD Tuflok M10x1.25x30 G12.9	3	PC
22	42271-2-D	Casing - Gearbox (Machined)	1	PC
23	42277-1-D	Cover Plate Welded Assembly	1	PC
5	42279-1-B	Gasket Coverplate	1	PC
25	54-4	Plug - Collar G1/2" BSP	3	PC
20	13109	Plug Drain Magnetic 1/2" BSP	1	PC
26	451-19	Washer - Bonded G1-2"	1	PC
9	121-41	Setscrew M10F x 25	2	PC
28	124-137	Setscrew M8C x 25	10	PC
29	460-10	Washer Spring Single Coil M8	16	PC
30	124-143	Setscrew M8C x 40	6	PC
31	457-4	Washer Plain Steel M8 Form G	2	PC
21	42659-1-A	Washer Tab	1	PC
32	16978-1-A	Breather	1	PC
33	87-7	Gauge - Oil Level Indicator	1	PC
11	7024822	Bearing Set	1	PC
12	7024823	Seal Kit	1	PC
36S	7028458	Fixing Kit	1	PC

**Fluid Coupling (295150-1 / 706846)**

Powapack &amp; Exhaust\Twin Engines\JCB\Transmission Installation - JCB\Fluid Coupling



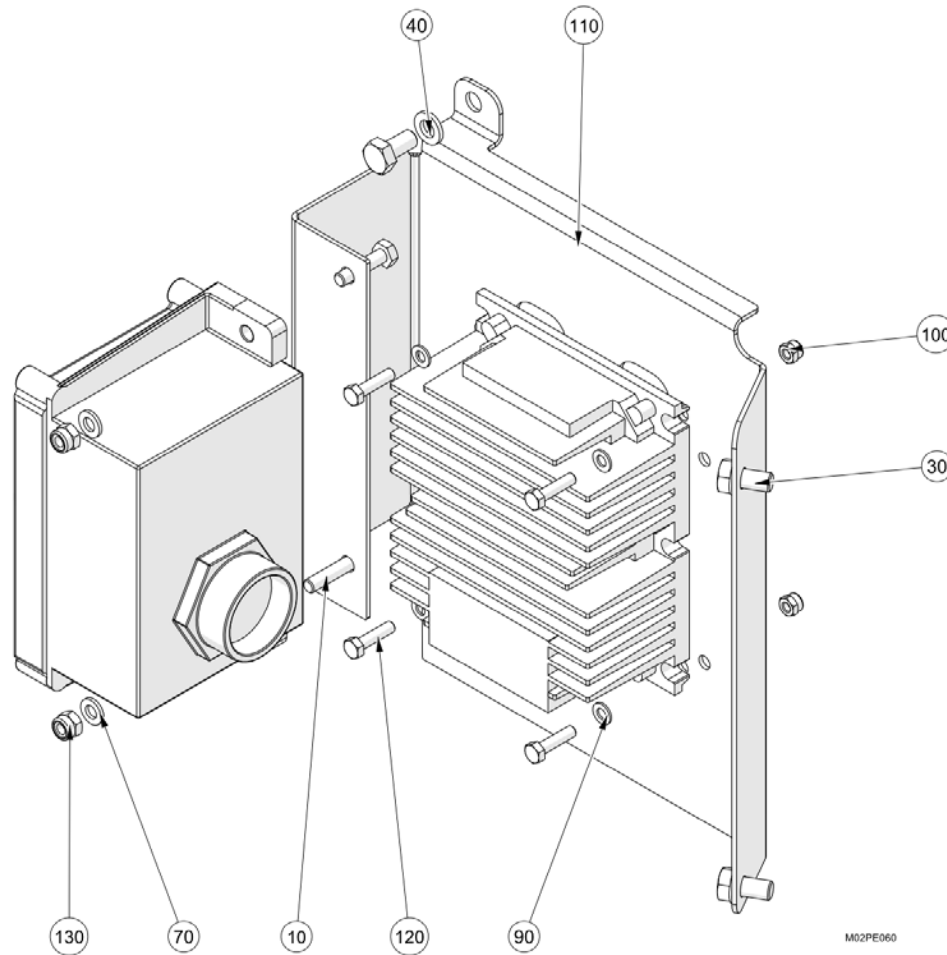
M02PE012

**Fluid Coupling (295150-1 / 706846)**

Powapack &amp; Exhaust\Twin Engines\JCB\Transmission Installation - JCB\Fluid Coupling

Item no.	Part no.	Description	QTY	Unit
10	656-12	Hub	1	PC
20	656-7	Bearing	1	PC
30	656-5	Circlip - External I/D	1	PC
40	656-13	Housing Bearing	1	PC
50	656-6	Circlip - Internal O/D	1	PC
60	656-11	Impeller - Outer	1	PC
70	656-8	Oil Seal	1	PC
80	656-9	Gasket	1	PC
90	656-14	Screw - Fluid Coupling	12	PC
100	656-4	Circlip - External I/D	2	PC
110	656-10	Impeller Inner	1	PC
120	656-3	Plug	1	PC
130	656-1	O Ring	1	PC
140	656-2	O Ring	1	PC

**JCB Pod Box Assembly (7022077 / E711309)**  
Powapack & Exhaust/Twin Engines/JCB/JCB Pod Box Assembly



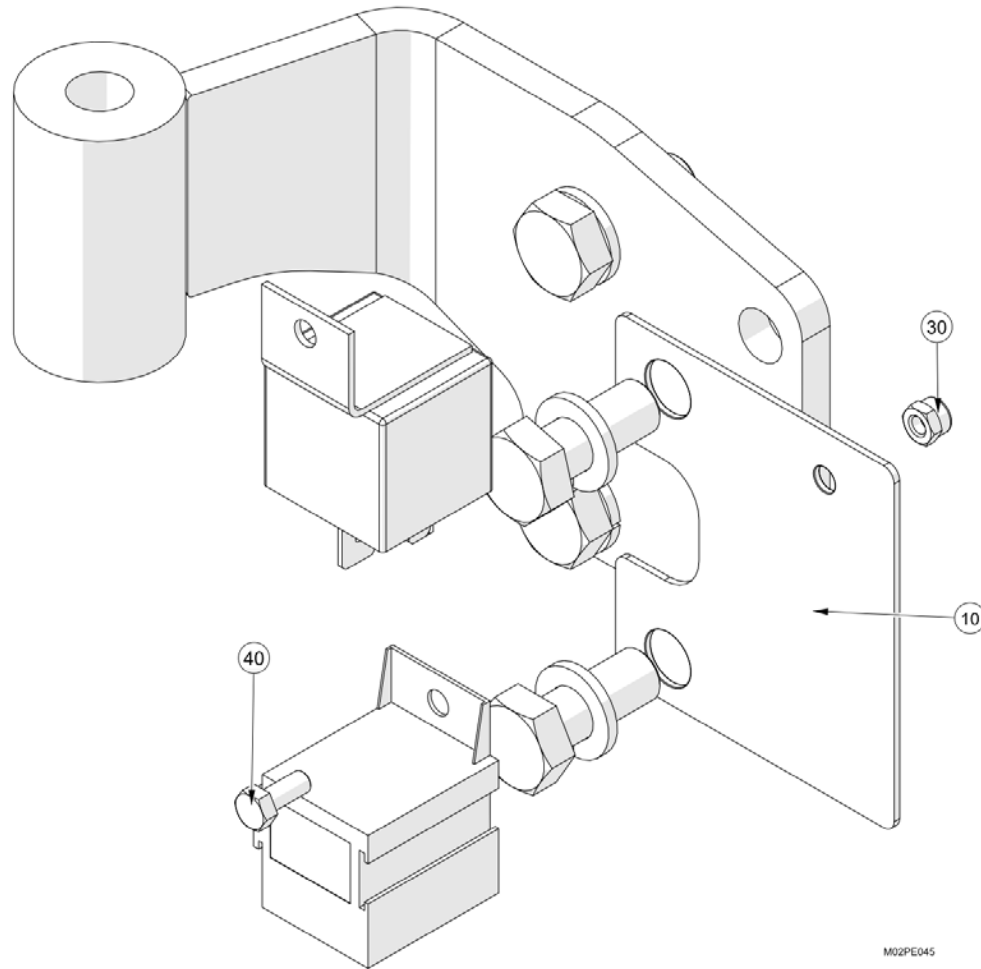


**JCB Pod Box Assembly (7022077 / E711309)**

Powapack & Exhaust\Twin Engines\JCB\JCB Pod Box Assembly

Item no.	Part no.	Description	QTY	Unit
S1	710-173	DEUTSCH CONNECTOR DT04-3PP006	1	PC
FOR VOLT CONNECTORS X469 & X470 - 12V & 24V				
10	92097303-0	Hex Head Screw - M6Cx25 - 8.8	2	PC
30	92097372-0	Hex Head Screw - M8Cx16 - 8.8	3	PC
40	93699710-0	Spring Washer - Plated M8	3	PC
70	93212009-0	Plain Washer M6	2	PC
90	93210109-0	Plain Washer M5	4	PC
100	93085003-0	Nyloc Hex Nut M5C - 8	4	PC
110	7021363	JCB Bracket Pod Box	1	PC
120	92097265-0	Hex Head Screw - M5Cx20 - 8.8	4	PC
130	93085004-0	Nyloc Hex Nut M6C - 8	2	PC
5000	7007216	Cable Assembly	1	PC
5010	7006818	Cable Assembly	1	PC
5020	7006819	Cable Assembly	1	PC
5030	7021659	Cable Assembly	1	PC
24V				
5040	7022944	Cable Assembly	1	PC

**Cranking Relay Assembly (7023193 / E708667)**  
Powapack & Exhaust\Twin Engines\JCB\Cranking Relay Assembly



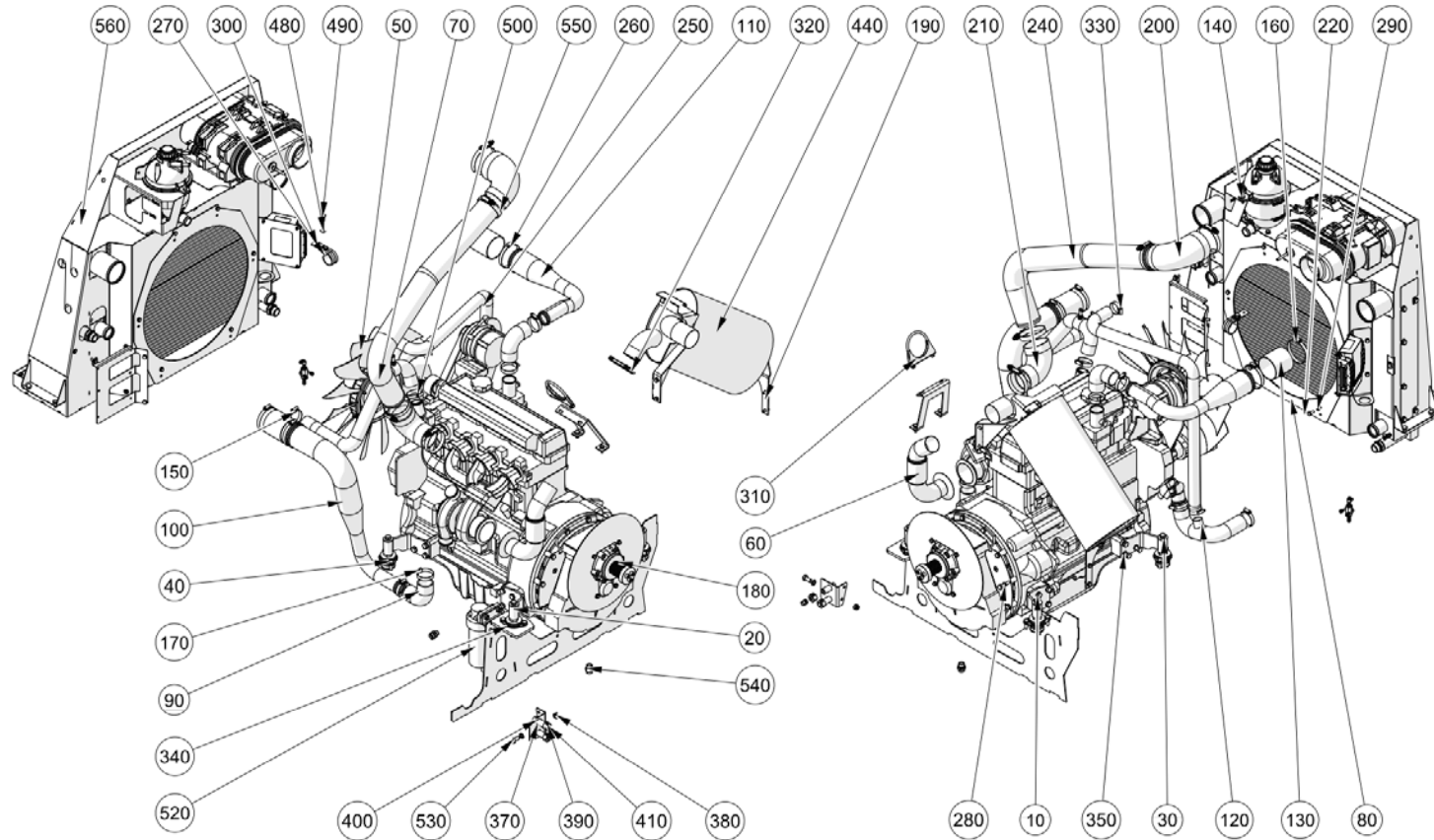
**Cranking Relay Assembly (7023193 / E708667)**

Powapack &amp; Exhaust\Twin Engines\JCB\Cranking Relay Assembly

Item no.	Part no.	Description	QTY	Unit
10	7023188	Cranking Relay Bracket	1	PC
30	93085003-0	Nyloc Hex Nut M5C - 8	1	PC
40	92097262-0	Hex Head Screw - M5Cx12 - 8.8	1	PC

**Engine Assembly JD/S3a/86/12v (7023860 / E708932)**

Powapack & Exhaust\Twin Engines\John Deere\Engine Assembly JD/S3a/86/12v



M02PE010

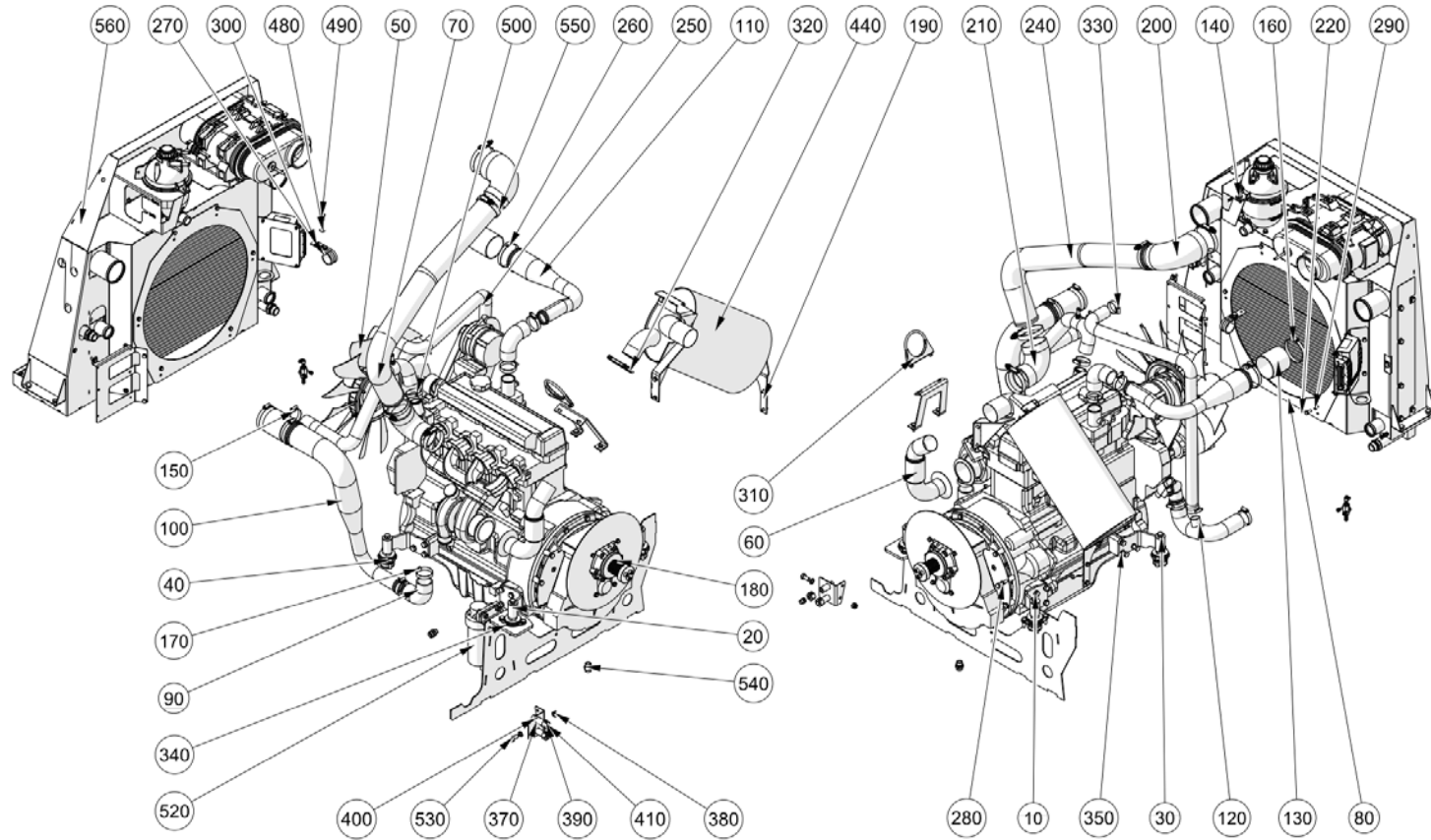
Engine Assembly JD/S3a/86/12v (7023860 / E708932)

Powapack & Exhaust\Twin Engines\John Deere\Engine Assembly JD/S3a/86/12v

Item no.	Part no.	Description	QTY	Unit
10	7014403	Engine Mount RH Rear Assembly	1	PC
20	7014396	Engine Mount LH Rear Assembly	1	PC
30	7014395	Engine Mount RH Front Assembly	1	PC
40	7014385	Engine Mount LH Front Assembly	1	PC
60	7024119	Pipe Inlet W/Bellows	1	PC
70	7008215	Hose Top Radiator	1	PC
80	7009495	Adaptor Cooling System	1	PC
90	904-35	Elbow - Rubber 2" 90 Deg.	2	PC
100	7011339	Pipe - Charge air	1	PC
110	7011335	Pipe - Charge air	1	PC
120	7018544	Coolant Hose, Bottom - JD	1	PC
130	7009101	Hose-Engine Ø89(P532956)	2	PC
140	92097376-0	Hex Head Screw - M8Cx25 - 8.8	1	PC
150	09531012-0	Hose Clip - Worm Drive (60-80)	3	PC
160	501-8	Hose Clip - Worm Drive (85-100)	4	PC
170	09531004-0	HOSE CLAMP 50-70 wd12 C7 W2	4	PC
180	7018238	Gearbox Install - John Deere	1	PC
190	7023928	Manifold Support Bracket	1	PC
200	904-62	Elbow 4" - 3 1/2" (Rubber)	1	PC
210	61096-3	Rubber elbow	1	PC
220	92097410-0	Hex Head Screw - M10Cx20 - 8.8	2	PC
240	7023960	Intake Manifold JD/86KW/S3A	1	PC
250	7024011	Radiator Feed Hose JD S3a S3b	1	PC
260	507-6	Hose Clamp - Constant Torque (95-118)	1	PC

**Engine Assembly JD/S3a/86/12v (7023860 / E708932)**

Powapack & Exhaust\Twin Engines\John Deere\Engine Assembly JD/S3a/86/12v



M02PE010

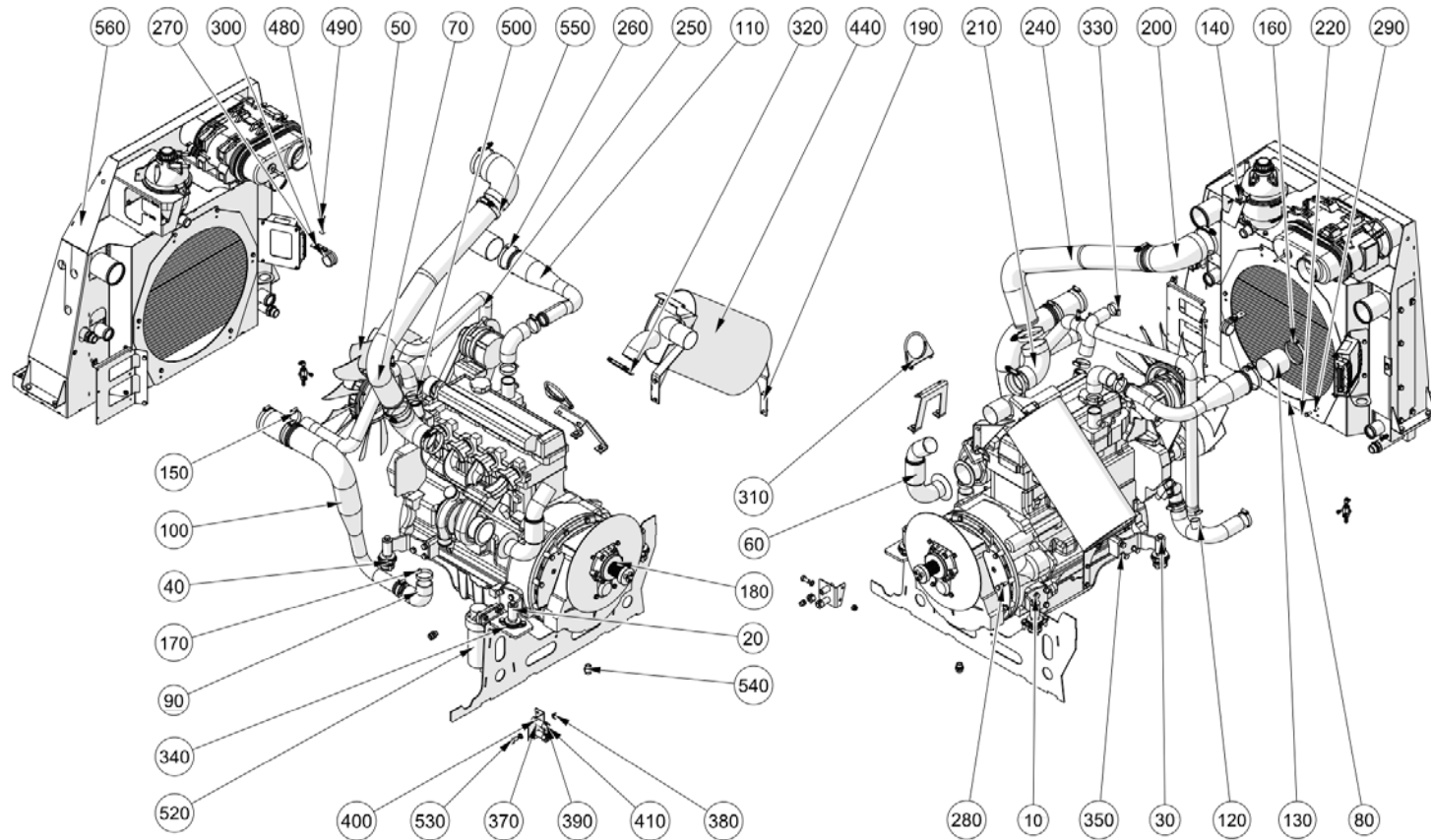
**Engine Assembly JD/S3a/86/12v (7023860 / E708932)**

Powapack & Exhaust\Twin Engines\John Deere\Engine Assembly JD/S3a/86/12v

Item no.	Part no.	Description	QTY	Unit
270	508-12	Clip - P Rubber Covered 44.50MM	1	PC
280	93699711-0	Spring Washer - Plated M10	1	PC
290	93699710-0	Spring Washer - Plated M8	1	PC
300	7025527	Support Bracket	1	PC
310	6645-21-A	Clip - Exhaust Banelli 3 5/8"	1	PC
320	6645-14	Clip - Exhaust Banelli 2 3/4"	1	PC
330	09531011-0	Hose Clip - Worm Drive (40-55)	2	PC
340	6601-1431	Stud Coupling Male M18x1.50 x M22x1.50	1	PC
350	93699712-0	Spring Washer - Plated M12	1	PC
370	7023964	Bracket	1	PC
380	93085007-0	Nyloc Hex Thin Nut M12C - 8	1	PC
390	09572104-0	Plug Female - Tube O/D = 15mm	2	PC
400	302-3	Straight Bulkhead Connector M22 x 1.5	2	PC
410	09570009-0	Cap Nut - M22 x 1.5 (Tube O/D = 15mm)	2	PC
440	7023865	Exhaust Silencer Install	1	PC
480	93212012-0	Plain Washer M10	2	PC
490	93085806-0	Nyloc Hex Nut M10C - 8	1	PC
500	09531034-0	Hose Clip - Worm Drive (40-60)	1	PC
520	7023896	Fuel Filter Installation JD/86/S3a	1	PC
530	92097448-0	Hex Head Screw - M12Cx25 - 8.8	1	PC
540	6601-1329	Stud Coupling Male G 1/2" x M22 x 1.5	1	PC
550	507-5	Hose Clamp - Constant Torque (83-105)	3	PC
560	7017955	Cooling Pack Assembly	1	PC
5030	H1SC12002-180	Hose - Hyd straight x 90swept	1	PC

**Engine Assembly JD/S3a/86/12v (7023860 / E708932)**

Powapack &amp; Exhaust\Twin Engines\John Deere\Engine Assembly JD/S3a/86/12v



M02PE010



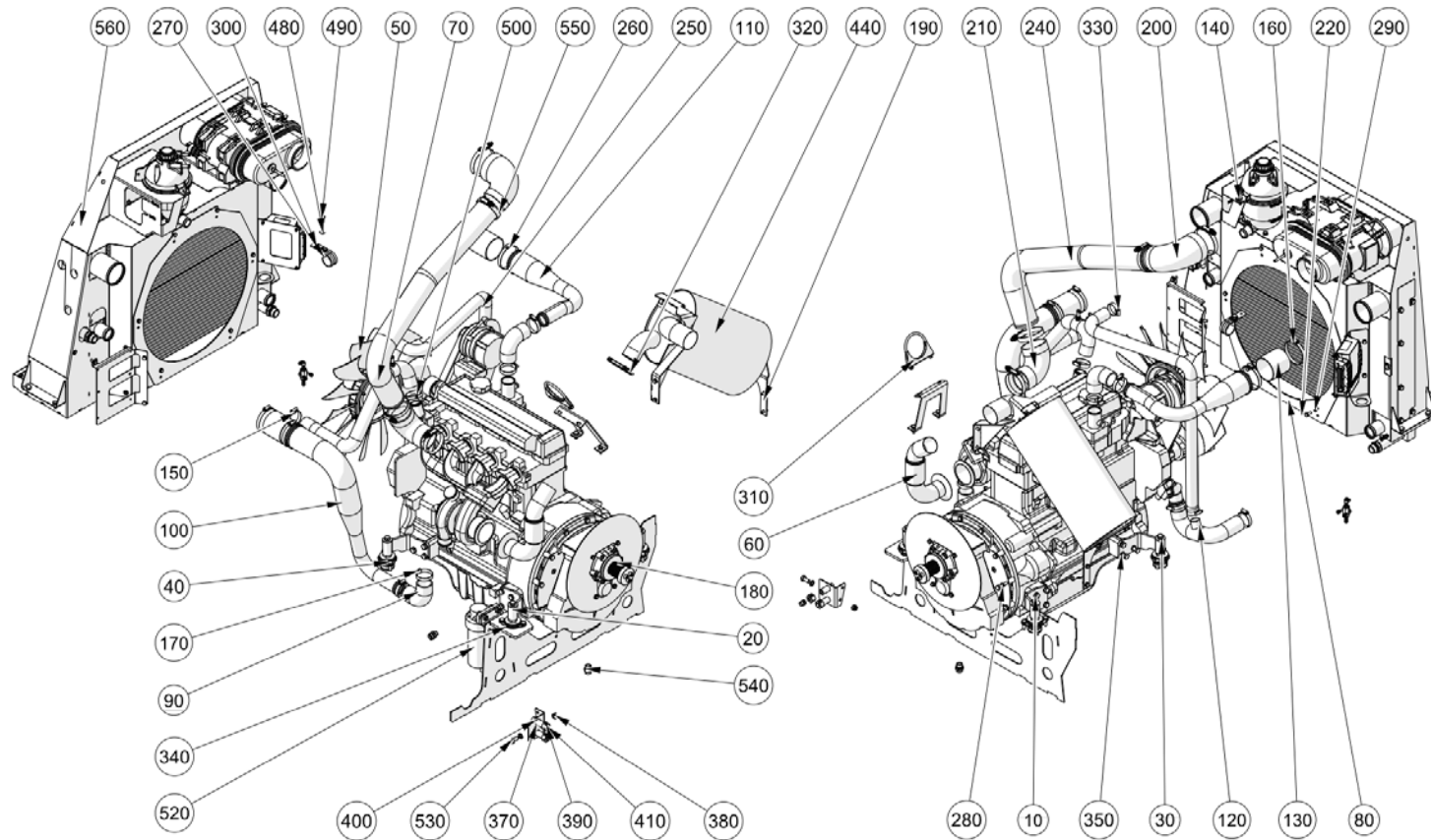
**Engine Assembly JD/S3a/86/12v (7023860 / E708932)**

Powapack & Exhaust\Twin Engines\John Deere\Engine Assembly JD/S3a/86/12v

Item no.	Part no.	Description	QTY	Unit
5040	H1SC12001-160	Hose - Hyd straight x 45 swept	1	PC
5050	7011338	Cable Assembly	1	PC
5080	7005662	Cable Assembly	1	PC
5090	48-360	Relay-Type 4RA 12v	1	PC
5100	7012884	Bracket	1	PC
5110	134-12	Pan Head Screw-M3Cx10-4.8-Pozidriv	4	PC
5120	93085001-0	Nyloc Hex Nut M3C - 8	4	PC
5130	93212005-0	Plain Washer M3	4	PC
5140	92097384-0	Hex Head Screw - M8Cx60 - 8.8	2	PC
5150	93085005-0	Nyloc Hex Thin Nut M8C - 8	2	PC
5160	93212011-0	Plain Washer M8	2	PC
5180	273-27	Fuel Hose 10mm I/D 17mm O/D	2	M
5190	282692-2	hose - Fuel Return 2400lg	1	PC
5200	264-2	Adaptor M/M - Bulkhead 1/4 BSP	1	PC
5210	277-307	Swivel Nut & Hosetail 1/4" BSPP 3/8" ID	1	PC
5220	282689-1	Hose - Fuel Pre Filter To Eng	1	PC
50	7023981	Fan Assembly John Deere	1	PC
5300	840-215	V 501,651,801 J.D 86KW Service A 500Hrs	1	PC
Service Kit 500 Hours				
5310	840-216	V 501,651,801 J.D 86KW Service B 1000Hrs	1	PC
Service Kit 1000 Hours				
5320	840-217	V 501,651,801 J.D 86KW Service C 2000Hrs	1	PC
Service Kit 2000 Hours				

Engine Assembly JD/S3a/86/12v (7023860 / E708932)

Powapack & Exhaust\Twin Engines\John Deere\Engine Assembly JD/S3a/86/12v



M02PE010

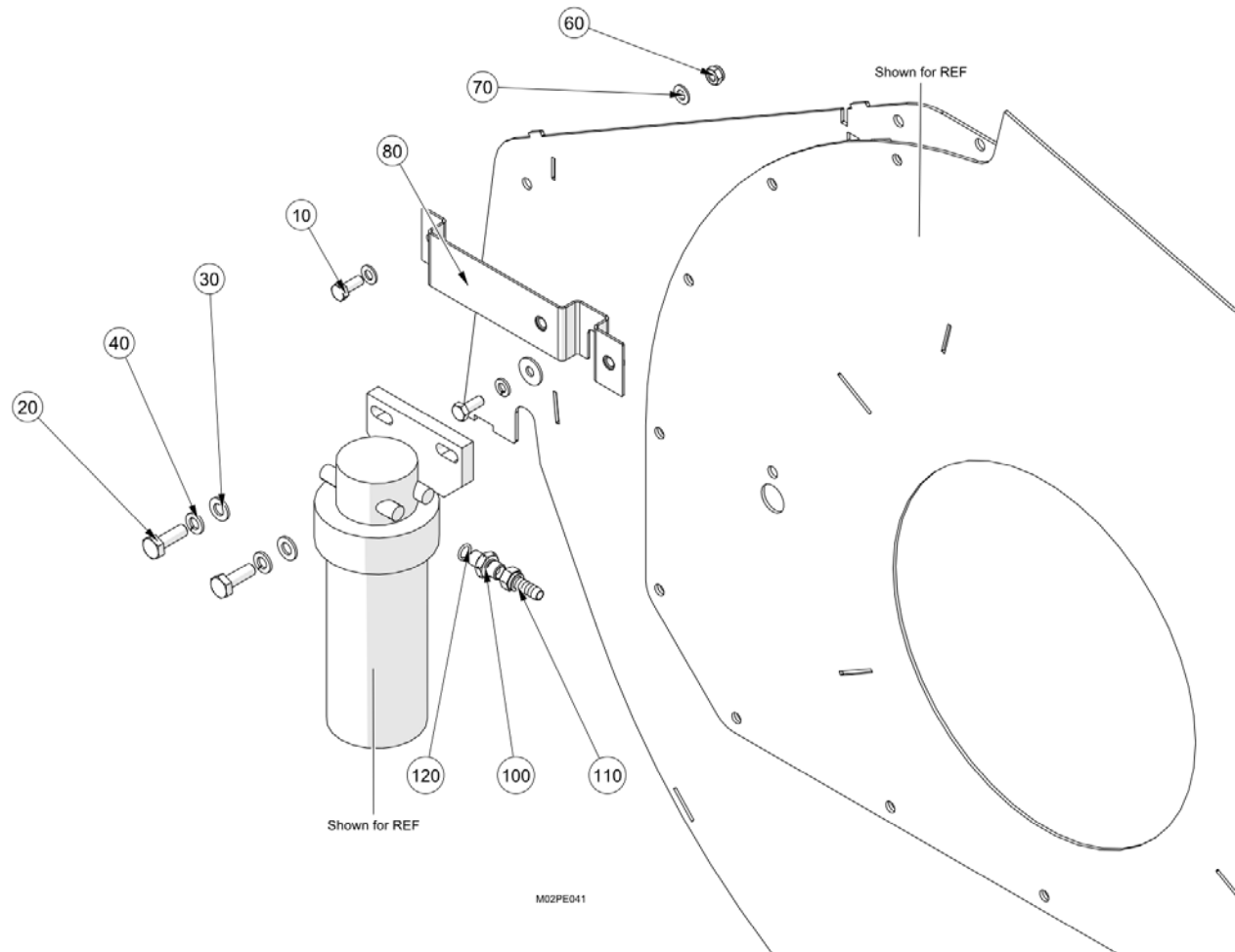
**Engine Assembly JD/S3a/86/12v (7023860 / E708932)**

Powapack &amp; Exhaust\Twin Engines\John Deere\Engine Assembly JD/S3a/86/12v

Item no.	Part no.	Description	QTY	Unit
5330	840-218	V 501,651,801 J.D 86KW Service D 4000Hrs	1	PC
Service Kit 4000 Hours				
5060	7028435	Starter Cable Black	1	PC
5070	7033669	Starter Cable Red	1	PC

**Fuel Filter Installation JD/86/S3a/12V (7023896 / E710312)**

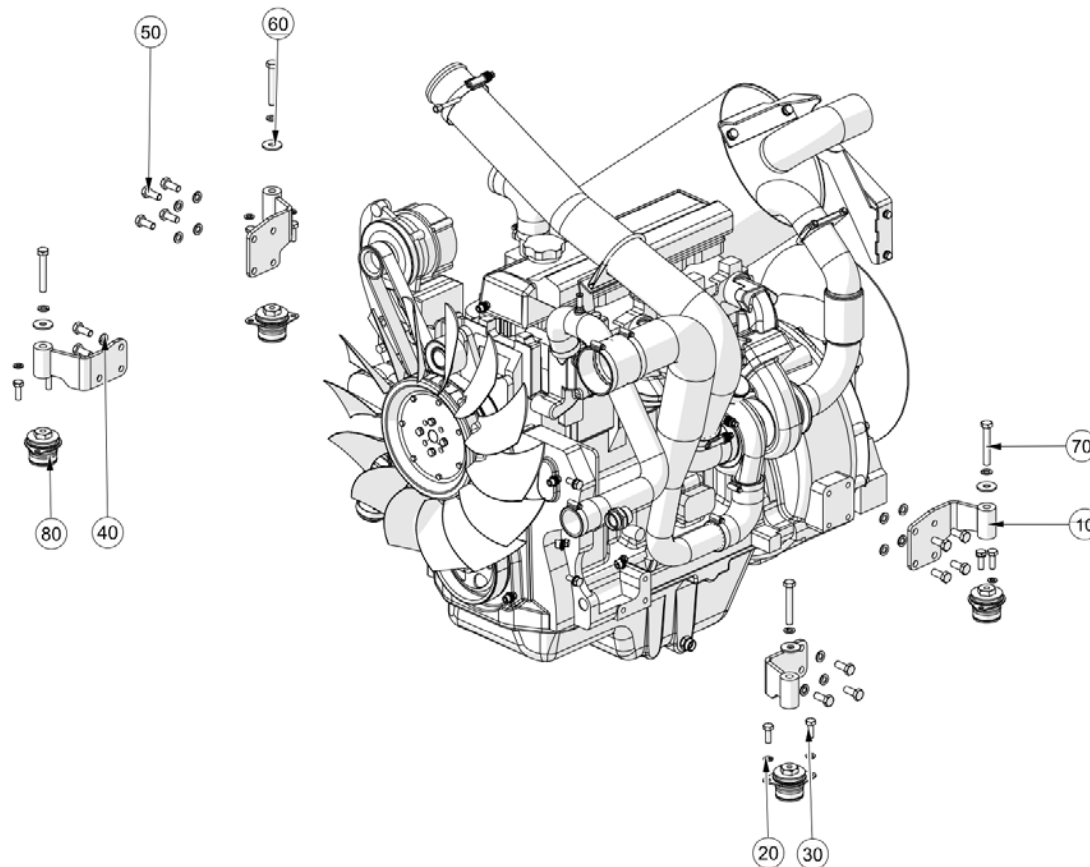
Powapack &amp; Exhaust\Twin Engines\John Deere\Fuel Filter Installation JD/86/S3a/12V



## Fuel Filter Installation JD/86/S3a/12V (7023896 / E710312)

Powapack &amp; Exhaust\Twin Engines\John Deere\Fuel Filter Installation JD/86/S3a/12V

Item no.	Part no.	Description	QTY	Unit
10	92097374-0	Hex Head Screw - M8Cx20 - 8.8	1	PC
20	92097414-0	Hex Head Screw - M10Cx30 - 8.8	2	PC
30	93212012-0	Plain Washer M10	2	PC
40	93699711-0	Spring Washer - Plated M10	2	PC
60	93085005-0	Nyloc Hex Thin Nut M8C - 8	1	PC
70	93212011-0	Plain Washer M8	2	PC
80	7026414	Fuel Filter Bracket W/Assy	1	PC
100	270-1	Adaptor - M12 x 1/4" BSP	1	PC
110	277-307	Swivel Nut & Hosetail 1/4" BSPP 3/8" ID	2	PC
120	80-40	O Ring - Hole Dia.14	1	PC
5000	273-27	Fuel Hose 10mm I/D 17mm O/D	4.2	M
5010	501-2	Hose Clip - Worm Drive (14-22)	6	PC
5020	242-57	ELBOW - 90° Swivel 11/16 UNC F to Barb	1	PC

**Engine Mounts (7014403,7014396,7014395,7014385)**  
Powapack & Exhaust\Twin Engines\John Deere\Engine Mounts

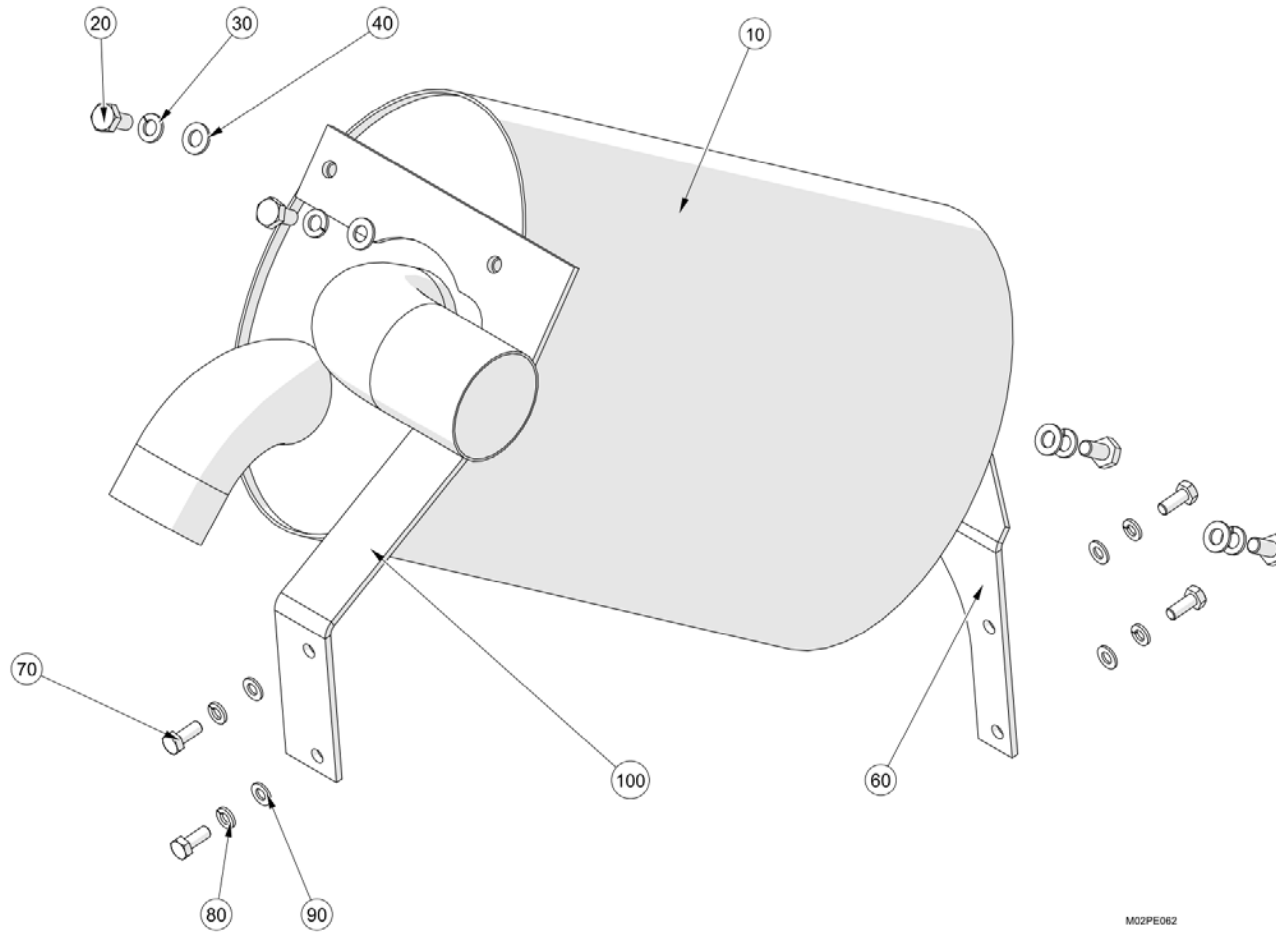
M02PE009

**Engine Mounts (7014403,7014396,7014395,7014385)**  
Powapack & Exhaust\Twin Engines\John Deere\Engine Mounts

Item no.	Part no.	Description	QTY	Unit
10	7007707	Engine mount Rear RH Side	1	PC
10	7007706	Engine mount Rear LH Side	1	PC
10	7007628	Mount Front RH side	1	PC
10	7007627	Mount Front LH side	1	PC
20	93699711-0	Spring Washer - Plated M10	2	PC
30	92097414-0	Hex Head Screw - M10Cx30 - 8.8	2	PC
40	93699712-0	Spring Washer - Plated M12	5	PC
50	92097450-0	Hex Head Screw - M12Cx30 - 8.8	4	PC
60	93300511-0	Plain Large Washer M12	1	PC
70	6105-1501	Hex Head Bolt - M12Cx80 - 8.8	1	PC
80	22826-1-A	Anti Vibration Mount - 70 S	1	PC

**Exhaust Silencer (7023865 / E711390)**

Powapack & Exhaust\Twin Engines\John Deere\Exhaust Silencer



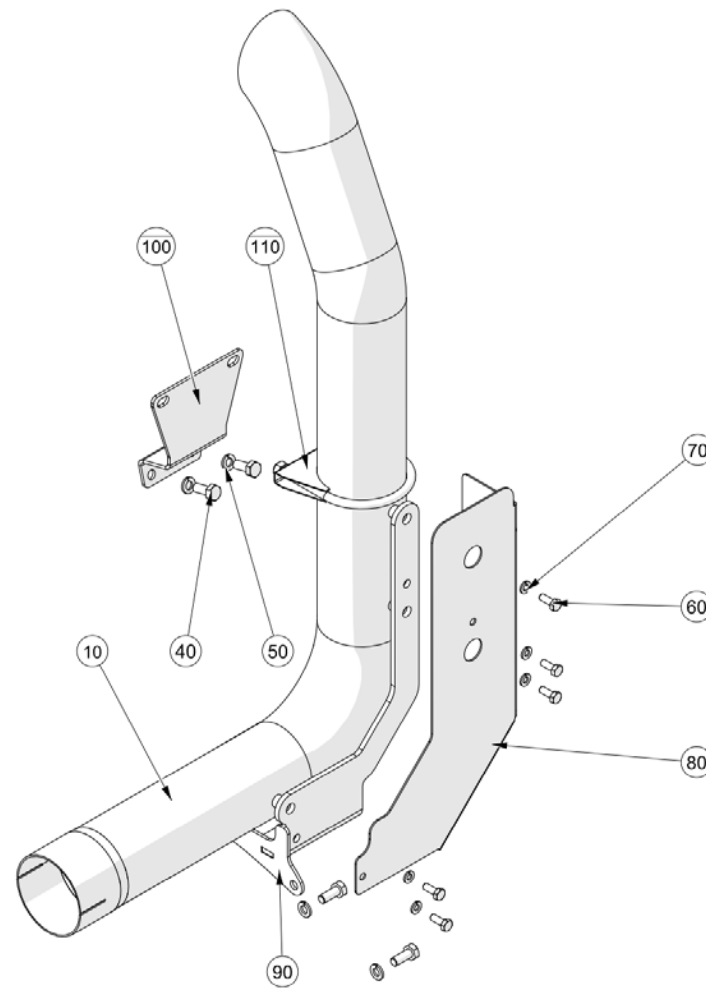


**Exhaust Silencer (7023865 / E711390)**

Powapack &amp; Exhaust\Twin Engines\John Deere\Exhaust Silencer

Item no.	Part no.	Description	QTY	Unit
10	7009061	Exhaust silencer -Exhaust system	1	PC
20	92097410-0	Hex Head Screw - M10Cx20 - 8.8	4	PC
30	93699711-0	Spring Washer - Plated M10	4	PC
40	93212012-0	Plain Washer M10	4	PC
60	7023798	Exhaust Silencer Lower Mounting Bracket	1	PC
70	92097374-0	Hex Head Screw - M8Cx20 - 8.8	4	PC
80	93699710-0	Spring Washer - Plated M8	4	PC
90	93212011-0	Plain Washer M8	4	PC
100	7035174	Angle Plate	1	PC

**Tailpipe Assembly (7023472 / E709137 , 7023483 / E709137)**  
Powapack & Exhaust\Twin Engines\John Deere\Tailpipe Assembly

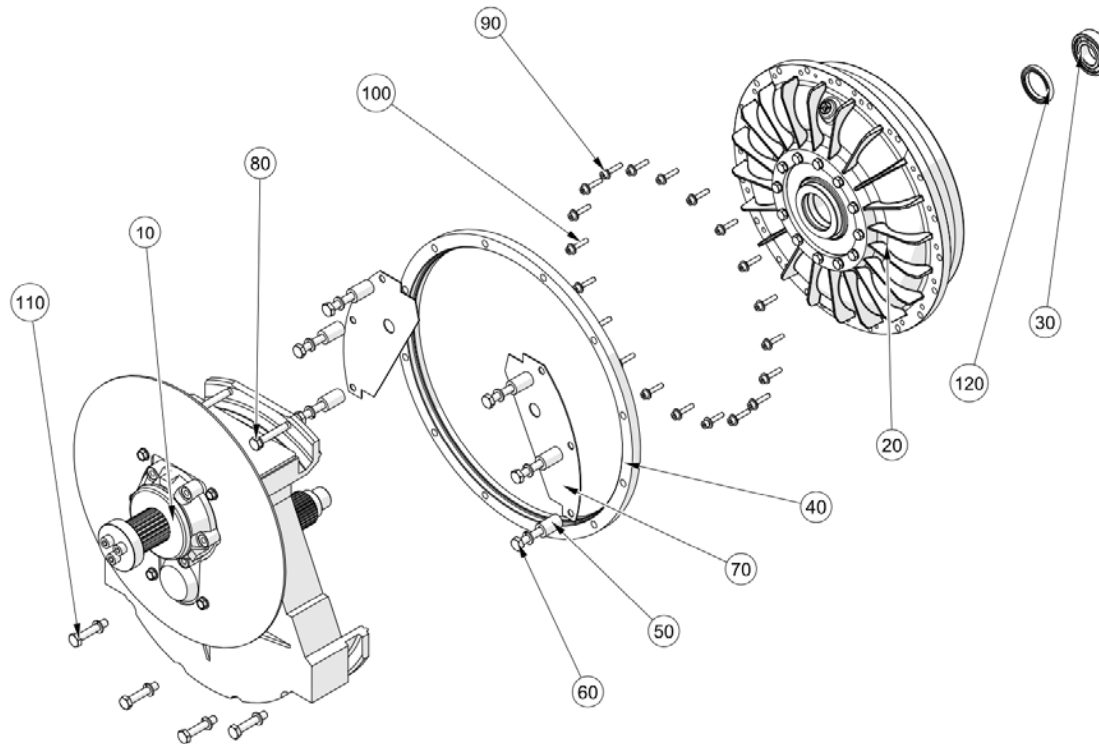


M02PE061

**Tailpipe Assembly (7023472 / E709137 , 7023483 / E709137)**  
Powapack & Exhaust\Twin Engines\John Deere\Tailpipe Assembly

Item no.	Part no.	Description	QTY	Unit
10	7023482	JD Tailpipe High W/Assy	1	PC
10	7023452	JD Tailpipe Low W/Assy	1	PC
40	92097374-0	Hex Head Screw - M8Cx20 - 8.8	4	PC
50	93699710-0	Spring Washer - Plated M8	4	PC
60	92097299-0	Hex Head Screw - M6Cx16 - 8.8	5	PC
70	93699708-0	Spring Washer - Plated M6	5	PC
80	7026456	Heat Shield	1	PC
90	7026454	Tailpipe support W/Assy	1	PC
100	7027583	JD Exhaust Clamp Bracket	1	PC
110	6645-17-A	Clip - Exhaust Banelli 3 1/8"	1	PC

**Transmission Installation - John Deere (7018238 / E707264)**  
Powapack & Exhaust\Twin Engines\John Deere\Transmission Installation - John Deere



M02PE032

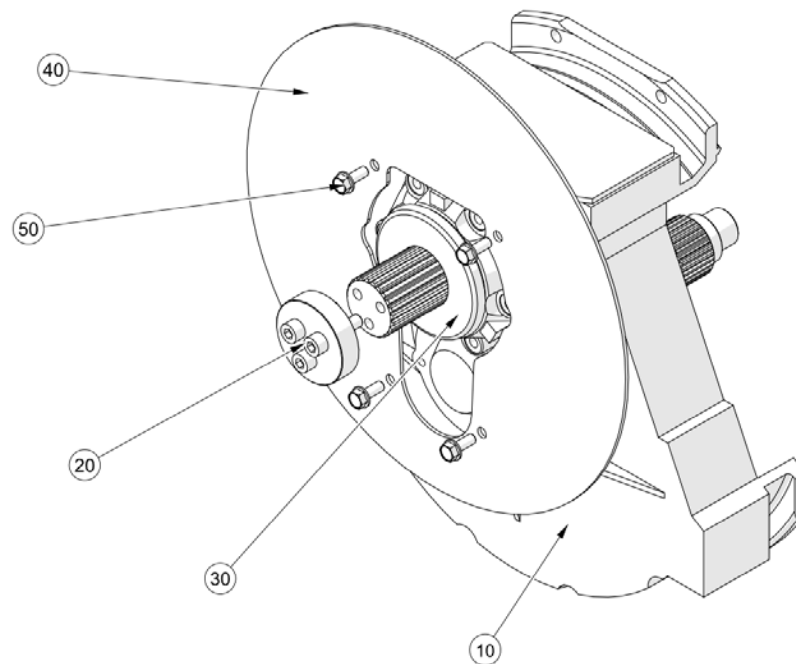
## Transmission Installation - John Deere (7018238 / E707264)

Powapack &amp; Exhaust\Twin Engines\John Deere\Transmission Installation - John Deere

Item no.	Part no.	Description	QTY	Unit
10	7017210	Gearbox Assembly	1	PC
20	295151-1	Fluid Coupling John Deere	1	PC
30	14-7	Bearing - 30x62x16	1	PC
40	63641-1	Spacer Ring - John Deere	1	PC
50	920000-32	Spacer Nylon 20 Dia X 32mm Lg	6	PC
60	92067426-0	Hex Head Bolt - M10Cx70 - 8.8	6	PC
70	42299-1-C	Cover - Safety	2	PC
80	93699711-0	Spring Washer - Plated M10	12	PC
90	452-57	Washer - M8 X 15 - ZN Clear	20	PC
100	92137084-0	Hex Socket Cap Screw - M6Cx30 - 12.9	20	PC
110	92067423-0	Hex Head Bolt - M10Cx55 - 8.8	6	PC
120	77-39	Seal - Oil 40x55x7mm	1	PC

**Gearbox Assembly (7017210 / E707264)**

Powapack &amp; Exhaust\Twin Engines\John Deere\Transmission Installation - John Deere\Gearbox Assembly



M02PE029

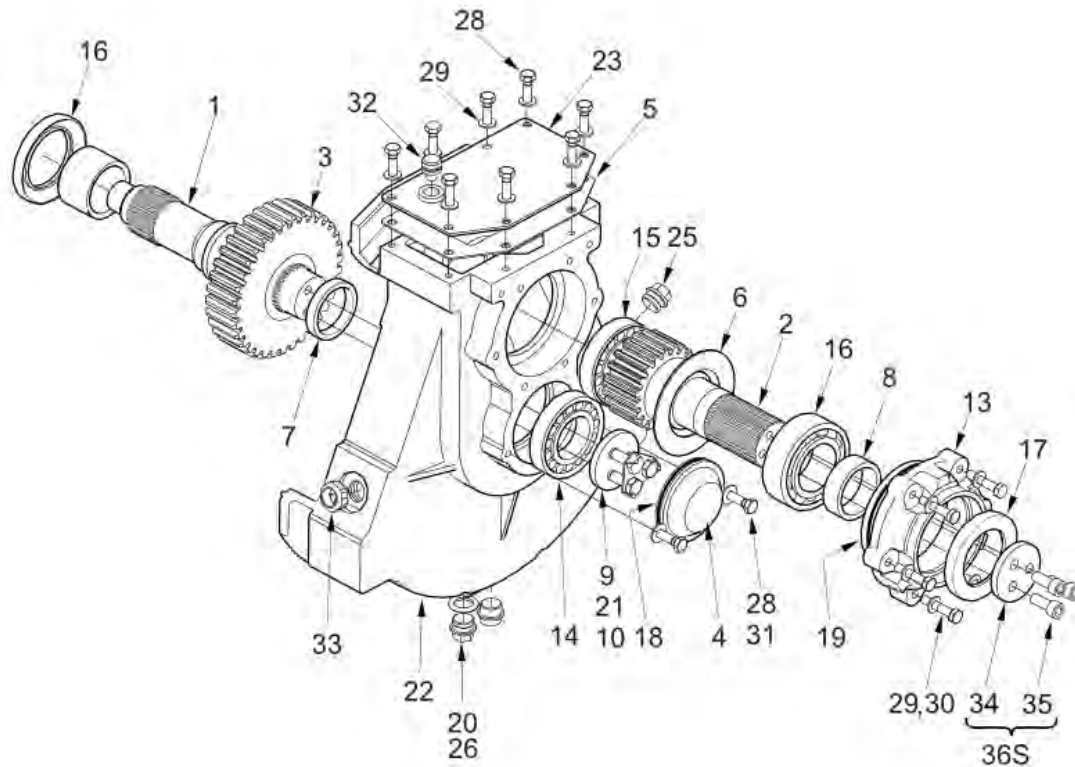
**Gearbox Assembly (7017210 / E707264)**

Powapack &amp; Exhaust\Twin Engines\John Deere\Transmission Installation - John Deere\Gearbox Assembly

Item no.	Part no.	Description	QTY	Unit
10	42270-1-C	Gearbox Assembly	1	PC
30	62025-1	Spinner - Gearbox	1	PC
40	42284-1-B	Mask - Fancase	1	PC
50	837-37	Screw - Special M8c x 20	4	PC
20	7028458	Fixing Kit	1	PC

**Gearbox Assembly (42270-1-C)**

Powapack & Exhaust\Twin Engines\John Deere\Transmission Installation - John Deere\Gearbox Assembly\Gearbox Assembly



Gear Set 7024821 comprises the following :

Item	Description	Qty
1	Input Shaft	1
2	Output Shaft	1
3	Input Gear	1
4	Cap Bearing	1
5	Gasket	1
6	Washer	1
7	Spacer	1
8	Spacer	1
9	Set Screw M10F x25	3
10	Clamp Plate	1
11	Bearing Set (See below)	1

11 - Bearing Set 7024822 comprises the followin

Item	Description	Qty
13	Bearing Housing	1
14	Bearing	1
15	Bearing	1
16	Bearing	1
12	Seal Kit (See below)	1

12 - Seal Kit 7024823 comprises the following :

Item	Description	Qty
17	Rotary Seal	2
18	'O' Ring Seal	1
19	'O' Ring Seal	1
20	Washer - Dowty	2
21	Tab Washer	1



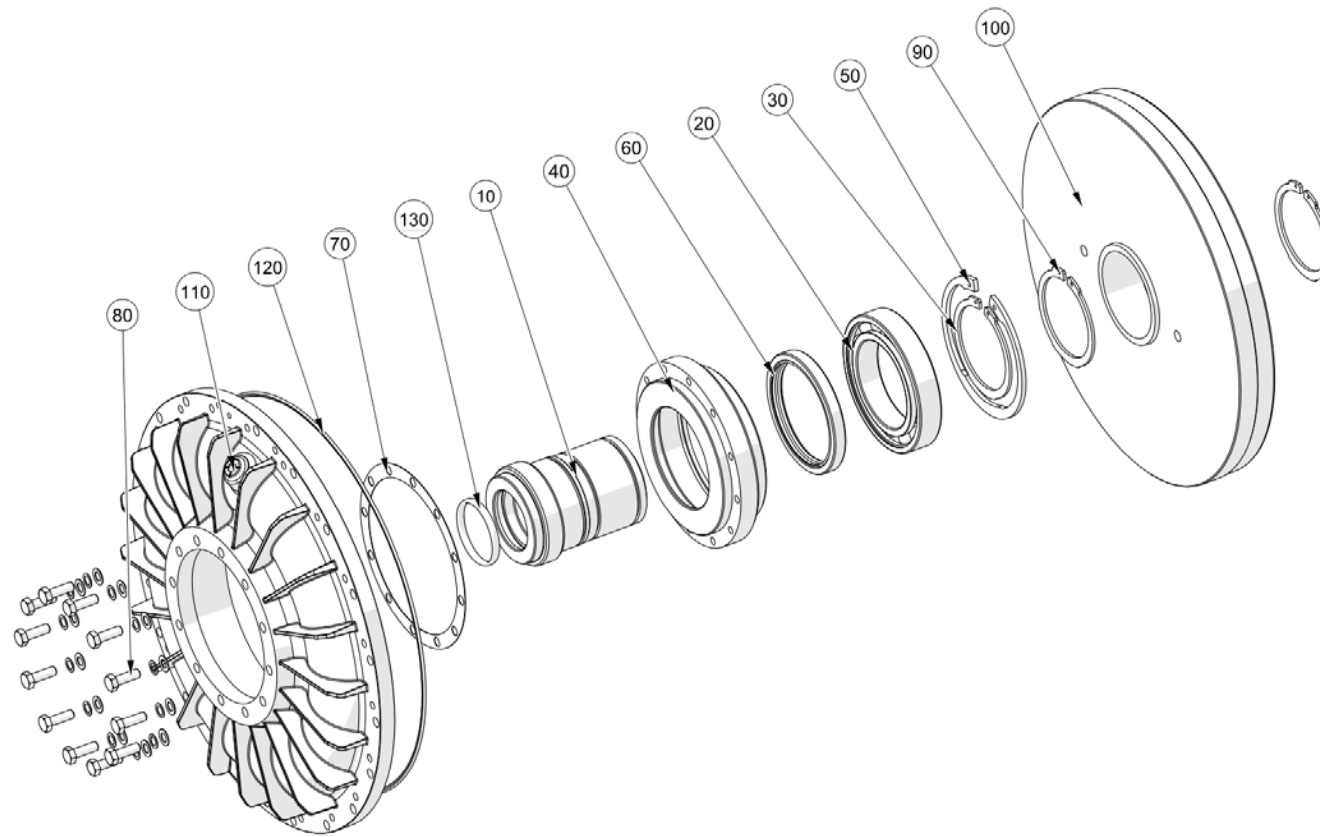
**Gearbox Assembly (42270-1-C)**

Powapack & Exhaust\Twin Engines\John Deere\Transmission Installation - John Deere\Gearbox Assembly\Gearbox Assembly

Item no.	Part no.	Description	QTY	Unit
0	7024821	Gear Set (Fan Drive Gearbox)	1	PC
35	148-1	Screw-Cap HD Tuflok M10x1.25x30 G12.9	3	PC
22	42271-2-D	Casing - Gearbox (Machined)	1	PC
23	42277-1-D	Cover Plate Welded Assembly	1	PC
5	42279-1-B	Gasket Coverplate	1	PC
25	54-4	Plug - Collar G1/2" BSP	3	PC
26	13109	Plug Drain Magnetic 1/2" BSP	1	PC
20	451-19	Washer - Bonded G1-2"	2	PC
9	121-41	Setscrew M10F x 25	2	PC
28	124-137	Setscrew M8C x 25	10	PC
29	460-10	Washer Spring Single Coil M8	16	PC
30	124-143	Setscrew M8C x 40	6	PC
31	457-4	Washer Plain Steel M8 Form G	2	PC
21	42659-1-A	Washer Tab	1	PC
32	16978-1-A	Breather	1	PC
33	87-7	Gauge - Oil Level Indicator	1	PC
11	7024822	Bearing Set	1	PC
12	7024823	Seal Kit	1	PC
36S	7028458	Fixing Kit	1	PC
Not supplied in kits - Comprising items 34 and 35				

**Fluid Coupling John Deere (295151-1 / E707131)**

Powapack & Exhaust\Twin Engines\John Deere\Transmission Installation - John Deere\Fluid Coupling John Deere



M02PE013

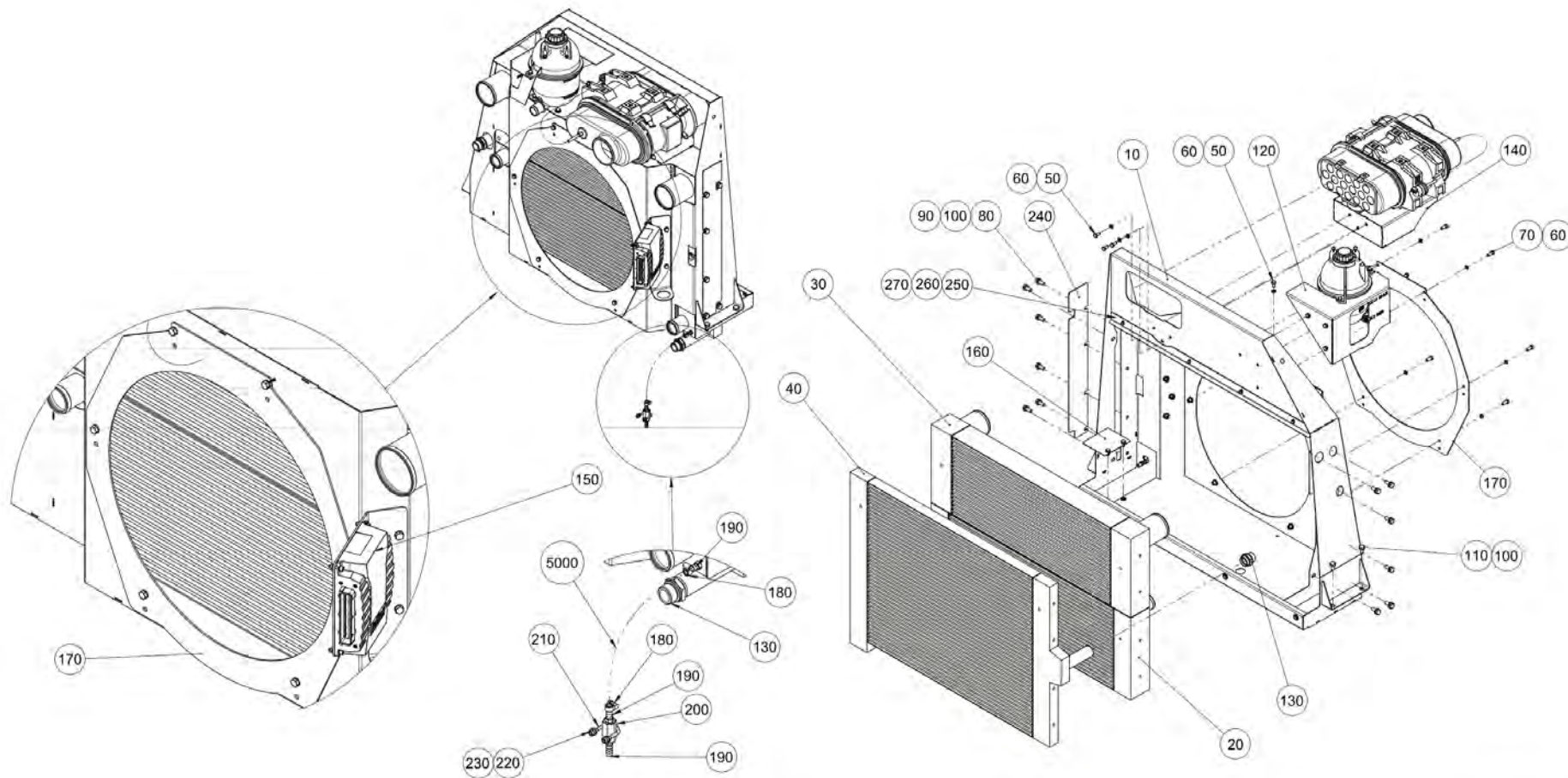
**Fluid Coupling John Deere (295151-1 / E707131)**

Powapack &amp; Exhaust\Twin Engines\John Deere\Transmission Installation - John Deere\Fluid Coupling John Deere

Item no.	Part no.	Description	QTY	Unit
10	656-12	Hub	1	PC
20	656-7	Bearing	1	PC
30	656-5	Circlip - External I/D	1	PC
40	656-13	Housing Bearing	1	PC
50	656-6	Circlip - Internal O/D	1	PC
60	656-8	Oil Seal	1	PC
70	656-9	Gasket	1	PC
80	656-14	Screw - Fluid Coupling	12	PC
90	656-4	Circlip - External I/D	2	PC
100	656-10	Impeller Inner	1	PC
110	656-3	Plug	1	PC
120	656-1	O Ring	1	PC
130	656-2	O Ring	1	PC

**Cooling Pack Assembly (7017955 / E708783)**

Powapack &amp; Exhaust\Twin Engines\Cooling System\Cooling Pack Assembly



7017955E709826

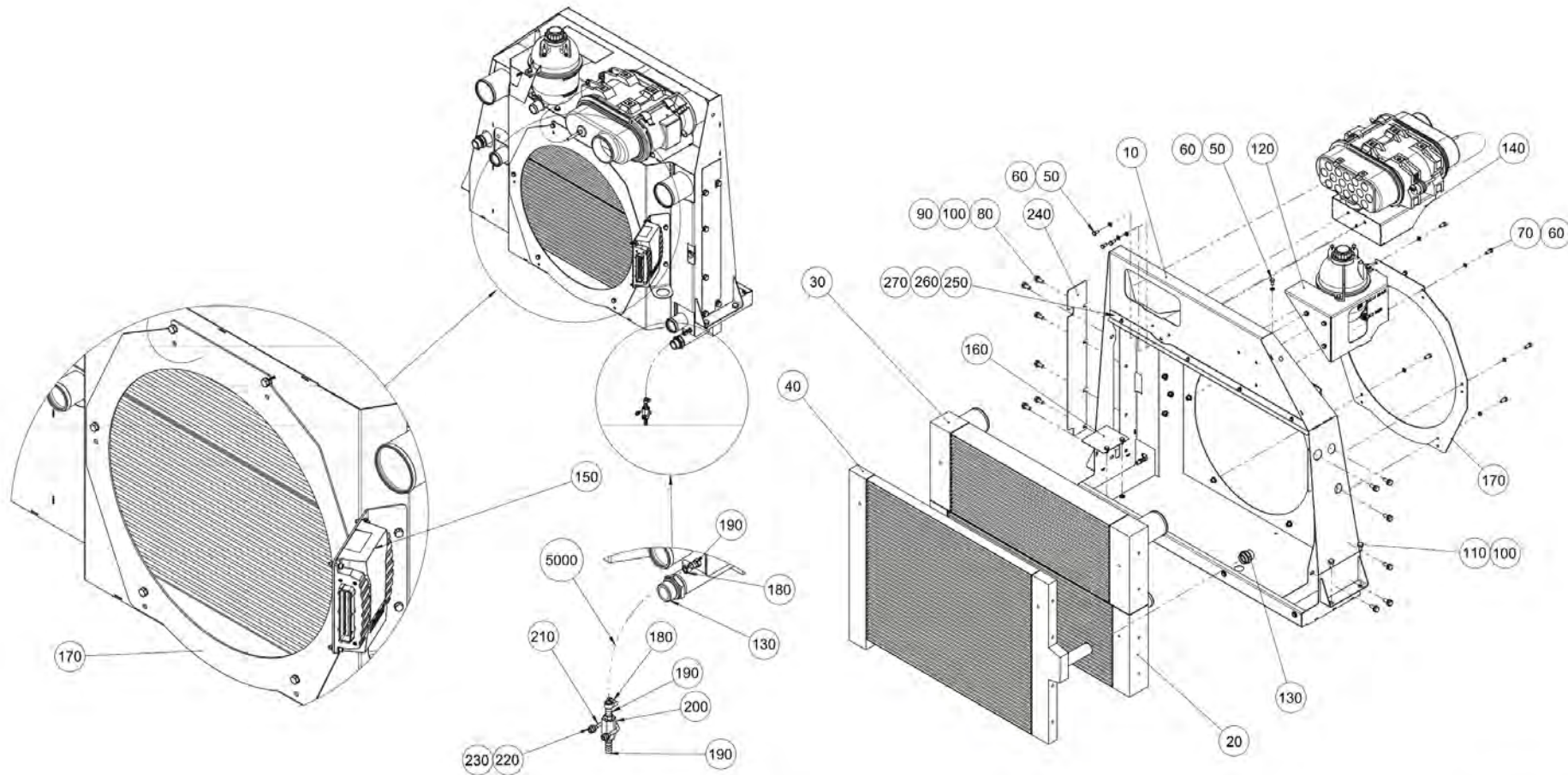
**Cooling Pack Assembly (7017955 / E708783)**

Powapack & Exhaust\Twin Engines\Cooling System\Cooling Pack Assembly

Item no.	Part no.	Description	QTY	Unit
10	7017848	Radiator Shroud Welded Assembly	1	PC
20	7002540	Radiator	1	PC
30	7002541	Charge Air Cooler	1	PC
40	7002542	Oil Cooler	1	PC
50	92097372-0	Hex Head Screw - M8Cx16 - 8.8	4	PC
60	93699710-0	Spring Washer - Plated M8	10	PC
70	92097374-0	Hex Head Screw - M8Cx20 - 8.8	6	PC
80	92097412-0	Hex Head Screw - M10Cx25 - 8.8	12	PC
90	93212012-0	Plain Washer M10	12	PC
100	93699711-0	Spring Washer - Plated M10	16	PC
110	92097410-0	Hex Head Screw - M10Cx20 - 8.8	4	PC
120	7018409	Expansion Tank Install	1	PC
130	6601-1349	Stud Coupling Male G 1" x M36 x 2.0	2	PC
140	7018388	Air Cleaner install.	1	PC
150	7013988	Bracket Control System	1	PC
160	7013990	Cover Power Pack Assembly	1	PC
170	7024236	Fan Height Adaptor	1	PC
180	09531053-0	Hose Clip - Worm Drive (9.5 -12)	2	PC
190	46382-3-B	Adaptor - Brass R 1/4	3	PC
200	88-51	Ball Valve - 1/4" F-F	1	PC
210	6105-1-C	Bolt - U M6c	1	PC
220	93085004-0	Nyloc Hex Nut M6C - 8	2	PC
230	93212009-0	Plain Washer M6	2	PC
240	7027358	Cowl Access Panel	1	PC

**Cooling Pack Assembly (7017955 / E708783)**

Powapack &amp; Exhaust\Twin Engines\Cooling System\Cooling Pack Assembly



7017955E709826

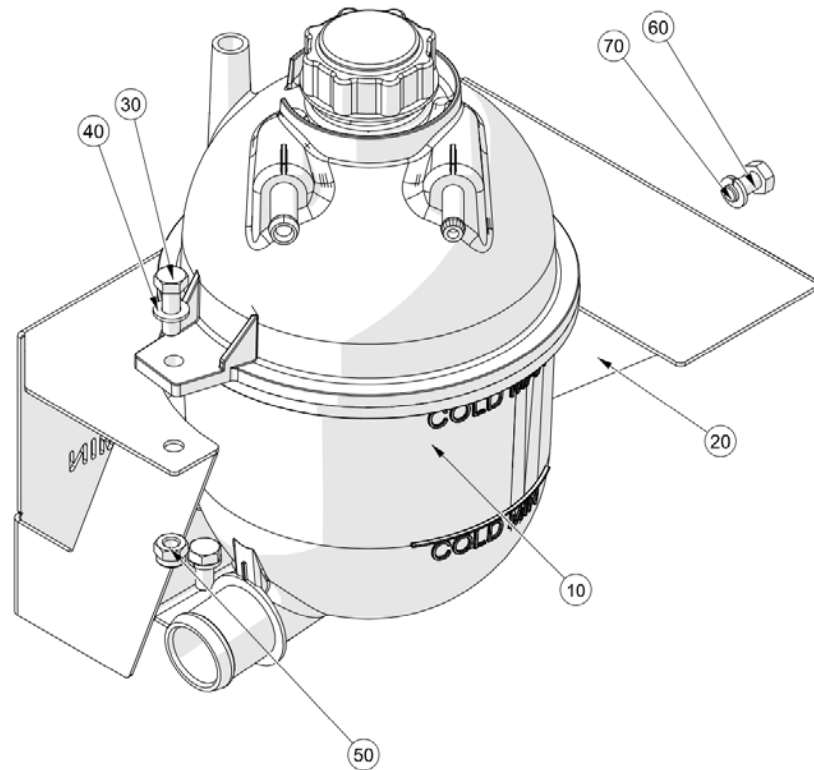
**Cooling Pack Assembly (7017955 / E708783)**

Powapack &amp; Exhaust\Twin Engines\Cooling System\Cooling Pack Assembly

Item no.	Part no.	Description	QTY	Unit
250	7028034	Debris Guard	1	PC
260	92097301-0	Hex Head Screw - M6Cx20 - 8.8	4	PC
270	93699708-0	Spring Washer - Plated M6	4	PC
5000	271-41	Hose - Silicone 9.5mm I/D	0.5	M

**Expansion Tank Installation (7018409 / E708992)**

Powapack & Exhaust\Twin Engines\Cooling System\Cooling Pack Assembly\Expansion Tank Installation



M02PE014



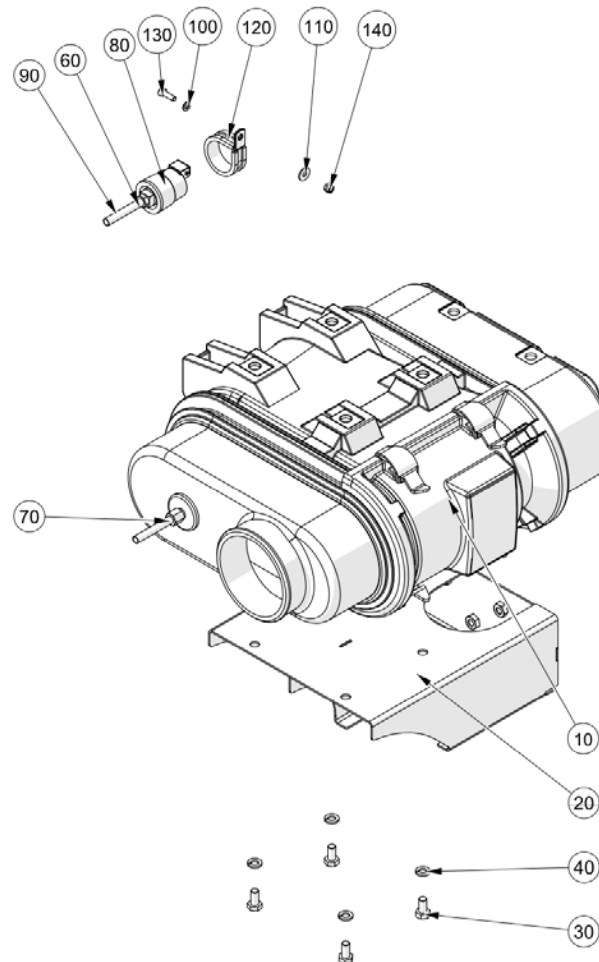
**Expansion Tank Installation (7018409 / E708992)**

Powapack &amp; Exhaust\Twin Engines\Cooling System\Cooling Pack Assembly\Expansion Tank Installation

Item no.	Part no.	Description	QTY	Unit
10	7017985	Expansion Tank, JCB	1	PC
20	7018406	Bracket Weld Assy-Expansion Tank	1	PC
30	92097376-0	Hex Head Screw - M8Cx25 - 8.8	2	PC
40	93212011-0	Plain Washer M8	2	PC
50	93085805-0	Nyloc Hex Nut M8C - 8	2	PC
60	92097372-0	Hex Head Screw - M8Cx16 - 8.8	4	PC
70	93699710-0	Spring Washer - Plated M8	4	PC

**Air Cleaner Installation (7018388 / E709256)**

Powapack &amp; Exhaust\Twin Engines\Cooling System\Cooling Pack Assembly\Air Cleaner Installation



M02PE015

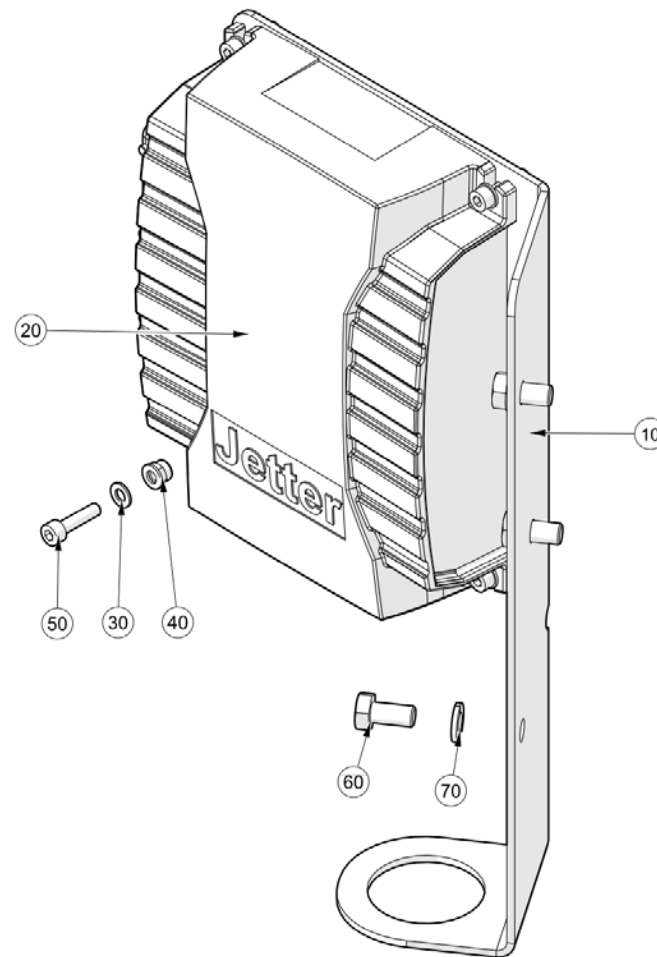
## Air Cleaner Installation (7018388 / E709256)

Powapack &amp; Exhaust\Twin Engines\Cooling System\Cooling Pack Assembly\Air Cleaner Installation

Item no.	Part no.	Description	QTY	Unit
10	7006277	Air filter Assembly	1	PC
20	7018375	Air Filter Bracket W/Assy	1	PC
30	92097372-0	Hex Head Screw - M8Cx16 - 8.8	4	PC
40	93699710-0	Spring Washer - Plated M8	4	PC
60	904-56	Adaptor - R 1/8" M x 6mm	1	PC
70	904-58	Adaptor - R1/8" x 6mm	1	PC
80	7007654	Pressure switch -Engine 55 Pa (X770316)	1	PC
90	12870	Tube - Nylon Black 8mm O/D	1	M
100	93210109-0	Plain Washer M5	1	PC
110	93300506-0	Plain Large Washer M5	1	PC
120	508-115	Clip - P Rubber Covered 35.00mm	1	PC
130	92097263-0	Hex Head Screw - M5Cx16 - 8.8	1	PC
140	93085003-0	Nyloc Hex Nut M5C - 8	1	PC
11	295095-2	Primary Filter - Air Cleaner	1	PC
12	295095-3	Safety Filter - Air Cleaner	1	PC

**Bracket Control System (7013988 / E708992)**

Powapack &amp; Exhaust\Twin Engines\Cooling System\Cooling Pack Assembly\Bracket Control System



7013988E707716

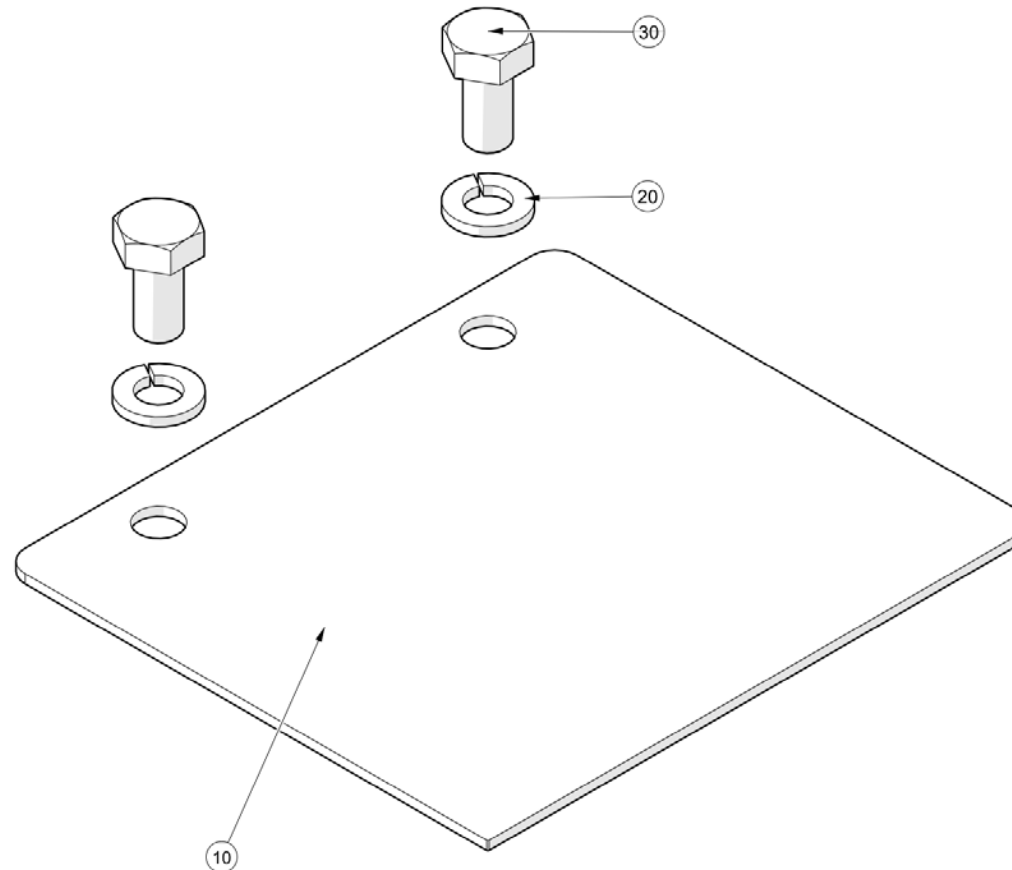
**Bracket Control System (7013988 / E708992)**

Powapack &amp; Exhaust\Twin Engines\Cooling System\Cooling Pack Assembly\Bracket Control System

Item no.	Part no.	Description	QTY	Unit
10	7005121	Bracket Control system	1	PC
20	7005456	Control JXM IO Node	1	PC
30	93210109-0	Plain Washer M5	8	PC
40	93085003-0	Nyloc Hex Nut M5C - 8	4	PC
50	92137044-0	Hex Socket Cap Screw - M5Cx20 - 12.9	4	PC
60	92097372-0	Hex Head Screw - M8Cx16 - 8.8	3	PC
70	93699710-0	Spring Washer - Plated M8	3	PC

**Cover Power Pack Assembly (7013990 / E707716)**

Powapack &amp; Exhaust\Twin Engines\Cooling System\Cooling Pack Assembly\Cover Power Pack Assembly



7013990E705898

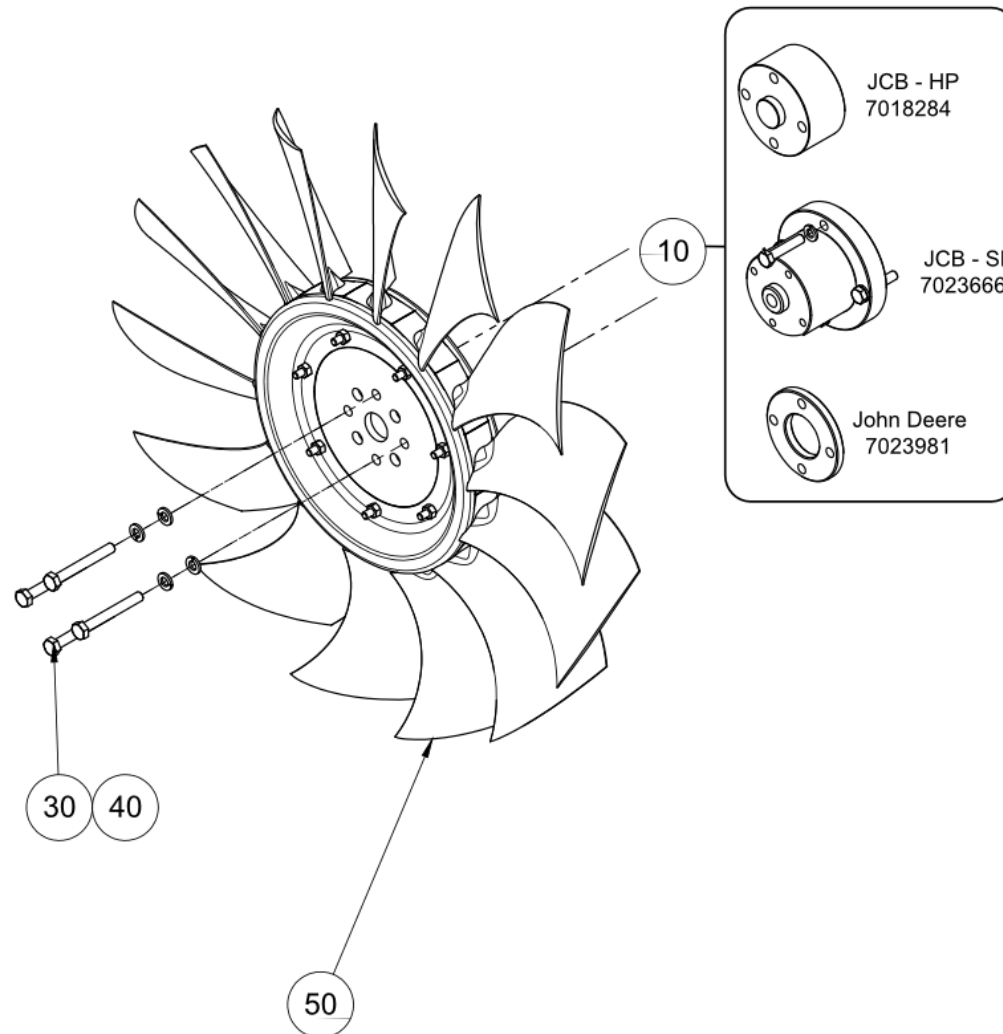
**Cover Power Pack Assembly (7013990 / E707716)**

Powapack &amp; Exhaust\Twin Engines\Cooling System\Cooling Pack Assembly\Cover Power Pack Assembly

Item no.	Part no.	Description	QTY	Unit
10	7007864	Cover -Power pack	1	PC
20	93699710-0	Spring Washer - Plated M8	2	PC
30	92097372-0	Hex Head Screw - M8Cx16 - 8.8	2	PC

**Cooling Fan Installation (7018284 , 7023666 , 7023981)**

Powapack &amp; Exhaust\Twin Engines\Cooling System\Cooling Fan Installation



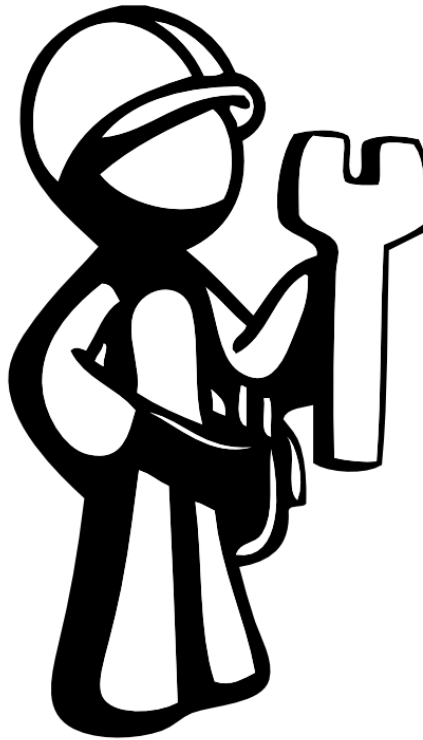


**Cooling Fan Installation (7018284 , 7023666 , 7023981)**

Powapack &amp; Exhaust\Twin Engines\Cooling System\Cooling Fan Installation

Item no.	Part no.	Description	QTY	Unit
10	7017798	Cooling Fan Spacer - JCB	1	PC
JCB - High Power				
30	92067388-0	Hex Head Bolt - M8Cx65 - 8.8	4	PC
40	93699710-0	Spring Washer - Plated M8	4	PC
50	281-10	Fan-Cooling Puller 530 - 14 Blade	1	PC
10	7005396	Spacer Cooling Fan	1	PC
JCB - Standard Power				
10	284088-1	Spacer Cooling Fan 8mm	1	PC
John Deere				

PAGE  
UNDER  
CONSTRUCTION



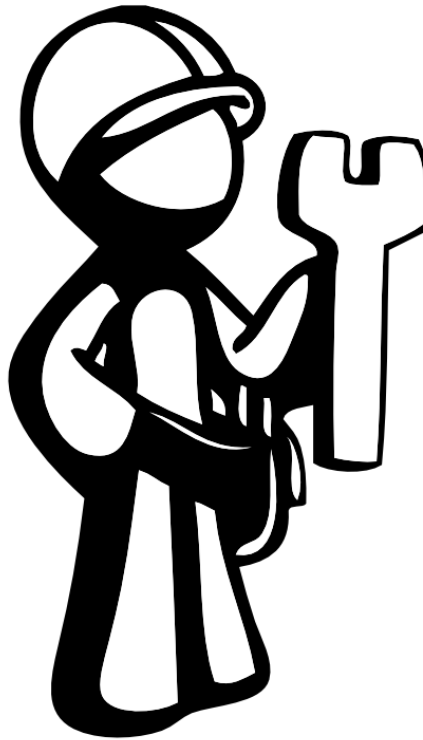
PLEASE  
BEAR  
WITH US

Hydraulic System - JD (6520114-001 , 6520114-002E710657)

Powapack & Exhaust\Twin Engines\Hydraulic System\Hydraulic System - JD

Item no.	Part no.	Description	QTY	Unit
10	7017619	Hydraulic System Installation	1	PC
20	6601-1351	Stud Coupling Male G 1" x M45 x 2.0	1	PC
Single Pump				
30	09572137-0	Sealing Plug VS-R 1 WD	1	PC
Single Pump				
40	7005390	Filter -Hydraulic Suction	1	PC
Tandem Pump				
50	7018842	Hydraulic Pump Assy, Single, 17cc/rev	1	PC
80	H1SC19002-130	Hose - Hyd straight x 90swept	1	PC
90	H2SC12002-130	Hose - Hyd straight x 90swept	1	PC
100	09571074-0	Adjustable Male Elbow - M30 x 2.0	2	PC
120	6613-0505	Adjustable Male Elbow - M22 x 1.5	4	PC
130	6613-0504	Adjustable Male Elbow - M18 x 1.5	1	PC
150	H1SC12002-90	hose - hyd straight x 90 swept	1	PC
160	H1SC31002-150	Hose - Hyd straight x90 Swept	1	PC
170	H2SC19002-100	Hose - Hyd straight x 90swept	1	PC

PAGE  
UNDER  
CONSTRUCTION



PLEASE  
BEAR  
WITH US

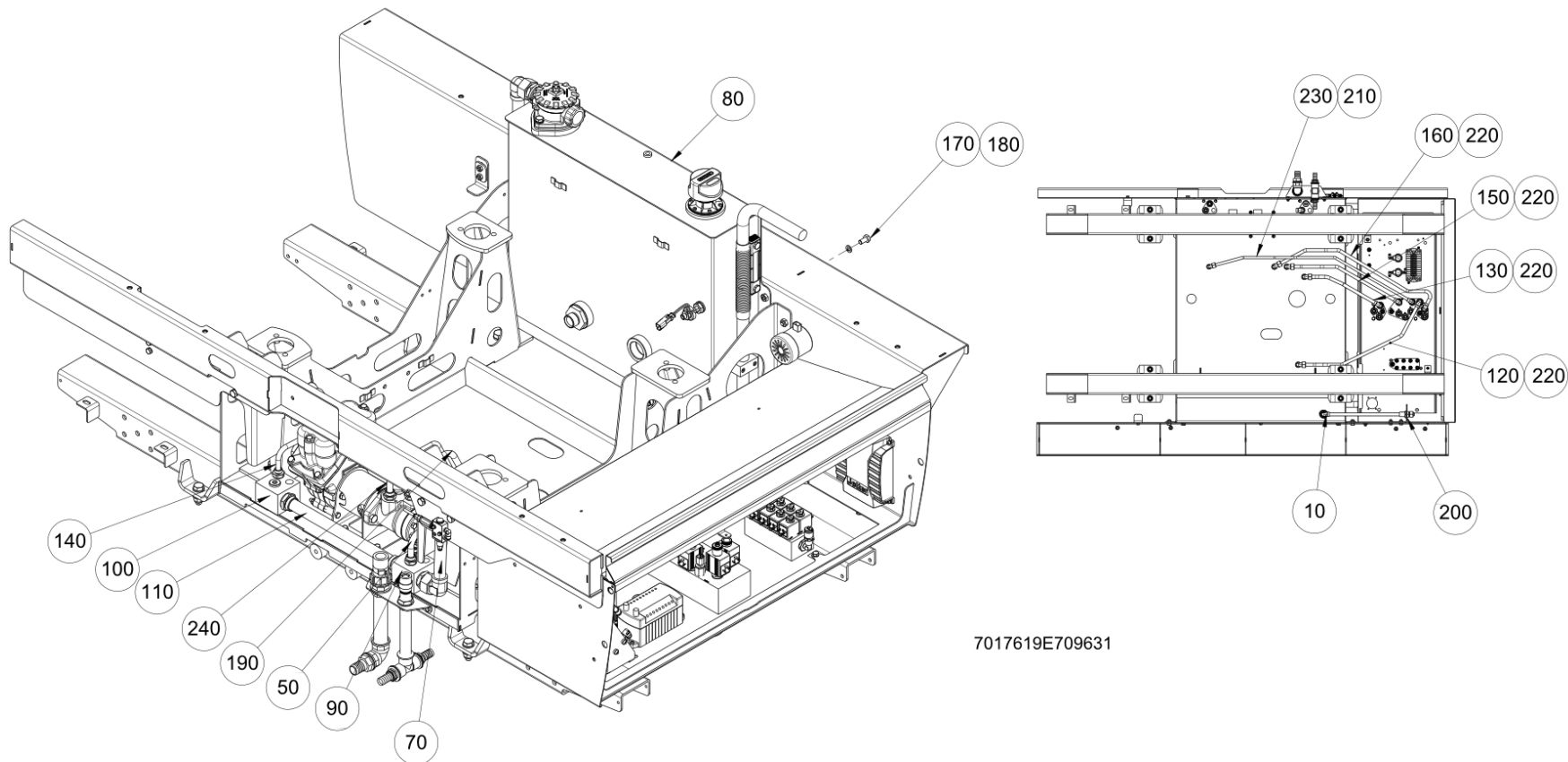
Hydraulic System - JCB (6520114-003 , 6520114-004)

Powapack & Exhaust\Twin Engines\Hydraulic System\Hydraulic System - JCB

Item no.	Part no.	Description	QTY	Unit
10	7017619	Hydraulic System Installation	1	PC
20	7005390	Filter -Hydraulic Suction	1	PC
Tandem Pump				
30	6601-1351	Stud Coupling Male G 1" x M45 x 2.0	1	PC
Single Pump				
40	09572137-0	Sealing Plug VS-R 1 WD	1	PC
Single Pump				
200	7023398	Pump Assy Hyd JCB Tandem	1	PC
210	H1SC19002-130	Hose - Hyd straight x 90swept	1	PC
230	H1SC19002-130	Hose - Hyd straight x 90swept	1	PC
Tandem Pump				
250	H2SC12002-110	Hose - Hyd straight x 90swept	1	PC
270	H2SC12002-90	Hose - Hyd straight x 90swept	1	PC
300	H2SC12002-90	Hose - Hyd straight x 90swept	1	PC
Tandem Pump				

**Hydraulic System Installation (7017619 / E709631)**

Powapack &amp; Exhaust\Twin Engines\Hydraulic System\Hydraulic System Installation



7017619E709631

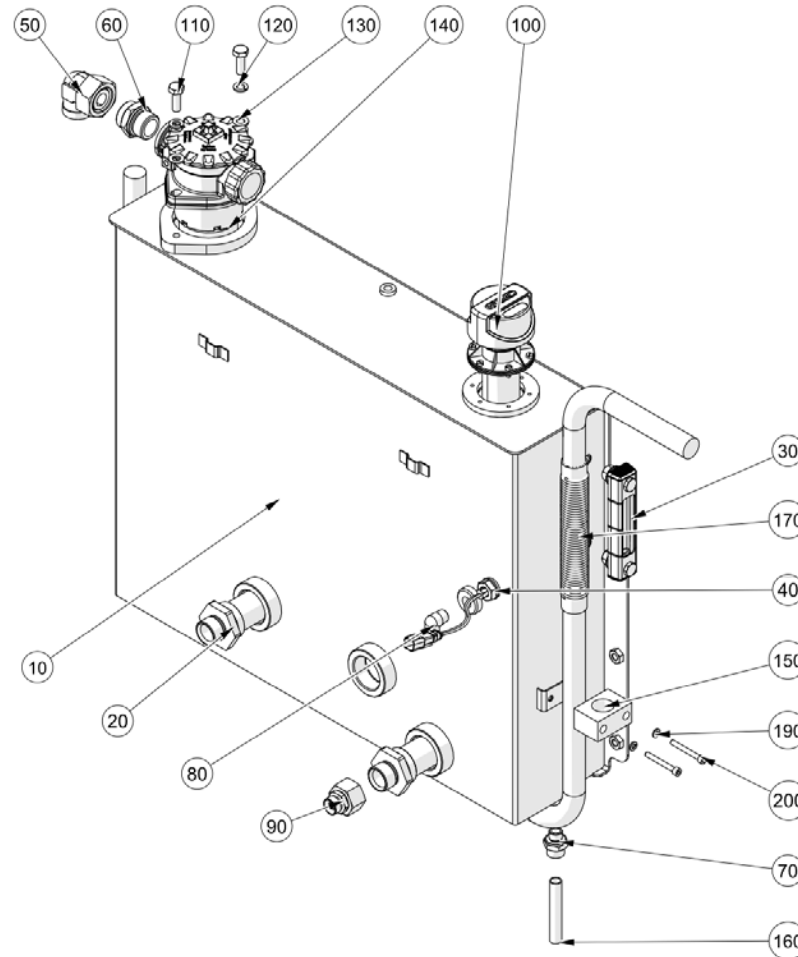
Hydraulic System Installation (7017619 / E709631)

Powapack & Exhaust\Twin Engines\Hydraulic System\Hydraulic System Installation

Item no.	Part no.	Description	QTY	Unit
10	6613-1014	Equal Elbow Connector - M22 x 1.5	1	PC
20	7007950	Pipe-Hydraulic	1	PC
50	7009162	Pipe Hydraulic	1	PC
70	7008960	Pipe -Hydraulic	1	PC
80	7017604	Hydraulic Tank Assembly	1	PC
90	7014281	Hydraulic Manifold Assembly RH	1	PC
100	7017624	Hydraulic Return Manifold - LH	1	PC
110	7007943	Pipe-Hydraulic	1	PC
120	7007940	Pipe-Hydraulic	1	PC
130	7007941	Pipe-Hydraulic	1	PC
140	7027005	Hydraulic Pipe	1	PC
150	7007945	Pipe-Hydraulic	1	PC
160	7027002	Hydraulic Pipe	1	PC
170	92097410-0	Hex Head Screw - M10Cx20 - 8.8	6	PC
180	93699711-0	Spring Washer - Plated M10	6	PC
190	7017716	Hydraulic Pipe - Water Pump	1	PC
200	7022851	Drain bracket assembly	1	PC
210	6613-0504	Adjustable Male Elbow - M18 x 1.5	1	PC
220	6613-0505	Adjustable Male Elbow - M22 x 1.5	4	PC
230	7027004	Hydraulic Pipe	1	PC
240	7027003	Hydraulic Pipe	1	PC

**Hydraulic Tank Assembly (7017604 / E708772)**

Powapack &amp; Exhaust\Twin Engines\Hydraulic System\Hydraulic System Installation\Hydraulic Tank Assembly



M02PE036



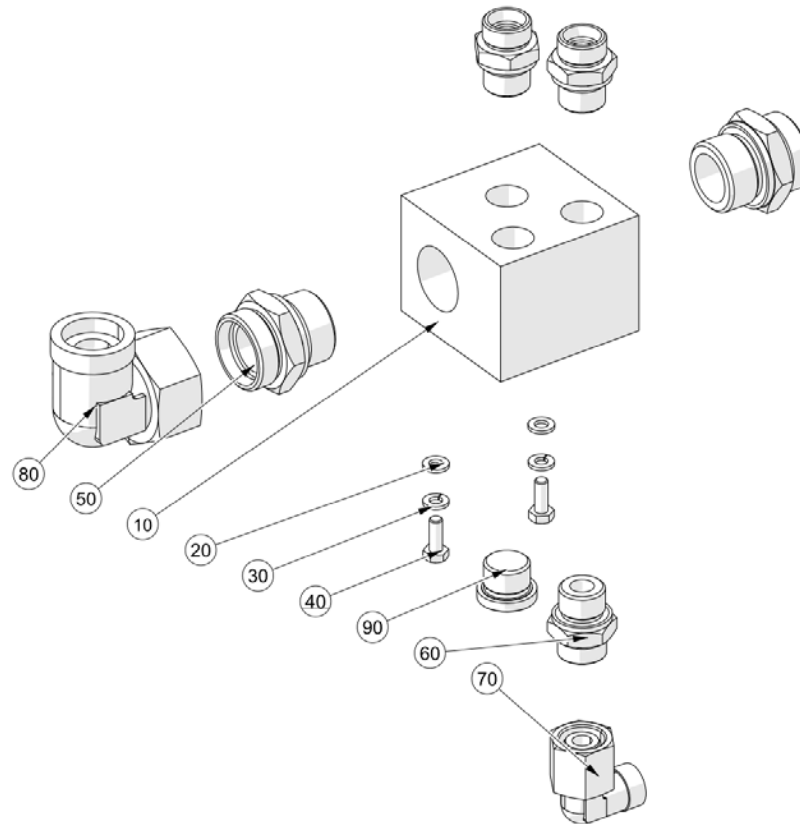
**Hydraulic Tank Assembly (7017604 / E708772)**

Powapack & Exhaust\Twin Engines\Hydraulic System\Hydraulic System Installation\Hydraulic Tank Assembly

Item no.	Part no.	Description	QTY	Unit
10	7002745	Hydraulic Tank W/Assy	1	PC
20	7005390	Filter -Hydraulic Suction	2	PC
30	7005395	Hydraulic Level Gauge	1	PC
40	48-328	Switch - Float + Deutsch Conn	1	PC
50	6613-0508	Adjustable Male Elbow - M36 x 2.0	1	PC
60	6601-1349	Stud Coupling Male G 1" x M36 x 2.0	1	PC
70	6601-1326	Stud Coupling Male G 3/8" x M22 x 1.5	1	PC
80	09570102-0	Stud Coupling Male G 3/8" x M14 x 1.5	1	PC
90	306-3	Reducing Connector - M30x2 - M22x1.5	1	PC
100	09552142-0	Vent filter and filler, complete	1	PC
110	92097414-0	Hex Head Screw - M10Cx30 - 8.8	2	PC
120	93699711-0	Spring Washer - Plated M10	2	PC
130	93212012-0	Plain Washer M10	2	PC
140	7005393	Filter -Hydraulic Return	1	PC
150	7014351	Pipe Clamp Assembly	1	PC
160	7007948	Pipe-Hydraulic	1	PC
170	7009408	Pipe -Hydraulic	1	PC
180	51-22	Clamp Pipe 28mm	1	PC
190	93699708-0	Spring Washer - Plated M6	2	PC
200	92137088-0	Hex Socket Cap Screw - M6Cx50 - 12.9	2	PC
S140	7025972	Filter Element	1	PC
Spares only				

**Hydraulic Manifold Assembly RH (7014281 / E706954)**

Powapack & Exhaust\Twin Engines\Hydraulic System\Hydraulic System Installation\Hydraulic Manifold Assembly RH



M02PE016

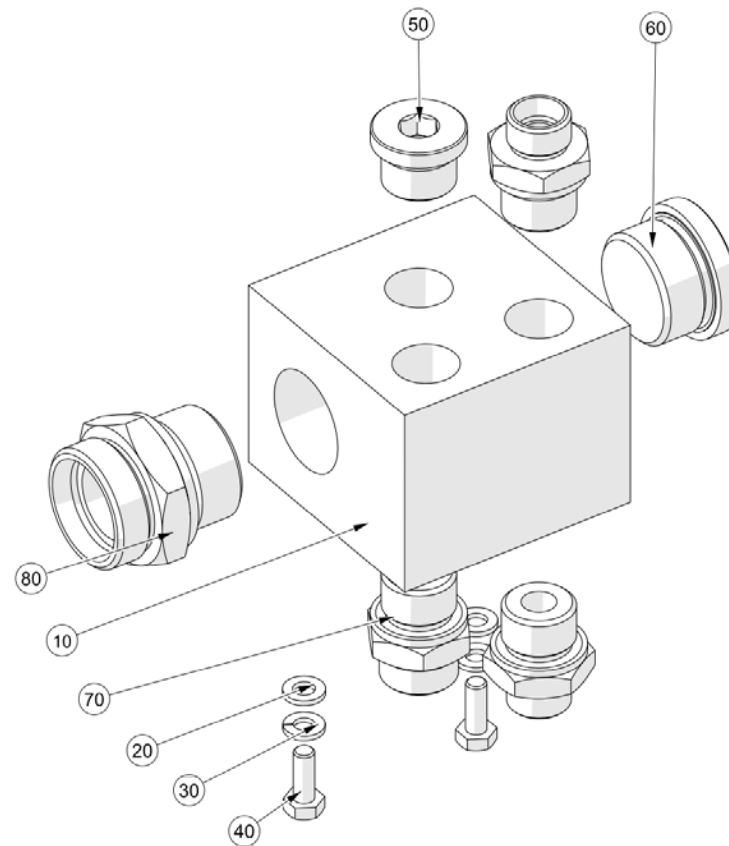
**Hydraulic Manifold Assembly RH (7014281 / E706954)**

Powapack &amp; Exhaust\Twin Engines\Hydraulic System\Hydraulic System Installation\Hydraulic Manifold Assembly RH

Item no.	Part no.	Description	QTY	Unit
10	7005626	Manifold -Hydraulic	1	PC
20	93212009-0	Plain Washer M6	2	PC
30	93699708-0	Spring Washer - Plated M6	2	PC
40	92097299-0	Hex Head Screw - M6Cx16 - 8.8	2	PC
50	6601-1349	Stud Coupling Male G 1" x M36 x 2.0	2	PC
60	6601-1329	Stud Coupling Male G 1/2" x M22 x 1.5	3	PC
70	6613-0505	Adjustable Male Elbow - M22 x 1.5	1	PC
80	6613-0508	Adjustable Male Elbow - M36 x 2.0	1	PC
90	09572135-0	Sealing Plug VS-R 1/2 WD	1	PC

**Hydraulic Return Manifold - LH (7017624 / E706954)**

Powapack &amp; Exhaust\Twin Engines\Hydraulic System\Hydraulic System Installation\Hydraulic Return Manifold - LH



M02PE017

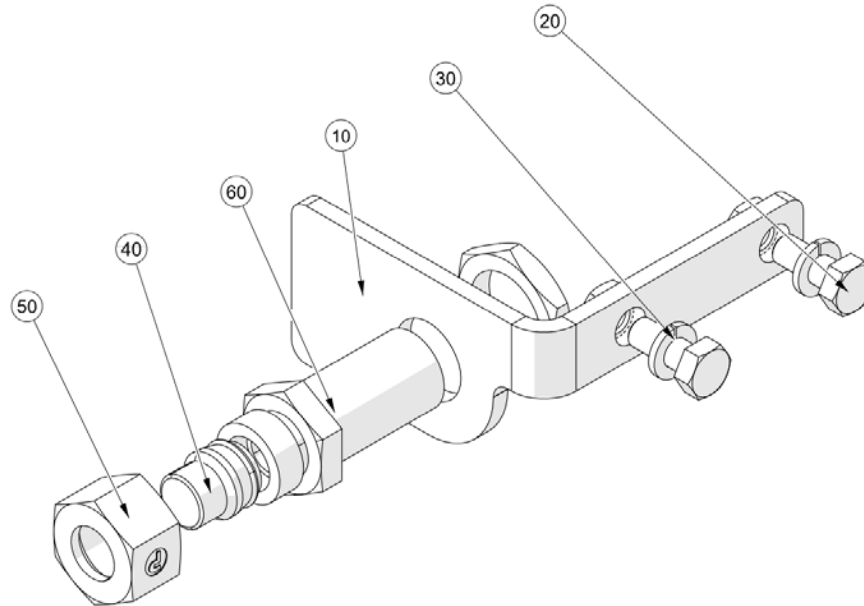
**Hydraulic Return Manifold - LH (7017624 / E706954)**

Powapack &amp; Exhaust\Twin Engines\Hydraulic System\Hydraulic System Installation\Hydraulic Return Manifold - LH

Item no.	Part no.	Description	QTY	Unit
10	7005626	Manifold -Hydraulic	1	PC
20	93212009-0	Plain Washer M6	2	PC
30	93699708-0	Spring Washer - Plated M6	2	PC
40	92097299-0	Hex Head Screw - M6Cx16 - 8.8	2	PC
50	09572135-0	Sealing Plug VS-R 1/2 WD	1	PC
60	09572137-0	Sealing Plug VS-R 1 WD	1	PC
70	6601-1329	Stud Coupling Male G 1/2" x M22 x 1.5	3	PC
80	6601-1349	Stud Coupling Male G 1" x M36 x 2.0	1	PC

**Drain Bracket Assembly (7022851 / E708775)**

Powapack & Exhaust\Twin Engines\Hydraulic System\Hydraulic System Installation\Drain Bracket Assembly



M02PE018

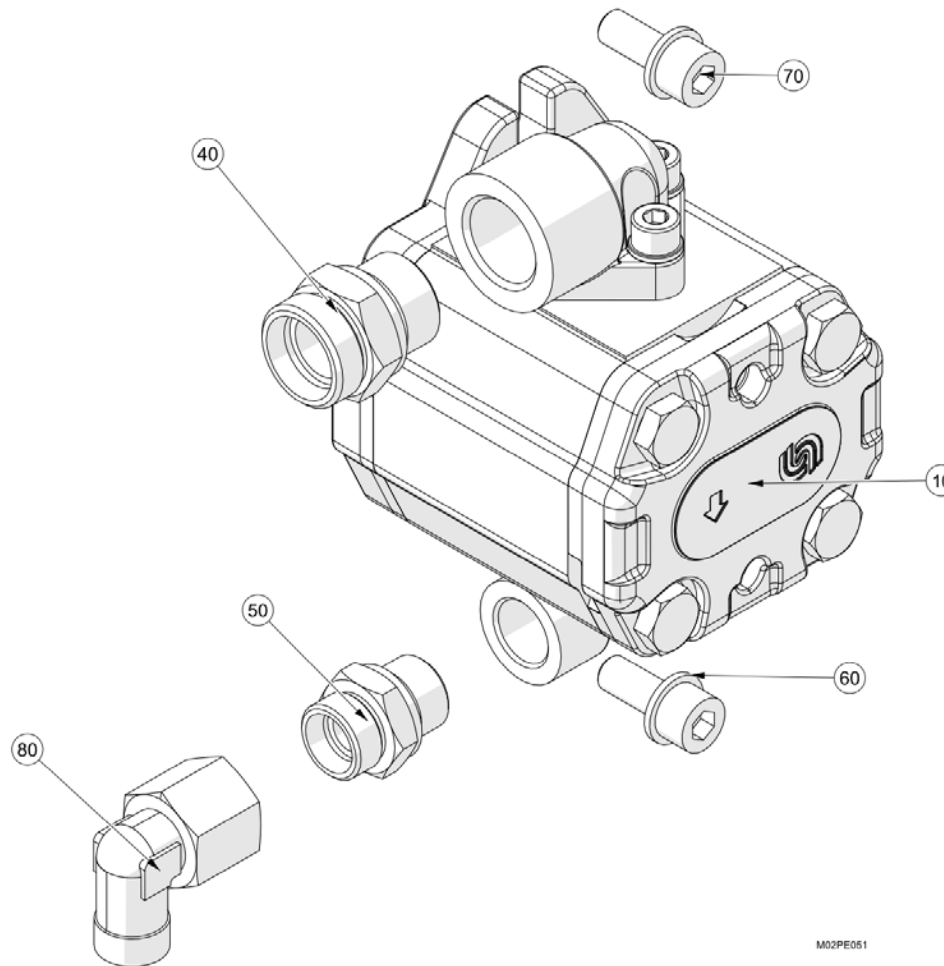
**Drain Bracket Assembly (7022851 / E708775)**

Powapack &amp; Exhaust\Twin Engines\Hydraulic System\Hydraulic System Installation\Drain Bracket Assembly

Item no.	Part no.	Description	QTY	Unit
10	7022850	Drain bracket welded assembly	1	PC
20	92097374-0	Hex Head Screw - M8Cx20 - 8.8	2	PC
30	93699710-0	Spring Washer - Plated M8	2	PC
40	09572104-0	Plug Female - Tube O/D = 15mm	1	PC
50	09570009-0	Cap Nut - M22 x 1.5 (Tube O/D = 15mm)	1	PC
60	302-3	Straight Bulkhead Connector M22 x 1.5	1	PC

**Hydraulic Pump Assembly Single - 17cc/rev (7018842E710251)**

Powapack &amp; Exhaust\Twin Engines\Hydraulic System\Hydraulic Pump\Hydraulic Pump Assembly Single - 17cc/rev



M02PE051



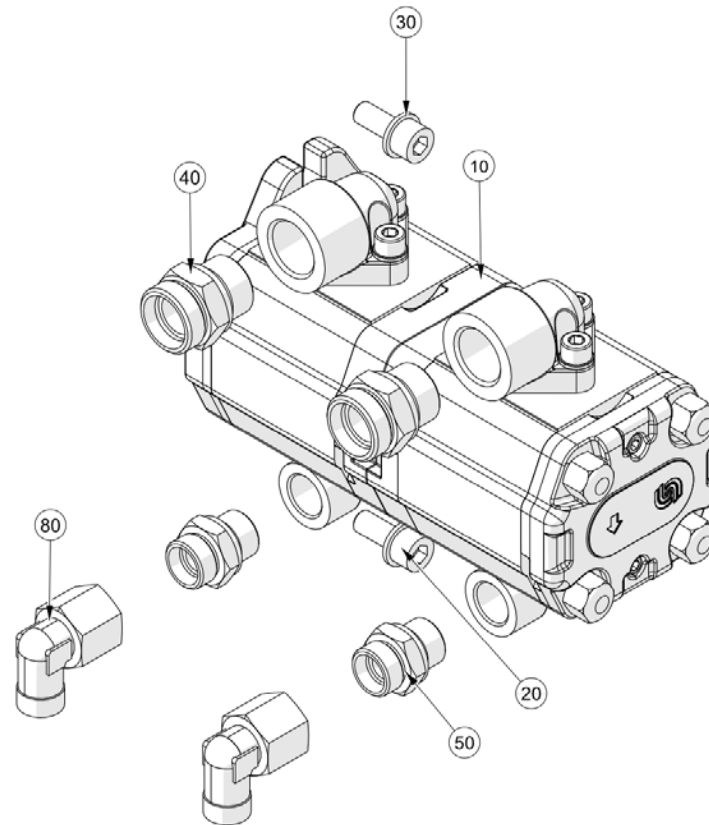
**Hydraulic Pump Assembly Single - 17cc/rev (7018842E710251)**

Powapack &amp; Exhaust\Twin Engines\Hydraulic System\Hydraulic Pump\Hydraulic Pump Assembly Single - 17cc/rev

Item no.	Part no.	Description	QTY	Unit
10	7007777	Danfoss Hydraulikpumpe CCWSAE A17cc/rev	1	PC
40	6601-1342	Stud Coupling Male G 3/4" x M30 x 2.0	1	PC
50	6601-1329	Stud Coupling Male G 1/2" x M22 x 1.5	1	PC
60	93212012-0	Plain Washer M10	2	PC
70	92138157-0	Hex Socket Cap Screw - M10c x 25 A2	2	PC
80	6613-0505	Adjustable Male Elbow - M22 x 1.5	1	PC

**Hydraulic Pump Assembly Tandem - 17cc/rev (7018843E710251)**

Powapack &amp; Exhaust\Twin Engines\Hydraulic System\Hydraulic Pump\Hydraulic Pump Assembly Tandem - 17cc/rev



M02PE020

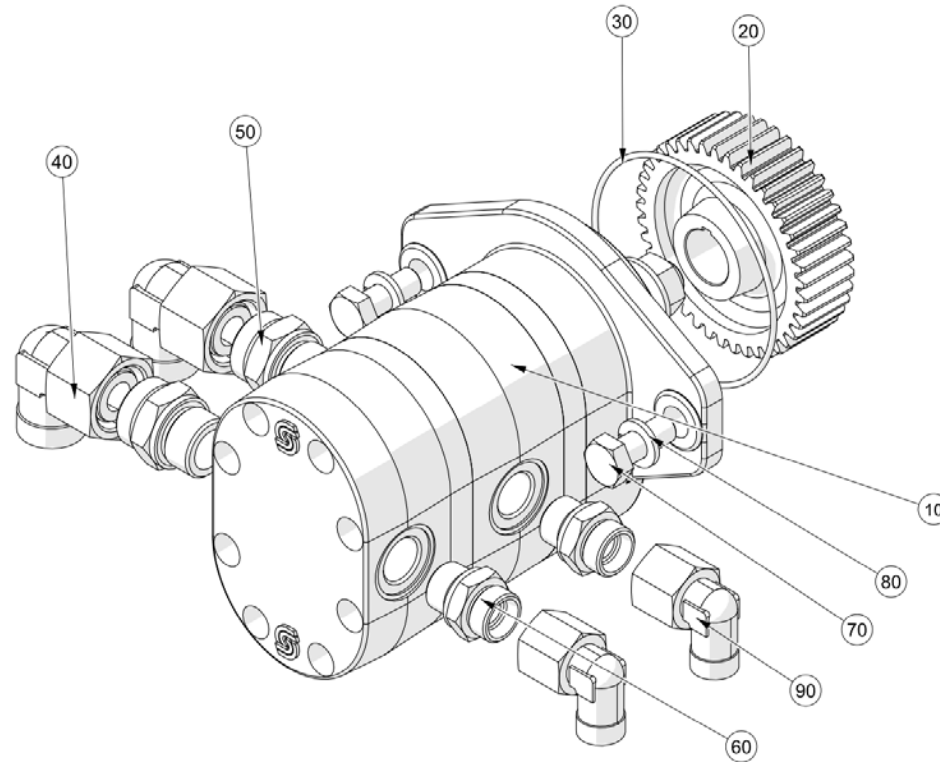
**Hydraulic Pump Assembly Tandem - 17cc/rev (7018843E710251)**

Powapack &amp; Exhaust\Twin Engines\Hydraulic System\Hydraulic Pump\Hydraulic Pump Assembly Tandem - 17cc/rev

Item no.	Part no.	Description	QTY	Unit
10	7007776	Danfoss HydraulikpumpeCCWSAEA17cc/revx2	1	PC
40	6601-1342	Stud Coupling Male G 3/4" x M30 x 2.0	2	PC
50	6601-1329	Stud Coupling Male G 1/2" x M22 x 1.5	2	PC
60	93212012-0	Plain Washer M10	2	PC
70	92138157-0	Hex Socket Cap Screw - M10c x 25 A2	2	PC
80	6613-0505	Adjustable Male Elbow - M22 x 1.5	2	PC

**Hydraulic Pump Assembly JCB Tandem (7023398)**

Powapack &amp; Exhaust\Twin Engines\Hydraulic System\Hydraulic Pump\Hydraulic Pump Assembly JCB Tandem



M02PE021

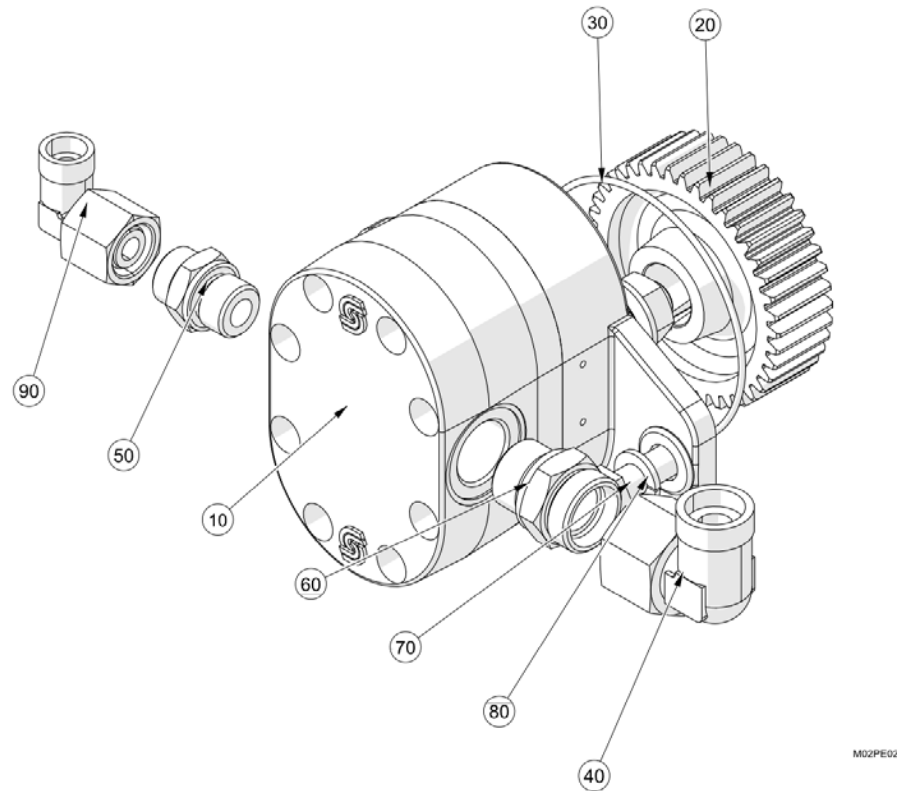
**Hydraulic Pump Assembly JCB Tandem (7023398)**

Powapack &amp; Exhaust\Twin Engines\Hydraulic System\Hydraulic Pump\Hydraulic Pump Assembly JCB Tandem

Item no.	Part no.	Description	QTY	Unit
10	7023393	Pump Hyd. 12.6cc/rev x 2 CCW SAEB	1	PC
20	7023395	Gear, PTO HD 41T JCB	1	PC
30	80-99	O Ring - Hole Dia.105	1	PC
40	09571074-0	Adjustable Male Elbow - M30 x 2.0	2	PC
50	6601-1342	Stud Coupling Male G 3/4" x M30 x 2.0	2	PC
60	6601-1329	Stud Coupling Male G 1/2" x M22 x 1.5	2	PC
70	92097450-0	Hex Head Screw - M12Cx30 - 8.8	2	PC
80	93699712-0	Spring Washer - Plated M12	2	PC
90	6613-0505	Adjustable Male Elbow - M22 x 1.5	2	PC

**Hydraulic Pump Assembly JCB Single (7023402)**

Powapack &amp; Exhaust\Twin Engines\Hydraulic System\Hydraulic Pump\Hydraulic Pump Assembly JCB Single

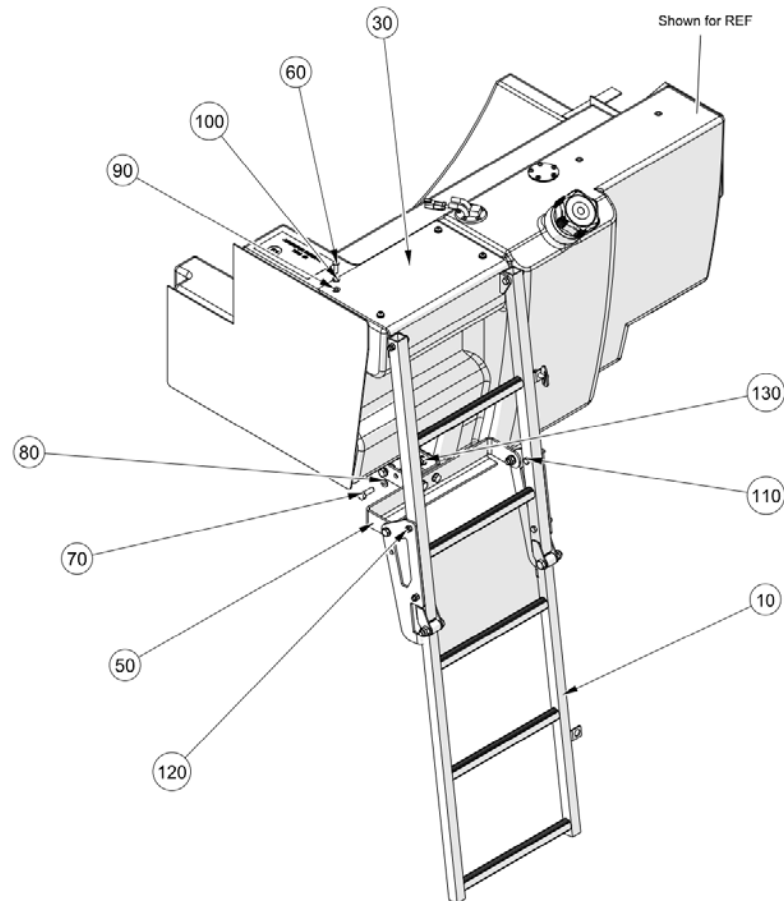


**Hydraulic Pump Assembly JCB Single (7023402)**

Powapack &amp; Exhaust\Twin Engines\Hydraulic System\Hydraulic Pump\Hydraulic Pump Assembly JCB Single

Item no.	Part no.	Description	QTY	Unit
10	7023394	Pump Hyd. 12.6cc/rev CCW SAEB	1	PC
20	7023395	Gear, PTO HD 41T JCB	1	PC
30	80-99	O Ring - Hole Dia.105	1	PC
40	09571074-0	Adjustable Male Elbow - M30 x 2.0	1	PC
50	6601-1329	Stud Coupling Male G 1/2" x M22 x 1.5	1	PC
60	6601-1342	Stud Coupling Male G 3/4" x M30 x 2.0	1	PC
70	92097450-0	Hex Head Screw - M12Cx30 - 8.8	2	PC
80	93699712-0	Spring Washer - Plated M12	2	PC
90	6613-0505	Adjustable Male Elbow - M22 x 1.5	1	PC

**Access Ladder Installation (7021807 / E710881)**  
Powapack & Exhaust/Twin Engines\Access Ladder Installation



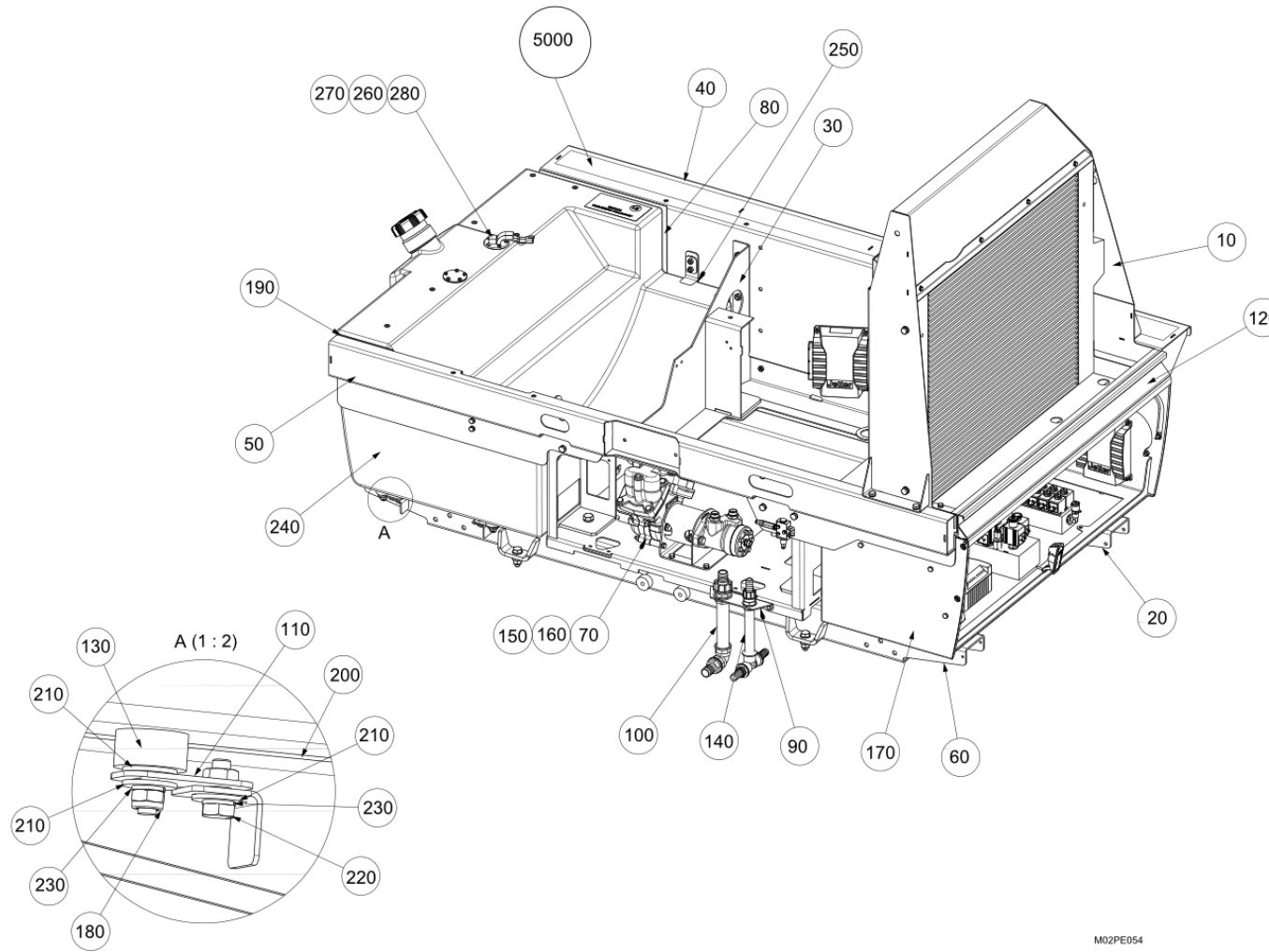
M02PE057



**Access Ladder Installation (7021807 / E710881)**  
Powapack & Exhaust\Twin Engines\Access Ladder Installation

Item no.	Part no.	Description	QTY	Unit
10	7030249	Access Ladder S/Assy	1	PC
30	7021810	Mounting Bracket - W/Assy	1	PC
50	7032924	Ladder Bracket Assembly	1	PC
60	92330046-0	Hex Skt Button Head Screw M8x25 - 10.9	4	PC
70	92097414-0	Hex Head Screw - M10Cx30 - 8.8	4	PC
80	93212012-0	Plain Washer M10	8	PC
90	93212011-0	Plain Washer M8	4	PC
100	93699710-0	Spring Washer - Plated M8	4	PC
110	92097382-0	Hex Head Screw - M8Cx50 - 8.8	6	PC
120	93085805-0	Nyloc Hex Nut M8C - 8	6	PC
130	93085806-0	Nyloc Hex Nut M10C - 8	4	PC
5000	211-76	Safety Grip Tape Black Self Adhesive	0.35	MM

**Powapack Tub Installation (7022272 E710928)**  
Powapack & Exhaust\Hydrostatic\Powapack Tub Installation



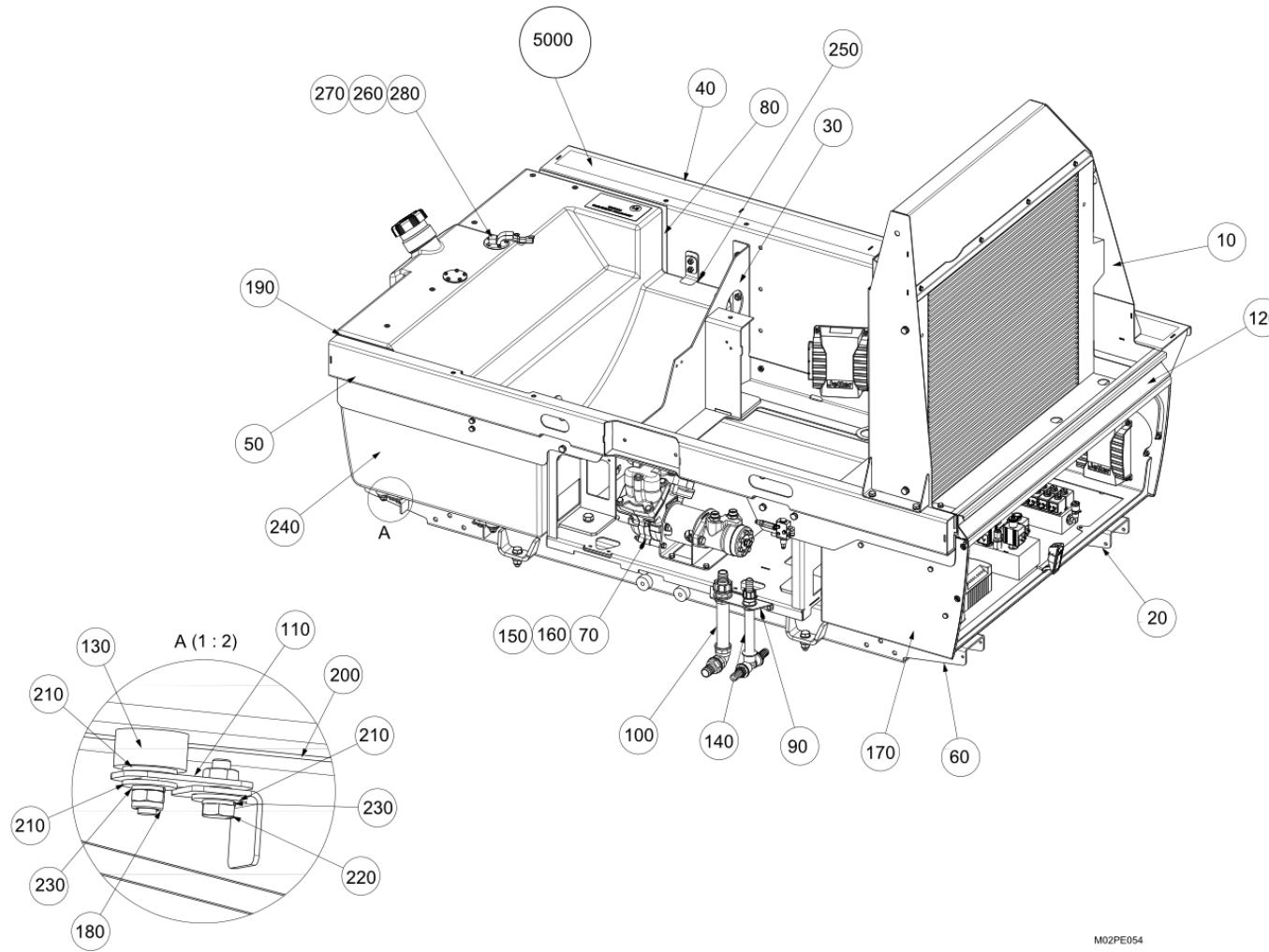
M02PE054

**Powapack Tub Installation (7022272 E710928)**

Powapack & Exhaust\Hydrostatic\Powapack Tub Installation

Item no.	Part no.	Description	QTY	Unit
10	7022262	Cooling Pack Assembly	1	PC
20	7013837	Engine Beam Front Assembly	1	PC
30	7022271	Engine Cradle Assembly	1	PC
40	7016462	Front Valance Assembly	1	PC
50	7016463	Rear Valance Assembly	1	PC
60	7013838	Engine Beam Rear Assembly	1	PC
70	7017629	Water Pump Assembly	1	PC
80	7032312	Isolating Pad - Fuel Tank	1	PC
90	7013981	Bracket Water Hose Support	1	PC
100	283793-2	Water Pipe Assy Less Supawash	1	PC
110	7032435	Fuel Tank - Mount Bracket assy	4	PC
120	7022837	Interface panel assembly	1	PC
130	290-105	Bobbin M/M M10 x 15/20	4	PC
140	281670-1	Water Feed Pipe Assembly	1	PC
150	93699710-0	Spring Washer - Plated M8	4	PC
160	92097372-0	Hex Head Screw - M8Cx16 - 8.8	4	PC
170	7012082	Systems Locker Assembly	1	PC
180	93085006-0	Nyloc Hex Thin Nut M10C - 8	4	PC
190	7032309	Isolating Pad - Fuel Tank	1	PC
200	7032314	Isolating Pad - Fuel Tank	2	PC
210	93300510-0	Plain Large Washer M10	12	PC
220	92097412-0	Hex Head Screw - M10Cx25 - 8.8	4	PC
230	93699711-0	Spring Washer - Plated M10	8	PC
240	7018790	Fuel Tank Assembly	1	PC

**Powapack Tub Installation (7022272 E710928)**  
 Powapack & Exhaust\Hydrostatic\Powapack Tub Installation



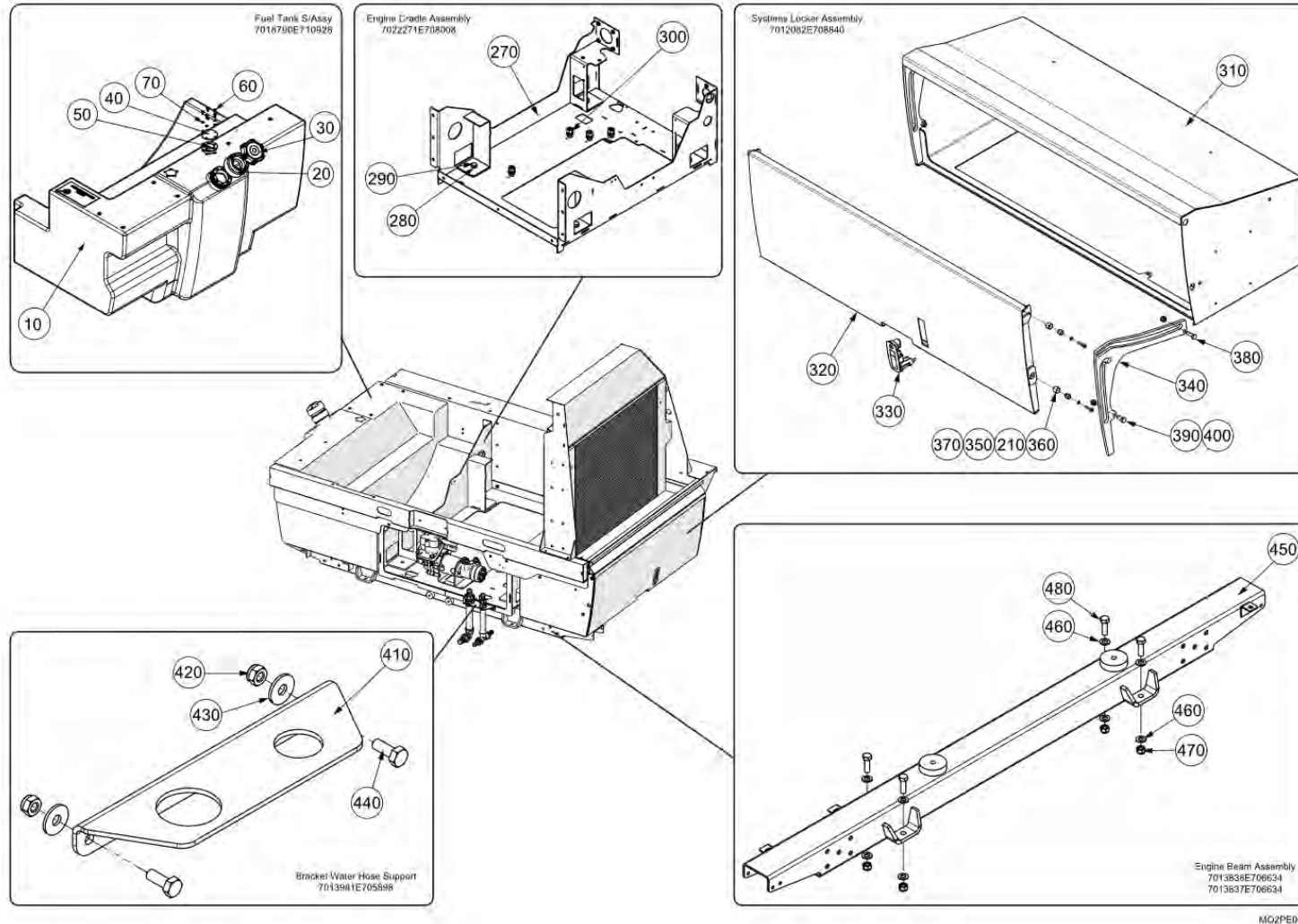
M02PE054

**Powapack Tub Installation (7022272 E710928)**

Powapack &amp; Exhaust\Hydrostatic\Powapack Tub Installation

Item no.	Part no.	Description	QTY	Unit
250	217-8	Strip Sealing 3x30 white	1	M
260	134-57	Pan Head Screw-M5Cx12-4.8-Pozidriv	5	PC
270	93699707-0	Spring Washer - Plated M5	5	PC
280	7005071	Fuel level sensor	1	PC
5000	211-76	Safety Grip Tape Black Self Adhesive	1,900	MM

**Powapack Tub Installation - Details (7018790 , 7022271 , 7012082 , 7013981 , 7013837 , 7013838)**  
 Powapack & Exhaust\Hydrostatic\Powapack Tub Installation\Powapack Tub Installation - Details

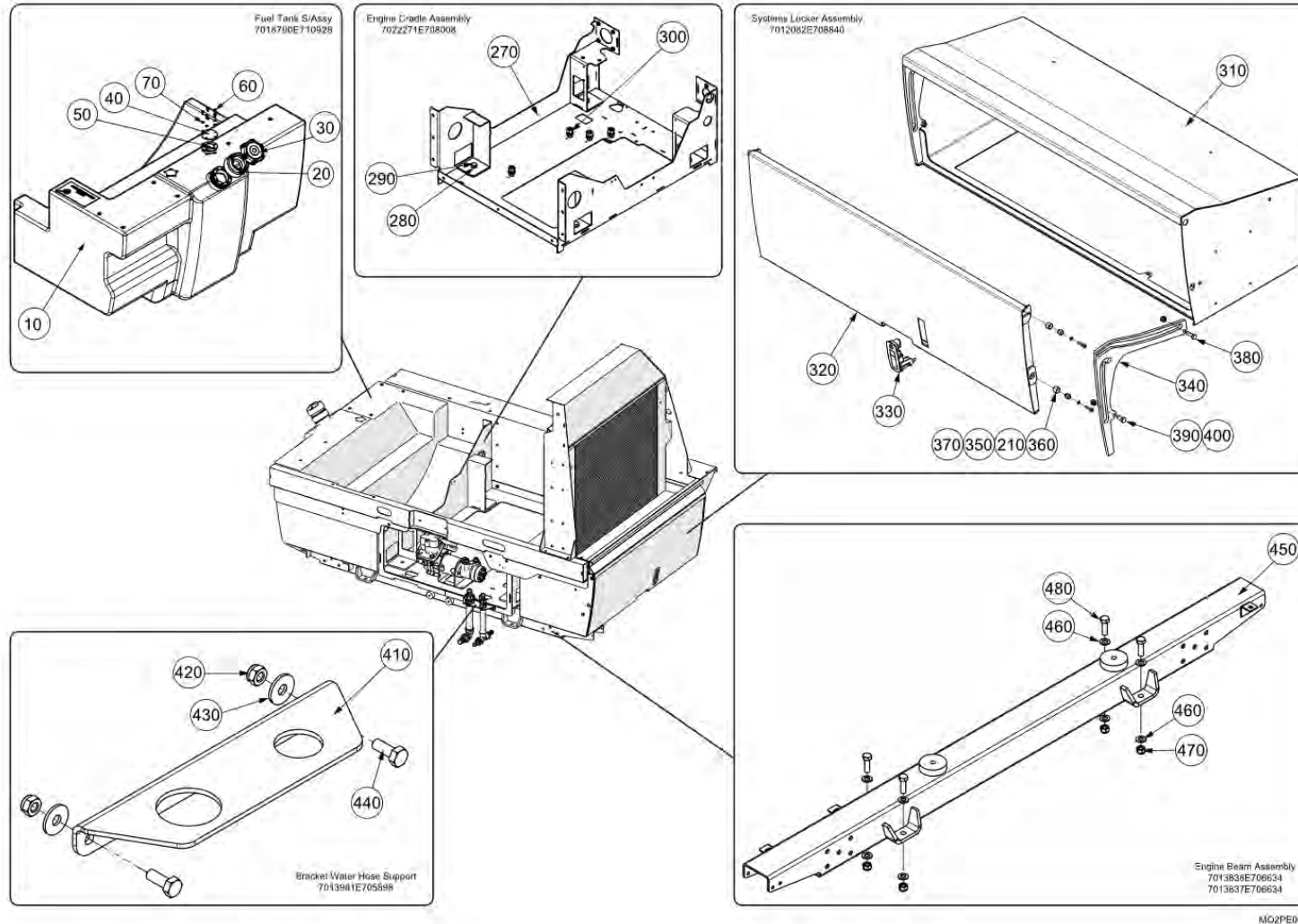


**Powapack Tub Installation - Details (7018790 , 7022271 , 7012082 , 7013981 , 7013837 , 7013838)**

Powapack & Exhaust\Hydrostatic\Powapack Tub Installation\Powapack Tub Installation - Details

Item no.	Part no.	Description	QTY	Unit
270	7018884	Engine cradle w/assy	1	PC
280	93699714-0	Spring Washer - Plated M16	4	PC
290	92097524-0	Hex Head Screw - M16Cx40 - 8.8	4	PC
300	09570487-0	Bulkhead Elbow Connector - M22 x 1.5	4	PC
310	7012034	Systems locker welded assembly	1	PC
320	7012017	Door welded assembly	1	PC
330	211-40	Push Button Trigger Latch	1	PC
340	7012036	Guide, Door	2	PC
350	7012012	Pin, Top Guide	4	PC
360	7012180	Roller	4	PC
370	92137042-0	Hex Socket Cap Screw - M5Cx16 - 12.9	4	PC
380	92097376-0	Hex Head Screw - M8Cx25 - 8.8	2	PC
390	92097374-0	Hex Head Screw - M8Cx20 - 8.8	2	PC
400	93085805-0	Nyloc Hex Nut M8C - 8	4	PC
410	7008120	Bracket - Water system	1	PC
420	93085004-0	Nyloc Hex Nut M6C - 8	2	PC
430	93300507-0	Plain Large Washer M6	2	PC
440	92097299-0	Hex Head Screw - M6Cx16 - 8.8	2	PC
450	7000381	Engine beam Front	1	PC
460	93212015-0	Plain Washer M14	8	PC
450	7000383	Engine beam Rear	1	PC
470	404-17	Hex Nyloc Nut - M14c x Grade 10	4	PC
480	92072212-0	Hex Head Bolt - M14Cx45 - 10.9	4	PC
10	7018313	Fuel Tank, 200 litres	1	PC

**Powapack Tub Installation - Details (7018790 , 7022271 , 7012082 , 7013981 , 7013837 , 7013838)**  
 Powapack & Exhaust\Hydrostatic\Powapack Tub Installation\Powapack Tub Installation - Details





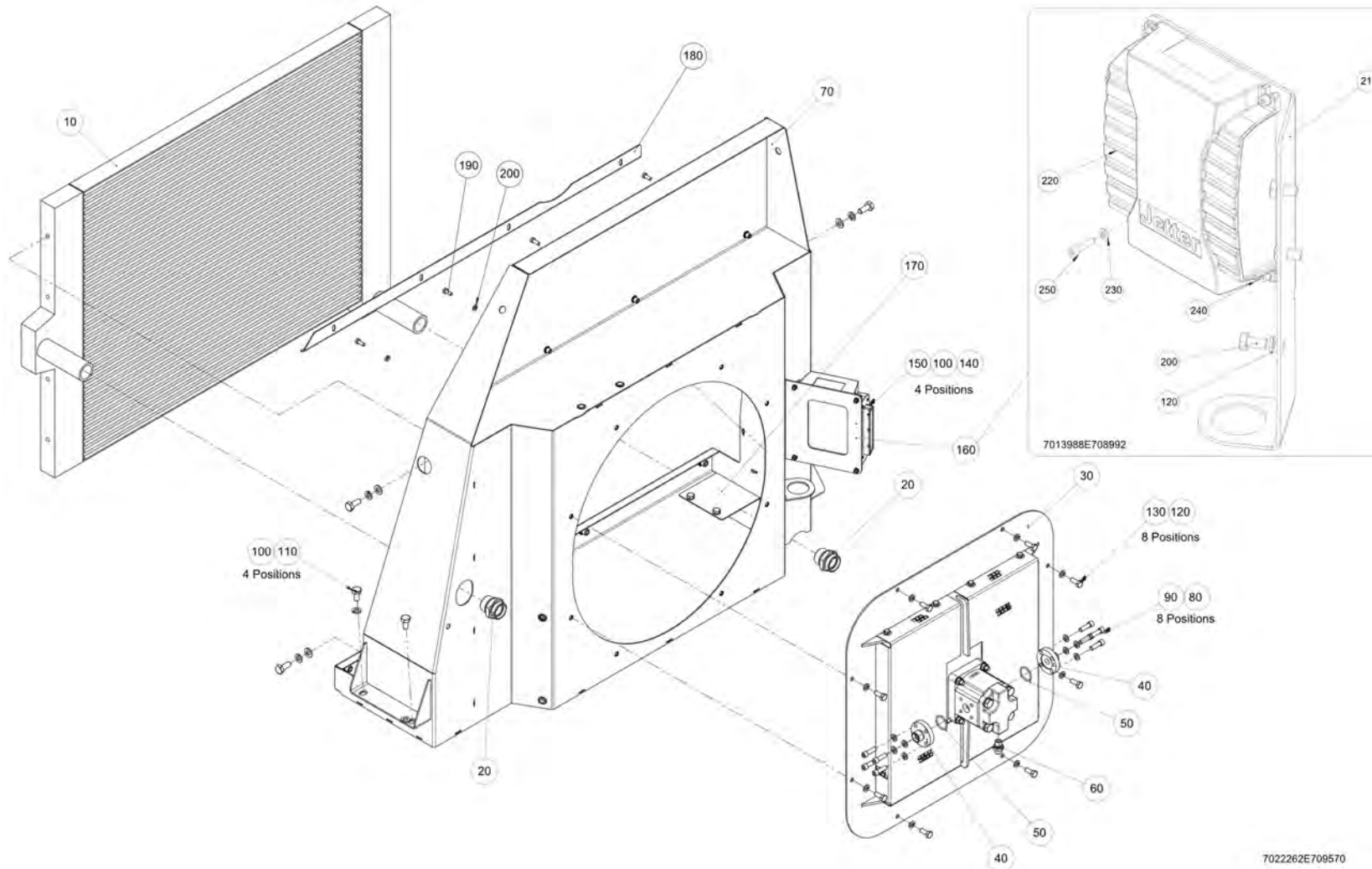
**Powapack Tub Installation - Details (7018790 , 7022271 , 7012082 , 7013981 , 7013837 , 7013838)**

Powapack &amp; Exhaust\Hydrostatic\Powapack Tub Installation\Powapack Tub Installation - Details

Item no.	Part no.	Description	QTY	Unit
20	7017740	Jost Filler Neck SV60A	1	PC
30	69-42	Fuel Cap - Lockable	1	PC
40	7033097	Blanking Plate - Fuel Sender	1	PC
50	91-1	Gasket - Ø 65mm x 2mm Thick	1	PC
60	134-57	Pan Head Screw-M5Cx12-4.8-Pozidriv	5	PC
70	93699707-0	Spring Washer - Plated M5	5	PC

**Cooling Pack Assembly (7022262 , 7013990 , 7013988)**

Powapack & Exhaust\Hydrostatic\Powapack Tub Installation\Cooling Pack Assembly



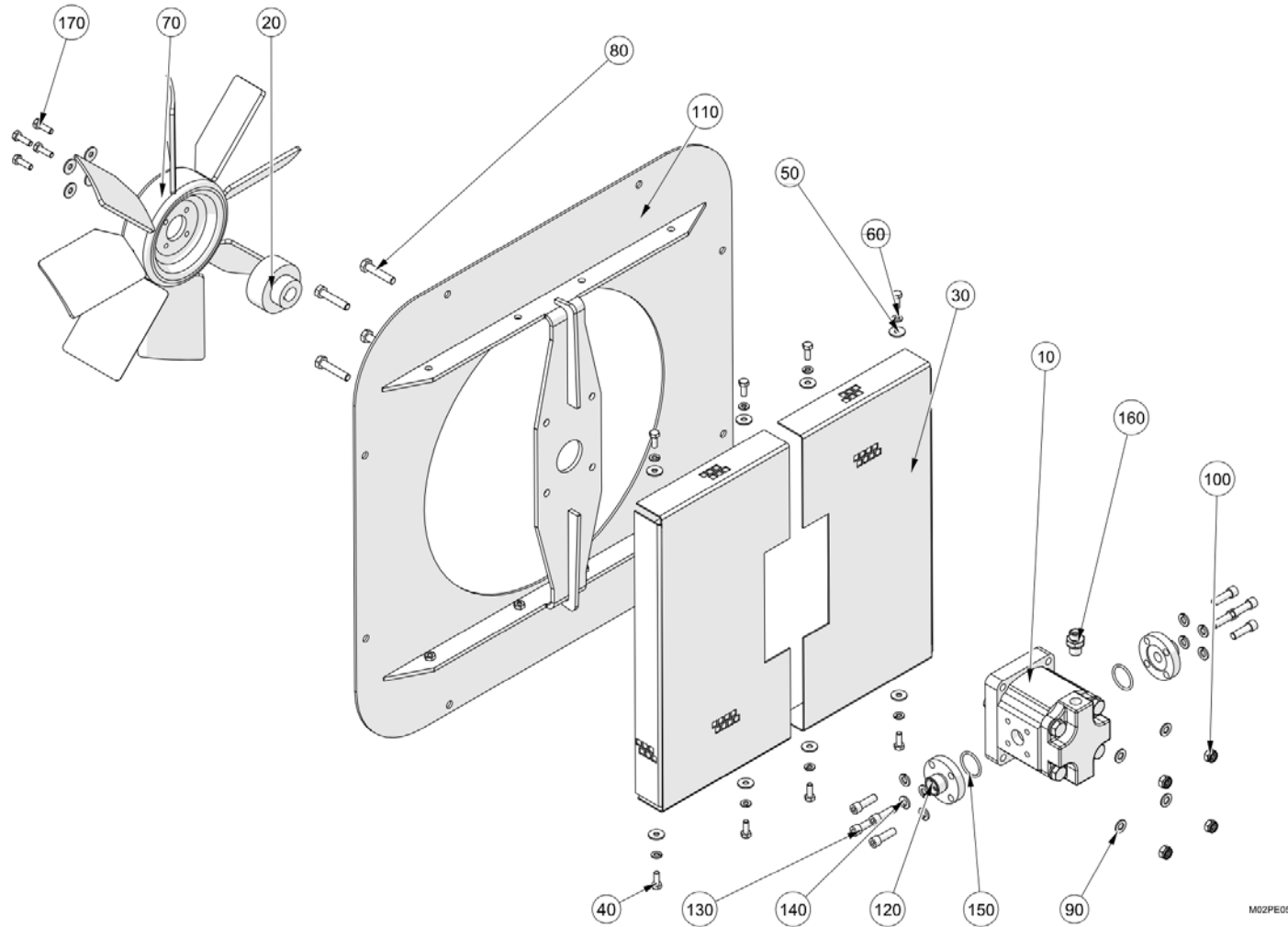
**Cooling Pack Assembly (7022262 , 7013990 , 7013988)**

Powapack & Exhaust\Hydrostatic\Powapack Tub Installation\Cooling Pack Assembly

Item no.	Part no.	Description	QTY	Unit
10	7002542	Oil Cooler	1	PC
30	7010855	Fan-Oil cooler	1	PC
40	7011027	Adaptor - Hydraulic Motor	2	PC
20	6601-1349	Stud Coupling Male G 1" x M36 x 2.0	2	PC
50	79-34	O-Ring - 1.049" Dia.	2	PC
70	7022244	Radiator Shroud - W/Assy	1	PC
60	09570126-0	Stud Coupling Male G 1/4" x M14 x 1.5	1	PC
90	151-50	Capscrew Skt Hd UNC 5/16x1	8	PC
80	450-28	Washer Spring 5/16	8	PC
100	93699711-0	Spring Washer - Plated M10	8	PC
130	92097374-0	Hex Head Screw - M8Cx20 - 8.8	8	PC
110	92097410-0	Hex Head Screw - M10Cx20 - 8.8	4	PC
150	92097412-0	Hex Head Screw - M10Cx25 - 8.8	4	PC
140	93212012-0	Plain Washer M10	4	PC
120	93699710-0	Spring Washer - Plated M8	13	PC
170	7013988	Bracket Control System	1	PC
180	7013990	Cover Power Pack Assembly	1	PC
190	7007864	Cover -Power pack	1	PC
200	92097372-0	Hex Head Screw - M8Cx16 - 8.8	5	PC
210	7005121	Bracket Control system	1	PC
220	7005456	Control JXM IO Node	1	PC
230	93210109-0	Plain Washer M5	8	PC
240	93085003-0	Nyloc Hex Nut M5C - 8	4	PC
250	92137044-0	Hex Socket Cap Screw - M5Cx20 - 12.9	4	PC

**Fan-Oil Cooler (7010855 / E710853)**

Powapack & Exhaust\Hydrostatic\Powapack Tub Installation\Cooling Pack Assembly\Fan-Oil Cooler

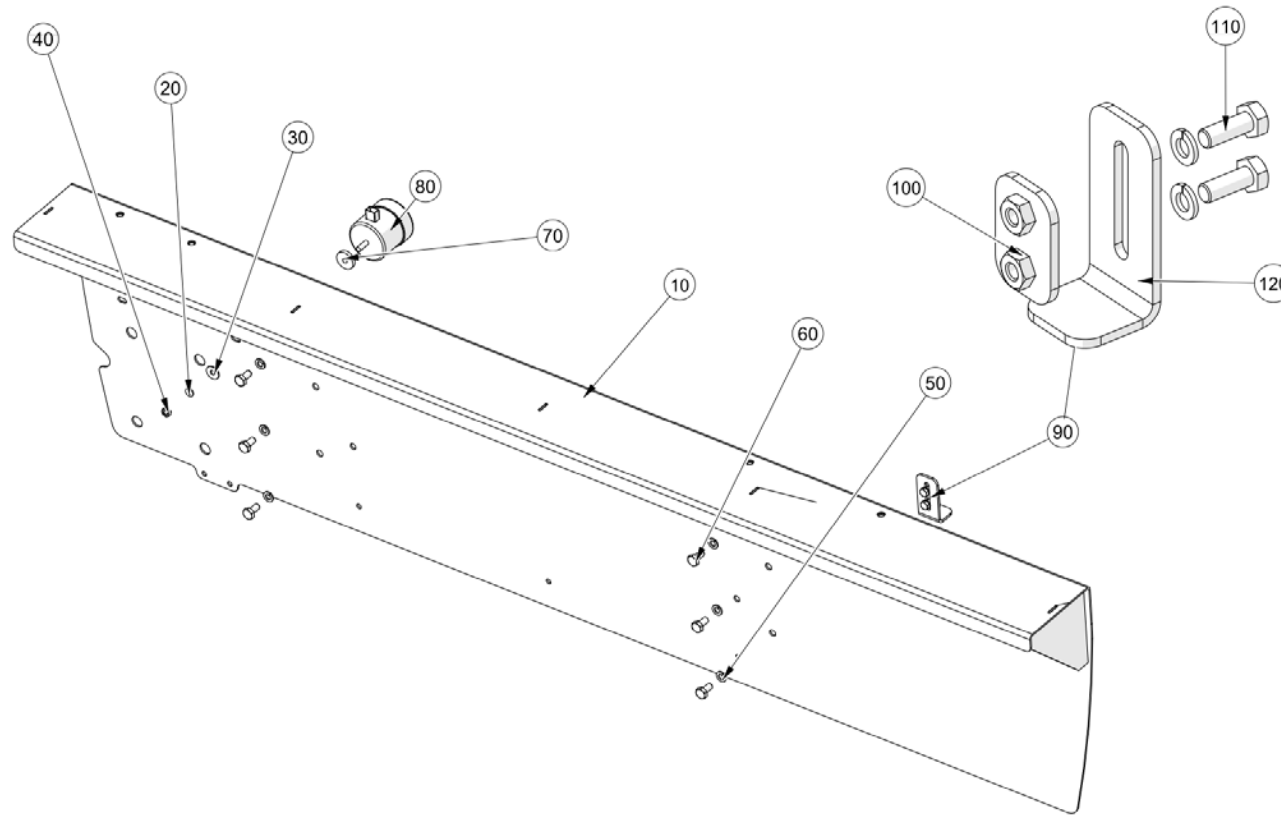


Fan-Oil Cooler (7010855 / E710853)

Powapack & Exhaust\Hydrostatic\Powapack Tub Installation\Cooling Pack Assembly\Fan-Oil Cooler

Item no.	Part no.	Description	QTY	Unit
10	295046-1	Hydraulic Motor	1	PC
20	283295-1	Boss - Fan Drive	1	PC
30	7010850	Guard-mesh	2	PC
40	92097299-0	Hex Head Screw - M6Cx16 - 8.8	8	PC
50	93300507-0	Plain Large Washer M6	12	PC
60	93699708-0	Spring Washer - Plated M6	8	PC
70	90829-1	Impeller - Oil Cooling Fan	1	PC
80	92097380-0	Hex Head Screw - M8Cx40 - 8.8	4	PC
90	93212011-0	Plain Washer M8	4	PC
100	93085005-0	Nyloc Hex Thin Nut M8C - 8	4	PC
110	7010853	Support-Hydraulic Motor w/assy	1	PC
120	7011027	Adaptor - Hydraulic Motor	2	PC
130	151-50	Capscrew Skt Hd UNC 5/16x1	8	PC
140	450-28	Washer Spring 5/16	8	PC
150	79-34	O-Ring - 1.049" Dia.	2	PC
160	09570126-0	Stud Coupling Male G 1/4" x M14 x 1.5	1	PC
170	92097301-0	Hex Head Screw - M6Cx20 - 8.8	4	PC

**Front Valance Assembly (7016462 / E708056 , 7013973 / E708056)**  
Powapack & Exhaust\Hydrostatic\Powapack Tub Installation\Front Valance Assembly



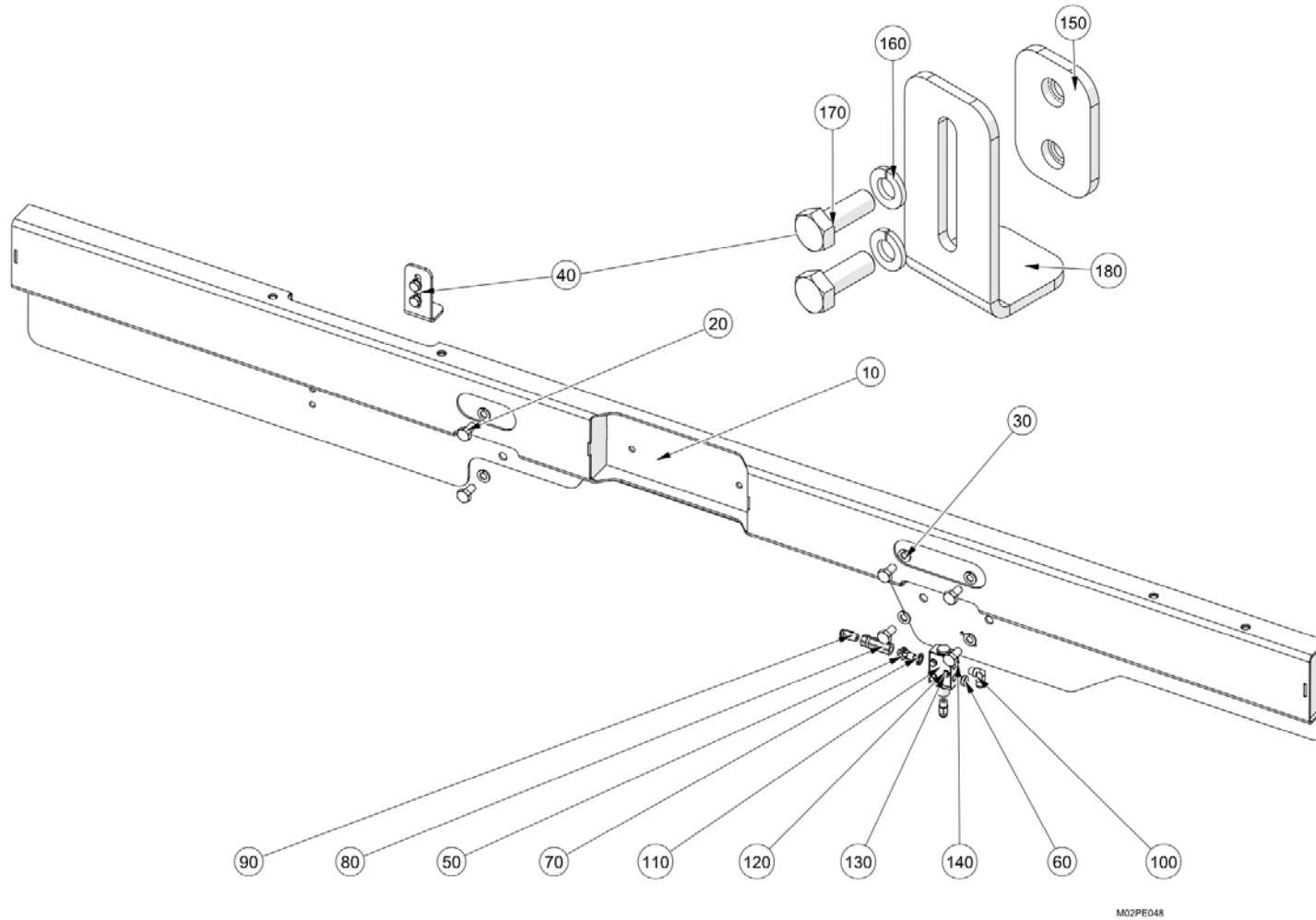
M02PE047

## Front Valance Assembly (7016462 / E708056 , 7013973 / E708056)

Powapack &amp; Exhaust\Hydrostatic\Powapack Tub Installation\Front Valance Assembly

Item no.	Part no.	Description	QTY	Unit
10	7007488	Valance Front W/Assy	1	PC
20	93699710-0	Spring Washer - Plated M8	3	PC
30	93300509-0	Plain Large Washer M8	1	PC
40	93056014-0	Hex Nut M8C-8	1	PC
50	93699711-0	Spring Washer - Plated M10	6	PC
60	92097410-0	Hex Head Screw - M10Cx20 - 8.8	6	PC
70	283229-6	Spacer-DIM A 6mm	1	PC
80	30-184	Alarm - Reverse	1	PC
90	7013973	Clamp Assembly	1	PC
100	7007992	Clamp Weld assembly	1	PC
110	92097375-0	Hex Head Screw - M8Cx22 - 8.8	2	PC
120	7007990	Foot -Power pack	1	PC

**Rear Valance Assembly (7016463 / E708336 , 7013973 / E708056)**  
Powapack & Exhaust\Hydrostatic\Powapack Tub Installation\Rear Valance Assembly





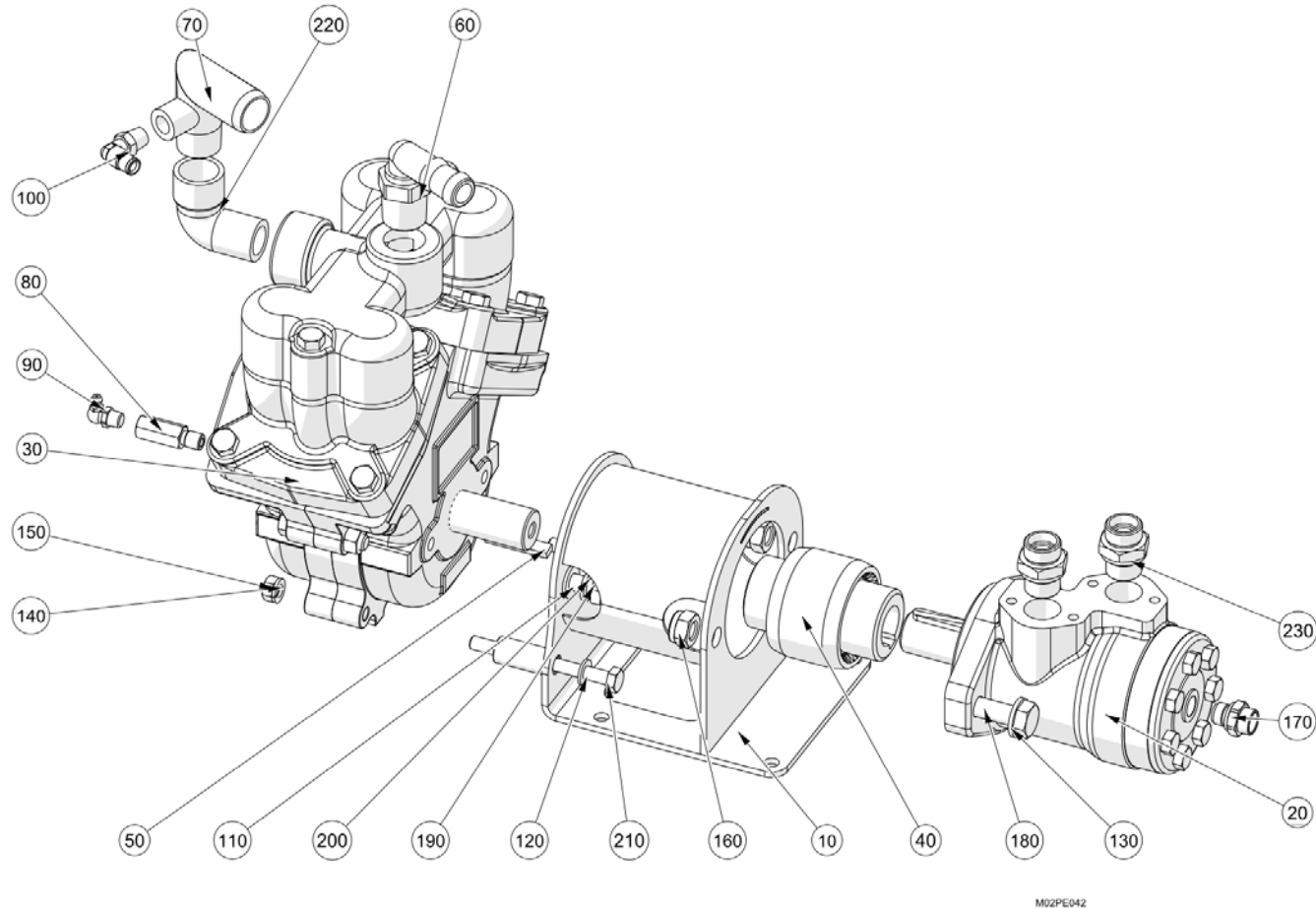
**Rear Valance Assembly (7016463 / E708336 , 7013973 / E708056)**

Powapack & Exhaust\Hydrostatic\Powapack Tub Installation\Rear Valance Assembly

Item no.	Part no.	Description	QTY	Unit
10	7007502	Valance Rear W/Assy	1	PC
20	92097410-0	Hex Head Screw - M10Cx20 - 8.8	6	PC
30	93699711-0	Spring Washer - Plated M10	6	PC
40	7013973	Clamp Assembly	1	PC
50	532-7	Connector - Nippled	1	PC
60	09572132-0	Sealing Plug VS-R 1/8 WD	1	PC
70	451-4	Washer Bonded G1-8"	3	PC
80	72-4	Valve Non Return	1	PC
90	537-3	Adaptor-Push In 6mm x 1/8 BSPT	2	PC
100	09593162-0	Adaptor-Push-In 6mm Fixed Elbow R1/8"	1	PC
110	72-31	Valve - Pneumatic 3/2	1	PC
120	93699707-0	Spring Washer - Plated M5	2	PC
130	92097269-0	Hex Head Screw - M5Cx30 - 8.8	2	PC
140	93085003-0	Nyloc Hex Nut M5C - 8	2	PC
150	7007992	Clamp Weld assembly	1	PC
160	93699710-0	Spring Washer - Plated M8	2	PC
170	92097375-0	Hex Head Screw - M8Cx22 - 8.8	2	PC
180	7007990	Foot -Power pack	1	PC

**Water Pump Assembly (7017629 / E710427)**

Powapack &amp; Exhaust\Hydrostatic\Powapack Tub Installation\Water Pump Assembly



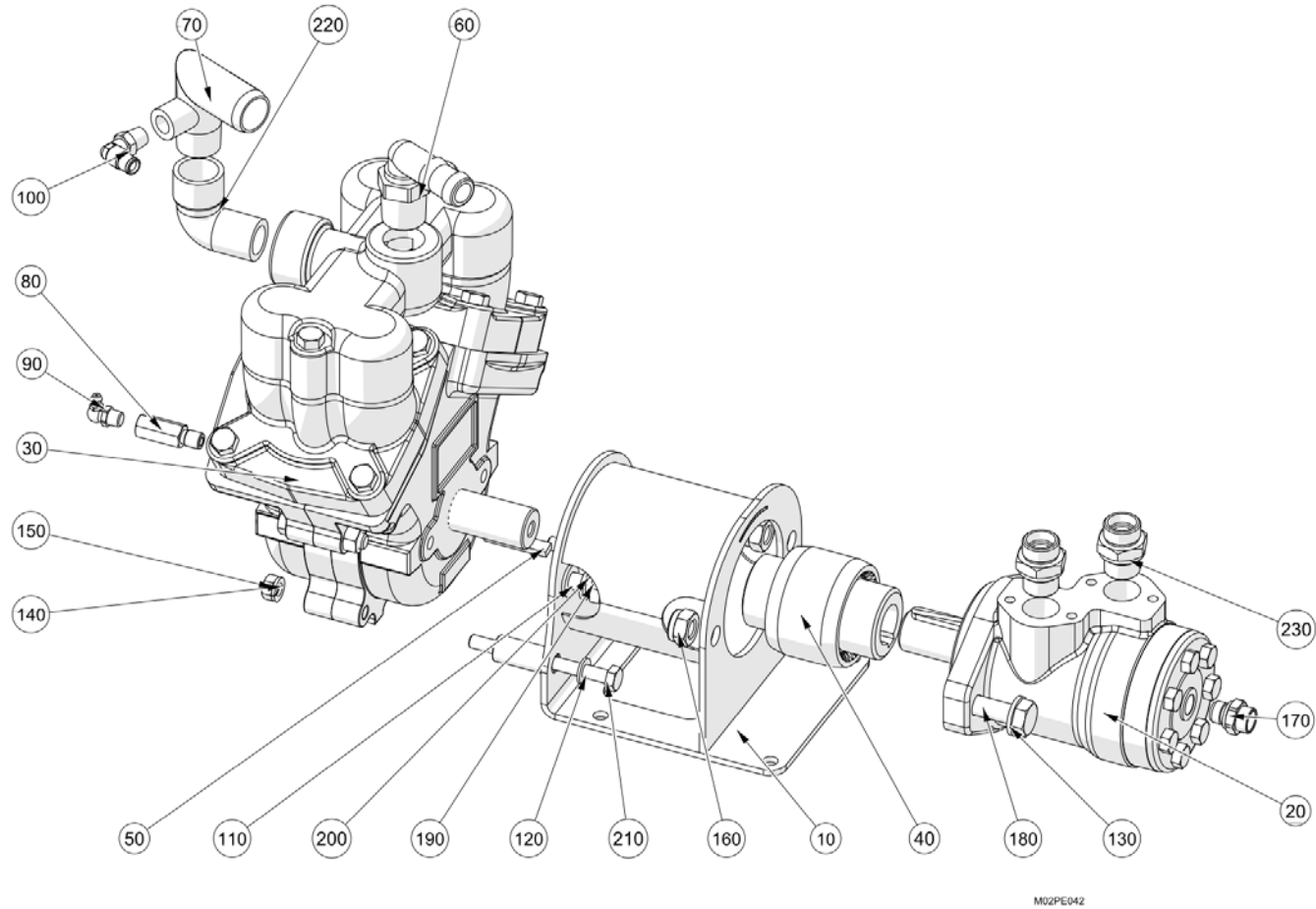
**Water Pump Assembly (7017629 / E710427)**

Powapack & Exhaust\Hydrostatic\Powapack Tub Installation\Water Pump Assembly

Item no.	Part no.	Description	QTY	Unit
10	7027834	Frame welded assembly	1	PC
20	244-10	Motor - Hydraulic OMP32	1	PC
30	22599-1-B	Pump - Water	1	PC
40	282809-1	Coupling - Assembly	1	PC
50	282817-1	Key - Water Pump Coupling	1	PC
60	277-231	Elbow & Hosetail 3/4"BSPTx3/4"	1	PC
70	49827-1	Elbow	1	PC
80	95780-1	Adaptor - G1/8 M-F	1	PC
90	38-8	Nipple Grease 1/8 BSP x 90 deg	1	PC
100	09593148-0	Elbow Push-In Swivel 6mmx1/4" BSP	1	PC
110	93212012-0	Plain Washer M10	2	PC
120	93212011-0	Plain Washer M8	2	PC
130	93212013-0	Plain Washer M12	2	PC
140	93699710-0	Spring Washer - Plated M8	2	PC
150	93056014-0	Hex Nut M8C-8	2	PC
160	93085007-0	Nyloc Hex Thin Nut M12C - 8	2	PC
170	518-8	Adaptor Straight 8 OD 1/4" BSP	1	PC
180	92067457-0	Hex Head Bolt - M12Cx40 - 8.8	2	PC
190	92097410-0	Hex Head Screw - M10Cx20 - 8.8	2	PC
200	93699711-0	Spring Washer - Plated M10	2	PC
210	92067393-0	Hex Head Bolt - M8Cx90 - 8.8	2	PC
220	66-42	Elbow-Poly.G3/4 str x 90 deg	1	PC
230	6601-1329	Stud Coupling Male G 1/2" x M22 x 1.5	2	PC
5000	511-4	Olive - Tube 8mm O/D	2	PC

**Water Pump Assembly (7017629 / E710427)**

Powapack & Exhaust\Hydrostatic\Powapack Tub Installation\Water Pump Assembly



**Water Pump Assembly (7017629 / E710427)**

Powapack &amp; Exhaust\Hydrostatic\Powapack Tub Installation\Water Pump Assembly

Item no.	Part no.	Description	QTY	Unit
5010	510-4	Nut - Tube 8mm O/D	2	PC
5020	532-23	Tee - Stem 8mm	1	PC
5030	451-17	Washer Bonded G1-4"	1	PC
5040	41038-1-B	Sleeve - Support, Pipe 8mm	1	PC
5050	520-4	Plug Tubing O/D 8	1	PC
5060	12870	Tube - Nylon Black 8mm O/D	1	M

PAGE  
UNDER  
CONSTRUCTION



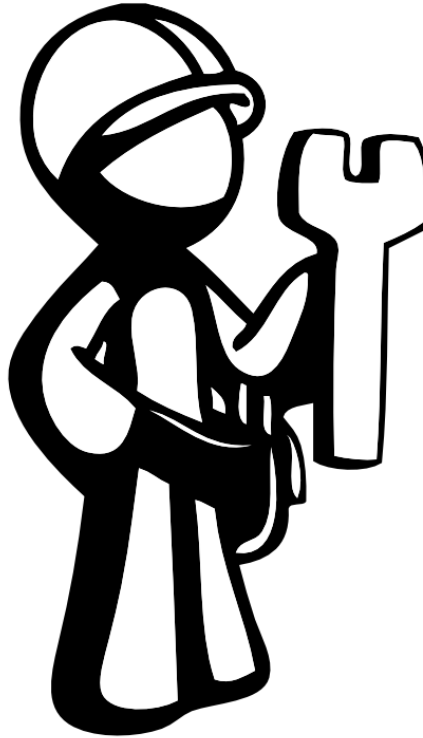
PLEASE  
BEAR  
WITH US

Engine Installation - Hydrostatic (6520111-007 , 6520111-008)

Powapack & Exhaust\Hydrostatic\Hydrostatic\Engine Installation - Hydrostatic

Item no.	Part no.	Description	QTY	Unit
10	7022519	Pressure Sender Assy 12V	1	PC
10	7017755	Pressure sender assy - Hyd. 24V	1	PC
20	308-1	Adjustable Male Tee - M14 x 1.5	1	PC
30	7011689	Plate - Air Valve + Pressure Switch	1	PC
40	72-107	Valve 5/2 Sol/Sol 12v	1	PC
50	72-17	Exhaust Silencer	2	PC
60	537-3	Adaptor-Push In 6mm x 1/8 BSPT	3	PC
70	551-1	Adaptor - Stem Elbow 6mm	2	PC
80	72-52	Pneumatic Pressure Switch	1	PC
90	540-3	Adaptor - Tee 6mm x 1/8 BSPT	1	PC
100	92097269-0	Hex Head Screw - M5Cx30 - 8.8	2	PC
110	92137050-0	Hex Socket Cap Screw - M5Cx45 - 12.9	2	PC
120	93085003-0	Nyloc Hex Nut M5C - 8	4	PC
130	92097410-0	Hex Head Screw - M10Cx20 - 8.8	2	PC
140	93699711-0	Spring Washer - Plated M10	2	PC
150	93056015-0	Hex Nut M10C-8	2	PC
160	7011391	Cable Assembly	1	PC
180	7006819	Cable Assembly	1	PC
190	7012428	Battery Connections	1	PC
220	847-151	Coil 12v (P Series)	1	PC
12V				
220	847-150	Coil 24v (P Series)	1	PC
24V				
250	7005456	Control JXM IO Node	1	PC

PAGE  
UNDER  
CONSTRUCTION



PLEASE  
BEAR  
WITH US

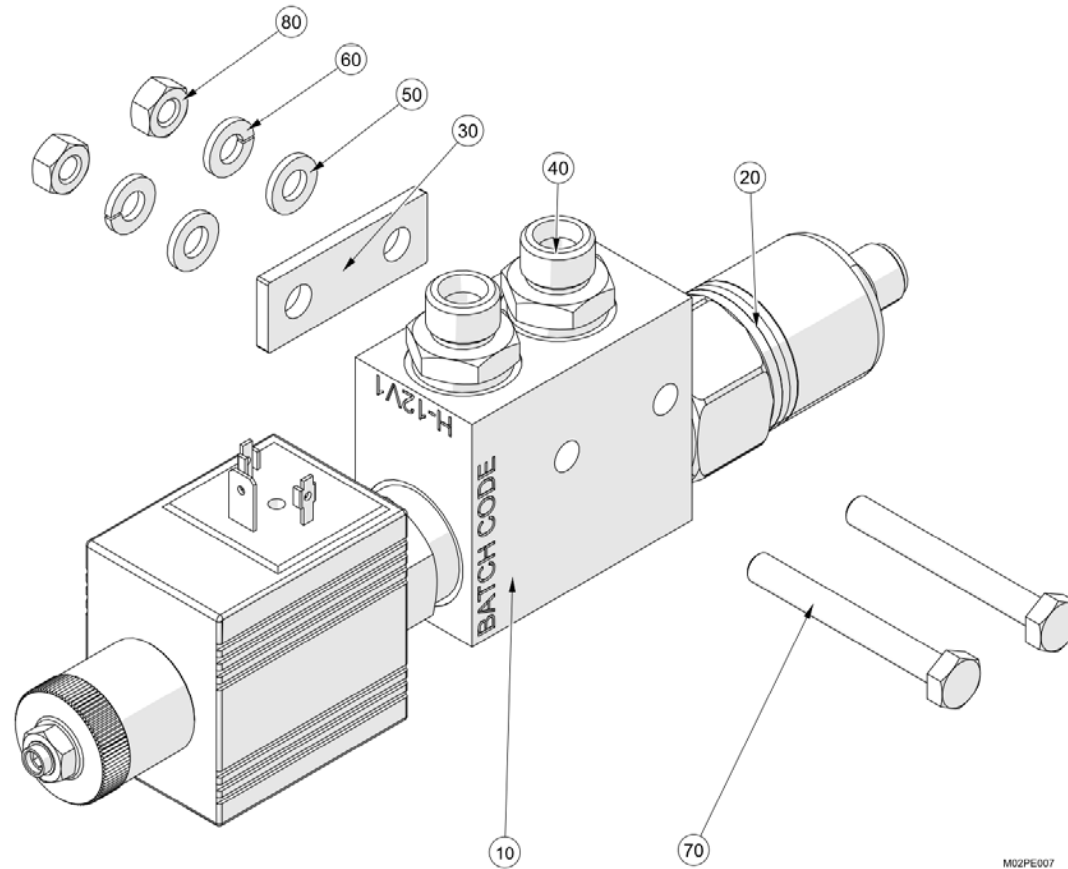


**Engine Installation - Hydrostatic (6520111-007 , 6520111-008)**

Powapack &amp; Exhaust\Hydrostatic\Hydrostatic\Engine Installation - Hydrostatic

Item no.	Part no.	Description	QTY	Unit
260	7032711	Control JXM IO Node 'JCB'	1	PC
170	7028435	Starter Cable Black	1	PC
270	7024159	Gearbox Engage Control	1	PC
24V Only				

**Pressure Sender Assembly (7022519 / E708008 , 7017755 / E708501)**  
Powapack & Exhaust\Hydrostatic\Hydrostatic\Engine Installation - Hydrostatic\Pressure Sender Assembly



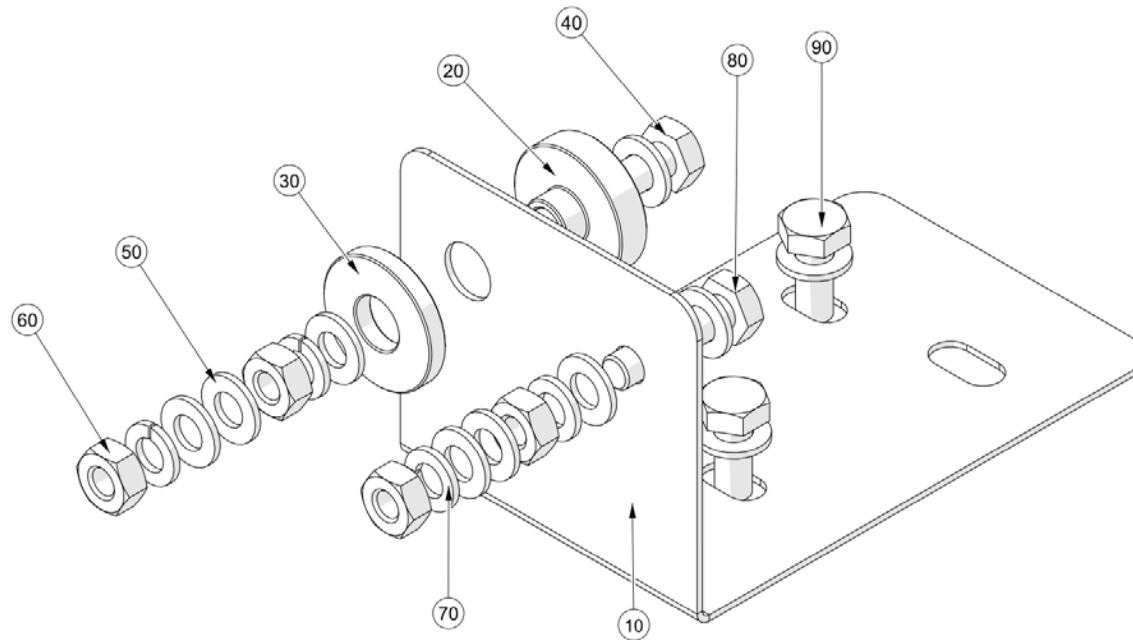
**Pressure Sender Assembly (7022519 / E708008 , 7017755 / E708501)**

Powapack &amp; Exhaust\Hydrostatic\Hydrostatic\Engine Installation - Hydrostatic\Pressure Sender Assembly

Item no.	Part no.	Description	QTY	Unit
10	7022518	Pressure Relief Valve 12V	1	PC
20	7007649	Pressure sender-Hydraulic 0-25 MPa	1	PC
30	7006312	Spacer	1	PC
40	93212009-0	Plain Washer M6	2	PC
50	93699708-0	Spring Washer - Plated M6	2	PC
60	92067311-0	Hex Head Bolt - M6Cx50 - 8.8	2	PC
70	93056012-0	Hex Nut M6C-8	2	PC
80	09570126-0	Stud Coupling Male G 1/4" x M14 x 1.5	2	PC
10	7005344	Manifold -Hydraulic Fan P.R 24V	1	PC

**Battery Connections (7012428 / E707271)**

Powapack & Exhaust\Hydrostatic\Hydrostatic\Engine Installation - Hydrostatic\Battery Connections



M02PE008

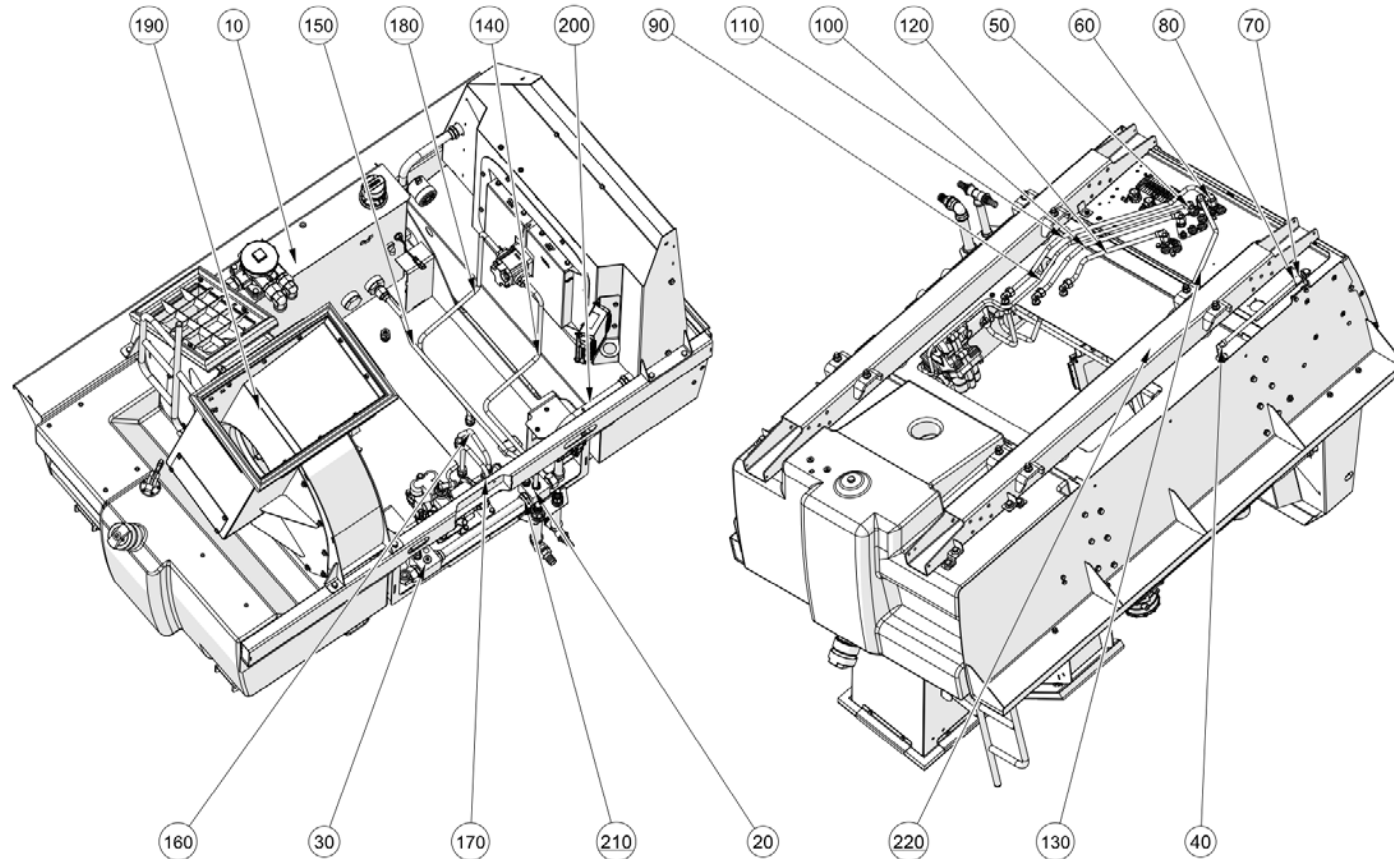
**Battery Connections (7012428 / E707271)**

Powapack &amp; Exhaust\Hydrostatic\Hydrostatic\Engine Installation - Hydrostatic\Battery Connections

Item no.	Part no.	Description	QTY	Unit
10	7012424	Bracket	1	PC
20	42660-1-A	Spacer - Ø40 ODx18Lg	1	PC
30	42661-1-A	Washer - Ø40 ODx6Lg	1	PC
40	92097419-0	Hex Head Screw - M10Cx55 - 8.8	1	PC
50	93212012-0	Plain Washer M10	10	PC
60	93056082-0	Hex Nut M10F-8	4	PC
70	93699711-0	Spring Washer - Plated M10	4	PC
80	92097416-0	Hex Head Screw - M10Cx40 - 8.8	1	PC
90	92097412-0	Hex Head Screw - M10Cx25 - 8.8	2	PC

**Hydraulic System - Hydrostatic (7022385 / E710251)**

Powapack & Exhaust\Hydrostatic\Hydrostatic\Hydraulic System - Hydrostatic



M02PE049

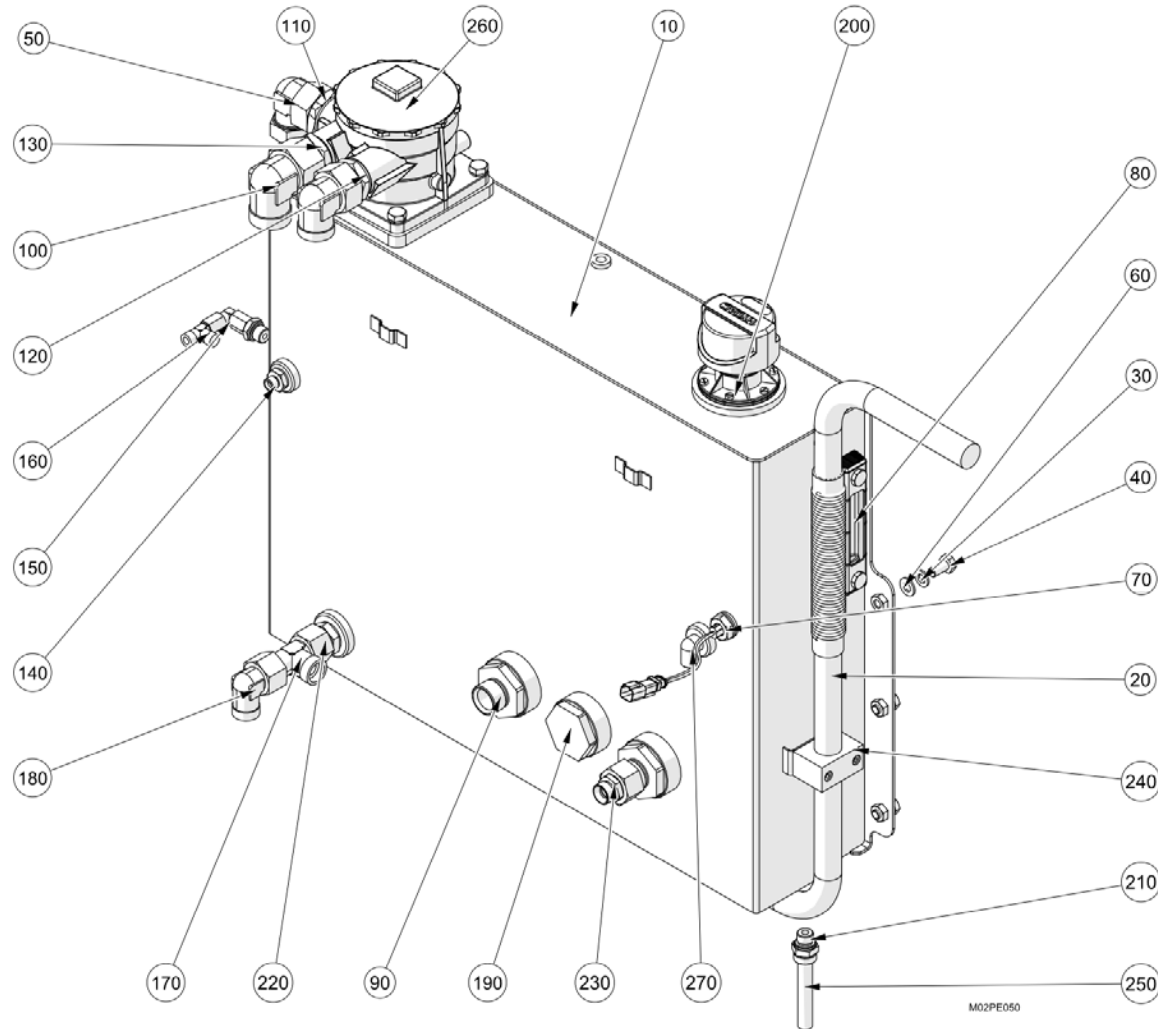
**Hydraulic System - Hydrostatic (7022385 / E710251)**

Powapack & Exhaust\Hydrostatic\Hydrostatic\Hydraulic System - Hydrostatic

Item no.	Part no.	Description	QTY	Unit
10	7030418	Hydraulic Tank Assy - Hydro	1	PC
20	7014281	Hydraulic Manifold Assembly RH	1	PC
30	7014279	Hydraulic Manifold Assembly LH	1	PC
40	6613-1014	Equal Elbow Connector - M22 x 1.5	1	PC
50	6613-0504	Adjustable Male Elbow - M18 x 1.5	2	PC
60	6613-0505	Adjustable Male Elbow - M22 x 1.5	4	PC
70	7022851	Drain bracket assembly	1	PC
80	7007950	Pipe-Hydraulic	1	PC
90	7021505	Pipe - Hydraulic	1	PC
100	7007945	Pipe-Hydraulic	1	PC
110	7007944	Pipe-Hydraulic	1	PC
120	7007941	Pipe-Hydraulic	1	PC
130	7007940	Pipe-Hydraulic	1	PC
140	7022447	Pipe - Hydraulic	1	PC
150	7011504	Pipe-Hydraulic	1	PC
160	7017716	Hydraulic Pipe - Water Pump	1	PC
170	7017685	Hydraulic Pipe - Water Pump	1	PC
180	7021457	Pipe - Hydraulic	1	PC
190	7022483	Pipe - Hydraulic	1	PC
200	7008960	Pipe -Hydraulic	1	PC
210	7007943	Pipe-Hydraulic	1	PC
220	09570487-0	Bulkhead Elbow Connector - M22 x 1.5	4	PC
230	7022851	Drain bracket assembly	1	PC
SUPPLIER_AID_135	SUPPLIER_AID_135	Return Filter Assembly		

**Hydraulic Tank Assembly (7030418 E710251)**

Powapack &amp; Exhaust\Hydrostatic\Hydrostatic\Hydraulic System - Hydrostatic\Hydraulic Tank Assembly





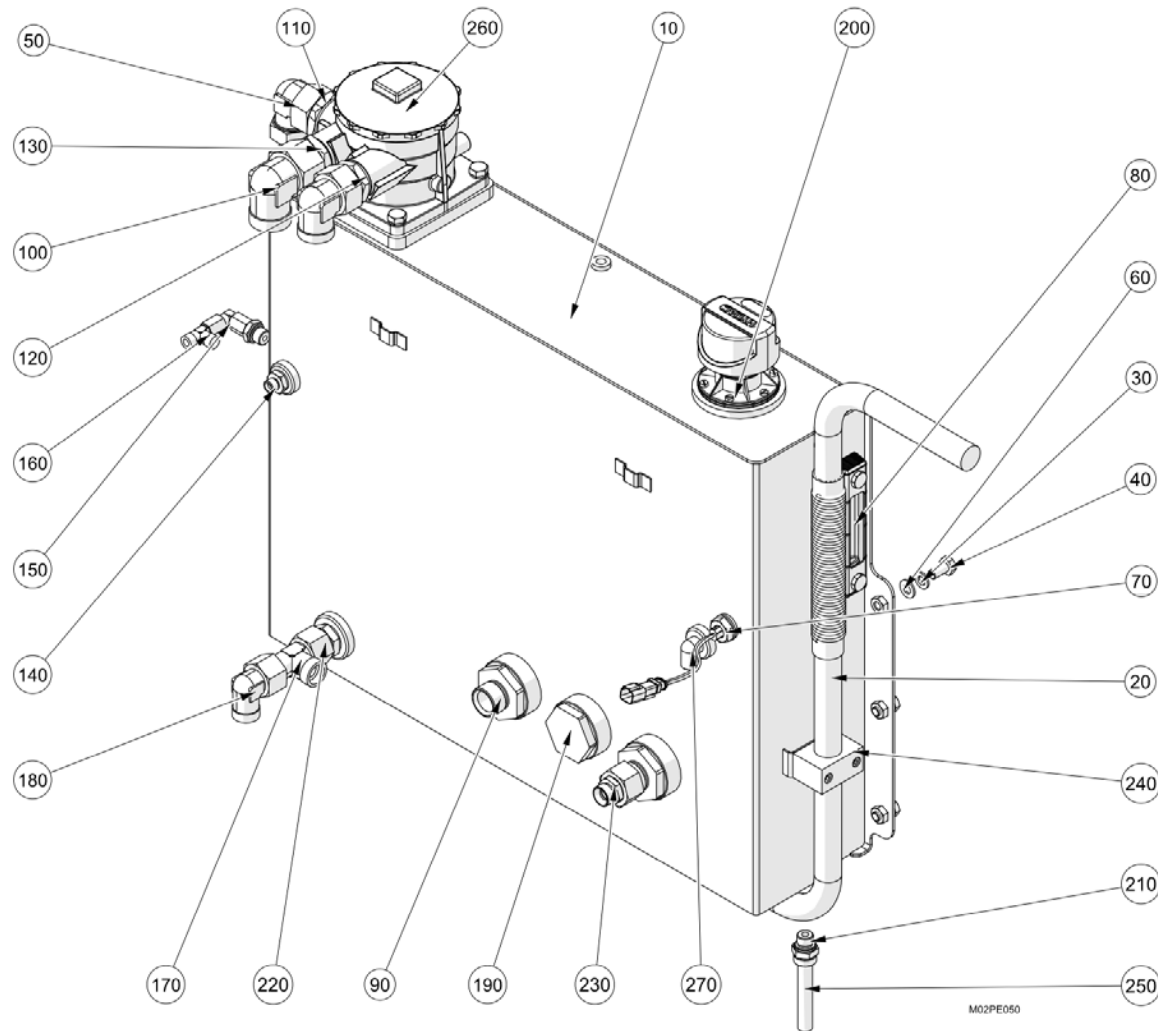
**Hydraulic Tank Assembly (7030418 E710251)**

Powapack & Exhaust\Hydrostatic\Hydrostatic\Hydraulic System - Hydrostatic\Hydraulic Tank Assembly

Item no.	Part no.	Description	QTY	Unit
10	7030412	Hydraulic Tank W/Assy	1	PC
20	7009408	Pipe -Hydraulic	1	PC
30	93699711-0	Spring Washer - Plated M10	10	PC
40	92097410-0	Hex Head Screw - M10Cx20 - 8.8	10	PC
50	6613-0508	Adjustable Male Elbow - M36 x 2.0	2	PC
60	93212012-0	Plain Washer M10	6	PC
70	48-328	Switch - Float + Deutsch Conn	1	PC
80	7005395	Hydraulic Level Gauge	1	PC
90	7005390	Filter -Hydraulic Suction	2	PC
100	09571075-0	Adjustable Male Elbow - M45 x 2.0	1	PC
110	09570117-0	Stud Coupling Male G 1 1/4" x M36 x 2.0	1	PC
120	6601-1349	Stud Coupling Male G 1" x M36 x 2.0	1	PC
130	6601-1351	Stud Coupling Male G 1" x M45 x 2.0	1	PC
140	09570102-0	Stud Coupling Male G 3/8" x M14 x 1.5	2	PC
150	303-1	Adjustable Male Elbow - M14 x 1.5	1	PC
160	308-1	Adjustable Male Tee - M14 x 1.5	1	PC
170	09571102-0	Adjustable Male Tee - M30 x 2	1	PC
180	09571074-0	Adjustable Male Elbow - M30 x 2.0	1	PC
190	55-28	Plug - Solid Hex Head 1 7/8" With O Ring	1	PC
200	09552142-0	Vent filter and filler, complete	1	PC
210	6601-1326	Stud Coupling Male G 3/8" x M22 x 1.5	1	PC
220	6601-1342	Stud Coupling Male G 3/4" x M30 x 2.0	1	PC
230	306-3	Reducing Connector - M30x2 - M22x1.5	1	PC
240	7014351	Pipe Clamp Assembly	1	PC

**Hydraulic Tank Assembly (7030418 E710251)**

Powapack &amp; Exhaust\Hydrostatic\Hydrostatic\Hydraulic System - Hydrostatic\Hydraulic Tank Assembly

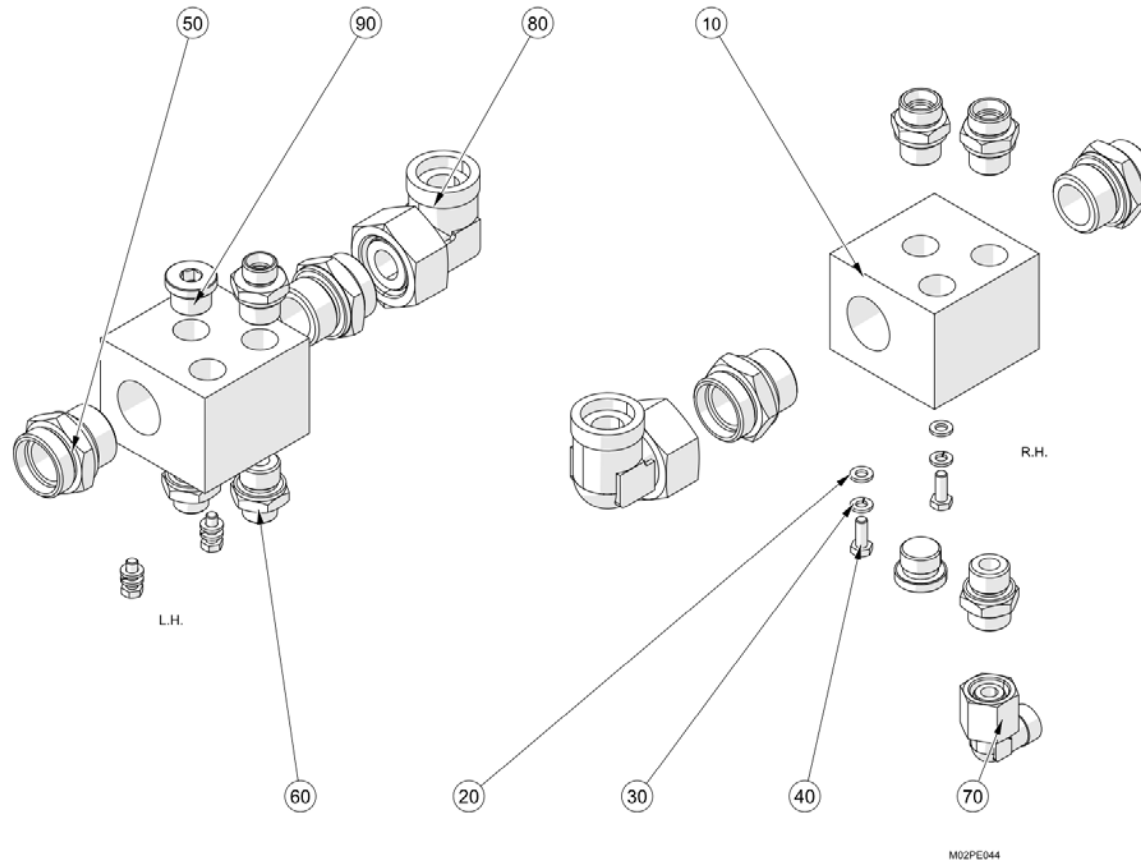


**Hydraulic Tank Assembly (7030418 E710251)**

Powapack &amp; Exhaust\Hydrostatic\Hydrostatic\Hydraulic System - Hydrostatic\Hydraulic Tank Assembly

Item no.	Part no.	Description	QTY	Unit
250	7007948	Pipe-Hydraulic	1	PC
260	7005394	Hydraulic Return Filter	1	PC
270	521-12	Adaptor - Elbow 3/8" BSP x 8mm	1	PC
S260	7015033	Filter Cartridge	1	PC
Spares Only				

**Hydraulic Manifold Assembly (7014281 / E706954 , 7014279 / E708780)**  
Powapack & Exhaust\Hydrostatic\Hydrostatic\Hydraulic System - Hydrostatic\Hydraulic Manifold Assembly



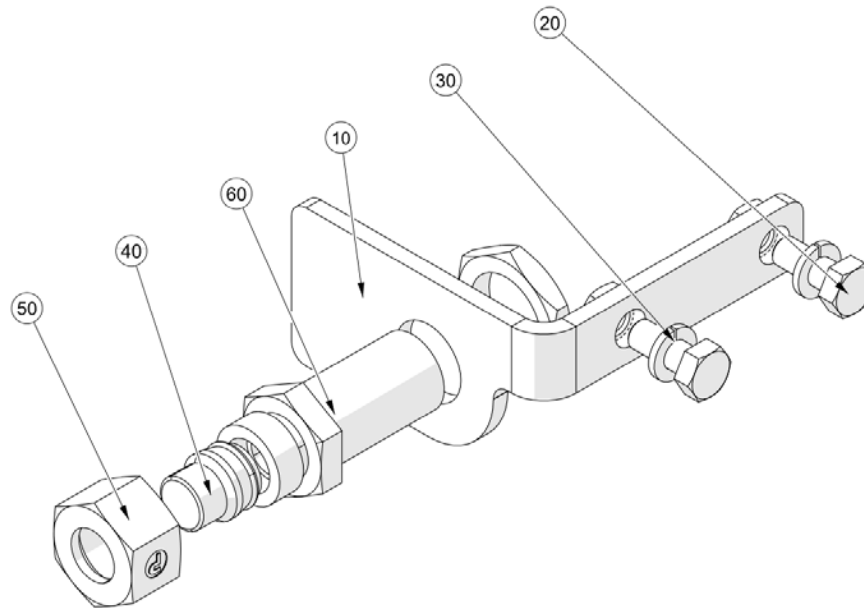
**Hydraulic Manifold Assembly (7014281 / E706954 , 7014279 / E708780)**

Powapack & Exhaust\Hydrostatic\Hydrostatic\Hydraulic System - Hydrostatic\Hydraulic Manifold Assembly

Item no.	Part no.	Description	QTY	Unit
10	7005626	Manifold -Hydraulic	1	PC
20	93212009-0	Plain Washer M6	2	PC
30	93699708-0	Spring Washer - Plated M6	2	PC
40	92097299-0	Hex Head Screw - M6Cx16 - 8.8	2	PC
50	6601-1349	Stud Coupling Male G 1" x M36 x 2.0	2	PC
60	6601-1329	Stud Coupling Male G 1/2" x M22 x 1.5	3	PC
RH				
80	6613-0508	Adjustable Male Elbow - M36 x 2.0	1	PC
90	09572135-0	Sealing Plug VS-R 1/2 WD	1	PC
70	6613-0505	Adjustable Male Elbow - M22 x 1.5	1	PC
RH only				
60	09570131-0	Stud Coupling Male G 1/2" x M18 x 1.5	3	PC
LH				

**Drain Bracket Assembly (7022851 / E708775)**

Powapack & Exhaust\Hydrostatic\Hydrostatic\Hydraulic System - Hydrostatic\Drain Bracket Assembly



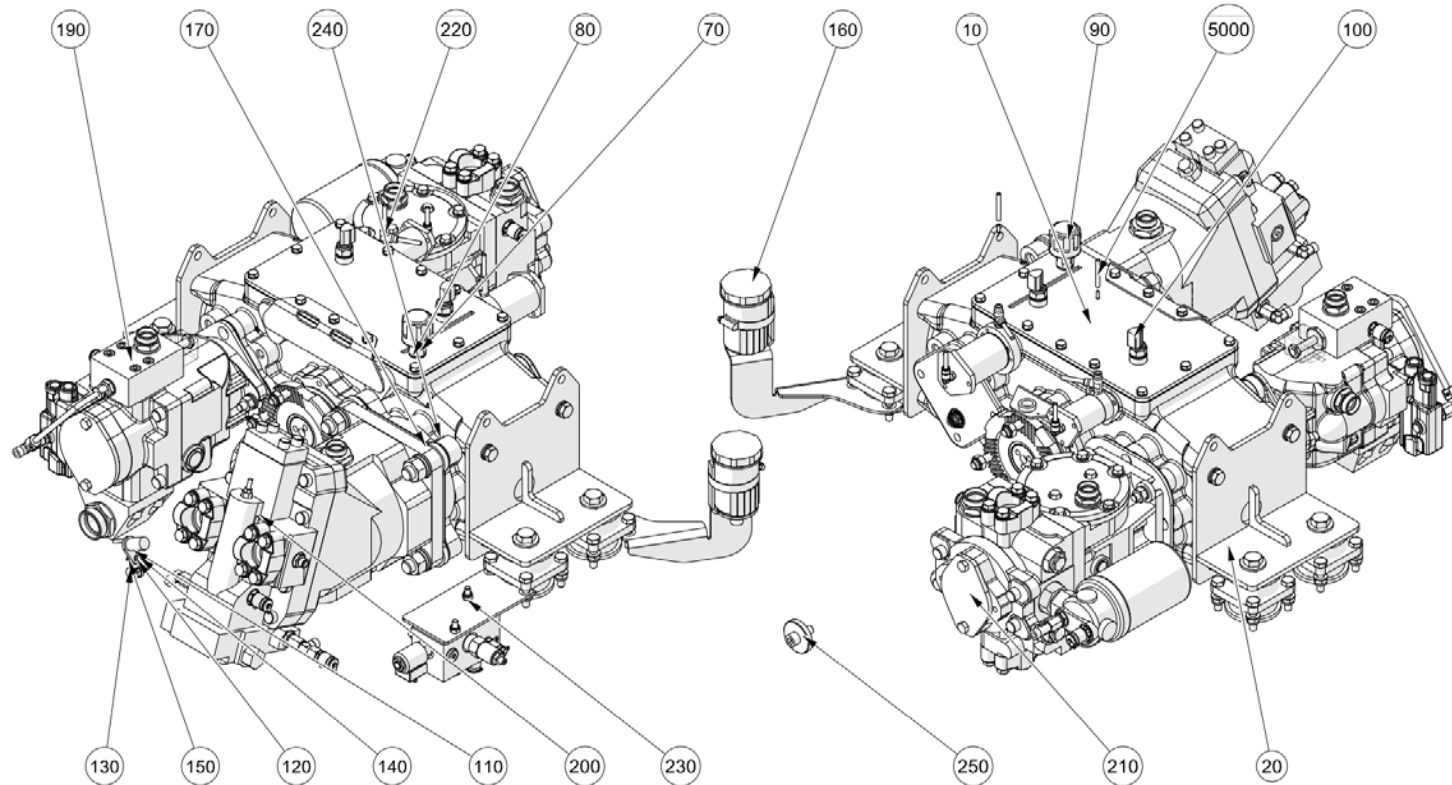
M02PE018

**Drain Bracket Assembly (7022851 / E708775)**

Powapack &amp; Exhaust\Hydrostatic\Hydrostatic\Hydraulic System - Hydrostatic\Drain Bracket Assembly

Item no.	Part no.	Description	QTY	Unit
10	7022850	Drain bracket welded assembly	1	PC
20	92097374-0	Hex Head Screw - M8Cx20 - 8.8	2	PC
30	93699710-0	Spring Washer - Plated M8	2	PC
40	09572104-0	Plug Female - Tube O/D = 15mm	1	PC
50	09570009-0	Cap Nut - M22 x 1.5 (Tube O/D = 15mm)	1	PC
60	302-3	Straight Bulkhead Connector M22 x 1.5	1	PC

**Transmission Assembly (7022051E709362)**  
Powapack & Exhaust\Hydrostatic\Hydrostatic\Transmission Assembly



M02PE037



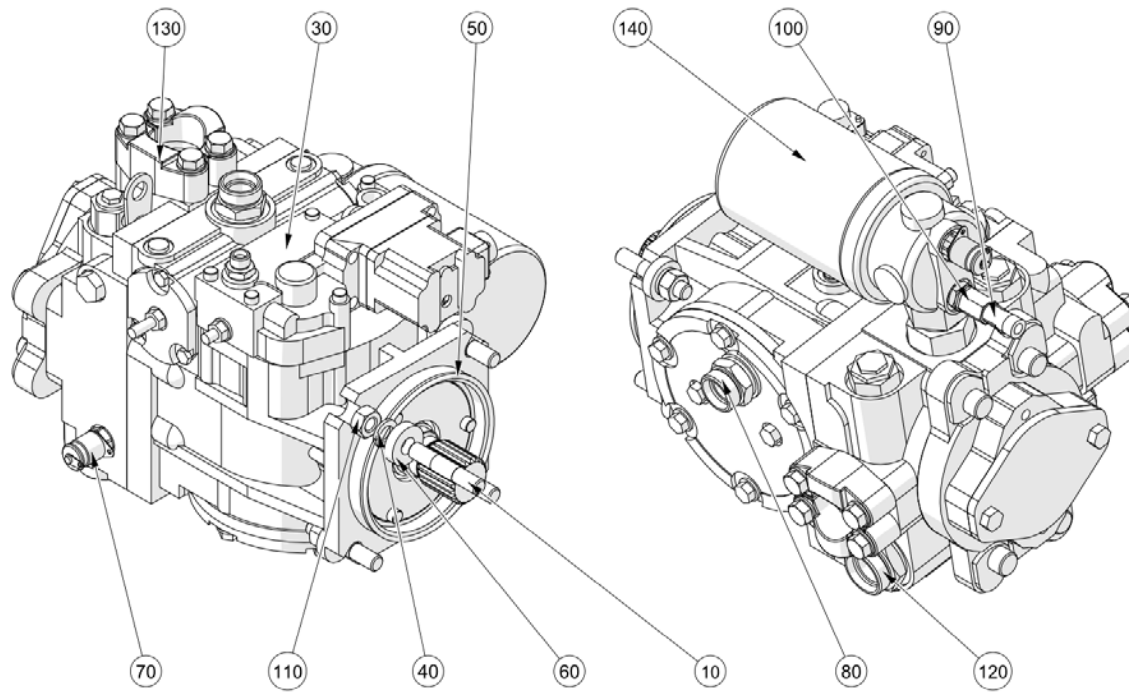
**Transmission Assembly (7022051E709362)**

Powapack & Exhaust\Hydrostatic\Hydrostatic\Transmission Assembly

Item no.	Part no.	Description	QTY	Unit
10	7017654	Hydrostatic Gearbox Assembly Mk3.1	1	PC
20	7027253	Gearbox Mounting Assembly	2	PC
70	492-1	Reducing Adaptor BSP G3/8"M x G1/4"F	1	PC
80	451-18	Washer Bonded G3/8"	3	PC
90	13538	Breather	1	PC
100	282054-1	Gearbox Sensor Switch Assembly	2	PC
110	280856-1	Speed Sensor with Loom	2	PC
120	92097303-0	Hex Head Screw - M6Cx25 - 8.8	2	PC
130	508-11	Clip - P Rubber Covered 12.00mm	2	PC
140	93212009-0	Plain Washer M6	2	PC
150	93085004-0	Nyloc Hex Nut M6C - 8	2	PC
160	7014282	Reservoir-Oil Filler Sub Assy	1	PC
170	09570128-0	Stud Coupling Male G 1/4" x M18 x 1.5	1	PC
190	7013661	Pump-Fan sub assy	1	PC
200	7013713	Motor-hydraulic 160 assy	1	PC
210	7014107	Transmission Pump-Sub Assembly	1	PC
220	41041-1-A	Sleeve - Support, Pipe	2	PC
230	7023315	Anti Skid Mount Install	1	PC
240	6613-0504	Adjustable Male Elbow - M18 x 1.5	1	PC
5000	273-20	Tube - Nylon Blue 6mm O/D 100m Reel	4	M
250	7030300	Fixing Kit	1	PC

**Transmission Pump Sub Assembly (7014107)**

Powapack &amp; Exhaust\Hydrostatic\Hydrostatic\Transmission Assembly\Transmission Pump Sub Assembly



M02PE038

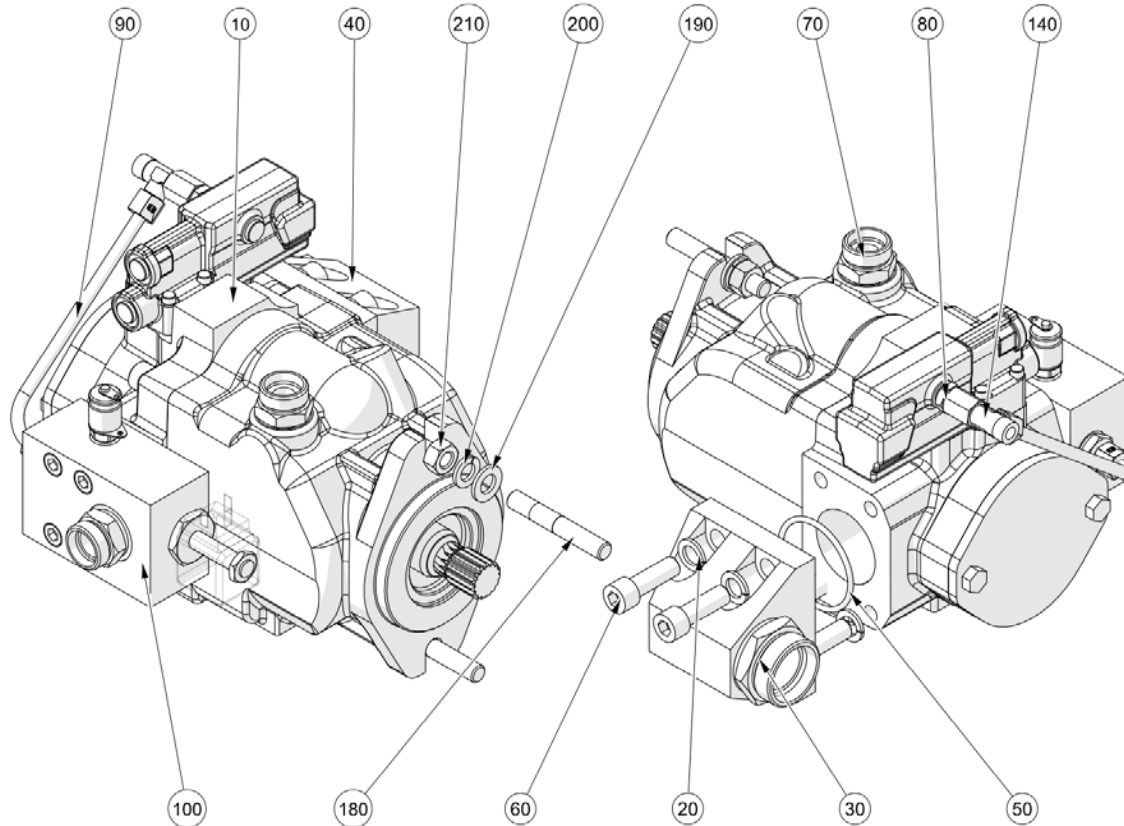
**Transmission Pump Sub Assembly (7014107)**

Powapack &amp; Exhaust\Hydrostatic\Hydrostatic\Transmission Assembly\Transmission Pump Sub Assembly

Item no.	Part no.	Description	QTY	Unit
10	29569-1	Stud - M12 x 65	4	PC
30	97161-1	Pump - Transmission	1	PC
40	93699712-0	Spring Washer - Plated M12	4	PC
50	79-99	O-Ring - 5" O/D x 0.139 Sect	1	PC
60	45014-8-H	Spacer - 8mm	4	PC
70	665-17	Test Coupling SMK20 - 9/16-18UNF	2	PC
80	09570163-0	Stud Coupling Male 1 1/16"UNF x M30x2	2	PC
90	308-1	Adjustable Male Tee - M14 x 1.5	1	PC
100	300-1	Stud Coupling Male 9/16" UNF M14x1.5	2	PC
110	93056016-0	Hex Nut M12C-8	4	PC
120	09570156-0	Stud Coupling Male 1 5/16"UNF x M36x2	1	PC
130	498-N09	SAE Split Flange Kit 1" 415 bar	2	PC
140	224-15	Oil filter (Transmission pump)	1	PC

**Pump Fan Sub Assembly (7013661E709362)**

Powapack & Exhaust\Hydrostatic\Hydrostatic\Transmission Assembly\Pump Fan Sub Assembly



M02PE039

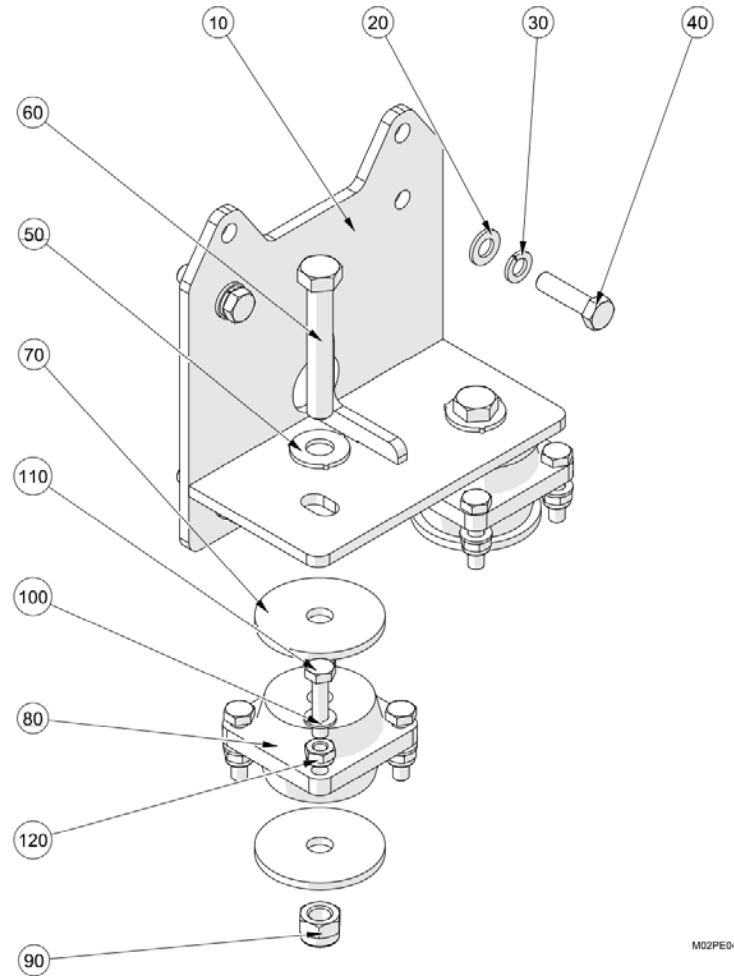
**Pump Fan Sub Assembly (7013661E709362)**

Powapack & Exhaust\Hydrostatic\Hydrostatic\Transmission Assembly\Pump Fan Sub Assembly

Item no.	Part no.	Description	QTY	Unit
10	7011065	Fan drive pump	1	PC
20	450-31	Spring Washer Ø1/2"	4	PC
30	09570133-0	Stud Coupling Male G 1 1/4" x M45 x 2.0	1	PC
40	802853-1	Adaptor - 1 1/4" x 1 1/4" BSP	1	PC
50	09504434-0	O Ring, BS 228 (2.234" ID x 0.139")	1	PC
60	151-115	Capscrew Skt Hd UNC 1/2x1 1/2	4	PC
70	09570162-0	Stud Coupling Male 7/8" UNF x M30x2.00	1	PC
80	09570151-0	Stud Coupling Male 7/16" UNF x M14x1.50	1	PC
90	7021927	Hydraulic Pipe Ø8x1	1	PC
100	7014431	Fan Pump Control Block Assembly	1	PC
140	308-1	Adjustable Male Tee - M14 x 1.5	1	PC
180	29557-1	Stud - M12c x 80	2	PC
190	93212013-0	Plain Washer M12	2	PC
200	93699712-0	Spring Washer - Plated M12	2	PC
210	93056016-0	Hex Nut M12C-8	2	PC

**Gearbox Mounting Assembly (7027253E709362)**

Powapack &amp; Exhaust\Hydrostatic\Hydrostatic\Transmission Assembly\Gearbox Mounting Assembly



M02PE040

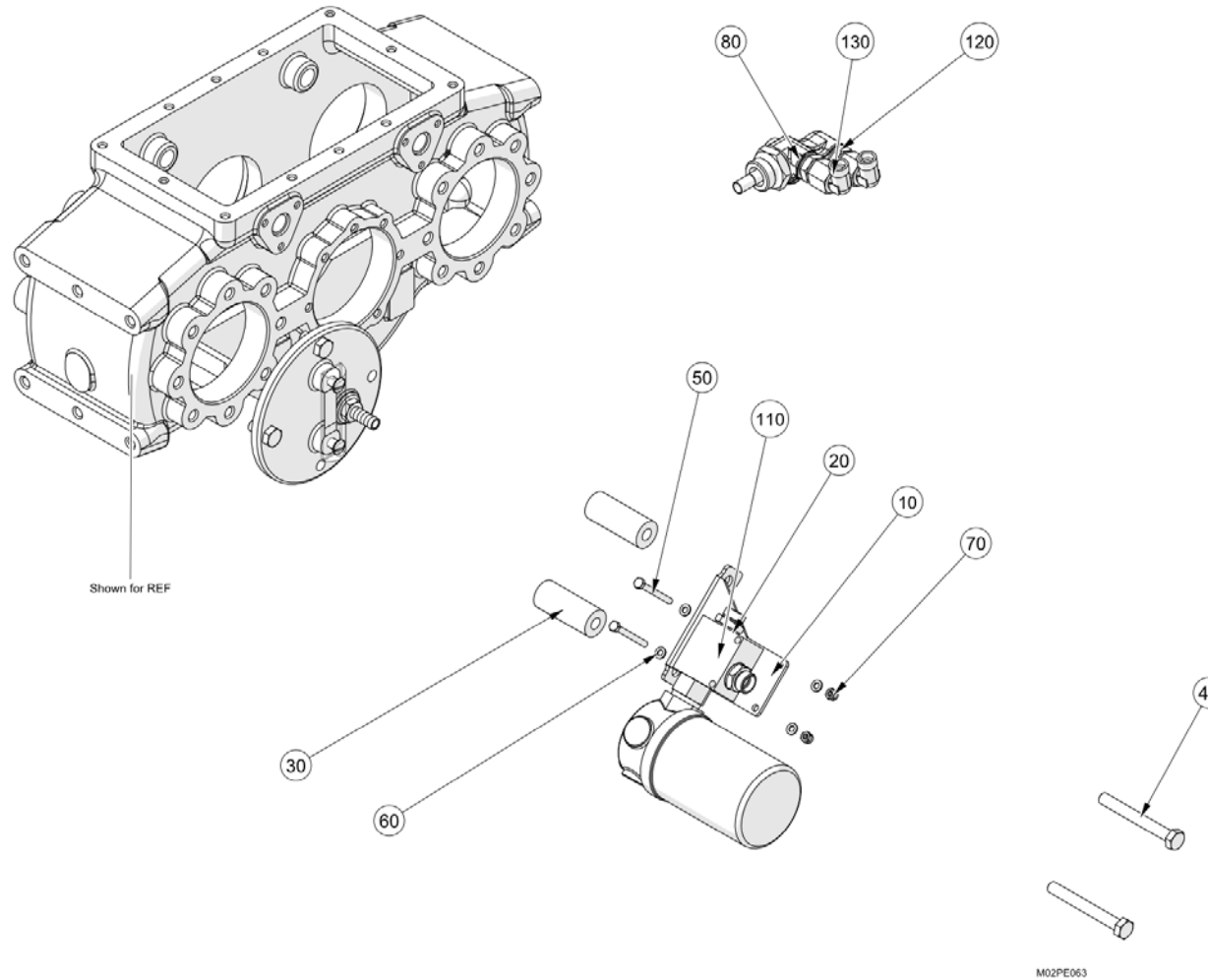
**Gearbox Mounting Assembly (7027253E709362)**

Powapack &amp; Exhaust\Hydrostatic\Hydrostatic\Transmission Assembly\Gearbox Mounting Assembly

Item no.	Part no.	Description	QTY	Unit
10	7025558	Mounting Bracket W/Assy	1	PC
20	93212013-0	Plain Washer M12	4	PC
30	93699712-0	Spring Washer - Plated M12	4	PC
40	92097453-0	Hex Head Screw - M12Cx45 - 8.8	4	PC
50	459-16	Washer - M16 Hardened BS 4395	2	PC
60	92067543-0	Hex Head Bolt - M16x100C - 8.8	2	PC
70	290-50	Rebound Washer M16 (To Suit 290-46)	4	PC
80	290-55	Cone Mounting 90mm <sup>2</sup> Shore Hardness = 70	2	PC
90	93085009-0	Nyloc Hex Nut M16C - 8	2	PC
100	93212012-0	Plain Washer M10	8	PC
110	92097417-0	Hex Head Screw - M10CX45 - 8.8	8	PC
120	93085006-0	Nyloc Hex Thin Nut M10C - 8	8	PC

**Remote Oil Filter Installation (7034738 E711534)**

Powapack &amp; Exhaust\Hydrostatic\Hydrostatic\Transmission Assembly\Remote Oil Filter Installation

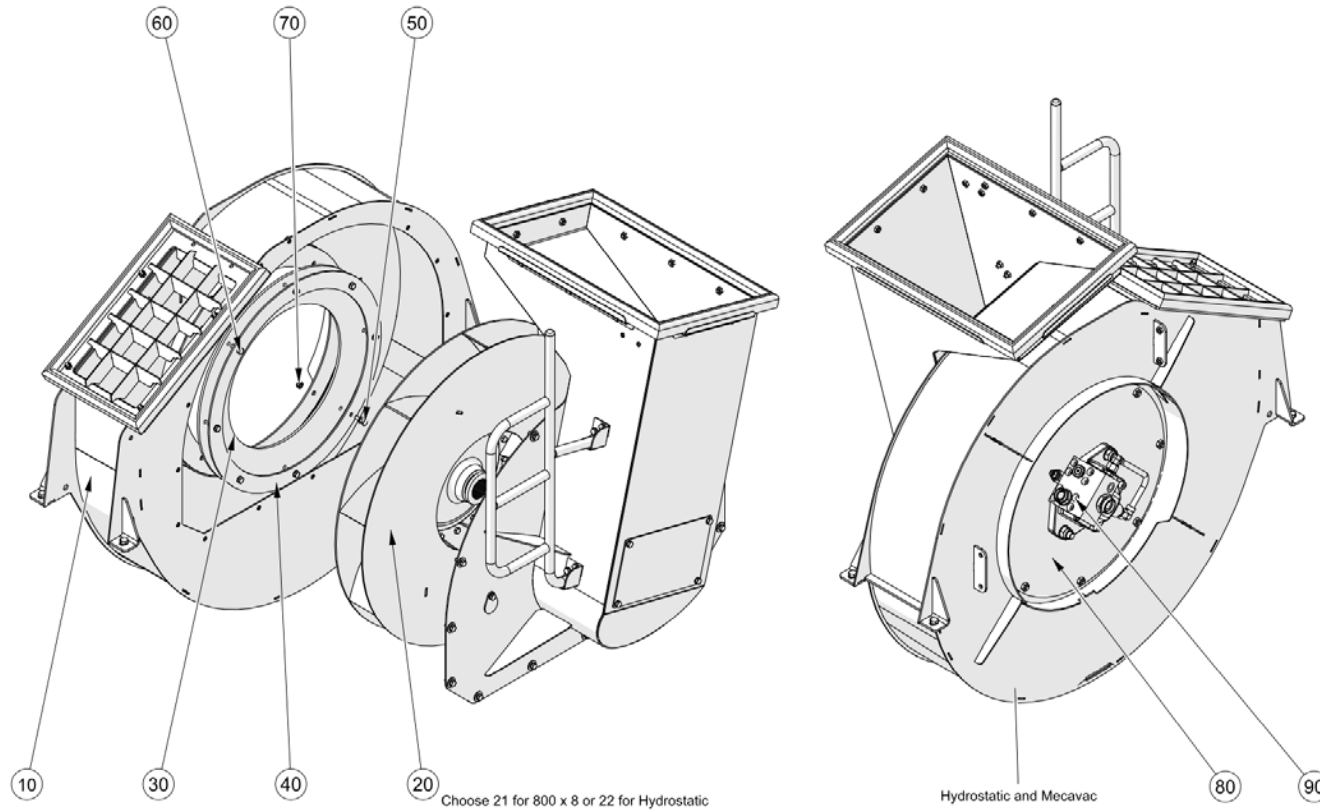




**Remote Oil Filter Installation (7034738 E711534)**

Powapack &amp; Exhaust\Hydrostatic\Hydrostatic\Transmission Assembly\Remote Oil Filter Installation

Item no.	Part no.	Description	QTY	Unit
10	800661-1	Filter Bracket-Hydro G/Box	1	PC
20	6601-1329	Stud Coupling Male G 1/2" x M22 x 1.5	2	PC
30	45014-28	Spacer - 73mm	2	PC
40	92067469-0	Hex Head Bolt - M12Cx100 - 8.8	2	PC
50	92067313-0	Hex Head Bolt - M6Cx60 - 8.8	2	PC
60	93212009-0	Plain Washer M6	4	PC
70	93085004-0	Nyloc Hex Nut M6C - 8	2	PC
80	97841-1	Remote Pressure Filter Manifold	1	PC
110	97840-1	Block - Adaptor Remote Filter	1	PC
120	6601-0630	Stud Coupling Male 7/8" - 14 UNF	2	PC
130	6613-0505	Adjustable Male Elbow - M22 x 1.5	2	PC
5000	H1SC12002-120	Hose - Hyd straight x 90swept	2	PC



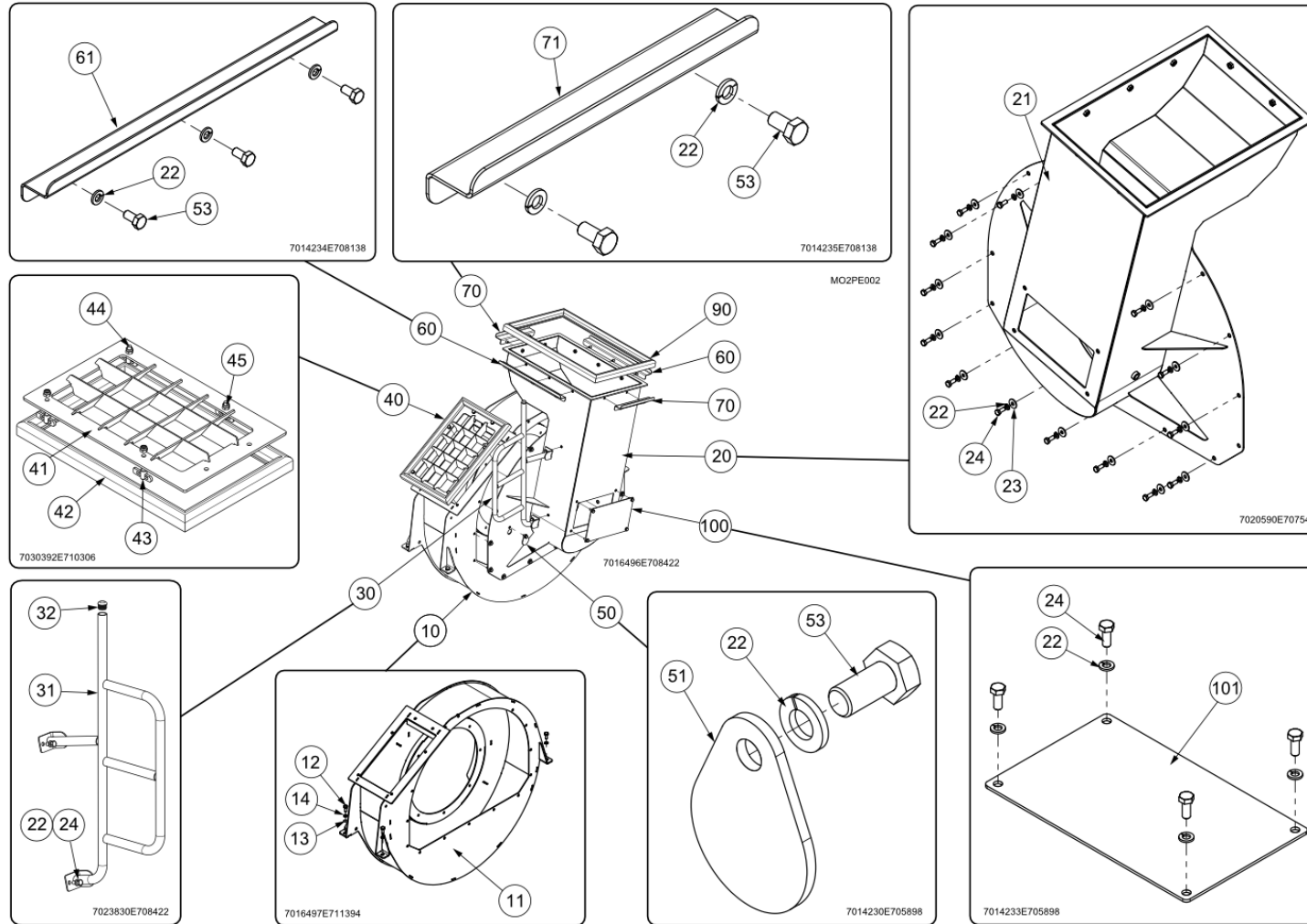
M02PE053

Suction System (7017228 / E708422 , 7017202 / E708422 , 7022266 / E708422)

Powapack & Exhaust\Suction System

Item no.	Part no.	Description	QTY	Unit
10	7016496	Fancase assembly	1	PC
20	7017384	Suction Fan Assembly ø760	1	PC
30	7017201	Diaphragm - Fancase Assembly	1	PC
40	7017203	Flange, Fancase Assy	1	PC
50	92097376-0	Hex Head Screw - M8Cx25 - 8.8	8	PC
60	93699710-0	Spring Washer - Plated M8	8	PC
70	93085005-0	Nyloc Hex Thin Nut M8C - 8	8	PC
21	280830-1	Fan Impeller Assy 800x8	1	PC
80	7014137	Mounting Plate Assembly	1	PC
Hydrostatic				
90	7014183	Hydraulic Motor Assembly	1	PC
Hydrostatic				
22	7014196	Fan Impeller Assenbly	1	PC
Hydrostatic				
20S	S7017384	Fan Impeller/Kit Ø 760 (SPARES ONLY)	1	PC
Spares only				

**Fancase Assembly (7016496 / E708422)**  
 Powapack & Exhaust\Suction System\Fancase Assembly

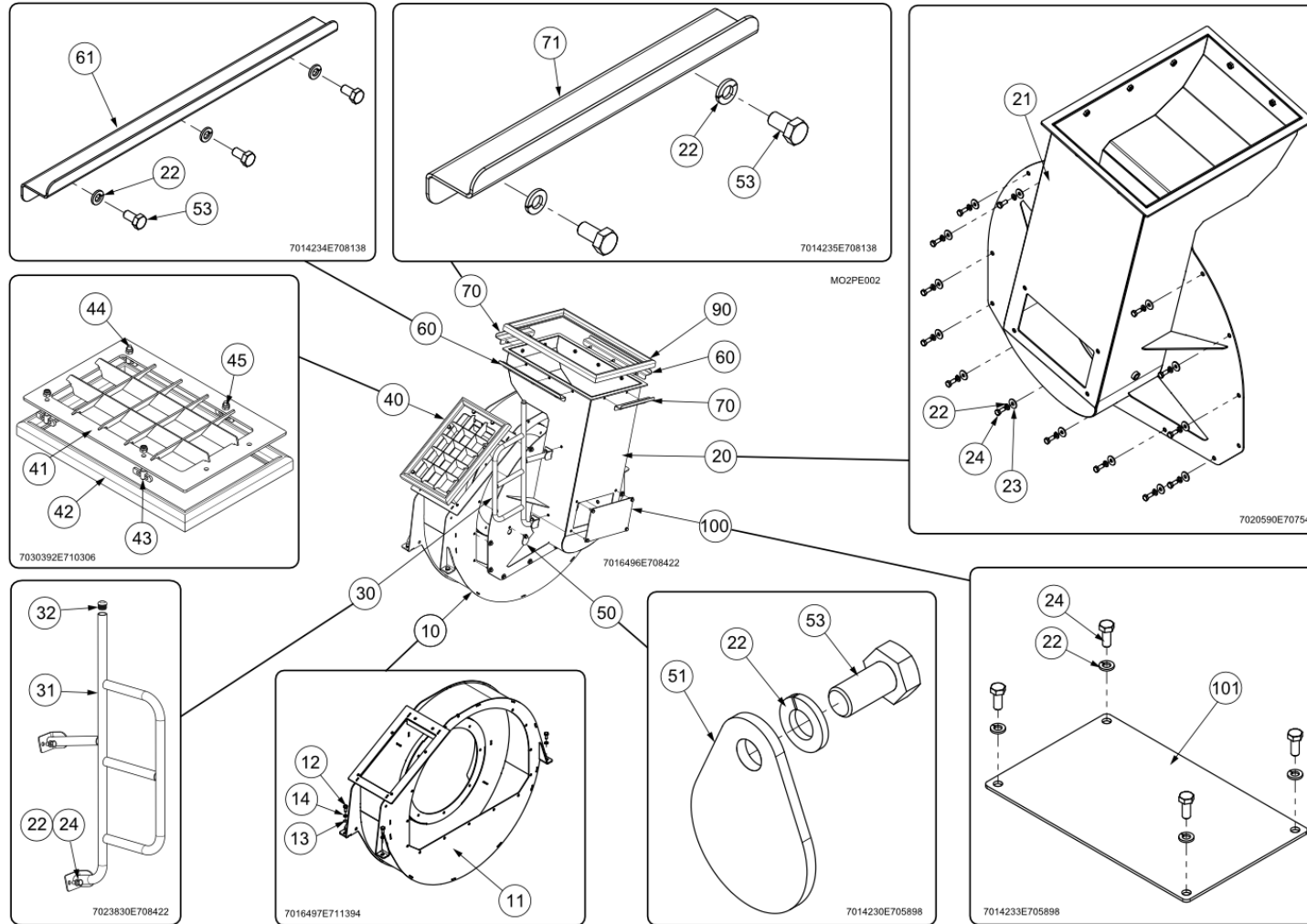


**Fancase Assembly (7016496 / E708422)**

Powapack & Exhaust\Suction System\Fancase Assembly

Item no.	Part no.	Description	QTY	Unit
10	7016497	Fancase sub-assembly	1	PC
20	7020590	Duct Suction Assembly	1	PC
30	7023830	Grab handle assembly	1	PC
50	7014230	Cover Assembly	1	PC
60	7014234	Seal Retainer Long Assembly	2	PC
70	7014235	Seal Retainer Short Assembly	2	PC
90	7003618	Seal - Suction System	1	PC
100	7014233	Cover Plate Assembly	1	PC
11	7010089	Fancase welded assembly	1	PC
12	92097412-0	Hex Head Screw - M10Cx25 - 8.8	4	PC
13	93699711-0	Spring Washer - Plated M10	4	PC
21	7020591	Fancase Inlet Weld Assembly	1	PC
22	93699710-0	Spring Washer - Plated M8	39	PC
23	93300509-0	Plain Large Washer M8	14	PC
24	92097374-0	Hex Head Screw - M8Cx20 - 8.8	28	PC
31	7023816	Grab handle welded assembly	1	PC
32	220-65	Plug - Plastic	1	PC
41	7002366	Guard	1	PC
42	7002395	Seal	1	PC
51	7011909	Cover	1	PC
53	92097372-0	Hex Head Screw - M8Cx16 - 8.8	11	PC
61	7010676	Seal retainer - long	2	PC
71	7010677	Seal Retainer - short	2	PC
101	7005177	Plate	1	PC

**Fancase Assembly (7016496 / E708422)**  
 Powapack & Exhaust\Suction System\Fancase Assembly

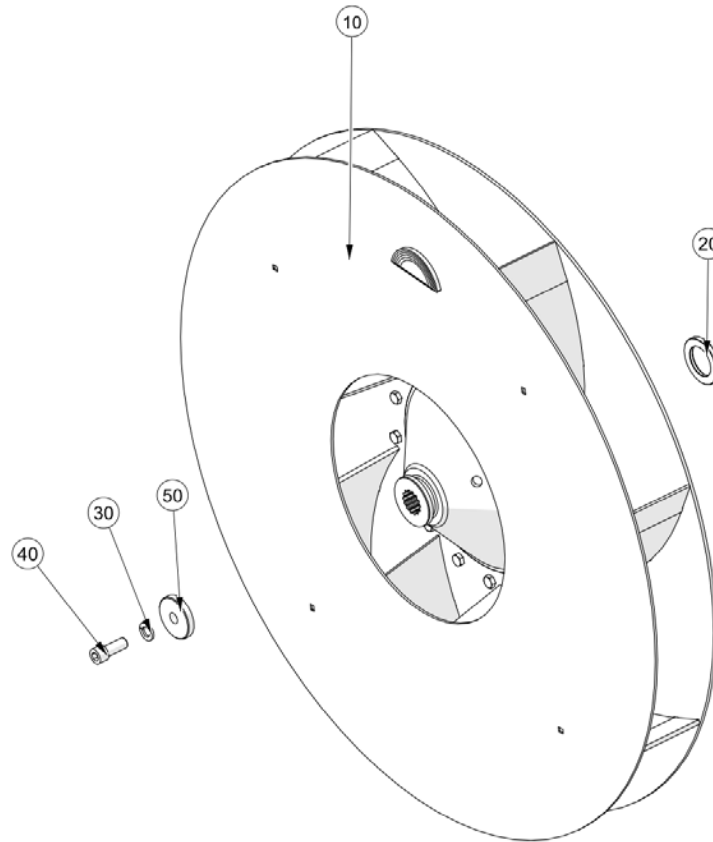


**Fancase Assembly (7016496 / E708422)**

Powapack &amp; Exhaust\Suction System\Fancase Assembly

Item no.	Part no.	Description	QTY	Unit
40	7030392	Quick-release grill	1	PC
43	60-15	Pin - Antiluce, M8 x 18	4	PC
44	93085805-0	Nyloc Hex Nut M8C - 8	4	PC
45	93212011-0	Plain Washer M8	4	PC
14	93212012-0	Plain Washer M10	4	PC

**Fan Impeller Assembly (7014196 / E705898)**  
Powapack & Exhaust\Suction System\Fan Impeller Assembly



M02PE030

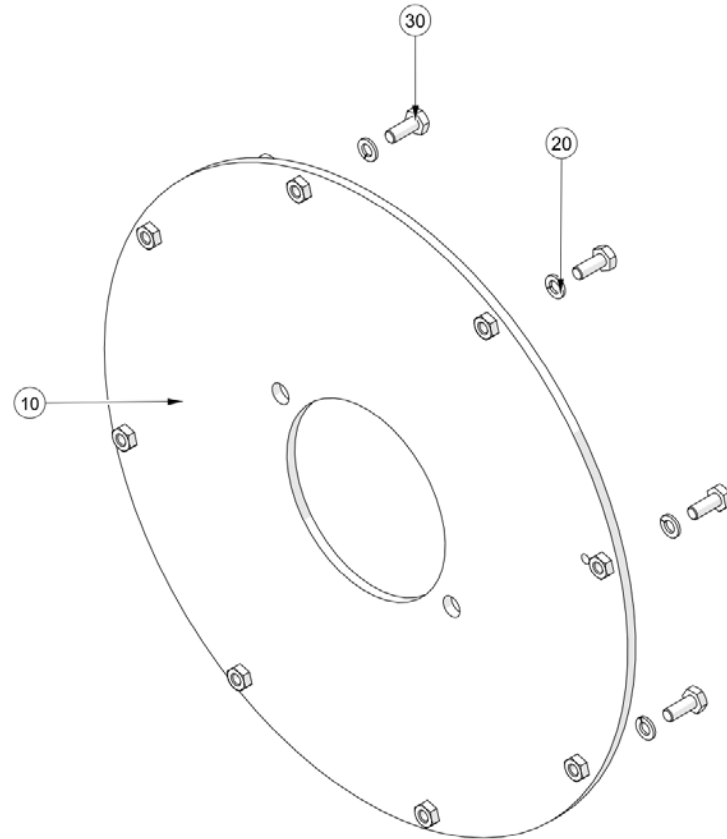


**Fan Impeller Assembly (7014196 / E705898)**

Powapack &amp; Exhaust\Suction System\Fan Impeller Assembly

Item no.	Part no.	Description	QTY	Unit
10	280830-2	Fan Impeller Assy 800x8 Hydro	1	PC
20	78401-1	Spacer - Fan Hub	1	PC
30	93699712-0	Spring Washer - Plated M12	1	PC
40	148-100	Screw-Cap HD Tuflok M12x1.75x30 G12.9	1	PC
50	78404-1	Washer - Fan Hub Securing	1	PC

**Mounting Plate Assembly (7014137 / E705898)**  
Powapack & Exhaust\Suction System\Mounting Plate Assembly

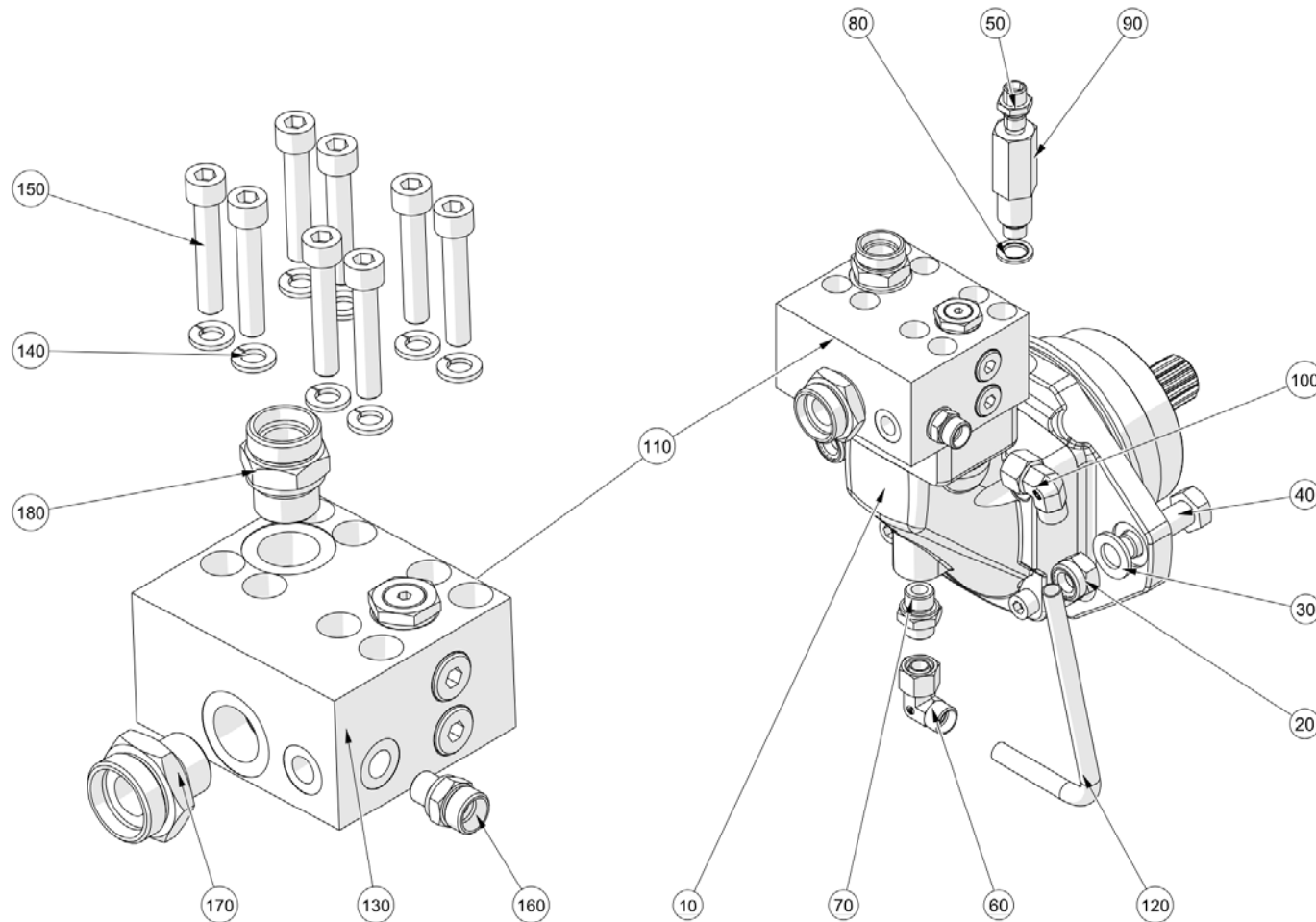


M02PE025

**Mounting Plate Assembly (7014137 / E705898)**

Powapack &amp; Exhaust\Suction System\Mounting Plate Assembly

Item no.	Part no.	Description	QTY	Unit
10	7007969	Mounting plate Weld assembly Hyd Motor	1	PC
20	93699711-0	Spring Washer - Plated M10	8	PC
30	92097412-0	Hex Head Screw - M10Cx25 - 8.8	8	PC

**Hydraulic Motor Assembly (7014183 / E707716)**  
Powapack & Exhaust\Suction System\Hydraulic Motor Assembly

M02PE043

**Hydraulic Motor Assembly (7014183 / E707716)**

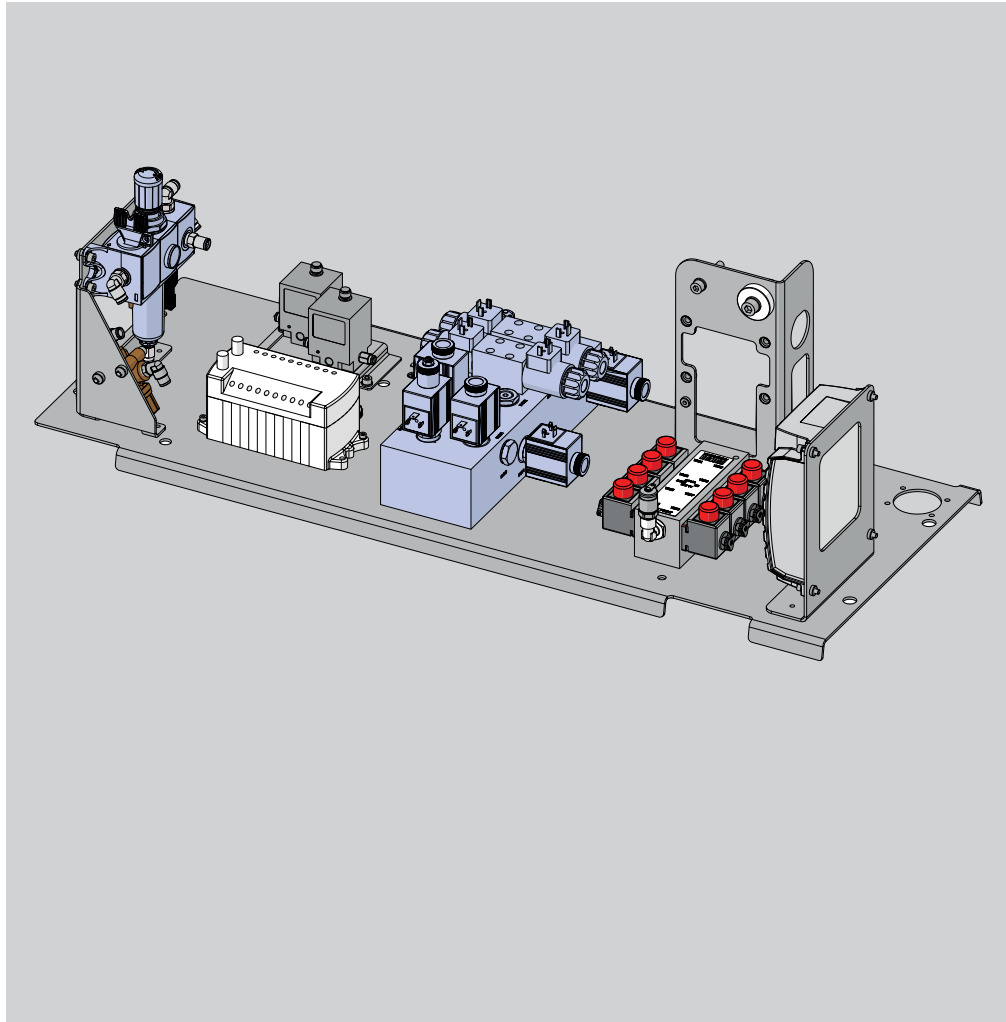
Powapack & Exhaust\Suction System\Hydraulic Motor Assembly

Item no.	Part no.	Description	QTY	Unit
10	78184-1	Motor-Hydraulic	1	PC
20	93085009-0	Nyloc Hex Nut M16C - 8	2	PC
30	93210523-0	Plain Washer M16	2	PC
40	92067533-0	Hex Head Bolt - M16x50C - 8.8	2	PC
50	09570126-0	Stud Coupling Male G 1/4" x M14 x 1.5	1	PC
60	6613-0503	Adjustable Male Elbow - M16 x 1.5	1	PC
70	09570105-0	Stud Coupling Male - M18x1.5 x M18x1.5	1	PC
80	451-112	Washer Bonded Ø9-16" - Bolt	1	PC
90	7006154	Adaptor - Hydraulic 1/4 x M14	1	PC
100	6613-0503	Adjustable Male Elbow - M16 x 1.5	1	PC
110	7014161	Fan Control Block Assembly	1	PC
120	7008932	Pipe -Hydraulic	1	PC
130	293441-24	Fan Control Block Hyd Sys 550	1	PC
140	93699711-0	Spring Washer - Plated M10	8	PC
150	92137163-0	Hex Socket Cap Screw - M10Cx55 - 12.9	8	PC
160	09570128-0	Stud Coupling Male G 1/4" x M18 x 1.5	1	PC
170	6601-1346	Stud Coupling Male G 3/4" x M36 x 2.0	1	PC
180	6601-1342	Stud Coupling Male G 3/4" x M30 x 2.0	1	PC

This page is intentionally left blank

# Chapter 5

## Systems Wafer



### Table of Contents

Section	Page
5.1 Systems Wafer.....	336
5.2 Hydraulic Valve Bank.....	348
5.3 Node.....	352
5.4 Options.....	354

PAGE  
UNDER  
CONSTRUCTION



PLEASE  
BEAR  
WITH US



Item no.	Part no.	Description	QTY	Unit
10	7020872	System Tray Assembly (Standard Parts)	1	PC
30	93699706-0	Spring Washer - Plated M4	2	PC
40	92137013-0	Hex Socket Cap Screw - M4Cx20 - 12.9	2	PC
50	93699708-0	Spring Washer - Plated M6	2	PC
60	92097301-0	Hex Head Screw - M6Cx20 - 8.8	2	PC
70	7012141	Pneumatic Valve Island 12v Sng	1	PC
70	7012136	Pneumatic Valve Island 12v Dual	1	PC
70	7012139	Pneumatic Valve Island 24v Sng	1	PC
70	7012135	Pneumatic Valve Island 24v Dual	1	PC
70	7012138	Pneumatic Valve Island 12v Sng Opts	1	PC
70	7012118	Pneumatic Valve Island 12v Dual Opts	1	PC
70	7012117	Pneumatic Valve Island 24v Dual Opts	1	PC
70	7012137	Pneumatic Valve Island 24v Sng Opts	1	PC
80	7016963	Cable Assembly	1	PC
12V				
80	7005520	Cable Assembly	1	PC
12V Single				
80	7005488	Cable Assembly	1	PC
12V Dual				
80	7005523	Cable Assembly	1	PC
24V Single				
80	7005495	Cable Assembly	1	PC
24V				

PAGE  
UNDER  
CONSTRUCTION



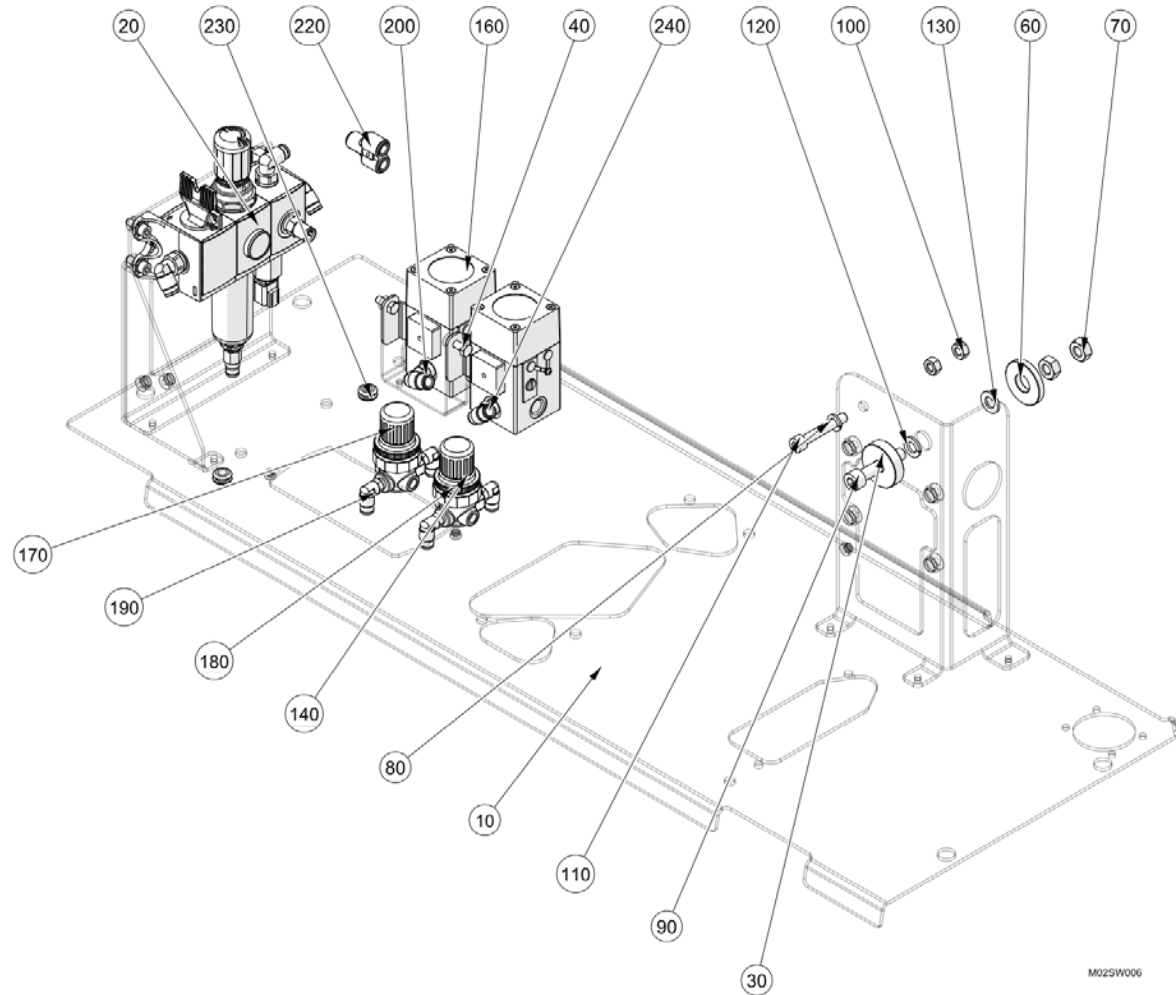
PLEASE  
BEAR  
WITH US

**Systems Wafer (6520311-001 to 6520311-008)**

Systems Wafer\Systems Wafer

Item no.	Part no.	Description	QTY	Unit
80	7005489	Cable Assembly	1	PC
24V Dual				

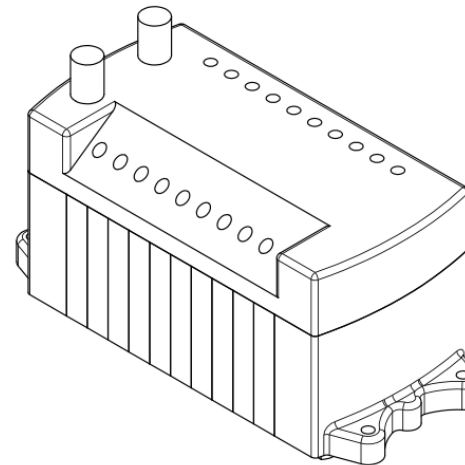
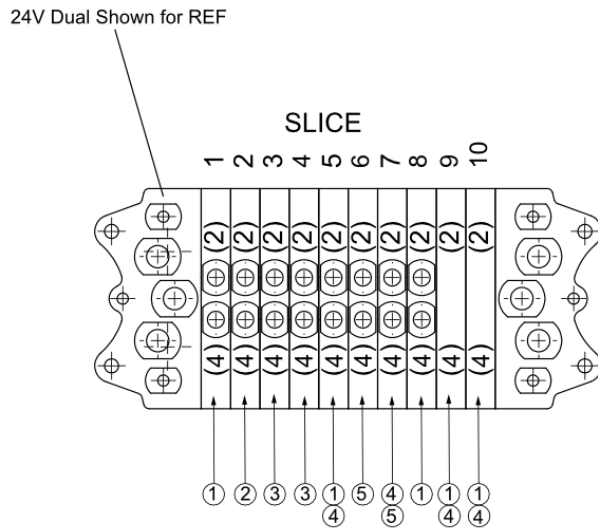
**System Tray Assembly - Standard Parts (7020872 / E708550)**  
Systems Wafer\System Wafer\System Tray Assembly - Standard Parts



**System Tray Assembly - Standard Parts (7020872 / E708550)**  
Systems Wafer\System Wafer\System Tray Assembly - Standard Parts

Item no.	Part no.	Description	QTY	Unit
10	7019897	Systems Wafer Tray Assembly	1	PC
20	7013835	Pneumatic Filter/Regulator	1	PC
30	42660-1-A	Spacer - Ø40 ODx18Lg	1	PC
40	92097299-0	Hex Head Screw - M6Cx16 - 8.8	4	PC
60	42661-1-A	Washer - Ø40 ODx6Lg	1	PC
70	93056015-0	Hex Nut M10C-8	2	PC
80	93699710-0	Spring Washer - Plated M8	1	PC
90	92137162-0	Hex Socket Cap Screw - M10Cx50 - 12.9	1	PC
100	93056014-0	Hex Nut M8C-8	2	PC
110	92137125-0	Hex Socket Cap Screw - M8Cx50 - 12.9	1	PC
120	93699711-0	Spring Washer - Plated M10	1	PC
140	72-109	Regulator - Mini Pre-Set 5 Bar	1	PC
160	7024315	Proportional Pressure Control Valve	2	PC
170	283524-2	3.5 Bar Pre-Set Regulator	1	PC
180	72-15	Panel - Ring (Suit B72/14)	2	PC
190	09593147-0	Elbow Swivel 6mmx1/8" BSP	4	PC
200	552-8	Adaptor - Elbow 6mm x 1/4 BSPT	2	PC
220	559-8	Connector - Parallel Y 8x8x8mm	1	PC
230	287-81	Grommet - Ø 11.1 O/D, 8.0 I/D 3.2 Thick	2	PC
240	09593151-0	Elbow Push-In Swivel 8mmx1/4" BSPT	2	PC
5000	273-23	Tube - Nylon Red 8mm O/D 100m REEL	0.5	M
130	93212012-0	Plain Washer M10	1	PC

**24V Pneumatic Valve Island (7012139, 7012135, 7012117, 7012137)**  
 Systems Wafer\Systems Wafer\24V Pneumatic Valve Island



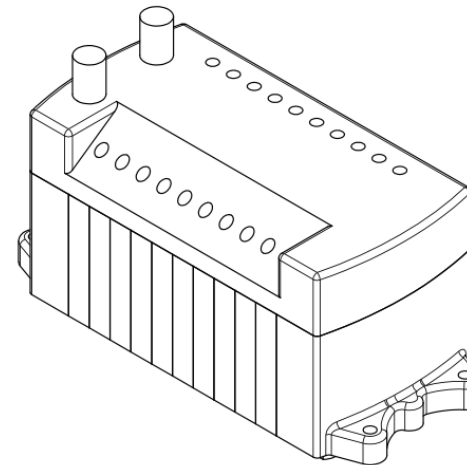
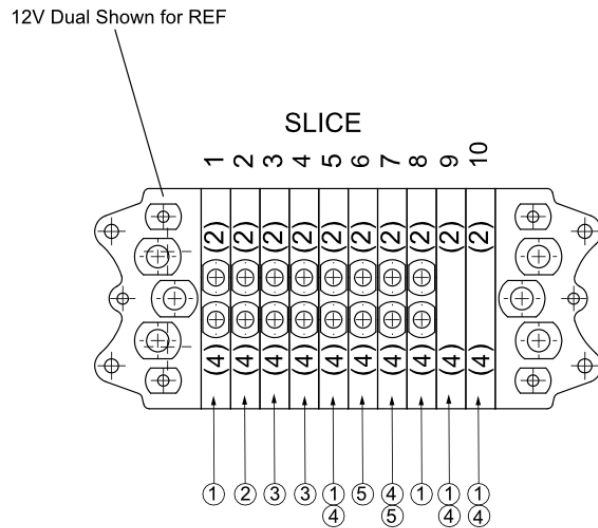
M02SW003

24V Pneumatic Valve Island (7012139, 7012135, 7012117, 7012137)

Systems Wafer\Systems Wafer\24V Pneumatic Valve Island

Item no.	Part no.	Description	QTY	Unit
1	860-10	Slice 3/2 - (2xNC) 24v NA6U	5	PC
Slices 1 & 8 for Single Slices 1, 8, 9 & 10 for Single Opt Slices 1, 5 & 8 for Dual Slices 1, 5, 8, 9 & 10 for Dual Opt				
2	860-8	Slice 3/2 - (2xNO) 24v NB6U	1	PC
3	860-6	Slice 3/2 - (2xNO) 24v NC6U	2	PC
4	860-30	Slice - Blank B000	4	PC
Slices 5, 7, 9 & 10 for Single Slices 5 & 7 for Single Opt Slices 9 & 10 for Dual				
5	860-4	Slice 5/2 - 24v NG6U	2	PC
Slice 6 for Single and Single Opt Slices 6 & 7 for Dual and Dual Opt				
6	860-1	Gasket-Black VM10 Valve Block	1	PC
7	860-2	Gasket - Red VM10 Valve Block	1	PC

12V Pneumatic Valve Island (7012136, 7012141, 7012138, 7012118)  
 Systems Wafer\Systems Wafer\12V Pneumatic Valve Island



M02SW004

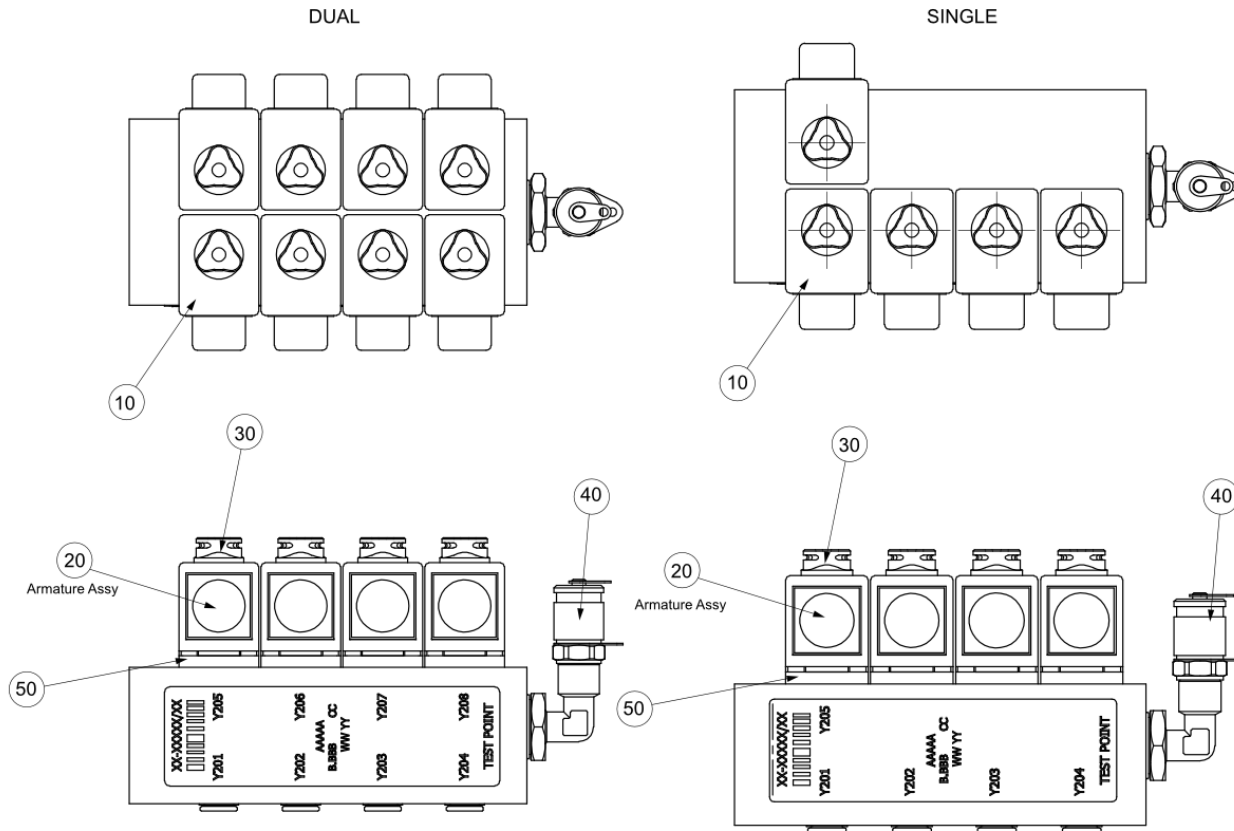


12V Pneumatic Valve Island (7012136, 7012141, 7012138, 7012118)

Systems Wafer\Systems Wafer\12V Pneumatic Valve Island

Item no.	Part no.	Description	QTY	Unit
1	860-9	Slice 3/2 - (2xNC) 12v TA6U	5	PC
Slices 1 & 8 for Single Slices 1, 8, 9 & 10 for Single Opt Slices 1, 5 & 8 for Dual Slices 1, 5, 8, 9 & 10 for Dual Opt				
2	860-7	Slice 3/2 - (2xNO) 12v TB6U	1	PC
3	860-5	Slice 3/2 - (NO/NC) 12v TC6U	2	PC
4	860-30	Slice - Blank B000	4	PC
Slices 5, 7, 9 & 10 for Single Slices 5 & 7 for Single Opt Slices 9 & 10 for Dual				
5	860-3	Slice 5/2 - 12v TG6U	2	PC
Slice 6 for Single and Single Opt Slices 6 & 7 for Dual and Dual Opt				
6	860-1	Gasket-Black VM10 Valve Block	1	PC
7	860-2	Gasket - Red VM10 Valve Block	1	PC

Water Valves (7024322, 7024360, 7024358, 7024331)  
Systems Wafer\Systems Wafer\Water Valves

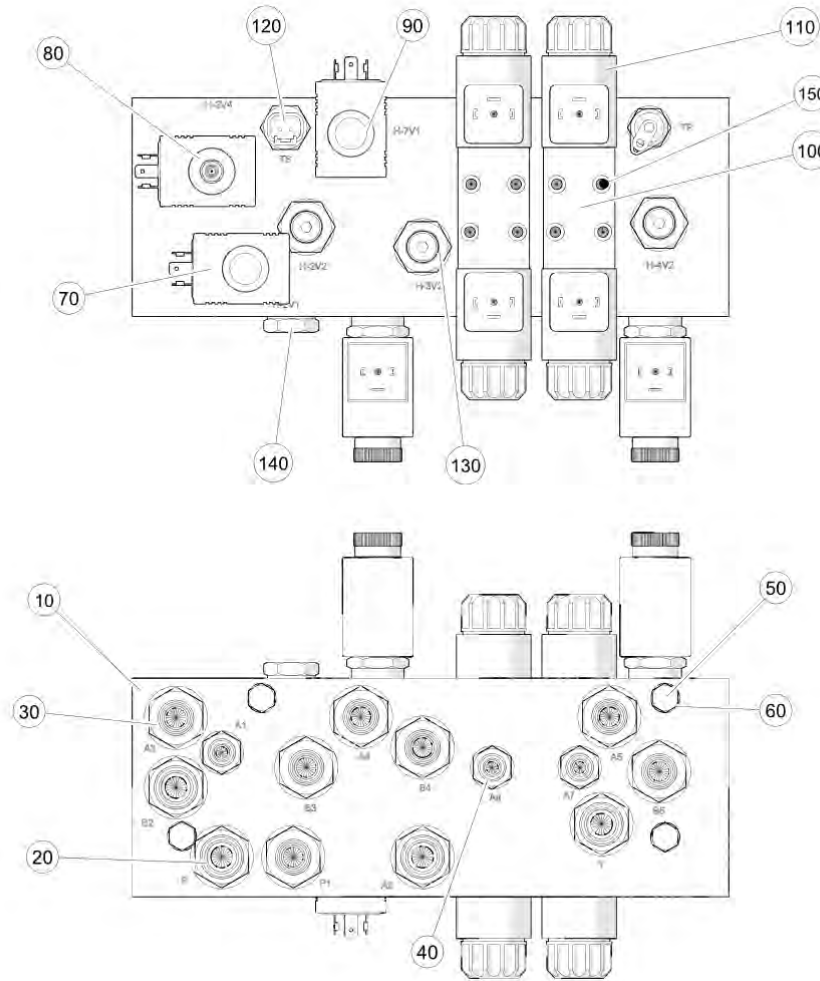


M02SW005

**Water Valves (7024322, 7024360, 7024358, 7024331)**

Systems Wafer\Systems Wafer\Water Valves

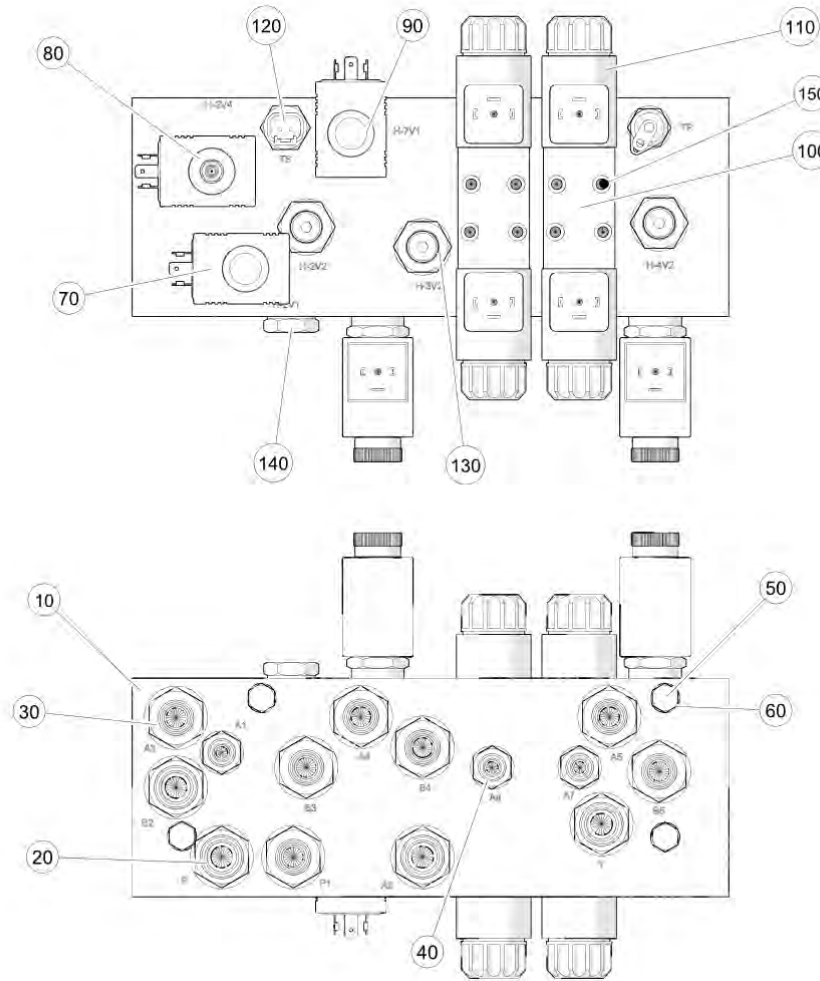
Item no.	Part no.	Description	QTY	Unit
0	7024322	Water Manifold Assembly Dual 24v	1	PC
0	7024331	Water Manifold Assembly Dual 12v	1	PC
0	7024360	Water Manifold Assembly Sing 24v	1	PC
0	7024358	Water Manifold Assembly Sing 12v	1	PC
10	7021285	Coil 12v Water Valve	6	PC
Qty x 6 for Single and x 8 for Dual				
10	7021286	Coil 24v Water Valve	6	PC
Qty x 6 for Single and x 8 for Dual				
20	7021284	Water Valve (No Coil)	1	PC
No Coil Included				
30	281372-5	Locknut - Valve Water Solenoid	1	PC
40	665-26	Valve - Testpoint G1/4 Type B	1	PC
50	7021289	O Ring Water Valve (67120000)	1	PC

**Hydraulic Valve Bank (7021099, 7021093, 7024234, 7024235)**  
 Systems Wafer\Hydraulic Valve Bank


Hydraulic Valve Bank (7021099, 7021093, 7024234, 7024235)

Systems Wafer\Hydraulic Valve Bank

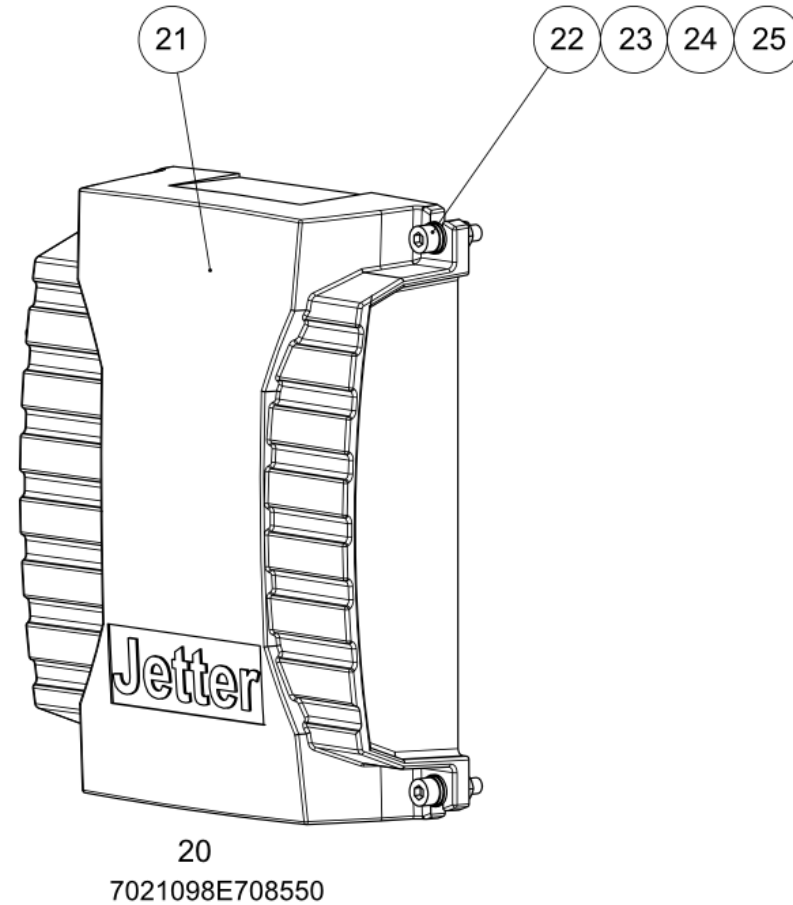
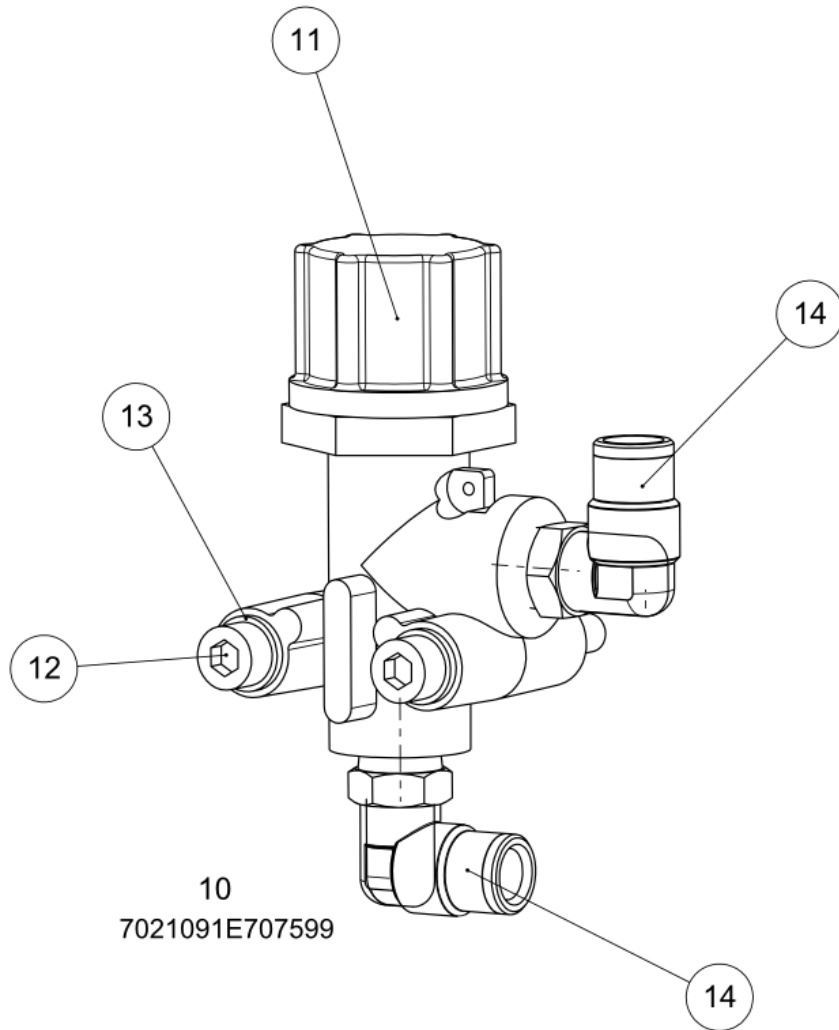
Item no.	Part no.	Description	QTY	Unit
10	7006095	Manifold -Hydraulic J Sing 24V	1	PC
20	6601-1329	Stud Coupling Male G 1/2" x M22 x 1.5	4	PC
30	09570131-0	Stud Coupling Male G 1/2" x M18 x 1.5	5	PC
For single order 5				
40	09570126-0	Stud Coupling Male G 1/4" x M14 x 1.5	3	PC
For single order 2				
50	92097374-0	Hex Head Screw - M8Cx20 - 8.8	4	PC
60	93699710-0	Spring Washer - Plated M8	4	PC
10	7005343	Manifold -Hydraulic J Dual 24V	1	PC
0	7021099	Hydraulic Valve Bank Assy (24v Single)	1	PC
0	7021093	Hydraulic Valve Bank Assy (24v Dual)	1	PC
0	7024234	Hydraulic Sweep Manifold 12v Single	1	PC
0	7024235	Hydraulic Sweep Manifold 12v Dual	1	PC
70	847-9	Coil - 12v 19 watt	5	PC
For single order 4				
70	847-80	Coil - 24v 19 watt	5	PC
For single order 4				
80	847-82	Cartridge Valve Prop Flow	1	PC
90	847-59	Cartridge Valve - NO 210 bar	4	PC
For single order 3				
100	847-143	Directional Control Valve	2	PC
For single order 1				
130	847-132	Check Valve 3.5bar crack, 80L/MIN 350bar	3	PC
For single order 2				

**Hydraulic Valve Bank (7021099, 7021093, 7024234, 7024235)**  
 Systems Wafer\Hydraulic Valve Bank


## Hydraulic Valve Bank (7021099, 7021093, 7024234, 7024235)

Systems Wafer\Hydraulic Valve Bank

Item no.	Part no.	Description	QTY	Unit
150	847-144	Cap Head Screw 5 x 35	8	PC
For single order 4				
120	282920-1	Temperature Switch-90c 1/4 BSP	1	PC
140	847-131	Cavity Blank	1	PC
110	847-145	Coil 12v For Directional Control Valve	4	PC
For single order 2				
110	847-146	Coil 24v For Directional Control Valve	4	PC
For single order 2				





Item no.	Part no.	Description	QTY	Unit
10	7021091	Safety Protection Valve Assy	1	PC
20	7021098	Node Assembly	1	PC
11	6779	Valve Pressure Regulator	1	PC
12	92137088-0	Hex Socket Cap Screw - M6Cx50 - 12.9	2	PC
13	93699708-0	Spring Washer - Plated M6	2	PC
14	09593151-0	Elbow Push-In Swivel 8mmx1/4" BSPT	2	PC
21	7005456	Control JXM IO Node	1	PC
22	92137044-0	Hex Socket Cap Screw - M5Cx20 - 12.9	4	PC
23	93699707-0	Spring Washer - Plated M5	4	PC
24	93210109-0	Plain Washer M5	4	PC
25	93056011-0	Hex Nut M5C-8	4	PC



M025W002

## Systems Wafer Light (7021339 / E707738 , 7021337 / E707738)

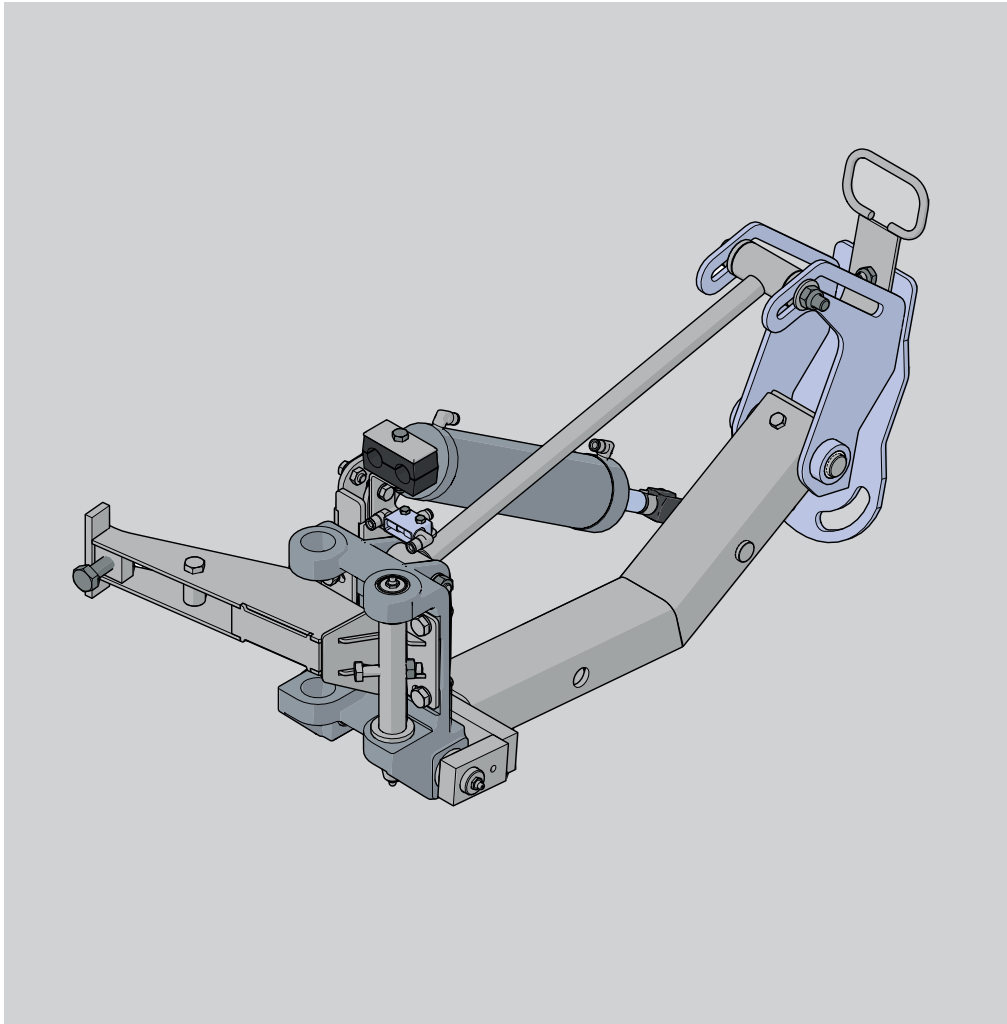
Systems Wafer\Options\System Wafer Light

Item no.	Part no.	Description	QTY	Unit
10	745-80	Interior Lamp - 12v Nebula IP66	1	PC
20	31-252	Receptacle - DT 2 Way Deutsh	1	PC
30	31-253	Wedge - DT 2 Way Receptacle Deutsh	1	PC
40	710-80	Contact Pin, Size 16	2	PC
10	745-81	Interior Lamp - 24v Nebula IP66	1	PC

This page is intentionally left blank

## Chapter 6

# Channel Brush



### Table of Contents

Section	Page
6.1 Install.....	358
6.2 Channel Brush Assy.....	362
6.3 Dressing.....	374
6.4 Options.....	376

PAGE  
UNDER  
CONSTRUCTION



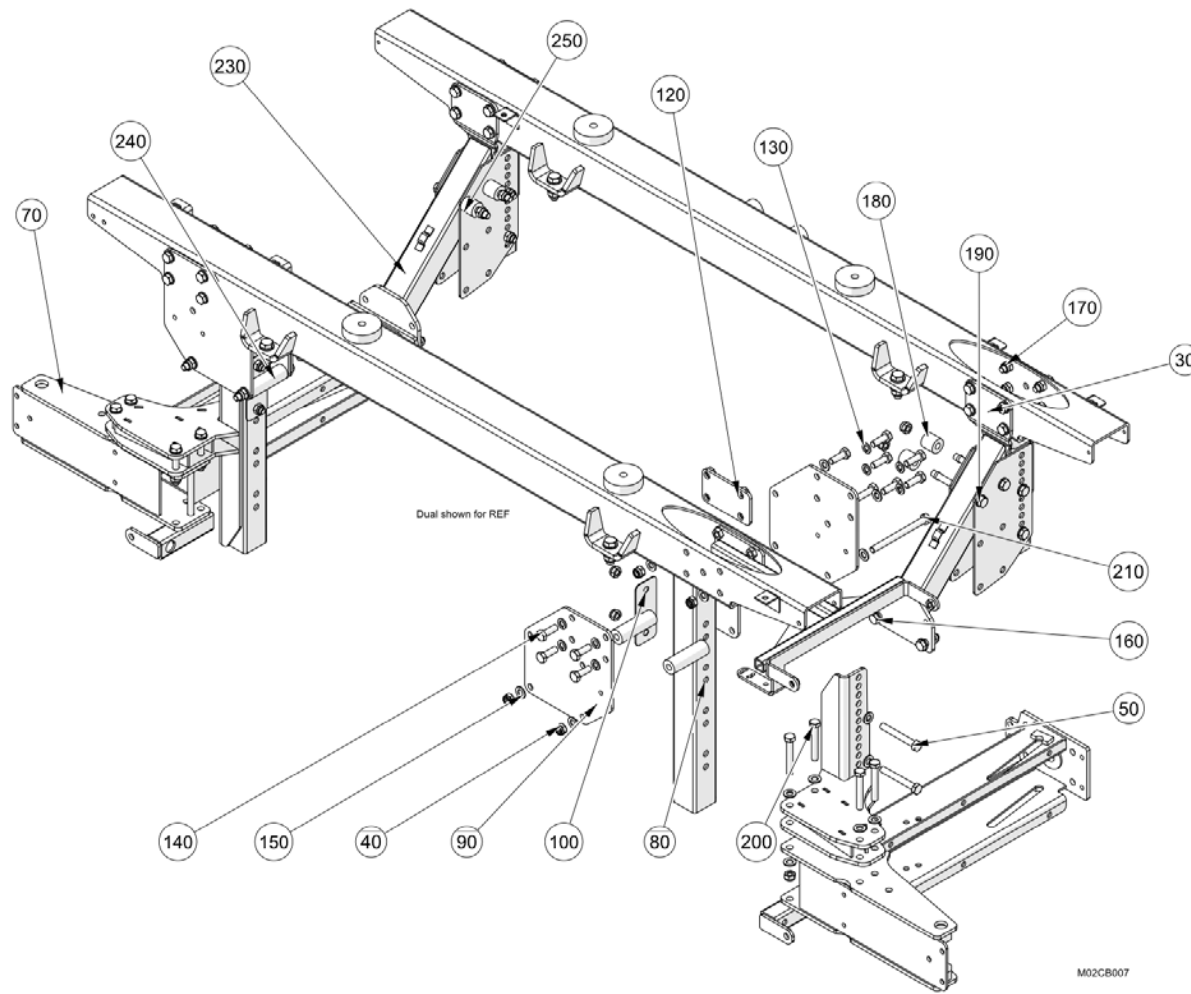
PLEASE  
BEAR  
WITH US

## Channel Brush Installation (6520831-001, 6520831-002, 6520831-003)

Channel Brush\Channel Brush Installation

Item no.	Part no.	Description	QTY	Unit
20	H2SC06000-95	Hose - Hyd Straight x Straight	1	PC
30	H2SC06000-115	Hose - Hyd Straight x Straight	1	PC
40	H2SC06000-155	Hose - Hyd Straight x Straight	1	PC
50	H2SC06000-135	Hose - Hyd Straight x Straight	1	PC
60	H2SC10002-265	Hose - Hyd Straight x 90° Swept	2	PC
70	H2SC10002-305	Hose - Hyd Straight x 90° Swept	2	PC
80	297-1	Tubing - Polyurethane 10 Dia x 1.5 Wall	25.2	M
90	559-6	Connector - Parallel Y 6x6x6mm	8	PC
110	559-9	Connector - Parallel Y 8x6x6mm	2	PC
130	551-1	Adaptor - Stem Elbow 6mm	2	PC
140	273-20	Tube - Nylon Blue 6mm O/D 100m Reel	16	M
10	7020230	Channel Brush Install - Single	1	PC
10	7027043	Channel Brush Installation-Dual	1	PC
170	7018997	Water Spray Assy	1	PC

**Channel Brush (7027403E708770, 7027856E708770)**  
Channel Brush\Channel Brush Installation\Channel Brush

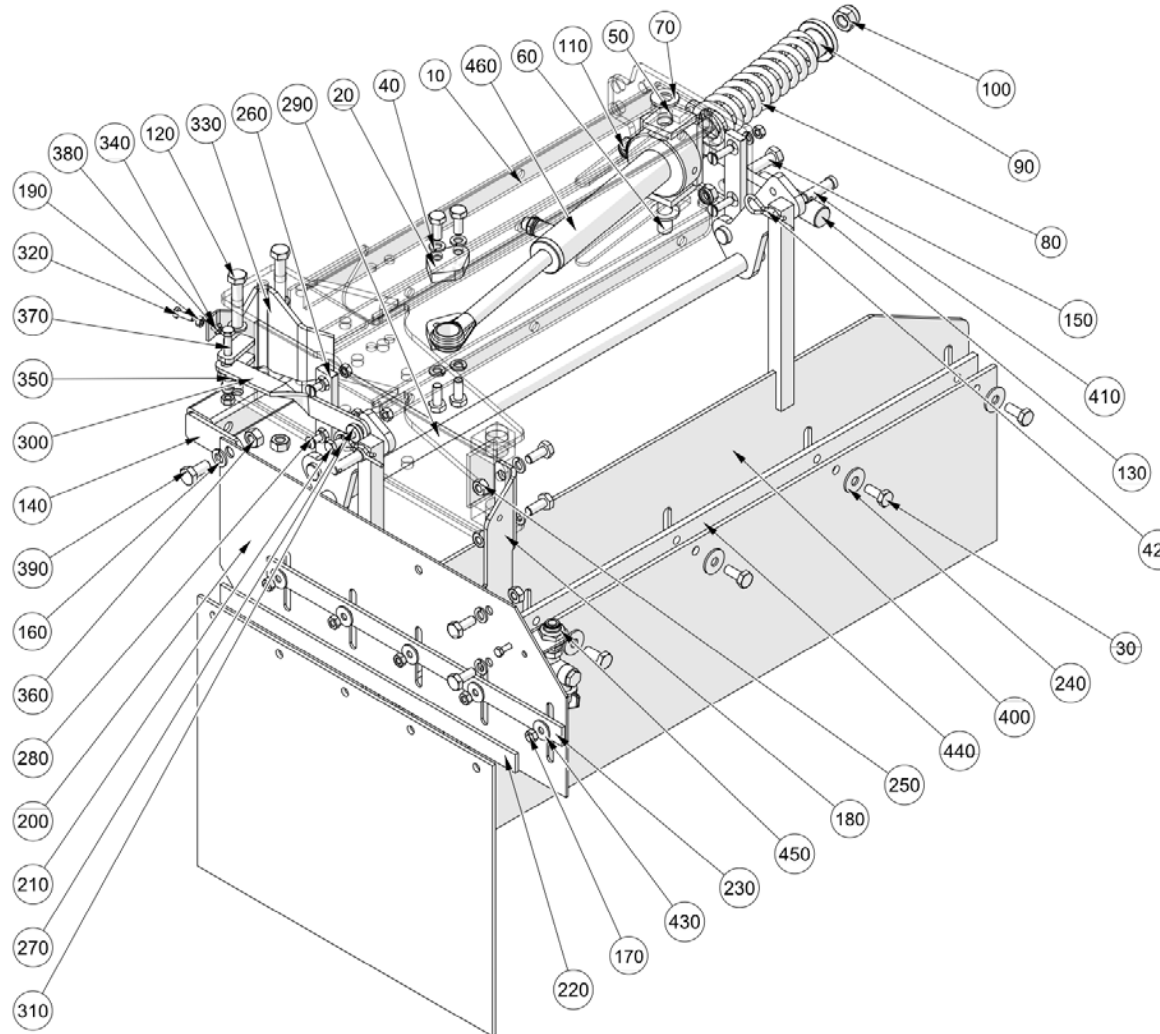




**Channel Brush (7027403E708770, 7027856E708770)**  
 Channel Brush\Channel Brush Installation\Channel Brush

Item no.	Part no.	Description	QTY	Unit
30	7026407	Leg Rear W/Assy	2	PC
40	93085007-0	Nyloc Hex Thin Nut M12C - 8	15	PC
50	92067467-0	Hex Head Bolt - M12Cx90 - 8.8	8	PC
70	7026975	CB Front Mount W/assy	2	PC
80	7026930	Leg, Front W/Assy	2	PC
90	7026924	Mounting Plate-Sweepgear	4	PC
100	7026966	Backing Plate, Sweepgear	2	PC
120	7023130	Clamp plate welded assembly	1	PC
130	93699712-0	Spring Washer - Plated M12	8	PC
140	92097451-0	Hex Head Screw - M12Cx35 - 8.8	36	PC
150	93212013-0	Plain Washer M12	76	PC
160	92067457-0	Hex Head Bolt - M12Cx40 - 8.8	4	PC
170	93085807-0	Nyloc Hex Nut M12C - 8	41	PC
180	45014-9-H	Spacer - 30mm	4	PC
190	92067472-0	Hex Head Bolt - M12Cx130 - 8.8	4	PC
200	6105-1501	Hex Head Bolt - M12Cx80 - 8.8	8	PC
210	92067473-0	Hex Head Bolt - M12Cx140 - 8.8	4	PC
230	7026401	Rear CB Arm W/Assy	2	PC
240	45014-31	Spacer - 93mm	4	PC
250	7026400	Rear Leg Adjustment Plate	4	PC

**Pivot Frame Assembly (7016438 / E709381)**  
Channel Brush\Channel Brush Assembly\Pivot Frame Assembly



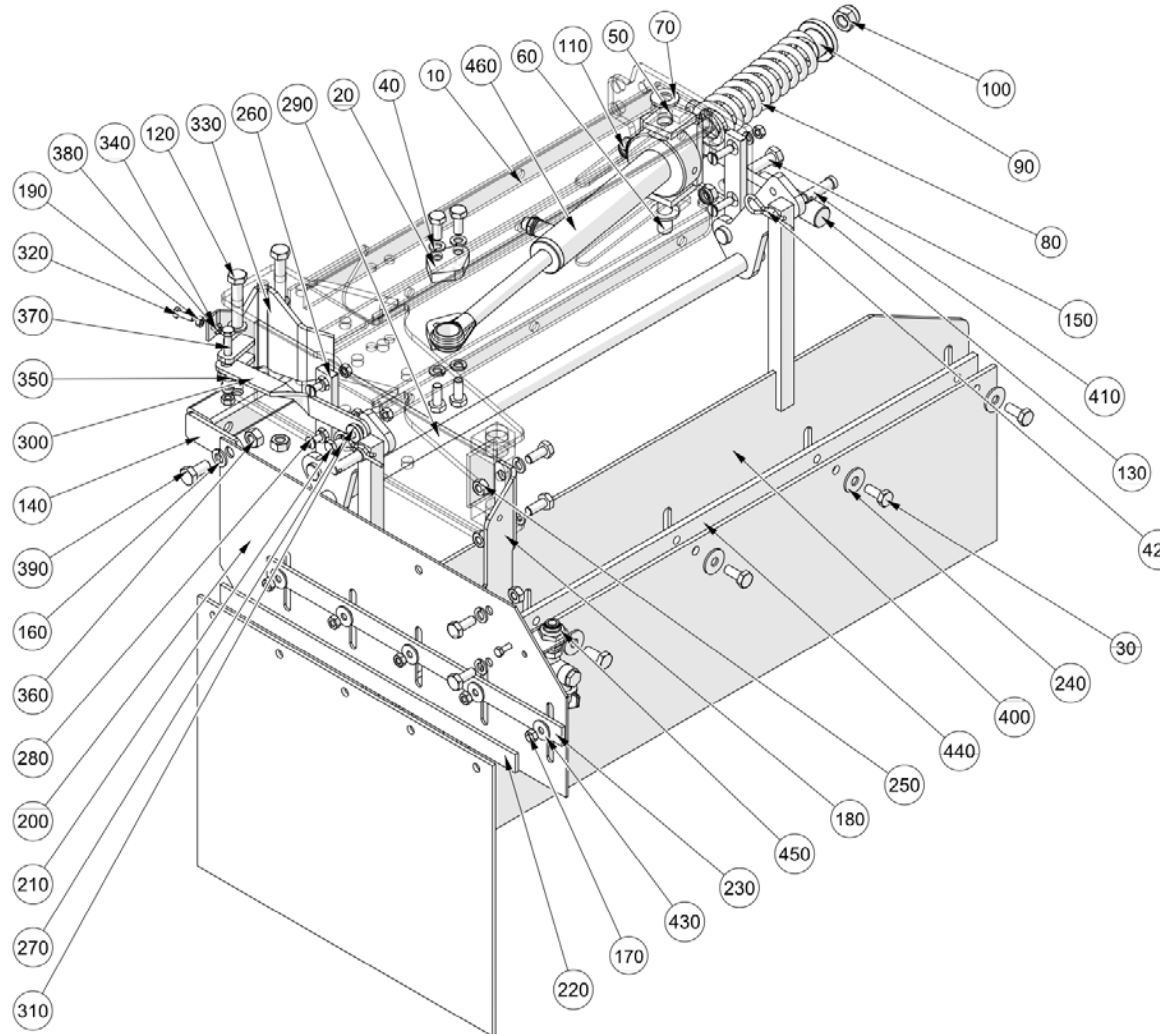
M02CB004

**Pivot Frame Assembly (7016438 / E709381)**

Channel Brush\Channel Brush Assembly\Pivot Frame Assembly

Item no.	Part no.	Description	QTY	Unit
10	200075-1	Pivot Frame-Channel Brush W/A	1	PC
20	281587-1	Stop - Channel Brush	2	PC
30	92097412-0	Hex Head Screw - M10Cx25 - 8.8	13	PC
40	93699711-0	Spring Washer - Plated M10	8	PC
50	67348-1	Fork - W/Assy	1	PC
60	40420-1-B	Pin Cylinder C/Brush	1	PC
70	40421-1-F	Spacer - Cylinder C/Brush	2	PC
80	41895-2	Spring - Compression, C/Brush	1	PC
90	41911-1	Nut - Kick Back Spring	1	PC
100	93085009-0	Nyloc Hex Nut M16C - 8	1	PC
110	93085007-0	Nyloc Hex Thin Nut M12C - 8	2	PC
120	92067462-0	Hex Head Bolt - M12Cx65 - 8.8	2	PC
130	40295-1-F	Pin W/Assy - Tow, Nozzle	1	PC
140	810750-1	Box Towpoint W/Assy DMNT	1	PC
150	92067457-0	Hex Head Bolt - M12Cx40 - 8.8	2	PC
160	93699712-0	Spring Washer - Plated M12	3	PC
170	93056014-0	Hex Nut M8C-8	10	PC
180	62822-1	Bracket - Mudflap Mtg.	1	PC
190	93056012-0	Hex Nut M6C-8	1	PC
200	67375-1	Plate - Mud Flap	1	PC
210	92097379-0	Hex Head Screw - M8Cx35 - 8.8	1	PC
220	67372-1	Clamp Strip Weld Assy	1	PC
230	67378-1	Clamp Bar	1	PC
240	93300510-0	Plain Large Washer M10	5	PC

**Pivot Frame Assembly (7016438 / E709381)**  
Channel Brush\Channel Brush Assembly\Pivot Frame Assembly



M02CB004

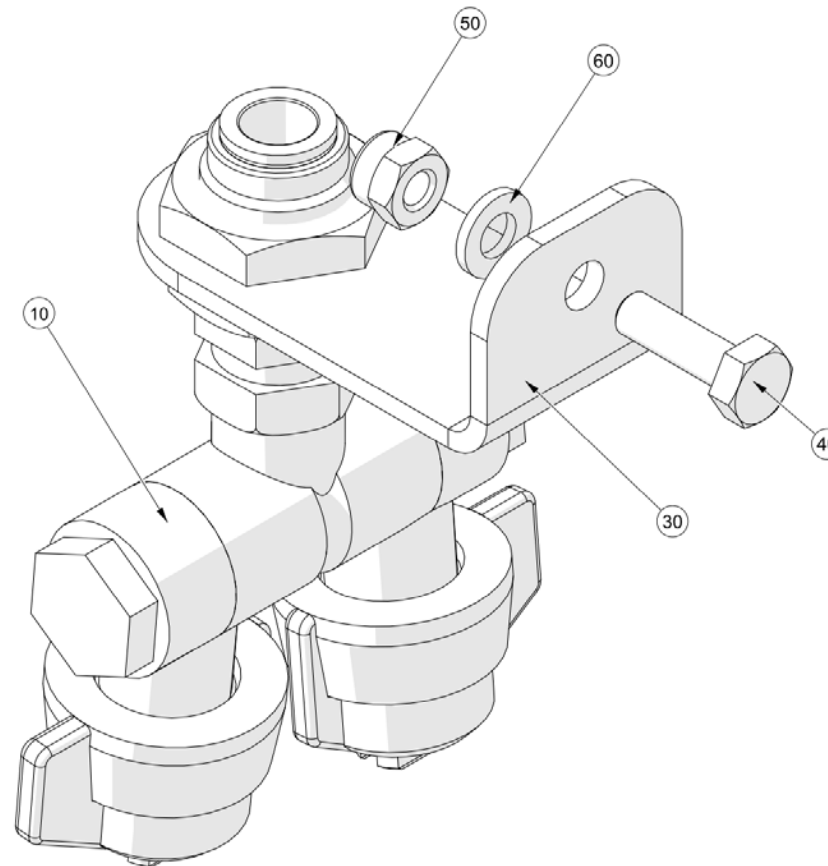
Pivot Frame Assembly (7016438 / E709381)

Channel Brush\Channel Brush Assembly\Pivot Frame Assembly

Item no.	Part no.	Description	QTY	Unit
250	93056015-0	Hex Nut M10C-8	4	PC
260	200051-1	Davit Hinge w/assy	2	PC
270	93699710-0	Spring Washer - Plated M8	5	PC
280	92327113-0	CSK Flat HD Slotted Screw-M8Cx30-4.8	4	PC
290	200046-1	Davit W/Assy - Variabrush	1	PC
300	40382-1-B	Curtain Link	1	PC
310	40385-1-B	Pin Retaining Link	1	PC
320	92097301-0	Hex Head Screw - M6Cx20 - 8.8	1	PC
330	800678-1	Lever-Brush Curtain W/Assy	1	PC
340	40384-1-B	Catch Curtain Lever C/Brush	1	PC
350	40383-1-B	Bush - Curtain, Brush, Channel	1	PC
360	93056016-0	Hex Nut M12C-8	3	PC
370	92097380-0	Hex Head Screw - M8Cx40 - 8.8	1	PC
380	93699708-0	Spring Washer - Plated M6	1	PC
390	92097448-0	Hex Head Screw - M12Cx25 - 8.8	1	PC
400	200050-1	Curtain Welded Assembly	1	PC
410	63582-1	Pin - Curtain Quick Release	2	PC
420	09530004-0	b4cing Cotter 4/20/60	2	PC
430	93300509-0	Plain Large Washer M8	5	PC
440	62454-1	Clamp - Strip	1	PC
450	7018997	Water Spray Assy	1	PC
460	7027333	Cylinder Assembly - NGS Restrictors	1	PC

**Water Spray Assembly (7018997 / E708241)**

Channel Brush\Channel Brush Assembly\Pivot Frame Assembly\Water Spray Assembly



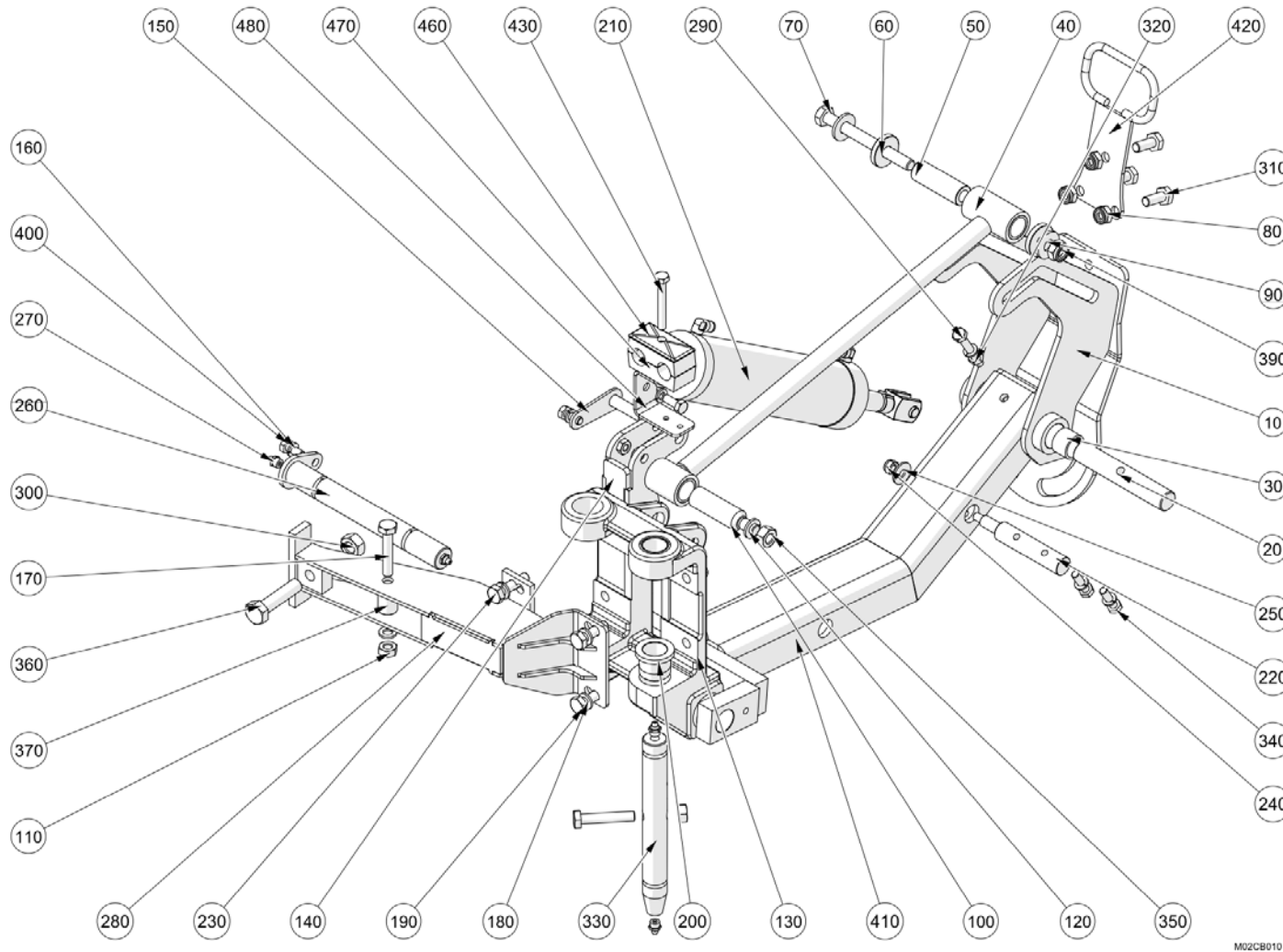
M02CB009

**Water Spray Assembly (7018997 / E708241)**

Channel Brush\Channel Brush Assembly\Pivot Frame Assembly\Water Spray Assembly

Item no.	Part no.	Description	QTY	Unit
10	7024112	Water Spray Assembly	1	PC
30	7018998	Mounting Bracket, Water Spray	1	PC
40	92097301-0	Hex Head Screw - M6Cx20 - 8.8	1	PC
50	93085004-0	Nyloc Hex Nut M6C - 8	1	PC
60	93212009-0	Plain Washer M6	1	PC

**Arm Assembly (7016368 / E708241)**  
Channel Brush\Channel Brush Assembly\Arm Assembly



M02CB010

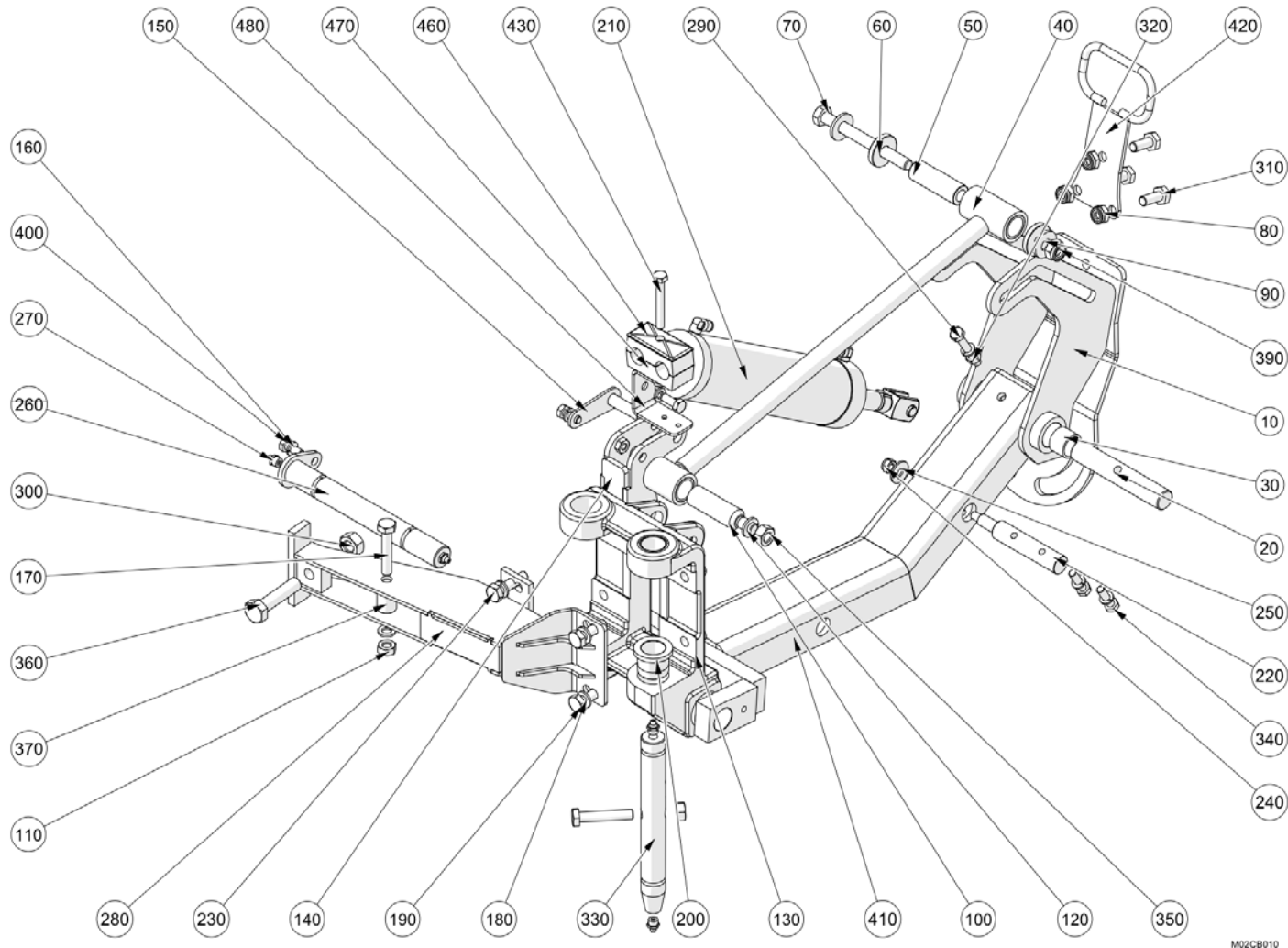


**Arm Assembly (7016368 / E708241)**

Channel Brush\Channel Brush Assembly\Arm Assembly

Item no.	Part no.	Description	QTY	Unit
10	7016293	Motor Mount - W-Assy	1	PC
20	7016311	Pivot Pin	1	PC
30	29128-4	Bush - ID22.2 OD27.2 19Lg	2	PC
40	200026-1	Upper Arm Assy-Channel Brush	1	PC
50	7016372	Bush - Upper Arm	1	PC
60	7016375	Washer - Upper Arm	2	PC
70	92067471-0	Hex Head Bolt - M12Cx120 - 8.8	1	PC
80	93085006-0	Nyloc Hex Thin Nut M10C - 8	3	PC
90	7016376	Washer - Upper Arm	2	PC
100	40361-1-D	Pin Pivot Arm Upper C/Brush	1	PC
110	93056015-0	Hex Nut M10C-8	4	PC
120	93699712-0	Spring Washer - Plated M12	1	PC
130	40272-2	Pivot Head Channel Brush DOT3	1	PC
140	7008886	Mast Weld assembly	1	PC
150	7008889	Pin Weld assembly	1	PC
160	93699710-0	Spring Washer - Plated M8	6	PC
170	92097419-0	Hex Head Screw - M10Cx55 - 8.8	2	PC
180	93699711-0	Spring Washer - Plated M10	5	PC
190	92097415-0	Hex Head Screw - M10Cx35 - 8.8	2	PC
200	40292-1-D	Bush C/Brush	4	PC
210	7004740	Cylinder Assembly Ø63x190	1	PC
220	7008958	Pin -Sweep gear	1	PC
230	92097416-0	Hex Head Screw - M10Cx40 - 8.8	2	PC
240	93085005-0	Nyloc Hex Thin Nut M8C - 8	1	PC

**Arm Assembly (7016368 / E708241)**  
Channel Brush\Channel Brush Assembly\Arm Assembly



M02CB010

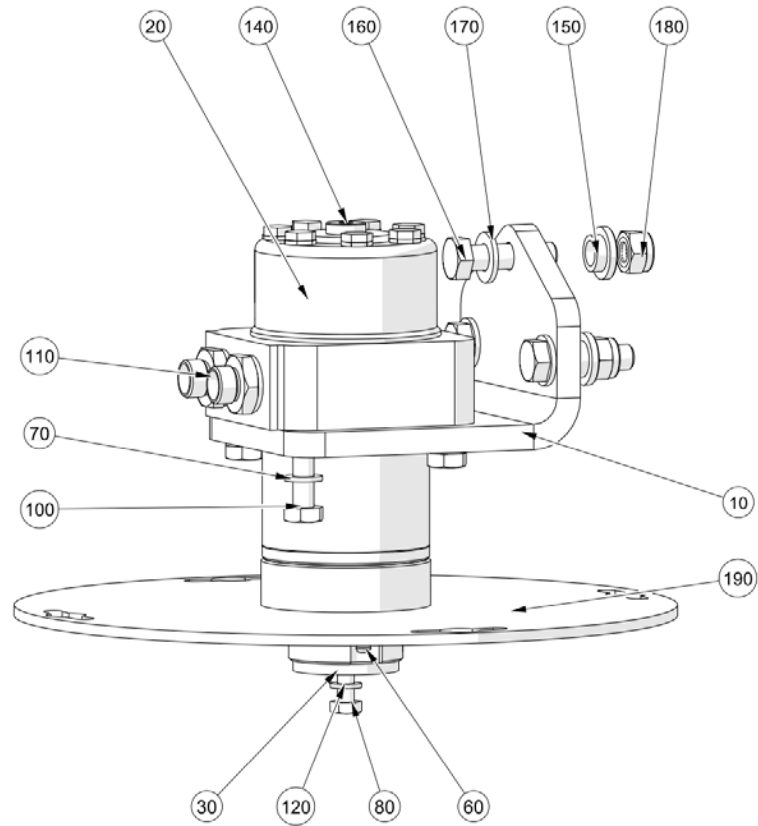
**Arm Assembly (7016368 / E708241)**

Channel Brush\Channel Brush Assembly\Arm Assembly

Item no.	Part no.	Description	QTY	Unit
250	93300509-0	Plain Large Washer M8	1	PC
260	282028-1	Pivot Pin W/Assy-Lower Arm	1	PC
270	38-1	Nipple Grease Straight 1/8 BSP	4	PC
280	800677-1	Lever - Pivot Head W/Assy	1	PC
290	92097383-0	Hex Head Screw - M8Cx55 - 8.8	1	PC
300	93056061-0	Hex Nut M14F-8	1	PC
310	92097412-0	Hex Head Screw - M10Cx25 - 8.8	3	PC
320	93056014-0	Hex Nut M8C-8	1	PC
330	40360-1-E	Pin Pivot Channel Brush Head	1	PC
340	92097378-0	Hex Head Screw - M8Cx30 - 8.8	2	PC
350	93056016-0	Hex Nut M12C-8	1	PC
360	92117122-0	Hex Head Screw - M14Fx1.5x60 - 8.8	1	PC
370	7017513	Bush	1	PC
390	93085007-0	Nyloc Hex Thin Nut M12C - 8	1	PC
400	92097374-0	Hex Head Screw - M8Cx20 - 8.8	3	PC
410	200025-1	Lower Arm W/Assy-Channel Brush	1	PC
420	7023096	Hose guide welded assembly	1	PC
430	92067387-0	Hex Head Bolt - M8Cx60 - 8.8	1	PC
440	93085805-0	Nyloc Hex Nut M8C - 8	1	PC
450	93212011-0	Plain Washer M8	1	PC
460	7023826	Bracket - Channel Brush	1	PC
470	51-43	Top Clamp Plate - 65x30	1	PC
480	51-44	Clamp - Type 3 G1/2 G1/2	1	PC

**Brush Head Assembly (7016174 / E708241, 7016366 / E708241)**

Channel Brush\Channel Brush Assembly\Brush Head Assembly



M02CB005

**Brush Head Assembly (7016174 / E708241, 7016366 / E708241)**

Channel Brush\Channel Brush Assembly\Brush Head Assembly

Item no.	Part no.	Description	QTY	Unit
10	7016170	Mounting - Brush Motor	1	PC
20	72250-1	Motor - Hydraulic OMPW 200	1	PC
30	7024133	Washer - Motor	1	PC
60	38-30	Nipple Grease M6 X 1	1	PC
70	93699711-0	Spring Washer - Plated M10	4	PC
80	92097374-0	Hex Head Screw - M8Cx20 - 8.8	1	PC
100	92097415-0	Hex Head Screw - M10Cx35 - 8.8	4	PC
110	09570131-0	Stud Coupling Male G 1/2" x M18 x 1.5	2	PC
120	93699710-0	Spring Washer - Plated M8	1	PC
140	09572133-0	Sealing Plug VS-R 1/4 WD	1	PC
150	281325-2	Bush - Motor Mount	3	PC
160	92067458-0	Hex Head Bolt - M12Cx45 - 8.8	3	PC
170	93212013-0	Plain Washer M12	3	PC
180	93085007-0	Nyloc Hex Thin Nut M12C - 8	3	PC
190	7024082	Drive plate welded assembly	1	PC
500 Dia				
190	7024081	Drive plate welded assembly	1	PC
650/710 Dia				
0	7016174	Brush Head Assembly	1	PC
500 Dia				
0	7016366	Brush Head Assembly	1	PC
650-710 Dia				

PAGE  
UNDER  
CONSTRUCTION



PLEASE  
BEAR  
WITH US

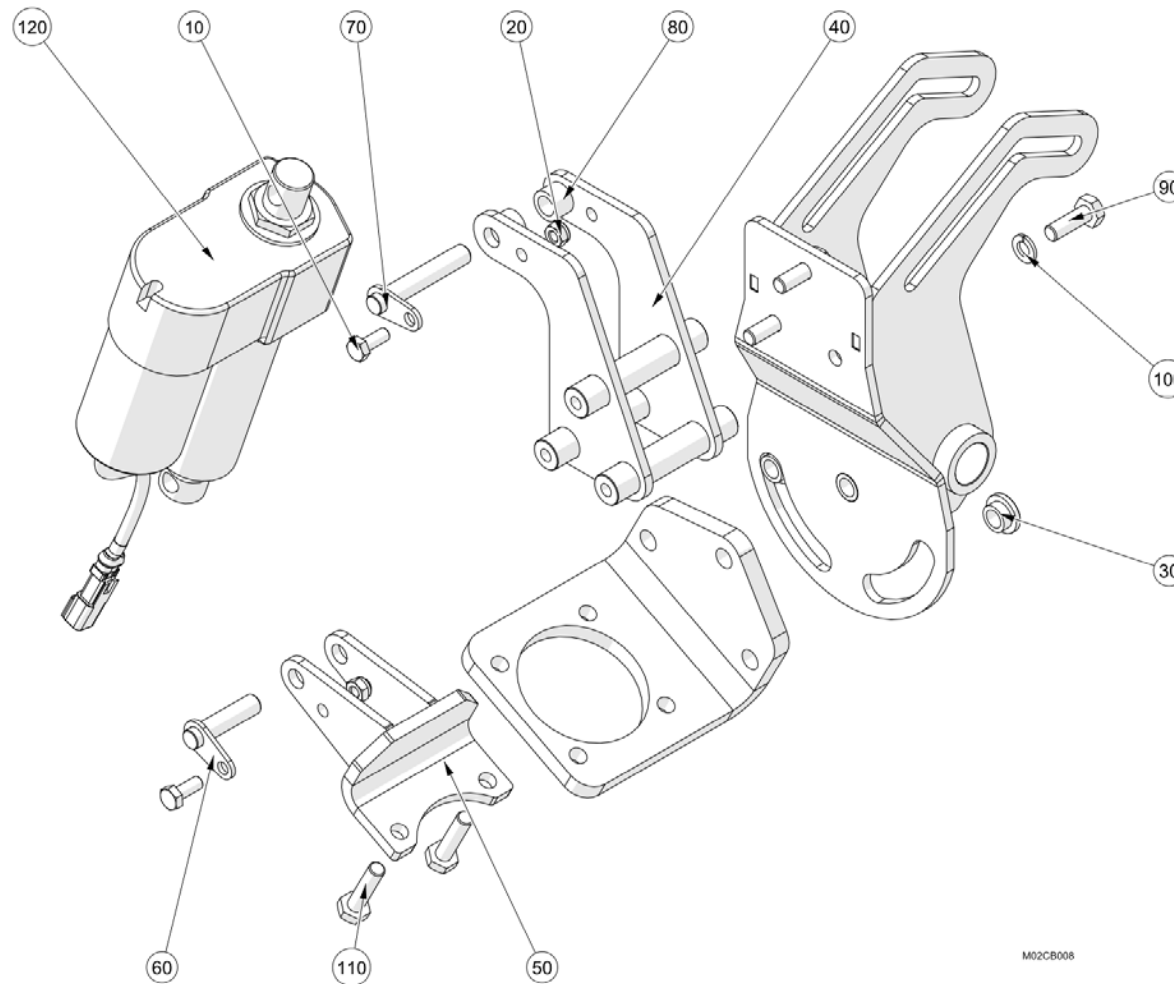
Dressing (6520821-001, 6520821-002, 6520821-003, 6520822-001)

Channel Brush\Dressing

Item no.	Part no.	Description	QTY	Unit
1	835-55	Brush-CB 4 Row Plastic Top 500	1	PC
2	835-66	Channel Brush - 4 Row 650mm Dia Steel	1	PC
3	835-60	Brush-710mm 4 Row Plastic Top	1	PC
4	67368-1	Mudflap	1	PC
5	63334-1	Curtain - Rubber CB	1	PC

**Rotatilt Assembly (7018355, 7032045 / E710671)**

Channel Brush\Options\Rotatilts\Rotatilt Assembly





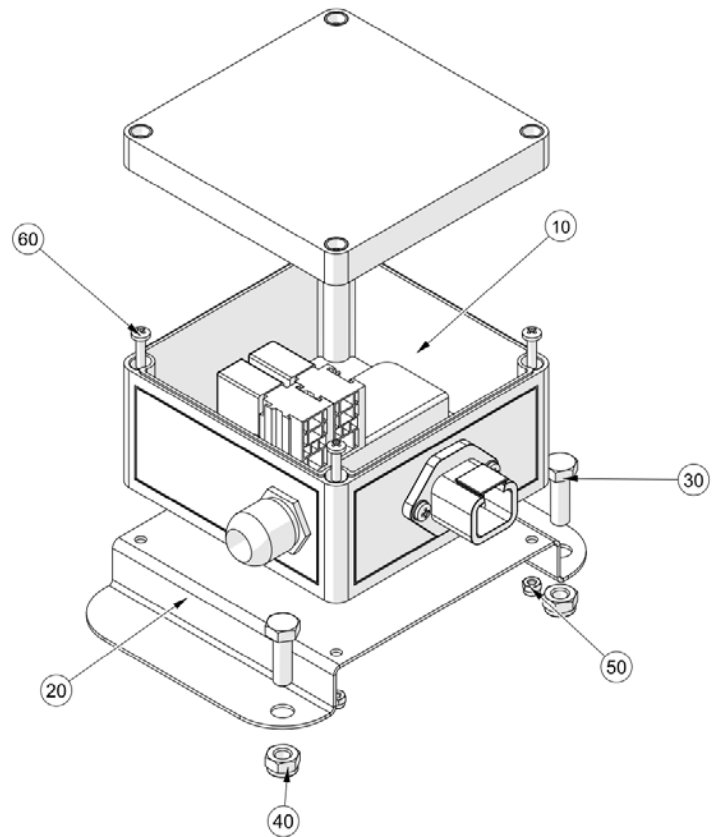
## Rotatilt Assembly (7018355, 7032045 / E710671)

Channel Brush\Options\Rotatilts\Rotatilt Assembly

Item no.	Part no.	Description	QTY	Unit
10	92097374-0	Hex Head Screw - M8Cx20 - 8.8	2	PC
20	93085005-0	Nyloc Hex Thin Nut M8C - 8	2	PC
30	281325-1	Bush - Motor Mount Rotatilt	3	PC
40	7018341	Upper Bracket - W/Assy	1	PC
50	7018330	Lower Bracket - W/Assy	1	PC
60	7018352	Pivot Pin - W/Assy	1	PC
70	7018353	Pivot Pin - W/Assy	1	PC
80	7018354	Spacer	2	PC
90	92097414-0	Hex Head Screw - M10Cx30 - 8.8	3	PC
100	93699711-0	Spring Washer - Plated M10	3	PC
110	92097416-0	Hex Head Screw - M10Cx40 - 8.8	2	PC
120	282508-24	Linear Actuator - 24v	1	PC
120	282508-12	Linear Actuator - 12v	1	PC

Rotatilt Control Assembly (7022897 / E708178 , 7022896 / E708178 , 7022893 / E708178 , 7022881 / E708178)

Channel Brush\Options\Rotatilts\Rotatilt Control Assembly



M02CB006

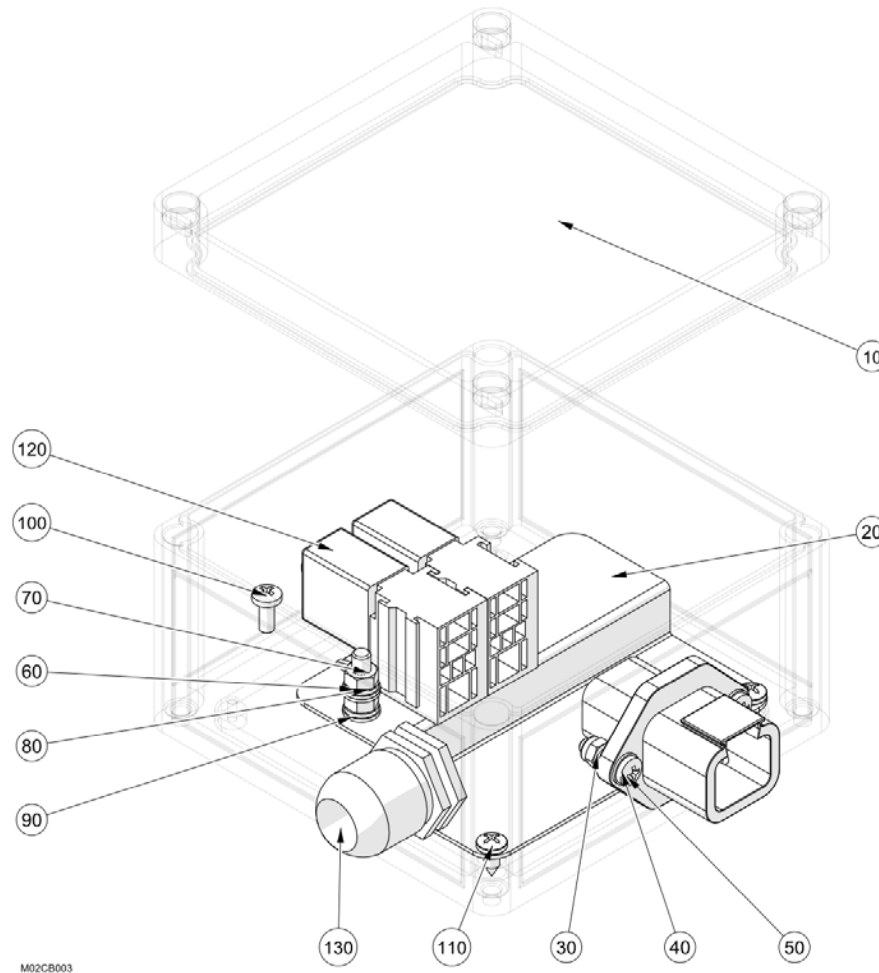
Rotatilt Control Assembly (7022897 / E708178 , 7022896 / E708178 , 7022893 / E708178 , 7022881 / E708178)

Channel Brush\Options\Rotatilts\Rotatilt Control Assembly

Item no.	Part no.	Description	QTY	Unit
10	7022875	Single Rotatilt Relay Box Assembly 12 V	1	PC
20	7022791	Rotatilt Relay Box Mount	1	PC
30	92097376-0	Hex Head Screw - M8Cx25 - 8.8	2	PC
40	93085005-0	Nyloc Hex Thin Nut M8C - 8	2	PC
50	93085002-0	Nyloc Hex Nut M4C - 8	4	PC
60	134-43	Pan Head Screw-M4Cx16-4.8-Pozidriv	4	PC
10	7022865	Dual Rotatilt Relay Box Assembly 12V	1	PC
10	7022848	Single Rotatilt Relay Box Assembly 24 V	1	PC
10	7022820	Dual Rotatilt Relay Box Assembly 24V	1	PC
5000	7022922	Cable Assembly	1	PC
Single				
5000	7022914	Cable Assembly	1	PC
Dual				

**Rotatilt Relay Box Assembly (7022875 / E707851 , 7022865 / E707851 , 7022848 / E707851 , 7022820 / E707851)**

Channel Brush\Options\Rotatilts\Rotatilt Control Assembly\Rotatilt Relay Box Assembly



M02CB003

**Rotatilt Relay Box Assembly (7022875 / E707851 , 7022865 / E707851 , 7022848 / E707851 , 7022820 / E707851)**

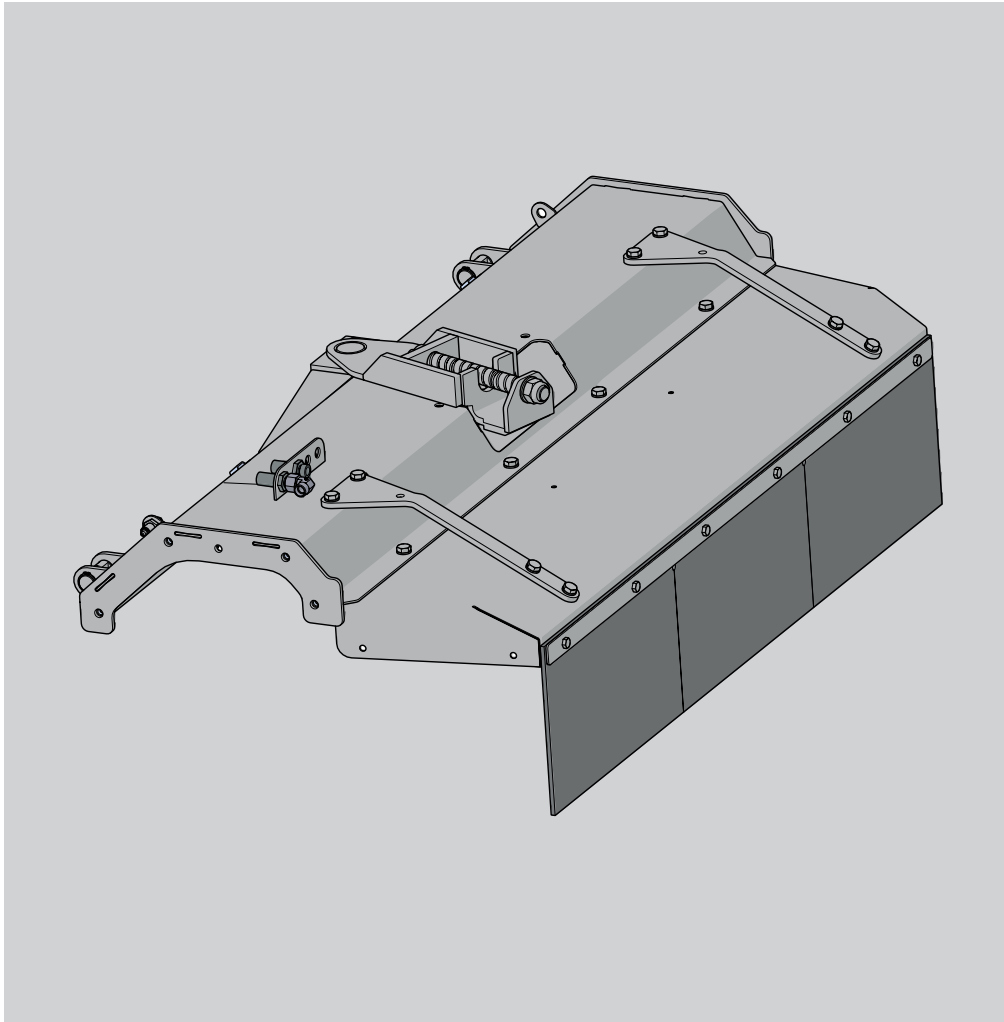
Channel Brush\Options\Rotatilts\Rotatilt Control Assembly\Rotatilt Relay Box Assembly

Item no.	Part no.	Description	QTY	Unit
10	7022814	Rotatilt Relay Box	1	PC
20	7022792	Rotatilt Relay Mount	1	PC
30	93085002-0	Nyloc Hex Nut M4C - 8	4	PC
40	134-43	Pan Head Screw-M4Cx16-4.8-Pozidriv	2	PC
50	93212007-0	Plain Washer M4	2	PC
60	93699707-0	Spring Washer - Plated M5	2	PC
70	93056011-0	Hex Nut M5C-8	2	PC
80	93210109-0	Plain Washer M5	3	PC
90	134-59	Pan Head Screw-M5Cx20-4.8-Pozidriv	1	PC
100	134-41	Pan Head Screw-M4Cx10-4.8-Pozidriv	2	PC
110	193-16	Pan Head Screw-4.2x9.5-4.8-Pozidriv	2	PC
120	725-152	Relay - 12v 20/10 AMP Changeover	2	PC
130	7022864	Cable Assembly	1	PC
Single				
130	7022018	Cable Assembly	1	PC
Dual				
120	725-153	Relay - 24v 10/5 AMP N/O Micro	2	PC

This page is intentionally left blank

## Chapter 7

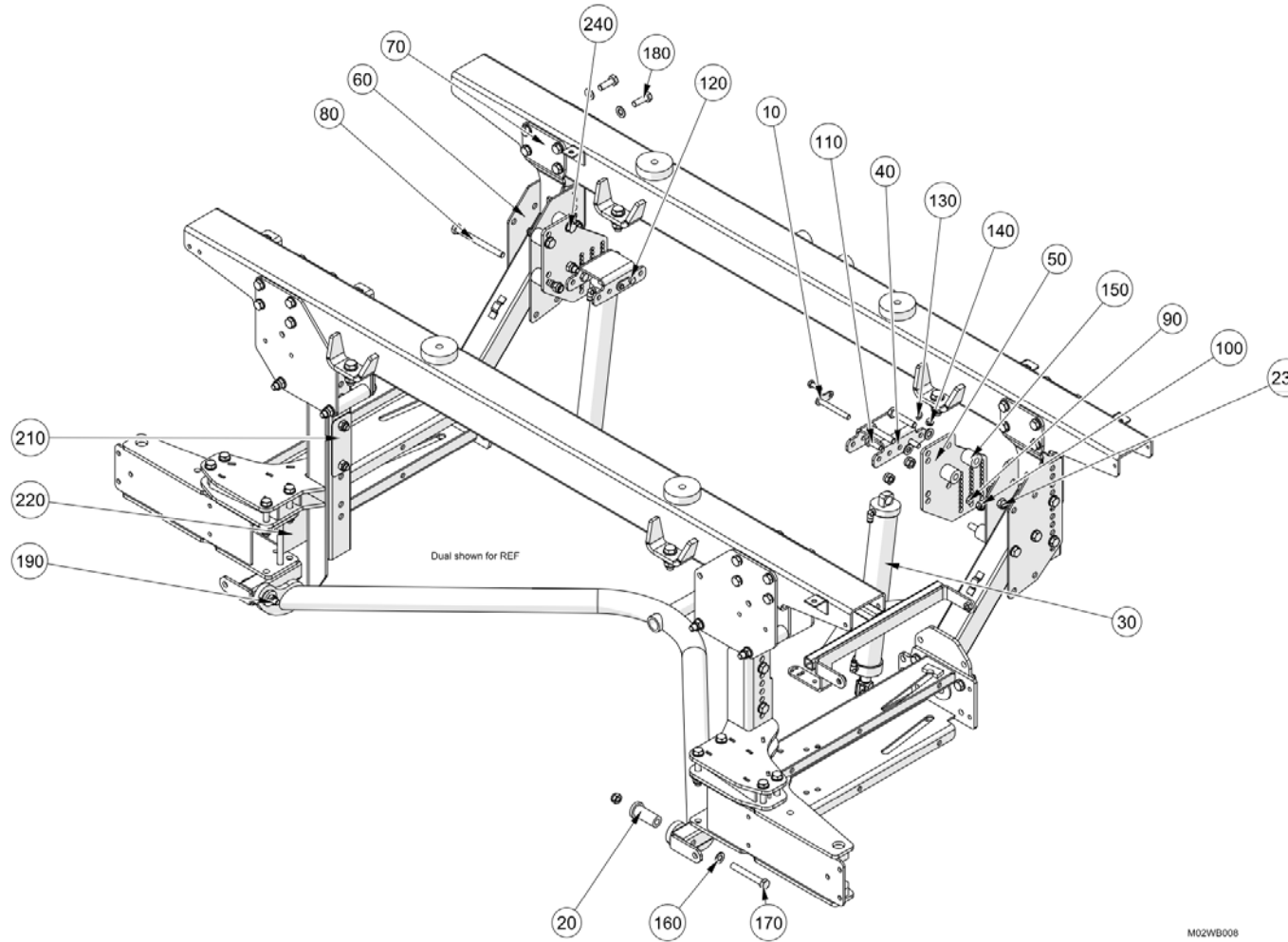
# Wide Sweep Brush



### Table of Contents

Section	Page
7.1 Install.....	384
7.2 WSB Assy.....	390
7.3 Dressing.....	402

**Wide Sweep Installation (7027569, 7027861 E708770)**  
Wide Sweep Brush\Wide Sweep Brush Installation\Wide Sweep Installation



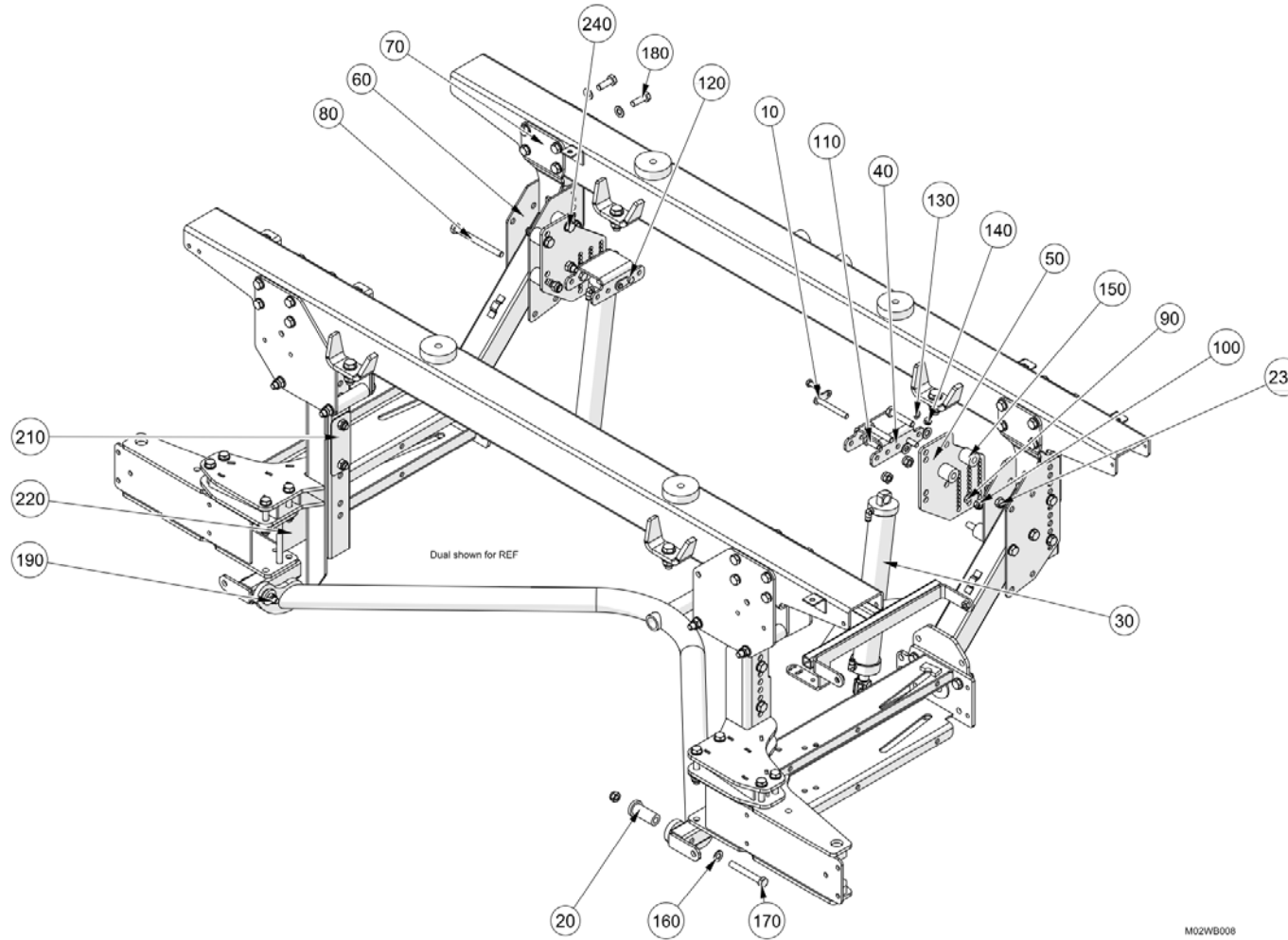


Wide Sweep Installation (7027569, 7027861 E708770)

Wide Sweep Brush\Wide Sweep Brush Installation\Wide Sweep Installation

Item no.	Part no.	Description	QTY	Unit
10	7008793	Pin Weld assembly	2	PC
20	62099-2	Bush - Tow Point 56 DIM.A	2	PC
30	7004696	Cylinder Assembly Ø50x310	2	PC
40	7027455	WSB Cylinder Height Adjustment Bracket	2	PC
50	7030157	WSB Cylinder Height Adjustment	2	PC
Single Only				
60	7026400	Rear Leg Adjustment Plate	2	PC
70	7026407	Leg Rear W/Assy	1	PC
80	92067472-0	Hex Head Bolt - M12Cx130 - 8.8	2	PC
90	93212012-0	Plain Washer M10	4	PC
100	93085806-0	Nyloc Hex Nut M10C - 8	4	PC
110	92097414-0	Hex Head Screw - M10Cx30 - 8.8	4	PC
120	92097376-0	Hex Head Screw - M8Cx25 - 8.8	2	PC
130	93212011-0	Plain Washer M8	2	PC
140	93085805-0	Nyloc Hex Nut M8C - 8	2	PC
150	45014-9-H	Spacer - 30mm	4	PC
160	93212013-0	Plain Washer M12	11	PC
170	92067467-0	Hex Head Bolt - M12Cx90 - 8.8	1	PC
180	92097451-0	Hex Head Screw - M12Cx35 - 8.8	8	PC
190	93085807-0	Nyloc Hex Nut M12C - 8	11	PC
200	45014-13-H	Spacer - 60mm	2	PC
210	7023143	Front RH leg assembly	1	PC
Single Only				

**Wide Sweep Installation (7027569, 7027861 E708770)**  
Wide Sweep Brush\Wide Sweep Brush Installation\Wide Sweep Installation



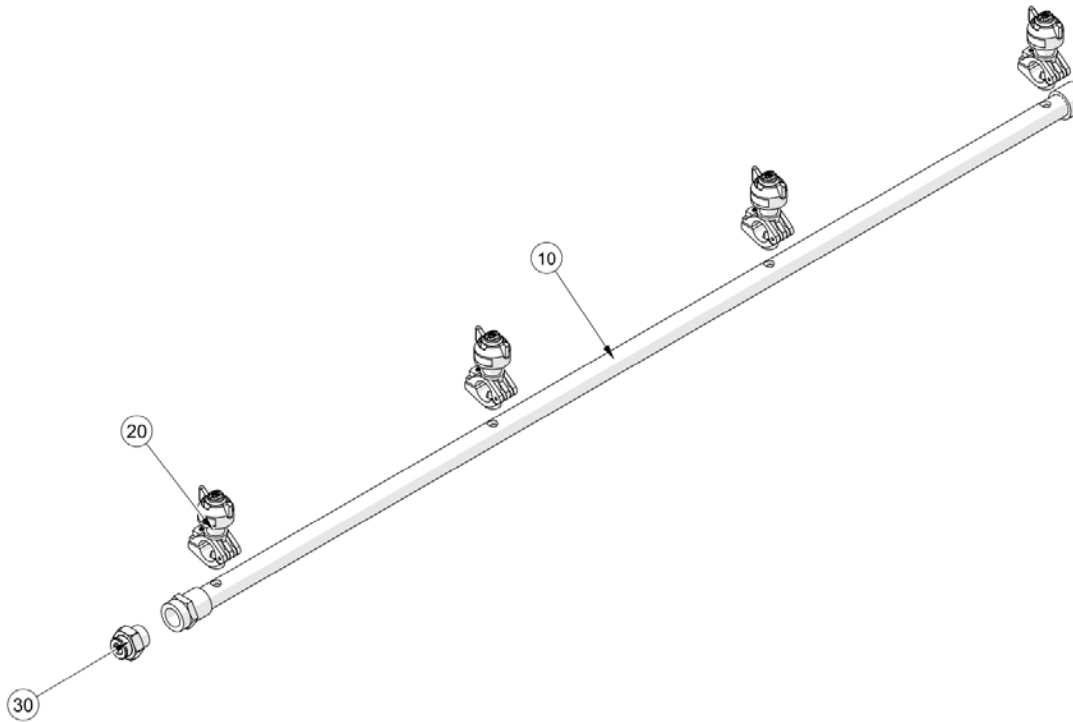
**Wide Sweep Installation (7027569, 7027861 E708770)**

Wide Sweep Brush\Wide Sweep Brush Installation\Wide Sweep Installation

Item no.	Part no.	Description	QTY	Unit
220	7023179	Eye assembly	1	PC
Single Only				
230	93085007-0	Nyloc Hex Thin Nut M12C - 8	6	PC
Dual Only				
240	92067461-0	Hex Head Bolt - M12Cx60 - 8.8	4	PC
Dual Only				
50	7027475	WSB Cylinder Height Adjustment Plate	2	PC
Dual Only				

**Spraybar Assembly (7018999 / E707287)**

Wide Sweep Brush\Wide Sweep Brush Installation\Spraybar Assembly



M02WB005

**Spraybar Assembly (7018999 / E707287)**

Wide Sweep Brush\Wide Sweep Brush Installation\Spraybar Assembly

Item no.	Part no.	Description	QTY	Unit
10	21-334	Spraybar 1/2" NB PVC	1	PC
20	7019000	Nozzle Holder Assembly	4	PC
30	537-17	Adaptor-Push In 10mm x 1/2 BSPT	1	PC

PAGE  
UNDER  
CONSTRUCTION



PLEASE  
BEAR  
WITH US

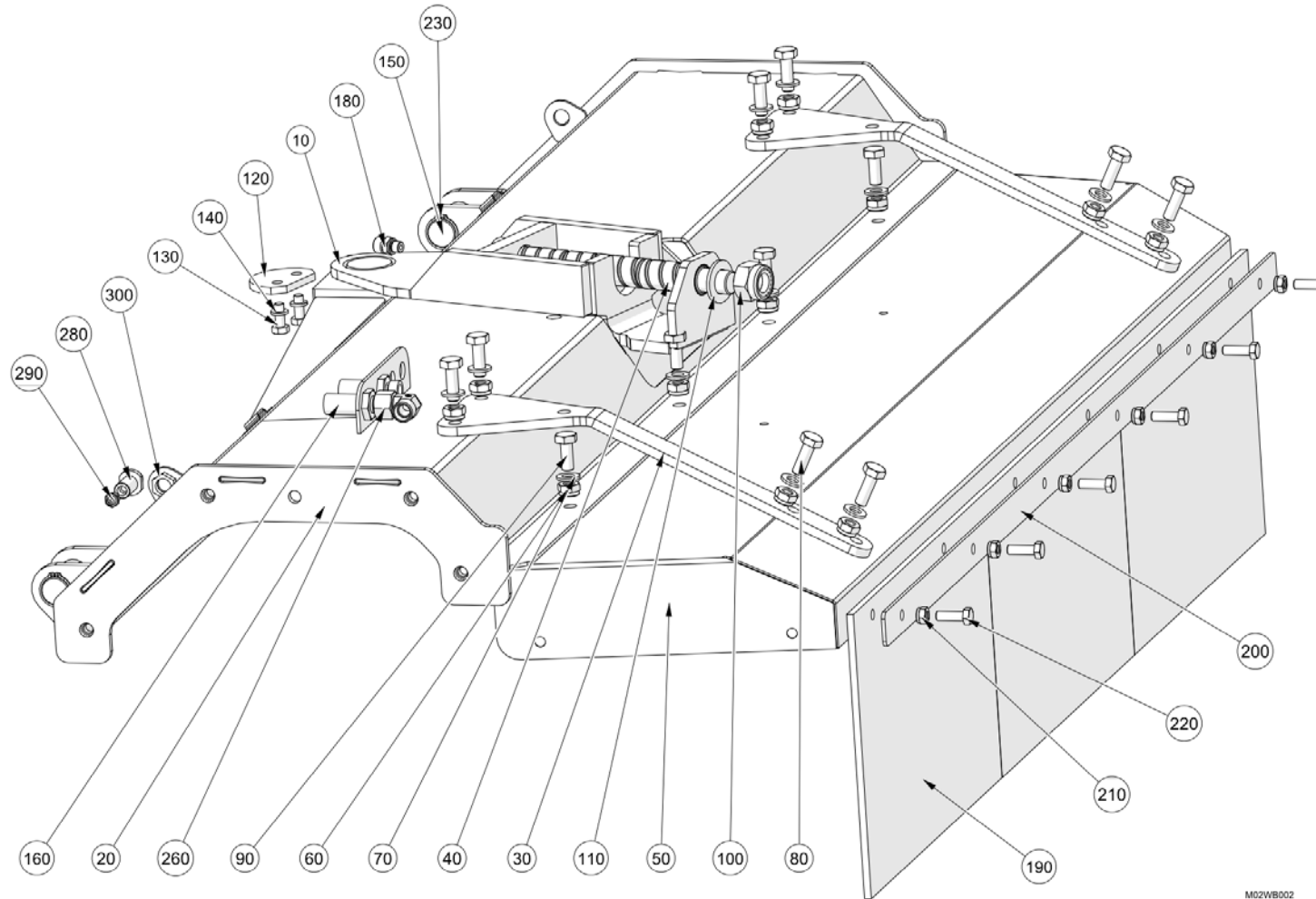
**Carriage Assembly (6520911-001)**

Wide Sweep Brush\Wide Sweep Brush Assembly\Carriage Assembly

Item no.	Part no.	Description	QTY	Unit
10	7018871	Carriage Assembly	1	PC
30	29395-2	Bearing	1	PC
40	555-3	Adaptor Bulkhead 6mm x M14x1.5	2	PC
50	H1SC06001-70	Hydraulic Hose Straight x 45 Swept	1	PC

**Carriage Assembly (7018871 / E710886)**

Wide Sweep Brush\Wide Sweep Brush Assembly\Carriage Assembly\Carriage Assembly



M02WB002



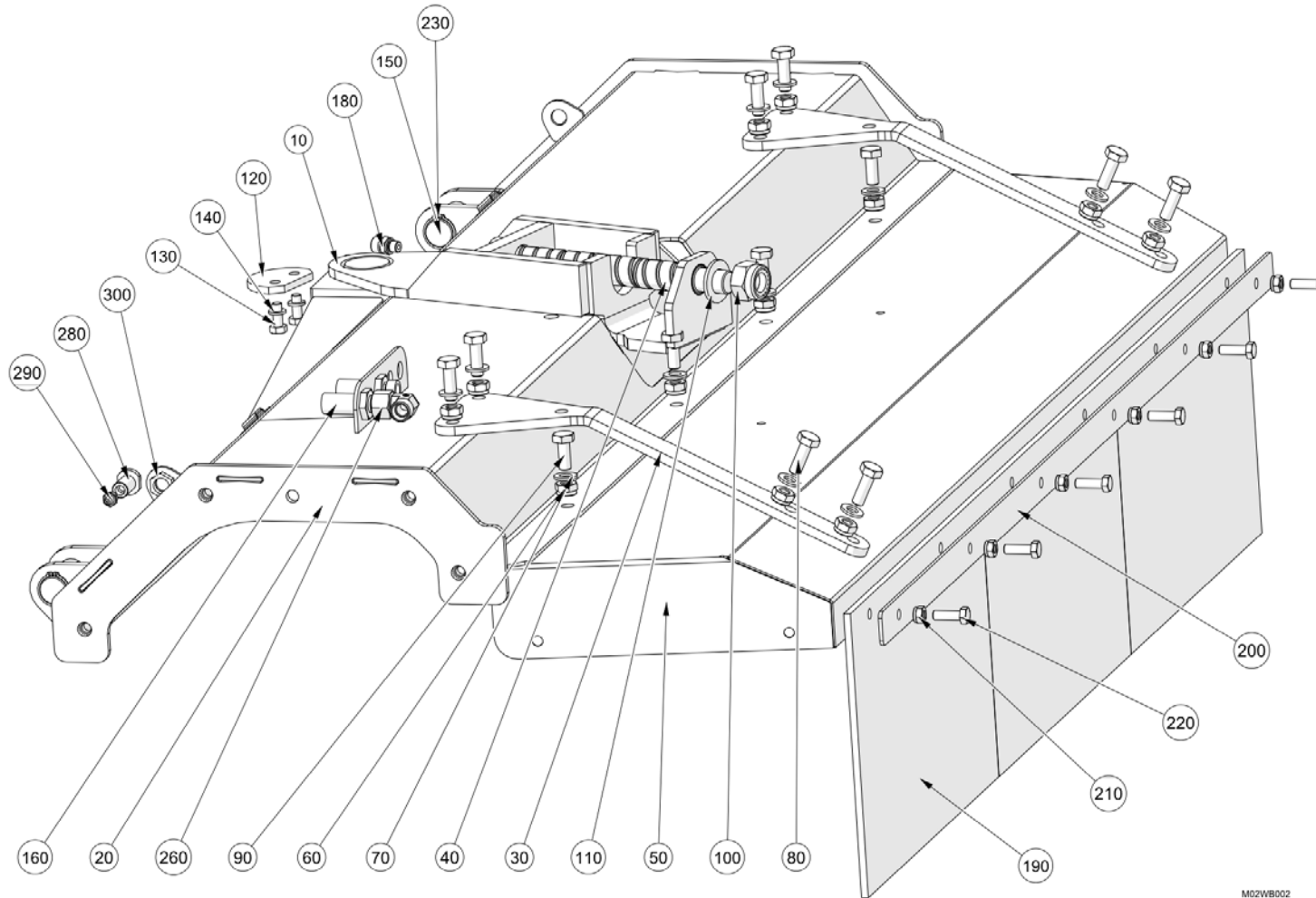
Carriage Assembly (7018871 / E710886)

Wide Sweep Brush\Wide Sweep Brush Assembly\Carriage Assembly\Carriage Assembly

Item no.	Part no.	Description	QTY	Unit
10	7018539	Compensator - Weld Assy	1	PC
20	7018622	Carriage - Weld Assy	1	PC
30	283090-1	Curtain Support WSB	2	PC
40	283092-1	Shaft Compensator Assembly WSB	1	PC
50	7018771	Curtain	1	PC
60	93085006-0	Nyloc Hex Thin Nut M10C - 8	12	PC
70	93212012-0	Plain Washer M10	12	PC
80	92097414-0	Hex Head Screw - M10Cx30 - 8.8	8	PC
90	92097412-0	Hex Head Screw - M10Cx25 - 8.8	4	PC
110	93212018-0	Plain Washer M20	1	PC
120	62095-1	Plate - Keeper	1	PC
130	92097374-0	Hex Head Screw - M8Cx20 - 8.8	2	PC
140	93699710-0	Spring Washer - Plated M8	2	PC
150	62097-1	Pin Anchor - V650 & V800	2	PC
160	302-2	Straight Bulkhead Connector M18 x 1.5	2	PC
180	09570120-0	Stud Coupling Male G 1/8" x M14 x 1.5	1	PC
190	200055-1	Rubber Curtain (1275 WSB)	1	PC
200	283126-1	Retaining Strip - Curtain WSB	1	PC
210	93085005-0	Nyloc Hex Thin Nut M8C - 8	6	PC
220	92097376-0	Hex Head Screw - M8Cx25 - 8.8	6	PC
230	09500025-0	Circlips-External DIN471 25x1,2	4	PC
260	6613-0504	Adjustable Male Elbow - M18 x 1.5	1	PC
280	7023658	Bulkhead Adaptor	1	PC
290	38-1	Nipple Grease Straight 1/8 BSP	1	PC

**Carriage Assembly (7018871 / E710886)**

Wide Sweep Brush\Wide Sweep Brush Assembly\Carriage Assembly\Carriage Assembly



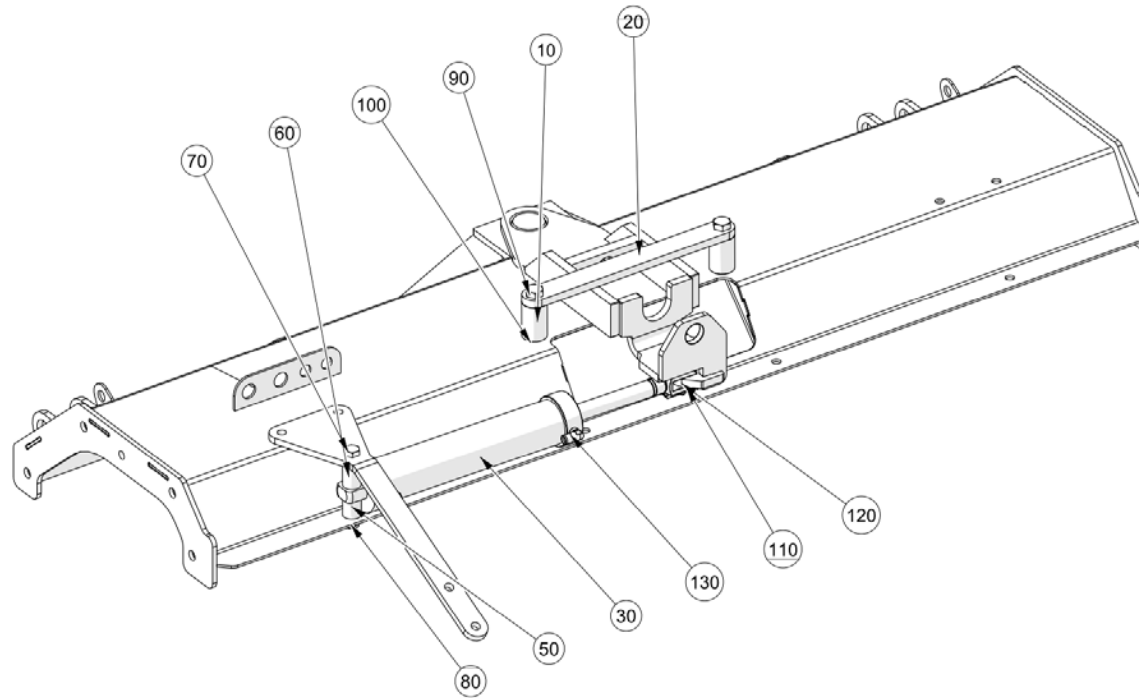
M02WB002

**Carriage Assembly (7018871 / E710886)**

Wide Sweep Brush\Wide Sweep Brush Assembly\Carriage Assembly\Carriage Assembly

Item no.	Part no.	Description	QTY	Unit
300	315-1	Counter Nut - M14x1.5	1	PC
100	93085036-0	Nyloc Hex Thin Nut M20F - 8	1	PC

**Slew Cylinder Assembly (7018872 / E710354, 7018879 / E710354)**  
Wide Sweep Brush\Wide Sweep Brush Assembly\Slew Cylinder Assembly



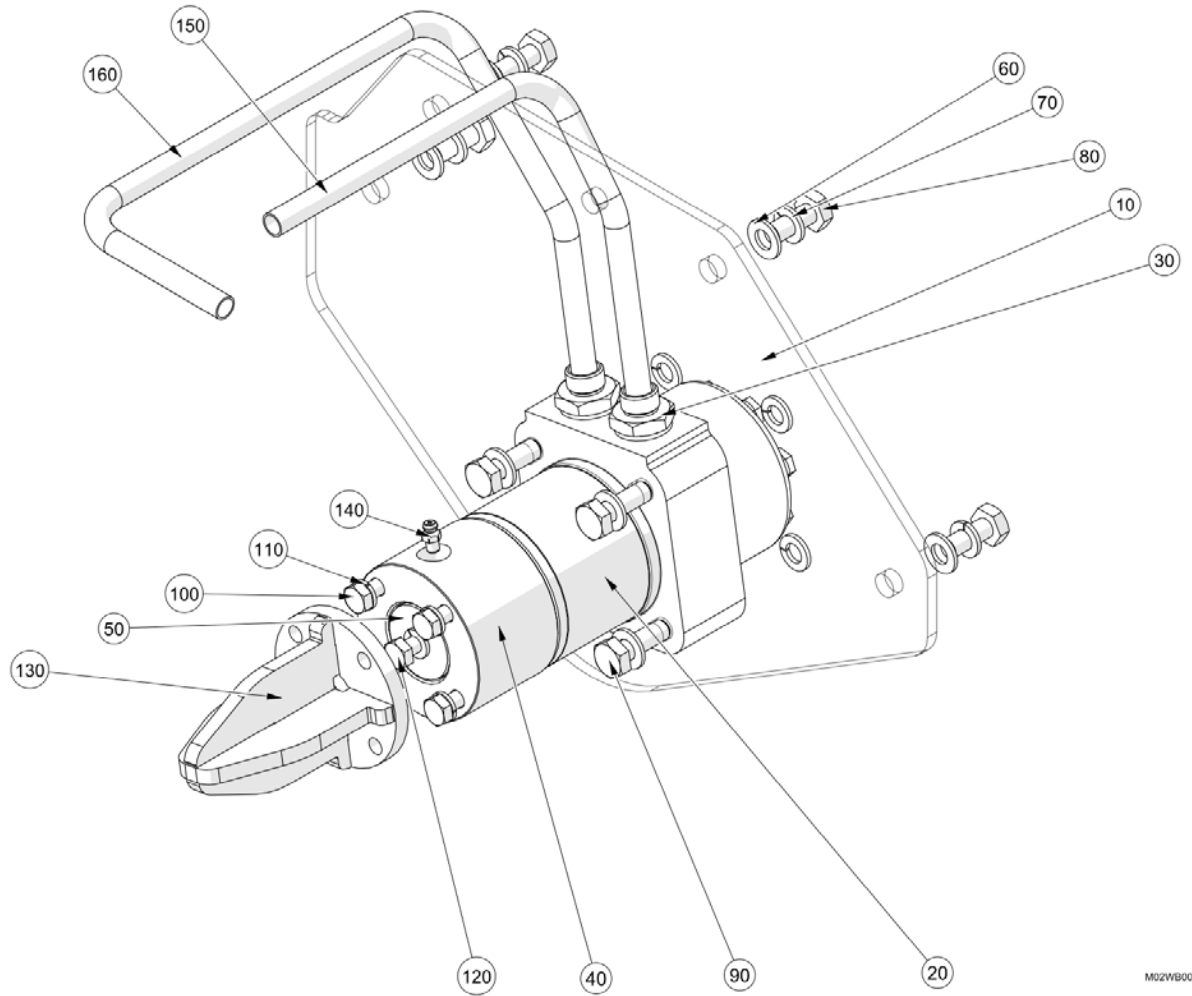
M02VB004

**Slew Cylinder Assembly (7018872 / E710354, 7018879 / E710354)**

Wide Sweep Brush\Wide Sweep Brush Assembly\Slew Cylinder Assembly

Item no.	Part no.	Description	QTY	Unit
10	283128-1	Spacer - Slew Retainer WSB	2	PC
20	283127-1	Slew Retainer WSB (DUAL)	1	PC
30	7004732	Cylinder Assembly Ø50x210	1	PC
50	7018773	Spacer	1	PC
60	7018788	Spacer	1	PC
70	92067432-0	Hex Head Bolt - M10Cx100 - 8.8	1	PC
80	93085006-0	Nyloc Hex Thin Nut M10C - 8	1	PC
90	6105-1501	Hex Head Bolt - M12Cx80 - 8.8	2	PC
100	93085007-0	Nyloc Hex Thin Nut M12C - 8	2	PC
110	283-2	Clip - Spring Retaining	1	PC
120	289-40	Pin - Clevis, Dia 12	1	PC
130	41041-1-A	Sleeve - Support, Pipe	2	PC

**Motor Assembly (7018513 / E709287 , 7022384 / E709287)**  
Wide Sweep Brush\Wide Sweep Brush Assembly\Motor Assembly

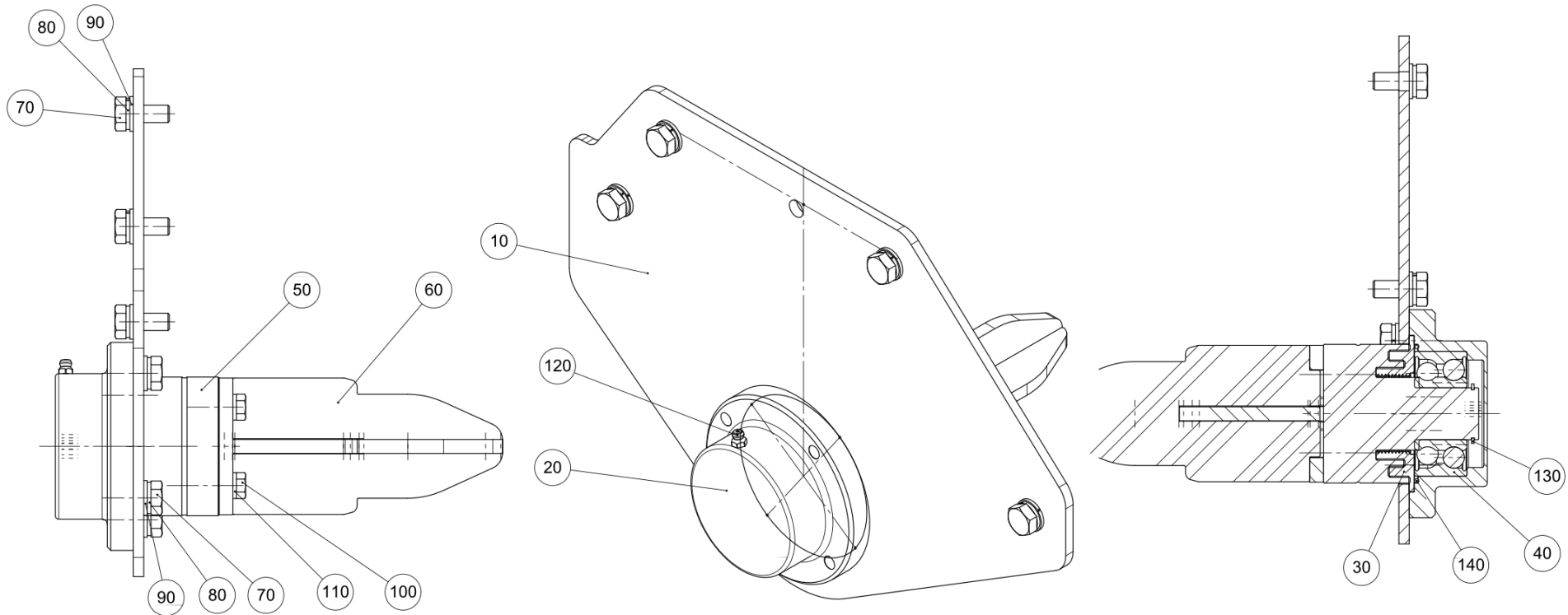


M02YB003

**Motor Assembly (7018513 / E709287 , 7022384 / E709287)**  
 Wide Sweep Brush\Wide Sweep Brush Assembly\Motor Assembly

Item no.	Part no.	Description	QTY	Unit
10	283112-1	Drive/Bearing Plate - V605, 650, 800	1	PC
20	72250-1	Motor - Hydraulic OMPW 200	1	PC
30	09570131-0	Stud Coupling Male G 1/2" x M18 x 1.5	2	PC
40	283109-1	Drive Adaptor Motor WSB	1	PC
50	62064-1	Washer - Special 38mm	1	PC
60	92097412-0	Hex Head Screw - M10Cx25 - 8.8	4	PC
70	283105-1	Drive Dog W/Assy WSB	1	PC
80	38-30	Nipple Grease M6 X 1	1	PC
90	93699710-0	Spring Washer - Plated M8	5	PC
100	92097414-0	Hex Head Screw - M10Cx30 - 8.8	4	PC
110	92097376-0	Hex Head Screw - M8Cx25 - 8.8	4	PC
120	93699711-0	Spring Washer - Plated M10	8	PC
130	93212012-0	Plain Washer M10	8	PC
140	92097375-0	Hex Head Screw - M8Cx22 - 8.8	1	PC
10	283231-1	End Plate - V500	1	PC
150	7027001	Pipe - Hydraulic	1	PC
V501				
160	7026999	Pipe - Hydraulic	1	PC
V501				
150	7023370	Pipe - Hydraulic	1	PC
V651				
160	7023371	Pipe - Hydraulic	1	PC
V651				

**Bearing Assembly (7018892 / E707089 , 7022386)**  
Wide Sweep Brush\Wide Sweep Brush Assembly\Bearing Assembly



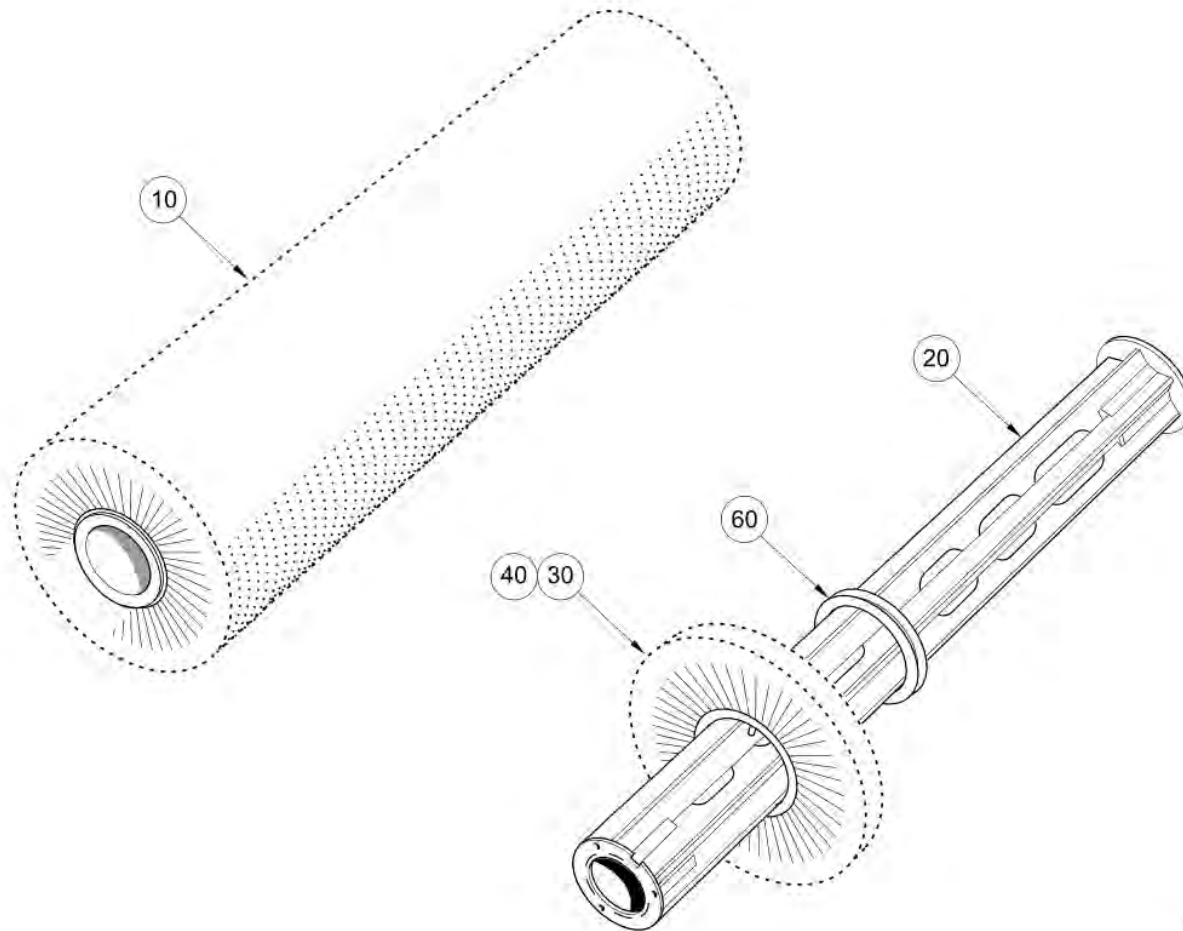
7018892E707089



**Bearing Assembly (7018892 / E707089 , 7022386)**

Wide Sweep Brush\Wide Sweep Brush Assembly\Bearing Assembly

Item no.	Part no.	Description	QTY	Unit
10	283112-1	Drive/Bearing Plate - V605, 650, 800	1	PC
20	283107-1	Housing - Bearing WSB	1	PC
30	283121-1	Labyrinth Bearing WSB	1	PC
40	14-47	Bearing - 30x72x30.2 Double	1	PC
50	283108-1	Bearing - Drive Adaptor WSB	1	PC
60	283106-1	Driven Dog W/Assy WSB	1	PC
70	92097412-0	Hex Head Screw - M10Cx25 - 8.8	8	PC
80	93699711-0	Spring Washer - Plated M10	8	PC
90	93212012-0	Plain Washer M10	8	PC
100	92097376-0	Hex Head Screw - M8Cx25 - 8.8	4	PC
110	93699710-0	Spring Washer - Plated M8	4	PC
120	38-30	Nipple Grease M6 X 1	1	PC
130	09500030-0	Circlips-External DIN471 30x1.6	1	PC
140	80-94	O-Ring - Hole Dia.80	1	PC
10	283231-1	End Plate - V500	1	PC

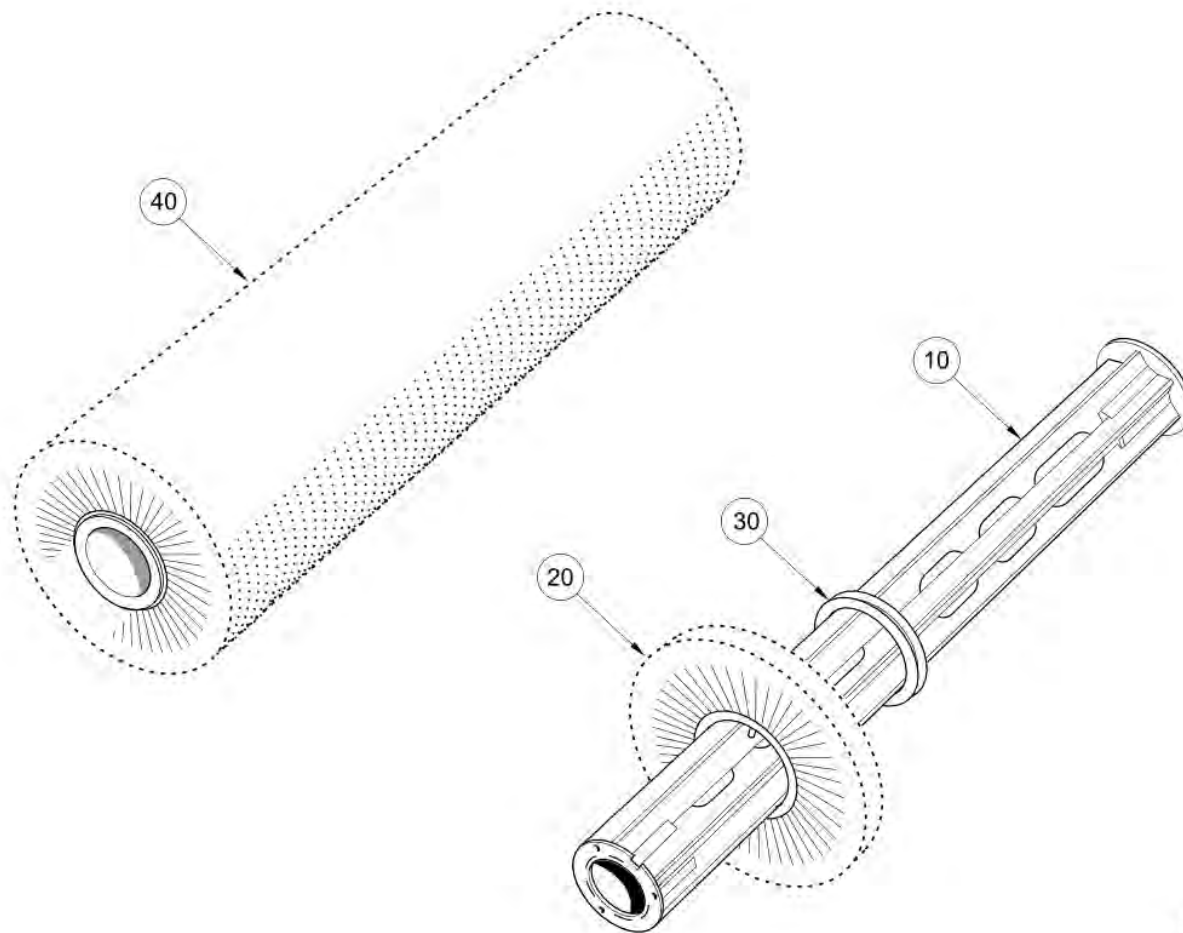


M02WB007

Dressing (6520920-001 , 6520920-002 , 6520920-003)

Wide Sweep Brush\Dressing

Item no.	Part no.	Description	QTY	Unit
10	295050-406	Cartridge - Poly WSB V605, 650, & 800	1	PC
20	283114-1	Stock Assy - WSB	1	PC
30	834-1	Segment-1.2x406mm O/D WSB Poly	22	PC
40	834-3	Segment - 406mm O/D WSB Wire	22	PC
60	13515	Spacer - Segment Brush	42	PC



M02WB006

**Stock Assembly (283114-1)**

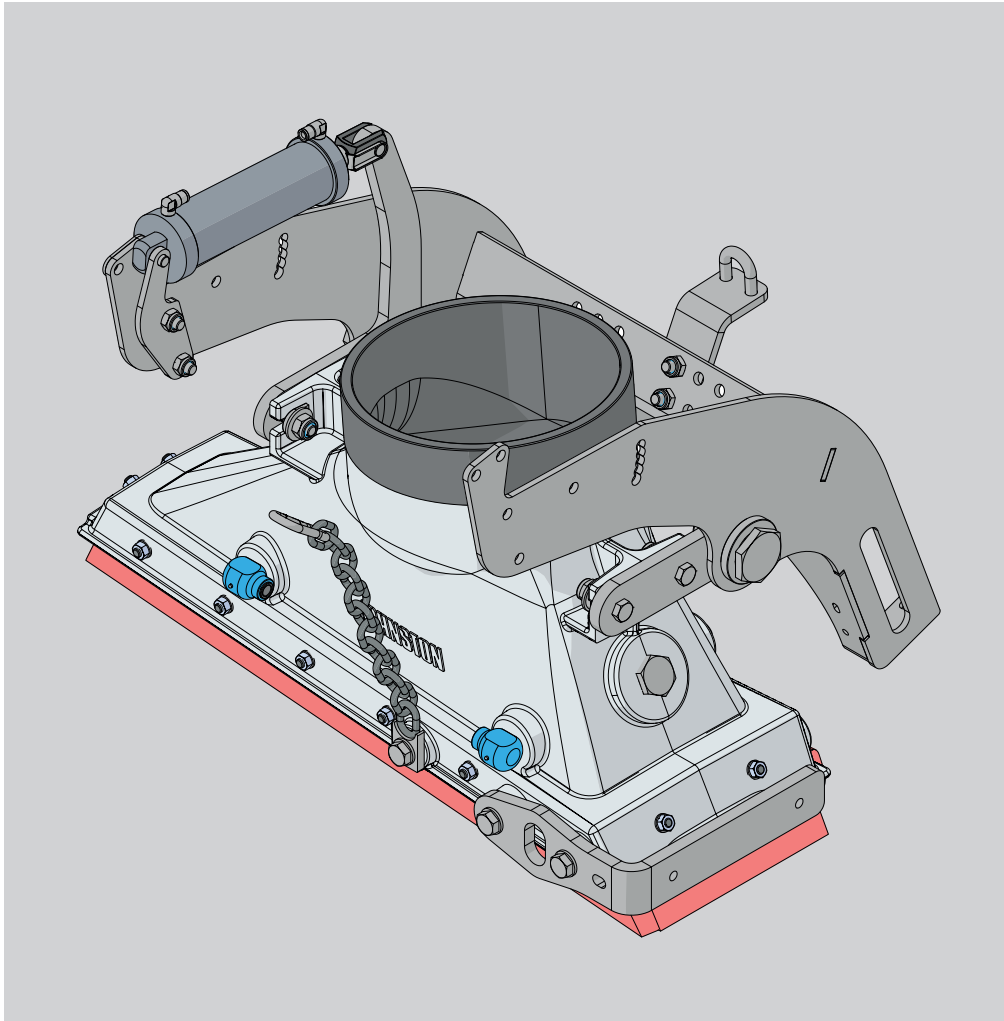
Wide Sweep Brush\Dressing\Stock Assembly

Item no.	Part no.	Description	QTY	Unit
10	283114-1	Stock Assy - WSB	1	PC
20	283385-340	WSB Segment-1.2x340mm O/D Poly	44	PC
30	13515	Spacer - Segment Brush	42	PC
40	295050-340	Cartridge - Poly WSB V500	1	PC

This page is intentionally left blank

## Chapter 8

# Nozzle



### Table of Contents

Section	Page
8.1 Install.....	408
8.2 Nozzle Assy.....	414
8.3 Options.....	422

PAGE  
UNDER  
CONSTRUCTION



PLEASE  
BEAR  
WITH US

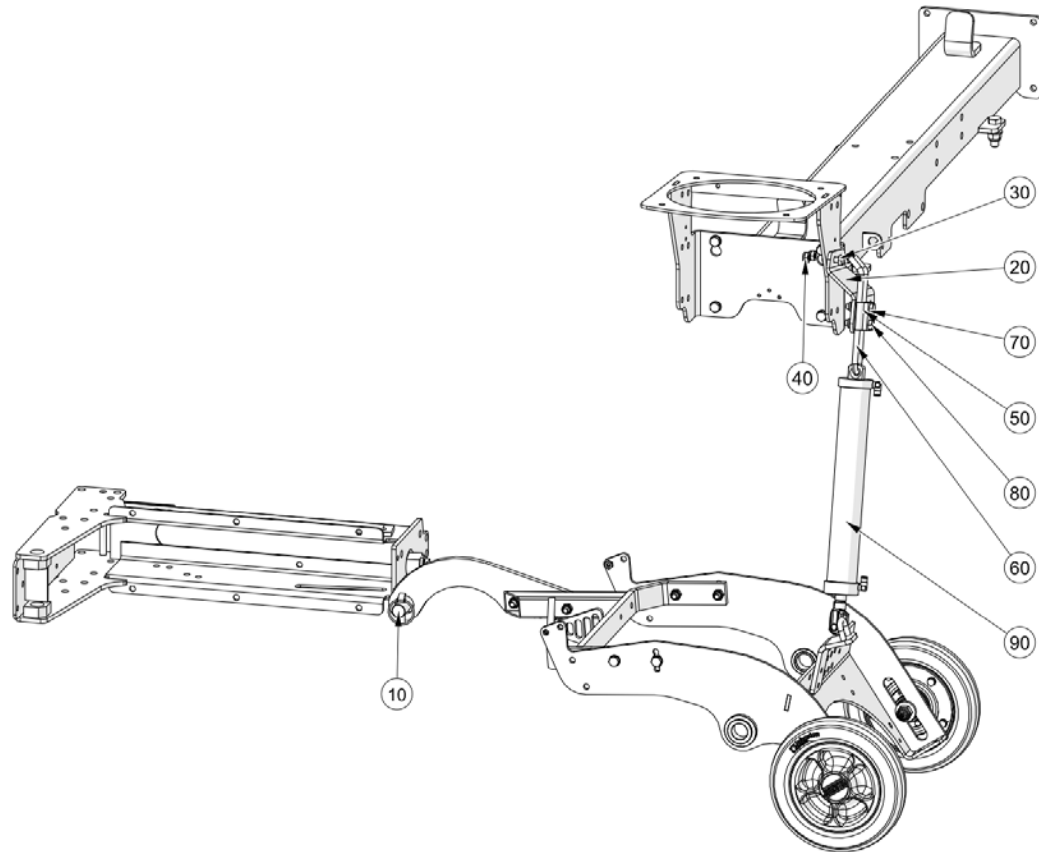


## Nozzle Installation (6521031-001 , 6521031-002)

Nozzle\Nozzle Installation\Nozzle Installation

Item no.	Part no.	Description	QTY	Unit
10	7020323	Nozzle Installation	1	PC
		x 2 for Dual		
20	94992-2	Trunking - 250dia Intake (HD)	1	PC
		x 2 for Dual		
30	504-54	Hose Clip - Worm Drive (230-260)	2	PC
		x 2 for Dual		
40	7024083	Maxigap Valve Assy	2	PC
		Dual Only		
50	92137048-0	Hex Socket Cap Screw - M5Cx35 - 12.9	4	PC
		Dual Only		
60	93085003-0	Nyloc Hex Nut M5C - 8	4	PC
		Dual Only		

**Nozzle Installation (7020323 / E710610)**  
Nozzle\Nozzle Installation\Nozzle Installation\Nozzle Installation

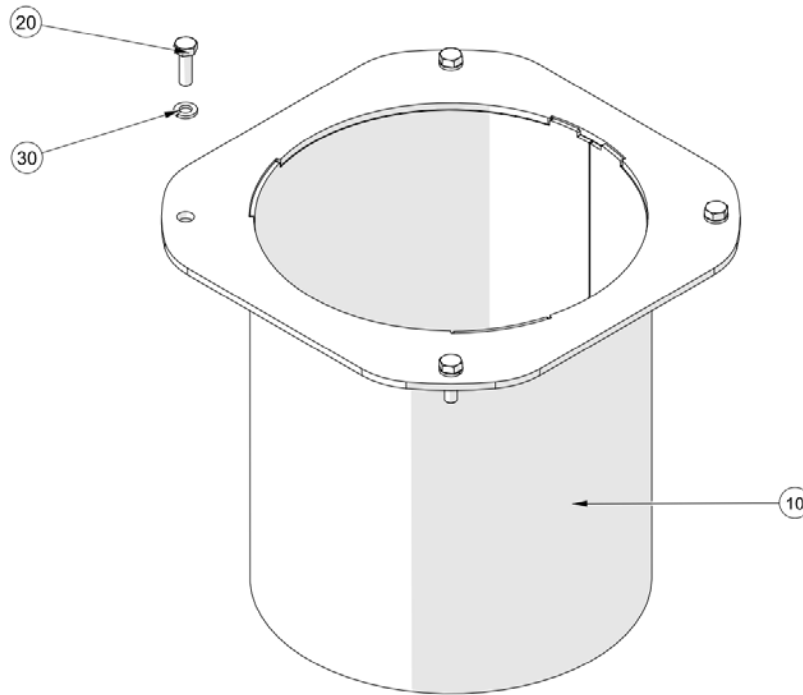


M02N2017

## Nozzle Installation (7020323 / E710610)

Nozzle\Nozzle Installation\Nozzle Installation\Nozzle Installation

Item no.	Part no.	Description	QTY	Unit
10	60-1	Pin Linch (With Ring) 11mm Dia	1	PC
20	284017-1	Nozzle Mounting - Anti Swing	1	PC
30	92097414-0	Hex Head Screw - M10Cx30 - 8.8	2	PC
40	93085006-0	Nyloc Hex Thin Nut M10C - 8	4	PC
50	40404-1-C	Washer - Clamp, Carriage, Noz	1	PC
60	40405-1-B	Eye - Lifting Nozzle	1	PC
70	63345-1	Block - Clamp	1	PC
80	92097417-0	Hex Head Screw - M10CX45 - 8.8	2	PC
90	7004696	Cylinder Assembly Ø50x310	1	PC



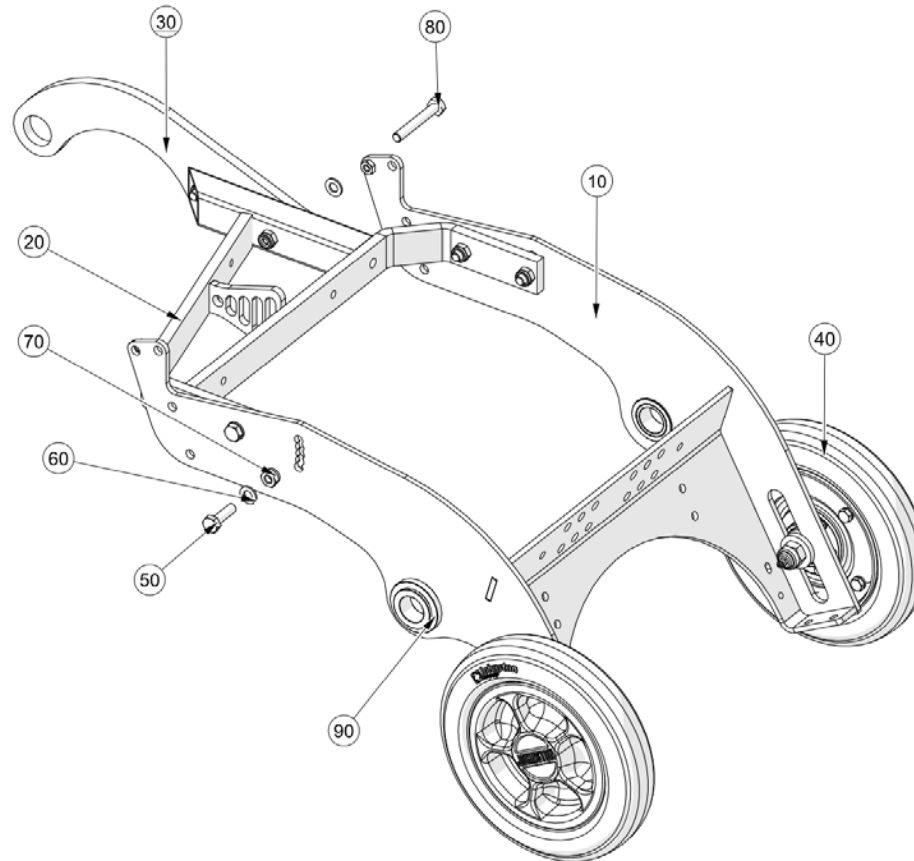
M02N2023

**Intake Duct (7034504 E711316)**  
Nozzle\Nozzle Installation\Intake Duct

Item no.	Part no.	Description	QTY	Unit
20	92097376-0	Hex Head Screw - M8Cx25 - 8.8	4	PC
Quantity of 8 required for dual				
30	93699710-0	Spring Washer - Plated M8	4	PC
Quantity of 8 required for dual				
10	7028339	Duct 270mm W/Assy	1	PC

**Carriage Assembly (6521011-001, 5021011-001, 7019349, 7022390)**

Nozzle\Nozzle Assembly\Carriage Assembly



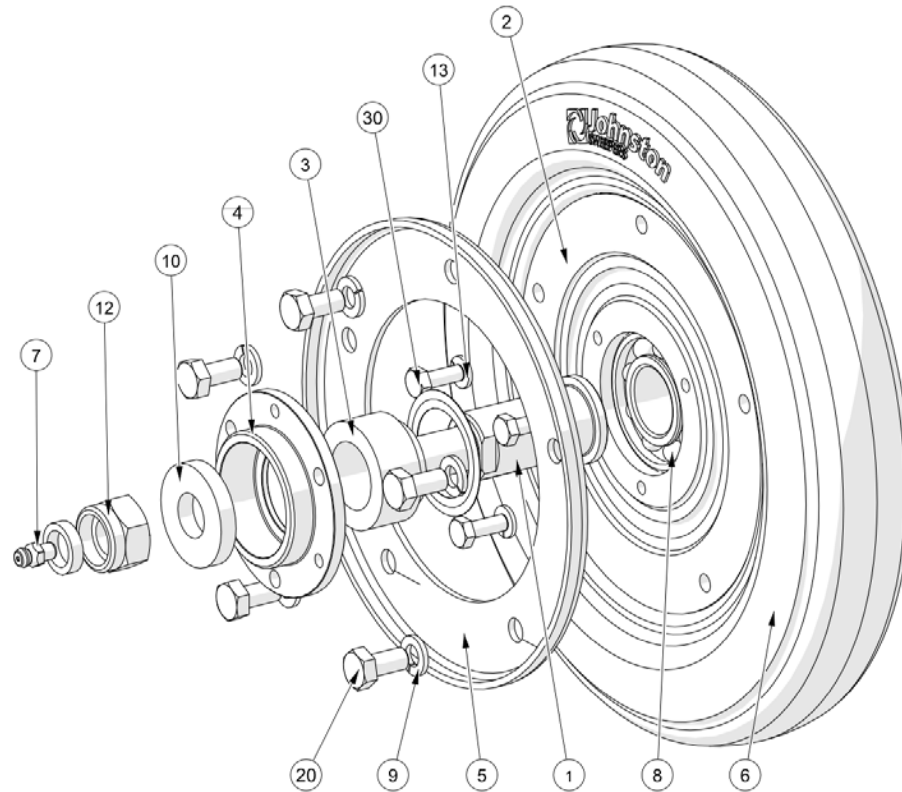
**Carriage Assembly (6521011-001, 5021011-001, 7019349, 7022390)**

Nozzle\Nozzle Assembly\Carriage Assembly

Item no.	Part no.	Description	QTY	Unit
10	7008962	Cradle Weld assembly	1	PC
20	7019586	Nozzle Towbar - W/Assy	1	PC
40	63491-1	Wheel - Assy. Nozzle	2	PC
50	92097415-0	Hex Head Screw - M10Cx35 - 8.8	5	PC
60	93212012-0	Plain Washer M10	6	PC
70	93085006-0	Nyloc Hex Thin Nut M10C - 8	6	PC
80	92097422-0	Hex Head Screw - M10Cx70 - 8.8	1	PC
90	283374-1	Bush - Pivot Suction Nozzle	2	PC
20	294081-1	Tow Eye - Nozzle	1	PC
V501				
30	283495-1	Tow Eye-Drawbar Full Width Noz	1	PC

**Wheel Assembly - Nozzle (63491-1)**

Nozzle\Nozzle Assembly\Carriage Assembly\Wheel Assembly - Nozzle



M02NZ014

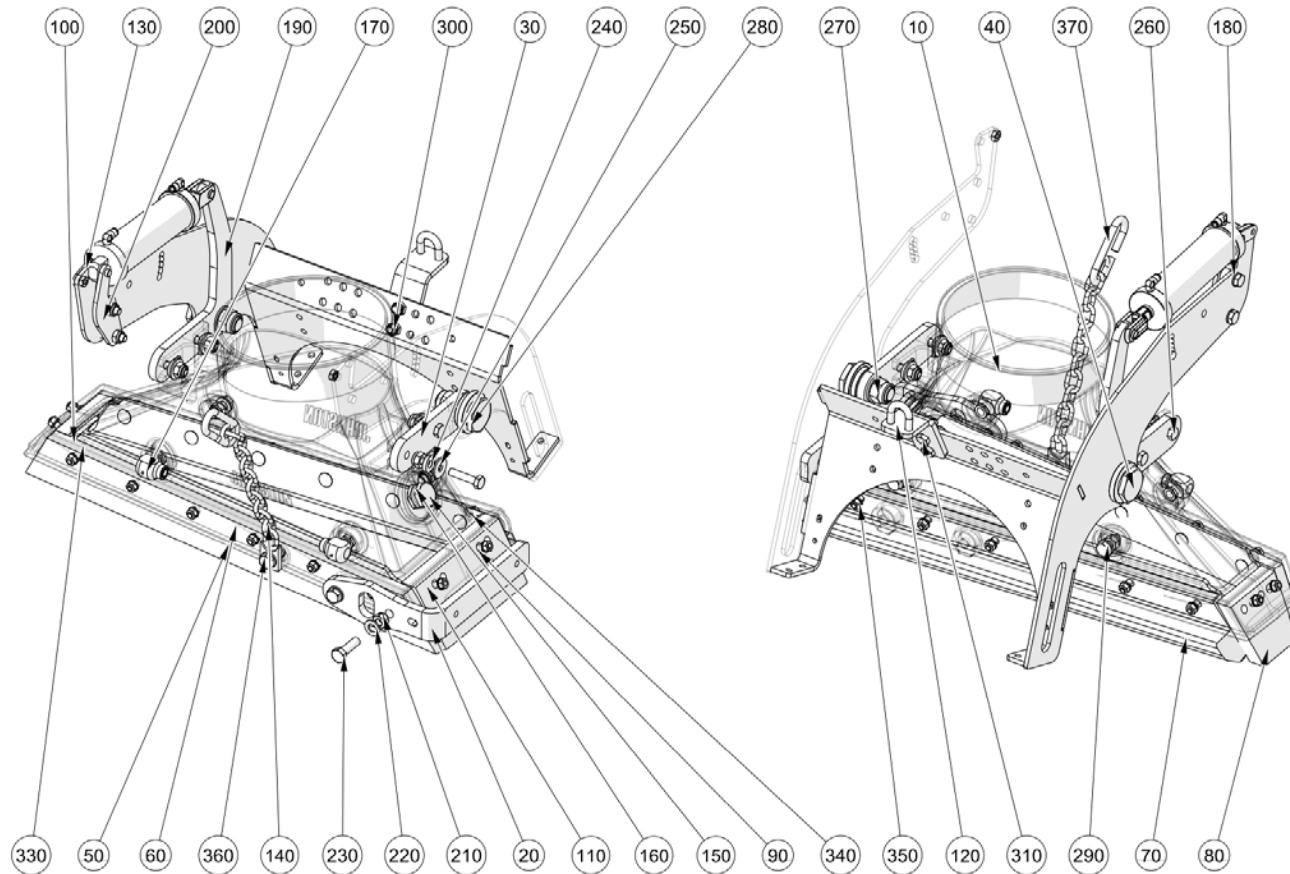


**Wheel Assembly - Nozzle (63491-1)**

Nozzle\Nozzle Assembly\Carriage Assembly\Wheel Assembly - Nozzle

Item no.	Part no.	Description	QTY	Unit
1	63492-1	Spindle - Nozzle Wheel	2	PC
2	63493-1	Hub - Nozzle Wheel Assy	2	PC
3	63494-1	Collar - Nozzle Wheel	2	PC
4	63495-1	Retainer - Nozzle Wheel	2	PC
5	16750-1-C	Plate - Back, Tyre	2	PC
6	16752	Tyre - Solid Rubber, 10" x 2"	2	PC
7	38-30	Nipple Grease M6 X 1	2	PC
8	14-52	Bearing - 25x52x20.6	2	PC
9	93699710-0	Spring Washer - Plated M8	10	PC
10	9114-2-F	Washer	2	PC
12	93085009-0	Nyloc Hex Nut M16C - 8	2	PC
13	93699708-0	Spring Washer - Plated M6	6	PC
20	92097372-0	Hex Head Screw - M8Cx16 - 8.8	10	PC
30	92097299-0	Hex Head Screw - M6Cx16 - 8.8	6	PC

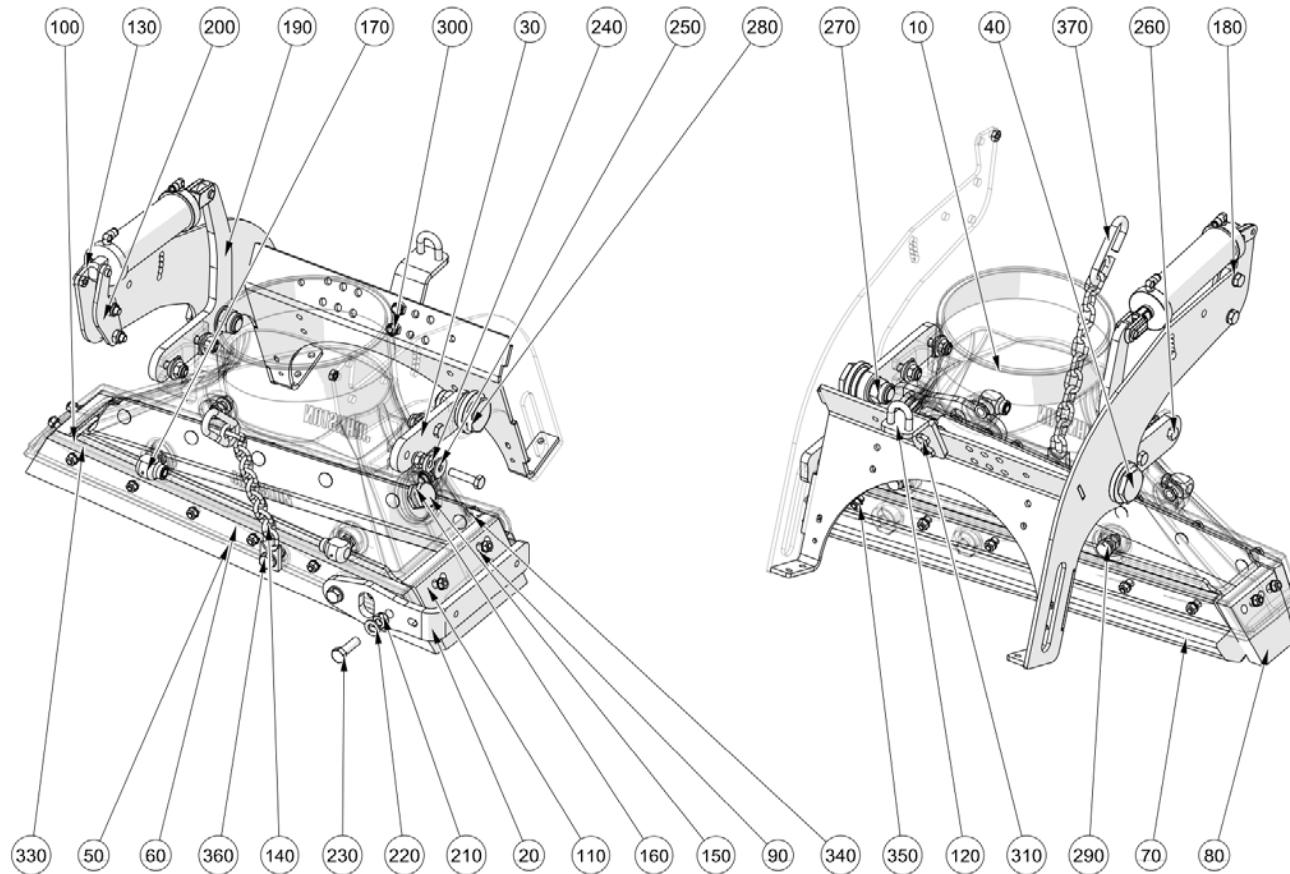
**Dressing Assembly - Nozzle (7019521 / E709269)**  
Nozzle\Nozzle Assembly\Dressing Assembly - Nozzle



M02NZ016

**Dressing Assembly - Nozzle (7019521 / E709269)**  
 Nozzle\Nozzle Assembly\Dressing Assembly - Nozzle

Item no.	Part no.	Description	QTY	Unit
10	281420-2	Nozzle-250 Dia R LINED	1	PC
20	281754-1	Bumper	1	PC
30	7019275	Pivot Arm - Nozzle	1	PC
40	283363-1	Pivot Bolt - Suction Nozzle	2	PC
50	62005-1	Rubber Curtain - Nozzle	1	PC
60	94017-1	Clamping Plate, J-Rubber	2	PC
70	282230-1	J-Section Rubber 250 D Nozzle	1	PC
80	281045-1	End - Nozzle Curtain Small	1	PC
90	281044-1	End - Nozzle Curtain Large	1	PC
100	63667-1	Strip - Clamping (Short)	1	PC
110	63666-1	Strip - Clamping (Medium)	1	PC
120	284072-1	Lift Cyl.Bottom Bracket W/Assy	1	PC
130	7009104	Pin Weld assembly	1	PC
140	62353-4	Link Manual Adjuster	1	PC
150	281755-1	Plug - Re-Circ Port 250 Nozzle	1	PC
160	410-57	Locknut - 3/4 BSP Bulkhead Fitting	1	PC
170	7019550	Nozzle Jet Assembly, 1.6mm	2	PC
180	7008966	Spacer -Nozzle	2	PC
190	7008968	Lever -Nozzle	1	PC
200	7008963	Eye -Sweep gear	1	PC
210	93085007-0	Nyloc Hex Thin Nut M12C - 8	9	PC
220	93212013-0	Plain Washer M12	5	PC
230	92097452-0	Hex Head Screw - M12Cx40 - 8.8	2	PC
240	450-49	Washer Taper 3/8	4	PC

**Dressing Assembly - Nozzle (7019521 / E709269)**  
 Nozzle\Nozzle Assembly\Dressing Assembly - Nozzle


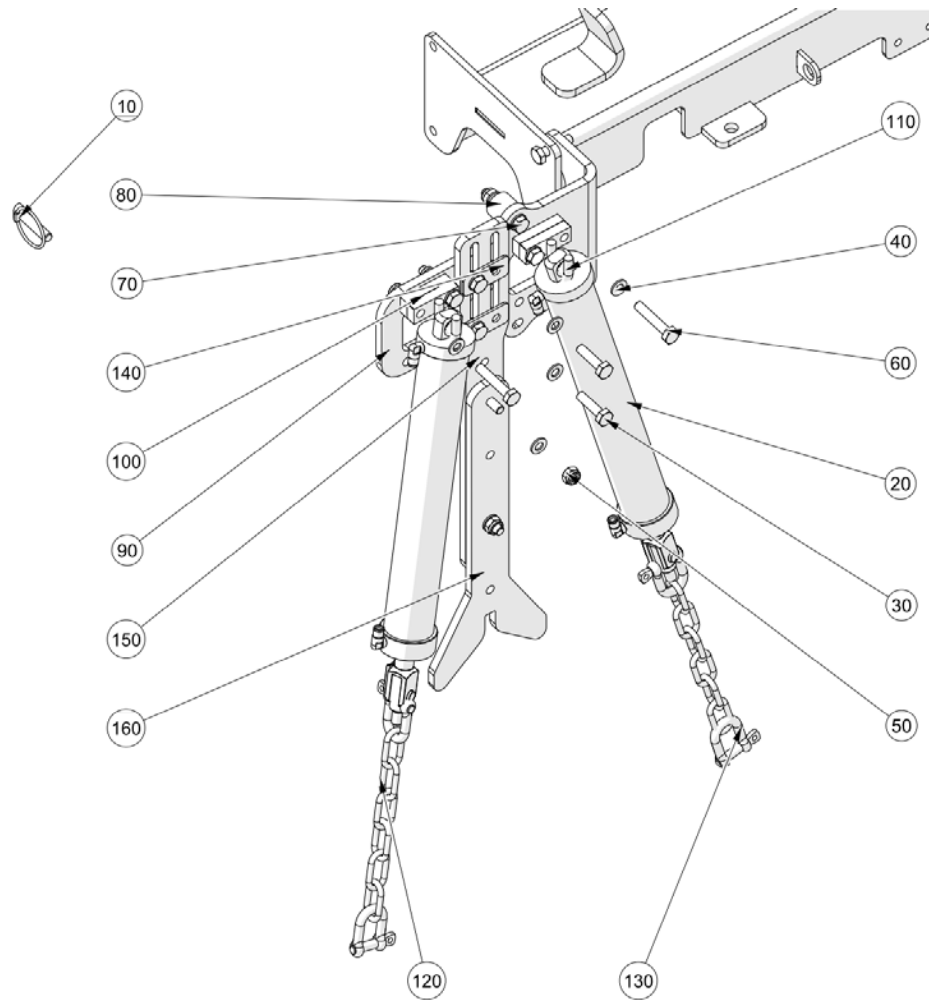
M02NZ016

**Dressing Assembly - Nozzle (7019521 / E709269)**  
Nozzle\Nozzle Assembly\Dressing Assembly - Nozzle

Item no.	Part no.	Description	QTY	Unit
250	93300510-0	Plain Large Washer M10	4	PC
260	92097417-0	Hex Head Screw - M10CX45 - 8.8	6	PC
270	93085011-0	Nyloc Hex Nut M20C - 8	2	PC
280	93212018-0	Plain Washer M20	2	PC
290	92097450-0	Hex Head Screw - M12Cx30 - 8.8	2	PC
300	93085006-0	Nyloc Hex Thin Nut M10C - 8	4	PC
310	92097414-0	Hex Head Screw - M10Cx30 - 8.8	2	PC
320	93212012-0	Plain Washer M10	2	PC
330	92555559-0	Round Head Square Neck Bolt-M8Cx45-4.6	16	PC
340	93212011-0	Plain Washer M8	16	PC
350	93057014-0	Nut-MC Hex M8 S.Stl	16	PC
360	92097448-0	Hex Head Screw - M12Cx25 - 8.8	1	PC
370	282968-1	Adjusting Link - Nozzle	1	PC

**Combivak Nozzle Installation (7033482 E710926)**

Nozzle\Options\Combivak Nozzle Installation



M02N2021

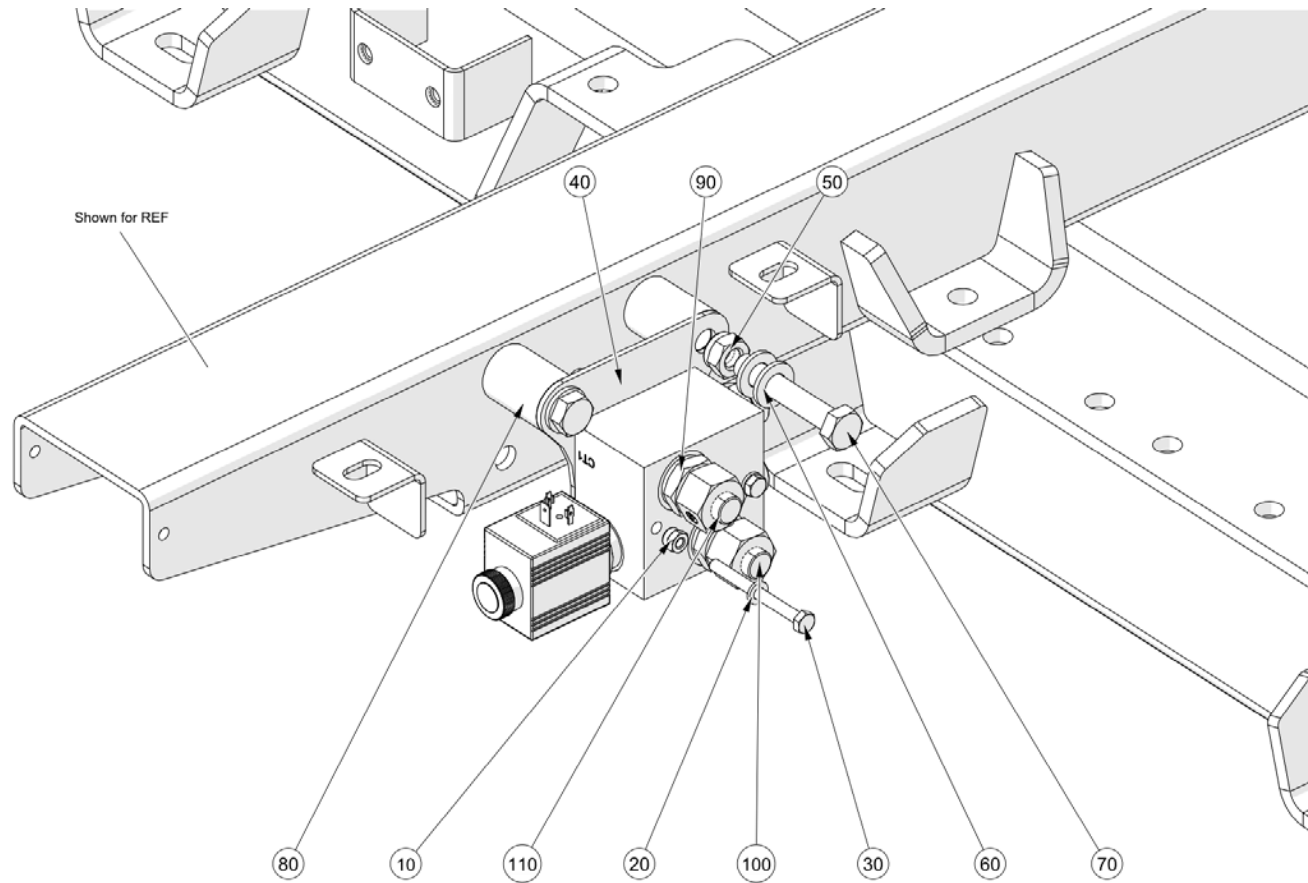
## Combivak Nozzle Installation (7033482 E710926)

Nozzle\Options\Combivak Nozzle Installation

Item no.	Part no.	Description	QTY	Unit
10	60-1	Pin Linch (With Ring) 11mm Dia	1	PC
20	7004696	Cylinder Assembly Ø50x310	2	PC
30	92097416-0	Hex Head Screw - M10Cx40 - 8.8	8	PC
40	93212012-0	Plain Washer M10	22	PC
50	93085006-0	Nyloc Hex Thin Nut M10C - 8	11	PC
60	92067423-0	Hex Head Bolt - M10Cx55 - 8.8	4	PC
70	92067424-0	Hex Head Bolt - M10Cx60 - 8.8	1	PC
80	283307-3	Spacer-Silencer 25Lg Nylon 6	1	PC
90	283540-1	Bracket - Combivac	1	PC
100	40457-2	Bar-Lever Support	2	PC
110	40269-1-C	Hook Lifting W/Assy	2	PC
120	62165-6	Chain - 6 Links	2	PC
130	62172-1	Shackle D	4	PC
140	283567-1	Plate - Clamping	2	PC
150	7031955	Anti-swing Arm, Upper	1	PC
160	7031956	Anti-swing Arm, Lower	1	PC

**Combivak Hydraulics Installation (7033481 E710926)**

Nozzle\Options\Combivak Hydraulics Installation



M02N2022

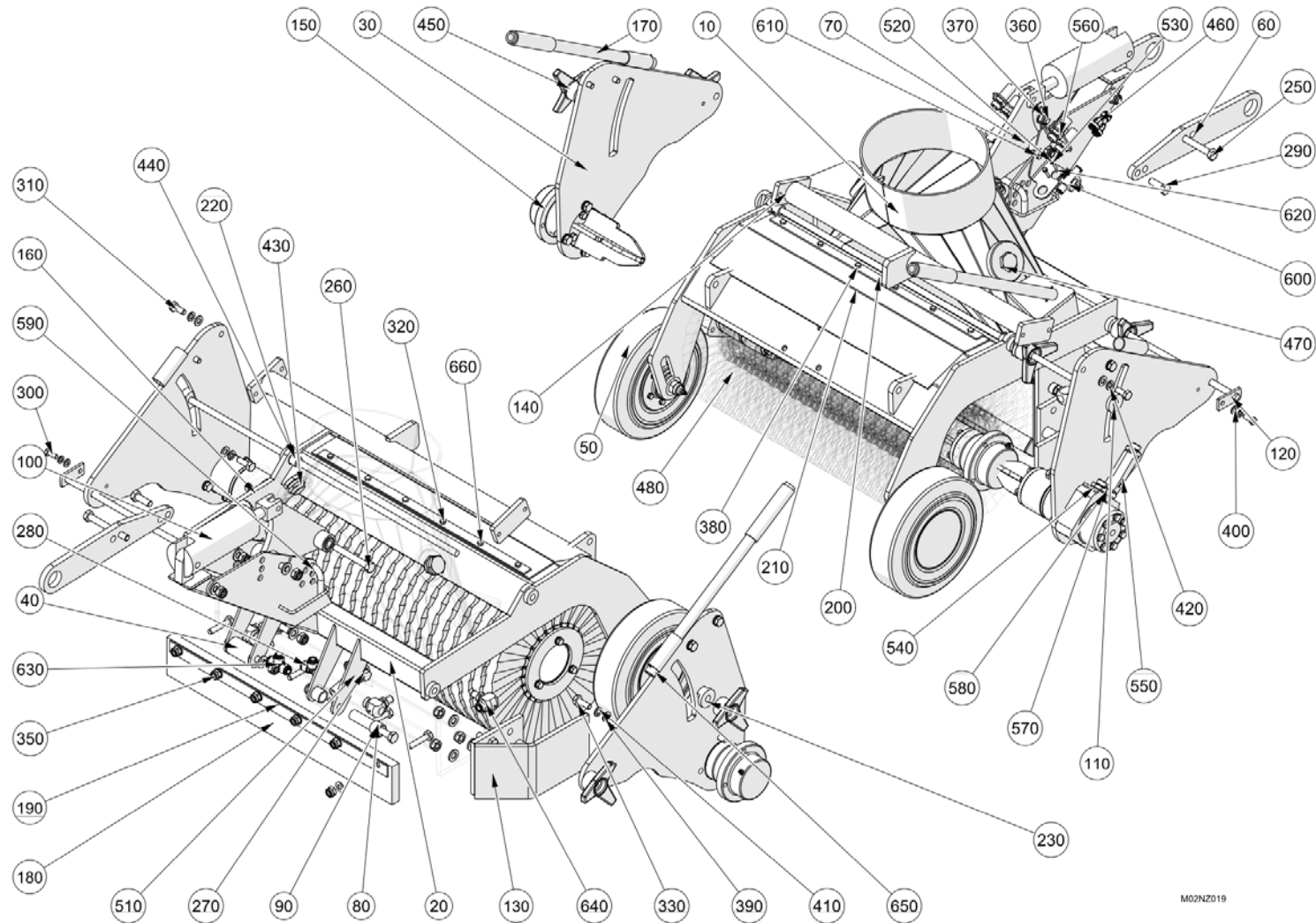


## Combivak Hydraulics Installation (7033481 E710926)

Nozzle\Options\Combivak Hydraulics Installation

Item no.	Part no.	Description	QTY	Unit
10	93085004-0	Nyloc Hex Nut M6C - 8	2	PC
20	93212009-0	Plain Washer M6	4	PC
30	6105-0771	Hex Head Bolt - M6Cx65 - 8.8	2	PC
40	283543-1	Plate-Valve Mntg Combivac Nozz	1	PC
50	93085007-0	Nyloc Hex Thin Nut M12C - 8	2	PC
60	93212013-0	Plain Washer M12	4	PC
70	92067463-0	Hex Head Bolt - M12Cx70 - 8.8	2	PC
80	283307-4	Spacer-Silencer 40Lg Nylon 6	2	PC
90	6601-1329	Stud Coupling Male G 1/2" x M22 x 1.5	4	PC
100	09572104-0	Plug Female - Tube O/D = 15mm	2	PC
110	09570009-0	Cap Nut - M22 x 1.5 (Tube O/D = 15mm)	2	PC

**Combivack Nozzle Assembly (7020813 E710636)**  
Nozzle\Options\Combivack Nozzle Assembly



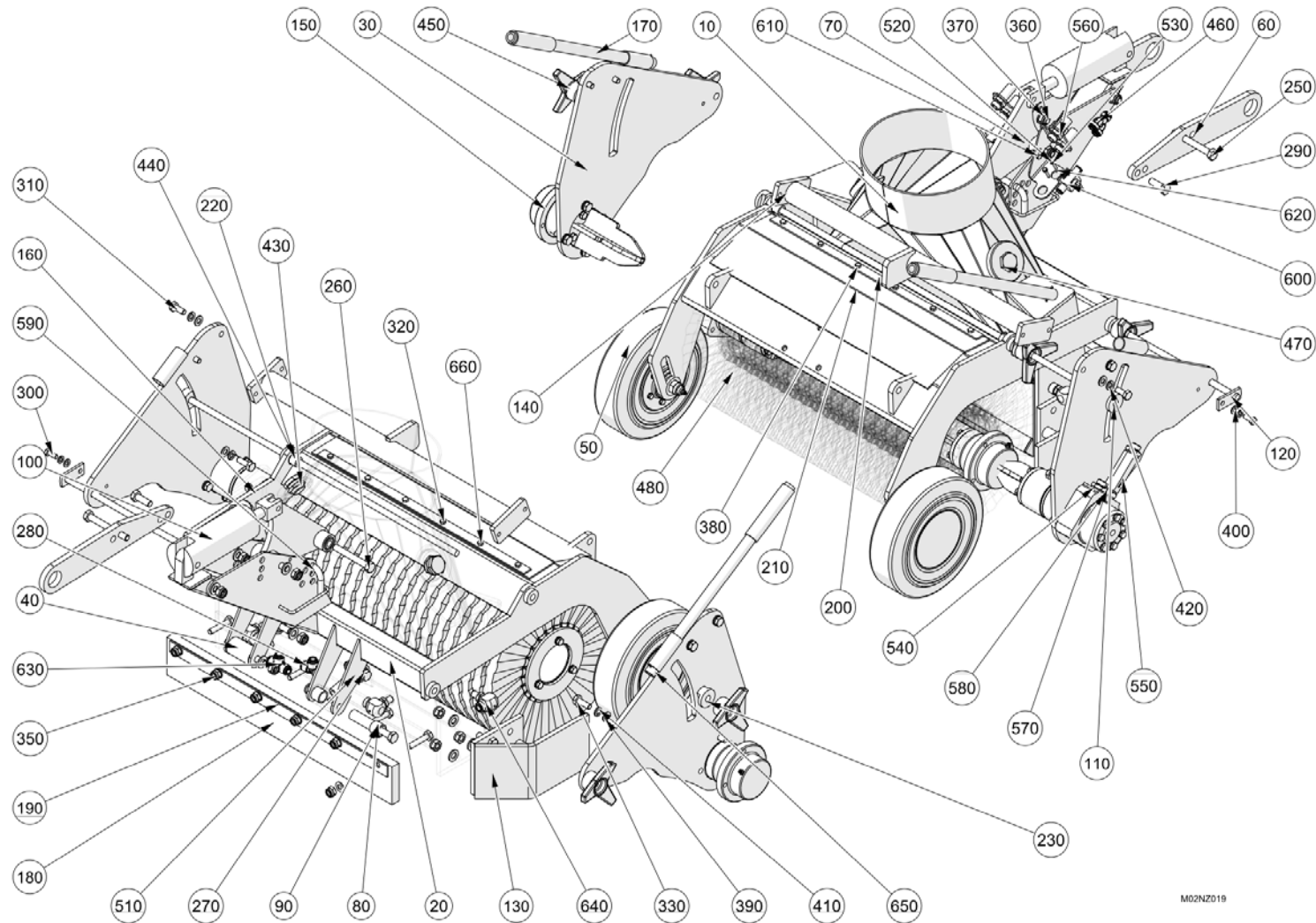
M02N2019

**Combivack Nozzle Assembly (7020813 E710636)**

Nozzle\Options\Combivack Nozzle Assembly

Item no.	Part no.	Description	QTY	Unit
10	280920-2	Nozzle W/A-250 Combivac Lined	1	PC
20	62882-2	Carriage W/Assy - Combivac	1	PC
30	7020736	Cheek plate weld assembly	2	PC
40	62567-1	Arm Pivot W/A - Nozzle	2	PC
50	283358-1	Nozzle Wheel Assy Heavy Duty	2	PC
60	200377-1	Tow Eye - V/Brush Combivak	1	PC
70	281884-1	Actuator W/Assy	1	PC
80	29128-1-B	Bush - 20Lg	10	PC
90	42733-2	Bush - Bearing	4	PC
100	29362-2	Cylinder Combivac Nozzle Assy	1	PC
110	7020820	Adjuster w/assy	1	PC
120	7020816	Pivot pin	1	PC
130	62170-1	Skid W/Assy	1	PC
140	62828-1	Beam - Cross W/Assy	1	PC
150	7020744	Brush bearing assembly	1	PC
160	7020745	Brush motor assembly	1	PC
170	62167-1	Handle W/Assy	1	PC
180	62138-1	Nozzle - Front Rubber	1	PC
190	62148-1	Strip Clamp	1	PC
200	41457-1-A	Strip Clamping	1	PC
210	41615-1-A	Curtain - Rubber	1	PC
220	62157-1	Clamp - Tube	1	PC
230	62127-2	Slider-Zinc Plate & Passivate	1	PC
250	92067469-0	Hex Head Bolt - M12Cx100 - 8.8	1	PC

**Combivack Nozzle Assembly (7020813 E710636)**  
Nozzle\Options\Combivack Nozzle Assembly



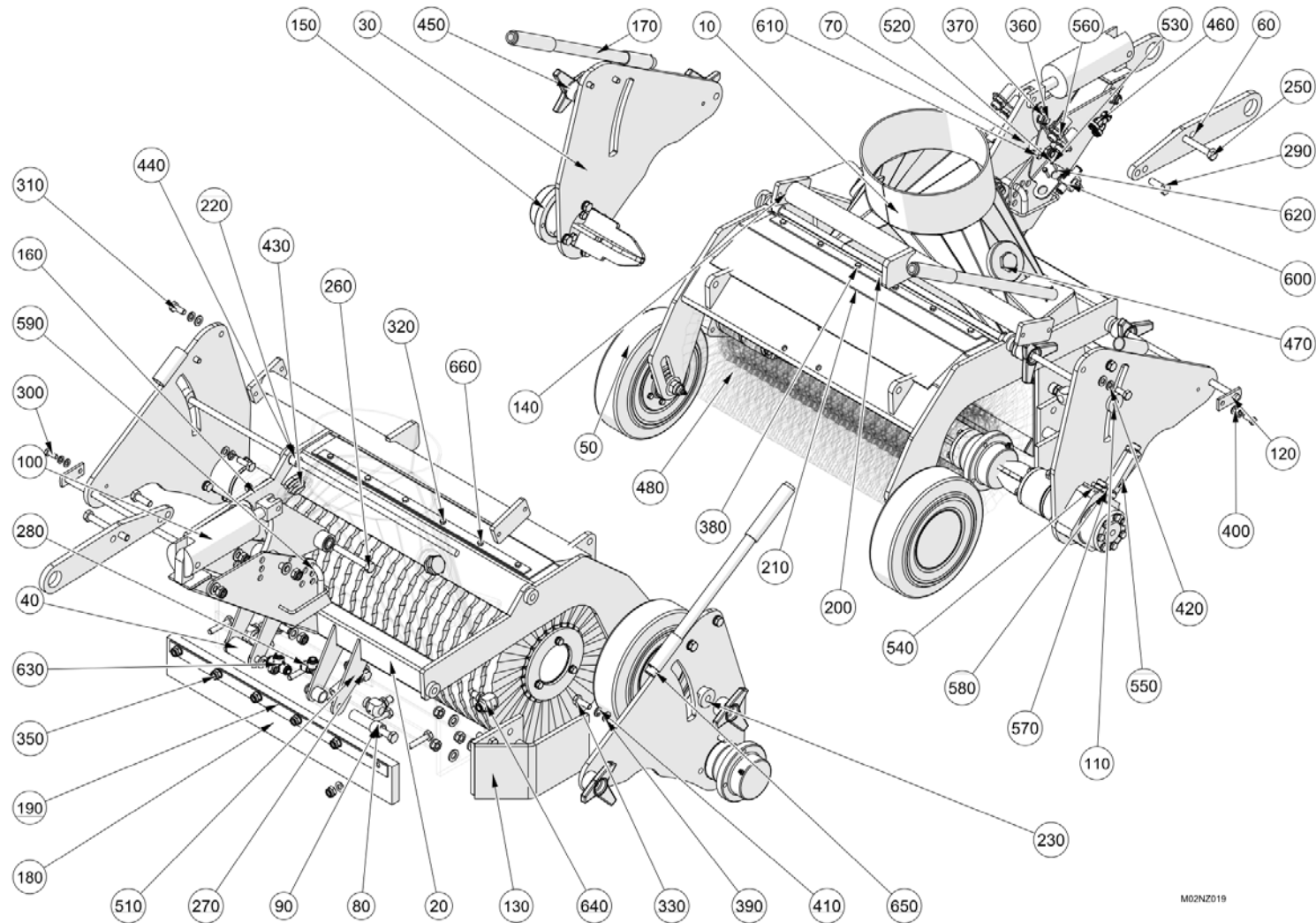
M02N2019

**Combivack Nozzle Assembly (7020813 E710636)**

Nozzle\Options\Combivack Nozzle Assembly

Item no.	Part no.	Description	QTY	Unit
260	92067467-0	Hex Head Bolt - M12Cx90 - 8.8	4	PC
270	92067459-0	Hex Head Bolt - M12Cx50 - 8.8	2	PC
280	92097418-0	Hex Head Screw - M10Cx50 - 8.8	6	PC
290	92097451-0	Hex Head Screw - M12Cx35 - 8.8	4	PC
300	92097374-0	Hex Head Screw - M8Cx20 - 8.8	1	PC
310	92097412-0	Hex Head Screw - M10Cx25 - 8.8	4	PC
320	92097301-0	Hex Head Screw - M6Cx20 - 8.8	7	PC
330	92097414-0	Hex Head Screw - M10Cx30 - 8.8	8	PC
350	93085806-0	Nyloc Hex Nut M10C - 8	6	PC
360	93085007-0	Nyloc Hex Thin Nut M12C - 8	11	PC
370	93212013-0	Plain Washer M12	11	PC
380	93212009-0	Plain Washer M6	7	PC
390	93212012-0	Plain Washer M10	18	PC
400	93212011-0	Plain Washer M8	1	PC
410	93699711-0	Spring Washer - Plated M10	12	PC
420	93699710-0	Spring Washer - Plated M8	1	PC
430	410-57	Locknut - 3/4 BSP Bulkhead Fitting	2	PC
440	135-23	Grub Screw - Cone Point M6c cx 10 Lg	1	PC
450	23-22	Knob (M12) - Cross Type	2	PC
460	297-92	Two Way Divider - Tube O/D 10	1	PC
470	281755-1	Plug - Re-Circ Port 250 Nozzle	2	PC
480	7020855	Brush assembly	1	PC
510	42733-1-A	Bush - Bearing, Flaps	2	PC
520	93212007-0	Plain Washer M4	4	PC

**Combivack Nozzle Assembly (7020813 E710636)**  
Nozzle\Options\Combivack Nozzle Assembly



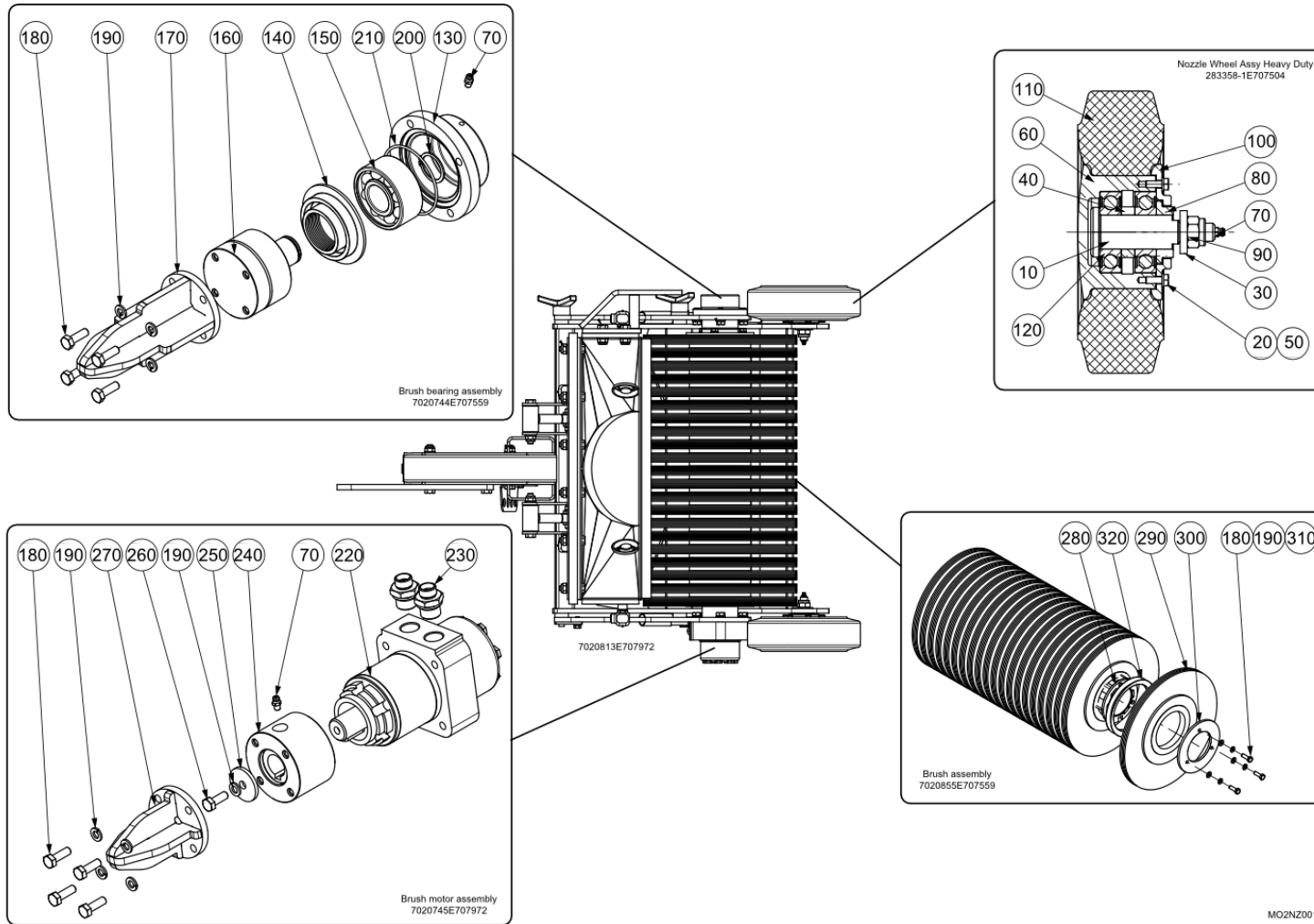
M02N2019

**Combivack Nozzle Assembly (7020813 E710636)**

Nozzle\Options\Combivack Nozzle Assembly

Item no.	Part no.	Description	QTY	Unit
530	92067234-0	Hex Head Bolt - M4Cx35 - 8.8	2	PC
540	09570131-0	Stud Coupling Male G 1/2" x M18 x 1.5	2	PC
550	71457-1	Valve Check G1/2"	1	PC
560	302-2	Straight Bulkhead Connector M18 x 1.5	2	PC
570	451-19	Washer - Bonded G1-2"	2	PC
580	263-4	Adaptor M/M 1/2 BSP BS5200	1	PC
590	62135-1	Bolt - Nozzle Stop	1	PC
600	7023752	Finger Valve	1	PC
610	7032453	Bracket, Bulkhead	1	PC
620	93085002-0	Nyloc Hex Nut M4C - 8	2	PC
630	297-74	Tee Equal - Tube O/D 10	2	PC
640	7019551	Water Jet Assembly	4	PC
650	59-26	Pin Tension Spring 3 O/Dx30Lg	1	PC
660	93085004-0	Nyloc Hex Nut M6C - 8	7	PC
5000	297-1	Tubing - Polyurethane 10 Dia x 1.5 Wall	2.3	M
5010	H2SC10000-75	Hose - Hydraulic	1	PC
5020	H2SC10000-85	Hose - Hydraulic	1	PC

**Combivack Components (283358-1, 7020744, 7020745, 7020855)**  
 Nozzle\Options\Combivack Nozzle Assembly\Combivack Components



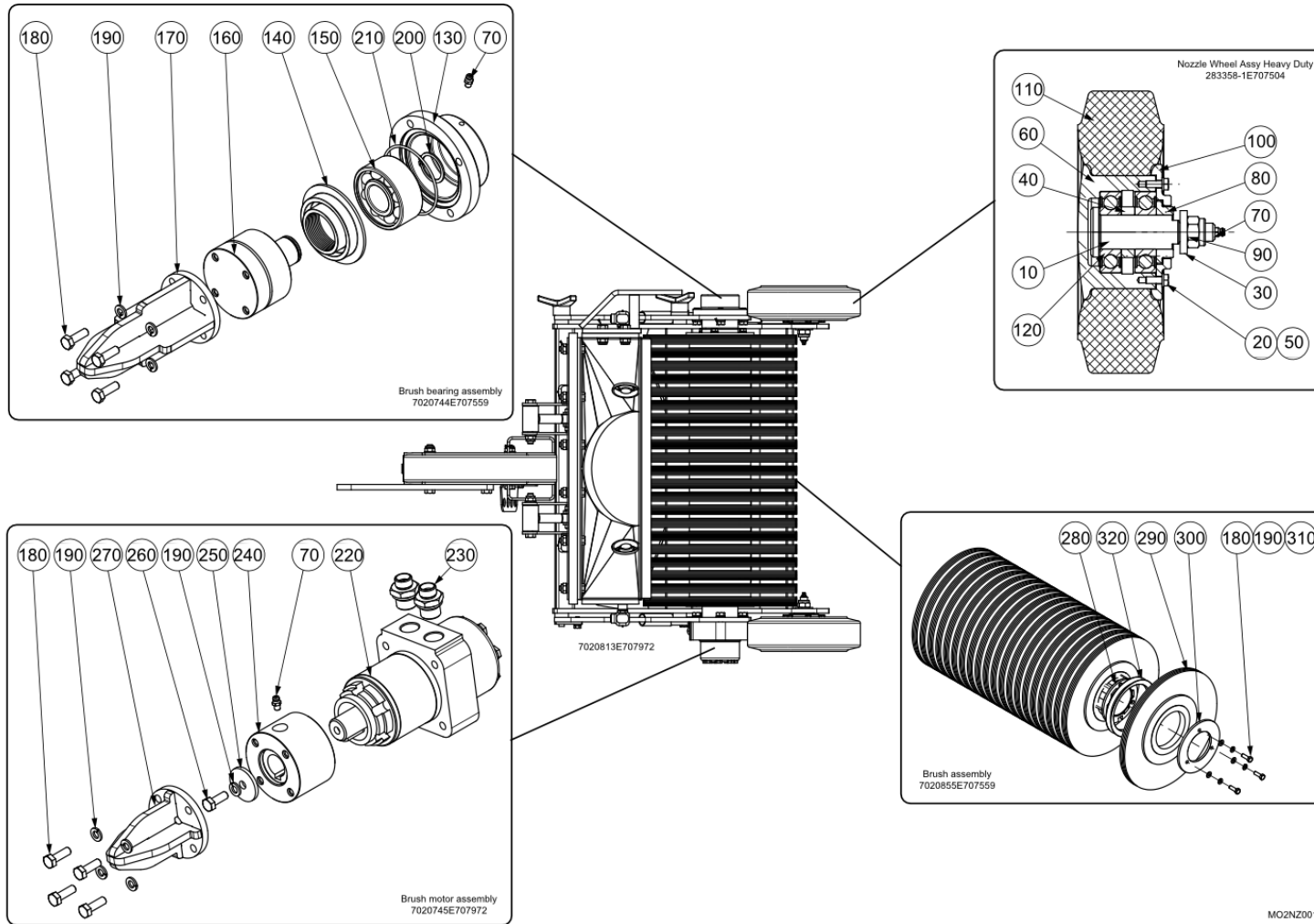
MO2NZ001



**Combivack Components (283358-1, 7020744, 7020745, 7020855)**  
 Nozzle\Options\Combivack Nozzle Assembly\Combivack Components

Item no.	Part no.	Description	QTY	Unit
10	283353-1	Axle - Nozzle Wheel Assembly	2	PC
20	92097299-0	Hex Head Screw - M6Cx16 - 8.8	12	PC
30	9114-2-F	Washer	2	PC
40	283354-1	Spacer - Nozzle Wheel Assy	2	PC
50	93699708-0	Spring Washer - Plated M6	12	PC
60	283355-1	Hub - Nozzle Wheel Assy	2	PC
70	38-30	Nipple Grease M6 X 1	3	PC
80	283356-1	Labyrinth - Nozzle Wheel Assy	2	PC
90	93085009-0	Nyloc Hex Nut M16C - 8	2	PC
100	283357-1	Flange - Nozzle Wheel Assy	2	PC
110	44122-2-A	Tyre - 10 Inch	2	PC
120	14-62	Bearing - 30x72x19	4	PC
130	283107-1	Housing - Bearing WSB	1	PC
140	283121-1	Labyrinth Bearing WSB	1	PC
150	14-47	Bearing - 30x72x30.2 Double	1	PC
160	283108-1	Bearing - Drive Adaptor WSB	1	PC
170	283106-1	Driven Dog W/Assy WSB	1	PC
180	92097376-0	Hex Head Screw - M8Cx25 - 8.8	11	PC
190	93699710-0	Spring Washer - Plated M8	12	PC
200	09500030-0	Circlips-External DIN471 30x1.6	1	PC
210	80-94	O-Ring - Hole Dia.80	1	PC
220	72250-1	Motor - Hydraulic OMPW 200	1	PC
230	09570131-0	Stud Coupling Male G 1/2" x M18 x 1.5	2	PC
240	283109-1	Drive Adaptor Motor WSB	1	PC

**Combivack Components (283358-1, 7020744, 7020745, 7020855)**  
 Nozzle\Options\Combivack Nozzle Assembly\Combivack Components

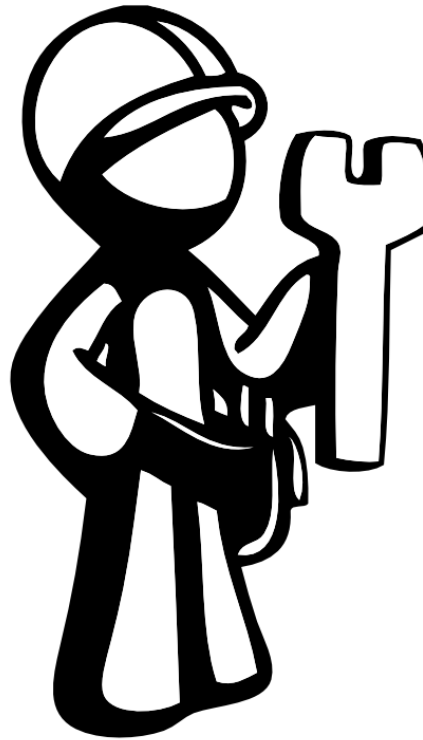


MO2NZ001

**Combivack Components (283358-1, 7020744, 7020745, 7020855)**  
Nozzle\Options\Combivack Nozzle Assembly\Combivack Components

Item no.	Part no.	Description	QTY	Unit
250	62064-1	Washer - Special 38mm	1	PC
260	92097375-0	Hex Head Screw - M8Cx22 - 8.8	1	PC
270	283105-1	Drive Dog W/Assy WSB	1	PC
280	7020735	Combivak stock	1	PC
300	283115-1	Plate - Closing Stock Assy WSB	1	PC
310	93212011-0	Plain Washer M8	3	PC
320	13515	Spacer - Segment Brush	20	PC
290	283385-340	WSB Segment-1.2x340mm O/D Poly	21	PC

PAGE  
UNDER  
CONSTRUCTION



PLEASE  
BEAR  
WITH US

Coupling-Q/R 1/2" (9652099-003 , 9652099-004)

Nozzle\Options\Coupling-Q/R 1/2"

Item no.	Part no.	Description	QTY	Unit
10	486-45	Coupling 1/2" BSP- Brass	1	PC
20	486-46	Nipple 1/2" - Brass	1	PC
30	486-51	Dust Cap/Plug	2	PC
50	09570131-0	Stud Coupling Male G 1/2" x M18 x 1.5	1	PC
60	7018434	Adaptor Assy G1/2"-M18x1.5mm	1	PC
70	HR2SC10000-260	Hydr-Hose Straight femxStraight fem	1	PC

PAGE  
UNDER  
CONSTRUCTION

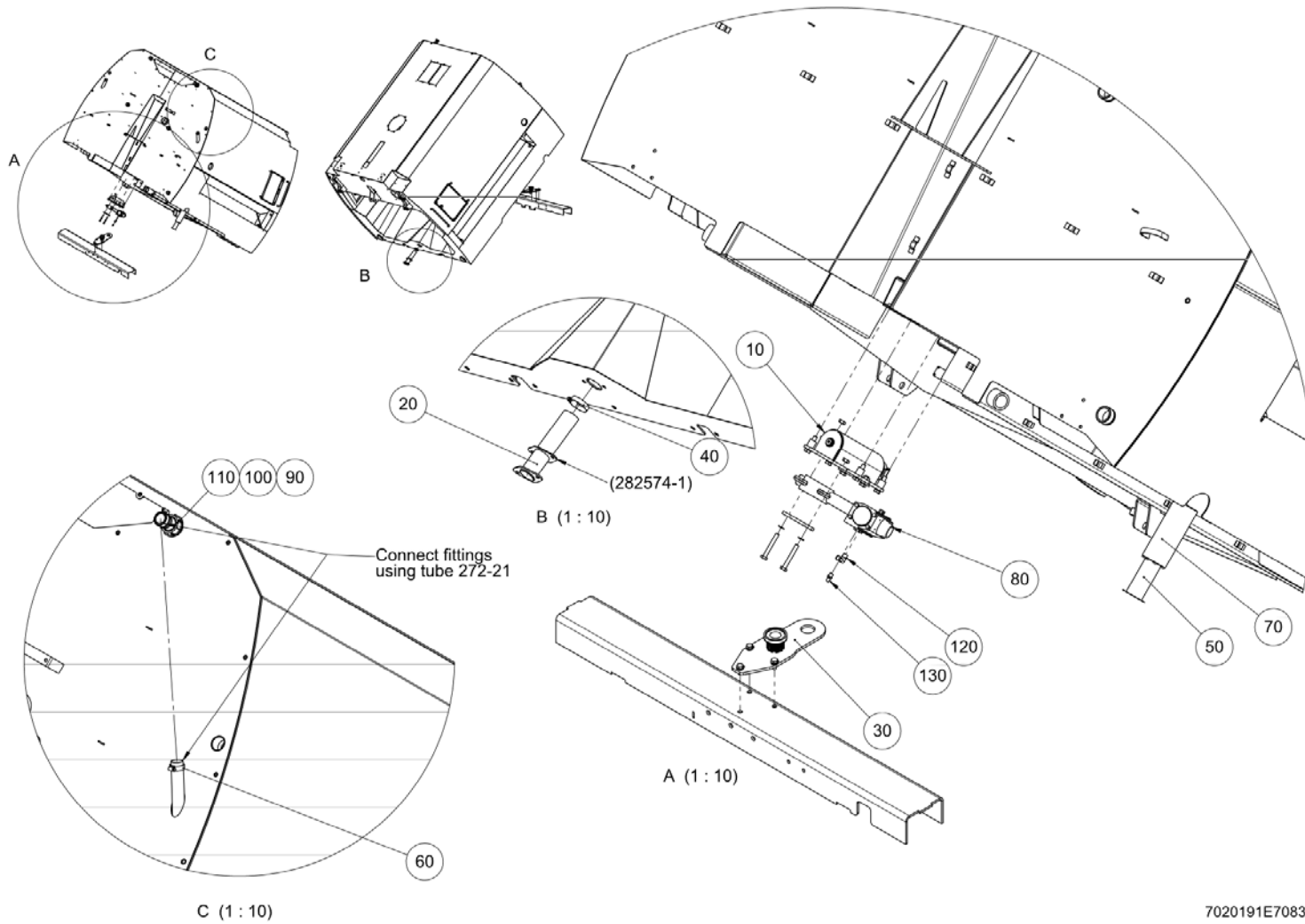


PLEASE  
BEAR  
WITH US

## Nozzle Re-circulation (9652008-001,9652008-002)

Nozzle\Options\Nozzle Re-circulation

Item no.	Part no.	Description	QTY	Unit
20	272-20	Clear Ducting 25mm Bore x 20m	1.5	M
30	501-25	Hose Clip - Worm Drive (25-35)	4	PC
50	200493-1	Elbow W/Assy	1	PC
70	410-57	Locknut - 3/4 BSP Bulkhead Fitting	2	PC



7020191E708326



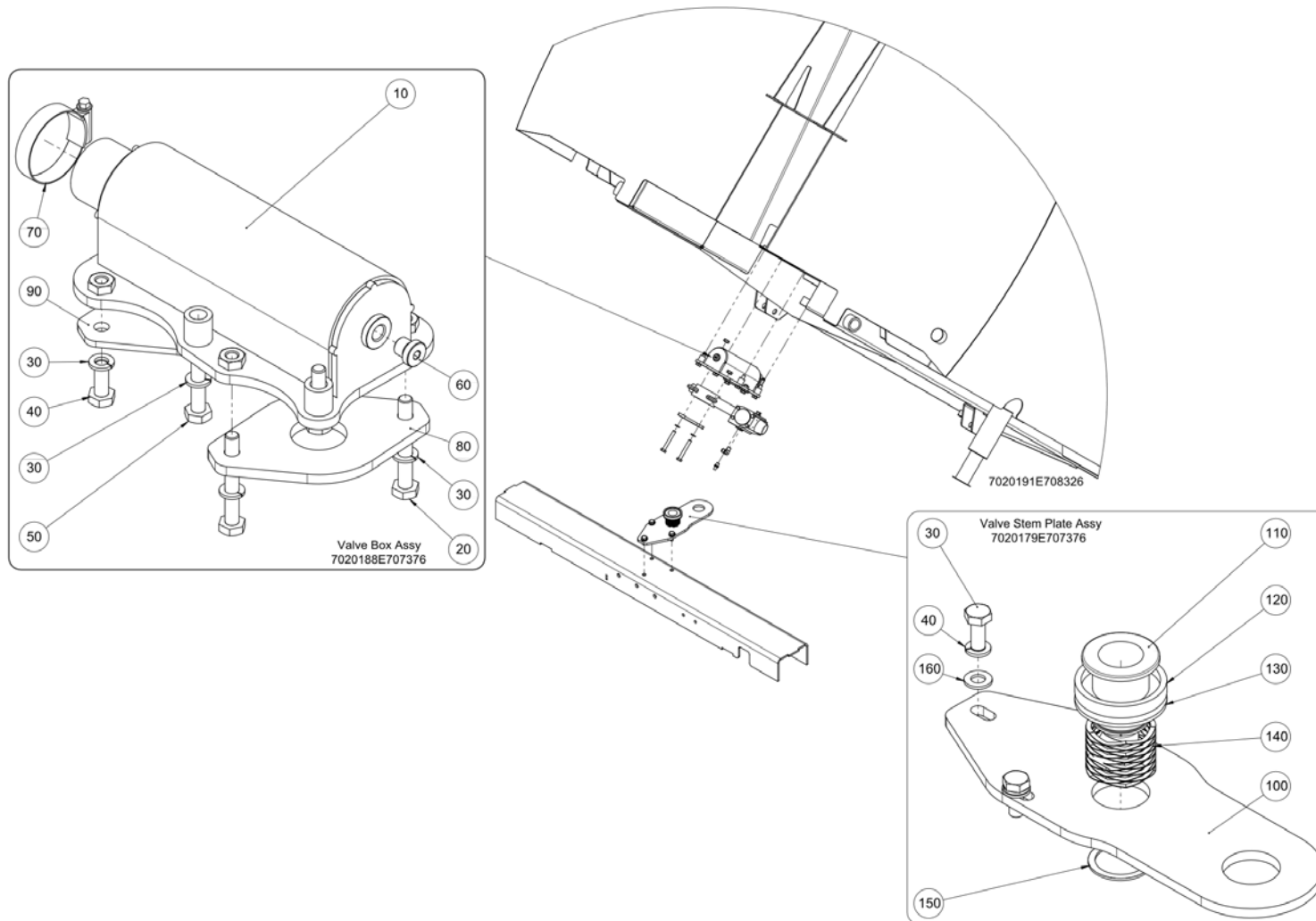
**Water Re-circulation (7020191 , 7020194)**

Nozzle\Options\Water Re-circulation

Item no.	Part no.	Description	QTY	Unit
10	7020188	Valve Box Assy Single	1	PC
20	7020175	Tube, Welded Assembly	1	PC
30	7020179	Valve Stem Plate Assy Single	1	PC
40	09531043-0	Hose Clip worm drive 50-70/12	1	PC
50	39402	Filter	1	PC
60	09531009-0	Hose Clip - Worm Drive (30-40)	2	PC
70	7017527	Hydrant Filler - 187 x 50	1	PC
80	200402-1	50mm Diameter Butterfly Valve	1	PC
90	277-171	'O' Ring	1	PC
100	277-183	Flynut Hose Tail 38mm Barb	1	PC
110	277-170	FLYNUT # G1-1/2#	1	PC
120	552-8	Adaptor - Elbow 6mm x 1/4 BSPT	1	PC
130	72-17	Exhaust Silencer	1	PC

**Water Re-circulation Components (7020188 , 7020189 , 7020179 , 7020180)**

Nozzle\Options\Water Re-circulation\Water Re-circulation Components

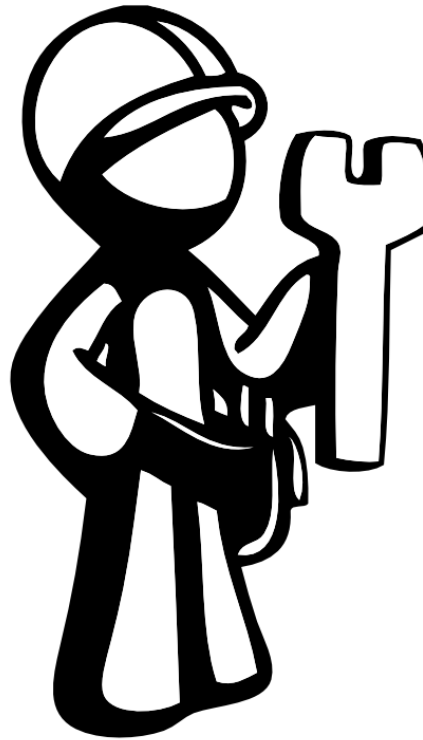


**Water Re-circulation Components (7020188 , 7020189 , 7020179 , 7020180)**

Nozzle\Options\Water Re-circulation\Water Re-circulation Components

Item no.	Part no.	Description	QTY	Unit
10	7020152	Valve Box, Water Recirc, W/Assy	1	PC
20	92097423-0	Hex Head Screw - M10Cx75 - 8.8	2	PC
30	93699711-0	Spring Washer - Plated M10	11	PC
40	92097412-0	Hex Head Screw - M10Cx25 - 8.8	5	PC
50	92067421-0	Hex Head Bolt - M10Cx45 - 8.8	4	PC
60	09572133-0	Sealing Plug VS-R 1/4 WD	1	PC
70	09531043-0	Hose Clip worm drive 50-70/12	1	PC
80	200431-1	Clamp Plate - Recirc Valve	1	PC
90	200788-1	Blank Plate - Recirc Valve	1	PC
100	200429-1	Mounting Plate Valve Stems	1	PC
110	7011134	Valve stem - welded assembly	1	PC
120	282765-1	Re-Circ Seal (Moulded)	1	PC
130	282752-1	Seal Supt Water Re-Circ System	1	PC
140	200174-1	Wave Spring	1	PC
150	09500040-0	Circlips-External DIN471 40x1.85	1	PC
160	93212012-0	Plain Washer M10	3	PC

PAGE  
UNDER  
CONSTRUCTION



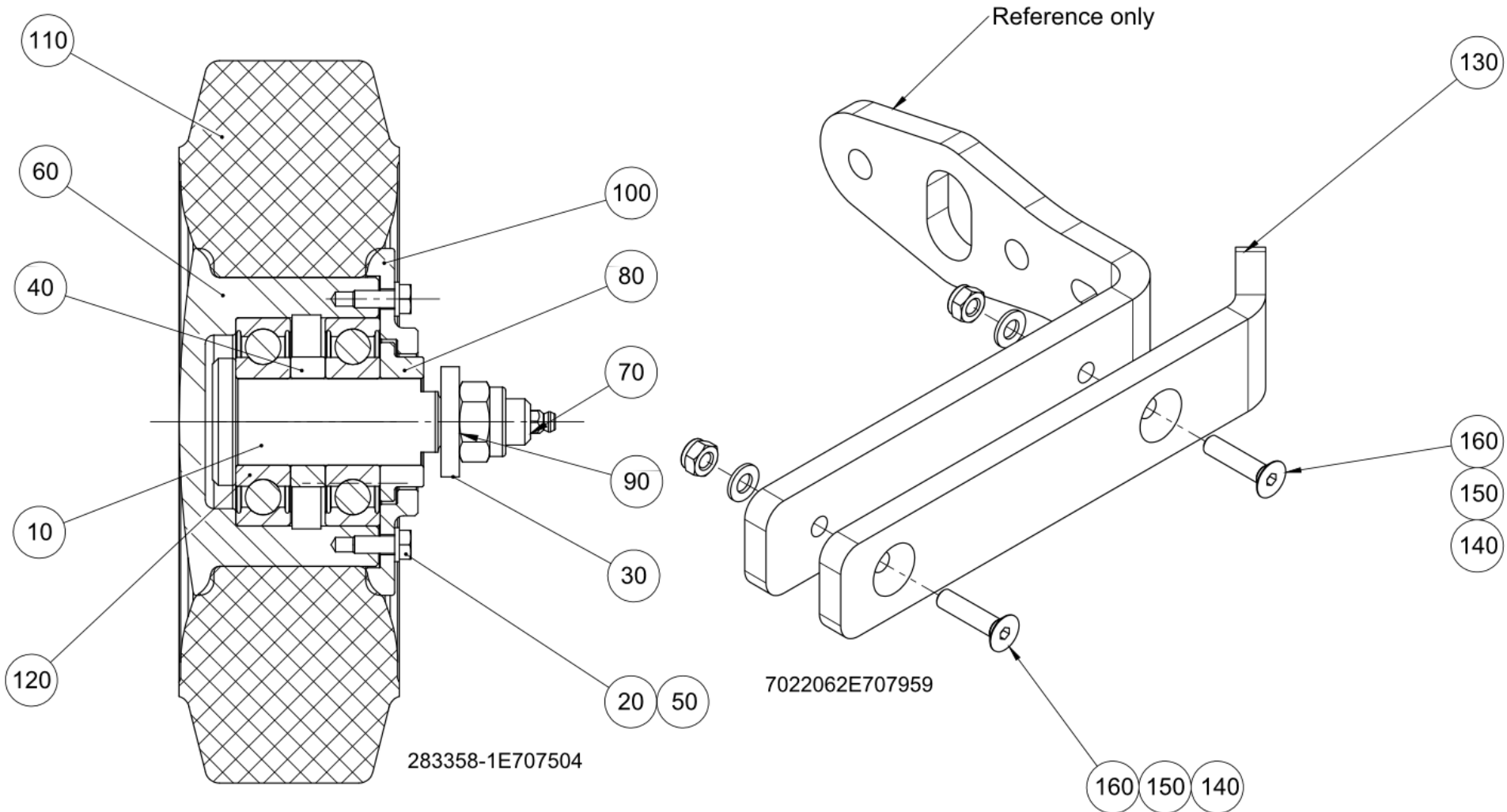
PLEASE  
BEAR  
WITH US

**Heavy Duty Nozzle (9652094-001, 9652094-002, 9652094-003)**

Nozzle\Options\Heavy Duty Nozzle

Item no.	Part no.	Description	QTY	Unit
10	283358-1	Nozzle Wheel Assy Heavy Duty	2	PC
20	7022068	Heavy Duty Nozzle Brace	1	PC
Standard nozzle only				
40	7022062	Heavy Duty Bumper	1	PC
Standard nozzle only				
50	92097376-0	Hex Head Screw - M8Cx25 - 8.8	4	PC
60	93085005-0	Nyloc Hex Thin Nut M8C - 8	4	PC
70	93212011-0	Plain Washer M8	4	PC
80	7022440	Full width nozzle brace	2	PC
Full width dual nozzle only				

**Heavy Duty Nozzle Wheel Assembly & Bumper (283358-1 , 7022062)**  
 Nozzle\Options\Heavy Duty Nozzle\Heavy Duty Nozzle Wheel Assembly & Bumper



**Heavy Duty Nozzle Wheel Assembly & Bumper (283358-1 , 7022062)**  
Nozzle\Options\Heavy Duty Nozzle\Heavy Duty Nozzle Wheel Assembly & Bumper

Item no.	Part no.	Description	QTY	Unit
10	283353-1	Axle - Nozzle Wheel Assembly	2	PC
20	92097299-0	Hex Head Screw - M6Cx16 - 8.8	12	PC
30	9114-2-F	Washer	2	PC
40	283354-1	Spacer - Nozzle Wheel Assy	2	PC
50	93699708-0	Spring Washer - Plated M6	12	PC
60	283355-1	Hub - Nozzle Wheel Assy	2	PC
70	38-30	Nipple Grease M6 X 1	2	PC
80	283356-1	Labyrinth - Nozzle Wheel Assy	2	PC
90	93085009-0	Nyloc Hex Nut M16C - 8	2	PC
100	283357-1	Flange - Nozzle Wheel Assy	2	PC
110	44122-2-A	Tyre - 10 Inch	2	PC
120	14-62	Bearing - 30x72x19	4	PC
130	7022060	Wear Plate - Heavy duty bumper	1	PC
140	93085005-0	Nyloc Hex Thin Nut M8C - 8	2	PC
150	93212011-0	Plain Washer M8	2	PC
160	92153067-0	Hex Socket CSK Screw M8Cx35 10.9	2	PC

Add Nozzle Water (9652095-001,9652095-002)

Nozzle\Options\Add Nozzle Water

PAGE  
UNDER  
CONSTRUCTION



PLEASE  
BEAR  
WITH US

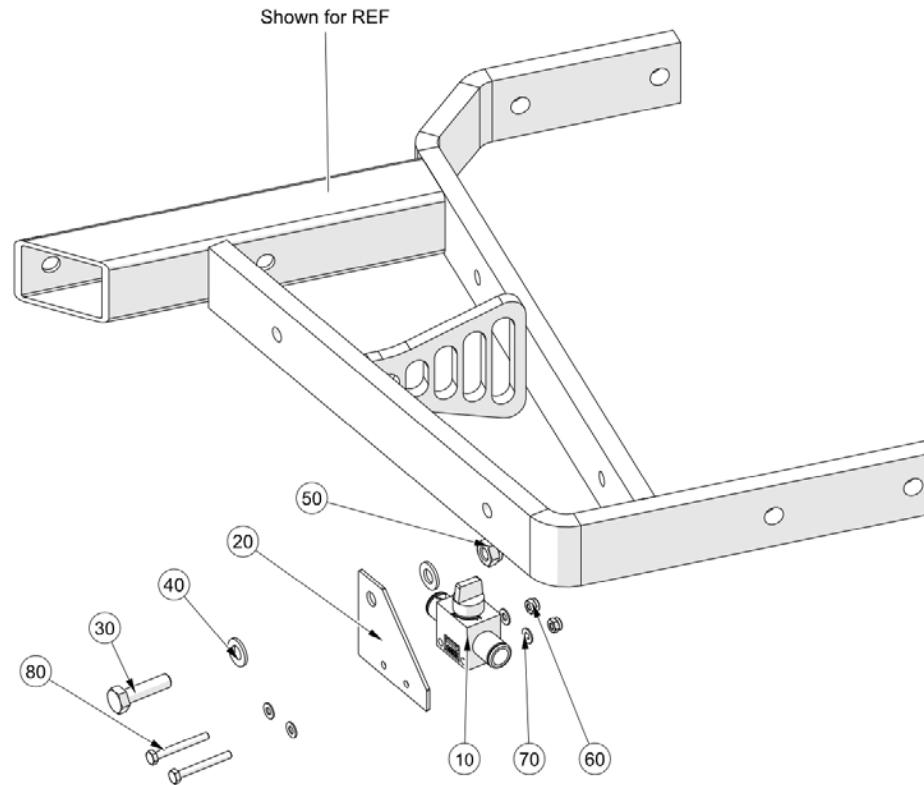


Add Nozzle Water (9652095-001,9652095-002)

Nozzle\Options\Add Nozzle Water

Item no.	Part no.	Description	QTY	Unit
20	92097450-0	Hex Head Screw - M12Cx30 - 8.8	2	PC
30	93085007-0	Nyloc Hex Thin Nut M12C - 8	2	PC
40	93212013-0	Plain Washer M12	2	PC
60	7019550	Nozzle Jet Assembly, 1.6mm	2	PC
290	7023754	Finger Valve Bracket Assembly	1	PC
300	297-74	Tee Equal - Tube O/D 10	2	PC
310	297-1	Tubing - Polyurethane 10 Dia x 1.5 Wall	1.1	M

**Finger Valve Bracket Assembly (7023754 / E708241)**  
Nozzle\Options\Add Nozzle Water\Finger Valve Bracket Assembly



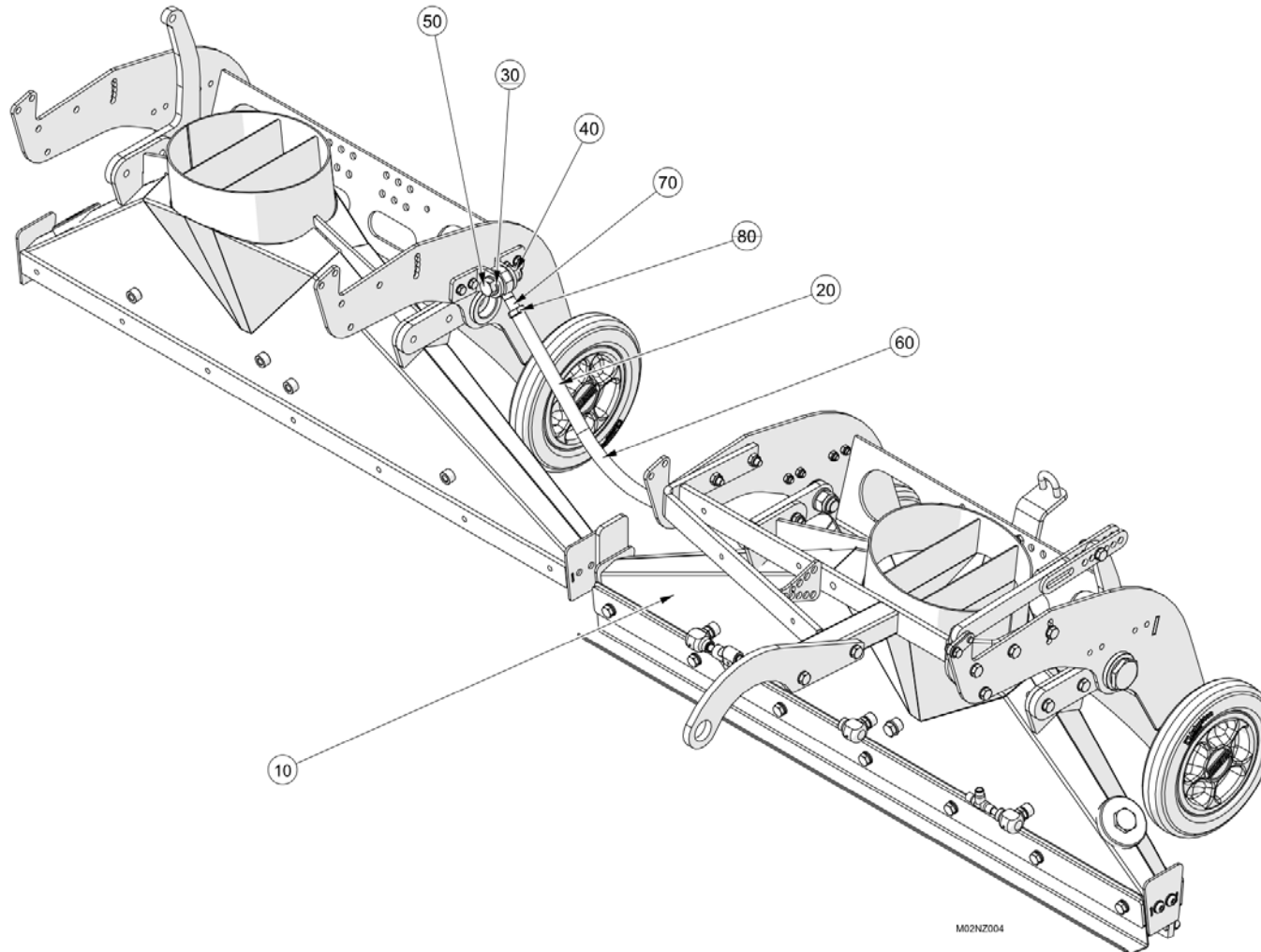
**Finger Valve Bracket Assembly (7023754 / E708241)**

Nozzle\Options\Add Nozzle Water\Finger Valve Bracket Assembly

Item no.	Part no.	Description	QTY	Unit
10	7023752	Finger Valve	1	PC
20	7023753	Finger Valve Bracket	1	PC
30	92067381-0	Hex Head Bolt - M8Cx30 - 8.8	1	PC
40	93212011-0	Plain Washer M8	2	PC
50	93085005-0	Nyloc Hex Thin Nut M8C - 8	1	PC
60	93085002-0	Nyloc Hex Nut M4C - 8	2	PC
70	93212007-0	Plain Washer M4	4	PC
80	92067234-0	Hex Head Bolt - M4Cx35 - 8.8	2	PC

**Full Width NZ Narrow Chipping / Fluid Recovery (9652096-001 - 9652096-008)**

Nozzle\Options\Full Width NZ Narrow Chipping / Fluid Recovery



M02NZ004

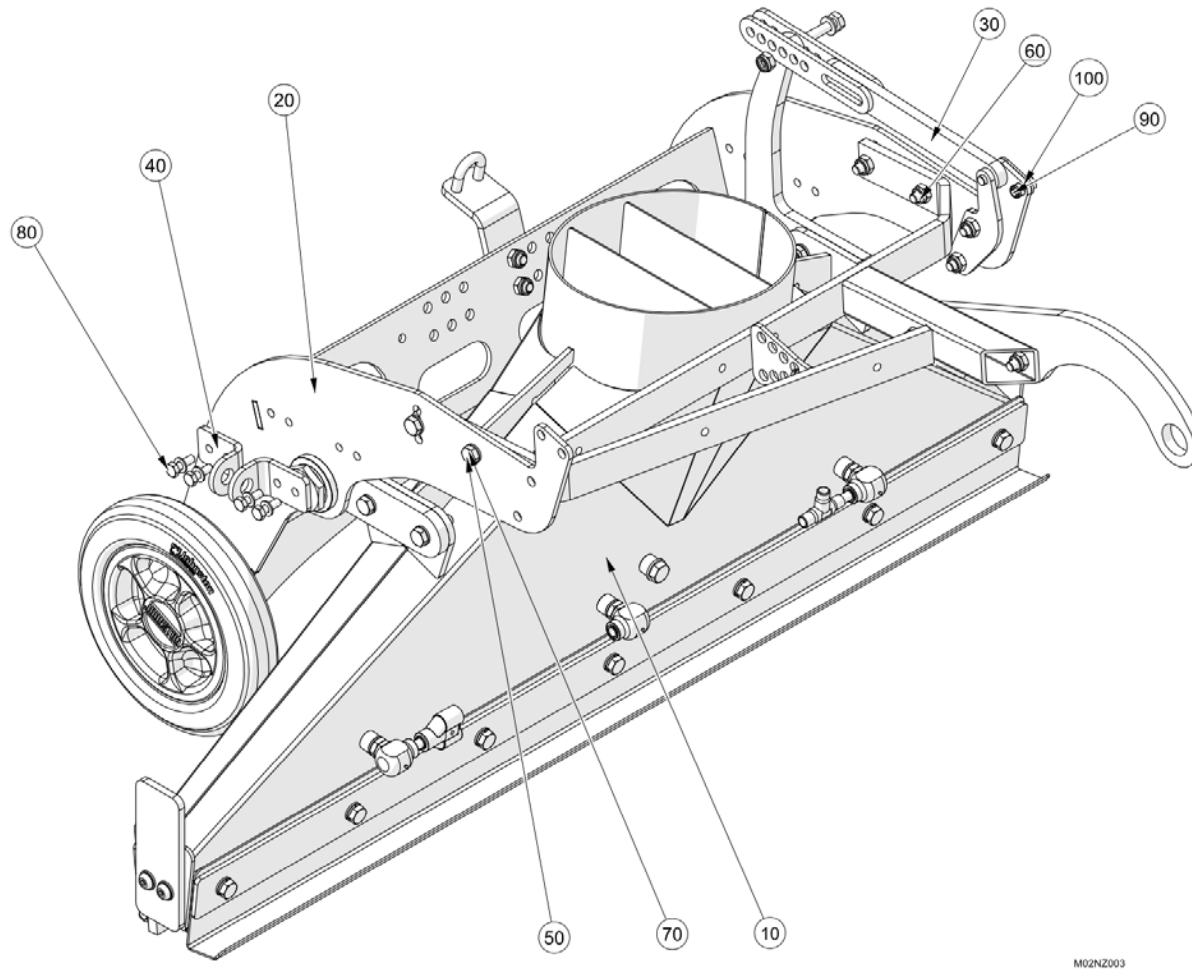
**Full Width NZ Narrow Chipping / Fluid Recovery (9652096-001 - 9652096-008)**

Nozzle\Options\Full Width NZ Narrow Chipping / Fluid Recovery

Item no.	Part no.	Description	QTY	Unit
20	283493-1	Link Arm Assy Full Width Noz	1	PC
50	92067535-0	Hex Head Bolt - M16x60C - 8.8	1	PC
30	93210523-0	Plain Washer M16	2	PC
40	93085009-0	Nyloc Hex Nut M16C - 8	4	PC
10	7020649	Chipping nozzle assembly	2	PC
One left and one right				
10	7020655	Fluid recovery nozzle assembly	1	PC
One left and one right				
60	283489-1	Link Arm - Full Width Nozzle	1	PC
70	16-10	Bearing - Rod End M16x37	2	PC
80	93076059-0	Hexagon Nut - M16c Lock	2	PC
90	297-106	Plug-Straight Body 1/4 Tubing O/D 10mm	2	PC

**Chipping / Fluid Recovery Nozzle Assembly (7020649 , 7020655)**

Nozzle\Options\Full Width NZ Narrow Chipping / Fluid Recovery\Chipping / Fluid Recovery Nozzle Assembly



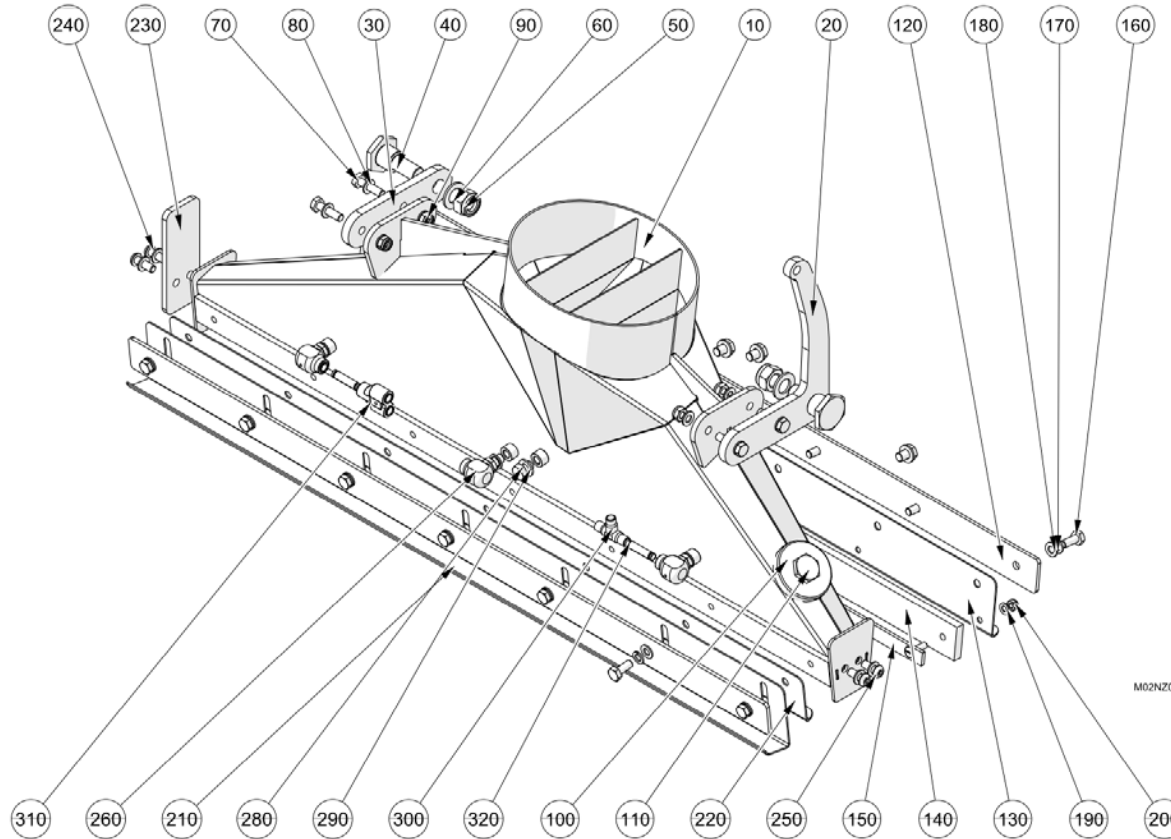
**Chipping / Fluid Recovery Nozzle Assembly (7020649 , 7020655)**

Nozzle\Options\Full Width NZ Narrow Chipping / Fluid Recovery\Chipping / Fluid Recovery Nozzle Assembly

Item no.	Part no.	Description	QTY	Unit
10	7020550	Chipping nozzle dressing	1	PC
20	7020622	Nozzle carriage assembly	1	PC
30	7020642	Adjuster arm welded assembly	1	PC
40	283488-1	Link Arm Anchor Full Width Noz	2	PC
50	92097416-0	Hex Head Screw - M10Cx40 - 8.8	1	PC
60	93085806-0	Nyloc Hex Nut M10C - 8	1	PC
70	93212012-0	Plain Washer M10	1	PC
80	92097376-0	Hex Head Screw - M8Cx25 - 8.8	4	PC
90	93085805-0	Nyloc Hex Nut M8C - 8	4	PC
100	93212011-0	Plain Washer M8	4	PC
10	7020552	Fluid recovery nozzle dressing	1	PC

**Chipping Nozzle Dressing (7020550)**

Nozzle\Options\Full Width NZ Narrow Chipping / Fluid Recovery\Chipping / Fluid Recovery Nozzle Assembly\Chipping Nozzle Dressing





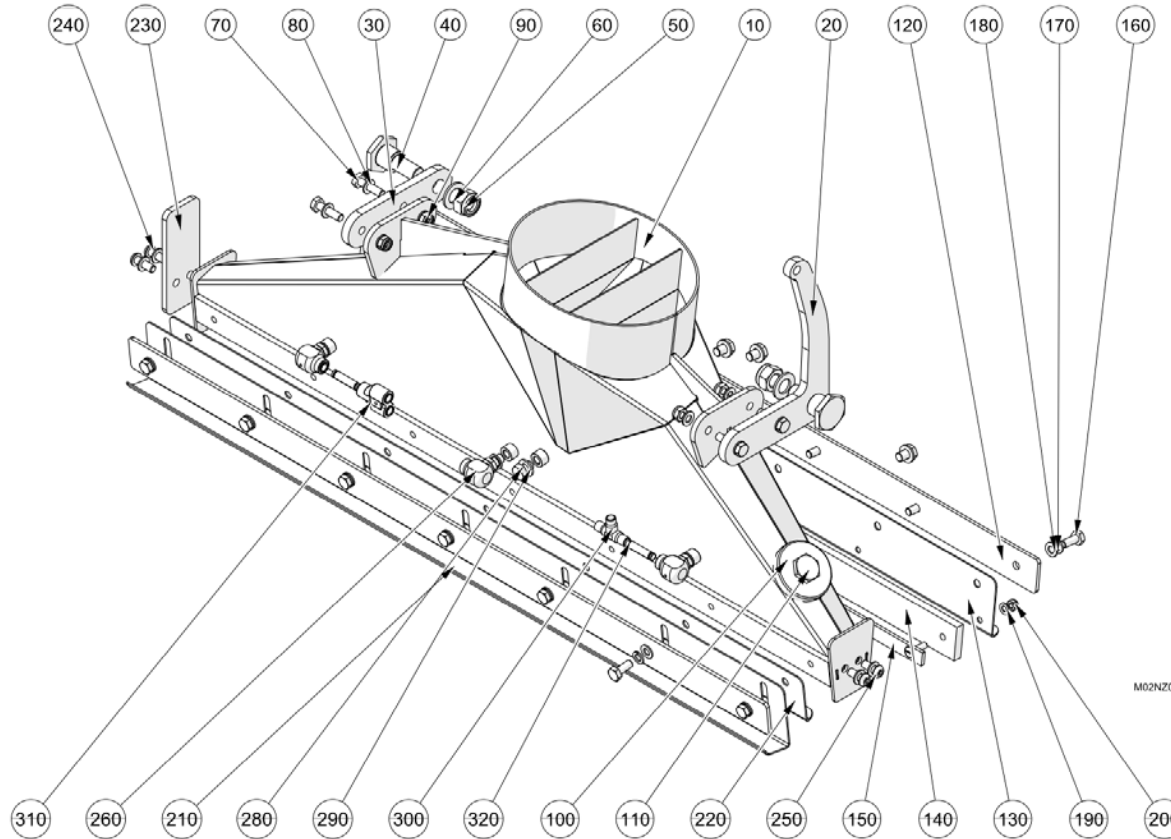
**Chipping Nozzle Dressing (7020550)**

Nozzle\Options\Full Width NZ Narrow Chipping / Fluid Recovery\Chipping / Fluid Recovery Nozzle Assembly\Chipping Nozzle Dressing

Item no.	Part no.	Description	QTY	Unit
10	283470-1	Full Width Noz WA NARROW MOUTH	1	PC
20	7008968	Lever -Nozzle	1	PC
30	7019275	Pivot Arm - Nozzle	1	PC
40	283363-1	Pivot Bolt - Suction Nozzle	2	PC
50	93085011-0	Nyloc Hex Nut M20C - 8	2	PC
60	93212018-0	Plain Washer M20	2	PC
70	92097416-0	Hex Head Screw - M10Cx40 - 8.8	4	PC
80	93212012-0	Plain Washer M10	12	PC
90	93085806-0	Nyloc Hex Nut M10C - 8	8	PC
100	281755-1	Plug - Re-Circ Port 250 Nozzle	1	PC
110	410-57	Locknut - 3/4 BSP Bulkhead Fitting	1	PC
120	283474-1	Curtain Retianer Ft Full Width	2	PC
130	283477-2	Trailing Shoe - Full Width Noz	1	PC
140	40823-1-A	Rubber - Nozzle, Chipping	1	PC
150	40815-1-A	Clamp Strip W/A-Chipping Nzzle	1	PC
160	92099409-0	Hex Head Screw - M10Cx25 - A2	14	PC
170	93700211-0	Spring Washer M10 - A2	14	PC
180	93213011-0	Plain Washer M10 A2	14	PC
190	93213010-0	Plain Washer M8 A2	6	PC
200	93085605-0	Nyloc Hex Nut - M8c - A2	6	PC
210	283479-2	Leading Shoe-Full Width Nozzle	1	PC
220	283478-2	Deflector - Full Width Nozzle	1	PC
230	283538-1	Guide - FW Nozzle Narrow Mouth	1	PC
240	92330056-0	Hex Skt Button Head Screw M10x30 - 10.9	2	PC

**Chipping Nozzle Dressing (7020550)**

Nozzle\Options\Full Width NZ Narrow Chipping / Fluid Recovery\Chipping / Fluid Recovery Nozzle Assembly\Chipping Nozzle Dressing



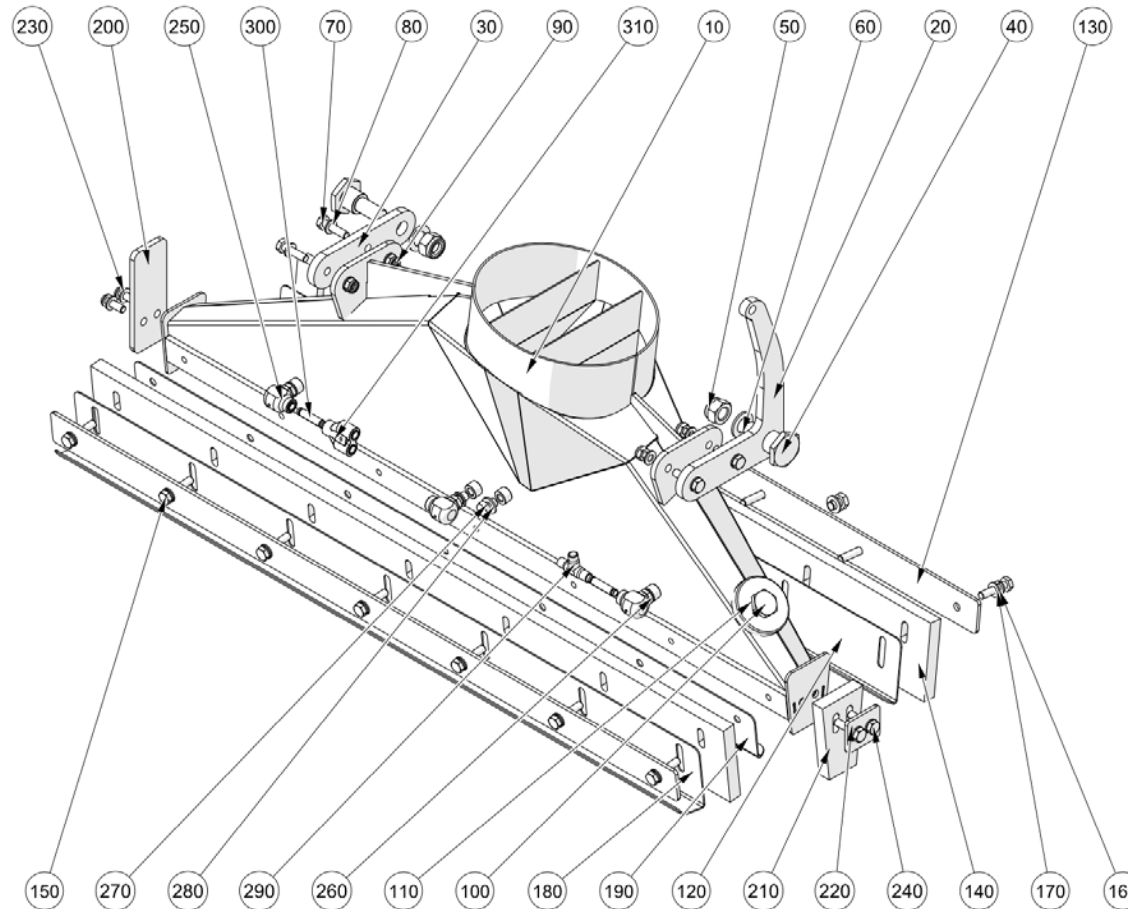
**Chipping Nozzle Dressing (7020550)**

Nozzle\Options\Full Width NZ Narrow Chipping / Fluid Recovery\Chipping / Fluid Recovery Nozzle Assembly\Chipping Nozzle Dressing

Item no.	Part no.	Description	QTY	Unit
250	92330357-0	Hex Skt Button Head Screw M10x25 - 10.9	2	PC
260	7019551	Water Jet Assembly	3	PC
280	92097444-0	Hex Head Screw - M12Cx16 - 8.8	5	PC
290	93212013-0	Plain Washer M12	5	PC
300	297-74	Tee Equal - Tube O/D 10	1	PC
310	297-92	Two Way Divider - Tube O/D 10	1	PC
320	297-1	Tubing - Polyurethane 10 Dia x 1.5 Wall	1.8	M

**Fluid Recovery Nozzle Dressing (7020552)**

Nozzle\Options\Full Width NZ Narrow Chipping / Fluid Recovery\Chipping / Fluid Recovery Nozzle Assembly\Fluid Recovery Nozzle Dressing



M02NZ012

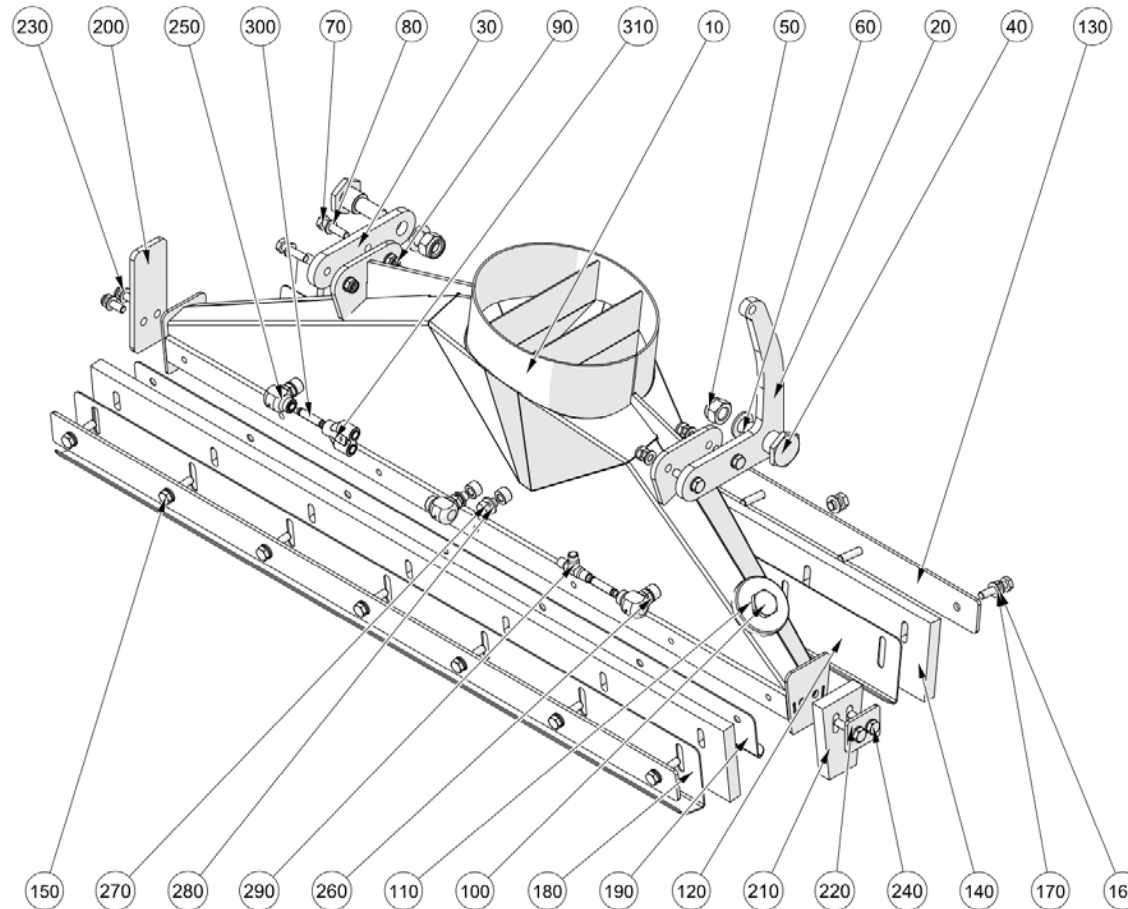
**Fluid Recovery Nozzle Dressing (7020552)**

Nozzle\Options\Full Width NZ Narrow Chipping / Fluid Recovery\Chipping / Fluid Recovery Nozzle Assembly\Fuild Recovery Nozzle Dressing

Item no.	Part no.	Description	QTY	Unit
10	283470-1	Full Width Noz WA NARROW MOUTH	1	PC
20	7008968	Lever -Nozzle	1	PC
30	7019275	Pivot Arm - Nozzle	1	PC
40	283363-1	Pivot Bolt - Suction Nozzle	2	PC
50	93085011-0	Nyloc Hex Nut M20C - 8	2	PC
60	93212018-0	Plain Washer M20	2	PC
70	92097416-0	Hex Head Screw - M10Cx40 - 8.8	4	PC
80	93212012-0	Plain Washer M10	12	PC
90	93085806-0	Nyloc Hex Nut M10C - 8	8	PC
100	281755-1	Plug - Re-Circ Port 250 Nozzle	1	PC
110	410-57	Locknut - 3/4 BSP Bulkhead Fitting	1	PC
120	283494-1	Trailing Curtain Support	1	PC
130	283474-1	Curtain Retianer Ft Full Width	2	PC
140	283471-1	Ft/Rr Curtain Full Width Noz	2	PC
150	6105-1185	Hex Head Bolt - M10Cx45 - A2-70	14	PC
160	93700211-0	Spring Washer M10 - A2	14	PC
170	93213011-0	Plain Washer M10 A2	14	PC
180	283479-2	Leading Shoe-Full Width Nozzle	1	PC
190	283478-2	Deflector - Full Width Nozzle	1	PC
200	283538-1	Guide - FW Nozzle Narrow Mouth	1	PC
210	283472-1	Side Curtain-Full Width Nozzle	1	PC
220	283476-1	Curtain Retainer Side - Nozzle	1	PC
230	92330056-0	Hex Skt Button Head Screw M10x30 - 10.9	2	PC
240	92069420-0	Hex Head Bolt - M10Cx40 - A2-70	2	PC

**Fluid Recovery Nozzle Dressing (7020552)**

Nozzle\Options\Full Width NZ Narrow Chipping / Fluid Recovery\Chipping / Fluid Recovery Nozzle Assembly\Fuild Recovery Nozzle Dressing



M02NZ012

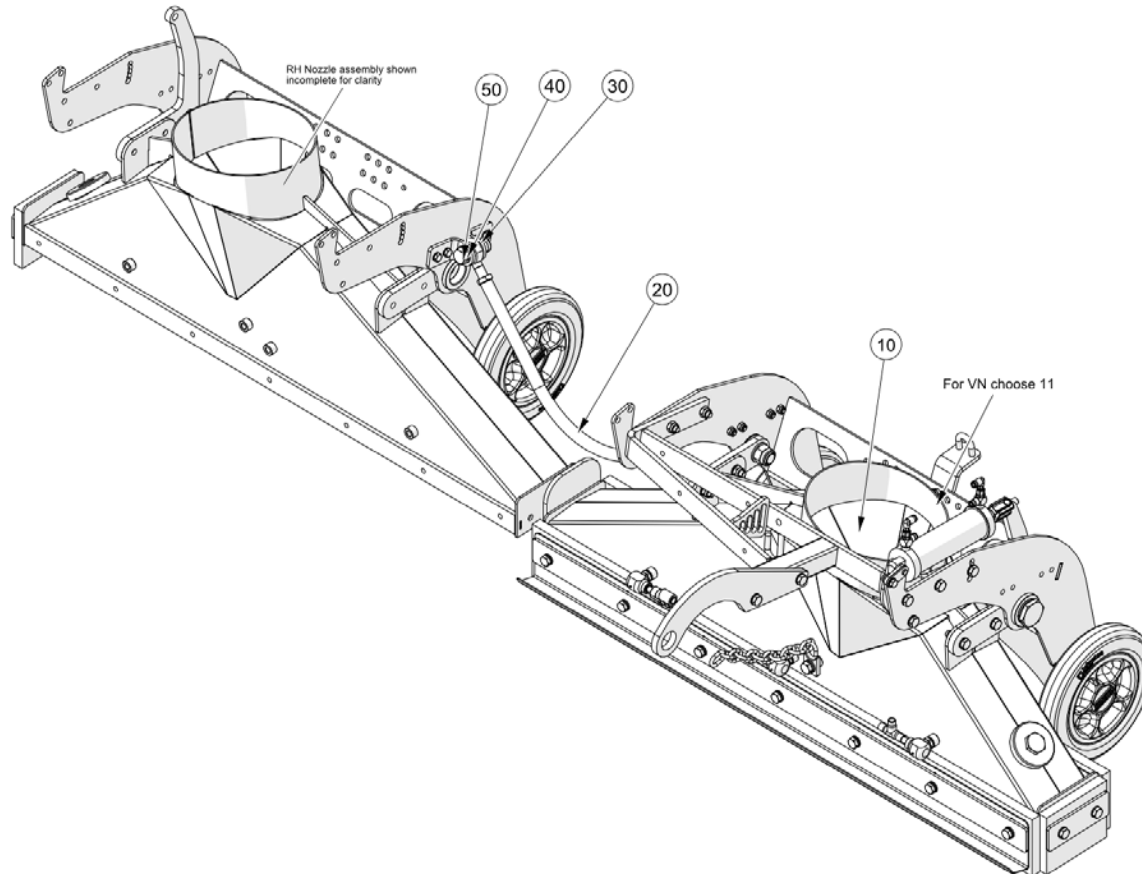
**Fluid Recovery Nozzle Dressing (7020552)**

Nozzle\Options\Full Width NZ Narrow Chipping / Fluid Recovery\Chipping / Fluid Recovery Nozzle Assembly\Fluid Recovery Nozzle Dressing

Item no.	Part no.	Description	QTY	Unit
250	7019551	Water Jet Assembly	3	PC
260	451-17	Washer Bonded G1-4"	3	PC
270	92097444-0	Hex Head Screw - M12Cx16 - 8.8	5	PC
280	93212013-0	Plain Washer M12	5	PC
310	297-92	Two Way Divider - Tube O/D 10	1	PC
290	297-74	Tee Equal - Tube O/D 10	1	PC
300	297-1	Tubing - Polyurethane 10 Dia x 1.5 Wall	1.8	M

**Full Width NZ Wide Universal (9652096-009 to 9652096-016)**

Nozzle\Options\Full Width NZ Wide Universal



M02NZ015



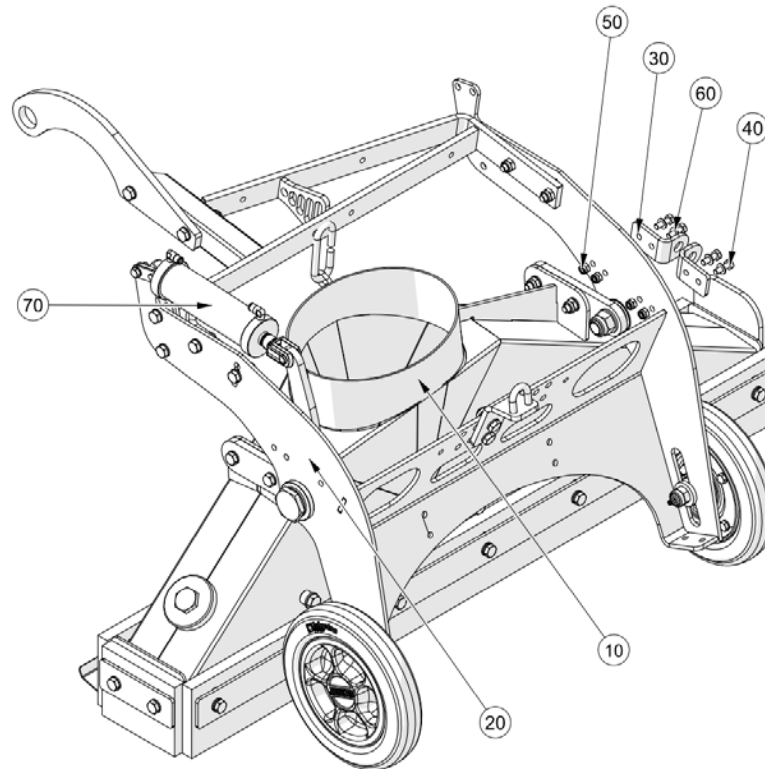
## Full Width NZ Wide Universal (9652096-009 to 9652096-016)

Nozzle\Options\Full Width NZ Wide Universal

Item no.	Part no.	Description	QTY	Unit
10	7020663	Full width nozzle assembly	1	PC
One left and one right - MG				
20	283493-1	Link Arm Assy Full Width Noz	1	PC
30	92067535-0	Hex Head Bolt - M16x60C - 8.8	2	PC
40	93210523-0	Plain Washer M16	4	PC
50	93085009-0	Nyloc Hex Nut M16C - 8	2	PC
11	7020676	Full width nozzle assembly	1	PC
One left and one right - VN				
60	297-106	Plug-Straight Body 1/4 Tubing O/D 10mm	2	PC

**Full Width Nozzle Assembly (7020663 , 7020676)**

Nozzle\Options\Full Width NZ Wide Universal\Full Width Nozzle Assembly



M02NZ010

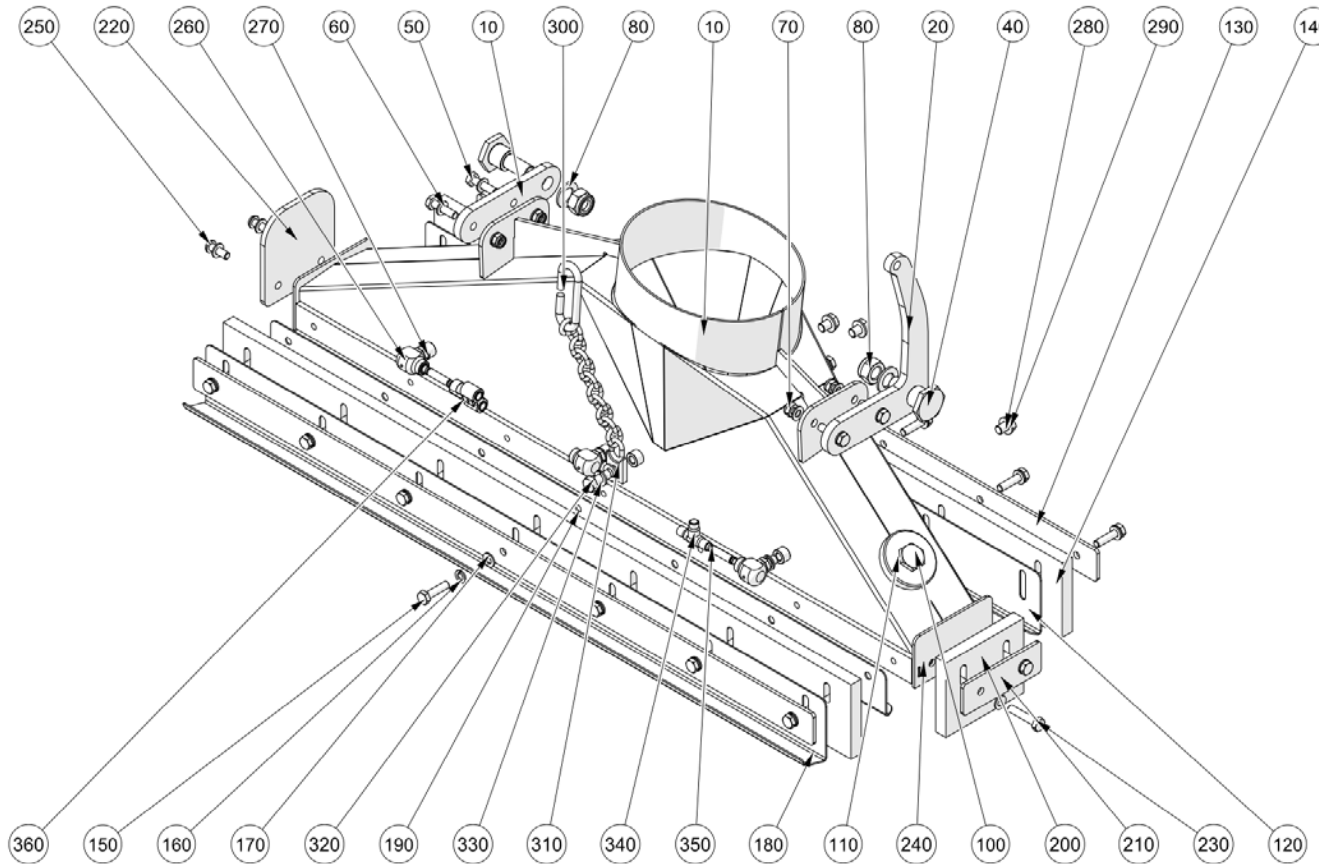
**Full Width Nozzle Assembly (7020663 , 7020676)**

Nozzle\Options\Full Width NZ Wide Universal\Full Width Nozzle Assembly

Item no.	Part no.	Description	QTY	Unit
10	7020558	Full width nozzle dressing	1	PC
20	7020622	Nozzle carriage assembly	1	PC
30	283488-1	Link Arm Anchor Full Width Noz	2	PC
40	92097376-0	Hex Head Screw - M8Cx25 - 8.8	4	PC
50	93085805-0	Nyloc Hex Nut M8C - 8	4	PC
60	93212011-0	Plain Washer M8	4	PC
70	7004730	Cylinder Assembly Ø50x75	1	PC
MG				
70	7004731	Cylinder Assembly Ø50x75	1	PC
VN				

**Full Width Nozzle Dressing (7020558)**

Nozzle\Options\Full Width NZ Wide Universal\Full Width Nozzle Assembly\Full Width Nozzle Dressing



M02NZ013

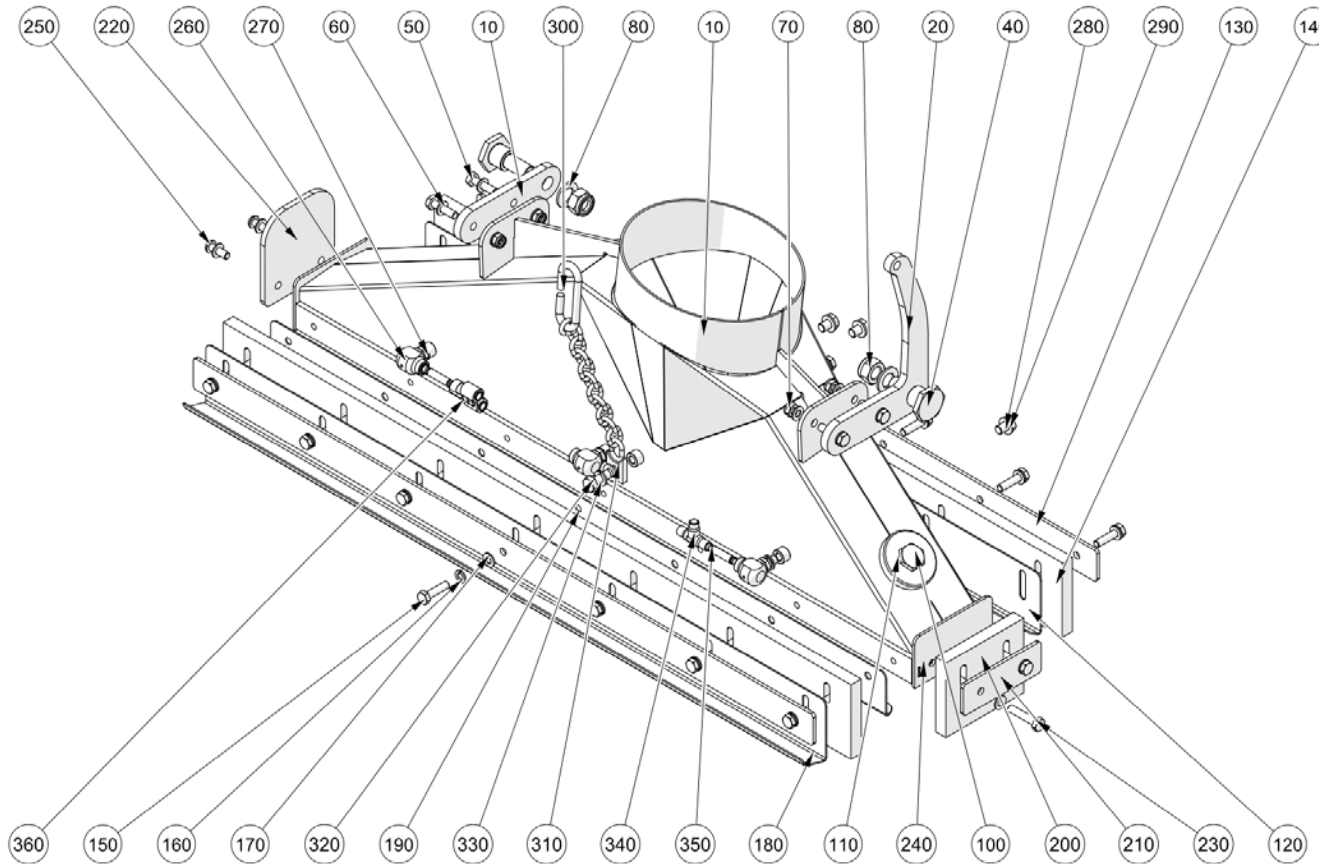
**Full Width Nozzle Dressing (7020558)**

Nozzle\Options\Full Width NZ Wide Universal\Full Width Nozzle Assembly\Full Width Nozzle Dressing

Item no.	Part no.	Description	QTY	Unit
10	283460-1	Full Width Noz W/A WIDE MOUTH	1	PC
20	7008968	Lever -Nozzle	1	PC
30	7019275	Pivot Arm - Nozzle	1	PC
40	283363-1	Pivot Bolt - Suction Nozzle	2	PC
50	92097416-0	Hex Head Screw - M10Cx40 - 8.8	4	PC
60	93212012-0	Plain Washer M10	8	PC
70	93085806-0	Nyloc Hex Nut M10C - 8	4	PC
80	93085011-0	Nyloc Hex Nut M20C - 8	2	PC
90	93212018-0	Plain Washer M20	2	PC
100	281755-1	Plug - Re-Circ Port 250 Nozzle	1	PC
110	410-57	Locknut - 3/4 BSP Bulkhead Fitting	1	PC
120	283494-1	Trailing Curtain Support	1	PC
130	283474-1	Curtain Retianer Ft Full Width	2	PC
140	283471-1	Ft/Rr Curtain Full Width Noz	2	PC
150	92069420-0	Hex Head Bolt - M10Cx40 - A2-70	14	PC
160	93700211-0	Spring Washer M10 - A2	14	PC
170	93213011-0	Plain Washer M10 A2	18	PC
180	283479-2	Leading Shoe-Full Width Nozzle	1	PC
190	283478-2	Deflector - Full Width Nozzle	1	PC
200	283473-1	Side Curtain-Full Width Nozzle	1	PC
210	283475-1	Curtain Retainer - Side Nozzle	1	PC
220	283537-1	Guide - Full Width Nozzle	1	PC
230	92069422-0	Hex Head Bolt - M10Cx50 - A2-70	2	PC
240	93085606-0	Nyloc Hex Nut - M10c - A2	4	PC

**Full Width Nozzle Dressing (7020558)**

Nozzle\Options\Full Width NZ Wide Universal\Full Width Nozzle Assembly\Full Width Nozzle Dressing



M02NZ013

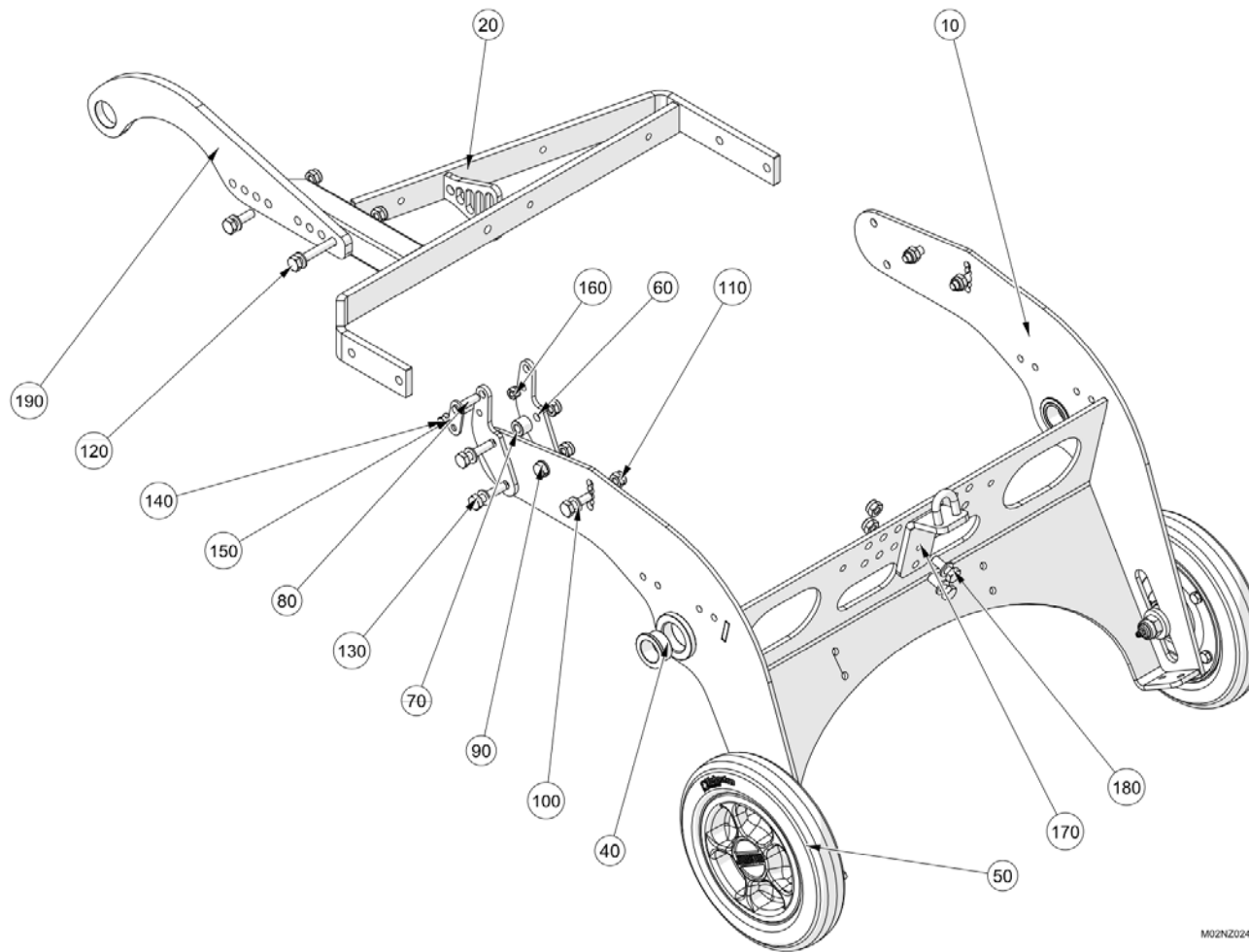
**Full Width Nozzle Dressing (7020558)**

Nozzle\Options\Full Width NZ Wide Universal\Full Width Nozzle Assembly\Full Width Nozzle Dressing

Item no.	Part no.	Description	QTY	Unit
250	92330056-0	Hex Skt Button Head Screw M10x30 - 10.9	2	PC
260	7019551	Water Jet Assembly	3	PC
270	451-17	Washer Bonded G1-4"	3	PC
280	92097444-0	Hex Head Screw - M12Cx16 - 8.8	4	PC
290	93212013-0	Plain Washer M12	5	PC
300	62353-4	Link Manual Adjuster	1	PC
310	09530792-0	Hook Carbine 60x6	1	PC
320	92097450-0	Hex Head Screw - M12Cx30 - 8.8	1	PC
330	93699712-0	Spring Washer - Plated M12	1	PC
340	297-74	Tee Equal - Tube O/D 10	1	PC
350	297-1	Tubing - Polyurethane 10 Dia x 1.5 Wall	1.8	M
360	297-92	Two Way Divider - Tube O/D 10	1	PC

**Nozzle Carriage Assembly (7020622 E711718)**

Nozzle\Options\Nozzle Carriage Assembly



M02NZ024



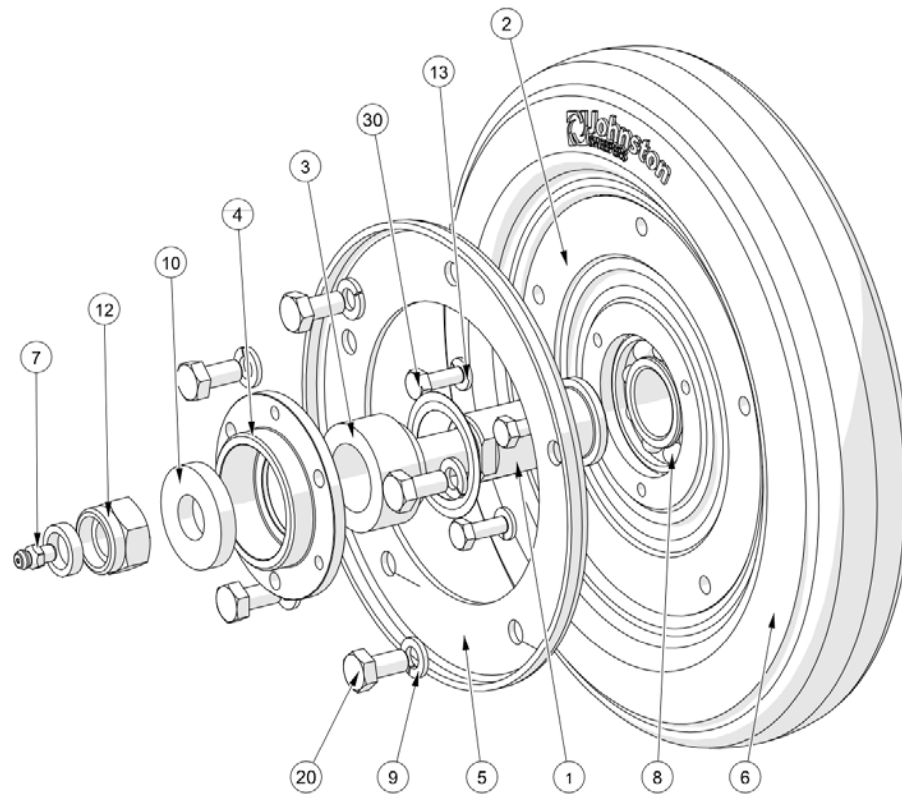
**Nozzle Carriage Assembly (7020622 E711718)**

Nozzle\Options\Nozzle Carriage Assembly

Item no.	Part no.	Description	QTY	Unit
10	7020449	Carriage welded assembly	1	PC
20	7020620	Nozzle drawbar welded assembly	1	PC
40	283374-1	Bush - Pivot Suction Nozzle	2	PC
50	63491-1	Wheel - Assy. Nozzle	2	PC
60	7008963	Eye -Sweep gear	2	PC
70	7008966	Spacer -Nozzle	2	PC
80	7009104	Pin Weld assembly	1	PC
90	92097415-0	Hex Head Screw - M10Cx35 - 8.8	5	PC
100	93212012-0	Plain Washer M10	10	PC
110	93085806-0	Nyloc Hex Nut M10C - 8	10	PC
120	92097422-0	Hex Head Screw - M10Cx70 - 8.8	1	PC
130	92097417-0	Hex Head Screw - M10CX45 - 8.8	2	PC
140	92097382-0	Hex Head Screw - M8Cx50 - 8.8	1	PC
150	93212011-0	Plain Washer M8	1	PC
160	93085805-0	Nyloc Hex Nut M8C - 8	1	PC
170	284072-1	Lift Cyl.Bottom Bracket W/Assy	1	PC
180	92097414-0	Hex Head Screw - M10Cx30 - 8.8	2	PC
190	283495-1	Tow Eye-Drawbar Full Width Noz	1	PC

**Nozzle Wheel Assembly (63491-1)**

Nozzle\Options\Nozzle Carriage Assembly\Nozzle Wheel Assembly



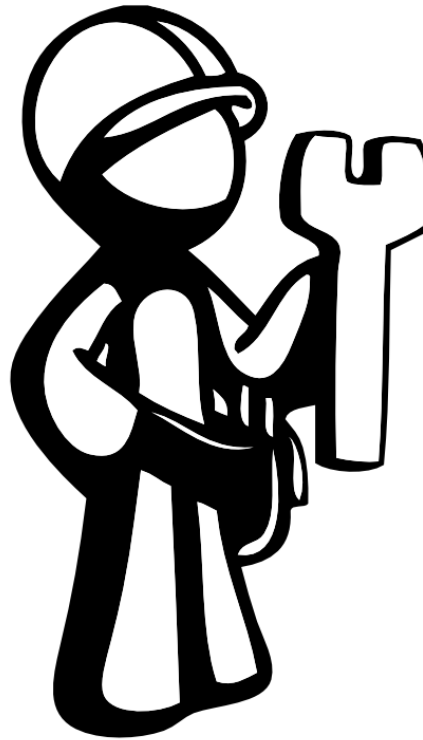
M02NZ014

**Nozzle Wheel Assembly (63491-1)**

Nozzle\Options\Nozzle Carriage Assembly\Nozzle Wheel Assembly

Item no.	Part no.	Description	QTY	Unit
1	63492-1	Spindle - Nozzle Wheel	2	PC
2	63493-1	Hub - Nozzle Wheel Assy	2	PC
3	63494-1	Collar - Nozzle Wheel	2	PC
4	63495-1	Retainer - Nozzle Wheel	2	PC
5	16750-1-C	Plate - Back, Tyre	2	PC
6	16752	Tyre - Solid Rubber, 10" x 2"	2	PC
7	38-30	Nipple Grease M6 X 1	2	PC
8	14-52	Bearing - 25x52x20.6	2	PC
9	93699710-0	Spring Washer - Plated M8	10	PC
10	9114-2-F	Washer	2	PC
12	93085009-0	Nyloc Hex Nut M16C - 8	2	PC
13	93699708-0	Spring Washer - Plated M6	6	PC
20	92097372-0	Hex Head Screw - M8Cx16 - 8.8	10	PC
30	92097299-0	Hex Head Screw - M6Cx16 - 8.8	6	PC

PAGE  
UNDER  
CONSTRUCTION



PLEASE  
BEAR  
WITH US

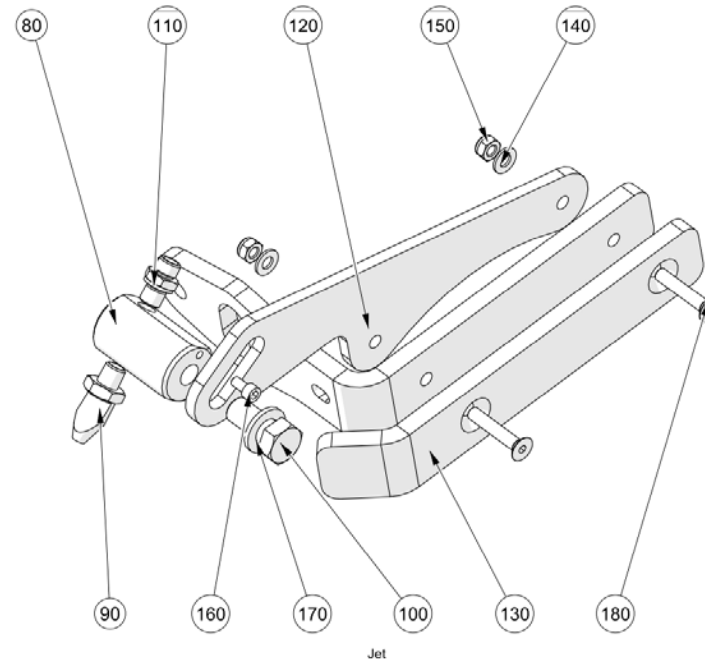
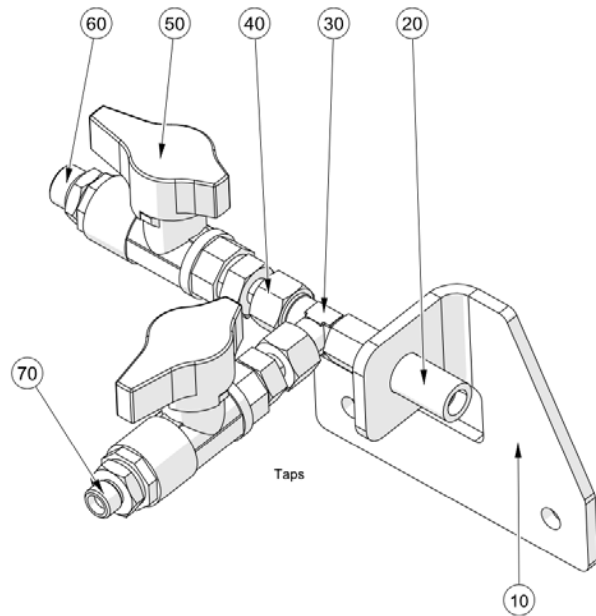
## Line Spray Jets (9652111-001, 9652111-002)

Nozzle\Options\Line Spray Jets

Item no.	Part no.	Description	QTY	Unit
10	7020135	Line Spray Taps - Assy	2	PC
20	7020149	Line Spray Jet - Assy	2	PC
30	92067427-0	Hex Head Bolt - M10Cx75 - 8.8	2	PC
40	92097416-0	Hex Head Screw - M10Cx40 - 8.8	4	PC
50	93085806-0	Nyloc Hex Nut M10C - 8	6	PC
60	93212012-0	Plain Washer M10	12	PC
70	H2SC10000-75	Hose - Hydraulic	2	PC
80	H2SC06002-60	Hose - Hydraulic	2	PC

**Line Spray Taps & Jet (7020135 / E707409 , 7027570 / E710950)**

Nozzle\Options\Line Spray Jets\Line Spray Taps & Jet



M02HZ.002

Line Spray Taps & Jet (7020135 / E707409 , 7027570 / E710950)

Nozzle\Options\Line Spray Jets\Line Spray Taps & Jet

Item no.	Part no.	Description	QTY	Unit
10	7016530	Bracket, Bulkhead	2	PC
20	302-2	Straight Bulkhead Connector M18 x 1.5	2	PC
30	6615-2319	Adjustable Male Tee - M18 x 1.5	2	PC
40	09571149-0	Standpipe Adaptor G 3/8 x M18x1.5	4	PC
50	88-49	Ball Valve 210 Bar 3/8" F	4	PC
60	6601-1322	Stud Coupling Male G 3/8" x M18 x 1.5	2	PC
70	09570102-0	Stud Coupling Male G 3/8" x M14 x 1.5	2	PC
80	7026918	Nozzle Mounting Boss	1	PC
90	21-79	Flat Spray Nozzle 50 ° 303 S.Steel	1	PC
100	92097523-0	Hex Head Screw - M16Cx35 - 8.8	1	PC
110	09570126-0	Stud Coupling Male G 1/4" x M14 x 1.5	1	PC
120	7026913	Nozzle Bracket	1	PC
130	7022060	Wear Plate - Heavy duty bumper	1	PC
140	455-10	Washer Plain Plated Steel M8	2	PC
150	425-14	Nut Nyloc Hex MC M8	2	PC
160	92137078-0	Hex Socket Cap Screw - M6Cx12 - 12.9	1	PC
170	455-14	Washer Plain Plated Steel M16	1	PC
180	92153069-0	Hex Socket CSK Screw M8Cx45 10.9	2	PC

This page is intentionally left blank



## Chapter 9

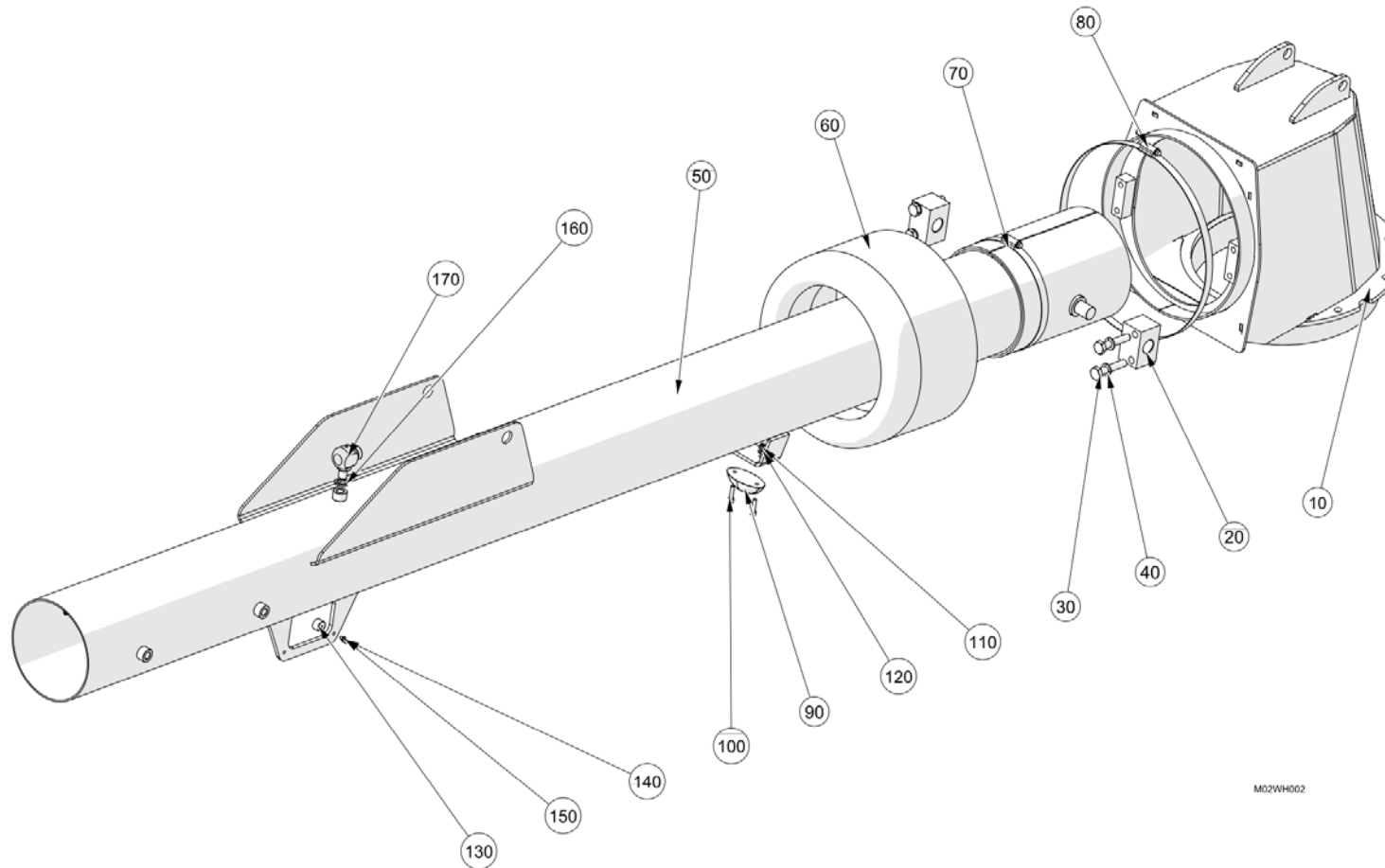
# Wanderhose



### Table of Contents

Section	Page
9.1 Top Mounted.....	482
9.2 Rear Mounted.....	516
9.3 Littasnatch.....	536

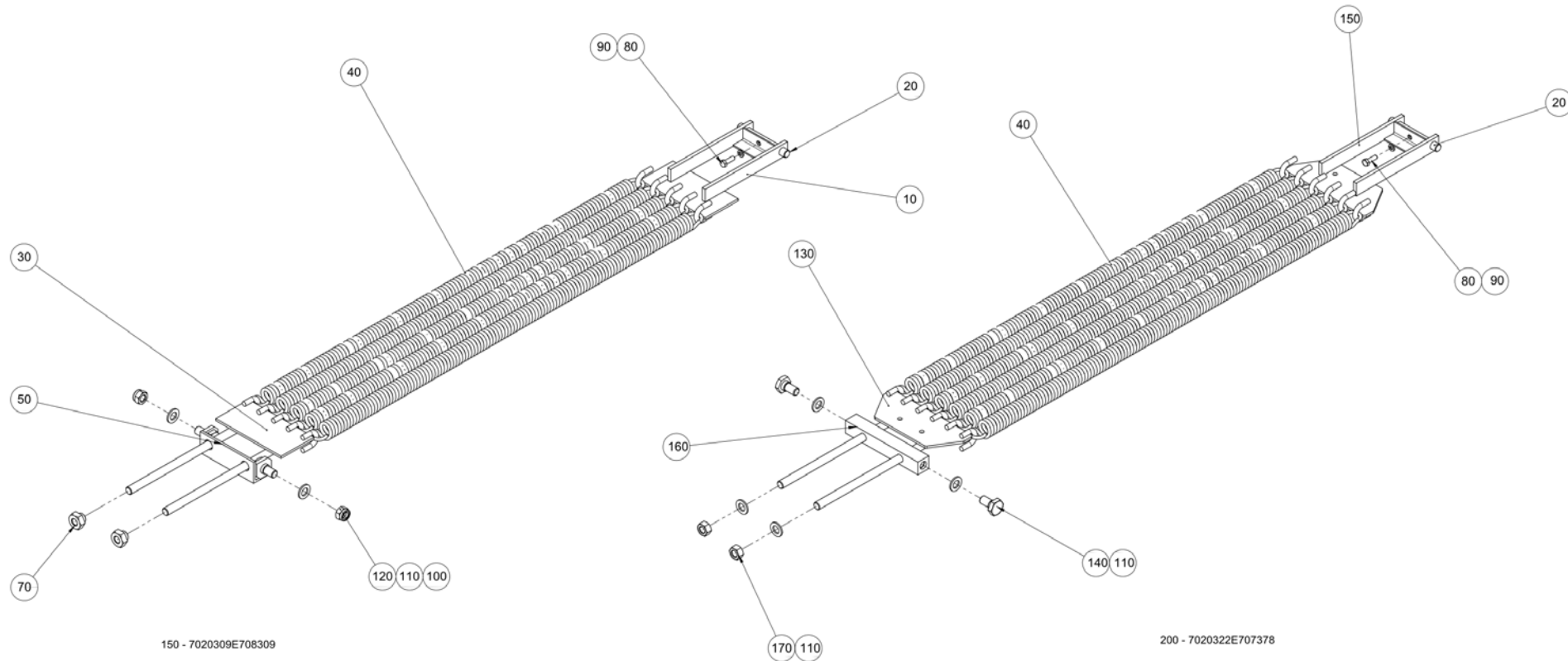
**Top Mounted Wanderhose Boom (7020320 , 7020327 , 7022569 , 7022585)**  
Wanderhose\Top Mounted\Wanderhose Assembly\Top Mounted Wanderhose Boom



**Top Mounted Wanderhose Boom (7020320 , 7020327 , 7022569 , 7022585)**  
 Wanderhose\Top Mounted\Wanderhose Assembly\Top Mounted Wanderhose Boom

Item no.	Part no.	Description	QTY	Unit
10	41803-1	Turret - Lowline Wanderhose	1	PC
20	41833-1	Bearing - Lowline Wanderhose	2	PC
20	40728-1-C	Bearing Wanderhose	2	PC
30	92067423-0	Hex Head Bolt - M10Cx55 - 8.8	4	PC
40	93699711-0	Spring Washer - Plated M10	4	PC
50	281255-1	Boom W/A (150) V605, 650 & 800	1	PC
50	281089-1	Boom W/A (200) V605, 650 & 800	1	PC
60	40780-1-B	Joint - Flexible, Wanderhose	1	PC
70	504-51	Hose Clip - Worm Drive (150-180)	1	PC
70	504-52	Hose Clip - Worm Drive (190-220)	1	PC
80	504-55	Hose Clip - Worm Drive (270-300)	1	PC
90	39382	Buffer	1	PC
100	92137044-0	Hex Socket Cap Screw - M5Cx20 - 12.9	2	PC
110	93085003-0	Nyloc Hex Nut M5C - 8	2	PC
120	93210109-0	Plain Washer M5	2	PC
130	290-28	Bump Stop Rubber	1	PC
140	92097225-0	Hex Head Screw - M4Cx10 - 8.8	1	PC
150	93699706-0	Spring Washer - Plated M4	1	PC
160	451-17	Washer Bonded G1-4"	1	PC
170	7019551	Water Jet Assembly	1	PC
50	7022558	Boom W/A (150) V501	1	PC
50	7022580	Boom W/A (200) V501	1	PC

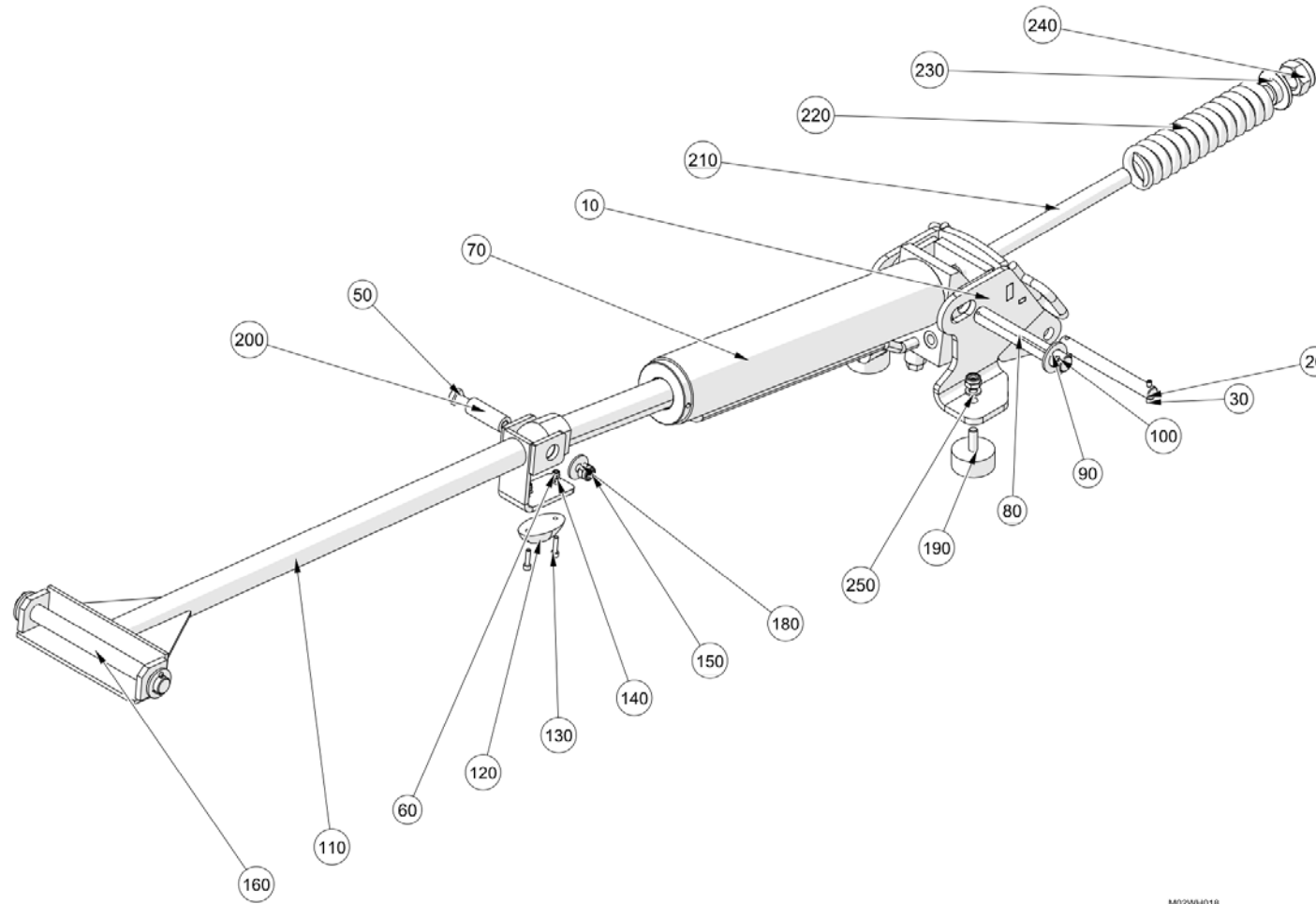
**Top Mounted Wanderhose Support Base (7020309 / E708309 , 7020322 / E707378)**  
Wanderhose\Top Mounted\Wanderhose Assembly\Top Mounted Wanderhose Support Base



**Top Mounted Wanderhose Support Base (7020309 / E708309 , 7020322 / E707378)**  
 Wanderhose\Top Mounted\Wanderhose Assembly\Top Mounted Wanderhose Support Base

Item no.	Part no.	Description	QTY	Unit
10	40746-1-D	Claw - (6) WH Assy Link/Angle	1	PC
20	40420-1-B	Pin Cylinder C/Brush	1	PC
30	40746-2-D	Claw - (6) WH Assy Studs	1	PC
40	40691-1-C	Spring - Wanderhose, Lowline	5	PC
For 200 dia order 6				
50	62952-1	Pivot - W/Hose Spring W/Assy	1	PC
70	41836-1	Nut - Special	2	PC
80	92097376-0	Hex Head Screw - M8Cx25 - 8.8	1	PC
90	93699710-0	Spring Washer - Plated M8	1	PC
100	49053-1	Pin - Pivot	2	PC
110	93210523-0	Plain Washer M16	2	PC
For 200 dia order 4				
120	93085009-0	Nyloc Hex Nut M16C - 8	2	PC
130	41814-2	Claw - (6) WH Assy Studs	1	PC
140	49052-1	Pin - Pivot	2	PC
150	41814-1	Claw - (6) WH Assy Link/Angle	1	PC
160	49051-1	Pivot - Lowline 200	1	PC
170	93056018-0	Hex Nut M16C-8	2	PC

**Top Mounted Wanderhose Support Powa Boom (7020335 / E711111 , 7020589 / E711111)**  
Wanderhose\Top Mounted\Wanderhose Assembly\Top Mounted Wanderhose Support Powa Boom

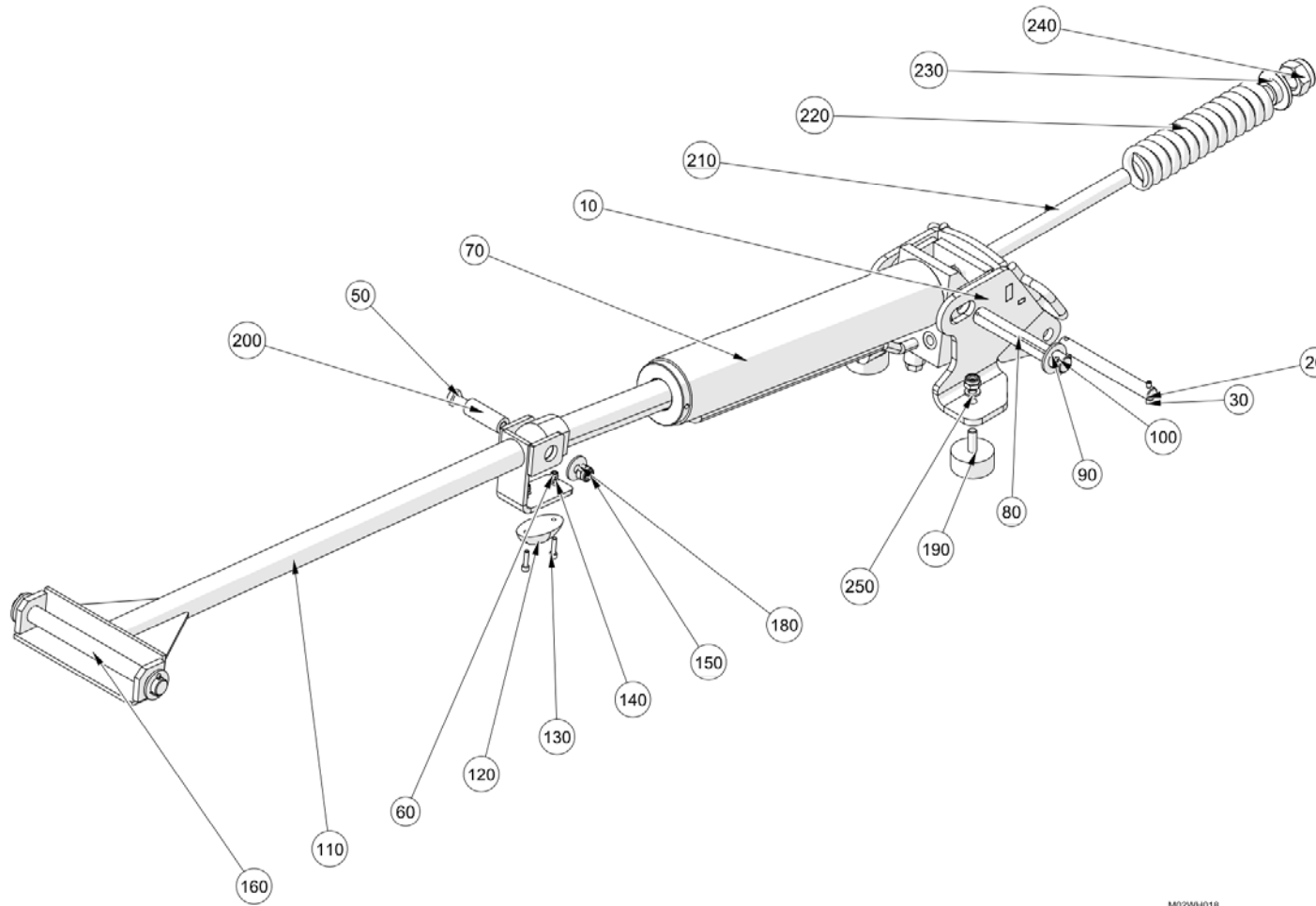


M02VH018

**Top Mounted Wanderhose Support Powa Boom (7020335 / E711111 , 7020589 / E711111)**  
 Wanderhose\Top Mounted\Wanderhose Assembly\Top Mounted Wanderhose Support Powa Boom

Item no.	Part no.	Description	QTY	Unit
S1	7007573	Valve	1	PC
CENTRE VALVE ON CYLINDER ASSEMBLY				
S2	7007574	Valve	1	PC
CHECK VALVE ON CYLINDER ASSEMBLY				
10	7033854	Anchor welded assembly	1	PC
20	41374-1-A	Pin - Powaslyd, W/Hose	1	PC
30	93545287-0	Spring Pin (Slotted) - Ø5x30 C.Steel HD	2	PC
50	92097423-0	Hex Head Screw - M10Cx75 - 8.8	1	PC
60	93085003-0	Nyloc Hex Nut M5C - 8	2	PC
70	7007583	Cylinder Assembly Ø70 x Ø35 x 324	1	PC
80	62365-1	Pin - Pivot	1	PC
200				
90	93212018-0	Plain Washer M20	4	PC
100	500-106	Cotter Pin Split 1/8 x 1 1/4	4	PC
110	62608-1	Tube - Extension W/Assy	1	PC
120	39382	Buffer	1	PC
130	92137044-0	Hex Socket Cap Screw - M5Cx20 - 12.9	2	PC
140	93210109-0	Plain Washer M5	2	PC
150	93085806-0	Nyloc Hex Nut M10C - 8	3	PC
160	62254-1	Pin - Pivot	1	PC
180	93300510-0	Plain Large Washer M10	2	PC
190	290-43	Cylinder Rubber Buffer 50 O/D	2	PC
200	40377-4-E	Bush	1	PC
210	7026325	Fork welded assembly	1	PC

**Top Mounted Wanderhose Support Powa Boom (7020335 / E711111 , 7020589 / E711111)**  
Wanderhose\Top Mounted\Wanderhose Assembly\Top Mounted Wanderhose Support Powa Boom



M02VH018

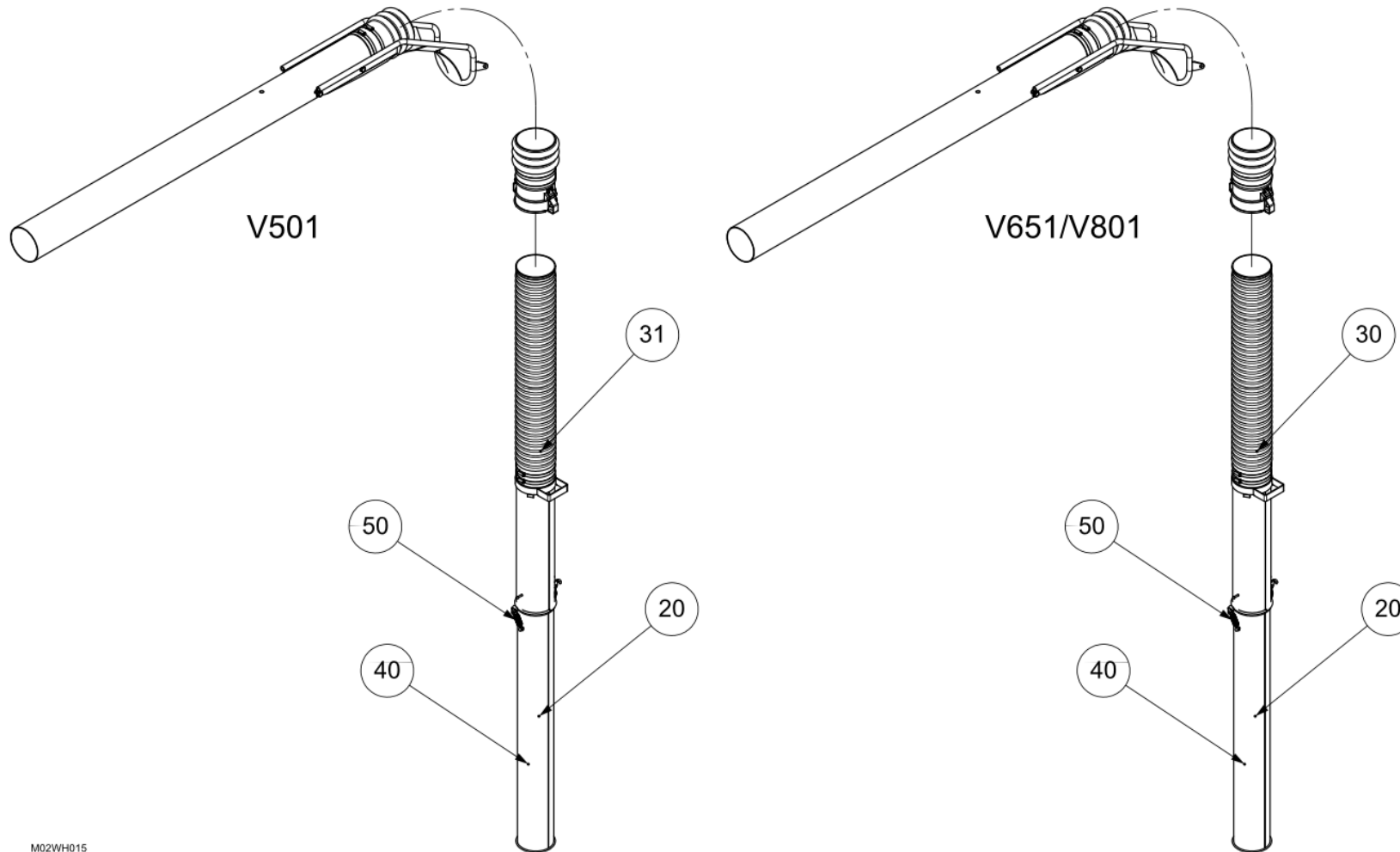


**Top Mounted Wanderhose Support Powa Boom (7020335 / E711111 , 7020589 / E711111)**  
Wanderhose\Top Mounted\Wanderhose Assembly\Top Mounted Wanderhose Support Powa Boom

Item no.	Part no.	Description	QTY	Unit
220	13501	Spring-Comp. 11mm Wirex200Lg	1	PC
230	44031-1-A	Locator	1	PC
240	93085104-0	Nyloc Hex Thin Nut - M24f - 8	1	PC
200				
250	93699711-0	Spring Washer - Plated M10	2	PC
150				
240	93085036-0	Nyloc Hex Thin Nut M20F - 8	1	PC
80	62254-2	Pin - Pivot	1	PC
150				

**Wanderhose Dressing Ø150 (7020600 , 7020476 , 7022597 , 7022606 , 7024733 , 7024738 , 282893-1)**

Wanderhose\Top Mounted\Wanderhose Dressing Ø150



M02WH015

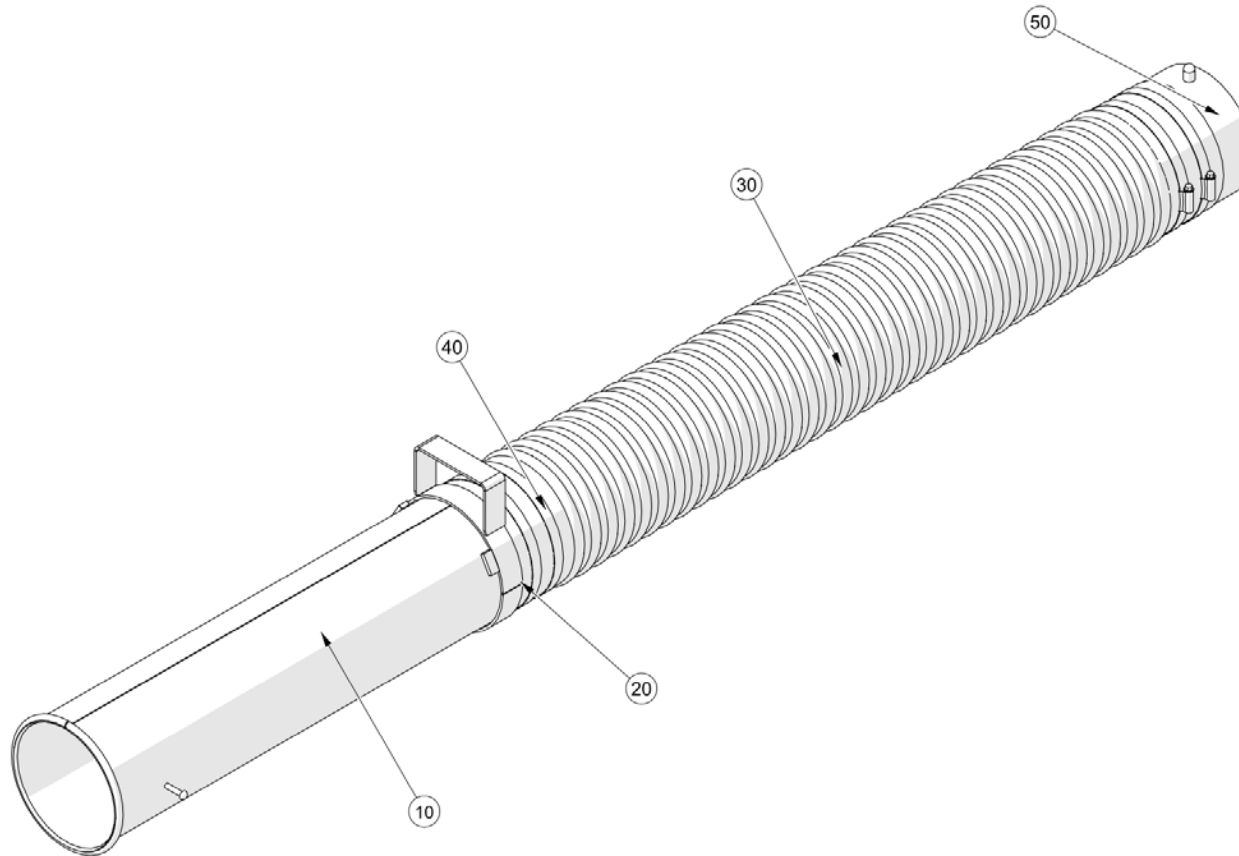
**Wanderhose Dressing Ø150 (7020600 , 7020476 , 7022597 , 7022606 , 7024733 , 7024738 , 282893-1)**

Wanderhose\Top Mounted\Wanderhose Dressing Ø150

Item no.	Part no.	Description	QTY	Unit
20	282893-1	Extension Assembly - Wanderhose	1	PC
30	7020473	Extension Assembly - Wanderhose 6"	1	PC
651 & 801				
31	7022598	Extension Assembly	1	PC
V501				
40	40784-1-B	Extension - Wanderhose	1	PC
50	6216-1	Clip Bonnet	2	PC

**Wanderhose Extension Assembly Ø150 (7020473 / E707378)**

Wanderhose\Top Mounted\Wanderhose Dressing Ø150\Wanderhose Extension Assembly Ø150



M02WH017

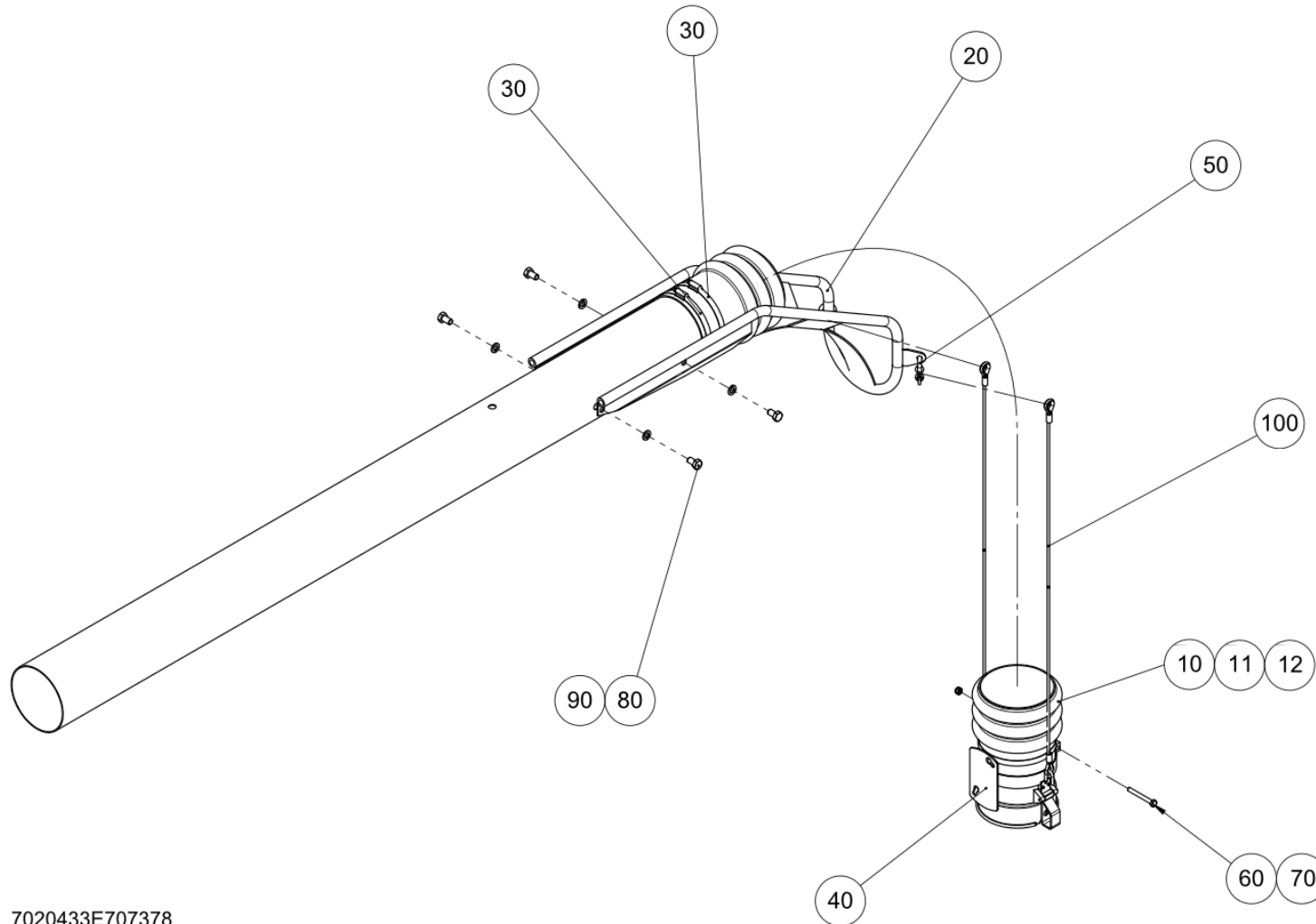
**Wanderhose Extension Assembly Ø150 (7020473 / E707378)**

Wanderhose\Top Mounted\Wanderhose Dressing Ø150\Wanderhose Extension Assembly Ø150

Item no.	Part no.	Description	QTY	Unit
20	6212-1-R	Handle W/assy - Wanderhose	1	PC
30	6005-1-B	Hose - Extension Flexible 150/6"	1	PC
40	504-51	Hose Clip - Worm Drive (150-180)	4	PC
50	5996-1-D	Sleeve - 200/6" W/Assy	1	PC
10	7020470	Hose end fitting-Ø150	1	PC

Wanderhose Trunking - Base Ø150 (7020433 / E711111 , 7020407 / E711111)

Wanderhose\Top Mounted\Wanderhose Trunking - Base Ø150



7020433E707378

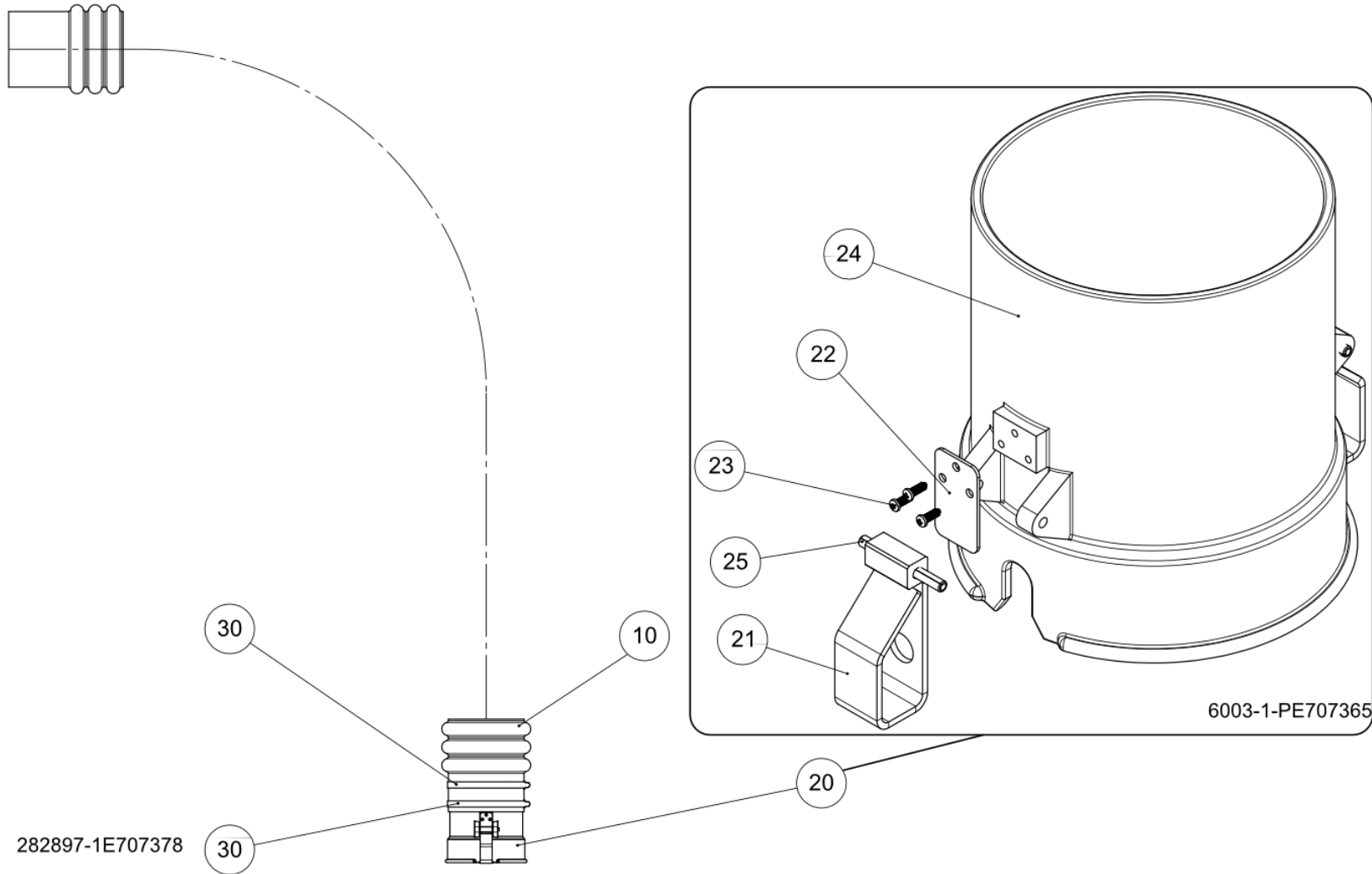
Wanderhose Trunking - Base Ø150 (7020433 / E711111 , 7020407 / E711111)

Wanderhose\Top Mounted\Wanderhose Trunking - Base Ø150

Item no.	Part no.	Description	QTY	Unit
10	282897-1	Trunking-Wanderhose 150	1	PC
20	282470-1	Jib W/Assy-W/Hose+P/Boom Ø150	1	PC
30	504-51	Hose Clip - Worm Drive (150-180)	2	PC
40	282637-1	Cable Supt W/A Ø150	1	PC
50	6032-1-A	Shackle D	4	PC
60	92067389-0	Hex Head Bolt - M8Cx70 - 8.8	1	PC
70	93085005-0	Nyloc Hex Thin Nut M8C - 8	1	PC
80	92097446-0	Hex Head Screw - M12Cx20 - 8.8	4	PC
90	93699712-0	Spring Washer - Plated M12	4	PC
100	21216-8-I	Cable - Lift (940mm)	2	PC
11	282900-1	Trunking-Wanderhose 150Dia. 96	1	PC
V801				
12	7024732	Wanderhose Trunking-Base	1	PC
V801				

**Wanderhose Trunking - Base Ø150 (282897-1 / E707378)**

Wanderhose\Top Mounted\Wanderhose Trunking - Base Ø150\Wanderhose Trunking - Base Ø150





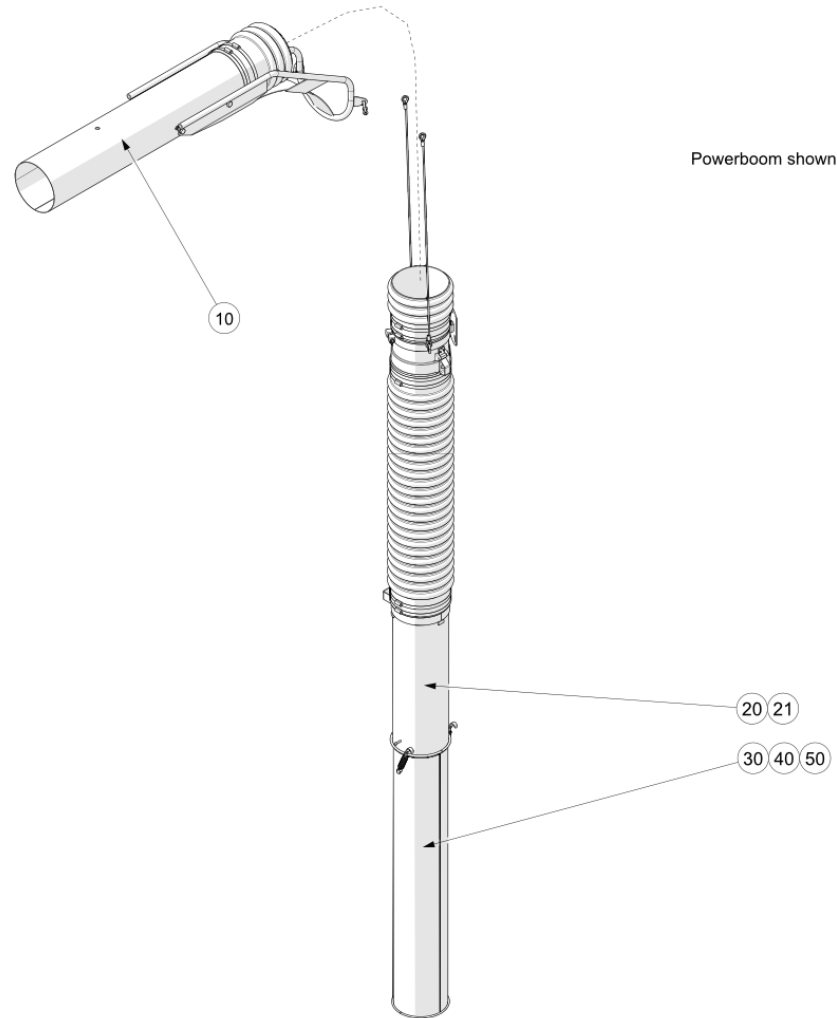
**Wanderhose Trunking - Base Ø150 (282897-1 / E707378)**

Wanderhose\Top Mounted\Wanderhose Trunking - Base Ø150\Wanderhose Trunking - Base Ø150

Item no.	Part no.	Description	QTY	Unit
10	6004-1-C	Hose - Flexible 6"	1	PC
20	6003-1-P	Coupling 6" W/Hose	1	PC
30	504-51	Hose Clip - Worm Drive (150-180)	2	PC
21	5999-1-C	Catch - W/Assy	2	PC
25	58-6	Pin - Adaptor 3/16 x 1 7/8"	2	PC
22	6002-1-A	Spring - Coupling	2	PC
23	193-8	Screw Selftap Pan Hd No6x9.5mm	6	PC
24	5992-1-E	Coupling 150/6" - V500, 605 & 650	1	PC

**Wanderhose Dressing Ø200 (7020602 / E707378 , 7020485 / E707378)**

Wanderhose\Top Mounted\Wanderhose Dressing Ø200



7020485E707378  
7020602E707978

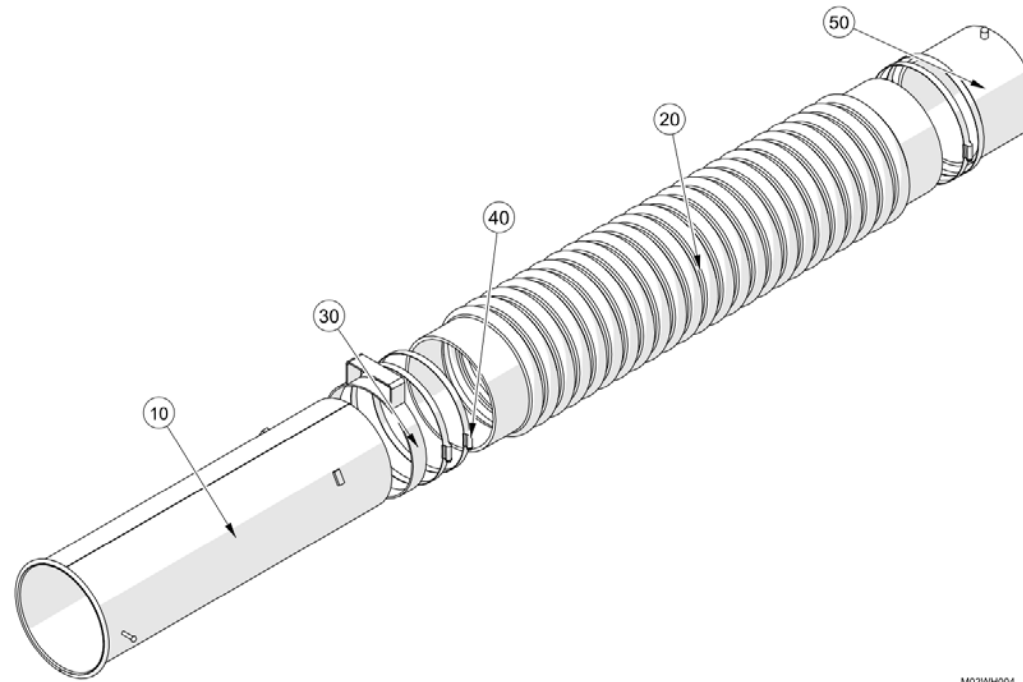
Wanderhose Dressing Ø200 (7020602 / E707378 , 7020485 / E707378)

Wanderhose\Top Mounted\Wanderhose Dressing Ø200

Item no.	Part no.	Description	QTY	Unit
10	7020483	WH Trunking-Base 200/PB	1	PC
20	7020084	Wanderhose extension assembly	1	PC
30	282890-3	W/Hose Exten. Assy 8" 1250Lg	1	PC
10	7022609	Wanderhose Trunking Base	1	PC
V501				
10	7022631	Wanderhose Trunking Base	1	PC
V501 PB				
21	7022611	Extension Assembly	1	PC
V501				
10	7024739	Wanderhose Trunking-Base 200 PB	1	PC
V801				
10	7024735	Wanderhose Trunking-Base	1	PC
V801				
40	16319-10	Extension - Wanderhose, 1250Lg	1	PC
50	6216-1	Clip Bonnet	2	PC

**Wanderhose Extension Assembly Ø200 (7022611 E710778)**

Wanderhose\Top Mounted\Wanderhose Dressing Ø200\Wanderhose Extension Assembly Ø200



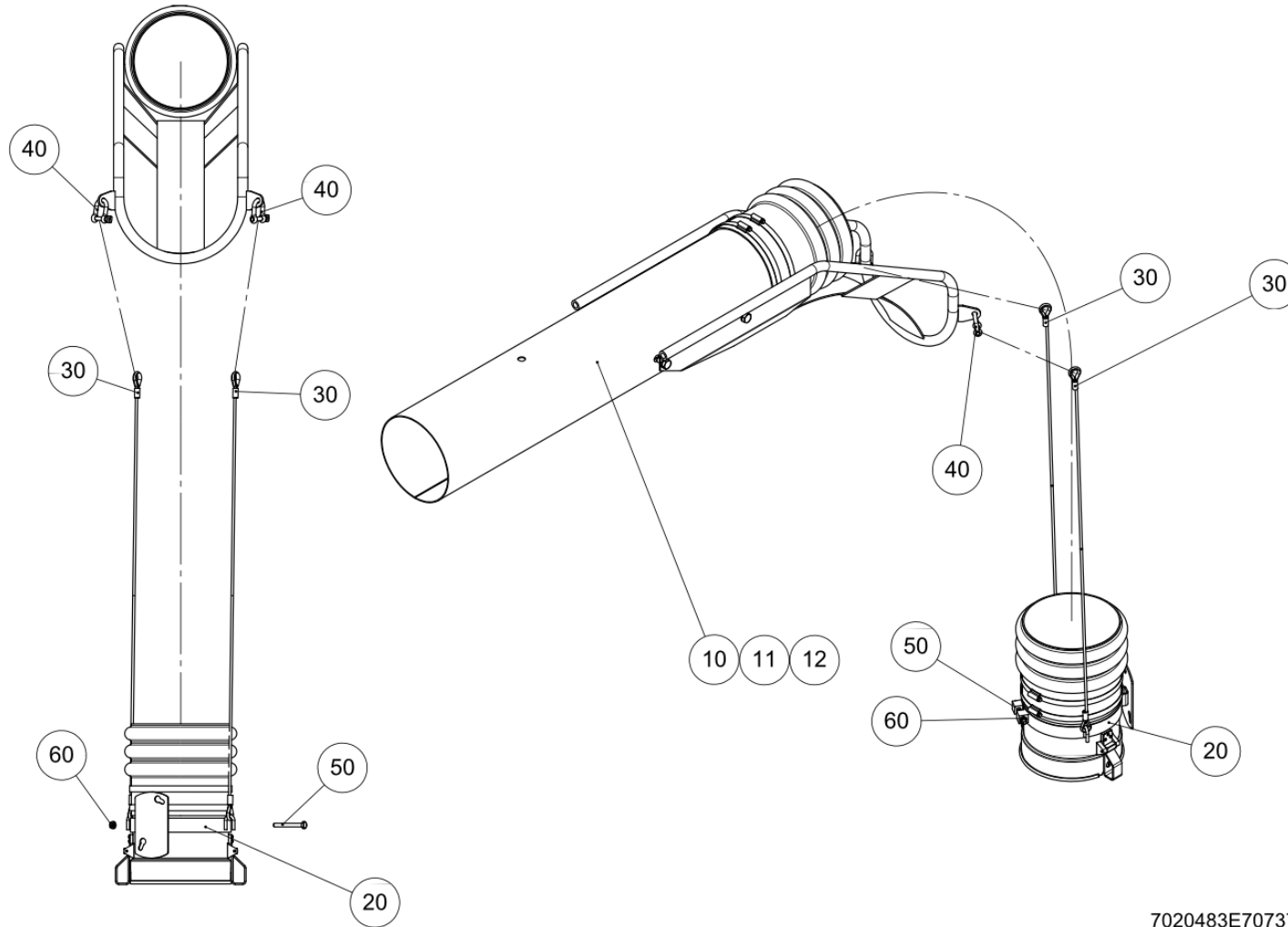
M02WH004

**Wanderhose Extension Assembly Ø200 (7022611 E710778)**

Wanderhose\Top Mounted\Wanderhose Dressing Ø200\Wanderhose Extension Assembly Ø200

Item no.	Part no.	Description	QTY	Unit
20	15917-1-B	Hose - Extension Flexible 8"	1	PC
30	15920-1-C	Handle Fitting End W/Hose W/A	1	PC
40	504-52	Hose Clip - Worm Drive (190-220)	4	PC
50	5996-4	Sleeve - 8" W/Assy	1	PC
10	7020468	Extension W/assy- Wanderhose 8"	1	PC

**Wanderhose Trunking - Base Ø200 (7020483 / E711111)**  
Wanderhose\Top Mounted\Wanderhose Trunking - Base Ø200



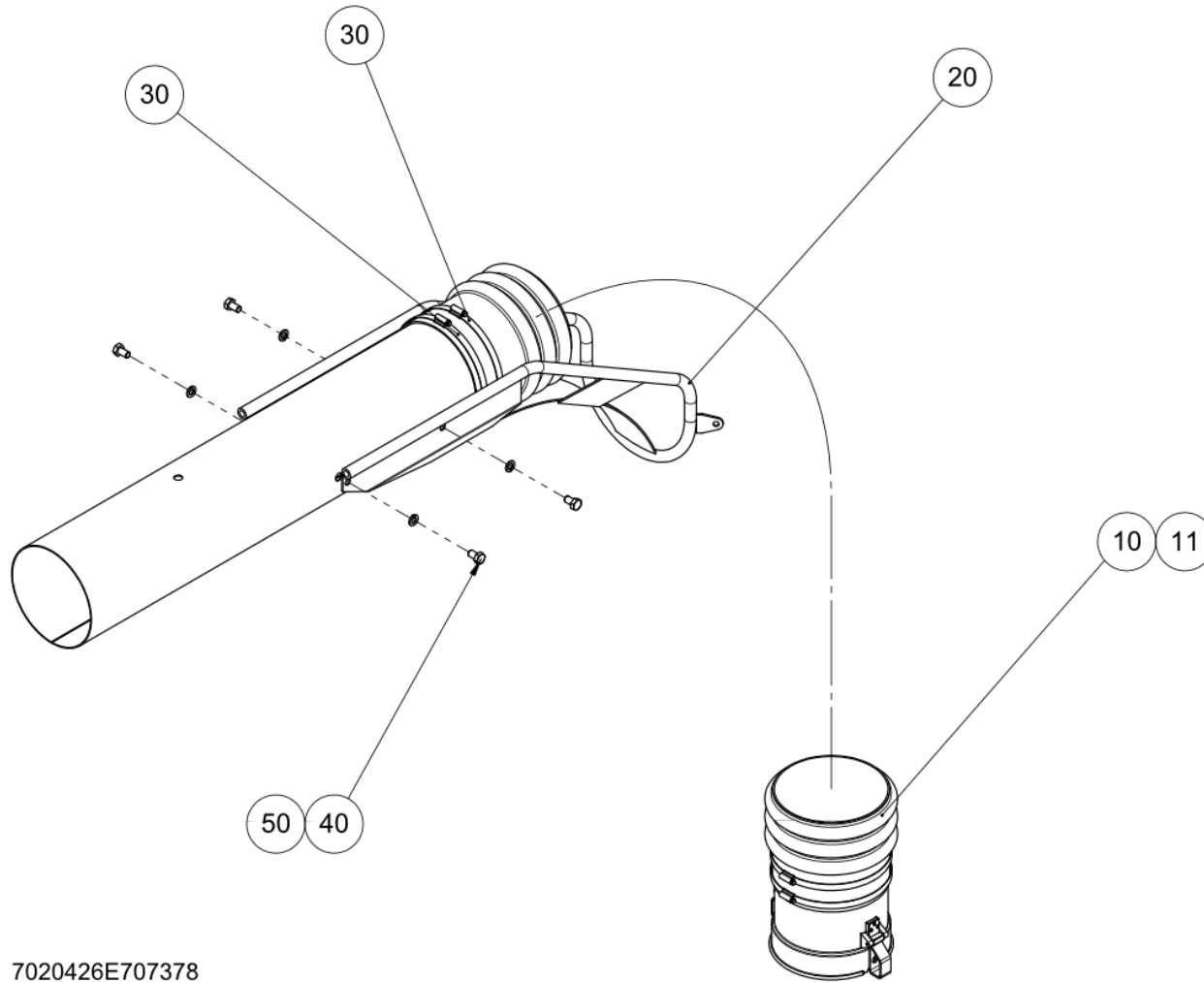
7020483E707378

**Wanderhose Trunking - Base Ø200 (7020483 / E711111)**  
 Wanderhose\Top Mounted\Wanderhose Trunking - Base Ø200

Item no.	Part no.	Description	QTY	Unit
10	7020426	WH Trunking - Base 200	1	PC
20	282638-1	Cable Supt W/A Ø200(With Hook)	1	PC
30	21216-8-I	Cable - Lift (940mm)	2	PC
40	6032-1-A	Shackle D	4	PC
50	92067389-0	Hex Head Bolt - M8Cx70 - 8.8	1	PC
60	93085805-0	Nyloc Hex Nut M8C - 8	1	PC
11	7022609	Wanderhose Trunking Base	1	PC
V501				
12	7024735	Wanderhose Trunking-Base	1	PC
V801				

**Wanderhose Trunking - Base Ø200 (7020426)**

Wanderhose\Top Mounted\Wanderhose Trunking - Base Ø200\Wanderhose Trunking - Base Ø200



7020426E707378



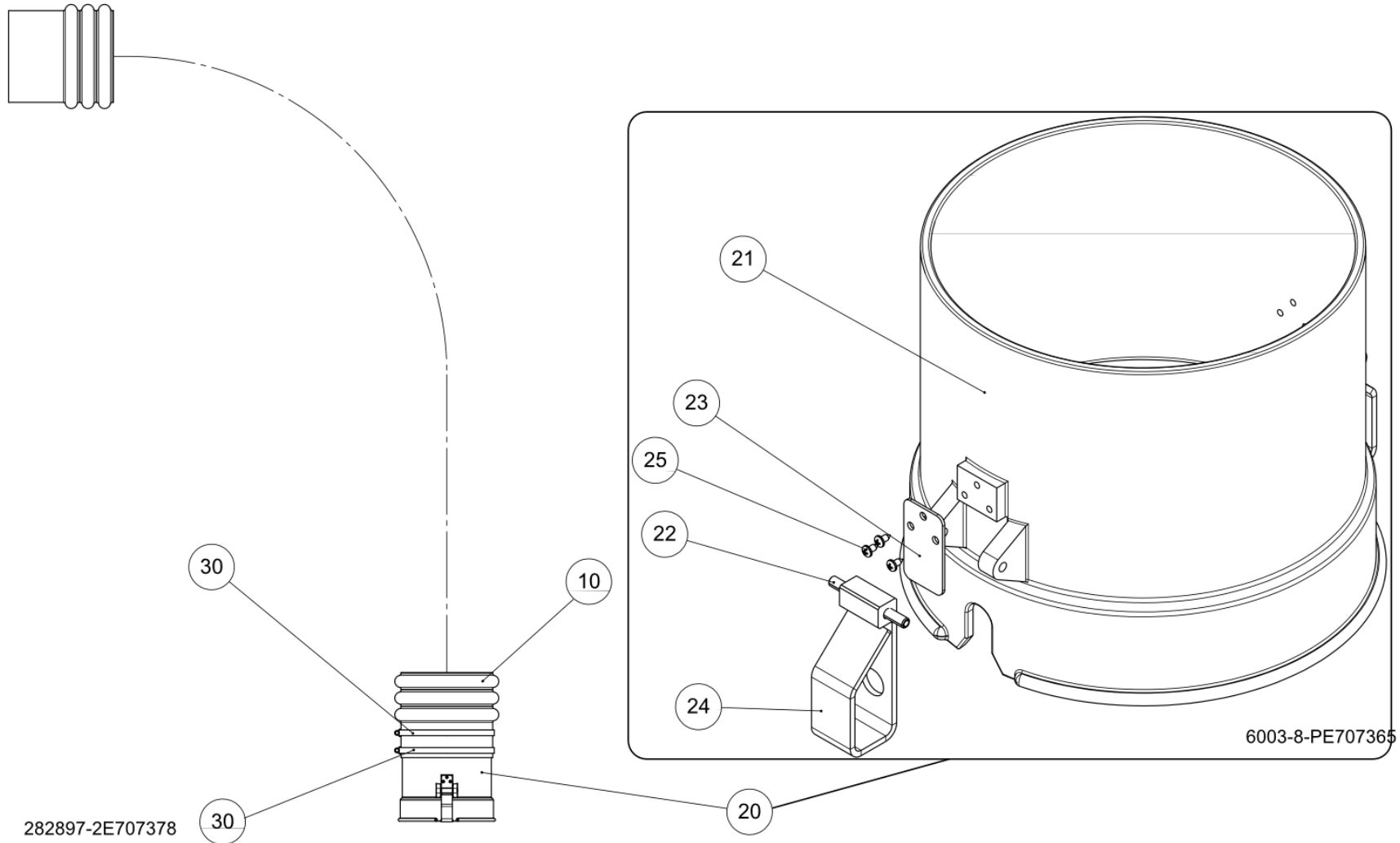
## Wanderhose Trunking - Base Ø200 (7020426)

Wanderhose\Top Mounted\Wanderhose Trunking - Base Ø200\Wanderhose Trunking - Base Ø200

Item no.	Part no.	Description	QTY	Unit
10	282897-2	Trunking-Wanderhose 200Dia. V650	1	PC
20	282545-1	Jib W/Assy-W/Hose+P/Boom Ø200	1	PC
30	504-52	Hose Clip - Worm Drive (190-220)	2	PC
40	92097446-0	Hex Head Screw - M12Cx20 - 8.8	4	PC
50	93699712-0	Spring Washer - Plated M12	4	PC
11	282900-2	Trunking-Wanderhose 200Dia. V800	1	PC
V801				

**Wanderhose Trunking - Base 200 (282897-2)**

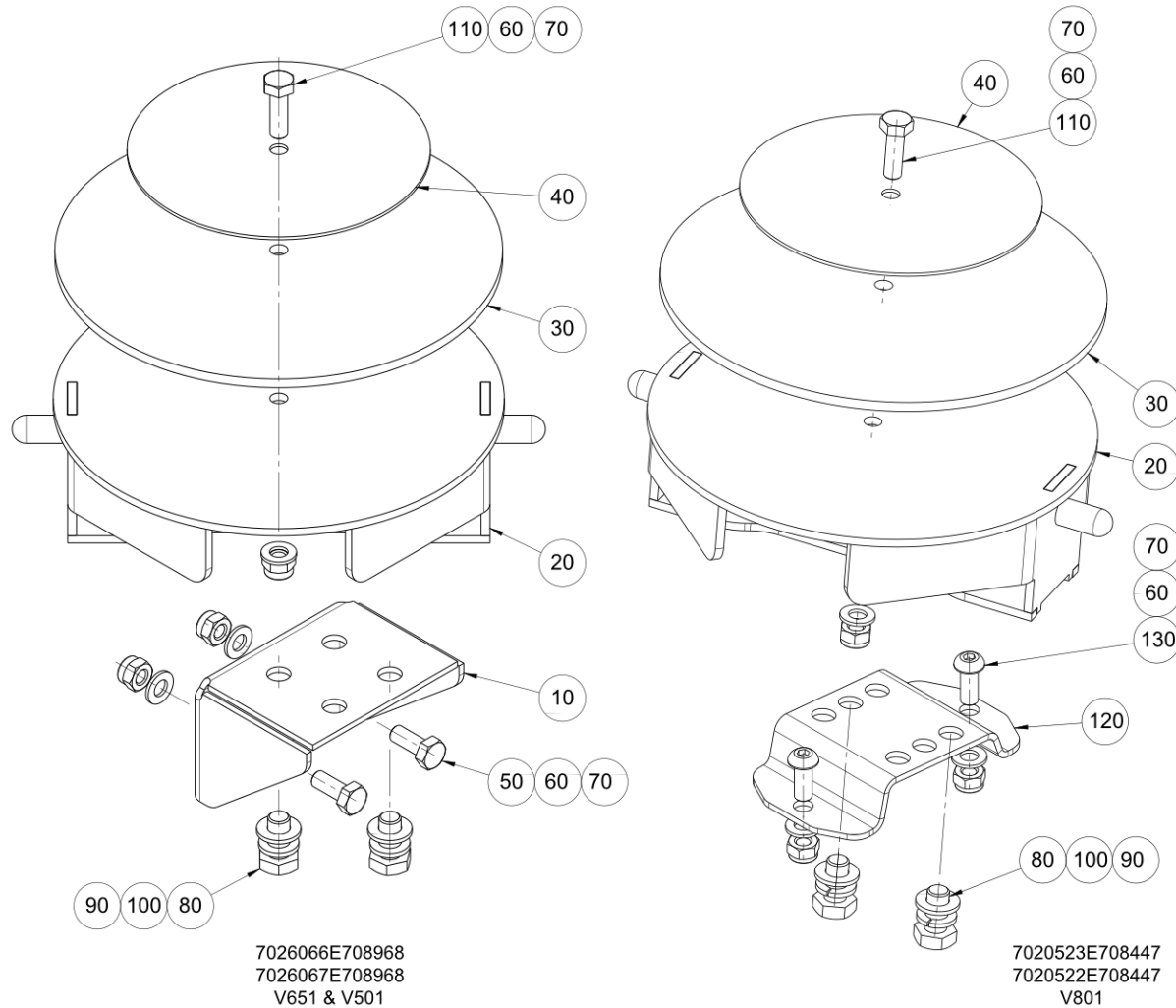
Wanderhose\Top Mounted\Wanderhose Trunking - Base Ø200\Wanderhose Trunking - Base Ø200\Wanderhose Trunking - Base 200



**Wanderhose Trunking - Base 200 (282897-2)**

Wanderhose\Top Mounted\Wanderhose Trunking - Base Ø200\Wanderhose Trunking - Base Ø200\Wanderhose Trunking - Base 200

Item no.	Part no.	Description	QTY	Unit
10	15916-1-B	Hose - Flexible 8"	1	PC
20	6003-8-P	Coupling 8" W/Hose	1	PC
30	504-52	Hose Clip - Worm Drive (190-220)	2	PC
21	15895-1-B	Coupling 200/8" - V500, 605 & 650	1	PC
22	58-6	Pin - Adaptor 3/16 x 1 7/8"	2	PC
23	6002-1-A	Spring - Coupling	2	PC
24	5999-1-C	Catch - W/Assy	2	PC
25	193-1	Pan Head Screw-2.9x6.5-4.8-Pozidriv	6	PC



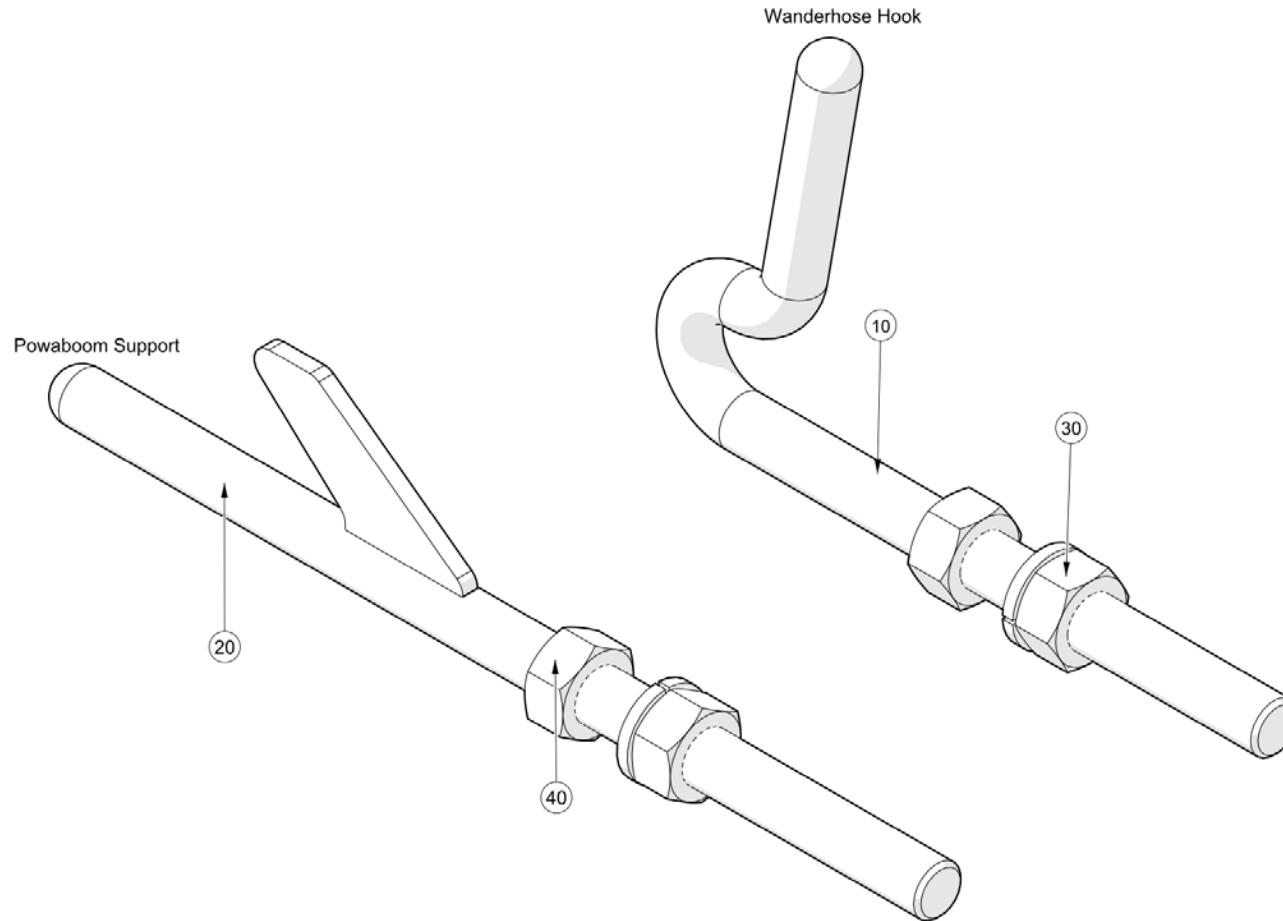
Boom Stow (7020522 / E708447 , 7020523 / E708447)

Wanderhose\Top Mounted\Boom Stow

Item no.	Part no.	Description	QTY	Unit
10	7026016	Stowage bracket	1	PC
20	7023952	Anchorage welded assembly 6"	1	PC
		6"dia		
20	7023959	Anchorage welded assembly 8"	1	PC
		8"dia		
30	5688-1-B	Disc, Rubber 6" Dia	1	PC
30	5688-2	Disc, Rubber 8" Dia	1	PC
40	6043-1-B	Adaptor Plate	2	PC
50	92097374-0	Hex Head Screw - M8Cx20 - 8.8	2	PC
60	93212011-0	Plain Washer M8	6	PC
70	93085805-0	Nyloc Hex Nut M8C - 8	6	PC
80	92097410-0	Hex Head Screw - M10Cx20 - 8.8	4	PC
90	93212012-0	Plain Washer M10	4	PC
100	93699711-0	Spring Washer - Plated M10	4	PC
110	92097376-0	Hex Head Screw - M8Cx25 - 8.8	2	PC
120	7020502	Wanderhose anchor plate	1	PC
130	92330045-0	Hex Skt Button Head Screw M8x20 - 10.9	2	PC

**Wanderhose Support (7020535 / E707378, 7020541 / E707378)**

Wanderhose\Top Mounted\Wanderhose Support



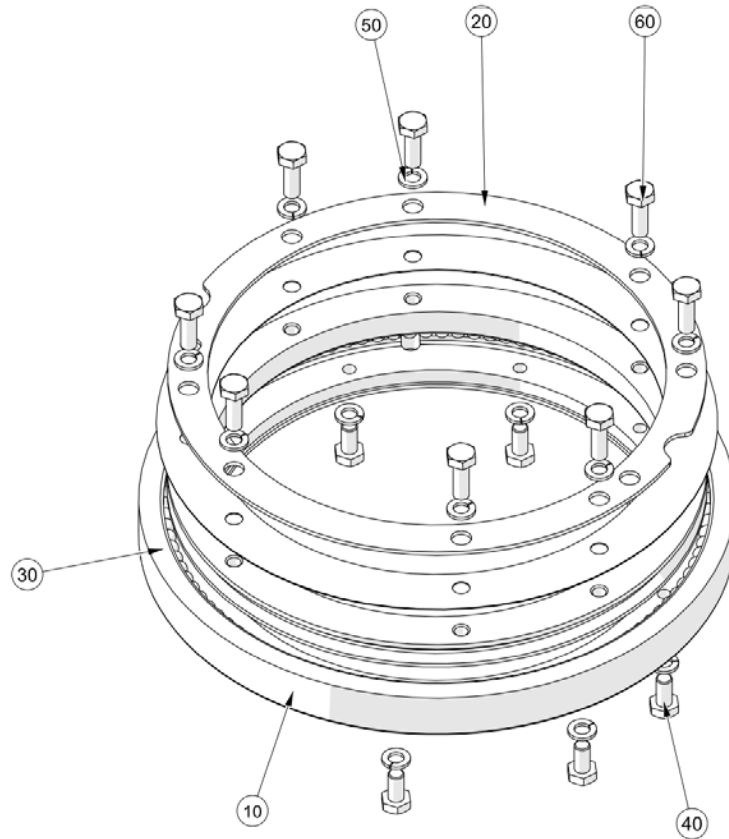
7020535E707378  
7020541E707378

**Wanderhose Support (7020535 / E707378, 7020541 / E707378)**

Wanderhose\Top Mounted\Wanderhose Support

Item no.	Part no.	Description	QTY	Unit
10	7020533	Hook - Wanderhose	1	PC
20	7020540	Powaboom Support W/Assy	1	PC
30	93699714-0	Spring Washer - Plated M16	1	PC
40	93056062-0	Hex Nut M16F-8	2	PC

**Turtable Base (7020499 / E707378)**  
Wanderhose\Top Mounted\Turtable Base

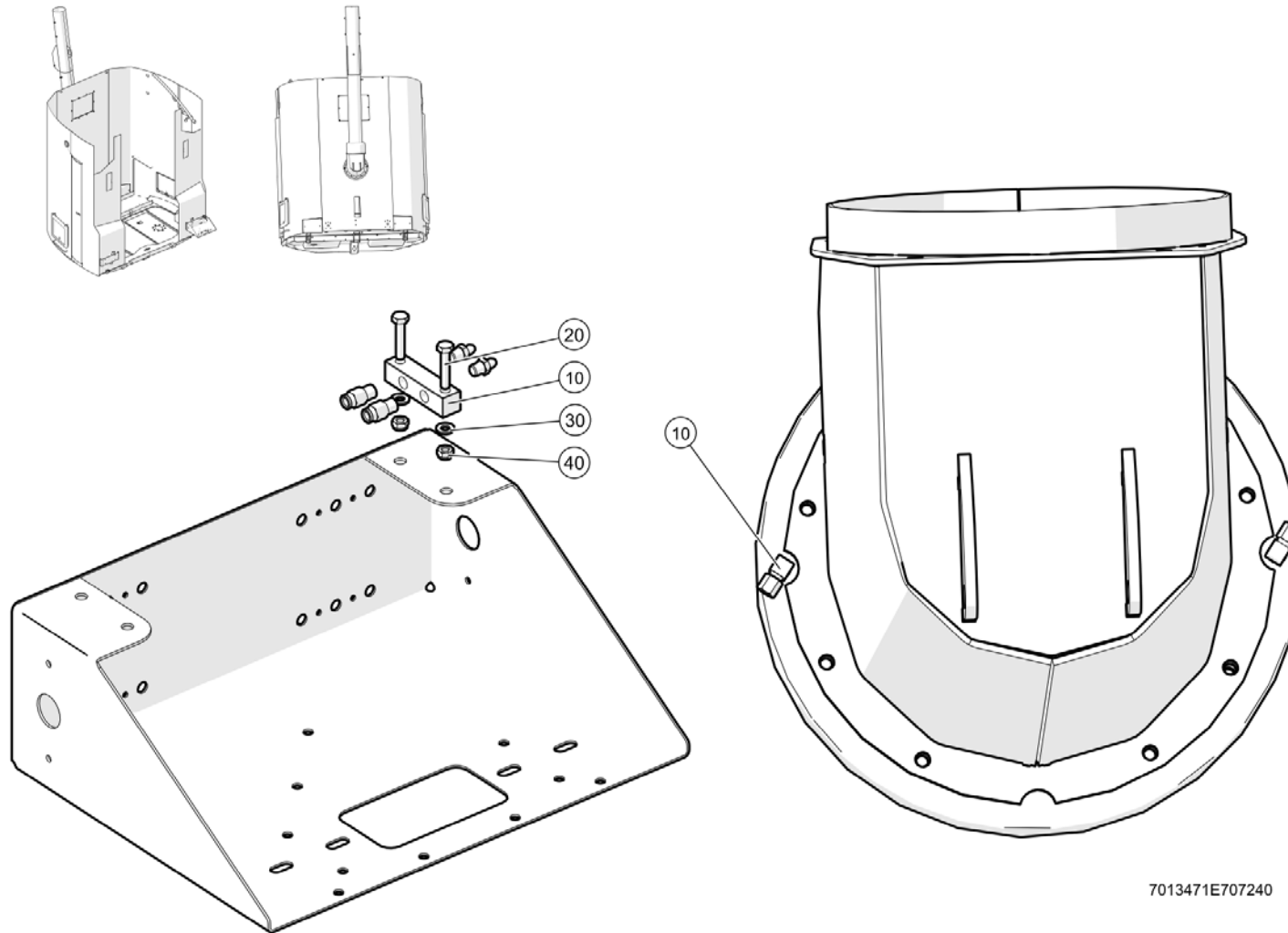


M02WH010



**Turntable Base (7020499 / E707378)**  
Wanderhose\Top Mounted\Turntable Base

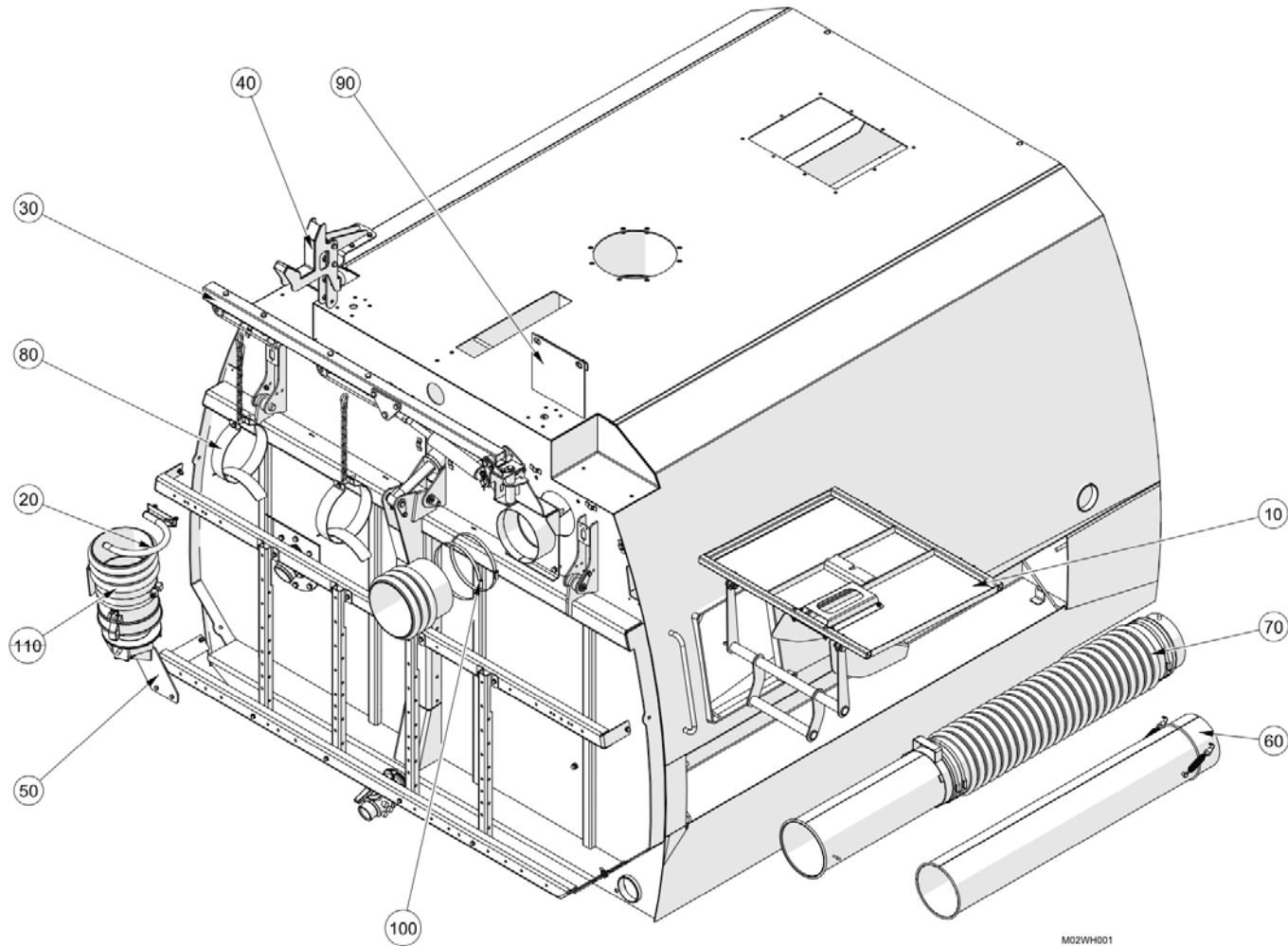
Item no.	Part no.	Description	QTY	Unit
10	7020278	Race Wanderhose	1	PC
20	5955-1	Seal	2	PC
30	22-8	Ball Steel 10	105	PC
40	92097410-0	Hex Head Screw - M10Cx20 - 8.8	6	PC
50	93699711-0	Spring Washer - Plated M10	14	PC
60	92097414-0	Hex Head Screw - M10Cx30 - 8.8	8	PC
70	40723-1-C	Seal - Plate, Turntable, WH	1	PC



**Autolubrication (7013471 / E707240)**  
Wanderhose\Top Mounted\Autolubrication

Item no.	Part no.	Description	QTY	Unit
10	7013598	Remote Lubrication Kit - Wanderhose	1	PC
20	92097305-0	Hex Head Screw - M6Cx30 - 8.8	2	PC
30	93085004-0	Nyloc Hex Nut M6C - 8	2	PC
40	93212009-0	Plain Washer M6	2	PC

**Wanderhose Assembly Rear Mounted (9652010-001)**  
Wanderhose\Rear Mounted\Wanderhose Assembly Rear Mounted



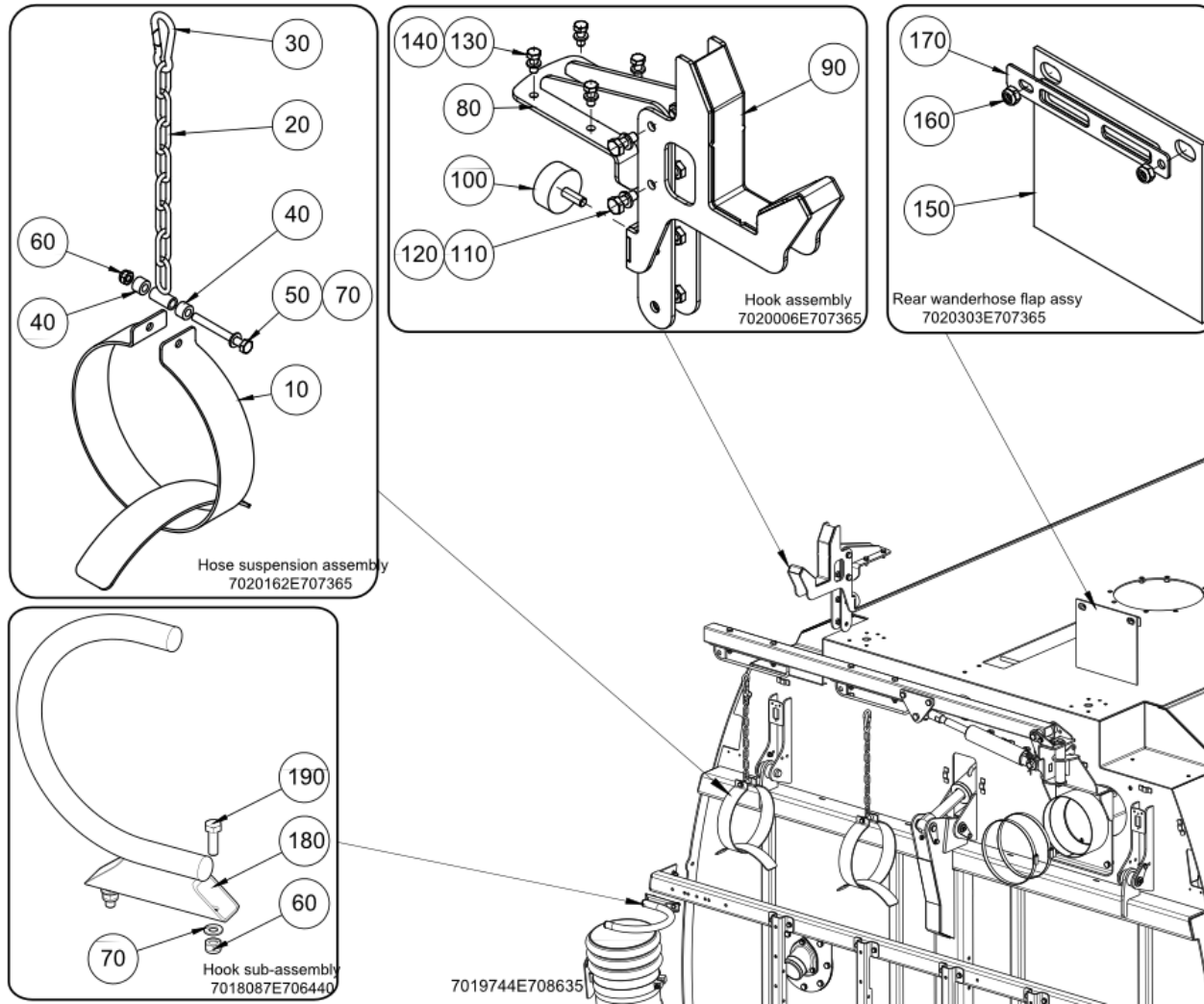
M02WH001

**Wanderhose Assembly Rear Mounted (9652010-001)**

Wanderhose\Rear Mounted\Wanderhose Assembly Rear Mounted

Item no.	Part no.	Description	QTY	Unit
10	7020245	Mesh deflector installation	1	PC
20	7018087	Hook sub-assembly	1	PC
30	7019773	Gantry assembly	1	PC
40	7020006	Hook assembly	1	PC
50	7019974	Anchor - rear wanderhose	1	PC
60	282890-3	W/Hose Exten. Assy 8" 1250Lg	1	PC
80	7020162	Hose suspension assembly	2	PC
90	7020303	Rear wanderhose flap assy	1	PC
100	504-52	Hose Clip - Worm Drive (190-220)	2	PC
110	7020388	Coupling Assy - Rear Wanderhose	1	PC
70	7022611	Extension Assembly	1	PC
5000	297-1	Tubing - Polyurethane 10 Dia x 1.5 Wall	10	M
5010	24-10	Cable Tie-Black, 368 x 4.8 mm	16	PC

**Rear Wanderhose Details (7020162 , 7020006 , 7020303 , 7018087)**  
 Wanderhose\Rear Mounted\Wanderhose Assembly Rear Mounted\Rear Wanderhose Details



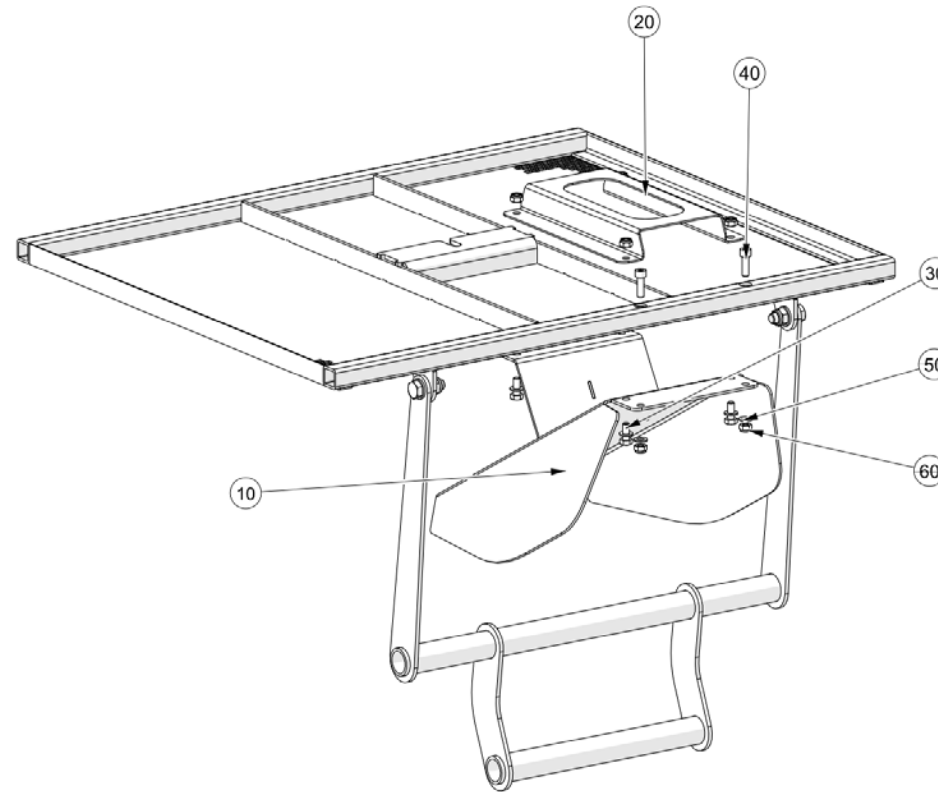
Rear Wanderhose Details (7020162 , 7020006 , 7020303 , 7018087)

Wanderhose\Rear Mounted\Wanderhose Assembly Rear Mounted\Rear Wanderhose Details

Item no.	Part no.	Description	QTY	Unit
10	93863-1	Clamp - Hose Support W/Assy	2	PC
20	93865-1	Spigot And Chain (8 Link)	2	PC
30	09530792-0	Hook Carbine 60x6	2	PC
40	56569-10	Spacer - 16 Dia x 11 M8	4	PC
50	92067390-0	Hex Head Bolt - M8Cx75 - 8.8	2	PC
60	93085805-0	Nyloc Hex Nut M8C - 8	5	PC
70	93212011-0	Plain Washer M8	2	PC
80	7019992	Hook mount welded assembly	1	PC
90	7020004	Hook welded assembly	1	PC
100	290-43	Cylinder Rubber Buffer 50 O/D	1	PC
110	92097412-0	Hex Head Screw - M10Cx25 - 8.8	4	PC
120	93699711-0	Spring Washer - Plated M10	4	PC
130	92097374-0	Hex Head Screw - M8Cx20 - 8.8	4	PC
140	93699710-0	Spring Washer - Plated M8	4	PC
150	7020302	Flap	1	PC
160	7015072	Securing Plate	1	PC
170	93085606-0	Nyloc Hex Nut - M10c - A2	2	PC
180	282504-1	Hook - Littasnatch, Assy	1	PC
190	92097376-0	Hex Head Screw - M8Cx25 - 8.8	2	PC

**Mesh Deflector Installation (7020245 / E708481)**

Wanderhose\Rear Mounted\Wanderhose Assembly Rear Mounted\Mesh Deflector Installation



M02WH007

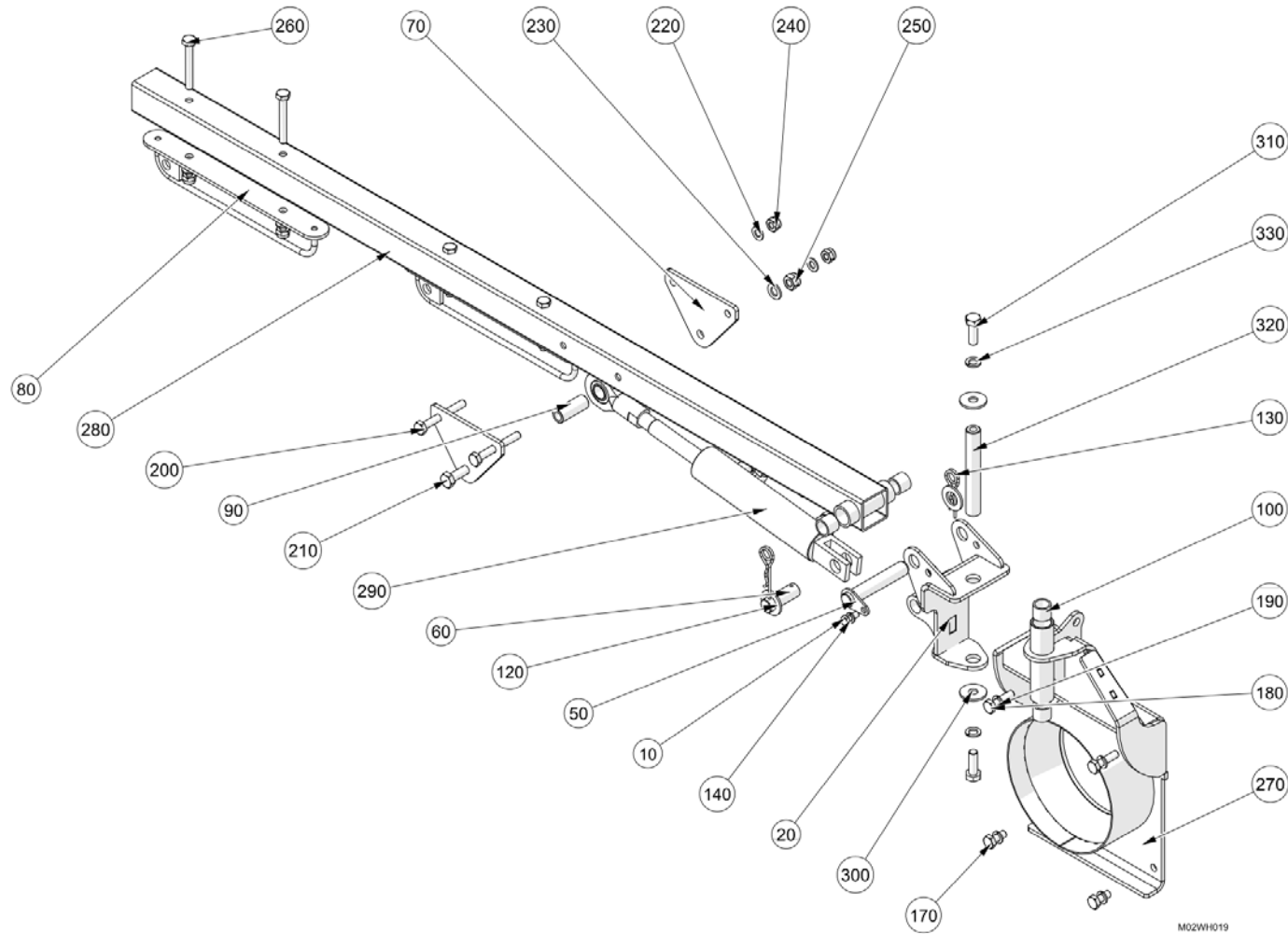


**Mesh Deflector Installation (7020245 / E708481)**

Wanderhose\Rear Mounted\Wanderhose Assembly Rear Mounted\Mesh Deflector Installation

Item no.	Part no.	Description	QTY	Unit
10	7020200	Deflector welded assembly	1	PC
20	7020202	Spreader plate	1	PC
30	92099373-0	Hex Head Screw - M8Cx20 - A2	4	PC
40	92137120-0	Hex Socket Cap Screw - M8Cx25 - 12.9	2	PC
60	93085605-0	Nyloc Hex Nut - M8c - A2	6	PC
5000	288-33	Round insert - 18mm (1-2.25)	2	PC
50	93209008-0	Plain Washer M7 A2	6	PC

**Gantry Assembly (7019773 / E711193)**  
Wanderhose\Rear Mounted\Wanderhose Assembly Rear Mounted\Gantry Assembly



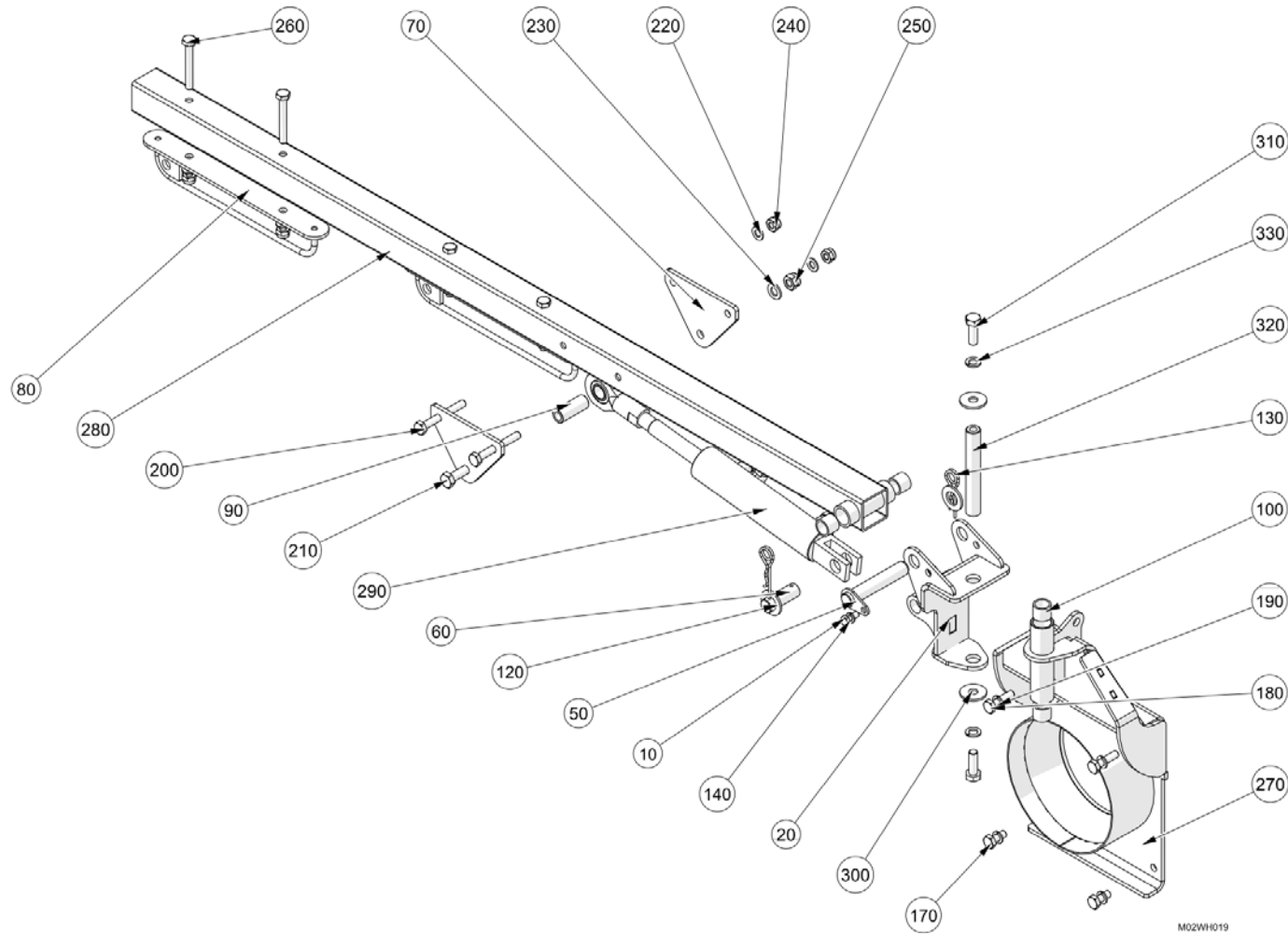
**Gantry Assembly (7019773 / E711193)**

Wanderhose\Rear Mounted\Wanderhose Assembly Rear Mounted\Gantry Assembly

Item no.	Part no.	Description	QTY	Unit
10	92097374-0	Hex Head Screw - M8Cx20 - 8.8	1	PC
20	7019770	Support pivot welded assembly	1	PC
50	7019779	Pivot pin welded assembly	1	PC
60	7019794	Pin - cylinder mount	1	PC
70	7019782	Eye - lift cylinder mount	2	PC
80	7008574	Anchor Assembly	2	PC
90	7005983	Spacer -Rear door	1	PC
100	29128-1-B	Bush - 20Lg	4	PC
120	93212018-0	Plain Washer M20	2	PC
130	09530003-0	Spring Cotter 3/16/73	2	PC
140	93699710-0	Spring Washer - Plated M8	1	PC
170	92099409-0	Hex Head Screw - M10Cx25 - A2	2	PC
180	92099413-0	Hex Head Screw - M10Cx40 - A2	2	PC
190	93700211-0	Spring Washer M10 - A2	4	PC
200	92067428-0	Hex Head Bolt - M10Cx80 - 8.8	2	PC
210	6105-1501	Hex Head Bolt - M12Cx80 - 8.8	1	PC
220	93212012-0	Plain Washer M10	6	PC
230	93212013-0	Plain Washer M12	1	PC
240	93085806-0	Nyloc Hex Nut M10C - 8	6	PC
250	93085807-0	Nyloc Hex Nut M12C - 8	1	PC
260	92067427-0	Hex Head Bolt - M10Cx75 - 8.8	4	PC
270	7019762	Backplate welded assembly	1	PC
280	7019772	Support beam welded assembly	1	PC
290	7032358	Rear Wanderhose Cylinder Assy	1	PC

**Gantry Assembly (7019773 / E711193)**

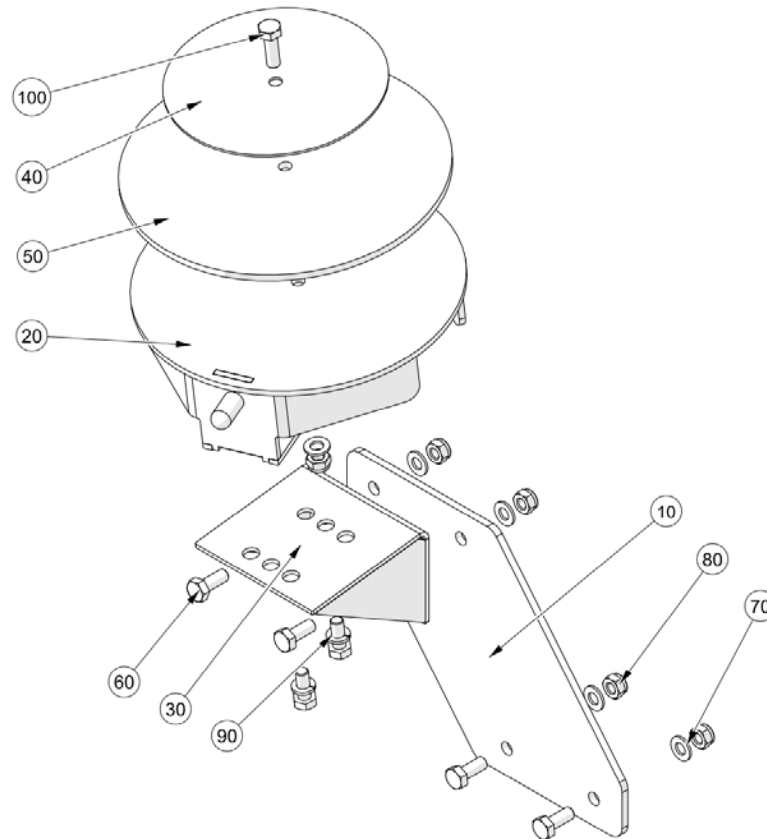
Wanderhose\Rear Mounted\Wanderhose Assembly Rear Mounted\Gantry Assembly



**Gantry Assembly (7019773 / E711193)**

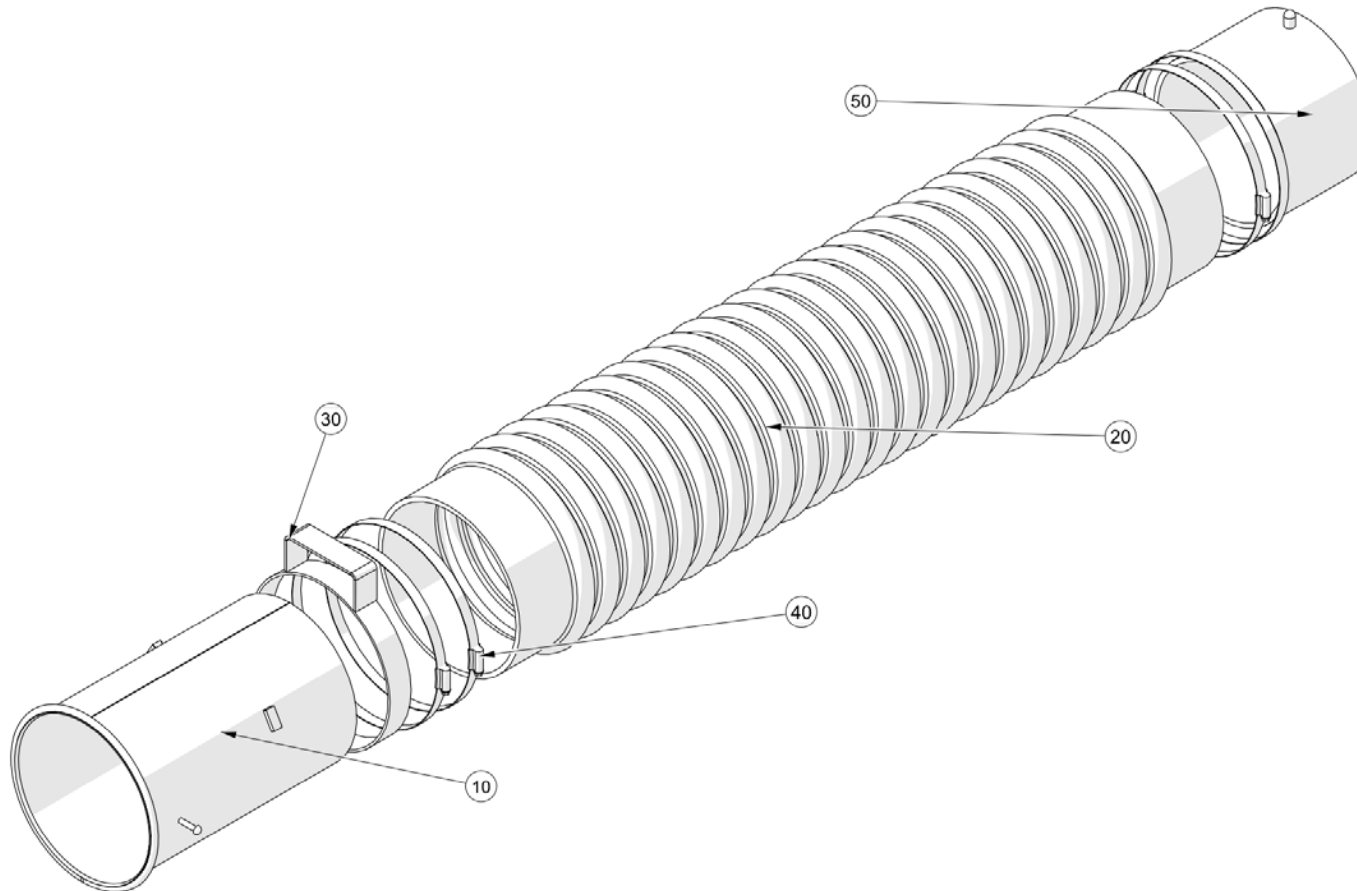
Wanderhose\Rear Mounted\Wanderhose Assembly Rear Mounted\Gantry Assembly

Item no.	Part no.	Description	QTY	Unit
300	93300511-0	Plain Large Washer M12	2	PC
310	92097451-0	Hex Head Screw - M12Cx35 - 8.8	2	PC
320	7035417	Pivot Pin - Rear Wanderhose	1	PC
330	93700212-0	Spring Washer M12 - A2	2	PC



M02WH005

Item no.	Part no.	Description	QTY	Unit
10	7016105	Plate, Rear Wanderhose	1	PC
20	42738-1-A	Anchorage - 8" W/Hose, W/Assy	1	PC
30	42463-1-C	Anchorage - Bracket, W/Hose V500, V650	1	PC
40	6043-1-B	Adaptor Plate	1	PC
50	5688-2	Disc, Rubber 8" Dia	1	PC
60	92097374-0	Hex Head Screw - M8Cx20 - 8.8	7	PC
70	93212011-0	Plain Washer M8	5	PC
80	93085805-0	Nyloc Hex Nut M8C - 8	5	PC
90	93699710-0	Spring Washer - Plated M8	2	PC
100	92097376-0	Hex Head Screw - M8Cx25 - 8.8	1	PC



M02WH014



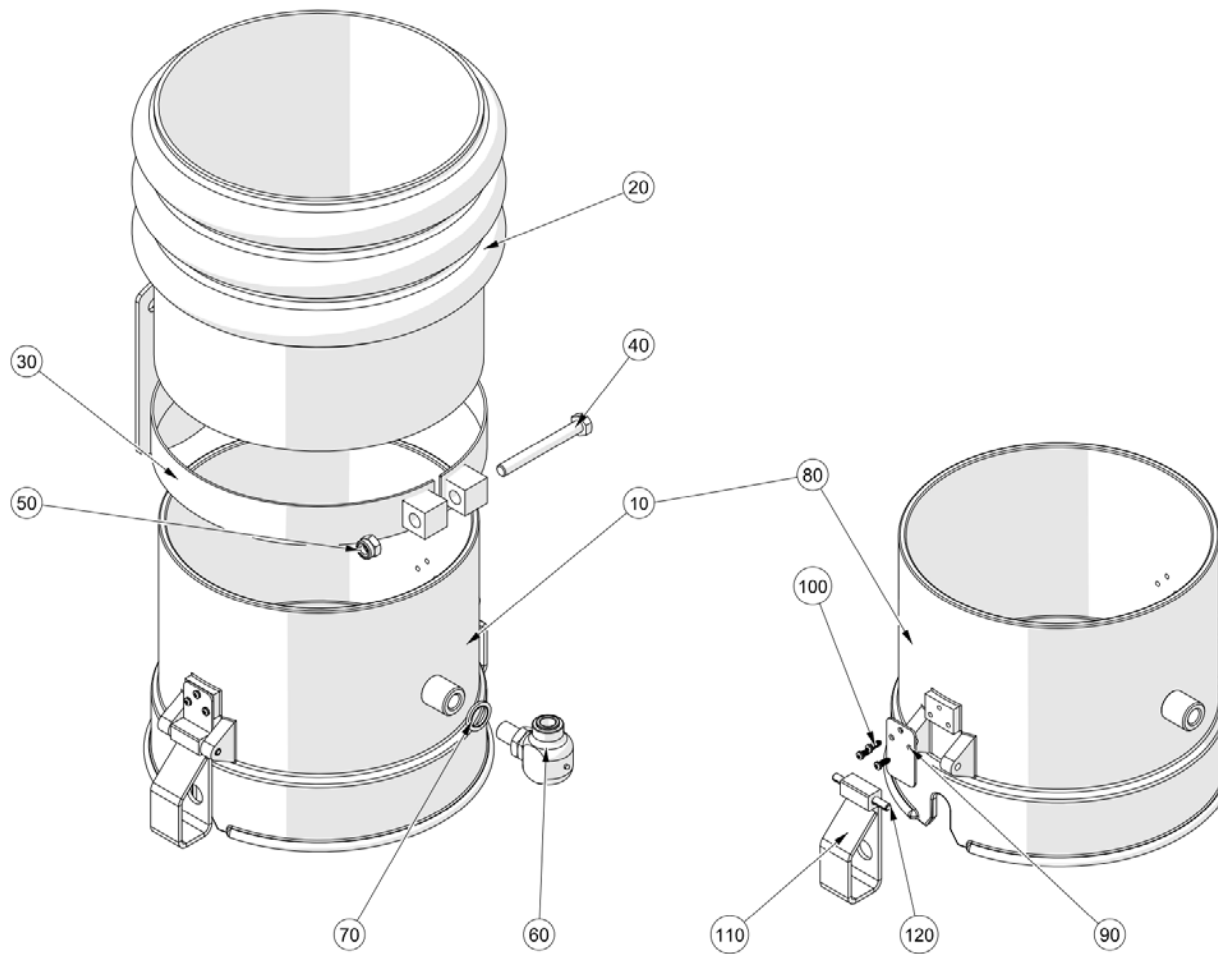
## Extensions (7022611 E710778)

Wanderhose\Rear Mounted\Wanderhose Assembly Rear Mounted\Extensions

Item no.	Part no.	Description	QTY	Unit
20	15917-1-B	Hose - Extension Flexible 8"	1	PC
30	15920-1-C	Handle Fitting End W/Hose W/A	1	PC
40	504-52	Hose Clip - Worm Drive (190-220)	4	PC
50	5996-4	Sleeve - 8" W/Assy	1	PC
10	7020468	Extension W/assy- Wanderhose 8"	1	PC
200 Dia				

**Coupling Assembly (7020388 E710778)**

Wanderhose\Rear Mounted\Wanderhose Assembly Rear Mounted\Coupling Assembly



M02WH013

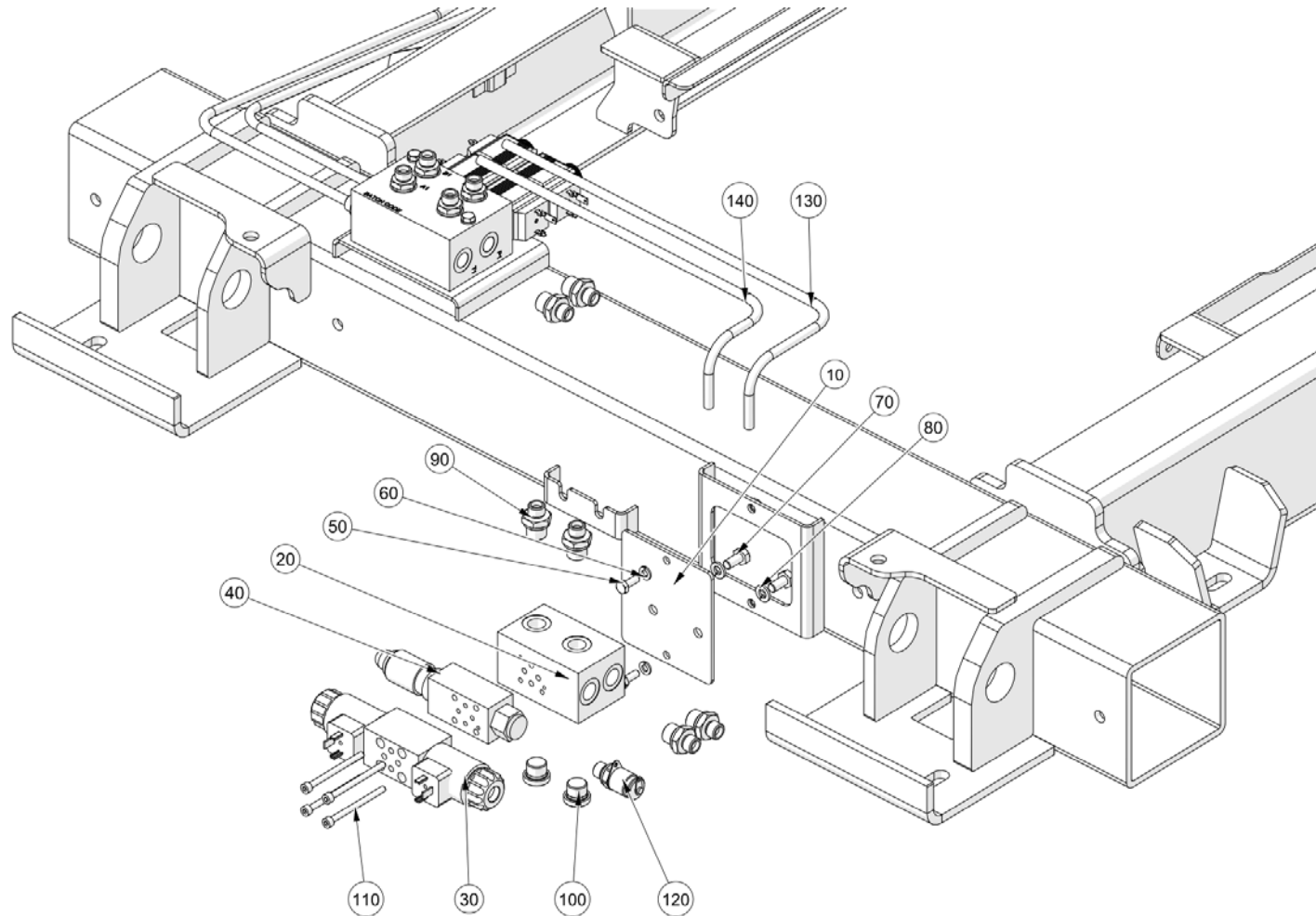
**Coupling Assembly (7020388 E710778)**

Wanderhose\Rear Mounted\Wanderhose Assembly Rear Mounted\Coupling Assembly

Item no.	Part no.	Description	QTY	Unit
10	6003-80-P	Coupling 8" Water Injec.	1	PC
20	221771-1	Duct, Rear Wanderhose	1	PC
30	282638-2	Cable Supt W/A Ø200(Less Hook)	1	PC
40	92067389-0	Hex Head Bolt - M8Cx70 - 8.8	1	PC
50	93085805-0	Nyloc Hex Nut M8C - 8	1	PC
60	7019551	Water Jet Assembly	1	PC
70	451-17	Washer Bonded G1-4"	1	PC
80	61046-2	Sleeve-W/Hose W/A 8"	1	PC
90	6002-1-A	Spring - Coupling	2	PC
100	193-8	Screw Selftap Pan Hd No6x9.5mm	6	PC
110	5999-1-C	Catch - W/Assy	2	PC
120	58-6	Pin - Adaptor 3/16 x 1 7/8"	2	PC

**Wanderhose Controls Rear/Powaboom (7028580, 7028575 E709629)**

Wanderhose\Rear Mounted\Wanderhose Controls Rear/Powaboom



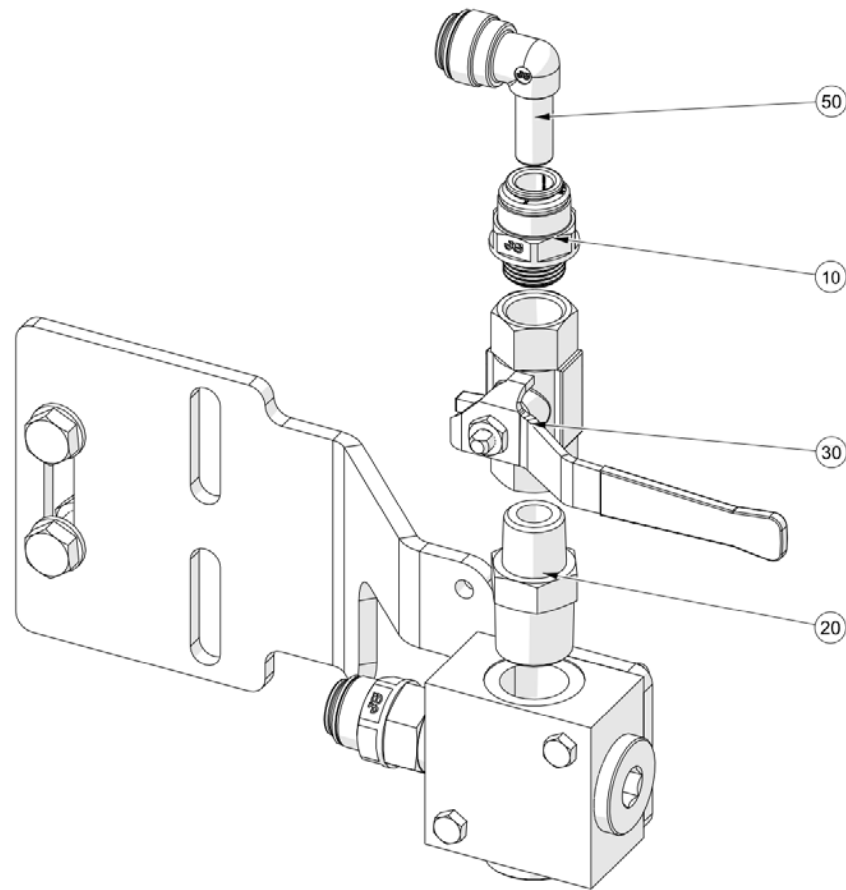
M02WH016

## Wanderhose Controls Rear/Powaboom (7028580, 7028575 E709629)

Wanderhose\Rear Mounted\Wanderhose Controls Rear/Powaboom

Item no.	Part no.	Description	QTY	Unit
10	7009707	Plate	1	PC
20	7009457	Manifold -Hydraulic CETOP2 (04)	1	PC
30	298-11	Valve Solenoid Operated Directional 12v	1	PC
40	298-1	Valve - Pressure Reducing	1	PC
50	92097299-0	Hex Head Screw - M6Cx16 - 8.8	2	PC
60	93699708-0	Spring Washer - Plated M6	2	PC
70	92097372-0	Hex Head Screw - M8Cx16 - 8.8	2	PC
80	93699710-0	Spring Washer - Plated M8	2	PC
90	09570102-0	Stud Coupling Male G 3/8" x M14 x 1.5	6	PC
100	09572134-0	Sealing Plug VS-R 3/8 WD	2	PC
110	92137054-0	Hex Socket Cap Screw - M5Cx65 - 12.9	4	PC
120	665-8	Test Coupling SMK20 - G1/4 Type C	1	PC
130	7013725	Pipe - Hydraulic	1	PC
140	7013726	Pipe - Hydraulic	1	PC
30	298-21	Valve - Directional control 24v	1	PC

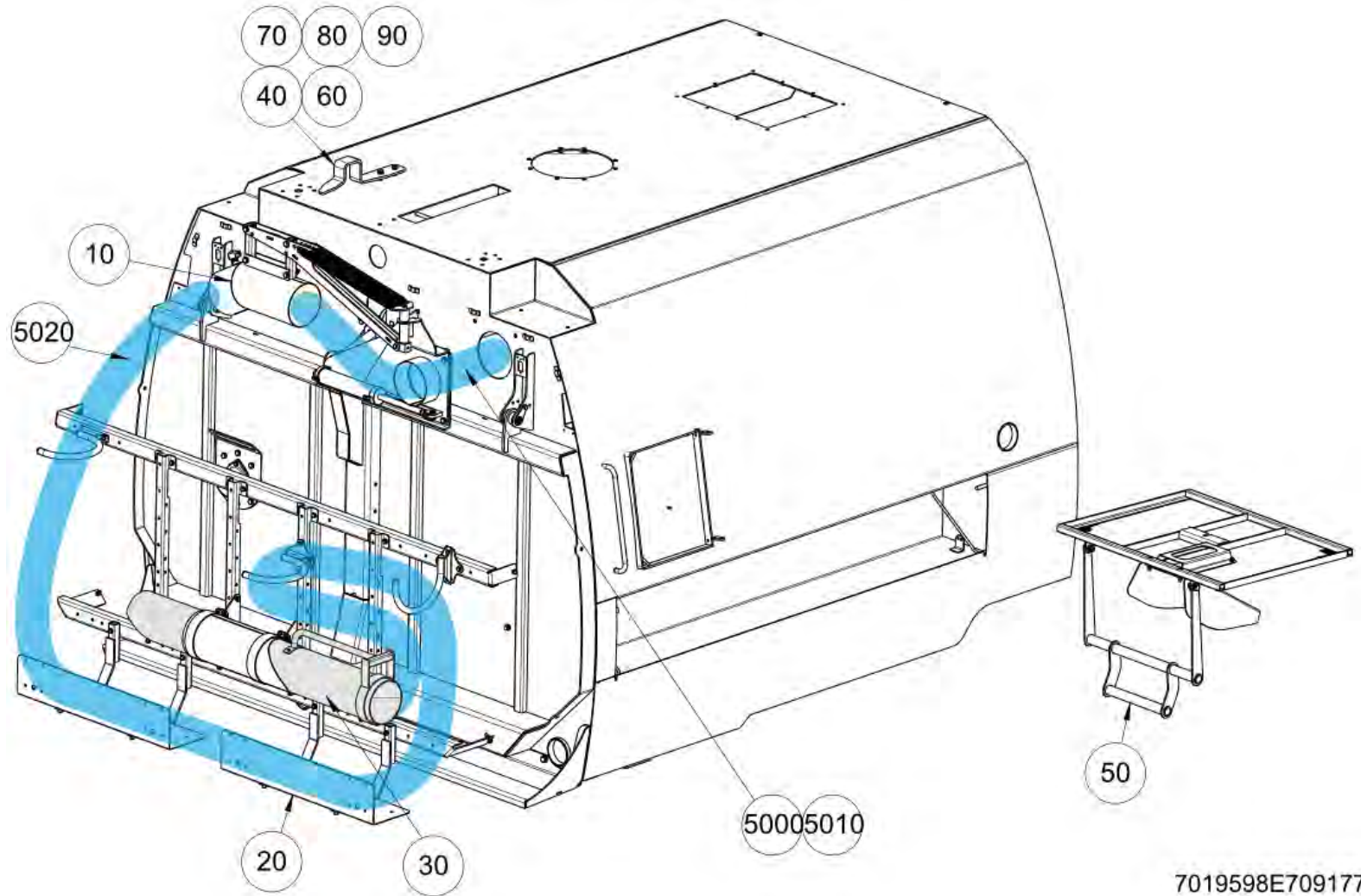
**Ancillary Water Feed (7024037 E708480)**  
Wanderhose\Rear Mounted\Ancillary Water Feed



M02W1020

**Ancillary Water Feed (7024037 E708480)**  
Wanderhose\Rear Mounted\Ancillary Water Feed

Item no.	Part no.	Description	QTY	Unit
10	297-20	Adaptor Straight - 3/8 BSP	1	PC
20	65-17	Adaptor-3/8 -1/2 BSP TAPERED	1	PC
30	89-1	Ball Valve 3/8 BSP 1/4 Turn	1	PC
50	297-44	Elbow Stem - Tube O/D 10	1	PC



7019598E709177



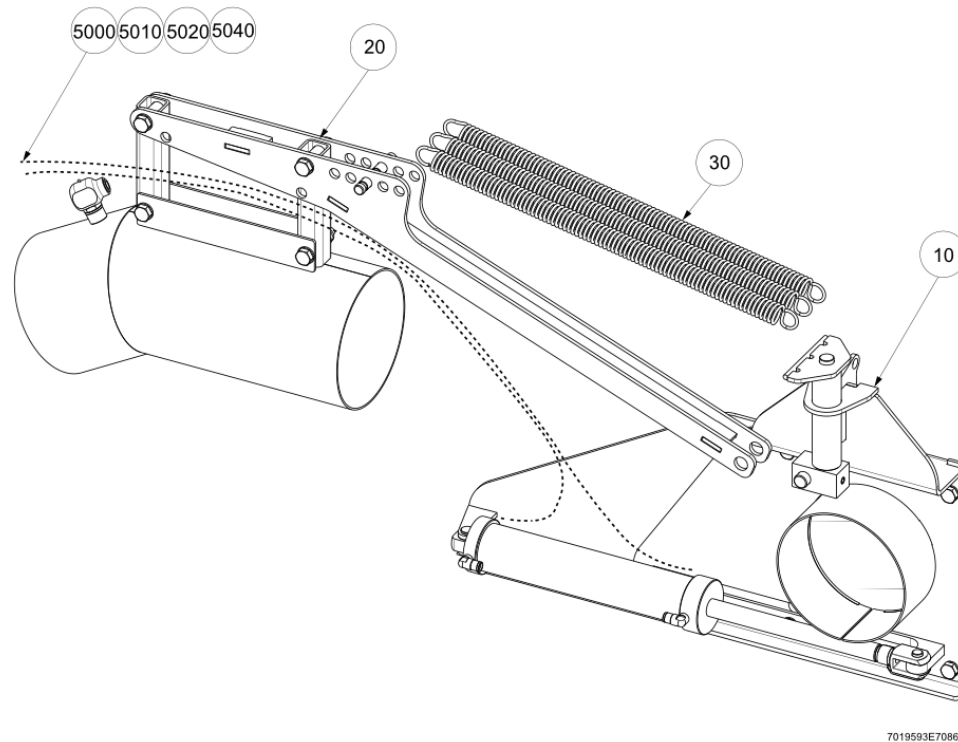
Littasnatch Installation (9652010-002 , 7019598)

Wanderhose\Littasnatch\Littasnatch Installation

Item no.	Part no.	Description	QTY	Unit
20	7018090	Stowage frame - Littasnatch	1	PC
10	7019593	Gate/davit assy - Littasnatch	1	PC
50	7020245	Mesh deflector installation	1	PC
40	7020266	Stowage plate assembly	1	PC
30	282448-2	Tube-Suction, Assy Littasnatch	1	PC
5010	504-51	Hose Clip - Worm Drive (150-180)	3	PC
5000	60744-1	Duct - Plastic A = 750mm	1	PC
5020	60744-4	Duct - Plastic 6.25 Metres Long	1	PC
60	7020256	Stowage plate	1	PC
70	92099411-0	Hex Head Screw - M10Cx30 - A2	2	PC
80	93213011-0	Plain Washer M10 A2	2	PC
90	93700211-0	Spring Washer M10 - A2	2	PC

**Gate/Davit Assembly - Littasnatch (7019593)**

Wanderhose\Littasnatch\Littasnatch Installation\Gate/Davit Assembly - Littasnatch



7019593E708635

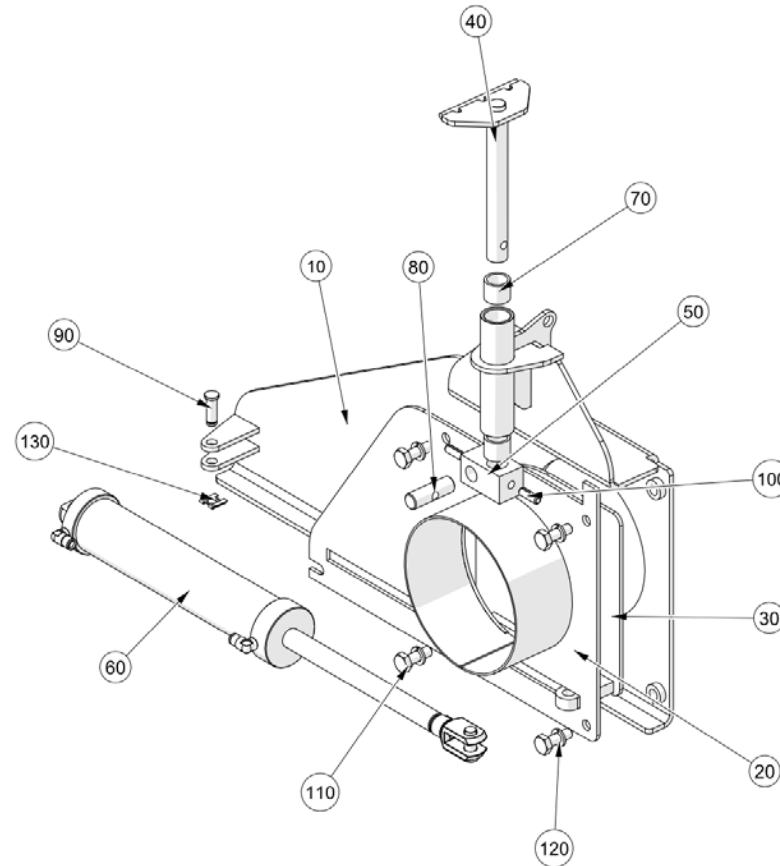
**Gate/Davit Assembly - Littasnatch (7019593)**

Wanderhose\Littasnatch\Littasnatch Installation\Gate/Davit Assembly - Littasnatch

Item no.	Part no.	Description	QTY	Unit
10	7018683	Littasnatch gate assembly	1	PC
20	7019212	Davit assembly - Littasnatch	1	PC
30	3637-1	Spring - Tension	3	PC
5000	72-50	Rotary Knob Pneu Switch	1	PC
5010	548-20	Adaptor - Expanding 8mm x 6mm	1	PC
5020	273-20	Tube - Nylon Blue 6mm O/D 100m Reel	7	M
5040	547-4	Connector - 8mm Straight	1	PC

**Littasnatch Gate Assembly (7018683)**

Wanderhose\Littasnatch\Littasnatch Installation\Gate/Davit Assembly - Littasnatch\Littasnatch Gate Assembly



M02WH006

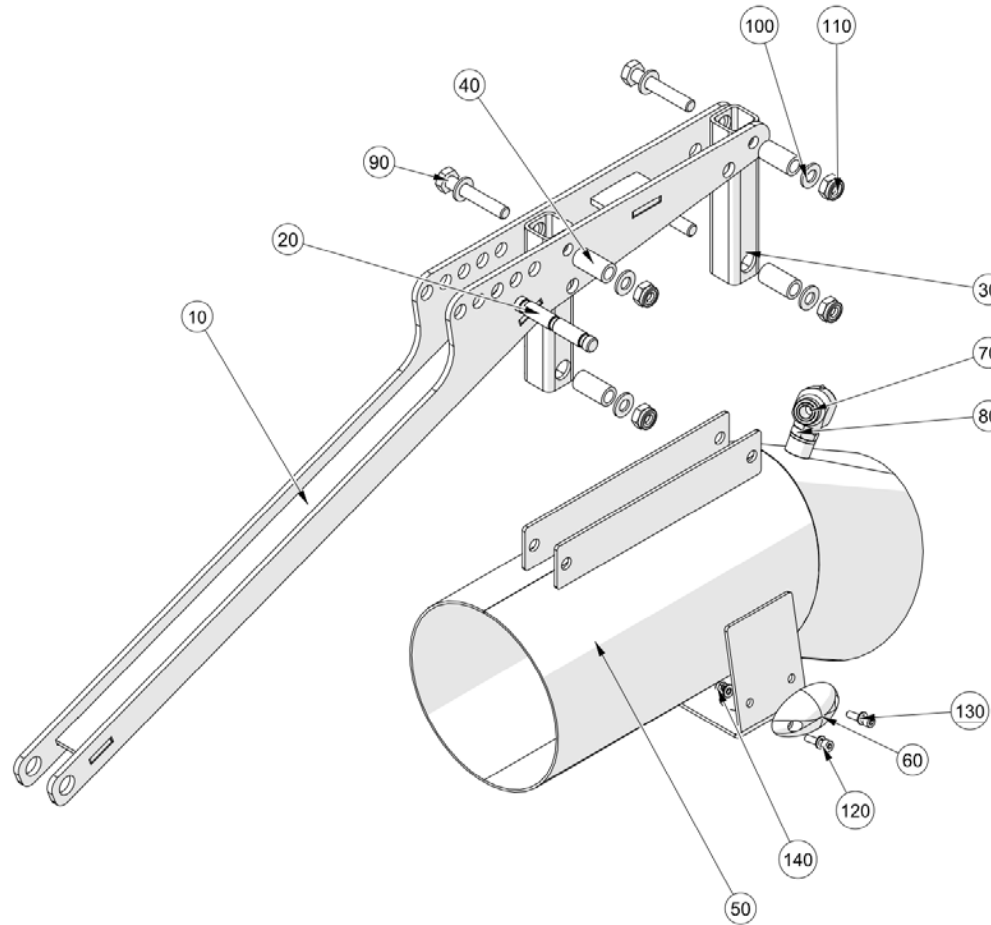
## Littasnatch Gate Assembly (7018683)

Wanderhose\Littasnatch\Littasnatch Installation\Gate/Davit Assembly - Littasnatch\Littasnatch Gate Assembly

Item no.	Part no.	Description	QTY	Unit
10	7018669	Backplate welded assembly	1	PC
20	7018672	Front plate welded assembly	1	PC
30	7018675	Gate welded assembly	1	PC
40	7018680	Pivot welded assembly	1	PC
50	60309-1-A	Joint Universal	1	PC
60	7004732	Cylinder Assembly Ø50x210	1	PC
70	29128-1-B	Bush - 20Lg	2	PC
80	60317-1-A	Pin Pivot	1	PC
90	29145-2-C	Clevis pin (33mm Lg)	1	PC
100	93545352-0	Spring Pin (Slotted) - Ø8x24 C.Steel HD	2	PC
110	92099411-0	Hex Head Screw - M10Cx30 - A2	4	PC
120	93700211-0	Spring Washer M10 - A2	4	PC
130	39624	Slim Safety Fastener	1	PC

**Davit Assembly - Littasnatch (7019212 / E706876)**

Wanderhose\Littasnatch\Littasnatch Installation\Gate\Davit Assembly - Littasnatch\Davit Assembly - Littasnatch



M02W1008

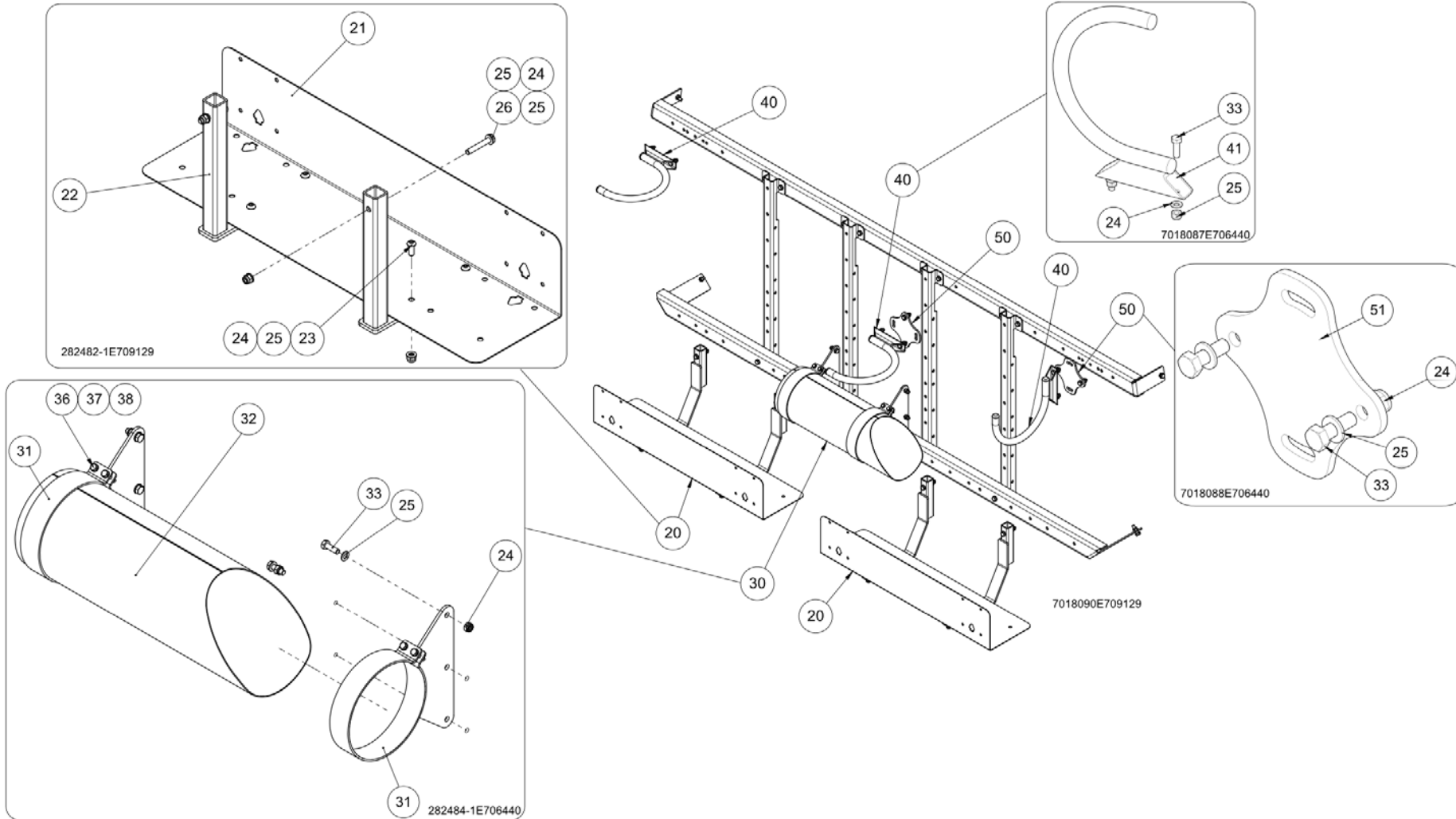
## Davit Assembly - Littasnatch (7019212 / E706876)

Wanderhose\Littasnatch\Littasnatch Installation\Gate\Davit Assembly - Littasnatch\Davit Assembly - Littasnatch

Item no.	Part no.	Description	QTY	Unit
10	282990-1	Davit-Rear Littasnatch W/Assy	1	PC
20	60326-1-A	Pin Spring Location	1	PC
30	60724-1	Link - Tube Suspension	2	PC
40	60734-1	Spacer Ø16 OD x Ø10.5 ID	4	PC
50	283328-1	Tube Wanderhose Connection	1	PC
60	39382	Buffer	1	PC
70	7019551	Water Jet Assembly	1	PC
80	451-17	Washer Bonded G1-4"	1	PC
90	92067424-0	Hex Head Bolt - M10Cx60 - 8.8	4	PC
100	93212012-0	Plain Washer M10	8	PC
110	93085006-0	Nyloc Hex Thin Nut M10C - 8	4	PC
120	92137044-0	Hex Socket Cap Screw - M5Cx20 - 12.9	2	PC
130	93210109-0	Plain Washer M5	4	PC
140	93085003-0	Nyloc Hex Nut M5C - 8	2	PC

**Stowage Frame - Littasnatch (7018090)**

Wanderhose\Littasnatch\Littasnatch Installation\Stowage Frame - Littasnatch





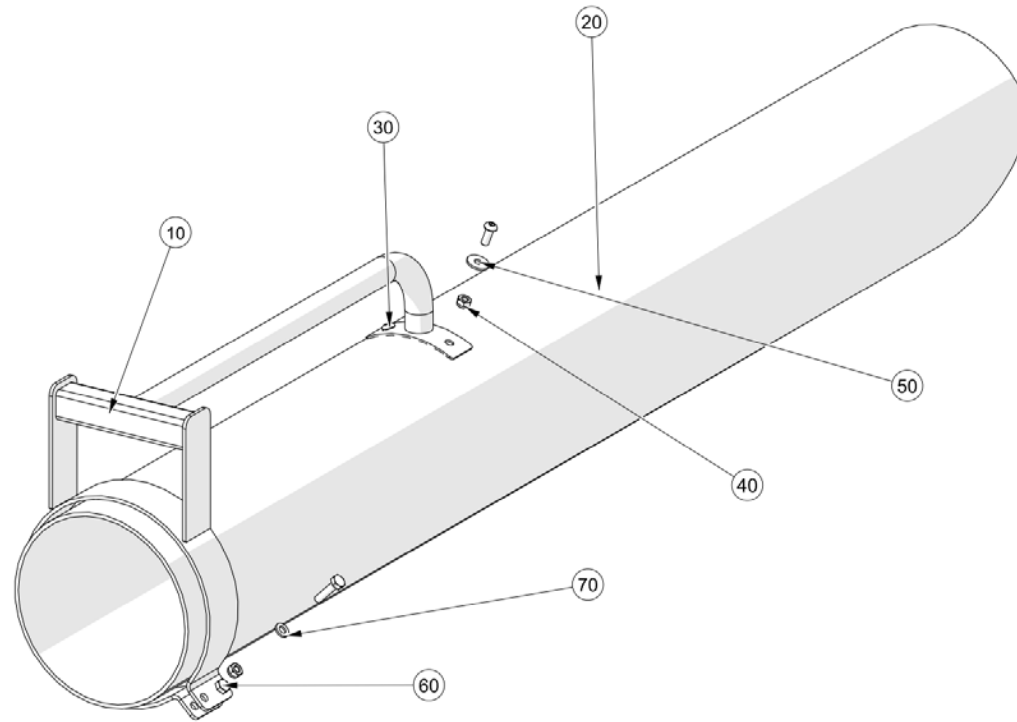
## Stowage Frame - Littasnatch (7018090)

Wanderhose\Littasnatch\Littasnatch Installation\Stowage Frame - Littasnatch

Item no.	Part no.	Description	QTY	Unit
20	282482-1	Trough Assembly	2	PC
30	282484-1	Holster Assembly - Littasnatch	1	PC
40	7018087	Hook sub-assembly	3	PC
50	7018088	Star plate sub-assembly	2	PC
21	801928-1	Plate - Trough	2	PC
22	281580-1	Post W/Assy	4	PC
23	92330045-0	Hex Skt Button Head Screw M8x20 - 10.9	8	PC
24	93085805-0	Nyloc Hex Nut M8C - 8	26	PC
25	93212011-0	Plain Washer M8	30	PC
26	92067385-0	Hex Head Bolt - M8Cx50 8.8	4	PC
31	282483-1	Support - Holster Littasnatch	2	PC
32	280560-1	Holster - Littasnatch	1	PC
33	92097376-0	Hex Head Screw - M8Cx25 - 8.8	16	PC
36	92067307-0	Hex Head Bolt - M6Cx30 - 8.8	4	PC
37	93212009-0	Plain Washer M6	4	PC
38	93085004-0	Nyloc Hex Nut M6C - 8	4	PC
41	282504-1	Hook - Littasnatch, Assy	3	PC
51	281579-1	Plate - Hook Support	2	PC

**Tube Suction Assembly - Littasnatch (282448-2 / E706876)**

Wanderhose\Littasnatch\Littasnatch Installation\Tube Suction Assembly - Littasnatch



M02WH011

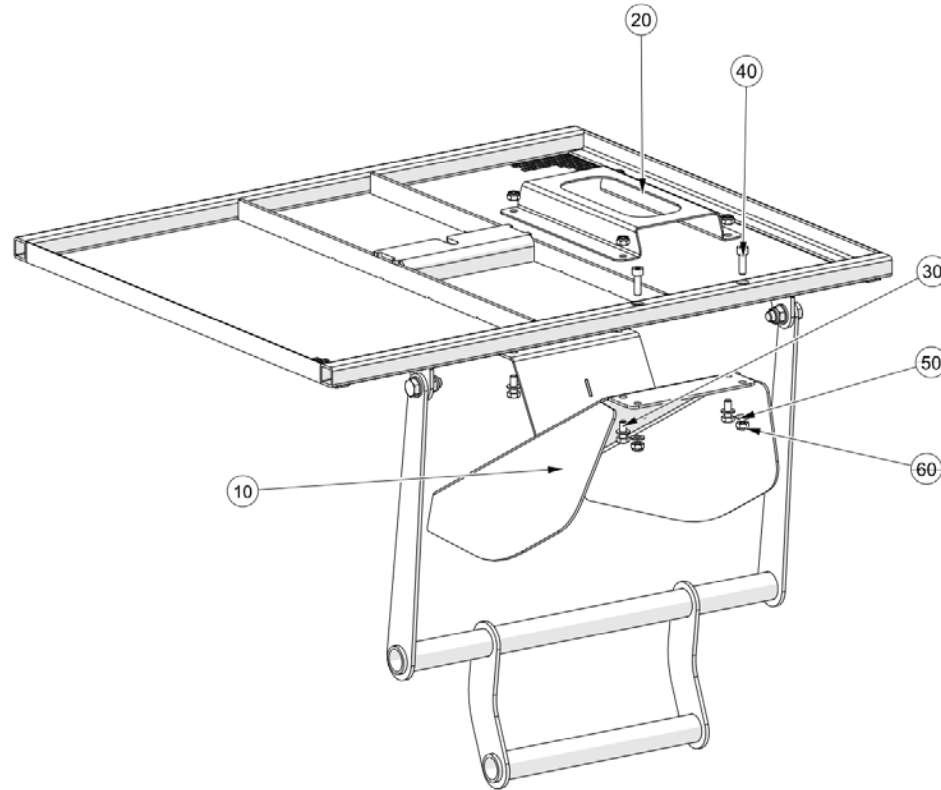
**Tube Suction Assembly - Littasnatch (282448-2 / E706876)**

Wanderhose\Littasnatch\Littasnatch Installation\Tube Suction Assembly - Littasnatch

Item no.	Part no.	Description	QTY	Unit
10	60716-2	Handle - Long W/A Littasnatch	1	PC
20	60739-2	Tube - Suction 1200 lg	1	PC
30	92330213-0	Hex Socket Button Head Screw M6Cx16 A2	2	PC
40	93085004-0	Nyloc Hex Nut M6C - 8	4	PC
50	93300507-0	Plain Large Washer M6	2	PC
60	92097303-0	Hex Head Screw - M6Cx25 - 8.8	2	PC
70	93212009-0	Plain Washer M6	2	PC

**Mesh Deflector Installation (7020245)**

Wanderhose\Littasnatch\Littasnatch Installation\Mesh Deflector Installation



M02WH007

**Mesh Deflector Installation (7020245)**

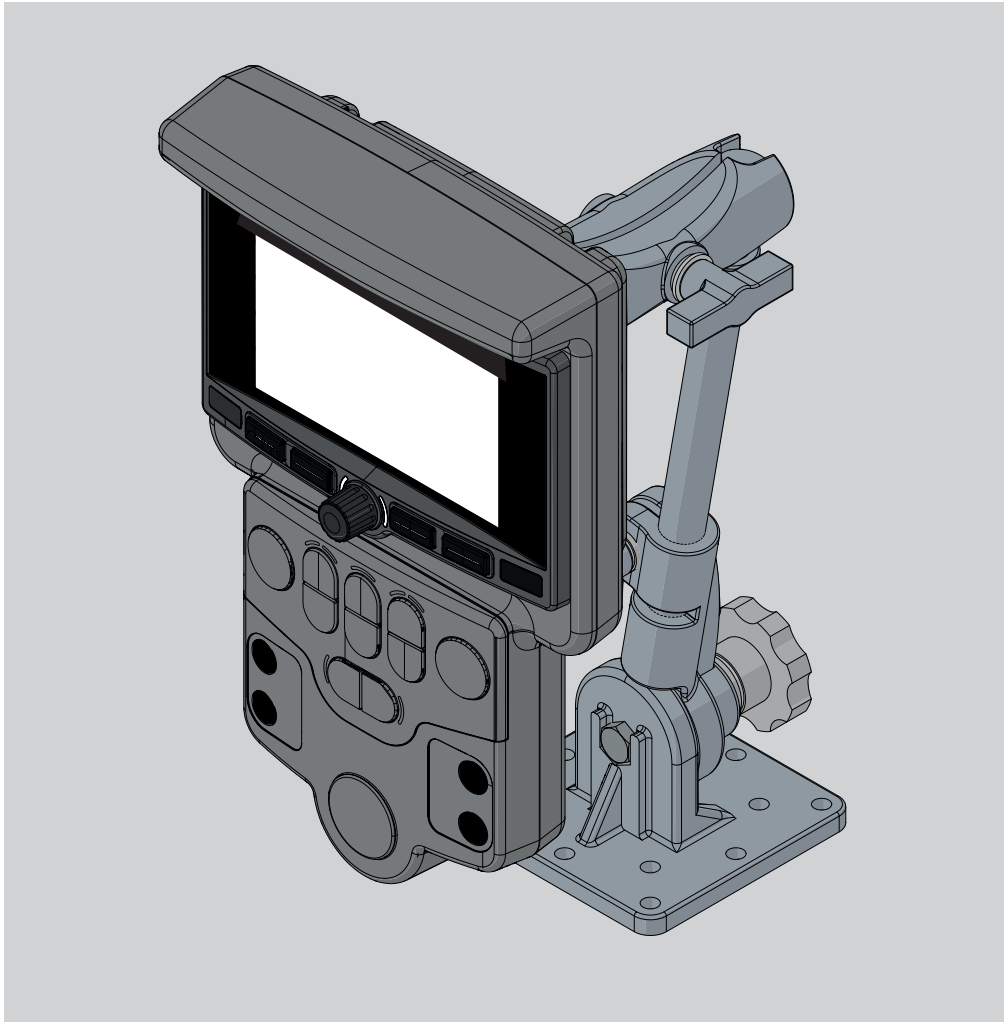
Wanderhose\Littasnatch\Littasnatch Installation\Mesh Deflector Installation

Item no.	Part no.	Description	QTY	Unit
10	7020200	Deflector welded assembly	1	PC
20	7020202	Spreader plate	1	PC
30	92099373-0	Hex Head Screw - M8Cx20 - A2	4	PC
40	92137120-0	Hex Socket Cap Screw - M8Cx25 - 12.9	2	PC
50	93209008-0	Plain Washer M7 A2	6	PC
60	93085605-0	Nyloc Hex Nut - M8c - A2	6	PC
5000	288-33	Round insert - 18mm (1-2.25)	2	PC

This page is intentionally left blank

## Chapter 10

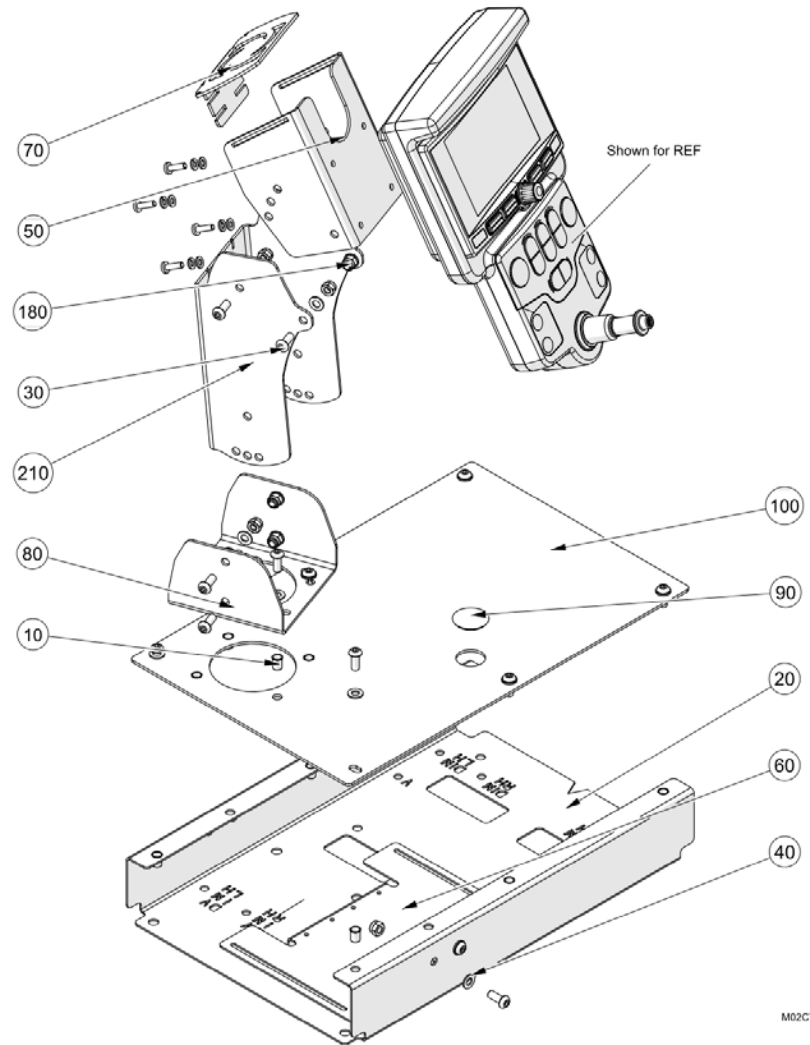
# Controls



### Table of Contents

Section	Page
10.1 Centre Console Installation.....	552
10.2 Centre Console Assembly - Standard.....	554
10.3 Centre Console Assembly - Hydrostatic.....	556
10.4 Door Controller.....	558
10.5 Discharge Pendant.....	562
10.6 Options.....	564

**Centre Console Installation (7024640 E710718)**  
Controls\Centre Console Installation



M02CT004



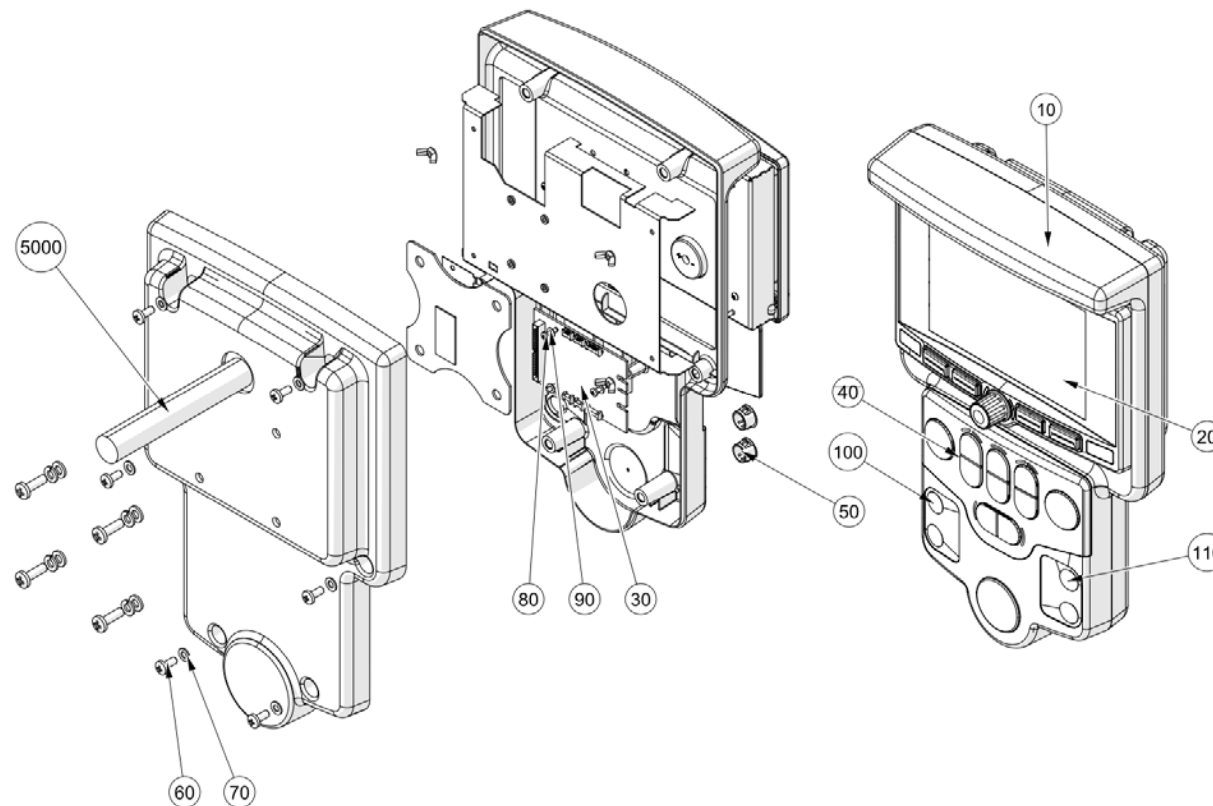
## Centre Console Installation (7024640 E710718)

Controls\Centre Console Installation

Item no.	Part no.	Description	QTY	Unit
10	433-4	Rivet Nut - S. CI Nut M8c g0.9-3.7	10	PC
20	7024652	Base Plate	1	PC
30	92330045-0	Hex Skt Button Head Screw M8x20 - 10.9	20	PC
40	93212011-0	Plain Washer M8	20	PC
50	7029661	Mounting Bracket, Control Box	1	PC
60	7023704	Camera and Relay bracket M.U.	1	PC
70	7029662	Back Plate, Mounting Bracket	1	PC
80	7029276	Bottom Mounting Bracket, Pedestal	1	PC
90	288-10	Grommet - Blind 31.8 O/D x 1.6	1	PC
100	7029275	Top Plate - Plain	1	PC
180	93085805-0	Nyloc Hex Nut M8C - 8	10	PC
210	7029280	Channel, Pedestal	1	PC
5000	24-4	Cable Tie 143mm x 3.5mm	2	PC

**Centre Console Assembly - Standard (7016411 / E707851 , 9652009-001 , 9652091-001)**

Controls\Centre Console Assembly - Standard



M02CT001

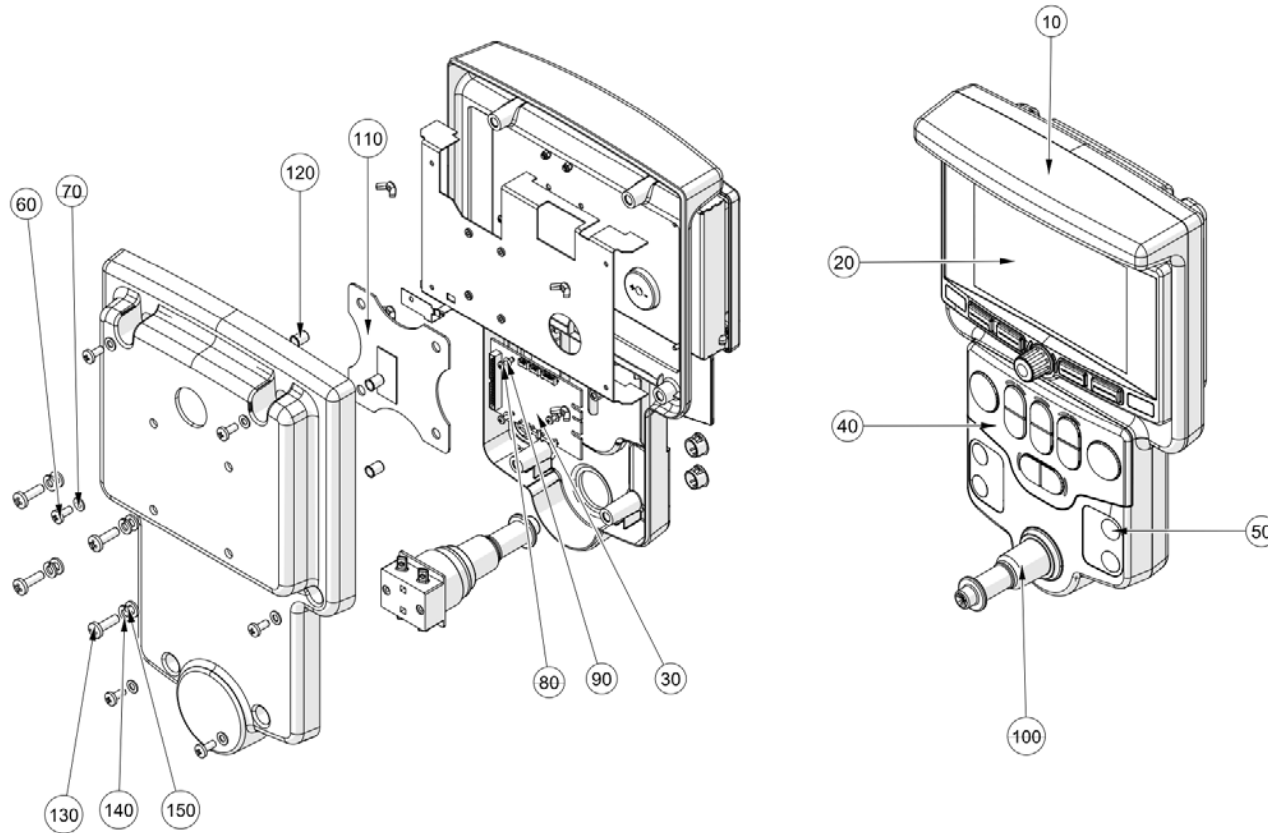
Centre Console Assembly - Standard (7016411 / E707851 , 9652009-001 , 9652091-001)

Controls\Centre Console Assembly - Standard

Item no.	Part no.	Description	QTY	Unit
10	7008752	Control panel -Cab	1	PC
20	7029147	JVM Twin Engine (Replacement)	1	PC
30	7016414	Keypad Node - Centre Console	1	PC
40	7006881	Keypad - Centre Console	1	PC
This includes item S1 - Flat Ribbon				
50	44-70	Plug - Locking Hole, 14.3mm I/D	4	PC
60	134-57	Pan Head Screw-M5Cx12-4.8-Pozidriv	6	PC
70	93210109-0	Plain Washer M5	6	PC
80	134-12	Pan Head Screw-M3Cx10-4.8-Pozidriv	3	PC
90	93212005-0	Plain Washer M3	3	PC
100	7016829	Switch Assembly, NO + LED	1	PC
110	7016839	Switch Assembly	1	PC
5000	7008151	Cable Assembly	1	PC
S1	7008056	Flat Ribbon	1	PC

**Centre Console Assembly - Hydrostatic (7016551 / E707851 , 9652009-001 , 9652091-001)**

Controls\Centre Console Assembly - Hydrostatic

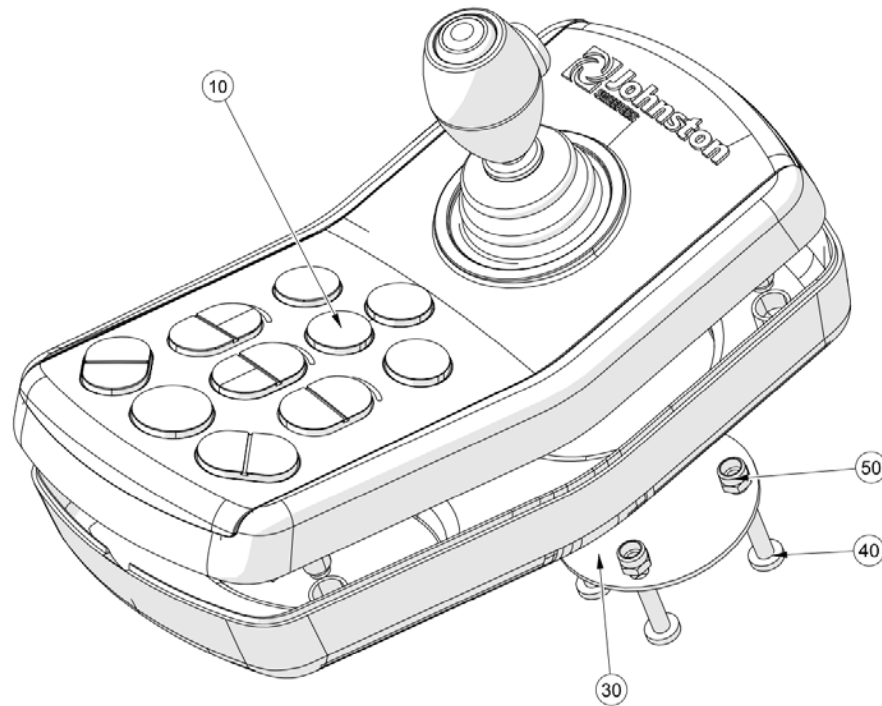


M02CT003

Centre Console Assembly - Hydrostatic (7016551 / E707851 , 9652009-001 , 9652091-001)

Controls\Centre Console Assembly - Hydrostatic

Item no.	Part no.	Description	QTY	Unit
10	7008754	Control panel -Cab	1	PC
30	7016414	Keypad Node - Centre Console	1	PC
40	7006881	Keypad - Centre Console	1	PC
This includes item S1 - Flat Ribbon				
50	44-70	Plug - Locking Hole, 14.3mm I/D	4	PC
60	134-57	Pan Head Screw-M5Cx12-4.8-Pozidriv	6	PC
70	93210109-0	Plain Washer M5	6	PC
80	134-12	Pan Head Screw-M3Cx10-4.8-Pozidriv	3	PC
90	93212005-0	Plain Washer M3	3	PC
100	48-83	Joystick-TwoWay(forward/revers	1	PC
110	7030424	Centre Console, Mounting Plate	1	PC
120	433-2	Rivet Nut - S.Cl. Nut M6c g0.5-3.0	4	PC
130	134-74	Pan Head Screw-M6Cx20-4.8-Pozidriv	4	PC
140	93699708-0	Spring Washer - Plated M6	4	PC
150	93212009-0	Plain Washer M6	4	PC
5000	7008151	Cable Assembly	1	PC
5010	7022168	Cable Assembly	1	PC
20	7029148	JVM Single Engine (Replacement)	1	PC
This does not include an SD Card				
S1	7008056	Flat Ribbon	1	PC

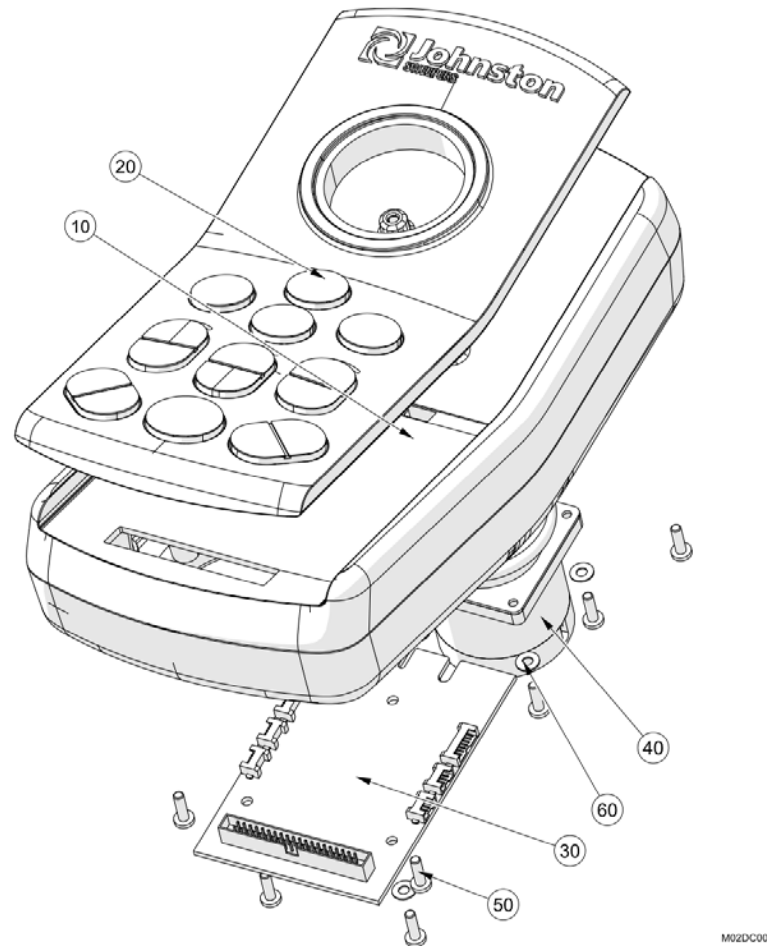


M02CT002

**Door Controller (6521312-001)**

Controls\Door Controller

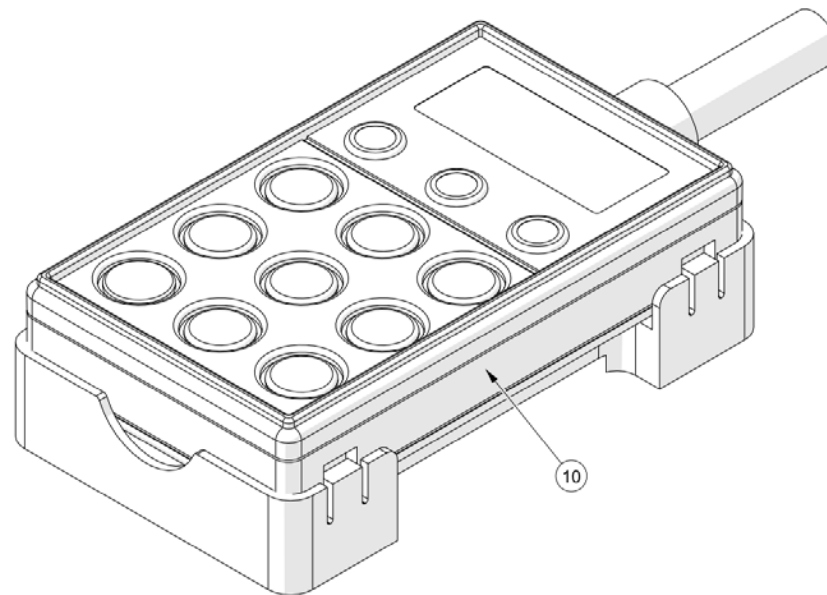
Item no.	Part no.	Description	QTY	Unit
10	7006676	Palm Control	1	PC
30	7008184	Plate -Control system	1	PC
40	134-59	Pan Head Screw-M5Cx20-4.8-Pozidriv	4	PC
50	93085003-0	Nyloc Hex Nut M5C - 8	4	PC

**Control Panel - Sweep Gear (7006676 / E706370)**  
Controls\Door Controller\Control Panel - Sweep Gear



**Control Panel - Sweep Gear (7006676 / E706370)**  
Controls\Door Controller\Control Panel - Sweep Gear

Item no.	Part no.	Description	QTY	Unit
10	7006589	Palm Control, Housing	1	PC
20	7006671	Keypad - Door Controller	1	PC
This includes item S1 - Flat Ribbon				
30	7006364	Control -Control system Keypad Node	1	PC
40	7006673	Control -Electric	1	PC
50	134-12	Pan Head Screw-M3Cx10-4.8-Pozidriv	10	PC
60	93212005-0	Plain Washer M3	6	PC
5010	7006798	Cable Assembly	1	PC
S1	7008056	Flat Ribbon	1	PC



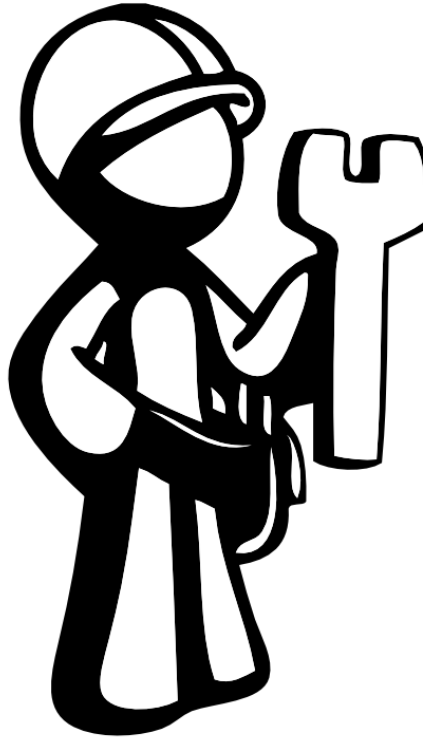
M02CT005

Discharge Pendant (6521313-001 E703940)

Controls\Discharge Pendant

Item no.	Part no.	Description	QTY	Unit
10	7008222	Control panel Assembly Johnston TMS	1	PC

PAGE  
UNDER  
CONSTRUCTION



PLEASE  
BEAR  
WITH US

Powasave / Thrust (9652034-001 , 9652034-002)

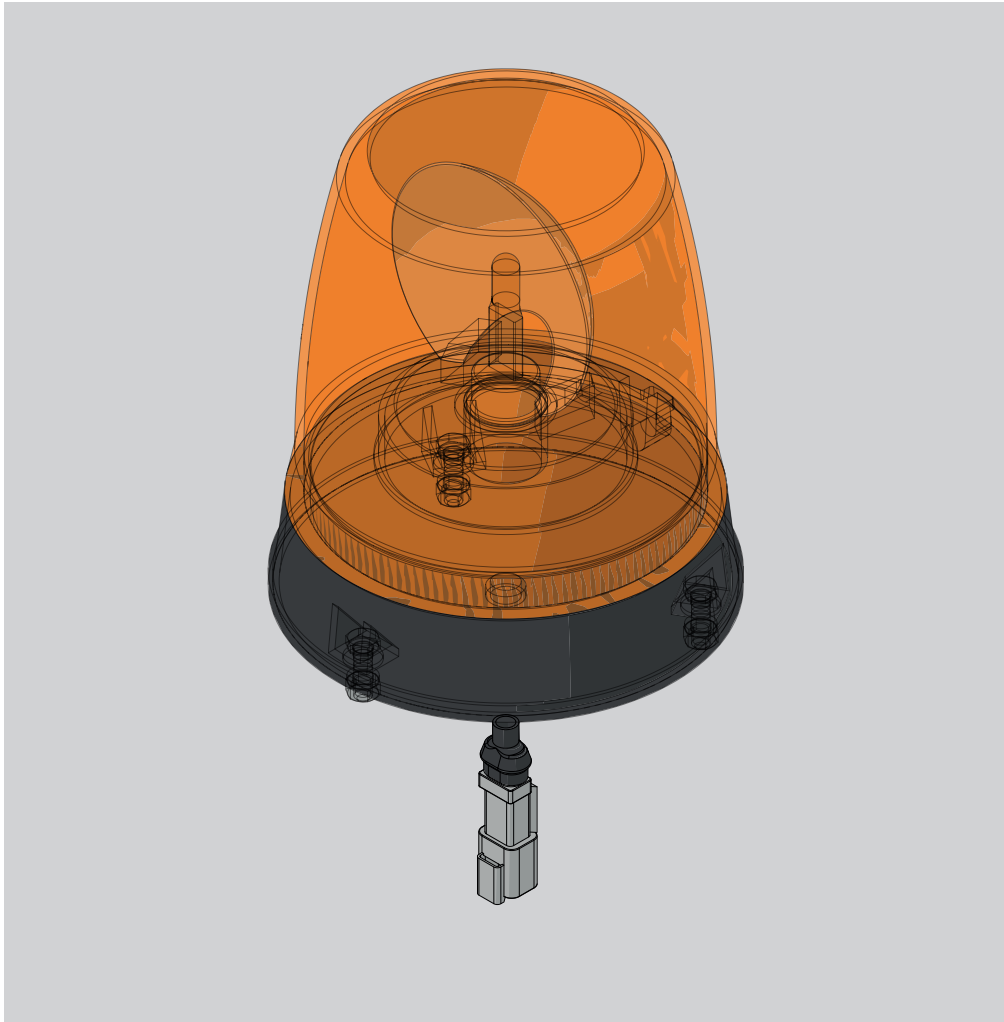
Controls\Options\Powasave / Thrust

Item no.	Part no.	Description	QTY	Unit
10	282627-1	Pneumatic Regulator-Norgren	1	PC
20	559-6	Connector - Parallel Y 6x6x6mm	1	PC
Dual Only				
30	273-20	Tube - Nylon Blue 6mm O/D 100m Reel	11.3	M
40	273-21	Tube - Nylon Red 6mm O/D 100M REEL	7.2	M
50	7030601	Powasave Installation (Single)	2	PC
70	288-10	Grommet - Blind 31.8 O/D x 1.6	1	PC

This page is intentionally left blank

## Chapter 11

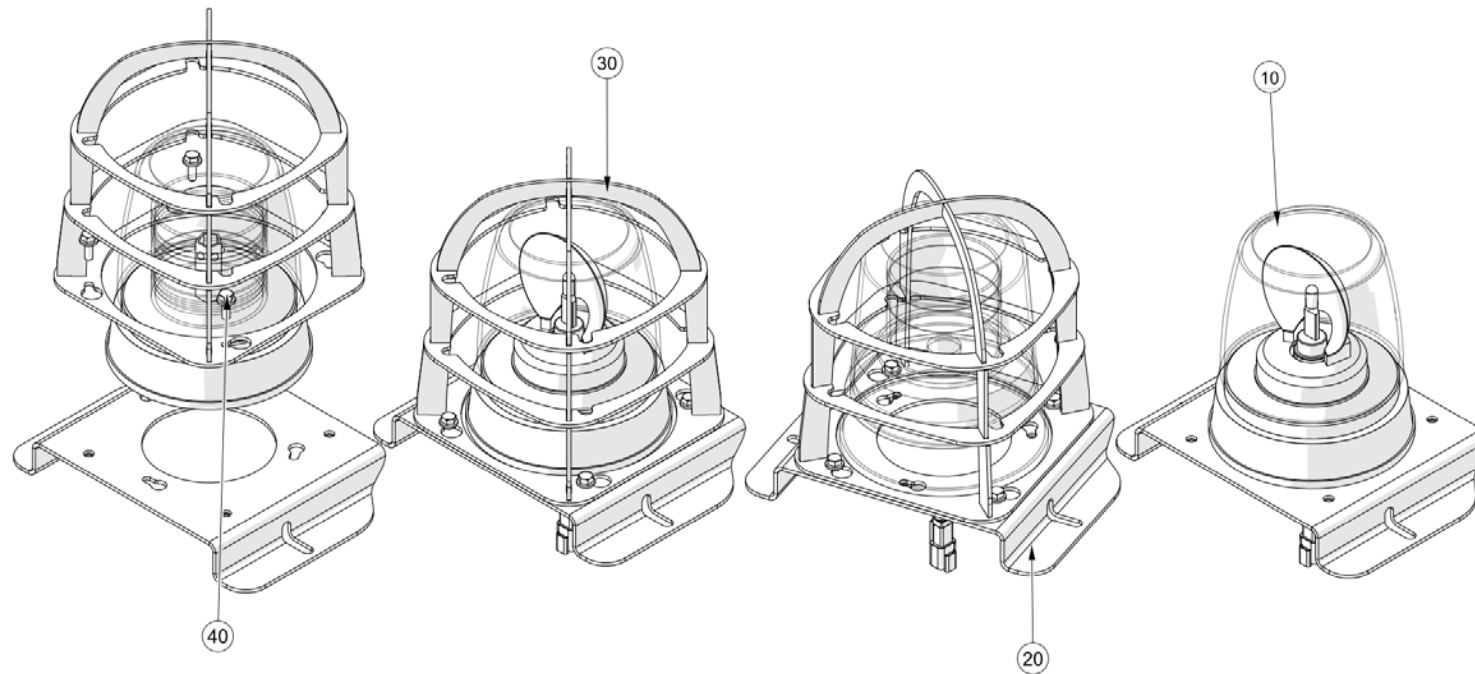
# Beacons, Worklights & Cameras



### Table of Contents

Section	Page
11.1 Rear Beacons.....	568
11.2 Work lights.....	570
11.3 LED Light Assembly.....	576
11.4 Rear Camera Installation.....	578
11.4 Side Camera Installation.....	580
11.4 Camera Options.....	582

Rear Beacons (283981-12 , 283981-24 , 283982-1 , 7013706 , 283973-12 , 283973-24)  
Beacons, Worklights & Camera



M02WL001

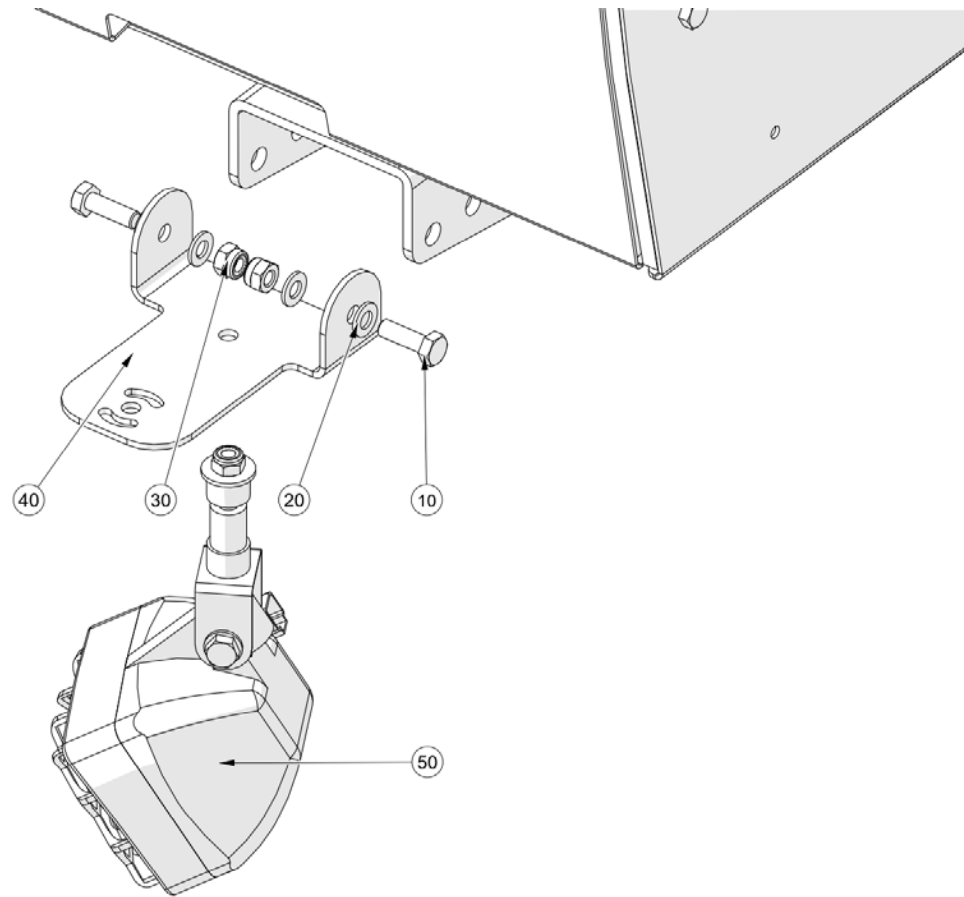


**Rear Beacons (283981-12 , 283981-24 , 283982-1 , 7013706 , 283973-12 , 283973-24)**

Beacons, Worklights &amp; Camera\Rear Beacons

Item no.	Part no.	Description	QTY	Unit
10	282793-12	Beacon - Rotating Rear 12v	2	PC
20	295079-1	Beacon Base W/Assy	2	PC
30	295078-1	Beacon Cage W/Assy	2	PC
40	92119004-0	Hex Flange Bolt - M6Cx16 - 8.8	8	PC
10	282793-24	Beacon - Rotating Rear 24v	2	PC
10	282462-1	Beacon-Xenon Rear	2	PC
10	46-426	LED Beacon 12/24	2	PC
10	282959-12	Beacon-Airport Flashing 12v	2	PC
10	282959-24	Beacon-Airport Flashing 24v	2	PC

**Side Worklight Installation (7033036 E710907)**  
Beacons, Worklights & Camera\Work Lights\Side Worklight Installation



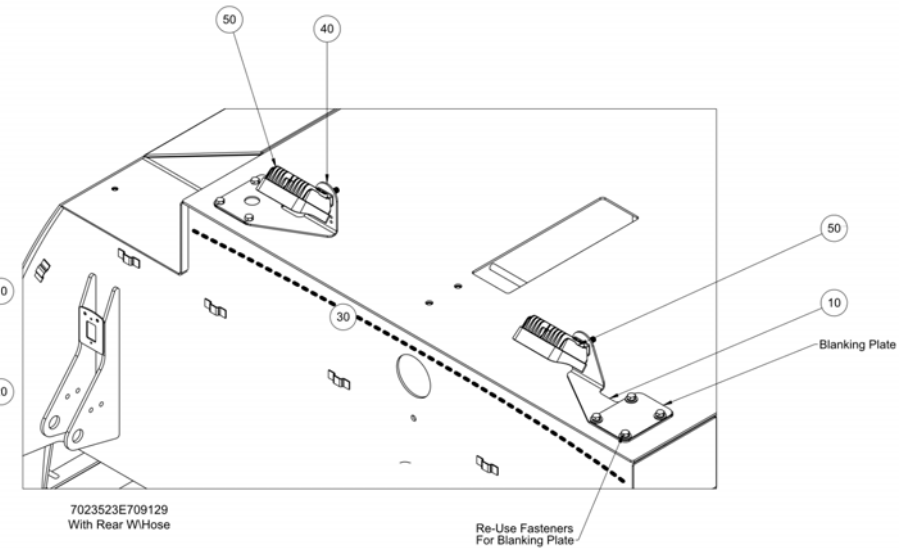
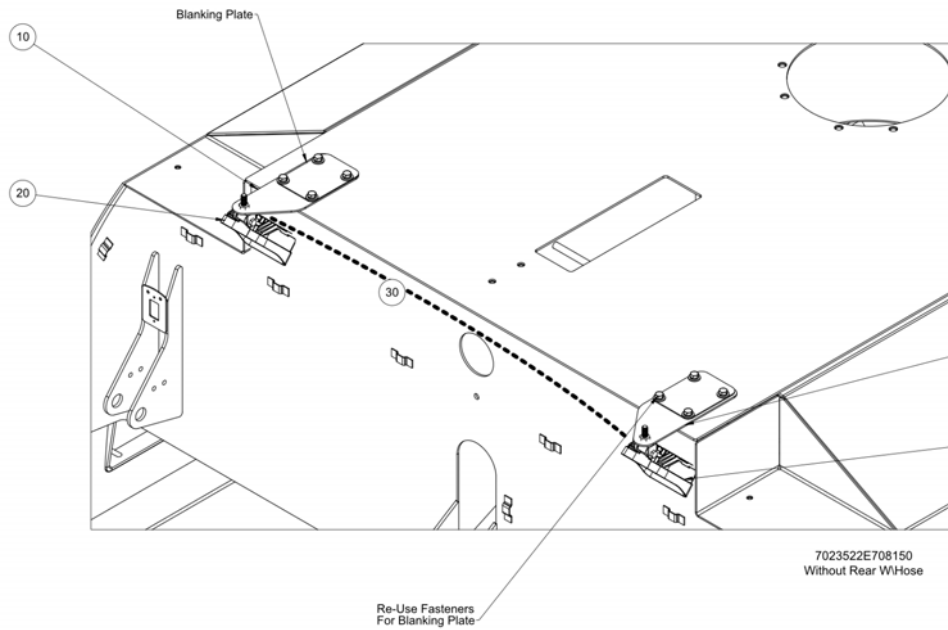
M02WL005

**Side Worklight Installation (7033036 E710907)**

Beacons, Worklights &amp; Camera\Work Lights\Side Worklight Installation

Item no.	Part no.	Description	QTY	Unit
10	92097376-0	Hex Head Screw - M8Cx25 - 8.8	2	PC
20	93212011-0	Plain Washer M8	4	PC
30	93085805-0	Nyloc Hex Nut M8C - 8	2	PC
40	7023385	Worklight/Camera Bracket	1	PC
50	283230-1	Halogen Worklight - 12v Caged	2	PC
50	283230-2	Halogen Worklight - 24v Caged	2	PC

**Rear Worklight (7023522 , 7023523)**  
Beacons, Worklights & Camera\Work Lights\Rear Worklight

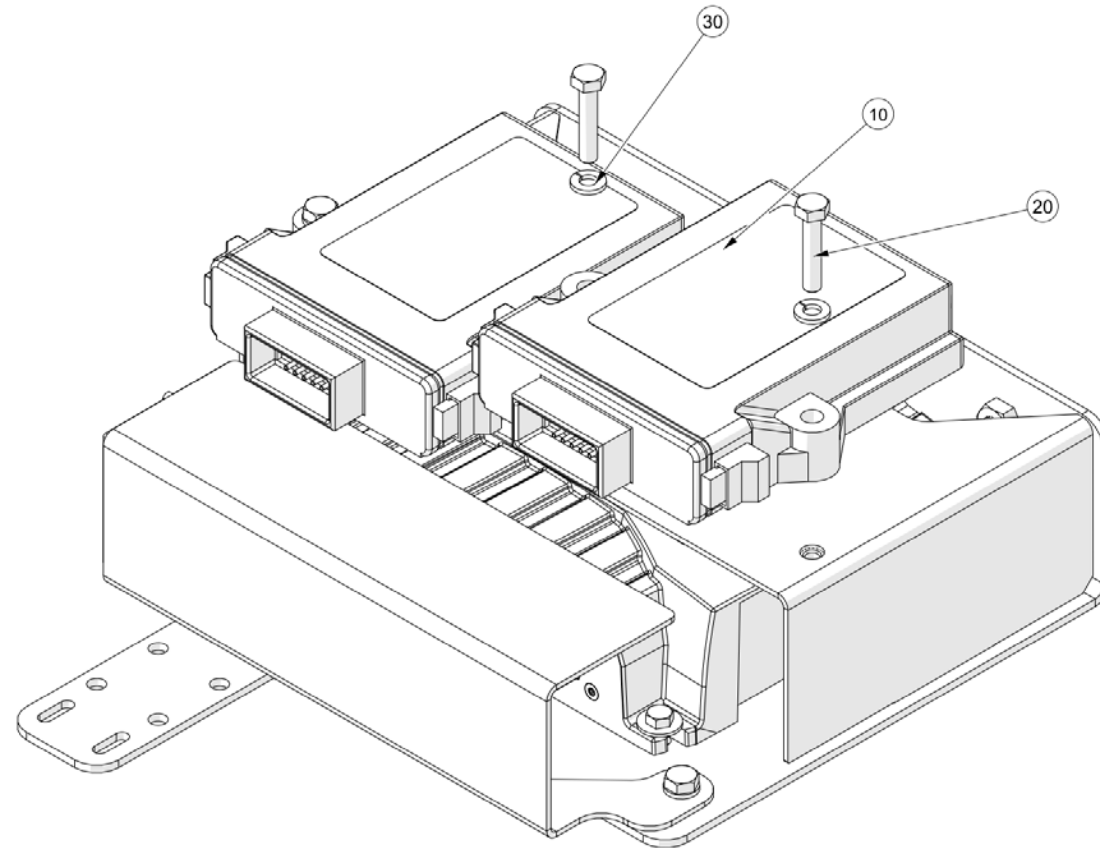


**Rear Worklight (7023522 , 7023523)**

Beacons, Worklights &amp; Camera\Work Lights\Rear Worklight

Item no.	Part no.	Description	QTY	Unit
10	283976-1	Lamp Mounting Plate	2	PC
20	7023519	LED Work Lamp 9-36v	2	PC
30	7024200	Cable Assembly	1	PC
40	7016102	Bracket, Rear Worklights	1	PC
50	7016103	Bracket, Rear Worklights	1	PC

**High Current Option Node (7020829 / 706593)**  
Beacons, Worklights & Camera\Work Lights\High Current Option Node



M02VL002

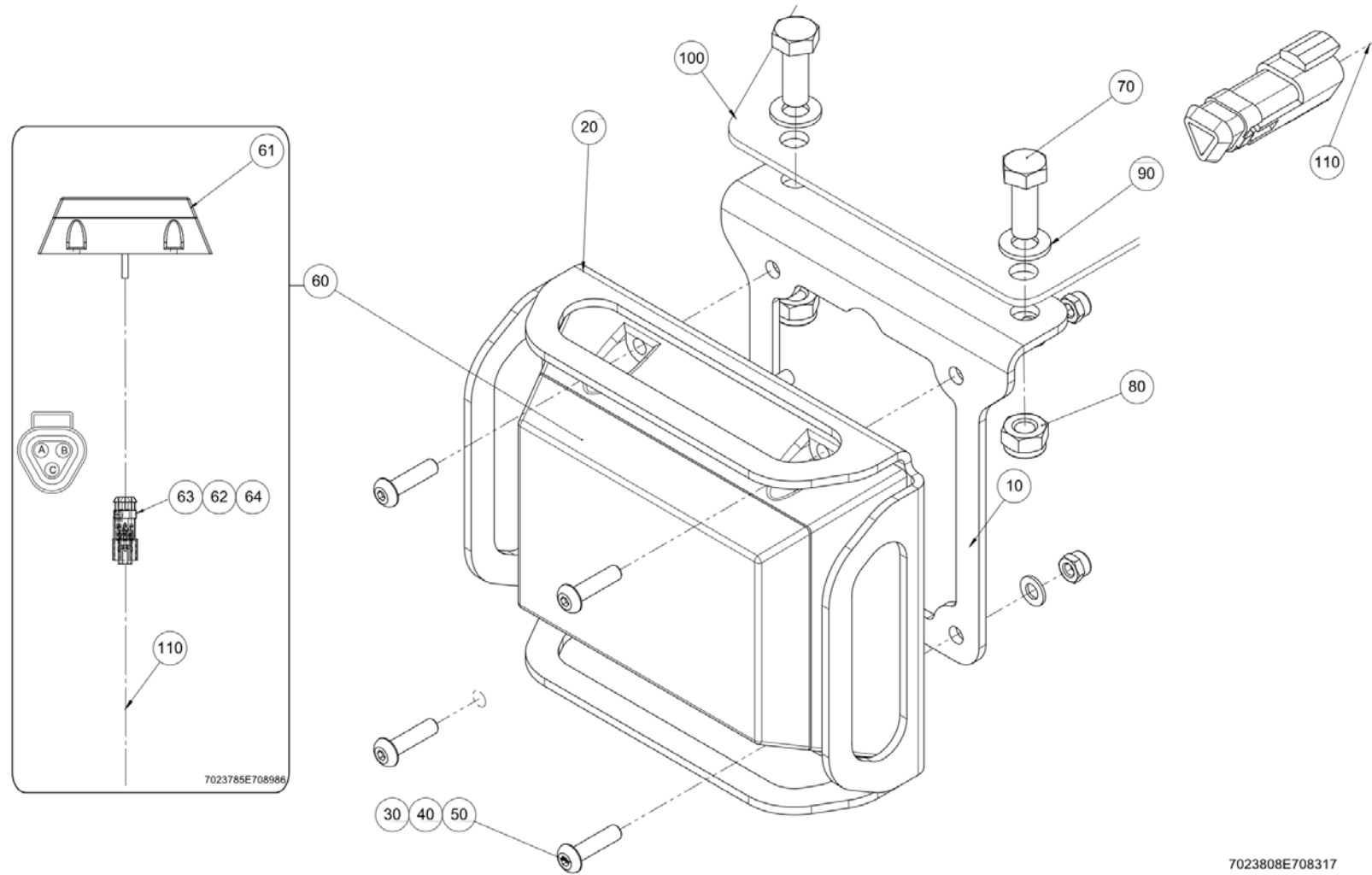
**High Current Option Node (7020829 / 706593)**

Beacons, Worklights &amp; Camera\Work Lights\High Current Option Node

Item no.	Part no.	Description	QTY	Unit
10	7020823	Node, High Power (ID=0x25)*	1	PC
20	92067307-0	Hex Head Bolt - M6Cx30 - 8.8	2	PC
30	93699708-0	Spring Washer - Plated M6	2	PC

**LED Light Assembly (7023808 / E708317 , 7028081, 7028093)**

Beacons, Worklights & Camera\LED Light Assembly



7023785E708986

7023808E708317

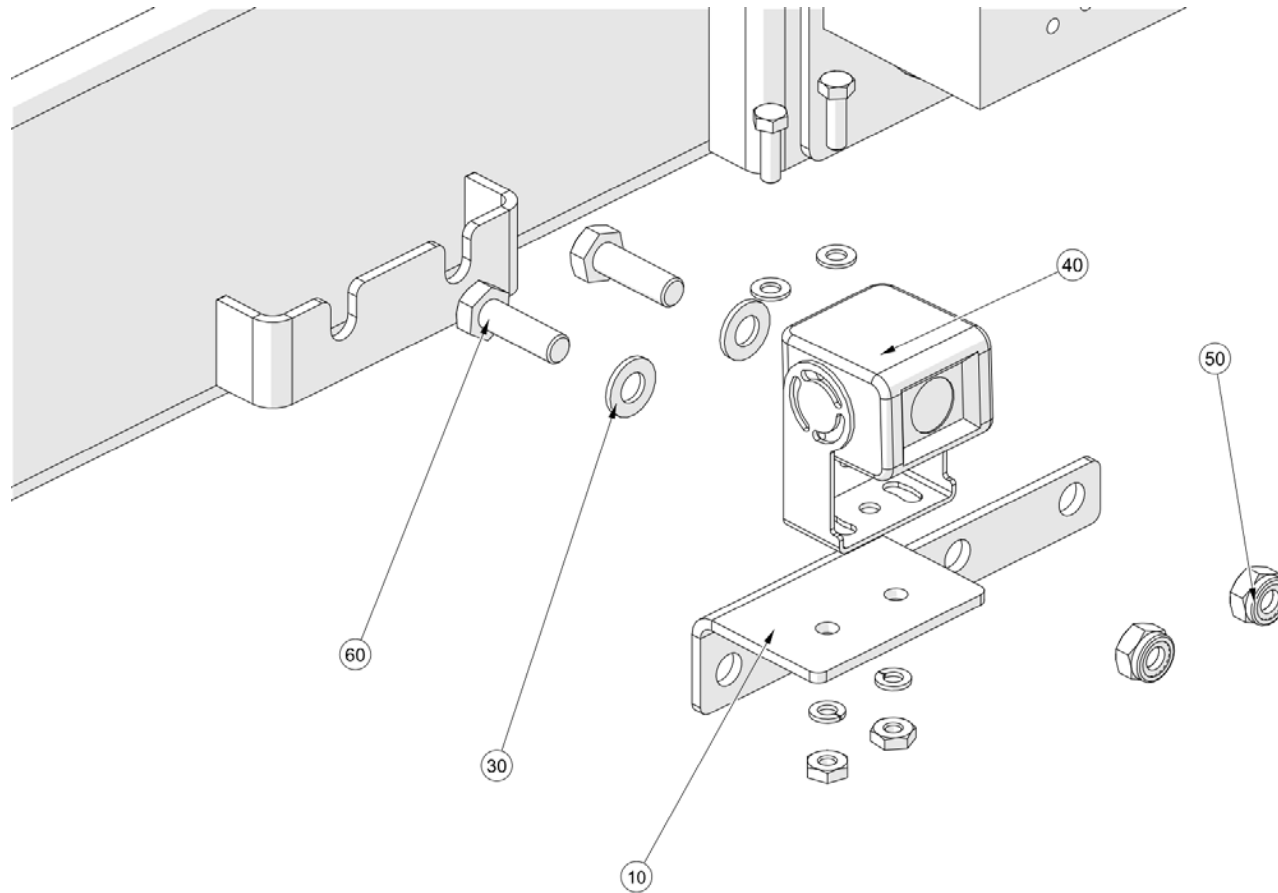


LED Light Assembly (7023808 / E708317 , 7028081, 7028093)

Beacons, Worklights & Camera\LED Light Assembly

Item no.	Part no.	Description	QTY	Unit
10	7022610	Rear Strobe Bracket	4	PC
20	7022612	Rear Strobe Guard	4	PC
30	93085003-0	Nyloc Hex Nut M5C - 8	16	PC
40	93210109-0	Plain Washer M5	16	PC
50	92330027-0	Hex Skt Button Head Screw M5x20 - 10.9	16	PC
60	7023785	LED Light with Connector	4	PC
70	92097375-0	Hex Head Screw - M8Cx22 - 8.8	8	PC
80	93085005-0	Nyloc Hex Thin Nut M8C - 8	8	PC
90	93212011-0	Plain Washer M8	8	PC
61	745-5	SecuriLED Beacon LED	4	PC
62	31-249	Contact - Pin Size 16 (0.5-1mm <sup>2</sup> )	12	PC
63	31-247	Receptacle - DT 3 Way DEUTSCH	4	PC
64	31-248	Wedge - DT 3 Way Receptacle	4	PC
110	7023774	Cable Assembly	1	PC
100	7023847	Light Mount plate	2	PC

**Rear Camera Installation (7033063 E710907)**  
Beacons, Worklights & Camera\Rear Camera Installation

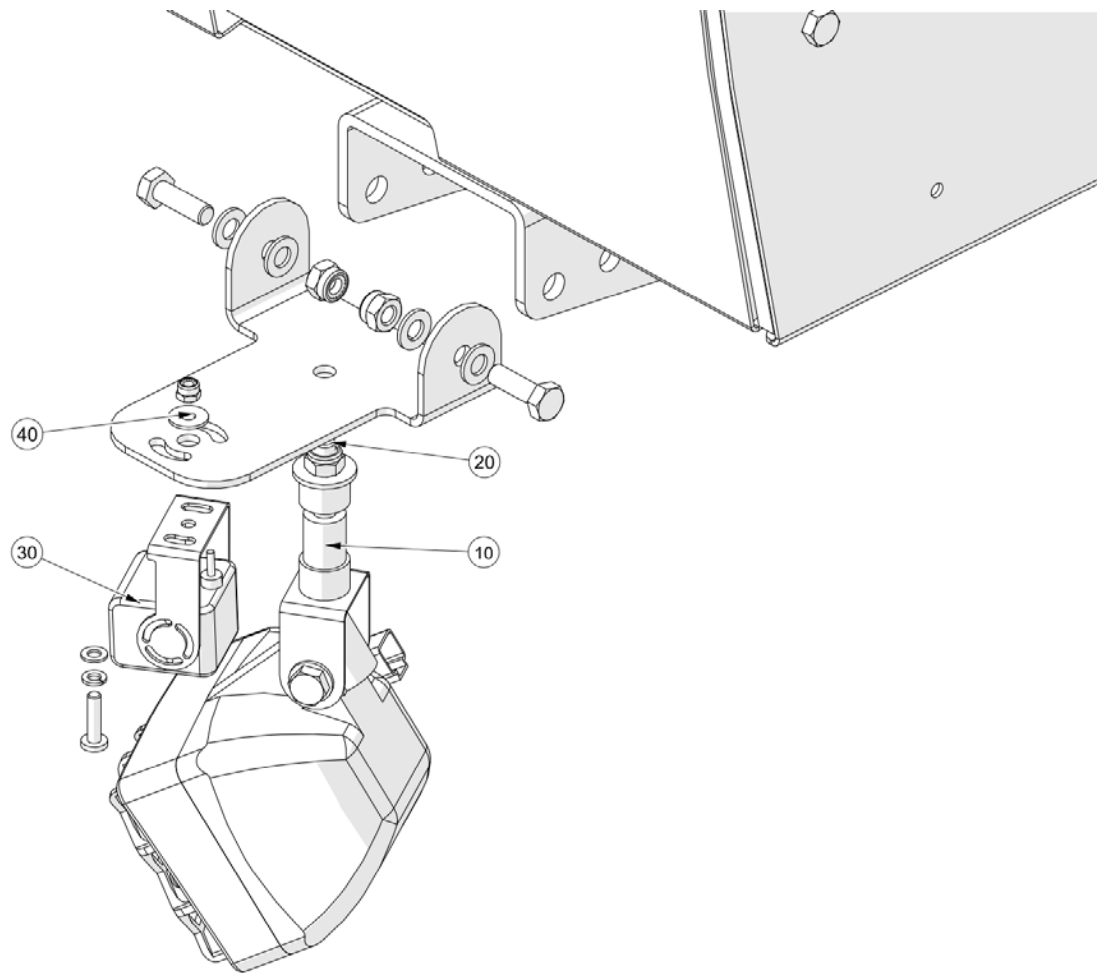


M02WI.003

**Rear Camera Installation (7033063 E710907)**  
Beacons, Worklights & Camera\Rear Camera Installation

Item no.	Part no.	Description	QTY	Unit
10	7028749	Rear Camera Mount	1	PC
30	93212011-0	Plain Washer M8	2	PC
40	657-100	Camera Only VT70 JM Camera	1	PC
50	93085805-0	Nyloc Hex Nut M8C - 8	2	PC
60	92097376-0	Hex Head Screw - M8Cx25 - 8.8	2	PC

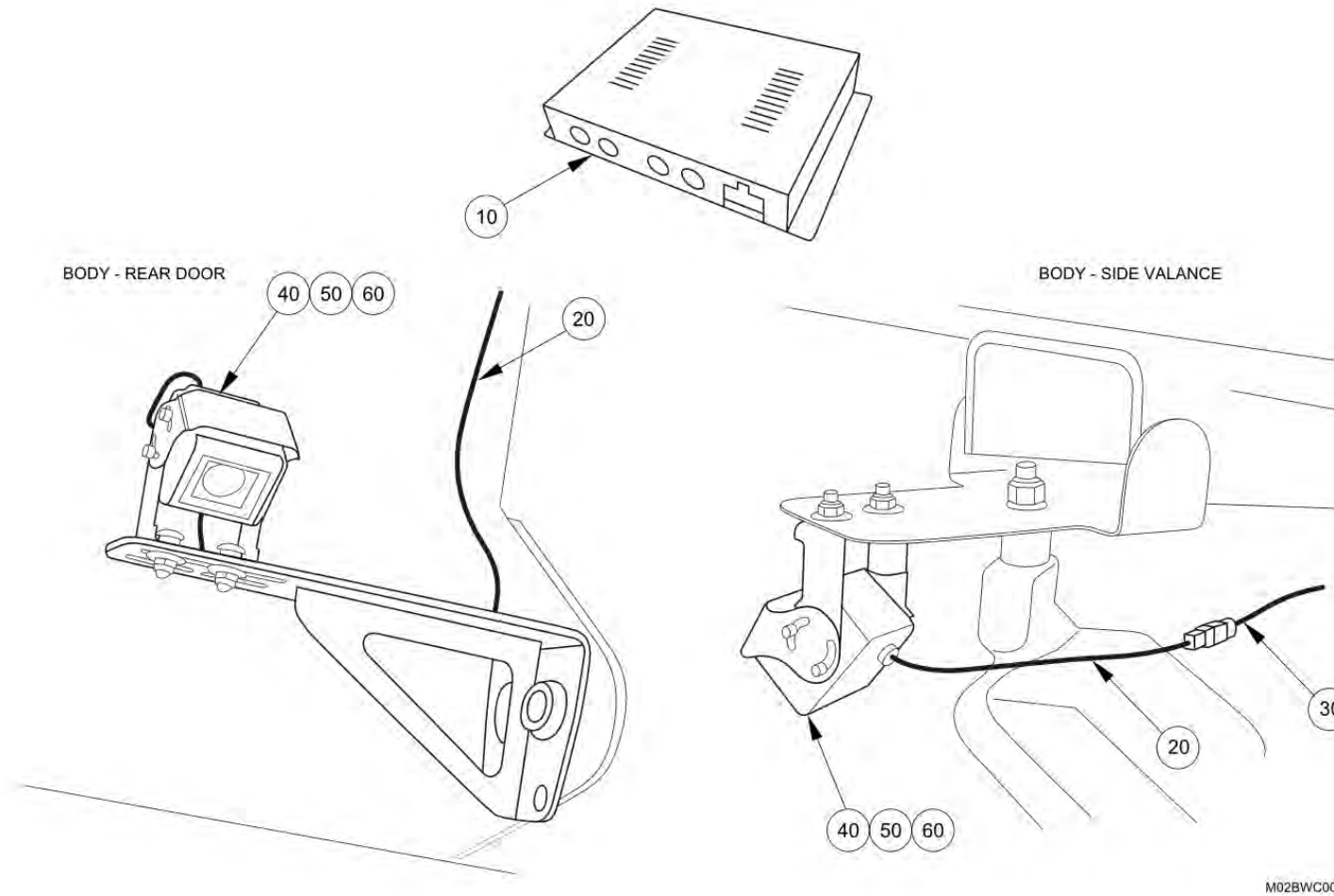
**Side Camera Installation (7033483 E710907)**  
Beacons, Worklights & Camera\Side Camera Installation



**Side Camera Installation (7033483 E710907)**

Beacons, Worklights &amp; Camera\Side Camera Installation

Item no.	Part no.	Description	QTY	Unit
10	56569-6	Spacer - 16 Dia x 20 M8	1	PC
20	92067388-0	Hex Head Bolt - M8Cx65 - 8.8	1	PC
30	657-100	Camera Only VT70 JM Camera	1	PC
40	93300506-0	Plain Large Washer M5	1	PC

**Camera Options (9652040-001 , 9652040-002 , 9652040-003)**  
Beacons, Worklights & Camera\Camera Options

## Camera Options (9652040-001 , 9652040-002 , 9652040-003)

Beacons, Worklights &amp; Camera\Camera Options

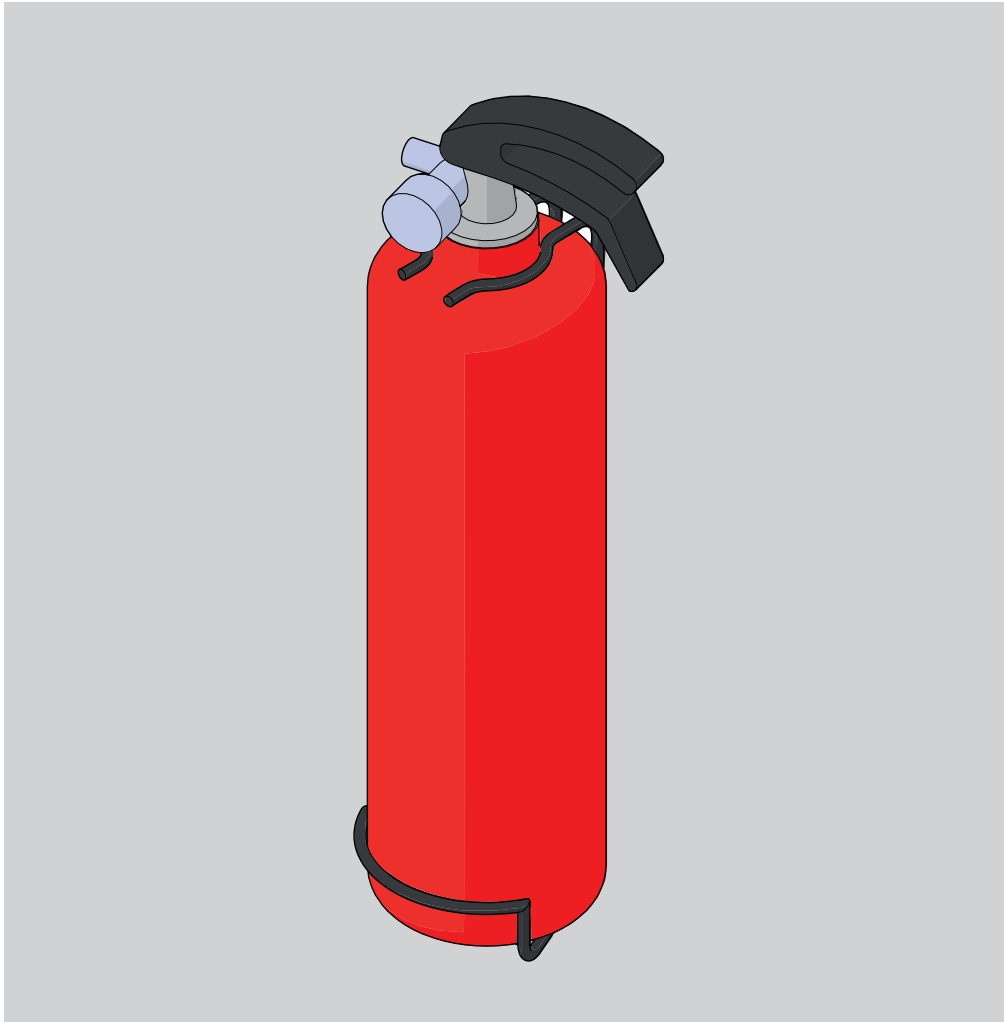
Item no.	Part no.	Description	QTY	Unit
10	7009024	Camera system -Control system MUX	1	PC
30	7009554	Cable Assembly	1	PC
40	657-23	Camera Cable-23M IP67 Fitting	1	PC
50	657-15	Camera Cable-15M IP67 Fitting	2	PC
60	657-100	Camera Only VT70 JM Camera	3	PC
20	7009553	Cable Assembly	1	PC

This page is intentionally left blank



## Chapter 12

# Miscellaneous



### Table of Contents

Section	Page
12.1 First aid and Fire Extinguisher.....	586
12.2 Label Sets.....	588
12.3 Chassis Engine Fuel Supply.....	590

First Aid, Fire Extinguisher & Tool Kit (9652104-001, 9652105-001, 9652105-999, 9010500-999, 9652046-001)

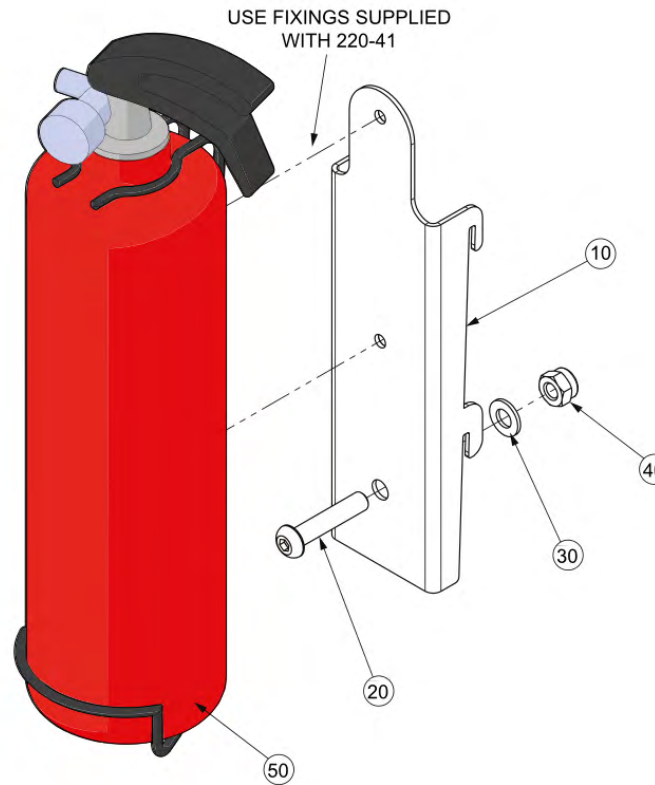
Miscellaneous\First Aid, Fire Extinguisher & Tool Kit



60



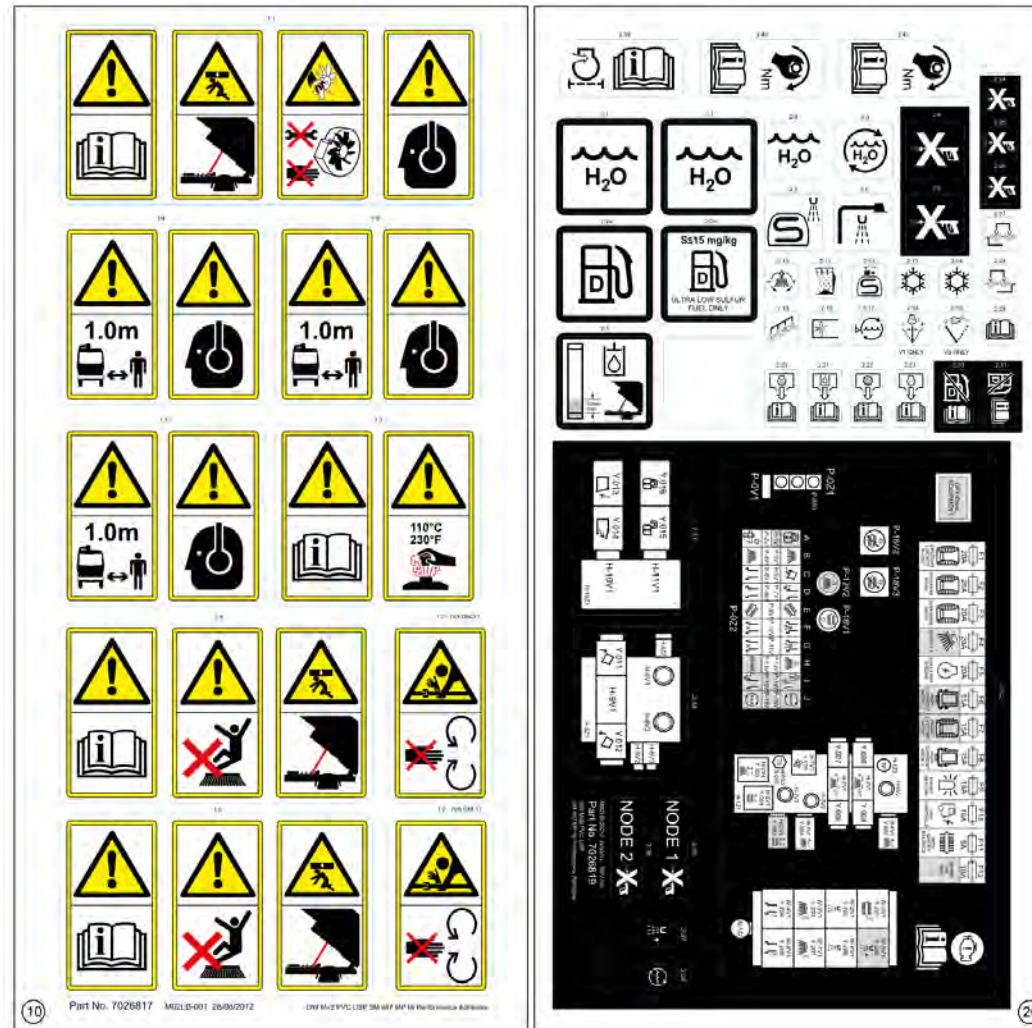
70



## First Aid, Fire Extinguisher &amp; Tool Kit (9652104-001, 9652105-001, 9652105-999, 9010500-999, 9652046-001)

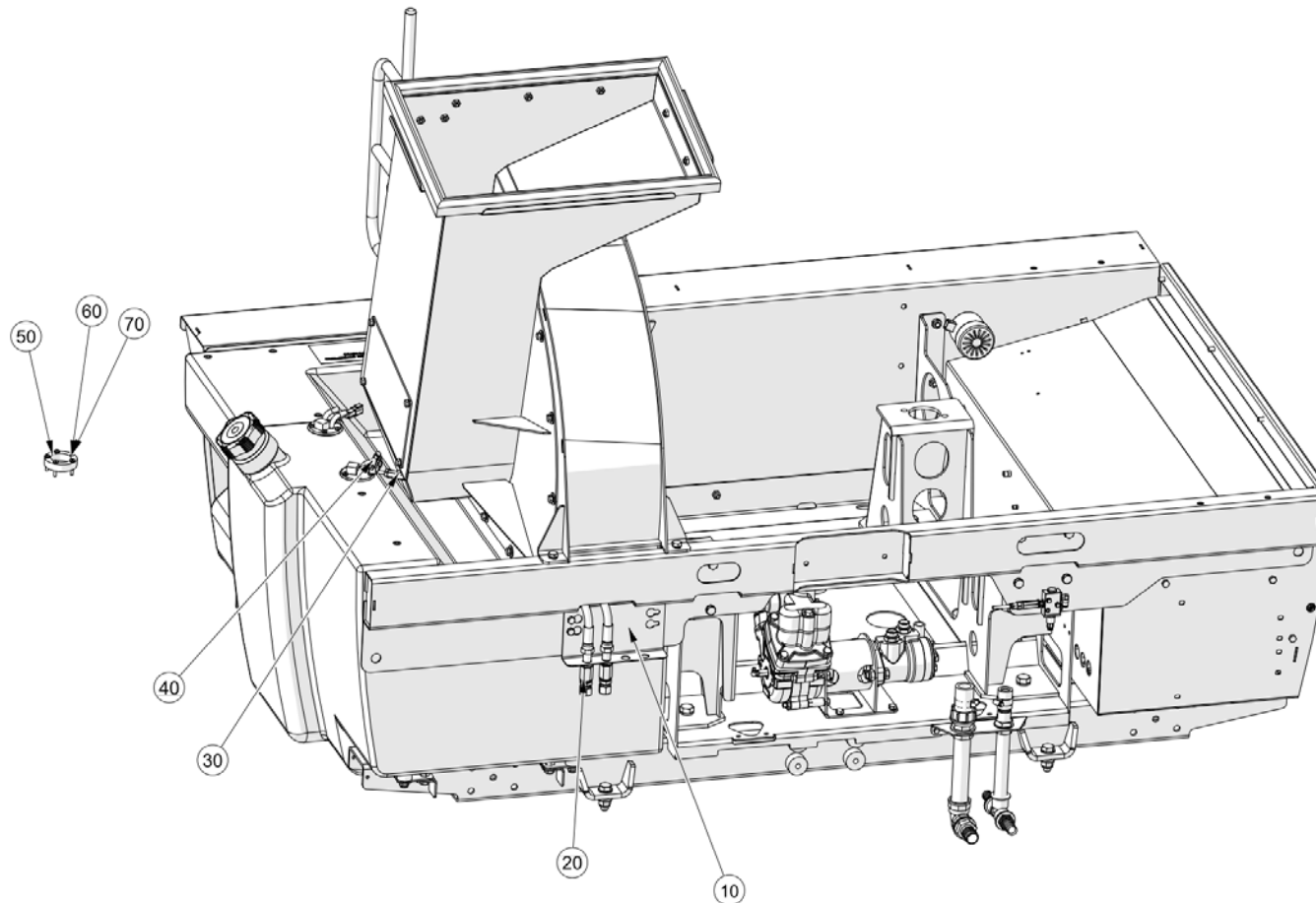
Miscellaneous\First Aid, Fire Extinguisher &amp; Tool Kit

Item no.	Part no.	Description	QTY	Unit
50	220-41	Extinguisher 1kg.Dry Powder	1	PC
60	39523	First Aid Kit+Tray-Clayton1113	1	PC
70	282499-1	Tool Kit 94/95	1	PC
10	7029279	Mounting Bracket, Fire Extinguisher	1	PC
20	92330049-0	Hex Skt Button Head Screw M8x40 - 10.9	1	PC
30	93212011-0	Plain Washer M8	1	PC
40	93085805-0	Nyloc Hex Nut M8C - 8	0	PC



Item no.	Part no.	Description	QTY	Unit
20	7026819	Information labels set	1	PC
10	7026817	Warning label set	1	PC

**Chassis Engine Fuel Supply (7033924)**  
Miscellaneous\Chassis Engine Fuel Supply



M02M001

**Chassis Engine Fuel Supply (7033924)**  
Miscellaneous\Chassis Engine Fuel Supply

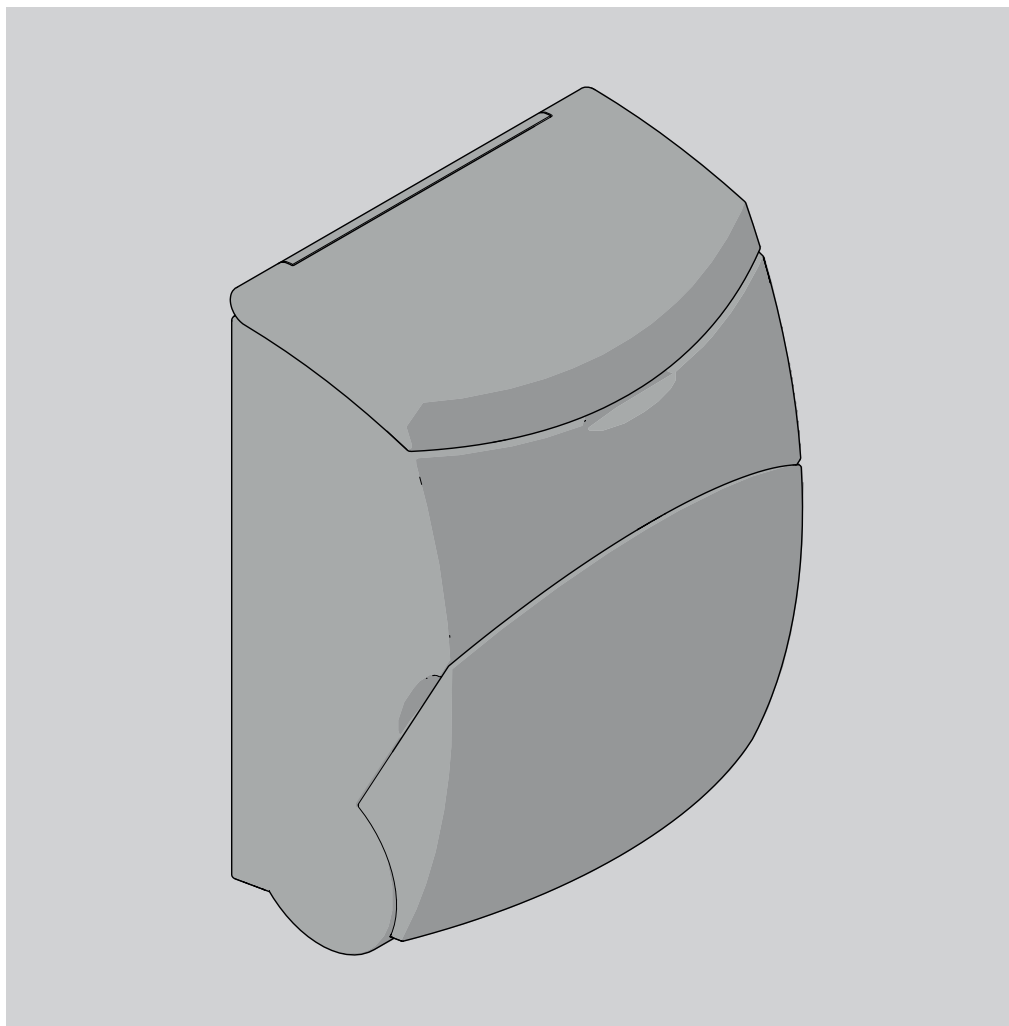
Item no.	Part no.	Description	QTY	Unit
10	7034185	Connector Bracket	1	PC
20	7033923	Chassis Fuel Supply Kit 10,12,13mm	2	PC
30	7005071	Fuel level sensor	1	PC
40	504-2	Hose Clip - Worm Drive (16-22)	2	PC
50	7035589	Sender Spacer	1	PC
60	134-61	Pan Head Screw-M5Cx30-4.8-Pozidriv	5	PC
70	93699707-0	Spring Washer - Plated M5	5	PC

This page is intentionally left blank



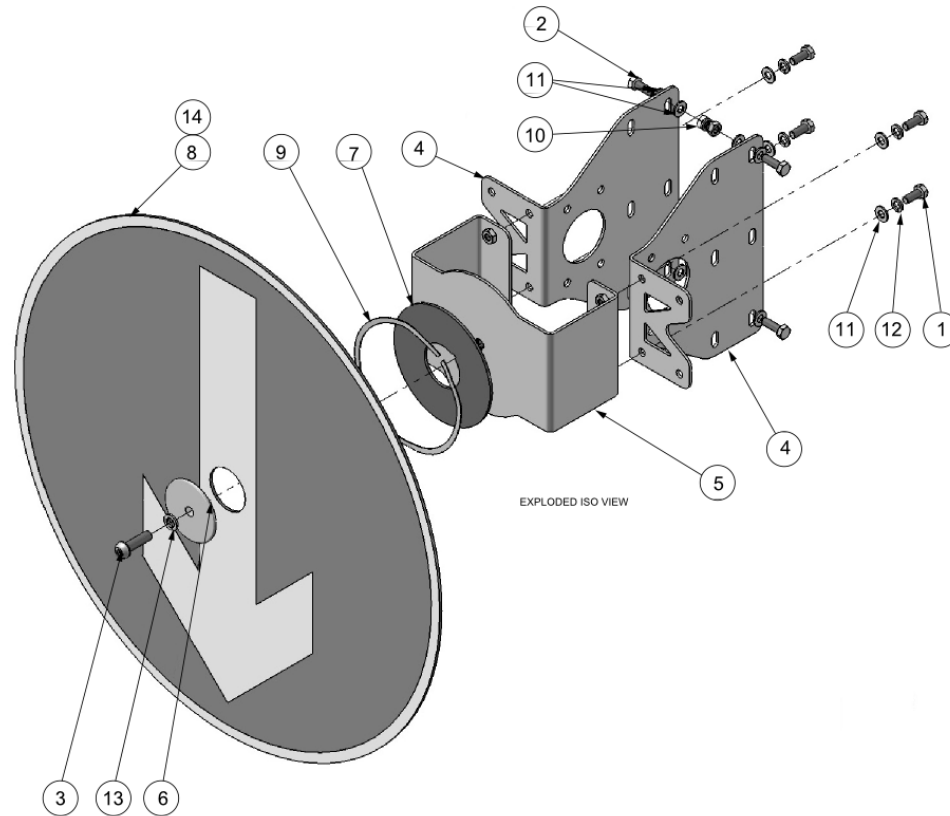
# Chapter 13

## Options



### Table of Contents

Section	Page
13.1 Rear Arrow advisor.....	594
13.2 Handwash Installation.....	596
13.3 Additional Water Tank.....	598
13.4 Fuel System - Auxiliary Tank.....	610
13.5 Drain Grid Remover - Mounted between cab.....	618
13.6 Supawash.....	622
13.7 Broom Stowage Install.....	634
13.8 Shovel Stowage Installation.....	636
13.9 Wash down Hose.....	638
13.10 Hydrant Standpipe options.....	640
13.11 External Throttle.....	646
13.12 Water Strainer.....	648
13.13 LED Signboard.....	650

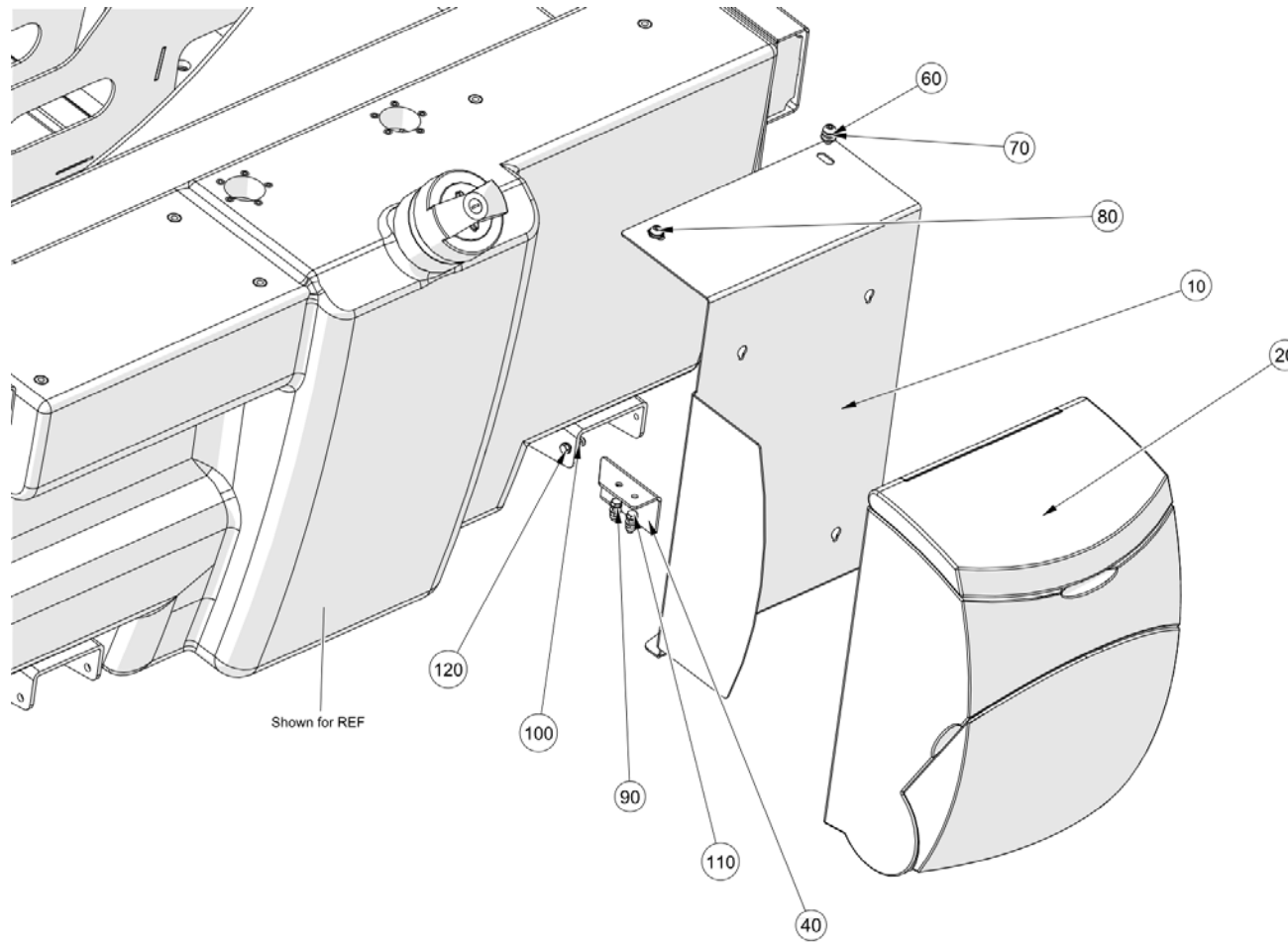


282409-1E703518

Rear Arrow Advisor (282409-1 , 9652108-001)

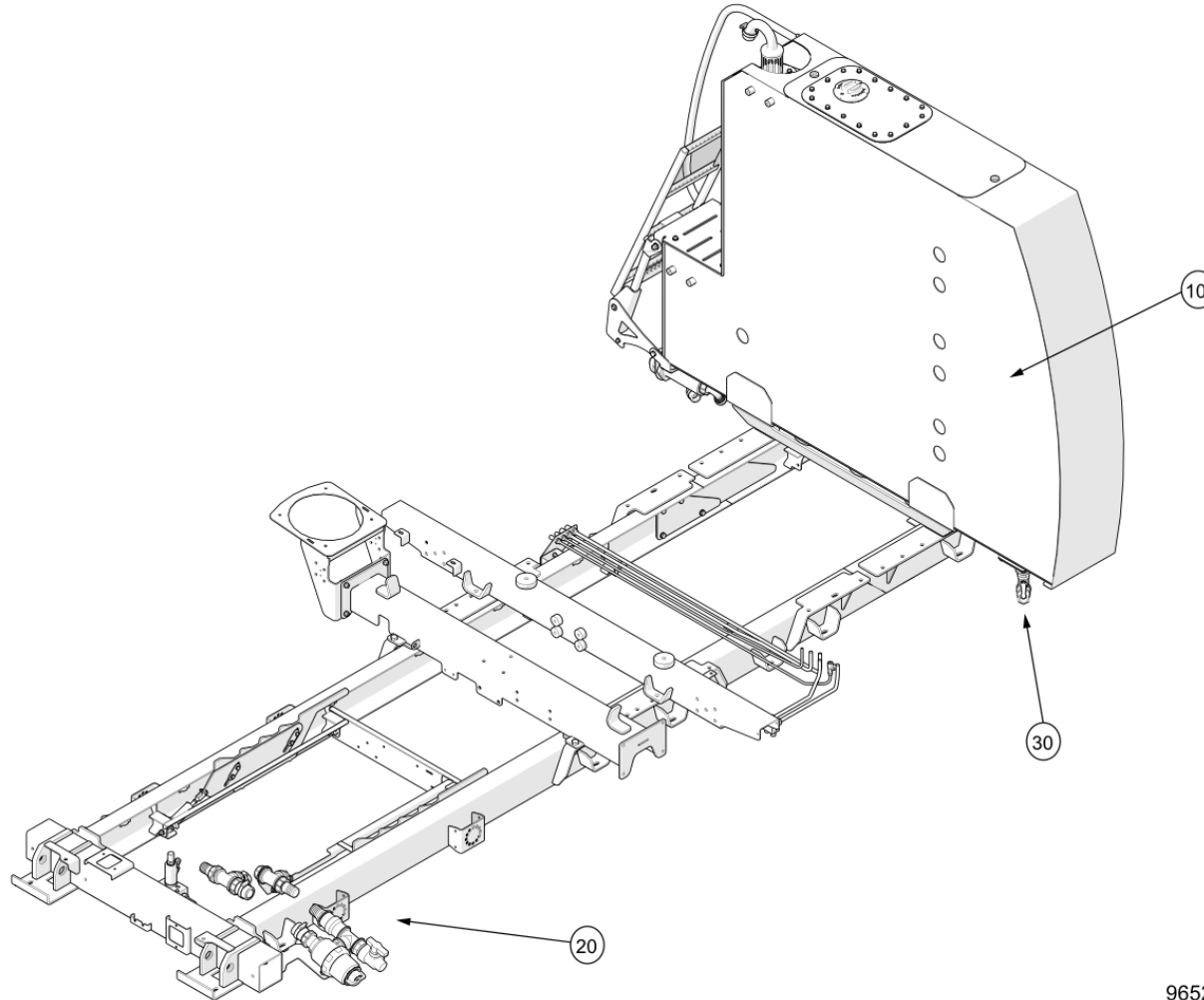
Options\Rear Arrow Advisor

Item no.	Part no.	Description	QTY	Unit
1	124-135	Setscrew M8C x 20	4	PC
2	124-137	Setscrew M8C x 25	4	PC
3	138-158	Screw - Skt Button Hd M10cx35	1	PC
4	282410-1	Plate - Mtg Rotatable Sign 95	2	PC
5	282412-1	Plate Mtg W/A Rotatable Sign95	1	PC
6	282413-1	Bush - Ctr Rotatable Signboard	1	PC
7	282414-2	Disc - Rotatable Signboard 95	1	PC
8	282486-1	Arrow Advisor Rr Rotatable 95	1	PC
9	285-26	Spring-Wave 95	1	PC
10	425-14	Nut Nyloc Hex MC M8	4	PC
11	455-10	Washer Plain Plated Steel M8	12	PC
12	460-10	Washer Spring Single Coil M8	4	PC
13	460-11	Washer Spring Single Coil M10	1	PC
0	282409-1	Assy-Rr Rotatable Signboard 95	1	PC
14	282844-1	Cover - Arrow Advisor DIA 600	1	PC



M020P022

Item no.	Part no.	Description	QTY	Unit
10	7020802	Handwash Bracket	1	PC
20	222-93	Handwash 24v	1	PC
40	7032844	Handwash installation bracket	1	PC
60	93212011-0	Plain Washer M8	2	PC
70	93699710-0	Spring Washer - Plated M8	2	PC
80	92330044-0	Hex Skt Button Head Screw M8x16 - 10.9	2	PC
90	93212009-0	Plain Washer M6	6	PC
100	93085004-0	Nyloc Hex Nut M6C - 8	3	PC
110	92097301-0	Hex Head Screw - M6Cx20 - 8.8	2	PC
120	92097303-0	Hex Head Screw - M6Cx25 - 8.8	1	PC



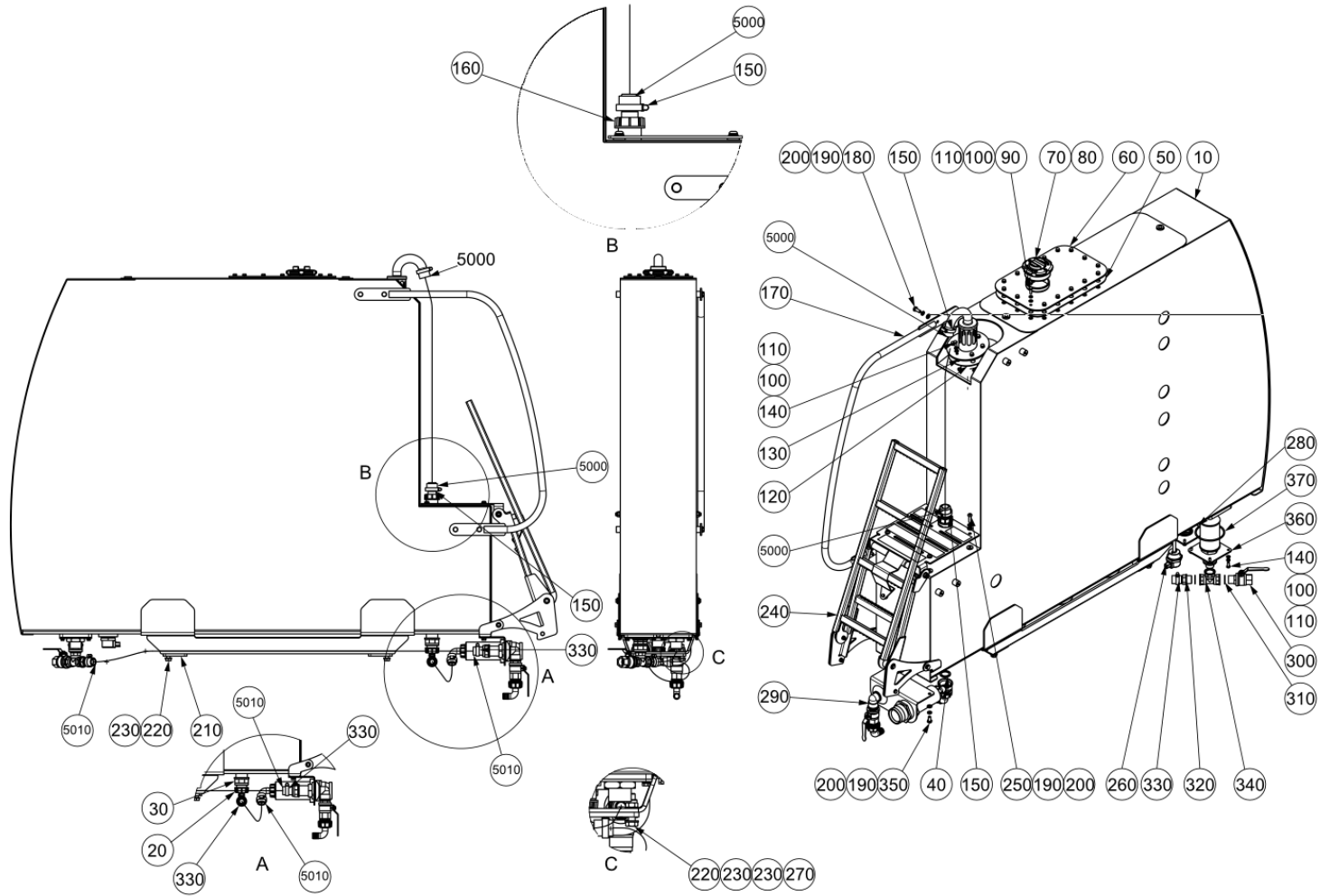
9652110-001

Additional Water Tank (9652110-001 , 9652110-002)

Options\Additional Water Tank

Item no.	Part no.	Description	QTY	Unit
10	7024459	Water System - Auxiliary Tank	1	PC
2.5" BSP Coupling				
10	7024308	Water System - Auxiliary Tank	1	PC
2.5" Storz Coupling				
20	7024421	Auxiliary Tank	1	PC
30	7024998	Cable Assembly	1	PC

**Water System - Auxiliary Tank (7024459 , 7024308)**  
 Options\Additional Water Tank\Water System - Auxiliary Tank



7024459E708129

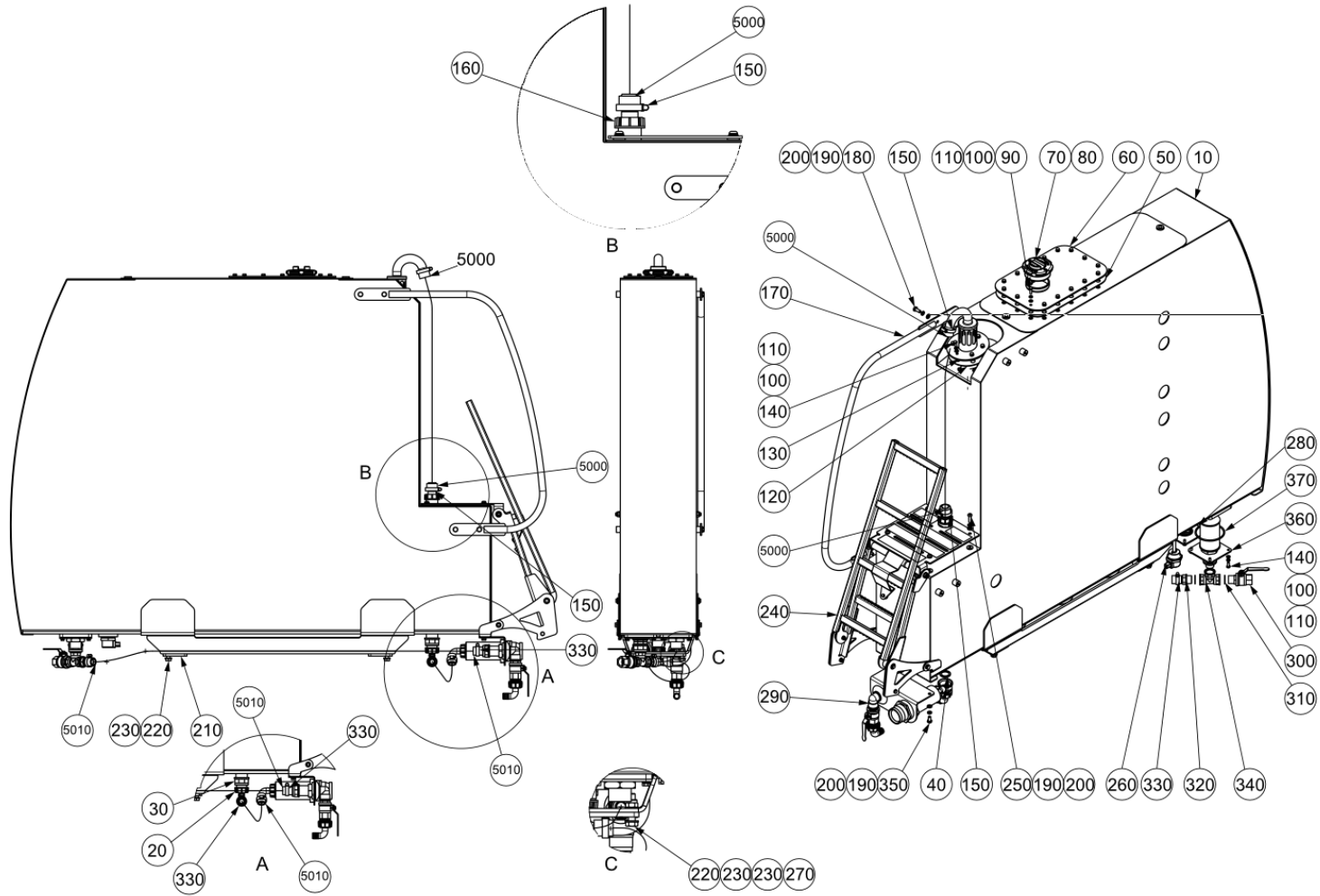


**Water System - Auxiliary Tank (7024459 , 7024308)**

Options\Additional Water Tank\Water System - Auxiliary Tank

Item no.	Part no.	Description	QTY	Unit
10	7024655	Auxiliary Fuel Tank Assembly	1	PC
10	7024413	Auxillary Tank Assembly	1	PC
20	277-140	Cap 1 1/4"BSP(F)&Liner 25mm 1"	1	PC
30	277-138	Bush 1 1/2"BSP(F)x1 1/4"BSP(M)	1	PC
40	277-262	Gasket - G1 1/2"	1	PC
50	283023-1	Gasket-Cover Plate Aux Tank	1	PC
60	283024-1	Cover Plate W/Assy Aux Tank	1	PC
70	284040-1	Cap - Water Tank Drain	1	PC
80	40643-1-C	Washer - Seal, Drain, W/Tank	1	PC
90	92097376-0	Hex Head Screw - M8Cx25 - 8.8	16	PC
100	93699710-0	Spring Washer - Plated M8	30	PC
110	93212011-0	Plain Washer M8	30	PC
120	283026-1	Gasket-Filler Flange Aux Tank	1	PC
130	283823-1	Water Break Valve Assy	1	PC
140	92097374-0	Hex Head Screw - M8Cx20 - 8.8	14	PC
150	09531011-0	Hose Clip - Worm Drive (40-55)	2	PC
160	277-199	Spigoted 1 1/2" Cap + Liner	1	PC
170	283039-1	Grab Rail W/A Auxiliary Tank	1	PC
180	92097412-0	Hex Head Screw - M10Cx25 - 8.8	4	PC
190	93699711-0	Spring Washer - Plated M10	10	PC
200	93212012-0	Plain Washer M10	10	PC
210	283073-1	Mount-Anti Vibration Aux Tank	2	PC
220	92072215-0	Hex Head Bolt - M14Cx60 - 10.9	6	PC
230	93212015-0	Plain Washer M14	12	PC

**Water System - Auxiliary Tank (7024459 , 7024308)**  
 Options\Additional Water Tank\Water System - Auxiliary Tank



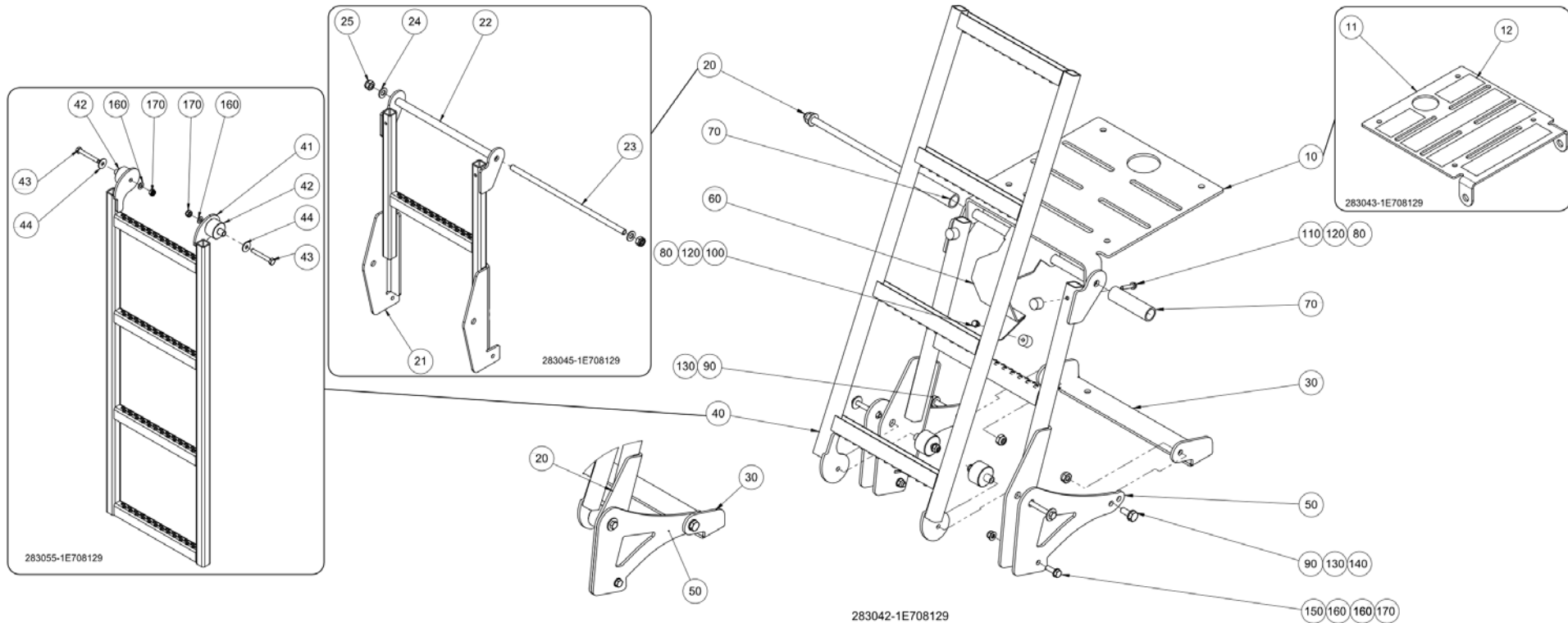
7024459E708129

**Water System - Auxiliary Tank (7024459 , 7024308)**

Options\Additional Water Tank\Water System - Auxiliary Tank

Item no.	Part no.	Description	QTY	Unit
240	283042-1	Ladder Assy Folding Aux Tank	1	PC
250	92330057-0	Hex Skt Button Head Screw M10x35 - 10.9	4	PC
260	7002529	Level Sender	1	PC
270	93085008-0	Nyloc Hex Nut M14C - 8	6	PC
280	283032-1	Overflow Assy Auxiliary Tank	1	PC
290	283063-1	Valve Plate Assy Aux Tank	1	PC
290	283063-2	Valve Plate Assy Aux Tank UK	1	PC
300	88-26	Ball Valve 1" BSP M/F	1	PC
310	277-149	Seal O-Ring For 1" Thread	2	PC
320	277-125	Hosetail 1" BSP	1	PC
330	09531009-0	Hose Clip - Worm Drive (30-40)	4	PC
340	277-128	Tee - 1" BSP Equal	1	PC
350	92097410-0	Hex Head Screw - M10Cx20 - 8.8	2	PC
360	283062-1-INST	Water filter assembly	1	PC
370	80-143	O-Ring	2	PC
5000	272-17	Hose 35i/d Trichoflex (Water)	0.9	M
5010	272-20	Clear Ducting 25mm Bore x 20m	2.1	M
380	7024379	AUX Tank W/Assembly	1	PC
390	433-12	Rivet Nut -S.Cl Nut M8c g1.0-4.0 FI Seal	22	PC
131	283027-1	Water Break W/Assy Aux Tank	1	PC
132	22-12	Ball - Plastic 70mm dia	1	PC
133	283822-1	Valve Cage W/Assy Water Break	1	PC
134	09531054-0	Hose Clip - Worm Drive (70-90)	1	PC

**Folding Ladder Assembly - Auxiliary Tank (283042-1)**  
 Options\Additional Water Tank\Water System - Auxiliary Tank\Folding Ladder Assembly - Auxiliary Tank

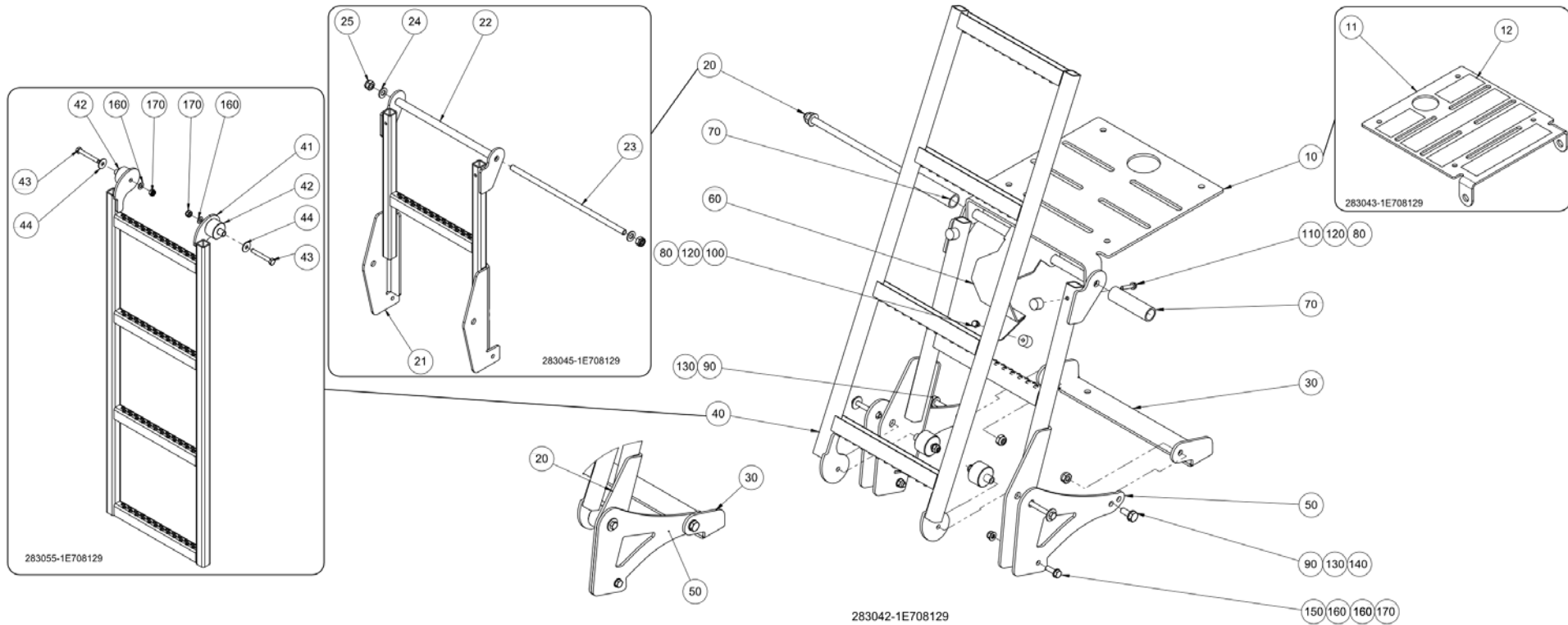


**Folding Ladder Assembly - Auxiliary Tank (283042-1)**

Options\Additional Water Tank\Water System - Auxiliary Tank\Folding Ladder Assembly - Auxiliary Tank

Item no.	Part no.	Description	QTY	Unit
10	283043-1	Foot Plate Assy Auxiliary Tank	1	PC
20	283045-1	Upper Ladder Assy Aux Tank	1	PC
30	283054-1	Bracket - Mounting Ladder Assy	1	PC
40	283055-1	Lower Ladder Assy Aux Tank	1	PC
50	283288-1	Stay - Ladder Assy Aux Tank 95	2	PC
60	283297-1	Retaining Hook - Access Ladder	1	PC
70	283367-1	Hook Locator Ladder Assy	2	PC
80	290-31	Mount - Anti Vibration F M6	3	PC
90	92097412-0	Hex Head Screw - M10Cx25 - 8.8	2	PC
100	92097297-0	Hex Head Screw - M6Cx10 - 8.8	1	PC
110	92097305-0	Hex Head Screw - M6Cx30 - 8.8	2	PC
120	93212009-0	Plain Washer M6	3	PC
130	93212012-0	Plain Washer M10	2	PC
140	93085006-0	Nyloc Hex Thin Nut M10C - 8	2	PC
150	92097376-0	Hex Head Screw - M8Cx25 - 8.8	2	PC
160	93212011-0	Plain Washer M8	6	PC
170	93085005-0	Nyloc Hex Thin Nut M8C - 8	4	PC
11	283044-1	Foot Plate-Aux. Tank Ladder	1	PC
12	211-12	Safety Walk - 2" Wide	1.6	MM
21	283046-1	Upper Ladder W/Assy Aux Tank	1	PC
22	283052-1	Pivot Tube Ladder Assy	1	PC
23	283053-1	Pivot Stud - Ladder Assy	1	PC
24	93212013-0	Plain Washer M12	2	PC
25	93085007-0	Nyloc Hex Thin Nut M12C - 8	2	PC

**Folding Ladder Assembly - Auxiliary Tank (283042-1)**  
 Options\Additional Water Tank\Water System - Auxiliary Tank\Folding Ladder Assembly - Auxiliary Tank

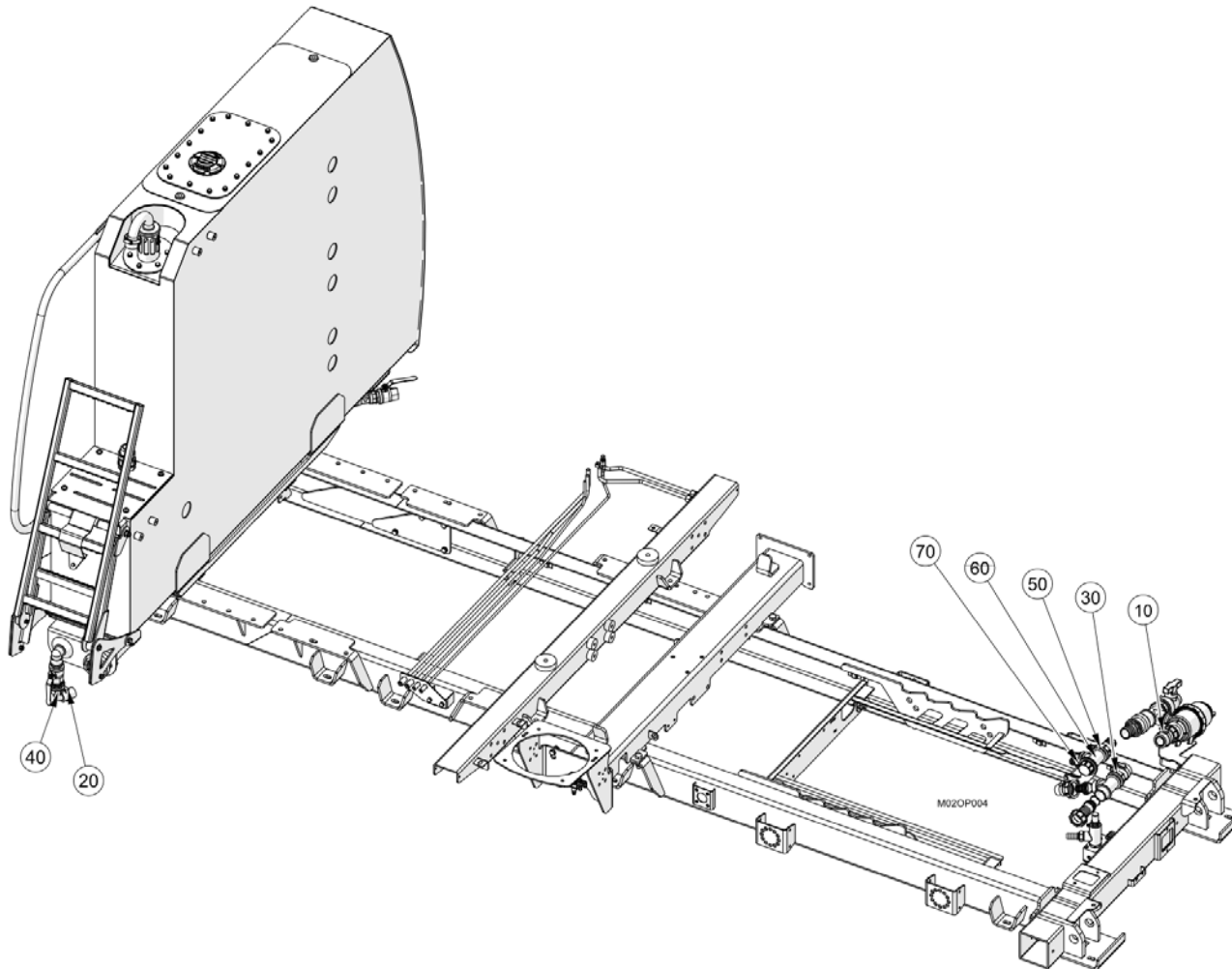


**Folding Ladder Assembly - Auxiliary Tank (283042-1)**

Options\Additional Water Tank\Water System - Auxiliary Tank\Folding Ladder Assembly - Auxiliary Tank

Item no.	Part no.	Description	QTY	Unit
41	283056-1	Lower Ladder W/Assy Aux Tank	1	PC
42	283058-1	Spacer - Pivot Ladder Assy	2	PC
43	92067387-0	Hex Head Bolt - M8Cx60 - 8.8	2	PC
44	93300509-0	Plain Large Washer M8	2	PC

**Auxiliary Tank (7024421)**  
Options\Additional Water Tank\Auxiliary Tank





## Auxiliary Tank (7024421)

Options\Additional Water Tank\Auxiliary Tank

Item no.	Part no.	Description	QTY	Unit
10	09549314-0	Hose Clip - Worm Drive (40-60)	2	PC
20	504-4	Hose Clip - Worm Drive (27-40)	2	PC
30	277-183	Flynut Hose Tail 38mm Barb	2	PC
40	277-170	FLYNUT # G1-1/2#	3	PC
50	277-171	'O' Ring	3	PC
60	277-215	Tee - 1 1/2" BSP	1	PC
70	277-169	Flynut Hose Tail 25mm Barb	1	PC
5000	497-H24	Hose-Premoflex, 1 1/2" Bore	0.15	M
5010	6117	Hose - 1" Bore	4.5	M



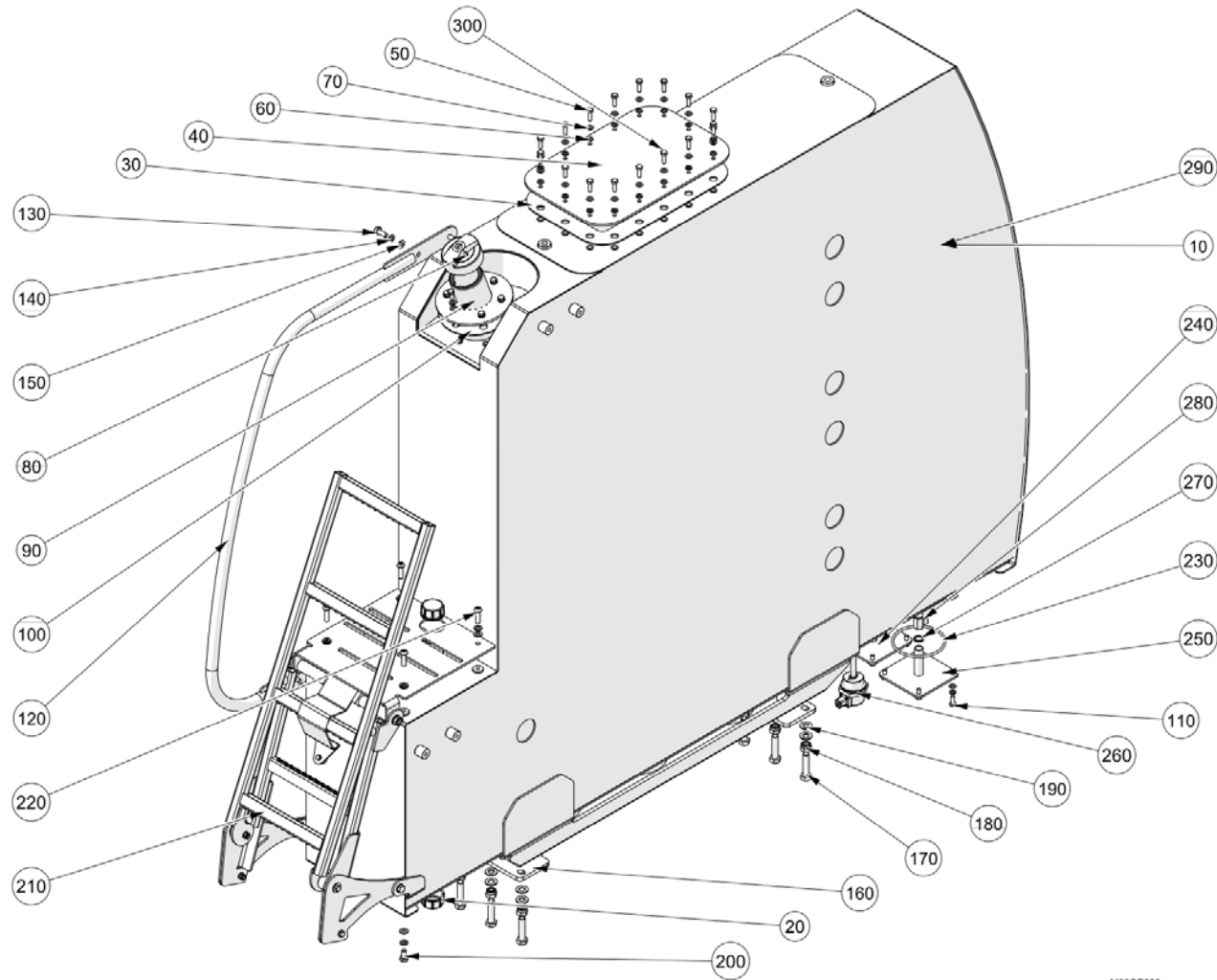
Fuel System - Auxiliary Tank (7024612 , 9652110-003)

Options\Fuel System - Auxiliary Tank

Item no.	Part no.	Description	QTY	Unit
10	7024655	Auxiliary Fuel Tank Assembly	1	PC
20	277-203	Blanking cap - 1 1/2"	2	PC
30	283023-1	Gasket-Cover Plate Aux Tank	1	PC
40	283569-1	Cover Plate-Auxiliary Tank 95	1	PC
50	92097376-0	Hex Head Screw - M8Cx25 - 8.8	16	PC
60	93699710-0	Spring Washer - Plated M8	30	PC
70	93212011-0	Plain Washer M8	30	PC
80	69-27	Fuel Cap - Lockable 80mm	1	PC
90	283030-1	Fuel Filler Neck W/A-Aux Tank	1	PC
100	283026-1	Gasket-Filler Flange Aux Tank	1	PC
110	92097374-0	Hex Head Screw - M8Cx20 - 8.8	14	PC
120	283039-1	Grab Rail W/A Auxiliary Tank	1	PC
130	92097412-0	Hex Head Screw - M10Cx25 - 8.8	4	PC
140	93699711-0	Spring Washer - Plated M10	10	PC
150	93212012-0	Plain Washer M10	10	PC
160	283073-1	Mount-Anti Vibration Aux Tank	2	PC
170	92072215-0	Hex Head Bolt - M14Cx60 - 10.9	6	PC
180	93085008-0	Nyloc Hex Nut M14C - 8	6	PC
190	93212015-0	Plain Washer M14	12	PC
200	92097410-0	Hex Head Screw - M10Cx20 - 8.8	2	PC
210	283042-1	Ladder Assy Folding Aux Tank	1	PC
220	92330057-0	Hex Skt Button Head Screw M10x35 - 10.9	4	PC
230	80-143	O-Ring	2	PC
240	283071-1	Flange W/A Fuel Tank DIM A 46	1	PC

**Fuel System - Auxiliary Tank (7024612 , 9652110-003)**

Options\Fuel System - Auxiliary Tank



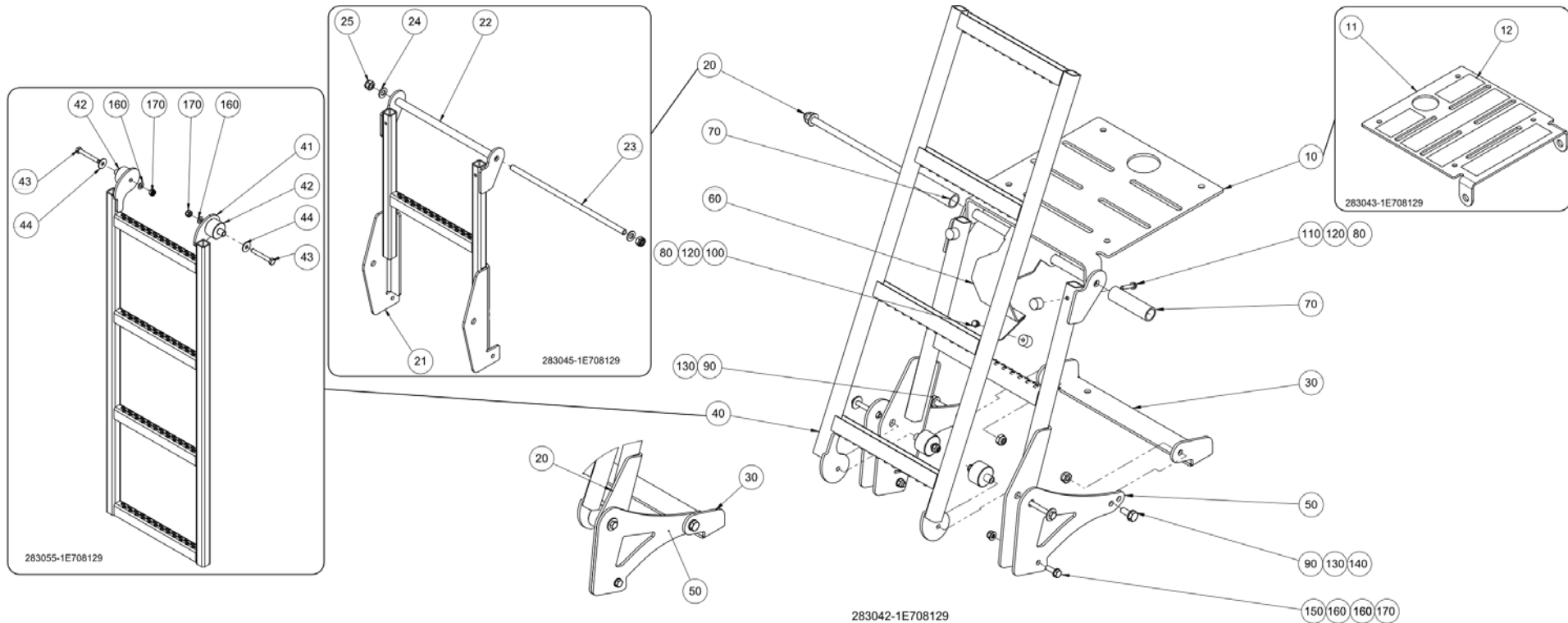
M020P003

**Fuel System - Auxiliary Tank (7024612 , 9652110-003)**

Options\Fuel System - Auxiliary Tank

Item no.	Part no.	Description	QTY	Unit
250	283071-2	Flange W/A Fuel Tank DIM A 71	1	PC
260	7002529	Level Sender	1	PC
270	451-18	Washer Bonded G3/8"	2	PC
280	88-28	Ball Valve 3/8"MF Short Handle	2	PC
290	7024379	AUX Tank W/Assembly	1	PC
300	433-12	Rivet Nut -S.CI Nut M8c g1.0-4.0 FI Seal	22	PC
310	7024998	Cable Assembly	1	PC

**Folding Ladder Assembly - Auxiliary Tank (283042-1)**  
 Options\Fuel System - Auxiliary Tank\Folding Ladder Assembly - Auxiliary Tank

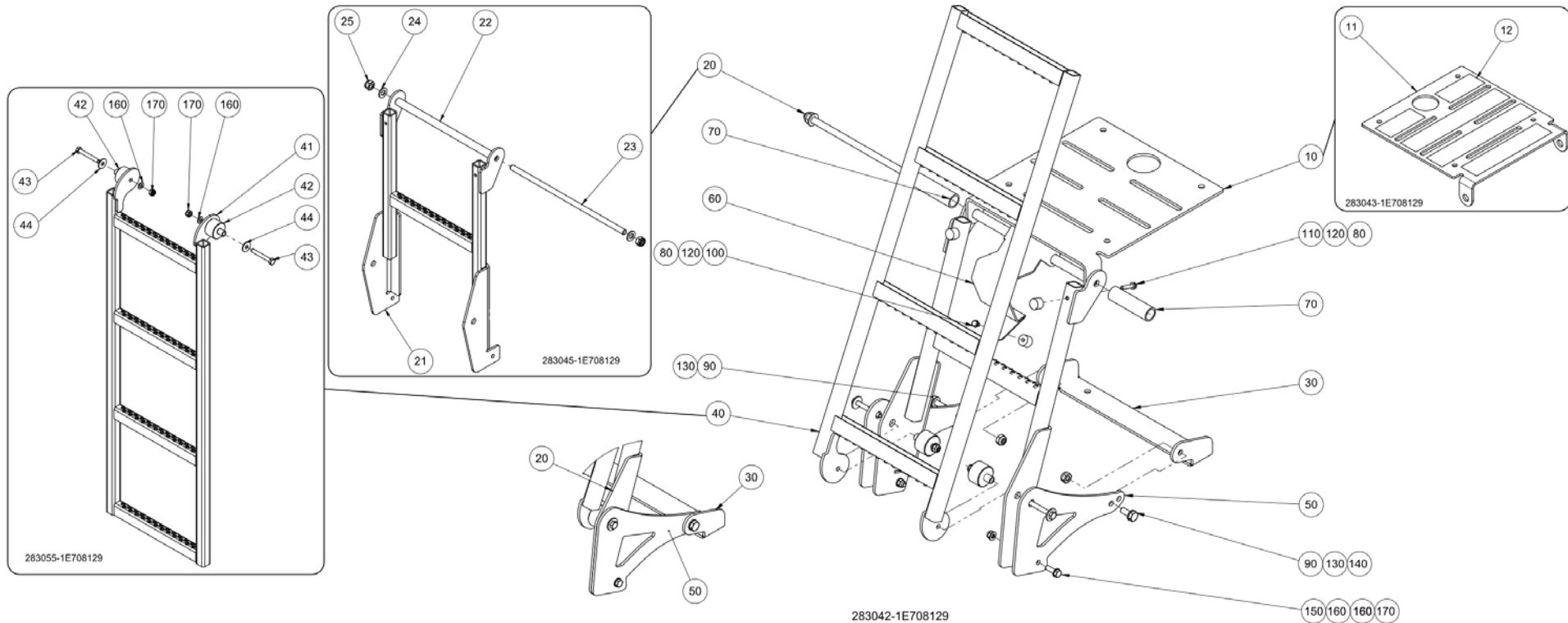


**Folding Ladder Assembly - Auxiliary Tank (283042-1)**

Options\Fuel System - Auxiliary Tank\Folding Ladder Assembly - Auxiliary Tank

Item no.	Part no.	Description	QTY	Unit
10	283043-1	Foot Plate Assy Auxiliary Tank	1	PC
20	283045-1	Upper Ladder Assy Aux Tank	1	PC
30	283054-1	Bracket - Mounting Ladder Assy	1	PC
40	283055-1	Lower Ladder Assy Aux Tank	1	PC
50	283288-1	Stay - Ladder Assy Aux Tank 95	2	PC
60	283297-1	Retaining Hook - Access Ladder	1	PC
70	283367-1	Hook Locator Ladder Assy	2	PC
80	290-31	Mount - Anti Vibration F M6	3	PC
90	92097412-0	Hex Head Screw - M10Cx25 - 8.8	2	PC
100	92097297-0	Hex Head Screw - M6Cx10 - 8.8	1	PC
110	92097305-0	Hex Head Screw - M6Cx30 - 8.8	2	PC
120	93212009-0	Plain Washer M6	3	PC
130	93212012-0	Plain Washer M10	2	PC
140	93085006-0	Nyloc Hex Thin Nut M10C - 8	2	PC
150	92097376-0	Hex Head Screw - M8Cx25 - 8.8	2	PC
160	93212011-0	Plain Washer M8	6	PC
170	93085005-0	Nyloc Hex Thin Nut M8C - 8	4	PC
11	283044-1	Foot Plate-Aux. Tank Ladder	1	PC
12	211-12	Safety Walk - 2" Wide	1.6	MM
21	283046-1	Upper Ladder W/Assy Aux Tank	1	PC
22	283052-1	Pivot Tube Ladder Assy	1	PC
23	283053-1	Pivot Stud - Ladder Assy	1	PC
24	93212013-0	Plain Washer M12	2	PC
25	93085007-0	Nyloc Hex Thin Nut M12C - 8	2	PC

**Folding Ladder Assembly - Auxiliary Tank (283042-1)**  
 Options\Fuel System - Auxiliary Tank\Folding Ladder Assembly - Auxiliary Tank





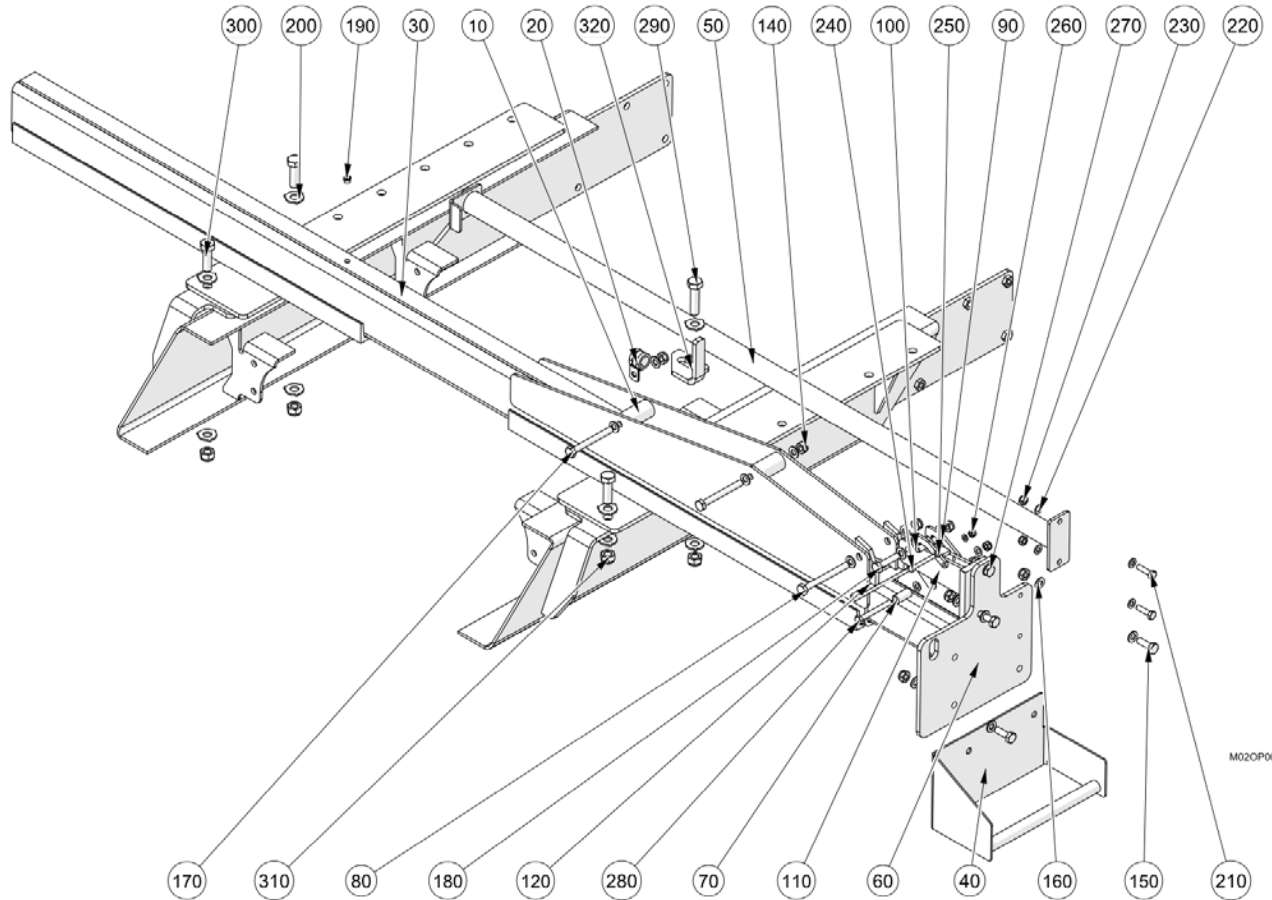
**Folding Ladder Assembly - Auxiliary Tank (283042-1)**

Options\Fuel System - Auxiliary Tank\Folding Ladder Assembly - Auxiliary Tank

Item no.	Part no.	Description	QTY	Unit
41	283056-1	Lower Ladder W/Assy Aux Tank	1	PC
42	283058-1	Spacer - Pivot Ladder Assy	2	PC
43	92067387-0	Hex Head Bolt - M8Cx60 - 8.8	2	PC
44	93300509-0	Plain Large Washer M8	2	PC

**Drain Grid Lifter Install (7024474E708639)**

Options\Drain Grid Lifter Install



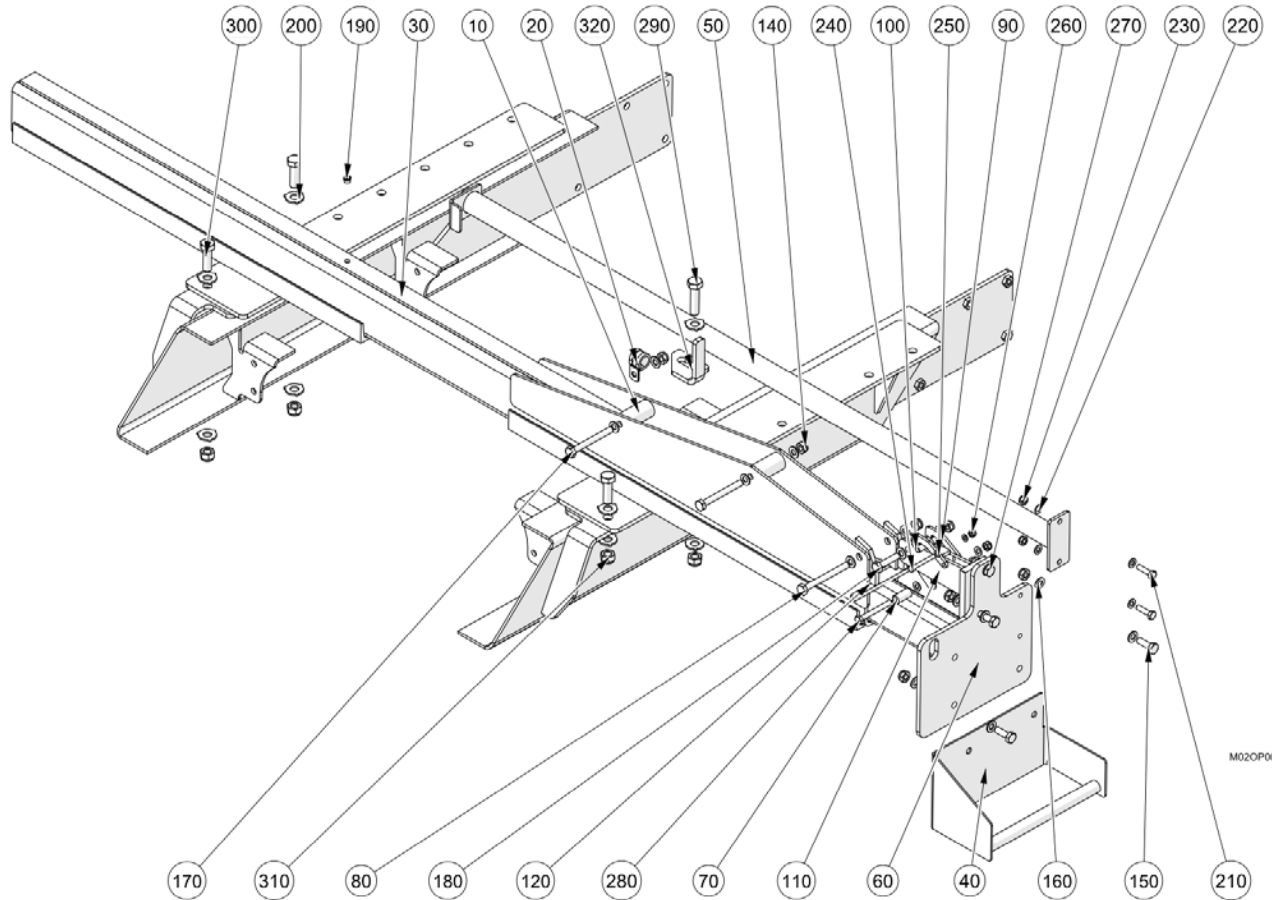
Drain Grid Lifter Install (7024474E708639)

Options\Drain Grid Lifter Install

Item no.	Part no.	Description	QTY	Unit
10	45014-13-H	Spacer - 60mm	2	PC
20	508-4	Clip - P Rubber Covered 19.05mm	1	PC
30	7024503	Winch Cross Beam W/Assy	1	PC
40	806604-1	Handle W/Assembly	1	PC
50	806602-1	Cable Support Tube W/Assembly	1	PC
60	806464-1	Winch Arm W/Assembly	1	PC
70	810584-1	Eccentric Brush	1	PC
80	92067432-0	Hex Head Bolt - M10Cx100 - 8.8	1	PC
90	809987-1	Latch Pin W/Assembly	1	PC
100	809985-1	Latch Lock W/Assembly	1	PC
110	809978-1	Latch W/Assembly	1	PC
120	810583-1	Hinge Stop W/Assembly	1	PC
140	93085006-0	Nyloc Hex Thin Nut M10C - 8	8	PC
150	92097414-0	Hex Head Screw - M10Cx30 - 8.8	2	PC
160	93212012-0	Plain Washer M10	16	PC
170	92067430-0	Hex Head Bolt - M10Cx90 - 8.8	2	PC
180	92067421-0	Hex Head Bolt - M10Cx45 - 8.8	1	PC
190	38-1	Nipple Grease Straight 1/8 BSP	1	PC
200	459-14	Washer - M14 Hardened BS 4395	8	PC
210	92097378-0	Hex Head Screw - M8Cx30 - 8.8	2	PC
220	93212011-0	Plain Washer M8	6	PC
230	93085005-0	Nyloc Hex Thin Nut M8C - 8	3	PC
240	92067311-0	Hex Head Bolt - M6Cx50 - 8.8	1	PC
250	93212009-0	Plain Washer M6	2	PC

**Drain Grid Lifter Install (7024474E708639)**

Options\Drain Grid Lifter Install

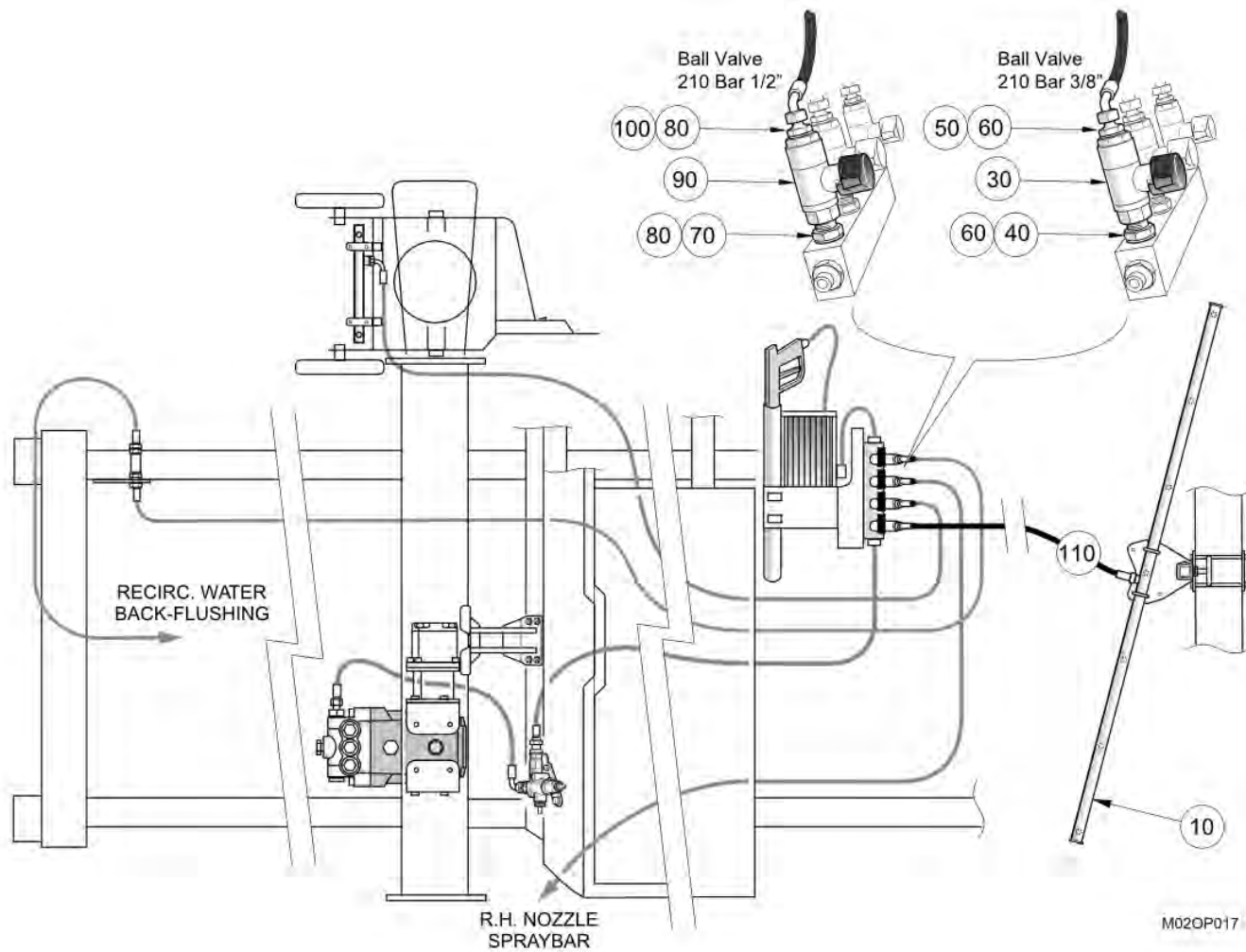


## Drain Grid Lifter Install (7024474E708639)

Options\Drain Grid Lifter Install

Item no.	Part no.	Description	QTY	Unit
260	93085004-0	Nyloc Hex Nut M6C - 8	1	PC
270	92097416-0	Hex Head Screw - M10Cx40 - 8.8	2	PC
280	92067389-0	Hex Head Bolt - M8Cx70 - 8.8	1	PC
290	92072214-0	Hex Head Bolt - M14Cx55 - 10.9	1	PC
300	92072212-0	Hex Head Bolt - M14Cx45 - 10.9	3	PC
310	404-17	Hex Nyloc Nut - M14c x Grade 10	4	PC
320	7024582	Stop Bracket	1	PC
0	7024474	Drain Grid Lifter Install	1	PC

**Supawash Front Spraybar (9652004-001)**  
Options\Supawash\Supawash Front Spraybar

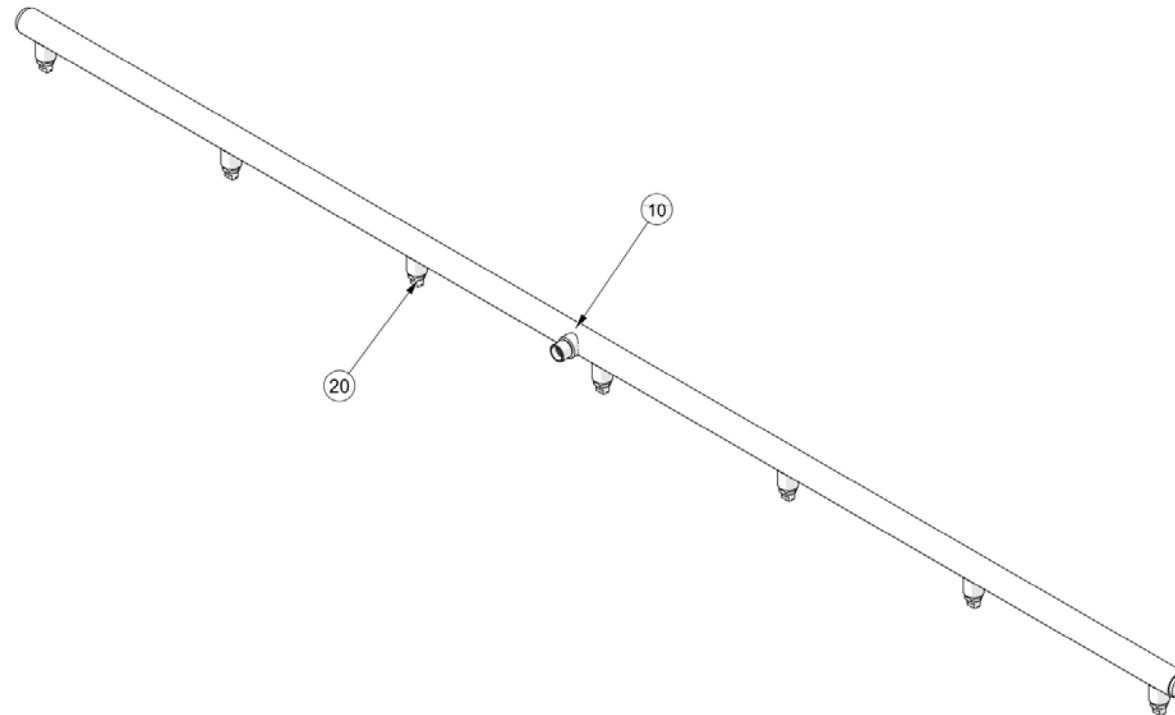


**Supawash Front Spraybar (9652004-001)**  
Options\Supawash\Supawash Front Spraybar

Item no.	Part no.	Description	QTY	Unit
10	7020124	Front Spraybar - Assy	1	PC
30	88-49	Ball Valve 210 Bar 3/8" F	1	PC
40	266-13	Adaptor M/M 3/8 - 1/2 BSP/BSPT	1	PC
50	6601-1322	Stud Coupling Male G 3/8" x M18 x 1.5	1	PC
60	451-18	Washer Bonded G3/8"	1	PC
70	266-4	Adaptor M/M 1/2 - 1/2 BSP/BSPT	1	PC
80	451-19	Washer - Bonded G1-2"	1	PC
90	88-33	Ball Valve 210 Bar 1/2" F	1	PC
100	09570131-0	Stud Coupling Male G 1/2" x M18 x 1.5	1	PC
110	H2SC10002-380	Hose Hydraulic Straight x 90°	1	PC

**Front Spraybar Assembly (7020124)**

Options\Supawash\Supawash Front Spraybar\Front Spraybar Assembly



M02OP011



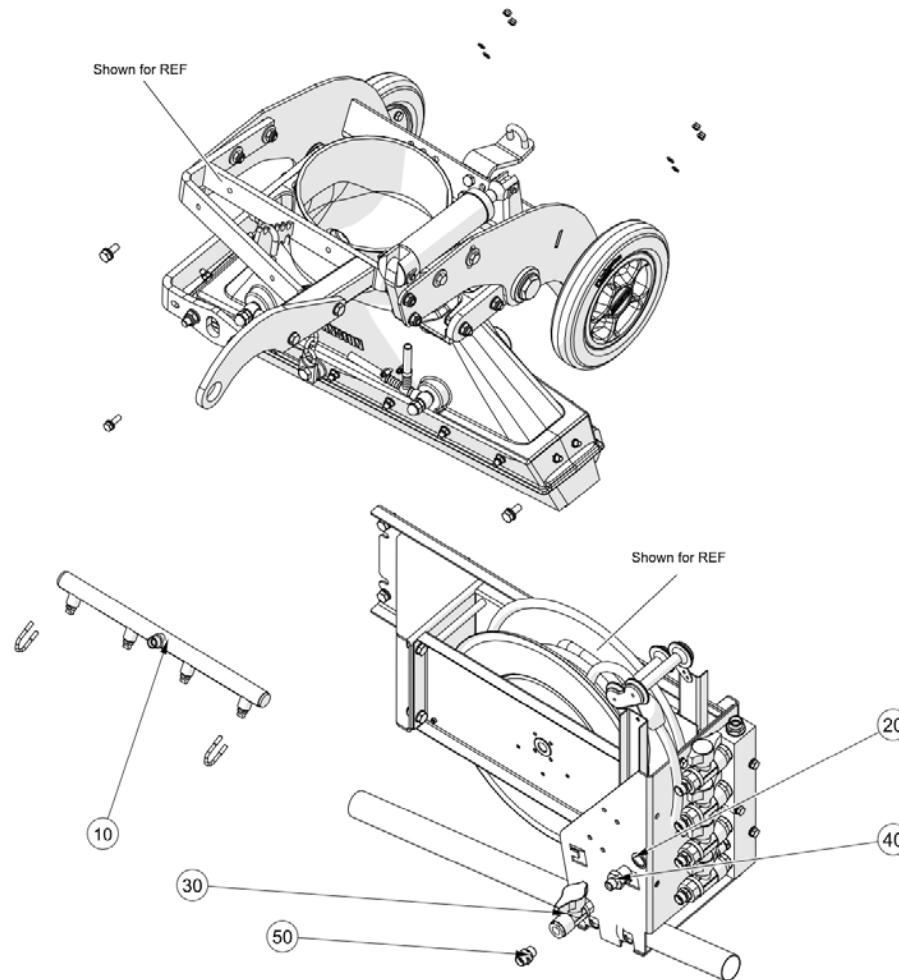
**Front Spraybar Assembly (7020124)**

Options\Supawash\Supawash Front Spraybar\Front Spraybar Assembly

Item no.	Part no.	Description	QTY	Unit
10	7020061	Spraybar - Weld Assy	1	PC
20	21-31	Jet - Fan 65 deg. 1/4"	7	PC

**Supawash Nozzle Spraybar (9652003-001,9652003-002)**

Options\Supawash\Supawash Nozzle Spraybar



M02CP023

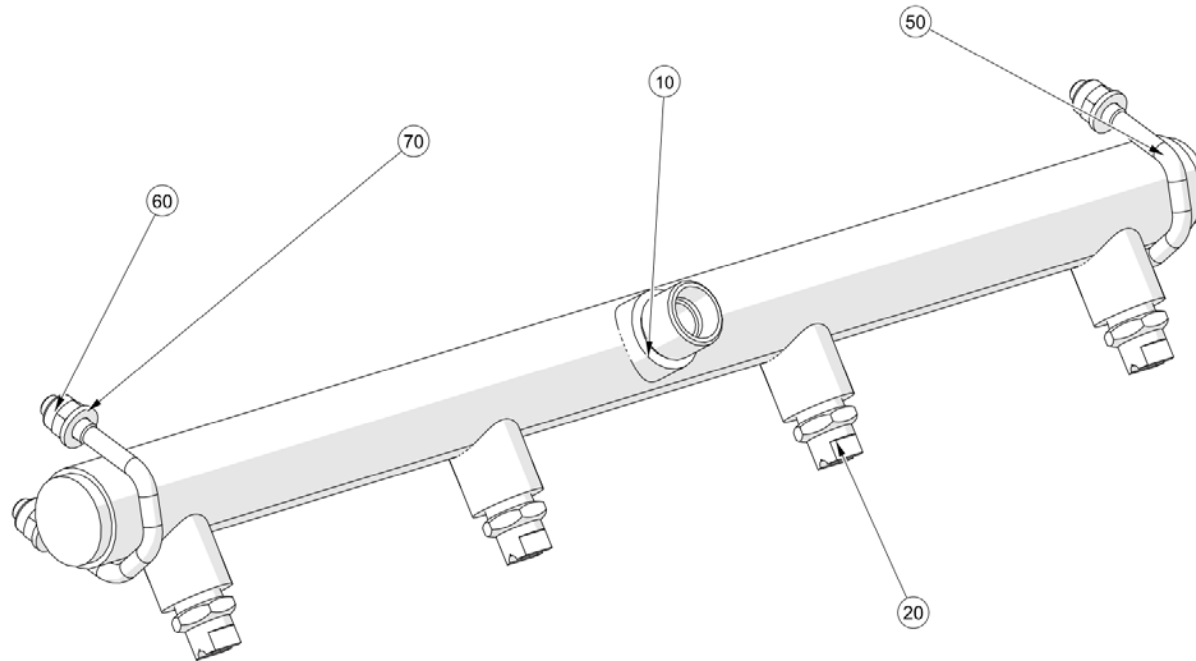
**Supawash Nozzle Spraybar (9652003-001,9652003-002)**

Options\Supawash\Supawash Nozzle Spraybar

Item no.	Part no.	Description	QTY	Unit
170	H2SC10002-430	Hose Hydraulic Straight x 90°	1	PC
180	H2SC10002-380	Hose Hydraulic Straight x 90°	1	PC
DUAL ONLY				
10	7020127	Nozzle Spraybar - Assy	1	PC
20	451-19	Washer - Bonded G1-2"	1	PC
30	88-49	Ball Valve 210 Bar 3/8" F	1	PC
40	266-4	Adaptor M/M 1/2 - 1/2 BSP/BSPT	1	PC
50	6601-1322	Stud Coupling Male G 3/8" x M18 x 1.5	1	PC

**Nozzle Spraybar Assembly (7020127 E711543)**

Options\Supawash\Supawash Nozzle Spraybar\Nozzle Spraybar Assembly



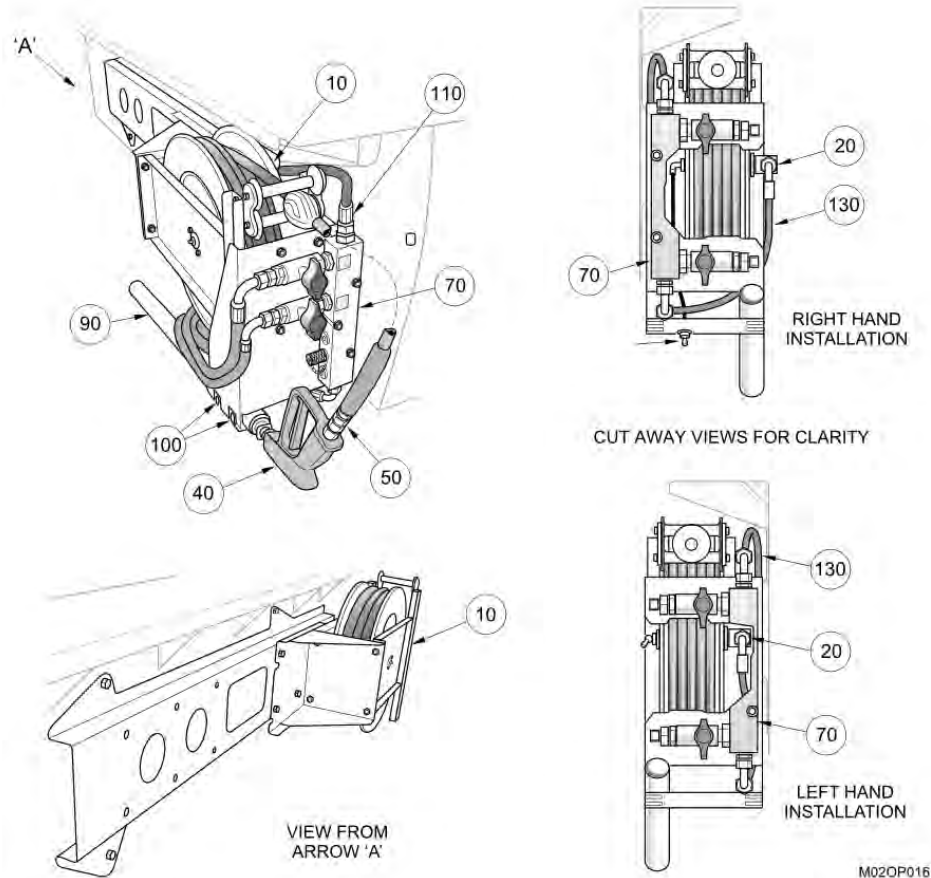
M020P024

**Nozzle Spraybar Assembly (7020127 E711543)**

Options\Supawash\Supawash Nozzle Spraybar\Nozzle Spraybar Assembly

Item no.	Part no.	Description	QTY	Unit
10	7020074	Spraybar - Weld Assy	1	PC
20	21-31	Jet - Fan 65 deg. 1/4"	4	PC
50	6105-1-C	Bolt - U M6c	2	PC
60	93085004-0	Nyloc Hex Nut M6C - 8	4	PC
70	93212009-0	Plain Washer M6	4	PC

**Supawash Hose Reel & Lance Basic (9652006-001)**  
Options\Supawash\Supawash Hose Reel & Lance Basic

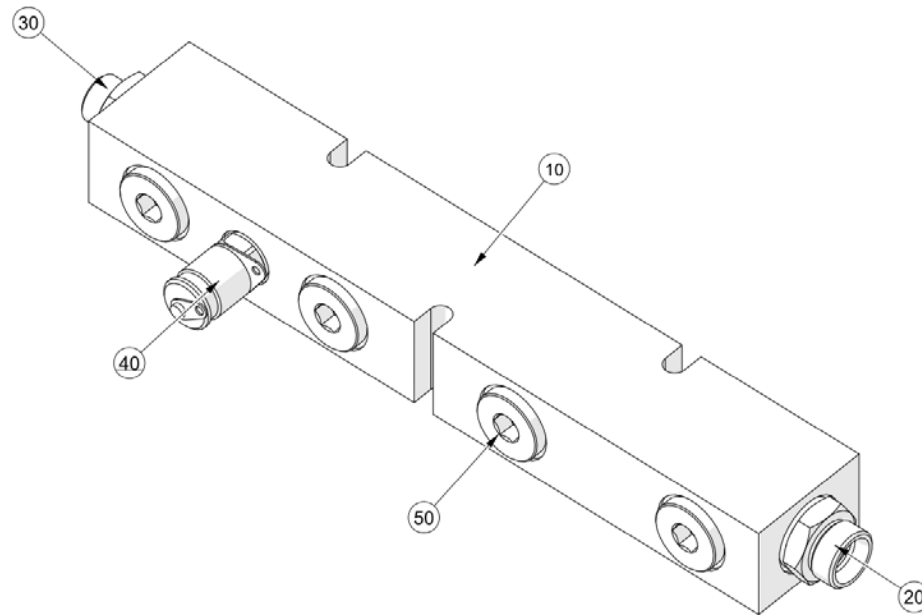


**Supawash Hose Reel & Lance Basic (9652006-001)**  
Options\Supawash\Supawash Hose Reel & Lance Basic

Item no.	Part no.	Description	QTY	Unit
10	667-49	Hose Reel 15 Metre Coil	1	PC
20	6601-1322	Stud Coupling Male G 3/8" x M18 x 1.5	1	PC
40	21-71	Hand Lance Assembly 700mm	1	PC
50	451-18	Washer Bonded G3/8"	1	PC
70	7020166	Water Manifold - Assembly	1	PC
90	804906-1	Tube-Lance Hose Reel Front Mnt	1	PC
100	09531011-0	Hose Clip - Worm Drive (40-55)	2	PC
110	H2SC12002-320	Hose Hydraulic Straight x 90°	1	PC
120	6613-0505	Adjustable Male Elbow - M22 x 1.5	1	PC
130	H2SC10002-51	Z_Hose - Hyd Straight x 90swept	1	PC

**Water Manifold Assembly (7020166)**

Options\Supawash\Supawash Hose Reel &amp; Lance Basic\Water Manifold Assembly



M020P008

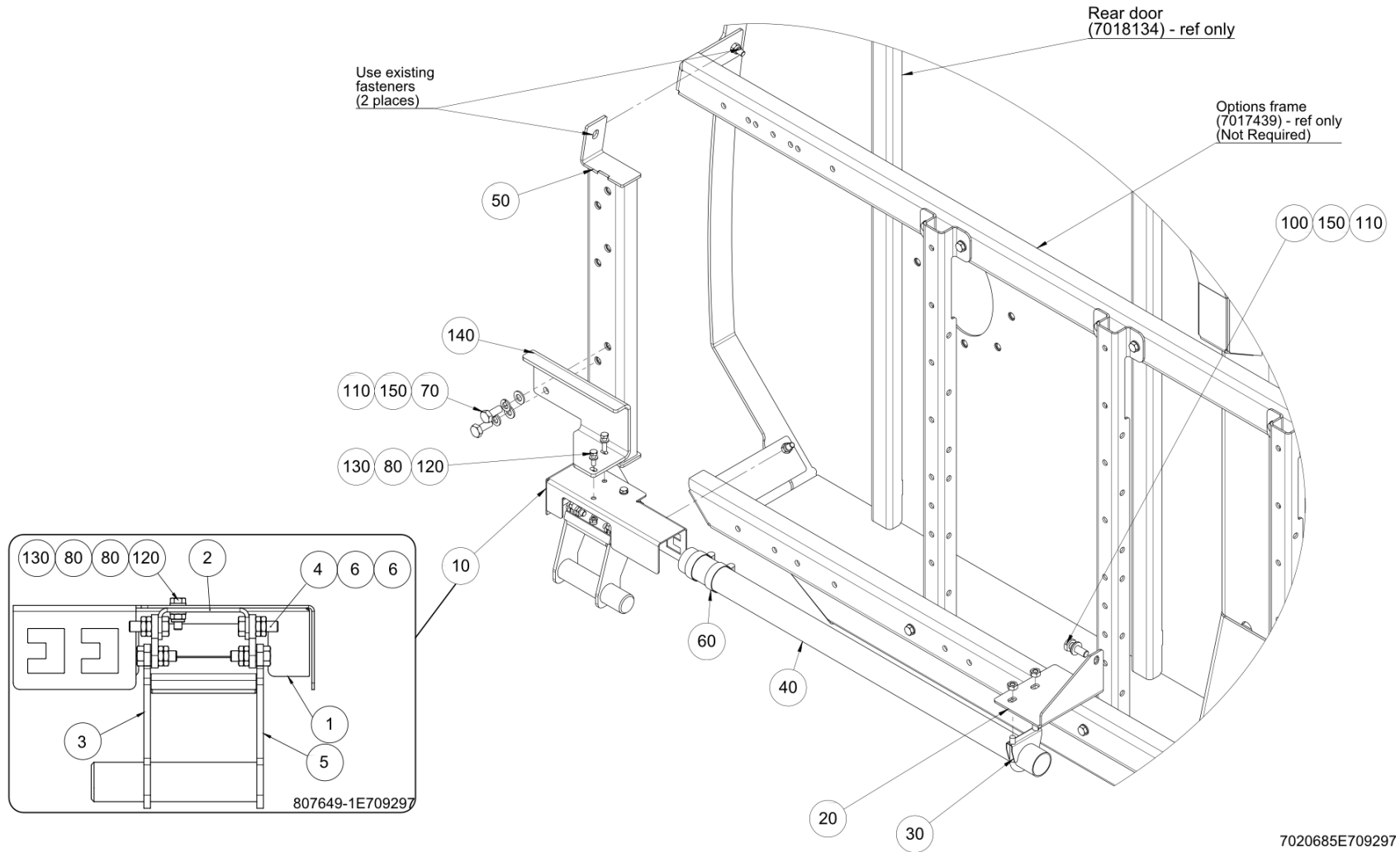


**Water Manifold Assembly (7020166)**

Options\Supawash\Supawash Hose Reel &amp; Lance Basic\Water Manifold Assembly

Item no.	Part no.	Description	QTY	Unit
10	282229-1	Water Manifold - Supawash	1	PC
20	6601-1329	Stud Coupling Male G 1/2" x M22 x 1.5	1	PC
30	09570131-0	Stud Coupling Male G 1/2" x M18 x 1.5	1	PC
40	665-8	Test Coupling SMK20 - G1/4 Type C	1	PC
50	09572135-0	Sealing Plug VS-R 1/2 WD	6	PC

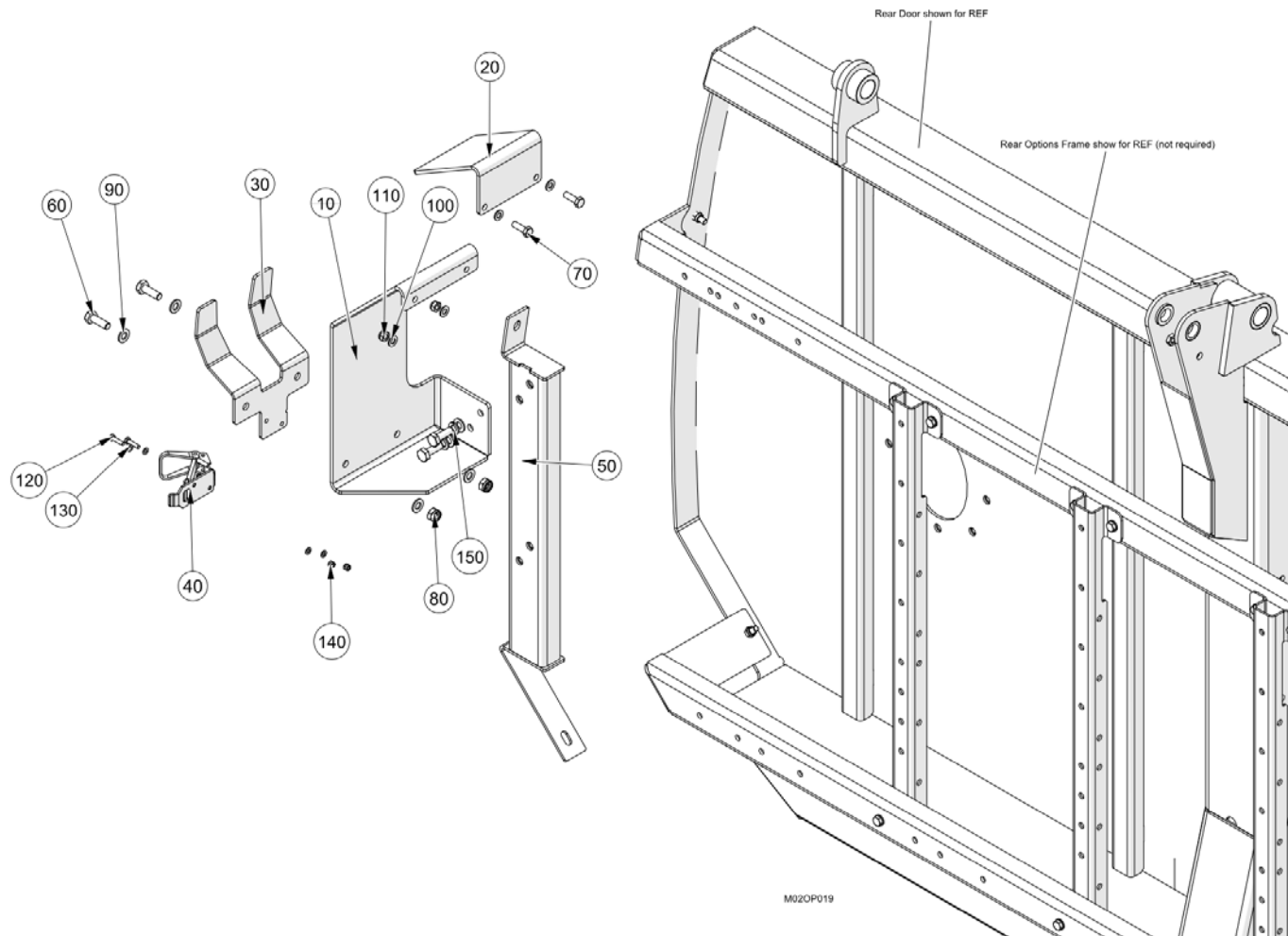
**Broom Stowage Installation (7020685 / E709297)**  
Options\Broom Stowage Installation



**Broom Stowage Installation (7020685 / E709297)**

Options\Broom Stowage Installation

Item no.	Part no.	Description	QTY	Unit
10	807649-1	Clamp Assy-Broom Stowage	1	PC
20	7020651	Tube Support	1	PC
30	6645-4-A	Clip - Exhaust Banelli 1 1/2"	1	PC
40	50914-4	Tube - Crossmember	1	PC
50	7028074	Support Bracket W/Assy	1	PC
60	09531009-0	Hose Clip - Worm Drive (30-40)	2	PC
70	92097412-0	Hex Head Screw - M10Cx25 - 8.8	2	PC
80	93212009-0	Plain Washer M6	6	PC
90	92097303-0	Hex Head Screw - M6Cx25 - 8.8	1	PC
100	92097414-0	Hex Head Screw - M10Cx30 - 8.8	1	PC
110	93212012-0	Plain Washer M10	3	PC
120	92097301-0	Hex Head Screw - M6Cx20 - 8.8	2	PC
130	93085004-0	Nyloc Hex Nut M6C - 8	3	PC
140	7028052	Support Bracket Broom Stowe	1	PC
150	93699711-0	Spring Washer - Plated M10	3	PC
1	807650-1	Housing-Broom Clamp/Stowage	1	PC
2	807651-1	Support-Broom Clamp/Stowage	1	PC
3	807652-1	Clamp Arm Upper Broom Stowage	2	PC
4	92097376-0	Hex Head Screw - M8Cx25 - 8.8	4	PC
5	807653-1	Clamp Lower W/A Broom Stow	1	PC
6	93041010-0	Hexagon Nut - M8c Lock	8	PC

**Shovel Stowe Rear Door (7027119 / E710192)**  
Options\Shovel Stowe Rear Door

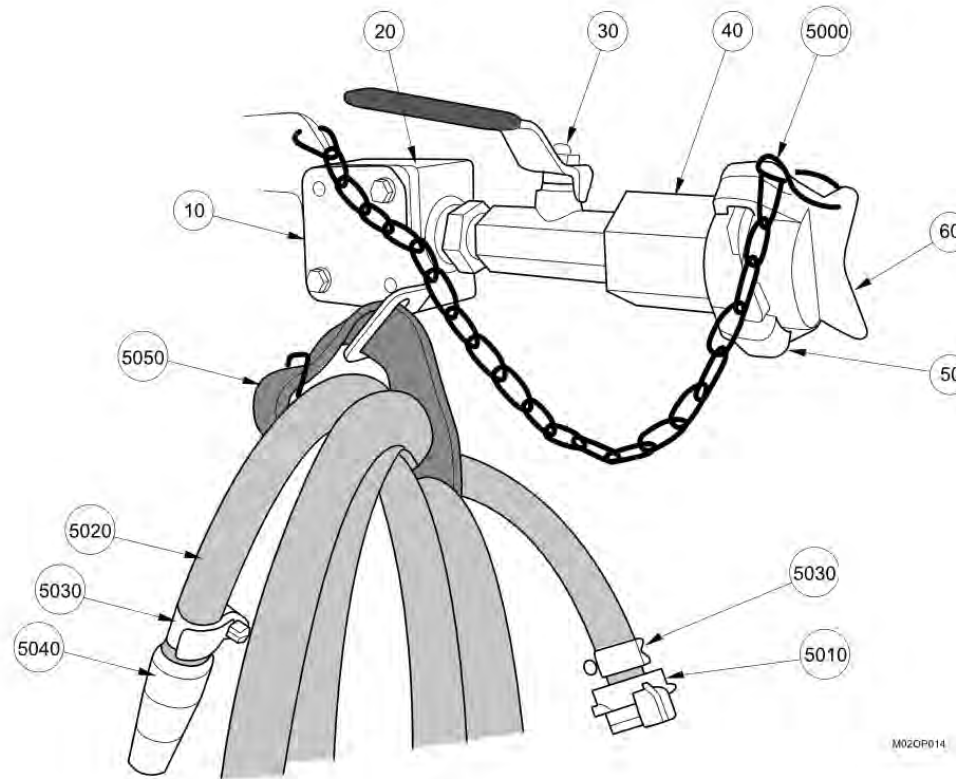
## Shovel Stowe Rear Door (7027119 / E710192)

Options\Shovel Stowe Rear Door

Item no.	Part no.	Description	QTY	Unit
10	7027071	Backing Plate	1	PC
20	7027117	Guard Plate	1	PC
30	7027101	Support Angle	1	PC
40	7221-0323	Latch - short Rubber	1	PC
50	7028074	Support Bracket W/Assy	1	PC
60	92097414-0	Hex Head Screw - M10Cx30 - 8.8	6	PC
70	92097376-0	Hex Head Screw - M8Cx25 - 8.8	2	PC
80	93085006-0	Nyloc Hex Thin Nut M10C - 8	2	PC
90	93212012-0	Plain Washer M10	8	PC
100	93212011-0	Plain Washer M8	4	PC
110	93085005-0	Nyloc Hex Thin Nut M8C - 8	2	PC
120	92097265-0	Hex Head Screw - M5Cx20 - 8.8	2	PC
130	93210109-0	Plain Washer M5	4	PC
140	93085003-0	Nyloc Hex Nut M5C - 8	2	PC
150	93699711-0	Spring Washer - Plated M10	4	PC

**Wash Down Hose (9652053-001)**

Options\Wash Down Hose



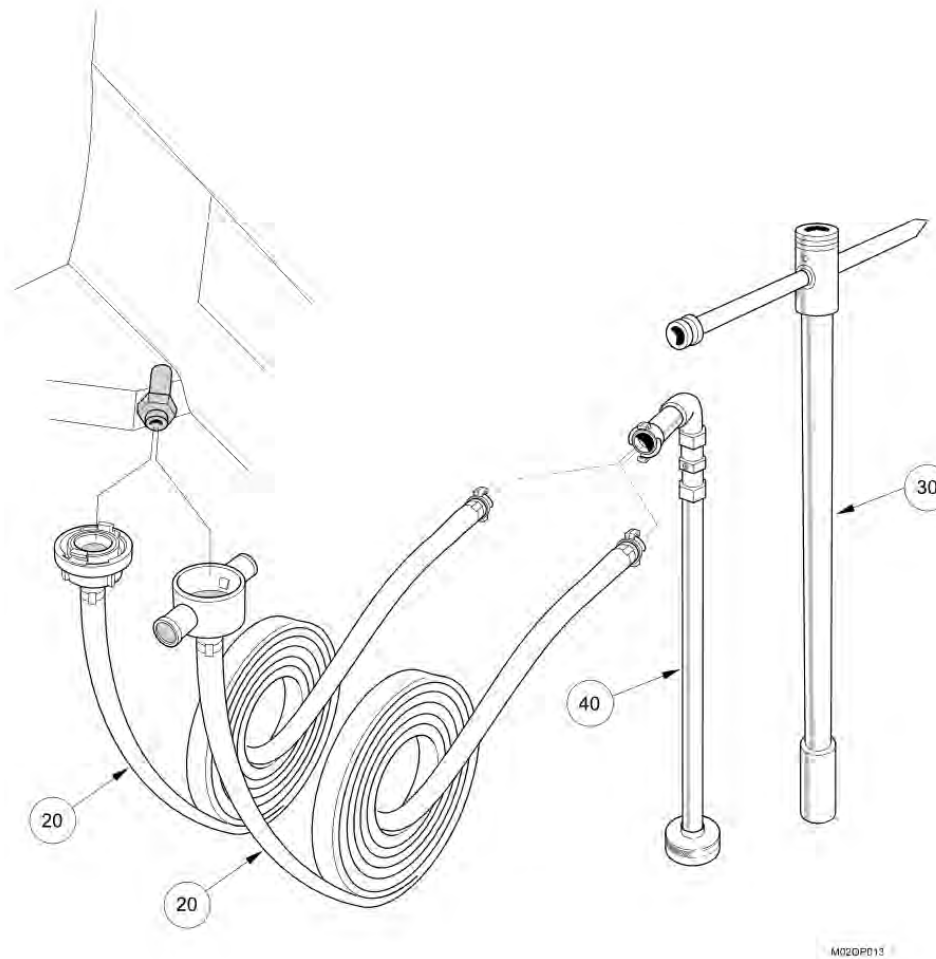
**Wash Down Hose (9652053-001)**

Options\Wash Down Hose

Item no.	Part no.	Description	QTY	Unit
10	7024065	Stowage bracket	1	PC
20	65-17	Adaptor-3/8 -1/2 BSP TAPERED	1	PC
30	89-1	Ball Valve 3/8 BSP 1/4 Turn	1	PC
40	492-10	Adaptor Reducing 3/8 BSP M x 3/4 BSP F	1	PC
50	7503-0113	RAPID COUPLING	1	PC
60	7503-0122	DUMMY COUPLING	1	PC
5000	6733-0215	CHAIN	1	PC
5010	277-321	Hosetail Connector - Ø 12-14mm	1	PC
5020	6111	Hose - Water 1/2"	6	M
5030	501-2	Hose Clip - Worm Drive (14-22)	2	PC
5040	6137	Nozzle - Spray, 1/2" Bore	1	PC
5050	3786	Strap & Buckle Leather	1	PC

Hydrant Hose, Standpipe & Key (9652048-001 , 9652048-002 , 9652048-003 , 9652048-005 , 9652048-006)

Options\Hydrant Standpipe Options\Hydrant Hose, Standpipe & Key





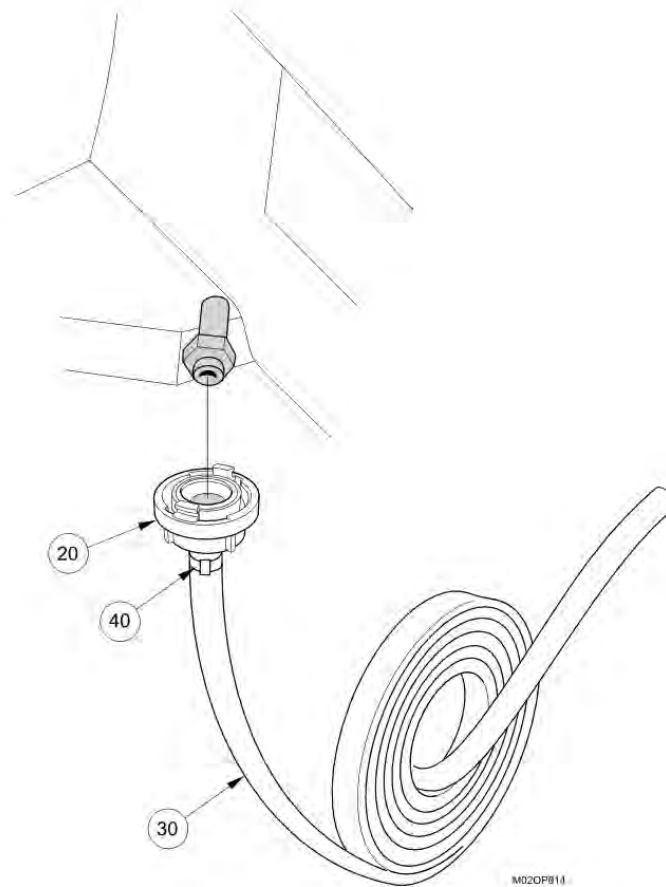
Hydrant Hose, Standpipe & Key (9652048-001 , 9652048-002 , 9652048-003 , 9652048-005 , 9652048-006)

Options\Hydrant Standpipe Options\Hydrant Hose, Standpipe & Key

Item no.	Part no.	Description	QTY	Unit
20	72689-6	Hose Assy - 1" Bore, Q/Release	1	PC
20	72689-1	Hose Assy - 1" Bore Stortz	1	PC
30	667-6	Key - Hydrant Aluminium	1	PC
40	72688-1	Standpipe Assembly ( UK)	1	PC
40	72688-11	Standpipe Assembly (Belfast)	1	PC
40	72688-2	Standpipe Assembly (German)	1	PC

**Hydrant Hose, Standpipe & Key Open Ended (9652048-004)**

Options\Hydrant Standpipe Options\Hydrant Hose, Standpipe & Key Open Ended

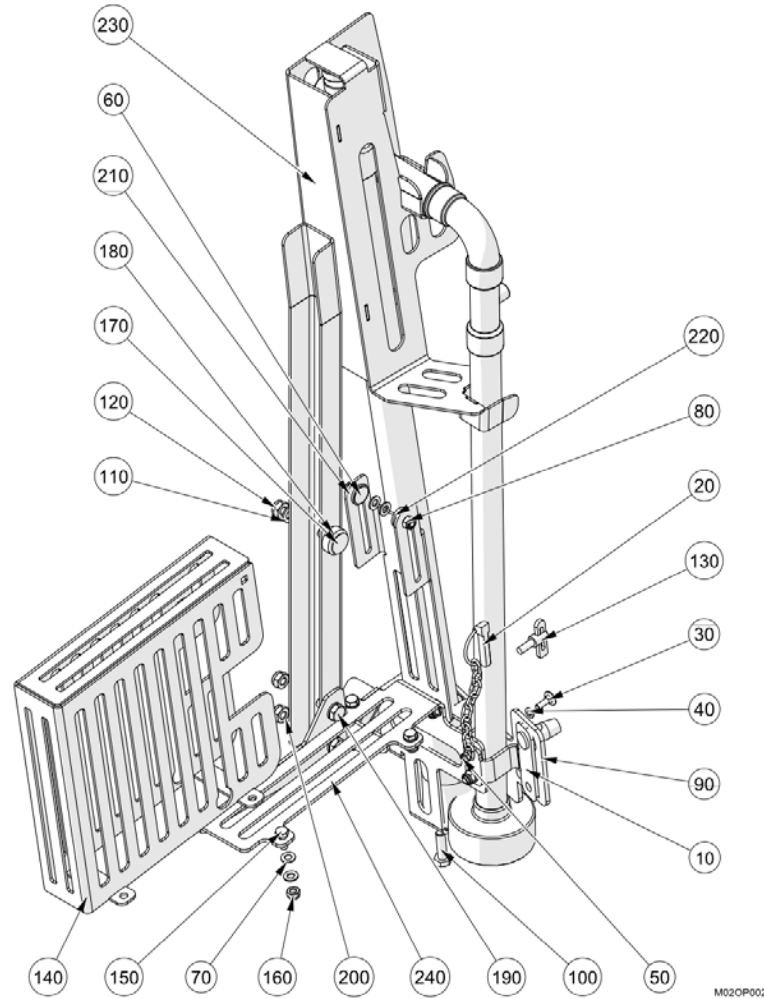


**Hydrant Hose, Standpipe & Key Open Ended (9652048-004)**

Options\Hydrant Standpipe Options\Hydrant Hose, Standpipe &amp; Key Open Ended

Item no.	Part no.	Description	QTY	Unit
20	667-3	Coupling - Water	1	PC
30	667-4	Hose - 2" Bore x 15 Layflat	1	PC
40	501-5	Clip Hose Worm Drive 40-55mm	2	PC

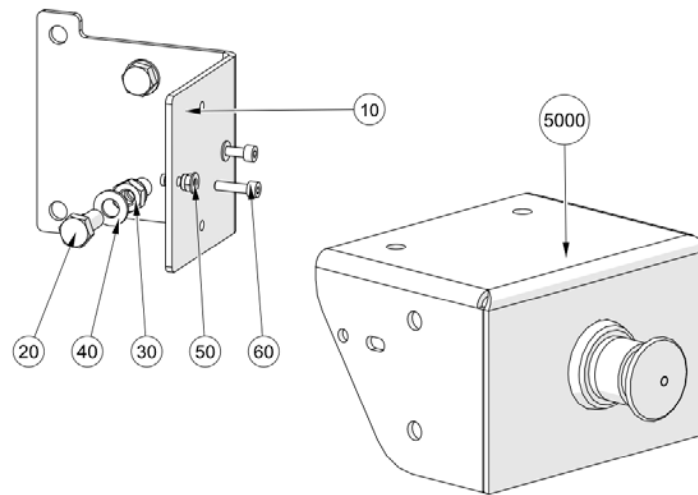
**Hydrant Wrench Holder (7020723)**  
Options\Hydrant Standpipe Options\Hydrant Wrench Holder



**Hydrant Wrench Holder (7020723)**

Options\Hydrant Standpipe Options\Hydrant Wrench Holder

Item no.	Part no.	Description	QTY	Unit
10	7006820	Latch	1	PC
20	60-21	Linch Pin-9 Link Chain 11mm Dia	1	PC
30	92555528-0	Round Head Square Neck Bolt-M6Cx20-4.6	1	PC
40	93212009-0	Plain Washer M6	1	PC
50	93085004-0	Nyloc Hex Nut M6C - 8	1	PC
60	92555554-0	Round Head Square Neck Bolt-M8Cx20 4.6	3	PC
70	93212011-0	Plain Washer M8	12	PC
80	93085005-0	Nyloc Hex Thin Nut M8C - 8	4	PC
90	7005738	Latch	1	PC
100	92097415-0	Hex Head Screw - M10Cx35 - 8.8	2	PC
110	93212012-0	Plain Washer M10	9	PC
120	93085806-0	Nyloc Hex Nut M10C - 8	3	PC
130	60-15	Pin - Antiluce, M8 x 18	1	PC
140	293785-1	Hose Stowage W/A Hyd Fill 550	1	PC
150	92097374-0	Hex Head Screw - M8Cx20 - 8.8	3	PC
160	93085805-0	Nyloc Hex Nut M8C - 8	3	PC
170	92555584-0	Round Head Square Neck Bolt-M10Cx30-4.6	1	PC
180	47264-19	Spacer - 9.5mm	1	PC
190	92097412-0	Hex Head Screw - M10Cx25 - 8.8	2	PC
200	93085006-0	Nyloc Hex Thin Nut M10C - 8	2	PC
210	7008386	Door	1	PC
220	93212013-0	Plain Washer M12	2	PC
230	7020677	Hydrant wrench holder	1	PC
240	7020710	Hose Reel Bottom W/Assy	1	PC

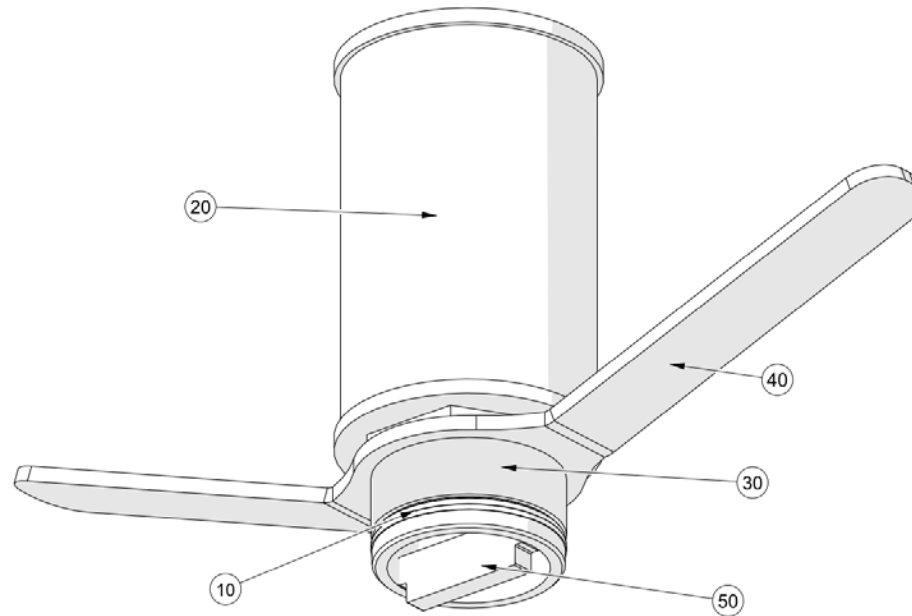


M020P009

## External Throttle (7029459E710053)

Options\External Throttle

Item no.	Part no.	Description	QTY	Unit
10	7029463	Bracket, External Throttle	1	PC
20	92097374-0	Hex Head Screw - M8Cx20 - 8.8	2	PC
30	93085005-0	Nyloc Hex Thin Nut M8C - 8	2	PC
40	93212011-0	Plain Washer M8	2	PC
50	93085002-0	Nyloc Hex Nut M4C - 8	2	PC
5000	7030277	External Throttle Harness	1	PC
60	92137012-0	Hex Socket Cap Screw - M4Cx16 - 12.9	2	PC



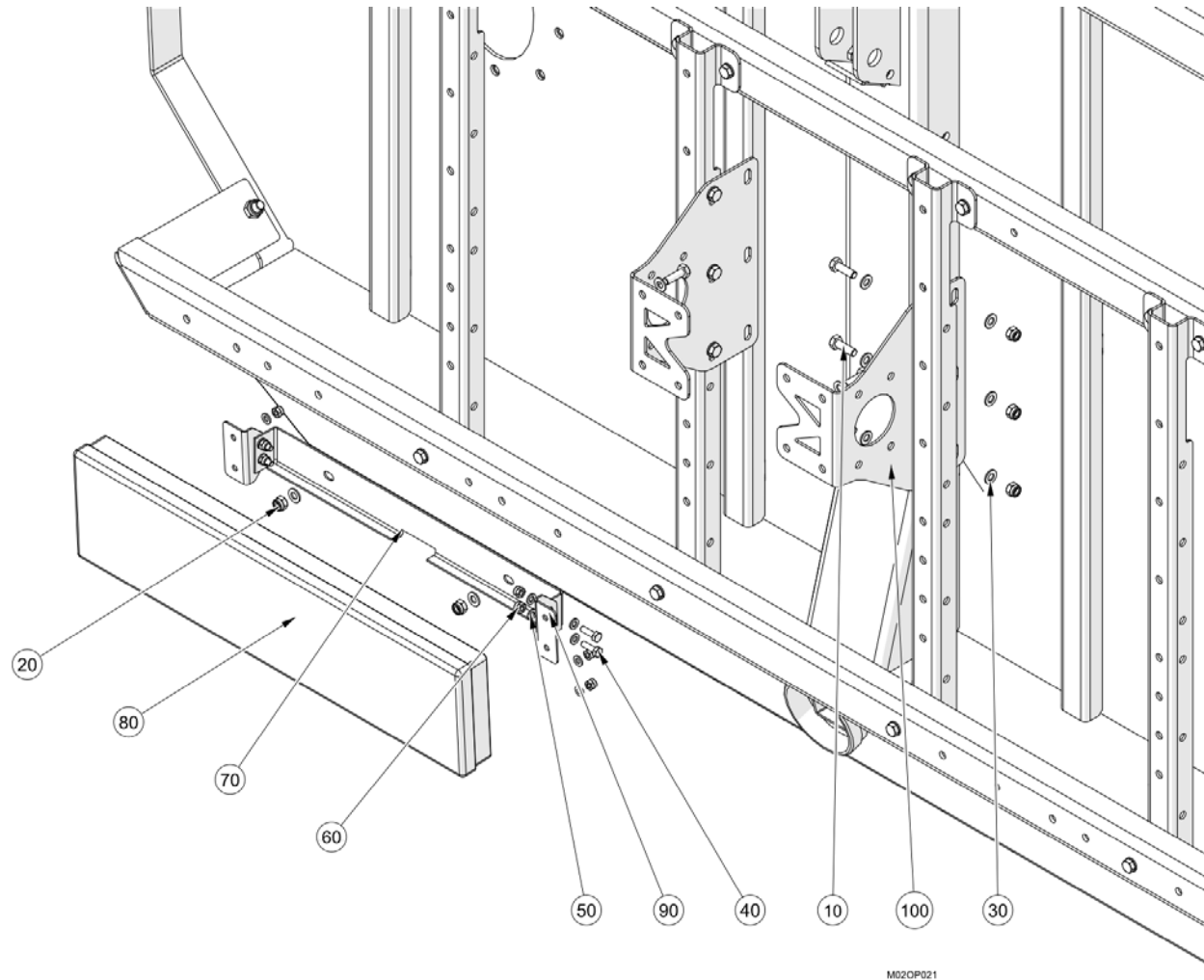
M02OP020



## Water Strainer (9652119-001 E710166)

Options\Water Strainer

Item no.	Part no.	Description	QTY	Unit
10	80-65	O-Ring Hole Dia.62	1	PC
20	6974-1-C	Filter - Water Tank	1	PC
30	282606-1	Strainer Adaptor W/Assy	1	PC
40	282608-2	Handle - Strainer Adaptor 95	1	PC
50	282609-2	Key - Strainer Adaptor 95	1	PC



Item no.	Part no.	Description	QTY	Unit
10	92097376-0	Hex Head Screw - M8Cx25 - 8.8	8	PC
20	93085805-0	Nyloc Hex Nut M8C - 8	8	PC
30	93212011-0	Plain Washer M8	16	PC
40	92097301-0	Hex Head Screw - M6Cx20 - 8.8	4	PC
50	93212009-0	Plain Washer M6	12	PC
60	93085004-0	Nyloc Hex Nut M6C - 8	8	PC
70	7027233	Support Bracket	1	PC
80	745-150	LED Sign Board 12V	1	PC
90	7027232	Support Angle	2	PC
100	282410-1	Plate - Mtg Rotatable Sign 95	2	PC
5000	32-152	Cable - 4 Core Brown/Green/Red/White	10	M
5010	710-181	DEUTSCH CONNECTOR DT04-4P-CE02	2	PC
5020	710-80	Contact Pin, Size 16	8	PC
5030	31-258	Wedge - DT 4 Way Receptacle	2	PC
5040	710-198	DEUTSCH CONNECTOR DT04-4P	2	PC
5050	710-178	DEUTSCH CONNECTOR DT06-4S-CE06	2	PC
5060	710-81	Contact 16 Socket 0462-209-16141	8	PC
5070	31-256	Wedge - DT 4 Way Plug	2	PC
5080	710-199	DEUTSCH CONNECTOR DT06-4S	2	PC
5090	50-3	Terminal-Shrouded Female Receptacle RED	2	PC
5100	31-552	Converter-Volt, 24V-12V	1	PC
5110	7032006	LED Message Board Ignition Feed Harness	1	PC