



## Spare Parts Catalogue

### VT & VS Stage 3a Engine

Range of Twin Engined & Hydrostatic Sweepers From Manufacture Sequence No. 07/2057

02617-4-P - Revision 16

## Foreword

The Johnston VT500, 605, 650 and 800 Twin Engined and VS Hydrostatic range of Suction Sweepers are the latest development in modular systems and embody the highest grade of craftsmanship and reliability that have made Johnston a world leader.

This manual covers VT machines with Iveco Stage 3a and John Deere Tier 3 Standard and High Power auxiliary engines, and covers units from manufacturing sequence number 07/2057.

Every endeavour has been made to ensure that the information contained in this Manual is correct at the time of going to print, but due to continuous product development (E.A.O.E.), the Company reserve the right to alter contents without notice. This document should not be interpreted as being part of a formal contract.

**Please refer to the Parts Catalogues on the Johnston Sweepers website for the latest update information, [www.johnstonsweepers.com](http://www.johnstonsweepers.com)**

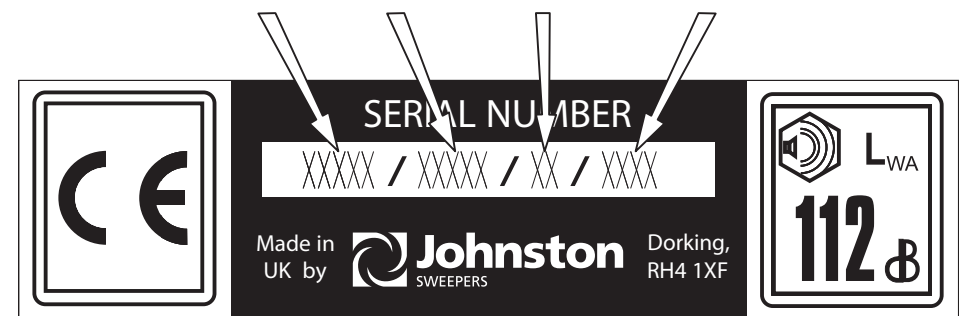
The Table of Contents locates the exact page a particular illustration or parts list is on. Parts that have been superseded and are not interchangeable with the new items are shown in a 'Superseded Parts' section.

All copyrights and rights reserved. The reproduction, distribution and utilisation of this document as well as the communication of its contents to others without the express authorisation of Johnston Sweepers Limited is prohibited. Offenders will be held liable for the payment of damages. All rights reserved in the event of the grant of a patent, utility model or design.

When making enquiries or ordering spare parts the Johnston Serial number should be quoted. The number will be found stamped on a plate similar to that shown below and attached to the rearmost cross-member of the subframe, below the rear door.

Serial number comprises:-

	Model No.	Build No.	Year of manufacture	Manufacture sequence No.
Example.....	VT650	12345	07	2057



L. 0012-12

It is important that only GENUINE JOHNSTON SPARE PARTS are used when servicing and maintaining the sweeper. This is especially important for consumables, filters etc. as the use of non-genuine parts may cause premature failure and invalidation of warranty.

This section of the manual will help you when ordering parts and serves as an assembly/disassembly reference when used in conjunction with the Maintenance Section procedures.

### **About this section**

Chapters 1 to 15, listed on the front sheet, cover the major areas of the machine. Some of the more popular options such as the Supawash hi-pressure water system, Channel Brush Rotatilt, Powaboom and Littasnatch wanderhoses are also covered in these chapters. Other more specialised options will be found in the Optional Equipment Chapter 16.

The BoM numbers, shown in brackets after the section title, are for Johnston internal reference only.

### **Chassis Related Parts**

The items listed below vary depending on what chassis the Johnston sweeper equipment is mounted to. If any parts for these areas are required, contact the Johnston Parts Department quoting the machine serial number shown on the plate fitted to the subframe crossmember below the body rear door.

- \* Batteries and battery mounting
- \* Cab - Sweep control installations
- \* Cab - single and dual steer parts
- \* Body discharge interlock
- \* Rear mounted fuel tank
- \* Gutter and wide sweep brush water spraybar mountings
- \* Supawash hose reel and front bumper spraybar mountings
- \* Rear underrun bumper
- \* Rear mudguards and mudflaps
- \* Subframe to chassis mounts
- \* Work lights
- \* Channel brush pivot frame support posts
- \* Channel brush hydraulic hoses 75 and 84
- \* Wide sweep brush hydraulic hoses 70 to 74
- \* Customer options i.e. autolube, special beacons, reversing camera, handwash etc.

### **Ordering Parts - General Instructions:**

1. Provide name and address of where to deliver parts.
2. Provide complete serial number.
3. Provide part number, description, and quantity for each part required.  
If unsure of part number, provide a detailed description of part and where it is used.

### **Chassis Related Parts**

Some parts shown in the Parts Section are chassis related and can vary due to the differences between chassis manufactures.

**Abbreviations** - The following abbreviations are used in this Manual:

- |                                |                         |
|--------------------------------|-------------------------|
| LH = Left Hand.                | RH = Right Hand.        |
| WSB = Wide Sweep Brush.        | CB = Channel Brush      |
| CW = Clockwise.                | CCW - Counterclockwise. |
| NO = Normally Open.            | NC = Normally Closed.   |
| Item O = Whole assembly shown. |                         |

**Johnston®** is a registered trade mark of Johnston Sweepers Limited.

### **Johnston Sweepers Limited**

Curtis Road, Dorking, Surrey RH4 1XF, UK

Tel: +44 (0)1306 884722 Fax: +44 (0)1306 884151

E-mail: [enquiries@johnstonsweepers.com](mailto:enquiries@johnstonsweepers.com) Web: [www.johnstonsweepers.com](http://www.johnstonsweepers.com)

## Table of Contents

<b>1 Body/Cowl/Rear Door.....</b>	<b>12</b>	<b>2 Subframe/Body Prop.....</b>	<b>88</b>
1.1 Body Common Parts.....	12	2.1 Subframe Assembly Single.....	88
1.1.1 Mesh Screens and Doors 500.....	12	2.2 Subframe Assembly Dual.....	94
1.1.2 Mesh Screens and Doors 605.....	18	2.3 Auto Release Body Prop.....	100
1.1.3 Mesh Screens and Doors 650.....	24	<b>3 Powapak.....</b>	<b>102</b>
1.1.4 Mesh Screens and Doors 800.....	30	3.1 Iveco Engines.....	102
1.1.5 Discharge Components.....	36	3.1.1 Standard Power Engines.....	102
1.1.6 Door Clamp Assembly.....	40	3.1.1.1 Dressed Engine.....	102
1.1.7 Water Components.....	44	3.1.1.2 Spare Items.....	104
1.2 Body Configuration.....	48	3.1.1.3 Throttle Actuator.....	106
1.2.1 Intanke Components Single.....	48	3.1.1.4 Ancillaries.....	108
1.2.2 Intanke Components Dual.....	50	3.1.1.5 Engine Management Box.....	112
1.3 Rear Door.....	52	3.1.1.6 Fuel Pre-Filter.....	116
1.3.1 Door Assembly and Instalation.....	52	3.1.2 High Power Engines.....	118
1.3.2 Door Screens Standard.....	56	3.1.2.1 Dressed Engine.....	118
1.3.3 Door Screens Perforated.....	58	3.1.2.2 Spare Items.....	122
1.3.4 Door Screens Wedge Wire.....	60	3.1.2.3 Ancillaries.....	124
1.3.5 Door Screens Primary.....	62	3.1.2.4 Engine Management Box.....	128
1.3.6 Door Drains A.....	64	3.1.2.5 Fuel Pre-Filter.....	132
1.3.7 Door Drains B.....	66	3.1.3 Standard and High Power Common Parts.....	134
1.3.8 Door Drains C.....	68	3.1.3.1 Engine and Transmission.....	134
1.3.9 Door Drains D.....	70	3.1.3.2 Exhaust Components.....	138
1.4 Cowl Common Parts.....	72	3.1.3.3 P.T.O. Pumps Single.....	140
1.4.1 Seals and Soundproofing.....	72	3.1.3.4 P.T.O. Pumps Tandem.....	142
1.4.2 Wafer Pack and Wear Plates.....	74	3.1.3.5 Pump Installations Single.....	144
1.5 Cowl Configuration.....	78	3.1.3.6 Pump Installations Tandem.....	146
1.5.1 Intake Duct Flaps Single.....	78	3.1.3.7 Filter State Indicator.....	148
1.5.2 Intake Duct Flaps Dual.....	82		
		1.6 Hydraulic Hoses.....	86
		1.6.1 Body Discharge System.....	86



3.2	John Deere Engines .....	150	3.4.3	Fan Case .....	216
3.2.1	Standard Power Engine.....	150	3.4.4	Fan Case Outlet Flap.....	220
3.2.1.1	Dressed Engine .....	150	3.5	VT Transmission.....	224
3.2.1.2	Throttle Actuator .....	152	3.5.1	Fluid Coupling.....	224
3.2.1.3	Type A Ancillaries .....	154	3.5.2	Fan Drive Gearbox.....	228
3.2.1.4	Type A Air Cleaner Installation .....	156	3.6	VS HydroDrive Transmission.....	232
3.2.1.5	Type B Ancillaries .....	160	3.6.1	Gearbox and Selectors.....	232
3.2.1.6	Engine Management Box.....	164	3.6.1.1	Mk III Gearbox Assembly .....	232
3.2.2	High Power Engine.....	168	3.6.1.2	Gearbox Selector Assemblies.....	236
3.2.2.1	Dressed Engine .....	168	3.6.1.2.1	Input Selector - Pump Drive .....	236
3.2.2.2	Ancillaries.....	170	3.6.1.2.2	Output Selector - Motor Drive.....	238
3.2.2.3	Engine Management Box.....	174	3.6.2	Ancillary Equipment.....	240
3.2.3	Standard and High Power Common Parts .....	178	3.6.2.1	Pumps and Motors .....	240
3.2.3.1	Engine and Transmission .....	178	3.6.2.2	Port Fittings.....	246
3.2.3.2	Exhaust Components.....	182	3.6.2.3	Remote Transmission Filter.....	254
3.2.3.3	P.T.O. Pumps Single .....	184	3.6.3	Hydraulic Hoses .....	256
3.2.3.4	P.T.O. Pumps Tandem.....	186	3.6.3.1	Hydrodrive Hoses .....	256
3.2.3.5	Pump Installations Single.....	188	3.6.3.2	Hydrodrive Installation Hoses.....	258
3.2.3.6	Pump Installations Tandem .....	190	3.6.4	Gearbox Installation.....	260
3.2.3.7	Filter State Indicator .....	192	3.6.4.1	Gearbox Installation.....	260
3.2.3.8	Fuel Pre-Filter Installation.....	194	3.6.4.2	Prop Shafts and Sensors.....	262
3.3	VT and VS Powapak Tub and Components.....	196	3.7	VS Hydrostatic Components.....	264
3.3.1	Powapak Tub - VT and VS Common Parts.....	196	3.7.1	Oil Cooler Assembly .....	264
3.3.2	Powapak Tub - VT Parts Only .....	204	3.7.1.1	Oil Cooler and Fan Installation.....	264
3.3.3	Powapak Tub - VS Parts Only.....	206	3.7.2	Suction System.....	268
3.3.4	3/4" Water System Feed Pipe Assembly.....	208	3.7.2.1	Fan Drive Mount Assembly.....	268
3.3.5	1" Water Pump Suction Pipe Assembly.....	210	3.7.2.2	Fan Drive Motor Installation.....	270
3.4	VT and VS Fan Impellers and Fan Case.....	212	3.7.2.3	Fan Drive Block.....	272
3.4.1	Fan Impeller Installation VT .....	212	3.7.3	Hydraulic Hoses .....	276
3.4.2	Fan Impeller Installation VS.....	214	3.7.3.1	Fan Tub Hoses .....	276

3.7.4	Controls.....	278	6.5	Superseded Parts.....	350
3.7.4.1	Antiskid Module.....	278	6.5.1	Type A Lift Cylinder Installation.....	350
3.7.4.2	HydroDrive Selector Valve and HWE Switch.....	280	6.5.2	Type B Lift Cylinder Parts.....	352
3.7.4.3	Management Box.....	282	<b>7</b>	<b>Wide Sweep Brush.....</b>	<b>354</b>
<b>4</b>	<b>Systems Locker.....</b>	<b>284</b>	7.1	Assembly.....	354
4.1	Systems Wafer Assembly.....	284	7.1.1	Wide Sweep Brush Assembly Single.....	354
4.2	Systems Locker Enclosure and Valance.....	286	7.1.2	Wide Sweep Brush Assembly Dual.....	362
<b>5</b>	<b>Channel Brush.....</b>	<b>290</b>	7.1.3	Tow Bar Installation Single.....	372
5.1	Channel Brush.....	290	7.1.4	Tow Bar Installation Dual.....	374
5.1.1	Pivot Frame Assembly Single.....	290	7.2	Instalation.....	376
5.1.2	Pivot Frame Assembly Dual.....	296	7.2.1	Pneumatic - Suspension Cylinders.....	376
5.1.3	Water Jet Assembly.....	302	7.2.2	Pneumatic - Suspension Regulation, Single Sweep.....	378
5.1.4	Arm Assembly.....	304	7.2.3	Pneumatic - Suspension Regulation, Dual Sweep.....	380
5.1.5	Head Assembly Single.....	310	7.2.4	Hydraulic Hoses LH.....	382
5.1.6	Head Assembly Dual.....	312	7.2.5	Hydraulic Hoses RH.....	384
5.2	Channel Brush Installations.....	314	7.2.6	Water-Spray Bar.....	386
5.2.1	Pivot Frame to Subframe Single.....	314	<b>8</b>	<b>Wanderhose/Littasnatch.....</b>	<b>388</b>
5.2.2	Pivot Frame to Subframe Dual.....	318	8.1	Wanderhose Assembly 150 Dia.....	388
5.2.3	Hydraulic Hoses Single.....	320	8.2	Wanderhose Assembly 200 Dia.....	396
5.2.4	Hydraulic Hoses Dual.....	322	8.3	Remote Lubrification Kit.....	404
5.2.5	Pneumatic Tubing Single.....	324	8.4	Stowage and Trunking 150.....	406
5.2.6	Pneumatic Tubing Dual.....	326	8.5	Stowage and Trunking 200.....	410
5.2.7	Water Sprays.....	328	8.6	Extension Hose Stowage Trays.....	416
5.2.8	Rotatilt Option.....	330	8.7	Options.....	418
<b>6</b>	<b>Nozzle.....</b>	<b>332</b>	8.7.1	Powaboom Controls - Installation.....	418
6.1	Nozzle Assembly.....	332	8.7.2	Powaboom - Hydraulic Hoses.....	420
6.2	Nozzle Installation Single.....	340	8.7.3	Rear Wanderhose - Hydraulic Hoses.....	422
6.3	Nozzle Installation Dual.....	344	8.7.4	Powaboom - Looms.....	424
6.4	Wheel Assembly.....	348	8.7.5	Littasnatch.....	426

8.7.6	Wanderhose and Littasnatch Water Hose Installation.....	434	10.1.1.1	Channel Brush Cylinders.....	482
8.7.7	Littasnatch Controls.....	436	10.1.1.2	Nozzle Actuation Cylinders.....	484
8.7.8	Mesh Shaker.....	438	10.1.1.3	Wide Sweep Brush Cylinders.....	486
8.7.9	Littasnatch Combined Mesh Shaker Controls.....	442	10.1.1.4	Littasnatch Cylinder.....	488
8.8	Options Frame.....	444	10.1.1.5	Intake Flat Cylinder.....	490
<b>9</b>	<b>Hydraulics.....</b>	<b>446</b>	10.2	Systems Locker Components.....	492
9.1	Reservoir.....	446	10.2.1	VM10 Valve Island Single Base.....	492
9.1.1	Hydraulic Tank Assembly - VT Range.....	446	10.2.2	VM10 Valve Island Single Option.....	494
9.1.2	Hydraulic Tank Assembly - VS Range.....	448	10.2.3	VM10 Valve Island Dual Base.....	496
9.2	Valve Block and Return Manifolds.....	452	10.2.4	VM10 Valve Island Dual Option.....	498
9.2.1	Main Valve Block (In Systems Locker).....	452	10.2.5	Regulators.....	500
9.2.2	Return Manifolds Single.....	456	10.2.6	Filter/Regulator (FR).....	502
9.2.3	Return Manifolds Dual.....	458	10.2.7	System Protection Valve.....	504
9.3	Tandem Pump Auxiliary Systems.....	460	10.2.8	Shuttle Valve.....	506
9.3.1	Valve Block Installation.....	460	<b>11</b>	<b>Water System.....</b>	<b>508</b>
9.3.2	Oil Cooler Installation.....	462	11.1	Hoses.....	508
9.4	Body Discharge.....	464	11.1.1	Water Hoses - Basic System.....	508
9.4.1	Emergency Discharge Pump.....	464	11.2	Low Pressure Pump.....	512
9.4.2	Sequence Valve - Rear Door Locking.....	468	11.2.1	Pump Assembly.....	512
9.5	Cylinders.....	470	11.2.2	Pump Installation.....	514
9.5.1	Body Tip Cylinder.....	470	11.2.3	Pump Hydraulic Manifold.....	518
9.5.2	Body Prop Cylinder.....	472	11.3	Control Valves.....	520
9.5.3	Rear Door and Powaboom Cylinder.....	474	11.3.1	Solenoid Valve Assembly.....	520
9.5.4	Rear Door Clamping Cylinder.....	476	11.3.2	Valves and Manifold - Single Sweep.....	522
9.5.5	Wide Sweep Brush Slew Cylinder.....	478	11.3.3	Valves and Manifold - Dual Sweep.....	524
9.5.6	Channel Brush Pivot Cylinder.....	480	11.4	Filters.....	526
<b>10</b>	<b>Pneumatics.....</b>	<b>482</b>	11.4.1	Rear Water Filter.....	526
10.1	Cylinders.....	482	11.4.2	Water Filter Sub-Assembly.....	528
10.1.1	Cylinder Seal Kits.....	482	11.5	Relief Valve.....	530
			11.5.1	Relief Valve Instalation.....	530

11.5.2	Relief Valve Assembly.....	532	12.3.1	Beacons, Lights and Looms.....	580
11.6	Washdown Hose.....	534	12.4	Wiring Looms.....	584
11.7	Supawash Option.....	536	12.4.1	Looms.....	584
11.7.1	Circuit Diagrams and Hoses.....	536	12.5	Superseded Parts.....	588
11.7.1.1	Circuit and Hoses - Feed and Bypass.....	536	12.5.1	Hydrodrive Type A Control Box Core Module.....	588
11.7.1.2	Circuit and Hoses - Hose Reel and Spraybars.....	538	<b>13 Cab Controls.....</b>	<b>592</b>	
11.7.2	Pump Installation.....	540	13.1	Discharge Control.....	592
11.7.2.1	Pump Installation - 1" Water Feed Pipe Assembly.....	540	13.1.1	Load Discharge Pendant.....	592
11.7.2.2	Pump and Unloader Installation.....	542	13.2	Switch Panel.....	594
11.7.3	Hose Reel Installations.....	548	13.2.1	Switch Panel Assembly Single.....	594
11.7.3.1	L.H. V 605, 650 - Iveco 13 and 15 Tonne Chassis.....	548	13.2.2	Switch Panel Assembly Dual.....	600
11.7.3.2	L.H./R.H V 605, 650 - Most Other Chassis.....	550	13.2.3	Powapak Control Panel - VT Range.....	606
11.7.3.3	L.H. V 800 - Most Chassis.....	552	13.2.4	Powapak Control Panel - VS Range.....	610
11.7.4	Recirculating Backflush.....	554	13.3	Channel Brush.....	612
11.7.4.1	Recirculating Option Backflush.....	554	13.3.1	Channel Brush Speed Control.....	612
11.7.5	Supawash Extended Operation.....	556	13.3.2	Powasave Control - Option.....	614
11.7.5.1	Hopper Filter Strainer Option.....	556	13.4	Dual Steer.....	616
11.7.6	Detergent Injection Option.....	558	13.4.1	Dual Steer Changeover Control.....	616
11.7.6.1	Supawash Detergent Injection System.....	558	<b>14 Chassis Application.....</b>	<b>618</b>	
11.7.7	Spraybar Installations.....	560	14.1	Components.....	618
11.7.7.1	Nozzle Spraybar and Jets.....	560	14.1.1	Weight Load Indicator - Steel Suspension.....	618
11.7.7.2	Nozzle Jet Installation (Superseded).....	562	14.1.2	Weight Load Indicator - Air Suspension.....	622
<b>12 Electrical System.....</b>	<b>564</b>		14.1.3	Fuel Tank Access Ladder.....	624
12.1	VS Section.....	564	14.2	VS Hydrodrive.....	626
12.1.1	Hydrodrive Type B Control Box Core Module.....	564	14.2.1	Clutch Safety Switch Installation.....	626
12.1.2	Mercedes Hydrodrive Control Box Module.....	568	<b>15 Miscellaneous.....</b>	<b>628</b>	
12.2	VT & VS Section.....	572	15.1	Decals - VT Only.....	628
12.2.1	Relay Box Single.....	572	15.2	Decals - VS Only.....	630
12.2.2	Relay Box Dual.....	576	15.3	Tool Kit.....	632
12.3	Lights.....	580			

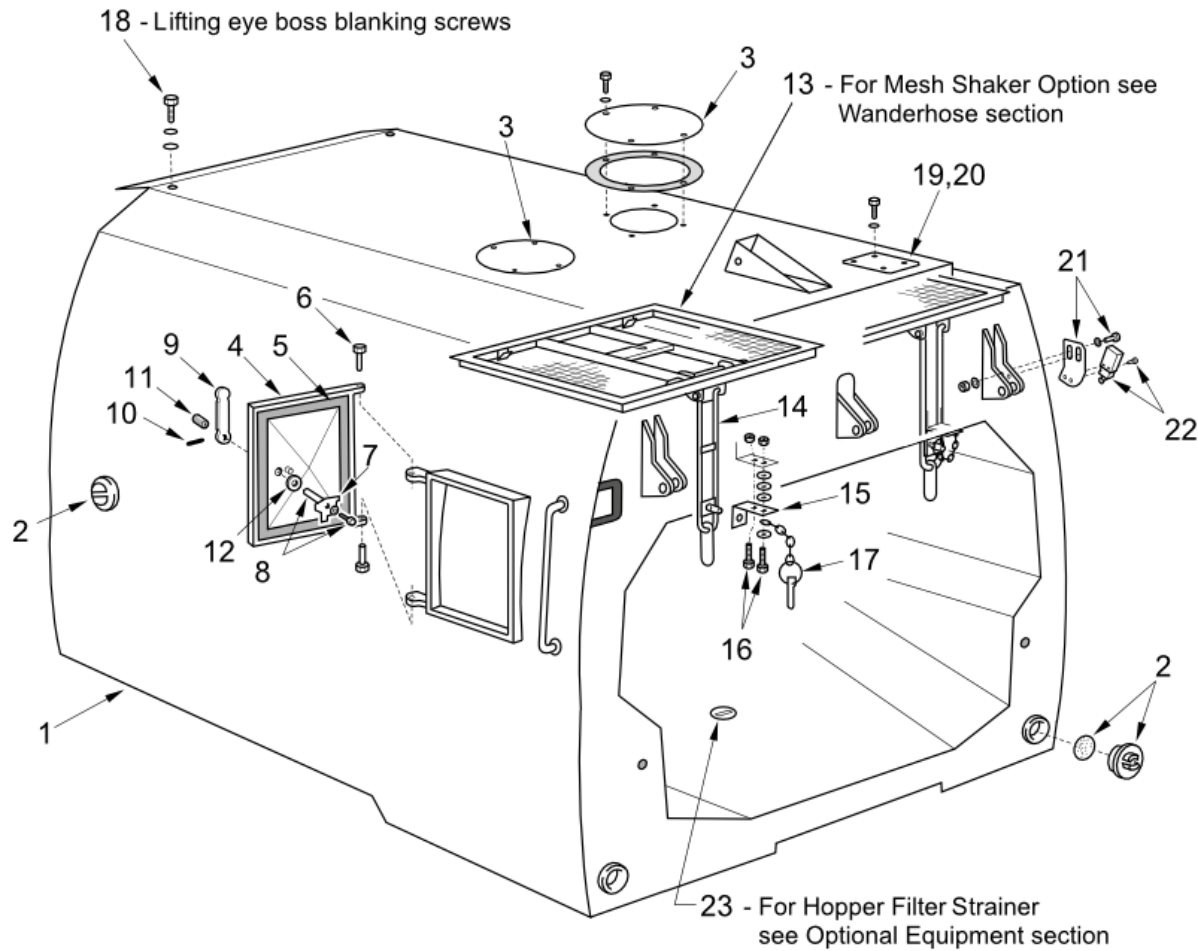
<b>16 Optional Equipment.....</b>	<b>634</b>		
16.1 Anchillary Equipment.....	634	16.3.5.2 Pneumatic Rear Mounted Wanderhose (Superseded).....	690
16.1.1 Handwash Unit.....	634	16.3.5.3 Pneumatic Controls (Superseded).....	698
16.1.2 CCTV Cameras.....	636	16.3.6 Wanderhose Extension Tray.....	702
16.1.2.1 Camera/Monitor Kits and Camera Installations.....	636	16.3.7 Wanderhose Gully Pack.....	704
16.1.2.2 Monitor Installation.....	638	16.3.7.1 Wanderhose Gully Pack.....	704
16.1.3 Water Hydrant Unit.....	640	16.3.7.2 Remote Throttle.....	708
16.1.4 Rear Warning Lights.....	642	16.3.8 Combivak Nozzle.....	710
16.1.4.1 Rear Warning Lights Installation.....	642	16.3.8.1 Nozzle Assembly.....	710
16.1.4.2 Rear Mini Strobe Warning Light Installation and Littasnatch	646	16.3.8.1.1 Nozzle Assembly.....	710
16.1.5 Hydraulic Tank.....	648	16.3.8.1.2 Water Jets and Hoses.....	718
16.1.5.1 VS Q/R Fill and Drain Connections.....	648	16.3.8.1.3 Brush Assembly.....	720
16.1.5.2 VT Q/R Fill and Drain Connections.....	650	16.3.8.2 Nozzle Installation.....	722
16.2 Body.....	652	16.3.8.3 Hydraulic Hoses and Wiring Looms.....	726
16.2.1 Top Mounted Access Door.....	652	16.3.8.3.1 Hoses and Loom - L.H. Nozzle.....	726
16.2.2 Heavy Duty Intake Components.....	654	16.3.8.3.2 Hoses and Loom - R.H. Nozzle.....	728
16.2.3 Contractors Rear Door.....	656	16.3.8.3.3 Hoses and Loom - Dual Nozzles.....	730
16.3 Sweep Gear.....	660	16.3.9 Wide Sweep Brush - Variable Speed Control.....	732
16.3.1 Varagap Nozzle.....	660	16.3.10 Superseded Parts.....	734
16.3.2 Full Width Nozzles.....	662	16.3.10.1 Heavy Duty Nozzle Kit Components.....	734
16.3.2.1 Nozzle Assemblies.....	662	16.4 Water System.....	736
16.3.2.1.1 "Wide Mouth" Nozzle (Maxigap/Varagap).....	662	16.4.1 Microtrap Spray System.....	736
16.3.2.1.2 "Narrow Mouth" Chipping Nozzle.....	666	16.4.1.1 PM10 Spraybar Installation - Nozzle Draw Bar.....	736
16.3.2.1.3 "Narrow Mouth" Fluid Recovery Nozzle.....	670	16.4.1.2 100 Micron Spraybar Intallation - C.B. Pivot Frame.....	738
16.3.2.2 Carriage.....	674	16.4.2 Water Recirculation System.....	740
16.3.2.2.1 Carriage and Cradle Assemblies.....	674	16.4.2.1 System Components.....	740
16.3.3 Wanderhose Lo-Level Water Injection.....	678	16.4.2.2 Valve Installation.....	744
16.3.4 Heavy Duty Nozzle Option.....	680	16.4.3 Auxiliary Water Tank.....	746
16.3.5 Rear Mounted Wanderhose.....	682	16.4.3.1 Auxiliary Water Tank Assembly.....	746
16.3.5.1 Hydraulic Rear Mounted Wanderhose.....	682	16.4.3.1.1 Auxiliary Tank.....	746
		16.4.3.1.2 Ladder.....	752

16.4.3.1.3 Valve Plate .....	756
16.4.3.2 Installation .....	758
16.4.3.2.1 Water Hose Layout .....	758
16.4.3.3 Wiring .....	760
16.4.3.3.1 Warning Light Wiring Layout .....	760
16.4.4 Pump Low Water By-pass Valve .....	762
16.4.5 Line Cleaning Jet .....	764





**Mesh Screens and Doors 500 (940611)**  
Body Common Parts

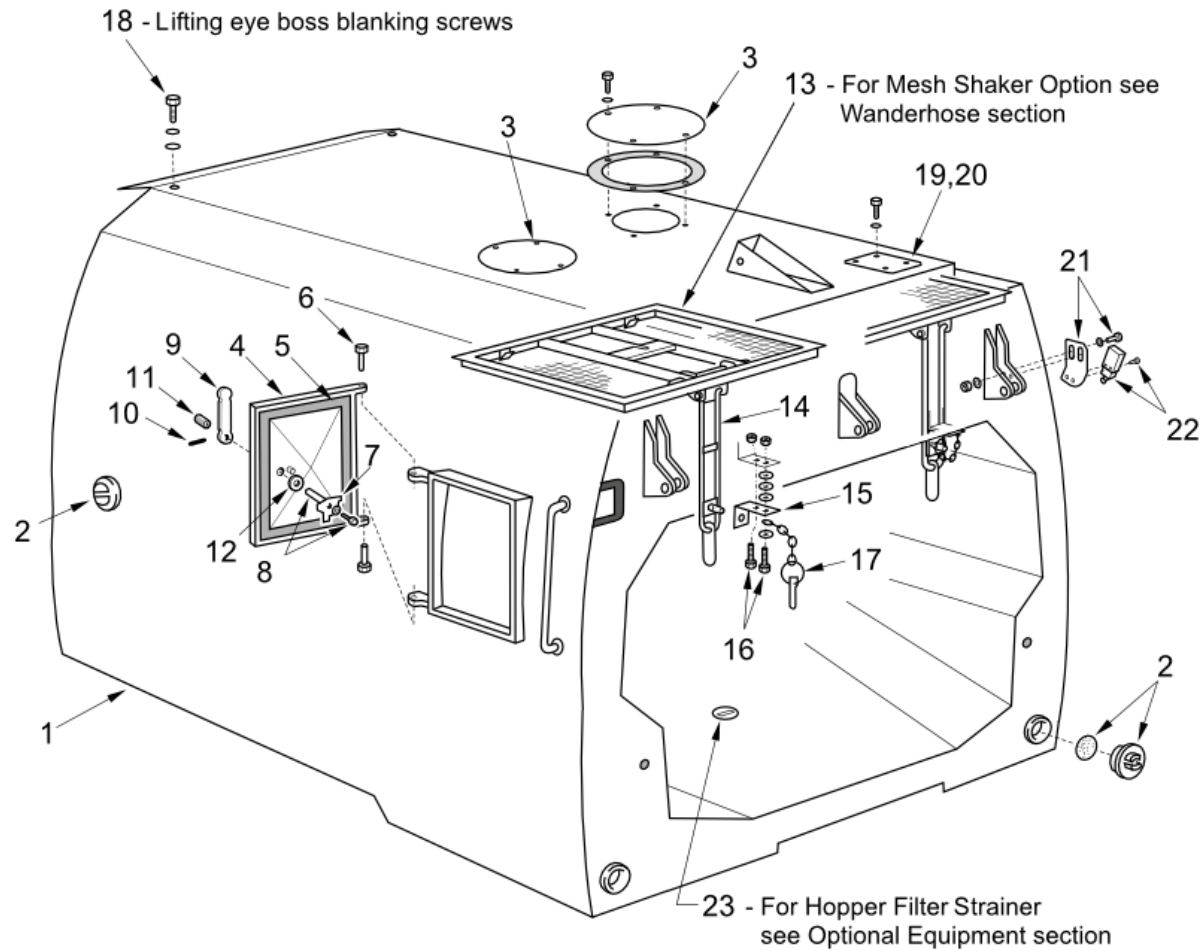


95BD. 002-8

**Mesh Screens and Doors 500 (940611)**

## Body Common Parts

Item no.	Part no.	Description	QTY	Unit
1	294001-2	Body W/Assy - 4003 Lo-Top V500	1	PC
1	294001-3	Body W/Assy-S.Stl Lo-Top V500	1	PC
2	284040-1	Cap - Water Tank Drain	4	PC
2	40643-1-C	Washer - Seal, Drain, W/Tank	4	PC
3	281376-2	Blanking Plate Wander Hose	2	PC
3	5955-1	Seal	2	PC
3	118-199	screw Hexagon Hd M12cx20 SS	8	PC
3	458-12	Washer - Spring M12 SS	8	PC
4	284345-1	Access Door	2	PC
5	281217-1	Seal- Access Door Moulded	2	PC
6	123-149	Bolt M Coarse M12x55	4	PC
6	425-16	Nut Nyloc Hex M12c	4	PC
7	200342-2	Latch - Access Door (1.4003)	2	PC
8	284348-1	Spindle	2	PC
8	124-100	Setscrew M6C x 12	2	PC
8	457-2	Washer Plain Steel M6 Form G	2	PC
8	460-8	Washer Spring Single Coil M6	2	PC
9	63065-2	Handle - Access Door	2	PC
10	59-1	Pin Tension Spring 8 O/Dx36Lg	2	PC
11	290-28	Bump Stop Rubber	2	PC
12	455-14	Washer Plain Plated Steel M16	2	PC
13	200712-1	Rear Mesh W/Assy	2	PC
14	200714-9	Handle-W/Assy Rear Mesh Lo Top	2	PC
14	200714-9	Handle-W/Assy Rear Mesh Lo Top	2	PC

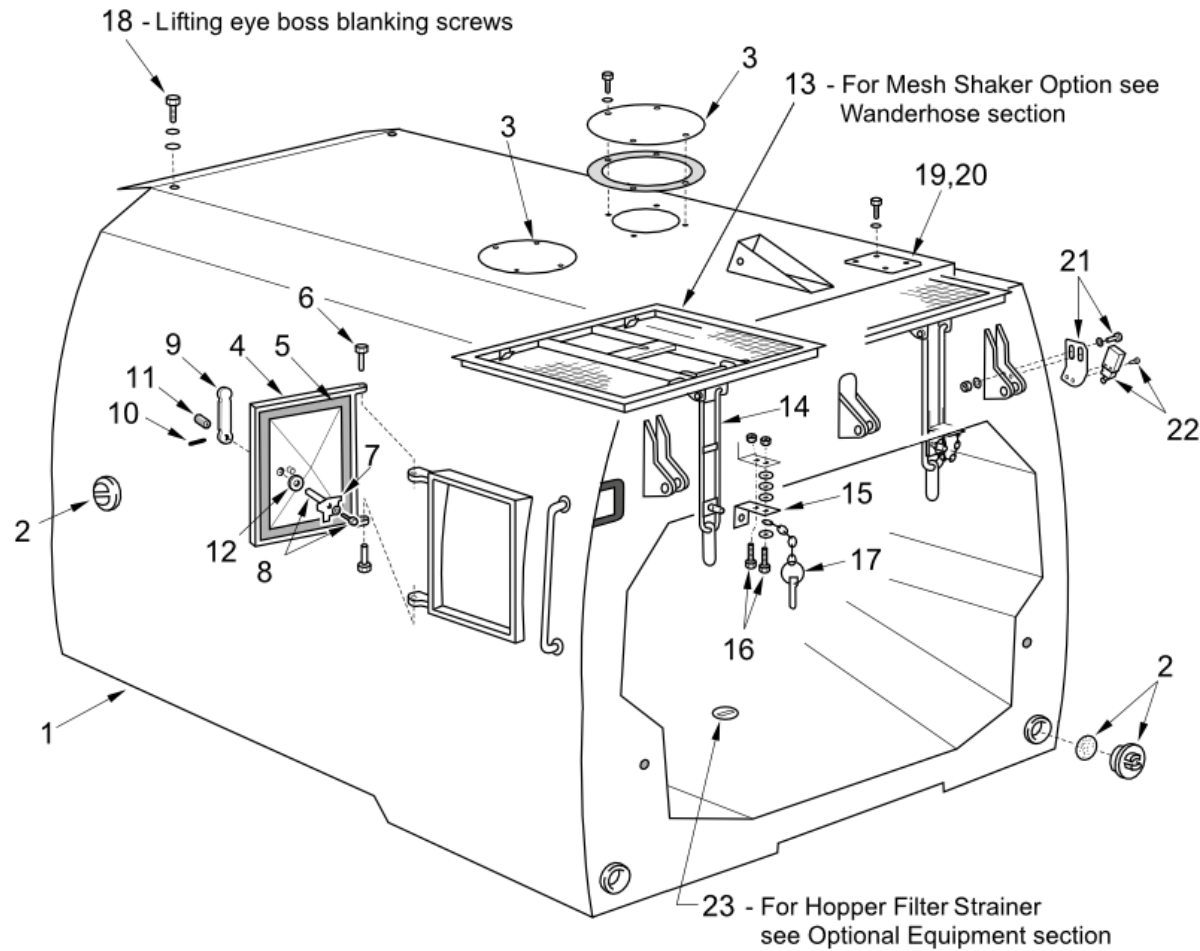
**Mesh Screens and Doors 500 (940611)**  
 Body Common Parts


95BD. 002-8

**Mesh Screens and Doors 500 (940611)**

## Body Common Parts

Item no.	Part no.	Description	QTY	Unit
15	63761-2	Eye - Mesh Locking 1.4003	2	PC
16	118-141	Setscrew Hexagon Hd M8cx35 SS	4	PC
16	415-8	Nut - MC Hex M8 S.Stl	4	PC
16	458-8	Washer Spring Single Coil M8SS	4	PC
16	454-8	Washer Plain St.Stl M8x17	12	PC
17	60-21	Lynch Pin-9 Link Chain 11mm Dia	2	PC
18	124-265	Setscrew M16C x 25	2	PC
18	455-14	Washer Plain Plated Steel M16	2	PC
18	460-14	Washer Spring Single Coil M16	2	PC
19	281377-2	Blanking plate - Mesh shaker	2	PC
19	118-135	Setscrew Hexagon Hd M8cx20 SS	8	PC
19	454-8	Washer Plain St.Stl M8x17	8	PC
19	458-8	Washer Spring Single Coil M8SS	8	PC
20	281377-2	Blanking plate - Mesh shaker	2	PC
20	118-135	Setscrew Hexagon Hd M8cx20 SS	8	PC
20	454-8	Washer Plain St.Stl M8x17	8	PC
20	458-8	Washer Spring Single Coil M8SS	8	PC
21	282958-1	Plate-Limit Switch Mnt Rr Door	1	PC
21	118-139	Setscrew Hexagon Hd M8cx30 SS	2	PC
21	454-8	Washer Plain St.Stl M8x17	2	PC
21	417-8	Nut - Nyloc M8 S/Steel DIN985	2	PC
22	282186-1	Limit Switch (1 Pole)	1	PC
22	129-36	Screw MC Cap Skt Hd M4x20	2	PC
23	200479-1	Plug M62 x 2 - Water transfer port	1	PC

**Mesh Screens and Doors 500 (940611)**  
 Body Common Parts


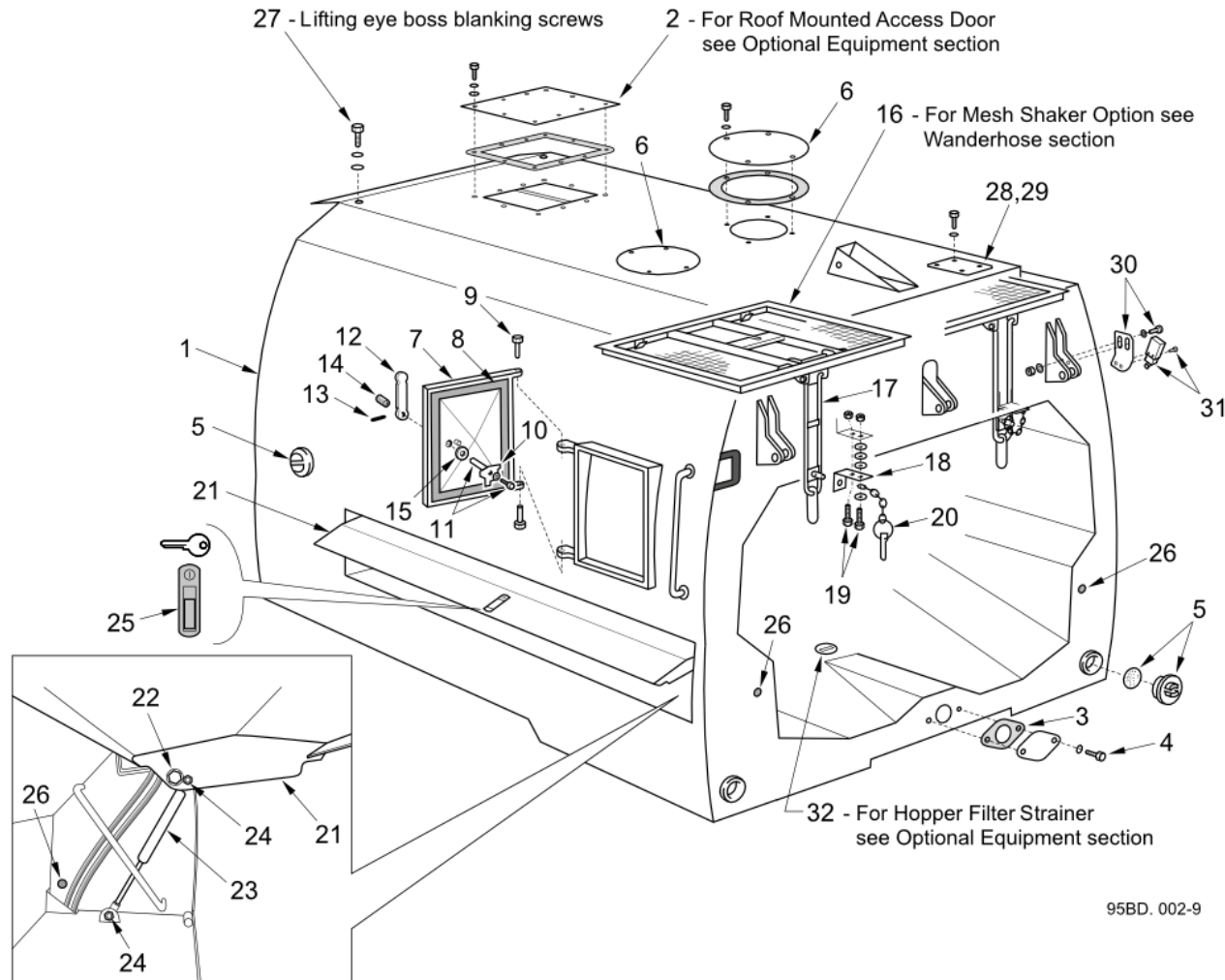
95BD. 002-8



**Mesh Screens and Doors 500 (940611)**

Body Common Parts

Item no.	Part no.	Description	QTY	Unit
23	80-65	O-Ring Hole Dia.62	1	PC

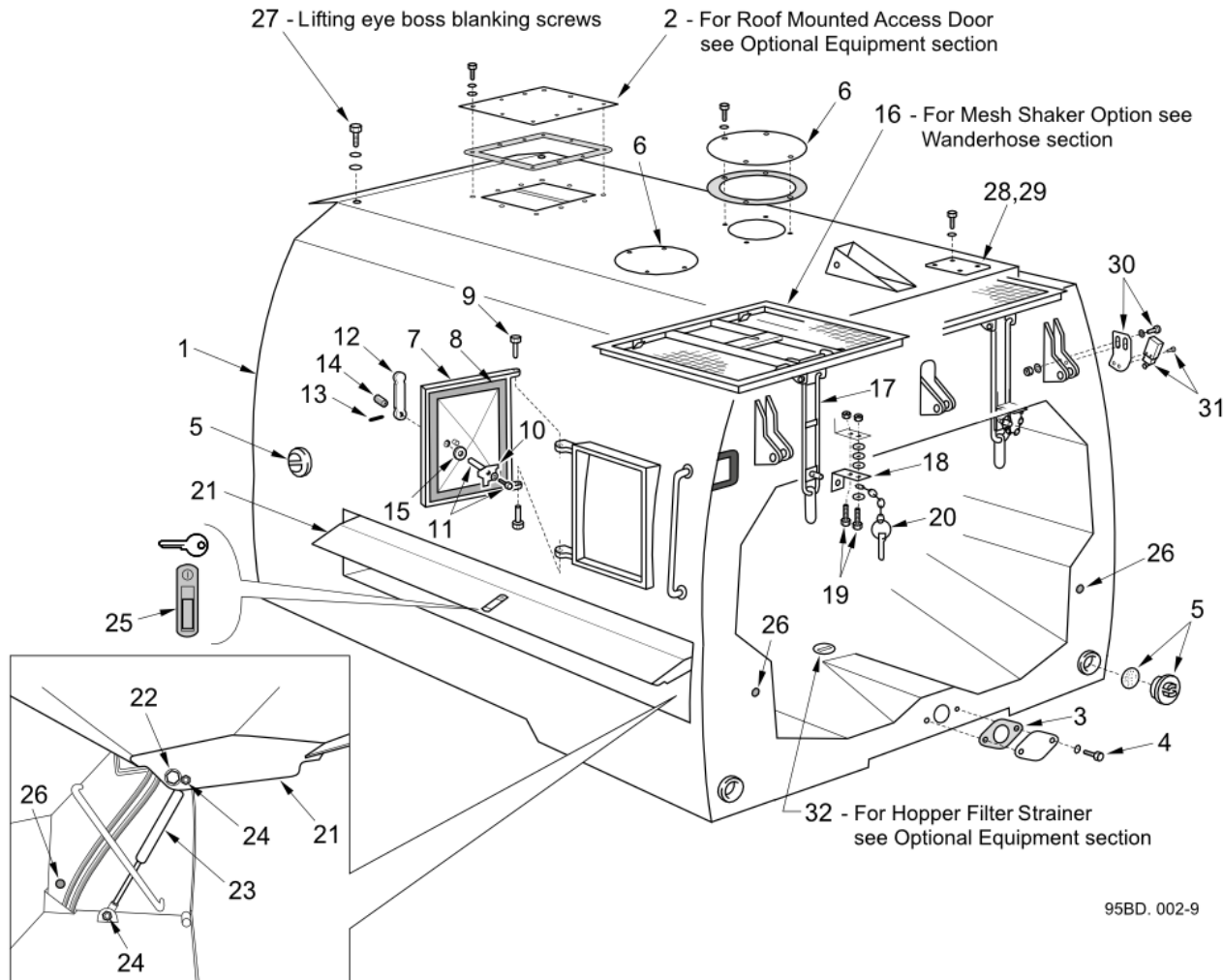
**Mesh Screens and Doors 605 (950611, 940611)**  
 Body Common Parts


**Mesh Screens and Doors 605 (950611, 940611)**

## Body Common Parts

Item no.	Part no.	Description	QTY	Unit
1	295100-2	Body W/Assy-4003 LO-TOP V605	1	PC
1	295100-3	Body W/Assy-S.Stl LO-TOP V605	1	PC
2	280528-2	Access Panel (1.4003)	1	PC
2	280528-3	Access Panel (1.4301)	1	PC
2	283613-1	Gasket - Access Panel Roof	1	PC
2	118-137	Setscrew Hexagon Hd M8cx25 SS	10	PC
2	458-8	Washer Spring Single Coil M8SS	10	PC
3	280582-2	Flange-Stub Tube No Hole 1.4003	1	PC
3	280582-4	Flange-Stub Tube No Hole SS	1	PC
3	282574-1	Flange blank gasket	1	PC
3	118-169	Setscrew Hexagon Hd M10cx25 SS	2	PC
4	451-6	Washer Bonded M10 - Bolt	2	PC
5	284040-1	Cap - Water Tank Drain	4	PC
5	40643-1-C	Washer - Seal, Drain, W/Tank	4	PC
6	281376-2	Blanking Plate Wander Hose	2	PC
6	5955-1	Seal	2	PC
6	118-199	screw Hexagon Hd M12cx20 SS	8	PC
6	458-12	Washer - Spring M12 SS	8	PC
7	284345-1	Access Door	2	PC
8	281217-1	Seal- Access Door Moulded	2	PC
9	123-149	Bolt M Coarse M12x55	4	PC
9	425-16	Nut Nyloc Hex M12c	4	PC
10	200342-2	Latch - Access Door (1.4003)	2	PC
11	284348-1	Spindle	2	PC

**Mesh Screens and Doors 605 (950611, 940611)**  
**Body Common Parts**

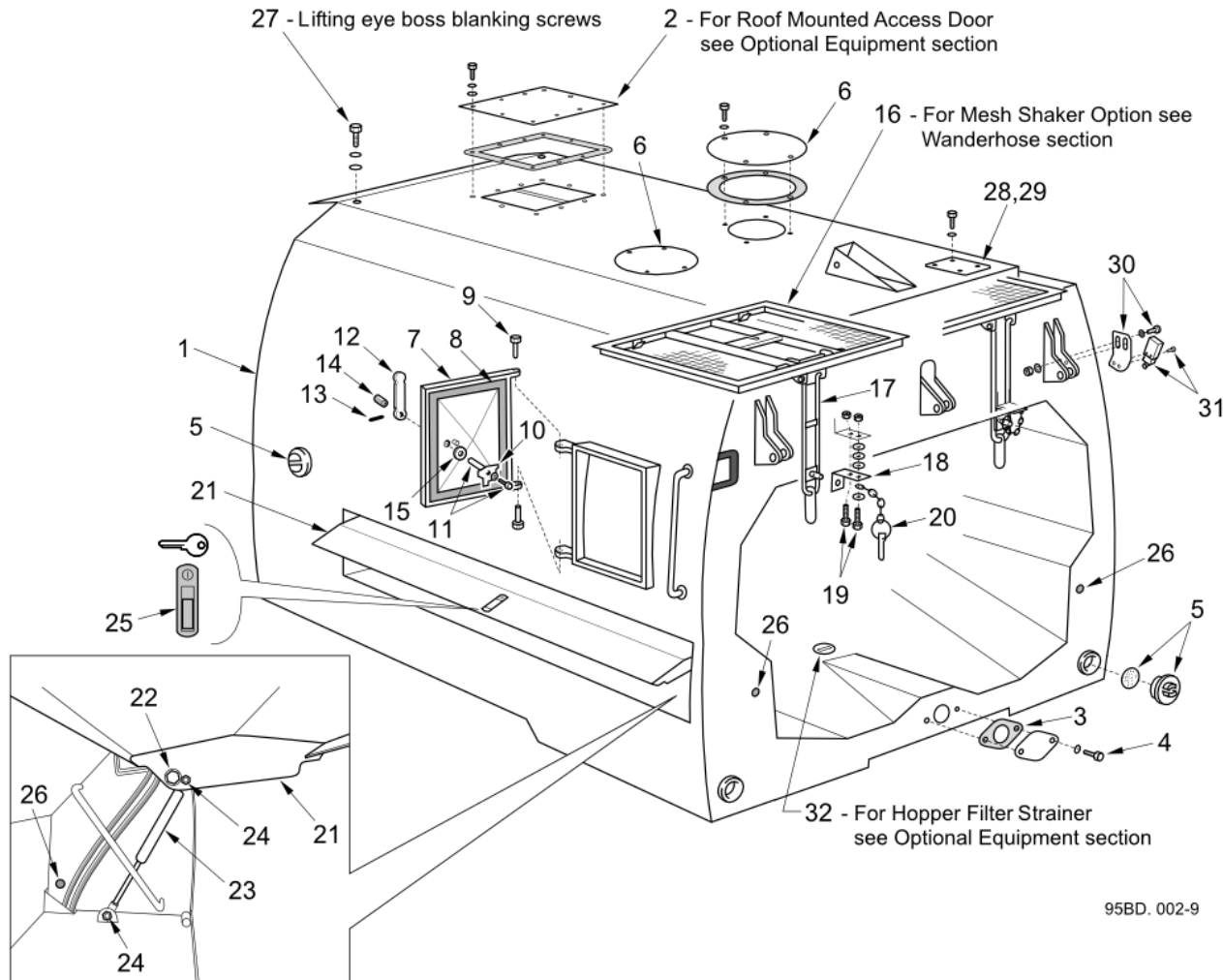


**Mesh Screens and Doors 605 (950611, 940611)**

## Body Common Parts

Item no.	Part no.	Description	QTY	Unit
11	124-100	Setscrew M6C x 12	2	PC
11	457-2	Washer Plain Steel M6 Form G	2	PC
11	460-8	Washer Spring Single Coil M6	2	PC
12	63065-2	Handle - Access Door	2	PC
13	59-1	Pin Tension Spring 8 O/Dx36Lg	2	PC
14	290-28	Bump Stop Rubber	2	PC
15	455-14	Washer Plain Plated Steel M16	2	PC
16	200712-1	Rear Mesh W/Assy	2	PC
17	200714-9	Handle-W/Assy Rear Mesh Lo Top	2	PC
18	63761-2	Eye - Mesh Locking 1.4003	2	PC
19	118-141	Setscrew Hexagon Hd M8cx35 SS	4	PC
19	415-8	Nut - MC Hex M8 S.Stl	4	PC
19	458-8	Washer Spring Single Coil M8SS	4	PC
19	454-8	Washer Plain St.Stl M8x17	12	PC
20	60-21	Lynch Pin-9 Link Chain 11mm Dia	2	PC
21	282873-2	Locker W/Assy 4003	2	PC
21	282873-3	Locker W/Assy St.Stl	2	PC
22	129-183	Screw MC Cap Skt Hd M12x25	2	PC
23	293-14	Strut - Gas 236mm Centres	4	PC
24	425-14	Nut Nyloc Hex MC M8	8	PC
25	211-40	Push Button Trigger Latch	2	PC
25	211-49	Key For Door Latch 211-40 (2 Per)	4	PC
26	288-39	Blanking Plug 17.5/13.2x8	2	PC
27	124-265	Setscrew M16C x 25	2	PC

**Mesh Screens and Doors 605 (950611, 940611)**  
**Body Common Parts**



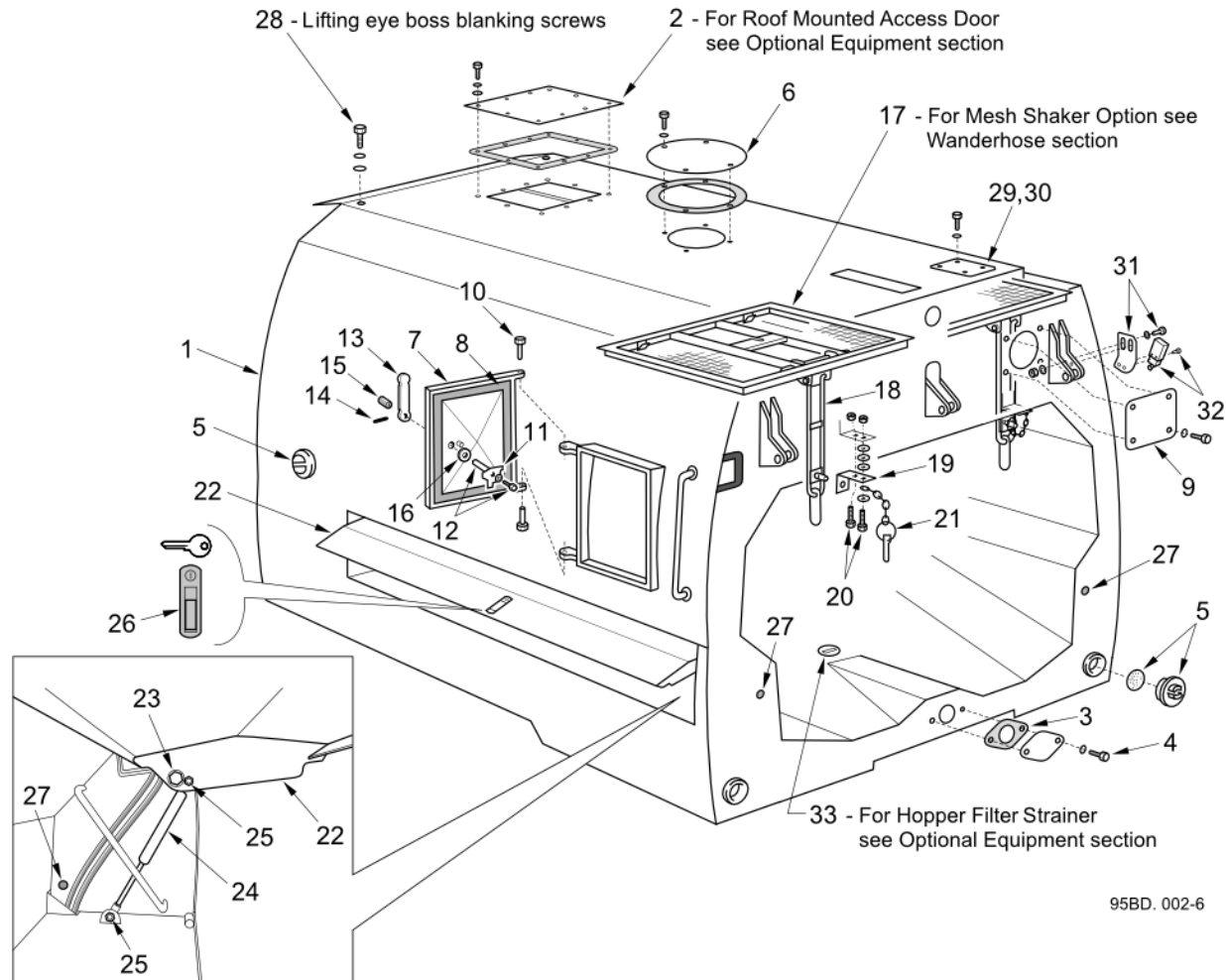


**Mesh Screens and Doors 605 (950611, 940611)**

## Body Common Parts

Item no.	Part no.	Description	QTY	Unit
27	455-14	Washer Plain Plated Steel M16	2	PC
27	460-14	Washer Spring Single Coil M16	2	PC
28	281377-2	Blanking plate - Mesh shaker	2	PC
28	118-135	Setscrew Hexagon Hd M8cx20 SS	8	PC
28	454-8	Washer Plain St.Stl M8x17	8	PC
28	458-8	Washer Spring Single Coil M8SS	8	PC
29	281377-2	Blanking plate - Mesh shaker	2	PC
29	118-135	Setscrew Hexagon Hd M8cx20 SS	8	PC
29	454-8	Washer Plain St.Stl M8x17	8	PC
29	458-8	Washer Spring Single Coil M8SS	8	PC
30	282958-1	Plate-Limit Switch Mnt Rr Door	1	PC
30	118-139	Setscrew Hexagon Hd M8cx30 SS	2	PC
30	454-8	Washer Plain St.Stl M8x17	2	PC
30	417-8	Nut - Nyloc M8 S/Steel DIN985	2	PC
31	282186-1	Limit Switch (1 Pole)	1	PC
31	129-36	Screw MC Cap Skt Hd M4x20	2	PC
32	200479-1	Plug M62 x 2 - Water transfer port	1	PC
32	80-65	O-Ring Hole Dia.62	1	PC

**Mesh Screens and Doors 650 (950611, 950611)**  
**Body Common Parts**

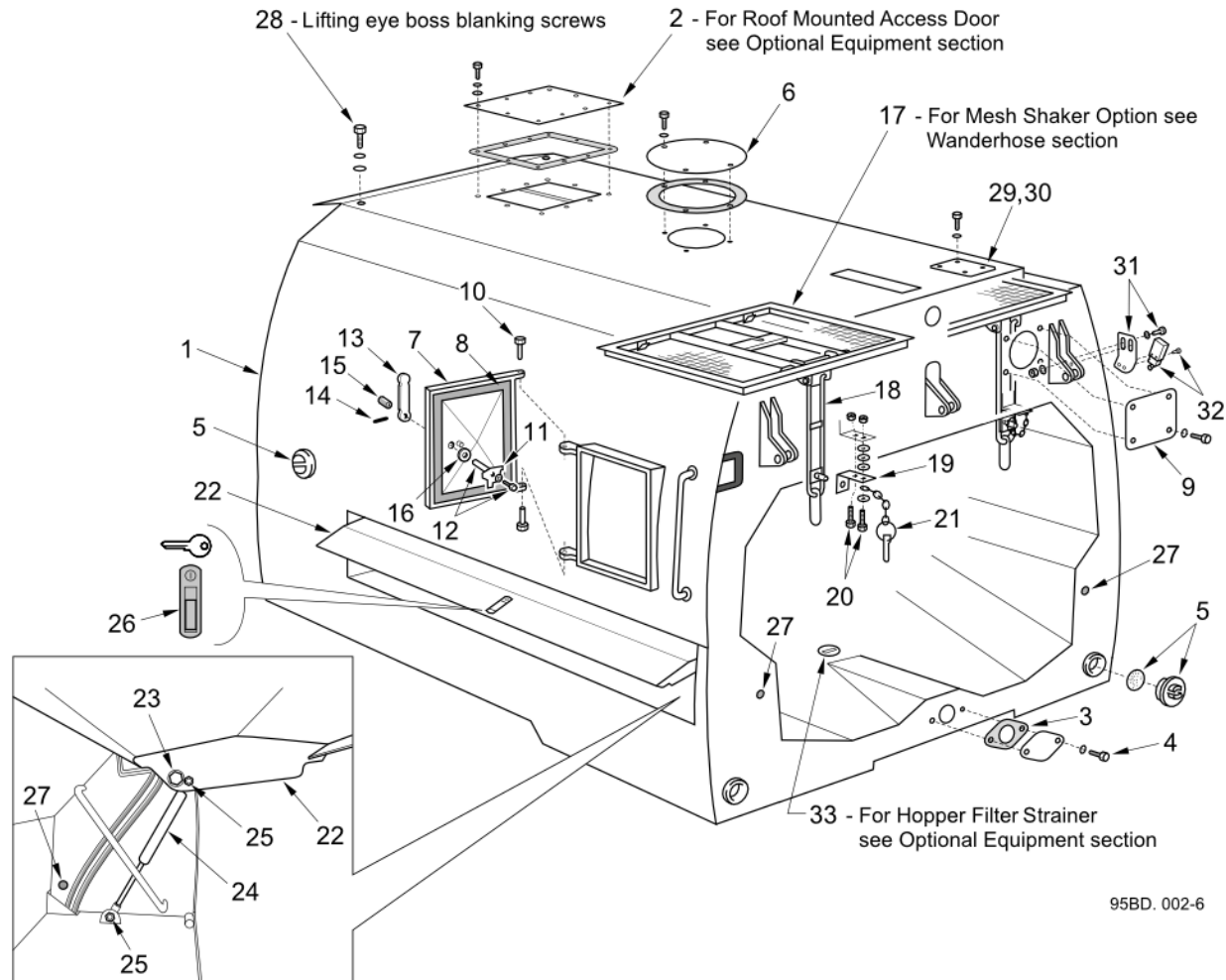


**Mesh Screens and Doors 650 (950611, 950611)**

## Body Common Parts

Item no.	Part no.	Description	QTY	Unit
1	295000-2	Body W/Assy-4003 HI-TOP V650	1	PC
1	295000-3	Body W/Assy-S.Stl HI-TOP V650	1	PC
2	280528-2	Access Panel (1.4003)	1	PC
2	280528-3	Access Panel (1.4301)	1	PC
2	283613-1	Gasket - Access Panel Roof	1	PC
2	118-137	Setscrew Hexagon Hd M8cx25 SS	10	PC
2	458-8	Washer Spring Single Coil M8SS	10	PC
3	280582-2	Flange-Stub Tube No Hole 1.4003	1	PC
3	280582-4	Flange-Stub Tube No Hole SS	1	PC
3	282574-1	Flange blank gasket	1	PC
3	118-169	Setscrew Hexagon Hd M10cx25 SS	2	PC
4	451-6	Washer Bonded M10 - Bolt	2	PC
5	284040-1	Cap - Water Tank Drain	4	PC
5	40643-1-C	Washer - Seal, Drain, W/Tank	4	PC
6	281376-2	Blanking Plate Wander Hose	1	PC
6	5955-1	Seal	1	PC
6	118-199	screw Hexagon Hd M12cx20 SS	4	PC
6	458-12	Washer - Spring M12 SS	4	PC
7	284345-1	Access Door	2	PC
8	281217-1	Seal- Access Door Moulded	2	PC
9	281947-2	Plate-Blanking Rr WH LS 4003	1	PC
9	118-167	Setscrew Hexagon Hd M10cx20 SS	4	PC
9	458-10	Washer - Spring IM10 SS	4	PC
10	123-149	Bolt M Coarse M12x55	4	PC

**Mesh Screens and Doors 650 (950611, 950611)**  
**Body Common Parts**

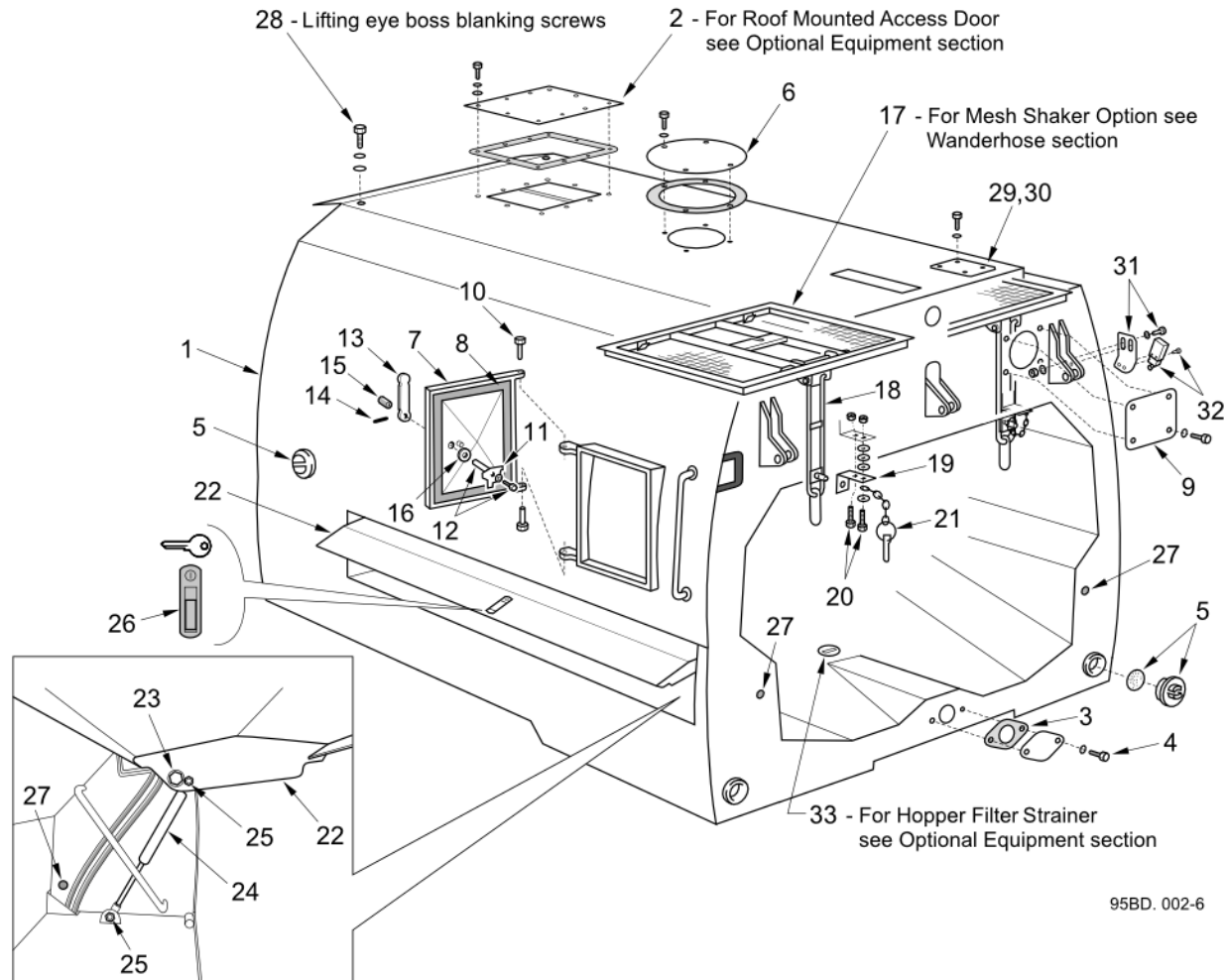


**Mesh Screens and Doors 650 (950611, 950611)**

## Body Common Parts

Item no.	Part no.	Description	QTY	Unit
10	425-16	Nut Nyloc Hex M12c	4	PC
11	200342-2	Latch - Access Door (1.4003)	2	PC
12	284348-1	Spindle	2	PC
12	124-100	Setscrew M6C x 12	2	PC
12	457-2	Washer Plain Steel M6 Form G	2	PC
12	460-8	Washer Spring Single Coil M6	2	PC
13	63065-2	Handle - Access Door	2	PC
14	59-1	Pin Tension Spring 8 O/Dx36Lg	2	PC
15	290-28	Bump Stop Rubber	2	PC
16	455-14	Washer Plain Plated Steel M16	2	PC
17	200712-1	Rear Mesh W/Assy	2	PC
18	200714-13	Handle - W/Assy Rear Mesh	2	PC
19	42111-2	Eye - Locking, Rear Mesh	2	PC
20	118-141	Setscrew Hexagon Hd M8cx35 SS	4	PC
20	415-8	Nut - MC Hex M8 S.Stl	4	PC
20	458-8	Washer Spring Single Coil M8SS	4	PC
20	454-8	Washer Plain St.Stl M8x17	12	PC
21	60-21	Lynch Pin-9 Link Chain 11mm Dia	2	PC
22	282873-2	Locker W/Assy 4003	2	PC
22	282873-3	Locker W/Assy St.Stl	2	PC
23	129-183	Screw MC Cap Skt Hd M12x25	2	PC
24	293-14	Strut - Gas 236mm Centres	4	PC
25	425-14	Nut Nyloc Hex MC M8	8	PC
26	211-40	Push Button Trigger Latch	2	PC

**Mesh Screens and Doors 650 (950611, 950611)**  
**Body Common Parts**



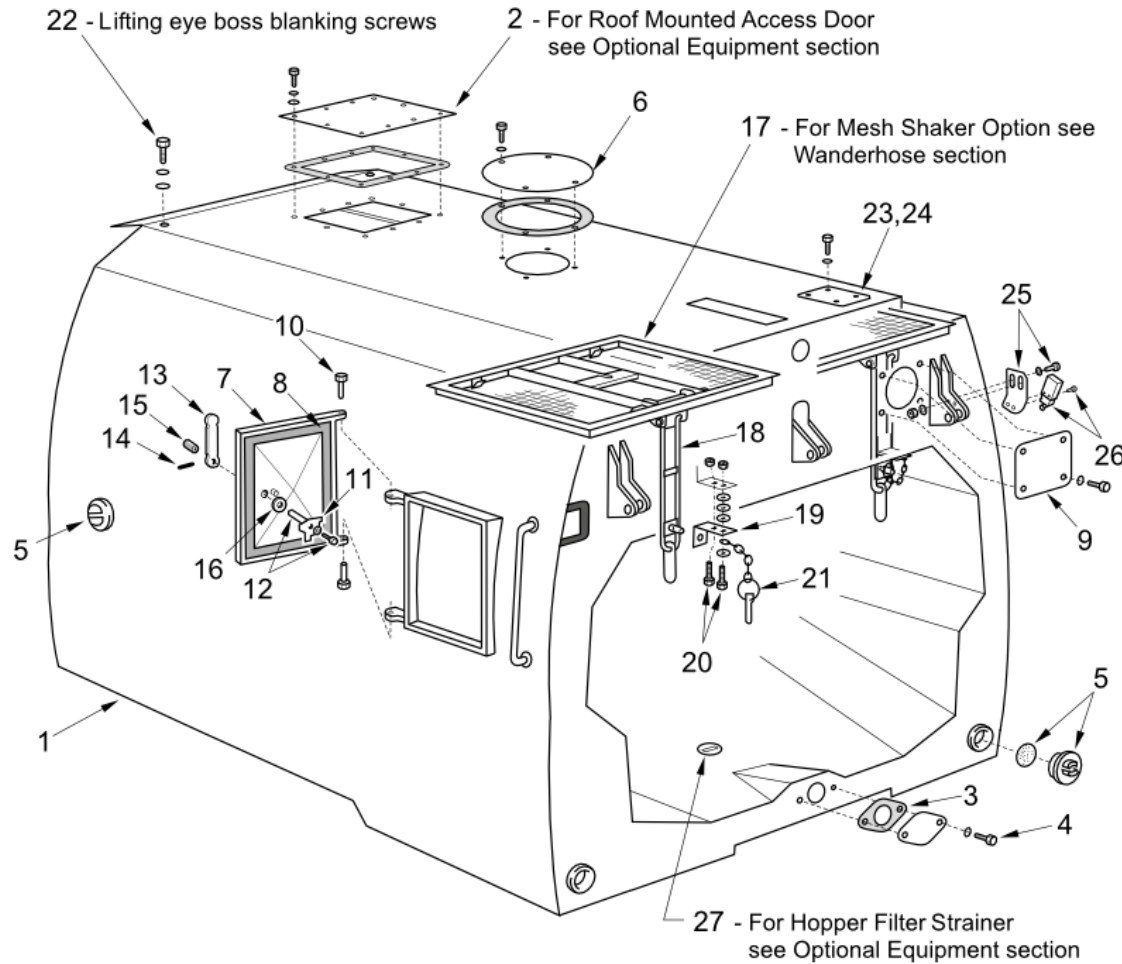


**Mesh Screens and Doors 650 (950611, 950611)**

## Body Common Parts

Item no.	Part no.	Description	QTY	Unit
26	211-49	Key For Door Latch 211-40 (2 Per)	4	PC
27	288-39	Blanking Plug 17.5/13.2x8	2	PC
28	124-265	Setscrew M16C x 25	2	PC
28	455-14	Washer Plain Plated Steel M16	2	PC
28	460-14	Washer Spring Single Coil M16	2	PC
29	281377-2	Blanking plate - Mesh shaker	2	PC
29	118-135	Setscrew Hexagon Hd M8cx20 SS	8	PC
29	454-8	Washer Plain St.Stl M8x17	8	PC
29	458-8	Washer Spring Single Coil M8SS	8	PC
30	281377-2	Blanking plate - Mesh shaker	2	PC
30	118-135	Setscrew Hexagon Hd M8cx20 SS	8	PC
30	454-8	Washer Plain St.Stl M8x17	8	PC
30	458-8	Washer Spring Single Coil M8SS	8	PC
31	282958-1	Plate-Limit Switch Mnt Rr Door	1	PC
31	118-139	Setscrew Hexagon Hd M8cx30 SS	2	PC
31	454-8	Washer Plain St.Stl M8x17	2	PC
31	417-8	Nut - Nyloc M8 S/Steel DIN985	2	PC
32	282186-1	Limit Switch (1 Pole)	1	PC
32	129-36	Screw MC Cap Skt Hd M4x20	2	PC
33	200479-1	Plug M62 x 2 - Water transfer port	1	PC
33	80-65	O-Ring Hole Dia.62	1	PC

**Mesh Screens and Doors 800 (950611, 960611)**  
 Body Common Parts



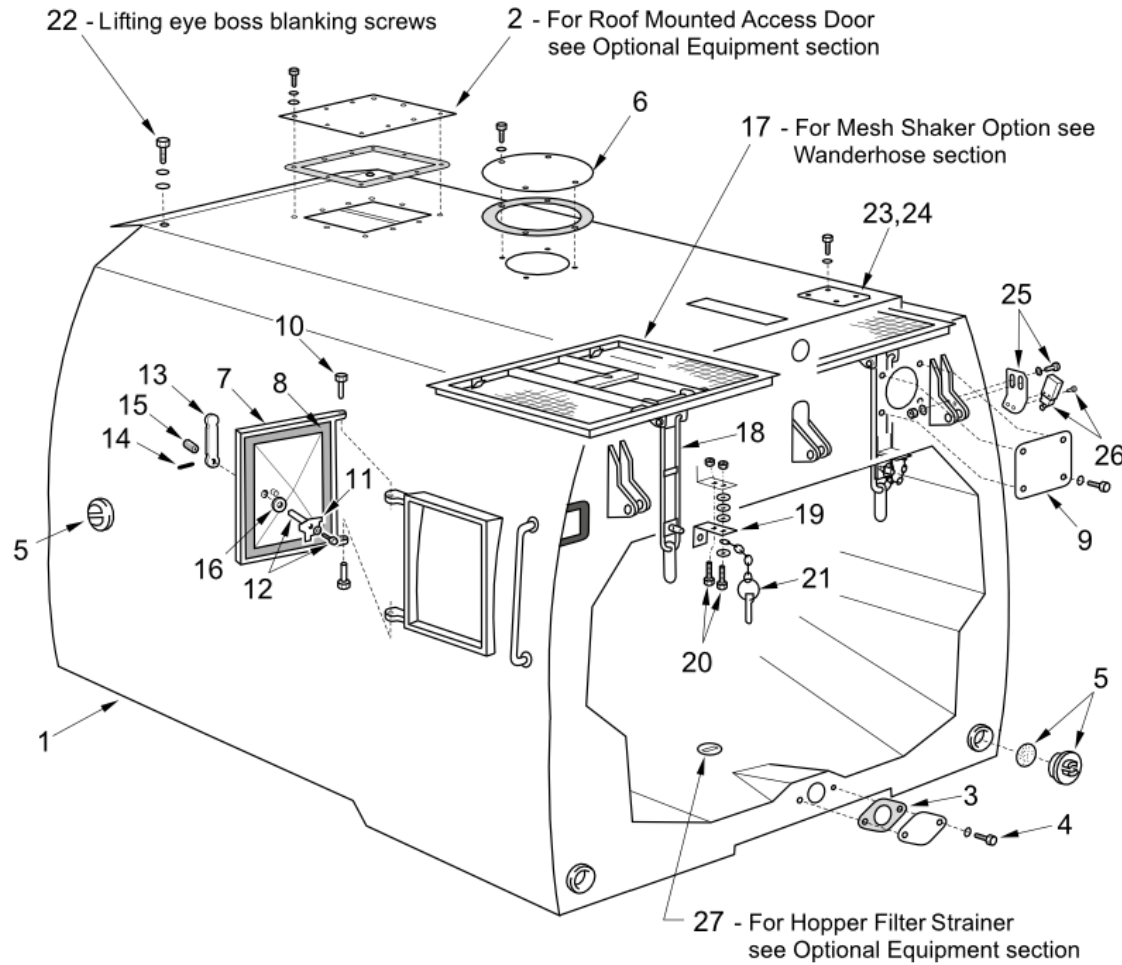
95BD. 002-7

**Mesh Screens and Doors 800 (950611, 960611)**

## Body Common Parts

Item no.	Part no.	Description	QTY	Unit
1	296000-2	Body W/Assy-4003 Hi Top V800	1	PC
1	296000-3	Body W/A - S.Stl HI-TOP V800	1	PC
2	280528-2	Access Panel (1.4003)	1	PC
2	280528-3	Access Panel (1.4301)	1	PC
2	283613-1	Gasket - Access Panel Roof	1	PC
2	118-137	Setscrew Hexagon Hd M8cx25 SS	10	PC
2	458-8	Washer Spring Single Coil M8SS	10	PC
3	280582-2	Flange-Stub Tube No Hole 1.4003	1	PC
3	280582-4	Flange-Stub Tube No Hole SS	1	PC
3	282574-1	Flange blank gasket	1	PC
3	118-169	Setscrew Hexagon Hd M10cx25 SS	2	PC
4	451-6	Washer Bonded M10 - Bolt	2	PC
5	284040-1	Cap - Water Tank Drain	4	PC
5	40643-1-C	Washer - Seal, Drain, W/Tank	4	PC
6	281376-2	Blanking Plate Wander Hose	1	PC
6	5955-1	Seal	1	PC
6	118-199	screw Hexagon Hd M12cx20 SS	4	PC
6	458-12	Washer - Spring M12 SS	4	PC
7	281217-1	Seal- Access Door Moulded	2	PC
8	284345-1	Access Door	2	PC
9	281947-2	Plate-Blanking Rr WH LS 4003	1	PC
9	118-167	Setscrew Hexagon Hd M10cx20 SS	4	PC
9	458-10	Washer - Spring IM10 SS	4	PC
10	123-149	Bolt M Coarse M12x55	4	PC

**Mesh Screens and Doors 800 (950611, 960611)**  
Body Common Parts



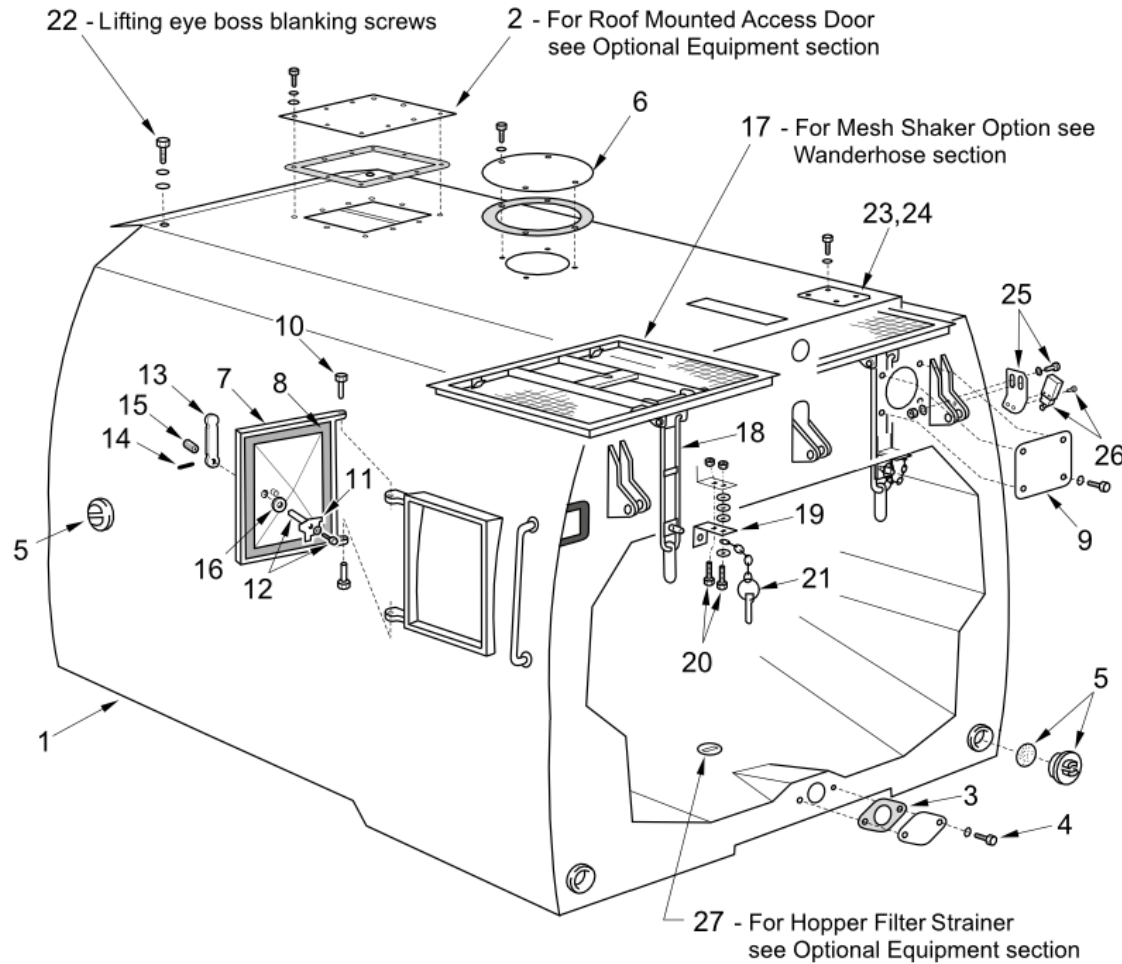
95BD. 002-7

**Mesh Screens and Doors 800 (950611, 960611)**

## Body Common Parts

Item no.	Part no.	Description	QTY	Unit
10	425-16	Nut Nyloc Hex M12c	4	PC
11	200342-2	Latch - Access Door (1.4003)	2	PC
12	284348-1	Spindle	2	PC
12	124-100	Setscrew M6C x 12	2	PC
12	457-2	Washer Plain Steel M6 Form G	2	PC
12	460-8	Washer Spring Single Coil M6	2	PC
13	63065-2	Handle - Access Door	2	PC
14	59-1	Pin Tension Spring 8 O/Dx36Lg	2	PC
15	290-28	Bump Stop Rubber	2	PC
16	455-14	Washer Plain Plated Steel M16	2	PC
17	280043-1	Rear Mesh W/Assy	2	PC
18	200714-13	Handle - W/Assy Rear Mesh	4	PC
19	42111-2	Eye - Locking, Rear Mesh	4	PC
20	118-141	Setscrew Hexagon Hd M8cx35 SS	8	PC
20	415-8	Nut - MC Hex M8 S.Stl	8	PC
20	458-8	Washer Spring Single Coil M8SS	8	PC
20	454-8	Washer Plain St.Stl M8x17	24	PC
21	60-21	Lynch Pin-9 Link Chain 11mm Dia	4	PC
22	124-265	Setscrew M16C x 25	2	PC
22	455-14	Washer Plain Plated Steel M16	2	PC
22	460-14	Washer Spring Single Coil M16	2	PC
23	281377-2	Blanking plate - Mesh shaker	2	PC
23	118-135	Setscrew Hexagon Hd M8cx20 SS	8	PC
23	454-8	Washer Plain St.Stl M8x17	8	PC

**Mesh Screens and Doors 800 (950611, 960611)**  
Body Common Parts



95BD. 002-7

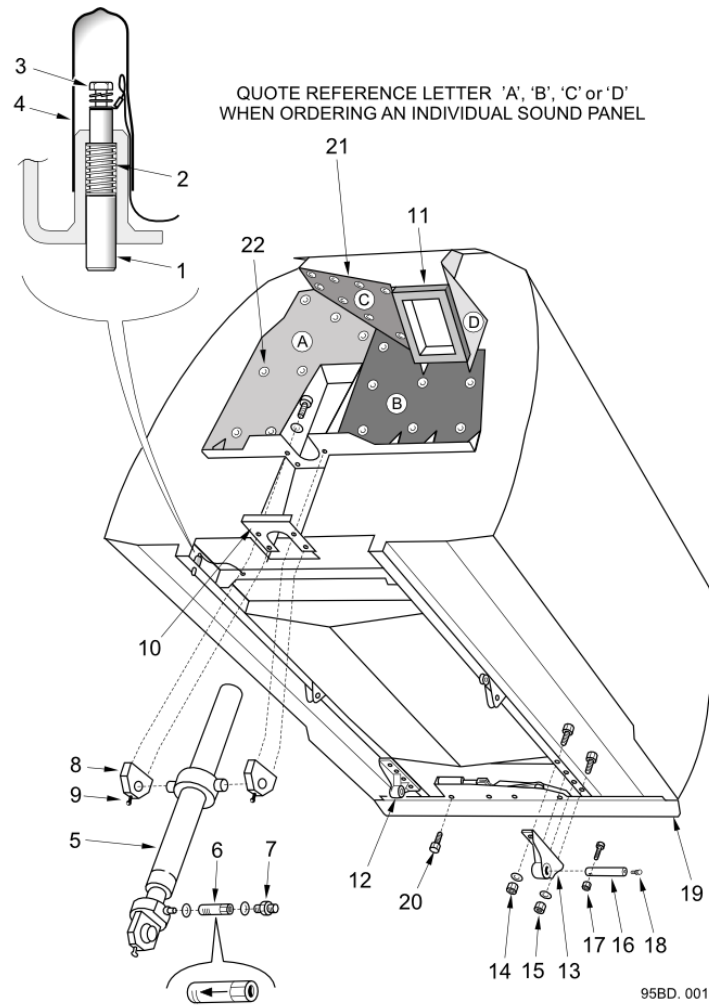
**Mesh Screens and Doors 800 (950611, 960611)**

## Body Common Parts

Item no.	Part no.	Description	QTY	Unit
23	458-8	Washer Spring Single Coil M8SS	8	PC
24	281377-2	Blanking plate - Mesh shaker	2	PC
24	118-135	Setscrew Hexagon Hd M8cx20 SS	8	PC
24	454-8	Washer Plain St.Stl M8x17	8	PC
24	458-8	Washer Spring Single Coil M8SS	8	PC
25	282958-1	Plate-Limit Switch Mnt Rr Door	1	PC
25	118-139	Setscrew Hexagon Hd M8cx30 SS	2	PC
25	454-8	Washer Plain St.Stl M8x17	2	PC
25	417-8	Nut - Nyloc M8 S/Steel DIN985	2	PC
26	282186-1	Limit Switch (1 Pole)	1	PC
26	129-36	Screw MC Cap Skt Hd M4x20	2	PC
27	200479-1	Plug M62 x 2 - Water transfer port	1	PC
27	80-65	O-Ring Hole Dia.62	1	PC

**Discharge Components (940611, 950611, 960611)**

Body Common Parts



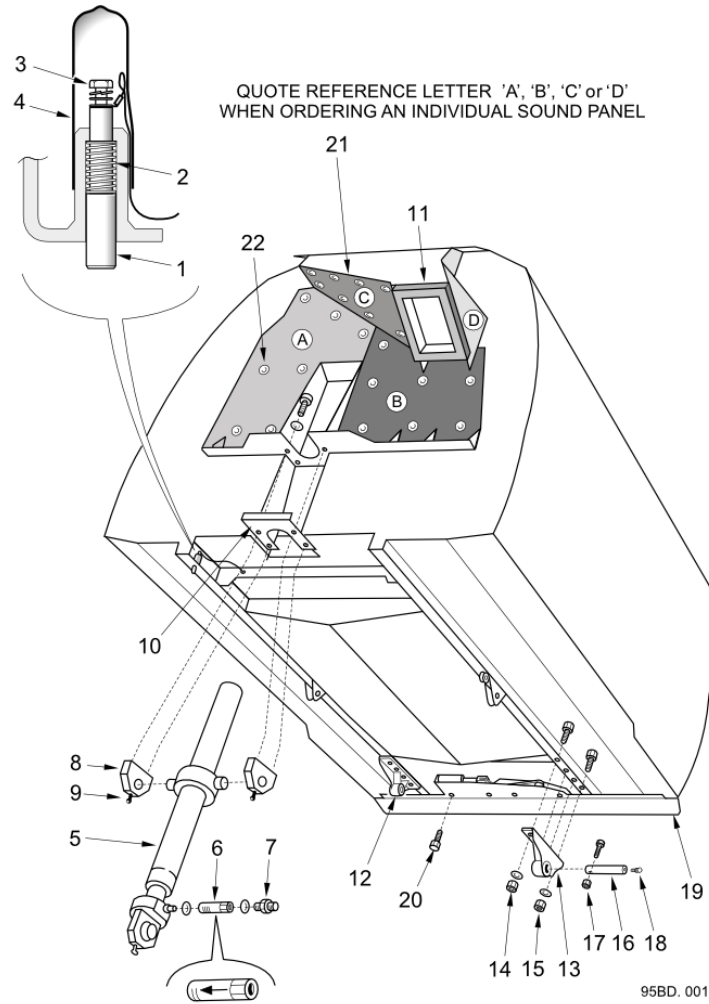


## Discharge Components (940611, 950611, 960611)

## Body Common Parts

Item no.	Part no.	Description	QTY	Unit
1	800862-1	Piston-Hopper Warning Switch	1	PC
2	200755-1	Spring - Body Location Switch	1	PC
3	118-70	Setscrew Hexagon Hd M5cx16 SS	1	PC
3	458-5	Washer Spring Single Coil M5SS	1	PC
3	454-105	Washer Plain St.Stl M5 Form G	1	PC
4	32-131	Boot - Sender Unit	1	PC
5	28940-4	Cylinder - Body Tip V500, 605 & V650	1	PC
5	28940-5	Cylinder - Body Tip V800	1	PC
6	253-14	Pressure Compensated Flow Reg	1	PC
6	451-18	Washer Bonded G3/8"	1	PC
7	263-3	Adaptor M/M 3/8" BSP	1	PC
7	451-18	Washer Bonded G3/8"	1	PC
8	42072-1-A	Block Trunnion Cyl Tip Body	2	PC
9	38-1	Nipple Grease Straight 1/8 BSP	2	PC
10	41817-1-A	Plate - Sealing	1	PC
10	123-203	Bolt M Course M18x75	4	PC
10	460-12	Washer Spring Single Coil M12	4	PC
11	282396-1	Seal - Body Make/Break	1	PC
12	282473-1	Pivot Bearing W/Assy RH V650	1	PC
12	294060-2	Body Pivot Bracket W/A RH V500	1	PC
13	282473-2	Pivot Bearing W/Assy LH V650	1	PC
13	294060-1	Body Pivot Bracket W/A LH V500	1	PC
14	124-207	Setscrew M12C x 40	2	PC
14	425-16	Nut Nyloc Hex M12c	2	PC

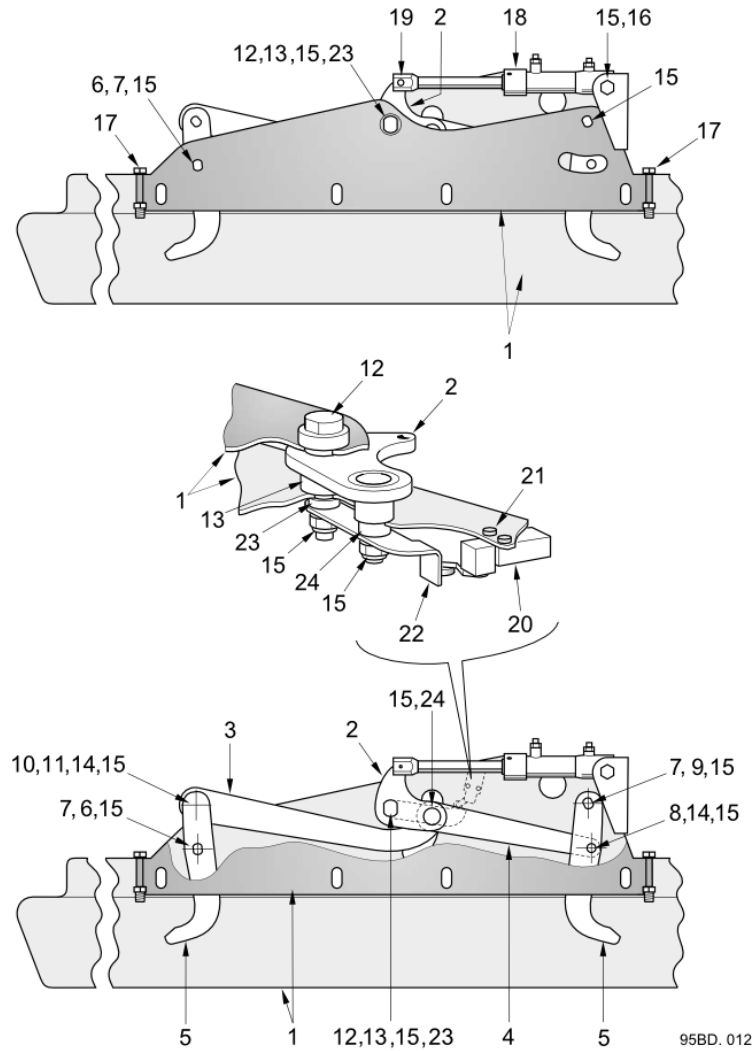
Discharge Components (940611, 950611, 960611)  
Body Common Parts



## Discharge Components (940611, 950611, 960611)

## Body Common Parts

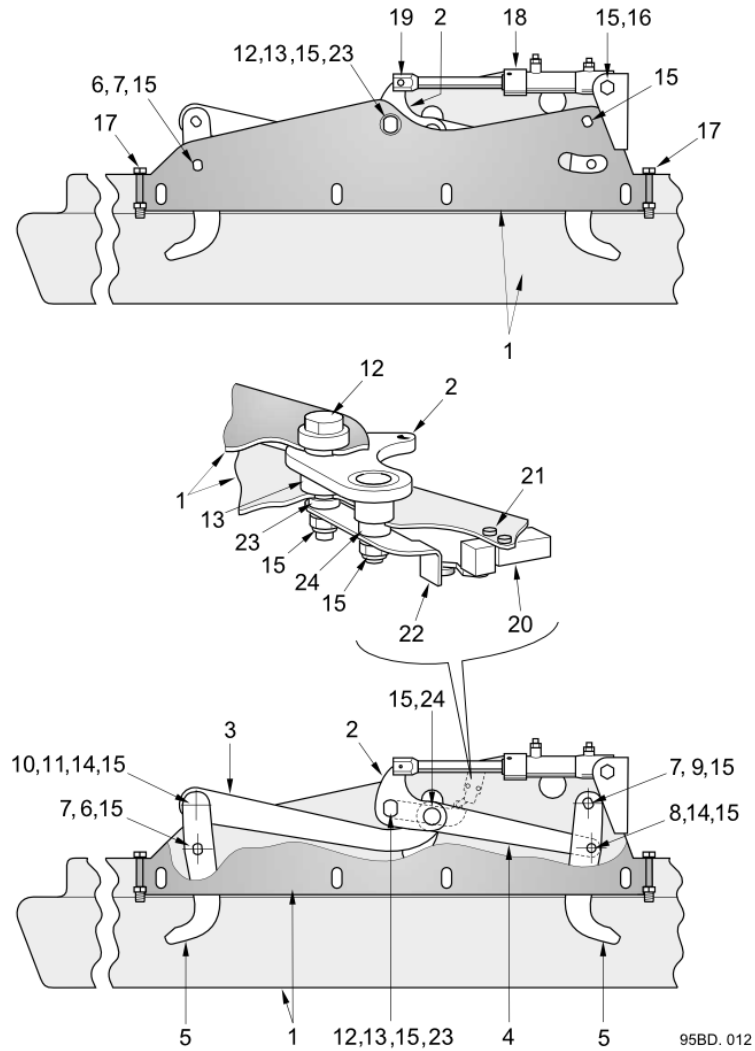
Item no.	Part no.	Description	QTY	Unit
14	455-12	Washer Plain Plated Steel M12	2	PC
15	124-239	Setscrew M14C x 40 BS3692	8	PC
15	425-17	Nut Nyloc Hex MC M14	8	PC
15	455-13	Washer Plain Plated Steel M14	8	PC
16	201248-1	Shaft Pivot Body	2	PC
17	123-159	Bolt M Coarse M12x110	2	PC
17	425-16	Nut Nyloc Hex M12c	2	PC
18	38-30	Nipple Grease M6 X 1	2	PC
19	281443-1	Door Clamp Assy	1	PC
20	124-277	Setscrew M16C x 70	4	PC
20	455-14	Washer Plain Plated Steel M16	4	PC
20	460-14	Washer Spring Single Coil M16	4	PC
21	281200-2	Noise Attenuate Foam Body Assy	1	PC
21	281196-3	Noise Attenuating Foam Body As	1	PC
21	280805-2	Noise Attenuating Foam Body As	1	PC
22	283-23	Fastener - Nail Type 30Lg	22	PC
22	283-25	Fastener-Plastic cover 3mm	22	PC

**Door Clamp Assembly (-)**  
 Body Common Parts


**Door Clamp Assembly (-)**

## Body Common Parts

Item no.	Part no.	Description	QTY	Unit
1	281427-1	Rear Door Clamp W/Assy	1	PC
2	282845-1	Fulcrum W/A-Pivot Bracket	1	PC
3	281429-1	Lever - Rear Door Lock	1	PC
4	281431-1	Lever - Rear Door Lock	1	PC
5	281430-1	Claw - Rear Door Lock	2	PC
6	281442-3	Bolt - Rear Door Lock Pivot	1	PC
7	281434-3	Spacer - Rear Door Lock	2	PC
8	281435-3	Pin - Rear Door Lock	1	PC
9	281439-3	Bolt - Rear Door Lock Pivot	1	PC
10	281964-3	Bolt - Rr Door Lock Pivot	1	PC
11	282579-3	Spacer - Rear Door Lock	1	PC
12	281958-3	Bolt-Rear Door Lock Pivot	1	PC
13	282026-3	Spacer - Rear Door Lock	1	PC
14	455-12	Washer Plain Plated Steel M12	3	PC
15	425-16	Nut Nyloc Hex M12c	6	PC
16	123-190	Bolt M Coarse M16x90 BS3692	1	PC
16	425-18	Nut Nyloc Hex M16C	1	PC
16	455-14	Washer Plain Plated Steel M16	2	PC
17	124-215	Setscrew M12C x 80 BS3692	2	PC
17	420-16	Nut MC Hex M12	2	PC
18	281565-1	Cylinder-Hyd Assy Rear Door	1	PC
19	29145-1-B	Clevis pin (37.5mm Lg)	1	PC
19	39624	Slim Safety Fastener	1	PC
20	282187-1	Limit Switch (2 Poles)	1	PC

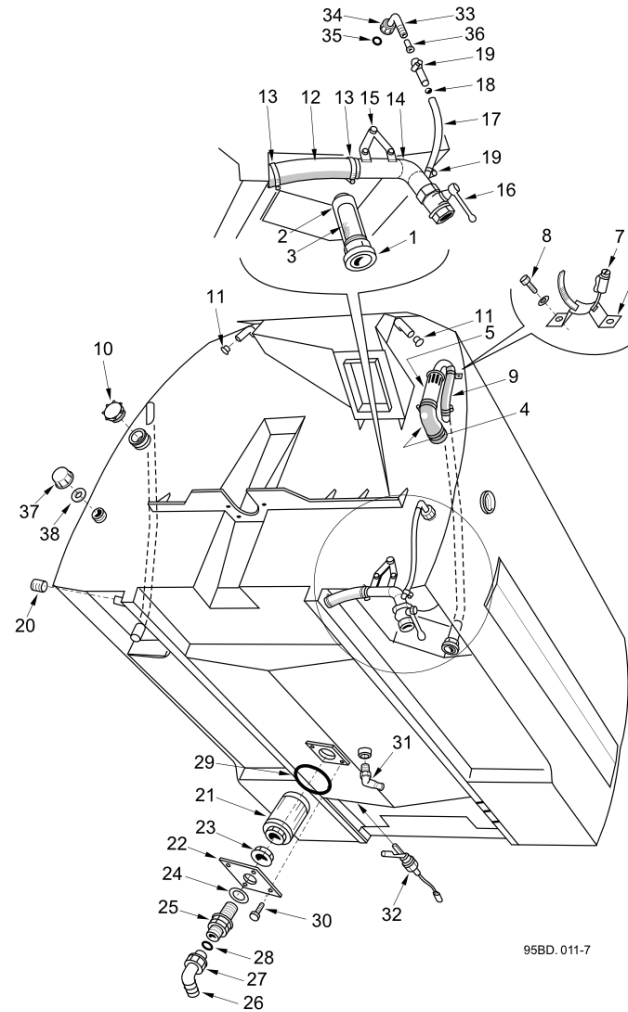
**Door Clamp Assembly (-)**  
 Body Common Parts


## Door Clamp Assembly (-)

## Body Common Parts

Item no.	Part no.	Description	QTY	Unit
21	129-38	Screw MC Cap Skt Hd M4x25	2	PC
21	455-5	Washer Plain Plated Steel M4	2	PC
21	460-5	Washer Spring Single Coil M4	2	PC
22	282676-1	Actuator Arm-Rear Door Lock	1	PC
23	282705-3	Spacer-Rear Door Lock 20Dia	1	PC
24	282706-3	Spacer-Rear Door Lock 25Dia	1	PC

**Water Components (940611, 950611, 960611)**  
Body Common Parts



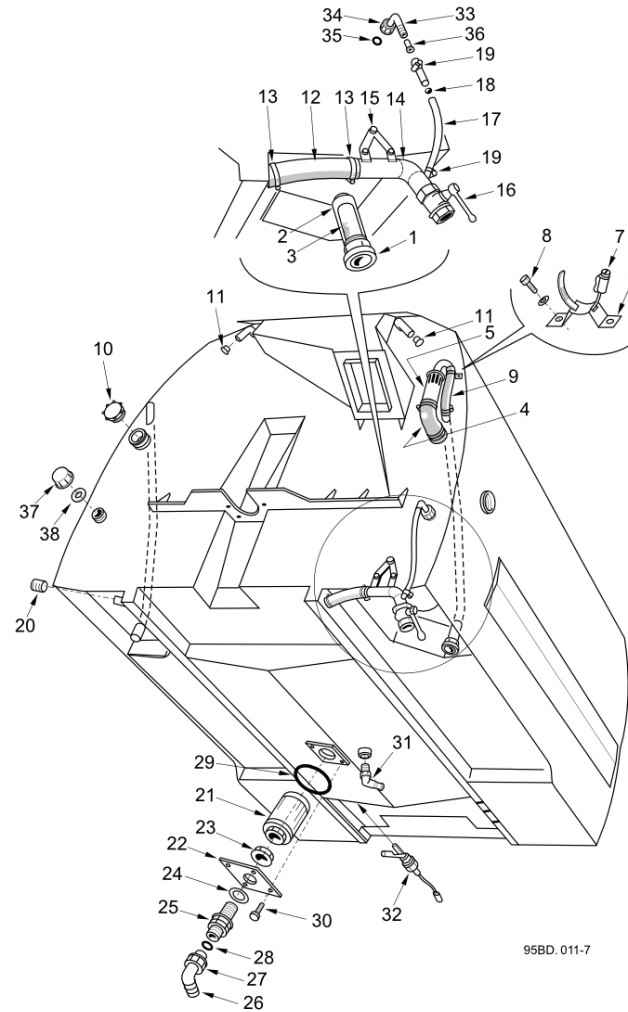


**Water Components (940611, 950611, 960611)**

## Body Common Parts

Item no.	Part no.	Description	QTY	Unit
1	667-31	Coupling-Stortz 2.5" BSP	1	PC
1	18684-1-C	Hydrant coupling - UK	1	PC
2	7017522	Hydrant Filler - 187 x 30	1	PC
3	39402	Filter	1	PC
4	61096-2	Rubber elbow	1	PC
4	501-9	Hose Clip - Worm Drive (90-120)	1	PC
4	501-7	Clip Hose Worm Drive (70-90)	1	PC
5	284075-1	Filler W/Assy	1	PC
6	95813-1	Bracket - Filler	1	PC
7	501-11	Hose Clip - Worm Drive (35-50)	1	PC
8	124-99	Setscrew M6C x 10	2	PC
8	460-8	Washer Spring Single Coil M6	2	PC
9	272-33	Hose 35i/d Trichoflex x 242mm	1	PC
9	501-11	Hose Clip - Worm Drive (35-50)	1	PC
10	44-28	Cap - Plastic (G3" male)	1	PC
11	45-29	Cap Seal Taper Plastic O/D 42	2	PC
12	42213-1-A	Hose Flushing Valve	1	PC
13	501-6	Clip Hose Worm Drive (55-70)	2	PC
14	283632-1	Tube Flushing Valve W/Assy	1	PC
15	22773-1-A	Spacer - Valve Bank Label	3	PC
15	124-139	Setscrew M8C x 30	3	PC
15	425-14	Nut Nyloc Hex MC M8	3	PC
15	455-10	Washer Plain Plated Steel M8	3	PC
16	39253	Valve Ball 1 1/2 BSP	1	PC

**Water Components (940611, 950611, 960611)**  
Body Common Parts

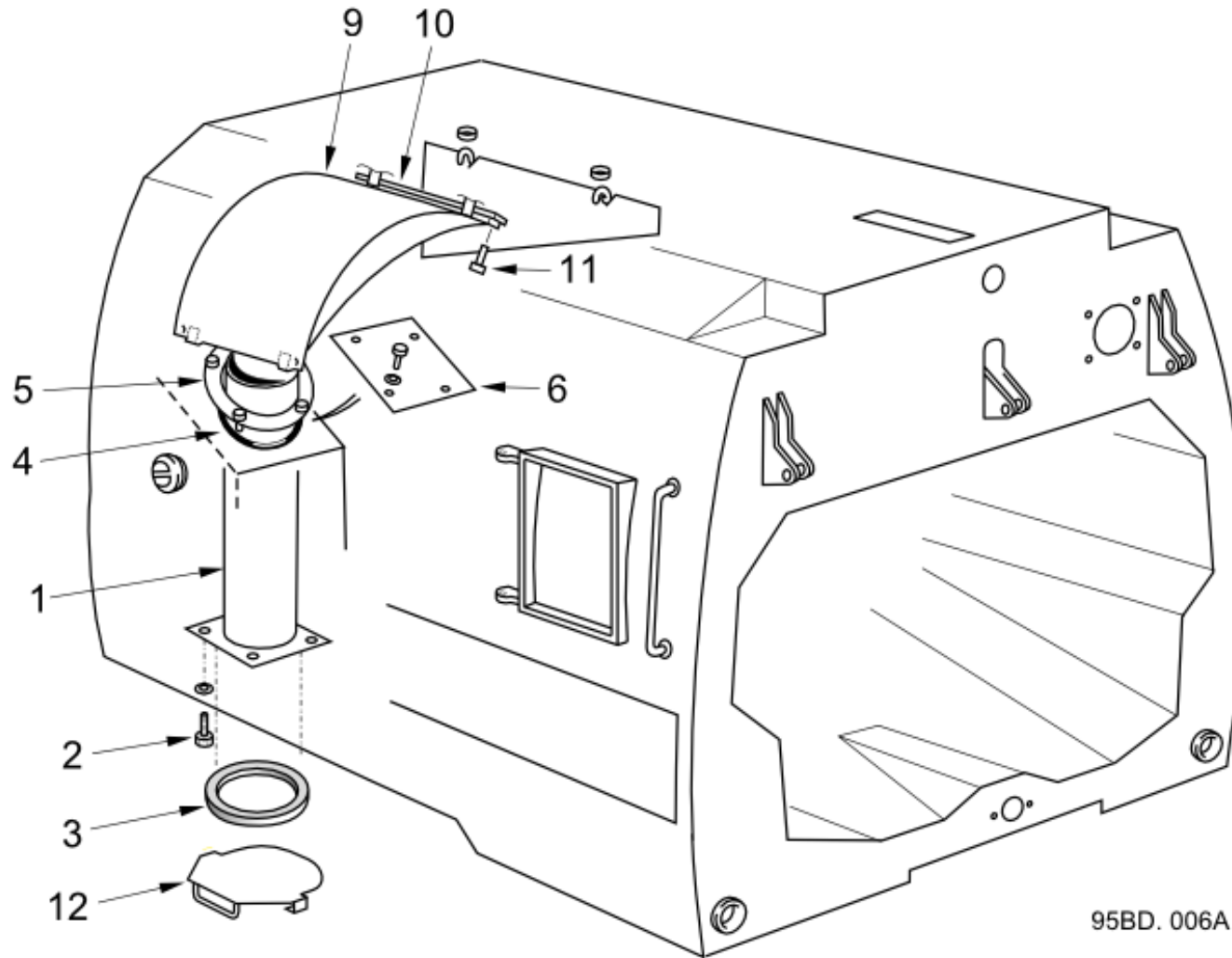


**Water Components (940611, 950611, 960611)**

## Body Common Parts

Item no.	Part no.	Description	QTY	Unit
17	15656-1-D	Sight Tube-Water/Deterg.Tank	1	M
18	22-7	Ball Plastic O/D 9mm	1	PC
19	501-2	Hose Clip - Worm Drive (14-22)	2	PC
20	55-4	Plug - 1 1/4" BSPT	1	PC
21	6974-1-C	Filter - Water Tank	1	PC
22	283033-1	Flange - Auxiliary Tank	1	PC
23	277-198	Back Nut 1 1/2" BSP	1	PC
24	277-214	Gasket - 1 1/2"	1	PC
25	277-212	Nipple - 1 1/2" BSP	1	PC
26	277-213	1 1/2" x 90 Barbed Hose Tail	1	PC
27	277-170	Flynut 1 1/2 BSP	1	PC
28	277-171	'O' Ring	1	PC
29	80-143	O-Ring	1	PC
30	124-135	Setscrew M8C x 20	4	PC
30	460-10	Washer Spring Single Coil M8	4	PC
31	277-230	Elbow & Hosetail 1/2"BSPTx3/4"	1	PC
32	48-328	Switch - Float + Deutsch Conn	1	PC
33	277-186	90 Degree Flynut Hosetail	1	PC
34	277-159	Flynut - 3/4" BSP for 277/158	1	PC
35	277-188	O Ring For 3/4"BSP Cap/Liner	1	PC
36	44-55	Plastic Insert - Nut	1	PC
37	277-189	Blanking Cap	1	PC
38	277-160	Gasket 3/4" For 277/158	1	PC

**Intanke Components Single (950612, 960612)**  
Body Configuration

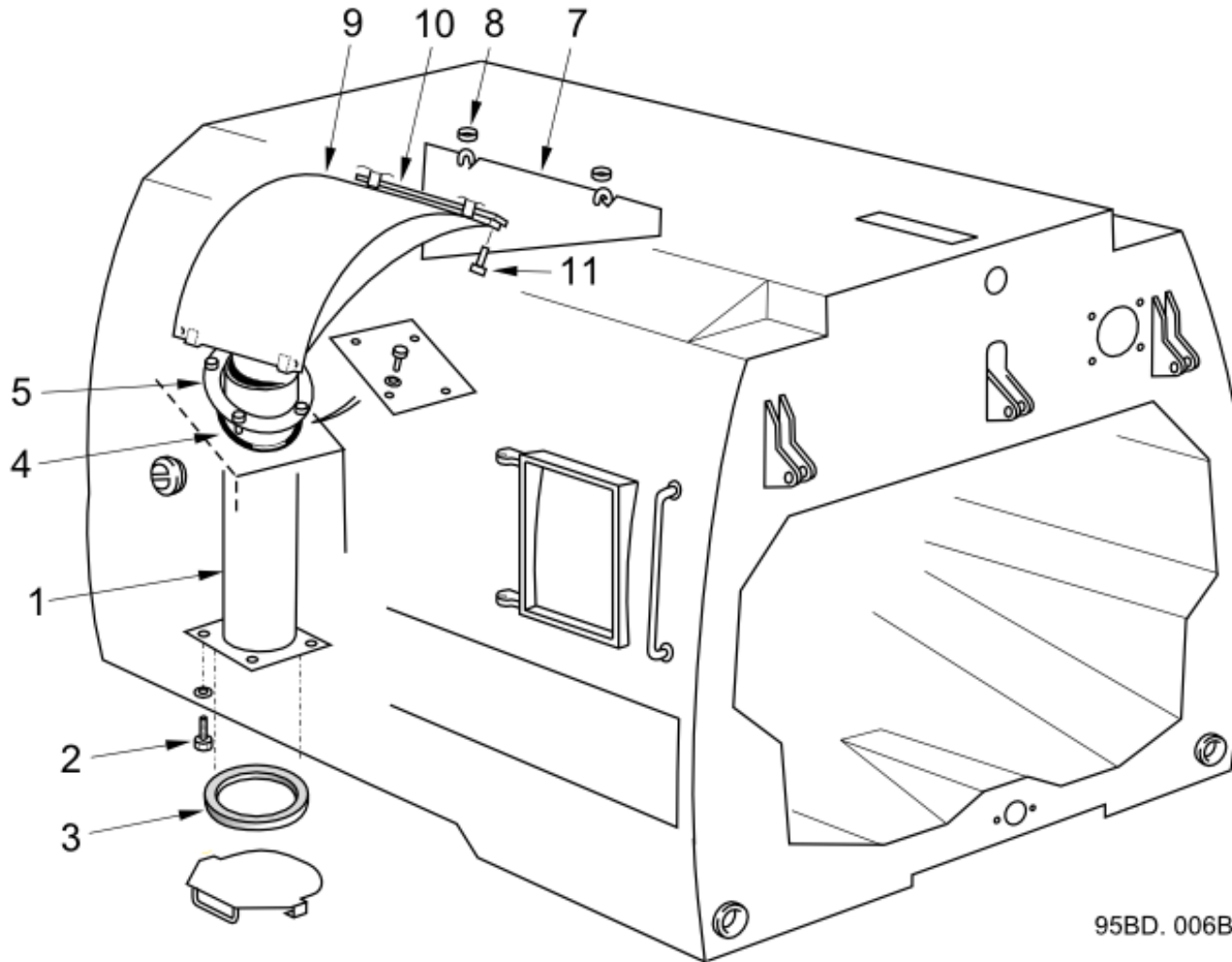


**Intanke Components Single (950612, 960612)**

Body Configuration

Item no.	Part no.	Description	QTY	Unit
1	280694-1	Duct - Intake W/Assy V500, 605 & 650	1	PC
1	296031-1	Intake Duct W/Assy V800	1	PC
2	118-201	Setscrew Hexagon Hd M12cx25 SS	4	PC
2	458-12	Washer - Spring M12 SS	2	PC
3	93404-1	Seal - Rubber Nozzle to Body	1	PC
4	93400-1	Seal - Intake Duct	1	PC
5	95775-1	Clamp Ring - 250 Dia W/Assy	1	PC
5	118-205	Setscrew Hexagon Hd M12cx35 SS	4	PC
6	95774-2	Ring - Seal plate tower (sing)	1	PC
6	118-201	Setscrew Hexagon Hd M12cx25 SS	4	PC
6	460-12	Washer Spring Single Coil M12	4	PC
9	281190-2	Wear Plate W/A-LH V500 & V605	1	PC
9	281190-1	Wear Plate W/A-RH V500 & V605	1	PC
9	40249-1-D	Wear Plate W/A-Std V650 & V800	1	PC
10	40223-1-B	Clamp - Bar Wear Plate	1	PC
11	118-167	Setscrew Hexagon Hd M10cx20 SS	2	PC
11	458-10	Washer - Spring IM10 SS	2	PC
11	454-10	Washer Plain St.Stl M10x21	2	PC
12	97944-1	Blanking plate - W/Assy	1	PC

**Intanke Components Dual (950612, 960612)**  
Body Configuration

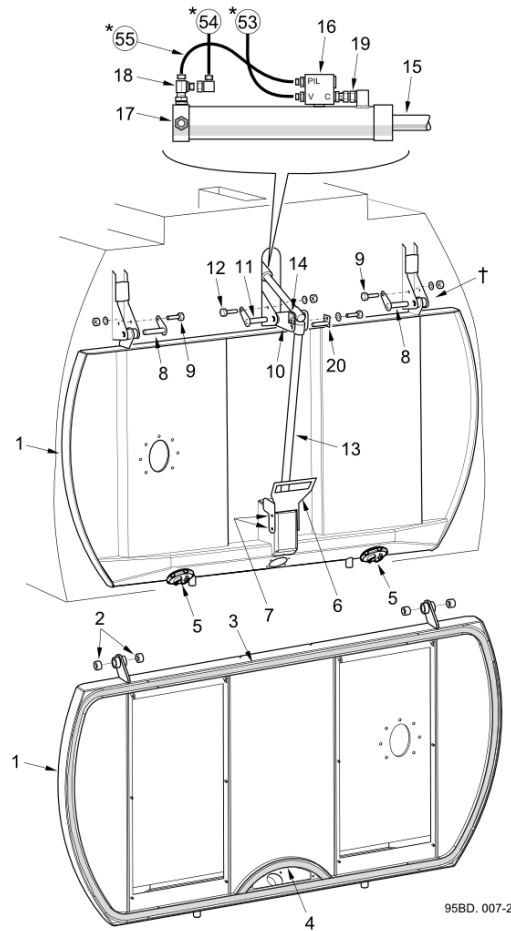


## Intanke Components Dual (950612, 960612)

Body Configuration

Item no.	Part no.	Description	QTY	Unit
1	280694-1	Duct - Intake W/Assy V500, 605 & 650	2	PC
1	296031-1	Intake Duct W/Assy V800	2	PC
2	118-201	Setscrew Hexagon Hd M12cx25 SS	8	PC
2	458-12	Washer - Spring M12 SS	8	PC
3	93404-1	Seal - Rubber Nozzle to Body	2	PC
4	93400-1	Seal - Intake Duct	2	PC
5	95775-1	Clamp Ring - 250 Dia W/Assy	2	PC
5	118-205	Setscrew Hexagon Hd M12cx35 SS	8	PC
7	40243-1-E	Baffle welded assembly	1	PC
7	63745-1	Baffle - W/Assy	1	PC
8	41234-1-A	Locking ring - Centre baffle	2	PC
9	281190-2	Wear Plate W/A-LH V500 & V605	1	PC
9	281190-1	Wear Plate W/A-RH V500 & V605	1	PC
9	40249-1-D	Wear Plate W/A-Std V650 & V800	2	PC
10	40223-1-B	Clamp - Bar Wear Plate	2	PC
11	118-167	Setscrew Hexagon Hd M10cx20 SS	4	PC
11	458-10	Washer - Spring IM10 SS	4	PC
11	454-10	Washer Plain St.Stl M10x21	4	PC

Door Assembly and Instalation (950811, 950813)  
Rear Door



95BD\_007-2

† For Limit Switch details see Body Common Parts (1)

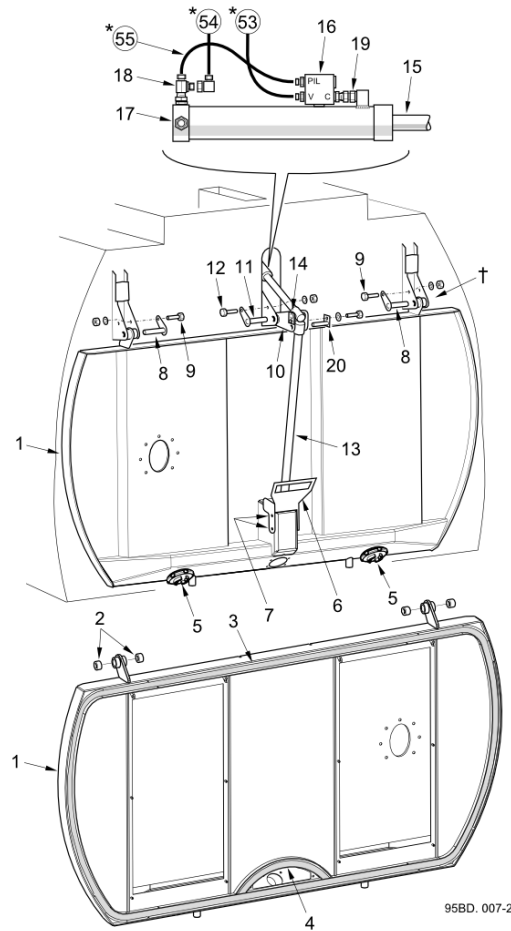
\* For Hoses see Body Discharge - Hydraulic Hoses



**Door Assembly and Instalation (950811, 950813)**

Rear Door

Item no.	Part no.	Description	QTY	Unit
1	281620-2	Door Rear W/Assy 1.4003	1	PC
1	281620-3	Door Rear W/Assy S.Stl	1	PC
2	29128-3	Bush	4	PC
3	281777-1	Seal - Rear Door	1	PC
4	281778-1	Seal - Rear Door Recirc.	1	PC
5	284040-1	Cap - Water Tank Drain	2	PC
5	40643-1-C	Washer - Seal, Drain, W/Tank	2	PC
6	282451-2	Guard Plate - Rr Door 4003	1	PC
7	118-135	Setscrew Hexagon Hd M8cx20 SS	4	PC
7	458-8	Washer Spring Single Coil M8SS	4	PC
7	454-8	Washer Plain St.Stl M8x17	4	PC
8	282952-1	Pivot Pin W/Assy - 85 Long	2	PC
9	118-137	Setscrew Hexagon Hd M8cx25 SS	2	PC
9	454-8	Washer Plain St.Stl M8x17	2	PC
9	417-8	Nut - Nyloc M8 S/Steel DIN985	2	PC
10	40897-1-A	Relay W/Assy-Rear Door	1	PC
10	29128-3	Bush	2	PC
11	282952-2	Pivot Pin Welded Assembly	1	PC
12	118-137	Setscrew Hexagon Hd M8cx25 SS	1	PC
12	454-8	Washer Plain St.Stl M8x17	1	PC
12	417-8	Nut - Nyloc M8 S/Steel DIN985	1	PC
13	60113-9	Latch Pin W/A-Actuation Shaft	1	PC
14	40572-1-A	Pin Pivot W/A Rr Door x 80 Lg	2	PC
14	118-137	Setscrew Hexagon Hd M8cx25 SS	1	PC

**Door Assembly and Instalation (950811, 950813)**  
**Rear Door**


† For Limit Switch details see Body Common Parts (1)

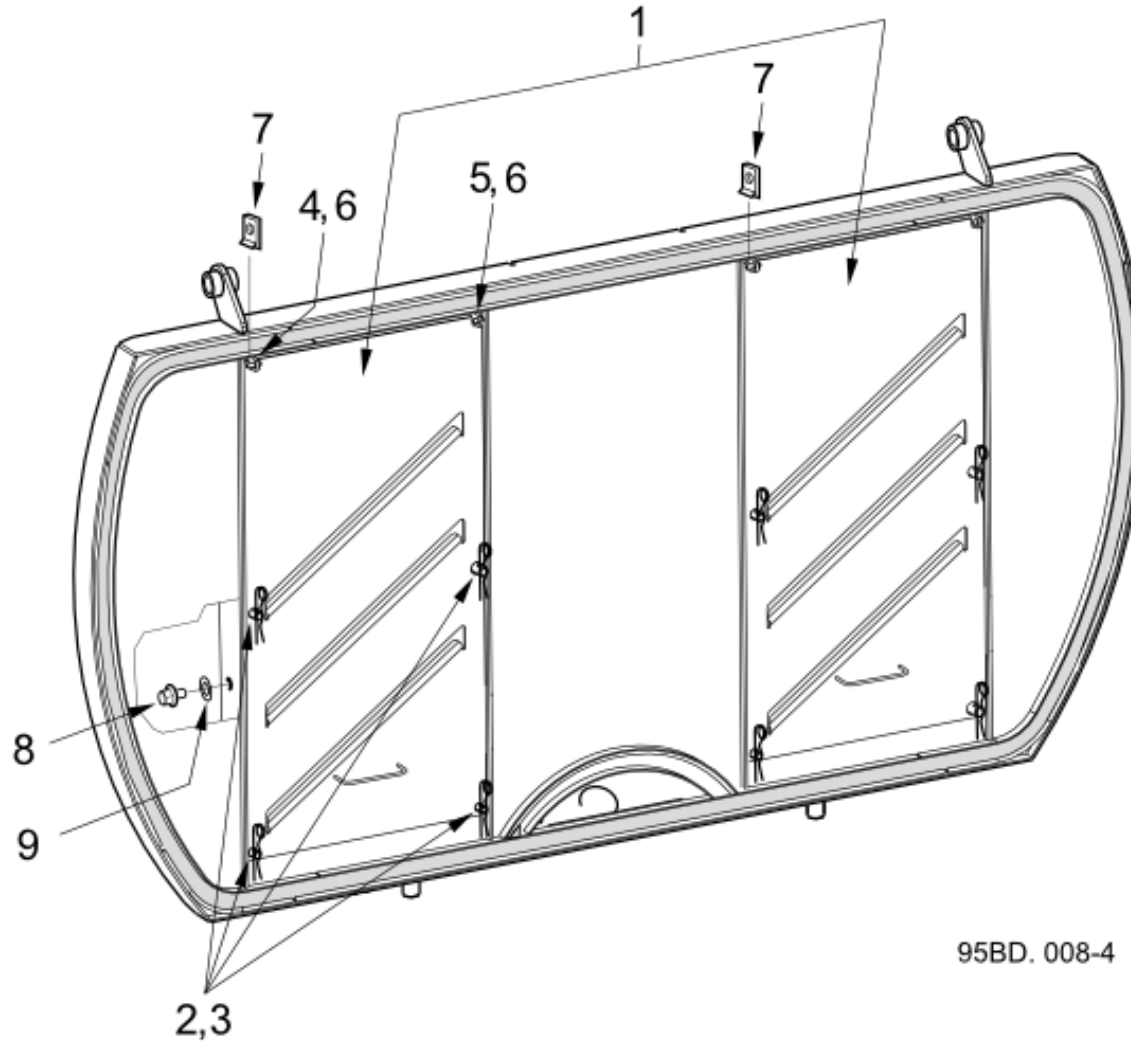
\* For Hoses see Body Discharge - Hydraulic Hoses

**Door Assembly and Instalation (950811, 950813)**

Rear Door

Item no.	Part no.	Description	QTY	Unit
14	454-8	Washer Plain St.Stl M8x17	1	PC
15	29170-1-B	Cylinder - Rear Door/Powaboom	1	PC
16	283325-1	Pilot Check Valve Rear Door	1	PC
17	40553-1-C	Pin Pivot Cylinder Hyd M16	1	PC
17	425-18	Nut Nyloc Hex M16C	2	PC
18	255-11	Adapter Tee - 1/4"x1/4"x1/4"BSP	1	PC
19	242-10	Elbow-Swivel 90° 1/4x1/4 BSP F	1	PC
20	124-132	Setscrew M8C x 12	1	PC
20	460-10	Washer Spring Single Coil M8	1	PC

**Door Screens Standard (950812)**  
Rear Door

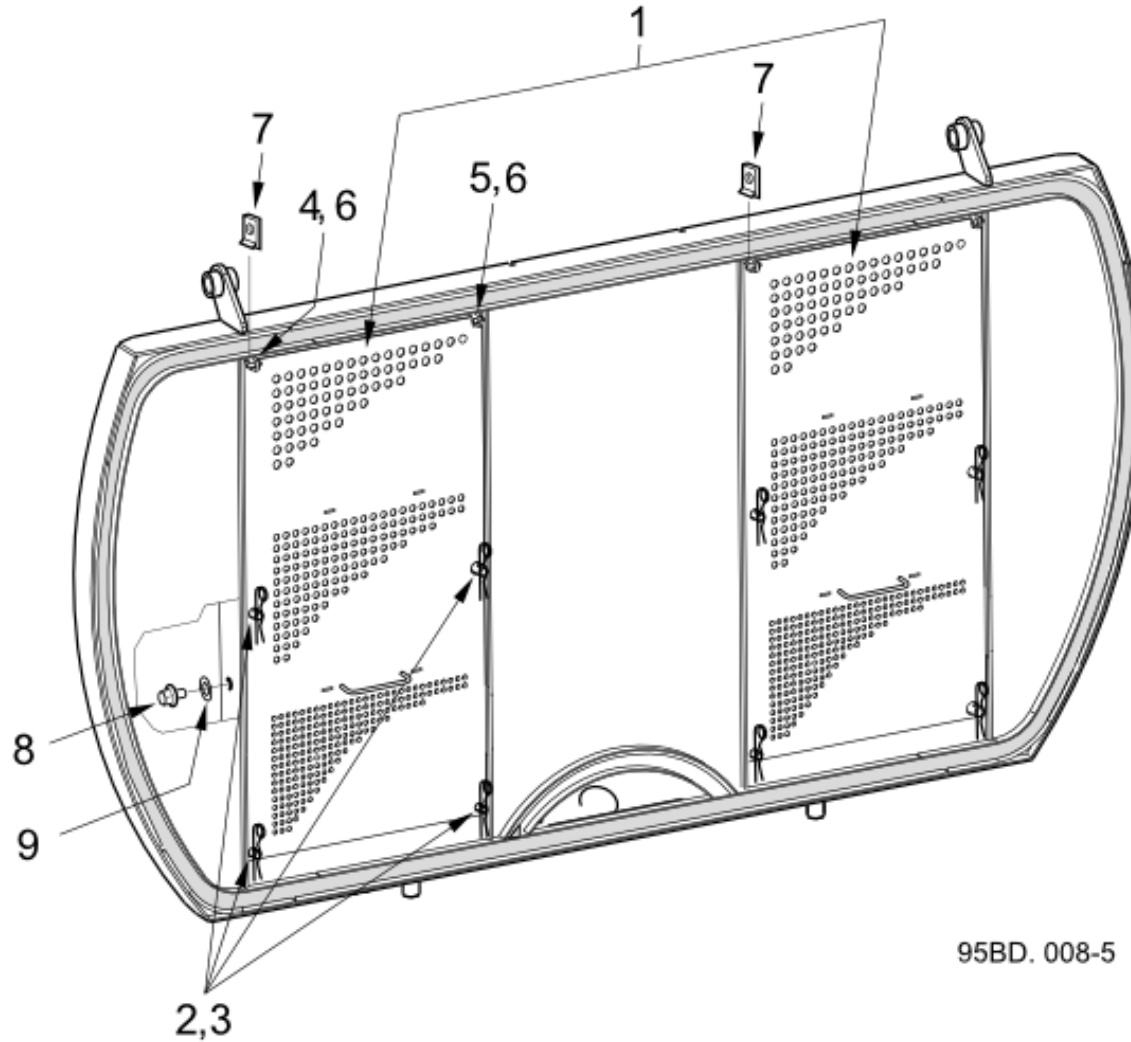


**Door Screens Standard (950812)**

Rear Door

Item no.	Part no.	Description	QTY	Unit
1	283530-1	Panel W/A - Standard Rear Door	2	PC
2	281664-3	Pin - Mesh Retainer S.Stl	8	PC
2	417-8	Nut - Nyloc M8 S/Steel DIN985	8	PC
3	289-38	Cotter Spring-Double, 16mm Dia	8	PC
4	283508-1	Bracket-Hinge Rear Door Screen	2	PC
5	283508-2	Bracket-Hinge Rear Door Screen	2	PC
6	118-137	Setscrew Hexagon Hd M8cx25 SS	8	PC
6	454-8	Washer Plain St.Stl M8x17	8	PC
6	458-8	Washer Spring Single Coil M8SS	8	PC
7	283-2	Clip - Spring Retaining	2	PC
8	3162	Plug - Collar 1/4" BSP Brass	1	PC
9	451-124	Washer Copper 1/4" BSP	1	PC

**Door Screens Perforated (950812)**  
Rear Door

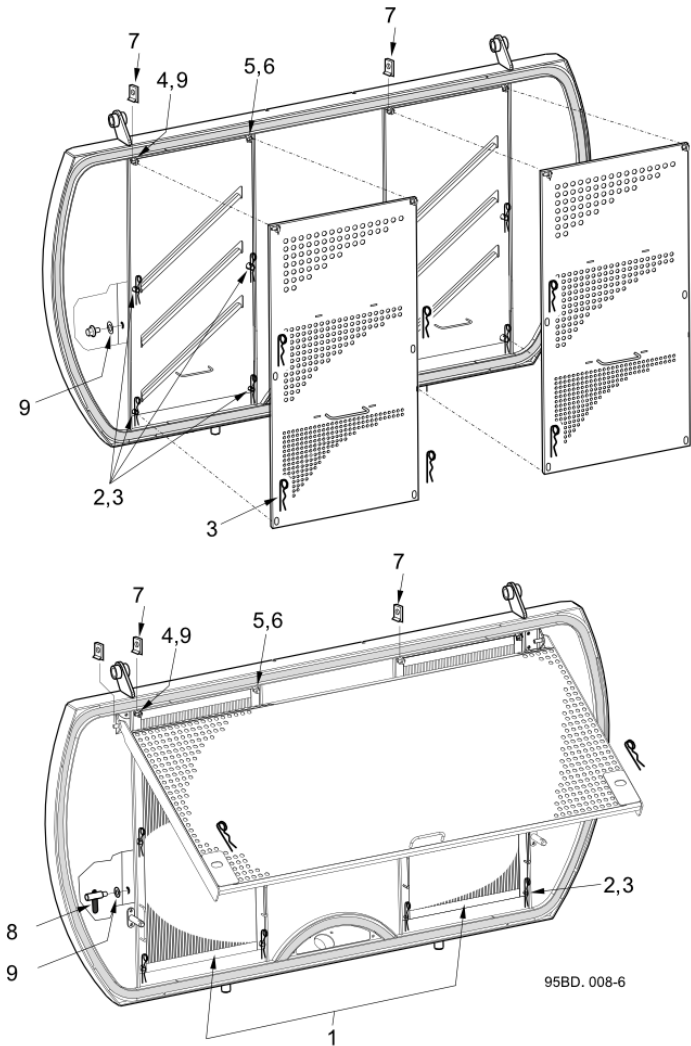


**Door Screens Perforated (950812)**

Rear Door

Item no.	Part no.	Description	QTY	Unit
1	283420-1	Screen-Dewatering W/Assy	2	PC
2	281664-3	Pin - Mesh Retainer S.Stl	8	PC
2	417-8	Nut - Nyloc M8 S/Steel DIN985	8	PC
3	289-38	Cotter Spring-Double, 16mm Dia	8	PC
4	283508-1	Bracket-Hinge Rear Door Screen	2	PC
5	283508-2	Bracket-Hinge Rear Door Screen	2	PC
6	118-137	Setscrew Hexagon Hd M8cx25 SS	8	PC
6	454-8	Washer Plain St.Stl M8x17	8	PC
6	458-8	Washer Spring Single Coil M8SS	8	PC
7	283-2	Clip - Spring Retaining	2	PC
8	3162	Plug - Collar 1/4" BSP Brass	1	PC
9	451-124	Washer Copper 1/4" BSP	1	PC

**Door Screens Wedge Wire (950812)**  
Rear Door



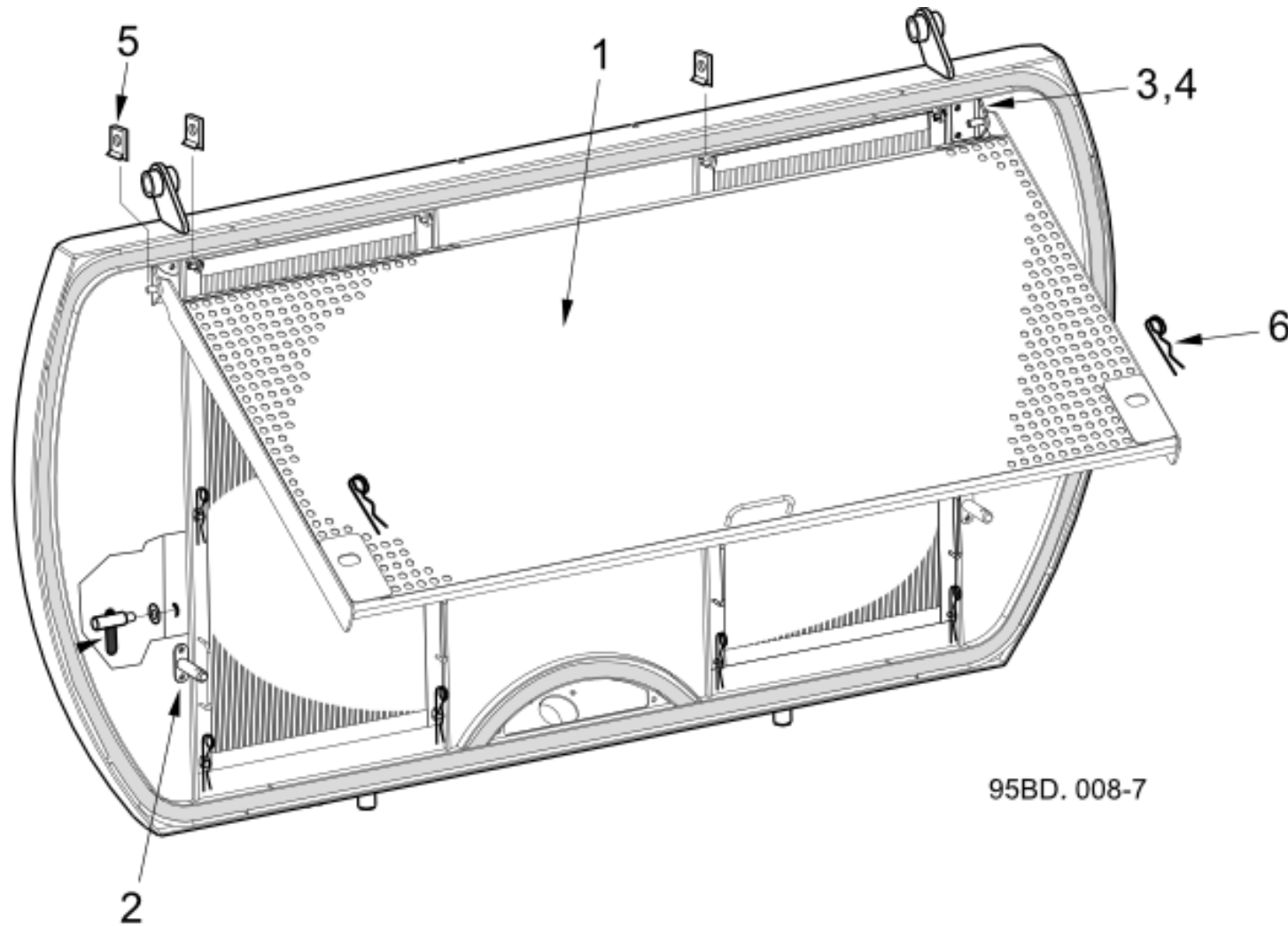


**Door Screens Wedge Wire (950812)**

Rear Door

Item no.	Part no.	Description	QTY	Unit
1	283531-1	Panel W/Assy - Wire Rear Door	2	PC
2	281664-3	Pin - Mesh Retainer S.Stl	8	PC
2	417-8	Nut - Nyloc M8 S/Steel DIN985	8	PC
3	289-38	Cotter Spring-Double, 16mm Dia	8	PC
4	283508-1	Bracket-Hinge Rear Door Screen	2	PC
5	283508-2	Bracket-Hinge Rear Door Screen	2	PC
6	118-137	Setscrew Hexagon Hd M8cx25 SS	8	PC
6	454-8	Washer Plain St.Stl M8x17	8	PC
6	458-8	Washer Spring Single Coil M8SS	8	PC
7	283-2	Clip - Spring Retaining	2	PC
8	88-15	Ball Valve 1/4" Long Handle	1	PC
9	451-124	Washer Copper 1/4" BSP	1	PC

**Door Screens Primary (950812)**  
Rear Door



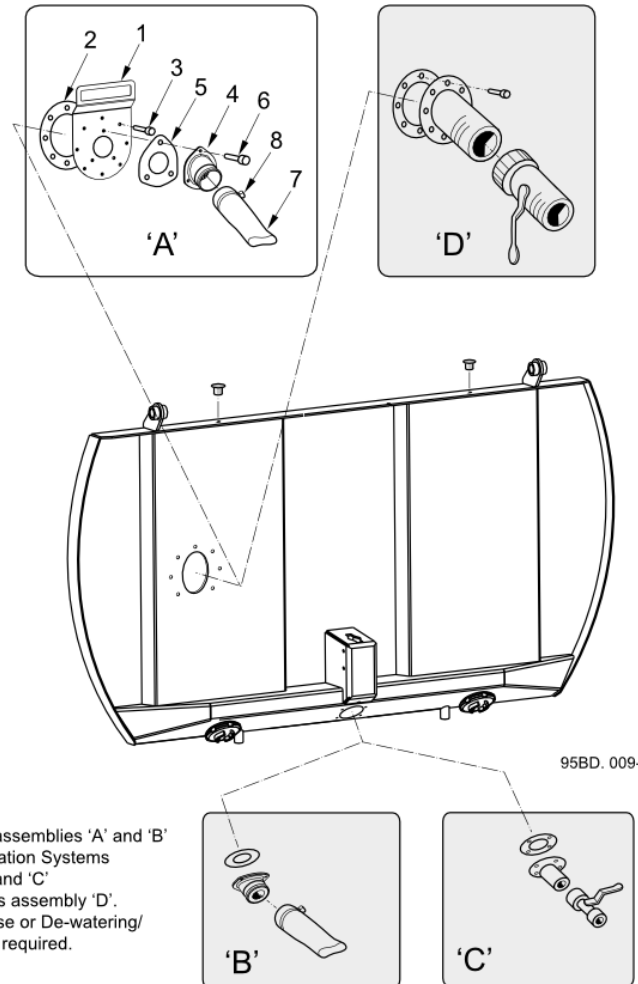
95BD.008-7

**Door Screens Primary (950812)**

Rear Door

Item no.	Part no.	Description	QTY	Unit
1	281680-1	Primary Mesh W/A-Rear Door	1	PC
2	281685-1	Locking Bracket - Rear Door	2	PC
3	281684-2	Pivot Brkt - Rear Door 1.4003	2	PC
4	118-137	Setscrew Hexagon Hd M8cx25 SS	8	PC
4	454-8	Washer Plain St.Stl M8x17	8	PC
4	458-8	Washer Spring Single Coil M8SS	8	PC
5	283-2	Clip - Spring Retaining	1	PC
6	289-39	Cotter Spring-Double, 23mm Dia	2	PC

Door Drains A (950814, KT01795)  
Rear Door

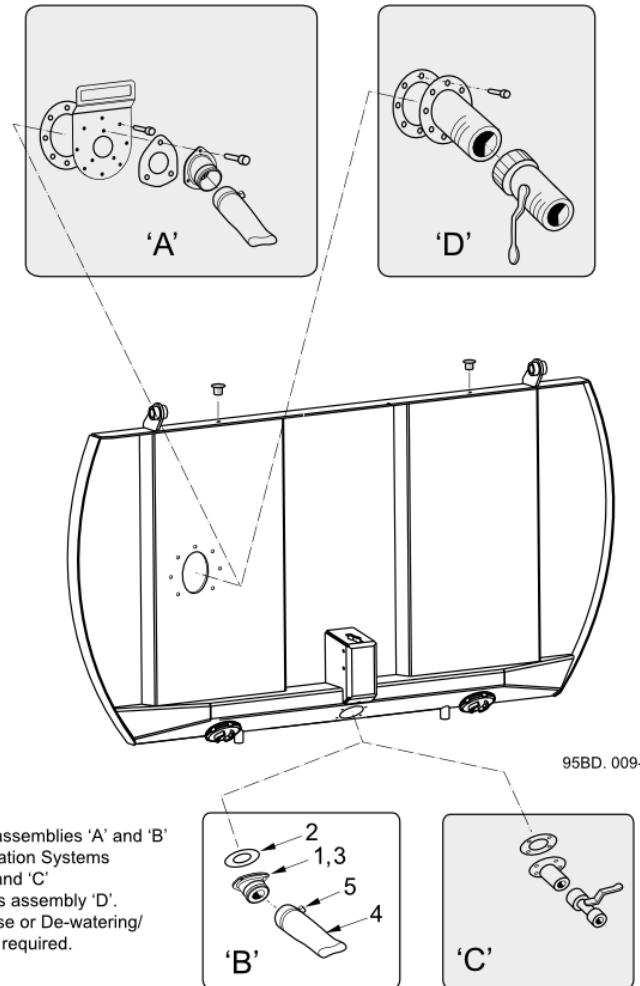


- Base System comprises assemblies 'A' and 'B'
- De-watering and Recirculation Systems comprise assemblies 'A' and 'C'
- 4" Valve Option comprises assembly 'D'. This can be fitted with Base or De-watering/Recirculation Systems as required.

## Door Drains A (950814, KT01795)

Rear Door

Item no.	Part no.	Description	QTY	Unit
1	282727-1	Stowage - Layflat W/Assy (1.4003)	1	PC
2	281395-1	Gasket	1	PC
3	118-167	Setscrew Hexagon Hd M10cx20 SS	8	PC
3	451-140	Washer Brass M10 DIN433	8	PC
4	284085-1	Spigot - Drain Rear Door (Nylon)	1	PC
5	281411-1	Gasket-Spigot Layflat Hose	1	PC
6	118-137	Setscrew Hexagon Hd M8cx25 SS	3	PC
6	454-8	Washer Plain St.Stl M8x17	3	PC
7	9983	Hose - Drain	1	M
8	501-7	Clip Hose Worm Drive (70-90)	1	PC

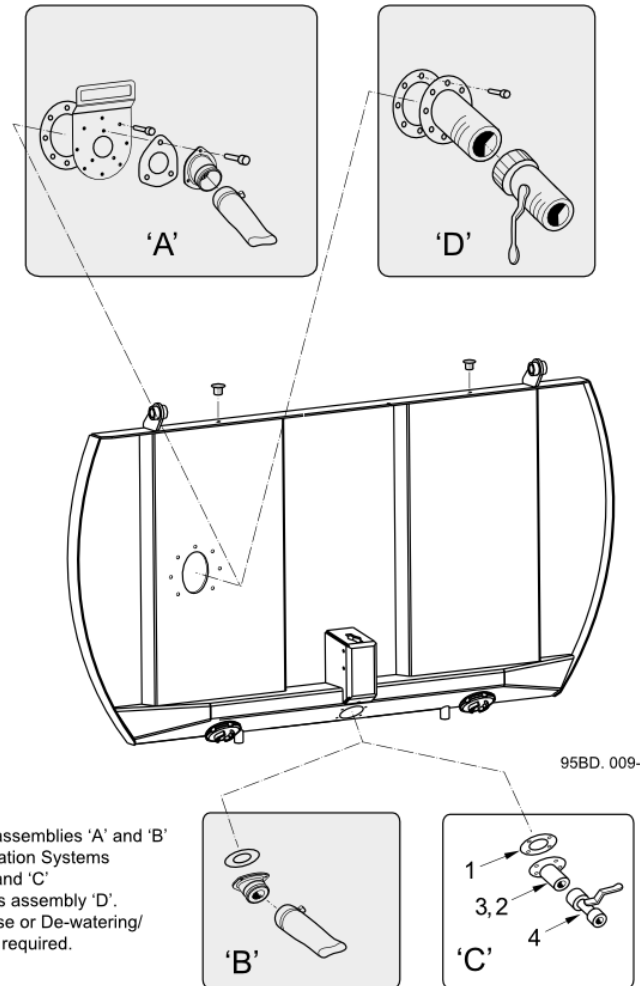
**Door Drains B (950814, KT01795)**  
 Rear Door


- Base System comprises assemblies 'A' and 'B'
- De-watering and Recirculation Systems comprise assemblies 'A' and 'C'
- 4" Valve Option comprises assembly 'D'. This can be fitted with Base or De-watering/Recirculation Systems as required.

## Door Drains B (950814, KT01795)

Rear Door

Item no.	Part no.	Description	QTY	Unit
1	284085-1	Spigot - Drain Rear Door (Nylon)	1	PC
2	281411-1	Gasket-Spigot Layflat Hose	1	PC
3	118-137	Setscrew Hexagon Hd M8cx25 SS	3	PC
3	454-8	Washer Plain St.Stl M8x17	3	PC
4	9983	Hose - Drain	1	M
5	501-7	Clip Hose Worm Drive (70-90)	1	PC

**Door Drains C (950814, KT01795)**  
 Rear Door


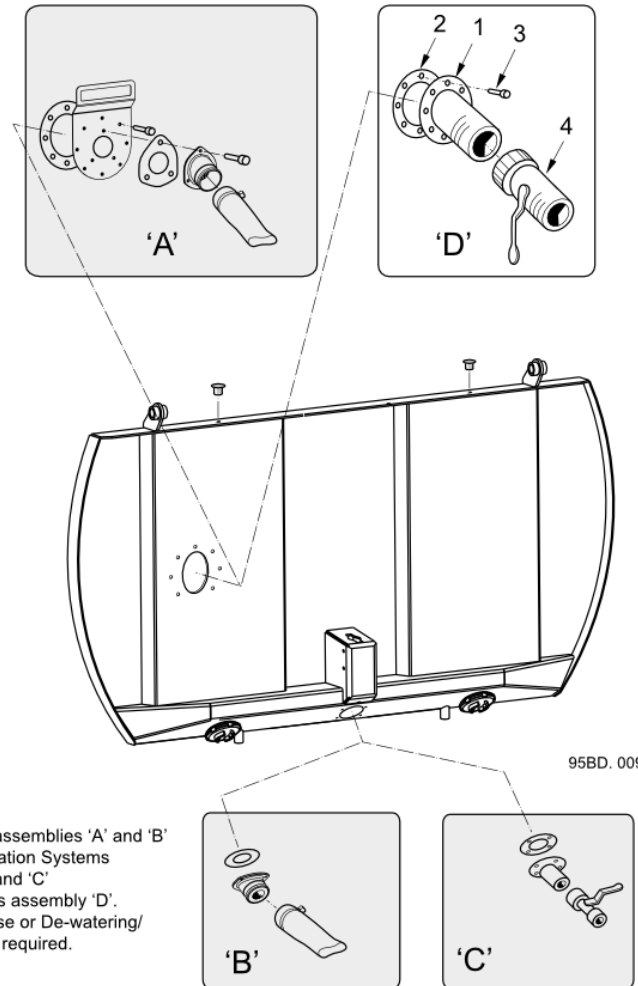
- Base System comprises assemblies 'A' and 'B'
- De-watering and Recirculation Systems comprise assemblies 'A' and 'C'
- 4" Valve Option comprises assembly 'D'. This can be fitted with Base or De-watering/ Recirculation Systems as required.



## Door Drains C (950814, KT01795)

Rear Door

Item no.	Part no.	Description	QTY	Unit
1	281411-1	Gasket-Spigot Layflat Hose	1	PC
2	118-137	Setscrew Hexagon Hd M8cx25 SS	3	PC
2	454-8	Washer Plain St.Stl M8x17	3	PC
3	281715-3	Spigot W/A 1 1/2" Valve S.Stl	1	PC
4	39253	Valve Ball 1 1/2 BSP	1	PC

**Door Drains D (950814, KT01795)**  
 Rear Door


95BD.009

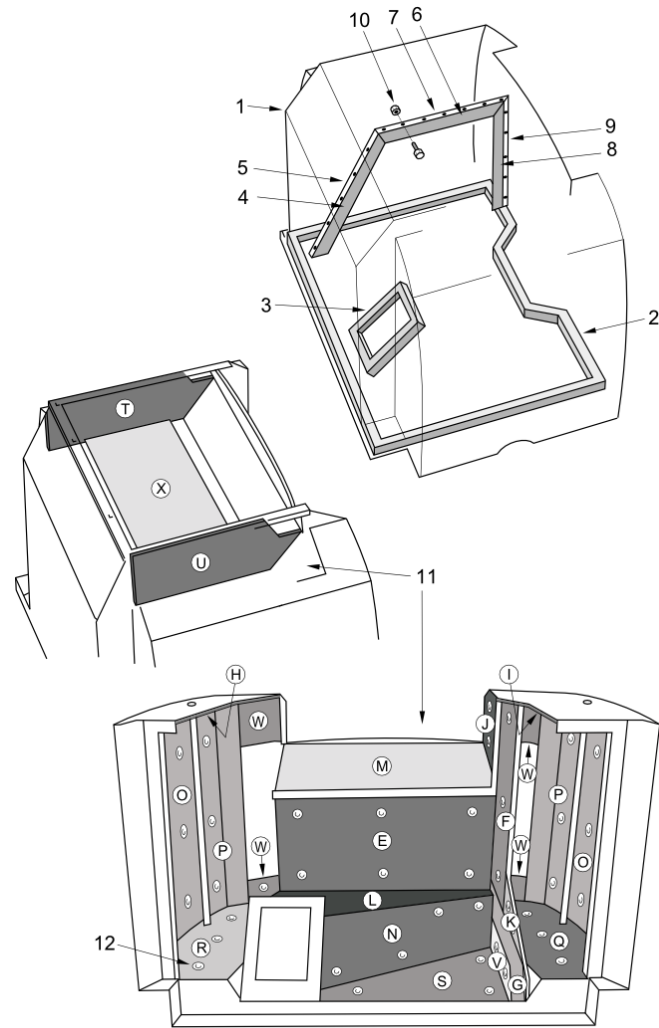
- Base System comprises assemblies 'A' and 'B'
- De-watering and Recirculation Systems comprise assemblies 'A' and 'C'
- 4" Valve Option comprises assembly 'D'. This can be fitted with Base or De-watering/Recirculation Systems as required.

## Door Drains D (950814, KT01795)

Rear Door

Item no.	Part no.	Description	QTY	Unit
1	281393-3	Valve Flange W/Assy - 4"	1	PC
2	281395-1	Gasket	1	PC
3	118-167	Setscrew Hexagon Hd M10cx20 SS	8	PC
3	451-6	Washer Bonded M10 - Bolt	8	PC
4	88-24	Ball Valve 4" c/w Hand Drv F/F	1	PC

Seals and Soundproofing (951511, 961511)  
Cowl Common Parts

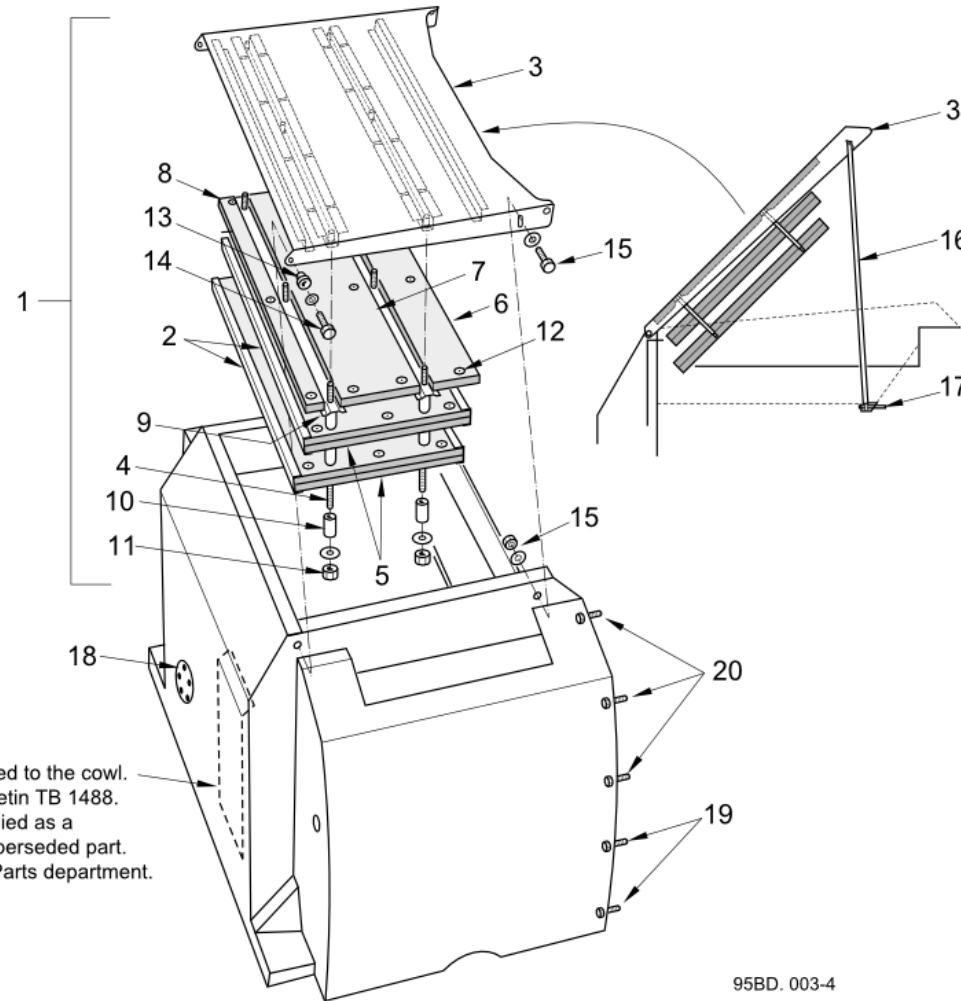


95BD. 010-2

**Seals and Soundproofing (951511, 961511)**

## Cowl Common Parts

Item no.	Part no.	Description	QTY	Unit
1	281170-1	Cowl - W/A V500 M.Stl	1	PC
1	281170-3	Cowl - W/A V500 S.Stl	1	PC
1	280700-1	Cowl W/Assy - V650 M.Stl	1	PC
1	280700-2	Cowl W/Assy - V650 1.4003	1	PC
1	280700-3	Cowl W/Assy - V650 S.Stl	1	PC
1	280930-1	Cowl W/Assy- V800 M.Stl	1	PC
1	280930-3	Cowl W/Assy- V800 S.Stl	1	PC
2	282225-1	Seal-Cowl Powerpack Interface	1	PC
3	282397-1	Seal - Cowl Make/Break	1	PC
4	42613-1	Seal - Radiator Rubber	1	PC
5	42610-1-A	Clamp - Rad Seal	1	PC
6	42612-1	Seal - Radiator Rubber	1	PC
7	42611-1-A	Clamp - Radiator Seal	1	PC
8	42607-1	Seal - Radiator Rubber	1	PC
9	42610-1-A	Clamp - Rad Seal	1	PC
10	124-135	Setscrew M8C x 20	17	PC
10	420-14	Nut MC Hex M8	17	PC
10	460-10	Washer Spring Single Coil M8	17	PC
11	281196-1	Noise Attenuating Foam Cowl As	1	PC
11	280805-1	Noise Attenuating Foam Cowl As	1	PC
11	281200-1	Noise Attenuate Foam Cowl Assy	1	PC
12	283-23	Fastener - Nail Type 30Lg	100	PC
12	283-25	Fastener-Plastic cover 3mm	100	PC

**Wafer Pack and Wear Plates (951511, 961511)**  
 Cowl Common Parts


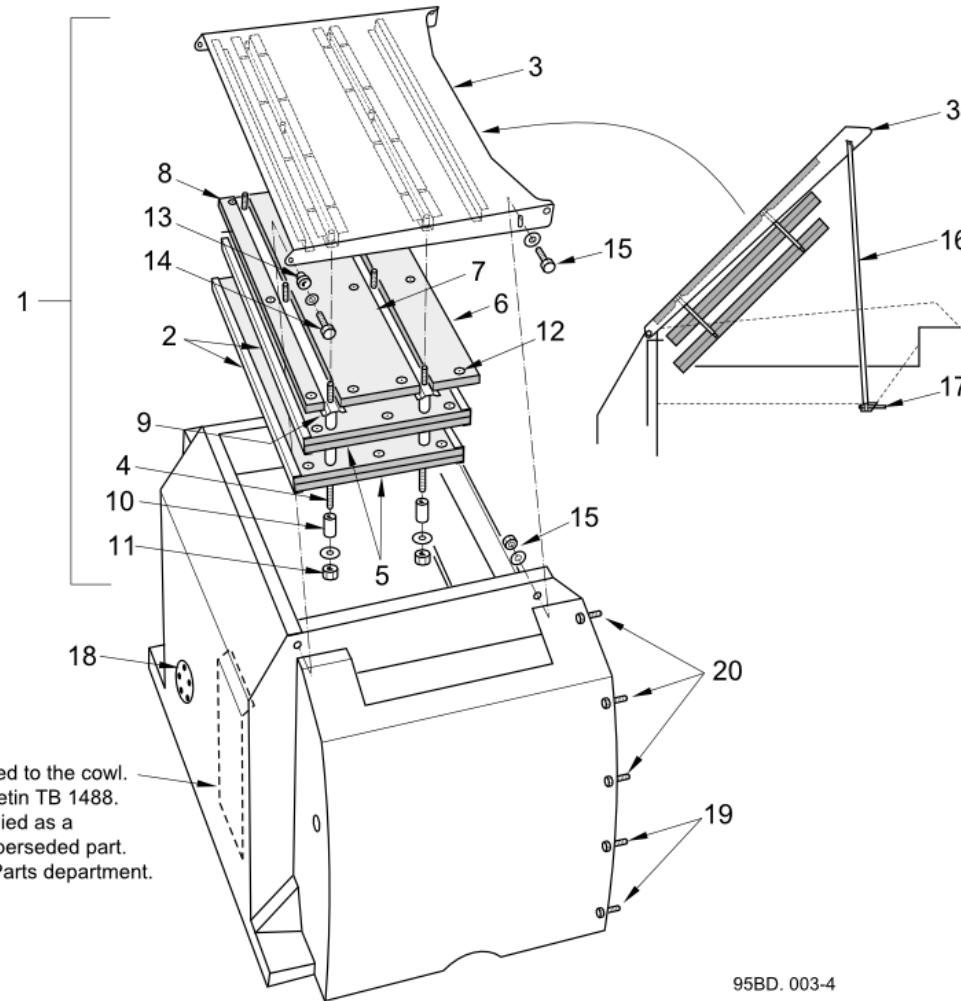
Wearplate is now welded to the cowl.  
 Refer to Technical Bulletin TB 1488.  
 This plate can be supplied as a  
 replacement for the superseded part.  
 Contact the Johnston Parts department.

95BD. 003-4

**Wafer Pack and Wear Plates (951511, 961511)**

## Cowl Common Parts

Item no.	Part no.	Description	QTY	Unit
0	282385-1	Sound Attenuation Kit - Wafer Pack	1	PC
Comprising items 5-8				
1	295371-1	Hood/Wafer Pack Assy Pivoting	1	PC
Comprising items 2-12				
2	282370-1	Wafer Plate W/Assy	2	PC
3	295369-1	Pivoting Flat Hood W/Assy	1	PC
4	282955-1	Stud - Wafer Pack Assy	6	PC
5	282385-5	Panel - Wafer	4	PC
6	282385-2	Hood - Rear Section	1	PC
7	282385-3	Hood - Mid Section	1	PC
8	282385-4	Hood - Front Section	1	PC
9	295368-1	Retainer Strip	2	PC
10	283307-1	Spacer-Silencer 89Lg Nylon 6	12	PC
11	425-15	Nut Nyloc Hex M10C	6	PC
11	457-5	Washer Plain Steel M10 Form G	6	PC
12	283-25	Fastener-Plastic cover 3mm	64	PC
13	280905-3	Spacer - Pivoting Hood	2	PC
14	124-137	Setscrew M8C x 25	2	PC
14	460-10	Washer Spring Single Coil M8	2	PC
15	124-135	Setscrew M8C x 20	2	PC
15	457-4	Washer Plain Steel M8 Form G	4	PC
15	425-14	Nut Nyloc Hex MC M8	2	PC
16	280537-1	Stay - W/Assy	1	PC
17	124-185	Setscrew M10C x 90 BS3692	1	PC

**Wafer Pack and Wear Plates (951511, 961511)**  
 Cowl Common Parts


Wearplate is now welded to the cowl.  
 Refer to Technical Bulletin TB 1488.  
 This plate can be supplied as a  
 replacement for the superseded part.  
 Contact the Johnston Parts department.

95BD. 003-4

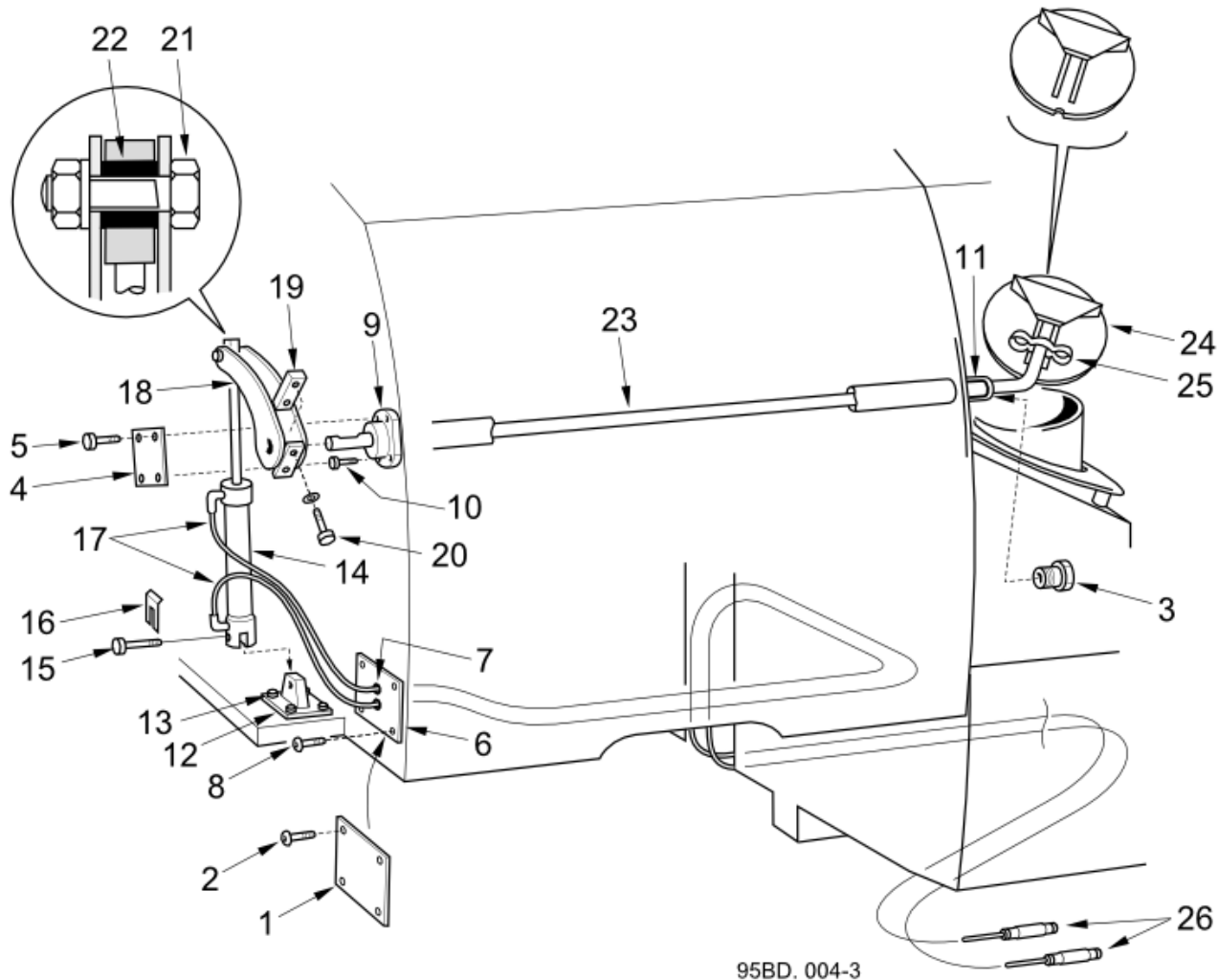


## Wafer Pack and Wear Plates (951511, 961511)

## Cowl Common Parts

Item no.	Part no.	Description	QTY	Unit
17	425-15	Nut Nyloc Hex M10C	1	PC
18	42739-1-B	Cover - Access	1	PC
18	135-56	NOW USE 138/91	5	PC
19	124-203	Setscrew M12C x 30	4	PC
19	460-11	Washer Spring Single Coil M10	4	PC
19	455-12	Washer Plain Plated Steel M12	4	PC
20	124-171	Setscrew M10C x 30	6	PC
20	460-11	Washer Spring Single Coil M10	6	PC
20	455-11	Washer Plain Plated Steel M10	6	PC

**Intake Duct Flaps Single (951512, 961512)**  
Cowl Configuration

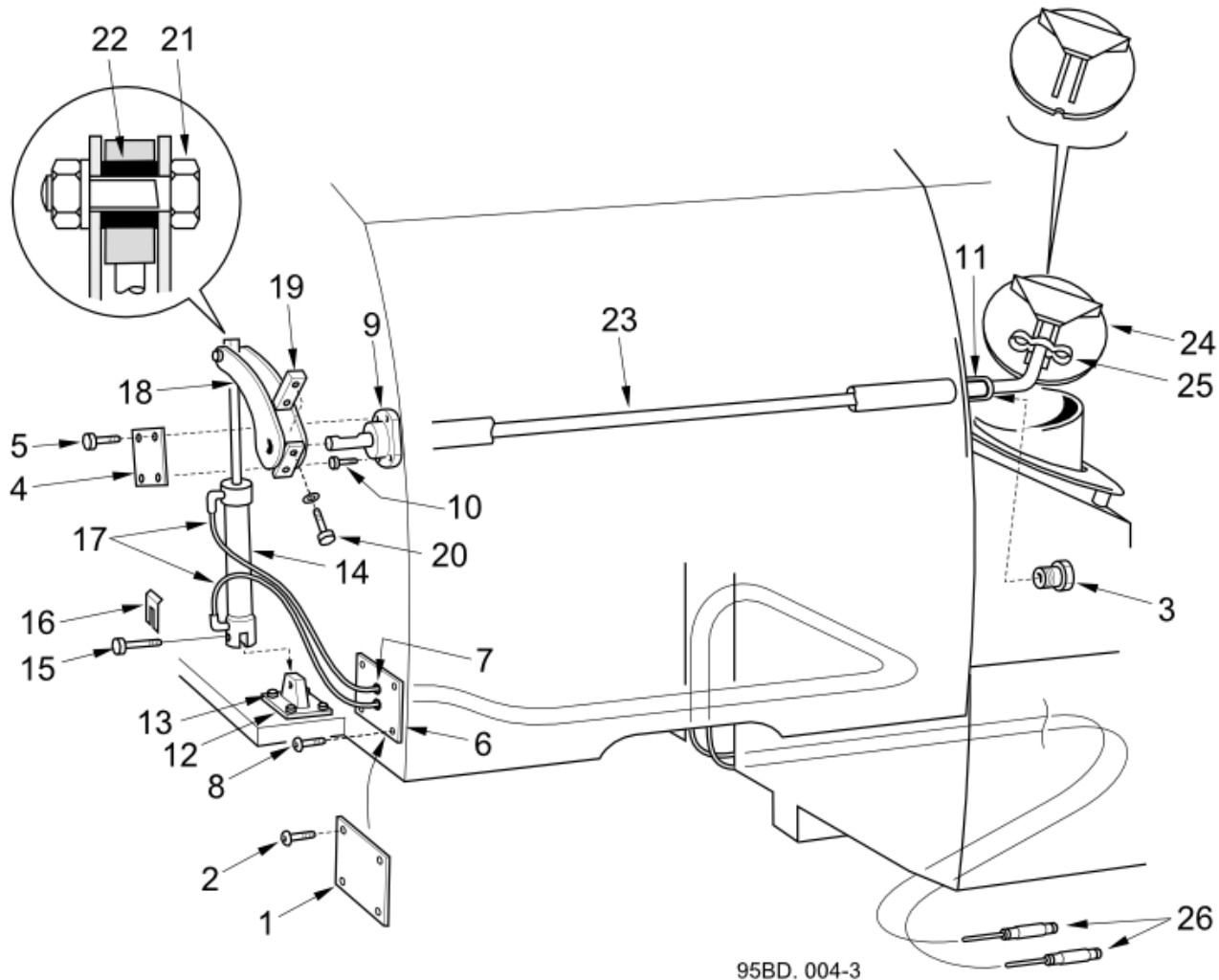


**Intake Duct Flaps Single (951512, 961512)**

Cowl Configuration

Item no.	Part no.	Description	QTY	Unit
1	42940-1-B	Plate-Mntg, Flap Valve	2	PC
2	138-91	Screw - Skt Button Hd M6cx12	8	PC
2	460-8	Washer Spring Single Coil M6	8	PC
3	42956-1-B	Blanking Plug	2	PC
4	40250-1-C	Plate - flap blanking	2	PC
5	124-139	Setscrew M8C x 30	8	PC
5	460-10	Washer Spring Single Coil M8	8	PC
6	283299-1	Cover Plate - Intake Flap	1	PC
7	287-38	Grommet 19mm OD 8mm ID 1.6	2	PC
7	460-8	Washer Spring Single Coil M6	4	PC
8	138-91	Screw - Skt Button Hd M6cx12	4	PC
8	460-8	Washer Spring Single Coil M6	4	PC
9	63523-1	Bearing - Flap shaft	1	PC
10	124-139	Setscrew M8C x 30	4	PC
10	460-10	Washer Spring Single Coil M8	4	PC
11	29128-2-B	Bush - ID38.2 OD42.2 20Lg	1	PC
12	281030-1	Cylinder Mount W/Assy	1	PC
12	42216-1-A	Brkt Mntg Cylinder Flap W/Assy	1	PC
13	124-135	Setscrew M8C x 20	4	PC
13	420-14	Nut MC Hex M8	4	PC
13	460-10	Washer Spring Single Coil M8	4	PC
14	280840-1	Cylinder-Flap Intake Assy	1	PC
15	29149-1-B	Pin - Clevis	1	PC
16	39624	Slim Safety Fastener	1	PC

**Intake Duct Flaps Single (951512, 961512)**  
Cowl Configuration



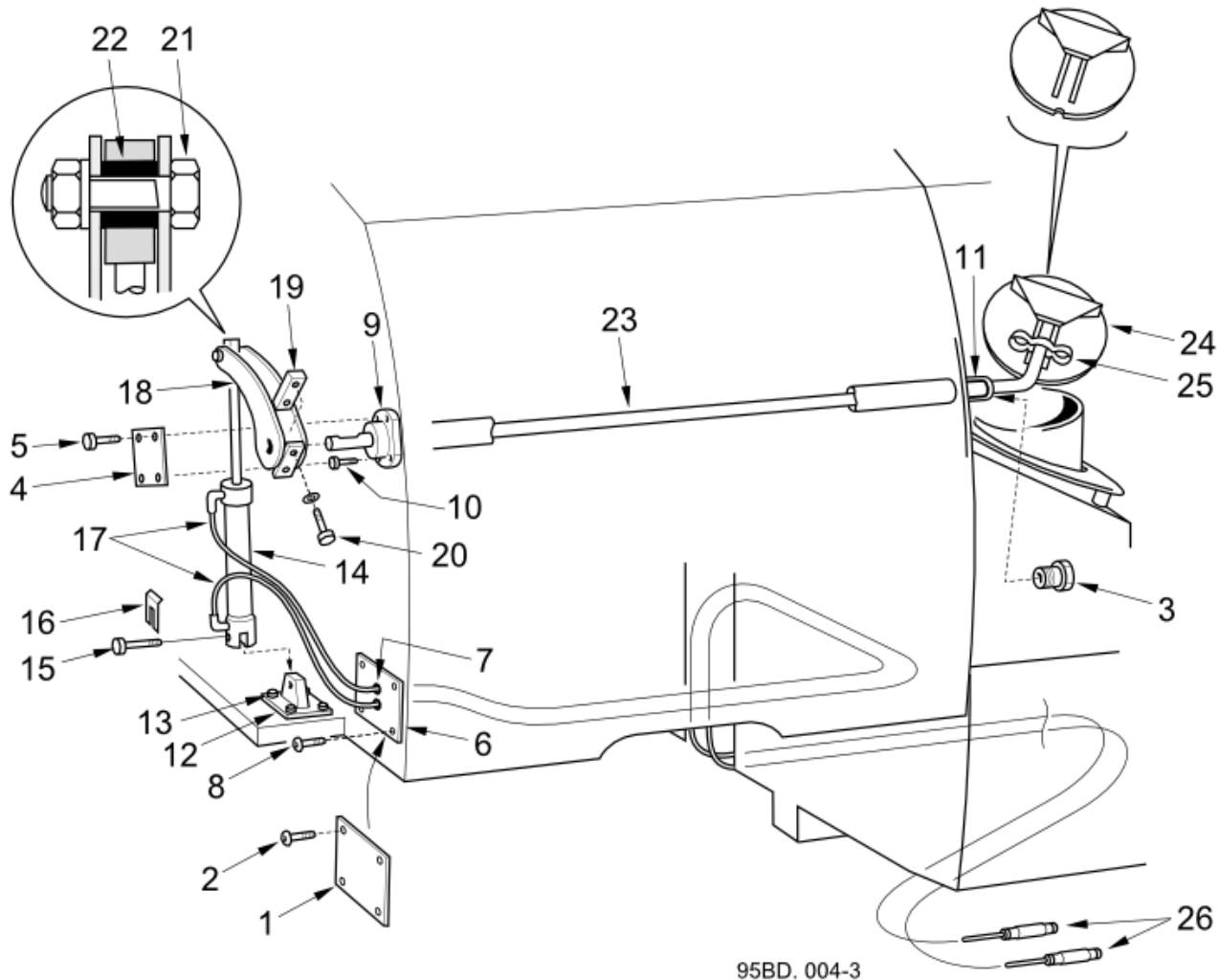
95BD.004-3

## Intake Duct Flaps Single (951512, 961512)

Cowl Configuration

Item no.	Part no.	Description	QTY	Unit
17	273-20	Tube - Nylon Blue 6mm O/D	2	M
18	280424-1	Flap - Arm Lever W/Assy	1	PC
19	40456-2	Bar - Lever Mtg.	1	PC
20	124-179	Setscrew M10C x 60	2	PC
20	460-11	Washer Spring Single Coil M10	2	PC
21	124-208	Setscrew M12C x 45	1	PC
21	420-16	Nut MC Hex M12	1	PC
21	460-12	Washer Spring Single Coil M12	1	PC
22	42733-1-A	Bush - Bearing, Flaps	1	PC
23	40442-12	Shaft W/A	1	PC
24	282577-1	Intake Flap	1	PC
25	40516-1-B	Spring clip - Double wound , Ø 19mm	2	PC
26	277-47	Connector - Straight 6mm	2	PC

**Intake Duct Flaps Dual (-)**  
Cowl Configuration

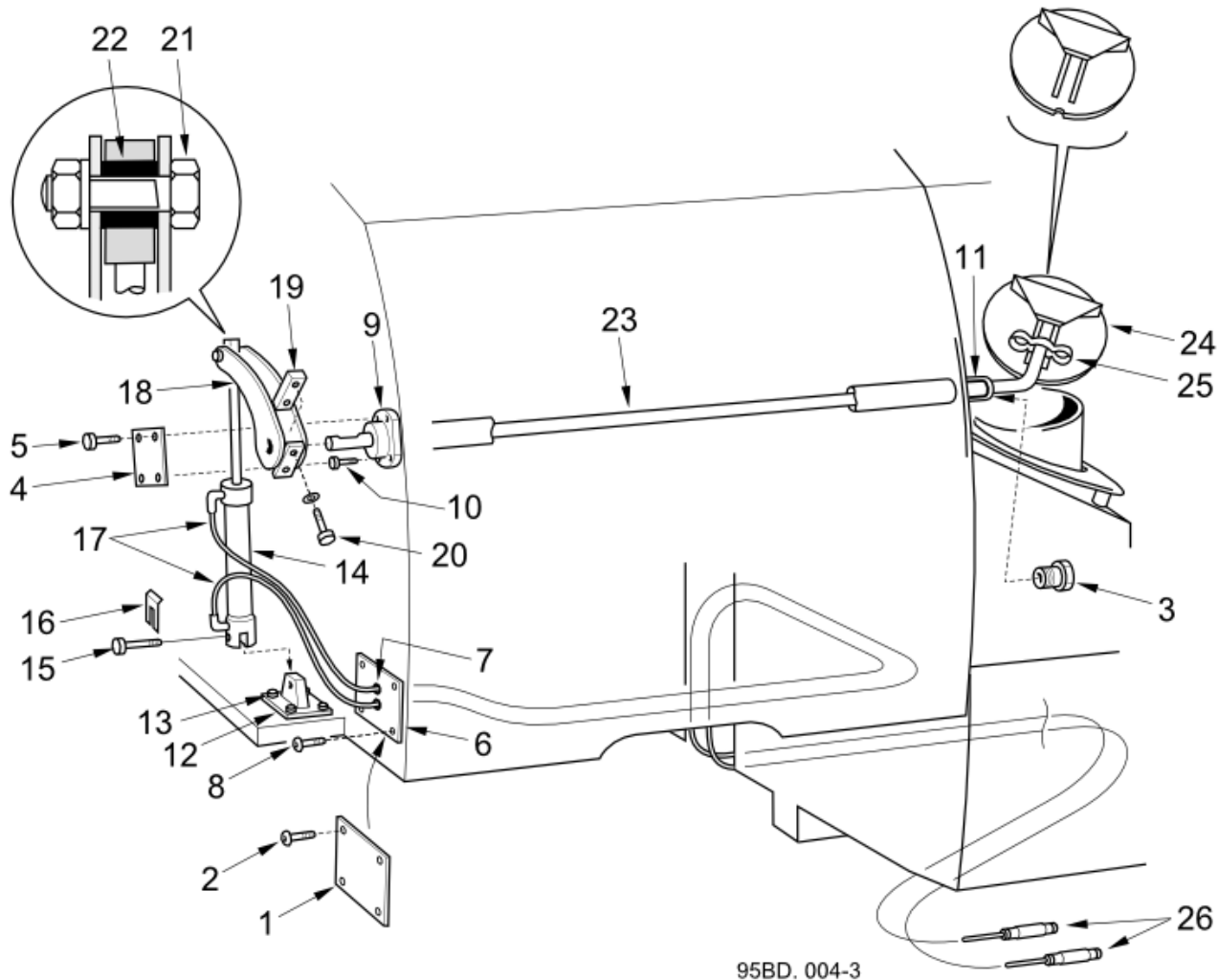


## Intake Duct Flaps Dual (-)

Cowl Configuration

Item no.	Part no.	Description	QTY	Unit
1	42940-1-B	Plate-Mntg, Flap Valve	2	PC
2	138-91	Screw - Skt Button Hd M6cx12	8	PC
2	460-8	Washer Spring Single Coil M6	8	PC
3	42956-1-B	Blanking Plug	2	PC
4	40250-1-C	Plate - flap blanking	2	PC
5	124-139	Setscrew M8C x 30	8	PC
5	460-10	Washer Spring Single Coil M8	8	PC
6	283299-1	Cover Plate - Intake Flap	2	PC
7	287-38	Grommet 19mm OD 8mm ID 1.6	4	PC
7	460-8	Washer Spring Single Coil M6	8	PC
8	138-91	Screw - Skt Button Hd M6cx12	8	PC
8	460-8	Washer Spring Single Coil M6	8	PC
9	63523-1	Bearing - Flap shaft	2	PC
10	124-139	Setscrew M8C x 30	8	PC
10	460-10	Washer Spring Single Coil M8	8	PC
11	29128-2-B	Bush - ID38.2 OD42.2 20Lg	2	PC
12	281030-1	Cylinder Mount W/Assy	2	PC
12	42216-1-A	Brkt Mntg Cylinder Flap W/Assy	2	PC
13	124-135	Setscrew M8C x 20	8	PC
13	420-14	Nut MC Hex M8	8	PC
13	460-10	Washer Spring Single Coil M8	8	PC
14	280840-1	Cylinder-Flap Intake Assy	2	PC
15	29149-1-B	Pin - Clevis	2	PC
16	39624	Slim Safety Fastener	2	PC

**Intake Duct Flaps Dual (-)**  
Cowl Configuration



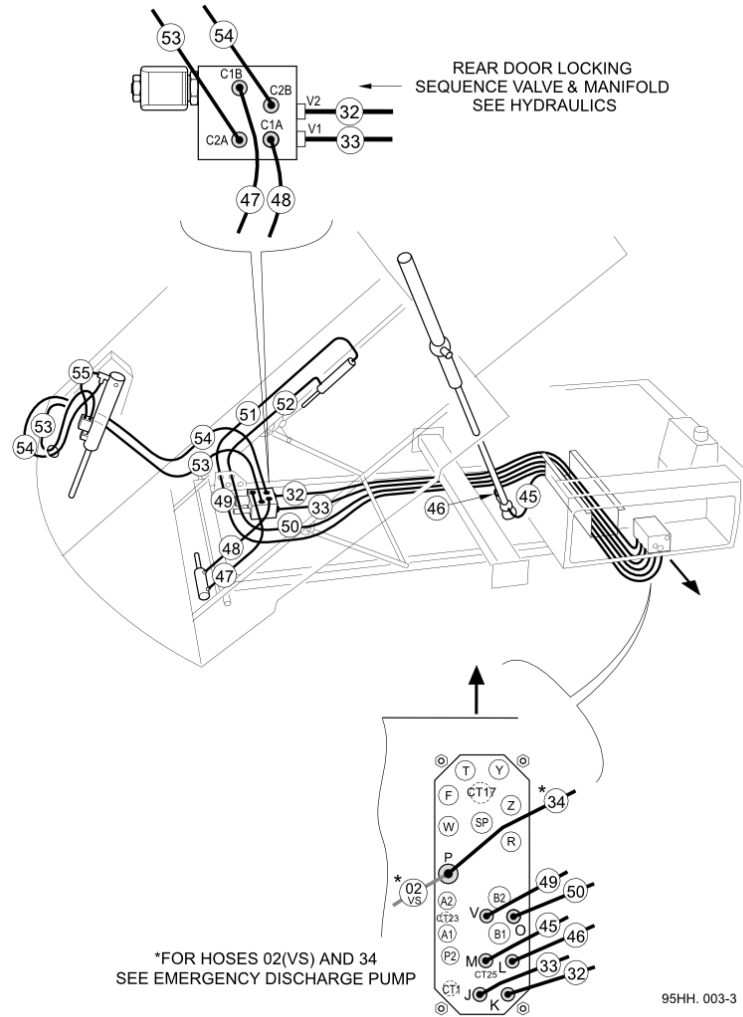


**Intake Duct Flaps Dual (-)**

Cowl Configuration

Item no.	Part no.	Description	QTY	Unit
17	273-20	Tube - Nylon Blue 6mm O/D	4	M
18	280424-1	Flap - Arm Lever W/Assy	2	PC
19	40456-2	Bar - Lever Mtg.	2	PC
20	124-179	Setscrew M10C x 60	4	PC
20	460-11	Washer Spring Single Coil M10	4	PC
21	124-208	Setscrew M12C x 45	2	PC
21	420-16	Nut MC Hex M12	2	PC
21	460-12	Washer Spring Single Coil M12	2	PC
22	42733-1-A	Bush - Bearing, Flaps	2	PC
23	40442-12	Shaft W/A	2	PC
24	282577-1	Intake Flap	2	PC
25	40516-1-B	Spring clip - Double wound , Ø 19mm	4	PC
26	277-47	Connector - Straight 6mm	4	PC

**Body Discharge System (950714, 950611, 950720)**  
 Body/Cowl/Rear Door - Hydraulic Hoses

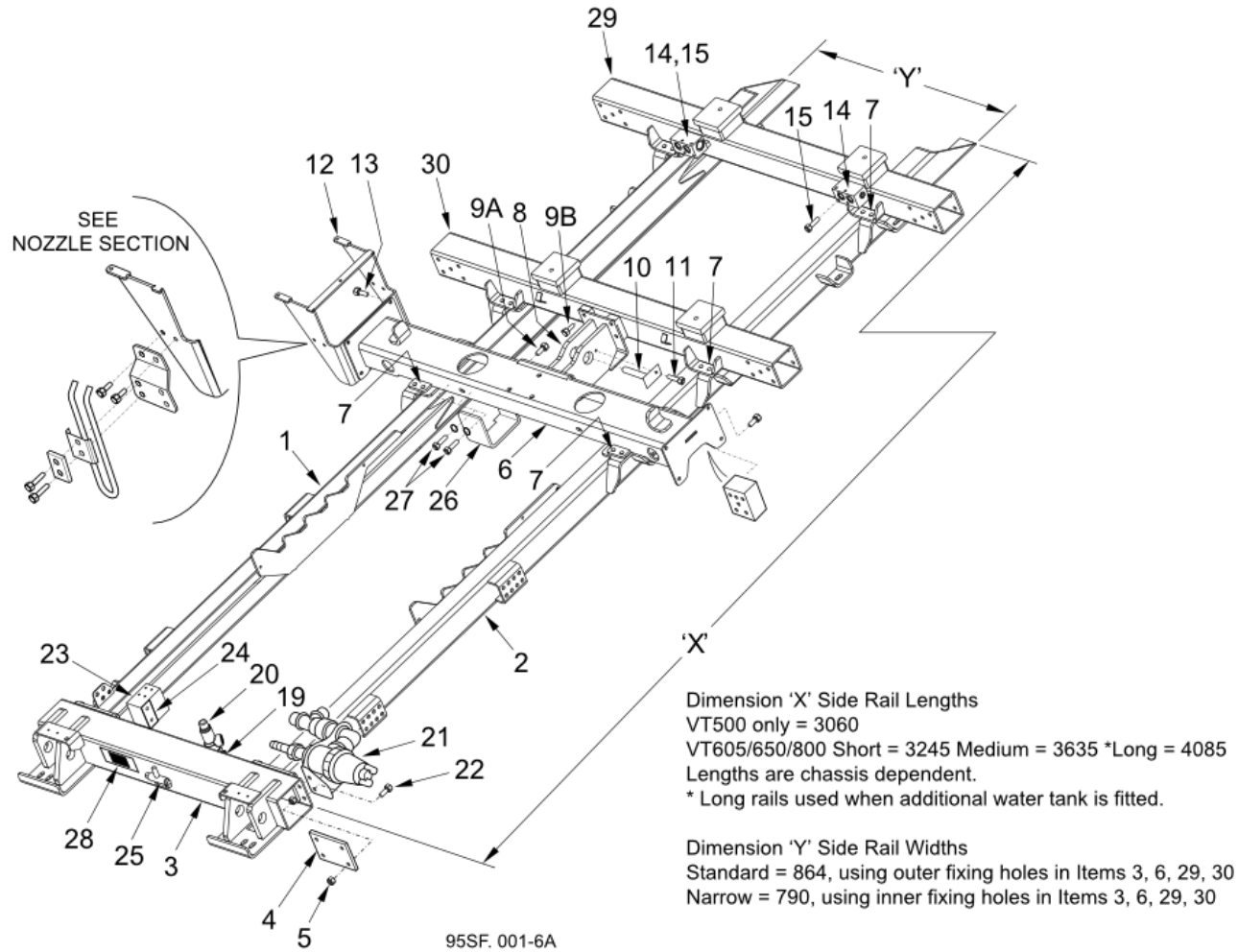


**Body Discharge System (950714, 950611, 950720)**

Body/Cowl/Rear Door - Hydraulic Hoses

Item no.	Part no.	Description	QTY	Unit
32	HC04001-352	Hose - Megaflex 1/4" STRx45s	1	PC
33	HC04001-352	Hose - Megaflex 1/4" STRx45s	1	PC
45	HC04001-146	Hose - Megaflex 1/4" STRx45s	1	PC
46	HC06001-191	Hose - Megaflex 3/8" STRx45s	1	PC
47	HC04002-95	Hose - Megaflex 1/4" STRx90s	1	PC
48	HC04002-95	Hose - Megaflex 1/4" STRx90s	1	PC
49	HC04001-370	Hose - Megaflex 1/4" STRx45s	1	PC
50	HC04001-370	Hose - Megaflex 1/4" STRx45s	1	PC
51	HC04002-189	Hose - Megaflex 1/4" STRx90s	1	PC
52	HC04002-155	Hose - Megaflex 1/4" STRx90s	1	PC
53	HC04002-420	Hose - Megaflex 1/4" STRx90s	1	PC
54	HC04002-420	Hose - Megaflex 1/4" STRx90s	1	PC
55	HC04002-27	Hose - Megaflex 1/4" STRx90s	1	PC

**Subframe Assembly Single (940711, 950711, 960711)**  
Subframe/Body Prop

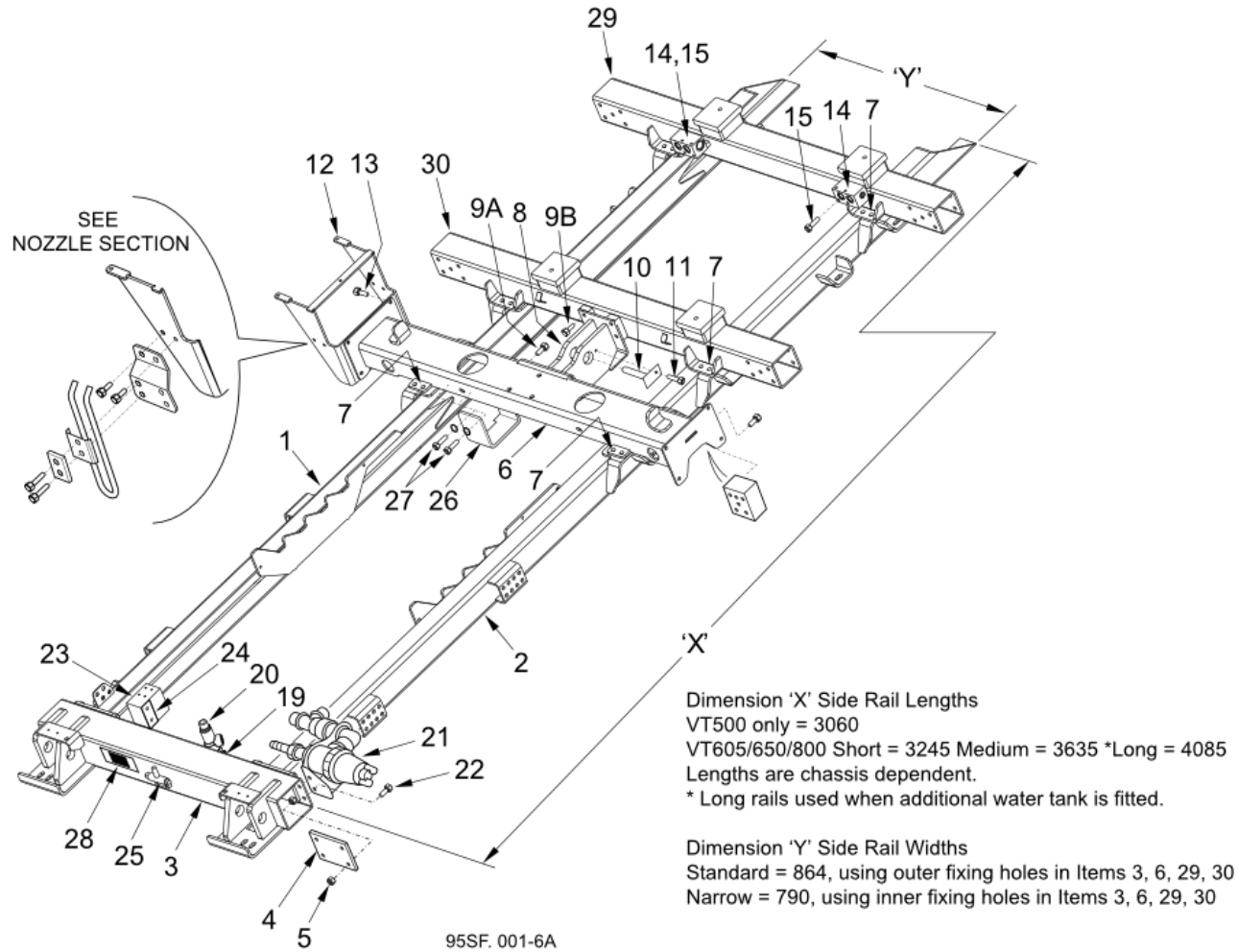


## Subframe Assembly Single (940711, 950711, 960711)

Subframe/Body Prop

Item no.	Part no.	Description	QTY	Unit
1	294050-1	Member - Side LH W/A X = 3015	1	PC
1	281512-1	Member - Side LH W/A X = 3245	1	PC
1	281512-2	Member - Side LH W/A X = 3635	1	PC
1	281512-3	Member - Side LH W/A X = 4085	1	PC
1	281759-1	Member - Side LH W/A X = 3245	1	PC
1	281759-2	Member - Side LH W/A X = 3635	1	PC
1	281759-3	Member - Side LH W/A X = 4085	1	PC
2	294051-1	Member - Side RH W/A X = 3015	1	PC
2	281513-1	Member - Side RH W/A X = 3245	1	PC
2	281513-2	Member - Side RH W/A X = 3635	1	PC
2	281513-3	Member - Side RH W/A X = 4085	1	PC
2	281758-1	Member - Side RH W/A X = 3245	1	PC
2	281758-2	Member - Side RH W/A X = 3635	1	PC
2	281758-3	Member - Side RH W/A X = 4085	1	PC
3	281511-1	Crossmember Rear W/Assy	1	PC
4	281519-1	Stretch Plate W/Assy	2	PC
5	122-164	Bolt M Coarse M14x45 (10.9)	8	PC
5	455-13	Washer Plain Plated Steel M14	8	PC
6	283680-1	Crossmember W/Assy Subframe	1	PC
7	122-164	Bolt M Coarse M14x45 (10.9)	12	PC
7	404-17	Hex Nyloc Nut - M14c x Grade 10	12	PC
7	455-13	Washer Plain Plated Steel M14	24	PC
8	283790-1	Tip Cylinder Bracket W/Assy	1	PC
8	283785-1	Tip Cylinder Bracket W/Assy	1	PC

**Subframe Assembly Single (940711, 950711, 960711)**  
Subframe/Body Prop

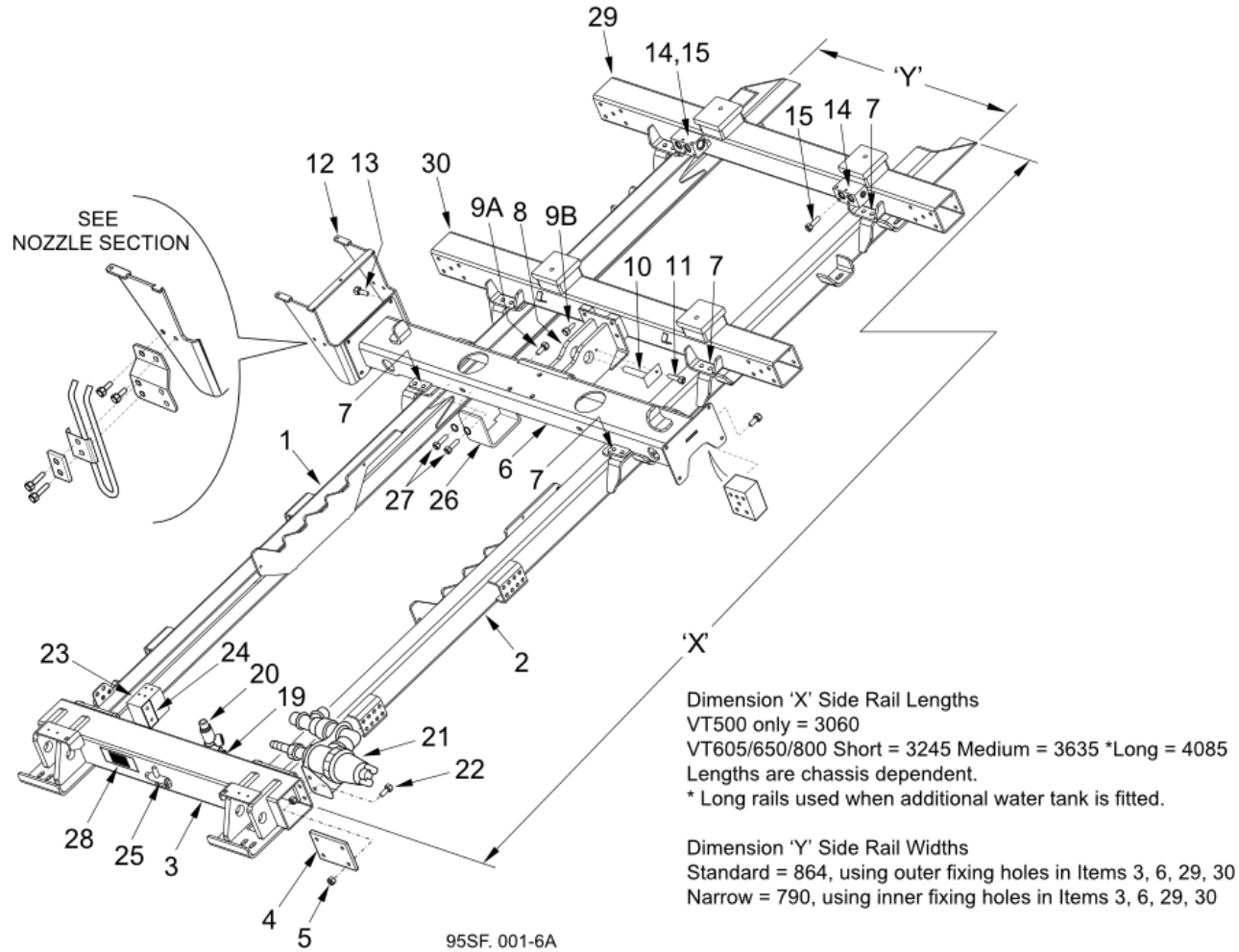


**Subframe Assembly Single (940711, 950711, 960711)**

Subframe/Body Prop

Item no.	Part no.	Description	QTY	Unit
9A	124-203	Setscrew M12C x 30	3	PC
9A	455-12	Washer Plain Plated Steel M12	3	PC
9A	460-12	Washer Spring Single Coil M12	3	PC
9B	124-199	Setscrew M12C x 20	4	PC
9B	460-12	Washer Spring Single Coil M12	4	PC
10	42432-1-A	Pin - Pivot	1	PC
11	124-134	Setscrew M8C x 16	1	PC
11	460-10	Washer Spring Single Coil M8	1	PC
12	280880-1	Intake bracket w/assy	1	PC
13	124-171	Setscrew M10C x 30	4	PC
13	460-11	Washer Spring Single Coil M10	4	PC
13	420-1	Nut MF Hex M8	4	PC
14	281548-1	Manifold-Hydraulic S/Frame	1	PC
15	124-147	Setscrew M8C x 60	2	PC
15	460-10	Washer Spring Single Coil M8	2	PC
19	281075-1	Manifold W/A Water Relief	1	PC
20	284150-1	Safety Relief Valve 3/4"	1	PC
21	293979-1	Water Filter Sub Assy VT550	1	PC
22	124-137	Setscrew M8C x 25	2	PC
22	455-10	Washer Plain Plated Steel M8	2	PC
22	425-14	Nut Nyloc Hex MC M8	2	PC
23	283405-12	Rear Door Valve 12v	1	PC
23	283405-24	Rear Door Valve 24v	1	PC
24	281952-1	Retainer - Plate Seq Valve	1	PC

**Subframe Assembly Single (940711, 950711, 960711)**  
Subframe/Body Prop



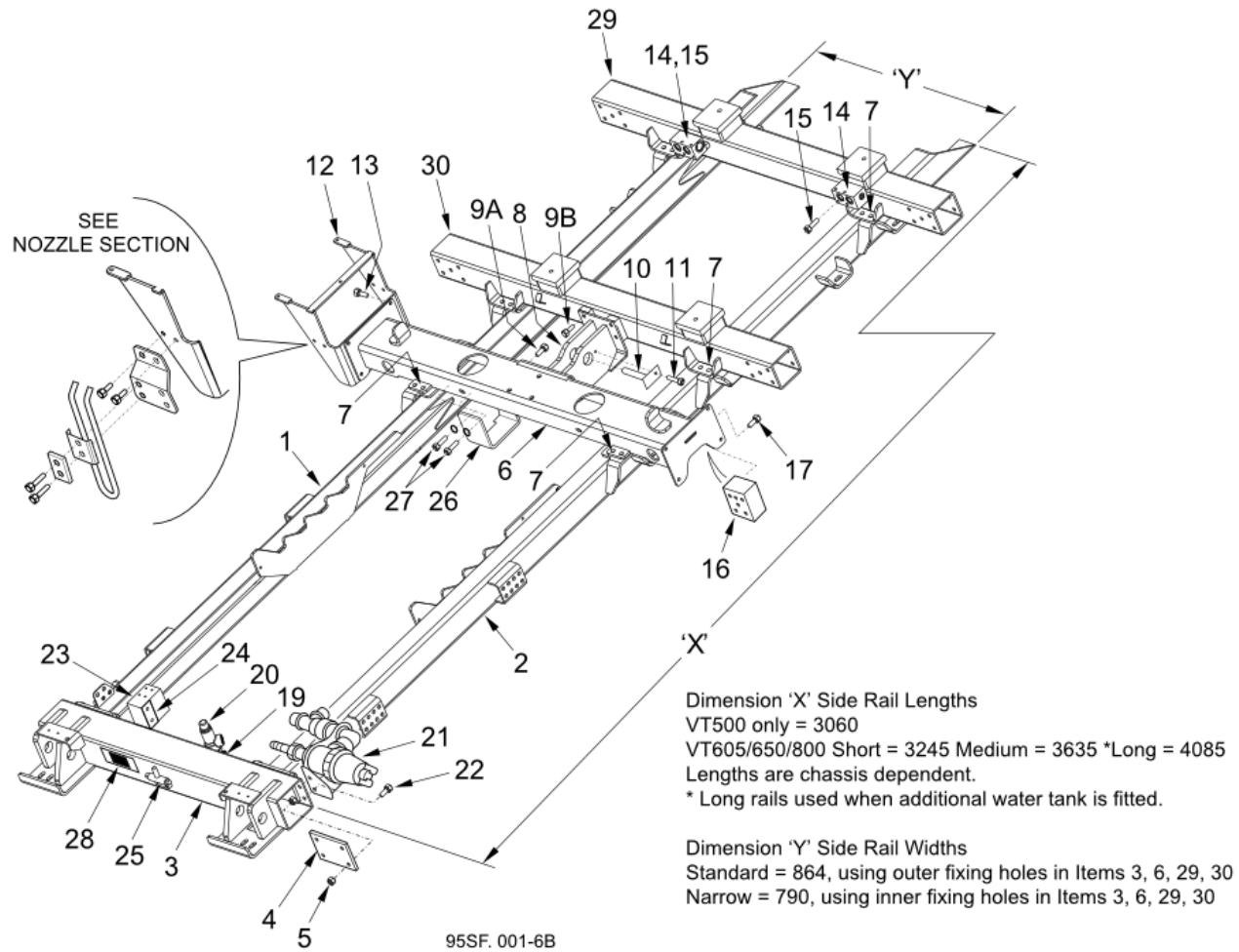


**Subframe Assembly Single (940711, 950711, 960711)**

Subframe/Body Prop

Item no.	Part no.	Description	QTY	Unit
24	124-121	Setscrew M6C x 90 BS3692	2	PC
24	460-8	Washer Spring Single Coil M6	1	PC
25	281076-1	Manifold W/A Water WH Feed	1	PC
26	281653-1	Bracket - Support Body Pump	1	PC
27	124-169	Setscrew M10C x 25	4	PC
27	460-11	Washer Spring Single Coil M10	4	PC
27	455-11	Washer Plain Plated Steel M10	4	PC
28	806953-1	Label Serial No Plate	1	PC
29	281283-1	Beam W/A-Front Engine Mount	1	PC
30	281282-1	Beam W/A-Rear Engine Mount	1	PC

**Subframe Assembly Dual (940711, 950711, 960711)**  
Subframe/Body Prop

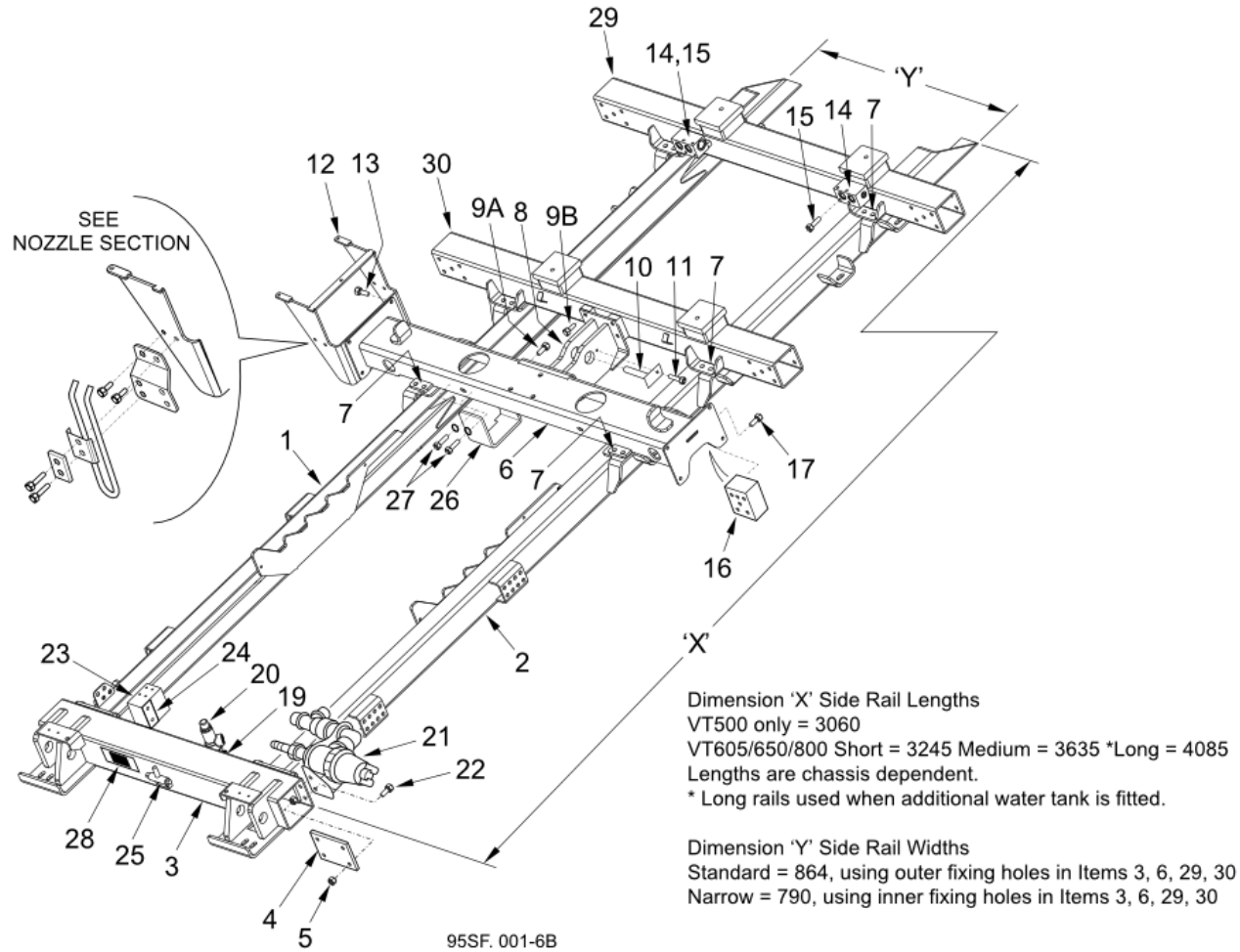


## Subframe Assembly Dual (940711, 950711, 960711)

Subframe/Body Prop

Item no.	Part no.	Description	QTY	Unit
1	294050-1	Member - Side LH W/A X = 3015	1	PC
1	281512-1	Member - Side LH W/A X = 3245	1	PC
1	281512-2	Member - Side LH W/A X = 3635	1	PC
1	281512-3	Member - Side LH W/A X = 4085	1	PC
1	281759-1	Member - Side LH W/A X = 3245	1	PC
1	281759-2	Member - Side LH W/A X = 3635	1	PC
1	281759-3	Member - Side LH W/A X = 4085	1	PC
2	294051-1	Member - Side RH W/A X = 3015	1	PC
2	281513-1	Member - Side RH W/A X = 3245	1	PC
2	281513-2	Member - Side RH W/A X = 3635	1	PC
2	281513-3	Member - Side RH W/A X = 4085	1	PC
2	281758-1	Member - Side RH W/A X = 3245	1	PC
2	281758-2	Member - Side RH W/A X = 3635	1	PC
2	281758-3	Member - Side RH W/A X = 4085	1	PC
3	281511-1	Crossmember Rear W/Assy	1	PC
4	281519-1	Stretch Plate W/Assy	2	PC
5	122-164	Bolt M Coarse M14x45 (10.9)	8	PC
5	455-13	Washer Plain Plated Steel M14	8	PC
6	283680-1	Crossmember W/Assy Subframe	1	PC
7	122-164	Bolt M Coarse M14x45 (10.9)	12	PC
7	404-17	Hex Nyloc Nut - M14c x Grade 10	12	PC
7	455-13	Washer Plain Plated Steel M14	24	PC
8	283790-1	Tip Cylinder Bracket W/Assy	1	PC
8	283785-1	Tip Cylinder Bracket W/Assy	1	PC

**Subframe Assembly Dual (940711, 950711, 960711)**  
Subframe/Body Prop

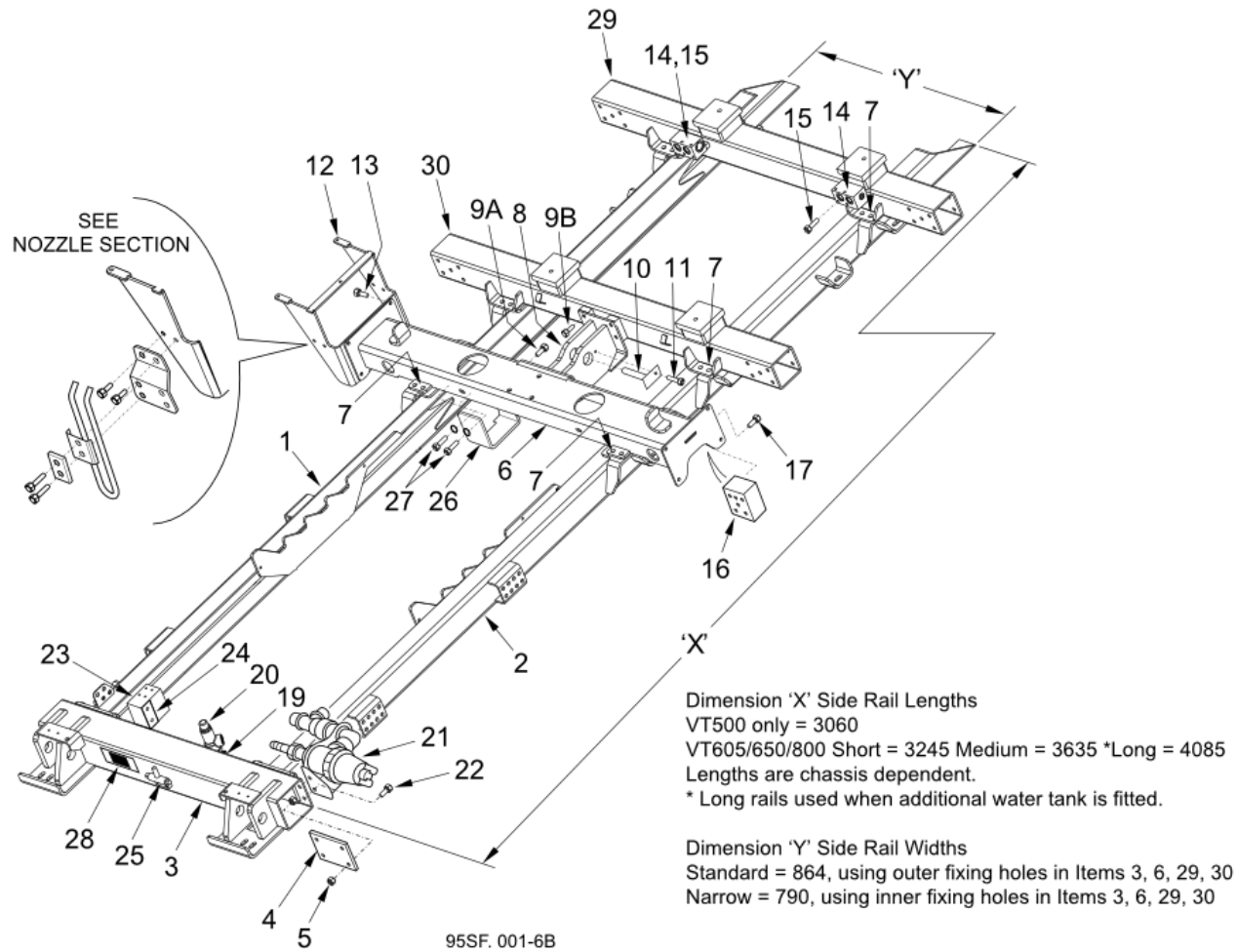


**Subframe Assembly Dual (940711, 950711, 960711)**

Subframe/Body Prop

Item no.	Part no.	Description	QTY	Unit
9A	124-203	Setscrew M12C x 30	3	PC
9A	455-12	Washer Plain Plated Steel M12	3	PC
9A	460-12	Washer Spring Single Coil M12	3	PC
9B	124-199	Setscrew M12C x 20	4	PC
9B	460-12	Washer Spring Single Coil M12	4	PC
10	42432-1-A	Pin - Pivot	1	PC
11	124-134	Setscrew M8C x 16	1	PC
11	460-10	Washer Spring Single Coil M8	1	PC
12	280880-1	Intake bracket w/assy	2	PC
13	124-171	Setscrew M10C x 30	8	PC
13	460-11	Washer Spring Single Coil M10	8	PC
13	420-1	Nut MF Hex M8	8	PC
14	281548-1	Manifold-Hydraulic S/Frame	2	PC
15	124-147	Setscrew M8C x 60	4	PC
15	460-10	Washer Spring Single Coil M8	4	PC
16	200577-1	Control Module - WSB	2	PC
17	124-102	Setscrew M6C x 16	4	PC
17	460-8	Washer Spring Single Coil M6	4	PC
19	281075-1	Manifold W/A Water Relief	1	PC
20	284150-1	Safety Relief Valve 3/4"	1	PC
21	293979-1	Water Filter Sub Assy VT550	1	PC
22	124-137	Setscrew M8C x 25	2	PC
22	455-10	Washer Plain Plated Steel M8	2	PC
22	425-14	Nut Nyloc Hex MC M8	2	PC

**Subframe Assembly Dual (940711, 950711, 960711)**  
Subframe/Body Prop

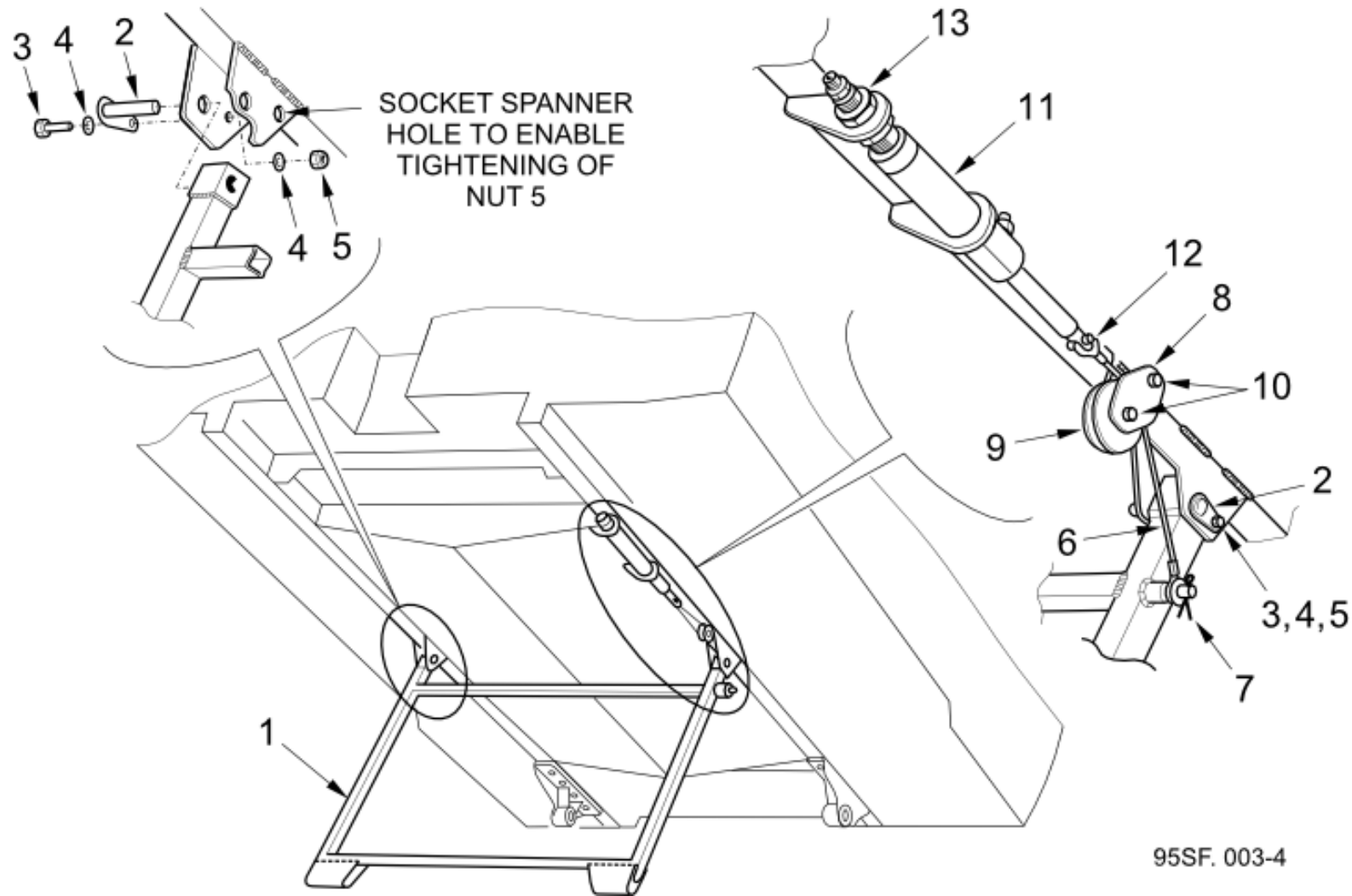


**Subframe Assembly Dual (940711, 950711, 960711)**

Subframe/Body Prop

Item no.	Part no.	Description	QTY	Unit
23	283405-12	Rear Door Valve 12v	1	PC
23	283405-24	Rear Door Valve 24v	1	PC
24	281952-1	Retainer - Plate Seq Valve	1	PC
24	124-121	Setscrew M6C x 90 BS3692	2	PC
24	460-8	Washer Spring Single Coil M6	1	PC
25	281076-1	Manifold W/A Water WH Feed	1	PC
26	281653-1	Bracket - Support Body Pump	1	PC
27	124-169	Setscrew M10C x 25	4	PC
27	460-11	Washer Spring Single Coil M10	4	PC
27	455-11	Washer Plain Plated Steel M10	4	PC
28	806953-1	Label Serial No Plate	1	PC
29	281283-1	Beam W/A-Front Engine Mount	1	PC
30	281282-1	Beam W/A-Rear Engine Mount	1	PC

**Auto Release Body Prop (960720)**  
Subframe/Body Prop



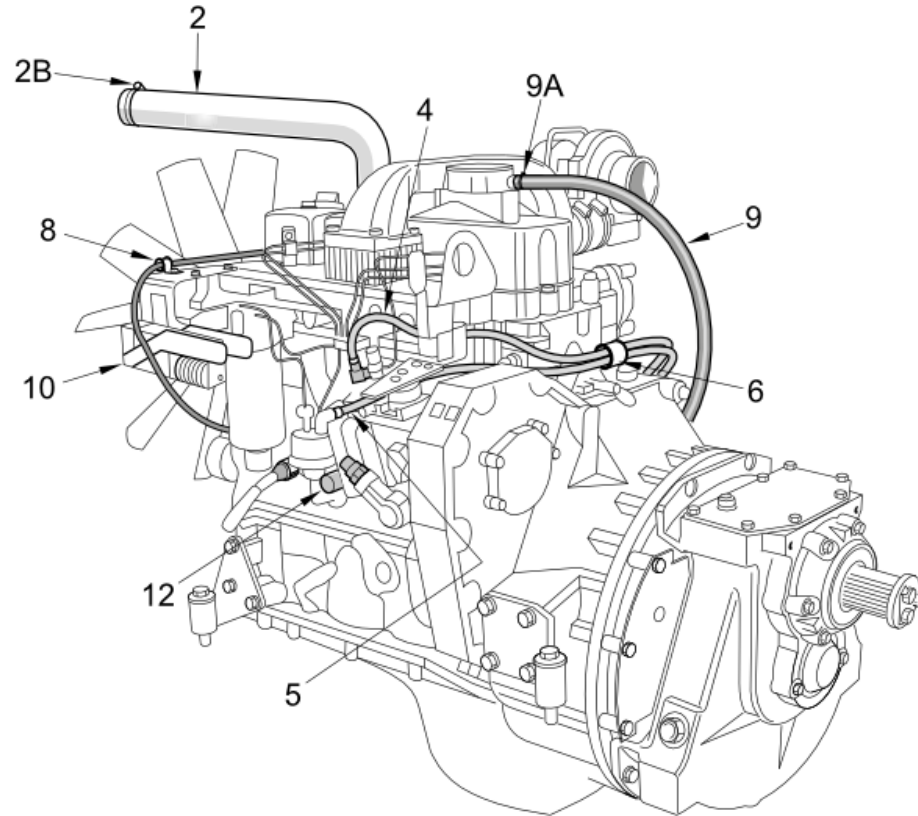
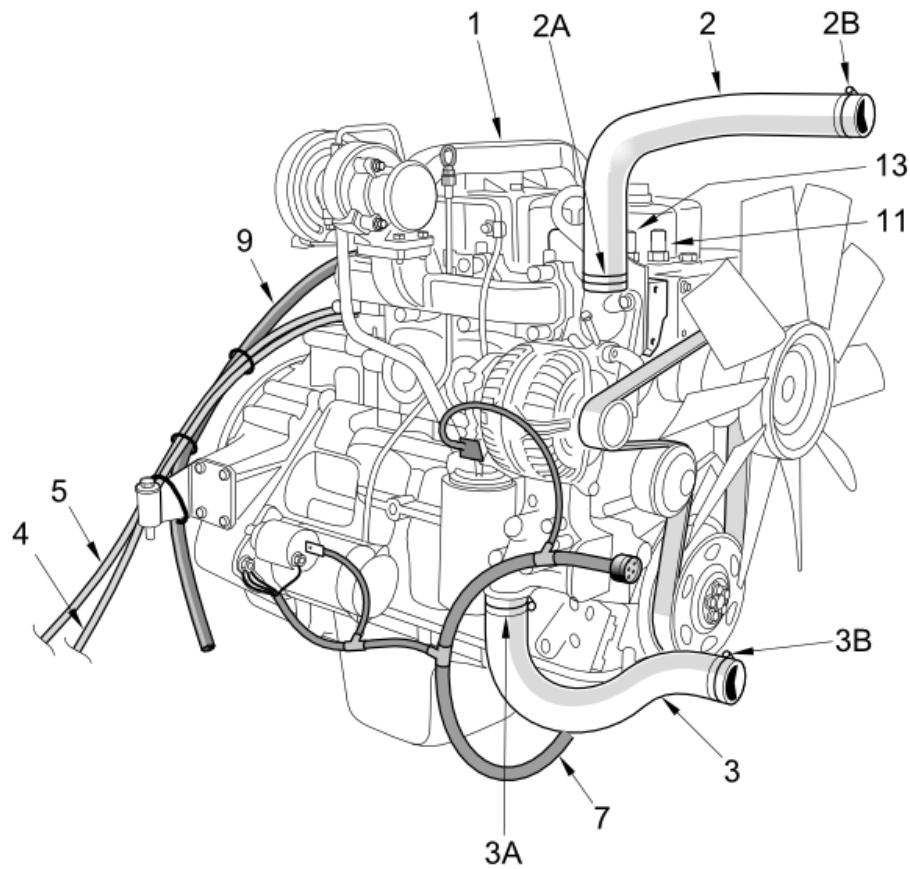


**Auto Release Body Prop (960720)**

## Subframe/Body Prop

Item no.	Part no.	Description	QTY	Unit
1	200475-3	Bodyprop W/Assy V500 & V650	1	PC
1	281022-1	Bodyprop W/Assy V800	1	PC
2	283445-1	Pivot Pin	2	PC
3	124-137	Setscrew M8C x 25	2	PC
4	455-10	Washer Plain Plated Steel M8	2	PC
5	425-14	Nut Nyloc Hex MC M8	2	PC
6	21216-12	Cable - Lift(385mm)	1	PC
7	457-7	Washer Plain Steel M14 Form G	1	PC
7	500-103	Cotter Pin Split 1/8 x 7/8	1	PC
8	94972-1	Retainer - AutoProp Pulley	1	PC
9	70484-1	Pulley	1	PC
10	124-141	Setscrew M8C x 35	2	PC
10	94971-1	Spacer - AutoProp Pulley	2	PC
10	420-14	Nut MC Hex M8	2	PC
11	29345-1	Cylinder - Auto Prop.	1	PC
12	124-139	Setscrew M8C x 30	2	PC
12	420-14	Nut MC Hex M8	2	PC
13	421-7	Locknut MF Hex M20	2	PC

**Dressed Engine (-)**  
Powapack - Iveco Standard Power



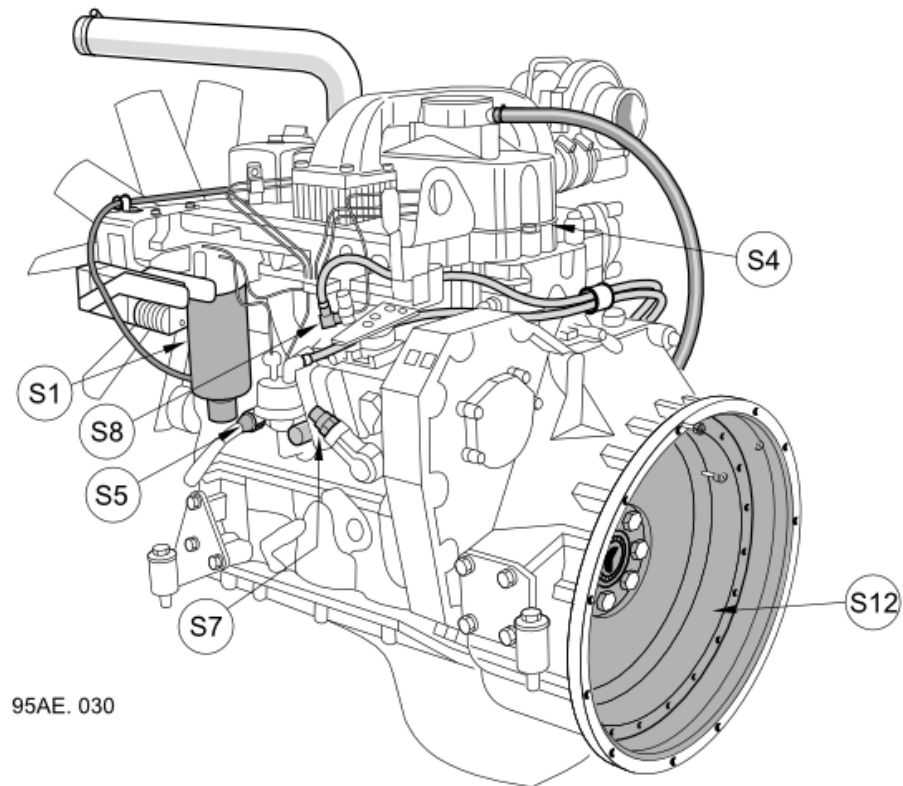
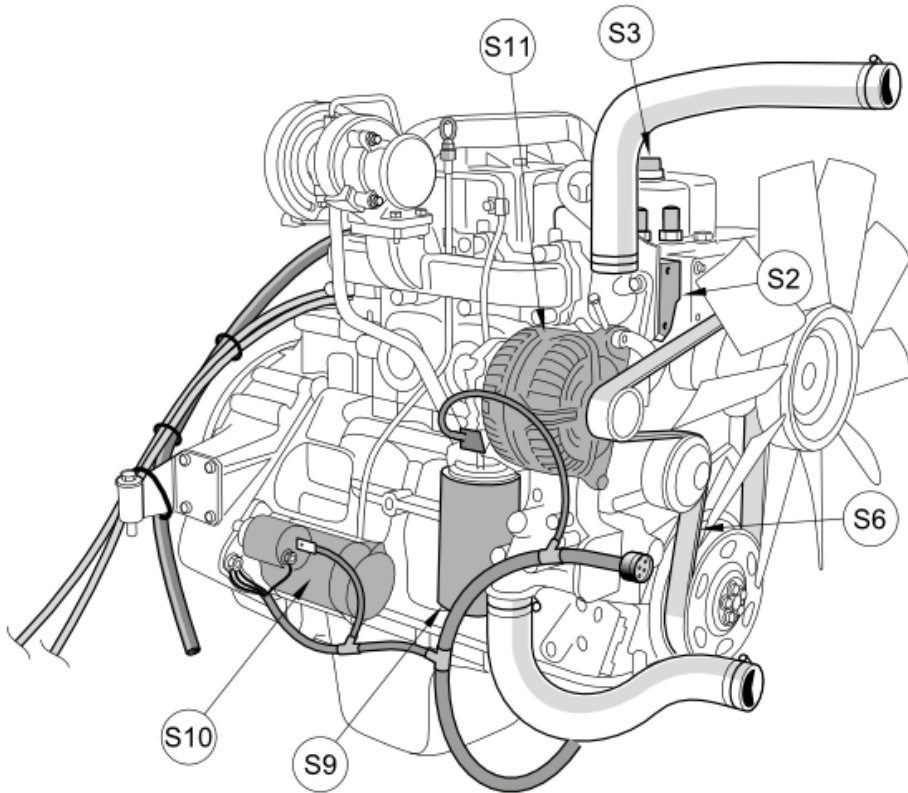
95AE. 024-4

**Dressed Engine (-)**

Powapack - Iveco Standard Power

Item no.	Part no.	Description	QTY	Unit
1	283850-24	Engine-IVECO N45MNS T3 24v	1	PC
2	282467-1	Hose - Top Coolant Iveco	1	PC
2A	501-5	Clip Hose Worm Drive 40-55mm	1	PC
2B	501-5	Clip Hose Worm Drive 40-55mm	1	PC
3	282468-1	Bottom-Coolant Hose Iveco	1	PC
3A	501-6	Clip Hose Worm Drive (55-70)	1	PC
3B	501-6	Clip Hose Worm Drive (55-70)	1	PC
4	282667-1	Fuel Hose - Suction Iveco	1	PC
4	501-104	Clip Hose Crimp 13 - 15mm	1	PC
5	282668-1	Fuel Hose - Return Iveco	1	PC
5	501-104	Clip Hose Crimp 13 - 15mm	1	PC
6	664-8	Clip - Pipe, Clamp 1"	1	PC
6	124-99	Setscrew M6C x 10	1	PC
6	460-8	Washer Spring Single Coil M6	1	PC
7	282042-1	Loom-Engine IVECO SP	1	PC
8	508-4	P Clip - Steel 19.05mm	1	PC
9	497-P02	Hose 3/4"	1	M
9A	501-3	Clip Hose Worm Drive 22-30mm	1	PC
10	281729-2	Actuator-Throttle Assy 24v 95	1	PC
11	845-162	Sensor-Water Temp.Aifo	1	PC
12	87-16	Sender - Oil Press Unit 12/24v	1	PC
13	87-54	Sender-Water Temp. 1/2-14 NPTF	1	PC
13	282043-1	Loom - Gauge Sender	1	PC

**Spare Items (-)**  
Powapack - Iveco Standard Power



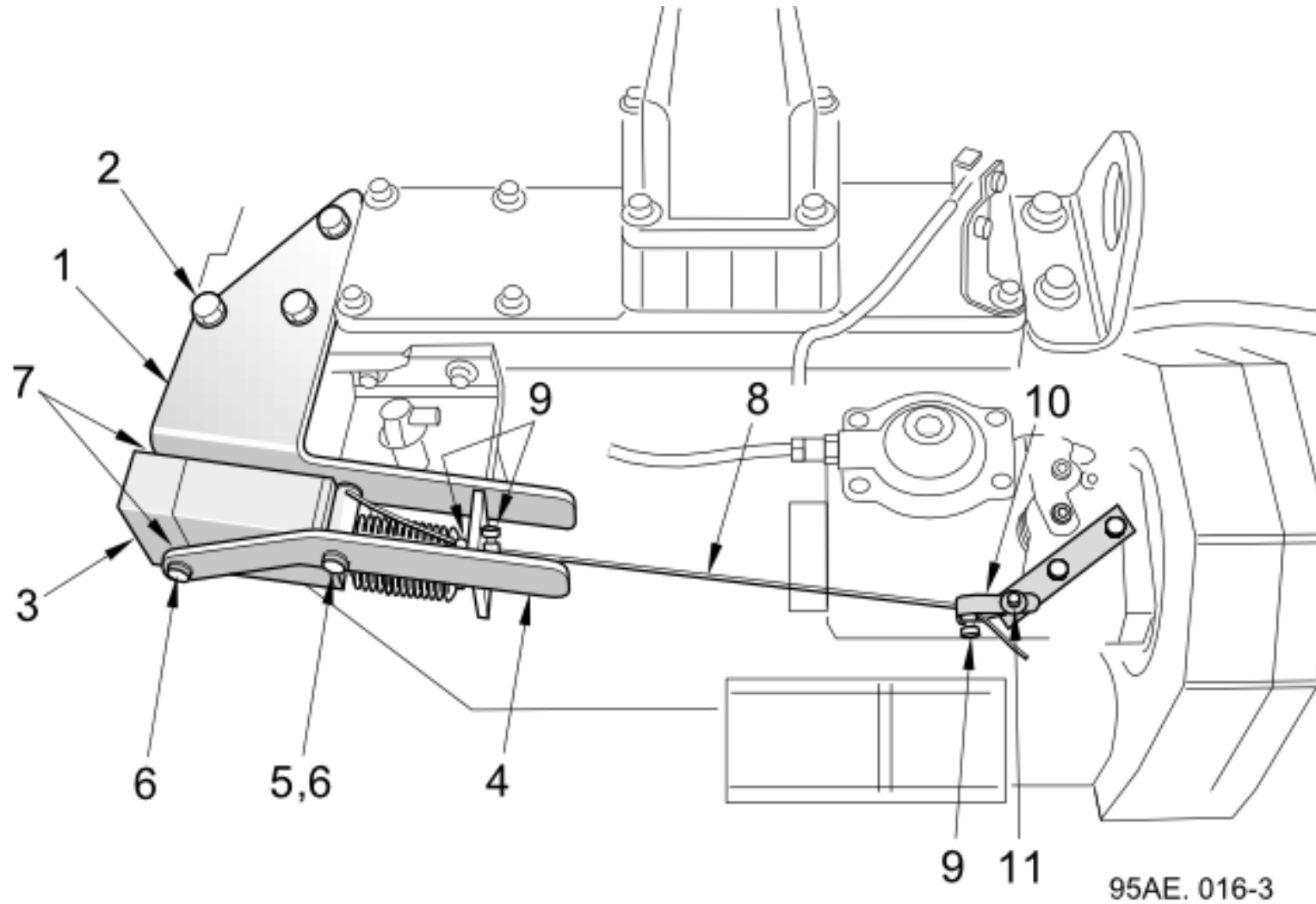
95AE. 030

## Spare Items (-)

Powapack - Iveco Standard Power

Item no.	Part no.	Description	QTY	Unit
S1	845-144	Filter - Fuel Iveco	1	PC
S2	845-145	Thermostat - Iveco	1	PC
S2	845-146	Thermostat - Seal Iveco	1	PC
S3	845-151	Cap - Oil Filler Iveco	1	PC
S3	845-152	Seal - Oil Filler Cap	1	PC
S4	845-147	Gasket - Rocker Cover Iveco	1	PC
S5	281942-1	Switch - Oil Pressure	1	PC
S5	283215-1	Adaptor - Oil M14x1.5x1/8" NPT	1	PC
S5	80-43	O Ring - Hole Dia.17	1	PC
S6	845-158	Belt - Alternator Iveco	1	PC
S7	845-195	Electrovalve 24v	1	PC
S8	845-194	Solenoid 24v - KSB	1	PC
S9	845-100	Filter - Oil Iveco	1	PC
S10	845-103	Motor-Starter(24v) Iveco	1	PC
S11	845-330	Alternator 24v 90amp Iveco	1	PC
S12	845-203	Fly Wheel Assembly	1	PC
S12	845-269	Ring Gear Iveco Aifo E2 & C400 E4	1	PC

**Throttle Actuator (950511)**  
Powapack - Iveco Standard Power



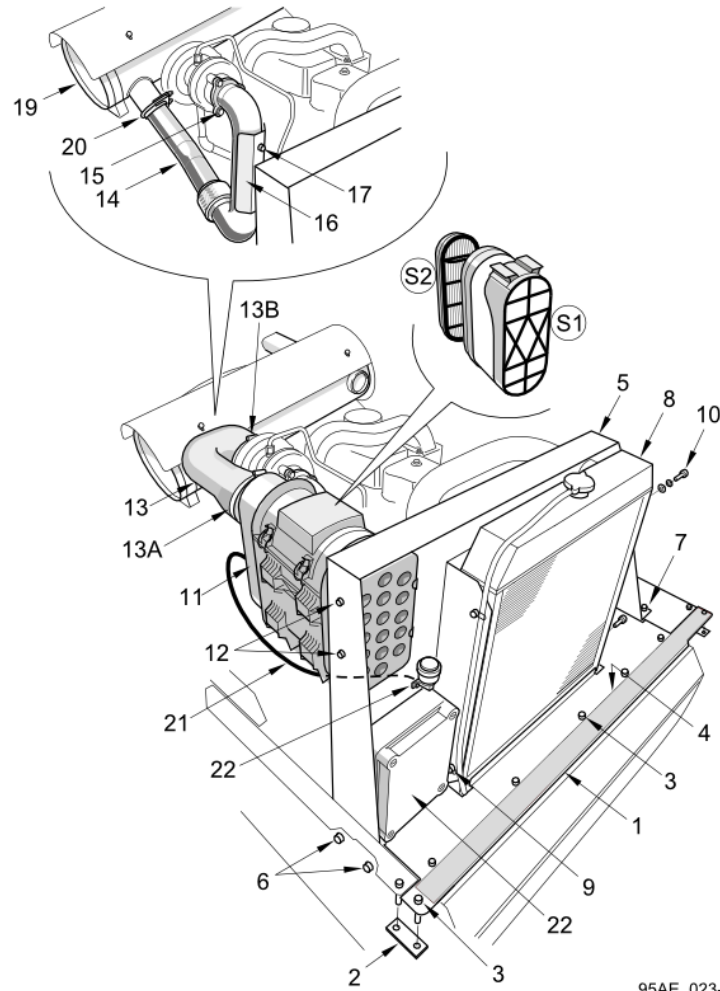
**Throttle Actuator (950511)**

Powapack - Iveco Standard Power

Item no.	Part no.	Description	QTY	Unit
1	283150-1	Throttle Mnt Iveco SP	1	PC
2	124-167	Setscrew M10C x 20	2	PC
2	460-11	Washer Spring Single Coil M10	2	PC
3	281729-2	Actuator-Throttle Assy 24v 95	1	PC
4	281707-1	Plate - Side Throttle Actuator	1	PC
5	42774-4	Spacer - M6c x 12 O/D x 36mm	1	PC
6	124-102	Setscrew M6C x 16	4	PC
6	460-8	Washer Spring Single Coil M6	4	PC
7	455-8	Washer Plain Plated Steel M6	3	PC
8	281728-1	Cable - Throttle	1	PC
9	38-32	Nipple - Solderless	3	PC
10	837-47	Bracket - Throttle	1	PC
11	837-48	Pin - Throttle	1	PC
11	837-49	Pin - Split	1	PC



**Ancillaries (950511)**  
Powapack - Iveco Standard Power



95AE.023-5

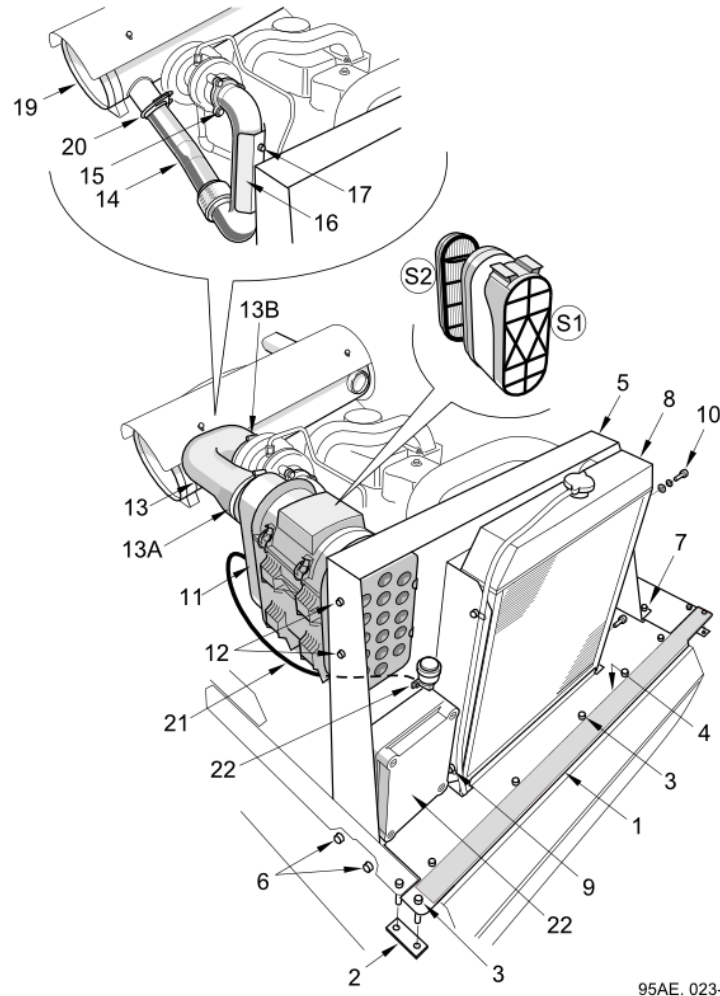


**Ancillaries (950511)**

Powapack - Iveco Standard Power

Item no.	Part no.	Description	QTY	Unit
S1	295095-2	Primary Filter - Air Cleaner	1	PC
S2	295095-3	Safety Filter - Air Cleaner	1	PC
1	281562-2	Plate -Walkway Iveco	1	PC
2	281600-1	Strip - Support Valance	2	PC
3	138-125	Screw - Skt Button Hd M8cx25	9	PC
3	455-10	Washer Plain Plated Steel M8	4	PC
3	425-14	Nut Nyloc Hex MC M8	4	PC
4	211-12	Safety Walk - 2" Wide	1	MM
5	284077-1	Radiator Shroud Tpye B JD/IVE	1	PC
6	124-167	Setscrew M10C x 20	2	PC
6	460-11	Washer Spring Single Coil M10	2	PC
6	455-11	Washer Plain Plated Steel M10	2	PC
7	124-169	Setscrew M10C x 25	2	PC
7	455-11	Washer Plain Plated Steel M10	2	PC
7	426-5	Nut S/Lock Philidas M10c	2	PC
8	200923-1	Radiator - J DEERE/IVECO SP	1	PC
9	124-166	Setscrew M10C x 16	2	PC
9	460-11	Washer Spring Single Coil M10	2	PC
9	455-11	Washer Plain Plated Steel M10	2	PC
10	124-169	Setscrew M10C x 25	2	PC
10	460-11	Washer Spring Single Coil M10	2	PC
10	455-11	Washer Plain Plated Steel M10	2	PC
11	295095-1	Air Cleaner Assy	1	PC
12	124-137	Setscrew M8C x 25	4	PC

**Ancillaries (950511)**  
Powapack - Iveco Standard Power

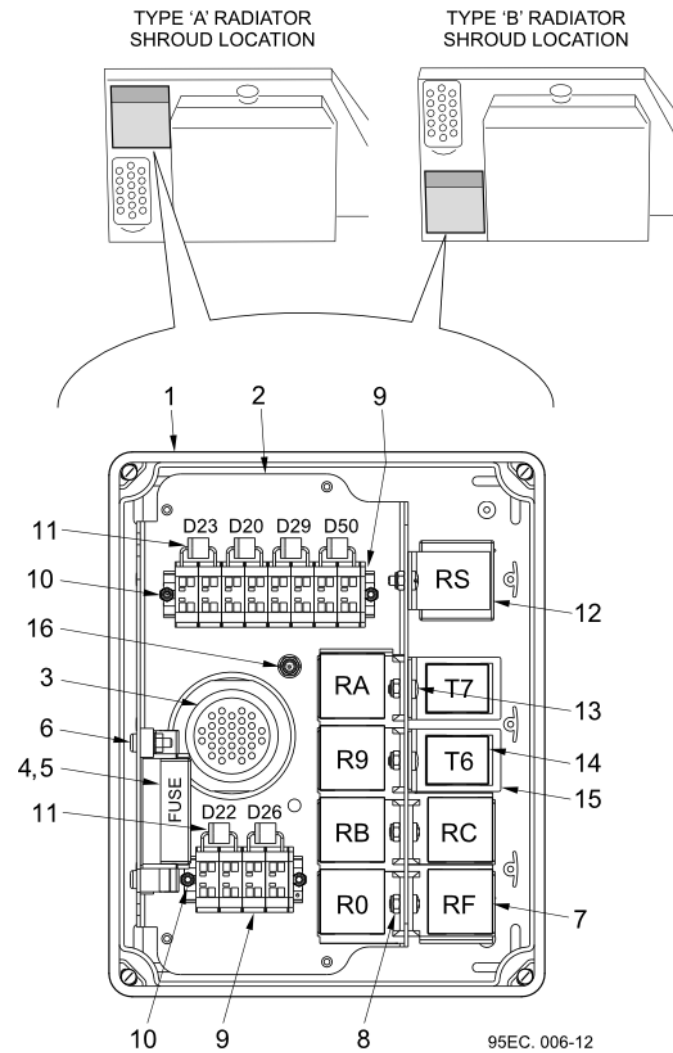


**Ancillaries (950511)**

Powapack - Iveco Standard Power

Item no.	Part no.	Description	QTY	Unit
12	460-10	Washer Spring Single Coil M8	4	PC
12	455-10	Washer Plain Plated Steel M8	4	PC
13	295114-1	Air Intake Hose-Iveco N45MNS	1	PC
13A	507-6	Hose Clamp - Constant Torque (95-118)	1	PC
13B	507-4	Hose Clamp - Constant Torque (70-92)	1	PC
14	295067-1	Silencer Inlet Pipe Iveco N45MNS	1	PC
15	457-2	Washer Plain Steel M6 Form G	2	PC
15	460-8	Washer Spring Single Coil M6	2	PC
16	124-100	Setscrew M6C x 12	2	PC
17	124-135	Setscrew M8C x 20	3	PC
17	460-10	Washer Spring Single Coil M8	3	PC
17	295071-1	Heat Shield - Exhaust Inlet	1	PC
19	295066-1	Silencer - Iveco N45MNS	1	PC
20	6645-14	Clip - Exhaust Banelli 2 3/4"	1	PC
21	12870	Tube - Nylon Black 8mm O/D	0.8	M
22	282134-1	Eng Management Box Iveco SP	1	PC
23	904-55	Air Filter Restrictor (7.5)	1	PC

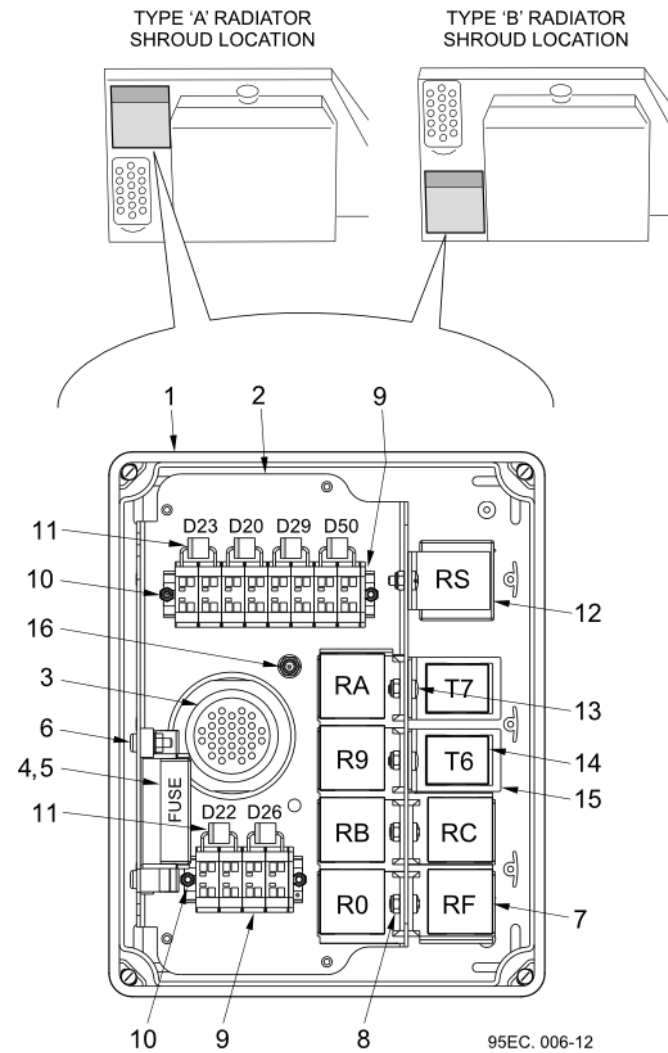
**Engine Management Box (950511)**  
Powapack - Iveco Standard Power



**Engine Management Box (950511)**

Powapack - Iveco Standard Power

Item no.	Part no.	Description	QTY	Unit
0	282134-1	Eng Management Box Iveco SP	1	PC
Comprising items 1-16				
1	282122-1	Box Engine Management Enclosure	1	PC
1	134-44	Pan Head Screw-M4Cx20-4.8-Pozidriv	4	PC
1	425-11	Nut Nyloc Hex MC M4	4	PC
2	282125-1	Plate-Mntg Eng Management Box	1	PC
3	710-67	Receptacle - HDP 31 Way DEUTSCH	1	PC
3	710-70	Jam Nut Plastic	1	PC
3	281545-2	Washer-Sealing Connector (24)	1	PC
4	30-267	Fuse Holder - Midi	1	PC
5	30-268	Midilink - 30 Amp	1	PC
6	134-43	Pan Head Screw-M4Cx16-4.8-Pozidriv	2	PC
6	455-5	Washer Plain Plated Steel M4	2	PC
6	425-11	Nut Nyloc Hex MC M4	2	PC
7	48-89	Base Relay	6	PC
7	12926	Relay 24V	6	PC
8	134-42	Pan Head Screw-M4Cx12-4.8-Pozidriv	2	PC
8	455-5	Washer Plain Plated Steel M4	2	PC
8	425-11	Nut Nyloc Hex MC M4	2	PC
9	30-256	Block-4 Way Terminal + Flange	12	PC
9	30-254	Plate - End With Fixing Flange	2	PC
10	134-12	Pan Head Screw-M3Cx10-4.8-Pozidriv	4	PC
10	455-3	Washer Plain Plated Steel M3	4	PC
10	425-10	Nut Nyloc Hex M3C	4	PC

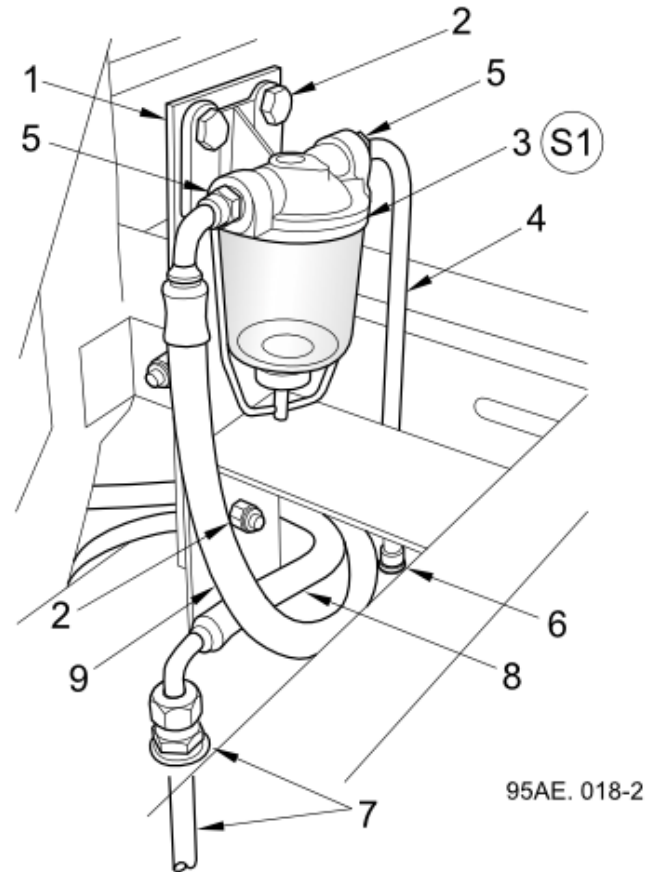
**Engine Management Box (950511)**  
 Powapack - Iveco Standard Power


**Engine Management Box (950511)**

Powapack - Iveco Standard Power

Item no.	Part no.	Description	QTY	Unit
11	13984	Diode Rectifier	6	PC
12	48-360	Relay-Type 4RA 12v	1	PC
12	48-361	Relay-Type 4RA 24v	1	PC
13	134-42	Pan Head Screw-M4Cx12-4.8-Pozidriv	4	PC
13	460-5	Washer Spring Single Coil M4	4	PC
13	420-11	Nut MC Hex M4	4	PC
14	13981	Relay Timer 12v	2	PC
14	13982	Relay Timer 24v	2	PC
14	13983	Base Connection Terminal Soldr	2	PC
15	283198-1	Timer Supt NAT ASP Manage Box	2	PC
16	124-39	Setscrew M4C x 20 BS3692	1	PC
16	460-5	Washer Spring Single Coil M4	1	PC
16	420-11	Nut MC Hex M4	1	PC
16	455-5	Washer Plain Plated Steel M4	1	PC
16	425-11	Nut Nyloc Hex MC M4	1	PC

**Fuel Pre-Filter (950511)**  
Powapack - Iveco Standard Power



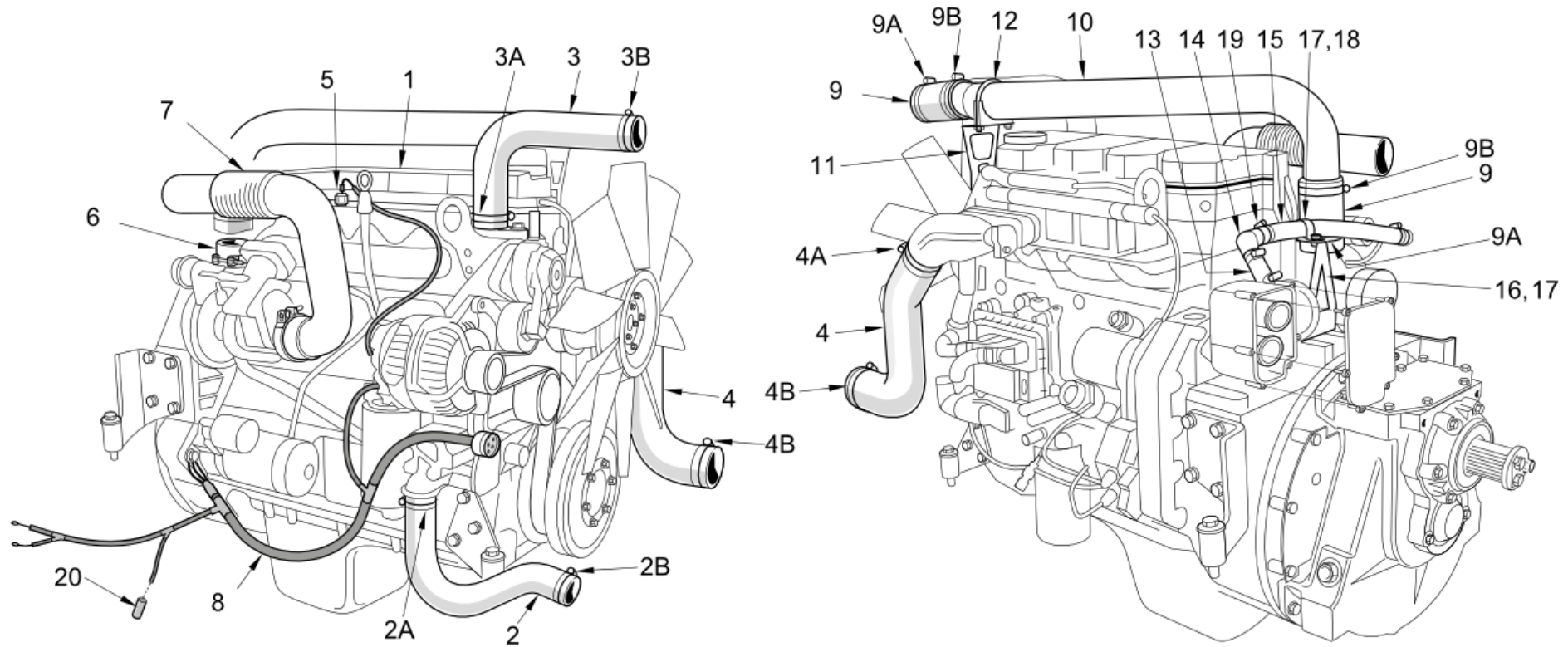


**Fuel Pre-Filter (950511)**

Powapack - Iveco Standard Power

Item no.	Part no.	Description	QTY	Unit
S1	15314	Filter - Pre	1	PC
1	42295-1-A	Plate-Pre Filter Mounting	1	PC
2	124-135	Setscrew M8C x 20	4	PC
2	425-14	Nut Nyloc Hex MC M8	4	PC
3	15314	Filter - Pre	1	PC
4	42683-4	Pipe-Fuel, 590mm Lg 8mm Bundy	1	PC
5	25977-1-C	Nut - Sleeve	2	PC
5	511-4	Olive - Tube 8mm O/D	2	PC
6	40448-1-B	Adaptor - Tank Fuel	1	PC
6	451-17	Washer Bonded G1-4"	1	PC
6	510-4	Nut - Tube 8mm O/D	1	PC
6	511-4	Olive - Tube 8mm O/D	1	PC
7	283938-1	Fuel Return Pipe W/A VT Range	1	PC
7	451-17	Washer Bonded G1-4"	1	PC
8	282668-1	Fuel Hose - Return Iveco	1	PC
9	282667-1	Fuel Hose - Suction Iveco	1	PC

**Dressed Engine (950511/012)**  
 Powapack - Iveco High Power



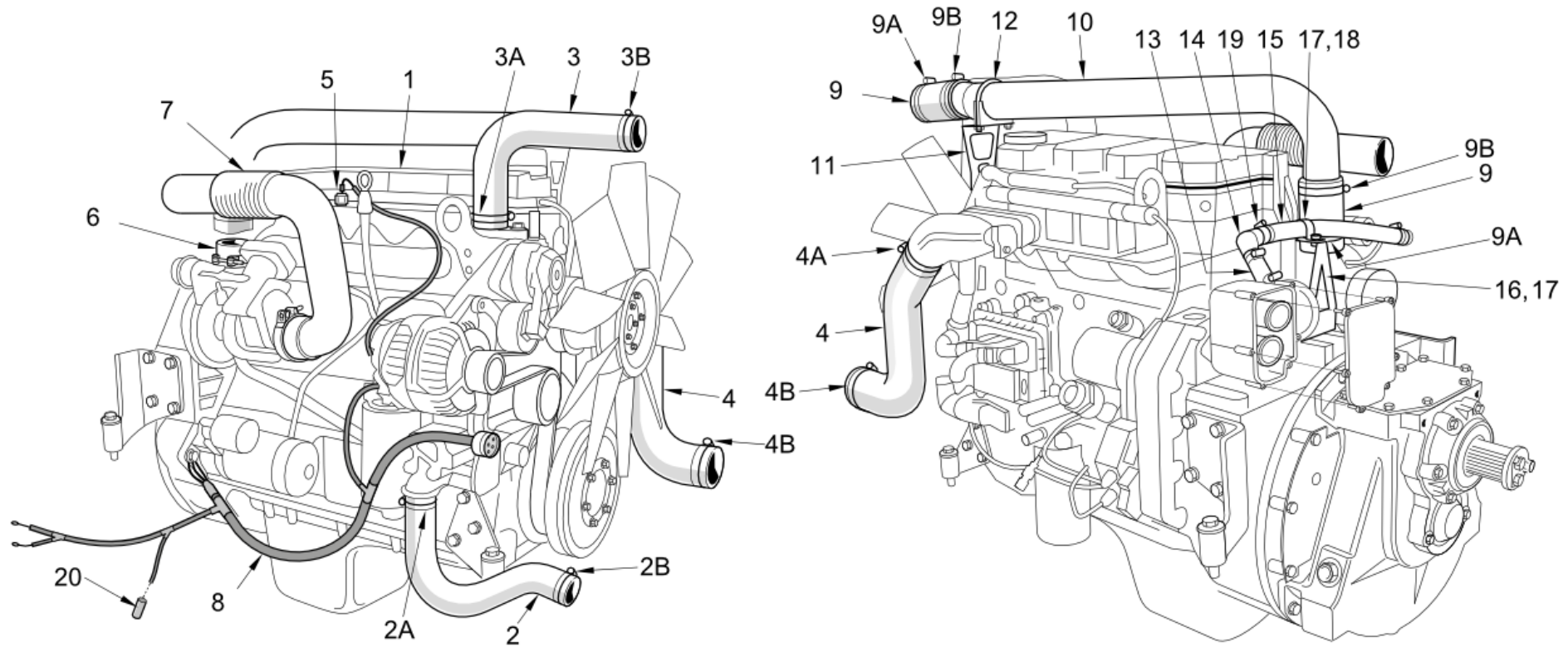
95AE. 014-6

**Dressed Engine (950511/012)**

Powapack - Iveco High Power

Item no.	Part no.	Description	QTY	Unit
1	283805-24	Engine-Iveco N45ENTX 104kW 24v	1	PC
2	281506-1	Hose-Bottom Radiator IVECO E3	1	PC
2A	501-6	Clip Hose Worm Drive (55-70)	1	PC
2B	501-6	Clip Hose Worm Drive (55-70)	1	PC
3	281507-1	Hose - Top Radiator IVECO E3	1	PC
3A	501-5	Clip Hose Worm Drive 40-55mm	1	PC
3B	501-5	Clip Hose Worm Drive 40-55mm	1	PC
4	281561-1	Hose - Charge Air IVECO E3	1	PC
4A	501-4	Clip Hose Worm Drive 30-40mm	1	PC
4B	501-4	Clip Hose Worm Drive 30-40mm	1	PC
5	87-59	Switch - Water Temp 110°C - M14	1	PC
5	845-216	Insert For 845/162	1	PC
5	845-217	Washer For 845/162	1	PC
6	283859-1	Charge Air Connector IVECO N45	1	PC
7	281417-1	Exhaust-Inlet Pipe WA IVECO E3	1	PC
8	283851-1	Engine Loom IVECO TIER 3	1	PC
9	271-38	Silicone Cuff 65mm I/D x 75mm	2	PC
9A	507-3	Hose Clamp - Constant Torque (57-79)	2	PC
9B	507-3	Hose Clamp - Constant Torque (57-79)	2	PC
10	295480-1	Charge Air Pipe IVECO Aux Eng	1	PC
11	281708-1	Support - Charge Air Pipe 95	1	PC
11	124-166	Setscrew M10C x 16	2	PC
11	460-11	Washer Spring Single Coil M10	2	PC
12	6645-12-C	Clip - Exhaust Banelli 2 1/2"	1	PC

**Dressed Engine (950511/012)**  
 Powapack - Iveco High Power



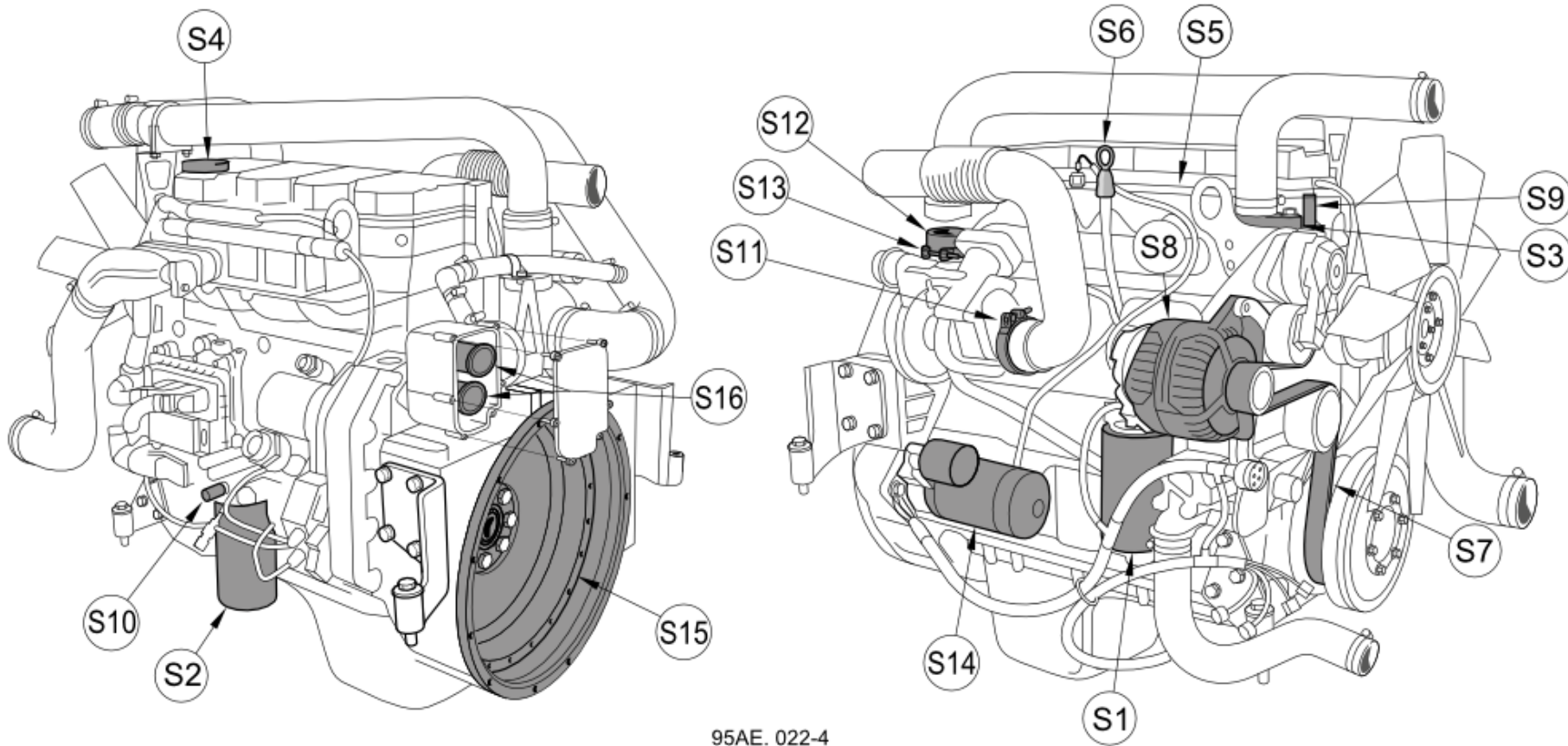
95AE. 014-6

**Dressed Engine (950511/012)**

Powapack - Iveco High Power

Item no.	Part no.	Description	QTY	Unit
13	497-P02	Hose 3/4"	0.06	M
14	7004391	Tube	1	PC
15	497-P02	Hose 3/4"	0.45	M
16	281939-1	Support - Hose Breather EURO 3	1	PC
17	124-99	Setscrew M6C x 10	3	PC
17	460-8	Washer Spring Single Coil M6	3	PC
17	420-13	Nut MC Hex M6	1	PC
18	664-8	Clip - Pipe, Clamp 1"	1	PC
19	501-3	Clip Hose Worm Drive 22-30mm	4	PC
20	283856-1	Plug In Resistor IVECO T3 Loom	1	PC

**Spare Items (-)**  
Powapack - Iveco High Power



95AE. 022-4

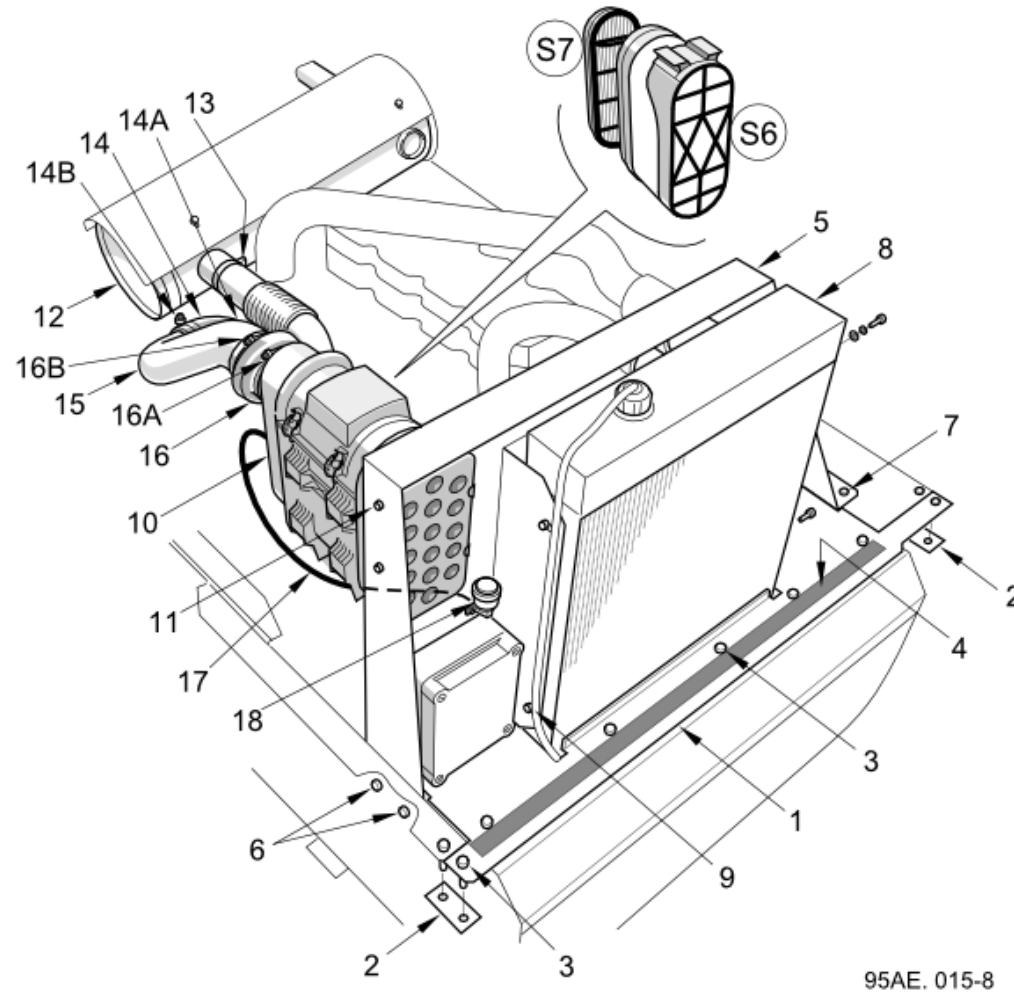
## Spare Items (-)

Powapack - Iveco High Power

Item no.	Part no.	Description	QTY	Unit
S1	845-100	Filter - Oil Iveco	1	PC
S2	845-101	Filter - Fuel Iveco	1	PC
S3	845-153	Thermostat -Iveco Euro 3 Turbo	1	PC
S3	845-146	Thermostat - Seal Iveco	1	PC
S4	845-149	Cap-Oil Filler AifoEuro3 Turbo	1	PC
S5	845-150	Gasket - Rocker Iveco E3 Turbo	1	PC
S6	845-148	Dipstick-Iveco Turbo & Nat ASP	1	PC
S7	845-142	Belt - Alternator Iveco	1	PC
S8	845-330	Altenator 24v 90amp Iveco	1	PC
S9	845-161	Sensor - Water Iveco E3 Turbo	1	PC
S10	845-160	Sensor - Oil Iveco E3 Turbo	1	PC
S11	845-108	Clamp Exhaust - Iveco E3	1	PC
S12	845-109	O Ring Turbocharger Outlet E3	1	PC
S13	845-110	Turbocharger Outlet Clamp E3	1	PC
S14	845-103	Motor-Starter(24v) Iveco	1	PC
S15	845-203	Fly Wheel Assembly	1	PC
S15	845-269	Ring Gear Iveco Aifo E2 & C400 E4	1	PC
S16	845-183	Blow-By Filter Kit	1	PC



**Ancillaries (950511)**  
Powapack - Iveco High Power



95AE. 015-8

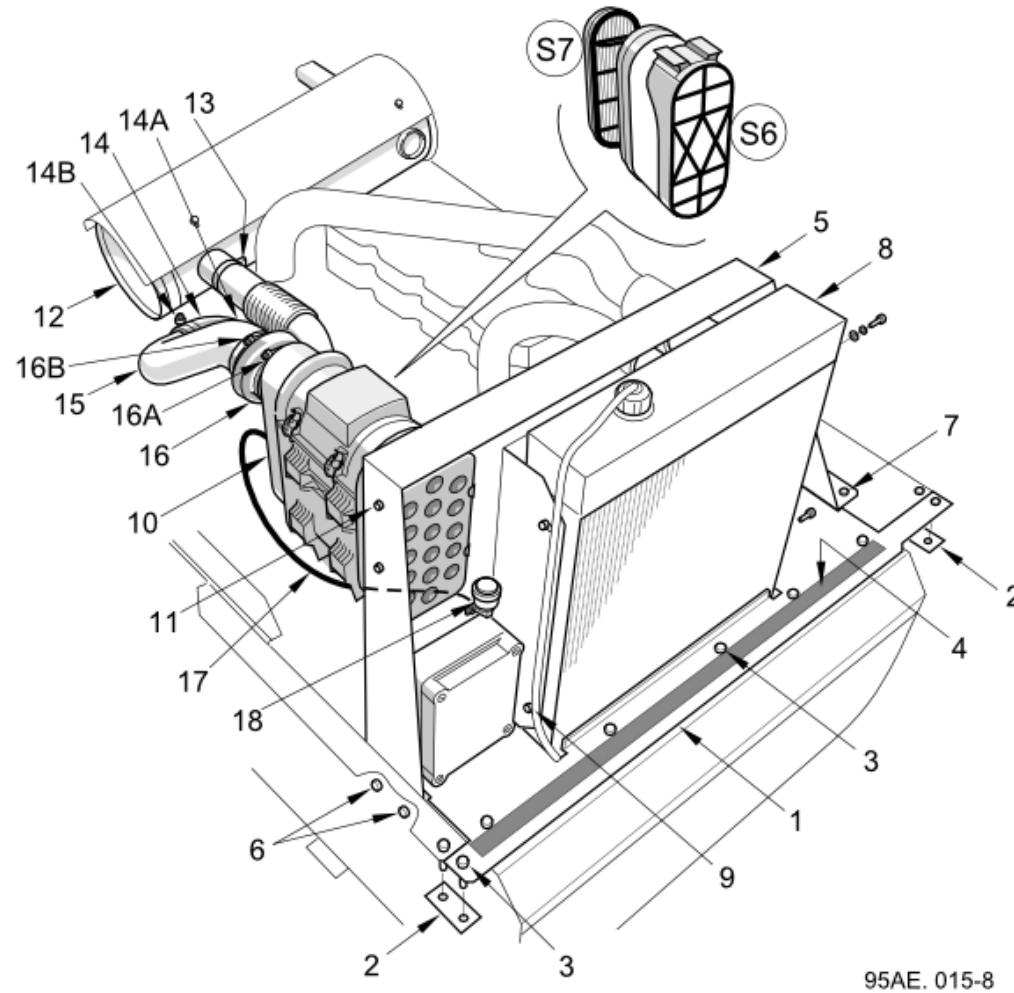


**Ancillaries (950511)**

Powapack - Iveco High Power

Item no.	Part no.	Description	QTY	Unit
S1	295095-2	Primary Filter - Air Cleaner	1	PC
S2	295095-3	Safety Filter - Air Cleaner	1	PC
1	281562-1	Plate -Walkway DIM A 80 IVECO	1	PC
2	281600-1	Strip - Support Valance	2	PC
3	138-125	Screw - Skt Button Hd M8cx25	9	PC
3	455-10	Washer Plain Plated Steel M8	4	PC
3	425-14	Nut Nyloc Hex MC M8	4	PC
4	211-12	Safety Walk - 2" Wide	1	MM
5	284077-1	Radiator Shroud Tpye B JD/IVE	1	PC
6	124-167	Setscrew M10C x 20	2	PC
6	460-11	Washer Spring Single Coil M10	2	PC
6	455-11	Washer Plain Plated Steel M10	2	PC
7	124-169	Setscrew M10C x 25	2	PC
7	455-11	Washer Plain Plated Steel M10	2	PC
7	426-5	Nut S/Lock Philidas M10c	2	PC
8	281570-1	Radiator/Intercooler IVECO E3	1	PC
9	124-166	Setscrew M10C x 16	4	PC
9	460-11	Washer Spring Single Coil M10	4	PC
9	455-11	Washer Plain Plated Steel M10	4	PC
10	295095-1	Air Cleaner Assy	1	PC
11	124-137	Setscrew M8C x 25	4	PC
11	460-10	Washer Spring Single Coil M8	4	PC
11	455-10	Washer Plain Plated Steel M8	4	PC
12	281418-1	Silencer-Exhaust Rr Side Inlet	1	PC

**Ancillaries (950511)**  
Powapack - Iveco High Power

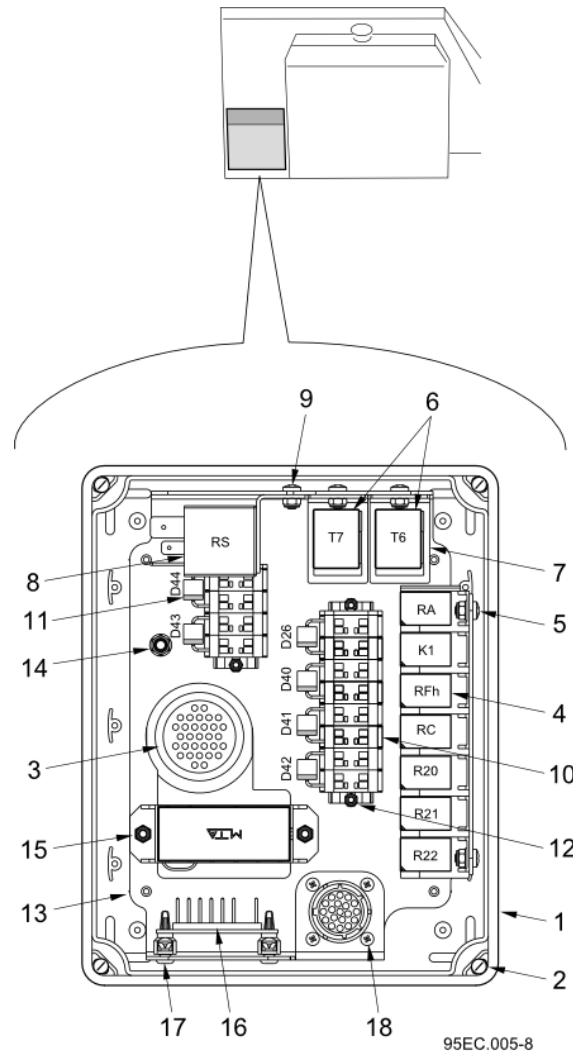


95AE. 015-8

**Ancillaries (950511)**

Powapack - Iveco High Power

Item no.	Part no.	Description	QTY	Unit
13	6645-15	Clip - Exhaust Banelli Ø 65mm	1	PC
14	904-61	Elbow - 3" ID x 90 Deg	1	PC
14A	507-4	Hose Clamp - Constant Torque (70-92)	1	PC
14B	507-4	Hose Clamp - Constant Torque (70-92)	1	PC
15	7004391	Tube	1	PC
16	904-63	Reducer Hump Hose 4.0" to 3.0"	1	PC
16A	507-6	Hose Clamp - Constant Torque (95-118)	1	PC
16B	507-4	Hose Clamp - Constant Torque (70-92)	1	PC
17	12870	Tube - Nylon Black 8mm O/D	0.8	M
18	904-55	Air Filter Restrictor (7.5)	1	PC

**Engine Management Box (950511)**  
 Powapack - Iveco High Power


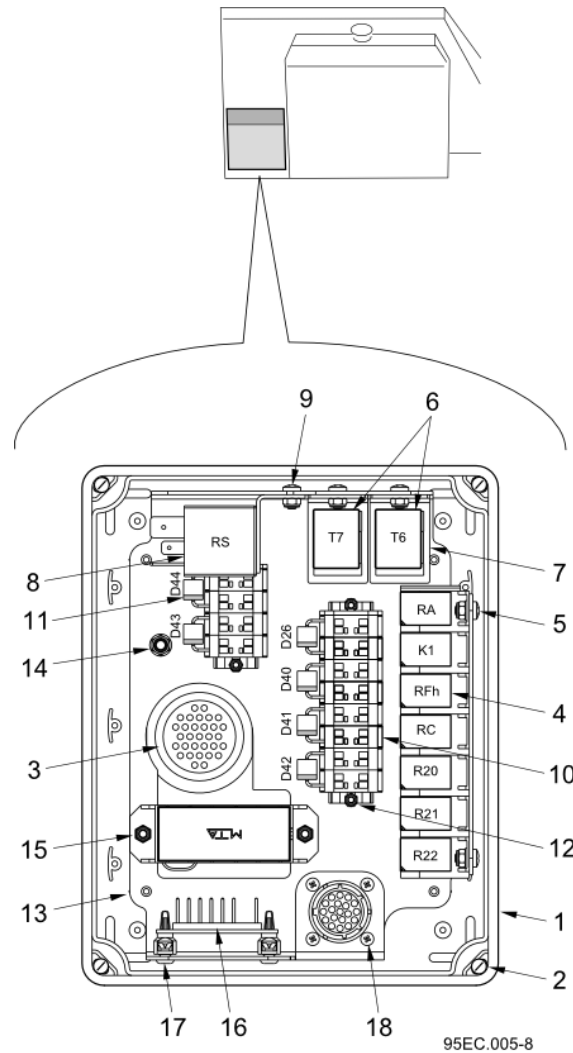
**Engine Management Box (950511)**

Powapack - Iveco High Power

Item no.	Part no.	Description	QTY	Unit
0	283852-1	Management Box IVECO TIER 3	1	PC
Comprising items 1-18				
1	283848-1	Enclosure - Eng Management Box	1	PC
2	134-44	Pan Head Screw-M4Cx20-4.8-Pozidriv	4	PC
2	425-11	Nut Nyloc Hex MC M4	4	PC
3	283857-1	Loom - IVECO 104KW S3A Man Box	1	PC
4	725-153	Relay - 24v 10/5 AMP N/O Micro	7	PC
5	134-40	Pan Head Screw-M4Cx8-4.8-Pozidriv	2	PC
5	455-7	Washer Plain Plated Steel M5	2	PC
5	460-7	Washer Spring Single Coil M5	2	PC
5	420-12	Nut MC Hex M5	2	PC
6	13982	Relay Timer 24v	2	PC
7	283198-1	Timer Supt NAT ASP Manage Box	2	PC
8	48-361	Relay-Type 4RA 24v	1	PC
9	134-55	Pan Head Screw-M5Cx8-4.8-Pozidriv	2	PC
9	460-7	Washer Spring Single Coil M5	2	PC
9	455-7	Washer Plain Plated Steel M5	2	PC
9	420-12	Nut MC Hex M5	2	PC
10	30-256	Block-4 Way Terminal + Flange	12	PC
10	30-254	Plate - End With Fixing Flange	2	PC
11	13984	Diode Rectifier	6	PC
12	134-13	Pan Head Screw-M3Cx12-4.8-Pozidriv	4	PC
12	425-10	Nut Nyloc Hex M3C	4	PC
13	283894-1	Support Frame - Management Box	1	PC

**Engine Management Box (950511)**

Powapack - Iveco High Power

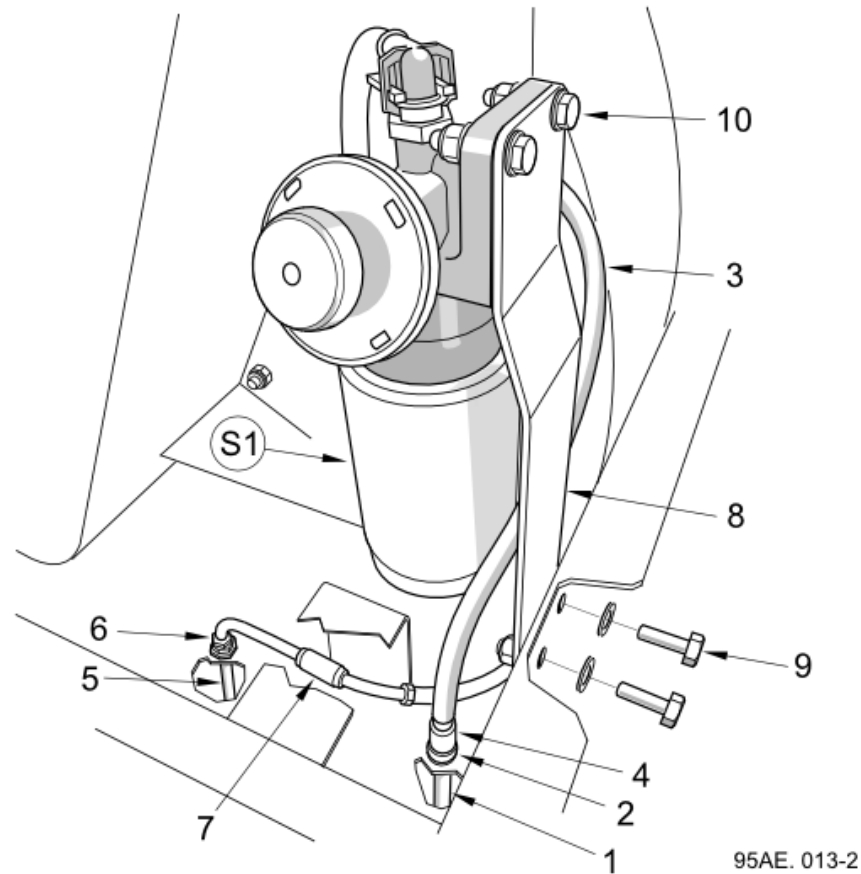


**Engine Management Box (950511)**

Powapack - Iveco High Power

Item no.	Part no.	Description	QTY	Unit
14	134-60	Pan Head Screw-M5Cx25-4.8-Pozidriv	1	PC
14	455-7	Washer Plain Plated Steel M5	1	PC
14	425-12	Nut Nyloc Hex M5C	1	PC
15	134-41	Pan Head Screw-M4Cx10-4.8-Pozidriv	2	PC
15	425-11	Nut Nyloc Hex MC M4	2	PC
16	282130-1	Resistor Board - IVECO	1	PC
17	30-280	Supt Circuit Board(Snap Rivet)	4	PC
18	134-12	Pan Head Screw-M3Cx10-4.8-Pozidriv	4	PC

**Fuel Pre-Filter (950511)**  
Powapack - Iveco High Power





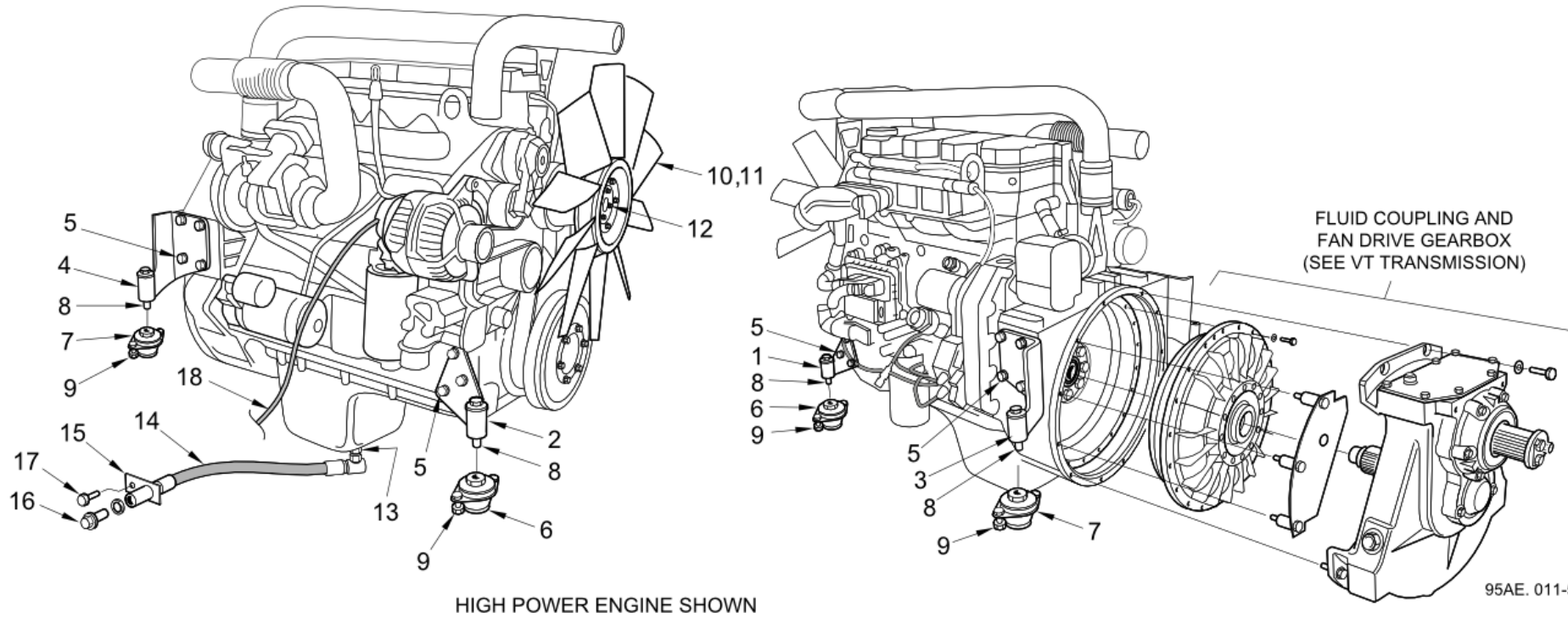
**Fuel Pre-Filter (950511)**

Powapack - Iveco High Power

Item no.	Part no.	Description	QTY	Unit
S1	845-206	Element - Pre Filter	1	PC
1	281487-1	Pipe - Fuel Suction E3 Eng	1	PC
2	451-17	Washer Bonded G1-4"	1	PC
3	282488-1	Hose-Fuel Suction Iveco	1	PC
4	277-85	Connector - Straight 10mm	1	PC
5	42683-3	Pipe-Fuel, 360mm Lg 8mm Bundy	1	PC
6	40448-1-B	Adaptor - Tank Fuel	1	PC
6	451-17	Washer Bonded G1-4"	1	PC
6	510-4	Nut - Tube 8mm O/D	1	PC
6	511-4	Olive - Tube 8mm O/D	1	PC
7	277-48	Connector - Straight 8mm	1	PC
8	284029-1	Mtg Plate-Fuel Pre Filter IVE	1	PC
9	124-171	Setscrew M10C x 30	2	PC
9	460-11	Washer Spring Single Coil M10	2	PC
9	420-15	Nut MC Hex M10	2	PC
10	124-139	Setscrew M8C x 30	2	PC
10	460-10	Washer Spring Single Coil M8	2	PC
10	420-14	Nut MC Hex M8	2	PC

**Engine and Transmission (950511)**

Powapack - Iveco SP & HP

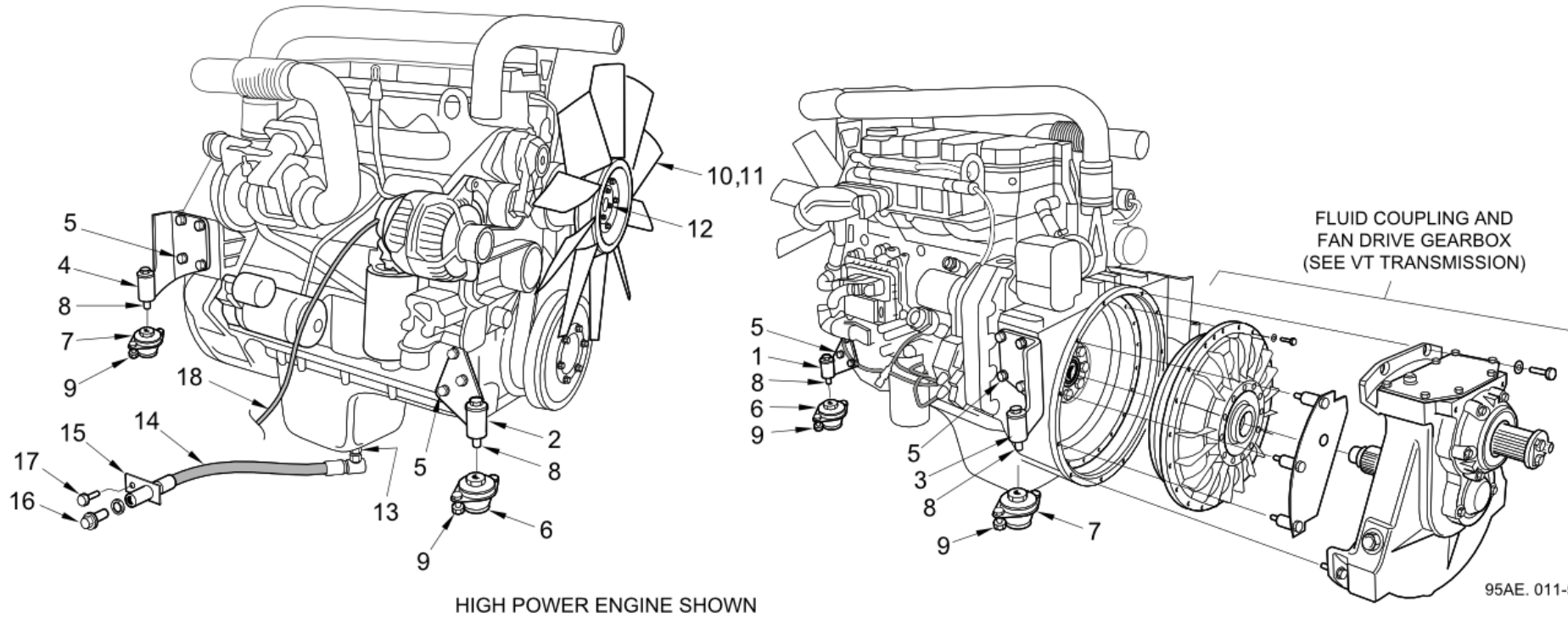


**Engine and Transmission (950511)**

Powapack - Iveco SP &amp; HP

Item no.	Part no.	Description	QTY	Unit
1	281448-1	Mount - Front Eng W/A LH E3	1	PC
2	281448-2	Mount - Front Eng W/A RH E3	1	PC
3	281450-1	Mount-Rear Eng W/A LH Iveco E3	1	PC
4	281450-2	Mount-Rear Eng W/A RH Iveco E3	1	PC
5	124-205	Setscrew M12C x 35	14	PC
5	460-12	Washer Spring Single Coil M12	14	PC
6	6953	Anti Vibration Mount - 60 S	2	PC
7	22826-1-A	Anti Vibration Mount - 70 S	2	PC
8	123-154	Bolt M Coarse M12x80	4	PC
8	460-12	Washer Spring Single Coil M12	4	PC
8	457-6	Washer Plain Steel M12 Form G	4	PC
9	124-171	Setscrew M10C x 30	8	PC
9	420-15	Nut MC Hex M10	8	PC
10	281-7	Fan - Cooling Puller 508	1	PC
11	281458-1	Spacer-Cooling Fan IVECO E3/T2	1	PC
12	129-166	Screw MC Cap Skt Hd M10x70	4	PC
12	460-11	Washer Spring Single Coil M10	4	PC
13	282513-1	Adaptor M22xG3/4 + O Ring	1	PC
13	282513-2	O Ring-For Adaptor M22xG3/4	1	PC
14	HE12003-57	Hose - Hydraulic 3/4" STRx90c	1	PC
15	62903-1	Drain	1	PC
16	7684-1	Plug - Collar 1/2" BSP Brass	1	PC
16	451-19	Washer - Bonded G1-2"	1	PC
17	124-167	Setscrew M10C x 20	1	PC

**Engine and Transmission (950511)**  
Powapack - Iveco SP & HP



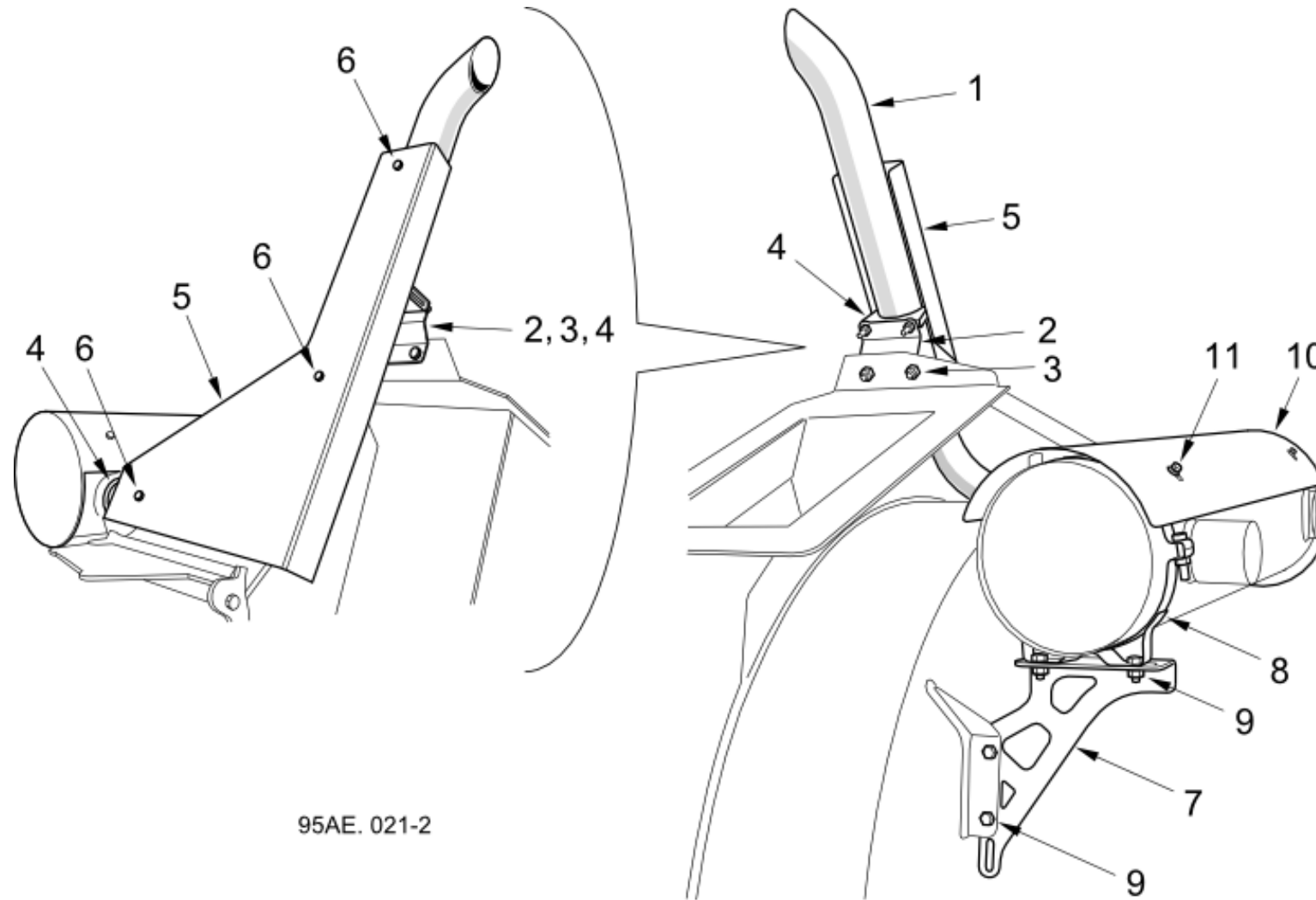
**Engine and Transmission (950511)**

Powapack - Iveco SP &amp; HP

Item no.	Part no.	Description	QTY	Unit
17	460-11	Washer Spring Single Coil M10	1	PC
17	455-11	Washer Plain Plated Steel M10	1	PC
17	420-15	Nut MC Hex M10	1	PC
18	282034-3	Power Cable RED 500Lg	1	PC

**Exhaust Components (950520, 960520, 950511)**

Powapack - Iveco SP & HP



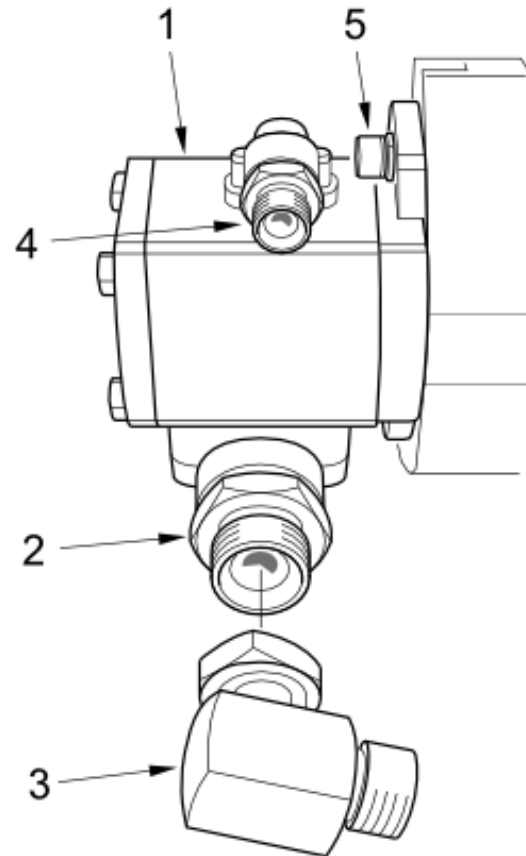
95AE. 021-2

## Exhaust Components (950520, 960520, 950511)

Powapack - Iveco SP &amp; HP

Item no.	Part no.	Description	QTY	Unit
1	42649-3	Tailpipe Aux Eng VT500 & VT605	1	PC
1	42649-1-E	Tailpipe - Aux Eng VT650	1	PC
1	281946-1	Tailpipe - Aux Eng VT800	1	PC
2	200063-1	Support - Tailpipe	1	PC
2	281945-1	Support - Tailpipe	1	PC
3	124-169	Setscrew M10C x 25	2	PC
3	455-11	Washer Plain Plated Steel M10	2	PC
3	426-5	Nut S/Lock Philidas M10c	2	PC
4	6645-13-A	Clip - Exhaust Banelli 2 5/8"	2	PC
5	42647-1-A	Heatshield Tailpipe	1	PC
6	124-100	Setscrew M6C x 12	3	PC
6	460-8	Washer Spring Single Coil M6	3	PC
7	295444-1	Bracket Silencer Supt Powapack	1	PC
8	903-9	Mounting Band 203 Dia	1	PC
9	124-135	Setscrew M8C x 20	4	PC
9	457-4	Washer Plain Steel M8 Form G	4	PC
9	460-10	Washer Spring Single Coil M8	4	PC
9	420-14	Nut MC Hex M8	4	PC
10	281704-1	Shield-Heat W/A Silencer	1	PC
11	124-100	Setscrew M6C x 12	4	PC
11	457-2	Washer Plain Steel M6 Form G	4	PC
11	460-8	Washer Spring Single Coil M6	4	PC

**P.T.O. Pumps Single (950514)**  
Powapack - Iveco SP & HP



95HC. 019-7

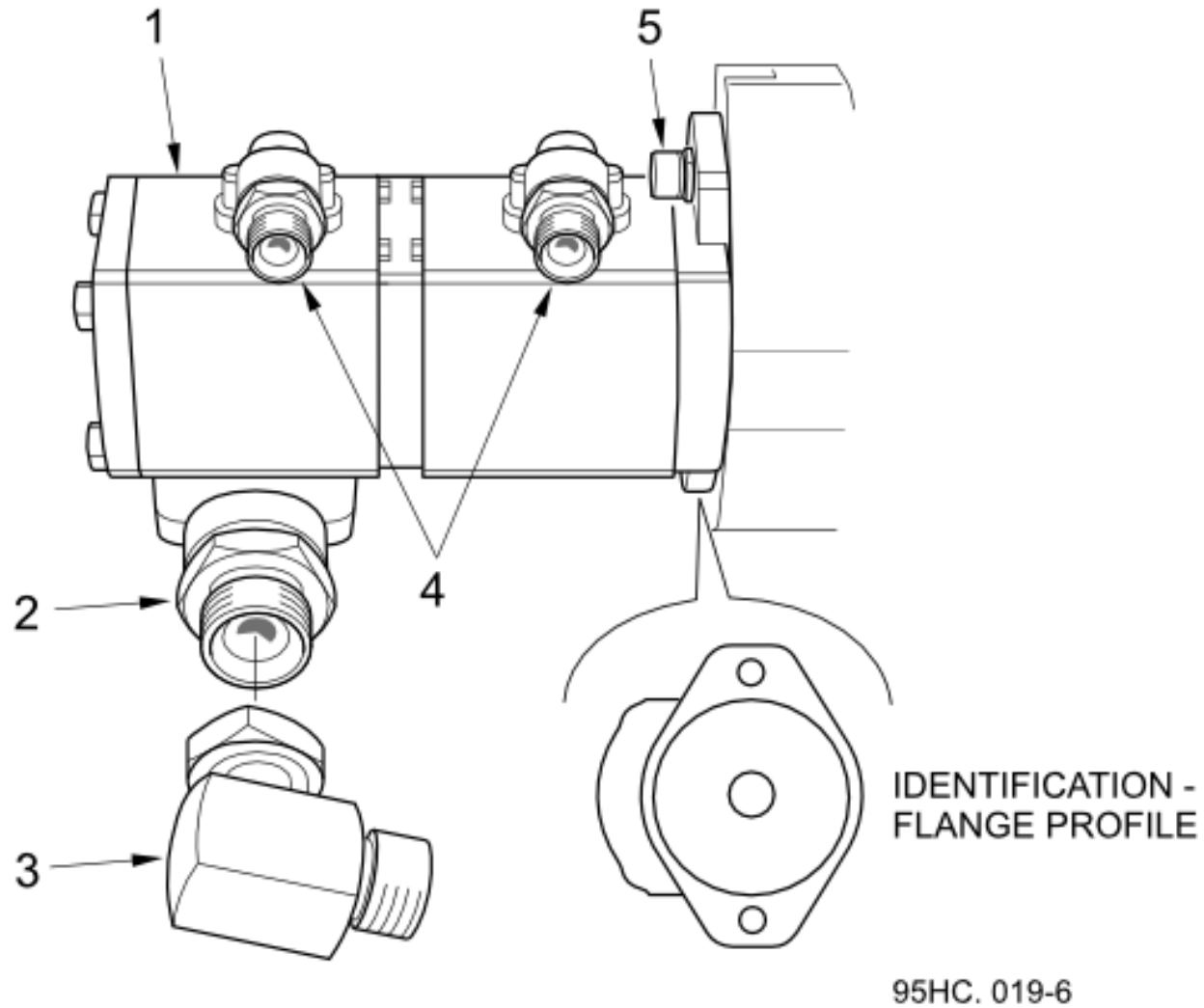


## P.T.O. Pumps Single (950514)

Powapack - Iveco SP &amp; HP

Item no.	Part no.	Description	QTY	Unit
1	239-27	Pump - Single SAE A 9T	1	PC
2	265-16	Adaptor Reducing M/M 3/4"-1 1/4" BSP	1	PC
2	451-21	Washer Bonded G3-4"	1	PC
3	262-8	Swivel Elbow 90 Degree Size 1 1/2"BSP	1	PC
4	263-4	Adaptor M/M 1/2" BSP	1	PC
4	451-19	Washer - Bonded G1-2"	1	PC
5	129-156	Screw MC Cap Skt Hd M10x30	2	PC
5	460-11	Washer Spring Single Coil M10	2	PC

**P.T.O. Pumps Tandem (950514)**  
Powapack - Iveco SP & HP

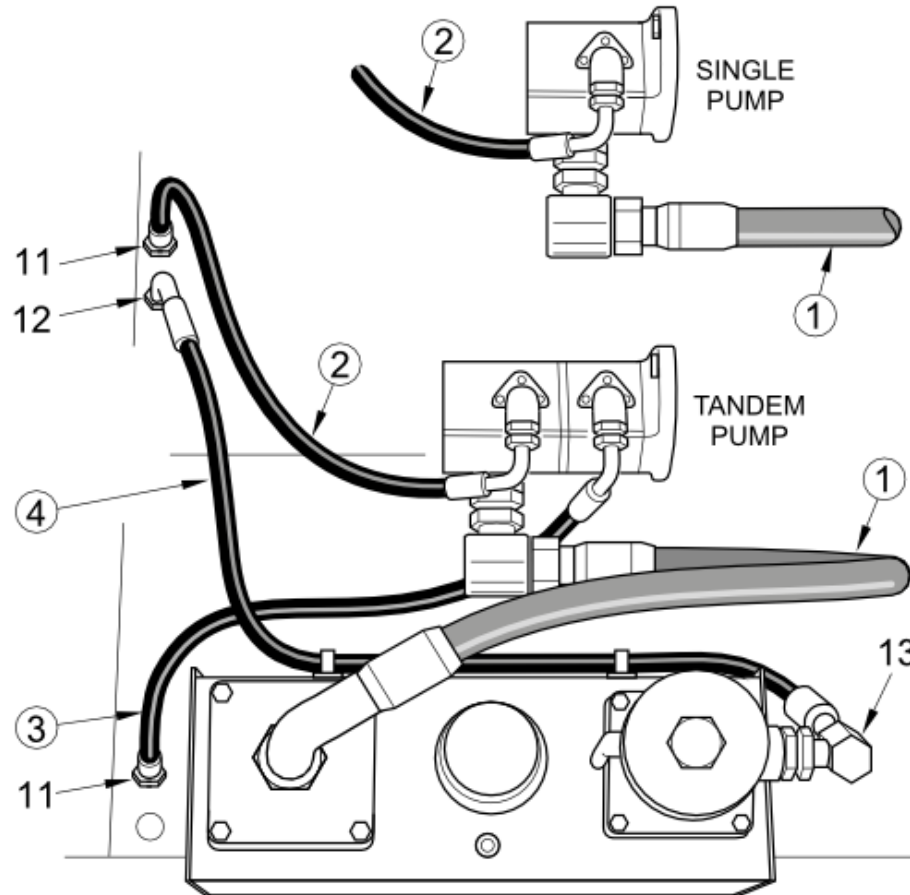


**P.T.O. Pumps Tandem (950514)**

Powapack - Iveco SP &amp; HP

Item no.	Part no.	Description	QTY	Unit
1	239-34	Pump - Hyd Tandem	1	PC
2	263-8	Adaptor M/M 1 1/4" BSP	1	PC
2	451-111	Washer Bonded G1 1-4"	1	PC
3	262-8	Swivel Elbow 90 Degree Size 1 1/2"BSP	1	PC
4	263-4	Adaptor M/M 1/2" BSP	2	PC
4	451-19	Washer - Bonded G1-2"	2	PC
5	129-156	Screw MC Cap Skt Hd M10x30	2	PC
5	460-11	Washer Spring Single Coil M10	2	PC

**Pump Installations Single (950515)**  
Powapack - Iveco SP & HP



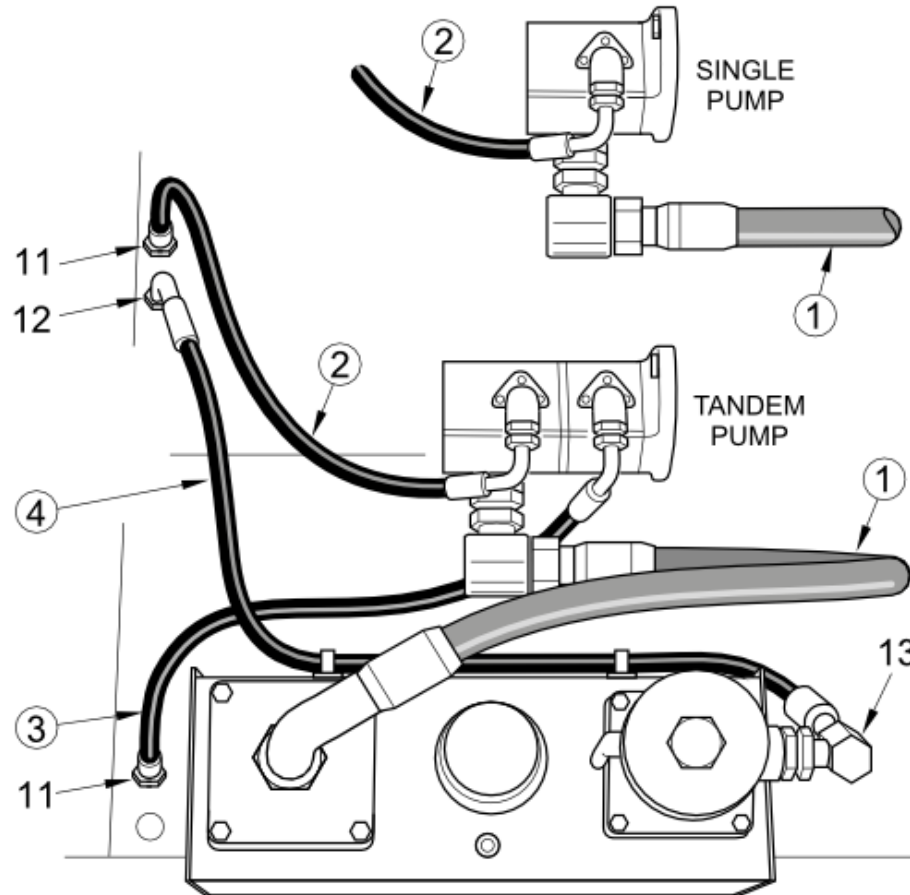
95HC. 018-2

## Pump Installations Single (950515)

Powapack - Iveco SP &amp; HP

Item no.	Part no.	Description	QTY	Unit
1	HX20002-94	Hose - Megavac 1.1/4" STRx90s	1	PC
2	HC08002-108	Hose - Megaflex 1/2" STRx90s	1	PC
3	HC08002-91	Hose - Megaflex 1/2" STRx90s	1	PC
4	HE12001-122	Hose - Hydraulic 3/4" STRx45s	1	PC
11	264-4	Adaptor-Bulkhead BSP M/M 1/2"	2	PC
12	264-6	Adaptor-Bulkhead BSP M/M 3/4"	1	PC
13	262-6	Swivel Elbow 90 Degree Size 3/4"BSP	1	PC

**Pump Installations Tandem (950515)**  
Powapack - Iveco SP & HP



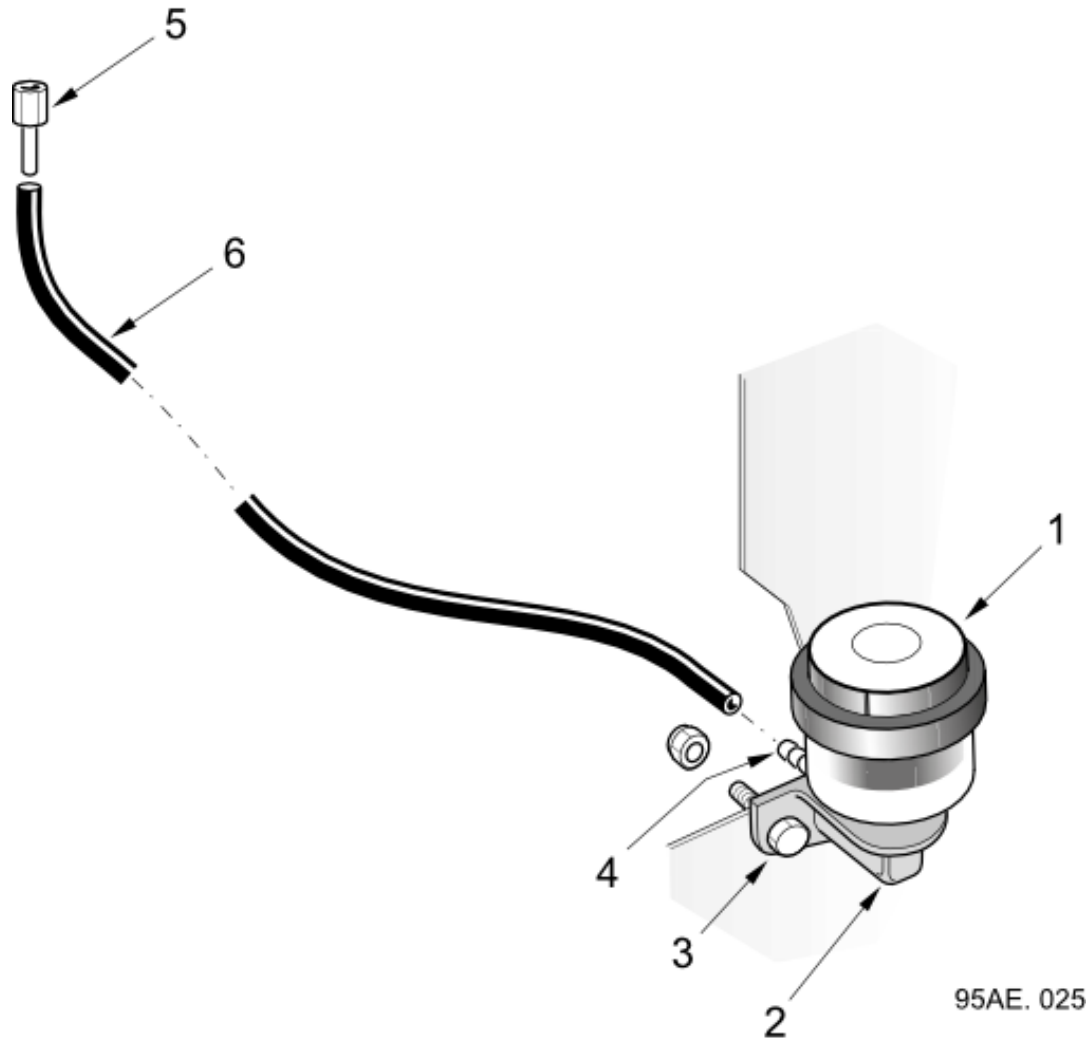
95HC. 018-2

## Pump Installations Tandem (950515)

Powapack - Iveco SP &amp; HP

Item no.	Part no.	Description	QTY	Unit
1	HX20002-94	Hose - Megavac 1.1/4" STRx90s	1	PC
2	HC08002-108	Hose - Megaflex 1/2" STRx90s	1	PC
4	HE12001-122	Hose - Hydraulic 3/4" STRx45s	1	PC
11	264-4	Adaptor-Bulkhead BSP M/M 1/2"	2	PC
12	264-6	Adaptor-Bulkhead BSP M/M 3/4"	1	PC
13	262-6	Swivel Elbow 90 Degree Size 3/4"BSP	1	PC

**Filter State Indicator (950511)**  
Powapack - Iveco SP & HP





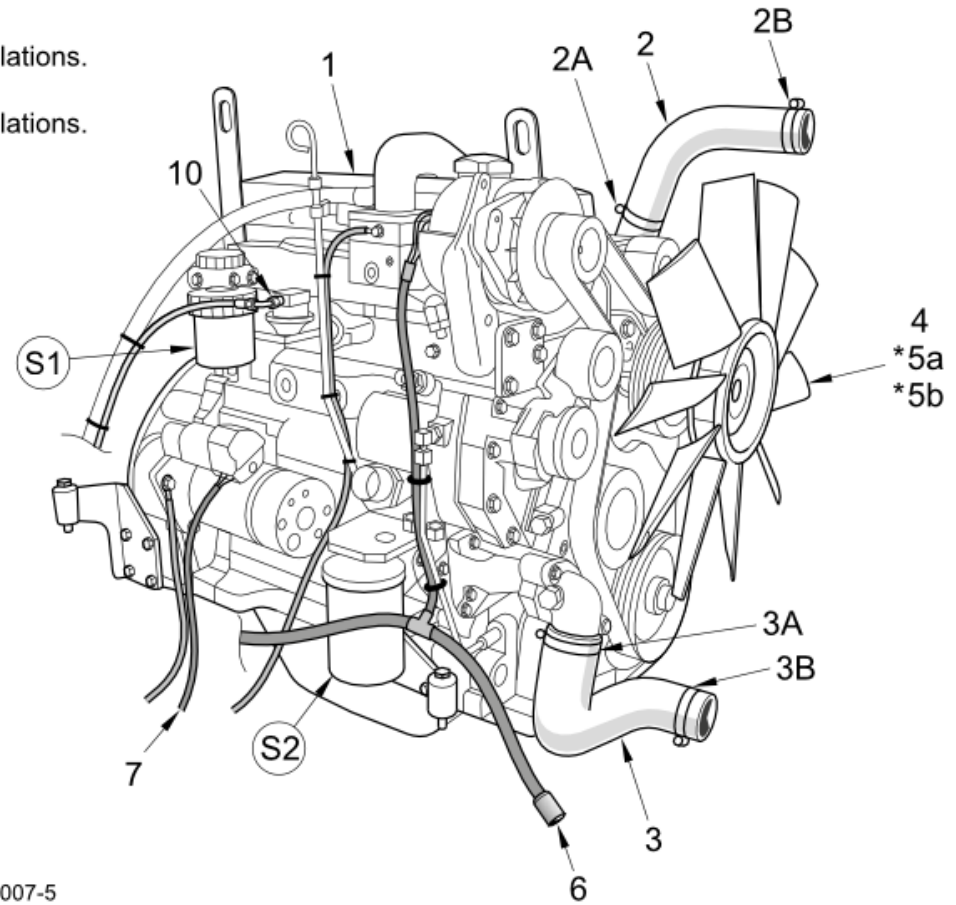
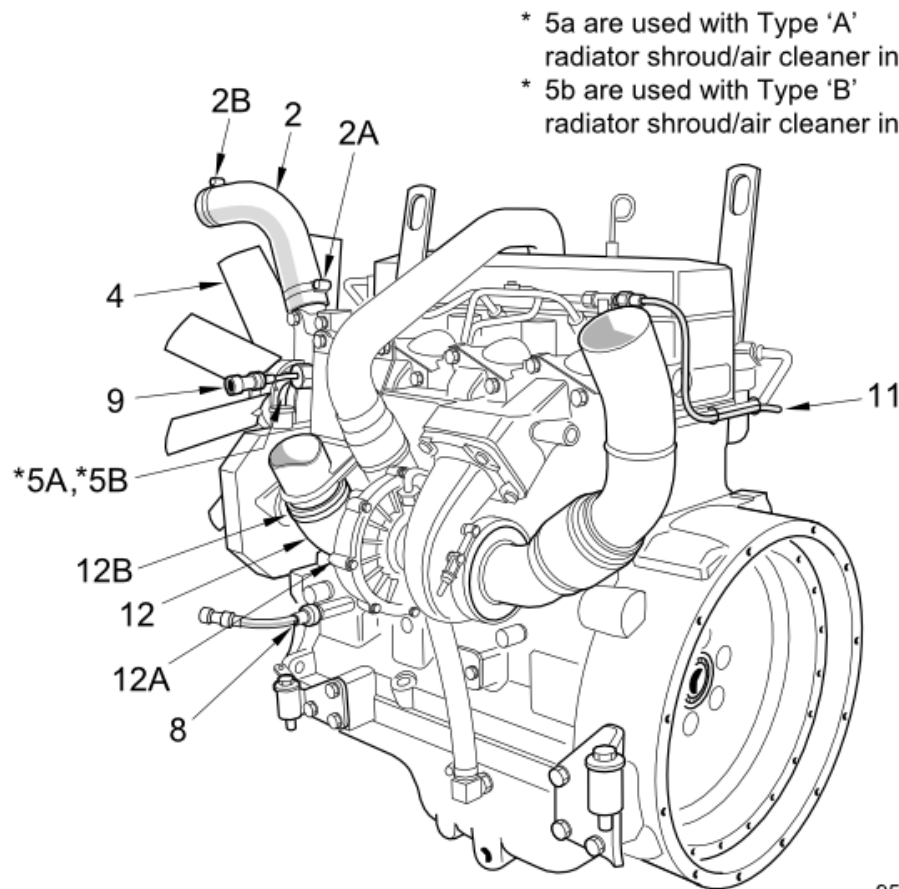
## Filter State Indicator (950511)

Powapack - Iveco SP &amp; HP

Item no.	Part no.	Description	QTY	Unit
1	904-55	Air Filter Restrictor (7.5)	1	PC
2	904-59	Mounting Restriction Indicator	1	PC
3	124-103	Setscrew M6C x 20	2	PC
3	457-2	Washer Plain Steel M6 Form G	2	PC
3	425-13	Nut Nyloc Hex M6C	2	PC
4	904-56	Adaptor - R 1/8" M x 6mm	1	PC
5	904-58	Adaptor - R1/8" x 6mm	1	PC
6	12870	Tube - Nylon Black 8mm O/D	1	M

**Dressed Engine (950511)**  
Powapack - John Deere Standard Power

\* 5a are used with Type 'A'  
radiator shroud/air cleaner installations.  
\* 5b are used with Type 'B'  
radiator shroud/air cleaner installations.



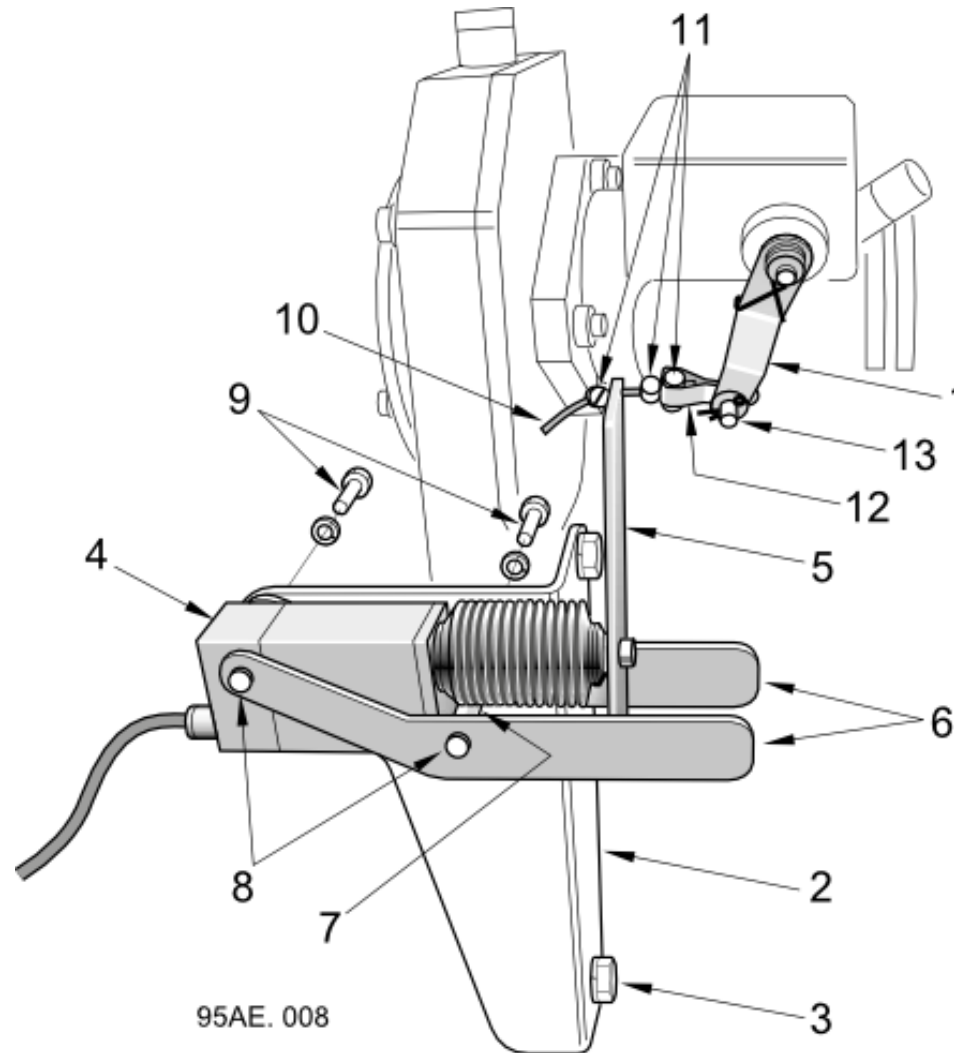
95AE. 007-5

**Dressed Engine (950511)**

Powapack - John Deere Standard Power

Item no.	Part no.	Description	QTY	Unit
S1	848-50	Fuel Filter - For 404TF280 Engine	1	PC
S2	848-22	Filter - Oil (John Deere)	1	PC
1	283845-12	Eng - John Deere 12v	1	PC
2	280088-1	Hose - Radiator - Top	1	PC
2A	501-6	Clip Hose Worm Drive (55-70)	1	PC
2B	501-6	Clip Hose Worm Drive (55-70)	1	PC
3	280089-1	Hose - Radiator - Bottom	1	PC
3A	501-6	Clip Hose Worm Drive (55-70)	1	PC
3B	501-6	Clip Hose Worm Drive (55-70)	1	PC
4	281-7	Fan - Cooling Puller 508	1	PC
5A	282587-1	Spacer-Cooling Fan JD	1	PC
5B	284088-1	Spacer Cooling Fan 8mm	1	PC
5B	129-129	Screw MC Cap Skt Hd M8x35	4	PC
5B	460-10	Washer Spring Single Coil M8	4	PC
6	282041-1	Loom - Engine J DEERE	1	PC
7	281224-1	+Cable - Starter 12v	1	PC
8	281942-1	Switch - Oil Pressure	1	PC
9	282590-1	Switch-Water Temp J/DEERE	1	PC
10	848-24	Adaptor - Lift Pump	1	PC
11	282692-1	Hose - Fuel Return 1600 lg	1	PC
12A	61096-3	Rubber elbow	1	PC
12	507-4	Hose Clamp - Constant Torque (70-92)	2	PC
12B	507-5	Hose Clamp - Constant Torque (83-105)	1	PC

**Throttle Actuator (950511)**  
Powapack - John Deere Standard Power

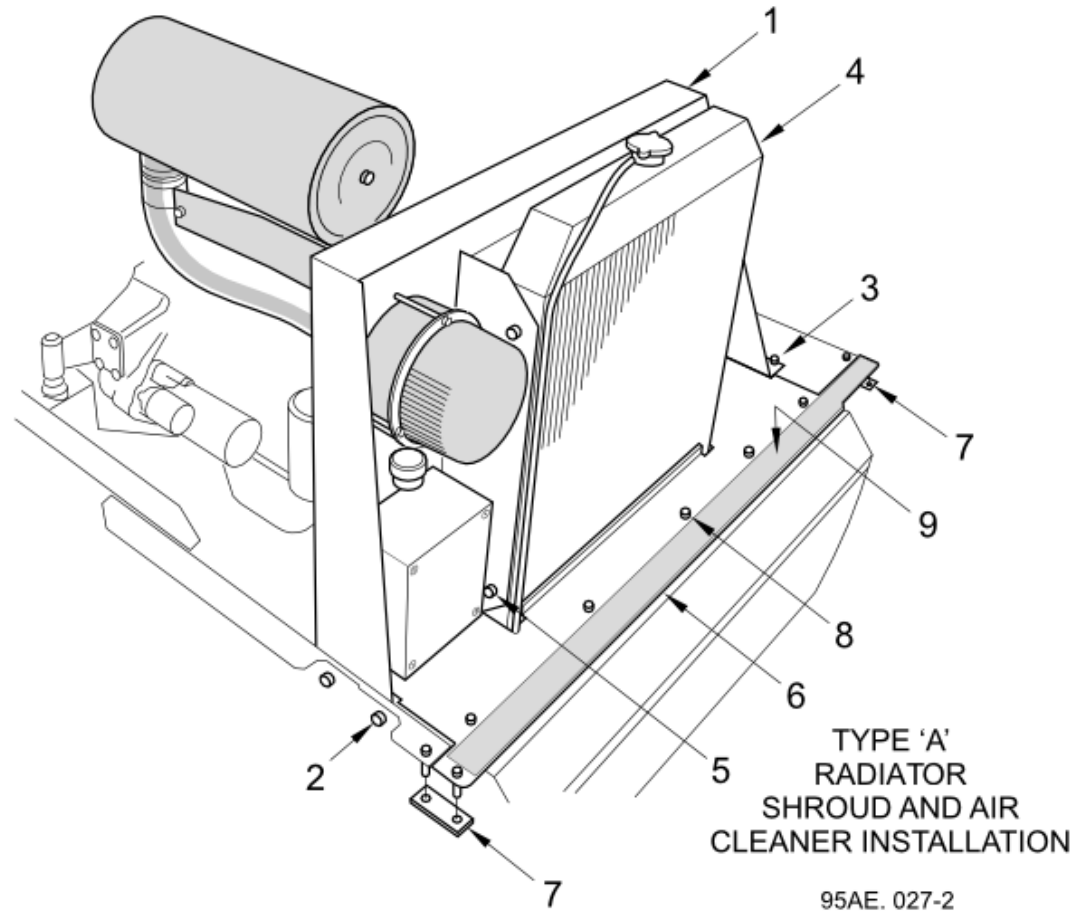


**Throttle Actuator (950511)**

Powapack - John Deere Standard Power

Item no.	Part no.	Description	QTY	Unit
1	282643-1	Throttle Lever W/A J DEERE ENG	1	PC
2	282645-1	Mnt-Throttle Actuator J DEERE	1	PC
3	124-263	Setscrew M16C x 20 BS3692	2	PC
3	460-14	Washer Spring Single Coil M16	2	PC
4	281729-12	Actuator-Throttle Assy 12v	1	PC
5	282644-1	Lever - Throttle Actuator	1	PC
6	281707-1	Plate - Side Throttle Actuator	2	PC
7	42774-4	Spacer - M6c x 12 O/D x 36mm	1	PC
8	124-100	Setscrew M6C x 12	2	PC
8	460-8	Washer Spring Single Coil M6	2	PC
9	124-101	Hex Head Screw - M6Cx14 - 8.8	2	PC
9	460-8	Washer Spring Single Coil M6	2	PC
10	281728-1	Cable - Throttle	1	PC
11	38-32	Nipple - Solderless	3	PC
12	837-47	Bracket - Throttle	1	PC
13	837-48	Pin - Throttle	1	PC
13	837-49	Pin - Split	1	PC

**Type A Ancillaries (950511)**  
Powapack - John Deere Standard Power

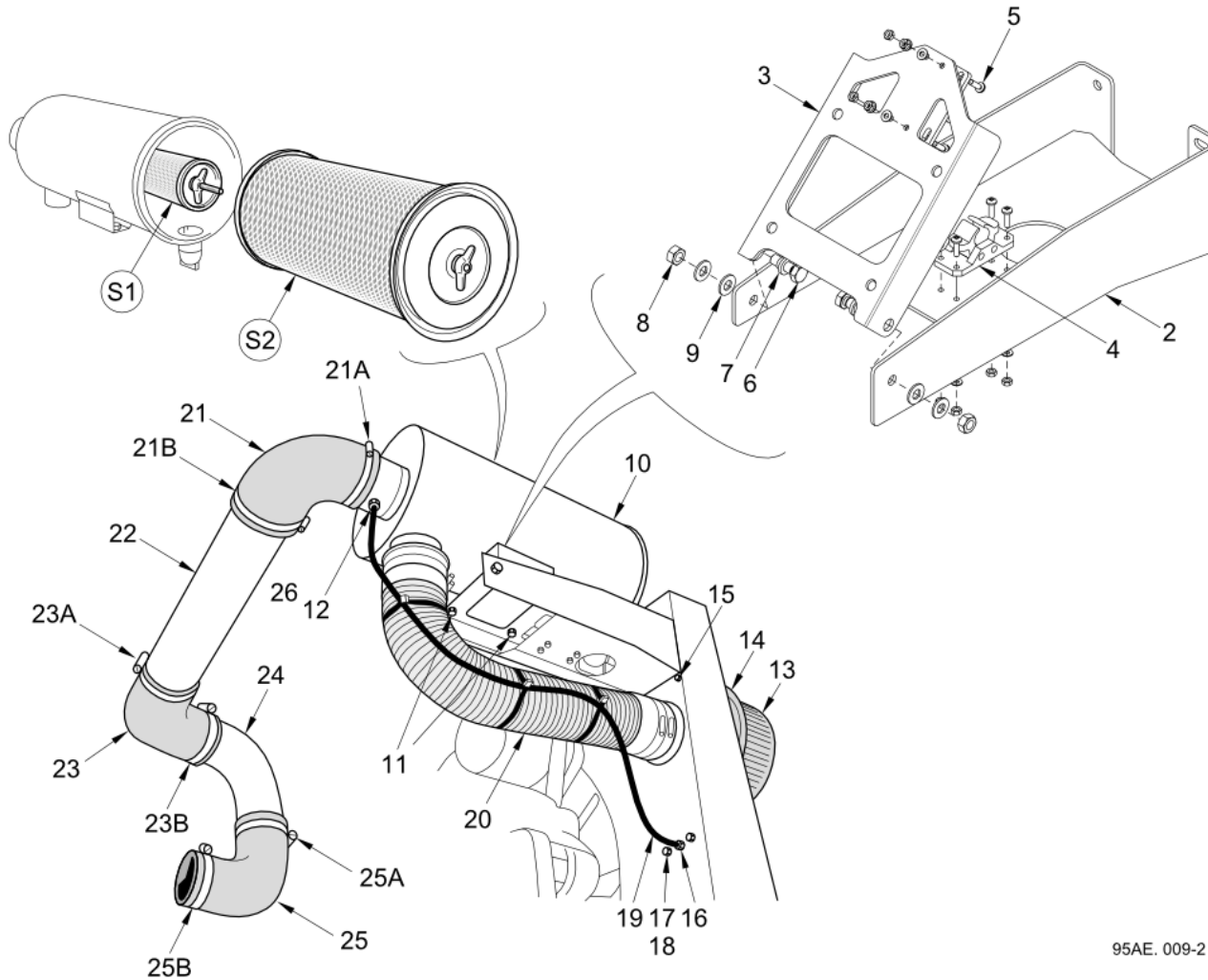


**Type A Ancillaries (950511)**

Powapack - John Deere Standard Power

Item no.	Part no.	Description	QTY	Unit
1	282490-1	Radiator Shroud W/A-John Deere	1	PC
2	124-167	Setscrew M10C x 20	2	PC
2	460-11	Washer Spring Single Coil M10	2	PC
3	124-169	Setscrew M10C x 25	2	PC
3	425-15	Nut Nyloc Hex M10C	2	PC
4	200923-1	Radiator - J DEERE/IVECO SP	1	PC
5	124-166	Setscrew M10C x 16	4	PC
5	460-11	Washer Spring Single Coil M10	4	PC
5	455-11	Washer Plain Plated Steel M10	4	PC
6	282605-1	Plate-Seal/Walkway J/Deere	1	PC
7	281600-1	Strip - Support Valance	2	PC
8	138-125	Screw - Skt Button Hd M8cx25	9	PC
8	455-10	Washer Plain Plated Steel M8	4	PC
8	425-14	Nut Nyloc Hex MC M8	4	PC
9	211-12	Safety Walk - 2" Wide	1	MM

**Type A Air Cleaner Installation (950511)**  
Powapack - John Deere Standard Power



95AE. 009-2

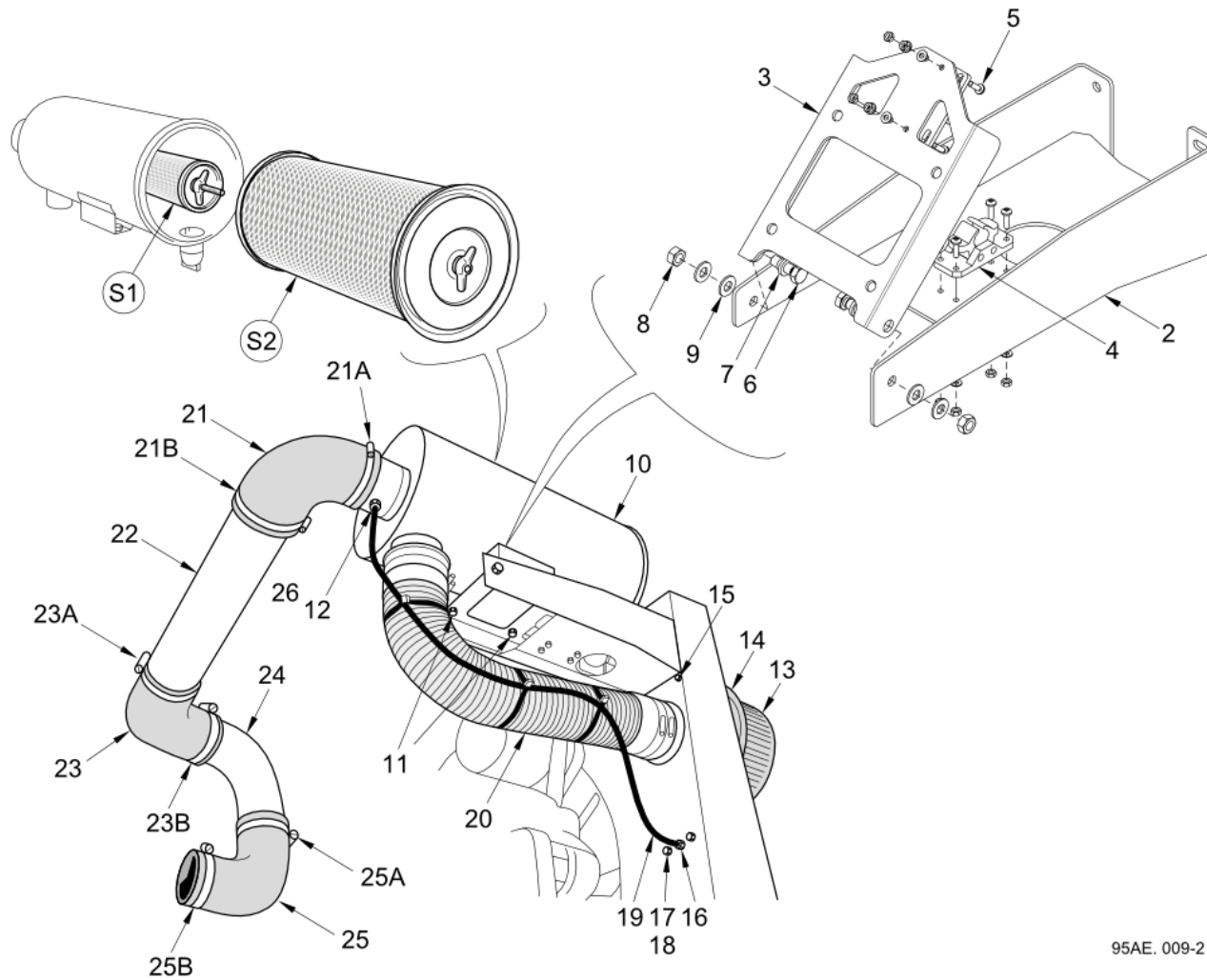


**Type A Air Cleaner Installation (950511)**

Powapack - John Deere Standard Power

Item no.	Part no.	Description	QTY	Unit
S1	61026-3	Safety Element	1	PC
S2	94954-2	Main Element for 95454/1	1	PC
2	280125-1	Air Filter Mount W/Assy	1	PC
3	281047-1	Bracket - Pivot Top Section	1	PC
4	436-10	Catch/Clip Kit B436/1 & /2	1	PC
5	134-44	Pan Head Screw-M4Cx20-4.8-Pozidriv	8	PC
5	455-5	Washer Plain Plated Steel M4	8	PC
5	425-11	Nut Nyloc Hex MC M4	8	PC
6	124-135	Setscrew M8C x 20	2	PC
7	441-1	Insert - M8 x 4 (Screw)	2	PC
8	425-14	Nut Nyloc Hex MC M8	2	PC
9	455-10	Washer Plain Plated Steel M8	4	PC
10	94954-1	Air Cleaner	1	PC
11	124-135	Setscrew M8C x 20	4	PC
11	460-10	Washer Spring Single Coil M8	4	PC
12	904-58	Adaptor - R1/8" x 6mm	1	PC
13	904-23	Precleaner Turbo + Screen	1	PC
14	282497-1	Securing Ring-John Deere	1	PC
15	123-98	Bolt M Coarse M6x100	3	PC
15	455-8	Washer Plain Plated Steel M6	6	PC
15	425-13	Nut Nyloc Hex M6C	3	PC
16	904-56	Adaptor - R 1/8" M x 6mm	1	PC
17	124-103	Setscrew M6C x 20	2	PC
17	457-2	Washer Plain Steel M6 Form G	2	PC

**Type A Air Cleaner Installation (950511)**  
Powapack - John Deere Standard Power



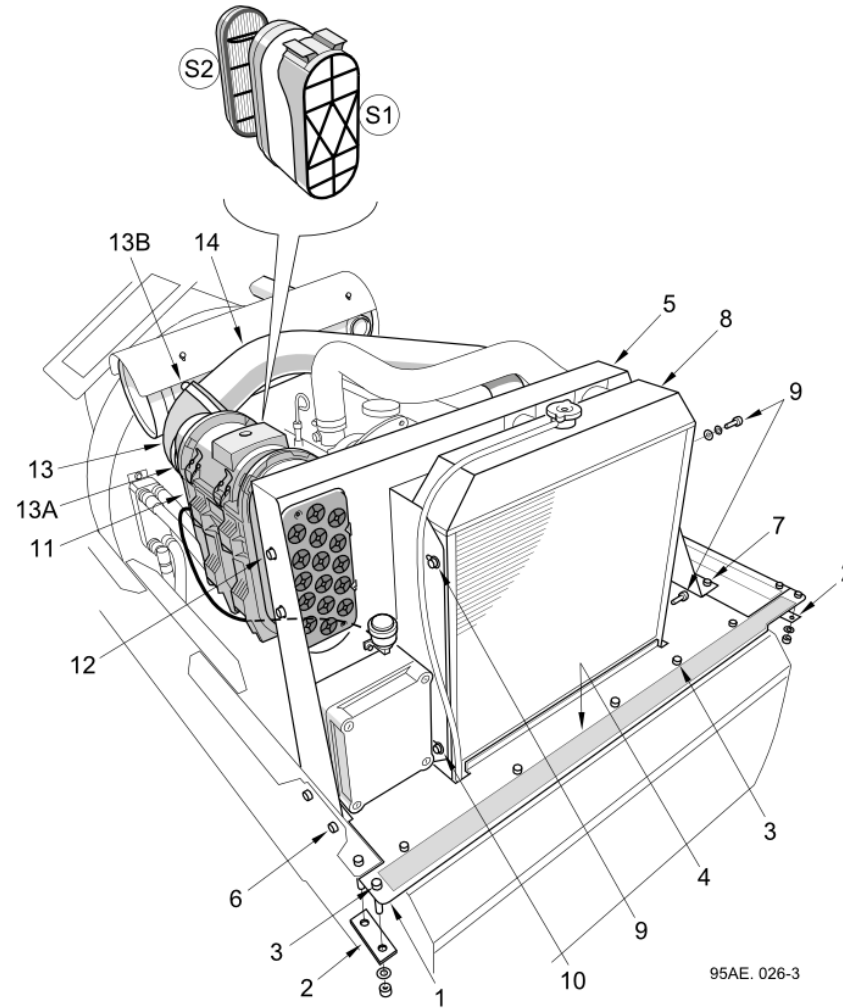
95AE. 009-2

**Type A Air Cleaner Installation (950511)**

Powapack - John Deere Standard Power

Item no.	Part no.	Description	QTY	Unit
17	425-13	Nut Nyloc Hex M6C	2	PC
18	904-55	Air Filter Restrictor (7.5)	1	PC
19	12870	Tube - Nylon Black 8mm O/D	1	M
20	276-13	Ducting - Flex Dia 80mm+Cuffs	1	PC
21	61096-3	Rubber elbow	1	PC
21A	507-4	Hose Clamp - Constant Torque (70-92)	1	PC
21B	507-4	Hose Clamp - Constant Torque (70-92)	1	PC
22	280154-1	Pipe - Air Inlet	1	PC
23	904-12	Elbow 3 1/2"	1	PC
23A	507-4	Hose Clamp - Constant Torque (70-92)	1	PC
23B	507-4	Hose Clamp - Constant Torque (70-92)	1	PC
24	280156-1	Elbow - Air Inlet	1	PC
25	61096-3	Rubber elbow	1	PC
25A	507-4	Hose Clamp - Constant Torque (70-92)	1	PC
25B	507-4	Hose Clamp - Constant Torque (70-92)	1	PC

**Type B Ancillaries (950511)**  
Powapack - John Deere Standard Power

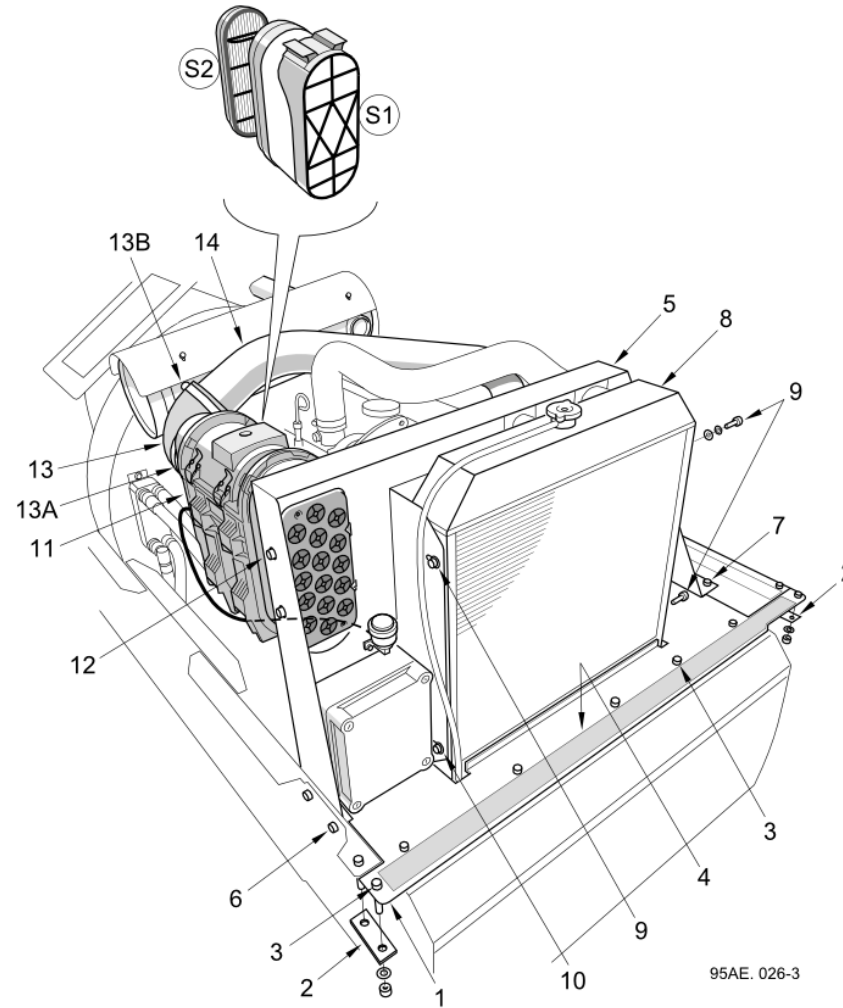


**Type B Ancillaries (950511)**

Powapack - John Deere Standard Power

Item no.	Part no.	Description	QTY	Unit
S1	295095-2	Primary Filter - Air Cleaner	1	PC
S2	295095-3	Safety Filter - Air Cleaner	1	PC
1	281562-2	Plate -Walkway Iveco	1	PC
2	281600-1	Strip - Support Valance	2	PC
3	138-125	Screw - Skt Button Hd M8cx25	9	PC
3	455-10	Washer Plain Plated Steel M8	4	PC
3	425-14	Nut Nyloc Hex MC M8	4	PC
4	211-12	Safety Walk - 2" Wide	1	MM
5	284077-1	Radiator Shroud Tpye B JD/IVE	1	PC
6	124-167	Setscrew M10C x 20	2	PC
6	460-11	Washer Spring Single Coil M10	2	PC
7	124-167	Setscrew M10C x 20	2	PC
7	425-15	Nut Nyloc Hex M10C	2	PC
8	200923-1	Radiator - J DEERE/IVECO SP	1	PC
9	124-166	Setscrew M10C x 16	3	PC
9	460-11	Washer Spring Single Coil M10	3	PC
9	455-11	Washer Plain Plated Steel M10	3	PC
10	138-151	Screw - Skt Button Hd M10cx16	1	PC
10	455-11	Washer Plain Plated Steel M10	1	PC
11	295095-1	Air Cleaner Assy	1	PC
12	124-137	Setscrew M8C x 25	4	PC
12	460-10	Washer Spring Single Coil M8	4	PC
12	455-10	Washer Plain Plated Steel M8	4	PC
13	904-62	Elbow 4" - 3 1/2" (Rubber)	1	PC

**Type B Ancillaries (950511)**  
Powapack - John Deere Standard Power

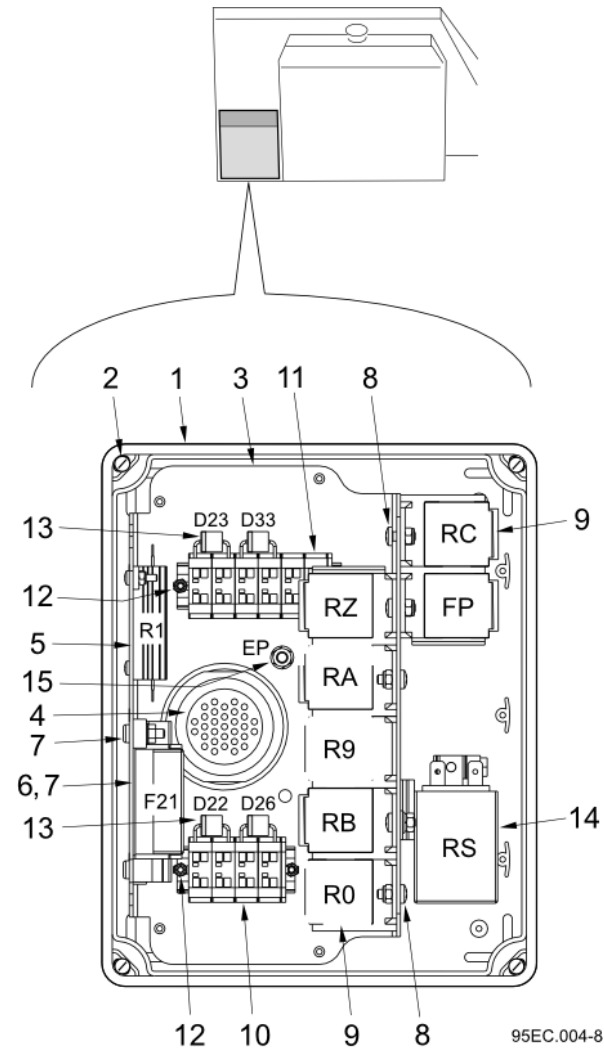


## Type B Ancillaries (950511)

Powapack - John Deere Standard Power

Item no.	Part no.	Description	QTY	Unit
13A	507-6	Hose Clamp - Constant Torque (95-118)	1	PC
13B	507-5	Hose Clamp - Constant Torque (83-105)	1	PC
14	7004395	Tube	1	PC

**Engine Management Box (950511)**  
Powapack - John Deere Standard Power



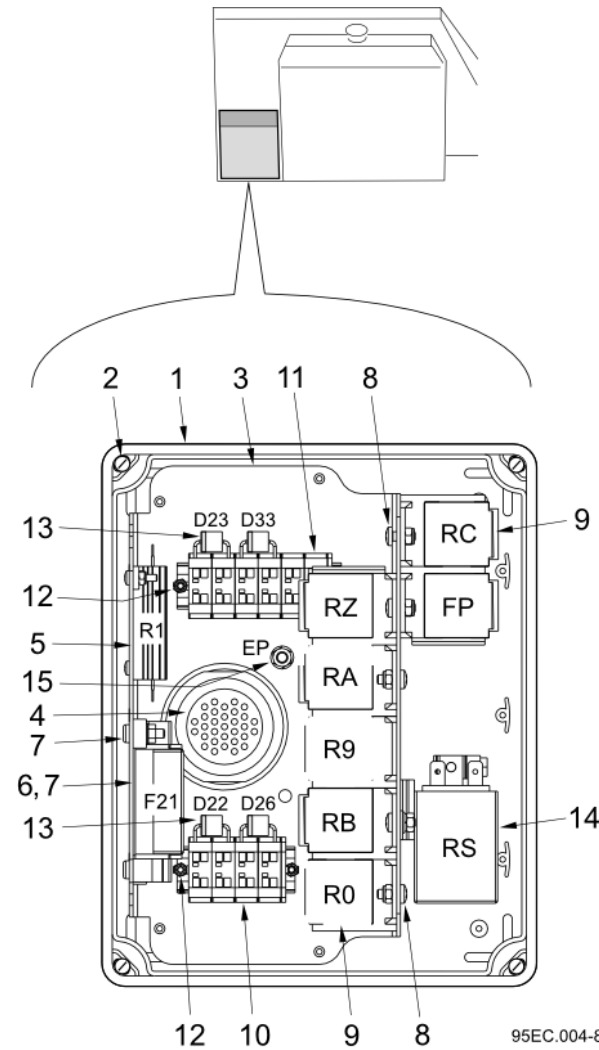


**Engine Management Box (950511)**

Powapack - John Deere Standard Power

Item no.	Part no.	Description	QTY	Unit
0	282137-1	Engine Management Box J/Deere	1	PC
Comprising items 1-15				
1	283848-1	Enclosure - Eng Management Box	1	PC
2	134-44	Pan Head Screw-M4Cx20-4.8-Pozidriv	4	PC
2	425-11	Nut Nyloc Hex MC M4	4	PC
3	282125-1	Plate-Mntg Eng Management Box	1	PC
4	283843-1	Engine Management Box J/Deere	1	PC
5	721-12	Resistor - 50 Ohm, 50 Watt	1	PC
6	30-267	Fuse Holder - Midi	1	PC
7	30-269	Midilink - 60 Amp	1	PC
8	134-41	Pan Head Screw-M4Cx10-4.8-Pozidriv	4	PC
8	425-11	Nut Nyloc Hex MC M4	4	PC
9	13193	Relay 12 Volt 30/40	7	PC
10	30-256	Block-4 Way Terminal + Flange	4	PC
10	30-254	Plate - End With Fixing Flange	1	PC
11	30-256	Block-4 Way Terminal + Flange	6	PC
11	30-254	Plate - End With Fixing Flange	1	PC
12	134-13	Pan Head Screw-M3Cx12-4.8-Pozidriv	4	PC
12	425-10	Nut Nyloc Hex M3C	4	PC
13	13984	Diode Rectifier	4	PC
14	48-360	Relay-Type 4RA 12v	1	PC
15	134-60	Pan Head Screw-M5Cx25-4.8-Pozidriv	1	PC
15	420-12	Nut MC Hex M5	1	PC
15	425-12	Nut Nyloc Hex M5C	1	PC

**Engine Management Box (950511)**  
Powapack - John Deere Standard Power

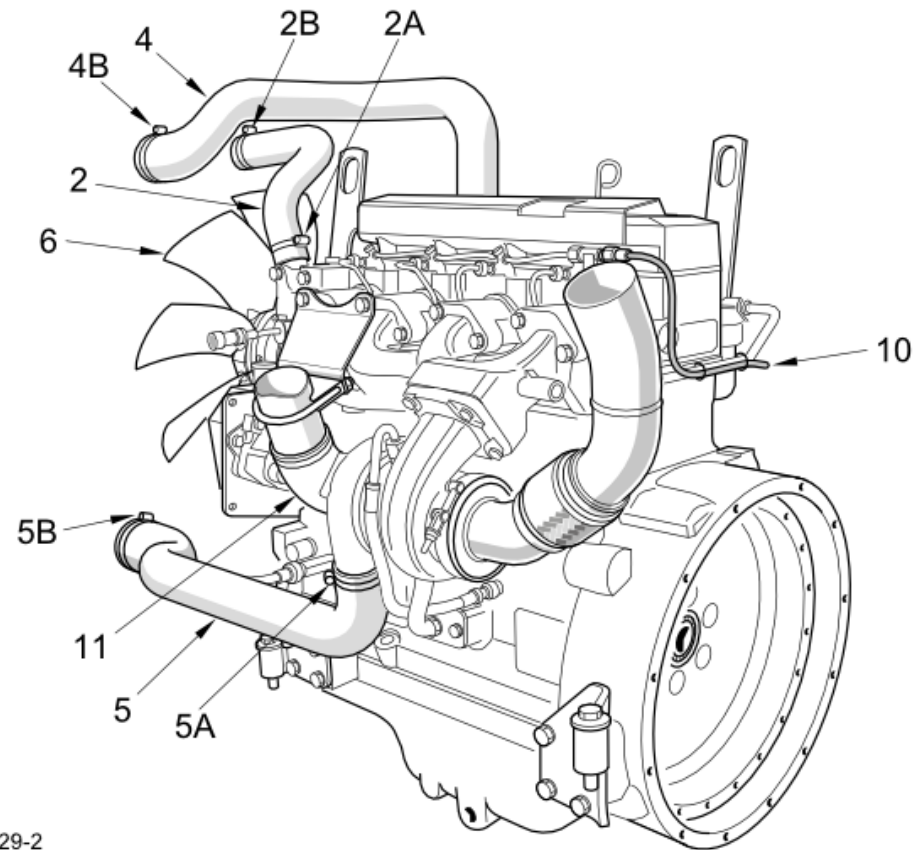
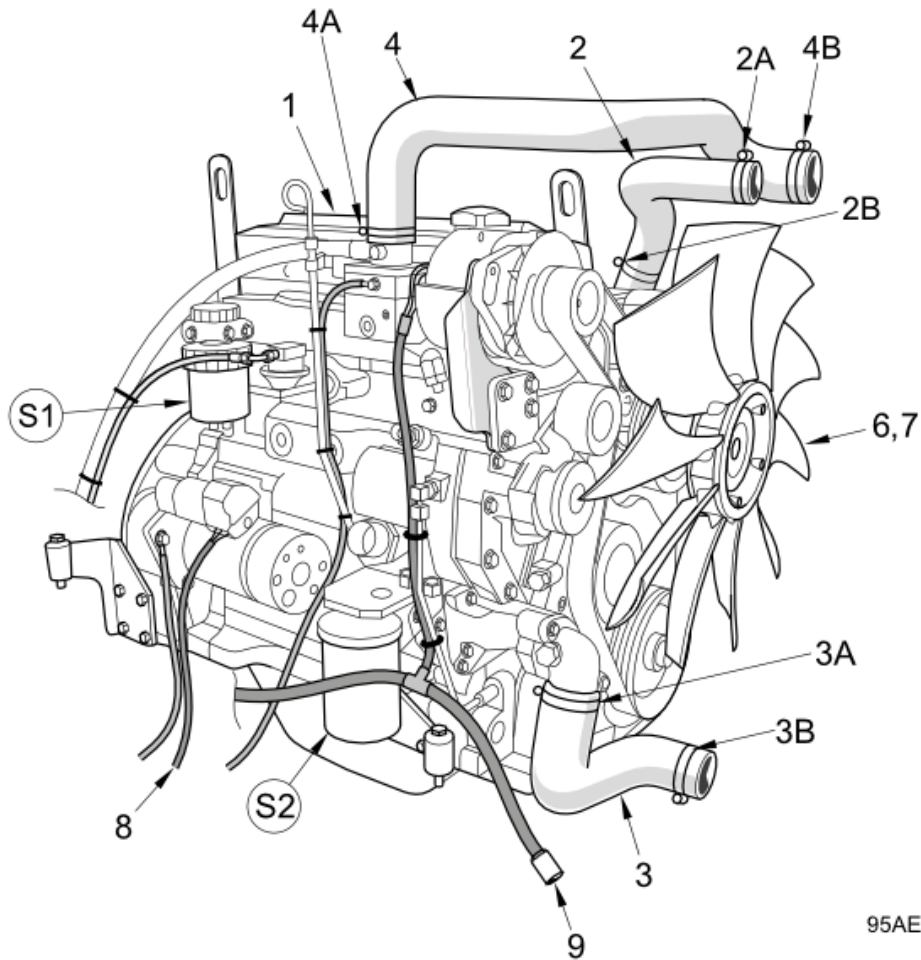


**Engine Management Box (950511)**

Powapack - John Deere Standard Power

Item no.	Part no.	Description	QTY	Unit
15	460-7	Washer Spring Single Coil M5	1	PC
15	455-7	Washer Plain Plated Steel M5	1	PC

**Dressed Engine (950511)**  
 Powapack - John Deere High Power



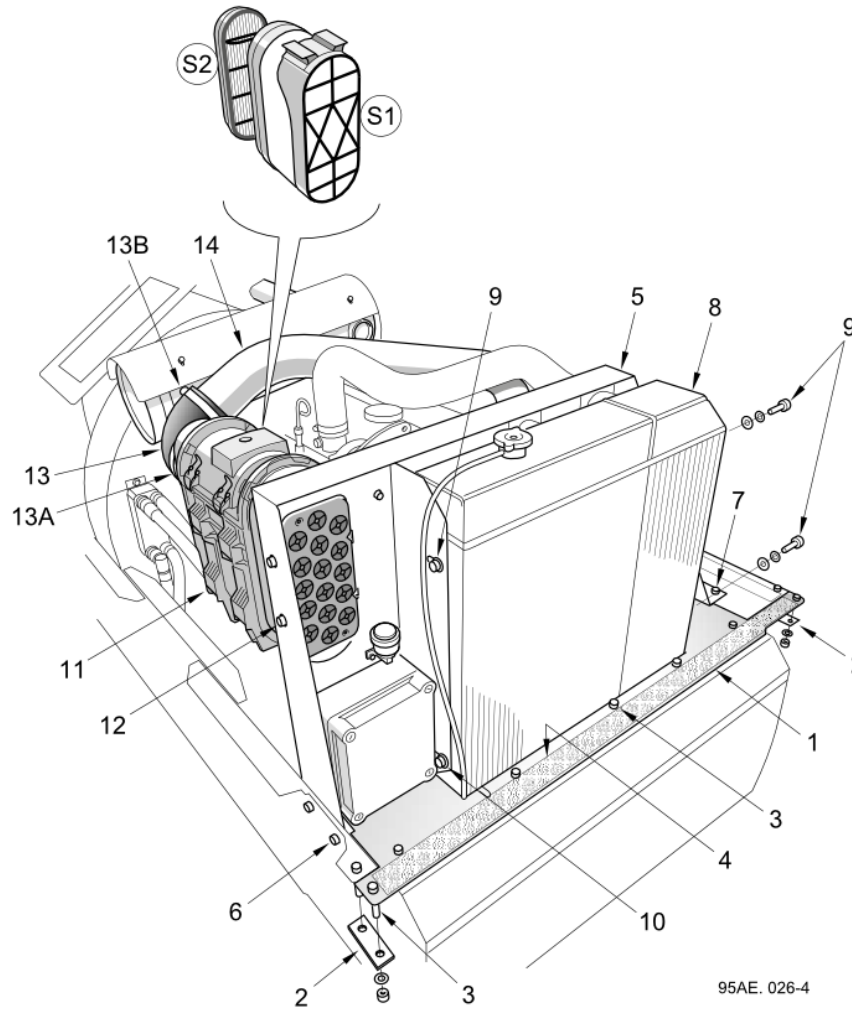
95AE. 029-2

**Dressed Engine (950511)**

Powapack - John Deere High Power

Item no.	Part no.	Description	QTY	Unit
S1	848-50	Fuel Filter - For 404TF280 Engine	1	PC
S2	848-39	Filter Fuel Main JD285 Engine	1	PC
1	283791-12	Eng John Deere 4045HF285 86kw	1	PC
2	283929-1	Coolant Hose Top-J Deere HP T3	1	PC
2A	501-6	Clip Hose Worm Drive (55-70)	1	PC
2B	501-6	Clip Hose Worm Drive (55-70)	1	PC
3	283931-1	Coolant Hose Btm-J Deere HP T3	1	PC
3A	501-6	Clip Hose Worm Drive (55-70)	1	PC
3B	501-6	Clip Hose Worm Drive (55-70)	1	PC
4	283933-1	Charge Air Hose Top JD HP T3	1	PC
4A	507-2	Hose Clamp - Constant Torque (45-67)	1	PC
4B	507-3	Hose Clamp - Constant Torque (57-79)	1	PC
5	283932-1	Charge Air Hose Btm J Deere T3	1	PC
5A	507-2	Hose Clamp - Constant Torque (45-67)	1	PC
5B	507-4	Hose Clamp - Constant Torque (70-92)	1	PC
6	281-9	Now use 281-10 Cooling fan	1	PC
7	295102-1	Spacer-Cooling Fan 27mm J.D	1	PC
7	123-110	Bolt M Coarse M8x50	4	PC
7	460-10	Washer Spring Single Coil M8	4	PC
8	281224-4	Cable-Starter Red	1	PAA
9	283939-1	Loom - John Deere T3 HP Engine	1	PC
10	282692-1	Hose - Fuel Return 1600 lg	1	PC
11	61096-3	Rubber elbow	1	PC
11	507-4	Hose Clamp - Constant Torque (70-92)	2	PC

**Ancillaries (950511)**  
Powapack - John Deere High Power

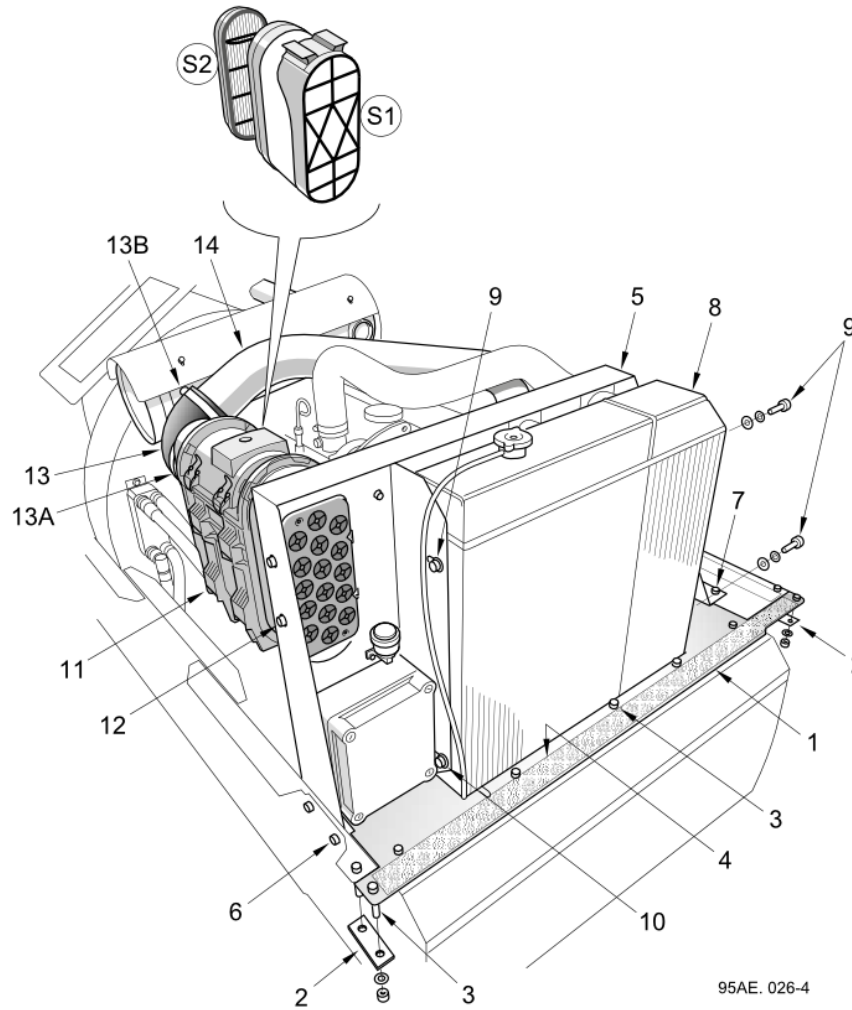


**Ancillaries (950511)**

Powapack - John Deere High Power

Item no.	Part no.	Description	QTY	Unit
S1	295095-2	Primary Filter - Air Cleaner	1	PC
S2	295095-3	Safety Filter - Air Cleaner	1	PC
1	283934-1	Walkway	1	PC
2	281600-1	Strip - Support Valance	2	PC
3	138-125	Screw - Skt Button Hd M8cx25	9	PC
3	455-10	Washer Plain Plated Steel M8	4	PC
3	425-14	Nut Nyloc Hex MC M8	4	PC
4	211-12	Safety Walk - 2" Wide	1	MM
5	283928-1	Radiator Shroud	1	PC
6	124-167	Setscrew M10C x 20	2	PC
6	460-11	Washer Spring Single Coil M10	2	PC
7	124-167	Setscrew M10C x 20	2	PC
7	425-15	Nut Nyloc Hex M10C	2	PC
8	295065-1	Engine Cooling Pack J Deere	1	PC
9	124-166	Setscrew M10C x 16	3	PC
9	460-11	Washer Spring Single Coil M10	3	PC
9	455-11	Washer Plain Plated Steel M10	3	PC
10	138-151	Screw - Skt Button Hd M10cx16	1	PC
10	455-11	Washer Plain Plated Steel M10	1	PC
11	295095-1	Air Cleaner Assy	1	PC
12	124-137	Setscrew M8C x 25	4	PC
12	460-10	Washer Spring Single Coil M8	4	PC
12	455-10	Washer Plain Plated Steel M8	4	PC
13	904-62	Elbow 4" - 3 1/2" (Rubber)	1	PC

**Ancillaries (950511)**  
Powapack - John Deere High Power



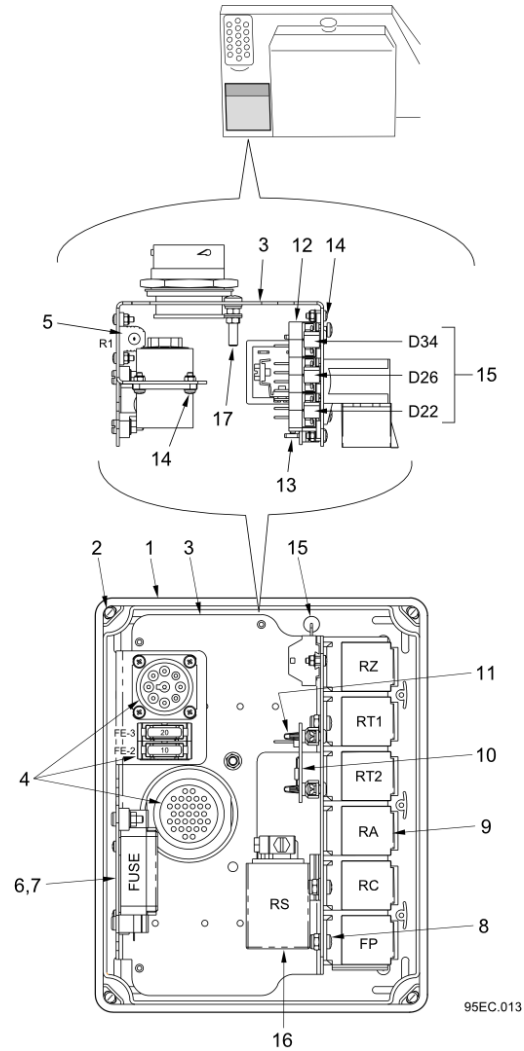


## Ancillaries (950511)

Powapack - John Deere High Power

Item no.	Part no.	Description	QTY	Unit
13A	507-6	Hose Clamp - Constant Torque (95-118)	1	PC
13B	507-5	Hose Clamp - Constant Torque (83-105)	1	PC
14	7004395	Tube	1	PC

**Engine Management Box (950511)**  
Powapack - John Deere High Power

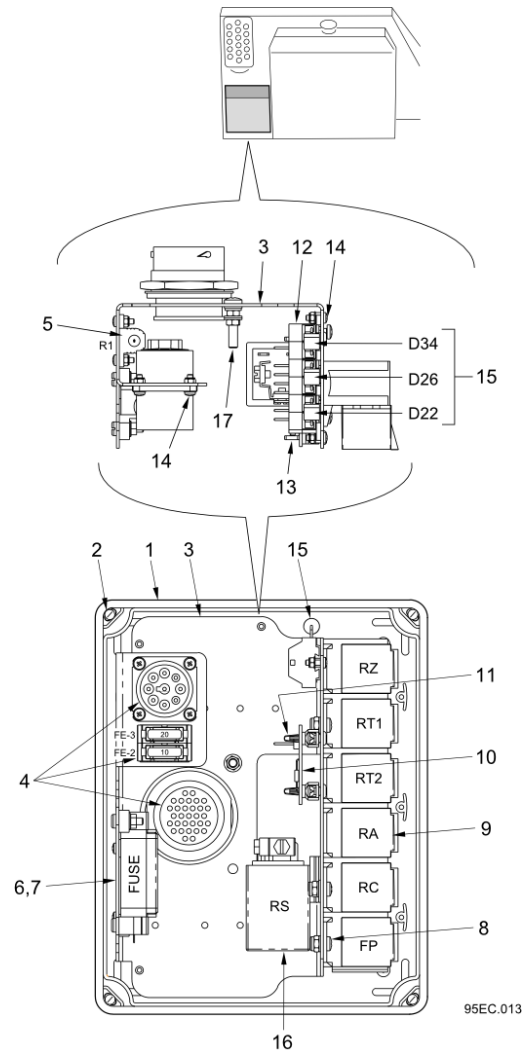


**Engine Management Box (950511)**

Powapack - John Deere High Power

Item no.	Part no.	Description	QTY	Unit
0	283992-1	Box Eng Management 86KW Stage3	1	PC
Comprising items 1-17				
1	283848-1	Enclosure - Eng Management Box	1	PC
2	134-44	Pan Head Screw-M4Cx20-4.8-Pozidriv	4	PC
2	425-11	Nut Nyloc Hex MC M4	4	PC
3	283897-1	Mount Plate-Management Box	1	PC
4	283993-1	Loom-John Deere HP 93KW Stage3	1	PC
5	721-12	Resistor - 50 Ohm, 50 Watt	1	PC
6	30-267	Fuse Holder - Midi	1	PC
7	30-269	Midilink - 60 Amp	1	PC
8	134-40	Pan Head Screw-M4Cx8-4.8-Pozidriv	4	PC
8	455-5	Washer Plain Plated Steel M4	4	PC
8	425-11	Nut Nyloc Hex MC M4	4	PC
9	13193	Relay 12 Volt 30/40	6	PC
10	282171-1	Resistor Board Assy-John Deere	1	PC
11	30-280	Supt Circuit Board(Snap Rivet)	4	PC
12	30-256	Block-4 Way Terminal + Flange	8	PC
13	30-254	Plate - End With Fixing Flange	1	PC
14	134-12	Pan Head Screw-M3Cx10-4.8-Pozidriv	6	PC
14	455-3	Washer Plain Plated Steel M3	6	PC
14	425-10	Nut Nyloc Hex M3C	6	PC
15	13984	Diode Rectifier	3	PC
16	48-360	Relay-Type 4RA 12v	1	PC
17	134-60	Pan Head Screw-M5Cx25-4.8-Pozidriv	1	PC

**Engine Management Box (950511)**  
Powapack - John Deere High Power



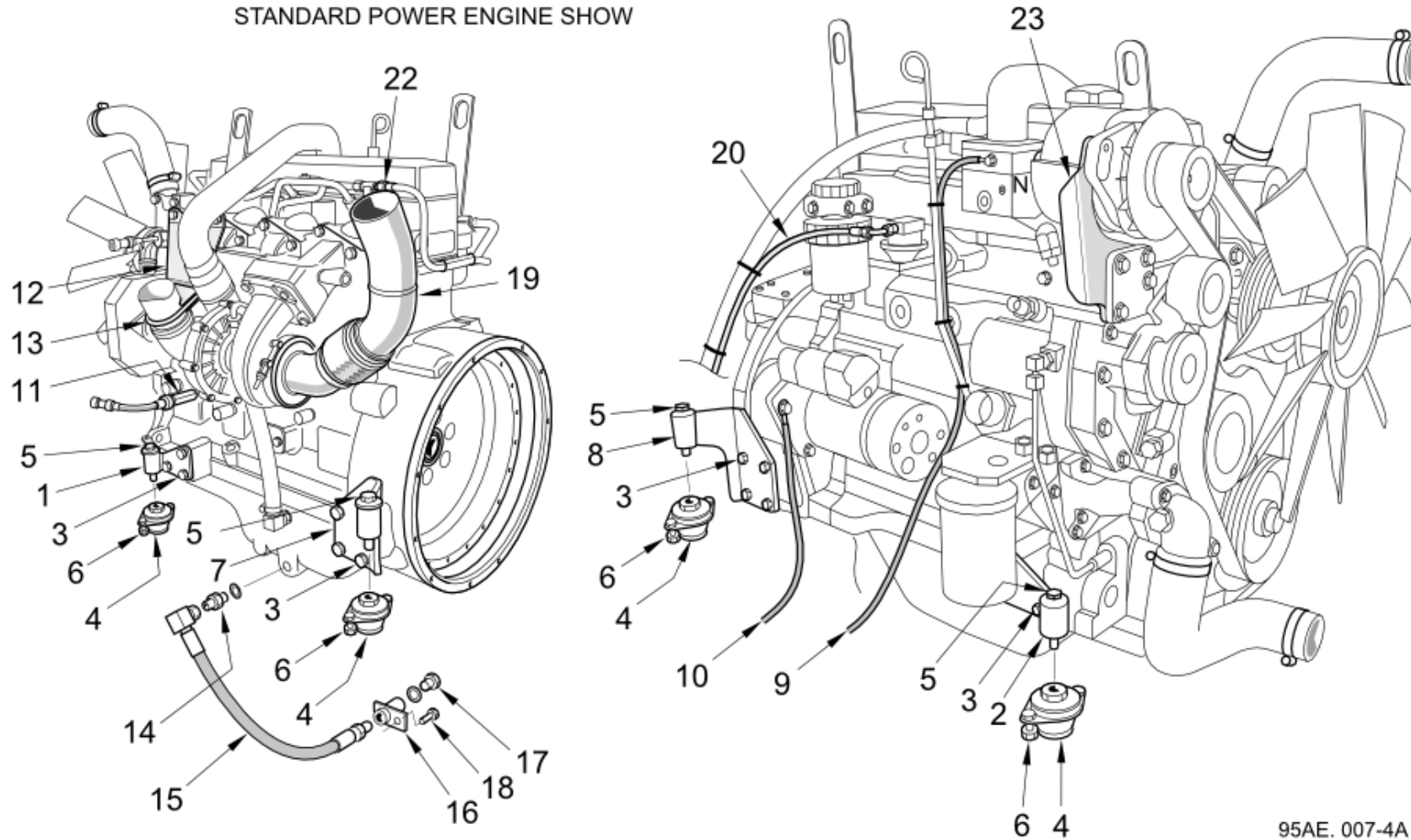
**Engine Management Box (950511)**

Powapack - John Deere High Power

Item no.	Part no.	Description	QTY	Unit
17	420-12	Nut MC Hex M5	1	PC
17	425-12	Nut Nyloc Hex M5C	1	PC
17	460-7	Washer Spring Single Coil M5	1	PC
17	455-7	Washer Plain Plated Steel M5	1	PC

**Engine and Transmission (950511)**  
 Powapack - John Deere SP & HP

STANDARD POWER ENGINE SHOW



95AE.007-4A

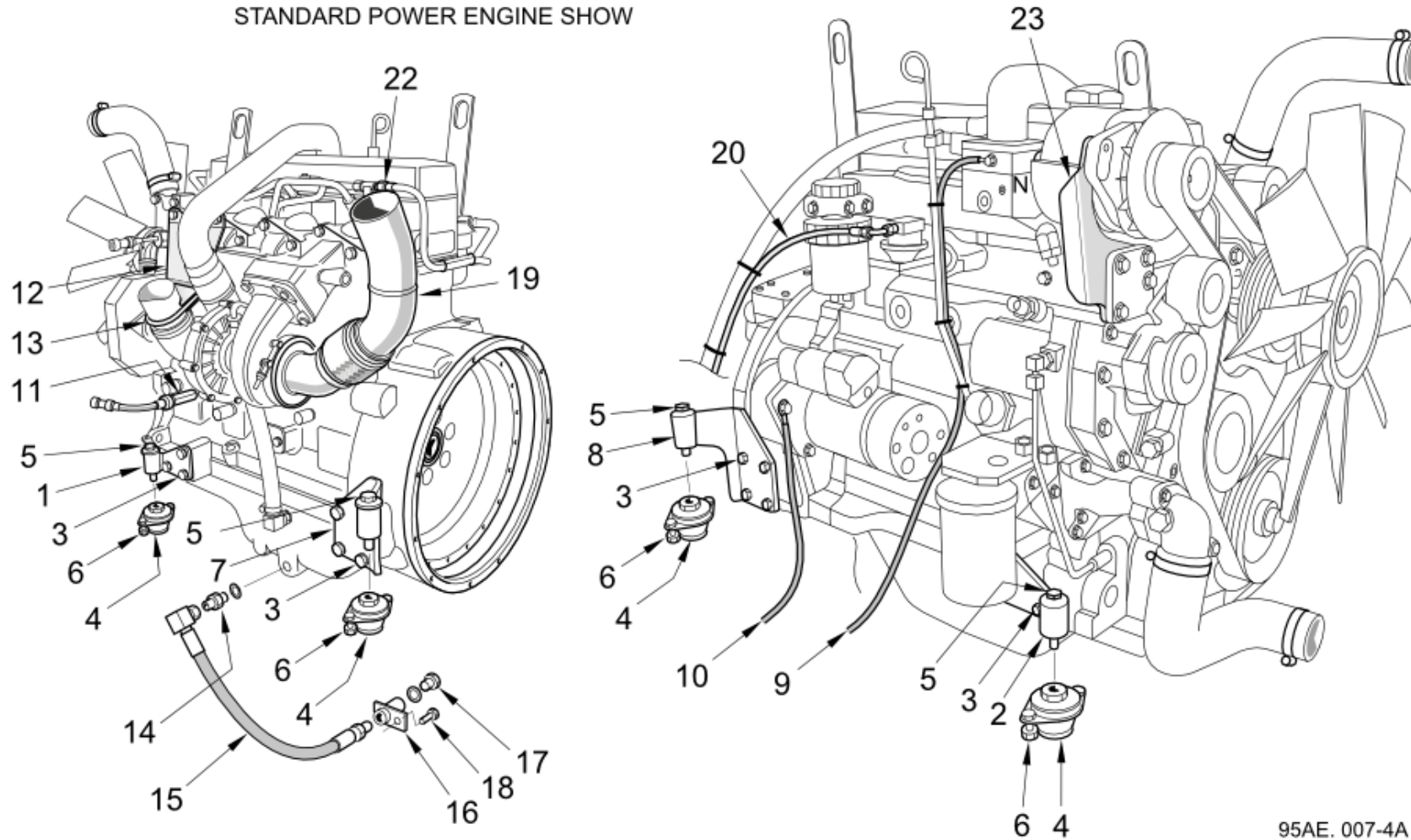
**Engine and Transmission (950511)**

Powapack - John Deere SP &amp; HP

Item no.	Part no.	Description	QTY	Unit
1	280150-4	Engine Mount W/A(Less Plate)LH	1	PC
2	280150-2	Engine Mount W/Assy RH	1	PC
3	123-151	Bolt M Coarse M12x65 BS3692	14	PC
3	280135-1	Rear Engine Mount W/Assy LH	14	PC
4	22826-1-A	Anti Vibration Mount - 70 S	4	PC
5	124-205	Setscrew M12C x 35	4	PC
5	460-12	Washer Spring Single Coil M12	4	PC
6	457-6	Washer Plain Steel M12 Form G	8	PC
6	460-12	Washer Spring Single Coil M12	8	PC
7	280135-2	Rear Engine Mount W/Assy RH	1	PC
7	124-171	Setscrew M10C x 30	1	PC
8	420-15	Nut MC Hex M10	1	PC
9	282044-1	Heat Start Cable 1100Lg	1	PC
10	281224-2	Cable - Earth 12v Black	1	PC
11	283401-1	Extender-1/8" 48Lg J/Deere	1	PC
12	284136-1	Mntg Bracket-Air Inlet J/Deere	1	PC
13	6645-21	Clip - Exhaust Banelli 92mm	1	PC
14	7004768	Adaptor Connector M18 x G3/4"	1	PC
14	80-46	O Ring - Hole Dia.20	1	PC
15	HE12003-80	Hose - Hydraulic 3/4" STRx90c	1	PC
16	62903-1	Drain	1	PC
17	7684-1	Plug - Collar 1/2" BSP Brass	1	PC
17	451-19	Washer - Bonded G1-2"	1	PC
18	124-167	Setscrew M10C x 20	1	PC

**Engine and Transmission (950511)**  
Powapack - John Deere SP & HP

STANDARD POWER ENGINE SHOW



95AE.007-4A



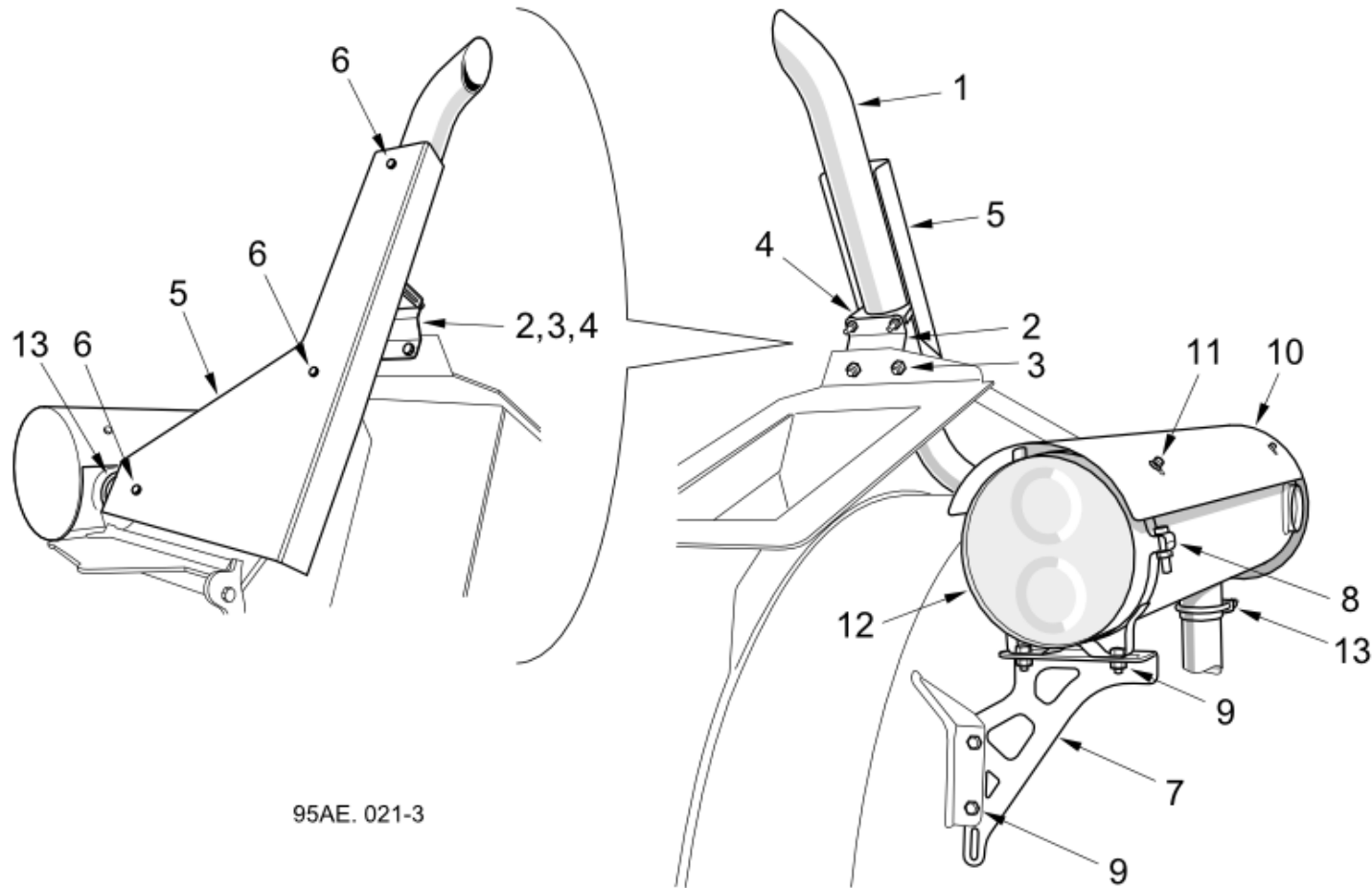
**Engine and Transmission (950511)**

Powapack - John Deere SP &amp; HP

Item no.	Part no.	Description	QTY	Unit
18	460-11	Washer Spring Single Coil M10	1	PC
18	455-11	Washer Plain Plated Steel M10	1	PC
18	420-15	Nut MC Hex M10	1	PC
19	282585-1	Exhaust Inlet Pipe John Deere	1	PC
20	282689-1	Hose - Fuel Pre Filter To Eng	1	PC
21	282697-1	Adaptor - Fuel Return J Deere	1	PC
22	848-21	Seal - For 848-20 (John Deere)	1	PC
23	295064-1	Bracket-Alternator Mtg JD Eng	1	PC

Exhaust Components (950511, 950520, 960520)

Powapack - John Deere SP & HP



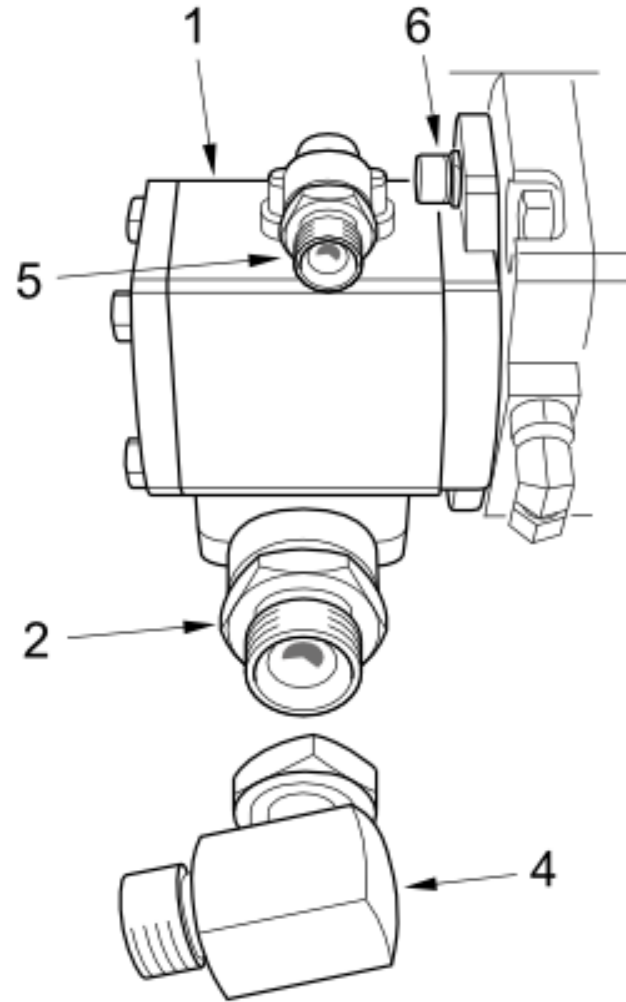
95AE.021-3

**Exhaust Components (950511, 950520, 960520)**

Powapack - John Deere SP &amp; HP

Item no.	Part no.	Description	QTY	Unit
1	42649-3	Tailpipe Aux Eng VT500 & VT605	1	PC
1	42649-1-E	Tailpipe - Aux Eng VT650	1	PC
1	281946-1	Tailpipe - Aux Eng VT800	1	PC
2	200063-1	Support - Tailpipe	1	PC
2	281945-1	Support - Tailpipe	1	PC
3	124-169	Setscrew M10C x 25	2	PC
3	455-11	Washer Plain Plated Steel M10	2	PC
3	426-5	Nut S/Lock Philidas M10c	2	PC
4	6645-13-A	Clip - Exhaust Banelli 2 5/8"	1	PC
5	42647-1-A	Heatshield Tailpipe	1	PC
6	124-100	Setscrew M6C x 12	3	PC
6	460-8	Washer Spring Single Coil M6	3	PC
7	295444-1	Bracket Silencer Supt Powapack	1	PC
8	903-9	Mounting Band 203 Dia	1	PC
9	124-135	Setscrew M8C x 20	4	PC
9	457-4	Washer Plain Steel M8 Form G	4	PC
9	460-10	Washer Spring Single Coil M8	4	PC
9	420-14	Nut MC Hex M8	4	PC
10	281704-1	Shield-Heat W/A Silencer	1	PC
11	124-100	Setscrew M6C x 12	4	PC
11	457-2	Washer Plain Steel M6 Form G	4	PC
11	460-8	Washer Spring Single Coil M6	4	PC
12	283781-1	Silencer - Exhaust	1	PC
13	6645-14	Clip - Exhaust Banelli 2 3/4"	2	PC

**P.T.O. Pumps Single (950514)**  
Powapack - John Deere SP & HP



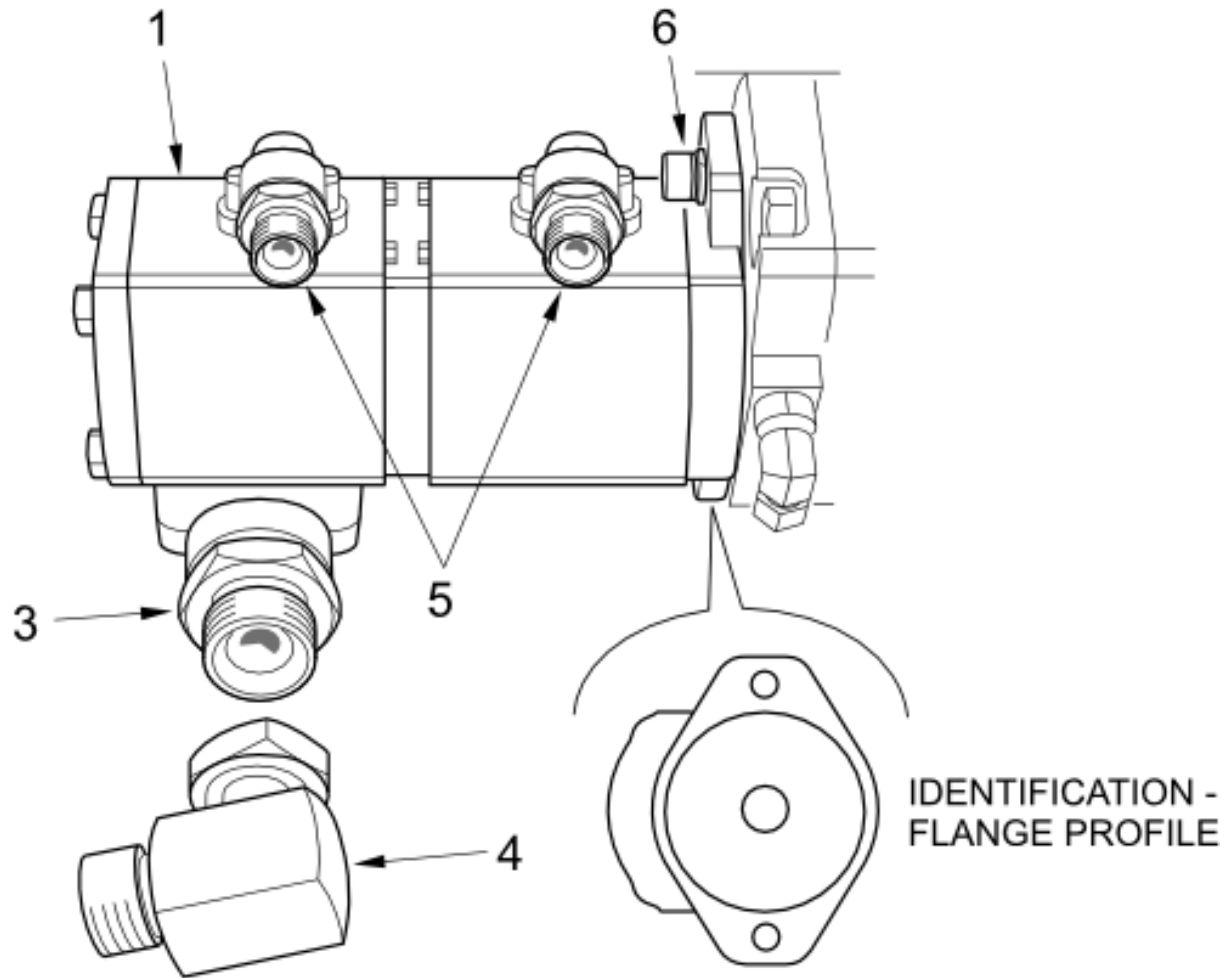
95HC. 019-9

**P.T.O. Pumps Single (950514)**

Powapack - John Deere SP &amp; HP

Item no.	Part no.	Description	QTY	Unit
1	239-27	Pump - Single SAE A 9T	1	PC
2	265-16	Adaptor Reducing M/M 3/4"-1 1/4" BSP	1	PC
2	451-21	Washer Bonded G3-4"	1	PC
4	262-8	Swivel Elbow 90 Degree Size 1 1/2"BSP	1	PC
5	263-4	Adaptor M/M 1/2" BSP	1	PC
5	451-19	Washer - Bonded G1-2"	1	PC
6	129-156	Screw MC Cap Skt Hd M10x30	2	PC
6	460-11	Washer Spring Single Coil M10	2	PC

**P.T.O. Pumps Tandem (950514)**  
Powapack - John Deere SP & HP



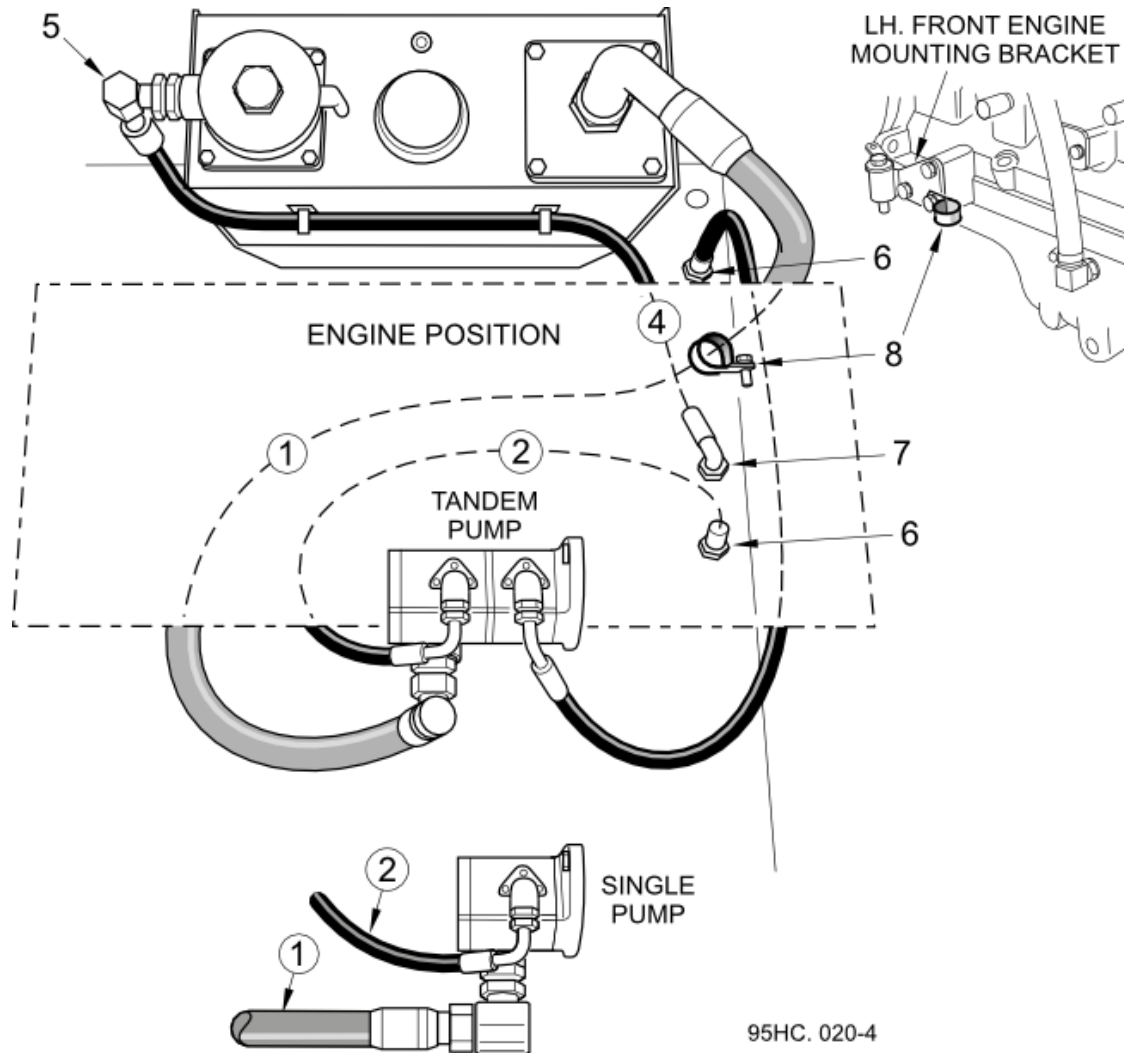
95HC. 019-10

**P.T.O. Pumps Tandem (950514)**

Powapack - John Deere SP &amp; HP

Item no.	Part no.	Description	QTY	Unit
1	239-34	Pump - Hyd Tandem	1	PC
3	263-8	Adaptor M/M 1 1/4" BSP	1	PC
3	451-111	Washer Bonded G1 1-4"	1	PC
4	262-8	Swivel Elbow 90 Degree Size 1 1/2"BSP	1	PC
5	263-4	Adaptor M/M 1/2" BSP	2	PC
5	451-19	Washer - Bonded G1-2"	2	PC
6	129-156	Screw MC Cap Skt Hd M10x30	2	PC
6	460-11	Washer Spring Single Coil M10	2	PC

**Pump Installations Single (950514)**  
Powapack - John Deere SP & HP



95HC. 020-4

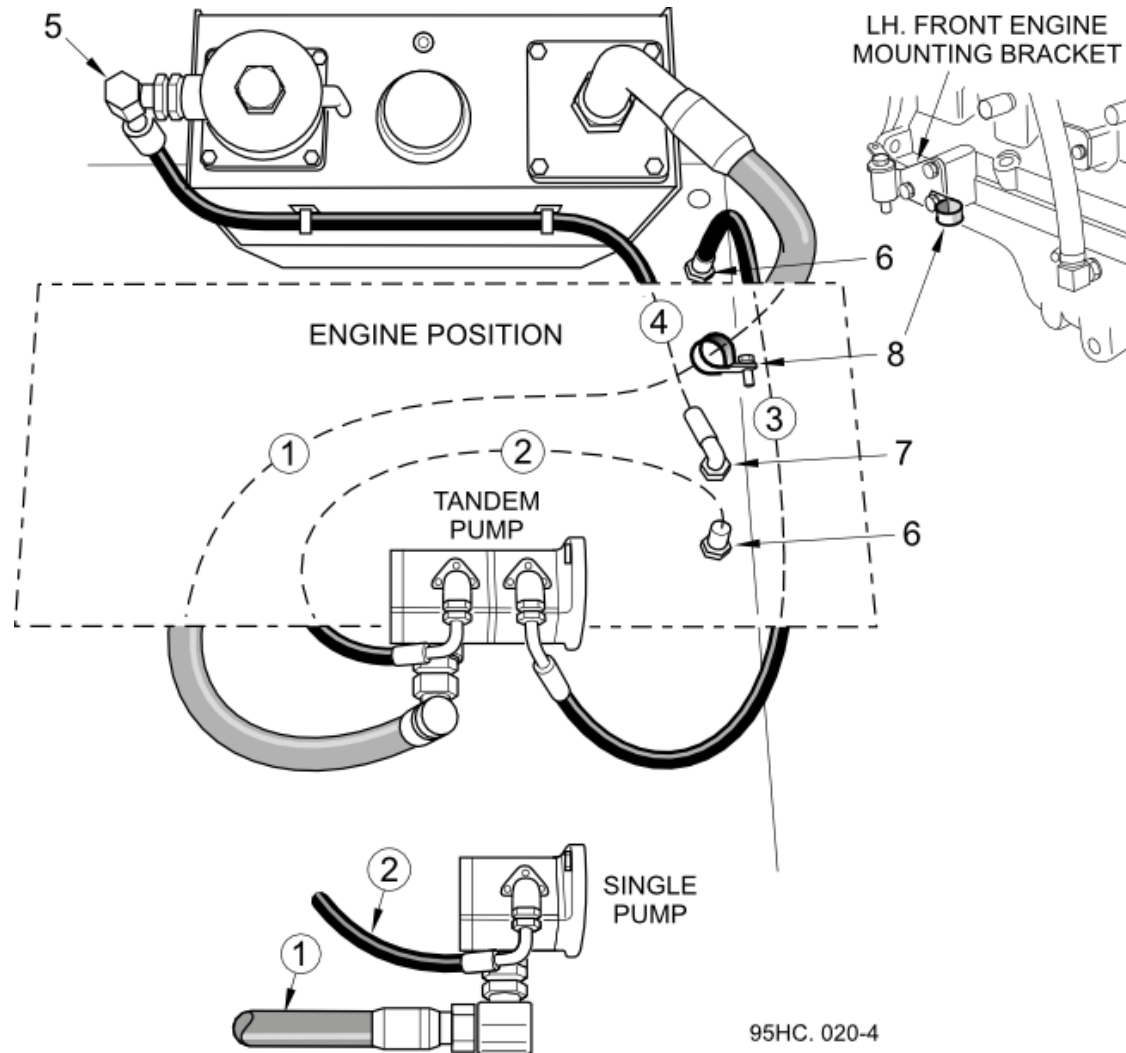


## Pump Installations Single (950514)

Powapack - John Deere SP &amp; HP

Item no.	Part no.	Description	QTY	Unit
1	HX20002-175	Hose - Megavac 1.1/4" STRx90s	1	PC
2	HC08000-168	Hose - Megaflex 1/2" STRxSTR	1	PC
4	HE12001-122	Hose - Hydraulic 3/4" STRx45s	1	PC
5	262-6	Swivel Elbow 90 Degree Size 3/4"BSP	1	PC
6	264-4	Adaptor-Bulkhead BSP M/M 1/2"	1	PC
7	264-6	Adaptor-Bulkhead BSP M/M 3/4"	1	PC
8	508-12	Clip - P Rubber Covered 44.50MM	1	PC

**Pump Installations Tandem (950514)**  
Powapack - John Deere SP & HP

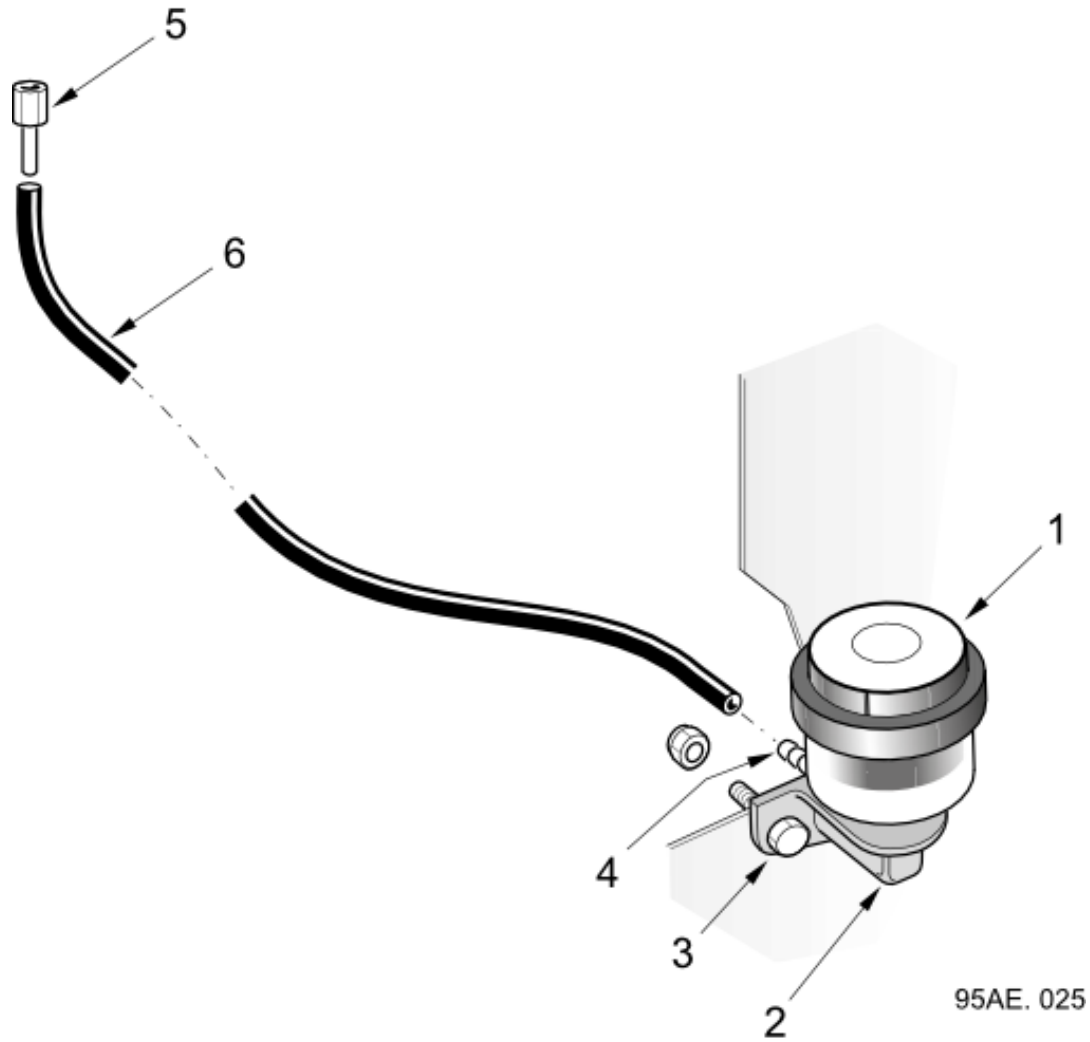


**Pump Installations Tandem (950514)**

Powapack - John Deere SP &amp; HP

Item no.	Part no.	Description	QTY	Unit
1	HX20002-175	Hose - Megavac 1.1/4" STRx90s	1	PC
2	HC08000-168	Hose - Megaflex 1/2" STRxSTR	1	PC
3	HC08002-170	Hose - Megaflex 1/2" STRx90s	1	PC
4	HE12001-122	Hose - Hydraulic 3/4" STRx45s	1	PC
5	262-6	Swivel Elbow 90 Degree Size 3/4"BSP	1	PC
6	264-4	Adaptor-Bulkhead BSP M/M 1/2"	2	PC
7	264-6	Adaptor-Bulkhead BSP M/M 3/4"	1	PC
8	508-12	Clip - P Rubber Covered 44.50MM	1	PC

**Filter State Indicator (950511)**  
Powapack - John Deere SP & HP

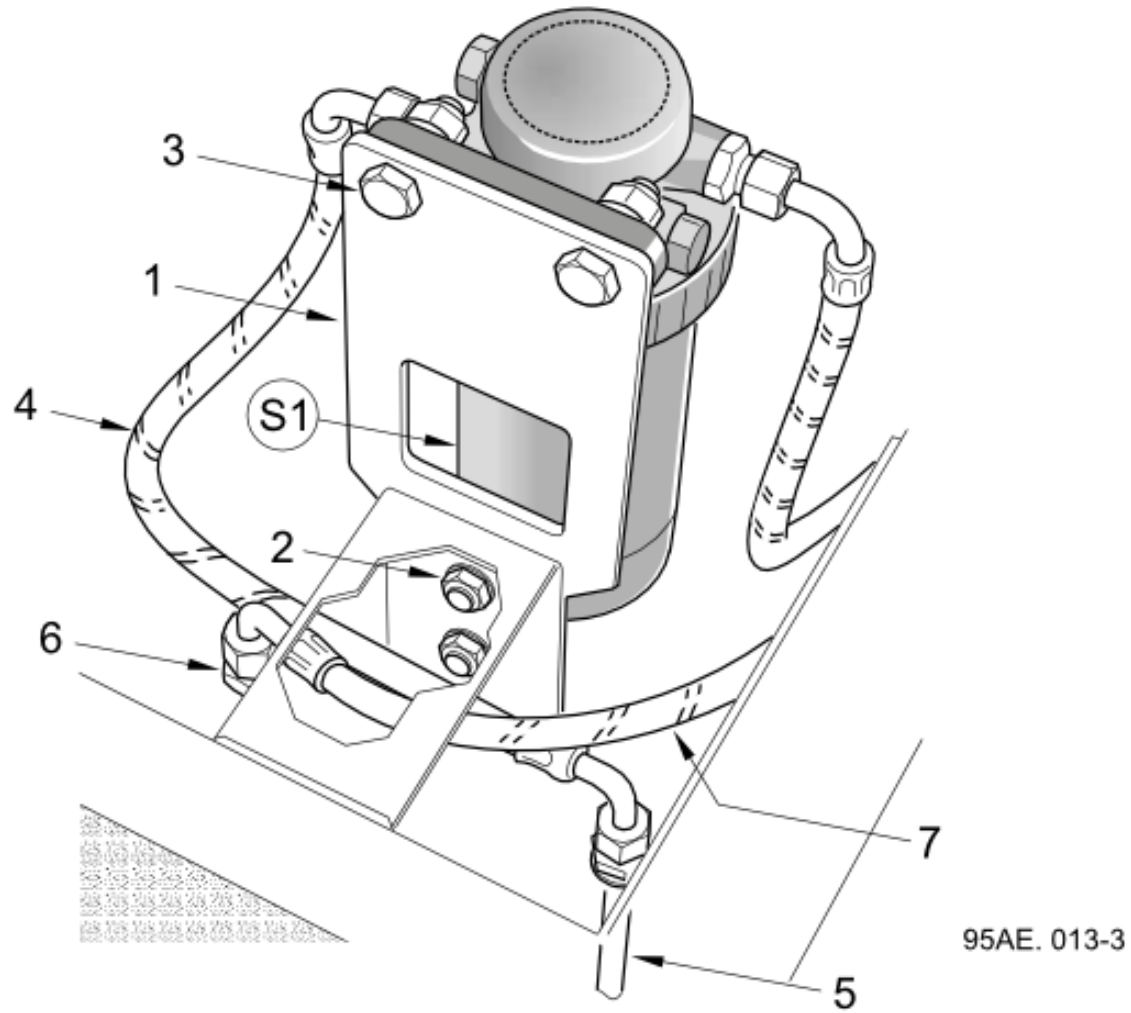


**Filter State Indicator (950511)**

Powapack - John Deere SP &amp; HP

Item no.	Part no.	Description	QTY	Unit
1	904-55	Air Filter Restrictor (7.5)	1	PC
2	904-59	Mounting Restriction Indicator	1	PC
3	124-103	Setscrew M6C x 20	2	PC
3	457-2	Washer Plain Steel M6 Form G	2	PC
3	425-13	Nut Nyloc Hex M6C	2	PC
4	904-56	Adaptor - R 1/8" M x 6mm	1	PC
5	904-58	Adaptor - R1/8" x 6mm	1	PC
6	12870	Tube - Nylon Black 8mm O/D	1	M

**Fuel Pre-Filter Installation (950511)**  
Powapack - John Deere SP & HP

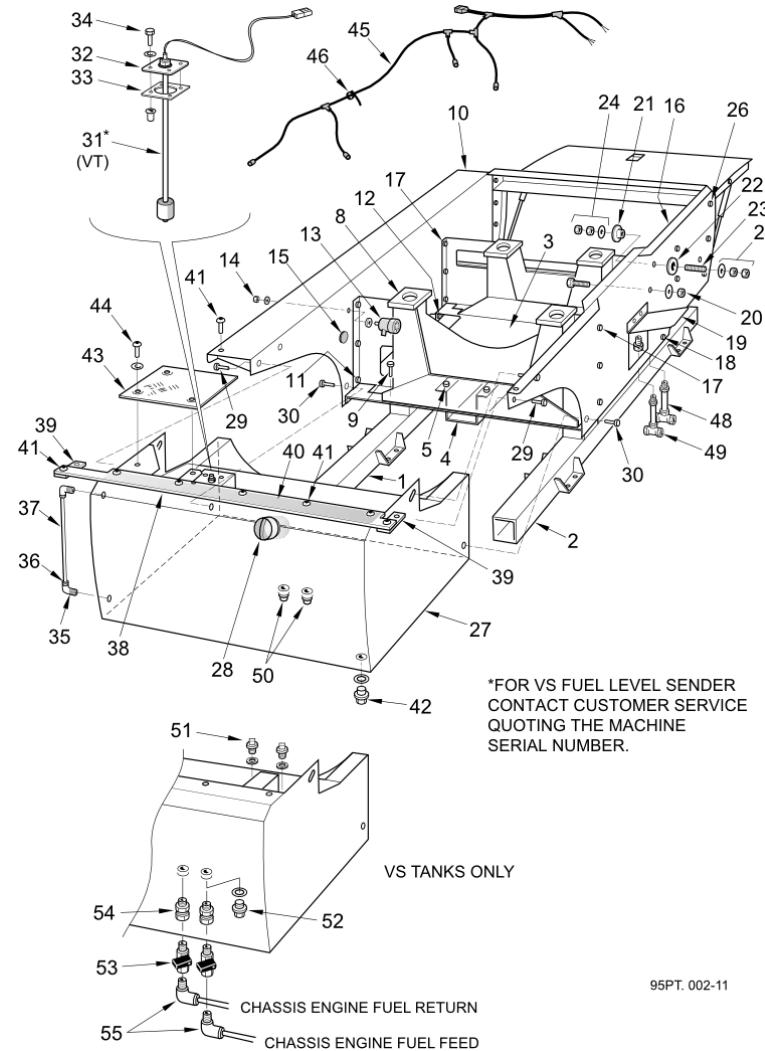


**Fuel Pre-Filter Installation (950511)**

Powapack - John Deere SP &amp; HP

Item no.	Part no.	Description	QTY	Unit
S1	848-33	Pre-Filter (John Deere) SP	1	PC
S1	848-34	Pre-Filter (John Deere) HP	1	PC
1	282629-1	Mntg Plate-Fuel Pre Filter	1	PC
2	124-134	Setscrew M8C x 16	2	PC
2	455-10	Washer Plain Plated Steel M8	2	PC
2	425-14	Nut Nyloc Hex MC M8	2	PC
3	124-171	Setscrew M10C x 30	2	PC
3	455-11	Washer Plain Plated Steel M10	2	PC
3	425-15	Nut Nyloc Hex M10C	2	PC
4	282691-1	Hose - Fuel Tank To Pre Filter	1	PC
5	282696-1	Suction Pipe W/A J Deere Eng	1	PC
5	451-17	Washer Bonded G1-4"	1	PC
6	283938-1	Fuel Return Pipe W/A VT Range	1	PC
7	282692-1	Hose - Fuel Return 1600 lg	1	PC
7	282692-2	Hose - Fuel Return 2400 lg	1	PC

Powapak Tub - VT and VS Common Parts (950512)

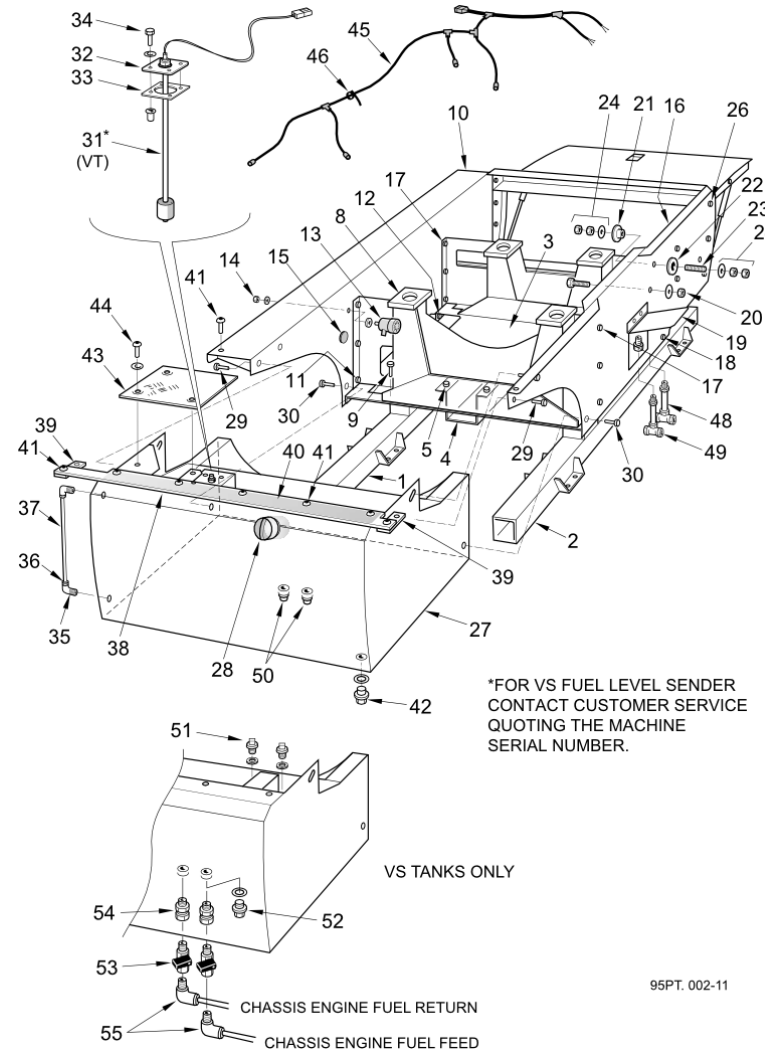




## Powapak Tub - VT and VS Common Parts (950512)

Item no.	Part no.	Description	QTY	Unit
1	281283-1	Beam W/A-Front Engine Mount	1	PC
2	281282-1	Beam W/A-Rear Engine Mount	1	PC
3	281643-1	Plate-Deck Universal W/Assy	1	PC
4	281881-1	Hose Tray W/Assy	1	PC
5	124-134	Setscrew M8C x 16	6	PC
5	460-10	Washer Spring Single Coil M8	6	PC
8	282375-1	Cradle - Rear Engine W/Assy 95	1	PC
9	124-272	Setscrew M16C x 45	2	PC
9	460-14	Washer Spring Single Coil M16	2	PC
10	200510-1	Front Valance W/Assy	1	PC
11	124-169	Setscrew M10C x 25	6	PC
11	425-15	Nut Nyloc Hex M10C	6	PC
11	455-11	Washer Plain Plated Steel M10	6	PC
12	124-137	Setscrew M8C x 25	2	PC
12	455-10	Washer Plain Plated Steel M8	2	PC
12	425-14	Nut Nyloc Hex MC M8	2	PC
13	30-184	Alarm - Reverse	1	PC
14	283229-6	Spacer-DIM A 6mm	1	PC
14	457-2	Washer Plain Steel M6 Form G	2	PC
14	420-13	Nut MC Hex M6	1	PC
15	287-12	Grommet 1 1/4"OD 3/4"ID 5/16	1	PC
16	282818-1	Valance Rear W/A - VT/VS Range	1	PC
17	124-169	Setscrew M10C x 25	6	PC
17	460-11	Washer Spring Single Coil M10	6	PC

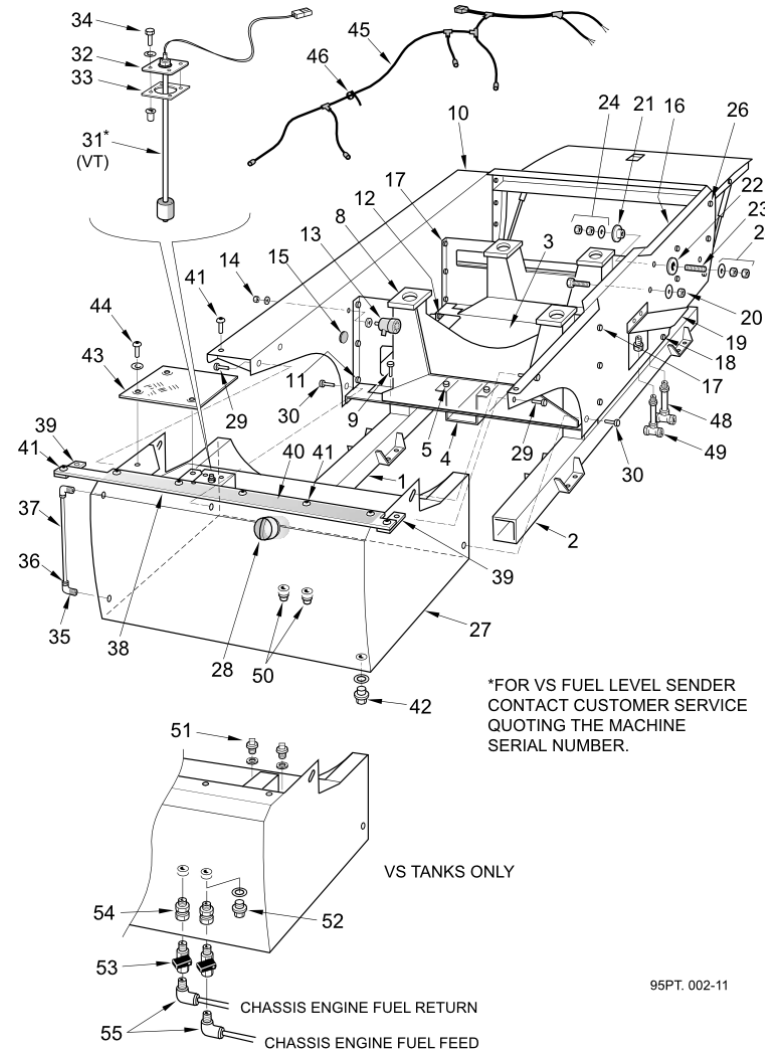
Powapak Tub - VT and VS Common Parts (950512)



## Powapak Tub - VT and VS Common Parts (950512)

Item no.	Part no.	Description	QTY	Unit
18	124-137	Setscrew M8C x 25	2	PC
18	455-10	Washer Plain Plated Steel M8	2	PC
18	425-14	Nut Nyloc Hex MC M8	2	PC
19	282816-1	Access Hatch-Rr Valance VT	1	PC
20	124-175	Setscrew M10C x 40	1	PC
20	455-11	Washer Plain Plated Steel M10	1	PC
20	420-15	Nut MC Hex M10	1	PC
21	42660-1-A	Spacer - Ø40 ODx18Lg	1	PC
22	42661-1-A	Washer - Ø40 ODx6Lg	1	PC
23	42421-3	Stud - M10c x 65	1	PC
24	410-49	Nut - Hex. M10 Brass	4	PC
24	455-11	Washer Plain Plated Steel M10	2	PC
26	124-135	Setscrew M8C x 20	7	PC
26	425-14	Nut Nyloc Hex MC M8	4	PC
27	283801-2	Fuel Tank W/Assy 190L 1.4003	1	PC
28	69-27	Fuel Cap - Lockable 80mm	1	PC
29	124-169	Setscrew M10C x 25	4	PC
29	455-11	Washer Plain Plated Steel M10	6	PC
29	425-15	Nut Nyloc Hex M10C	4	PC
30	124-167	Setscrew M10C x 20	2	PC
30	460-11	Washer Spring Single Coil M10	2	PC
31	283323-1	Fuel Level Sender V Range	1	PC
32	283432-1	Flange-Fuel Tank Sender 190Ltr	1	PC
33	283433-1	Gasket-Fuel Level Switch	1	PC

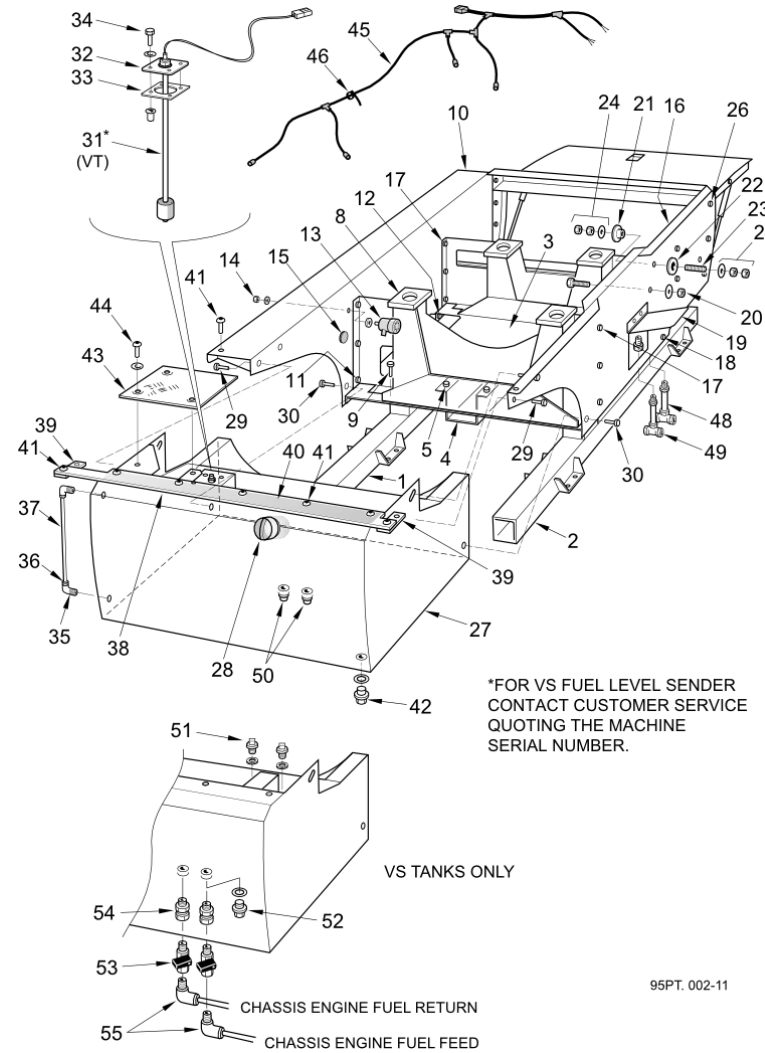
Powapak Tub - VT and VS Common Parts (950512)



## Powapak Tub - VT and VS Common Parts (950512)

Item no.	Part no.	Description	QTY	Unit
34	124-103	Setscrew M6C x 20	4	PC
34	451-9	Washer Bonded M6 - Bolt	4	PC
34	433-2	Rivet Nut - S.Cl. Nut M6c g0.5-3.0	4	PC
35	521-8	Adaptor - Elbow Tube O/D 8mm	2	PC
36	510-4	Nut - Tube 8mm O/D	2	PC
36	511-4	Olive - Tube 8mm O/D	2	PC
37	39024	Tube Nylon Clear O/D 8mm	0.4	M
38	281902-1	Plate - Fuel Tank Walkway	1	PC
39	281600-1	Strip - Support Valance	2	PC
40	211-12	Safety Walk - 2" Wide	1	MM
41	135-57	NOW USE 138/123	9	PC
41	425-14	Nut Nyloc Hex MC M8	9	PC
42	7684-1	Plug - Collar 1/2" BSP Brass	1	PC
42	451-19	Washer - Bonded G1-2"	1	PC
43	281610-1	Plate - Walkway	1	PC
44	135-57	NOW USE 138/123	3	PC
44	457-4	Washer Plain Steel M8 Form G	3	PC
45	283263-1	Powerpack Service Loom Mk2	1	PC
46	24-1	Cable Tie 282mm x 8mm	5	PC
48	281669-1	Water Pipe Assy/Supawash	1	PC
48	281669-2	Water Pipe Assy/Less S/Wash	1	PC
49	281670-1	Water Feed Pipe Assembly	1	PC
50	3823	Plug - Collar 3/8" BSP Brass	2	PC
50	451-18	Washer Bonded G3/8"	2	PC

Powapak Tub - VT and VS Common Parts (950512)

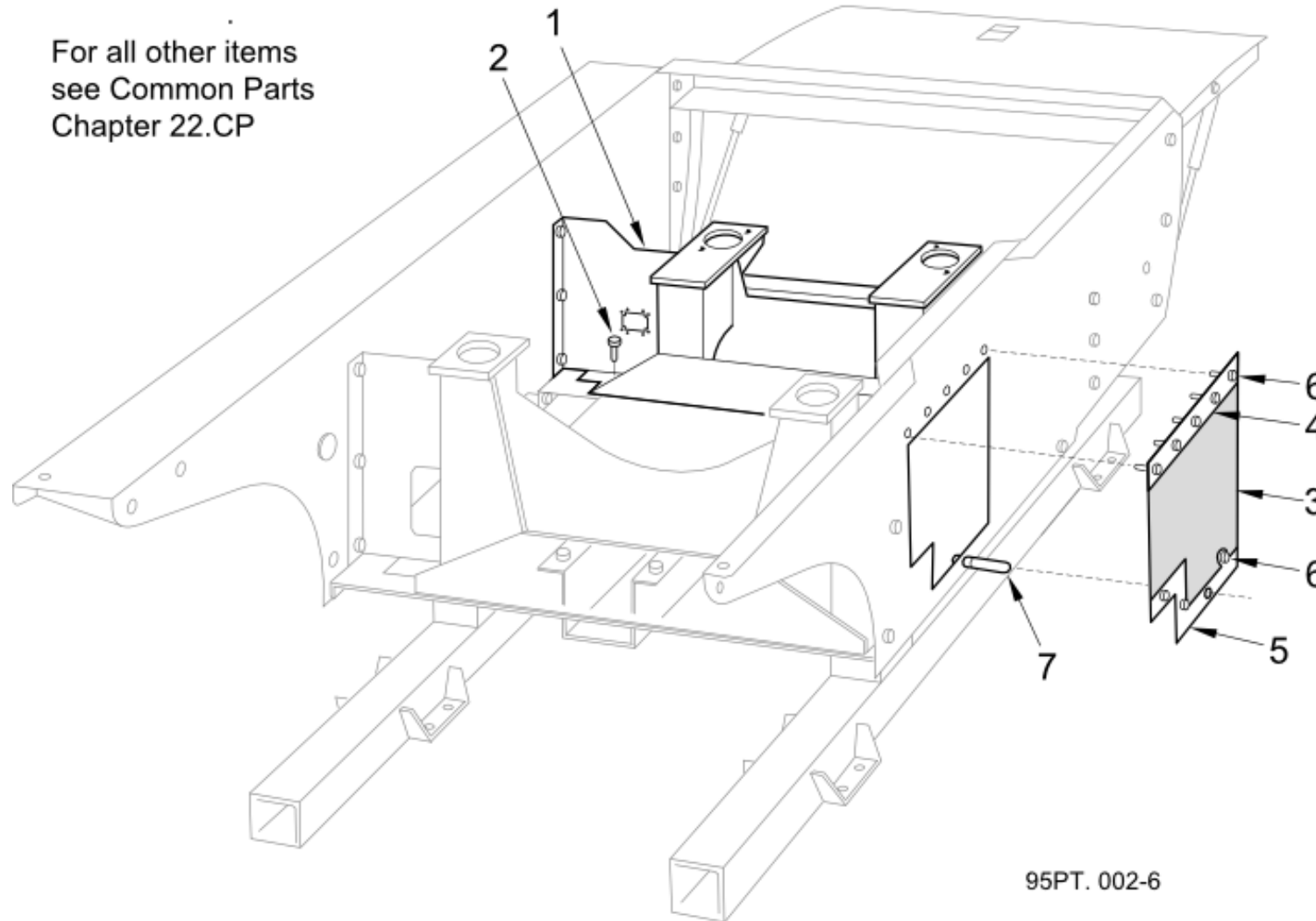


## Powapak Tub - VT and VS Common Parts (950512)

Item no.	Part no.	Description	QTY	Unit
51	3162	Plug - Collar 1/4" BSP Brass	2	PC
51	451-17	Washer Bonded G1-4"	2	PC
52	3823	Plug - Collar 3/8" BSP Brass	2	PC
52	451-18	Washer Bonded G3/8"	2	PC
53	88-28	Ball Valve 3/8"MF Short Handle	2	PC
53	451-18	Washer Bonded G3/8"	2	PC
54	267-3	Adaptor Swivel M/F 3/8"BSP	2	PC
55	83-77	Elbow - Fixed 8o/d x R3/8	2	PC
55	83-81	Elbow - Fixed 10o/d x R3/8	2	PC
55	83-83	Elbow - Fixed 12o/d x R3/8	2	PC
55	802776-2	Adaptor-Fuel Line 58.5Lg Merc	2	PC

**Powapak Tub - VT Parts Only (950511, 950512)**

For all other items  
see Common Parts  
Chapter 22.CP



95PT. 002-6

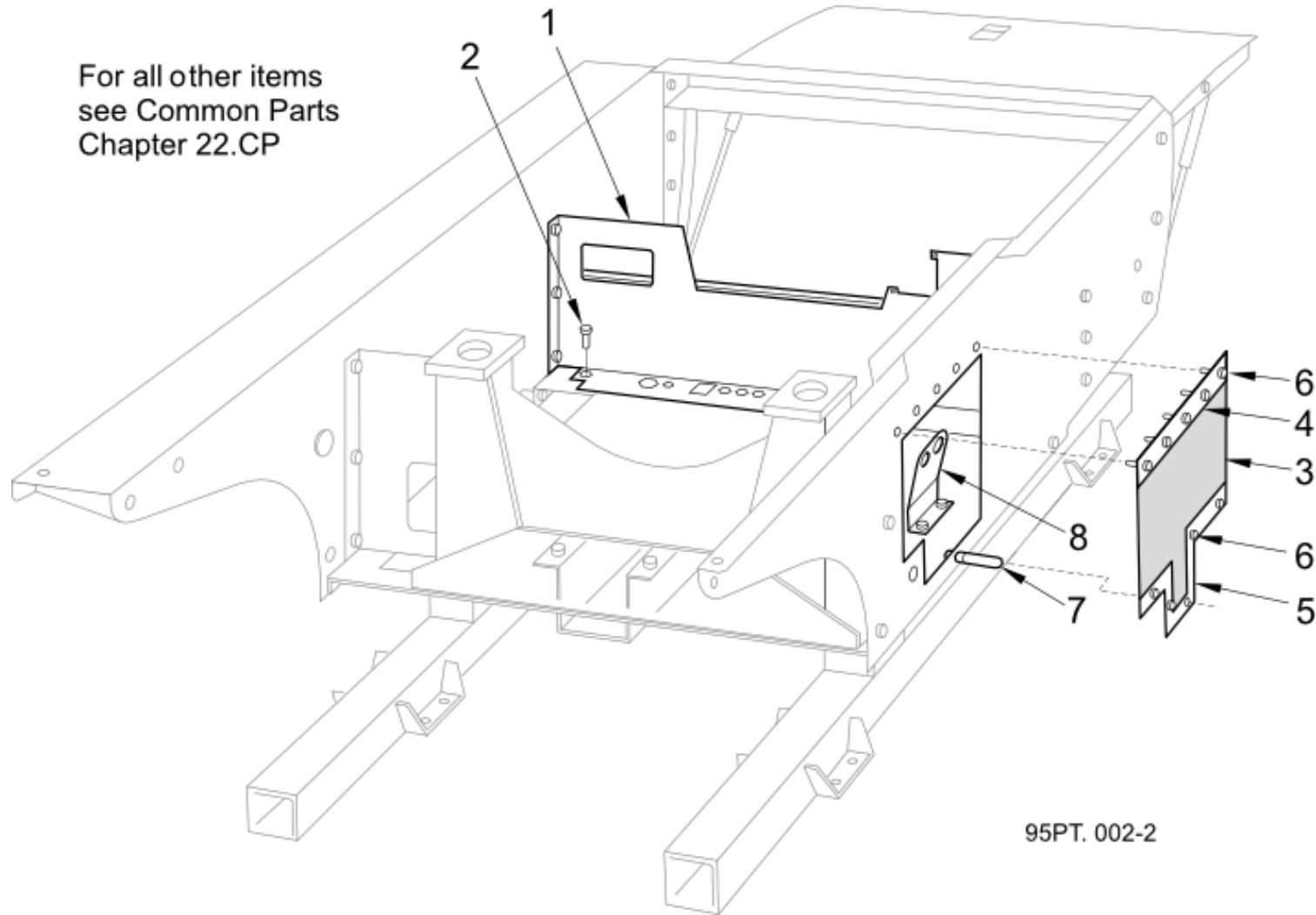


## Powapak Tub - VT Parts Only (950511, 950512)

Item no.	Part no.	Description	QTY	Unit
0	282816-1	Access Hatch-Rr Valance VT	1	PC
Comprising items 3-7				
1	281475-1	Cradle W/A-Front Eng IVECO E3	1	PC
1	282425-1	Cradle W/A - Front Eng J/Deere	1	PC
2	124-272	Setscrew M16C x 45	2	PC
2	460-14	Washer Spring Single Coil M16	2	PC
3	282801-1	Access Hatch Rear Valance	1	PC
4	282804-1	Rr Valance Access Hatch Plate	1	PC
5	282802-1	Rear Valance Access Hatch Flap	1	PC
6	124-135	Setscrew M8C x 20	8	PC
6	455-10	Washer Plain Plated Steel M8	8	PC
6	425-14	Nut Nyloc Hex MC M8	8	PC
7	283-36	Pin - Antiluce 8mm x 21mm ZP	1	PC
7	455-10	Washer Plain Plated Steel M8	1	PC
7	425-14	Nut Nyloc Hex MC M8	1	PC

**Powapak Tub - VS Parts Only (950511, 950512)**

For all other items  
see Common Parts  
Chapter 22.CP



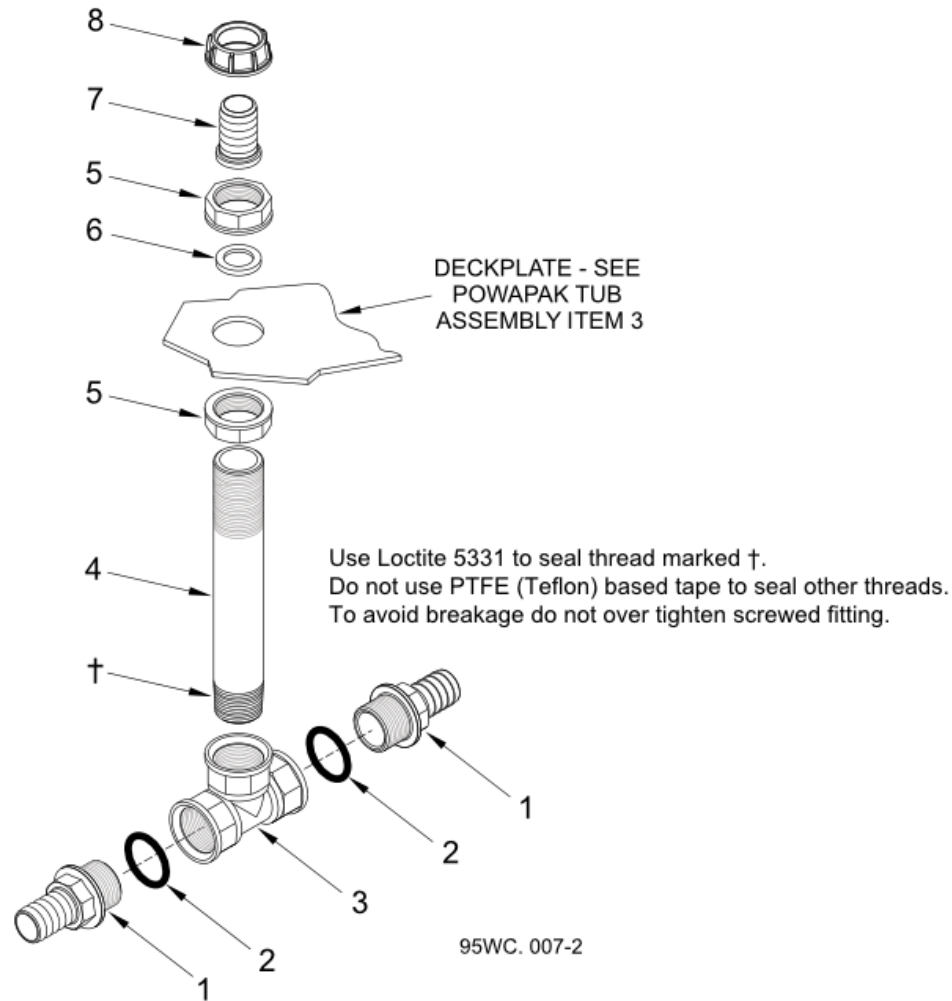
95PT. 002-2

**Powapak Tub - VS Parts Only (950511, 950512)**

Item no.	Part no.	Description	QTY	Unit
0	282816-2	Access Hatch-Rr Valance VS	1	PC
Comprising items 3-7				
1	281695-1	Cradle W/A-Front Eng SINGLE	1	PC
2	124-272	Setscrew M16C x 45	2	PC
2	460-14	Washer Spring Single Coil M16	2	PC
3	282803-1	Access Hatch Neoprene Flap VS	1	PC
4	282804-1	Rr Valance Access Hatch Plate	1	PC
5	282802-1	Rear Valance Access Hatch Flap	1	PC
6	124-135	Setscrew M8C x 20	8	PC
6	455-10	Washer Plain Plated Steel M8	8	PC
6	425-14	Nut Nyloc Hex MC M8	8	PC
7	283-36	Pin - Antiluce 8mm x 21mm ZP	1	PC
7	455-10	Washer Plain Plated Steel M8	1	PC
7	425-14	Nut Nyloc Hex MC M8	1	PC
8	281922-1	Suppt-Extended Hose Bracket 95	1	PC
8	124-137	Setscrew M8C x 25	2	PC
8	455-10	Washer Plain Plated Steel M8	2	PC
8	425-14	Nut Nyloc Hex MC M8	2	PC

**3/4" Water System Feed Pipe Assembly (950512)**

Powapak Tub



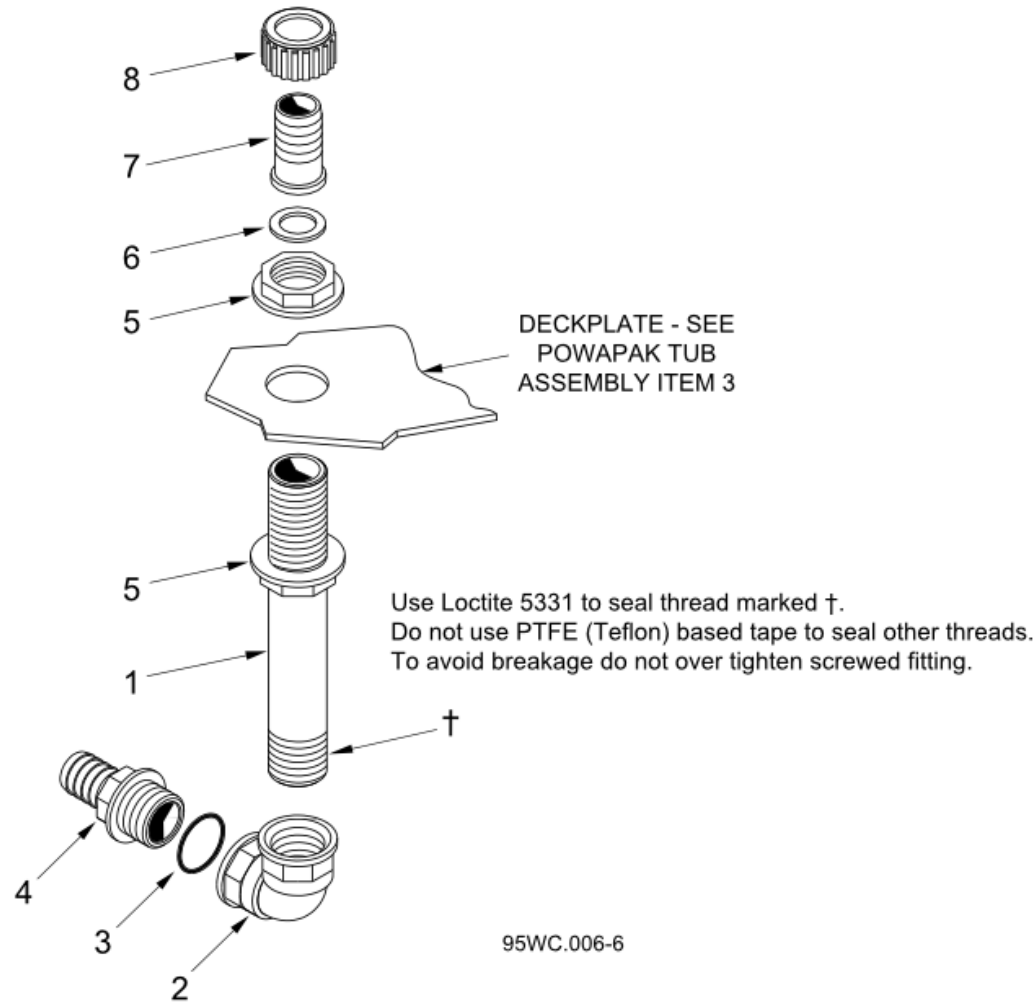
**3/4" Water System Feed Pipe Assembly (950512)**

Powapak Tub

Item no.	Part no.	Description	QTY	Unit
0	281670-1	Water Feed Pipe Assembly	1	PC
Comprising items 1-8				
1	277-130	Hosetail - 3/4" BSP	2	PC
2	277-148	Seal - O-Ring For 3/4" Thread	2	PC
3	277-133	Tee - 3/4" BSP Equal	1	PC
4	281668-1	Pipe - PVC Water 3/4" NB	1	PC
5	277-164	Backnut 3/4" F	2	PC
6	277-160	Gasket 3/4" For 277/158	1	PC
7	277-158	Hosetail - 19mm Flat Seat	1	PC
8	277-159	Flynut - 3/4" BSP for 277/158	1	PC

**1" Water Pump Suction Pipe Assembly (950512)**

Powapak Tub

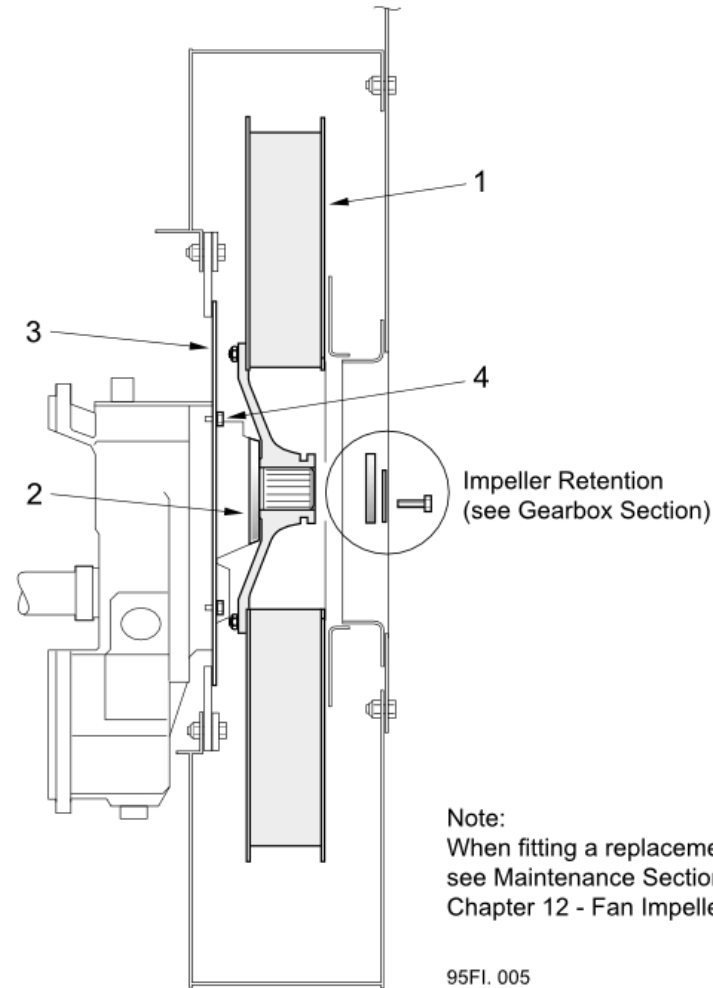


**1" Water Pump Suction Pipe Assembly (950512)**

Powapak Tub

Item no.	Part no.	Description	QTY	Unit
0	283793-2	Water Pipe Assy Less Supawash	1	PC
Comprising items 1-8				
1	281667-1	Pipe - PVC Water 1" NB	1	PC
2	277-129	Elbow - 1" x 1" BSP 90 Degree	1	PC
3	277-149	Seal O-Ring For 1" Thread	1	PC
4	277-125	Hosetail 1" BSP	1	PC
5	277-165	Backnut 1" F	2	PC
6	277-163	Gaske 1" For 277/161	1	PC
7	277-161	Hosetail 25mm Flat Seat	1	PC
8	277-162	Flynut 1" BSP	1	PC

**Fan Impeller Installation VT (950513)**  
Powapak



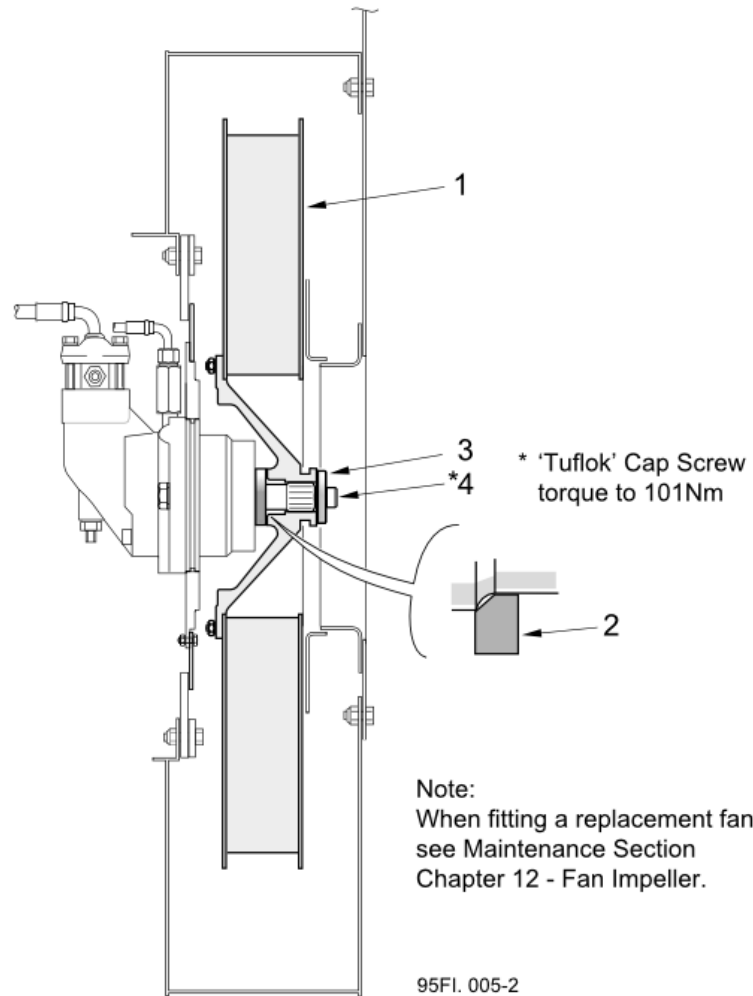


**Fan Impeller Installation VT (950513)**

Powapak

Item no.	Part no.	Description	QTY	Unit
1	280730-1	Impeller Assy 760x9	1	PC
1	280830-1	Fan Impeller Assy 800x8	1	PC
2	62025-1	Spinner - Gearbox	1	PC
3	42284-1-B	Mask - Fancase	1	PC
4	837-37	Screw - Special M8c x 20	4	PC

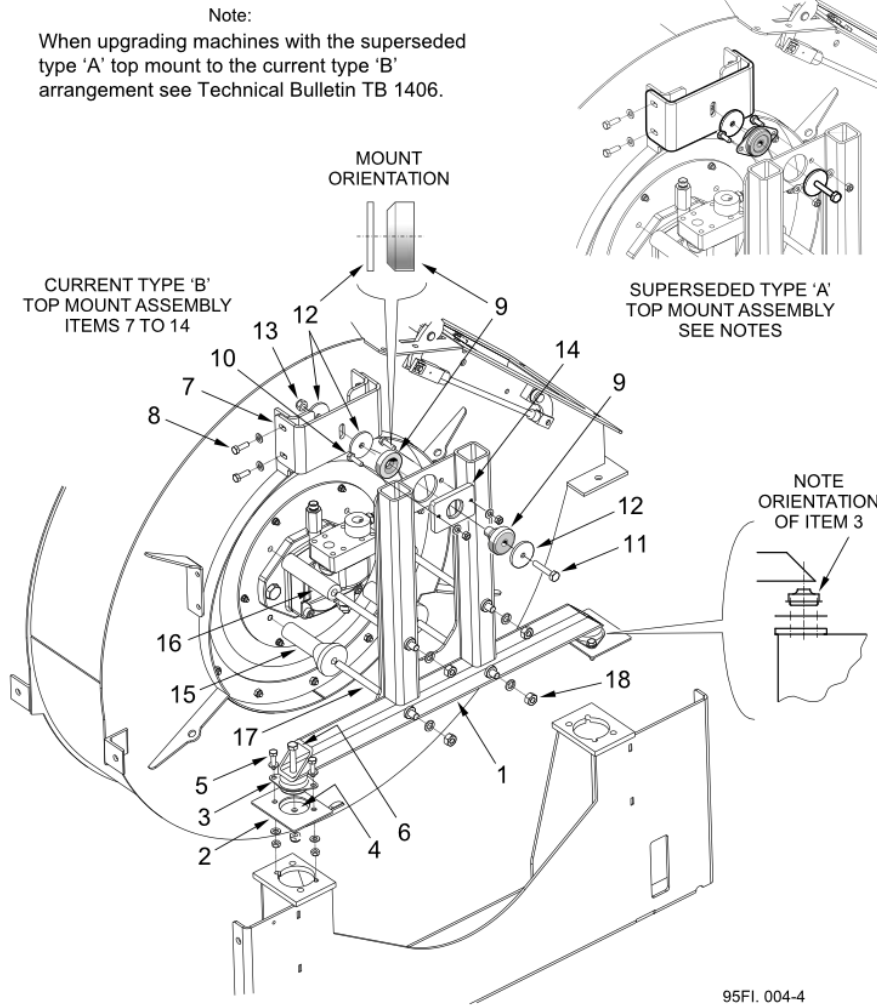
**Fan Impeller Installation VS (950513)**  
Powapak



## Fan Impeller Installation VS (950513)

Powapak

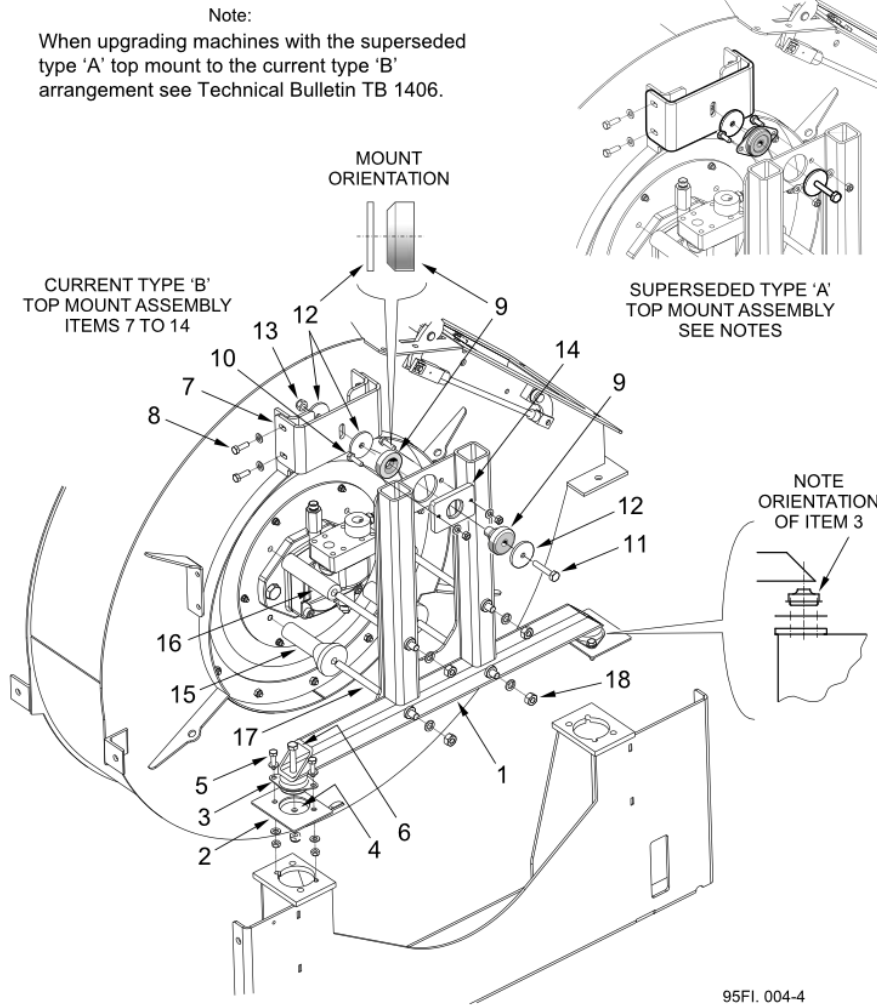
Item no.	Part no.	Description	QTY	Unit
1	280830-2	Fan Impeller Assy 800x8 Hydro	1	PC
2	78401-1	Spacer - Fan Hub	1	PC
3	78404-1	Washer - Fan Hub Securing	1	PC
4	148-100	Screw-Cap HD Tuflok M12x1.75x30 G12.9	1	PC

**Fan Case (950513)**  
**Powapak**


**Fan Case (950513)**

Powapak

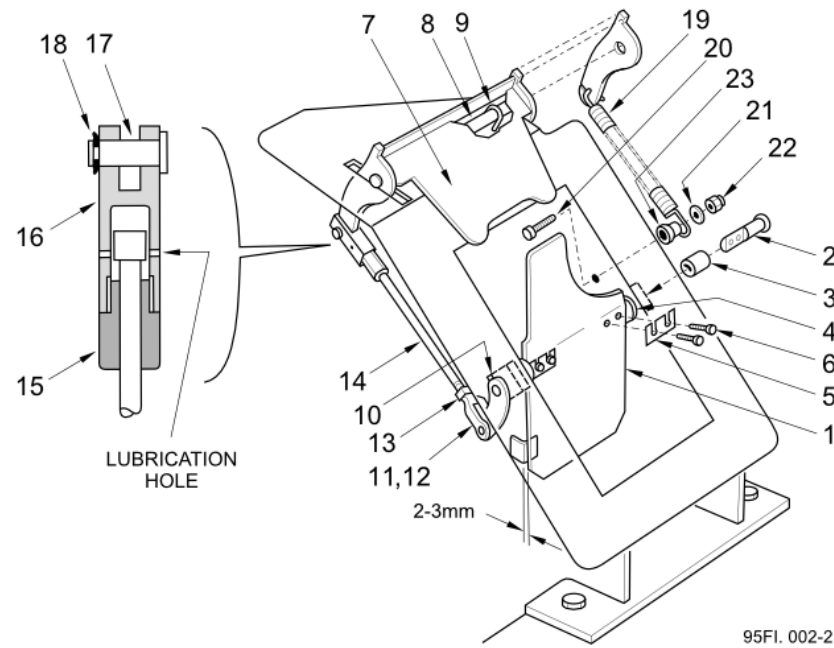
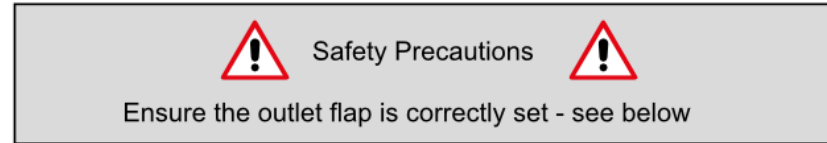
Item no.	Part no.	Description	QTY	Unit
1	282390-1	Fancase W/Assy	1	PC
2	124-169	Setscrew M10C x 25	4	PC
2	455-11	Washer Plain Plated Steel M10	4	PC
2	425-15	Nut Nyloc Hex M10C	4	PC
3	42239-2	Flange - Fancase (Painted)	1	PC
4	42382-1	Diaphragm - Fancase	1	PC
5	124-137	Setscrew M8C x 25	12	PC
5	425-14	Nut Nyloc Hex MC M8	12	PC
6	93875-1	Fancase Cover W/Assy	1	PC
7	124-135	Setscrew M8C x 20	10	PC
7	460-10	Washer Spring Single Coil M8	10	PC
7	457-4	Washer Plain Steel M8 Form G	10	PC
8	42401-1	Transition Ring	1	PC
9	285-2	Spring-Comp. 15.88x2.34x50.8 Lg	3	PC
10	62770-1	Sleeve - Spares	3	PC
11	457-5	Washer Plain Steel M10 Form G	3	PC
12	425-15	Nut Nyloc Hex M10C	3	PC
12	455-11	Washer Plain Plated Steel M10	3	PC
13	42587-1-A	Plate Fan Cover	1	PC
13	124-134	Setscrew M8C x 16	1	PC
13	460-10	Washer Spring Single Coil M8	1	PC
14	42238-1-C	Cover - Access, Fan W/Out hole	1	PC
15	124-134	Setscrew M8C x 16	5	PC
15	460-10	Washer Spring Single Coil M8	5	PC

**Fan Case (950513)  
Powapak**


## Fan Case (950513)

Powapak

Item no.	Part no.	Description	QTY	Unit
15	455-10	Washer Plain Plated Steel M8	5	PC
16	62407-1	Handle Grab W/Assy	1	PC
17	124-135	Setscrew M8C x 20	4	PC
17	460-10	Washer Spring Single Coil M8	2	PC
17	426-4	Nut S/Lock Philidas M8cx13x8	2	PC

Fan Case Outlet Flap (-)  
 Powapak


## Setting Procedures

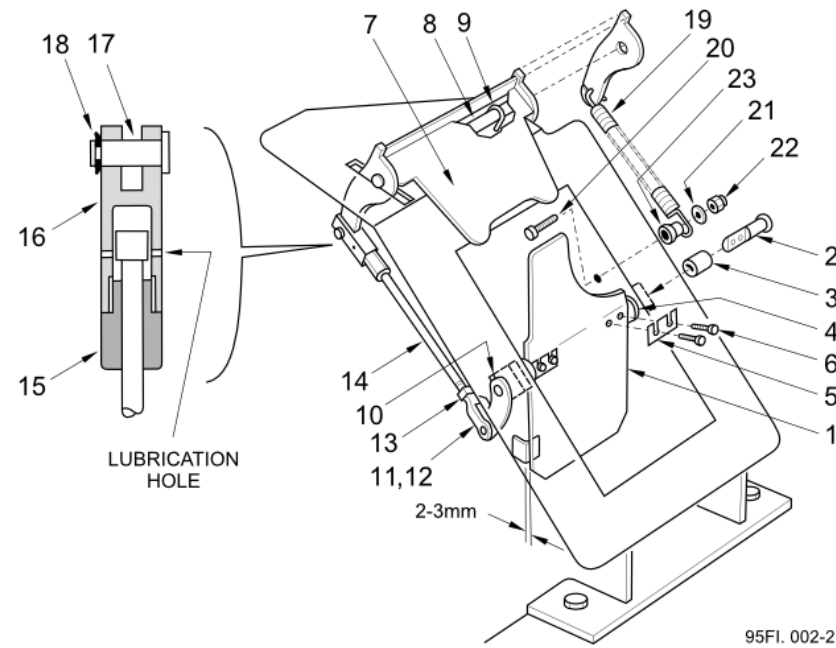
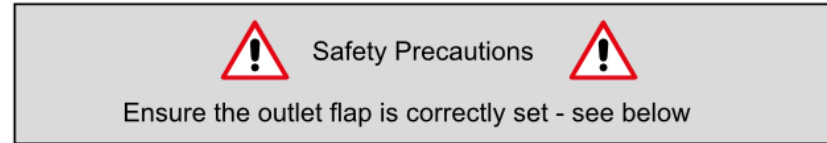
There should be 2-3mm of free play between the flap (1) and the angle stop inside the fan outlet, as shown, when the flap actuator (7) is fully depressed against the fan case seal face. Adjustment is made by releasing the yoke end locknut (13) and rotating the actuation rod (14) to move the yoke end up or down the rod as required. Having achieved the correct setting, retighten the locknut.



## Fan Case Outlet Flap (-)

Powapak

Item no.	Part no.	Description	QTY	Unit
1	42582-1-B	Flap - Safety, Fancase	1	PC
2	42729-1-C	Rod - Pivot	1	PC
3	29128-1-B	Bush - 20Lg	2	PC
4	42728-1-A	Spacer - Ø30 OD x 3mm	2	PC
5	42723-1-A	Washer - Tab	2	PC
6	124-134	Setscrew M8C x 16	4	PC
7	282626-1	Flap Actuator W/assy, Safety Flap	1	PC
8	42993-1-B	Rod - Pivot, Fan Flap	1	PC
9	42992-1-A	U Bolt - Fan Flap	2	PC
9	460-8	Washer Spring Single Coil M6	4	PC
9	420-13	Nut MC Hex M6	4	PC
10	42952-1-A	Actuator - Flap, W/Assy	1	PC
11	289-4	Yoke - End	1	PC
12	289-21	Pin - Spring	1	PC
13	420-15	Nut MC Hex M10	1	PC
14	42990-5-A	Rod - Actuation, W/Assy	1	PC
15	42986-1-A	Sleeve - 20 A/F x 41Lg	1	PC
16	42988-1-A	Clevis 25x25x78Lg	1	PC
17	29145-2-C	Clevis pin (33mm Lg)	1	PC
18	39624	Slim Safety Fastener	1	PC
19	80766-1-A	Spring - Tension	1	PC
20	124-143	Setscrew M8C x 40	1	PC
21	457-4	Washer Plain Steel M8 Form G	1	PC
22	425-14	Nut Nyloc Hex MC M8	1	PC

Fan Case Outlet Flap (-)  
 Powapak


## Setting Procedures

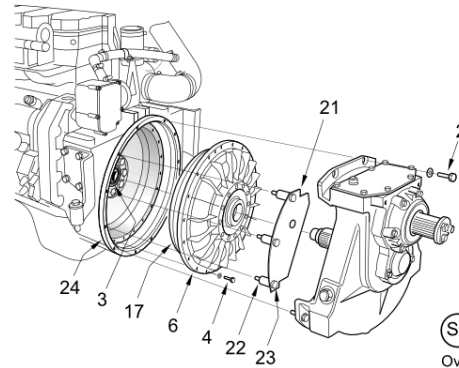
There should be 2-3mm of free play between the flap (1) and the angle stop inside the fan outlet, as shown, when the flap actuator (7) is fully depressed against the fan case seal face. Adjustment is made by releasing the yoke end locknut (13) and rotating the actuation rod (14) to move the yoke end up or down the rod as required. Having achieved the correct setting, retighten the locknut.

Fan Case Outlet Flap (-)

Powapak

Item no.	Part no.	Description	QTY	Unit
23	42586-1-C	Boss - Pivot, Spring	1	PC

**Fluid Coupling (-)**  
Powapak - VT Transmission

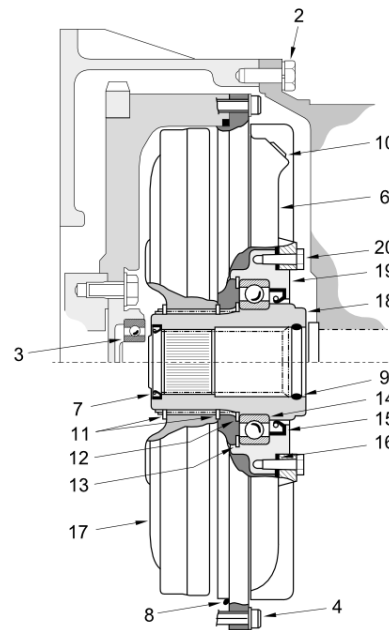


(S1)

Overhaul Kit  
comprising items:  
3, 7-16

(S2)

Fluid Coupling Kit  
(Iveco engines)  
comprising items:  
6, 7



Note:  
On assembly, coat internal  
spline of Item 18 with  
Kluber Paste 46MR410,  
JSL Part No. 94-24

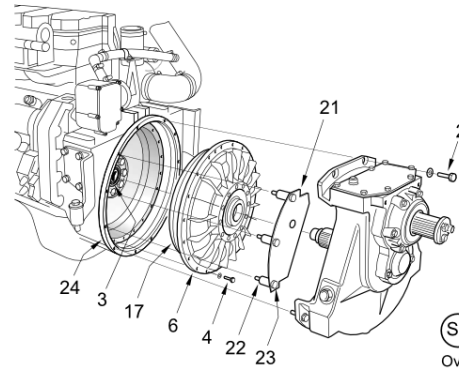
95FC.001-5

**Fluid Coupling (-)**

Powapak - VT Transmission

Item no.	Part no.	Description	QTY	Unit
S1	42501-500	Overhaul kit- For 42501/3	1	PC
S2	295150-300	Kit - Fluid Coupling	1	PC
2	123-131	Bolt M Coarse M10x55	6	PC
2	460-11	Washer Spring Single Coil M10	6	PC
3	14-7	Bearing - 30x62x16	1	PC
4	129-127	Screw MC Cap Skt Hd M8x30	20	PC
4	452-57	Washer - M8 X 15 - ZN Clear	20	PC
6	295150-1	Fluid Coupling	1	PC
6	295151-1	Fluid Coupling John Deere	1	PC
7	77-39	Seal - Oil 40x55x7mm	1	PC
8	656-1	O Ring	1	PC
9	656-2	O Ring	1	PC
10	656-3	Plug	1	PC
11	656-4	Circlip - External I/D	2	PC
12	656-5	Circlip - External I/D	1	PC
13	656-6	Circlip - Internal O/D	1	PC
14	656-7	Bearing	1	PC
15	656-8	Oil Seal	1	PC
16	656-9	Gasket	1	PC
17	656-10	Impeller Inner	1	PC
18	656-12	Hub	1	PC
19	656-13	Housing Bearing	1	PC
20	656-14	Screw - Fluid Coupling	12	PC
21	42299-1-C	Cover - Safety	2	PC

**Fluid Coupling (-)**  
Powapak - VT Transmission

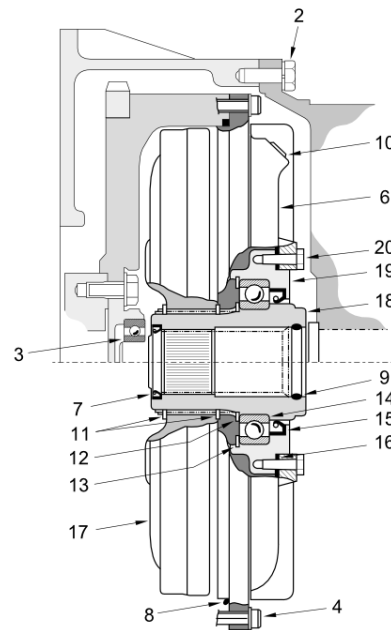


(S1)

Overhaul Kit  
comprising items:  
3, 7-16

(S2)

Fluid Coupling Kit  
(Iveco engines)  
comprising items:  
6, 7



Note:  
On assembly, coat internal  
spline of Item 18 with  
Kluber Paste 46MR410,  
JSL Part No. 94-24

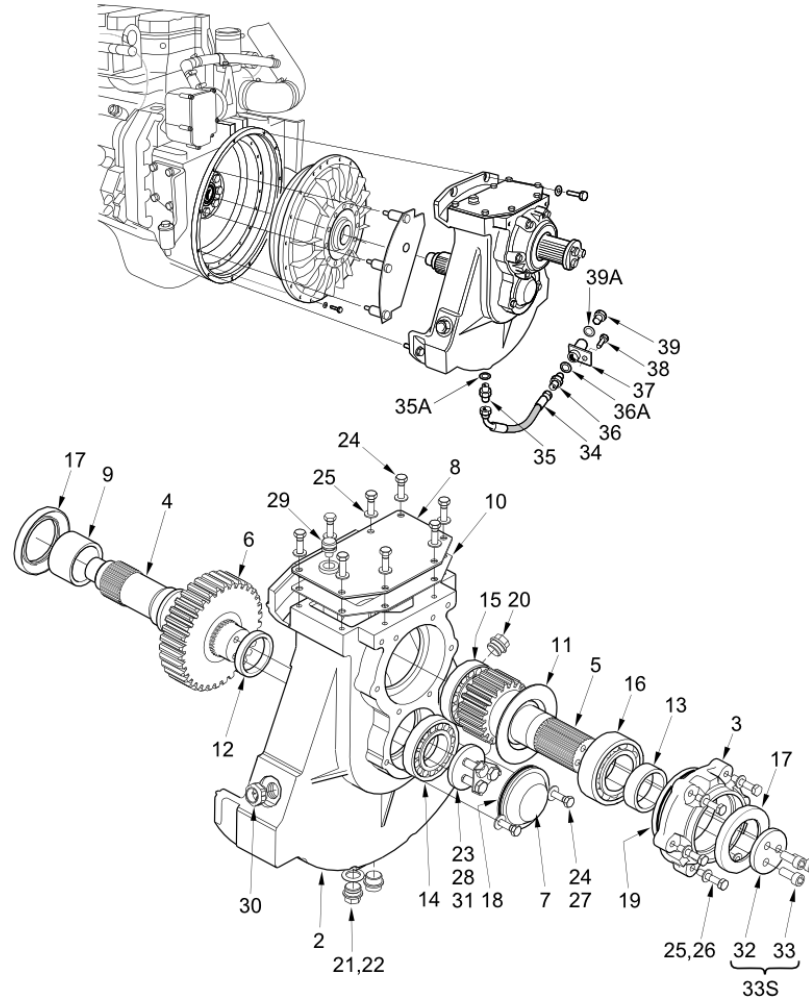
95FC. 001-5

**Fluid Coupling (-)**

Powapak - VT Transmission

Item no.	Part no.	Description	QTY	Unit
22	920000-32	Spacer Nylon 20 Dia X 32mm Lg	6	PC
23	123-134	Bolt M Coarse M10x70	6	PC
23	460-11	Washer Spring Single Coil M10	6	PC
24	63641-1	Spacer Ring - John Deere	1	PC

**Fan Drive Gearbox (-)**  
Powapak - VT Transmission



Gear Set 7024821 comprises the following :

Item	Description	Qty
4	Input Shaft	1
5	Output Shaft	1
6	Input Gear	1
7	Cap Bearing	1
9	Spacer	1
10	Gasket	1
11	Washer	1
12	Spacer	1
13	Spacer	1
23	Set Screw M10F x25	3
28	Tab Washer	1
31	Clamp Plate	1

Bearing Set 7024822 comprises the following :

Item	Description	Qty
3	Bearing Housing	1
14	Bearing	1
15	Bearing	1
15	Bearing	1

Seal Kit 7024823 comprises the following :

Item	Description	Qty
17	Rotary Seal	2
18	'O' Ring Seal	1
19	'O' Ring Seal	1
22	Washer - Dowty	1
35A	Washer - Dowty	1
36A	Washer - Dowty	1
39A	Washer - Dowty	1

95FG.001-7

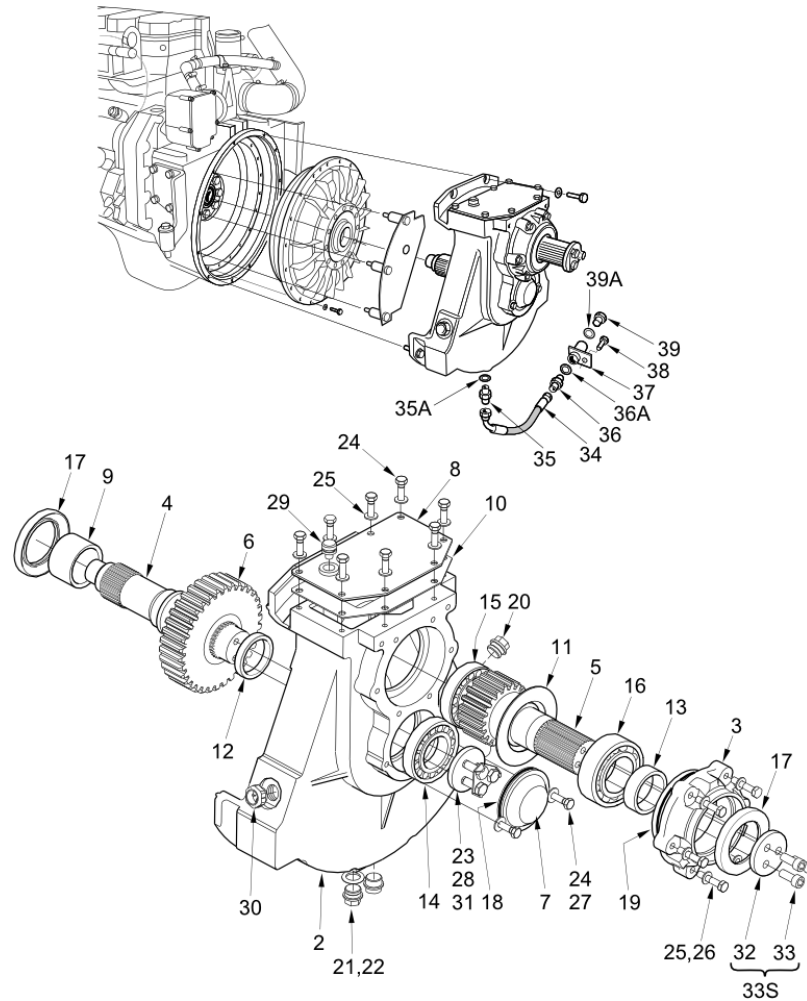


**Fan Drive Gearbox (-)**

Powapak - VT Transmission

Item no.	Part no.	Description	QTY	Unit
0	42270-1-C	Gearbox Assembly	1	PC
2	42271-2-D	Casing - Gearbox (Machined)	1	PC
8	42277-1-D	Cover Plate Welded Assembly	1	PC
10	42279-1-B	Gasket Coverplate	1	PC
20	54-4	Plug - Collar G1/2" BSP	3	PC
21	13109	Plug Drain Magnetic 1/2" BSP	1	PC
22	451-19	Washer - Bonded G1-2"	1	PC
23	121-41	Setscrew M10F x 25	3	PC
24	124-137	Setscrew M8C x 25	10	PC
25	460-10	Washer Spring Single Coil M8	16	PC
26	124-143	Setscrew M8C x 40	6	PC
27	457-4	Washer Plain Steel M8 Form G	2	PC
28	42659-1-A	Washer Tab	1	PC
29	16978-1-A	Breather	1	PC
30	87-7	Gauge - Oil Level Indicator	1	PC
31	42282-2	Plate - Clamp	1	PC
32	42282-3	Plate - Clamp	1	PC
33S	283803-1	Fixing Kit-Gearbox Assy	1	PC
Comprising items 32 and 33				
33	148-1	Screw-Cap HD Tuflok M10x1.25x30 G12.9	3	PC
34	HC08001-48	Hose - Megaflex 1/2" STRx45s	1	PC
35	263-4	Adaptor M/M 1/2" BSP	1	PC
35A	451-19	Washer - Bonded G1-2"	1	PC
36	265-4	Adaptor Reducing M/M 3/8"-1/2" BSP	1	PC

## Fan Drive Gearbox (-) Powapak - VT Transmission



Gear Set 7024821 comprises the following :

Item	Description	Qty
4	Input Shaft	1
5	Output Shaft	1
6	Input Gear	1
7	Cap Bearing	1
9	Spacer	1
10	Gasket	1
11	Washer	1
12	Spacer	1
13	Spacer	1
23	Set Screw M10F x25	3
28	Tab Washer	1
31	Clamp Plate	1

Bearing Set 7024822 comprises the following :

Item	Description	Qty
3	Bearing Housing	1
14	Bearing	1
15	Bearing	1
15	Bearing	1

Seal Kit 7024823 comprises the following :

Item	Description	Qty
17	Rotary Seal	2
18	'O' Ring Seal	1
19	'O' Ring Seal	1
22	Washer - Dowty	1
35A	Washer - Dowty	1
36A	Washer - Dowty	1
39A	Washer - Dowty	1

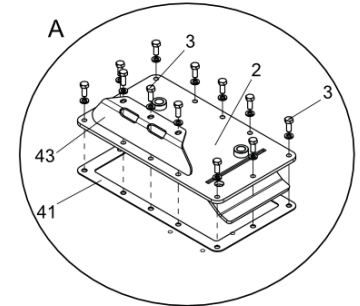
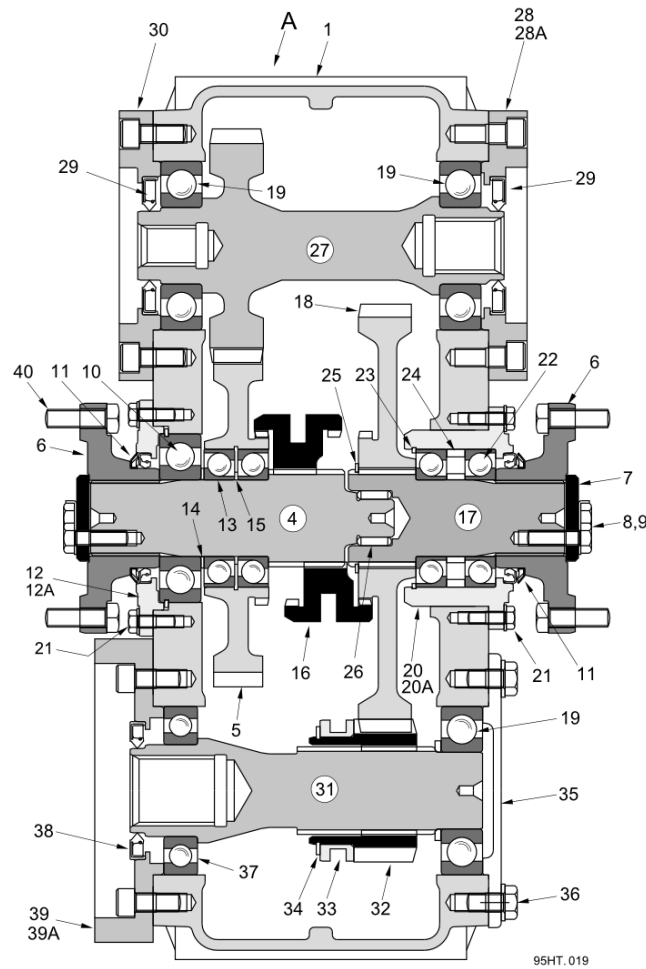
95FG.001-7

## Fan Drive Gearbox (-)

Powapak - VT Transmission

Item no.	Part no.	Description	QTY	Unit
36A	451-18	Washer Bonded G3/8"	1	PC
37	40525-1-B	Drain - Engine W/Assy	1	PC
38	124-167	Setscrew M10C x 20	1	PC
38	460-11	Washer Spring Single Coil M10	1	PC
38	420-15	Nut MC Hex M10	1	PC
39	3823	Plug - Collar 3/8" BSP Brass	1	PC
39A	451-18	Washer Bonded G3/8"	1	PC

**Mk III Gearbox Assembly (-)**  
Powapack - VS HydroDrive Transmission



Gear Set 7024814 comprises the following :

Item	Description	Qty
4	Input Shaft	1
5	Input Gear	1
6	Drive Flange	2
16	Sliding Dog Gear	1
17	Output Shaft	1
18	Output Gear	1
27	Drive Shaft	1
31	Shaft	1
32	Driven Gear	1
12A	Shim	3
20A	Shim	3
28A	Shim	3
39A	Shim	3

Bearing Set 7024816 comprises the following :

Item	Description	Qty
10	Bearing	1
13	Bearing	2
14	Spacer	1
15	Ring and Clip	1
19	Bearing	3
20	Output Housing	1
22	Bearing	2
23	Circlip	1
24	Spacer	1
25	Circlip	1
26	Bearing	17
37	Bearing	1
42	Sealant	1

Seal Kit 7024817 comprises the following :

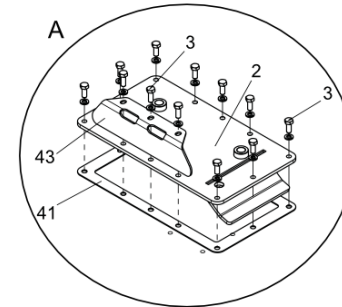
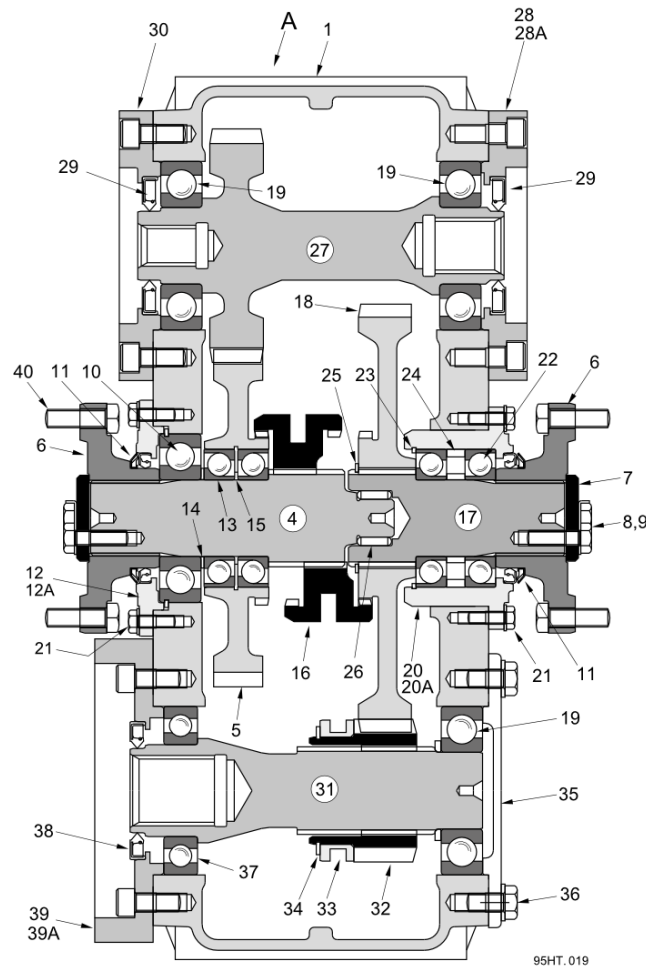
Item	Description	Qty
11	Seal Kit	2
29	Seal	2
38	Seal	1

**Mk III Gearbox Assembly (-)**

Powapack - VS HydroDrive Transmission

Item no.	Part no.	Description	QTY	Unit
0	7017654	Hydrostatic Gearbox Assembly Mk3.1	1	PC
0	7024814	Gear Set	1	PC
0	7024816	Bearing Set	1	PC
0	7024817	Gearbox Seal Kit	1	PC
1	29701-1	Gearbox casing - Machined	1	PC
2	7017136	Gearbox Cover Welded Assembly	1	PC
3	92097374-0	Hex Head Screw - M8Cx20 - 8.8	9	PC
3	93699710-0	Spring - Washer Plated M8	12	PC
3	92097375-0	Hex Head Screw - M8Cx22 - 8.8	3	PC
7	29518-1	Washer	2	PC
8	121-45	Setscrew M10F x 35	6	PC
9	29521-1	Washer - Tab	2	PC
12	29722-1	Input housing - Machined	1	PC
15	29512-1	Ring and Circlip Assy	1	PC
21	124-37	Setscrew M4C x 14	14	PC
21	460-10	Washer Spring Single Coil M8	1	PC
28	29729-1	Motor adaptor - Machined	1	PC
30	29728-1	Pump adaptor - Machined	1	PC
33	29765-3	Sleeve	1	PC
34	27-13	Circlip - External I/D 70mm	1	PC
35	29730-1	End cap - Machined	2	PC
36	124-201	Setscrew M12C x 25	4	PC
36	460-12	Washer Spring Single Coil M12	4	PC
39	29726-1	Motor adaptor - Machined	1	PC

**Mk III Gearbox Assembly (-)**  
Powapack - VS HydroDrive Transmission



Gear Set 7024814 comprises the following :

Item	Description	Qty
4	Input Shaft	1
5	Input Gear	1
6	Drive Flange	2
16	Sliding Dog Gear	1
17	Output Shaft	1
18	Output Gear	1
27	Drive Shaft	1
31	Shaft	1
32	Driven Gear	1
12A	Shim	3
20A	Shim	3
28A	Shim	3
39A	Shim	3

Bearing Set 7024816 comprises the following :

Item	Description	Qty
10	Bearing	1
13	Bearing	2
14	Spacer	1
15	Ring and Clip	1
19	Bearing	3
20	Output Housing	1
22	Bearing	2
23	Circlip	1
24	Spacer	1
25	Circlip	1
26	Bearing	17
37	Bearing	1
42	Sealant	1

Seal Kit 7024817 comprises the following :

Item	Description	Qty
11	Seal Kit	2
29	Seal	2
38	Seal	1

**Mk III Gearbox Assembly (-)**

Powapack - VS HydroDrive Transmission

Item no.	Part no.	Description	QTY	Unit
40	121-81	Setscrew M12F x 50	8	PC
40	419-12	Nut S/Lock Philidas M12x1.25	8	PC
41	7017175	Gearbox Cover Gasket	1	PC
43	7017609	Seal Retainer	1	PC

**Input Selector - Pump Drive (-)**

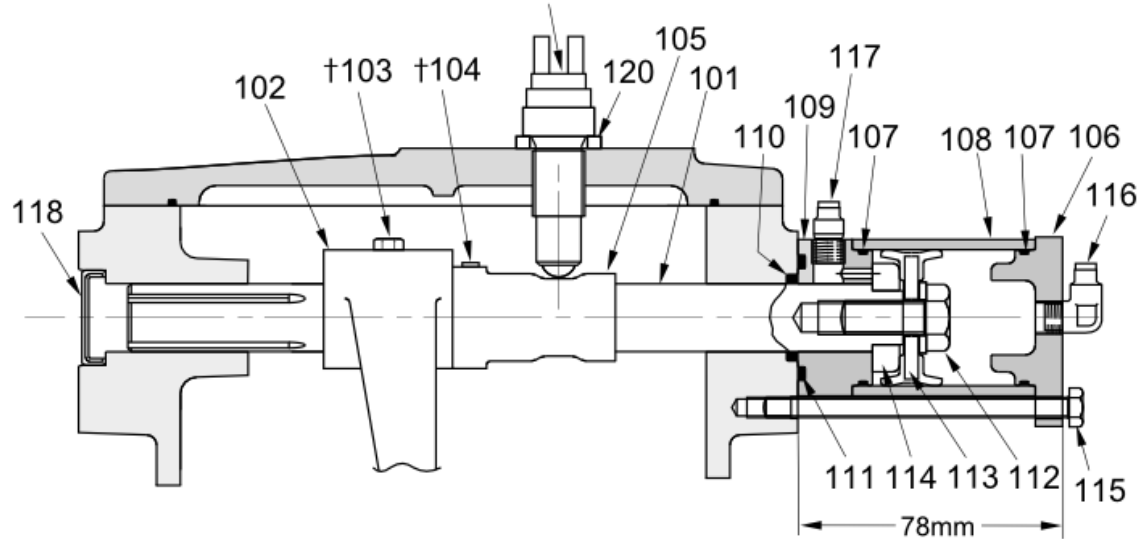
Powapack - VS HydroDrive Transmission - Gearbox Selector Assemblies

Note:

† Apply Loctite 275 to items 3 and 4.

Torque retaining bolt item 3 to 58 Nm (43 Lbft)

Ø 119 Ø Apply Thread Sealant Loctite 542 to item 21



INPUT SELECTOR (PUMP DRIVE)

Seal Kit 7024818 comprises the following :

Item	Description	Qty
107	O Ring	2
110	O Ring	1
111	O Ring	1
113	Piston	1
118	Seal	1

HT. 007-4a



**Input Selector - Pump Drive (-)**

Powapack - VS HydroDrive Transmission - Gearbox Selector Assemblies

Item no.	Part no.	Description	QTY	Unit
0	7024818	Input Selector Cylinder Seal Kit	1	PC
Seal Kit - Comprises items 7,10,11,13 and 18				
101	29731-2	Rod - Air Shaft	1	PC
102	29523-1	Input yoke - machined	1	PC
103	29527-1	Screw - Retaining	1	PC
104	135-23	Grubscrew - Cone Point M6cx10	1	PC
105	29747-1	Guide - Sensor	1	PC
106	29528-1	Head - airshift	1	PC
108	29531-2	Barrel - Airshaft	1	PC
109	29529-1	Gland - airshift	1	PC
112	124-171	Setscrew M10C x 30	1	PC
112	455-11	Washer Plain Plated Steel M10	1	PC
114	29533-1	Stroke limiter	1	PC
115	124-121	Setscrew M6C x 90 BS3692	3	PC
115	460-8	Washer Spring Single Coil M6	3	PC
116	552-3	Adaptor - Elbow 6mm x 1/8 BSPT	1	PC
117	537-3	Adaptor-Push In 6mm x 1/8 BSPT	1	PC
119	282054-1	Gearbox Sensor Switch Assembly	1	PC
120	29756-1	Spacer - Sensor	1	PC

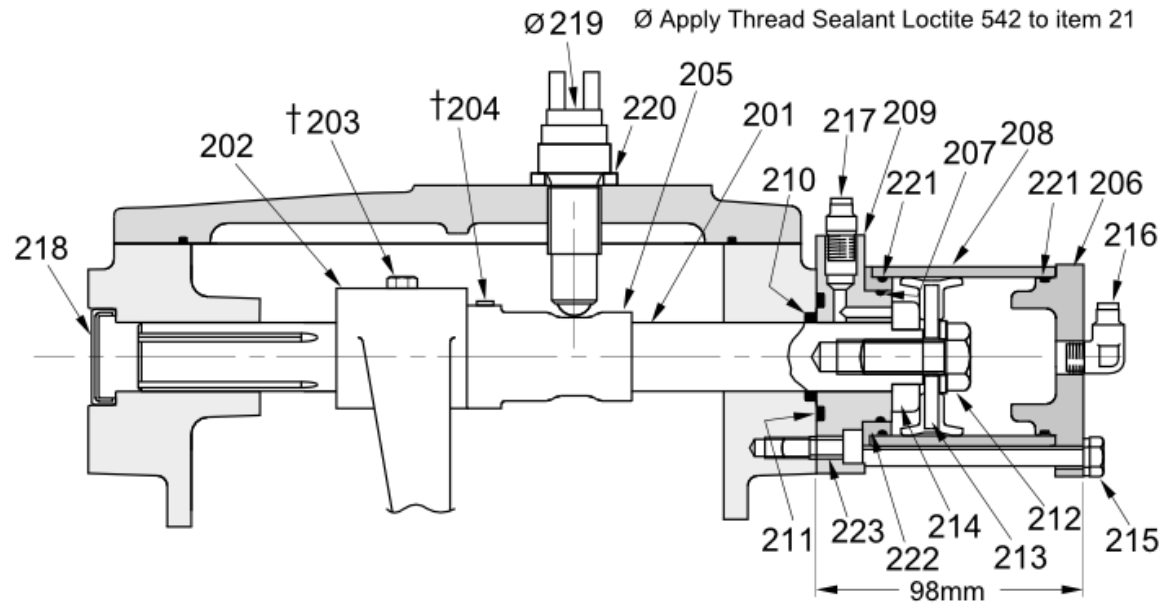
**Output Selector - Motor Drive (-)**

Powapack - VS HydroDrive Transmission - Gearbox Selector Assemblies

Note:

† Apply Loctite 275 to items 3 and 4.

Torque retaining bolt item 3 to 58 Nm (43 Lbft)


**OUTPUT SELECTOR (MOTOR DRIVE)**

Seal Kit 7024819 comprises the following :

Item	Description	Qty
207	O Ring	1
210	O Ring	1
211	O Ring	1
213	Piston	1
218	Seal	1

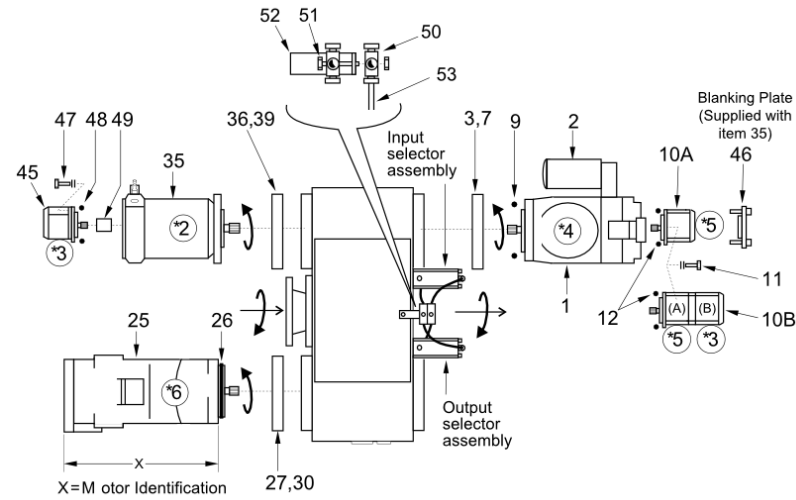
HT. 0007-4b

**Output Selector - Motor Drive (-)**

## Powapack - VS HydroDrive Transmission - Gearbox Selector Assemblies

Item no.	Part no.	Description	QTY	Unit
0	7024819	Output Selector Cylinder Seal Kit	1	PC
201	29731-1	Rod - Air Shaft	1	PC
202	29751-1	Output yoke - machined	1	PC
203	29527-1	Screw - Retaining	1	PC
204	135-23	Grubscrew - Cone Point M6cx10	1	PC
205	29748-1	Guide - Sensor	1	PC
206	29763-1	Head - airshift	1	PC
208	29764-1	Barrel - airshift	1	PC
209	29761-1	Gland - airshift	1	PC
212	124-171	Setscrew M10C x 30	1	PC
212	455-11	Washer Plain Plated Steel M10	1	PC
214	29533-1	Stroke limiter	1	PC
215	124-123	Setscrew M6C x 100 BS3692	3	PC
215	460-8	Washer Spring Single Coil M6	3	PC
216	552-3	Adaptor - Elbow 6mm x 1/8 BSPT	1	PC
217	537-3	Adaptor-Push In 6mm x 1/8 BSPT	1	PC
219	282054-1	Gearbox Sensor Switch Assembly	1	PC
220	29756-1	Spacer - Sensor	1	PC
221	80-265	O Ring - Hole Dia.50	2	PC
222	29762-1	Adaptor sleeve	1	PC
223	129-93	Screw MC Cap Skt Hd M6x16	3	PC

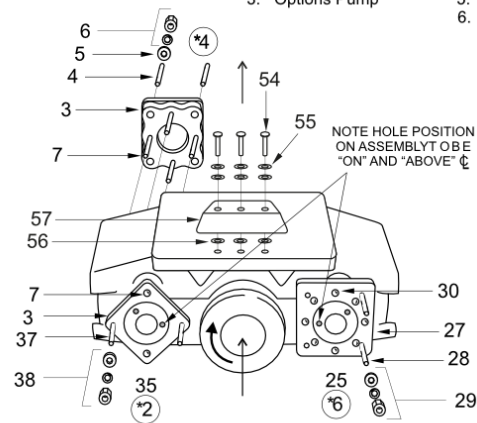
**Pumps and Motors (950412, 950413, 950411)**  
 Powapack - VS HydroDrive Transmission - Ancillary Equipment



X=M otor Identification  
 374mm= 1 60cc Motor  
 333mm= 1 10cc Motor

\* Pump and motor identification numbers, 2 to 6, in balloons correspond with those used elsewhere in this chapter, ie:-

- 2. Fan Drive Pump
- 3. Options Pump
- 4. Transmission Pump
- 5. Sweepgear pump
- 6. Transmission Motor



MOUNTING FLANGES AND HARDWARE

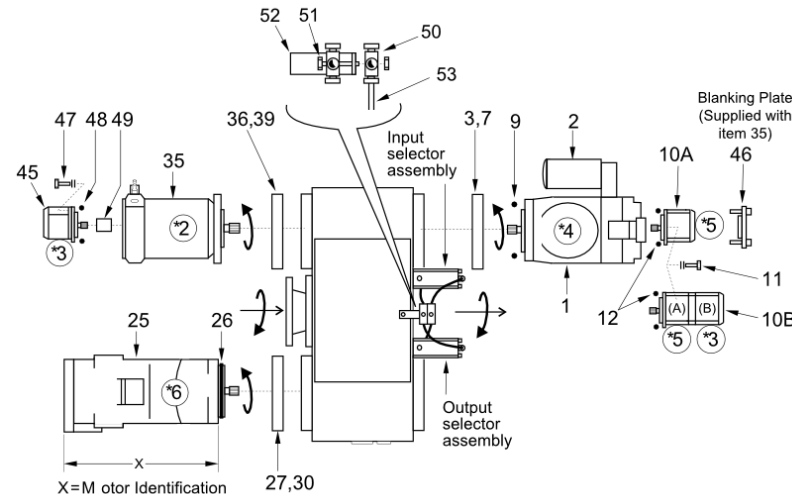
95HT. 024-2

**Pumps and Motors (950412, 950413, 950411)**

## Powapack - VS HydroDrive Transmission - Ancillary Equipment

Item no.	Part no.	Description	QTY	Unit
1	97161-1	Pump - Transmission	1	PC
1	97161-2	Forward/rev servo valve + EDC	1	PC
1	97161-3	EDC (solenoid + mil plug)	1	PC
2	224-15	Oil filter (Transmission pump)	1	PC
3	29729-1	Motor adaptor - Machined	1	PC
4	29569-1	Stud - M12 x 65	4	PC
5	45014-8	SEE 45014/8/H	4	PC
6	460-12	Washer Spring Single Coil M12	4	PC
6	420-16	Nut MC Hex M12	4	PC
7	129-183	Screw MC Cap Skt Hd M12x25	4	PC
9	79-99	O Ring - 5" O/D x 0.139 Sect	1	PC
10A	239-7	Pump - Hydraulic 14cc/Rev CCW	1	PC
10B	239-33	Pump - Tandem Hyd 14cc/Rev CCW	1	PC
11	103-39	Bolt UNC 3/8" x 1 1/4"	2	PC
11	455-11	Washer Plain Plated Steel M10	2	PC
11	460-11	Washer Spring Single Coil M10	2	PC
12	80-94	O Ring - Hole Dia.80	1	PC
25	29752-1	Transmission motor 160cc	1	PC
25	29753-1	Motor - Sauer 110cc	1	PC
26	80-109	O Ring - Hole Dia.155	1	PC
27	29726-1	Motor adaptor - Machined	1	PC
28	29758-1	Stud - M20 x 85	4	PC
29	455-16	Washer Plain Plated Steel M20	2	PC
29	460-16	Washer Spring Single Coil M20	2	PC

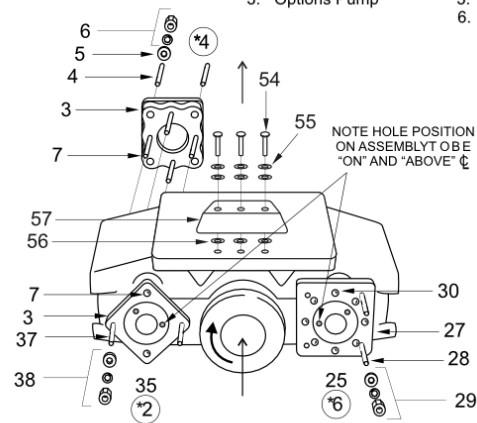
**Pumps and Motors (950412, 950413, 950411)**  
 Powapack - VS HydroDrive Transmission - Ancillary Equipment



X=M otor Identification  
 374mm= 1 60cc Motor  
 333mm= 1 10cc Motor

\* Pump and motor identification numbers, 2 to 6, in balloons correspond with those used elsewhere in this chapter, ie:-

- |                   |                       |
|-------------------|-----------------------|
| 2. Fan Drive Pump | 4. Transmission Pump  |
| 3. Options Pump   | 5. Sweepgear pump     |
|                   | 6. Transmission Motor |



MOUNTING FLANGES AND HARDWARE

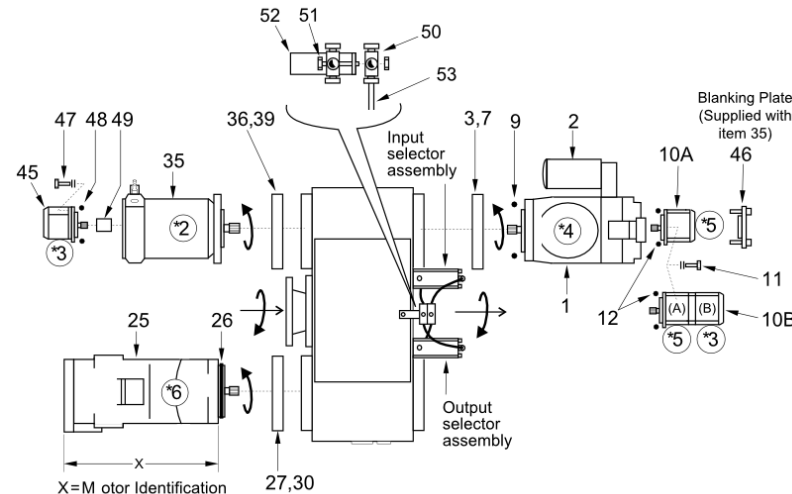
95HT. 024-2

**Pumps and Motors (950412, 950413, 950411)**

## Powapack - VS HydroDrive Transmission - Ancillary Equipment

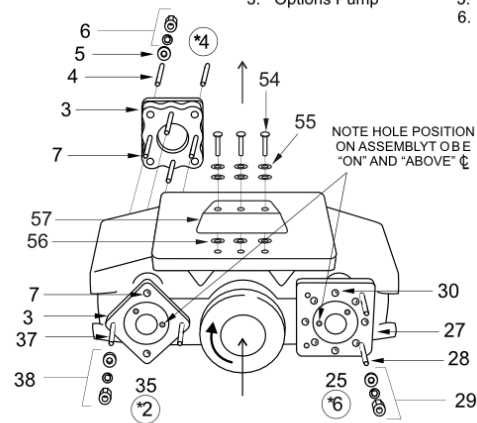
Item no.	Part no.	Description	QTY	Unit
29	420-20	Nut MC Hex M20	2	PC
30	129-185	Screw MC Cap Skt Hd M12x30	8	PC
35	29749-1	Pump - Fan Drive 57cc	1	PC
36	29728-1	Pump adaptor - Machined	1	PC
37	29557-1	Stud - M12c x 80	2	PC
38	455-12	Washer Plain Plated Steel M12	2	PC
38	460-12	Washer Spring Single Coil M12	2	PC
38	420-16	Nut MC Hex M12	2	PC
39	129-183	Screw MC Cap Skt Hd M12x25	4	PC
45	239-11	Pump - Hydraulic 14cc/REVCW	1	PC
46	129-154	Screw MC Cap Skt Hd M10x25	2	PC
46	460-11	Washer Spring Single Coil M10	2	PC
47	103-39	Bolt UNC 3/8" x 1 1/4"	2	PC
47	455-11	Washer Plain Plated Steel M10	2	PC
47	460-11	Washer Spring Single Coil M10	2	PC
48	80-94	O Ring - Hole Dia.80	1	PC
49	294-22	Coupling - Drive Adaptor	1	PC
50	527-3	Connector Tee Bkt Tube O/D 6	2	PC
51	124-112	Setscrew M6C x 45	1	PC
51	425-13	Nut Nyloc Hex M6C	1	PC
52	29559-1	Bracket - Mounting	1	PC
53	273-20	Tube - Nylon Blue 6mm O/D	1	M
53	41041-1-A	Sleeve - Support, Pipe	4	PC
53	510-3	Nut - Tube 6mm O/D	4	PC

**Pumps and Motors (950412, 950413, 950411)**  
 Powapack - VS HydroDrive Transmission - Ancillary Equipment



\* Pump and motor identification numbers, 2 to 6, in balloons correspond with those used elsewhere in this chapter, ie:-

- |                   |                       |
|-------------------|-----------------------|
| 2. Fan Drive Pump | 4. Transmission Pump  |
| 3. Options Pump   | 5. Sweepgear pump     |
|                   | 6. Transmission Motor |



MOUNTING FLANGES AND HARDWARE

95HT. 024-2

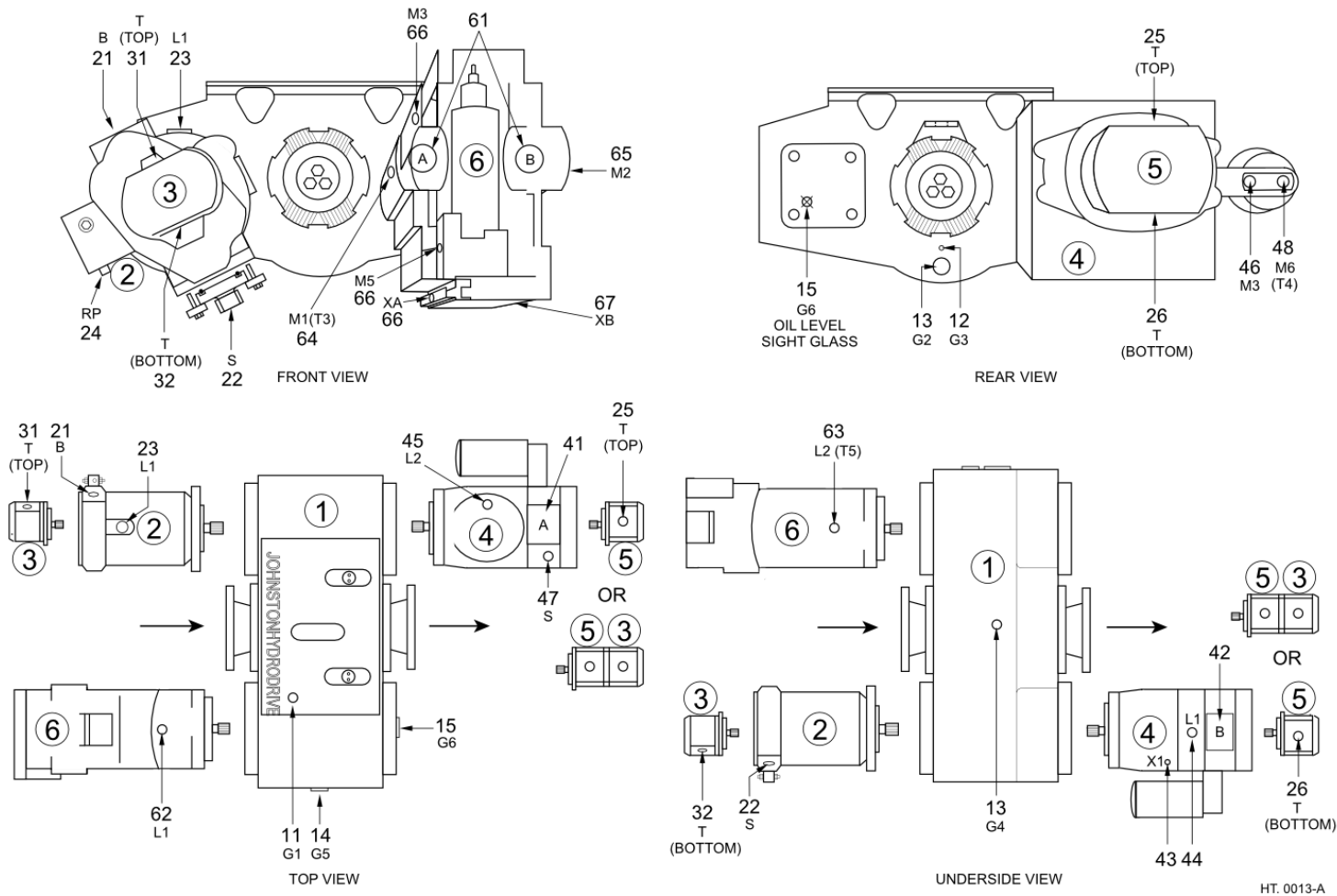


**Pumps and Motors (950412, 950413, 950411)**

Powapack - VS HydroDrive Transmission - Ancillary Equipment

Item no.	Part no.	Description	QTY	Unit
53	511-3	Olive - Tube 6mm O/D	4	PC
54	124-139	Setscrew M8C x 30	3	PC
55	460-10	Washer Spring Single Coil M8	3	PC
56	455-10	Washer Plain Plated Steel M8	6	PC
57	7017609	Seal Retainer	1	PC

**Port Fittings (950412, 950413, 950414)**  
 Powapack - VS HydroDrive Transmission - Ancillary Equipment

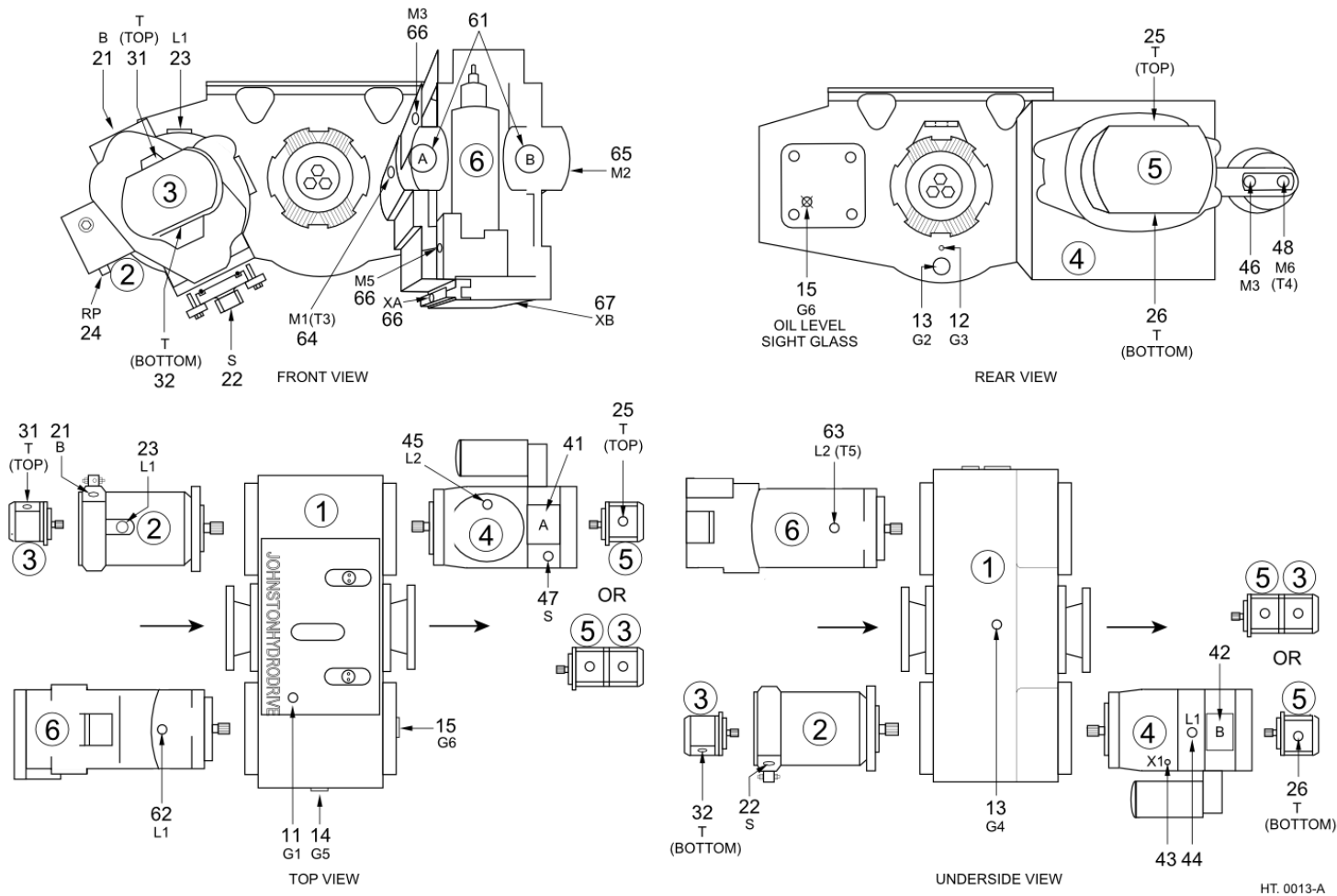


**Port Fittings (950412, 950413, 950414)**

Powapack - VS HydroDrive Transmission - Ancillary Equipment

Item no.	Part no.	Description	QTY	Unit
11	13538	Breather	1	PC
11	41963-1	Adaptor (G 3/8 x G 1/4)	1	PC
11	451-18	Washer Bonded G3/8"	1	PC
12	5259	Plug - Taper 1/8 BSP	1	PC
13	54-50	Plug-Collar 1/4" BSP Magnetic	1	PC
13	451-124	Washer Copper 1/4" BSP	1	PC
14	24016	Plug Taper	1	PC
15	87-64	Sight Glass - G 1/2	1	PC
21	498-N03	SAE Split Flange Kit 1" 350bar	1	PC
21	79-78	O Ring - 1.296" Dia.	1	PC
21	103-41	Hex Hd Bolt 3/8"-16 UNC x 1 1/2"	4	PC
21	450-29	Spring Washer Ø3/8"	4	PC
22	802853-1	Adaptor - 1 1/4" x 1 1/4" BSP	1	PC
22	79-85	O Ring - 2.234" Dia.	1	PC
22	151-115	Capscrew Skt Hd UNC 1/2x1 1/2	1	PC
22	450-31	Spring Washer Ø1/2"	1	PC
22	263-8	Adaptor M/M 1 1/4" BSP	1	PC
22	451-111	Washer Bonded G1 1-4"	1	PC
23	499-12	Adaptor STR G1/2"xSAE O 7/8"	1	PC
23	79-8	O Ring - .737" Dia.	1	PC
24	499-1	Adaptor STR G1/4"xSAE O 7/16"	1	PC
24	79-13	O Ring - .364" Dia.	1	PC
25	262-7	Swivel Elbow 90 Degree Size 1"BSP	1	PC
25	79-34	O Ring - 1.049" Dia.	1	PC

**Port Fittings (950412, 950413, 950414)**  
 Powapack - VS HydroDrive Transmission - Ancillary Equipment

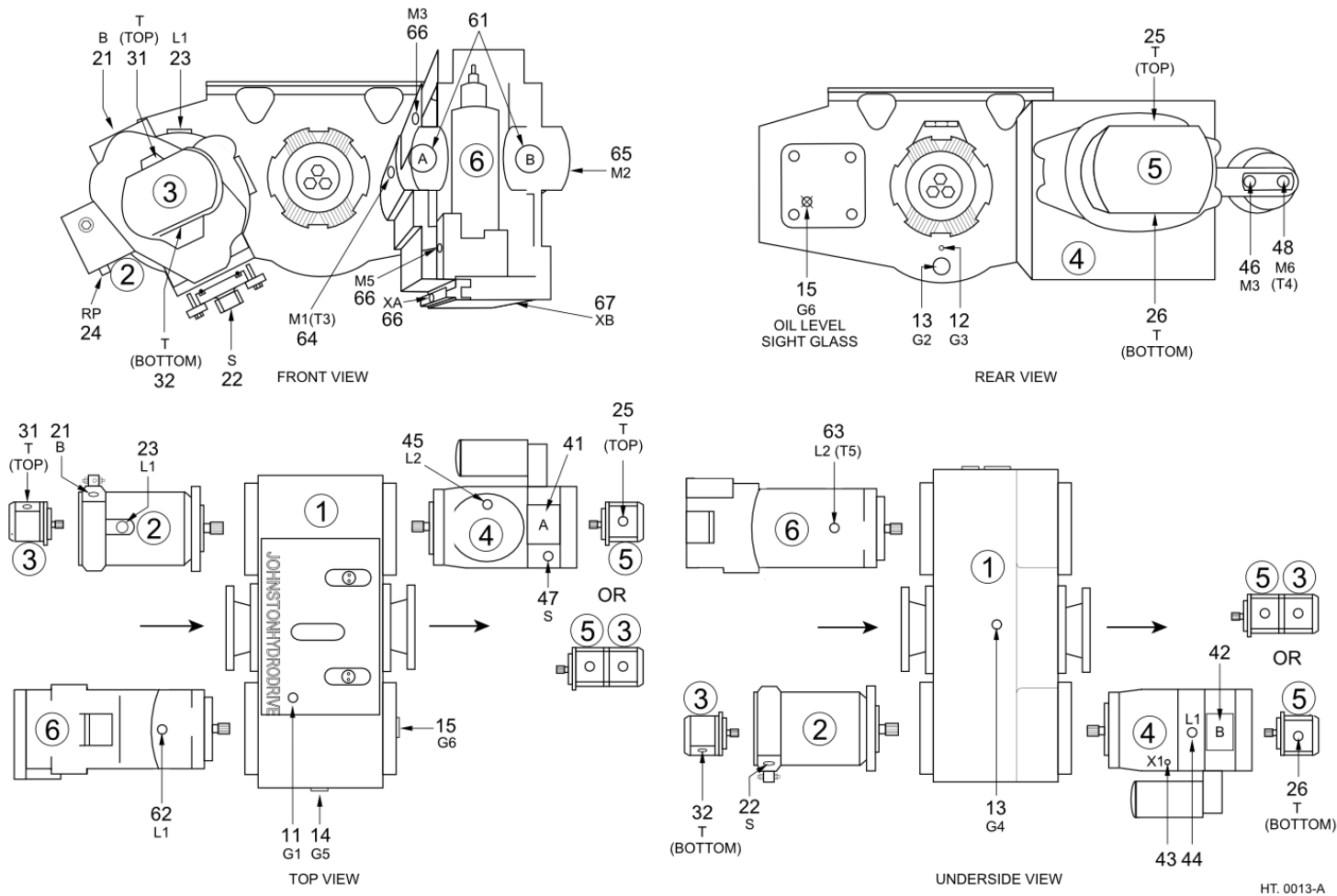


**Port Fittings (950412, 950413, 950414)**

Powapack - VS HydroDrive Transmission - Ancillary Equipment

Item no.	Part no.	Description	QTY	Unit
25	129-123	Screw MC Cap Skt Hd M8x20	1	PC
25	460-10	Washer Spring Single Coil M8	1	PC
25	265-10	Adaptor Reducing M/M 3/4"-1" BSP	1	PC
25	451-22	Washer Bonded G1"	1	PC
26	262-40	Elbow - 3/4" BSP M x 3/4" BSP F	1	PC
26	79-34	O Ring - 1.049" Dia.	1	PC
26	129-123	Screw MC Cap Skt Hd M8x20	1	PC
26	460-10	Washer Spring Single Coil M8	1	PC
26	263-4	Adaptor M/M 1/2" BSP	1	PC
26	451-19	Washer - Bonded G1-2"	1	PC
31	247-1	Elbow - Dowty Pump 1/2" BSP(See 247-11)	1	PC
31	79-34	O Ring - 1.049" Dia.	1	PC
31	51-55	Clamp - Pipe, Twin 20 Dia Tubes	1	PC
31	450-28	Washer Spring 5/16	1	PC
31	263-4	Adaptor M/M 1/2" BSP	1	PC
31	451-19	Washer - Bonded G1-2"	1	PC
32	247-2	Elbow - Dowty Pump 3/4" BSP	1	PC
32	79-34	O Ring - 1.049" Dia.	1	PC
32	151-55	Capscrew Skt Hd UNC 5/16x2 1/4	1	PC
32	450-28	Washer Spring 5/16	1	PC
32	263-6	Adaptor M/M 3/4" BSP	1	PC
32	451-21	Washer Bonded G3-4"	1	PC
41	498-N09	SAE Split Flange Kit 1" 415bar	1	PC
41	40-74	Seal - Green 39.6mm Dia.	1	PC

**Port Fittings (950412, 950413, 950414)**  
 Powapack - VS HydroDrive Transmission - Ancillary Equipment



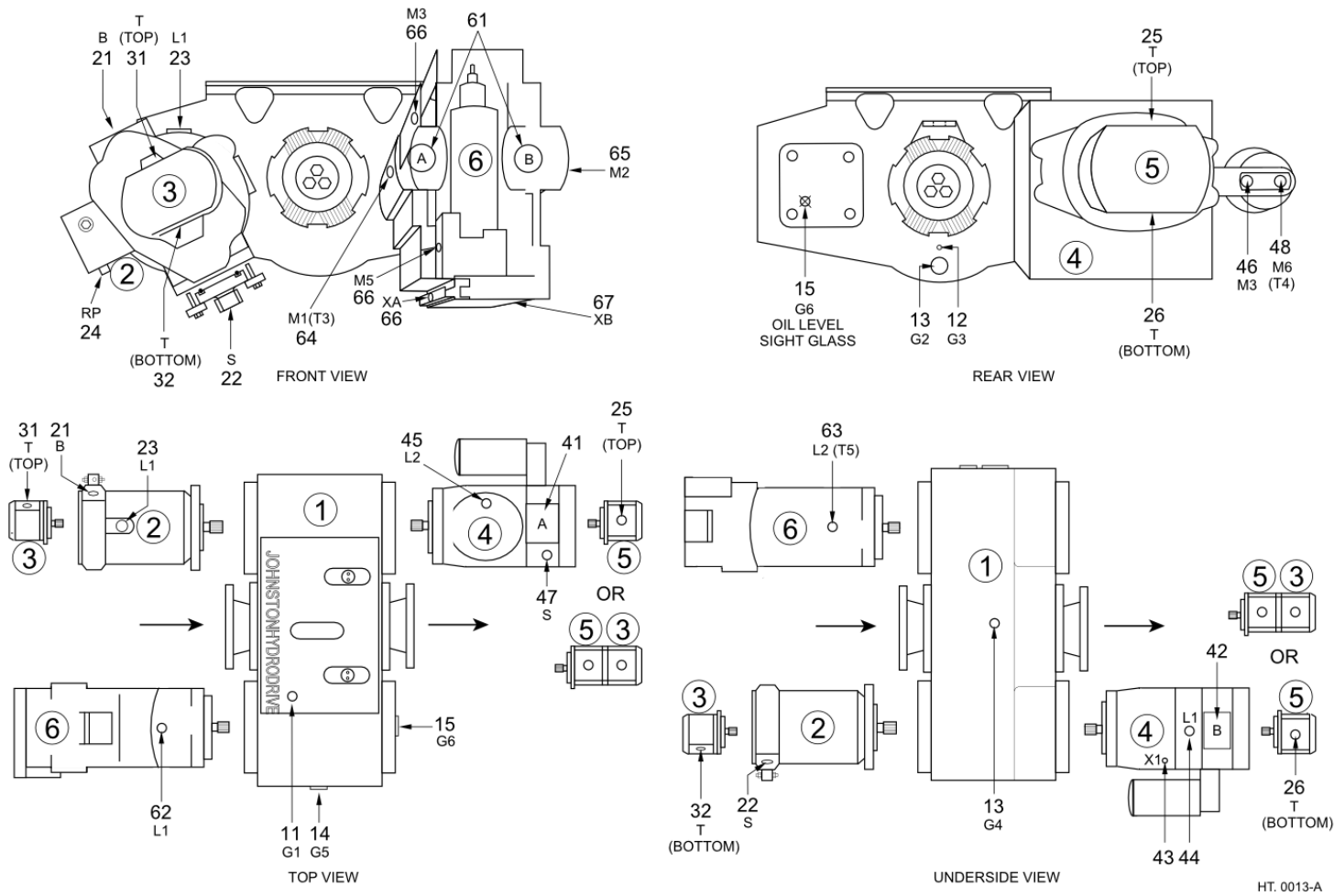
HT. 0013-A

**Port Fittings (950412, 950413, 950414)**

Powapack - VS HydroDrive Transmission - Ancillary Equipment

Item no.	Part no.	Description	QTY	Unit
41	103-58	Bolt UNC 7/16" x 1 3/4"	4	PC
41	450-30	Spring Washer Ø7/16"	4	PC
42	498-N09	SAE Split Flange Kit 1" 415bar	1	PC
42	40-74	Seal - Green 39.6mm Dia.	1	PC
42	103-58	Bolt UNC 7/16" x 1 3/4"	4	PC
42	450-30	Spring Washer Ø7/16"	4	PC
43	499-2	Adaptor STR G1/4"xSAE O 9/16"	1	PC
43	79-13	O Ring - .364" Dia.	1	PC
44	499-4	Adaptor STR G3/4" x 1-1/16 UNF	1	PC
44	79-18	O Ring - .924" Dia.	1	PC
45	499-4	Adaptor STR G3/4" x 1-1/16 UNF	1	PC
45	79-8	O Ring - .737" Dia.	1	PC
46	499-2	Adaptor STR G1/4"xSAE O 9/16"	1	PC
46	79-48	O Ring - .489" Dia.	1	PC
46	255-11	Adapter Tee - 1/4"x1/4"x1/4"BSP	1	PC
47	499-5	Adaptor STR G1 SAE O 1-5/16	1	PC
47	80-54	O Ring - Hole Dia.34	1	PC
48	665-17	Test Coupling SMK20 - 9/16-18UNF	1	PC
48	79-48	O Ring - .489" Dia.	1	PC
61	498-N09	SAE Split Flange Kit 1" 415bar	1	PC
61	40-74	Seal - Green 39.6mm Dia.	1	PC
61	103-58	Bolt UNC 7/16" x 1 3/4"	4	PC
61	450-30	Spring Washer Ø7/16"	1	PC
62	499-4	Adaptor STR G3/4" x 1-1/16 UNF	1	PC

**Port Fittings (950412, 950413, 950414)**  
 Powapack - VS HydroDrive Transmission - Ancillary Equipment





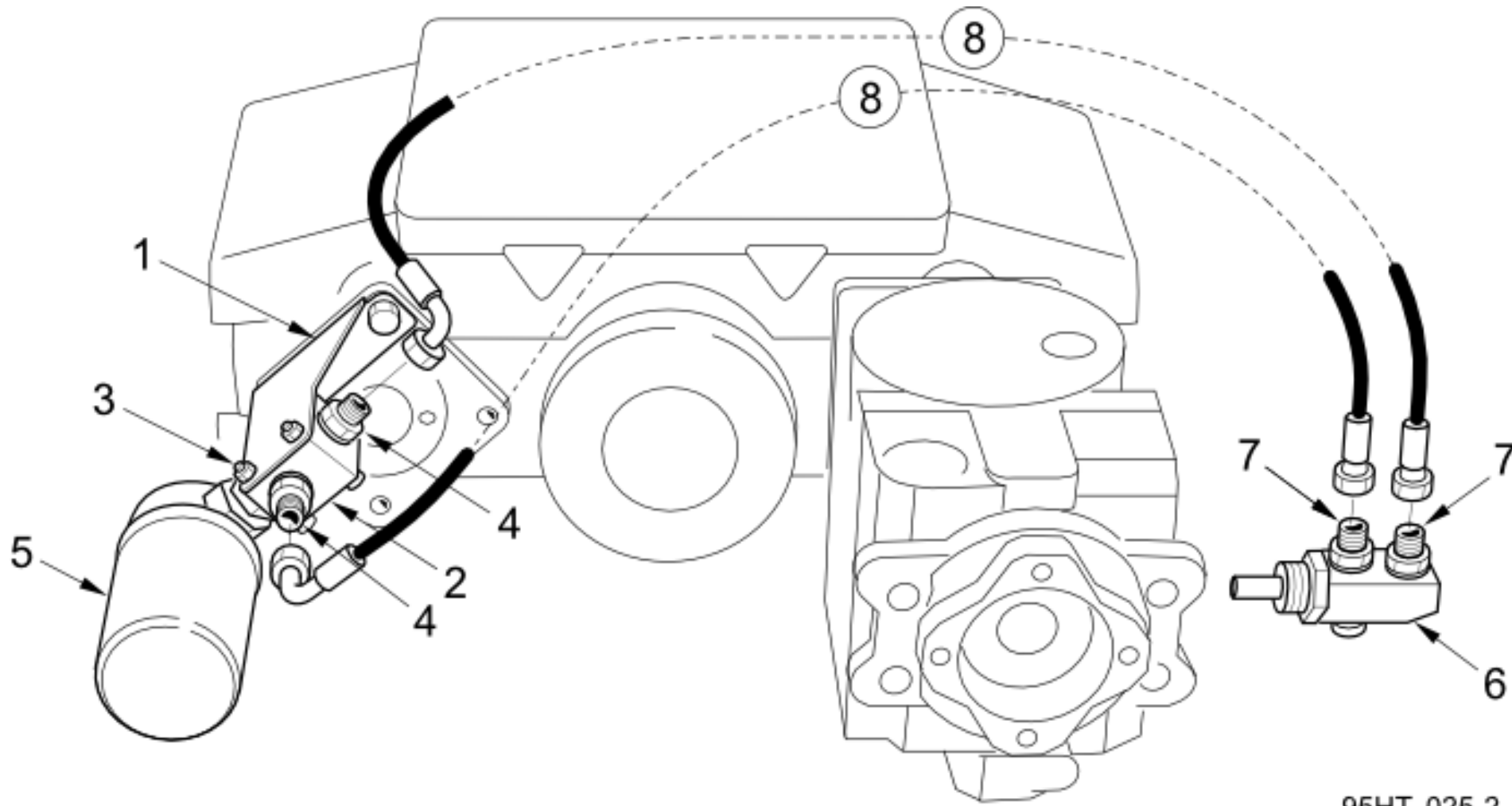
**Port Fittings (950412, 950413, 950414)**

Powapack - VS HydroDrive Transmission - Ancillary Equipment

Item no.	Part no.	Description	QTY	Unit
62	499-15	Adaptor STR G3/4" x 1-5/16 UNF	1	PC
62	79-18	O Ring - .924" Dia.	1	PC
62	80-54	O Ring - Hole Dia.34	1	PC
63	90671-1	Adaptor 1 1/16-9/16 UNF	1	PC
63	66086-1	Adaptor 1-5/16x9/16 UNF	1	PC
63	79-18	O Ring - .924" Dia.	1	PC
63	80-54	O Ring - Hole Dia.34	1	PC
63	665-17	Test Coupling SMK20 - 9/16-18UNF	1	PC
63	79-48	O Ring - .489" Dia.	1	PC
64	665-17	Test Coupling SMK20 - 9/16-18UNF	1	PC
64	79-48	O Ring - .489" Dia.	1	PC
65	29671-1	Adaptor 9/16 UNFxG9/16	1	PC
65	79-48	O Ring - .489" Dia.	1	PC
65	28753-5	Grubscrew - Bored	1	PC
66	499-2	Adaptor STR G1/4"xSAE O 9/16"	1	PC
66	79-48	O Ring - .489" Dia.	1	PC
67	79-48	O Ring - .489" Dia.	1	PC
67	499-2	Adaptor STR G1/4"xSAE O 9/16"	1	PC
67	255-11	Adapter Tee - 1/4"x1/4"x1/4"BSP	1	PC
67	451-17	Washer Bonded G1-4"	2	PC
67	256-6	Socket 1/4" BSP - 1/4" BSP F	1	PC
67	665-18	Test Coupling SMK20 - G1/4 Type B	1	PC

**Remote Transmission Filter (-)**

Powapack - VS HydroDrive Transmission - Ancillary Equipment



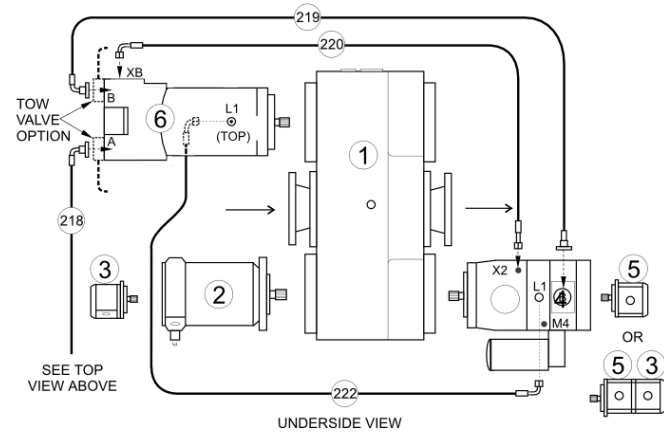
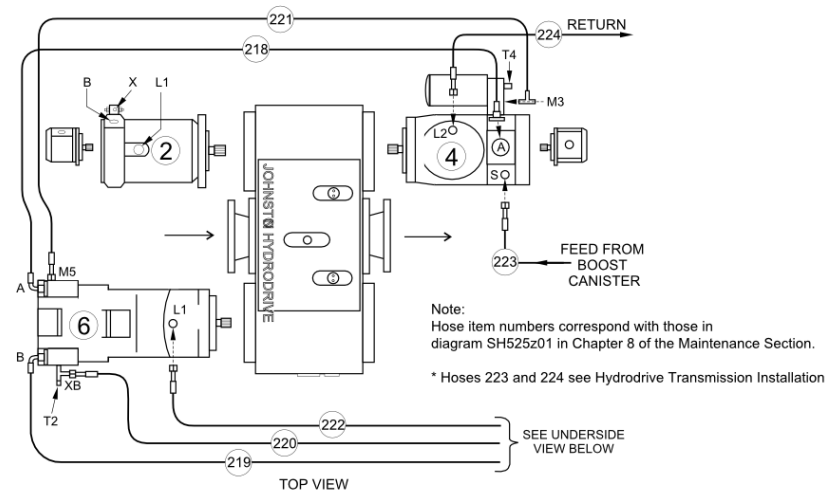
95HT. 025-2

**Remote Transmission Filter (-)**

Powapack - VS HydroDrive Transmission - Ancillary Equipment

Item no.	Part no.	Description	QTY	Unit
1	800661-1	Filter Bracket-Hydro G/Box	1	PC
2	97840-1	Block - Adaptor Remote Filter	1	PC
3	123-90	Bolt M Coarse M6x60	2	PC
3	455-8	Washer Plain Plated Steel M6	4	PC
3	425-13	Nut Nyloc Hex M6C	2	PC
4	499-12	Adaptor STR G1/2"xSAE O 7/8"	2	PC
5	283926-1	Oil Filter Assembly	1	PC
5	224-15	Oil filter (Transmission pump)	1	PC
6	97841-1	Block - Remote Filtration	1	PC
7	499-12	Adaptor STR G1/2"xSAE O 7/8"	2	PC
8	HC08002-115	Hose - Megaflex 1/2" STRx90s	2	PC

**Hydrodrive Hoses (950514)**  
Powapack - VS HydroDrive Transmission



- 1 Gearbox
- 2 Fan Drive Pump
- 3 Options Pump
- 4 Transmission Pump
- 5 Sweepgear Pump
- 6 Transmission Motor

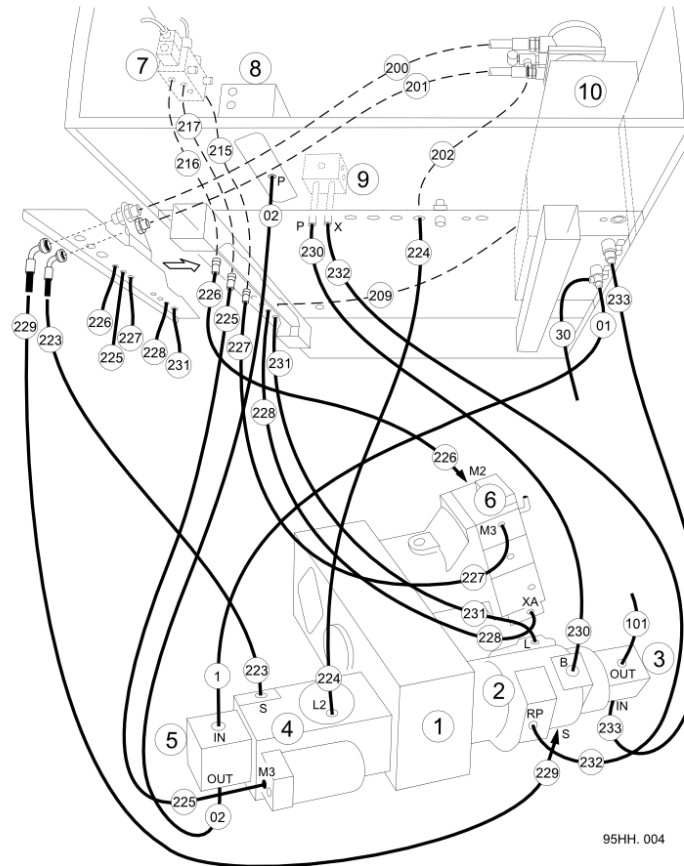
95HT. 022-2

## Hydrodrive Hoses (950514)

Powapack - VS HydroDrive Transmission

Item no.	Part no.	Description	QTY	Unit
218	HB16148-117-275	Hose-SpiralPlus 1" 90saex90sae	1	PC
219	HB16148-200-275	Hose-SpiralPlus 1" 90saex90sae	1	PC
220	HF04002-140	Hose - Twinflex 1/4" STRx90s	1	PC
221	HF04002-150	Hose - Twinflex 1/4" STRx90s	1	PC
222	HE12063-113-340	Hose - Hydraulic 3/4" 90cx90c	1	PC
223	HE16023-170-190	Hose - Hydraulic 1" 45sx90s	1	PC
224	HE12002-151	Hose - Hydraulic 3/4" STRx90s	1	PC

**Hydrodrive Installation Hoses (950414)**  
Powapack - VS HydroDrive Transmission



95HH. 004

Components with Circuit Diagram references - See Maintenance Section Chapter 8

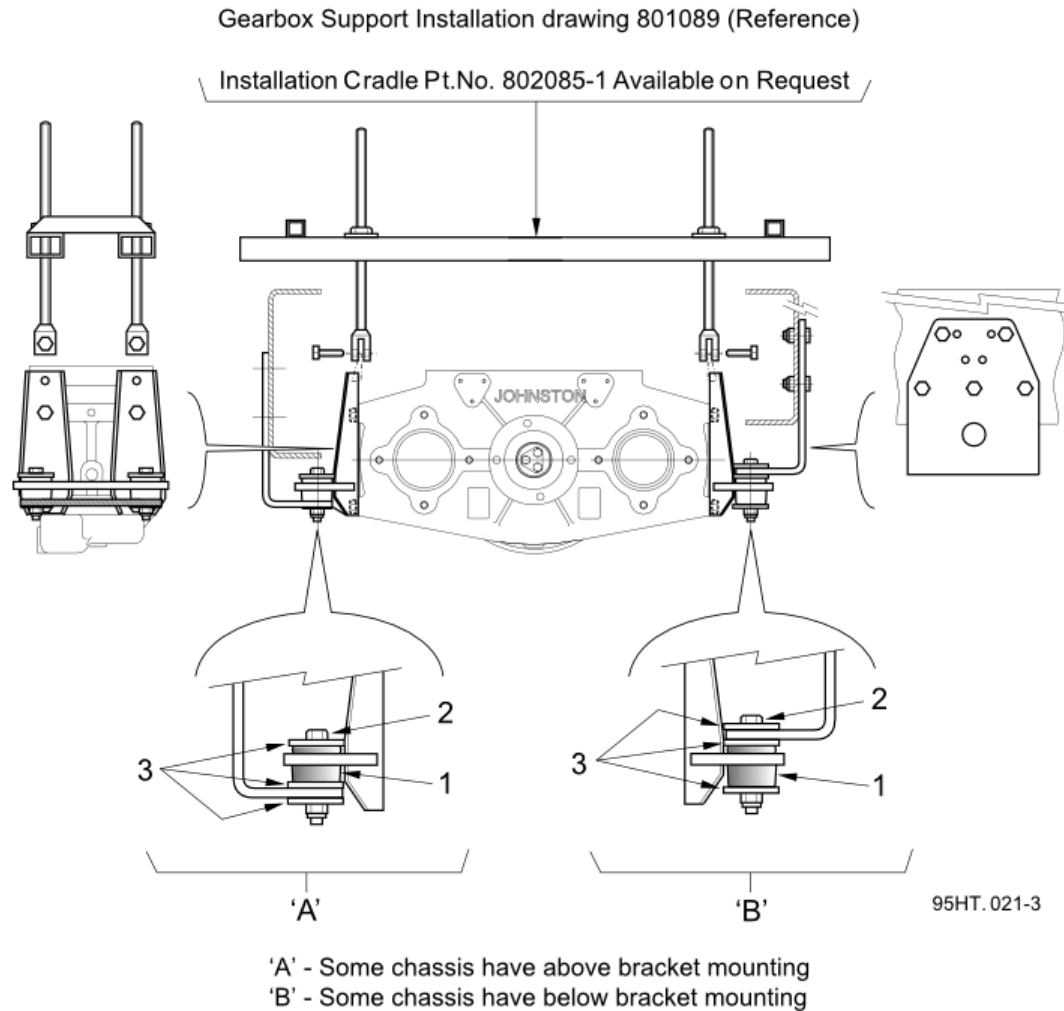
- |                                 |  |
|---------------------------------|--|
| 1. Gear Box                     | 6. Transmission Motor - SH525z01       |
| 2. Fan Drive Pump - SH524z01    | 7. Antiskid Module - SH525z01          |
| 3. Options Pump - SH528a02      | 8. Sweepgear Valve Block - SH523z01    |
| 4. Transmission Pump - SH525z01 | 9. Fan Drive Valve Block - SH524z01    |
| 5. Sweepgear Pump - SH531b01    | 10. Hydraulic Oil Reservoir - SH521b01 |

**Hydrodrive Installation Hoses (950414)**

Powapack - VS HydroDrive Transmission

Item no.	Part no.	Description	QTY	Unit
1	HE16003-300	Hose - Hydraulic 1" STRx90c	1	PC
223	HE16023-170-190	Hose - Hydraulic 1" 45sx90s	1	PC
224	HE12002-151	Hose - Hydraulic 3/4" STRx90s	1	PC
225	HF04003-104	Hose - Twinflex 1/4" STRx90c	1	PC
226	HF04003-104	Hose - Twinflex 1/4" STRx90c	1	PC
227	HF04003-104	Hose - Twinflex 1/4" STRx90c	1	PC
228	HF04003-104	Hose - Twinflex 1/4" STRx90c	1	PC
229	HE20001-214	Hose-Hydraulic 1.1/4" STRx45s	1	PC
230	HF12307-100	Hose-Tflex 3/4" STRx90sae3/4-1	1	PC
231	HC08002-118	Hose - Megaflex 1/2" STRx90s	1	PC
232	HF04002-124	Hose - Twinflex 1/4" STRx90s	1	PC
233	HE16001-75	Hose - Hydraulic 1" STRx45s	1	PC

**Gearbox Installation (-)**  
Powapack - VS HydroDrive Transmission





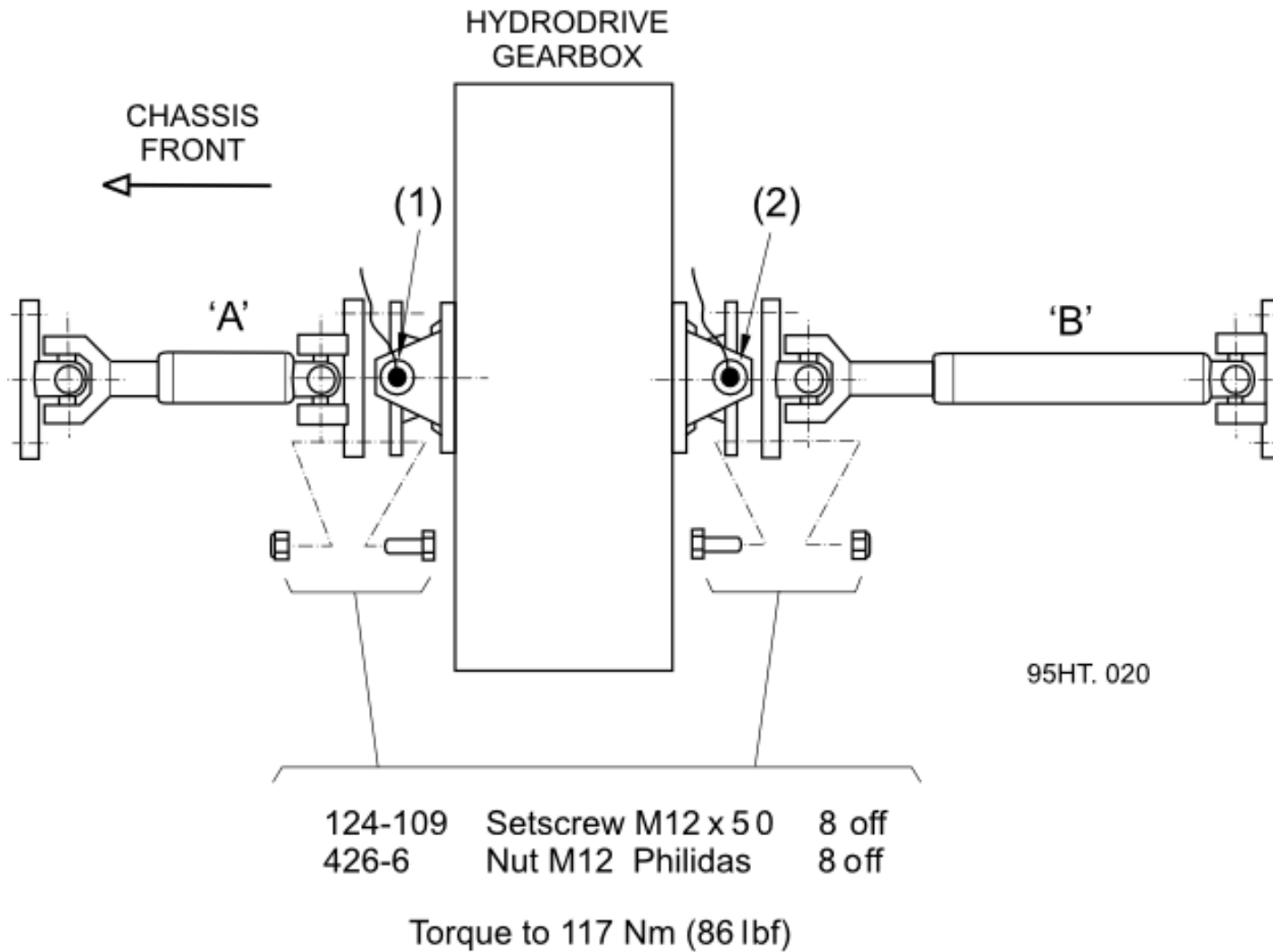
**Gearbox Installation (-)**

Powapack - VS HydroDrive Transmission

Item no.	Part no.	Description	QTY	Unit
1	290-44	Mount - Centre Bonded	4	PC
2	123-156	Bolt M Coarse M12x90	4	PC
2	425-16	Nut Nyloc Hex M12c	4	PC
3	90449-1	Washer	12	PC

**Prop Shafts and Sensors (-)**

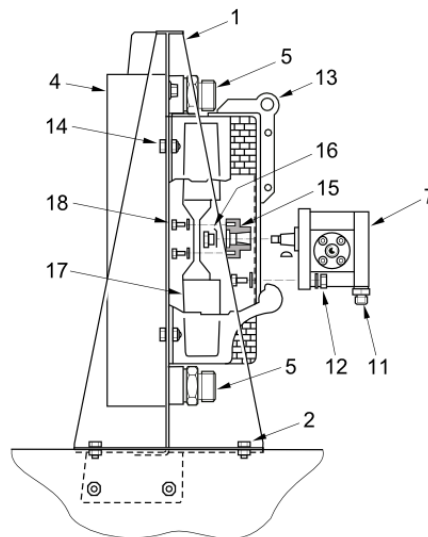
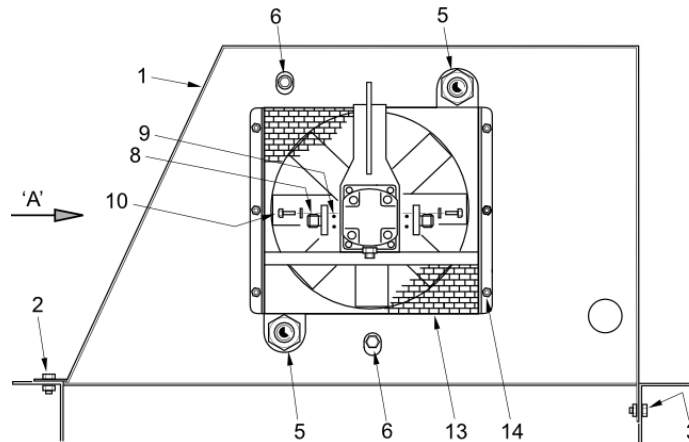
Powapack - VS HydroDrive Transmission - Gearbox Installation



**Prop Shafts and Sensors (-)**

Powapack - VS HydroDrive Transmission - Gearbox Installation

Item no.	Part no.	Description	QTY	Unit
1	280856-1	Speed Sensor with Loom	1	PC
1	282810-1	Speed Sensor Bracket	1	PC
2	280856-1	Speed Sensor with Loom	1	PC
2	282424-1	Speed Sensor Bracket	1	PC

**Oil Cooler and Fan Installation (950511)**  
 Powapack - VS Hydrostatic Components


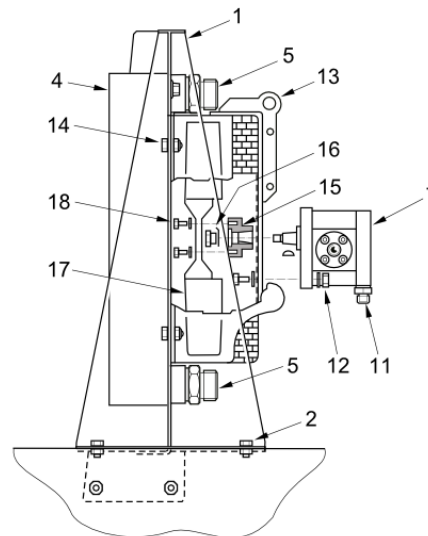
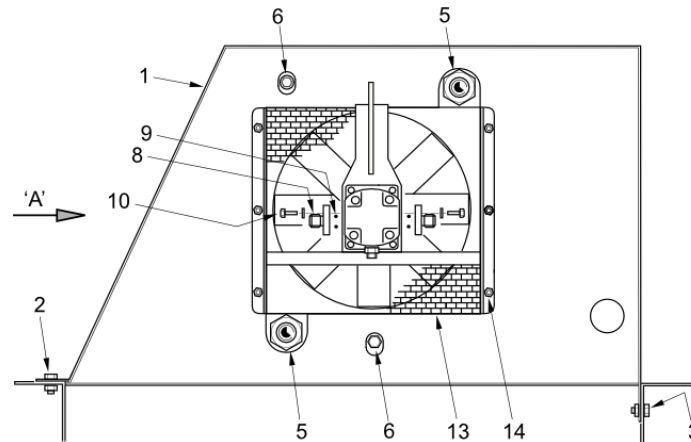
VIEW ON ARROW 'A'

95HC. 023

**Oil Cooler and Fan Installation (950511)**

## Powapack - VS Hydrostatic Components

Item no.	Part no.	Description	QTY	Unit
1	66075-1	Shroud - Oil Cooler W/Assy VS	1	PC
2	124-167	Setscrew M10C x 20	2	PC
2	460-11	Washer Spring Single Coil M10	2	PC
3	124-167	Setscrew M10C x 20	2	PC
3	425-15	Nut Nyloc Hex M10C	2	PC
4	90536-1	Oil Cooler	1	PC
5	265-11	Adaptor Reducing M/M 1"-1 1/4" BSP	2	PC
5	451-111	Washer Bonded G1 1-4"	2	PC
6	54-3	Plug - Collar G3/8" BSP	2	PC
7	295046-1	Hydraulic Motor	1	PC
8	90549-1	Adaptor - Fan Motor	2	PC
9	79-34	O Ring - 1.049" Dia.	2	PC
10	151-50	Capscrew Skt Hd UNC 5/16x1	8	PC
10	450-28	Washer Spring 5/16	8	PC
11	263-2	Adaptor M/M 1/4" BSP	1	PC
11	451-17	Washer Bonded G1-4"	1	PC
12	124-141	Setscrew M8C x 35	4	PC
12	460-10	Washer Spring Single Coil M8	4	PC
13	90532-1	Mount - Motor W/Assy	1	PC
14	124-137	Setscrew M8C x 25	6	PC
14	425-14	Nut Nyloc Hex MC M8	6	PC
15	283295-1	Boss - Fan Drive	1	PC
16	12405	Washer Tab	1	PC
17	90829-1	Impeller - Oil Cooling Fan	1	PC

**Oil Cooler and Fan Installation (950511)**  
 Powapack - VS Hydrostatic Components


VIEW ON ARROW 'A'

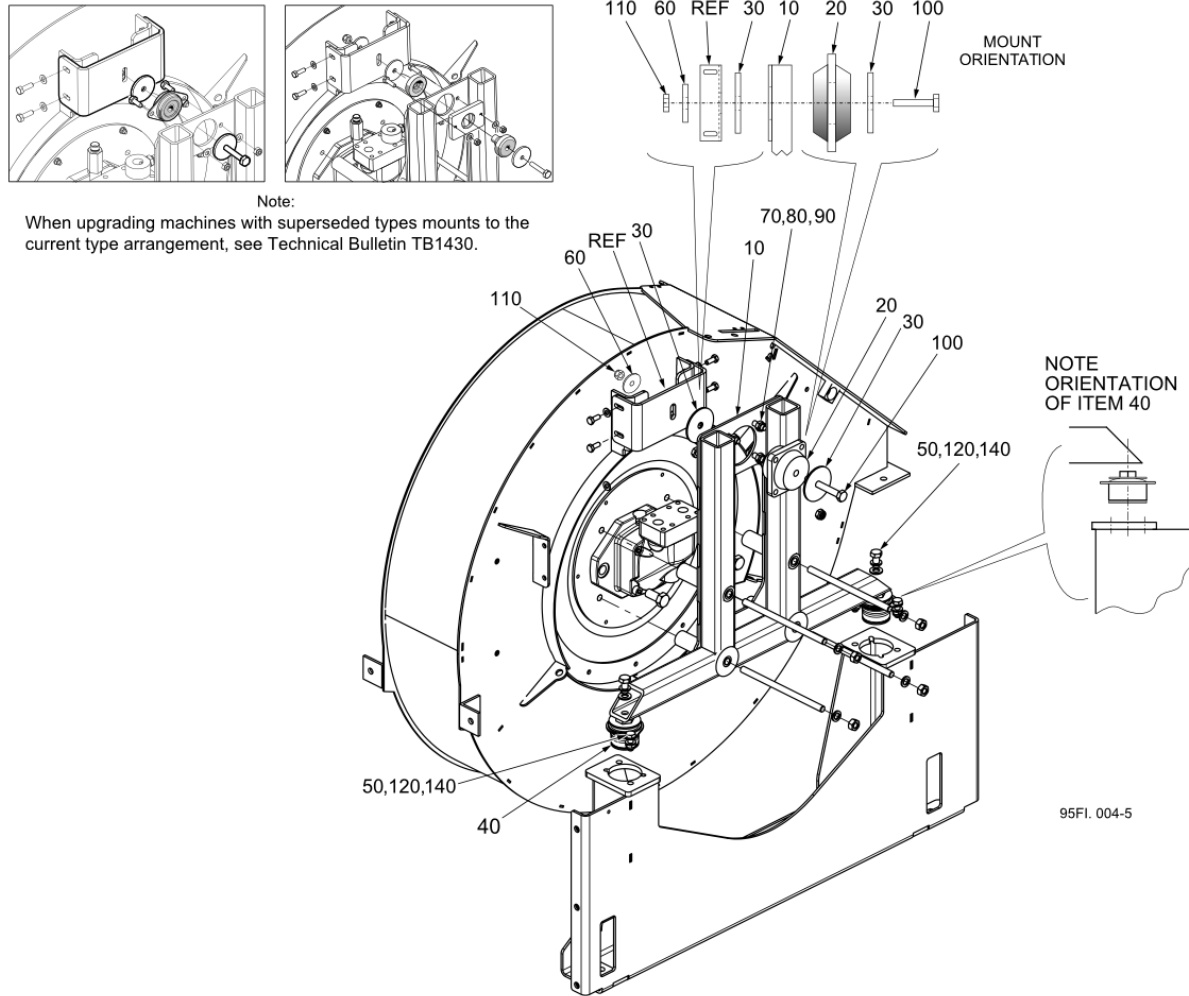
95HC. 023

**Oil Cooler and Fan Installation (950511)**

Powapack - VS Hydrostatic Components

Item no.	Part no.	Description	QTY	Unit
18	124-103	Setscrew M6C x 20	4	PC
18	460-8	Washer Spring Single Coil M6	4	PC

**Fan Drive Mount Assembly (950513)**  
Powapack - VS Hydrostatic Components



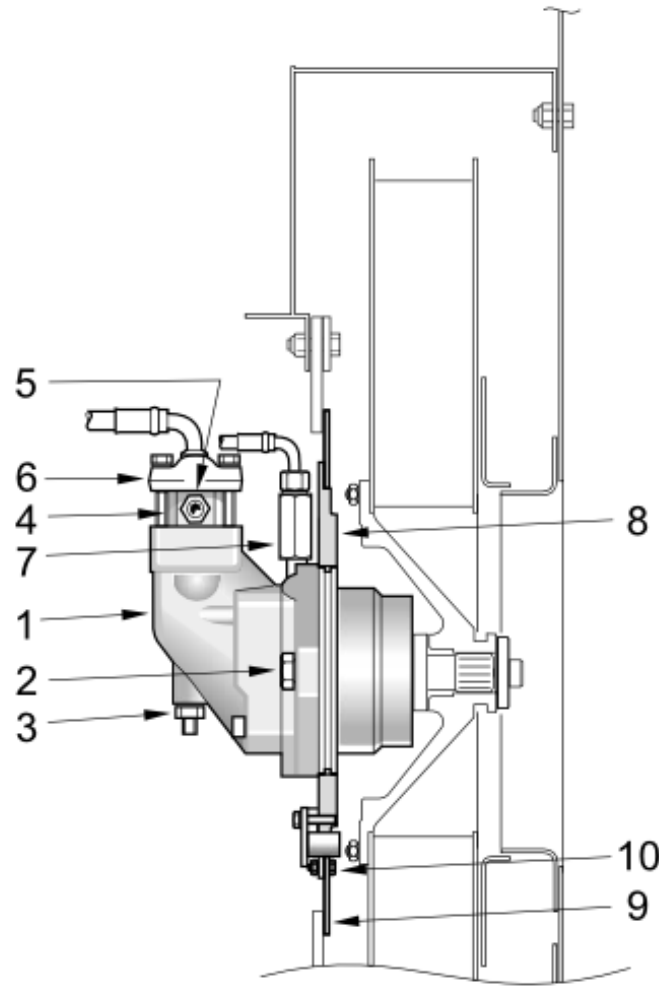


**Fan Drive Mount Assembly (950513)**

## Powapack - VS Hydrostatic Components

Item no.	Part no.	Description	QTY	Unit
REF	284018-1	Top Mount-Fan Drive VS	0	PC
10	7018887	Fan Drive Frame	1	PC
20	290-102	Cone Mounting 90mm <sup>2</sup> Shore Hardness-45	1	PC
30	7019436	Washer - Anti-Vibration Mount	2	PC
40	7018914	Anti Vibration Mount - 45 Shore	2	PC
50	92097448-0	Hex Head Screw - M12Cx25 - 8.8	2	PC
60	284026-1	Rebound Washer-Fan Drive Mount	1	PC
70	92097415-0	Hex Head Screw - M10Cx35 - 8.8	4	PC
80	93212012-0	Plain Washer M10	8	PC
90	93085806-0	Nyloc Hex Nut M10C - 8	8	PC
100	92067467-0	Hex Head Bolt - M12Cx90 - 8.8	1	PC
110	93085007-0	Nyloc Hex Thin Nut M12C - 8	1	PC
120	93212013-0	Plain Washer M12	2	PC
130	92097414-0	Hex Head Screw - M10Cx30 - 8.8	4	PC
140	93699712-0	Spring Washer - Plated M12	2	PC

**Fan Drive Motor Installation (950513)**  
Powapack - VS Hydrostatic Components



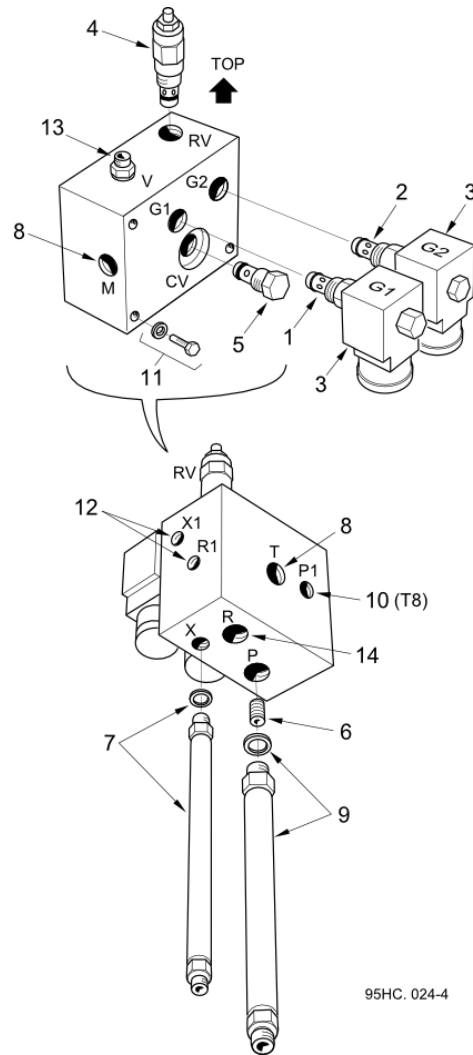
95FI. 005-3

**Fan Drive Motor Installation (950513)**

## Powapack - VS Hydrostatic Components

Item no.	Part no.	Description	QTY	Unit
1	78184-1	Motor-Hydraulic	1	PC
2	124-269	Setscrew M16C x 35	2	PC
3	90949-1	Adaptor - M18xG1/4	1	PC
3	451-8	Washer Bonded Ø3-4" - Bolt	1	PC
4	29667-1	Adaptor - Loop Flushing	2	PC
4	79-32	O Ring - .984" Dia.	1	PC
5	263-2	Adaptor M/M 1/4" BSP	1	PC
5	451-17	Washer Bonded G1-4"	1	PC
6	498-N08	SAE Split Flange Kit 3/4" 415bar	2	PC
6	123-131	Bolt M Coarse M10x55	4	PC
6	123-128	Bolt M Coarse M10x40	4	PC
6	460-11	Washer Spring Single Coil M10	4	PC
7	66104-1	Adaptor - 3/8 x M14 (660)	1	PC
7	451-112	Washer Bonded Ø9-16" - Bolt	1	PC
8	66072-2	Flange -Motor Mount With Holes	1	PC
9	66073-1	Plate - Motor Mount	1	PC
10	124-103	Setscrew M6C x 20	6	PC
10	460-8	Washer Spring Single Coil M6	6	PC
10	425-13	Nut Nyloc Hex M6C	6	PC

**Fan Drive Block (950511)**  
Powapack - VS Hydrostatic Components



95HC. 024-4

**Fan Drive Block (950511)**

## Powapack - VS Hydrostatic Components

Item no.	Part no.	Description	QTY	Unit
0	283647-12	Fan Control Block 12v VS	1	PC
Comprising items 1-6				
0	283647-24	Fan Control Block 24v VS	1	PC
Comprising items 1-6				
1	847-65	Cartridge Valve - NO 210 bar	1	PC
2	847-45	Cartridge Valve - NC 210 bar	1	PC
3	847-3	Coil Only - 12 Volt 14 watt	2	PC
3	847-68	Coil Only - 24 Volt 14 watt	2	PC
4	847-78	Relief Cartridge (175 Bar)	1	PC
5	847-11	Check Valve 0.2 bar	1	PC
6	847-67	Orifice - M6 x 0.75 Ø 1.60	1	PC
7	281712-1	Pipe-Extn W/Assy Fan Block	1	PC
7	451-17	Washer Bonded G1-4"	1	PC
8	263-6	Adaptor M/M 3/4" BSP	2	PC
8	451-21	Washer Bonded G3-4"	2	PC
9	281649-1	Pipe-Extn W/Assy Fan Block	1	PC
9	451-21	Washer Bonded G3-4"	1	PC
10	665-6	Test Coupling SMK20 - G1/8	1	PC
11	124-132	Setscrew M8C x 12	3	PC
11	460-10	Washer Spring Single Coil M8	3	PC
12	5104	Plug - Collar 1/8" BSP Brass	2	PC
12	451-4	Washer Bonded G1-8"	2	PC
13	265-2	Adaptor Reducing M/M 1/4"-3/8" BSP	1	PC
13	451-17	Washer Bonded G1-4"	1	PC

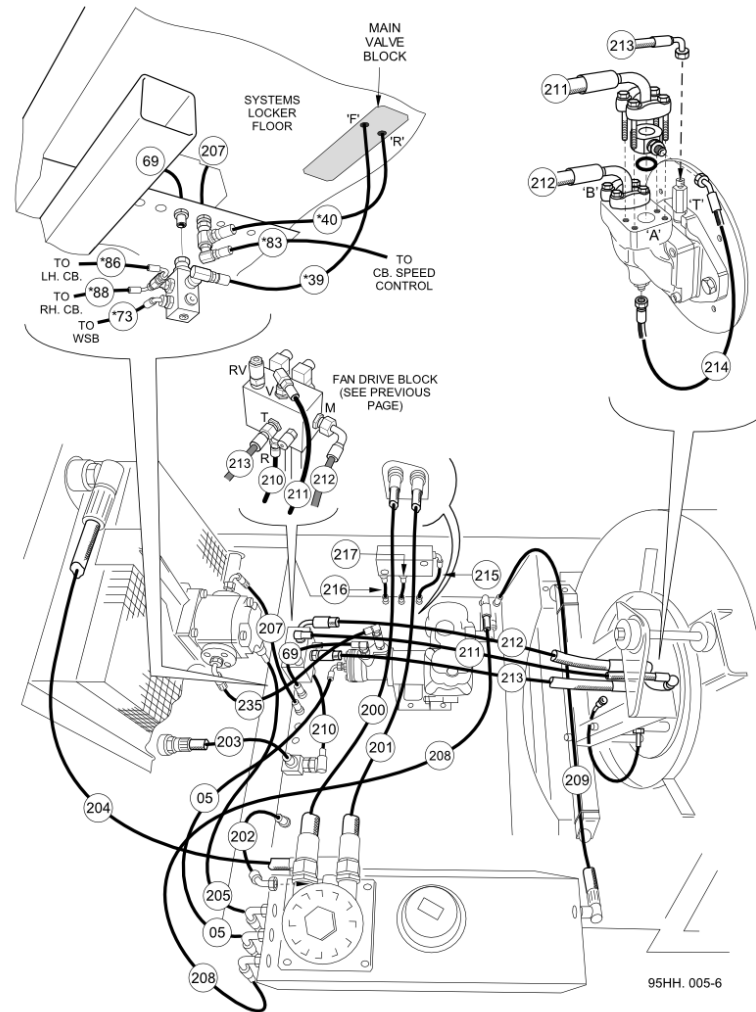


**Fan Drive Block (950511)**

Powapack - VS Hydrostatic Components

Item no.	Part no.	Description	QTY	Unit
14	6587-1-A	Adaptor - MK 2H M/C	1	PC
14	451-21	Washer Bonded G3-4"	1	PC

**Fan Tub Hoses (950514)**  
Powapack - VS Hydrostatic Components



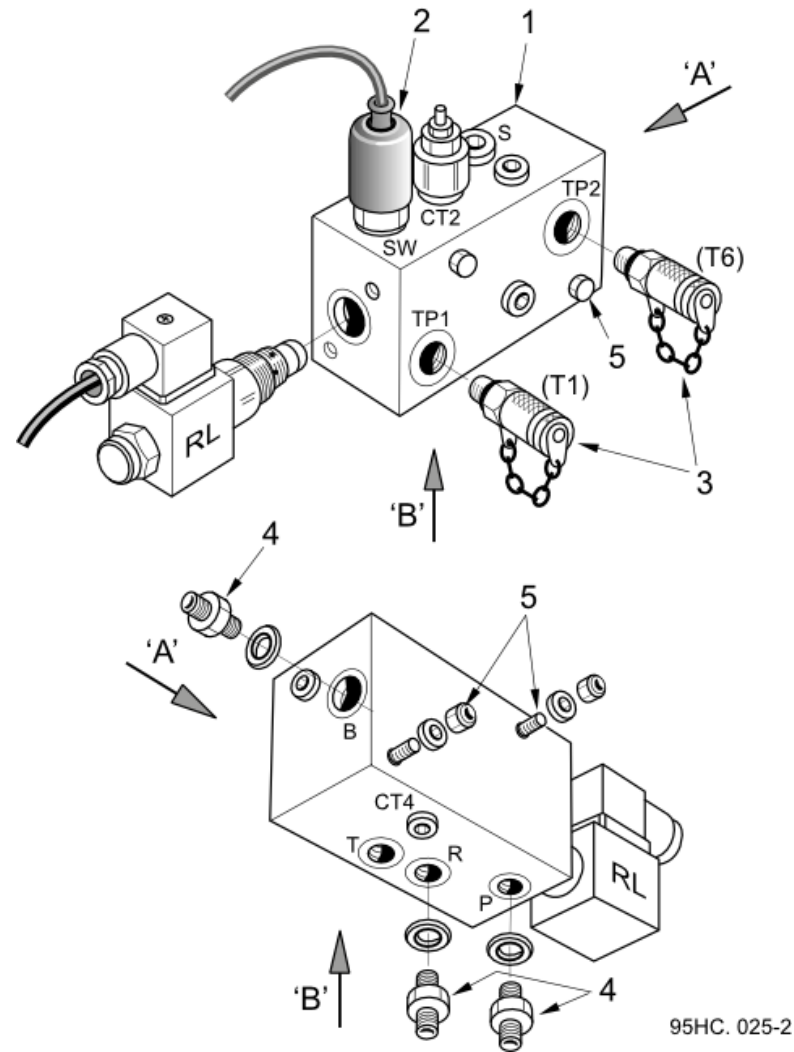


**Fan Tub Hoses (950514)**

## Powapack - VS Hydrostatic Components

Item no.	Part no.	Description	QTY	Unit
05	12870	Tube - Nylon Black 8mm O/D	1.25	M
69	HC08003-40	Hose - Megaflex 1/2" STRx90c	1	PC
200	HE20000-108	Hose-Hydraulic 1.1/4" STRxSTR	1	PC
201	HE16000-108	Hose - Hydraulic 1" STRxSTR	1	PC
202	HE12001-68	Hose - Hydraulic 3/4" STRx45s	1	PC
203	HE16003-90	Hose - Hydraulic 1" STRx90c	1	PC
204	HE16000-65	Hose - Hydraulic 1" STRxSTR	1	PC
205	HC04003-85	Hose - Megaflex 1/4" STRx90c	1	PC
207	HC08002-75	Hose - Megaflex 1/2" STRx90s	1	PC
208	HC04002-180	Hose - Megaflex 1/4" STRx90s	1	PC
209	HC08003-135	Hose - Megaflex 1/2" STRx90c	1	PC
210	HE12003-42	Hose - Hydraulic 3/4" STRx90c	1	PC
211	HF12011-101	Hose - Twinflex 3/4" STRx90s	1	PC
212	HF12052-102-270	Hose - Twinflex 3/4" 90sx90sae	1	PC
213	HC06002-113	Hose - Megaflex 3/8" STRx90s	1	PC
214	HC04001-45	Hose - Megaflex 1/4" STRx45s	1	PC
215	HF04002-41	Hose - Twinflex 1/4" STRx90s	1	PC
216	HF04000-34	Hose - Twinflex 1/4" STRxSTR	1	PC
217	HF04000-34	Hose - Twinflex 1/4" STRxSTR	1	PC
235	HC08002-91	Hose - Megaflex 1/2" STRx90s	1	PC

**Antiskid Module (950511)**  
Powapack - VS Hydrostatic Components - Controls

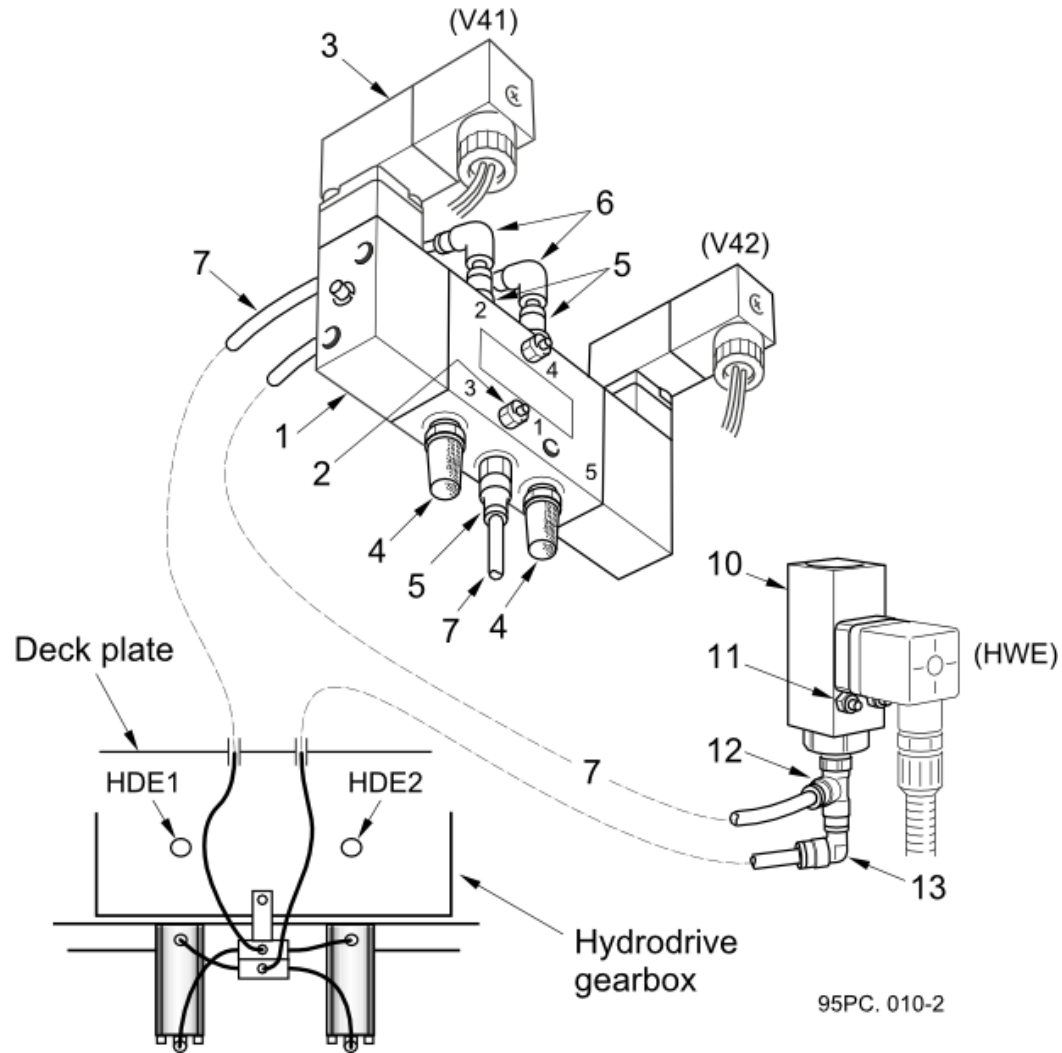


**Antiskid Module (950511)**

## Powapack - VS Hydrostatic Components - Controls

Item no.	Part no.	Description	QTY	Unit
1	7017415	Antiskid Manifold - 24v	1	PC
1	7017419	Antiskid Manifold - 12v	1	PC
2	70849-1	Switch - Brake	1	PC
2	451-17	Washer Bonded G1-4"	1	PC
3	665-17	Test Coupling SMK20 - 9/16-18UNF	2	PC
4	263-2	Adaptor M/M 1/4" BSP	3	PC
4	451-17	Washer Bonded G1-4"	3	PC
5	123-123	Bolt M Coarse M8x130	2	PC
5	56569-6	Spacer - 16 Dia x 20 M8	2	PC
5	56569-8	Spacer - 16 Dia x 28 M8	2	PC
5	425-14	Nut Nyloc Hex MC M8	2	PC

**HydroDrive Selector Valve and HWE Switch (950511)**  
Powapack - VS Hydrostatic Components - Controls

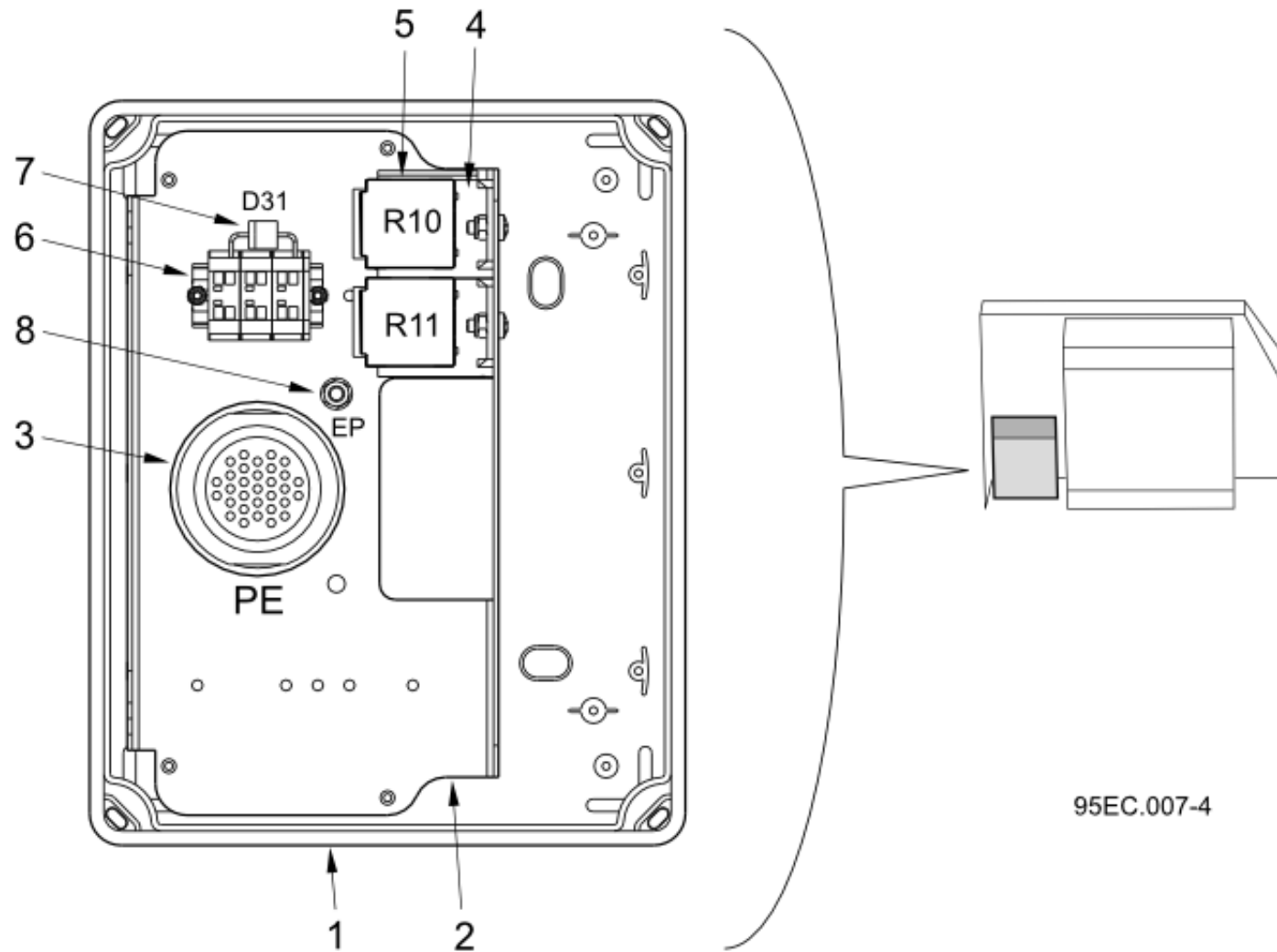


**HydroDrive Selector Valve and HWE Switch (950511)**

Powapack - VS Hydrostatic Components - Controls

Item no.	Part no.	Description	QTY	Unit
1	72-21	Valve Inline D.Action	1	PC
2	124-47	Setscrew M4C x 40 BS3692	2	PC
2	425-11	Nut Nyloc Hex MC M4	2	PC
3	72-22	Solenoid-24v (Suit 72/21 & 23)	2	PC
3	72-106	Solenoid-12v (Suit 72/21 & 23)	2	PC
4	72-17	Exhaust Silencer	2	PC
5	537-3	Adaptor-Push In 6mm x 1/8 BSPT	3	PC
6	551-1	Adaptor - Stem Elbow 6mm	2	PC
7	273-20	Tube - Nylon Blue 6mm O/D	2	M
10	72-52	Pneumatic Pressure Switch	1	PC
11	129-74	Screw MC Cap Skt Hd M5x45	2	PC
11	425-12	Nut Nyloc Hex M5C	2	PC
12	540-3	Adaptor - Tee 6mm x 1/8 BSPT	1	PC
13	551-1	Adaptor - Stem Elbow 6mm	1	PC

**Management Box (950511)**  
Powapack - VS Hydrostatic Components - Controls

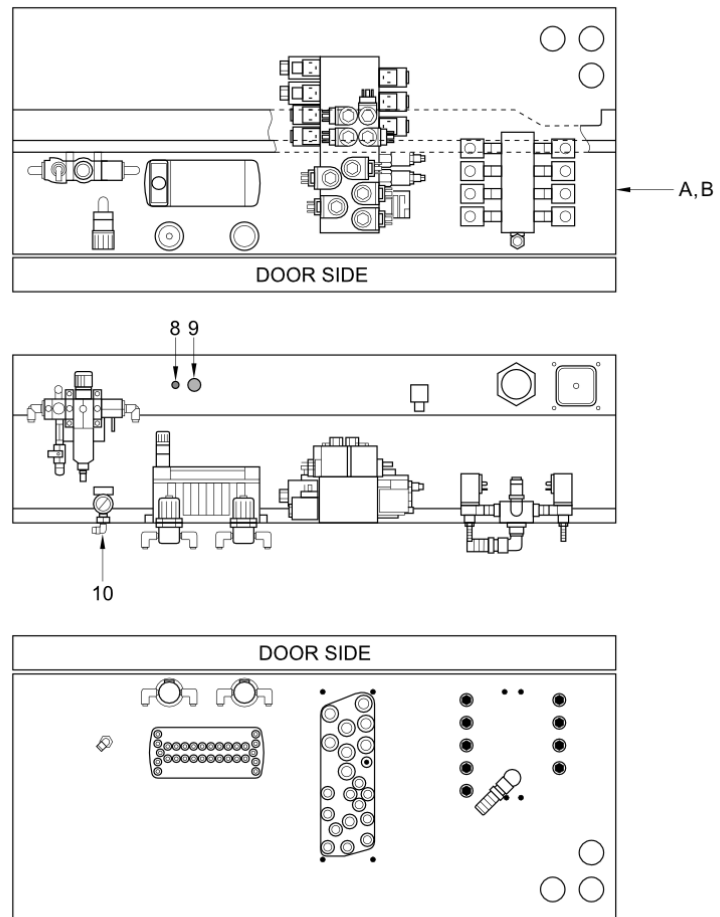


**Management Box (950511)**

## Powapack - VS Hydrostatic Components - Controls

Item no.	Part no.	Description	QTY	Unit
0	282135-1	Hydrostatic Management Box 12v	1	PC
Comprising items 1-8				
0	282135-2	Hydrostatic Management Box 24v	1	PC
Comprising items 1-8				
1	283848-1	Enclosure - Eng Management Box	1	PC
1	134-44	Pan Head Screw-M4Cx20-4.8-Pozidriv	4	PC
1	425-11	Nut Nyloc Hex MC M4	4	PC
2	282125-1	Plate-Mntg Eng Management Box	1	PC
3	283847-1	Loom - Hydro.Management Box VS	1	PC
3	710-67	Receptacle - HDP 31 Way DEUTSCH	1	PC
3	710-70	Jam Nut Plastic	1	PC
3	281545-2	Washer-Sealing Connector (24)	1	PC
4	48-89	Base Relay	2	PC
5	13193	Relay 12 Volt 30/40	2	PC
5	13194	Relay 24 Volt 30/40	2	PC
6	30-256	Block-4 Way Terminal + Flange	3	PC
6	30-254	Plate - End With Fixing Flange	1	PC
7	13984	Diode Rectifier	1	PC
8	134-60	Pan Head Screw-M5Cx25-4.8-Pozidriv	1	PC
8	455-7	Washer Plain Plated Steel M5	1	PC
8	420-12	Nut MC Hex M5	1	PC

Systems Wafer Assembly (-)  
Systems Locker



95SL. 003-3

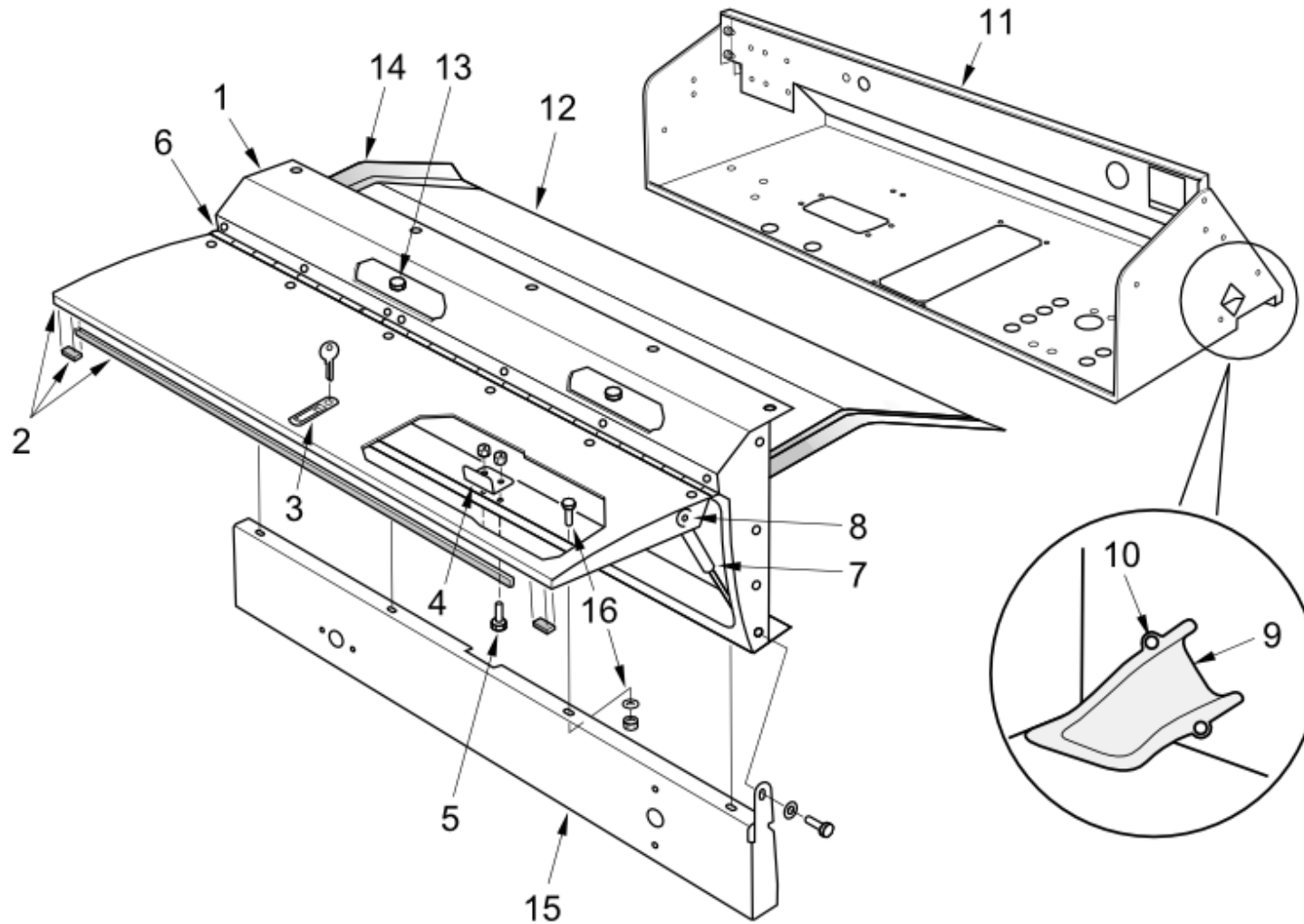


## Systems Wafer Assembly (-)

## Systems Locker

Item no.	Part no.	Description	QTY	Unit
A	950912-021	Hyd System - Sng/12v MK2 SW95	1	PC
A	950912-022	Hyd System - Dual/12v MK2 SW95	1	PC
A	950912-023	Hyd System - Sng/24v MK2 SW95	1	PC
A	950912-024	Hyd System - Dual/24v MK2 SW95	1	PC
B	950912-029	Hyd Sys - Sng/12v Opt MK2 SW95	1	PC
B	950912-030	Hyd Sys -Dual/12v Opt MK2 SW95	1	PC
B	950912-031	Hyd Sys - Sng/24v Opt MK2 SW95	1	PC
B	950912-032	Hyd Sys -Dual/24v Opt MK2 SW95	1	PC
8	719-2	Circuit Breaker 50A M4 Term	1	PC
8	719-1	Circuit Breaker 30A M4 Term	1	PC
9	99-67	Operating Head - Push Momentry	1	PC
9	99-2	Body Contact Assy 2xN/C	1	PC
9	99-4	Contact - N.O.	1	PC
10	283525-1	Safety Protection Valve	29	PC

Systems Locker Enclosure and Valance (950910, 950511, 950512)

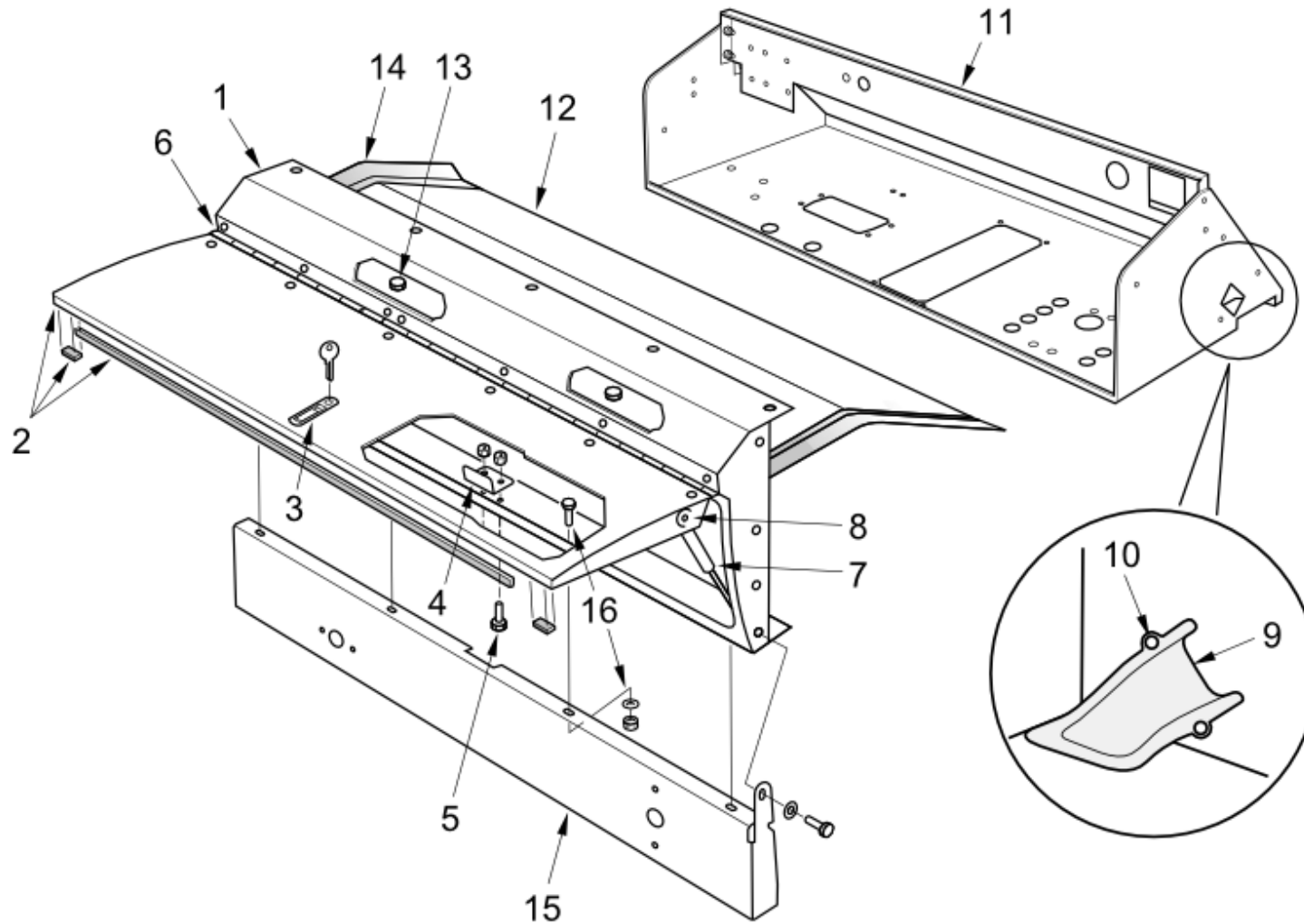


95SL. 004-9

## Systems Locker Enclosure and Valance (950910, 950511, 950512)

Item no.	Part no.	Description	QTY	Unit
0	282868-1	Systems Locker Frame Assy	1	PC
1	281660-1	Frame W/Assy-Systems Locker	1	PC
2	282869-1	Locker Door W/Assy	1	PC
2	211-33	Edge Trim 0.5 - 1.5mm	1	M
2	217-58	Strip-Self Adhesive Seal 15x4	2	M
3	211-40	Push Button Trigger Latch	1	PC
3	211-49	Key For Door Latch 211-40 (2 Per)	2	PC
4	282871-1	Bracket - Filler, Locker 95	1	PC
5	135-91	Screw - M4 x 20 CH HD SLT	2	PC
5	425-13	Nut Nyloc Hex M6C	2	PC
6	42597-5	Hinge-System Locker 1040Lg	1	PC
6	117-32	Screw-Skt Button Hd M4cx10 SS	12	PC
6	425-11	Nut Nyloc Hex MC M4	12	PC
7	39435	Spring - Gas	2	PC
8	420-12	Nut MC Hex M5	2	PC
9	283321-1	Conduit Tidy - Systems Wafer	1	PC
10	460-8	Washer Spring Single Coil M6	2	PC
10	455-8	Washer Plain Plated Steel M6	2	PC
10	420-13	Nut MC Hex M6	2	PC
11	283826-1	Systems Wafer Base Assy - V Range	1	PC
12	281563-1	Cover Sys Locker E3 Engine	1	PC
13	124-134	Setscrew M8C x 16	4	PC
14	217-2	Strip - Rubber	2	M
15	808575-1	Valance - Systems Wafer	1	PC

Systems Locker Enclosure and Valance (950910, 950511, 950512)

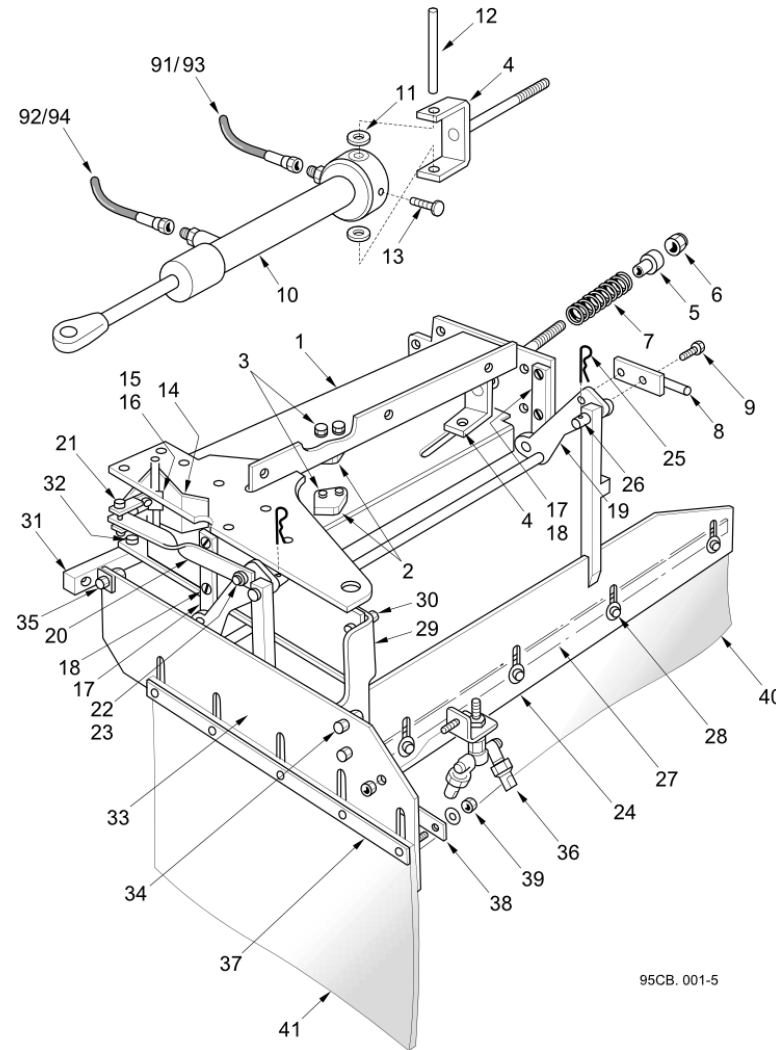


95SL. 004-9

## Systems Locker Enclosure and Valance (950910, 950511, 950512)

Item no.	Part no.	Description	QTY	Unit
16	124-103	Setscrew M6C x 20	4	PC
16	455-8	Washer Plain Plated Steel M6	4	PC
16	425-13	Nut Nyloc Hex M6C	4	PC

**Pivot Frame Assembly Single (951211)**  
Channel Brush



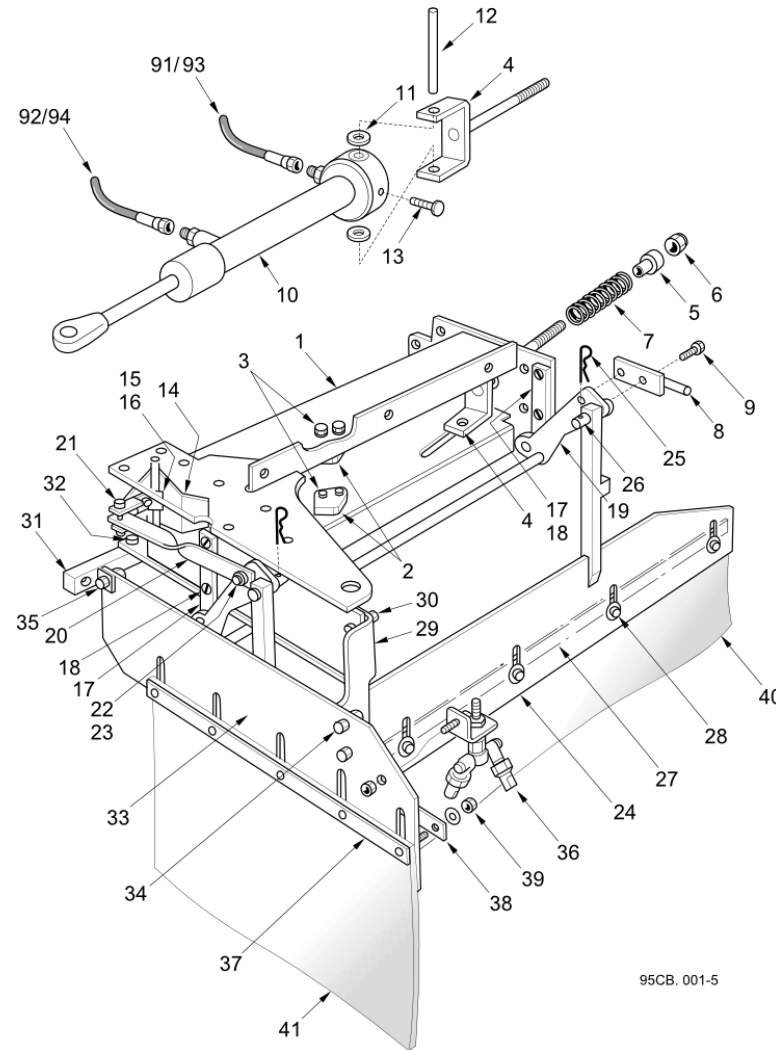
95CB.001-5

**Pivot Frame Assembly Single (951211)**

Channel Brush

Item no.	Part no.	Description	QTY	Unit
1	200075-1	Pivot Frame-Channel Brush W/A	1	PC
2	281587-1	Stop - Channel Brush	2	PC
3	124-169	Setscrew M10C x 25	3	PC
3	460-11	Washer Spring Single Coil M10	3	PC
4	67348-1	Fork - W/Assy	4	PC
5	41911-1	Nut - Kick Back Spring	5	PC
6	425-18	Nut Nyloc Hex M16C	6	PC
7	41895-2	Spring - Compression, C/Brush	7	PC
8	40295-1-F	Pin W/Assy - Tow, Nozzle	8	PC
9	123-146	Bolt M Coarse M12x40	9	PC
9	425-16	Nut Nyloc Hex M12c	9	PC
10	281601-1	Cylinder Assy C/Brush	10	PC
11	40421-1-F	Spacer - Cylinder C/Brush	11	PC
12	40420-1-B	Pin Cylinder C/Brush	12	PC
13	123-109	Bolt M Coarse M8x45	13	PC
14	800678-1	Lever-Brush Curtain W/Assy	14	PC
15	40384-1-B	Catch Curtain Lever C/Brush	15	PC
16	124-103	Setscrew M6C x 20	16	PC
16	460-8	Washer Spring Single Coil M6	16	PC
16	420-13	Nut MC Hex M6	16	PC
17	200051-1	Davit Hinge w/assy	17	PC
18	127-139	Setscrew Csk Hd. M8C x 30	18	PC
18	460-10	Washer Spring Single Coil M8	18	PC
18	420-14	Nut MC Hex M8	18	PC

**Pivot Frame Assembly Single (951211)**  
Channel Brush



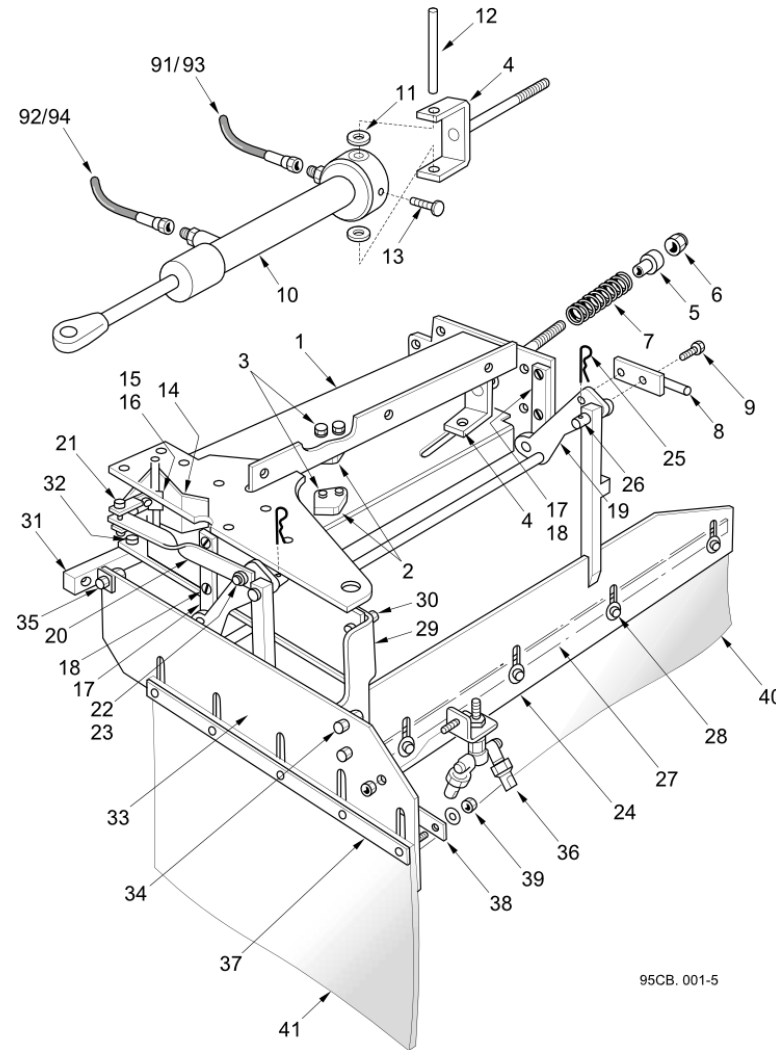


**Pivot Frame Assembly Single (951211)**

Channel Brush

Item no.	Part no.	Description	QTY	Unit
19	200046-1	Davit W/Assy - Variabrush	19	PC
20	40382-1-B	Curtain Link	20	PC
21	40383-1-B	Bush - Curtain, Brush, Channel	21	PC
21	124-143	Setscrew M8C x 40	21	PC
22	40385-1-B	Pin Retaining Link	22	PC
23	124-141	Setscrew M8C x 35	23	PC
23	460-10	Washer Spring Single Coil M8	23	PC
23	420-14	Nut MC Hex M8	23	PC
24	200050-1	Curtain Welded Assembly	24	PC
25	289-27	Cotter Spring-Single, 18mm Dia	25	PC
26	63582-1	Pin - Curtain Quick Release	26	PC
27	62454-1	Clamp - Strip	27	PC
28	124-169	Setscrew M10C x 25	28	PC
28	457-5	Washer Plain Steel M10 Form G	28	PC
29	62822-1	Bracket - Mudflap Mtg.	29	PC
30	124-169	Setscrew M10C x 25	30	PC
30	460-11	Washer Spring Single Coil M10	30	PC
30	420-15	Nut MC Hex M10	30	PC
31	62819-1	Box - Towpoint W/A	31	PC
32	123-151	Bolt M Coarse M12x65 BS3692	32	PC
32	460-12	Washer Spring Single Coil M12	32	PC
32	420-16	Nut MC Hex M12	32	PC
33	67375-1	Plate - Mud Flap	33	PC
34	124-167	Setscrew M10C x 20	34	PC

**Pivot Frame Assembly Single (951211)**  
Channel Brush

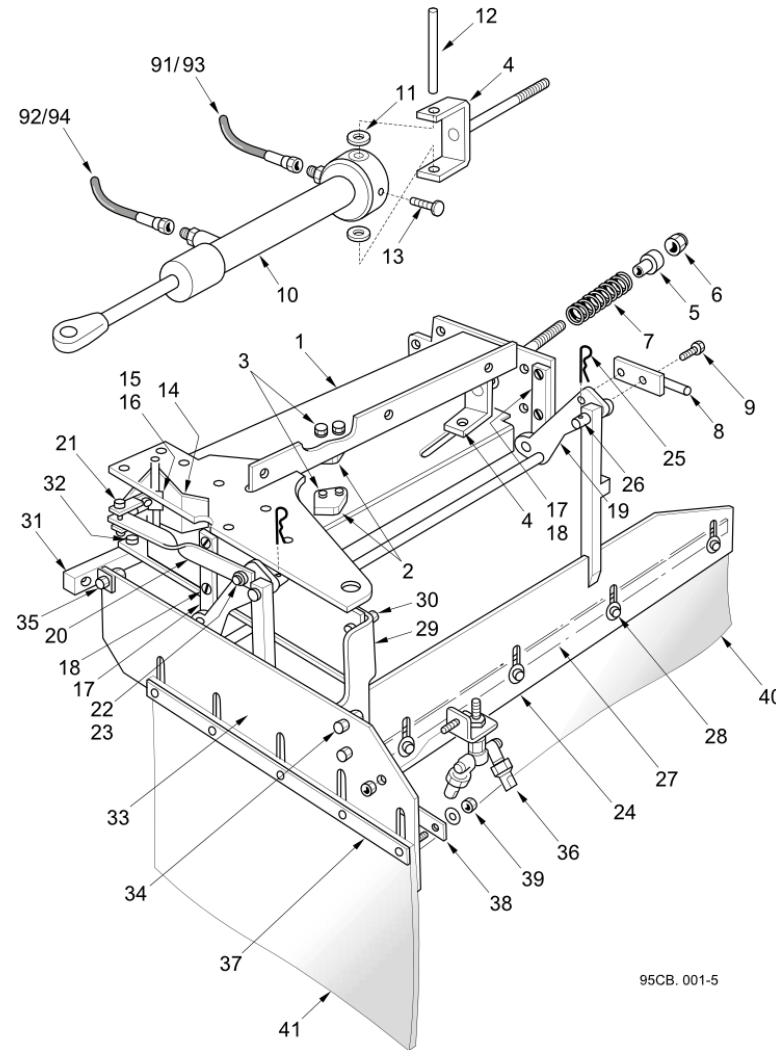


**Pivot Frame Assembly Single (951211)**

Channel Brush

Item no.	Part no.	Description	QTY	Unit
34	460-11	Washer Spring Single Coil M10	34	PC
34	420-15	Nut MC Hex M10	34	PC
35	124-201	Setscrew M12C x 25	35	PC
35	460-12	Washer Spring Single Coil M12	35	PC
35	420-16	Nut MC Hex M12	35	PC
36	282207-1	S/Assy Gutter Spray Nozzle	36	PC
37	67372-1	Clamp Strip Weld Assy	37	PC
38	67378-1	Clamp Bar	38	PC
39	457-4	Washer Plain Steel M8 Form G	39	PC
39	425-14	Nut Nyloc Hex MC M8	39	PC
40	63334-1	Curtain - Rubber CB	40	PC
41	67368-1	Mudflap	41	PC

Pivot Frame Assembly Dual (951211)  
Channel Brush

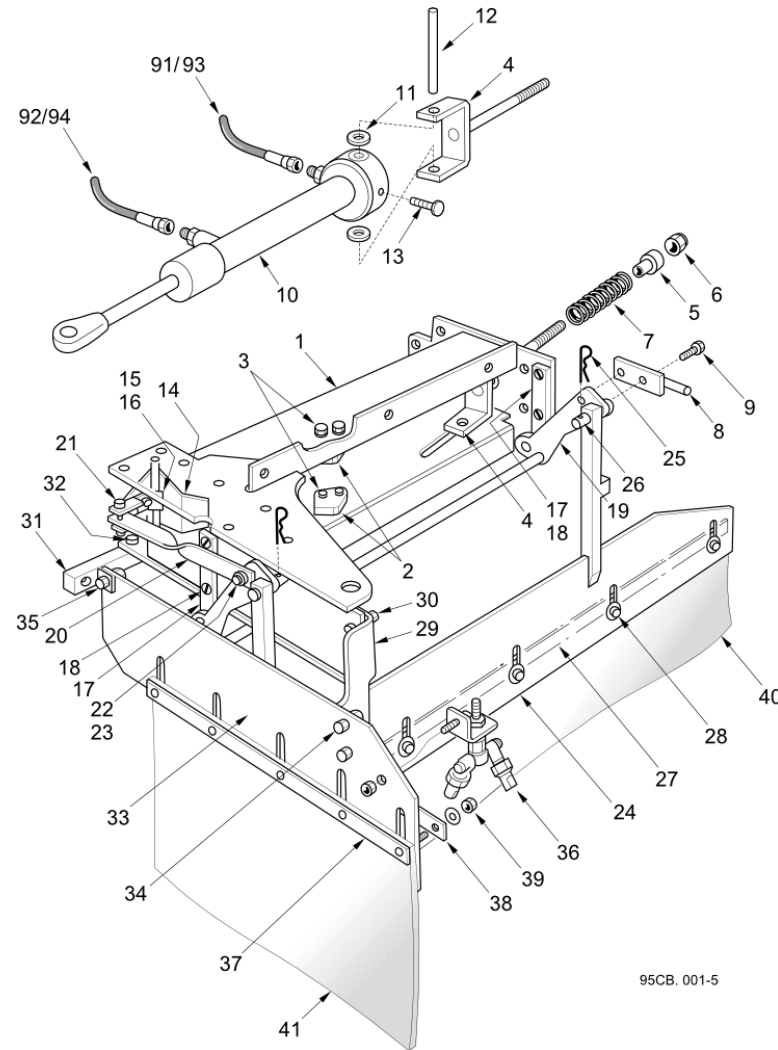


## Pivot Frame Assembly Dual (951211)

Channel Brush

Item no.	Part no.	Description	QTY	Unit
1	200075-1	Pivot Frame-Channel Brush W/A	2	PC
2	281587-1	Stop - Channel Brush	4	PC
3	124-169	Setscrew M10C x 25	8	PC
3	460-11	Washer Spring Single Coil M10	8	PC
4	67348-1	Fork - W/Assy	2	PC
5	41911-1	Nut - Kick Back Spring	2	PC
6	425-18	Nut Nyloc Hex M16C	2	PC
7	41895-2	Spring - Compression, C/Brush	2	PC
8	40295-1-F	Pin W/Assy - Tow, Nozzle	2	PC
9	123-146	Bolt M Coarse M12x40	4	PC
9	425-16	Nut Nyloc Hex M12c	4	PC
10	281601-1	Cylinder Assy C/Brush	2	PC
11	40421-1-F	Spacer - Cylinder C/Brush	4	PC
12	40420-1-B	Pin Cylinder C/Brush	2	PC
13	123-109	Bolt M Coarse M8x45	2	PC
14	800678-1	Lever-Brush Curtain W/Assy	2	PC
15	40384-1-B	Catch Curtain Lever C/Brush	2	PC
16	124-103	Setscrew M6C x 20	2	PC
16	460-8	Washer Spring Single Coil M6	2	PC
16	420-13	Nut MC Hex M6	2	PC
17	200051-1	Davit Hinge w/assy	4	PC
18	127-139	Setscrew Csk Hd. M8C x 30	8	PC
18	460-10	Washer Spring Single Coil M8	8	PC
18	420-14	Nut MC Hex M8	8	PC

Pivot Frame Assembly Dual (951211)  
Channel Brush

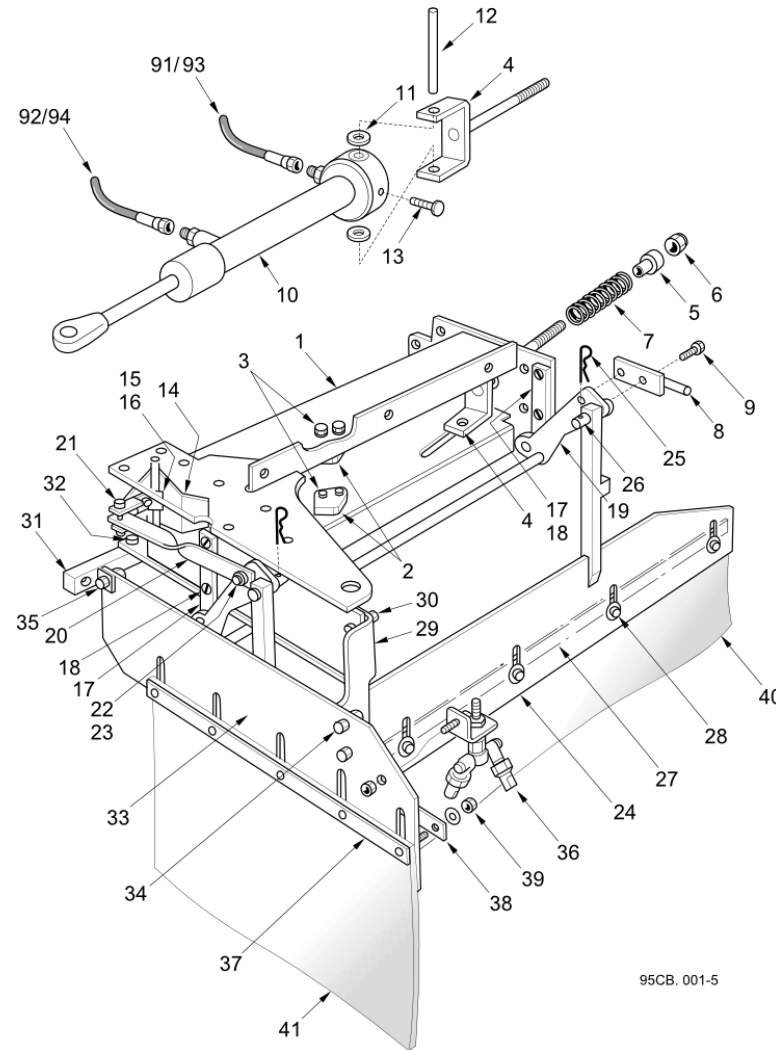


## Pivot Frame Assembly Dual (951211)

Channel Brush

Item no.	Part no.	Description	QTY	Unit
19	200046-1	Davit W/Assy - Variabrush	2	PC
20	40382-1-B	Curtain Link	2	PC
21	40383-1-B	Bush - Curtain, Brush, Channel	2	PC
21	124-143	Setscrew M8C x 40	2	PC
22	40385-1-B	Pin Retaining Link	2	PC
23	124-141	Setscrew M8C x 35	2	PC
23	460-10	Washer Spring Single Coil M8	2	PC
23	420-14	Nut MC Hex M8	2	PC
24	200050-1	Curtain Welded Assembly	2	PC
25	289-27	Cotter Spring-Single, 18mm Dia	4	PC
26	63582-1	Pin - Curtain Quick Release	4	PC
27	62454-1	Clamp - Strip	2	PC
28	124-169	Setscrew M10C x 25	10	PC
28	457-5	Washer Plain Steel M10 Form G	10	PC
29	62822-1	Bracket - Mudflap Mtg.	2	PC
30	124-169	Setscrew M10C x 25	4	PC
30	460-11	Washer Spring Single Coil M10	4	PC
30	420-15	Nut MC Hex M10	4	PC
31	62819-1	Box - Towpoint W/A	2	PC
32	123-151	Bolt M Coarse M12x65 BS3692	4	PC
32	460-12	Washer Spring Single Coil M12	4	PC
32	420-16	Nut MC Hex M12	4	PC
33	67375-1	Plate - Mud Flap	2	PC
34	124-167	Setscrew M10C x 20	4	PC

Pivot Frame Assembly Dual (951211)  
Channel Brush



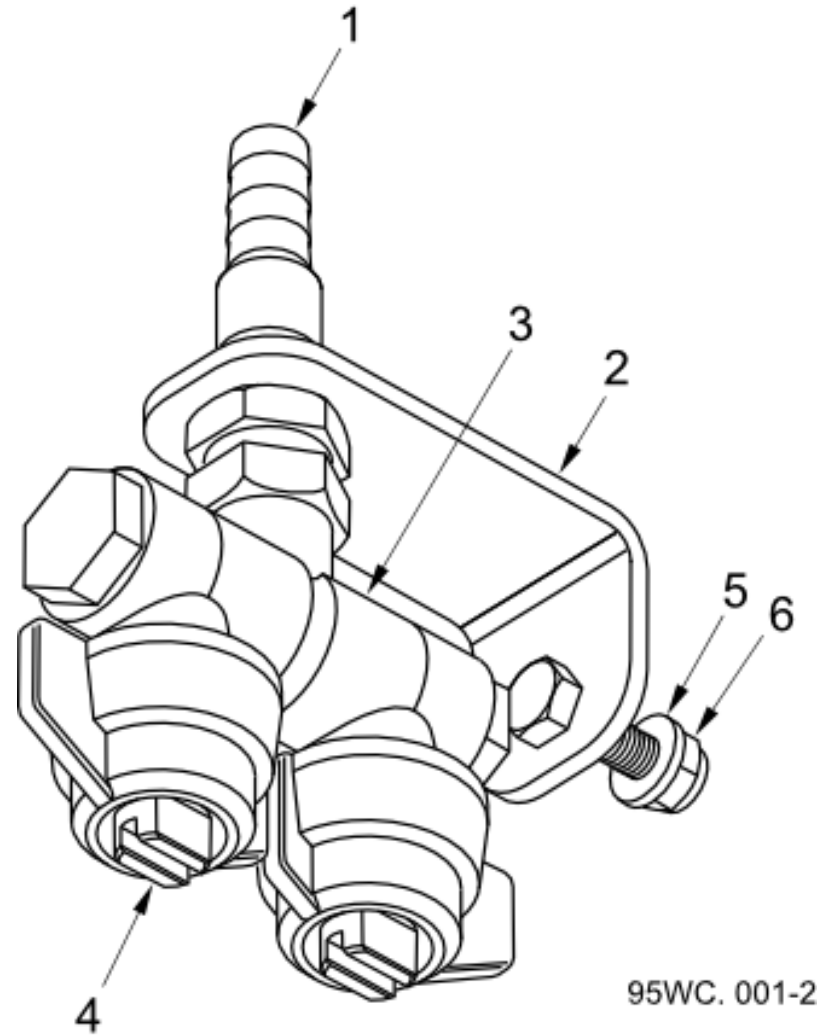


## Pivot Frame Assembly Dual (951211)

Channel Brush

Item no.	Part no.	Description	QTY	Unit
34	460-11	Washer Spring Single Coil M10	4	PC
34	420-15	Nut MC Hex M10	4	PC
35	124-201	Setscrew M12C x 25	2	PC
35	460-12	Washer Spring Single Coil M12	2	PC
35	420-16	Nut MC Hex M12	2	PC
36	282207-1	S/Assy Gutter Spray Nozzle	2	PC
37	67372-1	Clamp Strip Weld Assy	2	PC
38	67378-1	Clamp Bar	2	PC
39	457-4	Washer Plain Steel M8 Form G	10	PC
39	425-14	Nut Nyloc Hex MC M8	10	PC
40	63334-1	Curtain - Rubber CB	2	PC
41	67368-1	Mudflap	2	PC

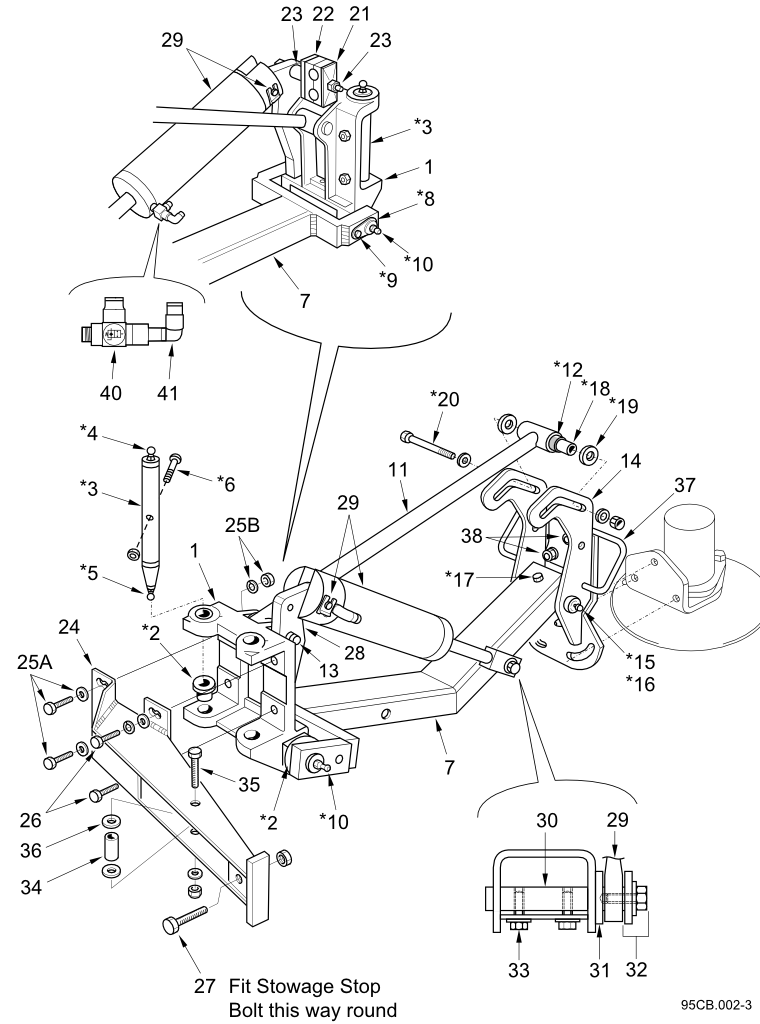
**Water Jet Assembly (951211)**  
Channel Brush



## Water Jet Assembly (951211)

Channel Brush

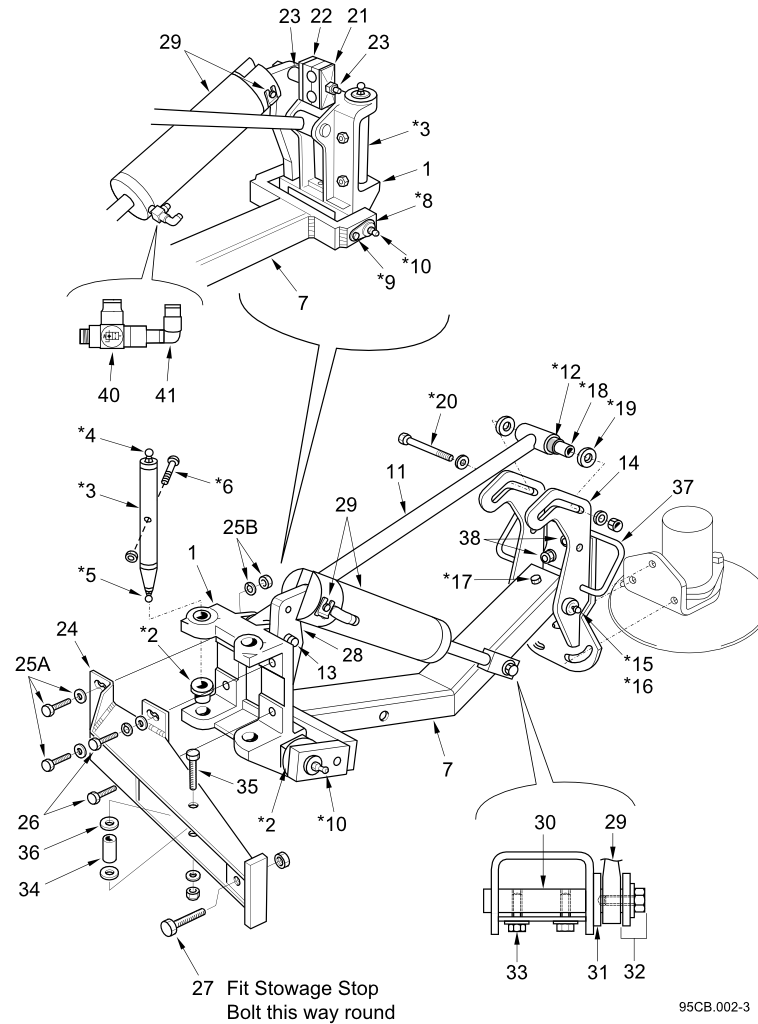
Item no.	Part no.	Description	QTY	Unit
0	282207-1	S/Assy Gutter Spray Nozzle	1	PC
Comprising items 1-6				
1	282214-1	Adaptor-Channel Brush Hose	1	PC
2	282206-1	Angle W/Assy-Channel Brush	1	PC
3	21-67	Double Swivel Holder - Plastic	1	PC
4	21-66	Tip - Fan Red	2	PC
5	455-8	Washer Plain Plated Steel M6	1	PC
6	425-13	Nut Nyloc Hex M6C	1	PC

**Arm Assembly (951212)**  
**Channel Brush**


## Arm Assembly (951212)

## Channel Brush

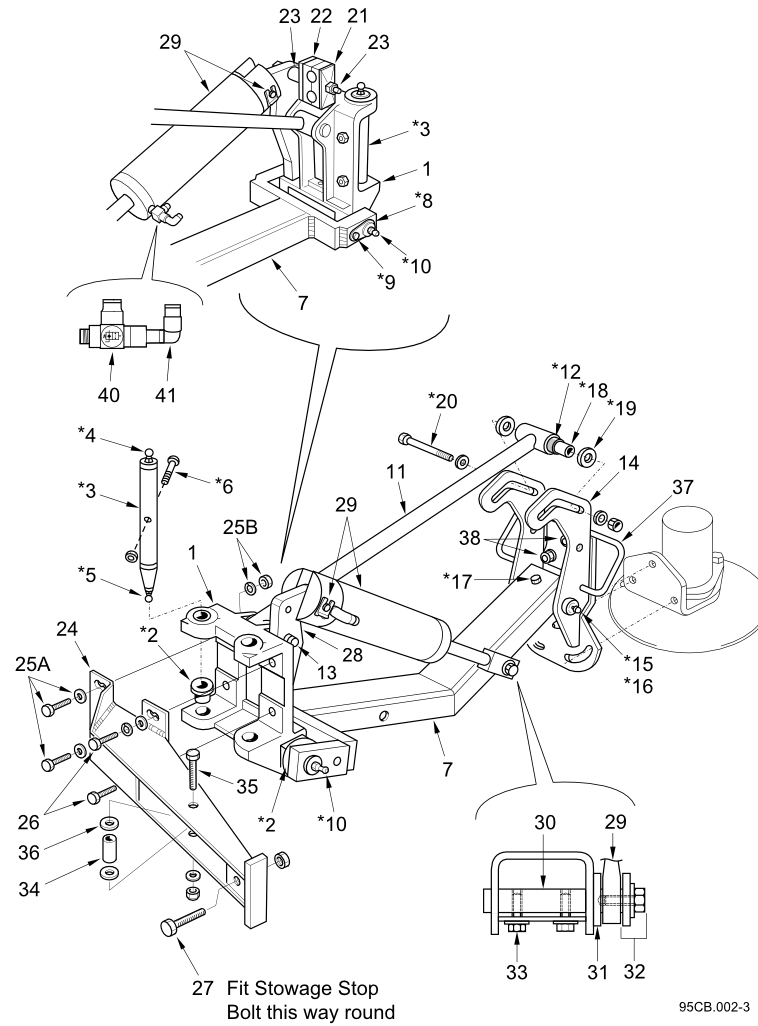
Item no.	Part no.	Description	QTY	Unit
0	282945-1	Kit - Overhaul Channel Brush	1	PC
1	40272-2	Pivot Head Channel Brush DOT3	1	PC
2	40292-1-D	Bush C/Brush	4	PC
3	40360-1-E	Pin Pivot Channel Brush Head	1	PC
4	38-1	Nipple Grease Straight 1/8 BSP	1	PC
5	38-1	Nipple Grease Straight 1/8 BSP	1	PC
6	124-178	Setscrew M10C x 55	1	PC
6	420-15	Nut MC Hex M10	1	PC
7	200025-1	Lower Arm W/Assy-Channel Brush	1	PC
8	282028-1	Pivot Pin W/Assy-Lower Arm	1	PC
9	124-135	Setscrew M8C x 20	1	PC
9	460-10	Washer Spring Single Coil M8	1	PC
10	38-1	Nipple Grease Straight 1/8 BSP	2	PC
11	200026-1	Upper Arm Assy-Channel Brush	1	PC
12	29128-4	Bush - ID22.2 OD27.2 19Lg	4	PC
13	40361-1-D	Pin Pivot Arm Upper C/Brush	1	PC
13	460-12	Washer Spring Single Coil M12	1	PC
13	420-16	Nut MC Hex M12	1	PC
14	282505-1	Motor Mount W/Assy Rotatilt	1	PC
15	40389-1-C	Pin Pivot	1	PC
16	38-1	Nipple Grease Straight 1/8 BSP	2	PC
17	124-146	Setscrew M8C x 55	1	PC
17	460-10	Washer Spring Single Coil M8	1	PC
17	420-14	Nut MC Hex M8	1	PC

**Arm Assembly (951212)**  
**Channel Brush**


**Arm Assembly (951212)**

Channel Brush

Item no.	Part no.	Description	QTY	Unit
18	40362-1-D	Bush - Arm Upper C/Brush	1	PC
19	40363-1-B	Washer Spacer Miz	2	PC
20	123-159	Bolt M Coarse M12x110	1	PC
20	9331-1-C	Washer - Packing	2	PC
20	425-16	Nut Nyloc Hex M12c	1	PC
21	51-43	Top Clamp Plate - 65x30	1	PC
21	51-44	Clamp - Type 3 G1/2 G1/2	1	PC
22	200082-1	Plate - Clamp Spacer	1	PC
23	123-120	Bolt M Coarse M8x100	1	PC
23	56569-8	Spacer - 16 Dia x 28 M8	1	PC
23	425-14	Nut Nyloc Hex MC M8	1	PC
24	800677-1	Lever - Pivot Head W/Assy	1	PC
25A	124-173	Setscrew M10C x 35	2	PC
25A	455-11	Washer Plain Plated Steel M10	2	PC
25B	460-11	Washer Spring Single Coil M10	2	PC
25B	420-15	Nut MC Hex M10	2	PC
26	124-173	Setscrew M10C x 35	2	PC
26	455-11	Washer Plain Plated Steel M10	2	PC
26	460-11	Washer Spring Single Coil M10	2	PC
27	121-115	Setscrew M14 x 1.5 x 60	1	PC
27	420-4	Nut MF Hex M14	1	PC
28	200071-1	Mast-Painted (Variabrush)	1	PC
29	200355-2	70mm Cylinder - Pneumatic Assy	1	PC
29	29149-4	Pin - Clevis	1	PC

**Arm Assembly (951212)**  
**Channel Brush**


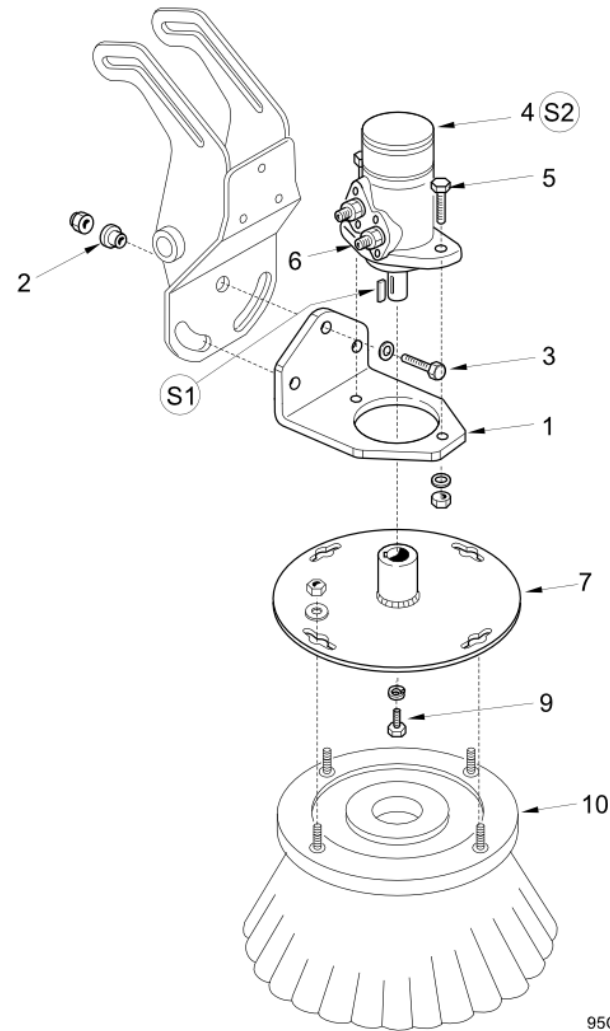


**Arm Assembly (951212)**

## Channel Brush

Item no.	Part no.	Description	QTY	Unit
29	39624	Slim Safety Fastener	2	PC
30	200463-1	Pin - Channel Brush DOT 3	1	PC
31	200462-1	Collar - Channel Brush DOT 3	1	PC
32	457-5	Washer Plain Steel M10 Form G	1	PC
32	124-169	Setscrew M10C x 25	1	PC
32	460-11	Washer Spring Single Coil M10	1	PC
33	124-139	Setscrew M8C x 30	2	PC
33	460-10	Washer Spring Single Coil M8	2	PC
34	40377-1-E	Bush	1	PC
35	124-178	Setscrew M10C x 55	1	PC
35	455-11	Washer Plain Plated Steel M10	1	PC
35	420-15	Nut MC Hex M10	1	PC
36	90624-1	Spacer - C/Brush	2	PC
37	282965-1	Hose Guide W/A - Channel Brush	1	PC
38	124-169	Setscrew M10C x 25	3	PC
38	455-11	Washer Plain Plated Steel M10	3	PC
38	425-15	Nut Nyloc Hex M10C	3	PC
40	72-64	Pilot Check Valve-1/8" BSPx6mm	1	PC
41	553-20	Adaptor - Elbow 6mm x M5x0.8	1	PC

**Head Assembly Single (951213, 951230)**  
Channel Brush



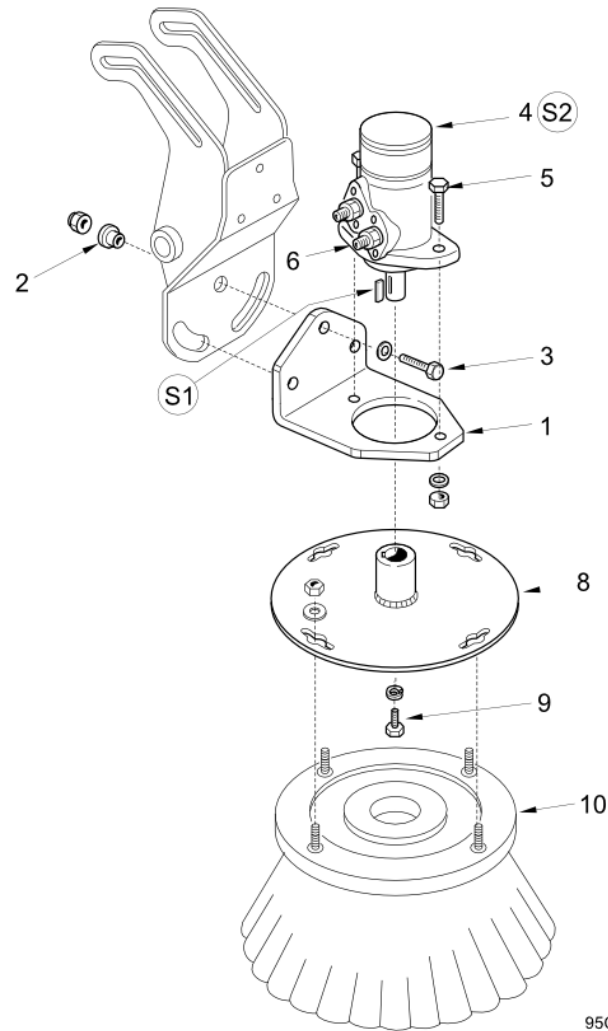
95CB. 003-3

**Head Assembly Single (951213, 951230)**

Channel Brush

Item no.	Part no.	Description	QTY	Unit
S1	11879	Key	1	PC
S2	240-2	Seal Kit Universal LP/HP Seals	1	PC
1	42533-1-B	Mounting - Brush Motor	1	PC
2	281325-2	Bush - Motor Mount	3	PC
3	123-147	Bolt M Coarse M12x45	3	PC
3	425-16	Nut Nyloc Hex M12c	3	PC
3	455-12	Washer Plain Plated Steel M12	3	PC
4	40550-1-E	Motor-Hydraulic,C/Brush	1	PC
5	124-208	Setscrew M12C x 45	2	PC
5	460-12	Washer Spring Single Coil M12	2	PC
5	420-16	Nut MC Hex M12	2	PC
6	263-4	Adaptor M/M 1/2" BSP	2	PC
6	451-19	Washer - Bonded G1-2"	2	PC
7	281586-1	Plate-Drive Adaptor W/Assy	1	PC
9	135-58	M8 x 25 Tuflock Bolt	1	PC
9	460-10	Washer Spring Single Coil M8	1	PC
10	835-55	Brush-CB 4 Row Plastic Top 500	1	PC
10	46631-1-A	Brush - Channel, Polypropelene	1	PC

**Head Assembly Dual (951213, 951230)**  
Channel Brush



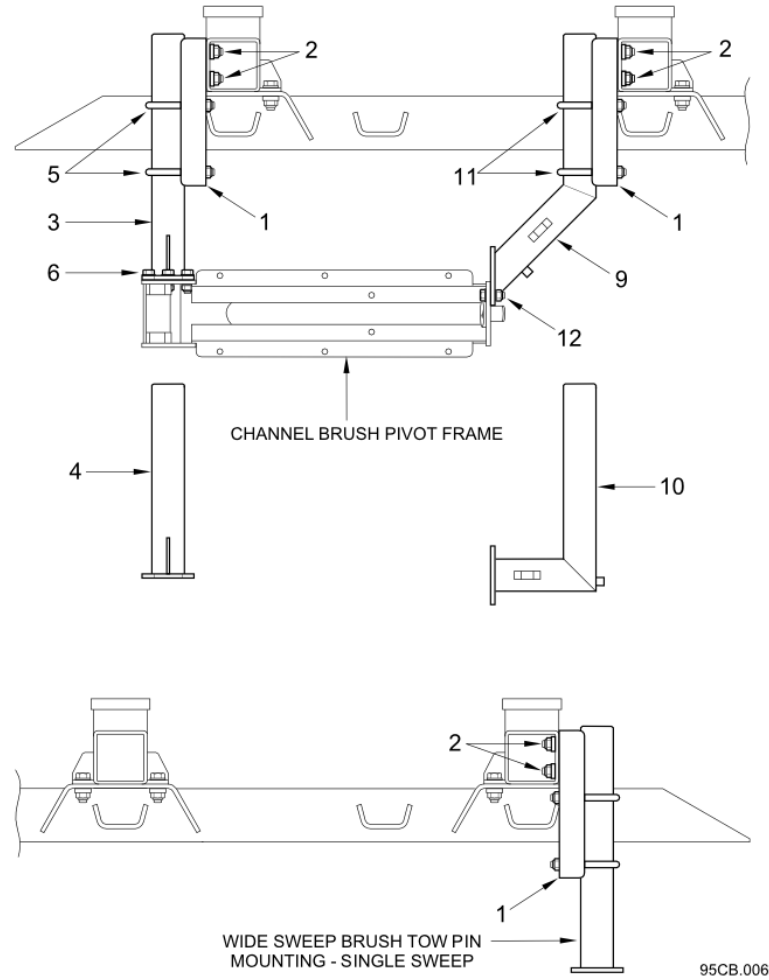
95CB. 003-3

**Head Assembly Dual (951213, 951230)**

Channel Brush

Item no.	Part no.	Description	QTY	Unit
S1	11879	Key	1	PC
S2	240-2	Seal Kit Universal LP/HP Seals	1	PC
1	42533-1-B	Mounting - Brush Motor	1	PC
2	281325-2	Bush - Motor Mount	3	PC
3	123-147	Bolt M Coarse M12x45	3	PC
3	425-16	Nut Nyloc Hex M12c	3	PC
3	455-12	Washer Plain Plated Steel M12	3	PC
4	61108-1	Motor - Hydraulic	1	PC
5	124-208	Setscrew M12C x 45	2	PC
5	460-12	Washer Spring Single Coil M12	2	PC
5	420-16	Nut MC Hex M12	2	PC
6	263-4	Adaptor M/M 1/2" BSP	2	PC
6	451-19	Washer - Bonded G1-2"	2	PC
8	281584-1	Plate-Drive Adaptor W/Assy 95	1	PC
9	135-58	M8 x 25 Tuflock Bolt	1	PC
9	460-10	Washer Spring Single Coil M8	1	PC
10	835-66	Channel Brush - 4 Row 650mm Dia Steel	1	PC
10	835-24	Channel Brush - 710mm Polypro	1	PC

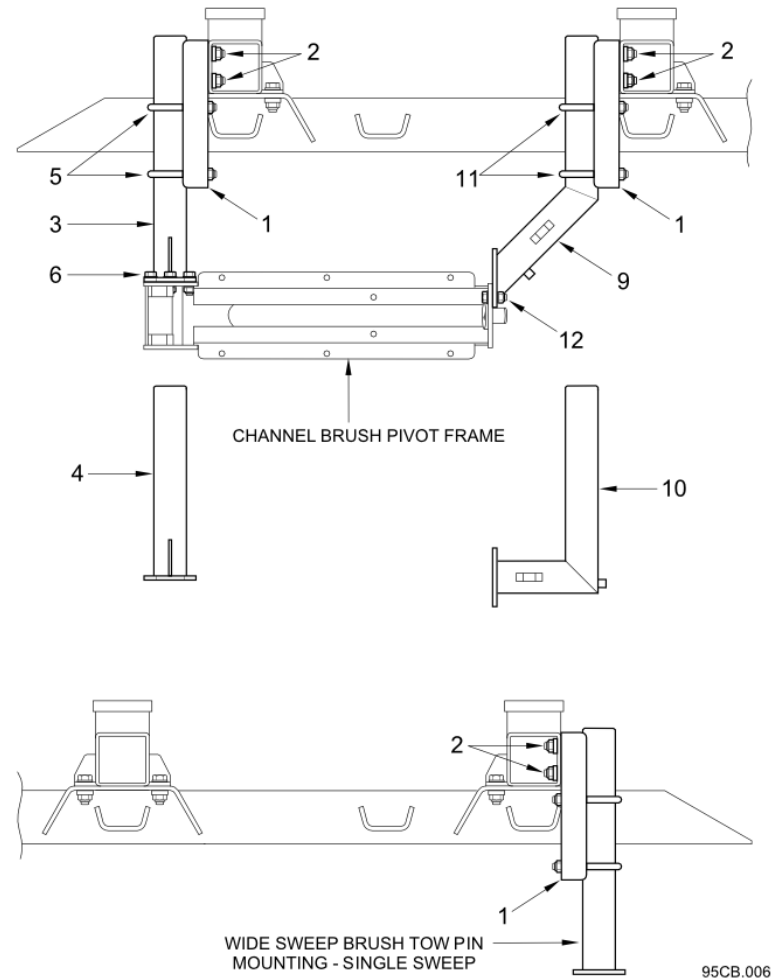
**Pivot Frame to Subframe Single (951220)**  
Channel Brush Installations



**Pivot Frame to Subframe Single (951220)**

## Channel Brush Installations

Item no.	Part no.	Description	QTY	Unit
1	282502-1	Bracket W/A-Mount Sweepgear	3	PC
2	123-147	Bolt M Coarse M12x45	12	PC
2	45014-25	Spacer - 10mm	12	PC
2	425-16	Nut Nyloc Hex M12c	12	PC
3	281292-1	Post-Supt Front W/A S/Gear	1	PC
3	281292-2	Post-Supt Front W/A S/Gear	1	PC
4	281292-3	Post-Supt Front W/A S/Gear	1	PC
5	281274-1	Bolt U M12 S/Frame Mounting	2	PC
5	455-12	Washer Plain Plated Steel M12	4	PC
5	425-16	Nut Nyloc Hex M12c	4	PC
6	124-207	Setscrew M12C x 40	5	PC
6	455-12	Washer Plain Plated Steel M12	10	PC
6	425-16	Nut Nyloc Hex M12c	5	PC
7	281296-1	Post-Suppt W/A WSB DIM 586	1	PC
7	281296-2	Post-Suppt W/A WSB DIM 686	1	PC
7	281296-3	Post-Suppt W/A WSB DIM 486	1	PC
8	281274-1	Bolt U M12 S/Frame Mounting	2	PC
8	455-12	Washer Plain Plated Steel M12	4	PC
8	425-16	Nut Nyloc Hex M12c	4	PC
9	281298-1	Post-Supt Rr W/A S/Gear 509 Lg	1	PC
9	281298-2	Post-Supt Rr W/A S/Gear 609 Lg	1	PC
10	282541-1	Post-Supt Rr W/Assy S/Gear 95	1	PC
11	281274-1	Bolt U M12 S/Frame Mounting	2	PC
11	455-12	Washer Plain Plated Steel M12	4	PC

**Pivot Frame to Subframe Single (951220)  
Channel Brush Installations**


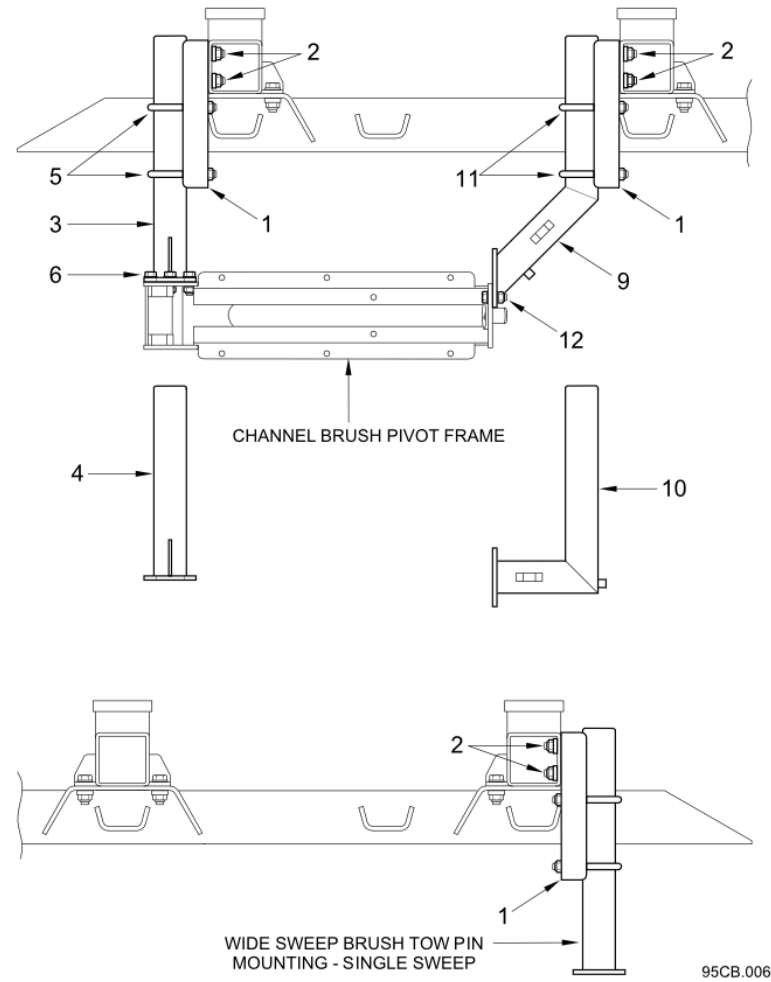


**Pivot Frame to Subframe Single (951220)**

## Channel Brush Installations

Item no.	Part no.	Description	QTY	Unit
11	425-16	Nut Nyloc Hex M12c	4	PC
12	124-207	Setscrew M12C x 40	2	PC
12	455-12	Washer Plain Plated Steel M12	4	PC
12	425-16	Nut Nyloc Hex M12c	2	PC

**Pivot Frame to Subframe Dual (951220)**  
 Channel Brush Installations

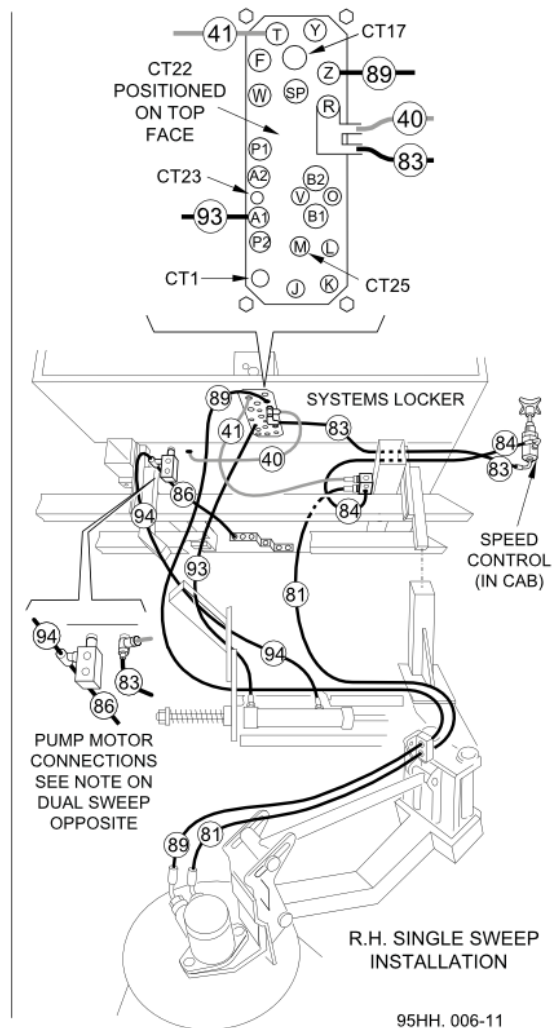
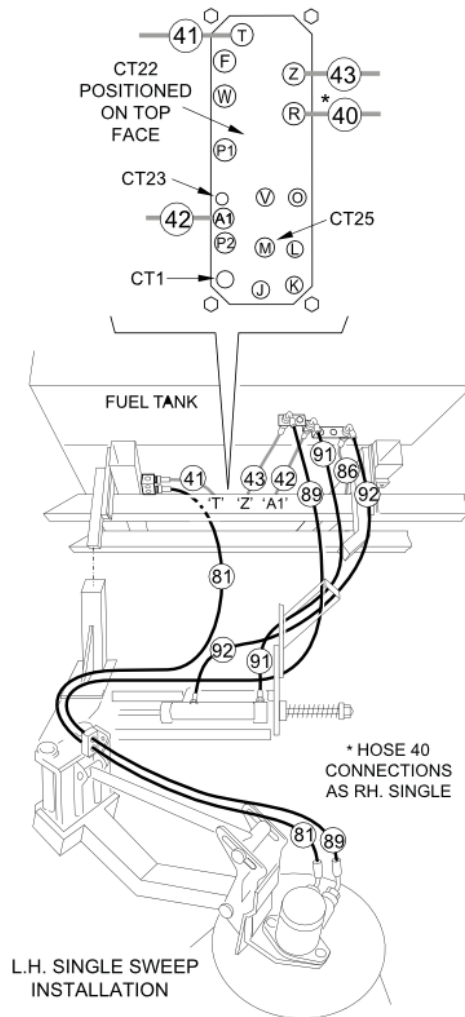


**Pivot Frame to Subframe Dual (951220)**

## Channel Brush Installations

Item no.	Part no.	Description	QTY	Unit
1	282502-1	Bracket W/A-Mount Sweepgear	4	PC
2	123-147	Bolt M Coarse M12x45	16	PC
2	45014-25	Spacer - 10mm	16	PC
2	425-16	Nut Nyloc Hex M12c	16	PC
3	281292-1	Post-Supt Front W/A S/Gear	2	PC
3	281292-2	Post-Supt Front W/A S/Gear	2	PC
4	281292-3	Post-Supt Front W/A S/Gear	2	PC
5	281274-1	Bolt U M12 S/Frame Mounting	4	PC
5	455-12	Washer Plain Plated Steel M12	8	PC
5	425-16	Nut Nyloc Hex M12c	8	PC
6	124-207	Setscrew M12C x 40	10	PC
6	455-12	Washer Plain Plated Steel M12	20	PC
6	425-16	Nut Nyloc Hex M12c	10	PC
9	281298-1	Post-Supt Rr W/A S/Gear 509 Lg	2	PC
9	281298-2	Post-Supt Rr W/A S/Gear 609 Lg	2	PC
10	282541-1	Post-Supt Rr W/Assy S/Gear 95	2	PC
11	281274-1	Bolt U M12 S/Frame Mounting	4	PC
11	455-12	Washer Plain Plated Steel M12	8	PC
11	425-16	Nut Nyloc Hex M12c	8	PC
12	124-207	Setscrew M12C x 40	4	PC
12	455-12	Washer Plain Plated Steel M12	8	PC
12	425-16	Nut Nyloc Hex M12c	4	PC

Hydraulic Hoses Single (c50713, WD232)  
Channel Brush Installations



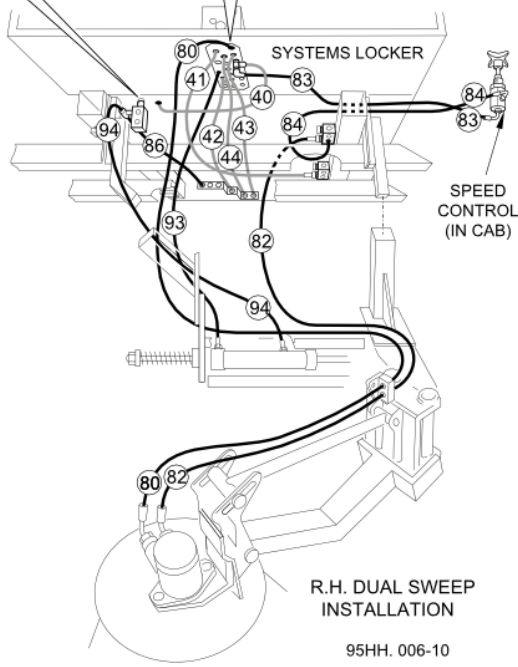
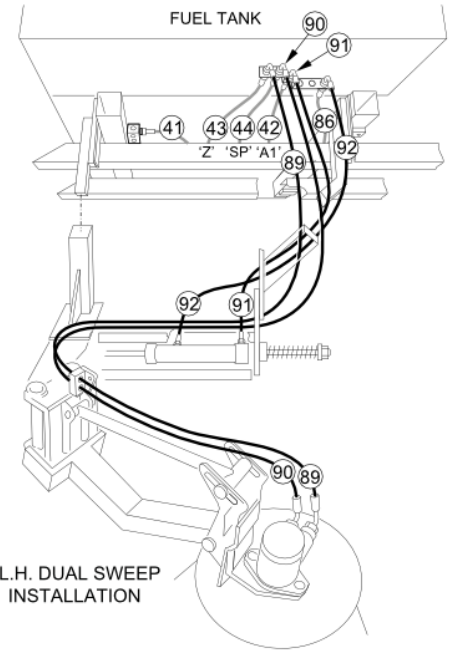
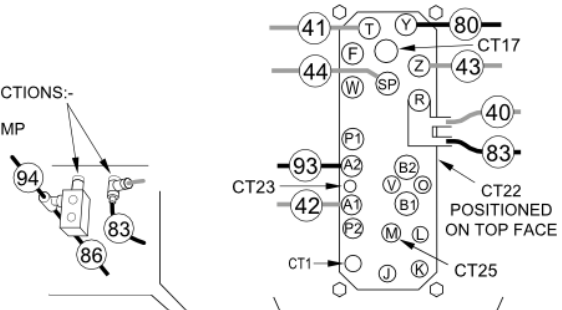
**Hydraulic Hoses Single (c50713, WD232)**

## Channel Brush Installations

Item no.	Part no.	Description	QTY	Unit
40	HC08001-86	Hose - Megaflex 1/2" STRx45s	1	PC
41	HC08001-146	Hose - Megaflex 1/2" STRx45s	1	PC
42	HC04001-141	Hose - Megaflex 1/4" STRx45s	1	PC
43	HC08001-167	Hose - Megaflex 1/2" STRx45s	1	PC
81	HC08002-290	Hose - Megaflex 1/2" STRx90s	1	PC
86	HC04002-130	Hose - Megaflex 1/4" STRx90s	1	PC
89	HC08002-290	Hose - Megaflex 1/2" STRx90s	1	PC
91	HC04001-120	Hose - Megaflex 1/4" STRx45s	1	PC
92	HC04001-120	Hose - Megaflex 1/4" STRx45s	1	PC
93	HC04001-120	Hose - Megaflex 1/4" STRx45s	1	PC
94	HC04001-120	Hose - Megaflex 1/4" STRx45s	1	PC

Hydraulic Hoses Dual (950713, WD232)  
Channel Brush Installations

FOR WATER PUMP MOTOR CONNECTIONS:-  
VT MACHINES - SEE LP. WATER PUMP  
INSTALLATION  
VS MACHINES - SEE FAN TUB,  
HYDRAULIC HOSES 83/84 -  
SEE CHASSIS APPLICATION



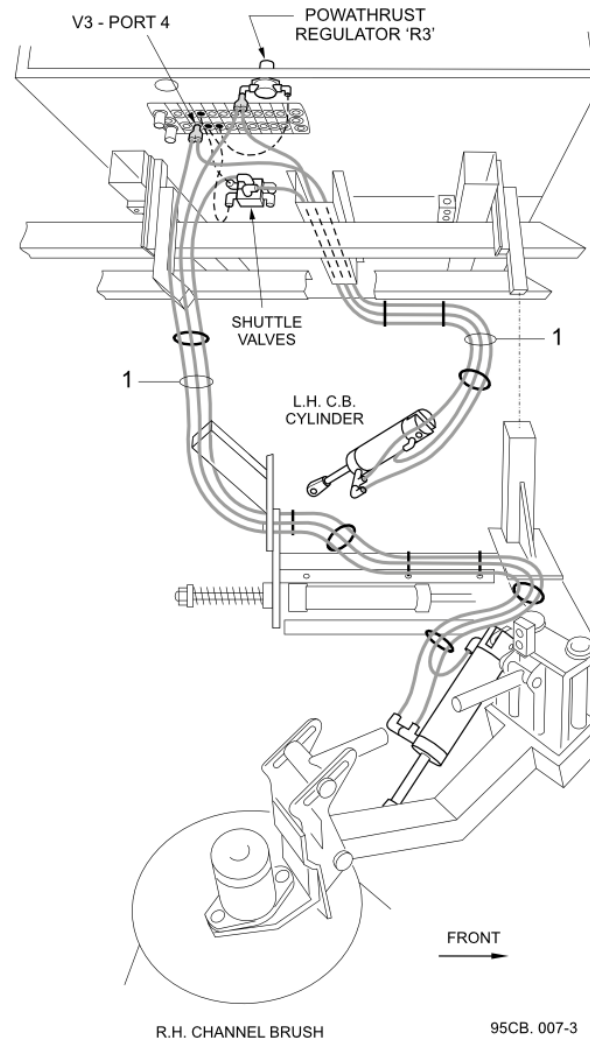
95HH. 006-10

**Hydraulic Hoses Dual (950713, WD232)**

## Channel Brush Installations

Item no.	Part no.	Description	QTY	Unit
40	HC08001-86	Hose - Megaflex 1/2" STRx45s	1	PC
41	HC08001-146	Hose - Megaflex 1/2" STRx45s	1	PC
42	HC04001-141	Hose - Megaflex 1/4" STRx45s	1	PC
43	HC08001-167	Hose - Megaflex 1/2" STRx45s	1	PC
44	HC08001-167	Hose - Megaflex 1/2" STRx45s	1	PC
80	HC08002-290	Hose - Megaflex 1/2" STRx90s	2	PC
82	HC08002-290	Hose - Megaflex 1/2" STRx90s	1	PC
86	HC04002-130	Hose - Megaflex 1/4" STRx90s	1	PC
89	HC08002-290	Hose - Megaflex 1/2" STRx90s	2	PC
90	HC08002-290	Hose - Megaflex 1/2" STRx90s	1	PC
91	HC04001-120	Hose - Megaflex 1/4" STRx45s	2	PC
92	HC04001-120	Hose - Megaflex 1/4" STRx45s	2	PC
93	HC04001-120	Hose - Megaflex 1/4" STRx45s	2	PC
94	HC04001-120	Hose - Megaflex 1/4" STRx45s	2	PC

**Pneumatic Tubing Single (951220)**  
Channel Brush Installations



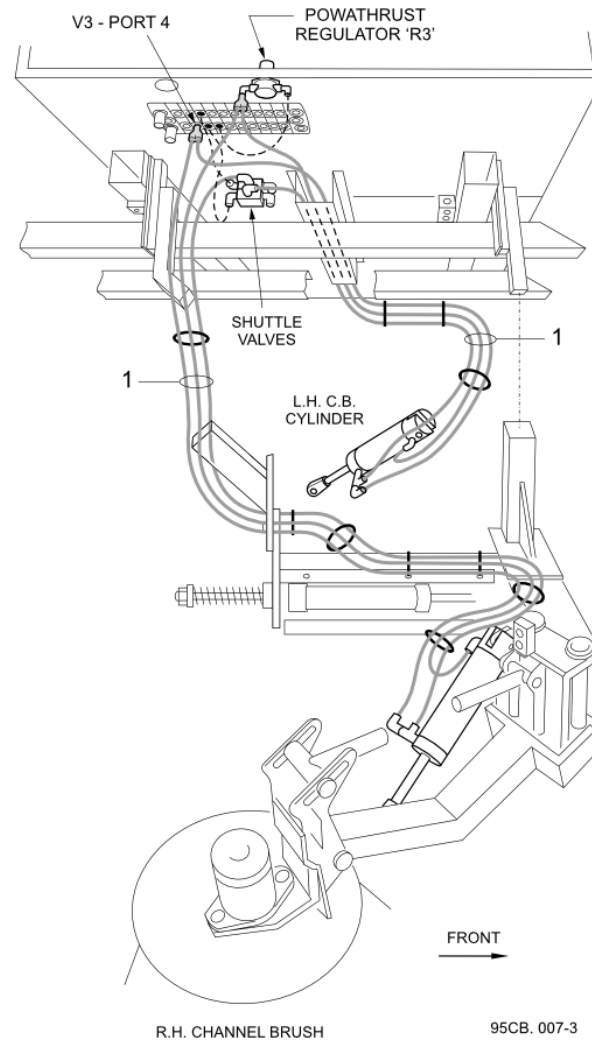


**Pneumatic Tubing Single (951220)**

Channel Brush Installations

Item no.	Part no.	Description	QTY	Unit
1	273-20	Tube - Nylon Blue 6mm O/D	12	M

**Pneumatic Tubing Dual (951220)**  
Channel Brush Installations

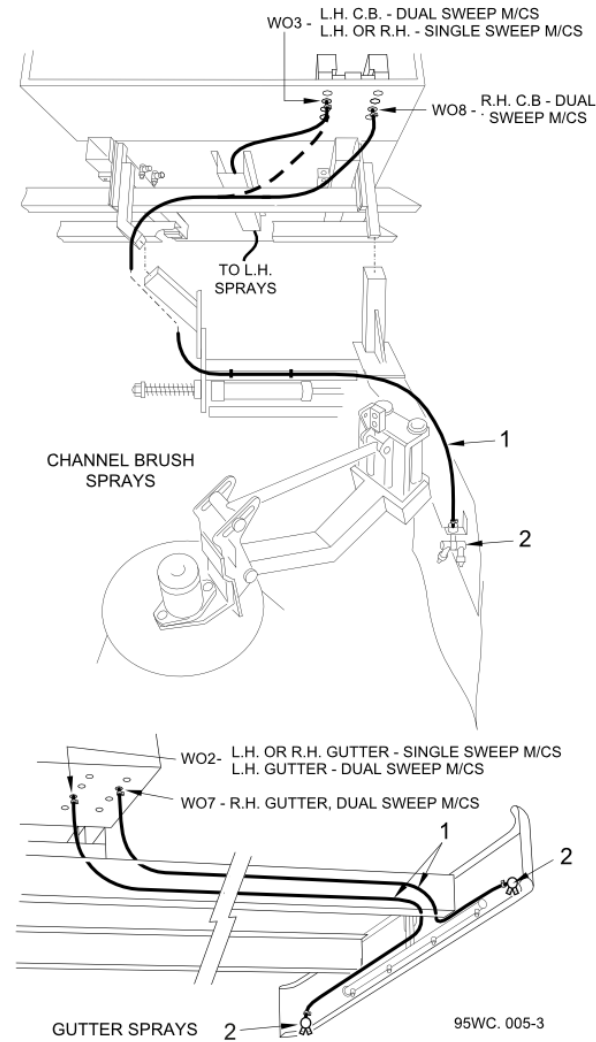


**Pneumatic Tubing Dual (951220)**

Channel Brush Installations

Item no.	Part no.	Description	QTY	Unit
1	273-20	Tube - Nylon Blue 6mm O/D	18	M

**Water Sprays (951220)**  
Channel Brush Installations

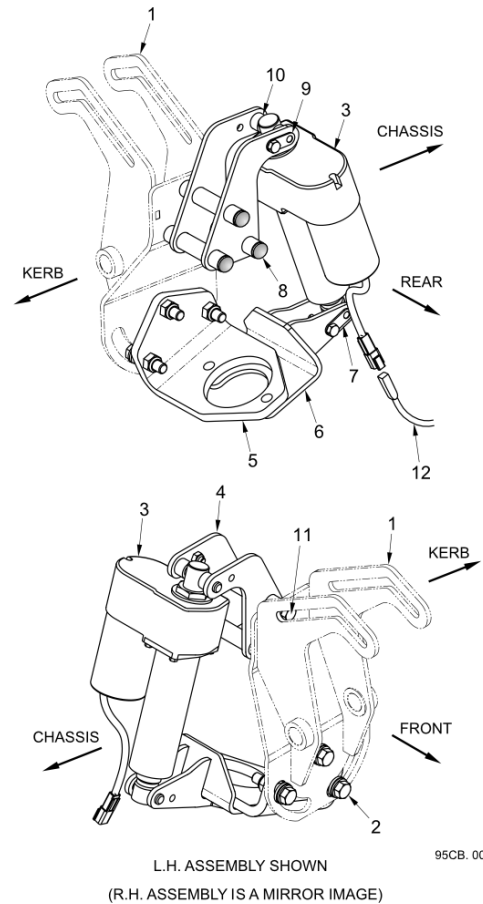


**Water Sprays (951220)**

## Channel Brush Installations

Item no.	Part no.	Description	QTY	Unit
1	39444	Hose - Black Plastic 3/8" Bore	3	M
2	282207-1	S/Assy Gutter Spray Nozzle	1	PC

**Rotatilt Option (KT02295)**  
Channel Brush Installations



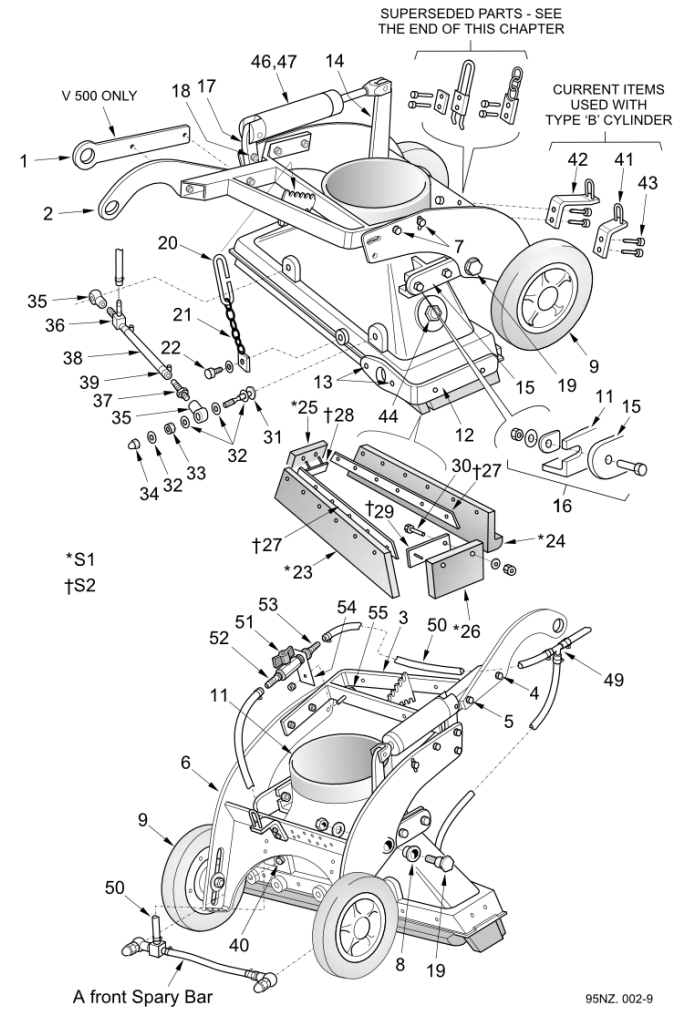
Note:  
The Rotatilt option requires an Options Switch Panel, see Cab Controls, that includes the necessary switches and wiring.  
See Diagram SE571z01 in Chapter 9 of the Maintenance Section for wiring details.

## Rotatilt Option (KT02295)

## Channel Brush Installations

Item no.	Part no.	Description	QTY	Unit
1	282505-1	Motor Mount W/Assy Rotatilt	1	PC
2	123-148	Bolt M Coarse M12x50	3	PC
2	281325-1	Bush - Motor Mount Rotatilt	3	PC
2	455-12	Washer Plain Plated Steel M12	3	PC
2	425-16	Nut Nyloc Hex M12c	3	PC
3	282508-12	Linear Actuator - 12v	1	PC
3	282508-24	Linear Actuator - 24v	1	PC
4	282506-1	Pylon W/Assy Rotatilt	1	PC
5	42533-1-B	Mounting - Brush Motor	1	PC
6	282507-1	Bracket W/Assy-Lower Mount	1	PC
7	281330-2	Pin-Clevis W/Assy Rotatilt	1	PC
7	124-135	Setscrew M8C x 20	1	PC
7	425-14	Nut Nyloc Hex MC M8	1	PC
8	44-63	Plug - Cover, M10 x 0.75	3	PC
9	281330-1	Pin-Clevis W/Assy Rotatilt	1	PC
9	124-135	Setscrew M8C x 20	1	PC
9	425-14	Nut Nyloc Hex MC M8	1	PC
10	281314-1	Spacer - Rotatilt	2	PC
11	124-171	Setscrew M10C x 30	3	PC
11	460-11	Washer Spring Single Coil M10	3	PC
12	282053-1	Loom - Rotatilt Single	1	PC
12	282053-2	Loom - Rotatilt Dual	1	PC

Nozzle Assembly (941111, 951111, 951112)

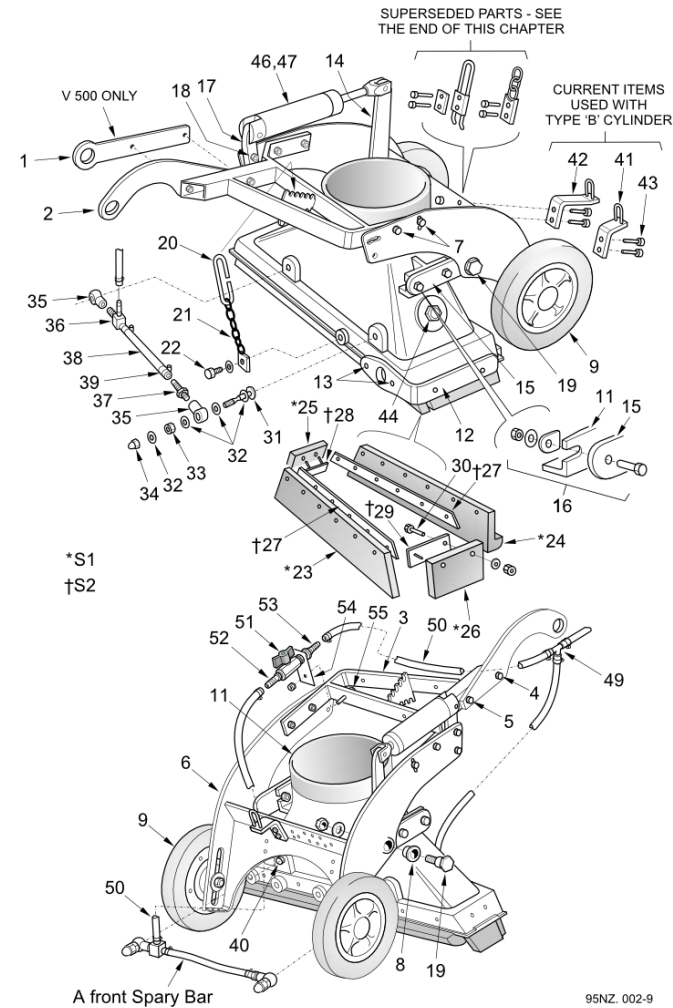




**Nozzle Assembly (941111, 951111, 951112)**

Item no.	Part no.	Description	QTY	Unit
S1	282538-1	Rubbers-Nozzle Set Standard	1	PC
S2	282538-3	Clamping Strip Set (Spares)	1	PC
1	294081-1	Tow Eye - Nozzle	1	PC
2	201227-1	Tow Eye - Drawbar DOT4	1	PC
3	201240-1	Nozzle Drawbar W/Assy DOT4	1	PC
4	124-173	Setscrew M10C x 35	1	PC
4	455-11	Washer Plain Plated Steel M10	2	PC
4	425-15	Nut Nyloc Hex M10C	1	PC
5	124-181	Setscrew M10C x 70	1	PC
5	455-11	Washer Plain Plated Steel M10	2	PC
5	425-15	Nut Nyloc Hex M10C	1	PC
6	7022067	Nozzle Cradle	1	PC
7	124-173	Setscrew M10C x 35	4	PC
7	425-15	Nut Nyloc Hex M10C	4	PC
7	457-5	Washer Plain Steel M10 Form G	4	PC
8	283374-1	Bush - Pivot Suction Nozzle	2	PC
9	63491-1	Wheel - Assy. Nozzle	2	PC
11	281420-2	Nozzle-250 Dia R LINED	1	PC
12	281754-1	Bumper	1	PC
13	124-207	Setscrew M12C x 40	2	PC
13	425-16	Nut Nyloc Hex M12c	2	PC
13	455-12	Washer Plain Plated Steel M12	2	PC
14	281752-1	Arm - Actuator Nozzle Tilt	1	PC
15	281751-1	Arm-Pivot Nozzle Tilt Mech	1	PC

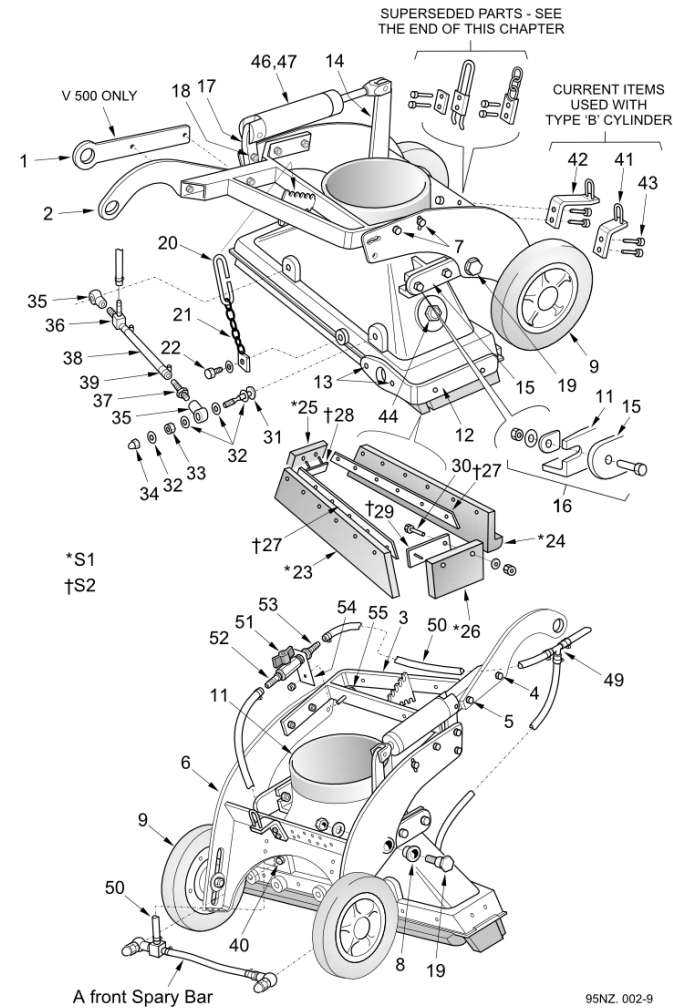
Nozzle Assembly (941111, 951111, 951112)



## Nozzle Assembly (941111, 951111, 951112)

Item no.	Part no.	Description	QTY	Unit
16	124-176	Setscrew M10C x 45	4	PC
16	425-15	Nut Nyloc Hex M10C	4	PC
16	457-5	Washer Plain Steel M10 Form G	4	PC
16	450-49	Washer Taper 3/8	4	PC
17	280866-1	Mast - Maxigap Ram Mount	1	PC
18	124-175	Setscrew M10C x 40	2	PC
18	455-11	Washer Plain Plated Steel M10	2	PC
18	425-15	Nut Nyloc Hex M10C	2	PC
19	283363-1	Pivot Bolt - Suction Nozzle	2	PC
19	425-20	Nut Nyloc Hex MC M20	2	PC
19	455-16	Washer Plain Plated Steel M20	2	PC
20	282968-1	Adjusting Link - Nozzle	1	PC
21	62353-4	Link Manual Adjuster	1	PC
22	124-201	Setscrew M12C x 25	1	PC
22	425-16	Nut Nyloc Hex M12c	1	PC
22	455-12	Washer Plain Plated Steel M12	1	PC
23	62005-1	Rubber Curtain - Nozzle	1	PC
24	282230-1	J-Section Rubber 250 D Nozzle	1	PC
25	281045-1	End - Nozzle Curtain Small	1	PC
26	281044-1	End - Nozzle Curtain Large	1	PC
27	94017-1	Clamping Plate, J-Rubber	2	PC
28	63667-1	Strip - Clamping (Short)	1	PC
29	63666-1	Strip - Clamping (Medium)	1	PC
30	136-23	Bolt & Nut Carriage M8x45	16	PC

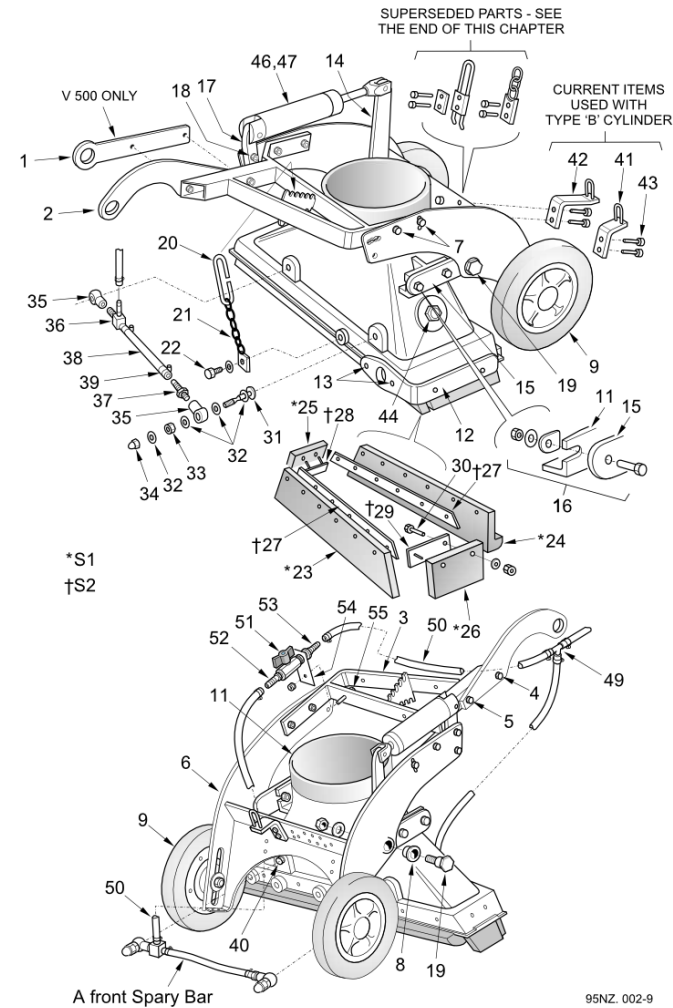
**Nozzle Assembly (941111, 951111, 951112)**



**Nozzle Assembly (941111, 951111, 951112)**

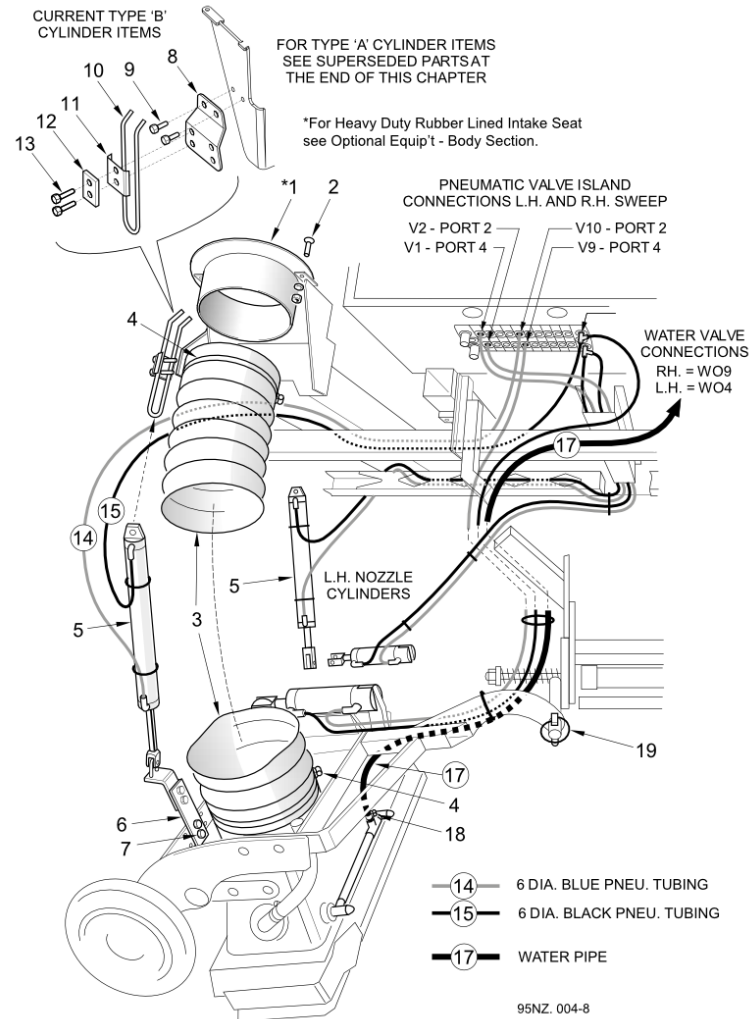
Item no.	Part no.	Description	QTY	Unit
30	455-10	Washer Plain Plated Steel M8	16	PC
30	415-8	Nut - MC Hex M8 S.Stl	16	PC
31	282781-1	Jet - Water 2.27LPM 2.76Bar	2	PC
32	453-1	Washer - Fibre Red 2.4mm Thick	8	PC
33	416-12	Locknut - Stainless M12C	2	PC
34	418-12	Nut - Domed, M12C St.Stl.	2	PC
35	26997-1-B	Banjo - Body	2	PC
36	90696-1	Tee Piece - C/Brush/Nozzle	1	PC
37	46382-3-B	Adaptor - Brass DIM B 7	1	PC
38	39444	Hose - Black Plastic 3/8" Bore	0.34	M
39	501-1	Hose Clip - Worm Drive (11-16)	2	PC
40	124-203	Setscrew M12C x 30	2	PC
40	455-12	Washer Plain Plated Steel M12	2	PC
40	425-16	Nut Nyloc Hex M12c	2	PC
41	284072-1	Lift Cyl.Bottom Bracket W/Assy	1	PC
42	284079-1	Lift Cyl. Bottom Brkt W/Assy	1	PC
43	124-171	Setscrew M10C x 30	2	PC
43	425-15	Nut Nyloc Hex M10C	2	PC
44	281755-1	Plug - Re-Circ Port 250 Nozzle	1	PC
44	410-57	Nut - Back 3/4 B.S.P (Plated)	1	PC
46	290001-1	Cylinder - Maxigap	1	PC
47	290002-1	Cylinder - Varigap	1	PC
49	277-2	Connector - T	1	PC
50	39444	Hose - Black Plastic 3/8" Bore	0.34	M

**Nozzle Assembly (941111, 951111, 951112)**



**Nozzle Assembly (941111, 951111, 951112)**

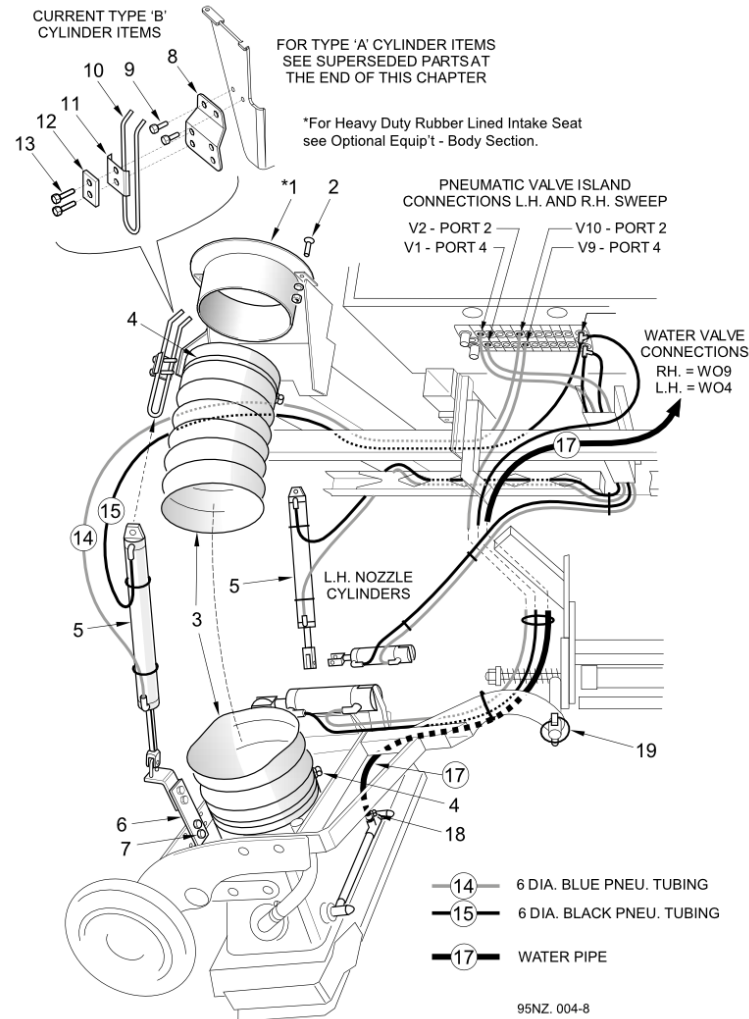
Item no.	Part no.	Description	QTY	Unit
50	501-1	Hose Clip - Worm Drive (11-16)	4	PC
51	88-4	Tap - G1/4" (F) X G1/4" (F)	1	PC
52	46382-3-B	Adaptor - Brass DIM B 7	1	PC
53	282214-1	Adaptor-Channel Brush Hose	1	PC
53	410-11	Nut - Lock 1/4 BSP	1	PC
54	7006682	Plate	1	PC
55	124-139	Setscrew M8C x 30	1	PC
55	455-10	Washer Plain Plated Steel M8	1	PC
55	425-14	Nut Nyloc Hex MC M8	1	PC

**Nozzle Installation Single (951120)**




## Nozzle Installation Single (951120)

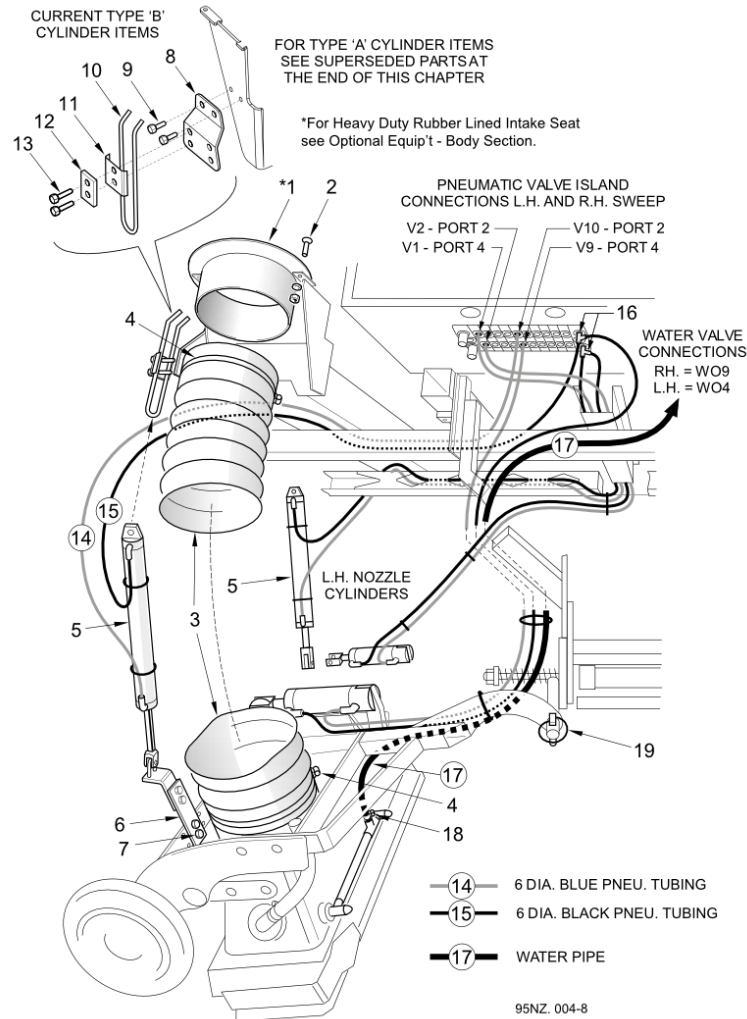
Item no.	Part no.	Description	QTY	Unit
1	94990-1	Intake Seat W/A 250dia/120Lg	1	PC
1	94990-3	Intake Seat W/A 250dia/220Lg	1	PC
2	127-139	Setscrew Csk Hd. M8C x 30	3	PC
2	460-10	Washer Spring Single Coil M8	3	PC
2	420-10	Nut MC Hex M3	3	PC
3	94992-2	Trunking - 250dia Intake (HD)	1	PC
4	504-54	Hose Clip - Worm Drive (230-260)	2	PC
5	29284-2	Cylinder - WSB Pneu. Assy	1	PC
6	807182-1	Plate-Adaptor WSB VT650/VT800	1	PC
7	124-171	Setscrew M10C x 30	2	PC
7	455-11	Washer Plain Plated Steel M10	2	PC
7	425-15	Nut Nyloc Hex M10C	2	PC
8	284017-1	Nozzle Mounting - Anti Swing	1	PC
9	124-171	Setscrew M10C x 30	2	PC
9	425-15	Nut Nyloc Hex M10C	2	PC
10	40405-1-B	Eye - Lifting Nozzle	1	PC
11	40404-1-C	Washer - Clamp, Carriage, Noz	1	PC
12	63345-1	Block - Clamp	1	PC
13	124-176	Setscrew M10C x 45	2	PC
13	425-15	Nut Nyloc Hex M10C	2	PC
14	273-20	Tube - Nylon Blue 6mm O/D	10	M
15	12869	Tube - Nylon Black 6mm O/D	6	M
17	39444	Hose - Black Plastic 3/8" Bore	5	M
18	501-1	Hose Clip - Worm Drive (11-16)	2	PC

**Nozzle Installation Single (951120)**


## Nozzle Installation Single (951120)

Item no.	Part no.	Description	QTY	Unit
19	60-1	Pin Linch (With Ring) 11mm Dia	1	PC

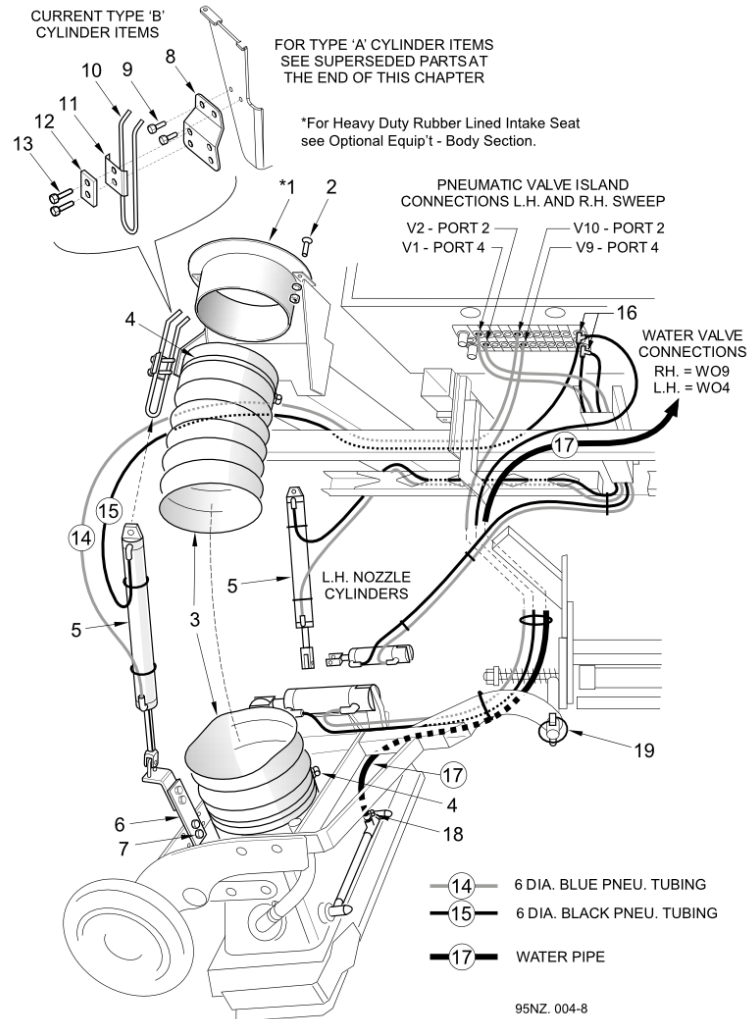
Nozzle Installation Dual (951120)



## Nozzle Installation Dual (951120)

Item no.	Part no.	Description	QTY	Unit
1	94990-1	Intake Seat W/A 250dia/120Lg	2	PC
1	94990-3	Intake Seat W/A 250dia/220Lg	2	PC
2	127-139	Setscrew Csk Hd. M8C x 30	6	PC
2	460-10	Washer Spring Single Coil M8	6	PC
2	420-10	Nut MC Hex M3	6	PC
3	94992-2	Trunking - 250dia Intake (HD)	2	PC
4	504-54	Hose Clip - Worm Drive (230-260)	4	PC
5	29284-2	Cylinder - WSB Pneu. Assy	2	PC
6	807182-1	Plate-Adaptor WSB VT650/VT800	2	PC
7	124-171	Setscrew M10C x 30	4	PC
7	455-11	Washer Plain Plated Steel M10	4	PC
7	425-15	Nut Nyloc Hex M10C	4	PC
8	284017-1	Nozzle Mounting - Anti Swing	2	PC
9	124-171	Setscrew M10C x 30	4	PC
9	425-15	Nut Nyloc Hex M10C	4	PC
10	40405-1-B	Eye - Lifting Nozzle	2	PC
11	40404-1-C	Washer - Clamp, Carriage, Noz	2	PC
12	63345-1	Block - Clamp	2	PC
13	124-176	Setscrew M10C x 45	4	PC
13	425-15	Nut Nyloc Hex M10C	4	PC
14	273-20	Tube - Nylon Blue 6mm O/D	16	M
15	12869	Tube - Nylon Black 6mm O/D	9	M
16	554-3	Tee - Connector 6mm	2	PC
17	39444	Hose - Black Plastic 3/8" Bore	8	M

Nozzle Installation Dual (951120)



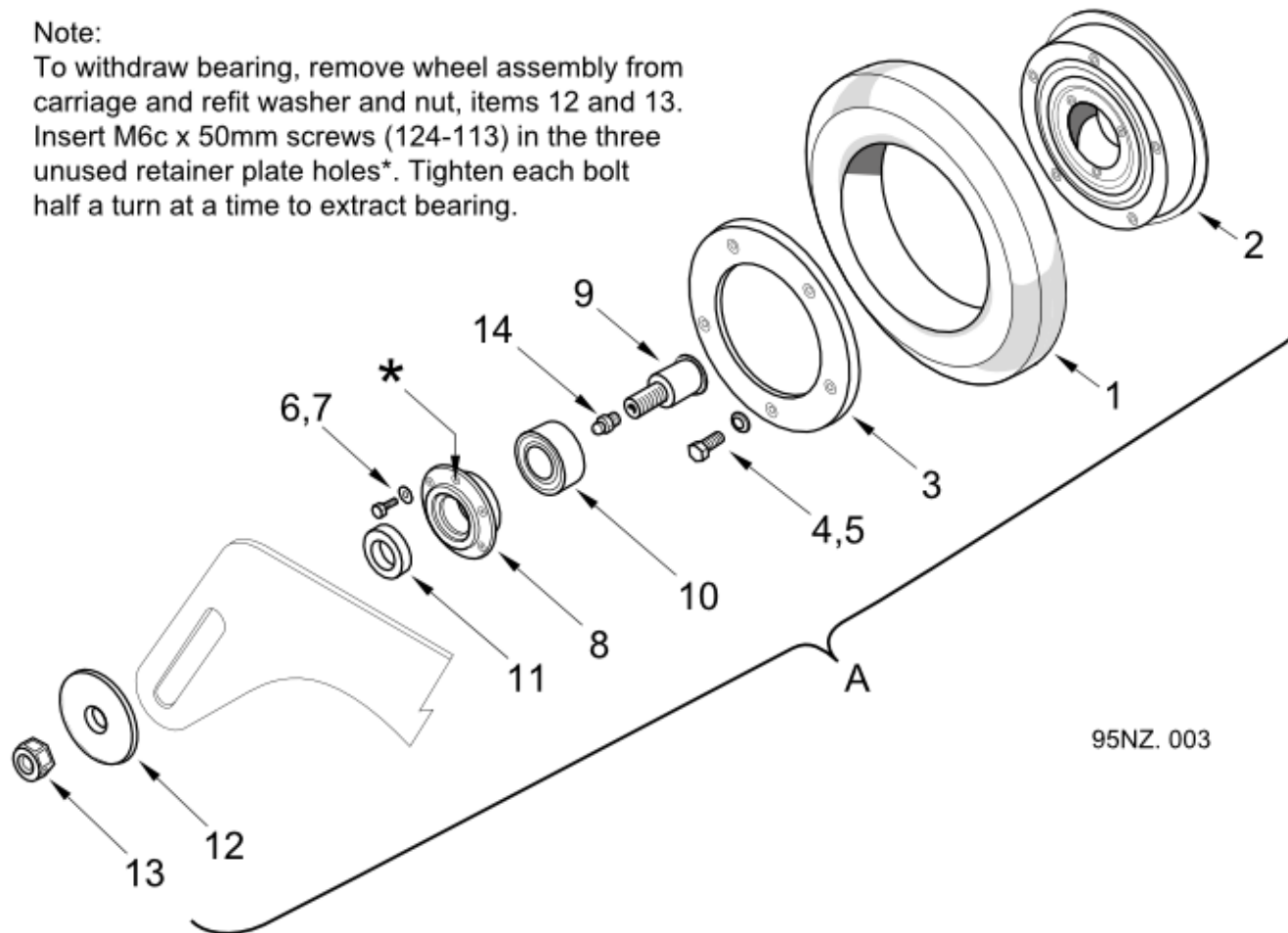
## Nozzle Installation Dual (951120)

Item no.	Part no.	Description	QTY	Unit
18	501-1	Hose Clip - Worm Drive (11-16)	4	PC
19	60-1	Pin Linch (With Ring) 11mm Dia	2	PC

## Wheel Assembly (-)

## Note:

To withdraw bearing, remove wheel assembly from carriage and refit washer and nut, items 12 and 13. Insert M6c x 50mm screws (124-113) in the three unused retainer plate holes\*. Tighten each bolt half a turn at a time to extract bearing.

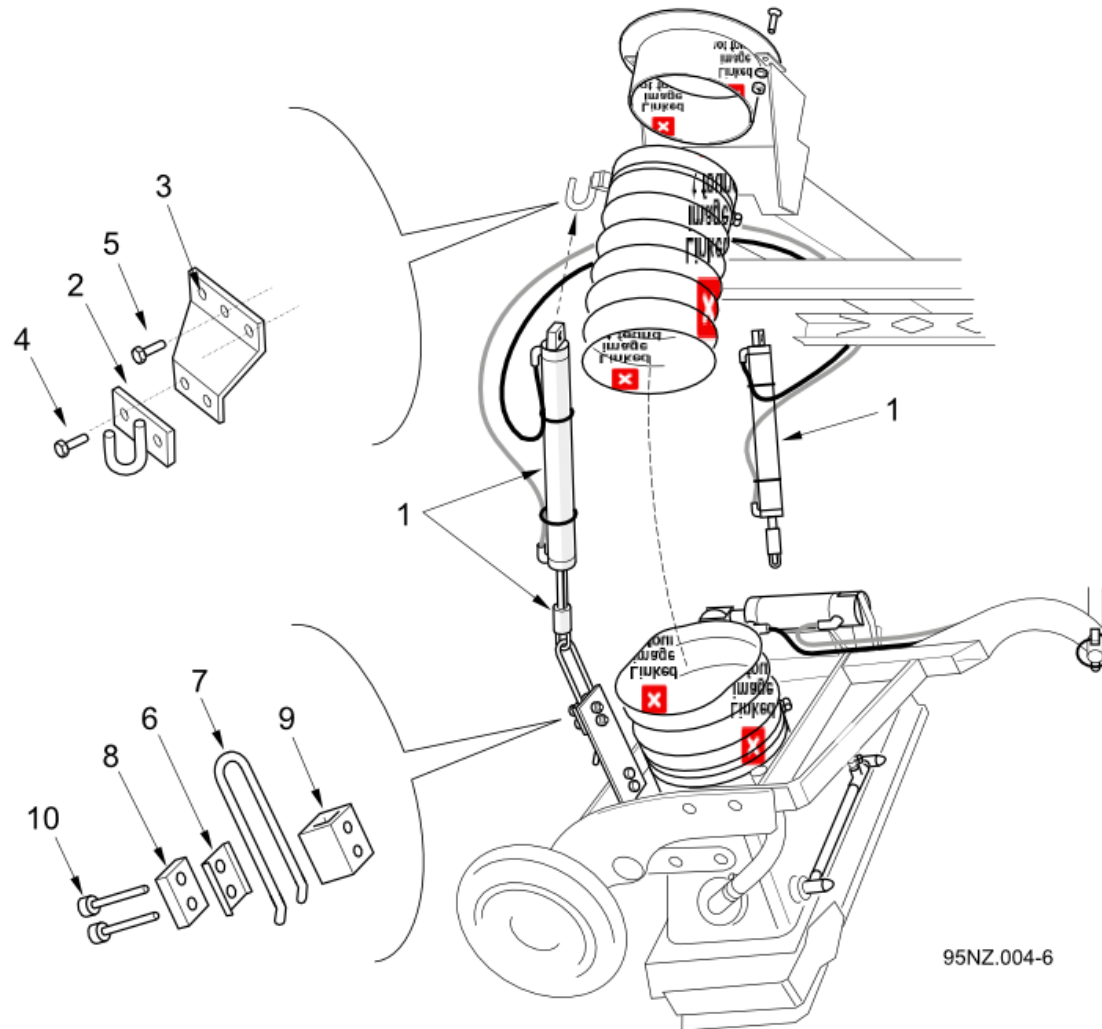




## Wheel Assembly (-)

Item no.	Part no.	Description	QTY	Unit
A	63491-1	Wheel - Assy. Nozzle	1	PC
Comprising items 1-14				
1	16752	Tyre - Solid Rubber, 10" x 2"	1	PC
2	63493-1	Hub - Nozzle Wheel Assy	1	PC
3	16750-1-C	Plate - Back, Tyre	1	PC
4	124-134	Setscrew M8C x 16	5	PC
5	460-10	Washer Spring Single Coil M8	5	PC
6	124-102	Setscrew M6C x 16	3	PC
7	460-8	Washer Spring Single Coil M6	3	PC
8	63495-1	Retainer - Nozzle Wheel	1	PC
9	63492-1	Spindle - Nozzle Wheel	1	PC
10	14-52	Bearing - 25x52x20.6	1	PC
11	63494-1	Collar - Nozzle Wheel	1	PC
12	9114-2-F	Washer	2	PC
13	425-18	Nut Nyloc Hex M16C	2	PC
14	38-30	Nipple Grease M6 X 1	1	PC

Type A Lift Cylinder Installation (-)  
Nozzle

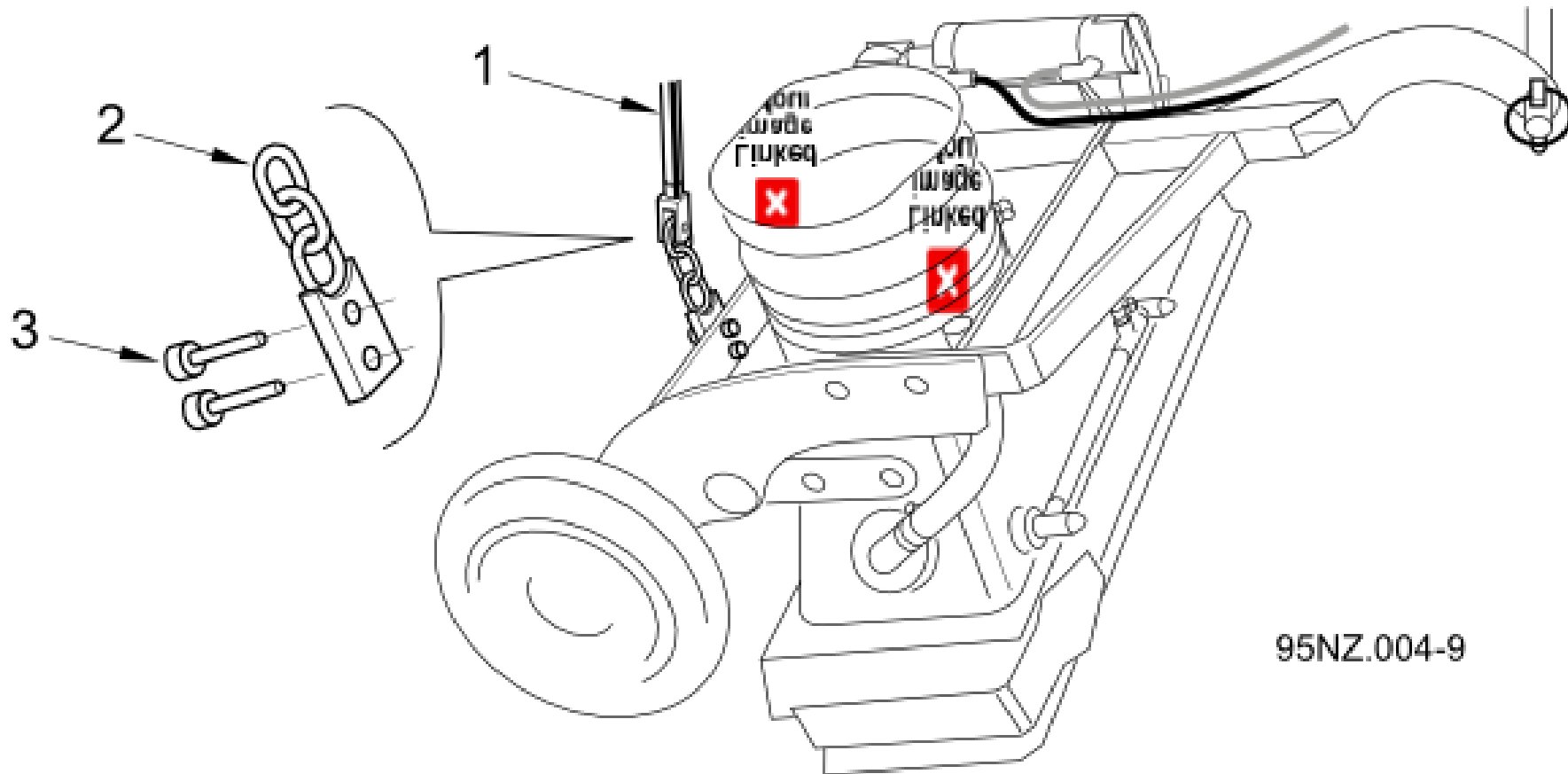


## Type A Lift Cylinder Installation (-)

Nozzle

Item no.	Part no.	Description	QTY	Unit
1	28903-1-B	Cylinder - Lift, Nozzle Assy	1	PC
2	40269-1-C	Hook Lifting W/Assy	1	PC
3	50603-1	Plate	1	PC
4	124-173	Setscrew M10C x 35	2	PC
4	425-15	Nut Nyloc Hex M10C	2	PC
5	124-171	Setscrew M10C x 30	2	PC
5	425-15	Nut Nyloc Hex M10C	2	PC
6	40404-1-C	Washer - Clamp, Carriage, Noz	1	PC
7	40405-1-B	Eye - Lifting Nozzle	1	PC
8	63345-1	Block - Clamp	1	PC
9	294123-1	Box Spacer-Nozzle Lift V500	1	PC
10	124-178	Setscrew M10C x 55	2	PC
10	123-138	Bolt M Coarse M10x90 BS3692	2	PC
10	425-15	Nut Nyloc Hex M10C	2	PC

Type B Lift Cylinder Parts (-)  
Nozzle

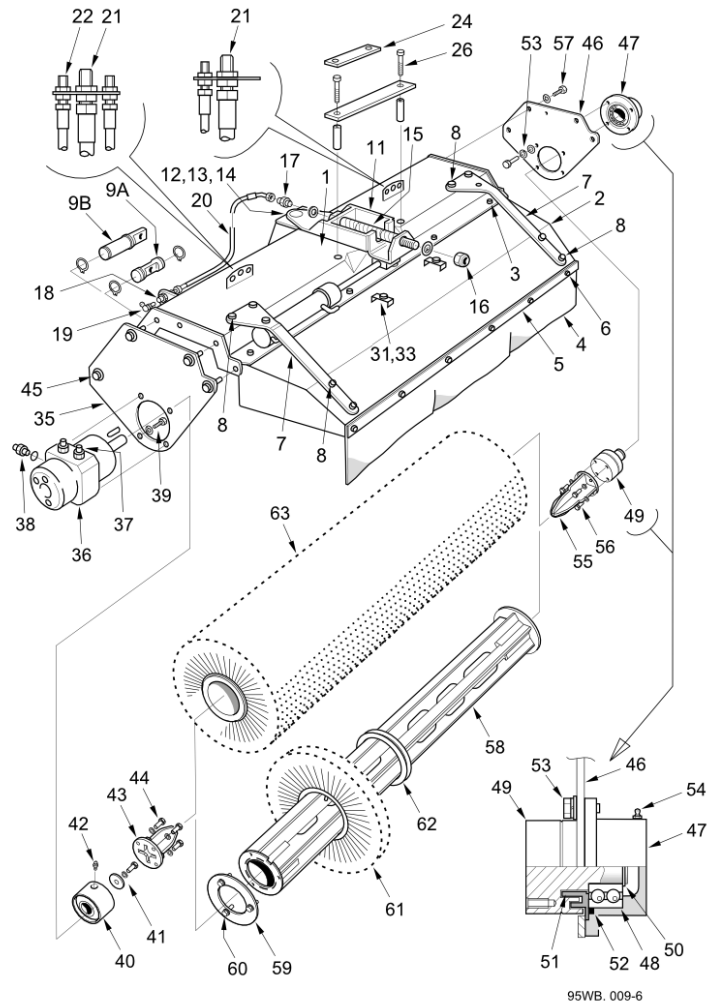


## Type B Lift Cylinder Parts (-)

Nozzle

Item no.	Part no.	Description	QTY	Unit
1	29284-2	Cylinder - WSB Pneu. Assy	1	PC
2	284012-1	Nozzle Lift W/Assy	1	PC
3	124-171	Setscrew M10C x 30	2	PC
3	425-15	Nut Nyloc Hex M10C	2	PC

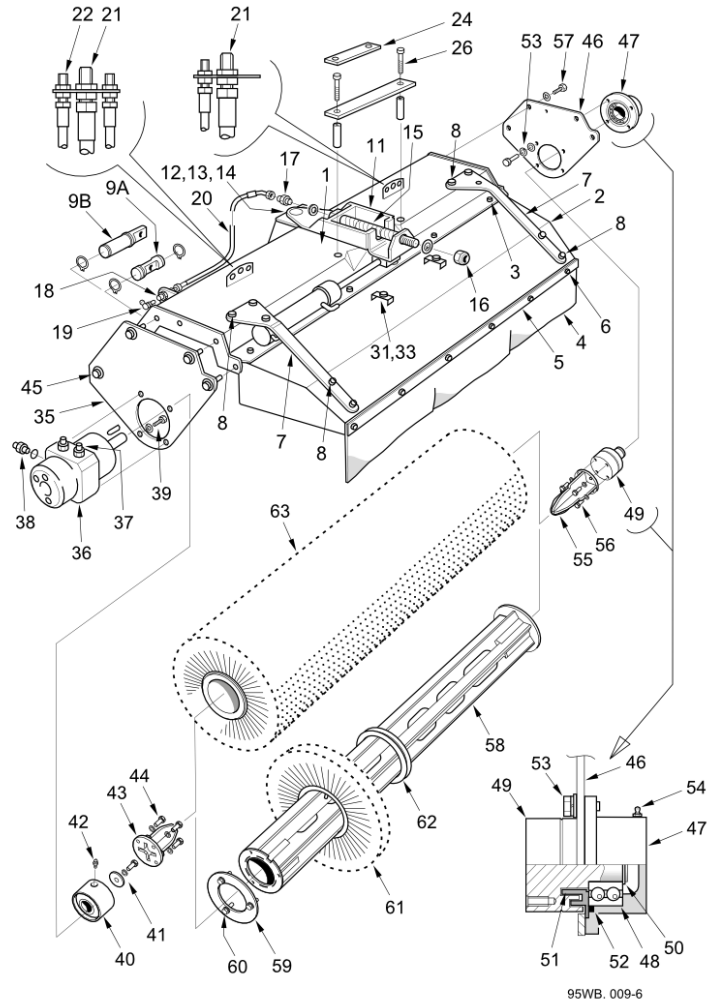
Wide Sweep Brush Assembly Single (951011, 951012, 951013)



**Wide Sweep Brush Assembly Single (951011, 951012, 951013)**

Item no.	Part no.	Description	QTY	Unit
1	283102-1	Carriage W/Assy WSB	1	PC
2	283091-1	Curtain - WSB	1	PC
3	124-169	Setscrew M10C x 25	4	PC
3	455-11	Washer Plain Plated Steel M10	8	PC
3	425-15	Nut Nyloc Hex M10C	4	PC
4	200055-1	Rubber Curtain (1275 WSB)	1	PC
5	283126-1	Retaining Strip - Curtain WSB	1	PC
6	124-137	Setscrew M8C x 25	6	PC
6	455-10	Washer Plain Plated Steel M8	12	PC
6	425-14	Nut Nyloc Hex MC M8	6	PC
7	283090-1	Curtain Support WSB	2	PC
8	124-171	Setscrew M10C x 30	8	PC
8	455-11	Washer Plain Plated Steel M10	16	PC
8	425-15	Nut Nyloc Hex M10C	8	PC
9A	62097-1	Pin Anchor - V650 & V800	2	PC
9B	809715-1	Pin Anchor - V500	2	PC
11	283103-1	Compensator W/A WSB	1	PC
12	62095-1	Plate - Keeper	1	PC
13	29395-2	Bearing	1	PC
14	124-135	Setscrew M8C x 20	2	PC
14	460-10	Washer Spring Single Coil M8	2	PC
15	283092-1	Shaft Compensator Assembly WSB	1	PC
16	455-16	Washer Plain Plated Steel M20	1	PC
16	425-7	Nut Nyloc Hex MF M20 x 1.5mm	1	PC

Wide Sweep Brush Assembly Single (951011, 951012, 951013)

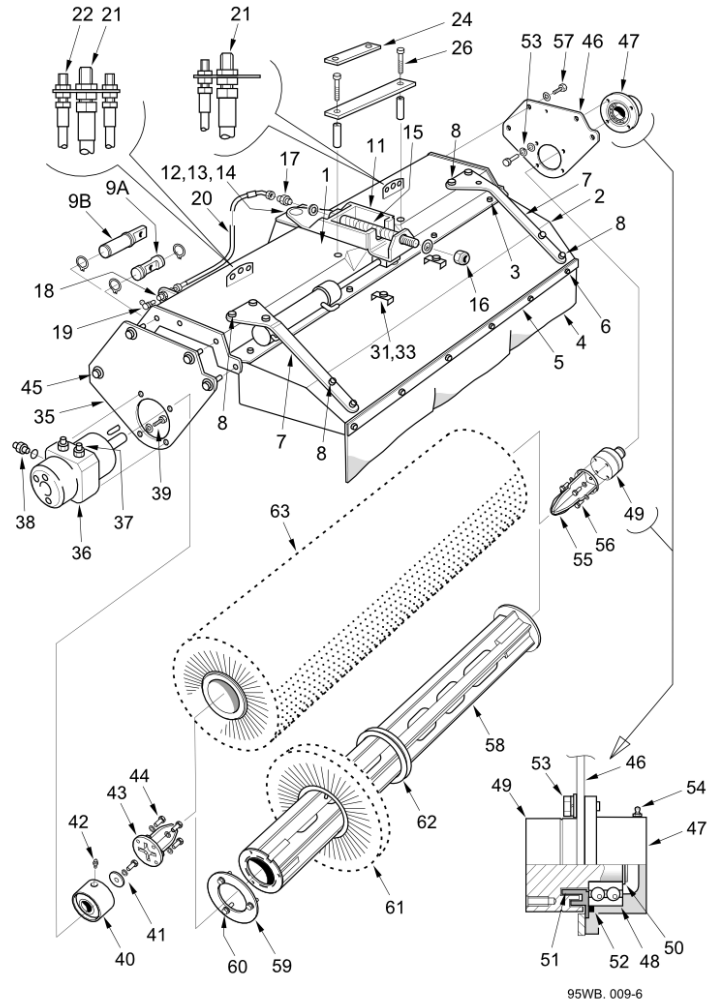




## Wide Sweep Brush Assembly Single (951011, 951012, 951013)

Item no.	Part no.	Description	QTY	Unit
17	265-1	Adaptor Reducing M/M 1/8"-1/4" BSP	1	PC
17	451-4	Washer Bonded G1-8"	1	PC
18	262-2	Swivel Elbow 90 Degree Size 1/4"BSP	1	PC
19	38-11	Nipple - M6 (H3-90 Deg)	1	PC
20	HC04036-65	Hose-Megaflex 1/4"45sxSt.BktM6	1	PC
21	264-4	Adaptor-Bulkhead BSP M/M 1/2"	2	PC
22	264-2	Adaptor-Bulkhead BSP M/M 1/4"	1	PC
24	283127-2	Slew Retainer WSB (SINGLE)	1	PC
26	123-154	Bolt M Coarse M12x80	2	PC
26	455-12	Washer Plain Plated Steel M12	4	PC
26	425-16	Nut Nyloc Hex M12c	2	PC
31	51-51	Clamp - Pipe 20mm	2	PC
33	124-111	Setscrew M6C x 40	2	PC
33	425-13	Nut Nyloc Hex M6C	2	PC
35	283112-1	Drive/Bearing Plate - V605, 650, 800	1	PC
35	283231-1	End Plate - V500	1	PC
36	99972-1	Motor - Hydraulic	1	PC
36	240-2	Seal Kit Universal LP/HP Seals	1	PC
37	263-4	Adaptor M/M 1/2" BSP	2	PC
37	451-19	Washer - Bonded G1-2"	2	PC
38	263-2	Adaptor M/M 1/4" BSP	1	PC
38	451-17	Washer Bonded G1-4"	1	PC
39	124-171	Setscrew M10C x 30	4	PC
39	460-11	Washer Spring Single Coil M10	4	PC

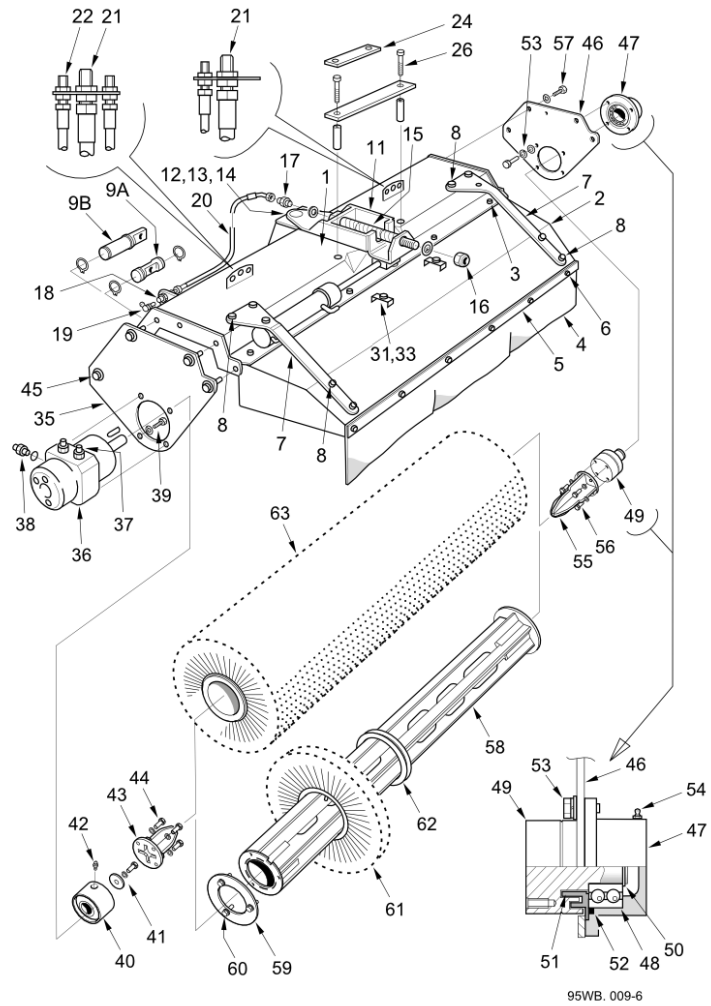
Wide Sweep Brush Assembly Single (951011, 951012, 951013)



## Wide Sweep Brush Assembly Single (951011, 951012, 951013)

Item no.	Part no.	Description	QTY	Unit
39	455-11	Washer Plain Plated Steel M10	4	PC
40	283109-1	Drive Adaptor Motor WSB	1	PC
41	62064-1	Washer - Special 38mm	1	PC
41	124-136	Setscrew M8C x 22 BS3692	1	PC
41	460-10	Washer Spring Single Coil M8	1	PC
42	38-30	Nipple Grease M6 X 1	1	PC
43	283105-1	Drive Dog W/Assy WSB	1	PC
44	124-137	Setscrew M8C x 25	4	PC
44	460-10	Washer Spring Single Coil M8	4	PC
45	124-169	Setscrew M10C x 25	4	PC
45	460-11	Washer Spring Single Coil M10	4	PC
45	455-11	Washer Plain Plated Steel M10	4	PC
46	283112-1	Drive/Bearing Plate - V605, 650, 800	1	PC
46	293530-1	Drive/Bearing Plate V500	1	PC
47	283107-1	Housing - Bearing WSB	1	PC
48	14-47	Bearing - 30x72x30.2 Double	1	PC
49	283108-1	Bearing - Drive Adaptor WSB	1	PC
50	27-15	Circlip - External I/D 30mm	1	PC
51	283121-1	Labyrinth Bearing WSB	1	PC
52	80-94	O Ring - Hole Dia.80	1	PC
53	124-169	Setscrew M10C x 25	4	PC
53	460-11	Washer Spring Single Coil M10	4	PC
53	455-11	Washer Plain Plated Steel M10	4	PC
54	38-30	Nipple Grease M6 X 1	1	PC

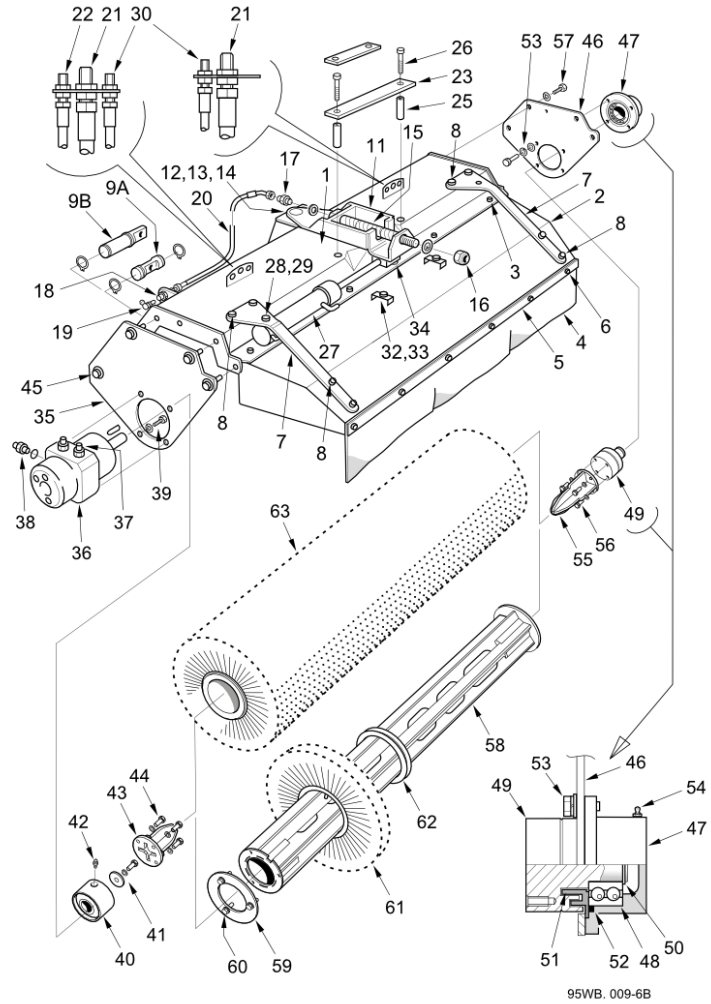
Wide Sweep Brush Assembly Single (951011, 951012, 951013)



## Wide Sweep Brush Assembly Single (951011, 951012, 951013)

Item no.	Part no.	Description	QTY	Unit
55	283106-1	Driven Dog W/Assy WSB	1	PC
56	124-137	Setscrew M8C x 25	4	PC
56	460-10	Washer Spring Single Coil M8	4	PC
57	124-169	Setscrew M10C x 25	4	PC
57	460-11	Washer Spring Single Coil M10	4	PC
57	455-11	Washer Plain Plated Steel M10	4	PC
58	283101-1	Stock - One Piece W/Assy WSB	1	PC
59	283115-1	Plate - Closing Stock Assy WSB	1	PC
60	118-137	Setscrew Hexagon Hd M8cx25 SS	4	PC
60	454-8	Washer Plain St.Stl M8x17	4	PC
60	458-8	Washer Spring Single Coil M8SS	4	PC
61	834-1	Segment-1.2x406mm O/D WSB Poly	44	PC
61	283385-340	WSB Segment-1.2x340mm O/D Poly	44	PC
62	13515	Spacer - Segment Brush	42	PC
63	295050-406	Cartridge - Poly WSB V605, 650, & 800	1	PC
63	295050-340	Cartridge - Poly WSB V500	1	PC

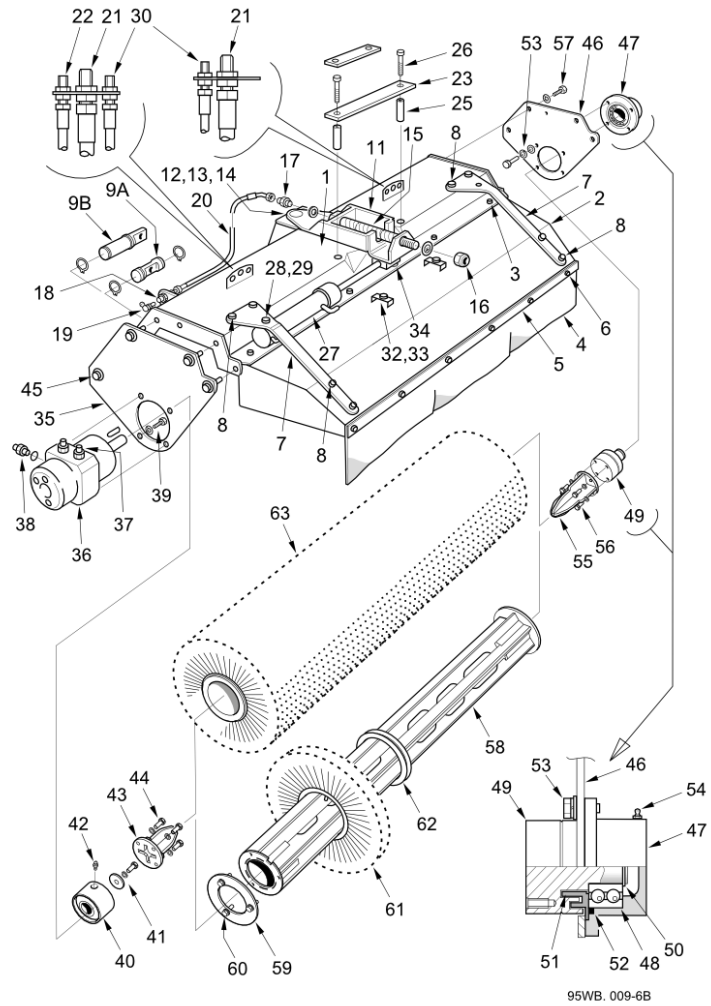
Wide Sweep Brush Assembly Dual (-)



## Wide Sweep Brush Assembly Dual (-)

Item no.	Part no.	Description	QTY	Unit
1	283102-1	Carriage W/Assy WSB	1	PC
2	283091-1	Curtain - WSB	1	PC
3	124-169	Setscrew M10C x 25	4	PC
3	455-11	Washer Plain Plated Steel M10	8	PC
3	425-15	Nut Nyloc Hex M10C	4	PC
4	200055-1	Rubber Curtain (1275 WSB)	1	PC
5	283126-1	Retaining Strip - Curtain WSB	1	PC
6	124-137	Setscrew M8C x 25	6	PC
6	455-10	Washer Plain Plated Steel M8	12	PC
6	425-14	Nut Nyloc Hex MC M8	6	PC
7	283090-1	Curtain Support WSB	2	PC
8	124-171	Setscrew M10C x 30	8	PC
8	455-11	Washer Plain Plated Steel M10	16	PC
8	425-15	Nut Nyloc Hex M10C	8	PC
9A	62097-1	Pin Anchor - V650 & V800	2	PC
9B	809715-1	Pin Anchor - V500	2	PC
11	283103-1	Compensator W/A WSB	1	PC
12	62095-1	Plate - Keeper	1	PC
13	29395-2	Bearing	1	PC
14	124-135	Setscrew M8C x 20	2	PC
14	460-10	Washer Spring Single Coil M8	2	PC
15	283092-1	Shaft Compensator Assembly WSB	1	PC
16	455-16	Washer Plain Plated Steel M20	1	PC
16	425-7	Nut Nyloc Hex MF M20 x 1.5mm	1	PC

Wide Sweep Brush Assembly Dual (-)

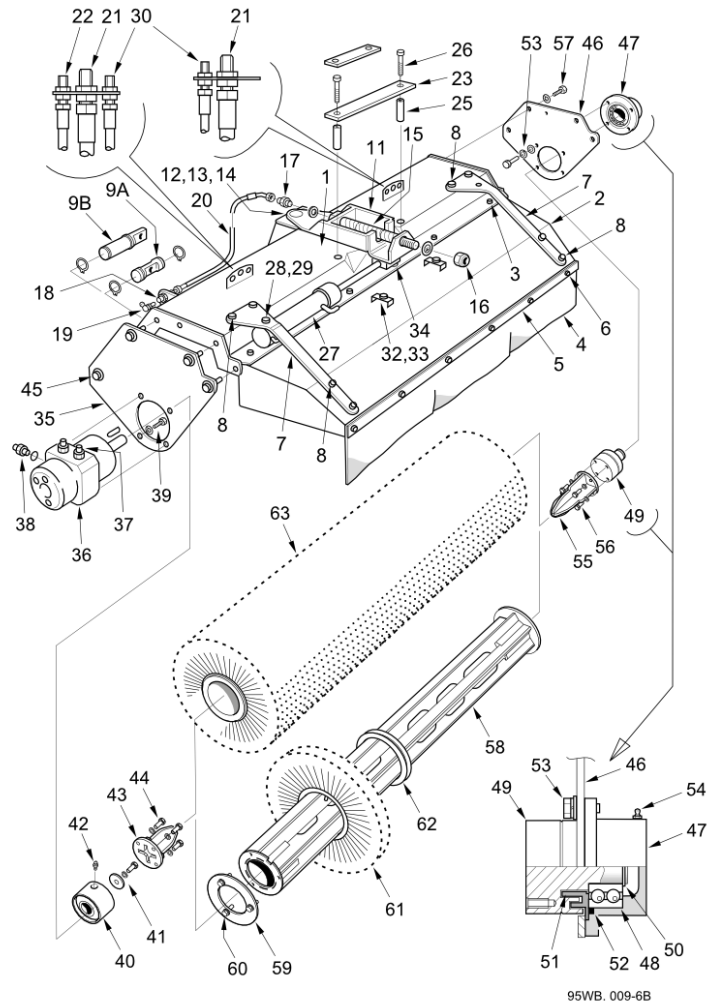




## Wide Sweep Brush Assembly Dual (-)

Item no.	Part no.	Description	QTY	Unit
17	265-1	Adaptor Reducing M/M 1/8"-1/4" BSP	1	PC
17	451-4	Washer Bonded G1-8"	1	PC
18	262-2	Swivel Elbow 90 Degree Size 1/4"BSP	1	PC
19	38-11	Nipple - M6 (H3-90 Deg)	1	PC
20	HC04036-65	Hose-Megaflex 1/4"45sxSt.BktM6	1	PC
21	264-4	Adaptor-Bulkhead BSP M/M 1/2"	2	PC
22	264-2	Adaptor-Bulkhead BSP M/M 1/4"	1	PC
23	283127-1	Slew Retainer WSB (DUAL)	1	PC
25	283128-1	Spacer - Slew Retainer WSB	2	PC
26	123-154	Bolt M Coarse M12x80	2	PC
26	455-12	Washer Plain Plated Steel M12	4	PC
26	425-16	Nut Nyloc Hex M12c	2	PC
27	29160-1-B	Cylinder - WSB	1	PC
28	283129-1	Bush - Ram Mount WSB	1	PC
29	123-140	Bolt M Coarse M10x100	1	PC
29	455-11	Washer Plain Plated Steel M10	2	PC
29	457-5	Washer Plain Steel M10 Form G	1	PC
29	425-15	Nut Nyloc Hex M10C	1	PC
30	264-2	Adaptor-Bulkhead BSP M/M 1/4"	2	PC
32	51-50	Clamp - Pipe Twin 20-12mm	2	PC
33	124-111	Setscrew M6C x 40	2	PC
33	425-13	Nut Nyloc Hex M6C	2	PC
34	124-199	Setscrew M12C x 20	1	PC
34	460-12	Washer Spring Single Coil M12	1	PC

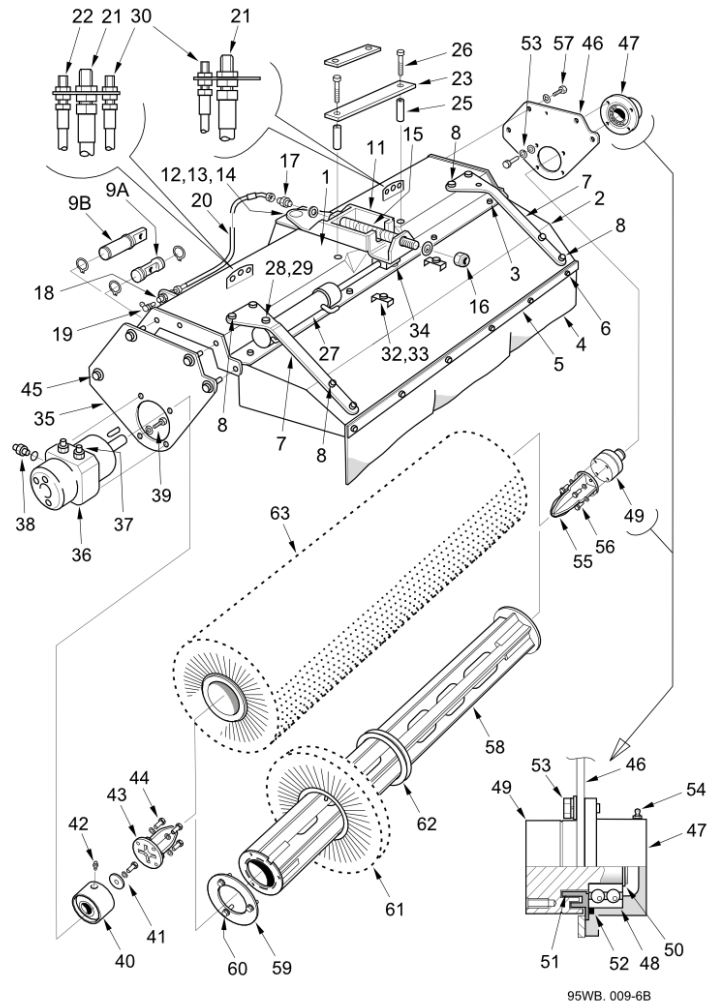
Wide Sweep Brush Assembly Dual (-)



## Wide Sweep Brush Assembly Dual (-)

Item no.	Part no.	Description	QTY	Unit
34	457-6	Washer Plain Steel M12 Form G	1	PC
35	283112-1	Drive/Bearing Plate - V605, 650, 800	1	PC
35	283231-1	End Plate - V500	1	PC
36	99972-1	Motor - Hydraulic	1	PC
36	240-2	Seal Kit Universal LP/HP Seals	1	PC
37	263-4	Adaptor M/M 1/2" BSP	2	PC
37	451-19	Washer - Bonded G1-2"	2	PC
38	263-2	Adaptor M/M 1/4" BSP	1	PC
38	451-17	Washer Bonded G1-4"	1	PC
39	124-171	Setscrew M10C x 30	4	PC
39	460-11	Washer Spring Single Coil M10	4	PC
39	455-11	Washer Plain Plated Steel M10	4	PC
40	283109-1	Drive Adaptor Motor WSB	1	PC
41	62064-1	Washer - Special 38mm	1	PC
41	124-136	Setscrew M8C x 22 BS3692	1	PC
41	460-10	Washer Spring Single Coil M8	1	PC
42	38-30	Nipple Grease M6 X 1	1	PC
43	283105-1	Drive Dog W/Assy WSB	1	PC
44	124-137	Setscrew M8C x 25	4	PC
44	460-10	Washer Spring Single Coil M8	4	PC
45	124-169	Setscrew M10C x 25	4	PC
45	460-11	Washer Spring Single Coil M10	4	PC
45	455-11	Washer Plain Plated Steel M10	4	PC
46	283112-1	Drive/Bearing Plate - V605, 650, 800	1	PC

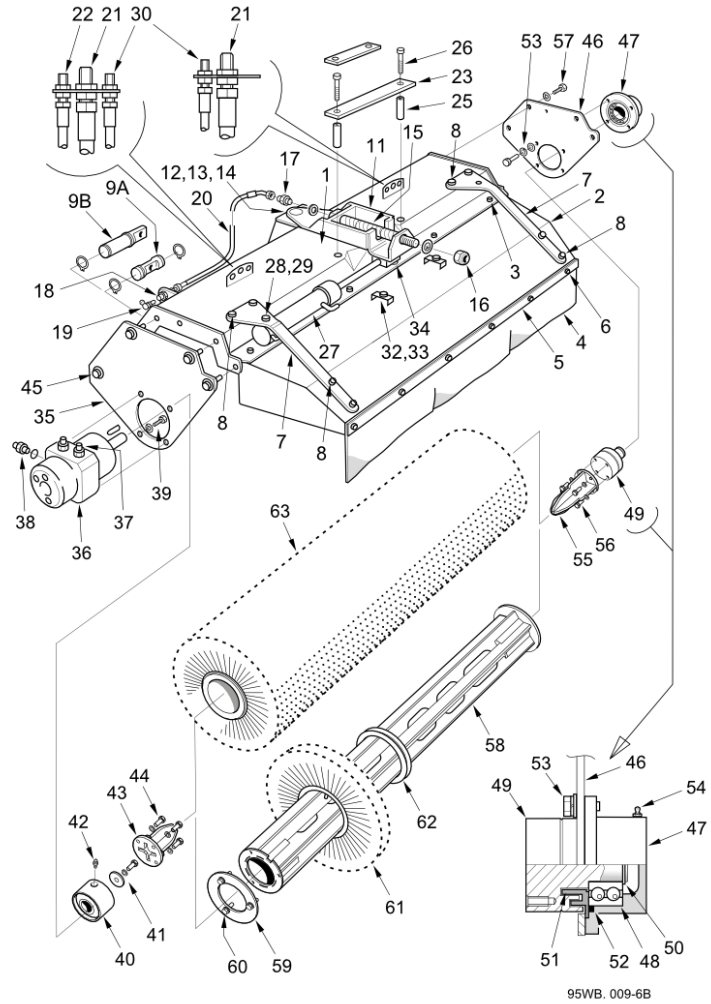
Wide Sweep Brush Assembly Dual (-)



## Wide Sweep Brush Assembly Dual (-)

Item no.	Part no.	Description	QTY	Unit
46	293530-1	Drive/Bearing Plate V500	1	PC
47	283107-1	Housing - Bearing WSB	1	PC
48	14-47	Bearing - 30x72x30.2 Double	1	PC
49	283108-1	Bearing - Drive Adaptor WSB	1	PC
50	27-15	Circlip - External I/D 30mm	1	PC
51	283121-1	Labyrinth Bearing WSB	1	PC
52	80-94	O Ring - Hole Dia.80	1	PC
53	124-169	Setscrew M10C x 25	4	PC
53	460-11	Washer Spring Single Coil M10	4	PC
53	455-11	Washer Plain Plated Steel M10	4	PC
54	38-30	Nipple Grease M6 X 1	1	PC
55	283106-1	Driven Dog W/Assy WSB	1	PC
56	124-137	Setscrew M8C x 25	4	PC
56	460-10	Washer Spring Single Coil M8	4	PC
57	124-169	Setscrew M10C x 25	4	PC
57	460-11	Washer Spring Single Coil M10	4	PC
57	455-11	Washer Plain Plated Steel M10	4	PC
58	283101-1	Stock - One Piece W/Assy WSB	1	PC
59	283115-1	Plate - Closing Stock Assy WSB	1	PC
60	118-137	Setscrew Hexagon Hd M8cx25 SS	4	PC
60	454-8	Washer Plain St.Stl M8x17	4	PC
60	458-8	Washer Spring Single Coil M8SS	4	PC
61	834-1	Segment-1.2x406mm O/D WSB Poly	44	PC
61	283385-340	WSB Segment-1.2x340mm O/D Poly	44	PC

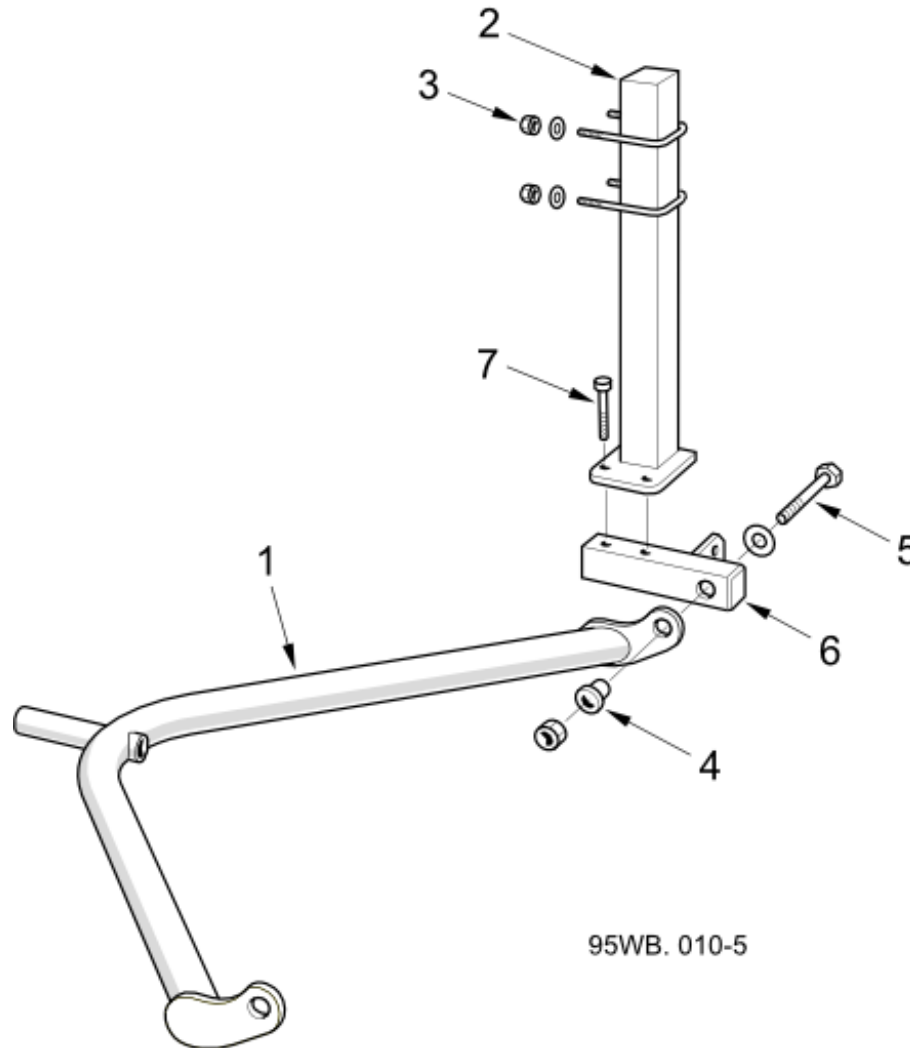
Wide Sweep Brush Assembly Dual (-)



**Wide Sweep Brush Assembly Dual (-)**

Item no.	Part no.	Description	QTY	Unit
62	13515	Spacer - Segment Brush	42	PC
63	295050-406	Cartridge - Poly WSB V605, 650, & 800	1	PC
63	295050-340	Cartridge - Poly WSB V500	1	PC

**Tow Bar Installation Single (951011, 951012, 951020)**  
Wide Sweep Brush - Assembly



95WB. 010-5

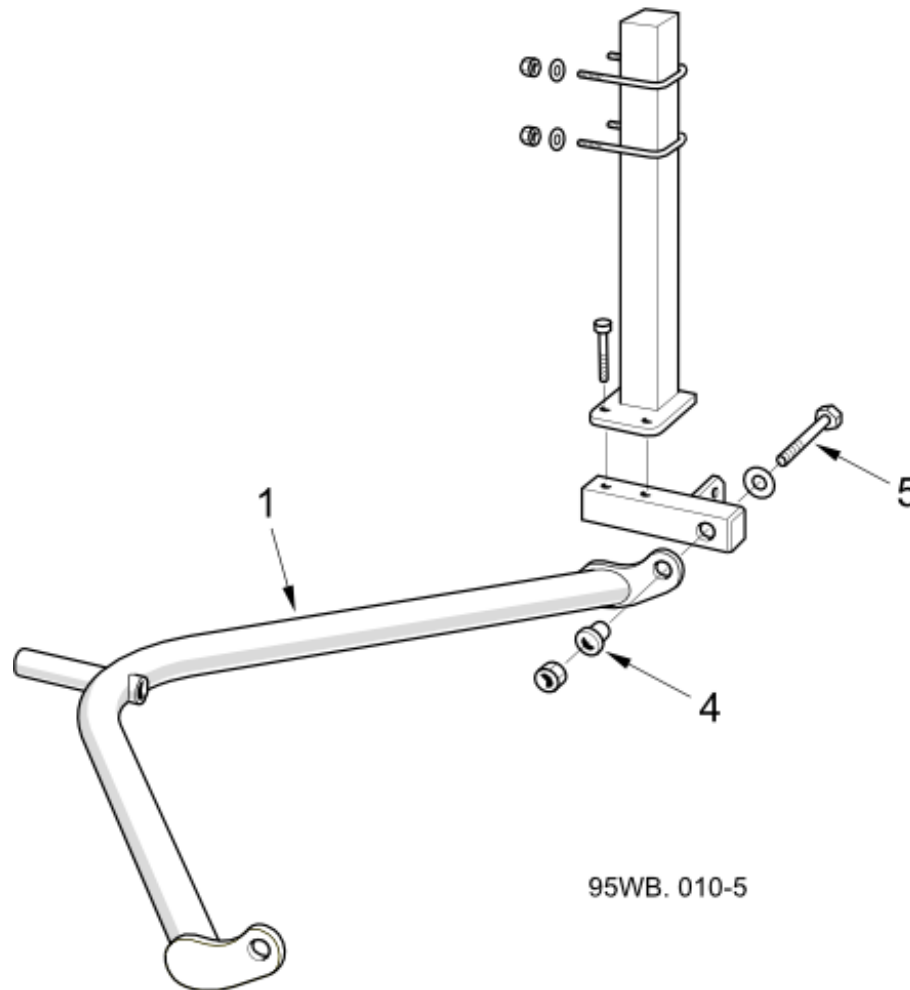


**Tow Bar Installation Single (951011, 951012, 951020)**

## Wide Sweep Brush - Assembly

Item no.	Part no.	Description	QTY	Unit
1	283662-1	Towbar W/Assy - V605, 650 & 800	1	PC
1	293550-1	Towbar W/Assy V500	1	PC
2	281296-1	Post-Suppt W/A WSB DIM 586	1	PC
2	281296-2	Post-Suppt W/A WSB DIM 686	1	PC
2	281296-3	Post-Suppt W/A WSB DIM 486	1	PC
3	281274-1	Bolt U M12 S/Frame Mounting	2	PC
3	455-12	Washer Plain Plated Steel M12	4	PC
3	425-16	Nut Nyloc Hex M12c	4	PC
4	62099-2	Bush - Tow Point 56 DIM.A	2	PC
5	124-217	Setscrew M12C x 90 BS3692	2	PC
5	455-12	Washer Plain Plated Steel M12	2	PC
5	425-16	Nut Nyloc Hex M12c	2	PC
6	62819-1	Box - Towpoint W/A	1	PC
7	123-151	Bolt M Coarse M12x65 BS3692	2	PC
7	460-12	Washer Spring Single Coil M12	2	PC
7	425-16	Nut Nyloc Hex M12c	2	PC

**Tow Bar Installation Dual (951011, 951012, 951020)**  
Wide Sweep Brush - Assembly

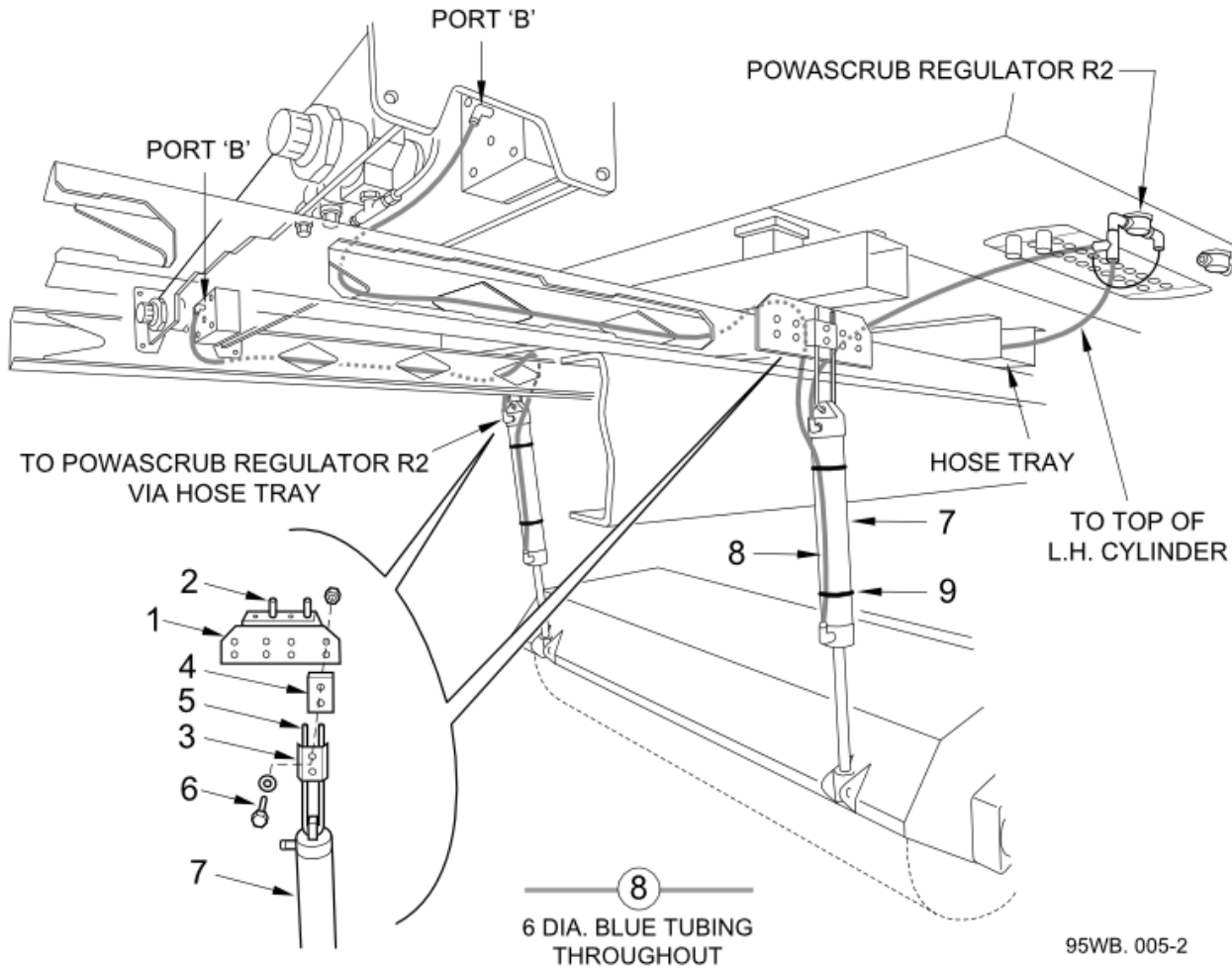


**Tow Bar Installation Dual (951011, 951012, 951020)**

## Wide Sweep Brush - Assembly

Item no.	Part no.	Description	QTY	Unit
1	283662-1	Towbar W/Assy - V605, 650 & 800	1	PC
1	293550-1	Towbar W/Assy V500	1	PC
4	62099-2	Bush - Tow Point 56 DIM.A	2	PC
5	124-217	Setscrew M12C x 90 BS3692	2	PC
5	455-12	Washer Plain Plated Steel M12	2	PC
5	425-16	Nut Nyloc Hex M12c	2	PC

**Pneumatic - Suspension Cylinders (951020)**  
Wide Sweep Brush - Instalation

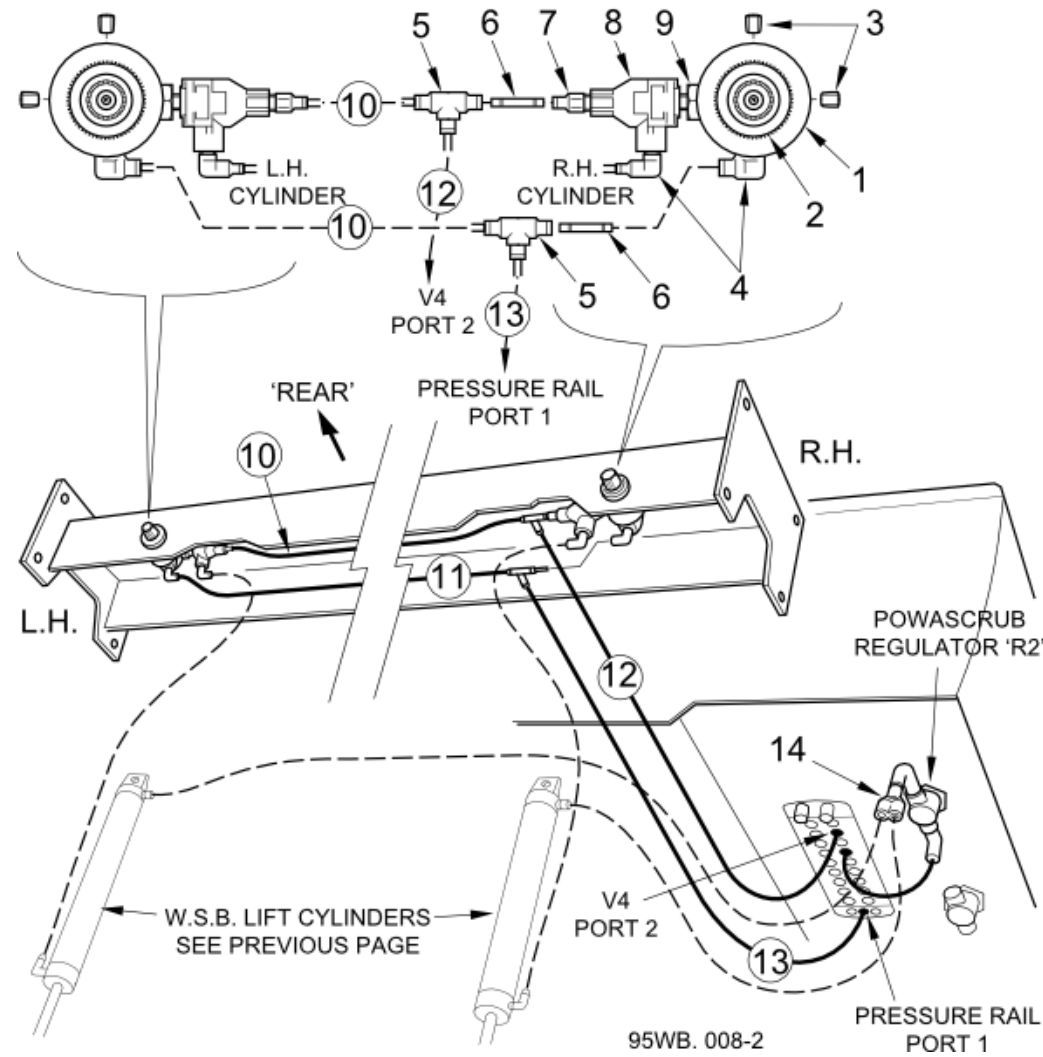


**Pneumatic - Suspension Cylinders (951020)**

Wide Sweep Brush - Instalation

Item no.	Part no.	Description	QTY	Unit
1	281549-1	Bracket W/Assy-WSB Subframe	2	PC
2	124-201	Setscrew M12C x 25	4	PC
2	460-12	Washer Spring Single Coil M12	4	PC
2	455-12	Washer Plain Plated Steel M12	4	PC
3	40404-1-C	Washer - Clamp, Carriage, Noz	2	PC
4	63345-1	Block - Clamp	2	PC
5	40405-1-B	Eye - Lifting Nozzle	2	PC
6	124-178	Setscrew M10C x 55	4	PC
6	455-11	Washer Plain Plated Steel M10	4	PC
6	425-15	Nut Nyloc Hex M10C	4	PC
7	29284-2	Cylinder - WSB Pneu. Assy	2	PC
8	273-20	Tube - Nylon Blue 6mm O/D	6	M
8	273-20	Tube - Nylon Blue 6mm O/D	6.5	M
9	24-1	Cable Tie 282mm x 8mm	4	PC

**Pneumatic - Suspension Regulation, Single Sweep (950713)**  
Wide Sweep Brush - Instalation

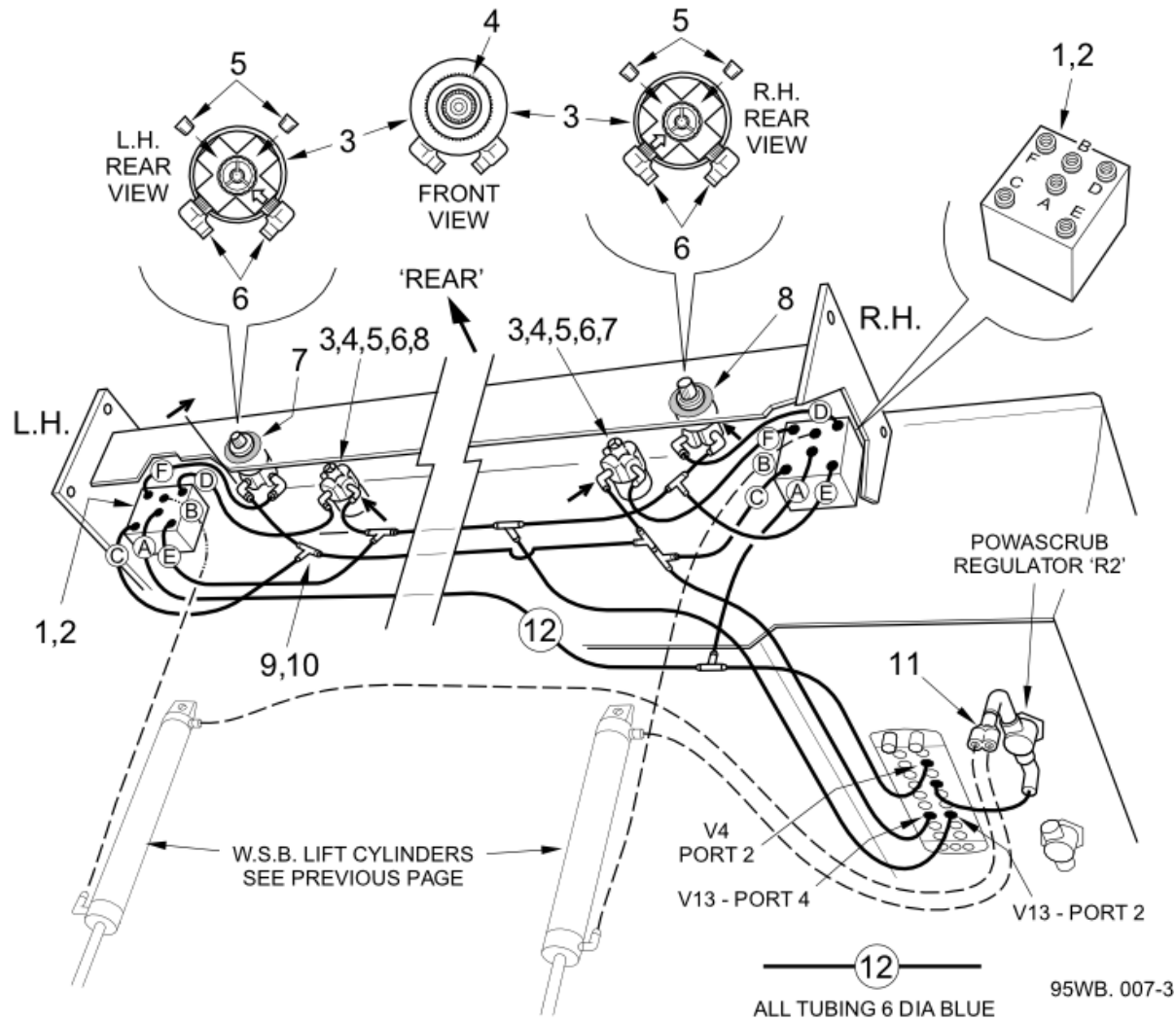


**Pneumatic - Suspension Regulation, Single Sweep (950713)**

## Wide Sweep Brush - Instalation

Item no.	Part no.	Description	QTY	Unit
1	253-9PS	Regulator - Air (Preset)	2	PC
1	253-10	Kit - Seal (For 253/9)	1	PC
2	410-86	Nut - Panel 1 3/16" - 18 UNF	2	PC
3	9756	Plug - Tapered 1/4 BSP	4	PC
4	552-8	Adaptor - Elbow 6mm x 1/4 BSPT	4	PC
5	554-3	Tee - Connector 6mm	2	PC
6	549-3	Pneumatic Stem Connector, Ø6mm Tube	2	PC
7	537-8	Adaptor-Push In 6mm x 1/4 BSPT	2	PC
8	41211-1-B	Valve - Exhaust, Quick	2	PC
9	266-2	Adaptor M/M 1/4"-1/4" BSP	2	PC
9	451-17	Washer Bonded G1-4"	2	PC
10	273-20	Tube - Nylon Blue 6mm O/D	1.16	M
11	273-21	Tube - Nylon Red 6mm O/D	0.95	M
12	273-20	Tube - Nylon Blue 6mm O/D	0.62	M
13	273-21	Tube - Nylon Red 6mm O/D	0.74	M
14	559-6	Connector - Parallel Y 6x6x6mm	1	PC

**Pneumatic - Suspension Regulation, Dual Sweep (950713)**  
Wide Sweep Brush - Instalation



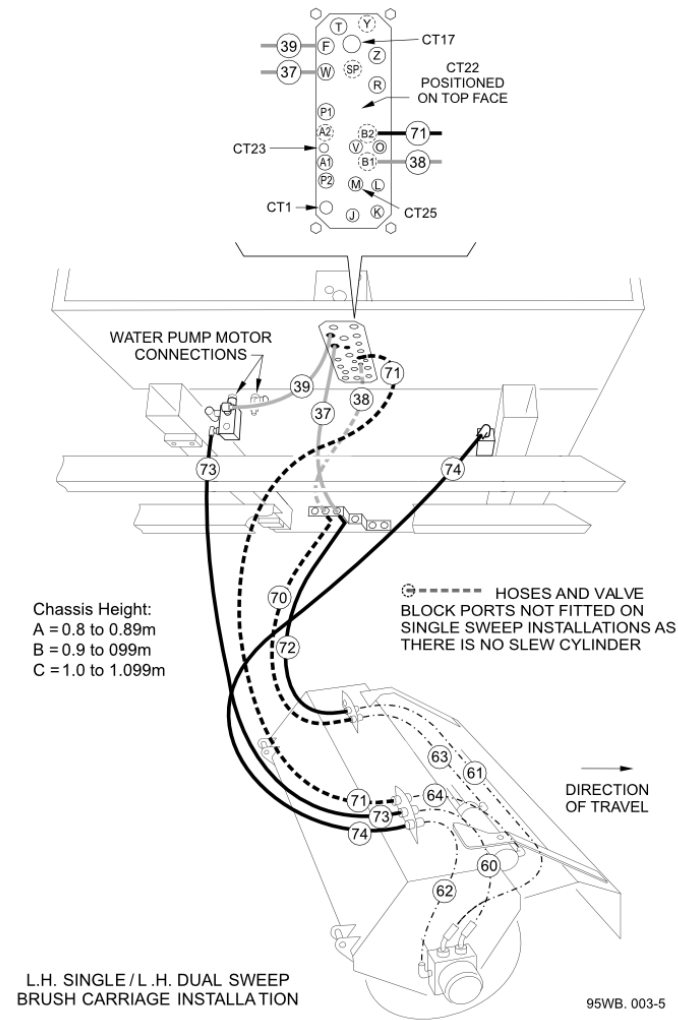


**Pneumatic - Suspension Regulation, Dual Sweep (950713)**

## Wide Sweep Brush - Instalation

Item no.	Part no.	Description	QTY	Unit
1	200577-1	Control Module - WSB	2	PC
2	124-102	Setscrew M6C x 16	4	PC
2	460-8	Washer Spring Single Coil M6	4	PC
3	253-9PS	Regulator - Air (Preset)	4	PC
3	253-10	Kit - Seal (For 253/9)	1	PC
4	410-86	Nut - Panel 1 3/16" - 18 UNF	4	PC
5	9756	Plug - Tapered 1/4 BSP	8	PC
6	552-8	Adaptor - Elbow 6mm x 1/4 BSPT	8	PC
7	282855-2	Washer - Polyprop RED VT/S	2	PC
8	282855-1	Washer - Polyprop GREEN VT/S	2	PC
9	554-3	Tee - Connector 6mm	4	PC
10	549-3	Pneumatic Stem Connector, Ø6mm Tube	4	PC
11	559-6	Connector - Parallel Y 6x6x6mm	1	PC
12	273-20	Tube - Nylon Blue 6mm O/D	1	M

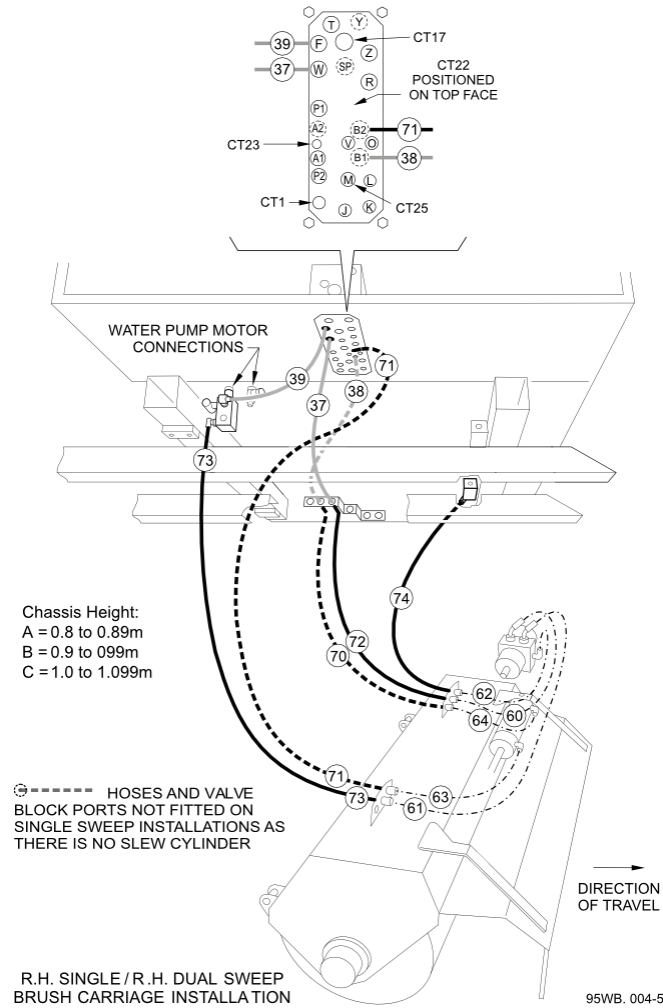
**Hydraulic Hoses LH (-)**  
Wide Sweep Brush - Instalation



**Hydraulic Hoses LH (-)**  
 Wide Sweep Brush - Instalation

Item no.	Part no.	Description	QTY	Unit
37	HC08001-155	Hose - Megaflex 1/2" STRx45s	1	PC
38	HC04001-144	Hose - Megaflex 1/4" STRx45s	1	PC
39	HC08001-49	Hose - Megaflex 1/2" STRx45s	1	PC
60	HC08001-73	Hose - Megaflex 1/2" STRx45s	1	PC
61	HC08001-160	Hose - Megaflex 1/2" STRx45s	1	PC
62	HC04002-87	Hose - Megaflex 1/4" STRx90s	1	PC
63	HC04003-95	Hose - Megaflex 1/4" STRx90c	1	PC
64	HC04003-36	Hose - Megaflex 1/4" STRx90c	1	PC
70	HC04002-95	Hose - Megaflex 1/4" STRx90s	1	PC
70	HC04002-115	Hose - Megaflex 1/4" STRx90s	1	PC
70	HC04002-115	Hose - Megaflex 1/4" STRx90s	1	PC
71	HC04001-128	Hose - Megaflex 1/4" STRx45s	1	PC
71	HC04001-148	Hose - Megaflex 1/4" STRx45s	1	PC
71	HC04001-148	Hose - Megaflex 1/4" STRx45s	1	PC
71	HC08002-95	Hose - Megaflex 1/2" STRx90s	1	PC
72	HC08002-105	Hose - Megaflex 1/2" STRx90s	1	PC
72	HC08002-115	Hose - Megaflex 1/2" STRx90s	1	PC
73	HC08002-95	Hose - Megaflex 1/2" STRx90s	1	PC
73	HC08002-115	Hose - Megaflex 1/2" STRx90s	1	PC
73	HC04002-126	Hose - Megaflex 1/4" STRx90s	1	PC
74	HC04002-146	Hose - Megaflex 1/4" STRx90s	1	PC
74	HC04002-146	Hose - Megaflex 1/4" STRx90s	1	PC
74	HC04002-206	Hose - Megaflex 1/4" STRx90s	1	PC
74	HC04002-206	Hose - Megaflex 1/4" STRx90s	1	PC

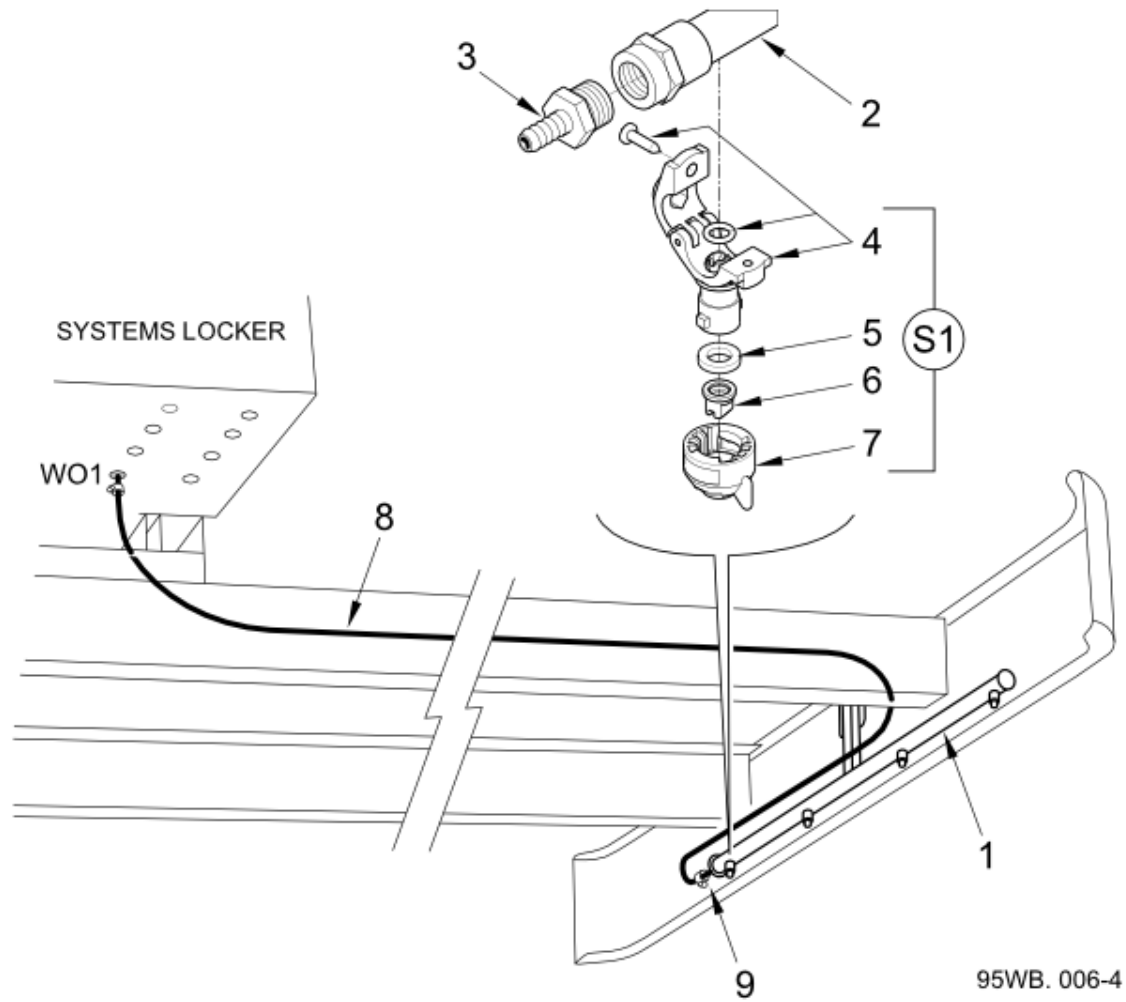
Hydraulic Hoses RH (-)  
Wide Sweep Brush - Instalation



**Hydraulic Hoses RH (-)**  
 Wide Sweep Brush - Instalation

Item no.	Part no.	Description	QTY	Unit
37	HC08001-155	Hose - Megaflex 1/2" STRx45s	1	PC
38	HC04001-144	Hose - Megaflex 1/4" STRx45s	1	PC
39	HC08001-49	Hose - Megaflex 1/2" STRx45s	1	PC
60	HC08001-73	Hose - Megaflex 1/2" STRx45s	1	PC
61	HC08001-160	Hose - Megaflex 1/2" STRx45s	1	PC
62	HC04002-87	Hose - Megaflex 1/4" STRx90s	1	PC
63	HC04003-95	Hose - Megaflex 1/4" STRx90c	1	PC
64	HC04003-36	Hose - Megaflex 1/4" STRx90c	1	PC
70	HC04002-95	Hose - Megaflex 1/4" STRx90s	1	PC
70	HC04002-115	Hose - Megaflex 1/4" STRx90s	1	PC
70	HC04002-115	Hose - Megaflex 1/4" STRx90s	1	PC
71	HC04001-128	Hose - Megaflex 1/4" STRx45s	1	PC
71	HC04001-148	Hose - Megaflex 1/4" STRx45s	1	PC
71	HC04001-148	Hose - Megaflex 1/4" STRx45s	1	PC
72	HC08002-105	Hose - Megaflex 1/2" STRx90s	1	PC
72	HC08002-115	Hose - Megaflex 1/2" STRx90s	1	PC
73	HC08002-95	Hose - Megaflex 1/2" STRx90s	1	PC
73	HC08002-115	Hose - Megaflex 1/2" STRx90s	1	PC
74	HC04002-146	Hose - Megaflex 1/4" STRx90s	1	PC
74	HC04002-146	Hose - Megaflex 1/4" STRx90s	1	PC
74	HC04002-206	Hose - Megaflex 1/4" STRx90s	1	PC
74	HC04002-206	Hose - Megaflex 1/4" STRx90s	1	PC

**Water-Spray Bar (951020)**  
Wide Sweep Brush - Instalation

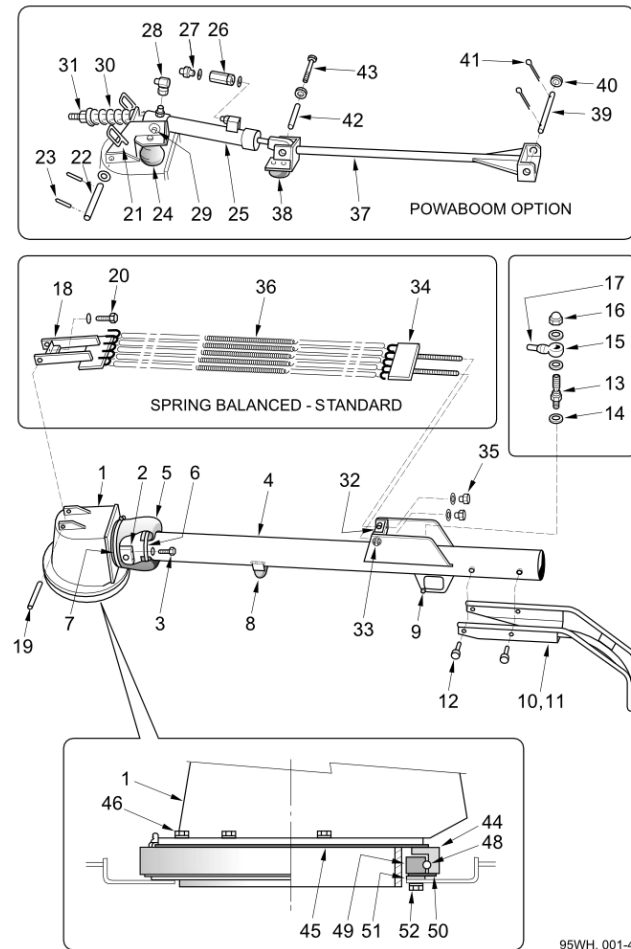


95WB. 006-4

**Water-Spray Bar (951020)**  
Wide Sweep Brush - Instalation

Item no.	Part no.	Description	QTY	Unit
S1	282236-2	Nozzle Holder Assembly VS/VT	1	PC
1	282236-1	Spraybar - Low Pressure	1	PC
Comprising items 2-7				
2	21-334	Spraybar 1/2" NB PVC	1	PC
3	21-335	Hosetail - 1/2" NPT x 3/8"	1	PC
4	21-60	1/2" Quick Attachment Holder	1	PC
5	21-64	Seal - Bayonet Cap	1	PC
6	21-66	Tip - Fan Red	1	PC
7	21-63	Cap - Bayonet	1	PC
8	39444	Hose - Black Plastic 3/8" Bore	5	M
9	501-1	Hose Clip - Worm Drive (11-16)	2	PC

Wanderhose Assembly 150 Dia. (941310, 951310, 961310, 951322)



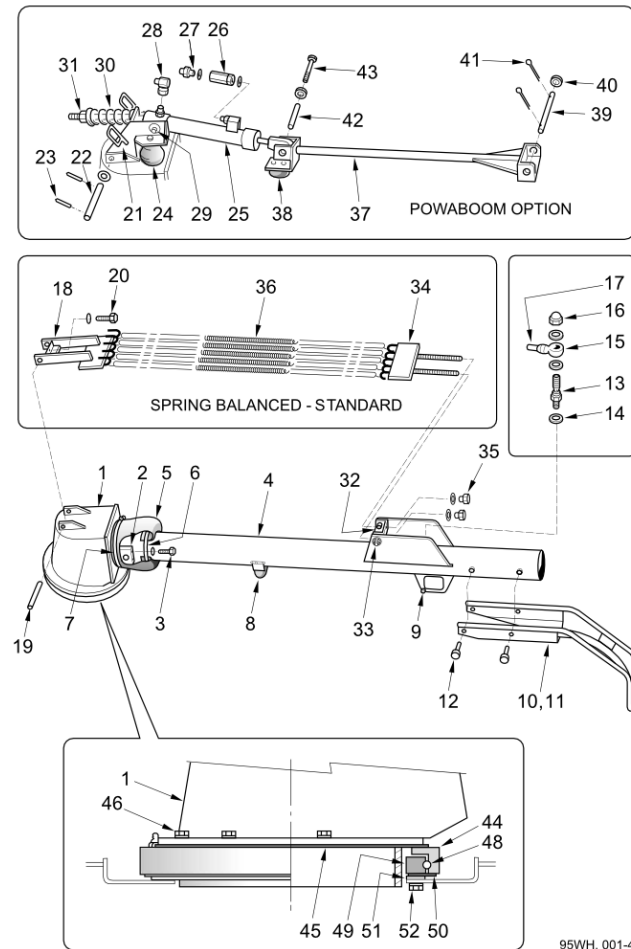
For Lo-Level Water Injection see Optional Equipment - Sweep Gear.



## Wanderhose Assembly 150 Dia. (941310, 951310, 961310, 951322)

Item no.	Part no.	Description	QTY	Unit
1	41803-1	Turret - Lowline Wanderhose	1	PC
2	41833-1	Bearing - Lowline Wanderhose	2	PC
3	123-131	Bolt M Coarse M10x55	4	PC
3	460-11	Washer Spring Single Coil M10	4	PC
4	294085-1	Boom W/A (150) V500	1	PC
4	281255-1	Boom W/A (150) V605, 650 & 800	1	PC
5	40780-1-B	Joint - Flexible, Wanderhose	1	PC
6	504-51	Hose Clip - Worm Drive (150-180)	1	PC
7	504-55	Hose Clip - Worm Drive (270-300)	1	PC
8	39382	Buffer	1	PC
8	129-65	Screw MC Cap Skt Hd M5x20	2	PC
8	455-7	Washer Plain Plated Steel M5	2	PC
8	425-12	Nut Nyloc Hex M5C	2	PC
9	290-28	Bump Stop Rubber	1	PC
9	124-36	Setscrew M4C x 12 BS3692	1	PC
9	460-5	Washer Spring Single Coil M4	1	PC
10	282470-1	Jib W/Assy-W/Hose+P/Boom Ø150	1	PC
12	124-199	Setscrew M12C x 20	4	PC
12	460-12	Washer Spring Single Coil M12	4	PC
13	40755-2-C	Jet-Water DIM A ø2	1	PC
14	453-1	Washer - Fibre Red 2.4mm Thick	3	PC
15	26997-1-B	Banjo - Body	1	PC
16	418-12	Nut - Domed, M12C St.Stl.	1	PC
17	46382-3-B	Adaptor - Brass DIM B 7	1	PC

Wanderhose Assembly 150 Dia. (941310, 951310, 961310, 951322)

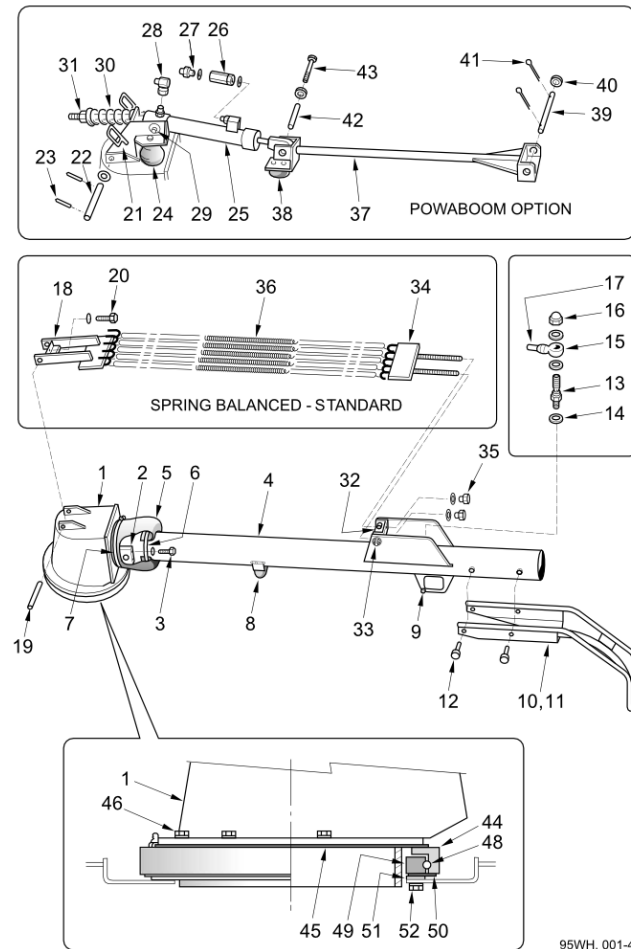


For Lo-Level Water Injection see Optional Equipment - Sweep Gear.

## Wanderhose Assembly 150 Dia. (941310, 951310, 961310, 951322)

Item no.	Part no.	Description	QTY	Unit
18	40746-1-D	Claw - (6) WH Assy Link/Angle	1	PC
19	40420-1-B	Pin Cylinder C/Brush	1	PC
20	124-137	Setscrew M8C x 25	1	PC
20	460-10	Washer Spring Single Coil M8	1	PC
21	62367-1	Anchor - Powaslyd W/H	1	PC
22	41374-1-A	Pin - Powaslyd, W/Hose	1	PC
22	455-14	Washer Plain Plated Steel M16	2	PC
23	59-10	Pin Tension Spring 5 O/Dx30Lg	2	PC
24	290-3	Spring-Rubber	2	PC
24	124-207	Setscrew M12C x 40	2	PC
24	425-16	Nut Nyloc Hex M12c	2	PC
25	29170-1-B	Cylinder - Rear Door/Powaboom	1	PC
26	29301-1	Valve - Flow Control	1	PC
26	451-17	Washer Bonded G1-4"	1	PC
27	263-2	Adaptor M/M 1/4" BSP	1	PC
27	451-17	Washer Bonded G1-4"	1	PC
28	262-2	Swivel Elbow 90 Degree Size 1/4"BSP	1	PC
29	62365-1	Pin - Pivot	1	PC
29	455-16	Washer Plain Plated Steel M20	2	PC
29	500-106	Cotter Pin Split 1/8 x 1 1/4	2	PC
30	62366-1	Fork - Tension	1	PC
30	13501	Spring-Comp. 11mm Wirex200Lg	1	PC
31	44031-1-A	Locator	1	PC
31	425-7	Nut Nyloc Hex MF M20 x 1.5mm	1	PC

Wanderhose Assembly 150 Dia. (941310, 951310, 961310, 951322)

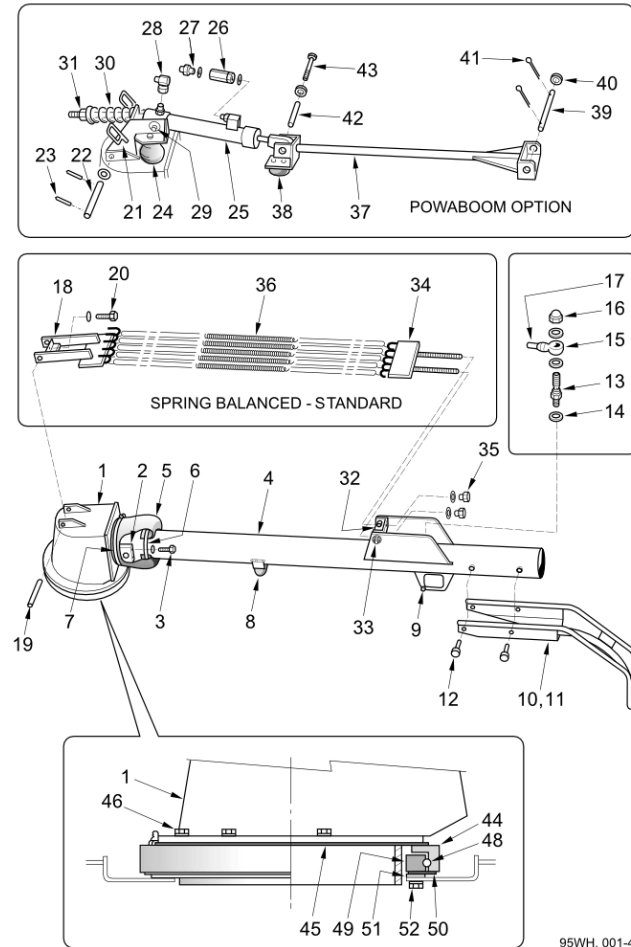


For Lo-Level Water Injection see Optional Equipment - Sweep Gear.

## Wanderhose Assembly 150 Dia. (941310, 951310, 961310, 951322)

Item no.	Part no.	Description	QTY	Unit
32	62952-1	Pivot - W/Hose Spring W/Assy	1	PC
33	49053-1	Pin - Pivot	2	PC
33	455-14	Washer Plain Plated Steel M16	2	PC
33	425-18	Nut Nyloc Hex M16C	2	PC
34	40746-2-D	Claw - (6) WH Assy Studs	1	PC
35	41836-1	Nut - Special	2	PC
35	455-16	Washer Plain Plated Steel M20	2	PC
36	40691-1-C	Spring - Wanderhose, Lowline	5	PC
37	62953-1	Tube - Extension Powaboom 6"	1	PC
38	39382	Buffer	1	PC
38	124-71	Setscrew M5C x 20	2	PC
38	455-7	Washer Plain Plated Steel M5	2	PC
38	425-12	Nut Nyloc Hex M5C	2	PC
39	62254-2	Pin - Pivot	1	PC
40	455-16	Washer Plain Plated Steel M20	2	PC
41	500-106	Cotter Pin Split 1/8 x 1 1/4	2	PC
42	40377-4-E	Bush	1	PC
43	124-182	Setscrew M10C x 75 BS3692	1	PC
43	457-5	Washer Plain Steel M10 Form G	2	PC
43	425-15	Nut Nyloc Hex M10C	1	PC
44	40722-1-E	Race Outer Hose Wander	1	PC
45	5955-1	Seal	1	PC
46	124-167	Setscrew M10C x 20	6	PC
46	460-11	Washer Spring Single Coil M10	6	PC

Wanderhose Assembly 150 Dia. (941310, 951310, 961310, 951322)

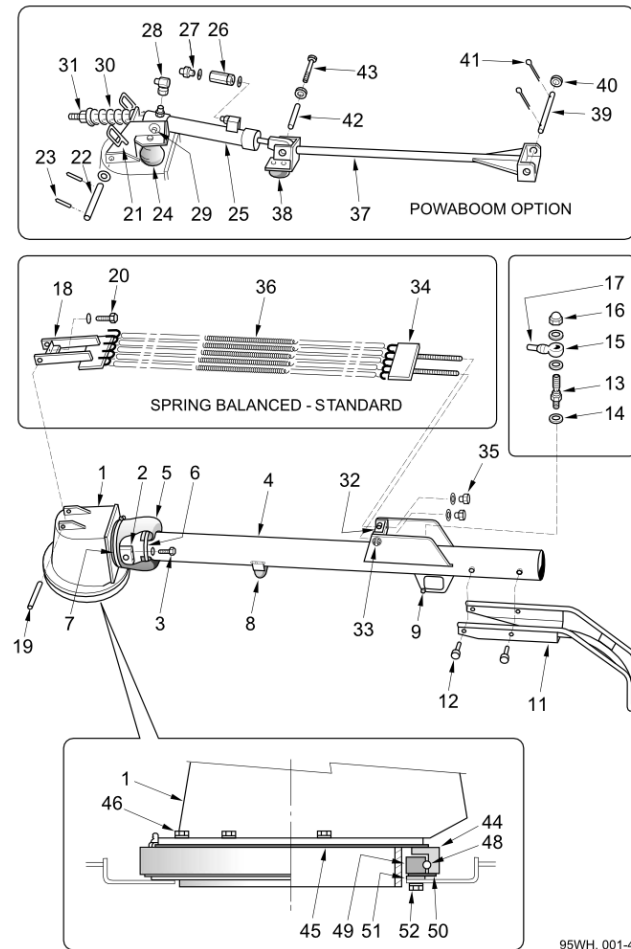


For Lo-Level Water Injection see Optional Equipment - Sweep Gear.

## Wanderhose Assembly 150 Dia. (941310, 951310, 961310, 951322)

Item no.	Part no.	Description	QTY	Unit
48	22-8	Ball Steel 10	105	PC
49	40721-1-D	Race Inner Hose Wander	1	PC
50	40723-1-C	Seal - Plate, Turntable, WH	1	PC
51	5955-1	Seal	1	PC
52	124-169	Setscrew M10C x 25	8	PC
52	460-11	Washer Spring Single Coil M10	8	PC

Wanderhose Assembly 200 Dia. (941310, 951310, 961310, 951322)



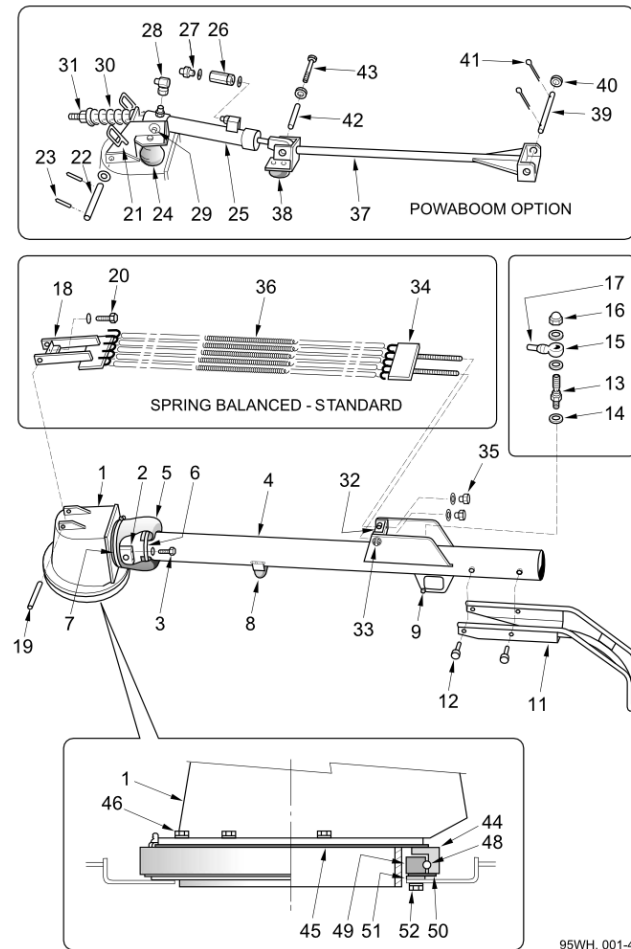
For Lo-Level Water Injection see Optional Equipment - Sweep Gear.



## Wanderhose Assembly 200 Dia. (941310, 951310, 961310, 951322)

Item no.	Part no.	Description	QTY	Unit
1	41803-1	Turret - Lowline Wanderhose	1	PC
2	40728-1-C	Bearing Wanderhose	2	PC
3	123-131	Bolt M Coarse M10x55	4	PC
3	460-11	Washer Spring Single Coil M10	4	PC
4	294086-1	Boom W/A (200) V500	1	PC
4	281089-1	Boom W/A (200) V605, 650 & 800	1	PC
5	40780-1-B	Joint - Flexible, Wanderhose	1	PC
6	504-52	Hose Clip - Worm Drive (190-220)	1	PC
7	504-55	Hose Clip - Worm Drive (270-300)	1	PC
8	39382	Buffer	1	PC
8	129-65	Screw MC Cap Skt Hd M5x20	2	PC
8	455-7	Washer Plain Plated Steel M5	2	PC
8	425-12	Nut Nyloc Hex M5C	2	PC
9	290-28	Bump Stop Rubber	1	PC
9	124-36	Setscrew M4C x 12 BS3692	1	PC
9	460-5	Washer Spring Single Coil M4	1	PC
11	282545-1	Jib W/Assy-W/Hose+P/Boom Ø200	1	PC
12	124-199	Setscrew M12C x 20	4	PC
12	460-12	Washer Spring Single Coil M12	4	PC
13	40755-2-C	Jet-Water DIM A ø2	1	PC
14	453-1	Washer - Fibre Red 2.4mm Thick	3	PC
15	26997-1-B	Banjo - Body	1	PC
16	418-12	Nut - Domed, M12C St.Stl.	1	PC
17	46382-3-B	Adaptor - Brass DIM B 7	1	PC

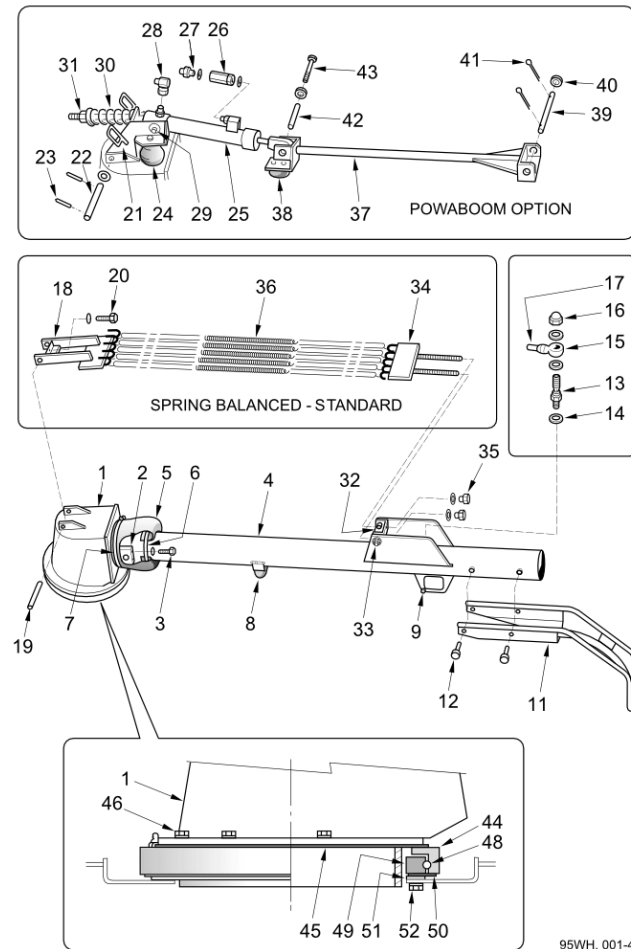
Wanderhose Assembly 200 Dia. (941310, 951310, 961310, 951322)



For Lo-Level Water Injection see Optional Equipment - Sweep Gear.

## Wanderhose Assembly 200 Dia. (941310, 951310, 961310, 951322)

Item no.	Part no.	Description	QTY	Unit
18	41814-1	Claw - (6) WH Assy Link/Angle	1	PC
19	40420-1-B	Pin Cylinder C/Brush	1	PC
20	124-137	Setscrew M8C x 25	1	PC
20	460-10	Washer Spring Single Coil M8	1	PC
21	62367-1	Anchor - Powaslyd W/H	1	PC
22	41374-1-A	Pin - Powaslyd, W/Hose	1	PC
22	455-14	Washer Plain Plated Steel M16	2	PC
23	59-10	Pin Tension Spring 5 O/Dx30Lg	2	PC
24	290-3	Spring-Rubber	2	PC
24	124-207	Setscrew M12C x 40	2	PC
24	425-16	Nut Nyloc Hex M12c	2	PC
25	29170-1-B	Cylinder - Rear Door/Powaboom	1	PC
26	29301-1	Valve - Flow Control	1	PC
26	451-17	Washer Bonded G1-4"	1	PC
27	263-2	Adaptor M/M 1/4" BSP	1	PC
27	451-17	Washer Bonded G1-4"	1	PC
28	262-2	Swivel Elbow 90 Degree Size 1/4"BSP	1	PC
29	62365-1	Pin - Pivot	1	PC
29	455-16	Washer Plain Plated Steel M20	2	PC
29	500-106	Cotter Pin Split 1/8 x 1 1/4	2	PC
30	62366-1	Fork - Tension	1	PC
30	13501	Spring-Comp. 11mm Wirex200Lg	1	PC
31	44031-1-A	Locator	1	PC
31	425-7	Nut Nyloc Hex MF M20 x 1.5mm	1	PC

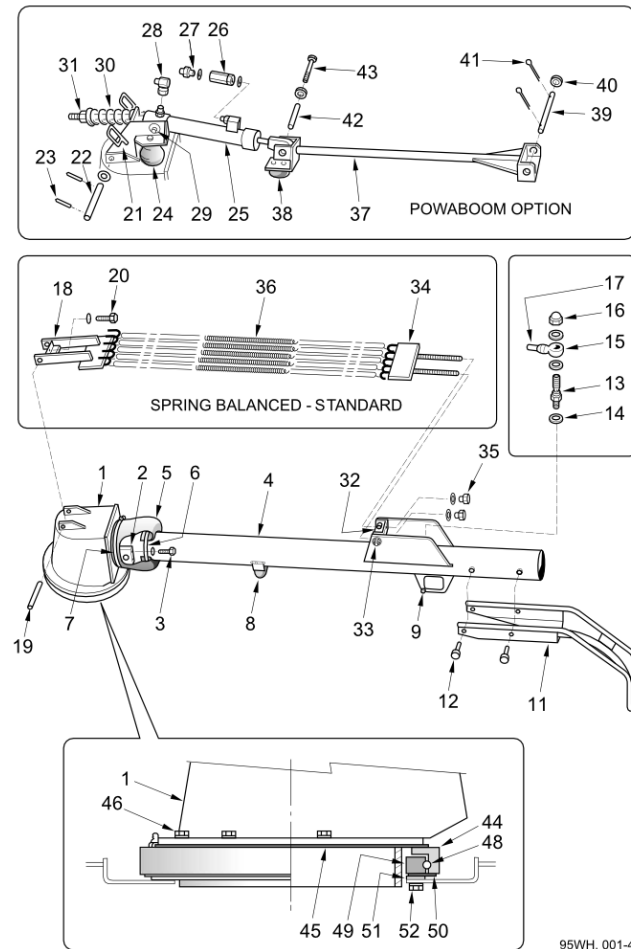
**Wanderhose Assembly 200 Dia. (941310, 951310, 961310, 951322)**


For Lo-Level Water Injection see Optional Equipment - Sweep Gear.

## Wanderhose Assembly 200 Dia. (941310, 951310, 961310, 951322)

Item no.	Part no.	Description	QTY	Unit
32	49051-1	Pivot - Lowline 200	1	PC
33	49052-1	Pin - Pivot	2	PC
33	455-14	Washer Plain Plated Steel M16	2	PC
34	41814-2	Claw - (6) WH Assy Studs	1	PC
35	41836-1	Nut - Special	2	PC
35	455-16	Washer Plain Plated Steel M20	2	PC
36	40691-1-C	Spring - Wanderhose, Lowline	6	PC
37	62608-1	Tube - Extension W/Assy	1	PC
38	39382	Buffer	1	PC
38	124-71	Setscrew M5C x 20	2	PC
38	455-7	Washer Plain Plated Steel M5	2	PC
38	425-12	Nut Nyloc Hex M5C	2	PC
39	62254-1	Pin - Pivot	1	PC
40	455-16	Washer Plain Plated Steel M20	2	PC
41	500-106	Cotter Pin Split 1/8 x 1 1/4	2	PC
42	40377-4-E	Bush	1	PC
43	124-182	Setscrew M10C x 75 BS3692	1	PC
43	457-5	Washer Plain Steel M10 Form G	2	PC
43	425-15	Nut Nyloc Hex M10C	1	PC
44	40722-1-E	Race Outer Hose Wander	1	PC
45	5955-1	Seal	1	PC
46	124-167	Setscrew M10C x 20	6	PC
46	460-11	Washer Spring Single Coil M10	6	PC
48	22-8	Ball Steel 10	105	PC

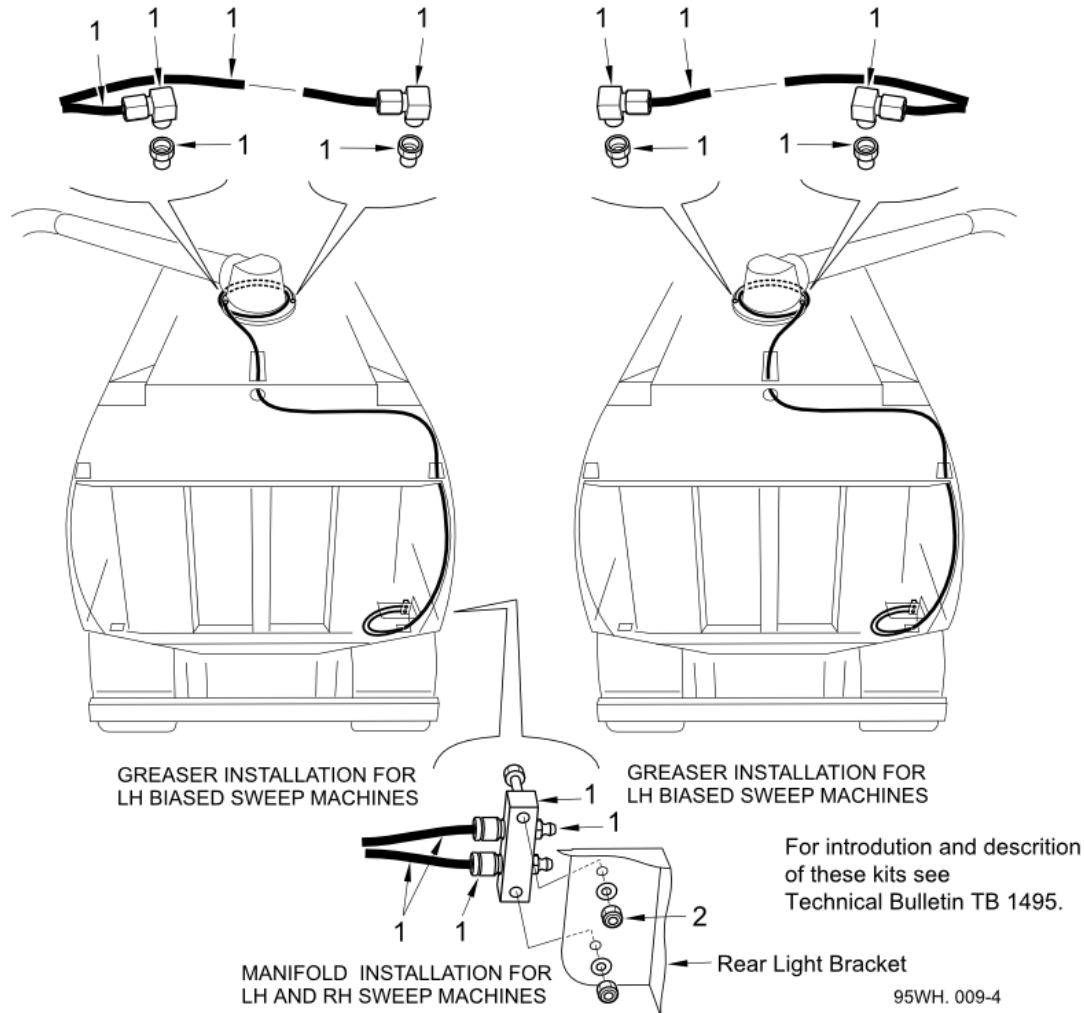
Wanderhose Assembly 200 Dia. (941310, 951310, 961310, 951322)



For Lo-Level Water Injection see Optional Equipment - Sweep Gear.

## Wanderhose Assembly 200 Dia. (941310, 951310, 961310, 951322)

Item no.	Part no.	Description	QTY	Unit
49	40721-1-D	Race Inner Hose Wander	1	PC
50	40723-1-C	Seal - Plate, Turntable, WH	1	PC
51	5955-1	Seal	1	PC
52	124-169	Setscrew M10C x 25	8	PC
52	460-11	Washer Spring Single Coil M10	8	PC

**Remote Lubrication Kit (-)  
Wanderhose/Littasnatch**




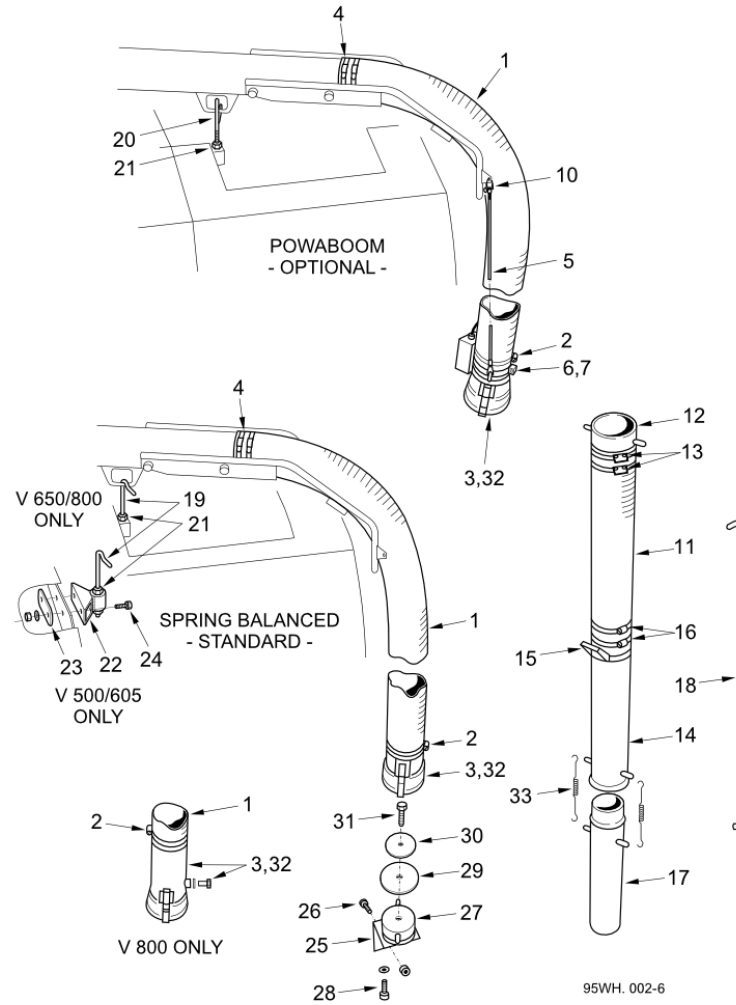
## Remote Lubrification Kit (-)

Wanderhose/Littasnatch

Item no.	Part no.	Description	QTY	Unit
1	7013598	Remote Lubrification Kit - Wanderhose	1	PC
2	92097305-0	Hex Head Screw - M6Cx30 - 8.8	2	PC
2	455-8	Washer Plain Plated Steel M6	2	PC
2	425-13	Nut Nyloc Hex M6C	2	PC

**Stowage and Trunking 150 (951330, 961330)**

Wanderhose



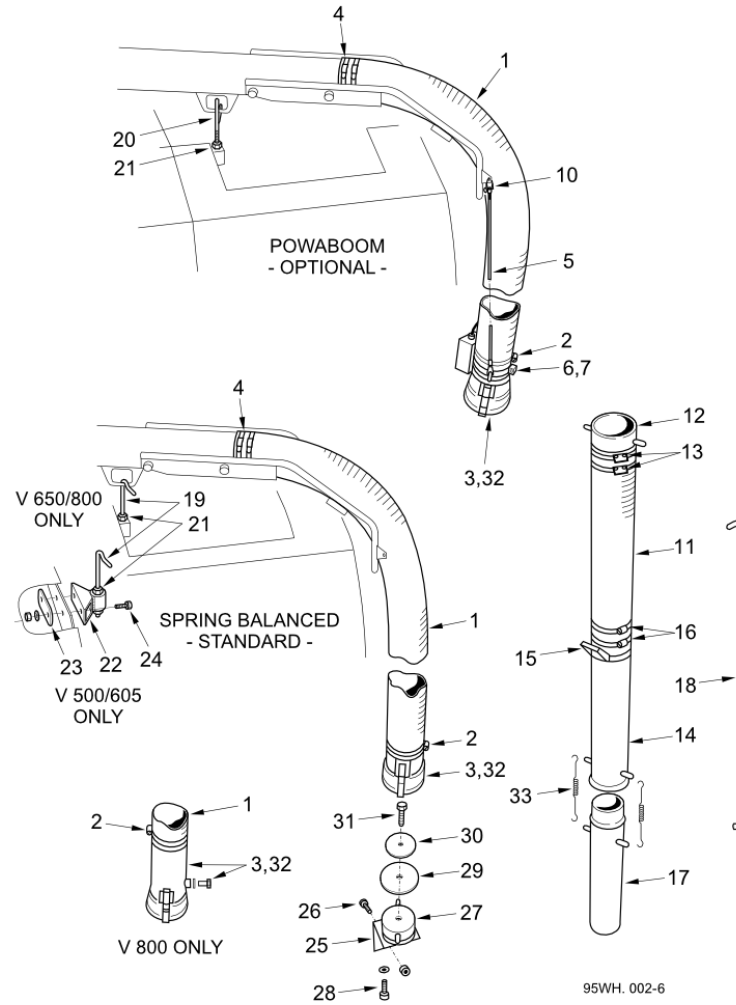
**Stowage and Trunking 150 (951330, 961330)**

Wanderhose

Item no.	Part no.	Description	QTY	Unit
1	6004-1-C	Hose - Flexible 6"	1	PC
2	504-51	Hose Clip - Worm Drive (150-180)	2	PC
3	6003-1	Coupling 150 W/Hose V500, 605 & 650	1	PC
3	61045-2	Coupling 150 W/Hose V800	1	PC
3	124-201	Setscrew M12C x 25	1	PC
3	453-1	Washer - Fibre Red 2.4mm Thick	1	PC
4	504-51	Hose Clip - Worm Drive (150-180)	2	PC
5	21216-8-I	Cable - Lift (940mm)	2	PC
6	282637-1	Cable Supt W/A Ø150	1	PC
7	123-114	Bolt M Coarse M8x70	1	PC
7	425-14	Nut Nyloc Hex MC M8	1	PC
10	6032-1-A	Shackle D	2	PC
11	6005-1-B	Hose - Extension Flexible 150/6"	1	PC
12	5996-1-D	Sleeve - 200/6" W/Assy	1	PC
13	504-51	Hose Clip - Worm Drive (150-180)	2	PC
14	6027-1-C	Hose - End Fitting, W/Assy	1	PC
15	6212-1-R	Handle W/assy - Wanderhose	1	PC
16	504-51	Hose Clip - Worm Drive (150-180)	2	PC
17	282893-1	Extension Assembly - Wanderhose	1	PC
18	40781-1-B	Grab Wanderhose	1	PC
19	40207-1-D	Hook - Wanderhose	1	PC
20	294120-1	Powaboom Support W/A	1	PC
21	420-18	Nut MC Hex M16	2	PC
22	283506-1	Stand Off W/Assy-Wanderhose	1	PC

**Stowage and Trunking 150 (951330, 961330)**

Wanderhose



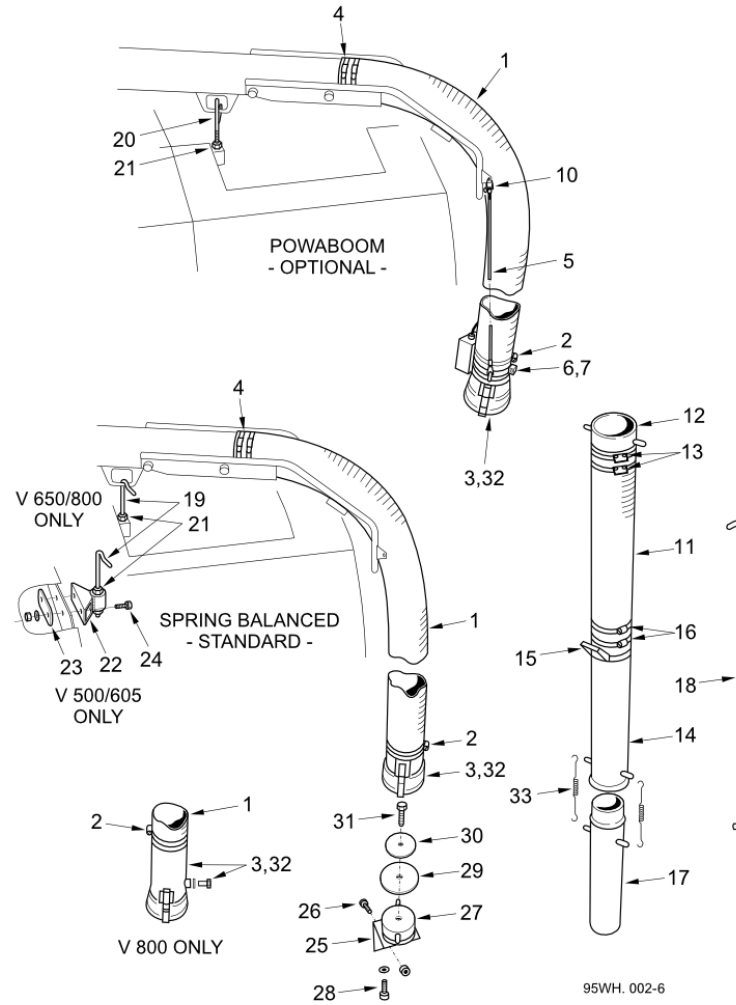
**Stowage and Trunking 150 (951330, 961330)**

Wanderhose

Item no.	Part no.	Description	QTY	Unit
23	282738-1	Plate - Wanderhose Stowage	1	PC
24	124-137	Setscrew M8C x 25	2	PC
24	455-10	Washer Plain Plated Steel M8	2	PC
24	425-14	Nut Nyloc Hex MC M8	2	PC
25	42463-1-C	Anchorage - Bracket, W/Hose V500, V650	1	PC
25	61044-1	Anchorage - Bracket, W/Hose V800	1	PC
26	135-57	NOW USE 138/123	2	PC
26	460-10	Washer Spring Single Coil M8	2	PC
26	420-14	Nut MC Hex M8	2	PC
27	42462-1-B	Anchorage - 6" W/Hose, W/Assy	1	PC
28	124-167	Setscrew M10C x 20	2	PC
28	460-11	Washer Spring Single Coil M10	2	PC
29	5688-1	Disc - Rubber	1	PC
30	6043-1	Retaining Plate	1	PC
31	124-135	Setscrew M8C x 20	1	PC
31	455-10	Washer Plain Plated Steel M8	1	PC
31	425-14	Nut Nyloc Hex MC M8	1	PC
32	5992-1-E	Coupling 150/6" - V500, 605 & 650	1	PC
32	61063-1	Coupling extension 150/6" V800	1	PC
32	5999-1-C	Catch - W/Assy	2	PC
32	58-6	Pin - Adaptor 3/16 x 1 7/8"	2	PC
32	6002-1-A	Spring - Coupling	2	PC
32	193-8	Screw Selftap Pan Hd No6x9.5mm	6	PC
33	6216-1	Clip Bonnet	2	PC

**Stowage and Trunking 200 (951330, 961330)**

Wanderhose



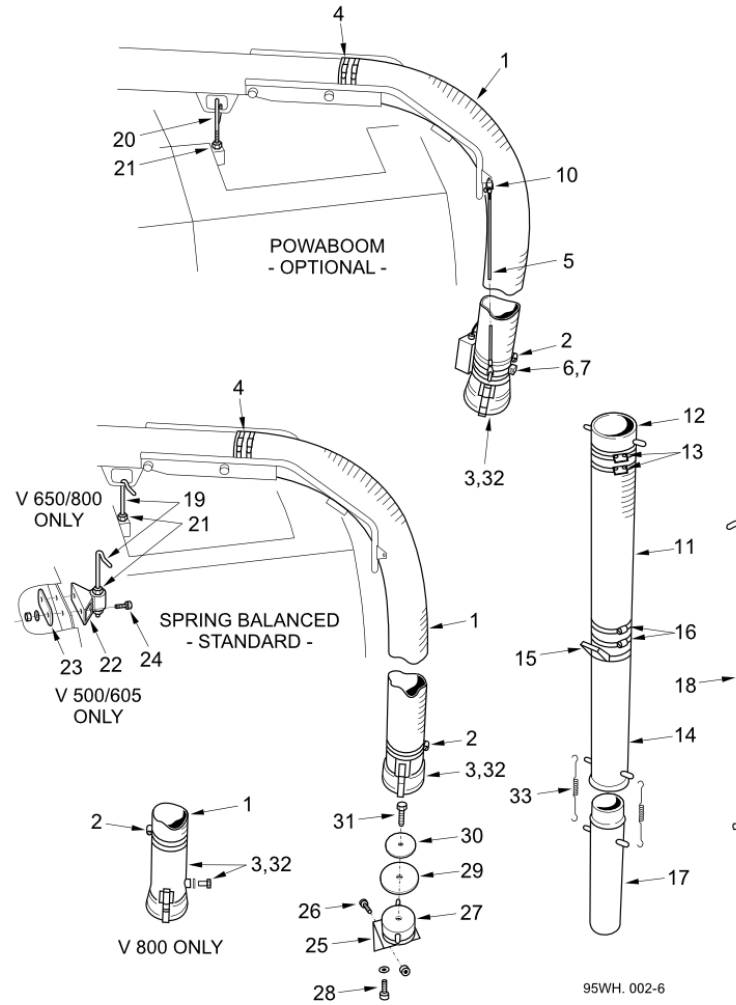
**Stowage and Trunking 200 (951330, 961330)**

Wanderhose

Item no.	Part no.	Description	QTY	Unit
1	15916-1-B	Hose - Flexible 8"	1	PC
2	504-52	Hose Clip - Worm Drive (190-220)	2	PC
3	282897-2	Trunking-Wanderhose 200Dia. V650	1	PC
3	282900-2	Trunking-Wanderhose 200Dia. V800	1	PC
3	6003-8	Coupling 200 W/Hose V500, 605 & 650	1	PC
3	61045-1	Coupling 200 W/Hose V800	1	PC
3	124-201	Setscrew M12C x 25	1	PC
3	453-1	Washer - Fibre Red 2.4mm Thick	1	PC
4	504-52	Hose Clip - Worm Drive (190-220)	2	PC
5	21216-8-I	Cable - Lift (940mm)	2	PC
6	282638-1	Cable Supt W/A Ø200(With Hook)	1	PC
7	123-114	Bolt M Coarse M8x70	1	PC
7	425-14	Nut Nyloc Hex MC M8	1	PC
10	6032-1-A	Shackle D	2	PC
11	15917-1-B	Hose - Extension Flexible 8"	1	PC
12	5996-4	Sleeve - 8" W/Assy	1	PC
13	504-52	Hose Clip - Worm Drive (190-220)	2	PC
14	15899-1-B	Hose Fitting End W/Assy	1	PC
15	15920-1-C	Handle Fitting End W/Hose W/A	1	PC
16	504-52	Hose Clip - Worm Drive (190-220)	2	PC
17	282890-3	W/Hose Exten. Assy 8" 1250Lg	1	PC
18	40781-1-B	Grab Wanderhose	1	PC
19	40207-1-D	Hook - Wanderhose	1	PC
20	294120-1	Powaboom Support W/A	1	PC

**Stowage and Trunking 200 (951330, 961330)**

Wanderhose





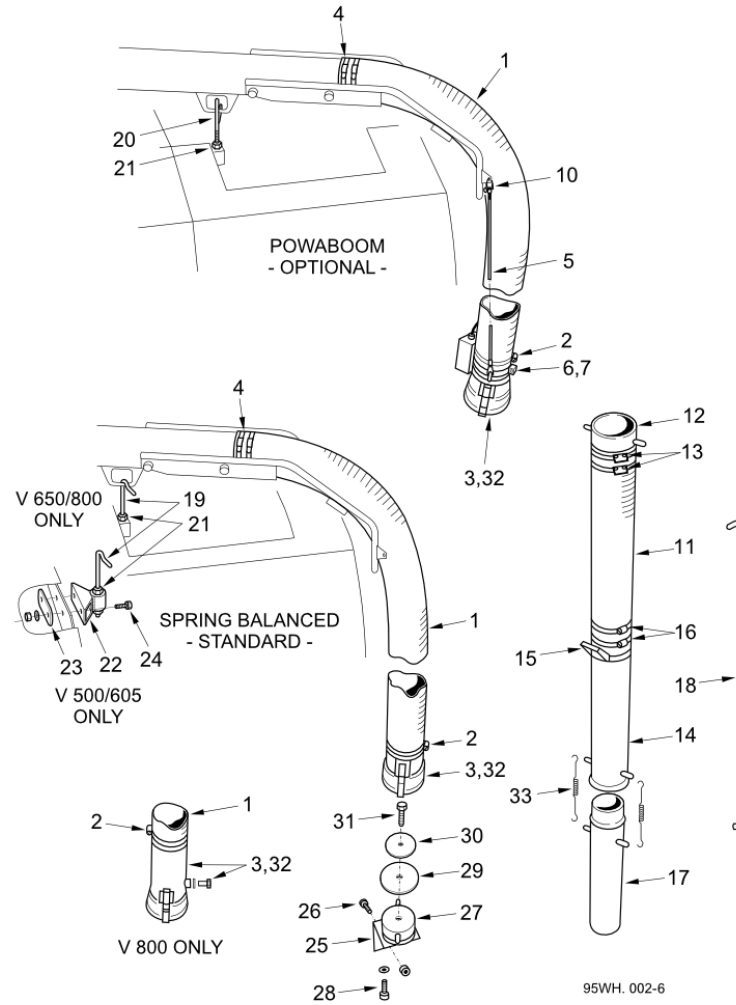
**Stowage and Trunking 200 (951330, 961330)**

Wanderhose

Item no.	Part no.	Description	QTY	Unit
21	420-18	Nut MC Hex M16	2	PC
22	283506-1	Stand Off W/Assy-Wanderhose	1	PC
23	282738-1	Plate - Wanderhose Stowage	1	PC
24	124-137	Setscrew M8C x 25	2	PC
24	455-10	Washer Plain Plated Steel M8	2	PC
24	425-14	Nut Nyloc Hex MC M8	2	PC
25	42463-1-C	Anchorage - Bracket, W/Hose V500, V650	1	PC
25	61044-1	Anchorage - Bracket, W/Hose V800	1	PC
26	135-57	NOW USE 138/123	2	PC
26	460-10	Washer Spring Single Coil M8	2	PC
26	420-14	Nut MC Hex M8	2	PC
27	42738-1-A	Anchorage - 8" W/Hose, W/Assy	1	PC
28	124-167	Setscrew M10C x 20	2	PC
28	460-11	Washer Spring Single Coil M10	2	PC
29	5688-2	Disc, Rubber 8" Dia	1	PC
30	6043-1	Retaining Plate	1	PC
31	124-135	Setscrew M8C x 20	1	PC
31	455-10	Washer Plain Plated Steel M8	1	PC
31	425-14	Nut Nyloc Hex MC M8	1	PC
32	15895-1-B	Coupling 200/8" - V500, 605 & 650	1	PC
32	61045-1	Coupling 200 W/Hose V800	1	PC
32	5999-1-C	Catch - W/Assy	2	PC
32	58-6	Pin - Adaptor 3/16 x 1 7/8"	2	PC
32	6002-1-A	Spring - Coupling	2	PC

**Stowage and Trunking 200 (951330, 961330)**

Wanderhose

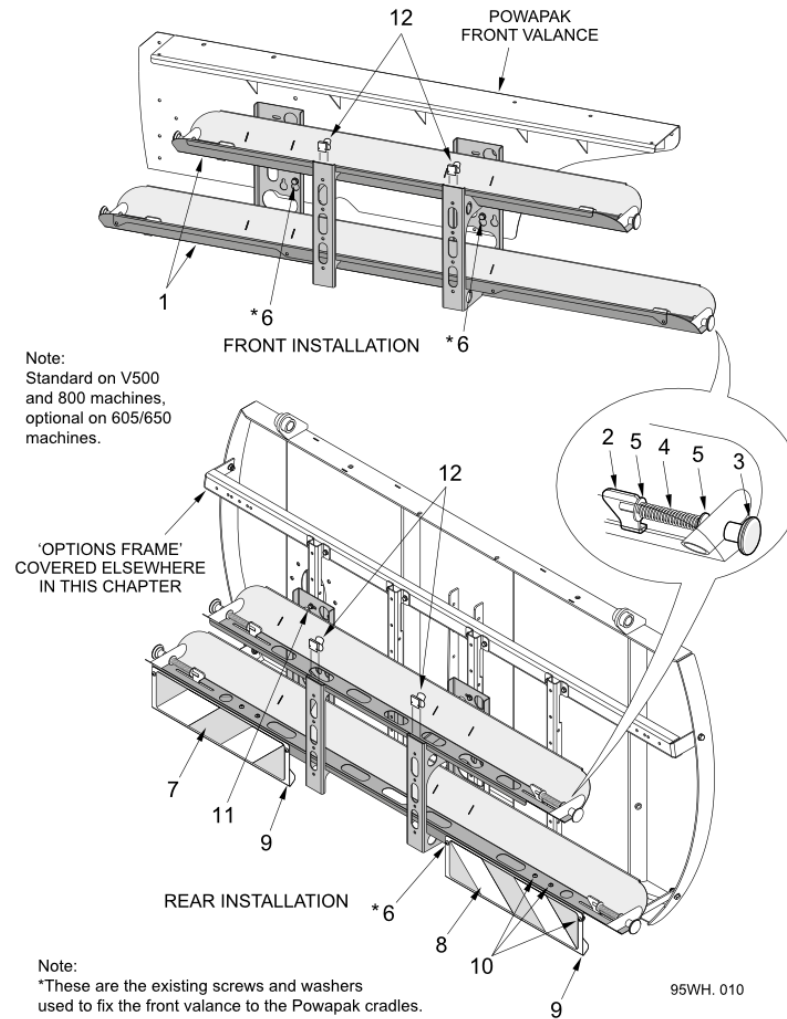


**Stowage and Trunking 200 (951330, 961330)**

Wanderhose

Item no.	Part no.	Description	QTY	Unit
32	193-8	Screw Selftap Pan Hd No6x9.5mm	6	PC
33	6216-1	Clip Bonnet	2	PC

**Extension Hose Stowage Trays (KT05796)**  
Wanderhose/Littasnatch

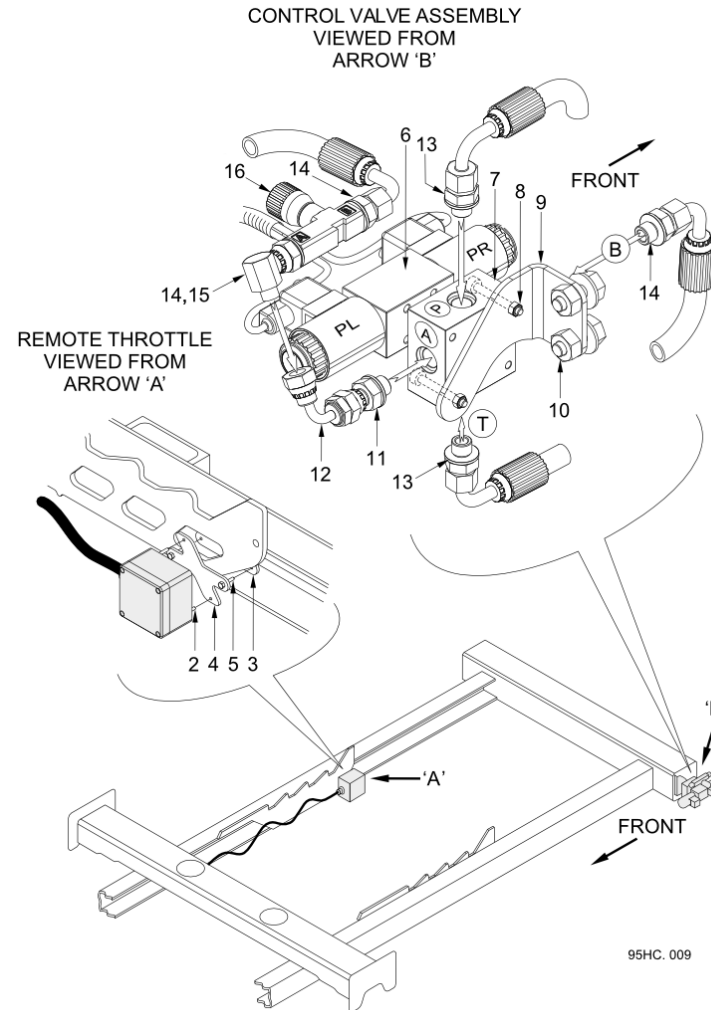


**Extension Hose Stowage Trays (KT05796)**

Wanderhose/Littasnatch

Item no.	Part no.	Description	QTY	Unit
1	282698-1	Hose Tray W/A Wanderhose Extn	1	PC
2	282879-1	Plunger W/Assy Locking Plunger	4	PC
3	23-21	Knob (M10) - Locking Plunger	4	PC
4	285-27	Spring-Comp. 19.05x101.6	4	PC
5	457-5	Washer Plain Steel M10 Form G	8	PC
6	124-169	Setscrew M10C x 25	6	PC
6	455-10	Washer Plain Plated Steel M8	6	PC
7	20674-3	Plates - Marker (1 pair)	1	PAA
8	20674-3	Plates - Marker (1 pair)	1	PAA
9	282704-1	Mtg Bkt Rear Markers Hose Tray	2	PC
10	138-123	Screw - Skt Button Hd M8cx20	8	PC
10	455-10	Washer Plain Plated Steel M8	8	PC
10	425-14	Nut Nyloc Hex MC M8	8	PC
11	124-137	Setscrew M8C x 25	6	PC
11	455-10	Washer Plain Plated Steel M8	6	PC
11	425-14	Nut Nyloc Hex MC M8	6	PC
12	52-7	Cable and Pipe Clip Ø 8mm	2	PC

**Powaboom Controls - Installation (KT07595, KT09995)**  
Wanderhose/Littasnatch

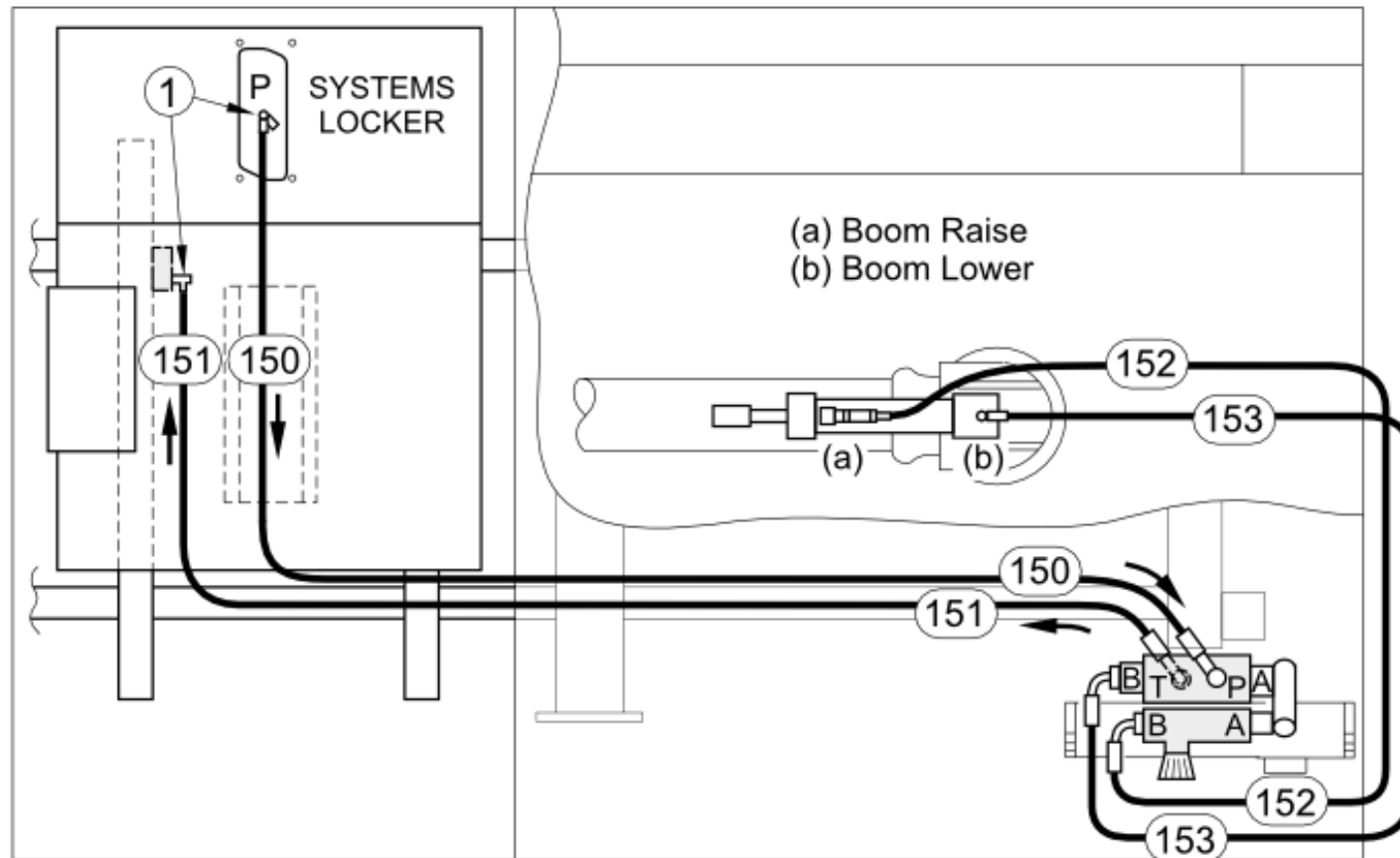


## Powaboom Controls - Installation (KT07595, KT09995)

Wanderhose/Littasnatch

Item no.	Part no.	Description	QTY	Unit
2	134-40	Pan Head Screw-M4Cx8-4.8-Pozidriv	2	PC
2	460-5	Washer Spring Single Coil M4	2	PC
3	282056-1	Clamp-Remote Throttle Control	1	PC
4	282057-1	Plate-Remote Throttle Ctrl Mtg	1	PC
5	124-41	Setscrew M4C x 25 BS3692	2	PC
5	460-5	Washer Spring Single Coil M4	2	PC
6	78352-5	Valve-Directional Control 12v	1	PC
6	78352-25	Valve-Directional Control 24v	1	PC
7	201098-1	Manifold-Base Plate	1	PC
8	129-71	Screw MC Cap Skt Hd M5x35	2	PC
8	425-12	Nut Nyloc Hex M5C	2	PC
9	282533-1	Manifold Plate-Wanderhose 95	1	PC
10	123-104	Bolt M Coarse M8x30 BS3692	2	PC
10	455-10	Washer Plain Plated Steel M8	2	PC
10	425-14	Nut Nyloc Hex MC M8	2	PC
11	263-2	Adaptor M/M 1/4" BSP	1	PC
11	451-17	Washer Bonded G1-4"	1	PC
12	262-2	Swivel Elbow 90 Degree Size 1/4"BSP	1	PC
13	263-2	Adaptor M/M 1/4" BSP	2	PC
13	451-17	Washer Bonded G1-4"	2	PC
14	263-2	Adaptor M/M 1/4" BSP	3	PC
14	451-17	Washer Bonded G1-4"	3	PC
15	242-2	Elbow - Swivel 90 Deg. 1/4"	1	PC
16	241-150	Valve - Speed Control	1	PC

**Powaboom - Hydraulic Hoses (KT07595)**  
Wanderhose/Littasnatch



95HC. 010

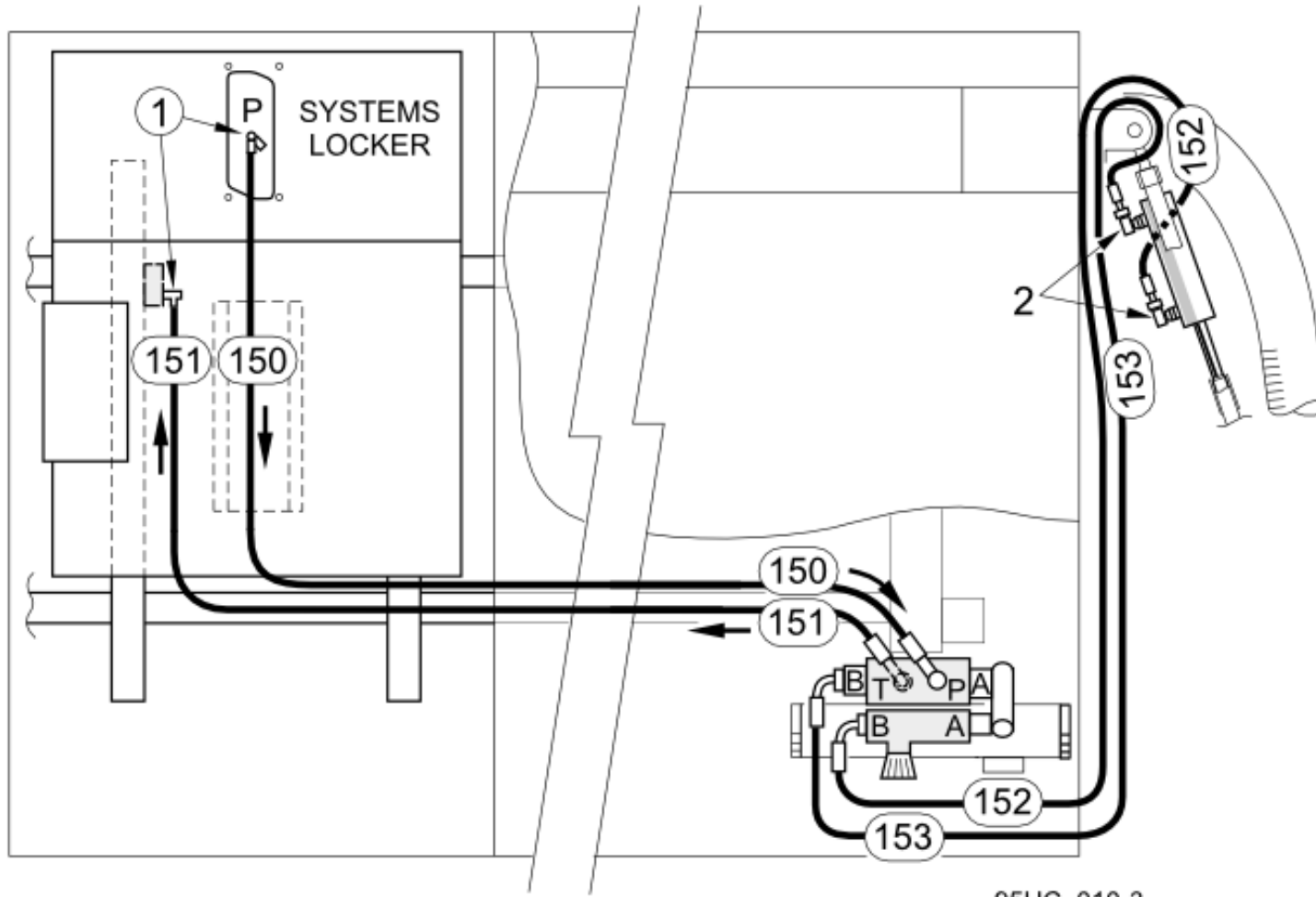


## Powaboom - Hydraulic Hoses (KT07595)

Wanderhose/Littasnatch

Item no.	Part no.	Description	QTY	Unit
1	255-30	Adapter - Hydraulic 1/2"x1/2"x1/4"BSP	2	PC
150	HC04002-430	Hose - Megaflex 1/4" STRx90s	1	PC
151	HC04002-324	Hose - Megaflex 1/4" STRx90s	1	PC
152	HC04002-730	Hose - Megaflex 1/4" STRx90s	1	PC
153	HC04002-600	Hose - Megaflex 1/4" STRx90s	1	PC

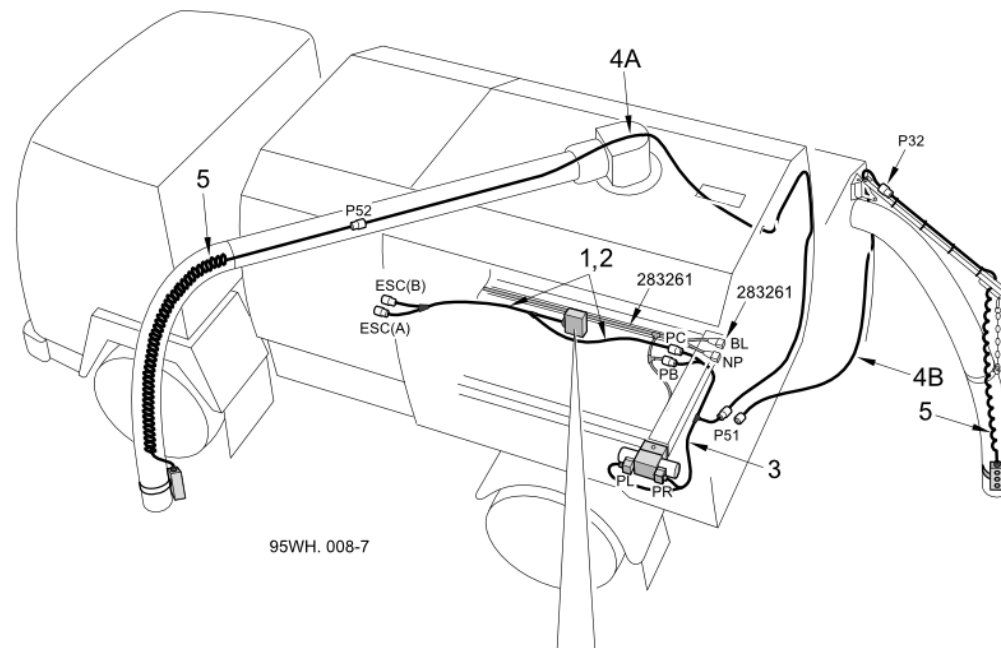
Rear Wanderhose - Hydraulic Hoses (KT07595)



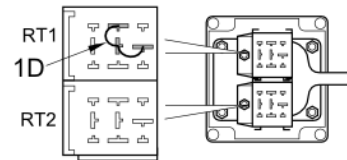
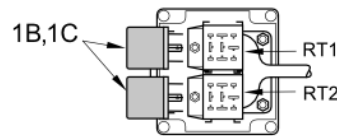
95HC. 010-3

## Rear Wanderhose - Hydraulic Hoses (KT07595)

Item no.	Part no.	Description	QTY	Unit
1	255-30	Adapter - Hydraulic 1/2"x1/2"x1/4"BSP	2	PC
2	262-2	Swivel Elbow 90 Degree Size 1/4"BSP	2	PC
150	HC04002-430	Hose - Megaflex 1/4" STRx90s	1	PC
151	HC04002-324	Hose - Megaflex 1/4" STRx90s	1	PC
152	HC04002-430	Hose - Megaflex 1/4" STRx90s	1	PC
153	HC04002-430	Hose - Megaflex 1/4" STRx90s	1	PC

**Powaboom - Looms (KT07595)**  
 Wanderhose/Littasnatch


95WH. 008-7


 Iveco 'SP' and 'HP' and  
 John Deere 'SP' engines.  
 For John Deere 'HP'  
 engine see item 2.

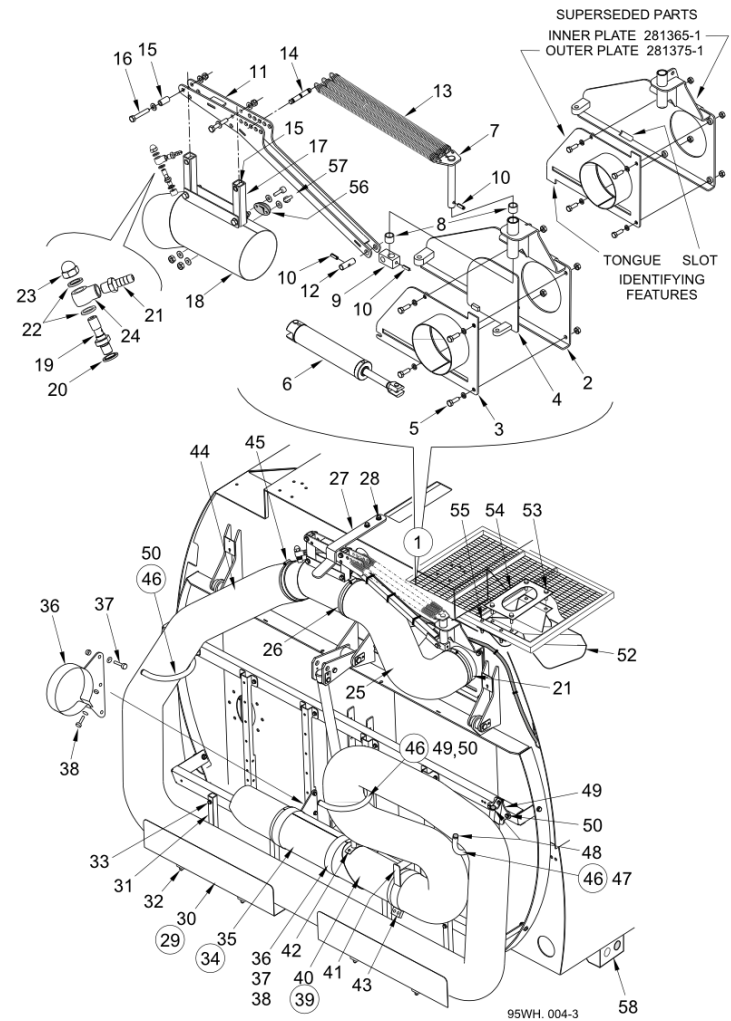
 VT 12v Loom Assembly 282140-1  
 comprising items 1 and 1b  
 VT 24v Loom Assembly 282140-2  
 comprising items 1 and 1c

 VS Loom Assembly 282140-3  
 comprising items 1 and 1d

**Powaboom - Looms (KT07595)**

Wanderhose/Littasnatch

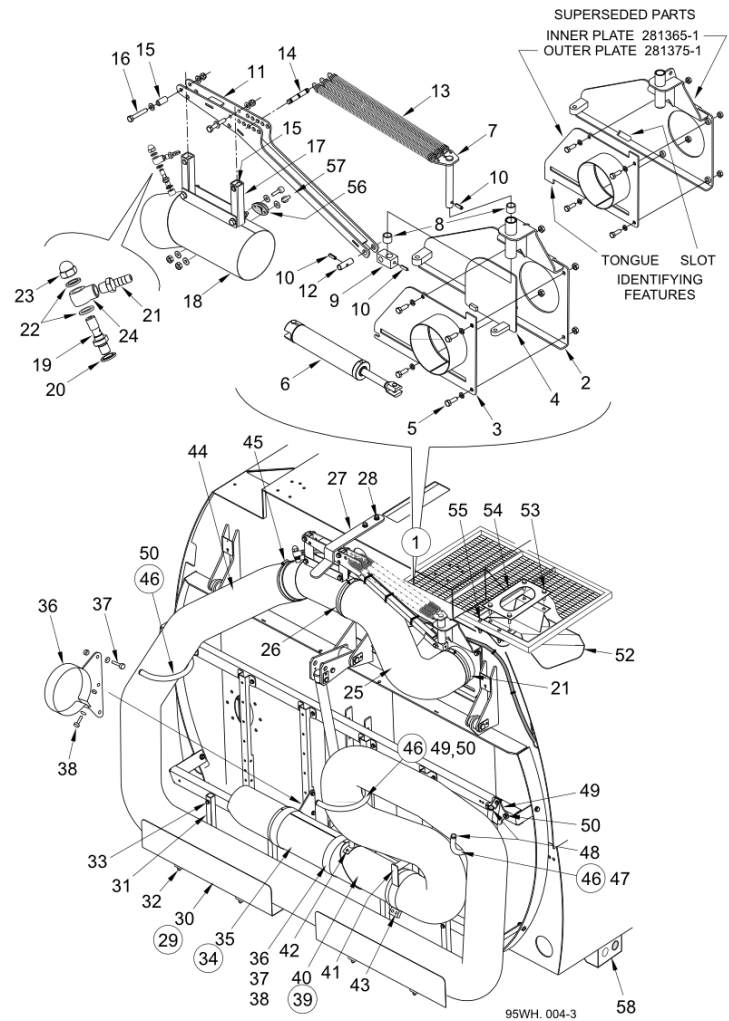
Item no.	Part no.	Description	QTY	Unit
1	282060-1	Loom and Relay box - Except JD HP	1	PC
This assembly requires the addition of 1b, 1c or 1d				
1B	13193	Relay 12 Volt 30/40	2	PC
1C	13194	Relay 24 Volt 30/40	2	PC
1D	282119-1	Shorting Link - VS	1	PC
2	283140-1	Loom and Relay box - John Deere HP Eng.	1	PC
3	282062-1	Loom - Powaboom	1	PC
4A	282063-1	Loom - Extension Powaboom	1	PC
4B	282063-2	Loom-Extension Rear Wanderhose	1	PC
5	282061-1	Loom and Control - Powaboom VT	1	PC
5	282061-2	Loom and Control - Powaboom VS	1	PC

**Littasnatch (KT04795)**


## Littasnatch (KT04795)

Item no.	Part no.	Description	QTY	Unit
1	282476-1	Cassette-Air Operated L/Snatch	1	PC
Comprising items 2-26				
2	284081-1	Inner Plate W/Assy-L/Snatch	1	PC
3	284083-1	Outer Plate W/Assy-L/Snatch	1	PC
4	281370-1	Gate W/A - Littasnatch Cassete	1	PC
5	118-171	Setscrew Hexagon Hd M10cx30 SS	4	PC
5	458-10	Washer - Spring IM10 SS	4	PC
5	420-15	Nut MC Hex M10	4	PC
6	63449-1	Cylinder Pneumatic Littasnatch	1	PC
7	60303-1-B	Pin Pivot W/Assy	1	PC
8	29128-1-B	Bush - 20Lg	2	PC
9	60309-1-A	Joint Universal	1	PC
10	59-8	Pin Tension Spring 8 O/Dx25Lg	2	PC
11	282990-1	Davit-Rear Littasnatch W/Assy	1	PC
12	60317-1-A	Pin Pivot	1	PC
13	3637-1	Spring - Tension	3	PC
14	60326-1-A	Pin Spring Location	1	PC
15	60734-1	Spacer Ø16 OD x Ø10.5 ID	4	PC
16	123-132	Bolt M Coarse M10x60	4	PC
16	455-11	Washer Plain Plated Steel M10	8	PC
16	425-15	Nut Nyloc Hex M10C	4	PC
17	60724-1	Link - Tube Suspension	2	PC
18	283328-1	Tube Wanderhose Connection	1	PC
19	40755-2-C	Jet-Water DIM A ø2	1	PC

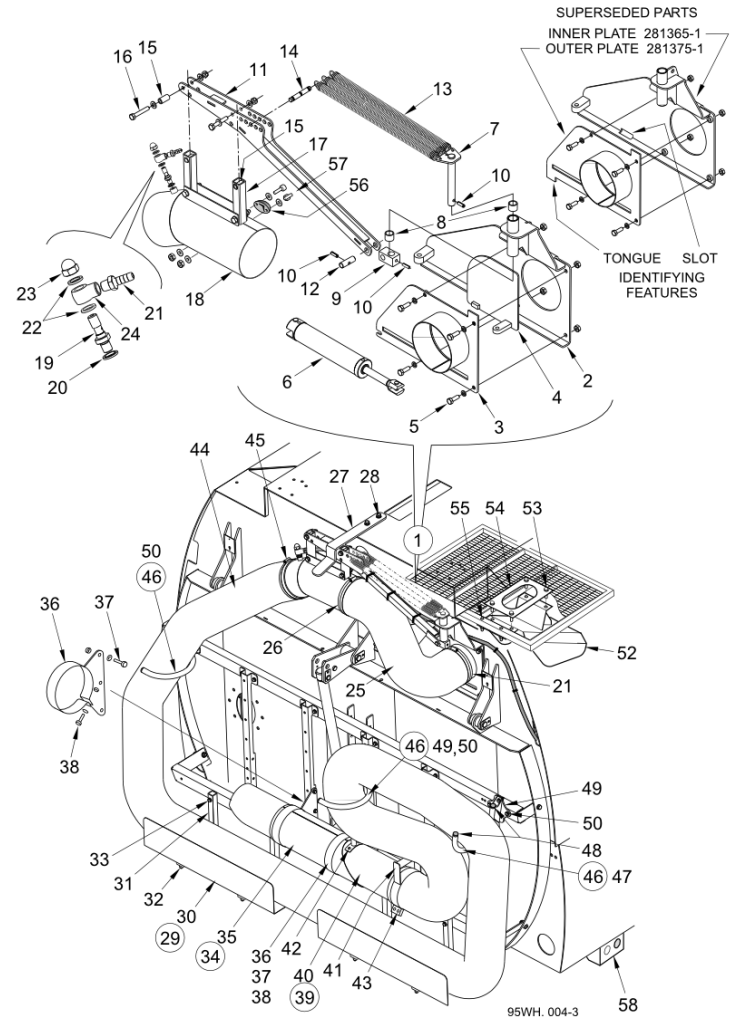
Littasnatch (KT04795)





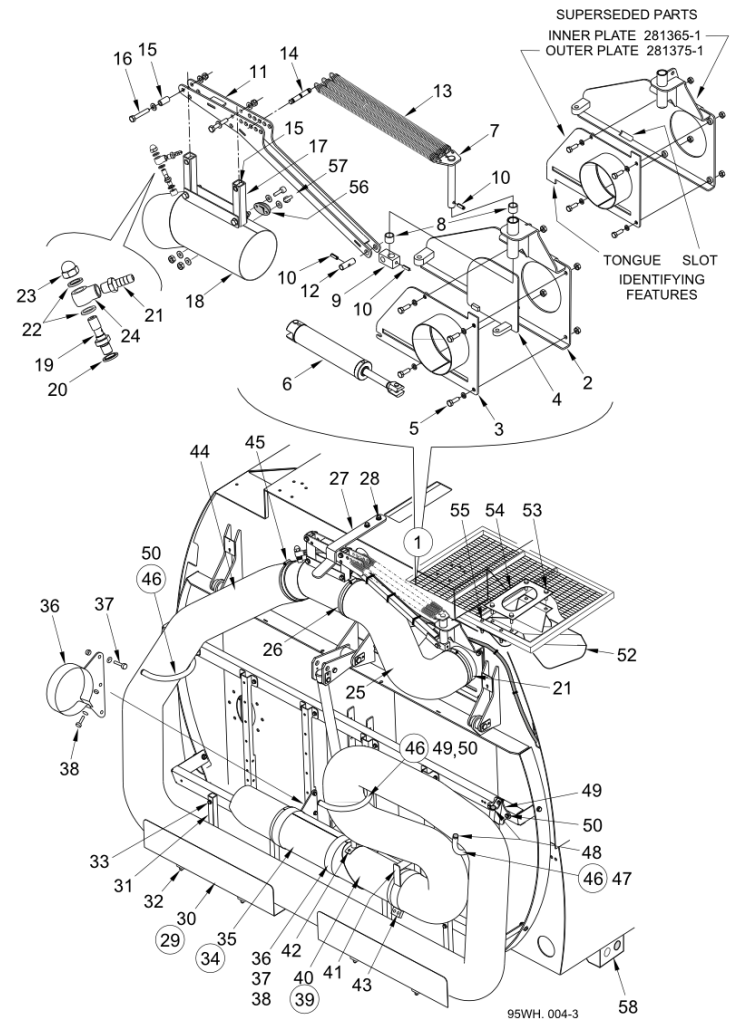
## Littasnatch (KT04795)

Item no.	Part no.	Description	QTY	Unit
20	451-17	Washer Bonded G1-4"	1	PC
21	46382-3-B	Adaptor - Brass DIM B 7	1	PC
22	453-1	Washer - Fibre Red 2.4mm Thick	2	PC
23	418-12	Nut - Domed, M12C St.Stl.	1	PC
24	26997-1-B	Banjo - Body	1	PC
25	60744-1	Duct - Plastic A = 750mm	1	PC
26	504-51	Hose Clip - Worm Drive (150-180)	2	PC
27	280821-1	Plate-Stowage, Littasnatch V650	1	PC
27	281101-1	Plate-Stowage, Littasnatch V800	1	PC
28	118-169	Setscrew Hexagon Hd M10cx25 SS	2	PC
28	458-10	Washer - Spring IM10 SS	2	PC
28	454-10	Washer Plain St.Stl M10x21	2	PC
29	282482-1	Trough Assembly	2	PC
Comprising items 30-33				
30	801928-1	Plate - Trough	1	PC
31	281580-1	Post W/Assy	2	PC
32	138-123	Screw - Skt Button Hd M8cx20	4	PC
32	455-10	Washer Plain Plated Steel M8	4	PC
32	425-14	Nut Nyloc Hex MC M8	4	PC
33	123-110	Bolt M Coarse M8x50	2	PC
33	455-10	Washer Plain Plated Steel M8	2	PC
33	425-14	Nut Nyloc Hex MC M8	2	PC
34	282484-1	Holster Assembly - Littasnatch	1	PC
Comprising items 35-38				

**Littasnatch (KT04795)**


## Littasnatch (KT04795)

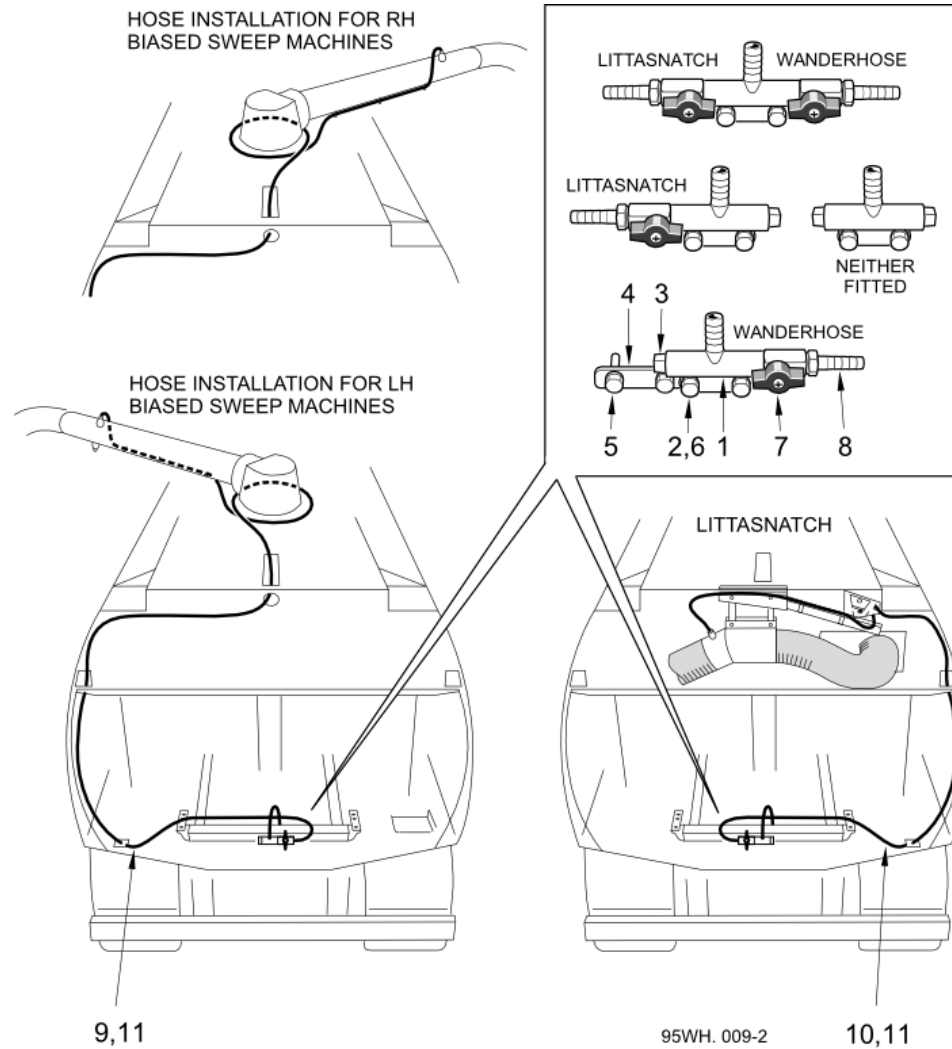
Item no.	Part no.	Description	QTY	Unit
35	280560-1	Holster - Littasnatch	1	PC
36	282483-1	Support - Holster Littasnatch	2	PC
37	124-137	Setscrew M8C x 25	6	PC
37	455-10	Washer Plain Plated Steel M8	6	PC
37	425-14	Nut Nyloc Hex MC M8	6	PC
38	123-82	Bolt M Coarse M6x30 BS3692	4	PC
38	455-8	Washer Plain Plated Steel M6	4	PC
38	425-13	Nut Nyloc Hex M6C	4	PC
39	282448-2	Tube-Suction, Assy Littasnatch	1	PC
Comprising items 40-43				
40	60739-2	Tube - Suction 1200 lg	1	PC
41	60716-2	Handle - Long W/A Littasnatch	1	PC
42	138-94	Screw - Skt Button Hd M6x20	2	PC
42	457-2	Washer Plain Steel M6 Form G	2	PC
42	425-13	Nut Nyloc Hex M6C	2	PC
43	124-105	Setscrew M6C x 25	2	PC
43	455-8	Washer Plain Plated Steel M6	2	PC
43	425-13	Nut Nyloc Hex M6C	2	PC
44	60744-4	Duct - Plastic 6.25 Metres Long	1	PC
45	504-51	Hose Clip - Worm Drive (150-180)	1	PC
46	282504-1	Hook - Littasnatch, Assy	3	PC
Comprising items 47-48				
47	280563-1	Hook W/Assy Littasnatch 95	1	PC
48	220-65	Plug - Plastic	2	PC

**Littasnatch (KT04795)**


## Littasnatch (KT04795)

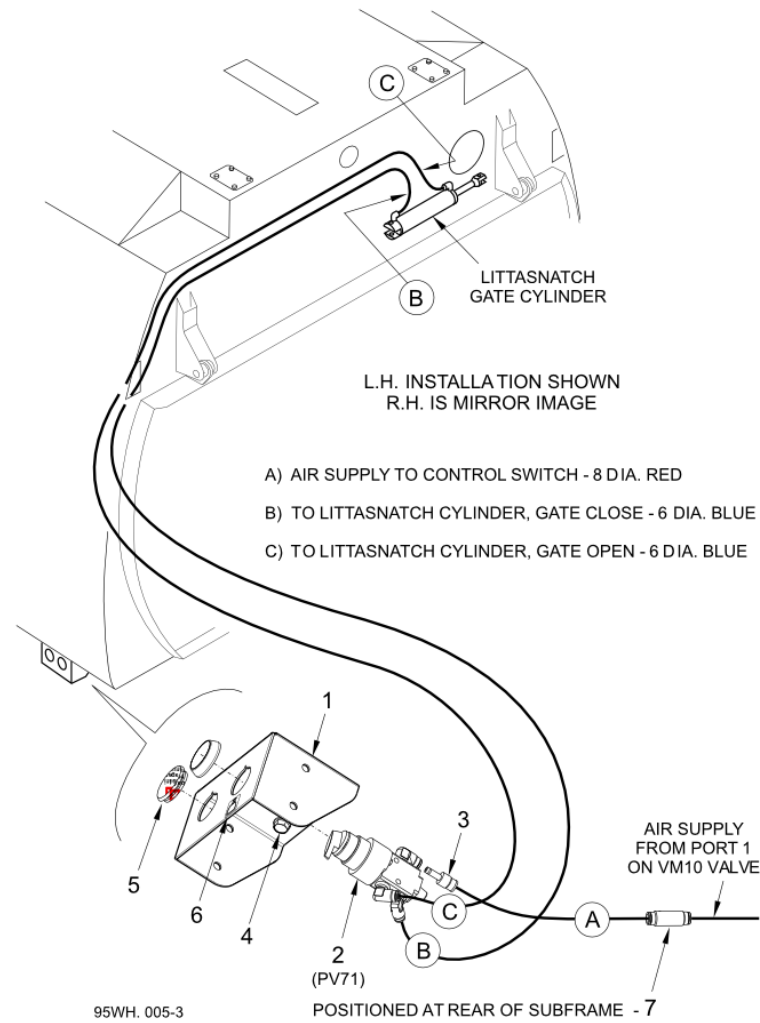
Item no.	Part no.	Description	QTY	Unit
49	281579-1	Plate - Hook Support	2	PC
50	124-137	Setscrew M8C x 25	10	PC
50	455-10	Washer Plain Plated Steel M8	20	PC
50	425-14	Nut Nyloc Hex MC M8	10	PC
52	280360-1	Baffle W/A Mesh Mtd Rr W/Hose	1	PC
53	118-135	Setscrew Hexagon Hd M8cx20 SS	4	PC
53	454-10	Washer Plain St.Stl M10x21	8	PC
53	425-14	Nut Nyloc Hex MC M8	4	PC
54	282881-1	Plate-Spreader L/Snatch Baffle	1	PC
55	127-137	Setscrew Csk Hd. M8C x 25	2	PC
55	288-33	Round insert - 18mm(1-2.25)	2	PC
56	39382	Buffer	1	PC
57	129-65	Screw MC Cap Skt Hd M5x20	2	PC
57	455-7	Washer Plain Plated Steel M5	4	PC
57	425-12	Nut Nyloc Hex M5C	2	PC
58	282523-3	Controls Pneu Littasnatch	1	PC

Wanderhose and Littasnatch Water Hose Installation (950714, 951330, KT04795)



**Wanderhose and Littasnatch Water Hose Installation (950714, 951330, KT04795)**

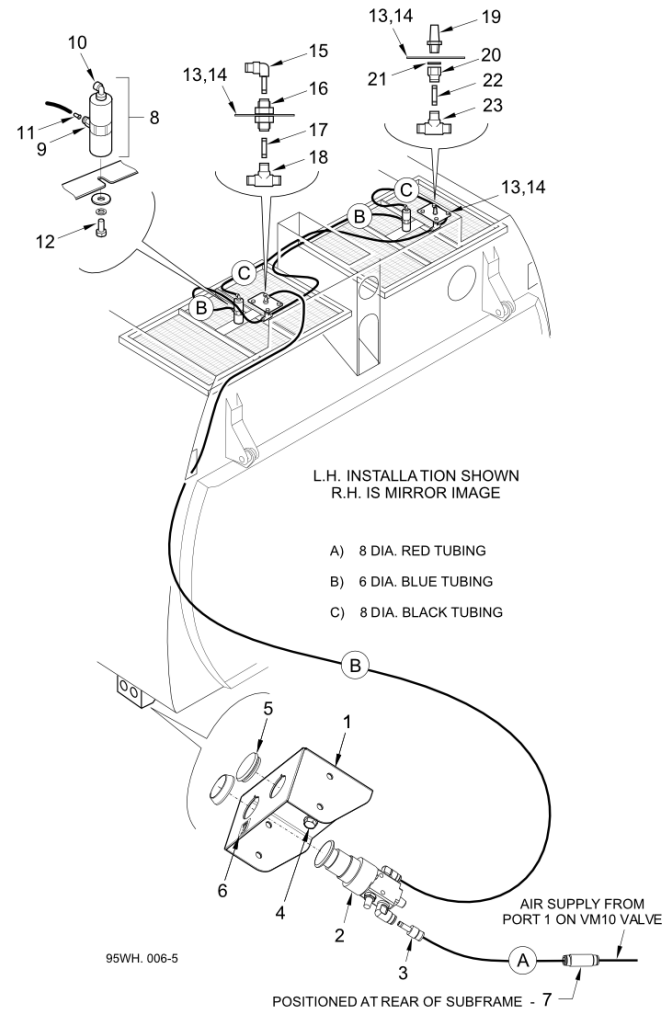
Item no.	Part no.	Description	QTY	Unit
1	281076-1	Manifold W/A Water WH Feed	1	PC
2	124-134	Setscrew M8C x 16	2	PC
2	460-10	Washer Spring Single Coil M8	2	PC
3	18892	Plug - 3/8" BSP Taper Skt Pipe	1	PC
4	7011049	Plate - Extension	1	PC
5	124-134	Setscrew M8C x 16	2	PC
5	460-10	Washer Spring Single Coil M8	2	PC
6	124-135	Setscrew M8C x 20	2	PC
6	455-10	Washer Plain Plated Steel M8	2	PC
6	93085005-0	Nyloc Hex Thin Nut M8C - 8	2	PC
7	88-5	Ball Valve 3/8"	1	PC
8	41006-3-D	Hose Adaptor - R3/8"xØ8mm	1	PC
9	39444	Hose - Black Plastic 3/8" Bore	7	M
10	39444	Hose - Black Plastic 3/8" Bore	5	M
11	501-1	Hose Clip - Worm Drive (11-16)	2	PC

**Littasnatch Controls (KT03695)**




## Littasnatch Controls (KT03695)

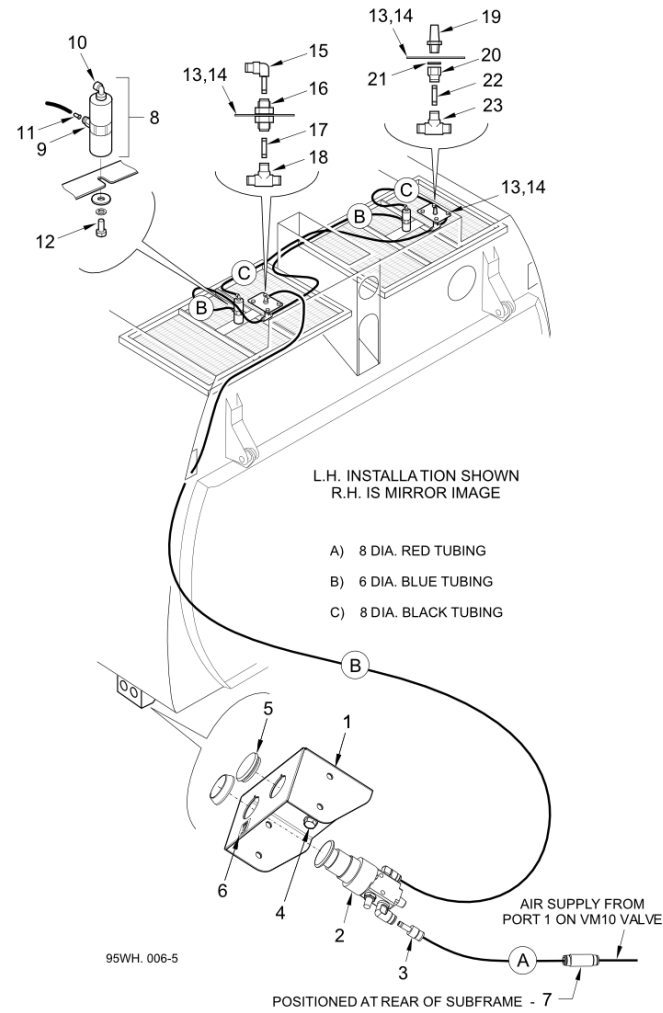
Item no.	Part no.	Description	QTY	Unit
A	273-23	Tube - Nylon Red 8mm O/D	6.5	M
B	273-20	Tube - Nylon Blue 6mm O/D	20	M
C	273-20	Tube - Nylon Blue 6mm O/D	20	M
1	282522-1	Switch Box Ctls LS/Mesh Shaker	1	PC
2	72-50	Rotary Knob Pneu Switch	1	PC
3	548-20	Adaptor - Expanding 8mm x 6mm	1	PC
4	124-135	Setscrew M8C x 20	2	PC
4	455-10	Washer Plain Plated Steel M8	4	PC
4	425-14	Nut Nyloc Hex MC M8	2	PC
5	288-28	Grommet - Blind 31.8 O/D x 2.4	1	PC
6	282458-1	Label Set-Universal Tanks/Taps	1	PC
7	547-4	Connector - 8mm Straight	1	PC

**Mesh Shaker (KT03695, KT03195)**  
 Wanderhose/Littasnatch


**Mesh Shaker (KT03695, KT03195)**

Wanderhose/Littasnatch

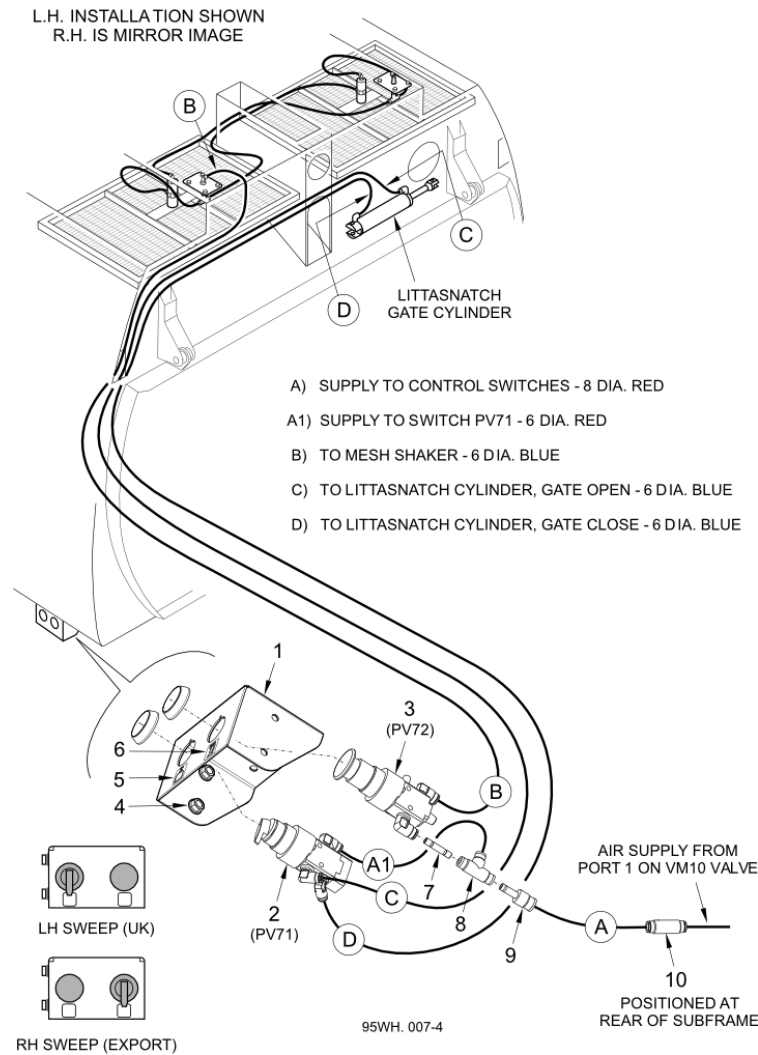
Item no.	Part no.	Description	QTY	Unit
A	273-23	Tube - Nylon Red 8mm O/D	6.5	M
B	273-20	Tube - Nylon Blue 6mm O/D	10	M
C	12870	Tube - Nylon Black 8mm O/D	3.5	M
1	282522-1	Switch Box Ctls LS/Mesh Shaker	1	PC
2	72-51	Push Button Pneu Switch	1	PC
3	548-20	Adaptor - Expanding 8mm x 6mm	1	PC
4	124-135	Setscrew M8C x 20	2	PC
4	455-10	Washer Plain Plated Steel M8	4	PC
4	425-14	Nut Nyloc Hex MC M8	2	PC
5	288-28	Grommet - Blind 31.8 O/D x 2.4	1	PC
6	282458-1	Label Set-Universal Tanks/Taps	1	PC
7	547-4	Connector - 8mm Straight	1	PC
8	283806-1	Pneumatic Piston Vibrator	2	PC
9	546-3	Adaptor - Straight R1/8" x 6mm	2	PC
10	553-9	Adaptor - Elbow 8mm x 1/4 BSP	2	PC
11	41041-1-A	Sleeve - Support, Pipe	2	PC
12	118-201	Setscrew Hexagon Hd M12cx25 SS	2	PC
12	460-12	Washer Spring Single Coil M12	2	PC
12	457-6	Washer Plain Steel M12 Form G	2	PC
13	282515-2	Plate-Connection Vibrator Pneu	2	PC
14	118-135	Setscrew Hexagon Hd M8cx20 SS	8	PC
14	454-10	Washer Plain St.Stl M10x21	8	PC
14	460-10	Washer Spring Single Coil M8	8	PC
15	551-1	Adaptor - Stem Elbow 6mm	1	PC

**Mesh Shaker (KT03695, KT03195)**  
 Wanderhose/Littasnatch


## Mesh Shaker (KT03695, KT03195)

Wanderhose/Littasnatch

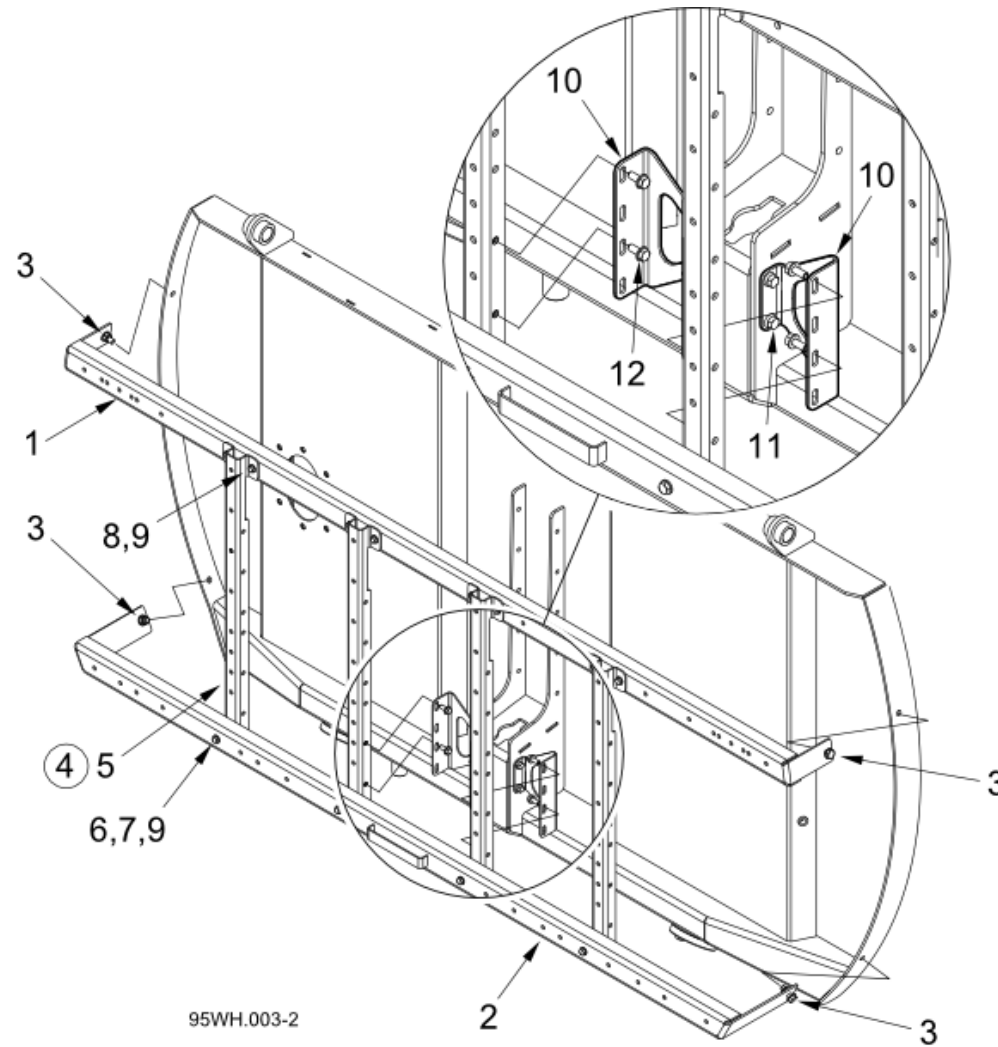
Item no.	Part no.	Description	QTY	Unit
16	555-3	Adaptor Bulkhead 6mm x M14x1.5	1	PC
17	549-3	Pneumatic Stem Connector, Ø6mm Tube	1	PC
18	554-3	Tee - Connector 6mm	1	PC
19	72-20	Air Silencer - 1/4 BSP	1	PC
20	541-8	Adaptor - STR 8mm x 1/4" BSP	1	PC
21	451-17	Washer Bonded G1-4"	1	PC
22	549-4	Pneumatic Stem Connector, Ø8mm Tube	1	PC
23	554-4	Tee - Connector 8mm	1	PC

**Littasnatch Combined Mesh Shaker Controls (KT03695)**


## Littasnatch Combined Mesh Shaker Controls (KT03695)

Item no.	Part no.	Description	QTY	Unit
A	273-23	Tube - Nylon Red 8mm O/D	6.5	M
A1	273-21	Tube - Nylon Red 6mm O/D	0.25	M
B	273-20	Tube - Nylon Blue 6mm O/D	20	M
C	273-20	Tube - Nylon Blue 6mm O/D	20	M
D	273-20	Tube - Nylon Blue 6mm O/D	20	M
1	282522-1	Switch Box Ctls LS/Mesh Shaker	1	PC
2	72-50	Rotary Knob Pneu Switch	1	PC
3	72-51	Push Button Pneu Switch	1	PC
4	124-135	Setscrew M8C x 20	2	PC
4	455-10	Washer Plain Plated Steel M8	4	PC
4	425-14	Nut Nyloc Hex MC M8	2	PC
5	282458-1	Label Set-Universal Tanks/Taps	1	PC
6	282458-1	Label Set-Universal Tanks/Taps	1	PC
7	549-3	Pneumatic Stem Connector, Ø6mm Tube	1	PC
8	554-3	Tee - Connector 6mm	1	PC
9	548-20	Adaptor - Expanding 8mm x 6mm	1	PC
10	547-4	Connector - 8mm Straight	1	PC

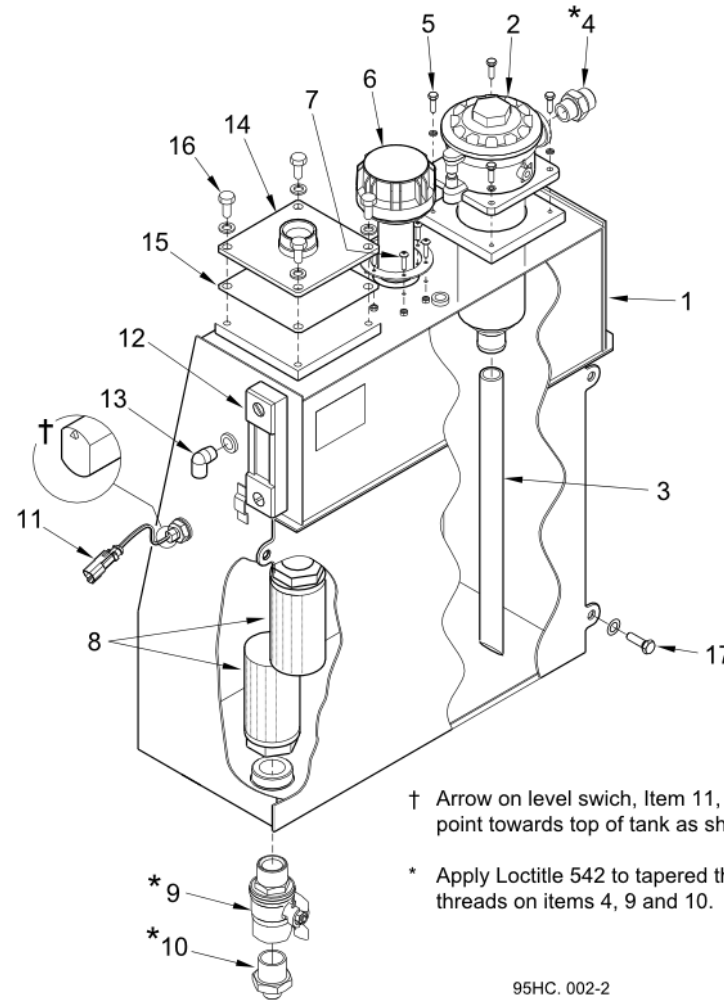
Options Frame (KT01695)





## Options Frame (KT01695)

Item no.	Part no.	Description	QTY	Unit
0	282437-1-INST	Frame - Rear Options 95	1	PC
Comprising items 1-9				
1	282432-1	Crossmember Upper Rr Opt Frame	1	PC
2	282433-1	Crossmember Lower-Rr Opt Frame	1	PC
3	124-171	Setscrew M10C x 30	4	PC
3	455-11	Washer Plain Plated Steel M10	8	PC
3	425-15	Nut Nyloc Hex M10C	4	PC
4	282439-1	Strut - Vertical, Assembly	4	PC
5	282435-1	Strut Vertical-Rear Opt Frame	1	PC
6	282438-37	Spacer-DIM A 37	1	PC
7	123-110	Bolt M Coarse M8x50	1	PC
8	124-137	Setscrew M8C x 25	2	PC
9	455-10	Washer Plain Plated Steel M8	6	PC
9	425-14	Nut Nyloc Hex MC M8	3	PC
10	283849-1	Fixing Bracket - Hose Tray	2	PC
11	124-135	Setscrew M8C x 20	4	PC
11	455-10	Washer Plain Plated Steel M8	4	PC
12	124-135	Setscrew M8C x 20	4	PC
12	460-10	Washer Spring Single Coil M8	4	PC
12	455-10	Washer Plain Plated Steel M8	4	PC
12	425-14	Nut Nyloc Hex MC M8	4	PC

**Hydraulic Tank Assembly - VT Range (950514)**  
 Hydraulics - Reservoir


95HC. 002-2

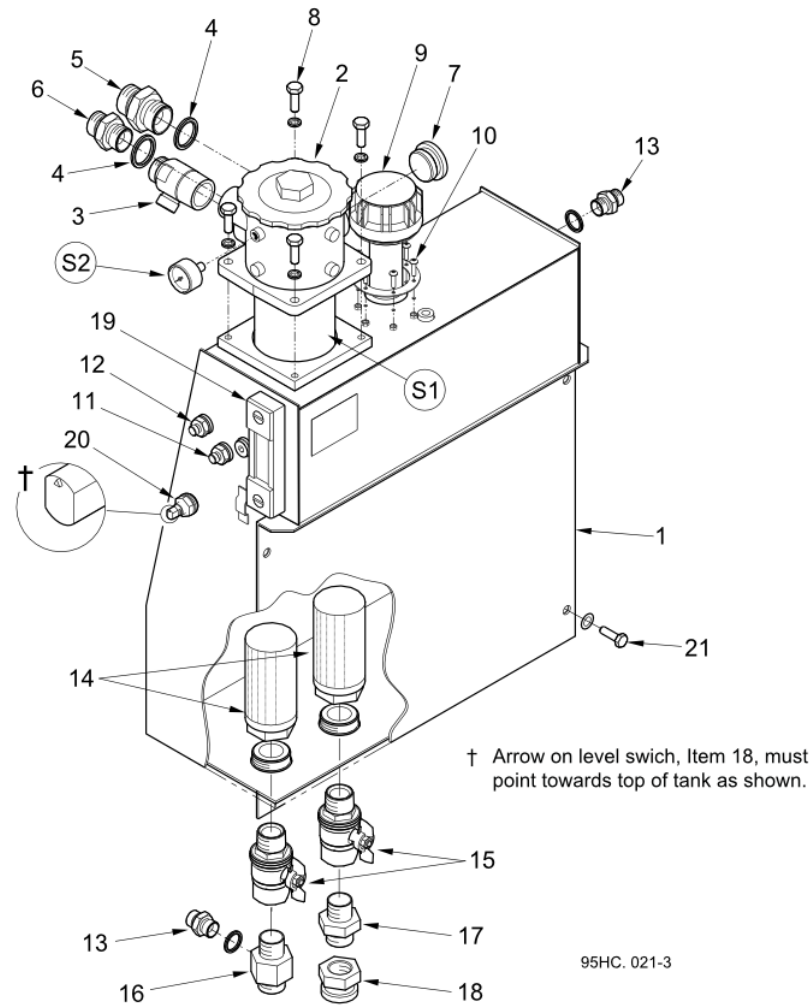
## Hydraulic Tank Assembly - VT Range (950514)

## Hydraulics - Reservoir

Item no.	Part no.	Description	QTY	Unit
0	281761-1	Hyd Tank Assy - Twin Engine 95	1	PC
Comprising items 1-16				
1	281640-1	Tank-Hydraulic W/A Twin Eng 95	1	PC
2	282852-1	Multiflow Filter Assy VT Range	1	PC
3	42206-1-A	Pipe Multiflow Downpipe	1	PC
4	266-6	Adaptor M/M 3/4"-3/4" BSP	1	PC
5	124-103	Setscrew M6C x 20	4	PC
5	460-8	Washer Spring Single Coil M6	4	PC
6	69-30	Filler / Breather 10 Micron	1	PC
7	134-59	Pan Head Screw-M5Cx20-4.8-Pozidriv	6	PC
7	425-12	Nut Nyloc Hex M5C	6	PC
8	15411	Filter-Hydraulic Suction	2	PC
9	89-15	Valve - 1" R Male/Female	1	PC
10	277-137	Adaptor-1/2"M BSP x 1"M BSPT	1	PC
11	48-328	Switch - Float + Deutsch Conn	1	PC
12	87-1	Gauge - Level	1	PC
13	521-12	Adaptor - Elbow 3/8" BSP x 8mm	1	PC
14	281960-1	Pipe W/Assy 1 1/4" Suction	1	PC
15	281965-1	Gasket - Hydraulic Tank	1	PC
16	124-167	Setscrew M10C x 20	4	PC
16	460-11	Washer Spring Single Coil M10	4	PC
17	124-167	Setscrew M10C x 20	4	PC
17	457-5	Washer Plain Steel M10 Form G	4	PC

**Hydraulic Tank Assembly - VS Range (950514)**

Hydraulics - Reservoir



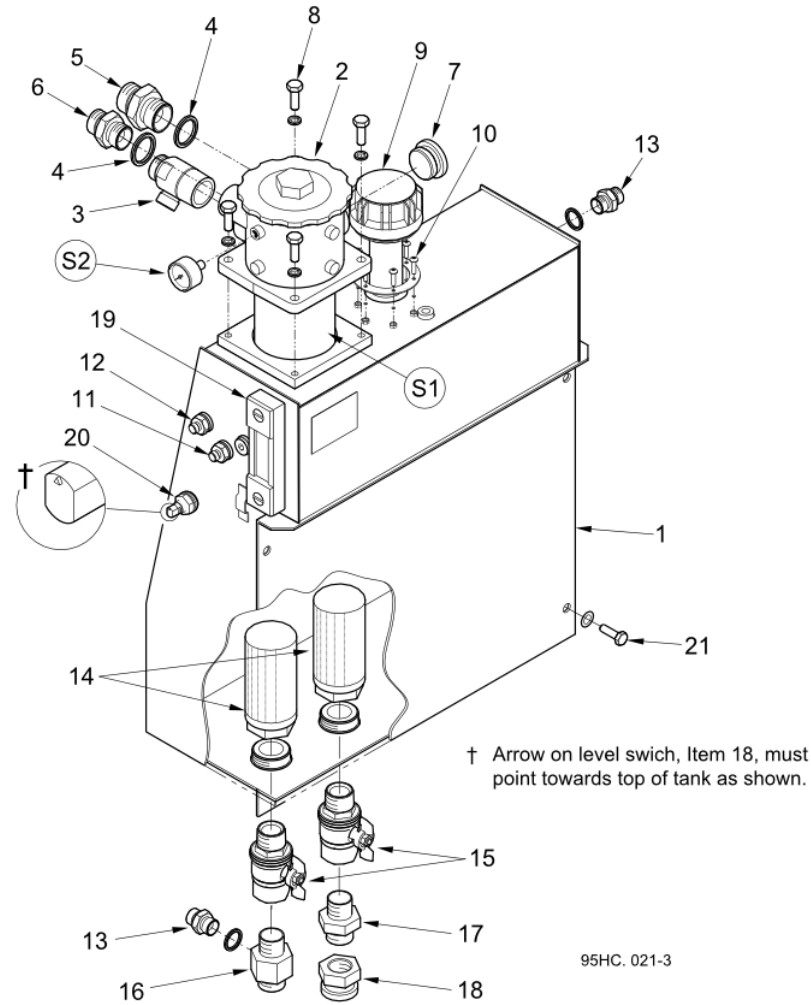
## Hydraulic Tank Assembly - VS Range (950514)

Hydraulics - Reservoir

Item no.	Part no.	Description	QTY	Unit
0	281880-1	Tank-Hydraulic Assy Single Eng	1	PC
Comprising items 1-20				
S1	281779-2	Filter Suction/Return Hyd Tank	1	PC
S2	281779-3	Gauge - Suction Return Filter	1	PC
1	281635-1	Tank-Hydraulic W/A Single Eng	1	PC
2	281779-1	Filter - Suction/Return 95	1	PC
3	66105-1	Adaptor-Boost Canister W/Assy	1	PC
4	451-22	Washer Bonded G1"	2	PC
5	263-7	Adaptor M/M 1" BSP	1	PC
6	265-11	Adaptor Reducing M/M 1"-1 1/4" BSP	1	PC
7	54-7	Plug - Collar G1 1/4" BSP	1	PC
8	124-171	Setscrew M10C x 30	4	PC
8	460-11	Washer Spring Single Coil M10	4	PC
9	69-30	Filler / Breather 10 Micron	1	PC
10	134-59	Pan Head Screw-M5Cx20-4.8-Pozidriv	6	PC
10	425-12	Nut Nyloc Hex M5C	6	PC
11	54-3	Plug - Collar G3/8" BSP	1	PC
12	265-2	Adaptor Reducing M/M 1/4"-3/8" BSP	2	PC
12	451-18	Washer Bonded G3/8"	2	PC
13	264-4	Adaptor-Bulkhead BSP M/M 1/2"	2	PC
13	451-19	Washer - Bonded G1-2"	2	PC
14	15411	Filter-Hydraulic Suction	2	PC
15	89-15	Valve - 1" R Male/Female	2	PC
16	66162-1	Adaptor Hydraulic Tank	1	PC

**Hydraulic Tank Assembly - VS Range (950514)**

Hydraulics - Reservoir

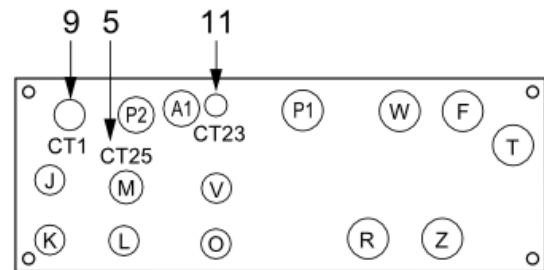
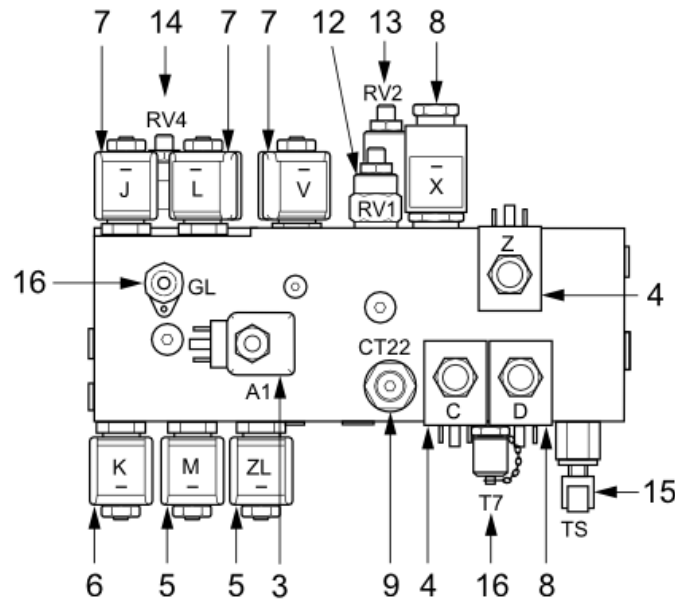


**Hydraulic Tank Assembly - VS Range (950514)**

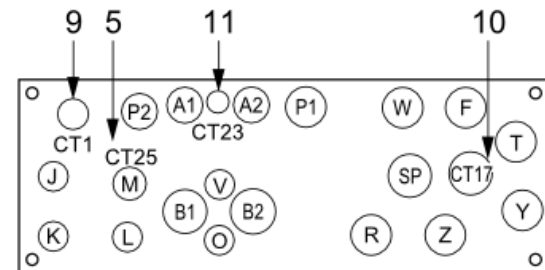
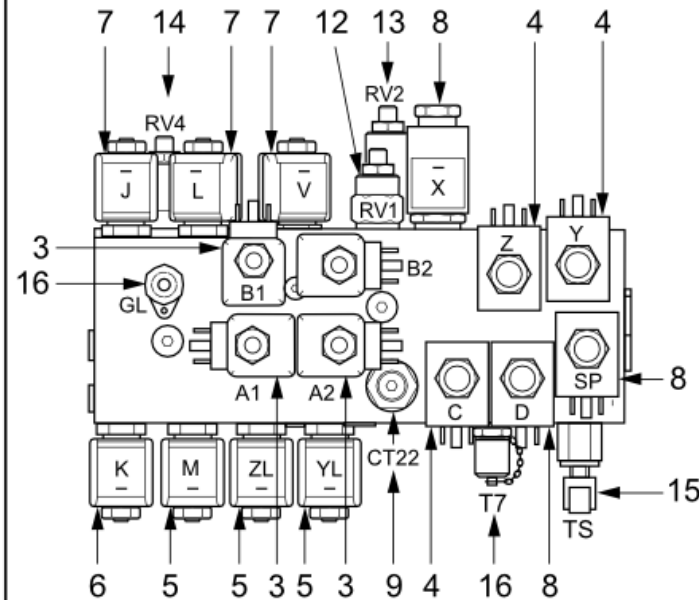
Hydraulics - Reservoir

Item no.	Part no.	Description	QTY	Unit
17	266-7	Adaptor M/M 1"-1" BSP	1	PC
18	68-26	Cap Female 1" BSP	1	PC
19	87-1	Gauge - Level	1	PC
20	48-328	Switch - Float + Deutsch Conn	1	PC
21	124-167	Setscrew M10C x 20	4	PC
21	457-5	Washer Plain Steel M10 Form G	4	PC

**Main Valve Block (In Systems Locker) (-)**  
 Hydraulics - Valve Block and Return Manifolds



SINGLE SWEEP  
1



DUAL SWEEP  
2

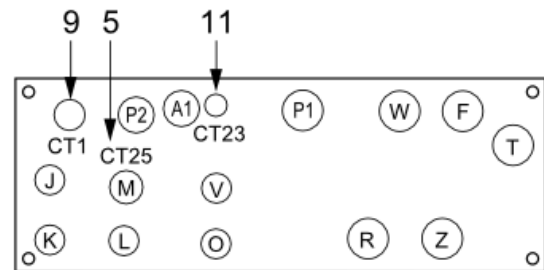
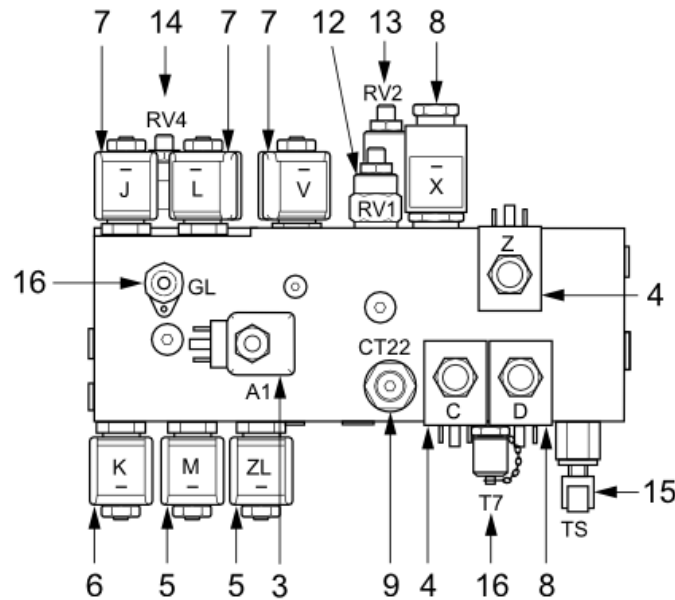
95HC. 016-5



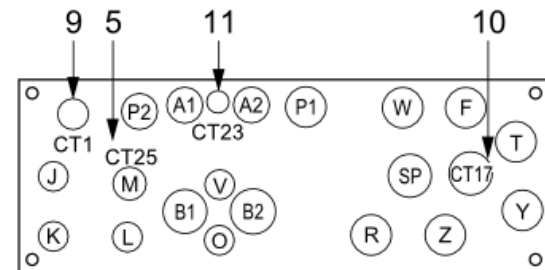
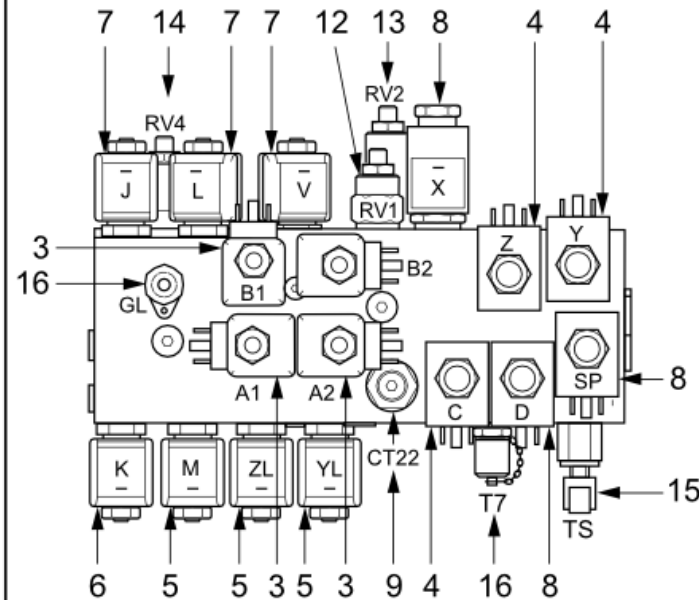
**Main Valve Block (In Systems Locker) (-)**  
Hydraulics - Valve Block and Return Manifolds

Item no.	Part no.	Description	QTY	Unit
1	283730-12	Main Hyd.Bank Single Sweep 12v	1	PC
1	283730-24	Main Hyd.Bank Single Sweep 24v	1	PC
2	283731-12	Main Hyd.Bank Dual Sweep 12v	1	PC
2	283731-24	Main Hyd.Bank Dual Sweep 24v	1	PC
3	847-53	Cartridge Valve - Divertor	4	PC
3	847-54	Seal Kit	4	PC
3	847-3	Coil Only - 12 Volt 14 watt	4	PC
3	847-68	Coil Only - 24 Volt 14 watt	4	PC
4	847-93	Cartridge Valve NC 210 bar	3	PC
4	847-95	Seal Kit	3	PC
4	847-9	Coil - 12v 19 watt	3	PC
4	847-80	Coil - 24v 19 watt	3	PC
5	847-5	Cartridge Valve - NC 210 bar	3	PC
5	847-4	Seal Kit for 847/2,/5 & 847/4	3	PC
5	847-3	Coil Only - 12 Volt 14 watt	3	PC
5	847-68	Coil Only - 24 Volt 14 watt	3	PC
6	847-2	Cartridge Valve - NC 210 bar	1	PC
6	847-4	Seal Kit for 847/2,/5 & 847/4	1	PC
6	847-69	Coil - 12 Volt 27 watt	1	PC
6	847-70	Coil - 24 Volt 27 watt	1	PC
7	847-63	Cartridge Valve - Divertor	3	PC
7	847-48	Poppet Solenoid Cartridge	3	PC
7	847-69	Coil - 12 Volt 27 watt	3	PC
7	847-70	Coil - 24 Volt 27 watt	3	PC

**Main Valve Block (In Systems Locker) (-)**  
 Hydraulics - Valve Block and Return Manifolds



SINGLE SWEEP  
1



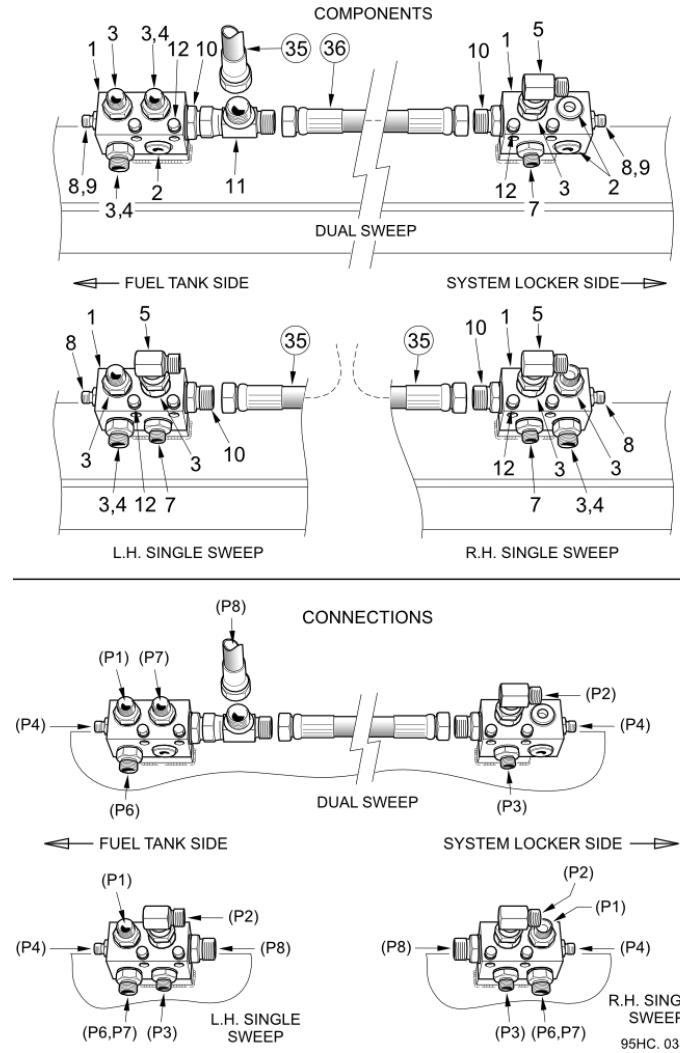
DUAL SWEEP  
2

95HC. 016-5

**Main Valve Block (In Systems Locker) (-)**  
Hydraulics - Valve Block and Return Manifolds

Item no.	Part no.	Description	QTY	Unit
8	847-59	Cartridge Valve - NO 210 bar	3	PC
8	847-95	Seal Kit	3	PC
8	847-9	Coil - 12v 19 watt	3	PC
8	847-80	Coil - 24v 19 watt	3	PC
9	847-19	Check Valve	2	PC
9	847-20	Kit-Seal, for 847/19	2	PC
10	847-94	Check Valve	1	PC
10	847-20	Kit-Seal, for 847/19	1	PC
11	847-92	M6 x 0.75 Orifice Ø 1.00	2	PC
12	847-78	Relief Cartridge (175 Bar)	1	PC
12	847-75	Seal Kit	1	PC
13	847-39	Relief Cartridge (225 Bar)	1	PC
13	847-75	Seal Kit	1	PC
14	847-62	Relief Cartridge (80 Bar)	1	PC
14	847-75	Seal Kit	1	PC
15	282920-1	Temperature Switch-90c 1/4 BSP	1	PC
16	665-8	Test Coupling SMK20 - G1/4 Type C	2	PC

**Return Manifolds Single (940713, 950713)**  
 Hydraulics - Valve Block and Return Manifolds

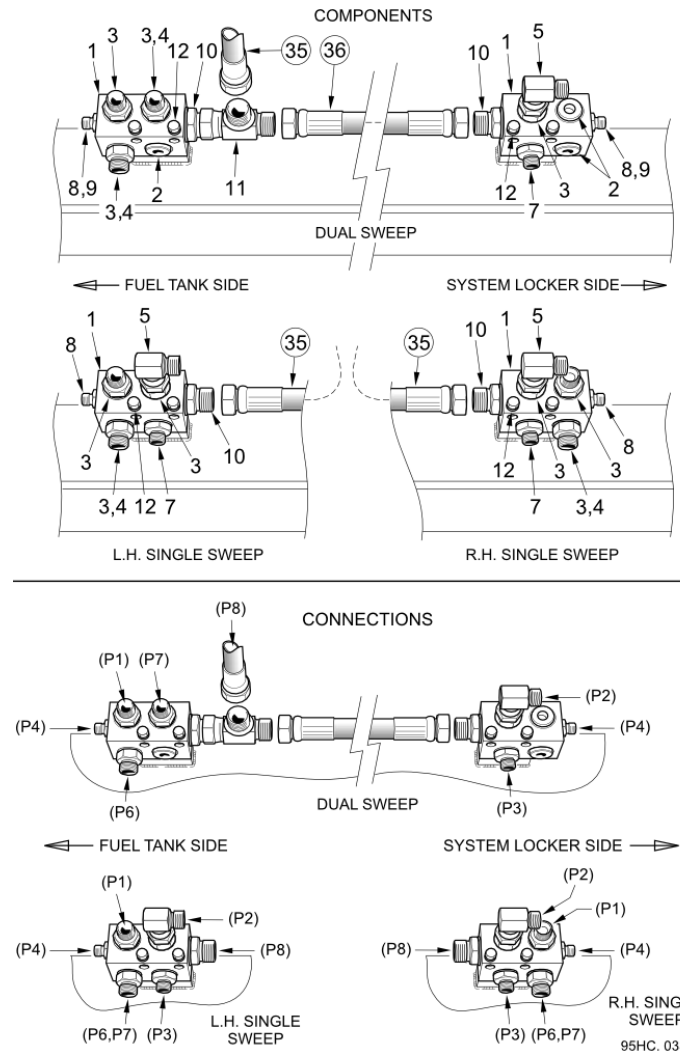


**Return Manifolds Single (940713, 950713)**

Hydraulics - Valve Block and Return Manifolds

Item no.	Part no.	Description	QTY	Unit
1	281548-1	Manifold-Hydraulic S/Frame	1	PC
3	263-4	Adaptor M/M 1/2" BSP	3	PC
3	451-19	Washer - Bonded G1-2"	3	PC
4	68-17	Cap Female 1/2" BSP	1	PC
5	262-4	Swivel Elbow 90 Degree Size 1/2"BSP	1	PC
7	265-4	Adaptor Reducing M/M 3/8"-1/2" BSP	1	PC
7	451-19	Washer - Bonded G1-2"	1	PC
8	263-2	Adaptor M/M 1/4" BSP	1	PC
8	451-17	Washer Bonded G1-4"	1	PC
10	263-6	Adaptor M/M 3/4" BSP	1	PC
10	451-21	Washer Bonded G3-4"	1	PC
12	124-147	Setscrew M8C x 60	2	PC
12	460-10	Washer Spring Single Coil M8	2	PC
35	HE12003-80	Hose - Hydraulic 3/4" STRx90c	1	PC

**Return Manifolds Dual (940713, 950713)**  
 Hydraulics - Valve Block and Return Manifolds

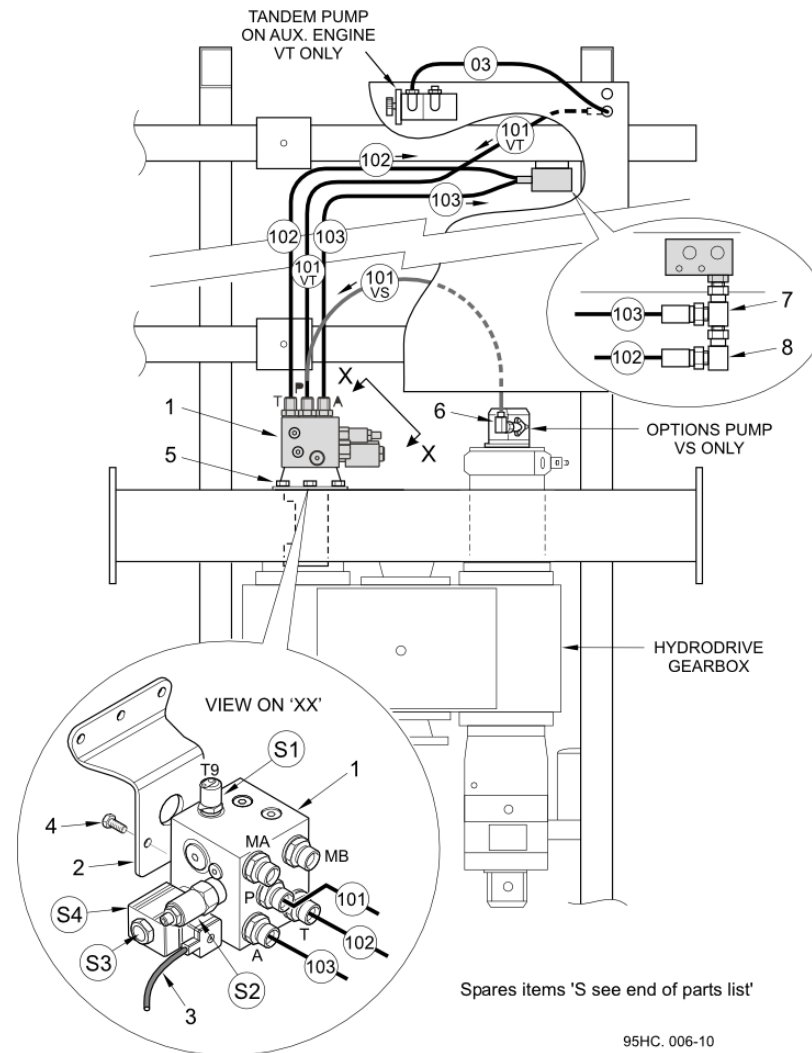


**Return Manifolds Dual (940713, 950713)**

## Hydraulics - Valve Block and Return Manifolds

Item no.	Part no.	Description	QTY	Unit
1	281548-1	Manifold-Hydraulic S/Frame	2	PC
2	54-4	Plug - Collar G1/2" BSP	3	PC
3	263-4	Adaptor M/M 1/2" BSP	4	PC
3	451-19	Washer - Bonded G1-2"	4	PC
4	68-17	Cap Female 1/2" BSP	2	PC
5	262-4	Swivel Elbow 90 Degree Size 1/2"BSP	1	PC
7	265-4	Adaptor Reducing M/M 3/8"-1/2" BSP	1	PC
7	451-19	Washer - Bonded G1-2"	1	PC
8	263-2	Adaptor M/M 1/4" BSP	2	PC
8	451-17	Washer Bonded G1-4"	2	PC
9	68-19	Cap Female 1/4" BSP	1	PC
10	263-6	Adaptor M/M 3/4" BSP	2	PC
10	451-21	Washer Bonded G3-4"	2	PC
11	255-15	Tee - 3/4" BSP O/D M/F/M	1	PC
12	124-147	Setscrew M8C x 60	4	PC
12	460-10	Washer Spring Single Coil M8	4	PC
35	HE12003-80	Hose - Hydraulic 3/4" STRx90c	1	PC
36	HE12000-38	Hose - Hydraulic 3/4" STRxSTR	1	PC

**Valve Block Installation (KT12195, 950414, 950713)**  
 Hydraulic - Tandem Pump Auxiliary Systems



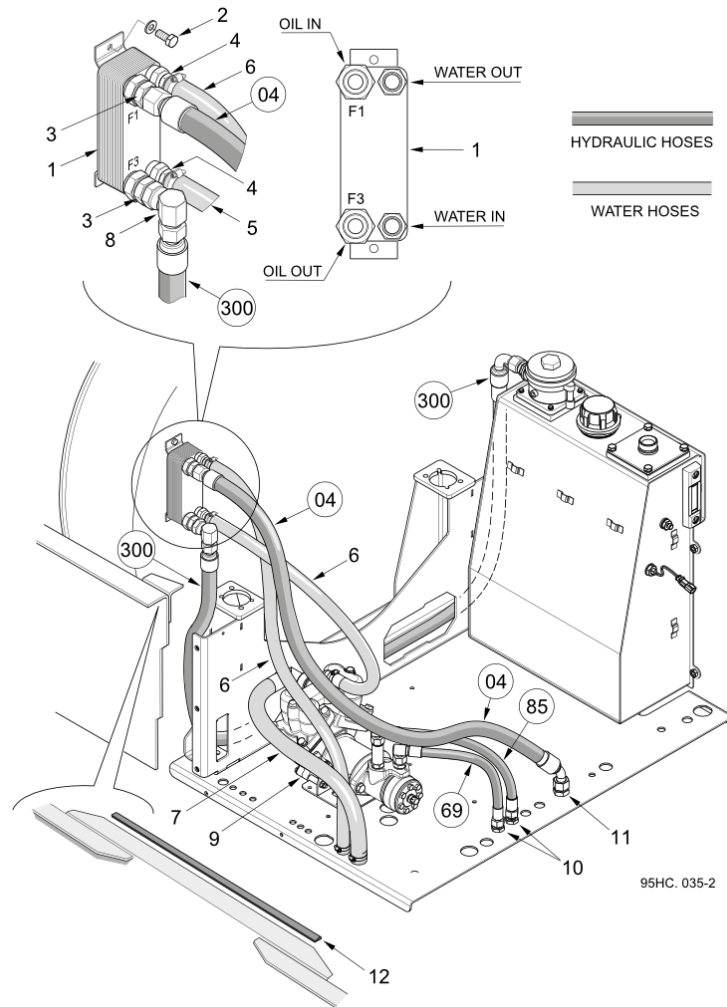


**Valve Block Installation (KT12195, 950414, 950713)**

## Hydraulic - Tandem Pump Auxiliary Systems

Item no.	Part no.	Description	QTY	Unit
S1	665-18	Test Coupling SMK20 - G1/4 Type B	1	PC
S2	847-39	Relief Cartridge (225 Bar)	1	PC
S3	847-72	Cartridge Valve - NC 250 bar	1	PC
S4	847-74	Coil - 24 Volt 29 watt	1	PC
S4	847-73	Coil - 12 Volt 29 watt	1	PC
1	283689-24	Hyd Valve Block Supawash 24v	1	PC
1	283689-12	Hyd Valve Block Supawash 12v	1	PC
2	283685-1	Mtg Plate-Tandum Plate V Block	1	PC
3	282069-1	Loom - Tandem pump	1	PC
4	124-136	Setscrew M8C x 22 BS3692	2	PC
4	455-10	Washer Plain Plated Steel M8	2	PC
4	460-10	Washer Spring Single Coil M8	2	PC
5	124-171	Setscrew M10C x 30	3	PC
5	455-10	Washer Plain Plated Steel M8	3	PC
5	460-10	Washer Spring Single Coil M8	3	PC
6	262-4	Swivel Elbow 90 Degree Size 1/2"BSP	1	PC
7	255-13	Tee - 1/2" BSP O/D M/F/M	1	PC
8	262-4	Swivel Elbow 90 Degree Size 1/2"BSP	1	PC
102	HC08001-168	Hose - Megaflex 1/2" STRx45s	1	PC
103	HC08001-168	Hose - Megaflex 1/2" STRx45s	1	PC

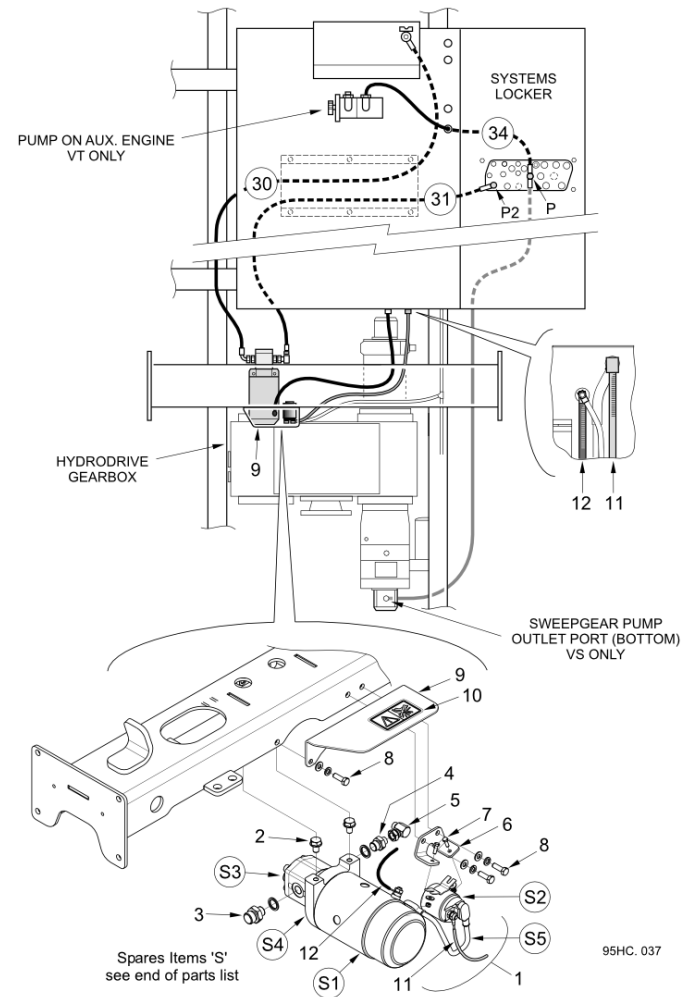
**Oil Cooler Installation (-)**  
Hydraulic - Tandem Pump Auxiliary Systems



**Oil Cooler Installation (-)**

## Hydraulic - Tandem Pump Auxiliary Systems

Item no.	Part no.	Description	QTY	Unit
1	282963-3	Oil Cooler - oil/water	1	PC
2	124-135	Setscrew M8C x 20	2	PC
2	460-10	Washer Spring Single Coil M8	2	PC
3	263-6	Adaptor M/M 3/4" BSP	2	PC
3	451-21	Washer Bonded G3-4"	2	PC
4	231-43	Adapter - 1/2"BSPMx20BARB	2	PC
04	HE12001-122	Hose - Hydraulic 3/4" STRx45s	1	PC
5	497-H12	Hose - 3/4" Bore	1	M
6	497-H12	Hose - 3/4" Bore	0.5	M
6	501-3	Clip Hose Worm Drive 22-30mm	2	PC
7	6117	Hose - 1" Bore	1	M
8	262-6	Swivel Elbow 90 Degree Size 3/4"BSP	1	PC
9	282812-2	Water Pump Assy/LP	1	PC
10	264-4	Adaptor-Bulkhead BSP M/M 1/2"	2	PC
10	410-80	Nut - Back 1/2" BSP Plated Stl	2	PC
11	264-6	Adaptor-Bulkhead BSP M/M 3/4"	1	PC
11	410-57	Nut - Back 3/4 B.S.P (Plated)	1	PC
12	6849	Titanfast-Black	0.49	M
69	HC08003-40	Hose - Megaflex 1/2" STRx90c	1	PC
85	HC08003-45	Hose - Megaflex 1/2" STRx90c	1	PC
300	HE12002-180	Hose - Hydraulic 3/4" STRx90s	1	PC

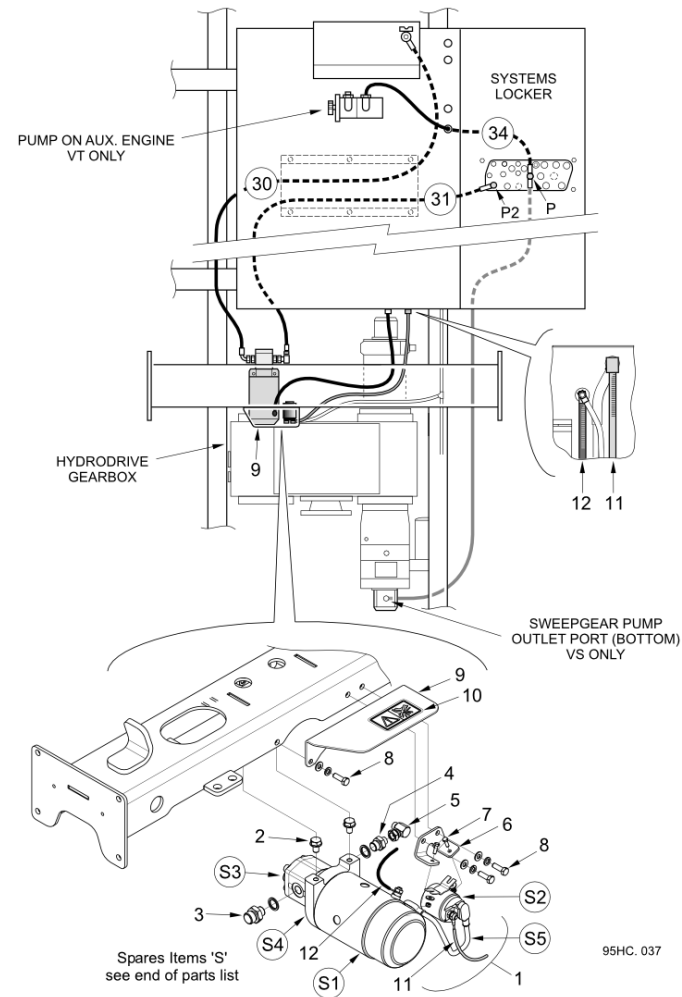
**Emergency Discharge Pump (950714, 950713)**  
 Hydraulic - Body Discharge


95HC.037

**Emergency Discharge Pump (950714, 950713)**

Hydraulic - Body Discharge

Item no.	Part no.	Description	QTY	Unit
S1	283706-241	Motor 24v Emergency Discharge	1	PC
S1	283706-121	Motor+Solenoid Pump Unit V Srs	1	PC
S2	283706-242	Solenoid 24v	1	PC
S2	283706-122	Solenoid 12v	1	PC
S3	283706-30	Hydraulic Pump	1	PC
S4	283706-31	Mounting Plate	1	PC
S5	283706-32	Link Cable Assembly	1	PC
1	283706-24	Motor/Pump Unit Discharge 24v	1	PC
1	283706-12	Motor/Pump Unit Discharge 12v	1	PC
2	125-185	Bolt - M10 x 16 Flanged Durlok	2	PC
3	265-4	Adaptor Reducing M/M 3/8"-1/2" BSP	1	PC
3	451-18	Washer Bonded G3/8"	2	PC
4	265-2	Adaptor Reducing M/M 1/4"-3/8" BSP	1	PC
4	451-18	Washer Bonded G3/8"	1	PC
5	262-2	Swivel Elbow 90 Degree Size 1/4"BSP	1	PC
6	283687-1	Mounting Plate - Solenoid	1	PC
7	124-70	Setscrew M5C x 16	2	PC
7	457-1	Washer Plain Steel M5 Form G	2	PC
7	425-12	Nut Nyloc Hex M5C	2	PC
8	124-137	Setscrew M8C x 25	3	PC
8	455-10	Washer Plain Plated Steel M8	3	PC
8	460-10	Washer Spring Single Coil M8	3	PC
9	283688-1	Guard-Emergency Discharge Pump	1	PC
10	283709-1	Label - No Step	1	PC

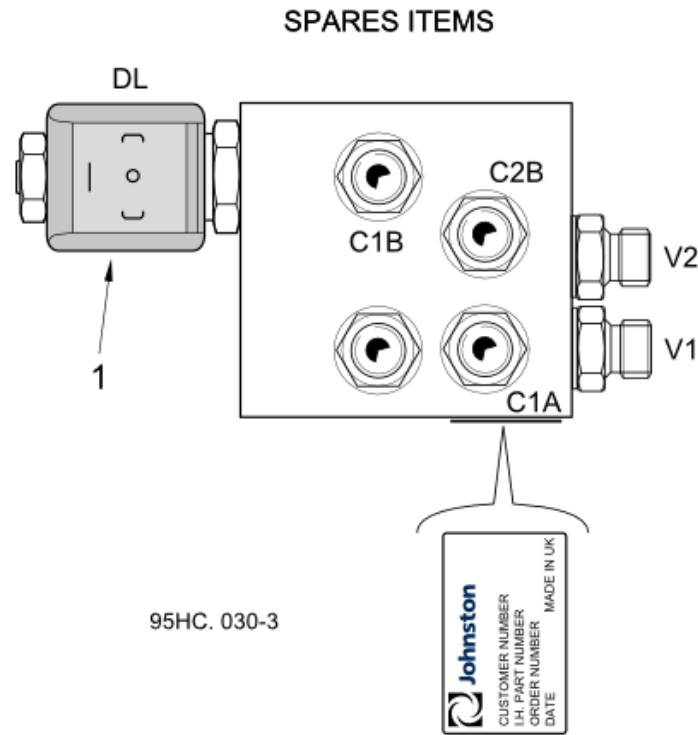
**Emergency Discharge Pump (950714, 950713)**  
 Hydraulic - Body Discharge


## Emergency Discharge Pump (950714, 950713)

Hydraulic - Body Discharge

Item no.	Part no.	Description	QTY	Unit
11	282036-1	Cable-Emergency Pump Red	1	PC
12	282036-2	Cable - Emergency Pump Black	1	PC
12	282156-1	EDS Solenoid Earth Wire	1	PC
30	HC08003-224	Hose - Megaflex 1/2" STRx90c	1	PC
31	HC04001-194	Hose - Megaflex 1/4" STRx45s	1	PC
34	HC08001-49	Hose - Megaflex 1/2" STRx45s	1	PC

**Sequence Valve - Rear Door Locking (-)**  
Hydraulic - Body Discharge



Valve fitted to rear of subframe - See Subframe Section

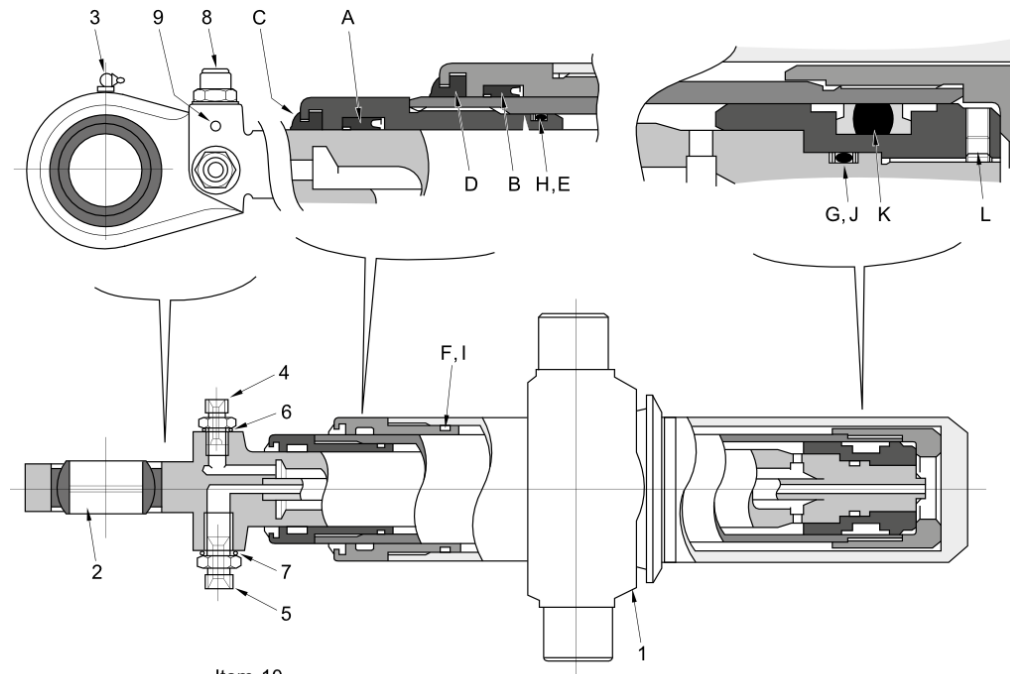


## Sequence Valve - Rear Door Locking (-)

Hydraulic - Body Discharge

Item no.	Part no.	Description	QTY	Unit
0	283405-12	Rear Door Valve 12v	1	PC
0	283405-24	Rear Door Valve 24v	1	PC
1	847-5	Cartridge Valve - NC 210 bar	1	PC
1	847-3	Coil Only - 12 Volt 14 watt	1	PC
1	847-68	Coil Only - 24 Volt 14 watt	1	PC

**Body Tip Cylinder (950611)**  
Hydraulic - Cylinders



Item 10  
Seal Kit comprising:

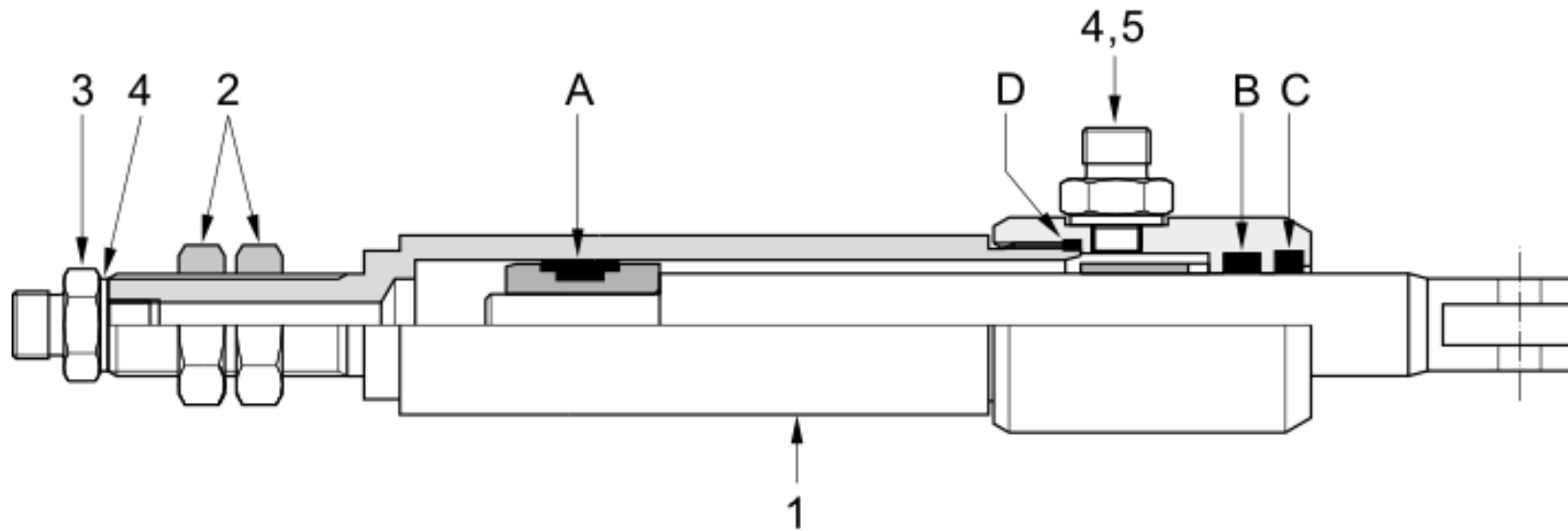
Item No	Description	Quantity
A	Seal - 2nd Stage Rod	1
B	Seal - 1st Stage Rod	1
C	Wiper Seal - 2nd Stage Rod	1
D	Wiper Seal - 1st Stage Rod	1
E	'O' Ring	1
F	'O' Ring	1
G	'O' Ring	1
H	Spirol Back-up Ring	1
I	Spirol Back-up Ring	1
J	Spirol Back-up Ring	2
K	Seal - 2nd Stage Piston	1
L	Grub Screw	1

95HC. 011

## Body Tip Cylinder (950611)

Hydraulic - Cylinders

Item no.	Part no.	Description	QTY	Unit
1	28940-4	Cylinder - Body Tip V500, 605 & V650	1	PC
1	28940-5	Cylinder - Body Tip V800	1	PC
2	29100-7-E	Bearing - Spherical, 68mm	1	PC
3	38-8	Nipple Grease 1/8 BSP x 90 deg	1	PC
4	263-2	Adaptor M/M 1/4" BSP	1	PC
5	263-4	Adaptor M/M 1/2" BSP	1	PC
6	451-17	Washer Bonded G1-4"	1	PC
7	451-19	Washer - Bonded G1-2"	1	PC
8	241-265	Valve-Over Centre 5:1	1	PC
9	5259	Plug - Taper 1/8 BSP	1	PC
10	28940-500	Seal Kit - Tip Ram	1	PC

**Body Prop Cylinder (-)**  
 Hydraulic - Cylinders


Item 6  
 Seal Kit comprising:

Item No.	Description	Quantity
A	Piston Seal	1
B	Rod Seal	1
C	Wiper Seal	1
D	'O' Ring	1

95HC. 013

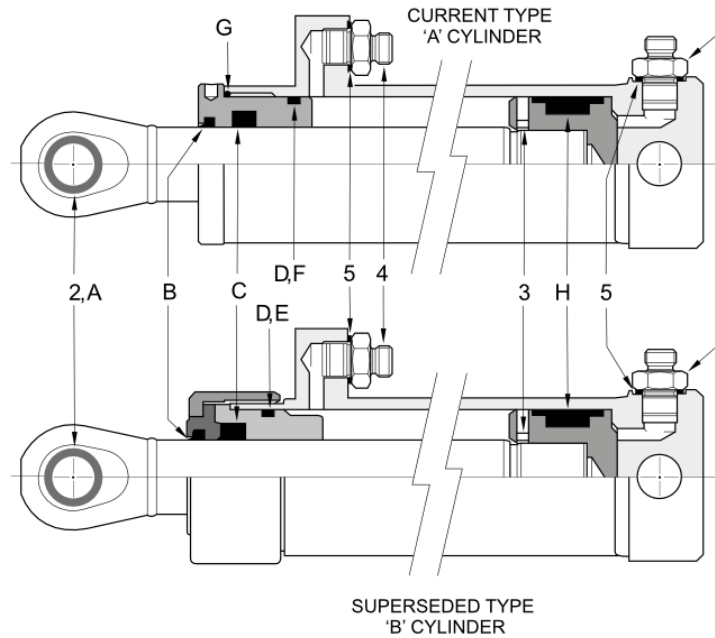
**Body Prop Cylinder (-)**

Hydraulic - Cylinders

Item no.	Part no.	Description	QTY	Unit
1	29345-1	Cylinder - Auto Prop.	1	PC
2	421-7	Locknut MF Hex M20	2	PC
3	265-1	Adaptor Reducing M/M 1/8"-1/4" BSP	1	PC
4	451-4	Washer Bonded G1-8"	2	PC
5	29332-1	Adaptor - 1/8" x 1/4"	1	PC
6	29345-500	Seal - Kit	1	PC

## Rear Door and Powaboom Cylinder (950813, 951312)

Hydraulic - Cylinders



Item 6  
Seal Kit comprising:

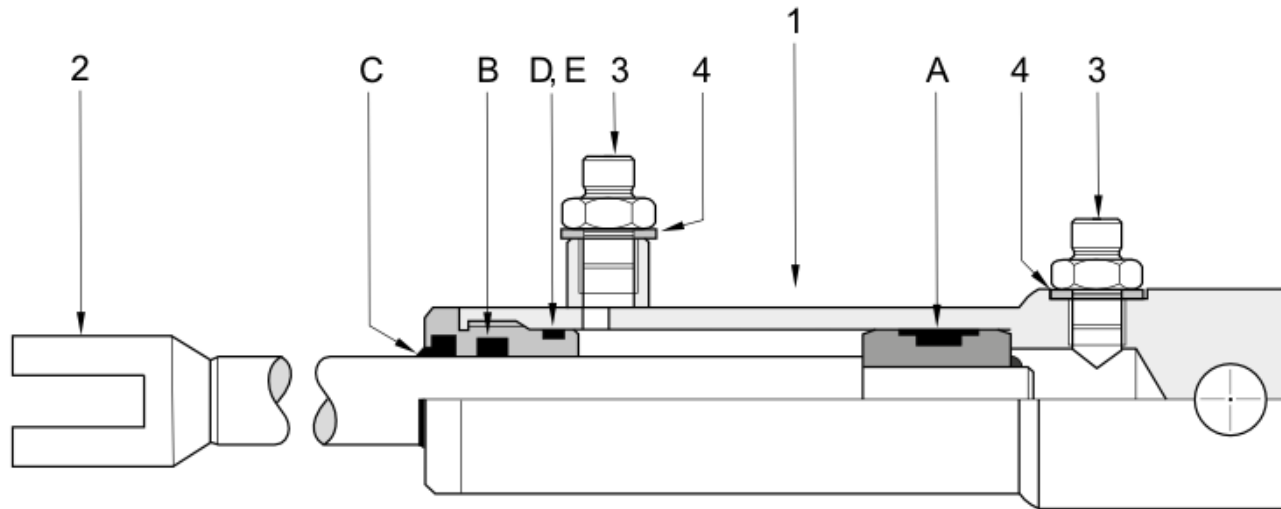
Item No.	Description	Quantity
A	Bush	2
B	Wiper Seal	1
C	Rod Seal	1
D	'O' Ring	1
E	Back-up Ring	1
F	Back-up Ring	1
G	'O' Ring	1
H	Piston Seal	1

95HC. 015-3

## Rear Door and Powaboom Cylinder (950813, 951312)

Hydraulic - Cylinders

Item no.	Part no.	Description	QTY	Unit
0	29170-1-B	Cylinder - Rear Door/Powaboom	1	PC
2	29128-3	Bush	2	PC
3	135-2	Setscrew Hollow M6C x 6	1	PC
4	265-2	Adaptor Reducing M/M 1/4"-3/8" BSP	2	PC
5	451-18	Washer Bonded G3/8"	2	PC
6	29170-500	Seal Kit -Hydraulic Ram	1	PC

**Rear Door Clamping Cylinder (-)**  
 Hydraulic - Cylinders


95HC. 014-2

Item 5  
 Seal Kit comprising:

Item	Description	Quantity
A	Piston Seal	1
B	Rod Seal	1
C	Wiper Seal	1
D	'O' Ring	1
E	Back-up Ring	1

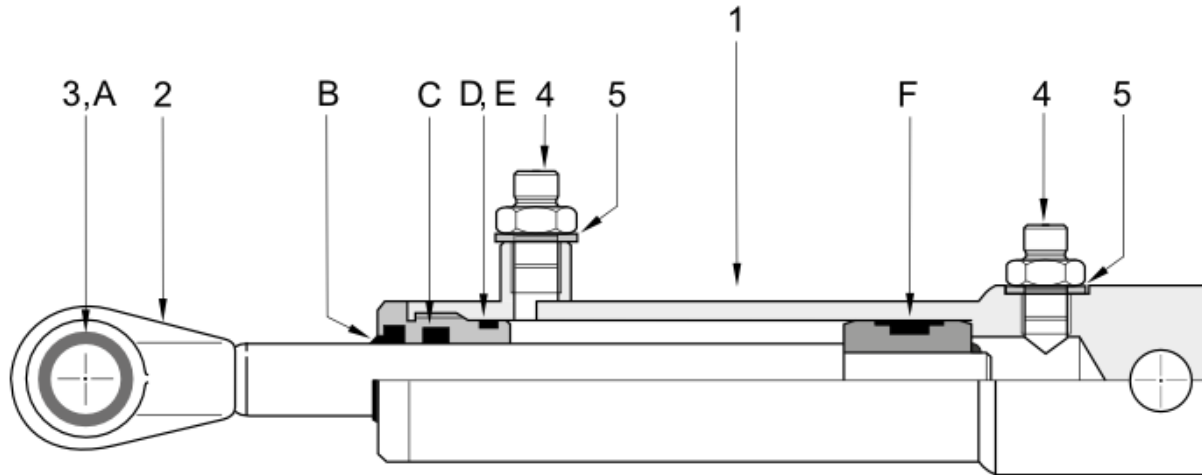


## Rear Door Clamping Cylinder (-)

Hydraulic - Cylinders

Item no.	Part no.	Description	QTY	Unit
1	281565-1	Cylinder-Hyd Assy Rear Door	1	PC
2	28929-1-B	Eye - Fork	1	PC
3	263-2	Adaptor M/M 1/4" BSP	2	PC
4	451-17	Washer Bonded G1-4"	2	PC
5	29465-500	Seal Kit - Latch Pin Cylinder	1	PC

Wide Sweep Brush Slew Cylinder (-)  
Hydraulic - Cylinders



HC. 0014-3

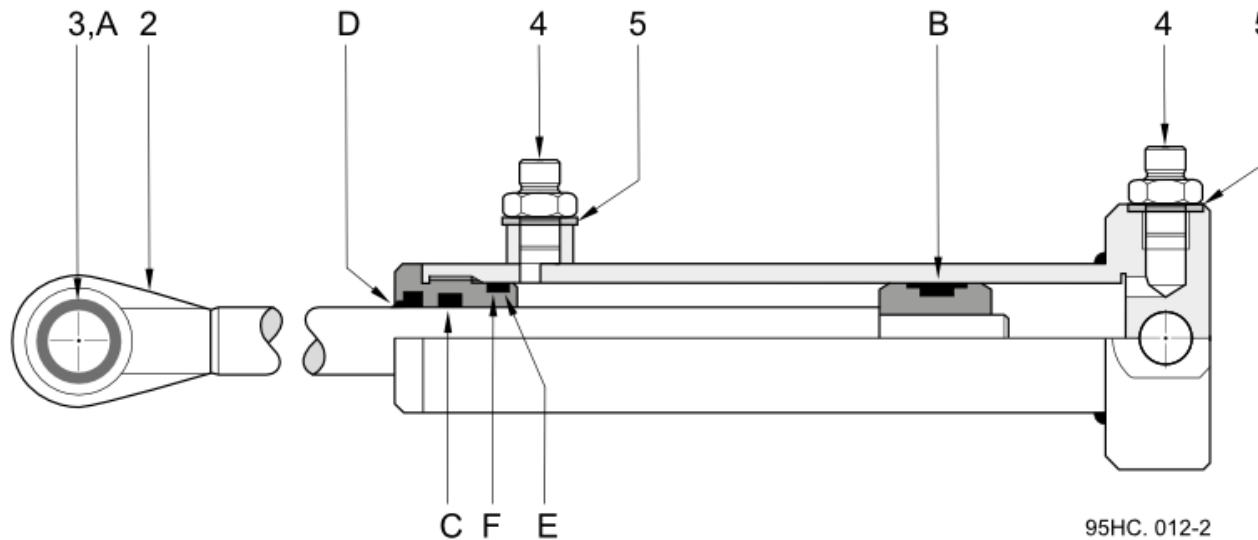
Item 6  
Seal Kit comprising:

Item	Description	Quantity
A	Bush	1
B	Wiper Seal	1
C	Rod Seal	1
D	Back-up Ring	1
E	'O' Ring	1
F	Piston Seal	1

**Wide Sweep Brush Slew Cylinder (-)**

Hydraulic - Cylinders

Item no.	Part no.	Description	QTY	Unit
1	29160-1-B	Cylinder - WSB	1	PC
2	28928-1-C	Eye - Cylinder, Hydraulic	1	PC
3	29128-1-B	Bush - 20Lg	1	PC
4	263-2	Adaptor M/M 1/4" BSP	2	PC
5	451-17	Washer Bonded G1-4"	2	PC
6	29160-500	Seal Kit	1	PC

**Channel Brush Pivot Cylinder (-)**  
 Hydraulic - Cylinders


95HC. 012-2

Item 6  
 Seal Kit comprising:

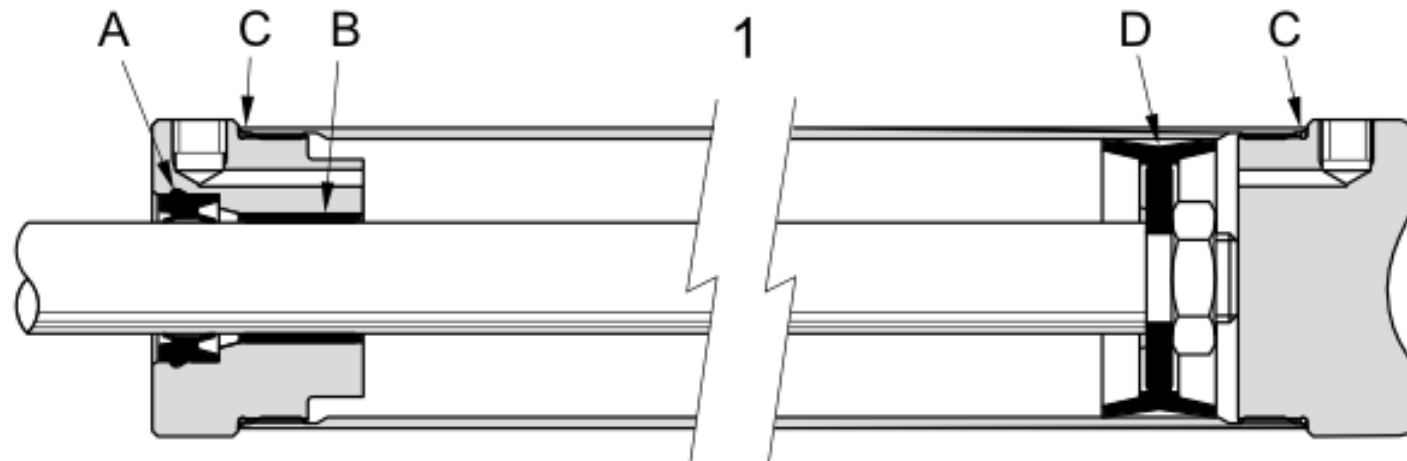
Item	Description	Quantity
A	Bush	1
B	Piston Seal	1
C	Rod Seal	1
D	Wiper Seal	1
E	'O' Ring	1
F	Back-up Ring	1

**Channel Brush Pivot Cylinder (-)**

Hydraulic - Cylinders

Item no.	Part no.	Description	QTY	Unit
0	281601-1	Cylinder Assy C/Brush	1	PC
2	28928-1-C	Eye - Cylinder, Hydraulic	1	PC
3	29128-1-B	Bush - 20Lg	1	PC
4	263-2	Adaptor M/M 1/4" BSP	2	PC
5	451-17	Washer Bonded G1-4"	2	PC
6	29160-500	Seal Kit	1	PC

**Channel Brush Cylinders (-)**  
Pneumatics - Cylinder Seal Kits



Ø 70mm Bore Cylinder

Seals Included in Kit (2)

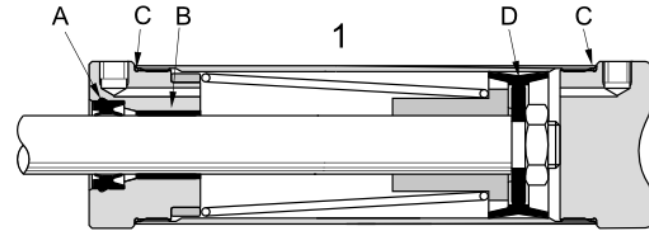
Item	Description	Quantity	Item	Description	Quantity
A	Rod Seal	1	C	'O' Ring	2
B	Bearing	1	D	Piston Seal	1

95PC.002-3

**Channel Brush Cylinders (-)**  
Pneumatics - Cylinder Seal Kits

Item no.	Part no.	Description	QTY	Unit
1	200355-1	70mm Cylinder - Pneumatic Assy	1	PC
2	200355-500	Seal Kit-70Dia Pneu Cylinder	1	PC

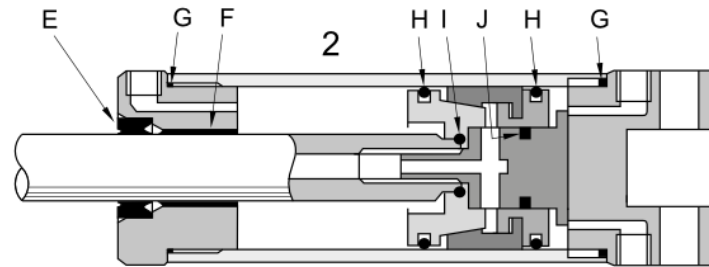
**Nozzle Actuation Cylinders (-)**  
Pneumatics - Cylinder Seal Kits



Ø 50mm Bore Cylinder

Seals Included in Kit (3)

Item	Description	Quantity	Item	Description	Quantity
A	Rod Seal	1	C	'O' Ring	2
B	Bearing	1	D	Piston Seal	1



Ø 50mm Bore Cylinder

Seals Included in Kit (4)

Item	Description	Quantity	Item	Description	Quantity
E	Rod Seal	1	H	Piston Seal Ø50	2
F	Bearing	1	I	'O' Ring	1
G	'O' Ring	1	J	Piston Seal Ø25	1

95PC.002-4

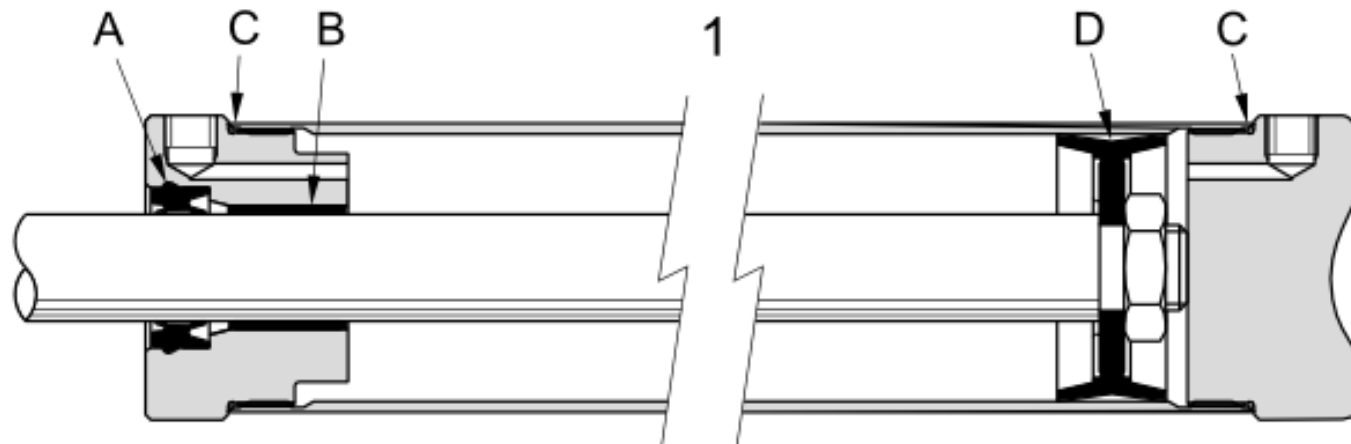


**Nozzle Actuation Cylinders (-)**

Pneumatics - Cylinder Seal Kits

Item no.	Part no.	Description	QTY	Unit
1	290001-1	Cylinder - Maxigap	1	PC
2	290002-1	Cylinder - Varigap	1	PC
3	290001-500	Seal - Kit	1	PC
4	290002-500	Seal - Kit	1	PC

**Wide Sweep Brush Cylinders (-)**  
Pneumatics - Cylinder Seal Kits



Ø 50mm Bore Cylinders

Seals Included in Kits (2)

Item	Description	Quantity	Item	Description	Quantity
A	Rod Seal	1	C	'O' Ring	2
B	Bearing	1	D	Piston Seal	1

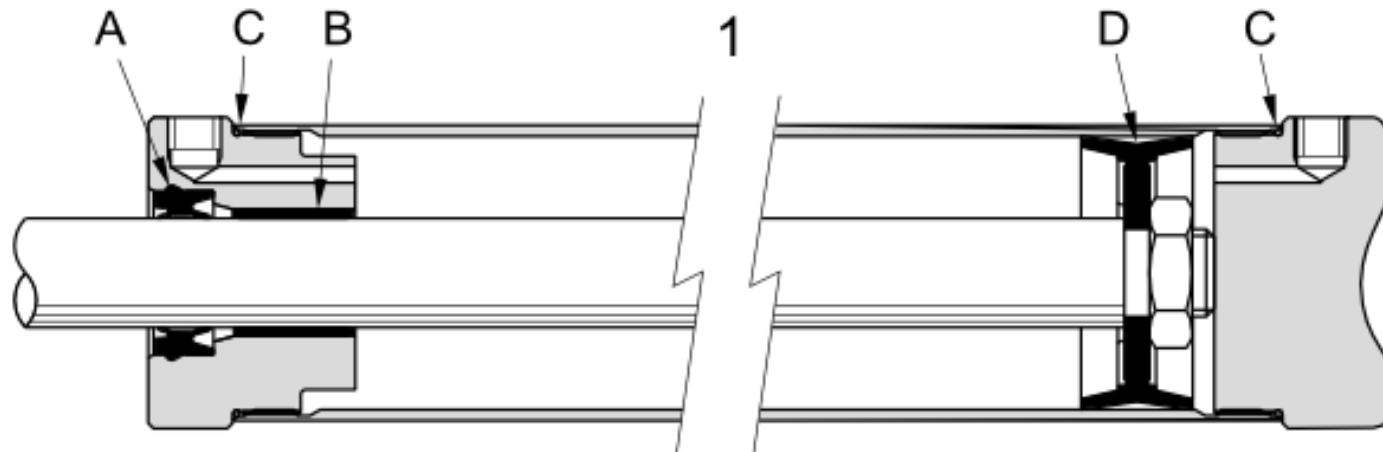
95PC.002-5

**Wide Sweep Brush Cylinders (-)**

Pneumatics - Cylinder Seal Kits

Item no.	Part no.	Description	QTY	Unit
1	29284-2	Cylinder - WSB Pneu. Assy	1	PC
2	290001-500	Seal - Kit	1	PC

**Littasnatch Cylinder (-)**  
Pneumatics - Cylinder Seal Kits



Ø 50mm Bore Cylinders

Seals Included in Kits (2)

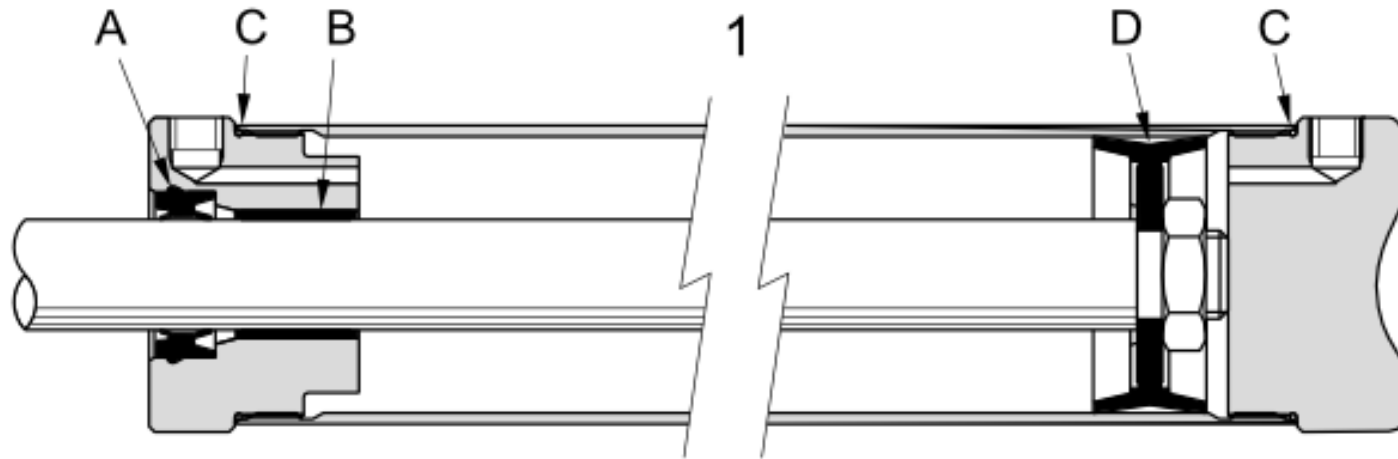
Item	Description	Quantity	Item	Description	Quantity
A	Rod Seal	1	C	'O' Ring	2
B	Bearing	1	D	Piston Seal	1

95PC.002-6

**Littasnatch Cylinder (-)**  
Pneumatics - Cylinder Seal Kits

Item no.	Part no.	Description	QTY	Unit
1	63449-1	Cylinder Pneumatic Littasnatch	1	PC
2	290001-500	Seal - Kit	1	PC

**Intake Flat Cylinder (-)**  
Pneumatics - Cylinder Seal Kits



Ø 50mm Bore Cylinders

Seals Included in Kits (2)

Item	Description	Quantity	Item	Description	Quantity
A	Rod Seal	1	C	'O' Ring	2
B	Bearing	1	D	Piston Seal	1

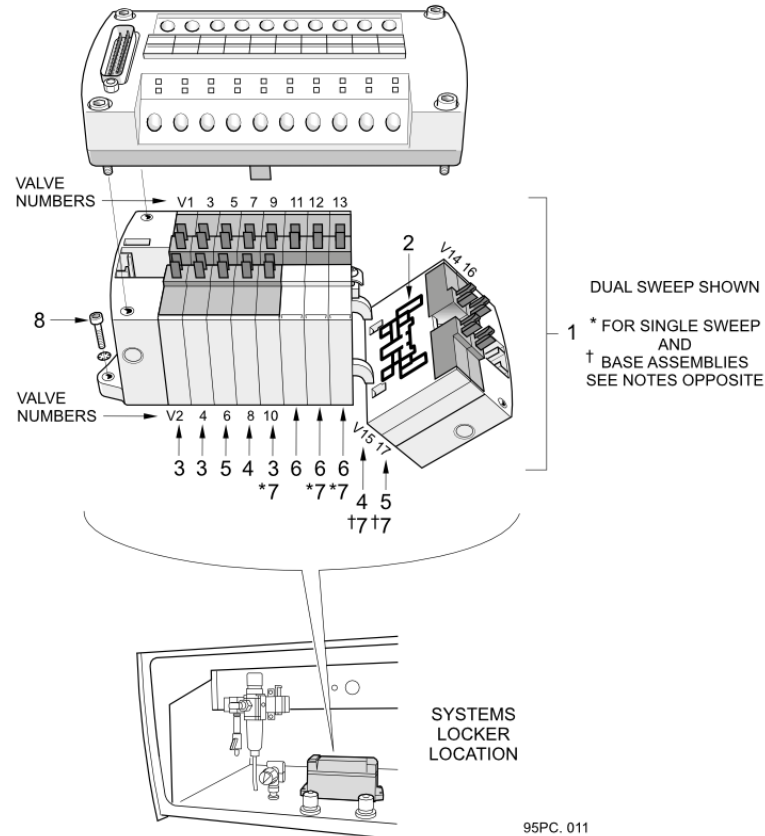
95PC.002-7

**Intake Flat Cylinder (-)**

Pneumatics - Cylinder Seal Kits

Item no.	Part no.	Description	QTY	Unit
1	280840-1	Cylinder-Flap Intake Assy	1	PC
2	290001-500	Seal - Kit	1	PC

**VM10 Valve Island Single Base (-)**  
Pneumatics - Systems Locker Components



Notes:

12v Segments start with T\*\*\*  
24v Segments start with N\*\*\*

\* Valve Segments V9/V10, 12 and V13 are replaced with blanking segments (7) on Single Sweep.  
†Valve Segments V14/15, V16/17 are replaced with blanking segments (7) on No Options.

95PC. 011

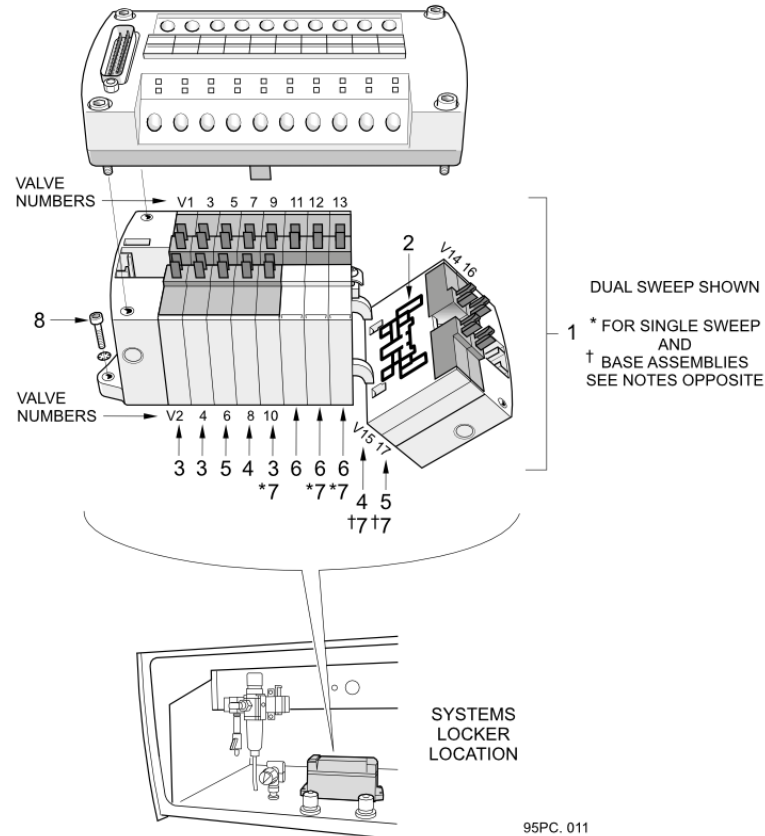


**VM10 Valve Island Single Base (-)**

## Pneumatics - Systems Locker Components

Item no.	Part no.	Description	QTY	Unit
1	283305-021	Valve Island 12v Single Base	1	PC
1	283305-023	Valve Island 24v Single Base	1	PC
2	860-1	Gasket-Black VM10 Valve Block	1	PC
2	860-2	Gasket - Red VM10 Valve Block	1	PC
3	860-5	Slice 3/2 - (NO/NC) 12v TC6U	2	PC
3	860-6	Slice 3/2 - (2xNO) 24v NC6U	2	PC
4	860-9	Slice 3/2 - (2xNC) 12v TA6U	1	PC
4	860-10	Slice 3/2 - (2xNC) 24v NA6U	1	PC
5	860-7	Slice 3/2 - (2xNO) 12v TB6U	1	PC
5	860-8	Slice 3/2 - (2xNO) 24v NB6U	1	PC
6	860-3	Slice 5/2 - 12v TG6U	1	PC
6	860-4	Slice 5/2 - 24v NG6U	1	PC
7	860-30	Slice - Blank B000	5	PC
8	129-35	Screw MC Cap Skt Hd M4x16	4	PC
8	450-269	Washer Shakeproof M4	4	PC

**VM10 Valve Island Single Option (-)**  
Pneumatics - Systems Locker Components



Notes:

12v Segments start with T\*\*\*  
24v Segments start with N\*\*\*

\* Valve Segments V9/V10, 12 and V13 are replaced with blanking segments (7) on Single Sweep.  
†Valve Segments V14/15, V16/17 are replaced with blanking segments (7) on No Options.

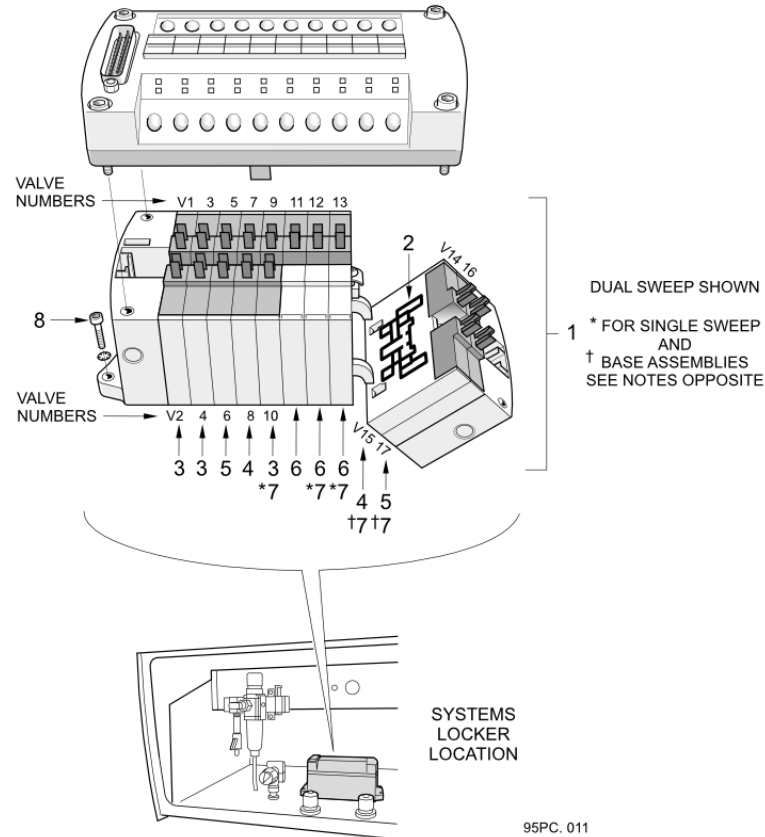
95PC. 011

**VM10 Valve Island Single Option (-)**

## Pneumatics - Systems Locker Components

Item no.	Part no.	Description	QTY	Unit
1	283305-021	Valve Island 12v Single Base	1	PC
1	283305-023	Valve Island 24v Single Base	1	PC
2	860-1	Gasket-Black VM10 Valve Block	1	PC
2	860-2	Gasket - Red VM10 Valve Block	1	PC
3	860-5	Slice 3/2 - (NO/NC) 12v TC6U	2	PC
3	860-6	Slice 3/2 - (2xNO) 24v NC6U	2	PC
4	860-9	Slice 3/2 - (2xNC) 12v TA6U	2	PC
4	860-10	Slice 3/2 - (2xNC) 24v NA6U	2	PC
5	860-7	Slice 3/2 - (2xNO) 12v TB6U	2	PC
5	860-8	Slice 3/2 - (2xNO) 24v NB6U	2	PC
6	860-3	Slice 5/2 - 12v TG6U	1	PC
6	860-4	Slice 5/2 - 24v NG6U	1	PC
7	860-30	Slice - Blank B000	3	PC
8	129-35	Screw MC Cap Skt Hd M4x16	4	PC
8	450-269	Washer Shakeproof M4	4	PC

**VM10 Valve Island Dual Base (-)**  
Pneumatics - Systems Locker Components



Notes:

12v Segments start with T\*\*\*  
24v Segments start with N\*\*\*

\* Valve Segments V9/V10, 12 and V13 are replaced with blanking segments (7) on Single Sweep.  
†Valve Segments V14/15, V16/17 are replaced with blanking segments (7) on No Options.

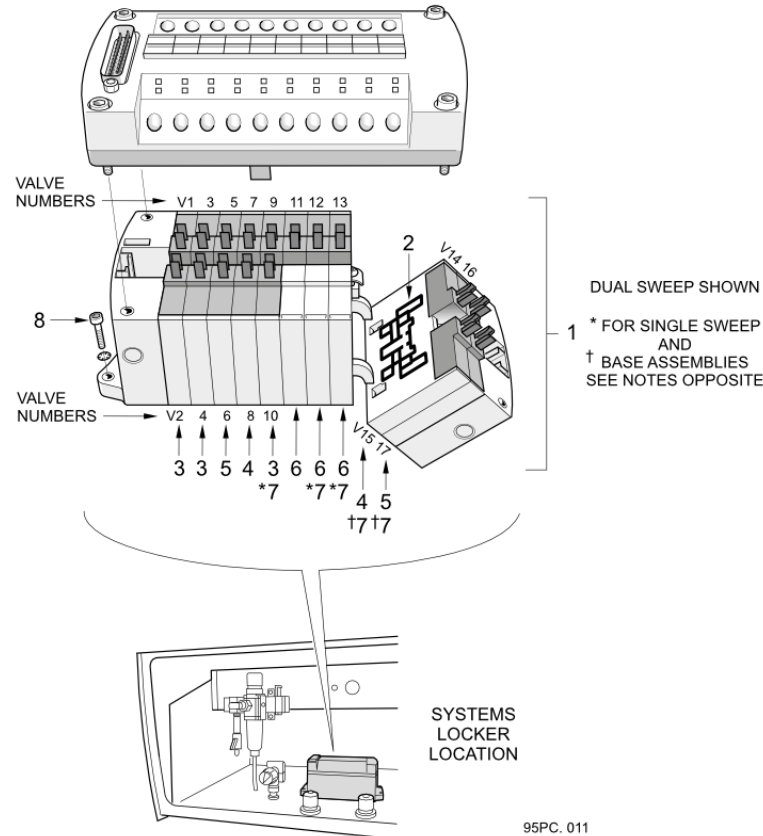
95PC. 011

**VM10 Valve Island Dual Base (-)**

## Pneumatics - Systems Locker Components

Item no.	Part no.	Description	QTY	Unit
1	283305-021	Valve Island 12v Single Base	1	PC
1	283305-023	Valve Island 24v Single Base	1	PC
2	860-1	Gasket-Black VM10 Valve Block	1	PC
2	860-2	Gasket - Red VM10 Valve Block	1	PC
3	860-5	Slice 3/2 - (NO/NC) 12v TC6U	3	PC
3	860-6	Slice 3/2 - (2xNO) 24v NC6U	3	PC
4	860-9	Slice 3/2 - (2xNC) 12v TA6U	1	PC
4	860-10	Slice 3/2 - (2xNC) 24v NA6U	1	PC
5	860-7	Slice 3/2 - (2xNO) 12v TB6U	1	PC
5	860-8	Slice 3/2 - (2xNO) 24v NB6U	1	PC
6	860-3	Slice 5/2 - 12v TG6U	3	PC
6	860-4	Slice 5/2 - 24v NG6U	3	PC
7	860-30	Slice - Blank B000	2	PC
8	129-35	Screw MC Cap Skt Hd M4x16	4	PC
8	450-269	Washer Shakeproof M4	4	PC

**VM10 Valve Island Dual Option (-)**  
Pneumatics - Systems Locker Components



Notes:

12v Segments start with T\*\*\*  
24v Segments start with N\*\*\*

\* Valve Segments V9/V10, 12 and V13 are replaced with blanking segments (7) on Single Sweep.  
†Valve Segments V14/15, V16/17 are replaced with blanking segments (7) on No Options.

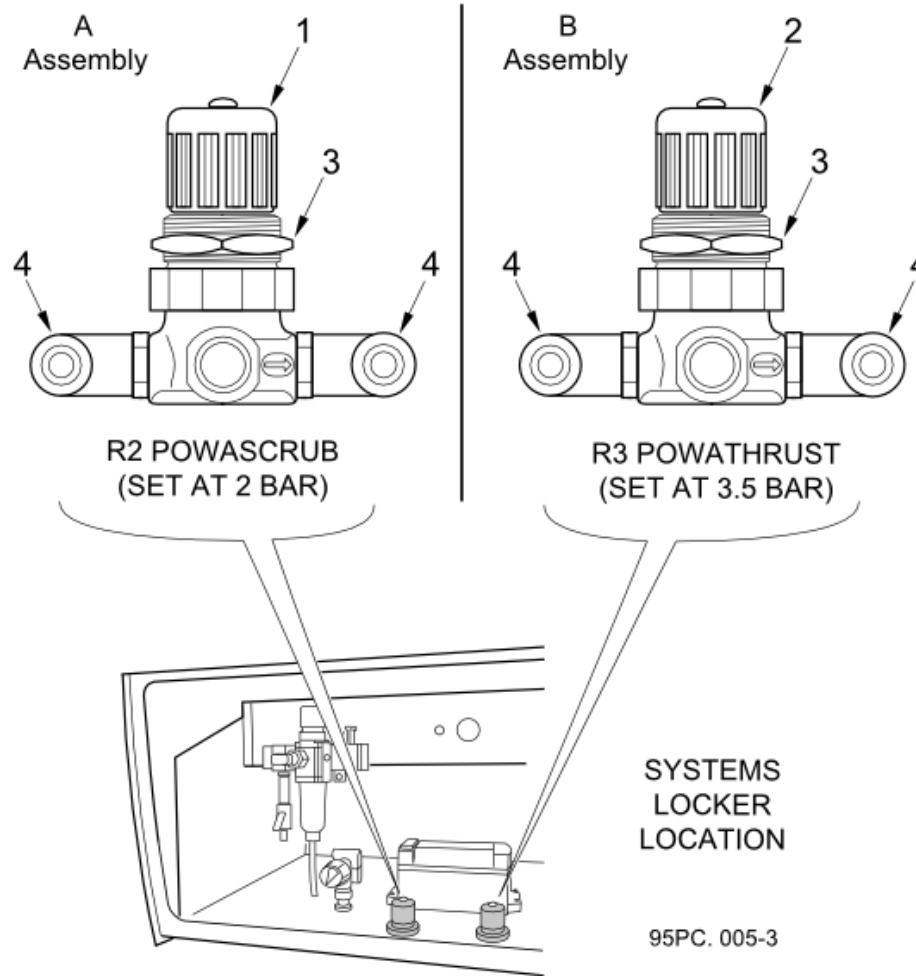
95PC. 011

**VM10 Valve Island Dual Option (-)**

## Pneumatics - Systems Locker Components

Item no.	Part no.	Description	QTY	Unit
1	283305-021	Valve Island 12v Single Base	1	PC
1	283305-023	Valve Island 24v Single Base	1	PC
2	860-1	Gasket-Black VM10 Valve Block	1	PC
2	860-2	Gasket - Red VM10 Valve Block	1	PC
3	860-5	Slice 3/2 - (NO/NC) 12v TC6U	3	PC
3	860-6	Slice 3/2 - (2xNO) 24v NC6U	3	PC
4	860-9	Slice 3/2 - (2xNC) 12v TA6U	2	PC
4	860-10	Slice 3/2 - (2xNC) 24v NA6U	2	PC
5	860-7	Slice 3/2 - (2xNO) 12v TB6U	2	PC
5	860-8	Slice 3/2 - (2xNO) 24v NB6U	2	PC
6	860-3	Slice 5/2 - 12v TG6U	3	PC
6	860-4	Slice 5/2 - 24v NG6U	3	PC
8	129-35	Screw MC Cap Skt Hd M4x16	4	PC
8	450-269	Washer Shakeproof M4	4	PC

**Regulators (-)**  
Pneumatics - Systems Locker Components



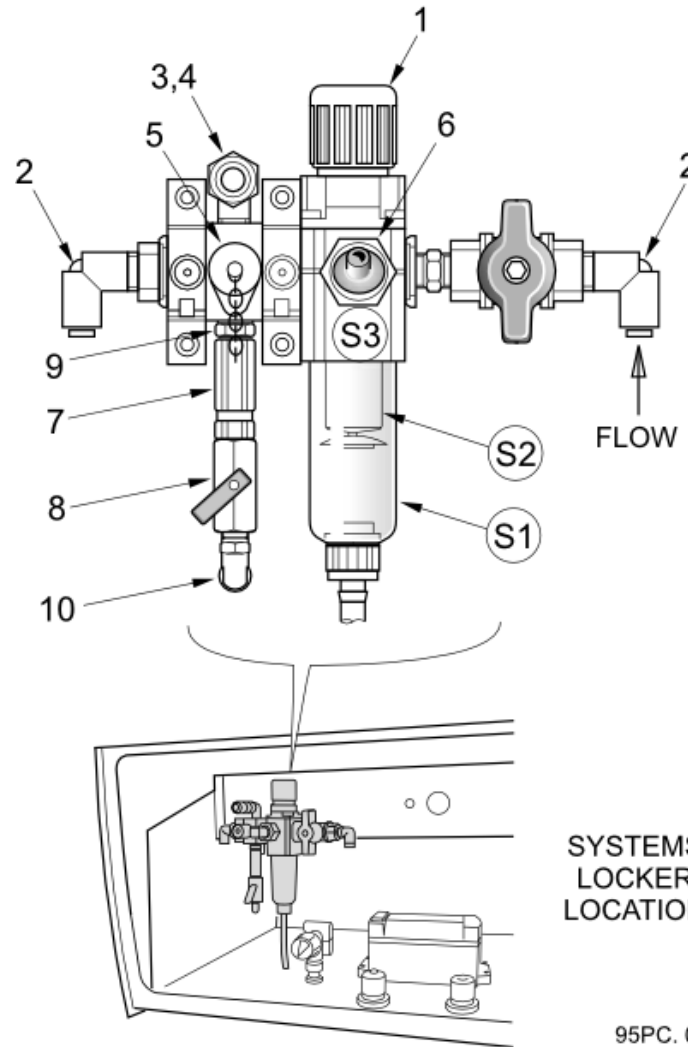


## Regulators (-)

Pneumatics - Systems Locker Components

Item no.	Part no.	Description	QTY	Unit
A	283526-1	2.0 Bar Pre-Set Regulator Assy	1	PC
B	283524-1	3.5 Bar Pre-Set Regulator Assy	1	PC
1	283526-2	2.0 Bar Pre-Set Regulator	1	PC
2	283524-2	3.5 Bar Pre-Set Regulator	1	PC
3	72-15	Panel - Ring (Suit B72/14)	1	PC
4	538-3	Elbow Push-In 6mm x 1/8" BSPT	2	PC

**Filter/Regulator (FR) (-)**  
Pneumatics - Systems Locker Components

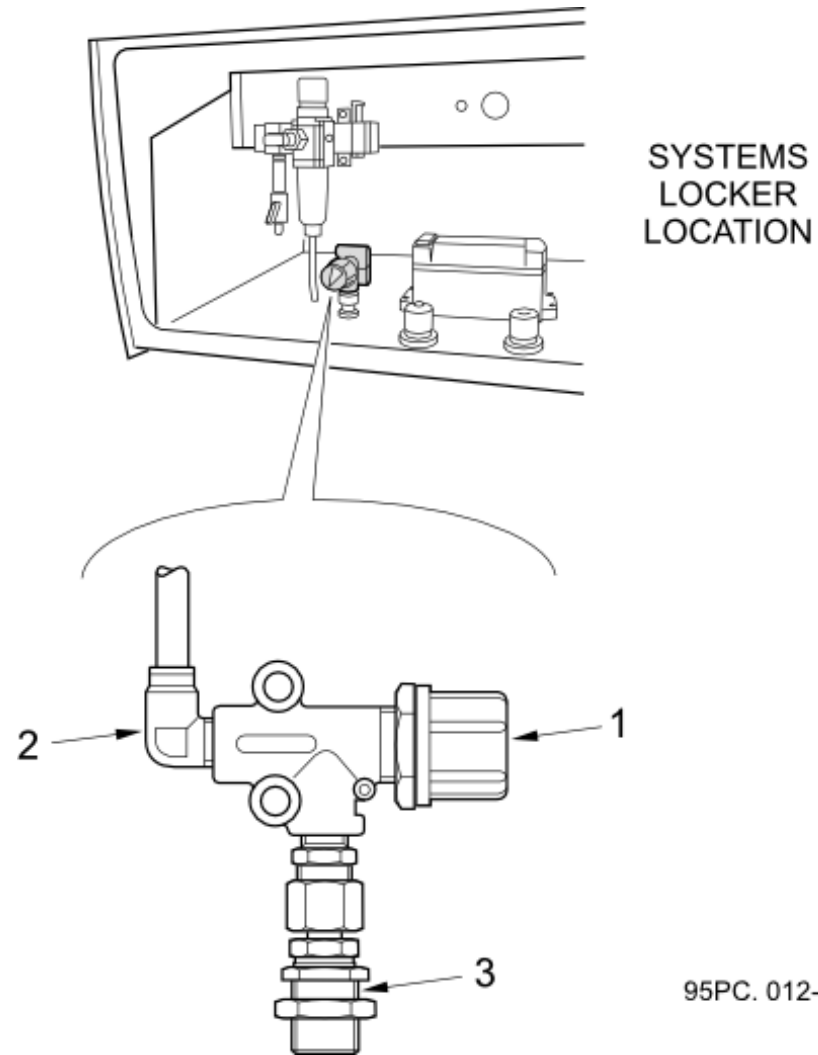


95PC. 006-4

**Filter/Regulator (FR) (-)**  
 Pneumatics - Systems Locker Components

Item no.	Part no.	Description	QTY	Unit
0	221498-1	Filter/Regulator Assy 500/650	1	PC
Comprising items 1-10				
S1	72-30	Bowl - Regulator To Suit 72/24	1	PC
S2	72-39	Filter - For 72/24 Air Section	1	PC
S3	72-29	Seal Kit Filter To Suit 72/24	1	PC
1	283510-2	Filter/Regulator	1	PC
2	538-9	Elbow Push-In 8mm x 1/4" BSPT	2	PC
3	559-121	Quick Release Coup Plug G1/4	1	PC
3	559-120	Quick Release Coup Socket G1/4	1	PC
4	72-60	Elbow - 1/4M-1/4F	1	PC
5	665-26	Valve - Testpoint G1/4 Type B	1	PC
6	72-71	Switch - Pressure for 72/24	1	PC
6	509-5	Adaptor - 1/8" NPTF (F) x R1/8	1	PC
7	72-73	Non Return Valve - G 1/8"	1	PC
8	72-35	Ball Valve G1/8" F x G1/8" F	1	PC
9	558-2	1/4 x 1/8 BSPT M/M Nipple	1	PC
10	553-3	Adaptor - Elbow 6mm x 1/8 BSP	1	PC

**System Protection Valve (-)**  
Pneumatics - Systems Locker Components



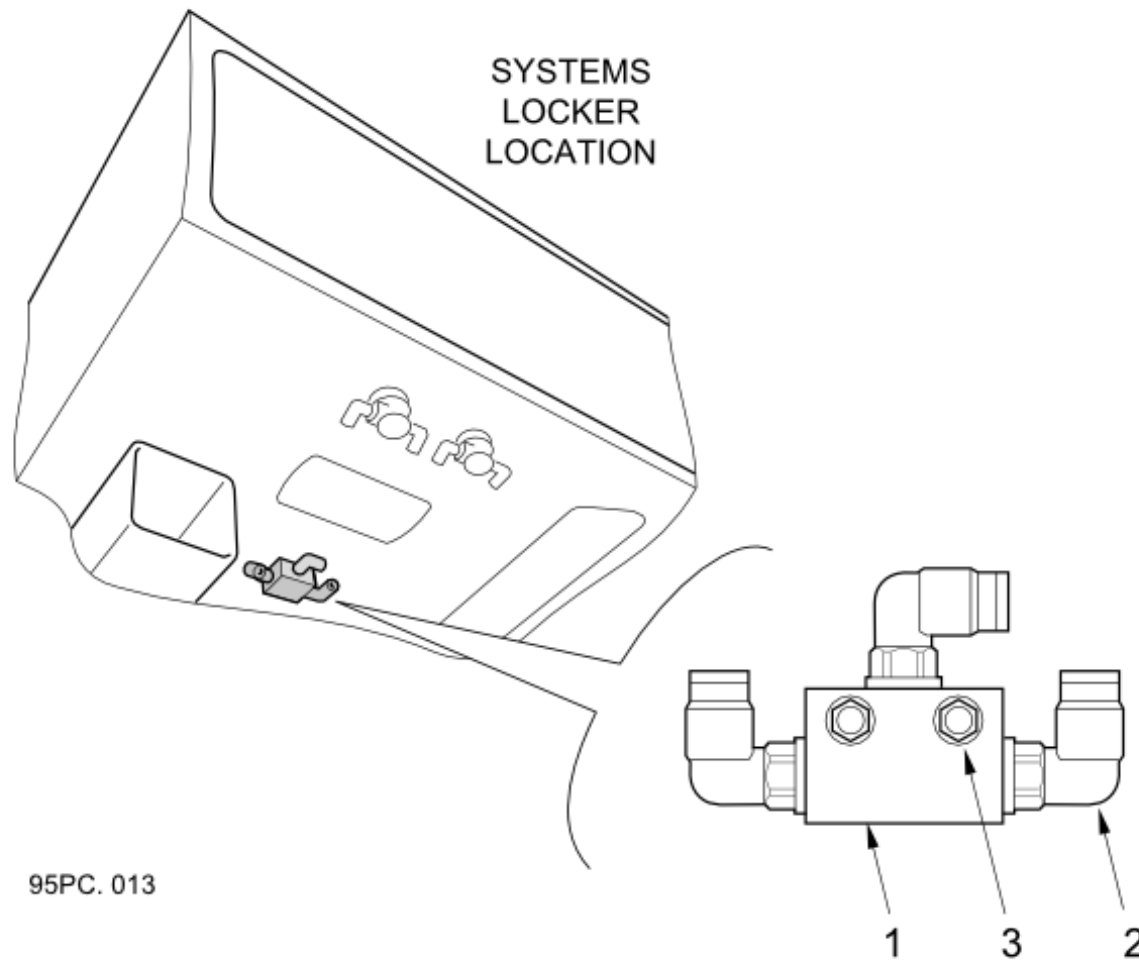
95PC. 012-2

**System Protection Valve (-)**

Pneumatics - Systems Locker Components

Item no.	Part no.	Description	QTY	Unit
0	283525-1	Safety Protection Valve	1	PC
Comprising items 1-3				
1	6779	Valve Pressure Regulator	1	PC
2	538-9	Elbow Push-In 8mm x 1/4" BSPT	1	PC
3	535-1	Bulkhead Connector 1/4" BSPP x M20	1	PC

**Shuttle Valve (-)**  
Pneumatics - Systems Locker Components



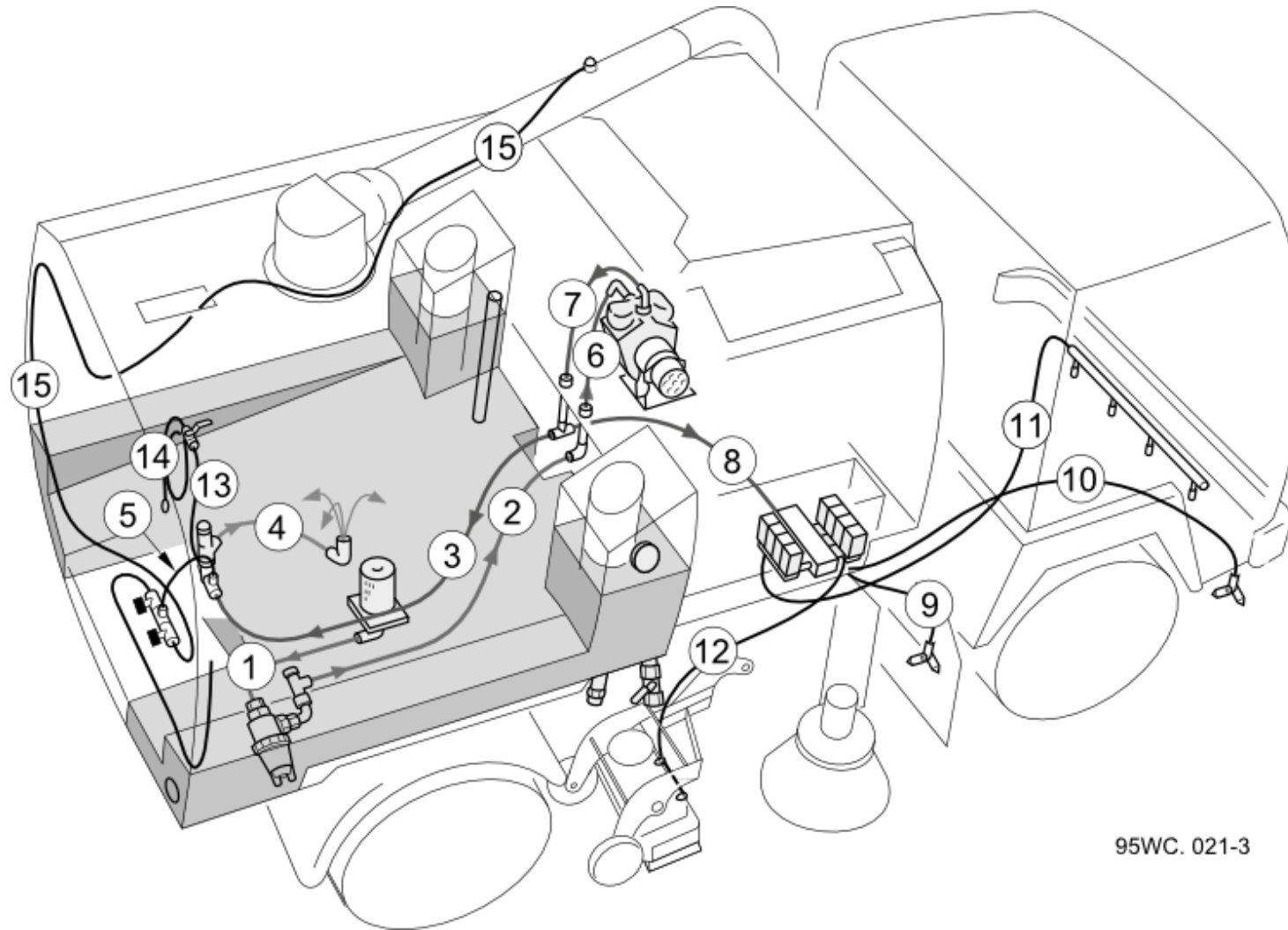
**Shuttle Valve (-)**

Pneumatics - Systems Locker Components

Item no.	Part no.	Description	QTY	Unit
0	283527-1	Shuttle Valve Assy	1	PC
Comprising items 1-2				
1	72-1	Valve - Shuttle	1	PC
2	553-3	Adaptor - Elbow 6mm x 1/8 BSP	3	PC
3	129-38	Screw MC Cap Skt Hd M4x25	2	PC
3	455-5	Washer Plain Plated Steel M4	2	PC
3	450-269	Washer Shakeproof M4	2	PC
3	420-11	Nut MC Hex M4	2	PC

**Water Hoses - Basic System (950512, 950714, 951020)**

Water System - Hoses



95WC. 021-3



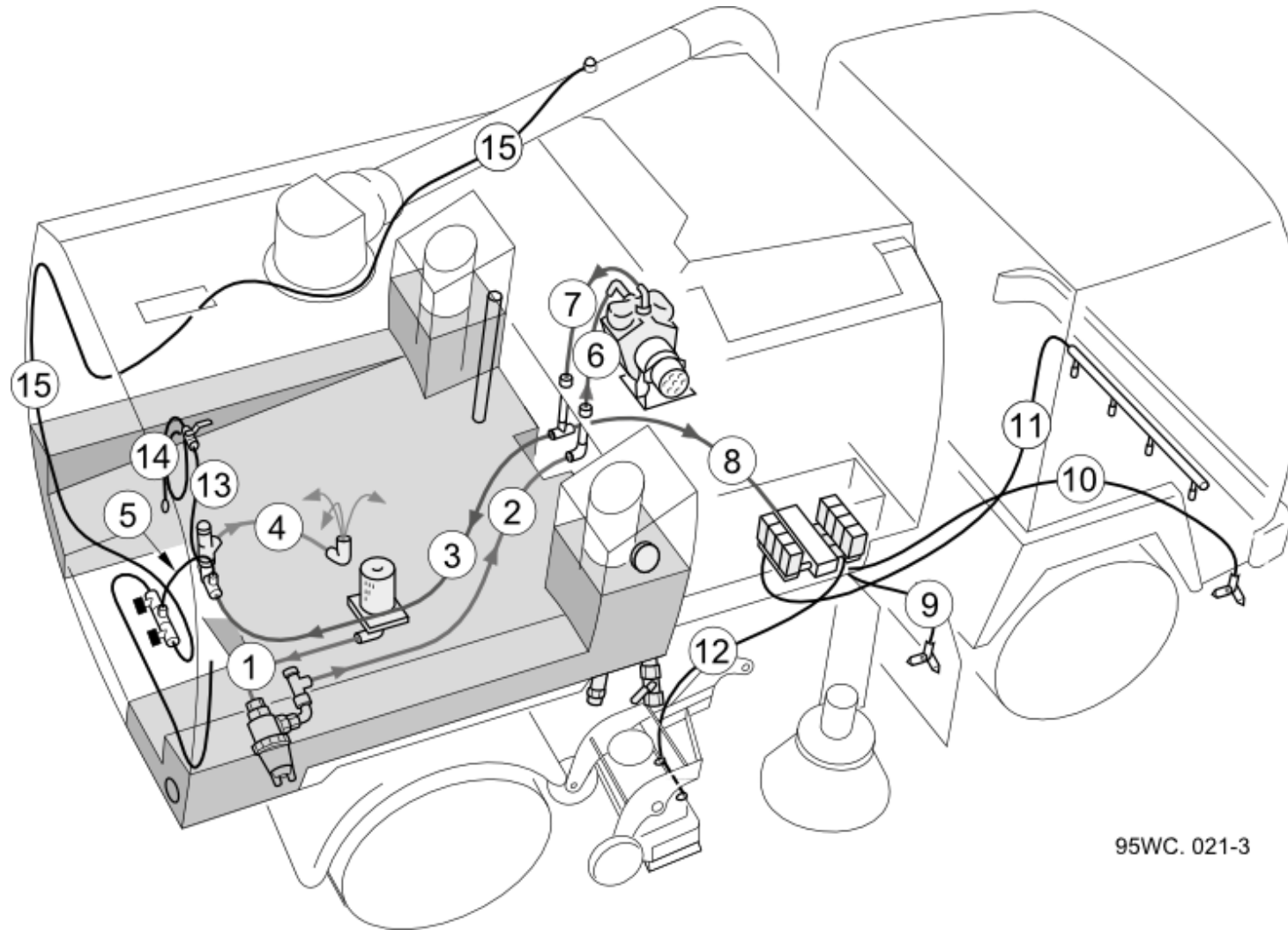
## Water Hoses - Basic System (950512, 950714, 951020)

## Water System - Hoses

Item no.	Part no.	Description	QTY	Unit
1	497-H24	Hose-Premoflex, 1 1/2" Bore	1	M
1	501-4	Clip Hose Worm Drive 30-40mm	2	PC
2	6117	Hose - 1" Bore	1	M
2	501-4	Clip Hose Worm Drive 30-40mm	2	PC
2	24-1	Cable Tie 282mm x 8mm	3	PC
3	497-H12	Hose - 3/4" Bore	1	M
3	501-3	Clip Hose Worm Drive 22-30mm	2	PC
3	24-1	Cable Tie 282mm x 8mm	4	PC
4	497-H12	Hose - 3/4" Bore	1	M
4	501-3	Clip Hose Worm Drive 22-30mm	2	PC
5	6111	Hose - Water 1/2"	1	M
5	501-2	Hose Clip - Worm Drive (14-22)	2	PC
6	6117	Hose - 1" Bore	1	M
6	501-4	Clip Hose Worm Drive 30-40mm	2	PC
6	24-1	Cable Tie 282mm x 8mm	2	PC
7	497-H12	Hose - 3/4" Bore	1	M
7	501-3	Clip Hose Worm Drive 22-30mm	2	PC
8	497-H12	Hose - 3/4" Bore	1	M
8	501-3	Clip Hose Worm Drive 22-30mm	2	PC
9	39444	Hose - Black Plastic 3/8" Bore	1	M
9	501-1	Hose Clip - Worm Drive (11-16)	2	PC
9	39444	Hose - Black Plastic 3/8" Bore	1	M
9	501-1	Hose Clip - Worm Drive (11-16)	2	PC
10	39444	Hose - Black Plastic 3/8" Bore	1	M

**Water Hoses - Basic System (950512, 950714, 951020)**

Water System - Hoses



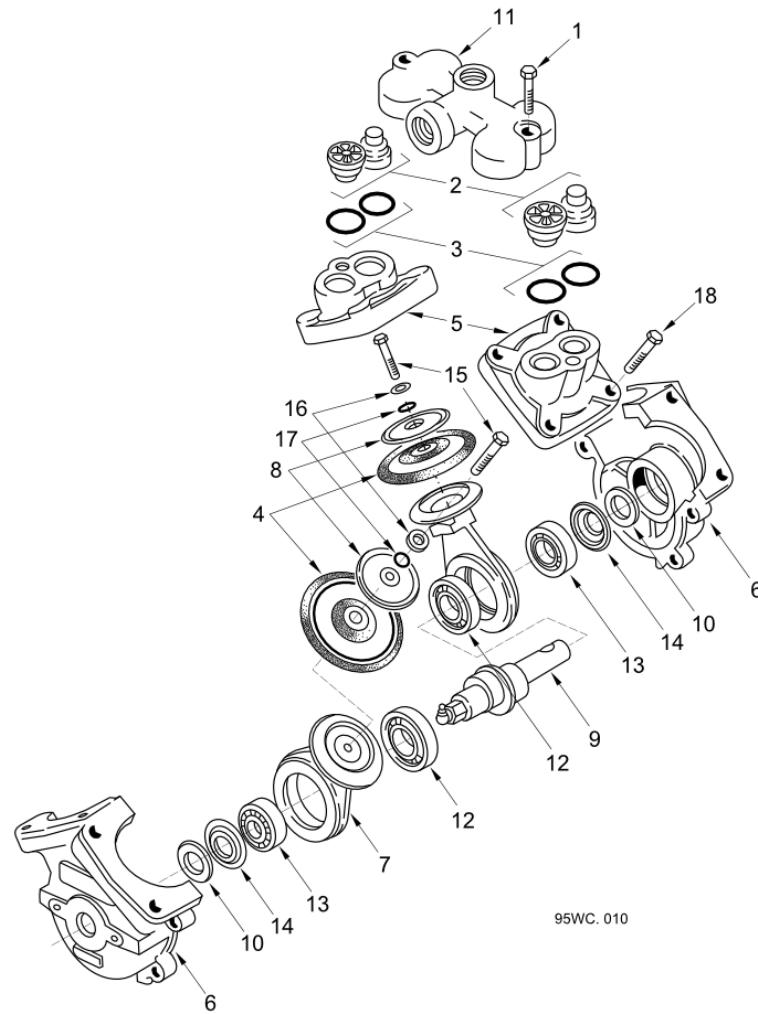
95WC. 021-3

## Water Hoses - Basic System (950512, 950714, 951020)

## Water System - Hoses

Item no.	Part no.	Description	QTY	Unit
10	501-1	Hose Clip - Worm Drive (11-16)	2	PC
10	39444	Hose - Black Plastic 3/8" Bore	1	M
10	501-1	Hose Clip - Worm Drive (11-16)	2	PC
11	39444	Hose - Black Plastic 3/8" Bore	1	M
11	501-1	Hose Clip - Worm Drive (11-16)	2	PC
12	39444	Hose - Black Plastic 3/8" Bore	1	M
12	501-1	Hose Clip - Worm Drive (11-16)	2	PC
12	39444	Hose - Black Plastic 3/8" Bore	1	M
12	501-1	Hose Clip - Worm Drive (11-16)	2	PC
13	6111	Hose - Water 1/2"	1	M
13	501-2	Hose Clip - Worm Drive (14-22)	2	PC
14	6111	Hose - Water 1/2"	1	M
14	501-2	Hose Clip - Worm Drive (14-22)	2	PC
15	39444	Hose - Black Plastic 3/8" Bore	1	M
15	501-1	Hose Clip - Worm Drive (11-16)	2	PC

**Pump Assembly (-)**  
Water System - Low Pressure Pump



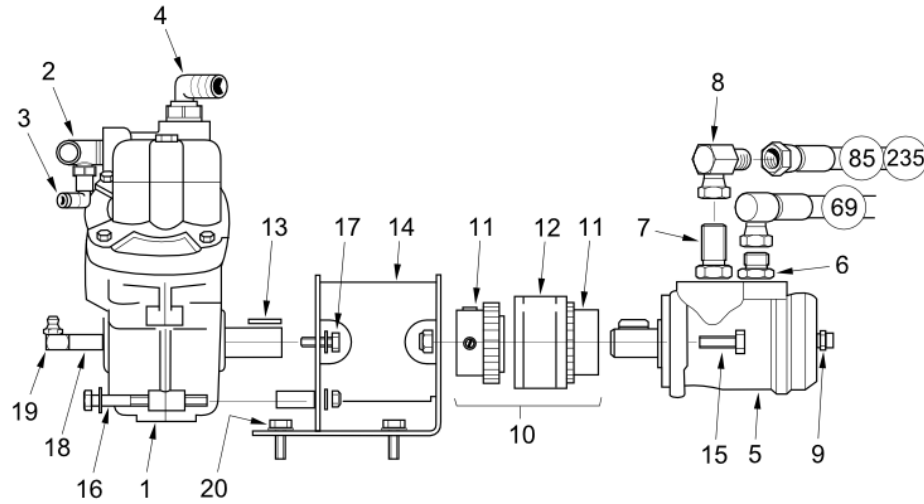
95WC.010

**Pump Assembly (-)**

## Water System - Low Pressure Pump

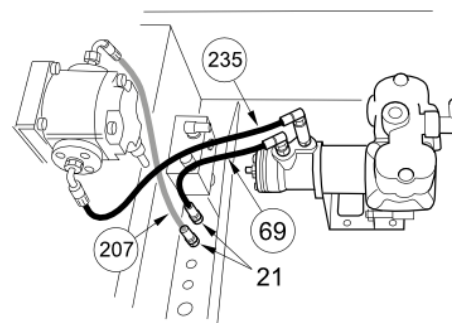
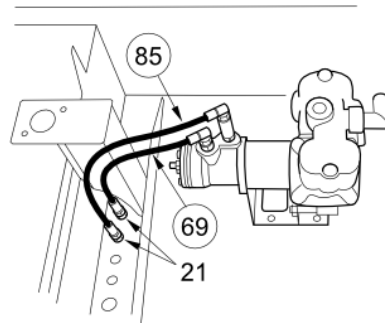
Item no.	Part no.	Description	QTY	Unit
0	22599-1-B	Pump - Water	1	PC
Comprising items 1-18				
0	15824-6	Kit Pump Spares	1	PC
Comprising items 2-4				
1	15824-2-E	Bolt	4	PC
2	15824-3-E	Valve Assy - Complete	4	PC
3	15824-4-E	Seal - O Ring	4	PC
4	15824-5	Diaphragm	2	PC
5	15824-7-E	Head - Cylinder	2	PC
6	15824-8-E	Crankcase	1	PC
7	15824-9-E	Rod - Connecting	2	PC
8	15824-10-E	Pad - Tension	2	PC
9	22599-2	Crankshaft	1	PC
10	15824-12	O Ring	2	PC
11	15824-13-E	Manifold	1	PC
12	14-18	Bearing - 35x62x14	2	PC
13	14-32	Bearing - 25x52x15	2	PC
14	15824-16-E	Cover - Dust	2	PC
15	15824-17	Bolt	2	PC
16	15824-18	Washer	2	PC
17	15824-19-E	O Ring	2	PC
18	15824-2-E	Bolt	8	PC

**Pump Installation (950512)**  
Water System - Low Pressure Pump



VT HYDRAULIC HOSE ROUTING

VS HYDRAULIC HOSE ROUTING



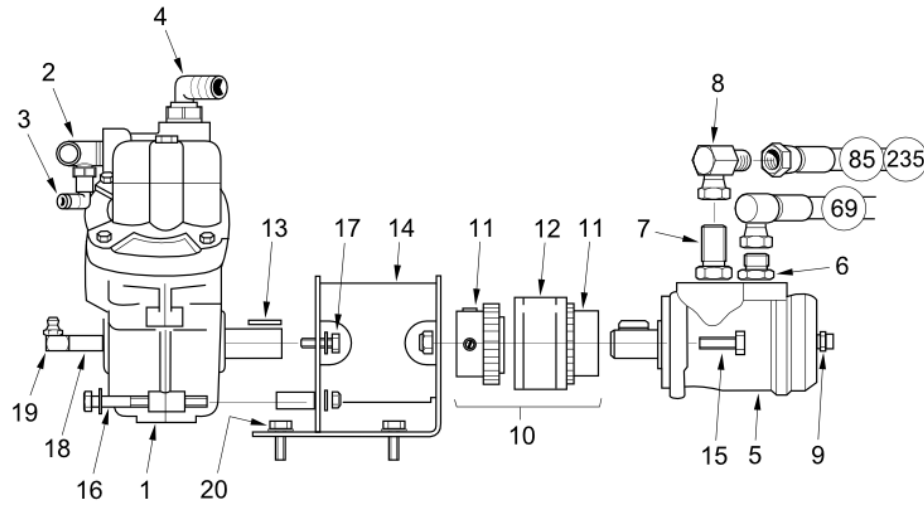
95WC. 009-11

**Pump Installation (950512)**

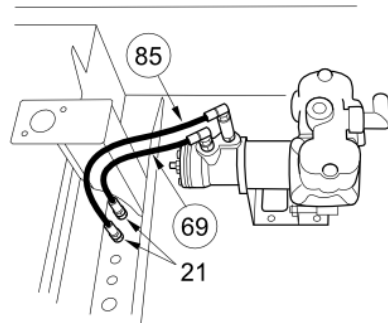
## Water System - Low Pressure Pump

Item no.	Part no.	Description	QTY	Unit
1	22599-1-B	Pump - Water	1	PC
2	49827-1	Elbow	1	PC
3	538-8	Elbow Swivel 6mm x 1/4" BSP	1	PC
4	277-231	Elbow & Hosetail 3/4"BSPTx3/4"	1	PC
5	244-10	Motor - Hydraulic OMP32	1	PC
5	244-500	Seal Kit - Hydraulic Motor	1	PC
5	11879	Key	1	PC
6	263-4	Adaptor M/M 1/2" BSP	1	PC
6	451-19	Washer - Bonded G1-2"	1	PC
7	264-22	Adaptor-M/M 1/2" BSP Ext Bulk	1	PC
7	451-19	Washer - Bonded G1-2"	1	PC
8	262-4	Swivel Elbow 90 Degree Size 1/2"BSP	1	PC
9	518-8	Adaptor Straight 8 OD 1/4" BSP	1	PC
10	282809-1	Coupling - Assembly	1	PC
11	282809-2	Coupling - Hub Ø25mm Bore	2	PC
12	282809-3	Coupling - Sleeve	1	PC
13	282817-1	Key - Water Pump Coupling	1	PC
14	282811-1	Water Pump Mount W/Assy	1	PC
15	124-207	Setscrew M12C x 40	2	PC
15	455-12	Washer Plain Plated Steel M12	2	PC
15	425-16	Nut Nyloc Hex M12c	2	PC
16	123-118	Bolt M Coarse M8x90 BS3692	2	PC
16	455-10	Washer Plain Plated Steel M8	4	PC
16	425-14	Nut Nyloc Hex MC M8	2	PC

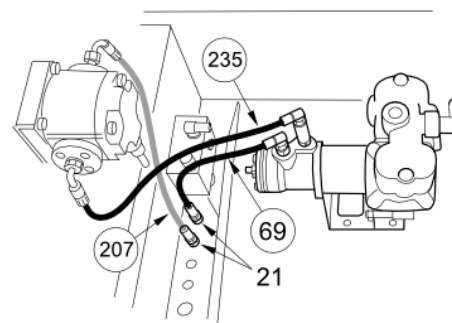
**Pump Installation (950512)**  
Water System - Low Pressure Pump



VT HYDRAULIC HOSE ROUTING



VS HYDRAULIC HOSE ROUTING



95WC. 009-11

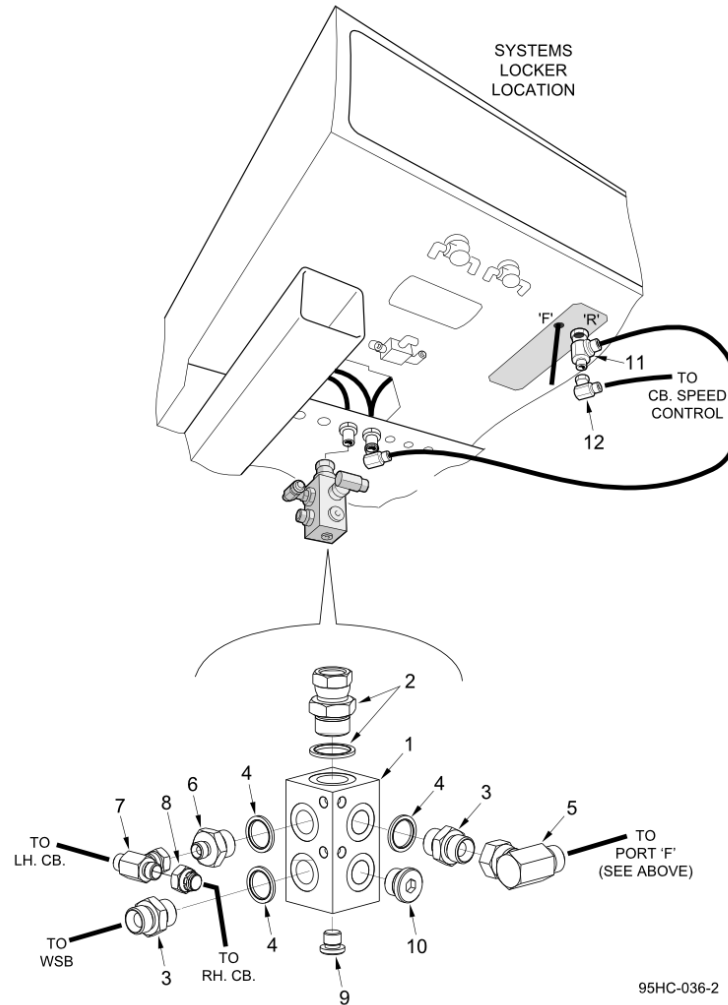


**Pump Installation (950512)**

Water System - Low Pressure Pump

Item no.	Part no.	Description	QTY	Unit
17	124-169	Setscrew M10C x 25	2	PC
17	460-11	Washer Spring Single Coil M10	2	PC
17	455-11	Washer Plain Plated Steel M10	2	PC
18	95780-1	Adaptor - G1/8 M-F	1	PC
19	38-8	Nipple Grease 1/8 BSP x 90 deg	1	PC
20	124-137	Setscrew M8C x 25	4	PC
20	455-10	Washer Plain Plated Steel M8	4	PC
21	264-4	Adaptor-Bulkhead BSP M/M 1/2"	2	PC
21	410-80	Nut - Back 1/2" BSP Plated Stl	2	PC
69	HC08003-40	Hose - Megaflex 1/2" STRx90c	1	PC
85	HC08003-45	Hose - Megaflex 1/2" STRx90c	1	PC
207	HC08002-75	Hose - Megaflex 1/2" STRx90s	1	PC
235	HC08002-91	Hose - Megaflex 1/2" STRx90s	1	PC

**Pump Hydraulic Manifold (950512)**  
Water System - Low Pressure Pump

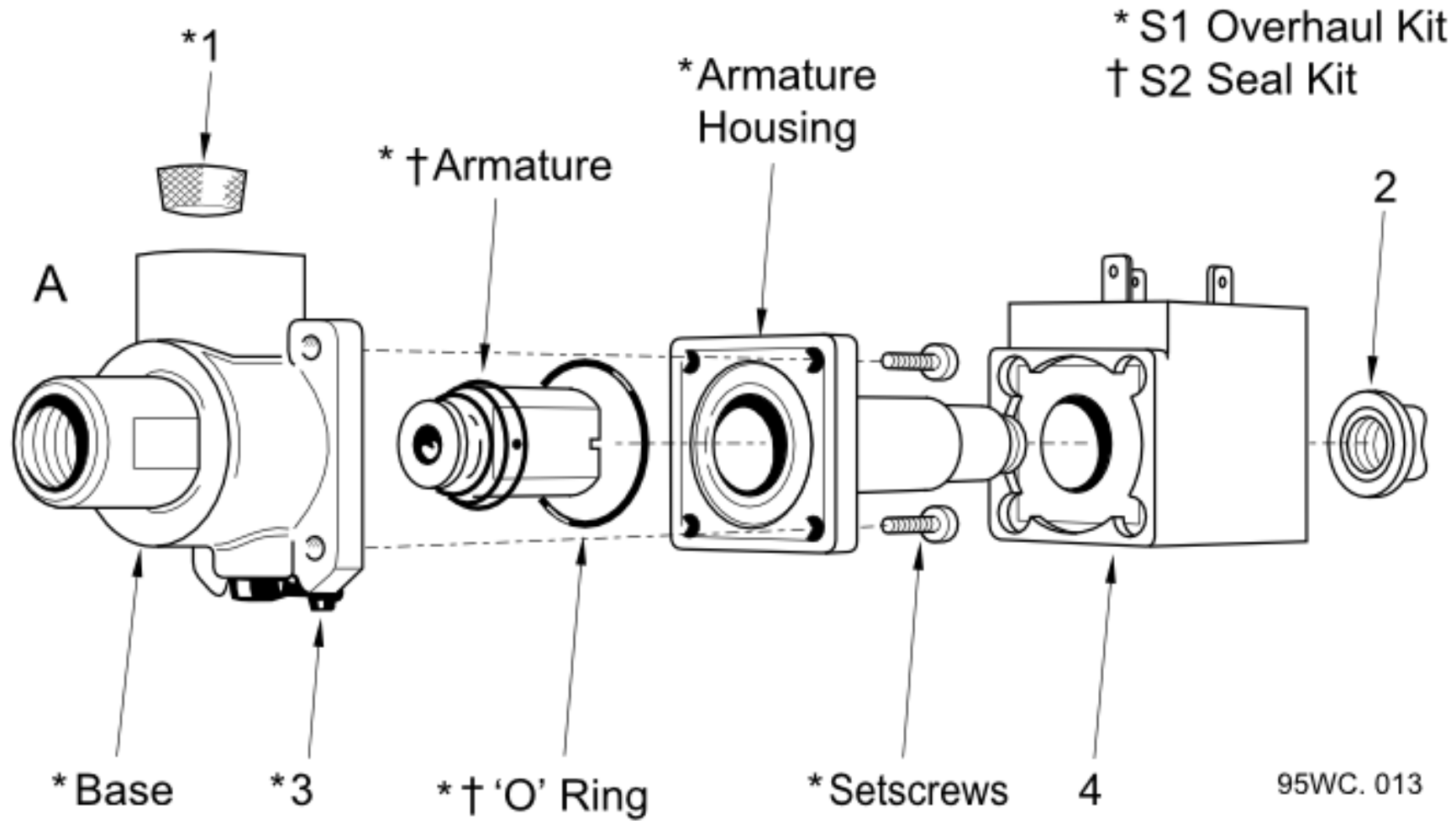


**Pump Hydraulic Manifold (950512)**

Water System - Low Pressure Pump

Item no.	Part no.	Description	QTY	Unit
0	283533-1	Hyd Distribution Manifold	1	PC
Comprising items 1-10				
1	281548-1	Manifold-Hydraulic S/Frame	1	PC
2	252-16	ADAPTOR-HYDRAULIC 3/4"-1/2"BSP	1	PC
2	451-21	Washer Bonded G3-4"	1	PC
3	263-4	Adaptor M/M 1/2" BSP	2	PC
4	451-19	Washer - Bonded G1-2"	2	PC
5	262-4	Swivel Elbow 90 Degree Size 1/2"BSP	1	PC
6	265-100	Adaptor Restricting 1/4"x1/2" BSP	1	PC
7	255-2	Tee - 1/4" BSP O/D M/M/F	1	PC
8	68-19	Cap Female 1/4" BSP	1	PC
9	54-2	Plug - Collar G1/4" BSP	1	PC
10	54-4	Plug - Collar G1/2" BSP	1	PC
11	277-56	Tee - 3/8"M x 1/2"M x 1/2"F	1	PC
12	262-3	Swivel Elbow 90 Degree Size 3/8"BSP	1	PC

**Solenoid Valve Assembly (-)**  
Water System - Control Valves

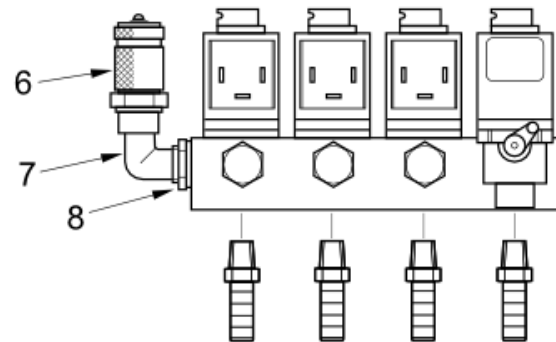
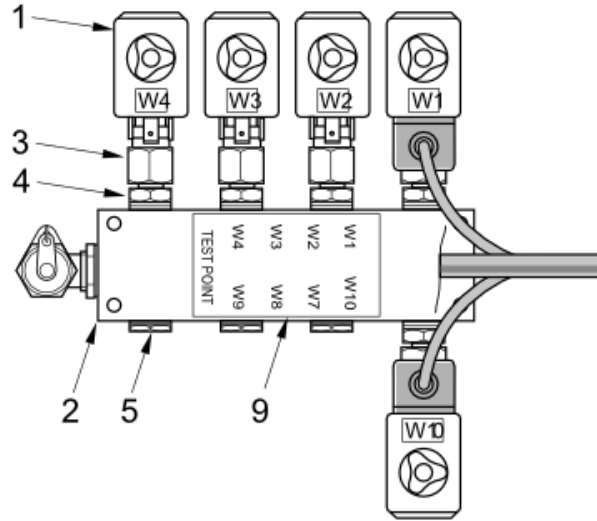


**Solenoid Valve Assembly (-)**

## Water System - Control Valves

Item no.	Part no.	Description	QTY	Unit
A	281372-1	Valve-Water Solenoid Assy 12v	1	PC
Comprising items 1-9				
A	281372-2	Valve-Water Solenoid Assy 24v	1	PC
Comprising items 1-9				
S1	281372-3	Kit - Overhall Type A	1	PC
Overhaul Kit comprising items 1,2,4,6,7,8 and 9				
S2	281372-4	Kit-Seal Valve Water Solenoid	1	PC
Overhaul Kit comprising items 6 and 7				
1	13170	Filter	1	PC
2	281372-5	Locknut - Valve Water Solenoid	1	PC
3	40664-13	Lever - Repair Kit Assy	1	PC
4	281372-12	Coil-Water Solenoid Valve 12v	1	PC
4	281372-24	Coil-Water Solenoid Valve 24v	1	PC

**Valves and Manifold - Single Sweep (-)**  
**Water System - Control Valves**



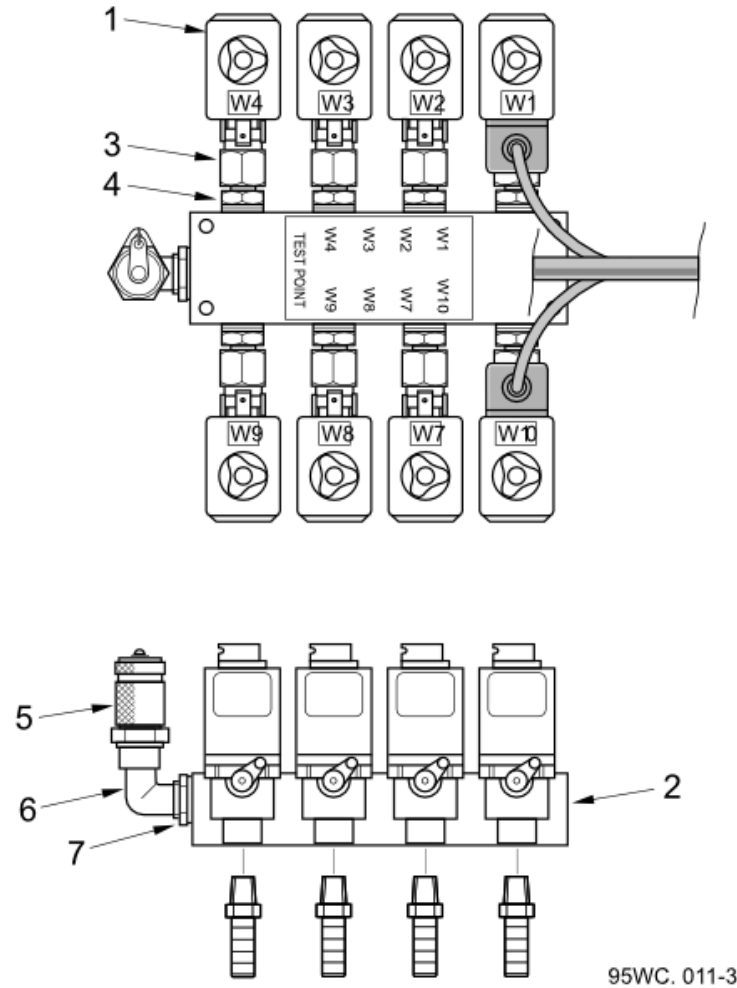
95WC. 012-3

**Valves and Manifold - Single Sweep (-)**

## Water System - Control Valves

Item no.	Part no.	Description	QTY	Unit
0	283861-12	Water Valve Manifold Single 12v	1	PC
Comprising items 1-9				
0	283861-24	Water Valve Manifold Single 24v	1	PC
Comprising items 1-9				
1	281372-1	Valve-Water Solenoid Assy 12v	5	PC
1	281372-2	Valve-Water Solenoid Assy 24v	5	PC
2	283528-1	Water Manifold 10 Station	1	PC
3	601-11	Adaptor-Straight Male Ø 10xR¼"	5	PC
4	601-10	Adaptor-Straight Stem Ø 10xG¼"	5	PC
5	54-14	Plug - G 1/4"	3	PC
6	665-26	Valve - Testpoint G1/4 Type B	1	PC
7	72-60	Elbow - 1/4M-1/4F	1	PC
8	559-110	Reducer - G 3/8" x G 1/4"	1	PC
9	283629-1	Baffle Locator Upper Aux Tank	1	PC

Valves and Manifold - Dual Sweep (-)  
Water System - Control Valves



95WC. 011-3

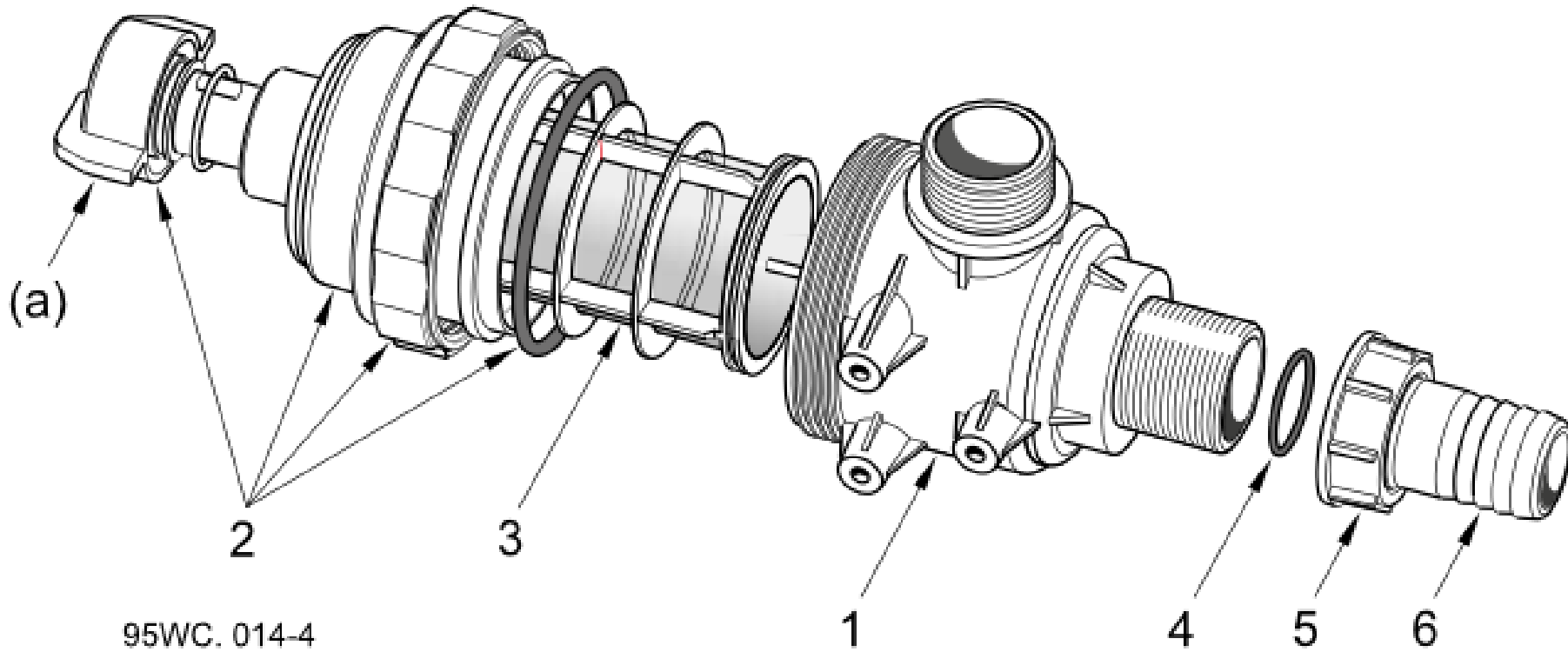


**Valves and Manifold - Dual Sweep (-)**

## Water System - Control Valves

Item no.	Part no.	Description	QTY	Unit
0	221499-12	Water Valve Manifold Dual 12v	1	PC
Comprising items 1-9				
0	221499-24	Water Valve Manifold Dual 24v	1	PC
Comprising items 1-9				
1	281372-1	Valve-Water Solenoid Assy 12v	8	PC
1	281372-2	Valve-Water Solenoid Assy 24v	8	PC
2	283528-1	Water Manifold 10 Station	1	PC
3	601-11	Adaptor-Straight Male Ø 10xR¼"	8	PC
4	601-10	Adaptor-Straight Stem Ø 10xG¼"	8	PC
5	665-26	Valve - Testpoint G1/4 Type B	1	PC
6	72-60	Elbow - 1/4M-1/4F	1	PC
7	559-110	Reducer - G 3/8" x G 1/4"	1	PC

**Rear Water Filter (-)**  
Water System - Filters

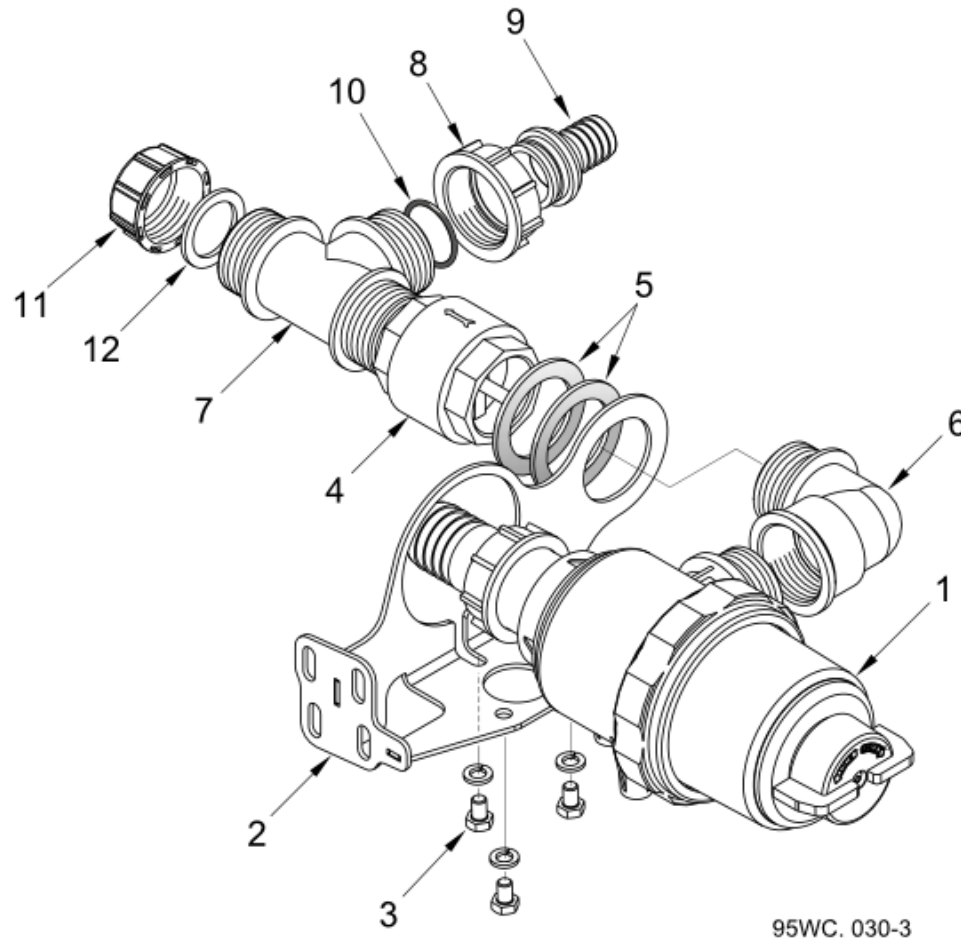


**Rear Water Filter (-)**  
Water System - Filters

Item no.	Part no.	Description	QTY	Unit
0	281750-20	Body - Water Filter	1	PC
Comprising items 1-6				
1	277-181	Body - Water Filter	1	PC
2	277-185	Water Filter Bowl Assembly	1	PC
3	277-247	Water Filter Mesh- grey with O Rings	1	PC
4	277-171	'O' Ring	2	PC
5	277-170	Flynut 1 1/2 BSP	2	PC
6	277-183	Flynut hose tail 38mm Barb	1	PC

**Water Filter Sub-Assembly (950714)**

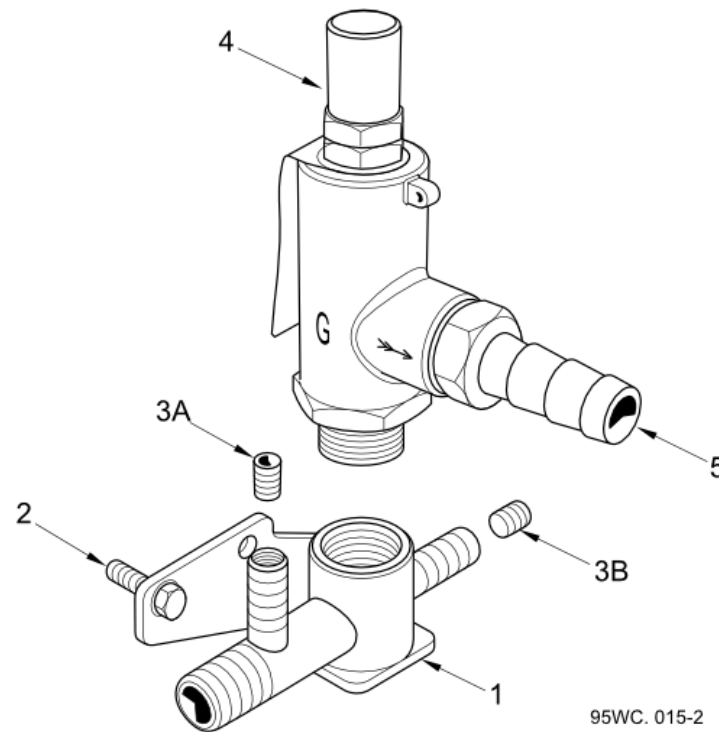
Water System - Filters



**Water Filter Sub-Assembly (950714)**

## Water System - Filters

Item no.	Part no.	Description	QTY	Unit
1	293979-1	Water Filter Sub Assy VT550	1	PC
Comprising items 1-12				
2	293976-1	Water Filter Bracket W/A	1	PC
3	124-132	Setscrew M8C x 12	3	PC
3	460-10	Washer Spring Single Coil M8	3	PC
4	277-278	Check Valve Polyprop 1 1/2"	1	PC
5	277-214	Gasket - 1 1/2"	2	PC
6	277-261	Elbow - 90° G1½"(M)x G1½"(F)	1	PC
7	277-215	Tee - 1 1/2" BSP	1	PC
8	277-170	Flynut 1 1/2 BSP	1	PC
9	277-169	Flynut hose tail 25mm Barb	1	PC
10	277-171	'O' Ring	1	PC
11	277-203	Blanking cap - 1 1/2"	1	PC
12	277-262	Gasket - G1 1/2"	1	PC

**Relief Valve Instalation (950714)**  
Water System**Note:**

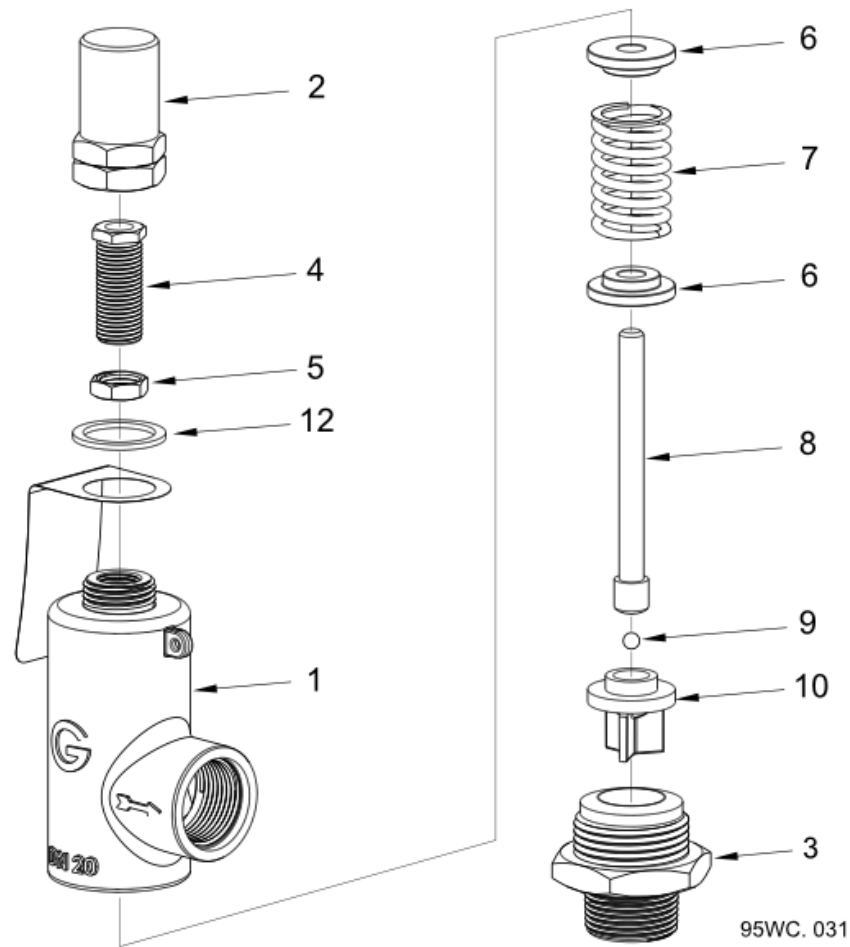
Relief Valve item 4, shown above and on the next page, has replaced the previous valve pt. no. 3698-11 which is no longer available. Both valves are interchangeable. Refer to Technical Bulletin TB 1423 for the introduction of this current valve.

## Relief Valve Instalation (950714)

Water System

Item no.	Part no.	Description	QTY	Unit
1	281075-1	Manifold W/A Water Relief	1	PC
2	124-134	Setscrew M8C x 16	2	PC
2	460-10	Washer Spring Single Coil M8	2	PC
3A	5259	Plug - Taper 1/8 BSP	1	PC
3B	5259	Plug - Taper 1/8 BSP	1	PC
4	284150-1	Safety Relief Valve 3/4"	1	PC
5	277-297	Hosetail 3/4" BSP M x 3/4" Straight	1	PC
5	451-21	Washer Bonded G3-4"	1	PC

**Relief Valve Assembly (950714)**  
Water System

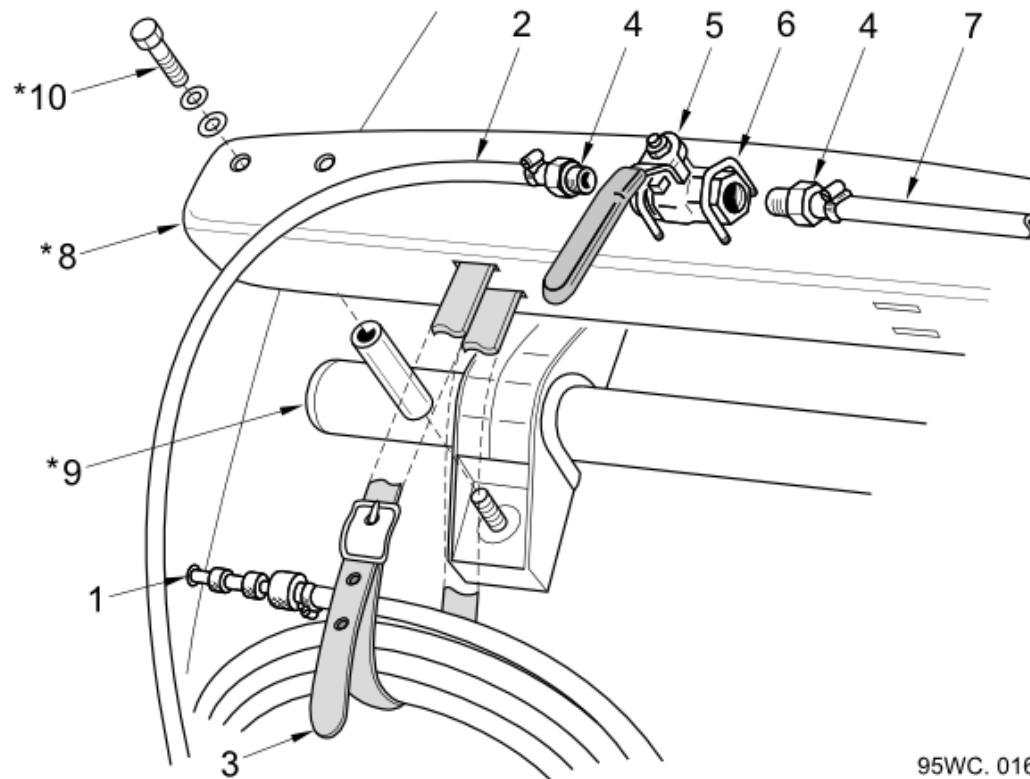




**Relief Valve Assembly (950714)**

Water System

Item no.	Part no.	Description	QTY	Unit
0	284150-1	Safety Relief Valve 3/4"	1	PC
Comprising items 1-12				
1	284150-2	Body	1	PC
2	284150-3	Dome top- Safety Relief Valve	1	PC
3	284150-4	Base - Safety Relief Valve	1	PC
4	284150-5	Adjusting Screw for 284150-1	1	PC
5	284150-6	Lock Nut - Safety Relief Valve	1	PC
6	284150-7	Spring plate for 284150-1	2	PC
7	284150-12	Spring	1	PC
8	284150-8	Spindle for 284150-1	1	PC
9	284150-9	Ball Bearing for 284150-1	1	PC
10	284150-10	Valve for 284150-1	1	PC
12	284150-13	Washer for 284150-1	1	PC

**Washdown Hose (-)  
Water System**

95WC. 016

**Note:**

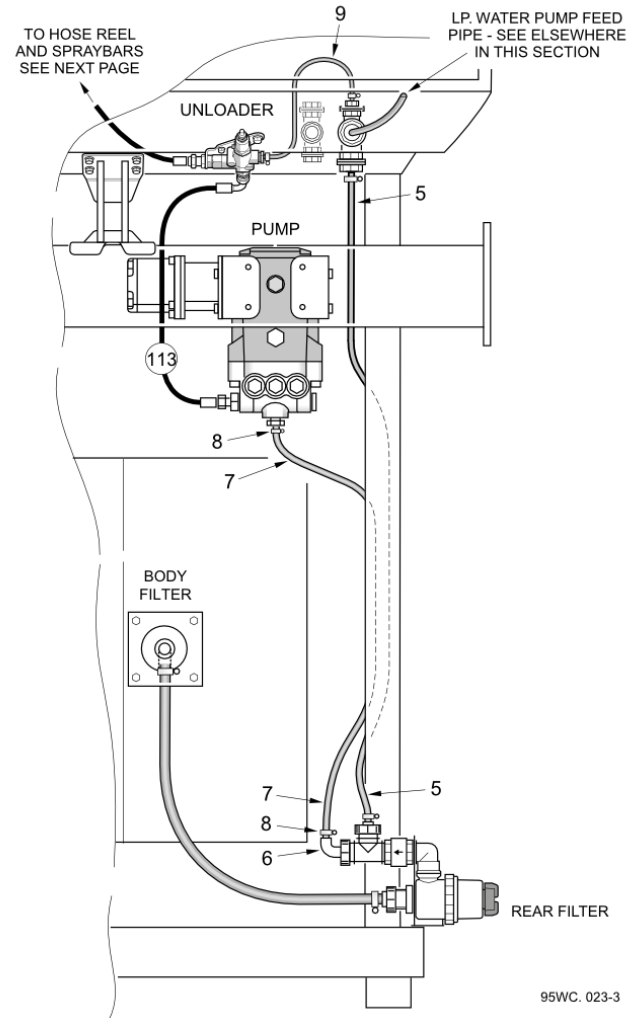
- \* Items 8,9,10 - valve mounting and hose stowage are chassis dependant. Contact the Johnston Parts Department, quoting the machine serial number, for further information. These parts, plus item 6, are not supplied with a standard ESU.

## Washdown Hose (-)

Water System

Item no.	Part no.	Description	QTY	Unit
1	6137	Nozzle - Spray, 1/2" Bore	1	PC
2	6111	Hose - Water 1/2"	6	M
2	501-2	Hose Clip - Worm Drive (14-22)	2	PC
3	3786	Strap & Buckle Leather	1	PC
4	41006-1-C	Hose Adaptor - R3/8"xØ8mm	2	PC
5	89-1	Ball Valve 3/8 BSP 1/4 Turn	1	PC
6	6105-1-C	Bolt - U M6c	2	PC
6	455-8	Washer Plain Plated Steel M6	4	PC
6	425-13	Nut Nyloc Hex M6C	4	PC
7	6111	Hose - Water 1/2"	1	M
7	501-2	Hose Clip - Worm Drive (14-22)	2	PC

**Circuit and Hoses - Feed and Bypass (KT00195)**  
Supawash Option - Circuit Diagrams and Hoses

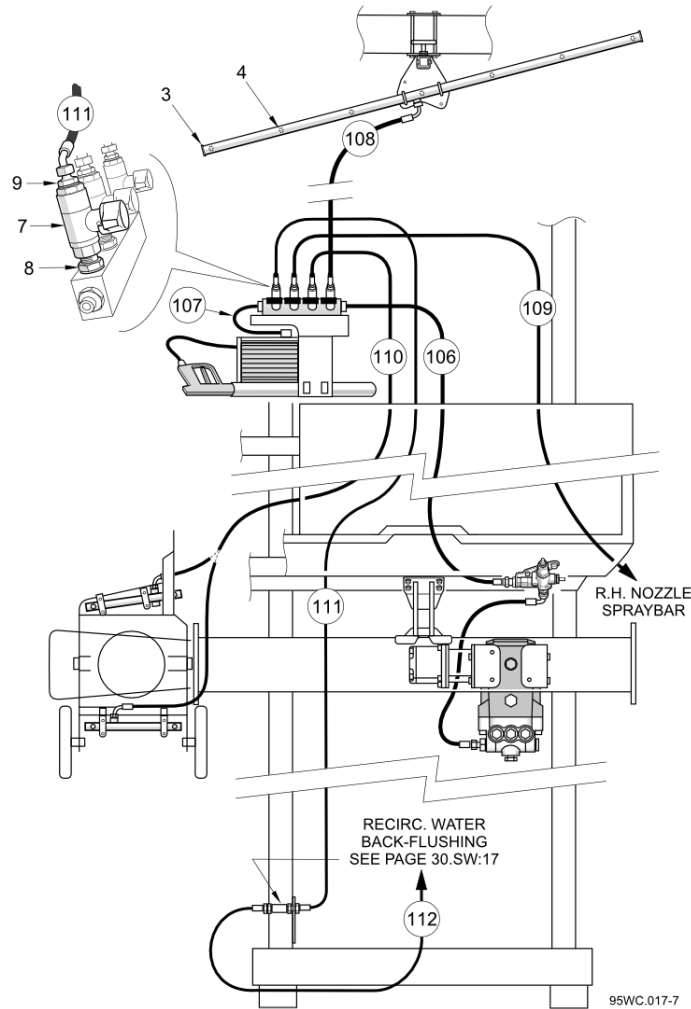


**Circuit and Hoses - Feed and Bypass (KT00195)**

Supawash Option - Circuit Diagrams and Hoses

Item no.	Part no.	Description	QTY	Unit
5	6117	Hose - 1" Bore	2	M
6	277-244	Hosetail - 25mm x 37.5 x 90°	1	PC
6	277-170	Flynut 1 1/2 BSP	1	PC
7	6117	Hose - 1" Bore	1.5	M
8	501-4	Clip Hose Worm Drive 30-40mm	2	PC
9	6111	Hose - Water 1/2"	1	M
9	501-2	Hose Clip - Worm Drive (14-22)	2	PC
113	HC08002-95	Hose - Megaflex 1/2" STRx90s	1	PC

**Circuit and Hoses - Hose Reel and Spraybars (KT06195, KT05995, KT02595)**  
Supawash Option - Circuit Diagrams and Hoses



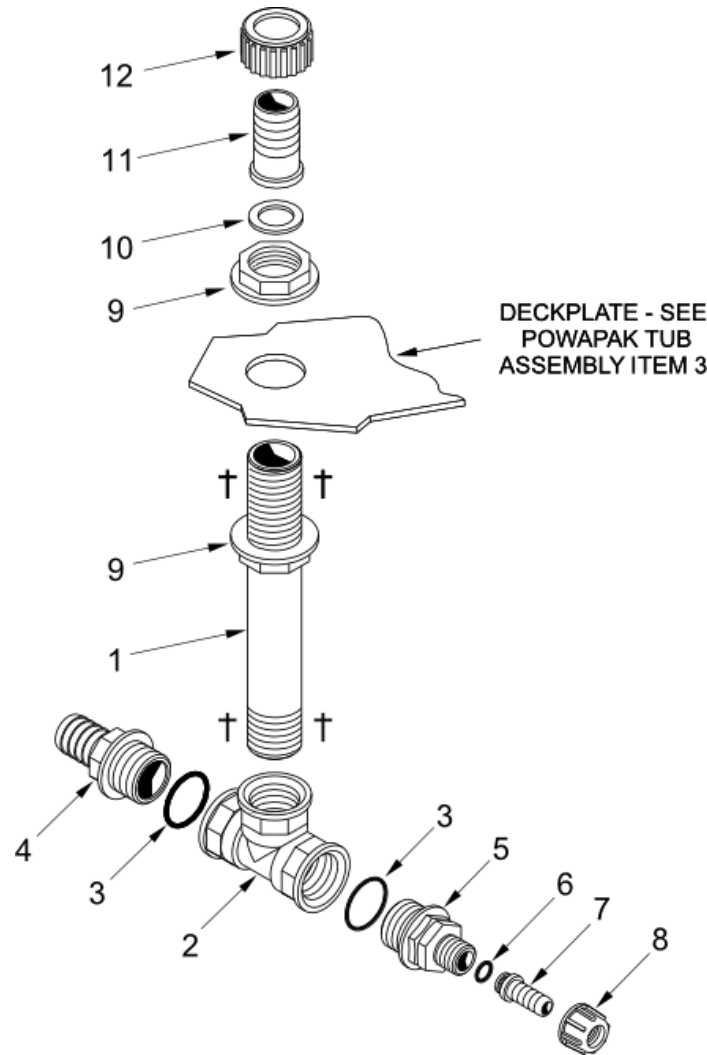
**Circuit and Hoses - Hose Reel and Spraybars (KT06195, KT05995, KT02595)**

Supawash Option - Circuit Diagrams and Hoses

Item no.	Part no.	Description	QTY	Unit
3	282466-1	Spraybar - Front High Press 95	1	PC
4	21-31	Jet - Fan 65 deg. 1/4"	7	PC
7	88-33	Ball Valve 210 Bar 1/2" F	1	PC
8	266-4	Adaptor M/M 1/2"-1/2" BSP	1	PC
8	451-19	Washer - Bonded G1-2"	1	PC
9	265-3	Adaptor Reducing M/M 1/4"-1/2" BSP	1	PC
9	451-19	Washer - Bonded G1-2"	1	PC
106	HC08002-320	Hose - Megaflex 1/2" STRx90s	1	PC
107	HC06043-51-190	Hose - Megaflex 3/8" 90sx90s	1	PC
107	HC06002-51	Hose - Megaflex 3/8" STRx90s	1	PC
108	HC08002-372	Hose - Megaflex 1/2" STRx90s	1	PC
109	HC06002-400	Hose - Megaflex 3/8" STRx90s	1	PC
110	HC06002-320	Hose - Megaflex 3/8" STRx90s	1	PC
111	HC04001-454	Hose - Megaflex 1/4" STRx45s	1	PC
112	HC04002-290	Hose - Megaflex 1/4" STRx90s	1	PC

**Pump Installation - 1" Water Feed Pipe Assembly (KT00195)**

Supawash Option



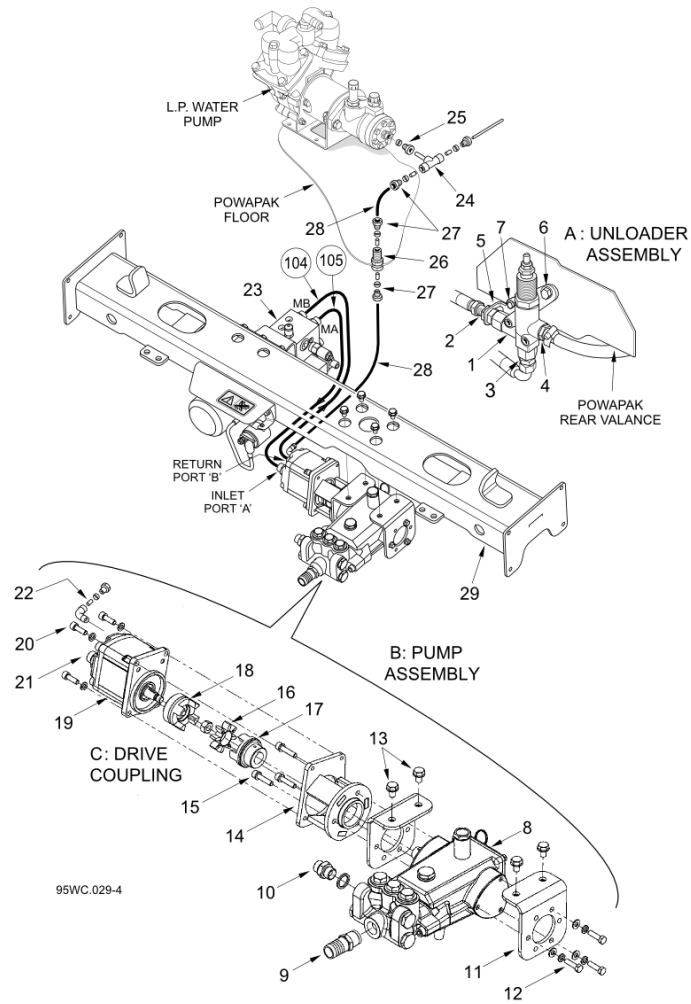
95WC.006-5



**Pump Installation - 1" Water Feed Pipe Assembly (KT00195)**

Supawash Option

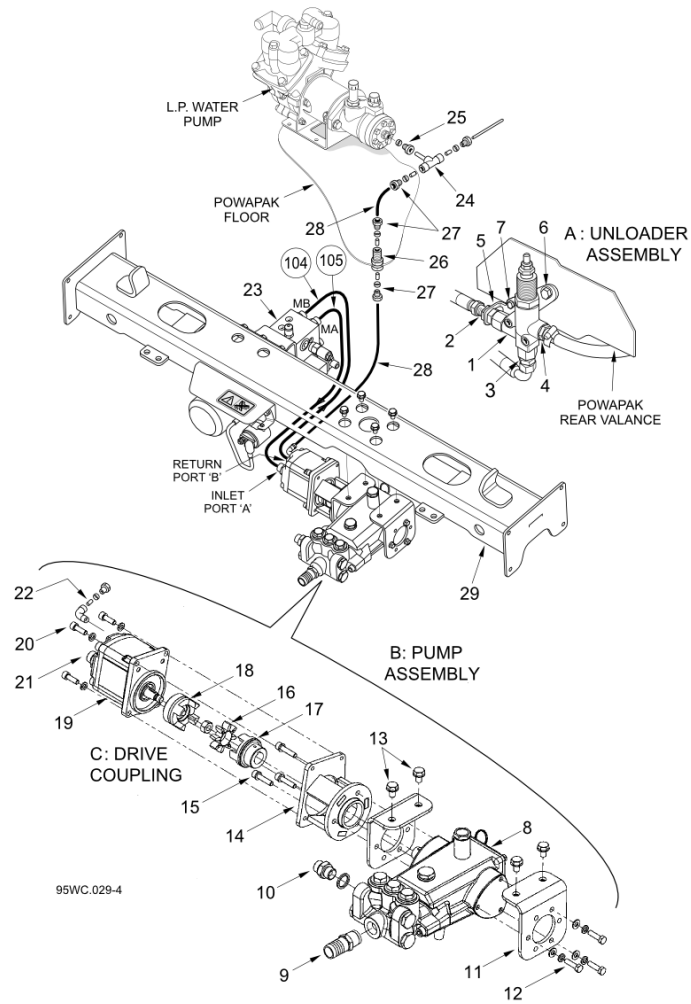
Item no.	Part no.	Description	QTY	Unit
0	283793-1	Water Pipe Assy With Supawash	1	PC
Comprising items 1-12				
1	281667-1	Pipe - PVC Water 1" NB	1	PC
2	277-128	Tee - 1" BSP Equal	1	PC
3	277-149	Seal O-Ring For 1" Thread	2	PC
4	277-125	Hosetail 1" BSP	1	PC
5	277-216	Nipple Reducing G 1 x G 1/2	1	PC
6	277-220	O Ring 1/2" BSP Cap & Liner	1	PC
7	277-217	Flynut hose tail 13mm Barb	1	PC
8	277-218	Flynut - 1/2", Geoline	1	PC
9	277-165	Backnut 1" F	2	PC
10	277-163	Gaske 1" For 277/161	1	PC
11	277-161	Hosetail 25mm Flat Seat	1	PC
12	277-162	Flynut 1" BSP	1	PC

**Pump and Unloader Installation (KT00195, 950712)  
Supawash Option**


## Pump and Unloader Installation (KT00195, 950712)

Supawash Option

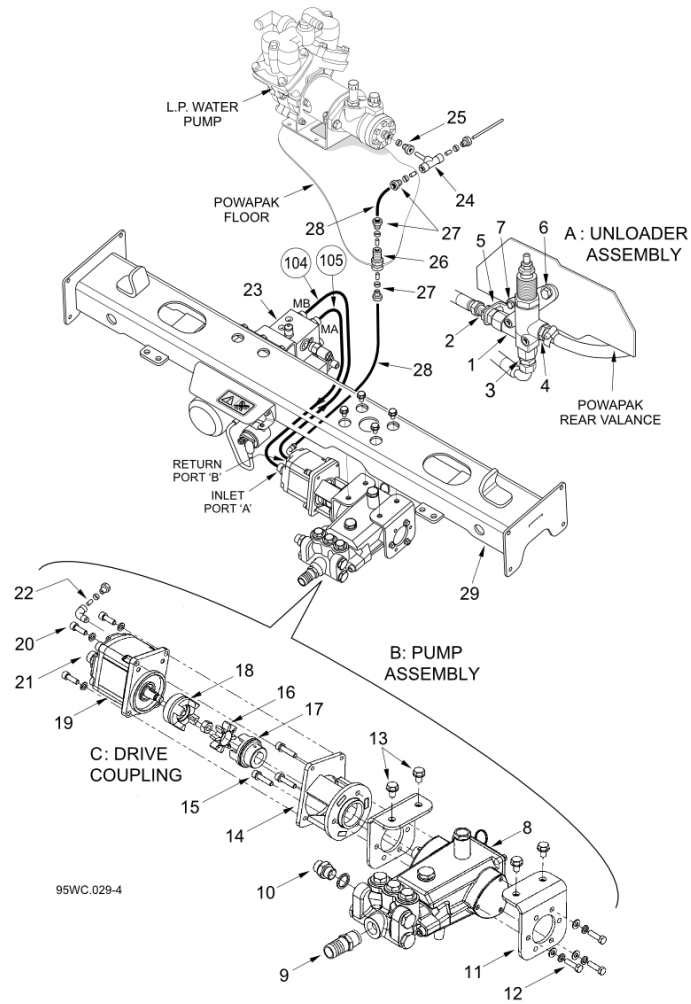
Item no.	Part no.	Description	QTY	Unit
A	283710-1	Unloader Sub-Assembly Supawash	1	PC
Comprising items 1-7				
B	283839-1	Supawash Pump Sub Assembly	1	PC
Comprising items 8-22				
C	283681-1	Drive Coupling Assy SW Pump	1	PC
Comprising items 6-18				
1	283702-1	Unloader-Supawash Pump	1	PC
2	264-4	Adaptor-Bulkhead BSP M/M 1/2"	1	PC
2	451-19	Washer - Bonded G1-2"	1	PC
3	263-4	Adaptor M/M 1/2" BSP	1	PC
3	451-19	Washer - Bonded G1-2"	1	PC
4	231-66	Male Hose Barb 1/2" x 1/2"	1	PC
5	283804-1	Mtg Plate - Supawash Unloader	1	PC
6	124-171	Setscrew M10C x 30	1	PC
6	460-11	Washer Spring Single Coil M10	1	PC
6	455-11	Washer Plain Plated Steel M10	1	PC
7	124-139	Setscrew M8C x 30	1	PC
7	460-10	Washer Spring Single Coil M8	1	PC
7	455-10	Washer Plain Plated Steel M8	1	PC
8	283701-1	Pump - Supawash	1	PC
8	283701-10	Seal Kit For Pump 283701/1	1	PC
8	283701-11	Valve Kit For Pump 283701/1	1	PC
8	283701-12	Ceramic Pipe For Pump 283701/1	1	PC
9	231-65	Hosetail 3/4" BSPT x 1" Brass	1	PC

**Pump and Unloader Installation (KT00195, 950712)**  
 Supawash Option


## Pump and Unloader Installation (KT00195, 950712)

Supawash Option

Item no.	Part no.	Description	QTY	Unit
10	263-4	Adaptor M/M 1/2" BSP	1	PC
10	451-19	Washer - Bonded G1-2"	1	PC
11	283698-1	Mntg Foot W/Assy Supawash Pump	2	PC
12	123-104	Bolt M Coarse M8x30 BS3692	3	PC
12	460-10	Washer Spring Single Coil M8	3	PC
12	455-10	Washer Plain Plated Steel M8	3	PC
13	125-185	Bolt - M10 x 16 Flanged Durlok	4	PC
14	283695-1	Bell Housing Machining S/Wash	1	PC
15	129-129	Screw MC Cap Skt Hd M8x35	3	PC
16	283684-1	Spider-Drive Coupling SW Pump	1	PC
17	283682-1	Hub Ø 22 Bore Coupling SW Pump	1	PC
18	283683-1	Hub 1:5 Taper Bore Coupling SW	1	PC
19	244-15	Motor - Hydraulic + Drain Port	1	PC
19	240-2	Seal Kit Universal LP/HP Seals	1	PC
20	129-125	Screw MC Cap Skt Hd M8x25	4	PC
21	263-4	Adaptor M/M 1/2" BSP	2	PC
21	451-19	Washer - Bonded G1-2"	2	PC
22	521-8	Adaptor - Elbow Tube O/D 8mm	1	PC
22	511-4	Olive - Tube 8mm O/D	1	PC
22	510-4	Nut - Tube 8mm O/D	1	PC
22	41038-1-B	Sleeve - Support, Pipe 8mm	1	PC
23	283689-12	Hyd Valve Block Supawash 12v	1	PC
23	283689-24	Hyd Valve Block Supawash 24v	1	PC
24	532-23	Tee - Stem 8mm	1	PC

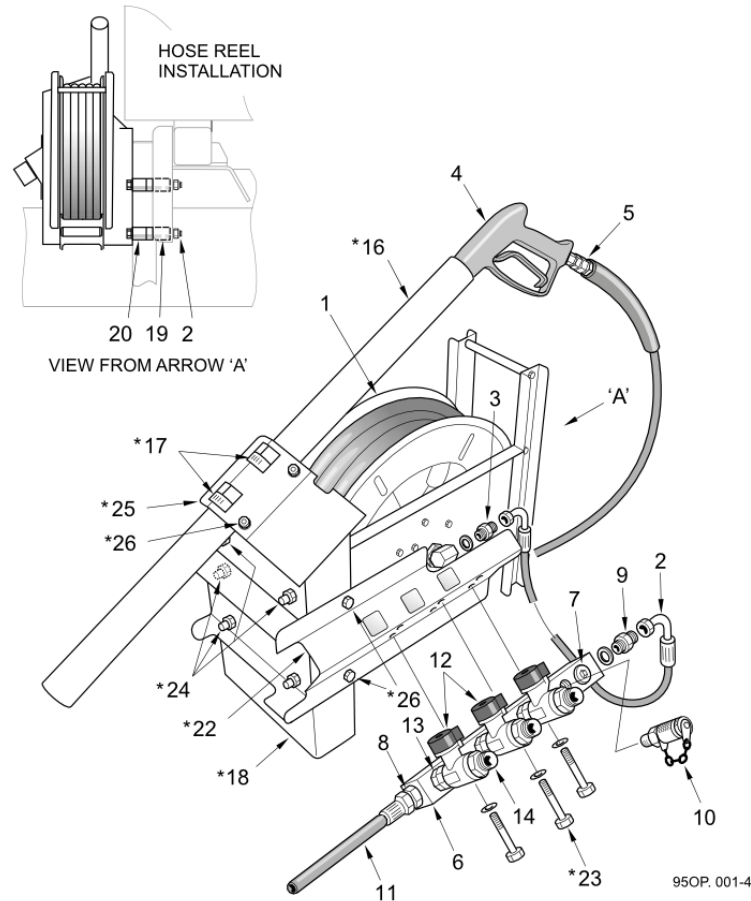
**Pump and Unloader Installation (KT00195, 950712)**  
 Supawash Option


**Pump and Unloader Installation (KT00195, 950712)**

Supawash Option

Item no.	Part no.	Description	QTY	Unit
25	511-4	Olive - Tube 8mm O/D	1	PC
25	510-4	Nut - Tube 8mm O/D	1	PC
26	532-4	Connector Bulkhead M18 x 8 O/D	1	PC
26	532-5	Locknut Connector Bulkhd M18C	1	PC
27	511-4	Olive - Tube 8mm O/D	3	PC
27	510-4	Nut - Tube 8mm O/D	3	PC
27	41038-1-B	Sleeve - Support, Pipe 8mm	3	PC
28	12870	Tube - Nylon Black 8mm O/D	2	M
29	283680-1	Crossmember W/Assy Subframe	1	PC
104	HC08003-76	Hose - Megaflex 1/2" STRx90c	1	PC
105	HC08003-76	Hose - Megaflex 1/2" STRx90c	1	PC

**L.H. V 605, 650 - Iveco 13 and 15 Tonne Chassis (KT06195)**  
**Supawash Option - Hose Reel Installations**



**Notes:**

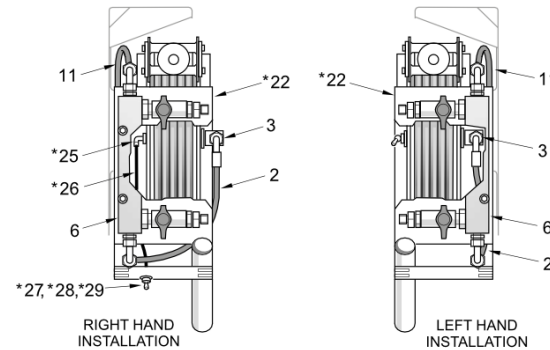
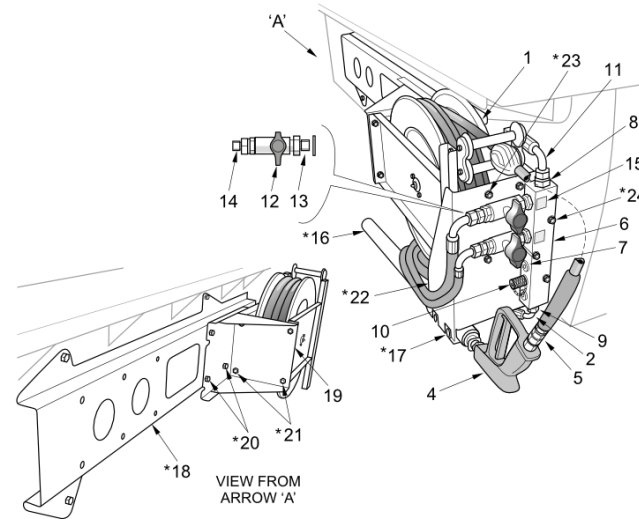
\* Items 16 to 26 - Hose reel and hand lance installation parts are chassis related. Contact the Johnston Parts Department, quoting the machine serial number, for further information. These parts are not supplied with standard ESU's.



## L.H. V 605, 650 - Iveco 13 and 15 Tonne Chassis (KT06195)

## Supawash Option - Hose Reel Installations

Item no.	Part no.	Description	QTY	Unit
0	282475-1	Assembly-Supawash Manifold 95	1	PC
1	667-49	Hose Reel 15 Metre Coil	1	PC
2	HC06043-51-190	Hose - Megaflex 3/8" 90sx90s	1	PC
3	263-3	Adaptor M/M 3/8" BSP	1	PC
3	451-18	Washer Bonded G3/8"	1	PC
4	21-71	Hand Lance Assembly 700mm	1	PC
4	21-69	Pencil Jet 1/4" BSPT	1	PC
4	21-70	Fan Jet 1/4" BSPT	1	PC
5	451-18	Washer Bonded G3/8"	1	PC
6	282229-1	Water Manifold - Supawash	1	PC
7	54-4	Plug - Collar G1/2" BSP	6	PC
8	263-4	Adaptor M/M 1/2" BSP	1	PC
8	451-19	Washer - Bonded G1-2"	1	PC
9	265-4	Adaptor Reducing M/M 3/8"-1/2" BSP	1	PC
9	451-19	Washer - Bonded G1-2"	1	PC
10	665-8	Test Coupling SMK20 - G1/4 Type C	1	PC
11	HC08002-320	Hose - Megaflex 1/2" STRx90s	1	PC
12	88-33	Ball Valve 210 Bar 1/2" F	1	PC
13	266-4	Adaptor M/M 1/2"-1/2" BSP	1	PC
13	451-19	Washer - Bonded G1-2"	1	PC
14	265-4	Adaptor Reducing M/M 3/8"-1/2" BSP	1	PC
14	451-19	Washer - Bonded G1-2"	1	PC

**L.H./R.H V 605, 650 - Most Other Chassis (KT06195)**  
 Supawash Option - Hose Reel Installations


VIEWS SHOWN WITH ITEMS 19 AND 22 CUT AWAY FOR CLARITY 95OP.002-4

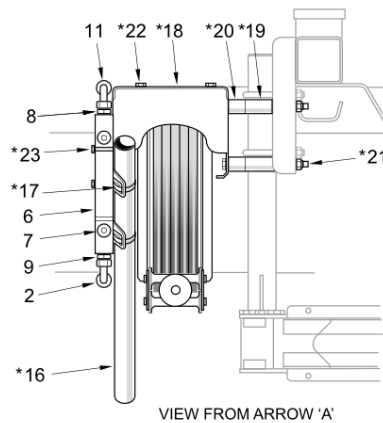
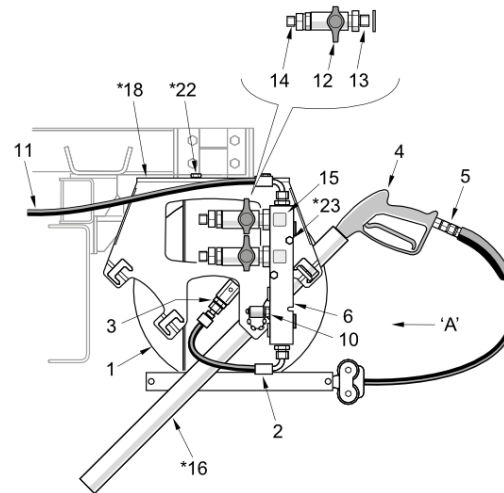
Note:  
 \* Items 16 to 29 - Hose reel and hand lance installation parts are chassis related. Contact the Johnston Parts Department, quoting the machine serial number, for further information. These parts are not supplied with standard ESU's.

## L.H./R.H V 605, 650 - Most Other Chassis (KT06195)

## Supawash Option - Hose Reel Installations

Item no.	Part no.	Description	QTY	Unit
1	667-49	Hose Reel 15 Metre Coil	1	PC
2	HC06043-51-190	Hose - Megaflex 3/8" 90sx90s	1	PC
3	263-3	Adaptor M/M 3/8" BSP	1	PC
3	451-18	Washer Bonded G3/8"	1	PC
4	21-71	Hand Lance Assembly 700mm	1	PC
4	21-69	Pencil Jet 1/4" BSPT	1	PC
4	21-70	Fan Jet 1/4" BSPT	1	PC
5	451-18	Washer Bonded G3/8"	1	PC
6	282229-1	Water Manifold - Supawash	1	PC
7	54-4	Plug - Collar G1/2" BSP	6	PC
8	263-4	Adaptor M/M 1/2" BSP	1	PC
8	451-19	Washer - Bonded G1-2"	1	PC
9	265-4	Adaptor Reducing M/M 3/8"-1/2" BSP	1	PC
9	451-19	Washer - Bonded G1-2"	1	PC
10	665-8	Test Coupling SMK20 - G1/4 Type C	1	PC
11	HC08002-320	Hose - Megaflex 1/2" STRx90s	1	PC
12	88-33	Ball Valve 210 Bar 1/2" F	1	PC
13	266-4	Adaptor M/M 1/2"-1/2" BSP	1	PC
13	451-19	Washer - Bonded G1-2"	1	PC
14	265-4	Adaptor Reducing M/M 3/8"-1/2" BSP	1	PC
14	451-19	Washer - Bonded G1-2"	1	PC
15	295044-1	Label Set-Universal Tanks/Taps	1	PC

**L.H. V 800 - Most Chassis (KT06195)**  
 Supawash Option - Hose Reel Installations



95OP\_003-4

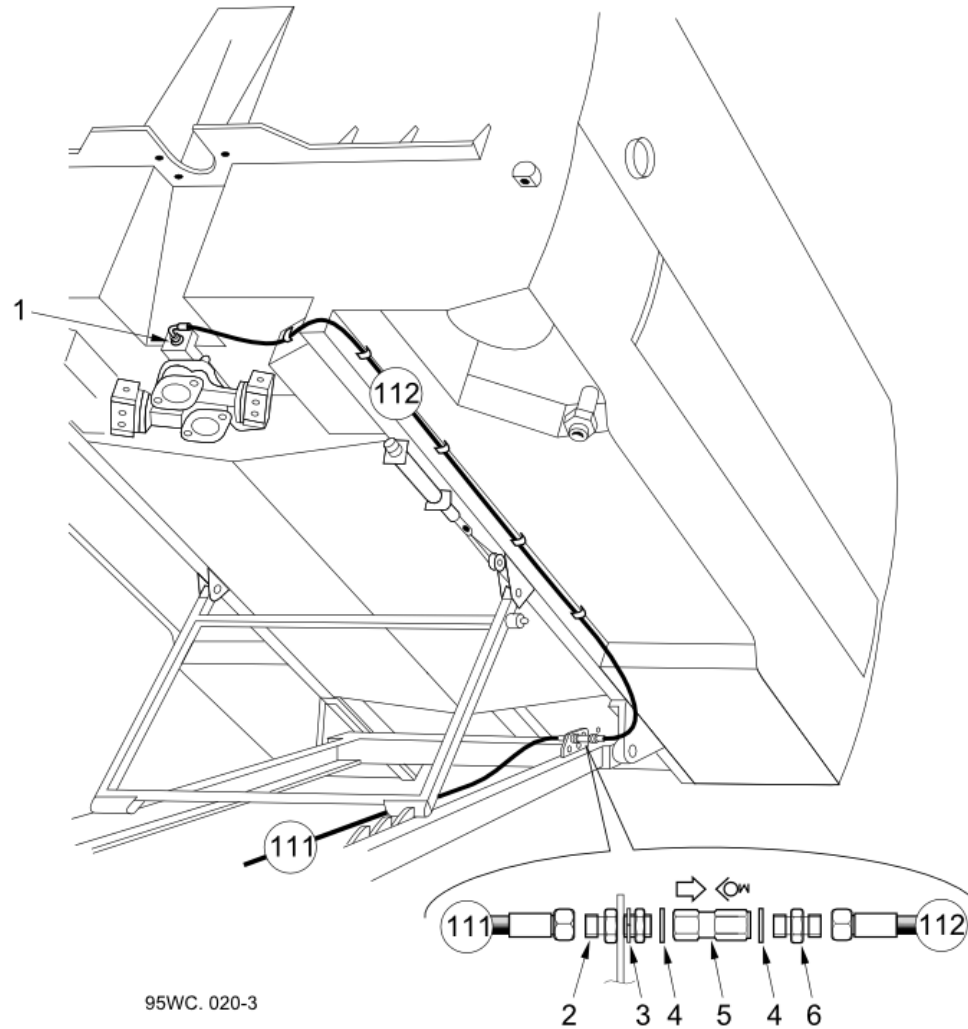
Note:  
 \* Items 16 to 23 - Hose reel and hand lance installation parts are chassis related. Contact the Johnston Parts Department, quoting the machine serial number, for further information. These parts are not supplied with standard ESU's.

**L.H. V 800 - Most Chassis (KT06195)**

## Supawash Option - Hose Reel Installations

Item no.	Part no.	Description	QTY	Unit
0	282475-1	Assembly-Supawash Manifold 95	1	PC
Comprising items 5-9				
1	667-49	Hose Reel 15 Metre Coil	1	PC
2	HC06043-51-190	Hose - Megaflex 3/8" 90sx90s	1	PC
3	263-3	Adaptor M/M 3/8" BSP	1	PC
3	451-18	Washer Bonded G3/8"	1	PC
4	21-71	Hand Lance Assembly 700mm	1	PC
4	21-69	Pencil Jet 1/4" BSPT	1	PC
4	21-70	Fan Jet 1/4" BSPT	1	PC
5	451-18	Washer Bonded G3/8"	1	PC
6	282229-1	Water Manifold - Supawash	1	PC
7	54-4	Plug - Collar G1/2" BSP	6	PC
8	263-4	Adaptor M/M 1/2" BSP	1	PC
8	451-19	Washer - Bonded G1-2"	1	PC
9	265-4	Adaptor Reducing M/M 3/8"-1/2" BSP	1	PC
9	451-19	Washer - Bonded G1-2"	1	PC
10	665-8	Test Coupling SMK20 - G1/4 Type C	1	PC
11	HC08002-320	Hose - Megaflex 1/2" STRx90s	1	PC
12	88-33	Ball Valve 210 Bar 1/2" F	1	PC
13	266-4	Adaptor M/M 1/2"-1/2" BSP	1	PC
13	451-19	Washer - Bonded G1-2"	1	PC
14	265-4	Adaptor Reducing M/M 3/8"-1/2" BSP	1	PC
14	451-19	Washer - Bonded G1-2"	1	PC
15	295044-1	Label Set-Universal Tanks/Taps	1	PC

**Recirculating Option Backflush (KT05895)**  
Supawash Option

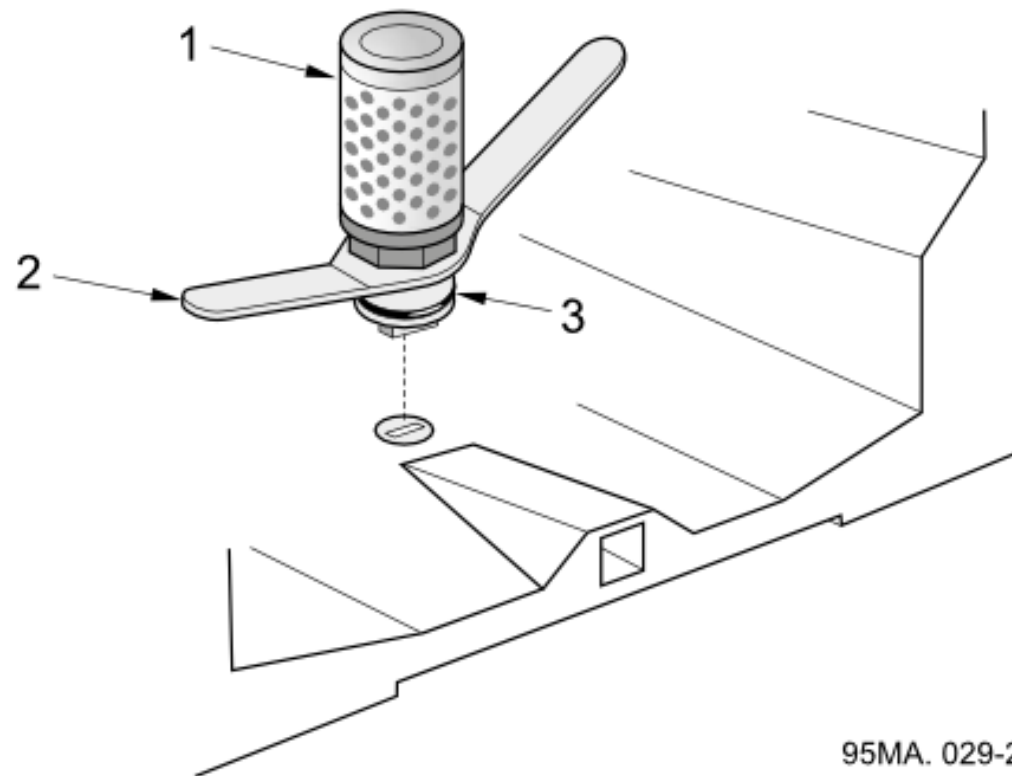


95WC. 020-3

**Recirculating Option Backflush (KT05895)**

Supawash Option

Item no.	Part no.	Description	QTY	Unit
1	265-3	Adaptor Reducing M/M 1/4"-1/2" BSP	1	PC
1	451-19	Washer - Bonded G1-2"	1	PC
2	264-2	Adaptor-Bulkhead BSP M/M 1/4"	1	PC
3	460-13	Washer Spring Single Coil M14	1	PC
4	451-17	Washer Bonded G1-4"	2	PC
5	241-279	Check Valve 1/4" F S/S	1	PC
6	263-2	Adaptor M/M 1/4" BSP	1	PC
111	HC04001-454	Hose - Megaflex 1/4" STRx45s	1	PC
112	HC04002-290	Hose - Megaflex 1/4" STRx90s	1	PC

**Hopper Filter Strainer Option (KT08695)**  
Supawash Extended Operation

Note:  
Refer to Product Information Sheet PI 539 for a description  
of the use of this Filter Strainer option for extended  
Supawash operating times.

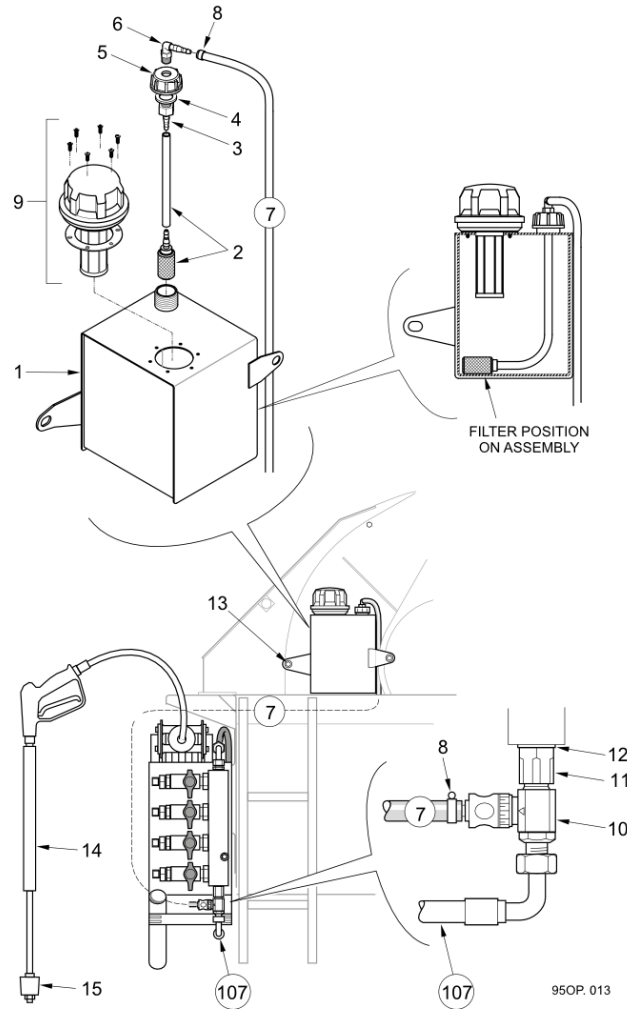


**Hopper Filter Strainer Option (KT08695)**

Supawash Extended Operation

Item no.	Part no.	Description	QTY	Unit
1	6974-1-C	Filter - Water Tank	1	PC
2	282606-1	Strainer Adaptor W/Assy	1	PC
3	80-65	O-Ring Hole Dia.62	1	PC

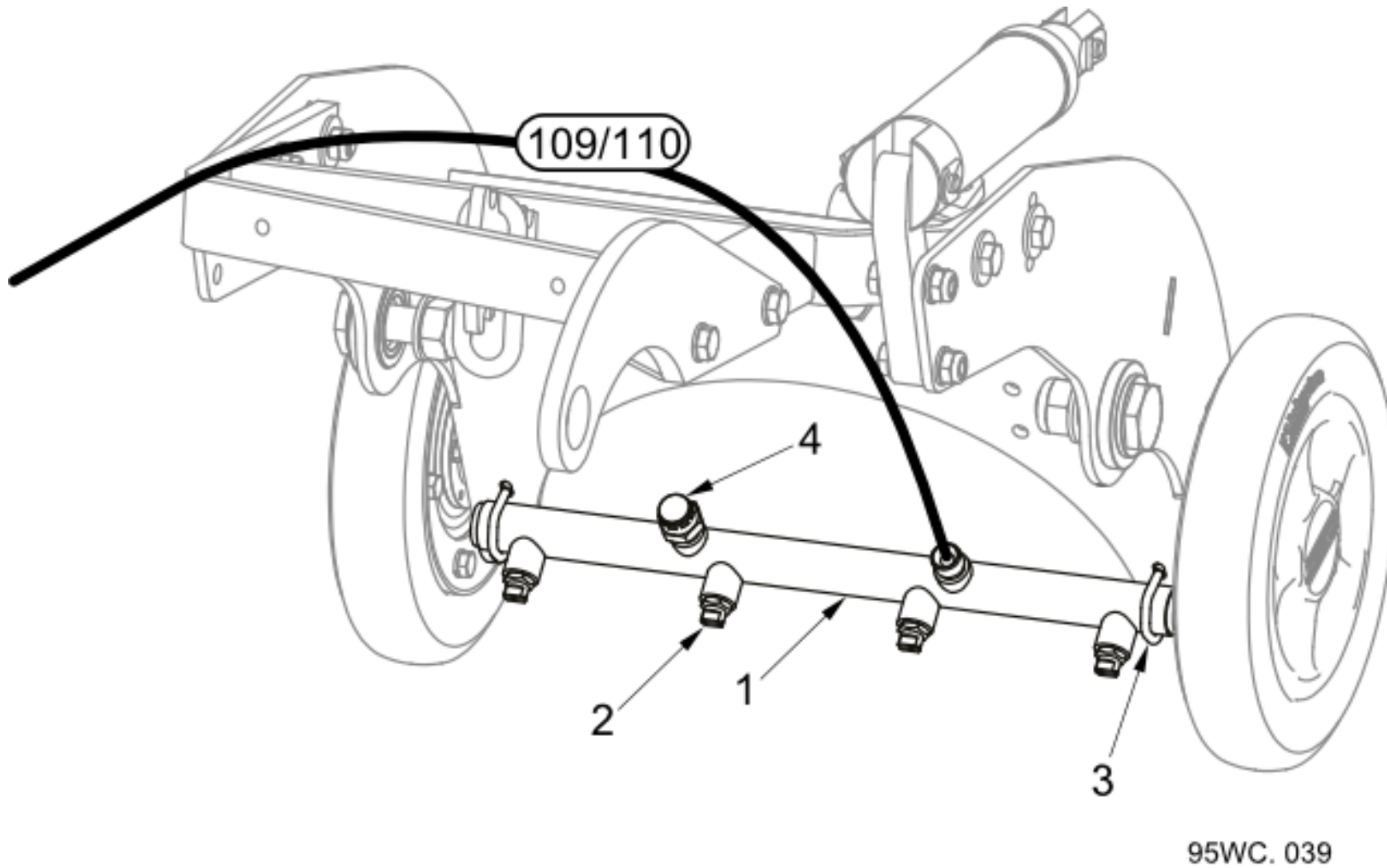
Supawash Detergent Injection System (KT01795, 10796)



## Supawash Detergent Injection System (KT01795, 10796)

Item no.	Part no.	Description	QTY	Unit
1	283313-1	Detergent Tank W/Assy 6 Ltr	1	PC
2	21-351	Chemical Filter	1	PC
3	277-233	G 1/4" F Straight Hosetail	1	PC
4	740-3	Washer - Rubber 1" BSP (M)	1	PC
5	277-221	Blanking Cap 1" BSP	1	PC
6	277-232	G 1/4" x 1/4" Elbow	1	PC
7	272-35	Hose-Clear PVC, ID=8mm OD=11mm	2	PC
8	501-1	Hose Clip - Worm Drive (11-16)	2	PC
9	69-30	Filler / Breather 10 Micron	1	PC
10	21-350	Chemical Injector	1	PC
11	492-13	Reducing Adaptor - BSP G1/2"M x G3/8"F	1	PC
12	451-19	Washer - Bonded G1-2"	1	PC
13	124-137	Setscrew M8C x 25	1	PC
14	21-71	Hand Lance Assembly 700mm	1	PC
15	21-352	Adjustable Press Hd For Lance	1	PC
107	HC06043-60-190	Hose - Megaflex 3/8" 90sx90c	1	PC
107	HC06002-51	Hose - Megaflex 3/8" STRx90s	1	PC

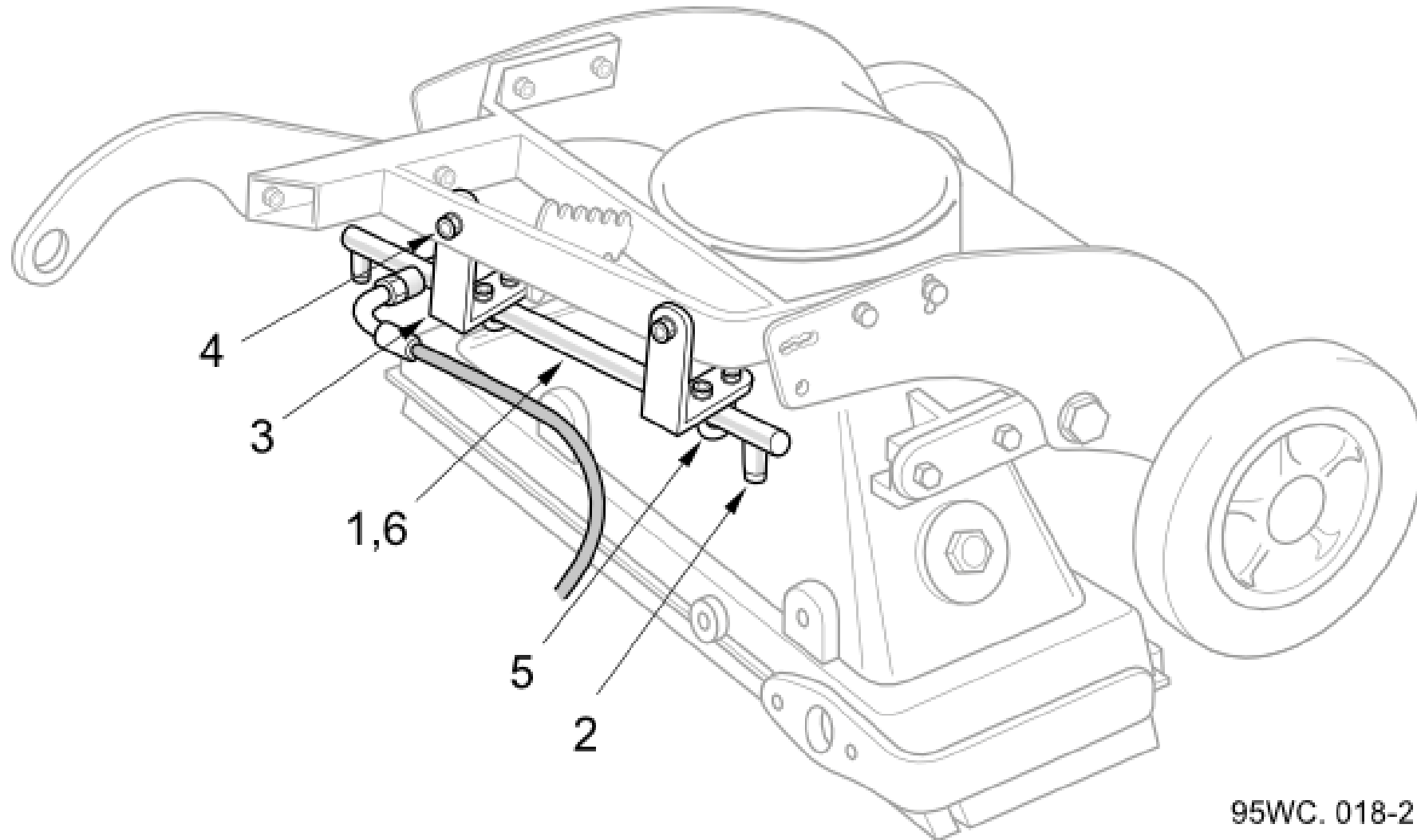
**Nozzle Spraybar and Jets (7016546)**  
Supawash Option - Spraybar Installations



**Nozzle Spraybar and Jets (7016546)**  
Supawash Option - Spraybar Installations

Item no.	Part no.	Description	QTY	Unit
1	7015954	Spray Bar	1	PC
2	21-31	Jet - Fan 65 deg. 1/4"	4	PC
3	6105-1-C	Bolt - U M6c	2	PC
3	93085004-0	Nyloc Hex Nut M6C - 8	4	PC
3	93212009-0	Plain Washer M6	4	PC
4	68-18	Cap Female 3/8" BSP	1	PC

**Nozzle Jet Installation (Superseded) (KT02595)**  
Supawash Option - Spraybar Installations



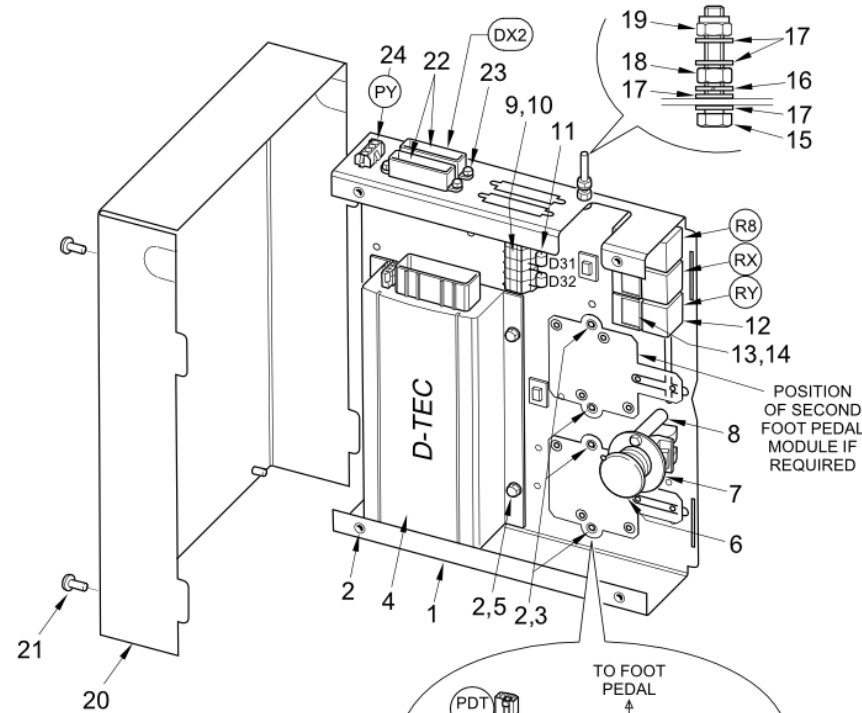
95WC. 018-2

**Nozzle Jet Installation (Superseded) (KT02595)**

Supawash Option - Spraybar Installations

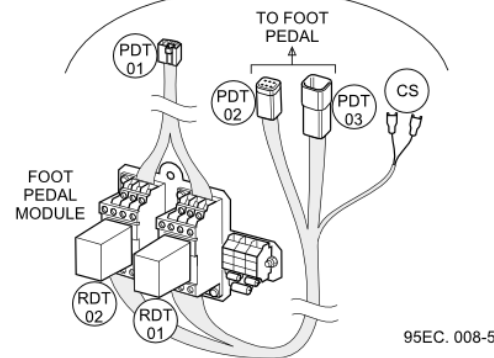
Item no.	Part no.	Description	QTY	Unit
1	282231-1	Spray Bar W/Assy Nozzle	1	PC
2	21-31	Jet - Fan 65 deg. 1/4"	2	PC
3	282238-1	Bracket - Spray Bar Nozzle	2	PC
4	124-139	Setscrew M8C x 30	2	PC
4	455-10	Washer Plain Plated Steel M8	2	PC
4	425-14	Nut Nyloc Hex MC M8	2	PC
5	6105-1-C	Bolt - U M6c	2	PC
5	455-8	Washer Plain Plated Steel M6	4	PC
5	425-13	Nut Nyloc Hex M6C	4	PC
6	68-18	Cap Female 3/8" BSP	1	PC

**Hydrodrive Type B Control Box Core Module (950420)**  
Electrical System - VS Section



Note:  
The Control Box Module assemblies listed below comprise the core module, shown on this page, plus a specific Foot Pedal Module, item 25.

Chassis Type	Core Module	Foot Pedal Module
MAN	283189-1	+ N/A
DAF	283189-1	+ 809908-1
Renault	283189-1	+ 283191-1
Iveco	283189-1	+ 809917-1
Mercedes/Man	283893-1	+ 809882-1



95EC. 008-5

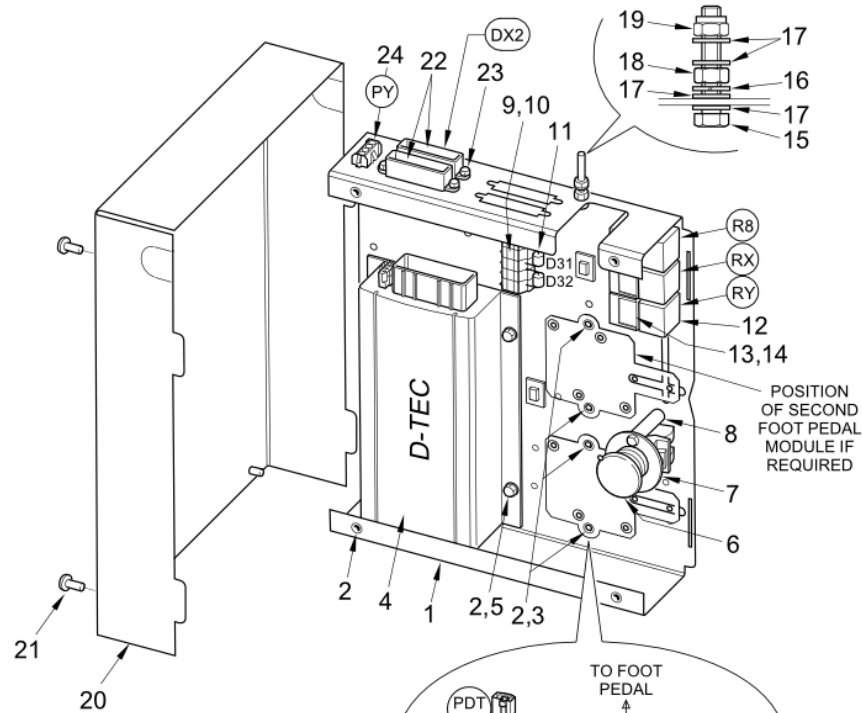


## Hydrodrive Type B Control Box Core Module (950420)

## Electrical System - VS Section

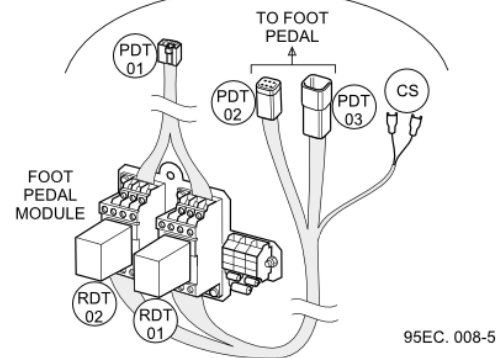
Item no.	Part no.	Description	QTY	Unit
0	283189-1	D-Tec Module-Analogue 24v	1	PC
Comprising items 1-24				
1	282823-1	Base Plate, D-Tec Control Box	1	PC
2	433-2	Rivet Nut - S.Cl. Nut M6c g0.5-3.0	12	PC
3	124-100	Setscrew M6C x 12	6	PC
3	455-8	Washer Plain Plated Steel M6	4	PC
4	200469-4	D-Tec Controller- 910 V04	1	PC
5	124-100	Setscrew M6C x 12	4	PC
5	455-8	Washer Plain Plated Steel M6	4	PC
6	99-29	Pushbutton Red Turn to Release	1	PC
6	99-2	Body Contact Assy 2xN/C	1	PC
7	282857-1	Plate - D/Tec Program Button	1	PC
8	42774-5	Spacer - M6c x 12 O/D x 40mm	2	PC
8	124-199	Setscrew M12C x 20	4	PC
9	30-256	Block-4 Way Terminal + Flange	7	PC
9	30-254	Plate - End With Fixing Flange	1	PC
10	124-4	Hex Head Screw - M3Cx12 - 8.8	2	PC
10	455-3	Washer Plain Plated Steel M3	2	PC
10	425-10	Nut Nyloc Hex M3C	2	PC
11	13984	Diode Rectifier	2	PC
12	13194	Relay 24 Volt 30/40	3	PC
13	48-89	Base Relay	3	PC
14	124-67	Setscrew M5C x 10	3	PC
14	455-7	Washer Plain Plated Steel M5	3	PC

**Hydrodrive Type B Control Box Core Module (950420)**  
Electrical System - VS Section



Note:  
The Control Box Module assemblies listed below comprise the core module, shown on this page, plus a specific Foot Pedal Module, item 25.

Chassis Type	Core Module	Foot Pedal Module
MAN	283189-1	+ N/A
DAF	283189-1	+ 809908-1
Renault	283189-1	+ 283191-1
Iveco	283189-1	+ 809917-1
Mercedes/Man	283893-1	+ 809882-1



95EC. 008-5

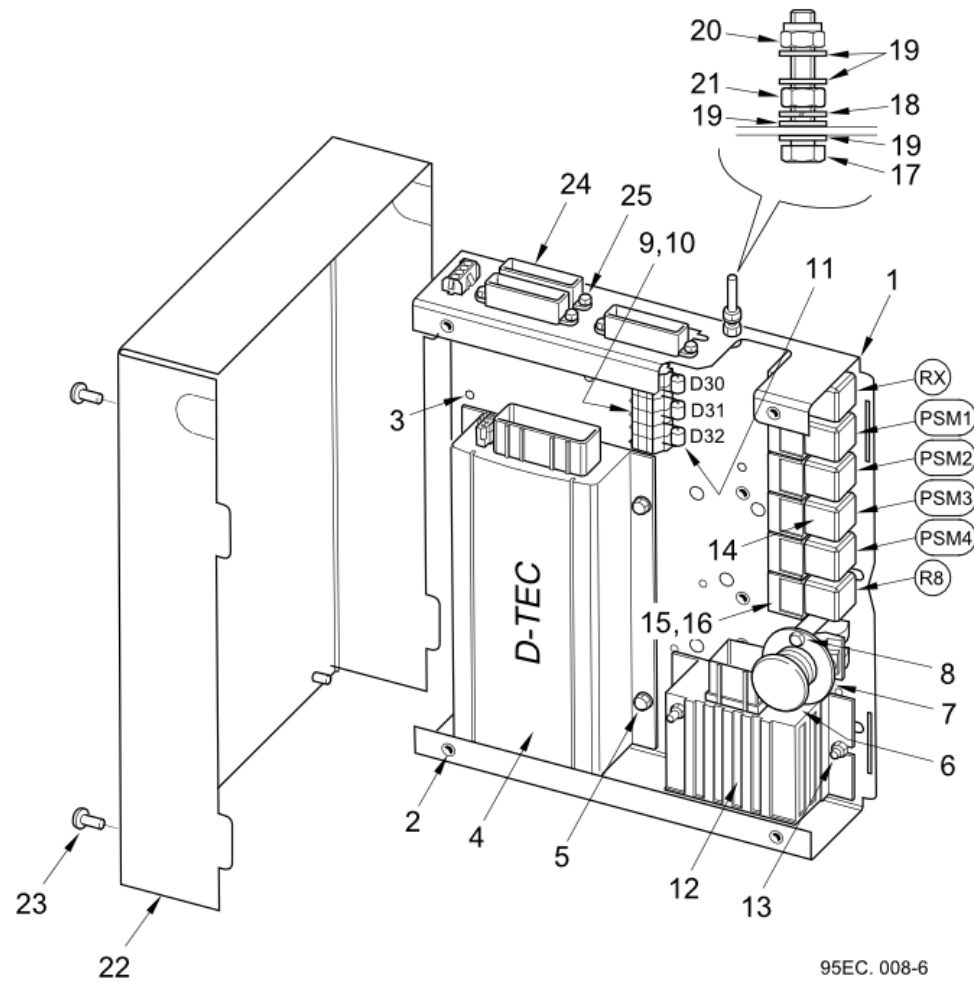
**Hydrodrive Type B Control Box Core Module (950420)**

## Electrical System - VS Section

Item no.	Part no.	Description	QTY	Unit
14	425-12	Nut Nyloc Hex M5C	3	PC
15	124-113	Setscrew M6C x 50	1	PC
16	460-8	Washer Spring Single Coil M6	1	PC
17	455-8	Washer Plain Plated Steel M6	4	PC
18	420-13	Nut MC Hex M6	1	PC
19	425-13	Nut Nyloc Hex M6C	1	PC
20	282824-1	D-Tec Control Box Lid Section	1	PC
21	23-12	Thumbscrew - M6x15	4	PC
22	31-218	Plug - 17 Way	2	PC
23	124-70	Setscrew M5C x 16	4	PC
23	425-12	Nut Nyloc Hex M5C	4	PC
24	31-393	Housing - 4 Way Mate-N-Lok	1	PC

**Mercedes Hydrodrive Control Box Module (950420)**

## Electrical System - VS Section



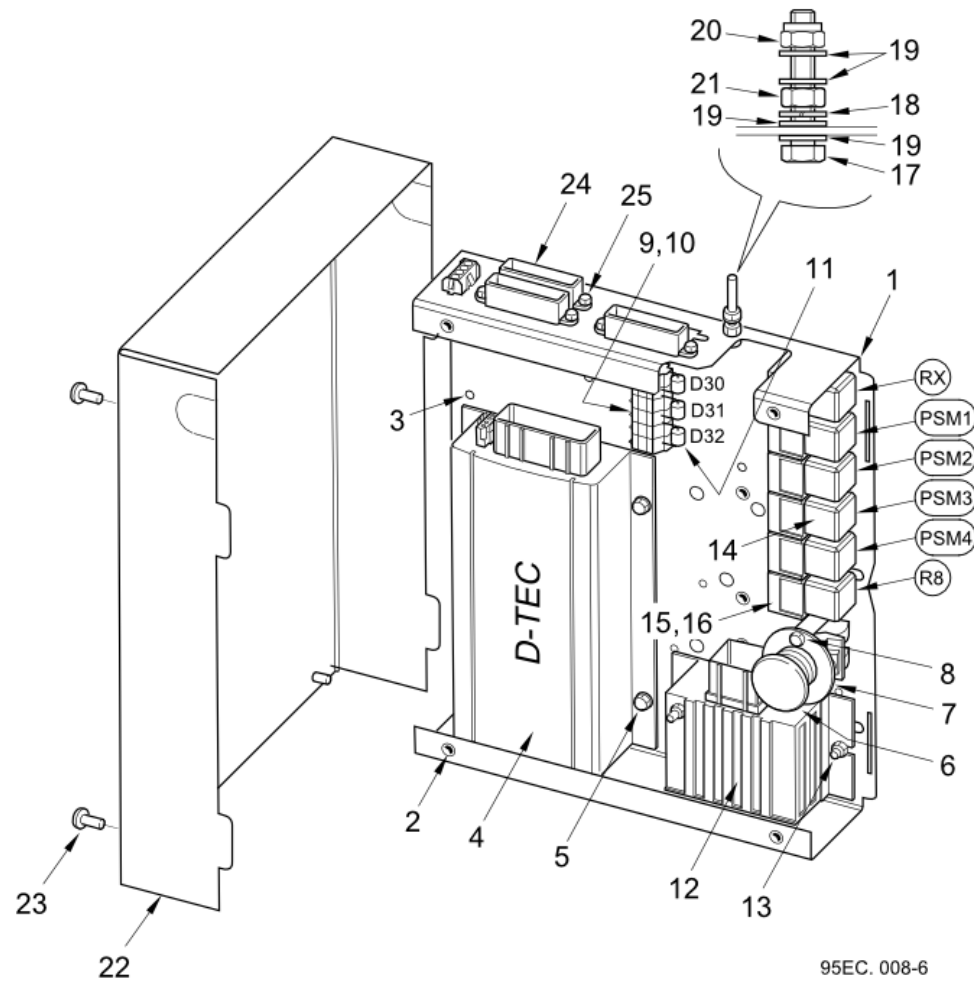
**Mercedes Hydrodrive Control Box Module (950420)**

## Electrical System - VS Section

Item no.	Part no.	Description	QTY	Unit
0	283893-1	D-Tec Module-Digital 24v	1	PC
Comprising items 1-25				
1	282823-1	Base Plate, D-Tec Control Box	1	PC
2	433-2	Rivet Nut - S.Cl. Nut M6c g0.5-3.0	4	PC
3	124-100	Setscrew M6C x 12	4	PC
4	200441-1	D-Tec Controller Mod 918 V03	1	PC
5	124-100	Setscrew M6C x 12	4	PC
5	455-8	Washer Plain Plated Steel M6	4	PC
6	99-29	Pushbutton Red Turn to Release	1	PC
6	99-2	Body Contact Assy 2xN/C	1	PC
7	282857-1	Plate - D/Tec Program Button	1	PC
8	42774-5	Spacer - M6c x 12 O/D x 40mm	2	PC
8	124-199	Setscrew M12C x 20	4	PC
9	30-256	Block-4 Way Terminal + Flange	7	PC
9	30-254	Plate - End With Fixing Flange	1	PC
10	124-4	Hex Head Screw - M3Cx12 - 8.8	2	PC
10	455-3	Washer Plain Plated Steel M3	2	PC
10	425-10	Nut Nyloc Hex M3C	2	PC
11	13984	Diode Rectifier	2	PC
12	200440-1	Pedal Interface - Merc	1	PC
13	124-68	Setscrew M5C x 12 BS3692	2	PC
13	455-7	Washer Plain Plated Steel M5	2	PC
13	425-12	Nut Nyloc Hex M5C	2	PC
14	13194	Relay 24 Volt 30/40	6	PC

**Mercedes Hydrodrive Control Box Module (950420)**

## Electrical System - VS Section

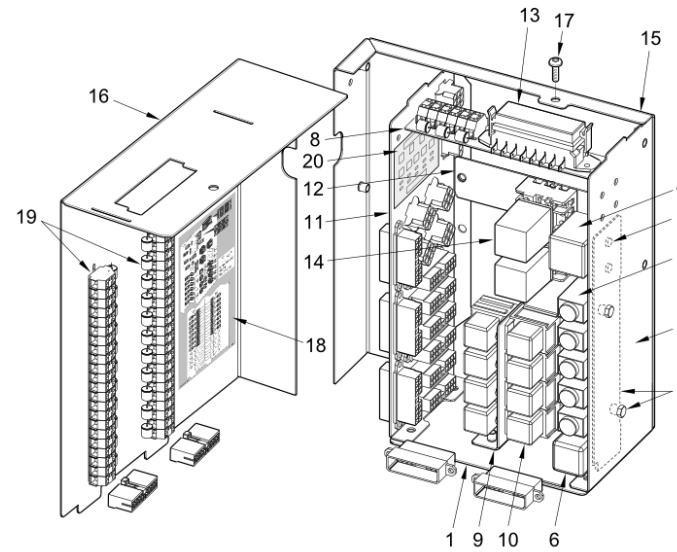


## Mercedes Hydrodrive Control Box Module (950420)

## Electrical System - VS Section

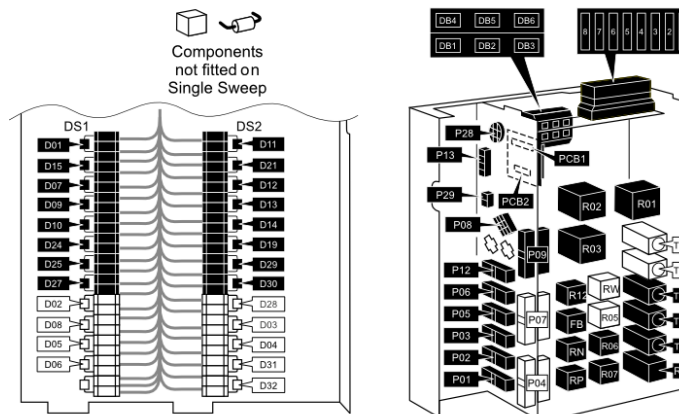
Item no.	Part no.	Description	QTY	Unit
15	48-89	Base Relay	6	PC
16	124-67	Setscrew M5C x 10	6	PC
16	455-7	Washer Plain Plated Steel M5	6	PC
16	425-12	Nut Nyloc Hex M5C	6	PC
17	124-113	Setscrew M6C x 50	1	PC
18	460-8	Washer Spring Single Coil M6	1	PC
19	455-8	Washer Plain Plated Steel M6	4	PC
20	425-13	Nut Nyloc Hex M6C	1	PC
21	420-13	Nut MC Hex M6	1	PC
22	282824-1	D-Tec Control Box Lid Section	1	PC
23	138-91	Screw - Skt Button Hd M6cx12	4	PC
24	31-218	Plug - 17 Way	2	PC
25	124-70	Setscrew M5C x 16	4	PC
25	425-12	Nut Nyloc Hex M5C	4	PC

**Relay Box Single (950311)**  
Electrical System - VT & VS Section



COMPONENT IDENTIFICATION CODES

  
Components not fitted on Single Sweep



95EC.002-6

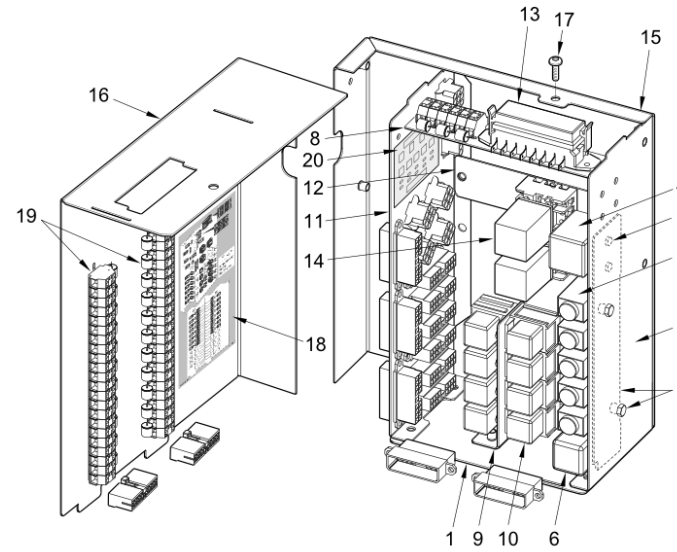


**Relay Box Single (950311)**

## Electrical System - VT &amp; VS Section

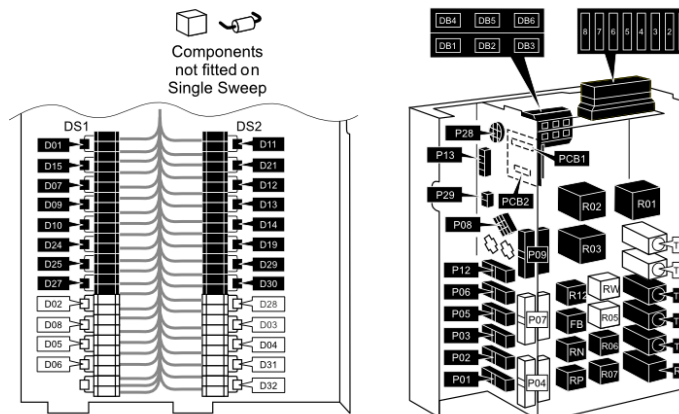
Item no.	Part no.	Description	QTY	Unit
1	282108-1	Base - Main Body Cont Box	1	PC
2	282114-1	Sidewall - Control Box	1	PC
2	433-2	Rivet Nut - S.Cl. Nut M6c g0.5-3.0	4	PC
2	138-91	Screw - Skt Button Hd M6cx12	2	PC
3	282117-1	Timer Relay Mount - Relay Box	1	PC
3	433-2	Rivet Nut - S.Cl. Nut M6c g0.5-3.0	2	PC
3	138-91	Screw - Skt Button Hd M6cx12	2	PC
4	48-34	Relay-Heavy Duty 12v	1	PC
4	48-37	Relay-Heavy Duty 24v Cont.	1	PC
5	181-1	Screw Pan Hd Pozidriv M5cx10	2	PC
5	420-12	Nut MC Hex M5	2	PC
6	48-252	Relay - Warning 12v	1	PC
6	48-253	Relay - Warning 24v	1	PC
7	13981	Relay Timer 12v	3	PC
7	13982	Relay Timer 24v	3	PC
7	13983	Base Connection Terminal Soldr	3	PC
8	281904-1	Card - Fuse Control Box	1	PC
8	433-2	Rivet Nut - S.Cl. Nut M6c g0.5-3.0	2	PC
8	138-91	Screw - Skt Button Hd M6cx12	2	PC
9	282115-1	Plate - Internal Supt C/Box	1	PC
9	433-2	Rivet Nut - S.Cl. Nut M6c g0.5-3.0	2	PC
9	138-91	Screw - Skt Button Hd M6cx12	2	PC
10	13193	Relay 12 Volt 30/40	6	PC
10	13194	Relay 24 Volt 30/40	6	PC

**Relay Box Single (950311)**  
Electrical System - VT & VS Section



COMPONENT IDENTIFICATION CODES

  
Components not fitted on Single Sweep



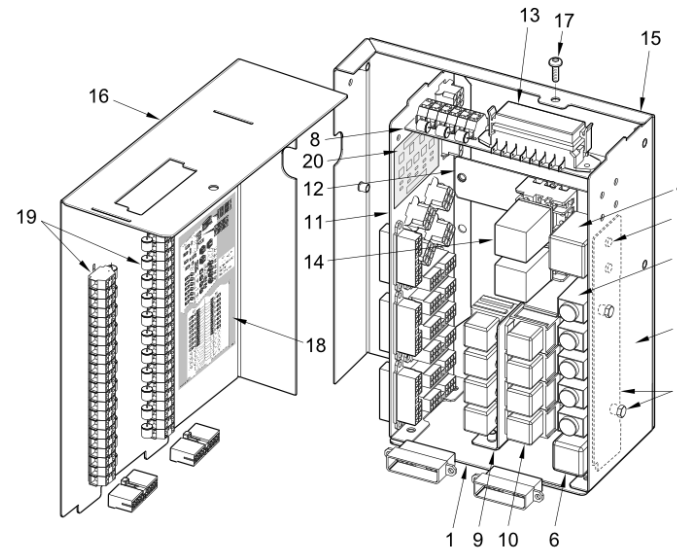
95EC.002-6

**Relay Box Single (950311)**

## Electrical System - VT &amp; VS Section

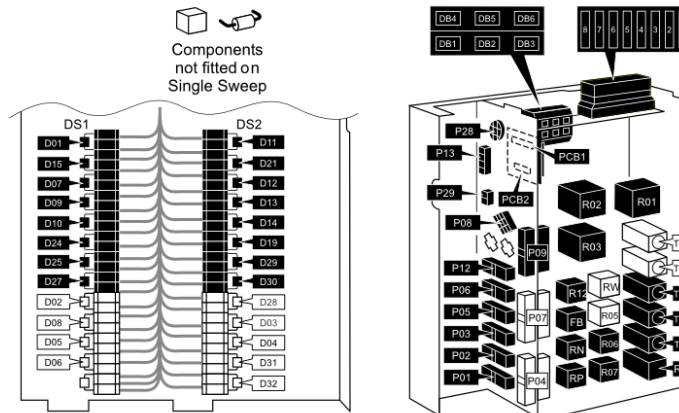
Item no.	Part no.	Description	QTY	Unit
11	282112-1	Sidewall - Plug C/Box	1	PC
11	433-2	Rivet Nut - S.Cl. Nut M6c g0.5-3.0	4	PC
11	138-91	Screw - Skt Button Hd M6cx12	2	PC
12	281903-1	Plate T Control Box	1	PC
12	433-2	Rivet Nut - S.Cl. Nut M6c g0.5-3.0	2	PC
12	138-91	Screw - Skt Button Hd M6cx12	2	PC
13	30-151	Fuse Box (8 Way)	1	PC
14	12904	Relay - Power, Miniature 12v	2	PC
14	13867	Relay - Power, Miniature, 24v	2	PC
15	282109-1	Back - Control Box	1	PC
15	138-91	Screw - Skt Button Hd M6cx12	4	PC
15	283-14	Clip	1	PC
16	282110-1	Front - Control Box	1	PC
17	138-94	Screw - Skt Button Hd M6x20	1	PC
18	283242-1	Label-Gloss White Hitac Vinyl	1	PC
19	283501-1	Diode Pack - Single	1	PC
19	13984	Diode Rectifier	16	PC
20	283646-1	PCB Pendant Control	1	PC

**Relay Box Dual (950311)**  
Electrical System - VT & VS Section



COMPONENT IDENTIFICATION CODES

  
Components not fitted on Single Sweep



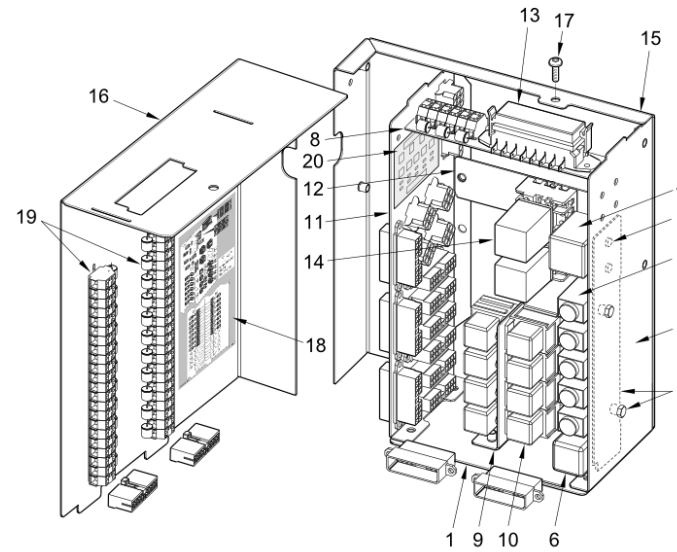
95EC.002-6

**Relay Box Dual (950311)**

## Electrical System - VT &amp; VS Section

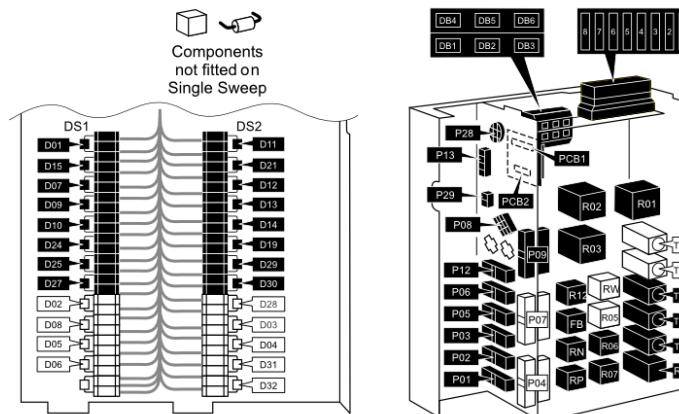
Item no.	Part no.	Description	QTY	Unit
1	282108-1	Base - Main Body Cont Box	1	PC
2	282114-1	Sidewall - Control Box	1	PC
2	433-2	Rivet Nut - S.Cl. Nut M6c g0.5-3.0	4	PC
2	138-91	Screw - Skt Button Hd M6cx12	2	PC
3	282117-1	Timer Relay Mount - Relay Box	1	PC
3	433-2	Rivet Nut - S.Cl. Nut M6c g0.5-3.0	2	PC
3	138-91	Screw - Skt Button Hd M6cx12	2	PC
4	48-34	Relay-Heavy Duty 12v	1	PC
4	48-37	Relay-Heavy Duty 24v Cont.	1	PC
5	181-1	Screw Pan Hd Pozidriv M5cx10	2	PC
5	420-12	Nut MC Hex M5	2	PC
6	48-252	Relay - Warning 12v	1	PC
6	48-253	Relay - Warning 24v	1	PC
7	13981	Relay Timer 12v	5	PC
7	13982	Relay Timer 24v	5	PC
7	13983	Base Connection Terminal Soldr	5	PC
8	281904-1	Card - Fuse Control Box	1	PC
8	433-2	Rivet Nut - S.Cl. Nut M6c g0.5-3.0	2	PC
8	138-91	Screw - Skt Button Hd M6cx12	2	PC
9	282115-1	Plate - Internal Supt C/Box	1	PC
9	433-2	Rivet Nut - S.Cl. Nut M6c g0.5-3.0	2	PC
9	138-91	Screw - Skt Button Hd M6cx12	2	PC
10	13193	Relay 12 Volt 30/40	8	PC
10	13194	Relay 24 Volt 30/40	8	PC

**Relay Box Dual (950311)**  
Electrical System - VT & VS Section



COMPONENT IDENTIFICATION CODES

  
Components not fitted on Single Sweep



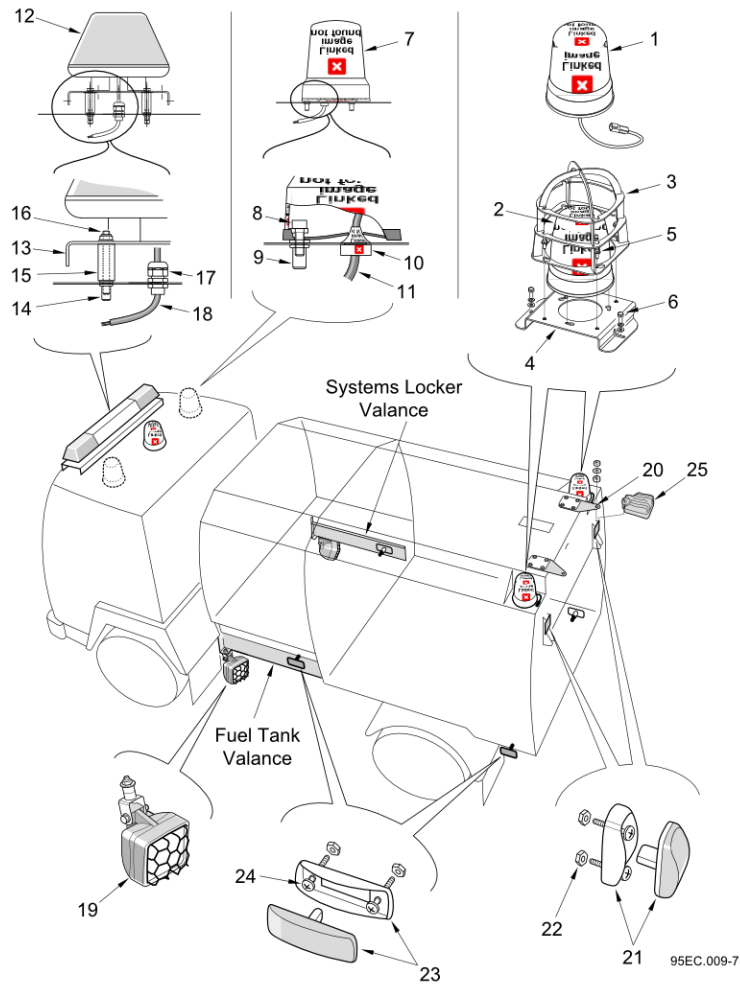
**Relay Box Dual (950311)**

## Electrical System - VT &amp; VS Section

Item no.	Part no.	Description	QTY	Unit
11	282112-1	Sidewall - Plug C/Box	1	PC
11	433-2	Rivet Nut - S.Cl. Nut M6c g0.5-3.0	4	PC
11	138-91	Screw - Skt Button Hd M6cx12	2	PC
12	281903-1	Plate T Control Box	1	PC
12	433-2	Rivet Nut - S.Cl. Nut M6c g0.5-3.0	2	PC
12	138-91	Screw - Skt Button Hd M6cx12	2	PC
13	30-151	Fuse Box (8 Way)	1	PC
14	12904	Relay - Power, Miniature 12v	2	PC
14	13867	Relay - Power, Miniature, 24v	2	PC
15	282109-1	Back - Control Box	1	PC
15	138-91	Screw - Skt Button Hd M6cx12	4	PC
15	283-14	Clip	1	PC
16	282110-1	Front - Control Box	1	PC
17	138-94	Screw - Skt Button Hd M6x20	1	PC
18	283242-1	Label-Gloss White Hitac Vinyl	1	PC
19	283398-1	Diode Pack - Dual	1	PC
19	13984	Diode Rectifier	26	PC
20	283646-1	PCB Pendant Control	1	PC

**Beacons, Lights and Looms (KT01195, KT070999, KT01095)**

Electrical System - Lights





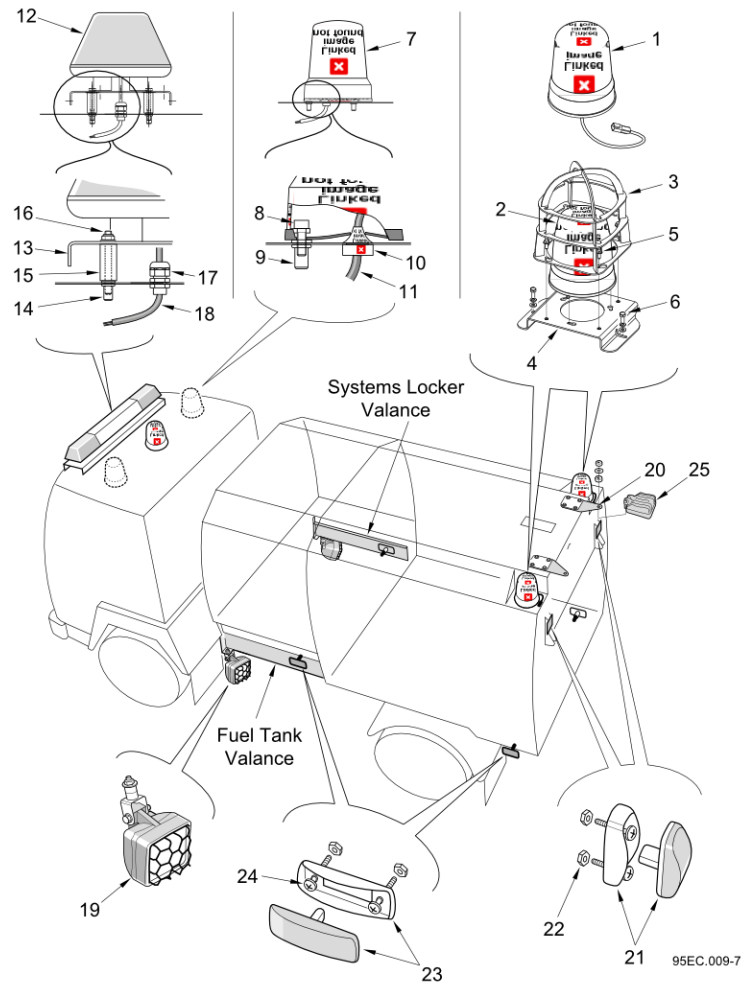
**Beacons, Lights and Looms (KT01195, KT070999, KT01095)**

## Electrical System - Lights

Item no.	Part no.	Description	QTY	Unit
1	282793-12	Beacon - Rotating Rear 12v	2	PC
1	282793-24	Beacon - Rotating Rear 24v	2	PC
1	282462-1	Beacon-Xenon Rear	2	PC
1	282959-12	Beacon-Airport Flashing 12v	2	PC
1	282959-24	Beacon-Airport Flashing 24v	2	PC
2	46-426	LED Beacon 12/24	2	PC
3	295078-1	Beacon Cage W/Assy	1	PC
4	295079-1	Beacon Base W/Assy	1	PC
5	116-155	Bolt - M6x16 Flanged (8.8)	4	PC
6	124-102	Setscrew M6C x 16	2	PC
6	460-10	Washer Spring Single Coil M8	2	PC
6	455-10	Washer Plain Plated Steel M8	2	PC
7	46-15-24	Beacon - Britax 24v	1	PC
7	46-265	Beacon - Xenon Amber 12/24v	1	PC
7	46-264	Beacon - Airport Flash, 24v	1	PC
8	129-94	Screw MC Cap Skt Hd M6x20	3	PC
9	433-11	Rivet Nut -S.CI Nut M6c g0.5-3.0 FI Seal	3	PC
10	86-23	Cable Grommet 5-7 Cable	1	PC
11	32-17	Cable-Twin Core 28/0.3 R/B Rnd	1	M
12	46-290	Lightbar-5ft Amber Rotating	1	PC
12	46-291	Lightbar-5ft Amber Xenon	1	PC
12	46-292	Lightbar-5ft Amber 4Module	1	PC
12	46-289	LED LO-MAX 48" 24v Lightbar	1	PC
13	807232-1	Plate-Bar Beacon Mount 650/800	1	PC

**Beacons, Lights and Looms (KT01195, KT070999, KT01095)**

Electrical System - Lights

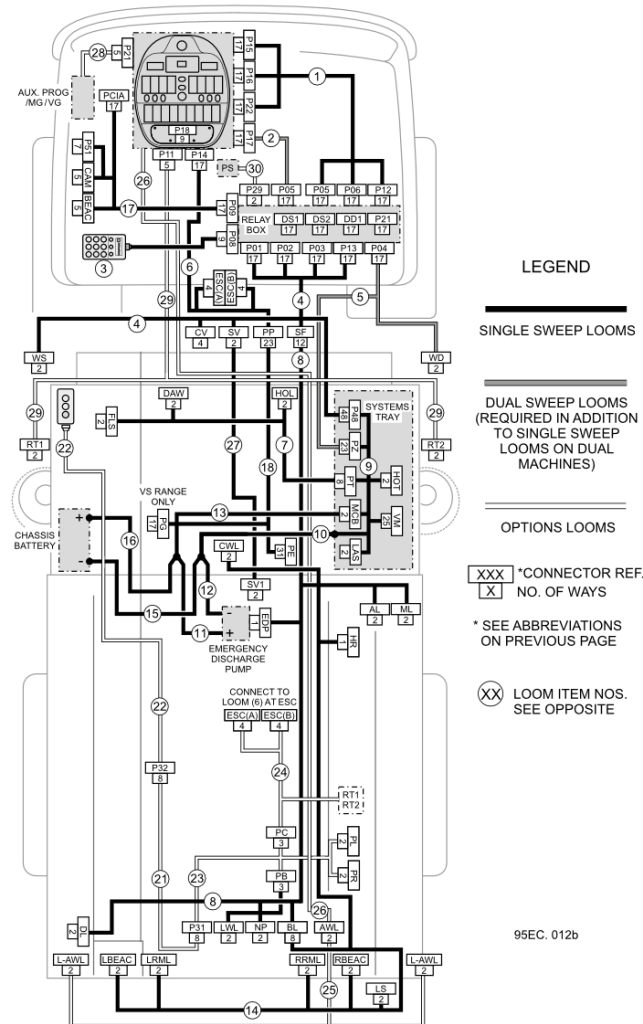


## Beacons, Lights and Looms (KT01195, KT070999, KT01095)

## Electrical System - Lights

Item no.	Part no.	Description	QTY	Unit
14	433-12	Rivet Nut -S.CI Nut M8c g1.0-4.0 FI Seal	4	PC
15	808749-1	0Spacer-Nylon Dia 30x60Long	4	PC
16	145-1	Studding - M8cx95 - Metric Steel	4	PC
16	455-10	Washer Plain Plated Steel M8	4	PC
16	425-14	Nut Nyloc Hex MC M8	4	PC
17	86-20	Cable Gland-IP68 Black	1	PC
18	32-78	Cable 3 x 28/0.30 B/R/G	3	M
19	283230-1	Halogen Worklight - 12v Caged	1	PC
19	283230-2	Halogen Worklight - 24v Caged	1	PC
19	47-9	Bulb - Spotlamp 24v-70 Watt	1	PC
19	47-10	Bulb - Spotlamp 12v-55 Watt	1	PC
20	283984-1-INST	Rear Worklights 12v	2	PC
21	46-270	Light - Red LED	2	PC
22	124-103	Setscrew M6C x 20	4	PC
22	425-13	Nut Nyloc Hex M6C	4	PC
23	46-267	Light-Amber LED Flush	4	PC
24	134-42	Pan Head Screw-M4Cx12-4.8-Pozidriv	2	PC
24	455-5	Washer Plain Plated Steel M4	2	PC
24	425-11	Nut Nyloc Hex MC M4	2	PC
25	7023519	LED Work Lamp 9-36v	1	PC

Looms (-)  
Electrical System - Wiring Looms

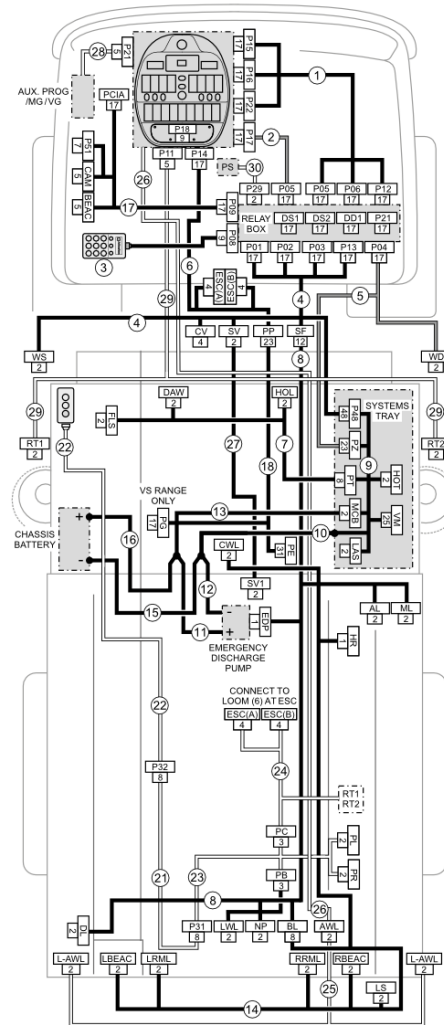





**Looms (-)**

## Electrical System - Wiring Looms

Item no.	Part no.	Description	QTY	Unit
1	282022-1	Loom-Interlink Single(1140Lg)	1	PC
2	282023-1	Loom-Interlink Dual(1240Lg)	1	PC
3	283440-2	Discharge Pendant-AP (Black)	1	PC
4	283260-1	Loom - Cab to Subframe	1	PC
5	283265-1	Loom - Main, Dual	1	PC
6	282020-1	Loom - Main (PowerPack)	1	PC
7	283263-1	Powerpack Service Loom Mk2	1	PC
8	283261-1	Loom - Subframe Single Mk2	1	PC
9	283807-12	System Wafer Loom Single 12v	1	PC
9	283807-24	System Wafer Loom Single 24v	1	PC
9	283264-12	Loom - Systems Wafer 12v	1	PC
9	283264-24	Loom - Systems Wafer 24v	1	PC
10	283276-1	Systems Earth Cable	1	PC
11	282036-1	Cable-Emergency Pump Red	1	PC
12	282036-2	Cable - Emergency Pump Black	1	PC
13	283275-1	Systems Power Cable Ø5mm	1	PC
14	283262-1	Loom - Body Main Mk2 Sys Wafer	1	PC
15	17936-305-L	Cable - Earth 305cm	1	PC
16	92105-301	Cable - Starter 301cm Ø10 Hole	1	PC
17	283186-1	Loom - Main Cab	1	PC
18	282042-1	Loom-Engine IVECO SP	1	PC
18	283851-1	Engine Loom IVECO TIER 3	1	PC
18	282041-1	Loom - Engine J DEERE	1	PC
18	283939-1	Loom - John Deere T3 HP Engine	1	PC

Looms (-)  
Electrical System - Wiring Looms



- LEGEND**
-  SINGLE SWEEP LOOMS
  -  DUAL SWEEP LOOMS (REQUIRED IN ADDITION TO SINGLE SWEEP LOOMS ON DUAL MACHINES)
  -  OPTIONS LOOMS
  - XXX \*CONNECTOR REF.
  - X NO. OF WAYS
  - \* SEE ABBREVIATIONS ON PREVIOUS PAGE
  - ⊗ LOOM ITEM NOS. SEE OPPOSITE

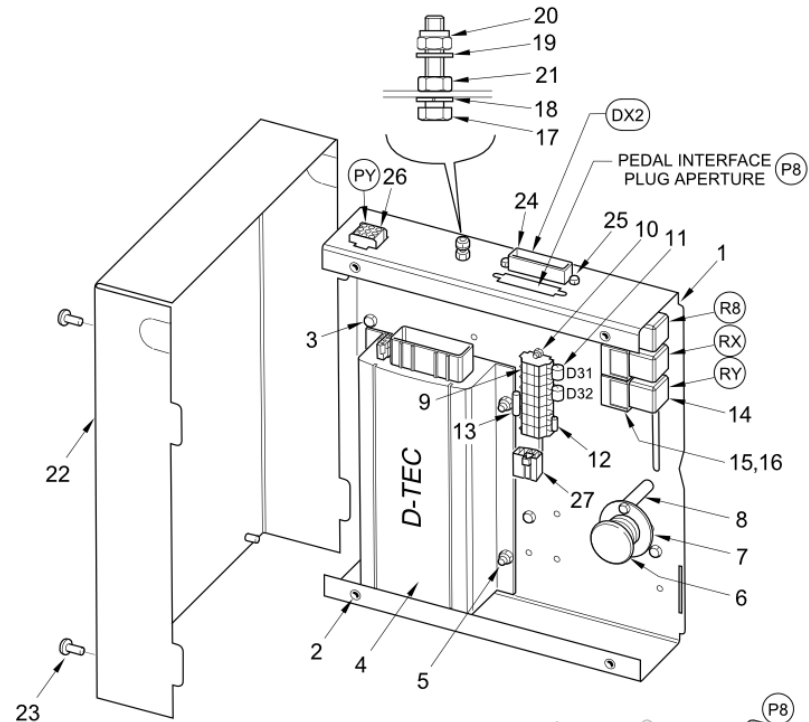
95EC. 012b

**Looms (-)**

## Electrical System - Wiring Looms

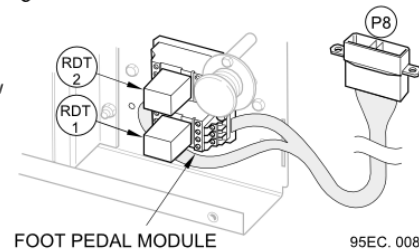
Item no.	Part no.	Description	QTY	Unit
18	282050-1	Loom - Hydrostatic Systems	1	PC
21	282063-1	Loom - Extension Powaboom	1	PC
22	282061-1	Loom and Control - Powaboom VT	1	PC
23	282062-1	Loom - Powaboom	1	PC
23	282160-1	Throttle Control Loom - Twin	1	PC
23	282161-1	Throttle Control Loom - Hydro	1	PC
24	282060-1	Loom and Relay box - Except JD HP	1	PC
25	293774-1	Loom - Add Worklights/Beacons	1	PC
26	283235-1	Main Loom-Rr Door/B Con/Strobe	1	PC
27	282069-1	Loom - Tandem pump	1	PC
28	283233-1	Loom-Maxigap/Varagap	1	PC
29	282053-1	Loom - Rotatilt Single	1	PC
29	282053-2	Loom - Rotatilt Dual	1	PC
30	283504-12	Powasave Control Valve Assy12v	1	PC
30	283504-24	Powasave Control Valve Assy24v	1	PC

**Hydrodrive Type A Control Box Core Module (950420)**  
Electrical System - Superseded Parts



Note:  
The Control Box Module assemblies listed below  
comprise the core module, shown on this page,  
plus a specific Foot Pedal Module.

Chassis Type	Core Module	Foot Pedal Module
MAN	283189-1	+ N/A
DAF	283189-1	+ 809908-1
Renault	283189-1	+ 283191-1
Iveco	283189-1	+ 809917-1
Mercedes/Man	283893-1	+ 809882-1



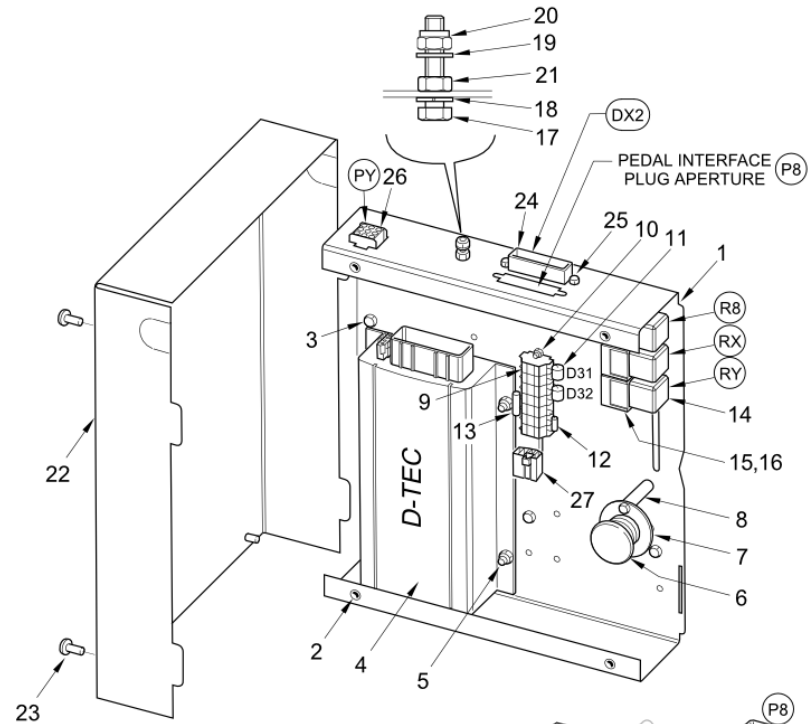


**Hydrodrive Type A Control Box Core Module (950420)**

Electrical System - Superseded Parts

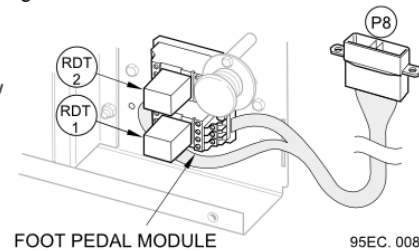
Item no.	Part no.	Description	QTY	Unit
0	283189-1	D-Tec Module-Analogue 24v	1	PC
Comprising items 1-27				
1	282823-1	Base Plate, D-Tec Control Box	1	PC
2	433-2	Rivet Nut - S.Cl. Nut M6c g0.5-3.0	4	PC
3	124-100	Setscrew M6C x 12	4	PC
4	200469-4	D-Tec Controller- 910 V04	1	PC
5	124-102	Setscrew M6C x 16	4	PC
5	455-8	Washer Plain Plated Steel M6	4	PC
5	425-13	Nut Nyloc Hex M6C	4	PC
6	99-29	Pushbutton Red Turn to Release	1	PC
6	99-2	Body Contact Assy 2xN/C	1	PC
7	282857-1	Plate - D/Tec Program Button	1	PC
8	42774-5	Spacer - M6c x 12 O/D x 40mm	2	PC
8	124-100	Setscrew M6C x 12	4	PC
9	30-256	Block-4 Way Terminal + Flange	7	PC
9	30-254	Plate - End With Fixing Flange	1	PC
10	124-4	Hex Head Screw - M3Cx12 - 8.8	2	PC
10	455-3	Washer Plain Plated Steel M3	2	PC
10	425-10	Nut Nyloc Hex M3C	2	PC
11	13984	Diode Rectifier	2	PC
12	30-229	Resistor - 2K2 2.5W	1	PC
13	30-173	Resistor 300 Ohm 5 % 6 Watt WW	1	PC
14	13194	Relay 24 Volt 30/40	3	PC
15	48-89	Base Relay	3	PC

**Hydrodrive Type A Control Box Core Module (950420)**  
Electrical System - Superseded Parts



Note:  
The Control Box Module assemblies listed below  
comprise the core module, shown on this page,  
plus a specific Foot Pedal Module.

Chassis Type	Core Module	Foot Pedal Module
MAN	283189-1	+ N/A
DAF	283189-1	+ 809908-1
Renault	283189-1	+ 283191-1
Iveco	283189-1	+ 809917-1
Mercedes/Man	283893-1	+ 809882-1

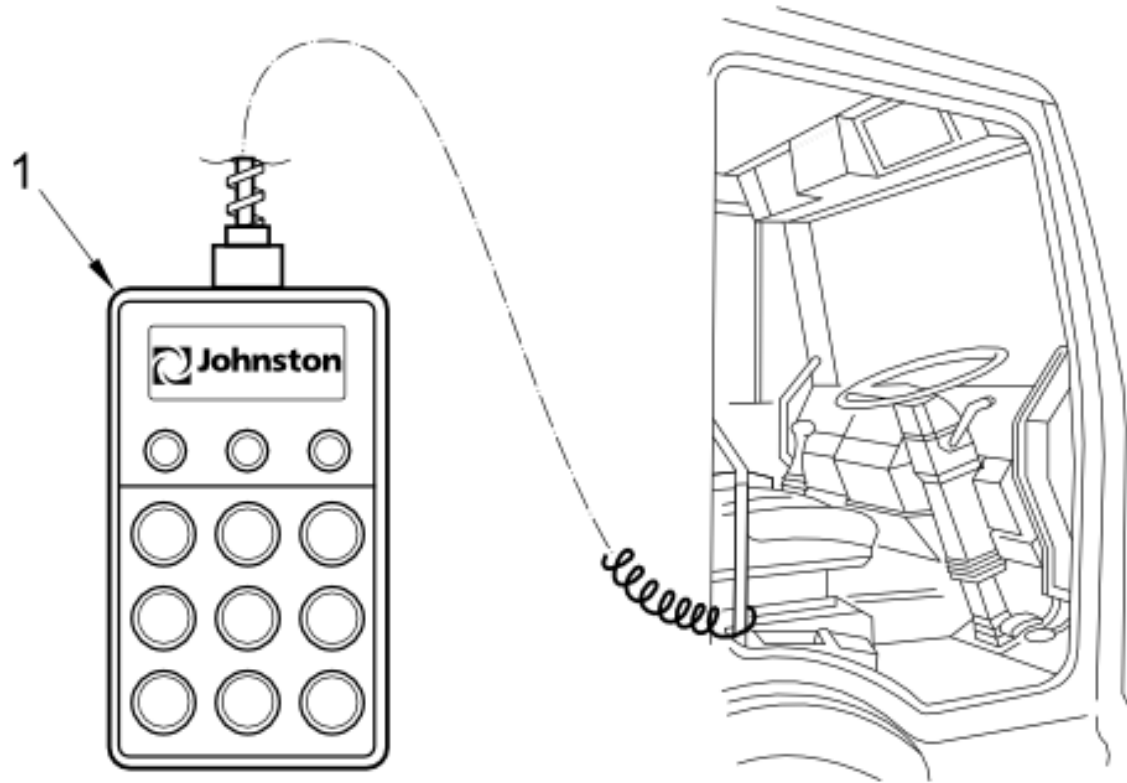


## Hydrodrive Type A Control Box Core Module (950420)

Electrical System - Superseded Parts

Item no.	Part no.	Description	QTY	Unit
16	124-67	Setscrew M5C x 10	3	PC
16	455-7	Washer Plain Plated Steel M5	3	PC
16	425-12	Nut Nyloc Hex M5C	3	PC
17	124-113	Setscrew M6C x 50	1	PC
18	460-8	Washer Spring Single Coil M6	1	PC
19	455-8	Washer Plain Plated Steel M6	4	PC
20	420-13	Nut MC Hex M6	1	PC
21	425-13	Nut Nyloc Hex M6C	1	PC
22	282824-1	D-Tec Control Box Lid Section	1	PC
23	138-91	Screw - Skt Button Hd M6cx12	4	PC
24	31-218	Plug - 17 Way	1	PC
25	124-69	Hex Head Screw - M5Cx14 - 8.8	2	PC
26	31-391	Housing - 9 Way Mate-N-Lok	1	PC
27	31-127	Plug Housing 7 Way White	1	PC

**Load Discharge Pendant (950313)**  
Cab Controls Discharge



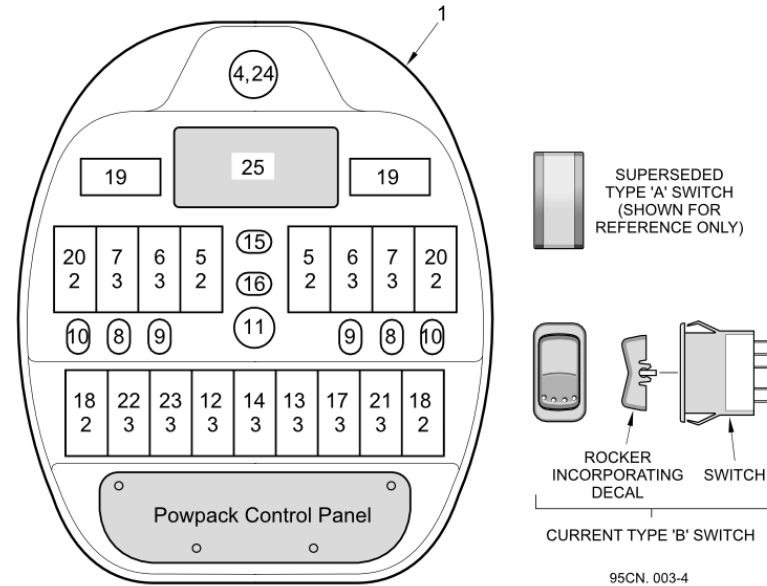
95CN.006-3

**Load Discharge Pendant (950313)**

Cab Controls Discharge

Item no.	Part no.	Description	QTY	Unit
1	283440-2	Discharge Pendant-AP (Black)	1	PC

**Switch Panel Assembly Single (950310)**  
Cab Controls - Switch Panel



95CN. 003-4

VT Panel Assemblies

Part No.	Description
Type 'B' Switches	
950312-60 to 63	Iveco Standard Power 24v Switch Panels
950312-64 to 67	Iveco High Power 24v Switch Panels
950312-68 to 71	John Deere Standard Power 12v Switch Panels
950312-72 to 75	John Deere High Power 12v Switch Panels

VS Panel Assemblies

950312-43 to 46	Hydrodrive 12v Switch Panels
950312-47 to 50	Hydrodrive 24v Switch Panels

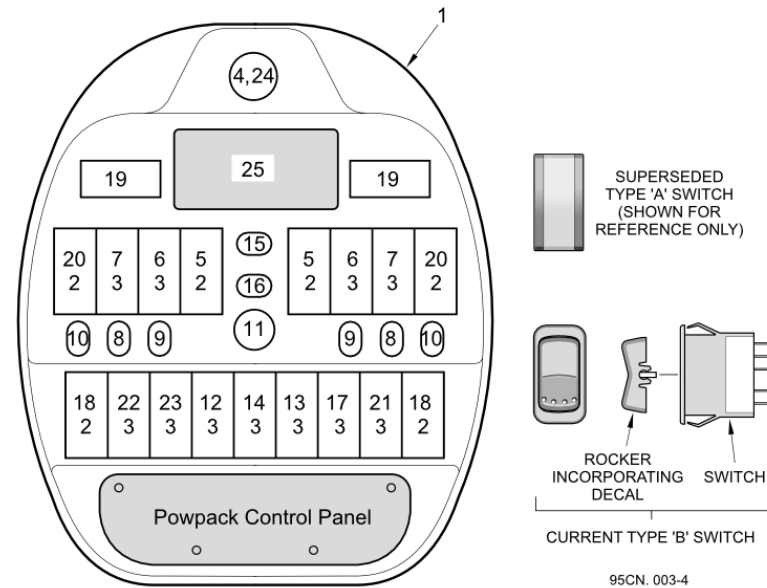
Note  
Quote machine serial number when ordering a replacement panel.

**Switch Panel Assembly Single (950310)**

## Cab Controls - Switch Panel

Item no.	Part no.	Description	QTY	Unit
1	282350-1	Switch Box - Assy	1	PC
2	735-70	Bezel - Mounting End Piece	6	PC
3	735-71	Bezel - Mounting Centre Piece	11	PC
4	99-95	Joystick Head Assy (Ref 99-11)	1	PC
4	99-1	Body Contact Assy 2xN/O (99/4)	1	PC
5	735-27	Switch-3 Position, Detent 24V	1	PC
5	735-103	Cover - Rocker WSB	1	PC
5	735-60	Plug - Blanking	1	PC
6	735-27	Switch-3 Position, Detent 24V	1	PC
6	735-102	Cover - Rocker Nozzle	1	PC
6	735-60	Plug - Blanking	1	PC
7	735-27	Switch-3 Position, Detent 24V	1	PC
7	735-101	Cover - Rocker Channel Brush	1	PC
7	735-60	Plug - Blanking	1	PC
8	43-100	Switch-Low Press. Water 12v	1	PC
8	43-200	Switch-Low Press. Water 24v	1	PC
8	43-1	Switch - Blank	1	PC
9	43-1	Switch - Blank	2	PC
10	43-101	Switch - Work Lamp 12v	1	PC
10	43-201	Switch - Work Lamp 24v	1	PC
10	43-1	Switch - Blank	1	PC
11	99-92	Fixing Collar/Lt Block Ass 12v	1	PC
11	99-93	Fixing Collar/Lt Block Ass 24v	1	PC
11	99-4	Contact - N.O.	1	PC

**Switch Panel Assembly Single (950310)**  
Cab Controls - Switch Panel



VT Panel Assemblies

Part No.	Description
Type 'B' Switches	
950312-60 to 63	Iveco Standard Power 24v Switch Panels
950312-64 to 67	Iveco High Power 24v Switch Panels
950312-68 to 71	John Deere Standard Power 12v Switch Panels
950312-72 to 75	John Deere High Power 12v Switch Panels

VS Panel Assemblies

950312-43 to 46	Hydrodrive 12v Switch Panels
950312-47 to 50	Hydrodrive 24v Switch Panels

Note

Quote machine serial number when ordering a replacement panel.

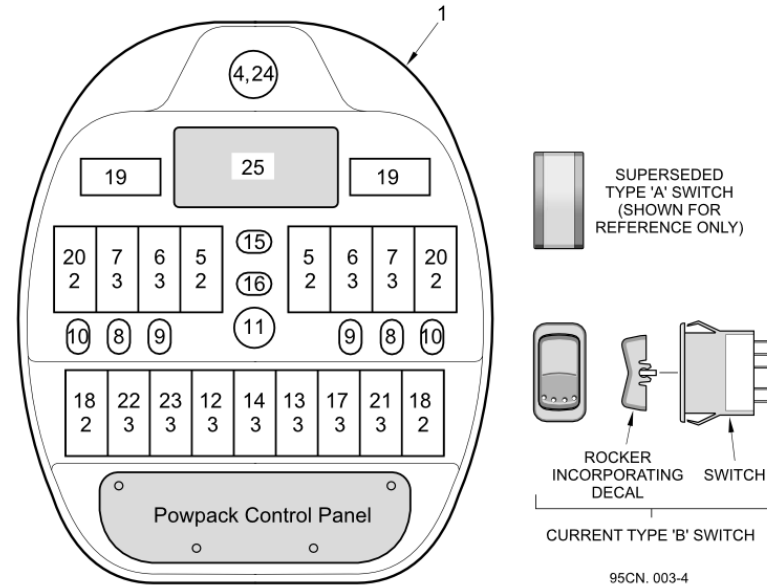


**Switch Panel Assembly Single (950310)**

## Cab Controls - Switch Panel

Item no.	Part no.	Description	QTY	Unit
11	99-94	Push Button Projected (Green)	1	PC
12	735-60	Plug - Blanking	1	PC
13	735-26	Switch-2 Position, Detent 24V	1	PC
13	735-108	Cover - Beacons	1	PC
14	735-29	Switch-3 Position, Spring 24V	1	PC
14	735-121	Cover - Rocker ES+W/Tank Level	1	PC
15	43-104	Switch-Powasave/Powathrust 12v	1	PC
15	43-204	Switch-Powasave/Powathrust 24v	1	PC
15	43-1	Switch - Blank	1	PC
16	43-103	Switch - Powascrub 12v	1	PC
16	43-203	Switch - Powascrub 24v	1	PC
16	43-1	Switch - Blank	1	PC
17	735-26	Switch-2 Position, Detent 24V	1	PC
17	735-106	Cover - Rocker Supawash	1	PC
17	735-60	Plug - Blanking	1	PC
18	735-26	Switch-2 Position, Detent 24V	1	PC
18	735-107	Cover - Rocker Water Recirc	1	PC
18	735-60	Plug - Blanking	1	PC
18	735-60	Plug - Blanking	2	PC
19	735-31	Switch-3 Position, Spring 24V	1	PC
19	735-110	Cover - Rocker LH Variabrush	1	PC
19	735-111	Cover - Rocker RH Variabrush	1	PC
19	735-60	Plug - Blanking	1	PC
20	735-31	Switch-3 Position, Spring 24V	1	PC

**Switch Panel Assembly Single (950310)**  
Cab Controls - Switch Panel



VT Panel Assemblies

Part No.	Description
Type 'B' Switches	
950312-60 to 63	Iveco Standard Power 24v Switch Panels
950312-64 to 67	Iveco High Power 24v Switch Panels
950312-68 to 71	John Deere Standard Power 12v Switch Panels
950312-72 to 75	John Deere High Power 12v Switch Panels

VS Panel Assemblies

950312-43 to 46	Hydrodrive 12v Switch Panels
950312-47 to 50	Hydrodrive 24v Switch Panels

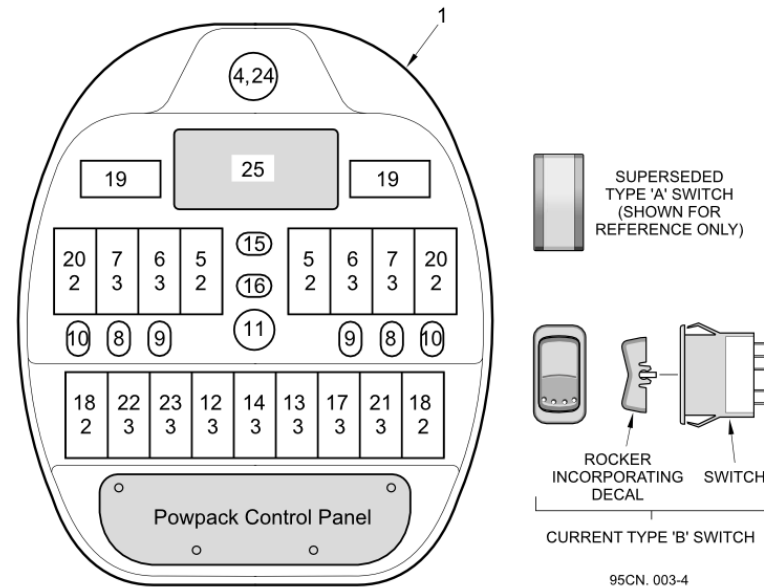
Note  
Quote machine serial number when ordering a replacement panel.

**Switch Panel Assembly Single (950310)**

## Cab Controls - Switch Panel

Item no.	Part no.	Description	QTY	Unit
20	735-104	Cover - Rocker LH Rotatilt	1	PC
20	735-105	Cover - Rocker RH Rotatilt	1	PC
20	735-60	Plug - Blanking	1	PC
21	735-26	Switch-2 Position, Detent 24V	1	PC
21	735-120	Cover - Rocker Warning Lights	1	PC
21	735-60	Plug - Blanking	1	PC
22	735-26	Switch-2 Position, Detent 24V	1	PC
22	735-118	Cover - Rocker Worklights	1	PC
22	735-60	Plug - Blanking	1	PC
23	735-6	Switch-2 Position, Detent 12V	1	PC
23	735-119	Cover - Rocker Water Jets L.P	1	PC
23	735-60	Plug - Blanking	1	PC
24	99-96	Joystick Head Assy (Ref 99-12)	1	PC
24	99-1	Body Contact Assy 2xN/O (99/4)	1	PC
25	282237-2	Panel - Instrument IVECO HP	1	PC
25	282237-3	Panel - Instrument HYDRO VS	1	PC
25	282237-4	Panel-Instrument IVE SP & JD	1	PC

**Switch Panel Assembly Dual (950310)**  
Cab Controls - Switch Panel



## VT Panel Assemblies

Part No.	Description
Type 'B' Switches	
950312-60 to 63	Iveco Standard Power 24v Switch Panels
950312-64 to 67	Iveco High Power 24v Switch Panels
950312-68 to 71	John Deere Standard Power 12v Switch Panels
950312-72 to 75	John Deere High Power 12v Switch Panels

## VS Panel Assemblies

950312-43 to 46	Hydrodrive 12v Switch Panels
950312-47 to 50	Hydrodrive 24v Switch Panels

## Note

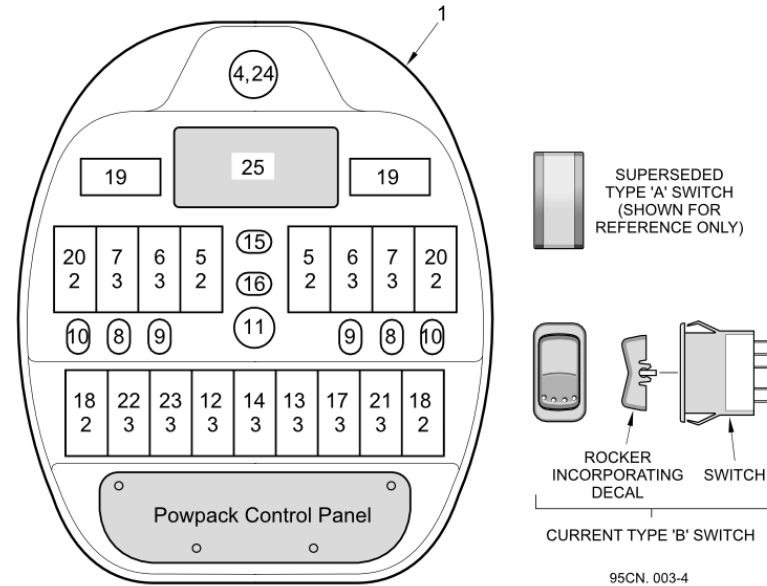
Quote machine serial number when ordering a replacement panel.

**Switch Panel Assembly Dual (950310)**

## Cab Controls - Switch Panel

Item no.	Part no.	Description	QTY	Unit
1	282350-1	Switch Box - Assy	1	PC
2	735-70	Bezel - Mounting End Piece	6	PC
3	735-71	Bezel - Mounting Centre Piece	11	PC
4	99-95	Joystick Head Assy (Ref 99-11)	1	PC
4	99-1	Body Contact Assy 2xN/O (99/4)	1	PC
5	735-27	Switch-3 Position, Detent 24V	2	PC
5	735-103	Cover - Rocker WSB	2	PC
6	735-27	Switch-3 Position, Detent 24V	2	PC
6	735-102	Cover - Rocker Nozzle	1	PC
7	735-27	Switch-3 Position, Detent 24V	2	PC
7	735-101	Cover - Rocker Channel Brush	1	PC
8	43-100	Switch-Low Press. Water 12v	2	PC
8	43-200	Switch-Low Press. Water 24v	2	PC
9	43-102	Switch - Inlet Flap 12v 95	2	PC
9	43-202	Switch - Inlet Flap 24v 95	2	PC
10	43-101	Switch - Work Lamp 12v	2	PC
10	43-201	Switch - Work Lamp 24v	2	PC
11	99-92	Fixing Collar/Lt Block Ass 12v	1	PC
11	99-93	Fixing Collar/Lt Block Ass 24v	1	PC
11	99-4	Contact - N.O.	1	PC
11	99-94	Push Button Projected (Green)	1	PC
12	735-60	Plug - Blanking	1	PC
13	735-26	Switch-2 Position, Detent 24V	1	PC
13	735-108	Cover - Beacons	1	PC

**Switch Panel Assembly Dual (950310)**  
Cab Controls - Switch Panel



VT Panel Assemblies

Part No.	Description
Type 'B' Switches	
950312-60 to 63	Iveco Standard Power 24v Switch Panels
950312-64 to 67	Iveco High Power 24v Switch Panels
950312-68 to 71	John Deere Standard Power 12v Switch Panels
950312-72 to 75	John Deere High Power 12v Switch Panels

VS Panel Assemblies

950312-43 to 46	Hydrodrive 12v Switch Panels
950312-47 to 50	Hydrodrive 24v Switch Panels

Note  
Quote machine serial number when ordering a replacement panel.

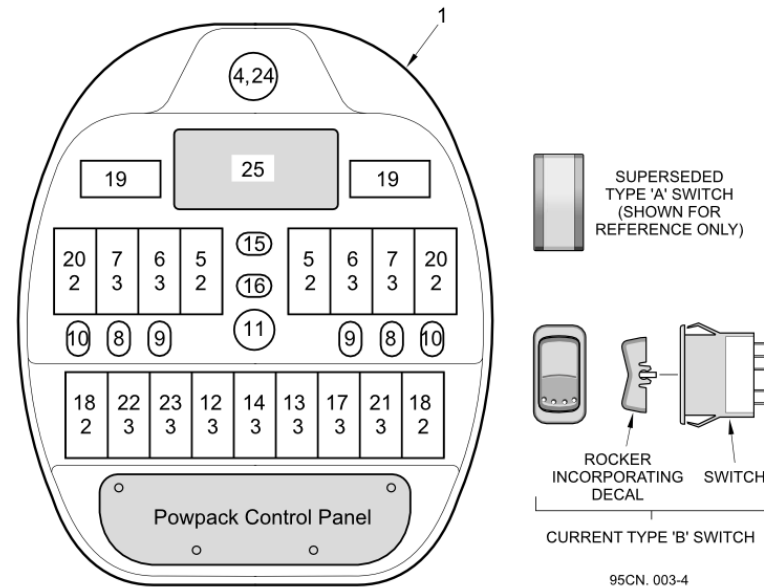
**Switch Panel Assembly Dual (950310)**

## Cab Controls - Switch Panel

Item no.	Part no.	Description	QTY	Unit
14	735-29	Switch-3 Position, Spring 24V	1	PC
14	735-121	Cover - Rocker ES+W/Tank Level	1	PC
15	43-104	Switch-Powasave/Powathrust 12v	1	PC
15	43-204	Switch-Powasave/Powathrust 24v	1	PC
15	43-1	Switch - Blank	1	PC
16	43-103	Switch - Powascrub 12v	1	PC
16	43-203	Switch - Powascrub 24v	1	PC
16	43-1	Switch - Blank	1	PC
17	735-26	Switch-2 Position, Detent 24V	1	PC
17	735-106	Cover - Rocker Supawash	1	PC
17	735-60	Plug - Blanking	1	PC
18	735-26	Switch-2 Position, Detent 24V	2	PC
18	735-107	Cover - Rocker Water Recirc	2	PC
18	735-60	Plug - Blanking	2	PC
19	735-31	Switch-3 Position, Spring 24V	2	PC
19	735-110	Cover - Rocker LH Variabrush	1	PC
19	735-111	Cover - Rocker RH Variabrush	1	PC
19	735-60	Plug - Blanking	2	PC
20	735-31	Switch-3 Position, Spring 24V	2	PC
20	735-104	Cover - Rocker LH Rotatilt	1	PC
20	735-105	Cover - Rocker RH Rotatilt	1	PC
20	735-60	Plug - Blanking	2	PC
21	735-26	Switch-2 Position, Detent 24V	1	PC
21	735-120	Cover - Rocker Warning Lights	1	PC

## Switch Panel Assembly Dual (950310)

Cab Controls - Switch Panel



### VT Panel Assemblies

Part No.	Description
Type 'B' Switches	
950312-60 to 63	Iveco Standard Power 24v Switch Panels
950312-64 to 67	Iveco High Power 24v Switch Panels
950312-68 to 71	John Deere Standard Power 12v Switch Panels
950312-72 to 75	John Deere High Power 12v Switch Panels

### VS Panel Assemblies

950312-43 to 46	Hydrodrive 12v Switch Panels
950312-47 to 50	Hydrodrive 24v Switch Panels

### Note

Quote machine serial number when ordering a replacement panel.

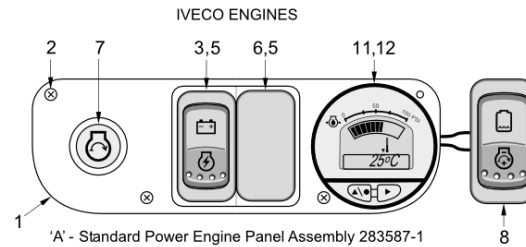


**Switch Panel Assembly Dual (950310)**

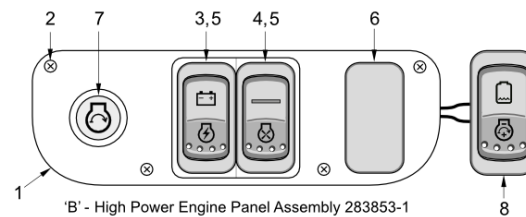
## Cab Controls - Switch Panel

Item no.	Part no.	Description	QTY	Unit
21	735-60	Plug - Blanking	1	PC
22	735-26	Switch-2 Position, Detent 24V	1	PC
22	735-118	Cover - Rocker Worklights	1	PC
22	735-60	Plug - Blanking	1	PC
23	735-26	Switch-2 Position, Detent 24V	1	PC
23	735-119	Cover - Rocker Water Jets L.P	1	PC
23	735-60	Plug - Blanking	1	PC
24	99-96	Joystick Head Assy (Ref 99-12)	1	PC
24	99-1	Body Contact Assy 2xN/O (99/4)	1	PC
25	282237-2	Panel - Instrument IVECO HP	1	PC
25	282237-3	Panel - Instrument HYDRO VS	1	PC
25	282237-4	Panel-Instrument IVE SP & JD	1	PC

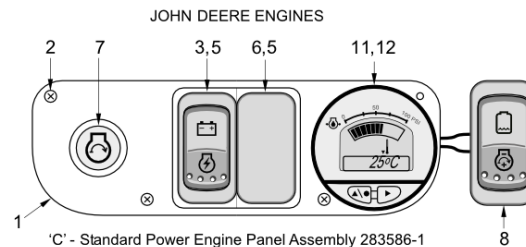
**Powapak Control Panel - VT Range (-)**  
Cab Controls - Switch Panel



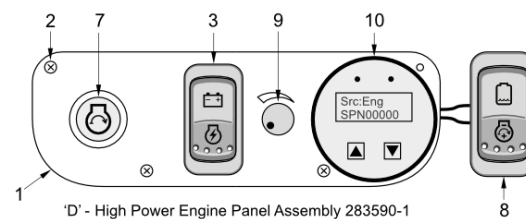
'A' - Standard Power Engine Panel Assembly 283587-1



'B' - High Power Engine Panel Assembly 283853-1



'C' - Standard Power Engine Panel Assembly 283586-1



'D' - High Power Engine Panel Assembly 283590-1

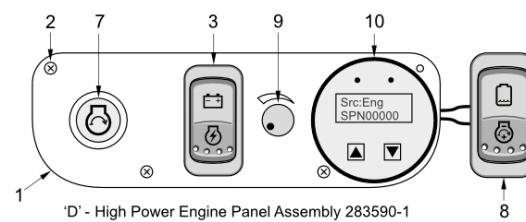
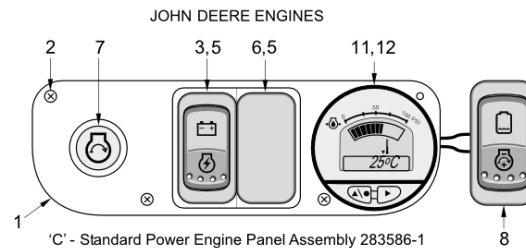
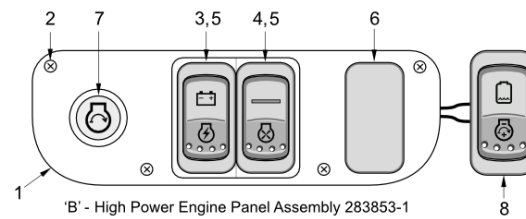
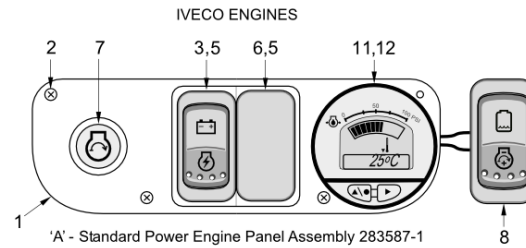
95CN. 011-3

## Powapak Control Panel - VT Range (-)

## Cab Controls - Switch Panel

Item no.	Part no.	Description	QTY	Unit
1	282353-1	Plate - Switch IVECO TURBO	1	PC
1	282353-2	Plate - Switch PERKINS AUX	1	PC
1	282353-4	Plate - Switch JOHN DEERE	1	PC
2	135-151	Screw - Sltd Pan Hd, M4C x 16	4	PC
3	735-30	Switch-3 Position, Spring 24V	1	PC
3	735-34	Switch-2 Position, Detent 24v	1	PC
3	735-10	Switch-2 Position, Spring 12V	1	PC
3	735-14	Switch-2 Position, Detent 12v	1	PC
3	735-125	Cover - Rocker Alternator	1	PC
4	735-28	Switch-3 Position, Spring 24V	1	PC
4	735-116	Cover - Rocker Aux Engine PTO	1	PC
5	735-70	Bezel - Mounting End Piece	2	PC
6	735-60	Plug - Blanking	1	PC
7	99-93	Fixing Collar/Lt Block Ass 24v	1	PC
7	99-92	Fixing Collar/Lt Block Ass 12v	1	PC
7	99-4	Contact - N.O.	1	PC
7	99-5	Contact - N.C.	1	PC
7	99-67	Operating Head - Push Momentry	1	PC
8	735-9	Switch-3 Position, Spring 12V	1	PC
8	735-29	Switch-3 Position, Spring 24V	1	PC
8	735-121	Cover - Rocker ES+W/Tank Level	1	PC
9	31-497	Potentiometer 4K7 (With Knob)	1	PC
10	282934-1	Diagnostics Gauge - John Deere	1	PC
11	12705	Plug - Blank (Gauge)	1	PC

**Powapak Control Panel - VT Range (-)**  
Cab Controls - Switch Panel



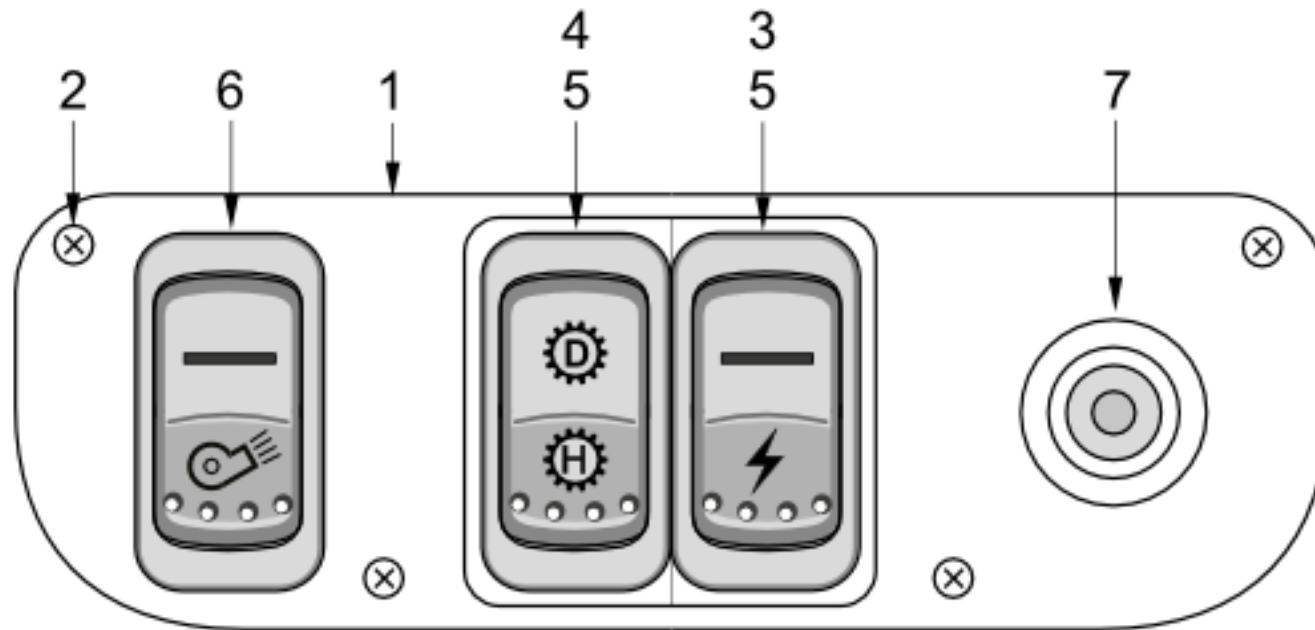
95CN. 011-3

**Powapak Control Panel - VT Range (-)**

Cab Controls - Switch Panel

Item no.	Part no.	Description	QTY	Unit
12	282740-1	Gauge Pod - VT Engine	1	PC

**Powapak Control Panel - VS Range (-)**  
Cab Controls - Switch Panel



95CN. 004-10

**Assemblies**

283589-1  
283589-2

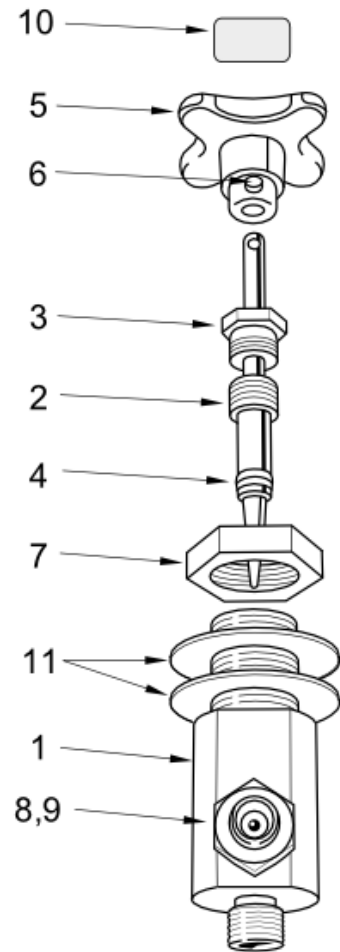
HydroDrive 12v  
HydroDrive 24v

**Powapak Control Panel - VS Range (-)**

## Cab Controls - Switch Panel

Item no.	Part no.	Description	QTY	Unit
1	282353-3	Plate - Switch HYDROSTATIC	1	PC
2	135-151	Screw - Sltd Pan Hd, M4C x 16	4	PC
3	735-8	Switch-3 Position, Spring 12V	1	PC
3	735-28	Switch-3 Position, Spring 24V	1	PC
3	735-109	Cover - Rocker Master Switch	1	PC
4	735-8	Switch-3 Position, Spring 12V	1	PC
4	735-28	Switch-3 Position, Spring 24V	1	PC
4	735-113	Cover - Rocker Gearbox Engage	1	PC
5	735-70	Bezel - Mounting End Piece	2	PC
6	735-7	Switch-3 Position, Detent 12V	1	PC
6	735-27	Switch-3 Position, Detent 24V	1	PC
6	735-114	Cover - Rocker Suction Fan	1	PC
7	48-83	Joystick-TwoWay(forward/revers	1	PC
7	48-85	Contact	2	PC

**Channel Brush Speed Control (950322)**  
Cab Controls - Channel Brush



95CN. 005-2

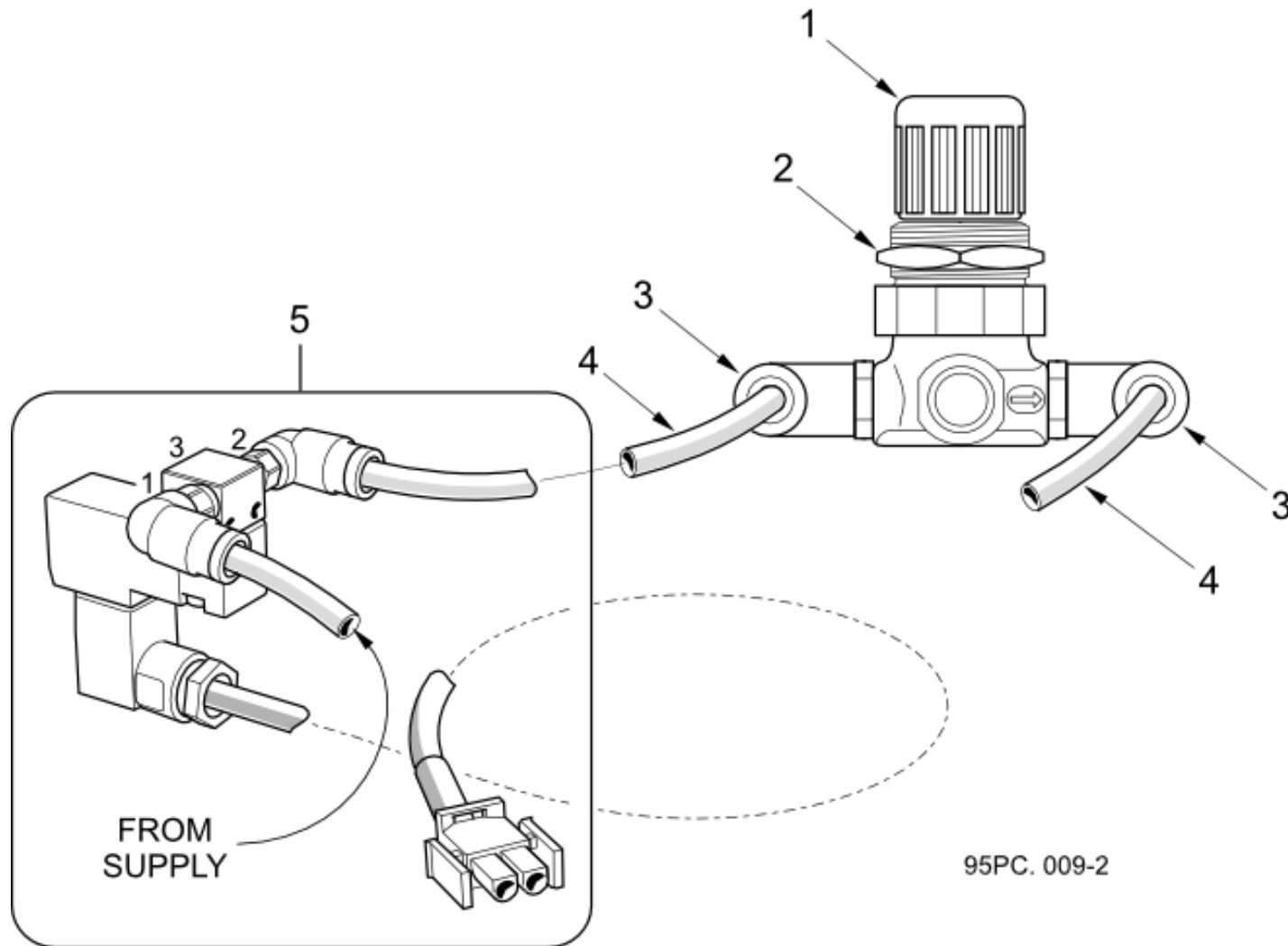


**Channel Brush Speed Control (950322)**

Cab Controls - Channel Brush

Item no.	Part no.	Description	QTY	Unit
0	3730-1-E	Valve - Speed Control	1	PC
Comprising items 1-11				
1	26106-1-K	Body	1	PC
2	26107-1-E	Spindle	1	PC
3	26108-1-C	Gland	1	PC
4	79-52	O Ring - .301" Dia.	2	PC
5	41045-2-B	Handwheel - Control, Valve	1	PC
6	135-9	Grubscrew - Cone Point M6cx8	1	PC
7	410-18	Nut - Back 3/4 B.S.P	1	PC
8	265-2	Adaptor Reducing M/M 1/4"-3/8" BSP	1	PC
9	451-17	Washer Bonded G1-4"	1	PC
10	295044-1	Label Set-Universal Tanks/Taps	1	PC
11	450-16	Washer Plain 1 1/8	2	PC

**Powasave Control - Option (KT00395)**  
Cab Controls - Channel Brush

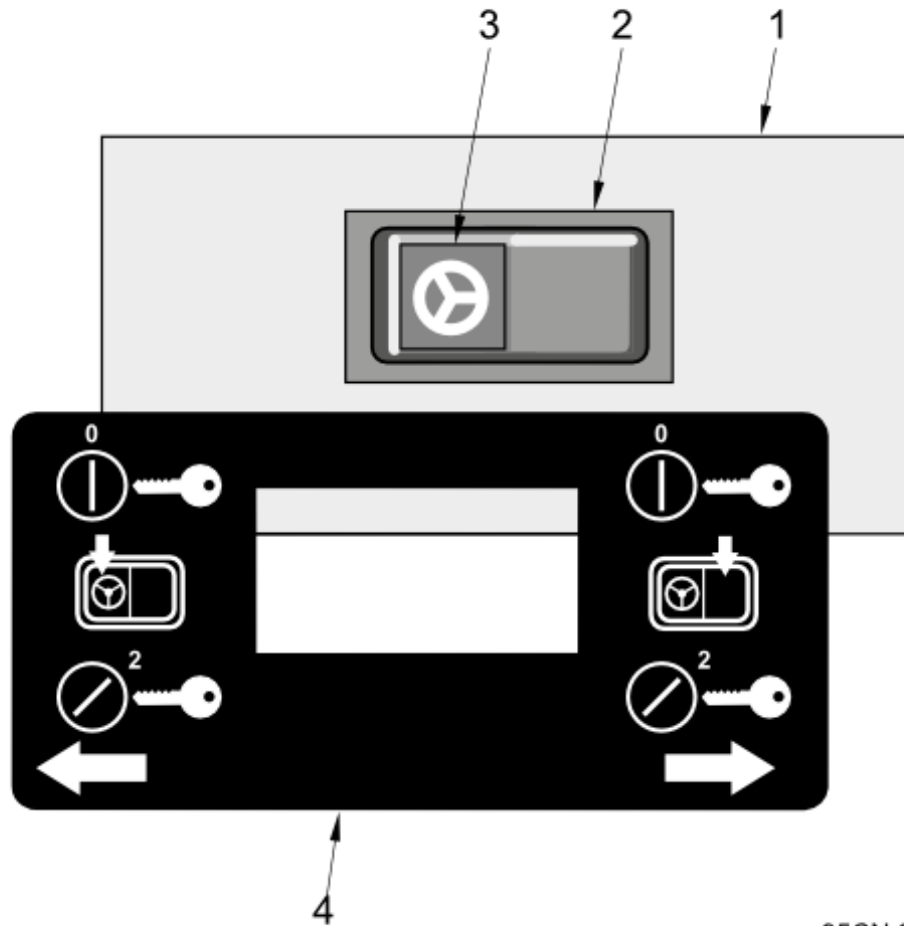


**Powasave Control - Option (KT00395)**

Cab Controls - Channel Brush

Item no.	Part no.	Description	QTY	Unit
0	282627-1	Pneumatic Regulator-Norgren	1	PC
Comprising items 1-3				
1	72-14	Regulator - Mini	1	PC
2	72-15	Panel - Ring (Suit B72/14)	1	PC
3	538-3	Elbow Push-In 6mm x 1/8" BSPT	2	PC
4	273-21	Tube - Nylon Red 6mm O/D	12	M
5	283648-12	Powasave Ctl Valve Assy12v 3/2	1	PC
5	283648-24	Powasave Ctl Valve Assy24v 3/2	1	PC

Dual Steer Changeover Control (KT10095)  
Cab Controls



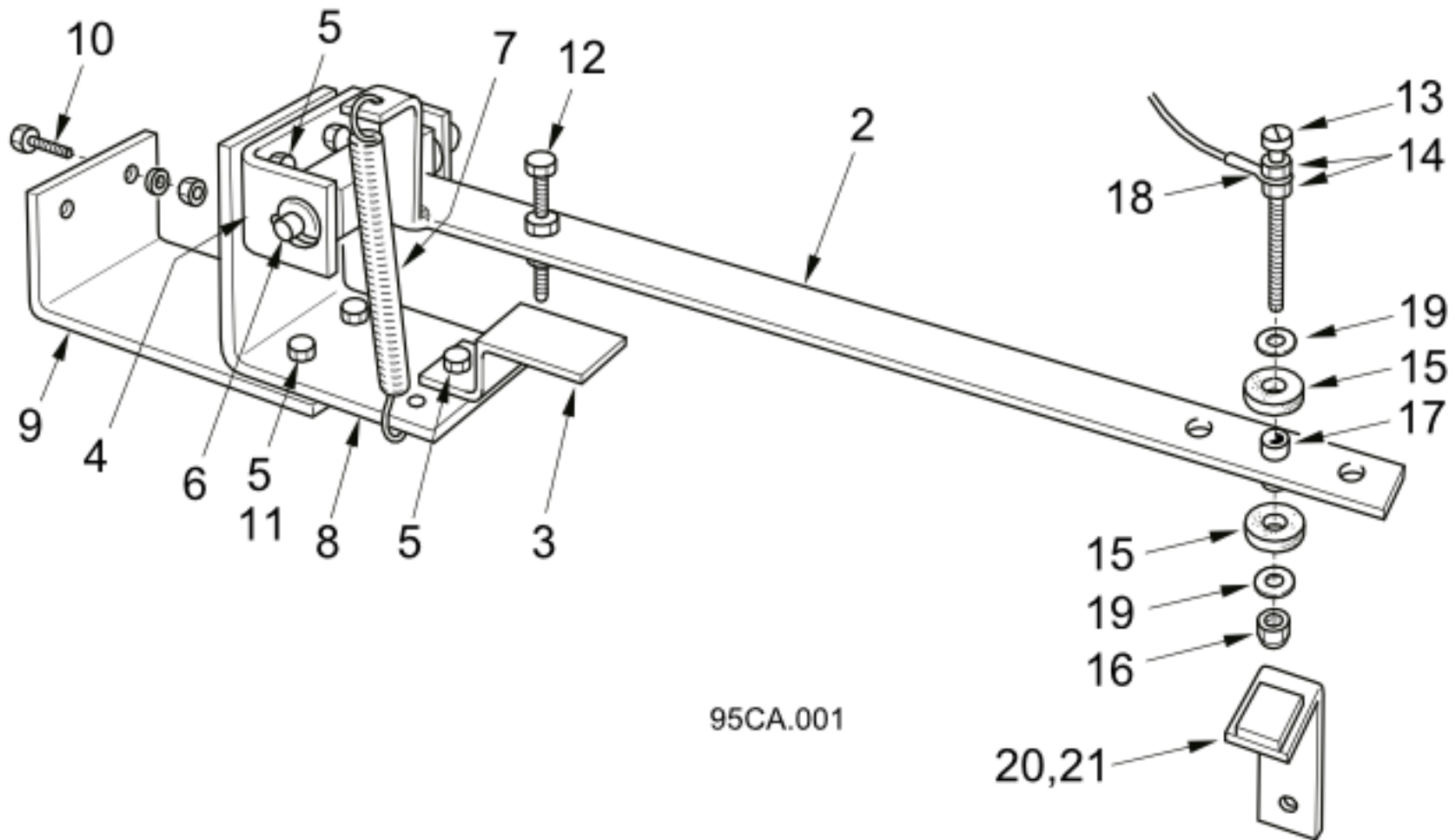
95CN.008

## Dual Steer Changeover Control (KT10095)

Cab Controls

Item no.	Part no.	Description	QTY	Unit
1	808014-1	Blank - Cab Facia D/Steer	1	PC
2	48-88	Switch - Rocker	1	PC
3	48-111	Lens - Insert, P.A.S. Failure	1	PC
4	808045-1	Label Power Switch D/Steer	1	PC

**Weight Load Indicator - Steel Suspension (-)**  
Chassis Application - Components



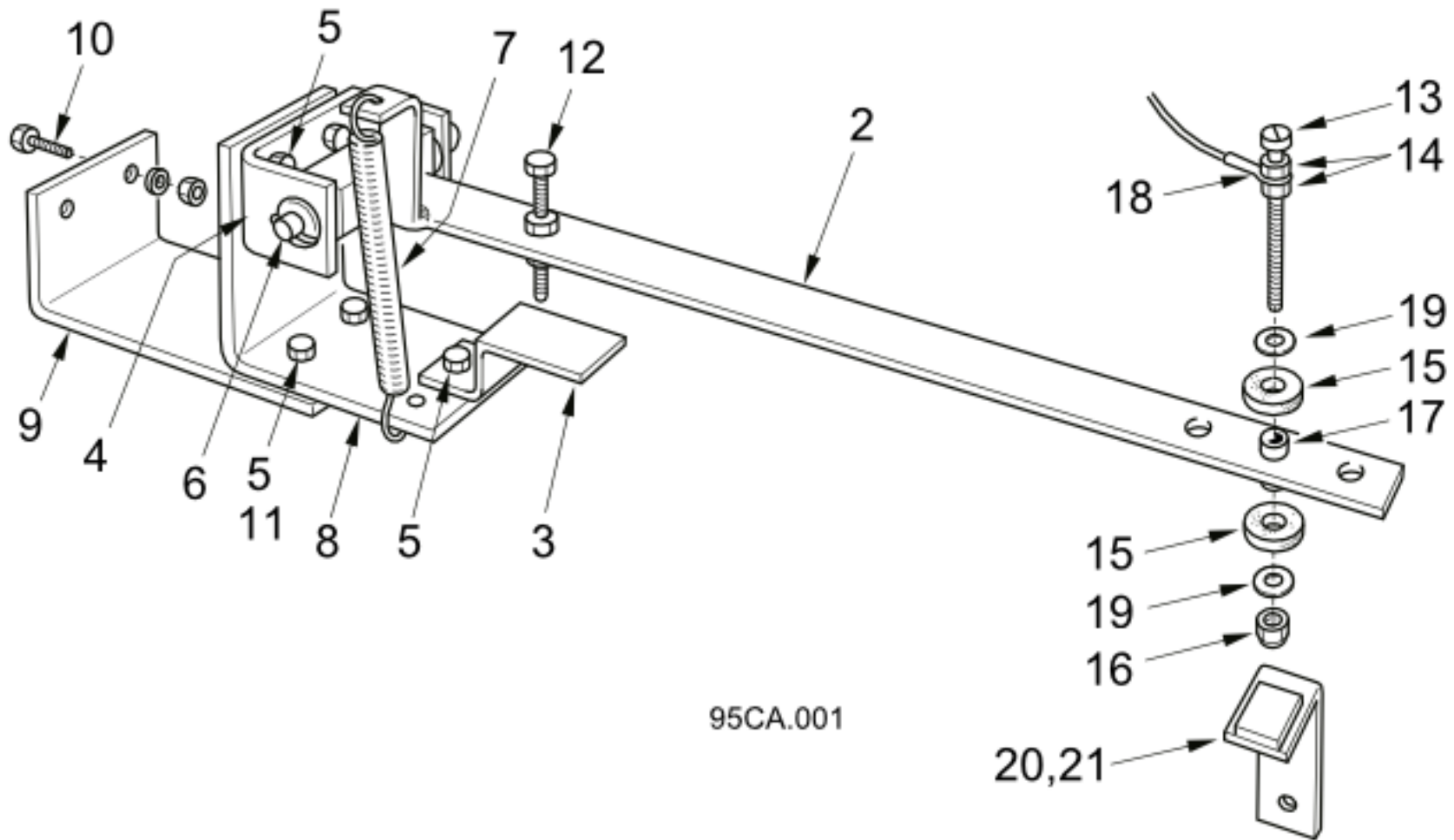
95CA.001

**Weight Load Indicator - Steel Suspension (-)**

## Chassis Application - Components

Item no.	Part no.	Description	QTY	Unit
0	20724-1-F	Indicator Weight Load Assy	1	PC
2	281745-1	Arm W/A-Weight Load Indicator	1	PC
3	281739-1	Plate - Stop Weight Load Ind	1	PC
4	281738-1	Bkt-Supt Weight Load Indicator	1	PC
5	124-103	Setscrew M6C x 20	5	PC
5	460-8	Washer Spring Single Coil M6	5	PC
5	420-13	Nut MC Hex M6	5	PC
6	281742-1	Pin - Weight Load Indicator	1	PC
6	455-10	Washer Plain Plated Steel M8	4	PC
6	500-70	Cotter Pin Split 3/32 x 3/4	2	PC
7	6275-1	Spring -Tension O/D 3/8 x 27/8	1	PC
8	20723-1-C	Link Support WLI	1	PC
9	20722-1-B	Bracket - Support	1	PC
10	124-105	Setscrew M6C x 25	2	PC
10	460-8	Washer Spring Single Coil M6	2	PC
10	420-13	Nut MC Hex M6	2	PC
11	455-8	Washer Plain Plated Steel M6	2	PC
12	124-113	Setscrew M6C x 50	1	PC
12	420-13	Nut MC Hex M6	2	PC
13	124-113	Setscrew M6C x 50	1	PC
14	410-27	DO NOT USE - REPLACED BY 416/6	2	PC
15	453-20	Washer - Nylon M8 25 x 2mm	2	PC
16	425-13	Nut Nyloc Hex M6C	1	PC
17	17369	Tube - Nylon Natural	1	M

**Weight Load Indicator - Steel Suspension (-)**  
Chassis Application - Components



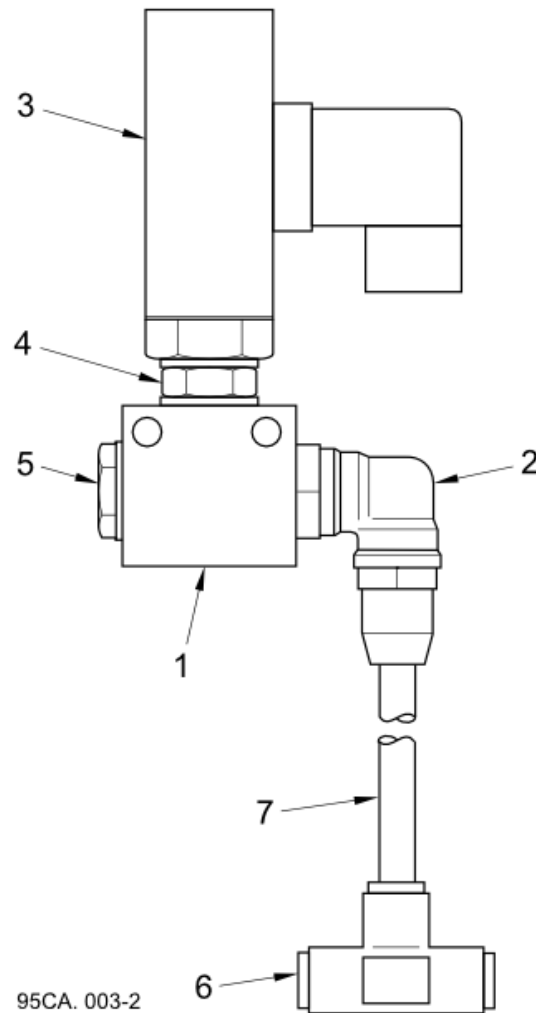


## Weight Load Indicator - Steel Suspension (-)

## Chassis Application - Components

Item no.	Part no.	Description	QTY	Unit
18	50-43	Terminal - Insulated Ring, RED (Ø 6mm)	1	PC
19	457-2	Washer Plain Steel M6 Form G	2	PC
20	6369-1-C	Bracket - Contact Brazed Assy 88lg	1	PC
21	6369-9	Bracket - Contact Brazed Assy 220lg	1	PC

## Weight Load Indicator - Air Suspension (-) Chassis Application - Components



### AIR WEIGHT LOAD INDICATOR BASIC SET UP GUIDE

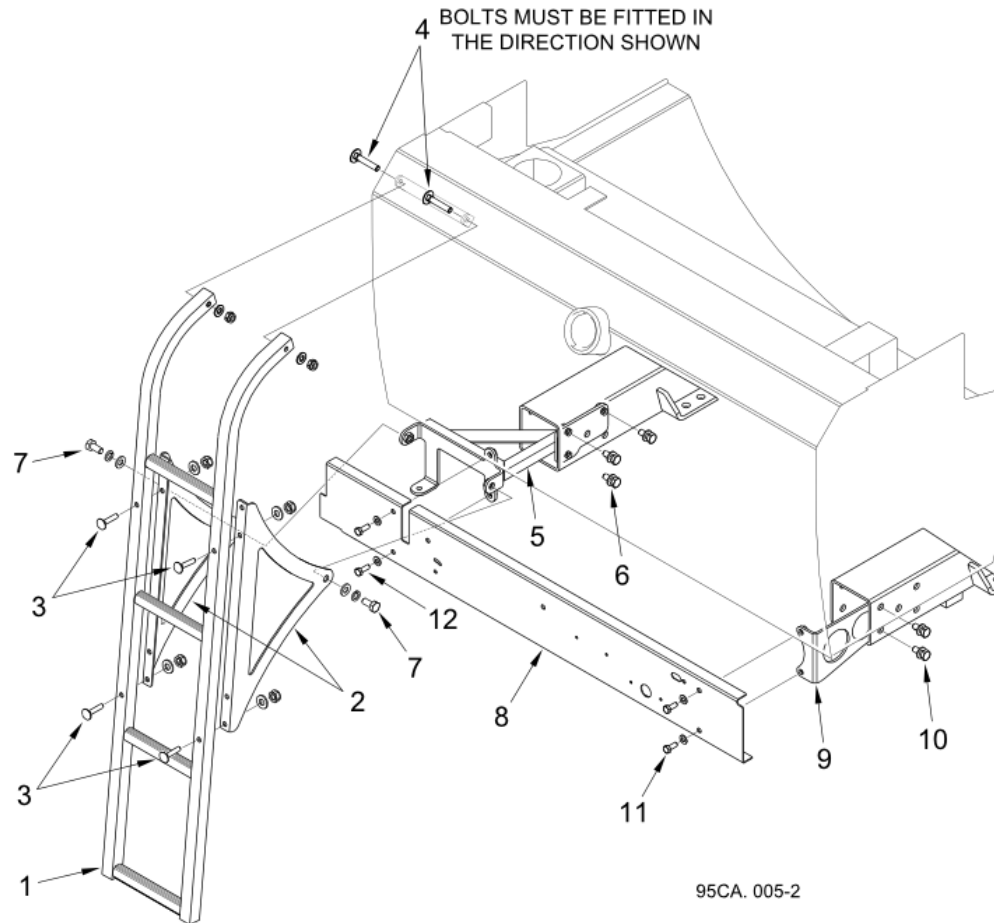
- A Fully extinguish all air from chassis air system.
- B Into chassis air bag pressure line fit a 0 to 10 bar air gauge.
- C Into chassis air bag pressure line fit JSL weight load indicator assembly.
- D With rear axle air suspension inflated to fully laden condition, note maximum pressure reading on gauge.
- E Adjust pressure switch in JSL weight load indicator by releasing the locking screw in end of switch and rotating dial. Clockwise rotation increases switch point. Anticlockwise rotation decreases switch point.
- F With dial at minimum position rotate dial slowly clockwise to the position where weight load indicator warning lamp just illuminates. To confirm correct position of dial rotate dial very slightly anticlockwise and warning lamp should extinguish, so rotate dial slightly clockwise again until warning lamp just illuminates again.
- G Again fully extinguish all air from chassis air system.
- H Remove air gauge and make good chassis air bag pressure line.
- J Recharge chassis air system and ensure there are no air leaks.

## Weight Load Indicator - Air Suspension (-)

## Chassis Application - Components

Item no.	Part no.	Description	QTY	Unit
0	802780-2	Air Switch Assembly(Pneumatic)	1	PC
Comprising items 1-7				
1	802779-1	Air Switch Block M16x1.5 Atego	1	PC
2	4505-469	Connector Elbow 8mm Tube	1	PC
3	72-52	Pneumatic Pressure Switch	1	PC
4	263-2	Adaptor M/M 1/4" BSP	1	PC
4	451-17	Washer Bonded G1-4"	2	PC
5	54-12	Plug - Collar M16x1.5	1	PC
5	451-17	Washer Bonded G1-4"	1	PC
6	277-54	Connector Equil Tee 8mm Pushin	1	PC
7	39394	Tube Air Brake O/D 8mm	2	M

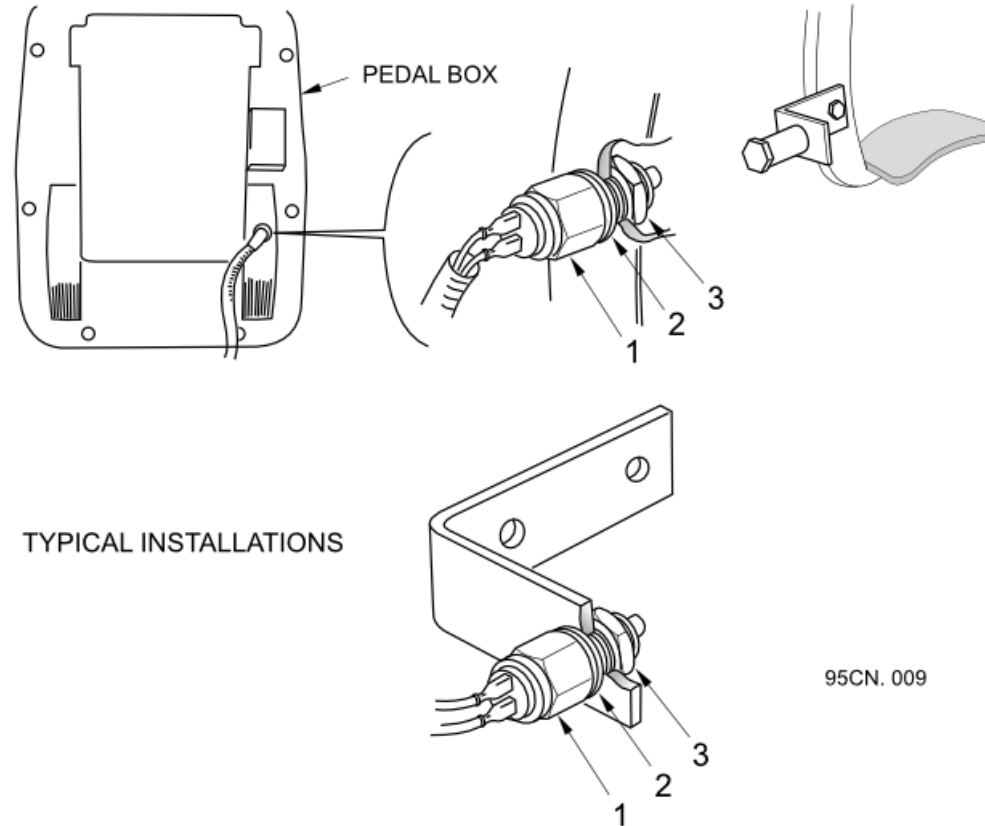
**Fuel Tank Access Ladder (282440-1-INST)**  
Chassis Application - Components



**Fuel Tank Access Ladder (282440-1-INST)**

Chassis Application - Components

Item no.	Part no.	Description	QTY	Unit
1	282561-1	Access Ladder	1	PC
2	283657-1	Stay - Access Ladder	2	PC
3	136-22	Bolt & Nut Carriage M8x40	4	PC
3	455-10	Washer Plain Plated Steel M8	4	PC
3	425-14	Nut Nyloc Hex MC M8	4	PC
4	136-23	Bolt & Nut Carriage M8x45	2	PC
4	455-10	Washer Plain Plated Steel M8	2	PC
4	425-14	Nut Nyloc Hex MC M8	2	PC
5	283650-1	Mount - Access Ladder W/Assy	1	PC
6	135-29	Setscrew HexHd Selfloc M10cx25	3	PC
6	455-11	Washer Plain Plated Steel M10	3	PC
7	124-168	Setscrew M10C x 22	2	PC
7	460-11	Washer Spring Single Coil M10	2	PC
7	455-11	Washer Plain Plated Steel M10	2	PC
8	283655-1	Valance - Fuel Tank	1	PC
9	283658-1	Bracket W/A-Fuel Tank Valance	1	PC
10	124-203	Setscrew M12C x 30	2	PC
10	460-12	Washer Spring Single Coil M12	2	PC
10	455-12	Washer Plain Plated Steel M12	2	PC
11	124-135	Setscrew M8C x 20	2	PC
11	455-10	Washer Plain Plated Steel M8	2	PC
12	124-136	Setscrew M8C x 22 BS3692	2	PC
12	455-10	Washer Plain Plated Steel M8	2	PC

**Clutch Safety Switch Installation (-)**  
Chassis Application - VS Hydrodrive

Note:

\* These parts are chassis related. Contact the Johnston Parts Department, quoting the machine serial number, for further information.

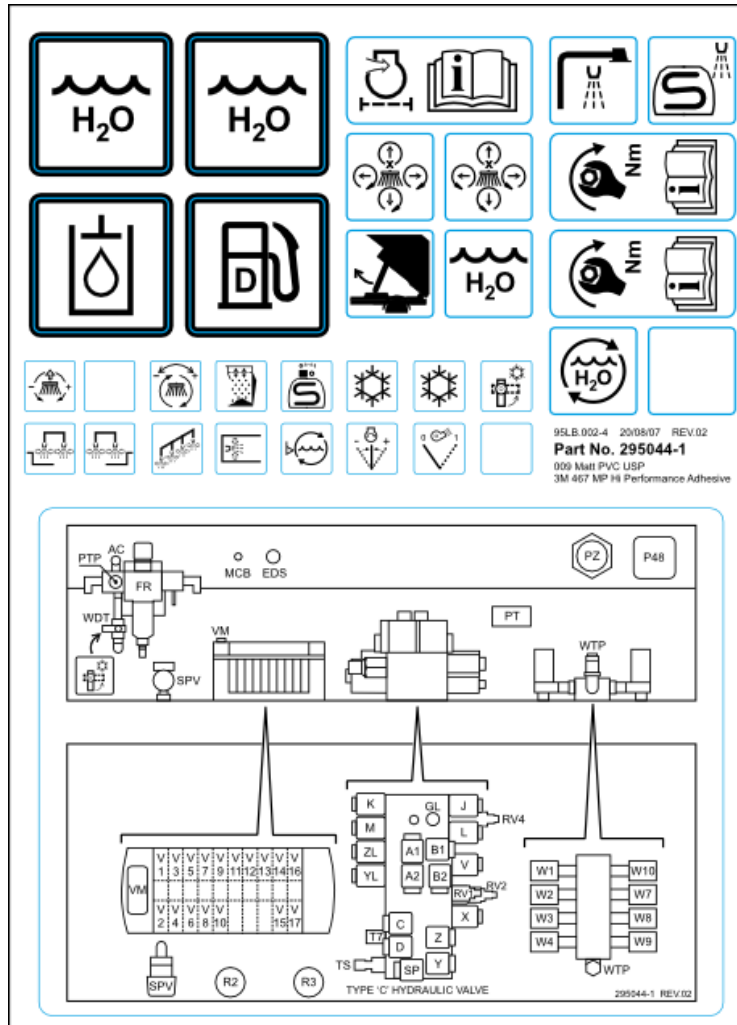
The above parts are not supplied with standard ESU's.

**Clutch Safety Switch Installation (-)**

Chassis Application - VS Hydrodrive

Item no.	Part no.	Description	QTY	Unit
1	48-149	Switch - Gearbox/Clutch	1	PC
2	457-6	Washer Plain Steel M12 Form G	2	PC
3	410-33	Nut - Locknut M12 x 1.5	1	PC

Decals - VT Only (-)  
Miscellaneous



1 ← PLEASE NOTE: DRAWINGS NOT TO SCALE → 3



5 ← 6 → 95MS. 002-7

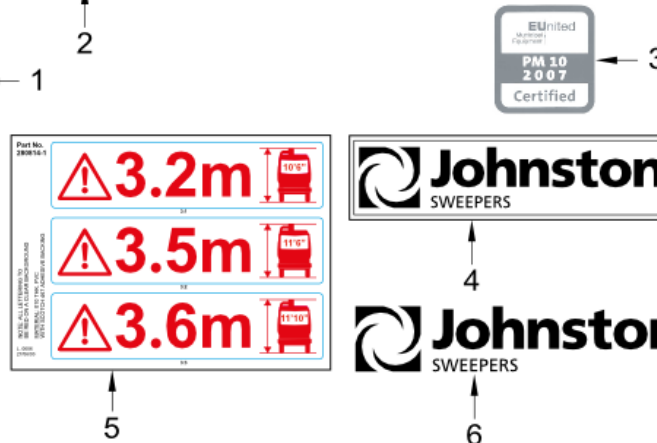
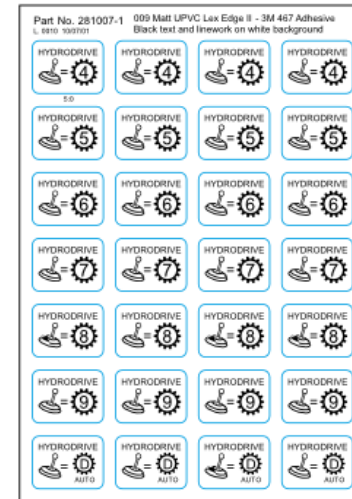
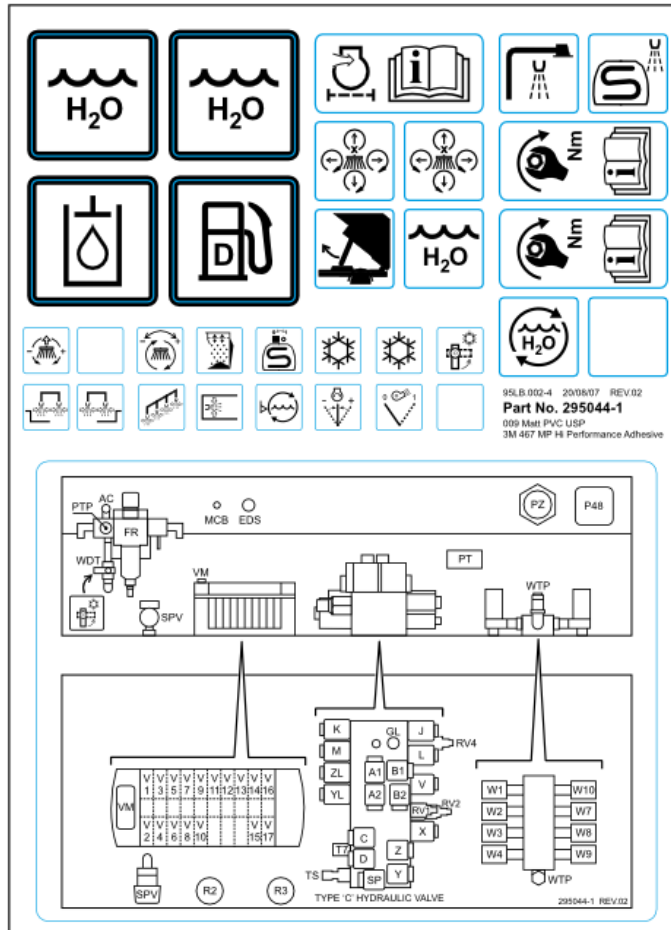


## Decals - VT Only (-)

Miscellaneous

Item no.	Part no.	Description	QTY	Unit
1	295044-1	Label Set-Universal Tanks/Taps	1	PC
2	282457-1	Label Set - Universal Warning	1	PC
3	283895-1	Label PM10 Certified	1	PC
4	282426-1	Badge - Johnston Sweepers 95	1	PC
5	280814-1	Label - Vehicle Height	1	PC
6	7005204	Vinyl Set - V Range Johnston Swirls	1	PC

### Decals - VS Only (-) Miscellaneous



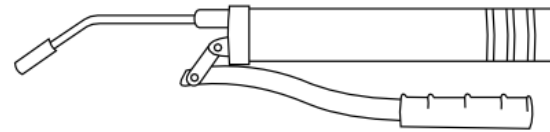
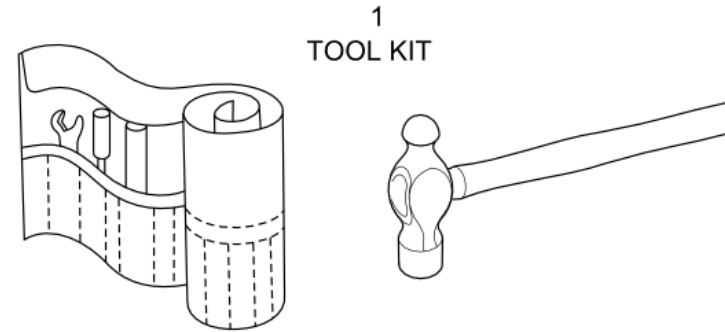
PLEASE NOTE:  
DRAWINGS NOT TO SCALE

95MS. 007-7

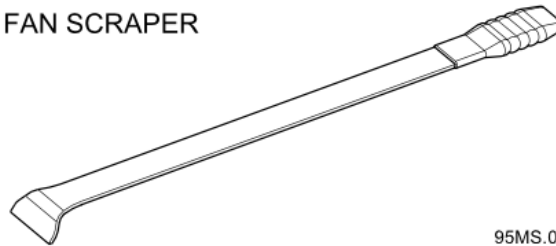
## Decals - VS Only (-)

Miscellaneous

Item no.	Part no.	Description	QTY	Unit
1	295044-1	Label Set-Universal Tanks/Taps	1	PC
2	282457-1	Label Set - Universal Warning	1	PC
3	283895-1	Label PM10 Certified	1	PC
4	282426-1	Badge - Johnston Sweepers 95	1	PC
5	280814-1	Label - Vehicle Height	1	PC
6	7005204	Vinyl Set - V Range Johnston Swirls	1	PC
7	281007-1	Label - Hydrodrive	1	PC

**Tool Kit (-)**  
Miscellaneous

2  
FAN SCRAPER



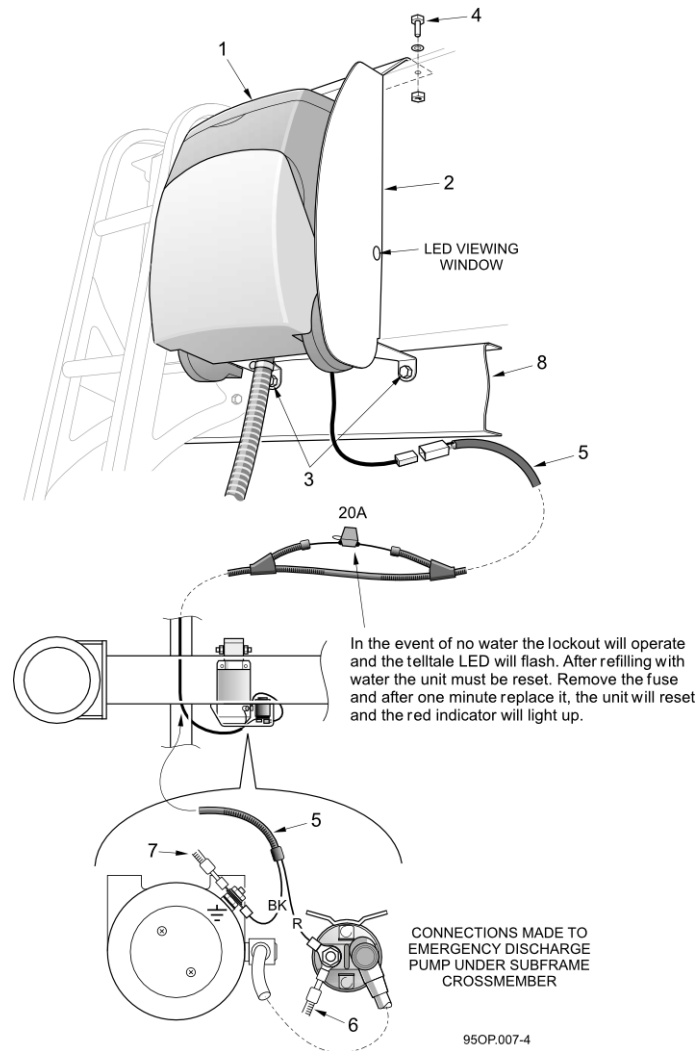
95MS.005

Suction Fan Scraper for cleaning debris from underside of blades to prevent vibration.  
See Operator's Guide - Routine Maintenance, Suction Fan Impeller and Casing.

Tool Kit (-)  
Miscellaneous

Item no.	Part no.	Description	QTY	Unit
1	282499-1	Tool Kit 94/95	1	PC
2	283665-1	Scraper Assembly Suction Fan	1	PC

**Handwash Unit (KT04095)**  
Optional Equipment - Anchillary Equipment

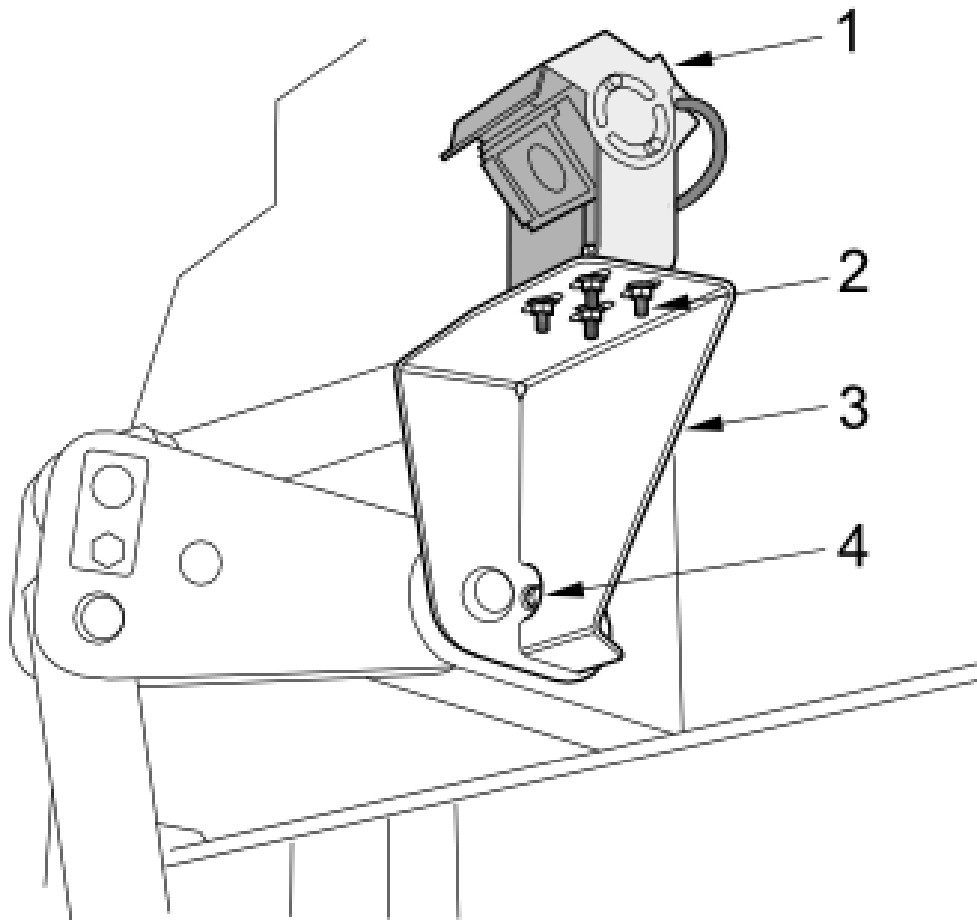


**Handwash Unit (KT04095)**

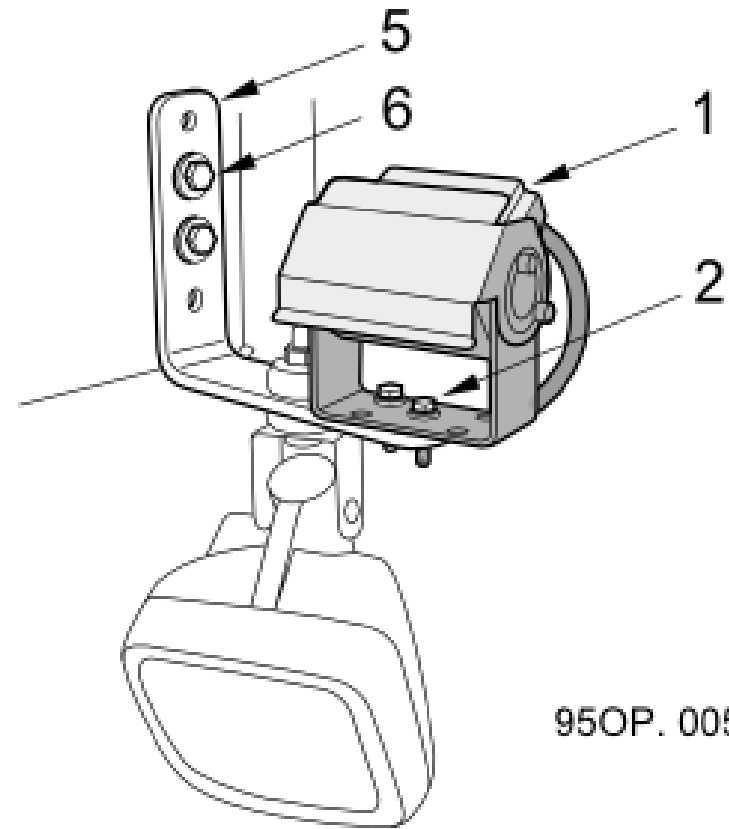
Optional Equipment - Anchillary Equipment

Item no.	Part no.	Description	QTY	Unit
1	222-93	Handwash 24v	1	PC
2	283779-1	Support Brkt Handwash V650/800	1	PC
3	124-135	Setscrew M8C x 20	2	PC
3	455-10	Washer Plain Plated Steel M8	2	PC
3	425-14	Nut Nyloc Hex MC M8	2	PC
4	138-125	Screw - Skt Button Hd M8cx25	2	PC
4	455-10	Washer Plain Plated Steel M8	2	PC
4	425-14	Nut Nyloc Hex MC M8	2	PC
5	293763-1	Loom - Handwash	1	PC
6	282036-1	Cable-Emergency Pump Red	1	PC
7	282036-2	Cable - Emergency Pump Black	1	PC
8	283655-1	Valance - Fuel Tank	1	PC

**Camera/Monitor Kits and Camera Installations (KT30795)**  
Optional Equipment - Ancillary Equipment - CCTV Cameras



**BODY REAR**



95OP. 005-4

**BODY SIDE - VALANCE**

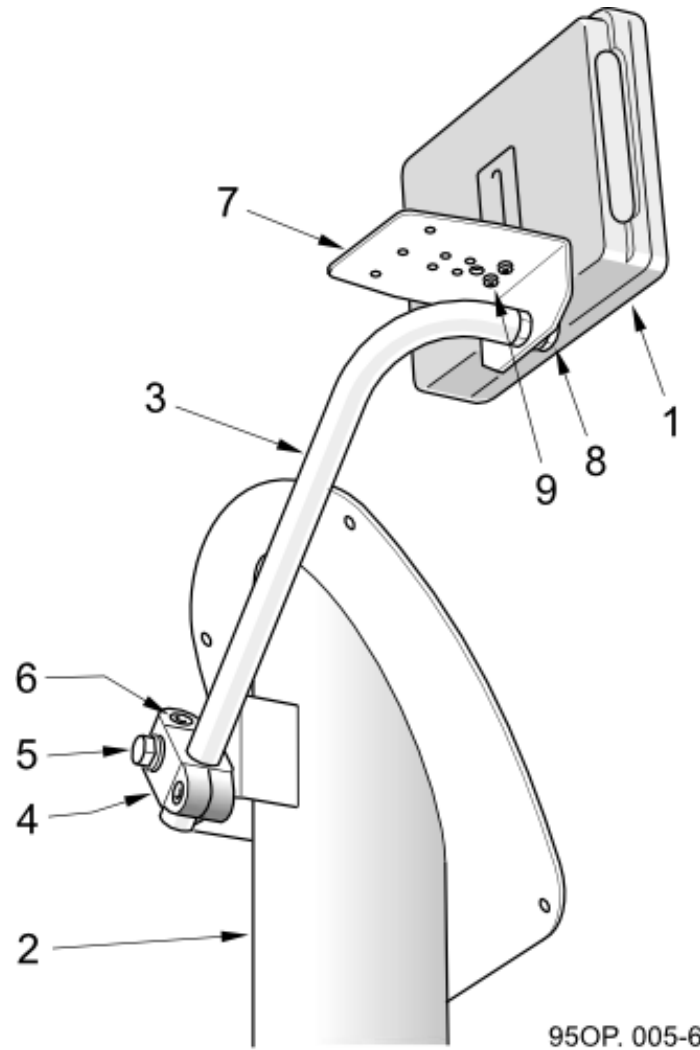


**Camera/Monitor Kits and Camera Installations (KT30795)**

Optional Equipment - Anchillary Equipment - CCTV Cameras

Item no.	Part no.	Description	QTY	Unit
1	657-100	Camera Only VT70 JM Camera	1	PC
1	657-15	Camera Cable-15M IP67 Fitting	1	PC
1	657-23	Camera Cable-23M IP67 Fitting	1	PC
2	124-103	Setscrew M6C x 20	4	PC
2	460-8	Washer Spring Single Coil M6	4	PC
2	420-13	Nut MC Hex M6	4	PC
3	283438-1	Universal Camera Mount	1	PC
4	124-132	Setscrew M8C x 12	1	PC
4	460-10	Washer Spring Single Coil M8	1	PC
5	284019-1	Bracket - Worklight/Camera	1	PC
6	124-103	Setscrew M6C x 20	2	PC
6	460-8	Washer Spring Single Coil M6	4	PC
6	420-13	Nut MC Hex M6	2	PC

**Monitor Installation (KT03795)**  
Optional Equipment - Anchillary Equipment - Cameras



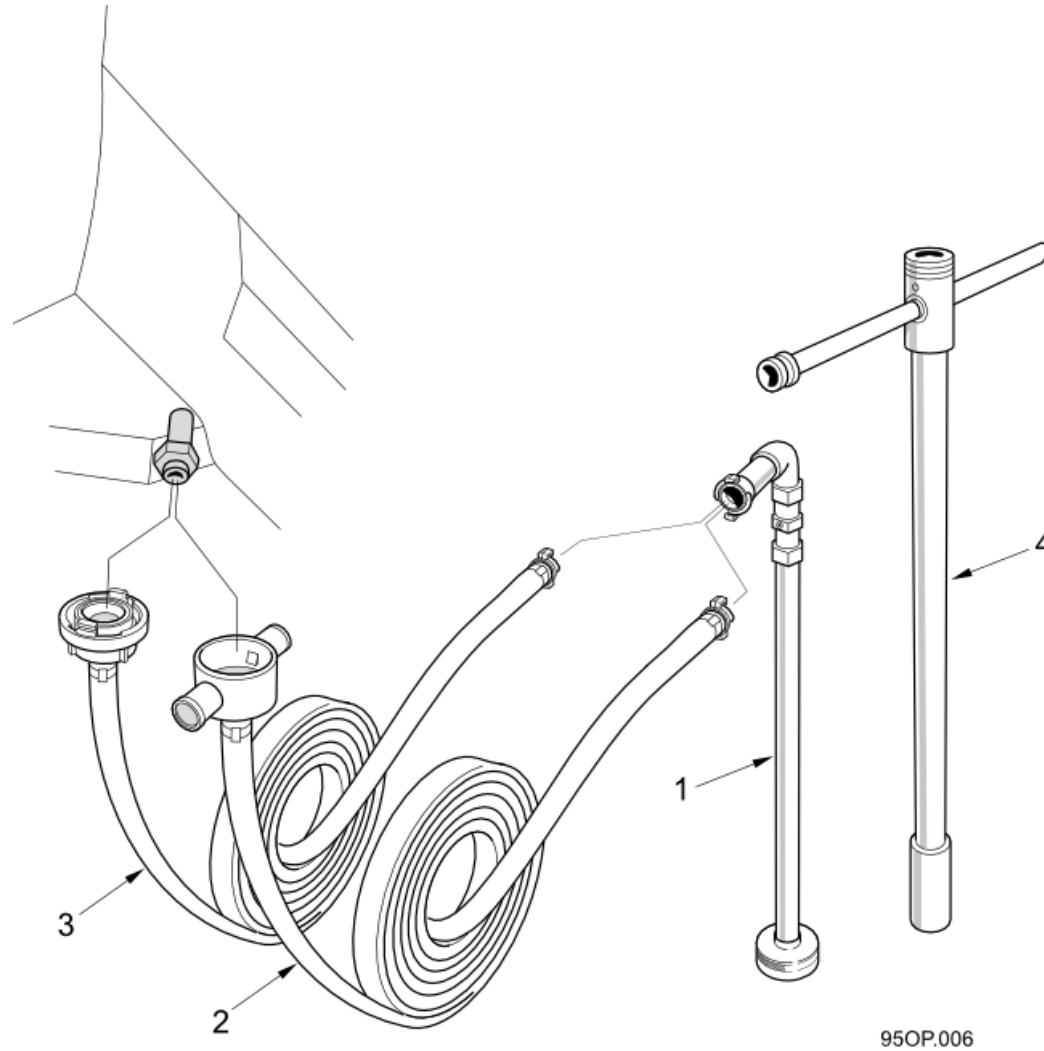
95OP. 005-6

**Monitor Installation (KT03795)**

Optional Equipment - Anchillary Equipment - Cameras

Item no.	Part no.	Description	QTY	Unit
1	657-105	5.6" TFT Monitor For 657/1 & 2	1	PC
1	657-107	7.0" TFT Monitor For 657/31&32	1	PC
2	807229-1	Cont. Box Pedestal W/A - V650/800	1	PC
3	809387-1	Monitor Post W/Assy	1	PC
4	220-251	Cross Clamp 16	1	PC
5	124-144	Setscrew M8C x 45	1	PC
5	56569-8	Spacer - 16 Dia x 28 M8	1	PC
5	455-10	Washer Plain Plated Steel M8	1	PC
6	129-93	Screw MC Cap Skt Hd M6x16	2	PC
6	425-13	Nut Nyloc Hex M6C	2	PC
7	809389-1	Monitor post mount	1	PC
8	124-134	Setscrew M8C x 16	1	PC
8	460-10	Washer Spring Single Coil M8	1	PC
8	455-10	Washer Plain Plated Steel M8	1	PC
9	134-10	Pan Head Screw-M3Cx6-4.8-Pozidriv	2	PC
9	460-3	Washer Spring Single Coil M3	2	PC
9	455-3	Washer Plain Plated Steel M3	2	PC

**Water Hydrant Unit (KT04095)**  
Optional Equipment - Anchillary Equipment

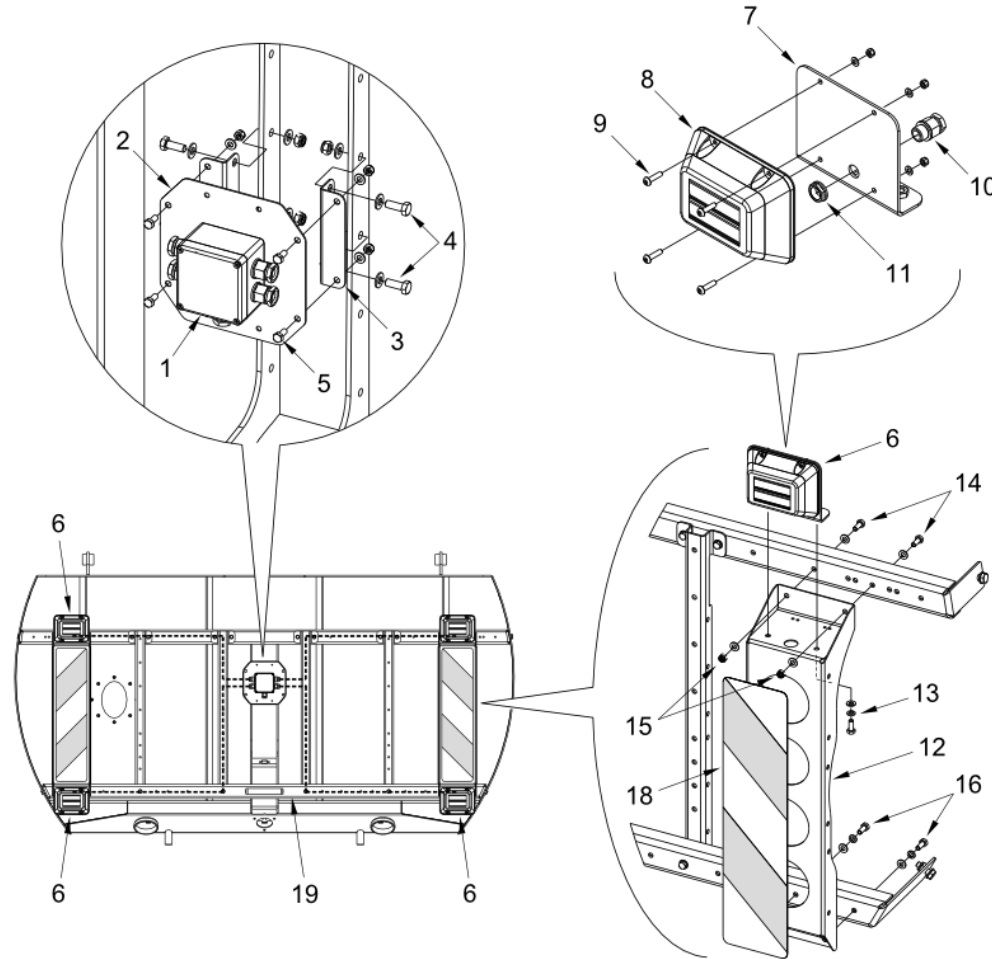


**Water Hydrant Unit (KT04095)**

Optional Equipment - Anchillary Equipment

Item no.	Part no.	Description	QTY	Unit
1	72688-1	Standpipe Assembly ( UK)	1	PC
1	72688-2	Standpipe Assembly (German)	1	PC
1	72688-11	Standpipe Assembly (Belfast)	1	PC
2	72689-6	Hose Assy - 1" Bore, Q/Release	1	PC
3	72689-1	Hose Assy - 1" Bore Stortz	1	PC
4	667-6	Key - Hydrant Aluminium	1	PC

**Rear Warning Lights Installation (KT01295)**  
Optional Equipment - Anchillary Equipment



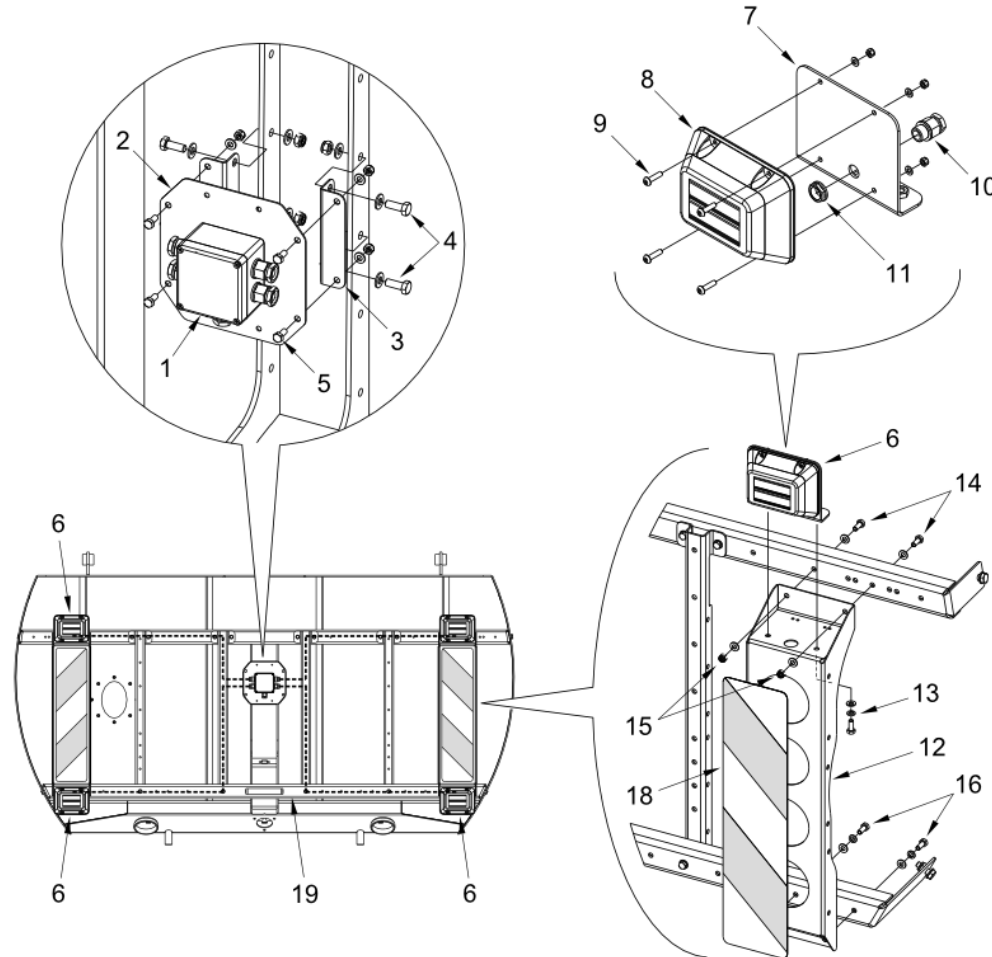
95OP.016

**Rear Warning Lights Installation (KT01295)**

Optional Equipment - Anchillary Equipment

Item no.	Part no.	Description	QTY	Unit
1	284120-1	Control Module Assy-Rr Warning	1	PC
1	134-41	Pan Head Screw-M4Cx10-4.8-Pozidriv	4	PC
1	455-5	Washer Plain Plated Steel M4	4	PC
1	425-11	Nut Nyloc Hex MC M4	4	PC
2	283285-1	Mntg Plate-Rear Warning Lights	1	PC
3	283284-1	Brkt-Rear Mtg CS650D Lights/LS	2	PC
4	124-136	Setscrew M8C x 22 BS3692	4	PC
4	455-10	Washer Plain Plated Steel M8	8	PC
4	425-14	Nut Nyloc Hex MC M8	4	PC
5	124-101	Hex Head Screw - M6Cx14 - 8.8	4	PC
5	455-8	Washer Plain Plated Steel M6	4	PC
5	425-13	Nut Nyloc Hex M6C	4	PC
6	284118-1	LED Bracket Assy	4	PC
7	284111-1	LED Bracket W/Assy	1	PC
8	745-5	SecuriLED Beacon LED	1	PC
9	138-65	Screw - Skt Button Hd M5cx20	4	PC
9	455-7	Washer Plain Plated Steel M5	4	PC
9	425-12	Nut Nyloc Hex M5C	4	PC
10	86-11	Gland-Cable O/D 3.5-8 M16x1.5	1	PC
11	700-93	Locknut - M16 x 1.5	1	PC
12	282975-1	Base Plate W/A Rr Warn Lights	2	PC
13	124-135	Setscrew M8C x 20	4	PC
13	460-10	Washer Spring Single Coil M8	4	PC
13	455-10	Washer Plain Plated Steel M8	4	PC

**Rear Warning Lights Installation (KT01295)**  
Optional Equipment - Anchillary Equipment



95OP.016

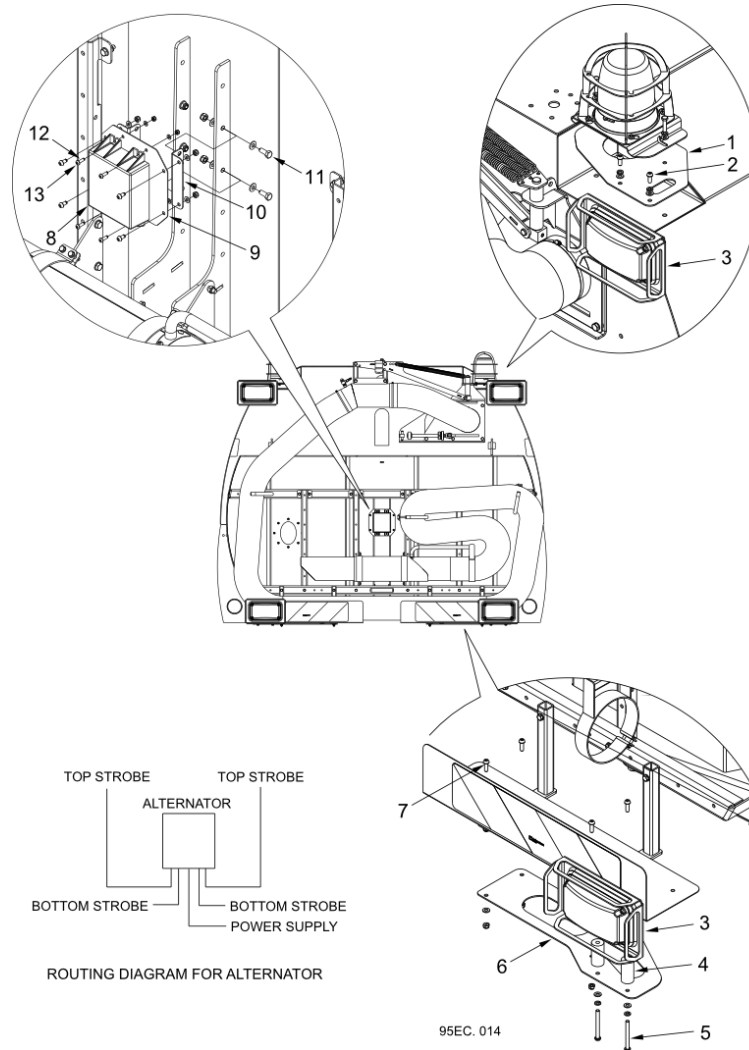


**Rear Warning Lights Installation (KT01295)**

Optional Equipment - Anchillary Equipment

Item no.	Part no.	Description	QTY	Unit
14	124-135	Setscrew M8C x 20	4	PC
14	455-10	Washer Plain Plated Steel M8	4	PC
15	455-10	Washer Plain Plated Steel M8	4	PC
15	425-14	Nut Nyloc Hex MC M8	4	PC
16	124-135	Setscrew M8C x 20	4	PC
16	460-10	Washer Spring Single Coil M8	4	PC
16	455-10	Washer Plain Plated Steel M8	4	PC
18	20674-3	Plates - Marker (1 pair)	1	PAA
19	282437-1-INST	Frame - Rear Options 95	1	PC

Rear Mini Strobe Warning Light Installation and Littasnatch (-)  
Optional Equipment - Anchillary Equipment

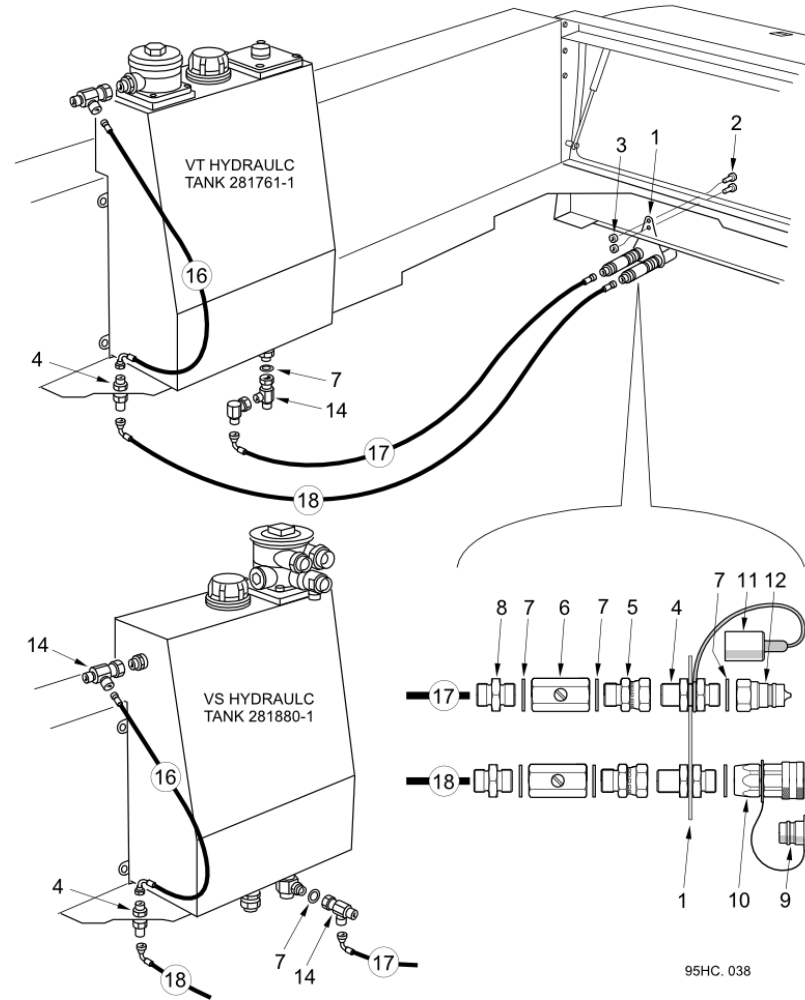


**Rear Mini Strobe Warning Light Installation and Littasnatch (-)**

Optional Equipment - Anchillary Equipment

Item no.	Part no.	Description	QTY	Unit
1	283977-1	Support Plate	1	PC
2	138-123	Screw - Skt Button Hd M8cx20	2	PC
2	458-8	Washer Spring Single Coil M8SS	2	PC
2	455-10	Washer Plain Plated Steel M8	2	PC
3	7022615	Rear Strobe Light	4	PC
4	920007-60	Spacer-Plain Nylon 60Lg	4	PC
5	138-139	Screw - Skt Button Hd M8cx80	4	PC
5	458-8	Washer Spring Single Coil M8SS	2	PC
5	455-10	Washer Plain Plated Steel M8	2	PC
6	283985-1	Support Plate Lower	2	PC
7	138-125	Screw - Skt Button Hd M8cx25	8	PC
8	46-390	Competitor Srs Power Supply	1	PC
9	283285-1	Mntg Plate-Rear Warning Lights	1	PC
10	283284-1	Brkt-Rear Mtg CS650D Lights/LS	1	PC
11	124-135	Setscrew M8C x 20	4	PC
11	455-10	Washer Plain Plated Steel M8	4	PC
11	425-13	Nut Nyloc Hex M6C	4	PC
12	138-91	Screw - Skt Button Hd M6cx12	4	PC
12	455-8	Washer Plain Plated Steel M6	4	PC
12	425-13	Nut Nyloc Hex M6C	4	PC
13	138-64	Screw - Skt Button Hd M5cx16	4	PC
13	455-7	Washer Plain Plated Steel M5	4	PC
13	425-12	Nut Nyloc Hex M5C	4	PC

**VS Q/R Fill and Drain Connections (KT10895-003,4)**  
Optional Equipment - Anchillary Equipment

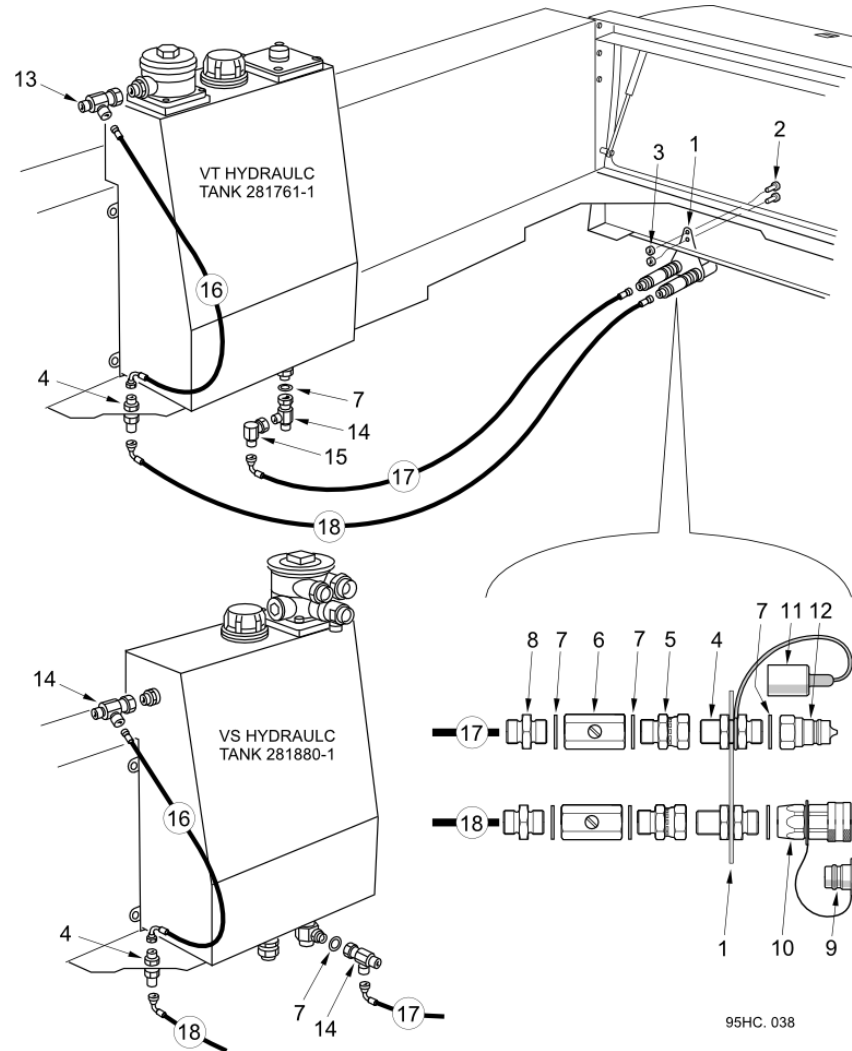


**VS Q/R Fill and Drain Connections (KT10895-003,4)**

Optional Equipment - Anchillary Equipment

Item no.	Part no.	Description	QTY	Unit
0	283283-3-INST	Q/R Fill/Drain/Oil Gauge VS	1	PC
Comprising items 1-15				
1	283267-1	Plate - Pull Break Couplings	1	PC
2	124-101	Hex Head Screw - M6Cx14 - 8.8	2	PC
3	425-13	Nut Nyloc Hex M6C	2	PC
4	264-4	Adaptor-Bulkhead BSP M/M 1/2"	3	PC
5	267-4	ADAPTOR-SWIVEL M/F 1/2"BSP	2	PC
6	88-34	Ball Valve 1/2"S/Drive Actuate	2	PC
7	451-19	Washer - Bonded G1-2"	7	PC
8	263-4	Adaptor M/M 1/2" BSP	2	PC
9	486-23	Dust Cap Carrier 1/2" Coupling	1	PC
10	486-13	Coupling P/Brake Carrier 1/2"F	1	PC
11	486-33	Dust Cap Probe 1/2" Coupling	1	PC
12	486-3	Coupling P/Brake Probe 1/2"	1	PC
14	255-13	Tee - 1/2" BSP O/D M/F/M	2	PC
16	HC08002-75	Hose - Megaflex 1/2" STRx90s	1	PC
17	HC08002-108	Hose - Megaflex 1/2" STRx90s	1	PC
18	HC08002-115	Hose - Megaflex 1/2" STRx90s	1	PC

**VT Q/R Fill and Drain Connections (KT10895-003,4)**  
Optional Equipment - Anchillary Equipment

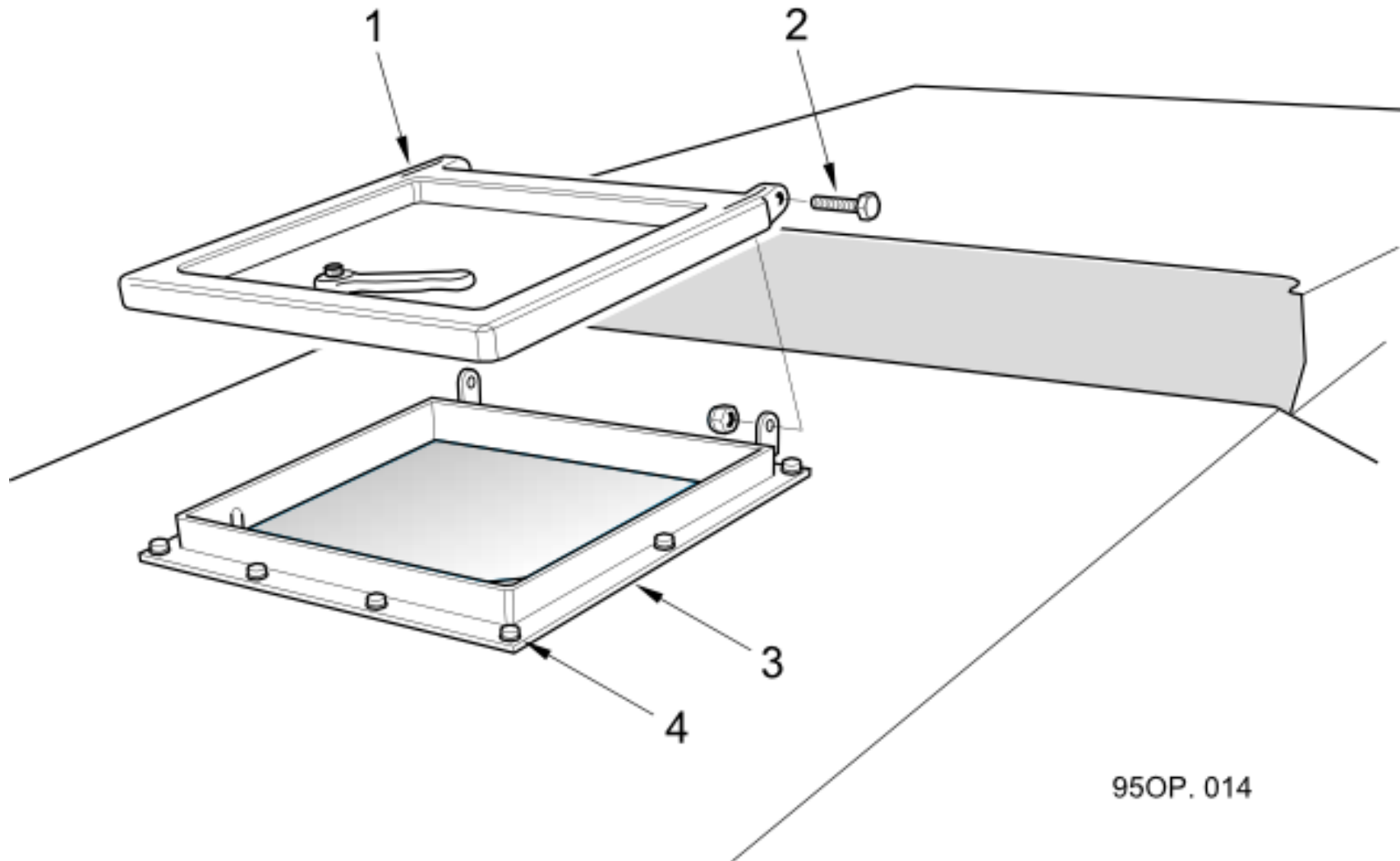


## VT Q/R Fill and Drain Connections (KT10895-003,4)

Optional Equipment - Anchillary Equipment

Item no.	Part no.	Description	QTY	Unit
0	283283-4-INST	Q/R Fill/Drain/Oil Gauge VT	1	PC
Comprising items 1-14				
1	283267-1	Plate - Pull Break Couplings	1	PC
2	124-101	Hex Head Screw - M6Cx14 - 8.8	2	PC
3	425-13	Nut Nyloc Hex M6C	2	PC
4	264-4	Adaptor-Bulkhead BSP M/M 1/2"	3	PC
5	267-4	ADAPTOR-SWIVEL M/F 1/2"BSP	2	PC
6	88-34	Ball Valve 1/2"S/Drive Actuate	2	PC
7	451-19	Washer - Bonded G1-2"	7	PC
8	263-4	Adaptor M/M 1/2" BSP	2	PC
9	486-23	Dust Cap Carrier 1/2" Coupling	1	PC
10	486-13	Coupling P/Brake Carrier 1/2"F	1	PC
11	486-33	Dust Cap Probe 1/2" Coupling	1	PC
12	486-3	Coupling P/Brake Probe 1/2"	1	PC
13	499-21	Tee-Adaptor G3/4"x3/4"x1/2"	1	PC
14	255-13	Tee - 1/2" BSP O/D M/F/M	1	PC
15	262-4	Swivel Elbow 90 Degree Size 1/2"BSP	1	PC
16	HC08002-75	Hose - Megaflex 1/2" STRx90s	1	PC
17	HC08002-108	Hose - Megaflex 1/2" STRx90s	1	PC
18	HC08002-115	Hose - Megaflex 1/2" STRx90s	1	PC

**Top Mounted Access Door (KT03095)**  
Optional Equipment - Body





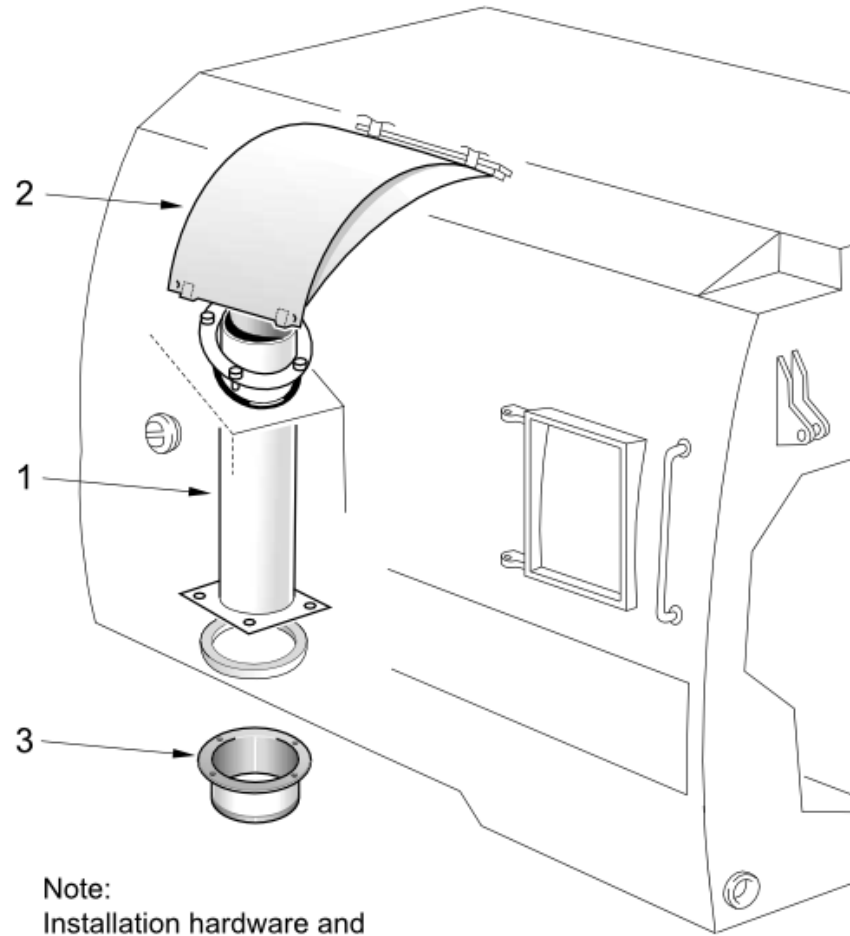
## Top Mounted Access Door (KT03095)

Optional Equipment - Body

Item no.	Part no.	Description	QTY	Unit
1	283595-2	Roof/Rear Access Door Assy	1	PC
Comprising Acces Door & items 1-3				
2	123-148	Bolt M Coarse M12x50	2	PC
2	425-16	Nut Nyloc Hex M12c	2	PC
3	283596-2	Frame W/A - Rear/Roof Acc Door	1	PC
4	124-137	Setscrew M8C x 25	10	PC
4	460-10	Washer Spring Single Coil M8	10	PC

**Heavy Duty Intake Components (KT05395, KT05396, KT05295)**

Optional Equipment - Body



Note:  
Installation hardware and  
components as standard parts.

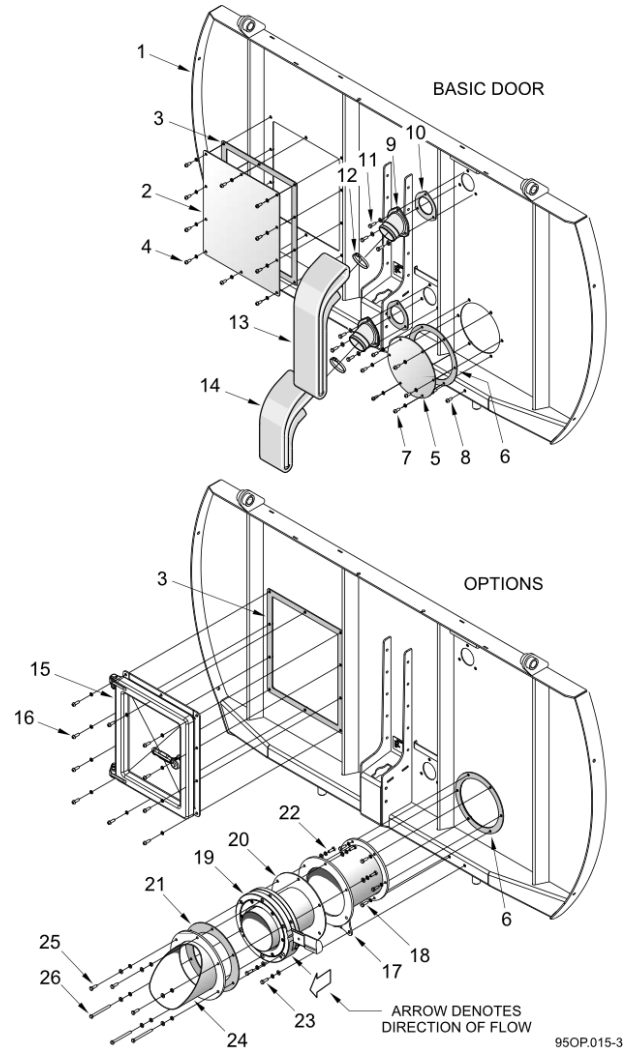
95BD. 006-2

**Heavy Duty Intake Components (KT05395, KT05396, KT05295)**

Optional Equipment - Body

Item no.	Part no.	Description	QTY	Unit
1	280694-50	Intake Duct Lined Ø260/972Lg	1	PC
1	296031-2	Intake Duct W/A RUBBER LINED	1	PC
2	281190-6	Wr Plate W/A-Heavy LH - V500 & 605	1	PC
2	281190-5	Wr Plate W/A-Heavy RH - V500 & 605	1	PC
2	61102-2	Wear Plate Assy - Heavy Duty V650 & 800	1	PC
3	94990-11	Intake Seat Lined Ø250/120Lg	1	PC
3	94990-13	Intake Seat Lined Ø250/220Lg	1	PC

**Contractors Rear Door (950811)**  
Optional Equipment - Body

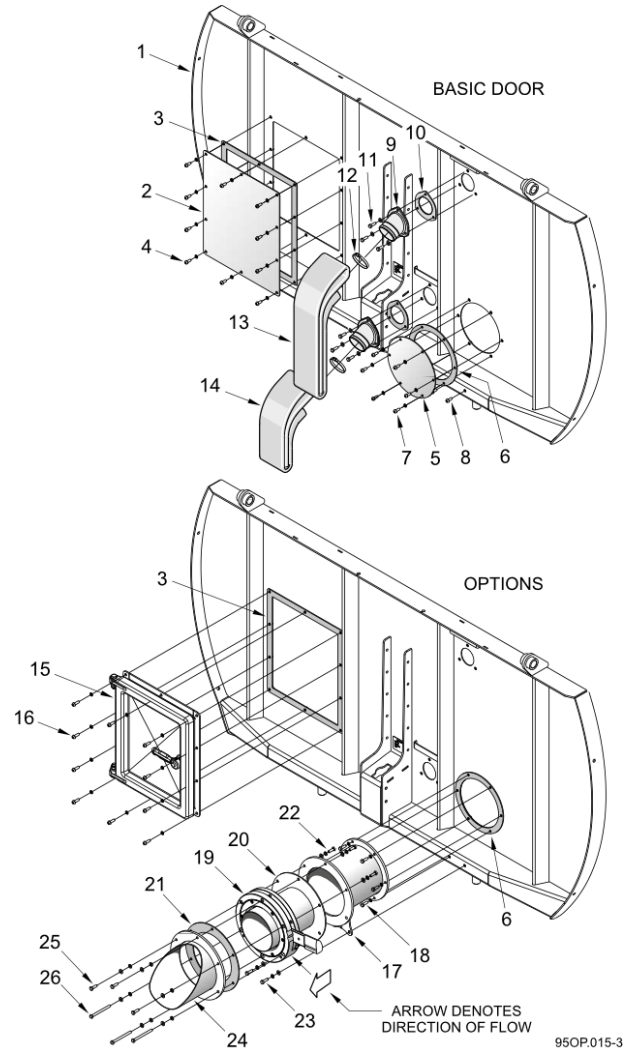


**Contractors Rear Door (950811)**

## Optional Equipment - Body

Item no.	Part no.	Description	QTY	Unit
1	283871-2	Rr Door W/A Contract 4003 TII	1	PC
1	283871-3	Rr Door W/A Contract S.St TII	1	PC
2	280528-2	Access Panel (1.4003)	1	PC
2	280528-3	Access Panel (1.4301)	1	PC
3	283613-1	Gasket - Access Panel Roof	1	PC
4	117-123	Screw-Skt Button Hd M8cx20 SS	10	PC
4	451-3	Washer Bonded Ø5-16" - Bolt	10	PC
5	283862-2	Blanking Plate Rear Door 4003	1	PC
5	283862-3	Blanking Plate Rear Door S.Stl	1	PC
6	283865-1	Gasket - Iris Extension Tube	1	PC
7	117-123	Screw-Skt Button Hd M8cx20 SS	6	PC
7	451-3	Washer Bonded Ø5-16" - Bolt	6	PC
8	117-123	Screw-Skt Button Hd M8cx20 SS	2	PC
8	451-3	Washer Bonded Ø5-16" - Bolt	2	PC
9	281452-1	Spigot - Drain Rear Door	2	PC
10	281411-1	Gasket-Spigot Layflat Hose	2	PC
11	118-137	Setscrew Hexagon Hd M8cx25 SS	6	PC
11	451-82	Washer Brass M8 DIN433	6	PC
12	501-7	Clip Hose Worm Drive (70-90)	2	PC
13	9983	Hose - Drain	1	M
14	9983	Hose - Drain	1	M
15	283595-2	Roof/Rear Access Door Assy	1	PC
16	117-125	Screw-Skt Button Hd M8cx25 SS	10	PC
16	451-3	Washer Bonded Ø5-16" - Bolt	10	PC

**Contractors Rear Door (950811)**  
Optional Equipment - Body

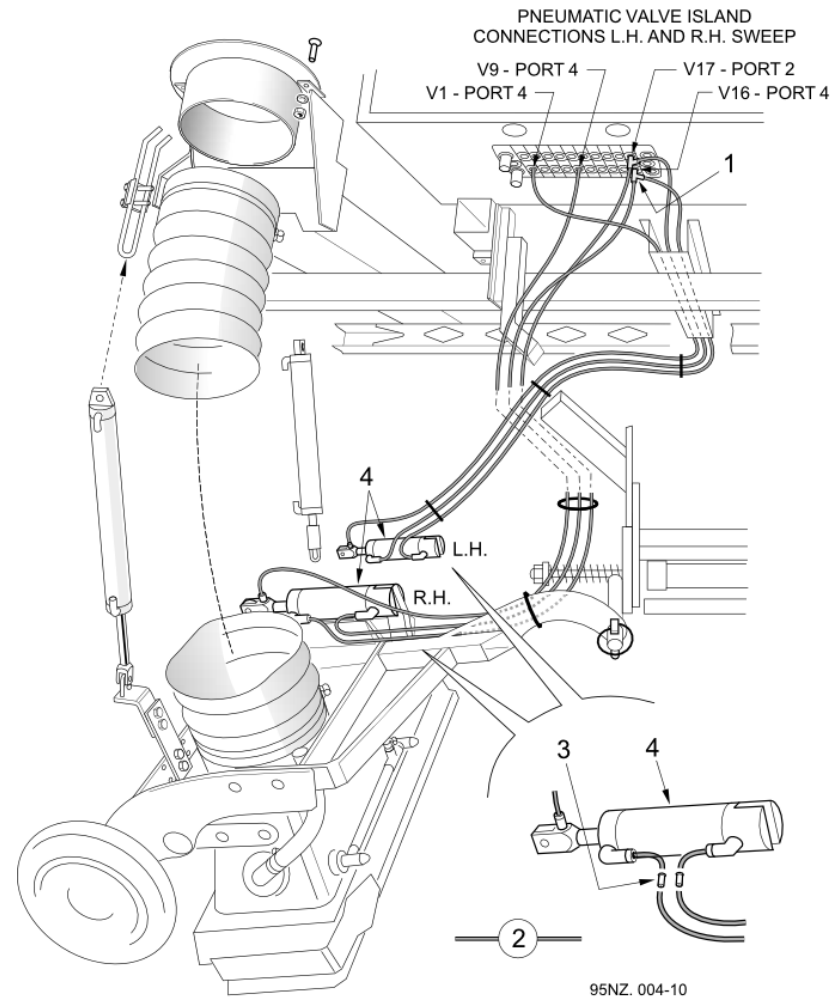


**Contractors Rear Door (950811)**

## Optional Equipment - Body

Item no.	Part no.	Description	QTY	Unit
17	283879-1	Iris Extn Tube W/Assy Rr Door	1	PC
18	118-137	Setscrew Hexagon Hd M8cx25 SS	6	PC
18	451-3	Washer Bonded Ø5-16" - Bolt	6	PC
19	88-45	8" Iris Valve	1	PC
20	88-48	Liner For 8" Iris Valve	1	PC
21	283866-1	Gasket - Iris Extension Tube	1	PC
22	124-137	Setscrew M8C x 25	3	PC
22	460-10	Washer Spring Single Coil M8	3	PC
22	455-10	Washer Plain Plated Steel M8	3	PC
23	124-137	Setscrew M8C x 25	2	PC
23	460-10	Washer Spring Single Coil M8	2	PC
23	455-10	Washer Plain Plated Steel M8	2	PC
24	283864-1	Chute - Iris Valve W/Assy	1	PC
25	124-137	Setscrew M8C x 25	3	PC
25	460-10	Washer Spring Single Coil M8	3	PC
25	455-10	Washer Plain Plated Steel M8	3	PC
26	123-119	Bolt M Coarse M8x95 BS3692	3	PC
26	460-10	Washer Spring Single Coil M8	3	PC
26	455-10	Washer Plain Plated Steel M8	3	PC

**Varagap Nozzle (KT07895, 951113)**  
Optional Equipment - Sweep Gear



DUAL SWEEP INSTALLATION SHOWN

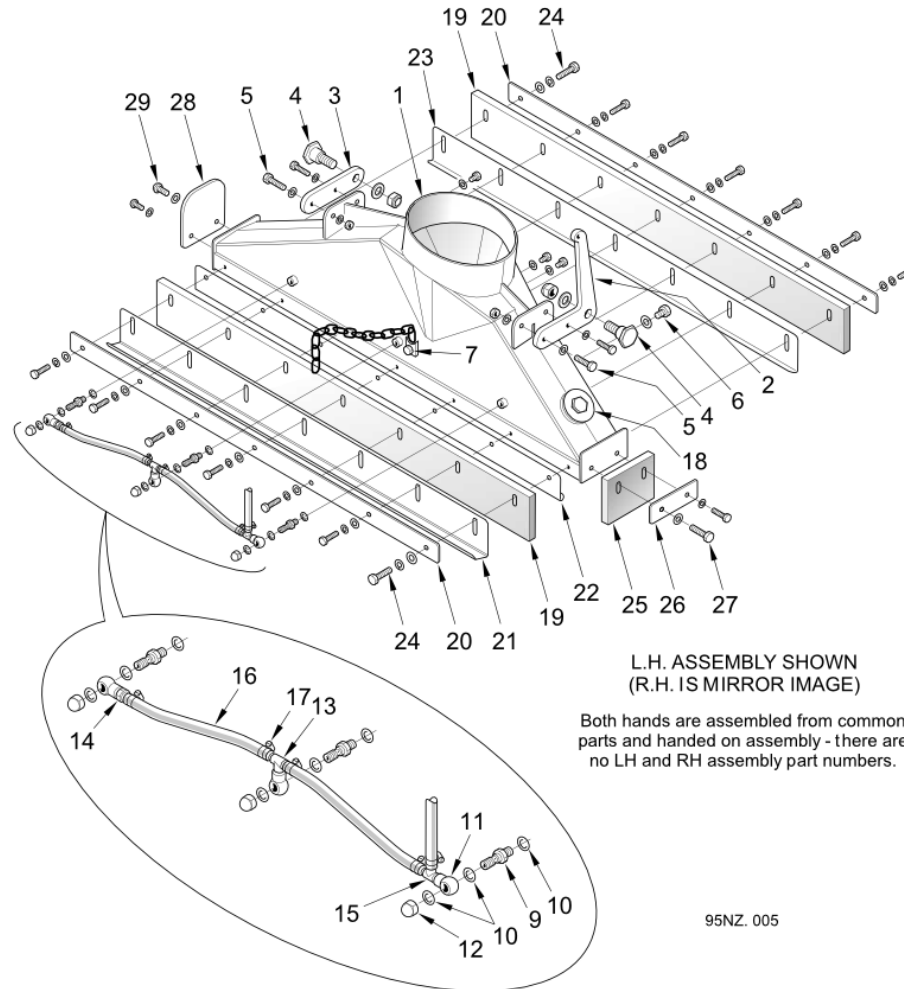


## Varagap Nozzle (KT07895, 951113)

Optional Equipment - Sweep Gear

Item no.	Part no.	Description	QTY	Unit
1	554-3	Tee - Connector 6mm	2	PC
2	273-20	Tube - Nylon Blue 6mm O/D	18	M
3	41041-1-A	Sleeve - Support, Pipe	4	PC
4	290002-1	Cylinder - Varigap	2	PC

**"Wide Mouth" Nozzle (Maxigap/Varagap) (KT08995)**  
 Optional Equipment - Sweep Gear - Nozzle Assemblies

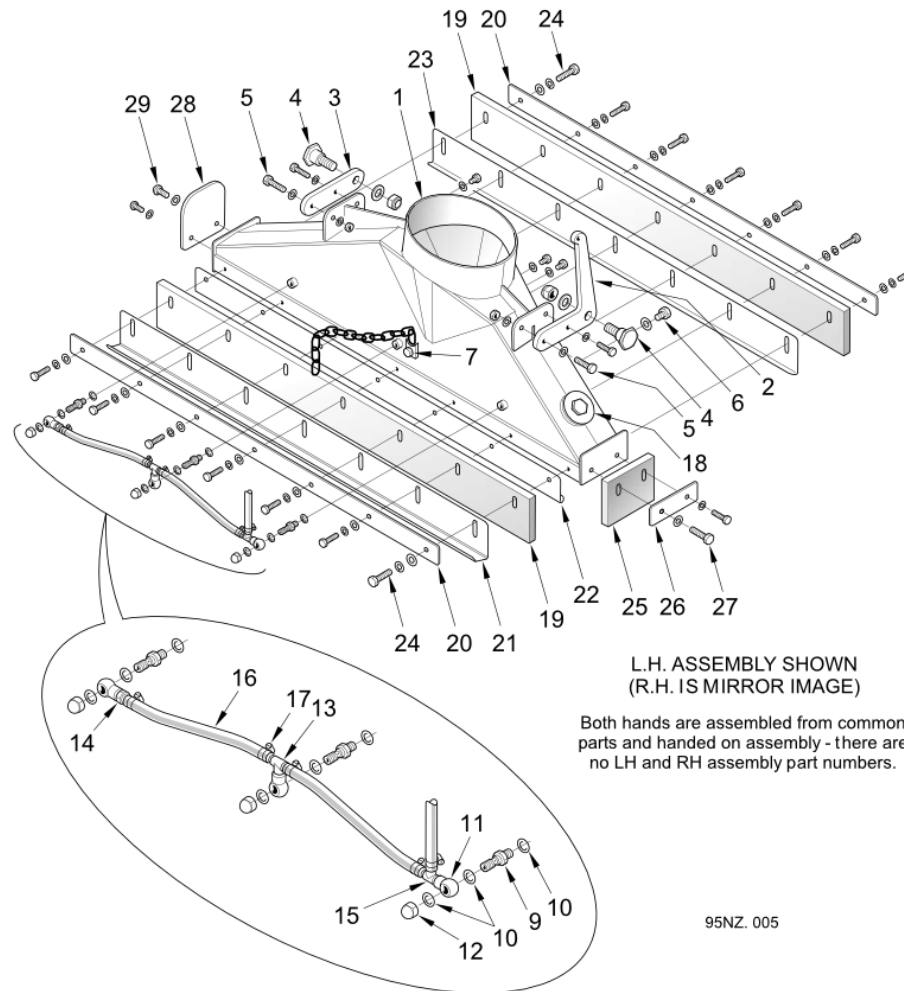


**"Wide Mouth" Nozzle (Maxigap/Varagap) (KT08995)**

Optional Equipment - Sweep Gear - Nozzle Assemblies

Item no.	Part no.	Description	QTY	Unit
0	283480-1	Full Width Nozzle Assy	1	PC
1	283460-1	Full Width Noz W/A WIDE MOUTH	1	PC
2	281752-1	Arm - Actuator Nozzle Tilt	1	PC
3	281751-1	Arm-Pivot Nozzle Tilt Mech	1	PC
4	283363-1	Pivot Bolt - Suction Nozzle	2	PC
4	455-16	Washer Plain Plated Steel M20	2	PC
4	425-20	Nut Nyloc Hex MC M20	2	PC
5	124-175	Setscrew M10C x 40	4	PC
5	455-11	Washer Plain Plated Steel M10	4	PC
5	425-15	Nut Nyloc Hex M10C	4	PC
6	124-198	Setscrew M12C x 16 BS3692	4	PC
6	455-12	Washer Plain Plated Steel M12	4	PC
7	124-203	Setscrew M12C x 30	1	PC
7	455-12	Washer Plain Plated Steel M12	1	PC
7	460-12	Washer Spring Single Coil M12	1	PC
9	40755-2-C	Jet-Water DIM A ø2	3	PC
10	453-1	Washer - Fibre Red 2.4mm Thick	9	PC
11	26997-1-B	Banjo - Body	3	PC
12	418-12	Nut - Domed, M12C St.Stl.	3	PC
13	62746-1	Adaptor - Hose W/Assy	1	PC
14	46382-3-B	Adaptor - Brass DIM B 7	1	PC
15	90696-1	Tee Piece - C/Brush/Nozzle	1	PC
16	39444	Hose - Black Plastic 3/8" Bore	1	M
17	501-1	Hose Clip - Worm Drive (11-16)	5	PC

**"Wide Mouth" Nozzle (Maxigap/Varagap) (KT08995)**  
 Optional Equipment - Sweep Gear - Nozzle Assemblies

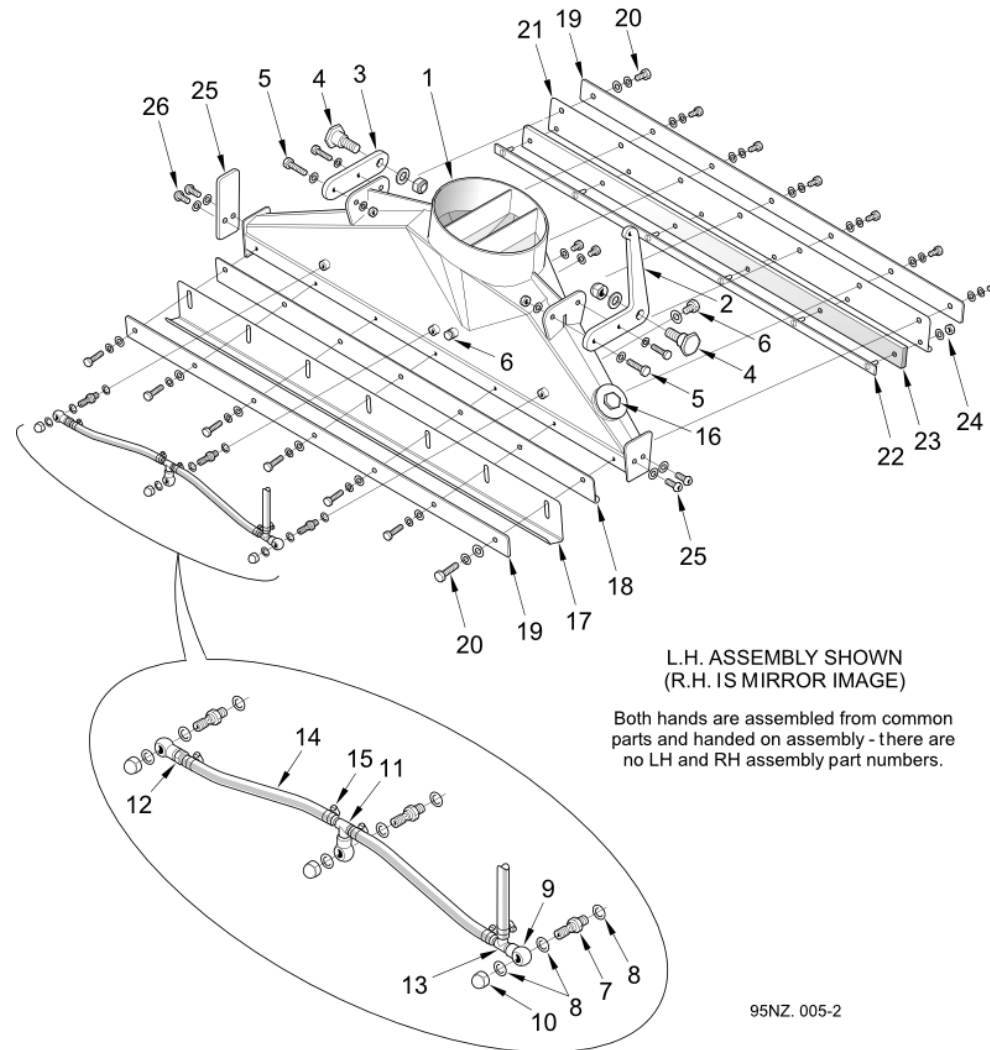


**"Wide Mouth" Nozzle (Maxigap/Varagap) (KT08995)**

Optional Equipment - Sweep Gear - Nozzle Assemblies

Item no.	Part no.	Description	QTY	Unit
18	281755-1	Plug - Re-Circ Port 250 Nozzle	1	PC
18	410-57	Nut - Back 3/4 B.S.P (Plated)	1	PC
19	283471-1	Ft/Rr Curtain Full Width Noz	2	PC
20	283474-1	Curtain Retianer Ft Full Width	2	PC
21	283479-2	Leading Shoe-Full Width Nozzle	1	PC
22	283478-2	Deflector - Full Width Nozzle	1	PC
23	283494-1	Trailing Curtain Support	1	PC
24	119-128	Bolt - Hexagon Hd M10cx40 SS	14	PC
24	458-10	Washer - Spring IM10 SS	14	PC
24	454-10	Washer Plain St.Stl M10x21	14	PC
25	283473-1	Side Curtain-Full Width Nozzle	1	PC
26	283475-1	Curtain Retainer - Side Nozzle	1	PC
27	119-130	Bolt - Hexagon Hd M10cx50 SS	2	PC
27	454-10	Washer Plain St.Stl M10x21	2	PC
27	417-10	Nut - Nyloc M10 S/Steel DIN985	2	PC
28	283537-1	Guide - Full Width Nozzle	1	PC
29	138-156	Screw - Skt Button Hd M10cx30	2	PC
29	455-11	Washer Plain Plated Steel M10	2	PC
29	425-15	Nut Nyloc Hex M10C	2	PC

**"Narrow Mouth" Chipping Nozzle (KT08995)**  
 Optional Equipment - Sweep Gear - Nozzle Assemblies



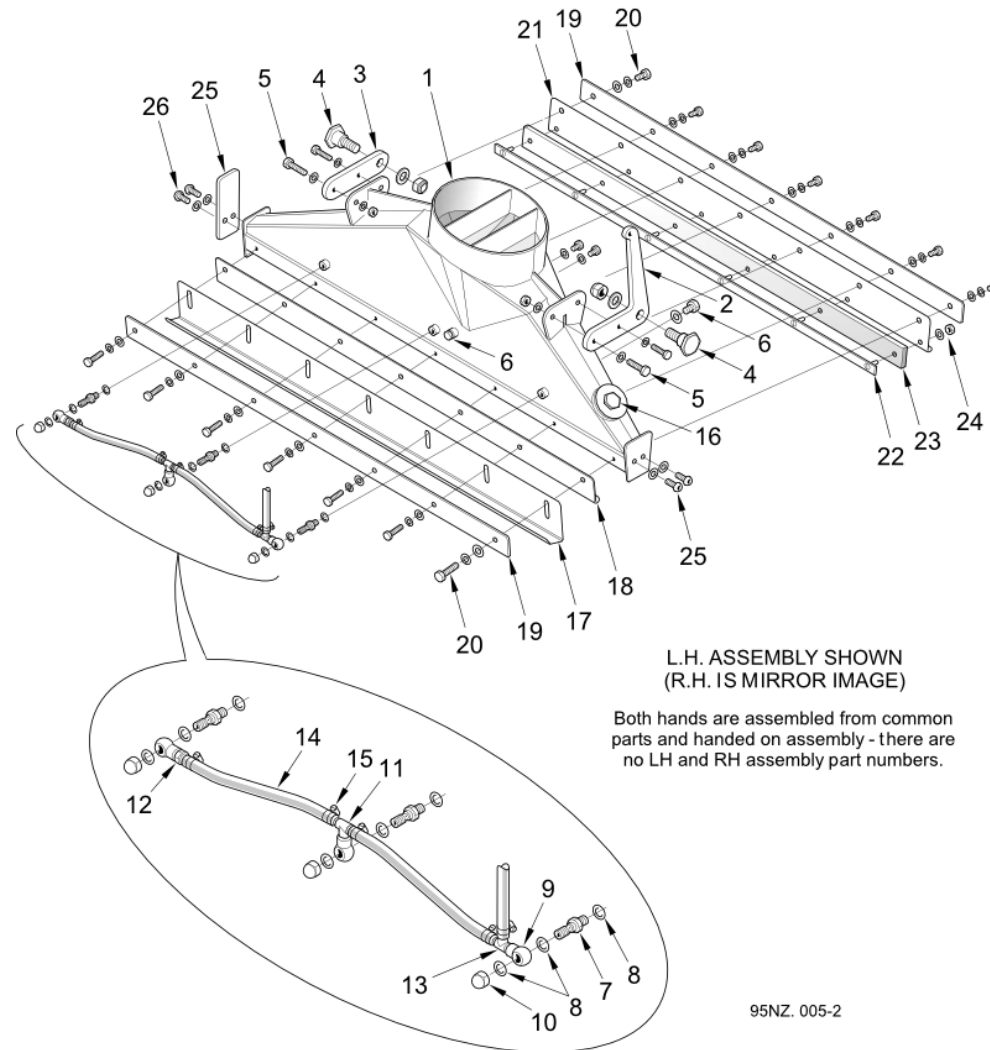
95NZ. 005-2

**"Narrow Mouth" Chipping Nozzle (KT08995)**

Optional Equipment - Sweep Gear - Nozzle Assemblies

Item no.	Part no.	Description	QTY	Unit
1	283470-1	Full Width Noz WA NARROW MOUTH	1	PC
2	281752-1	Arm - Actuator Nozzle Tilt	1	PC
3	281751-1	Arm-Pivot Nozzle Tilt Mech	1	PC
4	283363-1	Pivot Bolt - Suction Nozzle	2	PC
4	455-16	Washer Plain Plated Steel M20	2	PC
4	425-20	Nut Nyloc Hex MC M20	2	PC
5	124-175	Setscrew M10C x 40	4	PC
5	455-11	Washer Plain Plated Steel M10	4	PC
5	425-15	Nut Nyloc Hex M10C	4	PC
6	124-198	Setscrew M12C x 16 BS3692	4	PC
6	455-12	Washer Plain Plated Steel M12	4	PC
7	40755-2-C	Jet-Water DIM A ø2	3	PC
8	453-1	Washer - Fibre Red 2.4mm Thick	9	PC
9	26997-1-B	Banjo - Body	3	PC
10	418-12	Nut - Domed, M12C St.Stl.	3	PC
11	62746-1	Adaptor - Hose W/Assy	1	PC
12	46382-3-B	Adaptor - Brass DIM B 7	1	PC
13	62736-1	Adaptor - Hose	1	PC
14	39444	Hose - Black Plastic 3/8" Bore	1	M
15	501-1	Hose Clip - Worm Drive (11-16)	5	PC
16	281755-1	Plug - Re-Circ Port 250 Nozzle	1	PC
16	410-57	Nut - Back 3/4 B.S.P (Plated)	1	PC
17	283479-2	Leading Shoe-Full Width Nozzle	1	PC
18	283478-2	Deflector - Full Width Nozzle	1	PC

**"Narrow Mouth" Chipping Nozzle (KT08995)**  
 Optional Equipment - Sweep Gear - Nozzle Assemblies



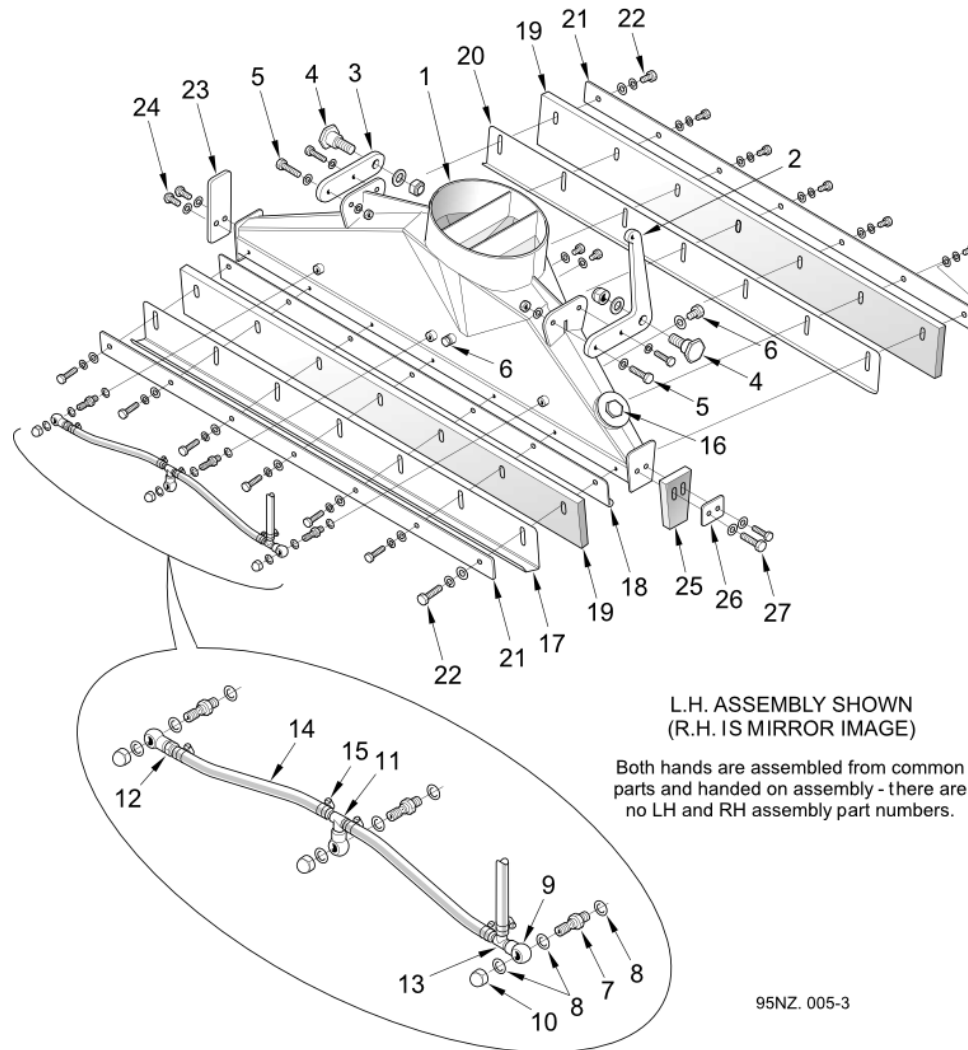


**"Narrow Mouth" Chipping Nozzle (KT08995)**

Optional Equipment - Sweep Gear - Nozzle Assemblies

Item no.	Part no.	Description	QTY	Unit
19	283474-1	Curtain Retianer Ft Full Width	2	PC
20	119-128	Bolt - Hexagon Hd M10cx40 SS	14	PC
20	458-10	Washer - Spring IM10 SS	14	PC
20	454-10	Washer Plain St.Stl M10x21	14	PC
21	283477-2	Trailing Shoe - Full Width Noz	1	PC
22	40815-1-A	Clamp Strip W/A-Chipping Nzzle	1	PC
23	40823-1-A	Rubber - Nozzle, Chipping	1	PC
24	454-8	Washer Plain St.Stl M8x17	6	PC
24	417-8	Nut - Nyloc M8 S/Steel DIN985	6	PC
25	283538-1	Guide - FW Nozzle Narrow Mouth	1	PC
26	138-156	Screw - Skt Button Hd M10cx30	4	PC
26	455-11	Washer Plain Plated Steel M10	4	PC
26	425-15	Nut Nyloc Hex M10C	4	PC

**"Narrow Mouth" Fluid Recovery Nozzle (KT08995)**  
 Optional Equipment - Sweep Gear - Nozzle Assemblies

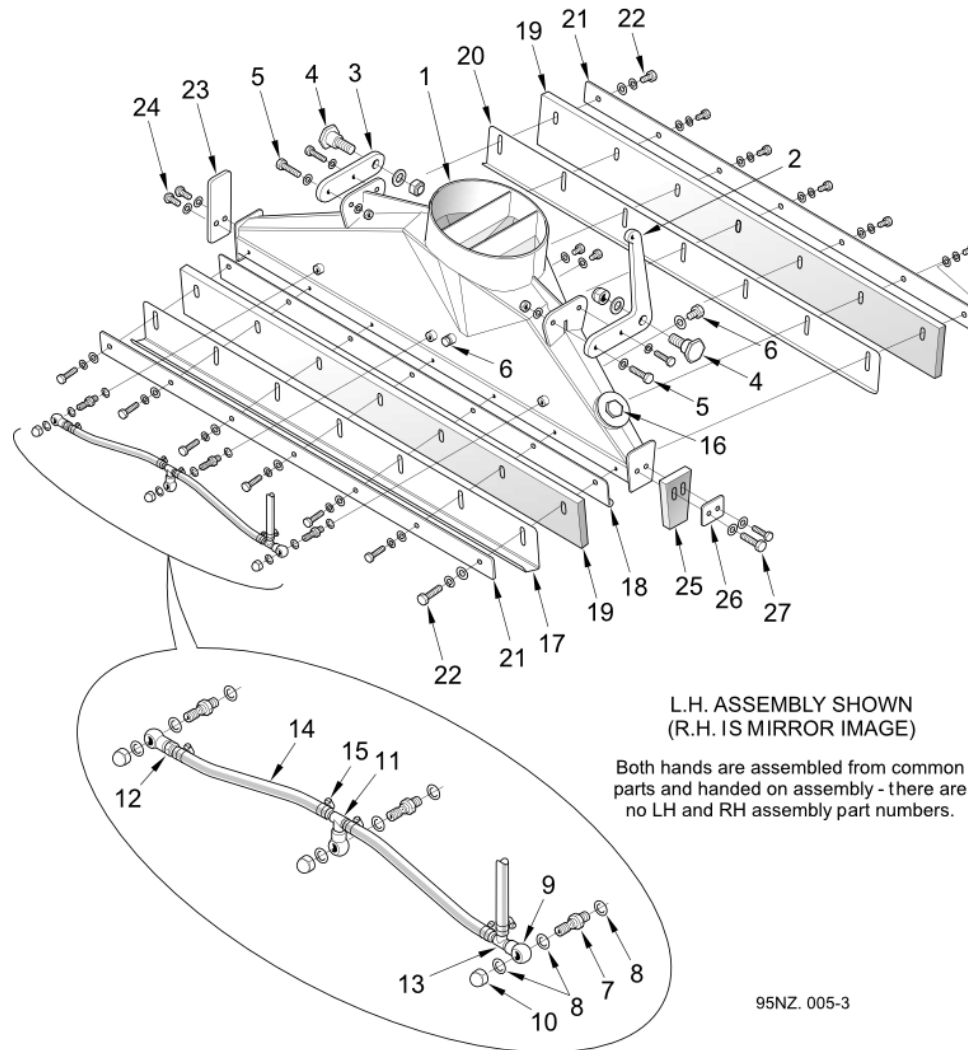


**"Narrow Mouth" Fluid Recovery Nozzle (KT08995)**

Optional Equipment - Sweep Gear - Nozzle Assemblies

Item no.	Part no.	Description	QTY	Unit
1	283470-1	Full Width Noz WA NARROW MOUTH	1	PC
2	281752-1	Arm - Actuator Nozzle Tilt	1	PC
3	281751-1	Arm-Pivot Nozzle Tilt Mech	1	PC
4	283363-1	Pivot Bolt - Suction Nozzle	2	PC
4	455-16	Washer Plain Plated Steel M20	2	PC
4	425-20	Nut Nyloc Hex MC M20	2	PC
5	124-175	Setscrew M10C x 40	4	PC
5	455-11	Washer Plain Plated Steel M10	4	PC
5	425-15	Nut Nyloc Hex M10C	4	PC
6	124-198	Setscrew M12C x 16 BS3692	4	PC
6	455-12	Washer Plain Plated Steel M12	4	PC
7	40755-2-C	Jet-Water DIM A ø2	3	PC
8	453-1	Washer - Fibre Red 2.4mm Thick	9	PC
9	26997-1-B	Banjo - Body	3	PC
10	418-12	Nut - Domed, M12C St.Stl.	3	PC
11	62746-1	Adaptor - Hose W/Assy	1	PC
12	46382-3-B	Adaptor - Brass DIM B 7	1	PC
13	90696-1	Tee Piece - C/Brush/Nozzle	1	PC
14	39444	Hose - Black Plastic 3/8" Bore	1	M
15	501-1	Hose Clip - Worm Drive (11-16)	5	PC
16	281755-1	Plug - Re-Circ Port 250 Nozzle	1	PC
16	410-57	Nut - Back 3/4 B.S.P (Plated)	1	PC
17	283479-2	Leading Shoe-Full Width Nozzle	1	PC
18	283478-2	Deflector - Full Width Nozzle	1	PC

**"Narrow Mouth" Fluid Recovery Nozzle (KT08995)**  
 Optional Equipment - Sweep Gear - Nozzle Assemblies

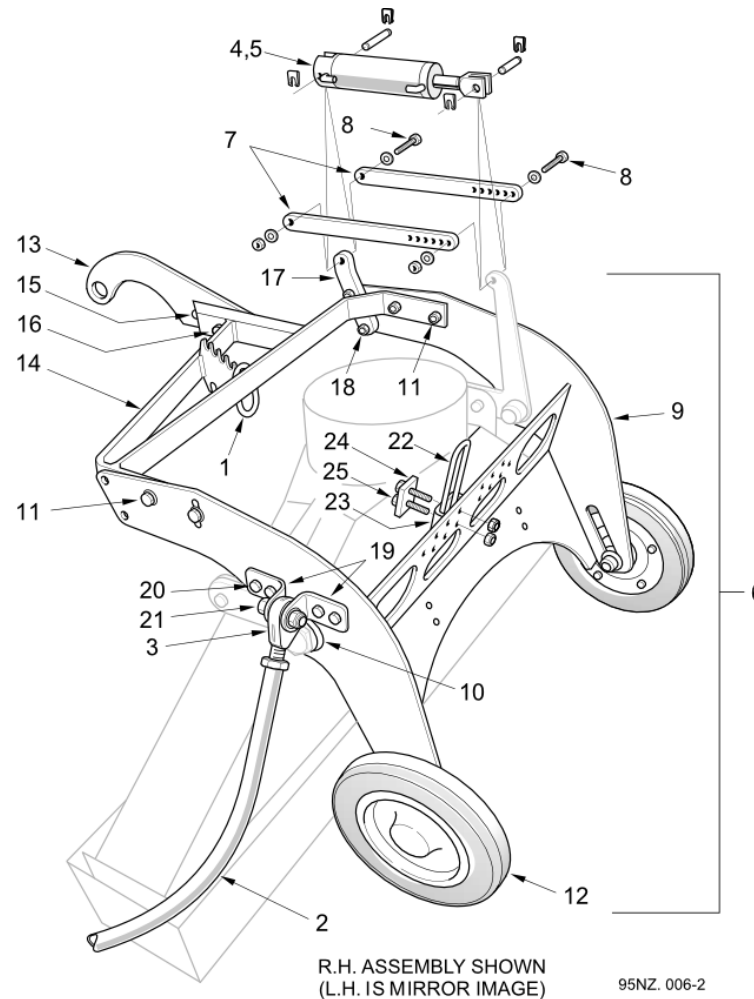


95NZ. 005-3

**"Narrow Mouth" Fluid Recovery Nozzle (KT08995)**

Optional Equipment - Sweep Gear - Nozzle Assemblies

Item no.	Part no.	Description	QTY	Unit
19	283471-1	Ft/Rr Curtain Full Width Noz	2	PC
20	283494-1	Trailing Curtain Support	1	PC
21	283474-1	Curtain Retianer Ft Full Width	2	PC
22	119-128	Bolt - Hexagon Hd M10cx40 SS	14	PC
22	458-10	Washer - Spring IM10 SS	14	PC
22	454-10	Washer Plain St.Stl M10x21	14	PC
23	283538-1	Guide - FW Nozzle Narrow Mouth	1	PC
24	138-156	Screw - Skt Button Hd M10cx30	2	PC
24	455-11	Washer Plain Plated Steel M10	2	PC
24	425-15	Nut Nyloc Hex M10C	2	PC
25	283472-1	Side Curtain-Full Width Nozzle	1	PC
26	282476-1	Cassette-Air Operated L/Snatch	1	PC
27	119-128	Bolt - Hexagon Hd M10cx40 SS	2	PC
27	454-10	Washer Plain St.Stl M10x21	2	PC
27	417-10	Nut - Nyloc M10 S/Steel DIN985	2	PC

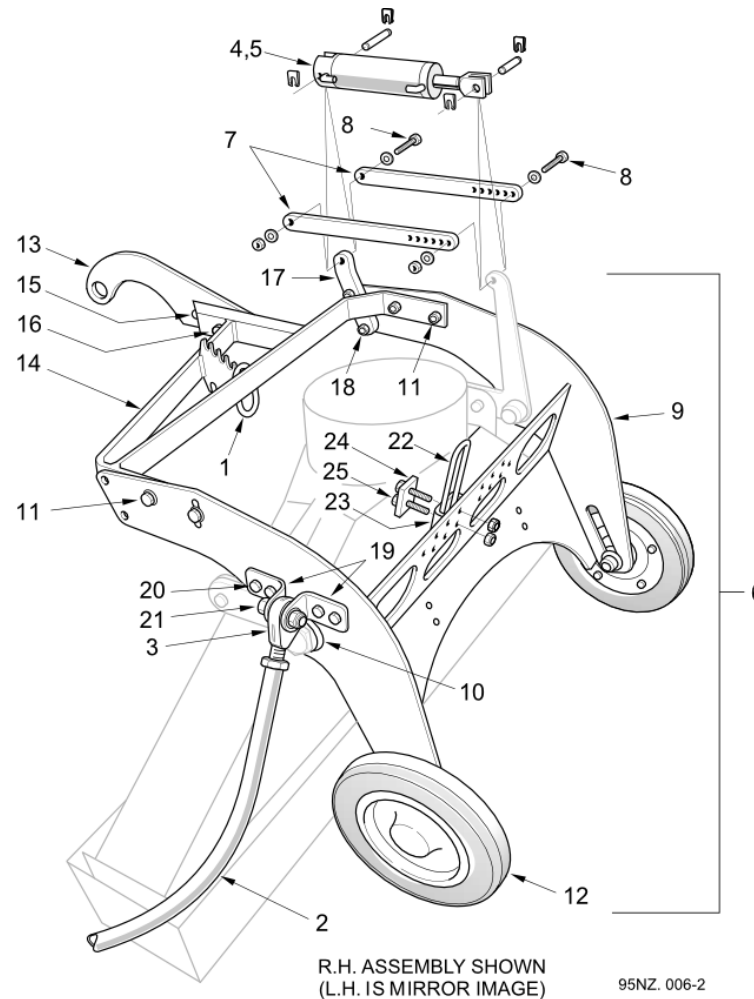
**Carriage and Cradle Assemblies (KT08995)**  
 Optional Equipment - Sweep Gear


R.H. ASSEMBLY SHOWN  
 (L.H. IS MIRROR IMAGE) 95NZ. 006-2  
 Both hands are assembled from common parts and handed on assembly.  
 There are no L.H. and R.H. assembly part numbers.

**Carriage and Cradle Assemblies (KT08995)**

Optional Equipment - Sweep Gear

Item no.	Part no.	Description	QTY	Unit
1	282968-1	Adjusting Link - Nozzle	1	PC
2	283489-1	Link Arm - Full Width Nozzle	1	PC
3	16-10	Bearing - Rod End M16x37	2	PC
3	421-18	Locknut MC Hex M16	2	PC
4	290001-1	Cylinder - Maxigap	1	PC
5	290002-1	Cylinder - Varigap	1	PC
6	283492-1	Nz Cradle Assy FW Narrow Mouth	1	PC
7	283487-1	Tie Bar - Full Width Nozzle	2	PC
8	123-130	Bolt M Coarse M10x50 BS3692	2	PC
8	455-11	Washer Plain Plated Steel M10	4	PC
8	425-15	Nut Nyloc Hex M10C	2	PC
9	283481-1	Nozzle Cradle W/A Full Width	1	PC
10	283374-1	Bush - Pivot Suction Nozzle	2	PC
11	124-173	Setscrew M10C x 35	4	PC
11	457-5	Washer Plain Steel M10 Form G	4	PC
11	425-15	Nut Nyloc Hex M10C	4	PC
12	63491-1	Wheel - Assy. Nozzle	2	PC
13	283495-1	Tow Eye-Drawbar Full Width Noz	1	PC
14	283484-1	Nozzle Drawbar W/A Full Width	1	PC
15	123-126	Bolt M Coarse M10x35	1	PC
15	455-11	Washer Plain Plated Steel M10	2	PC
15	425-15	Nut Nyloc Hex M10C	1	PC
16	123-134	Bolt M Coarse M10x70	1	PC
16	455-11	Washer Plain Plated Steel M10	2	PC

**Carriage and Cradle Assemblies (KT08995)**  
 Optional Equipment - Sweep Gear


Both hands are assembled from common parts and handed on assembly.  
There are no L.H. and R.H. assembly part numbers.

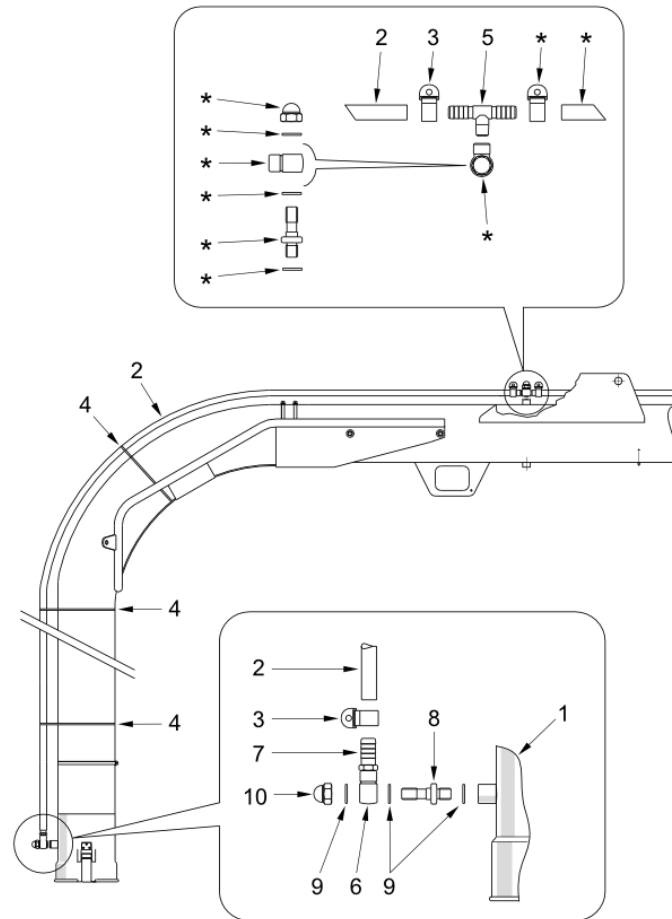


## Carriage and Cradle Assemblies (KT08995)

Optional Equipment - Sweep Gear

Item no.	Part no.	Description	QTY	Unit
16	425-15	Nut Nyloc Hex M10C	1	PC
17	280866-1	Mast - Maxigap Ram Mount	1	PC
17	280866-2	Mast - Maxigap Ram Mount	1	PC
18	124-175	Setscrew M10C x 40	2	PC
18	455-11	Washer Plain Plated Steel M10	2	PC
18	425-15	Nut Nyloc Hex M10C	2	PC
19	283488-1	Link Arm Anchor Full Width Noz	2	PC
20	124-139	Setscrew M8C x 30	4	PC
20	455-10	Washer Plain Plated Steel M8	4	PC
20	425-14	Nut Nyloc Hex MC M8	4	PC
21	123-184	Bolt M Coarse M16x60	1	PC
21	455-14	Washer Plain Plated Steel M16	2	PC
21	425-18	Nut Nyloc Hex M16C	1	PC
22	40405-1-B	Eye - Lifting Nozzle	1	PC
23	40404-1-C	Washer - Clamp, Carriage, Noz	1	PC
24	63345-1	Block - Clamp	1	PC
25	123-130	Bolt M Coarse M10x50 BS3692	2	PC
25	455-11	Washer Plain Plated Steel M10	2	PC
25	425-15	Nut Nyloc Hex M10C	2	PC

**Wanderhose Lo-Level Water Injection (KT00895)**  
Optional Equipment - Sweep Gear



\* These items are used on standard Top Mounted and optional Powaboom Wanderhoses

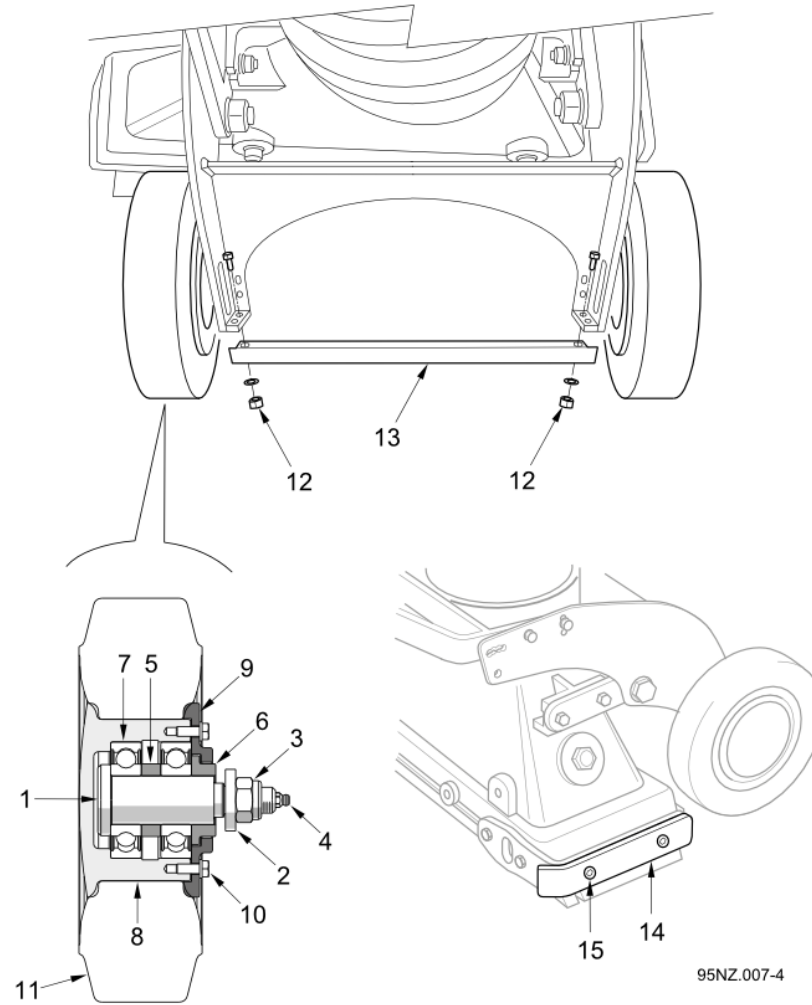
95WH. 011

**Wanderhose Lo-Level Water Injection (KT00895)**

Optional Equipment - Sweep Gear

Item no.	Part no.	Description	QTY	Unit
1	6003-10-P	Coupling 6" Water Injec. PHANT	1	PC
1	6003-80-P	Coupling 8" Water Injec.	1	PC
2	39444	Hose - Black Plastic 3/8" Bore	1	M
3	501-1	Hose Clip - Worm Drive (11-16)	2	PC
4	24-10	Cable Tie-Black, 368 x 4.8 mm	3	PC
5	277-254	T Hose Connector 1/4" BSPT	1	PC
6	26997-1-B	Banjo - Body	1	PC
7	46382-3-B	Adaptor - Brass DIM B 7	1	PC
8	40755-2-C	Jet-Water DIM A ø2	1	PC
9	453-1	Washer - Fibre Red 2.4mm Thick	3	PC
10	418-12	Nut - Domed, M12C St.Stl.	1	PC

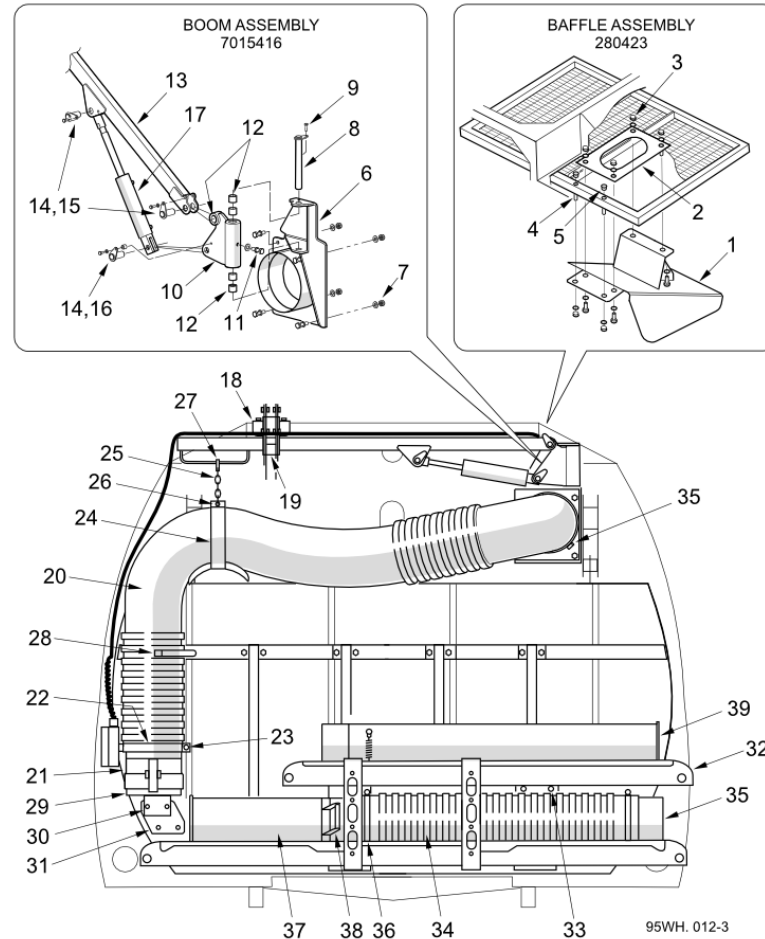
Heavy Duty Nozzle Option (-)



## Heavy Duty Nozzle Option (-)

Item no.	Part no.	Description	QTY	Unit
0	283358-1	Nozzle Wheel Assy Heavy Duty	1	PC
Comprising items 1-11				
1	283353-1	Axle - Nozzle Wheel Assembly	1	PC
2	9114-2-F	Washer	1	PC
3	425-18	Nut Nyloc Hex M16C	1	PC
4	38-30	Nipple Grease M6 X 1	3	PC
5	283354-1	Spacer - Nozzle Wheel Assy	1	PC
6	283356-1	Labyrinth - Nozzle Wheel Assy	1	PC
7	14-62	Bearing - 30x72x19	2	PC
8	283355-1	Hub - Nozzle Wheel Assy	1	PC
9	283357-1	Flange - Nozzle Wheel Assy	1	PC
10	124-102	Setscrew M6C x 16	6	PC
10	460-8	Washer Spring Single Coil M6	6	PC
11	44122-2-A	Tyre - 10 Inch	1	PC
12	124-135	Setscrew M8C x 20	4	PC
12	455-10	Washer Plain Plated Steel M8	4	PC
12	425-14	Nut Nyloc Hex MC M8	4	PC
13	7022068	Heavy Duty Nozzle Brace	1	PC
14	7022060	Wear Plate - Heavy duty bumper	1	PC
15	93085005-0	Nyloc Hex Thin Nut M8C - 8	4	PC
15	93212011-0	Plain Washer M8	4	PC
15	92097376-0	Hex Head Screw - M8Cx25 - 8.8	4	PC

**Hydraulic Rear Mounted Wanderhose (KT05695-002)**  
 Optional Equipment - Sweep Gear - Rear Mounted Wanderhose



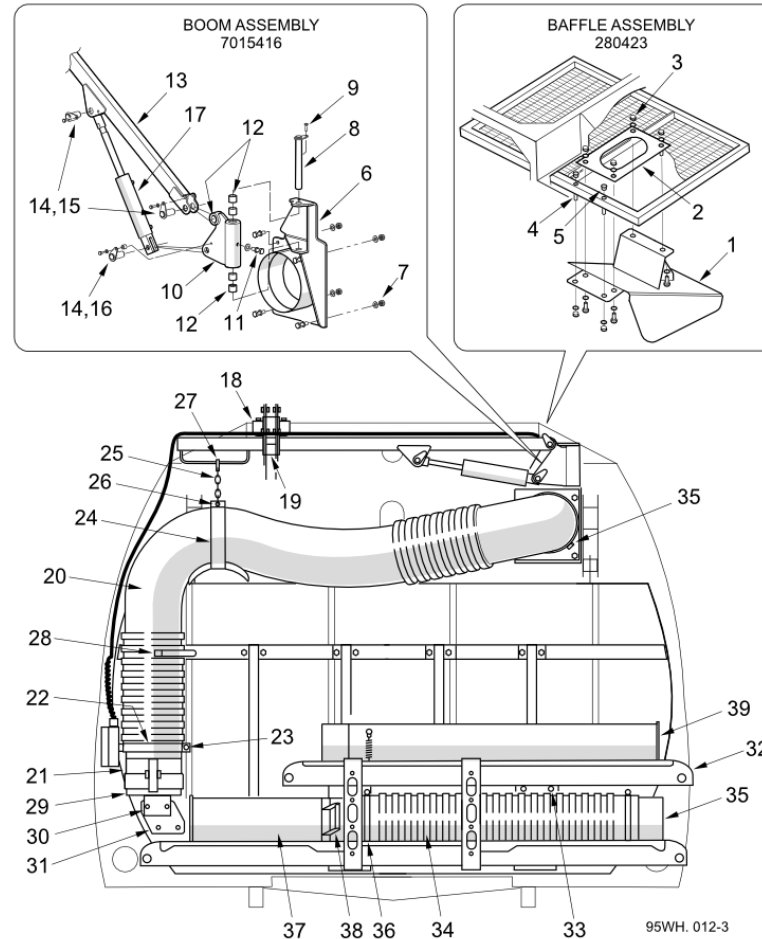
Note:  
 Hydraulic Controls, Hoses and Looms are the same as those used on the Powaboom Wanderhose.

**Hydraulic Rear Mounted Wanderhose (KT05695-002)**

## Optional Equipment - Sweep Gear - Rear Mounted Wanderhose

Item no.	Part no.	Description	QTY	Unit
1	280360-1	Baffle W/A Mesh Mtd Rr W/Hose	1	PC
2	282881-1	Plate-Spreader L/Snatch Baffle	1	PC
3	118-135	Setscrew Hexagon Hd M8cx20 SS	4	PC
3	454-8	Washer Plain St.Stl M8x17	4	PC
3	417-8	Nut - Nyloc M8 S/Steel DIN985	4	PC
4	129-125	Screw MC Cap Skt Hd M8x25	4	PC
4	454-8	Washer Plain St.Stl M8x17	4	PC
4	417-8	Nut - Nyloc M8 S/Steel DIN985	4	PC
5	288-33	Round insert - 18mm(1-2.25)	2	PC
6	7014204	Rear Wonderhose Mount	1	PC
7	92099412-0	Hex Head Screw - M10Cx35 - A2	4	PC
7	458-10	Washer - Spring IM10 SS	4	PC
7	454-10	Washer Plain St.Stl M10x21	4	PC
7	417-10	Nut - Nyloc M10 S/Steel DIN985	4	PC
8	283751-2	Pivot Pin W/Assy Rr Mtd W/Hose	1	PC
9	124-103	Setscrew M6C x 20	1	PC
9	460-8	Washer Spring Single Coil M6	1	PC
10	7011412	Pivot Assembly Rear Wanderhose	1	PC
11	124-198	Setscrew M12C x 16 BS3692	1	PC
11	460-12	Washer Spring Single Coil M12	1	PC
11	455-12	Washer Plain Plated Steel M12	1	PC
12	29128-1-B	Bush - 20Lg	5	PC
13	283738-1	Arm W/Assy-Rear Mounted W/Hose	1	PC
14	283751-1	Pivot Pin W/Assy Rr Mtd W/Hose	3	PC

**Hydraulic Rear Mounted Wanderhose (KT05695-002)**  
 Optional Equipment - Sweep Gear - Rear Mounted Wanderhose



Note:  
 Hydraulic Controls, Hoses and Looms are the same as those used on the Powaboom Wanderhose.

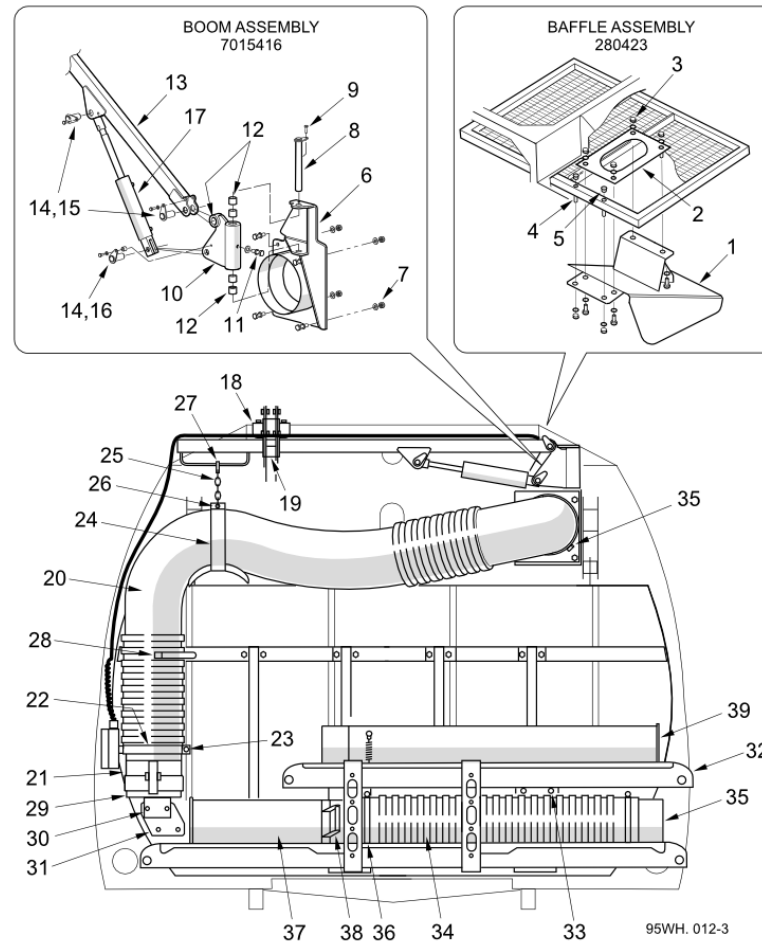


**Hydraulic Rear Mounted Wanderhose (KT05695-002)**

## Optional Equipment - Sweep Gear - Rear Mounted Wanderhose

Item no.	Part no.	Description	QTY	Unit
15	124-102	Setscrew M6C x 16	2	PC
15	460-8	Washer Spring Single Coil M6	2	PC
16	124-102	Setscrew M6C x 16	1	PC
16	460-8	Washer Spring Single Coil M6	1	PC
16	67143-6	Spacer 6.5 ID x 13.5 OD x 10	1	PC
17	7014628	Hydraulic Cylinder	1	PC
18	283759-1	Mount W/Assy	1	PC
18	118-137	Setscrew Hexagon Hd M8cx25 SS	4	PC
18	454-8	Washer Plain St.Stl M8x17	4	PC
18	458-8	Washer Spring Single Coil M8SS	4	PC
19	283760-1	Stowage Hook	1	PC
19	118-201	Setscrew Hexagon Hd M12cx25 SS	4	PC
19	425-16	Nut Nyloc Hex M12c	4	PC
19	290-43	Cylinder Rubber Buffer 50 O/D	1	PC
20	221771-1	Duct, Rear Wanderhose	1	PC
21	6003-8	Coupling 200 W/Hose V500, 605 & 650	1	PC
22	282638-2	Cable Supt W/A Ø200(Less Hook)	1	PC
23	123-114	Bolt M Coarse M8x70	1	PC
23	455-10	Washer Plain Plated Steel M8	2	PC
23	425-14	Nut Nyloc Hex MC M8	1	PC
24	93863-1	Clamp - Hose Support W/Assy	1	PC
25	93865-1	Spigot And Chain (8 Link)	1	PC
26	123-115	Bolt M Coarse M8x75	1	PC
26	455-10	Washer Plain Plated Steel M8	1	PC

**Hydraulic Rear Mounted Wanderhose (KT05695-002)**  
 Optional Equipment - Sweep Gear - Rear Mounted Wanderhose



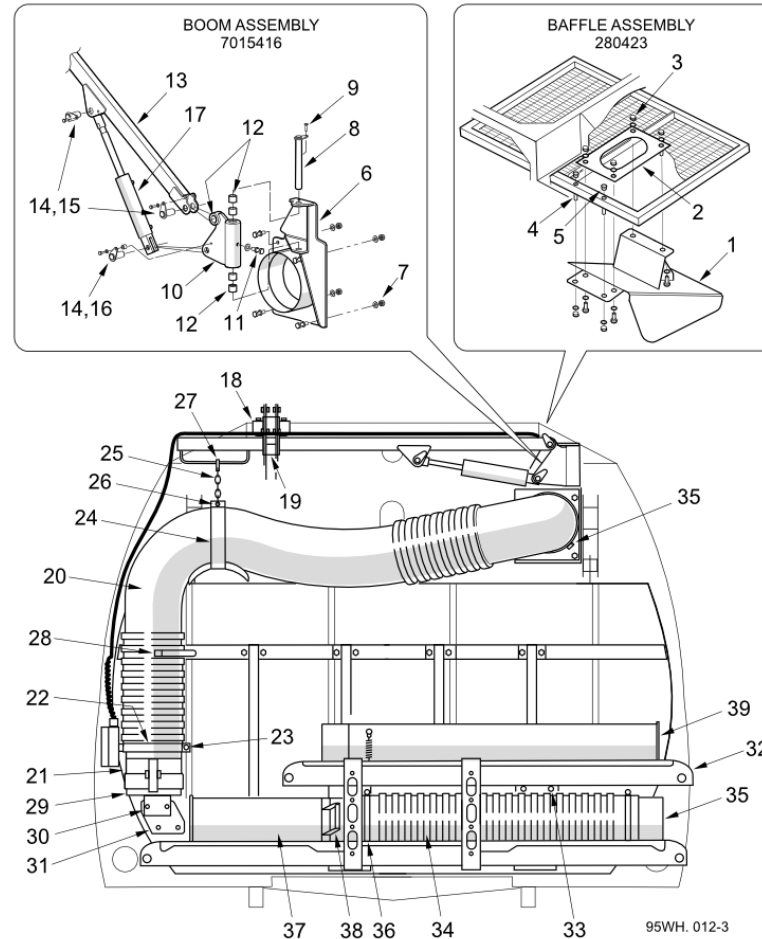
Note:  
 Hydraulic Controls, Hoses and Looms are the same as those used on the Powaboom Wanderhose.

**Hydraulic Rear Mounted Wanderhose (KT05695-002)**

## Optional Equipment - Sweep Gear - Rear Mounted Wanderhose

Item no.	Part no.	Description	QTY	Unit
26	425-14	Nut Nyloc Hex MC M8	1	PC
26	56569-10	Spacer - 16 Dia x 11 M8	2	PC
27	284-21	Hook Carbine - Zinc Plated	1	PC
28	282504-1	Hook - Littasnatch, Assy	1	PC
28	124-137	Setscrew M8C x 25	2	PC
28	455-10	Washer Plain Plated Steel M8	1	PC
28	425-14	Nut Nyloc Hex MC M8	1	PC
29	42738-1-A	Anchorage - 8" W/Hose, W/Assy	1	PC
29	124-167	Setscrew M10C x 20	2	PC
29	460-11	Washer Spring Single Coil M10	2	PC
30	42463-1-C	Anchorage - Bracket, W/Hose V500, V650	1	PC
30	124-135	Setscrew M8C x 20	2	PC
30	455-10	Washer Plain Plated Steel M8	2	PC
30	425-14	Nut Nyloc Hex MC M8	2	PC
31	7016105	Plate, Rear Wanderhose	1	PC
31	124-135	Setscrew M8C x 20	2	PC
31	455-10	Washer Plain Plated Steel M8	2	PC
31	425-14	Nut Nyloc Hex MC M8	2	PC
32	221830-1	Hose Tray Assy Extn Stowage	1	PC
33	123-113	Bolt M Coarse M8x65 BS3692	4	PC
33	282438-41	Spacer-DIM A 41	4	PC
33	455-10	Washer Plain Plated Steel M8	4	PC
33	457-4	Washer Plain Steel M8 Form G	4	PC
33	425-14	Nut Nyloc Hex MC M8	4	PC

**Hydraulic Rear Mounted Wanderhose (KT05695-002)**  
 Optional Equipment - Sweep Gear - Rear Mounted Wanderhose



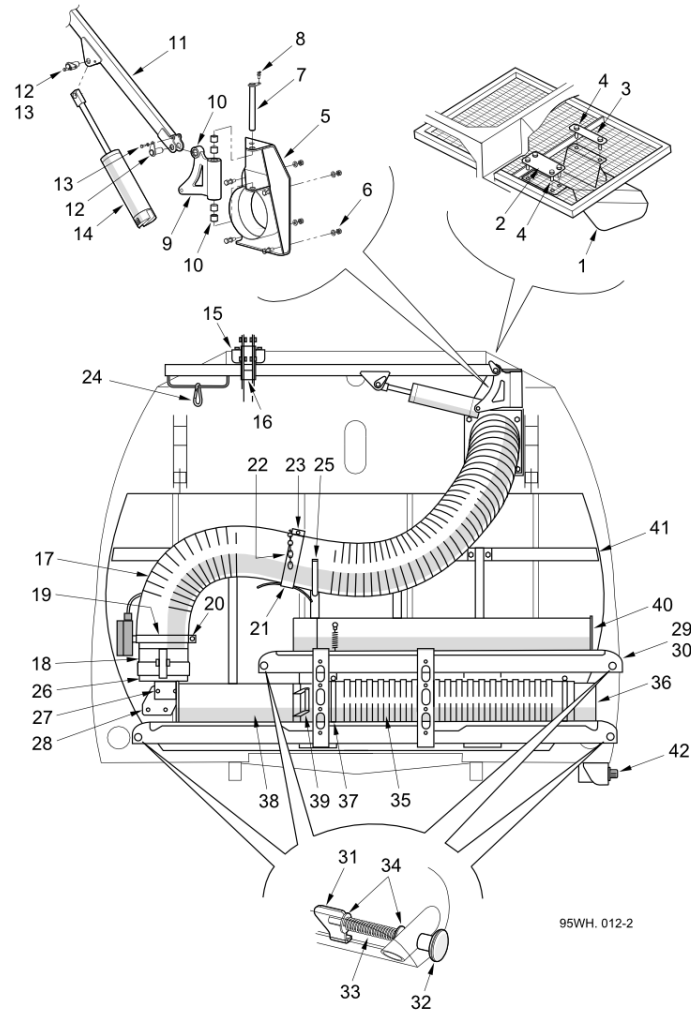
Note:  
 Hydraulic Controls, Hoses and Looms are the same as those used on the Powaboom Wanderhose.

**Hydraulic Rear Mounted Wanderhose (KT05695-002)**

Optional Equipment - Sweep Gear - Rear Mounted Wanderhose

Item no.	Part no.	Description	QTY	Unit
34	15917-1-B	Hose - Extension Flexible 8"	1	PC
35	5996-4	Sleeve - 8" W/Assy	1	PC
36	504-52	Hose Clip - Worm Drive (190-220)	6	PC
37	15899-1-B	Hose Fitting End W/Assy	1	PC
38	15920-1-C	Handle Fitting End W/Hose W/A	1	PC
39	282890-3	W/Hose Exten. Assy 8" 1250Lg	1	PC

**Pneumatic Rear Mounted Wanderhose (Superseded) (KT05695)**  
 Optional Equipment - Sweep Gear - Rear Mounted Wanderhose



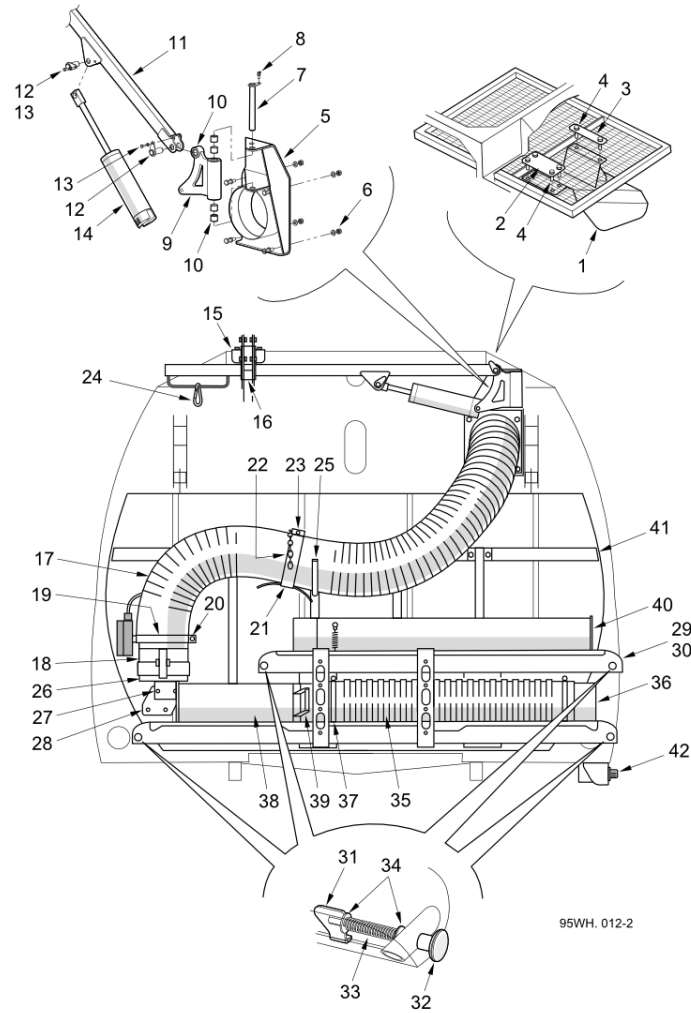
95WH. 012-2

**Pneumatic Rear Mounted Wanderhose (Superseded) (KT05695)**

Optional Equipment - Sweep Gear - Rear Mounted Wanderhose

Item no.	Part no.	Description	QTY	Unit
1	280360-1	Baffle W/A Mesh Mtd Rr W/Hose	1	PC
2	282881-1	Plate-Spreader L/Snatch Baffle	1	PC
3	127-137	Setscrew Csk Hd. M8C x 25	2	PC
3	288-33	Round insert - 18mm(1-2.25)	2	PC
4	118-135	Setscrew Hexagon Hd M8cx20 SS	4	PC
4	454-8	Washer Plain St.Stl M8x17	8	PC
4	425-14	Nut Nyloc Hex MC M8	4	PC
5	283745-1	Pivot Brkt W/A Rear Mtd W/Hose	1	PC
6	118-175	Setscrew Hexagon Hd M10cx40 SS	4	PC
6	458-10	Washer - Spring IM10 SS	4	PC
6	454-10	Washer Plain St.Stl M10x21	4	PC
6	417-10	Nut - Nyloc M10 S/Steel DIN985	4	PC
7	283751-2	Pivot Pin W/Assy Rr Mtd W/Hose	1	PC
8	124-103	Setscrew M6C x 20	1	PC
8	460-8	Washer Spring Single Coil M6	1	PC
9	283740-1	Pivot W/Assy Rear Mtd W/Hose	1	PC
10	29128-1-B	Bush - 20Lg	5	PC
11	283738-1	Arm W/Assy-Rear Mounted W/Hose	1	PC
12	283751-1	Pivot Pin W/Assy Rr Mtd W/Hose	2	PC
13	124-102	Setscrew M6C x 16	2	PC
13	460-8	Washer Spring Single Coil M6	2	PC
14	200355-1	70mm Cylinder - Pneumatic Assy	1	PC
15	283759-1	Mount W/Assy	1	PC
15	118-135	Setscrew Hexagon Hd M8cx20 SS	4	PC

**Pneumatic Rear Mounted Wanderhose (Superseded) (KT05695)**  
Optional Equipment - Sweep Gear - Rear Mounted Wanderhose





**Pneumatic Rear Mounted Wanderhose (Superseded) (KT05695)**

Optional Equipment - Sweep Gear - Rear Mounted Wanderhose

Item no.	Part no.	Description	QTY	Unit
15	454-8	Washer Plain St.Stl M8x17	4	PC
15	458-8	Washer Spring Single Coil M8SS	4	PC
16	283760-1	Stowage Hook	1	PC
16	118-201	Setscrew Hexagon Hd M12cx25 SS	4	PC
16	425-16	Nut Nyloc Hex M12c	4	PC
16	290-43	Cylinder Rubber Buffer 50 O/D	1	PC
17	221771-1	Duct, Rear Wanderhose	1	PC
18	6003-8	Coupling 200 W/Hose V500, 605 & 650	1	PC
19	282638-2	Cable Supt W/A Ø200(Less Hook)	1	PC
20	123-114	Bolt M Coarse M8x70	1	PC
20	425-14	Nut Nyloc Hex MC M8	1	PC
21	93863-1	Clamp - Hose Support W/Assy	1	PC
22	93865-1	Spigot And Chain (8 Link)	1	PC
23	123-110	Bolt M Coarse M8x50	1	PC
23	455-10	Washer Plain Plated Steel M8	1	PC
23	425-14	Nut Nyloc Hex MC M8	1	PC
24	284-21	Hook Carbine - Zinc Plated	1	PC
25	282504-1	Hook - Littasnatch, Assy	1	PC
25	124-137	Setscrew M8C x 25	2	PC
25	455-10	Washer Plain Plated Steel M8	1	PC
25	425-14	Nut Nyloc Hex MC M8	1	PC
26	42738-1-A	Anchorage - 8" W/Hose, W/Assy	1	PC
26	124-167	Setscrew M10C x 20	2	PC
26	460-11	Washer Spring Single Coil M10	2	PC

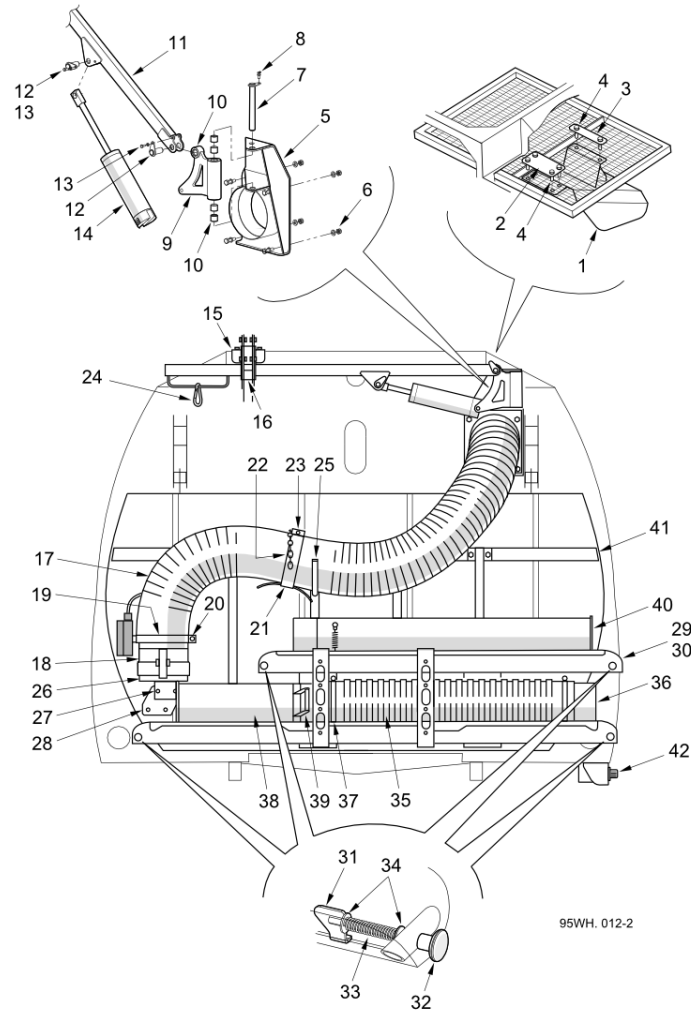


**Pneumatic Rear Mounted Wanderhose (Superseded) (KT05695)**

Optional Equipment - Sweep Gear - Rear Mounted Wanderhose

Item no.	Part no.	Description	QTY	Unit
27	42463-1-C	Anchorage - Bracket, W/Hose V500, V650	1	PC
27	124-135	Setscrew M8C x 20	2	PC
27	455-10	Washer Plain Plated Steel M8	2	PC
27	425-14	Nut Nyloc Hex MC M8	2	PC
28	283899-1	Plate - Anchorage Relocation	1	PC
28	124-135	Setscrew M8C x 20	2	PC
28	455-10	Washer Plain Plated Steel M8	2	PC
28	425-14	Nut Nyloc Hex MC M8	2	PC
29	221830-1	Hose Tray Assy Extn Stowage	1	PC
30	123-113	Bolt M Coarse M8x65 BS3692	4	PC
30	282438-41	Spacer-DIM A 41	4	PC
30	455-10	Washer Plain Plated Steel M8	4	PC
30	457-4	Washer Plain Steel M8 Form G	4	PC
30	425-14	Nut Nyloc Hex MC M8	4	PC
31	282879-1	Plunger W/Assy Locking Plunger	4	PC
32	23-21	Knob (M10) - Locking Plunger	4	PC
33	285-27	Spring-Comp. 19.05x101.6	4	PC
34	457-5	Washer Plain Steel M10 Form G	4	PC
35	15917-1-B	Hose - Extension Flexible 8"	1	PC
36	5996-4	Sleeve - 8" W/Assy	1	PC
37	504-52	Hose Clip - Worm Drive (190-220)	1	PC
38	15899-1-B	Hose Fitting End W/Assy	1	PC
39	15920-1-C	Handle Fitting End W/Hose W/A	1	PC
40	282890-3	W/Hose Exten. Assy 8" 1250Lg	1	PC

**Pneumatic Rear Mounted Wanderhose (Superseded) (KT05695)**  
Optional Equipment - Sweep Gear - Rear Mounted Wanderhose

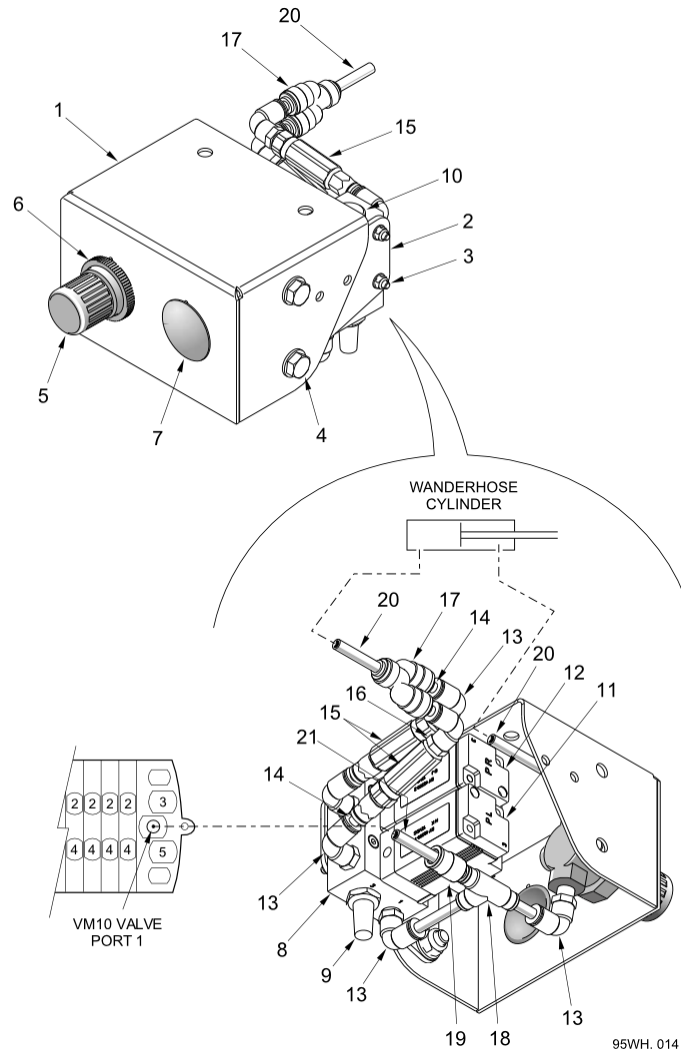


**Pneumatic Rear Mounted Wanderhose (Superseded) (KT05695)**

Optional Equipment - Sweep Gear - Rear Mounted Wanderhose

Item no.	Part no.	Description	QTY	Unit
41	282437-1-INST	Frame - Rear Options 95	1	PC
42	283835-12	Controls Pneu Rear W/Hose 12v	1	PC
42	283835-24	Controls Pneu Rear W/Hose 24v	1	PC

**Pneumatic Controls (Superseded) (KT07595)**  
 Optional Equipment - Sweep Gear - Rear Mounted Wanderhose

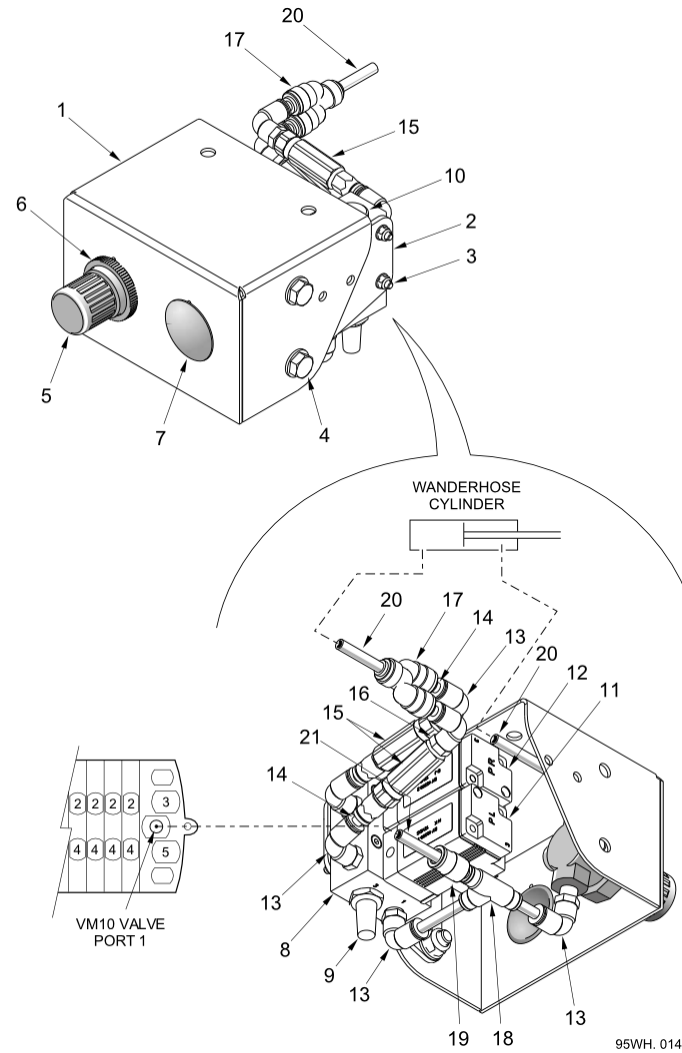


**Pneumatic Controls (Superseded) (KT07595)**

Optional Equipment - Sweep Gear - Rear Mounted Wanderhose

Item no.	Part no.	Description	QTY	Unit
1	282522-1	Switch Box Ctls LS/Mesh Shaker	1	PC
2	283833-1	Plate - Valve Mounting	1	PC
3	129-42	Screw MC Cap Skt Hd M4x35	2	PC
3	455-5	Washer Plain Plated Steel M4	2	PC
3	425-11	Nut Nyloc Hex MC M4	2	PC
4	124-135	Setscrew M8C x 20	2	PC
4	455-10	Washer Plain Plated Steel M8	2	PC
4	425-14	Nut Nyloc Hex MC M8	2	PC
5	72-14	Regulator - Mini	1	PC
6	72-15	Panel - Ring (Suit B72/14)	1	PC
7	288-28	Grommet - Blind 31.8 O/D x 2.4	1	PC
8	40602-2-B	Valve Block	1	PC
9	72-20	Air Silencer - 1/4 BSP	1	PC
10	3162	Plug - Collar 1/4" BSP Brass	2	PC
10	451-17	Washer Bonded G1-4"	2	PC
11	42300-1-A	Control - Pneumatic 12v N.O.	1	PC
11	42300-3-A	Control - Pneumatic 24v N.O.	1	PC
12	42300-2-A	Control - Pneumatic 12v N.C.	1	PC
12	42300-4-A	Control - Pneumatic 24v N.C.	1	PC
13	538-8	Elbow Swivel 6mm x 1/4" BSP	6	PC
14	549-3	Pneumatic Stem Connector, Ø6mm Tube	4	PC
15	72-4	Valve Non Return	2	PC
16	537-3	Adaptor-Push In 6mm x 1/8 BSPT	2	PC
17	559-6	Connector - Parallel Y 6x6x6mm	1	PC

**Pneumatic Controls (Superseded) (KT07595)**  
 Optional Equipment - Sweep Gear - Rear Mounted Wanderhose



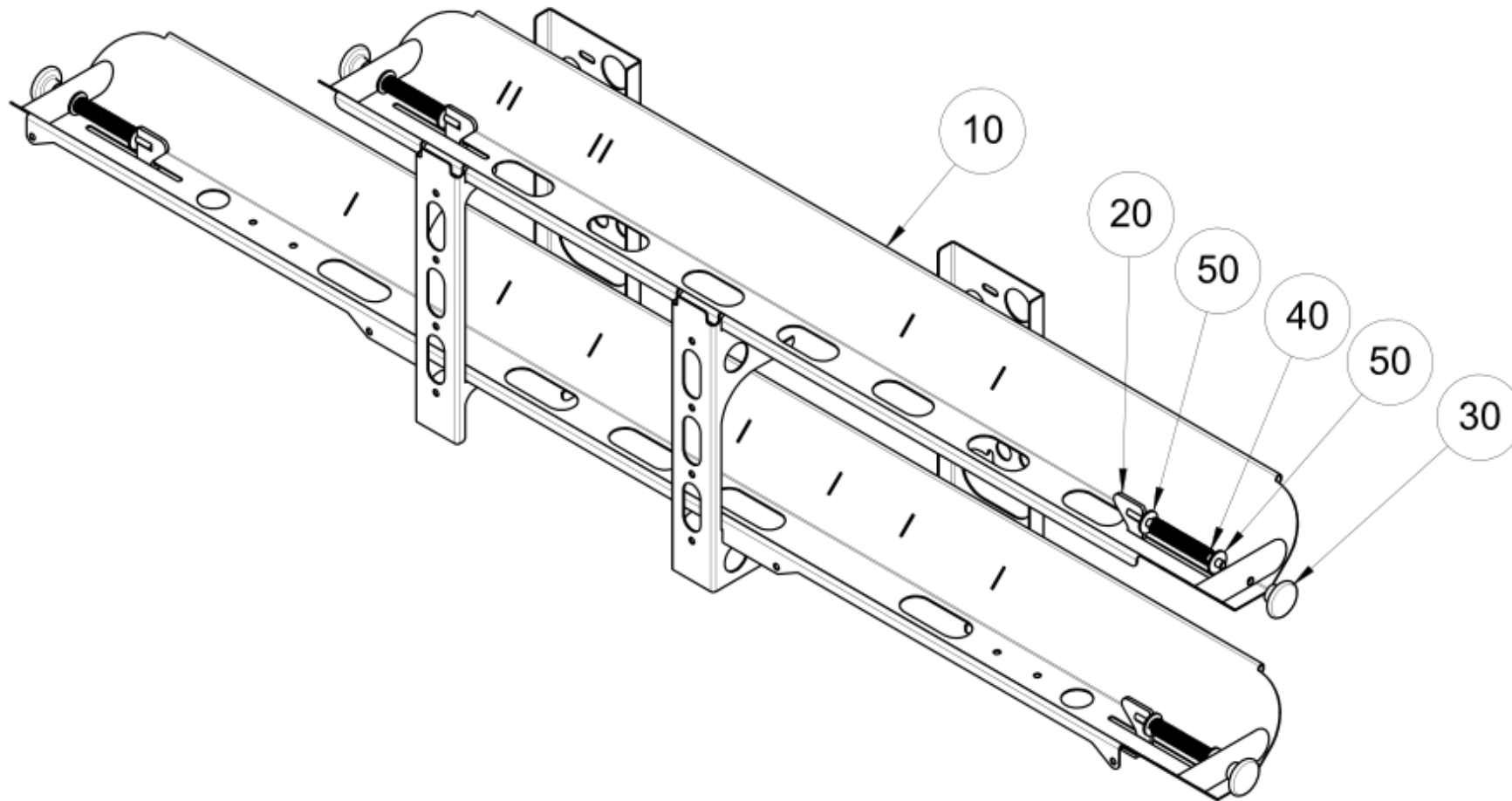


**Pneumatic Controls (Superseded) (KT07595)**

Optional Equipment - Sweep Gear - Rear Mounted Wanderhose

Item no.	Part no.	Description	QTY	Unit
18	554-3	Tee - Connector 6mm	1	PC
19	548-20	Adaptor - Expanding 8mm x 6mm	1	PC
20	273-20	Tube - Nylon Blue 6mm O/D	1	M
21	273-21	Tube - Nylon Red 6mm O/D	1	M

Wanderhose Extension Tray (282867-2)

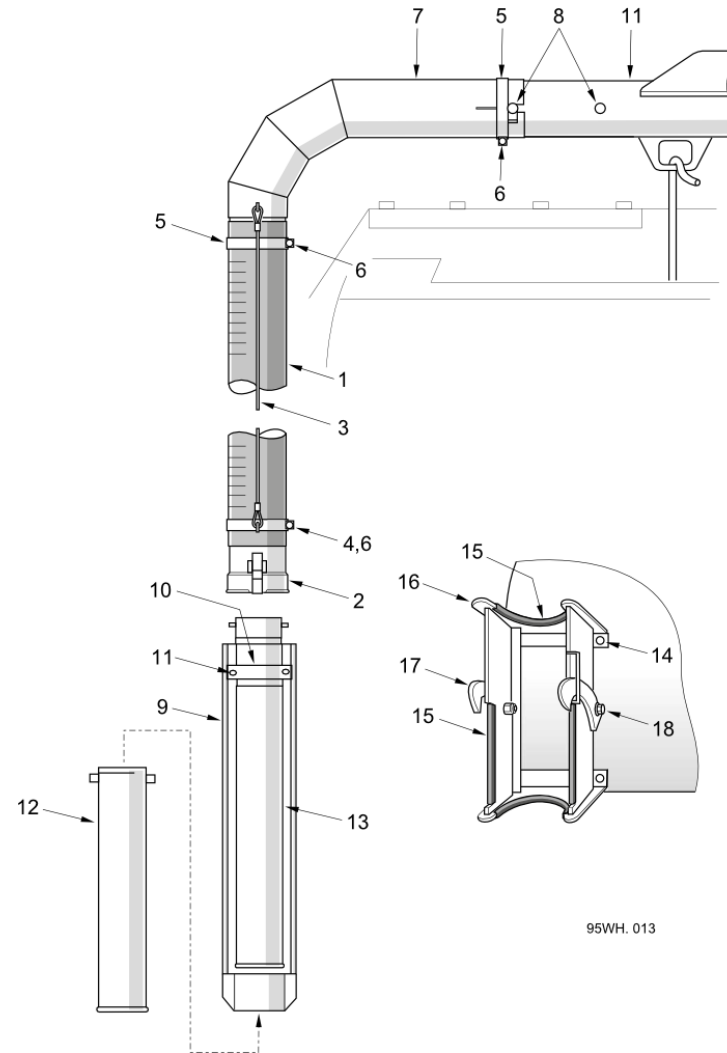


## Wanderhose Extension Tray (282867-2)

Item no.	Part no.	Description	QTY	Unit
10	221830-1	Hose Tray Assy Extn Stowage	1	PC
20	282879-1	Plunger W/Assy Locking Plunger	4	PC
30	23-21	Knob (M10) - Locking Plunger	4	PC
40	285-27	Spring-Comp. 19.05x101.6	4	PC
50	93300510-0	Plain Large Washer M10	8	PC

**Wanderhose Gully Pack (951331, 951333, 284032-1, 951333)**

Optional Equipment - Sweep Gear - Wanderhose Gully Pack



95WH.013

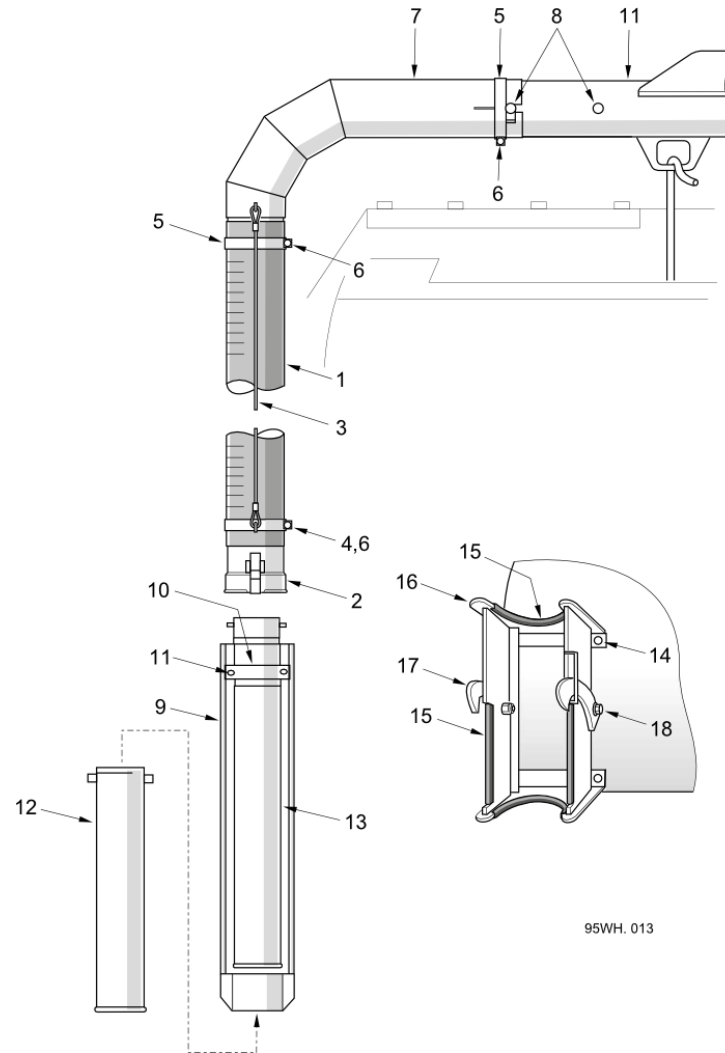
**Wanderhose Gully Pack (951331, 951333, 284032-1, 951333)**

Optional Equipment - Sweep Gear - Wanderhose Gully Pack

Item no.	Part no.	Description	QTY	Unit
1	48824-1	Hose - Flexible, Extension 6"	1	PC
2	6003-1	Coupling 150 W/Hose V500, 605 & 650	1	PC
3	21216-14	Cable - Lift (1040mm)	2	PC
4	282637-3	Cable Supt W/A Ø150(Less Brkt)	1	PC
5	282637-4	Cable Supt W/A Ø150(-Hook&Bkt)	2	PC
6	123-114	Bolt M Coarse M8x70	3	PC
6	425-14	Nut Nyloc Hex MC M8	3	PC
7	282600-1	Gulley Extn W/Assy - Ø150 W/Hose	1	PC
8	124-199	Setscrew M12C x 20	4	PC
8	460-12	Washer Spring Single Coil M12	4	PC
9	41070-1-B	Cradle Hose Extension	1	PC
10	41063-1-B	Support - Gulley Emptier	1	PC
11	124-134	Setscrew M8C x 16	2	PC
11	455-10	Washer Plain Plated Steel M8	2	PC
11	420-14	Nut MC Hex M8	2	PC
12	41150-1-C	Tube Extension Gulley Emptier	1	PC
13	41067-1-C	Tube Extension	1	PC
14	124-135	Setscrew M8C x 20	4	PC
14	425-14	Nut Nyloc Hex MC M8	4	PC
14	457-4	Washer Plain Steel M8 Form G	4	PC
15	6849	Titanfast-Black	0.5	M
16	284061-1	Holster W/Assy	1	PC
17	41183-1-A	Latch Holster Gulley Emptier	2	PC
18	124-139	Setscrew M8C x 30	2	PC

**Wanderhose Gully Pack (951331, 951333, 284032-1, 951333)**

Optional Equipment - Sweep Gear - Wanderhose Gully Pack



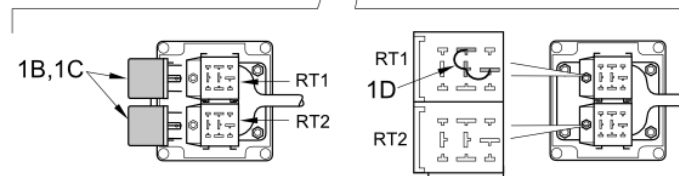
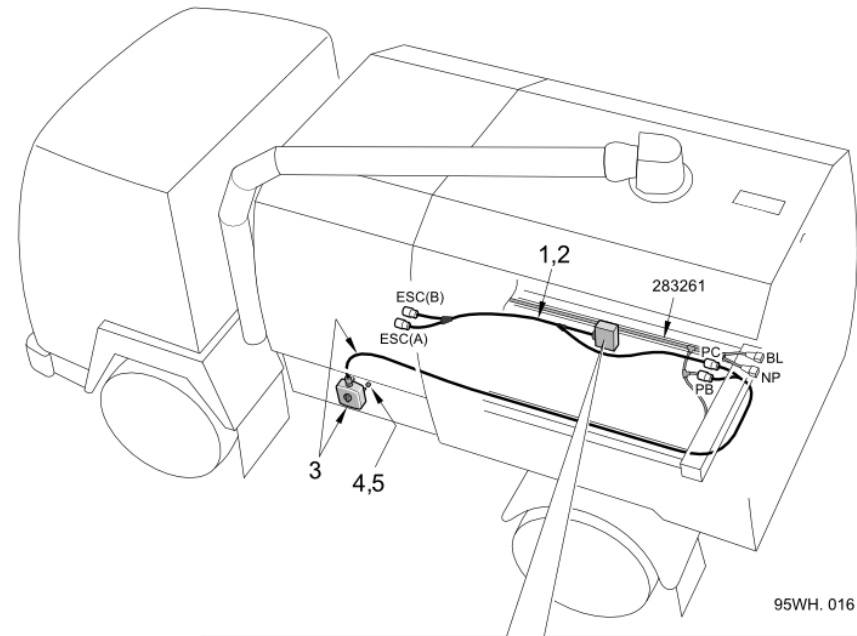
95WH.013

**Wanderhose Gully Pack (951331, 951333, 284032-1, 951333)**

Optional Equipment - Sweep Gear - Wanderhose Gully Pack

Item no.	Part no.	Description	QTY	Unit
18	41184-1-A	Latch Pivot Gulley Emptyer	2	PC
18	425-14	Nut Nyloc Hex MC M8	2	PC

**Remote Throttle (KT09995)**  
 Optional Equipment - Sweep Gear - Wanderhose Gully Pack



Iveco 'SP' and 'HP' and  
 John Deere 'SP' engines.  
 For John Deere 'HP'  
 engine see item 2.

VT 12v Loom Assembly 282140-1  
 comprising items 1 and 1b

VT 24v Loom Assembly 282140-2  
 comprising items 1 and 1c

VS Loom Assembly 282140-3  
 comprising items 1 and 1d

Note:  
 Relay Box (1a) mountings are as Powaboom Controls

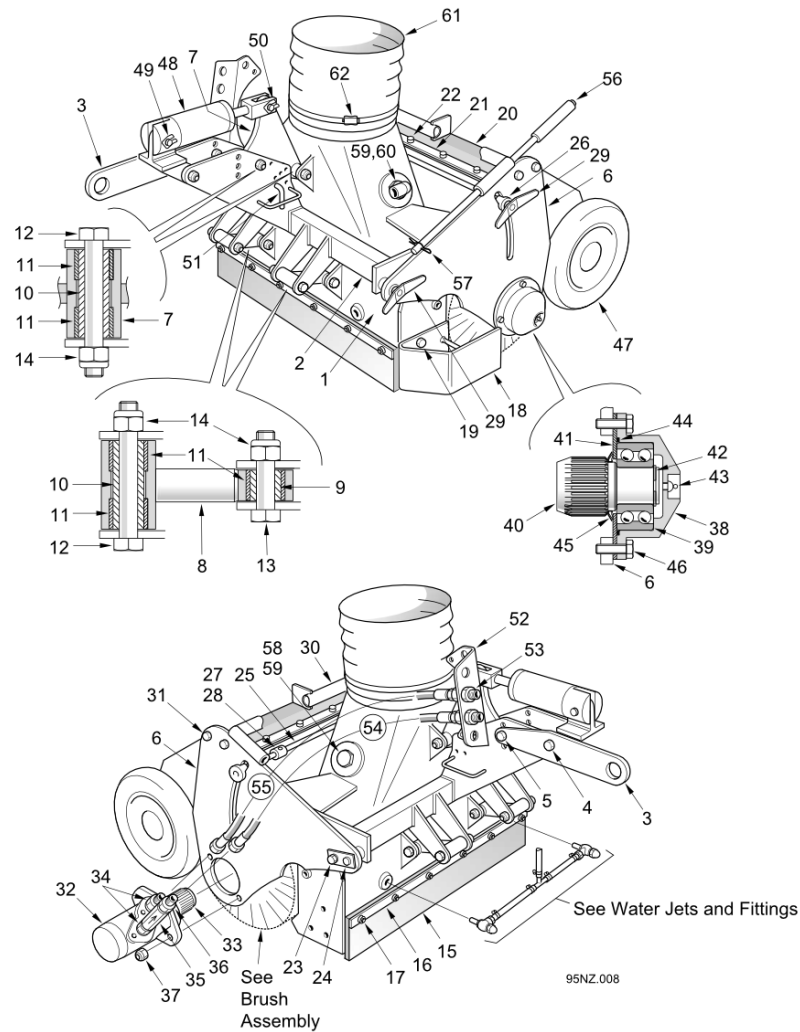


**Remote Throttle (KT09995)**

Optional Equipment - Sweep Gear - Wanderhose Gully Pack

Item no.	Part no.	Description	QTY	Unit
1	282060-1	Loom and Relay box - Except JD HP	1	PC
This requires addition of 1b, 1c, or 1d				
1B	13193	Relay 12 Volt 30/40	2	PC
1C	13194	Relay 24 Volt 30/40	2	PC
1D	282119-1	Shorting Link - VS	1	PC
2	283140-1	Loom and Relay box - John Deere HP Eng.	1	PC
3	282160-1	Throttle Control Loom - Twin	1	PC
4	425-11	Nut Nyloc Hex MC M4	2	PC
5	134-43	Pan Head Screw-M4Cx16-4.8-Pozidriv	2	PC

**Nozzle Assembly (-)**  
Optional Equipment - Sweep Gear - Combivak Nozzle

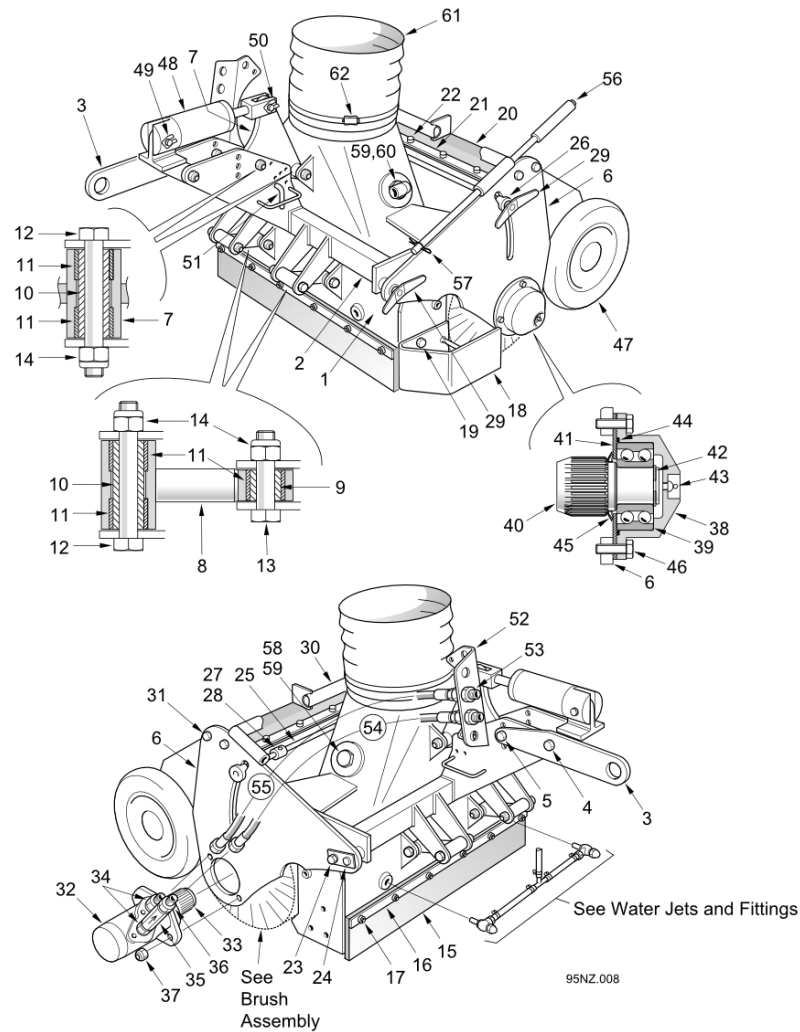


**Nozzle Assembly (-)**

Optional Equipment - Sweep Gear - Combivak Nozzle

Item no.	Part no.	Description	QTY	Unit
1	280920-2	Nozzle W/A-250 Combivac Lined	1	PC
2	62882-2	Carriage W/Assy - Combivac	1	PC
3	200377-1	Tow Eye - V/Brush Combivak	1	PC
4	123-158	Bolt M Coarse M12x100	1	PC
4	425-16	Nut Nyloc Hex M12c	1	PC
5	124-205	Setscrew M12C x 35	1	PC
5	425-16	Nut Nyloc Hex M12c	1	PC
6	802725-1	Cheek Plate W/Assy	2	PC
7	281884-1	Actuator W/Assy	1	PC
8	62567-1	Arm Pivot W/A - Nozzle	2	PC
9	42733-1-A	Bush - Bearing, Flaps	2	PC
10	42733-2	Bush - Bearing	4	PC
11	29128-1-B	Bush - 20Lg	10	PC
12	123-156	Bolt M Coarse M12x90	4	PC
13	123-148	Bolt M Coarse M12x50	2	PC
14	425-16	Nut Nyloc Hex M12c	6	PC
15	62138-1	Nozzle - Front Rubber	1	PC
16	62148-1	Strip Clamp	1	PC
17	124-177	Setscrew M10C x 50	6	PC
17	425-15	Nut Nyloc Hex M10C	6	PC
18	62170-1	Skid W/Assy	1	PC
19	124-208	Setscrew M12C x 45	3	PC
19	425-16	Nut Nyloc Hex M12c	3	PC
20	41615-1-A	Curtain - Rubber	1	PC

**Nozzle Assembly (-)**  
Optional Equipment - Sweep Gear - Combivak Nozzle

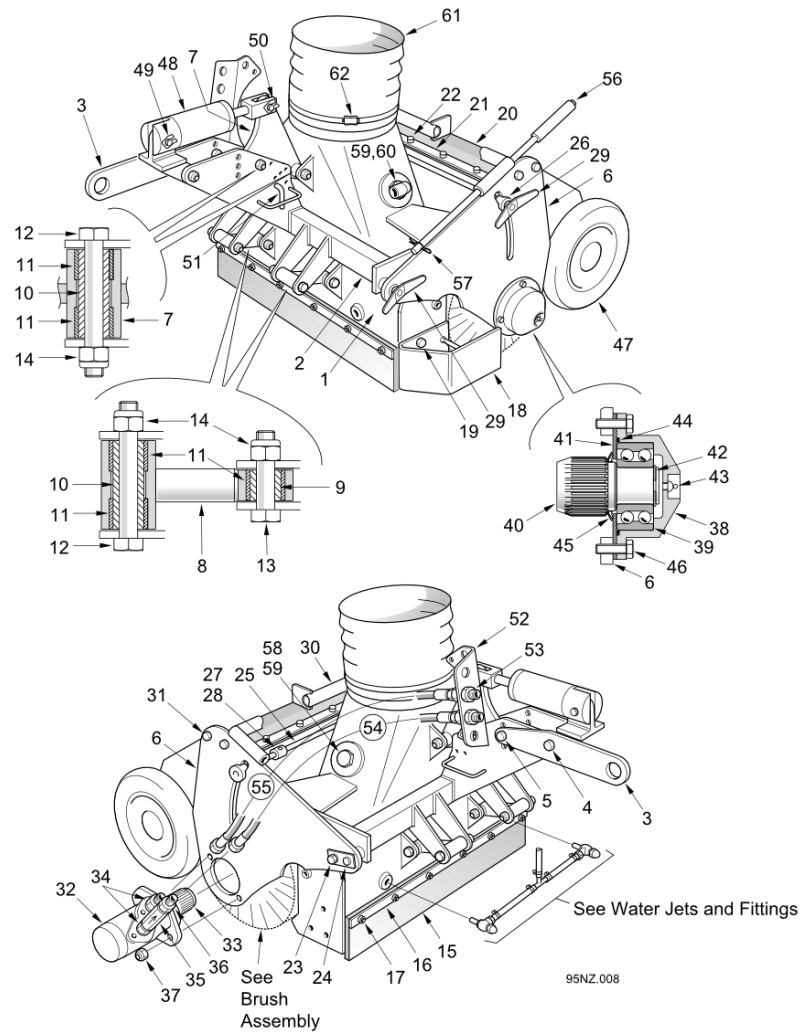


**Nozzle Assembly (-)**

Optional Equipment - Sweep Gear - Combivak Nozzle

Item no.	Part no.	Description	QTY	Unit
21	41457-1-A	Strip Clamping	1	PC
22	124-103	Setscrew M6C x 20	6	PC
22	425-13	Nut Nyloc Hex M6C	6	PC
23	62123-1	Pin Pivot W/Assy	1	PC
24	124-134	Setscrew M8C x 16	1	PC
24	460-10	Washer Spring Single Coil M8	1	PC
25	62124-1	Adjuster W/Assy	1	PC
26	62167-2	Tube - Handle W/Assy	1	PC
27	62157-1	Clamp - Tube	1	PC
28	135-23	Grubscrew - Cone Point M6cx10	1	PC
29	281305-1	Handnut W/Assy-Nozzle Adjuster	2	PC
30	62828-1	Beam - Cross W/Assy	1	PC
31	124-169	Setscrew M10C x 25	4	PC
31	460-11	Washer Spring Single Coil M10	4	PC
32	40550-1-E	Motor-Hydraulic,C/Brush	1	PC
33	42489-1-A	Adaptor Motor Brush Stock	1	PC
34	263-4	Adaptor M/M 1/2" BSP	2	PC
34	451-126	Washer Copper 1/2" BSP	2	PC
35	71457-1	Valve Check G1/2"	1	PC
36	42490-1-B	Adaptor - Bearing, WSB Stock	1	PC
37	124-208	Setscrew M12C x 45	2	PC
37	425-16	Nut Nyloc Hex M12c	2	PC
38	94737-1	Housing - Bearing (Ch/Lube)	1	PC
39	14-47	Bearing - 30x72x30.2 Double	1	PC

**Nozzle Assembly (-)**  
Optional Equipment - Sweep Gear - Combivak Nozzle

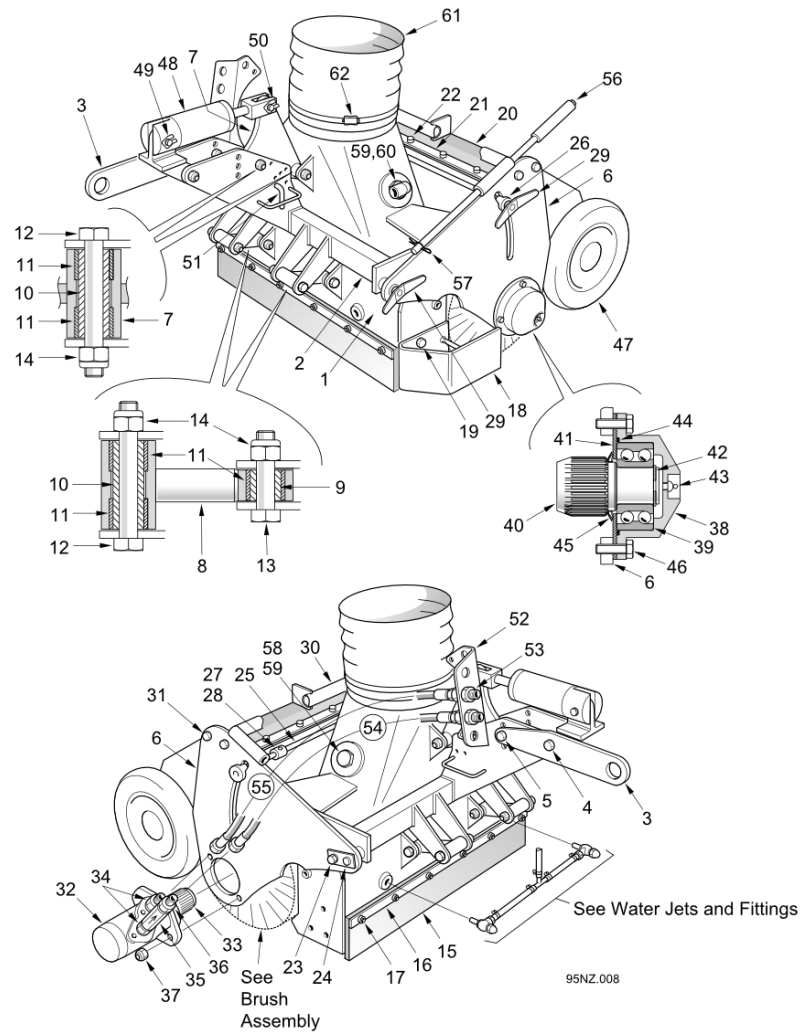


**Nozzle Assembly (-)**

Optional Equipment - Sweep Gear - Combivak Nozzle

Item no.	Part no.	Description	QTY	Unit
40	42490-1-B	Adaptor - Bearing, WSB Stock	1	PC
41	42819-1-A	Plate - Support, WSB Bearing	1	PC
42	27-15	Circlip - External I/D 30mm	1	PC
43	38-1	Nipple Grease Straight 1/8 BSP	1	PC
44	80-94	O Ring - Hole Dia.80	1	PC
45	77-26	Seal - Oil Dia. 40mm	1	PC
46	124-137	Setscrew M8C x 25	4	PC
46	460-10	Washer Spring Single Coil M8	4	PC
47	63491-1	Wheel - Assy. Nozzle	2	PC
48	29362-2	Cylinder Combivac Nozzle Assy	1	PC
48	290001-500	Seal - Kit	1	PC
49	29149-2	Pin - Clevis	1	PC
49	39624	Slim Safety Fastener	1	PC
50	62098-1	Pin Clevis Ø16x37Lg	1	PC
50	39624	Slim Safety Fastener	1	PC
51	62135-1	Bolt - Nozzle Stop	1	PC
52	63321-1	Angle - Hose Bracket	1	PC
52	124-137	Setscrew M8C x 25	1	PC
52	425-14	Nut Nyloc Hex MC M8	1	PC
53	410-12	Nut - Lock 1/2" BSP	2	PC
54	HC06004-87	Hose - Megaflex 3/8" STRxSt.Bk	1	PC
55	HC06004-77	Hose - Megaflex 3/8" STRxSt.Bk	1	PC
56	62167-1	Handle W/Assy	1	PC
57	59-26	Pin Tension Spring 3 O/Dx30Lg	1	PC

**Nozzle Assembly (-)**  
Optional Equipment - Sweep Gear - Combivak Nozzle





## Nozzle Assembly (-)

Optional Equipment - Sweep Gear - Combivak Nozzle

Item no.	Part no.	Description	QTY	Unit
58	281755-1	Plug - Re-Circ Port 250 Nozzle	2	PC
59	410-57	Nut - Back 3/4 B.S.P (Plated)	2	PC
60	200493-1	Elbow W/Assy	1	PC
61	94992-2	Trunking - 250dia Intake (HD)	1	PC
62	504-54	Hose Clip - Worm Drive (230-260)	1	PC

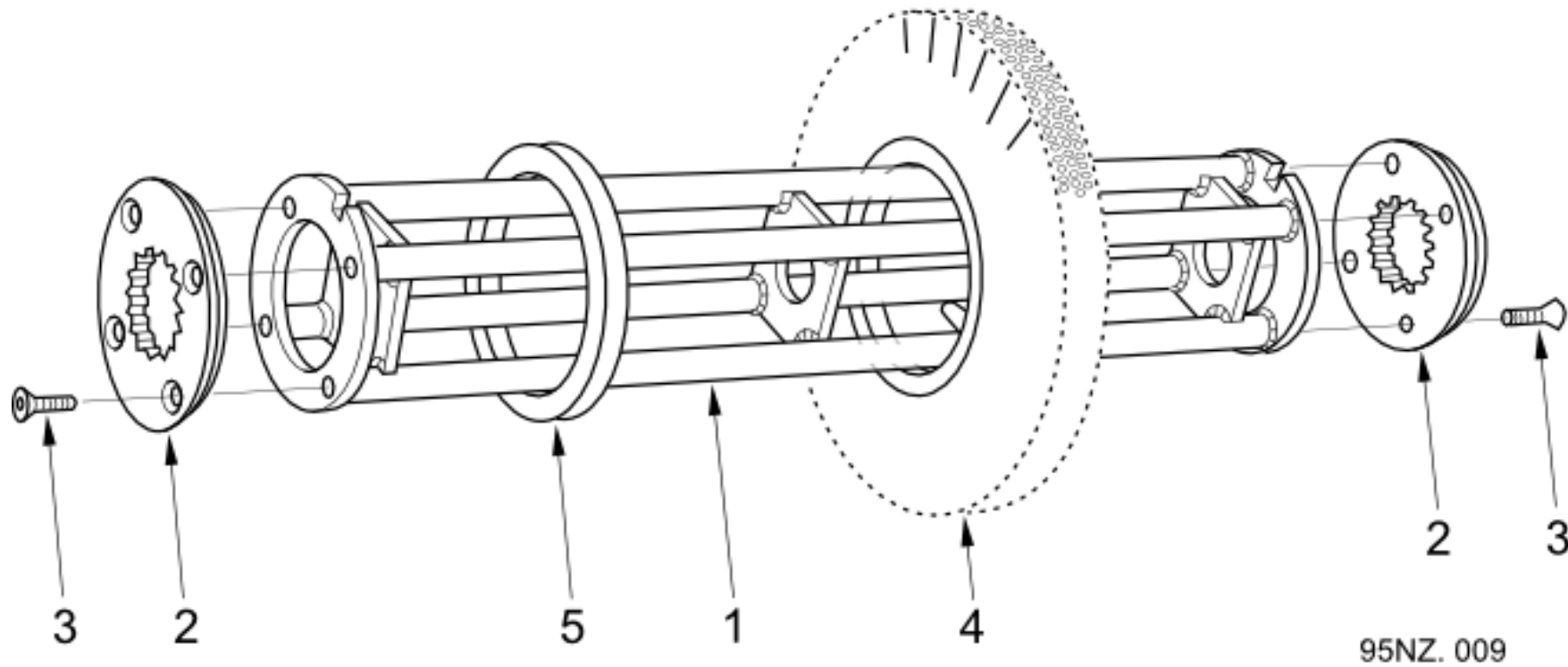


**Water Jets and Hoses (-)**

Optional Equipment - Sweep Gear - Combivak Nozzle

Item no.	Part no.	Description	QTY	Unit
1	40755-2-C	Jet-Water DIM A ø2	4	PC
2	26997-1-B	Banjo - Body	4	PC
3	418-12	Nut - Domed, M12C St.Stl.	4	PC
4	453-1	Washer - Fibre Red 2.4mm Thick	12	PC
5	46382-3-B	Adaptor - Brass DIM B 7	4	PC
6	501-1	Hose Clip - Worm Drive (11-16)	10	PC
7	39444	Hose - Black Plastic 3/8" Bore	2.5	M
8	277-2	Connector - T	1	PC
9	88-4	Tap - G1/4" (F) X G1/4" (F)	1	PC
10	410-3	Nut - Back 3/8 B.S.P	1	PC
11	283640-1	Adaptor - Bulkhead	1	PC
12	90696-1	Tee Piece - C/Brush/Nozzle	1	PC
13	62746-1	Adaptor - Hose W/Assy	1	PC

**Brush Assembly (-)**  
Optional Equipment - Sweep Gear - Combivak Nozzle

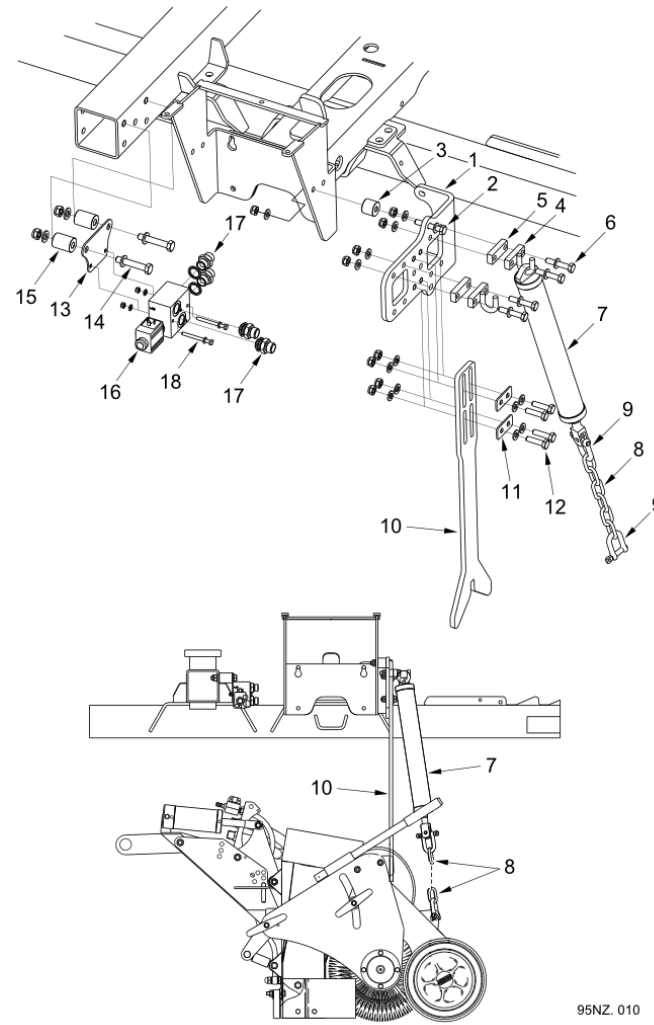


**Brush Assembly (-)**

Optional Equipment - Sweep Gear - Combivak Nozzle

Item no.	Part no.	Description	QTY	Unit
1	41433-5	Stock W/Assy - Combivak Nozzle	1	PC
2	41436-2	Plate - End	2	PC
3	131-131	Screw MC Csk Skt Hd M8x40	8	PC
4	15130	Brush Segment	42	PC
5	15131	Spacer - Segment Brush	2	PC

**Nozzle Installation (KT06695)**  
Optional Equipment - Sweep Gear - Combivak

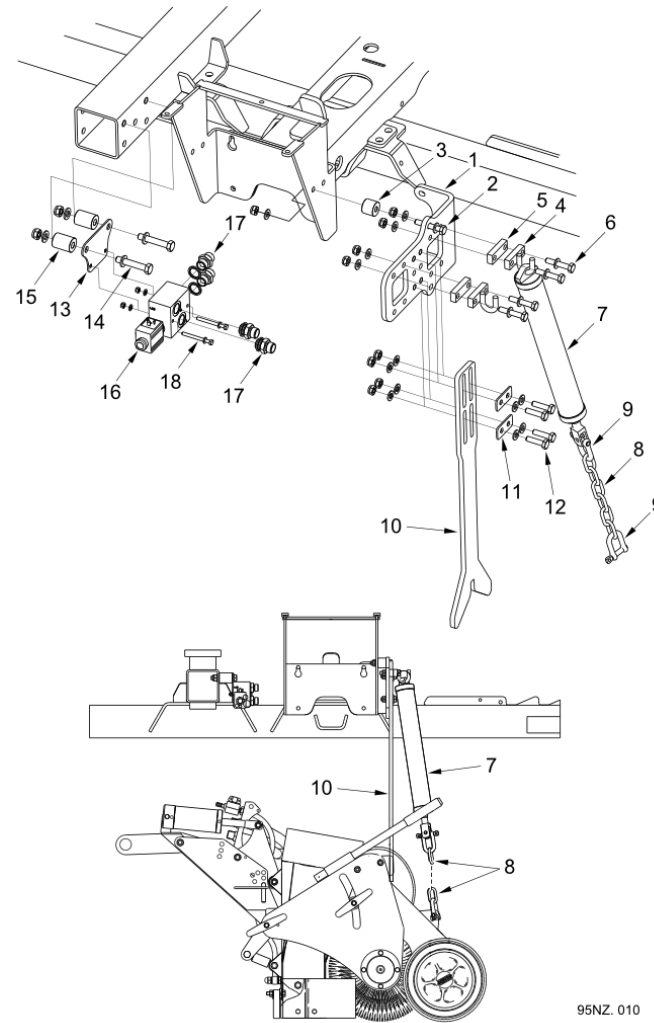


**Nozzle Installation (KT06695)**

Optional Equipment - Sweep Gear - Combivak

Item no.	Part no.	Description	QTY	Unit
1	283540-1	Bracket - Combivac	1	PC
2	124-179	Setscrew M10C x 60	1	PC
2	455-11	Washer Plain Plated Steel M10	2	PC
2	425-15	Nut Nyloc Hex M10C	1	PC
3	283307-3	Spacer-Silencer 25Lg Nylon 6	1	PC
4	40269-1-C	Hook Lifting W/Assy	2	PC
5	40457-2	Bar-Lever Support	2	PC
6	124-178	Setscrew M10C x 55	4	PC
6	455-11	Washer Plain Plated Steel M10	8	PC
6	425-15	Nut Nyloc Hex M10C	4	PC
7	29284-2	Cylinder - WSB Pneu. Assy	2	PC
8	62165-6	Chain - 6 Links	2	PC
9	62172-1	Shackle D	2	PC
10	283542-1	Plate - Combivac Nozzle	1	PC
11	283567-1	Plate - Clamping	2	PC
12	124-175	Setscrew M10C x 40	4	PC
12	455-11	Washer Plain Plated Steel M10	8	PC
12	425-15	Nut Nyloc Hex M10C	4	PC
13	283543-1	Plate-Valve Mntg Combivac Nozz	1	PC
14	124-213	Setscrew M12C x 70 BS3692	2	PC
14	455-12	Washer Plain Plated Steel M12	4	PC
14	425-16	Nut Nyloc Hex M12c	2	PC
15	283307-4	Spacer-Silencer 40Lg Nylon 6	1	PC
16	283565-12	Valve-Motor Assy Combivak 12v	1	PC

**Nozzle Installation (KT06695)**  
Optional Equipment - Sweep Gear - Combivak





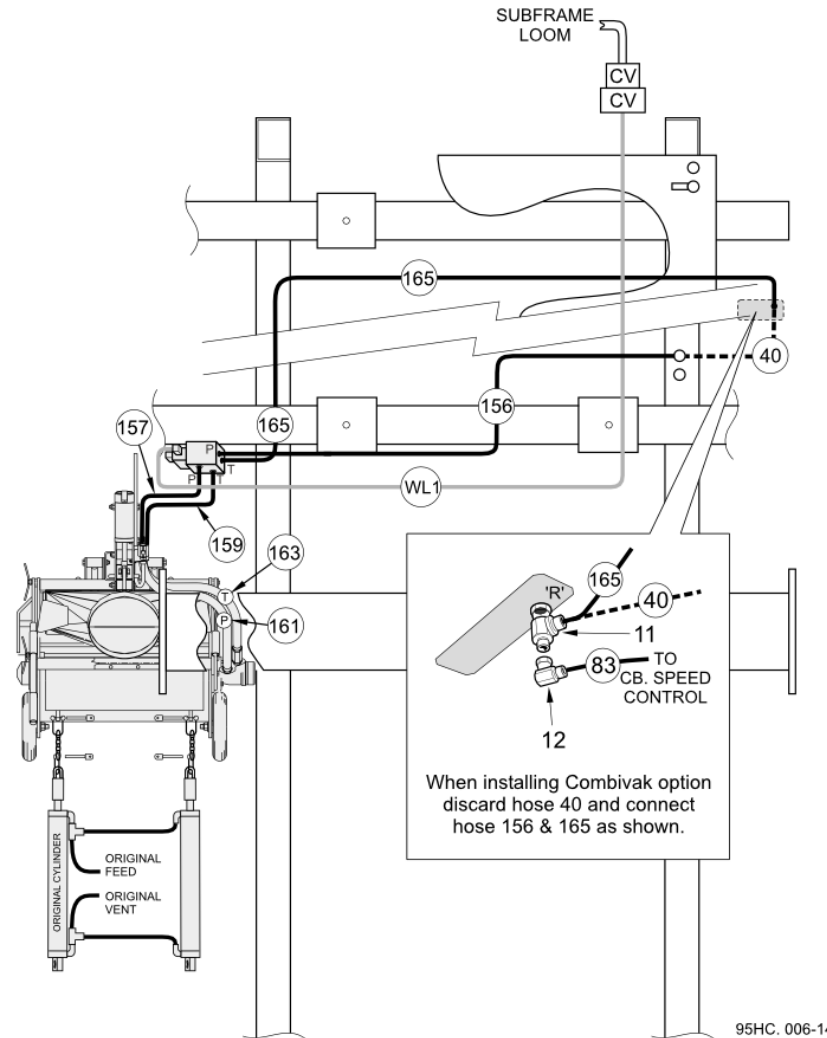
**Nozzle Installation (KT06695)**

Optional Equipment - Sweep Gear - Combivak

Item no.	Part no.	Description	QTY	Unit
16	283565-24	Valve-Motor Assy Combivak 24v	1	PC
17	263-4	Adaptor M/M 1/2" BSP	4	PC
17	451-19	Washer - Bonded G1-2"	4	PC
18	124-116	Setscrew M6C x 65	2	PC
18	455-8	Washer Plain Plated Steel M6	4	PC
18	425-13	Nut Nyloc Hex M6C	2	PC

**Hoses and Loom - L.H. Nozzle (KT06695)**

Optional Equipment - Sweep Gear - Combivak - Hoses & Looms



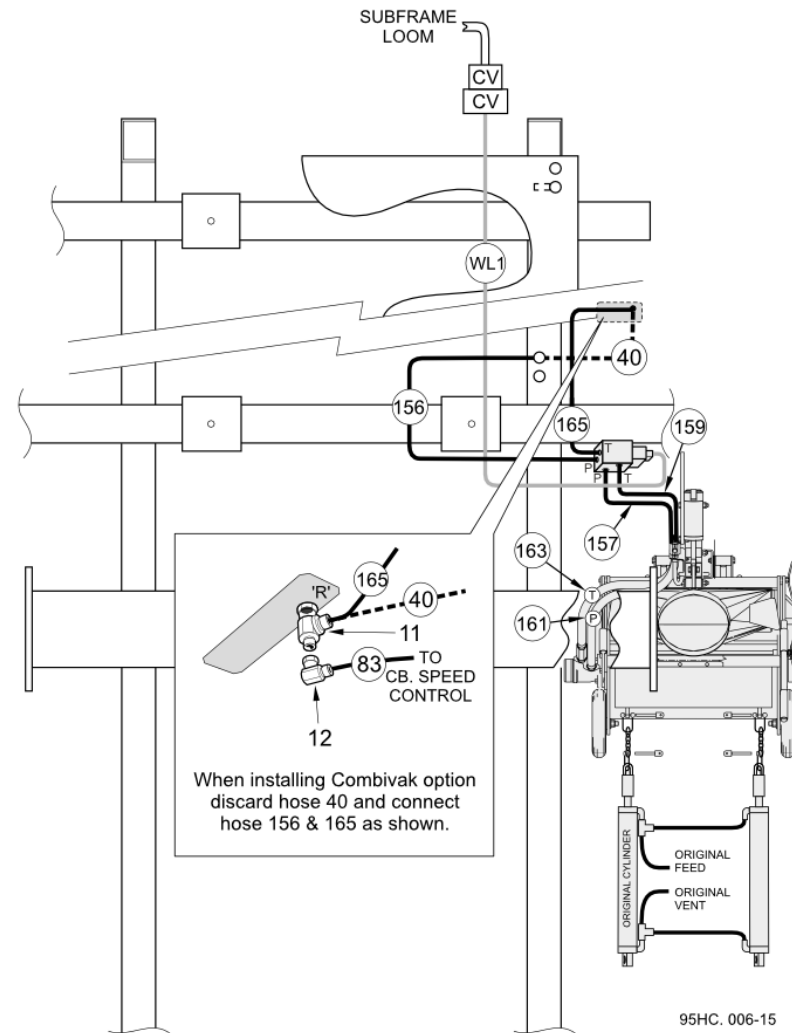
**Hoses and Loom - L.H. Nozzle (KT06695)**

Optional Equipment - Sweep Gear - Combivak - Hoses &amp; Looms

Item no.	Part no.	Description	QTY	Unit
WL1	283566-1	Loom-Plug CV to Valve CV-S SNG	1	PC
156	HC08000-168	Hose - Megaflex 1/2" STRxSTR	1	PC
157	HC08002-85	Megaflex 1/2" STRx90s	1	PC
159	HC08002-85	Megaflex 1/2" STRx90s	1	PC
161	HC06004-87	Hose - Megaflex 3/8" STRxSt.Bk	1	PC
163	HC06004-77	Hose - Megaflex 3/8" STRxSt.Bk	1	PC
165	HC08000-168	Hose - Megaflex 1/2" STRxSTR	1	PC

**Hoses and Loom - R.H. Nozzle (KT06695)**

Optional Equipment - Sweep Gear - Combivak - Hoses &amp; Looms



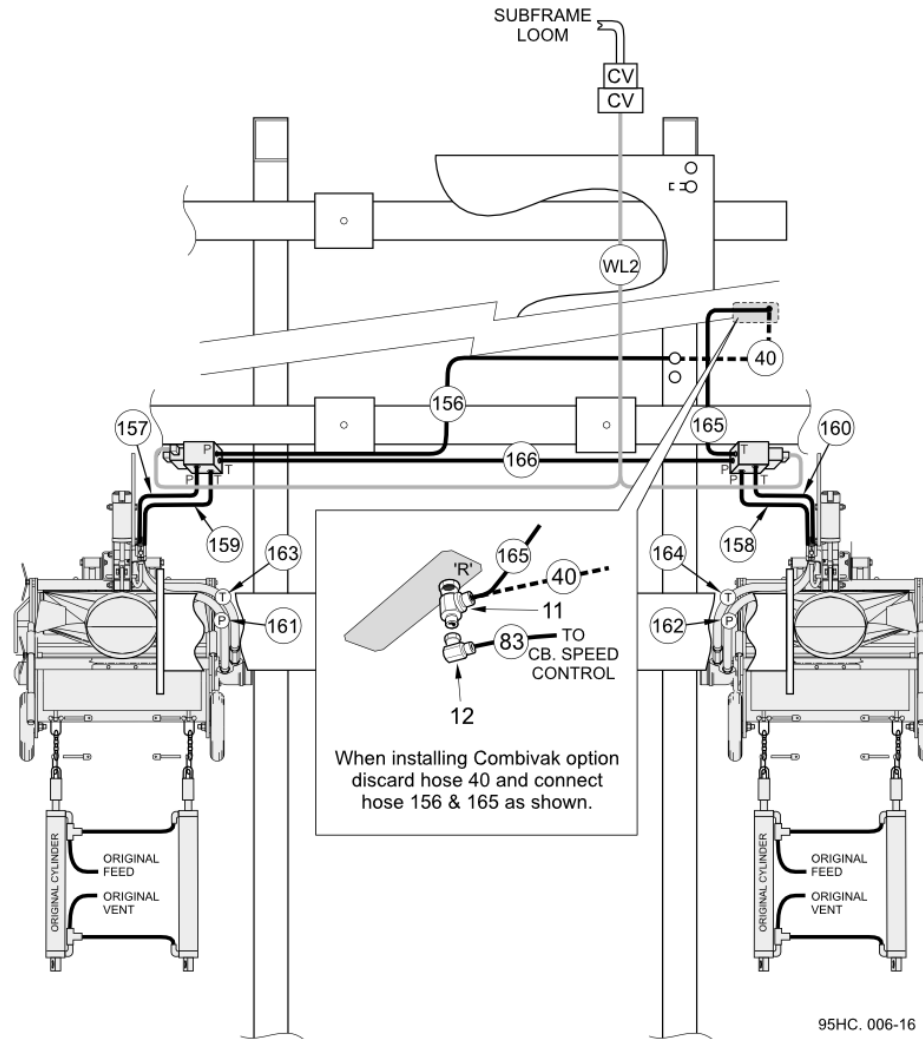
**Hoses and Loom - R.H. Nozzle (KT06695)**

Optional Equipment - Sweep Gear - Combivak - Hoses &amp; Looms

Item no.	Part no.	Description	QTY	Unit
WL1	283566-1	Loom-Plug CV to Valve CV-S SNG	1	PC
156	HC08000-168	Hose - Megaflex 1/2" STRxSTR	1	PC
159	HC08002-85	Megaflex 1/2" STRx90s	1	PC
161	HC06004-87	Hose - Megaflex 3/8" STRxSt.Bk	1	PC
163	HC06004-77	Hose - Megaflex 3/8" STRxSt.Bk	1	PC
165	HC08000-168	Hose - Megaflex 1/2" STRxSTR	1	PC

**Hoses and Loom - Dual Nozzles (KT06695)**

Optional Equipment - Sweep Gear - Combivak - Hoses &amp; Looms



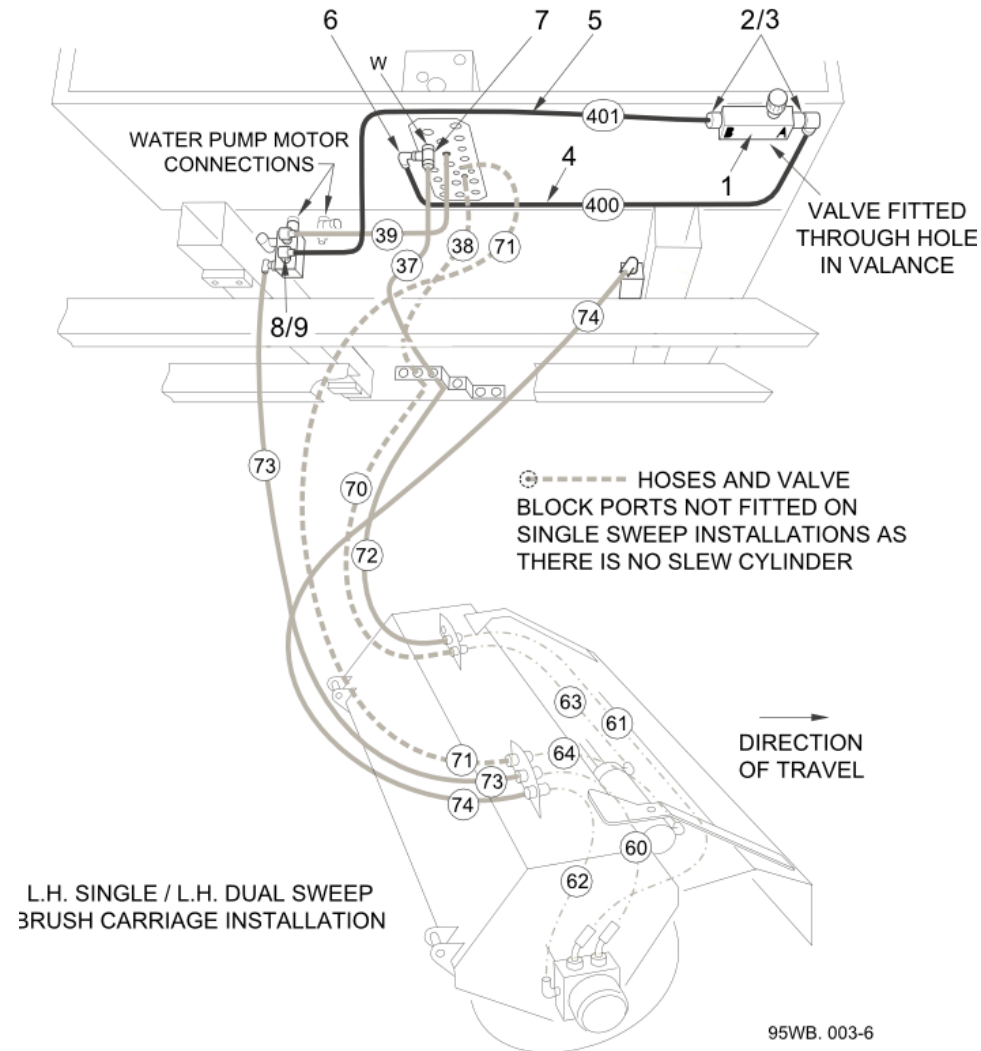
**Hoses and Loom - Dual Nozzles (KT06695)**

Optional Equipment - Sweep Gear - Combivak - Hoses &amp; Looms

Item no.	Part no.	Description	QTY	Unit
WL2	283566-2	Loom-Plug CV to Valves CV-S/CV	1	PC
156	HC08000-168	Hose - Megaflex 1/2" STRxSTR	1	PC
157	HC08002-85	Megaflex 1/2" STRx90s	1	PC
158	HC08002-85	Megaflex 1/2" STRx90s	1	PC
159	HC08002-85	Megaflex 1/2" STRx90s	1	PC
160	HC08002-85	Megaflex 1/2" STRx90s	1	PC
161	HC06004-87	Hose - Megaflex 3/8" STRxSt.Bk	1	PC
162	HC06004-87	Hose - Megaflex 3/8" STRxSt.Bk	1	PC
163	HC06004-77	Hose - Megaflex 3/8" STRxSt.Bk	1	PC
164	HC06004-77	Hose - Megaflex 3/8" STRxSt.Bk	1	PC
165	HC08000-168	Hose - Megaflex 1/2" STRxSTR	1	PC
166	HC08000-168	Hose - Megaflex 1/2" STRxSTR	1	PC

**Wide Sweep Brush - Variable Speed Control (KT04595)**

Optional Equipment - Sweep Gear



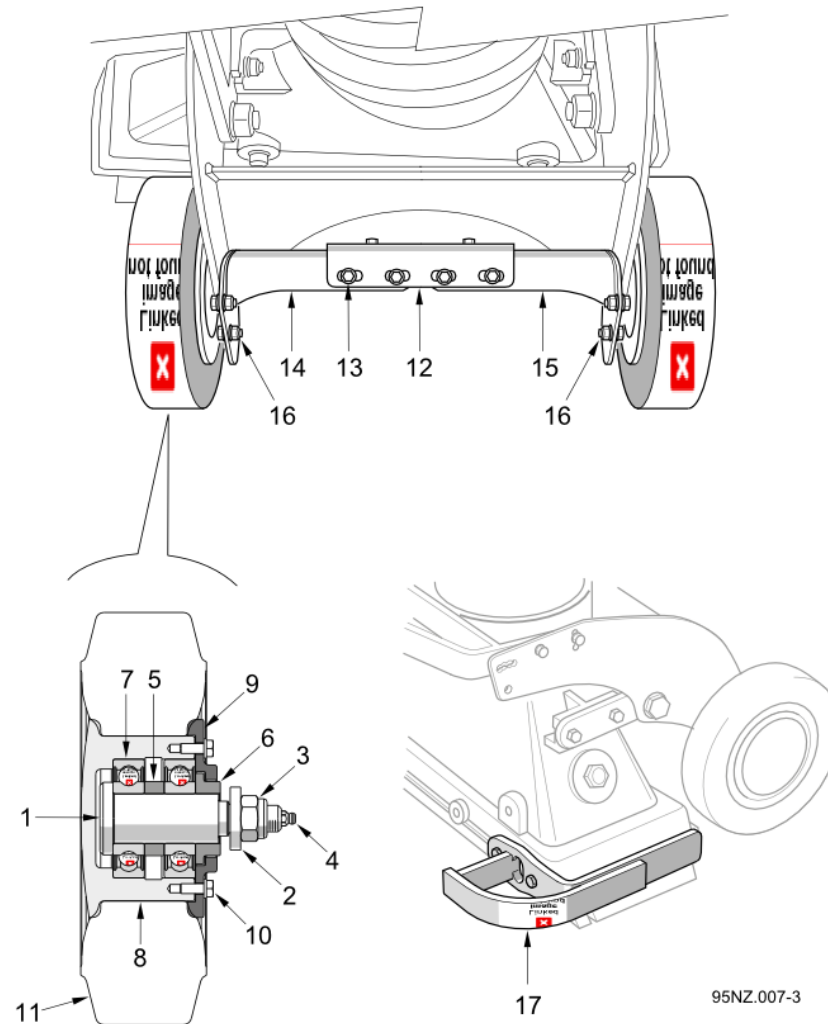


**Wide Sweep Brush - Variable Speed Control (KT04595)**

Optional Equipment - Sweep Gear

Item no.	Part no.	Description	QTY	Unit
1	241-298	3/8" BSP Pressure Comp Valve	1	PC
2	265-4	Adaptor Reducing M/M 3/8"-1/2" BSP	2	PC
3	451-18	Washer Bonded G3/8"	2	PC
4	HC08002-108	Hose - Megaflex 1/2" STRx90s	1	PC
5	HC08003-76	Hose - Megaflex 1/2" STRx90c	1	PC
6	262-4	Swivel Elbow 90 Degree Size 1/2"BSP	1	PC
7	255-13	Tee - 1/2" BSP O/D M/F/M	1	PC
8	263-4	Adaptor M/M 1/2" BSP	1	PC
9	451-19	Washer - Bonded G1-2"	1	PC

**Heavy Duty Nozzle Kit Components (KT08595)**  
Optional Equipment - Sweep Gear

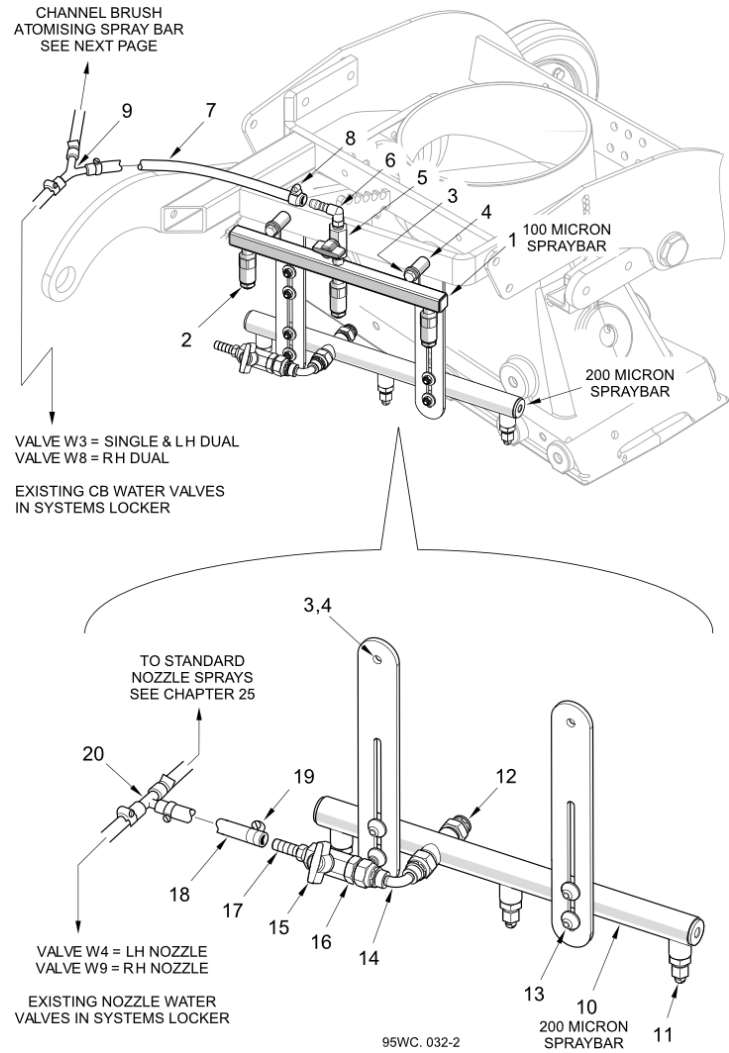


**Heavy Duty Nozzle Kit Components (KT08595)**

Optional Equipment - Sweep Gear

Item no.	Part no.	Description	QTY	Unit
0	283358-1	Nozzle Wheel Assy Heavy Duty	1	PC
Comprising items 1-11				
1	283353-1	Axle - Nozzle Wheel Assembly	1	PC
2	9114-2-F	Washer	1	PC
3	425-18	Nut Nyloc Hex M16C	1	PC
4	38-30	Nipple Grease M6 X 1	3	PC
5	283354-1	Spacer - Nozzle Wheel Assy	1	PC
6	283356-1	Labyrinth - Nozzle Wheel Assy	1	PC
7	14-62	Bearing - 30x72x19	2	PC
8	283355-1	Hub - Nozzle Wheel Assy	1	PC
9	283357-1	Flange - Nozzle Wheel Assy	1	PC
10	124-102	Setscrew M6C x 16	6	PC
10	460-8	Washer Spring Single Coil M6	6	PC
11	44122-2-A	Tyre - 10 Inch	1	PC
12	283449-1	Brace Bar Std - Brace Assy	1	PC
13	124-137	Setscrew M8C x 25	6	PC
13	455-10	Washer Plain Plated Steel M8	6	PC
13	425-14	Nut Nyloc Hex MC M8	6	PC
14	283364-1	Brace End - LH Nozzle Carriage	1	PC
15	283364-2	Brace End - RH Nozzle Carriage	1	PC
16	124-135	Setscrew M8C x 20	4	PC
16	455-10	Washer Plain Plated Steel M8	8	PC
16	425-14	Nut Nyloc Hex MC M8	4	PC
17	7005546	Bumper Assembly	1	PC

**PM10 Spraybar Installation - Nozzle Draw Bar (KT01995)**  
 Optional Equipment - Water System - Microtrap Spray



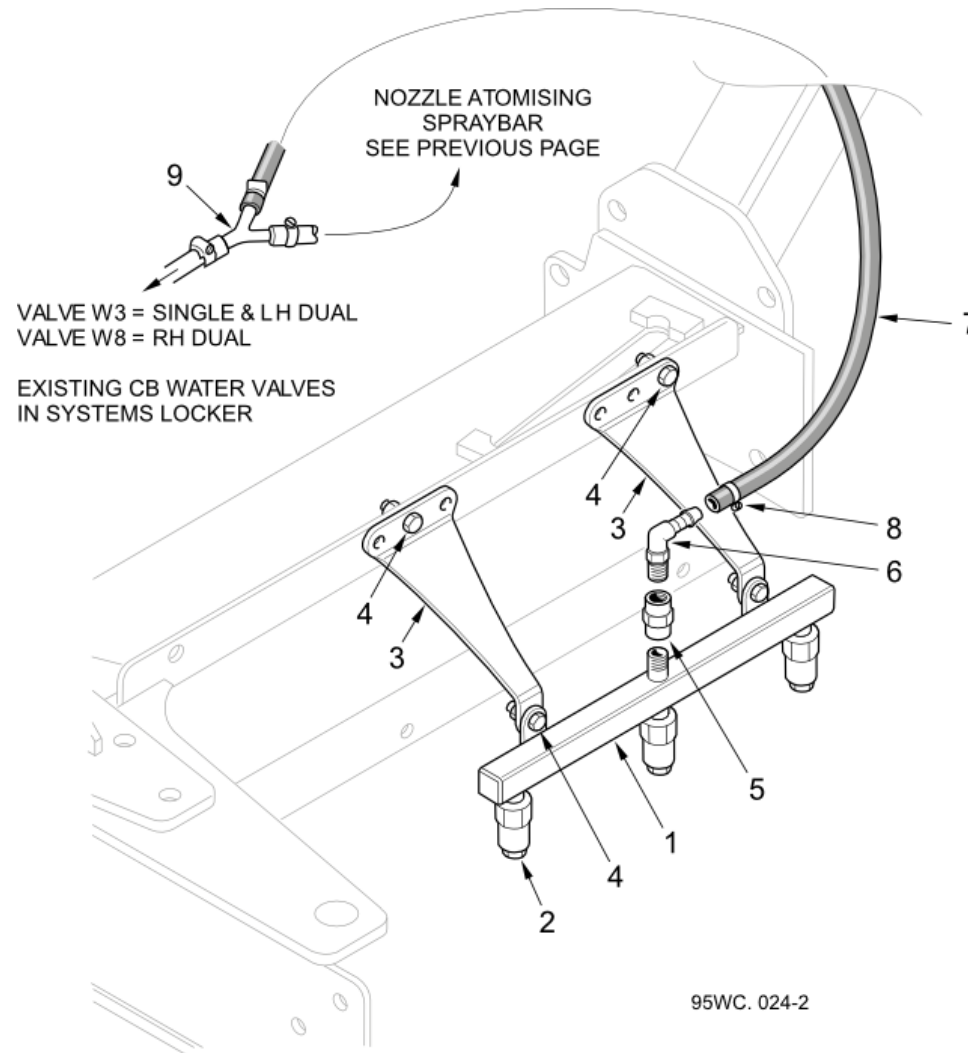
**PM10 Spraybar Installation - Nozzle Draw Bar (KT01995)**

Optional Equipment - Water System - Microtrap Spray

Item no.	Part no.	Description	QTY	Unit
1	201076-1	Nozzle W/Assembly	1	PC
2	21-319	Nozzle - Water Atomising	3	PC
3	124-148	Setscrew M8C x 65	2	PC
3	455-10	Washer Plain Plated Steel M8	4	PC
3	425-14	Nut Nyloc Hex MC M8	2	PC
4	56569-8	Spacer - 16 Dia x 28 M8	2	PC
5	88-4	Tap - G1/4" (F) X G1/4" (F)	1	PC
6	277-20	Elbow-Plastic 1/4"BSPx3/8"Tail	1	PC
7	39444	Hose - Black Plastic 3/8" Bore	1	M
8	501-1	Hose Clip - Worm Drive (11-16)	2	PC
9	39640	Connector - Hose 3/8" Y Type	1	PC
10	63584-1	200 Micron Spray Bar - W/Assembly	1	PC
11	263-2	Adaptor M/M 1/4" BSP	3	PC
11	60690-1	Nozzle Spraybar - (Kurb-Side)	3	PC
11	60689-1	Nut - Union	3	PC
12	68-18	Cap Female 3/8" BSP	1	PC
13	201232-1	Hanger - Spray Bar 600/95	2	PC
14	242-51	Elbow-Swivel 90Deg F/F 3/8 BSP	1	PC
15	88-4	Tap - G1/4" (F) X G1/4" (F)	1	PC
16	265-2	Adaptor Reducing M/M 1/4"-3/8" BSP	1	PC
17	46382-3-B	Adaptor - Brass DIM B 7	1	PC
18	39444	Hose - Black Plastic 3/8" Bore	1	M
19	501-1	Hose Clip - Worm Drive (11-16)	4	PC
20	277-2	Connector - T	1	PC

**100 Micron Spraybar Intallation - C.B. Pivot Frame (KT01995)**

Optional Equipment - Water System - Microtrap Spray

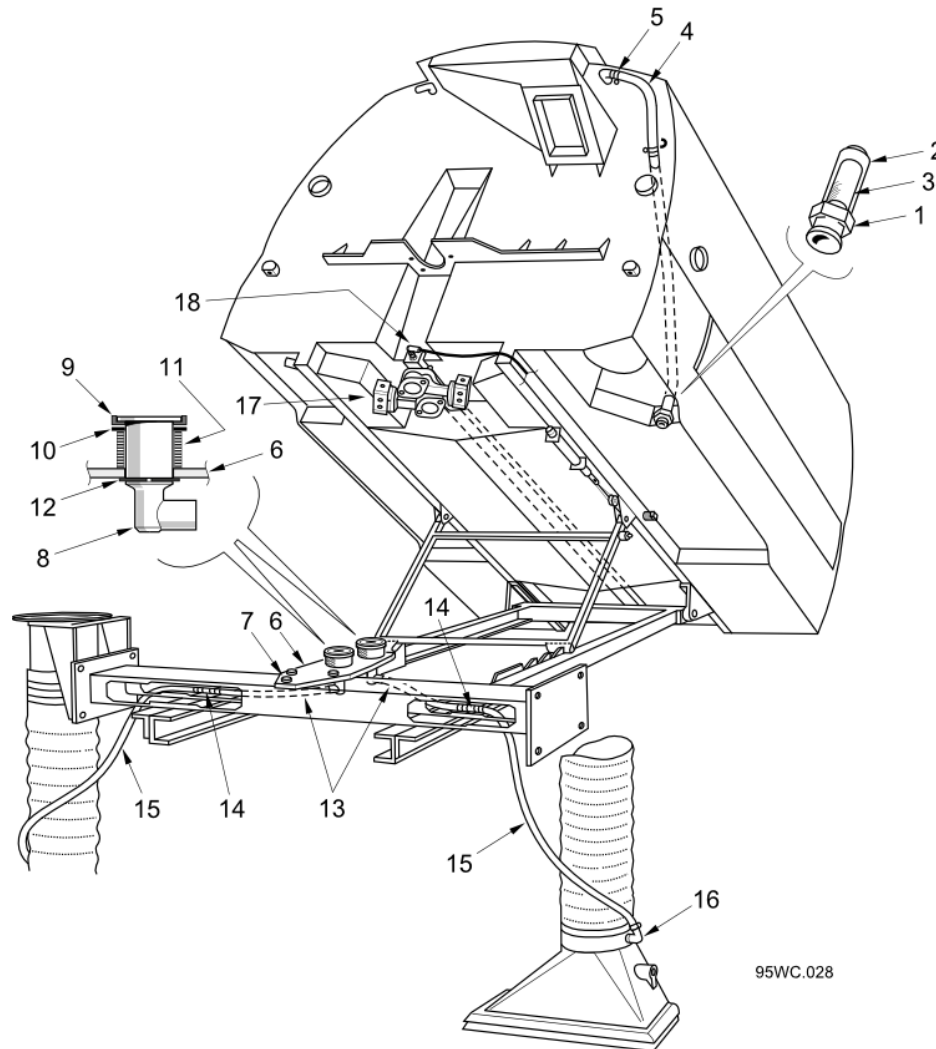


**100 Micron Spraybar Intallation - C.B. Pivot Frame (KT01995)**

Optional Equipment - Water System - Microtrap Spray

Item no.	Part no.	Description	QTY	Unit
1	201076-1	Nozzle W/Assembly	1	PC
2	21-319	Nozzle - Water Atomising	3	PC
3	283317-1	Mntg Bracket PM10 CB Spraybar	2	PC
4	124-138	Setscrew M8C x 28 BS3692	4	PC
4	425-14	Nut Nyloc Hex MC M8	4	PC
5	66-36	Adaptor - 1/4" BSPP x 22mm Lg	1	PC
6	277-20	Elbow-Plastic 1/4"BSPx3/8"Tail	1	PC
7	39444	Hose - Black Plastic 3/8" Bore	2	M
8	501-1	Hose Clip - Worm Drive (11-16)	1	PC
9	39640	Connector - Hose 3/8" Y Type	1	PC

**System Components (KT09195, KT05495, KT05595)**  
Optional Equipment - Water System - Water Recirculation



95WC.028

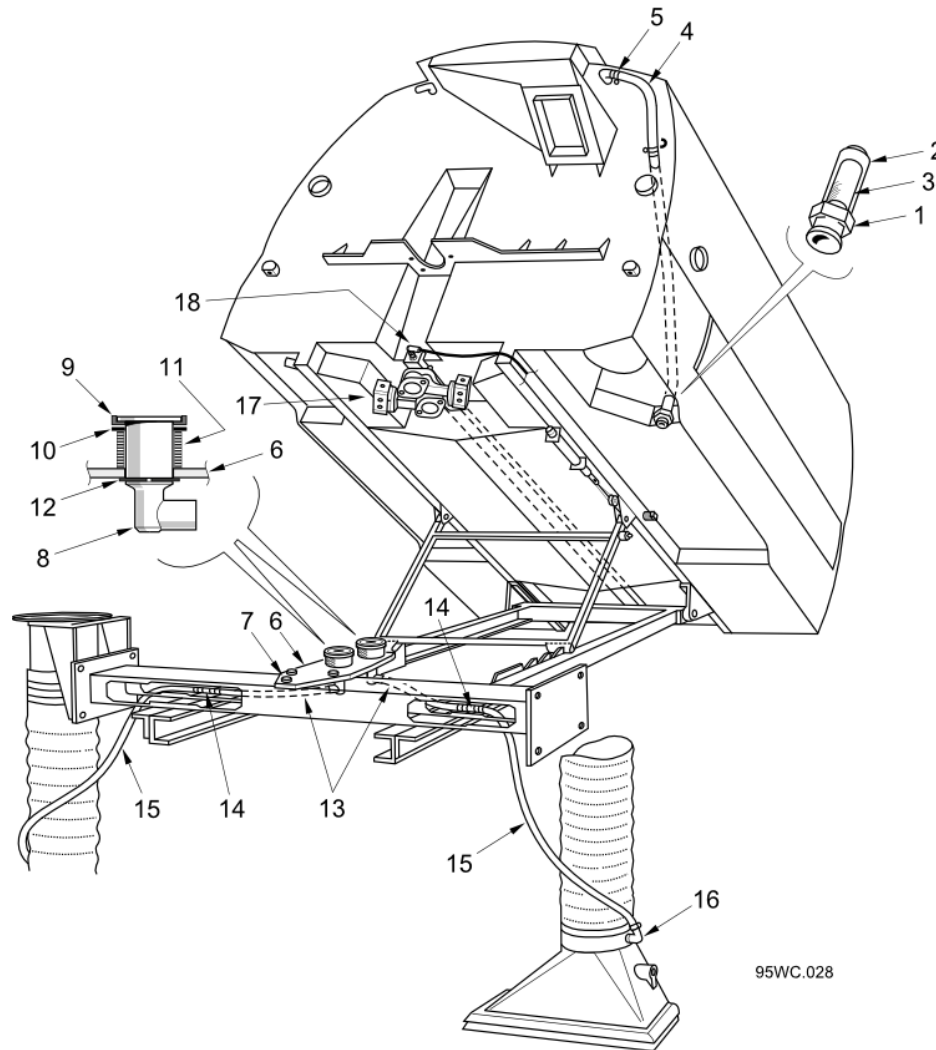


**System Components (KT09195, KT05495, KT05595)**

## Optional Equipment - Water System - Water Recirculation

Item no.	Part no.	Description	QTY	Unit
1	18684-1-C	Hydrant coupling - UK	1	PC
1	667-31	Coupling-Stortz 2.5" BSP	1	PC
2	7017522	Hydrant Filler - 187 x 30	1	PC
3	39402	Filter	1	PC
4	272-21	Layflat Hose 1 1/2"	1	M
5	501-4	Clip Hose Worm Drive 30-40mm	2	PC
6	200429-1	Mounting Plate Valve Stems	1	PC
7	124-169	Setscrew M10C x 25	3	PC
7	455-11	Washer Plain Plated Steel M10	3	PC
7	460-11	Washer Spring Single Coil M10	3	PC
8	282751-1	Valve Stem W/Assy (Recirc)	1	PC
9	282765-1	Re-Circ Seal (Moulded)	1	PC
10	282752-1	Seal Supt Water Re-Circ System	1	PC
11	200174-1	Wave Spring	1	PC
12	27-5	Circlip - External I/D 40mm	1	PC
13	272-20	Clear Ducting 25mm Bore x 20m	0.4	M
13	501-4	Clip Hose Worm Drive 30-40mm	2	PC
14	281576-1	Bracket-W/Assy Recirc Hose 95	1	PC
14	124-135	Setscrew M8C x 20	1	PC
14	455-10	Washer Plain Plated Steel M8	1	PC
14	425-14	Nut Nyloc Hex MC M8	1	PC
15	272-20	Clear Ducting 25mm Bore x 20m	1.5	M
15	501-25	Hose Clip - Worm Drive (25-35)	2	PC
16	200493-1	Elbow W/Assy	1	PC

**System Components (KT09195, KT05495, KT05595)**  
Optional Equipment - Water System - Water Recirculation

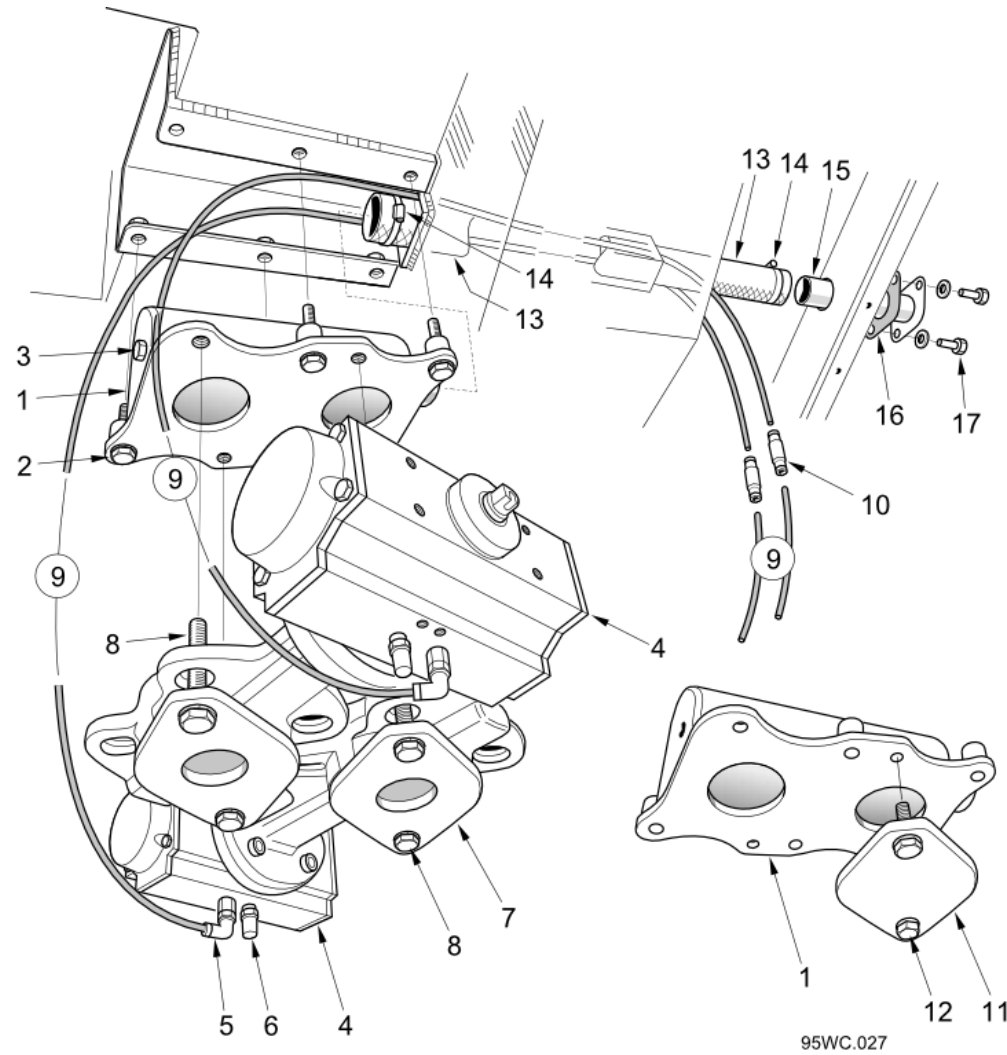


**System Components (KT09195, KT05495, KT05595)**

Optional Equipment - Water System - Water Recirculation

Item no.	Part no.	Description	QTY	Unit
16	410-57	Nut - Back 3/4 B.S.P (Plated)	2	PC
17	200402-1	50mm Diameter Butterfly Valve	1	PC
18	265-3	Adaptor Reducing M/M 1/4"-1/2" BSP	1	PC

**Valve Installation (KT05495, 950611, 960611)**  
Optional Equipment - Water System - Water Recirculation

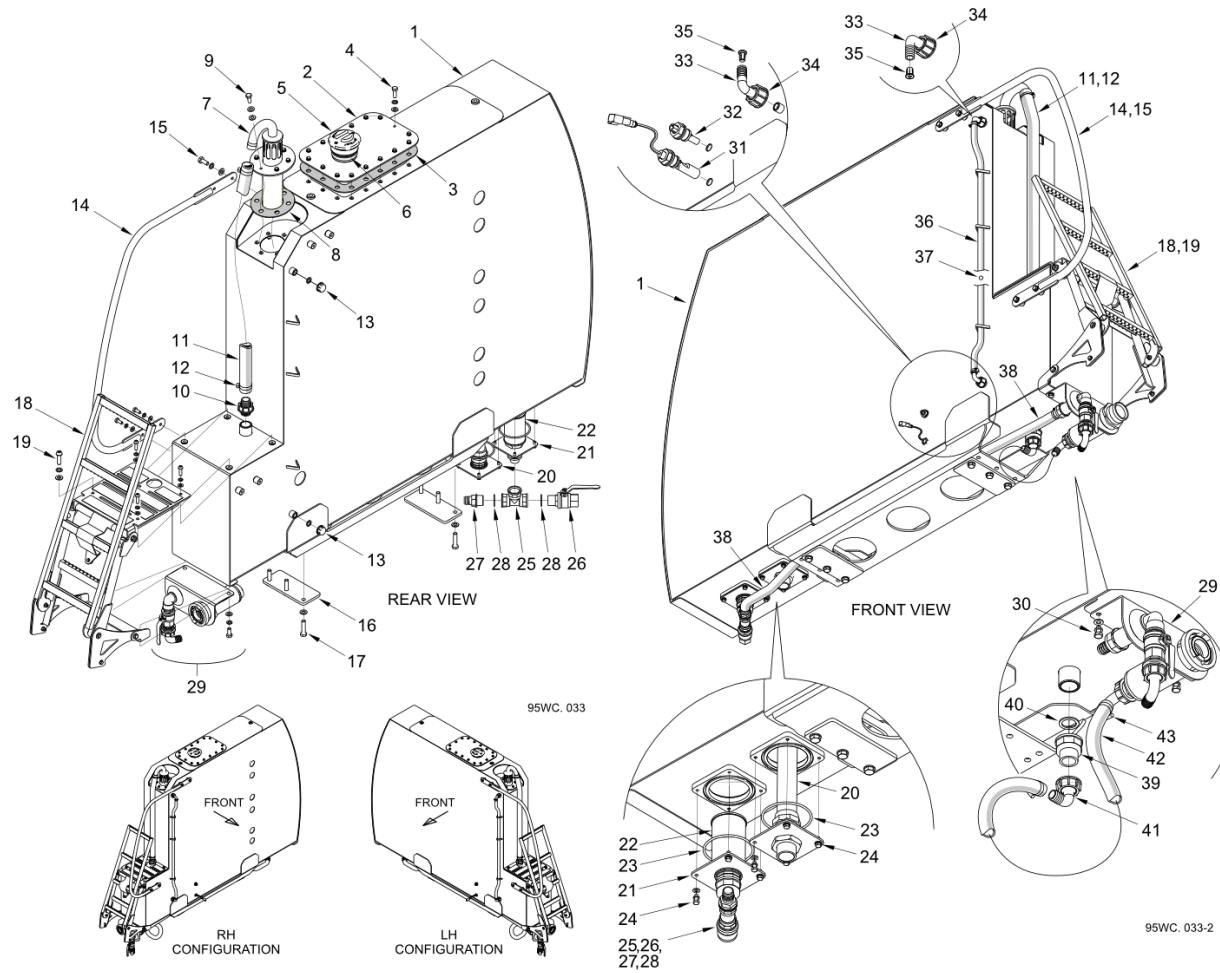


**Valve Installation (KT05495, 950611, 960611)**

## Optional Equipment - Water System - Water Recirculation

Item no.	Part no.	Description	QTY	Unit
1	280586-2	Box-Recirc Valve W/Assy	1	PC
2 required on dual machine.				
2	123-129	Bolt M Coarse M10x45	4	PC
2	460-11	Washer Spring Single Coil M10	4	PC
3	54-4	Plug - Collar G1/2" BSP	1	PC
4	200402-1	50mm Diameter Butterfly Valve	1	PC
5	552-3	Adaptor - Elbow 6mm x 1/8 BSPT	1	PC
6	72-17	Exhaust Silencer	1	PC
7	200431-1	Clamp Plate - Recirc Valve	1	PC
8	124-181	Setscrew M10C x 70	2	PC
8	460-11	Washer Spring Single Coil M10	2	PC
9	273-20	Tube - Nylon Blue 6mm O/D	10	M
10	547-3	Connector - 6mm Straight	1	PC
11	200788-1	Blank Plate - Recirc Valve	1	PC
12	124-166	Setscrew M10C x 16	2	PC
12	460-11	Washer Spring Single Coil M10	2	PC
13	272-15	2" Clear Plastic Braided Hose	2	M
14	504-6	Clip - Hose (55 - 70mm)	2	PC
15	280581-2	Stub Tube W/Assy-Wide Body	1	PC
16	282574-1	Flange blank gasket	1	PC
17	118-169	Setscrew Hexagon Hd M10cx25 SS	2	PC
17	451-6	Washer Bonded M10 - Bolt	2	PC

**Auxiliary Tank (KT09795)**  
 Optional Equipment - Water System - Auxiliary Water Tank

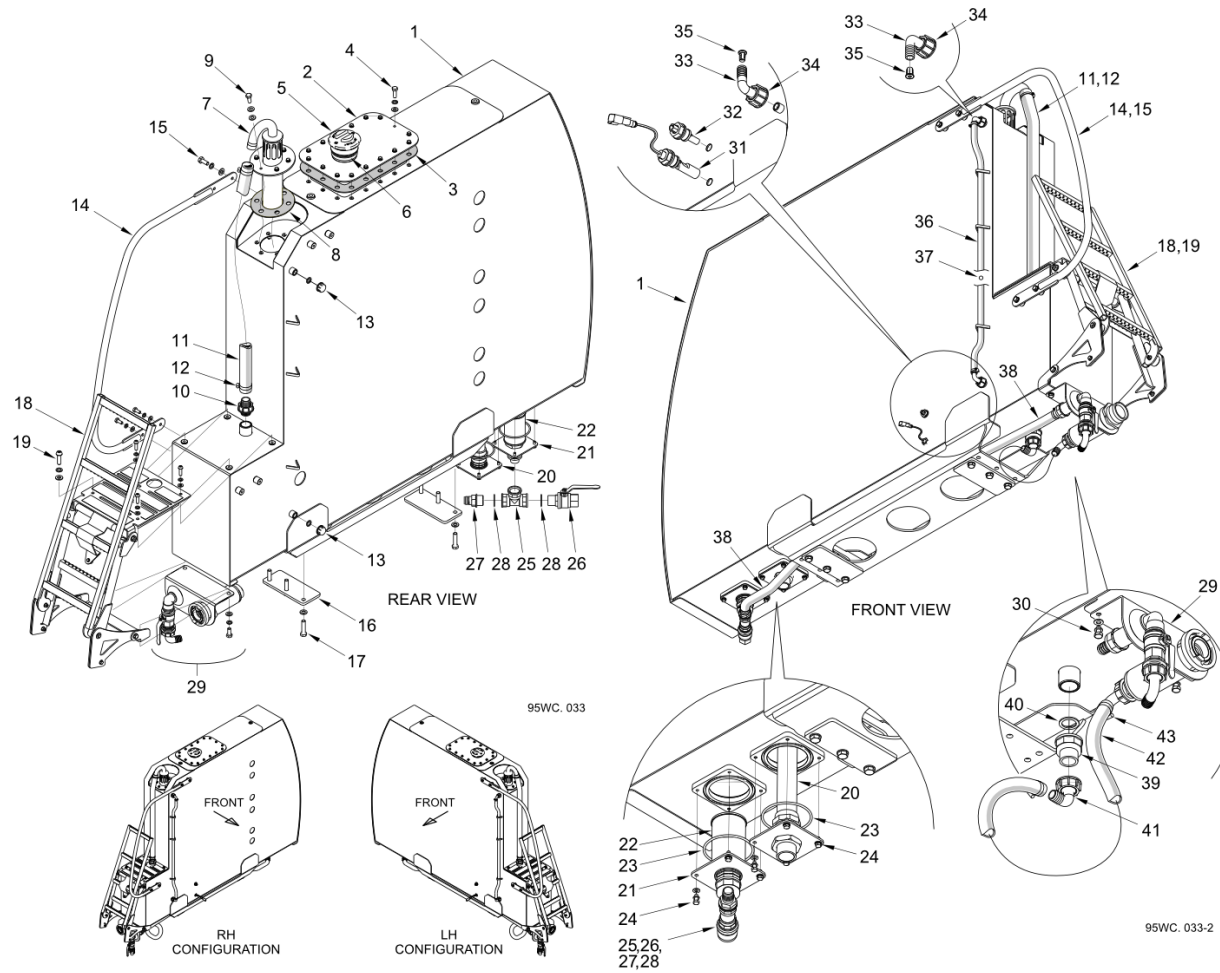


**Auxiliary Tank (KT09795)**

## Optional Equipment - Water System - Auxiliary Water Tank

Item no.	Part no.	Description	QTY	Unit
1	283001-1	Aux Tank - Body Assy (Water)	1	PC
2	283024-1	Cover Plate W/Assy Aux Tank	1	PC
3	283023-1	Gasket-Cover Plate Aux Tank	1	PC
4	124-137	Setscrew M8C x 25	16	PC
4	460-10	Washer Spring Single Coil M8	16	PC
4	455-10	Washer Plain Plated Steel M8	16	PC
5	284040-1	Cap - Water Tank Drain	1	PC
6	40643-1-C	Washer - Seal, Drain, W/Tank	1	PC
7	283823-1	Water Break Valve Assy	1	PC
8	283026-1	Gasket-Filler Flange Aux Tank	1	PC
9	124-135	Setscrew M8C x 20	6	PC
9	460-10	Washer Spring Single Coil M8	6	PC
9	455-10	Washer Plain Plated Steel M8	6	PC
10	277-199	Spigoted 1 1/2" Cap + Liner	1	PC
11	272-17	Hose 35i/d Trichoflex (Water)	1	M
12	501-5	Clip Hose Worm Drive 40-55mm	2	PC
13	277-189	Blanking Cap	2	PC
13	277-160	Gasket 3/4" For 277/158	2	PC
14	283039-1	Grab Rail W/A Auxiliary Tank	1	PC
15	124-169	Setscrew M10C x 25	4	PC
15	460-11	Washer Spring Single Coil M10	4	PC
15	455-11	Washer Plain Plated Steel M10	4	PC
16	283073-1	Mount-Anti Vibration Aux Tank	2	PC
17	122-167	Hex Head Bolt - M14Cx60 - 10.9	6	PC

**Auxiliary Tank (KT09795)**  
 Optional Equipment - Water System - Auxiliary Water Tank



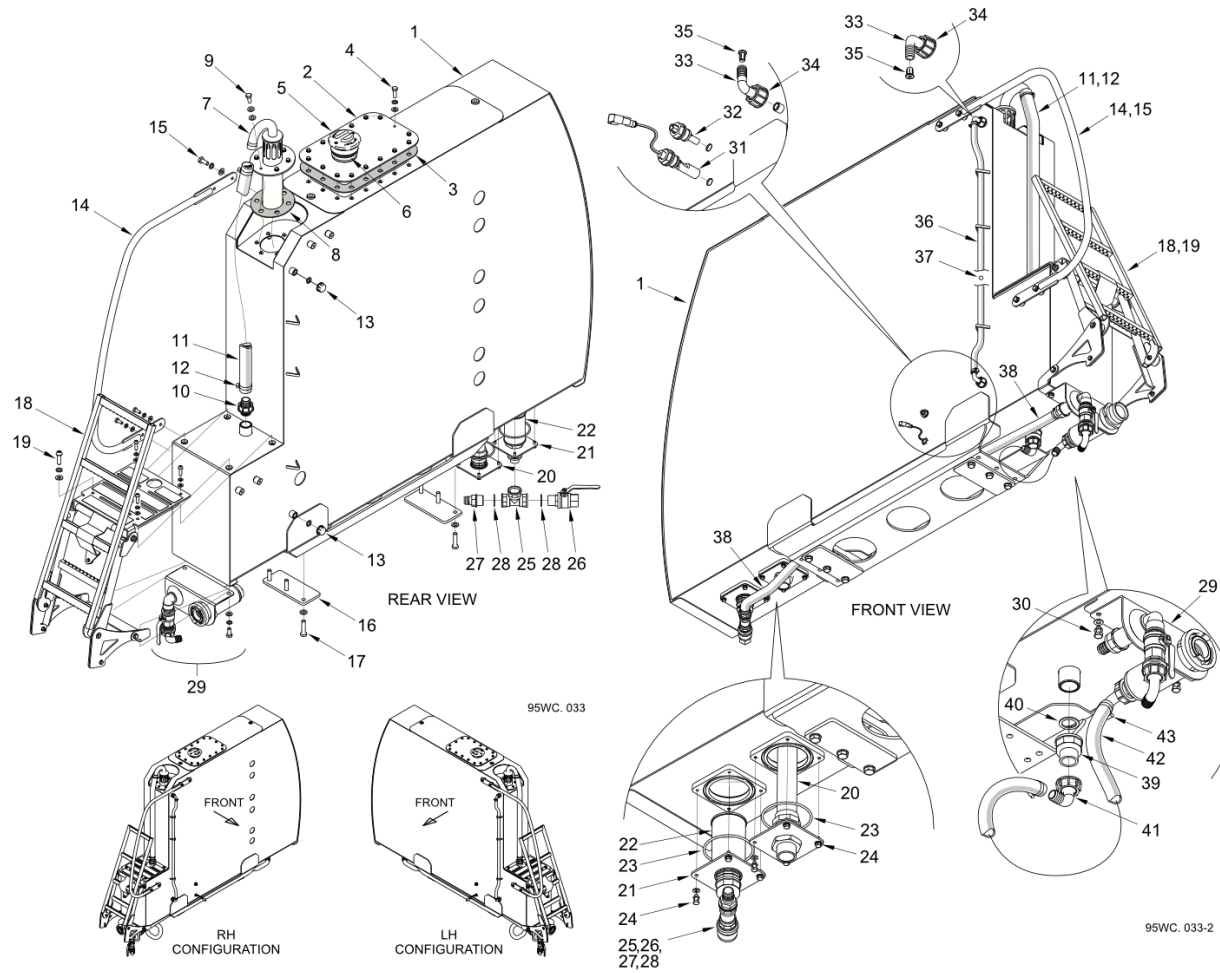


**Auxiliary Tank (KT09795)**

## Optional Equipment - Water System - Auxiliary Water Tank

Item no.	Part no.	Description	QTY	Unit
17	455-13	Washer Plain Plated Steel M14	6	PC
18	283042-1	Ladder Assy Folding Aux Tank	1	PC
19	138-158	Screw - Skt Button Hd M10cx35	4	PC
19	460-11	Washer Spring Single Coil M10	4	PC
19	455-11	Washer Plain Plated Steel M10	4	PC
20	283032-1	Overflow Assy Auxiliary Tank	1	PC
21	283062-1-INST	Water filter assembly	1	PC
22	6974-1-C	Filter - Water Tank	1	PC
23	80-143	O-Ring	2	PC
24	124-135	Setscrew M8C x 20	8	PC
24	460-10	Washer Spring Single Coil M8	8	PC
24	455-10	Washer Plain Plated Steel M8	8	PC
25	277-128	Tee - 1" BSP Equal	1	PC
26	88-26	Ball Valve 1" BSP M/F	1	PC
27	277-125	Hosetail 1" BSP	1	PC
28	277-220	O Ring 1/2" BSP Cap & Liner	2	PC
30	124-167	Setscrew M10C x 20	2	PC
30	460-11	Washer Spring Single Coil M10	2	PC
30	455-11	Washer Plain Plated Steel M10	2	PC
31	48-328	Switch - Float + Deutsch Conn	1	PC
32	48-356	Switch - Float Blank	1	PC
33	277-186	90 Degree Flynut Hosetail	2	PC
34	277-159	Flynut - 3/4" BSP for 277/158	2	PC
35	44-55	Plastic Insert - Nut	2	PC

**Auxiliary Tank (KT09795)**  
 Optional Equipment - Water System - Auxiliary Water Tank



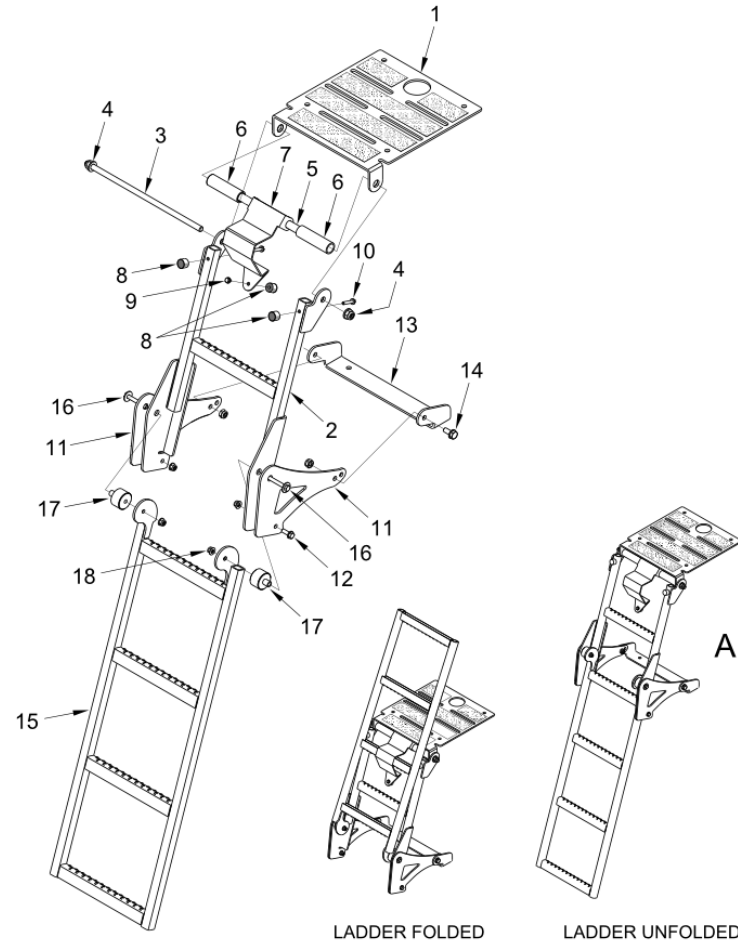
**Auxiliary Tank (KT09795)**

## Optional Equipment - Water System - Auxiliary Water Tank

Item no.	Part no.	Description	QTY	Unit
36	15656-1-D	Sight Tube-Water/Deterg.Tank	1	M
36	501-2	Hose Clip - Worm Drive (14-22)	2	PC
37	22-7	Ball Plastic O/D 9mm	1	PC
38	272-20	Clear Ducting 25mm Bore x 20m	1	M
38	501-25	Hose Clip - Worm Drive (25-35)	2	PC
39	277-138	Bush 1 1/2"BSP(F)x1 1/4"BSP(M)	1	PC
40	277-262	Gasket - G1 1/2"	1	PC
41	277-140	Cap 1 1/4"BSP(F)&Liner 25mm 1"	1	PC
42	272-20	Clear Ducting 25mm Bore x 20m	1	M
43	501-25	Hose Clip - Worm Drive (25-35)	2	PC

**Ladder (KT09795)**

Optional Equipment - Water System - Auxiliary Water Tank



95WC. 033-4

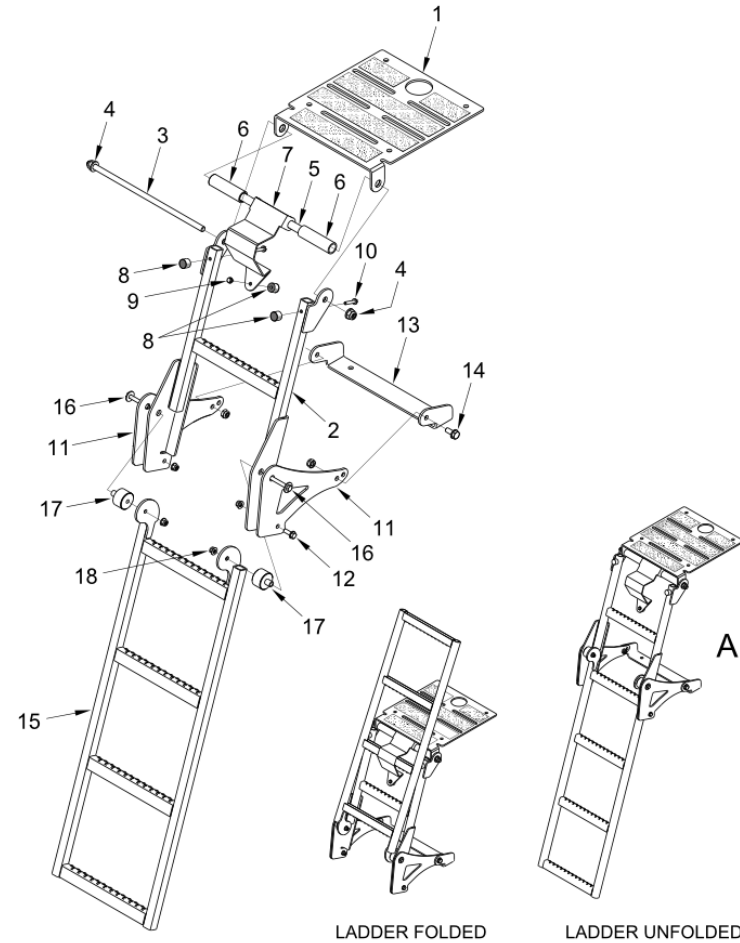
**Ladder (KT09795)**

## Optional Equipment - Water System - Auxiliary Water Tank

Item no.	Part no.	Description	QTY	Unit
A	283042-1	Ladder Assy Folding Aux Tank	1	PC
Comprising items 1-18				
1	283043-1	Foot Plate Assy Auxiliary Tank	1	PC
2	283046-1	Upper Ladder W/Assy Aux Tank	1	PC
3	283053-1	Pivot Stud - Ladder Assy	1	PC
4	455-12	Washer Plain Plated Steel M12	2	PC
4	425-16	Nut Nyloc Hex M12c	2	PC
5	283052-1	Pivot Tube Ladder Assy	1	PC
6	283367-1	Hook Locator Ladder Assy	2	PC
7	283297-1	Retaining Hook - Access Ladder	1	PC
8	290-31	Mount - Anti Vibration F M6	3	PC
9	124-99	Setscrew M6C x 10	1	PC
9	455-8	Washer Plain Plated Steel M6	1	PC
10	124-108	Setscrew M6C x 32	2	PC
10	455-8	Washer Plain Plated Steel M6	2	PC
11	283288-1	Stay - Ladder Assy Aux Tank 95	2	PC
12	124-137	Setscrew M8C x 25	2	PC
12	455-10	Washer Plain Plated Steel M8	2	PC
13	283054-1	Bracket - Mounting Ladder Assy	1	PC
14	124-169	Setscrew M10C x 25	2	PC
14	455-11	Washer Plain Plated Steel M10	2	PC
15	283056-1	Lower Ladder W/Assy Aux Tank	1	PC
16	123-112	Bolt M Coarse M8x60	2	PC
16	457-4	Washer Plain Steel M8 Form G	2	PC

**Ladder (KT09795)**

Optional Equipment - Water System - Auxiliary Water Tank



95WC. 033-4

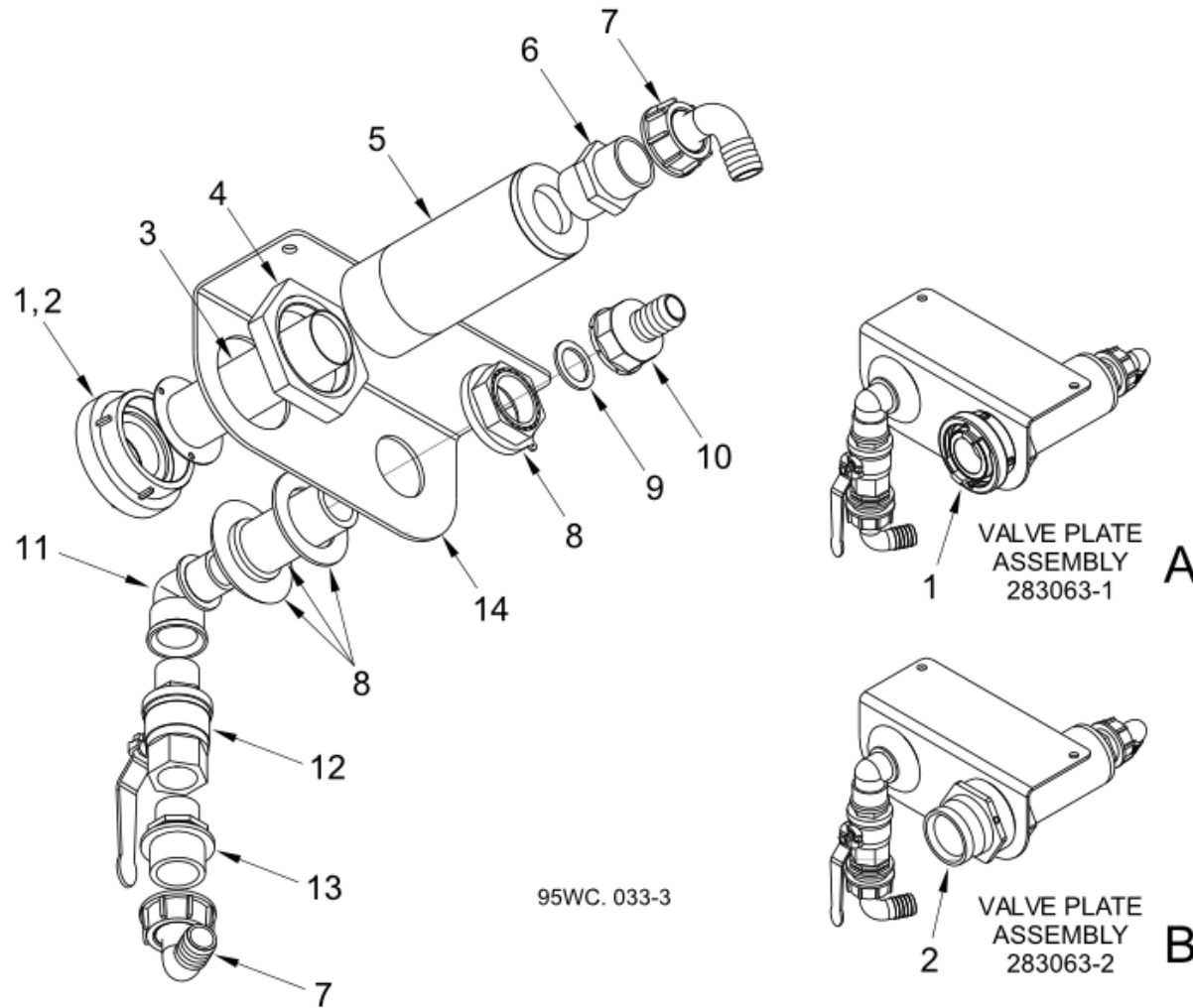
## Ladder (KT09795)

## Optional Equipment - Water System - Auxiliary Water Tank

Item no.	Part no.	Description	QTY	Unit
17	283058-1	Spacer - Pivot Ladder Assy	2	PC
18	455-12	Washer Plain Plated Steel M12	2	PC
18	425-16	Nut Nyloc Hex M12c	2	PC

**Valve Plate (KT09795)**

Optional Equipment - Water System - Auxiliary Water Tank



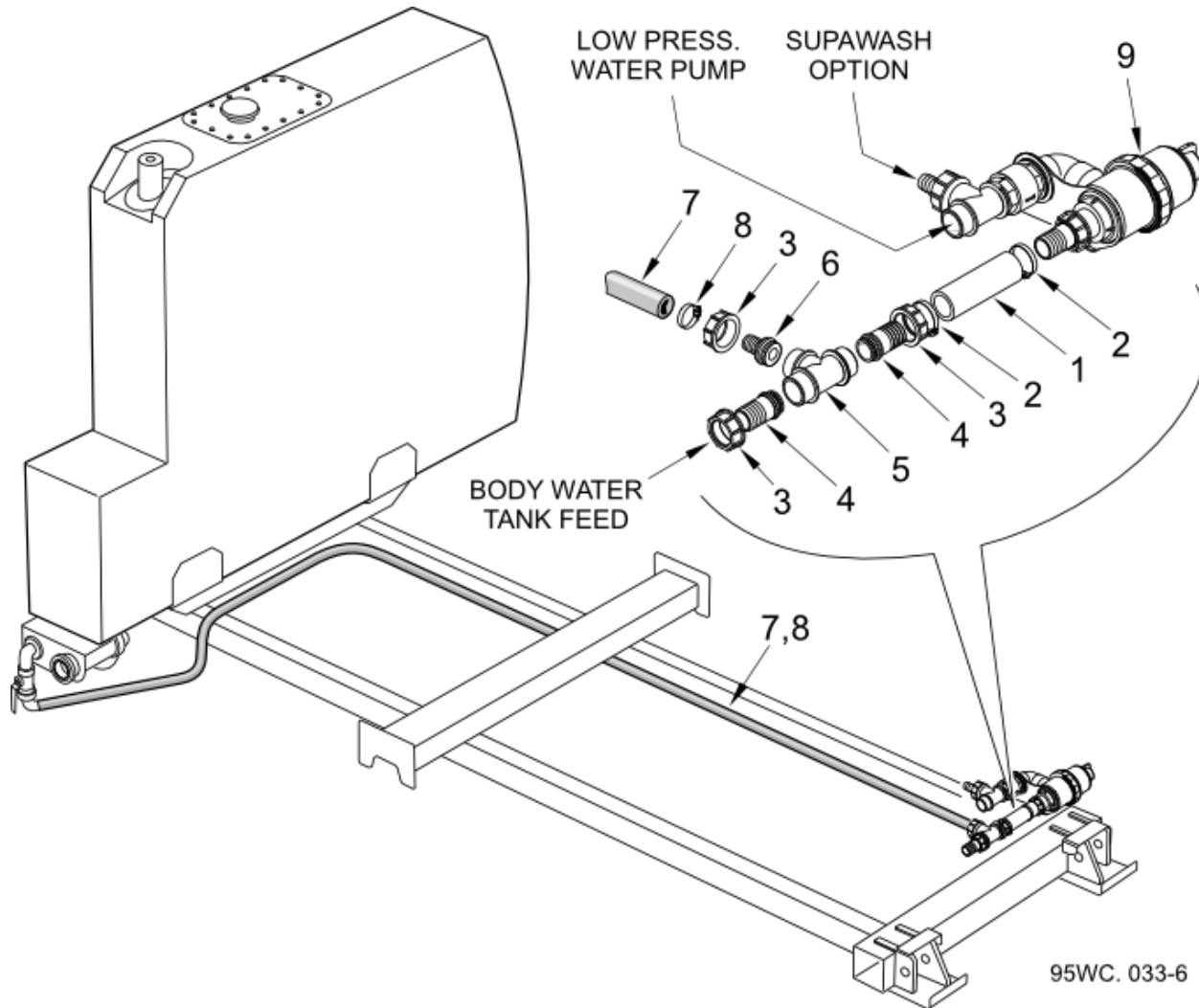


**Valve Plate (KT09795)**

## Optional Equipment - Water System - Auxiliary Water Tank

Item no.	Part no.	Description	QTY	Unit
A	283063-1	Valve Plate Assy Aux Tank	1	PC
Comprising items 1-14				
B	283063-2	Valve Plate Assy Aux Tank UK	1	PC
Comprising items 2-14				
1	667-31	Coupling-Stortz 2.5" BSP	1	PC
2	18684-1-C	Hydrant coupling - UK	1	PC
3	39402	Filter	1	PC
4	410-210	Nut - Back 2 1/2"	1	PC
5	7017527	Hydrant Filler - 187 x 50	1	PC
6	277-194	Hexagonal Nipple - 1 1/4" BSP	1	PC
7	277-140	Cap 1 1/4"BSP(F)&Liner 25mm 1"	1	PC
8	277-195	Tank Outlet Bulkhead Ass 1"BSP	1	PC
9	277-268	Gasket 1 1/4"	1	PC
10	277-266	Hosetail - Female 1 1/4" x 25mm	1	PC
11	277-196	Elbow 1" M / 1" F 90 Deg	1	PC
12	88-26	Ball Valve 1" BSP M/F	1	PC
13	277-197	Nipple-Reducing 1 - 1 1/4" BSP	1	PC
14	283064-1	Plate Valve - Auxiliary Tank	1	PC

**Water Hose Layout (KT09795)**  
Optional Equipment - Water System - Auxiliary Water Tank

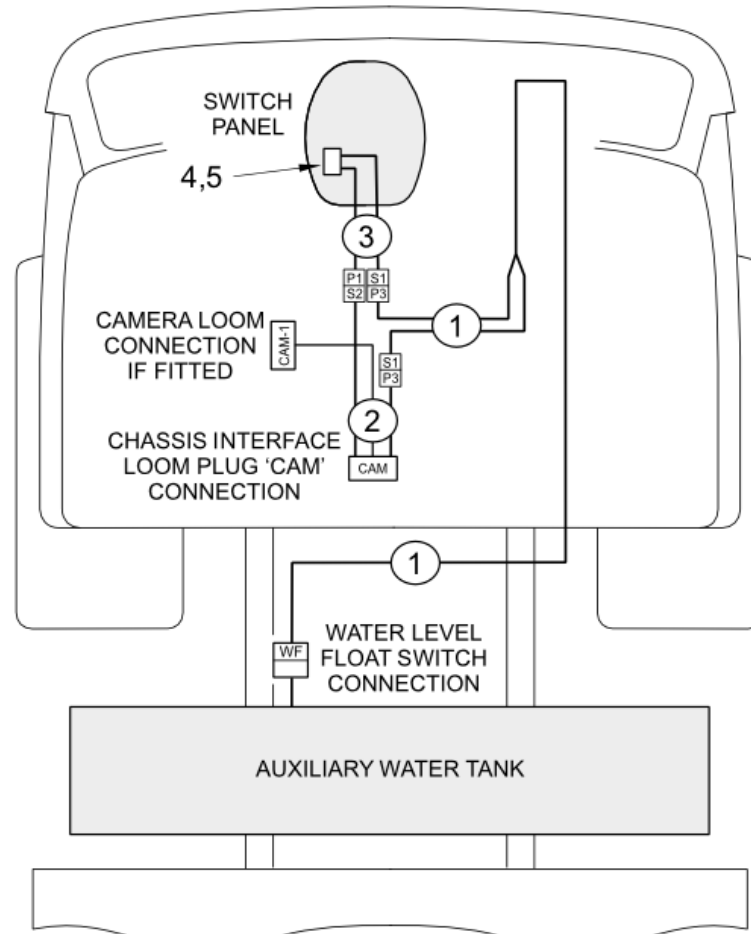


**Water Hose Layout (KT09795)**

Optional Equipment - Water System - Auxiliary Water Tank

Item no.	Part no.	Description	QTY	Unit
1	497-H24	Hose-Premoflex, 1 1/2" Bore	1	M
2	504-5	Clip - Hose (40 - 55mm)	2	PC
3	277-170	Flynut 1 1/2 BSP	3	PC
4	277-183	Flynut hose tail 38mm Barb	2	PC
4	277-171	'O' Ring	2	PC
5	277-215	Tee - 1 1/2" BSP	1	PC
6	277-169	Flynut hose tail 25mm Barb	1	PC
6	277-171	'O' Ring	1	PC
7	6117	Hose - 1" Bore	1	M
8	504-4	Hose Clip - Worm Drive (27-40)	2	PC
9	281750-20	Body - Water Filter	1	PC

**Warning Light Wiring Layout (KT09795)**  
 Optional Equipment - Water System - Auxiliary Water Tank



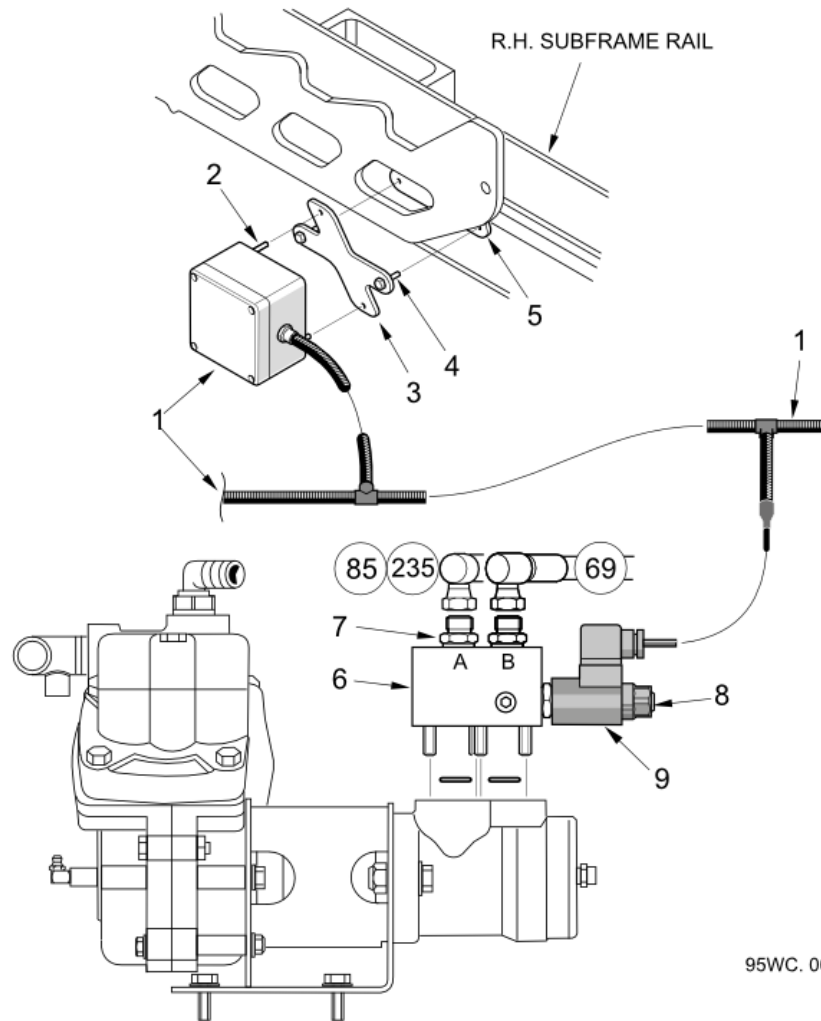
95WC. 033-5

**Warning Light Wiring Layout (KT09795)**

Optional Equipment - Water System - Auxiliary Water Tank

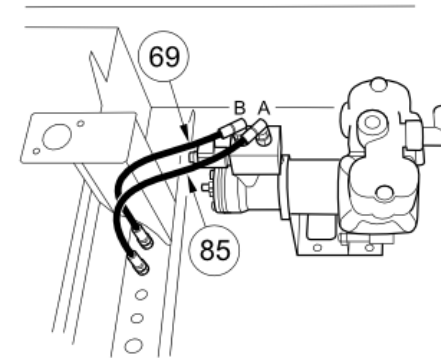
Item no.	Part no.	Description	QTY	Unit
1	809487-1	Loom - Cab/Tank Aux Water Tank	1	PC
2	809488-1	Loom-Base Unit Aux Water Tank	1	PC
3	809489-1	Loom - Control Box/Pedestal	1	PC
4	735-500	Base-Indicator 24V(Amber Area)	1	PC
4	735-400	Base-Indicator 12v(Amber Area)	1	PC
5	735-603	Cover - Rocker (Tank) Low/Full	1	PC

**Pump Low Water By-pass Valve (KT12795)**  
Optional Equipment - Water System

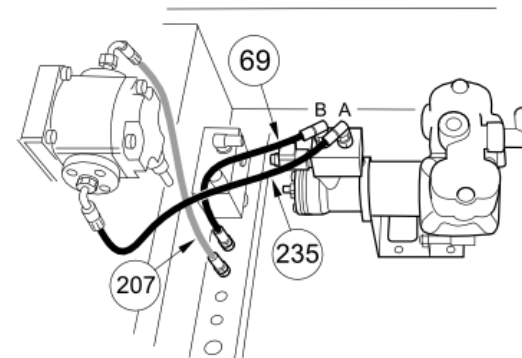


95WC. 009-9

VT HYDRAULIC HOSE ROUTING



VS HYDRAULIC HOSE ROUTING

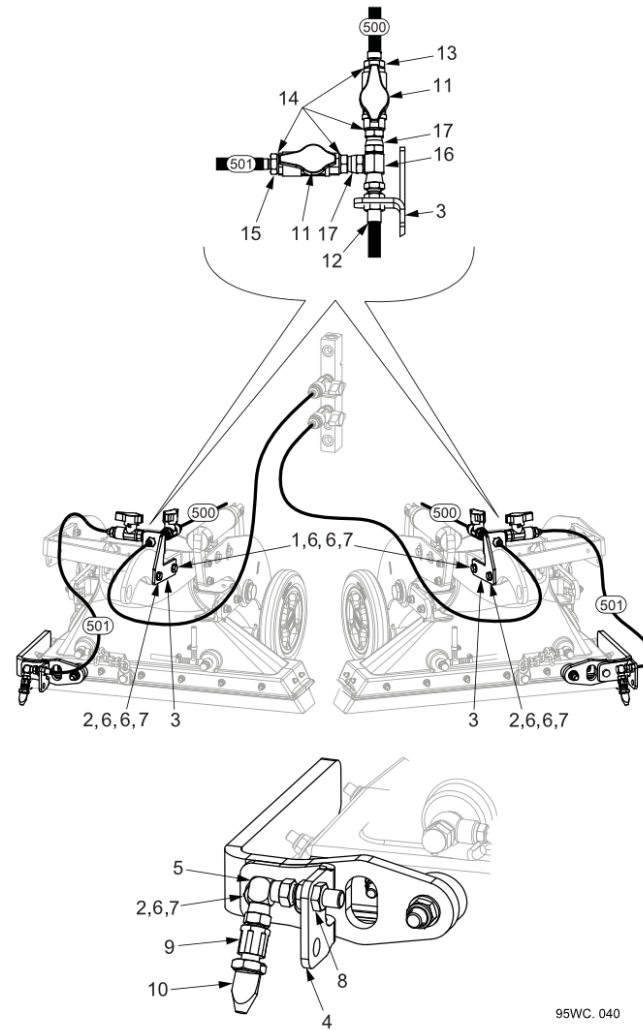


**Pump Low Water By-pass Valve (KT12795)**

Optional Equipment - Water System

Item no.	Part no.	Description	QTY	Unit
1	284065-12	Loom - Water Pump By Pass 12v	1	PC
1	284065-24	Loom - Water Pump By Pass 24v	1	PC
2	134-40	Pan Head Screw-M4Cx8-4.8-Pozidriv	2	PC
2	460-5	Washer Spring Single Coil M4	2	PC
3	282057-1	Plate-Remote Throttle Ctrl Mtg	1	PC
4	124-41	Setscrew M4C x 25 BS3692	2	PC
4	460-5	Washer Spring Single Coil M4	2	PC
5	282056-1	Clamp-Remote Throttle Control	1	PC
6	241-299	Solenoid Op Valve Manifold 12v	1	PC
6	241-300	Solenoid Op Valve Manifold 24v	1	PC
7	263-4	Adaptor M/M 1/2" BSP	2	PC
7	451-126	Washer Copper 1/2" BSP	2	PC
8	241-300-B	Cartridge - NC	1	PC
9	241-300-A	Coil - 24 Volt	1	PC
9	241-299-A	Coil - 12 Volt	1	PC
69	HC08003-40	Hose - Megaflex 1/2" STRx90c	1	PC
85	HC08003-45	Hose - Megaflex 1/2" STRx90c	1	PC
235	HC08002-91	Hose - Megaflex 1/2" STRx90s	1	PC

**Line Cleaning Jet (KT14795)**  
Optional Equipment - Water System





**Line Cleaning Jet (KT14795)**

## Optional Equipment - Water System

Item no.	Part no.	Description	QTY	Unit
1	124-182	Setscrew M10C x 75 BS3692	1	PC
2	124-175	Setscrew M10C x 40	2	PC
3	7016530	Bracket, Bulkhead	1	PC
4	7016753	Bracket	1	PC
5	242-10	Elbow-Swivel 90° 1/4x1/4 BSP F	1	PC
6	455-11	Washer Plain Plated Steel M10	5	PC
7	425-15	Nut Nyloc Hex M10C	3	PC
8	264-2	Adaptor-Bulkhead BSP M/M 1/4"	1	PC
9	277-311	Adaptor - 1/4" BSP M x 1/4" BSPT F	1	PC
10	21-79	Flat Spray Nozzle 50 ° 303 S.Steel	1	PC
11	88-49	Ball Valve 210 Bar 3/8" F	2	PC
12	264-3	Adaptor-Bulkhead BSP M/M 3/8"	1	PC
13	263-3	Adaptor M/M 3/8" BSP	1	PC
14	451-18	Washer Bonded G3/8"	4	PC
15	265-2	Adaptor Reducing M/M 1/4"-3/8" BSP	1	PC
16	255-12	Tee - 3/8" BSP O/D M/F/M	1	PC
17	267-3	Adaptor Swivel M/F 3/8"BSP	2	PC
500	HC06000-75	Hose - Megaflex 3/8" STRxSTR	1	PC
501	HC04002-60	Hose - Megaflex 1/4" STRx90s	1	PC