



Spare Parts Catalogue

RT655 Mk2 Stage 3a Engine

Regenerative Air Twin Engined Sweeper from Manufacture Sequence No. 10/4233

Revision 10

Foreword

The Johnston RT655 MkII Suction Sweeper has been designed specifically for markets requiring a regenerative air sweeper embodying the highest grade of craftsmanship and reliability that have made Johnston a world leader.

Every endeavour has been made to ensure that the information contained in this Manual is correct at the time of going to print, but due to continuous product development (E.A.O.E.), the Company reserve the right to alter contents without notice. This document should not be interpreted as being part of a formal contract.

Please refer to the Parts Catalogues on the Johnston Sweepers website for the latest update information, www.johnstonsweepers.com

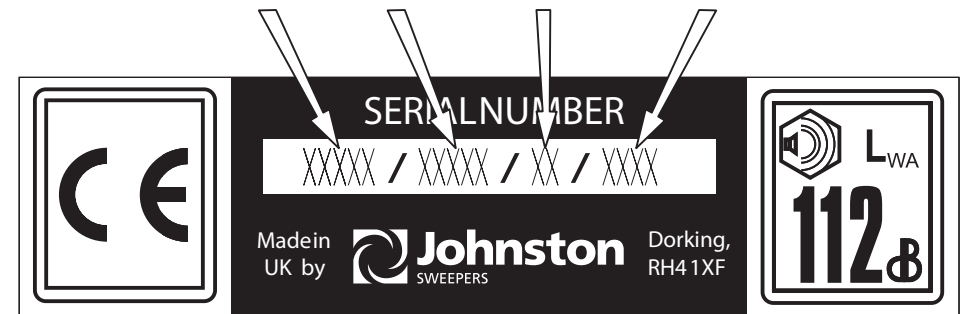
The Table of Contents locates the exact page a particular illustration or parts list is on. Parts that have been superseded and are not interchangeable with the new items are shown in a 'Superseded Parts' section.

All copyrights and rights reserved. The reproduction, distribution and utilisation of this document as well as the communication of its contents to others without the express authorisation of Johnston Sweepers Limited is prohibited. Offenders will be held liable for the payment of damages. All rights reserved in the event of the grant of a patent, utility model or design.

When making enquiries or ordering spare parts the Johnston Serial number should be quoted. The number will be found stamped on a plate similar to that shown below and attached to the rearmost cross-member of the subframe, below the rear door.

Serial number comprises:-

Example.....	Model No.	Build No.	Year of manufacture	Manufacture sequence No.
	RT655	12345	10	0000



L. 0012-14

It is important that only GENUINE JOHNSTON SPARE PARTS are used when servicing and maintaining the sweeper. This is especially important for consumables, filters etc. as the use of non-genuine parts may cause premature failure and invalidation of warranty.

This section of the manual will help you when ordering parts and serves as an assembly/disassembly reference when used in conjunction with the Maintenance Section procedures.

About this section

Chapters 1 to 14, listed on the front sheet, cover the major areas of the machine. Some of the more popular options such as the Supawash hi-pressure water system, Channel Brush Rotatilt, Powaboom and Littasnatch wanderhoses are also covered in these chapters. Other more specialised options will be found in the Optional Equipment Chapter 15.

The BoM numbers, shown in brackets after the section title, are for Johnston internal reference only.

Chassis Related Parts

The items listed below vary depending on what chassis the Johnston sweeper equipment is mounted to. If any parts for these areas are required, contact the Johnston Parts Department quoting the machine serial number shown on the plate fitted to the subframe crossmember below the body rear door.

- * Batteries and battery mounting
- * Cab - Sweep control installations
- * Cab - single and dual steer parts
- * Body discharge interlock
- * Rear mounted fuel tank
- * Gutter and wide sweep brush water spraybar mountings
- * Supawash hose reel and front bumper spraybar mountings
- * Rear underrun bumper
- * Rear mudguards and mudflaps
- * Subframe to chassis mounts
- * Work lights
- * Channel brush pivot frame support posts
- * Channel brush hydraulic hoses 75 and 84
- * Wide sweep brush hydraulic hoses 70 to 74
- * Customer options i.e. autolube, special beacons, reversing camera, handwash etc.

Ordering Parts - General Instructions:

1. Provide name and address of where to deliver parts.
2. Provide complete serial number.
3. Provide part number, description, and quantity for each part required.
If unsure of part number, provide a detailed description of part and where it is used.

Chassis Related Parts

Some parts shown in the Parts Section are chassis related and can vary due to the differences between chassis manufactures.

Abbreviations - The following abbreviations are used in this Manual:

- | | |
|--------------------------------|-------------------------|
| LH = Left Hand. | RH = Right Hand. |
| WSB = Wide Sweep Brush. | CB = Channel Brush |
| CW = Clockwise. | CCW = Counterclockwise. |
| NO = Normally Open. | NC = Normally Closed. |
| Item O = Whole assembly shown. | |

Johnston® is a registered trade mark of Johnston Sweepers Limited.

Johnston Sweepers Limited

Curtis Road, Dorking, Surrey RH4 1XF, UK

Tel: +44 (0)1306 884722 Fax: +44 (0)1306 884151

E-mail: enquiries@johnstonsweepers.com Web: www.johnstonsweepers.com

Table of Contents

1	Body/Rear Door.....	8			
1.1	Body.....	10			
1.1.1	Common Parts.....	10			
1.1.2	Internal Components.....	18			
1.1.3	Access Door Assembly.....	22			
1.2	Rear Door.....	24			
1.2.1	Installation.....	24			
1.2.2	Door Assembly.....	28			
1.3	Body Prop.....	30			
1.3.1	Auto Prop.....	30			
2	Subframe Assembly.....	32			
2.1	Subframe Assembly.....	34			
3	Powapak.....	36			
3.1	Engine Options.....	38			
3.1.1	Iveco Stage 3a.....	38			
3.1.1.1	Dressed Engine.....	38			
3.1.1.2	Spares Items.....	44			
3.1.1.3	Fuel System.....	46			
3.1.1.4	Engine Management Box.....	48			
3.1.2	John Deere High Power.....	52			
3.1.2.1	Dressed Engine.....	52			
3.1.2.2	Fuel System Hoses.....	58			
3.1.2.3	Engine Management Box.....	60			
3.2	Ancillaries.....	64			
3.2.1	Iveco & John Deere Engines.....	64			
3.2.1.1	Engine Ancillaries.....	64			
3.2.1.1.1	Exhaust Silencer - John Deere.....	64			
3.2.1.1.2	Exhaust Silencer - Iveco.....	66			
3.2.1.1.3	Air Cleaner Installation - John Deere.....	68			
3.2.1.1.4	Combi Air Filter Installation - Iveco.....	70			
3.2.1.1.5	Radiators and Shrouds.....	72			
3.2.1.1.5.1	John Deere.....	72			
3.2.1.1.5.2	Iveco.....	74			
3.2.1.1.6	Engine and Gearbox Drains.....	76			
3.2.1.2	Engine Ancillaries - Common Parts.....	78			
3.2.1.2.1	Engine Mounting Frame.....	78			
3.2.1.2.2	P.T.O. Hydraulic Pumps.....	80			
3.2.1.2.2.1	Single.....	80			
3.2.1.2.2.2	Tandem.....	82			
3.3	Fuel Tank.....	84			
3.3.1	Fuel Tank and Miscellaneous Items.....	84			
3.3.1.1	Fuel Tanks.....	84			
3.3.1.1.1	R.H. Sweep Fuel Tank Installation.....	84			
3.3.1.1.2	L.H. Sweep Fuel Tank Installation.....	88			
3.3.1.2	Miscellaneous Components.....	92			
3.3.1.2.1	Access Platform and Ladder.....	92			
3.3.1.2.1.1	LH Blast.....	92			
3.3.1.2.1.2	RH Blast.....	94			
3.3.1.2.2	Hydraulic Oil Cooler Installation.....	96			
4	Suction Fan/Transmission.....	98			
4.1	Suction System.....	100			
4.1.1	Impeller and Fan Case.....	100			
4.1.2	Fan Case.....	104			
4.1.2.1	Fan Case VEG Mechanism L.H.....	104			
4.1.2.2	Fan Case VEG Mechanism R.H.....	108			
4.2	Transmission.....	112			
4.2.1	Fluid Coupling.....	112			

4.2.2	Fan Drive Gearbox.....	114	8.1.2	Reservoir Connections.....	172
5	Gutter Broom.....	118	8.1.3	Secondary Pump Option.....	174
5.1	Gutter Broom.....	120	8.1.4	Emergency Discharge Pump.....	176
5.1.1	Assembly L.H. & R.H.....	120	8.1.5	PTO Pump.....	178
5.1.2	Shuttle Valve Installations.....	128	8.2	Valves.....	180
5.1.2.1	Single.....	128	8.2.1	Pick-up Hood Lock Valve.....	180
5.1.2.2	Dual.....	130	8.2.2	Lift and Sweep Valve Mounting Bracket.....	182
5.1.3	Brush Stock Assembly.....	132	8.2.3	Sweep Bank Assembly.....	184
5.2	Curtain Installation.....	134	8.2.4	Lift Bank Assembly.....	186
5.3	Mounting Brackets - Not Supplied With ESU's.....	136	8.3	Manifold and Tank.....	188
6	Pick-up Head.....	138	8.3.1	Manifold Assembly.....	188
6.1	Pick-up Head.....	140	8.3.1.1	Standard Single PTO Pump.....	188
6.1.1	Pick-up Head Assembly.....	140	8.3.1.2	Optional Tandem PTO Pump.....	190
6.1.2	Trunking.....	144	8.3.2	Hydraulic Tank Assembly.....	192
6.2	Installations.....	146	8.4	Emergency Discharge.....	194
6.2.1	Mounting Brackets.....	146	8.4.1	Discharge Pump Installation - Iveco.....	194
6.2.2	Pick-up Head Installation.....	148	8.4.2	Discharge Pump Installation - John Deere.....	196
7	Wanderhose Option.....	150	8.5	Cylinders.....	198
7.1	Hydraulic Rear Mounted Wanderhose.....	152	8.5.1	Rear Door Cylinder.....	198
7.2	Pneumatic Controls.....	158	8.5.2	Pick-up Hood Lift Cylinder.....	200
7.3	Hoses.....	160	9	Pneumatics.....	202
7.3.1	Powaboom.....	160	9.1	Valves.....	204
7.3.2	Rear Wanderhose.....	162	9.1.1	VM10 Island Valve.....	204
7.4	Looms.....	164	9.1.2	VM10 Island Valve Mounting.....	206
7.5	Looms (Superseded).....	166	9.1.3	System Protection Valve.....	208
8	Hydraulics.....	168	9.2	FR Unit.....	210
8.1	Hoses.....	170	10	Water System.....	212
8.1.1	Dual Sweep Circuit.....	170	10.1	Water Hoses - Basic System.....	214
			10.2	Pump.....	218

10.2.1	Pump Assembly	218	12.1	Switch Panel	266
10.2.2	Pump Installation	220	12.1.1	Switch Panel Assembly	266
10.3	Control Valves	224	12.1.1.1	Switch Panel Dual	266
10.3.1	Water Manifold Assembly	224	12.1.2	Powapak Loom/Control Panel	272
10.3.2	Solenoid Valve Assembly	226	12.1.2.1	Loom/Control Panel A	272
10.4	Water Filter Assembly	228	12.1.2.2	Loom/Control Panel B	274
10.5	Relief Valve	230	12.2	Discharge Control	276
10.5.1	Installation	230	12.2.1	Load Discharge Pendant	276
10.5.2	Assembly	232	12.3	Gutter Broom Speed Control	278
10.6	Water Tank Assembly	234	13	Miscellaneous	280
10.7	Supawash Option	240	13.1	Decals	282
10.7.1	Water System	240	13.2	Lubricants and Tool Kit	284
10.7.1.1	Hoses and Front Spraybar	240	14	Optional Equipment	286
10.7.1.1.1	Hoses and Front Spraybar R.H.	240	14.1	Body	288
10.7.1.1.2	Hoses and Front Spraybar L.H.	242	14.1.1	Rear Door Mounted Options Frame	288
10.7.1.2	Water Pump and Unloader Installation	244	14.1.2	Mesh Screen Shaker	290
10.7.1.3	Hose Reel and Lance	248	14.1.3	Rear Beacon	292
10.7.1.4	Manifold Assembly	250			
10.7.1.4.1	With Front Spraybar - Option	250			
10.7.2	Hydraulic System	252			
10.7.2.1	Tandem/Options Pump Valve Block	252			
10.7.2.2	Hydraulic Hoses	254			
11	Electrical System	256			
11.1	Controls	258			
11.1.1	Relay Box	258			
11.1.1.1	Relay Box Assemblies Dual	258			
11.2	Wiring Looms	262			
11.2.1	Loom Interface Bulkhead Plates - Under Cab	262			
12	Cab Controls	264			

This page is intentionally left blank

This page is intentionally left blank

Chapter 1

Body / Rear Door

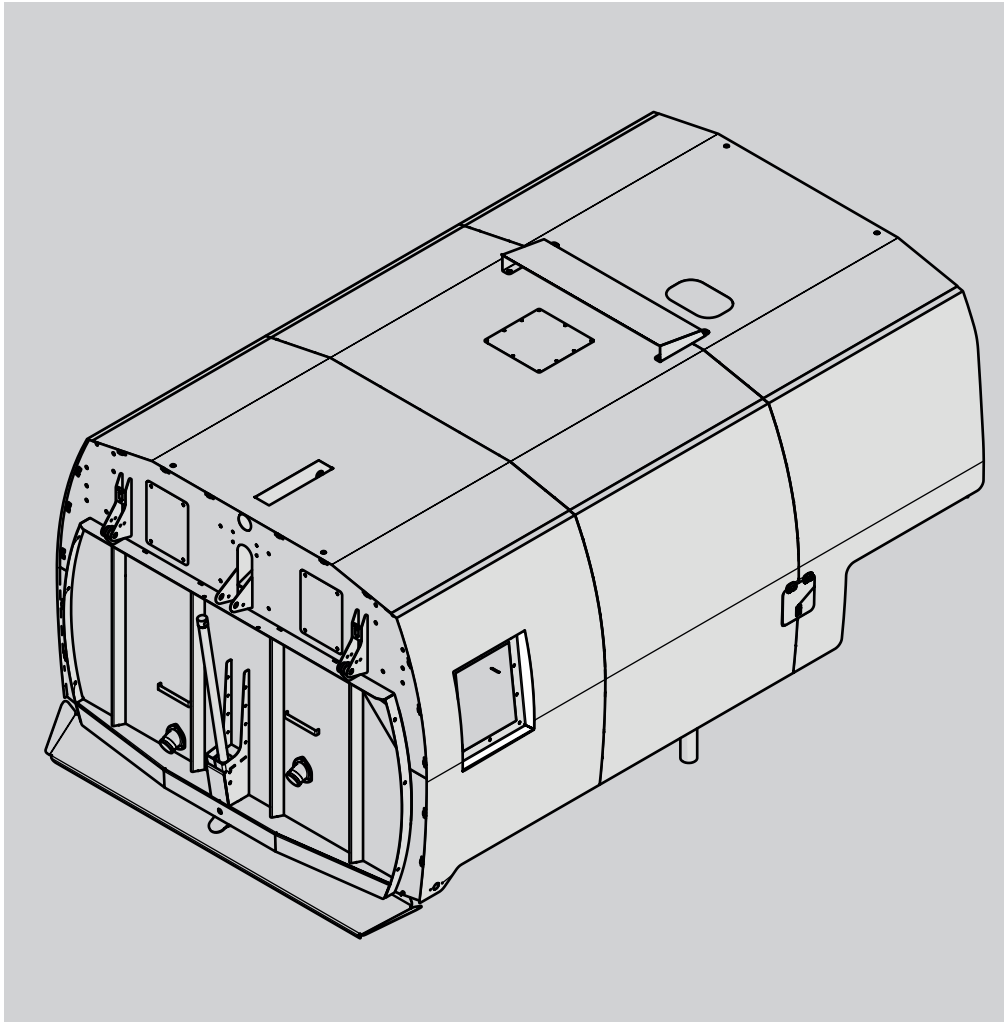
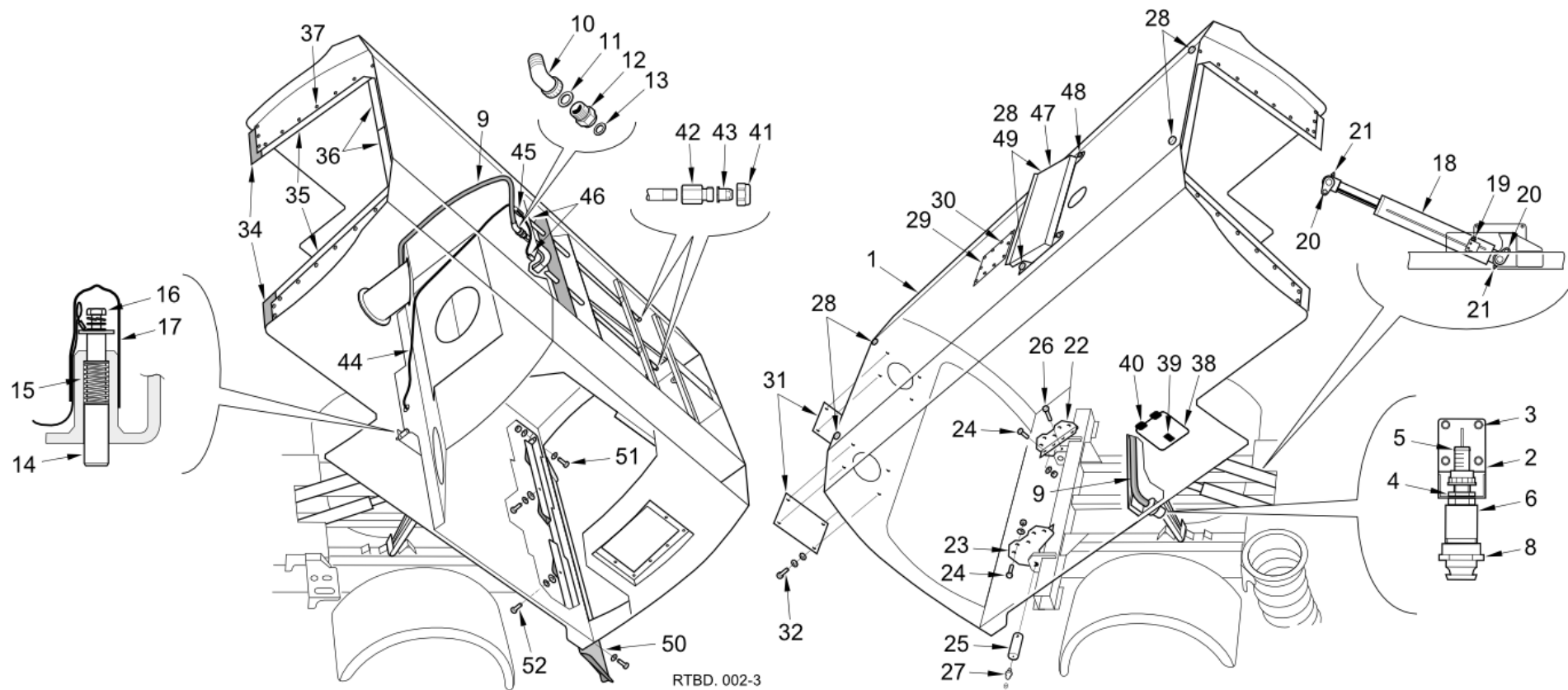


Table of Contents

Section	Page
1.1 Body.....	10
1.2 Rear Door.....	24
1.3 Body prop.....	30

Common Parts (M010611,M010326)
 Body/Rear Door/Body/Common Parts
 Body/Rear Door



RTBD. 002-3

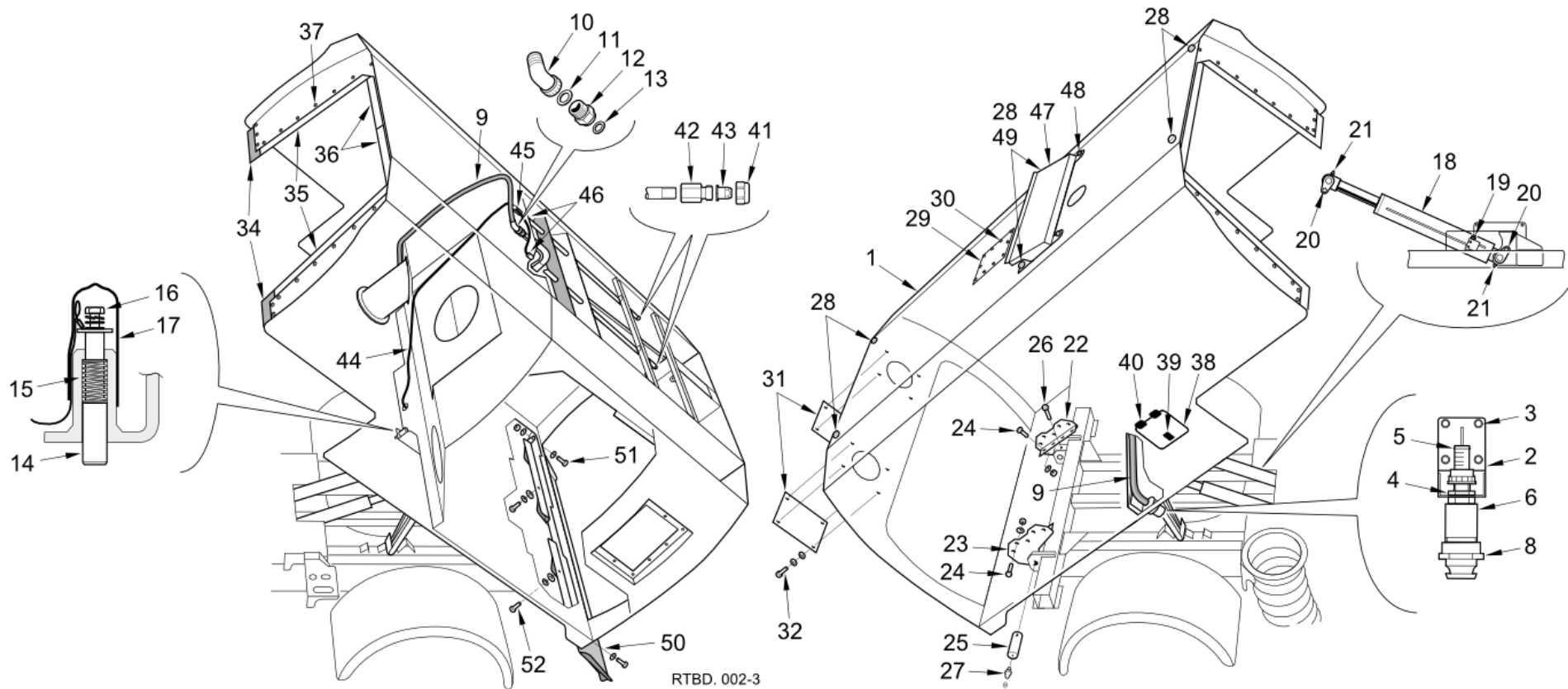
Common Parts (M010611,M010326)

Body/Rear Door\Body\Common Parts

Body/Rear Door

Item no.	Part no.	Description	QTY	Unit
1	223400-1	Body W/Assy Mild Steel RT655	1	PC
1	223400-2	Body W/Assy 4003 RT655	1	PC
2	221130-1	Brkt W/A Hyd Water Flush RT655	1	PC
3	124-134	Setscrew M8C x 16	4	PC
3	460-10	Washer Spring Single Coil M8	4	PC
3	455-10	Washer Plain Plated Steel M8	4	PC
4	264-8	Adaptor M/M - Bulkhead 1 1/4 BSP	1	PC
5	277-210	Hosetail Female 1 1/4"BSPx35mm	1	PC
5	740-9	Washer - Rubber 1 1/4" BSP (F)	1	PC
6	7017520	Hydrant Filler - 237 x 30	1	PC
8	18684-1-C	Hydrant coupling - UK	1	PC
8	667-31	Coupling-Stortz 2.5" BSP	1	PC
9	497-H24	Hose-Premoflex, 1 1/2" Bore	1	M
9	501-5	Clip Hose Worm Drive 40-55mm	2	PC
10	68-53	90 Hosetail Cap/Liner 1 1/2" BSP	1	PC
11	277-200	O Ring For 1 1/2"BSP Cap&Liner	1	PC
12	277-249	Reducing Bush-1 1/2"M-1 1/4"F	1	PC
13	277-141	Seal For 1 1/4" BSP Cap&Liner	1	PC
14	800862-1	Piston-Hopper Warning Switch	1	PC
15	200755-1	Spring - Body Location Switch	1	PC
16	124-70	Setscrew M5C x 16	1	PC
16	460-7	Washer Spring Single Coil M5	1	PC
16	455-7	Washer Plain Plated Steel M5	1	PC
17	32-131	Boot - Sender Unit	1	PC

Common Parts (M010611,M010326)
 Body/Rear Door\Body\Common Parts
 Body/Rear Door



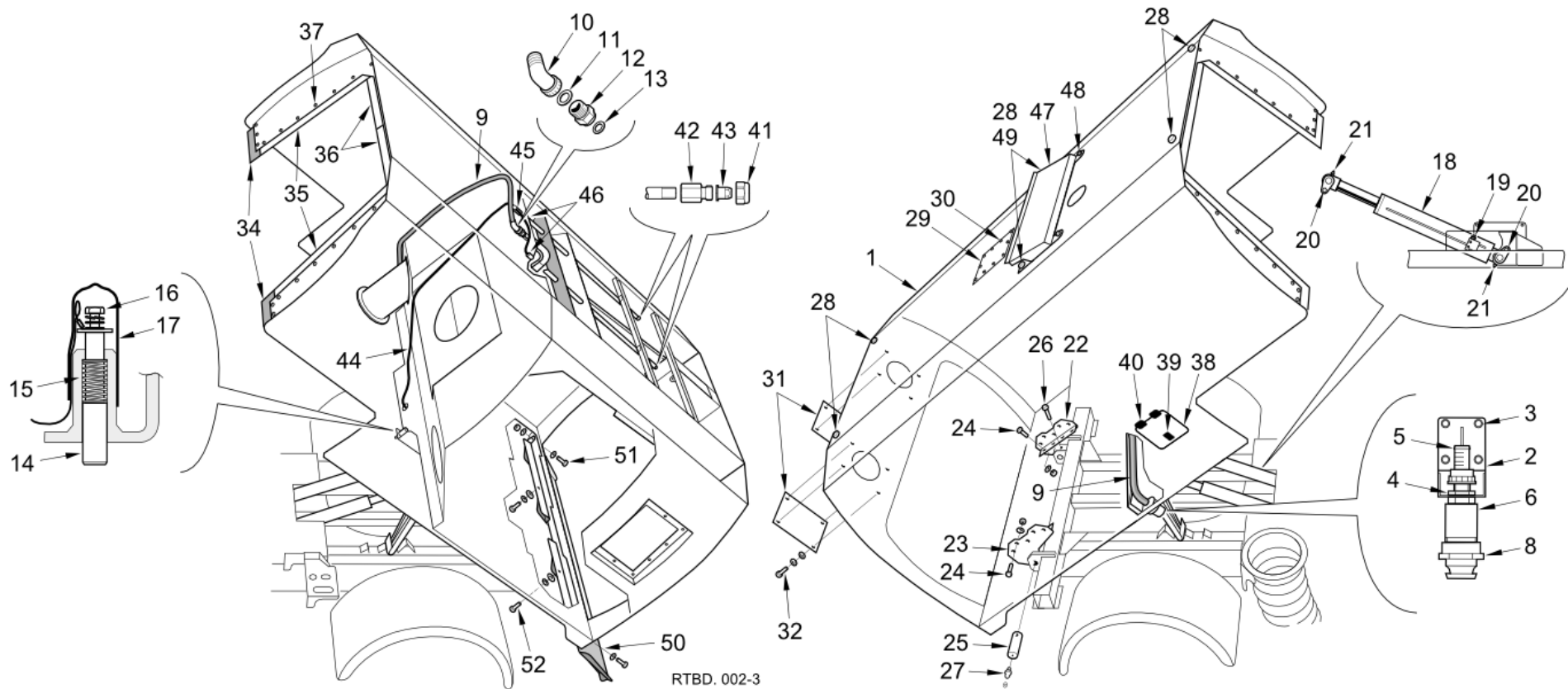
Common Parts (M010611,M010326)

Body/Rear Door\Body\Common Parts

Body/Rear Door

Item no.	Part no.	Description	QTY	Unit
18	221120-1	Cylinder - Hydraulic Tip RT655	2	PC
18	221120-500	Seal Kit	1	PC
19	241-265	Valve-Over Centre 5:1	2	PC
19	263-3	Adaptor M/M 3/8 BSP	2	PC
19	451-18	Washer Bonded G3/8"	2	PC
20	221077-1	Anchor Pin W/A Tip Cyl Mtg 655	4	PC
20	124-135	Setscrew M8C x 20	4	PC
20	460-12	Washer Spring Single Coil M12	4	PC
21	38-1	Nipple Grease Straight 1/8 BSP	4	PC
22	223290-1	Tip Bracket W/Assy LH RT655	1	PC
23	223290-4	Tip Bracket W/Assy RH RT655	1	PC
24	425-16	Nut Nyloc Hex M12c	18	PC
24	455-12	Washer Plain Plated Steel M12	18	PC
25	221030-1	Pivot Shaft - Short Body RT655	2	PC
26	123-156	Bolt M Coarse M12x90	2	PC
26	425-16	Nut Nyloc Hex M12c	2	PC
27	38-30	Nipple Grease M6 X 1	2	PC
28	118-263	Setscrew Hexagon Hd M16cx20 SS	6	PC
28	454-16	Washer Plain St.Stl M16x30	6	PC
29	221111-1	Access Plate M.Steel RT655	1	PC
29	221111-2	Access Plate 4003 RT655	1	PC
30	118-134	Setscrew Hexagon Hd M8cx16 SS	10	PC
30	458-8	Washer Spring Single Coil M8SS	10	PC
31	221102-1	Blanking Plate-Rr Panel MS 655	2	PC

Common Parts (M010611,M010326)
 Body/Rear Door\Body\Common Parts
 Body/Rear Door



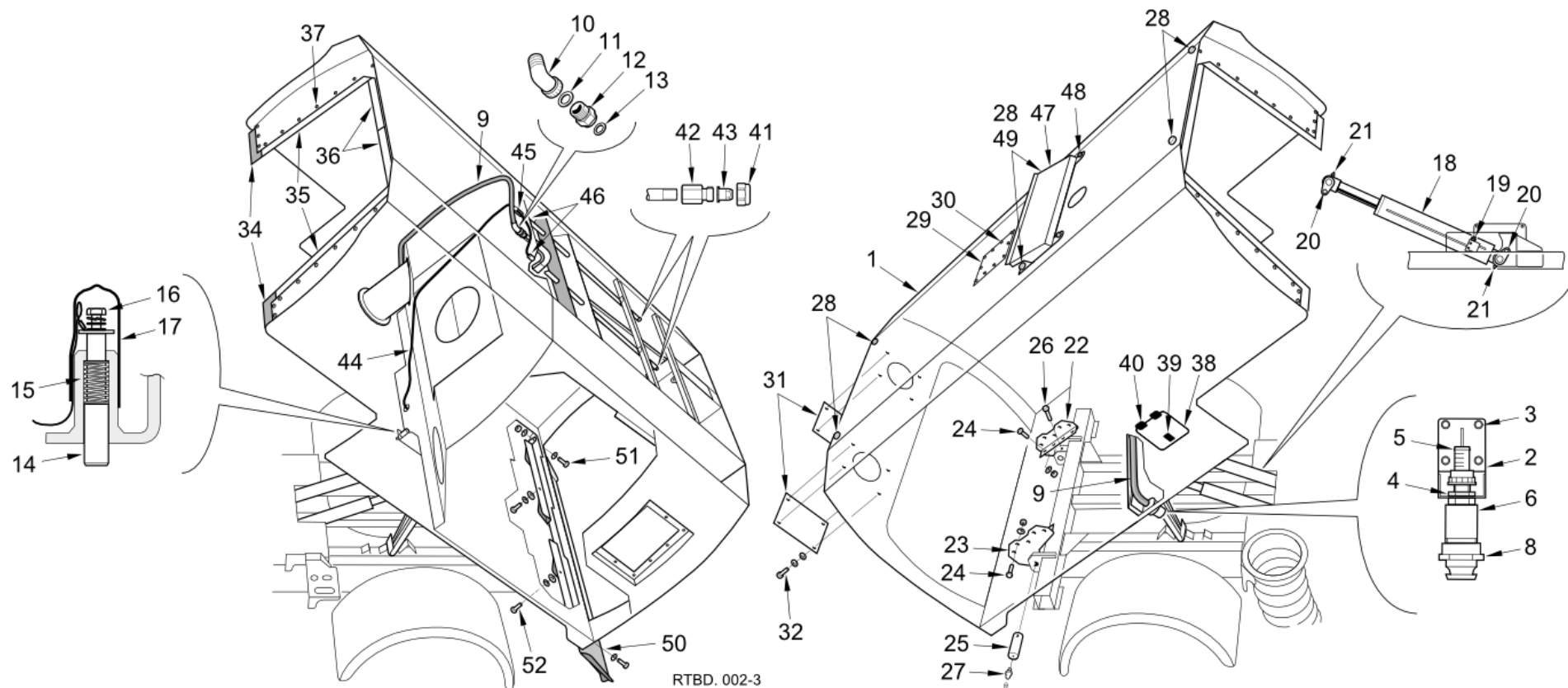
Common Parts (M010611,M010326)

Body/Rear Door\Body\Common Parts

Body/Rear Door

Item no.	Part no.	Description	QTY	Unit
31	221102-2	Blanking Plate-Rr Panel 4003	2	PC
32	118-167	Setscrew Hexagon Hd M10cx20 SS	8	PC
32	458-10	Washer - Spring IM10 SS	8	PC
32	454-10	Washer Plain St.Stl M10x21	8	PC
34	221276-1	Radiator Seal RT655	2	PC
35	221277-1	Radiator Seal RT655	2	PC
36	221278-1	Radiator Seal RT655	2	PC
37	124-135	Setscrew M8C x 20	30	PC
37	460-10	Washer Spring Single Coil M8	30	PC
37	457-4	Washer Plain Steel M8 Form G	30	PC
37	420-14	Nut MC Hex M8	30	PC
38	221546-2	Fuel Filler Plate 4003 RT655	1	PC
39	720-4	Catch - Push to Close	1	PC
40	212-17	Hinge - Positioning Advantage	2	PC
40	117-32	Screw-Skt Button Hd M4cx10 SS	4	PC
40	454-4	Washer Plain St.Stl M4x9	4	PC
40	417-4	Nut - Nyloc M4 S/Steel DIN985	4	PC
41	21-328	Retainer-Tip Brass for 21/329	2	PC
42	21-327	Body - 1/4" BSP Female Brass	2	PC
43	21-357	Spray Jet	2	PC
44	6111	Hose - Water 1/2"	1	M
44	501-2	Hose Clip - Worm Drive (14-22)	4	PC
45	277-2	Connector - T	1	PC
46	277-294	F Pipe Thread x 3/8" Barb	2	PC

Common Parts (M010611,M010326)
 Body/Rear Door/Body/Common Parts
 Body/Rear Door



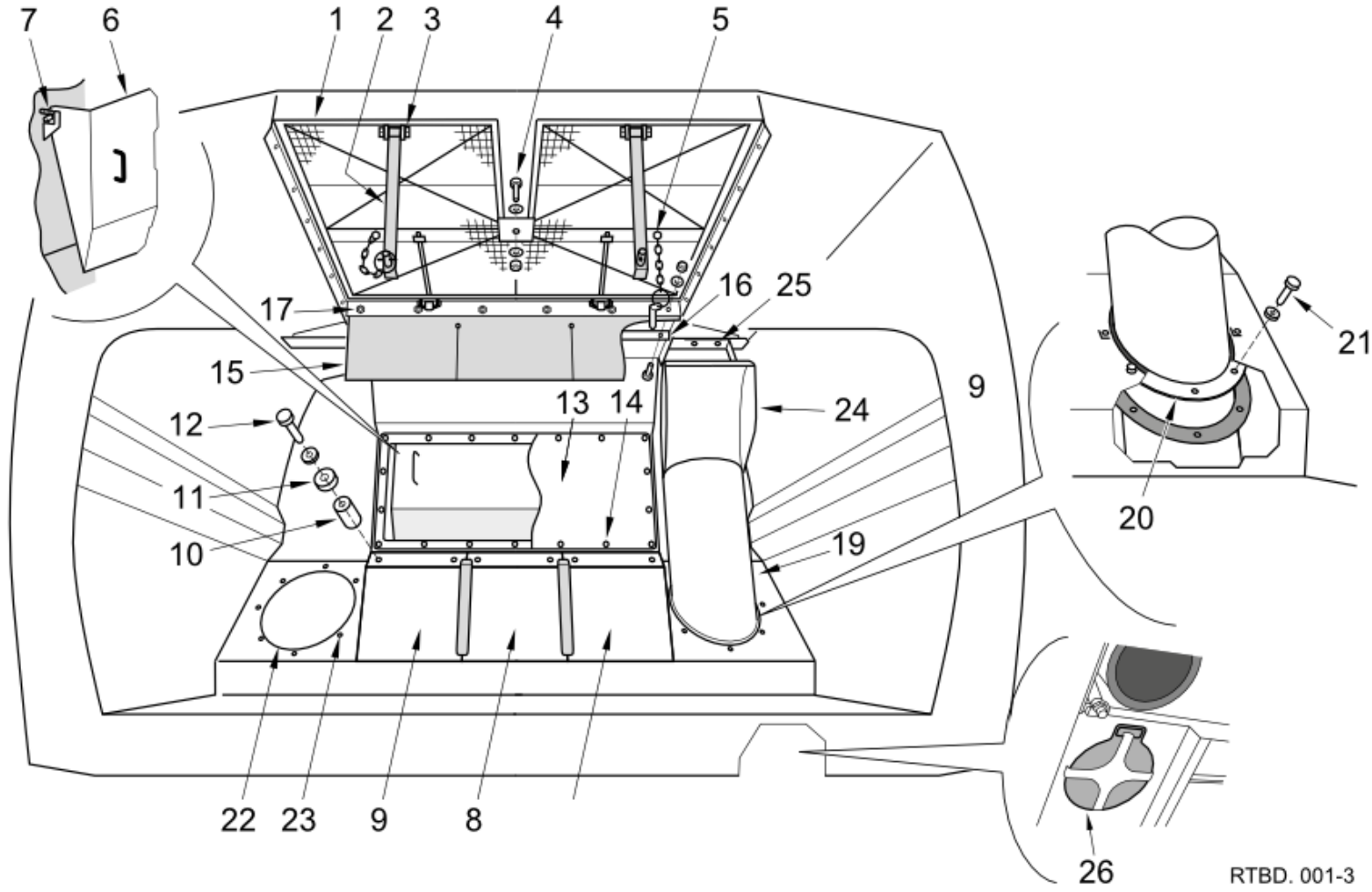
Common Parts (M010611,M010326)

Body/Rear Door\Body\Common Parts

Body/Rear Door

Item no.	Part no.	Description	QTY	Unit
47	221290-1	Hood - Body W/Assy RT655	1	PC
48	118-167	Setscrew Hexagon Hd M10cx20 SS	2	PC
48	458-10	Washer - Spring IM10 SS	2	PC
48	454-10	Washer Plain St.Stl M10x21	2	PC
49	458-16	Washer Spring Single CoilM16SS	2	PC
50	221475-2	Rear Chute W/Assy 4003 RT655	1	PC
51	124-137	Setscrew M8C x 25	2	PC
51	455-10	Washer Plain Plated Steel M8	4	PC
51	425-14	Nut Nyloc Hex MC M8	2	PC
52	124-269	Setscrew M16C x 35	2	PC
52	460-14	Washer Spring Single Coil M16	2	PC
52	455-14	Washer Plain Plated Steel M16	2	PC
24	123-146	Bolt M Coarse M12x40	18	PC

Internal Components (M010611,M010612)
 Body/Rear Door\Body\Internal Components
 Body/Rear Door



RTBD. 001-3

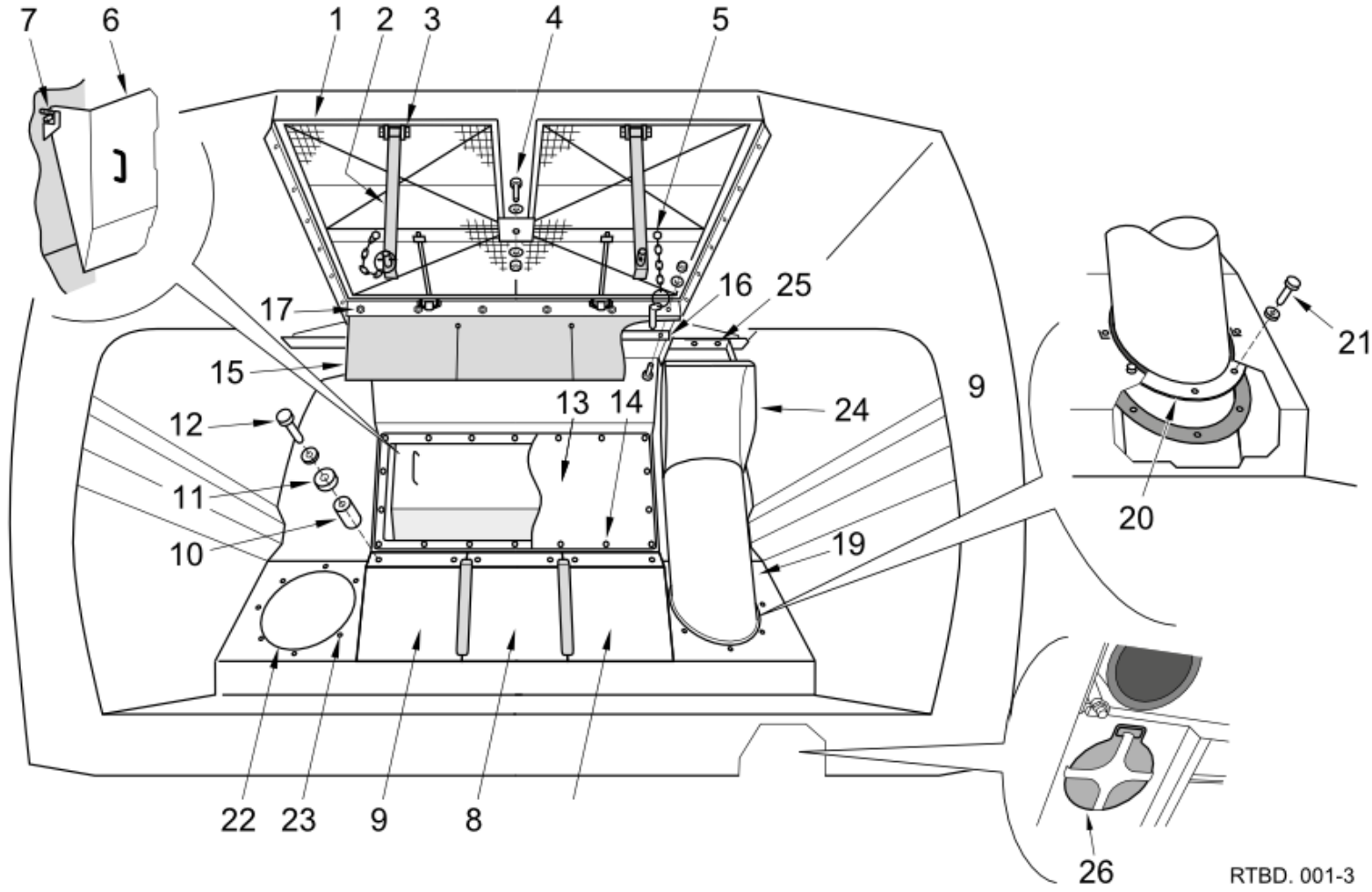
Internal Components (M010611,M010612)

Body/Rear Door\Body\Internal Components

Body/Rear Door

Item no.	Part no.	Description	QTY	Unit
1	221115-1	Mesh Screen W/Assy RT655	1	PC
2	224415-1	Handle W/Assy - Screen RT655	2	PC
3	118-217	Setscrew Hexagon Hd M12cx90 SS	2	PC
3	417-12	Nut - Nyloc M12 S/Steel DIN985	2	PC
4	118-205	Setscrew Hexagon Hd M12cx35 SS	1	PC
4	454-12	Washer Plain St.Stl M12x24	2	PC
4	417-12	Nut - Nyloc M12 S/Steel DIN985	1	PC
5	60-1	Pin Linch (With Ring) 11mm Dia	2	PC
5	284-13	Chain - 7 Links (Dia 3mm SS)	2	PC
6	223990-1	Separator Box W/Assy-M.Stl 655	1	PC
6	223990-2	Separator Box W/Assy-4003 655	1	PC
7	118-145	Setscrew Hexagon Hd M8cx50 SS	2	PC
8	223458-1	Catflap W/Assy Body M.Stl 655	1	PC
8	223458-2	Catflap W/Assy Body 4003 RT655	1	PC
9	223459-1	Plate - Catflap M.Stl RT655	2	PC
9	223459-2	Plate - Catflap 4003 RT655	2	PC
10	224457-1	Spacer-Catflap Body M.Stl 655	6	PC
11	95200-9	Spacer - Bush 5mm x 11mm ID	6	PC
12	118-176	Setscrew Hexagon Hd M10cx45 SS	6	PC
12	458-10	Washer - Spring IM10 SS	6	PC
13	223408-2	Cover Screen-Sepavac Body 4003	1	PC
14	118-167	Setscrew Hexagon Hd M10cx20 SS	18	PC
14	454-10	Washer Plain St.Stl M10x21	18	PC
14	458-10	Washer - Spring IM10 SS	18	PC

Internal Components (M010611,M010612)
 Body/Rear Door\Body\Internal Components
 Body/Rear Door



RTBD. 001-3

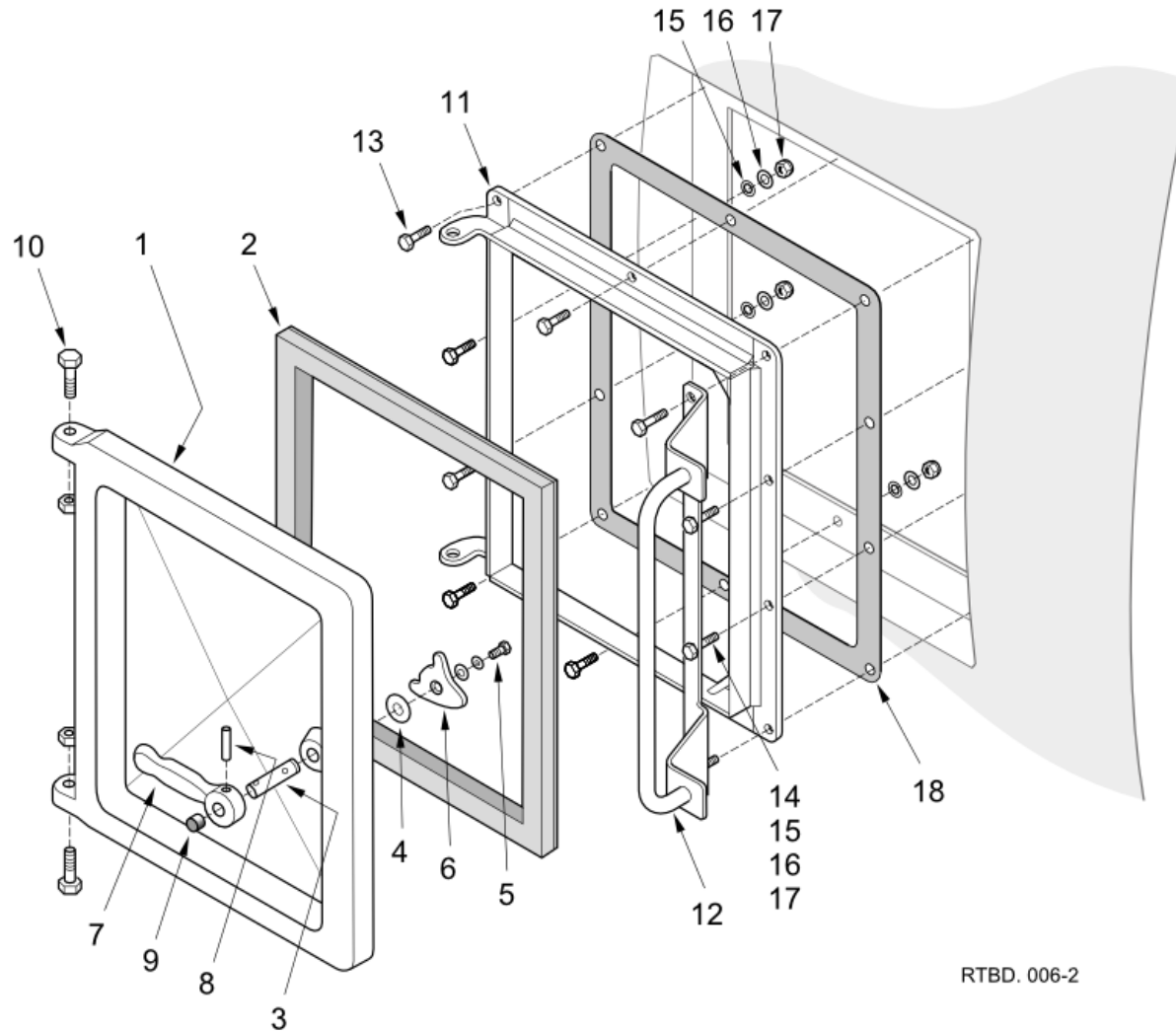
Internal Components (M010611,M010612)

Body/Rear Door\Body\Internal Components

Body/Rear Door

Item no.	Part no.	Description	QTY	Unit
15	200055-1	Rubber Curtain (1275 WSB)	1	PC
16	283126-1	Retaining Strip - Curtain WSB	1	PC
17	118-135	Setscrew Hexagon Hd M8cx20 SS	6	PC
17	458-8	Washer Spring Single Coil M8SS	6	PC
17	415-8	Nut - MC Hex M8 S.Stl	6	PC
19	223463-1	Inlet Tube W/Assy MS RT655	1	PC
19	223463-2	Inlet Tube W/Assy 4003 RT655	1	PC
19	223463-11	Inlet Tube W/Assy MS RT655	1	PC
20	223988-1	Seal - Intake Tube RT655	1	PC
21	135-29	Setscrew HexHd Selfloc M10cx25	8	PC
21	460-11	Washer Spring Single Coil M10	8	PC
22	221252-1	Blanking Plate W/A Inlet Duct	1	PC
22	223988-1	Seal - Intake Tube RT655	1	PC
23	135-29	Setscrew HexHd Selfloc M10cx25	8	PC
23	460-11	Washer Spring Single Coil M10	8	PC
24	221110-1	Wear Plate W/Assy M.Stl RT655	1	PC
25	460-12	Washer Spring Single Coil M12	2	PC
26	223971-1	Cover Plate - Intake Seat Body	1	PC
25	118-201	Setscrew Hexagon Hd M12cx25 SS	2	PC

Access Door Assembly (M010813)
Body/Rear Door/Body/Access Door Assembly
Body/Rear Door



RTBD. 006-2

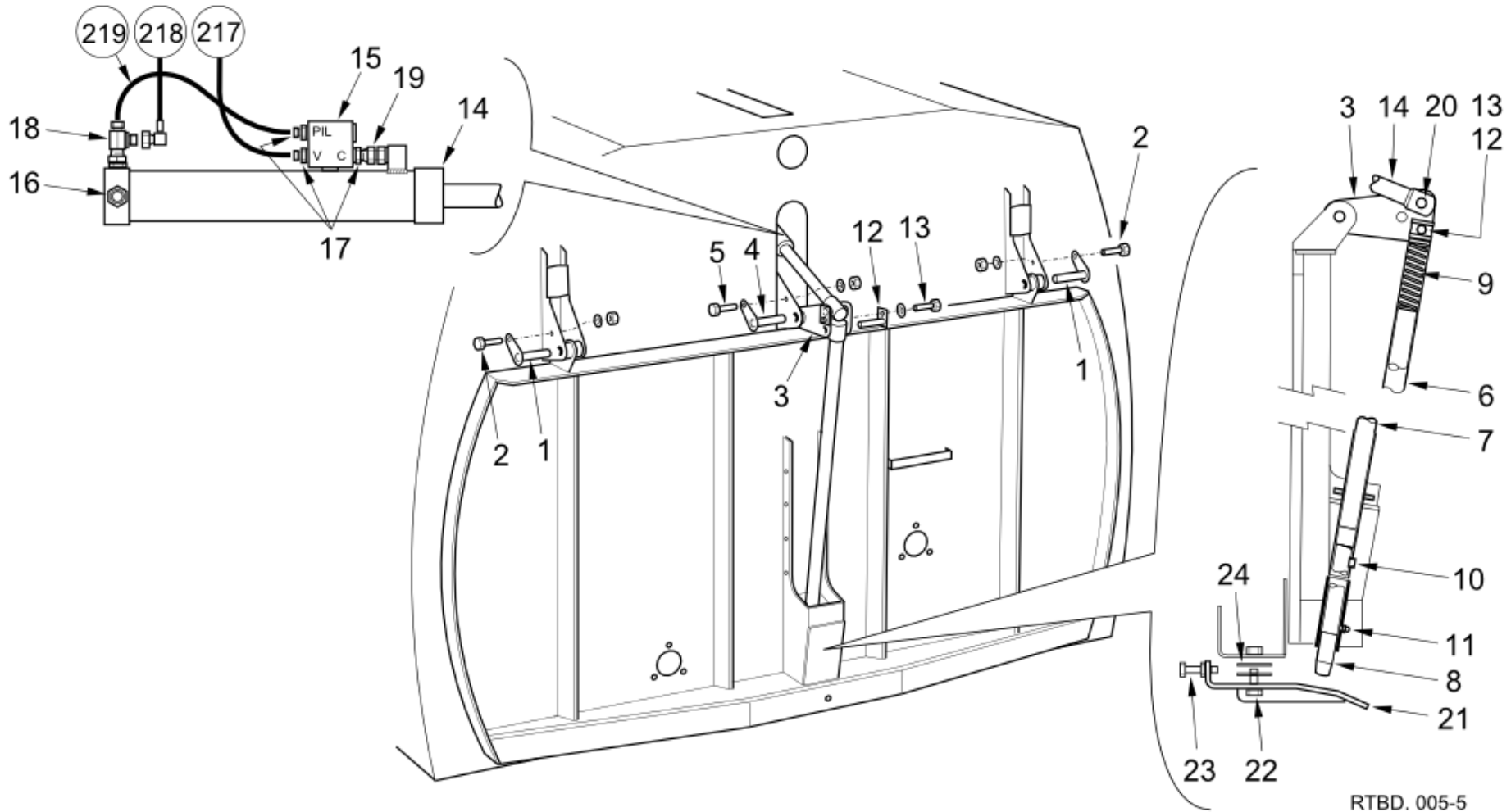
Access Door Assembly (M010813)

Body/Rear Door\Body\Access Door Assembly

Body/Rear Door

Item no.	Part no.	Description	QTY	Unit
0	283595-2	Roof/Rear Access Door Assy	1	PC
Comprising items 1-17				
1	284345-1	Access Door	1	PC
2	281217-1	Seal- Access Door Moulded	1	PC
3	284348-1	Spindle	1	PC
4	455-14	Washer Plain Plated Steel M16	1	PC
5	124-100	Setscrew M6C x 12	1	PC
5	457-2	Washer Plain Steel M6 Form G	1	PC
5	460-8	Washer Spring Single Coil M6	1	PC
6	200342-2	Latch - Access Door (1.4003)	1	PC
8	59-1	Pin Tension Spring 8 O/Dx36Lg	1	PC
9	290-28	Bump Stop Rubber	1	PC
10	123-148	Bolt M Coarse M12x50	2	PC
10	425-16	Nut Nyloc Hex M12c	2	PC
11	283596-2	Frame W/A - Rear/Roof Acc Door	1	PC
12	7010251	HANDLE ACCESS DOOR RT655	1	PC
13	124-139	Setscrew M8C x 30	6	PC
14	124-141	Setscrew M8C x 35	4	PC
15	451-3	Washer Bonded Ø5-16" - Bolt	10	PC
16	454-8	Washer Plain St.Stl M8x17	10	PC
17	417-8	Nut - Nyloc M8 S/Steel DIN985	10	PC
18	283613-1	Gasket - Access Panel Roof	1	PC
7	7017706	Handle - Access Door	1	PC

Installation (M010813)

 Body/Rear Door\Rear Door\Installation
 Body/Rear Door


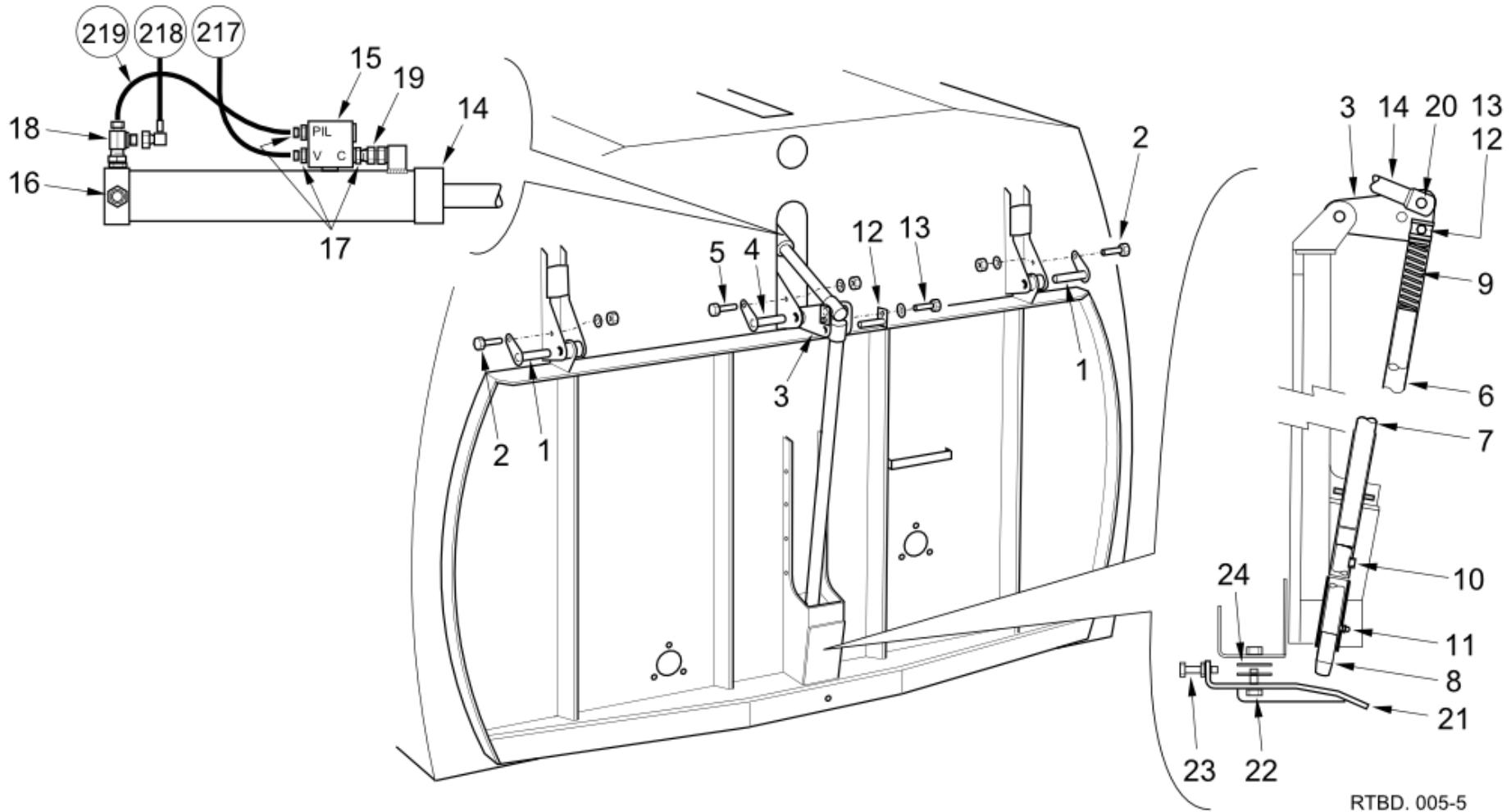
Installation (M010813)

Body/Rear Door\Rear Door\Installation

Body/Rear Door

Item no.	Part no.	Description	QTY	Unit
1	282952-1	Pivot Pin W/Assy - 85 Long	2	PC
2	124-135	Setscrew M8C x 20	2	PC
2	417-8	Nut - Nyloc M8 S/Steel DIN985	2	PC
3	40897-1-A	Relay W/Assy-Rear Door	1	PC
3	29128-3	Bush	2	PC
4	282952-2	Pivot Pin Welded Assembly	1	PC
5	124-135	Setscrew M8C x 20	1	PC
5	417-8	Nut - Nyloc M8 S/Steel DIN985	1	PC
6	60113-9	Latch Pin W/A-Actuation Shaft	1	PC
7	280187-1	Tube - Spring Retainer Rr Door	1	PC
8	201064-1	Pin - Rear Door Latch 6XX	1	PC
9	13573	Spring-Comp. 31.8x4x152.4 FL	1	PC
10	129-183	Screw MC Cap Skt Hd M12x25	1	PC
11	38-1	Nipple Grease Straight 1/8 BSP	1	PC
12	40572-1-A	Pin Pivot W/A Rr Door x 80 Lg	1	PC
13	124-132	Setscrew M8C x 12	1	PC
13	460-10	Washer Spring Single Coil M8	1	PC
14	29170-1-B	Cylinder - Rear Door/Powaboom	1	PC
15	283325-1	Pilot Check Valve Rear Door	1	PC
16	40553-1-C	Pin Pivot Cylinder Hyd M16	1	PC
16	425-18	Nut Nyloc Hex M16C	2	PC
17	265-2	Adaptor Reducing M/M 1/4 x 3/8 BSP	3	PC
17	451-18	Washer Bonded G3/8"	3	PC
18	255-11	Tee - M/Swivel Female/M Branch 1/4 BSP	1	PC

Installation (M010813)

 Body/Rear Door\Rear Door\Installation
 Body/Rear Door


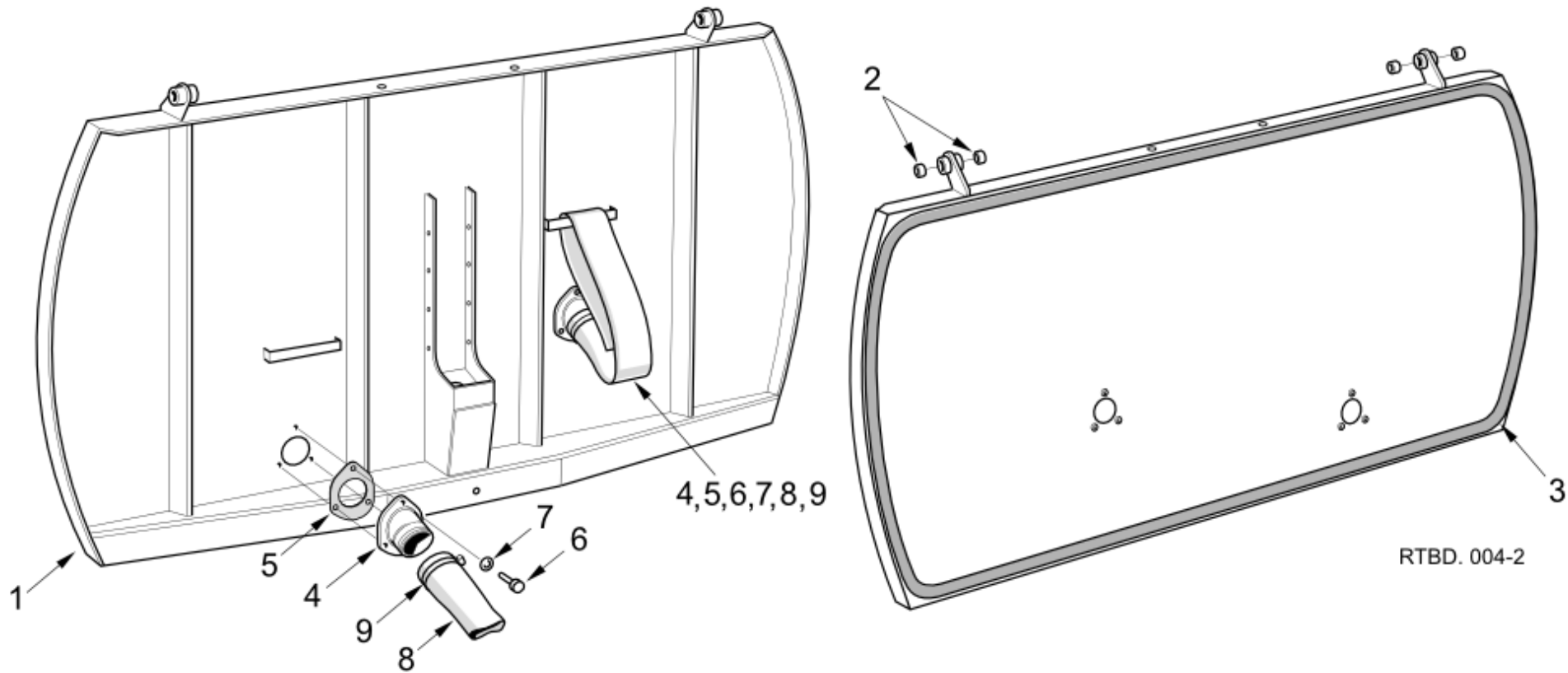
Installation (M010813)

Body/Rear Door\Rear Door\Installation

Body/Rear Door

Item no.	Part no.	Description	QTY	Unit
19	242-10	Elbow 90° Swivel 1/4 BSP F x 1/4 BSP F	1	PC
20	40572-1-A	Pin Pivot W/A Rr Door x 80 Lg	1	PC
20	124-132	Setscrew M8C x 12	1	PC
20	460-10	Washer Spring Single Coil M8	1	PC
21	280185-1	Latch Plate W/Assy 6XX	1	PC
22	124-267	Setscrew M16C x 30	2	PC
22	460-14	Washer Spring Single Coil M16	2	PC
22	455-14	Washer Plain Plated Steel M16	2	PC
23	124-212	Setscrew M12C x 65	2	PC
23	420-16	Nut MC Hex M12	3	PC
24	223427-1	Packer - Rear Door Latch 655	1	PC
217	HC04000-385	Hose - Megaflex 1/4" STRxSTR	1	PC
218	HC04000-385	Hose - Megaflex 1/4" STRxSTR	1	PC
219	HC04002-27	Hose - Megaflex 1/4" STRx90s	1	PC

Door Assembly (M010811,930814)
Body/Rear Door\Rear Door\Door Assembly
Body/Rear Door



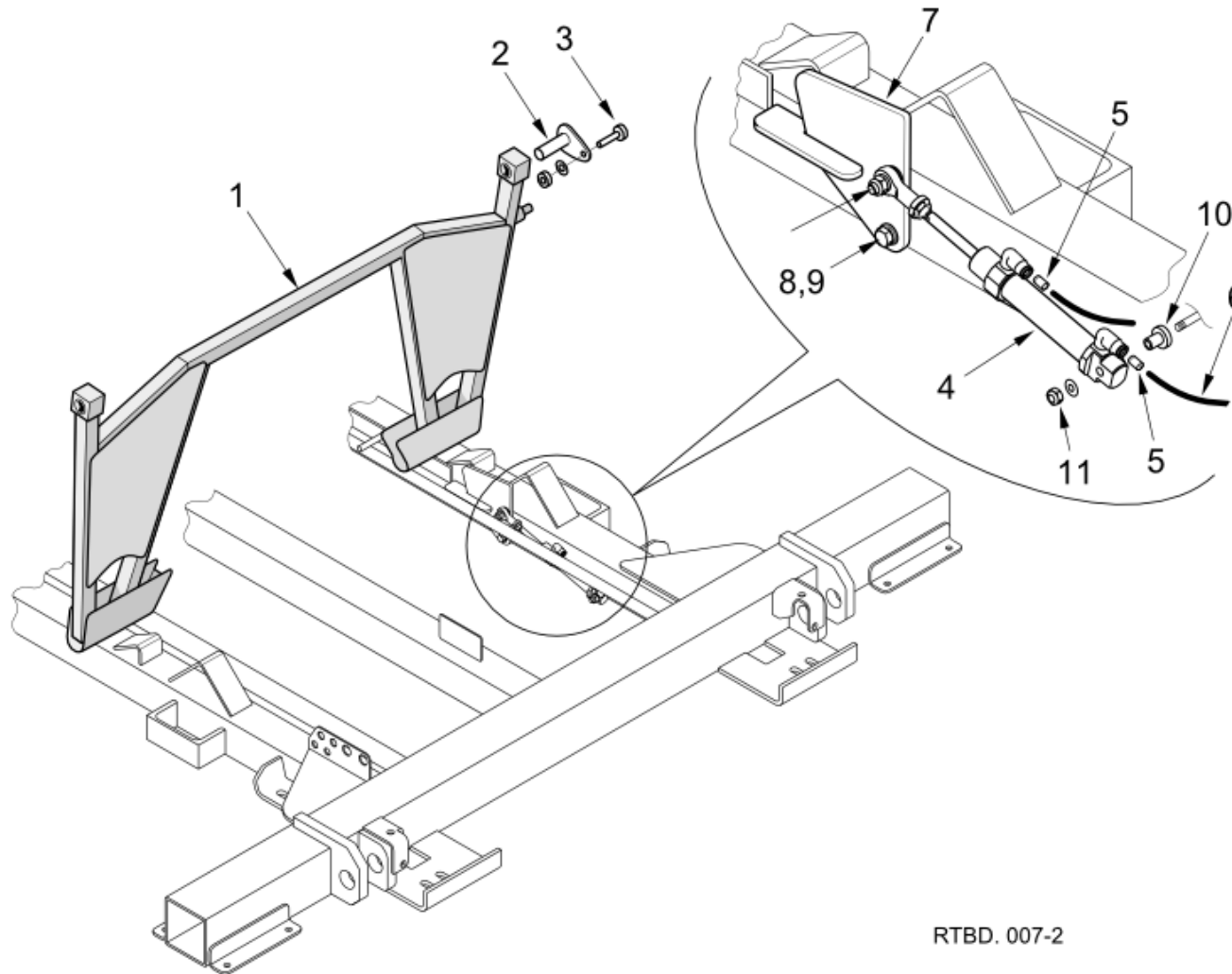
Door Assembly (M010811,930814)

Body/Rear Door\Rear Door\Door Assembly

Body/Rear Door

Item no.	Part no.	Description	QTY	Unit
1	221100-1	Rear Door W/Assy M.Steel RT655	1	PC
1	221100-2	Rear Door W/Assy 4003 RT655	1	PC
2	29128-3	Bush	4	PC
3	281777-3	Seal - Rear Door LONG 95	1	PC
4	284085-1	Spigot - Drain Rear Door (Nylon)	2	PC
5	281411-1	Gasket-Spigot Layflat Hose	2	PC
6	118-135	Setscrew Hexagon Hd M8cx20 SS	6	PC
7	454-8	Washer Plain St.Stl M8x17	6	PC
8	9983	Hose - Drain	2	M
9	501-7	Clip Hose Worm Drive (70-90)	2	PC

Auto Prop (M010611,M010720)
Body/Rear Door\Body Prop\Auto Prop
Body/Rear Door



RTBD. 007-2

Auto Prop (M010611,M010720)
 Body/Rear Door\Body Prop\Auto Prop
 Body/Rear Door

Item no.	Part no.	Description	QTY	Unit
1	223470-1	Body Prop Auto Manual W/A 655	1	PC
2	283445-1	Pivot Pin	2	PC
3	124-137	Setscrew M8C x 25	2	PC
3	455-10	Washer Plain Plated Steel M8	2	PC
3	425-14	Nut Nyloc Hex MC M8	2	PC
4	293879-1	Cylinder - Pneumatic Prop Rel	1	PC
6	273-20	Tube - Nylon Blue 6mm O/D 100m Reel	8	M
7	221837-1	Fulcrum W/Assy Autoprop RT655	1	PC
8	124-133	Hex Head Screw - M8Cx14 - 8.8	1	PC
8	455-10	Washer Plain Plated Steel M8	1	PC
9	455-10	Washer Plain Plated Steel M8	2	PC
9	425-14	Nut Nyloc Hex MC M8	2	PC
10	293887-1	Sleeve - Cam Plate Axle	1	PC
11	455-8	Washer Plain Plated Steel M6	1	PC
11	425-13	Nut Nyloc Hex M6C	1	PC
5	41041-1-A	Sleeve - Support, Pipe	2	PC

This page is intentionally left blank

Chapter 2

Subframe Assembly

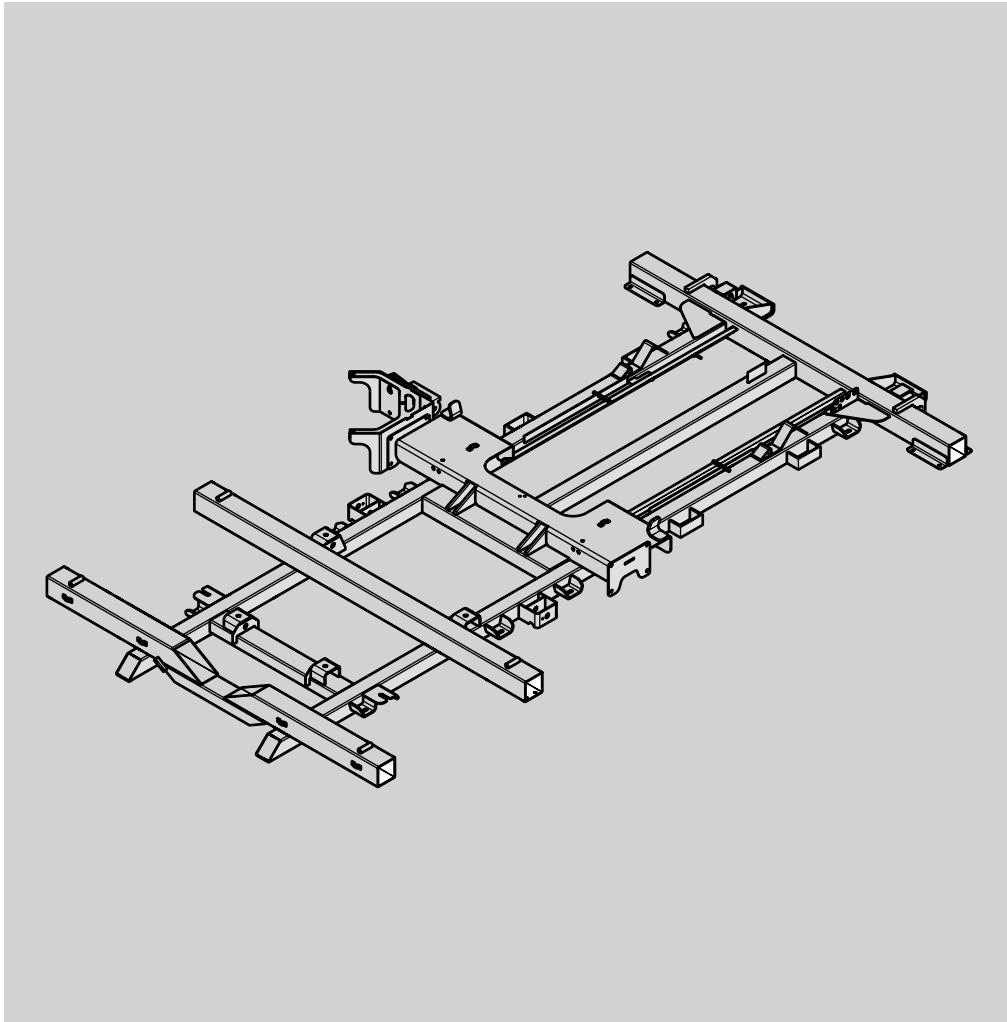
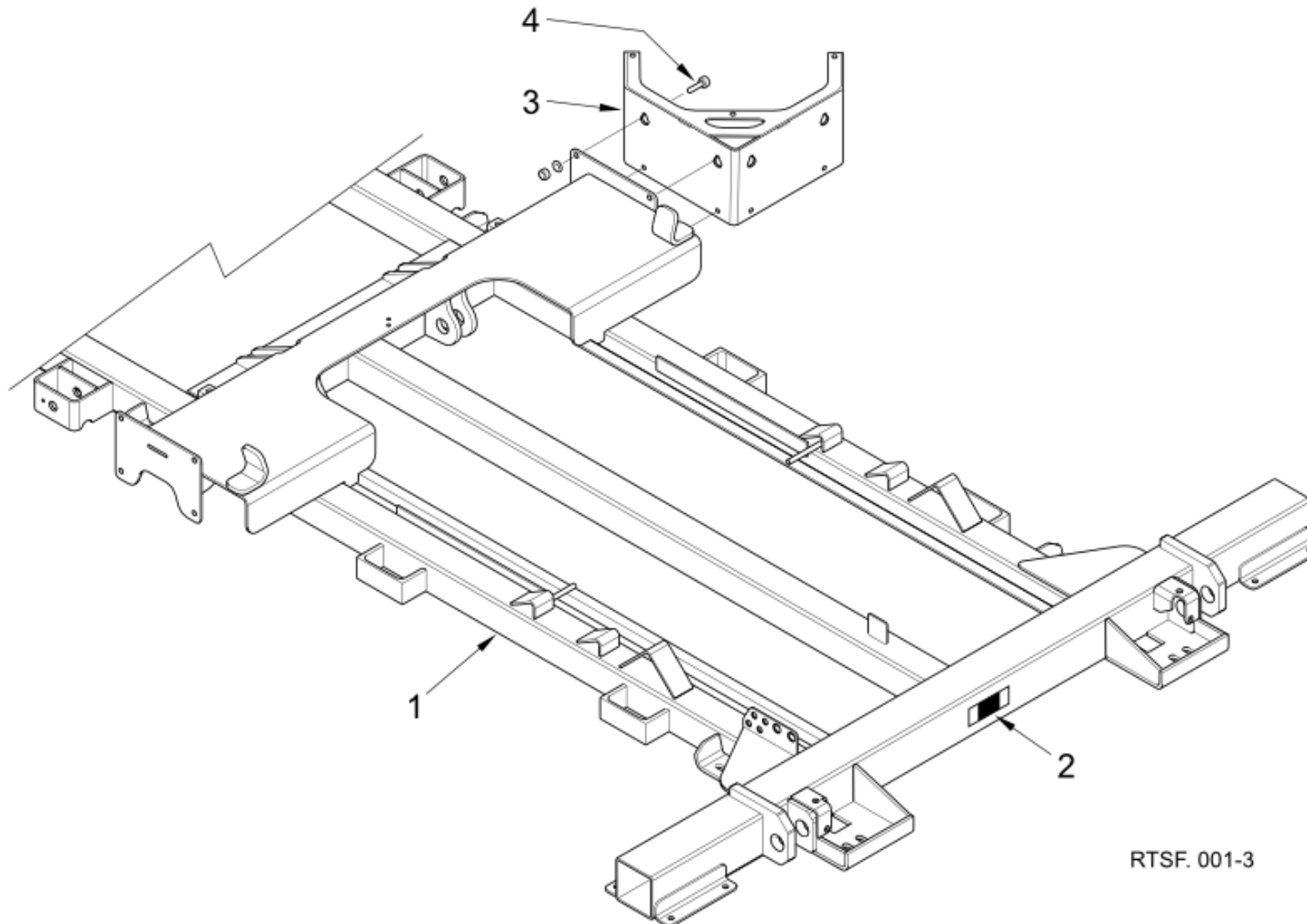


Table of Contents

Section	Page
2.1 Subframe Assembly	34

Subframe Assembly (M010711,M010713)

Subframe Assembly\Subframe Assembly



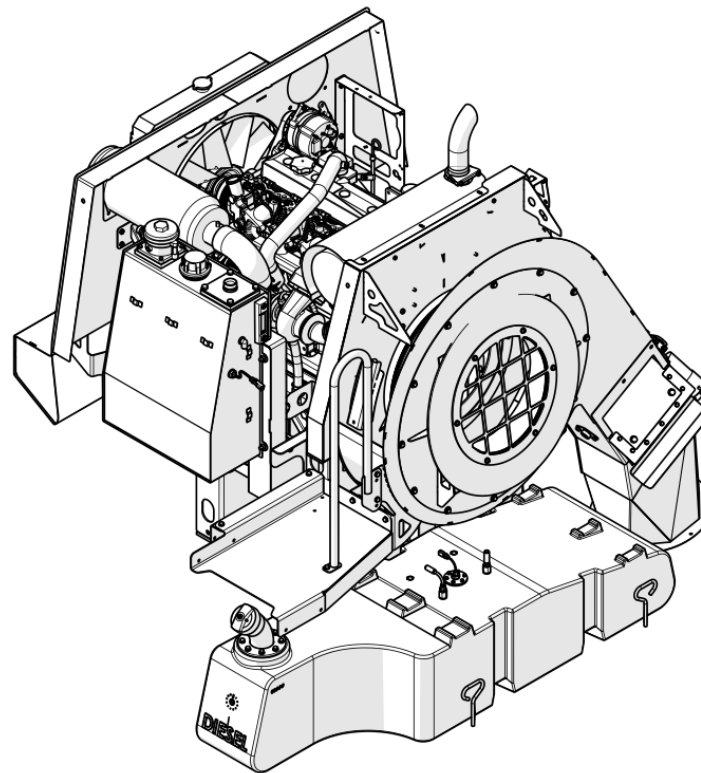
RTSF.001-3

Subframe Assembly (M010711,M010713)

Subframe Assembly\Subframe Assembly

Item no.	Part no.	Description	QTY	Unit
1	221300-1	Subframe W/Assy RT655	1	PC
2	806953-1	Label Serial No Plate	1	PC
3	221045-1	Brkt-Intake Seat Subframe 655	1	PC
4	124-171	Setscrew M10C x 30	4	PC
4	460-11	Washer Spring Single Coil M10	4	PC
4	420-15	Nut MC Hex M10	4	PC

Powapak ()
Powapak



Chapter 3

Powapak

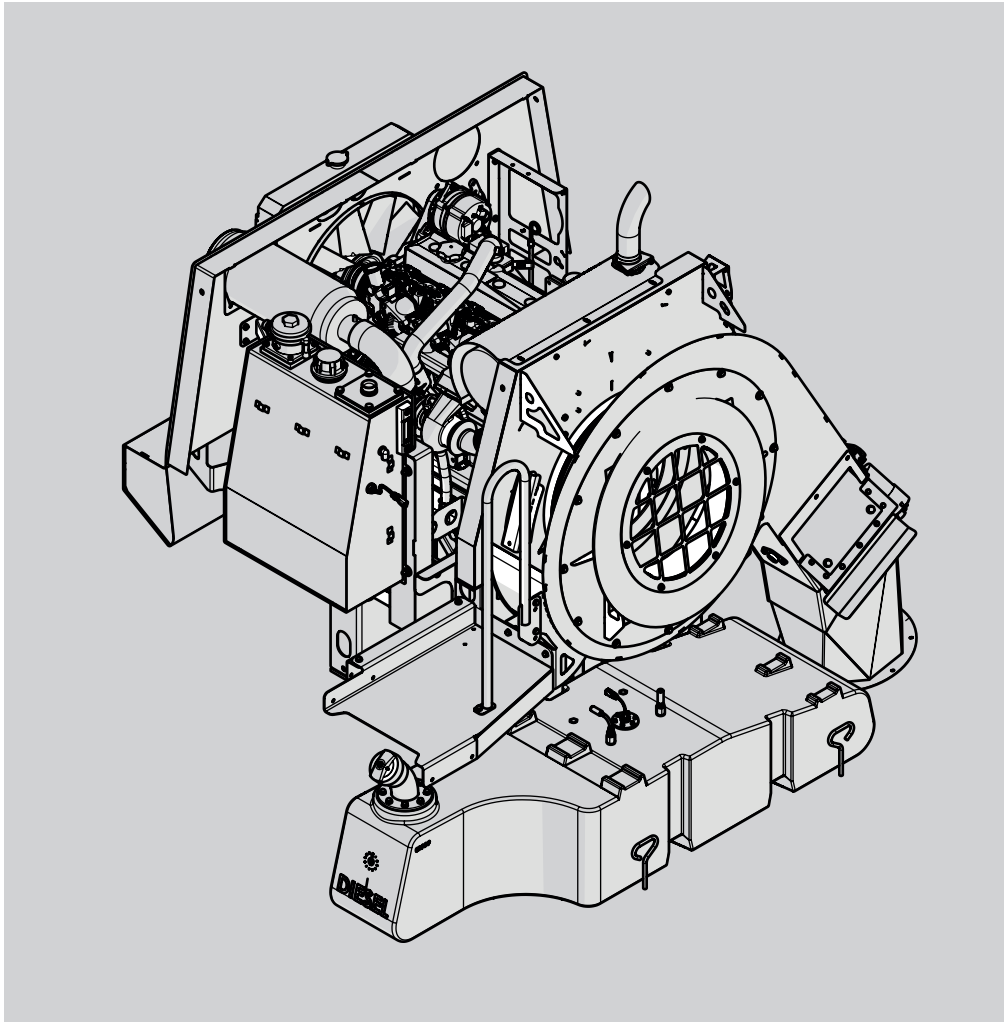
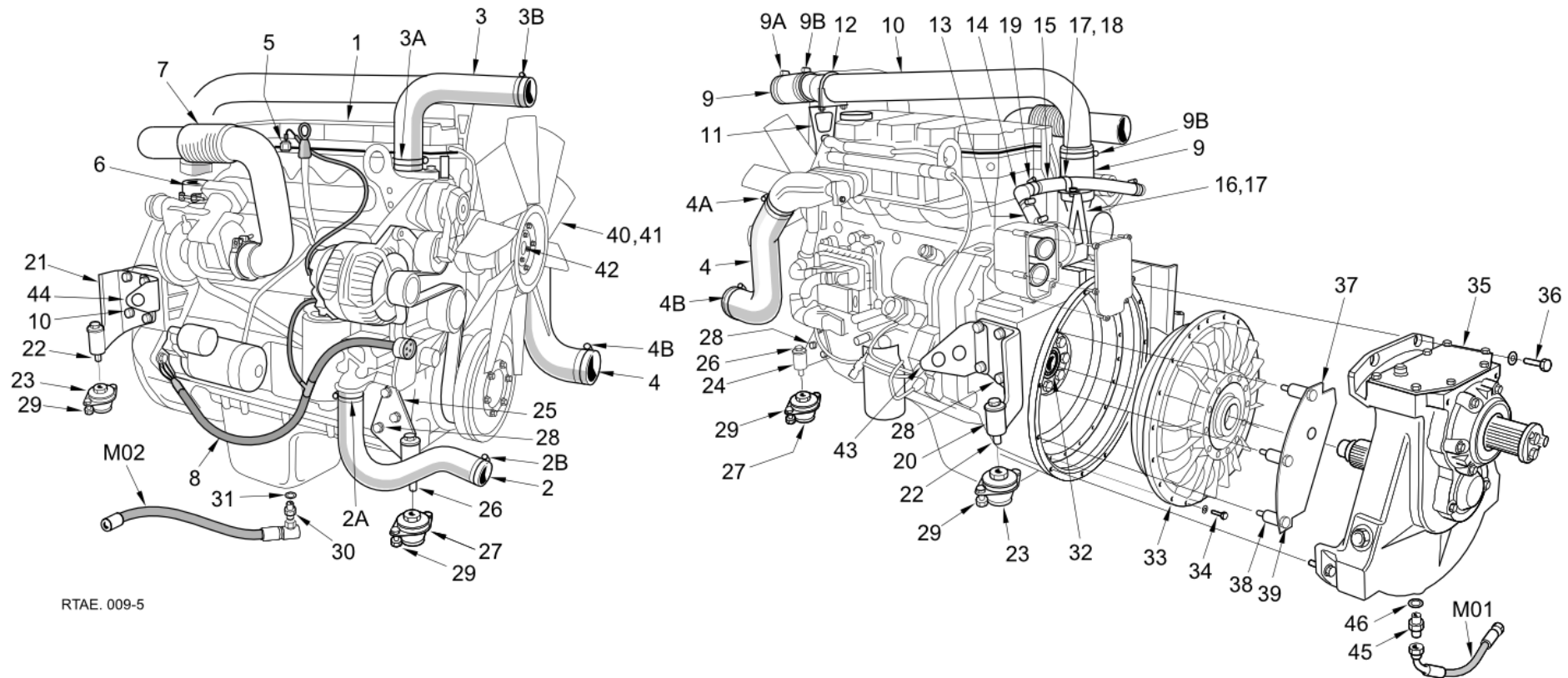


Table of Contents

Section	Page
3.1 Engine Options	38
3.2 Ancillaries	64
3.3 Fuel Tank	84

Dressed Engine (M010511,M010514)
 Powapak\Engine Options\Iveco Stage 3a\Dressed Engine
 Powapack - Engine Options - Iveco Stage 3a



RTAE. 009-5

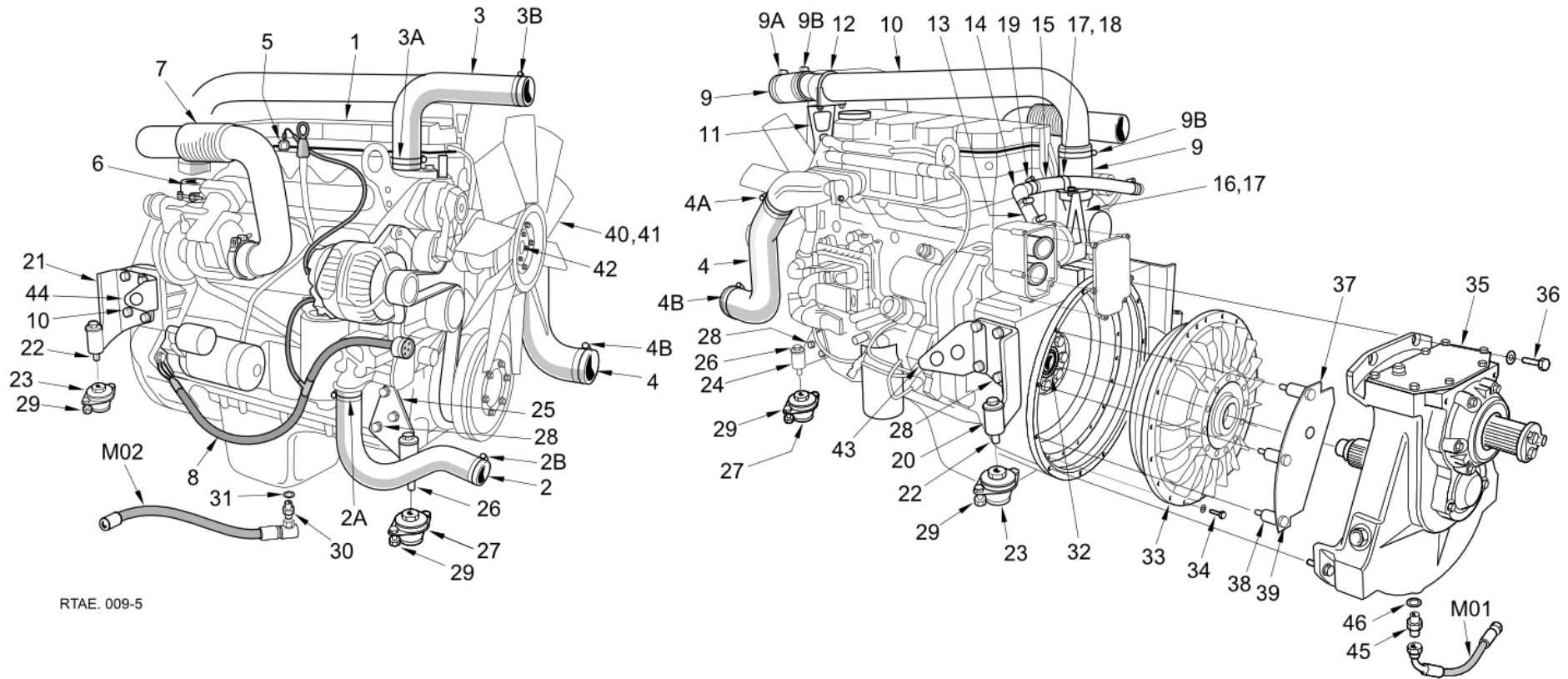
Dressed Engine (M010511,M010514)

Powapak\Engine Options\Iveco Stage 3a\Dressed Engine

Powapack - Engine Options - Iveco Stage 3a

Item no.	Part no.	Description	QTY	Unit
1	283805-24	Engine-Iveco N45ENTX 104kW 24v	1	PC
2	281506-1	Hose-Bottom Radiator IVECO E3	1	PC
2A	501-6	Clip Hose Worm Drive (55-70)	2	PC
2B	501-6	Clip Hose Worm Drive (55-70)	2	PC
3	281507-1	Hose - Top Radiator IVECO E3	1	PC
3A	501-5	Clip Hose Worm Drive 40-55mm	2	PC
3B	501-5	Clip Hose Worm Drive 40-55mm	2	PC
4	281561-1	Hose - Charge Air IVECO E3	1	PC
4A	501-4	Clip Hose Worm Drive 30-40mm	2	PC
4B	501-4	Clip Hose Worm Drive 30-40mm	2	PC
5	87-59	Switch - Water Temp 110°C - M14	1	PC
5	845-216	Insert For 845/162	1	PC
5	845-217	Washer For 845/162	1	PC
6	283859-1	Charge Air Connector IVECO N45	1	PC
7	281417-1	Exhaust-Inlet Pipe WA IVECO E3	1	PC
8	283851-1	Engine Loom IVECO TIER 3	1	PC
9	271-38	Silicone Cuff 65mm I/D x 75mm	2	PC
9A	507-3	Hose Clamp - Constant Torque (57-79)	4	PC
9B	507-3	Hose Clamp - Constant Torque (57-79)	4	PC
10	295480-1	Charge Air Pipe IVECO Aux Eng	1	PC
11	281708-1	Support - Charge Air Pipe 95	1	PC
11	124-166	Setscrew M10C x 16	2	PC
11	460-11	Washer Spring Single Coil M10	2	PC
12	6645-12-C	Clip - Exhaust Banelli 2 1/2"	1	PC

Dressed Engine (M010511,M010514)
 Powapak\Engine Options\Iveco Stage 3a\Dressed Engine
 Powapack - Engine Options - Iveco Stage 3a



RTAE. 009-5

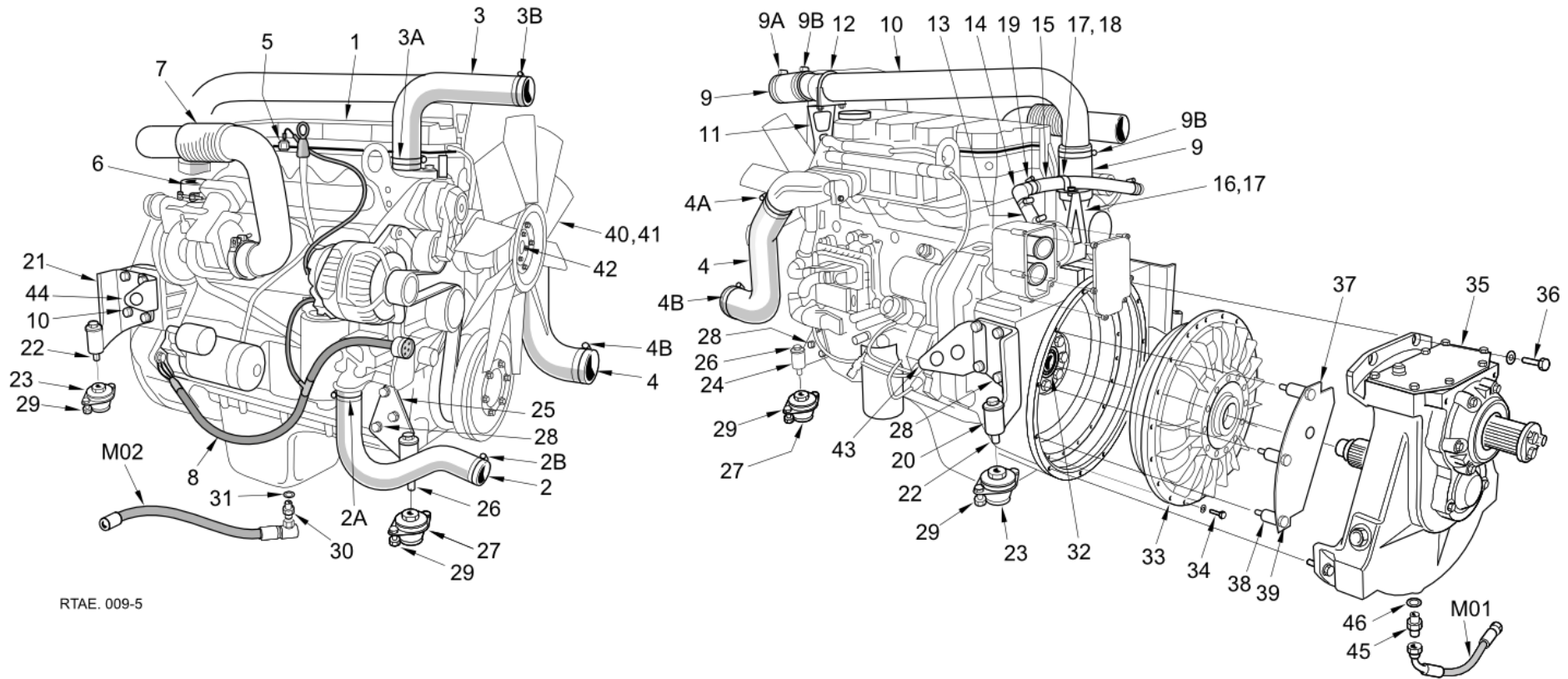
Dressed Engine (M010511,M010514)

Powapak\Engine Options\Iveco Stage 3a\Dressed Engine

Powapack - Engine Options - Iveco Stage 3a

Item no.	Part no.	Description	QTY	Unit
13	497-P02	Hose 3/4"	1	M
14	7004391	Tube	1	PC
15	497-P02	Hose 3/4"	1	M
16	281939-1	Support - Hose Breather EURO 3	1	PC
17	124-99	Setscrew M6C x 10	3	PC
17	460-8	Washer Spring Single Coil M6	3	PC
17	420-13	Nut MC Hex M6	1	PC
18	664-8	Clip - Pipe, Clamp 1"	1	PC
19	501-3	Clip Hose Worm Drive 22-30mm	4	PC
20	281450-1	Mount-Rear Eng W/A LH Iveco E3	1	PC
21	281450-2	Mount-Rear Eng W/A RH Iveco E3	1	PC
22	123-152	Bolt M Coarse M12x70	2	PC
22	457-6	Washer Plain Steel M12 Form G	2	PC
22	460-12	Washer Spring Single Coil M12	2	PC
23	22826-1-A	Anti Vibration Mount - 70 S	2	PC
24	222080-1	Engine Mount W/A LH IVECO T3	1	PC
25	222080-4	Engine Mount W/A RH IVECO T3	1	PC
26	123-151	Bolt M Coarse M12x65 BS3692	2	PC
26	457-6	Washer Plain Steel M12 Form G	2	PC
26	460-12	Washer Spring Single Coil M12	2	PC
27	6953	Anti Vibration Mount - 60 S	2	PC
28	124-205	Setscrew M12C x 35	14	PC
28	460-12	Washer Spring Single Coil M12	14	PC
29	124-171	Setscrew M10C x 30	8	PC

Dressed Engine (M010511,M010514)
 Powapak\Engine Options\Iveco Stage 3a\Dressed Engine
 Powapack - Engine Options - Iveco Stage 3a



RTAE. 009-5

Dressed Engine (M010511,M010514)

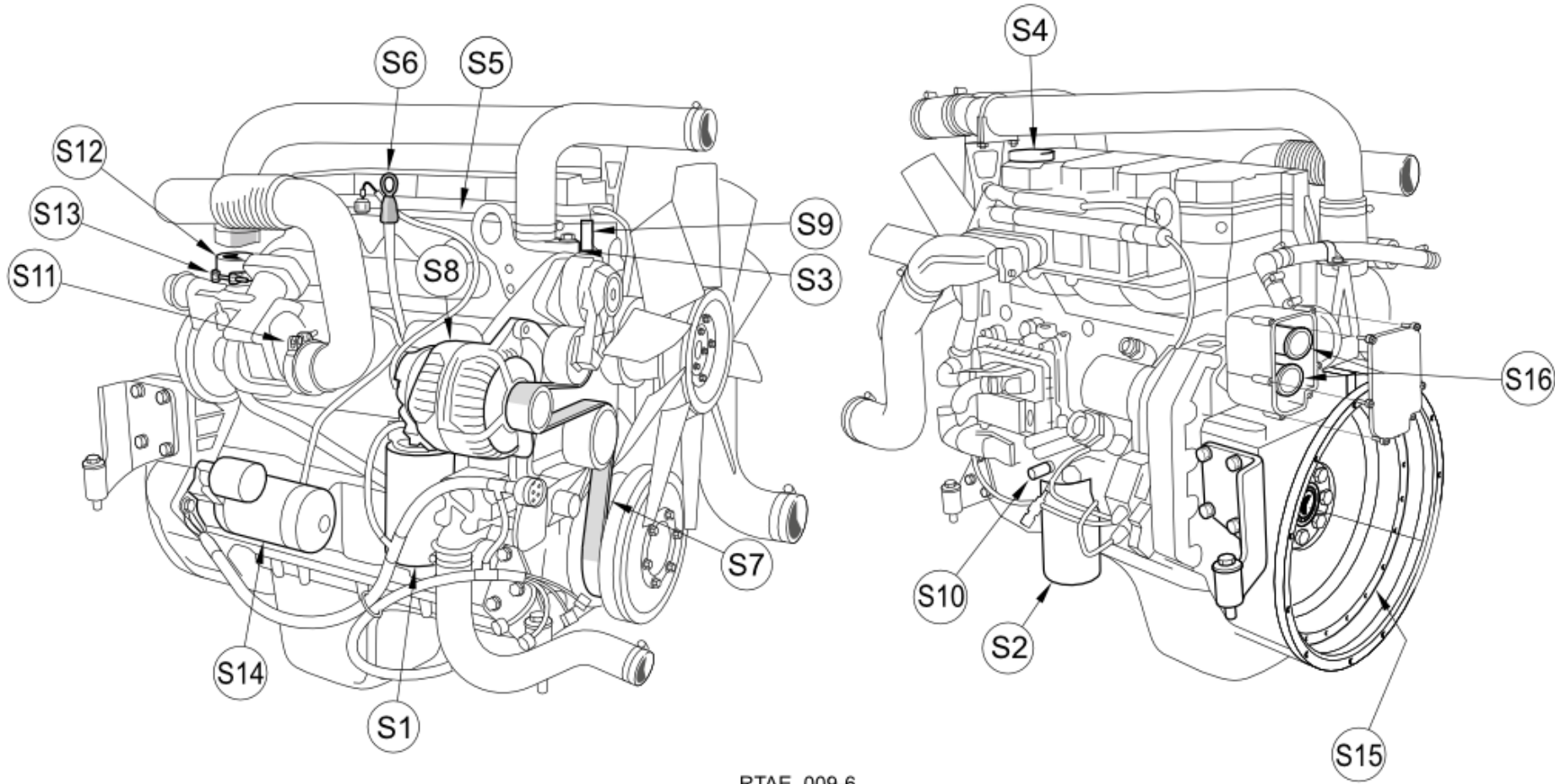
Powapak\Engine Options\Iveco Stage 3a\Dressed Engine

Powapack - Engine Options - Iveco Stage 3a

Item no.	Part no.	Description	QTY	Unit
29	460-11	Washer Spring Single Coil M10	8	PC
30	282513-1	Adaptor M22xG3/4 + O Ring	1	PC
31	282513-2	O Ring-For Adaptor M22xG3/4	1	PC
32	14-7	Bearing - 30x62x16	1	PC
33	42501-3-A	Coupling - Fluid	1	PC
34	129-127	Screw MC Cap Skt Hd M8x30	20	PC
34	452-57	Washer - M8 X 15 - ZN Clear	20	PC
35	42270-1-C	Gearbox Assembly	1	PC
36	123-131	Bolt M Coarse M10x55	6	PC
36	460-11	Washer Spring Single Coil M10	6	PC
37	42299-1-C	Cover - Safety	2	PC
38	920000-32	Spacer Nylon 20 Dia X 32mm Lg	6	PC
39	123-134	Bolt M Coarse M10x70	6	PC
39	460-11	Washer Spring Single Coil M10	6	PC
40	281-7	Fan - Cooling Puller 508	1	PC
41	281458-1	Spacer-Cooling Fan IVECO E3/T2	1	PC
42	129-166	Screw MC Cap Skt Hd M10x70	4	PC
42	460-11	Washer Spring Single Coil M10	4	PC
43	222113-1	Loom Bracket IVECO Eng RT655	1	PC
44	222114-1	Loom Bracket IVECO Eng RH 655	1	PC
45	263-4	Adaptor M/M 1/2 BSP BS5200	1	PC
46	451-19	Washer - Bonded G1-2"	1	PC
M01	HC08001-130	Hose - Megaflex 1/2" STRx45s	1	PC
M02	HE12003-80	Hose - Hydraulic 3/4" STRx90c	1	PC

Spares Items ()

Powapak\Engine Options\Iveco Stage 3a\Spares Items
Powapack - Engine Options - Iveco Stage 3a



RTAE. 009-6

Spares Items ()

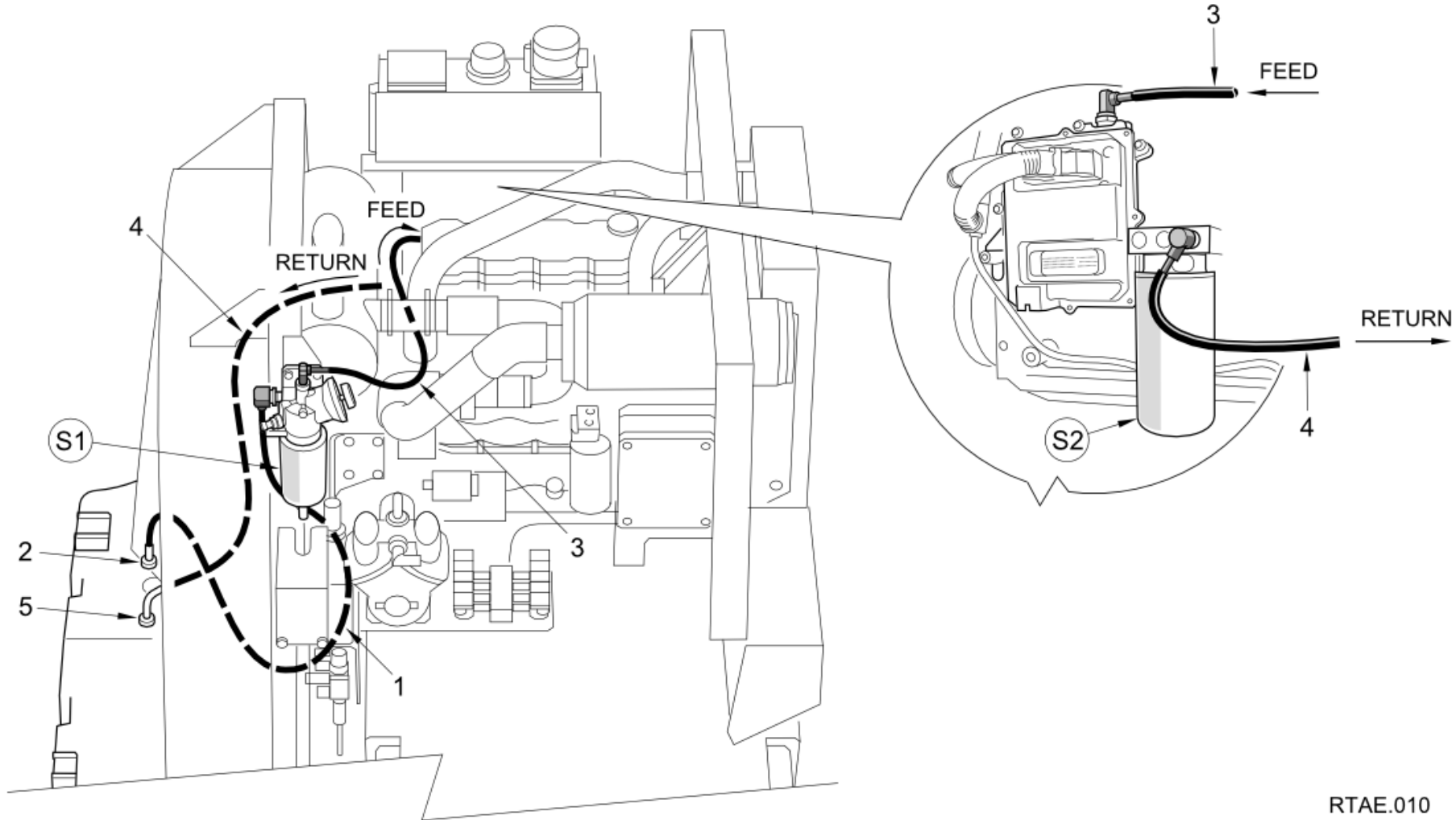
Powapak\Engine Options\Iveco Stage 3a\Spares Items

Powapack - Engine Options - Iveco Stage 3a

Item no.	Part no.	Description	QTY	Unit
S1	845-100	Filter - Oil Iveco	1	PC
S2	845-101	Filter - Fuel Iveco	1	PC
S3	845-153	Thermostat -Iveco Euro 3 Turbo	1	PC
S3	845-146	Thermostat - Seal Iveco	1	PC
S4	845-149	Cap-Oil Filler AifoEuro3 Turbo	1	PC
S5	845-150	Gasket - Rocker Iveco E3 Turbo	1	PC
S6	845-148	Dipstick-Iveco Turbo & Nat ASP	1	PC
S7	845-142	Belt - Alternator Iveco	1	PC
S8	845-104	Alternator(28v70amp)Iveco	1	PC
S9	845-161	Sensor - Water Iveco E3 Turbo	1	PC
S10	845-160	Sensor - Oil Iveco E3 Turbo	1	PC
S11	845-108	Clamp Exhaust - Iveco E3	1	PC
S12	845-109	O Ring Turbocharger Outlet E3	1	PC
S13	845-110	Turbocharger Outlet Clamp E3	1	PC
S14	845-103	Motor-Starter(24v) Iveco	1	PC
S16	845-183	Blow-By Filter Kit	1	PC
S15	845-283	Humidity Sensor C400 E4 Eng	1	PC
S15	845-269	Ring Gear Iveco Aifo E2 & C400 E4	1	PC

Fuel System (M010511)

Powapak\Engine Options\Iveco Stage 3a\Fuel System
Powapack - Engine Options - Iveco Stage 3a



RTAE.010

Fuel System (M010511)

Powapak\Engine Options\Iveco Stage 3a\Fuel System

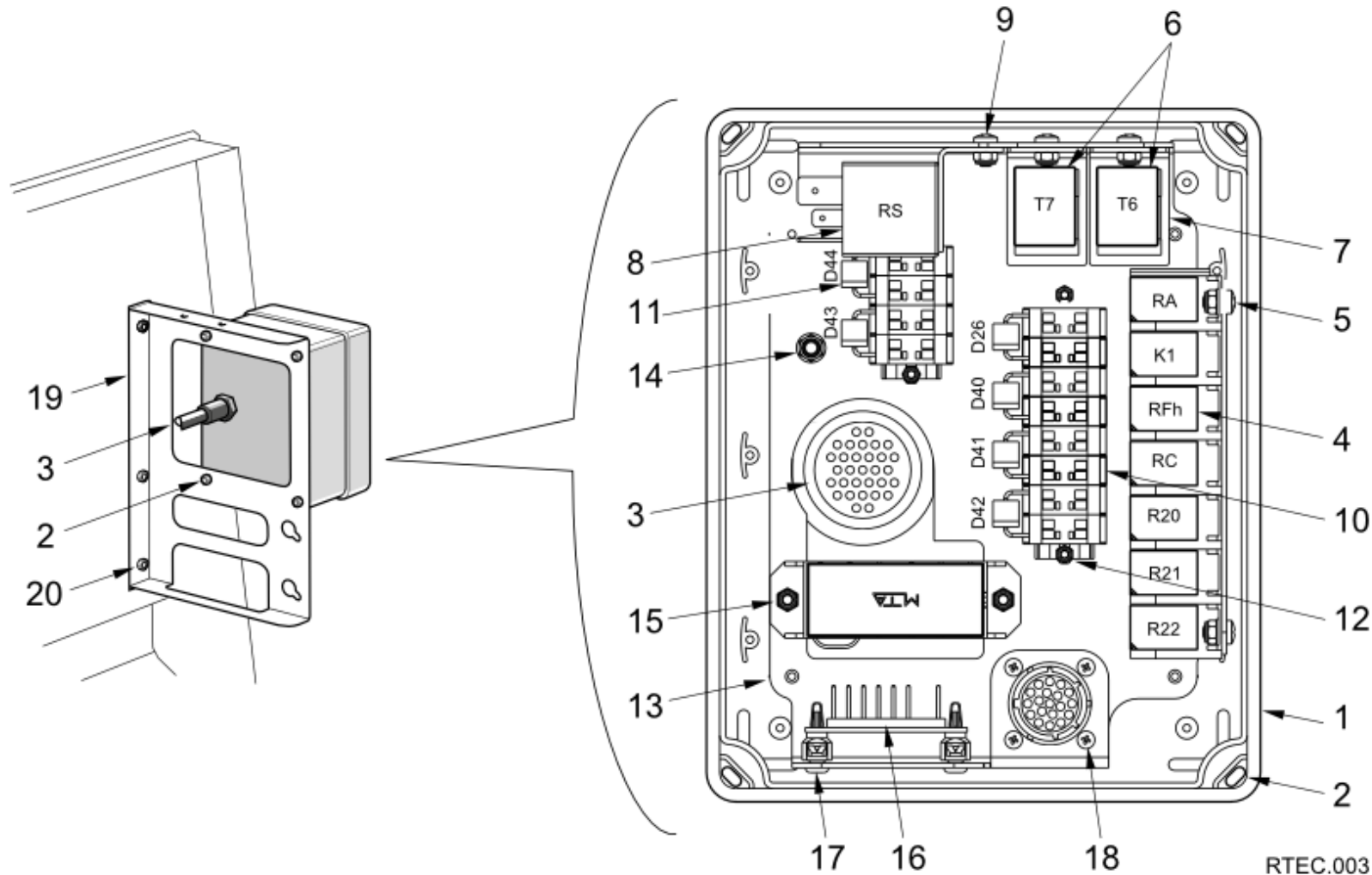
Powapack - Engine Options - Iveco Stage 3a

Item no.	Part no.	Description	QTY	Unit
1	282488-1	Hose-Fuel Suction Iveco	1	PC
2	277-85	Connector - Straight 10mm	1	PC
3	222500-1	Fuel Suction Hose IVECO Engine	1	PC
4	42683-3	Pipe-Fuel, 360mm Lg 8mm Bundy	1	PC
5	277-48	Connector - Straight 8mm	1	PC
S1	845-206	Element - Pre Filter	1	PC
S2	845-101	Filter - Fuel Iveco	1	PC

Engine Management Box (M010511)

Powapak\Engine Options\Iveco Stage 3a\Engine Management Box

Powapack - Engine Options - Iveco Stage 3a



Engine Management Box (M010511)

Powapak\Engine Options\Iveco Stage 3a\Engine Management Box

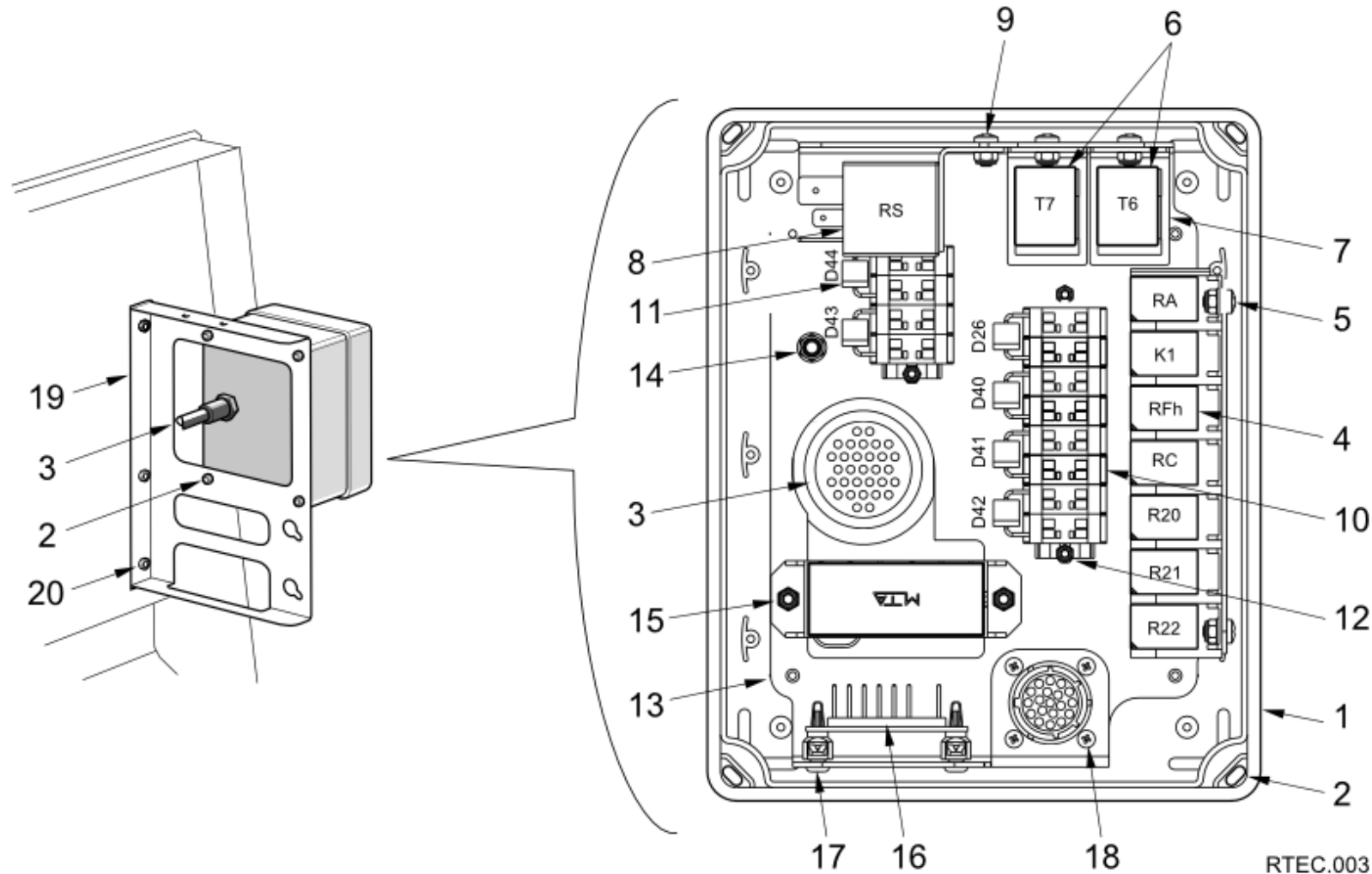
Powapack - Engine Options - Iveco Stage 3a

Item no.	Part no.	Description	QTY	Unit
0	283852-1	Management Box IVECO TIER 3	1	PC
1	283848-1	Enclosure - Eng Management Box	1	PC
2	134-44	Pan Head Screw-M4Cx20-4.8-Pozidriv	4	PC
2	425-11	Nut Nyloc Hex MC M4	4	PC
3	283857-1	Loom - IVECO 104KW S3A Man Box	1	PC
4	725-153	Relay - 24v 10/5 AMP N/O Micro	7	PC
5	134-40	Pan Head Screw-M4Cx8-4.8-Pozidriv	2	PC
5	455-7	Washer Plain Plated Steel M5	2	PC
5	460-7	Washer Spring Single Coil M5	2	PC
5	420-12	Nut MC Hex M5	2	PC
6	13982	Relay Timer 24v	2	PC
7	283198-1	Timer Supt NAT ASP Manage Box	2	PC
8	48-361	Relay-Type 4RA 24v	1	PC
9	134-55	Pan Head Screw-M5Cx8-4.8-Pozidriv	2	PC
9	460-7	Washer Spring Single Coil M5	2	PC
9	455-7	Washer Plain Plated Steel M5	2	PC
9	420-12	Nut MC Hex M5	2	PC
10	30-256	Block-4 Way Terminal + Flange	12	PC
10	30-254	Plate - End With Fixing Flange	2	PC
11	13984	Diode Rectifier	6	PC
12	134-13	Pan Head Screw-M3Cx12-4.8-Pozidriv	4	PC
12	425-10	Nut Nyloc Hex M3C	4	PC
13	283894-1	Support Frame - Management Box	1	PC
14	134-60	Pan Head Screw-M5Cx25-4.8-Pozidriv	1	PC

Engine Management Box (M010511)

Powapak\Engine Options\Iveco Stage 3a\Engine Management Box

Powapack - Engine Options - Iveco Stage 3a



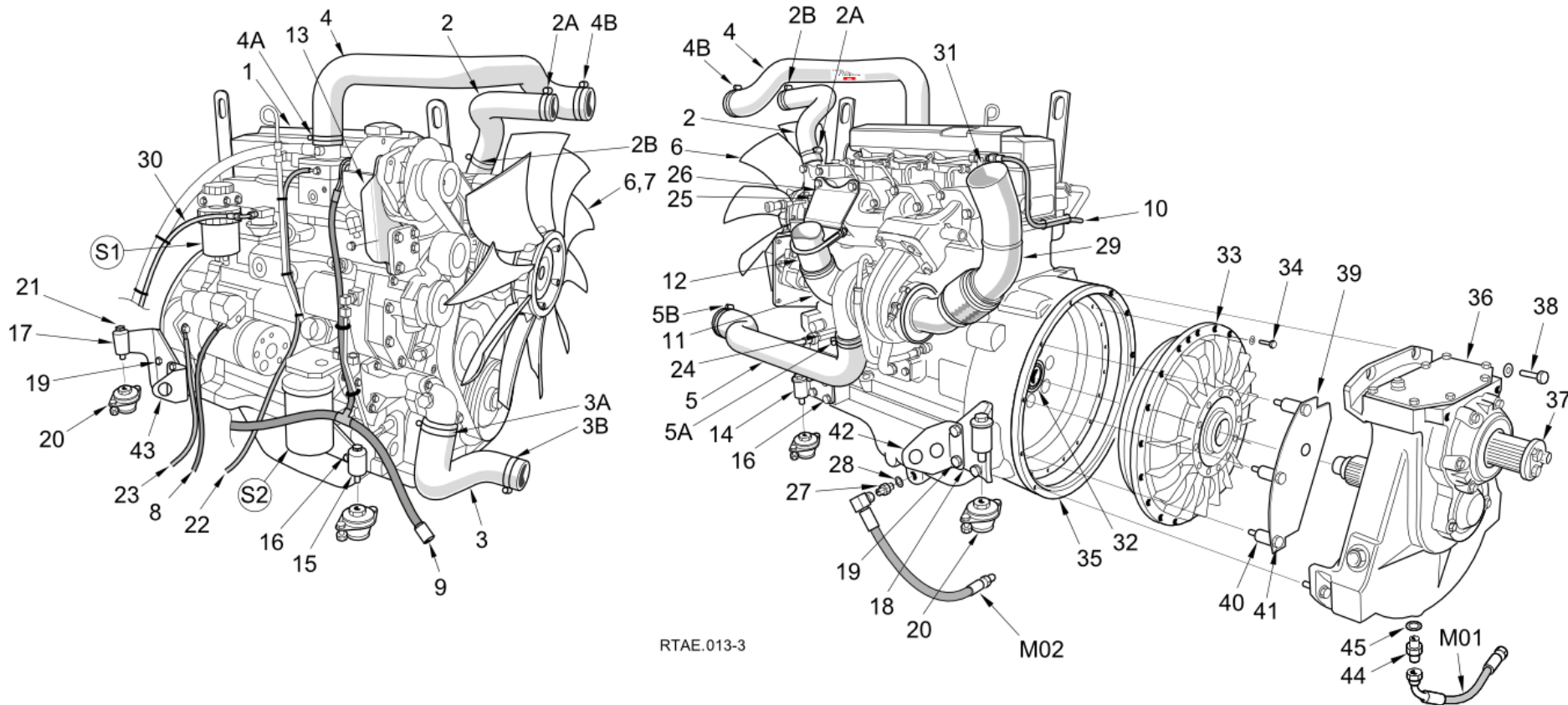
Engine Management Box (M010511)

Powapak\Engine Options\Iveco Stage 3a\Engine Management Box

Powapack - Engine Options - Iveco Stage 3a

Item no.	Part no.	Description	QTY	Unit
14	455-7	Washer Plain Plated Steel M5	1	PC
14	425-12	Nut Nyloc Hex M5C	1	PC
15	134-41	Pan Head Screw-M4Cx10-4.8-Pozidriv	2	PC
15	425-11	Nut Nyloc Hex MC M4	2	PC
16	282130-1	Resistor Board - IVECO	1	PC
17	30-280	Supt Circuit Board(Snap Rivet)	4	PC
18	134-12	Pan Head Screw-M3Cx10-4.8-Pozidriv	4	PC
19	221270-1	Relay Box Mount W/Assy	1	PC
20	124-135	Setscrew M8C x 20	3	PC
20	460-10	Washer Spring Single Coil M8	3	PC

Dressed Engine (M010511)

 Powapak\Engine Options\John Deere High Power\Dressed Engine
 Powapack - Engine Options - John Deere High Power


Dressed Engine (M010511)

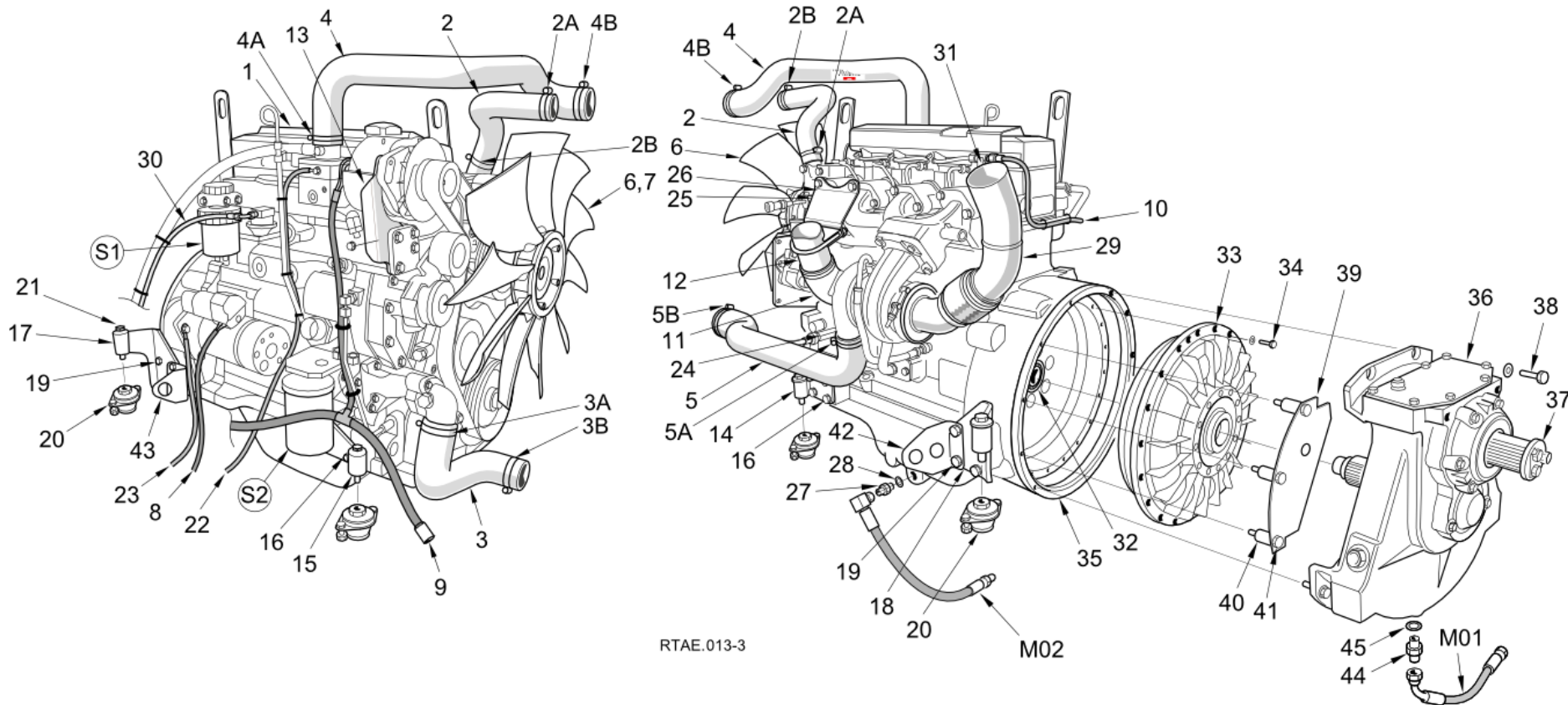
Powapak\Engine Options\John Deere High Power\Dressed Engine

Powapack - Engine Options - John Deere High Power

Item no.	Part no.	Description	QTY	Unit
1	283791-12	Eng John Deere 4045HF285 86kw	1	PC
2	283929-1	Coolant Hose Top-J Deere HP T3	1	PC
2A	501-6	Clip Hose Worm Drive (55-70)	1	PC
2B	501-6	Clip Hose Worm Drive (55-70)	1	PC
3	283931-1	Coolant Hose Btm-J Deere HP T3	1	PC
3A	501-6	Clip Hose Worm Drive (55-70)	1	PC
3B	501-6	Clip Hose Worm Drive (55-70)	1	PC
4	283933-1	Charge Air Hose Top JD HP T3	1	PC
4A	507-2	Hose Clamp - Constant Torque (45-67)	1	PC
4B	507-3	Hose Clamp - Constant Torque (57-79)	1	PC
5	283932-1	Charge Air Hose Btm J Deere T3	1	PC
5A	507-2	Hose Clamp - Constant Torque (45-67)	1	PC
5B	507-4	Hose Clamp - Constant Torque (70-92)	1	PC
6	281-9	Now use 281-10 Cooling fan	1	PC
7	295102-1	Spacer-Cooling Fan 27mm J.D	1	PC
7	123-110	Bolt M Coarse M8x50	4	PC
7	460-10	Washer Spring Single Coil M8	4	PC
8	281224-4	Cable-Starter Red	1	PAA
9	283939-1	Loom - John Deere T3 HP Engine	1	PC
10	282692-1	Hose - Fuel Return 1600 lg	1	PC
11	61096-3	Rubber elbow	1	PC
11	507-4	Hose Clamp - Constant Torque (70-92)	2	PC
12	7004395	Tube	1	PC
13	295064-1	Bracket-Alternator Mtg JD Eng	1	PC

Dressed Engine (M010511)

Powapak\Engine Options\John Deere High Power\Dressed Engine
 Powapack - Engine Options - John Deere High Power



Dressed Engine (M010511)

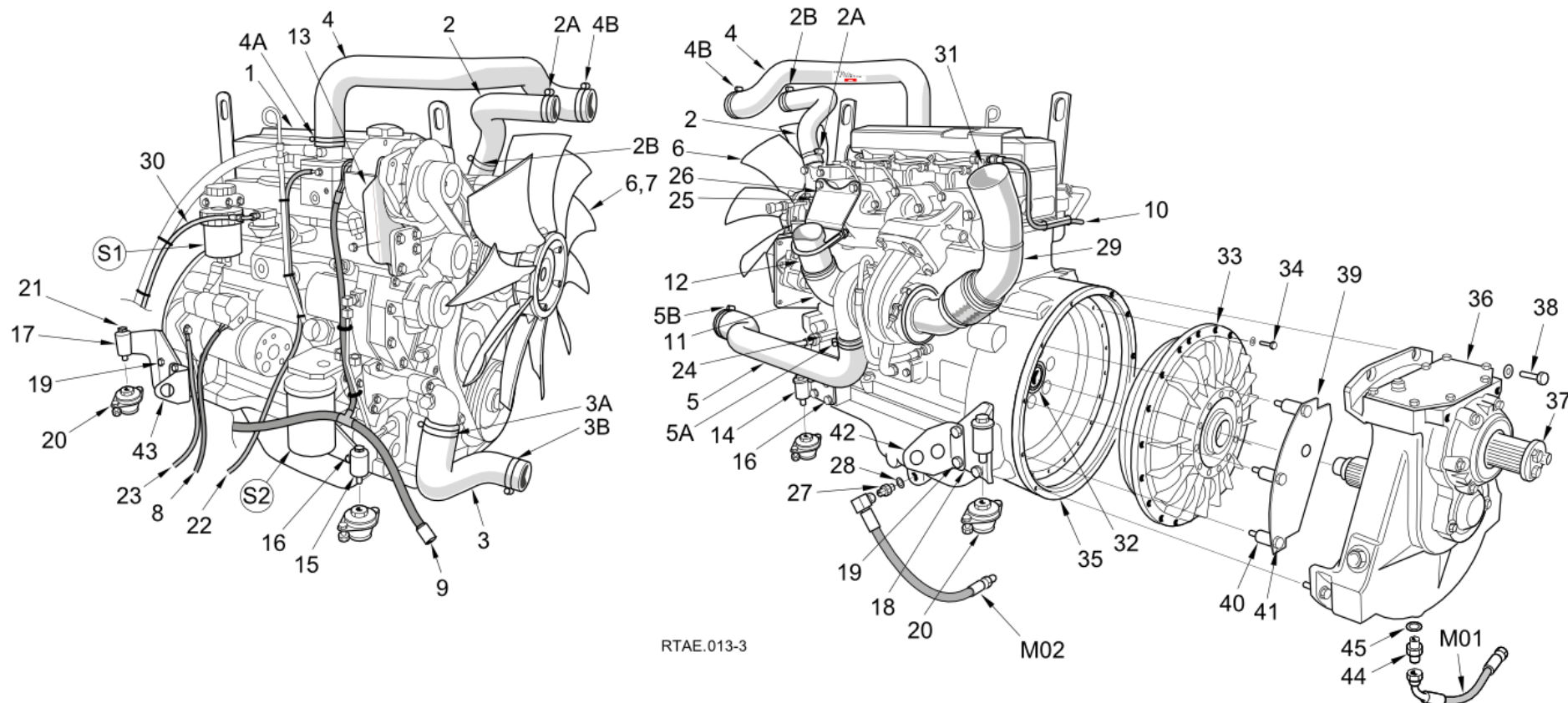
Powapak\Engine Options\John Deere High Power\Dressed Engine

Powapack - Engine Options - John Deere High Power

Item no.	Part no.	Description	QTY	Unit
14	280150-4	Engine Mount W/A(Less Plate)LH	1	PC
15	280150-2	Engine Mount W/Assy RH	1	PC
16	123-151	Bolt M Coarse M12x65 BS3692	2	PC
16	457-6	Washer Plain Steel M12 Form G	2	PC
16	460-12	Washer Spring Single Coil M12	2	PC
17	280135-1	Rear Engine Mount W/Assy LH	1	PC
18	280135-2	Rear Engine Mount W/Assy RH	1	PC
19	124-205	Setscrew M12C x 35	14	PC
19	460-12	Washer Spring Single Coil M12	14	PC
20	22826-1-A	Anti Vibration Mount - 70 S	4	PC
21	124-171	Setscrew M10C x 30	8	PC
21	460-11	Washer Spring Single Coil M10	8	PC
22	282044-3	Heat Start Cable 800Lg RT655	1	PC
23	17936-305-L	Cable - Earth 305cm	1	PC
24	283401-1	Extender-1/8" 48Lg J/Deere	1	PC
25	284136-1	Mntg Bracket-Air Inlet J/Deere	1	PC
26	6645-21	Clip - Exhaust Banelli 92mm	1	PC
27	7004768	Adaptor Connector M18 x G3/4"	1	PC
28	80-46	O Ring - Hole Dia.20	1	PC
29	221255-1	Exhaust Inlet Pipe J/Deere Eng	1	PC
30	221393-1	Fuel Hose Pre Filter-Eng RT655	1	PC
31	282697-1	Adaptor - Fuel Return J Deere	1	PC
31	848-21	Seal - For 848-20 (John Deere)	1	PC
32	14-7	Bearing - 30x62x16	1	PC

Dressed Engine (M010511)

Powapak\Engine Options\John Deere High Power\Dressed Engine
 Powapack - Engine Options - John Deere High Power



Dressed Engine (M010511)

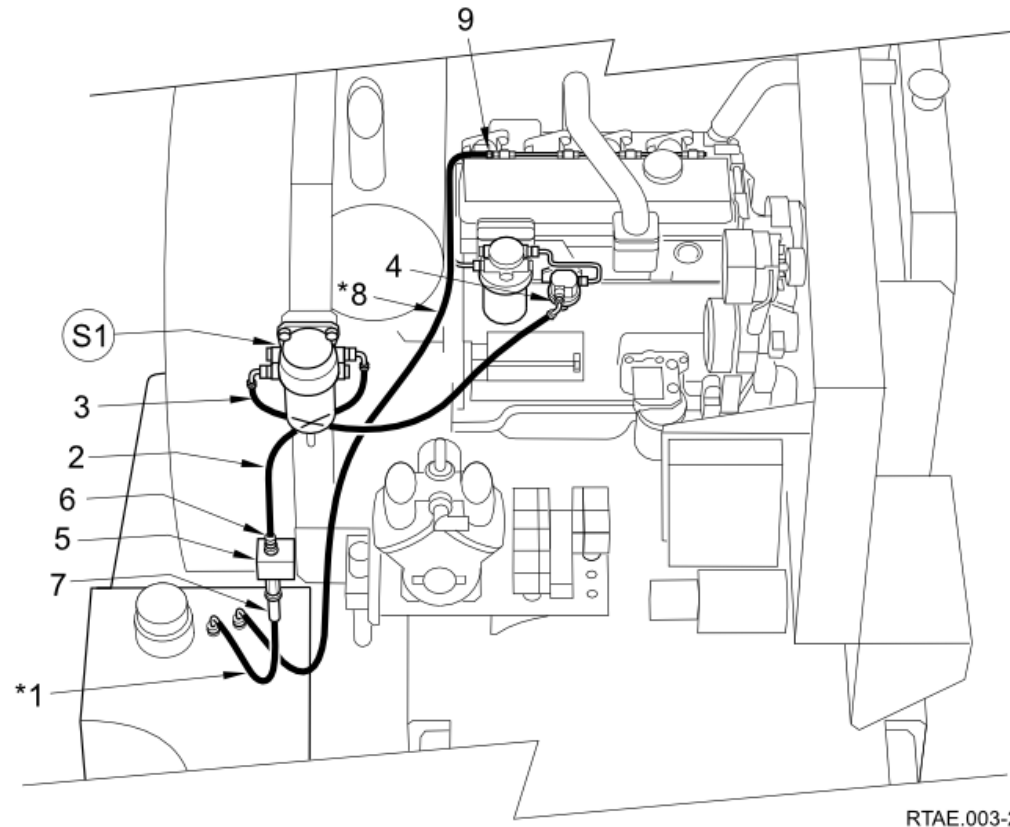
Powapak\Engine Options\John Deere High Power\Dressed Engine

Powapack - Engine Options - John Deere High Power

Item no.	Part no.	Description	QTY	Unit
32	77-39	Seal - Oil 40x55x7mm	1	PC
33	42501-3-A	Coupling - Fluid	1	PC
34	146-98	Cap Screw-Flange Headed M6x30 12.9	20	PC
34	280149-1	Washer - Fluid Coupling GP100	20	PC
35	63641-1	Spacer Ring - John Deere	1	PC
36	42270-1-C	Gearbox Assembly	1	PC
37	283803-1	Fixing Kit-Gearbox Assy	1	PC
38	123-131	Bolt M Coarse M10x55	6	PC
38	460-11	Washer Spring Single Coil M10	6	PC
39	42299-1-C	Cover - Safety	2	PC
40	920000-32	Spacer Nylon 20 Dia X 32mm Lg	6	PC
41	123-134	Bolt M Coarse M10x70	6	PC
41	460-11	Washer Spring Single Coil M10	6	PC
42	221367-1	Loom Bracket-Engine Pack RT655	1	PC
43	221519-1	Loom Bracket-Engine Pack RT655	1	PC
44	264-4	Adaptor M/M - Bulkhead 1/2 BSP	1	PC
45	451-19	Washer - Bonded G1-2"	1	PC
M01	HC08001-130	Hose - Megaflex 1/2" STRx45s	1	PC
M02	HE12003-80	Hose - Hydraulic 3/4" STRx90c	1	PC
S1	848-37	Fuel Filter - Engine 4045TF275	1	PC
S2	848-22	Filter - Oil (John Deere)	1	PC

Fuel System Hoses (M010511)

Powapak\Engine Options\John Deere High Power\Fuel System Hoses
Powapack - Engine Options - John Deere High Power

**Note:**

*Items may not be fitted to customer machine.
These items are replaced with fuel hoses
supplied by local Johnston agent.

Fuel System Hoses (M010511)

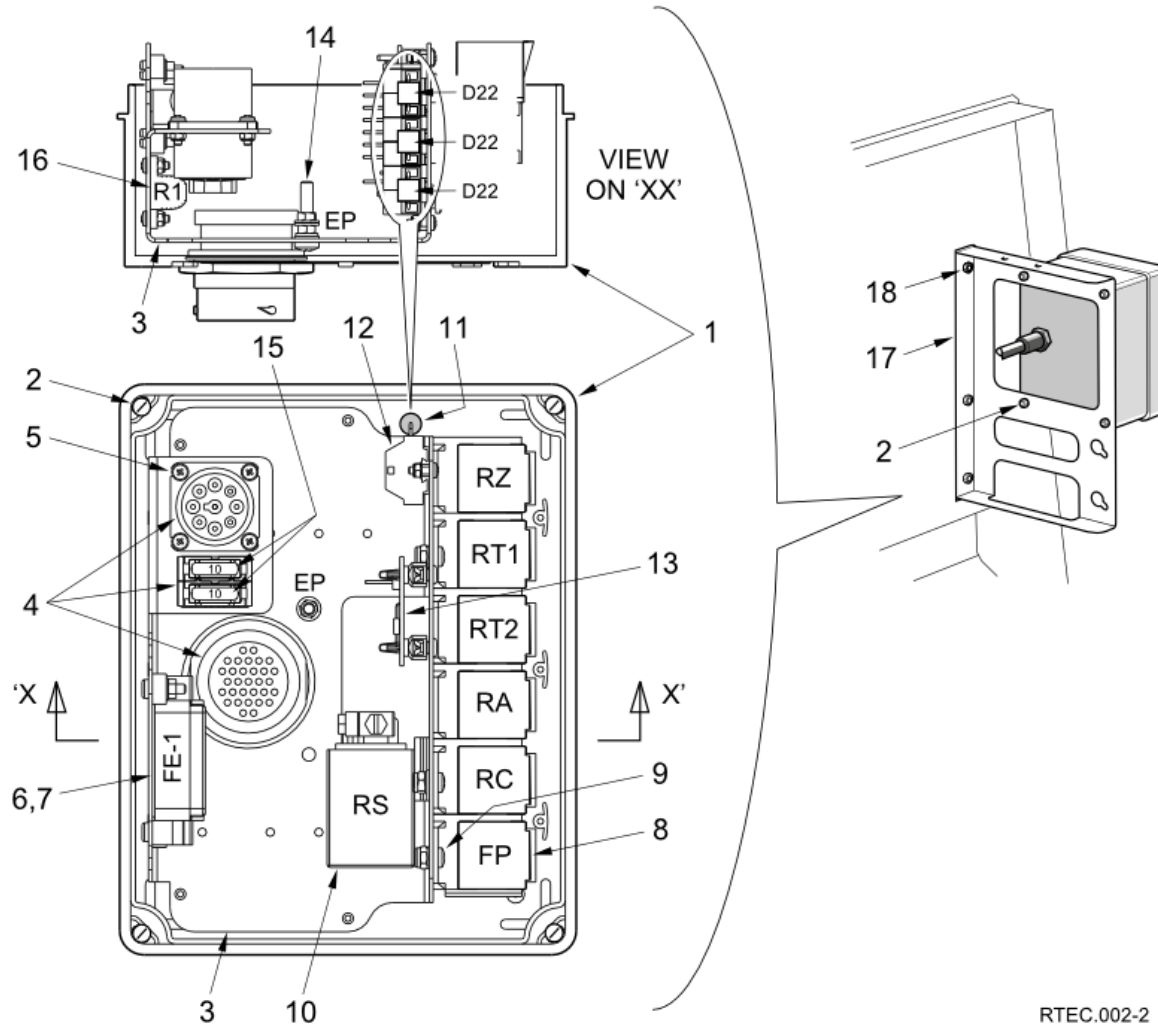
Powapak\Engine Options\John Deere High Power\Fuel System Hoses

Powapack - Engine Options - John Deere High Power

Item no.	Part no.	Description	QTY	Unit
1	221592-1	Fuel Hose Tank-Fuel Filter 655	1	PC
1	501-1	Hose Clip - Worm Drive (11-16)	1	PC
2	221392-1	Fuel Hose Pump-Pre Filter 655	1	PC
3	221393-1	Fuel Hose Pre Filter-Eng RT655	1	PC
4	848-24	Adaptor - Lift Pump	1	PC
7	223-32	In Line Fuel Filter (Gold)	1	PC
8	282692-1	Hose - Fuel Return 1600 lg	1	PC
9	282697-1	Adaptor - Fuel Return J Deere	1	PC
9	848-21	Seal - For 848-20 (John Deere)	1	PC
S1	848-34	Pre-Filter (John Deere) HP	1	PC
6	451-4	Washer Bonded G1-8"	1	PC
6	277-330	Adaptor M/M 1/8 NPTF x 1/4 BSP	1	PC
5	7031889	Fuel Lift Pump John Deere	1	PC

Engine Management Box (M010511)

Powapak\Engine Options\John Deere High Power\Engine Management Box
Powapack - Engine Options - John Deere High Power



RTEC.002-2

Engine Management Box (M010511)

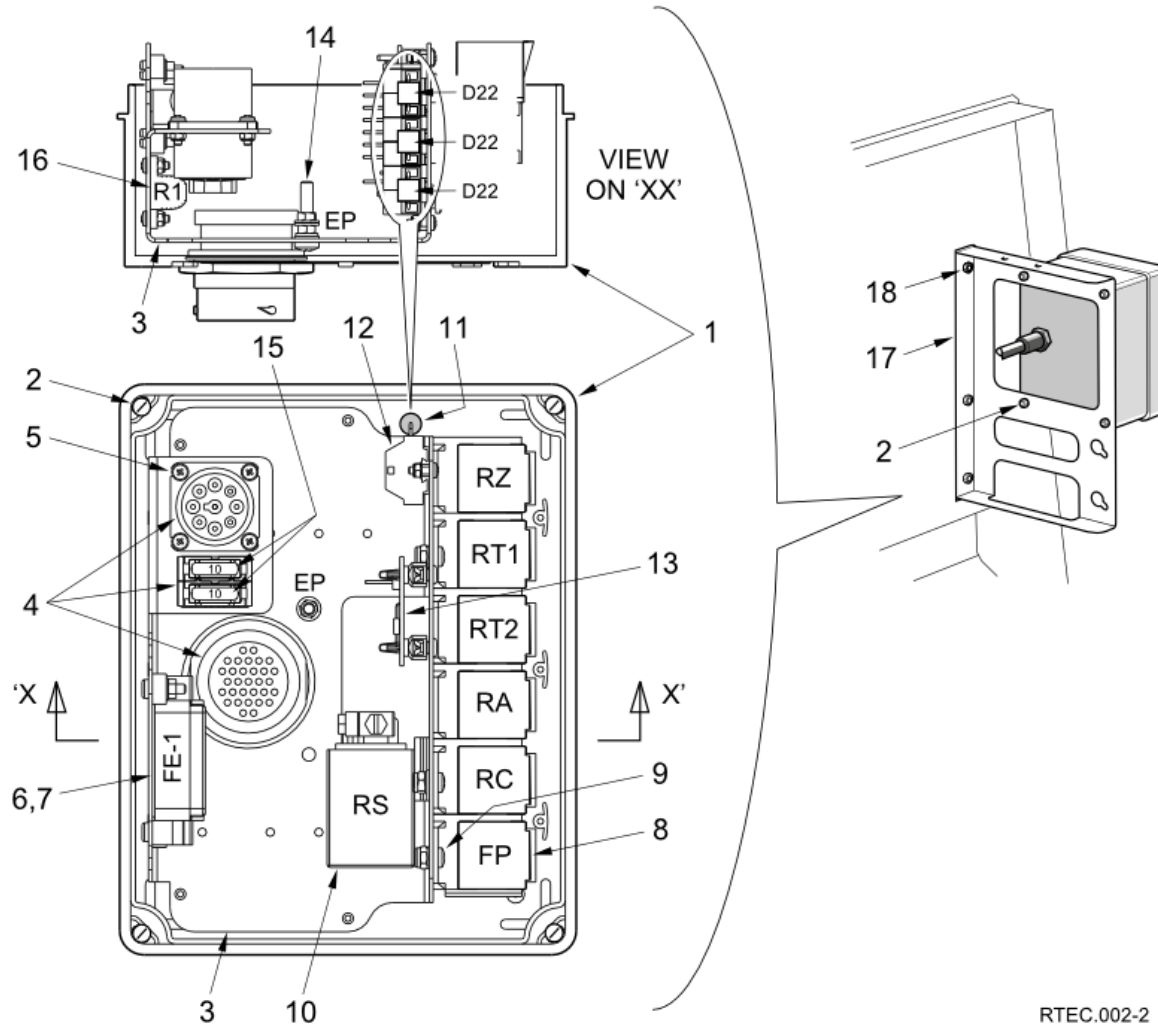
Powapak\Engine Options\John Deere High Power\Engine Management Box

Powapack - Engine Options - John Deere High Power

Item no.	Part no.	Description	QTY	Unit
A	282138-1	Engine Management Box E/Tronic	1	PC
Comprising items 1-18				
1	283848-1	Enclosure - Eng Management Box	1	PC
2	134-44	Pan Head Screw-M4Cx20-4.8-Pozidriv	4	PC
2	425-11	Nut Nyloc Hex MC M4	4	PC
3	283897-1	Mount Plate-Management Box	1	PC
4	283844-1	Engine Management Box J/Deere	1	PC
5	134-12	Pan Head Screw-M3Cx10-4.8-Pozidriv	4	PC
5	455-3	Washer Plain Plated Steel M3	4	PC
5	425-10	Nut Nyloc Hex M3C	4	PC
6	30-267	Fuse Holder - Midi	1	PC
7	30-269	Midilink - 60 Amp	1	PC
8	13193	Relay 12 Volt 30/40	6	PC
9	134-40	Pan Head Screw-M4Cx8-4.8-Pozidriv	4	PC
9	455-5	Washer Plain Plated Steel M4	4	PC
10	425-11	Nut Nyloc Hex MC M4	4	PC
10	48-360	Relay-Type 4RA 12v	6	PC
11	13984	Diode Rectifier	3	PC
12	30-256	Block-4 Way Terminal + Flange	4	PC
12	30-254	Plate - End With Fixing Flange	1	PC
13	282171-1	Resistor Board Assy-John Deere	1	PC
14	134-60	Pan Head Screw-M5Cx25-4.8-Pozidriv	1	PC
14	460-7	Washer Spring Single Coil M5	1	PC
14	455-7	Washer Plain Plated Steel M5	1	PC

Engine Management Box (M010511)

Powapak\Engine Options\John Deere High Power\Engine Management Box
Powapack - Engine Options - John Deere High Power



RTEC.002-2

Engine Management Box (M010511)

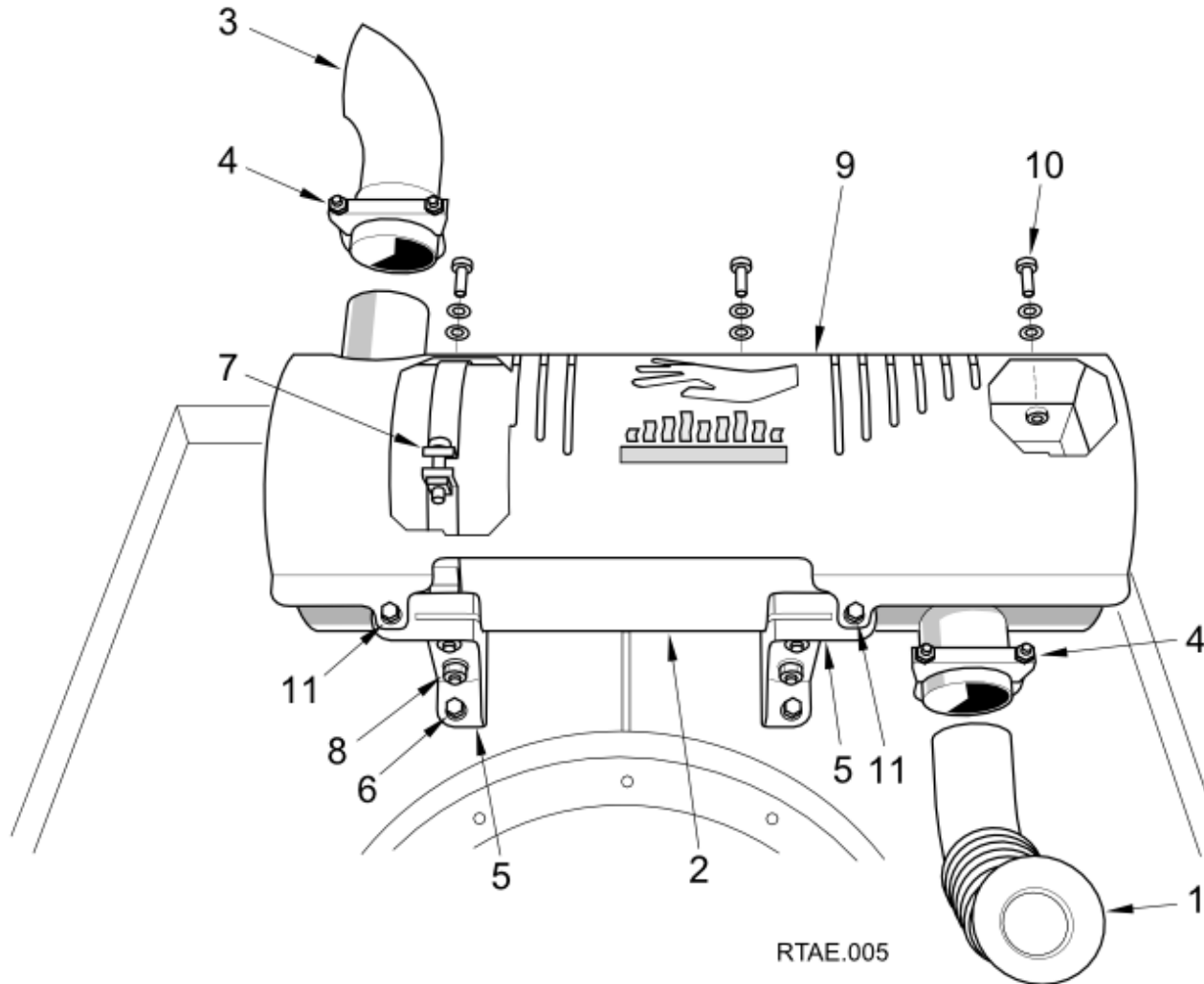
Powapak\Engine Options\John Deere High Power\Engine Management Box

Powapack - Engine Options - John Deere High Power

Item no.	Part no.	Description	QTY	Unit
14	420-12	Nut MC Hex M5	1	PC
15	30-95	Fuse - 10A, (Red)	2	PC
16	721-12	Resistor - 50 Ohm, 50 Watt	1	PC
17	221270-1	Relay Box Mount W/Assy	1	PC
18	124-135	Setscrew M8C x 20	3	PC
18	460-10	Washer Spring Single Coil M8	3	PC

Exhaust Silencer - John Deere (M010511)

Powapak\Ancillaries\Iveco & John Deere Engines\Engine Ancillaries\Exhaust Silencer - John Deere
Powapack - Ancillaries



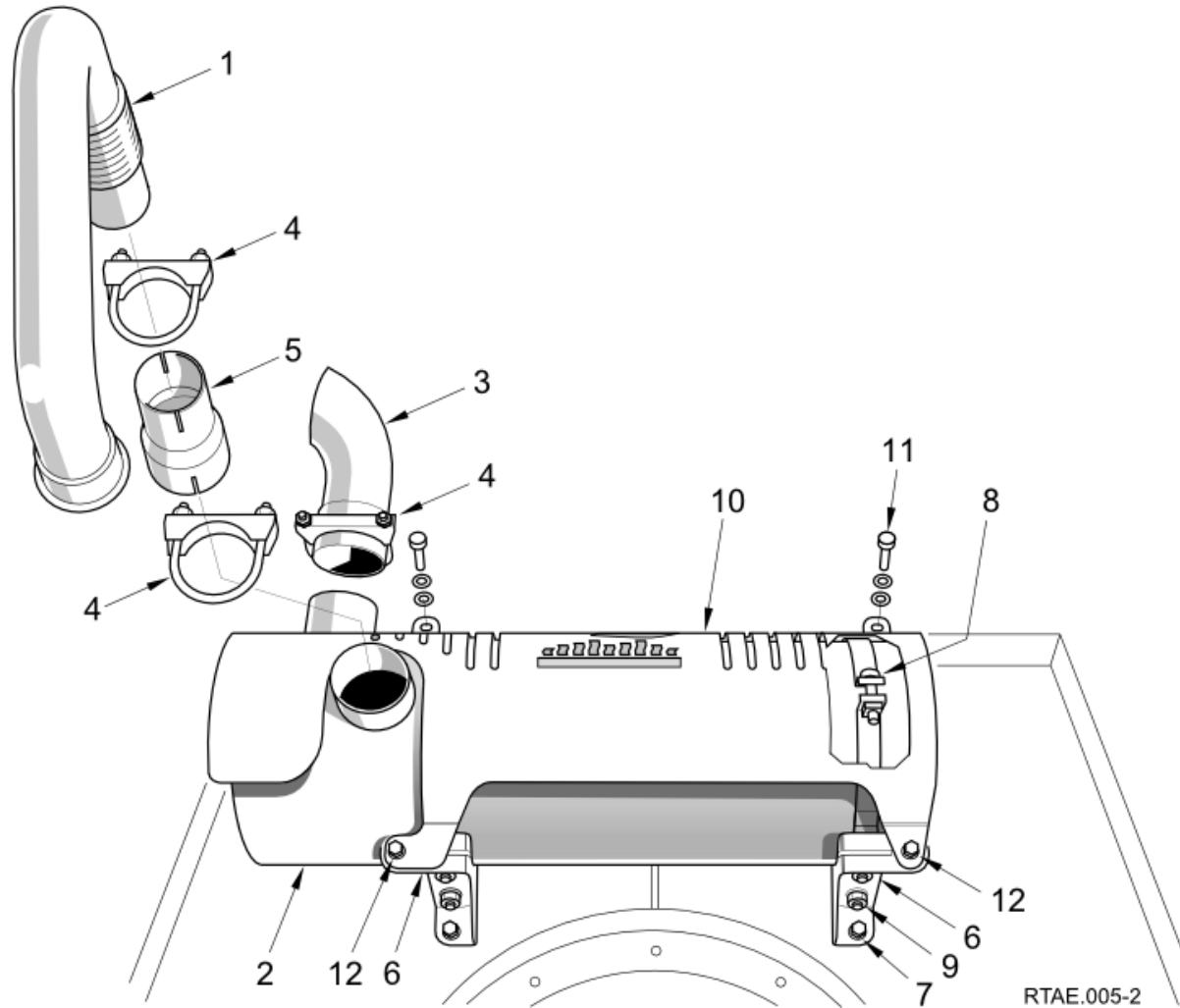
Exhaust Silencer - John Deere (M010511)

Powapak\Ancillaries\Iveco & John Deere Engines\Engine Ancillaries\Exhaust Silencer - John Deere
Powapack - Ancillaries

Item no.	Part no.	Description	QTY	Unit
1	221255-1	Exhaust Inlet Pipe J/Deere Eng	1	PC
2	281418-1	Silencer-Exhaust Rr Side Inlet	1	PC
3	221264-1	Tail Pipe Exhaust Silencer 655	1	PC
4	6645-14	Clip - Exhaust Banelli 2 3/4"	2	PC
5	221782-1	Bracket Exhaust W/Assy RT655	2	PC
6	124-135	Setscrew M8C x 20	4	PC
6	460-10	Washer Spring Single Coil M8	4	PC
7	903-9	Mounting Band 203 Dia	2	PC
8	124-135	Setscrew M8C x 20	4	PC
8	460-10	Washer Spring Single Coil M8	4	PC
8	455-10	Washer Plain Plated Steel M8	4	PC
8	420-14	Nut MC Hex M8	4	PC
9	221257-1	Exhaust Heat Shield RT655	1	PC
10	124-134	Setscrew M8C x 16	3	PC
10	460-10	Washer Spring Single Coil M8	3	PC
10	455-10	Washer Plain Plated Steel M8	3	PC
11	124-102	Setscrew M6C x 16	2	PC

Exhaust Silencer - Iveco (M010511)

Powapak\Ancilliaries\Iveco & John Deere Engines\Engine Ancilliaries\Exhaust Silencer - Iveco
Powapack - Ancilliaries



Exhaust Silencer - Iveco (M010511)

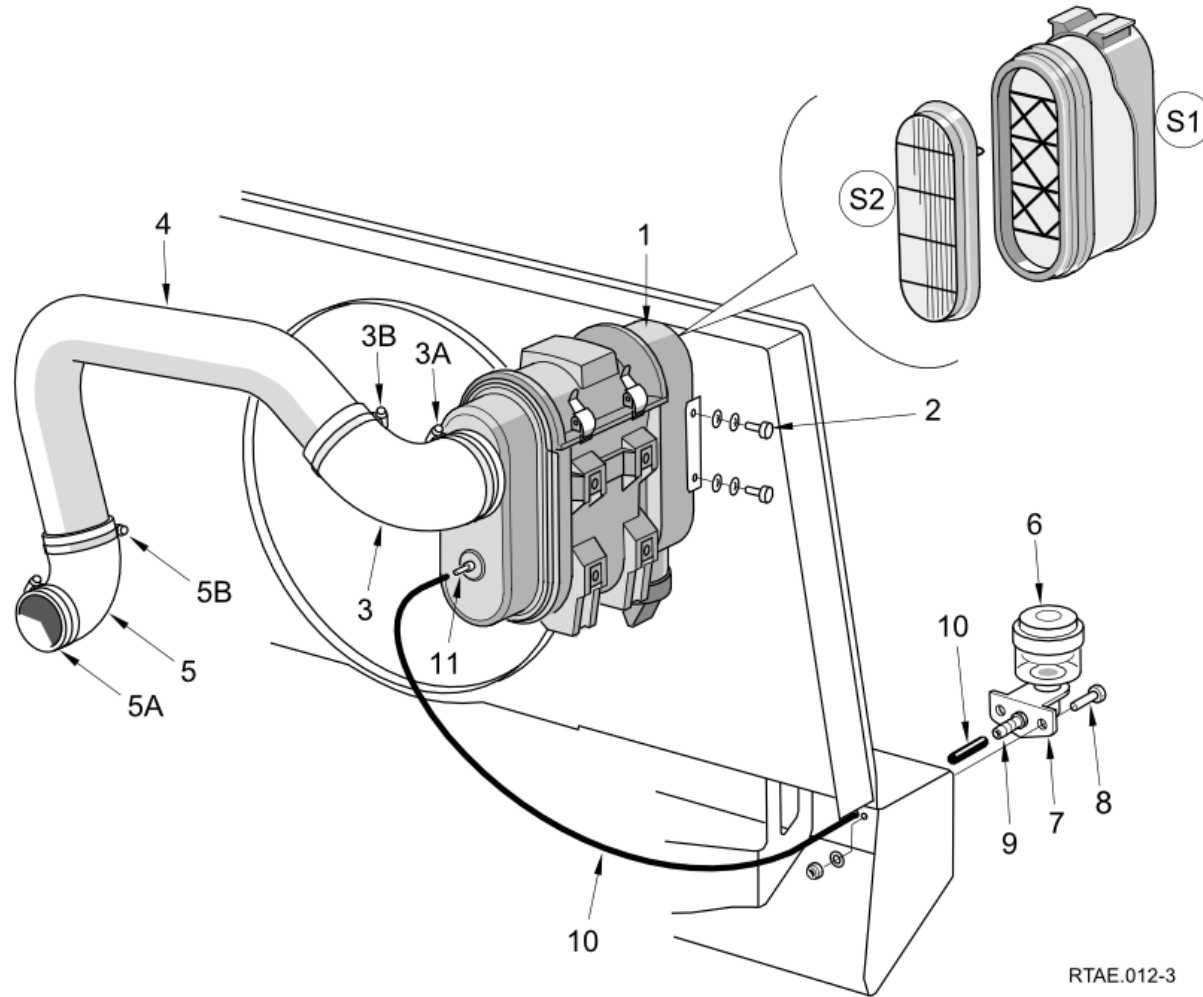
Powapak\Ancillaries\Iveco & John Deere Engines\Engine Ancillaries\Exhaust Silencer - Iveco

Powapack - Ancillaries

Item no.	Part no.	Description	QTY	Unit
1	281417-1	Exhaust-Inlet Pipe WA IVECO E3	1	PC
2	283781-1	Silencer - Exhaust	1	PC
3	221264-1	Tail Pipe Exhaust Silencer 655	1	PC
4	6645-14	Clip - Exhaust Banelli 2 3/4"	3	PC
6	221782-1	Bracket Exhaust W/Assy RT655	2	PC
7	124-135	Setscrew M8C x 20	4	PC
7	460-10	Washer Spring Single Coil M8	4	PC
8	903-9	Mounting Band 203 Dia	2	PC
9	124-135	Setscrew M8C x 20	4	PC
9	460-10	Washer Spring Single Coil M8	4	PC
9	455-10	Washer Plain Plated Steel M8	4	PC
9	420-14	Nut MC Hex M8	4	PC
10	222076-1	Shield Plate - Powapak RT655	1	PC
11	124-134	Setscrew M8C x 16	2	PC
11	460-10	Washer Spring Single Coil M8	2	PC
11	455-10	Washer Plain Plated Steel M8	2	PC
12	124-102	Setscrew M6C x 16	2	PC
5	222072-3	Reducer - Silencer,Powapak IVE	1	PC

Air Cleaner Installation - John Deere (M010511)

Powapak\Ancillaries\Iveco & John Deere Engines\Engine Ancillaries\Air Cleaner Installation - John Deere
Powapack - Ancillaries



Air Cleaner Installation - John Deere (M010511)

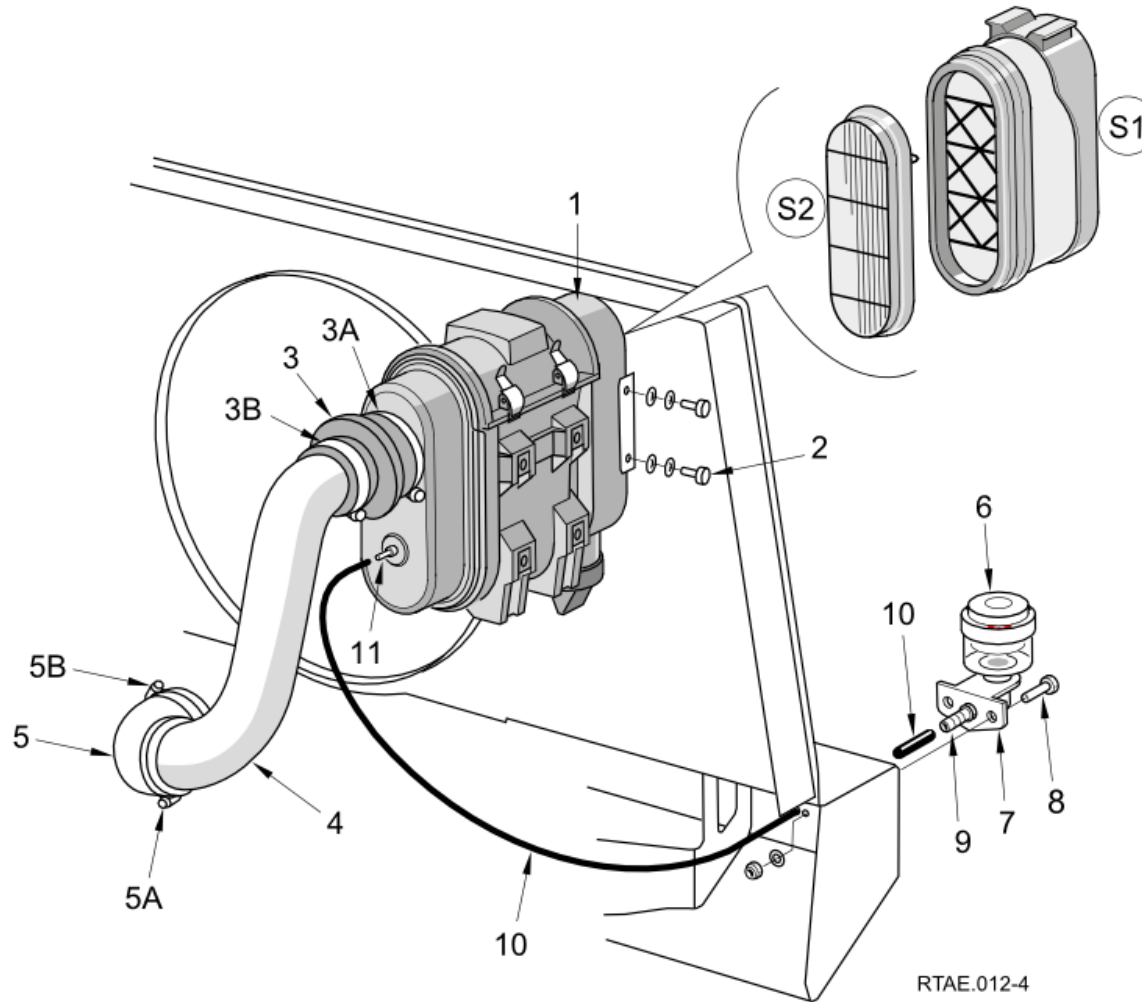
Powapak\Ancillaries\Iveco & John Deere Engines\Engine Ancillaries\Air Cleaner Installation - John Deere

Powapack - Ancillaries

Item no.	Part no.	Description	QTY	Unit
1	295095-1	Air Cleaner Assy	1	PC
2	124-137	Setscrew M8C x 25	4	PC
2	460-10	Washer Spring Single Coil M8	4	PC
2	455-10	Washer Plain Plated Steel M8	4	PC
3	904-62	Elbow 4" - 3 1/2" (Rubber)	1	PC
3A	507-6	Hose Clamp - Constant Torque (95-118)	1	PC
3B	507-5	Hose Clamp - Constant Torque (83-105)	1	PC
4	7004395	Tube	1	PC
5	61096-3	Rubber elbow	1	PC
5A	507-4	Hose Clamp - Constant Torque (70-92)	1	PC
5B	507-5	Hose Clamp - Constant Torque (83-105)	1	PC
6	904-55	Air Filter Restrictor (7.5)	1	PC
7	904-59	Mounting Restriction Indicator	1	PC
8	124-103	Setscrew M6C x 20	2	PC
8	457-2	Washer Plain Steel M6 Form G	2	PC
8	425-13	Nut Nyloc Hex M6C	2	PC
9	904-56	Adaptor - R 1/8" M x 6mm	1	PC
10	12870	Tube - Nylon Black 8mm O/D	1	M
11	904-58	Adaptor - R1/8" x 6mm	1	PC
S1	295095-2	Primary Filter - Air Cleaner	1	PC
S2	295095-3	Safety Filter - Air Cleaner	1	PC

Combi Air Filter Installation - Iveco (M010511)

Powapak\Ancillaries\Iveco & John Deere Engines\Engine Ancillaries\Combi Air Filter Installation - Iveco
Powapack - Ancillaries



Combi Air Filter Installation - Iveco (M010511)

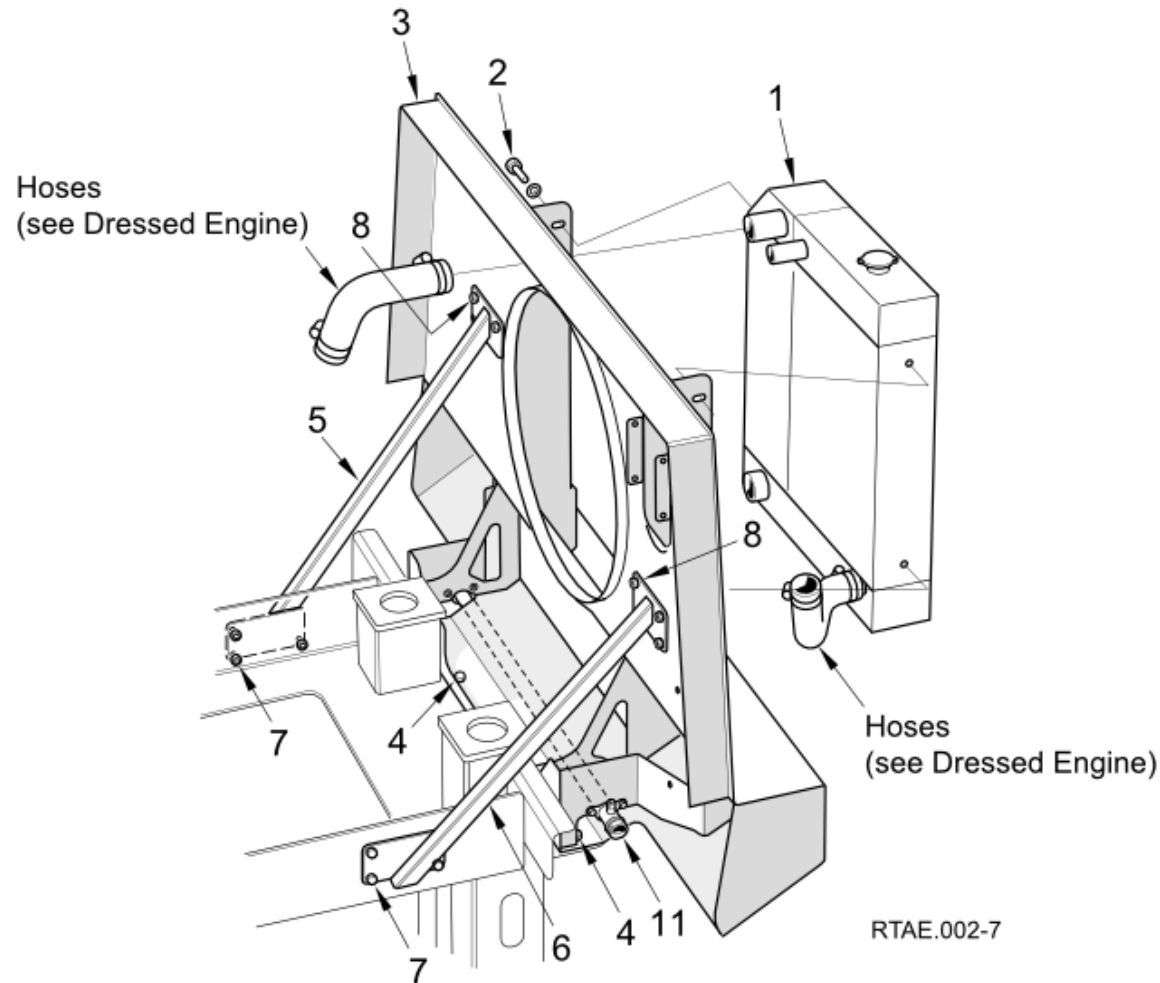
Powapak\Ancillaries\Iveco & John Deere Engines\Engine Ancillaries\Combi Air Filter Installation - Iveco

Powapack - Ancillaries

Item no.	Part no.	Description	QTY	Unit
1	295095-1	Air Cleaner Assy	1	PC
2	124-137	Setscrew M8C x 25	4	PC
2	460-10	Washer Spring Single Coil M8	4	PC
2	455-10	Washer Plain Plated Steel M8	4	PC
3	904-62	Elbow 4" - 3 1/2" (Rubber)	1	PC
3A	507-6	Hose Clamp - Constant Torque (95-118)	1	PC
3B	501-5	Clip Hose Worm Drive 40-55mm	1	PC
4	7004391	Tube	1	PC
5	61096-3	Rubber elbow	1	PC
5A	507-4	Hose Clamp - Constant Torque (70-92)	1	PC
5B	507-5	Hose Clamp - Constant Torque (83-105)	1	PC
6	904-55	Air Filter Restrictor (7.5)	1	PC
7	904-59	Mounting Restriction Indicator	1	PC
8	124-103	Setscrew M6C x 20	2	PC
8	457-2	Washer Plain Steel M6 Form G	2	PC
8	425-13	Nut Nyloc Hex M6C	2	PC
9	904-56	Adaptor - R 1/8" M x 6mm	1	PC
10	12870	Tube - Nylon Black 8mm O/D	1	M
11	904-58	Adaptor - R1/8" x 6mm	1	PC
S1	295095-2	Primary Filter - Air Cleaner	1	PC
S2	295095-3	Safety Filter - Air Cleaner	1	PC

John Deere (M010511,M010515)

Powapak\Ancilliaries\Iveco & John Deere Engines\Engine Ancilliaries\Radiators and Shrouds\John Deere
Powapack - Ancilliaries - Radiators & Shrouds



John Deere (M010511,M010515)

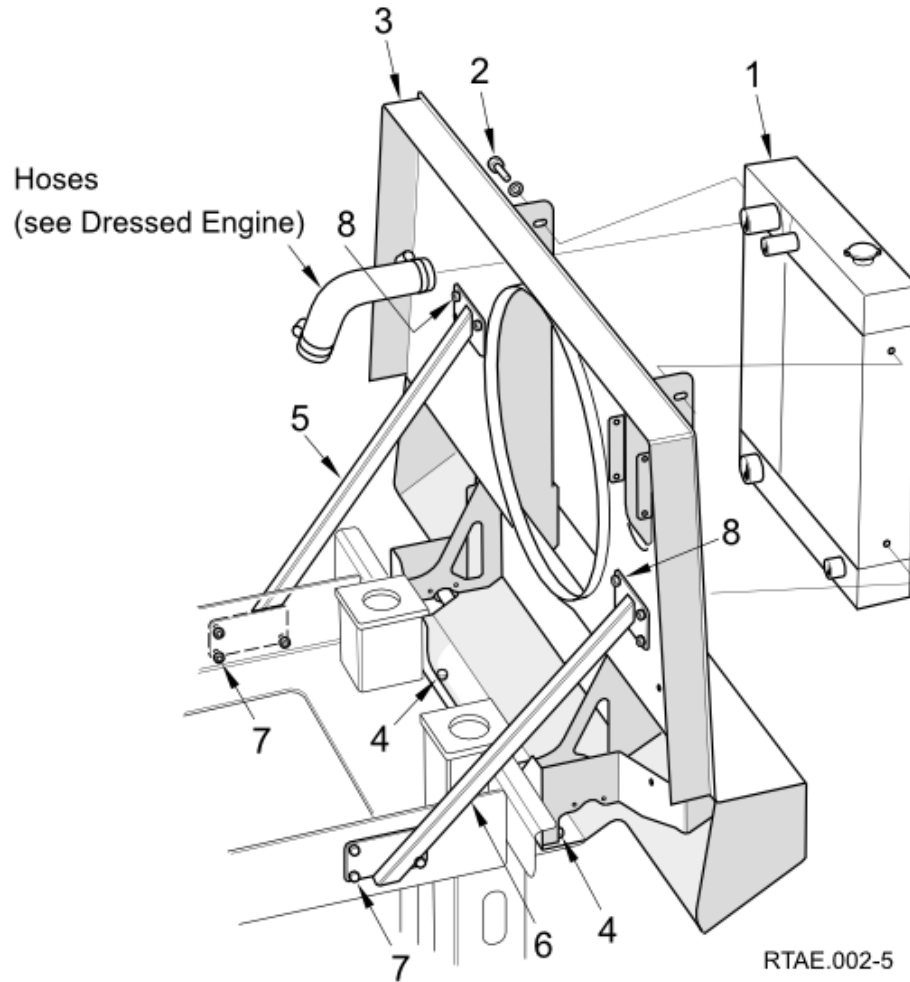
Powapak\Ancillaries\Iveco & John Deere Engines\Engine Ancillaries\Radiators and Shrouds\John Deere

Powapack - Ancillaries - Radiators & Shrouds

Item no.	Part no.	Description	QTY	Unit
1	295065-1	Engine Cooling Pack J Deere	1	PC
2	124-167	Setscrew M10C x 20	4	PC
2	460-11	Washer Spring Single Coil M10	4	PC
3	7008826	Shield	1	PC
4	124-167	Setscrew M10C x 20	5	PC
4	460-11	Washer Spring Single Coil M10	5	PC
5	221215-1	Rad Shroud Supt W/Assy LH 655	1	PC
6	7009194	Support Weld assembly	1	PC
7	124-137	Setscrew M8C x 25	6	PC
7	460-10	Washer Spring Single Coil M8	6	PC
7	455-10	Washer Plain Plated Steel M8	6	PC
8	124-135	Setscrew M8C x 20	6	PC
8	460-10	Washer Spring Single Coil M8	6	PC
8	450-10	Washer Plain 7/16	6	PC
11	221285-1	Hyd Transfer Pipe W/Assy RT655	1	PC
11	124-135	Setscrew M8C x 20	4	PC
11	460-10	Washer Spring Single Coil M8	4	PC

Iveco (M010511)

Powapak\Ancillaries\Iveco & John Deere Engines\Engine Ancillaries\Radiators and Shrouds\Iveco
Powapack - Ancillaries - Radiators & Shrouds



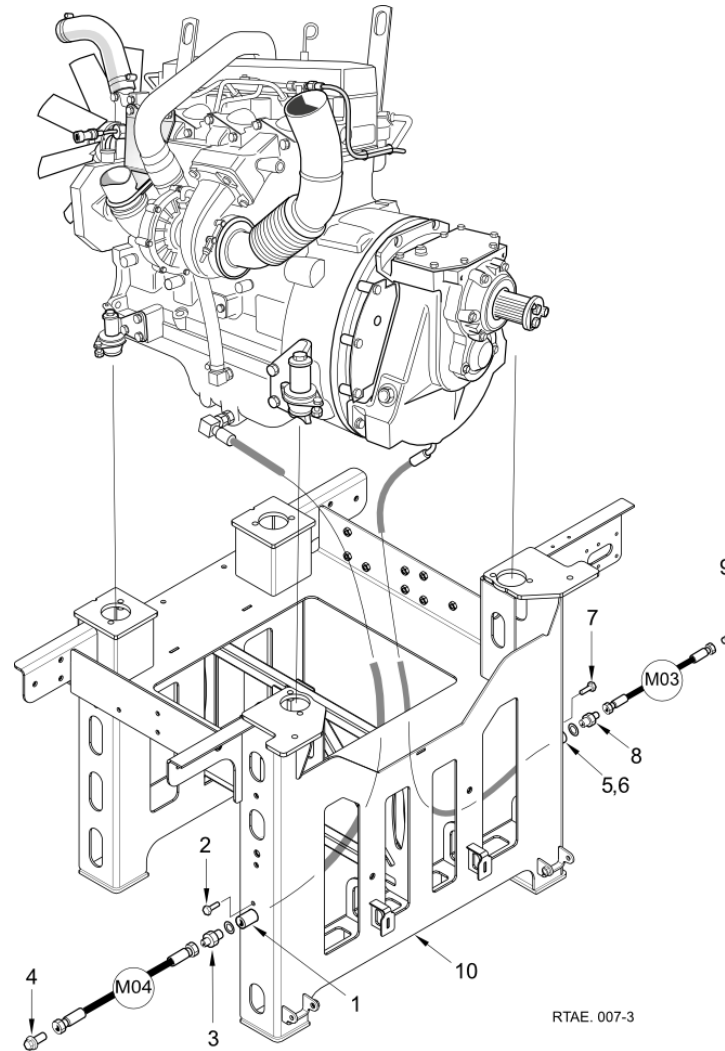
Iveco (M010511)

Powapak\Ancillaries\Iveco & John Deere Engines\Engine Ancillaries\Radiators and Shrouds\Iveco
Powapack - Ancillaries - Radiators & Shrouds

Item no.	Part no.	Description	QTY	Unit
1	281570-1	Radiator/Intercooler IVECO E3	1	PC
2	124-167	Setscrew M10C x 20	4	PC
2	460-11	Washer Spring Single Coil M10	4	PC
3	7012669	Shroud, Radiator	1	PC
4	124-167	Setscrew M10C x 20	5	PC
4	460-11	Washer Spring Single Coil M10	5	PC
5	221215-1	Rad Shroud Supt W/Assy LH 655	1	PC
6	7009194	Support Weld assembly	1	PC
7	124-137	Setscrew M8C x 25	6	PC
7	460-10	Washer Spring Single Coil M8	6	PC
7	455-10	Washer Plain Plated Steel M8	6	PC
8	124-135	Setscrew M8C x 20	6	PC
8	460-10	Washer Spring Single Coil M8	6	PC
8	450-10	Washer Plain 7/16	6	PC

Engine and Gearbox Drains (M010511,M010514)

Powapak\Ancillaries\Iveco & John Deere Engines\Engine Ancillaries\Engine and Gearbox Drains
Powapack - Ancillaries



Engine and Gearbox Drains (M010511,M010514)

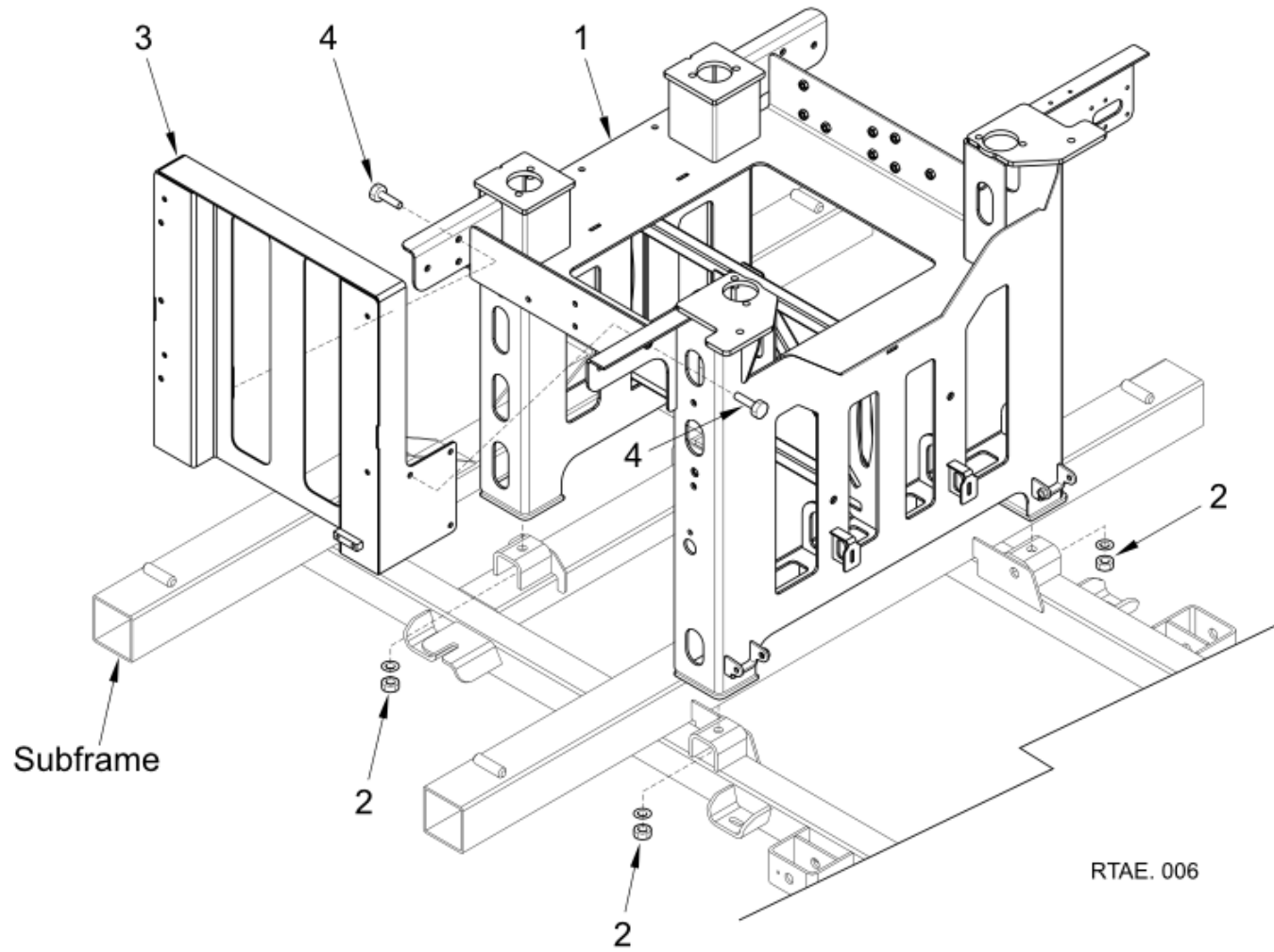
Powapak\Ancillaries\Iveco & John Deere Engines\Engine Ancillaries\Engine and Gearbox Drains

Powapack - Ancillaries

Item no.	Part no.	Description	QTY	Unit
1	62903-1	Drain	1	PC
2	124-167	Setscrew M10C x 20	1	PC
2	460-11	Washer Spring Single Coil M10	1	PC
2	420-15	Nut MC Hex M10	1	PC
3	263-4	Adaptor M/M 1/2 BSP BS5200	1	PC
3	451-19	Washer - Bonded G1-2"	1	PC
4	68-69	Plug 60° - Coned 1/2 BSP	1	PC
5	40525-1-B	Drain - Engine W/Assy	1	PC
6	265-4	Adaptor Reducing M/M 3/8 x 1/2 BSP	1	PC
6	451-18	Washer Bonded G3/8"	1	PC
7	124-167	Setscrew M10C x 20	1	PC
7	460-11	Washer Spring Single Coil M10	1	PC
7	420-15	Nut MC Hex M10	1	PC
8	263-3	Adaptor M/M 3/8 BSP	1	PC
8	451-18	Washer Bonded G3/8"	1	PC
9	68-69	Plug 60° - Coned 1/2 BSP	1	PC
10	223141-1	Chassis Engine Mnt W/Assy 655	1	PC
M03	HC06000-100	Hose - Megaflex 3/8" STRxSTR	1	PC
M04	HC08000-100	Hose - Megaflex 1/2" STRxSTR	1	PC

Engine Mounting Frame (M010512)

Powapak\Ancillaries\Iveco & John Deere Engines\Engine Ancillaries - Common Parts\Engine Mounting Frame
Powapack - Ancillaries Iveco & John Deere - Common Parts



Engine Mounting Frame (M010512)

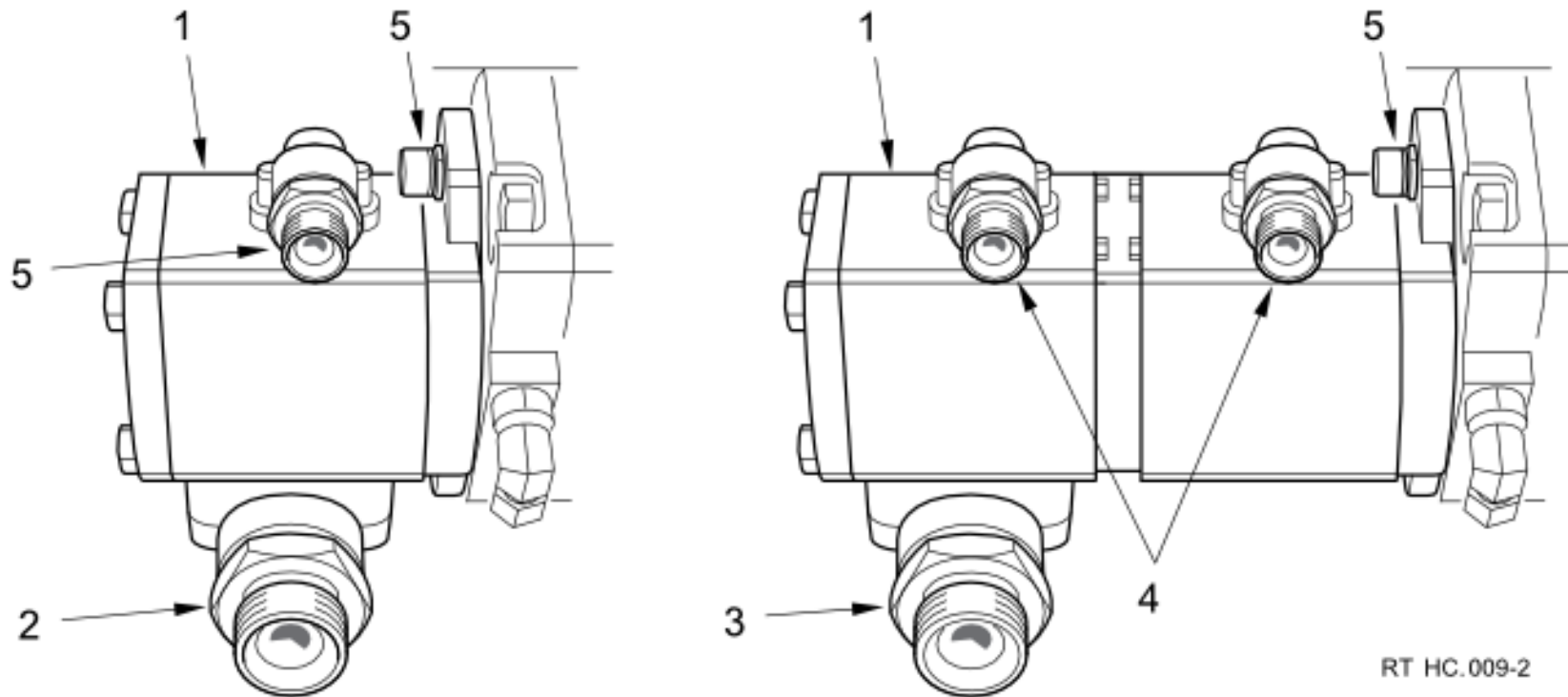
Powapak\Ancilliaris\Iveco & John Deere Engines\Engine Ancilliaris - Common Parts\Engine Mounting Frame

Powapack - Ancilliaris Iveco & John Deere - Common Parts

Item no.	Part no.	Description	QTY	Unit
1	223141-1	Chassis Engine Mnt W/Assy 655	1	PC
2	122-164	Bolt M Coarse M14x45 (10.9)	4	PC
2	455-13	Washer Plain Plated Steel M14	4	PC
2	404-17	Hex Nyloc Nut - M14c x Grade 10	4	PC
3	221213-1	Support Section-Rad Shroud 655	1	PC
4	124-171	Setscrew M10C x 30	6	PC
4	460-11	Washer Spring Single Coil M10	6	PC

Single (M010515)

Powapak\Ancillaries\Iveco & John Deere Engines\Engine Ancillaries - Common Parts\P.T.O. Hydraulic Pumps\Single
Powapack - Ancillaries Iveco & John Deere - Common Parts - P.T.O. Pumps



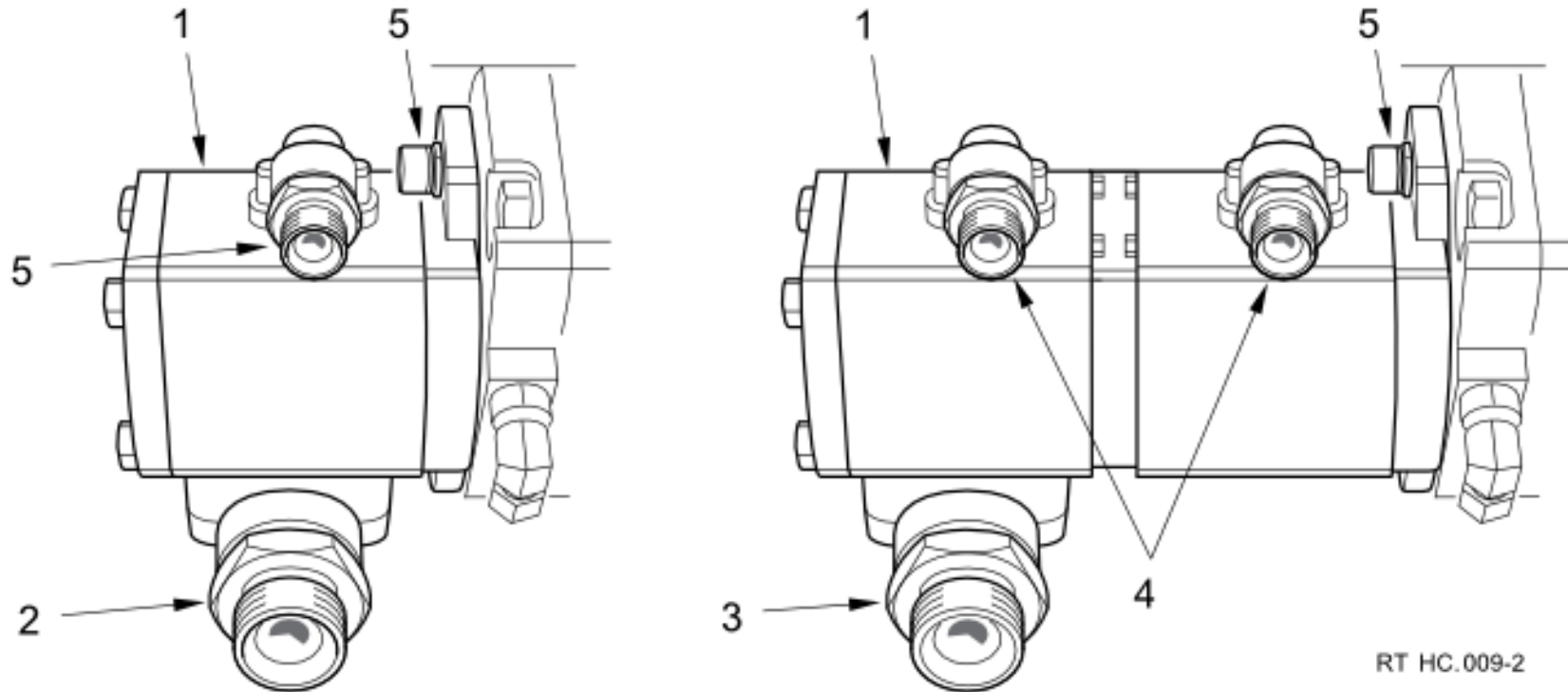
Single (M010515)

Powapak\Ancillaries\Iveco & John Deere Engines\Engine Ancillaries - Common Parts\P.T.O. Hydraulic Pumps\Single
Powapack - Ancillaries Iveco & John Deere - Common Parts - P.T.O. Pumps

Item no.	Part no.	Description	QTY	Unit
1	239-27	Pump - Single SAE A 9T	1	PC
2	265-16	Adaptor Reducing M/M 3/4 x 1 1/4 BSP	1	PC
2	451-21	Washer Bonded G3-4"	1	PC
4	263-4	Adaptor M/M 1/2 BSP BS5200	1	PC
4	451-19	Washer - Bonded G1-2"	1	PC
5	129-156	Screw MC Cap Skt Hd M10x30	2	PC
5	460-11	Washer Spring Single Coil M10	2	PC

Tandem (M010515)

Powapak\Ancillaries\Iveco & John Deere Engines\Engine Ancillaries - Common Parts\P.T.O. Hydraulic Pumps\Tandem
Powapack - Ancillaries Iveco & John Deere - Common Parts - P.T.O. Pumps



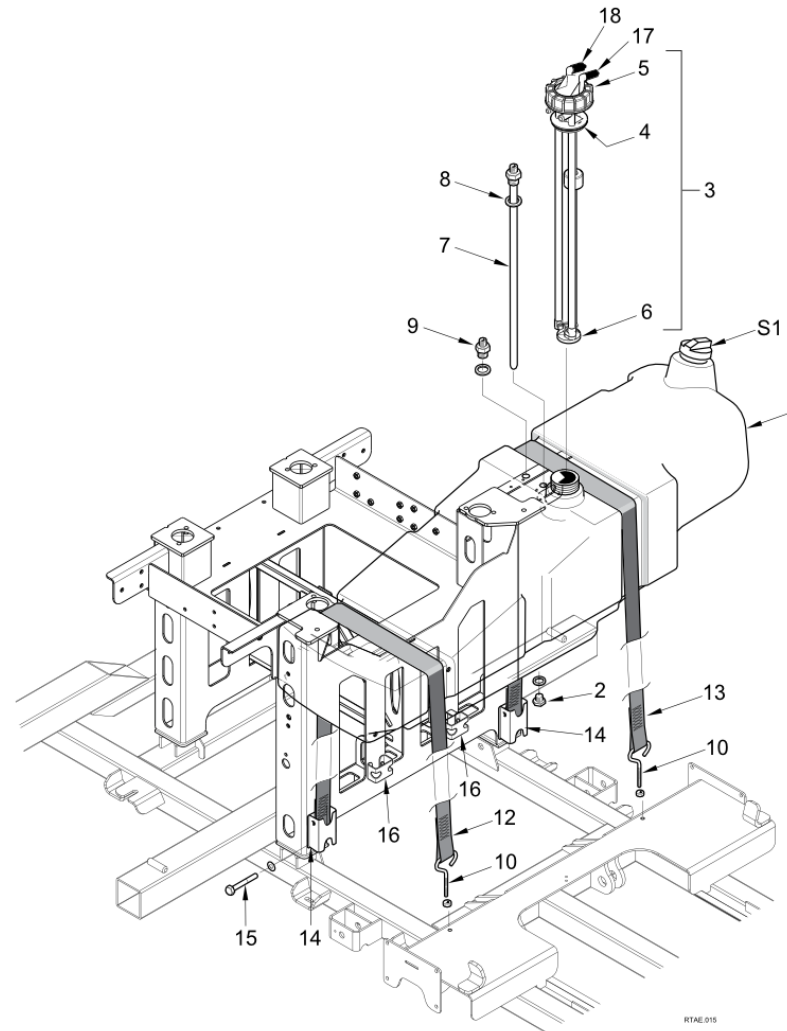
Tandem (M010515)

Powapak\Ancillaries\Iveco & John Deere Engines\Engine Ancillaries - Common Parts\P.T.O. Hydraulic Pumps\Tandem
Powapack - Ancillaries Iveco & John Deere - Common Parts - P.T.O. Pumps

Item no.	Part no.	Description	QTY	Unit
1	239-34	Pump - Hyd Tandem	1	PC
3	263-8	Adaptor M/M 1 1/4 BSP	1	PC
3	451-111	Washer Bonded G1 1-4"	1	PC
4	263-4	Adaptor M/M 1/2 BSP BS5200	2	PC
4	451-19	Washer - Bonded G1-2"	2	PC
5	129-156	Screw MC Cap Skt Hd M10x30	2	PC
5	460-11	Washer Spring Single Coil M10	2	PC

R.H. Sweep Fuel Tank Installation (M010522)

Powapak\Fuel Tank\Fuel Tank and Miscellaneous Items\Fuel Tanks\R.H. Sweep Fuel Tank Installation
Powapack - Fuel Tanks - R.H. Sweep Fuel Tank Installation



R.H. Sweep Fuel Tank Installation (M010522)

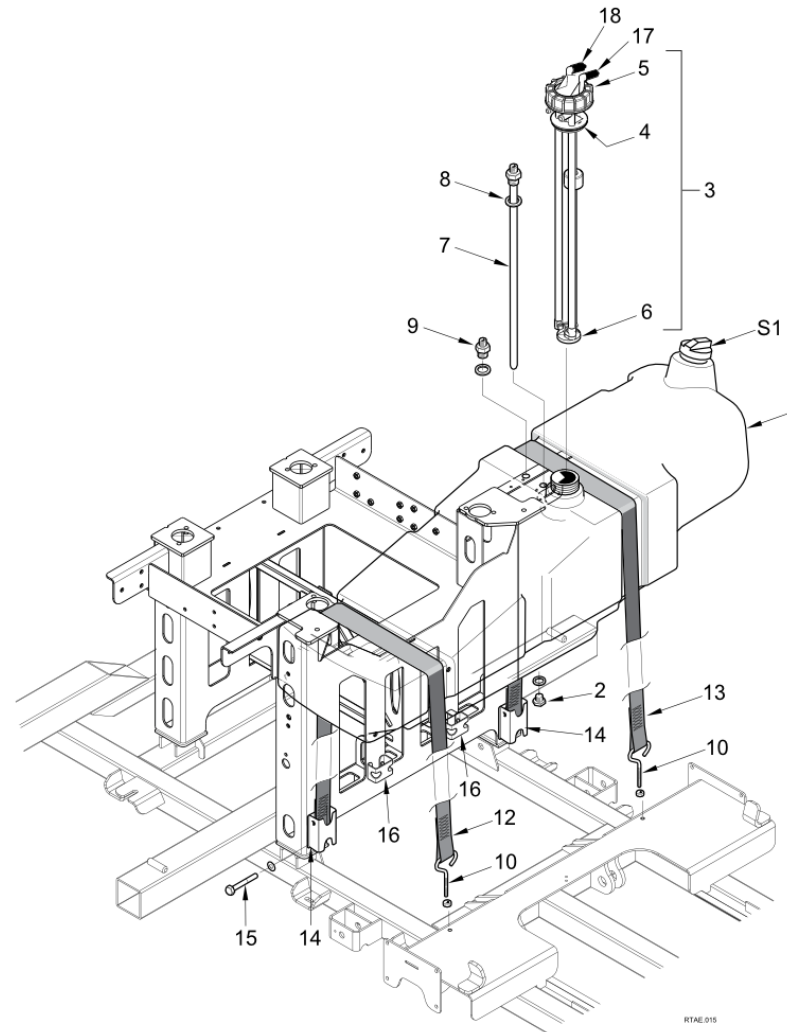
Powapak\Fuel Tank\Fuel Tank and Miscellaneous Items\Fuel Tanks\R.H. Sweep Fuel Tank Installation

Powapack - Fuel Tanks - R.H. Sweep Fuel Tank Installation

Item no.	Part no.	Description	QTY	Unit
1	221816-1	Fuel Tank-218.5 Ltr(RH Fill)RT	1	PC
2	221816-4	Plug-Drain (Magnetic) 7/8" UNF	1	PC
2	451-20	Washer Bonded G5-8"	1	PC
3	7009581	Fuel level sensor	1	PC
Comprising items 4-6				
4	293501-4	Fuel Sender O Ring Viton	1	PC
5	293501-3	Fuel Sender Locking Nut	1	PC
6	221817-5	Elobau Fuel Sender Filter	1	PC
7	221813-1	Fuel Feed Pipe W/Assy RT655	1	PC
8	451-18	Washer Bonded G3/8"	1	PC
9	265-2	Adaptor Reducing M/M 1/4 x 3/8 BSP	1	PC
9	451-18	Washer Bonded G3/8"	1	PC
10	221541-1	Fuel Strap Hook RT655	2	PC
10	460-11	Washer Spring Single Coil M10	2	PC
10	420-15	Nut MC Hex M10	4	PC
11	221561-1	Fixture Block RT655	2	PC
11	124-176	Setscrew M10C x 45	4	PC
11	455-11	Washer Plain Plated Steel M10	4	PC
11	460-11	Washer Spring Single Coil M10	4	PC
11	420-15	Nut MC Hex M10	4	PC
12	221819-1	Strap - Fuel Tank Retention	1	PC
13	221819-2	Strap - Fuel Tank Retention	1	PC
15	124-182	Setscrew M10C x 75 BS3692	2	PC
15	455-11	Washer Plain Plated Steel M10	2	PC

R.H. Sweep Fuel Tank Installation (M010522)

Powapak\Fuel Tank\Fuel Tank and Miscellaneous Items\Fuel Tanks\R.H. Sweep Fuel Tank Installation
Powapack - Fuel Tanks - R.H. Sweep Fuel Tank Installation



R.H. Sweep Fuel Tank Installation (M010522)

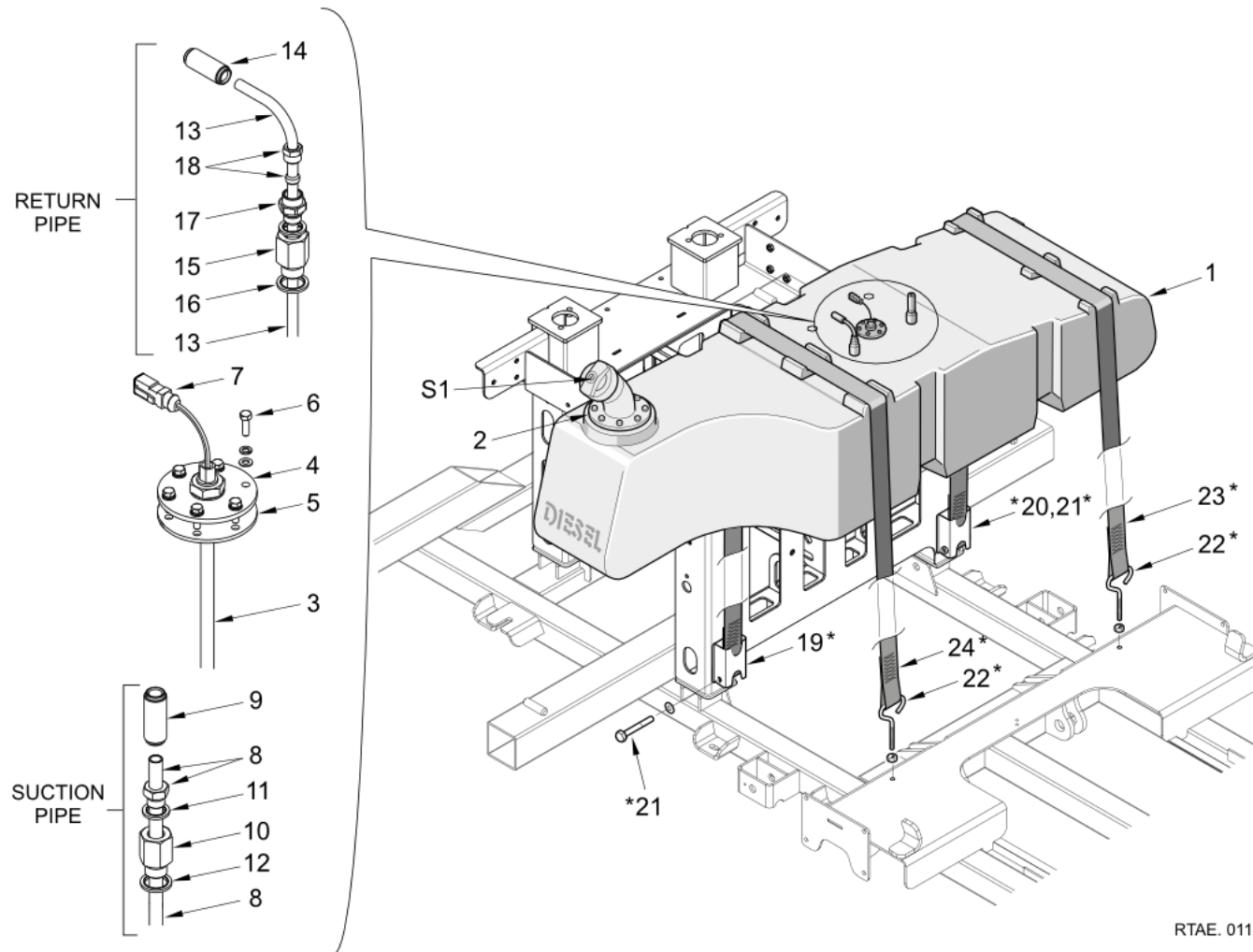
Powapak\Fuel Tank\Fuel Tank and Miscellaneous Items\Fuel Tanks\R.H. Sweep Fuel Tank Installation

Powapack - Fuel Tanks - R.H. Sweep Fuel Tank Installation

Item no.	Part no.	Description	QTY	Unit
15	460-11	Washer Spring Single Coil M10	2	PC
16	221987-1	Buffer Plate-Powapak RT655	2	PC
16	124-135	Setscrew M8C x 20	4	PC
16	460-10	Washer Spring Single Coil M8	4	PC
17	44-72	Push Fit Cap - Green 9mm Diameter	1	PC
18	44-73	Push Fit Cap - Green 12mm Diameter	1	PC
14	222055-2	Buffer/Strap Fixture Assy RH	2	PC
S1	221816-6	Cap - Fuel Filler RT655	1	PC
Spares Only				

L.H. Sweep Fuel Tank Installation (M010522)

Powapak\Fuel Tank\Fuel Tank and Miscellaneous Items\Fuel Tanks\L.H. Sweep Fuel Tank Installation
 Powapack - Fuel Tanks - L.H. Sweep Fuel Tank Installation



RTAE. 011

L.H. Sweep Fuel Tank Installation (M010522)

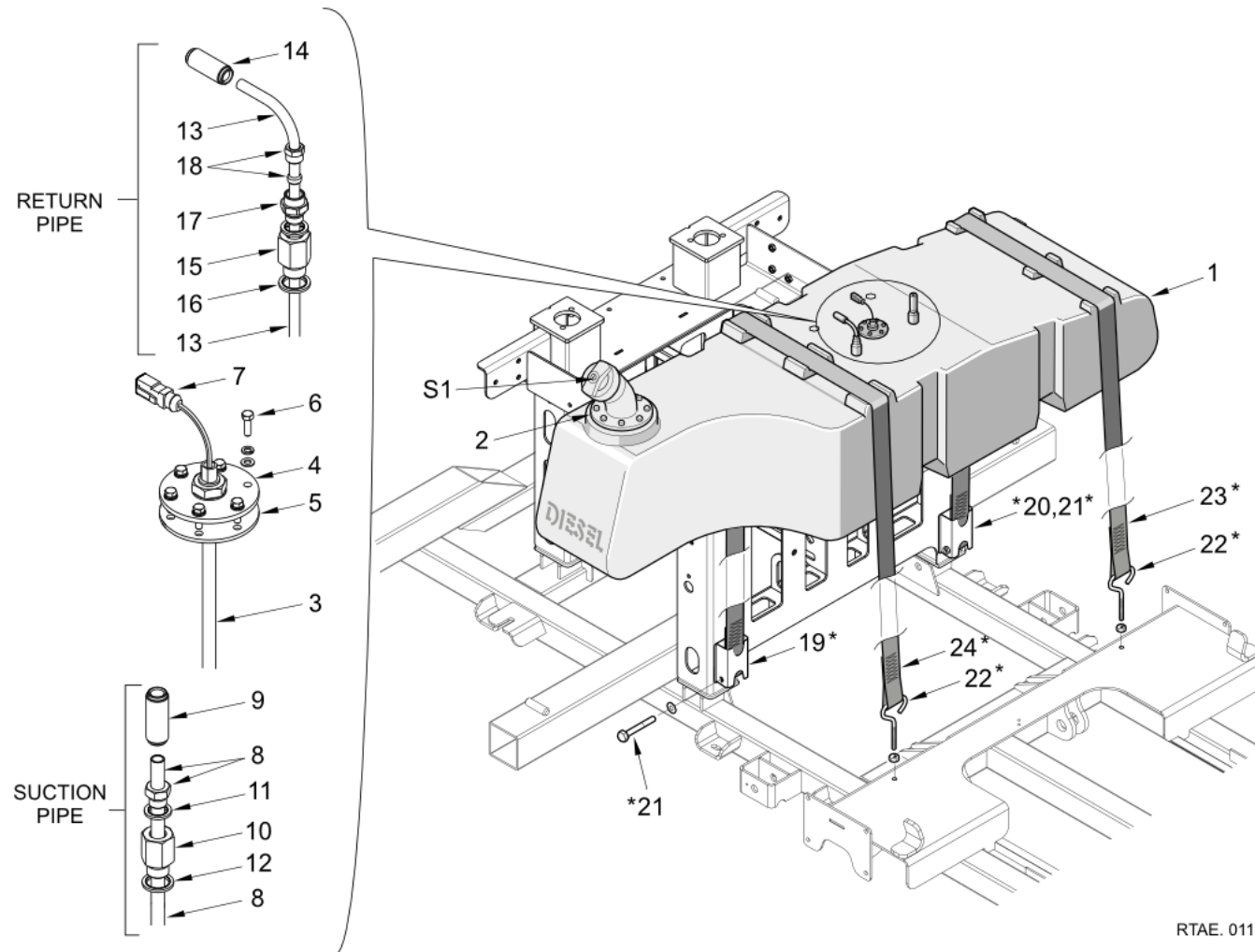
Powapak\Fuel Tank\Fuel Tank and Miscellaneous Items\Fuel Tanks\L.H. Sweep Fuel Tank Installation

Powapack - Fuel Tanks - L.H. Sweep Fuel Tank Installation

Item no.	Part no.	Description	QTY	Unit
0	223840-1	Fuel Tank LH Fill Assy Powapak	1	PC
Comprising items 1-19				
1	223800-1	Fuel Tank-Plastic, LH Fill RT	1	PC
1	221816-4	Plug-Drain (Magnetic) 7/8" UNF	1	PC
1	451-20	Washer Bonded G5-8"	1	PC
2	222098-1	Filler Neck Assy Powapak RT655	1	PC
2	124-139	Setscrew M8C x 30	8	PC
2	460-10	Washer Spring Single Coil M8	8	PC
2	455-10	Washer Plain Plated Steel M8	8	PC
3	283323-5	Fuel Level Sender RT Series	1	PC
4	222093-1	Flange-Mount,Fuel Tank RT655	1	PC
5	222094-1	Seal (Outlet) Powapak RT655	1	PC
6	124-70	Setscrew M5C x 16	6	PC
6	460-7	Washer Spring Single Coil M5	6	PC
6	455-7	Washer Plain Plated Steel M5	6	PC
8	281487-1	Pipe - Fuel Suction E3 Eng	1	PC
9	277-85	Connector - Straight 10mm	1	PC
10	222116-1	Adaptor-Reducing M/F 10.5 Bore	1	PC
11	451-17	Washer Bonded G1-4"	1	PC
12	451-18	Washer Bonded G3/8"	1	PC
13	42683-3	Pipe-Fuel, 360mm Lg 8mm Bundy	1	PC
14	277-48	Connector - Straight 8mm	1	PC
15	222116-1	Adaptor-Reducing M/F 10.5 Bore	1	PC
16	451-18	Washer Bonded G3/8"	1	PC

L.H. Sweep Fuel Tank Installation (M010522)

Powapak\Fuel Tank\Fuel Tank and Miscellaneous Items\Fuel Tanks\L.H. Sweep Fuel Tank Installation
 Powapack - Fuel Tanks - L.H. Sweep Fuel Tank Installation



RTAE. 011

L.H. Sweep Fuel Tank Installation (M010522)

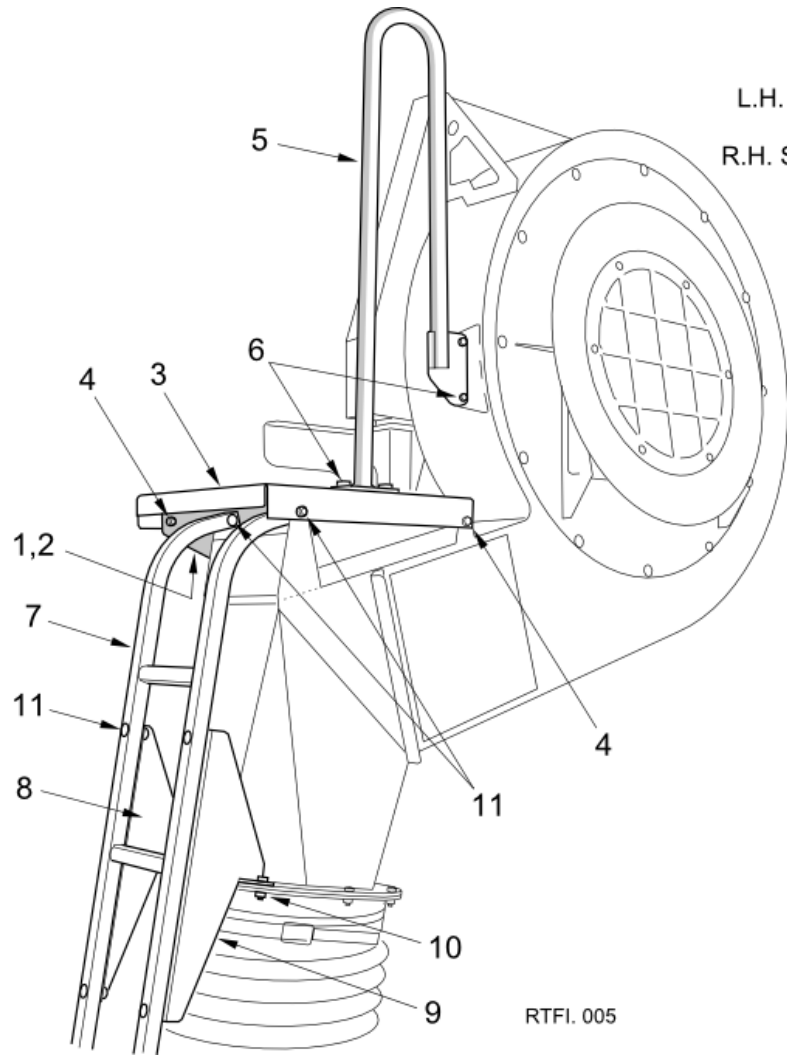
Powapak\Fuel Tank\Fuel Tank and Miscellaneous Items\Fuel Tanks\L.H. Sweep Fuel Tank Installation

Powapack - Fuel Tanks - L.H. Sweep Fuel Tank Installation

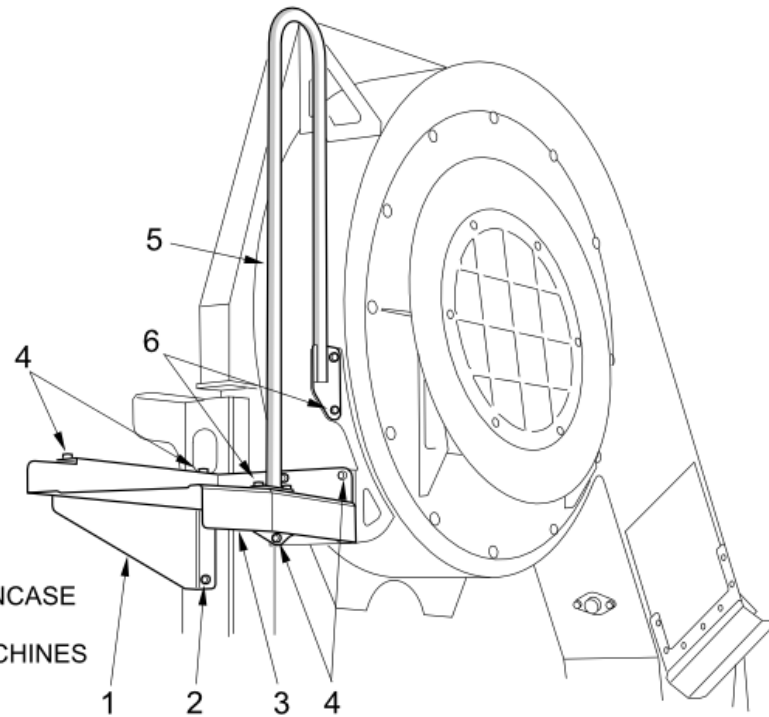
Item no.	Part no.	Description	QTY	Unit
18	510-4	Nut - Tube 8mm O/D	1	PC
18	511-4	Olive - Tube 8mm O/D	1	PC
19	222055-1	Buffer/Strap Fixture Assy LH	1	PC
20	222055-2	Buffer/Strap Fixture Assy RH	1	PC
20	124-169	Setscrew M10C x 25	4	PC
20	460-11	Washer Spring Single Coil M10	4	PC
20	455-11	Washer Plain Plated Steel M10	4	PC
21	123-137	Bolt M Coarse M10x85 BS3692	2	PC
21	460-11	Washer Spring Single Coil M10	2	PC
21	455-11	Washer Plain Plated Steel M10	2	PC
22	221541-1	Fuel Strap Hook RT655	2	PC
22	460-11	Washer Spring Single Coil M10	2	PC
22	420-15	Nut MC Hex M10	4	PC
23	221819-3	Strap - Fuel Tank Retention	1	PC
24	221819-2	Strap - Fuel Tank Retention	1	PC
17	40448-1-B	Adaptor - Tank Fuel	1	PC
S1	221816-6	Cap - Fuel Filler RT655	1	PC
Spares Only				

LH Blast (M010523,M010325)

Powapak\Fuel Tank\Fuel Tank and Miscellaneous Items\Miscellaneous Components\Access Platform and Ladder\LH Blast
 Powapack - Fuel Tanks - Miscellaneous - Access Platform & Ladder



L.H. BLAST FAN CASE
 FOR
 R.H. SWEEP MACHINES



R.H. BLAST FAN CASE
 FOR
 L.H. SWEEP MACHINES

LH Blast (M010523,M010325)

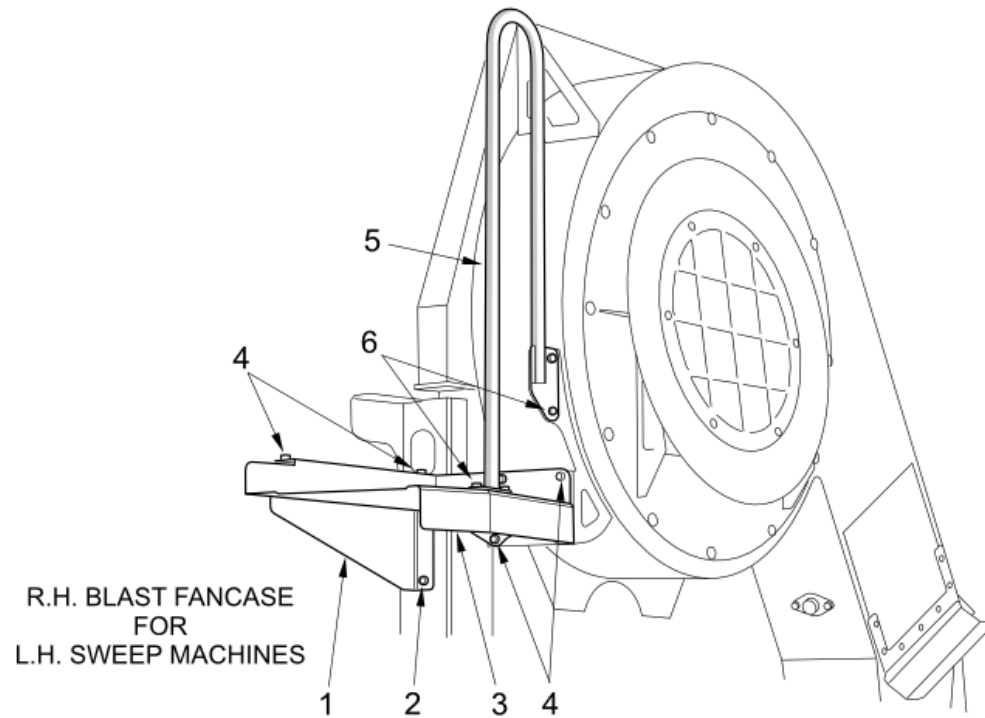
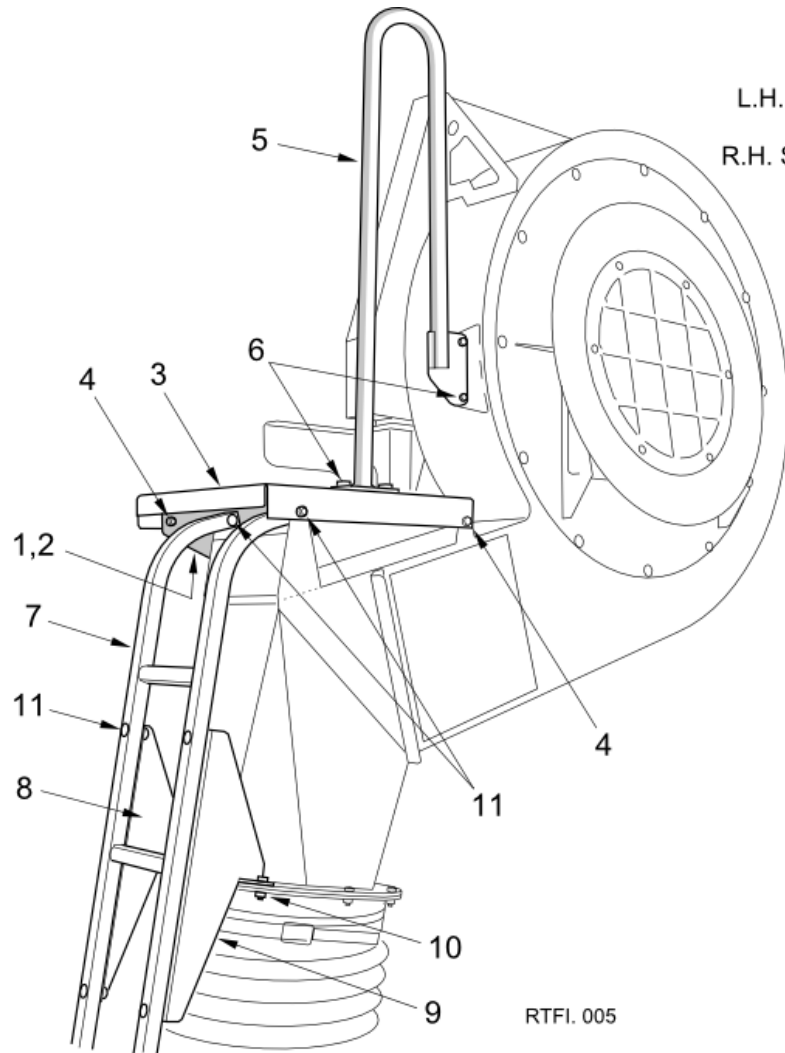
Powapak\Fuel Tank\Fuel Tank and Miscellaneous Items\Miscellaneous Components\Access Platform and Ladder\LH Blast

Powapack - Fuel Tanks - Miscellaneous - Access Platform & Ladder

Item no.	Part no.	Description	QTY	Unit
1	221481-1	Bracket - Platform RT655	1	PC
2	124-167	Setscrew M10C x 20	2	PC
2	455-11	Washer Plain Plated Steel M10	2	PC
2	460-11	Washer Spring Single Coil M10	2	PC
3	221478-1	Platform - Ladder RT655	1	PC
4	124-135	Setscrew M8C x 20	4	PC
4	455-10	Washer Plain Plated Steel M8	4	PC
4	460-10	Washer Spring Single Coil M8	4	PC
4	420-14	Nut MC Hex M8	4	PC
5	221460-1	Grab Rail W/Assy RT655	1	PC
6	124-135	Setscrew M8C x 20	3	PC
6	455-10	Washer Plain Plated Steel M8	3	PC
6	460-10	Washer Spring Single Coil M8	3	PC
6	420-14	Nut MC Hex M8	3	PC
7	282561-1	Access Ladder	1	PC
8	221477-1	Ladder Stay LH RT655	1	PC
9	221477-4	Ladder Stay RH RT655	1	PC
10	124-137	Setscrew M8C x 25	2	PC
10	455-10	Washer Plain Plated Steel M8	2	PC
10	460-10	Washer Spring Single Coil M8	2	PC
10	420-14	Nut MC Hex M8	2	PC
11	136-22	Bolt & Nut Carriage M8x40	6	PC
11	455-10	Washer Plain Plated Steel M8	6	PC
11	425-14	Nut Nyloc Hex MC M8	6	PC

RH Blast (M010523)

Powapak\Fuel Tank\Fuel Tank and Miscellaneous Items\Miscellaneous Components\Access Platform and Ladder\RH Blast
 Powapack - Fuel Tanks - Miscellaneous - Access Platform & Ladder



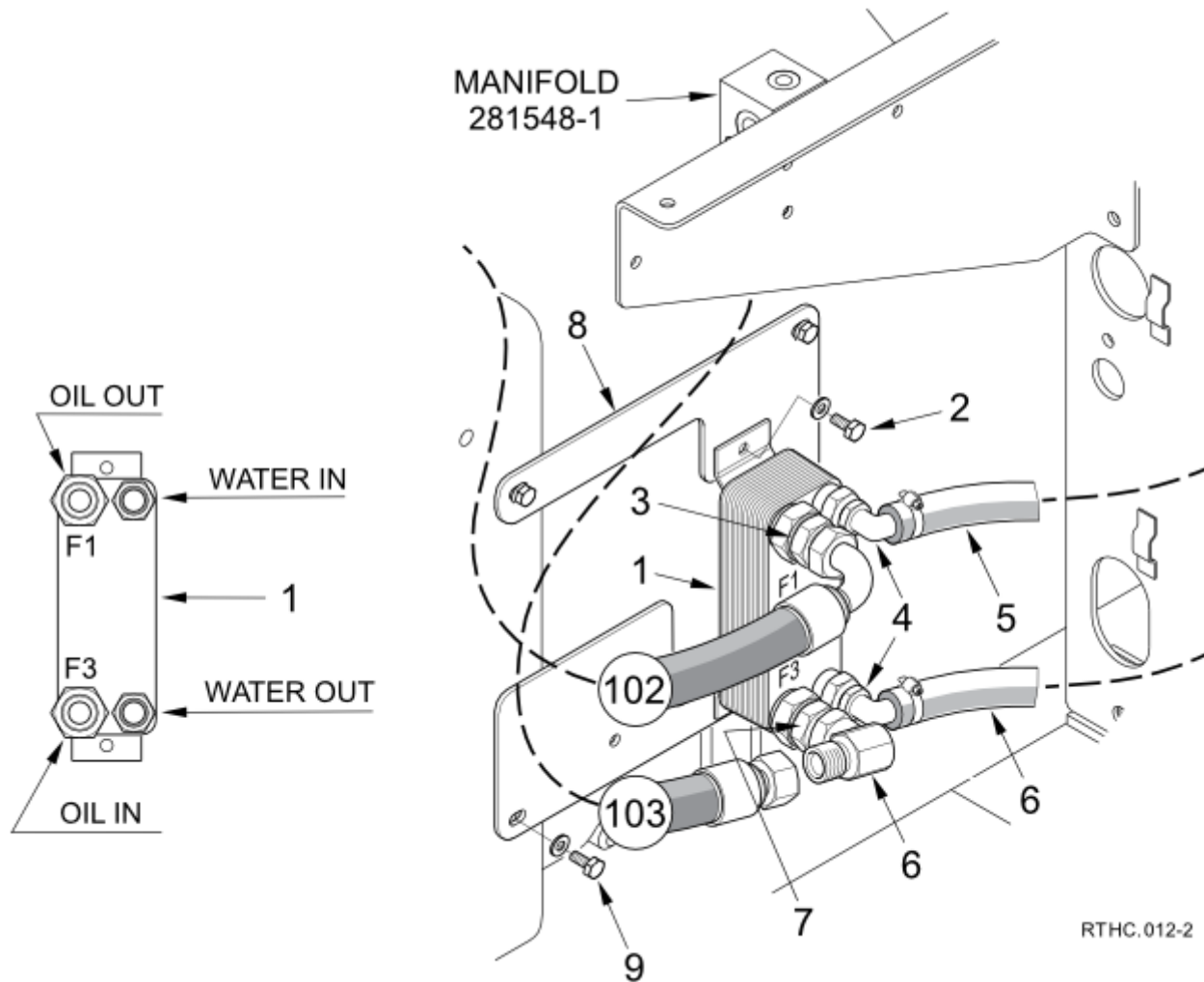
RH Blast (M010523)

Powapak\Fuel Tank\Fuel Tank and Miscellaneous Items\Miscellaneous Components\Access Platform and Ladder\RH Blast
Powapack - Fuel Tanks - Miscellaneous - Access Platform & Ladder

Item no.	Part no.	Description	QTY	Unit
1	221481-1	Bracket - Platform RT655	1	PC
2	124-167	Setscrew M10C x 20	2	PC
2	455-11	Washer Plain Plated Steel M10	2	PC
2	460-11	Washer Spring Single Coil M10	2	PC
3	222104-1	Access Platform W/A Powapack	1	PC
4	124-137	Setscrew M8C x 25	6	PC
4	455-10	Washer Plain Plated Steel M8	6	PC
4	460-10	Washer Spring Single Coil M8	4	PC
4	425-14	Nut Nyloc Hex MC M8	2	PC
5	221460-1	Grab Rail W/Assy RT655	1	PC
6	124-135	Setscrew M8C x 20	3	PC
6	455-10	Washer Plain Plated Steel M8	3	PC
6	460-10	Washer Spring Single Coil M8	3	PC
6	420-14	Nut MC Hex M8	3	PC

Hydraulic Oil Cooler Installation (M010515)

Powapak\Fuel Tank\Fuel Tank and Miscellaneous Items\Miscellaneous Components\Hydraulic Oil Cooler Installation
Powapack - Fuel Tanks - Miscellaneous



Hydraulic Oil Cooler Installation (M010515)

Powapak\Fuel Tank\Fuel Tank and Miscellaneous Items\Miscellaneous Components\Hydraulic Oil Cooler Installation

Powapack - Fuel Tanks - Miscellaneous

Item no.	Part no.	Description	QTY	Unit
1	282963-3	Oil Cooler - oil/water	1	PC
2	124-135	Setscrew M8C x 20	2	PC
2	455-10	Washer Plain Plated Steel M8	2	PC
2	425-14	Nut Nyloc Hex MC M8	2	PC
3	263-6	Adaptor M/M 3/4" BSP	2	PC
3	451-21	Washer Bonded G3-4"	2	PC
4	277-237	Elbow - 1/2" BSP x 3/4" BARB	2	PC
5	497-H12	Hose - 3/4" Bore	3	M
6	497-H12	Hose - 3/4" Bore	3	M
6	501-3	Clip Hose Worm Drive 22-30mm	2	PC
7	262-6	Elbow 90° 3/4 BSP M x 3/4 BSP Swivel F	1	PC
8	7010349	Bracket Oil Cooler	1	PC
9	124-135	Setscrew M8C x 20	4	PC
9	460-10	Washer Spring Single Coil M8	4	PC
9	457-4	Washer Plain Steel M8 Form G	4	PC
102	HC12043-170-180	Hose - Megaflex 3/4" 90s x 90s	1	PC
103	HC12002-45	Hose - Megaflex 3/4" STRx90s	1	PC

This page is intentionally left blank

Chapter 4

Suction Fan/Transmission

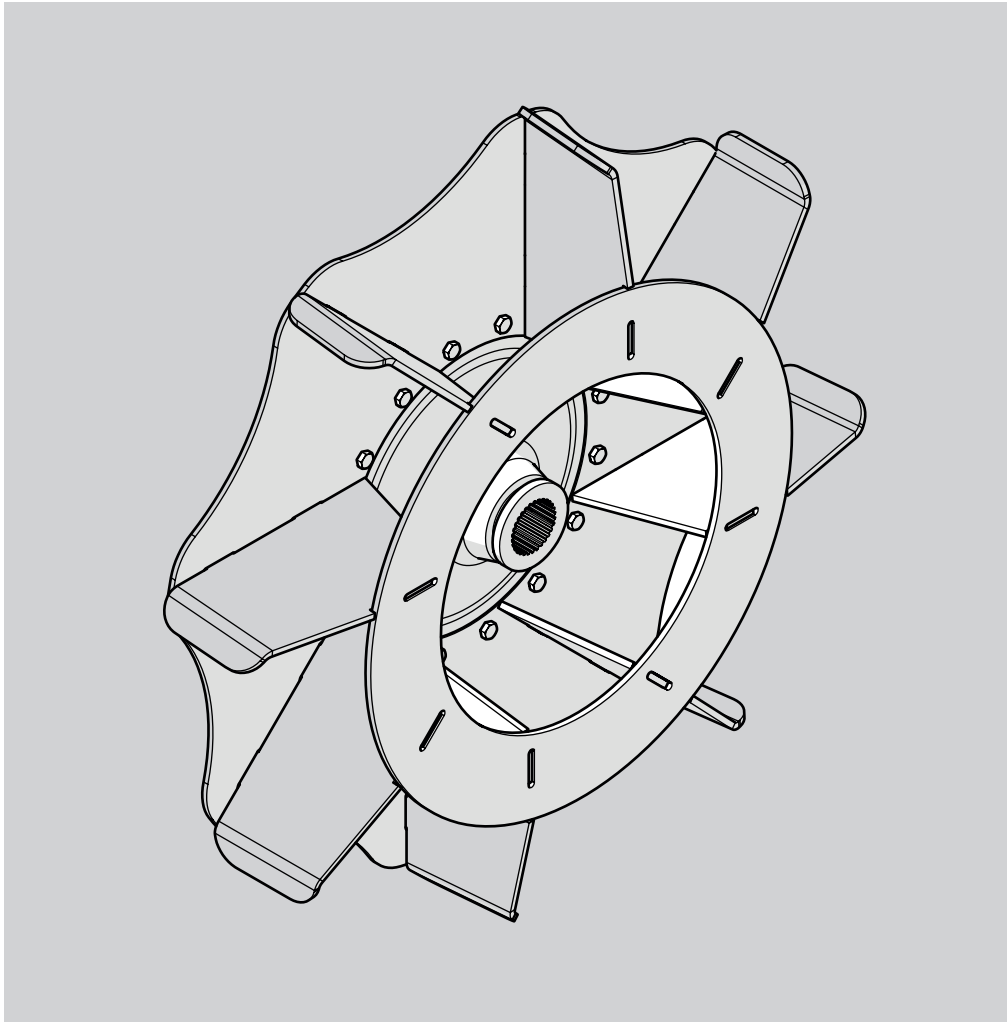
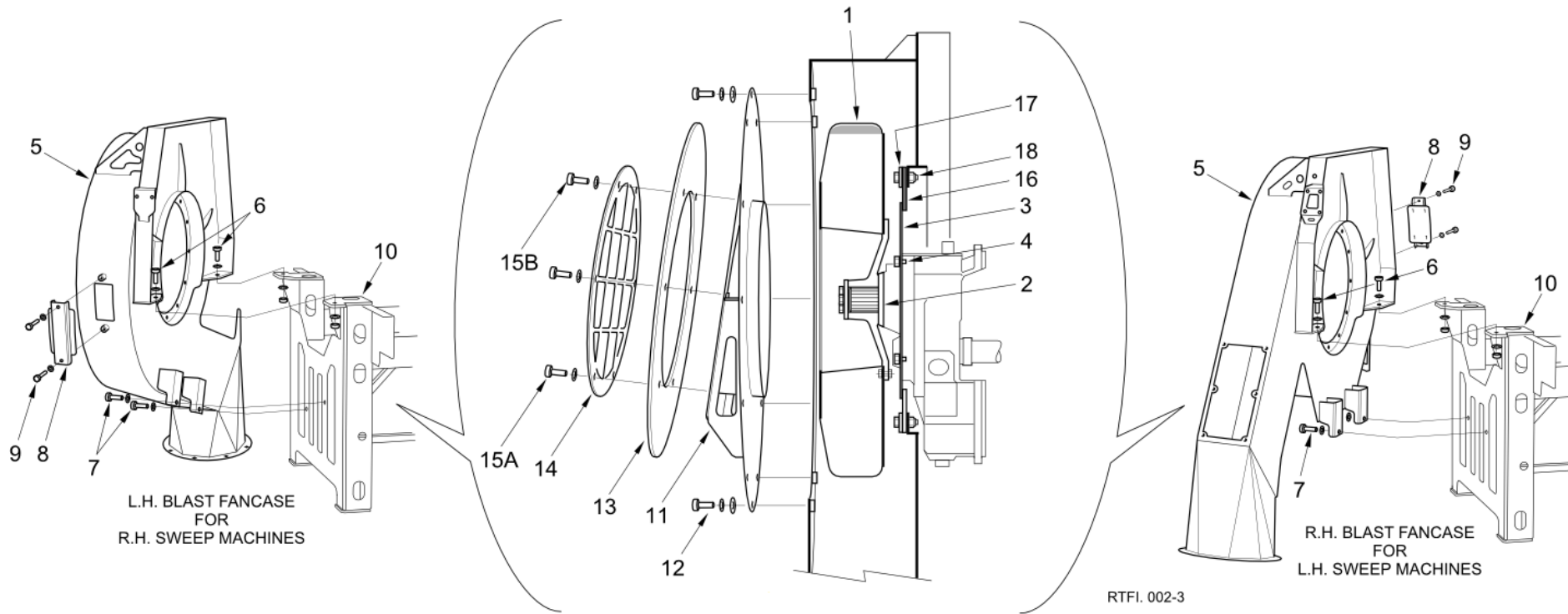


Table of Contents

Section	Page
4.1 Suction System	100
4.2 Transmission	112

Impeller and Fan Case (M010511,M010521)

 Suction Fan/Transmission\Suction System\Impeller and Fan Case
 Suction Fan/Transmission - Suction System


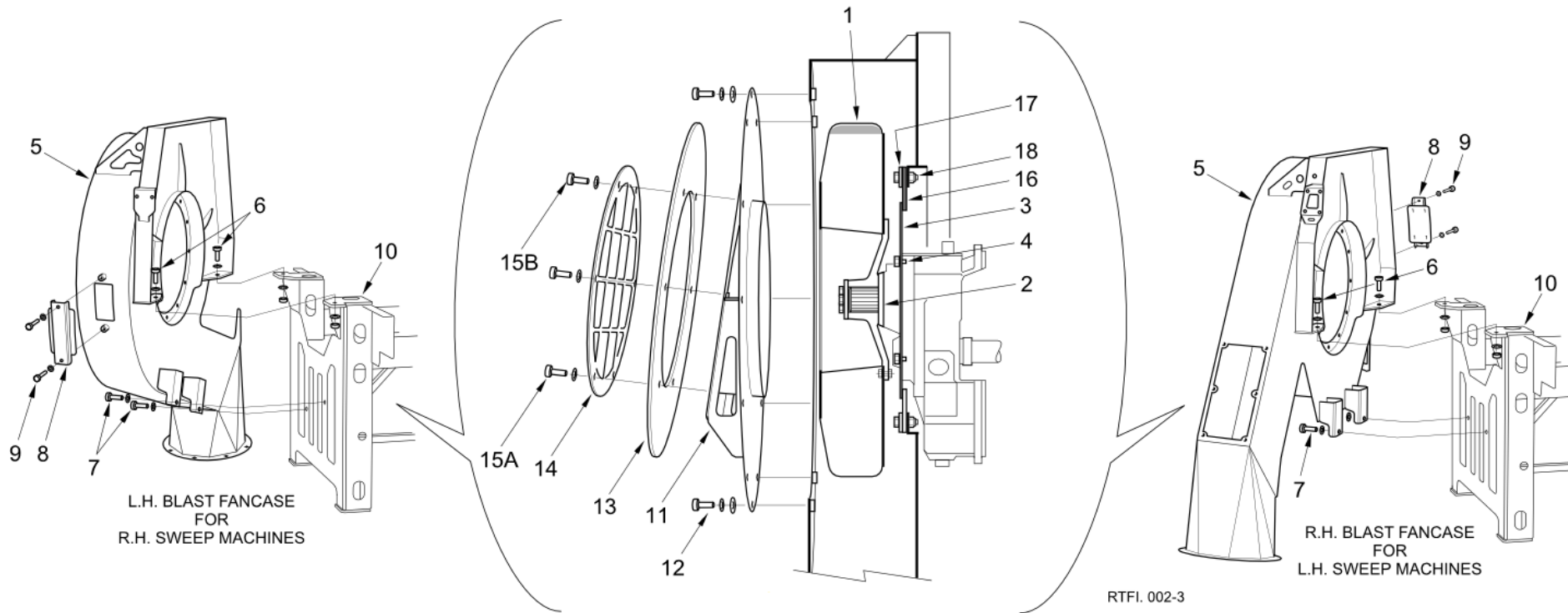
Impeller and Fan Case (M010511,M010521)

Suction Fan/Transmission\Suction System\Impeller and Fan Case

Suction Fan/Transmission - Suction System

Item no.	Part no.	Description	QTY	Unit
1	280000-1	Fan Impeller Assy Ø 722 RT655	1	PC
2	62025-1	Spinner - Gearbox	1	PC
4	837-37	Screw - Special M8c x 20	4	PC
5	221060-1	Fancase W/Assy RT655	1	PC
5	222060-1	Fancase W/Assy (Australia) 655	1	PC
6	124-207	Setscrew M12C x 40	2	PC
6	455-12	Washer Plain Plated Steel M12	4	PC
6	425-16	Nut Nyloc Hex M12c	2	PC
7	124-203	Setscrew M12C x 30	2	PC
7	460-12	Washer Spring Single Coil M12	2	PC
8	293870-1	Access Cover W/A Fan Impeller	1	PC
9	124-135	Setscrew M8C x 20	2	PC
9	460-10	Washer Spring Single Coil M8	2	PC
11	221080-1	Fan Inlet W/Assy RT655	1	PC
12	124-135	Setscrew M8C x 20	12	PC
12	460-10	Washer Spring Single Coil M8	12	PC
12	457-4	Washer Plain Steel M8 Form G	12	PC
13	221087-1	Seal - Make/Brake RT655	1	PC
14	221053-1	Clamp Ring - Fan Inlet RT655	1	PC
15A	138-125	Screw - Skt Button Hd M8cx25	4	PC
15B	138-123	Screw - Skt Button Hd M8cx20	2	PC
15B	460-10	Washer Spring Single Coil M8	6	PC
16	42382-1	Diaphragm - Fancase	1	PC
17	42239-2	Flange - Fancase (Painted)	1	PC

Impeller and Fan Case (M010511,M010521)

 Suction Fan/Transmission\Suction System\Impeller and Fan Case
 Suction Fan/Transmission - Suction System


Impeller and Fan Case (M010511,M010521)

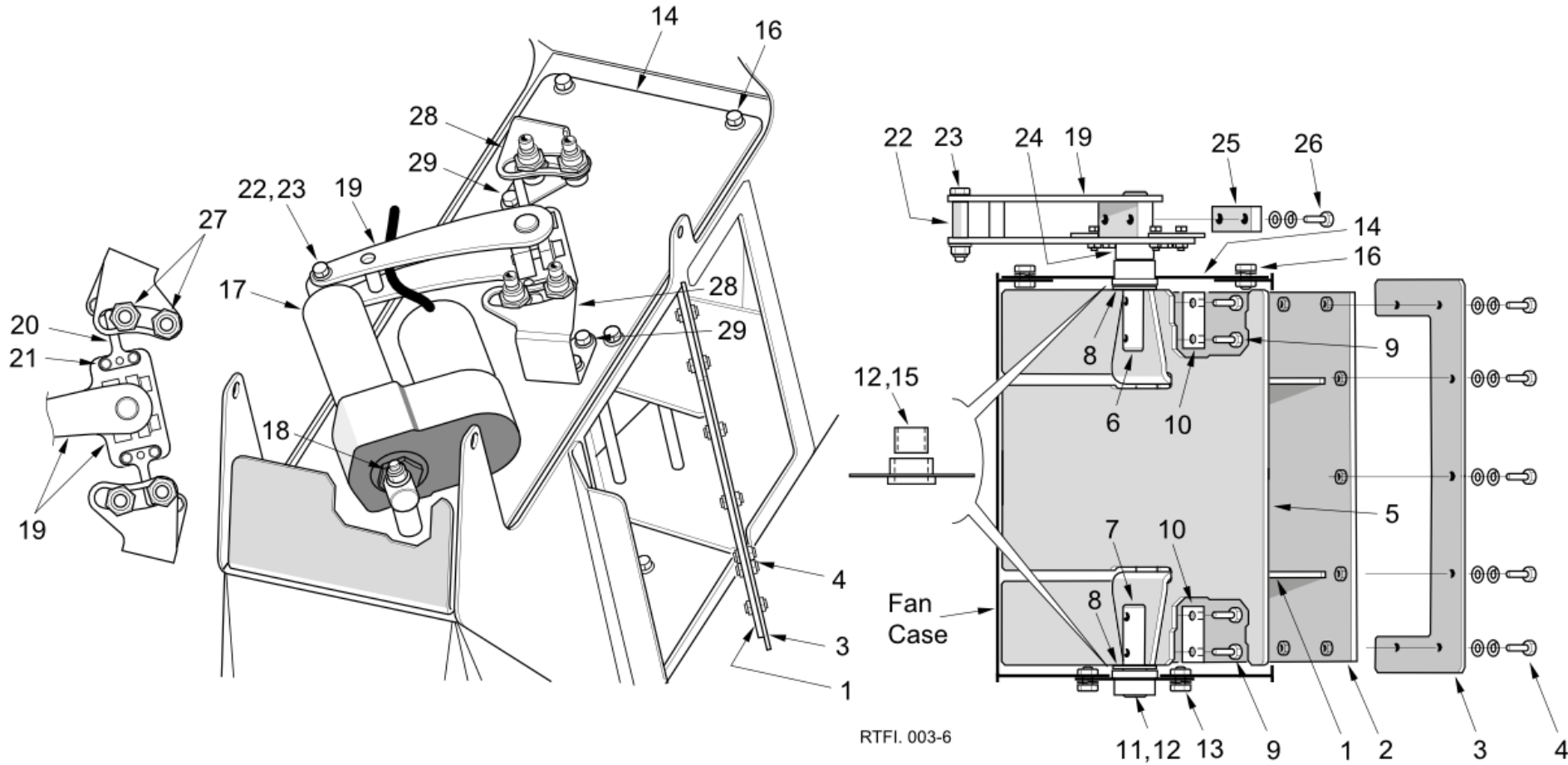
Suction Fan/Transmission\Suction System\Impeller and Fan Case

Suction Fan/Transmission - Suction System

Item no.	Part no.	Description	QTY	Unit
18	124-137	Setscrew M8C x 25	12	PC
18	425-14	Nut Nyloc Hex MC M8	12	PC
3	42284-1-B	Mask - Fancase	1	PC

Fan Case VEG Mechanism L.H. (M010521)

Suction Fan/Transmission\Suction System\Fan Case\Fan Case VEG Mechanism L.H.
 Suction Fan/Transmission - Suction System



Fan Case VEG Mechanism L.H. (M010521)

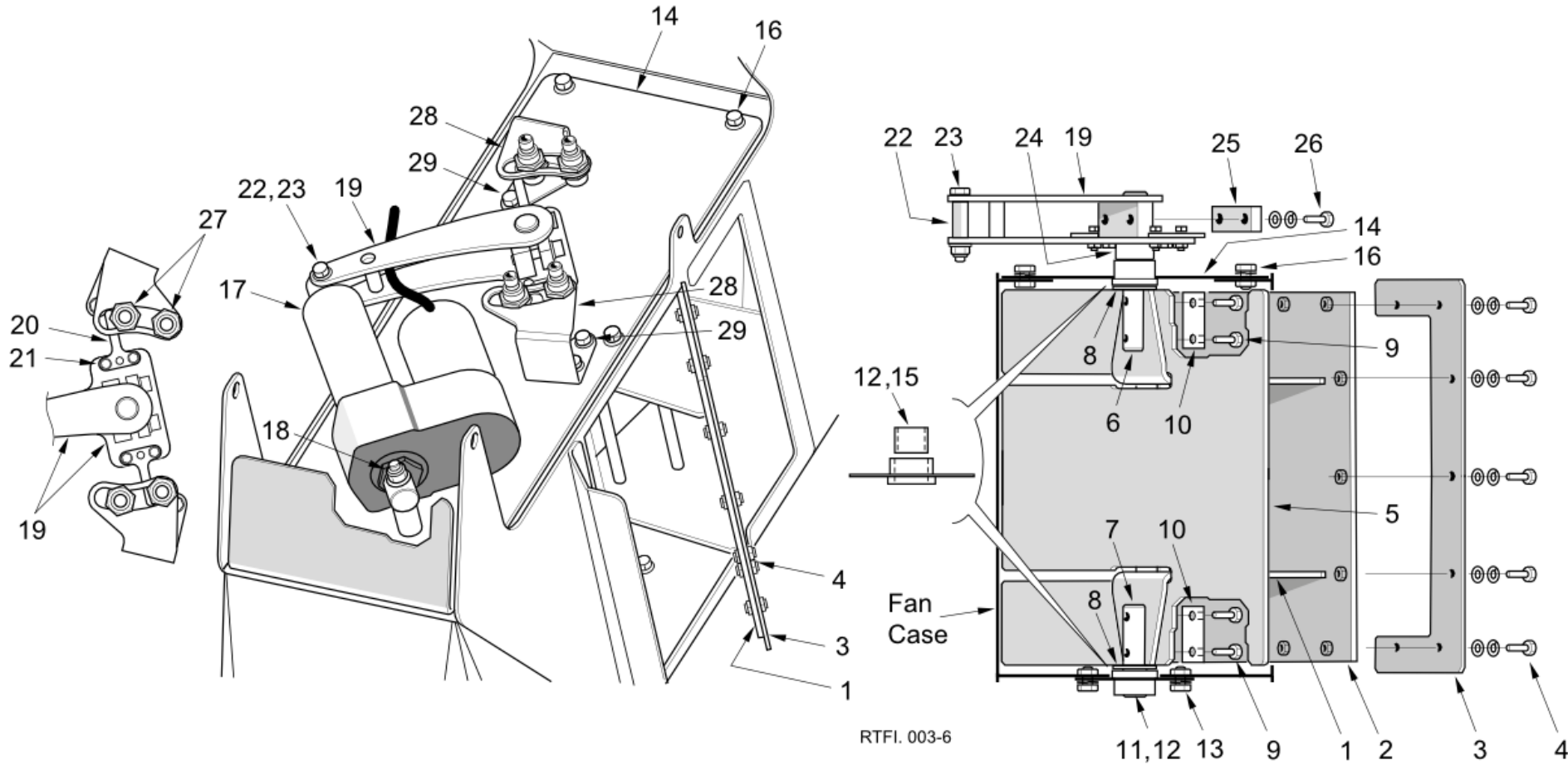
Suction Fan/Transmission\Suction System\Fan Case\Fan Case VEG Mechanism L.H.

Suction Fan/Transmission - Suction System

Item no.	Part no.	Description	QTY	Unit
1	7012679	VEG Gate Frame W/Assy	1	PC
2	7018239	VEG Gate Plate W/Assy	1	PC
3	7018243	Seal Plate	1	PC
4	124-103	Setscrew M6C x 20	7	PC
4	460-8	Washer Spring Single Coil M6	7	PC
4	455-8	Washer Plain Plated Steel M6	7	PC
5	7010786	Baffle Plate VEG Gate	1	PC
6	221173-1	Upper Axle-Veg Mechanism RT655	1	PC
7	221174-1	Lower Axle-Veg Mechanism RT655	1	PC
8	454-20	Washer Plain St.Stl M20x37	2	PC
9	124-134	Setscrew M8C x 16	4	PC
10	42723-1-A	Washer - Tab	2	PC
11	221175-1	Lower Bearing W/A Veg Mech 655	1	PC
12	29128-1-B	Bush - 20Lg	1	PC
13	124-134	Setscrew M8C x 16	2	PC
13	460-10	Washer Spring Single Coil M8	2	PC
14	222165-1	Base Plate W/assy	1	PC
15	29128-1-B	Bush - 20Lg	1	PC
16	124-134	Setscrew M8C x 16	6	PC
16	460-10	Washer Spring Single Coil M8	6	PC
17	281335-24	Actuator Electric 24v	1	PC
18	425-15	Nut Nyloc Hex M10C	1	PC
18	455-11	Washer Plain Plated Steel M10	1	PC
19	7010816	Lever Arm Assembly VEG Gate	1	PC

Fan Case VEG Mechanism L.H. (M010521)

Suction Fan/Transmission\Suction System\Fan Case\Fan Case VEG Mechanism L.H.
Suction Fan/Transmission - Suction System



Fan Case VEG Mechanism L.H. (M010521)

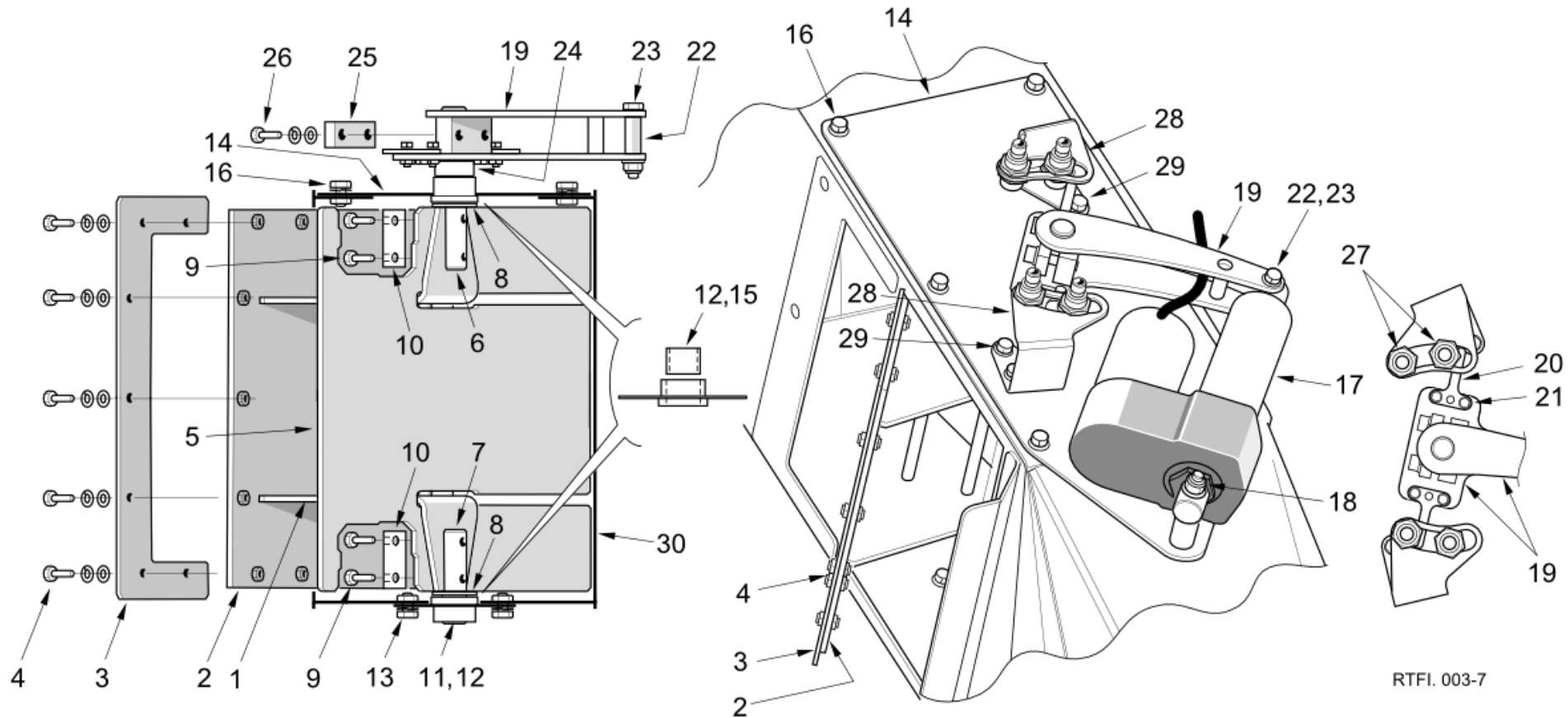
Suction Fan/Transmission\Suction System\Fan Case\Fan Case VEG Mechanism L.H.

Suction Fan/Transmission - Suction System

Item no.	Part no.	Description	QTY	Unit
20	7010793	Sensor Arm VEG Gate	2	PC
21	124-70	Setscrew M5C x 16	4	PC
21	460-7	Washer Spring Single Coil M5	4	PC
21	455-7	Washer Plain Plated Steel M5	4	PC
22	221187-1	Bush - Lever Veg Mechanism 655	1	PC
23	124-146	Setscrew M8C x 55	1	PC
23	460-10	Washer Spring Single Coil M8	1	PC
23	425-14	Nut Nyloc Hex MC M8	1	PC
24	221497-1	Spacer - Veg Mechanism RT655	1	PC
25	221496-1	Adjuster Plate - Veg Mech 655	1	PC
26	129-129	Screw MC Cap Skt Hd M8x35	2	PC
26	460-10	Washer Spring Single Coil M8	2	PC

Fan Case VEG Mechanism R.H. (M010521)

Suction Fan/Transmission\Suction System\Fan Case\Fan Case VEG Mechanism R.H.
Suction Fan/Transmission - Suction System



Fan Case VEG Mechanism R.H. (M010521)

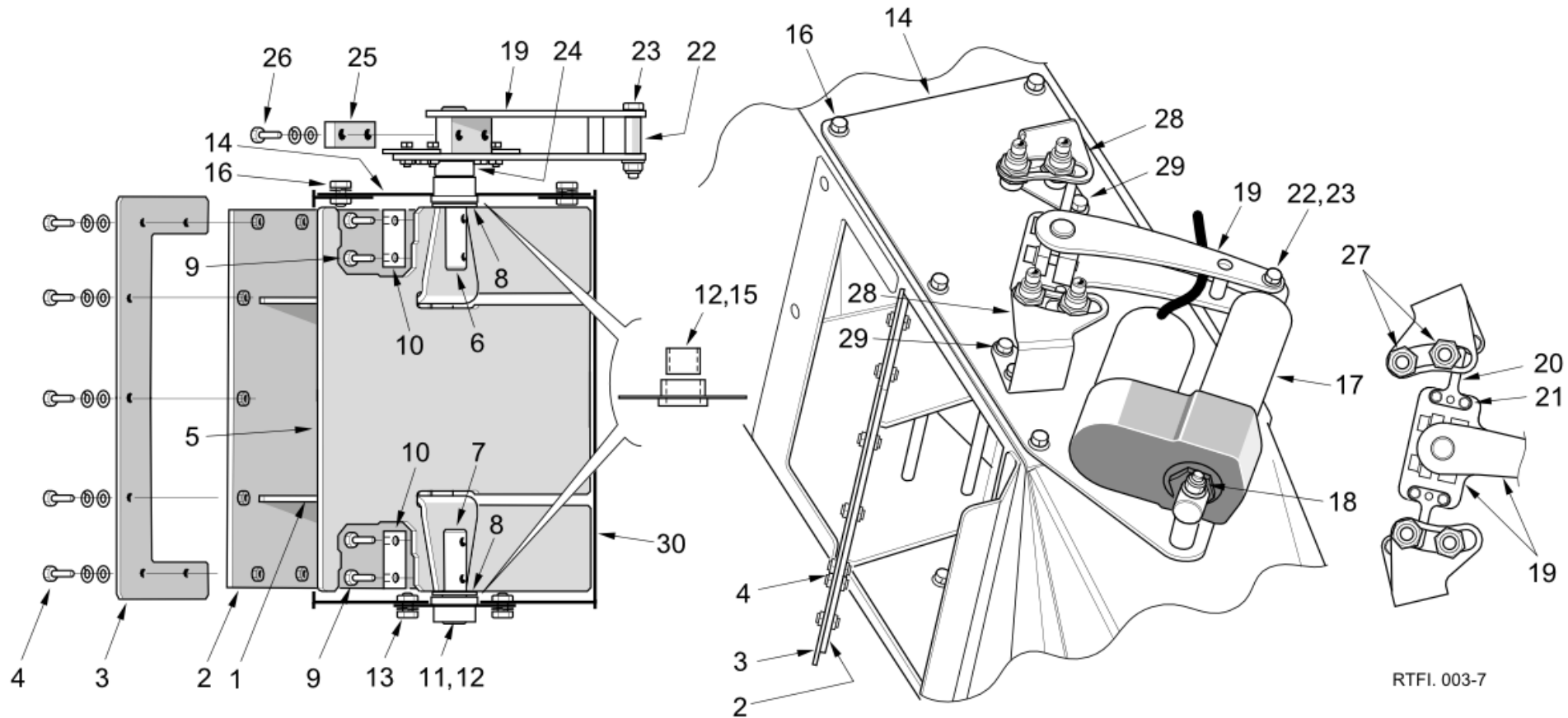
Suction Fan/Transmission\Suction System\Fan Case\Fan Case VEG Mechanism R.H.

Suction Fan/Transmission - Suction System

Item no.	Part no.	Description	QTY	Unit
1	7012679	VEG Gate Frame W/Assy	1	PC
2	7018239	VEG Gate Plate W/Assy	1	PC
3	7018243	Seal Plate	1	PC
4	124-103	Setscrew M6C x 20	7	PC
4	460-8	Washer Spring Single Coil M6	7	PC
4	455-8	Washer Plain Plated Steel M6	7	PC
5	7010786	Baffle Plate VEG Gate	1	PC
6	221173-1	Upper Axle-Veg Mechanism RT655	1	PC
7	221174-1	Lower Axle-Veg Mechanism RT655	1	PC
8	454-20	Washer Plain St.Stl M20x37	2	PC
9	124-134	Setscrew M8C x 16	4	PC
10	42723-1-A	Washer - Tab	2	PC
11	221175-1	Lower Bearing W/A Veg Mech 655	1	PC
12	29128-1-B	Bush - 20Lg	1	PC
13	124-134	Setscrew M8C x 16	2	PC
13	460-10	Washer Spring Single Coil M8	2	PC
14	221165-1	Base Plate W/Assy	1	PC
15	29128-1-B	Bush - 20Lg	1	PC
16	124-134	Setscrew M8C x 16	6	PC
16	460-10	Washer Spring Single Coil M8	6	PC
17	281335-12	Actuator Electric 12v	1	PC
17	281335-24	Actuator Electric 24v	1	PC
18	425-15	Nut Nyloc Hex M10C	1	PC
18	455-11	Washer Plain Plated Steel M10	1	PC

Fan Case VEG Mechanism R.H. (M010521)

Suction Fan/Transmission\Suction System\Fan Case\Fan Case VEG Mechanism R.H.
Suction Fan/Transmission - Suction System



RTFI. 003-7

Fan Case VEG Mechanism R.H. (M010521)

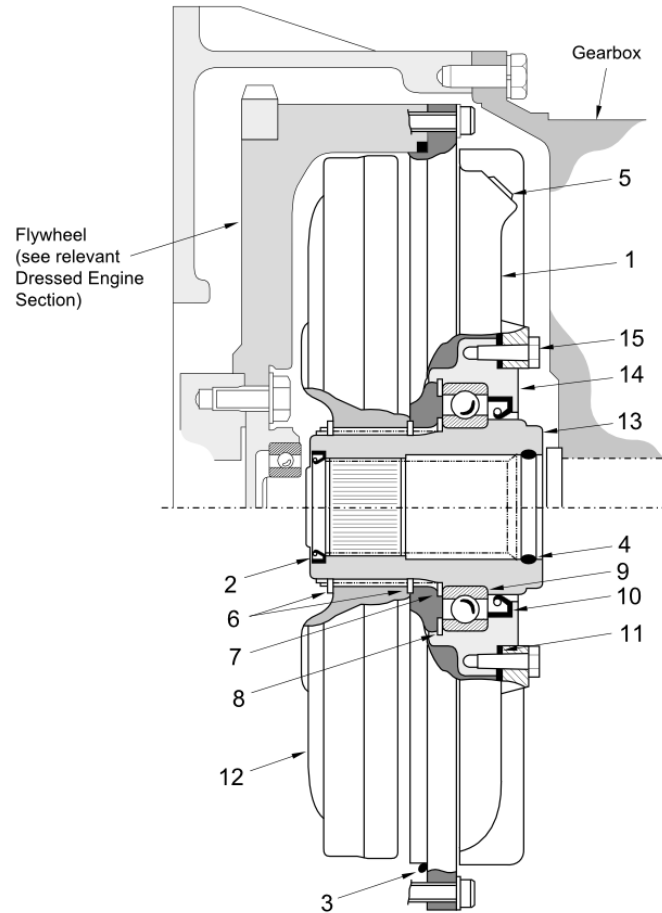
Suction Fan/Transmission\Suction System\Fan Case\Fan Case VEG Mechanism R.H.

Suction Fan/Transmission - Suction System

Item no.	Part no.	Description	QTY	Unit
19	7010821	Lever Arm Assembly VEG Gate	1	PC
20	7010793	Sensor Arm VEG Gate	2	PC
21	124-70	Setscrew M5C x 16	4	PC
21	460-7	Washer Spring Single Coil M5	4	PC
21	455-7	Washer Plain Plated Steel M5	4	PC
22	221187-1	Bush - Lever Veg Mechanism 655	1	PC
23	124-146	Setscrew M8C x 55	1	PC
23	460-10	Washer Spring Single Coil M8	1	PC
23	425-14	Nut Nyloc Hex MC M8	1	PC
24	221497-1	Spacer - Veg Mechanism RT655	1	PC
25	221496-1	Adjuster Plate - Veg Mech 655	1	PC
26	129-129	Screw MC Cap Skt Hd M8x35	2	PC
26	460-10	Washer Spring Single Coil M8	2	PC
27	7003201	Sensor	4	PC
27	451-160	Washer Copper 18mm	8	PC
28	7010783	Bracket VEG Sensor	2	PC
29	124-134	Setscrew M8C x 16	4	PC
29	460-10	Washer Spring Single Coil M8	4	PC
27	7003201	Sensor	4	PC
27	451-160	Washer Copper 18mm	8	PC
28	7010785	Bracket VEG Sensor	2	PC
29	124-134	Setscrew M8C x 16	4	PC
29	460-10	Washer Spring Single Coil M8	4	PC

Fluid Coupling ()

Suction Fan/Transmission\Transmission\Fluid Coupling
 Suction Fan/Transmission - Transmission



Note:
 On assembly, coat internal spline of Item 18
 with Kluber Paste 46MR410, JSL Part No. 94-24

95FC.001-3

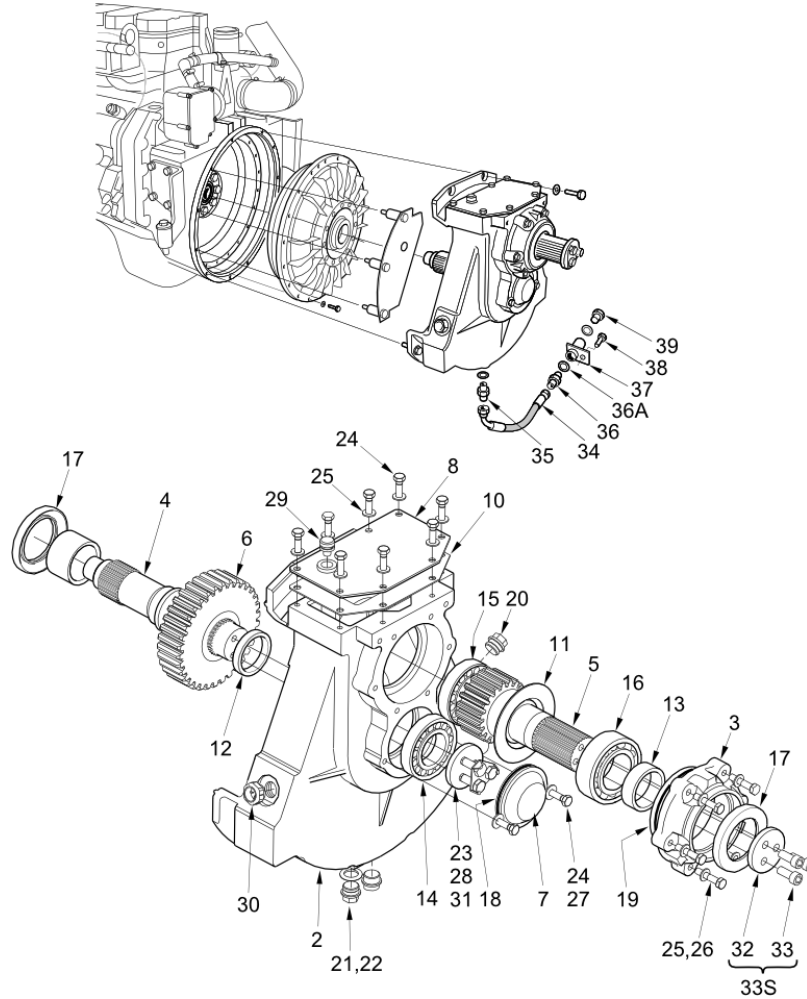
Fluid Coupling ()

Suction Fan/Transmission\Transmission\Fluid Coupling

Suction Fan/Transmission - Transmission

Item no.	Part no.	Description	QTY	Unit
2	77-39	Seal - Oil 40x55x7mm	1	PC
3	656-1	O Ring	1	PC
4	656-2	O Ring	1	PC
5	656-3	Plug	1	PC
6	656-4	Circlip - External I/D	2	PC
7	656-5	Circlip - External I/D	1	PC
8	656-6	Circlip - Internal O/D	1	PC
9	656-7	Bearing	1	PC
10	656-8	Oil Seal	1	PC
11	656-9	Gasket	1	PC
12	656-10	Impeller Inner	1	PC
13	656-12	Hub	1	PC
14	656-13	Housing Bearing	1	PC
15	656-14	Screw - Fluid Coupling	12	PC
0	42501-500	Overhaul kit- For 42501/3	1	PC
Comprising items 3,7-16				
1	42501-2-A	Coupling - Fluid	1	PC

Fan Drive Gearbox ()
 Suction Fan/Transmission\Transmission\Fan Drive Gearbox
 Powapak - VT Transmission



1 - Gear Set comprises the following (NSS) :

Item	Description	Qty
4	Input Shaft	1
5	Output Shaft	1
6	Input Gear	1
7	Cap Bearing	1
10	Gasket	1
11	Washer	1
12	Spacer	1
13	Spacer	1
23	Set Screw M10F x25	3
31	Clamp Plate	1
40	Bearing Set	1
41	Seal Kit	1

40 - Bearing Set comprises the following (NSS) :

Item	Description	Qty
3	Bearing Housing	1
14	Bearing	1
15	Bearing	1
16	Bearing	1

41 - Seal Kit comprises the following (NSS) :

Item	Description	Qty
17	Rotary Seal	2
18	'O' Ring Seal	1
19	'O' Ring Seal	1
22	Washer - Dowty	2
28	Tab Washer	1
36A	Washer - Dowty	2

95FG.001-7

Fan Drive Gearbox ()

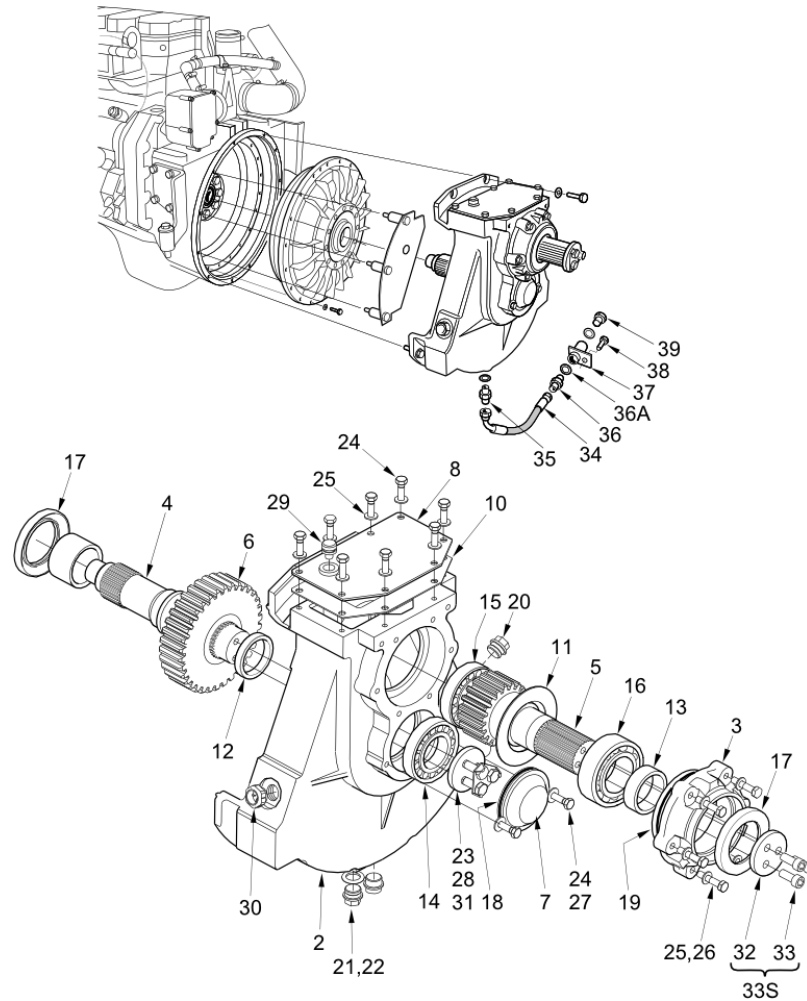
Suction Fan/Transmission\Transmission\Fan Drive Gearbox

Powapak - VT Transmission

Item no.	Part no.	Description	QTY	Unit
0	42270-1-C	Gearbox Assembly	1	PC
2	42271-2-D	Casing - Gearbox (Machined)	1	PC
8	42277-1-D	Cover Plate Welded Assembly	1	PC
10	42279-1-B	Gasket Coverplate	1	PC
20	54-4	Plug - Collar G1/2" BSP	3	PC
21	13109	Plug Drain Magnetic 1/2" BSP	1	PC
22	451-19	Washer - Bonded G1-2"	1	PC
23	121-41	Setscrew M10F x 25	3	PC
24	124-137	Setscrew M8C x 25	10	PC
25	460-10	Washer Spring Single Coil M8	16	PC
26	124-143	Setscrew M8C x 40	6	PC
27	457-4	Washer Plain Steel M8 Form G	2	PC
28	42659-1-A	Washer Tab	1	PC
29	16978-1-A	Breather	1	PC
30	87-7	Gauge - Oil Level Indicator	1	PC
31	42282-2	Plate - Clamp	1	PC
33S	283803-1	Fixing Kit-Gearbox Assy	1	PC
Comprising items 32 and 33				
32	42282-3	Plate - Clamp	1	PC
33	148-1	Screw-Cap HD Tuflok M10x1.25x30 G12.9	3	PC
34	HC08001-48	Hose - Megaflex 1/2" STRx45s	1	PC
35	263-4	Adaptor M/M 1/2 BSP BS5200	1	PC
35A	451-19	Washer - Bonded G1-2"	1	PC
36	265-4	Adaptor Reducing M/M 3/8 x 1/2 BSP	1	PC

Fan Drive Gearbox ()

Suction Fan/Transmission\Transmission\Fan Drive Gearbox
Powapak - VT Transmission



1 - Gear Set comprises the following (NSS) :

Item	Description	Qty
4	Input Shaft	1
5	Output Shaft	1
6	Input Gear	1
7	Cap Bearing	1
10	Gasket	1
11	Washer	1
12	Spacer	1
13	Spacer	1
23	Set Screw M10F x25	3
31	Clamp Plate	1
40	Bearing Set	1
41	Seal Kit	1

40 - Bearing Set comprises the following (NSS) :

Item	Description	Qty
3	Bearing Housing	1
14	Bearing	1
15	Bearing	1
16	Bearing	1

41 - Seal Kit comprises the following (NSS) :

Item	Description	Qty
17	Rotary Seal	2
18	'O' Ring Seal	1
19	'O' Ring Seal	1
22	Washer - Dowty	2
28	Tab Washer	1
36A	Washer - Dowty	2

95FG.001-7

Fan Drive Gearbox ()

Suction Fan/Transmission\Transmission\Fan Drive Gearbox

Powapak - VT Transmission

Item no.	Part no.	Description	QTY	Unit
36A	451-18	Washer Bonded G3/8"	1	PC
37	40525-1-B	Drain - Engine W/Assy	1	PC
38	124-167	Setscrew M10C x 20	1	PC
38	460-11	Washer Spring Single Coil M10	1	PC
38	420-15	Nut MC Hex M10	1	PC
39	3823	Plug - Collar 3/8" BSP Brass	1	PC
39A	451-18	Washer Bonded G3/8"	1	PC

This page is intentionally left blank

Chapter 5

Gutter Broom

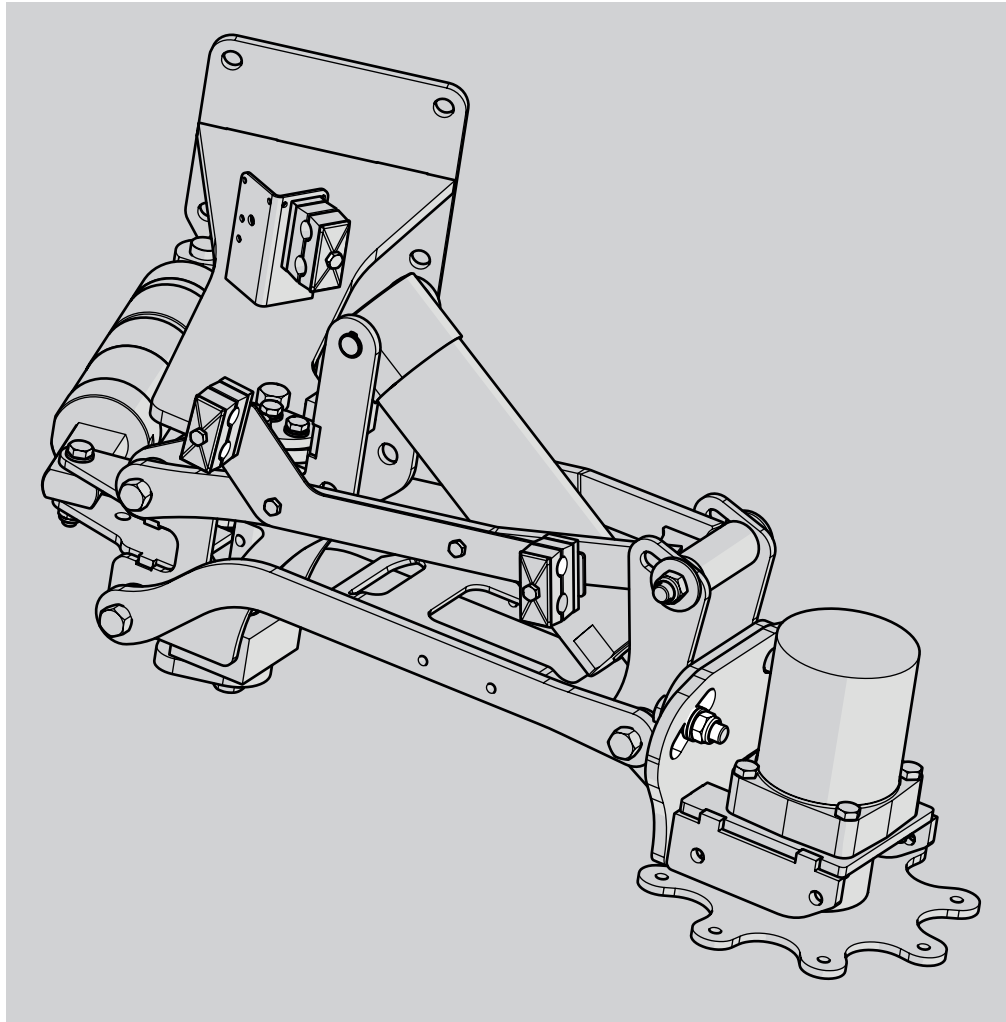
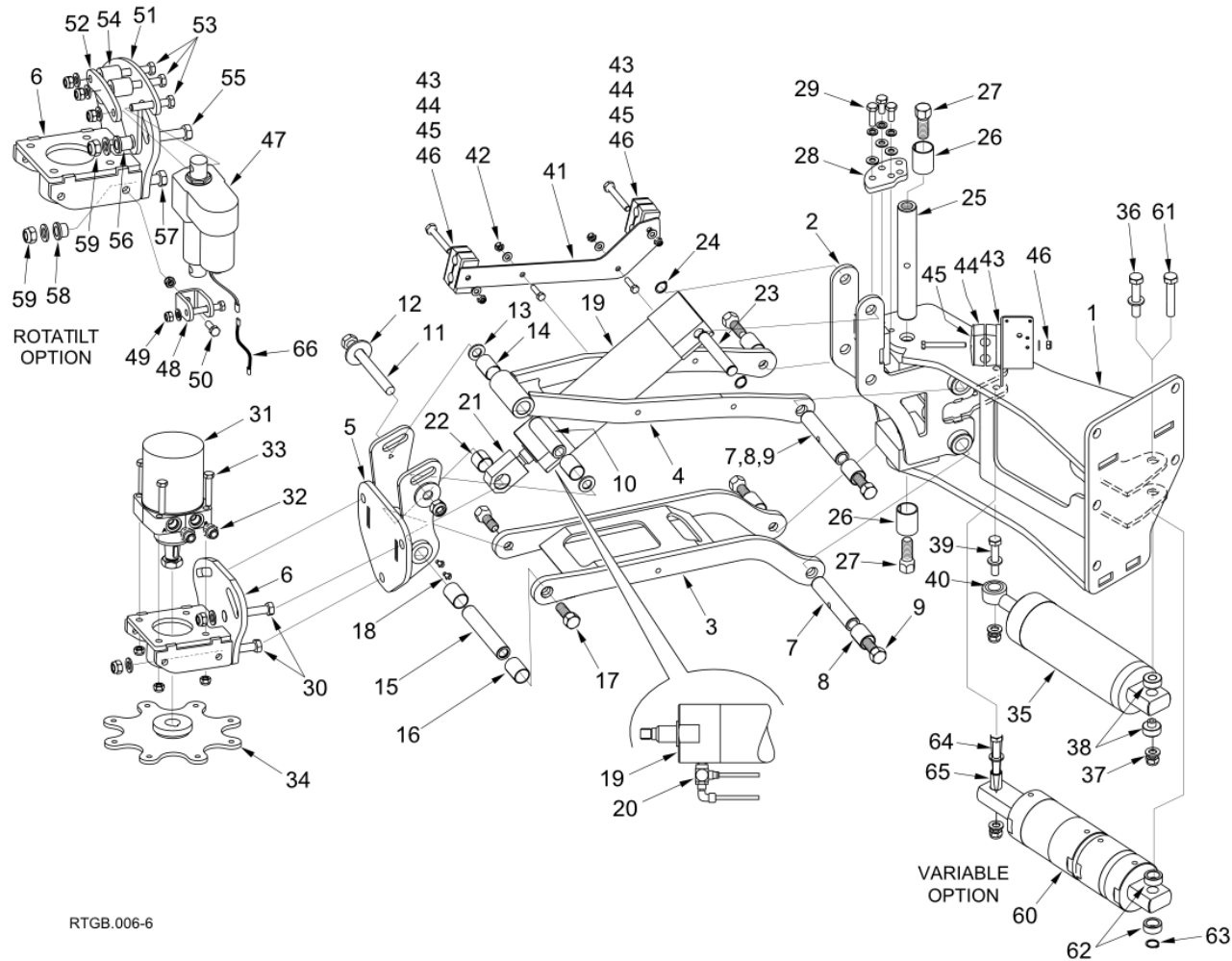


Table of Contents

Section	Page
5.1 Gutter Broom	120
5.2 Curtain Installation	134
5.3 Mounting Brackets - Not Supplied With ESU's	136

Assembly L.H. & R.H. (M011210)
 Gutter Broom\Gutter Broom\Assembly L.H. & R.H.
 Gutter Broom



RTGB.006-6

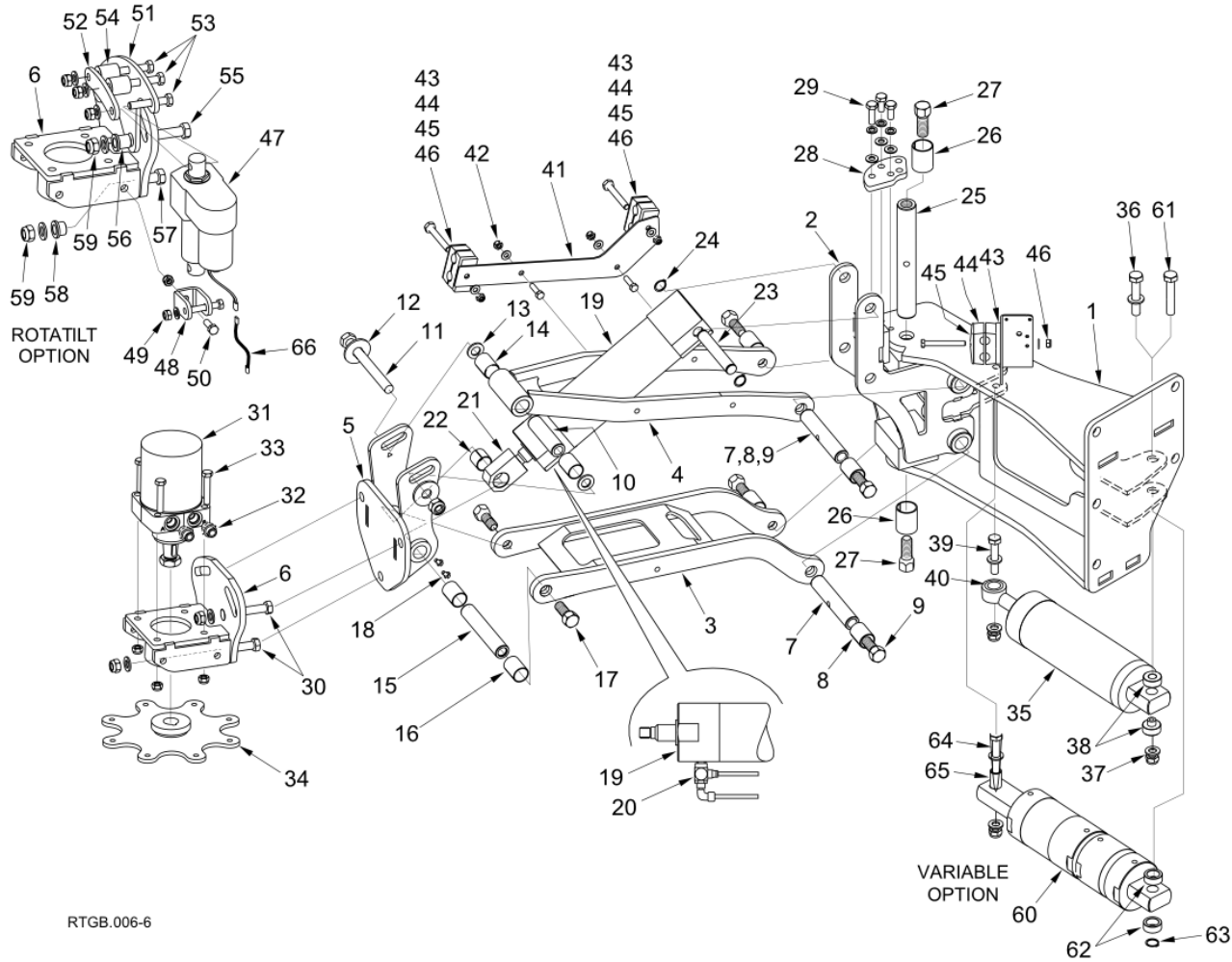
Assembly L.H. & R.H. (M011210)

Gutter Broom\Gutter Broom\Assembly L.H. & R.H.

Gutter Broom

Item no.	Part no.	Description	QTY	Unit
1	221601-1	Support W/Assy	1	PC
1	221660-1	Support W/Assy RH	1	PC
2	221620-1	Pivot Bracket W/Assy	1	PC
3	221630-1	Lower Arm W/Assy	1	PC
4	221635-1	Upper Arm W/Assy	1	PC
5	221640-1	Mounting Bracket W/Assy	1	PC
6	221645-1	Motor Mount	1	PC
7	221652-1	Pin - Rear Pivot RT655	2	PC
8	221667-1	Bush - Lower Arm RT655	4	PC
9	221661-1	Lug Bolt - M16F x 54mm RT655	4	PC
10	221654-1	Bush - Upper Arm RT655	1	PC
11	123-197	Bolt M Coarse M16x150	1	PC
11	425-18	Nut Nyloc Hex M16C	1	PC
12	457-8	Washer Plain Steel M16 Form G	2	PC
13	455-14	Washer Plain Plated Steel M16	2	PC
14	221667-1	Bush - Lower Arm RT655	2	PC
15	221653-1	Pin - Front Pivot RT655	1	PC
16	221667-1	Bush - Lower Arm RT655	2	PC
17	221661-1	Lug Bolt - M16F x 54mm RT655	1	PC
18	124-99	Setscrew M6C x 10	2	PC
19	221650-1	Cylinder-Brush Lift Pneu.RT655	1	PC
20	72-93	Pilot Check Valve-1/4" BSPx6mm	1	PC
21	221647-1	Rod Eye - Cylinder RT655	1	PC
22	221664-1	Bush-Clevis Suspension Cyl 655	1	PC

Assembly L.H. & R.H. (M011210)
 Gutter Broom\Gutter Broom\Assembly L.H. & R.H.
 Gutter Broom



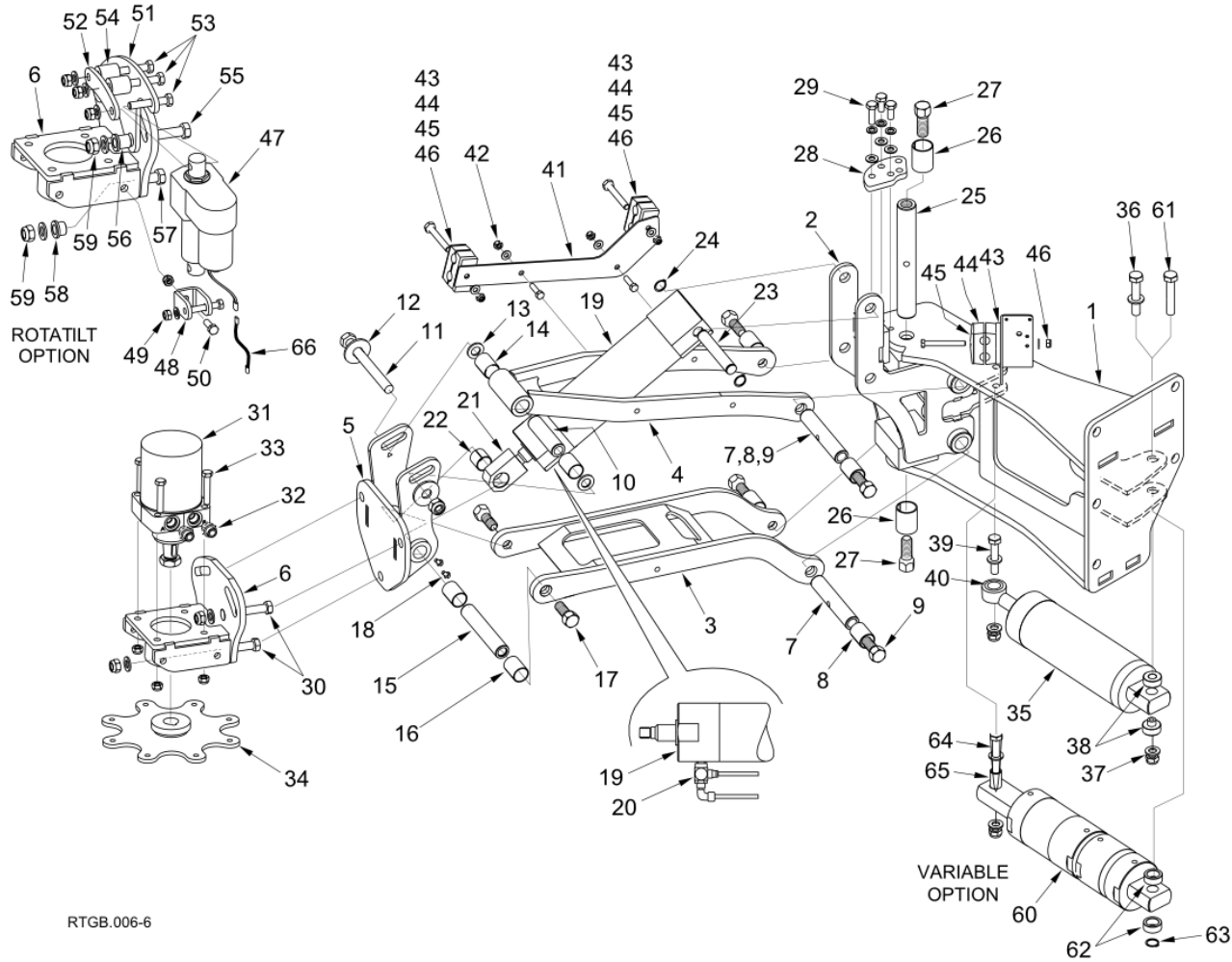
Assembly L.H. & R.H. (M011210)

Gutter Broom\Gutter Broom\Assembly L.H. & R.H.

Gutter Broom

Item no.	Part no.	Description	QTY	Unit
23	221655-1	Pin-Clevis Lift C.Brush RT655	1	PC
24	25-2	Circlip - External I/D 3/4"	2	PC
25	221651-1	Pin - Pivot Head RT655	1	PC
26	221666-1	Bush - Pivot Head RT655	2	PC
27	221662-1	Lug Bolt - M18F x 62mm RT655	2	PC
28	221609-1	Stop - GB RT655	1	PC
29	124-169	Setscrew M10C x 25	3	PC
29	460-11	Washer Spring Single Coil M10	3	PC
29	455-11	Washer Plain Plated Steel M10	3	PC
30	123-183	Bolt M Coarse M16x55 BS3692	3	PC
30	455-14	Washer Plain Plated Steel M16	3	PC
30	425-18	Nut Nyloc Hex M16C	3	PC
31	221670-1	Brush Motor - Hydraulic RT655	1	PC
32	499-12	Adaptor STR G1/2 x SAE O 7/8	2	PC
33	123-151	Bolt M Coarse M12x65 BS3692	4	PC
33	425-16	Nut Nyloc Hex M12c	4	PC
34	221617-1	Drive Plate W/Assy	1	PC
35	7015108	Cylinder Assembly Ø80x138	1	PC
36	92067543-0	Hex Head Bolt - M16x100C - 8.8	1	PC
36	455-14	Washer Plain Plated Steel M16	2	PC
37	7015584	Reducing Spacer	2	PC
38	221609-1	Stop - GB RT655	1	PC
39	123-152	Bolt M Coarse M12x70	1	PC
39	455-12	Washer Plain Plated Steel M12	2	PC

Assembly L.H. & R.H. (M011210)
 Gutter Broom\Gutter Broom\Assembly L.H. & R.H.
 Gutter Broom



RTGB.006-6

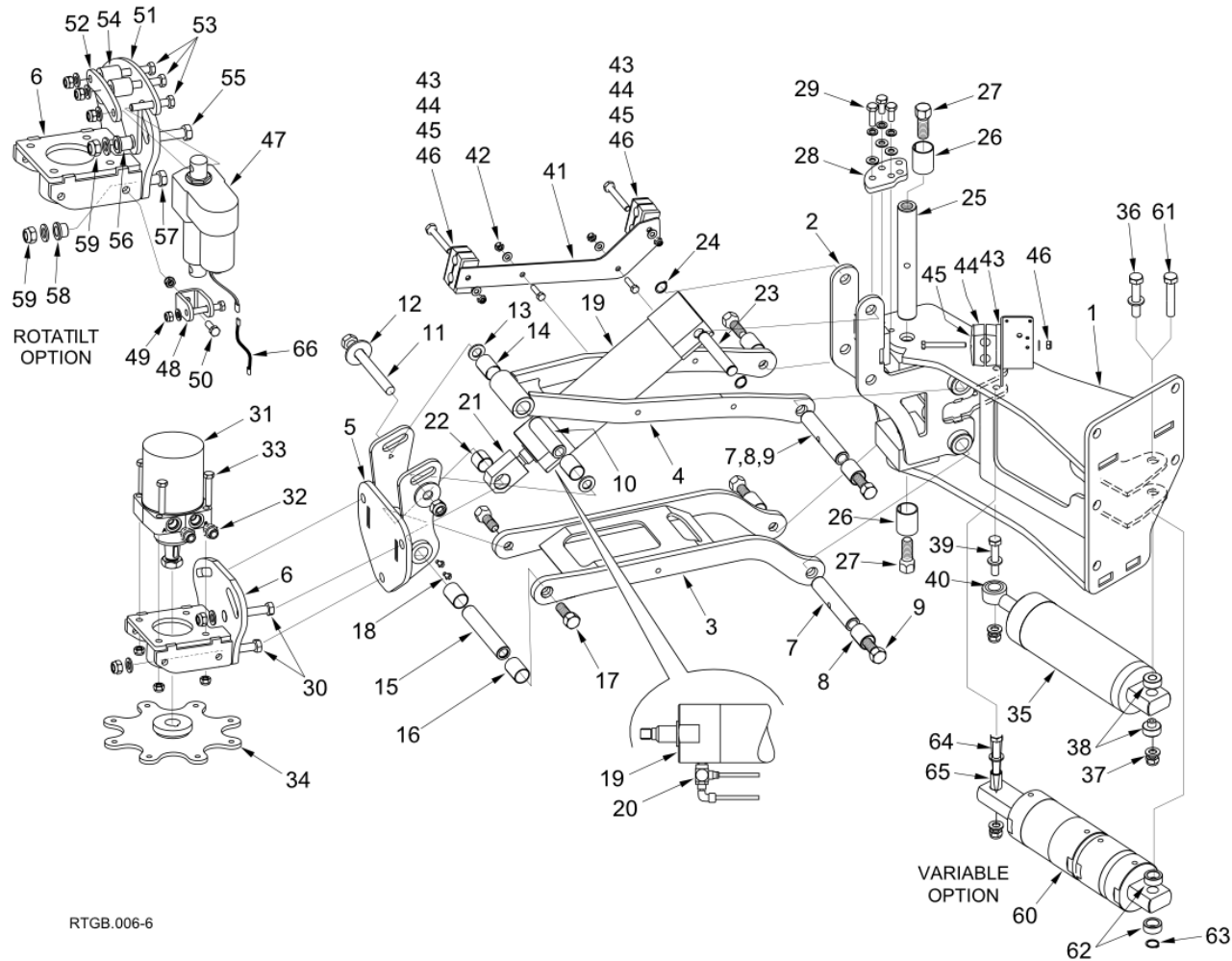
Assembly L.H. & R.H. (M011210)

Gutter Broom\Gutter Broom\Assembly L.H. & R.H.

Gutter Broom

Item no.	Part no.	Description	QTY	Unit
39	425-16	Nut Nyloc Hex M12c	1	PC
40	7015574	Reducing Spacer	2	PC
41	221649-1	Bracket Mount - Hose RT655	1	PC
42	124-139	Setscrew M8C x 30	2	PC
42	455-10	Washer Plain Plated Steel M8	2	PC
42	425-14	Nut Nyloc Hex MC M8	2	PC
43	200082-1	Plate - Clamp Spacer	3	PC
44	51-44	Clamp - Type 3 G1/2 G1/2	6	PC
45	51-43	Top Clamp Plate - 65x30	3	PC
46	123-114	Bolt M Coarse M8x70	3	PC
46	455-10	Washer Plain Plated Steel M8	3	PC
46	425-14	Nut Nyloc Hex MC M8	3	PC
47	221689-24	Actuator - Rotatilt 24v RT655	1	PC
47	221689-12	Actuator - Rotatilt 12v RT655	1	PC
48	221595-1	Clevis W/A Lower Mnt Rotatilt	1	PC
49	123-152	Bolt M Coarse M12x70	1	PC
49	455-12	Washer Plain Plated Steel M12	1	PC
49	425-16	Nut Nyloc Hex M12c	1	PC
50	92097451-0	Hex Head Screw - M12Cx35 - 8.8	1	PC
50	425-16	Nut Nyloc Hex M12c	1	PC
51	221596-1	Plate Mount Upper Rotatilt 655	1	PC
52	221597-1	Tab Mount Upper Rotatilt RT655	1	PC
53	123-152	Bolt M Coarse M12x70	3	PC
53	455-12	Washer Plain Plated Steel M12	3	PC

Assembly L.H. & R.H. (M011210)
 Gutter Broom\Gutter Broom\Assembly L.H. & R.H.
 Gutter Broom



RTGB.006-6

Assembly L.H. & R.H. (M011210)

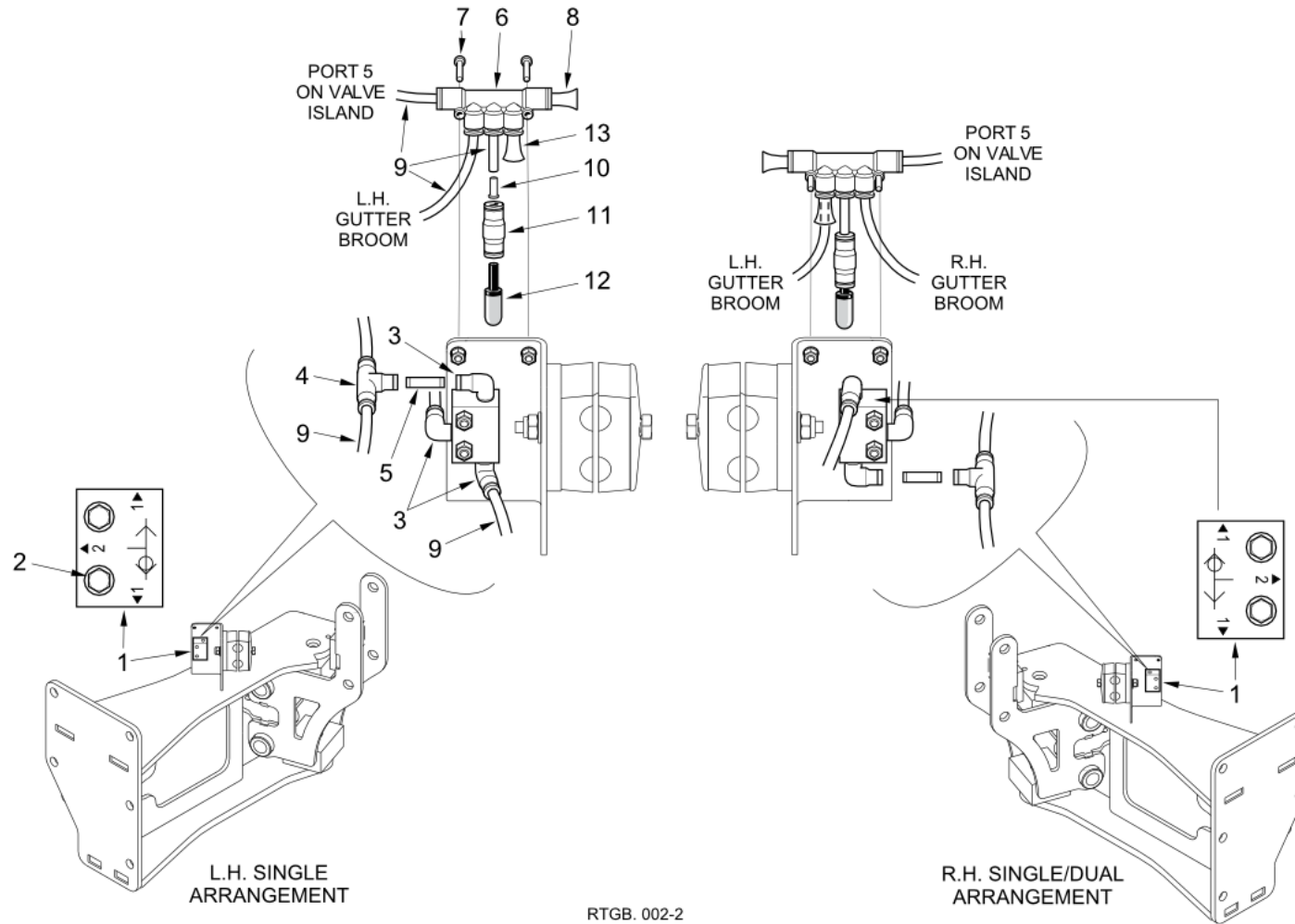
Gutter Broom\Gutter Broom\Assembly L.H. & R.H.

Gutter Broom

Item no.	Part no.	Description	QTY	Unit
53	425-16	Nut Nyloc Hex M12c	3	PC
54	45014-24	Spacer - 35mm	2	PC
55	123-185	Bolt M Coarse M16x65	2	PC
56	221642-3	Bush - Rotatilt RT655	2	PC
57	123-183	Bolt M Coarse M16x55 BS3692	1	PC
58	221642-2	Bush - Rotatilt RT655	1	PC
59	455-14	Washer Plain Plated Steel M16	3	PC
59	425-18	Nut Nyloc Hex M16C	3	PC
60	221665-1	Cylinder-Double Pneumatic 655	1	PC
61	221694-1	Pin-Clevis 2 Stage Cylind. 655	1	PC
62	221497-1	Spacer - Veg Mechanism RT655	2	PC
63	25-2	Circlip - External I/D 3/4"	1	PC
64	123-152	Bolt M Coarse M12x70	1	PC
64	455-12	Washer Plain Plated Steel M12	2	PC
64	425-16	Nut Nyloc Hex M12c	1	PC
65	221693-1	Bush-Two Stage Cylinder RT655	1	PC
66	282053-1	Loom - Rotatilt Single	1	PC
66	282053-2	Loom - Rotatilt Dual	1	PC
S19	221650-500	Seal Kit - Cylinder Brush Lift RT655	1	PC
Spares only				

Single (M011210)

Gutter Broom\Gutter Broom\Shuttle Valve Installations\Single
Gutter Broom - Shuttle Valve Installations



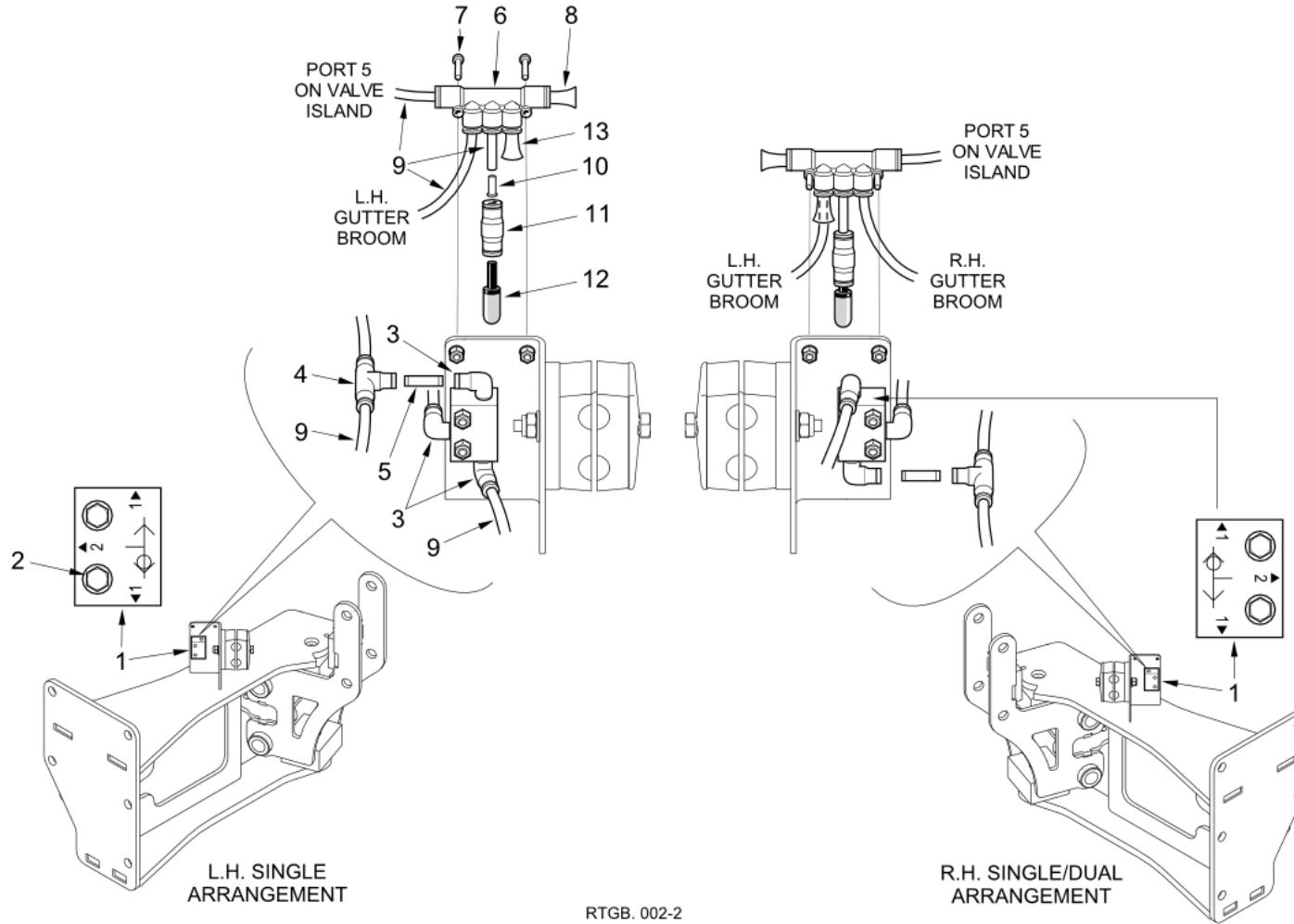
Single (M011210)

Gutter Broom\Gutter Broom\Shuttle Valve Installations\Single
Gutter Broom - Shuttle Valve Installations

Item no.	Part no.	Description	QTY	Unit
1	72-1	Valve - Shuttle	1	PC
2	124-75	Setscrew M5C x 30	2	PC
2	460-7	Washer Spring Single Coil M5	2	PC
2	425-12	Nut Nyloc Hex M5C	2	PC
3	552-3	Adaptor - Elbow 6mm x 1/8 BSPT	3	PC
4	554-3	Tee - Connector 6mm	1	PC
5	549-3	Pneumatic Stem Connector, Ø6mm Tube	1	PC
6	559-25	Manifold Union 8 - 6mm	1	PC
7	559-39	Plug - 8mm PIF	1	PC
8	124-39	Setscrew M4C x 20 BS3692	2	PC
8	460-5	Washer Spring Single Coil M4	2	PC
8	425-11	Nut Nyloc Hex MC M4	2	PC
9	273-20	Tube - Nylon Blue 6mm O/D 100m Reel	1	M
11	547-3	Connector - 6mm Straight	1	PC
12	72-97	Silencer 6mm	1	PC
13	559-38	Plug - 6mm PIF	1	PC
10	41041-1-A	Sleeve - Support, Pipe	1	PC

Dual (M011210)

Gutter Broom\Gutter Broom\Shuttle Valve Installations\
Dual Gutter Broom - Shuttle Valve Installations

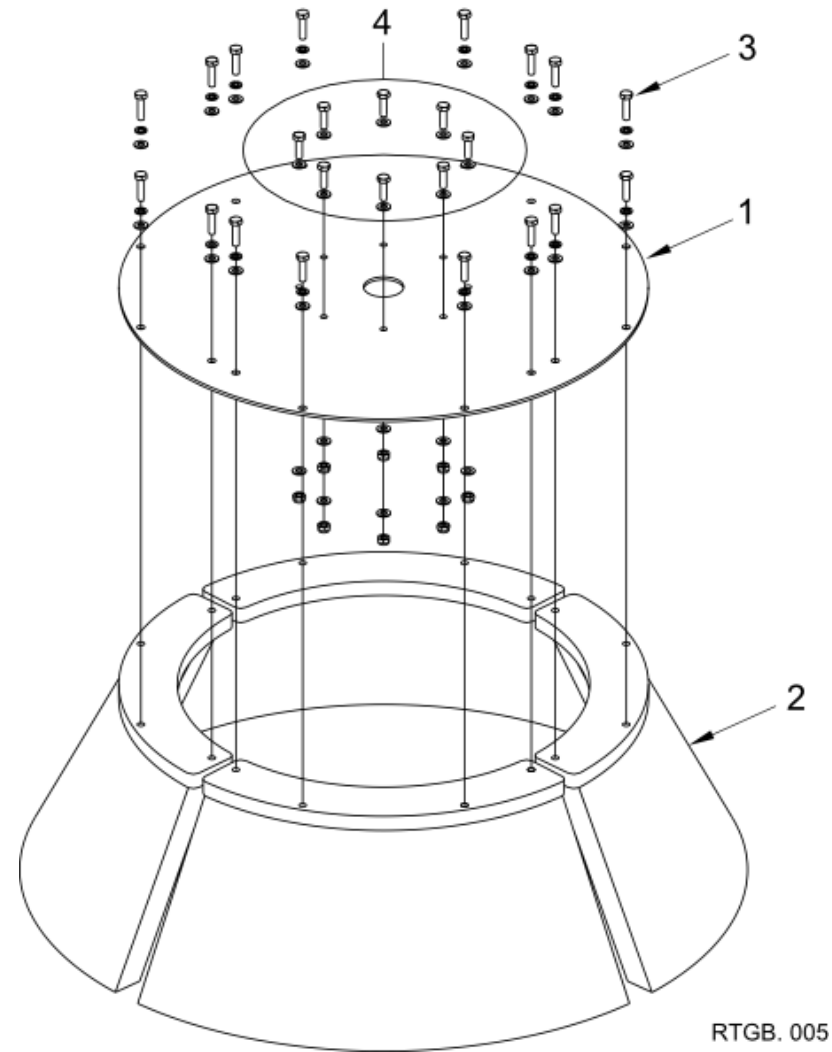


Dual (M011210)

 Gutter Broom\Gutter Broom\Shuttle Valve Installations\Dual
 Gutter Broom - Shuttle Valve Installations

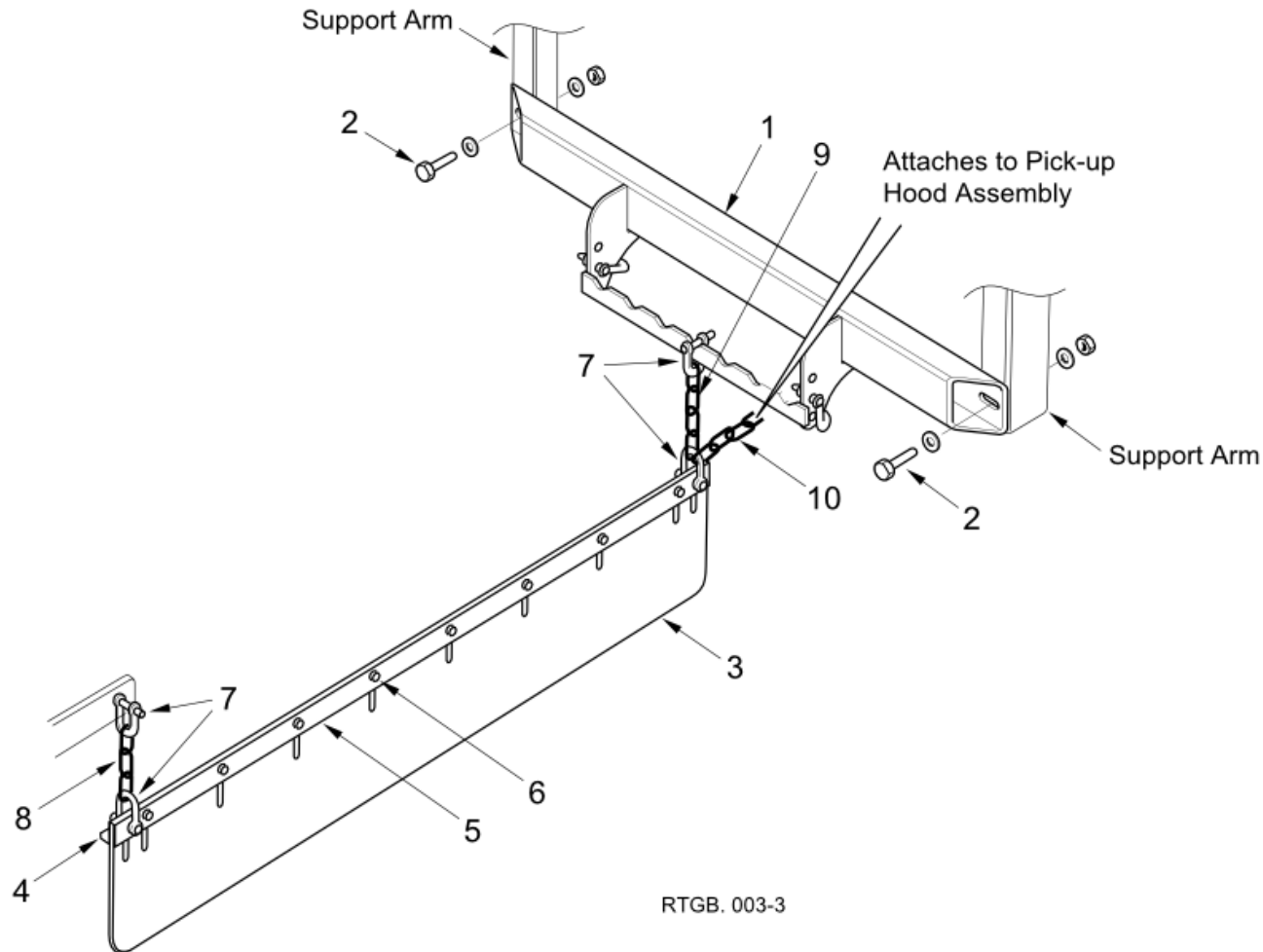
Item no.	Part no.	Description	QTY	Unit
1	72-1	Valve - Shuttle	2	PC
2	124-75	Setscrew M5C x 30	4	PC
2	460-7	Washer Spring Single Coil M5	4	PC
2	425-12	Nut Nyloc Hex M5C	4	PC
3	552-3	Adaptor - Elbow 6mm x 1/8 BSPT	6	PC
4	554-3	Tee - Connector 6mm	2	PC
5	549-3	Pneumatic Stem Connector, Ø6mm Tube	2	PC
6	559-25	Manifold Union 8 - 6mm	2	PC
7	559-39	Plug - 8mm PIF	2	PC
8	124-39	Setscrew M4C x 20 BS3692	4	PC
8	460-5	Washer Spring Single Coil M4	4	PC
8	425-11	Nut Nyloc Hex MC M4	4	PC
9	273-20	Tube - Nylon Blue 6mm O/D 100m Reel	2	M
10	41041-1-A	Sleeve - Support, Pipe	2	PC
11	547-3	Connector - 6mm Straight	2	PC
12	72-97	Silencer 6mm	2	PC
13	559-38	Plug - 6mm PIF	2	PC

Brush Stock Assembly (M011230)
Gutter Broom\Gutter Broom\Brush Stock Assembly
Gutter Broom



Brush Stock Assembly (M011230)Gutter Broom\Gutter Broom\Brush Stock Assembly
Gutter Broom

Item no.	Part no.	Description	QTY	Unit
0	221740-1	Stock Assy-Gutter Broom RT655	1	PC
Comprising items 1-4				
1	221616-1	Plate-Brush Mt Gutter Brom 655	1	PC
2	221696-1	GB Segment Gutter Broom RT655	4	PC
3	124-175	Setscrew M10C x 40	16	PC
3	460-11	Washer Spring Single Coil M10	16	PC
3	455-11	Washer Plain Plated Steel M10	16	PC
4	124-173	Setscrew M10C x 35	8	PC
4	455-11	Washer Plain Plated Steel M10	8	PC
4	425-15	Nut Nyloc Hex M10C	8	PC



RTGB. 003-3

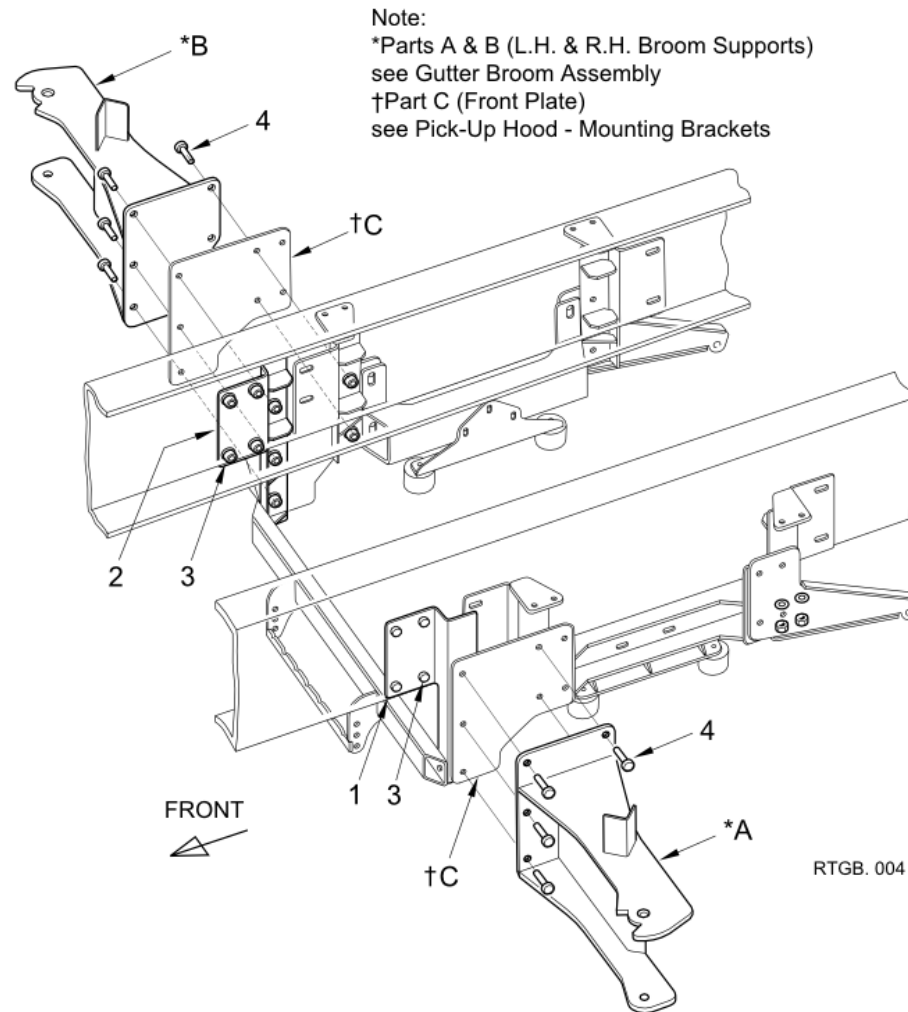
Curtain Installation (M011010)
Gutter Broom\Curtain Installation
Gutter Broom

Item no.	Part no.	Description	QTY	Unit
1	221687-1	W/A Curtain Supt RT655	1	PC
2	124-203	Setscrew M12C x 30	2	PC
2	455-12	Washer Plain Plated Steel M12	4	PC
2	425-16	Nut Nyloc Hex M12c	2	PC
3	221671-1	Curtain - Longitudinal RT655	1	PC
4	221672-1	Angle - Curtain Hanger RT655	1	PC
5	221683-1	Plate Backing - Curtain RT655	1	PC
6	124-137	Setscrew M8C x 25	8	PC
6	455-10	Washer Plain Plated Steel M8	8	PC
6	425-14	Nut Nyloc Hex MC M8	8	PC
8	62165-3	Chain - 3 Links	1	PC
9	62165-4	Chain - 4 Links	1	PC
10	62165-7	Chain - 7 Links	1	PC
7	6032-1-A	Shackle D	4	PC

Mounting Brackets - Not Supplied With ESU's (M011220)

Gutter Broom\Mounting Brackets - Not Supplied With ESU's

Gutter Broom



Mounting Brackets - Not Supplied With ESU's (M011220)

Gutter Broom\Mounting Brackets - Not Supplied With ESU's

Gutter Broom

Item no.	Part no.	Description	QTY	Unit
1	221685-1	Support W/Assy LH GB Assy 655	1	PC
2	221685-4	Support W/Assy RH GB Assy 655	1	PC
3	124-271	Setscrew M16C x 40 BS3692	8	PC
3	455-14	Washer Plain Plated Steel M16	8	PC
3	425-18	Nut Nyloc Hex M16C	8	PC
4	124-271	Setscrew M16C x 40 BS3692	10	PC
4	455-14	Washer Plain Plated Steel M16	10	PC
4	425-18	Nut Nyloc Hex M16C	10	PC

This page is intentionally left blank

Chapter 6

Pick-up Head

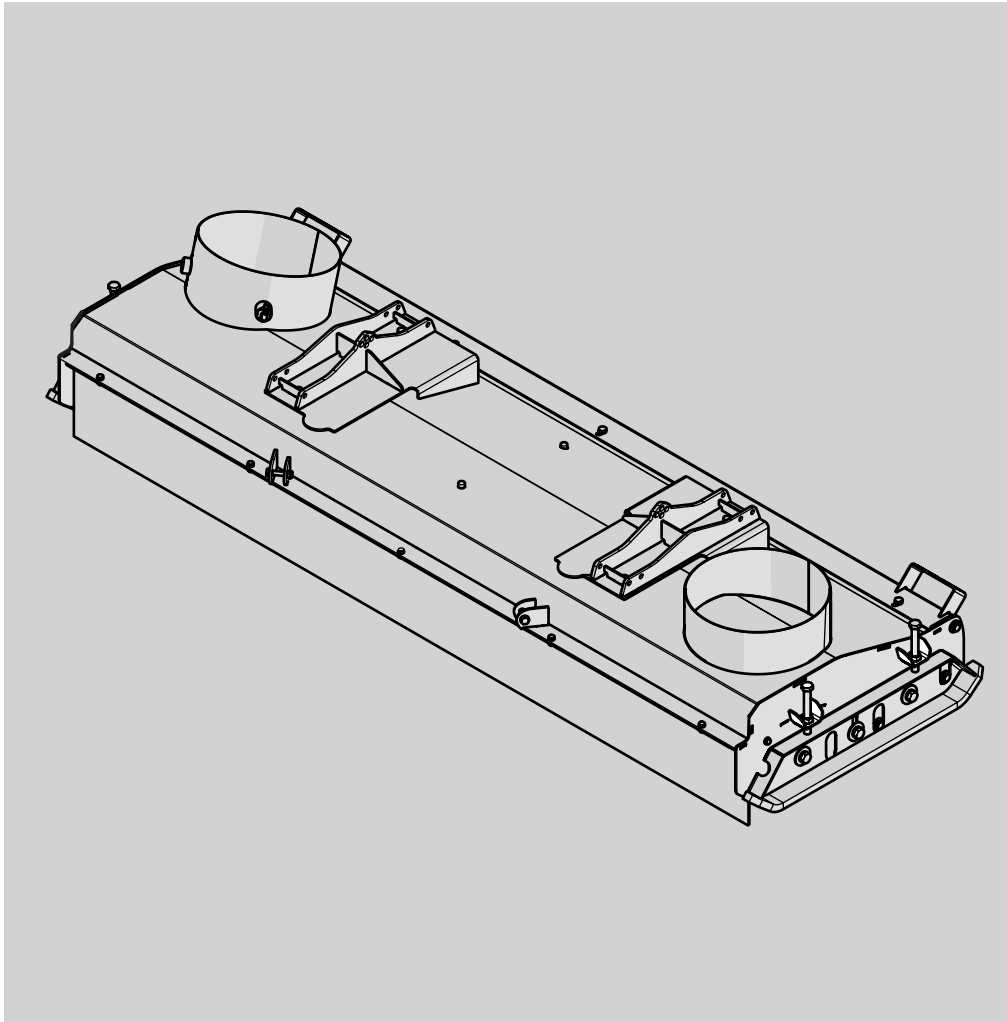
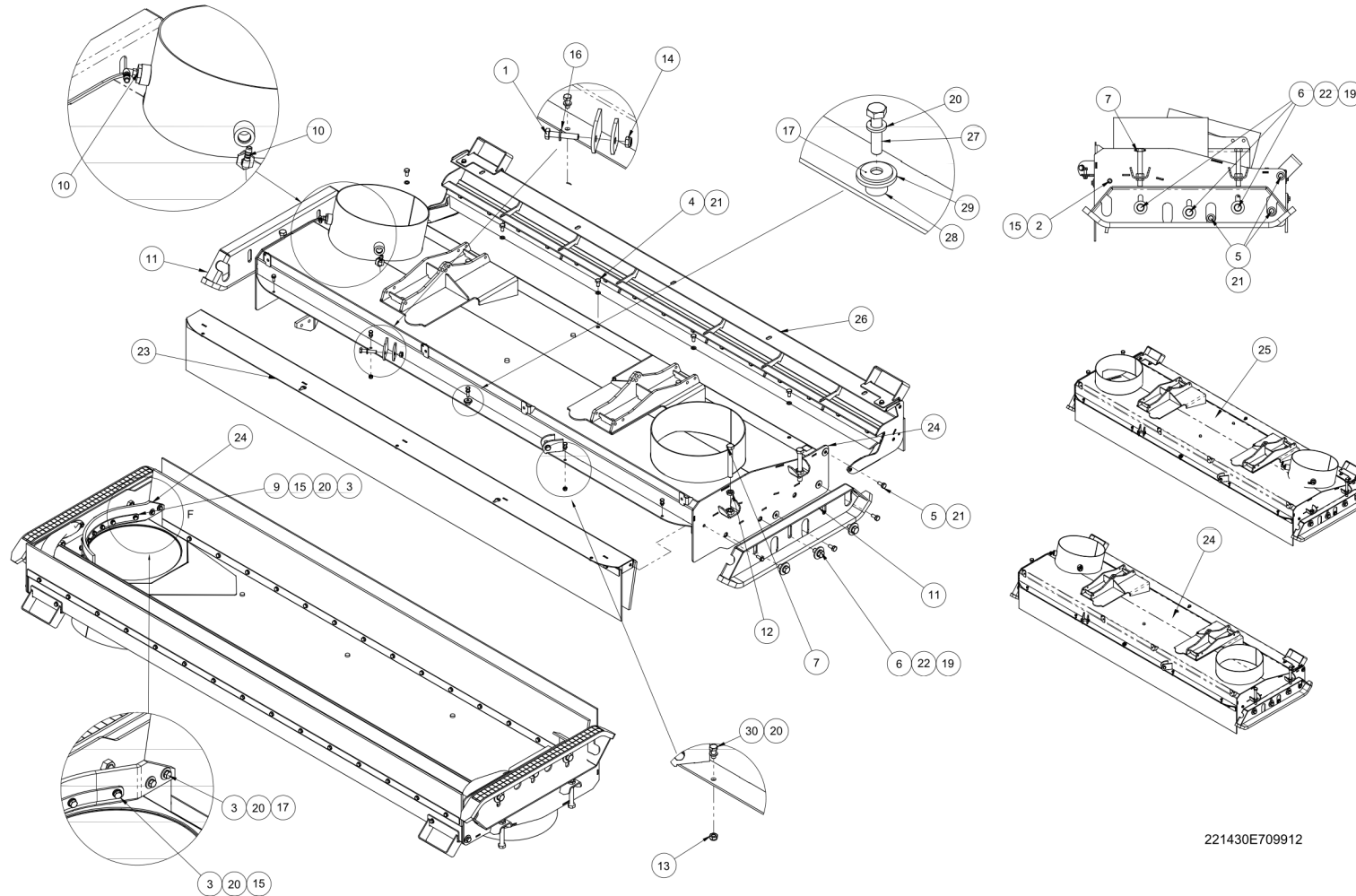


Table of Contents

Section	Page
6.1 Pick-up Head	140
6.2 Installations	146

Pick-up Head Assembly (M011110)
Pick-up Head\Pick-up Head\Pick-up Head Assembly
Pick-up Head



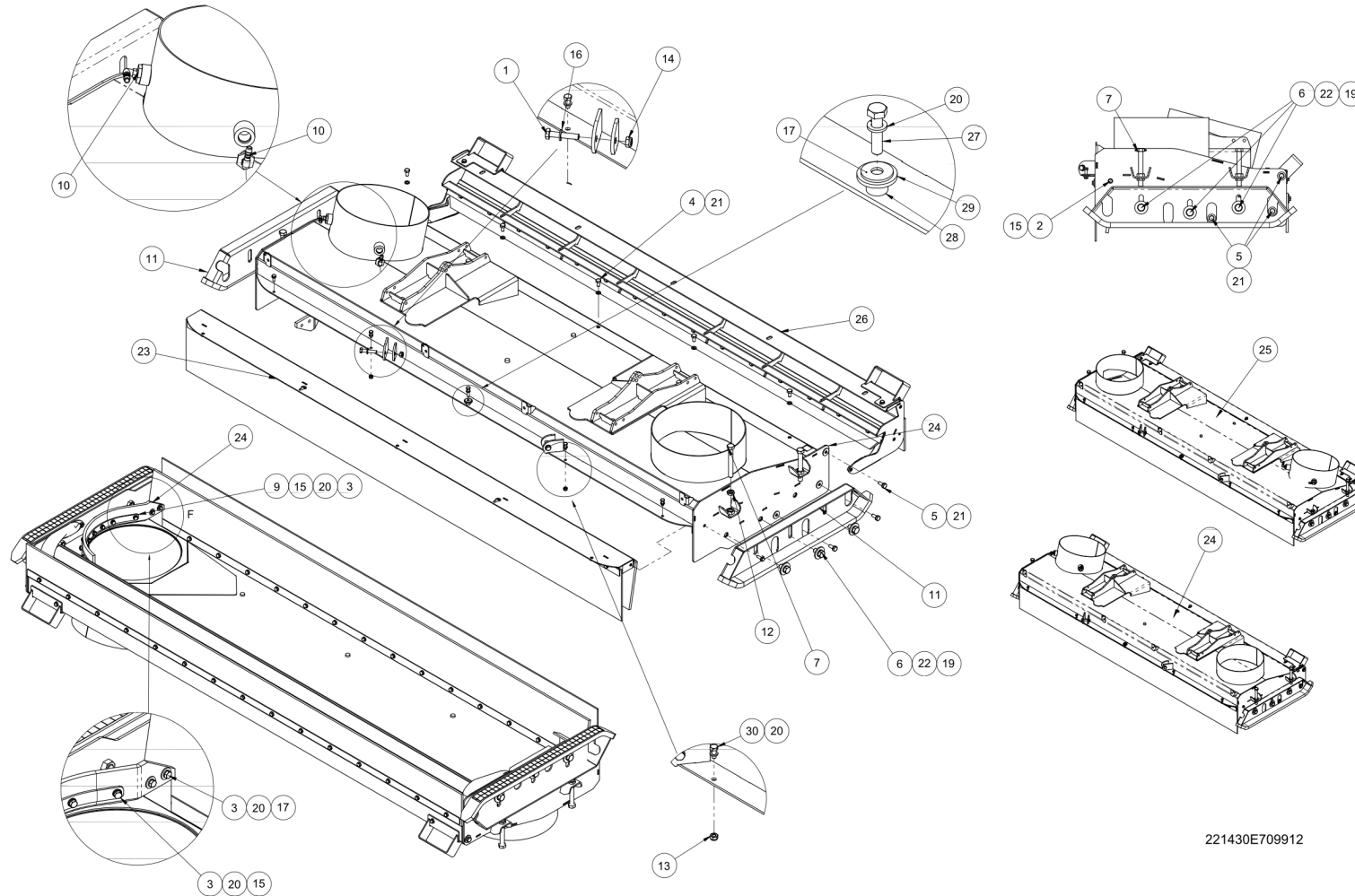
221430E709912

Pick-up Head Assembly (M011110)

 Pick-up Head\Pick-up Head\Pick-up Head Assembly
 Pick-up Head

Item no.	Part no.	Description	QTY	Unit
1	123-131	Bolt M Coarse M10x55	2	PC
2	124-137	Setscrew M8C x 25	2	PC
3	124-139	Setscrew M8C x 30	9	PC
4	124-167	Setscrew M10C x 20	5	PC
5	124-169	Setscrew M10C x 25	6	PC
6	124-267	Setscrew M16C x 30	6	PC
7	124-286	Setscrew M16C x 130	4	PC
8	221414-1	Blister Flap - Nozzle RT655	1	PC
9	221564-1	Clamp Plate - Blister Flap 655	1	PC
10	221727-1	Location Nipple Assy Nozz 655	2	PC
11	221735-1	Nozzle Skate W/Assy RT655	2	PC
12	421-18	Locknut MC Hex M16	4	PC
14	425-15	Nut Nyloc Hex M10C	2	PC
15	455-10	Washer Plain Plated Steel M8	9	PC
16	455-11	Washer Plain Plated Steel M10	2	PC
17	457-4	Washer Plain Steel M8 Form G	3	PC
18	457-5	Washer Plain Steel M10 Form G	6	PC
19	457-8	Washer Plain Steel M16 Form G	6	PC
20	460-10	Washer Spring Single Coil M8	14	PC
21	460-11	Washer Spring Single Coil M10	11	PC
22	460-14	Washer Spring Single Coil M16	6	PC
23	221410-1	Curtain Flap Assy Cassete 655	1	PC
24	221700-1	Hood W/Assy LH RT655	1	PC
LH Blast				

Pick-up Head Assembly (M011110)
 Pick-up Head\Pick-up Head\Pick-up Head Assembly
 Pick-up Head



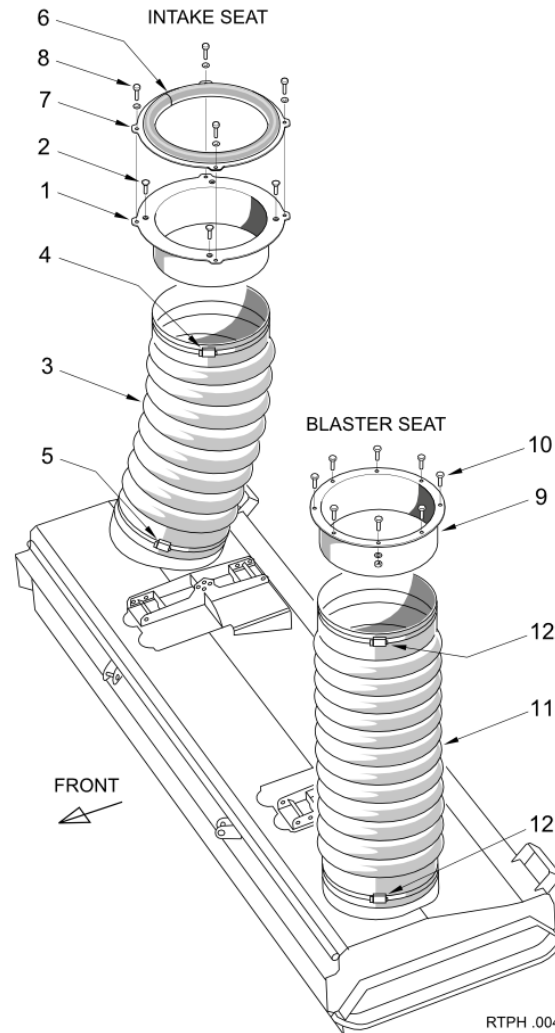
221430E709912

Pick-up Head Assembly (M011110)

Pick-up Head\Pick-up Head\Pick-up Head Assembly

Pick-up Head

Item no.	Part no.	Description	QTY	Unit
25	221700-2	Hood W/Assy RH RT655	1	PC
RH Blast				
26	221560-1	Air Blade Cassette Assy RT655	1	PC
27	124-141	Setscrew M8C x 35	1	PC
28	56569-1	Spacer - 16 Dia x 15 M8	1	PC
29	455-14	Washer Plain Plated Steel M16	1	PC
30	124-135	Setscrew M8C x 20	1	PC
13	425-14	Nut Nyloc Hex MC M8	2	PC



Trunking (M011120)

Pick-up Head\Pick-up Head\Trunking

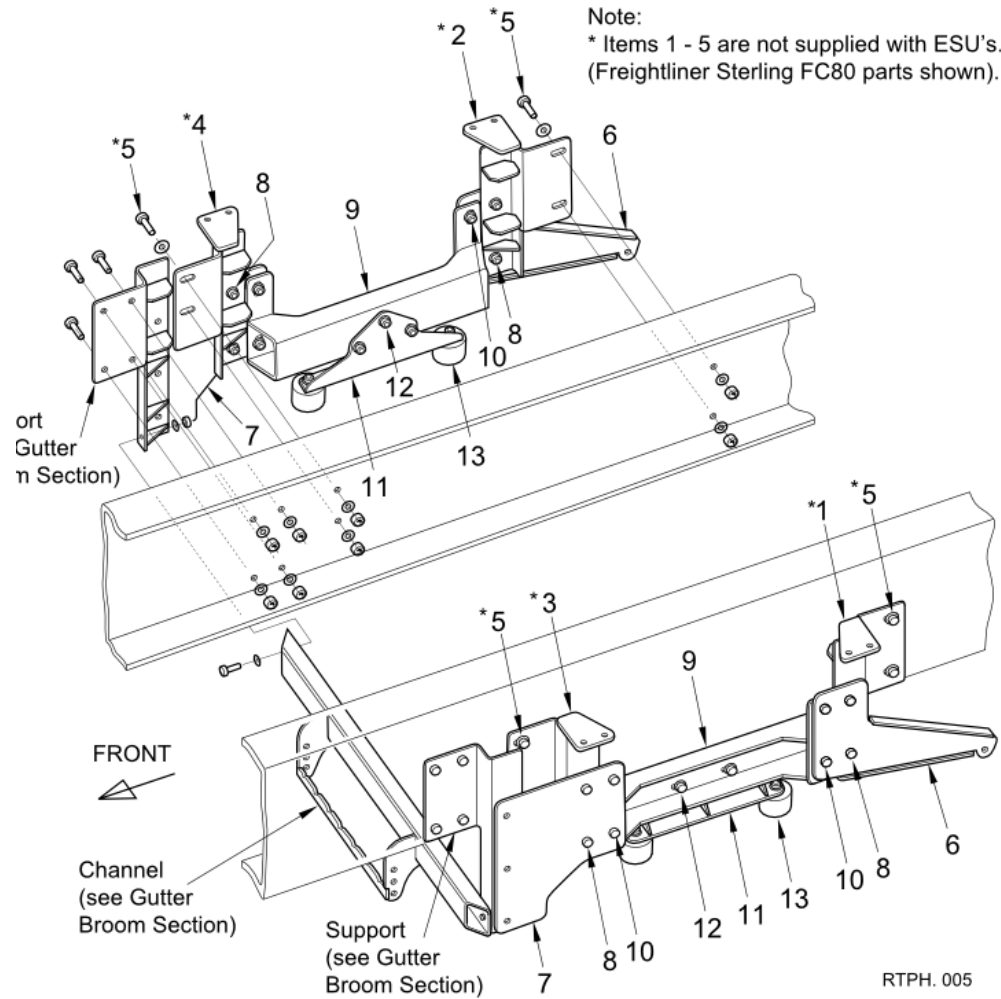
Pick-up Head

Item no.	Part no.	Description	QTY	Unit
1	221044-1	Intake Seat W/A - Subframe 655	1	PC
1	221044-11	Intake Seat W/A - Subframe 655	1	PC
1	221044-2	Intake Seat W/A - Subframe 655	1	PC
1	221044-12	Intake Seat W/A - Subframe 655	1	PC
2	127-139	Setscrew Csk Hd. M8C x 30	4	PC
2	460-10	Washer Spring Single Coil M8	4	PC
2	420-14	Nut MC Hex M8	4	PC
3	223950-1	Trunking - Suction Hood RT655	1	PC
4	501-33	Hose Clip - Worm Drive (350-380)	1	PC
5	443-1	Band Clamp-Hi Grip Quick Release 330-375	1	PC
5	443-50	Pin - Band Clamp Retaining	1	PC
6	221799-1	Intake Seat Seal 1130mm Lg 655	1	PC
7	221043-1	Intake Seat Clamp-Subframe 655	1	PC
8	124-136	Setscrew M8C x 22 BS3692	4	PC
8	460-10	Washer Spring Single Coil M8	4	PC
9	221201-1	Trunking Fixture Seat W/A 655	1	PC
9	221201-2	Trunking Fixture Seat W/A 655	1	PC
10	124-139	Setscrew M8C x 30	8	PC
10	460-10	Washer Spring Single Coil M8	8	PC
10	420-14	Nut MC Hex M8	8	PC
11	223960-1	Trunking - Blaster Hood RT655	1	PC
12	501-33	Hose Clip - Worm Drive (350-380)	2	PC

Mounting Brackets (M011120)

Pick-up Head\Installations\Mounting Brackets

Pick-up Head - Installations



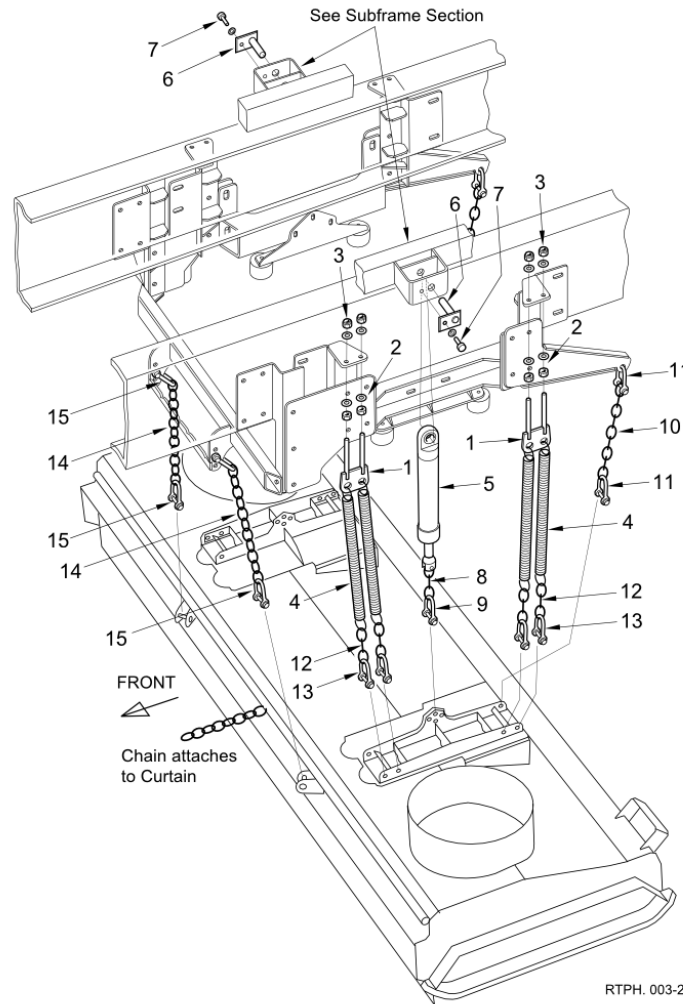
Mounting Brackets (M011120)

Pick-up Head\Installations\Mounting Brackets

Pick-up Head - Installations

Item no.	Part no.	Description	QTY	Unit
1	221353-1	Rr Mount W/A-Sweep Gear LH 655	1	PC
2	221353-2	Rr Mount W/A-Sweep Gear RH 655	1	PC
3	221352-1	Centre Mount W/A-S/Gear LH 655	1	PC
4	221352-2	Centre Mount W/A-S/Gear RH 655	1	PC
5	124-271	Setscrew M16C x 40 BS3692	8	PC
5	457-8	Washer Plain Steel M16 Form G	8	PC
5	455-14	Washer Plain Plated Steel M16	8	PC
5	425-18	Nut Nyloc Hex M16C	8	PC
6	221348-1	Rear Plate W/A Sweep Gear 655	2	PC
7	221334-1	Plate-Front Sweep Gear Mnt 655	2	PC
8	124-271	Setscrew M16C x 40 BS3692	8	PC
8	425-18	Nut Nyloc Hex M16C	8	PC
8	455-14	Washer Plain Plated Steel M16	16	PC
9	221350-1	Cranked Brkt W/A Sweep Gear655	2	PC
10	124-271	Setscrew M16C x 40 BS3692	8	PC
10	425-18	Nut Nyloc Hex M16C	8	PC
10	455-14	Washer Plain Plated Steel M16	16	PC
11	221355-1	Bracket W/Assy Buffer Hood 655	2	PC
12	124-171	Setscrew M10C x 30	6	PC
12	425-15	Nut Nyloc Hex M10C	6	PC
12	457-5	Washer Plain Steel M10 Form G	12	PC
13	290-37	Stud Mount Ø 70x50Lg M10 Stud	4	PC
13	455-11	Washer Plain Plated Steel M10	4	PC
13	425-15	Nut Nyloc Hex M10C	4	PC

Pick-up Head Installation (M011120)
Pick-up Head\Installations\Pick-up Head Installation
Pick-up Head - Installations



Pick-up Head Installation (M011120)

Pick-up Head\Installations\Pick-up Head Installation

Pick-up Head - Installations

Item no.	Part no.	Description	QTY	Unit
1	221310-1	Spring Support W/Assy RT655	4	PC
2	420-15	Nut MC Hex M10	8	PC
2	455-11	Washer Plain Plated Steel M10	8	PC
3	425-15	Nut Nyloc Hex M10C	8	PC
3	455-11	Washer Plain Plated Steel M10	8	PC
4	3637-1	Spring - Tension	8	PC
5	223900-1	Hydraulic Cyl 175mm Stroke	2	PC
6	40572-1-A	Pin Pivot W/A Rr Door x 80 Lg	2	PC
7	124-103	Setscrew M6C x 20	2	PC
7	460-8	Washer Spring Single Coil M6	2	PC
8	284-19	Chain - Diameter 10 Short Link	2	PC
9	62172-1	Shackle D	2	PC
10	62165-9	Chain 9 Links	2	PC
11	6032-1-A	Shackle D	4	PC
12	284-20	Chain - 3 Links	8	PC
13	6032-1-A	Shackle D	8	PC
14	62165-11	Chain - 11 Links	8	PC
15	6032-1-A	Shackle D	8	PC

This page is intentionally left blank

Chapter 7

Wanderhose Option

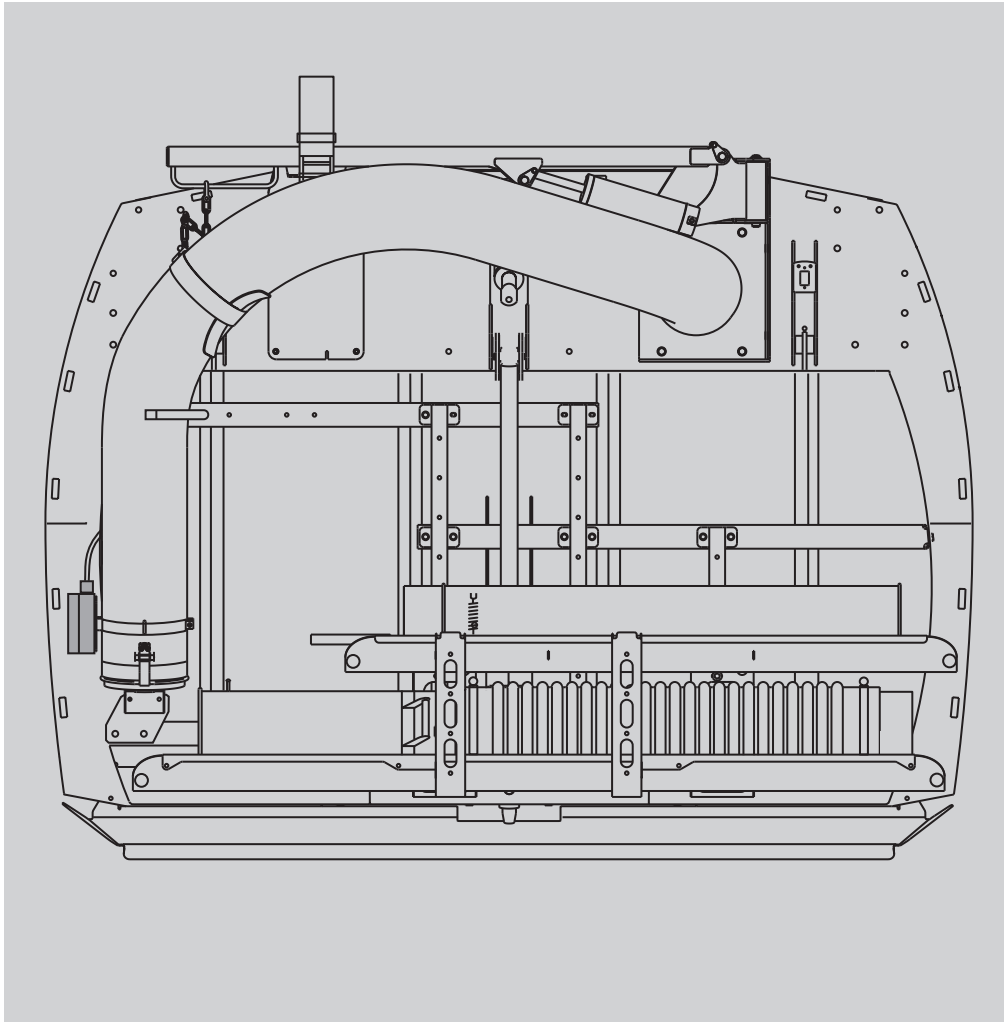
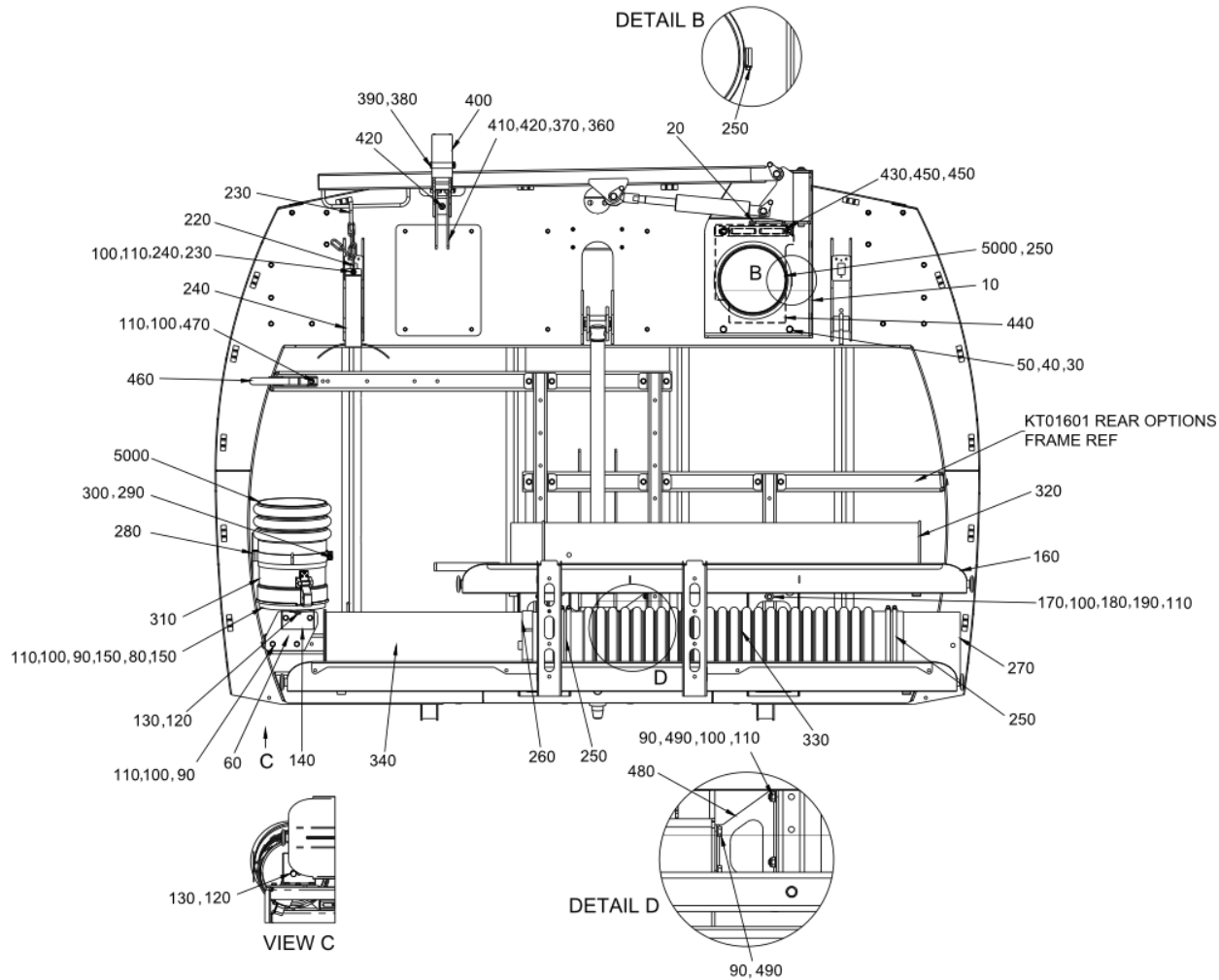


Table of Contents

Section	Page
7.1 Hydraulic Rear Mounted Wanderhose	152
7.2 Pneumatic Controls	158
7.3 Hoses	160
7.4 Looms	164
7.5 Looms (Superseded)	166

Hydraulic Rear Mounted Wanderhose (KT05601)
 Wanderhose Option\Hydraulic Rear Mounted Wanderhose
 Wanderhose Option



7015336E710162

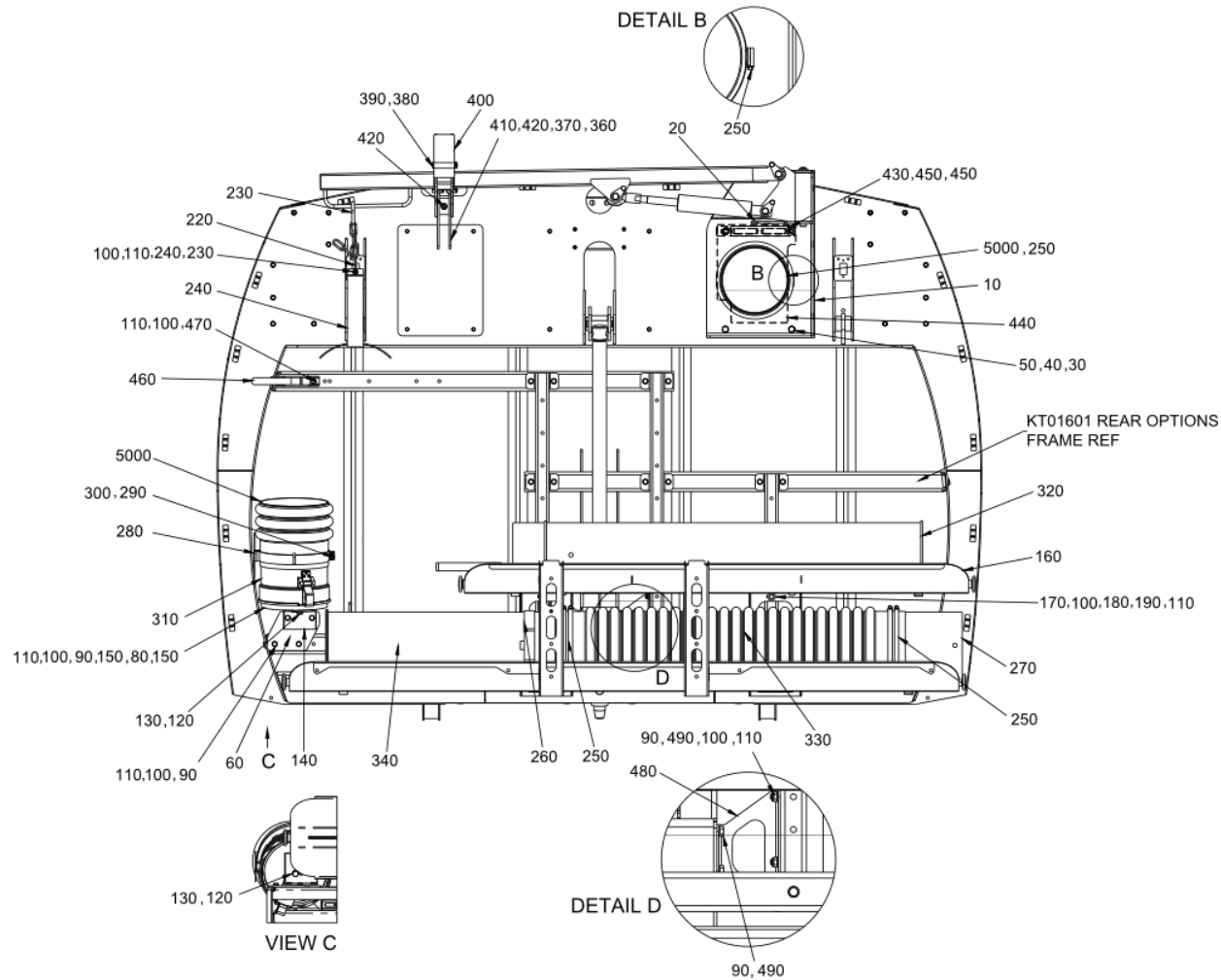
Hydraulic Rear Mounted Wanderhose (KT05601)

Wanderhose Option\Hydraulic Rear Mounted Wanderhose

Wanderhose Option

Item no.	Part no.	Description	QTY	Unit
10	7015415	Boom Assy, Hydraulic	1	PC
20	6849	Titanfast-Black	1	M
30	93213011-0	Plain Washer M10 A2	4	PC
40	93700211-0	Spring Washer M10 - A2	4	PC
50	92099412-0	Hex Head Screw - M10Cx35 - A2	4	PC
60	283899-1	Plate - Anchorage Relocation	1	PC
70	5688-2	Disc, Rubber 8" Dia	1	PC
80	6043-1-B	Adaptor Plate	1	PC
90	92097374-0	Hex Head Screw - M8Cx20 - 8.8	13	PC
100	93212011-0	Plain Washer M8	17	PC
110	93085005-0	Nyloc Hex Thin Nut M8C - 8	16	PC
120	92097410-0	Hex Head Screw - M10Cx20 - 8.8	2	PC
130	93699711-0	Spring Washer - Plated M10	2	PC
140	42463-1-C	Anchorage - Bracket, W/Hose V500, V650	1	PC
150	42738-1-A	Anchorage - 8" W/Hose, W/Assy	1	PC
160	282867-2-INST	W/HOSE EXTN TRAY ASSY V/RT Srs	1	PC
170	282438-41	Spacer-DIM A 41	4	PC
180	92067388-0	Hex Head Bolt - M8Cx65 - 8.8	4	PC
190	93300509-0	Plain Large Washer M8	4	PC
200	56569-6	Spacer - 16 Dia x 20 M8	2	PC
210	92067390-0	Hex Head Bolt - M8Cx75 - 8.8	1	PC
220	93865-1	Spigot And Chain (8 Link)	1	PC
230	284-21	Hook Carbine - Zinc Plated	1	PC
240	93863-1	Clamp - Hose Support W/Assy	1	PC

Hydraulic Rear Mounted Wanderhose (KT05601)
 Wanderhose Option\Hydraulic Rear Mounted Wanderhose
 Wanderhose Option



7015336E710162

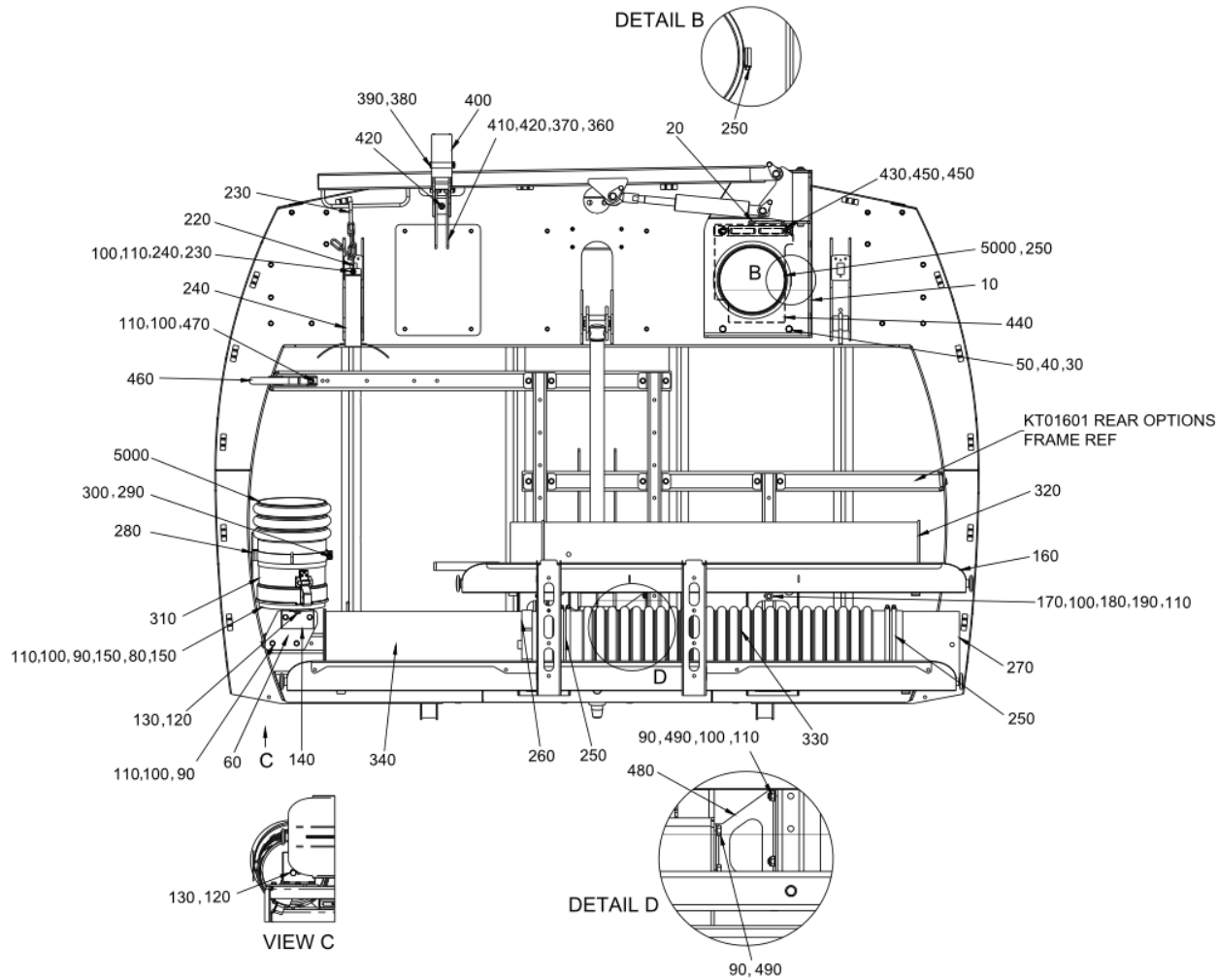
Hydraulic Rear Mounted Wanderhose (KT05601)

Wanderhose Option\Hydraulic Rear Mounted Wanderhose

Wanderhose Option

Item no.	Part no.	Description	QTY	Unit
250	504-52	Hose Clip - Worm Drive (190-220)	6	PC
260	15920-1-C	Handle Fitting End W/Hose W/A	1	PC
270	5996-4	Sleeve - 8" W/Assy	1	PC
280	282638-1	Cable Supt W/A Ø200(With Hook)	1	PC
290	93085805-0	Nyloc Hex Nut M8C - 8	1	PC
300	92067389-0	Hex Head Bolt - M8Cx70 - 8.8	1	PC
310	6003-8	Coupling 200 W/Hose V500, 605 & 650	1	PC
320	282890-3	W/Hose Exten. Assy 8" 1250Lg	1	PC
330	15917-1-B	Hose - Extension Flexible 8"	1	PC
340	15899-1-B	Hose Fitting End W/Assy	1	PC
350	455-10	Washer Plain Plated Steel M8	2	PC
360	93213014-0	Plain Washer M16 A2	1	PC
370	92138271-0	Hex Socket Cap Screw - M16c x 40 A2	1	PC
380	92099447-0	Hex Head Screw - M12Cx25 - A2	4	PC
390	93085007-0	Nyloc Hex Thin Nut M12C - 8	4	PC
400	283760-1	Stowage Hook	1	PC
410	283759-1	Mount W/Assy	1	PC
420	290-43	Cylinder Rubber Buffer 50 O/D	1	PC
430	7015072	Securing Plate	1	PC
440	7015069	Flap, Rear Wanderhose	1	PC
450	93085606-0	Nyloc Hex Nut - M10c - A2	12	PC
460	282504-1	Hook - Littasnatch, Assy	1	PC
470	92097376-0	Hex Head Screw - M8Cx25 - 8.8	2	PC
480	283849-1	Fixing Bracket - Hose Tray	2	PC

Hydraulic Rear Mounted Wanderhose (KT05601)
 Wanderhose Option\Hydraulic Rear Mounted Wanderhose
 Wanderhose Option



7015336E710162

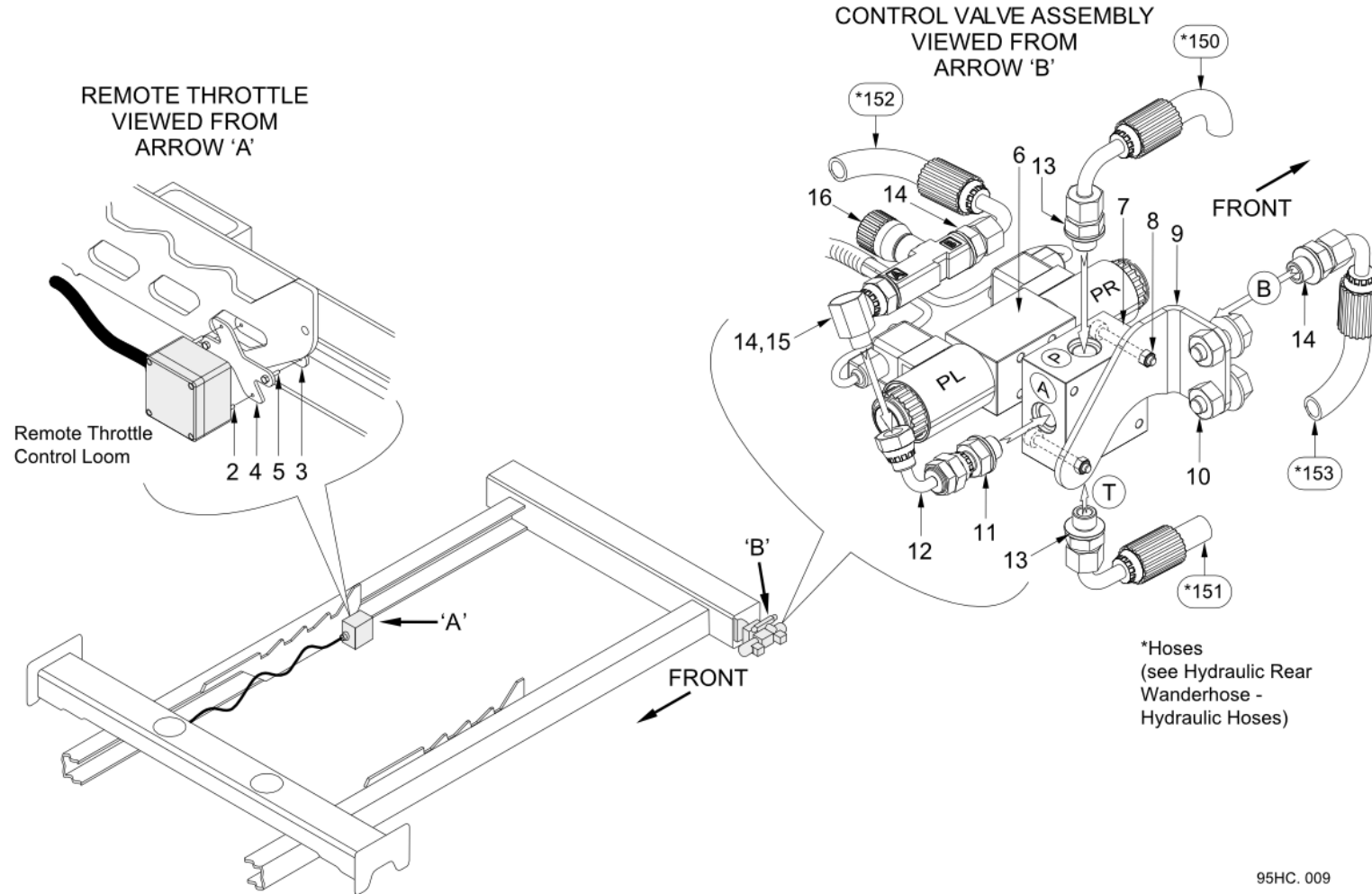
Hydraulic Rear Mounted Wanderhose (KT05601)

Wanderhose Option\Hydraulic Rear Mounted Wanderhose

Wanderhose Option

Item no.	Part no.	Description	QTY	Unit
490	93699710-0	Spring Washer - Plated M8	8	PC
550	224415-1	Handle W/Assy - Screen RT655	1	PC
5000	221771-1	Duct, Rear Wanderhose	1	PC

Pneumatic Controls (KT07595,KT09995)
 Wanderhose Option\Pneumatic Controls
 Wanderhose Option



95HC. 009

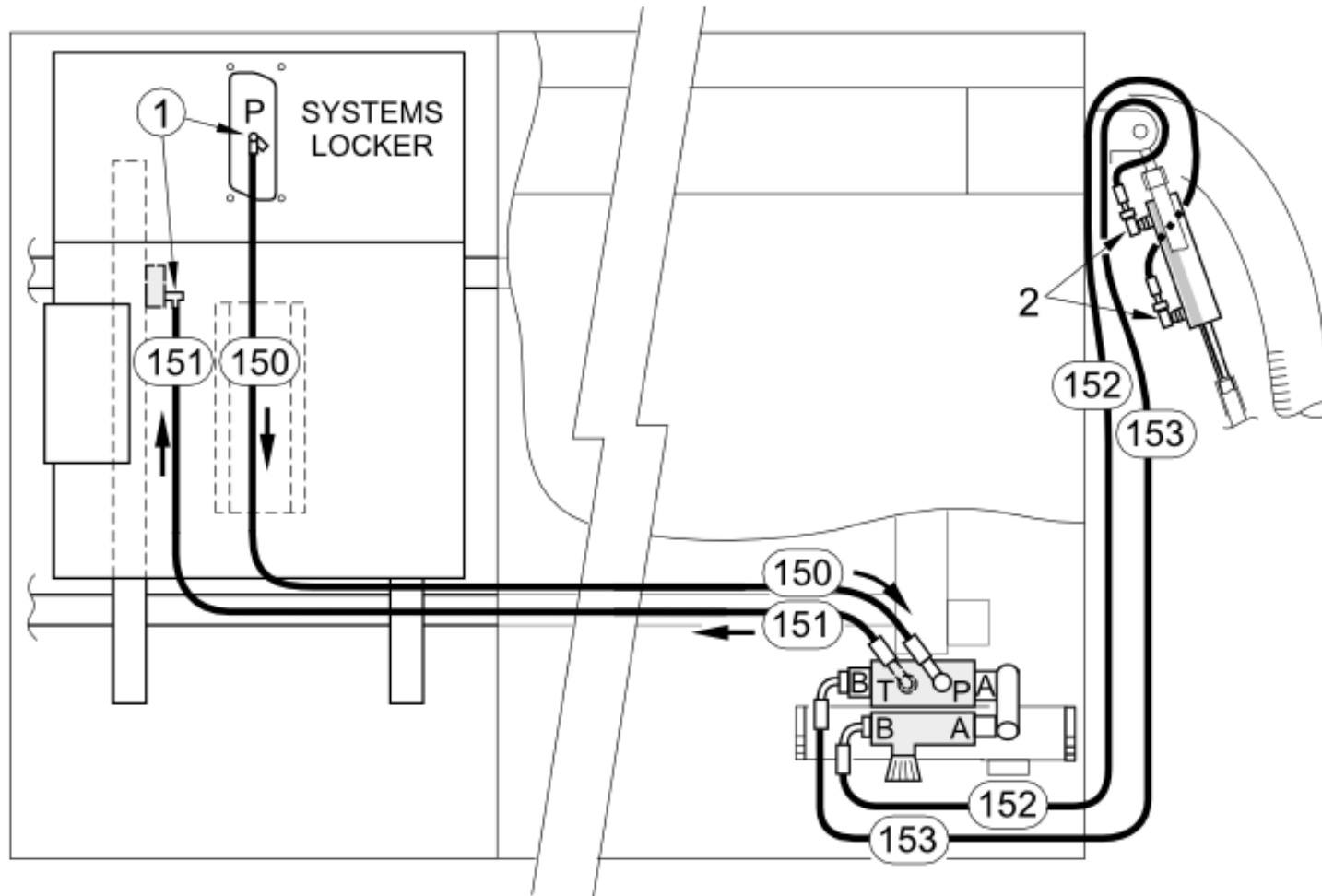
Pneumatic Controls (KT07595,KT09995)

Wanderhose Option\Pneumatic Controls

Wanderhose Option

Item no.	Part no.	Description	QTY	Unit
2	134-40	Pan Head Screw-M4Cx8-4.8-Pozidriv	2	PC
2	460-5	Washer Spring Single Coil M4	2	PC
3	282056-1	Clamp-Remote Throttle Control	1	PC
4	282057-1	Plate-Remote Throttle Ctrl Mtg	1	PC
5	124-41	Setscrew M4C x 25 BS3692	2	PC
5	460-5	Washer Spring Single Coil M4	2	PC
6	78352-5	Valve-Directional Control 12v	1	PC
6	78352-25	Valve-Directional Control 24v	1	PC
7	201098-1	Manifold-Base Plate	1	PC
8	129-71	Screw MC Cap Skt Hd M5x35	2	PC
8	425-12	Nut Nyloc Hex M5C	2	PC
9	282533-1	Manifold Plate-Wanderhose 95	1	PC
10	123-104	Bolt M Coarse M8x30 BS3692	2	PC
10	455-10	Washer Plain Plated Steel M8	2	PC
10	425-14	Nut Nyloc Hex MC M8	2	PC
11	263-2	Adaptor M/M 1/4 BSP	1	PC
11	451-17	Washer Bonded G1-4"	1	PC
12	262-2	Elbow 90° 1/4 BSP M x 1/4 BSP Swivel F	1	PC
13	263-2	Adaptor M/M 1/4 BSP	2	PC
13	451-17	Washer Bonded G1-4"	2	PC
14	263-2	Adaptor M/M 1/4 BSP	3	PC
14	451-17	Washer Bonded G1-4"	3	PC
15	242-2	Elbow - Swivel 90 Deg. 1/4"	1	PC
16	241-150	Valve - Speed Control	1	PC

Powaboom (KT07595)
Wanderhose Option\Hoses\Powaboom
Wanderhose Option - Hoses



95HC.010-3

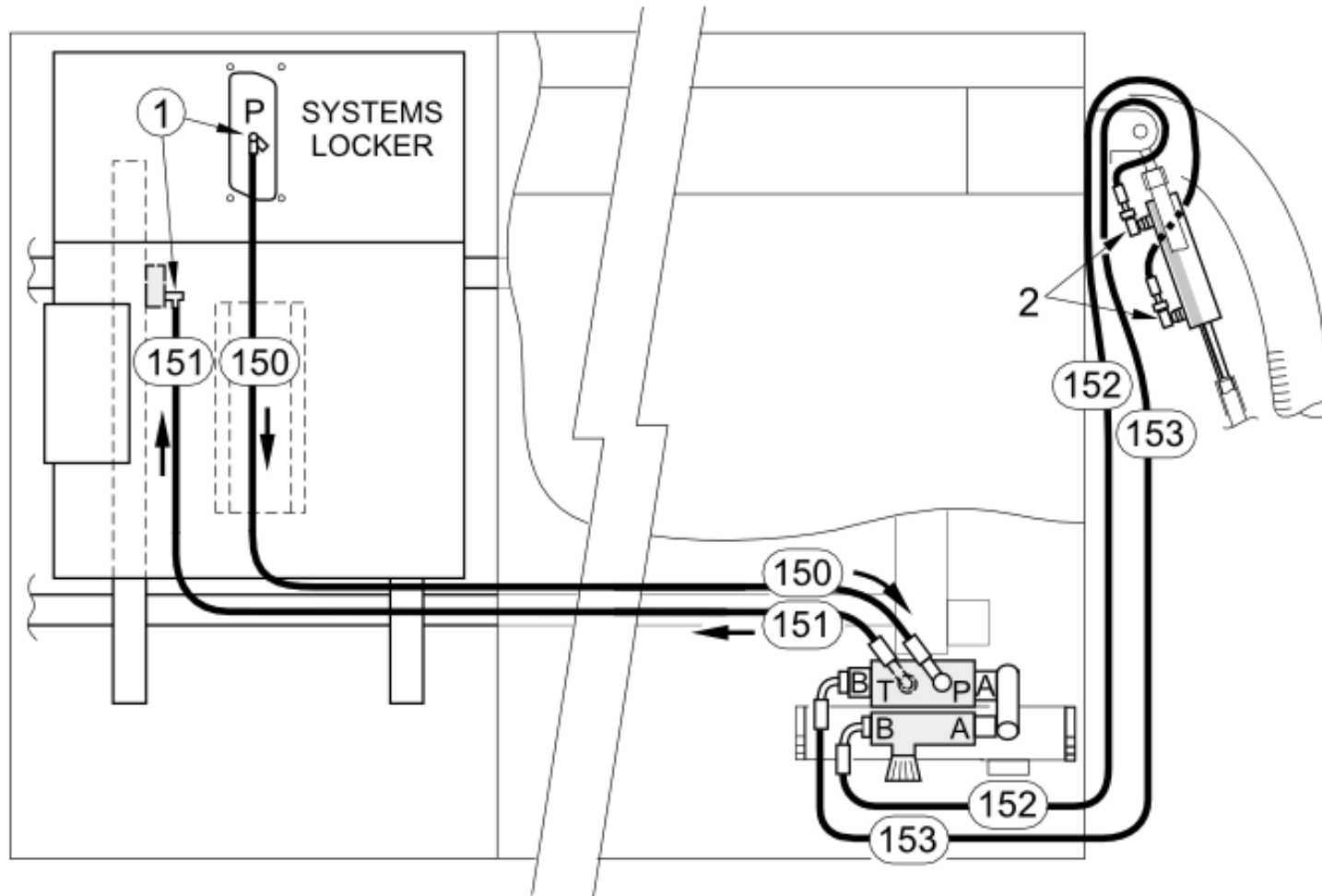
Powaboom (KT07595)

Wanderhose Option\Hoses\Powaboom

Wanderhose Option - Hoses

Item no.	Part no.	Description	QTY	Unit
1	255-30	Tee - 1/2 x 1/2 x 1/4 BSP M/Swivel F/M	2	PC
150	HC04002-430	Hose - Megaflex 1/4" STRx90s	1	PC
151	HC04002-324	Hose - Megaflex 1/4" STRx90s	1	PC
152	HC04002-730	Hose - Megaflex 1/4" STRx90s	1	PC
153	HC04002-600	Hose - Megaflex 1/4" STRx90s	1	PC

Rear Wanderhose (KT07595)
Wanderhose Option\Hoses\Rear Wanderhose
Wanderhose Option - Hoses



95HC.010-3

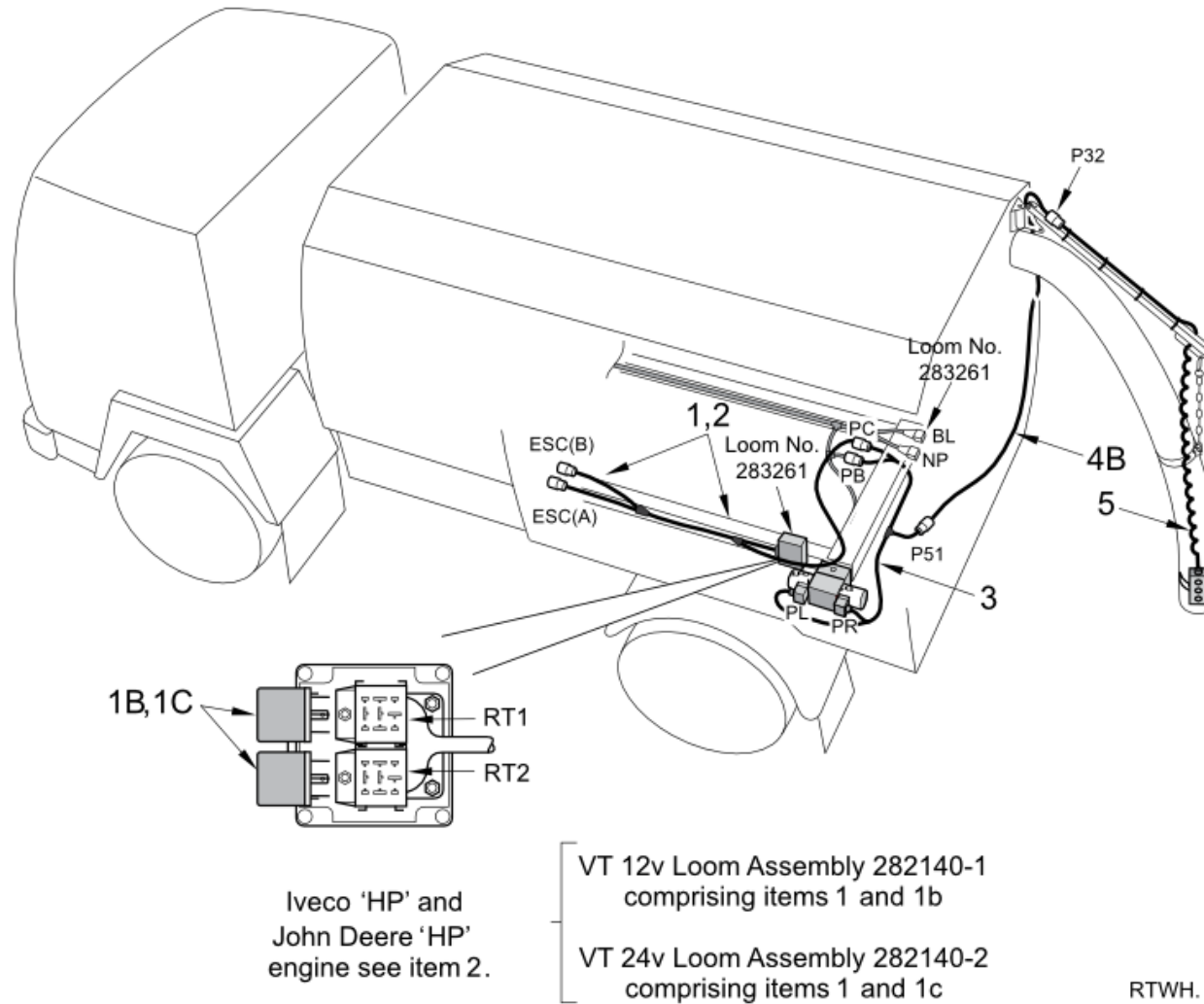
Rear Wanderhose (KT07595)

Wanderhose Option\Hoses\Rear Wanderhose

Wanderhose Option - Hoses

Item no.	Part no.	Description	QTY	Unit
1	255-30	Tee - 1/2 x 1/2 x 1/4 BSP M/Swivel F/M	2	PC
2	262-2	Elbow 90° 1/4 BSP M x 1/4 BSP Swivel F	2	PC
150	HC04002-430	Hose - Megaflex 1/4" STRx90s	1	PC
151	HC04002-324	Hose - Megaflex 1/4" STRx90s	1	PC
152	HC04002-430	Hose - Megaflex 1/4" STRx90s	1	PC
153	HC04002-430	Hose - Megaflex 1/4" STRx90s	1	PC

Looms (KT07595)
 Wanderhose Option\Looms
 Wanderhose Option



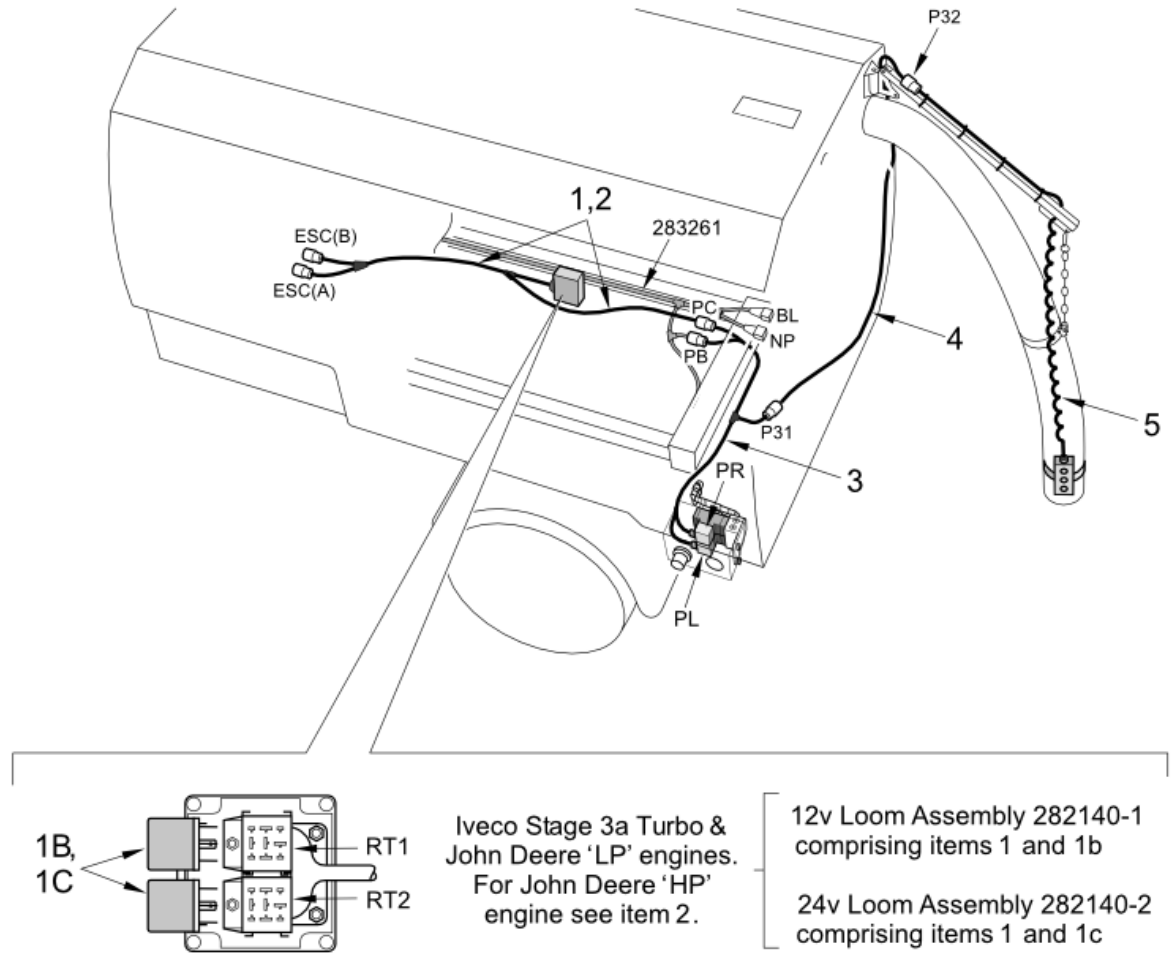
Looms (KT07595)

Wanderhose Option\Looms

Wanderhose Option

Item no.	Part no.	Description	QTY	Unit
1	282060-1	Loom and Relay box - Except JD HP	1	PC
Requires the addition of 1b,1c or 1d				
1B	13193	Relay 12 Volt 30/40	2	PC
1C	13194	Relay 24 Volt 30/40	2	PC
2	283140-1	Loom and Relay box - Johm Deere HP Eng.	1	PC
3	282062-1	Loom - Powaboom	1	PC
4A	282063-1	Loom - Extension Powaboom	1	PC
4B	282063-2	Loom-Extension Rear Wanderhose	1	PC
5	282061-1	Loom and Control - Powaboom VT	1	PC

Looms (Superseded) (KT07595)
 Wanderhose Option\Looms (Superseded)
 Wanderhose Option



RTWH. 002

Looms (Superseded) (KT07595)
Wanderhose Option\Looms (Superseded)
Wanderhose Option

Item no.	Part no.	Description	QTY	Unit
1	282060-1	Loom and Relay box - Except JD HP	1	PC
Requires the addition of 1b or 1c				
1B	13193	Relay 12 Volt 30/40	2	PC
1C	13194	Relay 24 Volt 30/40	2	PC
2	283140-1	Loom and Relay box - Johm Deere HP Eng.	1	PC
3	282062-1	Loom - Powaboom	1	PC
4	282063-1	Loom - Extension Powaboom	1	PC
5	282061-1	Loom and Control - Powaboom VT	1	PC

This page is intentionally left blank

Chapter 8 Hydraulics

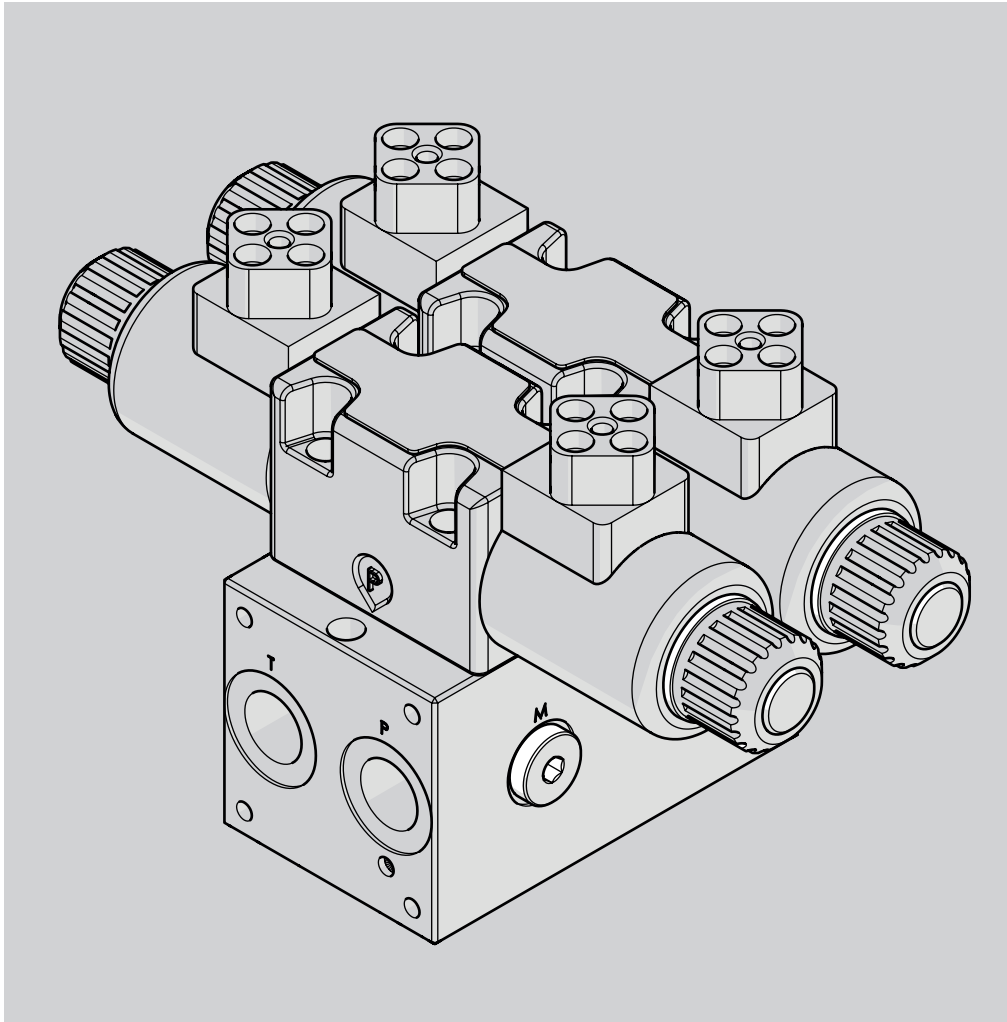


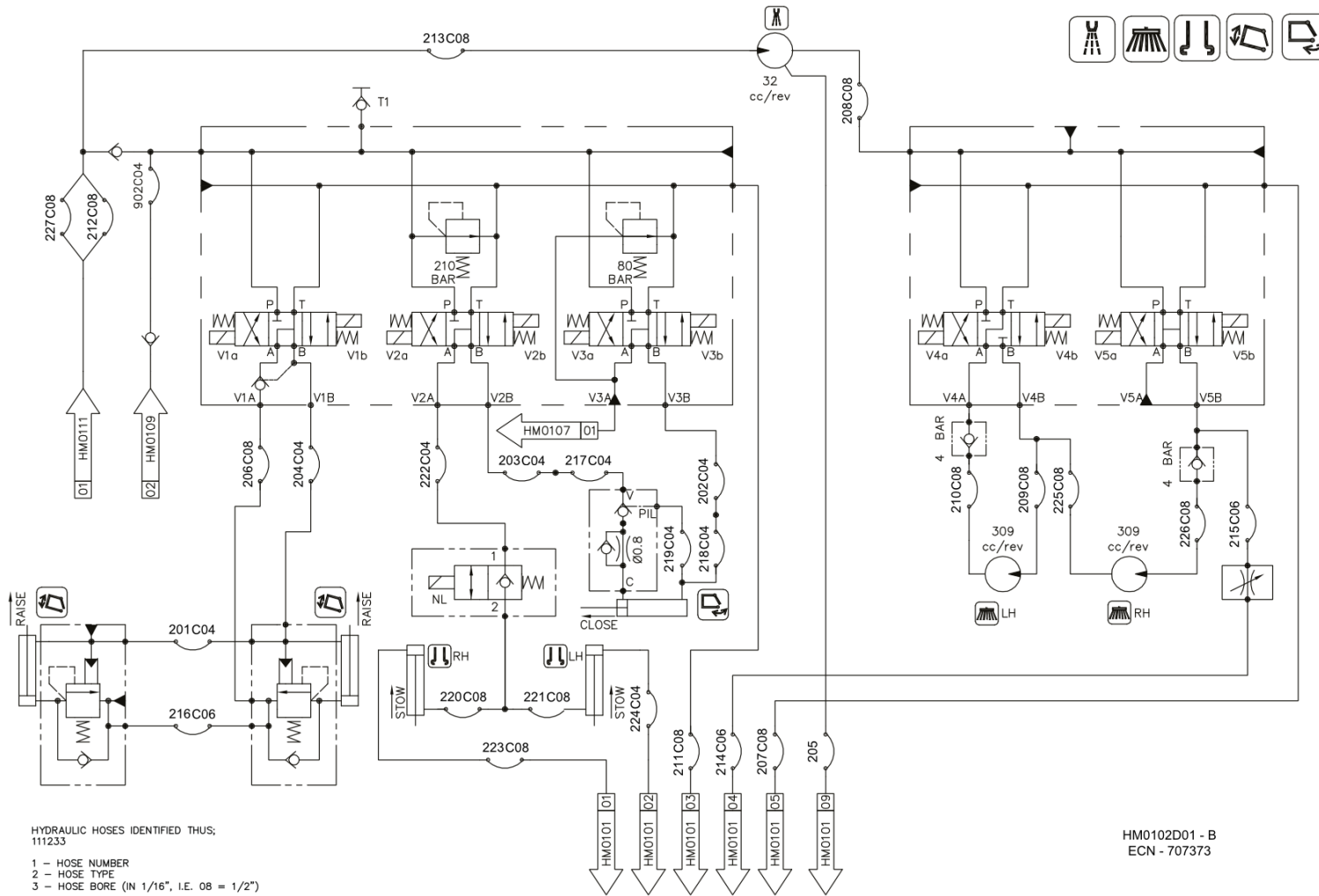
Table of Contents

Section	Page
8.1 Hoses	170
8.2 Valves	180
8.3 Manifold and Tank	188
8.4 Emergency Discharge	194
8.5 Cylinders	198

Dual Sweep Circuit (M010912,M010813,M011120 - WD230 Rev B)

Hydraulics\Hoses\Dual Sweep Circuit

Hydraulics - Hoses



Dual Sweep Circuit (M010912,M010813,M011120 - WD230 Rev B)

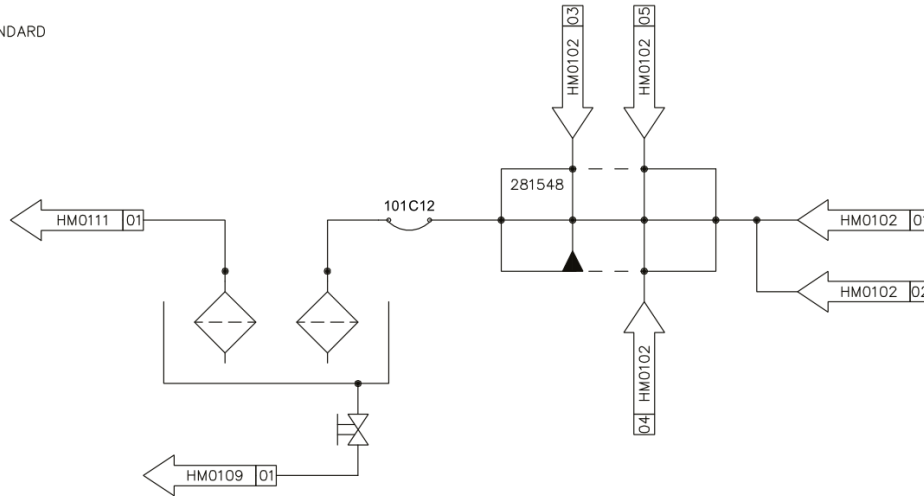
Hydraulics\Hoses\Dual Sweep Circuit

Hydraulics - Hoses

Item no.	Part no.	Description	QTY	Unit
201	HC04043-70	Hose - Megaflex 1/4" 90sx90s	1	PC
202	HC04002-355	Hose - Megaflex 1/4" STRx90s	1	PC
203	HC04002-355	Hose - Megaflex 1/4" STRx90s	1	PC
204	HC04043-285-135	Hose - Megaflex 1/4" 90sx90s	1	PC
205	12870	Tube - Nylon Black 8mm O/D	2	M
206	HC08002-300	Hose - Megaflex 1/2" STRx90s	1	PC
207	HC08002-130	Hose - Megaflex 1/2" STRx90s	1	PC
209	HC08043-350-90	Hose - Megaflex 1/2" 90sx90s	1	PC
210	HC08043-340-90	Hose - Megaflex 1/2" 90sx90s	1	PC
211	HC08002-70	Hose - Megaflex 1/2" STRx90s	1	PC
216	HC06043-70	Hose - Megaflex 3/8" 90sx90s	1	PC
222	HC04043-210-180	Hose - Megaflex 1/4" 90sx90s	1	PC
225	HC08002-480	Hose - Megaflex 1/2" STRx90s	1	PC
226	HC08002-470	Hose - Megaflex 1/2" STRx90s	1	PC
217	HC04000-385	Hose - Megaflex 1/4" STRxSTR	1	PC
218	HC04000-385	Hose - Megaflex 1/4" STRxSTR	1	PC
219	HC04002-27	Hose - Megaflex 1/4" STRx90s	1	PC
220	HC04002-120	Hose - Megaflex 1/4" STRx90s	1	PC
221	HC04002-110	Hose - Megaflex 1/4" STRx90s	1	PC
223	HC04043-250-90	Hose - Megaflex 1/4" 90sx90s	1	PC
224	HC04043-220-270	Hose - Megaflex 1/4" 90sx90s	1	PC
214	HC06002-600	Hose - Megaflex 3/8" STRx90s	1	PC
215	HC06002-600	Hose - Megaflex 3/8" STRx90s	1	PC

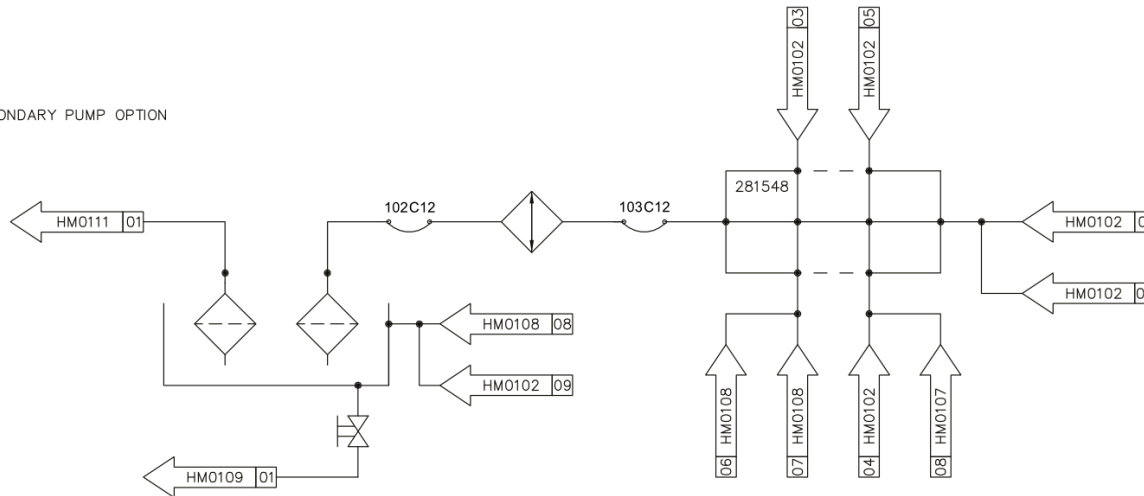
Reservoir Connections (M010515)
 Hydraulics\Hoses\Reservoir Connections
 Hydraulics - Hoses

STANDARD



HYDRAULIC HOSES IDENTIFIED THUS;
 111233
 1 - HOSE NUMBER
 2 - HOSE TYPE
 3 - HOSE BORE (IN 1/16", I.E. 08 = 1/2")

SECONDARY PUMP OPTION



HM0101Z01 - B
 ECN - 707373

Reservoir Connections (M010515)
Hydraulics\Hoses\Reservoir Connections
Hydraulics - Hoses

Item no.	Part no.	Description	QTY	Unit
101	HC12002-120	Hose - Megaflex 3/4" STRx90s	1	PC
102	HC12043-170-180	Hose - Megaflex 3/4" 90s x 90s	1	PC
103	HC12002-45	Hose - Megaflex 3/4" STRx90s	1	PC

Secondary Pump Option (M010515,KT00101)

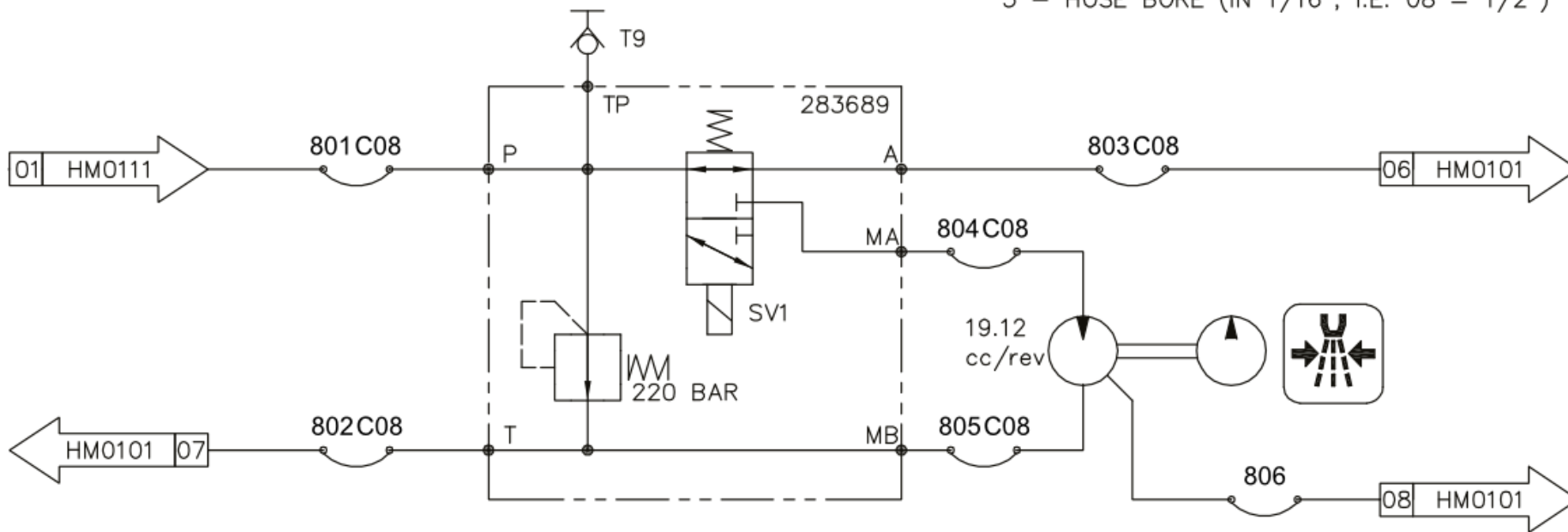
Hydraulics\Hoses\Secondary Pump Option

Hydraulics - Hoses



HYDRAULIC HOSES IDENTIFIED THUS;
111233

- 1 - HOSE NUMBER
- 2 - HOSE TYPE
- 3 - HOSE BORE (IN 1/16", I.E. 08 = 1/2")



HM0108Z01 - B
ECN - 707373

Secondary Pump Option (M010515,KT00101)

Hydraulics\Hoses\Secondary Pump Option

Hydraulics - Hoses

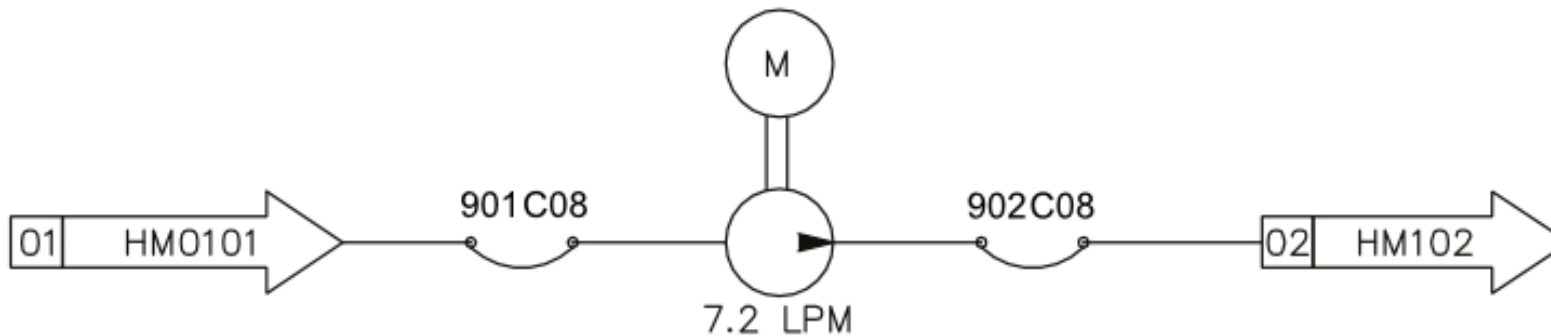
Item no.	Part no.	Description	QTY	Unit
801	HC08002-150	Hose - Megaflex 1/2" STRxSTR	1	PC
802	HC08000-90	Hose - Megaflex 1/2" STRxSTR	1	PC
803	HC08000-60	Hose - Megaflex 1/2" STRxSTR	1	PC
804	HC08002-230	Hose - Megaflex 1/2" STRx90s	1	PC
805	HC08002-230	Hose - Megaflex 1/2" STRx90s	1	PC
806	12870	Tube - Nylon Black 8mm O/D	1	M

Emergency Discharge Pump (M010912)
Hydraulics\Hoses\Emergency Discharge Pump
Hydraulics - Hoses



HYDRAULIC HOSES IDENTIFIED THUS;
111233

- 1 - HOSE NUMBER
- 2 - HOSE TYPE
- 3 - HOSE BORE (IN 1/16", I.E. 08 = 1/2")



ELECTRICAL EMERGENCY DISCHARGE PUMP

HM0109Z01 - B
ECN - 707373

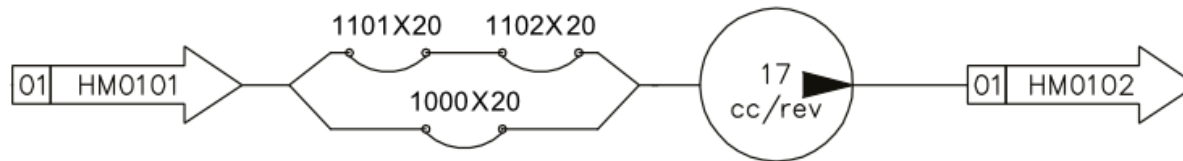
Emergency Discharge Pump (M010912)
Hydraulics\Hoses\Emergency Discharge Pump
Hydraulics - Hoses

Item no.	Part no.	Description	QTY	Unit
901	HC08002-210	Hose - Megaflex 1/2" STRx90s	1	PC
902	HC04002-206	Hose - Megaflex 1/4" STRx90s	1	PC

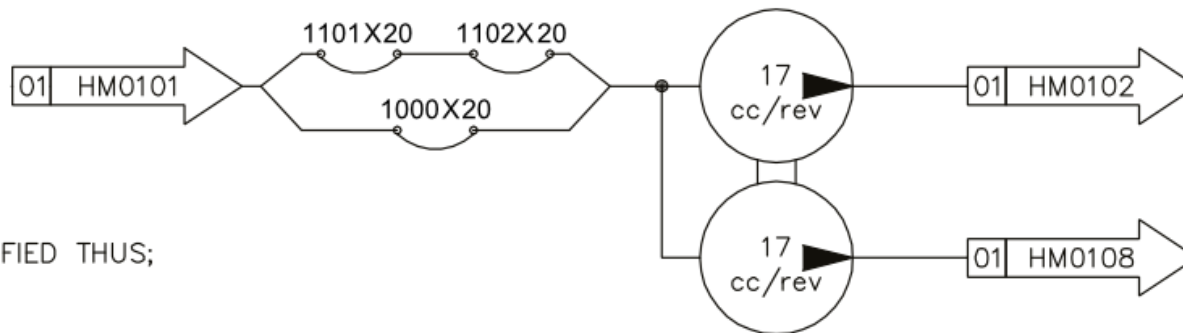
PTO Pump (M010515 - WD230 Rev B)

Hydraulics\Hoses\PTO Pump

Hydraulics - Hoses



STANDARD CIRCUIT



OPTIONAL CIRCUIT SECONDARY PUMP

 HYDRAULIC HOSES IDENTIFIED THUS;
 111233

- 1 - HOSE NUMBER
- 2 - HOSE TYPE
- 3 - HOSE BORE (IN 1/16", I.E. 08 = 1/2")

 HM0111Z01 - B
 ECN - 707373

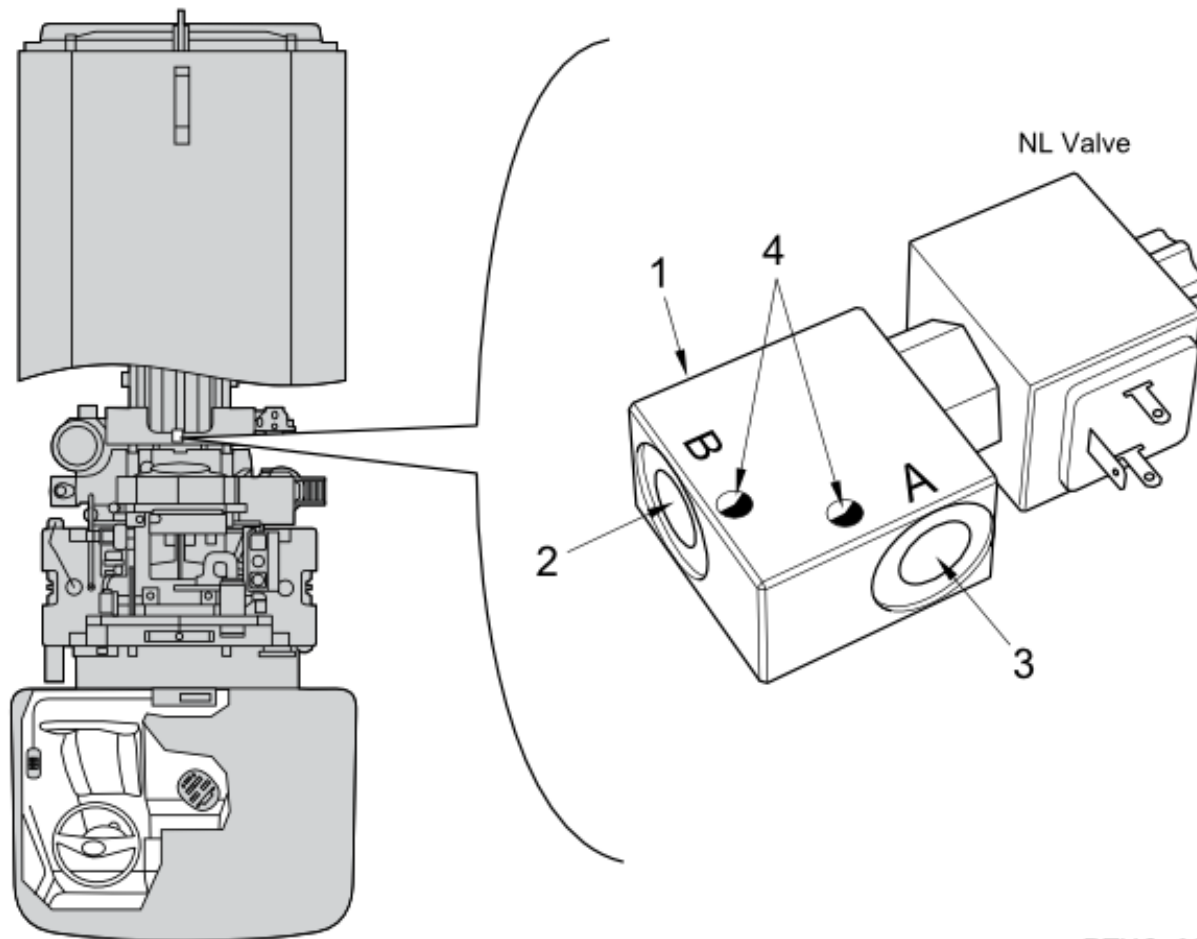
PTO Pump (M010515 - WD230 Rev B)

Hydraulics\Hoses\PTO Pump

Hydraulics - Hoses

Item no.	Part no.	Description	QTY	Unit
1000	HX20002-72	Hose - Megavac 1.1/4" STRx90s	1	PC
Iveco only				
1101	HX20002-160	Hose - Megavac 1.1/4" STRx90s	1	PC
John Deere only				
1102	HX20043-60	Hose - Megavac 1.1/4" 90sx90s	1	PC
John Deere only				

Pick-up Hood Lock Valve (M010912)
Hydraulics\Valves\Pick-up Hood Lock Valve
Hydraulics - Valves



RTHC. 007

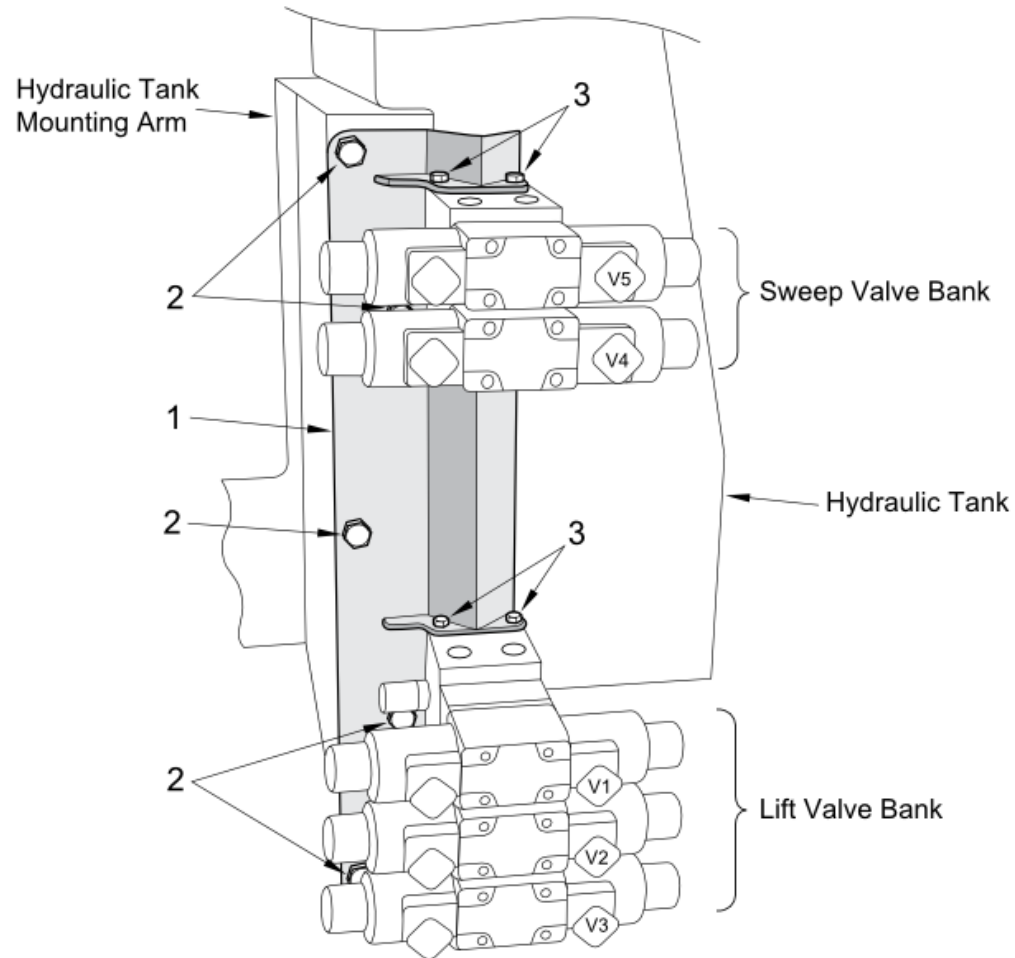
Pick-up Hood Lock Valve (M010912)

Hydraulics\Valves\Pick-up Hood Lock Valve

Hydraulics - Valves

Item no.	Part no.	Description	QTY	Unit
1	72679-1	Valve - Lock 12v	1	PC
1	72679-4	Valve - Lock 24v	1	PC
2	265-2	Adaptor Reducing M/M 1/4 x 3/8 BSP	1	PC
2	451-18	Washer Bonded G3/8"	1	PC
3	265-2	Adaptor Reducing M/M 1/4 x 3/8 BSP	1	PC
3	451-18	Washer Bonded G3/8"	1	PC
3	255-11	Tee - M/Swivel Female/M Branch 1/4 BSP	1	PC
4	124-113	Setscrew M6C x 50	2	PC
4	455-8	Washer Plain Plated Steel M6	2	PC
4	425-13	Nut Nyloc Hex M6C	2	PC

Lift and Sweep Valve Mounting Bracket (M010912)
Hydraulics\Valves\Lift and Sweep Valve Mounting Bracket
Hydraulics - Valves

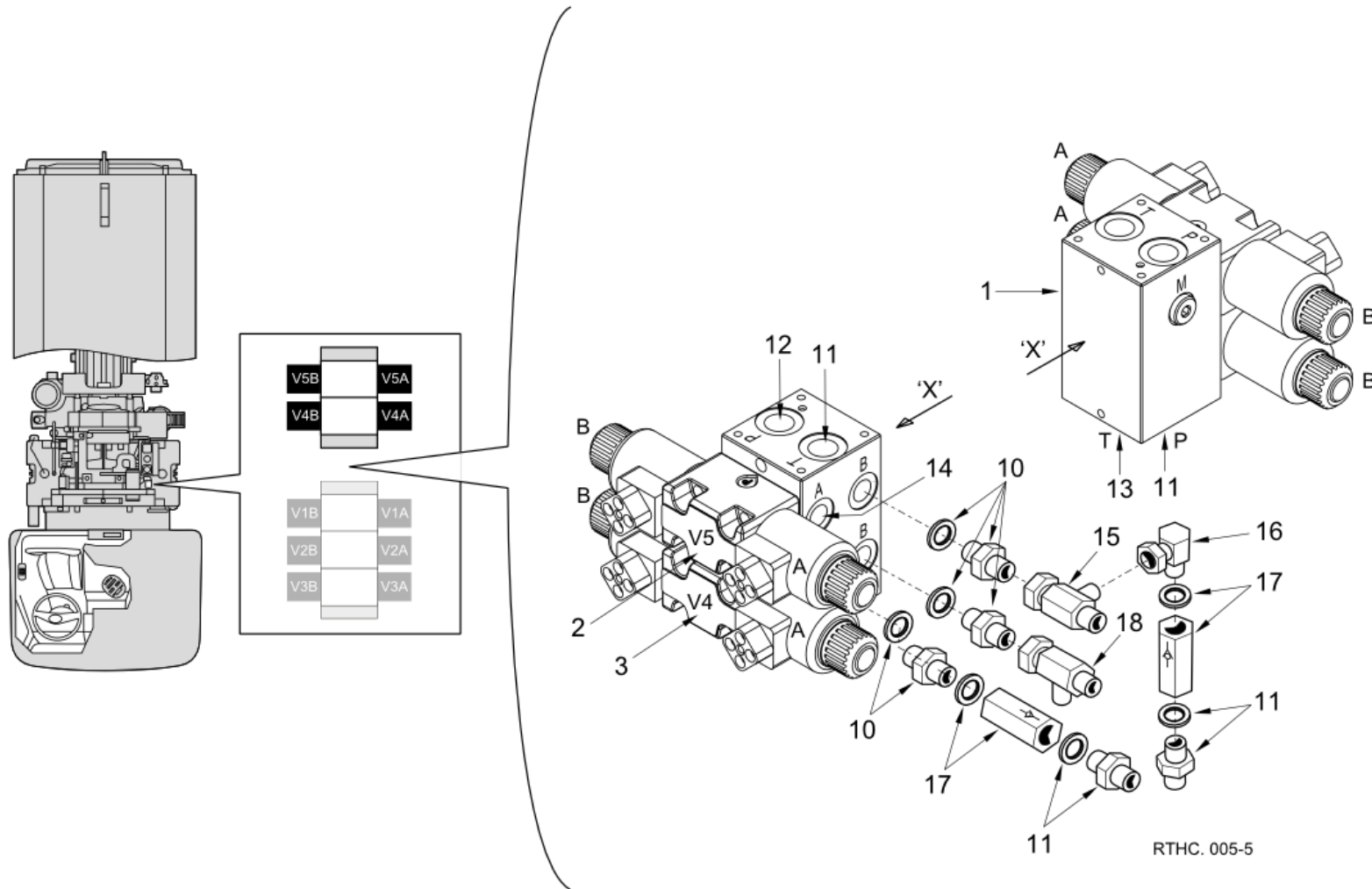


RTHC. 003

Lift and Sweep Valve Mounting Bracket (M010912)
Hydraulics\Valves\Lift and Sweep Valve Mounting Bracket
Hydraulics - Valves

Item no.	Part no.	Description	QTY	Unit
1	221359-1	Bracket W/Assy RT655	1	PC
2	124-169	Setscrew M10C x 25	5	PC
3	124-102	Setscrew M6C x 16	8	PC
3	455-8	Washer Plain Plated Steel M6	8	PC

Sweep Bank Assembly (M010912)
 Hydraulics\Valves\Sweep Bank Assembly
 Hydraulics - Valves



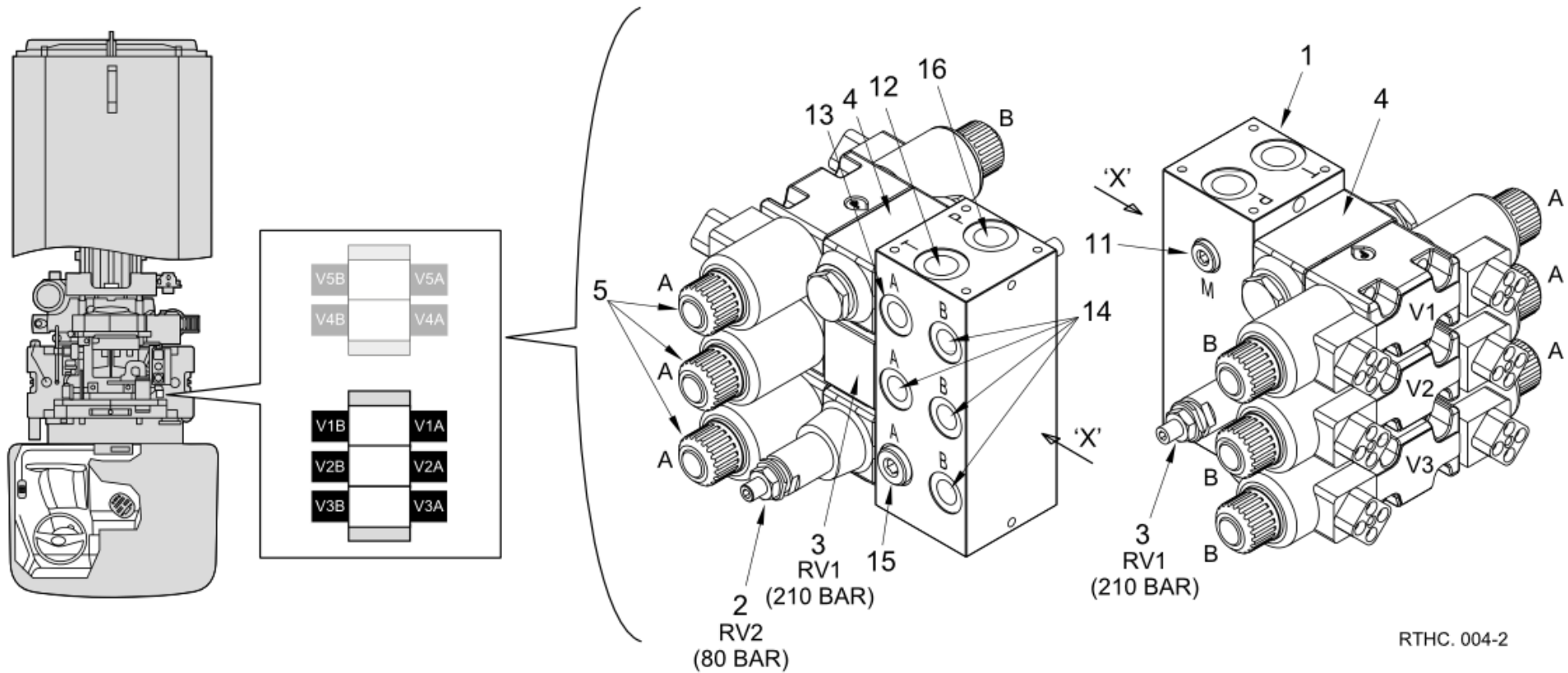
Sweep Bank Assembly (M010912)

Hydraulics\Valves\Sweep Bank Assembly

Hydraulics - Valves

Item no.	Part no.	Description	QTY	Unit
0	221296-12	Sweep Block Hyd Valve Assy 12v	1	PC
Comprising items 1-3				
0	221296-24	Sweep Block Hyd Valve Assy 24v	1	PC
Comprising items 1-3				
1	221296-2	Manifold-Hydraulic Valve Bank	1	PC
2	283795-7	Direction Control Valve 12v DC	1	PC
2	283795-27	Direction Control Valve 24v DC	1	PC
3	283795-6	Direction Control Valve 12v DC	1	PC
3	283795-26	Direction Control Valve 24v DC	1	PC
3	283795-124	Coil-Direction Cntrl Valve 24v	2	PC
10	265-4	Adaptor Reducing M/M 3/8 x 1/2 BSP	3	PC
10	451-18	Washer Bonded G3/8"	3	PC
11	263-4	Adaptor M/M 1/2 BSP BS5200	4	PC
11	451-19	Washer - Bonded G1-2"	4	PC
12	54-4	Plug - Collar G1/2" BSP	1	PC
13	265-3	Adaptor Reducing M/M 1/4 x 1/2 BSP	1	PC
13	451-19	Washer - Bonded G1-2"	1	PC
14	54-4	Plug - Collar G1/2" BSP	1	PC
15	277-56	Tee - 3/8 x 1/2 x 1/2 BSP M/Swivel F/M	1	PC
16	262-4	Elbow 90° 1/2 BSP M x 1/2 BSP Swivel F	1	PC
17	241-3	Check Valve - In Line(4.5 Bar)	2	PC
17	451-19	Washer - Bonded G1-2"	2	PC
18	255-13	Tee - M/Swivel Female/M Branch 1/2 BSP	1	PC
2	283795-112	Coil-Direction Cntrl Valve 12v	2	PC

Lift Bank Assembly (M010912)
 Hydraulics\Valves\Lift Bank Assembly
 Hydraulics - Valves

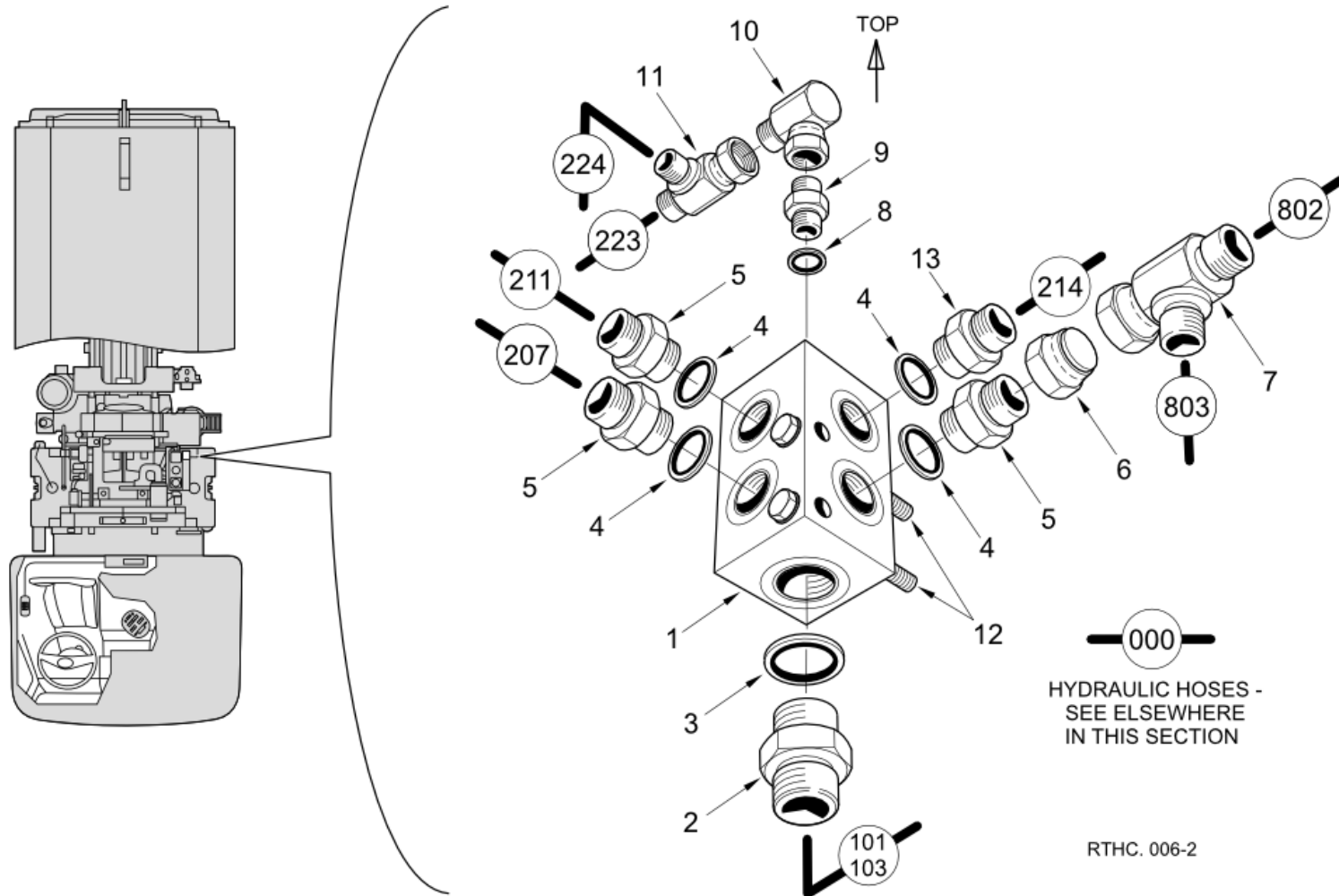


Lift Bank Assembly (M010912)
 Hydraulics\Valves\Lift Bank Assembly
 Hydraulics - Valves

Item no.	Part no.	Description	QTY	Unit
0	221295-12	Lift Block Hyd Valve Assy 12v	1	PC
Comprising items 1-5				
0	221295-24	Lift Block Hyd Valve Assy 24v	1	PC
Comprising items 1-5				
1	221295-2	Manifold-Hydraulic Valve Bank	1	PC
2	221295-3	Relief Module(80 Bar)Hyd. Bank	1	PC
3	221295-4	Relief Module(210 Bar)Hyd.Bank	1	PC
4	221295-5	PO Check Valve Module,L/Block	1	PC
5	283795-2	Direction Control Valve 12v DC	3	PC
5	283795-22	Direction Control Valve 24v DC	3	PC
0	283795-124	Coil-Direction Cntrl Valve 24v	1	PC
11	665-8	Test Coupling SMK20 - G1/4 Type C	1	PC
12	263-4	Adaptor M/M 1/2 BSP BS5200	2	PC
12	451-19	Washer - Bonded G1-2"	2	PC
13	265-4	Adaptor Reducing M/M 3/8 x 1/2 BSP	1	PC
13	451-18	Washer Bonded G3/8"	1	PC
14	265-2	Adaptor Reducing M/M 1/4 x 3/8 BSP	4	PC
14	451-18	Washer Bonded G3/8"	4	PC
15	54-3	Plug - Collar G3/8" BSP	1	PC
15	451-18	Washer Bonded G3/8"	1	PC
16	265-2	Adaptor Reducing M/M 1/4 x 3/8 BSP	2	PC
16	54-4	Plug - Collar G1/2" BSP	2	PC
0	283795-112	Coil-Direction Cntrl Valve 12v	1	PC

Standard Single PTO Pump (M010515)

Hydraulics\Manifold and Tank\Manifold Assembly\Standard Single PTO Pump
Hydraulics - Manifold and Tank - Manifold Assembly



Standard Single PTO Pump (M010515)

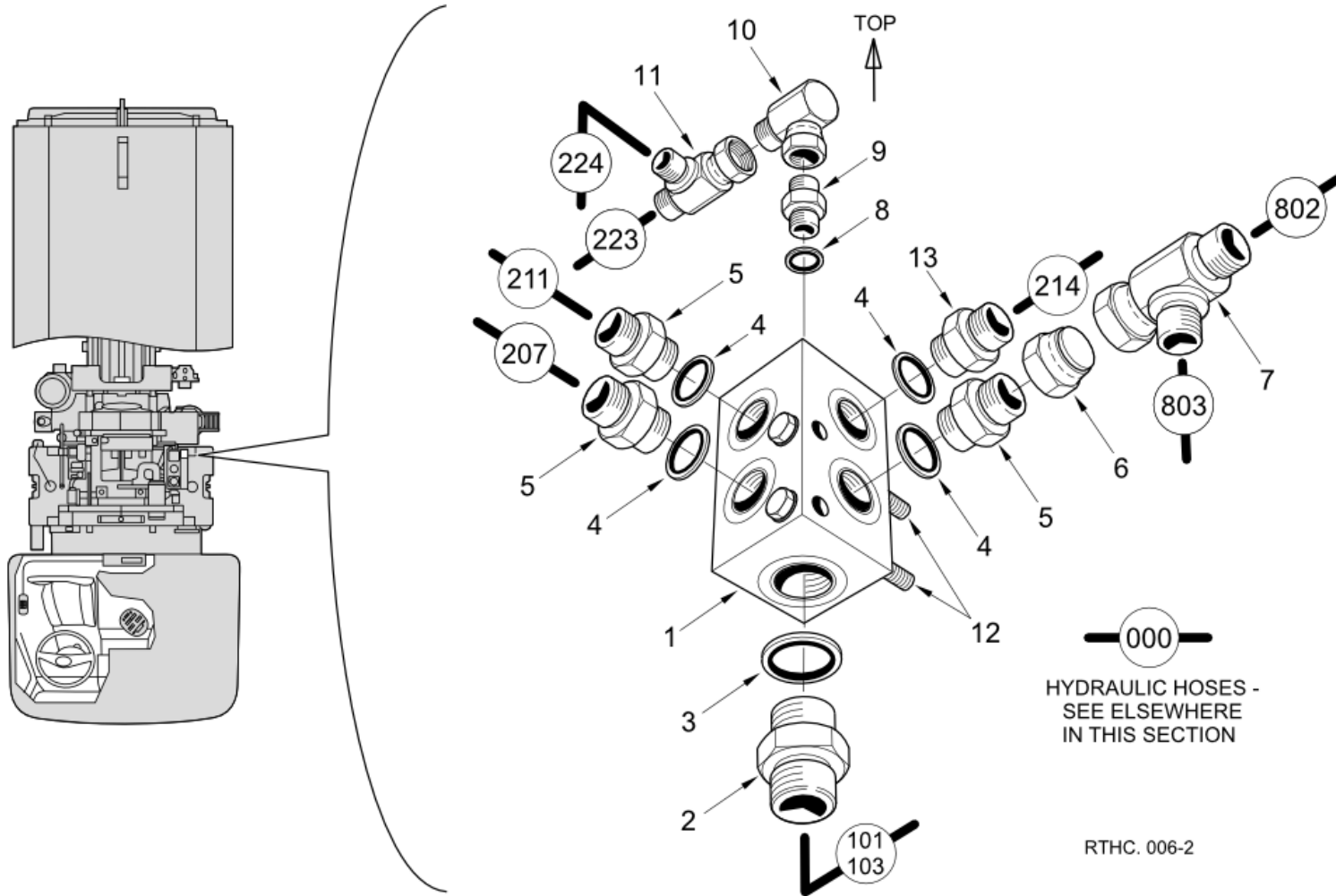
Hydraulics\Manifold and Tank\Manifold Assembly\Standard Single PTO Pump

Hydraulics - Manifold and Tank - Manifold Assembly

Item no.	Part no.	Description	QTY	Unit
1	281548-1	Manifold-Hydraulic S/Frame	1	PC
2	263-6	Adaptor M/M 3/4" BSP	1	PC
3	451-21	Washer Bonded G3-4"	1	PC
5	263-4	Adaptor M/M 1/2 BSP BS5200	3	PC
4	451-19	Washer - Bonded G1-2"	4	PC
6	68-17	Cap - Blanking 1/2 BSP F Swivel	1	PC
8	451-17	Washer Bonded G1-4"	1	PC
9	263-2	Adaptor M/M 1/4 BSP	1	PC
10	262-2	Elbow 90° 1/4 BSP M x 1/4 BSP Swivel F	1	PC
11	255-11	Tee - M/Swivel Female/M Branch 1/4 BSP	1	PC
12	123-113	Bolt M Coarse M8x65 BS3692	2	PC
12	455-10	Washer Plain Plated Steel M8	2	PC
13	265-4	Adaptor Reducing M/M 3/8 x 1/2 BSP	1	PC

Optional Tandem PTO Pump (M010515)

Hydraulics\Manifold and Tank\Manifold Assembly\Optional Tandem PTO Pump
Hydraulics - Manifold and Tank - Manifold Assembly



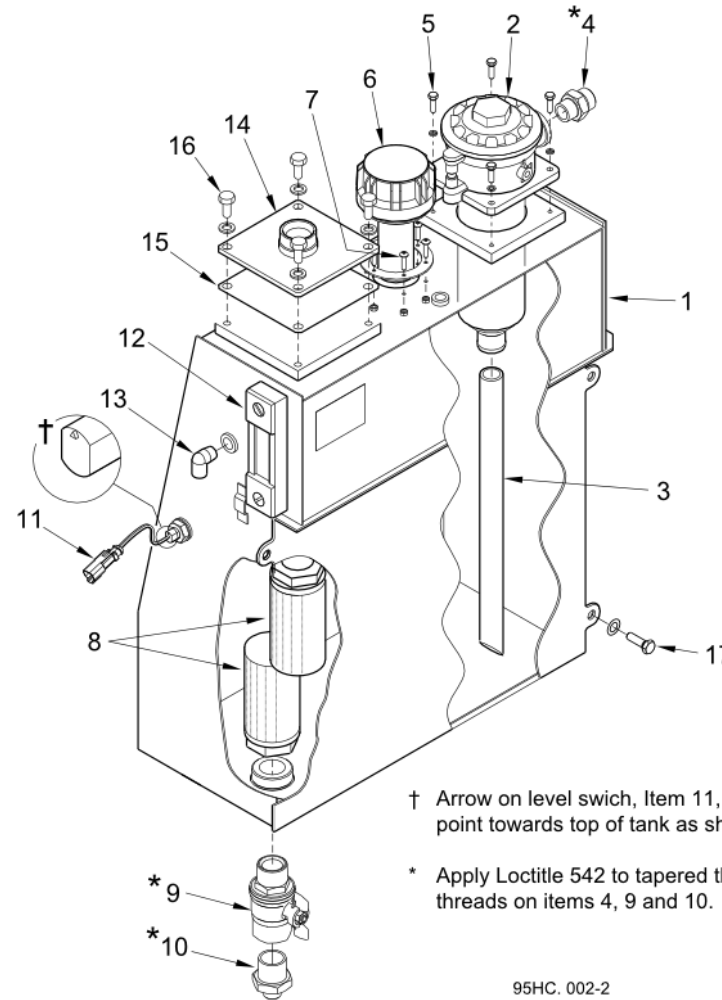
Optional Tandem PTO Pump (M010515)

Hydraulics\Manifold and Tank\Manifold Assembly\Optional Tandem PTO Pump

Hydraulics - Manifold and Tank - Manifold Assembly

Item no.	Part no.	Description	QTY	Unit
1	281548-1	Manifold-Hydraulic S/Frame	1	PC
2	263-6	Adaptor M/M 3/4" BSP	1	PC
3	451-21	Washer Bonded G3-4"	1	PC
5	263-4	Adaptor M/M 1/2 BSP BS5200	3	PC
4	451-19	Washer - Bonded G1-2"	4	PC
7	255-13	Tee - M/Swivel Female/M Branch 1/2 BSP	1	PC
8	451-17	Washer Bonded G1-4"	1	PC
9	263-2	Adaptor M/M 1/4 BSP	1	PC
10	262-2	Elbow 90° 1/4 BSP M x 1/4 BSP Swivel F	1	PC
11	255-11	Tee - M/Swivel Female/M Branch 1/4 BSP	1	PC
12	123-113	Bolt M Coarse M8x65 BS3692	2	PC
12	455-10	Washer Plain Plated Steel M8	2	PC
13	265-4	Adaptor Reducing M/M 3/8 x 1/2 BSP	1	PC

Hydraulic Tank Assembly (M010514)
 Hydraulics\Manifold and Tank\Hydraulic Tank Assembly
 Hydraulics - Manifold and Tank



† Arrow on level switch, Item 11, must point towards top of tank as shown.

* Apply Loctite 542 to tapered threads on items 4, 9 and 10.

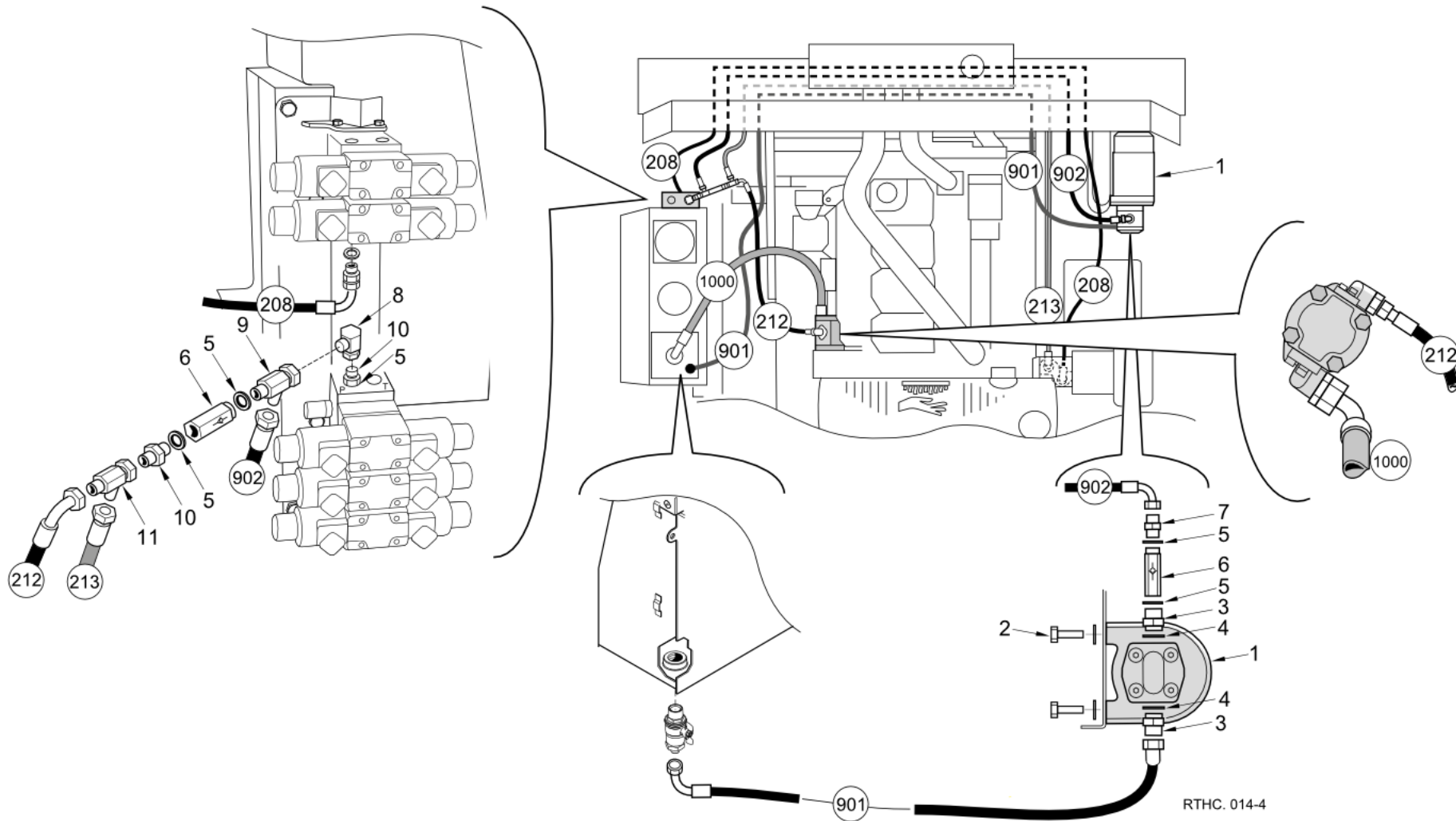
95HC. 002-2

Hydraulic Tank Assembly (M010514)

Hydraulics\Manifold and Tank\Hydraulic Tank Assembly

Hydraulics - Manifold and Tank

Item no.	Part no.	Description	QTY	Unit
0	281761-1	Hyd Tank Assy - Twin Engine 95	1	PC
Comprising items 1-16				
1	280140-1	Tank Hydraulic W/Assy GP100	1	PC
2	282852-1	Multiflow Filter Assy VT Range	1	PC
4	266-6	Adaptor M/M 3/4 - 3/4 BSP/BSPT	1	PC
5	124-103	Setscrew M6C x 20	4	PC
5	460-8	Washer Spring Single Coil M6	4	PC
6	69-30	Filler / Breather 10 Micron	1	PC
7	134-59	Pan Head Screw-M5Cx20-4.8-Pozidriv	6	PC
7	425-12	Nut Nyloc Hex M5C	6	PC
8	15411	Filter-Hydraulic Suction	1	PC
9	89-15	Valve - 1" R Male/Female	1	PC
10	277-137	Adaptor M/M 1/2 - 1 BSP/BSPT	1	PC
11	48-328	Switch - Float + Deutsch Conn	1	PC
12	87-1	Gauge - Level	1	PC
13	521-12	Adaptor - Elbow 3/8" BSP x 8mm	1	PC
14	281960-1	Pipe W/Assy 1 1/4" Suction	1	PC
15	281965-1	Gasket - Hydraulic Tank	1	PC
16	124-167	Setscrew M10C x 20	4	PC
16	460-11	Washer Spring Single Coil M10	4	PC
17	124-167	Setscrew M10C x 20	4	PC
17	457-5	Washer Plain Steel M10 Form G	4	PC
3	42206-1-A	Pipe Multiflow Downpipe	1	PC

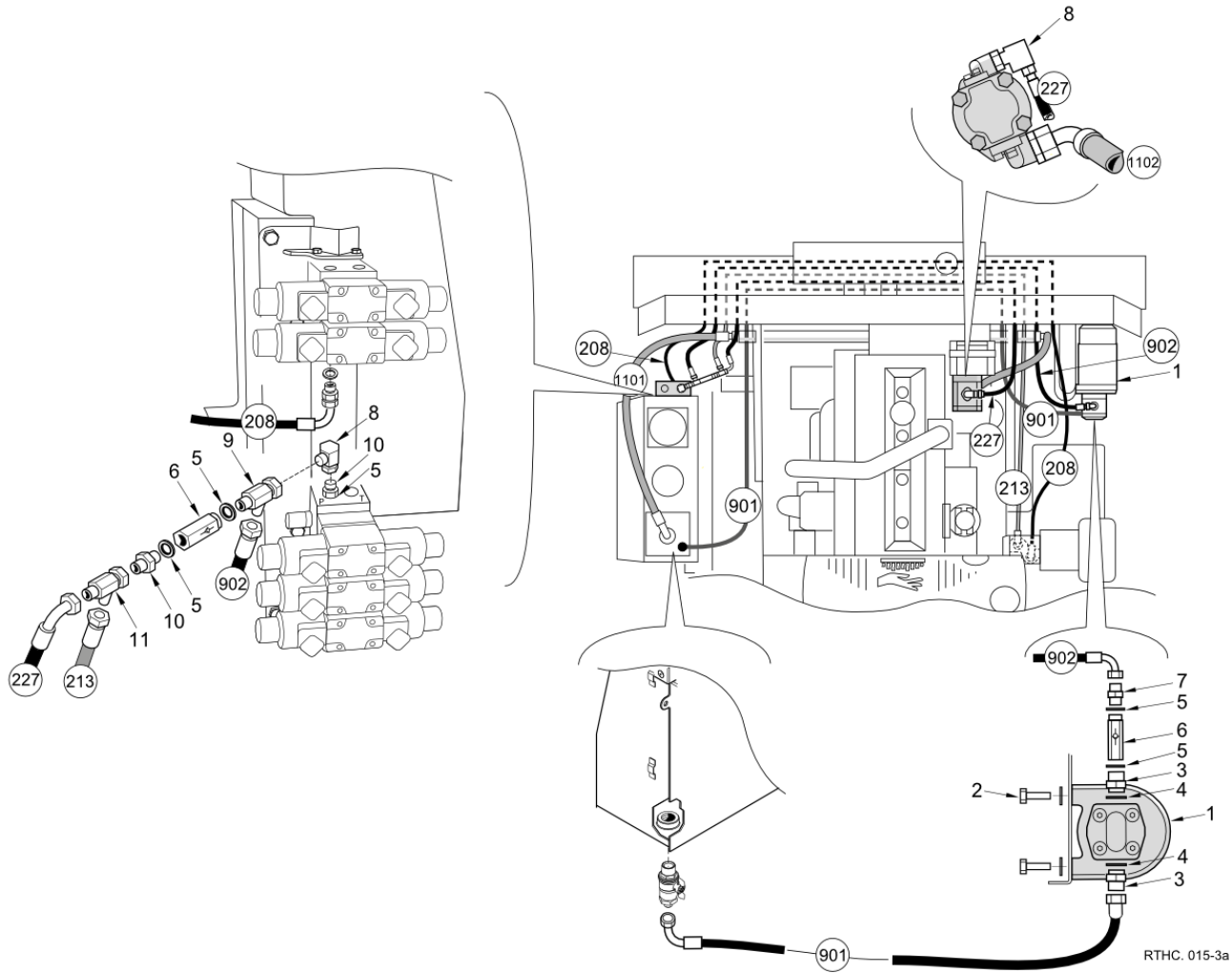
Discharge Pump Installation - Iveco (M010912,M010514,M010515)
 Hydraulics\Emergency Discharge\Discharge Pump Installation - Iveco


Discharge Pump Installation - Iveco (M010912,M010514,M010515)

Hydraulics\Emergency Discharge\Discharge Pump Installation - Iveco

Item no.	Part no.	Description	QTY	Unit
1	283706-12	Motor/Pump Unit Discharge 12v	1	PC
1	283706-24	Motor/Pump Unit Discharge 24v	1	PC
2	124-169	Setscrew M10C x 25	2	PC
2	455-11	Washer Plain Plated Steel M10	2	PC
3	265-4	Adaptor Reducing M/M 3/8 x 1/2 BSP	2	PC
4	451-18	Washer Bonded G3/8"	2	PC
5	451-19	Washer - Bonded G1-2"	5	PC
6	71457-1	Valve Check G1/2"	2	PC
7	265-3	Adaptor Reducing M/M 1/4 x 1/2 BSP	1	PC
8	262-4	Elbow 90° 1/2 BSP M x 1/2 BSP Swivel F	1	PC
9	255-30	Tee - 1/2 x 1/2 x 1/4 BSP M/Swivel F/M	1	PC
10	263-4	Adaptor M/M 1/2 BSP BS5200	2	PC
11	255-13	Tee - M/Swivel Female/M Branch 1/2 BSP	1	PC
208	HC08002-230	Hose - Megaflex 1/2" STRx90s	1	PC
901	HC08002-210	Hose - Megaflex 1/2" STRx90s	1	PC
902	HC04002-206	Hose - Megaflex 1/4" STRx90s	1	PC
212	HC08043-65-270	Hose - Megaflex 1/2" 90sx90s	1	PC
1000	HX20002-72	Hose - Megavac 1.1/4" STRx90s	1	PC
213	HC08002-230	Hose - Megaflex 1/2" STRx90s	1	PC

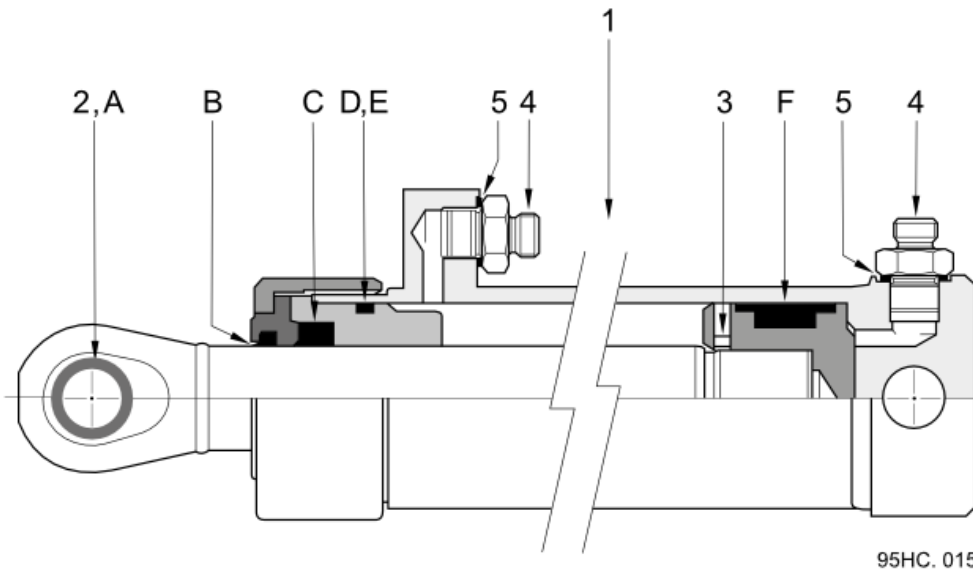
Discharge Pump Installation - John Deere (M010912,M010514,M010515)
 Hydraulics\Emergency Discharge\Discharge Pump Installation - John Deere



Discharge Pump Installation - John Deere (M010912,M010514,M010515)

Hydraulics\Emergency Discharge\Discharge Pump Installation - John Deere

Item no.	Part no.	Description	QTY	Unit
1	283706-12	Motor/Pump Unit Discharge 12v	1	PC
1	283706-24	Motor/Pump Unit Discharge 24v	1	PC
2	124-169	Setscrew M10C x 25	2	PC
2	455-11	Washer Plain Plated Steel M10	2	PC
3	265-4	Adaptor Reducing M/M 3/8 x 1/2 BSP	2	PC
4	451-18	Washer Bonded G3/8"	2	PC
5	451-19	Washer - Bonded G1-2"	5	PC
6	71457-1	Valve Check G1/2"	2	PC
7	265-3	Adaptor Reducing M/M 1/4 x 1/2 BSP	1	PC
8	262-4	Elbow 90° 1/2 BSP M x 1/2 BSP Swivel F	1	PC
9	255-30	Tee - 1/2 x 1/2 x 1/4 BSP M/Swivel F/M	1	PC
10	263-4	Adaptor M/M 1/2 BSP BS5200	2	PC
11	255-13	Tee - M/Swivel Female/M Branch 1/2 BSP	1	PC
208	HC08002-230	Hose - Megaflex 1/2" STRx90s	1	PC
213	HC08002-230	Hose - Megaflex 1/2" STRx90s	1	PC
901	HC08002-210	Hose - Megaflex 1/2" STRx90s	1	PC
902	HC04002-206	Hose - Megaflex 1/4" STRx90s	1	PC
227	HC08002-210	Hose - Megaflex 1/2" STRx90s	1	PC
1101	HX20002-160	Hose - Megavac 1.1/4" STRx90s	1	PC
1102	HX20043-60	Hose - Megavac 1.1/4" 90sx90s	1	PC

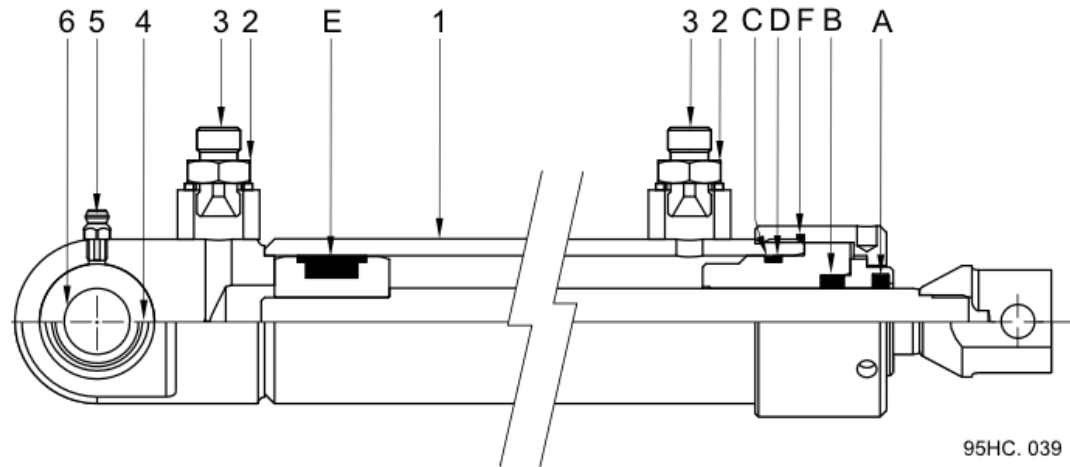


Item 6
Seal Kit comprising:

Item	Description	Quantity
A	Bush	1
B	Wiper Seal	1
C	Rod Seal	1
D	"O" Ring	1
E	Back-up Ring	1
F	Piston Seal	1

Rear Door Cylinder ()
Hydraulics\Cylinders\Rear Door Cylinder

Item no.	Part no.	Description	QTY	Unit
3	135-2	Setscrew Hollow M6C x 6	1	PC
4	265-2	Adaptor Reducing M/M 1/4 x 3/8 BSP	2	PC
5	451-18	Washer Bonded G3/8"	2	PC
6	29170-500	Seal Kit -Hydraulic Ram	1	PC
0	29170-1-B	Cylinder - Rear Door/Powaboom	1	PC
2	29128-1-B	Bush - 20Lg	2	PC



Item 7
 Seal Kit comprising:

Item	Description	Quantity
A	Wiper Seal	1
B	Rod Seal	1
C	'O' Ring	1
D	Back-up Ring	1
E	Piston Seal	1
F	Aux. 'O' Ring	1

Pick-up Hood Lift Cylinder ()
Hydraulics\Cylinders\Pick-up Hood Lift Cylinder

Item no.	Part no.	Description	QTY	Unit
1	223900-1	Hydraulic Cyl 175mm Stroke	1	PC
2	451-17	Washer Bonded G1-4"	2	PC
3	263-2	Adaptor M/M 1/4 BSP	2	PC
4	28-29	Circlip - Internal	1	PC
6	38-30	Nipple Grease M6 X 1	1	PC
7	29170-500	Seal Kit -Hydraulic Ram	1	PC
5	747-1	Bearing-Spherical GE2000-2RS	1	PC

This page is intentionally left blank

Chapter 9

Pneumatics

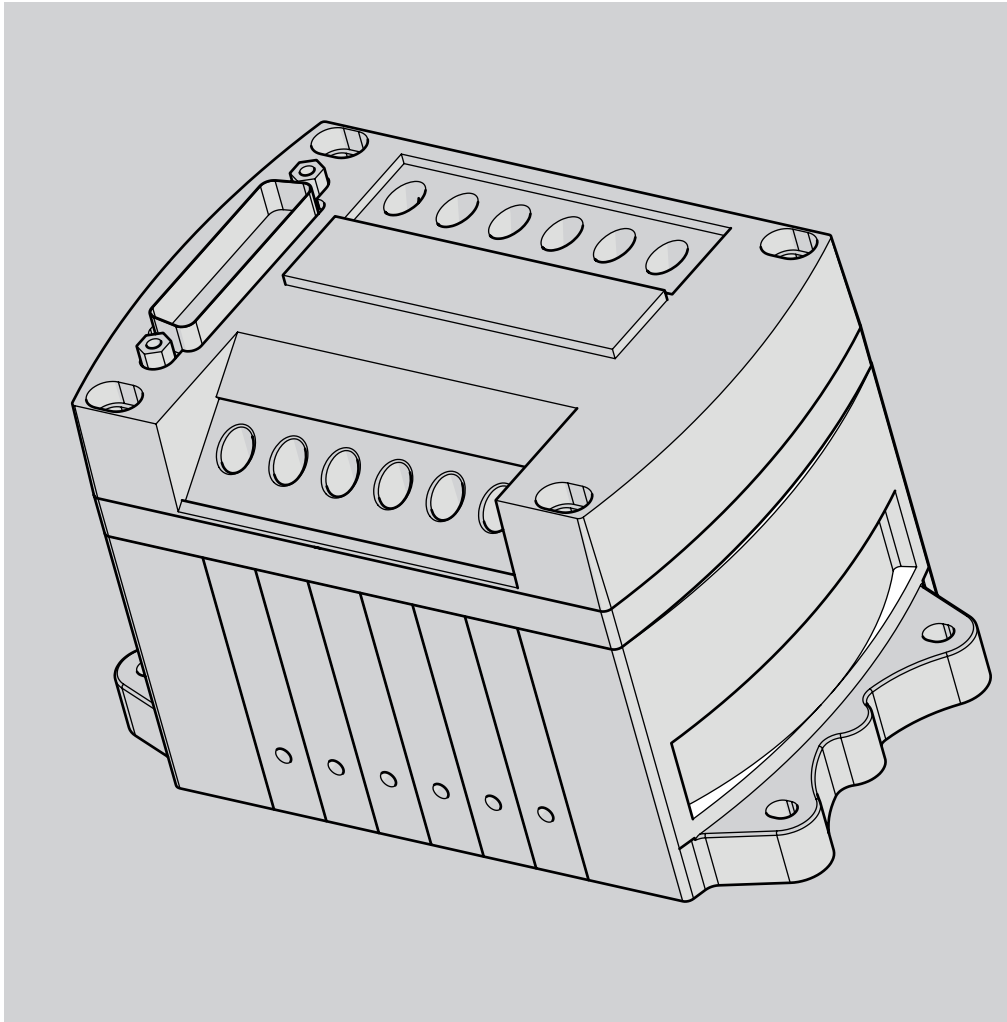
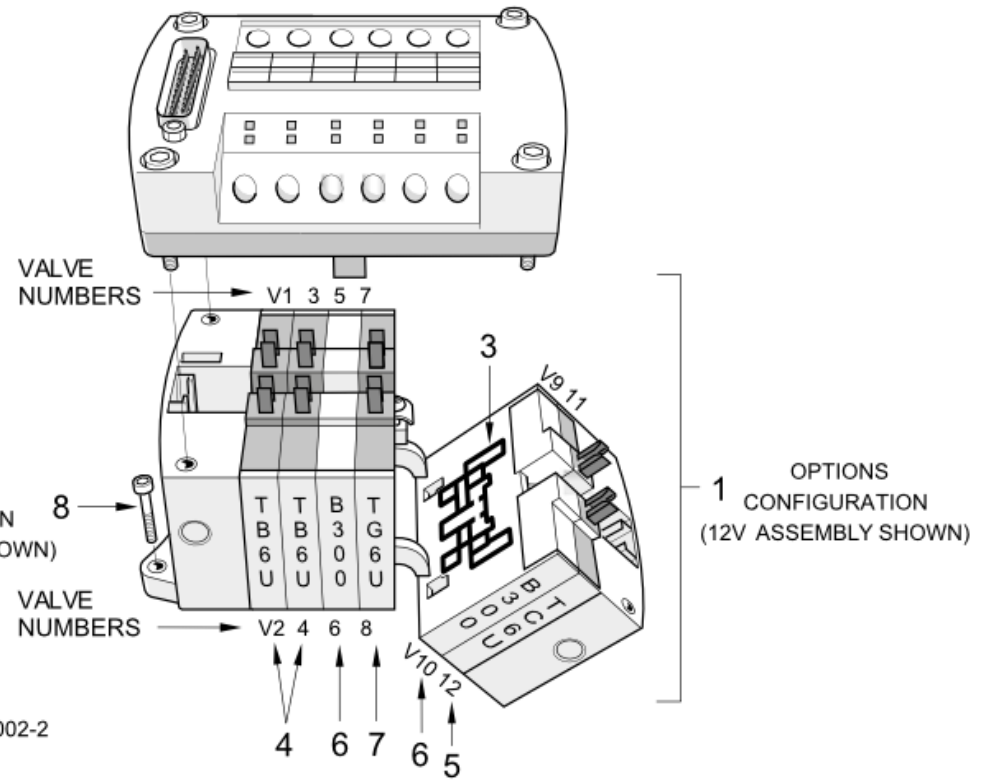
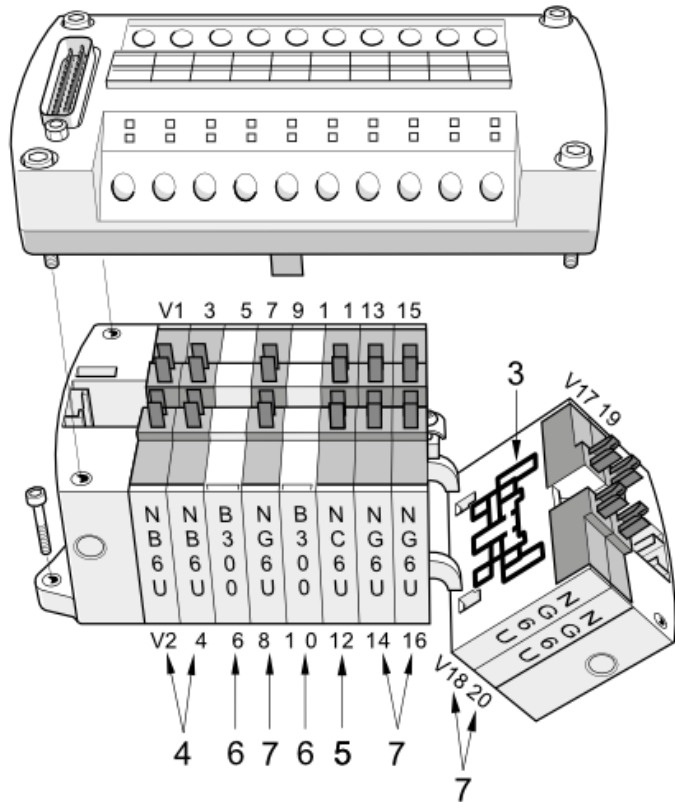


Table of Contents

Section	Page
9.1 Valves	204
9.2 FR Unit	210

VM10 Island Valve (M010911)
 Pneumatics\Valves\VM10 Island Valve
 Pneumatics - Valves



RTPC. 002-2

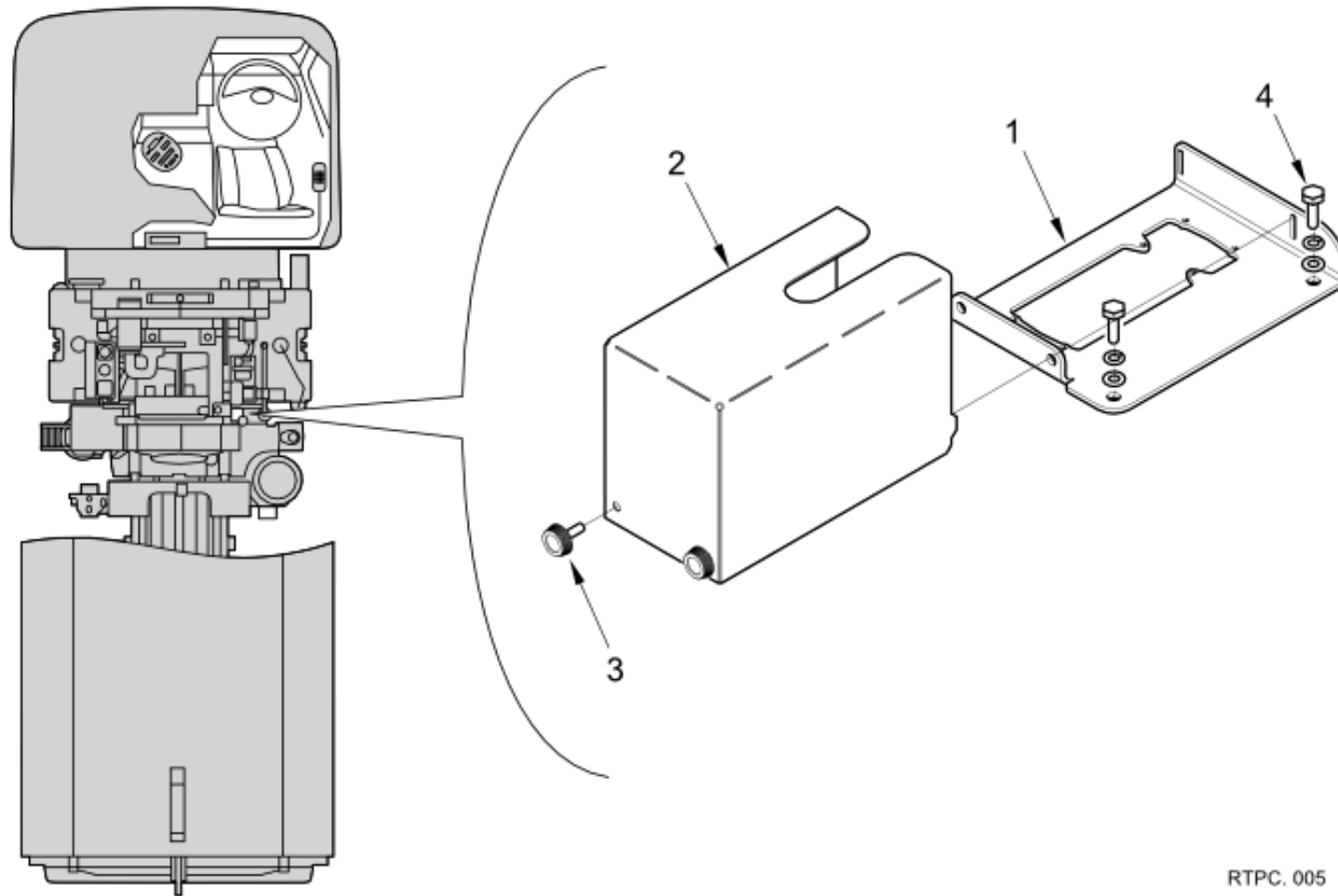
VM10 Island Valve (M010911)

Pneumatics\Valves\VM10 Island Valve

Pneumatics - Valves

Item no.	Part no.	Description	QTY	Unit
1	221590-12	VM10 Pneu Valve Island STD 12v	1	PC
1	221590-24	VM10 Pneu Valve Island STD 24v	1	PC
2	221591-12	VM10 Pneu Valve Island OPT 12v	1	PC
2	221591-24	VM10 Pneu Valve Island OPT 24v	1	PC
3	860-1	Gasket-Black VM10 Valve Block	1	PC
3	860-2	Gasket - Red VM10 Valve Block	1	PC
4	860-7	Slice 3/2 - (2xNO) 12v TB6U	2	PC
5	860-5	Slice 3/2 - (NO/NC) 12v TC6U	1	PC
6	860-32	Slice - Blank B300	2	PC
4	860-7	Slice 3/2 - (2xNO) 12v TB6U	2	PC
5	860-5	Slice 3/2 - (NO/NC) 12v TC6U	1	PC
6	860-32	Slice - Blank B300	2	PC
7	860-3	Slice 5/2 - 12v TG6U	5	PC
4	860-8	Slice 3/2 - (2xNO) 24v NB6U	2	PC
5	860-6	Slice 3/2 - (2xNO) 24v NC6U	1	PC
6	860-32	Slice - Blank B300	2	PC
4	860-8	Slice 3/2 - (2xNO) 24v NB6U	2	PC
5	860-6	Slice 3/2 - (2xNO) 24v NC6U	1	PC
6	860-32	Slice - Blank B300	2	PC
7	860-4	Slice 5/2 - 24v NG6U	5	PC
8	124-38	Setscrew M4C x 16	4	PC
8	425-11	Nut Nyloc Hex MC M4	4	PC

VM10 Island Valve Mounting (M010911)
Pneumatics\Valves\VM10 Island Valve Mounting
Pneumatics - Valves

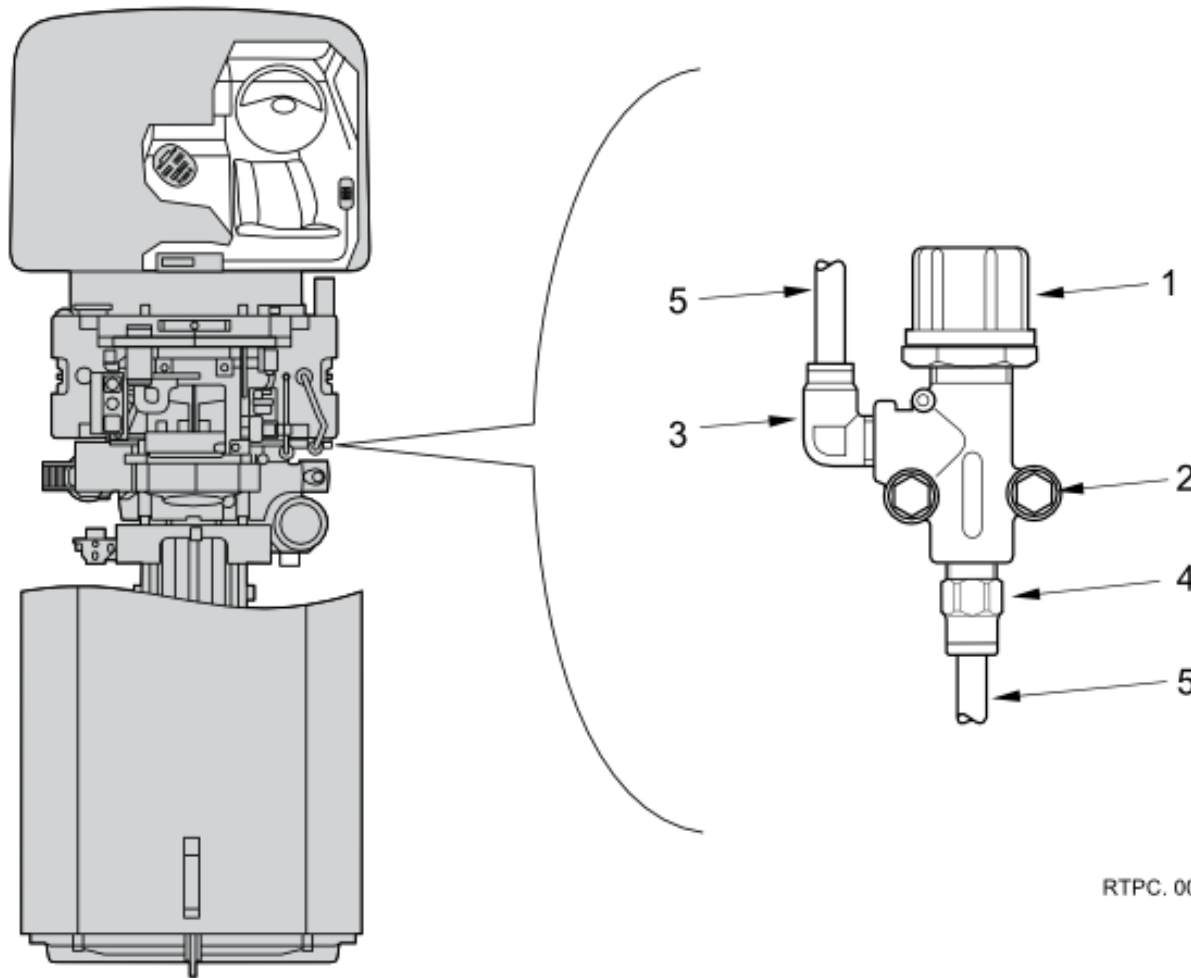


RTPC. 005

VM10 Island Valve Mounting (M010911)
Pneumatics\Valves\VM10 Island Valve Mounting
Pneumatics - Valves

Item no.	Part no.	Description	QTY	Unit
1	222087-1	Support Plate W/A Valve Island	1	PC
2	222089-1	Cover-Valve Island Powapak 655	1	PC
3	23-12	Thumbscrew - M6x15	2	PC
4	124-135	Setscrew M8C x 20	2	PC
4	460-10	Washer Spring Single Coil M8	2	PC
4	455-10	Washer Plain Plated Steel M8	2	PC

System Protection Valve (M010911)
Pneumatics\Valves\System Protection Valve
Pneumatics - Valves



RTPC.004

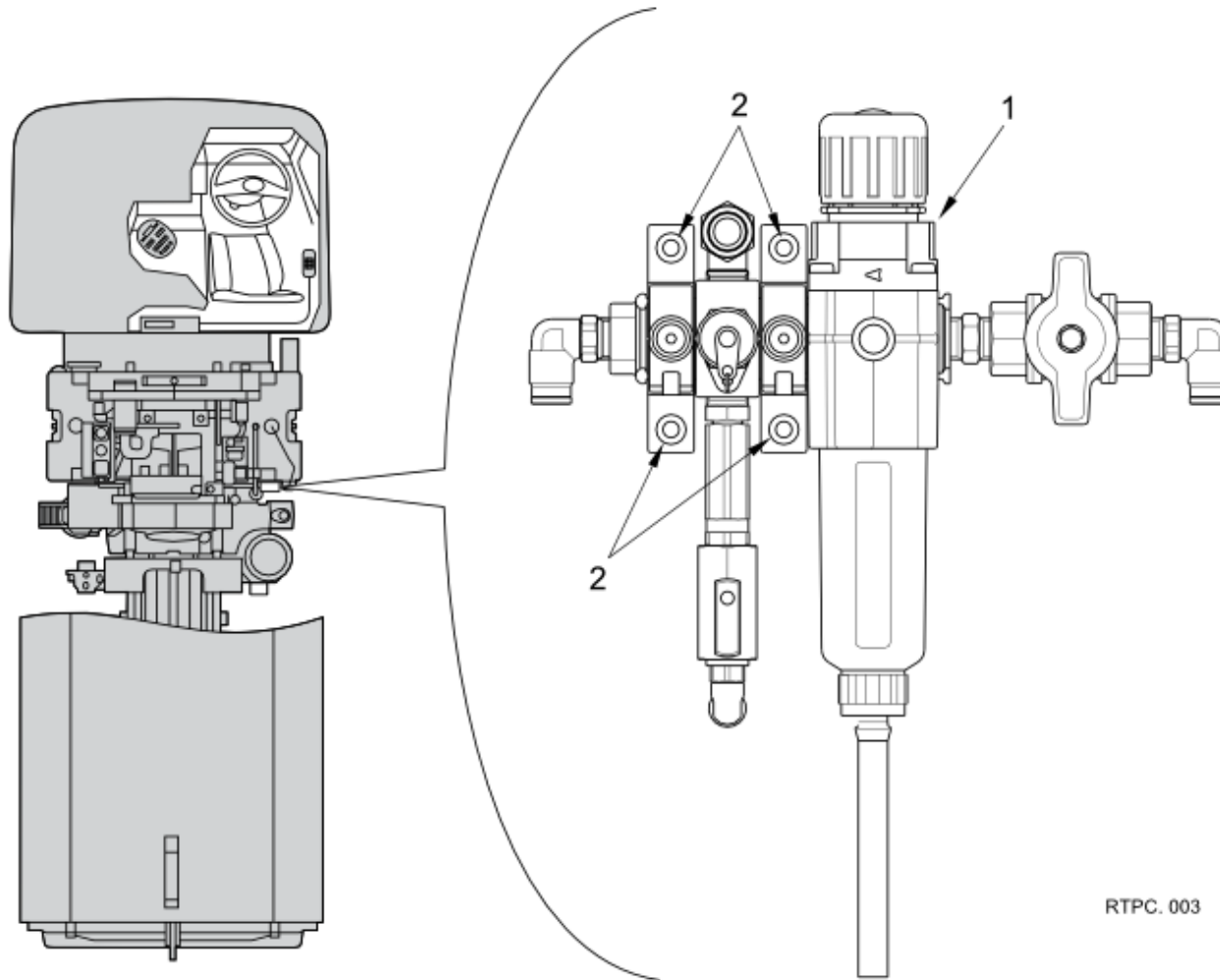
System Protection Valve (M010911)

Pneumatics\Valves\System Protection Valve

Pneumatics - Valves

Item no.	Part no.	Description	QTY	Unit
1	6779	Valve Pressure Regulator	1	PC
2	123-88	Bolt M Coarse M6x50	2	PC
2	460-8	Washer Spring Single Coil M6	2	PC
2	455-8	Washer Plain Plated Steel M6	2	PC
3	552-9	Adaptor - Elbow 8mm x 1/4 BSPT	1	PC
4	537-9	Adaptor-Push In 8mm x 1/4 BSPT	1	PC
5	273-23	Tube - Nylon Red 8mm O/D 100m REEL	0.4	M

FR Unit (M010911)
Pneumatics\FR Unit
Pneumatics



RTPC. 003

FR Unit (M010911)
Pneumatics\FR Unit
Pneumatics

Item no.	Part no.	Description	QTY	Unit
1	221498-2	Filter/Regulator Assy 550/655	1	PC
2	127-70	Setscrew Csk Hd. M5C x 16	4	PC
2	460-7	Washer Spring Single Coil M5	4	PC

This page is intentionally left blank

Chapter 10

Water System

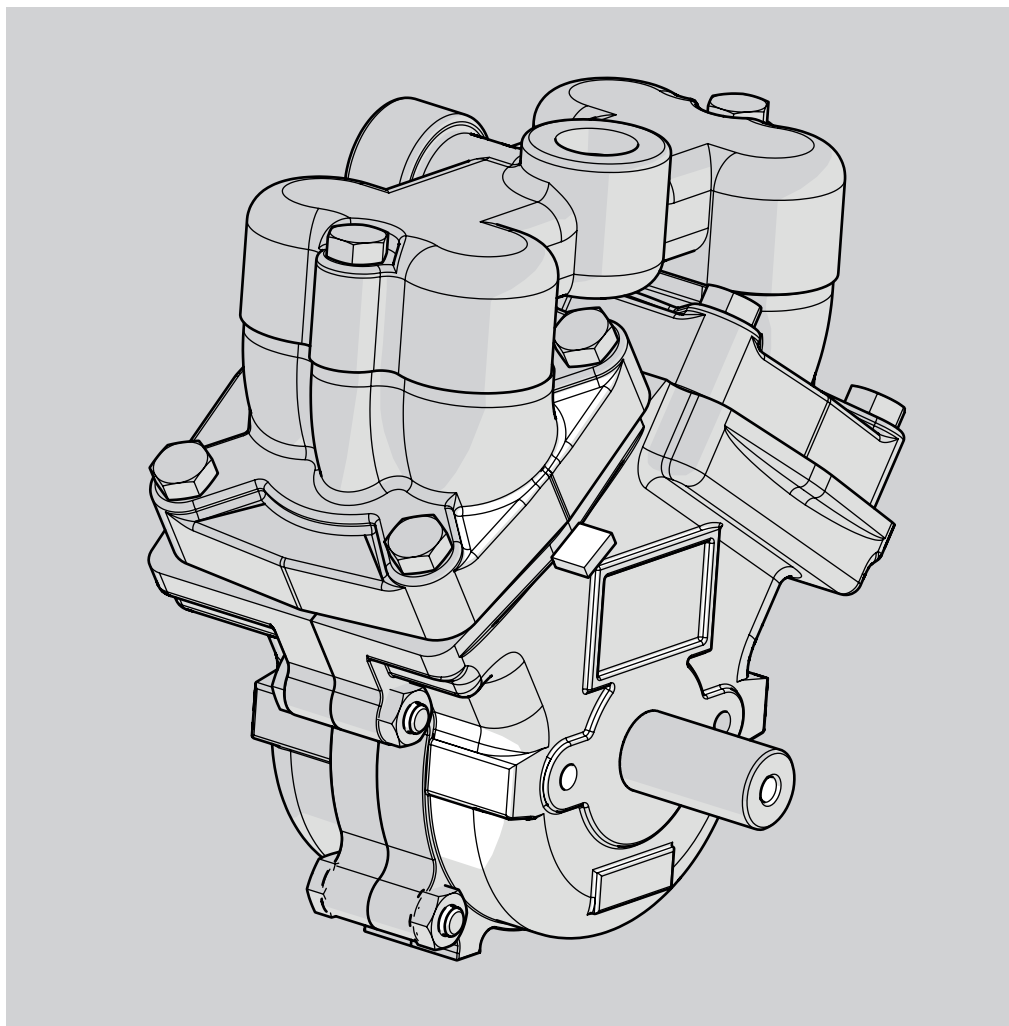
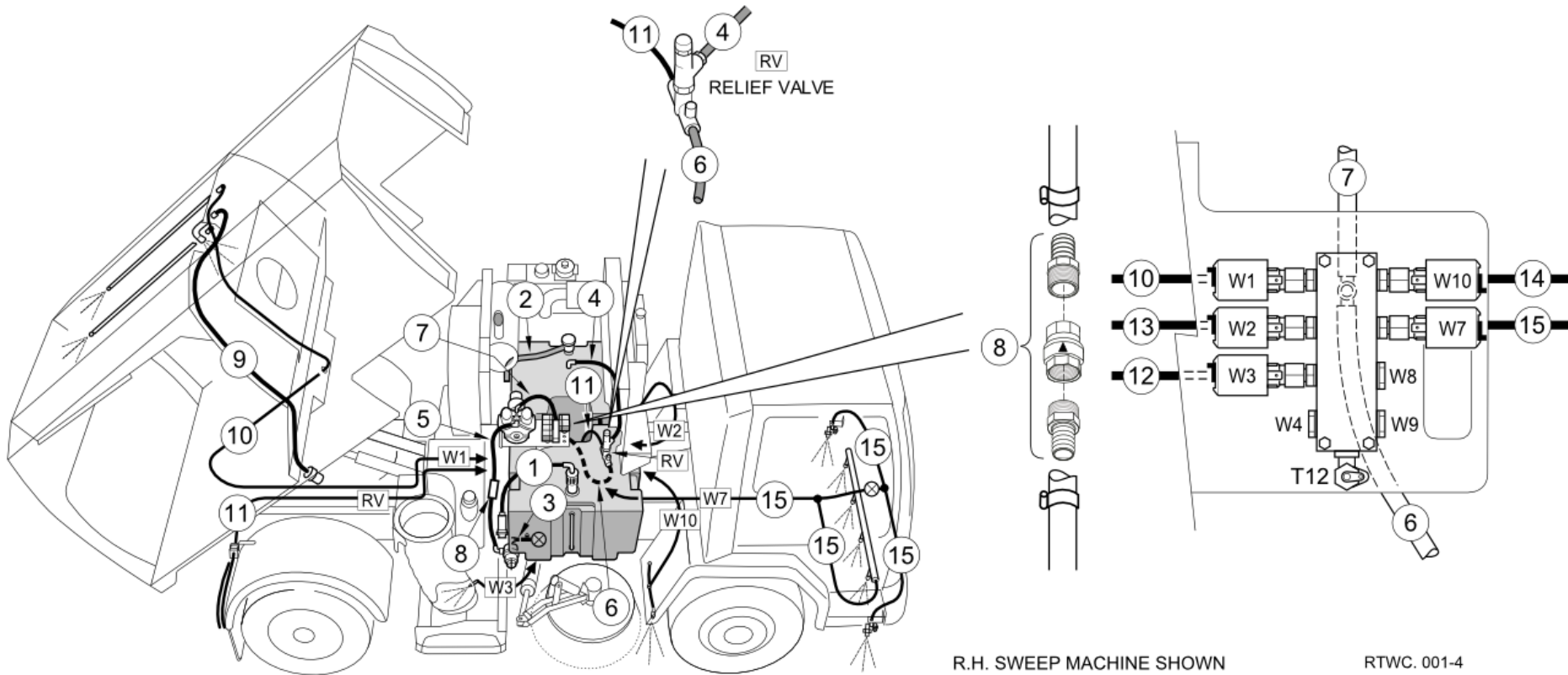


Table of Contents

Section	Page
10.1 Water Hoses - Basic System	214
10.2 Pump	218
10.3 Control Valves	224
10.4 Water Filter Assembly	228
10.5 Relief Valve	230
10.6 Water Tank Assembly	234
10.7 Supawash Option	240

Water Hoses - Basic System (M010913,M010611,M011120)

Water System\Water Hoses - Basic System
Water System



Water Hoses - Basic System (M010913,M010611,M011120)

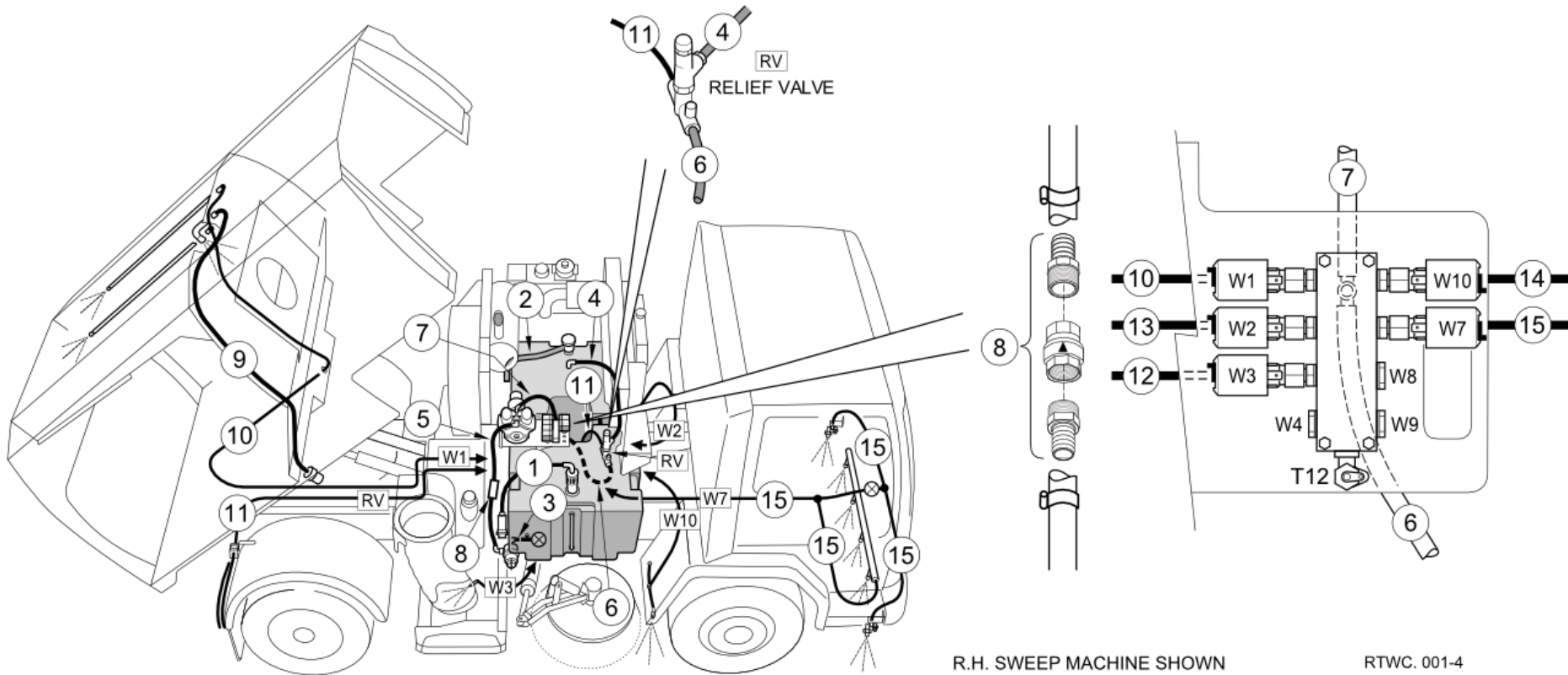
Water System\Water Hoses - Basic System

Water System

Item no.	Part no.	Description	QTY	Unit
1	497-H24	Hose-Premoflex, 1 1/2" Bore	1	M
1	501-6	Clip Hose Worm Drive (55-70)	2	PC
2	272-21	Layflat Hose 1 1/2"	1	M
2	501-11	Hose Clip - Worm Drive (35-50)	2	PC
3	6117	Hose - 1" Bore	0.4	M
3	501-4	Clip Hose Worm Drive 30-40mm	2	PC
4	497-H12	Hose - 3/4" Bore	1.55	M
4	501-3	Clip Hose Worm Drive 22-30mm	2	PC
5	6117	Hose - 1" Bore	2.7	M
5	6117	Hose - 1" Bore	1.5	M
5	501-4	Clip Hose Worm Drive 30-40mm	2	PC
6	497-H12	Hose - 3/4" Bore	0.6	M
6	501-3	Clip Hose Worm Drive 22-30mm	2	PC
7	497-H12	Hose - 3/4" Bore	0.7	M
7	501-3	Clip Hose Worm Drive 22-30mm	2	PC
8	277-174	Check Valve 1" F x 1" F BSP	1	PC
8	277-219	Hosetail G 1" x 1" Barb	2	PC
9	497-H24	Hose-Premoflex, 1 1/2" Bore	2.5	M
9	501-5	Clip Hose Worm Drive 40-55mm	2	PC
10	6111	Hose - Water 1/2"	10	M
10	501-4	Clip Hose Worm Drive 30-40mm	6	PC
11	6111	Hose - Water 1/2"	6	M
11	501-2	Hose Clip - Worm Drive (14-22)	2	PC
12	39444	Hose - Black Plastic 3/8" Bore	10	M

Water Hoses - Basic System (M010913,M010611,M011120)

Water System\Water Hoses - Basic System
Water System



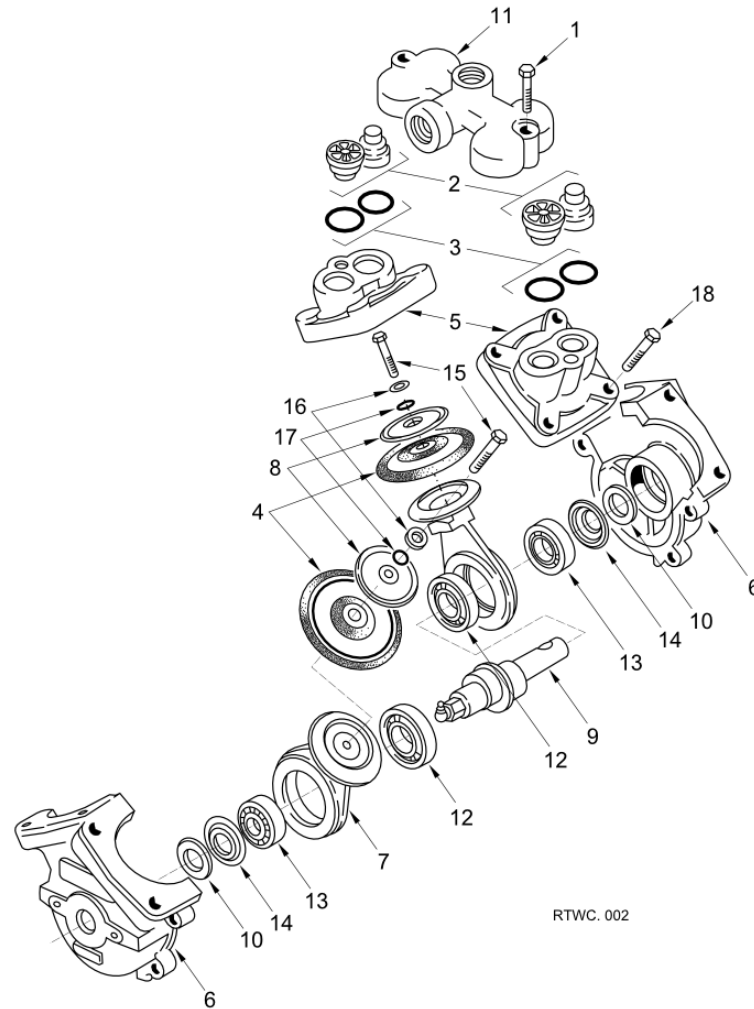
Water Hoses - Basic System (M010913,M010611,M011120)

Water System\Water Hoses - Basic System

Water System

Item no.	Part no.	Description	QTY	Unit
12	501-1	Hose Clip - Worm Drive (11-16)	4	PC
13	39444	Hose - Black Plastic 3/8" Bore	5	M
13	501-1	Hose Clip - Worm Drive (11-16)	4	PC
14	39444	Hose - Black Plastic 3/8" Bore	5	M
14	501-1	Hose Clip - Worm Drive (11-16)	4	PC
15	39444	Hose - Black Plastic 3/8" Bore	5	M
15	501-1	Hose Clip - Worm Drive (11-16)	2	PC

Pump Assembly ()
Water System\Pump\Pump Assembly
Water System - Pump



RTWC.002

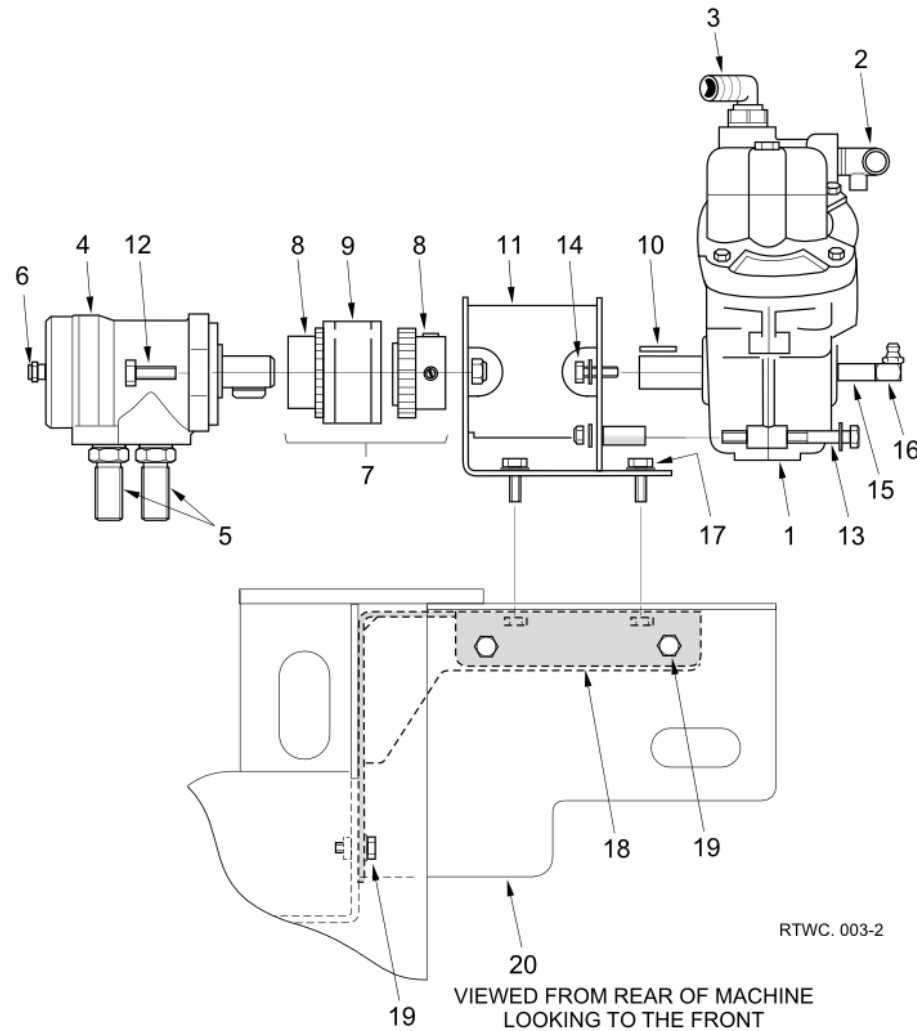
Pump Assembly ()

Water System\Pump\Pump Assembly

Water System - Pump

Item no.	Part no.	Description	QTY	Unit
0	22599-1-B	Pump - Water	1	PC
Comprising items 1-18				
1	15824-2-E	Bolt	4	PC
2	15824-3-E	Valve Assy - Complete	4	PC
3	15824-4-E	Seal - O Ring	4	PC
4	15824-5	Diaphragm	2	PC
5	15824-7-E	Head - Cylinder	2	PC
6	15824-8-E	Crankcase	1	PC
7	15824-9-E	Rod - Connecting	2	PC
8	15824-10-E	Pad - Tension	2	PC
9	22599-2	Crankshaft	1	PC
10	15824-12	O Ring	2	PC
11	15824-13-E	Manifold	1	PC
12	14-18	Bearing - 35x62x14	2	PC
13	14-32	Bearing - 25x52x15	2	PC
14	15824-16-E	Cover - Dust	2	PC
15	15824-17	Bolt	2	PC
16	15824-18	Washer	2	PC
17	15824-19-E	O Ring	2	PC
18	15824-2-E	Bolt	8	PC
0	15824-6	Kit Pump Spares	1	PC
Comprising items 2-4				

Pump Installation (M010913)
Water System\Pump\Pump Installation
Water System - Pump



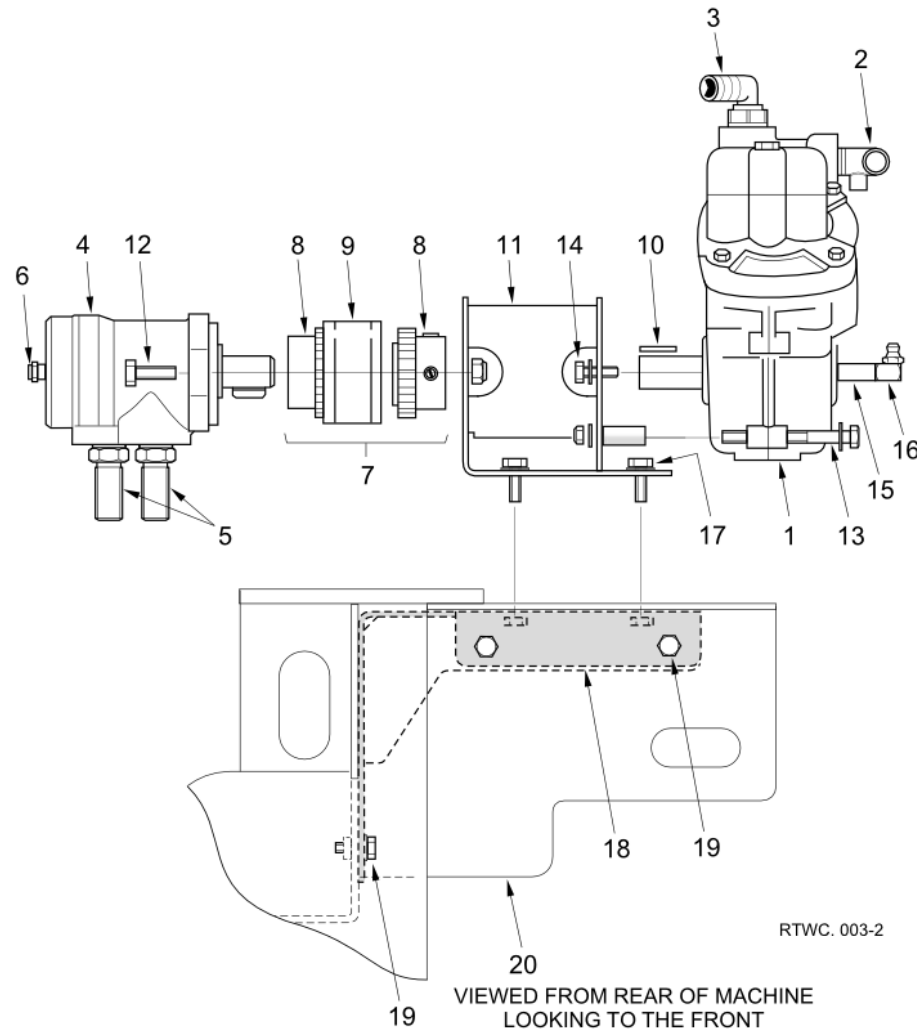
Pump Installation (M010913)

Water System\Pump\Pump Installation

Water System - Pump

Item no.	Part no.	Description	QTY	Unit
2	49827-1	Elbow	1	PC
3	277-231	Elbow & Hosetail 3/4"BSPTx3/4"	1	PC
4	244-10	Motor - Hydraulic OMP32	1	PC
4	244-500	Seal Kit - Hydraulic Motor	1	PC
4	11879	Key	1	PC
5	264-22	Adaptor - Extended Bulkhead M/M 1/2 BSP	2	PC
5	451-126	Washer Copper 1/2" BSP	2	PC
6	518-8	Adaptor Straight 8 OD 1/4" BSP	1	PC
7	282809-1	Coupling - Assembly	1	PC
8	282809-2	Coupling - Hub Ø25mm Bore	2	PC
9	282809-3	Coupling - Sleeve	1	PC
10	282817-1	Key - Water Pump Coupling	1	PC
11	282811-1	Water Pump Mount W/Assy	1	PC
12	124-207	Setscrew M12C x 40	2	PC
12	455-12	Washer Plain Plated Steel M12	2	PC
12	425-16	Nut Nyloc Hex M12c	2	PC
13	123-118	Bolt M Coarse M8x90 BS3692	2	PC
13	455-10	Washer Plain Plated Steel M8	4	PC
13	425-14	Nut Nyloc Hex MC M8	2	PC
14	124-169	Setscrew M10C x 25	2	PC
14	460-11	Washer Spring Single Coil M10	2	PC
14	455-11	Washer Plain Plated Steel M10	2	PC
15	95780-1	Adaptor - G1/8 M-F	1	PC
16	38-8	Nipple Grease 1/8 BSP x 90 deg	1	PC

Pump Installation (M010913)
Water System\Pump\Pump Installation
Water System - Pump



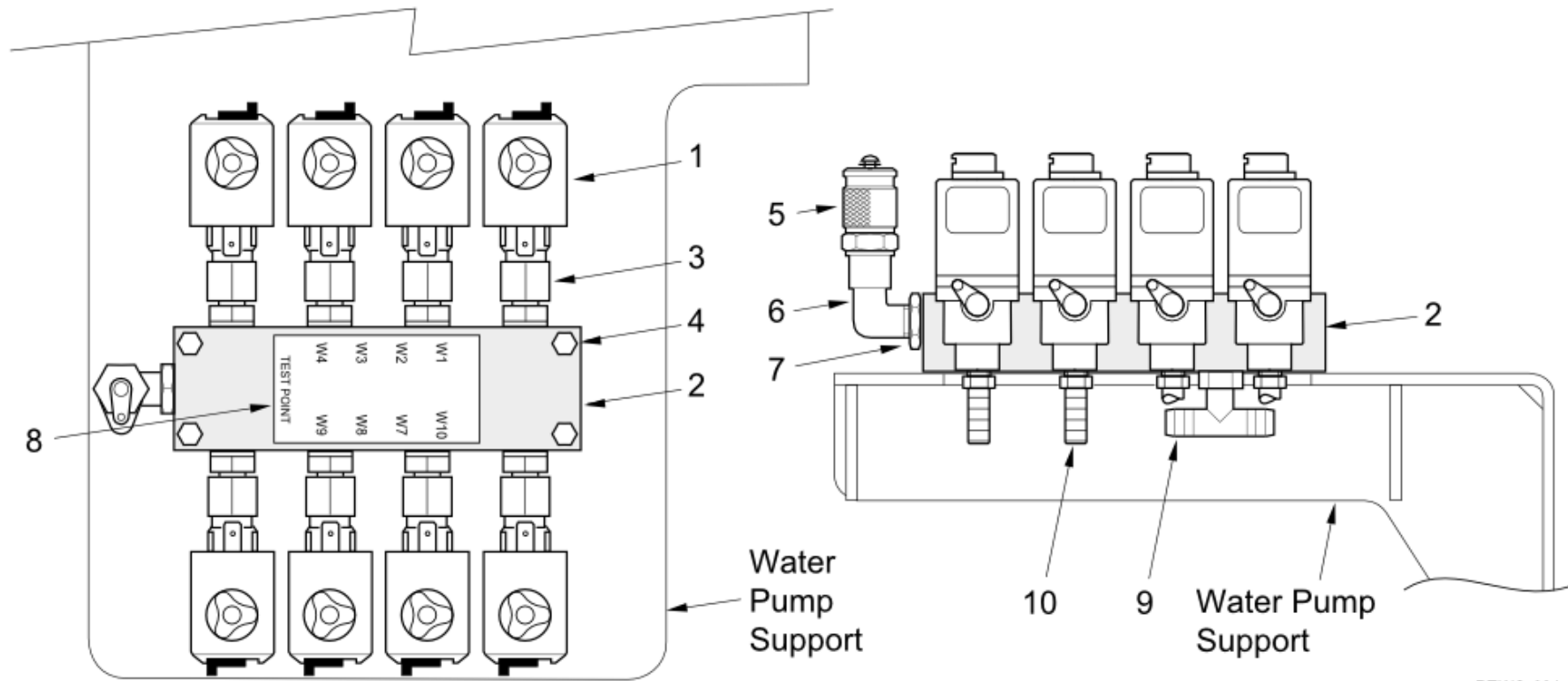
Pump Installation (M010913)

Water System\Pump\Pump Installation

Water System - Pump

Item no.	Part no.	Description	QTY	Unit
17	124-137	Setscrew M8C x 25	4	PC
17	455-10	Washer Plain Plated Steel M8	4	PC
18	221206-1	Water Pump Support W/Assy 655	1	PC
19	124-169	Setscrew M10C x 25	4	PC
19	460-11	Washer Spring Single Coil M10	4	PC
1	22599-1-B	Pump - Water	1	PC

Water Manifold Assembly (M010913)
Water System\Control Valves\Water Manifold Assembly
Water System - Control Valves



RTWC.004

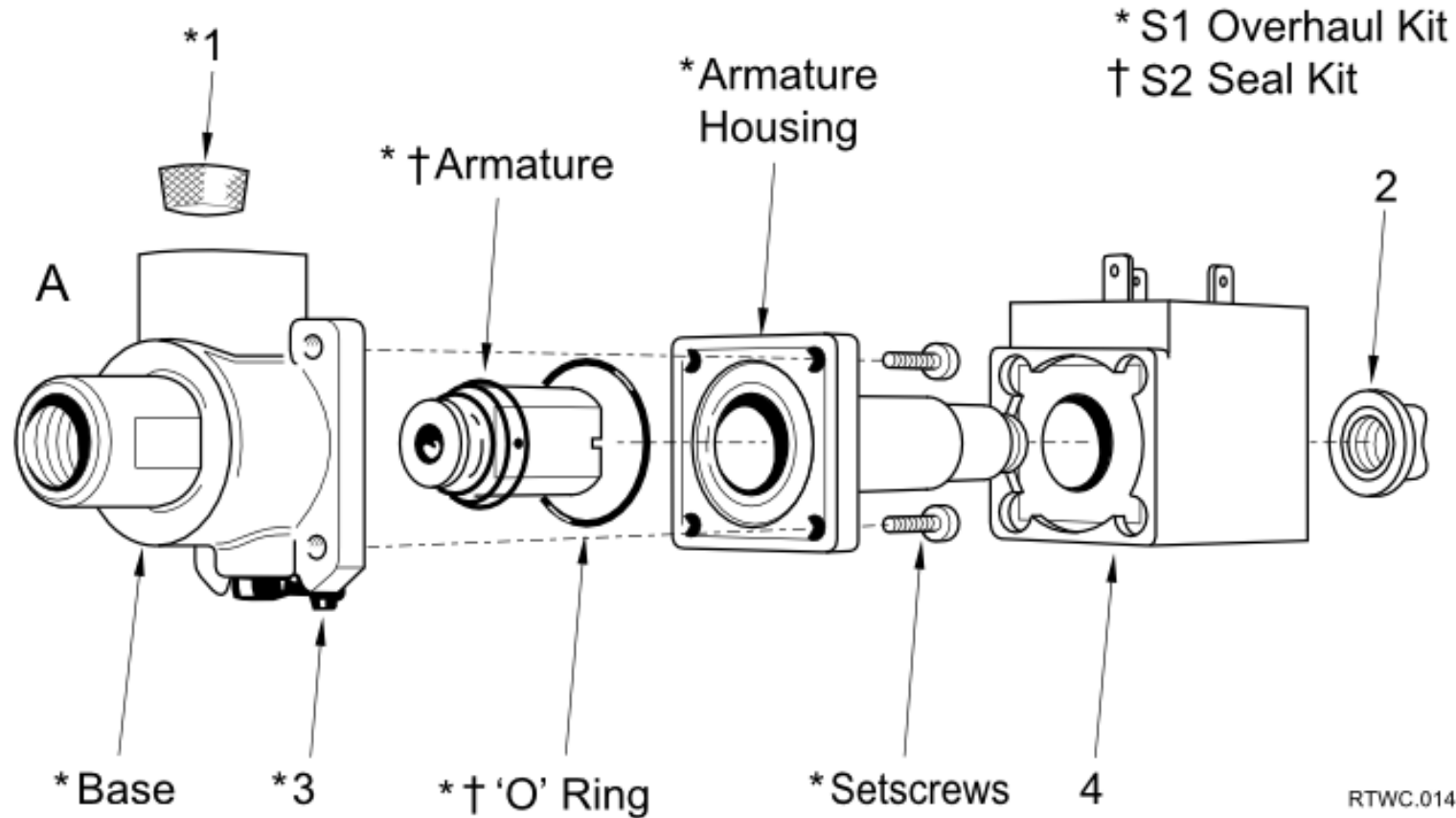
Water Manifold Assembly (M010913)

Water System\Control Valves\Water Manifold Assembly

Water System - Control Valves

Item no.	Part no.	Description	QTY	Unit
0	221499-12	Water Valve Manifold Dual 12v	1	PC
Comprising items 1-10				
0	221499-24	Water Valve Manifold Dual 24v	1	PC
Comprising items 1-10				
1	281372-1	Valve-Water Solenoid Assy 12v	5	PC
1	281372-2	Valve-Water Solenoid Assy 24v	5	PC
2	283528-1	Water Manifold 10 Station	1	PC
3	468-2	Union - R 1/4" Flat	5	PC
4	123-88	Bolt M Coarse M6x50	4	PC
4	455-8	Washer Plain Plated Steel M6	4	PC
4	425-13	Nut Nyloc Hex M6C	4	PC
5	665-26	Valve - Testpoint G1/4 Type B	1	PC
6	72-60	Elbow - 1/4M-1/4F	1	PC
7	559-110	Reducer - G 3/8" x G 1/4"	1	PC
8	283629-1	Baffle Locator Upper Aux Tank	1	PC
9	277-236	Tee - 1/2" BSP x 3/4" BARB	1	PC
10	231-60	Hose Adaptor 10 O/D x R 1/4"	6	PC

Solenoid Valve Assembly ()
Water System\Control Valves\Solenoid Valve Assembly
Water System - Control Valves



Soleniod Valve Assembly ()

Water System\Control Valves\Soleniod Valve Assembly

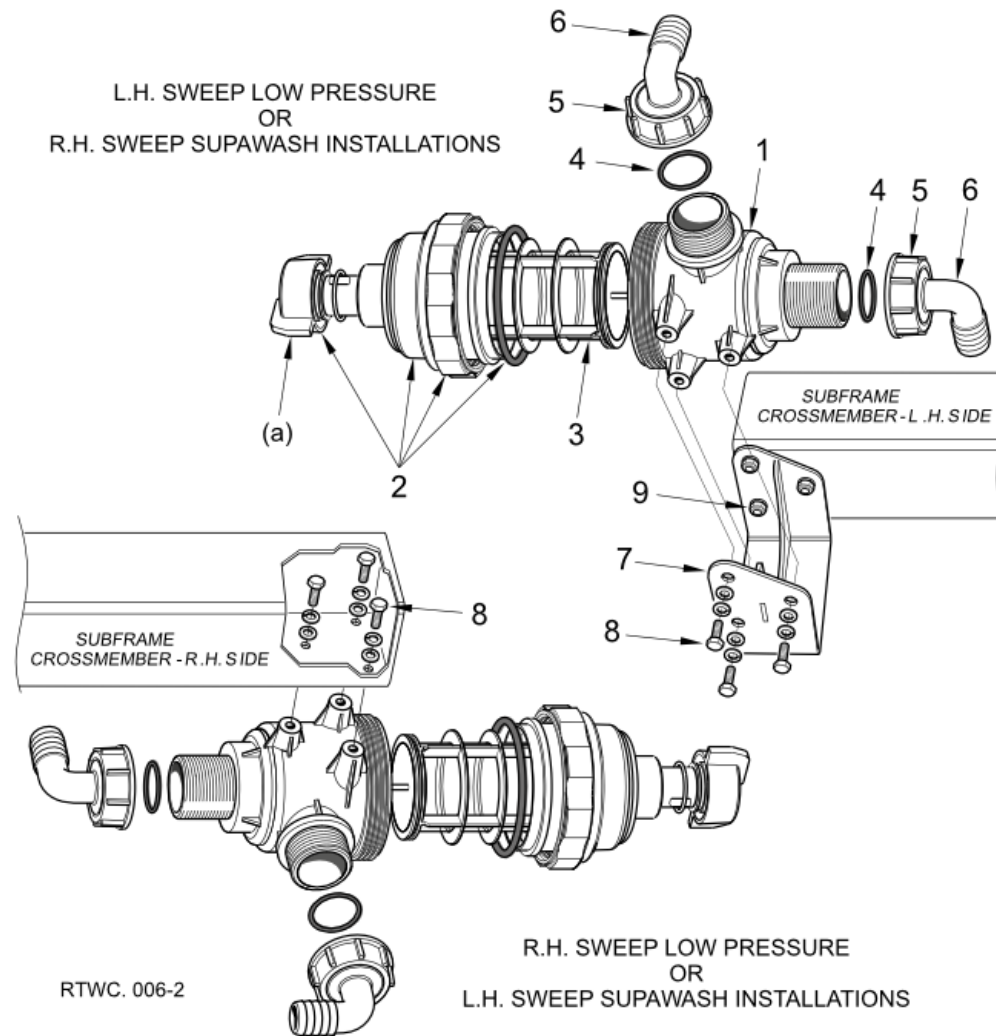
Water System - Control Valves

Item no.	Part no.	Description	QTY	Unit
A	281372-1	Valve-Water Solenoid Assy 12v	1	PC
A	281372-2	Valve-Water Solenoid Assy 24v	1	PC
1	13170	Filter	1	PC
2	281372-5	Locknut - Valve Water Solenoid	1	PC
3	40664-13	Lever - Repair Kit Assy	1	PC
4	281372-12	Coil-Water Solenoid Valve 12v	1	PC
4	281372-24	Coil-Water Solenoid Valve 24v	1	PC
S1	281372-3	Kit - Overhall Type A	1	PC
S2	281372-4	Kit-Seal Valve Water Solenoid	1	PC

Water Filter Assembly (M010913,KT00101)

Water System\Water Filter Assembly

Water System - Control Valves



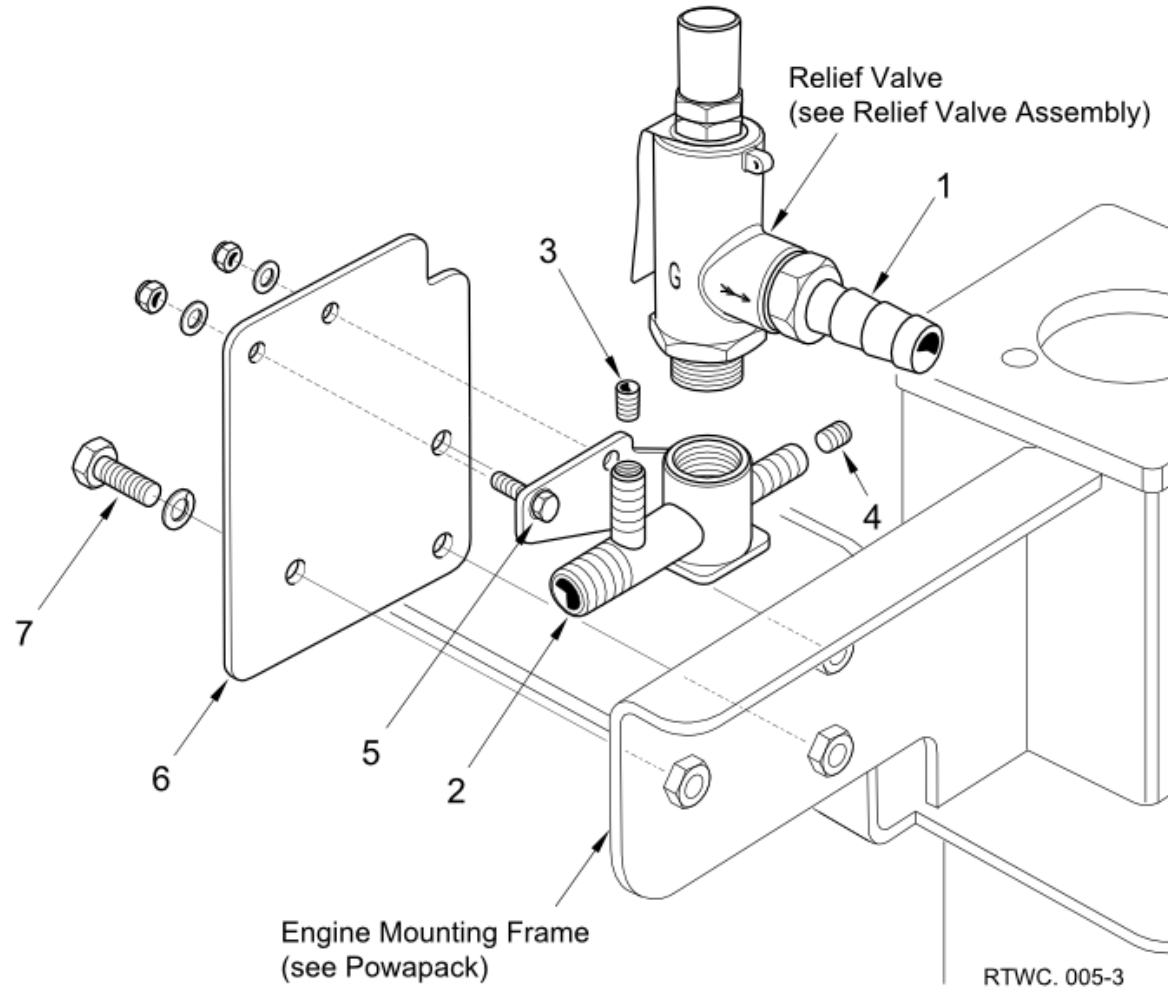
Water Filter Assembly (M010913,KT00101)

Water System\Water Filter Assembly

Water System - Control Valves

Item no.	Part no.	Description	QTY	Unit
0	281750-25	Body - Water Filter M01	1	PC
Comprising items 1-7				
1	277-181	Body - Water Filter	1	PC
2	277-185	Water Filter Bowl Assembly	1	PC
3	277-247	Water Filter Mesh- grey with O Rings	1	PC
4	277-171	'O' Ring	2	PC
5	277-170	FLYNUT # G1-1/2#	2	PC
6	277-244	Flynut Hosetail - 90° Barb = 25mm	1	PC
7	7010554	Bracket Water Filter	1	PC
8	124-135	Setscrew M8C x 20	3	PC
8	457-4	Washer Plain Steel M8 Form G	3	PC
9	124-137	Setscrew M8C x 25	3	PC
9	457-4	Washer Plain Steel M8 Form G	6	PC
9	425-14	Nut Nyloc Hex MC M8	3	PC
8	460-10	Washer Spring Single Coil M8	3	PC

Installation (M010913)
Water System\Relief Valve\Installation
Water System - Relief Valve



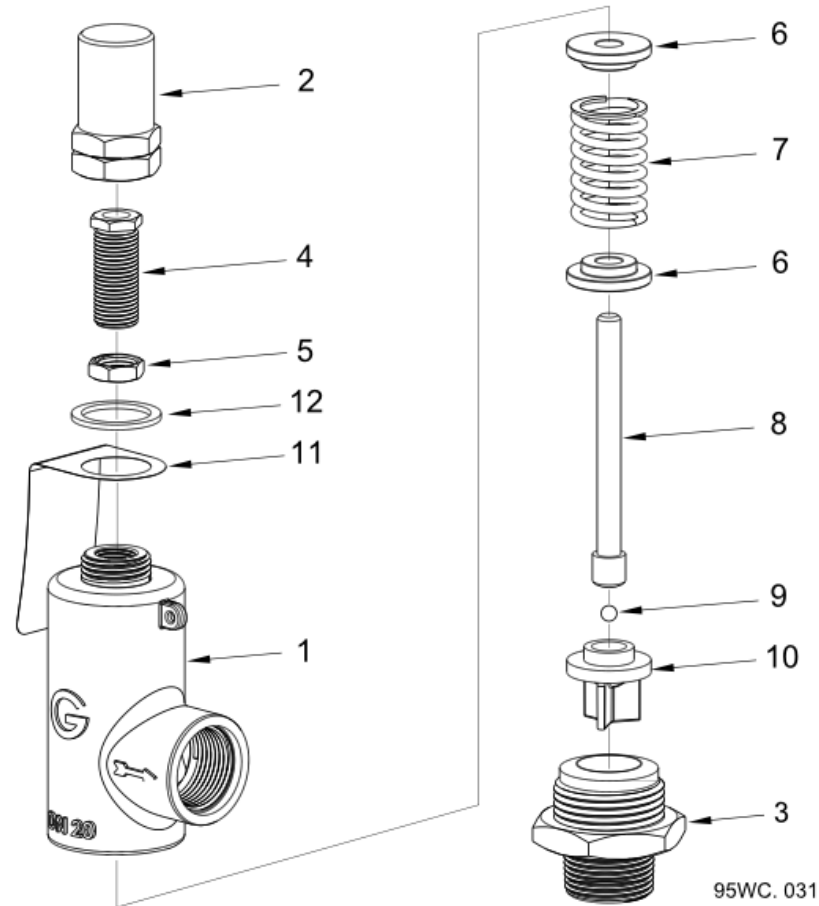
Installation (M010913)

Water System\Relief Valve\Installation

Water System - Relief Valve

Item no.	Part no.	Description	QTY	Unit
1	277-297	Adaptor Straight 3/4 BSP x 3/4 Hosetail	1	PC
2	451-21	Washer Bonded G3-4"	1	PC
2	281075-1	Manifold W/A Water Relief	1	PC
3	9757	Plug - Taper 1/8"	1	PC
4	9757	Plug - Taper 1/8"	1	PC
5	124-137	Setscrew M8C x 25	2	PC
5	455-10	Washer Plain Plated Steel M8	4	PC
5	425-14	Nut Nyloc Hex MC M8	2	PC
6	221369-1	Bracket-Relief Valve Water 655	1	PC
7	124-169	Setscrew M10C x 25	3	PC
7	460-11	Washer Spring Single Coil M10	3	PC

Assembly (950714)
Water System\Relief Valve\Assembly
Water System - Relief Valve



Note:
Refer to Technical Bulletin TB 1423 for the introduction of this valve.

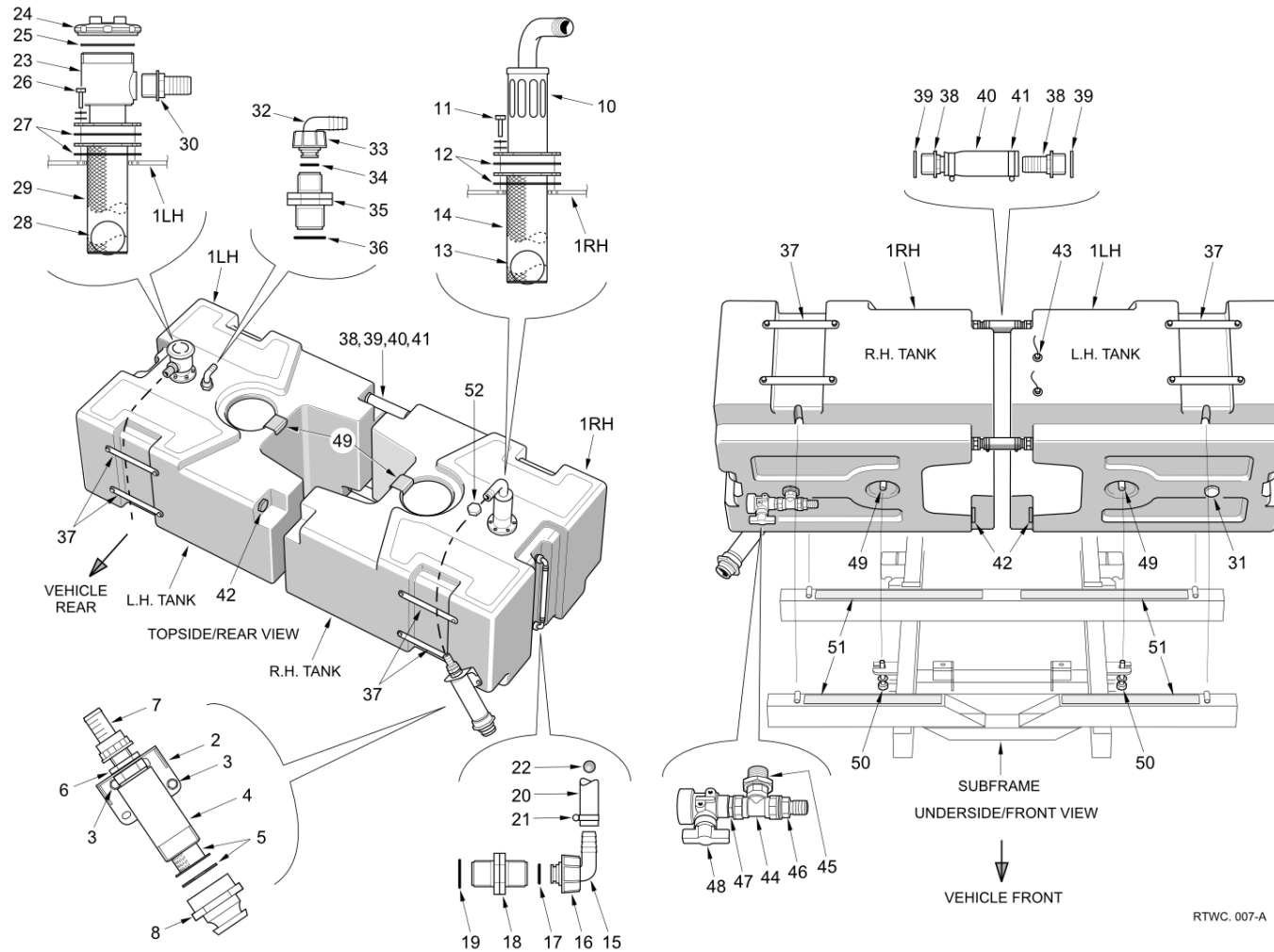
Assembly (950714)

Water System\Relief Valve\Assembly

Water System - Relief Valve

Item no.	Part no.	Description	QTY	Unit
0	284150-1	Safety Relief Valve 3/4"	1	PC
Comprising items 1-12				
1	284150-2	Body	1	PC
2	284150-3	Dome top- Safety Relief Valve	1	PC
3	284150-4	Base - Safety Relief Valve	1	PC
4	284150-5	Adjusting Screw for 284150-1	1	PC
5	284150-6	Lock Nut - Safety Relief Valve	1	PC
6	284150-7	Spring plate for 284150-1	2	PC
7	284150-12	Spring	1	PC
8	284150-8	Spindle for 284150-1	1	PC
9	284150-9	Ball Bearing for 284150-1	1	PC
10	284150-10	Valve for 284150-1	1	PC
12	284150-13	Washer for 284150-1	1	PC

Water Tank Assembly (M010913)
 Water System\Water Tank Assembly
 Water System

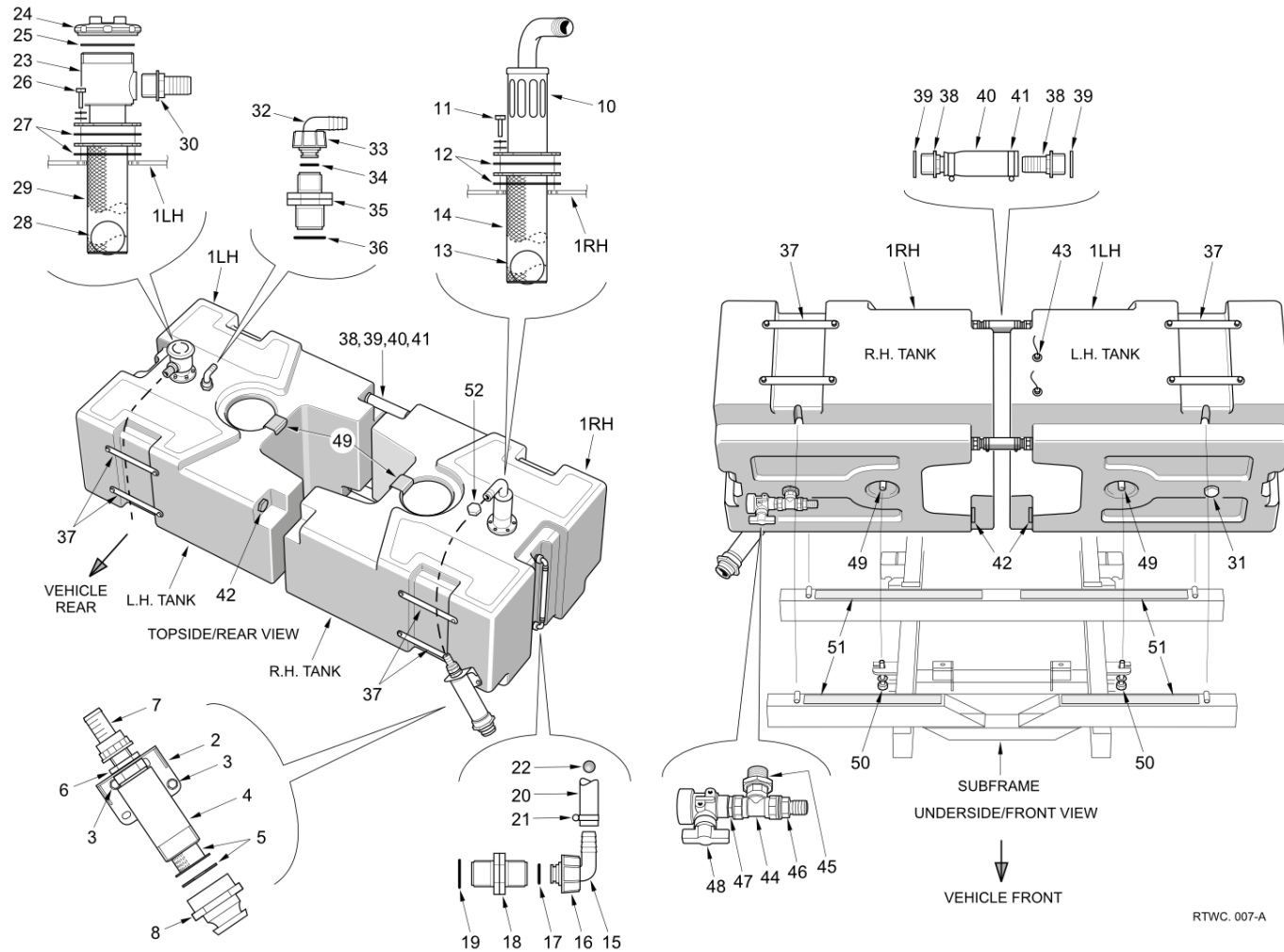


RTWC. 007-A

Water Tank Assembly (M010913)
 Water System\Water Tank Assembly
 Water System

Item no.	Part no.	Description	QTY	Unit
1RH	221400-1	Water Tank-530L RT655	1	PC
1LH	221400-2	Water Tank-530L Add.HolesRT655	1	PC
2	221365-1	Bracket W/A Hydrant Fill RT655	1	PC
3	124-135	Setscrew M8C x 20	2	PC
3	455-10	Washer Plain Plated Steel M8	2	PC
3	460-10	Washer Spring Single Coil M8	2	PC
5	39402	Filter	1	PC
5	221892-2	Restrictor - Hydrant Fill 655	1	PC
6	264-8	Adaptor M/M - Bulkhead 1 1/4 BSP	1	PC
6	451-111	Washer Bonded G1 1-4"	1	PC
7	277-210	Hosetail Female 1 1/4"BSPx35mm	1	PC
8	18684-1-C	Hydrant coupling - UK	1	PC
8	667-31	Coupling-Stortz 2.5" BSP	1	PC
10	221147-1	Water Fill W/A Water Tank 655	1	PC
11	124-139	Setscrew M8C x 30	6	PC
11	457-4	Washer Plain Steel M8 Form G	6	PC
11	460-10	Washer Spring Single Coil M8	6	PC
12	221159-1	Seal - Outlet Water Tank RT655	2	PC
13	22-12	Ball - Plastic 70mm dia	1	PC
14	221345-1	Cage W/A Ball Valve-W/Tank 655	1	PC
15	277-186	Flynut Hosetail - 90° Barb = 15mm	4	PC
16	277-159	Flynut - 3/4" BSP for 277/158	4	PC
17	277-188	O Ring For 3/4"BSP Cap/Liner	4	PC
18	277-248	Hexagonal Nipple - 3/4" BSP	4	PC

Water Tank Assembly (M010913)
 Water System\Water Tank Assembly
 Water System

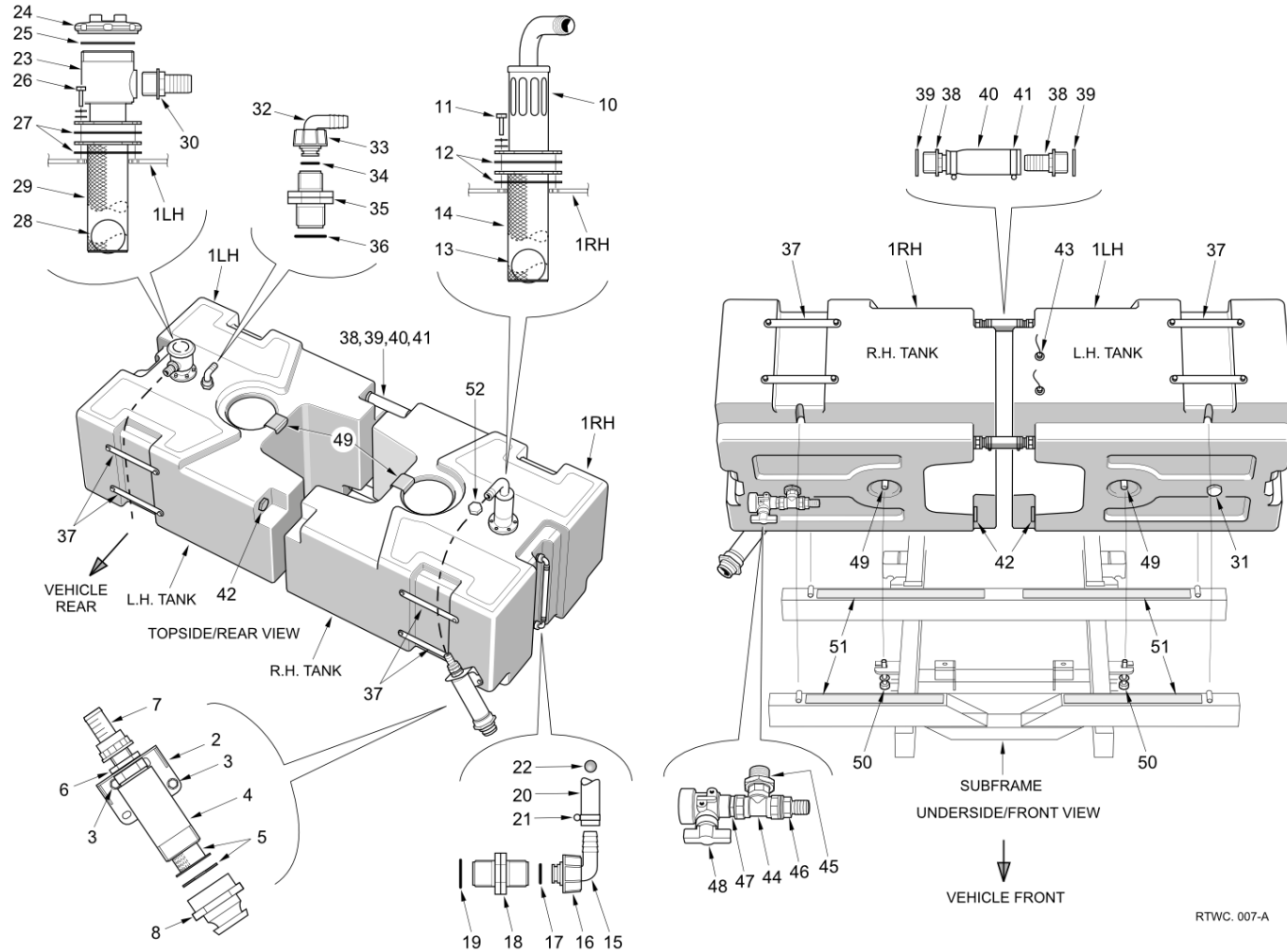


RTWC. 007-A

Water Tank Assembly (M010913)
Water System\Water Tank Assembly
Water System

Item no.	Part no.	Description	QTY	Unit
19	740-2	Washer - Rubber 3/4" BSP (M)	4	PC
20	15656-1-D	Sight Tube-Water/Deterg. Tank	2	M
21	501-2	Hose Clip - Worm Drive (14-22)	4	PC
22	22-13	Ball - Plastic (Blue) 1/2"	2	PC
23	221360-1	Overflow W/Assy Water Tank 655	1	PC
24	284040-1	Cap - Water Tank Drain	1	PC
25	40643-1-C	Washer - Seal, Drain, W/Tank	1	PC
26	124-139	Setscrew M8C x 30	6	PC
26	457-4	Washer Plain Steel M8 Form G	6	PC
26	460-10	Washer Spring Single Coil M8	6	PC
27	221159-1	Seal - Outlet Water Tank RT655	2	PC
28	22-12	Ball - Plastic 70mm dia	1	PC
29	221345-1	Cage W/A Ball Valve-W/Tank 655	1	PC
30	277-252	Hosetail - 1 1/2" BSP M x 40mm	1	PC
31	277-255	Plug - 1 1/2" BSP M Parallel	1	PC
32	277-259	Flynut Hosetail - 90° Barb = 19mm	1	PC
33	277-159	Flynut - 3/4" BSP for 277/158	1	PC
34	277-188	O Ring For 3/4"BSP Cap/Liner	1	PC
35	277-258	Nipple Reducing G 1 1/4 x G 1	1	PC
36	277-141	Seal For 1 1/4" BSP Cap&Liner	1	PC
37	221289-1	Cable Tidy Plate RT655	8	PC
37	124-135	Setscrew M8C x 20	16	PC
37	455-10	Washer Plain Plated Steel M8	16	PC
37	460-10	Washer Spring Single Coil M8	16	PC

Water Tank Assembly (M010913)
 Water System\Water Tank Assembly
 Water System

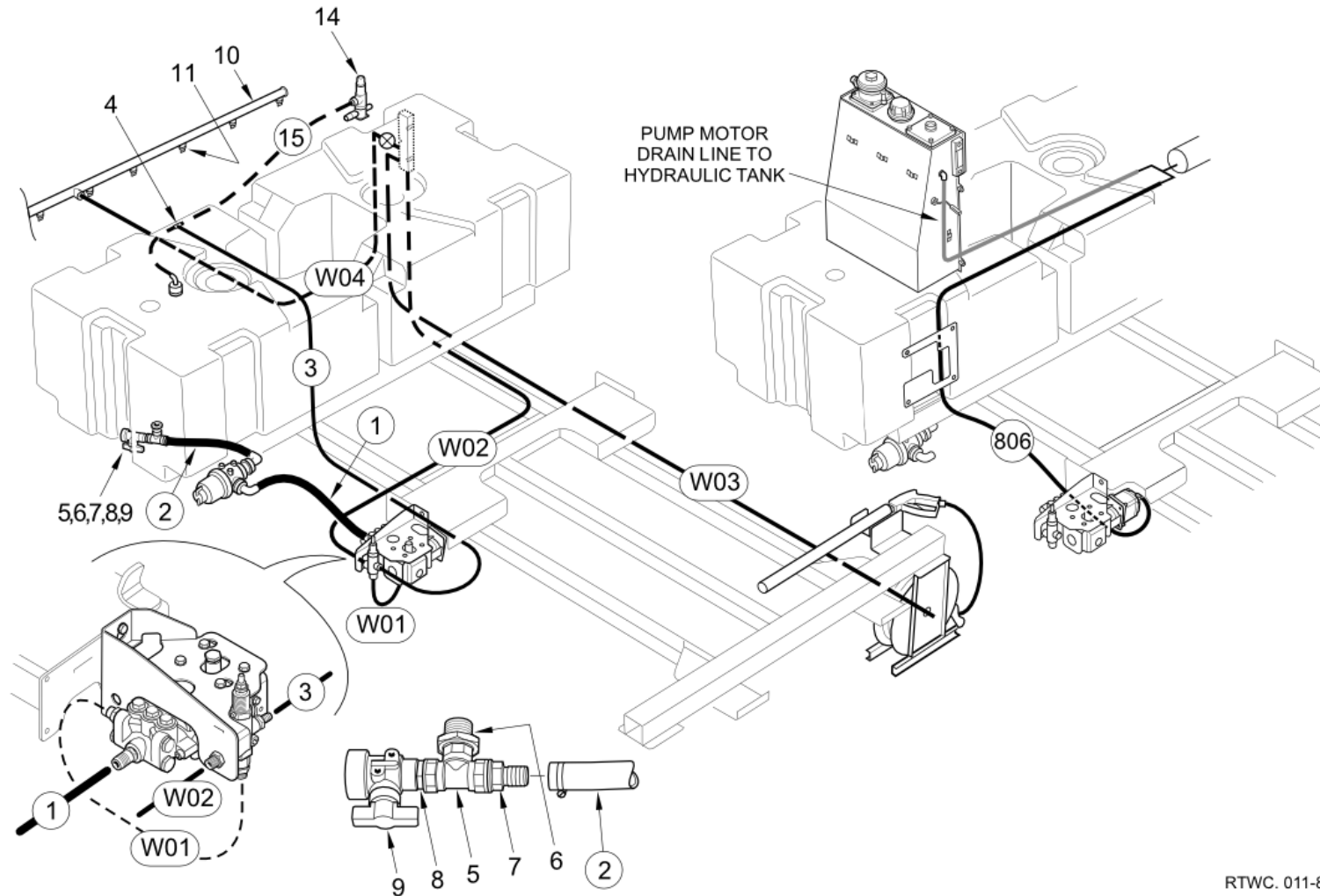


Water Tank Assembly (M010913)
 Water System\Water Tank Assembly
 Water System

Item no.	Part no.	Description	QTY	Unit
38	231-69	Hosetail - G 1½" x 50mm Barb	4	PC
39	277-241	Socket - 1 1/2" x 1 1/2" BSP	4	PC
40	272-40	Hose - Blue Silicone	2	PC
41	501-6	Clip Hose Worm Drive (55-70)	4	PC
42	277-255	Plug - 1 1/2" BSP M Parallel	4	PC
43	48-328	Switch - Float + Deutsch Conn	2	PC
44	277-128	Tee - 1" BSP Equal	1	PC
45	277-250	Reducing Nipple - 1 1/2" - 1"M	1	PC
46	277-286	Hosetail G - 1 Male x 25mm Barb	1	PC
47	277-173	Nipple - 1" x 1" BSP Hex	1	PC
48	88-43	Ball Valve 1" Female	1	PC
49	221182-1	Water Tank Clamp W/Assy RT655	2	PC
50	124-275	Setscrew M16C x 60	2	PC
50	457-8	Washer Plain Steel M16 Form G	2	PC
50	460-14	Washer Spring Single Coil M16	2	PC
51	217-8	Strip Sealing 3x30 white	12	M
52	277-251	Plug - 1 1/4" BSP M Parallel	1	PC
4	7017527	Hydrant Filler - 187 x 50	1	PC

Hoses and Front Spraybar R.H. (KT00101,KT05901,KT06101)

Water System\Supawash Option\Water System\Hoses and Front Spraybar\Hoses and Front Spraybar R.H.
Water System - Supawash Option



RTWC. 011-8

Hoses and Front Spraybar R.H. (KT00101,KT05901,KT06101)

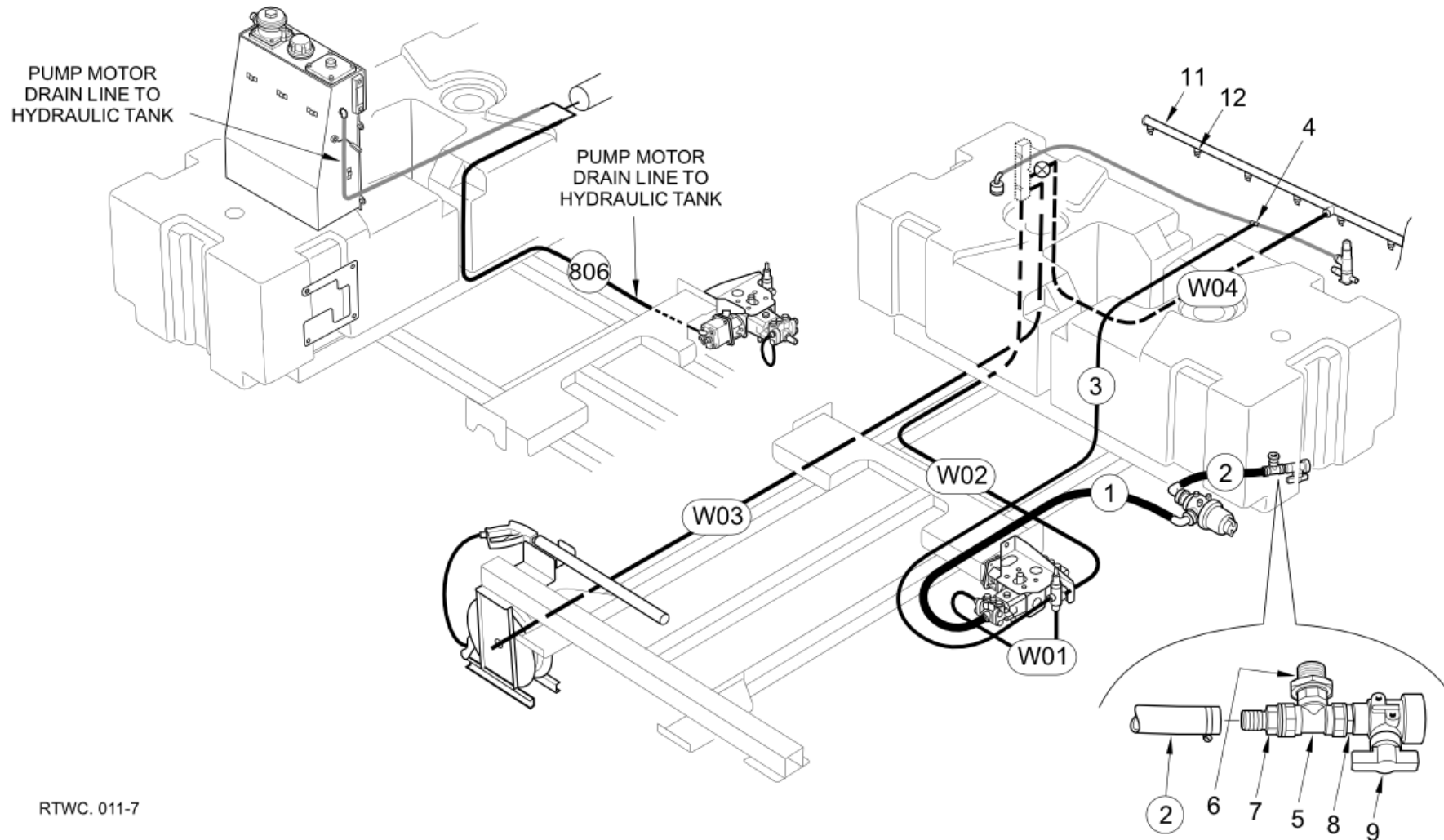
Water System\Supawash Option\Water System\Hoses and Front Spraybar\Hoses and Front Spraybar R.H.

Water System - Supawash Option

Item no.	Part no.	Description	QTY	Unit
1	6117	Hose - 1" Bore	2	M
1	501-4	Clip Hose Worm Drive 30-40mm	2	PC
2	6117	Hose - 1" Bore	0.4	M
2	501-4	Clip Hose Worm Drive 30-40mm	2	PC
3	6111	Hose - Water 1/2"	3	M
3	501-1	Hose Clip - Worm Drive (11-16)	2	PC
4	277-119	Tee - Poly Barbed 3/4x1/2x3/4"	1	PC
4	501-2	Hose Clip - Worm Drive (14-22)	2	PC
5	277-128	Tee - 1" BSP Equal	1	PC
6	277-250	Reducing Nipple - 1 1/2" - 1"M	1	PC
7	277-286	Hosetail G - 1 Male x 25mm Barb	1	PC
8	277-173	Nipple - 1" x 1" BSP Hex	1	PC
9	88-43	Ball Valve 1" Female	1	PC
W01	HC08043-55-90	Hose - Megaflex 1/2" 90sx90s	1	PC
806	12870	Tube - Nylon Black 8mm O/D	3	M
10	293768-1	Spraybar-Front High Press 550	1	PC
11	21-31	Jet - Fan 65 deg. 1/4"	9	PC
W04	HC08002-450	Hose - Megaflex 1/2" STRx90s	1	PC
W02	HC08000-382	Hose - Megaflex 1/2" STRxSTR	1	PC
W03	HC06002-530	Hose - Megaflex 3/8" STRx90s	1	PC
14	284150-1	Safety Relief Valve 3/4"	1	PC
15	497-H12	Hose - 3/4" Bore	1.55	M

Hoses and Front Spraybar L.H. (KT00101,KT05901,KT06101)

Water System\Supawash Option\Water System\Hoses and Front Spraybar\Hoses and Front Spraybar L.H.
Water System - Supawash Option



RTWC. 011-7

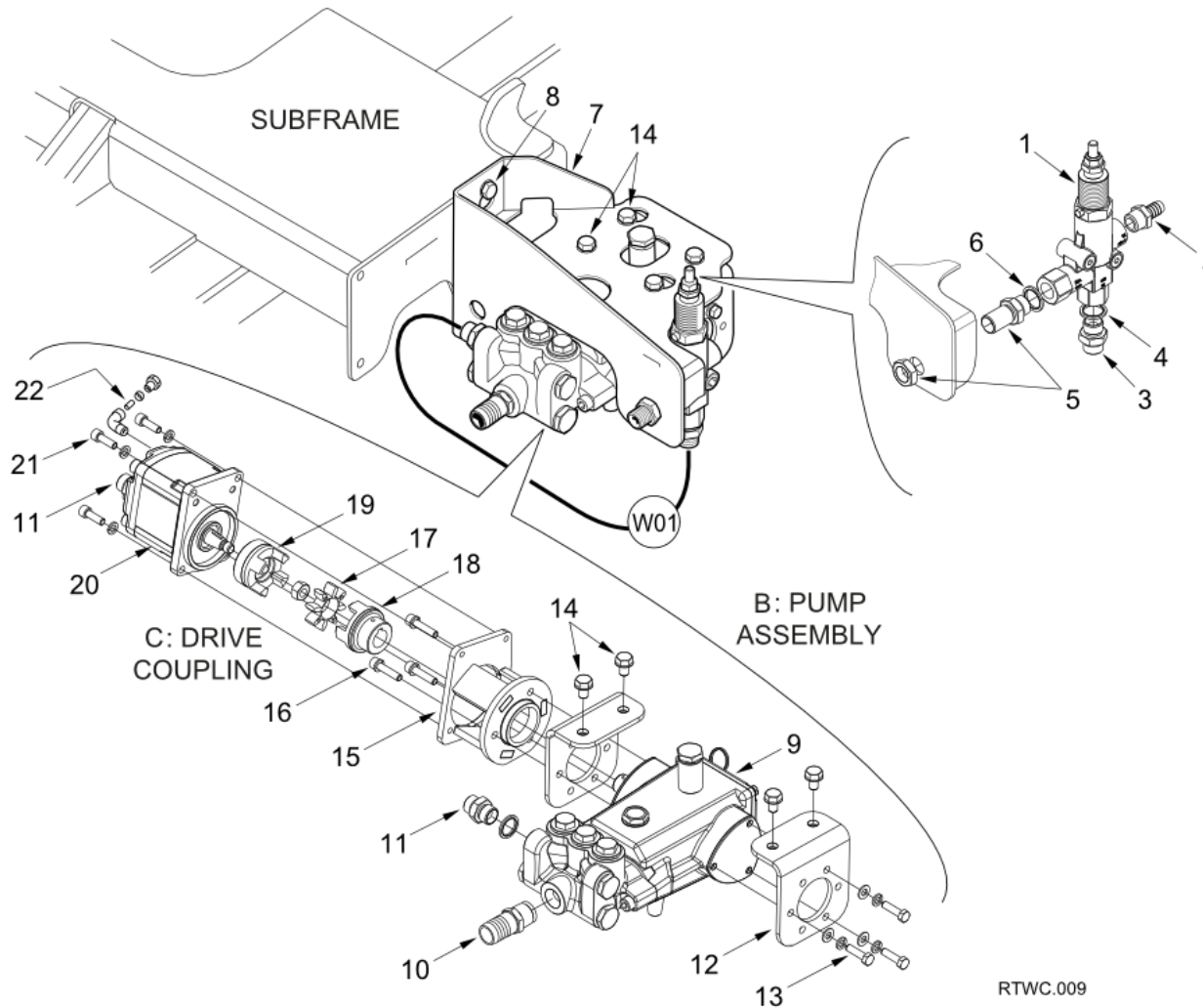
Hoses and Front Spraybar L.H. (KT00101,KT05901,KT06101)

Water System\Supawash Option\Water System\Hoses and Front Spraybar\Hoses and Front Spraybar L.H.

Water System - Supawash Option

Item no.	Part no.	Description	QTY	Unit
1	6117	Hose - 1" Bore	1.9	M
1	501-4	Clip Hose Worm Drive 30-40mm	2	PC
2	6117	Hose - 1" Bore	0.4	M
2	501-4	Clip Hose Worm Drive 30-40mm	2	PC
3	6111	Hose - Water 1/2"	4	M
3	501-1	Hose Clip - Worm Drive (11-16)	2	PC
4	277-119	Tee - Poly Barbed 3/4x1/2x3/4"	1	PC
4	501-2	Hose Clip - Worm Drive (14-22)	2	PC
5	277-128	Tee - 1" BSP Equal	1	PC
6	277-250	Reducing Nipple - 1 1/2" - 1"M	1	PC
7	277-286	Hosetail G - 1 Male x 25mm Barb	1	PC
8	277-173	Nipple - 1" x 1" BSP Hex	1	PC
9	88-43	Ball Valve 1" Female	1	PC
W01	HC08043-55-90	Hose - Megaflex 1/2" 90sx90s	1	PC
806	12870	Tube - Nylon Black 8mm O/D	3	M
11	293768-1	Spraybar-Front High Press 550	1	PC
12	21-31	Jet - Fan 65 deg. 1/4"	9	PC
W04	HC08002-450	Hose - Megaflex 1/2" STRx90s	1	PC
W02	HC08000-382	Hose - Megaflex 1/2" STRxSTR	1	PC
W03	HC06002-530	Hose - Megaflex 3/8" STRx90s	1	PC

Water Pump and Unloader Installation ()

 Water System\Supawash Option\Water System\Water Pump and Unloader Installation
 Supawash Option - Water System


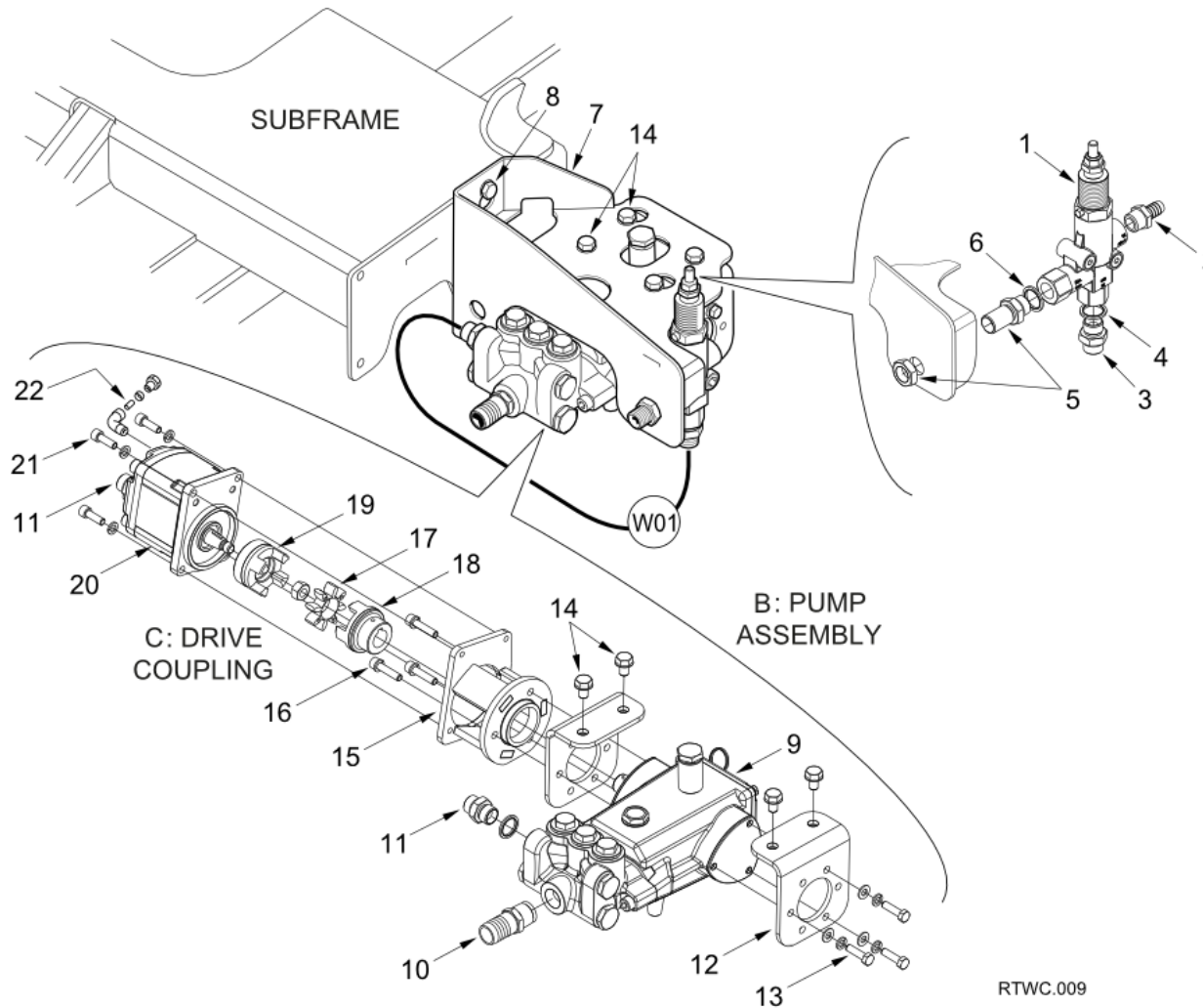
Water Pump and Unloader Installation ()

Water System\Supawash Option\Water System\Water Pump and Unloader Installation
Supawash Option - Water System

Item no.	Part no.	Description	QTY	Unit
1	283702-1	Unloader-Supawash Pump	1	PC
2	231-66	Male Hose Barb 1/2" x 1/2"	1	PC
3	263-4	Adaptor M/M 1/2 BSP BS5200	1	PC
4	451-19	Washer - Bonded G1-2"	1	PC
5	264-4	Adaptor M/M - Bulkhead 1/2 BSP	1	PC
6	451-19	Washer - Bonded G1-2"	1	PC
7	221570-1	Supawash Bracket W/Assy LH 655	1	PC
7	221570-2	Supawash Bracket W/Assy RH 655	1	PC
8	124-173	Setscrew M10C x 35	2	PC
8	457-5	Washer Plain Steel M10 Form G	2	PC
8	455-11	Washer Plain Plated Steel M10	2	PC
8	425-15	Nut Nyloc Hex M10C	2	PC
B	283839-1	Supawash Pump Sub Assembly	1	PC
Comprising items 9-22				
9	283701-1	Pump - Supawash	1	PC
9	283701-10	Seal Kit For Pump 283701-1	1	PC
9	283701-11	Valve Kit For Pump 283701-1	1	PC
9	283701-12	Ceramic Pipe For Pump 283701-1	1	PC
9	283701-13	O Ring - Pump Assembly	1	PC
10	231-65	Hosetail 3/4" BSPT x 1" Brass	1	PC
11	263-4	Adaptor M/M 1/2 BSP BS5200	3	PC
11	451-19	Washer - Bonded G1-2"	3	PC
12	283698-1	Mntg Foot W/Assy Supawash Pump	2	PC
13	123-104	Bolt M Coarse M8x30 BS3692	3	PC

Water Pump and Unloader Installation ()

Water System\Supawash Option\Water System\Water Pump and Unloader Installation
Supawash Option - Water System



Water Pump and Unloader Installation ()

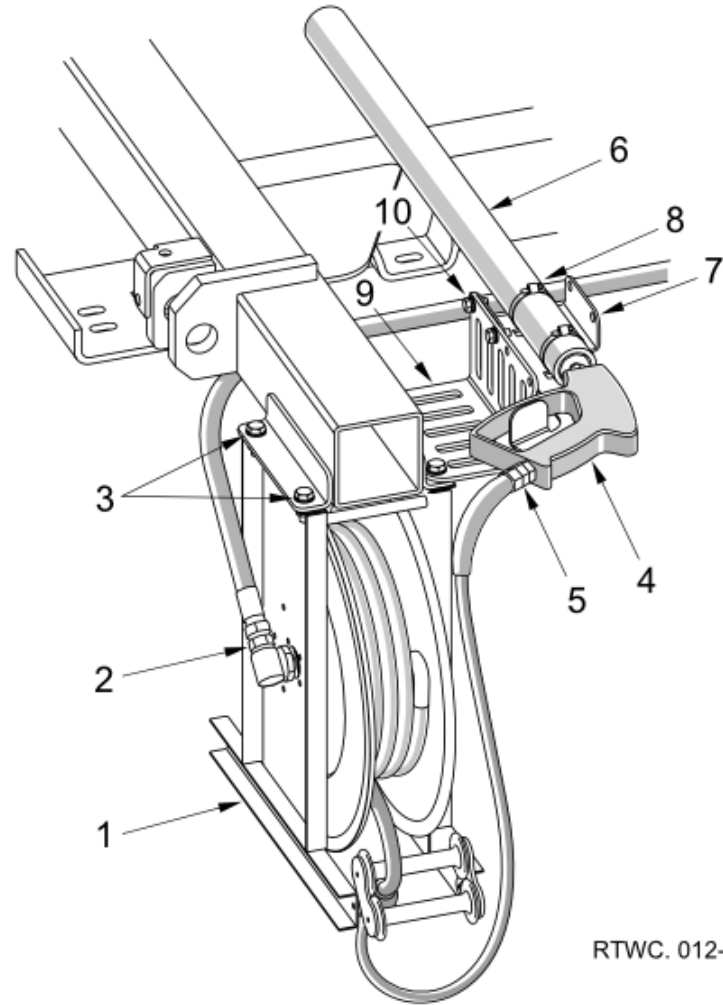
Water System\Supawash Option\Water System\Water Pump and Unloader Installation

Supawash Option - Water System

Item no.	Part no.	Description	QTY	Unit
13	460-10	Washer Spring Single Coil M8	3	PC
13	455-10	Washer Plain Plated Steel M8	3	PC
14	125-185	Bolt - M10 x 16 Flanged Durluk - 12.9	4	PC
15	283695-1	Bell Housing Machining S/Wash	1	PC
16	129-129	Screw MC Cap Skt Hd M8x35	3	PC
16	460-10	Washer Spring Single Coil M8	3	PC
C	283681-1	Drive Coupling Assy SW Pump	1	PC
Comprising items 17-19				
17	283684-1	Spider-Drive Coupling SW Pump	1	PC
18	283682-1	Hub Ø 22 Bore Coupling SW Pump	1	PC
19	283683-1	Hub 1:5 Taper Bore Coupling SW	1	PC
20	244-15	Motor - Hydraulic + Drain Port	1	PC
21	129-125	Screw MC Cap Skt Hd M8x25	4	PC
21	460-10	Washer Spring Single Coil M8	4	PC
22	521-8	Adaptor - Elbow Tube O/D 8mm	1	PC
22	511-4	Olive - Tube 8mm O/D	1	PC
22	510-4	Nut - Tube 8mm O/D	1	PC
W01	HC08043-55-90	Hose - Megaflex 1/2" 90sx90s	1	PC
22	41038-1-B	Sleeve - Support, Pipe 8mm	1	PC

Hose Reel and Lance (KT06101)

Water System\Supawash Option\Water System\Hose Reel and Lance
Supawash Option - Water System



RTWC. 012-2

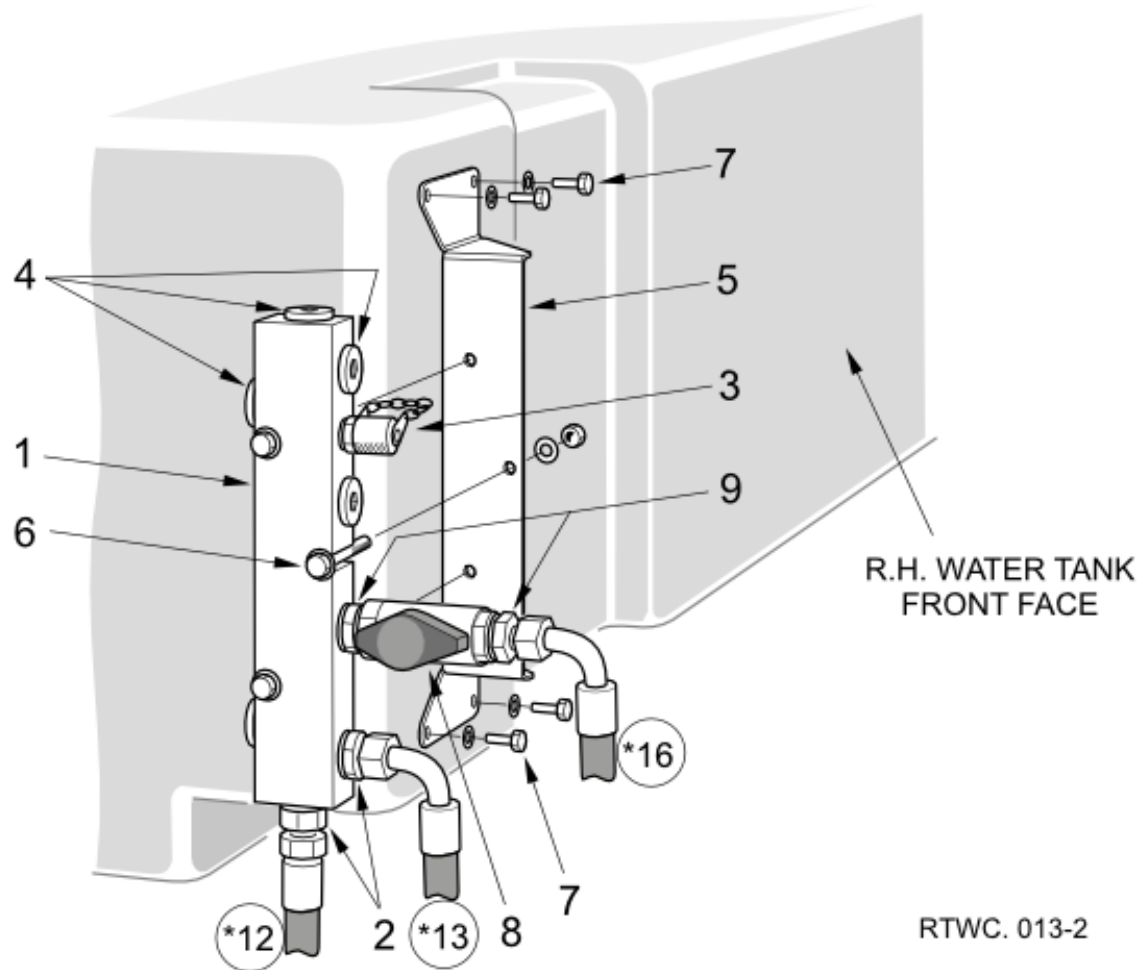
Hose Reel and Lance (KT06101)

Water System\Supawash Option\Water System\Hose Reel and Lance
Supawash Option - Water System

Item no.	Part no.	Description	QTY	Unit
1	667-49	Hose Reel 15 Metre Coil	1	PC
2	265-4	Adaptor Reducing M/M 3/8 x 1/2 BSP	1	PC
2	451-18	Washer Bonded G3/8"	2	PC
3	124-171	Setscrew M10C x 30	4	PC
3	455-11	Washer Plain Plated Steel M10	8	PC
3	425-14	Nut Nyloc Hex MC M8	4	PC
4	21-71	Hand Lance Assembly 700mm	1	PC
5	267-20	ADAPTOR-SWIVEL M/F G3/8" 267-30	1	PC
5	451-18	Washer Bonded G3/8"	2	PC
6	293411-1	Tube - Lance Stowage 550	1	PC
7	293517-1	Plate W/Assy Lance Stowage 550	1	PC
8	501-11	Hose Clip - Worm Drive (35-50)	2	PC
9	221401-1	Bracket - Lance Stowage RT655	1	PC
10	124-135	Setscrew M8C x 20	2	PC
10	460-10	Washer Spring Single Coil M8	2	PC
10	455-10	Washer Plain Plated Steel M8	2	PC

With Front Spraybar - Option (KT06101,KT05993)

Water System\Supawash Option\Water System\Manifold Assembly\With Front Spraybar - Option
Supawash Option - Water System - Manifold Assembly

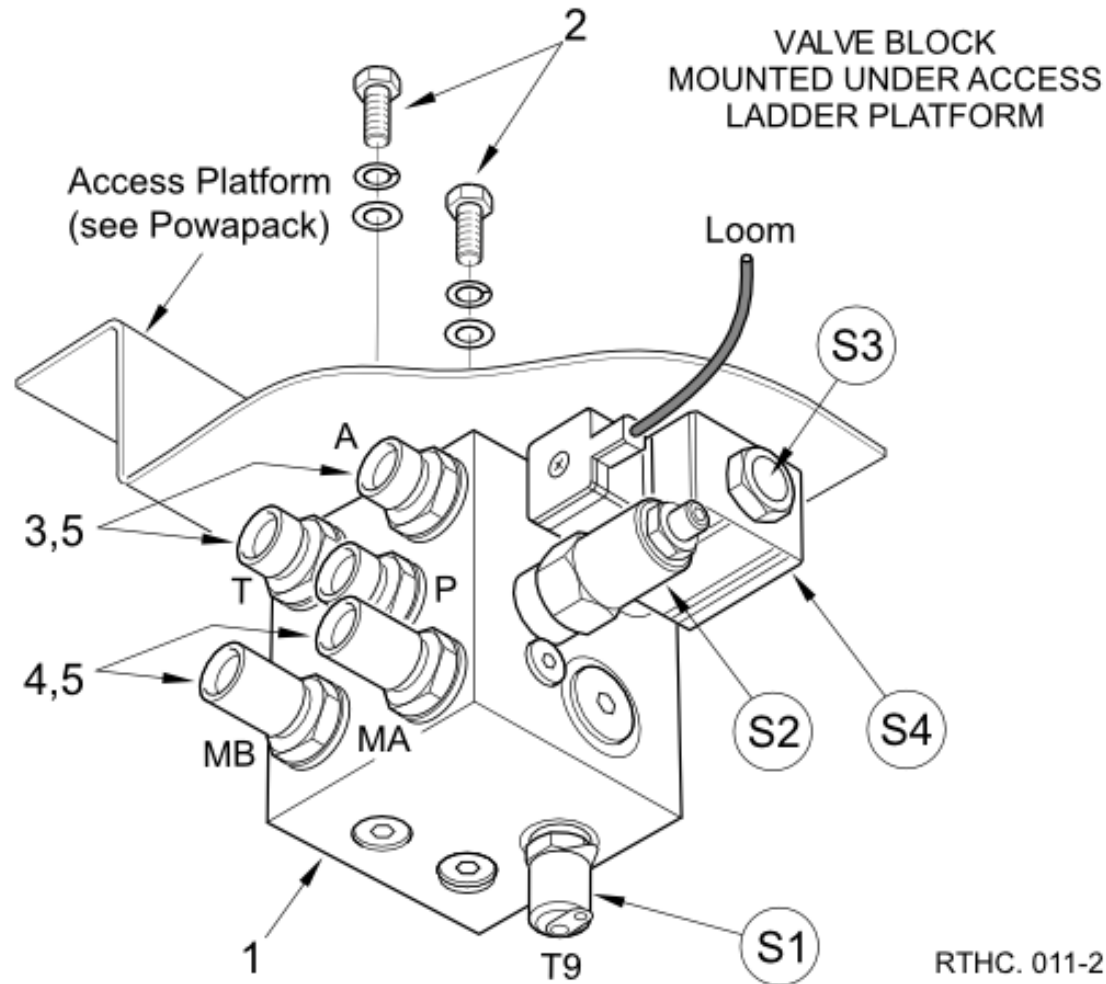


With Front Spraybar - Option (KT06101,KT05993)Water System\Supawash Option\Water System\Manifold Assembly\With Front Spraybar - Option
Supawash Option - Water System - Manifold Assembly

Item no.	Part no.	Description	QTY	Unit
1	282229-1	Water Manifold - Supawash	1	PC
2	263-4	Adaptor M/M 1/2 BSP BS5200	2	PC
2	451-19	Washer - Bonded G1-2"	2	PC
3	665-8	Test Coupling SMK20 - G1/4 Type C	1	PC
4	54-4	Plug - Collar G1/2" BSP	5	PC
5	7010465	Bracket Supawash Manifold	1	PC
6	124-146	Setscrew M8C x 55	3	PC
6	460-10	Washer Spring Single Coil M8	3	PC
6	455-10	Washer Plain Plated Steel M8	3	PC
7	124-135	Setscrew M8C x 20	2	PC
7	455-10	Washer Plain Plated Steel M8	2	PC
7	460-10	Washer Spring Single Coil M8	2	PC
8	88-33	Ball Valve 210 Bar 1/2" F	1	PC
9	263-4	Adaptor M/M 1/2 BSP BS5200	2	PC
9	451-19	Washer - Bonded G1-2"	3	PC

Tandem/Options Pump Valve Block (KT12101)

Water System\Supawash Option\Hydraulic System\Tandem/Options Pump Valve Block
Hydraulic System



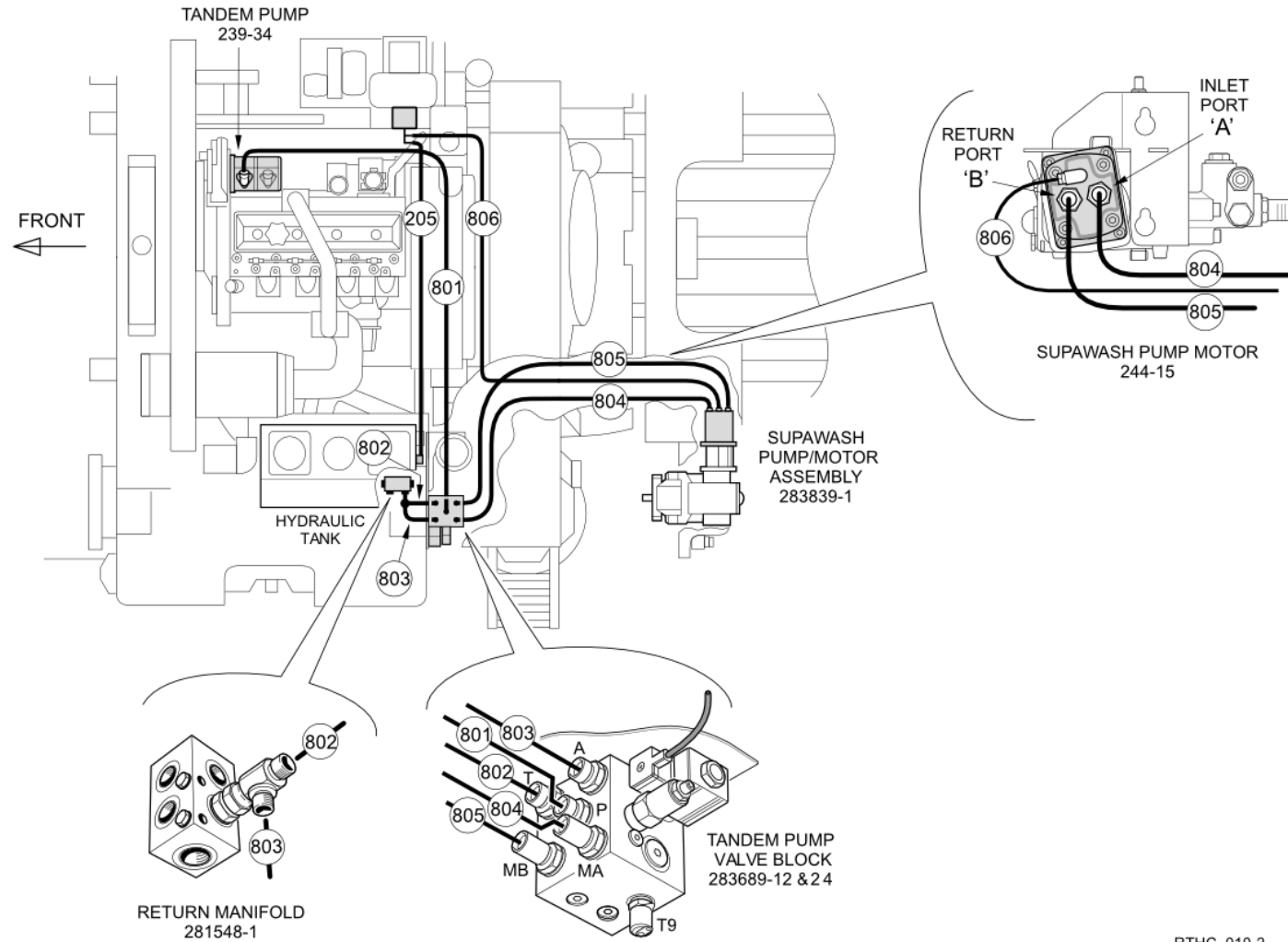
Tandem/Options Pump Valve Block (KT12101)

Water System\Supawash Option\Hydraulic System\Tandem/Options Pump Valve Block
Hydraulic System

Item no.	Part no.	Description	QTY	Unit
1	283689-24	Hyd Valve Block Supawash 24v	1	PC
1	283689-12	Hyd Valve Block Supawash 12v	1	PC
2	124-136	Setscrew M8C x 22 BS3692	2	PC
2	455-10	Washer Plain Plated Steel M8	2	PC
2	460-10	Washer Spring Single Coil M8	2	PC
3	263-4	Adaptor M/M 1/2 BSP BS5200	3	PC
4	262-4	Elbow 90° 1/2 BSP M x 1/2 BSP Swivel F	2	PC
5	451-19	Washer - Bonded G1-2"	5	PC
S1	665-18	Test Coupling SMK20 - G1/4 Type B	1	PC
S2	847-39	Relief Cartridge (225 Bar)	1	PC
S3	847-72	Cartridge Valve - NC 250 bar	1	PC
S4	847-74	Coil - 24 Volt 29 watt	1	PC
S4	847-73	Coil - 12 Volt 29 watt	1	PC

Hydraulic Hoses (KT00101,M010515)

Water System\Supawash Option\Hydraulic System\Hydraulic Hoses
Hydraulic System



RTHC. 010-2

Hydraulic Hoses (KT00101,M010515)

Water System\Supawash Option\Hydraulic System\Hydraulic Hoses
Hydraulic System

Item no.	Part no.	Description	QTY	Unit
801	HC08002-150	Hose - Megaflex 1/2" STRxSTR	1	PC
802	HC08000-90	Hose - Megaflex 1/2" STRxSTR	1	PC
803	HC08000-60	Hose - Megaflex 1/2" STRxSTR	1	PC
804	HC08002-230	Hose - Megaflex 1/2" STRx90s	1	PC
805	HC08002-230	Hose - Megaflex 1/2" STRx90s	1	PC
806	12870	Tube - Nylon Black 8mm O/D	1	M
205	12870	Tube - Nylon Black 8mm O/D	1	M

This page is intentionally left blank

Chapter 11

Electrical System

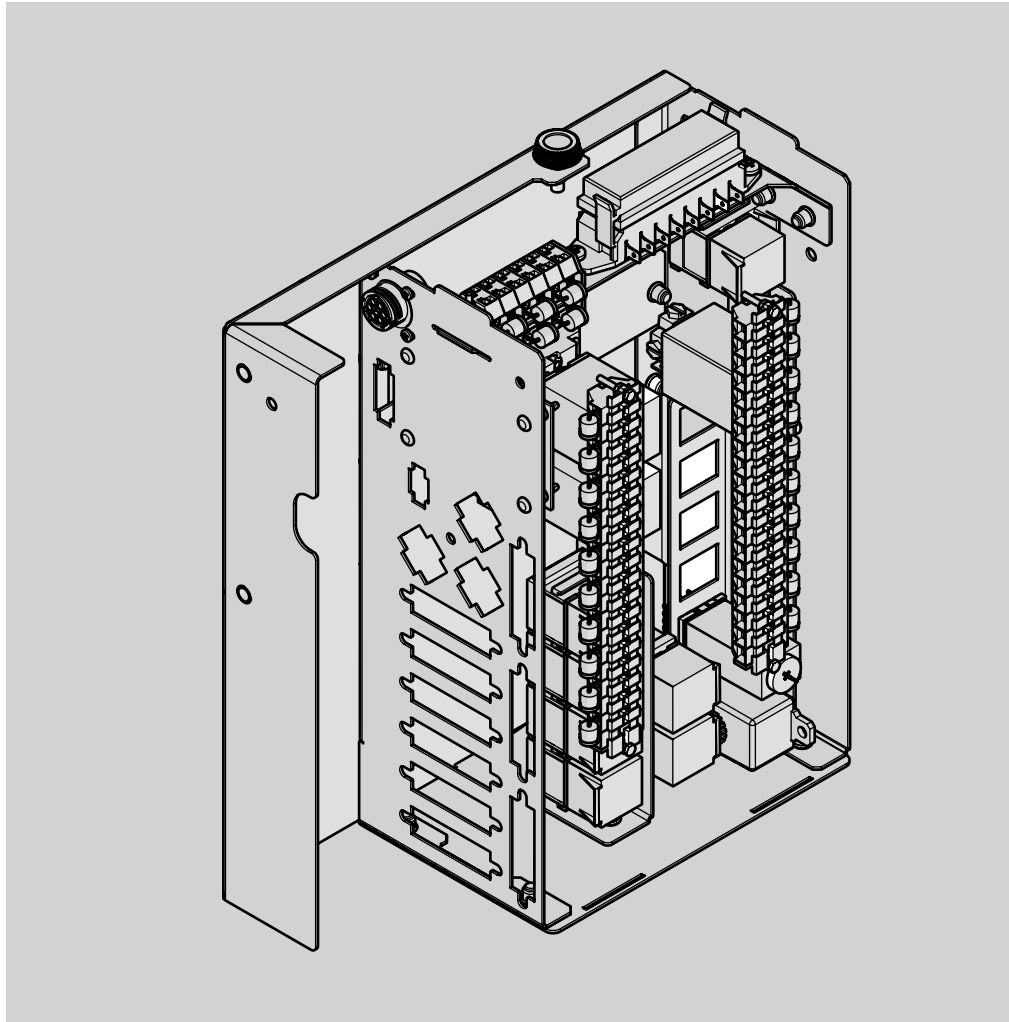
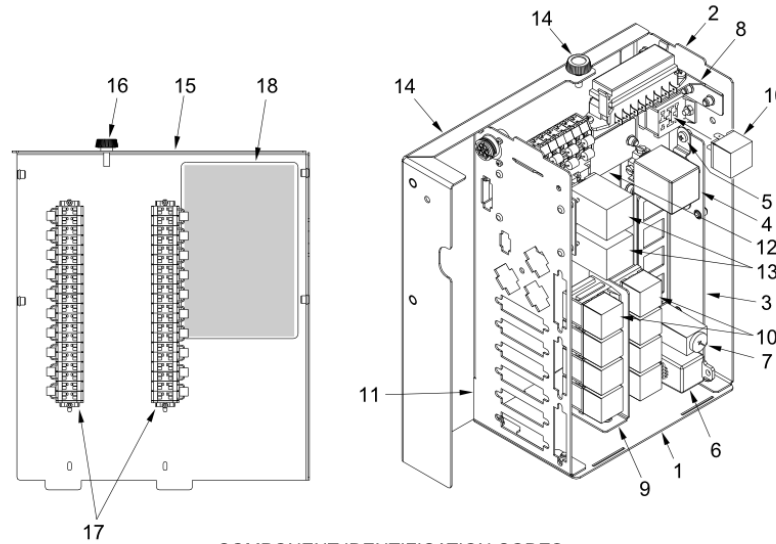


Table of Contents

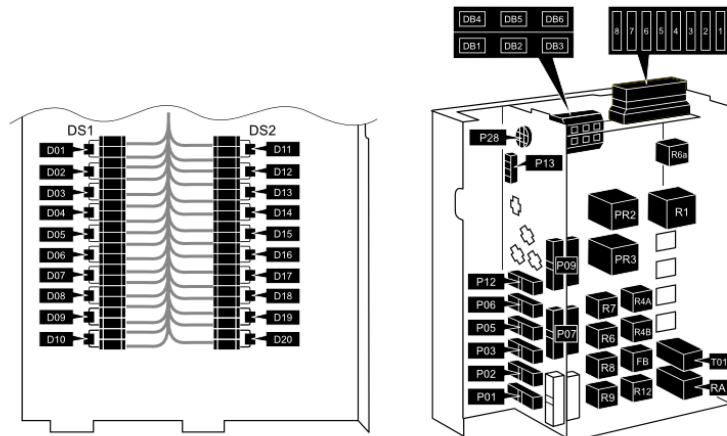
Section	Page
11.1 Controls	258
11.2 Wiring Looms	262

Relay Box Assemblies Dual (M010311)

Electrical System\Controls\Relay Box\Relay Box Assemblies Dual
Electrical System - Controls



COMPONENT IDENTIFICATION CODES



RTEC. 004-3

Relay Box Assemblies Dual (M010311)

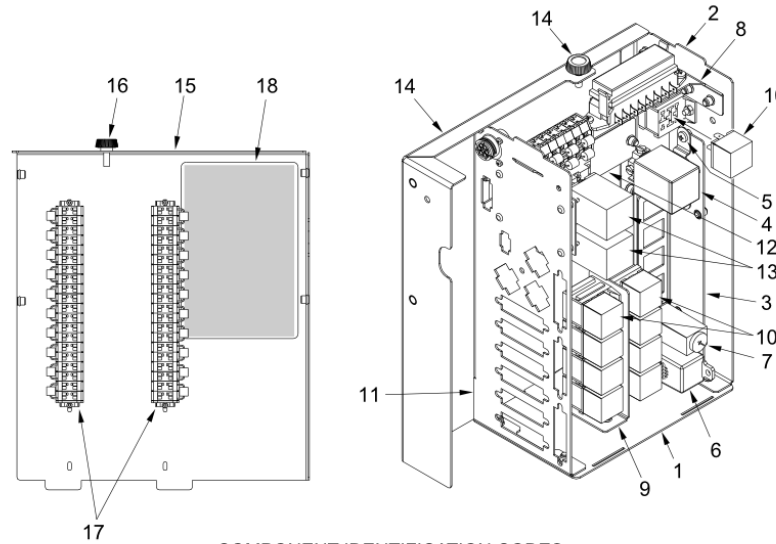
Electrical System\Controls\Relay Box\Relay Box Assemblies Dual

Electrical System - Controls

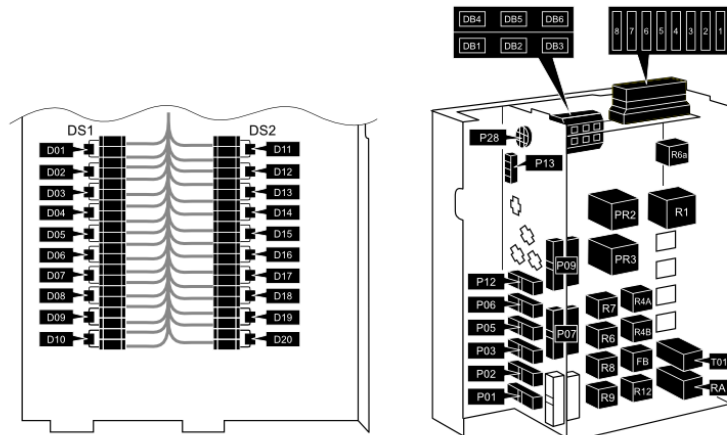
Item no.	Part no.	Description	QTY	Unit
1	282108-1	Base - Main Body Cont Box	1	PC
2	282114-1	Sidewall - Control Box	1	PC
2	433-2	Rivet Nut - S.Cl. Nut M6c g0.5-3.0	4	PC
2	138-91	Screw - Skt Button Hd M6cx12	2	PC
3	282117-1	Timer Relay Mount - Relay Box	1	PC
3	433-2	Rivet Nut - S.Cl. Nut M6c g0.5-3.0	2	PC
3	138-91	Screw - Skt Button Hd M6cx12	2	PC
4	48-35	Relay-Heavy Duty 60A@12v Cont.	1	PC
4	48-37	Relay-Heavy Duty 24v Cont.	1	PC
5	181-1	Screw Pan Hd Pozidriv M5cx10	2	PC
5	420-12	Nut MC Hex M5	2	PC
6	48-252	Relay - Warning 12v	1	PC
6	48-253	Relay - Warning 24v	1	PC
7	13981	Relay Timer 12v	5	PC
7	13982	Relay Timer 24v	5	PC
7	13983	Base Connection Terminal Soldr	5	PC
8	281904-1	Card - Fuse Control Box	1	PC
8	433-2	Rivet Nut - S.Cl. Nut M6c g0.5-3.0	2	PC
8	138-91	Screw - Skt Button Hd M6cx12	2	PC
9	282115-1	Plate - Internal Supt C/Box	1	PC
9	433-2	Rivet Nut - S.Cl. Nut M6c g0.5-3.0	2	PC
9	138-91	Screw - Skt Button Hd M6cx12	2	PC
10	13193	Relay 12 Volt 30/40	9	PC
10	13194	Relay 24 Volt 30/40	9	PC

Relay Box Assemblies Dual (M010311)

Electrical System\Controls\Relay Box\Relay Box Assemblies Dual
Electrical System - Controls



COMPONENT IDENTIFICATION CODES



RTEC. 004-3

Relay Box Assemblies Dual (M010311)

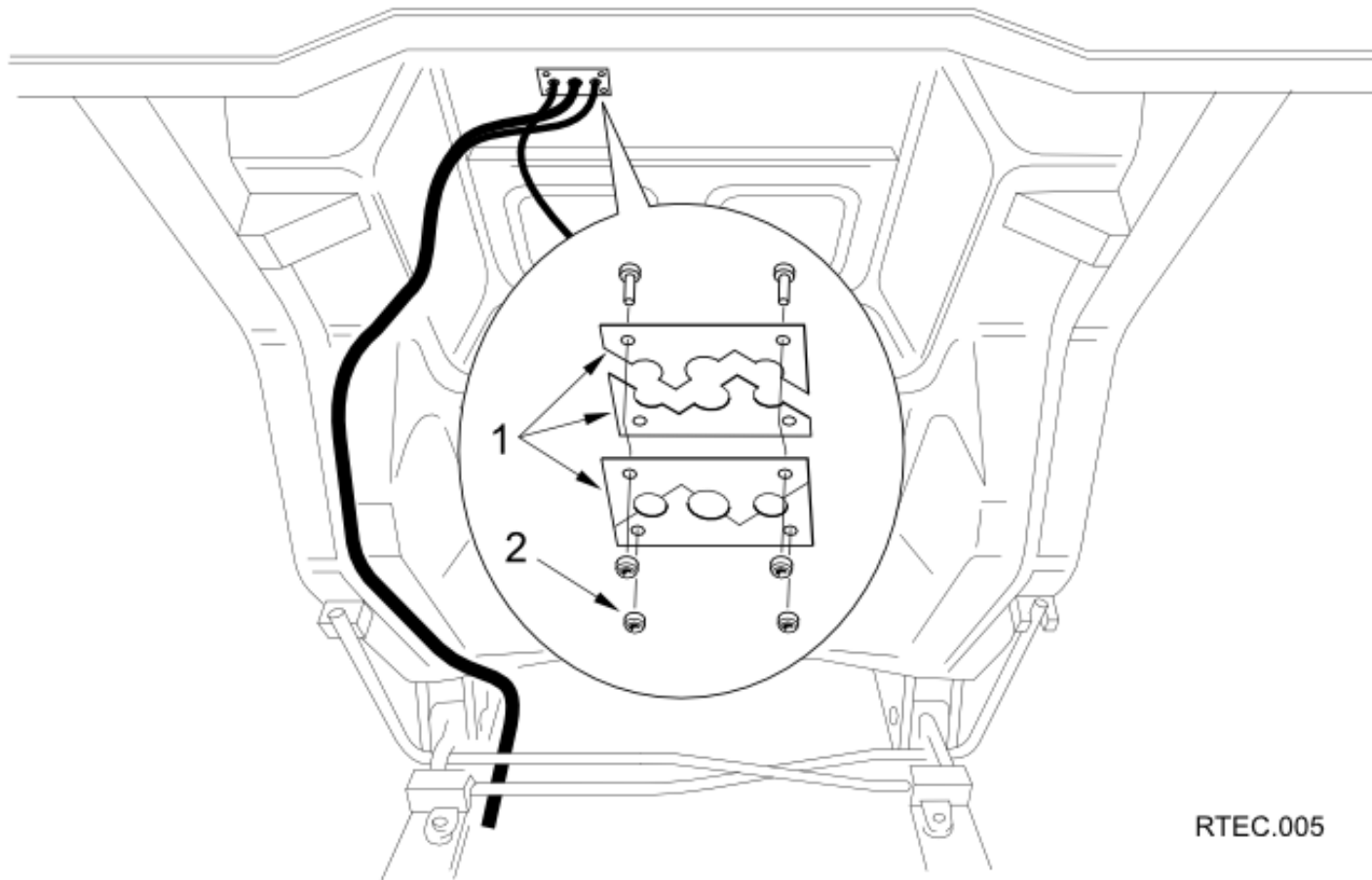
Electrical System\Controls\Relay Box\Relay Box Assemblies Dual

Electrical System - Controls

Item no.	Part no.	Description	QTY	Unit
11	282112-1	Sidewall - Plug C/Box	1	PC
11	433-2	Rivet Nut - S.Cl. Nut M6c g0.5-3.0	4	PC
11	138-91	Screw - Skt Button Hd M6cx12	2	PC
12	281903-1	Plate T Control Box	1	PC
12	433-2	Rivet Nut - S.Cl. Nut M6c g0.5-3.0	2	PC
12	138-91	Screw - Skt Button Hd M6cx12	2	PC
13	12904	Relay - Power, Miniature 12v	2	PC
13	13867	Relay - Power, Miniature, 24v	2	PC
14	282109-1	Back - Control Box	1	PC
14	138-91	Screw - Skt Button Hd M6cx12	4	PC
14	283-14	Clip	1	PC
15	282110-1	Front - Control Box	1	PC
16	23-12	Thumbscrew - M6x15	1	PC
17	221614-1	Diode Pack RT655	1	PC
17	13984	Diode Rectifier	20	PC
18	221615-1	Component Identification Label	1	PC

Loom Interface Bulkhead Plates - Under Cab (M010914)

Electrical System\Wiring Looms\Loom Interface Bulkhead Plates - Under Cab
Electrical System - Wiring Looms



RTEC.005

UNDER CAB VIEW

Loom Interface Bulkhead Plates - Under Cab (M010914)

Electrical System\Wiring Looms\Loom Interface Bulkhead Plates - Under Cab

Electrical System - Wiring Looms

Item no.	Part no.	Description	QTY	Unit
1	282200-1	Plate-Bulkhead (Loom Inter) 93	4	PC
2	124-107	Setscrew M6C x 30	4	PC
2	425-13	Nut Nyloc Hex M6C	4	PC

This page is intentionally left blank

Chapter 12

Cab Controls

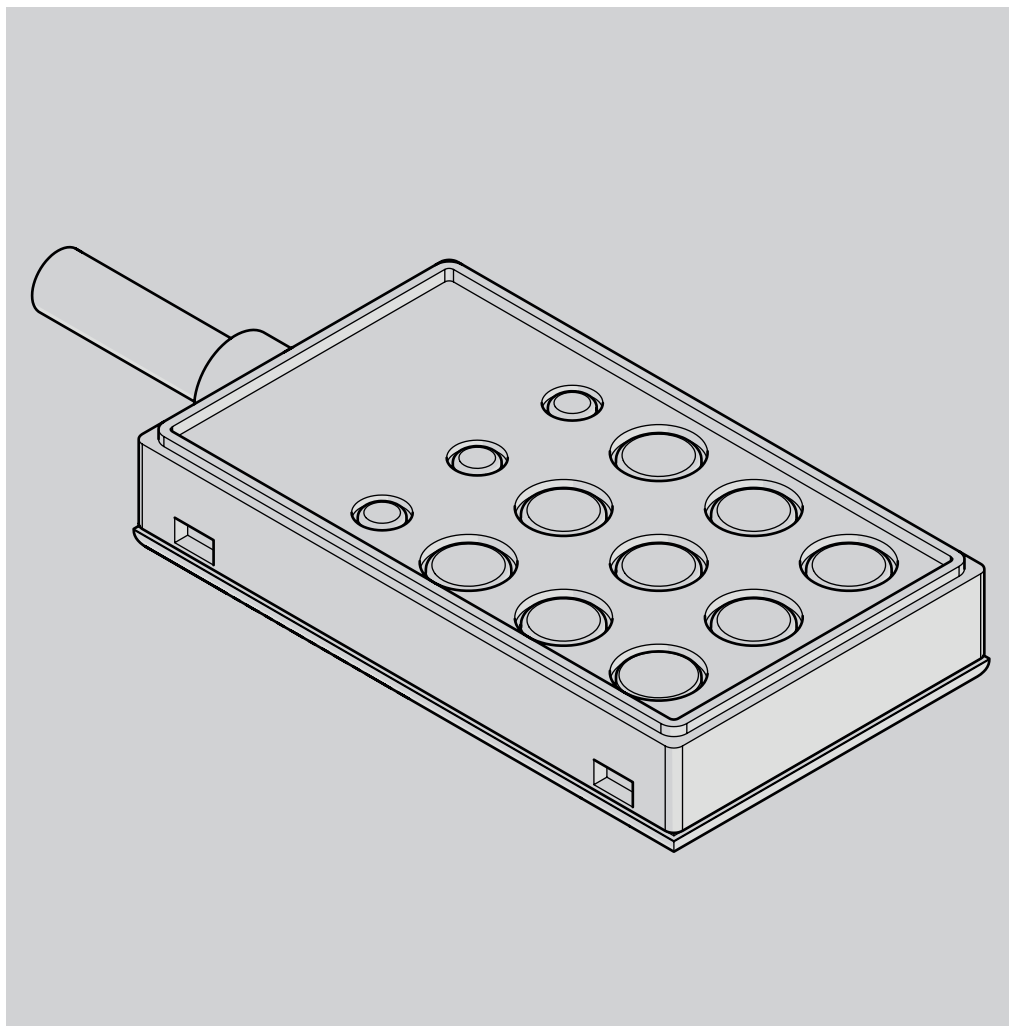
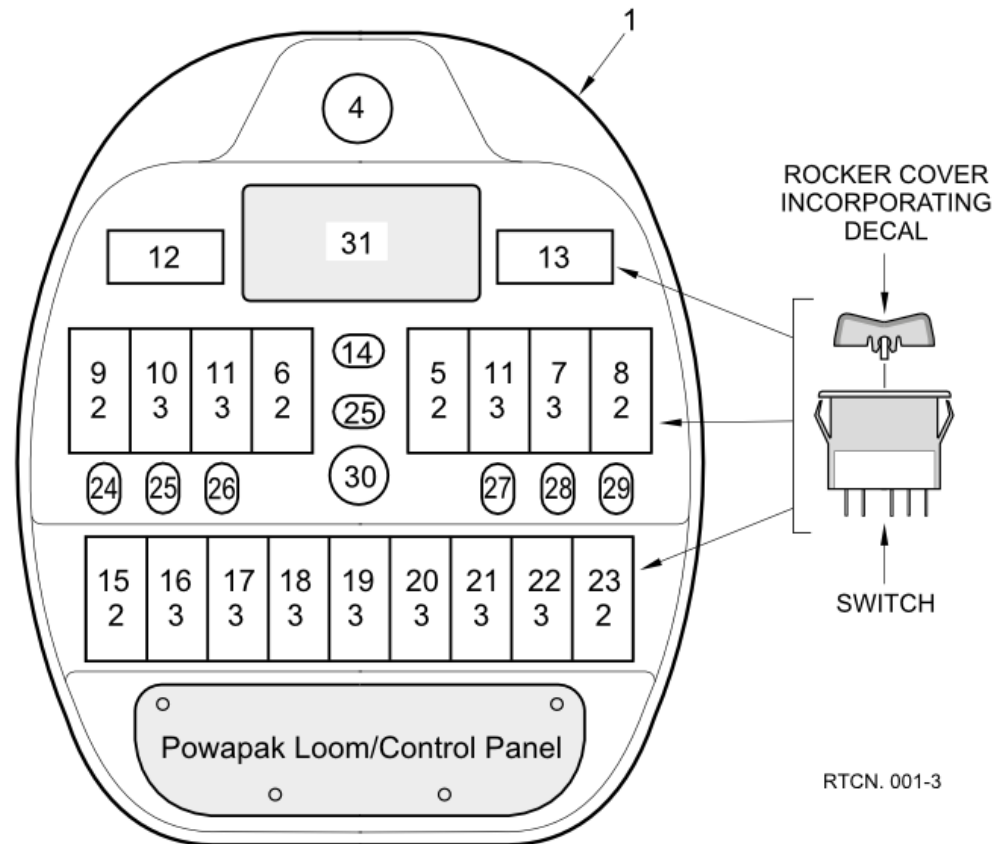


Table of Contents

Section	Page
12.1 Switch Panel	266
12.2 Discharge Control	276
12.3 Gutter Broom Speed Control	278

Switch Panel Dual (M010312)

Cab Controls\Switch Panel\Switch Panel Assembly\Switch Panel Dual
Cab Controls - Switch Panel Assembly



* Instrument panels, item 31, have a code number on a label on the back.
Quote this number when ordering a replacement.
The numbers are:
Iveco 3a Engine - Code No.0003, John Deere Engines - Code No.0004

Switch Panel Dual (M010312)

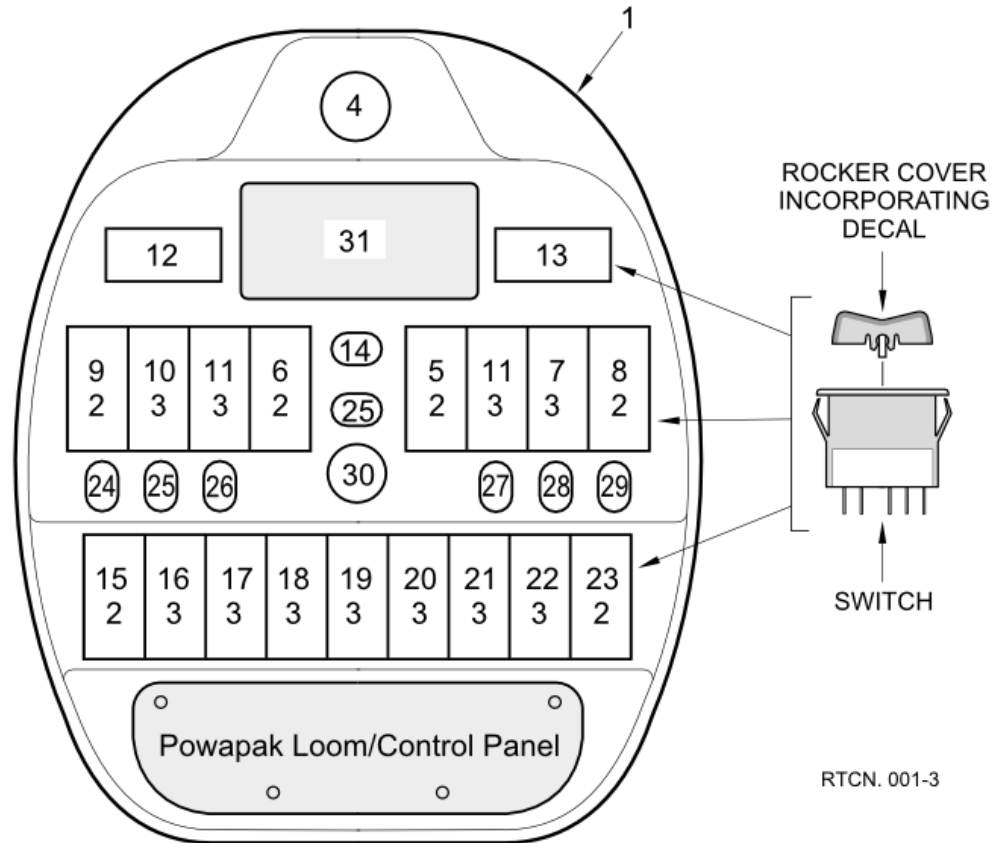
Cab Controls\Switch Panel\Switch Panel Assembly\Switch Panel Dual

Cab Controls - Switch Panel Assembly

Item no.	Part no.	Description	QTY	Unit
1	282350-1	Switch Box - Assy	1	PC
2	735-70	Bezel - Mounting End Piece	6	PC
3	735-71	Bezel - Mounting Centre Piece	11	PC
4	288-14	Grommet - Blind 22.2 O/D x 3.2	1	PC
5	735-31	Switch-3 Position, Spring 24V	1	PC
5	735-132	Cover - Rocker Nozzle Hop	1	PC
6	735-27	Switch-3 Position, Detent 24V	1	PC
6	735-102	Cover - Rocker Nozzle	1	PC
7	735-27	Switch-3 Position, Detent 24V	1	PC
7	735-101	Cover - Rocker Channel Brush	1	PC
8	735-31	Switch-3 Position, Spring 24V	1	PC
8	735-105	Cover - Rocker RH Rotatilt	1	PC
9	735-31	Switch-3 Position, Spring 24V	1	PC
9	735-104	Cover - Rocker LH Rotatilt	1	PC
10	735-27	Switch-3 Position, Detent 24V	1	PC
10	735-101	Cover - Rocker Channel Brush	1	PC
11	735-60	Plug - Blanking	3	PC
12	735-26	Switch-2 Position, Detent 24V	1	PC
12	735-110	Cover - Rocker LH Variabrush	1	PC
13	735-26	Switch-2 Position, Detent 24V	1	PC
13	735-111	Cover - Rocker RH Variabrush	1	PC
14	42-204	Decal - Air Conditioning	1	PC
15	735-26	Switch-2 Position, Detent 24V	1	PC
15	735-106	Cover - Rocker Supawash	1	PC

Switch Panel Dual (M010312)

Cab Controls\Switch Panel\Switch Panel Assembly\Switch Panel Dual
Cab Controls - Switch Panel Assembly



* Instrument panels, item 31, have a code number on a label on the back.
Quote this number when ordering a replacement.
The numbers are:
Iveco 3a Engine - Code No.0003, John Deere Engines - Code No.0004

Switch Panel Dual (M010312)

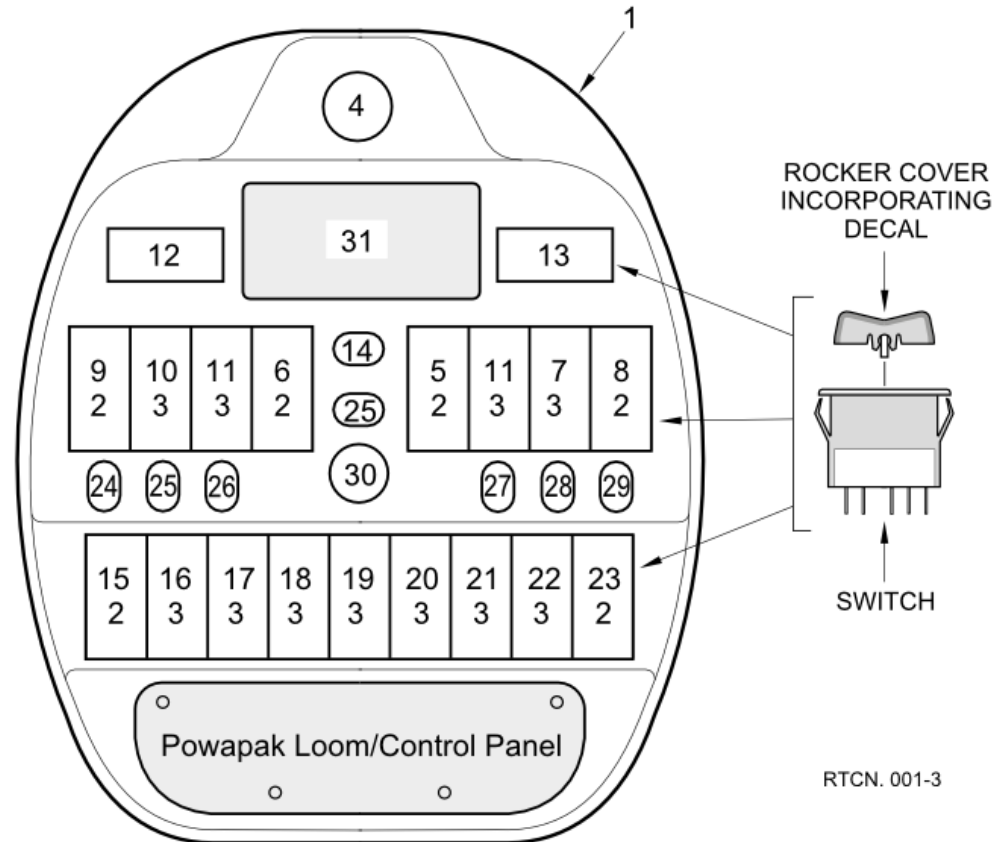
Cab Controls\Switch Panel\Switch Panel Assembly\Switch Panel Dual

Cab Controls - Switch Panel Assembly

Item no.	Part no.	Description	QTY	Unit
16	735-26	Switch-2 Position, Detent 24V	1	PC
16	735-134	Cover - Rocker Revs	1	PC
17	735-30	Switch-3 Position, Spring 24V	1	PC
17	735-115	Cover-Rocker Discharge Select	1	PC
18	735-400	Base-Indicator 12v(Amber Area)	1	PC
18	735-500	Base-Indicator 24V(Amber Area)	1	PC
18	735-603	Cover - Rocker (Tank) Low/Full	1	PC
19	735-29	Switch-3 Position, Spring 24V	1	PC
19	735-121	Cover - Rocker ES+W/Tank Level	1	PC
20	735-26	Switch-2 Position, Detent 24V	1	PC
20	735-108	Cover - Beacons	1	PC
21	7010527	Indicator LEDs	1	PC
21	735-60	Plug - Blanking	1	PC
21	748-1	LED Indicator Type Hyper RED 24v	1	PC
21	748-2	LED Indicator Type Hyper YELLOW 24v	1	PC
22	7010529	Indicator LEDs	1	PC
22	735-60	Plug - Blanking	1	PC
22	748-3	LED Indicator Type Hyper GREEN 24v	1	PC
22	748-4	LED Indicator Type Hyper BLUE 24v	1	PC
23	735-31	Switch-3 Position, Spring 24V	1	PC
23	735-133	Cover - Rocker Veg	1	PC
24	43-101	Switch - Work Lamp 12v	1	PC
24	43-201	Switch - Work Lamp 24v	1	PC
25	43-1	Switch - Blank	2	PC

Switch Panel Dual (M010312)

Cab Controls\Switch Panel\Switch Panel Assembly\Switch Panel Dual
Cab Controls - Switch Panel Assembly



* Instrument panels, item 31, have a code number on a label on the back.
Quote this number when ordering a replacement.
The numbers are:
Iveco 3a Engine - Code No.0003, John Deere Engines - Code No.0004

Switch Panel Dual (M010312)

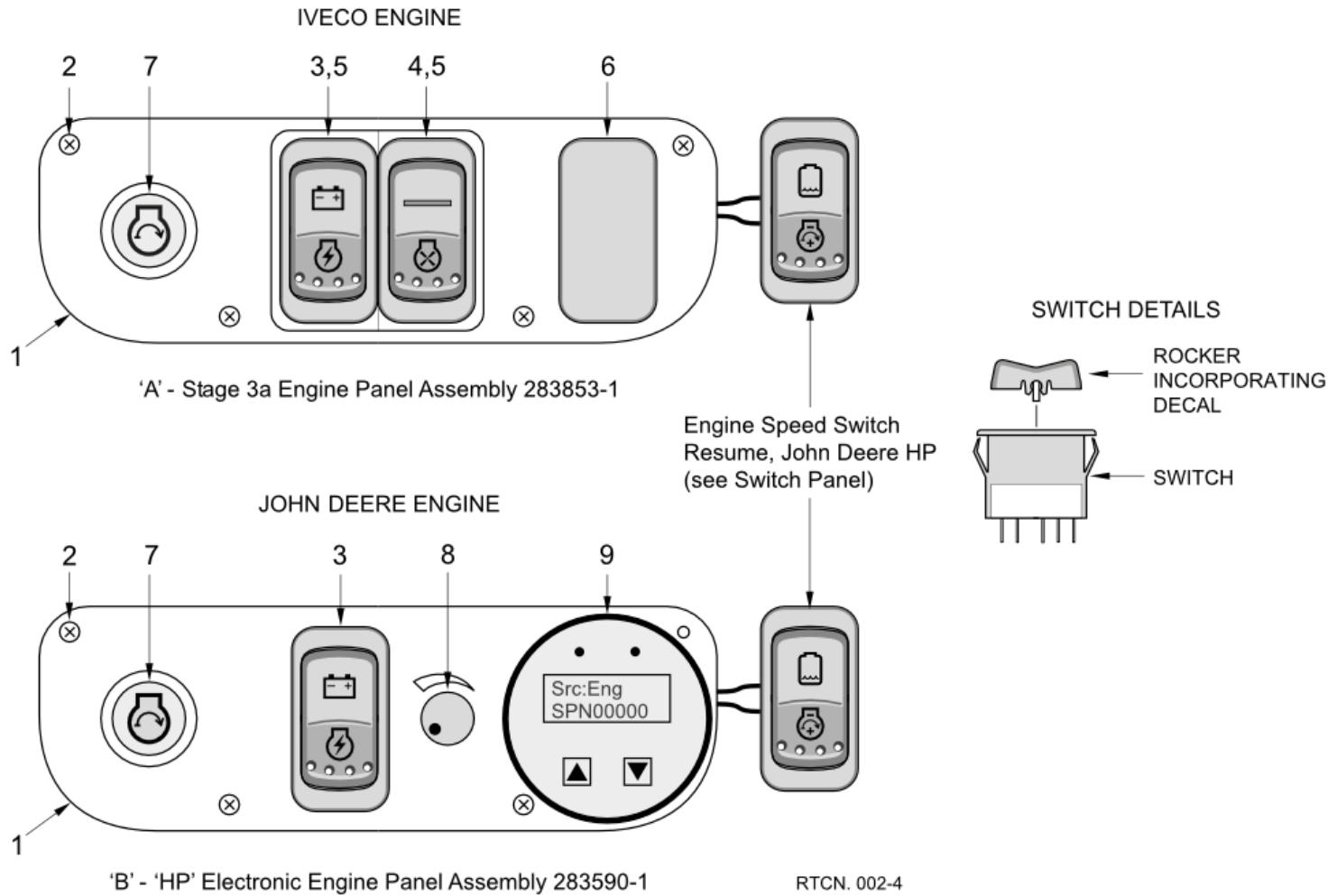
Cab Controls\Switch Panel\Switch Panel Assembly\Switch Panel Dual

Cab Controls - Switch Panel Assembly

Item no.	Part no.	Description	QTY	Unit
26	43-100	Switch-Low Press. Water 12v	1	PC
26	43-200	Switch-Low Press. Water 24v	1	PC
27	43-100	Switch-Low Press. Water 12v	1	PC
27	43-200	Switch-Low Press. Water 24v	1	PC
28	43-100	Switch-Low Press. Water 12v	1	PC
28	43-200	Switch-Low Press. Water 24v	1	PC
29	43-101	Switch - Work Lamp 12v	1	PC
29	43-201	Switch - Work Lamp 24v	1	PC
30	99-92	Fixing Collar/Lt Block Ass 12v	1	PC
30	99-93	Fixing Collar/Lt Block Ass 24v	1	PC
30	99-4	Contact - N.O.	1	PC
30	99-94	Push Button (Green)	1	PC
31	282237-2	Panel - Instrument IVECO HP	1	PC
31	282237-4	Panel-Instrument IVE SP & JD	1	PC

Loom/Control Panel A (950312)

Cab Controls\Switch Panel\Powapak Loom/Control Panel\Loom/Control Panel A
Cab Controls - Switch Panel - Powapack



Loom/Control Panel A (950312)

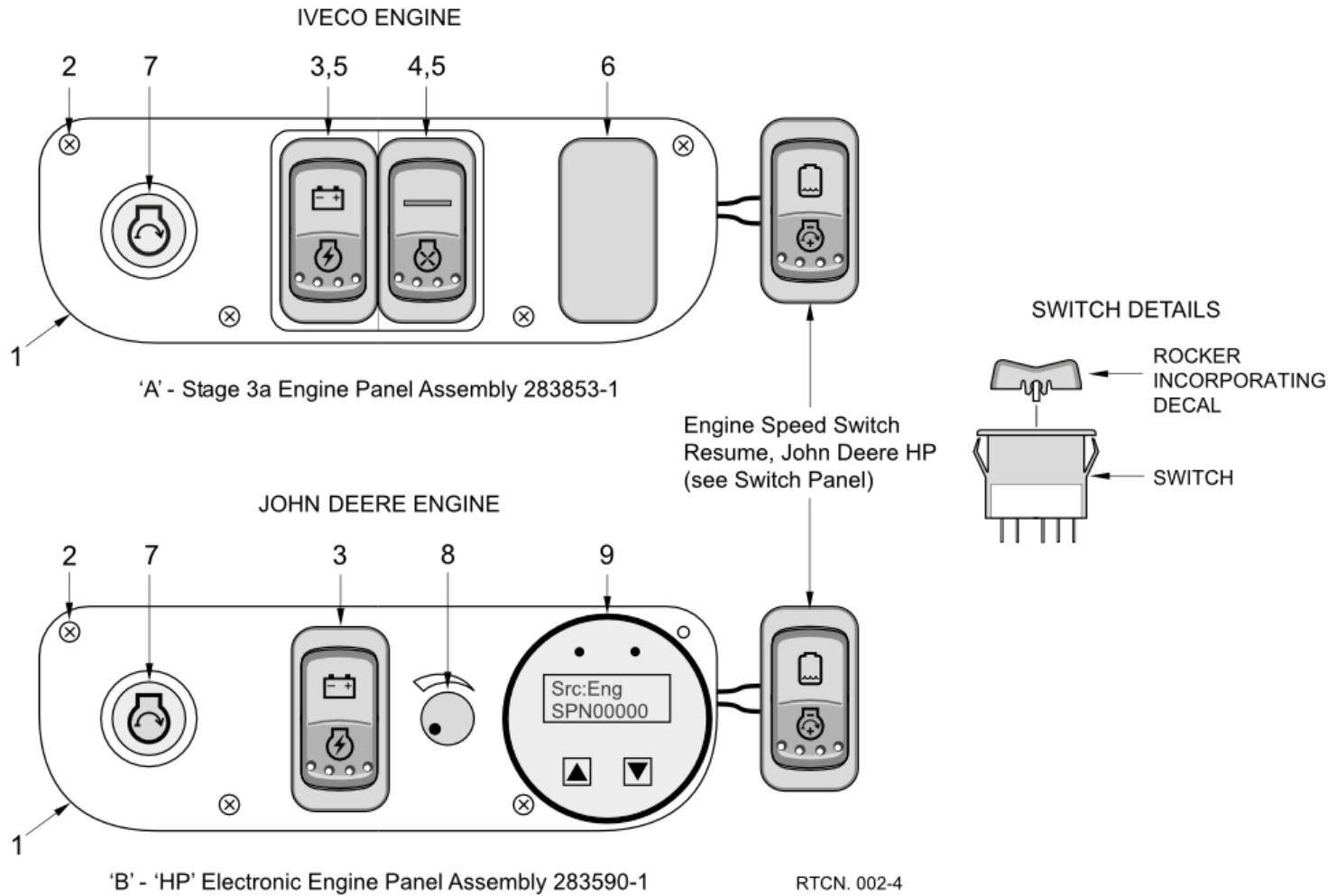
Cab Controls\Switch Panel\Powapak Loom/Control Panel\Loom/Control Panel A

Cab Controls - Switch Panel - Powapack

Item no.	Part no.	Description	QTY	Unit
1	282353-1	Plate - Switch IVECO TURBO	1	PC
2	135-151	Screw - Sltd Pan Hd, M4C x 16	4	PC
3	735-34	Switch-2 Position, Detent 24v	1	PC
3	735-125	Cover - Rocker Alternator	1	PC
4	735-28	Switch-3 Position, Spring 24V	1	PC
4	735-116	Cover - Rocker Aux Engine PTO	1	PC
5	735-70	Bezel - Mounting End Piece	2	PC
6	735-60	Plug - Blanking	1	PC
7	99-93	Fixing Collar/Lt Block Ass 24v	1	PC
7	99-4	Contact - N.O.	1	PC
7	99-5	Contact - N.C.	1	PC
7	99-67	Operating Head - Push Momentry	1	PC

Loom/Control Panel B (950312)

Cab Controls\Switch Panel\Powapak Loom/Control Panel\Loom/Control Panel B
Cab Controls - Switch Panel - Powapack



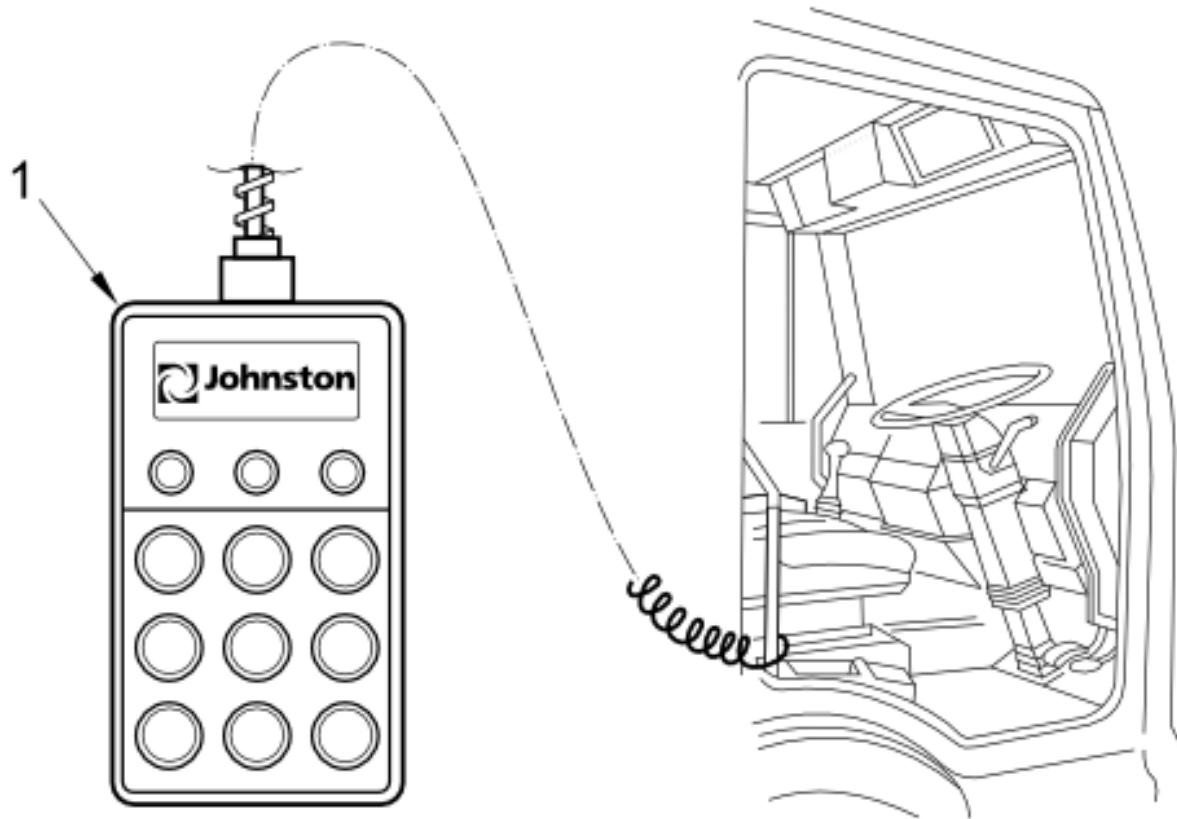
Loom/Control Panel B (950312)

Cab Controls\Switch Panel\Powapak Loom/Control Panel\Loom/Control Panel B

Cab Controls - Switch Panel - Powapack

Item no.	Part no.	Description	QTY	Unit
1	282353-4	Plate - Switch JOHN DEERE	1	PC
2	135-151	Screw - Sltd Pan Hd, M4C x 16	4	PC
3	735-14	Switch-2 Position, Detent 12v	1	PC
3	735-125	Cover - Rocker Alternator	1	PC
7	99-92	Fixing Collar/Lt Block Ass 12v	1	PC
7	99-4	Contact - N.O.	1	PC
7	99-5	Contact - N.C.	1	PC
7	99-67	Operating Head - Push Momentry	1	PC
8	31-497	Potentiometer 4K7 (With Knob)	1	PC
9	282934-1	Diagnostics Gauge - John Deere	1	PC

Load Discharge Pendant (M010321)
Cab Controls\Discharge Control\Load Discharge Pendant
Cab Controls - Discharge Control



RTCN. 003

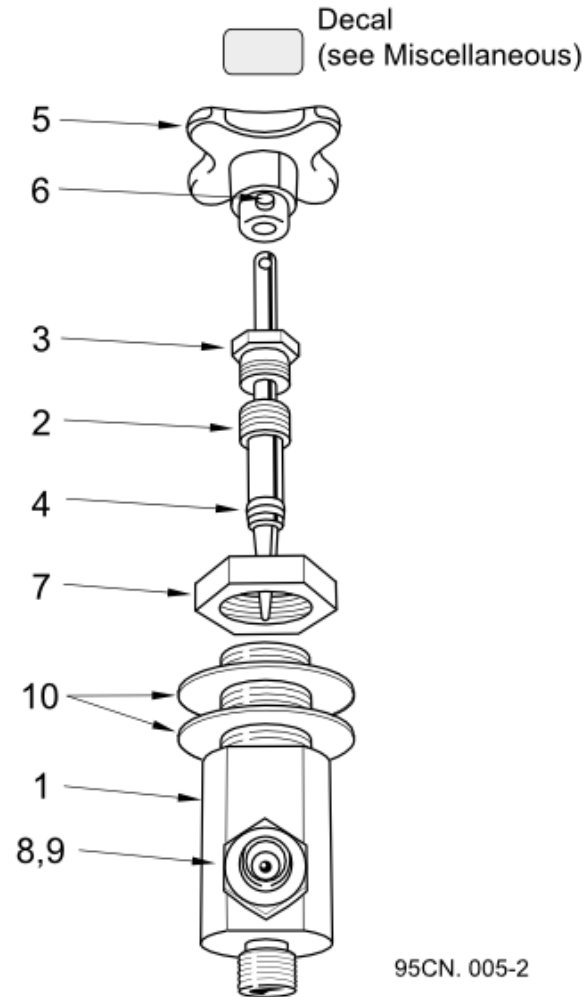
Load Discharge Pendant (M010321)

Cab Controls\Discharge Control\Load Discharge Pendant

Cab Controls - Discharge Control

Item no.	Part no.	Description	QTY	Unit
1	283440-2	Discharge Pendant-AP (Black)	1	PC

Gutter Broom Speed Control (950322)
Cab Controls\Gutter Broom Speed Control
Cab Controls - Switch Panel



Gutter Broom Speed Control (950322)
Cab Controls\Gutter Broom Speed Control
Cab Controls - Switch Panel

Item no.	Part no.	Description	QTY	Unit
0	3730-1-E	Valve - Speed Control	1	PC
Comprising items 1-9				
1	26106-1-K	Body	1	PC
2	26107-1-E	Spindle	1	PC
3	26108-1-C	Gland	1	PC
4	79-52	O Ring - .301" Dia.	2	PC
5	41045-2-B	Handwheel - Control, Valve	1	PC
6	135-9	Grubscrew - Cone Point M6cx8	1	PC
7	410-18	Nut - Back 3/4 B.S.P	1	PC
8	265-2	Adaptor Reducing M/M 1/4 x 3/8 BSP	1	PC
9	451-17	Washer Bonded G1-4"	1	PC
10	450-16	Washer Plain 1 1/8	2	PC

This page is intentionally left blank

Chapter 13

Miscellaneous

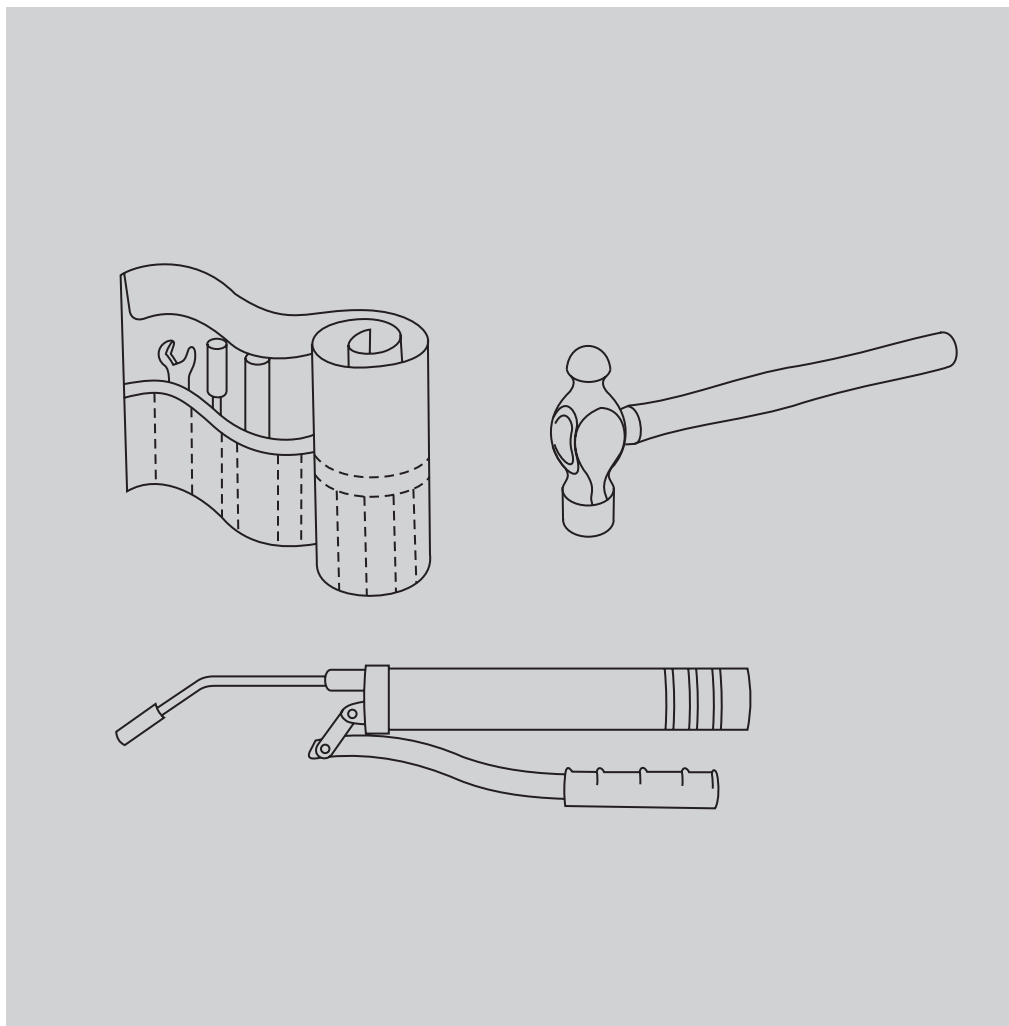
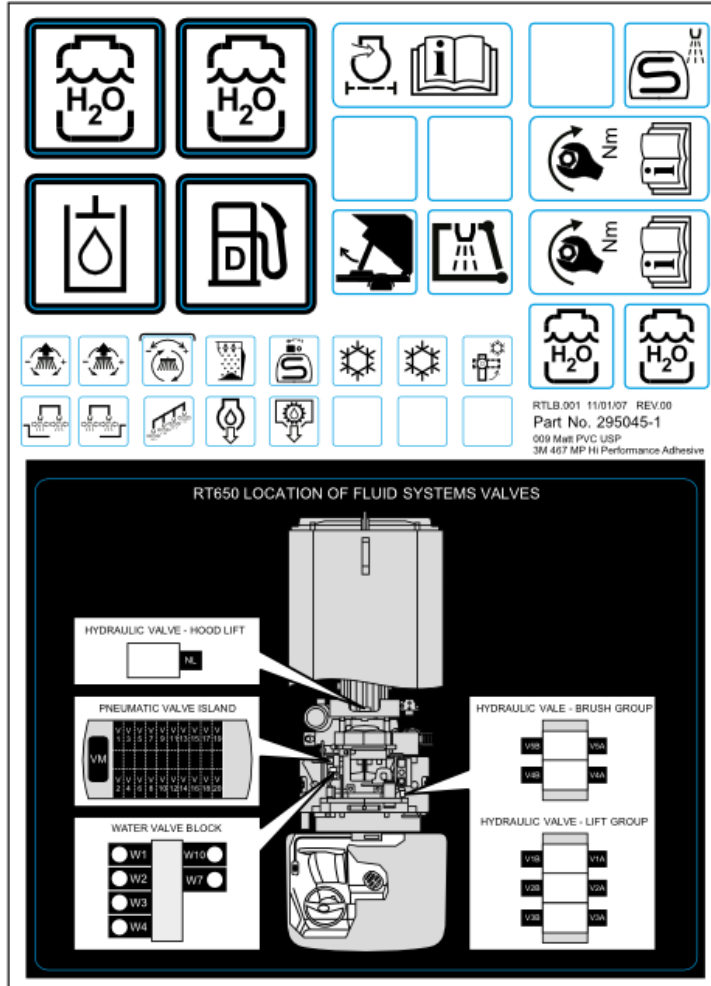


Table of Contents

Section	Page
13.1 Decals	282
13.2 Lubricants and Tool Kit	284



2 PLEASE NOTE:
DRAWINGS NOT TO SCALE

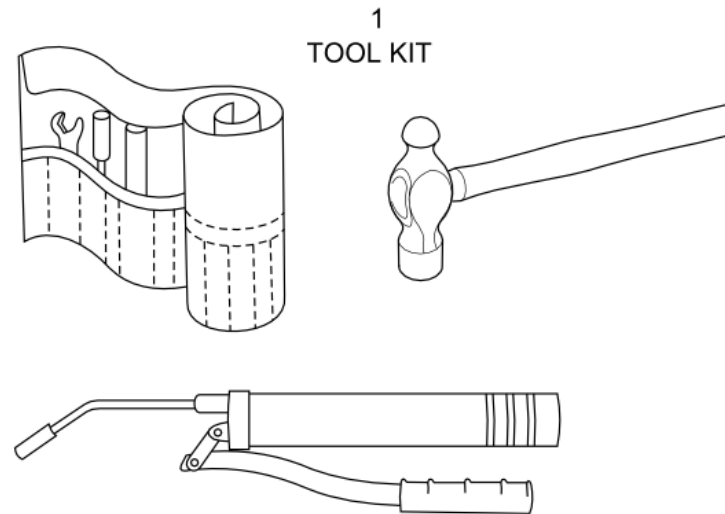
1



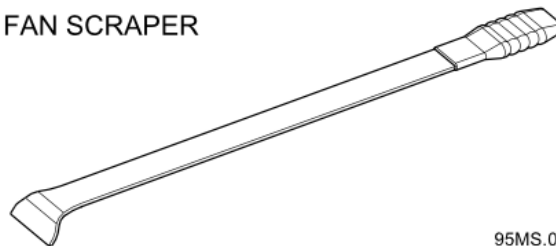
RTMS.003-2

Decals (M011810)
Miscellaneous\Decals

Item no.	Part no.	Description	QTY	Unit
1	295045-1	Label Set - Operational	1	PC
2	282457-1	Label Set - Universal Warning	1	PC
3	280814-1	Label - Vehicle Height	2	PC
4	282426-1	Badge - Johnston Sweepers 95	2	PC



2
FAN SCRAPER



95MS.005

Suction Fan Scraper for cleaning debris from underside of blades to prevent vibration.
See Operator's Guide - Routine Maintenance, Suction Fan Impeller and Casing.

Lubricants and Tool Kit (KT03995)
Miscellaneous\Lubricants and Tool Kit

Item no.	Part no.	Description	QTY	Unit
1	282499-1	Tool Kit 94/95	1	PC
2	283665-1	Scraper Assembly Suction Fan	1	PC

This page is intentionally left blank

Chapter 14

Optional Equipment

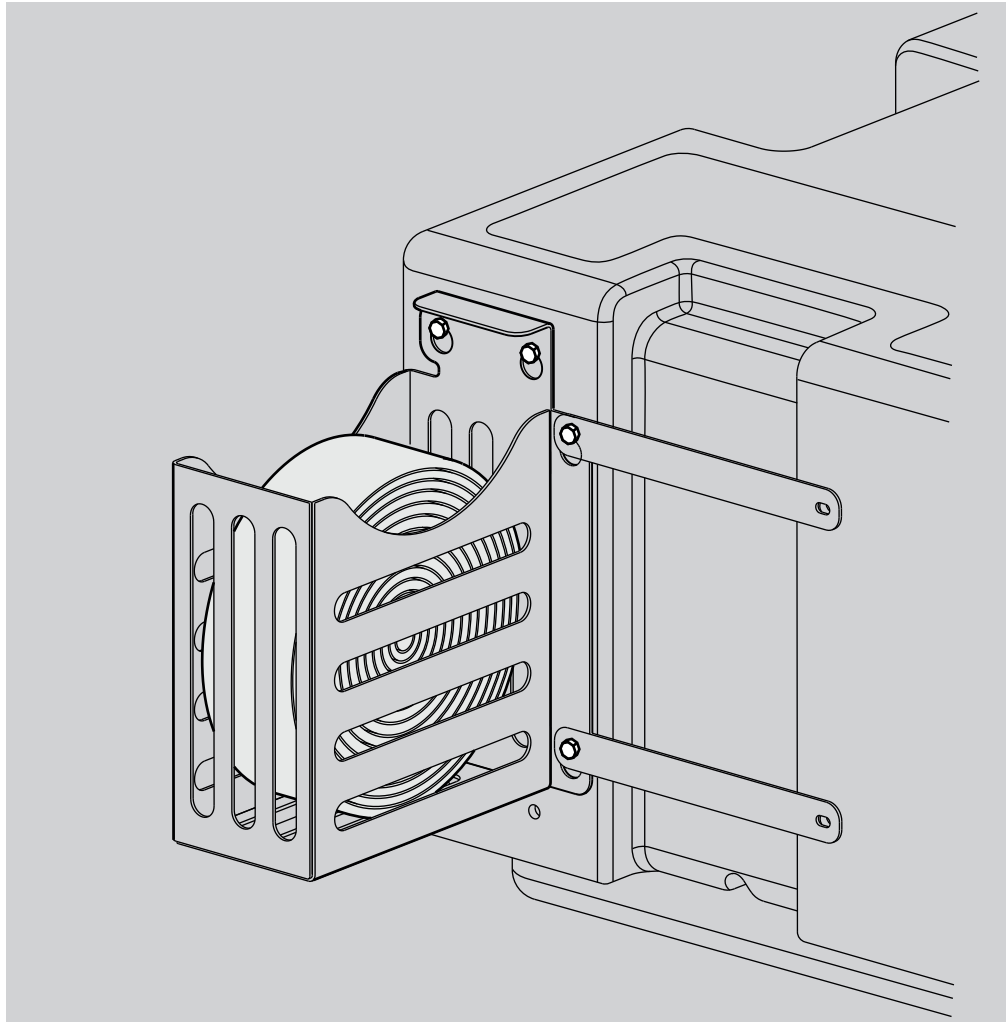
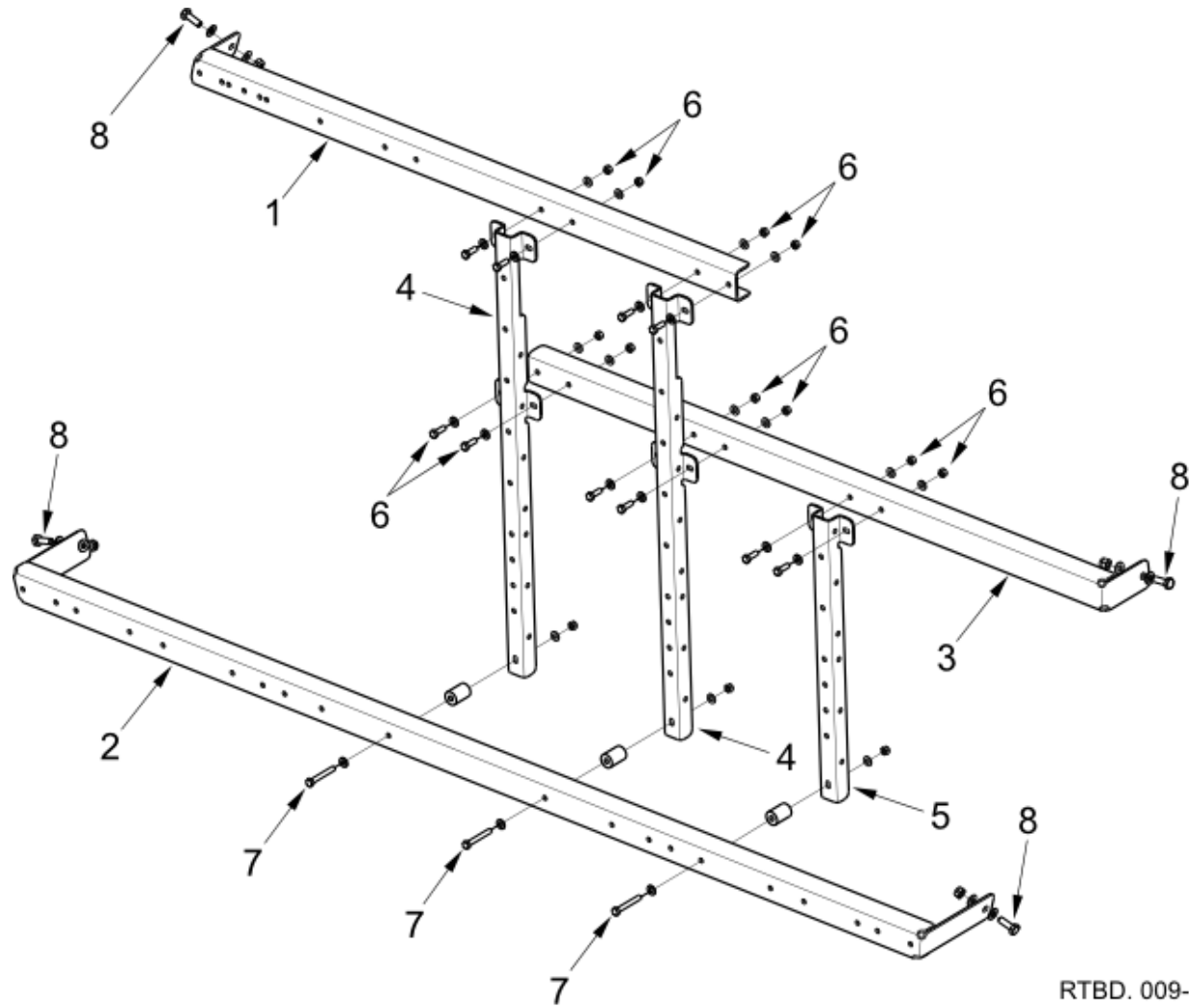


Table of Contents

Section	Page
14.1 Body	288

Rear Door Mounted Options Frame (KT01601)
Optional Equipment\Body\Rear Door Mounted Options Frame
Optional Equipment - Body



RTBD. 009-2

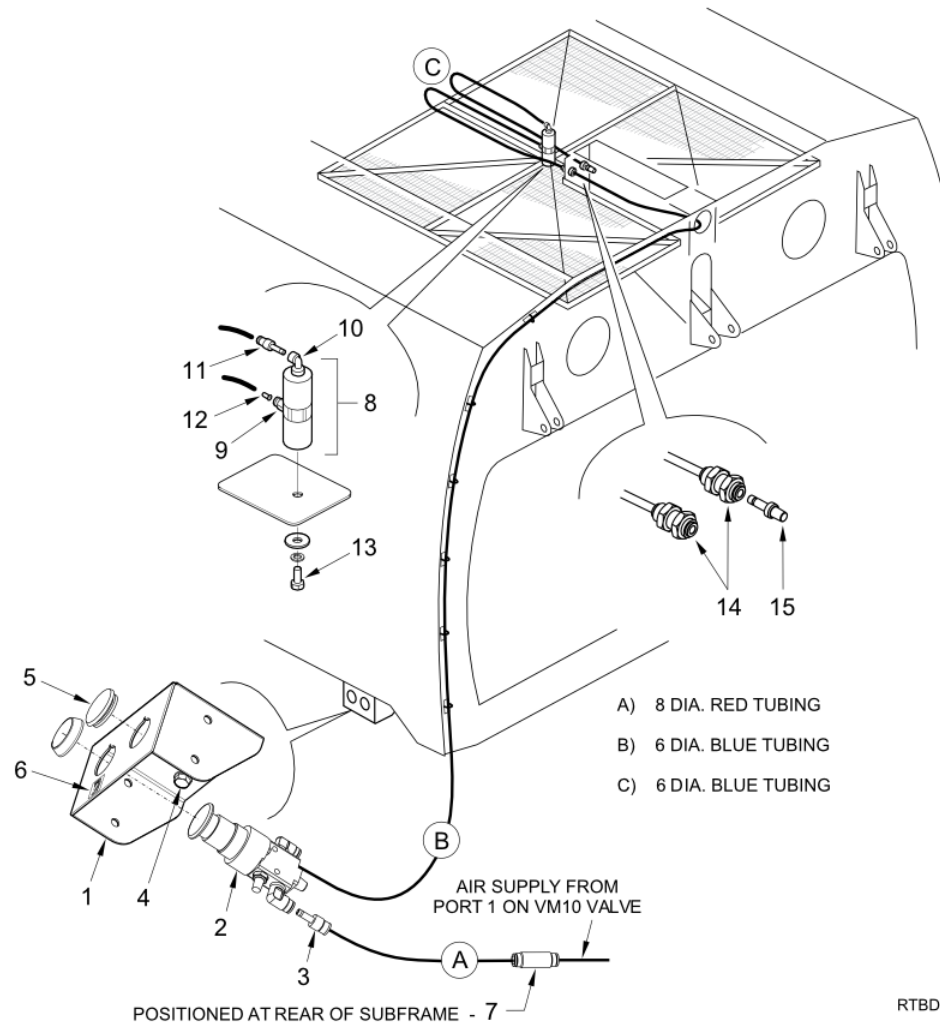
Rear Door Mounted Options Frame (KT01601)

Optional Equipment\Body\Rear Door Mounted Options Frame

Optional Equipment - Body

Item no.	Part no.	Description	QTY	Unit
0	221205-1	Frame - Rear Options RT655	1	PC
Comprising items 1-8				
1	221199-1	Crossmember-Upper Optn Frame	1	PC
2	221198-1	Crossmember-Lower Optn Frame	1	PC
3	221485-1	Crossmember-Middle Optn Frame	1	PC
4	221197-1	Strut - Vertical Options Frame	2	PC
5	221495-1	Strut Vertical-Rear Opt Frame	1	PC
6	124-137	Setscrew M8C x 25	10	PC
6	455-10	Washer Plain Plated Steel M8	20	PC
6	425-14	Nut Nyloc Hex MC M8	10	PC
7	124-147	Setscrew M8C x 60	3	PC
7	455-10	Washer Plain Plated Steel M8	6	PC
7	282438-37	Spacer-DIM A 37	3	PC
7	425-14	Nut Nyloc Hex MC M8	3	PC
8	124-171	Setscrew M10C x 30	4	PC
8	455-11	Washer Plain Plated Steel M10	8	PC
8	425-15	Nut Nyloc Hex M10C	4	PC

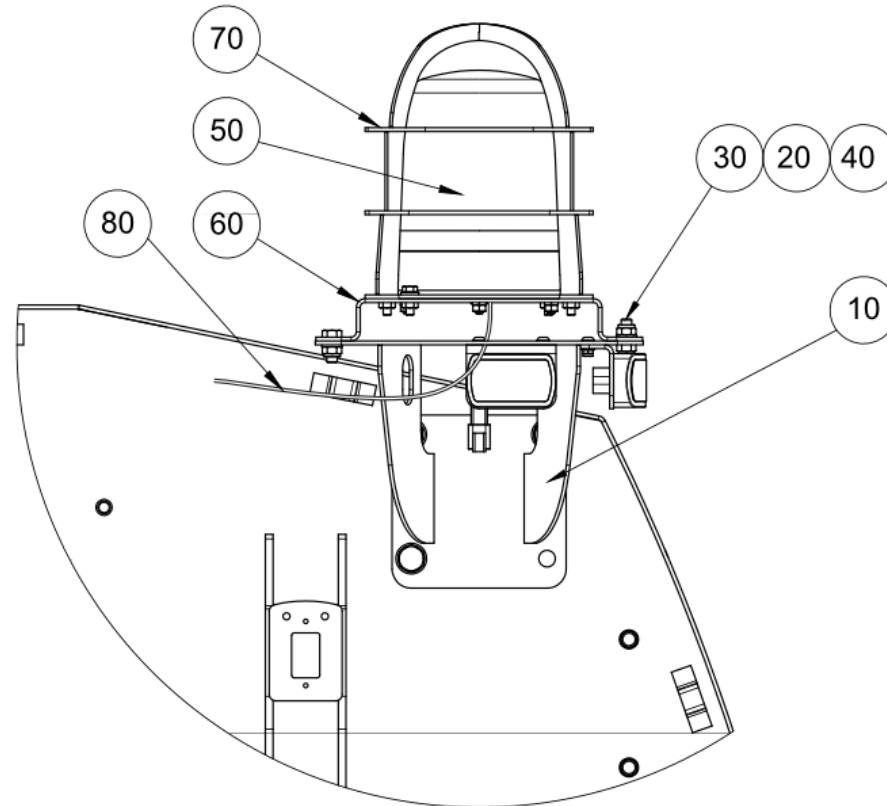
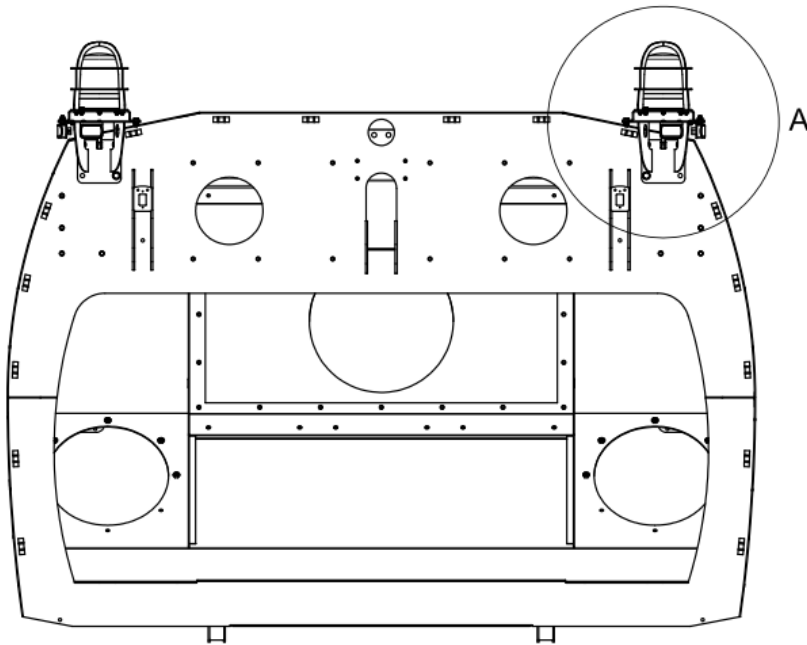
Mesh Screen Shaker (KT03695,KT03101)
 Optional Equipment\Body\Mesh Screen Shaker
 Optional Equipment - Body



Mesh Screen Shaker (KT03695,KT03101)
 Optional Equipment\Body\Mesh Screen Shaker
 Optional Equipment - Body

Item no.	Part no.	Description	QTY	Unit
1	282522-1	Switch Box Ctls LS/Mesh Shaker	1	PC
2	72-51	Push Button Pneu Switch	1	PC
3	548-20	Adaptor - Expanding 8mm x 6mm	1	PC
4	124-135	Setscrew M8C x 20	2	PC
4	455-10	Washer Plain Plated Steel M8	4	PC
4	425-14	Nut Nyloc Hex MC M8	2	PC
5	288-28	Grommet - Blind 31.8 O/D x 2.4	1	PC
6	282458-1	Label Set-Universal Tanks/Taps	1	PC
7	547-4	Connector - 8mm Straight	1	PC
A	273-23	Tube - Nylon Red 8mm O/D 100m REEL	6.5	M
B	273-20	Tube - Nylon Blue 6mm O/D 100m Reel	10	M
8	283806-1	Pneumatic Piston Vibrator	1	PC
9	546-3	Adaptor - Straight R1/8" x 6mm	1	PC
10	553-9	Adaptor - Elbow 8mm x 1/4 BSP	1	PC
11	548-10	Adaptor - Reducing 8mm x 6mm	1	PC
13	118-201	Setscrew Hexagon Hd M12cx25 SS	1	PC
13	460-12	Washer Spring Single Coil M12	1	PC
13	457-6	Washer Plain Steel M12 Form G	1	PC
14	555-3	Adaptor Bulkhead 6mm x M14x1.5	2	PC
15	72-53	Silencer - Air 6mm	1	PC
C	273-20	Tube - Nylon Blue 6mm O/D 100m Reel	2	M
12	41041-1-A	Sleeve - Support, Pipe	1	PC

Rear Beacon ()
Optional Equipment\Body\Rear Beacon
Optional Equipment - Body



7023282E708165

Rear Beacon ()
Optional Equipment\Body\Rear Beacon
Optional Equipment - Body

Item no.	Part no.	Description	QTY	Unit
10	7022995	Beacon Mount WAssy	2	PC
20	93085005-0	Nyloc Hex Thin Nut M8C - 8	4	PC
30	92099373-0	Hex Head Screw - M8Cx20 - A2	4	PC
40	93212011-0	Plain Washer M8	4	PC
50	46-426	LED Beacon 12/24	1	PC
60	295079-1	Beacon Base W/Assy	1	PC
70	295078-1	Beacon Cage W/Assy	1	PC
80	221453-1	Loom - Body Main RT655	1	PC