



Spare Parts Catalogue

RT655 MkIII

Regenerative Air Twin Engine Sweeper

7045552 - Revision A

Foreword

Introduction

Chapters 1 to 12, listed on the front sheet, cover the major areas of the machine. Some of the more popular options such as the Supawash hi-pressure water system, Channel Brush Rotatilt, Powaboom and Littasnatch wanderhoses are also covered in these chapters. Other more specialised options will be found in the Optional Equipment Chapter 13.

The BoM numbers, shown in brackets after the section title, are for Johnston internal reference only.

Chassis Related Parts

Some parts shown in the Parts Section are chassis related and can vary due to the differences between chassis manufacturers.

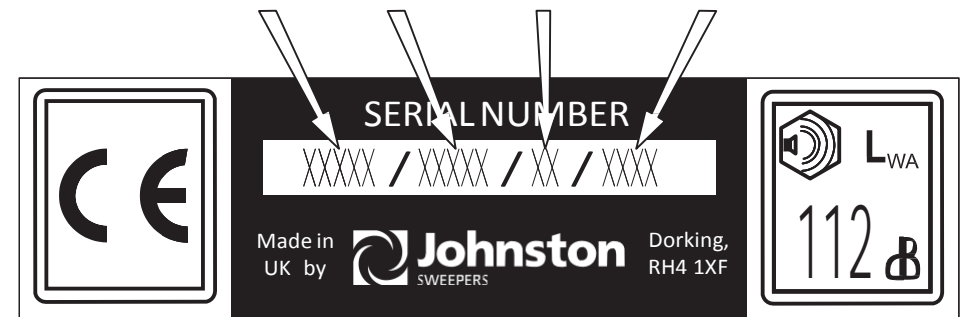
It is important that only GENUINE JOHNSTON SPARE PARTS are used when servicing and maintaining the sweeper. This is especially important for consumables, filters etc. as the use of non-genuine parts may cause premature failure and invalidation of warranty.

For the latest parts information please refer to our on-line interactive catalogues which are available through our E-Shop (www.shop.johnstonsweepers.com).
To open an account, please follow the instructions on the Johnston Sweepers website: www.johnstonsweepers.com

When making enquiries or ordering spare parts the Johnston Serial number should be quoted. The number will be found stamped on a plate similar to that shown below and attached to the rearmost crossmember of the subframe, below the rear door.

Serial number comprises:-

	Model No.	EQ No.	Year of manufacture	Manufacture sequence No.
Example.....	VT651	12345	12	1234



M02MS-002

**Safety Notice**

The universal safety symbol is used throughout this manual to indicate information which is essential for the health and safety of all operating personnel.

Abbreviations

The following abbreviations are used in this Manual:

LH = Left Hand
RH = Right Hand
CW = Clockwise
CCW - Counterclockwise
NO = Normally Open
NC = Normally Closed
Item 0 = Whole assembly shown

Johnston® is a registered trade mark of Johnston Sweepers Limited.

Johnston Sweepers Limited

Curtis Road, Dorking, Surrey RH4 1XF, UK

Tel: +44 (0)1306 884722 Fax: +44 (0)1306 884151

E-mail: enquiries@johnstonsweepers.com Web: www.johnstonsweepers.com

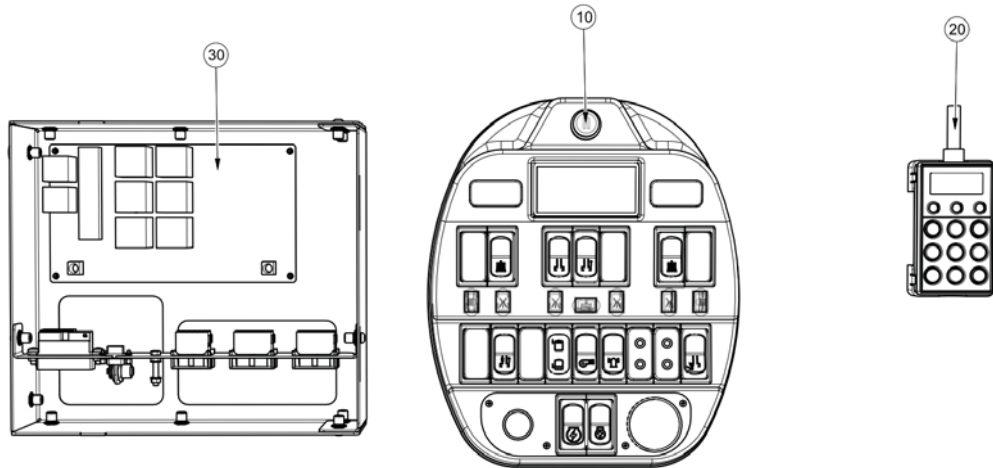
Table of Contents

1 Cab Controls.....	6		
1.1 Centre Console.....	8		
1.2 Relay Box.....	12		
2 Powapack.....	14		
2.1 Engine Install.....	16		
2.1.1 Exhaust Install.....	20		
2.1.2 Gearbox Install.....	22		
2.2 Cooling.....	24		
2.2.1 Air Filter Assembly.....	28		
2.3 Fuel Filter & Pump.....	30		
2.4 RHS Blast.....	32		
2.4.1 RHS Blast Fancase.....	34		
2.4.1.1 RHS Blast VEG Gate.....	36		
2.4.1.1.1 RHS VEG Indicator.....	40		
2.4.2 RHS Fuel Tank.....	42		
2.4.3 RHS Access Platform.....	44		
2.5 LHS Blast.....	46		
2.5.1 LHS Blast Fancase.....	48		
2.5.1.1 LHS Blast VEG Gate.....	50		
2.5.1.1.1 LHS VEG Indicator.....	54		
2.5.2 LHS Fuel Tank.....	56		
2.5.3 LHS Access Platform.....	58		
2.5.4 Access Ladder.....	60		
3 Subframe.....	62		
3.1 Body Prop and Lift Cylinders.....	64		
3.2 Intake Seat.....	66		
3.3 Powapack Frame.....	68		
		3.3.1 Return Manifold.....	70
		3.3.2 RHS & LHS Bulkhead.....	72
		3.3.3 Engine Frame Pipework.....	74
		3.3.4 Engine Frame.....	78
		3.3.5 Hydraulic Manifold.....	80
		3.3.6 Hydraulic Tank.....	82
		3.3.6.1 Oil Cooler.....	84
		3.4 Subframe Hydraulics Pipework.....	86
		3.5 Powaboom and Rear Door Hydraulics.....	90
		3.6 Subframe Front Bulkheads.....	94
		3.7 Tandem Valve Block.....	96
		3.8 Discharge Pump.....	98
		3.9 Rotatilt and Powaboom Relay Box.....	100
4 Sweepgear.....	102		
4.1 Intake & Blast Tubes.....	104		
4.2 Sweep Curtain.....	106		
4.3 Pick-up Head Assembly.....	108		
4.4 Gutter Broom.....	112		
4.4.1 Upper Arm.....	114		
4.4.2 Lower Arm.....	116		
4.4.3 Brush Head.....	120		
4.4.4 Rotatilt.....	122		
4.5 Pick-up Head Install.....	124		
5 Ancillary Equipment.....	128		
5.1 Rear Mounted Wanderhose.....	130		
5.2 Wanderhose Extension.....	134		
5.3 Wanderhose Coupling.....	136		
6 Water System.....	138		
6.1 Water Tank Assembly.....	140		

6.1.1	Overflow and Water Valve.....	144
6.1.2	Hydrant Filler	146
6.2	Supawash.....	148
6.2.1	Supawash Install	152
6.3	Supawash Hose Reel and Lance.....	156
6.4	Supawash Front Spraybar.....	158
7	Body.....	160
7.1	Body Assembly.....	162
7.2	Inlet Tubes.....	166
7.3	Mesh Shakers	168
7.4	Radiator Seal.....	170
7.5	Separator Flush.....	172
7.6	Access Door	174
7.7	Fuel Filler Plate	176
7.8	Tip Bracket and Latch	178
7.9	Blanking Plates.....	180
7.10	Hopper Screens	182
7.11	Discharge Chute.....	184
8	Rear Door	186
8.1	Rear Door	188
8.1.1	Rear Door Install.....	190
8.2	Options Frame.....	192
9	Trim & Lights	194
10	Pneumatic System.....	196

This page is intentionally left blank

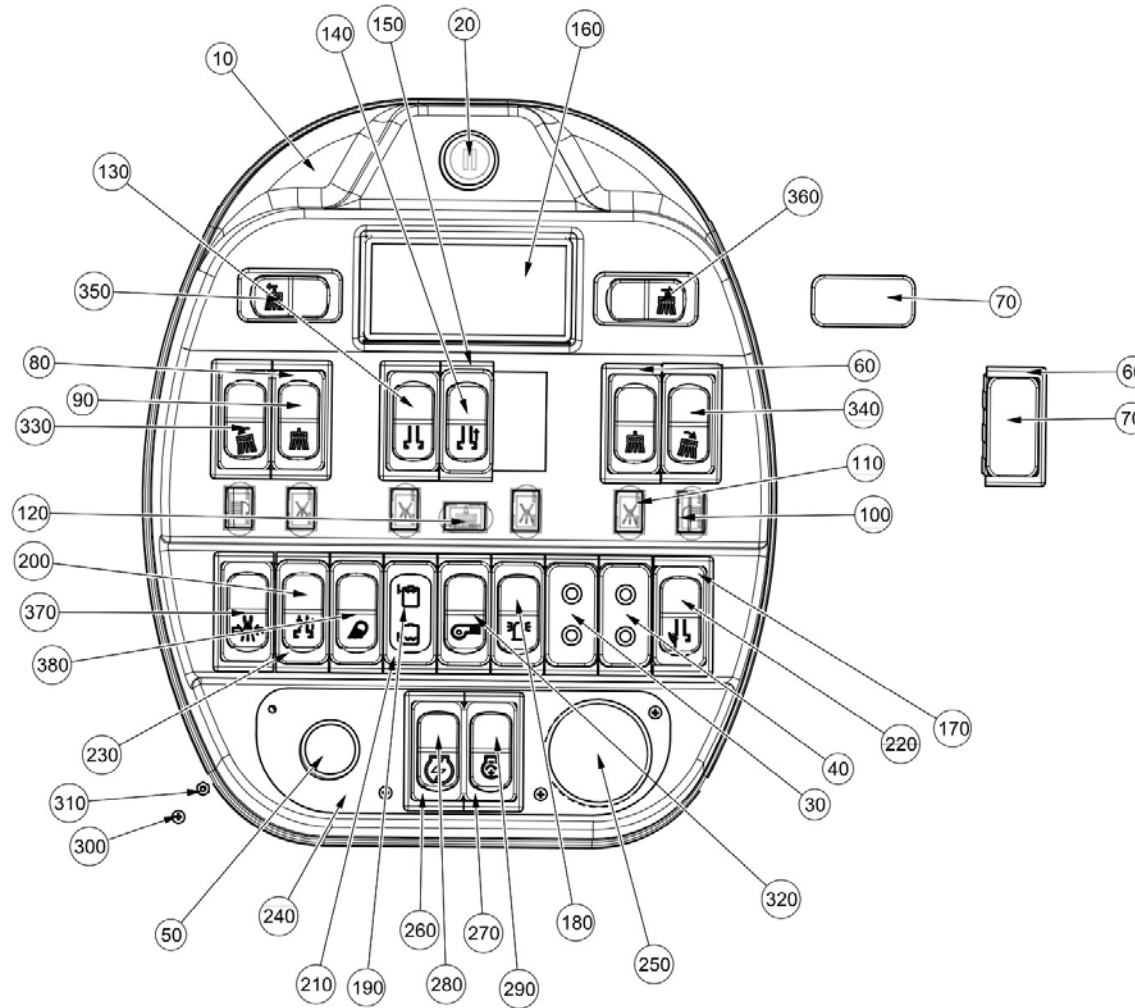
Chapter 1 Cab Controls



Section	Page
10.1 Centre Console	12
1.2 Relay Box	12

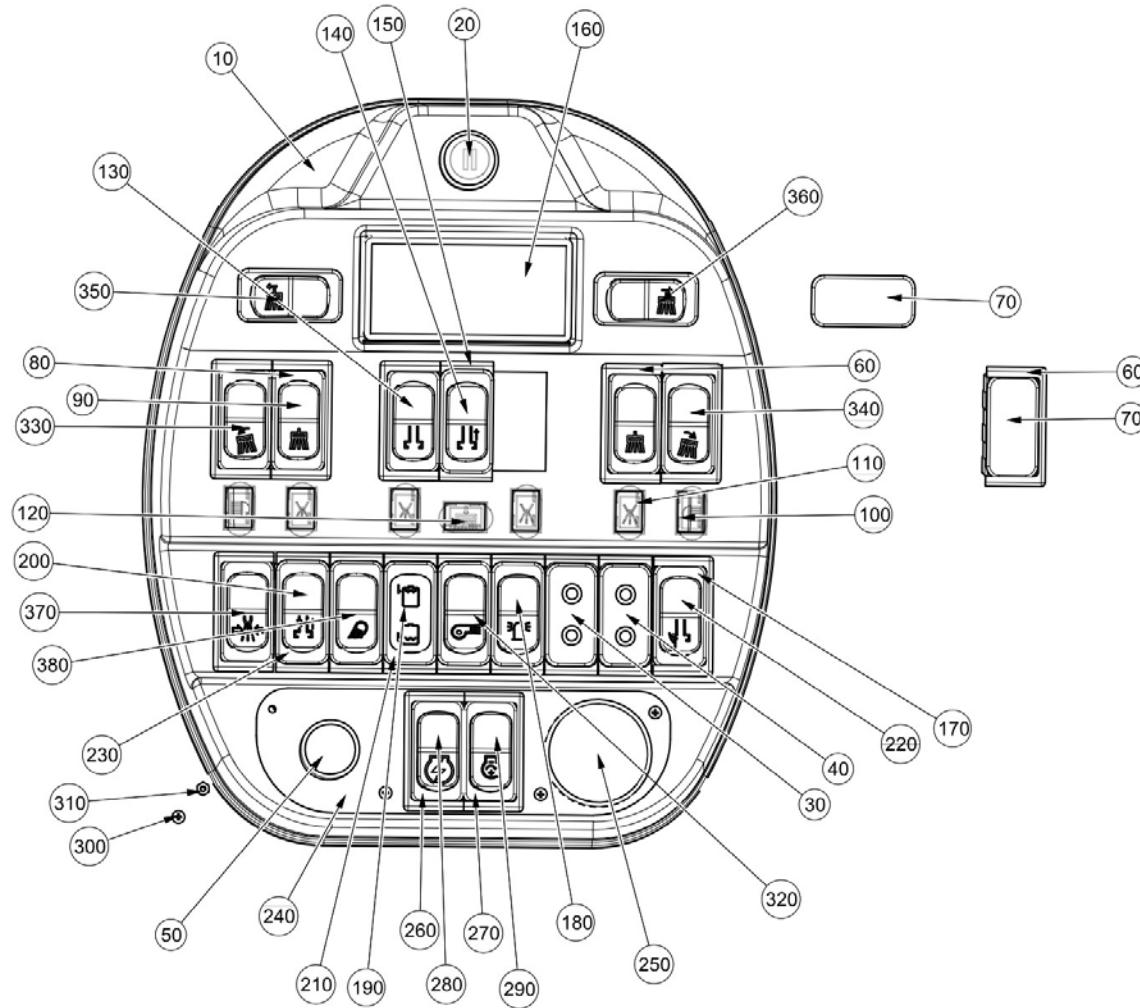
Item no.	Part no.	Description	QTY	Unit
20	7008222	Discharge Pendant	1	PC
100	7043505	Cab Interface Harness	1	PC
110	7043581	Red power Cable to PCB	1	PC
120	7043582	Black power Cable to PCB	1	PC
130	7045051	RT Cab Harness	1	PC

Centre Console ()
Cab Controls\Centre Console



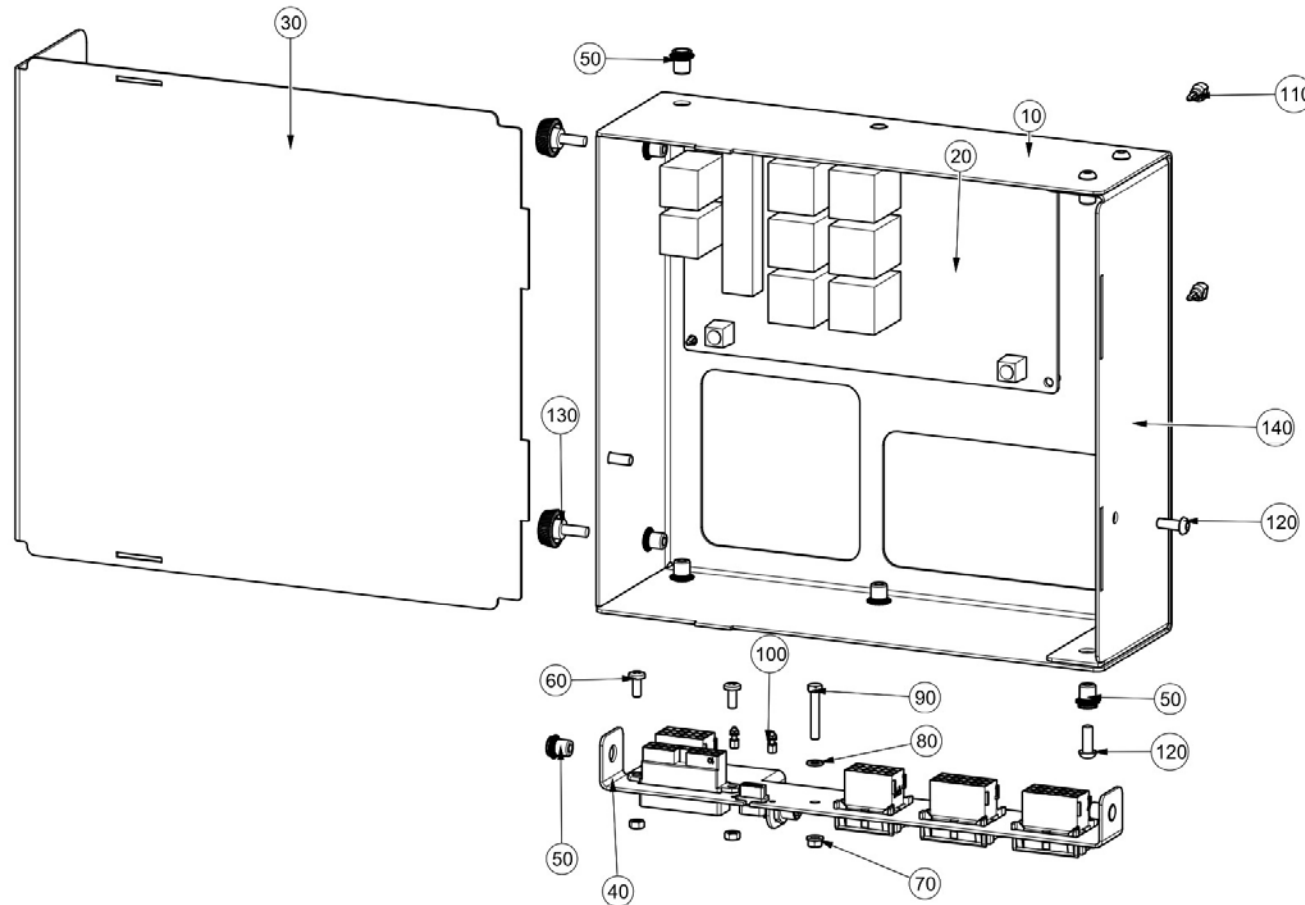
Item no.	Part no.	Description	QTY	Unit
10	7040391	Switch Box Assembly	1	PC
20	7040421	Ergo Switch Assembly 24V	1	PC
20	7033013	Ergo Switch Assembly 12V	1	PC
30	7010527	Indicator LEDs	1	PC
40	7010529	Indicator LEDs	1	PC
50	7040385	Engine Crank Switch -24V	1	PC
50	7040384	Engine Crank Switch -12V	1	PC
60	735-70	Bezel - Mounting End Piece	10	PC
70	735-60	Plug - Blanking	7	PC
80	735-27	Switch-3 Position, Detent 24V	2	PC
90	735-101	Cover - Rocker Channel Brush	2	PC
100	43-201	Switch - Work Lamp 24v	2	PC
100	43-101	Switch - Work Lamp 12v	2	PC
110	43-200	Switch-Low Press. Water 24v	4	PC
110	43-100	Switch - Low Pressure Water 12v	4	PC
120	43-204	Switch-Powasave/Powathrust 24v	1	PC
120	43-104	Switch-Powasave/Powathrust 12v	1	PC
130	735-102	Cover - Rocker Nozzle	1	PC
140	735-132	Cover - Rocker Nozzle Hop	1	PC
150	735-71	Bezel - Mounting Centre Piece	8	PC
160	282237-4	Panel - Instrument IVE SP & JD	1	PC
170	735-31	Switch-3 Position, Spring 24v	4	PC
180	735-108	Cover - Beacons	1	PC
190	735-606	Cover - Rocker Indicator Cap	1	PC

Centre Console ()
Cab Controls\Centre Console



Item no.	Part no.	Description	QTY	Unit
200	735-134	Cover - Rocker Reverse	1	PC
210	735-502	Base-Indicator 24v(Green Area)	1	PC
210	735-403	Base-Indicator 14v(Green Area)	1	PC
220	735-133	Cover - Rocker Veg	1	PC
230	735-26	Switch-2 Position, Detent 24v	2	PC
240	282353-2	Plate - Switch JD Panel	1	PC
250	282934-1	Diagnostics Gauge - John Deere	1	PC
260	735-29	Switch-3 Position, Spring 24V	1	PC
270	735-34	Switch-2 Position, Detent 24v	1	PC
280	735-125	Cover - Rocker Alternator	1	PC
290	735-121	Cover - Rocker ES+W/Tank Level	1	PC
300	134-13	Pan Head Screw - M3Cx12 - 4.8 - Pozidriv	4	PC
310	93085001-0	Nyloc Hex Nut M3C - 8	4	PC
320	735-114	Cover - Rocker Suction Fan	1	PC
330	735-104	Cover - Rocker LH Rotatilt	1	PC
340	735-105	Cover - Rocker RH Rotatilt	1	PC
350	735-110	Cover - Rocker LH Variabrush	1	PC
360	735-111	Cover - Rocker RH Variabrush	1	PC
370	735-106	Cover - Rocker Supawash	1	PC
380	735-118	Cover - Rocker Worklights	1	PC
390	7043463	Switch Box Harness RT655	1	PC
400	7011029	Printed Circuit Board	1	PC

Relay Box ()
Cab Controls\Relay Box



Item no.	Part no.	Description	QTY	Unit
10	7042888	Base Plate	1	PC
20	7042905	Relay Board 12V - RT655	1	PC
20	7042909	Relay Board 24V - RT655	1	PC
30	7042889	Top Plate	1	PC
40	7042887	Connector Plate	1	PC
50	433-104	Insert, Small Hd, M6, 0.7-4.2, Open, MS	10	PC
60	134-57	Pan Head Screw - M5Cx12 - 4.8	2	PC
70	93056011-0	Hex Nut M5C-8	4	PC
80	93210109-0	Plain Washer M5	2	PC
90	92097269-0	Hex Head Screw - M5Cx30 - 8.8	1	PC
100	718-173	Kit - Screwlock, Female HDP20 Housing	1	PC
110	30-280	Supt Circuit Board(Snap Rivet)	4	PC
120	92330109-0	Hex Skt Button Head Screw M6x16 - 10.9	6	PC
130	23-12	Thumbscrew - M6x15	2	PC
140	7043405	Back Plate - Relay Box	1	PC
150	7043382	Relay Box harness	1	PC

This page is intentionally left blank

Chapter 2 Powapack

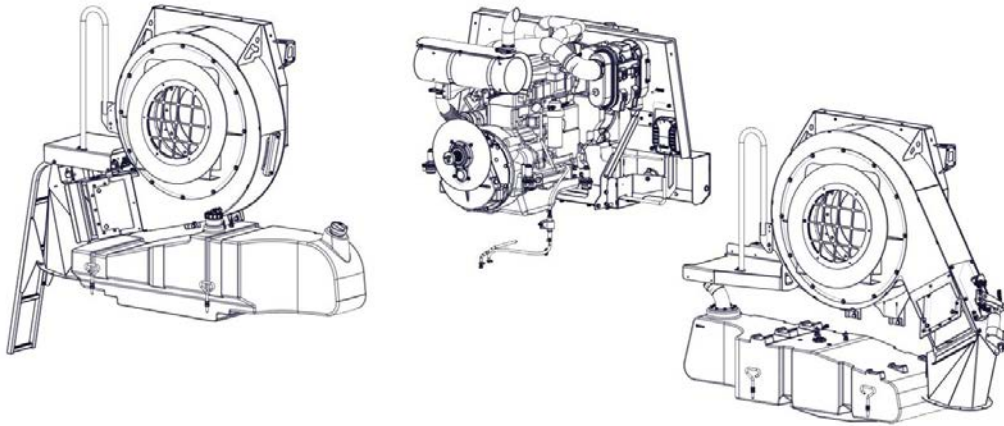
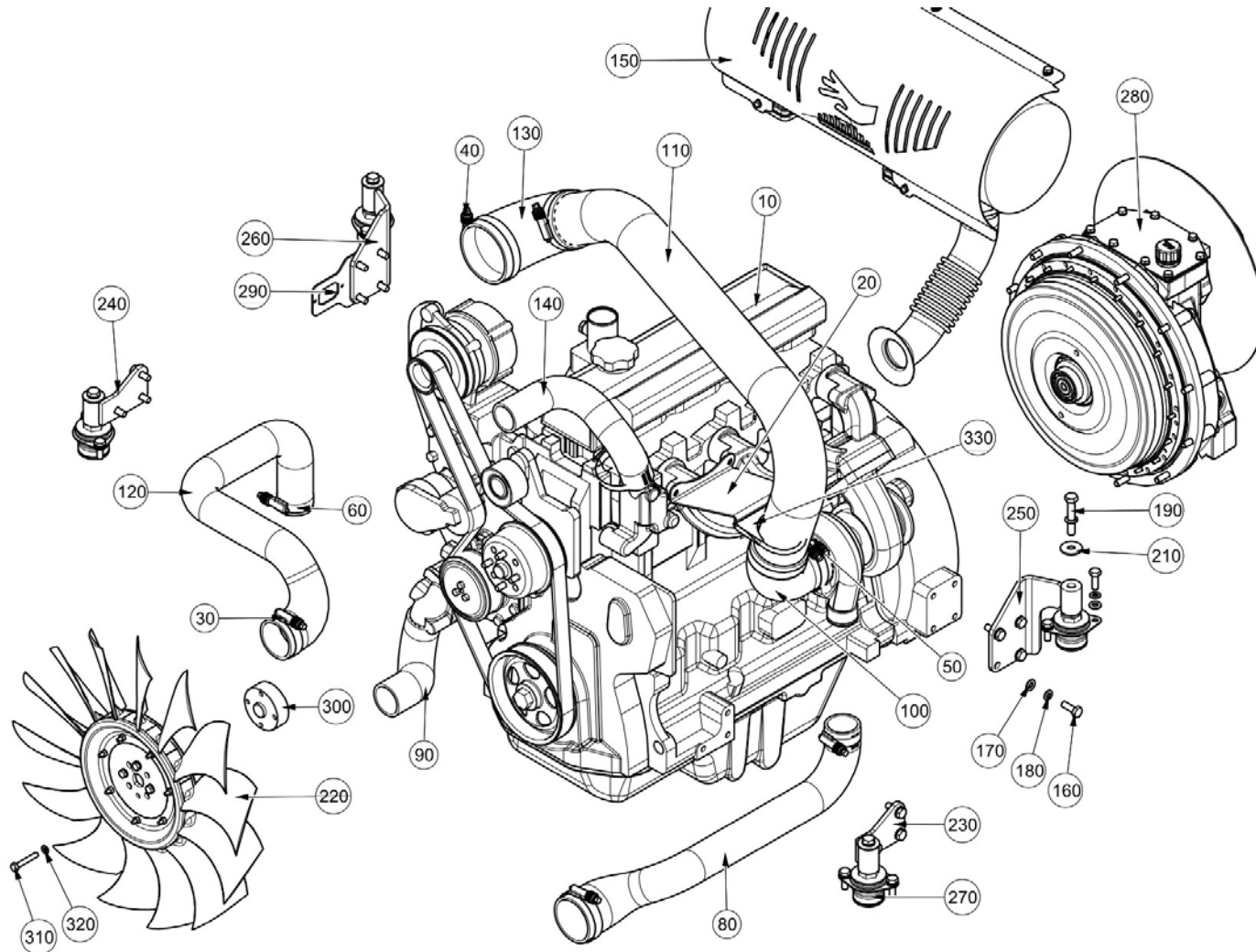


Table of Contents

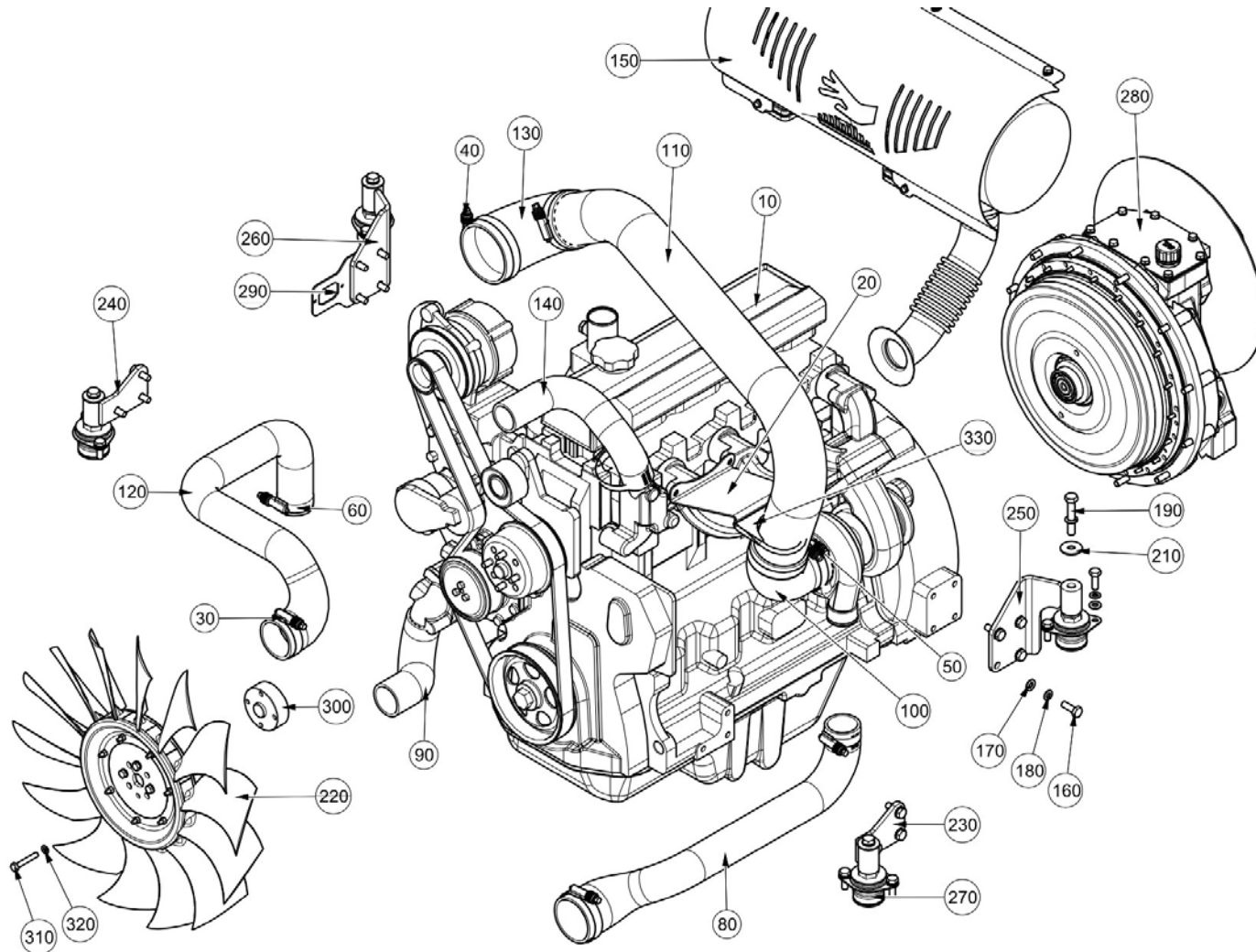
Section	Page
2.1 Engine Install	16
2.1.1 Exhaust Install	20
2.1.2 Gearbox Install	22
2.2 Cooling	24
2.2.1 Air Filter Assembly	28
2.3 Fuel Filter & Pump	30
2.4 RHS Blast	32
2.4.1 RHS Blast Fancase	34
2.4.1.1 RHS Blast VEG Gate	36
2.4.1.1.1 RHS VEG Indicator	40
2.4.2 RHS Fuel Tank	42
2.4.3 RHS Access Platform	44
2.5 LHS Blast46	
2.5.1 LHS Blast Fancase	48
2.5.1.1 LHS Blast VEG Gate	50
2.5.1.1.1 LHS VEG Indicator	54
2.5.2 LHS Fuel Tank	56
2.5.3 LHS Access Platform	58
2.5.4 Access Ladder	60

Engine Install ()
Powapack\Engine Install



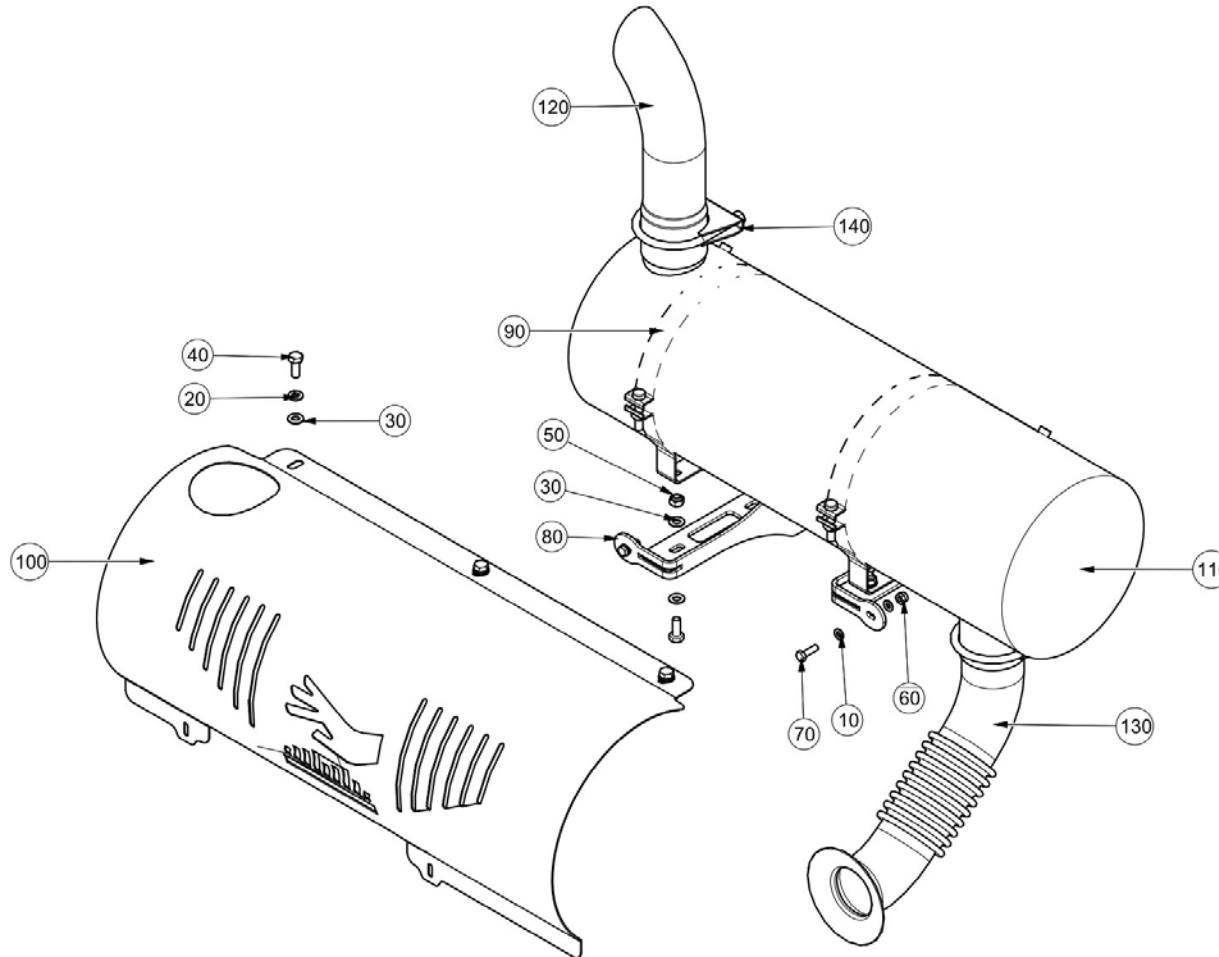
Item no.	Part no.	Description	QTY	Unit
10	283791-12	Eng John Deere 4045HF285 86kw	1	PC
20	284136-1	Mntg Bracket-Air Inlet J/Deere	1	PC
30	507-3	Hose Clamp - Constant Torque (57-79)	1	PC
40	507-6	Hose Clamp - Constant Torque (95-118)	3	PC
50	507-5	Hose Clamp - Constant Torque (83-105)	2	PC
60	507-2	Hose Clamp - Constant Torque (45-67)	2	PC
70	501-6	Hose Clip - Worm Drive (55-70)	4	PC
80	283932-1	Charge Air Hose Btm J Deere T3	1	PC
90	283931-1	Coolant Hose Btm-J Deere HP T3	1	PC
100	61096-3	Rubber Elbow	1	PC
110	7004395	Tube	1	PC
120	283933-1	Charge Air Hose Top JD HP T3	1	PC
130	904-62	Elbow 4" - 3 1/2" (Rubber)	1	PC
140	283929-1	Coolant Hose Top-J Deere HP T3	1	PC
150	7041190	JD Exhaust Install - RT	1	PC
160	92097414-0	Hex Head Screw - M10Cx30 - 8.8	22	PC
170	93212012-0	Plain Washer - M10	22	PC
180	93699711-0	Spring Washer - Plated M10	22	PC
190	92067463-0	Hex Head Bolt - M12Cx70 - 8.8	4	PC
200	93699712-0	Spring Washer - Plated M12	4	PC
210	93300511-0	Plain Large Washer M12	4	PC
220	7023981	Fan Assembly John Deere	1	PC
230	280150-4	Engine Mount W/A(Less Plate)LH	1	PC
240	280150-2	Engine Mount W/Assy RH	1	PC

Engine Install ()
Powapack\Engine Install



Item no.	Part no.	Description	QTY	Unit
250	280135-1	Rear Engine Mount W/Assy LH	1	PC
260	280135-2	Rear Engine Mount W/Assy RH	1	PC
270	22826-1-A	Rear Anti Vibration Mount - 70 S	4	PC
280	7018238	Gearbox Install - John Deere	1	PC
290	7044110	Connection Plate - Engine Harness JD	1	PC
300	295102-1	Spacer-Cooling Fan 27mm J.D	1	PC
310	92097382-0	Hex Head Screw - M8Cx50 - 8.8	4	PC
320	93699710-0	Spring Washer - Plated M8	4	PC
330	6645-17-A	Clip - Exhaust Banelli 3 1/8"	1	PC
500	295064-1	Bracket-Alternator Mtg JD Eng	1	PC

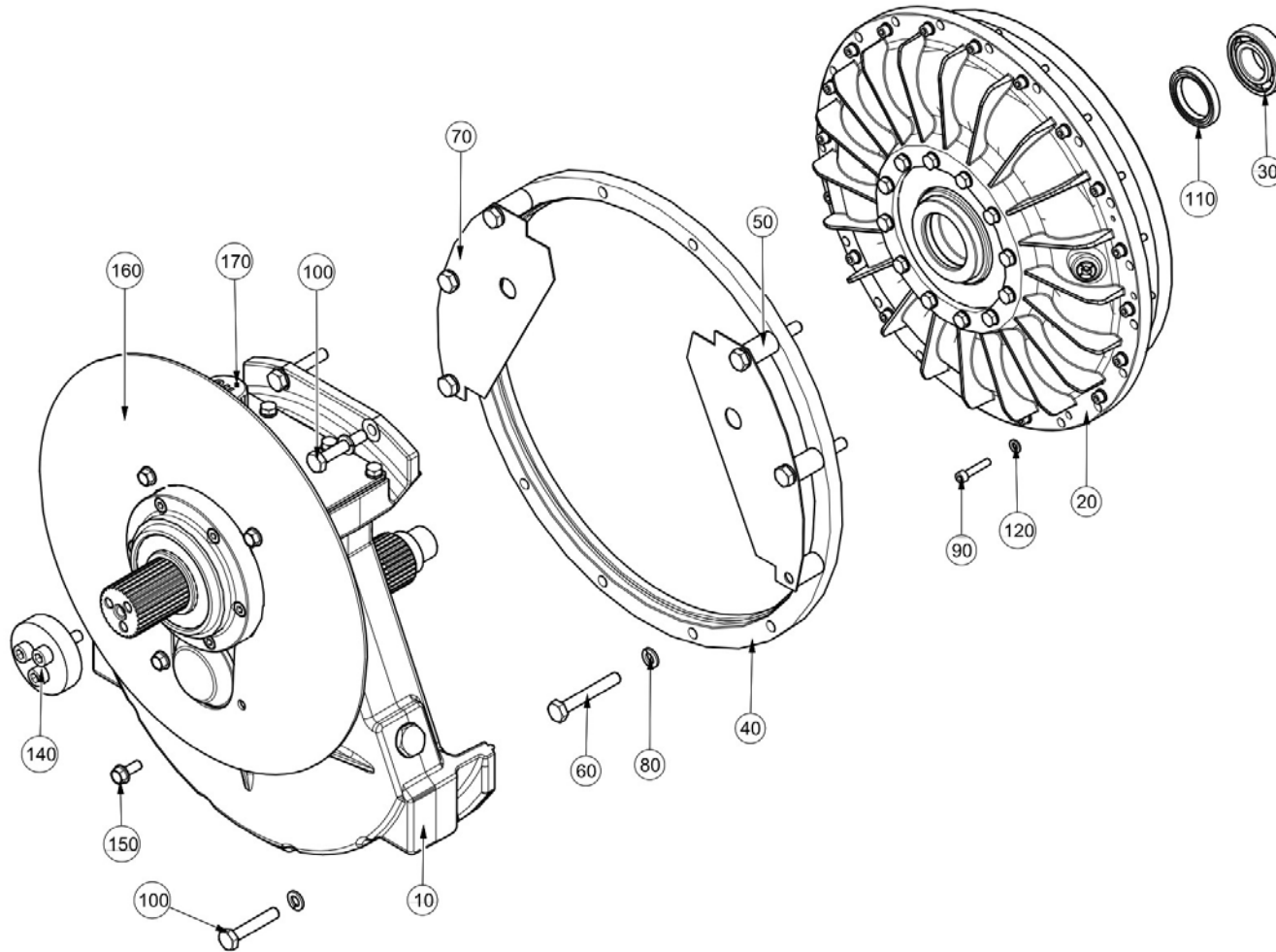
Exhaust Install ()
Powapack\Engine Install\Exhaust Install



Item no.	Part no.	Description	QTY	Unit
10	93212009-0	Plain Washer - M6	4	PC
20	93699710-0	Spring Washer - Plated M8	5	PC
30	93212011-0	Plain Washer - M8	13	PC
40	92097374-0	Hex Head Screw - M8Cx20 - 8.8	9	PC
50	93086035-0	Nut S/Lock Philidas M8cx13x8	4	PC
60	93085004-0	Nyloc Hex Nut M6C - 8	2	PC
70	92097301-0	Hex Head Screw - M6Cx20 - 8.8	2	PC
80	221782-1	Bracket Exhaust W/Assy RT655	2	PC
90	903-9	Mounting Band 203 Dia	2	PC
100	221257-1	Exhaust Heat Shield RT655	1	PC
110	281418-1	Silencer-Exhaust Rr Side Inlet	1	PC
120	221264-1	Tail Pipe Exhaust Silencer 655	1	PC
130	282585-1	Exhaust Inlet Pipe John Deere	1	PC
140	6645-14	Clip - Exhaust Banelli 2 3/4"	2	PC

Gearbox Install ()

Powapack\Engine Install\Gearbox Install

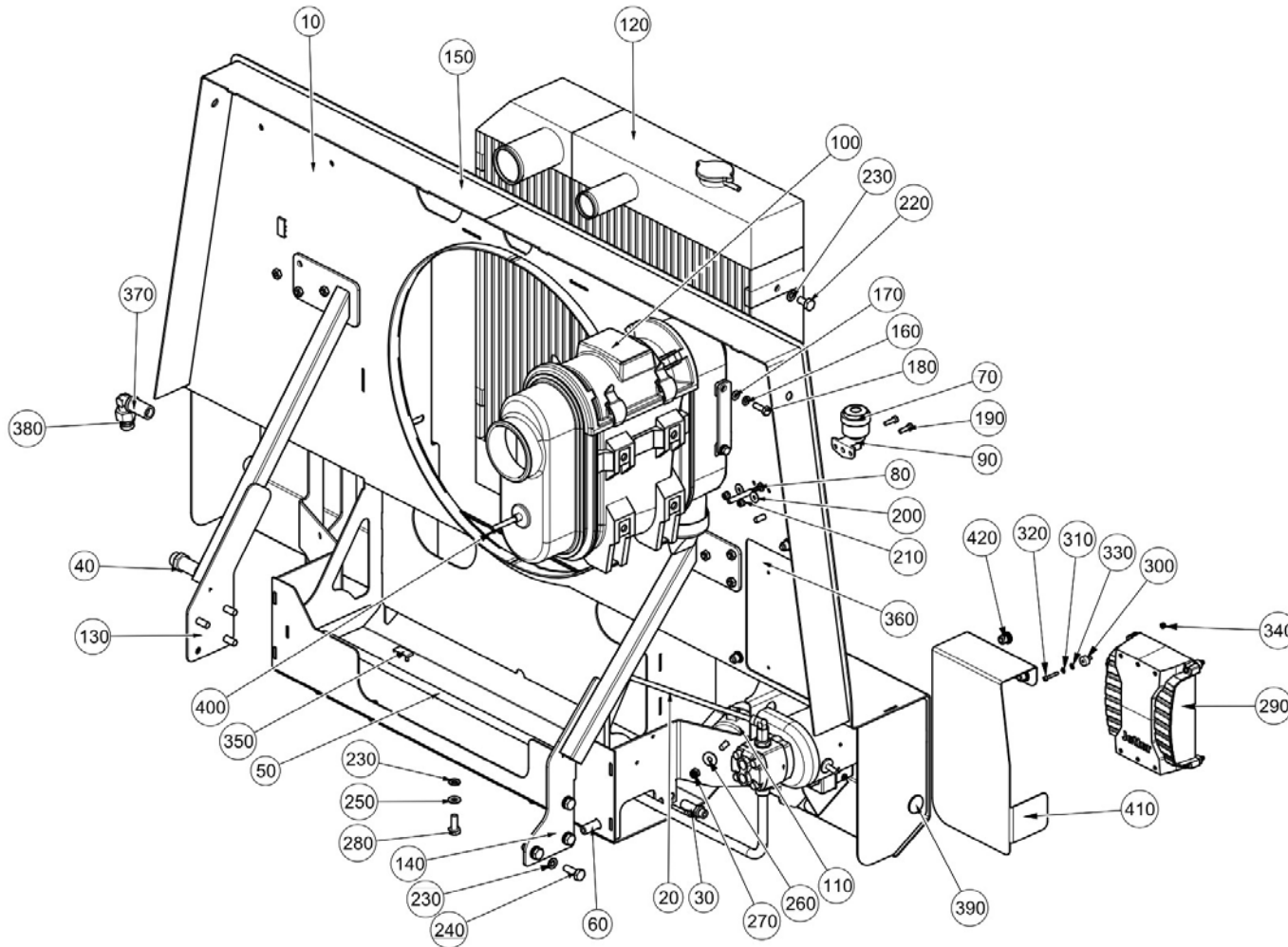


Gearbox Install ()

Powapack\Engine Install\Gearbox Install

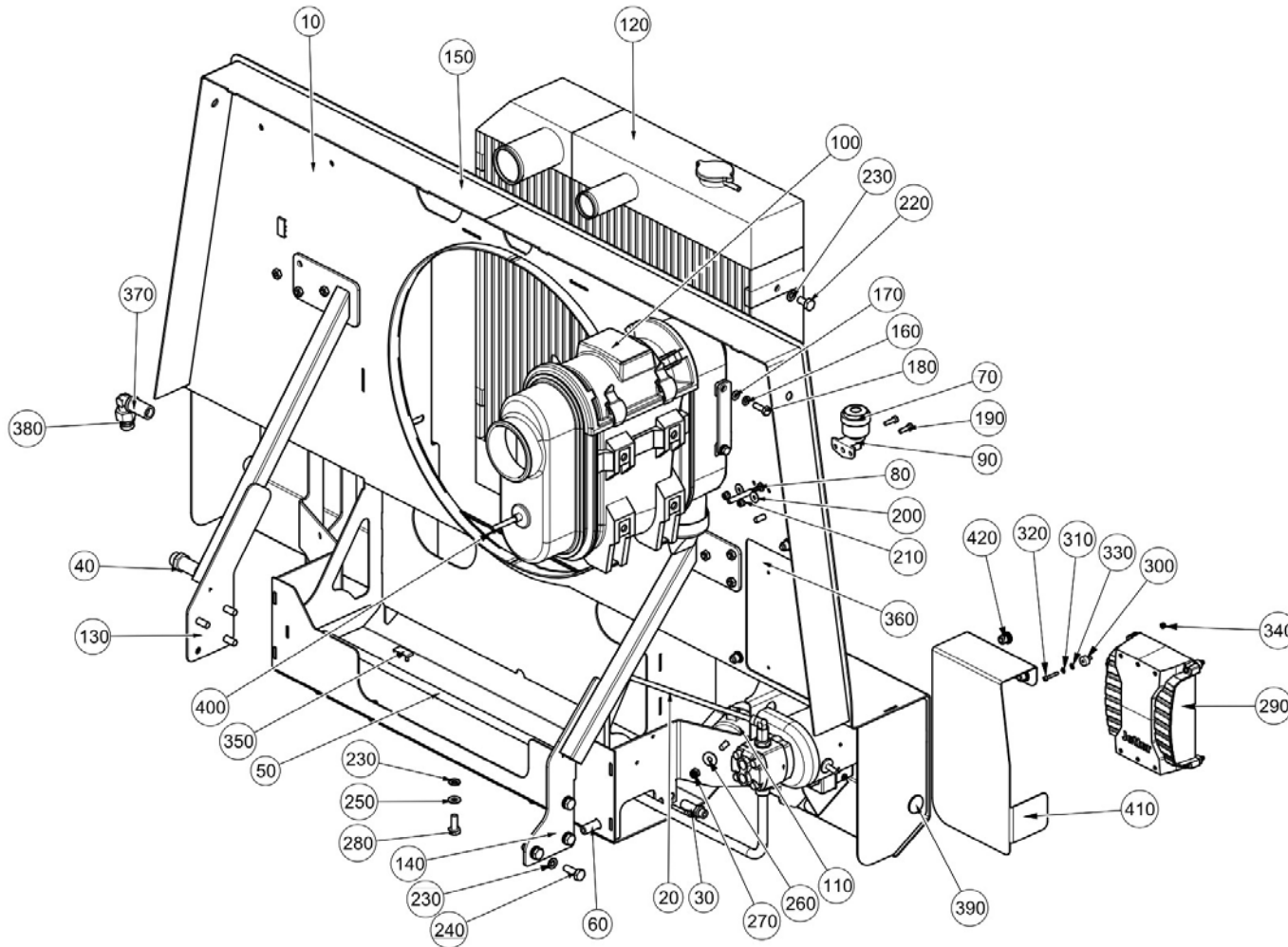
Item no.	Part no.	Description	QTY	Unit
10	42270-1-C	Gearbox Assembly	1	PC
20	295151-1	Fluid Coupling John Deere	1	PC
30	14-7	Bearing - 30x62x16	1	PC
40	63641-1	Spacer Ring - John Deere	1	PC
50	920000-32	Spacer Nylon 20 Dia X 32mm Lg	6	PC
60	92067426-0	Hex Head Bolt - M10Cx70 - 8.8	6	PC
70	42299-1-C	Cover - Safety	2	PC
80	93699711-0	Spring Washer - Plated M10	12	PC
90	92137084-0	Hex Socket Cap Screw - M6Cx30 - 12.9	20	PC
100	92067423-0	Hex Head Bolt - M10Cx55 - 8.8	6	PC
110	77-39	Seal - Oil 40x55x7mm	1	PC
120	93212009-0	Plain Washer - M6	20	PC
140	7028458	Fixing Kit	1	PC
150	837-37	Screw - Special M8c x 20	4	PC
160	7038915	Mask Plate	1	PC
170	94-67	Synthetic Gear Oil 75w/90	2,500	ML

Cooling ()
Powapack\Cooling



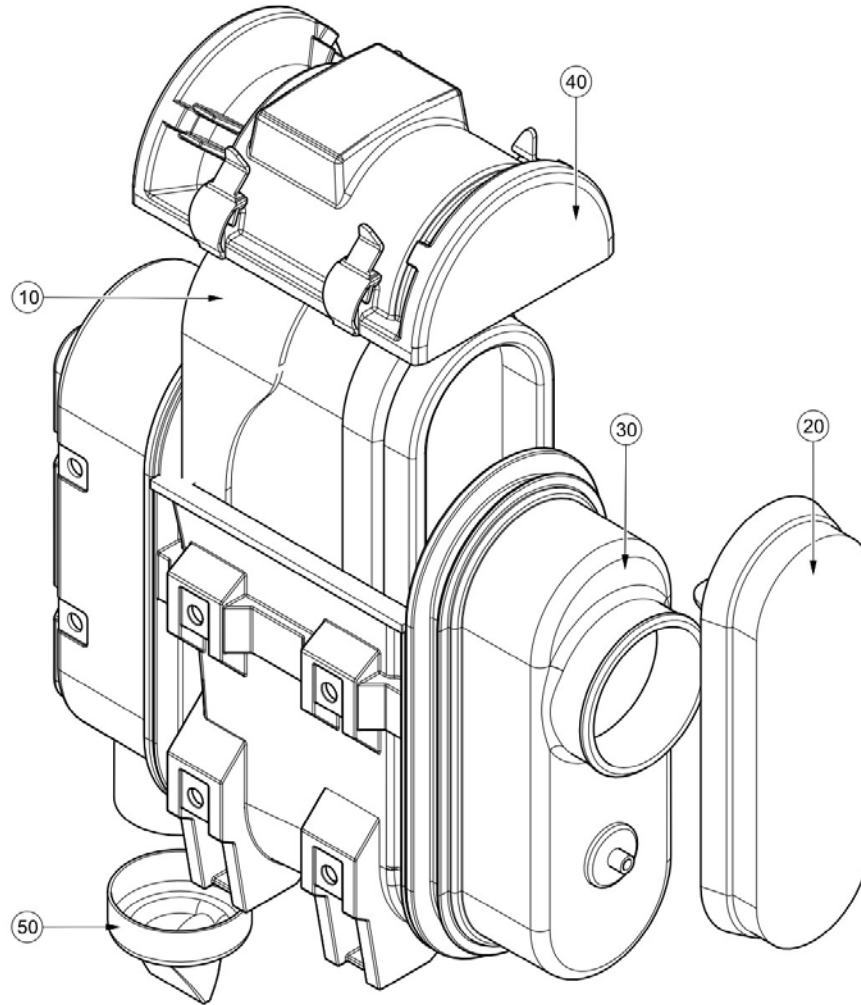
Item no.	Part no.	Description	QTY	Unit
10	7040707	Radiator Shroud W/Assy	1	PC
20	7040073	Pipe Hyd H-1P1-H-2Z2(P2)	1	PC
30	09570456-0	Straight Bulkhead Connector M14 x 1.5	2	PC
40	302-3	Straight Bulkhead Connector - M22 x 1.5	1	PC
50	7040086	Pipe Hyd H-1F1-H-1P1	1	PC
60	09570473-0	Bulkhead Elbow Connector - M14 x 1.5	1	PC
70	904-55	Air Filter Restrictor (7.5)	1	PC
80	904-56	Adaptor - R 1/8" M x 6mm	1	PC
90	904-59	Mounting Restriction Indicator	1	PC
110	30-184	Alarm - Reverse	1	PC
120	295065-1	Engine Cooling Pack J Deere	1	PC
130	7040766	Shroud Support - LH	1	PC
140	7040721	Shroud Support - RH	1	PC
150	92097374-0	Hex Head Screw - M8Cx20 - 8.8	7	PC
160	93699710-0	Spring Washer - Plated M8	16	PC
170	93212011-0	Plain Washer - M8	16	PC
180	92097376-0	Hex Head Screw - M8Cx25 - 8.8	9	PC
190	92097301-0	Hex Head Screw - M6Cx20 - 8.8	2	PC
200	93300507-0	Plain Large Washer M6	2	PC
210	93085004-0	Nyloc Hex Nut M6C - 8	2	PC
220	92097410-0	Hex Head Screw - M10Cx20 - 8.8	4	PC
230	93699711-0	Spring Washer - Plated M10	16	PC
240	92097414-0	Hex Head Screw - M10Cx30 - 8.8	7	PC
250	93212012-0	Plain Washer - M10	12	PC

Cooling ()
Powapack\Cooling



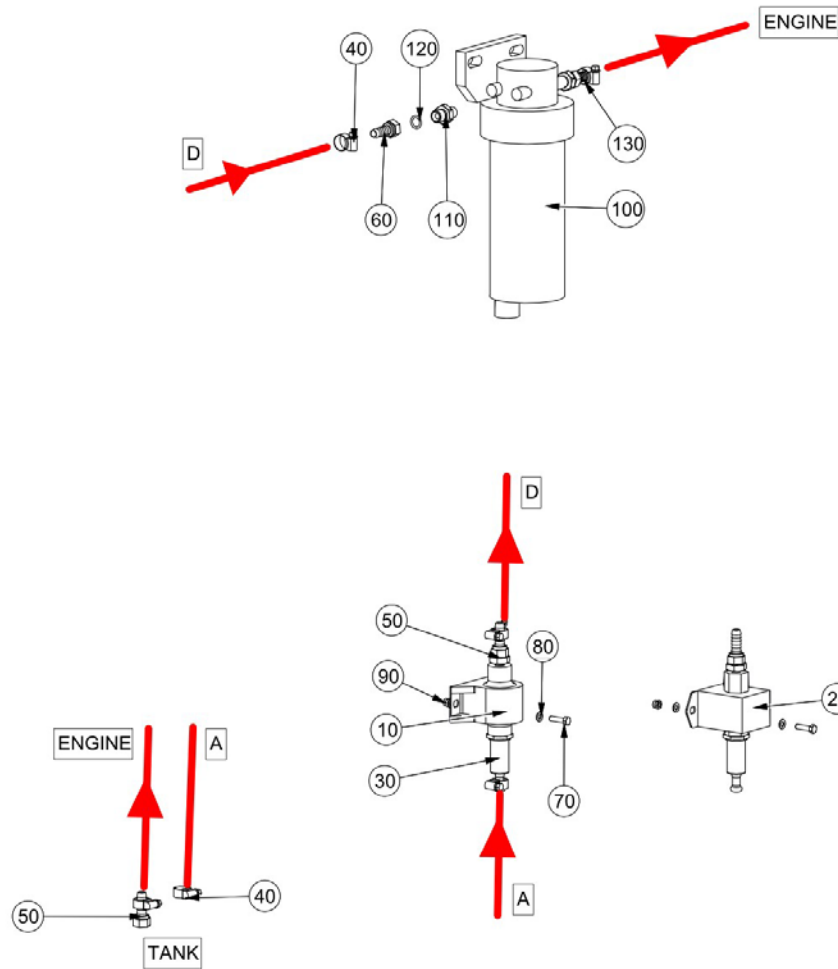
Item no.	Part no.	Description	QTY	Unit
260	93300509-0	Plain Large Washer - M8	1	PC
270	93085005-0	Nyloc Hex Nut M8C - 8	1	PC
280	92097412-0	Hex Head Screw - M10Cx25 - 8.8	5	PC
290	7042309	Control -Electric JCM-350 I/O Node RT655	1	PC
300	290-38	Mount-Anti Vibrat. M4x15x8 MF	4	PC
310	93699706-0	Spring Washer - Plated M4	4	PC
320	92137014-0	Hex Socket Cap Screw - M4Cx25 - 12.9	4	PC
330	93212007-0	Plain Washer M4	4	PC
340	93085002-0	Nyloc Hex Nut M4C - 8	4	PC
350	24-17	Cable Tie Clip - Heavy Duty	4	PC
360	7043015	Plate- Node Cover	1	PC
370	09570487-0	Bulkhead Elbow Connector - M22 x 1.5	1	PC
380	09570390-0	Straight Coupling Male M22 x 1.5	1	PC
390	288-46	Grommet - Semi Blind 25.4 O/D x 1.6	1	PC
400	12870	Tube - Nylon Black 8mm O/D	0.8	M
410	7045768	Cover - Node	1	PC
420	433-119	Insert, Big Hd, M8, 0.7-3.8, Open, MS	2	PC

Air Filter Assembly ()
Powapack\Cooling\Air Filter Assembly



Item no.	Part no.	Description	QTY	Unit
10	295095-2	Primary Filter - Air Cleaner	1	PC
20	295095-3	Safety Filter - Air Cleaner	1	PC
30	295095-4	Main Body - Air Cleaner Assy	1	PC
40	295095-5	Access Cover - Air Cleaner	1	PC
50	295095-6	Vacuator Valve - Air Cleaner	1	PC

Fuel Filter & Pump ()
Powapack\Fuel Filter & Pump

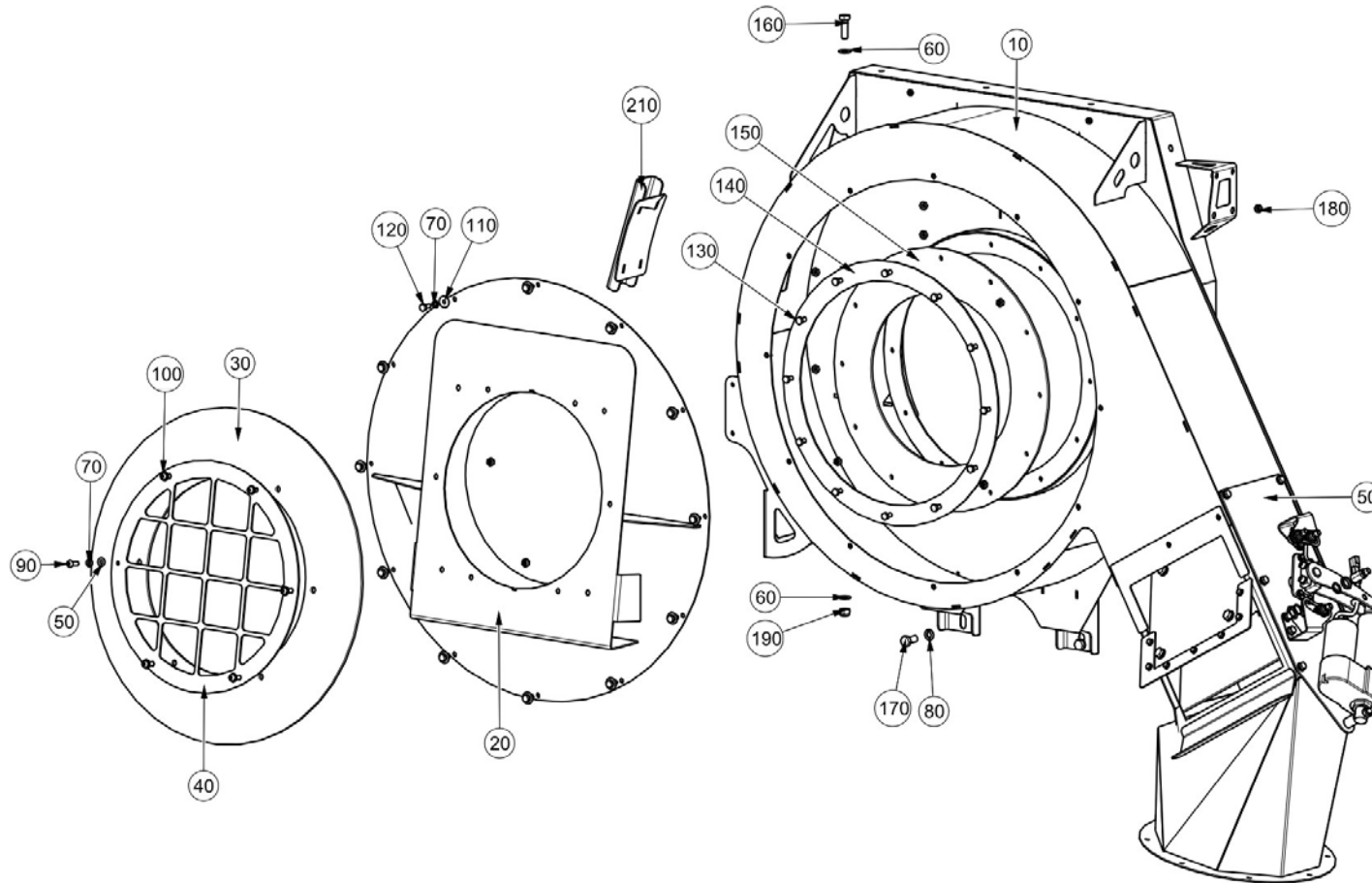


Item no.	Part no.	Description	QTY	Unit
10	7031889	Fuel Lift Pump John Deere	1	PC
20	7041681	Fuel Lift Pump 24V Deutch Connector	1	PC
30	223-32	In Line Fuel Filter (Gold)	1	PC
40	501-1	Hose Clip - Worm Drive (11-16)	6	PC
50	277-330	Adaptor M/M 1/8 NPTF x 1/4 BSP	1	PC
60	277-307	Swivel Nut & Hosetail 1/4" BSPP 3/8" ID	4	PC
70	92097265-0	Hex Head Screw - M5Cx20 - 8.8	2	PC
80	93210109-0	Plain Washer M5	5	PC
90	93085003-0	Nyloc Hex Nut M5C - 8	2	PC
100	7023858	Fuel Filter JD/S3a/86/12V	1	PC
110	270-1	Adaptor - M12 x 1/4" BSP	2	PC
120	80-40	O-Ring - Hole Dia.14	2	PC
130	273-27	Fuel Hose 10mm I/D 17mm O/D	6	M

This page is intentionally left blank

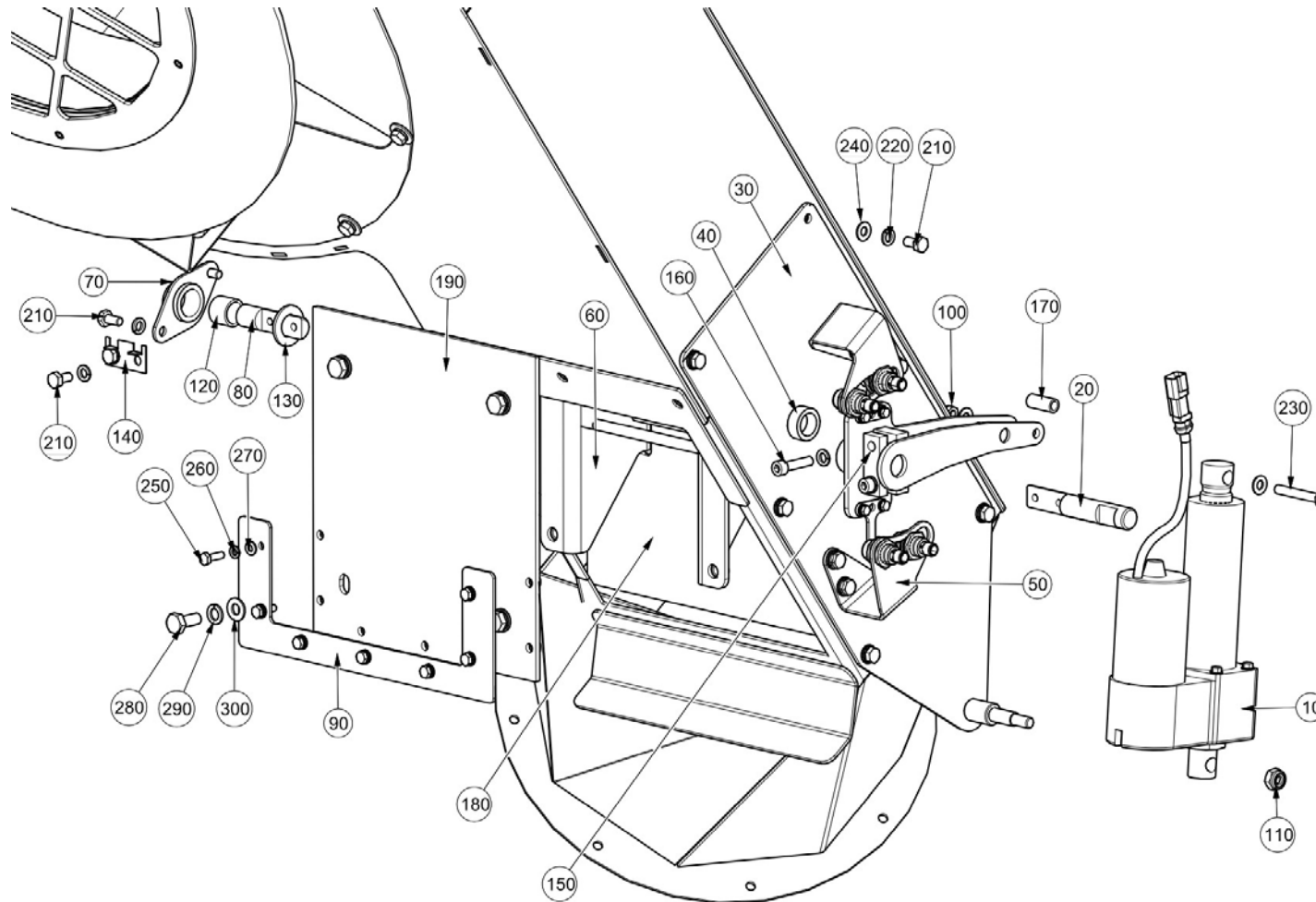
This page is intentionally left blank

RHS Blast Fancase ()
Powapack\RHS Blast\RHS Blast Fancase



Item no.	Part no.	Description	QTY	Unit
10	221060-1	Fancase W/Assy RT655	1	PC
20	221080-1	Fan Inlet W/Assy RT655	1	PC
30	221087-1	Seal - Make/Brake RT655	1	PC
40	221053-1	Clamp Ring - Fan Inlet RT655	1	PC
60	455-12	Washer Plain Plated Steel M12	4	PC
70	460-10	Washer Spring Single Coil M8	16	PC
80	460-12	Washer Spring Single Coil M12	2	PC
90	138-125	Screw - Skt Button Hd M8cx25	4	PC
100	138-123	Screw - Skt Button Hd M8cx20	2	PC
110	457-4	Washer Plain Steel M8 Form G	12	PC
120	124-135	Setscrew M8C x 20	14	PC
130	124-137	Setscrew M8C x 25	12	PC
140	42239-2	Flange - Fancase (Painted)	1	PC
150	42382-1	Diaphragm - Fancase	1	PC
160	124-207	Setscrew M12C x 40	2	PC
170	124-203	Setscrew M12C x 30	2	PC
180	425-14	Nut Nyloc Hex MC M8	12	PC
190	425-16	Nut Nyloc Hex M12c	2	PC
200	455-10	Washer Plain Plated Steel M8	6	PC
210	293870-1	Access Cover W/A Fan Impeller	1	PC

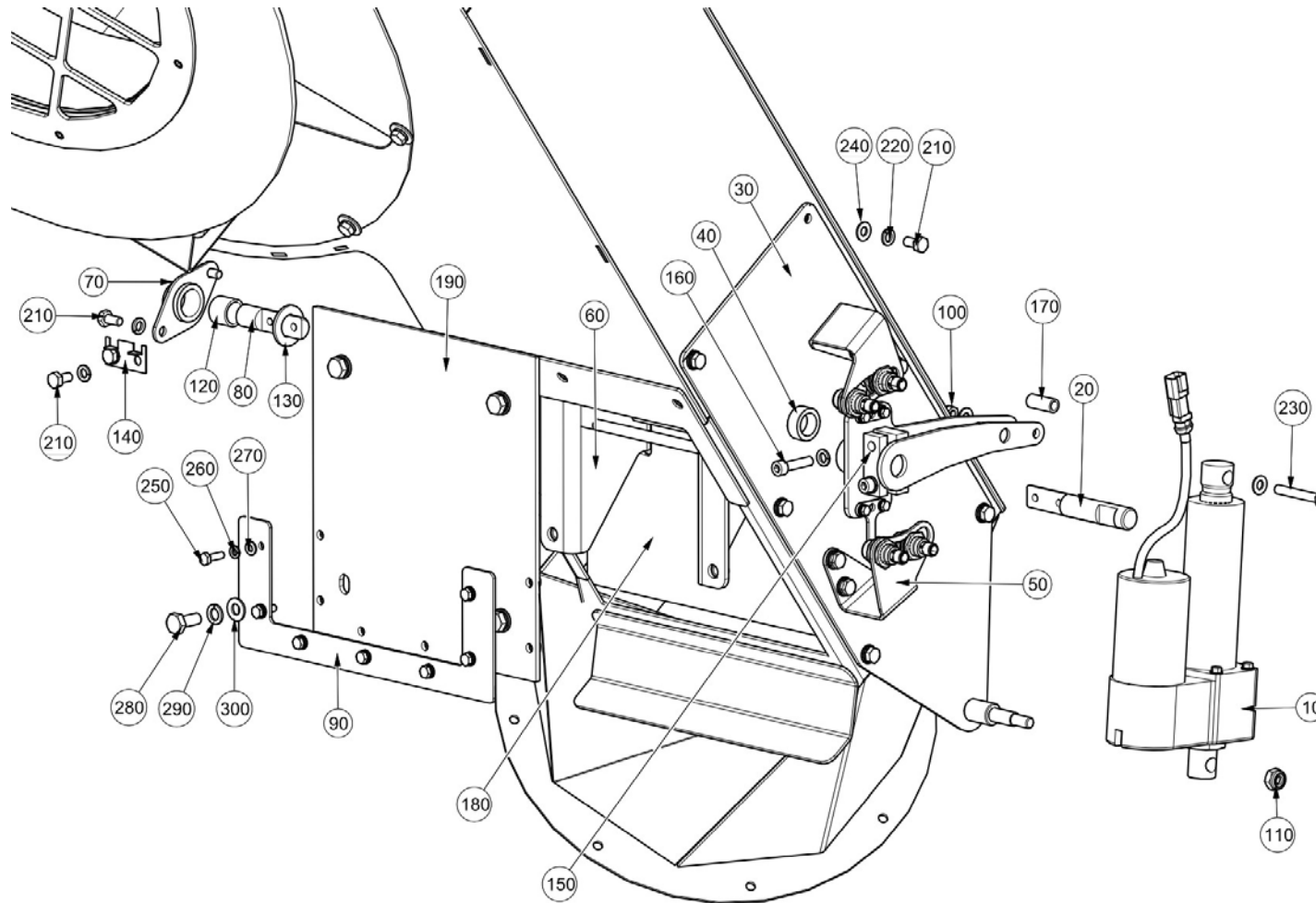
RHS Blast VEG Gate ()
Powapack\RHS Blast\RHS Blast Fancase\RHS Blast VEG Gate



RHS Blast VEG Gate ()
 Powapack\RHS Blast\RHS Blast Fancase\RHS Blast VEG Gate

Item no.	Part no.	Description	QTY	Unit
10	281335-24	Actuator Electric 24v	1	PC
20	221173-1	Upper Axle-Veg Mechanism RT655	1	PC
30	222166-1	Base Plate-Veg Mechanism RT655	1	PC
40	221497-1	Spacer - Veg Mechanism RT655	1	PC
60	7012679	VEG Gate Frame W/Assy	1	PC
70	221175-1	Lower Bearing W/A Veg Mech 655	1	PC
80	221174-1	Lower Axle-Veg Mechanism RT655	1	PC
90	7018243	Seal Plate	1	PC
100	425-14	Nut Nyloc Hex MC M8	1	PC
110	425-15	Nut Nyloc Hex M10C	1	PC
120	29128-1-B	Bush - 20Lg	2	PC
130	454-20	Washer Plain St.Stl M20x37	2	PC
140	42723-1-A	Washer - Tab	2	PC
150	221496-1	Adjuster Plate - Veg Mech 655	1	PC
160	129-129	Screw MC Cap Skt Hd M8x35	2	PC
170	221187-1	Bush - Lever Veg Mechanism 655	1	PC
180	7010786	Baffle Plate VEG Gate	1	PC
190	7018239	VEG Gate Plate W/Assy	1	PC
210	124-134	Setscrew M8C x 16	7	PC
220	460-10	Washer Spring Single Coil M8	0	PC
230	124-146	Setscrew M8C x 55	1	PC
240	455-10	Washer Plain Plated Steel M8	0	PC
250	124-103	Setscrew M6C x 20	7	PC
260	460-8	Washer Spring Single Coil M6	7	PC

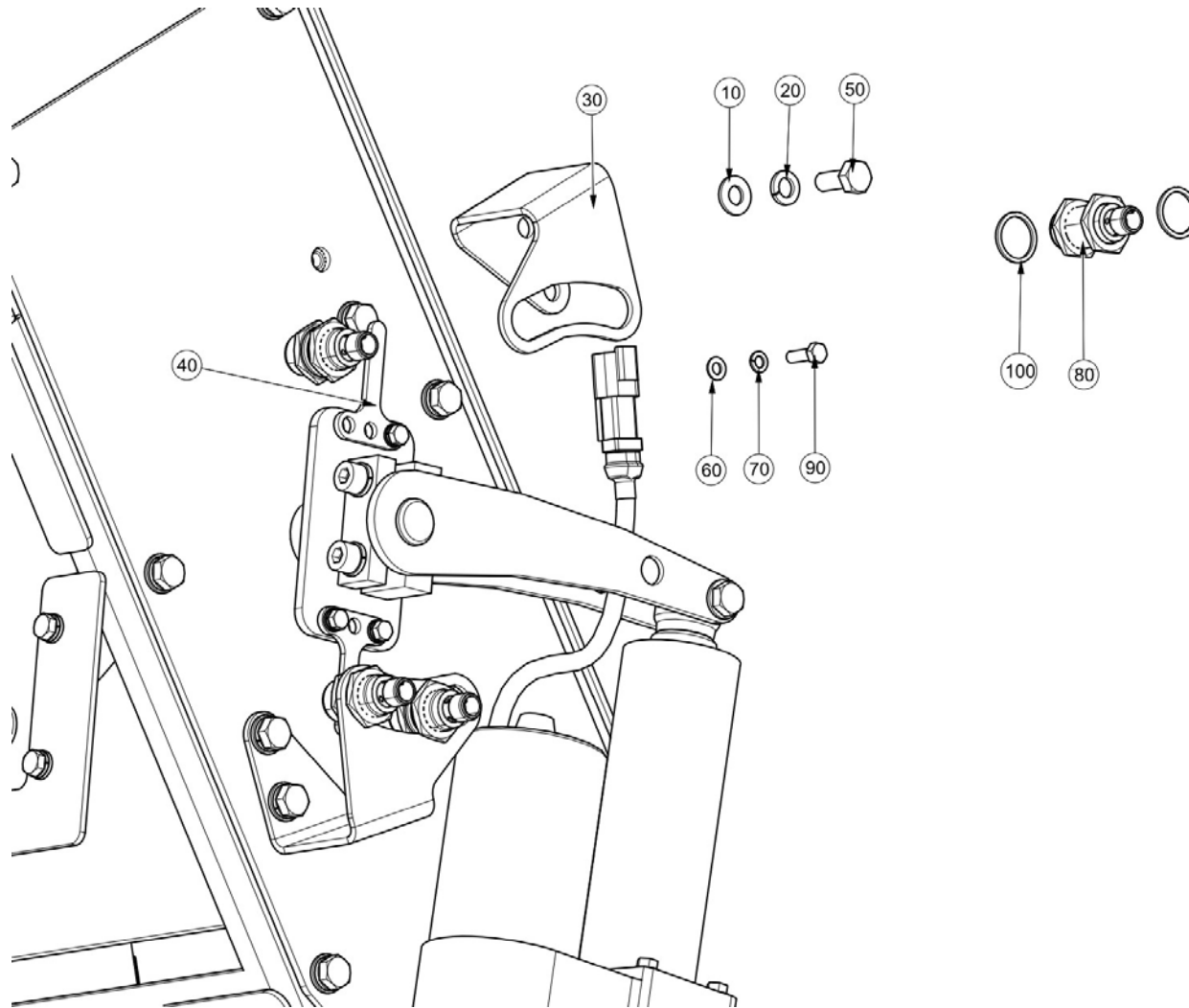
RHS Blast VEG Gate ()
Powapack\RHS Blast\RHS Blast Fancase\RHS Blast VEG Gate



Item no.	Part no.	Description	QTY	Unit
270	455-8	Washer Plain Plated Steel M6	7	PC
280	124-169	Setscrew M10C x 25	4	PC
290	460-11	Washer Spring Single Coil M10	4	PC
300	455-11	Washer Plain Plated Steel M10	4	PC

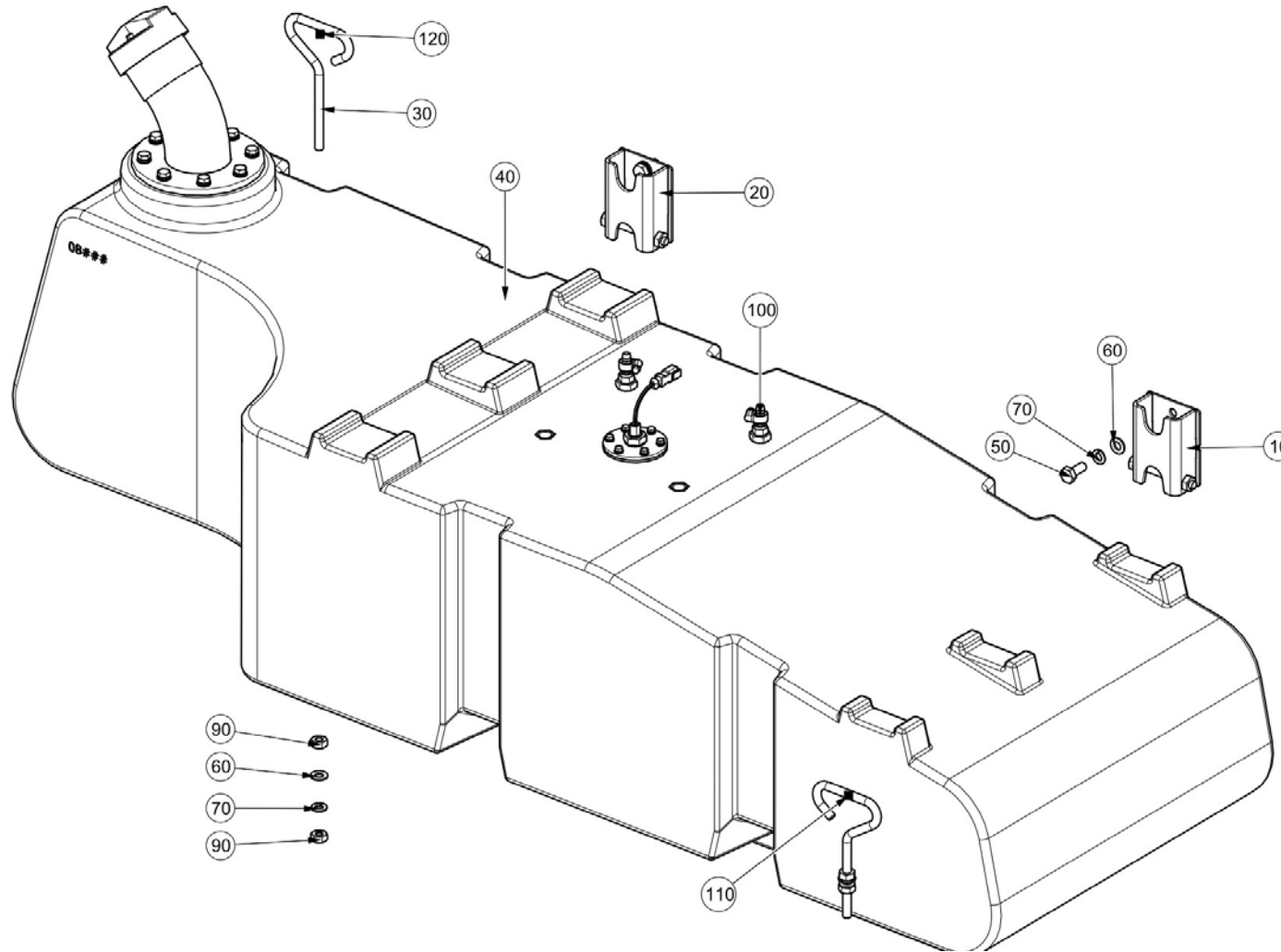
RHS VEG Indicator ()

Powapack\RHS Blast\RHS Blast Fancase\RHS Blast VEG Gate\RHS VEG Indicator



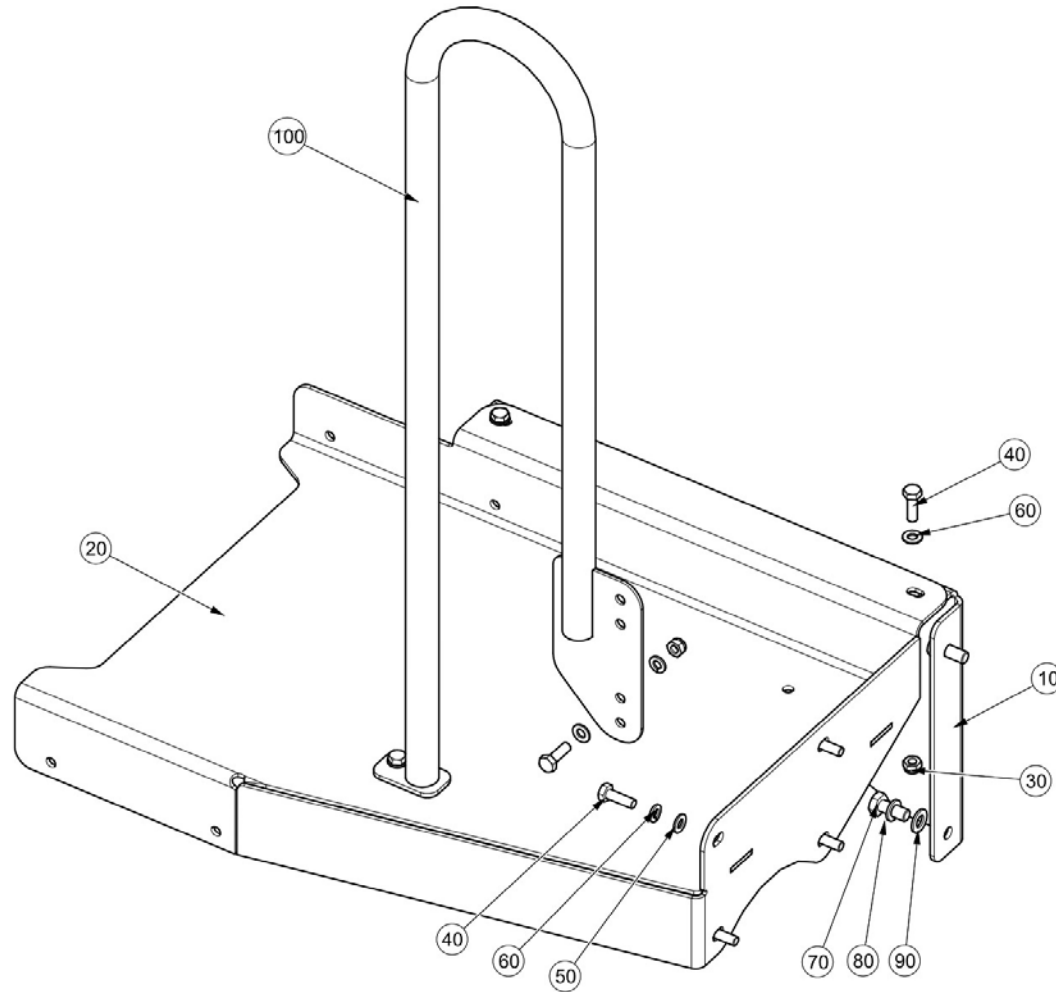
Item no.	Part no.	Description	QTY	Unit
10	455-10	Washer Plain Plated Steel M8	4	PC
20	460-10	Washer Spring Single Coil M8	4	PC
30	7010783	Bracket VEG Sensor	2	PC
40	7010793	Sensor Arm VEG Gate	2	PC
50	92097374-0	Hex Head Screw - M8Cx20 - 8.8	4	PC
60	455-7	Washer Plain Plated Steel M5	4	PC
70	460-7	Washer Spring Single Coil M5	4	PC
80	7003201	Sensor	4	PC
90	92097263-0	Hex Head Screw - M5Cx16 - 8.8	4	PC
100	451-160	Washer Copper 18mm	8	PC

RHS Fuel Tank ()
Powapack\RHS Blast\RHS Fuel Tank



Item no.	Part no.	Description	QTY	Unit
10	222055-1	Buffer/Strap Fixture Assy LH	1	PC
20	222055-2	Buffer/Strap Fixture Assy RH	1	PC
30	221541-1	Fuel Strap Hook RT655	2	PC
40	7041664	Fuel Tank - RH Blast	1	PC
50	92097412-0	Hex Head Screw - M10Cx25 - 8.8	4	PC
60	93212012-0	Plain Washer - M10	6	PC
70	93699711-0	Spring Washer - Plated M10	6	PC
90	93056015-0	Hex Nut M10C-8	4	PC
100	501-1	Hose Clip - Worm Drive (11-16)	4	PC
110	221819-3	Strap - Fuel Tank Retention 790 Lg	1	PC
120	221819-2	Strap - Fuel Tank Retention 970 Lg	1	PC

RHS Access Platform ()
Powapack\RHS Blast\RHS Access Platform

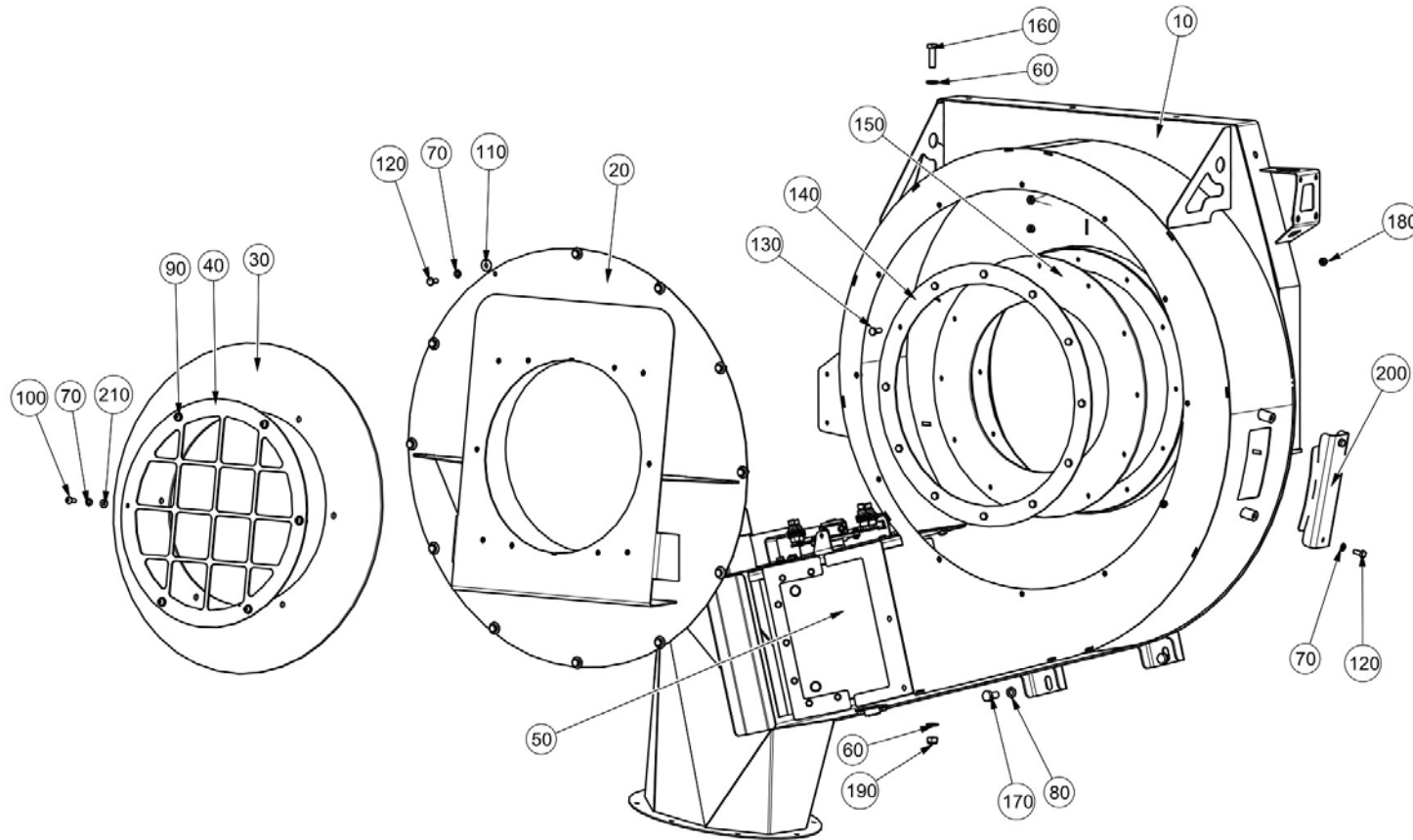


Item no.	Part no.	Description	QTY	Unit
10	221481-1	Bracket - Platform RT655	1	PC
20	222104-1	Access Platform W/A Powapack	1	PC
30	93085005-0	Nyloc Hex Nut M8C - 8	5	PC
40	92097376-0	Hex Head Screw - M8Cx25 - 8.8	9	PC
50	93212011-0	Plain Washer - M8	9	PC
60	93699710-0	Spring Washer - Plated M8	5	PC
70	92097412-0	Hex Head Screw - M10Cx25 - 8.8	2	PC
80	93699711-0	Spring Washer - Plated M10	2	PC
90	93212012-0	Plain Washer - M10	2	PC
100	221460-1	Grab Rail W/Assy RT655	1	PC

This page is intentionally left blank

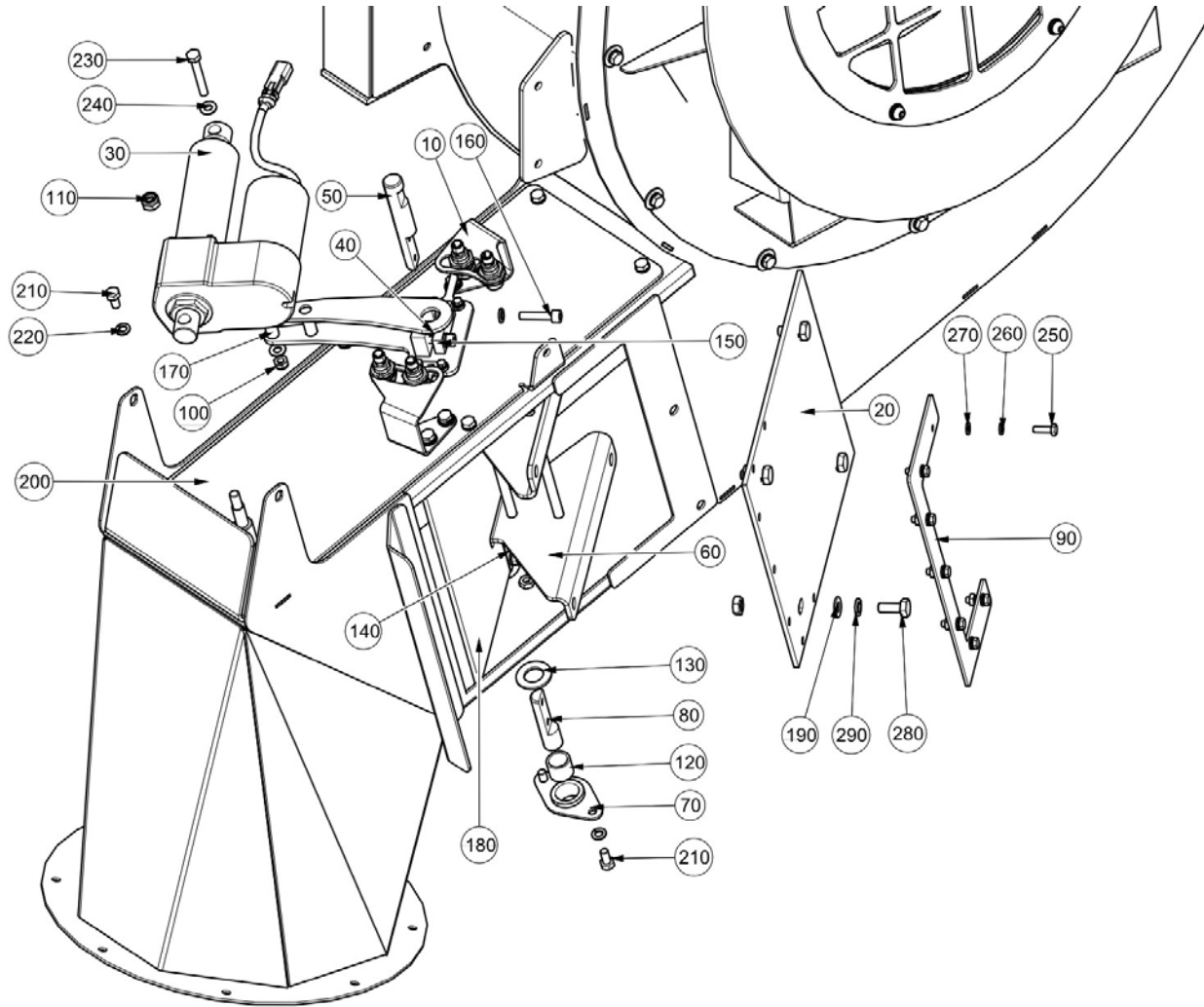
This page is intentionally left blank

LHS Blast Fancase ()
Powapack\LHS Blast\LHS Blast Fancase



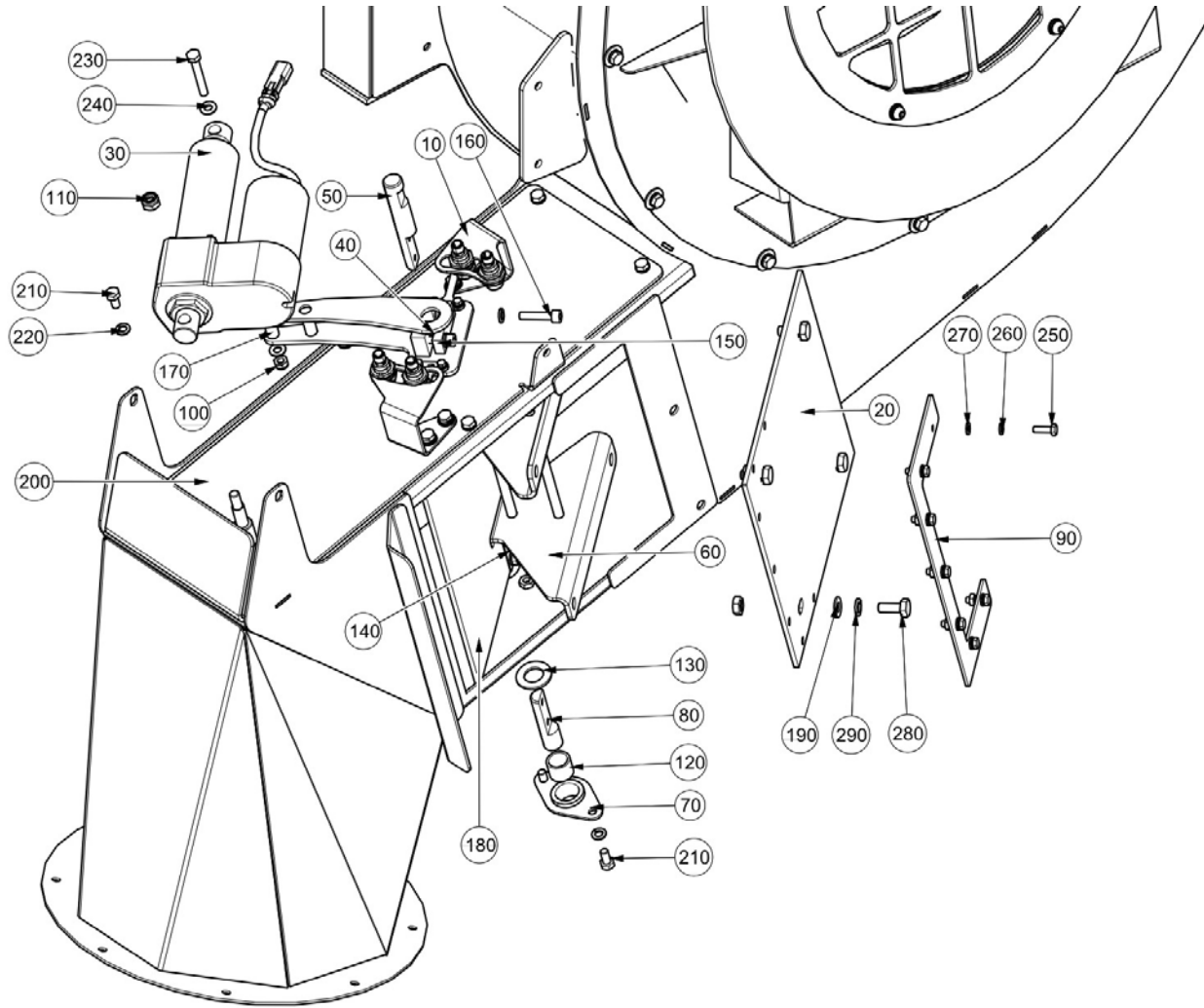
Item no.	Part no.	Description	QTY	Unit
10	222060-1	Fancase W/Assy (Australia) 655	1	PC
10	221060-1	Fancase W/Assy RT655	1	PC
20	221080-1	Fan Inlet W/Assy RT655	1	PC
30	221087-1	Seal - Make/Brake RT655	1	PC
40	221053-1	Clamp Ring - Fan Inlet RT655	1	PC
60	455-12	Washer Plain Plated Steel M12	4	PC
70	460-10	Washer Spring Single Coil M8	14	PC
80	460-12	Washer Spring Single Coil M12	2	PC
90	138-125	Screw - Skt Button Hd M8cx25	4	PC
100	138-123	Screw - Skt Button Hd M8cx20	2	PC
110	457-4	Washer Plain Steel M8 Form G	12	PC
120	124-135	Setscrew M8C x 20	12	PC
130	124-137	Setscrew M8C x 25	12	PC
140	42239-2	Flange - Fancase (Painted)	1	PC
150	42382-1	Diaphragm - Fancase	1	PC
160	124-207	Setscrew M12C x 40	2	PC
170	124-203	Setscrew M12C x 30	2	PC
180	425-14	Nut Nyloc Hex MC M8	12	PC
190	425-16	Nut Nyloc Hex M12c	2	PC
200	293870-1	Access Cover W/A Fan Impeller	1	PC
210	455-10	Washer Plain Plated Steel M8	6	PC

LHS Blast VEG Gate ()
Powapack\LHS Blast\LHS Blast Fancase\LHS Blast VEG Gate



Item no.	Part no.	Description	QTY	Unit
20	7018239	VEG Gate Plate W/Assy	1	PC
30	281335-24	Actuator Electric 24v	1	PC
40	221497-1	Spacer - Veg Mechanism RT655	1	PC
50	221173-1	Upper Axle-Veg Mechanism RT655	1	PC
60	7012679	VEG Gate Frame W/Assy	1	PC
70	221175-1	Lower Bearing W/A Veg Mech 655	1	PC
80	221174-1	Lower Axle-Veg Mechanism RT655	1	PC
90	7018243	Seal Plate	1	PC
100	425-14	Nut Nyloc Hex MC M8	1	PC
110	425-15	Nut Nyloc Hex M10C	1	PC
120	29128-1-B	Bush - 20Lg	2	PC
130	454-20	Washer Plain St.Stl M20x37	2	PC
140	42723-1-A	Washer - Tab	2	PC
150	221496-1	Adjuster Plate - Veg Mech 655	1	PC
160	129-129	Screw MC Cap Skt Hd M8x35	2	PC
170	221187-1	Bush - Lever Veg Mechanism 655	1	PC
180	7010786	Baffle Plate VEG Gate	1	PC
190	455-11	Washer Plain Plated Steel M10	4	PC
200	222166-1	Base Plate-Veg Mechanism RT655	1	PC
210	124-134	Setscrew M8C x 16	7	PC
220	460-10	Washer Spring Single Coil M8	0	PC
230	124-146	Setscrew M8C x 55	1	PC
240	455-10	Washer Plain Plated Steel M8	0	PC
250	124-103	Setscrew M6C x 20	7	PC

LHS Blast VEG Gate ()
Powapack\LHS Blast\LHS Blast Fancase\LHS Blast VEG Gate

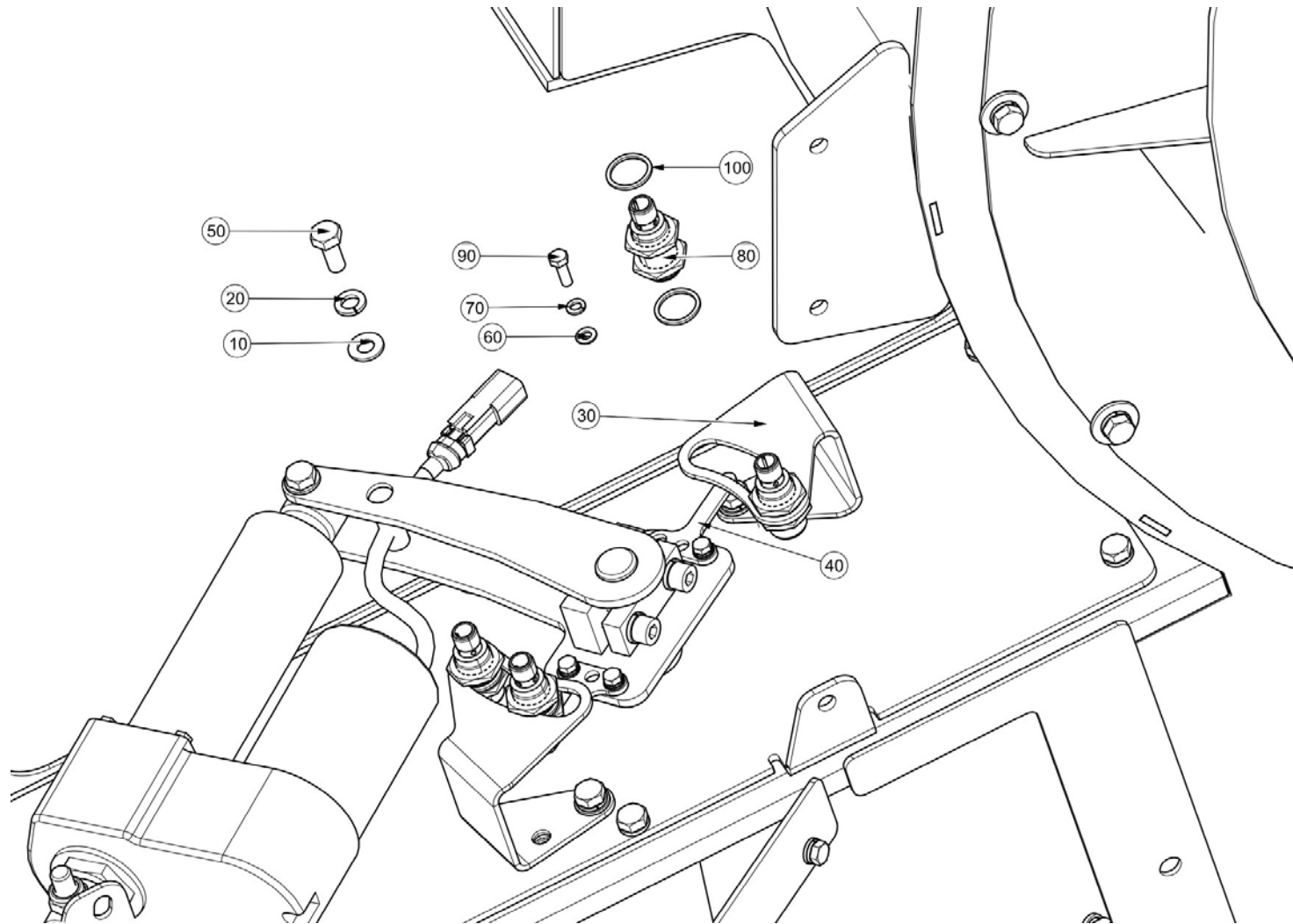


LHS Blast VEG Gate ()
Powapack\LHS Blast\LHS Blast Fancase\LHS Blast VEG Gate

Item no.	Part no.	Description	QTY	Unit
260	460-8	Washer Spring Single Coil M6	7	PC
270	455-8	Washer Plain Plated Steel M6	7	PC
280	124-169	Setscrew M10C x 25	4	PC
290	460-11	Washer Spring Single Coil M10	4	PC

LHS VEG Indicator ()

Powapack\LHS Blast\LHS Blast Fancase\LHS Blast VEG Gate\LHS VEG Indicator

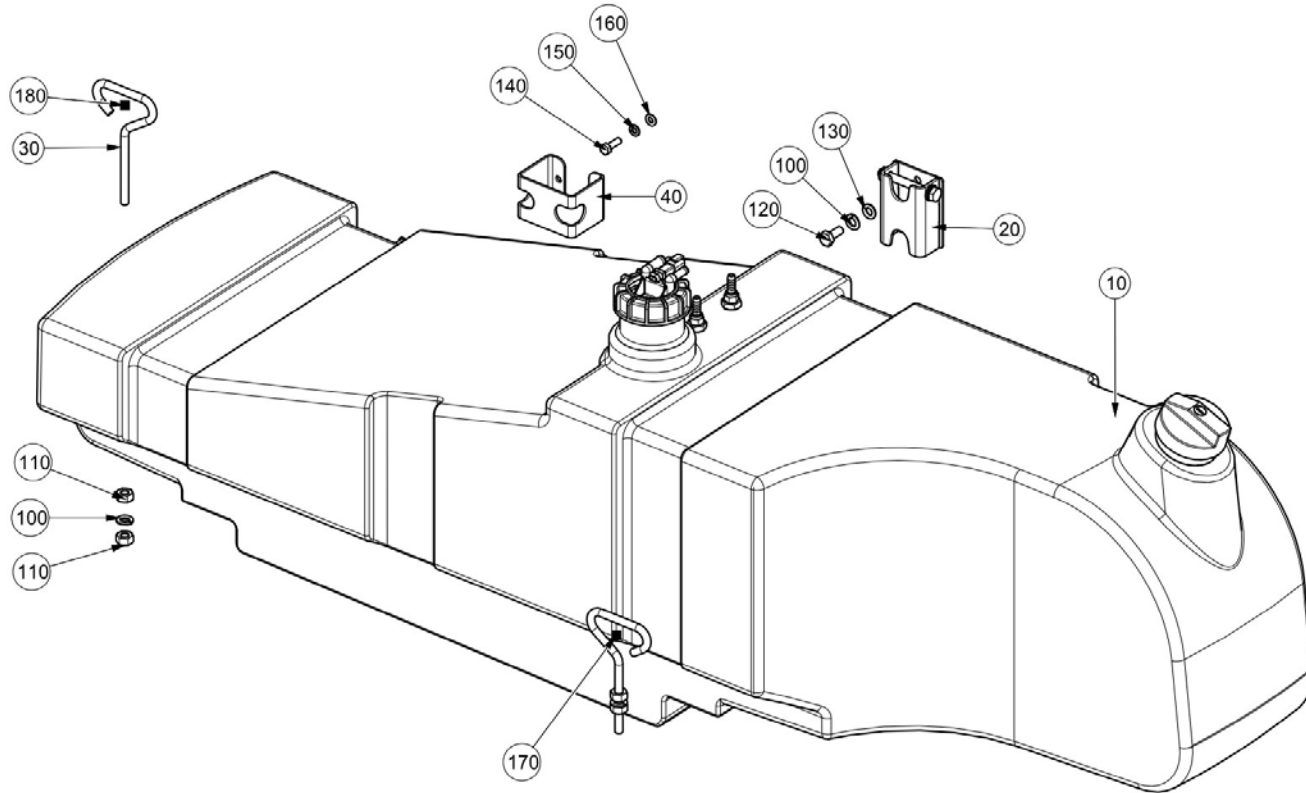


LHS VEG Indicator ()

Powapack\LHS Blast\LHS Blast Fancase\LHS Blast VEG Gate\LHS VEG Indicator

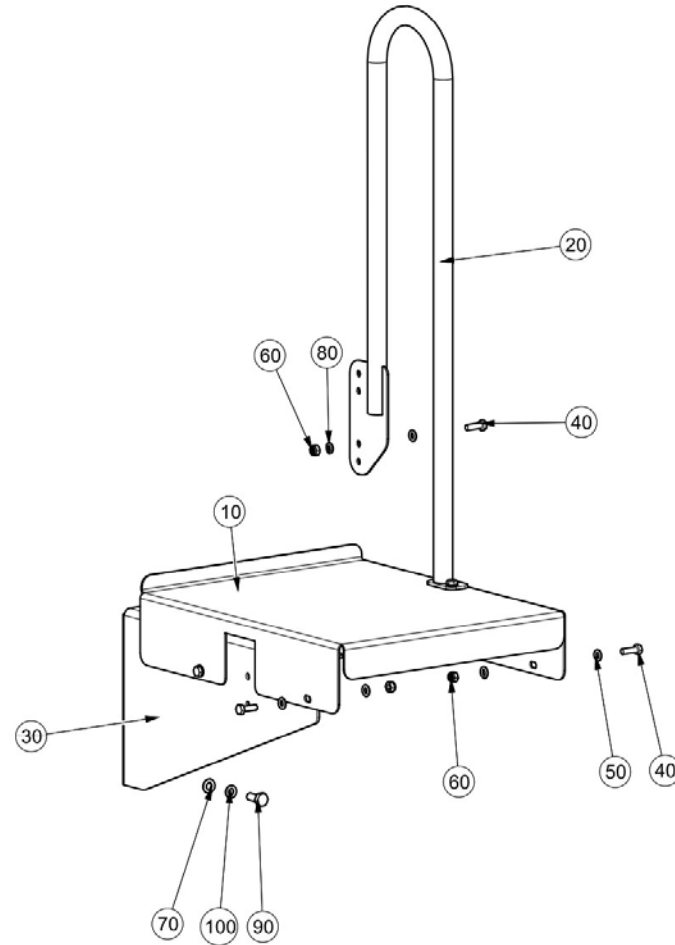
Item no.	Part no.	Description	QTY	Unit
10	455-10	Washer Plain Plated Steel M8	4	PC
20	460-10	Washer Spring Single Coil M8	4	PC
30	7010783	Bracket VEG Sensor	2	PC
30	7010785	Bracket VEG Sensor	2	PC
40	7010793	Sensor Arm VEG Gate	2	PC
50	92097374-0	Hex Head Screw - M8Cx20 - 8.8	4	PC
60	455-7	Washer Plain Plated Steel M5	4	PC
70	460-7	Washer Spring Single Coil M5	4	PC
80	7003201	Sensor	4	PC
90	92097263-0	Hex Head Screw - M5Cx16 - 8.8	0	PC
100	451-160	Washer Copper 18mm	8	PC

LHS Fuel Tank ()
Powapack\LHS Blast\LHS Fuel Tank



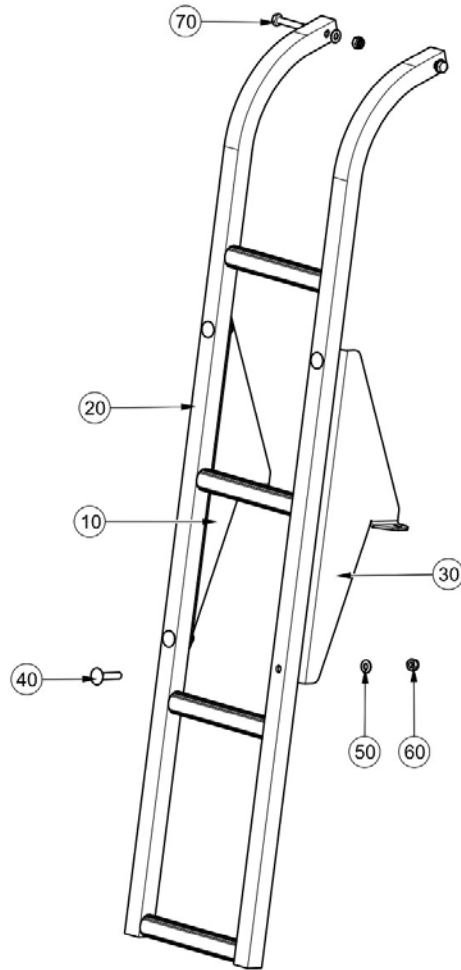
Item no.	Part no.	Description	QTY	Unit
10	7041662	Fuel Tank - LH Blast	1	PC
20	222055-2	Buffer/Strap Fixture Assy RH	2	PC
30	221541-1	Fuel Strap Hook RT655	2	PC
40	221987-1	Buffer Plate-Powapak RT655	2	PC
100	93699712-0	Spring Washer - Plated M12	6	PC
110	93056016-0	Hex Nut M12C-8	4	PC
120	92097412-0	Hex Head Screw - M10Cx25 - 8.8	4	PC
130	93212012-0	Plain Washer - M10	4	PC
140	92097376-0	Hex Head Screw - M8Cx25 - 8.8	4	PC
150	93699710-0	Spring Washer - Plated M8	4	PC
160	93212011-0	Plain Washer - M8	4	PC
170	221819-2	Strap - Fuel Tank Retention 970 Lg	1	PC
180	221819-1	Strap - Fuel Tank Retention 620 Lg	1	PC

LHS Access Platform ()
Powapack\LHS Blast\LHS Access Platform



Item no.	Part no.	Description	QTY	Unit
10	221478-1	Platform - Ladder RT655	1	PC
20	221460-1	Grab Rail W/Assy RT655	1	PC
30	221481-1	Bracket - Platform RT655	1	PC
40	92097376-0	Hex Head Screw - M8Cx25 - 8.8	6	PC
50	93212011-0	Plain Washer - M8	9	PC
60	93085005-0	Nyloc Hex Nut M8C - 8	6	PC
70	93212012-0	Plain Washer - M10	2	PC
80	93699710-0	Spring Washer - Plated M8	1	PC
90	92097412-0	Hex Head Screw - M10Cx25 - 8.8	2	PC
100	93699711-0	Spring Washer - Plated M10	2	PC

Access Ladder ()
Powapack\LHS Blast\Access Ladder



Item no.	Part no.	Description	QTY	Unit
10	221477-1	Ladder Stay LH RT655	1	PC
20	282561-1	Access Ladder	1	PC
30	221477-4	Ladder Stay RH RT655	1	PC
40	92555558-0	Round Head Square Neck Bolt-M8Cx40-4.6	4	PC
50	93212011-0	Plain Washer - M8	8	PC
60	93085005-0	Nyloc Hex Nut M8C - 8	6	PC
70	92097381-0	Hex Head Screw - M8Cx45 - 8.8	2	PC

This page is intentionally left blank

Chapter 3 Subframe

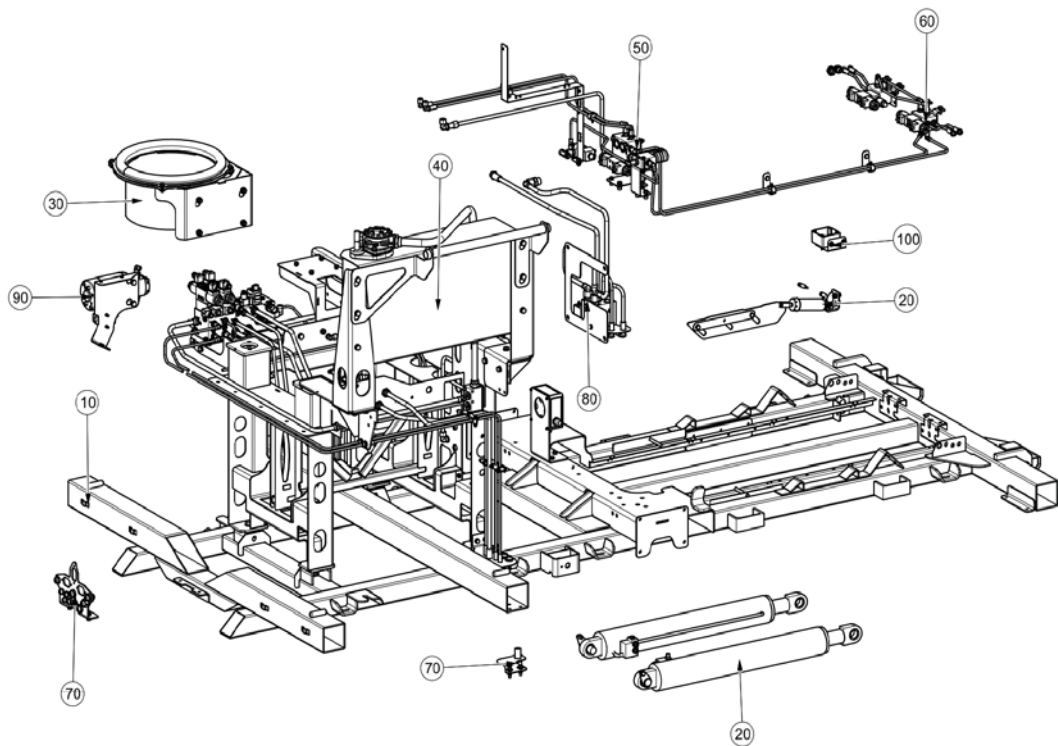
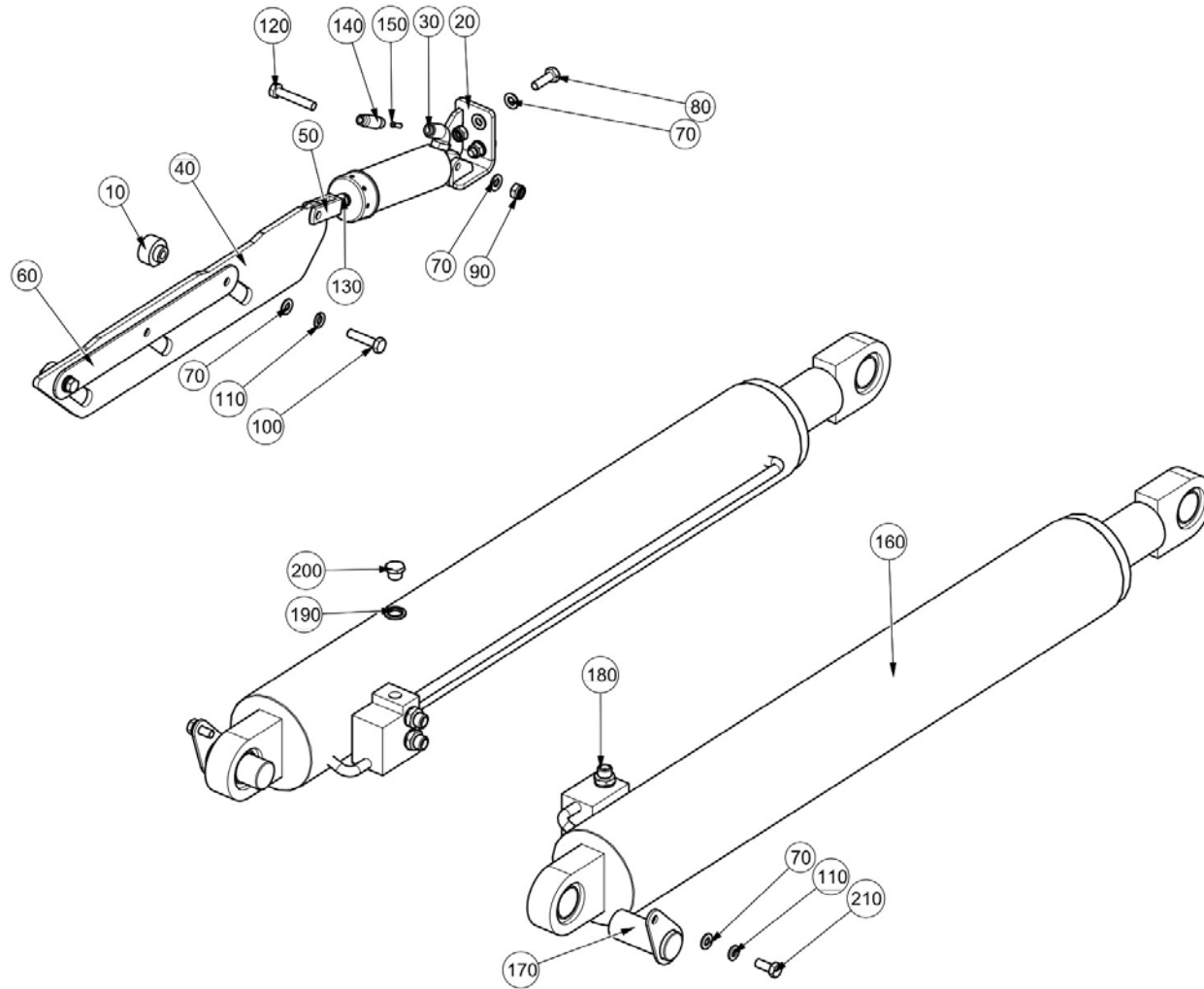


Table of Contents

Section	Page
3.1 Body Prop and Lift Cylinders	64
3.2 Intake Seat	66
3.3 Powapack Frame	68
3.3.1 Return Manifold	70
3.3.2 RHS & LHS Bulkhead	72
3.3.3 Engine Frame Pipework	74
3.3.4 Engine Frame	78
3.3.5 Hydraulic Manifold.....	80
3.3.6 Hydraulic Tank	82
3.3.6.1 Oil Cooler	84
3.4 Subframe Hydraulics Pipework	86
3.5 Powaboom and Rear Door Hydraulics	90
3.6 Subframe Front Bulkheads	94
3.7 Tandem Valve Block	96
3.8 Discharge Pump	98
3.9 Rotatilt and Powaboom Relay Box	100

Item no.	Part no.	Description	QTY	Unit
10	7039000	Subframe - W/assy	1	PC

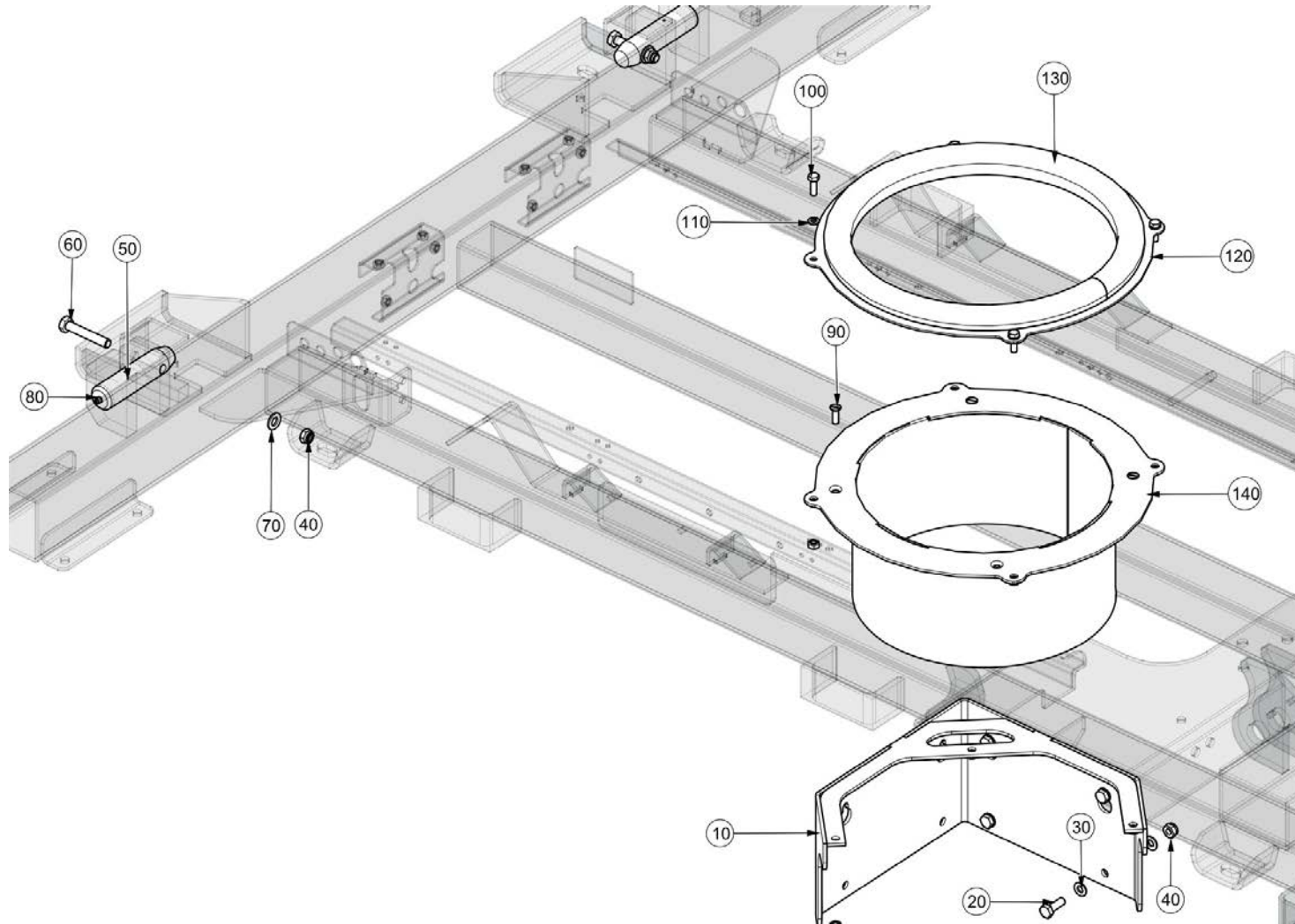
Body Prop and Lift Cylinders ()
Subframe\Body Prop and Lift Cylinders



Body Prop and Lift Cylinders ()
Subframe\Body Prop and Lift Cylinders

Item no.	Part no.	Description	QTY	Unit
10	7038998	Bush - Body prop release	2	PC
20	7039002	Bracket W/assy - Prop Cylinder	1	PC
30	560-40	Elbow - M12x1.5	1	PC
40	7038993	Plate - Prop Release	1	PC
50	6371-0081	Fork Joint	1	PC
60	7038994	Plate - Prop Latch	1	PC
70	93212011-0	Plain Washer - M8	8	PC
80	92097376-0	Hex Head Screw - M8Cx25 - 8.8	2	PC
90	93085005-0	Nyloc Hex Nut M8C - 8	3	PC
100	92067382-0	Hex Head Bolt - M8Cx35 - 8.8	2	PC
110	93699710-0	Spring Washer - Plated M8	2	PC
120	92097381-0	Hex Head Screw - M8Cx45 - 8.8	1	PC
130	7040115	Cylinder - Ø35 x 60	1	PC
140	09598742-0	BL-nector - Straight 6mm	1	PC
150	41041-1-A	Sleeve - Support, Pipe	1	PC
160	221120-1	Cylinder - Hydraulic Tip RT655	2	PC
170	221077-1	Anchor Pin W/A Tip Cyl Mtg 655	2	PC
180	09570126-0	Stud Coupling Male G 1/4" x M14x1.5 (8L)	6	PC
190	451-17	Washer Bonded G1-4"	2	PC
200	54-14	Plug - G 1/4"	2	PC
210	92097374-0	Hex Head Screw - M8Cx20 - 8.8	2	PC

Intake Seat ()
Subframe\Intake Seat

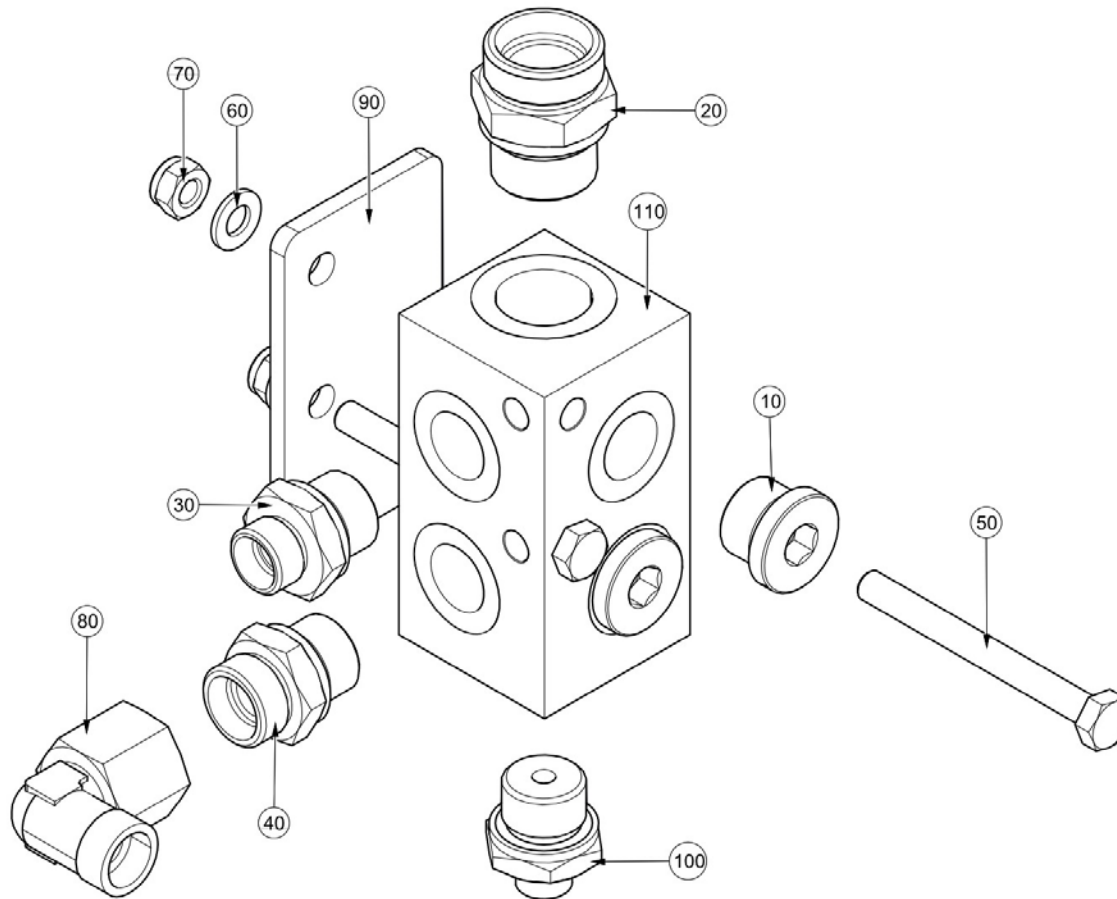


Item no.	Part no.	Description	QTY	Unit
10	221045-1	Brkt-Intake Seat Subframe 655	1	PC
20	92097414-0	Hex Head Screw - M10Cx30 - 8.8	4	PC
30	93212012-0	Plain Washer - M10	8	PC
40	93085006-0	Nyloc Hex Nut M10C - 8	6	PC
50	221030-1	Pivot Shaft - Short Body RT655	2	PC
60	92067463-0	Hex Head Bolt - M12Cx70 - 8.8	2	PC
70	93212013-0	Plain Washer M12	2	PC
80	38-30	Grease Nipple M6 X 1	2	PC
90	6133-2781	CSK Flat HD Slotted Screw-M8Cx25-4.8	3	PC
100	92097376-0	Hex Head Screw - M8Cx25 - 8.8	4	PC
110	93699710-0	Spring Washer - Plated M8	4	PC
120	221043-1	Intake Seat Clamp-Subframe 655	1	PC
130	221799-1	Intake Seat Seal 1130mm Lg 655	1	PC
140	221044-1	Intake Seat W/A - 179mm	1	PC
140	221044-2	Intake Seat W/A - 229mm	1	PC
140	221044-12	Intake Seat W/A - 229mm, Bonded	1	PC
140	221044-11	Intake Seat W/A - 179mm, Bonded	1	PC

This page is intentionally left blank

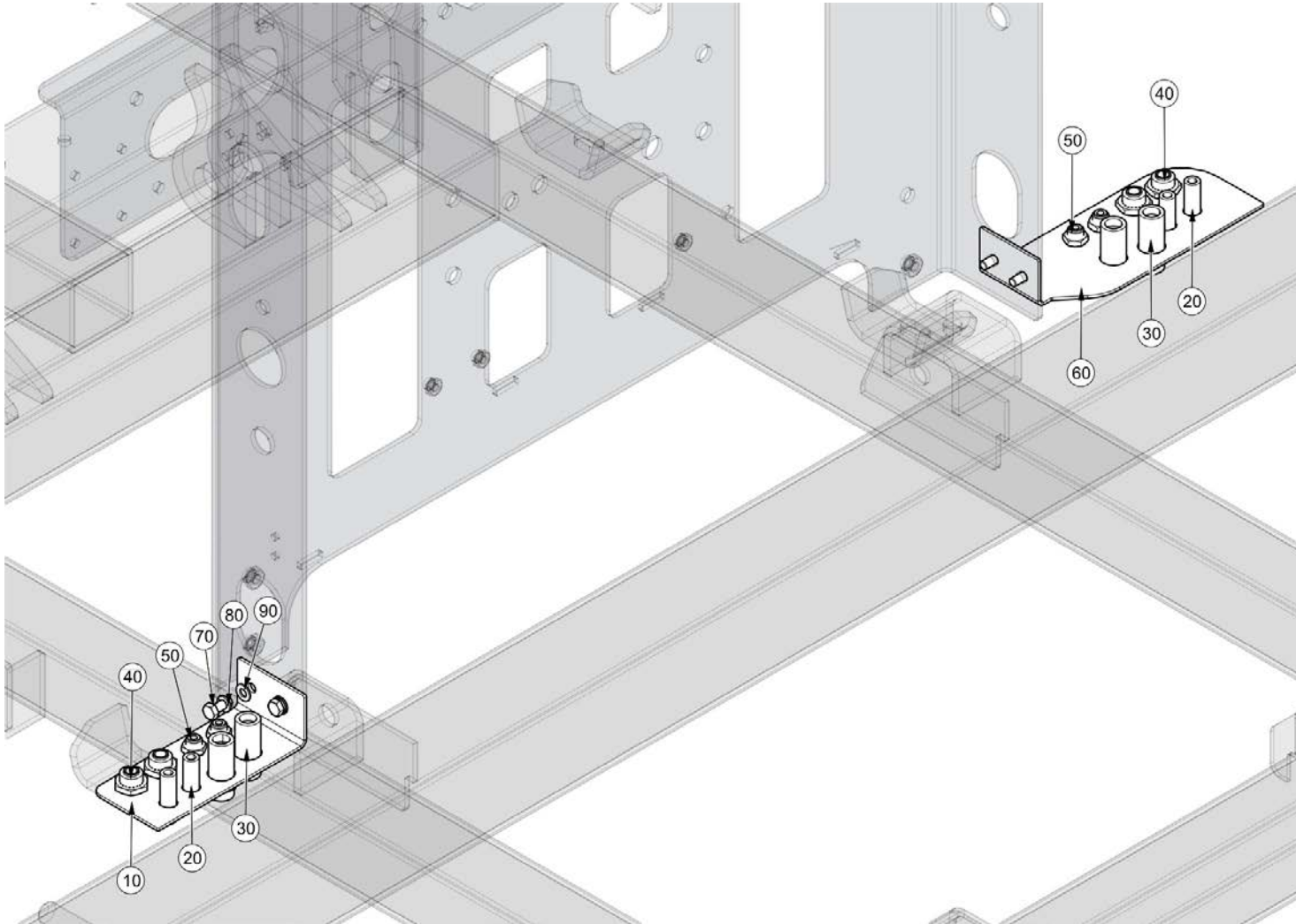
This page is intentionally left blank

Return Manifold ()
Subframe\Powapack Frame\Return Manifold



Item no.	Part no.	Description	QTY	Unit
10	09572135-0	Plug - Collar 1/2 BSP	2	PC
20	6601-1342	Stud Coupling Male G 3/4" x M30 x 2.0	1	PC
30	09570131-0	Stud Coupling Male G 1/2" x M18 x 1.5	1	PC
40	6601-1329	Stud Coupling Male G 1/2" x M22 x 1.5	1	PC
50	92067391-0	Hex Head Bolt - M8Cx80 - 8.8	2	PC
60	93212011-0	Plain Washer - M8	2	PC
70	93085005-0	Nyloc Hex Nut M8C - 8	2	PC
80	6613-0505	Adjustable Male Elbow - M22 x 1.5	1	PC
90	7041075	Plate - Return Manifold	1	PC
100	09570104-0	Stud Coupling Male G 1/2" x M14 x 1.5	1	PC
110	281548-1	Manifold-Hydraulic S/Frame	1	PC

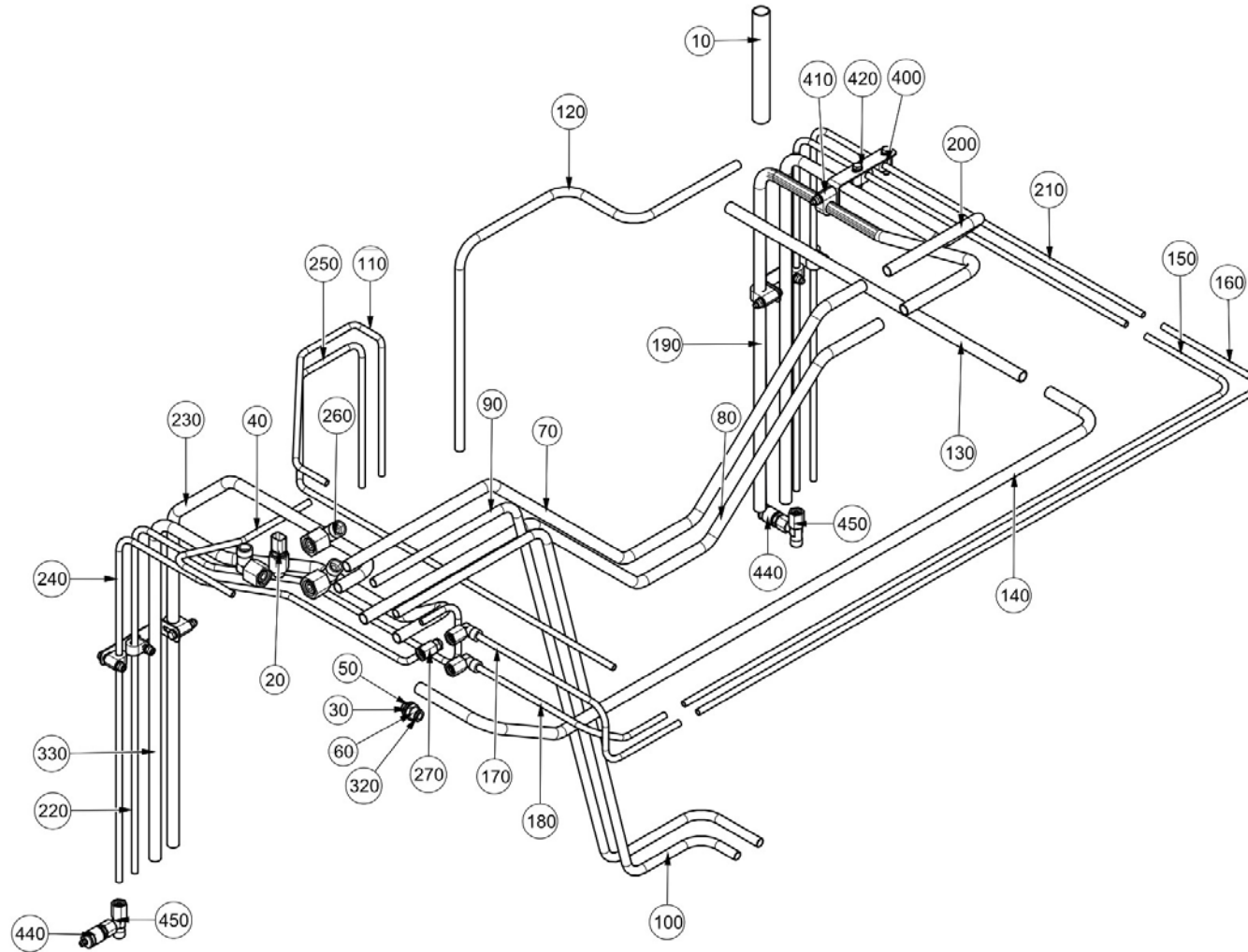
RHS & LHS Bulkhead ()
Subframe\Powapack Frame\RHS & LHS Bulkhead



RHS & LHS Bulkhead ()
Subframe\Powapack Frame\RHS & LHS Bulkhead

Item no.	Part no.	Description	QTY	Unit
10	7040410	Plate - RH Bulkhead Mounting	1	PC
20	09570456-0	Straight Bulkhead Connector M14 x 1.5	4	PC
30	302-3	Straight Bulkhead Connector - M22 x 1.5	4	PC
40	555-5	Adaptor Bulkhead 10mm x M20x1.5	4	PC
50	555-3	Adaptor Bulkhead 6mm x M14x1.5	5	PC
60	7040409	Plate - LH Bulkhead Mounting	1	PC
70	92097374-0	Hex Head Screw - M8Cx20 - 8.8	4	PC
80	93699710-0	Spring Washer - Plated M8	4	PC
90	93212011-0	Plain Washer - M8	4	PC

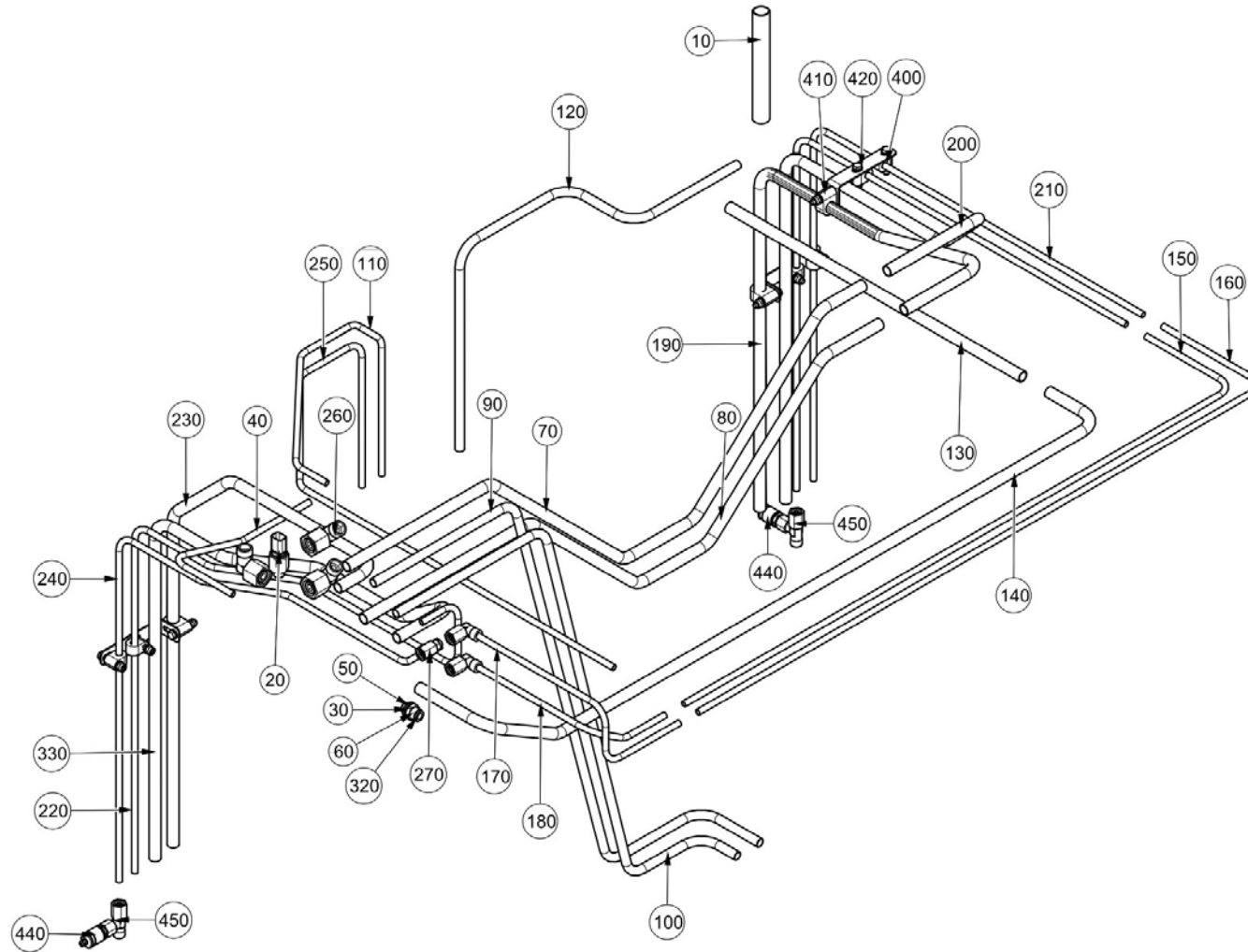
Engine Frame Pipework ()
Subframe\Powapack Frame\Engine Frame Pipework



Engine Frame Pipework ()
 Subframe\Powapack Frame\Engine Frame Pipework

Item no.	Part no.	Description	QTY	Unit
10	7040082	Pipe Hyd H-1Z3-H-1C1	1	PC
20	282920-1	Temperature Switch - 90c 1/4 BSP	1	PC
30	518-8	Adaptor Straight - 8 OD 1/4 BSP	1	PC
40	7040399	Pipe Hyd H-3Z1(P1)-H-2Z2(P1)	1	PC
50	451-17	Washer Bonded G1-4"	1	PC
60	511-3	Olive - Tube 6mm O/D	1	PC
70	7040404	Pipe Hyd H-3Z1(A3)-H-3M2	1	PC
80	7040405	Pipe Hyd H-3M2-H-3Z1(B3)	1	PC
90	7040832	Pipe Hyd H-3V1-H-3Z1(B1)	1	PC
100	7040831	Pipe Hyd H-3Z1(A1)-H-3V1	1	PC
110	7040079	Pipe Hyd H-3Z1(P1)-H-2Z2(P1)	1	PC
120	7040088	Pipe Hyd H-2Z2(T1)-H-1Z3	1	PC
130	7040089	Pipe Hyd H-3Z1(T1)-H-1Z3	1	PC
140	7040395	Pipe Hyd H-3Z1(T1)-H-1Z3	1	PC
150	7040394	Pipe Hyd H-3A3-H-3Z1(B6)	1	PC
160	7040393	Pipe Hyd H-3Z1(A6)-H-3A3	1	PC
170	7040759	Pipe Hyd H-3Z1(A6)-H-3A3	1	PC
180	7040761	Pipe Hyd H-3A3-H-3Z1(B6)	1	PC
190	7040407	Pipe Hyd H-3M2-H-3Z1(B3)	1	PC
200	7040406	Pipe Hyd H-3Z1(A3)-H-3M2	1	PC
210	7040392	Pipe Hyd H-3Z1(A6/B6)-H-3A3	2	PC
220	7040401	Pipe Hyd H-3Z1(A7)-H-3A4	1	PC
230	7040402	Pipe Hyd H-3Z1(A4)-H-3M3	1	PC
240	7040400	Pipe Hyd H-3A4-H-3Z1(B7)	1	PC

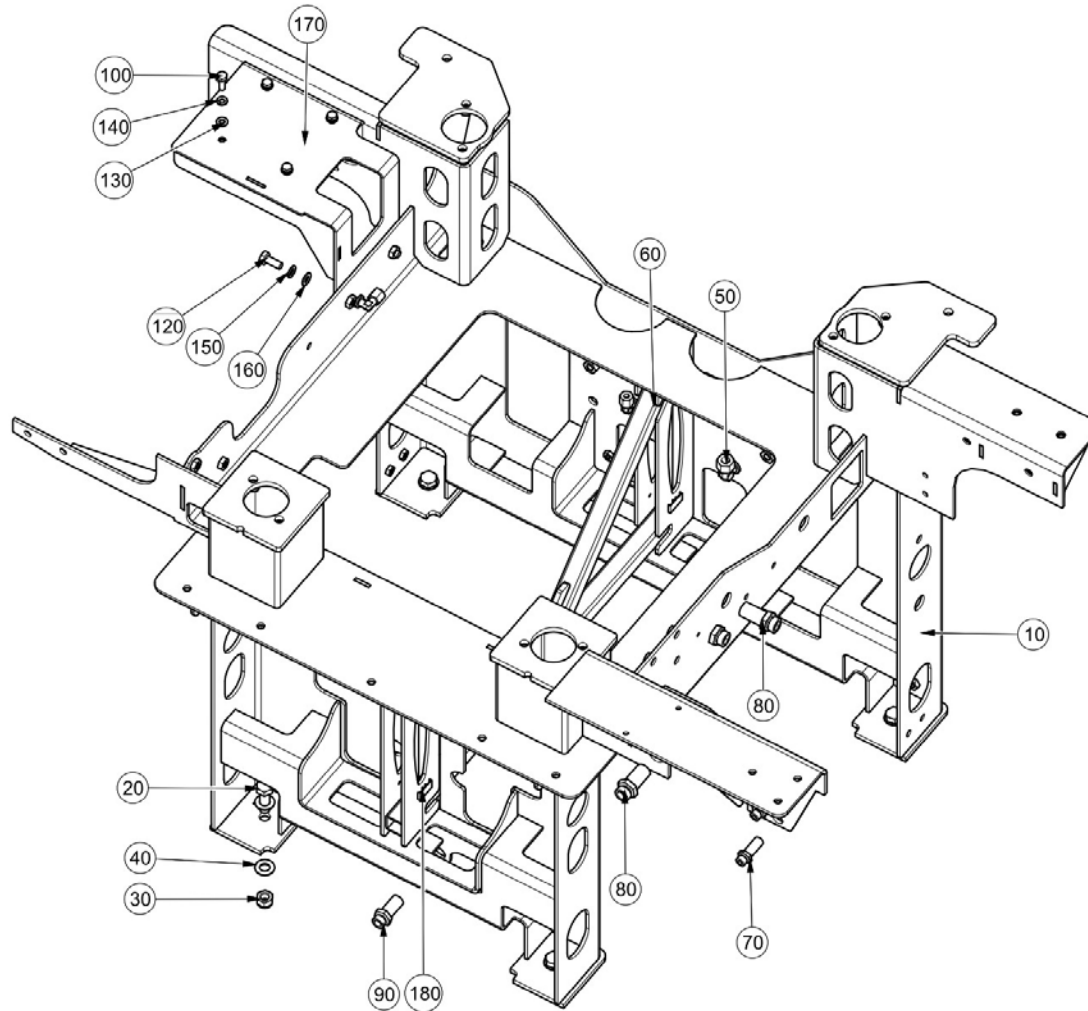
Engine Frame Pipework ()
Subframe\Powapack Frame\Engine Frame Pipework



Engine Frame Pipework ()
Subframe\Powapack Frame\Engine Frame Pipework

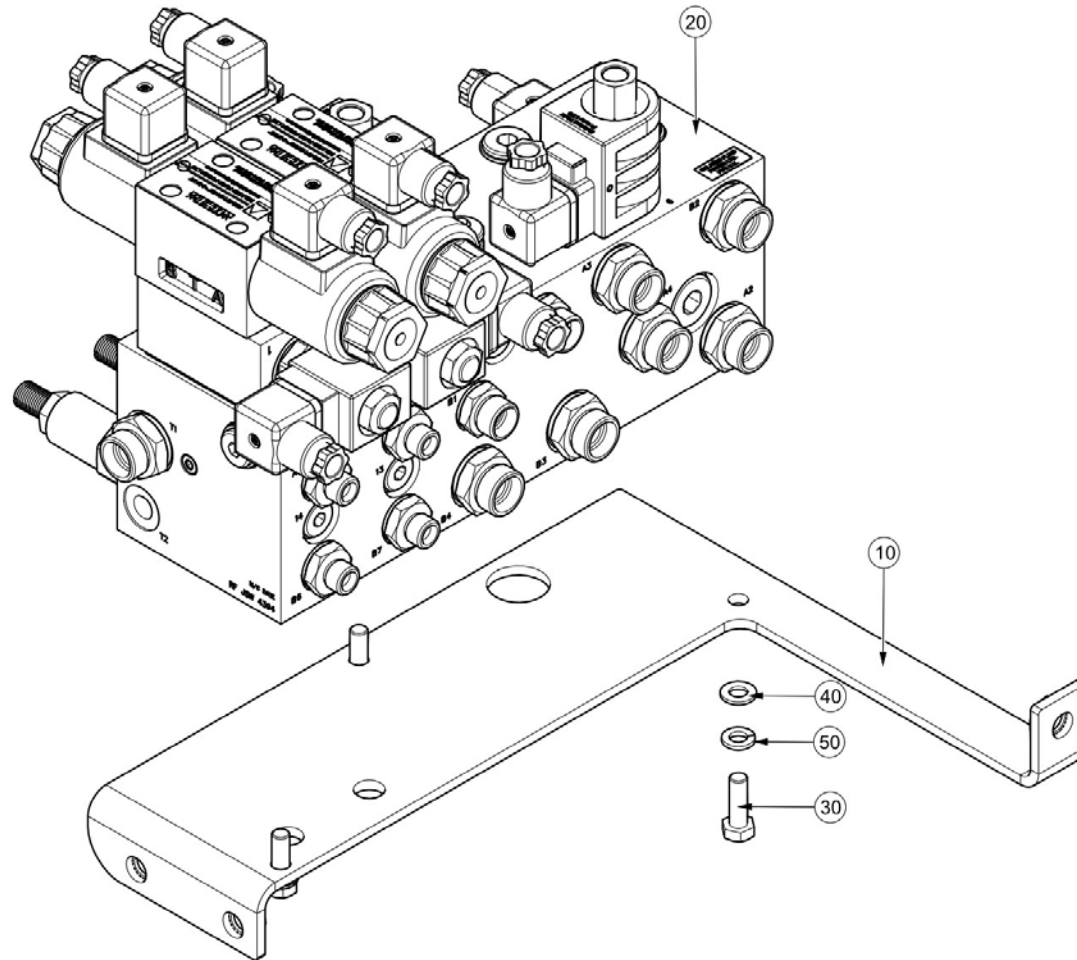
Item no.	Part no.	Description	QTY	Unit
250	7040072	Pipe Hyd H-1P1-H-2Z2(P2)	1	PC
260	6613-0505	Adjustable Male Elbow - M22 x 1.5	3	PC
270	303-1	Adjustable Male Elbow - M14 x 1.5	3	PC
320	510-4	Nut - Tube 8mm O/D	1	PC
330	7042049	Pipe Hyd H-3M3-H-3Z1(B4)	1	PC
400	51-56	Clamp - Pipe Ø 8mm Light Series	6	PC
410	51-64	Clamp - Pipe Ø 15mm Light Series	3	PC
420	7042470	Bracket - Clamp	3	PC
440	09518198-0	Test Coupling - Ø8 Pipe M14x1.5	2	PC
450	308-1	Adjustable Male Tee - M14 x 1.5	2	PC

Engine Frame ()
Subframe\Powapack Frame\Engine Frame



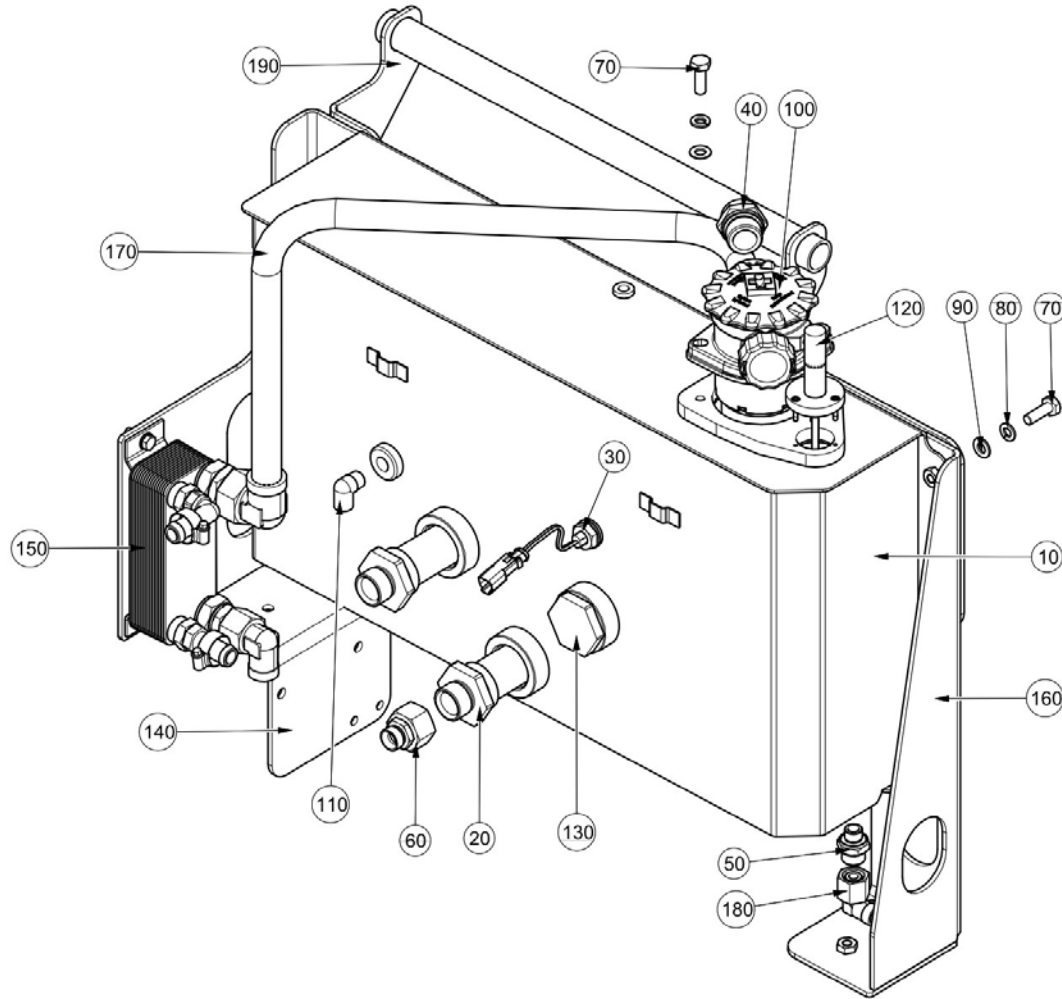
Item no.	Part no.	Description	QTY	Unit
10	7040769	Frame W/assy - Engine	1	PC
20	92072212-0	Hex Head Bolt - M14Cx45 - 10.9	4	PC
30	404-17	Hex Nyloc Nut - M14c x Grade 10	4	PC
40	93212015-0	Plain Washer M14	8	PC
50	09570472-0	Bulkhead Elbow Connector - M18 x 1.5	1	PC
60	09570473-0	Bulkhead Elbow Connector - M14 x 1.5	3	PC
70	09570456-0	Straight Bulkhead Connector M14 x 1.5	2	PC
80	302-3	Straight Bulkhead Connector - M22 x 1.5	3	PC
90	302-2	Straight Bulkhead Connector M18 x 1.5	2	PC
100	92097376-0	Hex Head Screw - M8Cx25 - 8.8	4	PC
110	7017629	Water Pump Assembly	1	PC
120	92097412-0	Hex Head Screw - M10Cx25 - 8.8	4	PC
130	93212011-0	Plain Washer - M8	4	PC
140	93699710-0	Spring Washer - Plated M8	4	PC
150	93699711-0	Spring Washer - Plated M10	4	PC
160	93212012-0	Plain Washer - M10	4	PC
170	7040895	Bracket W/assy - Water Pump	1	PC
180	24-17	Cable Tie Clip - Heavy Duty	3	PC

Hydraulic Manifold ()
Subframe\Powapack Frame\Hydraulic Manifold



Item no.	Part no.	Description	QTY	Unit
10	7040777	Plate - Manifold	1	PC
20	7040530	HIC Sweep RT655 24V	1	PC
20	7040529	HIC Sweep RT655 12V	1	PC
30	92097376-0	Hex Head Screw - M8Cx25 - 8.8	3	PC
40	93212011-0	Plain Washer - M8	3	PC
50	93699710-0	Spring Washer - Plated M8	3	PC

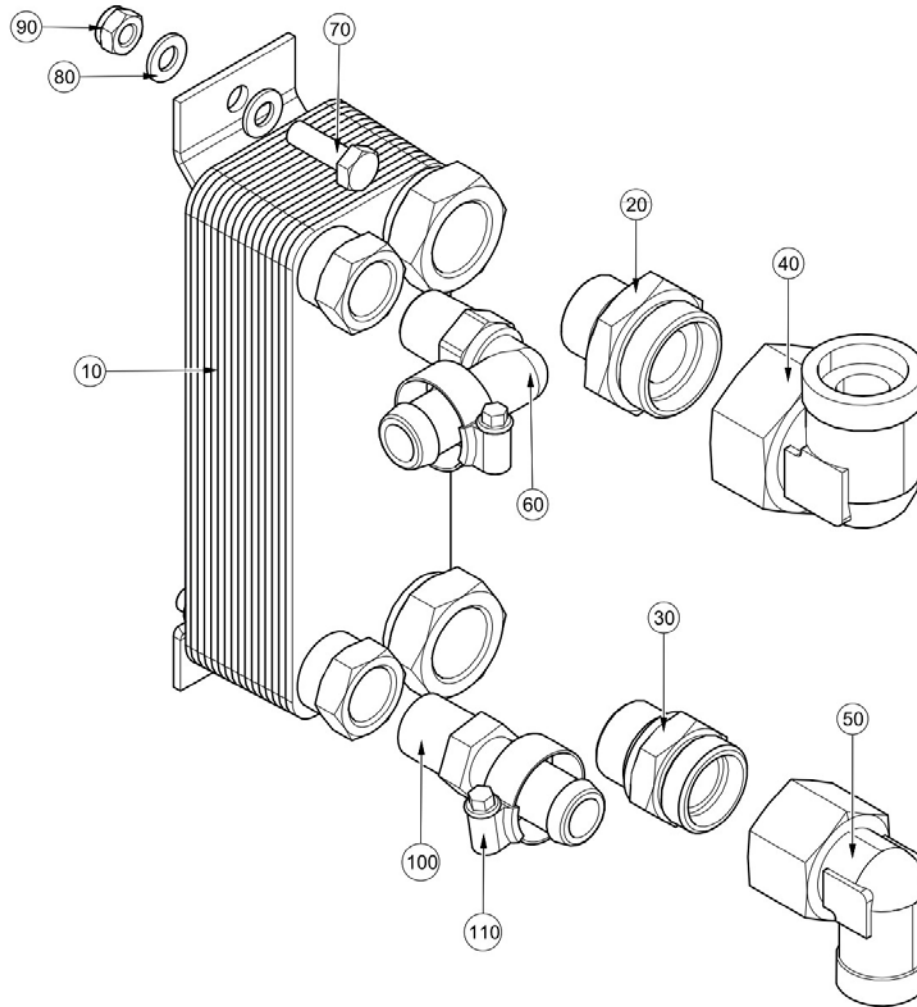
Hydraulic Tank ()
Subframe\Powapack Frame\Hydraulic Tank



Hydraulic Tank ()
 Subframe\Powapack Frame\Hydraulic Tank

Item no.	Part no.	Description	QTY	Unit
10	7037788	Hydraulic Tank - W/Assy	1	PC
20	7005390	Filter - Hydraulic Suction	2	PC
30	48-328	Switch - Float and Deutsch Connector	1	PC
40	6601-1349	Stud Coupling Male G 1" x M36 x 2.0	1	PC
50	6601-1326	Stud Coupling Male G 3/8" x M22 x 1.5	1	PC
60	306-3	Reducing Connector - M30x2 - M22x1.5	1	PC
70	92097414-0	Hex Head Screw - M10Cx30 - 8.8	8	PC
80	93699711-0	Spring Washer - Plated M10	8	PC
90	93212012-0	Plain Washer - M10	8	PC
100	7041150	Return Filter Hydraulic w/Indicator	1	PC
110	521-12	Adaptor - Male Elbow 8 O/D 3/8 BSP	1	PC
120	48-383	Level Switch - Visual Immersion	1	PC
130	55-28	Plug - Solid Hex Head 1 7/8" With O Ring	1	PC
140	7041066	Hydraulic Tank Bracket - RH	1	PC
150	7041070	Oil Cooler S/assy	1	PC
160	7040763	Bracket W/assy - LH Hydraulic Tank	1	PC
170	7040081	Pipe Hyd H-1C1-H-1F4	1	PC
180	6613-0505	Adjustable Male Elbow - M22 x 1.5	1	PC
190	7043227	Handle W/assy	1	PC

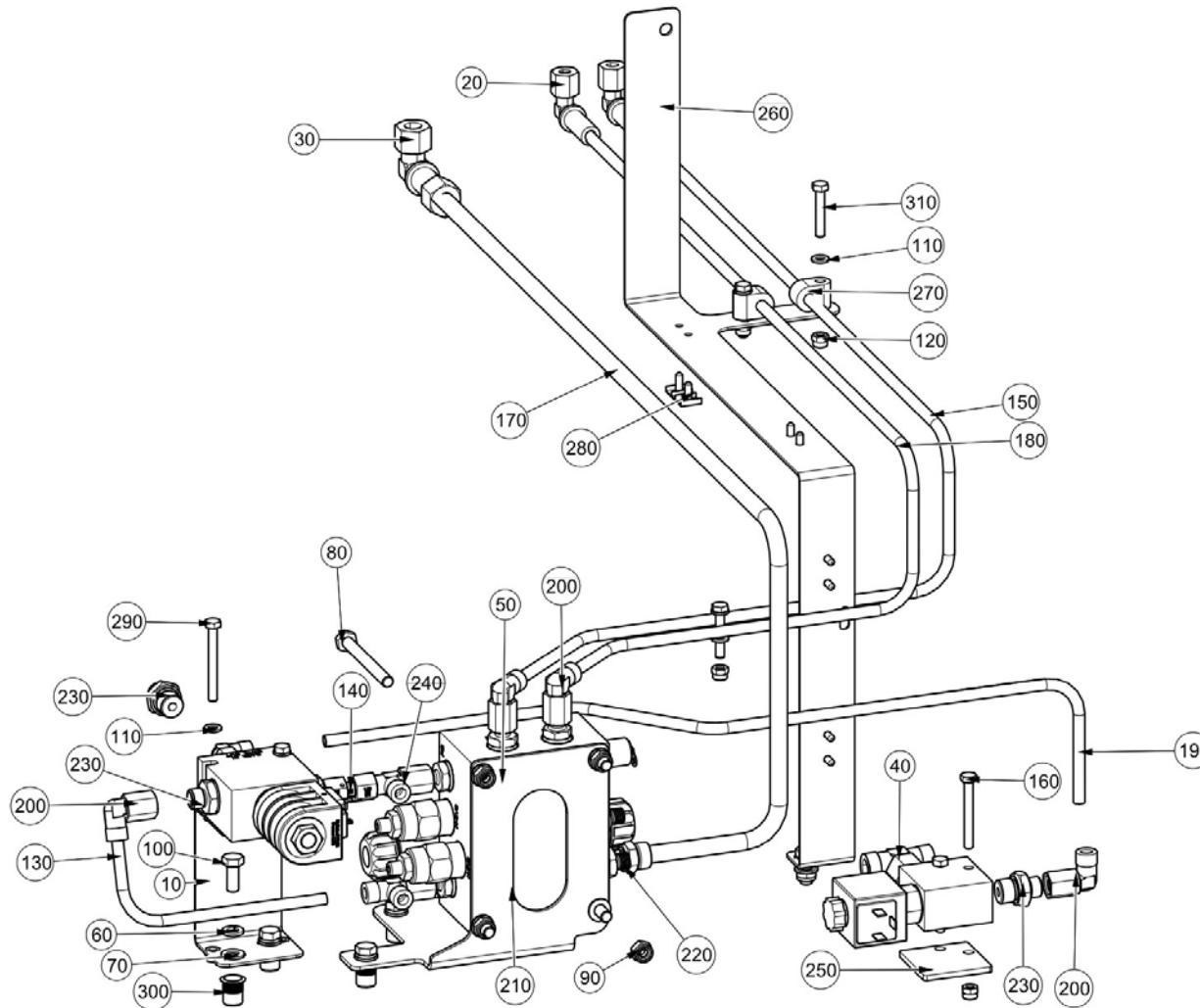
Oil Cooler ()
Subframe\Powapack Frame\Hydraulic Tank\Oil Cooler



Oil Cooler ()
Subframe\Powapack Frame\Hydraulic Tank\Oil Cooler

Item no.	Part no.	Description	QTY	Unit
10	282963-3	Oil Cooler - oil/water	1	PC
20	6601-1346	Stud Coupling Male G 3/4" x M36 x 2.0	1	PC
30	6601-1342	Stud Coupling Male G 3/4" x M30 x 2.0	1	PC
40	6613-0508	Adjustable Male Elbow - M36 x 2.0	1	PC
50	09571074-0	Adjustable Male Elbow - M30 x 2.0	1	PC
60	277-230	Elbow - Poly. 90 ° 1/2 M x 3/4" Barb	1	PC
70	92097376-0	Hex Head Screw - M8Cx25 - 8.8	2	PC
80	93212011-0	Plain Washer - M8	4	PC
90	93085005-0	Nyloc Hex Nut M8C - 8	2	PC
100	66-49	Adaptor - Poly. G 1/2 x 3/4" Hose Tail	1	PC
110	09531052-0	Hose Clip - Worm Drive (22-32)	2	PC

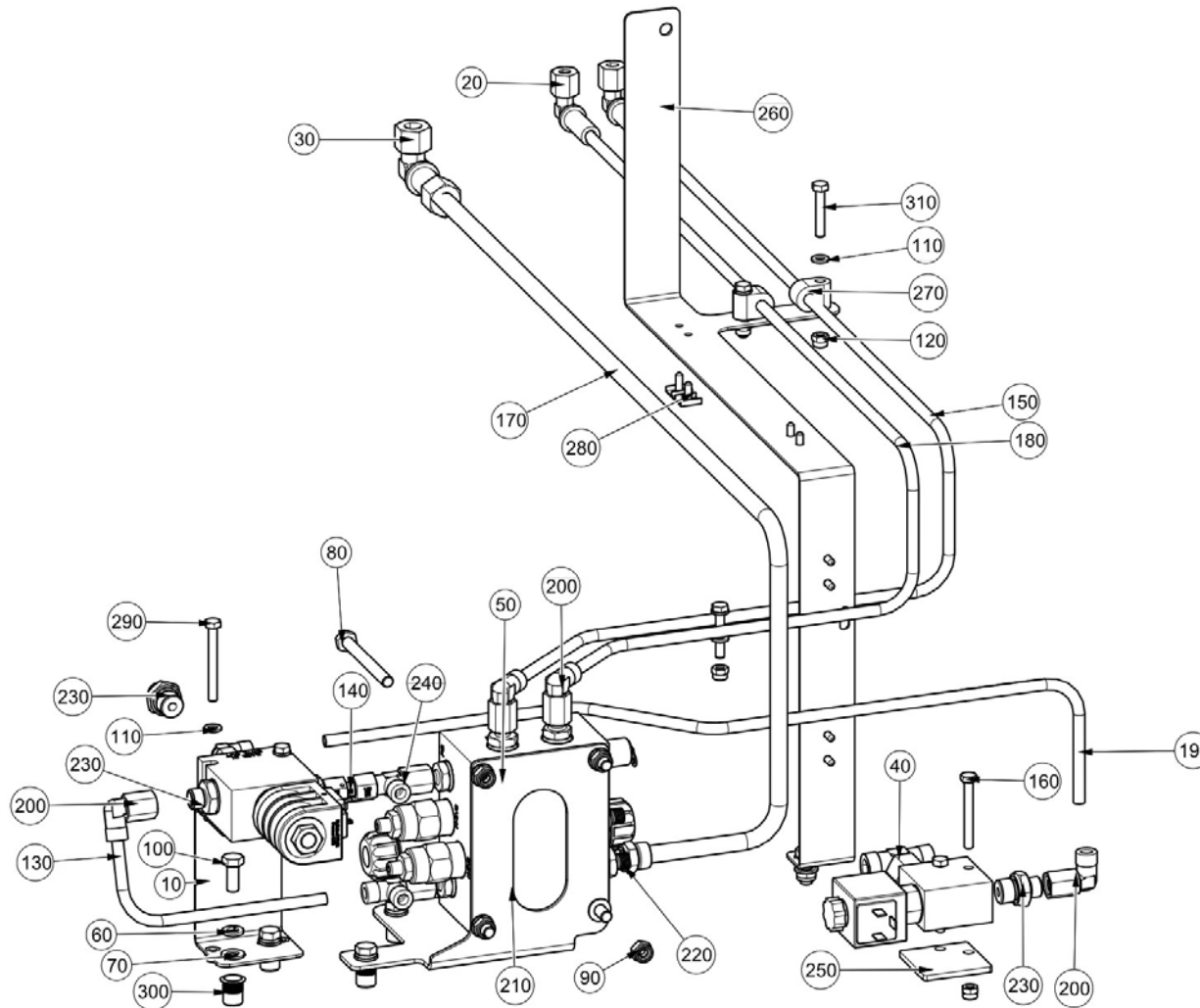
Subframe Hydraulics Pipework ()
Subframe\Subframe Hydraulics Pipework



Subframe Hydraulics Pipework ()
 Subframe\Subframe Hydraulics Pipework

Item no.	Part no.	Description	QTY	Unit
10	7044418	Bracket - Nozzle Lift Valve	1	PC
20	09570473-0	Bulkhead Elbow Connector - M14 x 1.5	2	PC
30	09570472-0	Bulkhead Elbow Connector - M18 x 1.5	1	PC
40	6615-0504	Adjustable Equal Tee - M18 x 1.5	1	PC
50	7005341	Manifold - Hydraulic Body 24V	1	PC
60	93699710-0	Spring Washer - Plated M8	5	PC
70	93212011-0	Plain Washer - M8	11	PC
80	92067391-0	Hex Head Bolt - M8Cx80 - 8.8	4	PC
90	93085005-0	Nyloc Hex Nut M8C - 8	5	PC
100	92097374-0	Hex Head Screw - M8Cx20 - 8.8	6	PC
110	93212009-0	Plain Washer - M6	10	PC
120	93085004-0	Nyloc Hex Nut M6C - 8	8	PC
130	7044419	Pipe - Nozzle Lift to discharge block	1	PC
140	601-14	Hydraulic Fitting - Straight, Tube Ø 8mm	1	PC
150	7042298	Pipe Hyd H-1P1-H-2Z2(P2)	1	PC
160	92097309-0	Hex Head Screw - M6Cx50 - 8.8	2	PC
170	7042295	Pipe Hyd H-2Z2(T1)-H-1Z3	1	PC
180	7042296	Pipe Hyd H-1P1-H-2Z2(P1)	1	PC
190	7044430	Pipe Hyd H-3Z1(A5)-H-3V14	1	PC
200	303-1	Adjustable Male Elbow - M14 x 1.5	5	PC
210	7042290	Bracket - Discharge Manifold	1	PC
220	09570128-0	Stud Coupling Male G 1/4" x M18 x 1.5	1	PC
230	09570102-0	Stud Coupling Male G 3/8" x M14 x 1.5	5	PC
240	308-1	Adjustable Male Tee - M14 x 1.5	2	PC

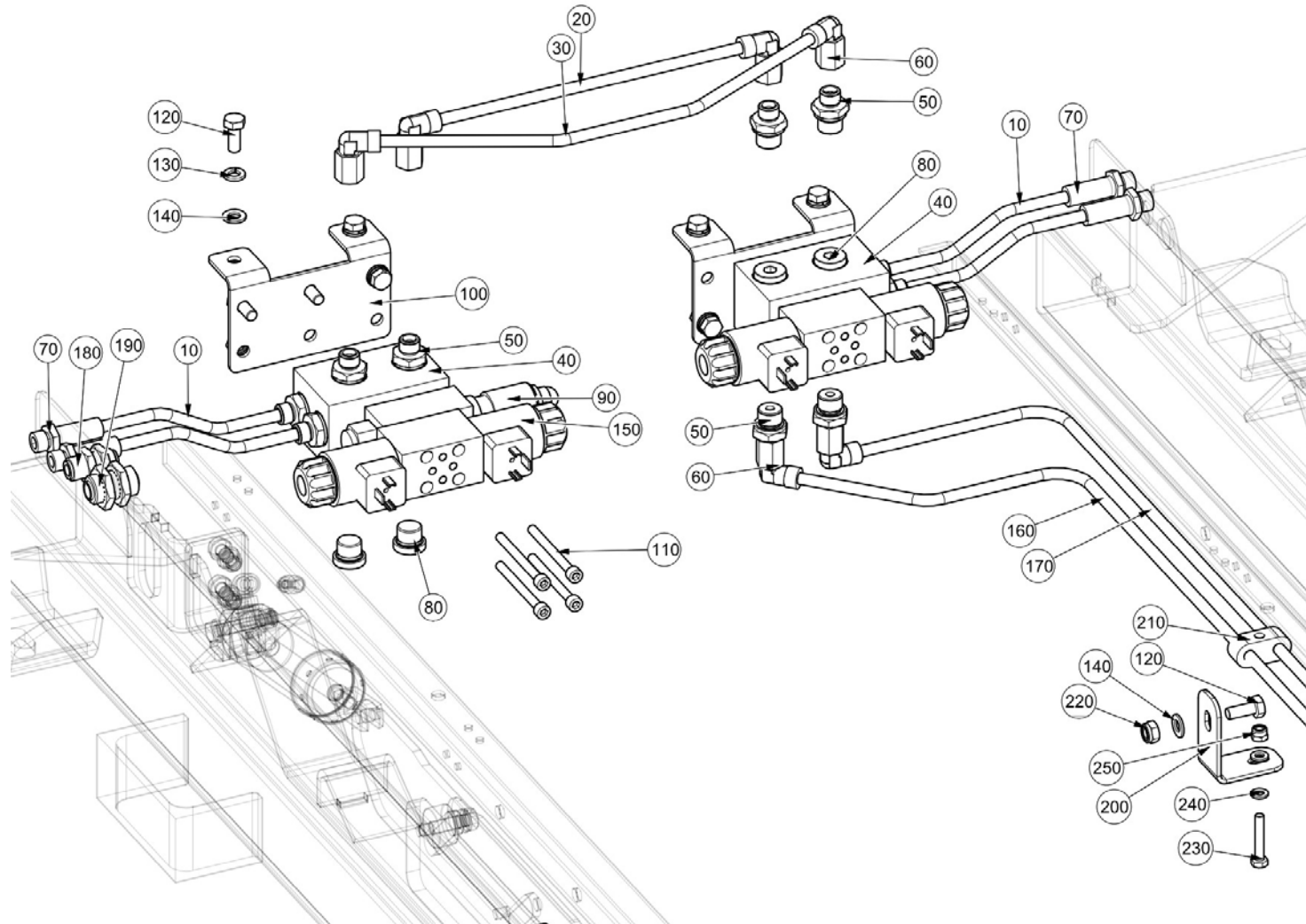
Subframe Hydraulics Pipework ()
Subframe\Subframe Hydraulics Pipework



Subframe Hydraulics Pipework ()
Subframe\Subframe Hydraulics Pipework

Item no.	Part no.	Description	QTY	Unit
250	7042574	Plate - Nozzle Lift	1	PC
260	7043795	Bracket - Harness Support	1	PC
270	51-56	Clamp - Pipe Ø 8mm Light Series	2	PC
280	24-17	Cable Tie Clip - Heavy Duty	4	PC
290	92067312-0	Hex Head Bolt - M6Cx55 - 8.8	2	PC
300	433-120	Insert - M8, 3.8 to 7.9	5	PC
310	92067308-0	Hex Head Bolt - M6Cx35 - 8.8	3	PC

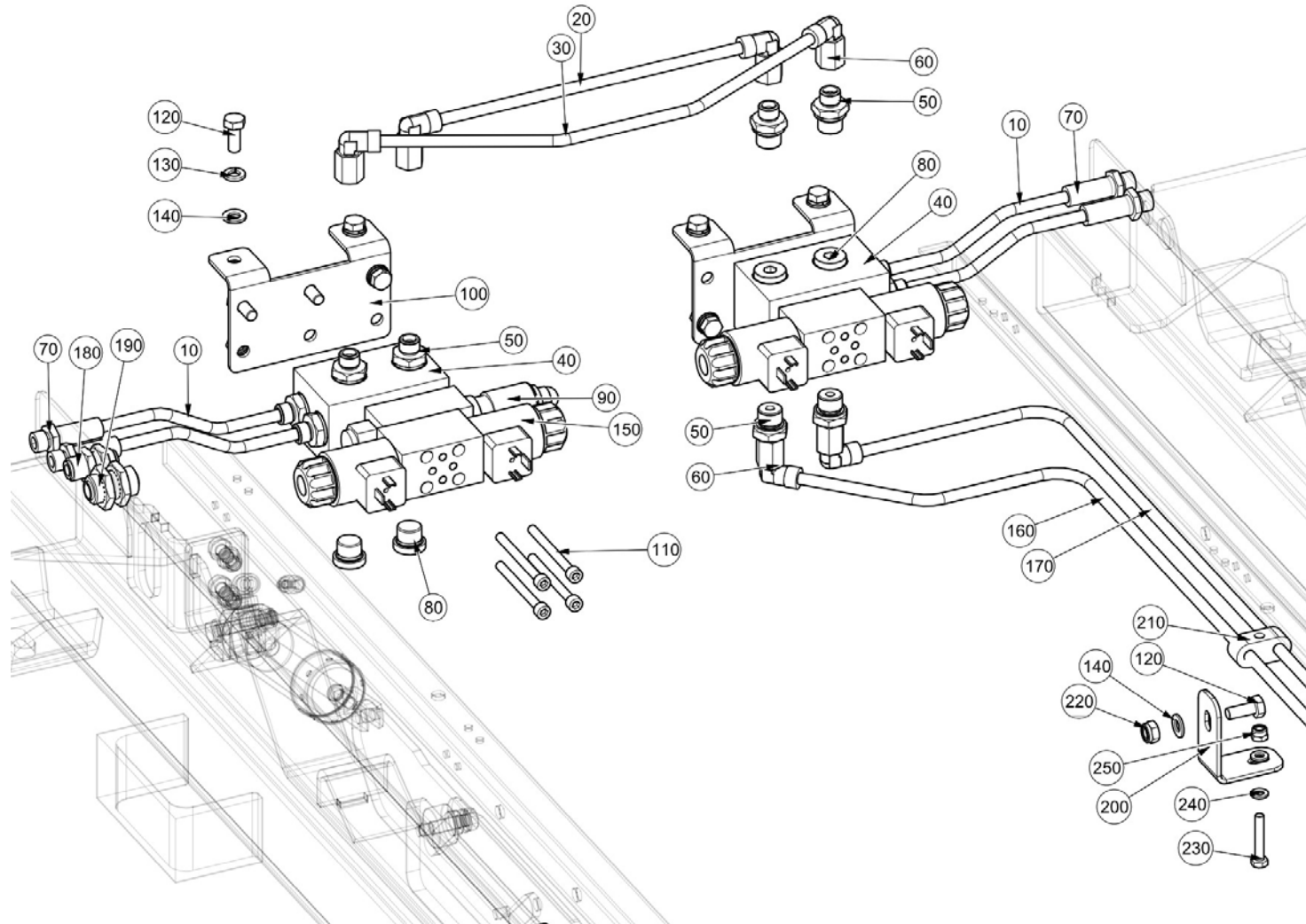
Powaboom and Rear Door Hydraulics ()
Subframe\Powaboom and Rear Door Hydraulics



Powaboom and Rear Door Hydraulics ()
 Subframe\Powaboom and Rear Door Hydraulics

Item no.	Part no.	Description	QTY	Unit
10	7039145	Pipe Hyd H-2Z3(A/B)-H-2V9(A/B)	2	PC
20	7039146	Pipe Hyd H-2Z3(T2)-H-5Z1(T)	1	PC
30	7039147	Pipe Hyd H-2Z3(P2)-H-5Z1(P)	1	PC
40	7009457	Manifold - Hydraulic CETOP2 (04)	1	PC
50	09570102-0	Stud Coupling Male G 3/8" x M14 x 1.5	6	PC
60	303-1	Adjustable Male Elbow - M14 x 1.5	4	PC
70	09570456-0	Straight Bulkhead Connector M14 x 1.5	2	PC
80	09572134-0	Sealing Plug VS-R 3/8 WD	2	PC
90	298-1	Valve - Pressure Reducing	1	PC
100	7039144	Bracket - Manifold	1	PC
110	92137091-0	Hex Socket Cap Screw - M6Cx65 - 12.9	4	PC
120	92097374-0	Hex Head Screw - M8Cx20 - 8.8	5	PC
130	93699710-0	Spring Washer - Plated M8	5	PC
140	93212011-0	Plain Washer - M8	5	PC
150	298-21	Valve Solenoid Operated Directional 24v	1	PC
150	298-11	Valve Solenoid Operated Directional 12v	1	PC
160	7042299	Pipe Hyd H-2Z2(T2)-H-2Z3(T)	1	PC
170	7042300	Pipe Hyd H-2Z2(PB)-H-2Z3(P)	1	PC
180	555-4	Adaptor Bulkhead 8mm x M16x1.5	1	PC
190	555-5	Adaptor Bulkhead 10mm x M20x1.5	1	PC
200	7042433	Bracket - Pipe Clamp	2	PC
210	51-58	Clamp - Pipe Ø 8mm Light Series	2	PC
220	93085005-0	Nyloc Hex Nut M8C - 8	2	PC
230	92097306-0	Hex Head Screw - M6Cx35 - 8.8	2	PC

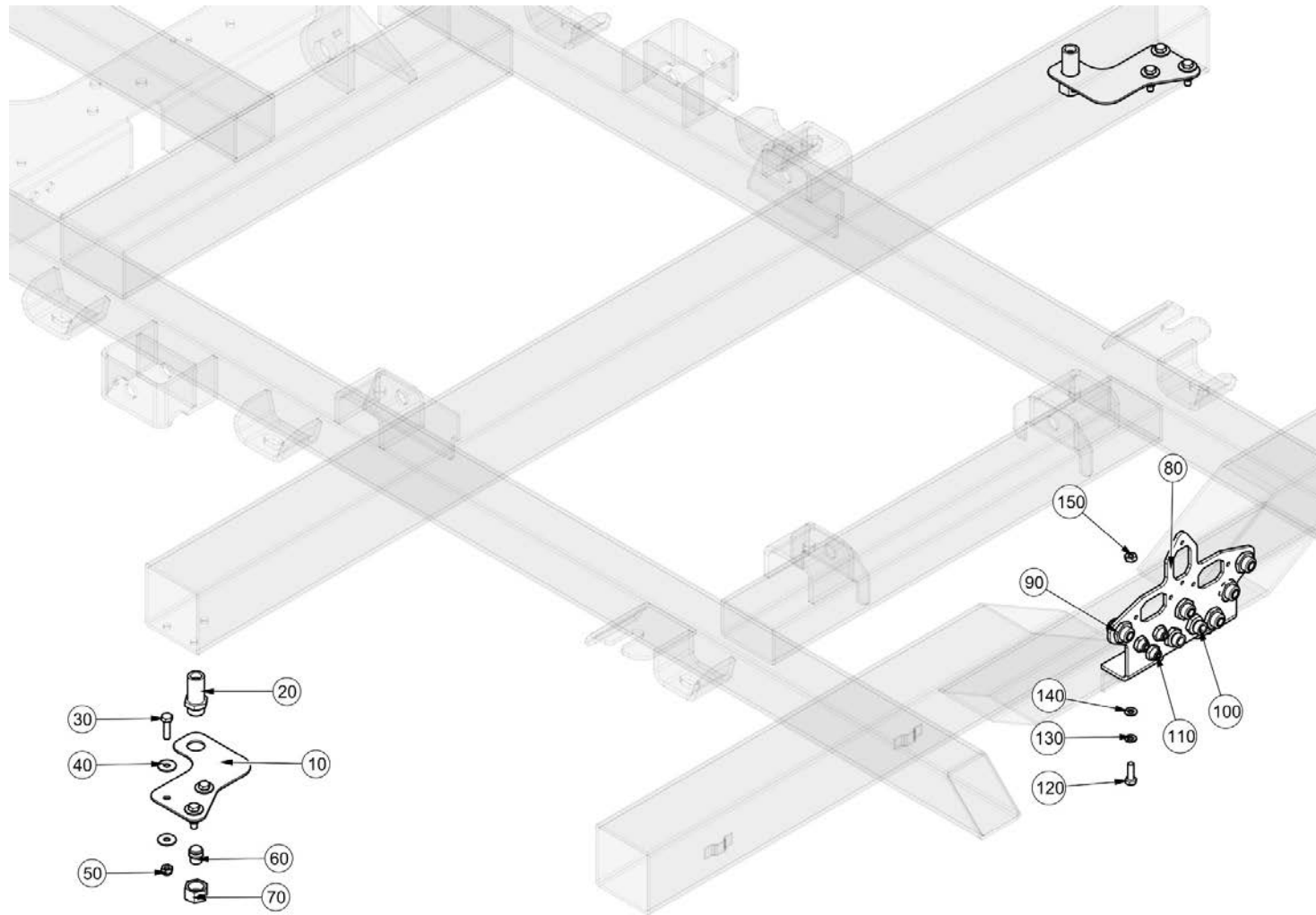
Powaboom and Rear Door Hydraulics ()
Subframe\Powaboom and Rear Door Hydraulics



Powaboom and Rear Door Hydraulics ()
Subframe\Powaboom and Rear Door Hydraulics

Item no.	Part no.	Description	QTY	Unit
240	93212009-0	Plain Washer - M6	2	PC
250	93085004-0	Nyloc Hex Nut M6C - 8	2	PC

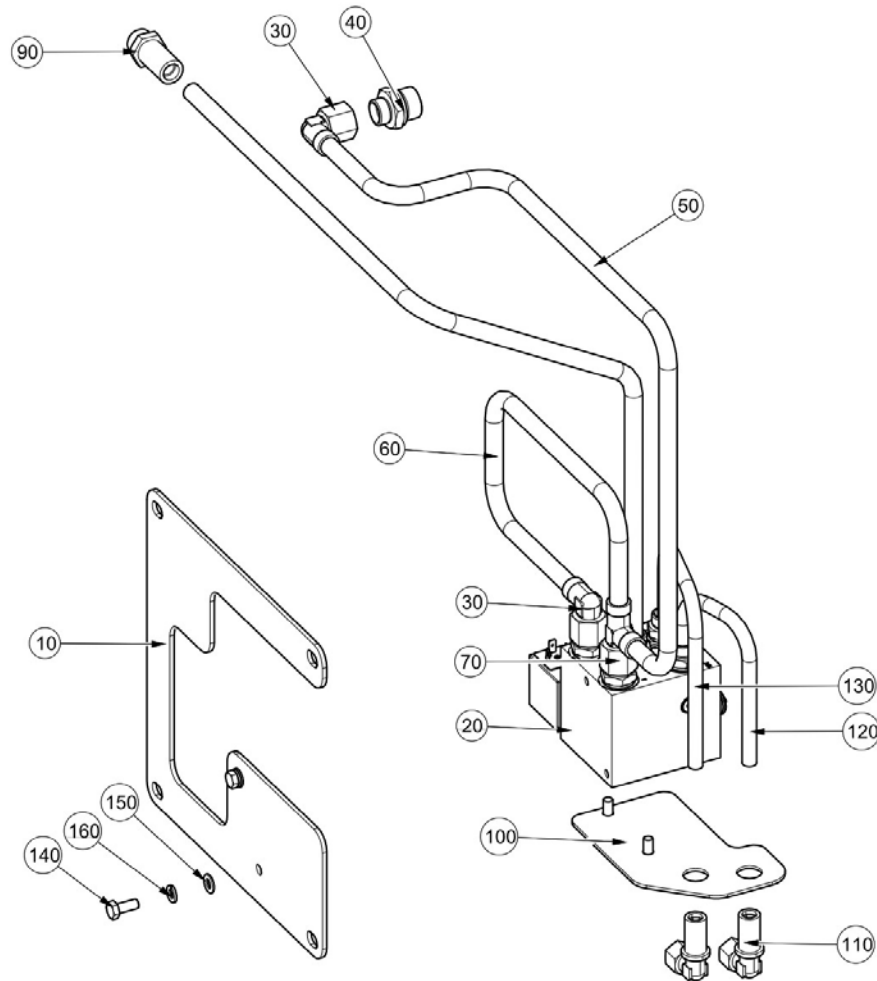
Subframe Front Bulkheads ()
Subframe\Subframe Front Bulkheads



Subframe Front Bulkheads ()
Subframe\Subframe Front Bulkheads

Item no.	Part no.	Description	QTY	Unit
10	7043092	Plate - Drain Bulkhead	1	PC
20	302-3	Straight Bulkhead Connector - M22 x 1.5	2	PC
30	92097378-0	Hex Head Screw - M8Cx30 - 8.8	6	PC
40	93300509-0	Plain Large Washer - M8	12	PC
50	93085005-0	Nyloc Hex Nut M8C - 8	6	PC
60	09572104-0	Plug Female - Tube O/D = 15mm	2	PC
70	09570009-0	Cap Nut - M22 x 1.5 (Tube O/D = 15mm)	2	PC
80	7040897	Bracket - Speed Control Bulkhead	1	PC
90	555-5	Adaptor Bulkhead 10mm x M20x1.5	5	PC
100	302-2	Straight Bulkhead Connector M18 x 1.5	2	PC
110	555-3	Adaptor Bulkhead 6mm x M14x1.5	3	PC
120	92097376-0	Hex Head Screw - M8Cx25 - 8.8	2	PC
130	93699710-0	Spring Washer - Plated M8	2	PC
140	93212011-0	Plain Washer - M8	2	PC
150	09530298-0	Nut - Weld M8C DIN929 Steel	2	PC

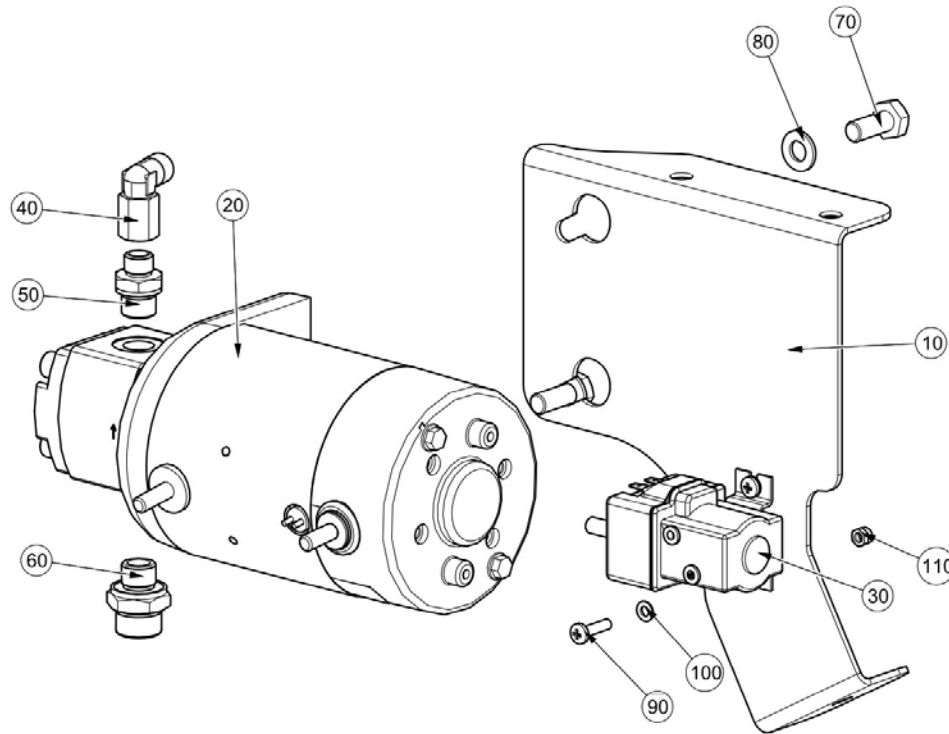
Tandem Valve Block ()
Subframe\Tandem Valve Block



Tandem Valve Block ()
Subframe\Tandem Valve Block

Item no.	Part no.	Description	QTY	Unit
10	7041243	Plate - Supawash Manifold	1	PC
20	7008196	Manifold - Hydraulic 12 Volt	1	PC
30	6613-0505	Adjustable Male Elbow - M22 x 1.5	2	PC
40	09572938-0	Stud Coupling Male G 3/4" x M22 x 1.5	1	PC
50	7040084	Pipe Hyd H-4Z1(T)-H-1Z3	1	PC
60	7007891	Pipe Hyd H12Z1(T) H12Z1(A)	1	PC
70	6615-2320	Adjustable Male Tee - M22 x 1.5	1	PC
80	7040091	Pipe Hyd H-1P3-H-4Z1(P)	1	PC
90	302-3	Straight Bulkhead Connector - M22 x 1.5	1	PC
100	7042529	Plate - Supawash Manifold Bulkhead	1	PC
110	09570472-0	Bulkhead Elbow Connector - M18 x 1.5	2	PC
120	7042532	Pipe Hydraulic - Supwash MA - SP Pump	1	PC
130	7042527	Pipe Hydraulic - Supwash MB - SP Pump	1	PC
140	92097374-0	Hex Head Screw - M8Cx20 - 8.8	4	PC
150	93212011-0	Plain Washer - M8	4	PC
160	93699710-0	Spring Washer - Plated M8	4	PC

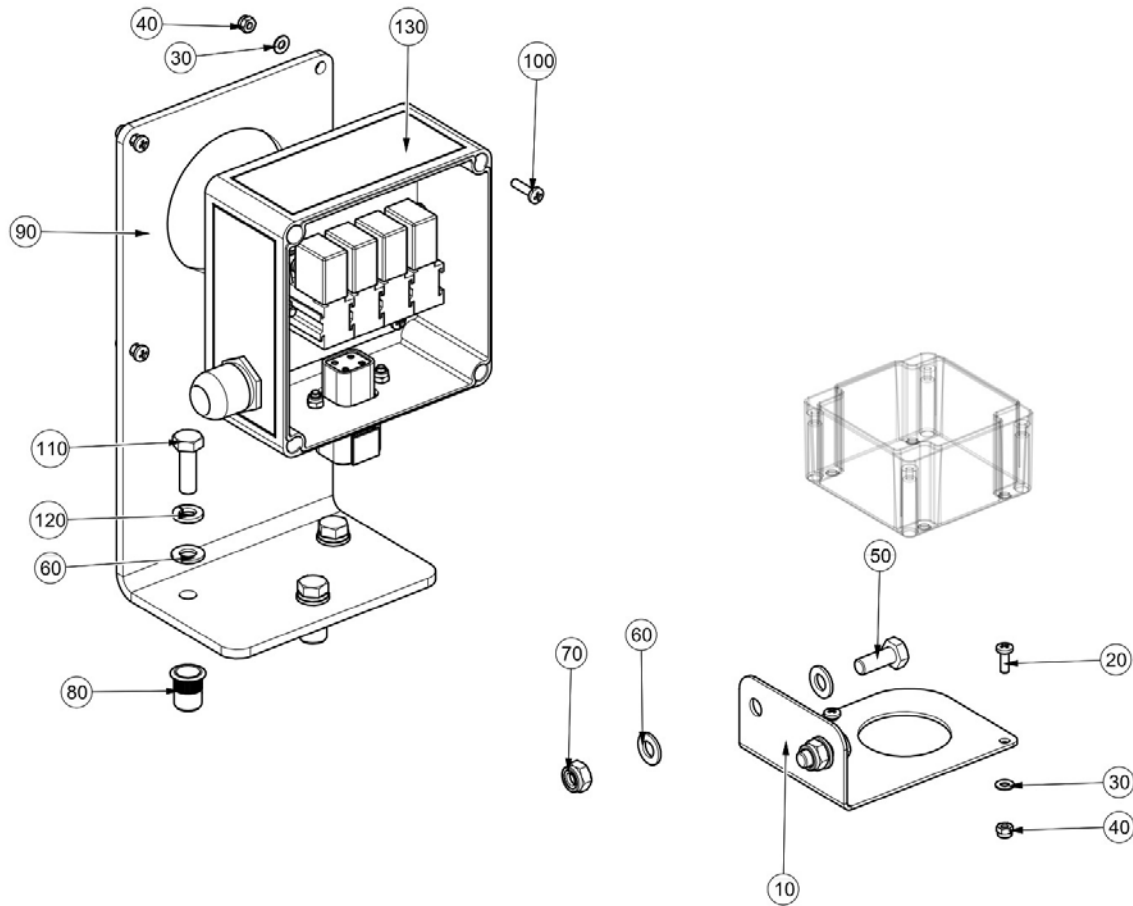
Discharge Pump ()
Subframe\Discharge Pump



Discharge Pump ()
 Subframe\Discharge Pump

Item no.	Part no.	Description	QTY	Unit
10	7039153	Bracket W/assy - Discharge Pump	1	PC
20	7035297	Electric Discharge Pump 2.7cc 24v	1	PC
20	7035298	Electric Discharge Pump 2.7cc 12v	1	PC
30	7041460	Start Solenoid 24v	1	PC
30	7041459	Start Solenoid 12v	1	PC
40	303-1	Adjustable Male Elbow - M14 x 1.5	1	PC
50	09570102-0	Stud Coupling Male G 3/8" x M14 x 1.5	1	PC
60	6601-1326	Stud Coupling Male G 3/8" x M22 x 1.5	1	PC
70	92097412-0	Hex Head Screw - M10Cx25 - 8.8	2	PC
80	93212012-0	Plain Washer - M10	2	PC
90	134-59	Pan Head Screw - M5Cx20 - 4.8	2	PC
100	93210109-0	Plain Washer M5	2	PC
110	93085003-0	Nyloc Hex Nut M5C - 8	2	PC

Rotatilt and Powaboom Relay Box ()
Subframe\Rotatilt and Powaboom Relay Box



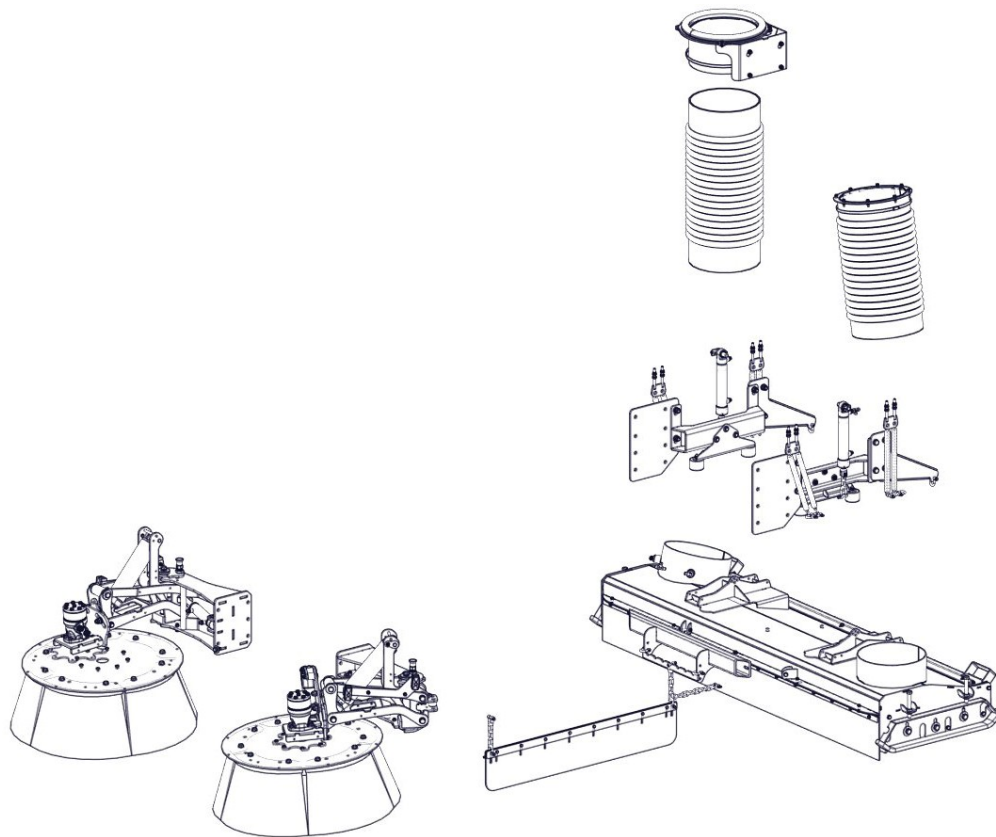
Rotatilt and Powaboom Relay Box ()
 Subframe\Rotatilt and Powaboom Relay Box

Item no.	Part no.	Description	QTY	Unit
10	7045773	Bracket - Powaboom Relay	1	PC
20	134-42	Pan Head Screw - M4Cx12 - 4.8	2	PC
30	93212007-0	Plain Washer M4	4	PC
40	93085002-0	Nyloc Hex Nut M4C - 8	4	PC
50	92097374-0	Hex Head Screw - M8Cx20 - 8.8	2	PC
60	93212011-0	Plain Washer - M8	4	PC
70	93085005-0	Nyloc Hex Nut M8C - 8	2	PC
80	433-120	Insert - M8, 3.8 to 7.9	3	PC
90	7042982	Bracket - Rotatilt Relay Box	1	PC
100	134-43	Pan Head Screw - M4Cx16 - 4.8	4	PC
110	92097376-0	Hex Head Screw - M8Cx25 - 8.8	3	PC
120	93699710-0	Spring Washer - Plated M8	3	PC
130	7022865	Dual Rotatilt Relay Box Assembly 12V	1	PC
130	7022875	Single Rotatilt Relay Box Assembly 12 V	1	PC
130	7022820	Dual Rotatilt Relay Box Assembly 24V	1	PC
130	7022848	Single Rotatilt Relay Box Assembly 24 V	1	PC

This page is intentionally left blank

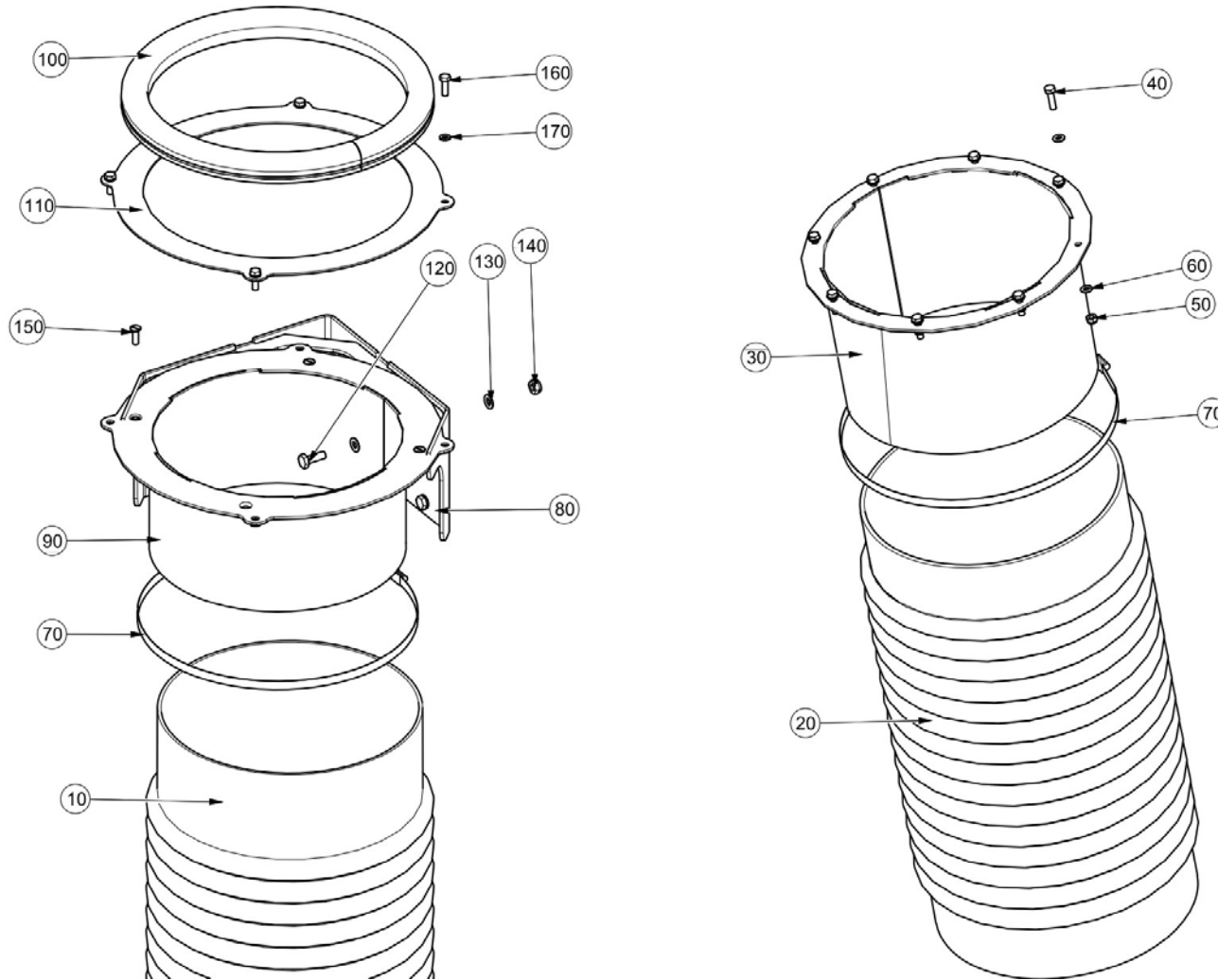
Chapter 4 Sweepgear

Table of Contents



Section	Page
4.1 Intake & Blast Tubes	104
4.2 Sweep Curtain	106
4.3 Pick-up Head Assembly	108
4.4 Gutter Broom	112
4.4.1 Upper Arm	114
4.4.2 Lower Arm	116
4.4.3 Brush Head	120
4.4.4 Rotatilt	122
4.5 Pick-up Head Install	124

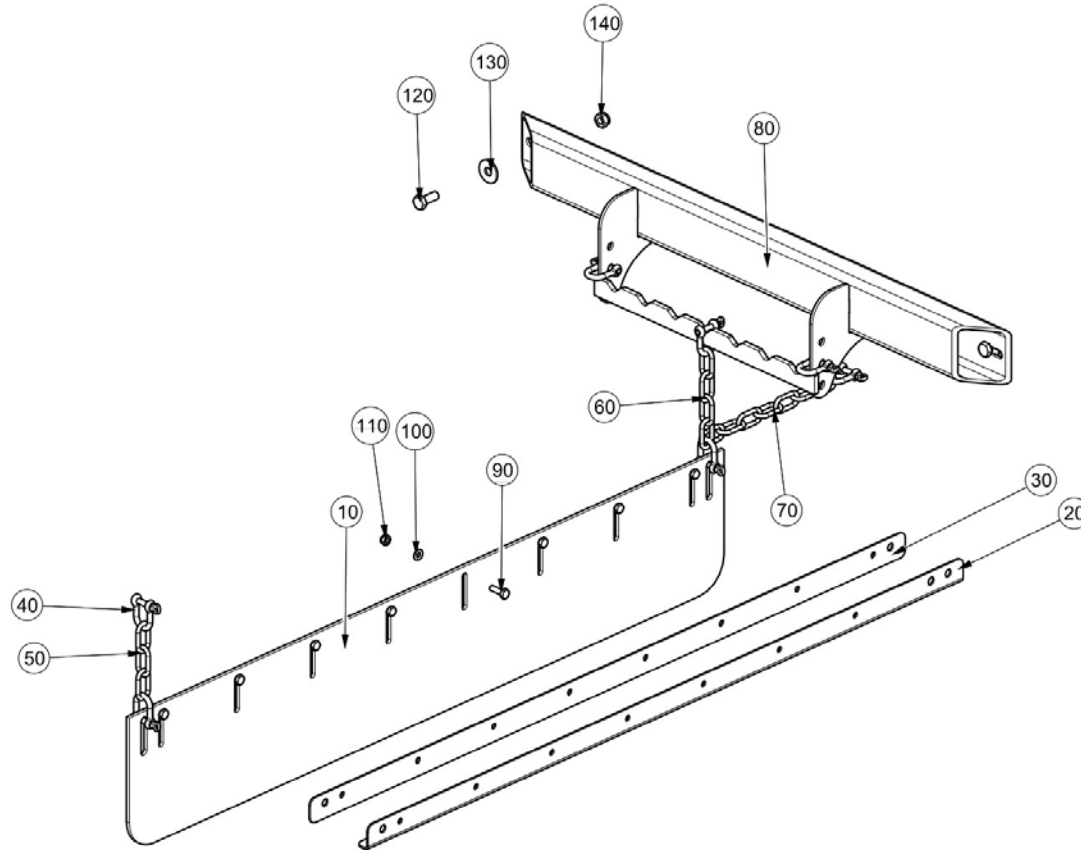
Intake & Blast Tubes ()
Sweepgear\Intake & Blast Tubes



Intake & Blast Tubes ()
Sweepgear\Intake & Blast Tubes

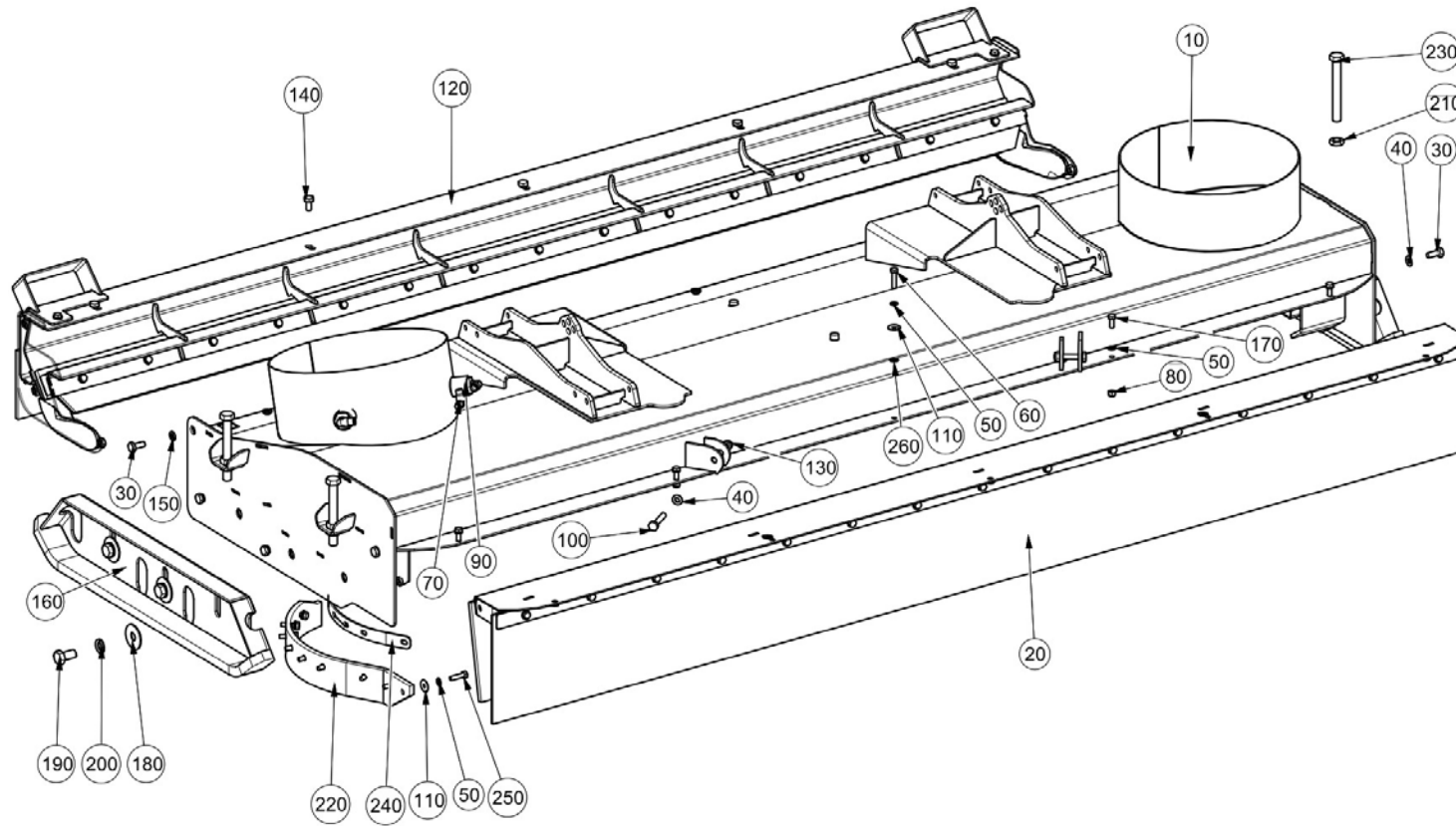
Item no.	Part no.	Description	QTY	Unit
10	223950-1	Trunking - Suction Hood RT655	1	PC
20	223960-1	Trunking - Blaster Hood RT655	1	PC
30	221201-2	Trunking Fixture Seat W/A 655	1	PC
40	92097378-0	Hex Head Screw - M8Cx30 - 8.8	8	PC
50	93085005-0	Nyloc Hex Nut M8C - 8	8	PC
60	93212011-0	Plain Washer - M8	16	PC
70	501-33	Hose Clip - Worm Drive (350-380)	2	PC
80	221045-1	Brkt-Intake Seat Subframe 655	1	PC
90	221044-1	Intake Seat W/A - 179mm	1	PC
90	221044-11	Intake Seat W/A - 179mm, Bonded	1	PC
90	221044-12	Intake Seat W/A - 229mm, Bonded	1	PC
90	221044-2	Intake Seat W/A - 229mm	1	PC
100	221799-1	Intake Seat Seal 1130mm Lg 655	1	PC
110	221043-1	Intake Seat Clamp-Subframe 655	1	PC
120	92097414-0	Hex Head Screw - M10Cx30 - 8.8	4	PC
130	93212012-0	Plain Washer - M10	8	PC
140	93085006-0	Nyloc Hex Nut M10C - 8	4	PC
150	6133-2781	CSK Flat HD Slotted Screw-M8Cx25-4.8	3	PC
160	92097376-0	Hex Head Screw - M8Cx25 - 8.8	4	PC
170	93699710-0	Spring Washer - Plated M8	4	PC

Sweep Curtain ()
Sweepgear\Sweep Curtain



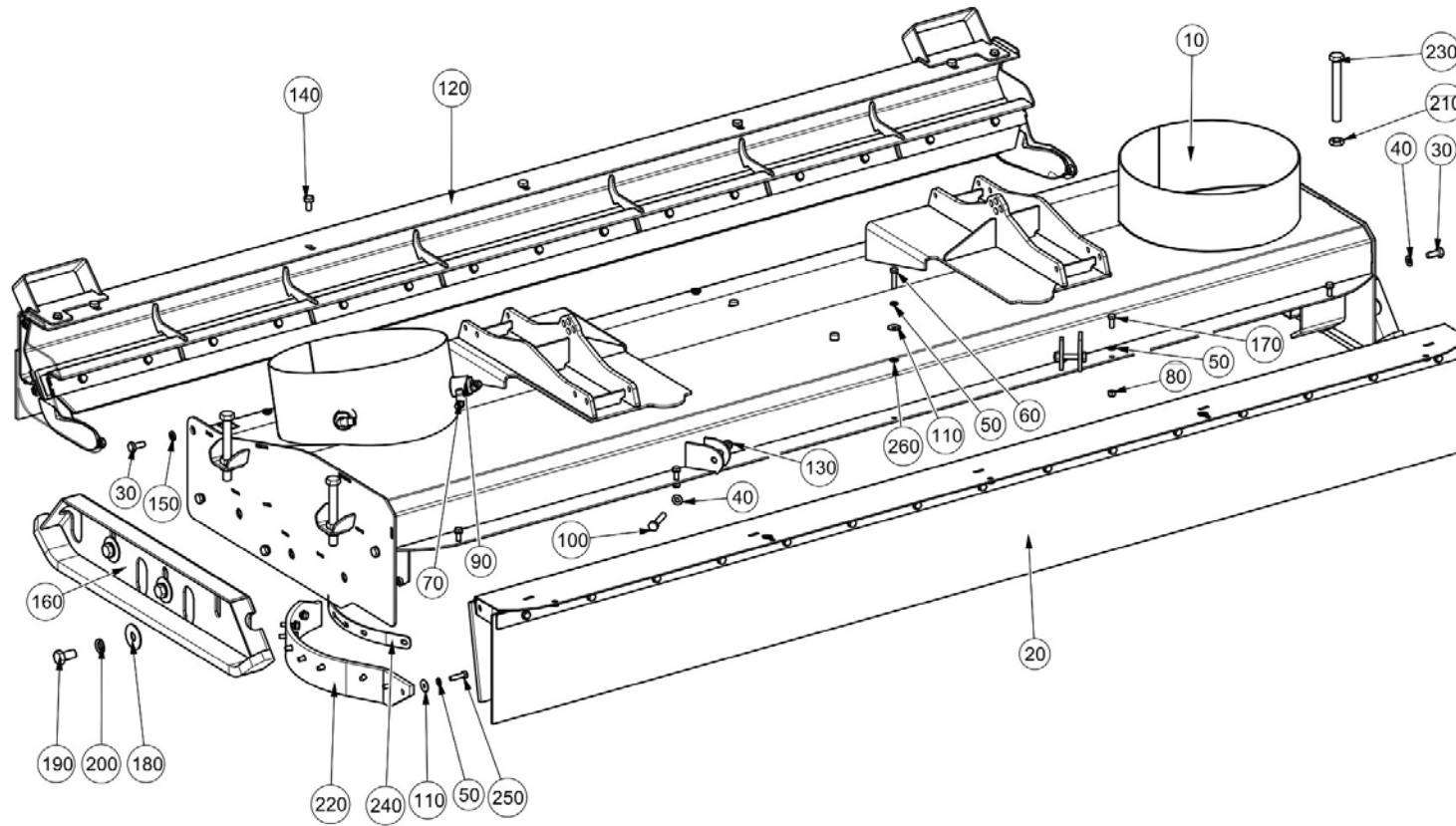
Item no.	Part no.	Description	QTY	Unit
10	221671-1	Curtain - Longitudinal RT655	1	PC
20	221672-1	Angle - Curtain Hanger RT655	1	PC
30	221683-1	Plate Backing - Curtain RT655	1	PC
40	6032-1-A	Shackle D	7	PC
50	62165-3	Chain - 3 Links	1	PC
60	62165-4	Chain - 4 Links	1	PC
70	62165-7	Chain - 7 Links	1	PC
80	221687-1	W/A Curtain Supt RT655	1	PC
90	124-137	Setscrew M8C x 25	8	PC
100	455-10	Washer Plain Plated Steel M8	8	PC
110	425-14	Nut Nyloc Hex MC M8	8	PC
120	124-203	Setscrew M12C x 30	2	PC
130	457-6	Washer Plain Steel M12 Form G	2	PC
140	425-16	Nut Nyloc Hex M12c	2	PC

Pick-up Head Assembly ()
Sweepgear\Pick-up Head Assembly



Item no.	Part no.	Description	QTY	Unit
10	221700-1	Hood W/Assy LH RT655	1	PC
10	221700-2	Hood W/Assy RH RT655	1	PC
20	221410-1	Curtain Flap Assy Cassete 655	1	PC
30	92097412-0	Hex Head Screw - M10Cx25 - 8.8	8	PC
40	93212012-0	Plain Washer - M10	4	PC
50	93699710-0	Spring Washer - Plated M8	14	PC
60	92097379-0	Hex Head Screw - M8Cx35 - 8.8	1	PC
70	09598784-0	Pneumatic Tee Connector, Ø10mm Tube	1	PC
80	93085005-0	Nyloc Hex Nut M8C - 8	2	PC
90	7044851	Nozzle Jet - S/assy	2	PC
100	92067423-0	Hex Head Bolt - M10Cx55 - 8.8	2	PC
110	93300509-0	Plain Large Washer - M8	3	PC
120	221560-1	Air Blade Cassette Assy RT655	1	PC
130	93085006-0	Nyloc Hex Nut M10C - 8	2	PC
140	92097410-0	Hex Head Screw - M10Cx20 - 8.8	5	PC
150	93699711-0	Spring Washer - Plated M10	11	PC
160	221735-1	Nozzle Skate W/Assy RT655	2	PC
170	92097374-0	Hex Head Screw - M8Cx20 - 8.8	4	PC
180	93300513-0	Plain Large Washer M16	6	PC
190	92097522-0	Hex Head Screw - M16Cx30 - 8.8	6	PC
200	93699714-0	Spring Washer - Plated M16	6	PC
210	93076059-0	Hexagon Nut - M16c Lock	4	PC
220	221414-1	Blister Flap - Nozzle RT655	1	PC
230	92097539-0	Hex Head Screw - M16Cx130 - 8.8	4	PC

Pick-up Head Assembly ()
Sweepgear\Pick-up Head Assembly

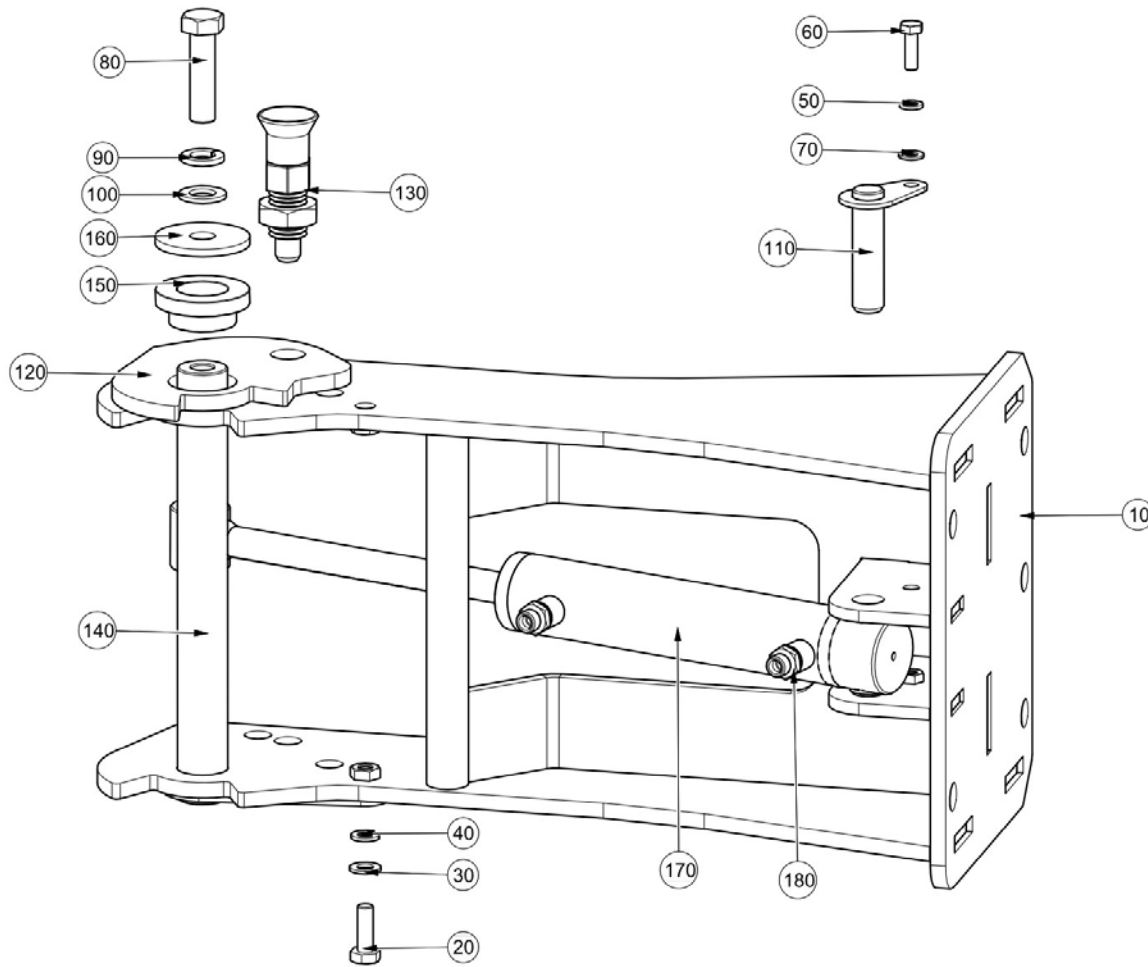


Item no.	Part no.	Description	QTY	Unit
240	221564-1	Clamp Plate - Blister Flap 655	1	PC
250	92097378-0	Hex Head Screw - M8Cx30 - 8.8	9	PC
260	93212011-0	Plain Washer - M8	8	PC

This page is intentionally left blank

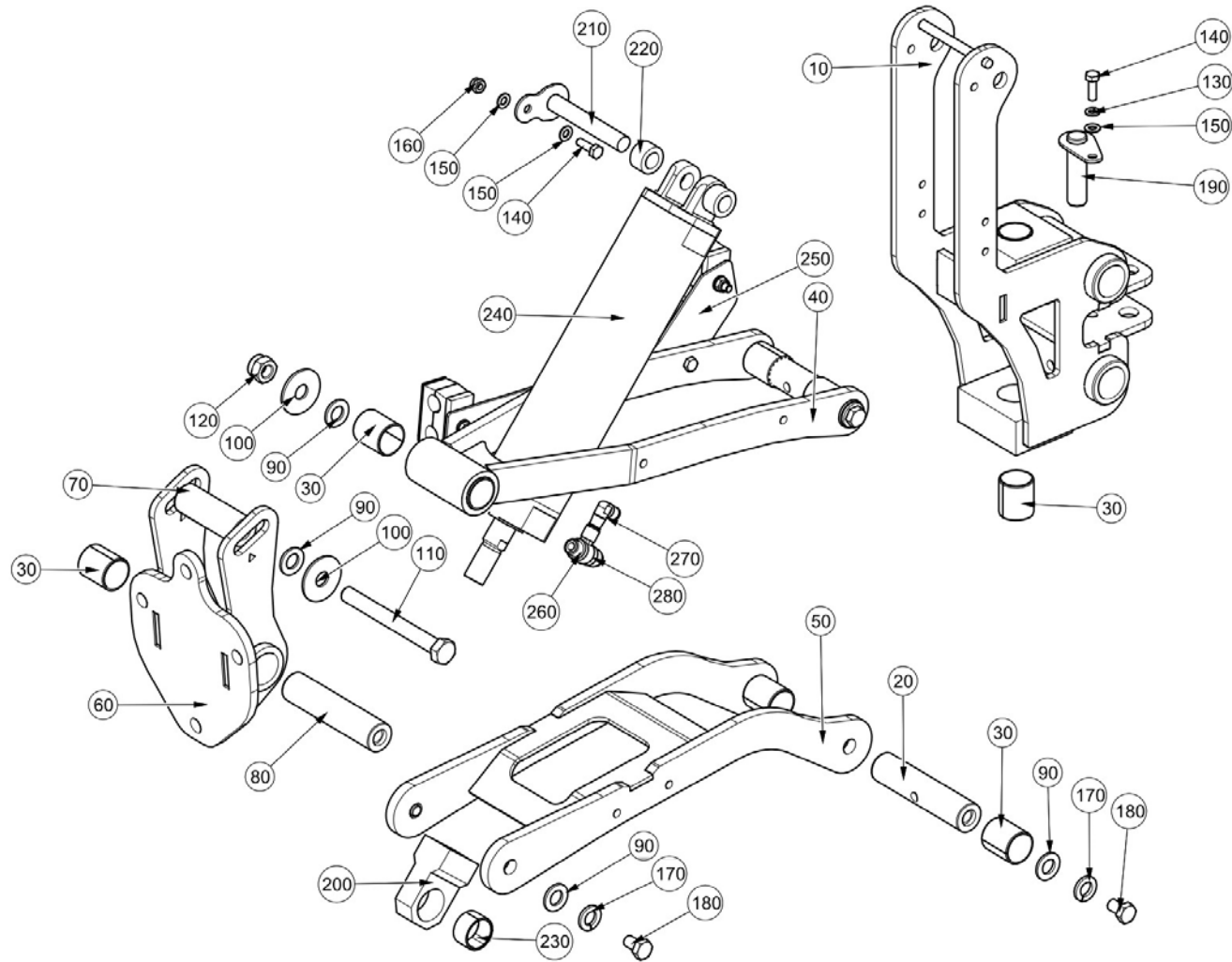
This page is intentionally left blank

Upper Arm ()
Sweepgear\Gutter Broom\Upper Arm

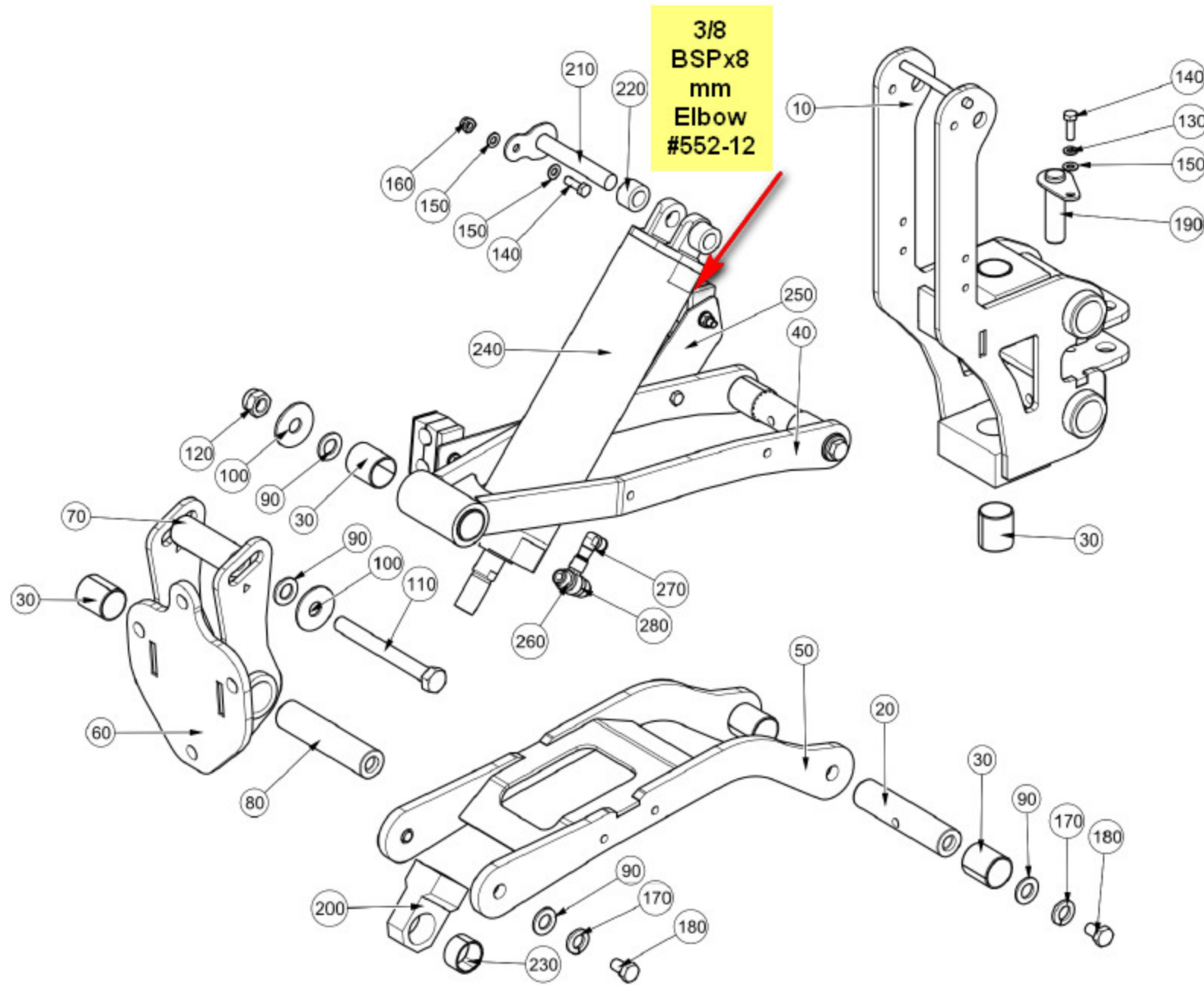


Item no.	Part no.	Description	QTY	Unit
10	7044293	Mounting Frame W/assy	1	PC
20	92097414-0	Hex Head Screw - M10Cx30 - 8.8	1	PC
30	93212012-0	Plain Washer - M10	1	PC
40	93699711-0	Spring Washer - Plated M10	1	PC
50	93699710-0	Spring Washer - Plated M8	1	PC
60	92097376-0	Hex Head Screw - M8Cx25 - 8.8	1	PC
70	93212011-0	Plain Washer - M8	1	PC
80	92097528-0	Hex Head Screw - M16Cx60 - 8.8	1	PC
90	93699714-0	Spring Washer - Plated M16	1	PC
100	93210523-0	Plain Washer - M16	1	PC
110	7044500	Pin - W/assy	1	PC
120	7033709	Plate - Hardstop	1	PC
130	7033793	Plunger - M24 x 2.0 - 16mm Pin	1	PC
140	7036500	Pin - Main Pivot W/assy	1	PC
150	7036506	Boss - Sweepgear	1	PC
160	7036504	Washer (60mm O/D 16.3mm I/D)	1	PC
170	7044498	Cylinder - Double Acting 40mm Bore	1	PC
180	09570126-0	Stud Coupling Male G 1/4" x M14x1.5 (8L)	2	PC

Lower Arm ()
Sweepgear\Gutter Broom\Lower Arm

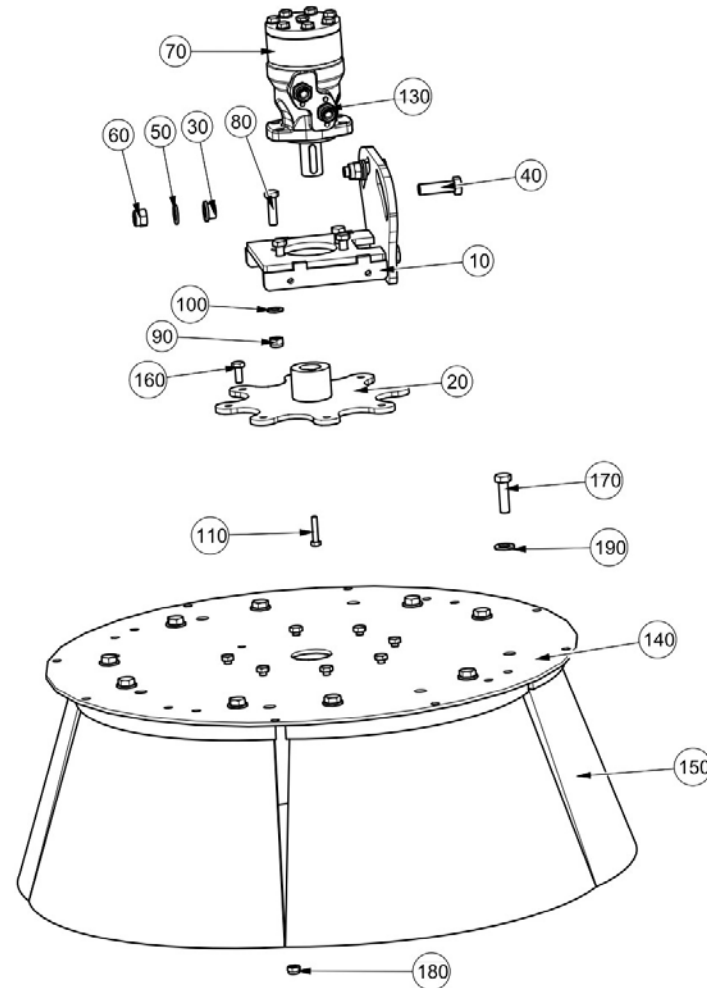


Item no.	Part no.	Description	QTY	Unit
10	7044327	Pivot Frame W/assy	1	PC
20	7029194	Pin - Pivot	2	PC
30	18-36	Bearing - Dry Metric 32mm I/D x 40Lg	10	PC
40	7029284	Upper Arm W/assy	1	PC
50	7029286	Lower Arm W/assy	1	PC
60	7029290	Lower Mount W/assy	1	PC
70	7029316	Pin - Top Pivot	1	PC
80	7029287	Pin - Lower Forward	1	PC
90	93210523-0	Plain Washer - M16	8	PC
100	93300513-0	Plain Large Washer M16	2	PC
110	92067548-0	Hex Head Bolt - M16x150C - 8.8	1	PC
120	93085009-0	Nyloc Hex Nut M16C - 8	1	PC
130	93699710-0	Spring Washer - Plated M8	1	PC
140	92097376-0	Hex Head Screw - M8Cx25 - 8.8	2	PC
150	93212011-0	Plain Washer - M8	2	PC
160	93085805-0	Nyloc Hex Nut M8C - 8	1	PC
170	93699714-0	Spring Washer - Plated M16	7	PC
180	92117154-0	Hex Head Screw - M16Fx1.50x45 - 8.8	6	PC
190	7044500	Pin - W/assy	1	PC
200	7031406	Rod End	1	PC
210	7033797	Retainer w/assy - Cylinder	1	PC
220	7033820	Spacer - ø18 x 30mm	2	PC
230	18-39	Bearing - Dry Metric 32mm I/D x 20Lg	1	PC
240	7033725	Pneumatic Cylinder Assy	1	PC

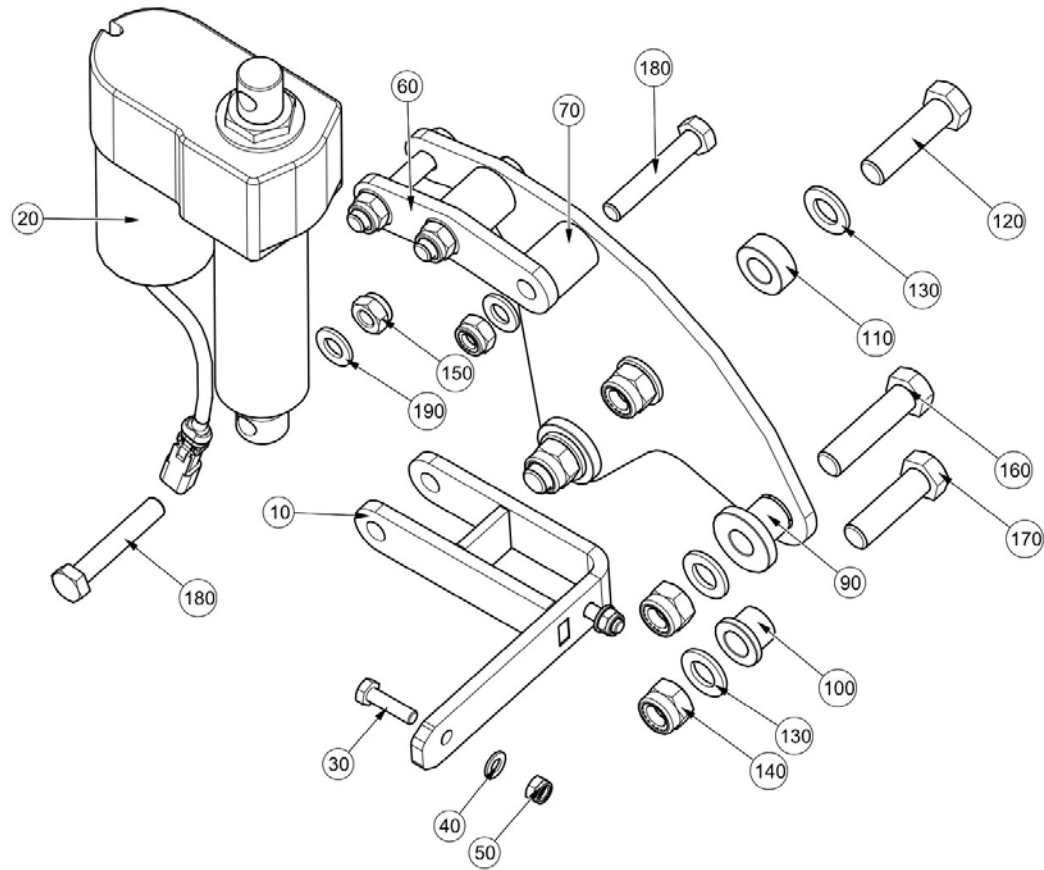


Item no.	Part no.	Description	QTY	Unit
250	7029410	Hose Clamp Assy	1	PC
260	72-111	Check Valve - Pilot Operated	2	PC
270	09593162-0	Adaptor - Elbow 6mm x 1/8 BSPT	2	PC
280	12869	Tube - Nylon Black 6mm O/D	10	M

Brush Head ()
Sweepgear\Gutter Broom\Brush Head

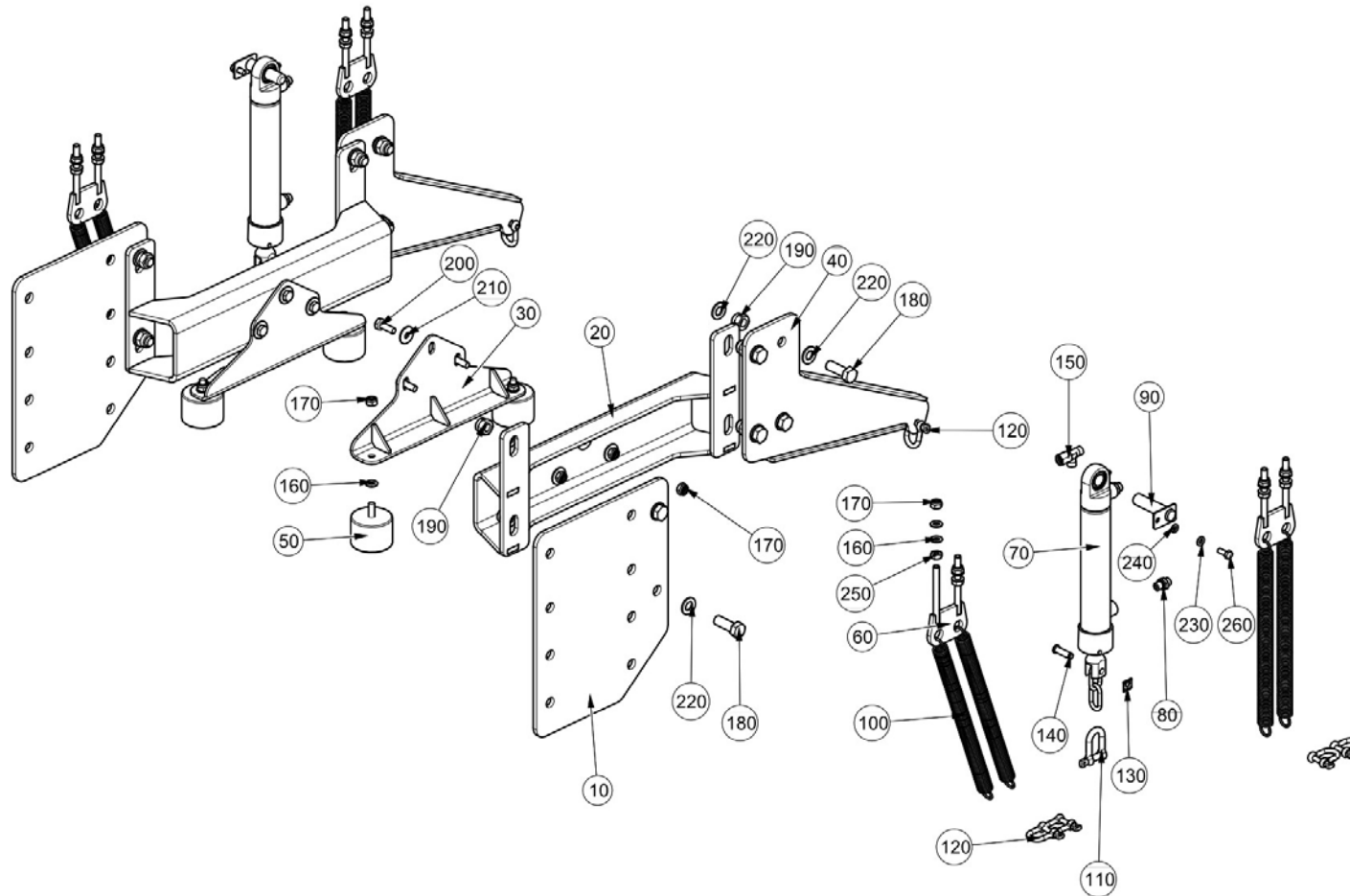


Item no.	Part no.	Description	QTY	Unit
10	7029370	Motor Mount w/assy	1	PC
20	7029380	Motor plate w/assy	1	PC
30	221642-1	Bush - Rotatilt	3	PC
40	92067534-0	Hex Head Bolt - M16x55C - 8.8	3	PC
50	93210523-0	Plain Washer - M16	3	PC
60	93085009-0	Nyloc Hex Nut M16C - 8	3	PC
70	7029413	Hydraulic Motor - 315cc 32mm Key Shaft	1	PC
80	92097453-0	Hex Head Screw - M12Cx45 - 8.8	4	PC
90	93085007-0	Nyloc Hex Nut M12C - 8	4	PC
100	93212013-0	Plain Washer M12	4	PC
110	135-239	Hex Head Screw - 180° Patch M8Cx40	1	PC
130	6601-1329	Stud Coupling Male G 1/2" x M22 x 1.5	2	PC
140	221616-1	Plate-Brush Mt Gutter Brom 655	2	PC
150	833-5	Gutter Broom 250KP (5 Segments)	2	PC
150	833-4	Gutter Broom 350KP (4 Segments)	1	PC
160	92097412-0	Hex Head Screw - M10Cx25 - 8.8	16	PC
170	103-87	Hex Hd Bolt 5/8"-11 UNC x 2"	20	PC
180	93085006-0	Nyloc Hex Nut M10C - 8	16	PC
190	93212015-0	Plain Washer M14	20	PC



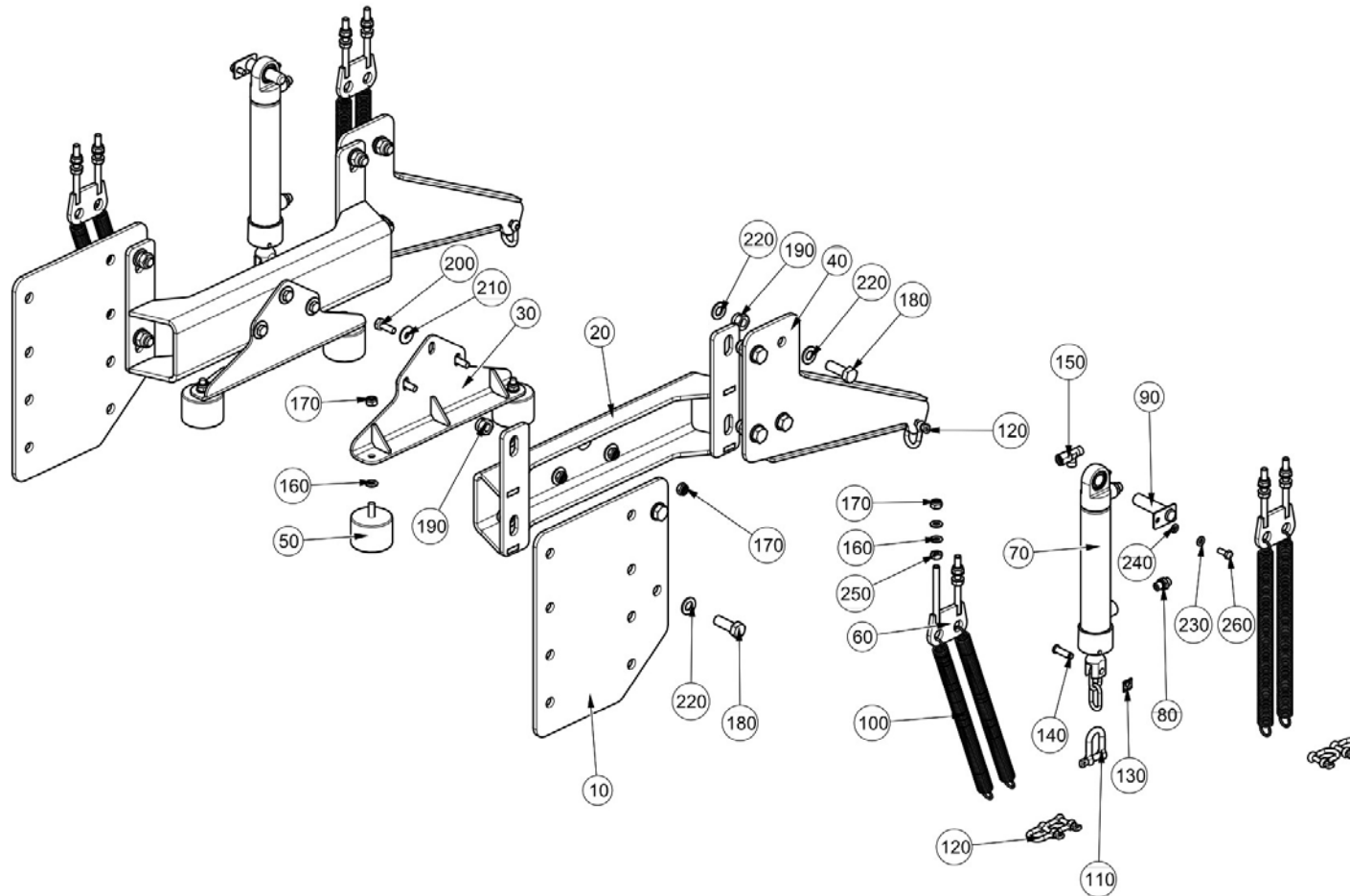
Item no.	Part no.	Description	QTY	Unit
10	7039802	Bracket W/assy - Rotatilt	1	PC
20	281335-12	Actuator Electric 12v	1	PC
20	281335-24	Actuator Electric 24v	1	PC
30	92097378-0	Hex Head Screw - M8Cx30 - 8.8	2	PC
40	93212011-0	Plain Washer - M8	2	PC
50	93085005-0	Nyloc Hex Nut M8C - 8	2	PC
60	221597-1	Tab Mount Upper Rotatilt RT655	1	PC
70	45014-24	Spacer - 35mm	2	PC
80	7039797	Plate - Motor Tilt	1	PC
90	7040857	Rotatilt Boss	2	PC
100	221642-2	Bush - Rotatilt RT655	1	PC
110	7039804	Spacer - ø16 x 13mm ID (32mm OD)	1	PC
120	92067535-0	Hex Head Bolt - M16x60C - 8.8	1	PC
130	93210523-0	Plain Washer - M16	5	PC
140	93085009-0	Nyloc Hex Nut M16C - 8	4	PC
150	93085007-0	Nyloc Hex Nut M12C - 8	4	PC
160	6105-1911	Hex Head Bolt - M16x65C - 8.8	2	PC
170	92067534-0	Hex Head Bolt - M16x55C - 8.8	1	PC
180	92067463-0	Hex Head Bolt - M12Cx70 - 8.8	4	PC
190	93212013-0	Plain Washer M12	4	PC

Pick-up Head Install ()
Sweepgear\Pick-up Head Install



Item no.	Part no.	Description	QTY	Unit
10	7029469	Mount - Front Sweepgear	2	PC
20	221350-1	Cranked Brkt W/A Sweep Gear655	2	PC
30	221355-1	Bracket W/Assy Buffer Hood 655	2	PC
40	221348-1	Rear Plate W/A Sweep Gear 655	2	PC
50	290-37	Stud Mount Ø 70x50Lg M10 Stud	4	PC
60	221310-1	Spring Support W/Assy RT655	4	PC
70	223900-1	Hydraulic Cyl 175mm Stroke	2	PC
80	09570126-0	Stud Coupling Male G 1/4" x M14x1.5 (8L)	4	PC
90	7044829	Pin W/assy - Hood Lift	2	PC
100	3637-1	Spring - Tension	8	PC
110	62172-1	Shackle D	2	PC
120	6032-1-A	Shackle D	10	PC
130	39624	Slim Safety Fastener	2	PC
140	29145-1-B	Clevis Pin (37.5mm Lg)	2	PC
150	308-1	Adjustable Male Tee - M14 x 1.5	1	PC
160	93212012-0	Plain Washer - M10	20	PC
170	93085006-0	Nyloc Hex Nut M10C - 8	18	PC
180	92097525-0	Hex Head Screw - M16Cx45 - 8.8	12	PC
190	93085009-0	Nyloc Hex Nut M16C - 8	12	PC
200	92097414-0	Hex Head Screw - M10Cx30 - 8.8	6	PC
210	93300510-0	Plain Large Washer M10	12	PC
220	93210523-0	Plain Washer - M16	24	PC
230	93212011-0	Plain Washer - M8	2	PC
240	93699710-0	Spring Washer - Plated M8	2	PC

Pick-up Head Install ()
Sweepgear\Pick-up Head Install



Item no.	Part no.	Description	QTY	Unit
250	93056015-0	Hex Nut M10C-8	8	PC
260	92097374-0	Hex Head Screw - M8Cx20 - 8.8	2	PC
270	284-19	Chain - Diameter 10 Short Link	2	PC
280	62165-13	Chain - 13 Links	6	PC
290	6032-1-A	Shackle D	6	PC
300	284-18	Locking Wire 1mm Dia REEL	0.625	MM

This page is intentionally left blank

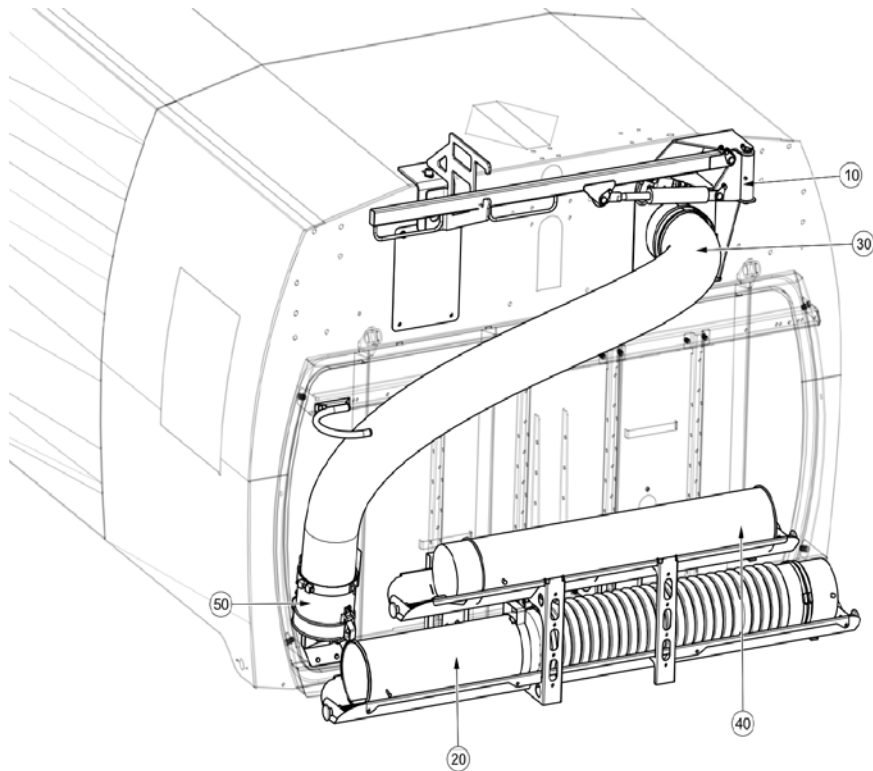
Chapter 5 Ancillary Equipment

Table of Contents

Section

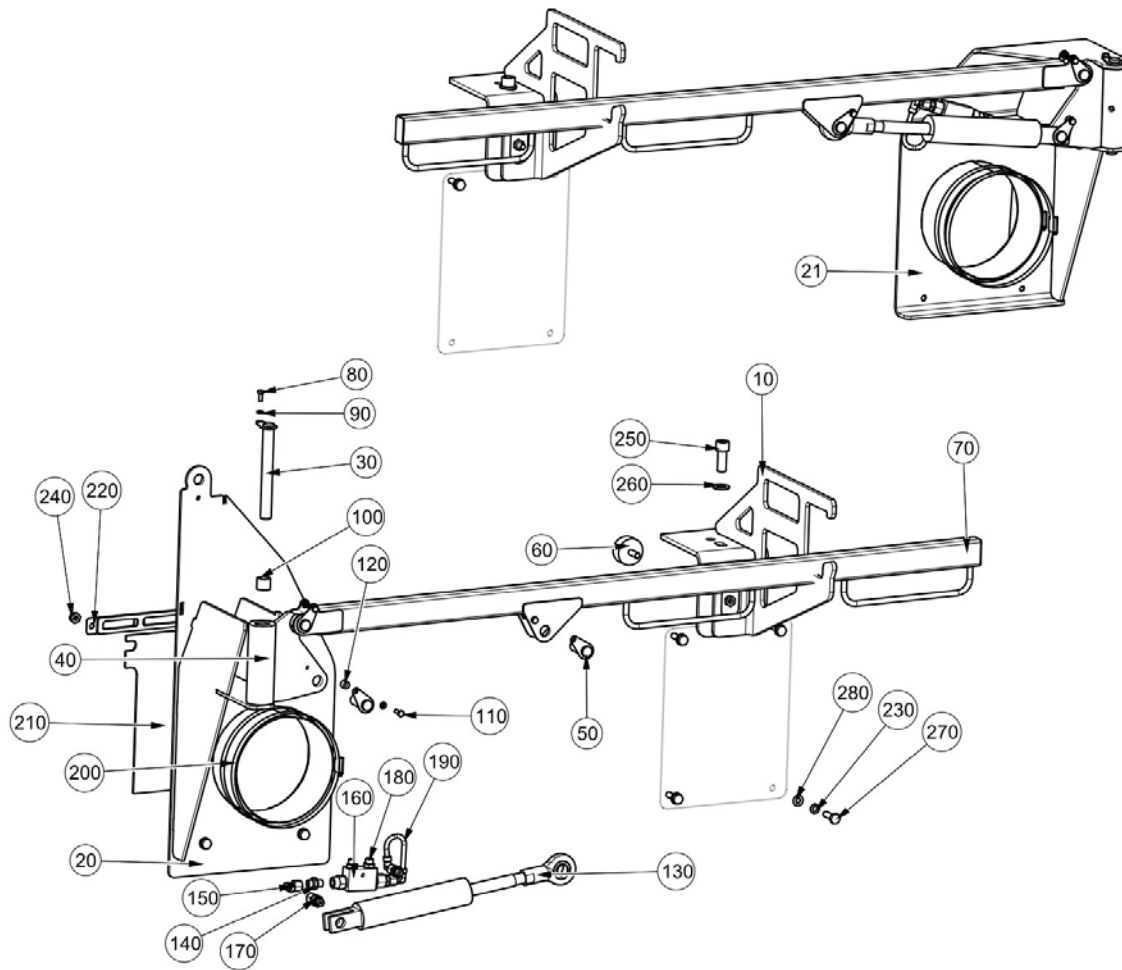
Page

5.1 Rear Mounted Wanderhose
 5.2 Wanderhose Extension
 5.3 Wanderhose Coupling



Item no.	Part no	Description	QTY	Unit
30	221771-1	Duct, Rear Wanderhose	1	PC
40	282890-3	Wanderhose Extension Assembly 8" 1250Lg		PC

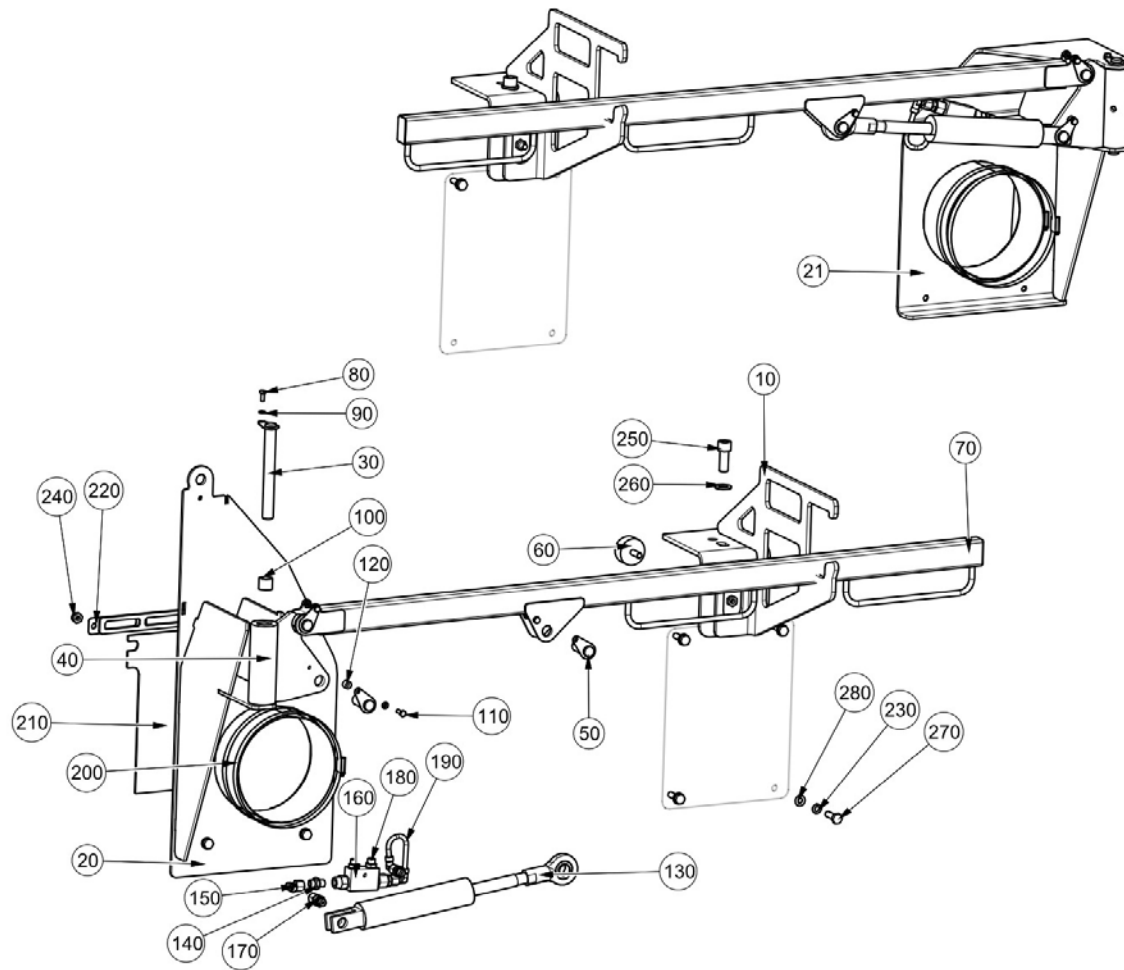
Rear Mounted Wanderhose ()
Ancillary Equipment\Rear Mounted Wanderhose



Rear Mounted Wanderhose ()
Ancillary Equipment\Rear Mounted Wanderhose

Item no.	Part no.	Description	QTY	Unit
10	7030295	Stowage Hook W/Assy	1	PC
20	7041426	Pivot Assy LH Powaboom	1	PC
21	7041425	Pivot Assy RH - Powaboom	1	PC
30	283751-2	Pivot Pin W/Assy Rr Mtd W/Hose	1	PC
40	7011412	Pivot Assembly Rear Wanderhose	1	PC
50	283751-1	Pivot Pin W/Assy Rr Mtd W/Hose	3	PC
60	290-43	Cylinder Rubber Buffer 50 O/D	1	PC
70	283738-1	Arm W/Assy-Rear Mounted W/Hose	1	PC
80	92097299-0	Hex Head Screw - M6Cx16 - 8.8	3	PC
90	93699708-0	Spring Washer - Plated M6	4	PC
100	29128-1-B	Bush - 20Lg	5	PC
110	92097301-0	Hex Head Screw - M6Cx20 - 8.8	1	PC
120	67143-6	Spacer 6.5 ID x 13.5 OD x 10	1	PC
130	7014628	Hydraulic Cylinder	1	PC
140	15052908-0	Restrictor	2	PC
150	09571035-0	Elbow 90 Degree	3	PC
160	09544836-0	Check Valve - Pilot Operated	1	PC
170	09571177-0	Male Stud Connector G 1/4	1	PC
180	09570126-0	Stud Coupling Male G 1/4" x M14x1.5 (8L)	3	PC
190	7032363	Pipe - Rear Wanderhose Cylinder	1	PC
200	504-52	Hose Clip - Worm Drive (190-220)	2	PC
210	7015069	Flap, Rear Wanderhose	1	PC
220	7015072	Securing Plate	1	PC
230	93700211-0	Spring Washer M10 - A2	8	PC

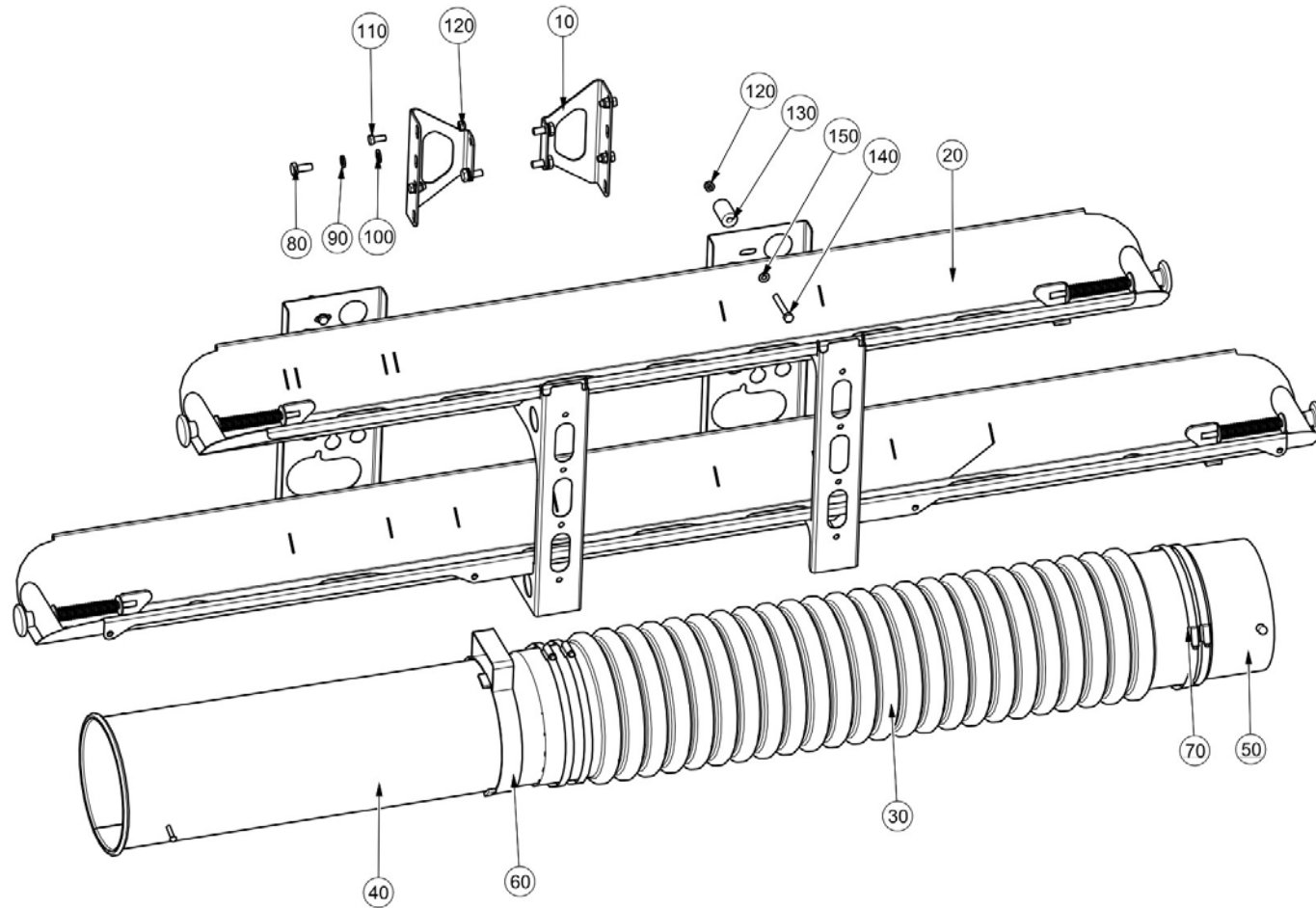
Rear Mounted Wanderhose ()
Ancillary Equipment\Rear Mounted Wanderhose



Rear Mounted Wanderhose ()
Ancillary Equipment\Rear Mounted Wanderhose

Item no.	Part no.	Description	QTY	Unit
240	93085606-0	Nyloc Hex Nut - M10c - A2	2	PC
250	92138271-0	Hex Socket Cap Screw - M16c x 40 A2	1	PC
260	93213014-0	Plain Washer M16 A2	1	PC
270	92099412-0	Hex Head Screw - M10Cx35 - A2	8	PC
280	93213011-0	Plain Washer M10 A2	8	PC

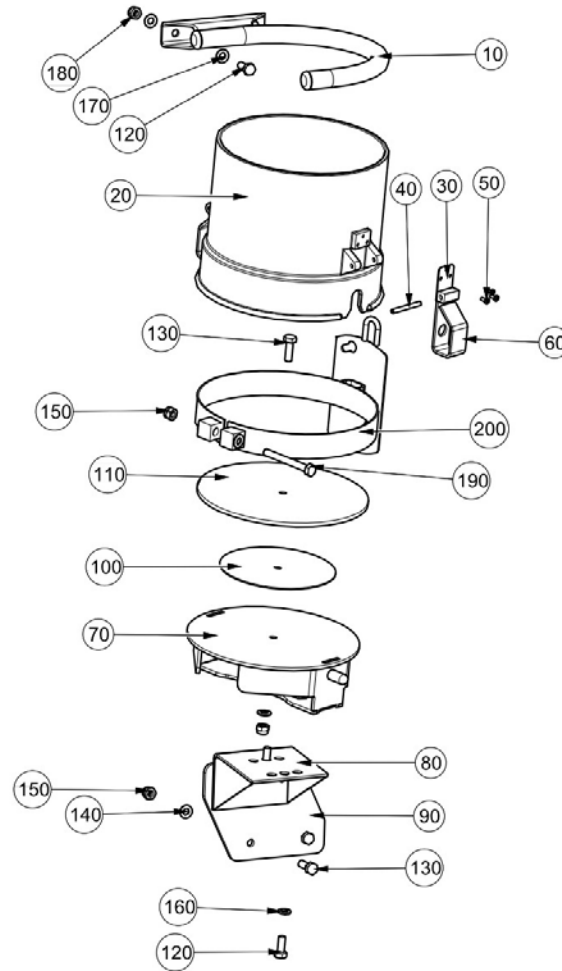
Wanderhose Extension ()
Ancillary Equipment\Wanderhose Extension



Wanderhose Extension ()
Ancillary Equipment\Wanderhose Extension

Item no.	Part no.	Description	QTY	Unit
10	283849-1	Fixing Bracket - Hose Tray	2	PC
20	282867-1-INST	W/HOSE EXTN TRAY ASSY V.Range	1	PC
30	15917-1-B	Hose Extension - Flexible Ø200	1	PC
40	15899-1-B	Hose Fitting End W/Assy	1	PC
50	5996-4	Sleeve - Ø200 W/Assy	1	PC
60	15920-1-C	Handle Welded Assembly - Wanderhose Ø200	1	PC
70	504-52	Hose Clip - Worm Drive (190-220)	4	PC
80	92099409-0	Hex Head Screw - M10Cx25 - A2	4	PC
90	93700211-0	Spring Washer M10 - A2	4	PC
100	93213011-0	Plain Washer M10 A2	4	PC
110	92097374-0	Hex Head Screw - M8Cx20 - 8.8	4	PC
120	93085005-0	Nyloc Hex Nut M8C - 8	8	PC
130	282438-41	Spacer-DIM A 41	4	PC
140	92097384-0	Hex Head Screw - M8Cx60 - 8.8	4	PC
150	93212011-0	Plain Washer - M8	4	PC

Wanderhose Coupling ()
Ancillary Equipment\Wanderhose Coupling



Wanderhose Coupling ()
Ancillary Equipment\Wanderhose Coupling

Item no.	Part no.	Description	QTY	Unit
10	282504-1	Hook - Littasnatch, Assembly	1	PC
20	15895-1-B	Coupling 200/8"	1	PC
30	6002-1-A	Spring - Coupling	2	PC
40	58-6	Pin - Adaptor 3/16 x 1 7/8"	2	PC
50	193-8	Screw Selftap Pan Hd No 6 x 9.5mm	6	PC
60	5999-1-C	Catch - Welded Assembly	2	PC
70	7023959	Anchorage Welded Assembly 8"	1	PC
80	42463-1-C	Anchorage - Bracket, Wanderhose	1	PC
90	283899-1	Plate - Anchorage Relocation	1	PC
100	6043-1-B	Adaptor Plate	1	PC
110	5688-2	Disc, Rubber 8" Dia	1	PC
120	92097374-0	Hex Head Screw - M8Cx20 - 8.8	4	PC
130	92097376-0	Hex Head Screw - M8Cx25 - 8.8	5	PC
140	93212011-0	Plain Washer - M8	6	PC
150	93085805-0	Nyloc Hex Nut M8C - 8	6	PC
160	93699710-0	Spring Washer - Plated M8	2	PC
170	93213010-0	Plain Washer M8 A2	4	PC
180	93085605-0	Nyloc Hex Nut - M8c - A2	2	PC
190	92067389-0	Hex Head Bolt - M8Cx70 - 8.8	1	PC
200	282638-1	Cable Supt W/Assy Ø200 with Hook	1	PC

This page is intentionally left blank

Chapter 6 Water System

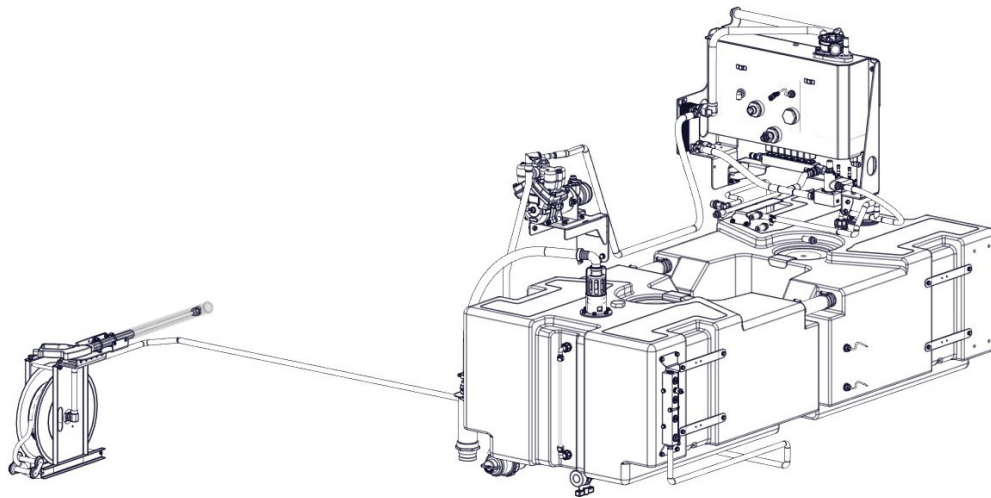
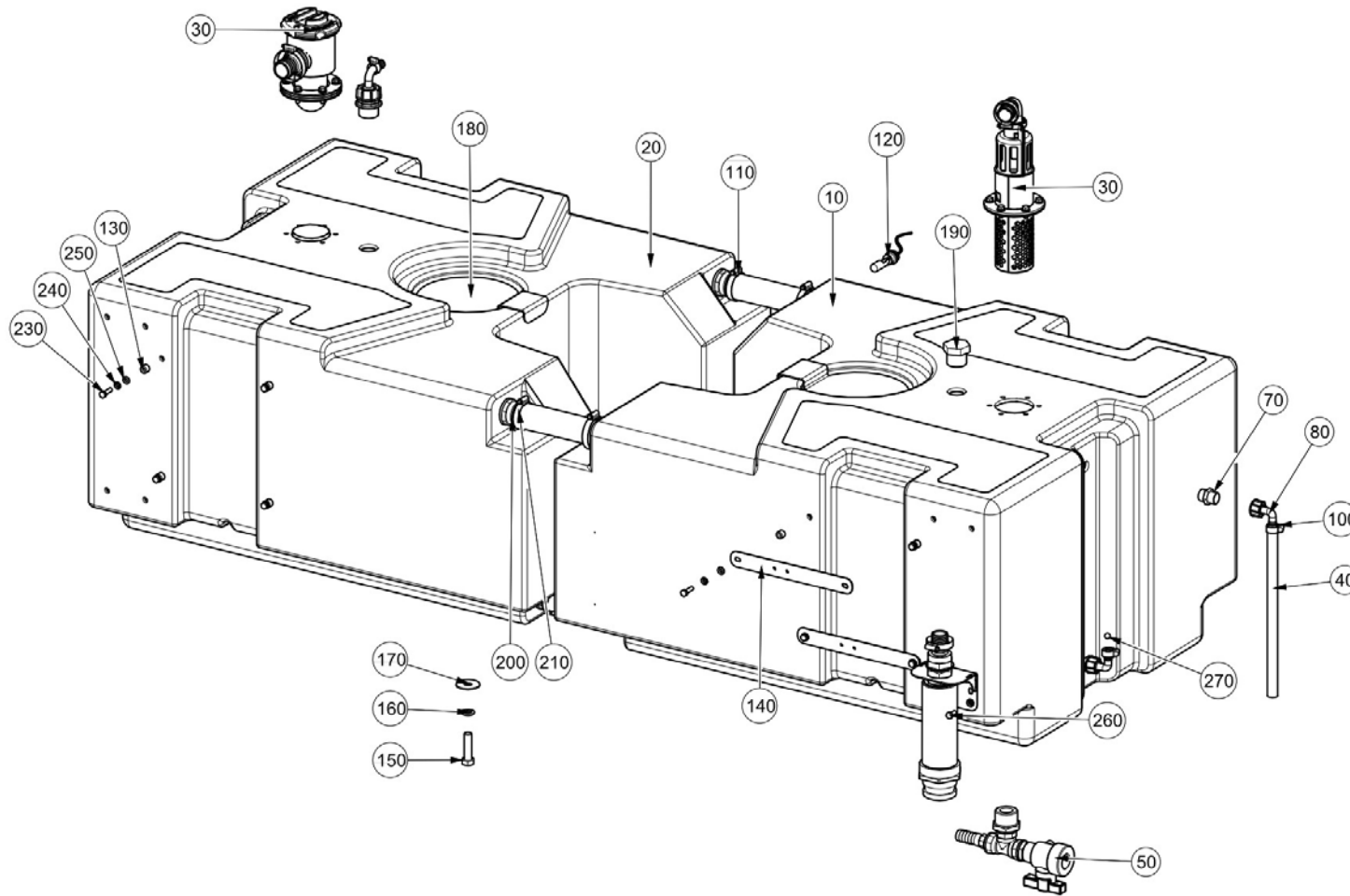


Table of Contents

Section	Page
6.1 Water Tank Assembly	140
6.1.1 Overflow and Water Valve	144
6.1.2 Hydrant Filler.....	146
6.2 Supawash	148
6.2.1 Supawash Install	152
6.3 Supawash Hose Reel and Lance	156
6.4 Supawash Front Spraybar.....	158

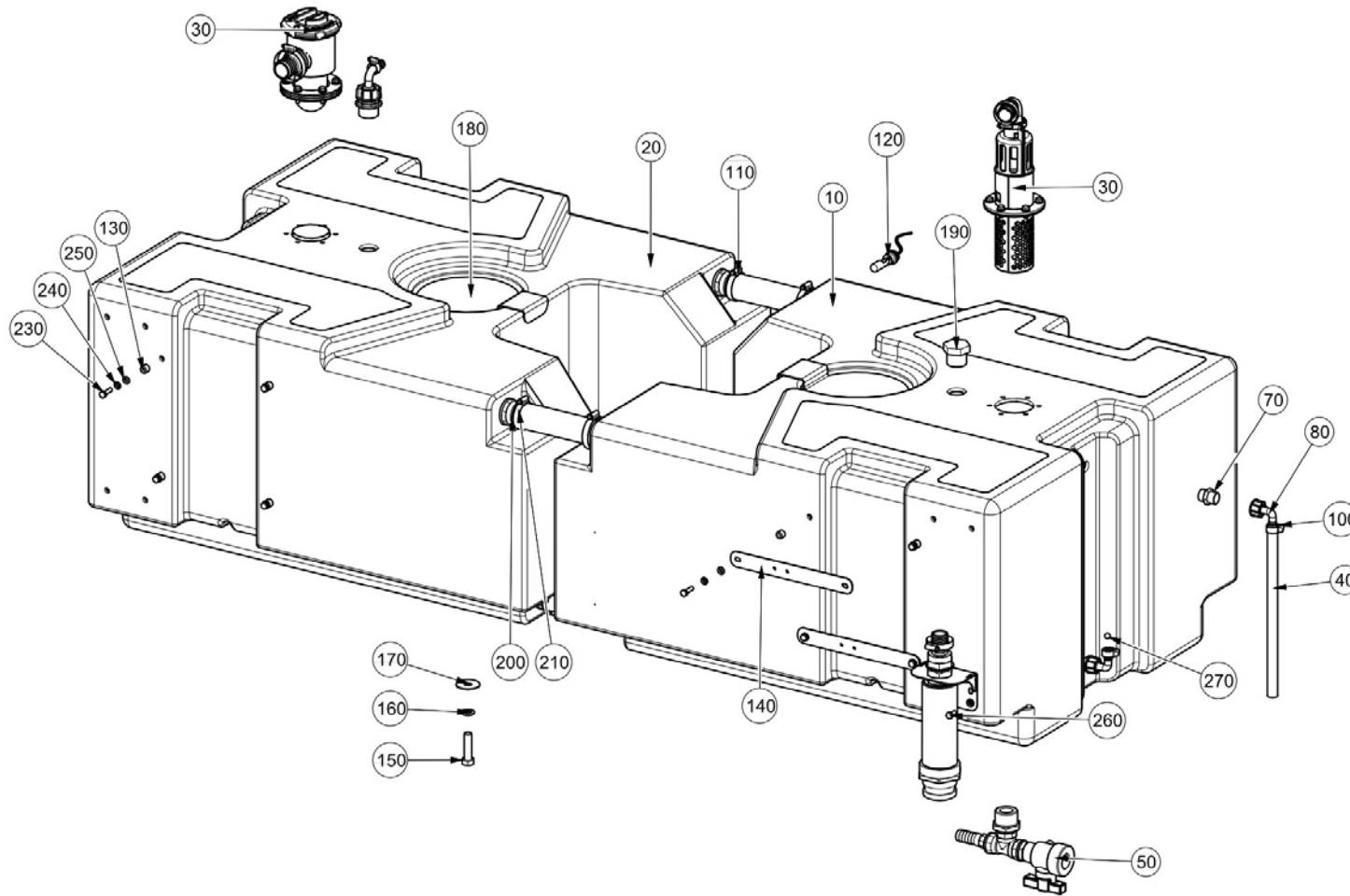
Water Tank Assembly ()
Water System\Water Tank Assembly



Water Tank Assembly ()
Water System\Water Tank Assembly

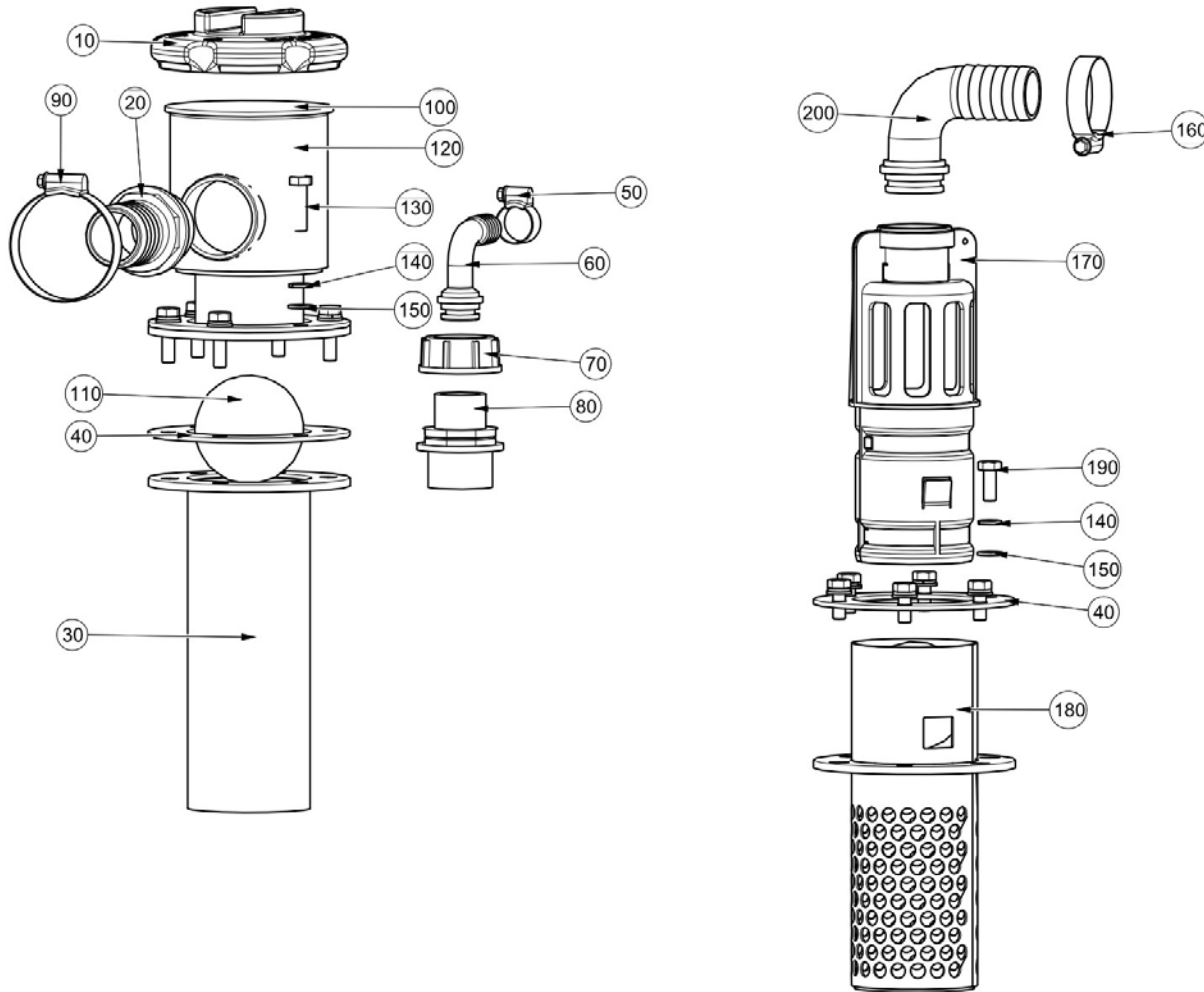
Item no.	Part no.	Description	QTY	Unit
10	221400-1	Water Tank-530L RT655	1	PC
20	221400-2	Water Tank-530L Add.HolesRT655	1	PC
40	15656-1-D	Sight Tube-Water/Deterg.Tank	2	M
60	09531009-0	Hose Clip - Worm Drive (30-40)	3	PC
70	277-248	Hexagonal Nipple - 3/4" BSP	4	PC
80	277-186	Flynut Hosetail - 90° Barb = 15mm	4	PC
90	277-159	Flynut - 3/4 F	4	PC
100	09531006-0	Hose Clip - Worm Drive (17-25)	5	PC
110	09531004-0	Hose Clip - Worm Drive (50-70)	9	PC
120	48-328	Switch - Float and Deutsch Connector	2	PC
130	56569-10	Spacer - 16 Dia x 11 M8	8	PC
140	221289-1	Cable Tidy Plate RT655	6	PC
150	92097528-0	Hex Head Screw - M16Cx60 - 8.8	2	PC
160	93699714-0	Spring Washer - Plated M16	2	PC
170	93300513-0	Plain Large Washer M16	2	PC
180	221182-1	Water Tank Clamp W/Assy RT655	2	PC
190	277-251	Plug - 1 1/4" BSP M Parallel	2	PC
200	272-40	Hose - Blue Silicone	4	PC
210	231-69	Hosetail - G 1½" x 50mm Barb	8	PC
220	7041243	Plate - Supawash Manifold	1	PC
230	92097378-0	Hex Head Screw - M8Cx30 - 8.8	14	PC
240	93699710-0	Spring Washer - Plated M8	24	PC
250	93212011-0	Plain Washer - M8	25	PC
260	92097374-0	Hex Head Screw - M8Cx20 - 8.8	11	PC

Water Tank Assembly ()
Water System\Water Tank Assembly



Item no.	Part no.	Description	QTY	Unit
270	22-13	Ball - Plastic (Blue) 1/2"	2	PC

Overflow and Water Valve ()
Water System\Water Tank Assembly\Overflow and Water Valve

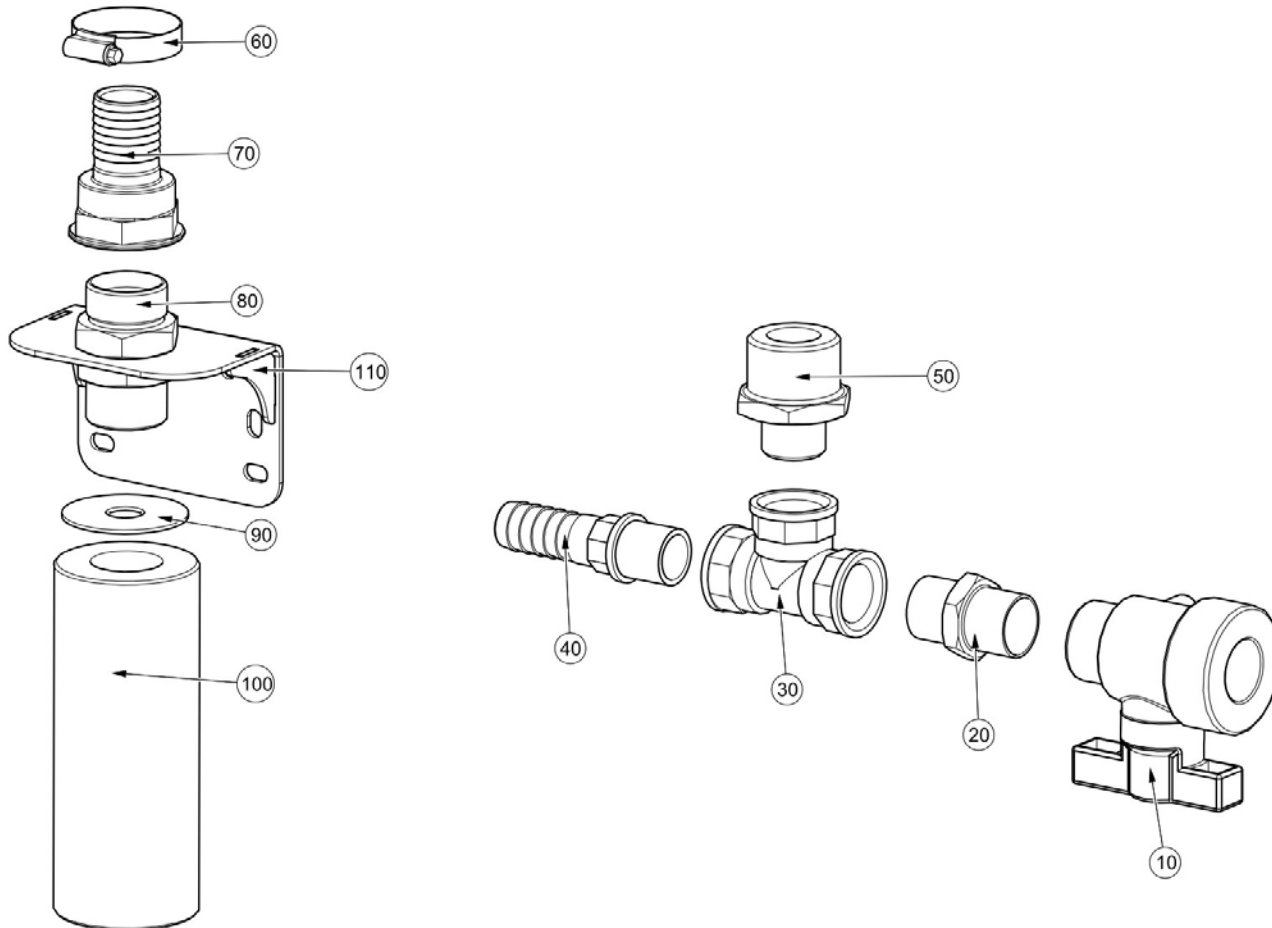


Overflow and Water Valve ()

Water System\Water Tank Assembly\Overflow and Water Valve

Item no.	Part no.	Description	QTY	Unit
10	284040-1	Cap - Water Tank Drain	1	PC
20	277-252	Hosetail - 1 1/2" BSP M x 40mm	1	PC
30	221345-1	Cage W/A Ball Valve-W/Tank 655	1	PC
40	221159-1	Seal - Outlet Water Tank RT655	2	PC
50	09531006-0	Hose Clip - Worm Drive (17-25)	1	PC
60	231-67	Flynut Hosetail - 90° Barb = 19mm	1	PC
70	277-170	Flynut - 1 1/2 F	1	PC
80	277-197	Nipple-Reducing 1 - 1 1/4" BSP	1	PC
90	09531004-0	Hose Clip - Worm Drive (50-70)	1	PC
100	40643-1-C	Washer - Seal, Drain, Water Tank	1	PC
110	22-12	Ball - Plastic 70mm dia	1	PC
120	221360-1	Overflow W/Assy Water Tank 655	1	PC
130	92097378-0	Hex Head Screw - M8Cx30 - 8.8	6	PC
140	93699710-0	Spring Washer - Plated M8	6	PC
150	93212011-0	Plain Washer - M8	6	PC
160	09531011-0	Hose Clip - Worm Drive (40-55)	1	PC
170	7038288	Water Break - Half	2	PC
180	7038297	Water Valve W/Assy	1	PC
190	92097374-0	Hex Head Screw - M8Cx20 - 8.8	6	PC
200	277-208	Cap and Liner 90 Degree	1	PC

Hydrant Filler ()
Water System\Water Tank Assembly\Hydrant Filler

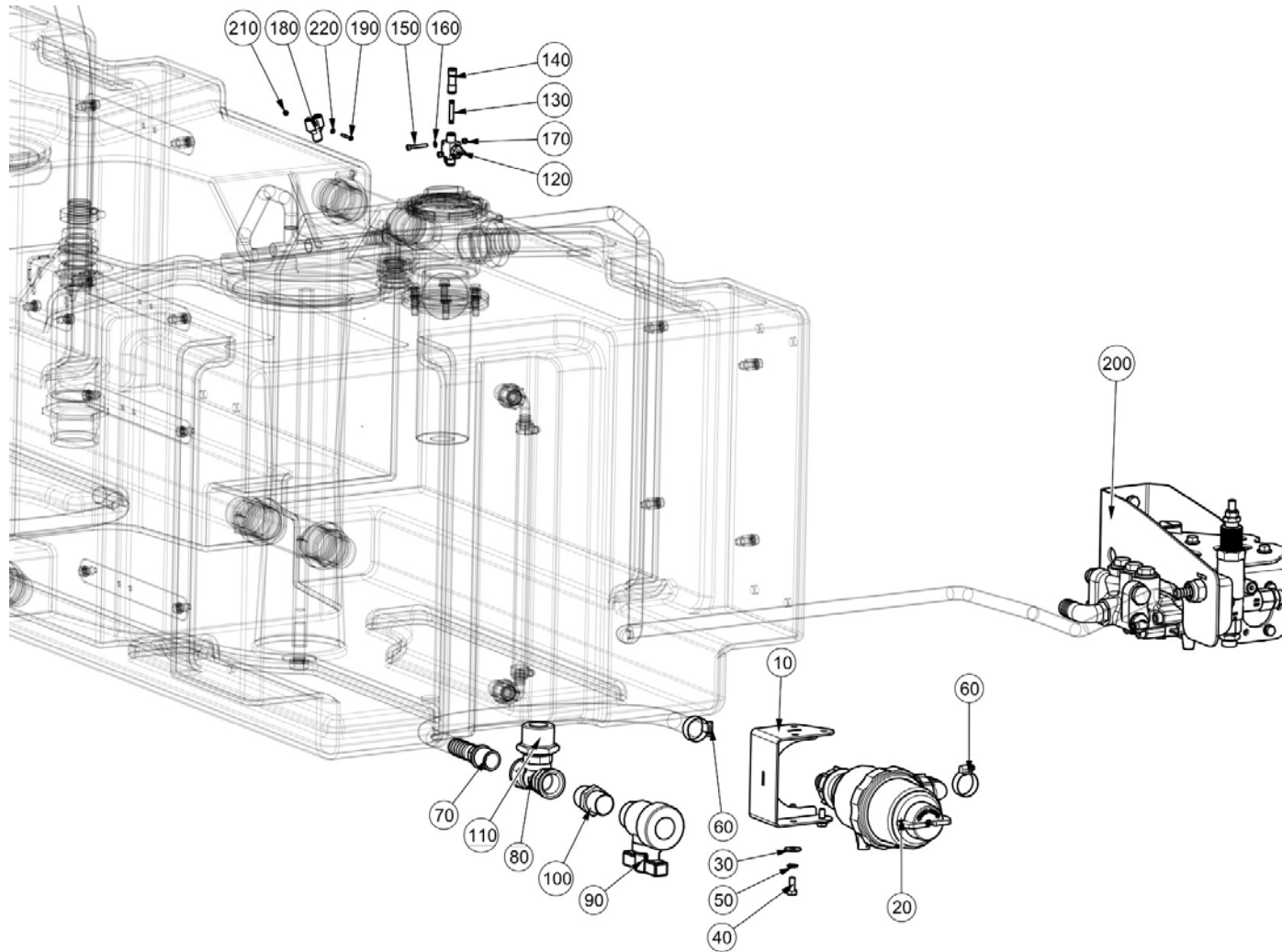


Hydrant Filler ()

Water System\Water Tank Assembly\Hydrant Filler

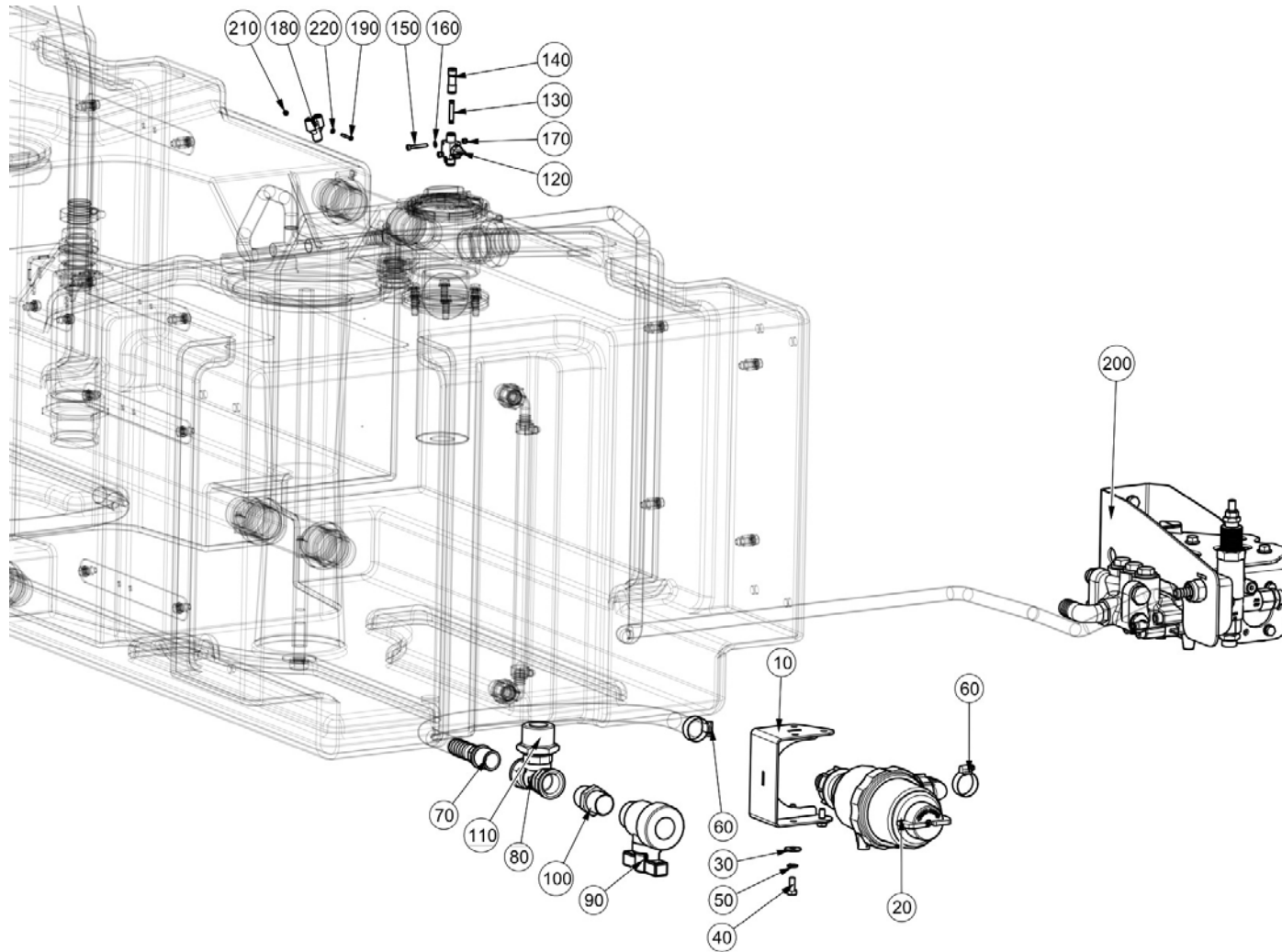
Item no.	Part no.	Description	QTY	Unit
10	88-43	Ball Valve 1" Female	1	PC
20	277-173	Nipple - G 1 22 x 22mm	1	PC
30	277-128	Tee Female - G 1 Equal	1	PC
40	277-286	Hosetail G - 1 Male x 25mm Barb	1	PC
50	277-250	Nipple - Reducer G 1 1/2 - G 1 M	1	PC
60	09531011-0	Hose Clip - Worm Drive (40-55)	1	PC
70	277-210	Hosetail Female 1 1/4"BSPx35mm	1	PC
80	264-8	Adaptor M/M - Bulkhead+Locknut 1 1/4 BSP	1	PC
90	221892-2	Restrictor - Hydrant Fill 655	1	PC
100	7017527	Hydrant Filler - 187 x 50	1	PC
110	221365-1	Bracket W/A Hydrant Fill RT655	1	PC

Supawash ()
Water System\Supawash



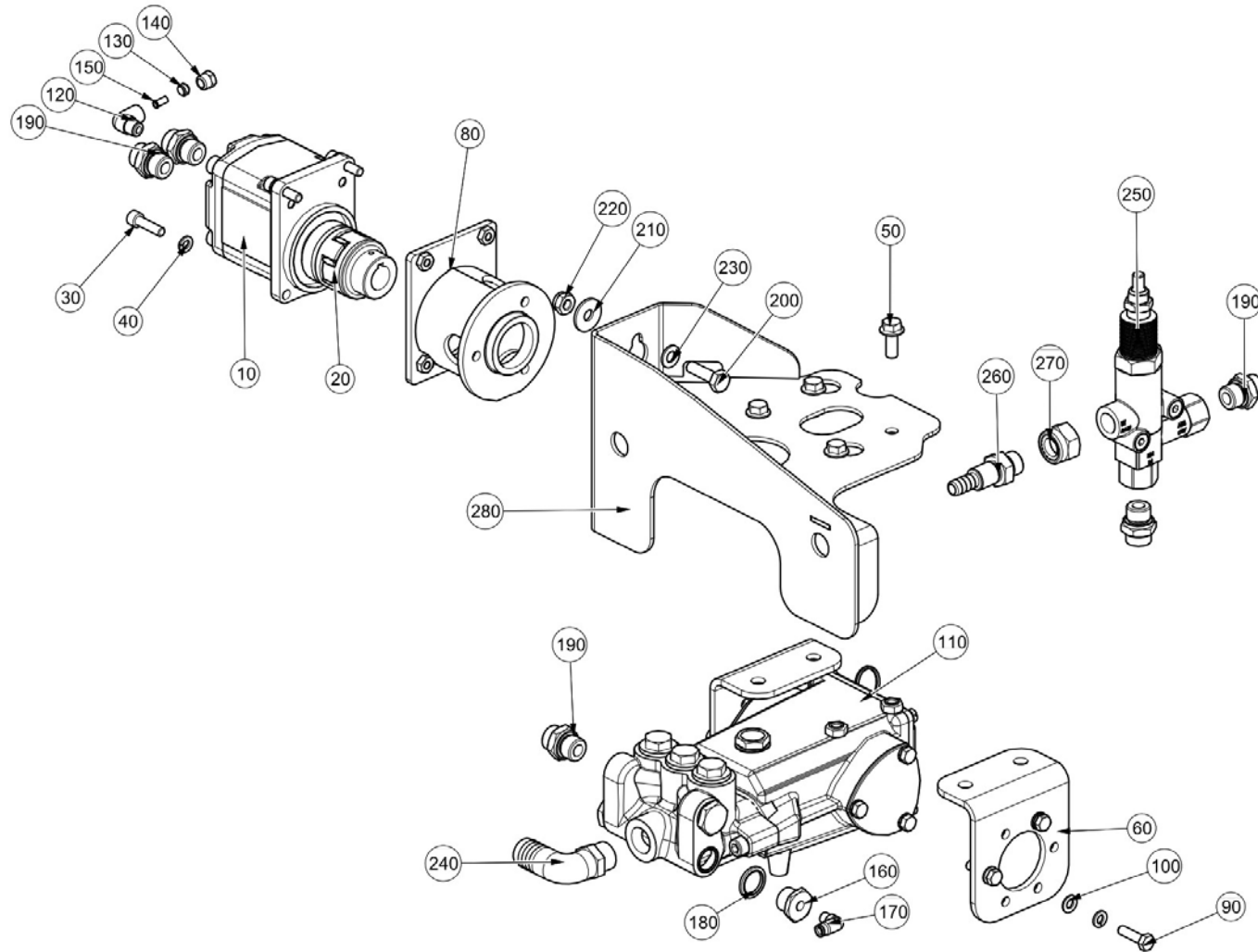
Item no.	Part no.	Description	QTY	Unit
6117	6117	Hose - 1" Bore	3	M
6111	6111	Hose - Water 1/2"	4	M
H2SC12001-410	H2SC12001-410	Hose - Hyd Straight x 45°Swept	1	PC
H2SC12002-230	H2SC12002-230	Hose - Hyd Straight x 90°Swept	1	PC
H2SC12001-60	H2SC12001-60	Hose - Hyd Straight x 45°Swept	2	PC
12870	12870	Tube - Nylon Black 8mm O/D	3	M
10	7010554	Bracket Water Filter	1	PC
20	281750-1	Water Filter Assembly	1	PC
30	93300509-0	Plain Large Washer - M8	3	PC
40	92097374-0	Hex Head Screw - M8Cx20 - 8.8	3	PC
50	93699710-0	Spring Washer - Plated M8	3	PC
60	09531009-0	Hose Clip - Worm Drive (30-40)	4	PC
70	277-286	Hosetail G - 1 Male x 25mm Barb	1	PC
80	277-128	Tee Female - G 1 Equal	1	PC
90	88-43	Ball Valve 1" Female	1	PC
100	277-173	Nipple - G 1 22 x 22mm	1	PC
110	277-250	Nipple - Reducer G 1 1/2 - G 1 M	1	PC
120	72-116	Finger Valve - M/M, Tube Dia 6mm	1	PC
130	549-3	Pneumatic Stem Connector, Ø6mm Tube	1	PC
140	72-115	Check Valve - M/M, Tube Dia 6mm	1	PC
150	92137015-0	Hex Socket Cap Screw - M4Cx30 - 12.9	2	PC
160	93212007-0	Plain Washer M4	4	PC
170	93085002-0	Nyloc Hex Nut M4C - 8	2	PC
180	559-6	Connector - Parallel Y 6x6x6mm	1	PC

Supawash ()
Water System\Supawash



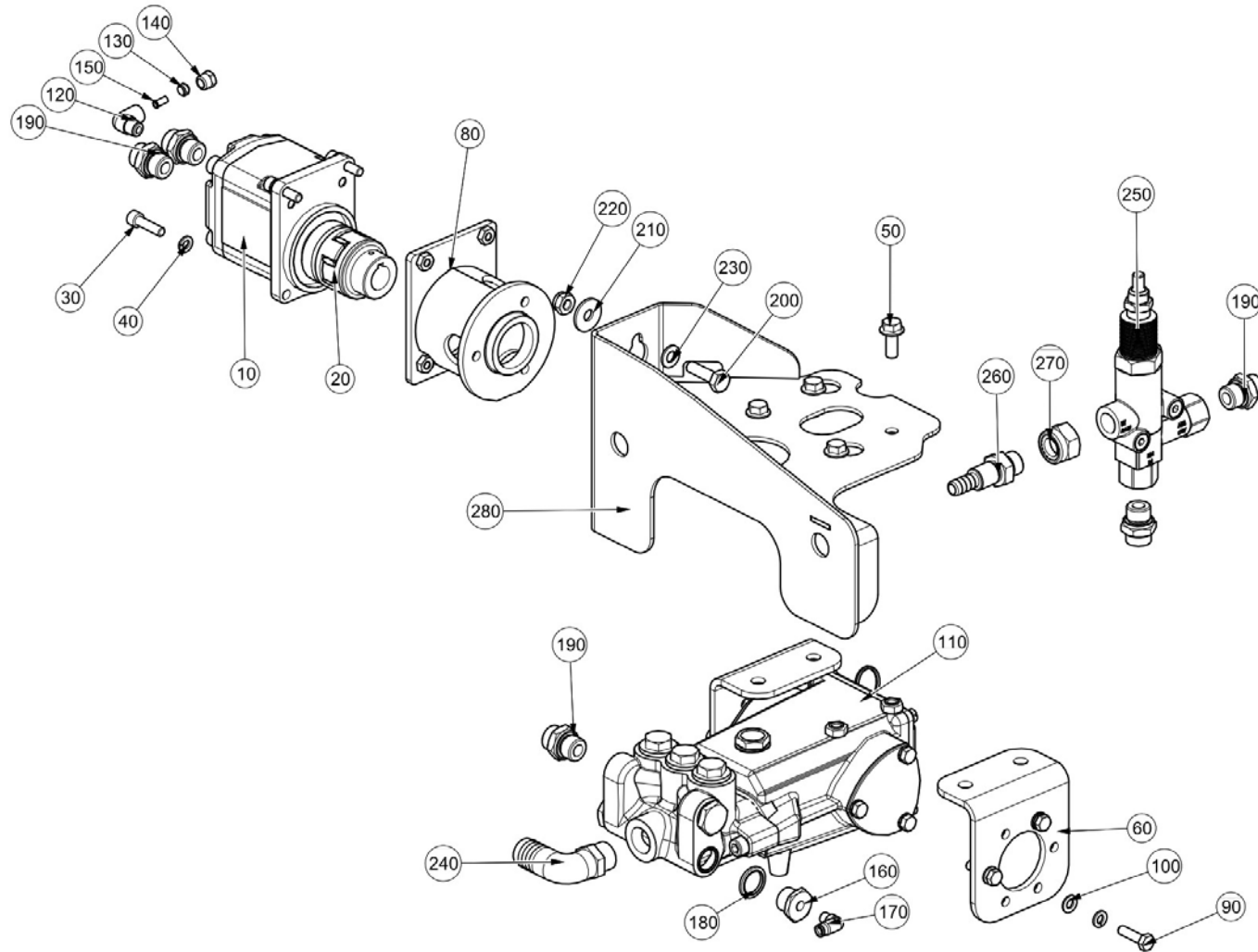
Item no.	Part no.	Description	QTY	Unit
190	92137007-0	Hex Socket Cap Screw - M3Cx25 - 12.9	1	PC
210	93085001-0	Nyloc Hex Nut M3C - 8	1	PC
220	93212005-0	Plain Washer M3	1	PC

Supawash Install ()
Water System\Supawash\Supawash Install



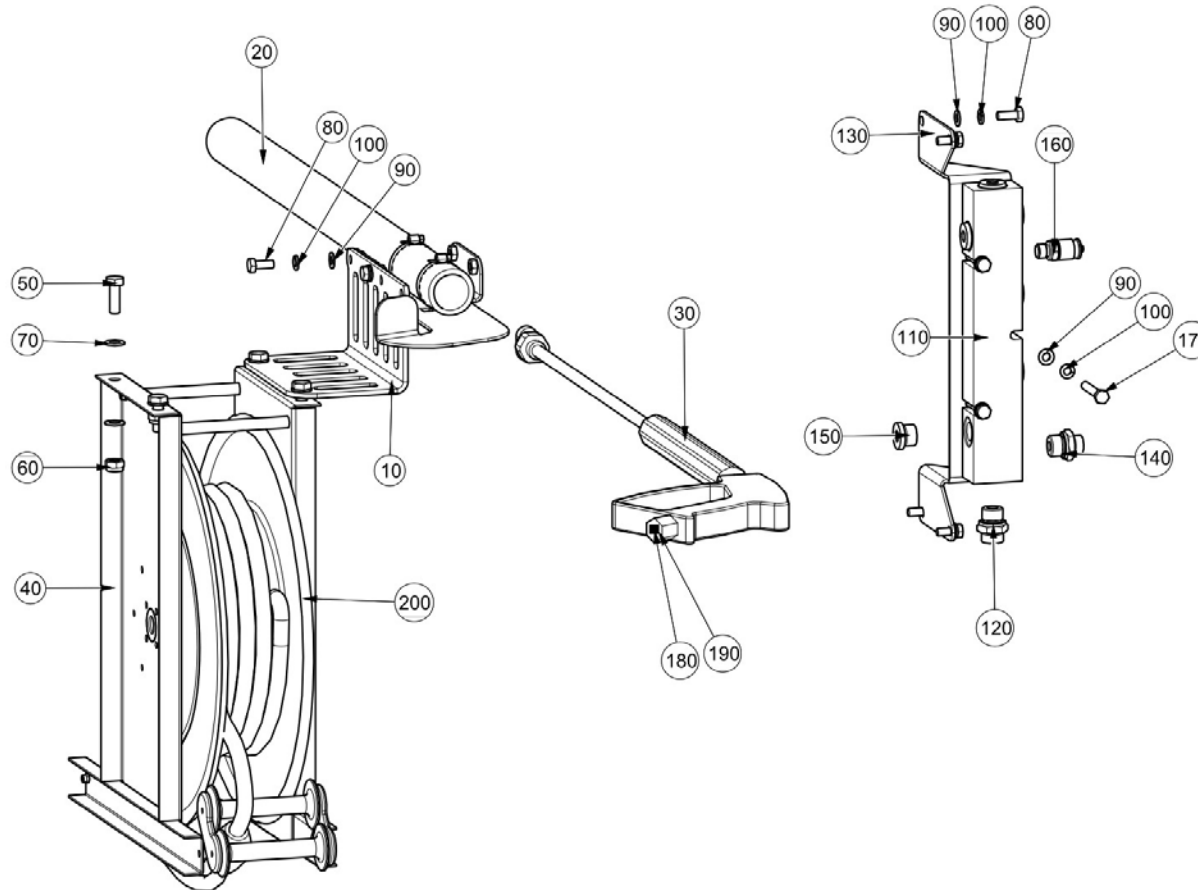
Item no.	Part no.	Description	QTY	Unit
10	244-15	Motor - Hydraulic + Drain Port	1	PC
20	283681-1	Drive Coupling Assembly SW Pump	1	PC
30	92137121-0	Hex Socket Cap Screw - M8Cx30 - 12.9	4	PC
40	93699710-0	Spring Washer - Plated M8	7	PC
50	09531337-0	Hex Flange Head Bolt - M10C x 25 - 12.9	4	PC
60	283698-1	Mntg Foot W/Assy Supawash Pump	2	PC
70	92137120-0	Hex Socket Cap Screw - M8Cx25 - 12.9	3	PC
80	7008087	Frame - Water System	1	PC
90	92067381-0	Hex Head Bolt - M8Cx30 - 8.8	3	PC
100	93212011-0	Plain Washer - M8	3	PC
110	7008031	Water Pump 100bar	1	PC
120	521-8	Adaptor - Male Elbow 8 O/D 1/4 BSP	1	PC
130	511-4	Olive - Tube 8mm O/D	1	PC
140	510-4	Nut - Tube 8mm O/D	1	PC
150	41038-1-B	Stow - Barbed 90 Degree 3/4" Nylon	1	PC
160	559-112	Reducer - G 1/2"M x 1/8"F	1	PC
170	552-3	Adaptor - Elbow 6mm x 1/8 BSPT	1	PC
180	451-19	Washer - Bonded G1-2"	1	PC
190	6601-1329	Stud Coupling Male G 1/2" x M22 x 1.5	3	PC
200	92097415-0	Hex Head Screw - M10Cx35 - 8.8	2	PC
210	93300510-0	Plain Large Washer M10	2	PC
220	93085006-0	Nyloc Hex Nut M10C - 8	2	PC
230	93212012-0	Plain Washer - M10	2	PC
240	231-76	90 ° Hose Barb - 3/4 BSP x 25mm Barb	1	PC

Supawash Install ()
Water System\Supawash\Supawash Install



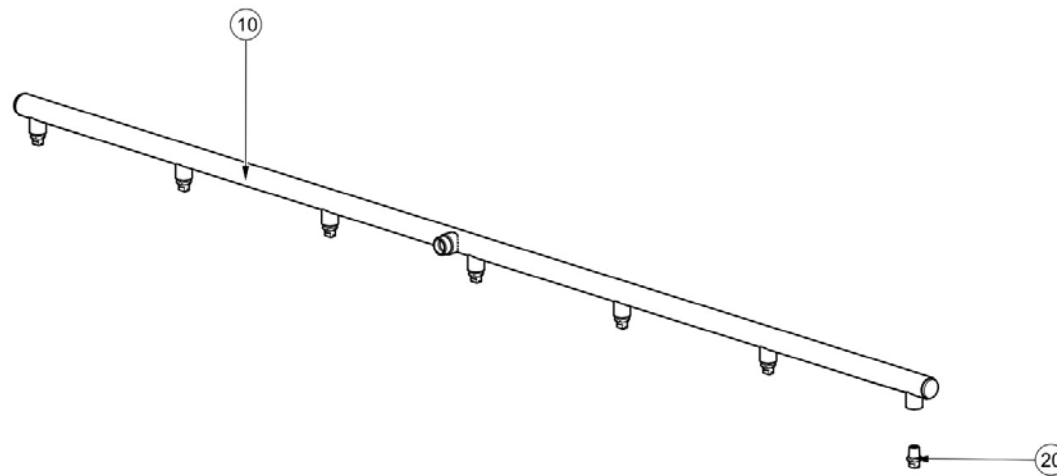
Item no.	Part no.	Description	QTY	Unit
250	283702-1	Unloader - Supawash Pump	1	PC
260	7005320	Connector	1	PC
270	93085011-0	Nyloc Hex Nut M20C - 8	1	PC
280	7041278	Supawash Bracket LH	1	PC

Supawash Hose Reel and Lance ()
Water System\Supawash Hose Reel and Lance



Supawash Hose Reel and Lance ()
 Water System\Supawash Hose Reel and Lance

Item no.	Part no.	Description	QTY	Unit
10	221401-1	Bracket - Lance Stowage RT655	1	PC
20	293405-1	Lance Stowage Ass Supawash 550	1	PC
30	21-71	Hand Lance Assembly 700mm	1	PC
40	667-49	Hose Reel 15 Metre Coil	1	PC
50	92097414-0	Hex Head Screw - M10Cx30 - 8.8	4	PC
60	93085006-0	Nyloc Hex Nut M10C - 8	4	PC
70	93212012-0	Plain Washer - M10	8	PC
80	92097374-0	Hex Head Screw - M8Cx20 - 8.8	4	PC
90	93212011-0	Plain Washer - M8	9	PC
100	93699710-0	Spring Washer - Plated M8	9	PC
110	282475-1	Assembly-Supawash Manifold 95	1	PC
120	6601-1329	Stud Coupling Male G 1/2" x M22 x 1.5	1	PC
130	7012546	Bracket, Supawash Manifold	1	PC
140	09570131-0	Stud Coupling Male G 1/2" x M18 x 1.5	1	PC
150	09572135-0	Plug - Collar 1/2 BSP	6	PC
160	665-23	Valve - Testpoint M14x1.5	1	PC
170	92097383-0	Hex Head Screw - M8Cx55 - 8.8	3	PC
180	267-20	ADAPTOR-SWIVEL M/F G3/8" 267-30	1	PC
190	451-18	Washer Bonded G3/8"	1	PC
200	6601-1322	Stud Coupling Male G 3/8" x M18 x 1.5	1	PC
210	H2SC12000-385	Hose Hyd Straight x 90° Swept	1	PC
220	H2SC10002-530	Hose Hydraulic Straight x 90°	1	PC



Item no.	Part no.	Description	QTY	Unit
10	7040120	Spraybar Welded Assembly	1	PC
20	21-31	Jet - Fan 65 deg. 1/4"	7	PC
30	266-4	Adaptor M/M 1/2 - 1/2 BSP / BSPT	1	PC
40	451-19	Washer - Bonded G1-2"	1	PC
50	88-33	Ball Valve 210 Bar 1/2" F	1	PC
60	6601-1329	Stud Coupling Male G 1/2" x M22 x 1.5	1	PC
70	H2SC12002-250	Hose - Hyd Straight x 90°Swept	1	PC

This page is intentionally left blank

Chapter 7 Body

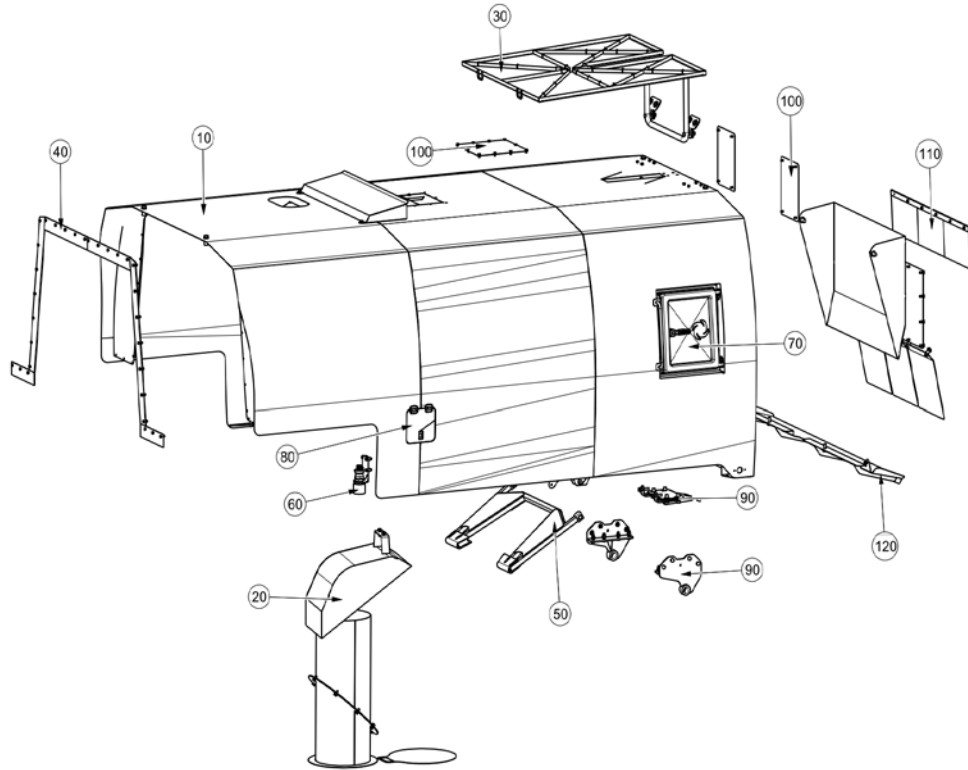
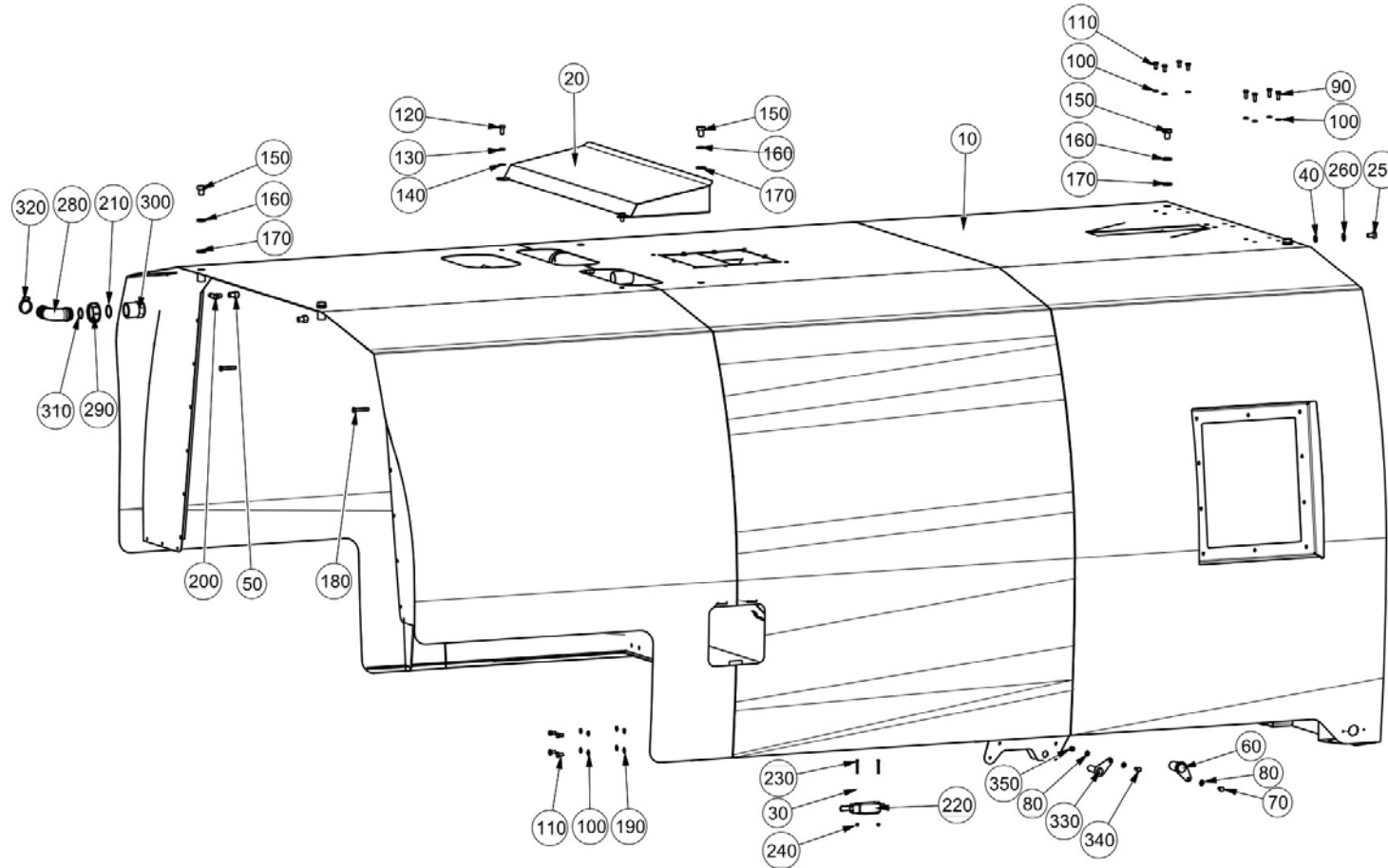


Table of Contents

Section	Page
7.1 Body Assembly	162
7.2 Inlet Tubes.....	166
7.3 Mesh Shakers	168
7.4 Radiator Seal	170
7.5 Separator Flush	172
7.6 Access Door	174
7.7 Fuel Filler Plate	176
7.8 Tip Bracket and Latch	178
7.9 Blanking Plates	180
7.10 Hopper Screens	182
7.11 Discharge Chute	184

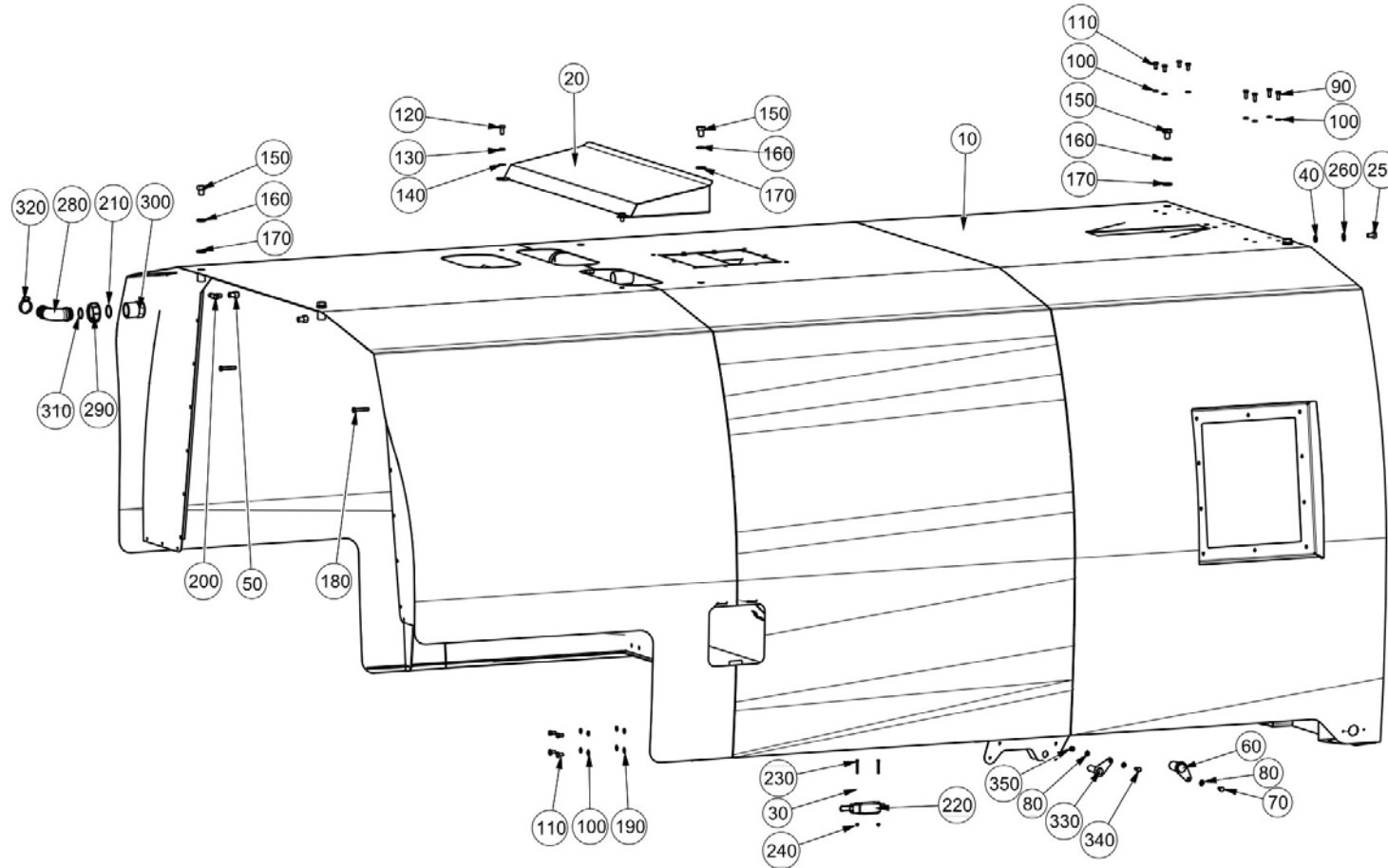
Item no.	Part no	Description	QTY	Unit
50	223470-1	Body Prop Auto Manual W/A 655	1	PC

Body Assembly ()
Body/Body Assembly



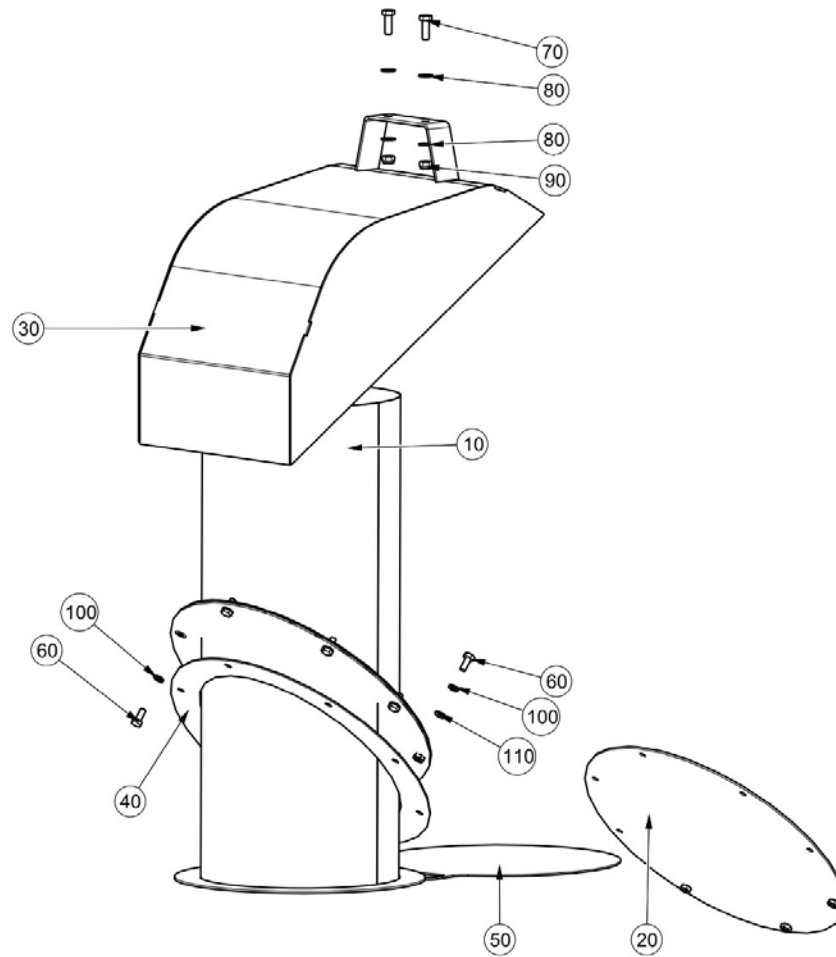
Item no.	Part no.	Description	QTY	Unit
10	223400-1	Body W/Assy Mild Steel RT655	1	PC
10	223400-2	Body W/Assy 4003 RT655	1	PC
20	221290-1	Hood - Body W/Assy RT655	1	PC
30	93300506-0	Plain Large Washer M5	2	PC
40	93700212-0	Spring Washer M12 - A2	14	PC
50	541-10	Adaptor - Female Straight 10mm x 3/8 BSP	2	PC
60	221077-1	Anchor Pin W/A Tip Cyl Mtg 655	2	PC
70	92097374-0	Hex Head Screw - M8Cx20 - 8.8	2	PC
80	93212011-0	Plain Washer - M8	8	PC
90	92099373-0	Hex Head Screw - M8Cx20 - A2	5	PC
100	93700210-0	Spring Washer M8 - A2	13	PC
110	92099371-0	Hex Head Screw - M8Cx16 - A2	8	PC
120	92099407-0	Hex Head Screw - M10Cx20 - A2	2	PC
130	93700211-0	Spring Washer M10 - A2	2	PC
140	93213011-0	Plain Washer M10 A2	2	PC
150	92099517-0	Hex Head Bolt - M16Cx20 - A2-70	6	PC
160	93700214-0	Spring Washer M16 - A2	6	PC
170	93213014-0	Plain Washer M16 A2	6	PC
180	92099381-0	Hex Head Screw - M8Cx50 - A2	2	PC
190	93213010-0	Plain Washer M8 A2	4	PC
200	09598784-0	Pneumatic Tee Connector, Ø10mm Tube	1	PC
210	277-220	O-Ring 1/2" BSP Cap & Liner	1	PC
220	7045670	Switch - Body Tip	1	PC
230	92097235-0	Hex Head Screw - M4Cx40 - 8.8	2	PC

Body Assembly ()
Body/Body Assembly



Item no.	Part no.	Description	QTY	Unit
240	93085002-0	Nyloc Hex Nut M4C - 8	2	PC
250	92099445-0	Hex Head Screw - M12Cx20 - A2	14	PC
260	93213012-0	Plain Washer M12 A2	14	PC
270	7043566	Hopper Harness	1	PC
280	277-213	Flynut Hosetail - 90° Barb = 38mm	1	PC
290	277-170	Flynut - 1 1/2 F	1	PC
300	277-257	Reducer G 1 1/2 M x G 1 1/4 F	1	PC
310	277-141	Seal For 1 1/4" BSP Cap&Liner	1	PC
320	09531009-0	Hose Clip - Worm Drive (30-40)	1	PC
330	283445-1	Pivot Pin	2	PC
340	92097376-0	Hex Head Screw - M8Cx25 - 8.8	2	PC
350	93085805-0	Nyloc Hex Nut M8C - 8	2	PC

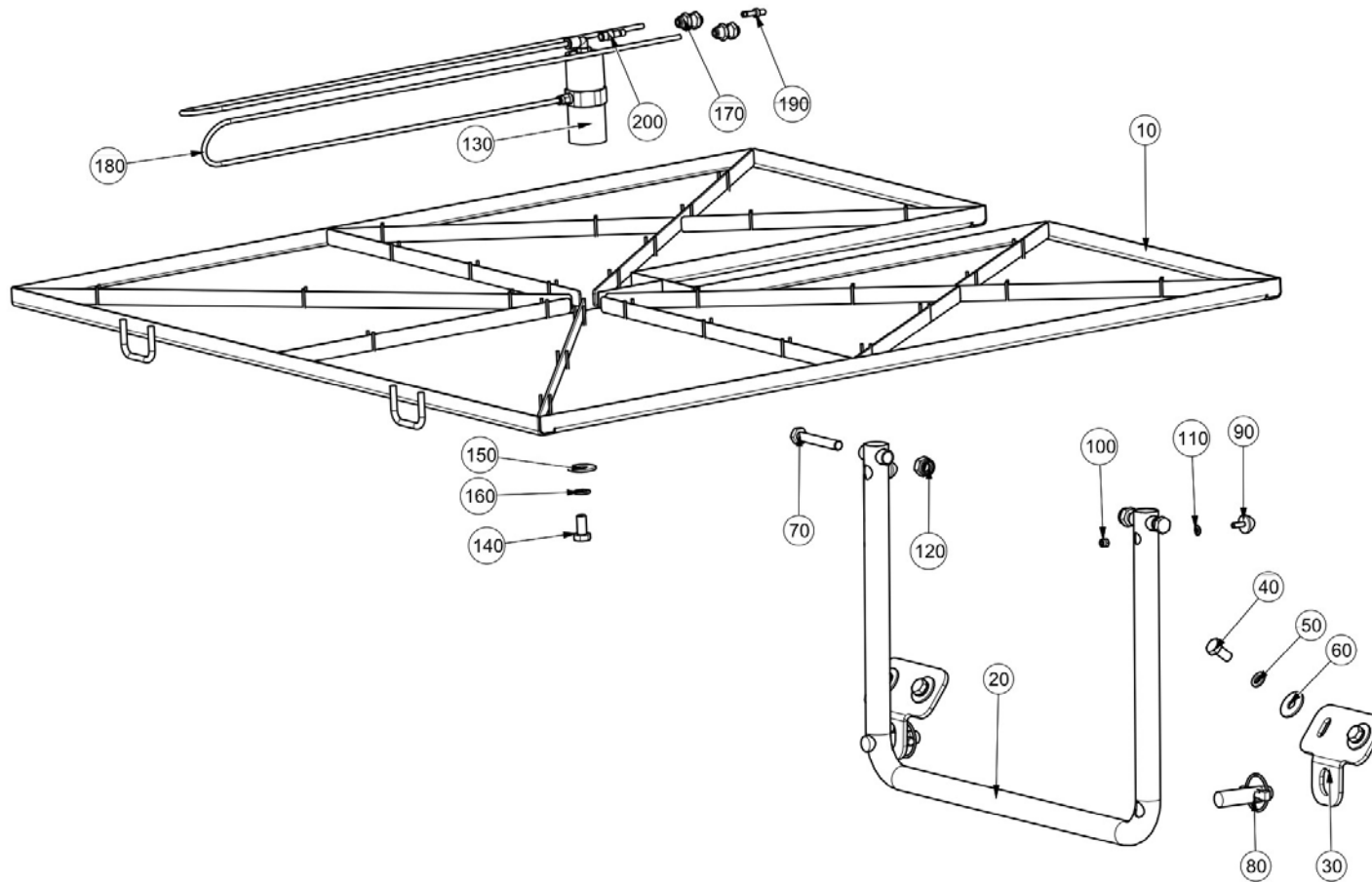
Inlet Tubes ()
Body\Inlet Tubes



Inlet Tubes ()
Body\Inlet Tubes

Item no.	Part no.	Description	QTY	Unit
10	223463-1	Inlet Tube W/Assy MS RT655	1	PC
10	223463-11	Inlet Tube Bonded W/Assy MS RT655	1	PC
20	221252-1	Blanking Plate W/A Inlet Duct	1	PC
30	221110-1	Wear Plate W/Assy M.Stl RT655	1	PC
30	221110-11	WEAR PLATE W/ASSY BONDED	1	PC
40	223988-1	Seal - Intake Tube RT655	2	PC
50	223971-1	Cover Plate - Intake Seat Body	1	PC
60	92099409-0	Hex Head Screw - M10Cx25 - A2	16	PC
70	92099450-0	Hex Head Screw - M12Cx35 - A2	2	PC
80	93213012-0	Plain Washer M12 A2	4	PC
90	93085607-0	Nyloc Hex Nut - M12c - A2	2	PC
100	93700211-0	Spring Washer M10 - A2	16	PC
110	93213011-0	Plain Washer M10 A2	16	PC

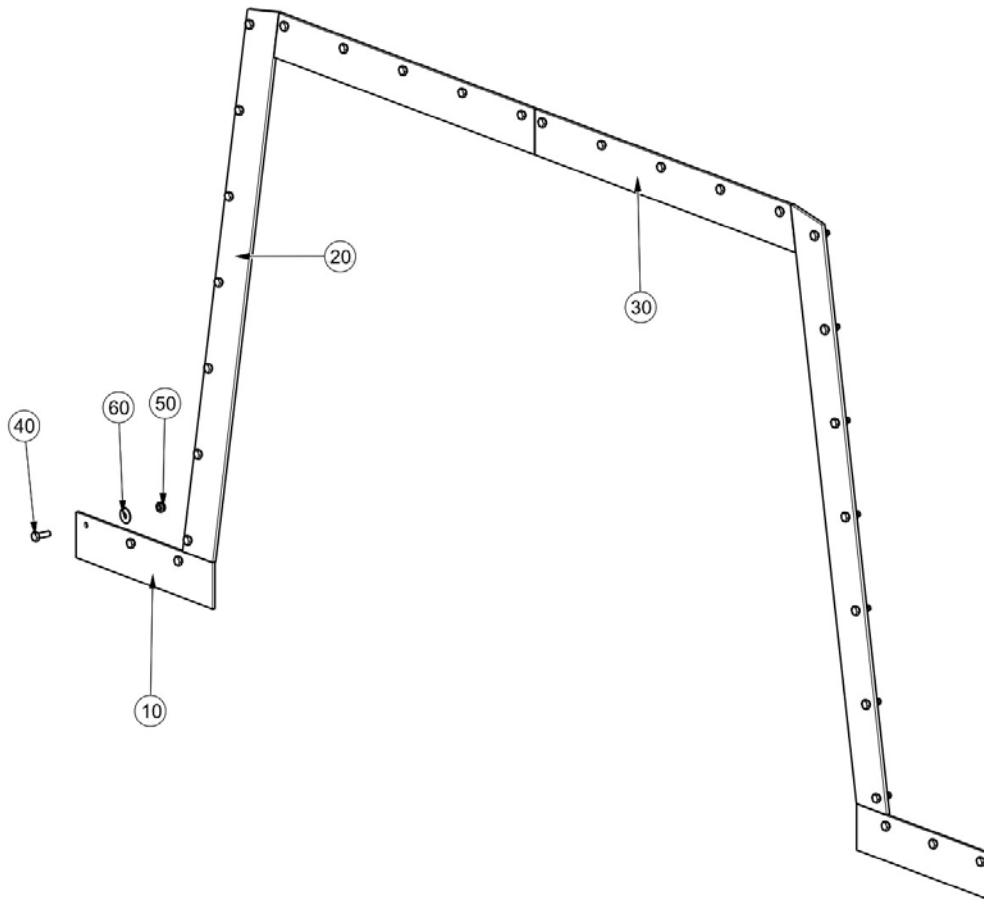
Mesh Shakers ()
BodyMesh Shakers



Mesh Shakers ()
Body\Mesh Shakers

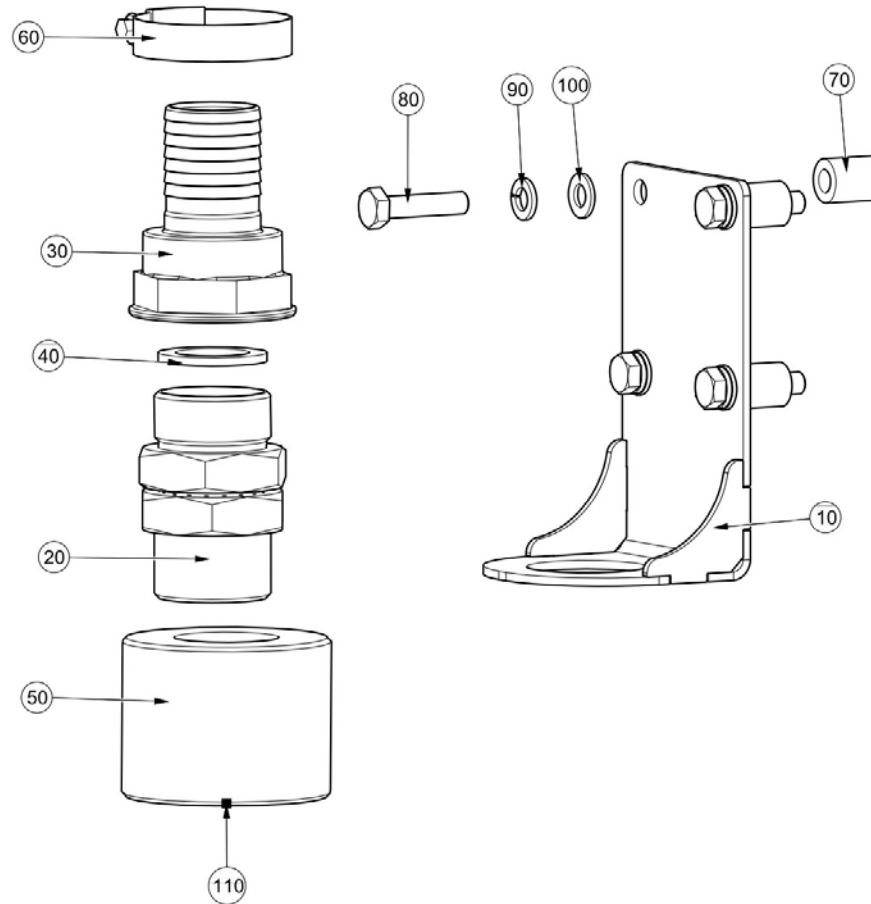
Item no.	Part no.	Description	QTY	Unit
10	221115-1	Mesh Screen W/Assy RT655	1	PC
20	7037673	Mesh Handle W/ass	1	PC
30	7035569	Plate - Stowage	2	PC
40	92099447-0	Hex Head Screw - M12Cx25 - A2	4	PC
50	93700212-0	Spring Washer M12 - A2	4	PC
60	93300511-0	Plain Large Washer M12	4	PC
70	6105-1511	Hex Head Bolt - M12Cx85 - 8.8	2	PC
80	60-1	Pin Linch with Ring 11mm Dia	2	PC
90	290-60	Buffer- conical male M6 x 18	2	PC
100	93085004-0	Nyloc Hex Nut M6C - 8	2	PC
110	93212009-0	Plain Washer - M6	2	PC
120	6211-0482	Nyloc Hex Nut M14 x 1.5 - 8	2	PC
130	283806-1	Pneumatic Piston Vibrator	1	PC
140	118-201	Setscrew Hexagon Hd M12cx25 SS	1	PC
150	457-6	Washer Plain Steel M12 Form G	1	PC
160	458-12	Washer - Spring M12 SS	1	PC
170	555-3	Adaptor Bulkhead 6mm x M14x1.5	2	PC
180	273-20	Tube - Nylon Blue 6mm O/D	2	M
190	72-53	Silencer - Air 6mm	1	PC
200	548-10	Adaptor - Reducing 8mm x 6mm	1	PC

Radiator Seal ()
Body\Radiator Seal



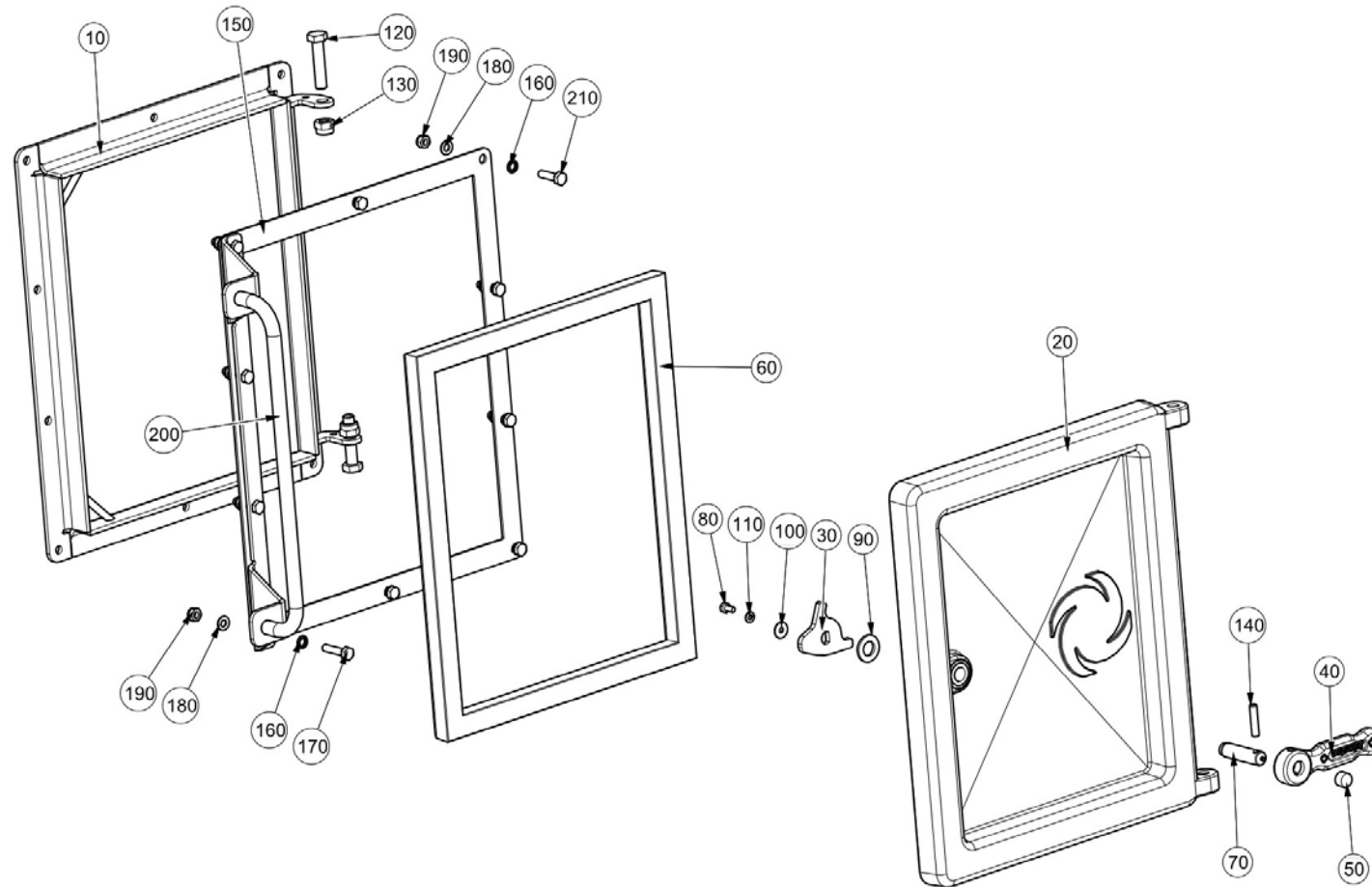
Item no.	Part no.	Description	QTY	Unit
10	221276-1	Radiator Seal RT655	2	PC
20	221277-1	Radiator Seal RT655	2	PC
30	221278-1	Radiator Seal RT655	2	PC
40	92097376-0	Hex Head Screw - M8Cx25 - 8.8	30	PC
50	93085005-0	Nyloc Hex Nut M8C - 8	30	PC
60	93300509-0	Plain Large Washer - M8	30	PC

Separator Flush ()
Body\Separator Flush



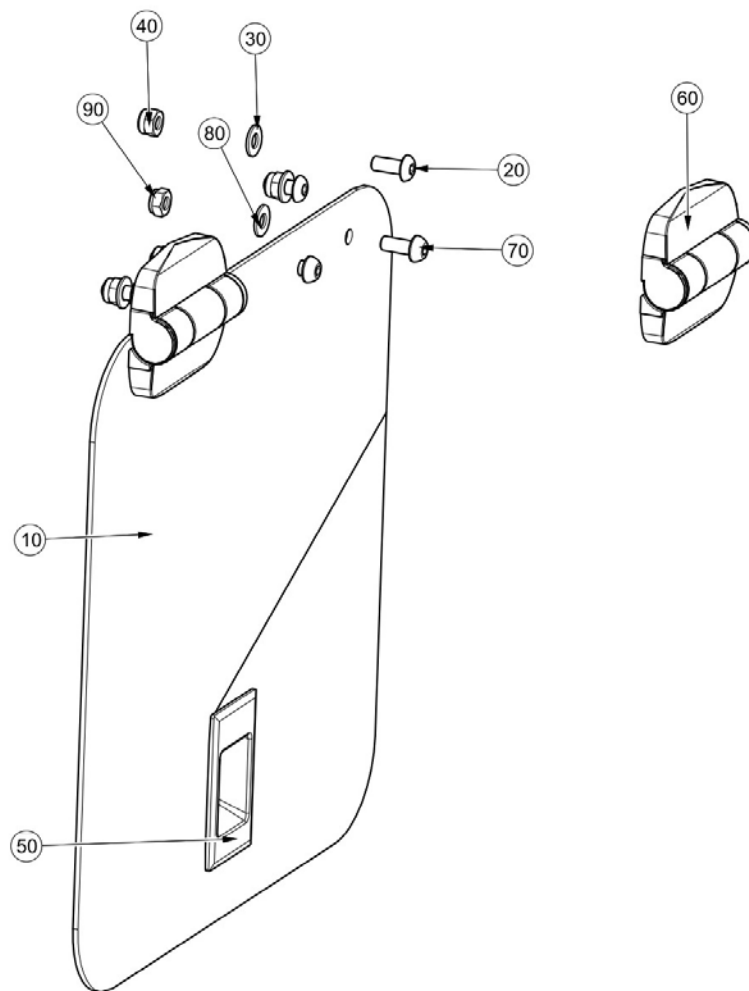
Item no.	Part no.	Description	QTY	Unit
10	221130-1	Brkt W/A Hyd Water Flush RT655	1	PC
20	264-8	Adaptor M/M - Bulkhead+Locknut 1 1/4 BSP	1	PC
30	277-210	Hosetail Female 1 1/4"BSPx35mm	1	PC
40	740-9	Washer - Rubber 1 1/4" BSP (F)	1	PC
50	7022151	Hydrant Filler 57 x 30	1	PC
60	09531011-0	Hose Clip - Worm Drive (40-55)	1	PC
70	56569-6	Spacer - 16 Dia x 20 M8	4	PC
80	92099378-0	Hex Head Screw - M8Cx35 - A2	4	PC
90	93700210-0	Spring Washer M8 - A2	4	PC
100	93213010-0	Plain Washer M8 A2	4	PC
110	18684-1-C	Hydrant Coupling - UK	1	PC
110	667-31	Coupling - Stortz 2.5" BSP	1	PC

Access Door ()
Body\Access Door



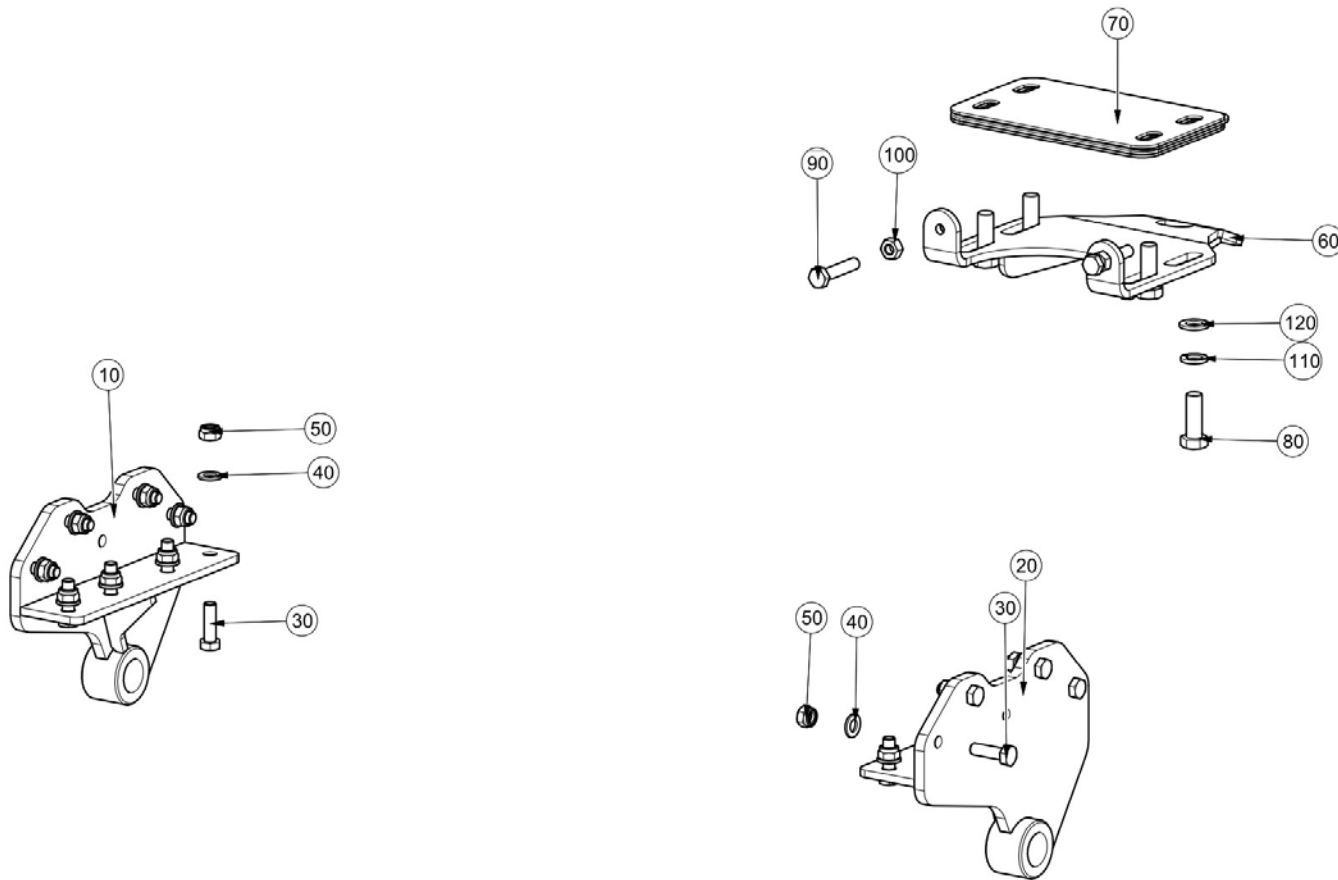
Item no.	Part no.	Description	QTY	Unit
10	283596-2	Frame W/Assy - Rear / Roof Acc Door	2	PC
20	284345-1	Access Door	2	PC
30	200342-1	Lock	2	PC
40	7017706	Handle - Access Door	2	PC
50	290-28	Bump Stop Rubber	2	PC
60	281217-1	Seal - Access Door Moulded	2	PC
70	284348-1	Spindle	2	PC
80	92099298-0	Hex Head Screw - M6Cx12 - A2	2	PC
90	93210523-0	Plain Washer - M16	2	PC
100	93300507-0	Plain Large Washer M6	2	PC
110	93699708-0	Spring Washer - Plated M6	2	PC
120	92067460-0	Hex Head Bolt - M12Cx55 - 8.8	4	PC
130	93085807-0	Nyloc Hex Nut M12C - 8	4	PC
140	93545357-0	Spring Pin (Slotted) - Ø8x36 C.Steel HD	2	PC
150	283613-1	Gasket - Access Panel Roof	2	PC
160	451-3	Washer Bonded Ø5-16" - Bolt	20	PC
170	92099378-0	Hex Head Screw - M8Cx35 - A2	8	PC
180	93213010-0	Plain Washer M8 A2	20	PC
190	93085605-0	Nyloc Hex Nut - M8c - A2	20	PC
200	7010251	HANDLE ACCESS DOOR RT655	2	PC
210	92099377-0	Hex Head Screw - M8Cx30 - A2	12	PC

Fuel Filler Plate ()
Body\Fuel Filler Plate



Item no.	Part no.	Description	QTY	Unit
10	221546-2	Fuel Filler Plate 4003 RT655	2	PC
20	92330166-0	Hex Socket Button Head Screw M4Cx10 A2	8	PC
30	93213007-0	Plain Washer M4 A2	8	PC
40	93085602-0	Nyloc Hex Nut - M4c - A2	8	PC
50	720-4	Catch - Push to Close	2	PC
60	212-17	Hinge - Positioning Advantage	4	PC
70	117-32	Screw-Skt Button Hd M4cx10 SS	8	PC
80	454-4	Washer Plain St.Stl M4x9	8	PC
90	417-4	Nut - Nyloc M4 S/Steel DIN985	8	PC

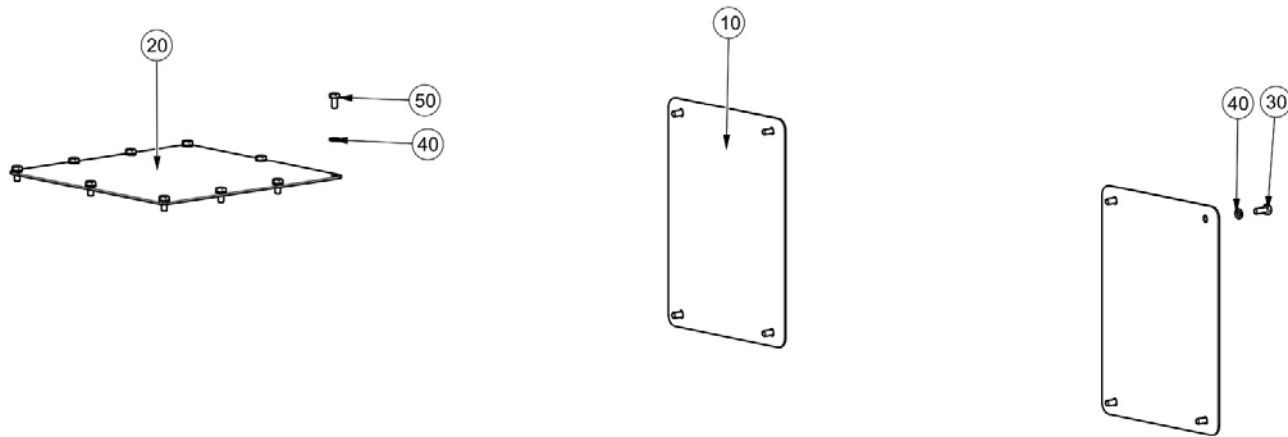
Tip Bracket and Latch ()
Body\Tip Bracket and Latch



Tip Bracket and Latch ()
Body\Tip Bracket and Latch

Item no.	Part no.	Description	QTY	Unit
10	223290-4	Tip Bracket W/Assy RH RT655	1	PC
20	223290-1	Tip Bracket W/Assy LH RT655	1	PC
30	92067457-0	Hex Head Bolt - M12Cx40 - 8.8	16	PC
40	93212013-0	Plain Washer M12	16	PC
50	93085007-0	Nyloc Hex Nut M12C - 8	16	PC
60	293174-1	Latch Plate W/Assy Rr Door 550	1	PC
70	7036709	Packer - Door Lock	7	PC
80	92097525-0	Hex Head Screw - M16Cx45 - 8.8	4	PC
90	92097456-0	Hex Head Screw - M12Cx60 - 8.8	2	PC
100	93056016-0	Hex Nut M12C-8	2	PC
110	93699714-0	Spring Washer - Plated M16	4	PC
120	93210523-0	Plain Washer - M16	4	PC

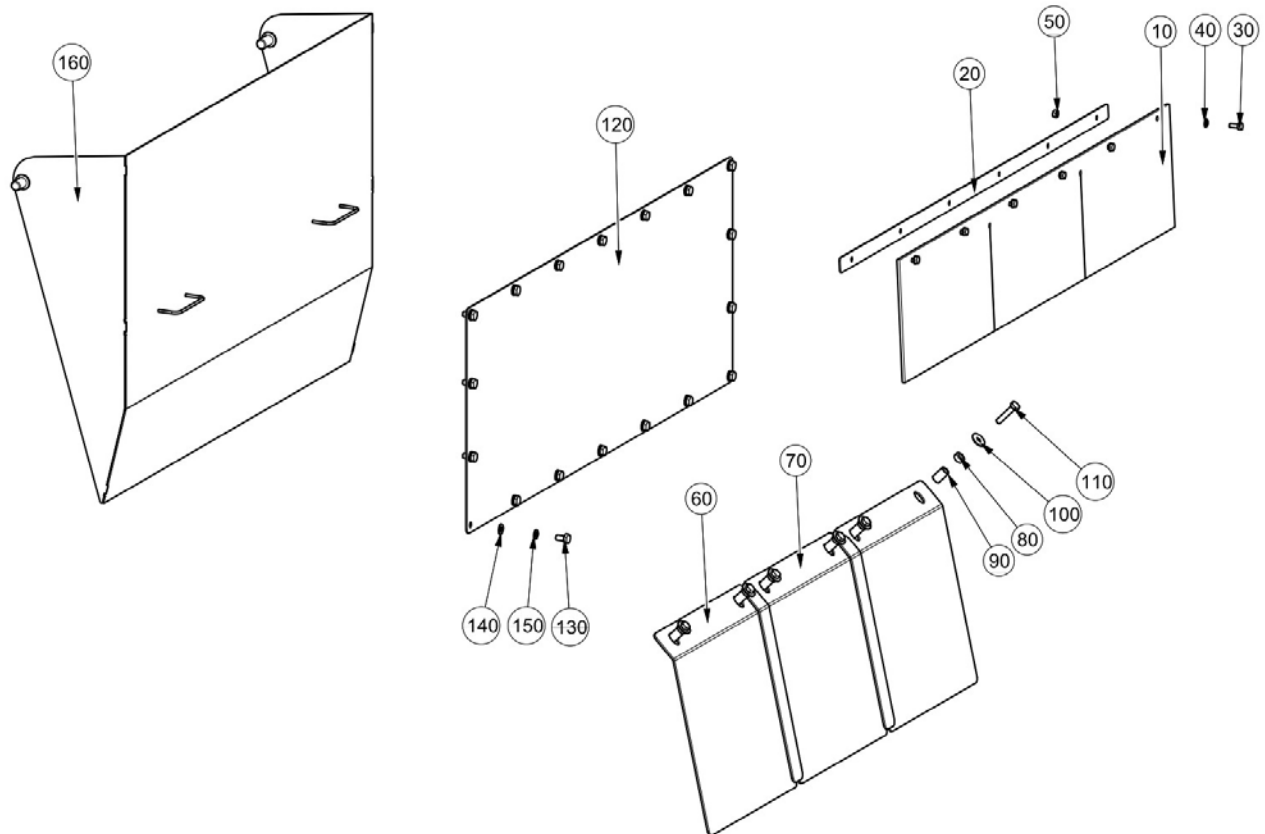
Blanking Plates ()
Body\Blanking Plates



Blanking Plates ()
Body\Blanking Plates

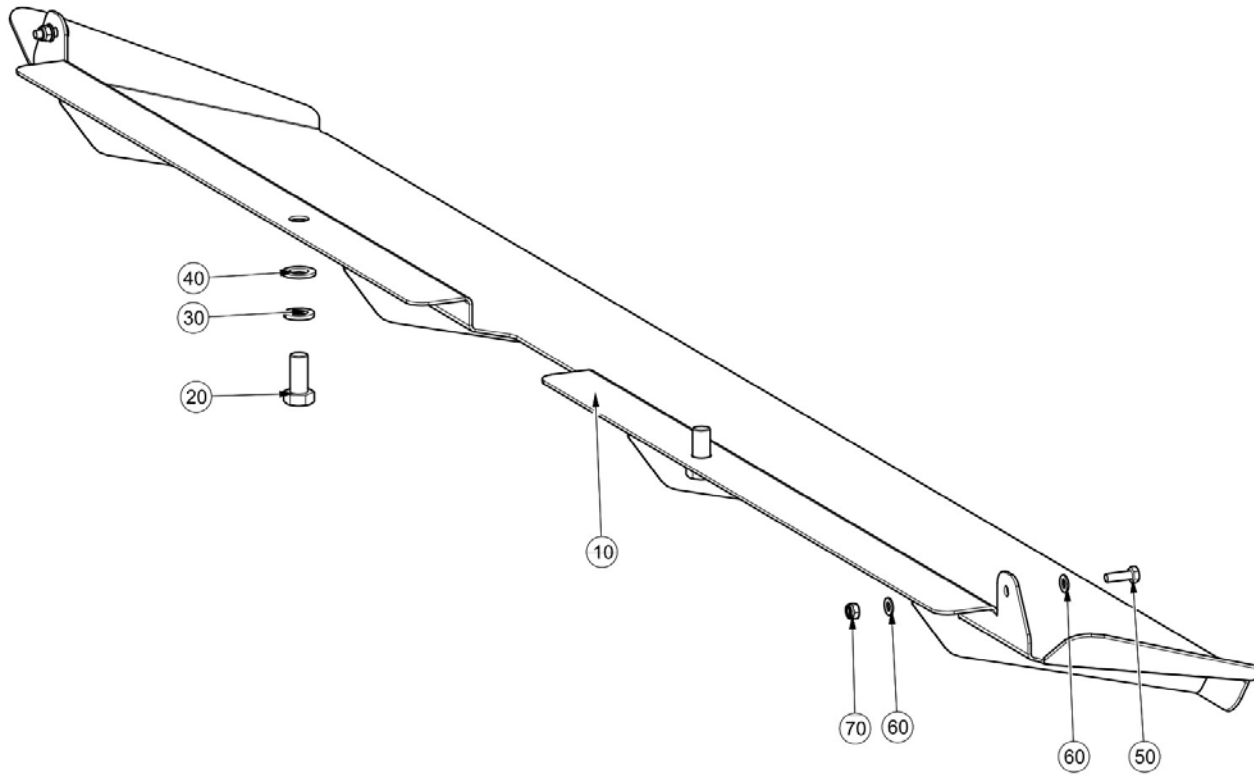
Item no.	Part no.	Description	QTY	Unit
10	221102-1	Blanking Plate-Rr Panel MS 655	2	PC
10	221102-2	Blanking Plate-Rr Panel 4003	2	PC
20	221111-1	Access Plate M.Steel RT655	1	PC
20	221111-2	Access Plate 4003 RT655	1	PC
30	92099373-0	Hex Head Screw - M8Cx20 - A2	8	PC
40	93700210-0	Spring Washer M8 - A2	18	PC
50	92099371-0	Hex Head Screw - M8Cx16 - A2	10	PC

Hopper Screens ()
Body\Hopper Screens



Item no.	Part no.	Description	QTY	Unit
10	200055-1	Rubber Curtain (1275 WSB)	1	PC
20	283126-1	Retaining Strip - Curtain WSB	1	PC
30	92099373-0	Hex Head Screw - M8Cx20 - A2	6	PC
40	93700210-0	Spring Washer M8 - A2	6	PC
50	93057014-0	Nut - MC Hex M8 S.Stl	6	PC
60	223459-1	Plate - Catflap M.Stl RT655	2	PC
60	223459-2	Plate - Catflap 4003 RT655	1	PC
70	223458-1	Catflap W/Assy Body M.Stl 655	1	PC
70	223458-2	Catflap W/Assy Body 4003 RT655	1	PC
80	95200-2	Spacer - Bush 8mm x 11mm ID	6	PC
90	224457-1	Spacer-Catflap Body M.Stl 655	6	PC
100	93300510-0	Plain Large Washer M10	6	PC
110	92099415-0	Hex Head Screw - M10Cx50 - A2	6	PC
120	223408-2	Cover Screen-Sepavac Body 4003	1	PC
130	92099407-0	Hex Head Screw - M10Cx20 - A2	18	PC
140	93213011-0	Plain Washer M10 A2	18	PC
150	93700211-0	Spring Washer M10 - A2	18	PC
160	223990-2	Separator Box W/Assy-4003 655	1	PC

Discharge Chute ()
Body\Discharge Chute



Item no.	Part no.	Description	QTY	Unit
10	221475-2	Rear Chute W/Assy 4003 RT655	1	PC
20	92097523-0	Hex Head Screw - M16Cx35 - 8.8	2	PC
30	93699714-0	Spring Washer - Plated M16	2	PC
40	93210523-0	Plain Washer - M16	2	PC
50	92097376-0	Hex Head Screw - M8Cx25 - 8.8	2	PC
60	93212011-0	Plain Washer - M8	4	PC
70	93085005-0	Nyloc Hex Nut M8C - 8	2	PC

This page is intentionally left blank

Chapter 8 Rear Door

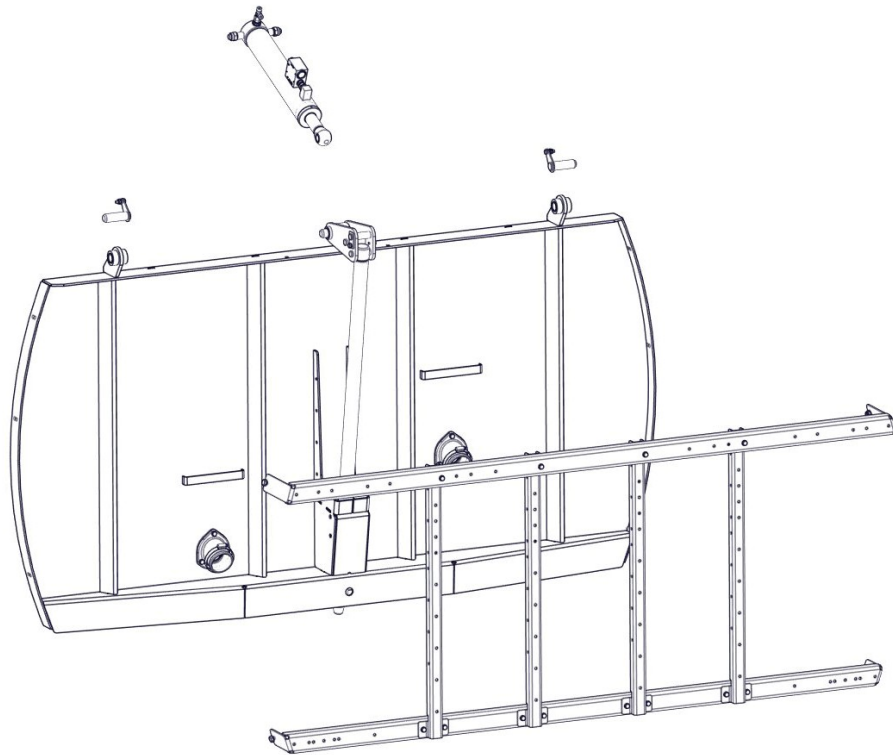
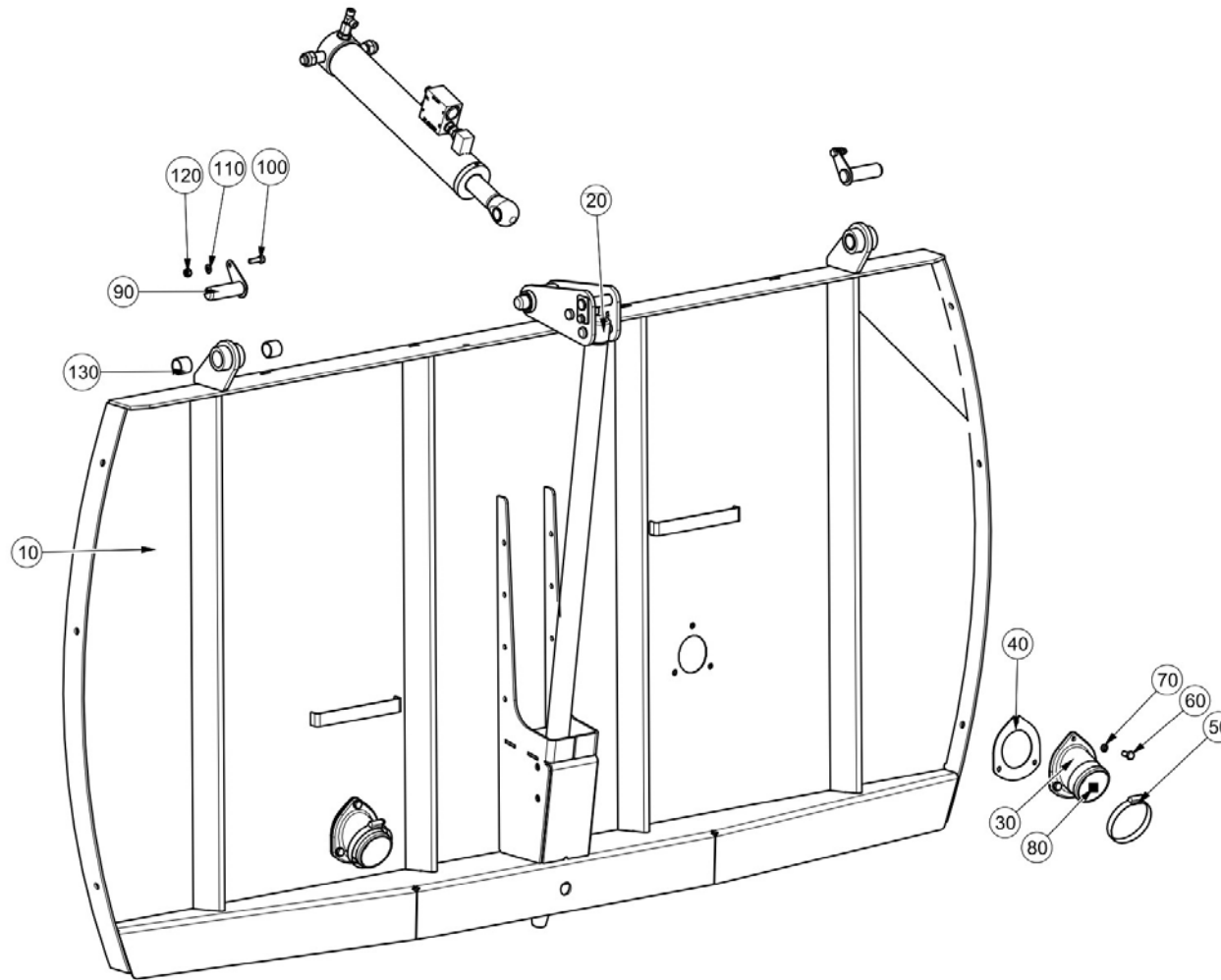


Table of Contents

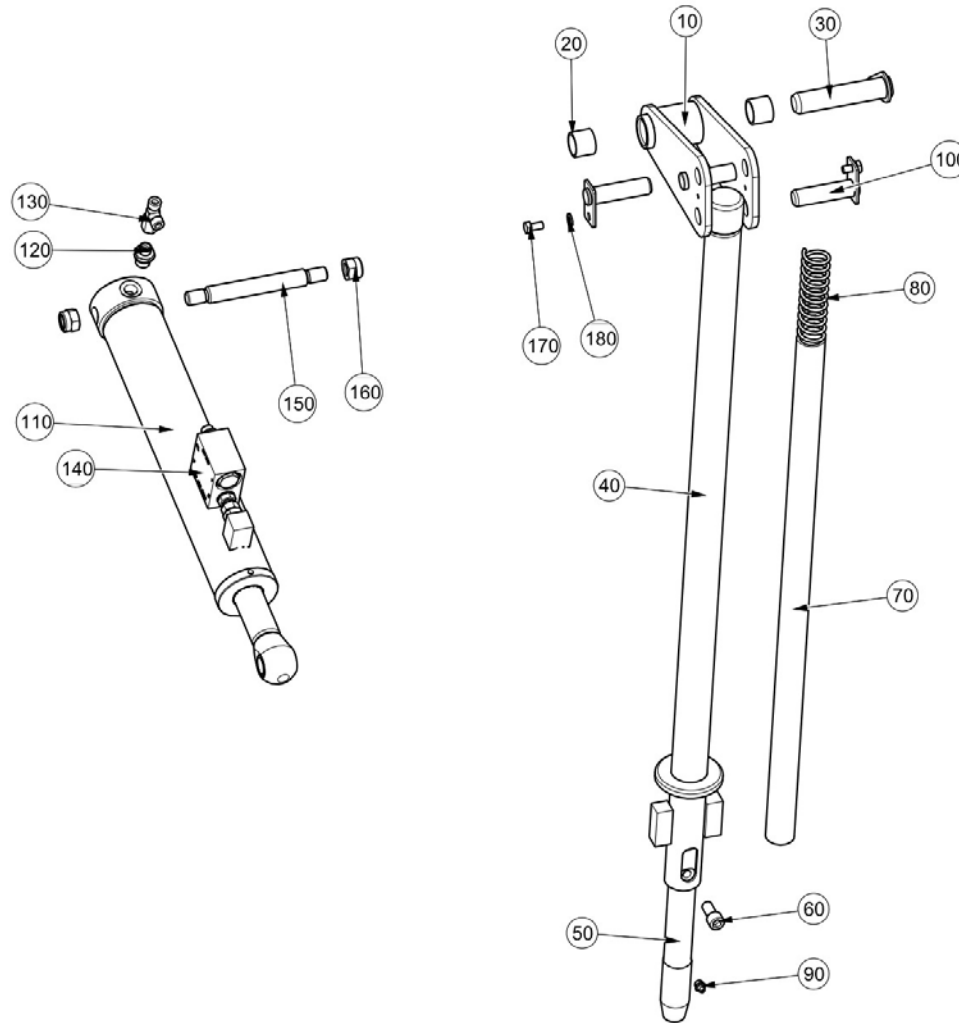
Section	Page
8.1 Rear Door	190
8.1.1 Rear Door Install	190
8.2 Options Frame.....	

Rear Door ()
Rear Door\Rear Door



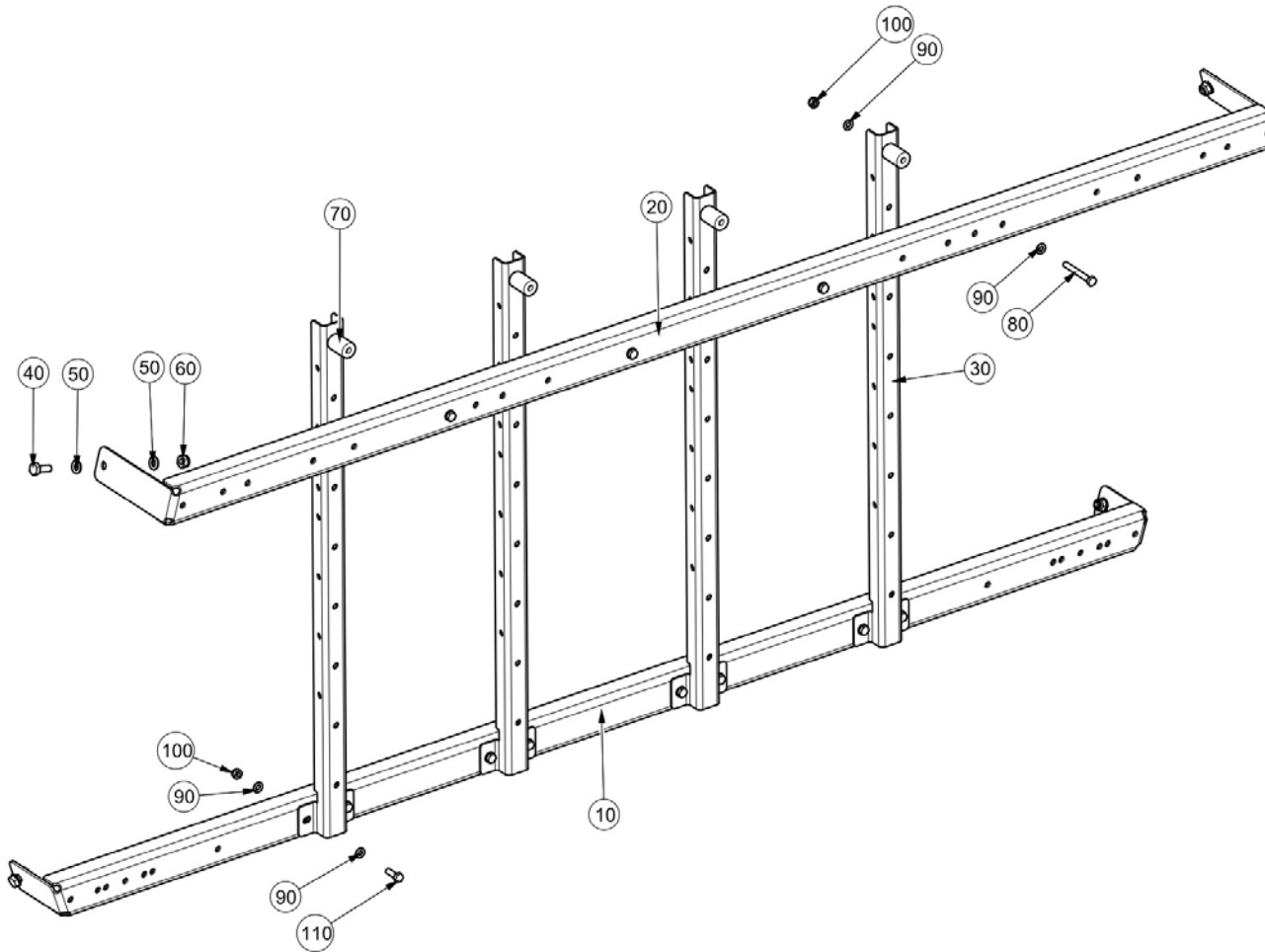
Item no.	Part no.	Description	QTY	Unit
10	221100-1	Rear Door W/Assy M.Steel RT655	1	PC
10	221100-2	Rear Door W/Assy 4003 RT655	1	PC
11	281777-3	Seal - Rear Door LONG 95	1	PC
30	284085-1	Spigot - Drain Rear Door (Nylon)	2	PC
40	281411-1	Gasket - Spigot Layflat Hose	2	PC
50	09531001-0	Hose Clip - Worm Drive (70-90)	2	PC
60	92099373-0	Hex Head Screw - M8Cx20 - A2	6	PC
70	93700210-0	Spring Washer M8 - A2	6	PC
80	9983	Hose - Drain	2	M
90	282952-1	Pivot Pin W/Assy - 85 Long	2	PC
100	92099376-0	Hex Head Screw - M8Cx25 - A2	2	PC
110	93213010-0	Plain Washer M8 A2	2	PC
120	93085605-0	Nyloc Hex Nut - M8c - A2	2	PC
130	29128-3	Bush	4	PC

Rear Door Install ()
Rear Door\Rear Door\Rear Door Install



Item no.	Part no.	Description	QTY	Unit
10	40897-1-A	Relay W/Assy-Rear Door	1	PC
20	29128-3	Bush	2	PC
30	282952-2	Pivot Pin Welded Assembly	1	PC
40	60113-9	Latch Pin W/A-Actuation Shaft	1	PC
50	201064-1	Pin - Rear Door Latch 6XX	1	PC
60	129-183	Screw MC Cap Skt Hd M12x25	1	PC
70	280187-1	Tube - Spring Retainer Rr Door	1	PC
80	13573	Spring-Comp. 31.8x4x152.4 FL	1	PC
90	38-1	Grease Nipple Straight 1/8 BSP	1	PC
100	40572-1-A	Pin Pivot W/A Rr Door x 80 Lg	2	PC
110	29170-1-B	Cylinder - Rear Door/Powaboom 551	1	PC
120	09570102-0	Stud Coupling Male G 3/8" x M14 x 1.5	1	PC
130	308-1	Adjustable Male Tee - M14 x 1.5	1	PC
140	7043386	PO Check Valve - Rear Door	1	PC
150	40553-1-C	Pin Pivot Cylinder Hyd M16	1	PC
160	93085009-0	Nyloc Hex Nut M16C - 8	2	PC
170	92097372-0	Hex Head Screw - M8Cx16 - 8.8	2	PC
180	93699710-0	Spring Washer - Plated M8	2	PC

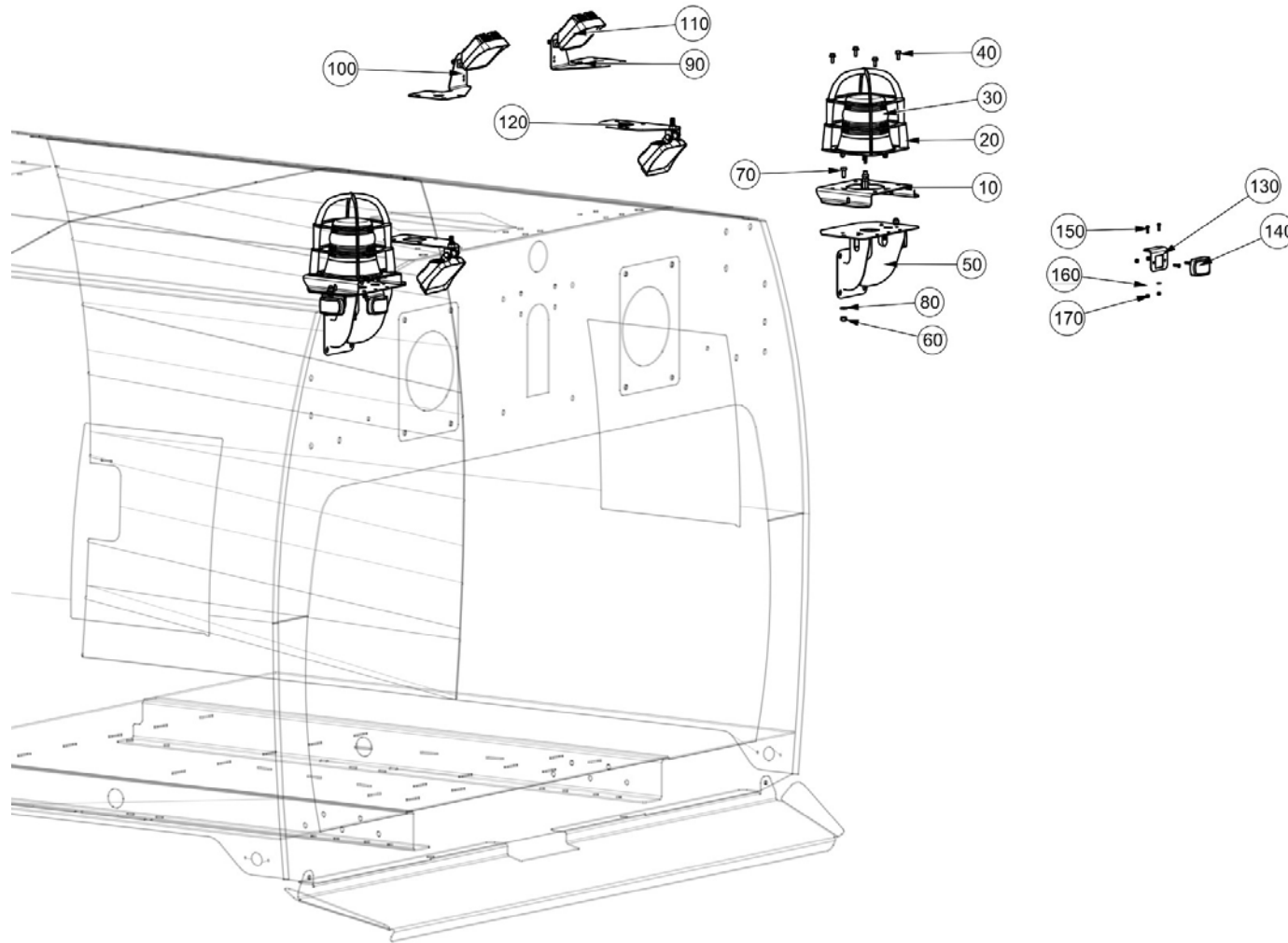
Options Frame ()
Rear Door\Options Frame



Options Frame ()
Rear Door\Options Frame

Item no.	Part no.	Description	QTY	Unit
10	7041446	Strut - Horizontal	1	PC
20	7041448	Strut - Horizontal, Bottom	1	PC
30	7041442	Strut - Options Frame	4	PC
40	92097412-0	Hex Head Screw - M10Cx25 - 8.8	3	PC
50	93212012-0	Plain Washer - M10	8	PC
60	93085006-0	Nyloc Hex Nut M10C - 8	4	PC
70	282438-37	Spacer - DIM A 37	4	PC
80	6107-1311	Hex Head Screw - M8Cx65 - 8.8	4	PC
90	93212011-0	Plain Washer - M8	24	PC
100	93085005-0	Nyloc Hex Nut M8C - 8	12	PC
110	92097376-0	Hex Head Screw - M8Cx25 - 8.8	9	PC

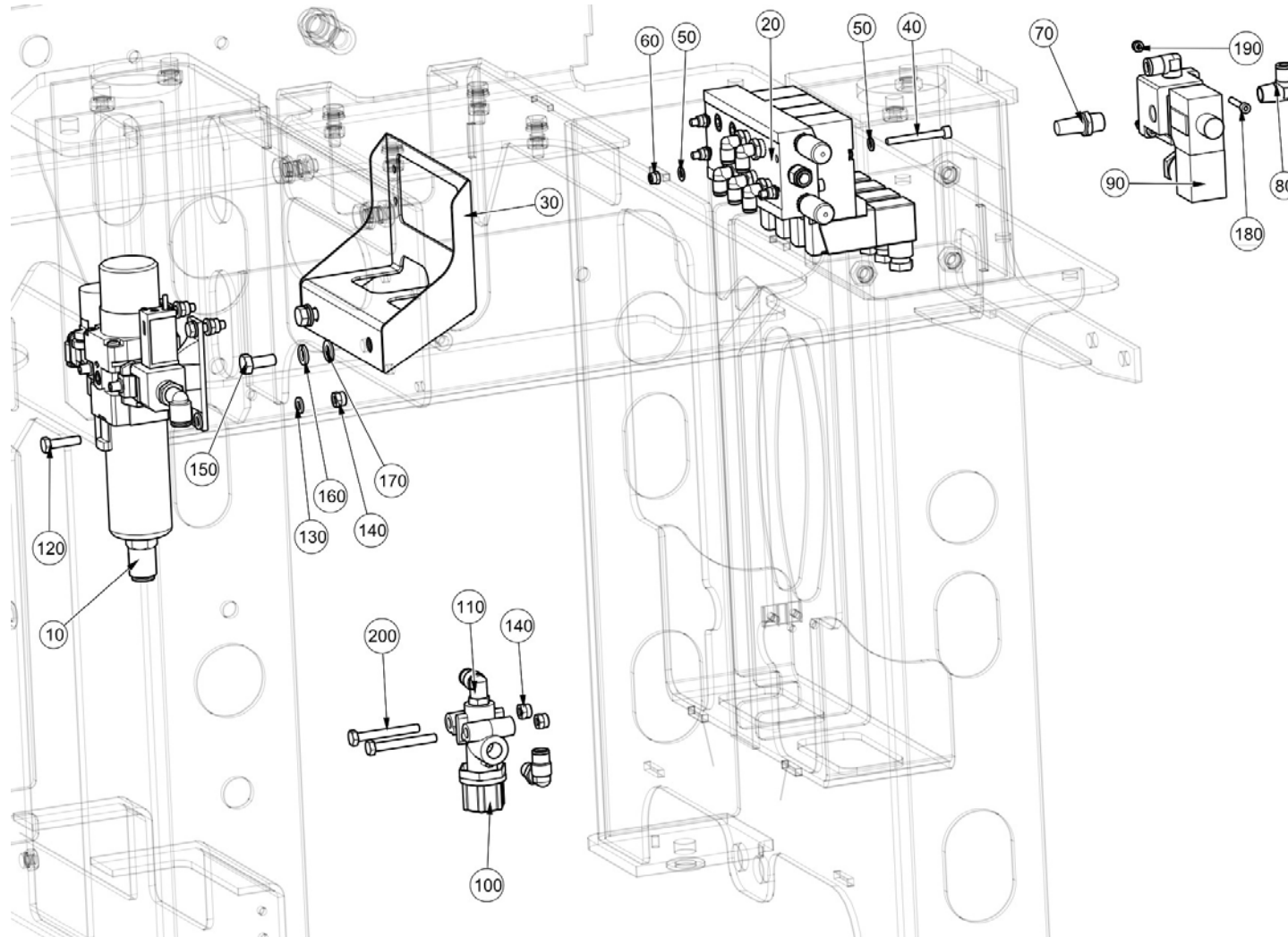
Trim & Lights ()
Trim & Lights



Trim & Lights ()
 Trim & Lights

Item no.	Part no.	Description	QTY	Unit
10	295079-1	Beacon Base W/Assy	2	PC
20	295078-1	Beacon Cage W/Assy	2	PC
30	46-426	LED Beacon 12/24	2	PC
40	92119004-0	Hex Flange Bolt - M6Cx16 - 8.8	8	PC
50	7022995	Beacon Mount W/Assy	1	PC
60	93085005-0	Nyloc Hex Nut M8C - 8	2	PC
70	92099373-0	Hex Head Screw - M8Cx20 - A2	2	PC
80	93212011-0	Plain Washer - M8	2	PC
90	7016102	Bracket, Rear Worklights	1	PC
100	7016103	Bracket, Rear Worklights	1	PC
110	7023519	LED Work Lamp 9 - 36v	2	PC
120	283976-1	Lamp Mounting Plate	2	PC
130	7022616	Rear Marker Light Mount	4	PC
140	46-270	Light - Red LED	4	PC
150	92330027-0	Hex Skt Button Head Screw M5x20 - 10.9	8	PC
160	93210109-0	Plain Washer M5	8	PC
170	93085003-0	Nyloc Hex Nut M5C - 8	8	PC

Pneumatic System ()
Pneumatic System



Item no.	Part no.	Description	QTY	Unit
10	7040958	Pneu Filter/Regulator Assy	1	PC
20	7042629	Pneumatic Manifold - 4 Way 24V	1	PC
20	7044616	Pneumatic Manifold - 3 Way 12V	1	PC
30	7042493	Bracket W/assy - Air Manifold	1	PC
40	92137050-0	Hex Socket Cap Screw - M5Cx45 - 12.9	4	PC
50	93210109-0	Plain Washer M5	8	PC
60	93085003-0	Nyloc Hex Nut M5C - 8	4	PC
70	72-20	Air Silencer - 1/4 BSP	1	PC
80	552-8	Adaptor - Elbow 6mm x 1/4 BSPT	2	PC
90	241-330	Solenoid Valve - 24VDC 3/2 Port	1	PC
90	241-320	Solenoid Valve - 12VDC 3/2 Port	1	PC
100	6779	Valve Pressure Regulator	1	PC
110	09593151-0	Elbow Push-In Swivel 8mm x 1/4 BSPT	2	PC
120	92097303-0	Hex Head Screw - M6Cx25 - 8.8	4	PC
130	93212009-0	Plain Washer - M6	8	PC
140	93085004-0	Nyloc Hex Nut M6C - 8	6	PC
150	92097374-0	Hex Head Screw - M8Cx20 - 8.8	2	PC
160	93699710-0	Spring Washer - Plated M8	2	PC
170	93212011-0	Plain Washer - M8	2	PC
180	92137014-0	Hex Socket Cap Screw - M4Cx25 - 12.9	2	PC
190	93085002-0	Nyloc Hex Nut M4C - 8	2	PC
200	92097309-0	Hex Head Screw - M6Cx50 - 8.8	2	PC