

Operator's Guide



RT655 Mk II Regenerative Air

Twin Engine Suction Sweeper

From
Manufacture Sequence No. 10/4233

Part No 01268-2(GB)

General Arrangement **1**

Controls **2**

Operation **3**

Optional Equipment **4**

Chapter not used **5**

Routine Maintenance **6**

Conformity Certificates **7**

Foreword

The Johnston RT655 Air Regen Sweeper represents the highest grade of craftsmanship and reliability that makes Johnston probably the world leader in sweeping technology.

This machine is designed for the removal of spoil on traffic or pedestrian areas, and litter collection using the wanderhose [EN 13019 refers], and should only be driven by trained operatives.

This machine should not be used for sweeping hot or burning substances. In the unlikely event of a fire, normal powder or foam fire fighting equipment can be used on this product.

An operator should receive training in the follow elements:

- 1 Safety Observations/Notices
- 2 Transit driving
- 3 Correct use of body prop
- 4 In cab controls
- 5 External controls
- 6 Sweeping techniques
- 7 Load discharge
- 8 Channel brush (gutter broom) setting changing
- 9 Nozzle (pick-up head) setting
- 10 Daily and weekly maintenance items
- 11 Driving/operation assessment
- 12 End of day cleaning of body and machine

Johnston Sweepers Limited can provide operator training upon request.

We would point out that it is the employers responsibility to carry out his own Risk Assessment on the equipment in his particular working environment and work application.

This handbook should be carefully studied. In it you will find instructions for the operation and maintenance of your JOHNSTON SWEEPER.

It is vitally important that the operator and maintenance staff have a copy of this book. The life of the machine will depend upon following these instructions in respect of regular maintenance and correct operating methods.

It is important that only GENUINE JOHNSTON SPARE PARTS are used when servicing and maintaining the sweeper. This is especially important for consumables, filters etc, as the use of non-genuine parts may cause premature failure and invalidation of warranty.

When carrying out maintenance or part replacement, additional explanatory illustrations can be found in the Parts Manual, which shows and lists hardware, and availability of spares with the orientation and positions of the various components.

**Safety Notice**

The universal safety symbol is used throughout this manual to indicate information which is essential for health and safety for all operating personnel.

Johnston® JOHNSTON® JOBRO® BROOMVAK® are registered trade marks of Johnston Sweepers Limited.

All copyrights and rights reserved. The reproduction, distribution and utilisation of this document as well as the communication of its contents to others without express authorisation is prohibited. Offenders will be held liable for the payment of damages. All rights reserved in the event of the grant of a patent, utility model or design.

Every endeavour has been made to ensure that the information contained in this Operator's Guide is correct, but due to continuous product development, the Company reserve the right to alter its contents without notice. This document should not be interpreted as being part of a formal contract.

For further information and enquiries please contact:

Johnston Sweepers Limited
Curtis Road, Dorking, Surrey RH4 1XF, UK
Tel: +44 (0)1306 884722
Fax: +44 (0)1306 884151
E-mail: enquiries@johnstonsweepers.com
Web: www.johnstonsweepers.com

Page Issue Levels

Page	Issue	Changed	Page	Issue	Changed
Front Page	11	C	Foreword 1	11	C
Foreword 2	11	C	Foreword 3	11	C
Foreword 4	11	C	Foreword 5	11	C
OG1:1	11	C	OG1:2	11	C
OG1:3	11	C	OG1:4	11	C
OG2:1	09		OG2:2	11	C
OG2:3	04		OG2:4	10	
OG2:5	09		OG2:6	09	
OG2:7	09		OG2:8	09	
OG2:9	09		OG2:10	09	
OG3:1	11	C	OG3:2	11	C
OG3:3	11	C	OG3:4	07	
OG3:5	05		OG3:6	09	
OG3:7	09		OG3:8	08	
OG3:9	09		OG3:10	08	
OG3:11	08		OG3:12	08	
OG3:13	09		OG3:14	08	
OG4:1	04		OG4:2	01	
OG4:3	09		OG4:4	04	
OG4:5	10		OG4:6	11	C
OG4:7	11	C	OG4:8	11	C
OG6:1	09		OG6:2	04	
OG6:3	09		OG6:4	05	
OG6:5	10		OG6:6	01	
OG6:7	02		OG6:8	01	
OG6:9	01		OG6:10	02	
OG6:11	09		OG6:12	09	
OG6:13	09		OG6:14	09	
OG6:15	09		OG6:16	09	
OG6:17	11	C	OG6:18	01	
OG7:1	11	N	OG7:2	11	N
OG7:3	11	N	OG7:4	11	N

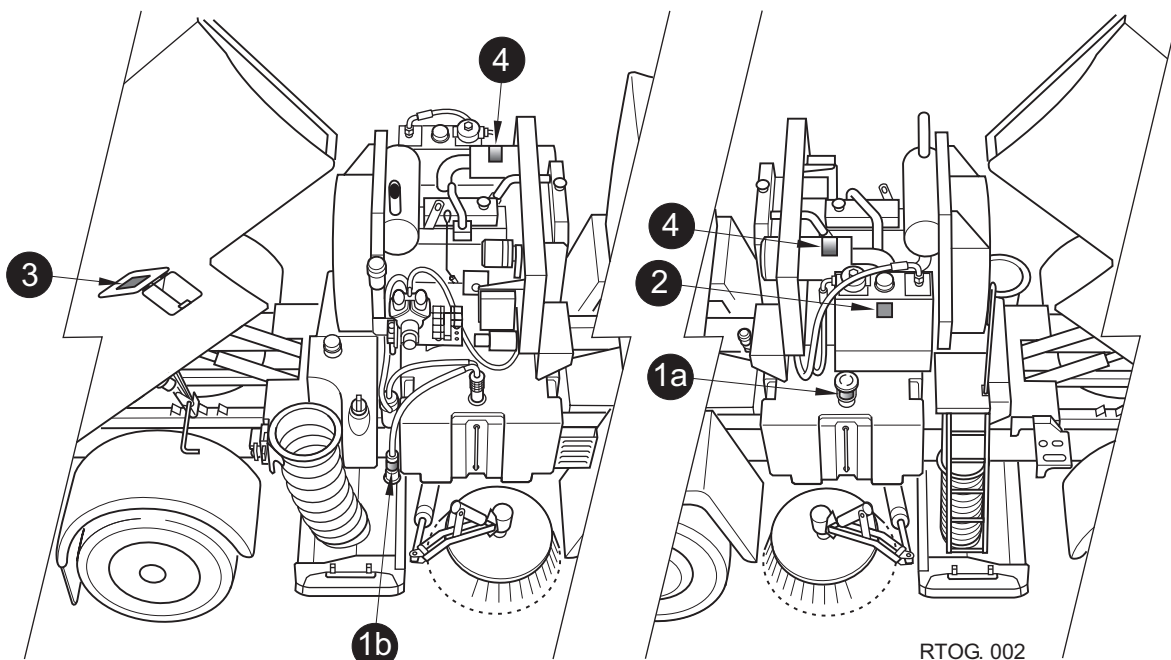
All Copyright and rights are the property of Johnston Sweepers Ltd

INTERNATIONAL SYMBOLS

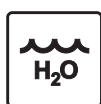
Conforming to ISO 3767

Graphical symbols are used to indicate the water, fuel and hydraulic oil tank filler ports and air cleaner servicing instructions.

Their location and descriptions are shown below.



RTOG. 002



1. Water tank filler ports

1a = Hose Pipe

1b = Hydrant



2. Hydraulic oil tank filler



3. Fuel tank (diesel) filler



4. Engine air cleaner instructions, i.e. use only genuine Johnston replacement air cleaner elements and refer to Chapter 6 of this guide for servicing instructions

All Copyright and rights are the property of Johnston Sweepers Ltd

Safety Symbol Descriptions



Safety alert symbol
Read Operator's Guide



Ensure body prop is engaged in rack before working under raised body



Body prop NOT engaged in rack
Body prop correctly engaged in rack



Keep clear of brushes



Do not open suction fan safety flap while fan is running
Never reach in or drop tools into the fan case



Release radiator cap carefully when hot to avoid scalding



Stay at least 1 metre distance from the machine



Wear ear defenders when working in this area



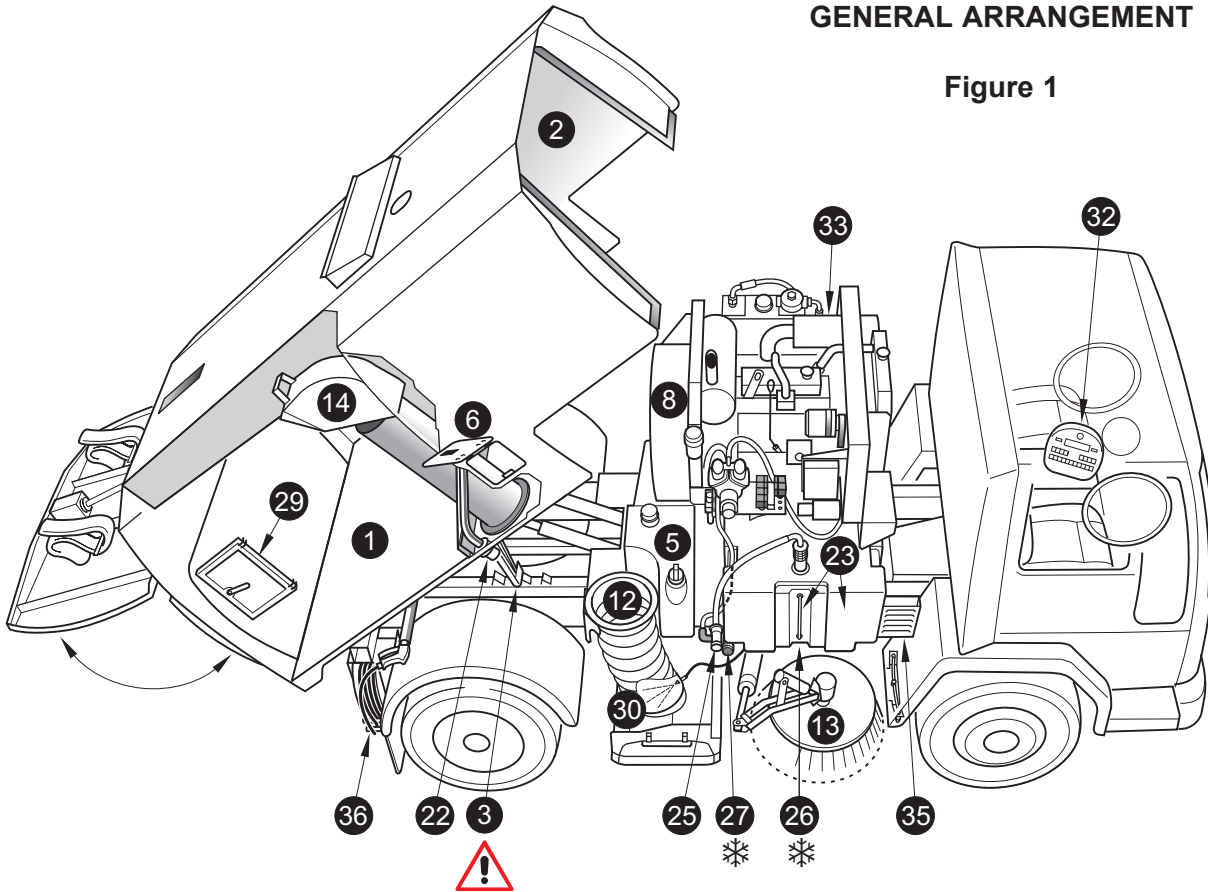
Sharp objects warning - there can be a risk of injury from sharp objects such as discarded hypodermic needles becoming lodged in the sweeping system. The use of 'needle stick gloves' is recommended when changing brushes, using the wanderhose/Littasnatch and when cleaning out the machine

CHAPTER**1****General Arrangements****Table of Contents**

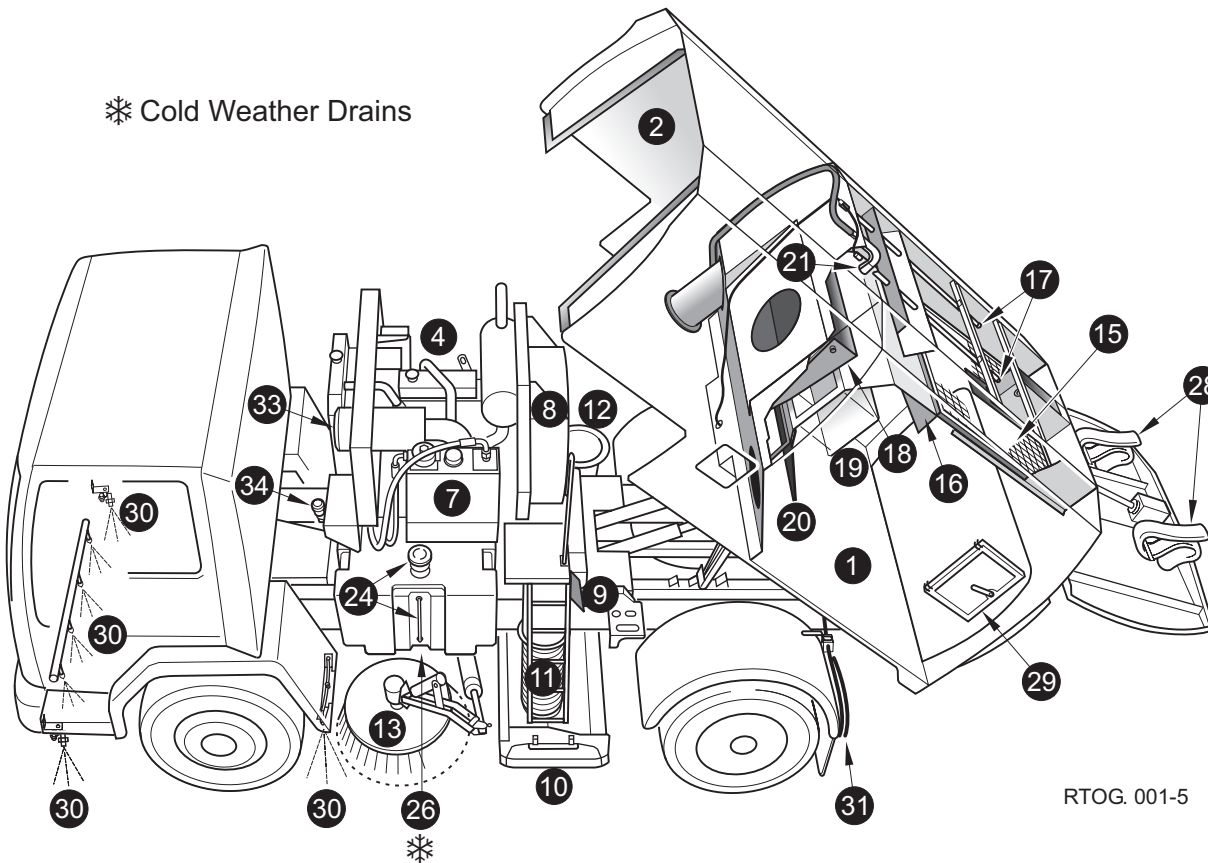
Subject	Page
General Arrangement General Arrangement Drawing	OG1 : 2

GENERAL ARRANGEMENT

Figure 1



* Cold Weather Drains



RH Sweep machine shown

RTOG. 001-5

All Copyright and rights are the property of Johnston Sweepers Ltd

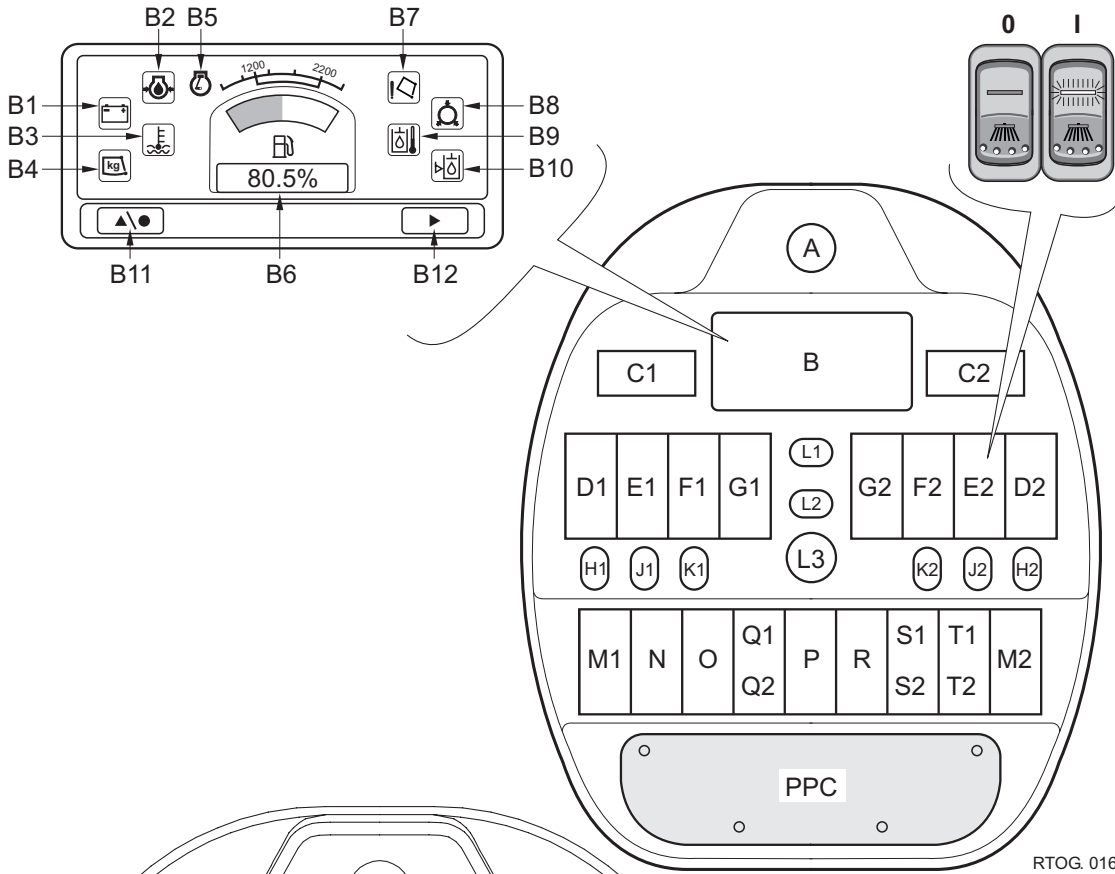
Item	Component	See Chapter
1	Hopper/load compartment	-
2	Auxiliary engine cowl	-
3	Body (hopper and cowl) prop	3
4	Auxiliary engine	6
5	Fuel tank	-
6	Fuel tank filler access flap	-
7	Hydraulic oil reservoir	6
8	Suction fan case	6
9	Variable exhaust gate (VEG)	-
10	Pick-up head (hood)	6
11	Blaster duct	-
12	Suction duct	-
13	Channel brush / gutter broom	6
14	Wear plate	-
15	Filter screen	6
16	Filter screen curtain	6
17	Filter screen water sprays	6
18	'SepaVac' separator box	3
19	'SepaVac' access panel	-
20	'SepaVac' discharge door	3
21	'SepaVac' water flush	3
22	'SepaVac' water flush hydrant connection	3
23	* R.H. Water tank and contents gauge	6
24	* L.H. Water tank, contents gauge and hose filler	6
25	Water tank(s) hydrant filler	6
26	Water tank drain tap - under both tanks	6
27	Water pump suction filter	6
28	Rear door drainage hoses	3
29	Rear door access door	3
30	Water spray jets	-
31	Washdown hose	-
32	Master control panel	2
33	Air cleaner	6
34	Air cleaner filter state indicator	6
35	Hydrant hose stowage - optional	-
36	Supawash hose reel & handlance	4

* Total water capacity 950 litres

CHAPTER**2****Controls****Table of Contents**







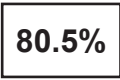






Subject	Page
Operating Controls - In Cab	
Switch Panel	OG2 : 2
Sweeping Controls	OG2 : 3
Iveco HP Engine - Turbocharged	OG2 : 6
Cab Mounted Controls	OG2 : 7
Operating Controls - External	
Load Discharge Control Pendant	OG2 : 8
Fuse Functions	
Fuse Functions	OG2 : 9

Sweeping Controls - Switch Panel



All Copyright and rights are the property of Johnston Sweepers Ltd








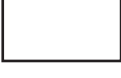


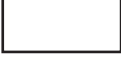
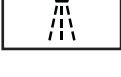


Sweeping Controls

Symbol	Switch	Description
	A	Blank
	B1	'Low battery voltage' amber warning lamp.
	B2	Engine 'no oil pressure' red warning lamp (not John Deere electronic).
	B3	Engine coolant 'overheat' red warning lamp (not John Deere electronic).
	B4	Vehicle 'overload' amber warning lamp.
	B5	Engine rpm.
	B6	Fuel gauge % full (not used - see chassis gauge), engine hour counter, clock. NB - On John Deere electronic engine hour counter is on gauge Z.
	B7	Body raise - red indicator + buzzer.
	B8	'Low air pressure' - amber warning lamp and buzzer.
	B9	Blank
	B10	Hydraulic oil 'low level' - amber warning lamp with buzzer.
	B11	Push button to select hourmeter reading/clock - cancels after 10 seconds.
	B12	Advance button - advances clock time when in clock setting mode.

* Option







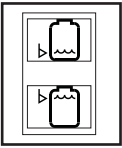

All Copyright and rights are the property of Johnston Sweepers Ltd

Sweeping Controls

Symbol	Switch	Description
	C1*	LH Variabrush - 2 position centred switch moves channel brush (gutter broom) out or in.
	C2*	RH Variabrush - 2 position switch moves channel brush (gutter broom) out or in.
	D1	LH Rotatilt - spring centred switch; alters angle of channel brush (gutter broom) to suit road camber.
	D2 *	RH Rotatilt - spring centred switch; alters angle of channel brush (gutter broom) to suit road camber.
	E1/E2	LH/RH channel brush (gutter broom) and water sprays; 3 position switch - stowed/active/water sprays. Illuminated when selected.
	F1	<i>Blank</i>
	G2	Pick-up head and water sprays; 3 position switch - stowed/active/water sprays. Illuminated when selected.
	F2	<i>Blank</i>
	G1	Pick-up head hop; 2 position - push to make stowed / CLOSED / OPEN.
	H1/H2	LH/RH worklamp; 2 position switch OFF/ON. Illuminated when selected.
	J1	<i>Blank</i>
	J2	Gutter and centre curtain spray bars; 2 position switch OFF/ON. Illuminated when selected and the gutter broom energised.
	K1	Hopper interior spray (SepaVac); OFF/ON illuminated when selected and water is selected on the hood switch G1.
	K2	Suction duct spray; 2 position switch OFF/ON illuminated when selected and water is selected on the hood switch G1.

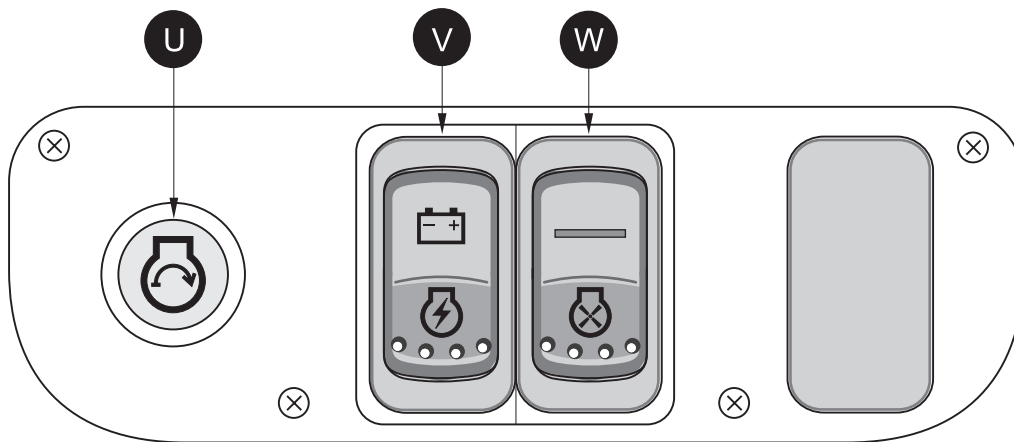
* Option

Sweeping Controls





Symbol	Switch	Description
	L1	Powasave/Powathrust; 2 position switch - operates only with gutter broom. Reduces broom pressure to preset level when off. Increases broom pressure to preset level when illuminated.
	L2	<i>Not Used</i>
	L3	Programme button; 2 position switch. Illuminates green when pressed and suspends all sweeping and parks brushes. Pressing again will reactivate sweeping functions.
	M1*	Supawash option; 2 position switch - OFF/ON illuminated when selected.
	M2	VEG opening switch; 3 position sprung centred switch controls an electrical actuator CLOSED / OFF / OPEN.
	N	Hood reverse pick-up select switch; 2 position switch - OFF/ON.
	O	Dump Mode Switch; 3 position switch. Switch - OFF; Centre position stops auxiliary engine if running and allows body discharge by using the discharge pendant and the emergency discharge pump. Ensure that the sweeping controls are in the off position or the programme button is depressed. Third position will stow the hood if it's still in the lowered position. N.B. Auxiliary engine will not start with the switch in the central position when it is illuminated.
	P	Engine throttle control; 3 position spring centred switch - REDUCE/ OFF/ INCREASE. - NB On John Deere electronic engines this switch is an engine resume switch. TICKOVER/OFF/RESUME.
	PPC	Powapak controls - see next page.
	Q1	Water tank low level indicator - illuminated when tank empty.
	Q2	Water tank high level indicator - illuminated when tank is full.
	R	Beacons; 2 position switch - OFF/ON. Illuminated when selected.
	S1	VEG - position 1. Regen Mode - Colour Red
	S2	VEG - position 2. 60% Regen - Colour Yellow
	T1	VEG - position 3. 30% Regen - Colour Blue
	T2	VEG - position 4. Vacuum Mode - Colour Green

* Option

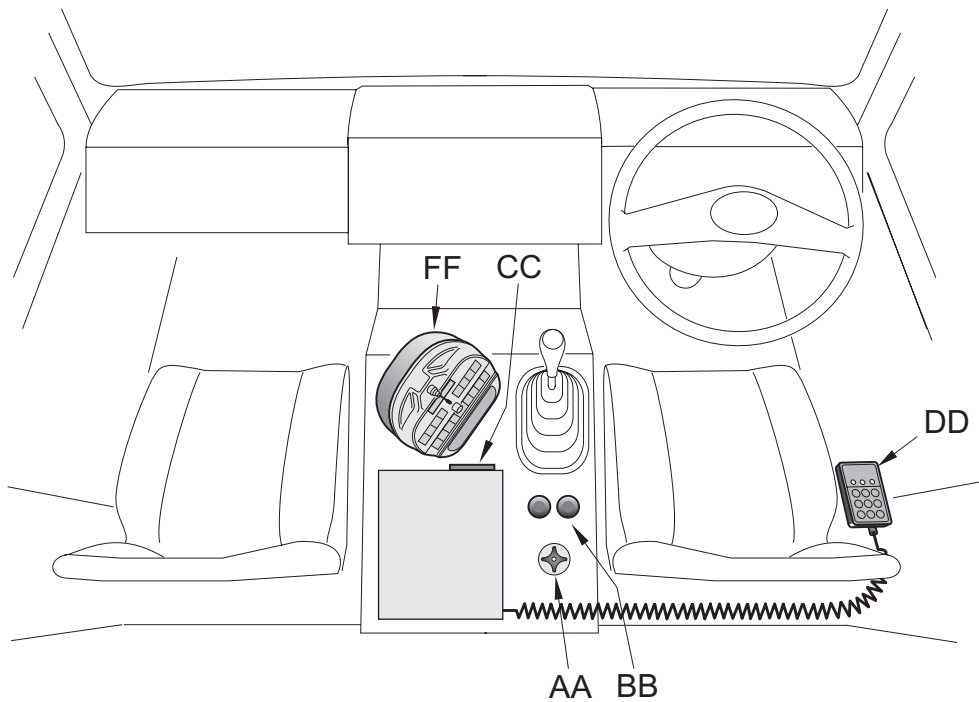
All Copyright and rights are the property of Johnston Sweepers Ltd

PPC - Iveco High Power (104 kW) Stage 3a Turbocharged Engine


RTOG. 028



Symbol	Switch	Description
	U	Engine crank button - push to crank. Flashes to indicate engine fault requests.
	V	Alternator charge lamp.
	V	Ignition switch - 2 position - OFF/ON. NB : Only beacons will operate when switch is off.
	W	Engine resume - takes engine to minimum operating speed 1200 rpm; 3 position spring centred - TICKOVER/OFF/RESUME. Illuminated when selected.

Cab Mounted Controls

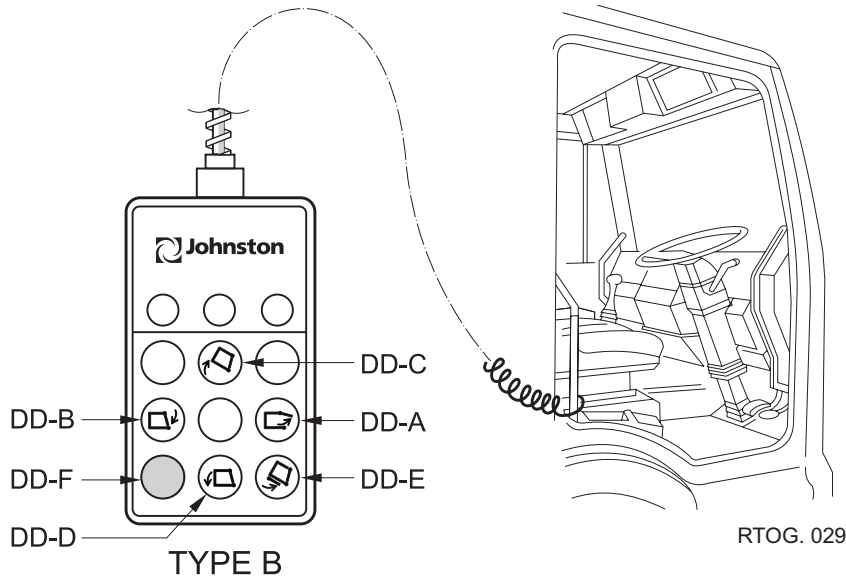








RTOG.010

All Copyright and rights are the property of Johnston Sweepers Ltd

Symbol	Switch	Description
	AA	Channel brush speed control; clockwise rotation increases brush speed.
	BB	Pressure control for each gutter broom Powasave; clockwise rotation reduces brush pressure.
	CC	Fuse box mounted on relay box. Fuse functions - see page OG2:10.
	DD	Load discharge pendant unit mounted by driver's seat.
	FF	Switch panel - see previous pages of this chapter.

Load Discharge Control Pendant (Located beside the driver's seat)

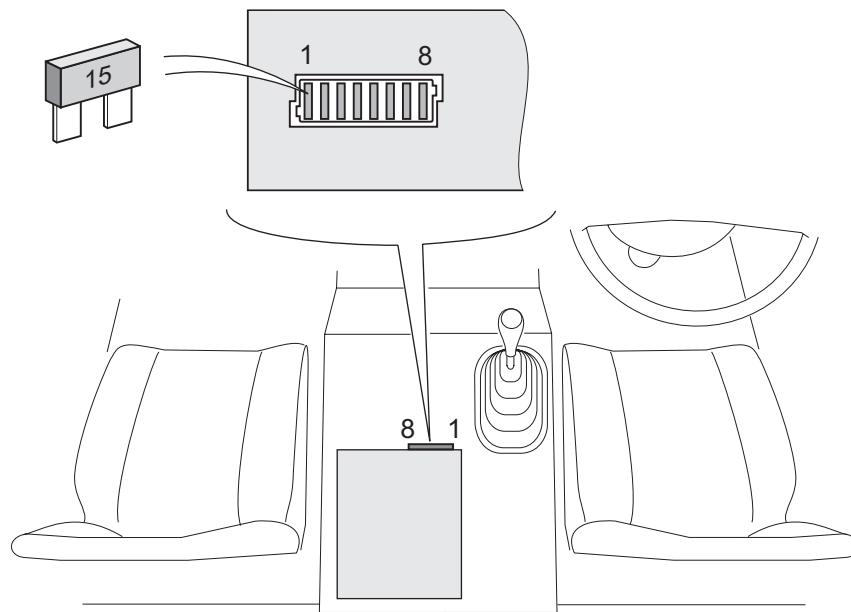


Emblem	Position	Function
	DD-A	Opens rear door
	DD-B	Closes rear door
	DD-C	Raises body
	DD-D	Lowers body
	DD-E	Stows body prop when body is raised and not resting on it. Button operates with auto body prop release option.
	DD-F	Green safety switch must be pressed to enable the use of any other pendant functions.

The discharge pendant can be used with the auxiliary engine running or by switching the emergency discharge switch 'O' to the central position and operate the pendant.

N.B. The discharge pendant will not operate if the vehicle handbrake has not been applied.

Fuse Functions



RTOG.011

All Copyright and rights are the property of Johnston Sweepers Ltd

Fuse No.	Function	Amps	Colour
1	Beacons - rear	15	Blue
2	Beacons - front	15	Blue
3	Worklamps	15	Blue
4	Gutter broom IVEG gate Pick-up hood *Rotatilt option	15 20*	Blue Yellow
5	*Brush assisted hood Programme button	15	Blue
6	VEG gate actuator	15	Blue
7	Auto lube + warning lights	15	Blue
8	Powapak - switch panel and body discharge	15	Blue

CHAPTER

3

Operation

Table of Contents

Subject	Page
Towing and Craning	
Towing the Vehicle	OG3 : 2
Craning the Vehicle	OG3 : 2
Engine	
Engine Starting and Operation Procedures - John Deere	OG3 : 3
Engine Starting and Operation Procedures - Iveco	OG3 : 4
Sweeping	
Commence Sweeping	OG3 : 6
Terminate Sweeping	OG3 : 7
Water Drainage	OG3 : 7
Blocked Pick-up Head /Suction Duct	OG3 : 8
Load Discharge and Auto Body Prop	OG3 : 9
Emergency Discharge Pump	OG3 : 11
Sweeping in Cold Temperatures	OG3 : 12
Cold Weather Precautions	OG3 : 13

Craning the Vehicle

The vehicle may be lifted using conventional lifting systems that are slung from the vehicle road wheels. However, it is necessary to ascertain the centre of gravity as it can be up to 20% from the mid point of the wheelbase. The exact position is dependent upon chassis type and vehicle build.

Towing the Vehicle

Refer to the chassis handbook.



Please note the air system needs to be charged to ensure the channel brush / gutter broom is raised.

ENGINE STARTING AND OPERATION PROCEDURES - JOHN DEERE

Before driving the sweeper, it is advisable to have the chassis engine running as it is necessary to ensure there is adequate air pressure to raise the sweepgear from the ground.

Ensure sweepgear switches are turned off.

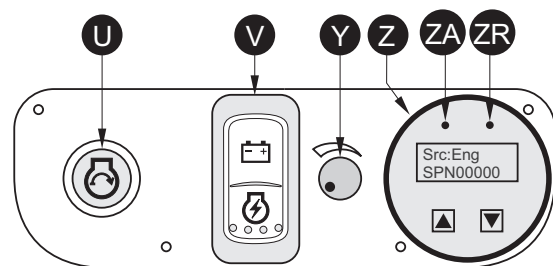
NB : The chassis ignition switch must be turned on to energise the switch panel. Never engage engine cranking for longer than 60 seconds as this can damage the starter motor.

John Deere Electronic Engine

Starting Hot or Cold

Press the ignition switch (V) to its on position, it will illuminate.

(U) will illuminate to show engine preheating is active. When light goes out press crank button (U) release when engine fires.



RTOG. 027

All Copyright and rights are the property of Johnston Sweepers Ltd

ENGINE STARTING AND OPERATION PROCEDURES - IVECO

Before driving the sweeper, it is advisable to have the chassis engine running as it is necessary to ensure there is adequate air pressure to raise the sweep gear from the ground.

Ensure sweepgear switches are turned off.

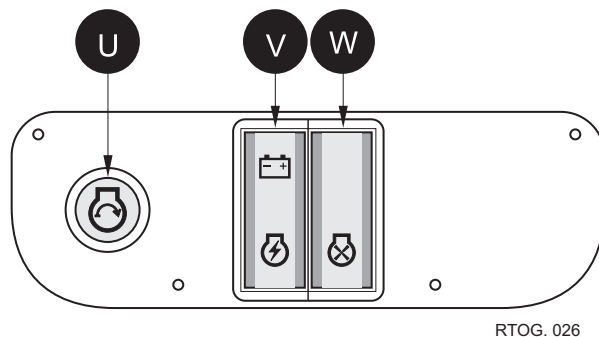
NB : The chassis ignition switch must be turned on to energise the switch panel. Never engage engine cranking for longer than 60 seconds as this can damage the starter motor.

Iveco High Power (104 kW) Stage 3a Engine**Starting the engine hot or cold**

Press the ignition switch (V) to its on position. It will illuminate.

Press engine crank button (U), the engine will crank - release button when engine fires.

If a fault is detected, the light on the crank button will illuminate or flash, the engine may or may not start. Contact your service representative for fault diagnostics.



ENGINE STARTING AND OPERATION PROCEDURES.

Engine Operation Warning System



The engine will automatically be shut down in the event of loss of lubrication oil pressure or coolant overheat. Illumination of the relative warning lamps occurs if these conditions prevail. Testing the oil lamp occurs automatically when the ignition switch is initially turned ON. The water temperature warning light will only illuminate when cooling water reaches 110°C.

Engine Speed Regulation

The throttle speed switch (W or Y) is a spring centred switch or rotary control operating an electronic variable speed engine control. The engine speed can be adjusted between 1200 and 2000 rev/min to suit the sweeping conditions.

NB: The auxiliary engine and truck uses a common fuel tank. When the chassis fuel gauge indicates 1/4 full the auxiliary engine should be stopped or there is a chance of running the auxiliary engine out of fuel and having to bleed the fuel system again.

System Warning Alarms



Audible warning system. A warning buzzer will sound with the appropriate warning light if the following exists.



Low air pressure.



Body not completely lowered.



Low hydraulic oil level - could indicate a leak on the hydraulic system.

Setting Clock

The clock (12 hour) can be set with the ignition OFF - clock time should be displayed. Press B11 and hold. Clock time will flash. Release B11 and hour mode will flash. Adjust hours by pressing B12.

Press B11 again and minutes will flash; set by pressing B12.

When time is correct, press B11 to revert to clock display.

NB: Clock setting display cancels after 30 seconds.

To Commence Sweeping

1. Start vehicle engine.
2. Ensure the intake blanking plate is not blanking the tube and is stowed on the body underside.
3. Start auxiliary engine.
4. Engine warning beacons are operating - switch (R).
5. Ensure programme button (L3) is not illuminated.
6. Increase engine speed (W) up to 1500 rev./min. On John Deere electronic engine, speed is set on rotary speed control (Y).
7. Lower pick-up head (G2) and lower channel brushes (gutter brooms) as required (E1/E2). **NB:** The brushes move out to their full working position whilst turning. Third position activates Hood Water Sprays.
8. Set additional water jets to suit the debris being swept (J2, K2). Always operate (K1) body interior sprays. (Only operates when Hood Switch Water is activated).
9. Commence sweeping at a forward speed between 2-12 kph depending upon the debris being swept. Always use the slowest channel brush between 10 and 100 rpm to give satisfactory suction performance.
10. The position of the channel brush can be altered (moved towards the chassis) by operating switches C1 and C2 for the LH and RH channel brushes.
11. The channel brush ground pressure can be reduced by operating the Powasave regulations BB.

It is necessary to select the correct position of the VEG gate for the type of material being swept. A simple guide is as follows:-

Material	Decals illuminated	Colour	VEG Position
Heavy sweep	S1	Red	1 - Regen
General litter	S2	Yellow	2 - 60% Regen
General sweep	T1	Blue	3 - 30% Regen
Light sweep (leaves)	T2	Green	4 - Vacuum Mode

Bulky Items

If there are bulky items to be swept, push the pick-up head hop switch (G2). It will remain raised for as long as the button is pressed then lower again.

To Interrupt Sweeping

Press the programme button L3, the sweepgear will raise and the water jets will be shut off.

To Terminate Sweeping

1. Turn off the channel brush switches (E1/E2).
2. Raise the pick-up head (G1).
3. Turn off the hopper sprays (K1).
4. Return the engine speed to tick over.
5. Turn the engine ignition switch (V) off.



Switching off the auxiliary engine without first raising the sweepgear will cause the channel brush to remain in its working position. Driving the sweeper with the brush(es) in this position could lead to irreparable damage. When stopping the auxiliary engine, the throttle automatically returns to tick over.

Water Drainage


If the sweepings are waterlogged, excess water can be drained off using the drainage hoses (Item 19, Fig. 1) attached to the rear door.

Reverse Hood Pick-up Switch

Switch N when energised prevents the hood from lifting when reverse is selected on the chassis.

Blocked Pick-up Head or Suction Duct

If it is apparent that the pick-up head is not lifting debris it may be that it is blocked or that the body is full.

1. With the machine stationary and the suction still operative on the pick-up head, raise and lower the pick-up head and see if the blockage clears.
2. If still blocked, switch off the engine(s), open the body rear access door and check that the filter screen is clear and that the body is not full.
3. If the screen is blocked, clean it and providing the body is not full return the machine to service and check the pick-up head performance.
4. If the body is over half full the machine should be emptied at the nearest waste site.
5. If the screen is clear, the body less than half not full and debris is still not being picked up, it may be that the pick-up head trunking or inlet tube is blocked.
6. With the vehicle on level ground carefully raise the body and rest it on the body prop, ensure the prop has located against the locking step on the subframe. Raising the body higher than necessary for the prop to engage may affect the vehicle's stability due to the load moving within the body. Switch off the engine(s). (Note: Do not tip the body when full with the rear door closed as the vehicle stability could be effected.)
7.  Inspect the pick-up head trunking and inlet tube. Using a suitable size broom handle or rod clear any debris. When the ducts are clear, restart engines, lower the body and return the machine to service.

N.B. Adequate use of the water jets, especially on the head, lubricates the hoses and ducts and helps reduce blockages.

LOAD DISCHARGE AND AUTO BODY PROP



The disposal of sweepings should be in accordance with the local waste disposal regulations.

- A safety interlock prevents the body from being tipped without the handbrake being applied.
- Before carrying out the following load discharge operations, ensure the machine is standing on firm, level ground and there are no obstructions above or to the rear before raising the body.
- The rear door must be fully open before raising a loaded body. Ensure no-one is near the load discharge dump area when opening or closing the rear door.
- Always ensure the body rests on the auto prop when the body is left in the raised position, or when working under the body or cowl.
- Do not shunt the load in order to aid discharge or drive with the body raised.
- Do not raise a loaded body on any grade greater than 5% as stability could be affected.

Before the rear door can be opened or the body raised:

1. Apply vehicle handbrake.
2. Ensure the auxiliary engine is running at tick over and the pendant unit is connected and the programme button has been depressed if the sweeping controls are activated.
3. Ensure freedom of hazards and no-one is adjacent to the rear of the sweeper before using any of the discharge controls. The pendant has sufficient wandering cable to allow sight to rear of the sweeper whilst standing to one side.
- *4. Using the pendant control, press the green safety switch in order to run the functions shown over the page.

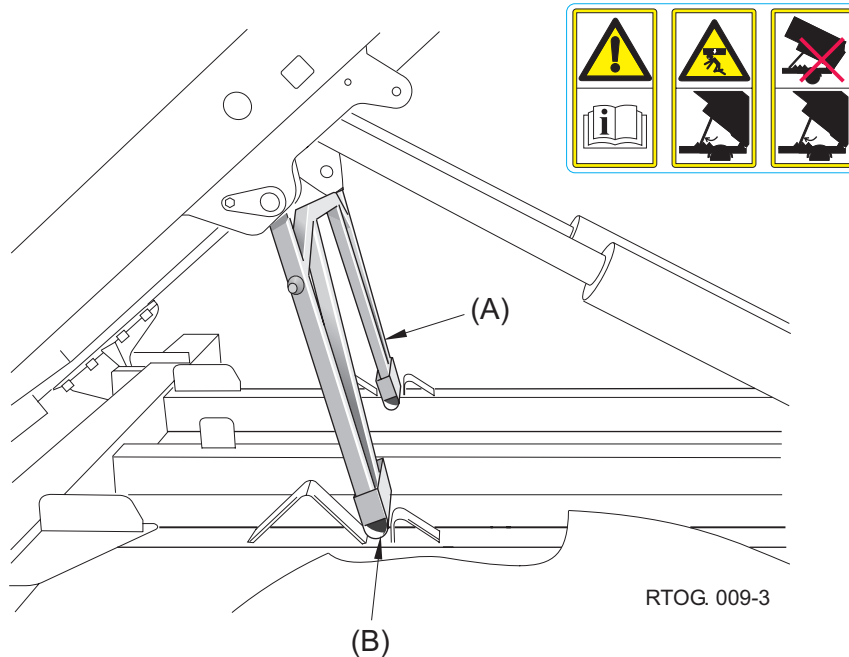
* See Load Discharge Control Pendant - Chapter 2.

For emergency discharge option, see Section 4.

To Tip the Load

Open the rear door by pressing DD-A and F.

Raise the body by pressing switch DD-C and F, this will cause the body prop 'A' (painted red) to index into the locking step 'B' on the subframe. Ensure the prop has located against the step.



After the load discharge and whilst the body is raised, wash out the intake tube, filter screen (Item 15, Fig.1), SepaVac unit (Item 18, Fig.1) and the rear door with the washdown hose or Supawash hand lance (whichever is fitted) to remove any 'caked' material.



A warning light (B7) on the switch panel illuminates and a bleeper will sound when the body is raised or not fully lowered.

To Lower the Body

Ensure that the chassis air system is fully charged so the body prop delatch system will operate correctly and prevent any possible damage to the release mechanism.

Press DD-C and F to raise the body so that the body prop can clear the locking steps.

Press buttons DD-D, E and F to lower the body.

Press button DD-B and F to close the rear door.



A bang should be heard when the rear door locking pin locates in the latch plate.

Emergency Discharge Pump

In the event of an auxiliary or electrical system malfunction, the body can be raised by pressing the emergency dump mode switch O - See Chapter 4.

End of Day Cleaning Routine



Sharp objects

The body flush out hydrant hose connection (item 22, Fig. 1) is provided and when connected will flush out the various ducts and hoses.

1. With the nozzle hood (pick-up hood) in the stowed position, start the auxiliary engine and increase the speed to approximately 1500 rpm.
2. Slowly turn on the hydrant water. This procedure will automatically wash out the internal body, ductwork and SepaVac (dust separator), the blower housing, the blower fan and the nozzle pressure hose, along with the underside of the nozzle hood and the nozzle suction hose.
3. After about 5 minutes, lower the hood to the ground and continue the flushing cycle. This will collect all the water into the body flushing the dirty water from the surrounding areas.
4. Turn the hydrant water off. Raise the nozzle hood (pick-up head) to the stowed position and open the rear door to drain off the waste water.
5. Whilst the body is in the raised position, stow on the auto prop. Turn the hydrant water back on to wash out the internal SepaVac cover that will have hinged clear of the fan inlet to allow the fan side of the SepaVac to be cleaned.
6. The waste water will run through the SepaVac discharge covers to thoroughly clean the total body fan system.
7. Leave the rear door partially open to allow moisture to escape and prolong the life of the rear door seal.

SWEEPING IN COLD TEMPERATURES**Operating Temperature 0°C to +5°C**

For sweeping in cold conditions above freezing, it is possible to use the water system providing the machine has been left in a warm garage overnight.

Care must be taken to ensure water sprayed onto the road does not freeze.

Do not use full suction capacity above 1600 engine rpm as the air speed up the nozzle could cause the water to freeze.

Operating Temperature 0°C to -15°C

It is possible to use the machine for short periods without water in the tanks.

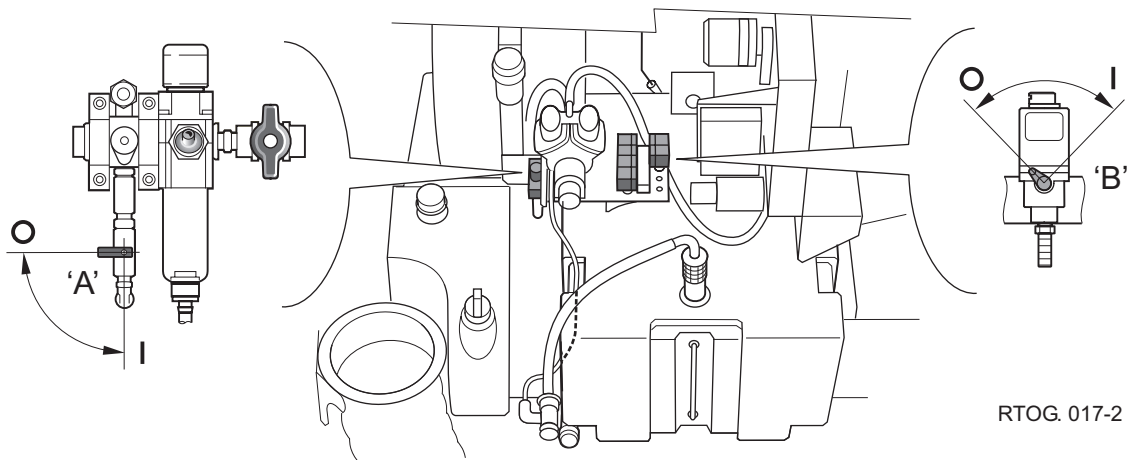
Sweeping can be carried out using low to medium suction 1200 - 1500 engine rpm.

Please note that some dust may be emitted from the fan outlet, and premature wear may be experienced on some components.

COLD WEATHER PRECAUTIONS

To avoid the possibility of frost damage to the water system when the machine is left during cold weather, it is essential to drain the system adequately. Open the drain taps * Items 26 & 27, Fig. 1. When the water draining from the taps stops:

1. Start truck engine and auxiliary engine and raise the body.
2. Operate the low pressure and Supawash water pump (if fitted) with the manual overrides (B) open and the Supawash spraybars (if fitted) on.
The Supawash pump will stop when the water low level light illuminates.



3. Open the Pressadrain tap (A) to provide air to purge the water from each jet.
4. Open the washdown hose and purge the water from the hose and close (machines without Supawash only).
5. Open the wanderhose/Littasnatch water injection valves, if fitted, and close when the water has been purged.
6. Operate the Supawash hand lance until air is emitted from the jet.
7. Operate each Supawash spraybar in turn. When air has emitted from each bar turn off. Turn off the Pressadrain, Supawash and stop the auxiliary engine.
8. Remove the red drain plug from the filter T Item 27 Fig. 1.

NB: Remember to refit the red drain plug in the filter and turn off all the manual overrides (B) and Supawash taps on the next shift.

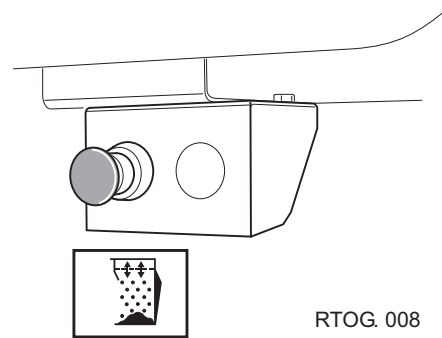
CHAPTER**4****Optional Equipment****Table of Contents**

Subject	Page
Options	
Rear Mesh Shaker	OG4 : 2
Rotatilt	OG4 : 2
Supawash	OG4 : 3
Emergency Discharge	OG4 : 5
Emergency Hood Lift	OG4 : 5
Wanderhose	OG4 : 6

REAR MESH SHAKER OPTION


A push button is fitted on the nearside at the rear of the body. The auxiliary engine should be set at tickover, or stopped, and with the main engine running press the button for 10 seconds.

Repeat this process twice.

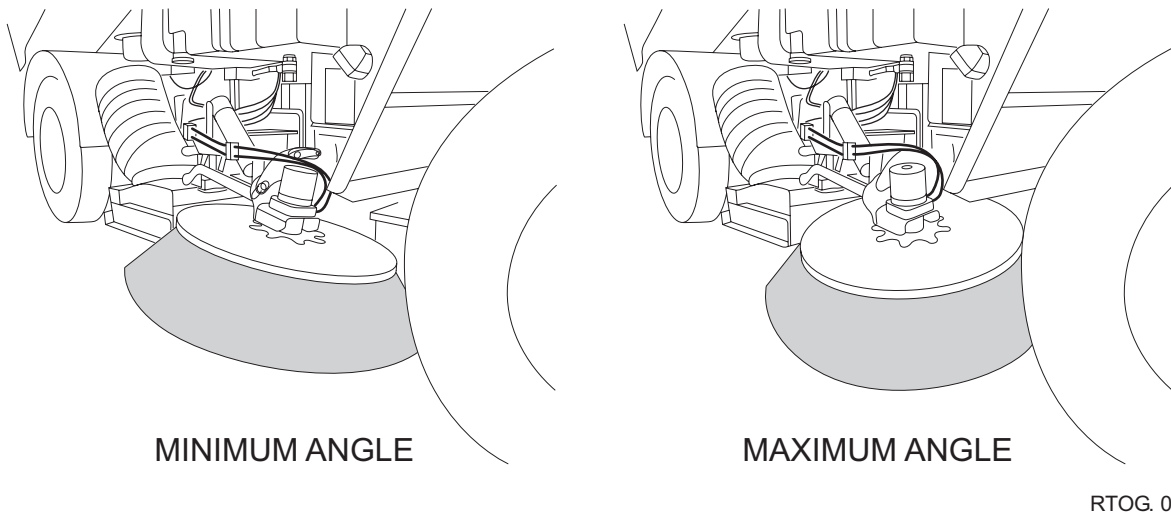


ROTATILT OPTION

The angle of the channel brush can be adjusted from the cab when sweeping.

Symbol	Description
	Spring centred switch D1 or D2. Whilst the channel brush is operating, pressing the switch one way will increase the angle of the brush with the road; pressing the switch the other way will reduce the angle of the brush with the road.

NB : Will only function when channel brush is operating.



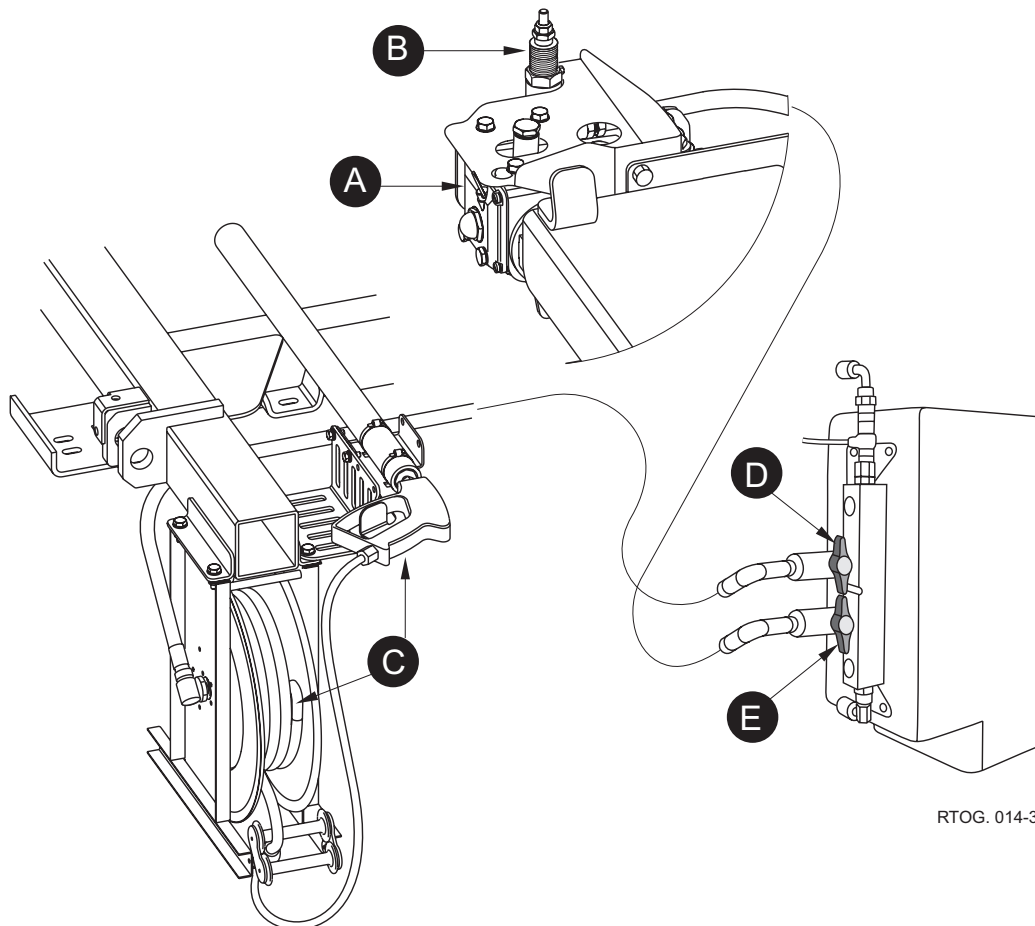
NB: When stowing the channel brush, ensure the brush is not left in an attitude where the brush stock sticks out beyond the vehicle width.

SUPAWASH - OPTION

The operator should be familiar with the following safety precautions before using the equipment.

**Safety Notice**

- Care must be taken when cleaning signwritten areas not to lift the paint off with the spray.
- Always keep pressure equipment in good condition and regularly maintained, particularly at joints, unions and hose.
- The use of safety goggles is recommended in case of deflected spray/debris.
- Never direct a high pressure nozzle at the skin as fluid may penetrate the underlying tissue etc. and cause serious injury.



DESCRIPTION

The equipment comprises a hydraulically driven high pressure water pump (A) and unloader valve (B) fitted to the subframe center crossmember. A hand lance with 15 metres of hose on a recoiling reel (C) mounted to the subframe rear crossmember and a manifold (D) attached to the nearside water tank. An optional front spraybar is available with isolating valve (E). The spraybar can be used during sweeping operations to jet wash the road prior to, or after, sweeping.

The hand lance can be used to clean down the vehicle at the end of a shift or day's work.

OPERATION

The auxiliary engine must be running and the throttle adjusted by switch (W) or (Y) depending on the engine fitted.



Press switch (M1) on the switch panel to activate the water pump.

HAND LANCE - Remove the lance (Item 37, Fig. 1) from its holster adjacent to the hose reel. Two jets are provided at the nozzle; a fan spray and a pencil jet. To change between jets the trigger should be released and the gun rotated through 180°, this will automatically select the alternative jet.

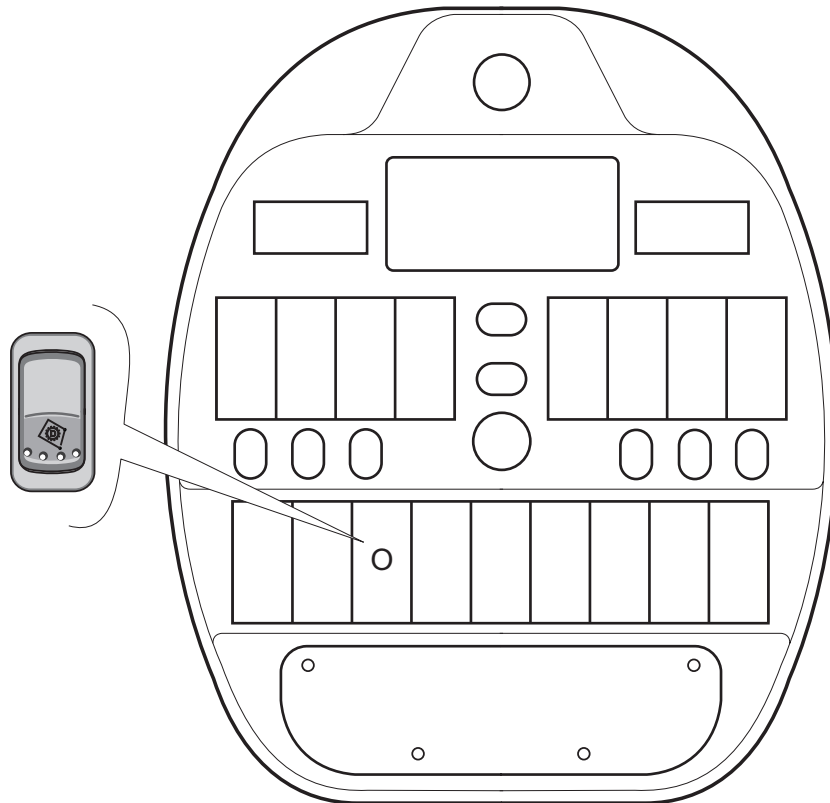
SPRAYBARS - The front and nozzle bars are activated by an isolating valve located on the near side water tank (D). The valves should be closed when the hand lance is to be used.

NB : The Supawash pump will not operate if the water tank is nearly empty.

EMERGENCY DISCHARGE

In the event of an auxiliary engine malfunction, emergency tipping can be achieved as follows.

1. Apply vehicle hand brake and leave the chassis engine running.
2. Press switch 'O' on the switch panel to the central position and operate the discharge pendant in the normal manner. NB If the sweeping controls are activated to emergency discharge will not function.



RTOG. 018

EMERGENCY HOOD LIFT

To raise the hood without the auxiliary engine running, or if the engine malfunctions when the hood is in the working position, the following routine should be adopted to raise it.

1. Apply vehicle hand brake.
2. Switch ignition off and then turn on.
3. Press and hold switch 'O' in the third position until the hood is fully raised.

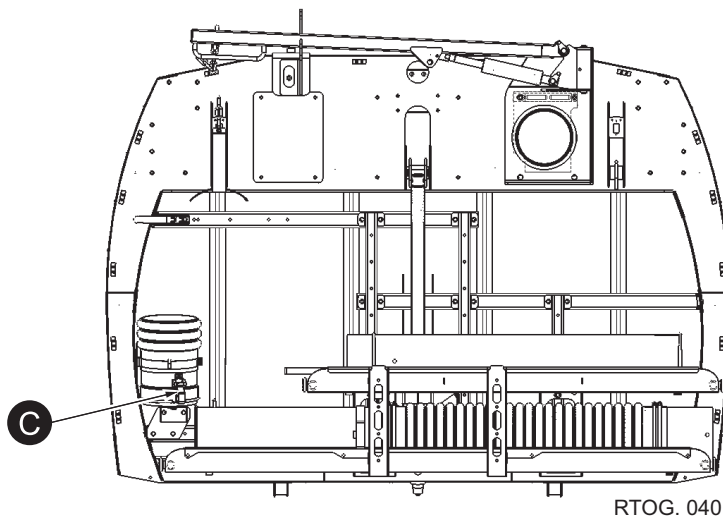
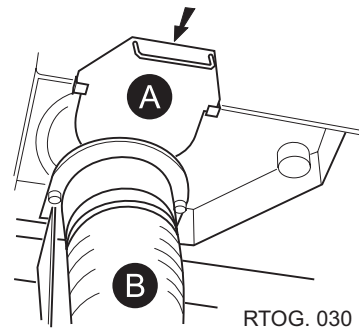
NB: Switching switch 'O' to its central position will automatically cut the auxiliary engine. However, doing so without first reducing the engine to tick over may result in premature engine wear.


Safety Notice


- The use of Needle stick gloves is recommended when working with this equipment
- The use of ear defenders is recommended when working with this equipment

WANDERHOSE OPTION
PREPARATION

Before using the Wanderhose it is necessary to blank off the intake hood ducting to prevent air passing into the body via the hood. The duct has to be manually blanked using the blanking plate. This plate (A) is stowed on the underside of the body adjacent to the intake duct and must be positioned on the seat at the top of the flexible nozzle duct (B). The body must be raised slightly to position the plate, and lowered afterwards.



OPERATION - Once the intake duct(s) have been blanked:

1. Unclip the Wanderhose end from the option frame stowage
2. Clip on extension hose (C).
3. Start auxiliary engine and set throttle to desired RPM.
4. Use powaboom controls to release Boom from Stowage and manoeuvre.

The hose and boom are hydraulically lifted and can be used to the left or right hand side of a stationary vehicle with a single operator. With a second operator, the hose can be used whilst the vehicle is moving slowly along. The hose operator should position themselves at the rear of the vehicle, moving onto the footpath to clean around obstructions as they are encountered. Additional extensions can be added to the equipment for cleaning deep drains, gullies and catchpits. The Wanderhose can also be employed effectively on surface flood water.

Note :

The correct operation of the Wanderhose is achieved by holding the pipe just above the water or debris being picked up.

WANDERHOSE - POWABOOM OPTION

The Wanderhose is assembled on the previous page.

When using the controls for a single user:

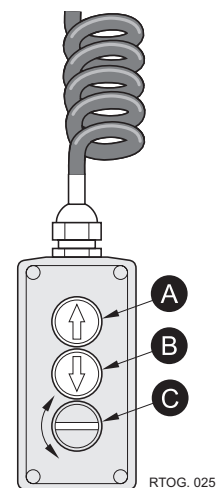
1. Apply the vehicle handbrake.
2. Press button A to raise the unit from its stowage position and rotate to the working position.

Press button B to lower as required.

Switch C controls the suction as follows;

Turn clockwise to increase engine speed, counter clockwise reduces speed.

John Deere electronic. Turning clockwise will increase engine speed from preset value (on the engine speed control in the cab) to maximum speed, releasing it will return speed to the preset value.



CHAPTER

6

Routine Maintenance**Table of Contents**

Subject	Page
Safety Precautions	
Safety Precautions	OG6 : 2
Maintenance Schedules	
Maintenance Schedules	OG6 : 3
Equipment Adjustment / Maintenance	
Channel Brush Adjustment	OG6 : 6
Channel Brush Replacement	OG6 : 7
Pick-up Hood	OG6 : 8
Spring Adjustments	OG6 : 9
Suction Fan Impeller and Casing	OG6 :10
Filter Screens and Roof Duct	OG6 :10
Water Filter - Cleaning	OG6 :11
Auxiliary Engine	OG6 :12
Cold Weather Precautions	OG6 :12
Filter Regulator Unit	OG6 :13
Air Cleaner Restriction Indicator	OG6 :13
Air Cleaner	OG6 :13-14
Alternator and Water Pump Belt Tensioning	OG6 :14
'Z' Drive Gearbox	OG6 :14
Hydraulic Reservoir	OG6 :15
Cylinder Maintenance	OG6 :15
Cleaning the Vehicle	OG6 :15
Supawash Pump	OG6 :15
Lubrication	
Lubrication Diagram and Approved Lubricants	OG6 :16-17

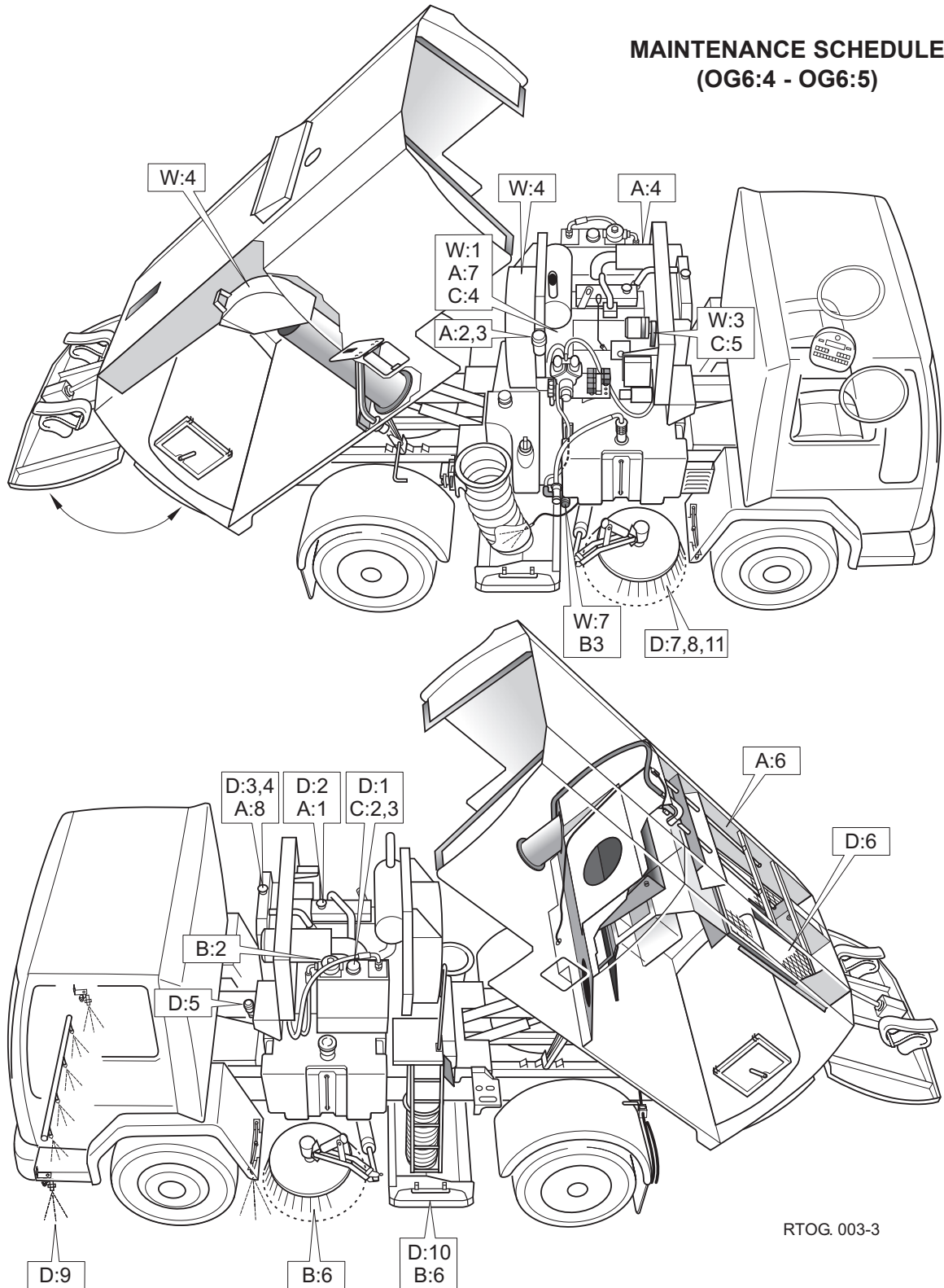
**Safety Precautions****DO NOT**

- Work on or around the engine whilst it is running except to adjust idle settings.
- Remove engine radiator cap when the engine is hot, without first covering the cap with a cloth. Release it slowly, otherwise there is a risk of being scalded by escaping coolant.
- Touch any part of the engine exhaust system without first allowing it to cool sufficiently.
- Drain engine oil until it has cooled, to avoid scalding.
- Work on the braking system without first discharging the accumulators by 60 full applications of the foot brake.
- Disconnect hydraulic or water pipes whilst the engine is running.
- Approach fan inlet or outlet whilst the fan is running.

ALWAYS

- Ensure the machine is standing on firm, level ground and there are no obstructions above or to the rear before raising the hopper.
- Ensure that the body is resting on the body prop before working underneath the raised hopper.
- Keep hands, loose clothing, hair etc, well clear of moving parts.
- Use approved safety platforms/gantries when working above ground level. Get a second person to check periodically when only one person is working on access equipment or inside the body.
- Ensure the operators and service personnel are fully conversant with the controls and their operation.
- Disconnect the vehicle battery when working on the electrical system or when carrying out any welding on the vehicle.
- Remove ignition key when working on the vehicle. Ensure all personnel are clear of the vehicle before restarting engine.
- Ensure all guards and covers are refitted after servicing.
- Disconnect or isolate the air system before working on any pneumatic items.

**MAINTENANCE SCHEDULE
(OG6:4 - OG6:5)**



RTOG. 003-3

Key

D = Daily W = Weekly A = 500 Hours B = 1000 Hours C = 12 Monthly

Attention is drawn to the recommendations for servicing in the Auxiliary Engine Handbook.

RH Sweep machine shown

All Copyright and rights are the property of Johnston Sweepers Ltd

MAINTENANCE SCHEDULE

DAILY MAINTENANCE - These can be carried out by a trained operator.

Check the following items:

- 1 Oil level in hydraulic reservoir - top up if required.
- 2 Auxiliary engine oil level - top up if required.
- 3 Auxiliary engine radiator level - top up if required.
- 4 Auxiliary engine radiator is not obstructed.
- 5 Filter state indicator - service air filter if red.
- 6 Mesh screen in body is clean and fitted correctly.
- 7 Mechanical damage to brush gear and report damage to Supervisor.
- 8 Brushes for adjustment and wear - adjust or replace as required.
- 9 Spray jets for correct operation - clean if necessary.
- 10 With the nozzle (pick-up head) lowered, check nozzle (pick-up hood) suspension springs for proper tension. The springs should be tensioned just enough to allow the skids to lightly contact the road surface. If the spring tension is inadequate, the hood will drag heavily on the road surface, resulting in premature skid wear.
- 11 Check channel brush(es) (gutter brooms) for proper adjustment. The brush angle should be set using the adjuster bolts so that only about 120° of the circumference towards front and kerbside is in contact with the road.
- 12 Oil/water/fuel leakages.
- 13 Chassis items as recommended in chassis manufacturer's handbook.

♠ WEEKLY MAINTENANCE

Attend to/check the following:

- 1 Oil level in 'Z' drive gearbox - top up if required.
- 2 Fan/engine bay is clean of oil etc.
- 3 Auxiliary engine vee belt tensions.
- 4 Suction fan impeller, wear plate hood and optional intake flap for wear, renew if necessary.
- 5 Routing of electrics and hydraulic services for chafing.
- 6 Lubricate all grease points - see lubrication chart later in this chapter.
- 7 Water pump suction filters.
- 8 Oil level and condition in Supawash pump if fitted.

MAINTENANCE SCHEDULE (Continued)

♠ Service A - every 500 hours

- 1 Change auxiliary engine oil and renew filter.
- 2 Clean fuel pre-filter bowl (John Deere).
- 3 Renew the fuel filter element.
- 4 Renew auxiliary engine air cleaner elements
- 5 Check auxiliary engine throttle control and engine idle for correct operation.
- 6 Clean duct in body roof.
- 7 Check the fluid flywheel oil level.
- 8 Check auxiliary engine coolant concentration gives -39°C frost protection.
- 9 Replace 'blow by filter'. (Iveco High Power Stage 3a engine only).
- 10 Check Supawash pump (if fitted) for correct operation of jets and any plunger seal leaks.
Service as necessary.

♠ Service B - every 1000 hours

- 1 Carry out 500 hour service; plus
- 2 Renew hydraulic return filter element.
- 3 Renew water pump suction filters.
- 4 Check valve clearances on the auxiliary engine if applicable.
- 5 Replace fuel pre-filter (Iveco engines only).
- 6 Check security of sweeping equipment to chassis.

♠ Service C - 12 monthly maintenance - or every 2000 hours

- 1 Carry out 1000 hour service; plus
- 2 Drain hydraulic reservoir.
- 3 Clean suction filter and refill hydraulic reservoir.
- 4 Drain and refill 'Z' drive gearbox.
- 5 Replace engine fan/alternator belts.
- 6 Drain and refill Supawash pump (if fitted).



Used oils and filters should be disposed of in accordance with local waste disposal regulations.

♠ **These procedures should be carried out by qualified service personnel.**

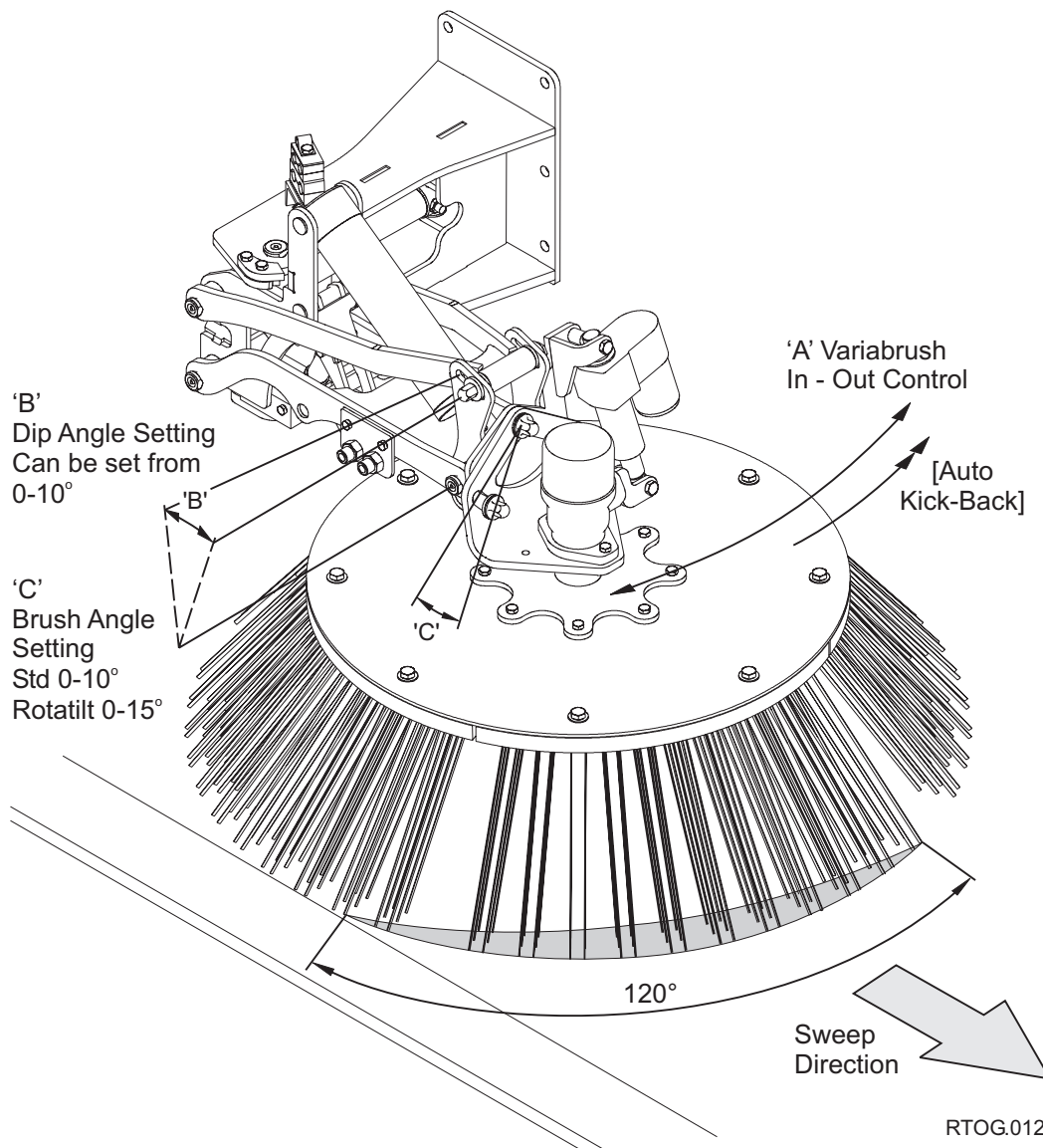
EQUIPMENT ADJUSTMENT / MAINTENANCE**Introduction**

This chapter highlights some of the basic adjustment and maintenance procedures required to keep the machine performing efficiently.

Channel Brush (Gutter Broom) Adjustment

This section covers some highlights of the channel brush (gutter brooms), their adjustments and performance. The machine can sweep with single brush, kerb (nearside) or offside (road side) or simultaneously brushes working. When the offside is deployed its important to set the brush close into the chassis by using the Variabrush control. Maintain a visual eye on its position when sweeping so as to avoid other road traffic.

The channel brush(es) are supported on a forward facing arm that is controlled by its lifting cylinder, which allows for 'float' and 'light sweep' (Powasave) ground pressure control. The channel brush head drives itself out to the stopped position (variable) by the action of the rotating brush on the ground.



All Copyright and rights are the property of Johnston Sweepers Ltd

The brush angle should be set using adjustment (C) and (D) so that only about 120° of the circumference towards the front kerb is in contact with the road.

If a 'light sweep' brush pressure is set, then the brush may not position itself outwards. In this case reset the 'light sweep' regulator for a lower pressure. The brush pressure can be adjusted by the Variabrush feature (A) allowing the brush to be brought forward, (recommended for the off side brush when deployed) or outwards to position the brush for its best sweeping position. This is a very useful feature when sweeping between trees, driveways and other items, as you can move the brush quickly in and out to any position, maintaining the chassis in a straight line.

The brushes have automatic 'kick-back' should they come into contact with an object during the sweeping mode. The head does have a 'dip angle' to maintain optimum brush angle. This can be adjusted as shown below.

Channel Brush Replacement



Sharp objects

Isolate the chassis engine. Turn off the air at the filter regulation unit (item 2 on lubrication diagram). Pull the channel brush arm out to the working position.

The brush segmented heads are held to the top flat by 2 off 1/2" bolts per segment (8 in total). Loosen these bolts and remove each segment at a time, replacing with new filled segments as you go.

In this way the brush top drive plate will remain level during the removal and refitting. Whilst refitting the brush segments check to see that no wire or tine material has been caught up under the brush top plate. Remove as required.

Good quality brush segments are recommended.



Ensure the auxiliary engine is not running and isolated before maintenance or replacement is attempted.

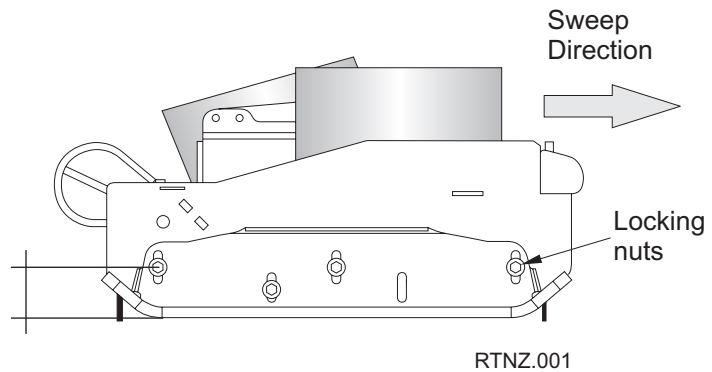
Pick-up Hood

The pick-up hood is towed by 4 chains positioned at the front and rear. This allows the machine to sweep forwards and backwards, as the pick-up hood will be guided during the travel mode. The pick-up hood is lifted by two hydraulic cylinders, one either side that connect directly to the head. The positive hydraulic check valve system will support the nozzle in the stowed position during transit. Additional chains are located at the lift point and anchored to the chains support to prevent excess sideways movement during sweeping.

Pick-up Hood Skate System

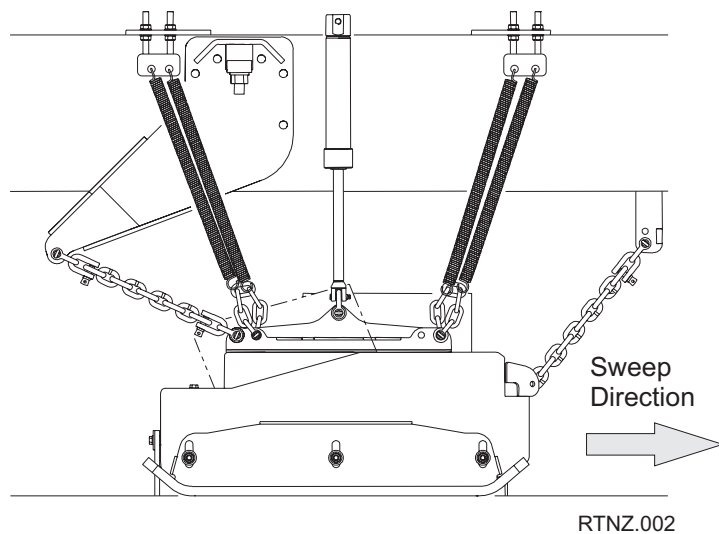
The pick-up hood runs on adjustable side skates that are carbide faced to improve wear. The water system provides for front under skate lubrication on dry days for the carbide faces. These skates are non handed and are mounted to the hood side plates by three locking nuts and one bolt that locates into the rear side assembly skate.

The initial setting of the skate is on the centre line of the skate side slots and the skate can be lowered as it wears by moving the skate down into the slots. Re-tighten firmly the three locating nuts and the locating bolt. The skate adjustment is mainly for wear, but you can set the front of the pick-up hood higher to allow for a larger opening when sweeping bulky items such as leaves. The rear of the side skate should retain the rear setting of the internal rubber so as to maintain a close contact to the road surface.



Pick-up Hood Suspension

The pick-up hood is suspended on eight springs, four each side, two at the front and two at the rear. These are set to reduce the weight of the pick-up hood on the ground and will reduce marking of the ground surface. The initial setting ex. factory should suit most conditions and provides for a light (downward) force to seal the hood via its internal flaps whilst working under the suction pressure.

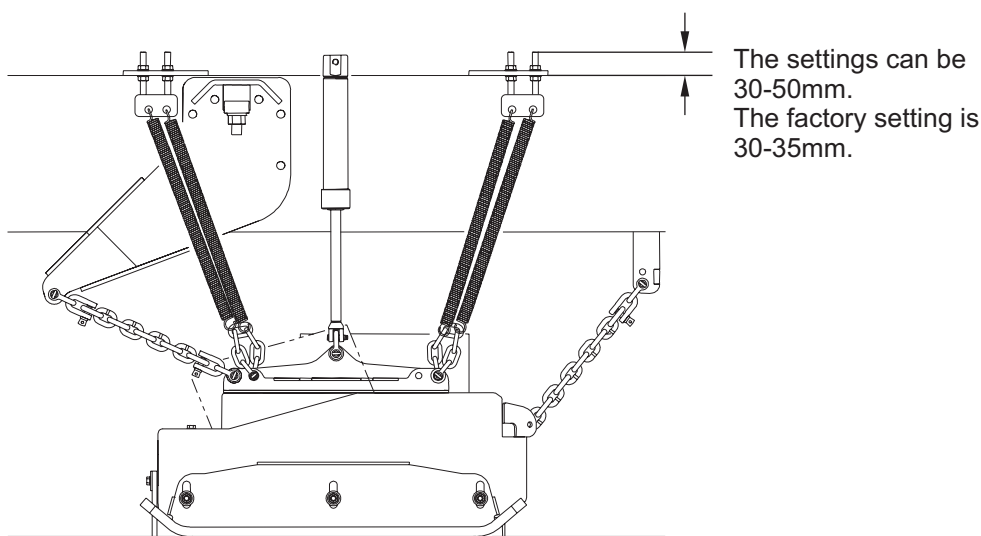
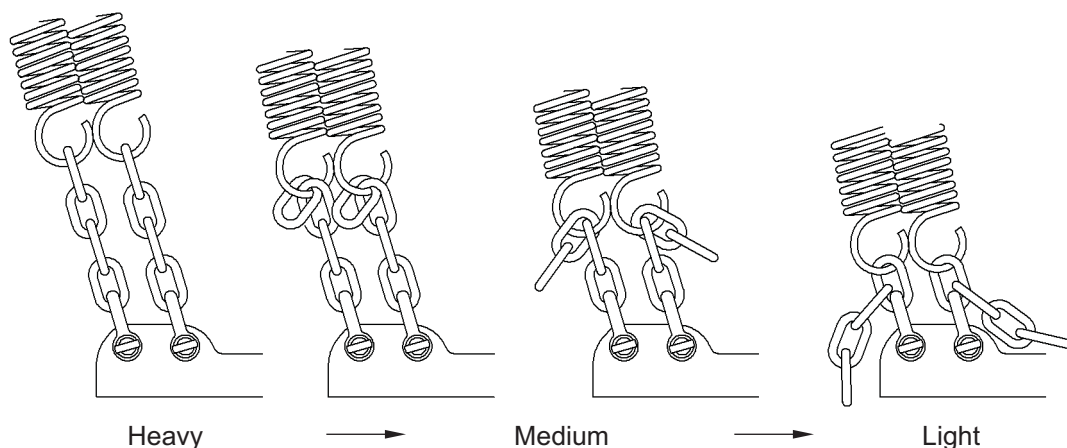


Spring Adjustments

The springs locate to the hood via chains which allow for adjustment by resetting the chain length. The chains length can be set longer by locating the spring into a longer chain loop to create a heavier force to the ground where needed.

The machine ex. factory is set for light sweeping with one chain link spring connection. Once set this does not normally need to be adjusted.

All Copyright and rights are the property of Johnston Sweepers Ltd



RTNZ.003

By moving the spring support upwards to 50 mm you can tension the springs to fine adjustment. The initial factory setting is 30 - 35 mm. Both sides on the pick-up hood should be adjusted in the same way, although subject to road camber you might want to alter these settings to suit conditions.

Always try to set the pick-up hood to the lightest ground pressure.

Suction Fan Impeller and Casing



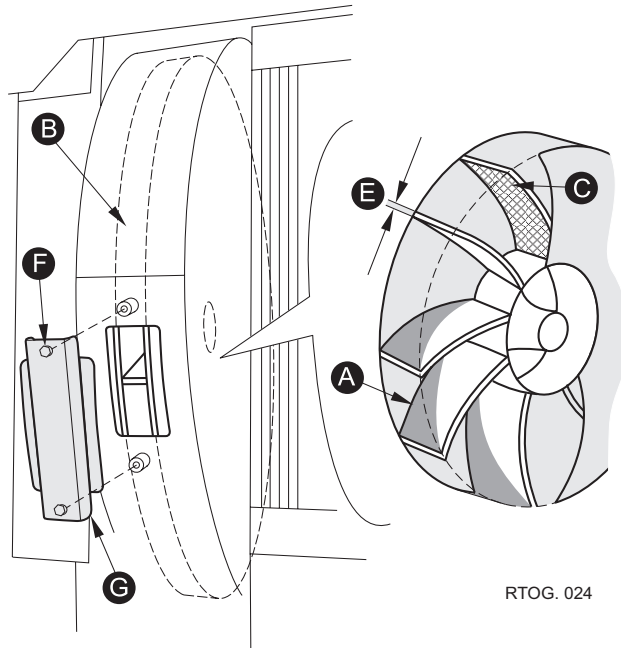
Ensure the auxiliary engine is not running and isolated before fan maintenance or replacement is attempted.

In operation the impeller and casing can be subjected to wear in the form of erosion resulting from dust or small abrasive particles passing through the fan system and must be inspected as instructed in the Weekly Maintenance Schedule.

In cases where excessive dust could pass through the system, these inspections should be made more frequently, the blades should be clean of any debris (C) to prevent dirt build up and premature failure due to vibration.

Remove the 2 setscrews (F) and remove the inspection plate (G). The impeller blades can be seen through the inspection port and the blades cleaned with a scraper (part no. 283665-1) if required.

If the impeller is subjected to excessive wear, disintegration could occur whereby the front shroud plate detaches itself from the driving plate as a result of the high rotational forces within the component. Any wear occurring to the impeller is usually shown up as a thinning of the blades generally in a broad wear pattern (A). Once apparent thinning of the impeller blades is observed, the component must be replaced when any blade thickness (E) is less than 2mm. If perforation of the fan case is observed (B) due to wear erosion, this component should also be replaced to prevent pollution of the fan compartment with dust. Refit the inspection plate securely after inspection / cleaning.



Filter Screens and Roof Duct



The fan impeller is finely balanced as an assembly in manufacture. **NEVER** remove or replace the hub, or carry out repairs to it.

The body filter screen (Item 15, Fig.1) and roof duct must be kept clean, otherwise suction performance can be affected. The screen can be cleaned in situ, but it is preferable to remove it. To remove, release the linch pin, which will allow the screen to swing down, disconnect the air pipe to the mesh shaker unit if fitted. The screen can then be lifted out of the hooks on the rear sloping panel for thorough cleaning. Also hose out the roof ducts to ensure they are clean while the filter screen has been lowered.



Ensure the screen is lowered slowly. If the mesh is allowed to 'free fall' and bounce off of the baffle, there is a possibility of it being dislodged from the hinge point.

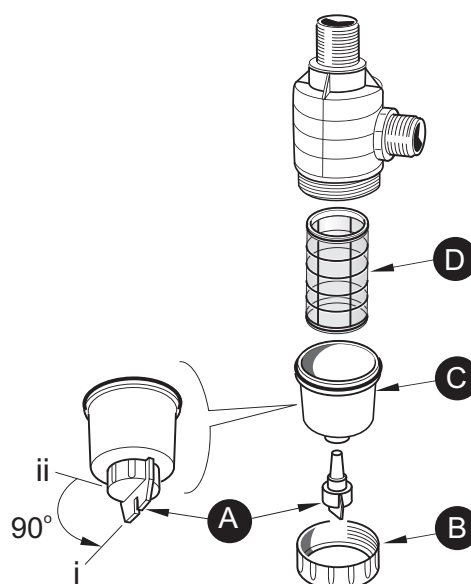
With the screen removed and the body raised and resting on its prop, clean out all debris from the roof duct which runs along the top of the body, using a hose and broom. Care should be taken not to get water in the fan case.

When refitting the screen, ensure it is a close fit against the mating faces. Adjustment is provided so that debris is prevented from entering the fan. Replace the linch pin.

Water Filter - Cleaning

The water filter (Item 27, Fig. 1) for the low pressure pump is on the near side of the machine. The filter is equipped with an integral shut off valve to prevent the water tank from draining should the filter need dismantling for cleaning whilst there is still water in the tank.

- 1 Before dismantling the filter, activate the shut off valve actuator (A) located on the bottom of the filter. It has a bayonet type mechanism. Press up and turn anticlockwise to position (i) to shut the valve.
- 2 To access the filter element, unscrew securing ring (B) and remove body section (C), complete with shut off valve. The filter element (D) can now be withdrawn.
- 3 Clean the element by flushing with clean water or an air line from the inside out. Visually inspect the element for damage and replace if necessary.
- 4 When reassembling the filter, special care should be taken to ensure that the filter element is correctly (squarely) located in the filter body before tightening the securing ring.
- 5 Refit the shut off valve actuator. Press up and turn clockwise to position (ii) to open the valve ready for use.

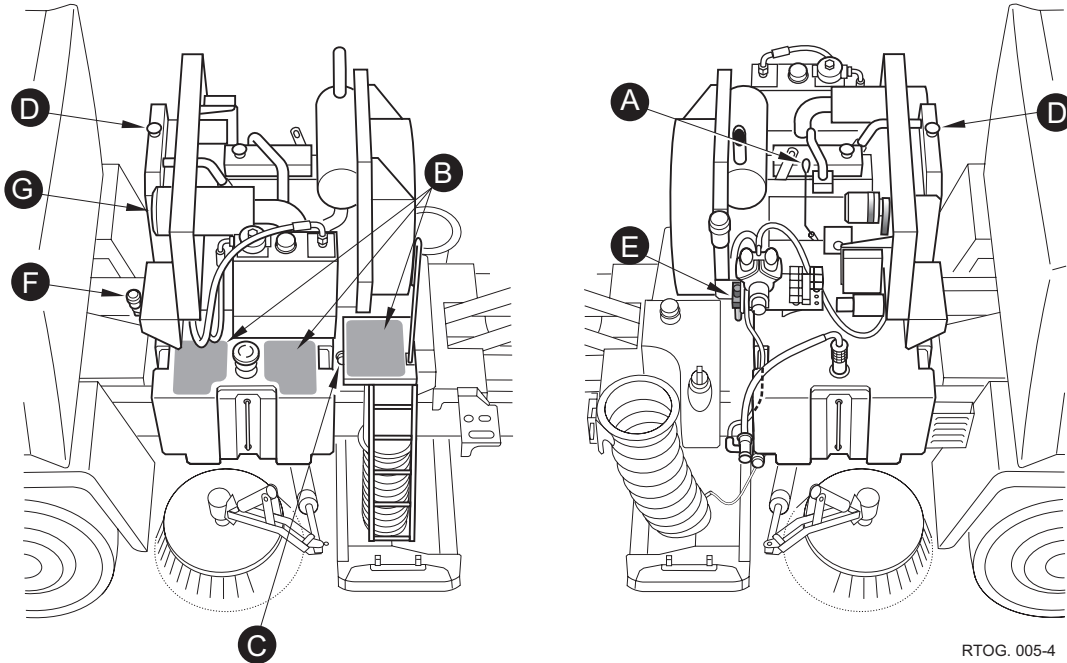


RTOG. 006-1

If Supawash is fitted there will be additional filter that feeds the Supawash pump.

AUXILIARY ENGINE

Ensure the auxiliary engine is not running and isolated before fan maintenance or replacement is attempted.

**Engine Oil****OIL LEVEL CHECKING**

Check daily. The level can be checked with the body raised. **Ensure the body prop is in place.** The dip stick (A) is located on the right hand side of the engine and is reached by standing on the walkway (B). **Extreme care must be taken when working from the walkway, particularly in wet conditions.**

OIL CHANGING

At the frequency specified in the Maintenance Schedule. Oil specifications are shown in the lubrication diagram - see later in this chapter. The oil is best drained whilst warm via the remote drain plug (C).

Cold Weather Precautions

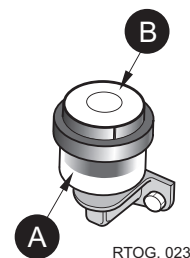
The cooling system (D) must be filled with equal quantities of antifreeze and water to maintain a minimum concentration of 50%, i.e. -39°C . Any top ups must therefore be done with a 50% mixture of antifreeze and water. The concentration level should be checked at the 500 hour service interval as failure to observe this can cause corrosion of the engine block.

Filter Regulator Unit

The filter regulator unit (E) comprises a combined air filter/pressure regulator. The air filter can be manually drained by pushing up the bowl drain tube. The air is isolated and drained by pressing the red gate valve on the unit.

Air Cleaner Restriction Indicator

A filter restriction indicator (F) gives a positive indication of when the air cleaner element needs attention and so eliminates haphazard servicing. It should be remembered that the indicator does not show the amount of dust present in the dust cap. When the air cleaner requires servicing the red warning indicator (A) will lock up. After servicing the indicator should be reset by pressing button (B). It will now show black.



RTOG. 023

AIR CLEANER

Type A

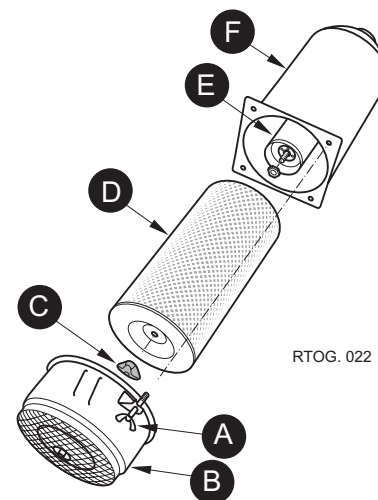
The air cleaner (G) should only be serviced when the restriction indicator is showing red, the air cleaner elements must be cleaned and replaced at the intervals given in the Maintenance Schedule.

TURBO PRE-CLEANER

Remove by releasing the two wing nuts (A) and then pull off (B). Clean out dust. When refitting ensure that the pre-cleaner (B) is seated correctly and the wing nuts are securely tightened.

MAIN AND SAFETY ELEMENTS

Remove the pre-cleaner. Release wing nut (C) and withdraw the main element (D) from the air cleaner body. It will be noted that there is a small diameter safety element (E) within the body which is not usually removed during periodical servicing, it ensures dust cannot enter the engine in the event of main element damage. Check that the nut securing this element is kept tight at all times.

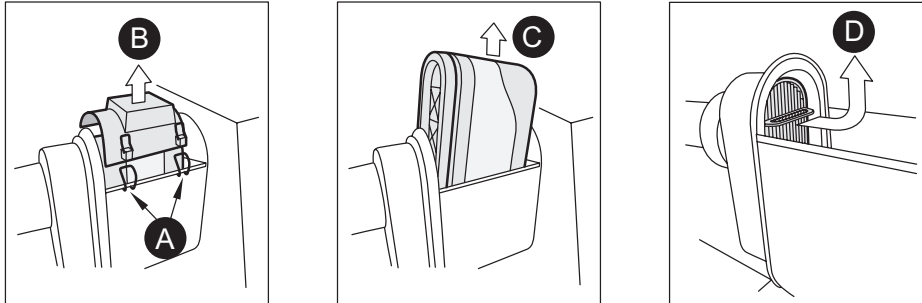


RTOG. 022

If the main element is contaminated with dust, it should not be cleaned by banging or by the use of compressed air, but replaced with a new one. The safety element should be changed every third time the main element is serviced. Clean the inside of the filter body (F); do not use petrol. Inspect all joints and hoses, renew where necessary. Reassemble the cleaner, ensuring all joints are leak proof..

**AIR CLEANER
Type B**

If the air filter is located below the engine management box, remove electrical plug (A) by turning CCW. Lift the retaining clips (B) to remove the lid (C).



RTOG. 019-1

Remove the main filter element (D) by first pushing the filter down and tilting it towards the radiator and then lift it out. There is a small safety element (E) within the main filter body, this should be replaced every third time the main element is changed. Re-assemble the air cleaner ensuring all parts are correctly positioned and fitted. Refit plug (A) ensuring a good seal against water ingress.



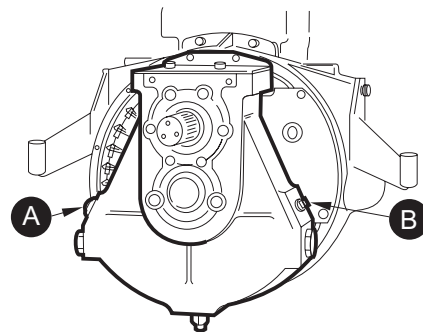
Ensure that the elements, lid and clips are correctly fitted and that the air intake pipe and clips to the engine are in good condition and fully sealed.

Alternator and Water Pump Belt Tensioning

The John Deere engines have an automatic belt tensioner so should not require adjustment unless the belt is replaced - see engine manufacturers handbook for setting information.

'Z' DRIVE GEARBOX
OIL LEVEL CHECKING

The level plug (B) should be removed and filled to the bottom of the thread. The window (A) allows a quick reference and, if the oil level is not visible on the window, the level requires topping up.



RTOG. 021

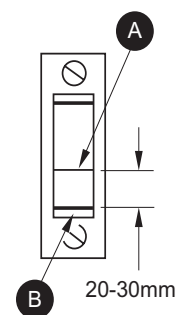
OIL CHANGING

Change the oil after the first 50 hours operation, thereafter at 1600 hour intervals or 12 monthly whichever is the sooner. Oil specifications are shown in the lubrication diagram - see this chapter. The oil is best drained whilst warm via the remote drain plug (G) located on the engine pack rear valance. See the illustration in the preceding auxiliary engine oil chapter.

HYDRAULIC RESERVOIR

OIL LEVEL CHECKING

The correct method for checking the oil level in the hydraulic reservoir is to raise the body and rest on the body prop. The level (A) should be 20-30mm above the lower red line (B) on the gauge. It is important that the correct level is maintained as under filling can adversely affect the heat dissipation rate of the oil, whilst over filling can cause oil to overflow when the body is lowered. Oil specifications are shown in the lubrication diagram - see this chapter.



RTOG. 020

CYLINDER MAINTENANCE

Periodically inspect the cylinder rods for damage, blemishes or build up of material such as tar, cement, paint etc. The rods can be cleaned with fine wire wool and/or spirit to ensure long seal life. When cleaning the machine avoid playing the washdown hose over the body tip cylinder when in the fully raised condition.

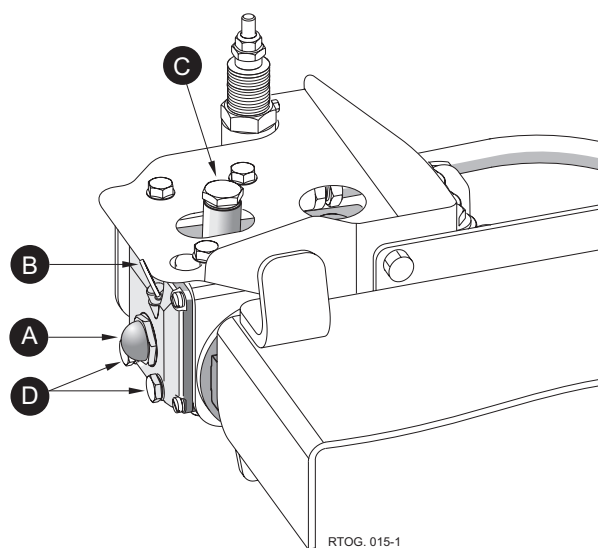
CLEANING THE VEHICLE

With the advent of high pressure steam and washdown equipment, damage can be caused by playing this equipment onto the engine, electrical control systems, paintwork, etc., and great care should be exercised when it is carried out.

SUPAWASH PUMP

The oil level in the Supawash pump should be checked weekly. There is a sight level glass and dipstick at the front end of the pump.

It is recommended that the oil is changed after the first 50 hours of operation and then changed at every C Service.



RTOG. 015-1

Oil Level / Changing

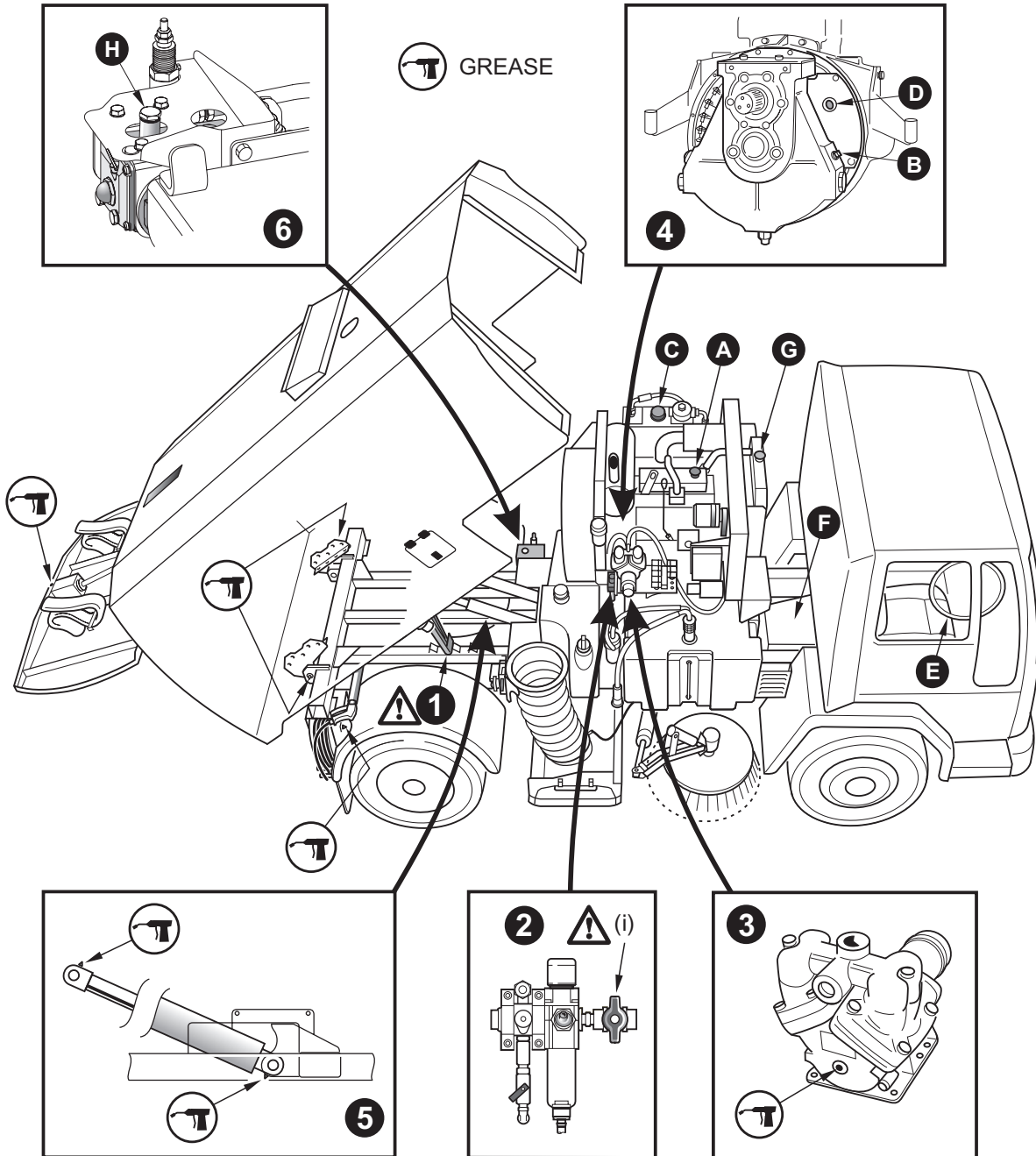
The water pump is mounted on the offside end of the central crossmember near to the tip rams.

The pump oil level should be checked weekly and is visible through window 'A' and a dipstick 'B' is provided with high and low level marks. The oil is introduced via filler port 'C'. The pump oil is drained via either of plugs 'D'. The oil colour should be clear, if it is frothy/milky when seen through window 'A', then water has entered the oil and it should be changed immediately and the cause investigated. The recommended oil is shown in the lubrication chart.

LUBRICATION DIAGRAM - RH SWEEP MACHINE SHOWN

LUBRICATION DIAGRAM

Refer to Maintenance Schedules
for lubrication intervals




T GREASE

RTOG. 004-2

- 1 Body prop - **Ensure autoprop has engaged when body is raised.**
- 2 Filter regulator unit (FR) - (i) Isolation valve.
- 3 Water pump.
- 4 'Z' drive gearbox.
- 5 Body tip cylinders.
- 6 Supawash pump - option.

All Copyright and rights are the property of Johnston Sweepers Ltd

Recommended Lubricants

	Capacity/ ISO Oil Grade	Johnston Part No.	Shell	BP	Castrol	Mobil	Chevron Texaco
A Engine	8.0L/ ACEA E3 - E5	94-23	Rimular Super 15W/40	Vanellus E6 15W/40	Tection 15W/40	Delvac Super 1400 15W/40	URSA Super TD 15W-90
B Gearbox	2.50L	94-67	Spirex S4 AT 75W-90	Energear SHX-M	Syntrans 75W/85	Mobilube 1 SCH 75W-90	Multigear S75W-90
H Supawash Pump	0.37L - GL 4						
C Hydraulic System/ D Fluid Flywheel	80L 4.85L	94-12	Tellus S2V-46	Bartan HV46	Hyspin AWH-M46	DTE 15M	Rando HDZ46
E Chassis PAS F Auto Gearbox	-	39661	Spirex S4 ATF HDX	Autran DXIII	Castrol Dexron II	AFT 220	Havoline Multi-Vehicle ATF
G Antifreeze	15L	39664	Shell Safe Premium	BP Isocool	Castrol AF	-	Havoline Antifreeze
Grease Points		94-69	Gadus S2-V 220	Energrease L2	LM Grease	Mobilube MP	Multifak EP
Battery Terminals	-						

PETROLEUM JELLY

* In cold climates use Tellus S2V-32 - Part Number 94-84

CHAPTER**7**

Conformity Certificates**Table of Contents**

Subject	Page
EC Declaration of Conformity Certificates	
Safety Requirements	OG7 : 2
Noise - Engines	OG7 : 3
Noise and Vibration	
Levels	OG7 : 4

EC DECLARATION OF CONFORMITY (C E)

Manufacturer's Name: Johnston Sweepers Limited

Manufacturer's Address: Curtis Road, Dorking, Surrey,
England, RH4 1XF

declares that:

Product Name: Johnston Road Surface Cleaner

Product Type(s): VT500, VT550, VT605, VT650, VT800
VS500, VS550, VS605, VS650, VS800
RT655

Product Options: All

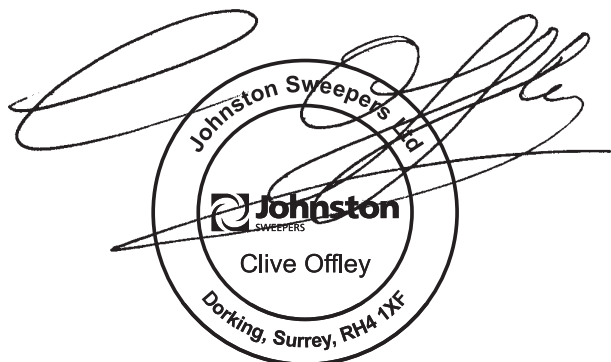
Product Serial Number:

conforms to the following standards:

E.C. Council Directive 2006/42/EC and amendments.

BS EN 13019 : 2008. Machines for Road Surface Cleaning
Safety Requirements

C. Offley
Engineering Director
Johnston Sweepers Ltd.
11/12/09



**EC DECLARATION OF CONFORMITY
(NOISE EMISSION IN THE ENVIRONMENT BY EQUIPMENT
FOR USE OUTDOORS: DIRECTIVE 2000/14/EC)**

Manufacturer's Name: Johnston Sweepers Limited

Manufacturer's Address: Curtis Road, Dorking,
Surrey, RH4 1XF, England.

Technical Documentation maintained by: Research and Development Department,
Johnston Sweepers Limited,
Curtis Road, Dorking,
Surrey, RH4 1XF, England.

**Johnston Sweepers Ltd. hereby declares that the following
equipment conforms to the requirements of EC Directive 2000/14/EC:**

Description of Equipment: EC Directive 2000/14/EC, Annex 1, Item 46:
Power sweeper

Product Name and Description: Johnston RT655 chassis-mounted powered
air regenerative sweeper, with HP turbo-
charged auxiliary engine pack.

Maximum Measured Sound Power Level (L_{WA}): **107dB(A)**

Guaranteed Maximum Sound Power Level (L_{WA}): **108dB(A)**

Conformity Assessment Procedure: Internal control of production
(Ref: Annex V - 2000/14/EC)

Other EC Directives applied to this equipment: 98/37/EC and amendments

Place and Date of this Declaration: Johnston Sweepers Limited,
Curtis Road, Dorking, Surrey, RH4 1XF,
England.

January 2006

Signed by:

C.F. Offley
Engineering Director
Johnston Sweepers Ltd



NOISE AND VIBRATION**Safety Notice**

- Ear defenders are recommended when working around the machine

Noise Levels

All noise levels are given at maximum engine operating speeds, but in normal operation are likely to be lower than the figures quoted.

In-cab noise levels with the windows closed 68 dB(A) nominal, dependent upon chassis.

External noise levels at one metre distance of the side of the machine, i.e. Wanderhose operation, are 93 dB(A).

Noise levels at 3 metres in front of the machine (manual pavement sweeping into the gutter) are 83 dB(A).

For maximum sound power level see Noise Declaration Certificate.

Vibration

Vibration levels in accordance with 2002/42/EC as amended.

Hand-Arm

The vector sum weighted root mean square acceleration values ($a_{h,w}$) during recommended sweeping/ washing activities do not exceed 2.5 m/s².

Whole Body

The dominant axis weighted root mean square acceleration values (a_w) during recommended sweeping/ washing activities do not exceed 0.5 m/s².

Conditions of test - body empty and water tanks full on public thoroughfare.

The Control of Vibration at Work Regulations 2005 Directive 2002/44/EEC.

In accordance with the above Regulation the operators of the machine over a typical duty cycle will be subjected to an 8 hour energy equivalent acceleration A(8) below the Exposure Action Level (EAV) for both Hand-arm and Whole Body Vibration.

These Limits are:

Hand-arm: EAV 2.5m/s²

Whole body: EAV 0.5m/s²