



Spare Parts Catalogue

R655 MkIV

Regenerative Air Single Engine Sweeper

7061594 - Revision A From Manufacture Sequence No. 9021

Foreword

Chassis Related Parts

Some parts shown in the Parts Section are chassis related and can vary due to the differences between chassis manufacturers.

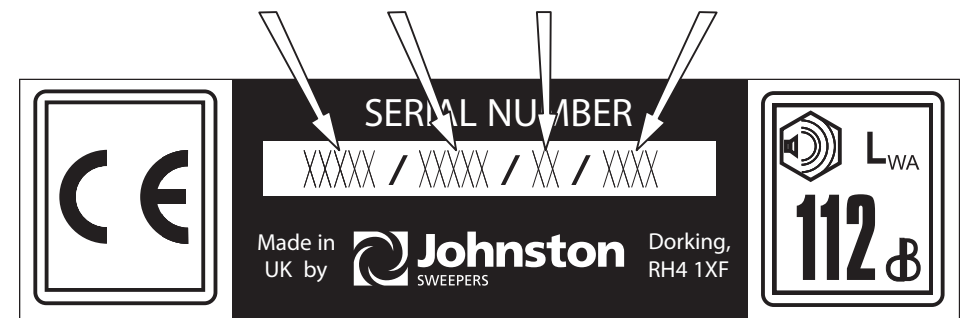
It is important that only GENUINE JOHNSTON SPARE PARTS are used when servicing and maintaining the sweeper. This is especially important for consumables, filters etc. as the use of non-genuine parts may cause premature failure and invalidation of warranty.

For the latest parts information please refer to our on-line interactive catalogues which are available through our E-Shop (www.shop.johnstonsweepers.com). To open an account, please follow the instructions on the Johnston Sweepers website: www.johnstonsweepers.com

When making enquiries or ordering spare parts the Johnston Serial number should be quoted. The number will be found stamped on a plate similar to that shown below and attached to the rearmost crossmember of the subframe, below the rear door.

Serial number comprises:-

	Model No.	EQ No.	Year of manufacture	Manufacture sequence No.
Example.....	VT651	12345	12	1234



M02MS-002

**Safety Notice**

The universal safety symbol is used throughout this manual to indicate information which is essential for the health and safety of all operating personnel.

Abbreviations

The following abbreviations are used in this Manual:

LH = Left Hand.
RH = Right Hand.
WSB = Wide Sweep Brush.
CB = Channel Brush
CW = Clockwise.
CCW - Counterclockwise.
NO = Normally Open.
NC = Normally Closed.
Item 0 = Whole assembly shown.

Johnston® is a registered trade mark of Johnston Sweepers Limited.

Johnston Sweepers Limited

Curtis Road, Dorking, Surrey RH4 1XF, UK

Tel: +44 (0)1306 884722 Fax: +44 (0)1306 884151

E-mail: enquiries@johnstonsweepers.com Web: www.johnstonsweepers.com

Table of Contents

1 Cab Controls.....	6		
1.1 Centre Console.....	8		
1.2 Palm Control.....	10		
1.3 Harness Diagrams.....	12		
2 Systems Locker.....	14		
2.1 Node Assembly.....	18		
2.2 Pneumatic Valve.....	20		
2.3 PCB Box.....	22		
3 Powapack.....	24		
3.1 LHS Blast Fancase.....	26		
3.1.1 LH Blast VEG Gate.....	28		
3.2 LHS Aux Water Tank.....	32		
3.3 LHS Access Platform.....	34		
3.4 Access Ladder.....	36		
3.5 Cooling.....	38		
3.5.1 Cooling Fan Assy.....	42		
3.6 Deflector Assembly.....	44		
4 Hydraulic Pump.....	46		
5 Subframe.....	48		
5.1 Body Prop and Lift Cylinders.....	50		
5.2 Rotatilt Relay Box.....	52		
5.3 Powapack Elements.....	54		
5.3.1 Return Manifold.....	56		
5.3.2 RHS & LHS Bulkhead.....	58		
5.3.3 Engine Frame Pipework.....	60		
5.3.4 Hydraulic Tank.....	64		
5.3.5 Hydraulic Manifold.....	68		
5.4 Subframe Hydraulics Pipework.....	70		
5.5 Powaboom and Rear Door Hydraulics.....	74		
5.6 Subframe Front Bulkheads.....	78		
5.7 Tandem Valve Block.....	80		
5.8 Discharge Pump.....	82		
5.9 Engine Frame.....	84		
6 Sweepgear.....	88		
6.1 Intake & Blast Tubes.....	90		
6.2 Pick-up Head Install.....	92		
6.3 Pick-up Head Assembly.....	96		
6.3.1 Pick-up Head Curtain.....	100		
6.4 Sweep Curtain.....	102		
6.5 Gutter Broom.....	104		
6.5.1 Pivot Frame Assembly.....	106		
6.5.2 Brush Arm.....	108		
6.5.3 Brush Head.....	112		
6.5.4 Rotatilt.....	114		
7 Ancillary Equipment.....	116		
7.1 Rear Mounted Wanderhose.....	118		
7.2 Wanderhose Extension.....	122		
7.3 Wanderhose Coupling.....	124		
8 Water System.....	126		
8.1 Water Tank Assembly.....	128		
8.1.1 Overflow and Water Valve.....	132		
8.1.2 Hydrant Filler.....	134		
8.2 Supawash.....	136		
8.2.1 Supawash Install.....	140		
8.3 Supawash Hose Reel and Lance.....	144		

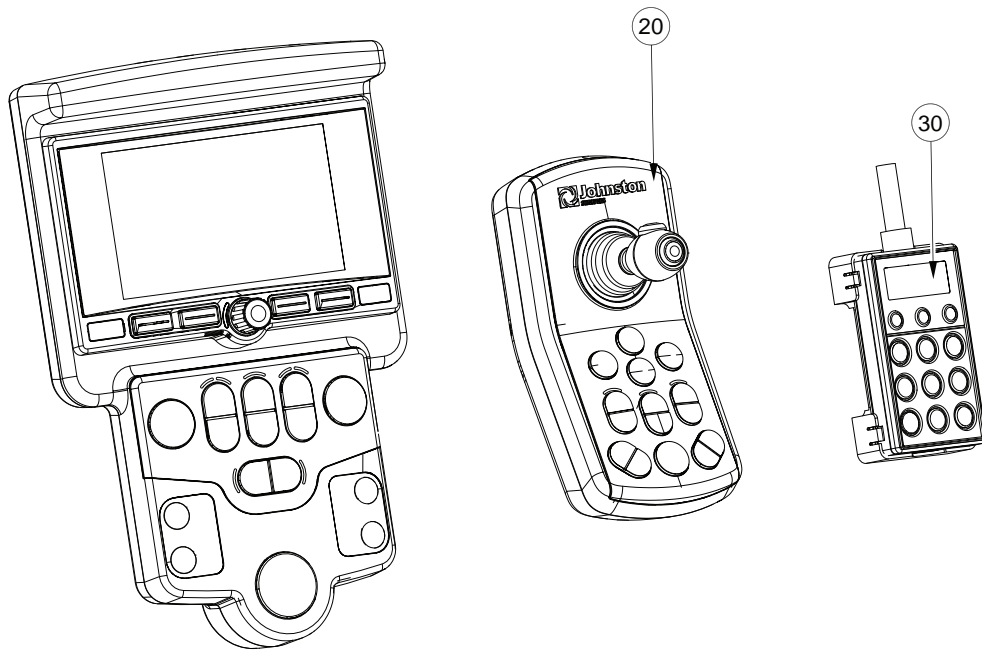
8.4	Supawash Front Spraybar.....	146
8.5	Water Pump Assembly.....	148
8.5.1	Water Pump Spares.....	152
9	Body.....	154
9.1	Body Assembly.....	156
9.2	Inlet Tubes.....	160
9.3	Hopper Mesh.....	162
9.4	Radiator Seal.....	164
9.5	Separator Flush.....	166
9.6	Access Door.....	168
9.7	Fuel Filler Plate.....	170
9.8	Tip Bracket and Latch.....	172
9.9	Blanking Plates.....	174
9.10	Hopper Screens.....	176
9.11	Discharge Chute.....	178
10	Rear Door.....	180
10.1	Rear Door.....	182
10.1.1	Rear Door Install.....	184
10.2	Options Frame.....	186
11	Trim & Lights.....	188

This page is intentionally left blank

Chapter 1 Cab Controls

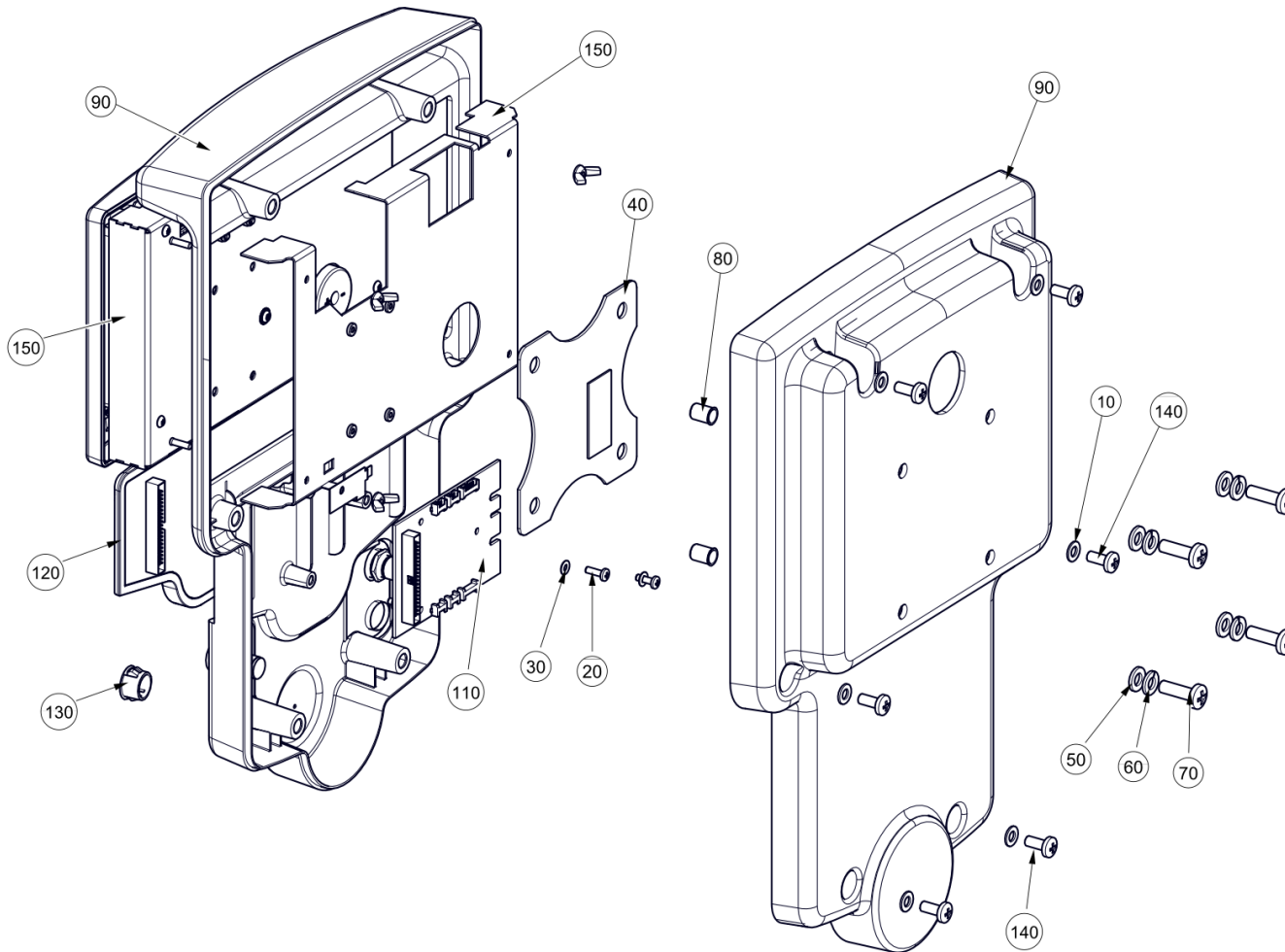
Table of Contents

Section	Page
1.1 Centre Console.....	8
1.2 Palm Control.....	10
1.3 Harness Diagrams.....	12



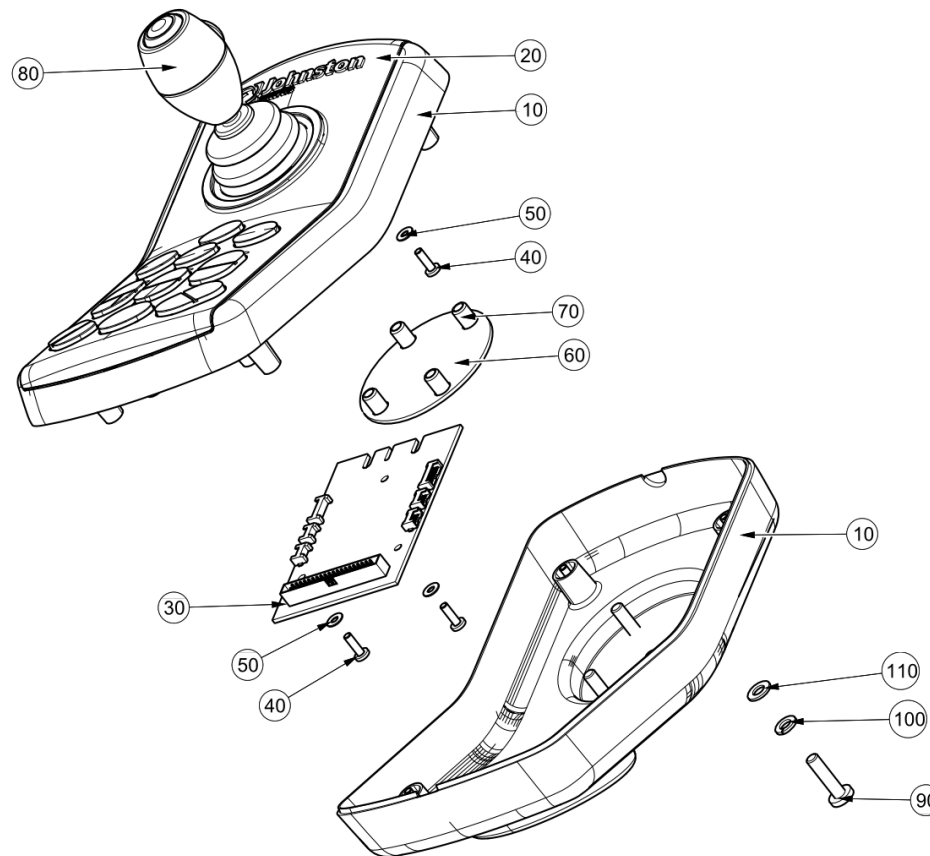
Item no.	Part no.	Description	QTY	Unit
20	7006676	Discharge Pendant	1	PC
30	7008222	Cab Interface Harness	1	PC

Centre Console ()
Cab Controls\Centre Console



Centre Console ()
Cab Controls\Centre Console

Item no.	Part no.	Description	QTY	Unit
10	93210109-0	Plain Washer M5	6	PC
20	134-12	Pan Head Screw - M3Cx10 - 4.8	3	PC
30	93212005-0	Plain Washer M3	3	PC
40	7030424	Centre Console, Mounting Plate	1	PC
50	93212009-0	Plain Washer - M6	4	PC
60	93699708-0	Spring Washer - Plated M6	4	PC
70	134-74	Pan Head Screw-M6Cx20-4.8-Pozidriv	4	PC
80	433-2	Rivet Nut - S.Cl. Nut M6c g0.5-3.0	4	PC
90	7008752	Control panel - VT	1	PC
110	7016414	Keypad Node - Centre Console	1	PC
120	7006881	Keypad - Centre Console	1	PC
130	44-70	Plug - Locking Hole, 14.3mm I/D	2	PC
140	134-57	Pan Head Screw - M5Cx12 - 4.8	6	PC
150	7007471	JVM VS	1	PC
5000	7008151	Cable Assembly	1	PC
5010	7016839	Switch Assembly	2	PC

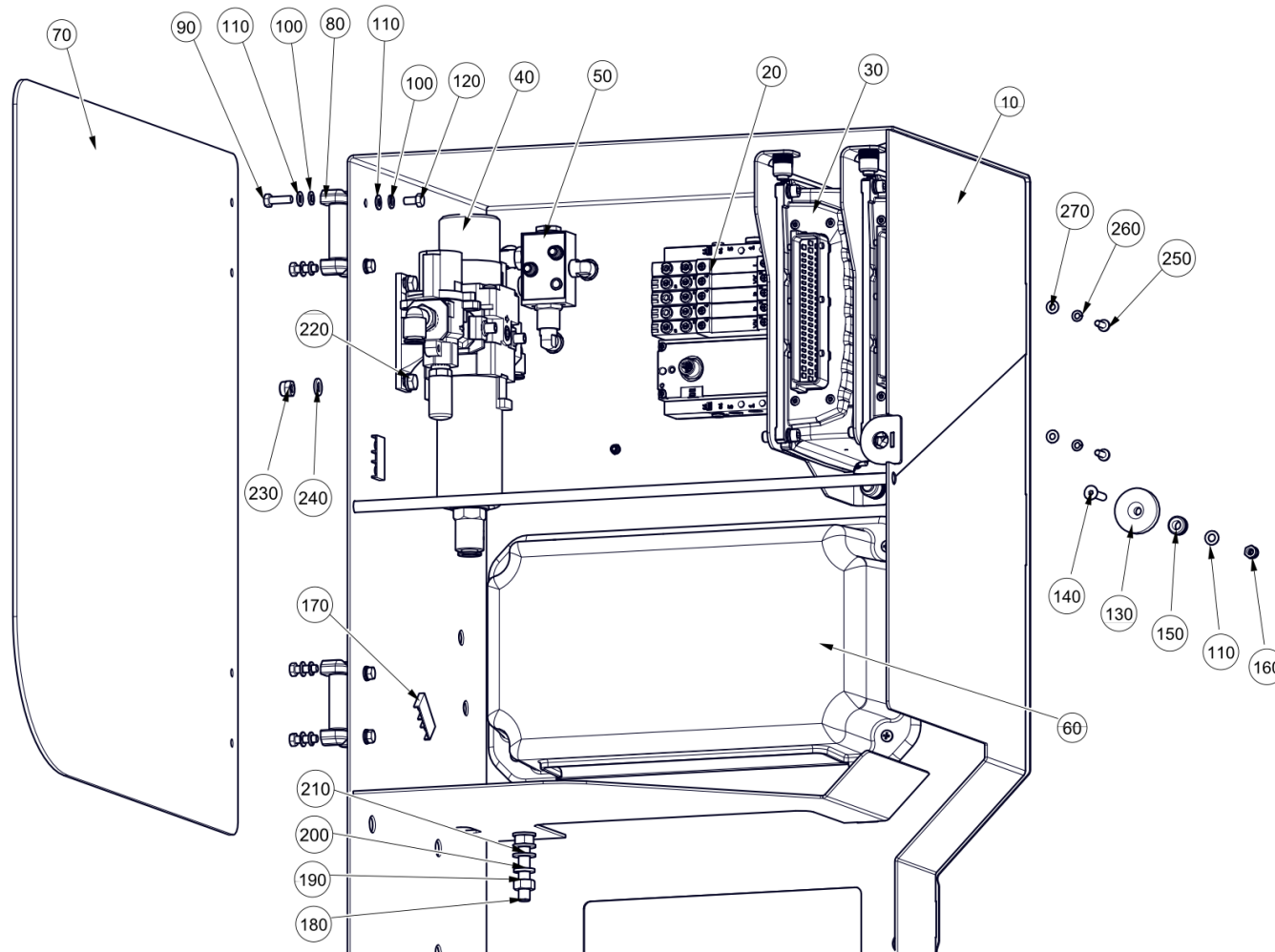


Item no.	Part no.	Description	QTY	Unit
10	7006589	Palm Control, Housing	2	PC
20	7050770	Keypad - Door Controller, R Range	1	PC
30	7006364	Control -Control system Keypad Node	1	PC
40	134-12	Pan Head Screw - M3Cx10 - 4.8	10	PC
50	93212005-0	Plain Washer M3	6	PC
60	7030460	Palm Control, Mounting Plate	1	PC
70	433-1	Rivet Nut - S. CI Nut M5c g0.5-3.0 Blind	4	PC
80	7006673	Joy Stick	1	PC
90	134-59	Pan Head Screw - M5Cx20 - 4.8	4	PC
100	93699707-0	Spring Washer - Plated M5	4	PC
110	93210109-0	Plain Washer M5	4	PC
5000	7006798	Key Pad Harness	1	PC

Harness Diagrams ()
Cab Controls\Harness Diagrams

Item no.	Part no.	Description	QTY	Unit
10	7043382	Relay Box harness	1	PC
20	7008222	Discharge Pendant	1	PC
30	7045051	RT Cab Harness	1	PC
40	7043505	Cab Interface Harness	1	PC
50	7043582	Black power Cable to PCB	1	PC
60	7043581	Red power Cable to PCB	1	PC
70	7043044	Sub-Frame Harness RT655	1	PC
80	7033304	Harness - Additional Work Lights MK2	1	PC
90	7022914	Cable Assembly	1	PC
100	7045919	Engine Bay light Harness	1	PC
110	7045163	RT Rear Work Light Harness	1	PC
120	7022018	Cable Assembly	1	PC

Systems Locker ()
Systems Locker

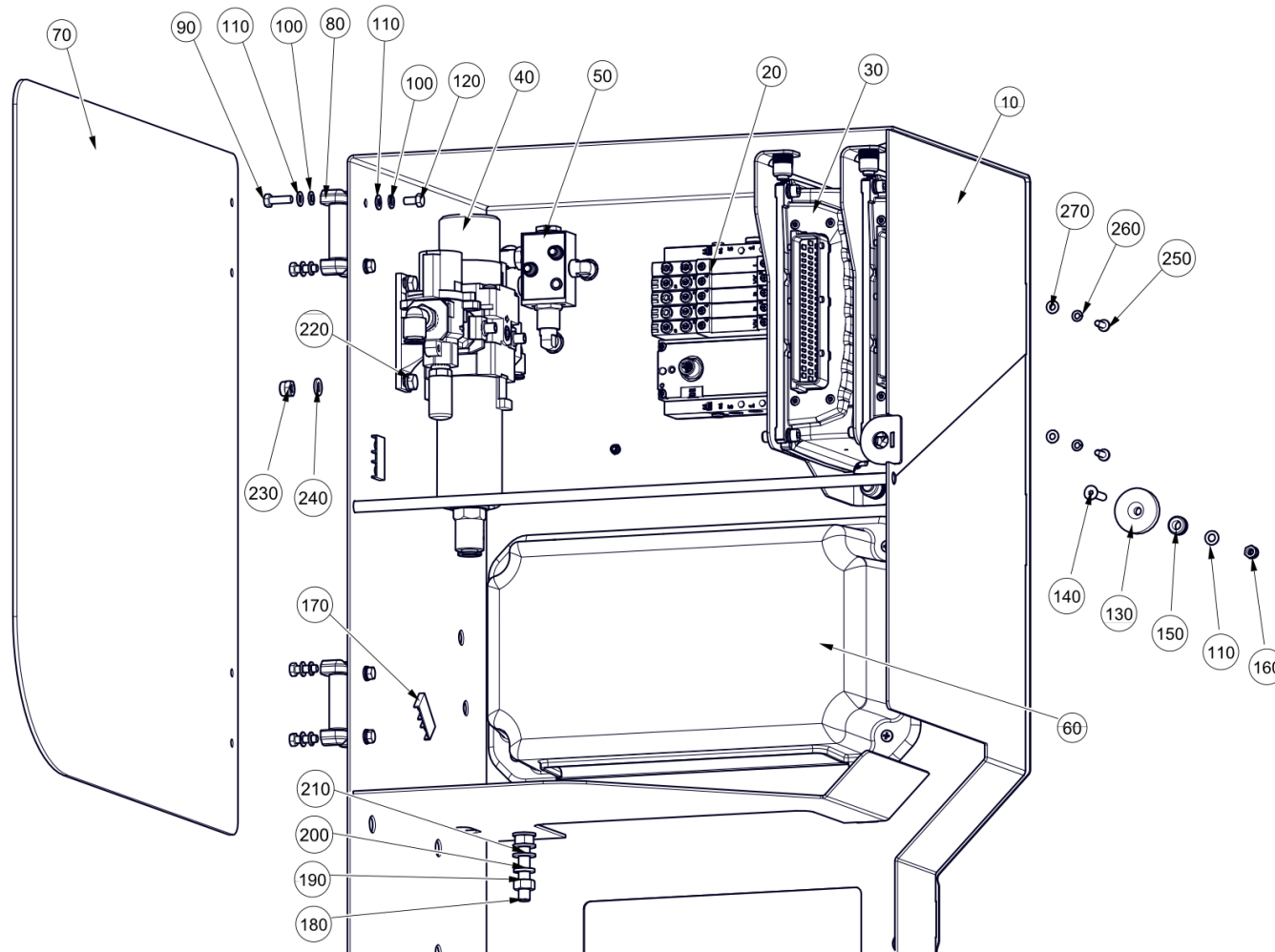


Systems Locker ()

Systems Locker

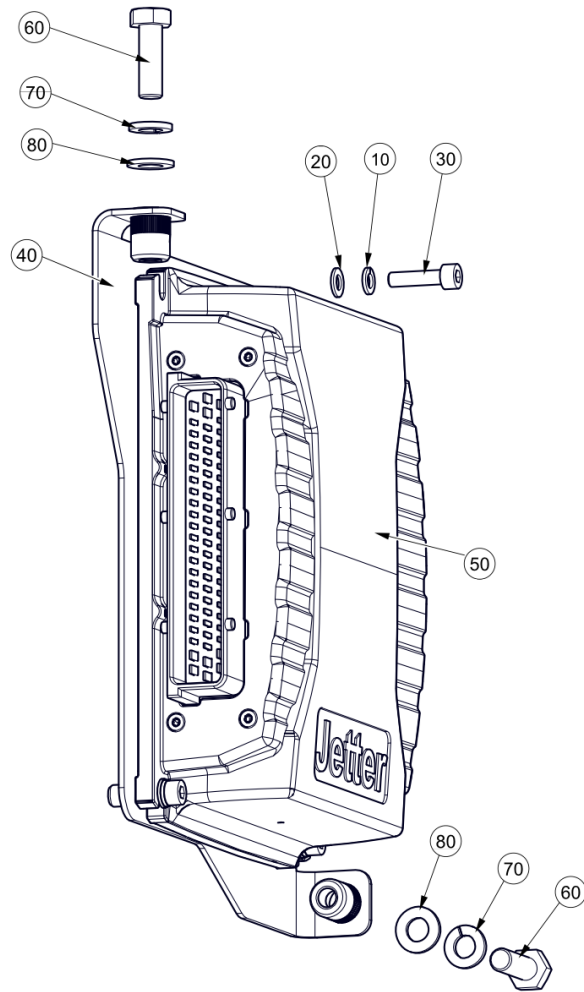
Item no.	Part no.	Description	QTY	Unit
10	7050467	Systems Locker W/assy	1	PC
20	7051268	Air Manifold - 24V - 5 Valve	1	PC
30	7050231	Node S/assy	2	PC
40	7040958	Pneu Filter/Regulator Assy	1	PC
50	72-31	Valve - Pneumatic 3/2	1	PC
60	7035822	Base, P.C.B Enclosure	1	PC
70	7050232	Door - System Wafer	1	PC
80	212-25	Hinge - Position Control	2	PC
90	92097263-0	Hex Head Screw - M5Cx16 - 8.8	4	PC
100	93699708-0	Spring Washer - Plated M6	4	PC
110	93210109-0	Plain Washer M5	4	PC
120	92097261-0	Hex Head Screw - M5Cx10 - 8.8	4	PC
130	211-86	Flat Retaining Magnet - Ø 32 x 7mm Thick	1	PC
140	92153036-0	Hex Socket CSK Screw M5Cx25 10.9	1	PC
150	287-27	Grommet - Ø 9.5 O/D, 6.4 I/D 1.8 Thick	1	PC
160	93085003-0	Nyloc Hex Nut M5C - 8	1	PC
170	24-17	Cable Tie Clip - Heavy Duty 15mm Wide	5	PC
180	92099381-0	Hex Head Screw - M8Cx50 - A2	1	PC
190	93056014-0	Hex Nut M8C-8	2	PC
200	93699710-0	Spring Washer - Plated M8	5	PC
210	93212011-0	Plain Washer - M8	7	PC
220	92097301-0	Hex Head Screw - M6Cx20 - 8.8	4	PC
230	93085004-0	Nyloc Hex Nut M6C - 8	4	PC
240	93212009-0	Plain Washer - M6	8	PC

Systems Locker ()
Systems Locker



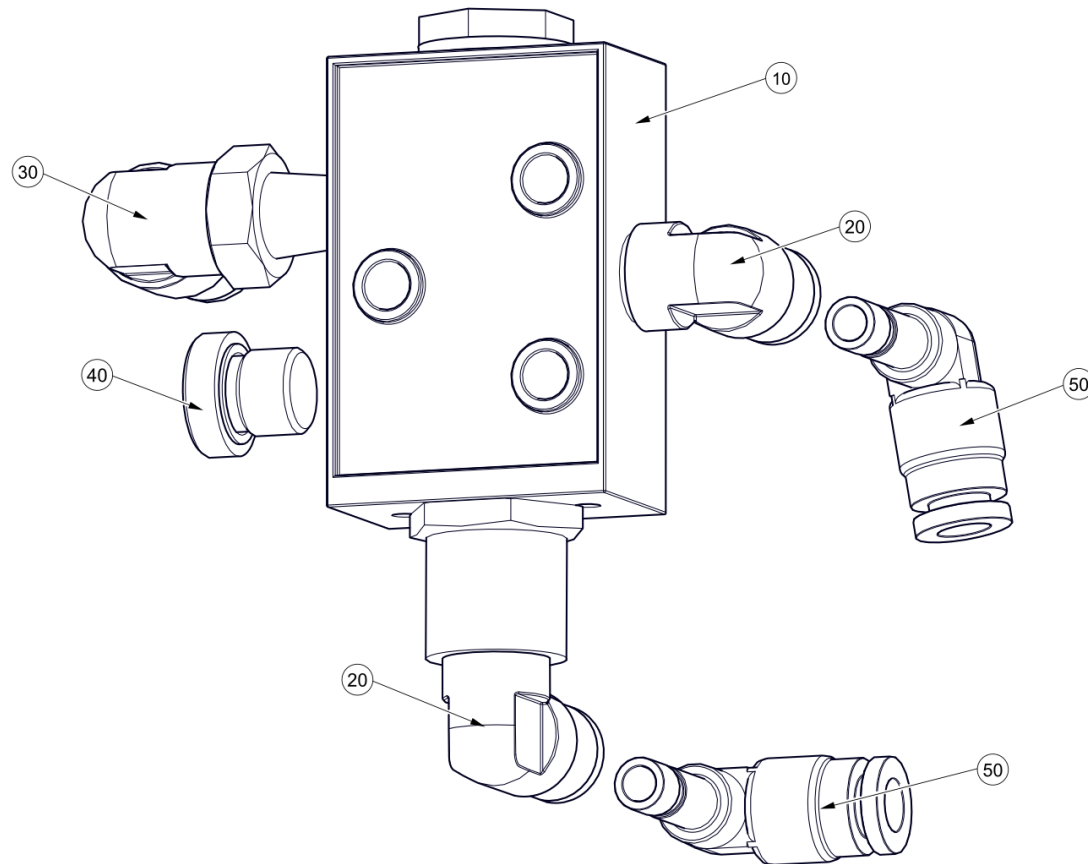
Systems Locker ()
Systems Locker

Item no.	Part no.	Description	QTY	Unit
250	134-42	Pan Head Screw - M4Cx12 - 4.8	4	PC
260	93699706-0	Spring Washer - Plated M4	4	PC
270	93212007-0	Plain Washer M4	4	PC



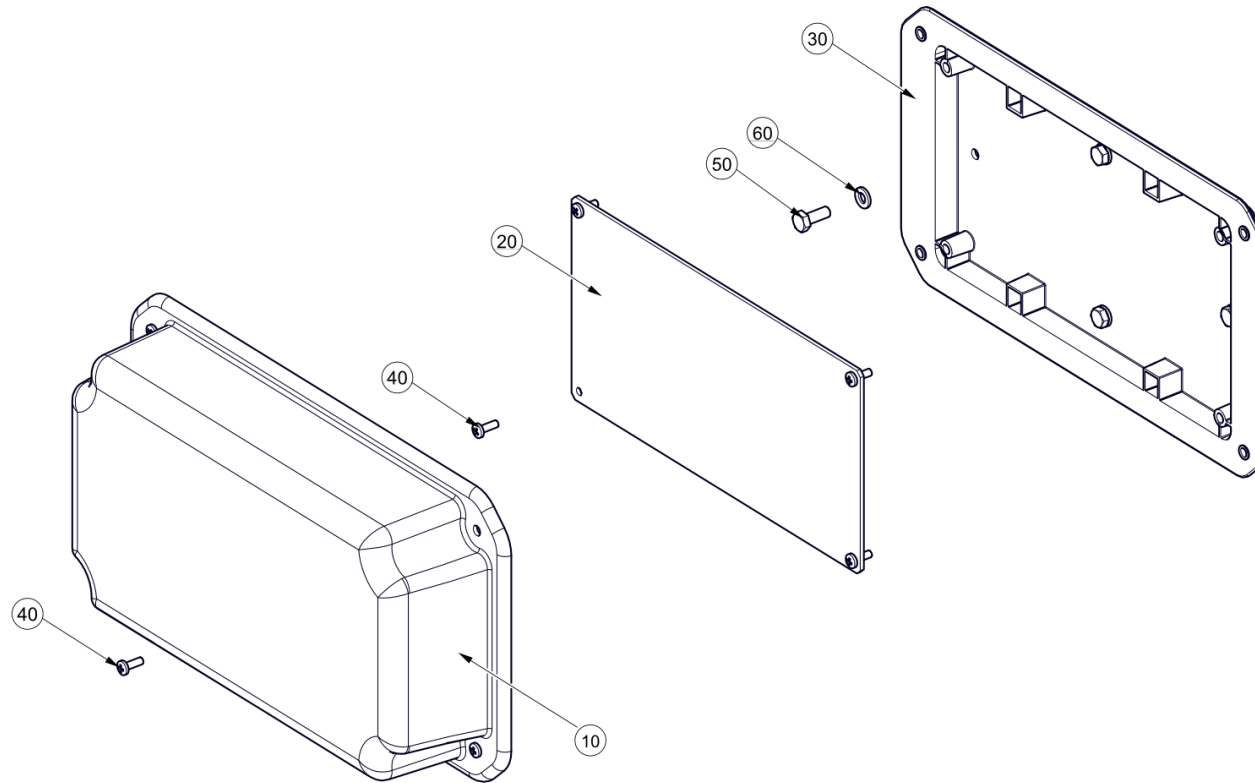
Item no.	Part no.	Description	QTY	Unit
10	93699707-0	Spring Washer - Plated M5	4	PC
20	93210109-0	Plain Washer M5	4	PC
30	92137044-0	Hex Socket Cap Screw - M5Cx20 - 12.9	4	PC
40	7049908	Node Bracket R/assy	1	PC
50	7039112	Node - I/O JXM Universal	1	PC
60	92097376-0	Hex Head Screw - M8Cx25 - 8.8	2	PC
70	93699710-0	Spring Washer - Plated M8	2	PC
80	93212011-0	Plain Washer - M8	2	PC

Pneumatic Valve ()
Systems Locker\Pneumatic Valve



Pneumatic Valve ()
Systems Locker\Pneumatic Valve

Item no.	Part no.	Description	QTY	Unit
10	72-31	Valve - Pneumatic 3/2	1	PC
20	09593162-0	Adaptor - Push In 6mm Fixed Elbow R1/8"	2	PC
30	09593150-0	Elbow Push-In Swivel 8mm x 1/8 BSPT	1	PC
40	09572132-0	Sealing Plug VS-R 1/8 WD	1	PC
50	551-1	Adaptor - Stem Elbow 6mm	2	PC



PCB Box ()
Systems Locker\PCB Box

Item no.	Part no.	Description	QTY	Unit
10	7035821	Cover, P.C.B Enclosure	1	PC
20	7031247	COM- PCB (systems wafer)	1	PC
30	7035822	Base, P.C.B Enclosure	1	PC
40	134-42	Pan Head Screw - M4Cx12 - 4.8	8	PC
50	92097299-0	Hex Head Screw - M6Cx16 - 8.8	4	PC
60	93699708-0	Spring Washer - Plated M6	4	PC

This page is intentionally left blank

Chapter 3 Powapack

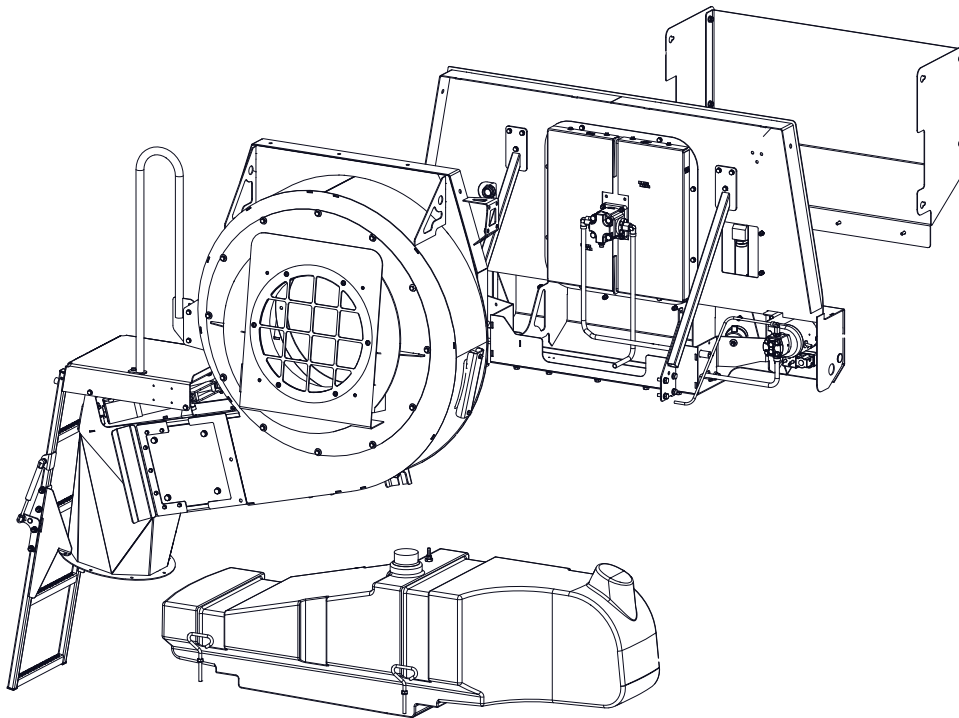
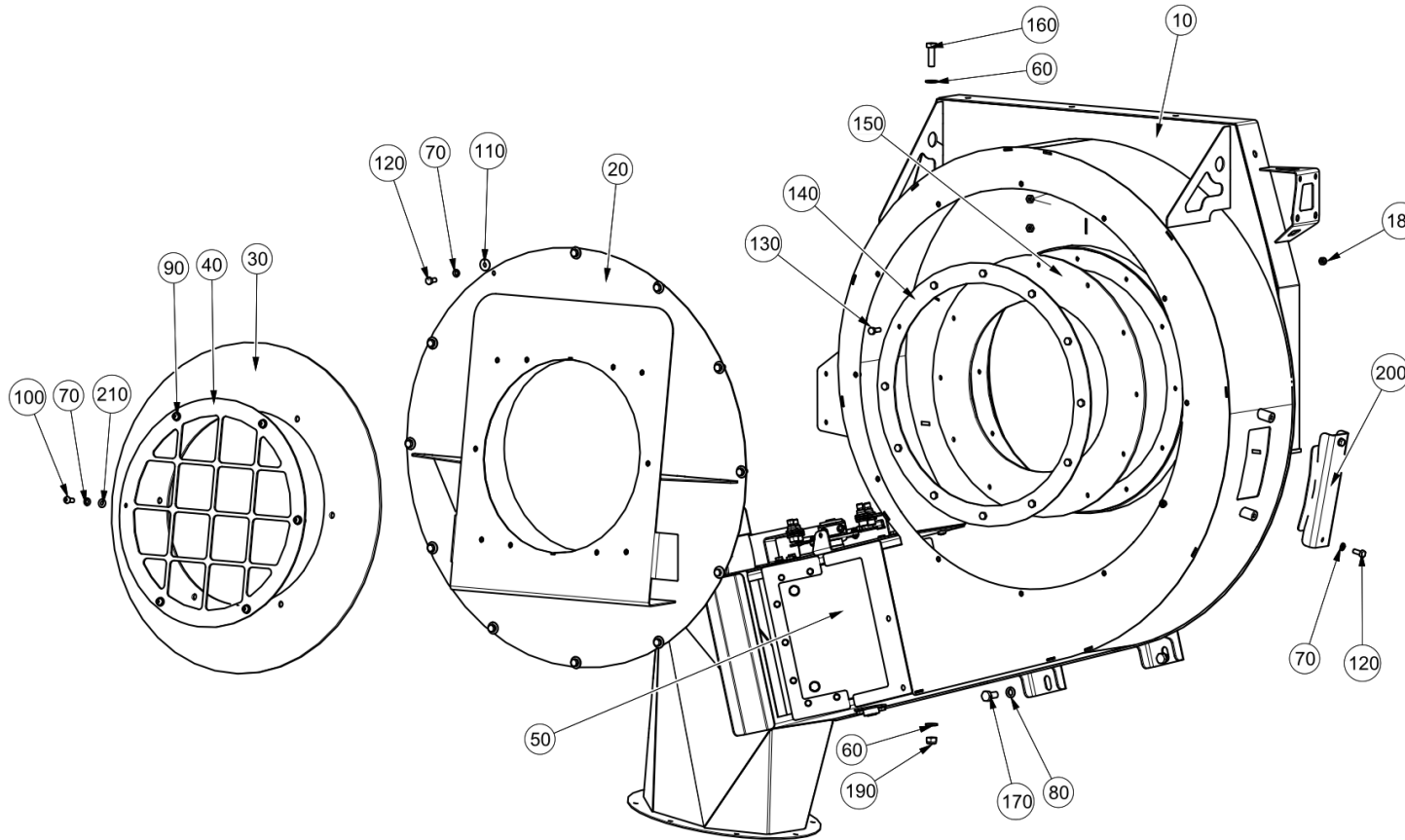


Table of Contents

Section	Page
3.1 LHS Blast Fancase.....	26
3.1.1 LH Blast VEG Gate	28
3.2 LHS Aux Water Tank	32
3.3 LHS Access Platform.....	34
3.4 Access Ladder.....	36
3.5 Cooling	38
3.5.1 Cooling Fan Assy	42
3.6 Deflector Assembly.....	.44

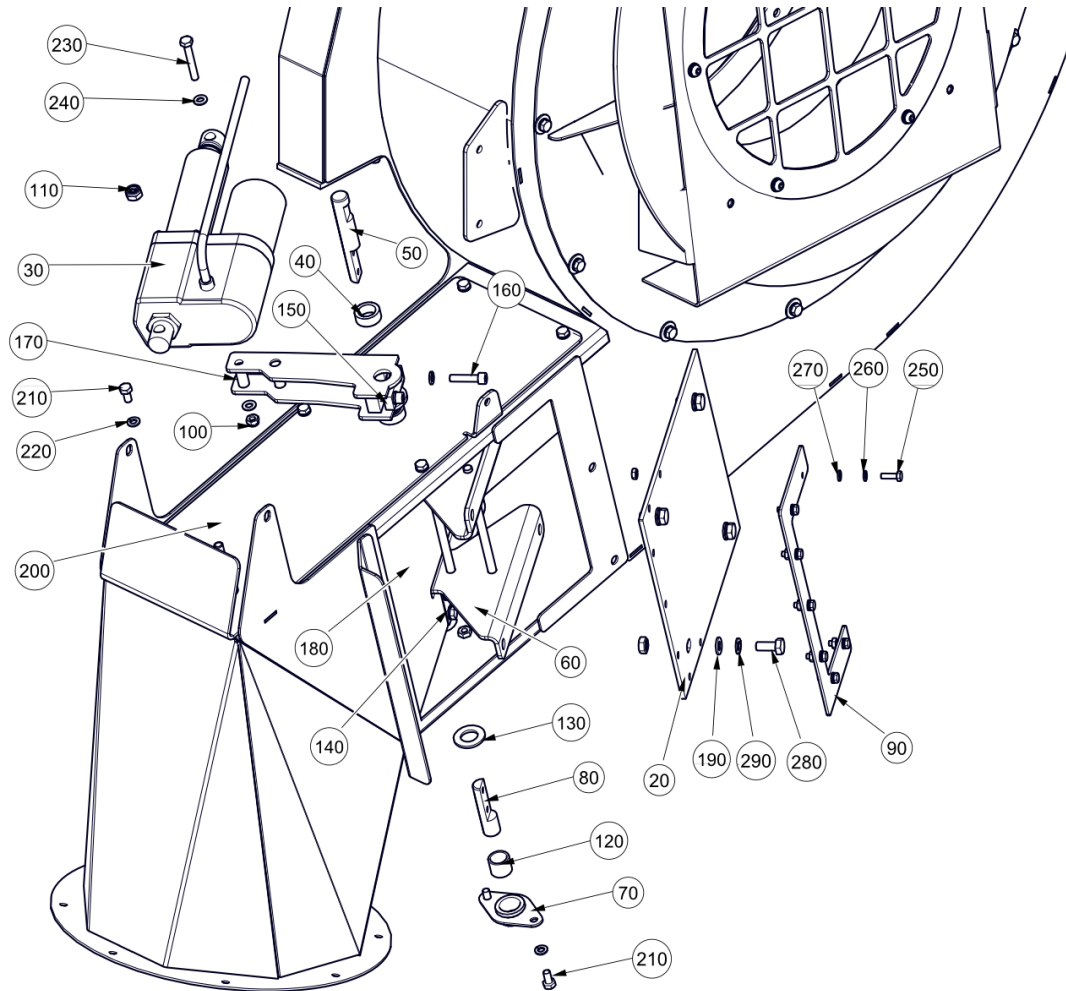
LHS Blast Fancase ()
Powapack\LHS Blast Fancase



LHS Blast Fancase ()
Powapack\LHS Blast Fancase

Item no.	Part no.	Description	QTY	Unit
10	221060-1	Fancase W/Assy RT655	1	PC
20	221080-1	Fan Inlet W/Assy RT655	1	PC
30	221087-1	Seal - Make/Brake RT655	1	PC
40	221053-1	Clamp Ring - Fan Inlet RT655	1	PC
60	455-12	Washer Plain Plated Steel M12	4	PC
70	460-10	Washer Spring Single Coil M8	14	PC
80	460-12	Washer Spring Single Coil M12	2	PC
90	138-125	Screw - Skt Button Hd M8cx25	4	PC
100	138-123	Screw - Skt Button Hd M8cx20	2	PC
110	457-4	Washer Plain Steel M8 Form G	12	PC
120	124-135	Setscrew M8C x 20	12	PC
130	124-137	Setscrew M8C x 25	12	PC
140	42239-2	Flange - Fancase (Painted)	1	PC
150	42382-1	Diaphragm - Fancase	1	PC
160	124-207	Setscrew M12C x 40	2	PC
170	124-203	Setscrew M12C x 30	2	PC
180	425-14	Nut Nyloc Hex MC M8	12	PC
190	425-16	Nut Nyloc Hex M12c	2	PC
200	293870-1	Access Cover W/A Fan Impeller	1	PC
210	455-10	Washer Plain Plated Steel M8	6	PC

LH Blast VEG Gate ()
Powapack\LHS Blast Fancase\LH Blast VEG Gate

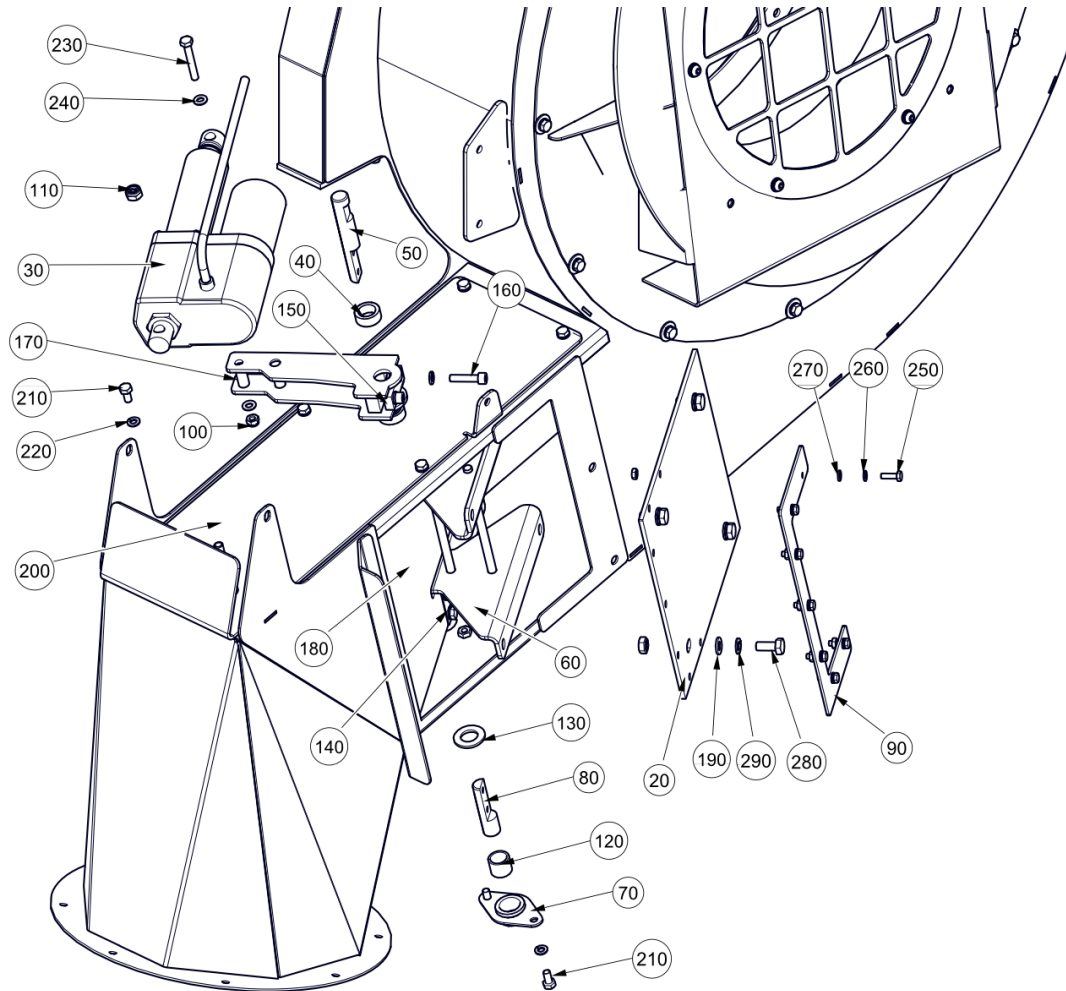


LH Blast VEG Gate ()

Powapack\LHS Blast Fancase\LH Blast VEG Gate

Item no.	Part no.	Description	QTY	Unit
20	7018239	VEG Gate Plate W/Assy	1	PC
30	7050790	Actuator 101.6mm Stroke with POT - 12v	1	PC
40	221497-1	Spacer - Veg Mechanism RT655	1	PC
50	221173-1	Upper Axle-Veg Mechanism RT655	1	PC
60	7012679	VEG Gate Frame W/Assy	1	PC
70	221175-1	Lower Bearing W/A Veg Mech 655	1	PC
80	221174-1	Lower Axle-Veg Mechanism RT655	1	PC
90	7018243	Seal Plate	1	PC
100	425-14	Nut Nyloc Hex MC M8	1	PC
110	425-15	Nut Nyloc Hex M10C	1	PC
120	29128-1-B	Bush - 20Lg	2	PC
130	454-20	Washer Plain St.Stl M20x37	2	PC
140	42723-1-A	Washer - Tab	2	PC
150	221496-1	Adjuster Plate - Veg Mech 655	1	PC
160	129-129	Screw MC Cap Skt Hd M8x35	2	PC
170	221187-1	Bush - Lever Veg Mechanism 655	1	PC
180	7010786	Baffle Plate VEG Gate	1	PC
190	455-11	Washer Plain Plated Steel M10	4	PC
200	222166-1	Base Plate-Veg Mechanism RT655	1	PC
210	124-134	Setscrew M8C x 16	7	PC
220	460-10	Washer Spring Single Coil M8	0	PC
230	124-146	Setscrew M8C x 55	1	PC
240	455-10	Washer Plain Plated Steel M8	0	PC
250	124-103	Setscrew M6C x 20	7	PC

LH Blast VEG Gate ()
Powapack\LHS Blast Fancase\LH Blast VEG Gate

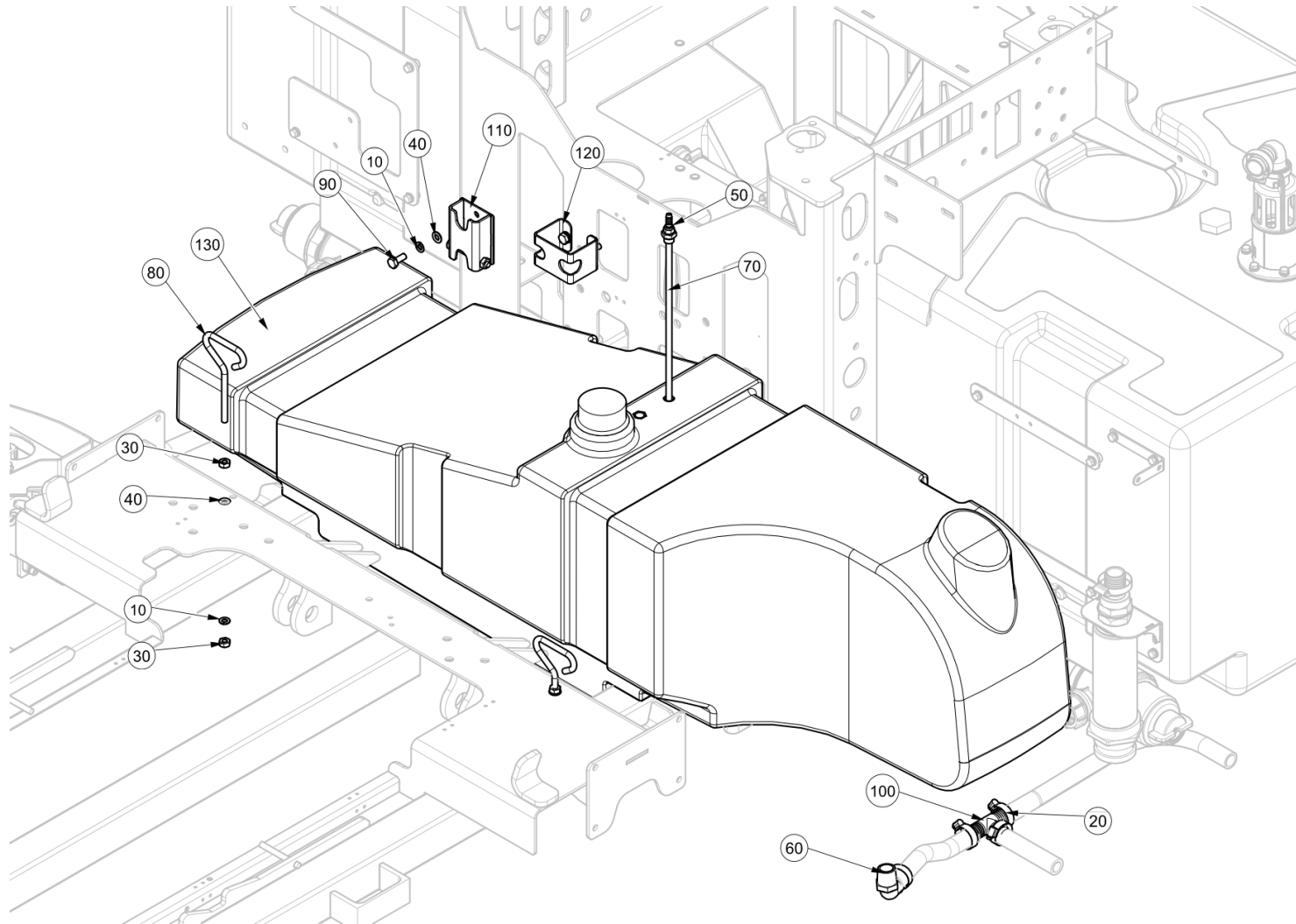


LH Blast VEG Gate ()

Powapack\LHS Blast Fancase\LH Blast VEG Gate

Item no.	Part no.	Description	QTY	Unit
260	460-8	Washer Spring Single Coil M6	7	PC
270	455-8	Washer Plain Plated Steel M6	7	PC
280	124-169	Setscrew M10C x 25	4	PC
290	460-11	Washer Spring Single Coil M10	4	PC

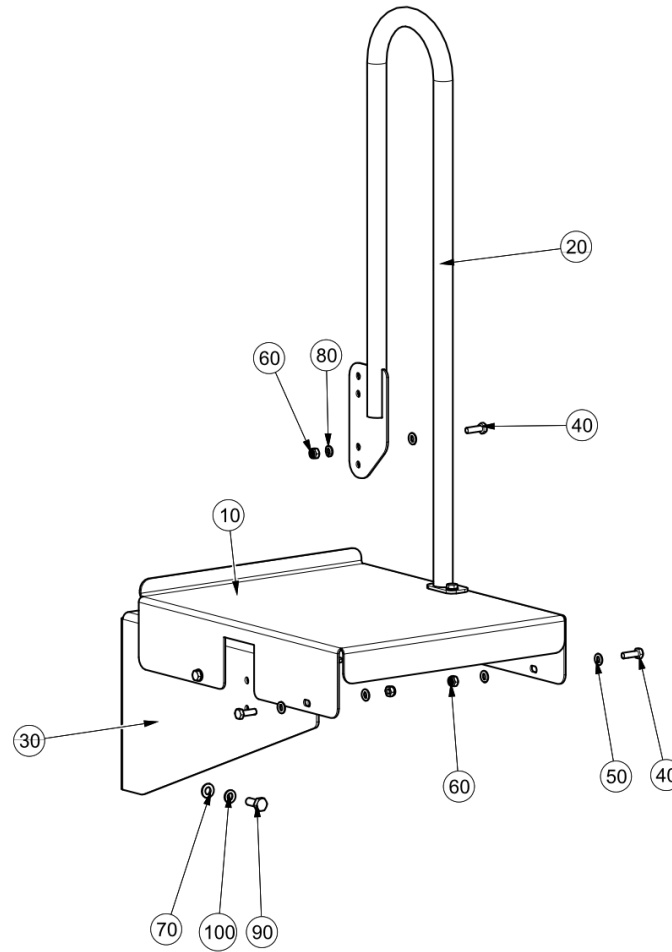
LHS Aux Water Tank ()
PowapackLHS Aux Water Tank



LHS Aux Water Tank ()
Powapack\LHS Aux Water Tank

Item no.	Part no.	Description	QTY	Unit
10	93699711-0	Spring Washer - Plated M10	10	PC
20	09531009-0	Hose Clip - Worm Drive (30-40)	8	PC
30	93056015-0	Hex Nut M10C-8	4	PC
40	93212012-0	Plain Washer - M10	10	PC
50	277-307	Swivel Nut & Hosetail 1/4" BSPP 3/8" ID	1	PC
60	66-15	Elbow - Poly. 90 ° 1 M x 1" Barb	2	PC
70	7041659	Fuel Pipe W/Assy	1	PC
80	221541-1	Fuel Strap Hook RT655	2	PC
90	92097412-0	Hex Head Screw - M10Cx25 - 8.8	8	PC
100	277-204	Tee - Nylon Barb to Barb 1" Male	2	PC
110	222055-2	Buffer/Strap Fixture Assy RH	2	PC
120	221987-1	Buffer Plate-Powapak RT655	2	PC
130	7050544	Water Tank - RM LH Blast Assy	1	PC

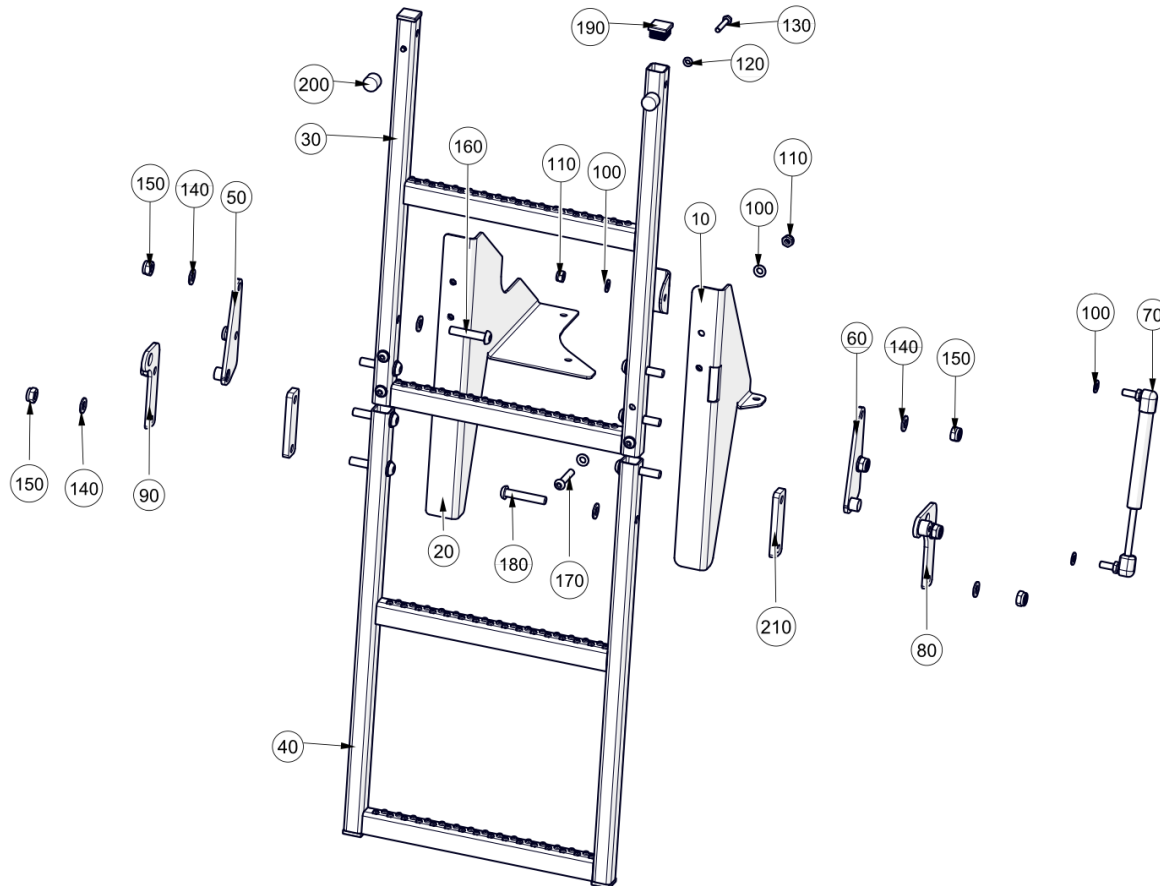
LHS Access Platform ()
Powapack\LHS Access Platform



LHS Access Platform ()
Powapack\LHS Access Platform

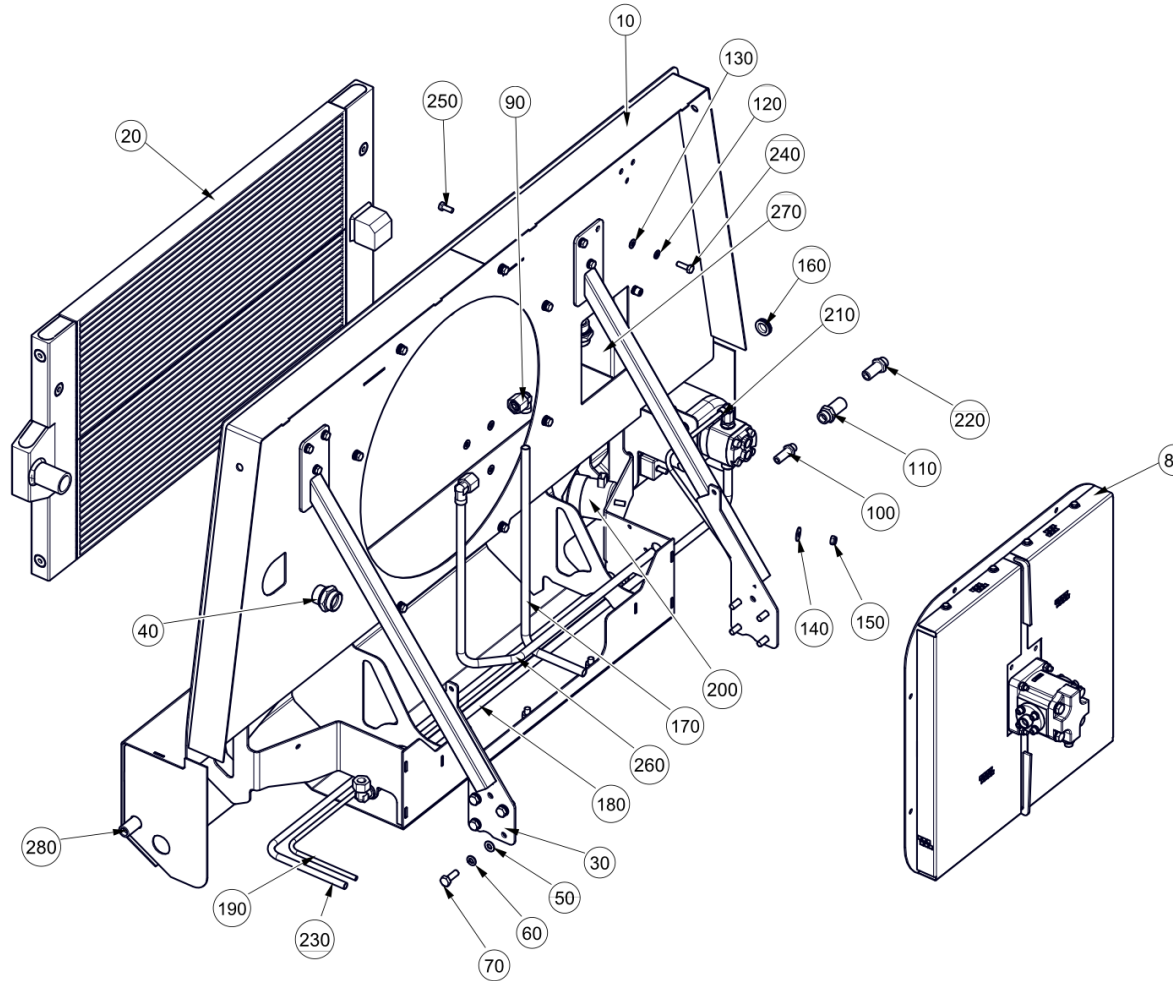
Item no.	Part no.	Description	QTY	Unit
10	221478-1	Platform - Ladder RT655	1	PC
20	221460-1	Grab Rail W/Assy RT655	1	PC
30	221481-1	Bracket - Platform RT655	1	PC
40	92097376-0	Hex Head Screw - M8Cx25 - 8.8	6	PC
50	93212011-0	Plain Washer - M8	9	PC
60	93085005-0	Nyloc Hex Nut M8C - 8	6	PC
70	93212012-0	Plain Washer - M10	2	PC
80	93699710-0	Spring Washer - Plated M8	1	PC
90	92097412-0	Hex Head Screw - M10Cx25 - 8.8	2	PC
100	93699711-0	Spring Washer - Plated M10	2	PC

Access Ladder ()
Powapack\Access Ladder



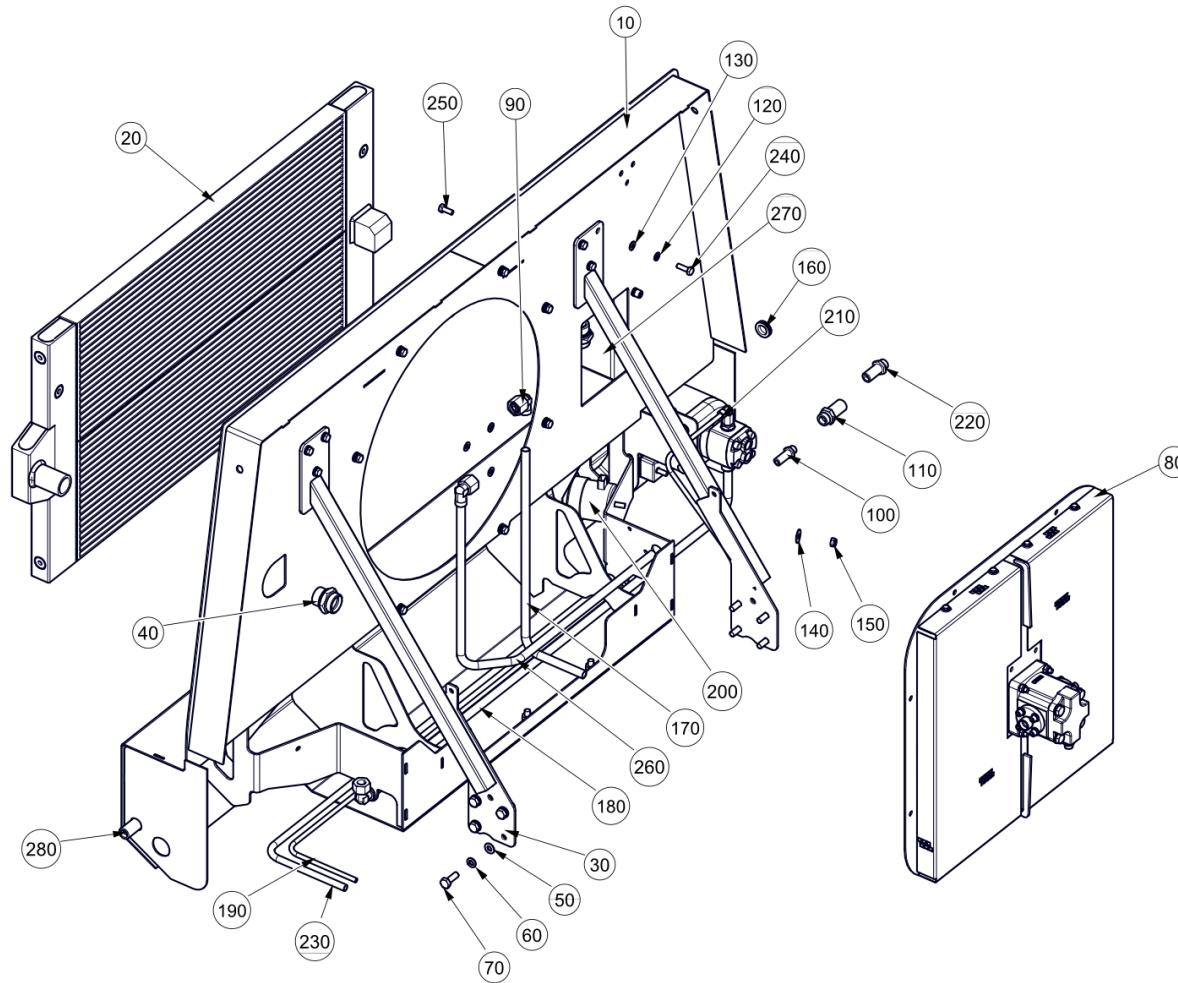
Access Ladder ()
Powapack\Access Ladder

Item no.	Part no.	Description	QTY	Unit
10	7050153	Access Ladder Mount	1	PC
20	7050152	Access Ladder Mount	1	PC
30	7044583	Ladder W/Assy - Upper	1	PC
40	7044400	Ladder W/Assy - Lower	1	PC
50	7044396	Hinge - Ladder	1	PC
60	7044397	Hinge - Ladder	1	PC
70	293-3	Spring - Gas	1	PC
80	7044619	Pivot RH - Ladder	1	PC
90	7045317	Pivot LH - Ladder	1	PC
100	93212011-0	Plain Washer - M8	11	PC
110	93085005-0	Nyloc Hex Nut M8C - 8	5	PC
120	93212009-0	Plain Washer - M6	2	PC
130	92067308-0	Hex Head Bolt - M6Cx35 - 8.8	2	PC
140	93212012-0	Plain Washer - M10	16	PC
150	93085006-0	Nyloc Hex Nut M10C - 8	8	PC
160	138-162	Hex Skt Button Head Screw M10x50 - 10.9	4	PC
170	92330050-0	Hex Skt Button Head Screw M8x45 - 10.9	4	PC
180	138-163	Hex Skt Button Head Screw M10x55 - 10.9	4	PC
190	44-77	Insert - Plastic Tube 25.4x25.4	4	PC
200	290-31	Mount - Anti Vibration F M6	2	PC
210	7045266	Plate - Ladder	2	PC



Cooling ()
Powapack\Cooling

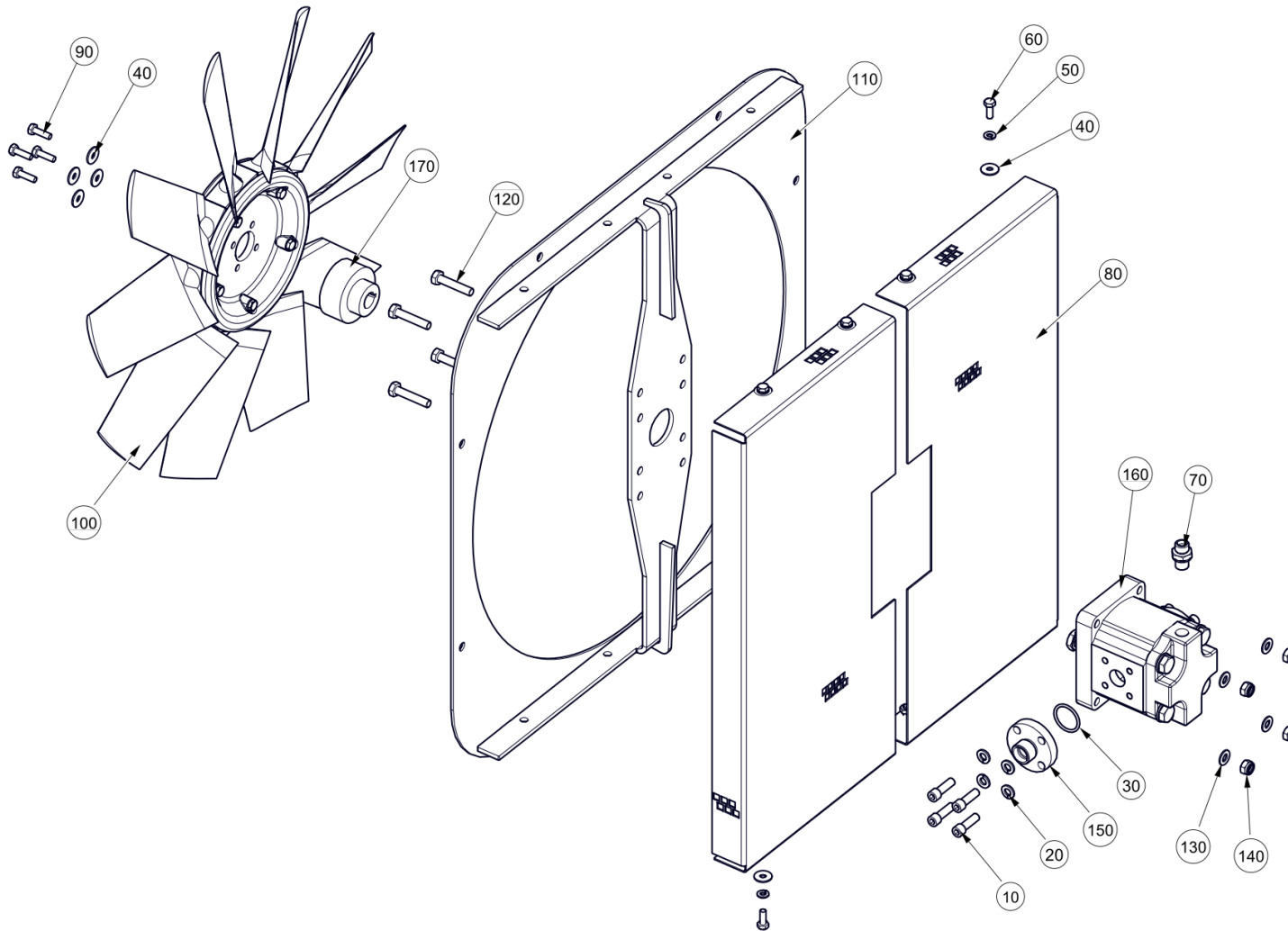
Item no.	Part no.	Description	QTY	Unit
10	7050077	Cooling Pack R/assy	1	PC
20	7035760	Hydraulic oil cooler	1	PC
30	7050040	Rad Support W/assy LH	1	PC
Radiator Support Assembly RH 7050041				
30	7050041	Rad Support W/assy RH	1	PC
40	6601-1349	Stud Coupling Male G 1" x M36 x 2.0	2	PC
50	93212012-0	Plain Washer - M10	17	PC
60	93699711-0	Spring Washer - Plated M10	17	PC
70	92097414-0	Hex Head Screw - M10Cx30 - 8.8	17	PC
80	7047952	Cooling Fan Sub Assembly	1	PC
90	6613-0505	Adjustable Male Elbow - M22 x 1.5	2	PC
100	09570456-0	Straight Bulkhead Connector M14 x 1.5	1	PC
110	302-3	Straight Bulkhead Connector - M22 x 1.5	1	PC
120	93699710-0	Spring Washer - Plated M8	19	PC
130	93212011-0	Plain Washer - M8	19	PC
140	93300509-0	Plain Large Washer - M8	1	PC
150	93085005-0	Nyloc Hex Nut M8C - 8	1	PC
160	288-46	Grommet - Semi Blind 25.4 O/D x 1.6	1	PC
170	7050047	Pipe Hyd - Cooling Motor Return	1	PC
180	7050051	Pipe Hyd - Discharge Pump Feed	1	PC
190	7040394	Pipe Hyd H-3A3-H-3Z1(B6)	1	PC
200	30-184	Alarm - Reverse	1	PC
210	7050052	Pipe Hyd - Discharge Feed to Block	1	PC
220	302-2	Straight Bulkhead Connector M18 x 1.5	1	PC



Cooling ()
Powapack\Cooling

Item no.	Part no.	Description	QTY	Unit
230	7051161	Pipe Hyd - Rad Bulkhead to Frame	1	PC
240	92097376-0	Hex Head Screw - M8Cx25 - 8.8	17	PC
250	92097374-0	Hex Head Screw - M8Cx20 - 8.8	2	PC
260	7056635	Pipe - GB Manifold to Cooling Fan	1	PC
270	7056650	Cover Plate - Cooling Pack	1	PC
280	09570487-0	Bulkhead Elbow Connector - M22 x 1.5	2	PC

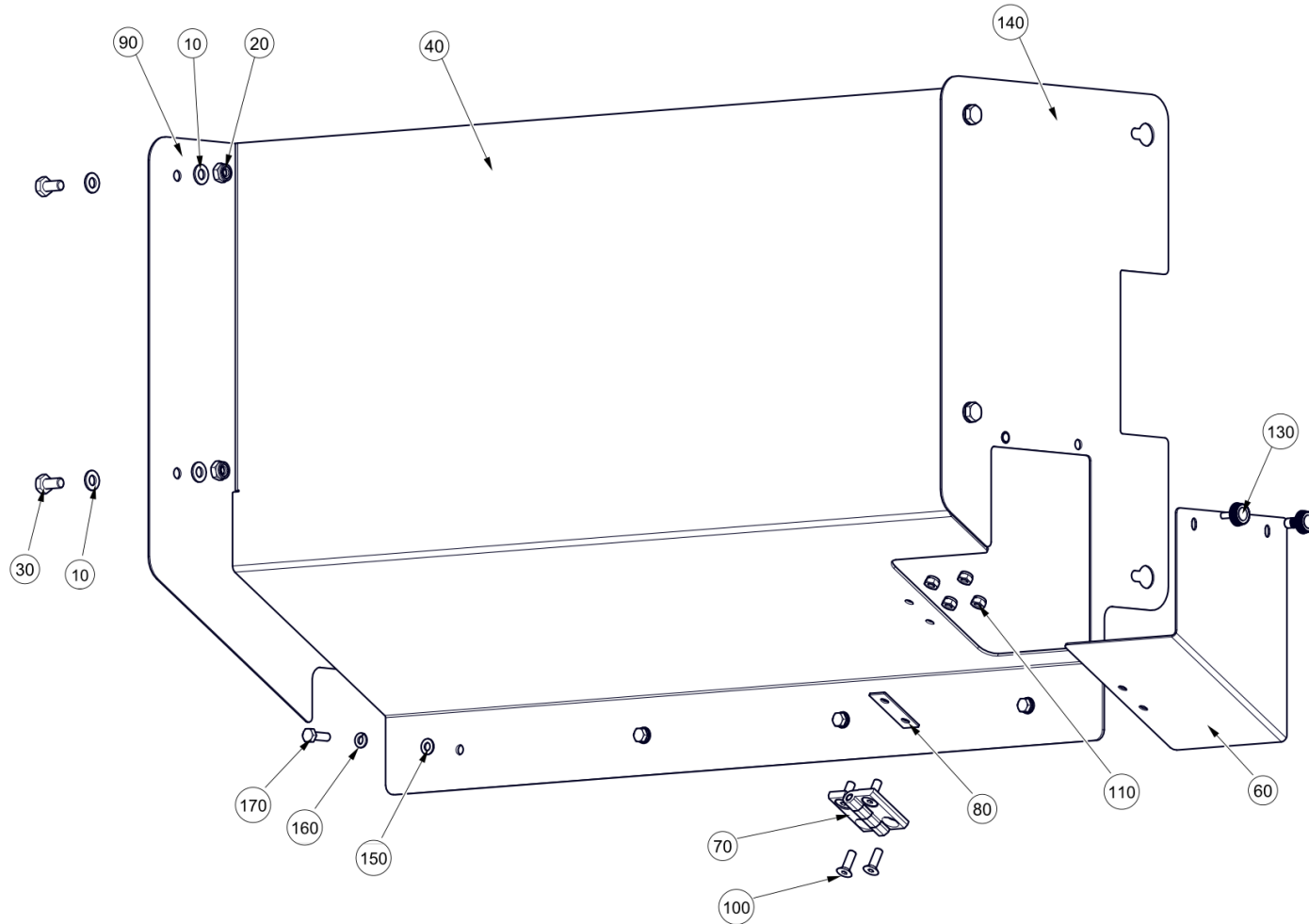
Cooling Fan Assy ()
Powapack\Cooling\Cooling Fan Assy



Cooling Fan Assy ()
Powapack\Cooling\Cooling Fan Assy

Item no.	Part no.	Description	QTY	Unit
10	151-50	Capscrew Skt Hd UNC 5/16x1	8	PC
20	450-28	Washer Spring 5/16	8	PC
30	79-34	O-Ring - 1.049" Dia.	2	PC
40	93300507-0	Plain Large Washer M6	12	PC
50	93699708-0	Spring Washer - Plated M6	8	PC
60	92097299-0	Hex Head Screw - M6Cx16 - 8.8	8	PC
70	09570126-0	Stud Coupling Male G 1/4" x M14x1.5 (8L)	1	PC
80	7048270	Fan Shroud	2	PC
90	92097301-0	Hex Head Screw - M6Cx20 - 8.8	4	PC
100	7048312	Impeller 500mm	1	PC
110	7047953	Cooling Fan Plate Mekavac	1	PC
120	92097380-0	Hex Head Screw - M8Cx40 - 8.8	4	PC
130	93212011-0	Plain Washer - M8	4	PC
140	93085005-0	Nyloc Hex Nut M8C - 8	4	PC
150	7011027	Adaptor - Hydraulic Motor	2	PC
160	295046-1	Hydraulic Motor	1	PC
170	283295-1	Boss - Fan Drive	1	PC

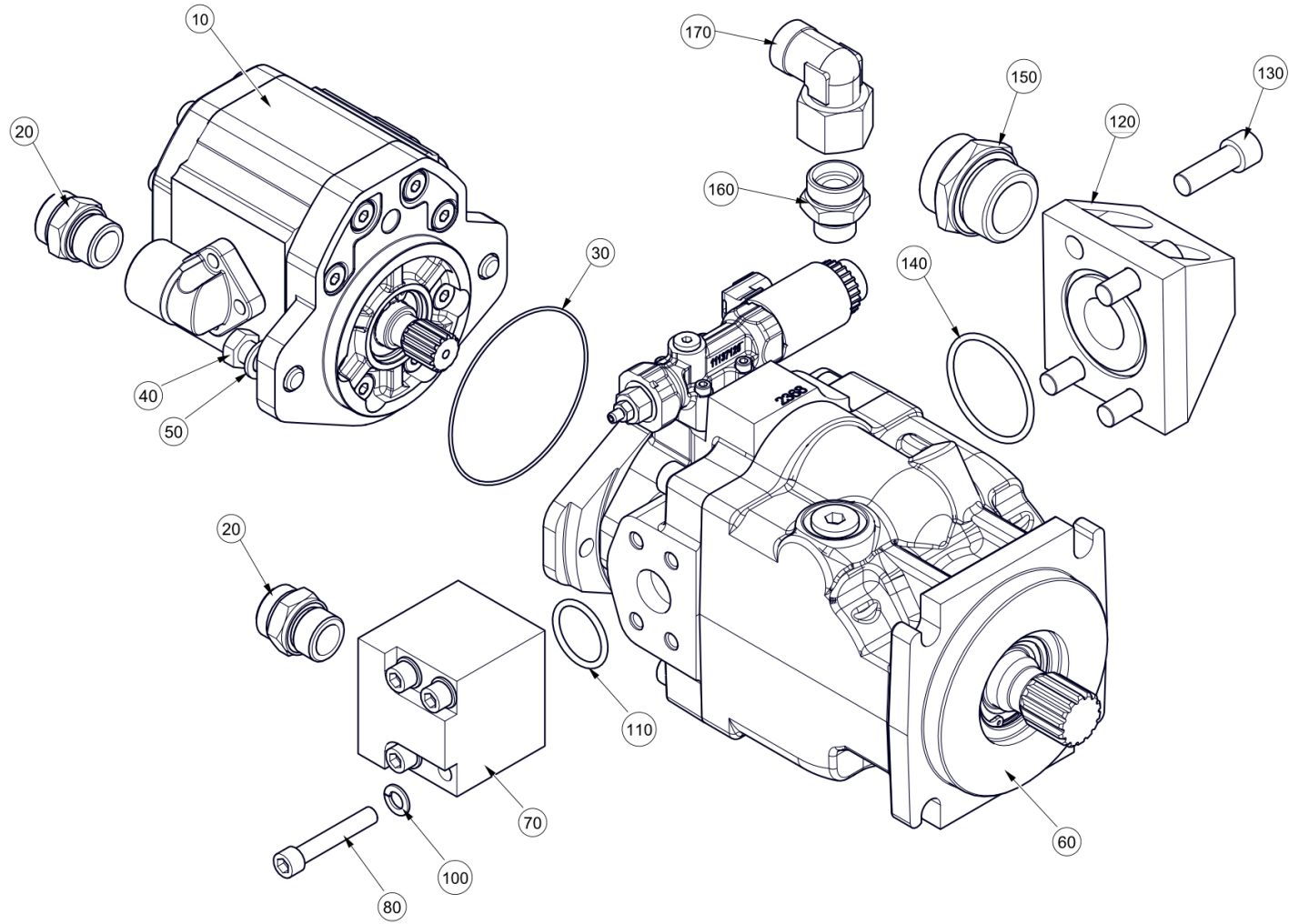
Deflector Assembly ()
Powapack\Deflector Assembly



Deflector Assembly ()
Powapack\Deflector Assembly

Item no.	Part no.	Description	QTY	Unit
10	93212012-0	Plain Washer - M10	8	PC
20	93085006-0	Nyloc Hex Nut M10C - 8	4	PC
30	92097410-0	Hex Head Screw - M10Cx20 - 8.8	4	PC
40	7056109	Deflector Plate - Lower	1	PC
60	7056343	Cover Plate - Deflector	1	PC
70	212-20	Hinge - 180 ° Screw-On	1	PC
80	7056348	Packer Plate- Deflector	1	PC
90	7056108	Deflector Plate - RH	1	PC
100	92153065-0	Hex Socket CSK Screw M8Cx25 10.9	4	PC
110	93085005-0	Nyloc Hex Nut M8C - 8	4	PC
130	23-12	Thumbscrew - M6x15	2	PC
140	7056740	LH Deflector Plate R/assy	1	PC
150	93212011-0	Plain Washer - M8	4	PC
160	93699710-0	Spring Washer - Plated M8	4	PC
170	92097376-0	Hex Head Screw - M8Cx25 - 8.8	4	PC

Hydraulic Pump ()
Hydraulic Pump



Hydraulic Pump ()

Hydraulic Pump

Item no.	Part no.	Description	QTY	Unit
10	7057063	Pump - Hydraulic Single 22cc CW	1	PC
20	6601-1342	Stud Coupling Male G 3/4" x M30 x 2.0	5	PC
30	80-401	O-Ring - VITON 100.0 ID x 1.78	1	PC
40	92081158-0	Hexl Hd Bolt - 1/2"-13 UNC x 1 1/2"	2	PC
50	450-31	Spring Washer Ø1/2"	2	PC
60	7050925	Piston Pump PC Control - 12v Clockwise	1	PC
70	7051234	Hyd. Pump Control Block	1	PC
80	151-81	Capscrew Skt Hd UNC 3/8x 3 1/2	4	PC
100	450-29	Spring Washer Ø3/8"	4	PC
110	09535884-0	O-Ring, BS 219 (1.296" ID x 0.139")	1	PC
120	802853-1	Adaptor - 1 1/4" x 1 1/4" BSP	1	PC
130	151-115	Capscrew Skt Hd UNC 1/2x1 1/2	1	PC
140	09504434-0	O-Ring, BS 228 (2.234" ID x 0.139")	1	PC
150	09570133-0	Stud Coupling Male G 1 1/4" x M45 x 2.0	1	PC
160	09570162-0	Stud Coupling Male 7/8" UNF x M30x2.00	1	PC
170	09571074-0	Adjustable Male Elbow - M30 x 2.0	1	PC

This page is intentionally left blank

Chapter 5 Subframe

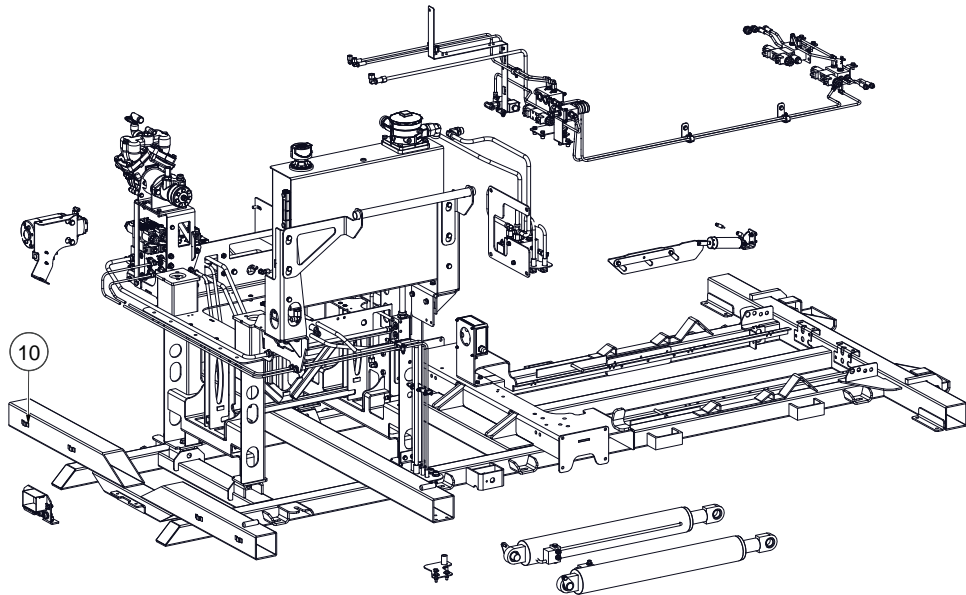
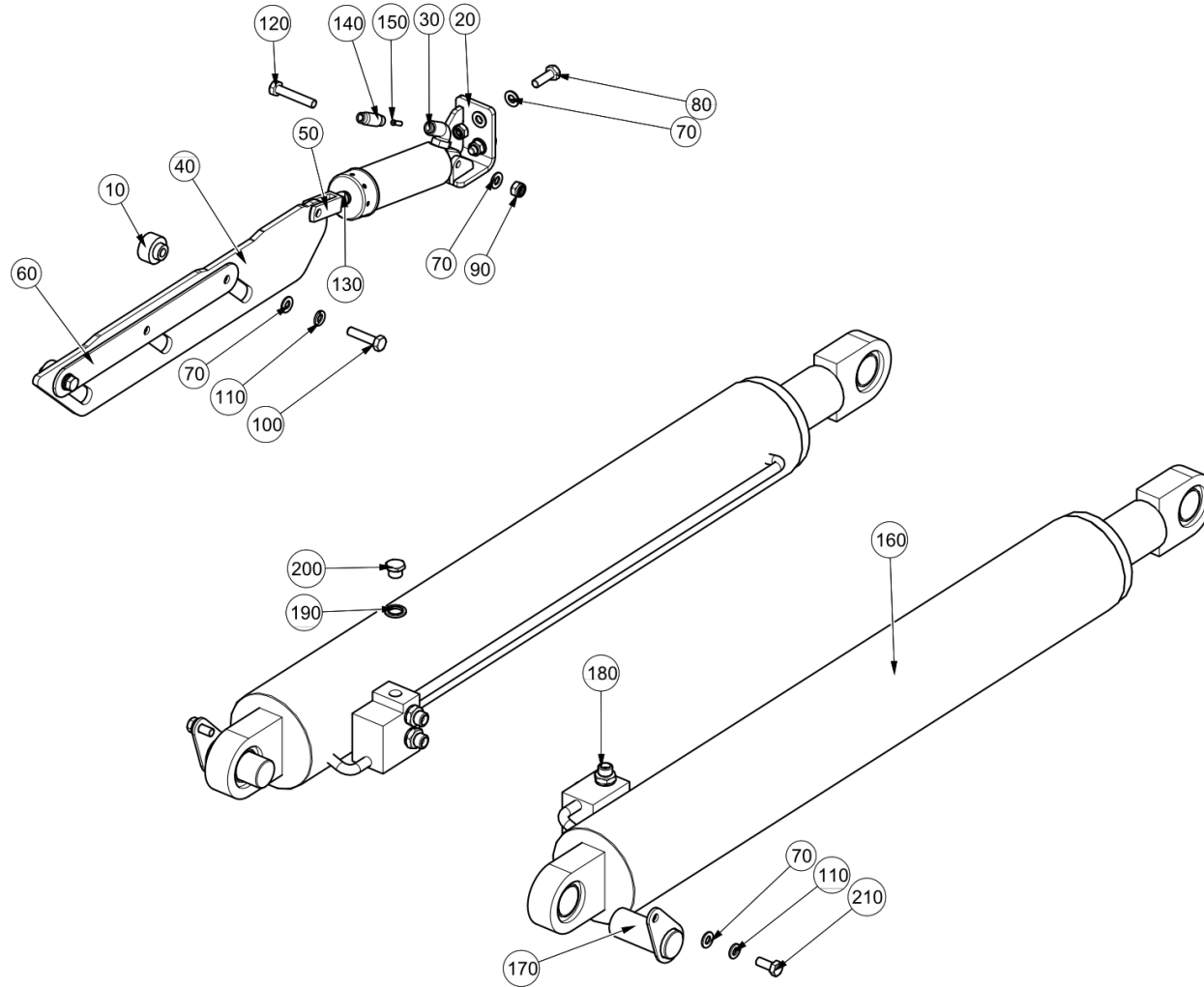


Table of Contents

Section	Page
5.1 Body Prop and Lift Cylinders.....	50
5.2 Rotatilt Relay Box.....	52
5.3 Powapack Elements.....	54
5.3.1 Return Manifold.....	56
5.3.2 RHS & LHS Bulkhead.....	58
5.3.3 Engine Frame Pipework.....	60
5.3.4 Hydraulic Tank.....	64
5.3.5 Hydraulic Manifold.....	68
5.4 Subframe Hydraulics Pipework.....	70
5.5 Powaboom and Rear Door Hydraulics.....	74
5.6 Subframe Front Bulkheads.....	78
5.7 Tandem Valve Block.....	80
5.8 Discharge Pump.....	82
5.9 Engine Frame.....	84

Item no.	Part no.	Description	QTY	Unit
10	7039000	Subframe - W/assy	1	PC

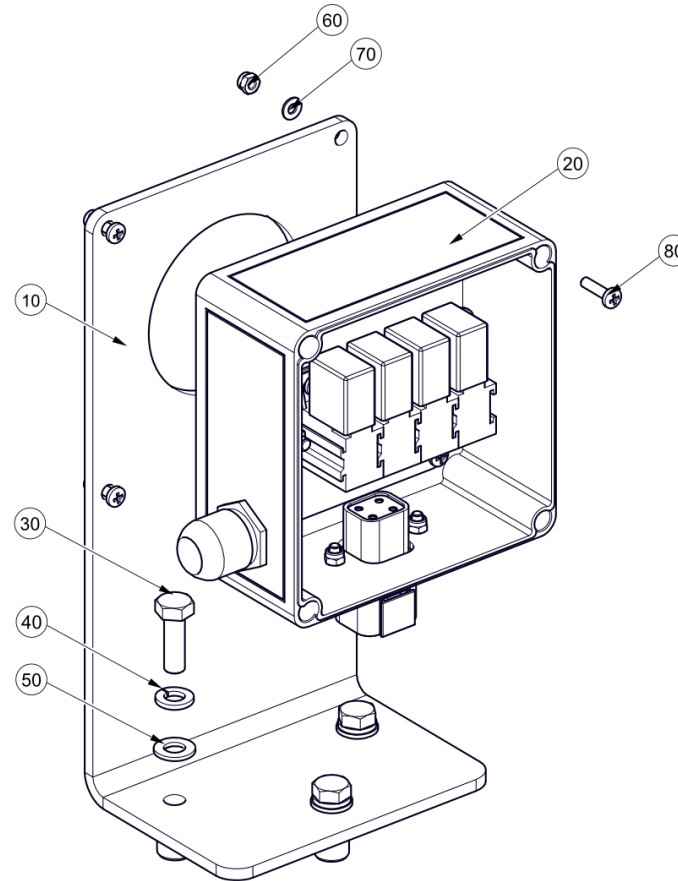
Body Prop and Lift Cylinders ()
Subframe\Body Prop and Lift Cylinders



Body Prop and Lift Cylinders ()
Subframe\Body Prop and Lift Cylinders

Item no.	Part no.	Description	QTY	Unit
10	7038998	Bush - Body prop release	2	PC
20	7039002	Bracket W/assy - Prop Cylinder	1	PC
30	560-40	Elbow - M12x1.5	1	PC
40	7038993	Plate - Prop Release	1	PC
50	6371-0081	Fork Joint	1	PC
60	7038994	Plate - Prop Latch	1	PC
70	93212011-0	Plain Washer - M8	8	PC
80	92097376-0	Hex Head Screw - M8Cx25 - 8.8	2	PC
90	93085005-0	Nyloc Hex Nut M8C - 8	3	PC
100	92067382-0	Hex Head Bolt - M8Cx35 - 8.8	2	PC
110	93699710-0	Spring Washer - Plated M8	2	PC
120	92097381-0	Hex Head Screw - M8Cx45 - 8.8	1	PC
130	7040115	Cylinder - Ø35 x 60	1	PC
140	09598742-0	BL-nector - Straight 6mm	1	PC
150	41041-1-A	Sleeve - Support, Pipe	1	PC
160	221120-1	Cylinder - Hydraulic Tip RT655	2	PC
170	221077-1	Anchor Pin W/A Tip Cyl Mtg 655	2	PC
180	09570126-0	Stud Coupling Male G 1/4" x M14x1.5 (8L)	6	PC
190	451-17	Washer Bonded G1-4"	2	PC
200	54-14	Plug - G 1/4"	2	PC
210	92097374-0	Hex Head Screw - M8Cx20 - 8.8	2	PC

Rotatilt Relay Box ()
Subframe\Rotatilt Relay Box



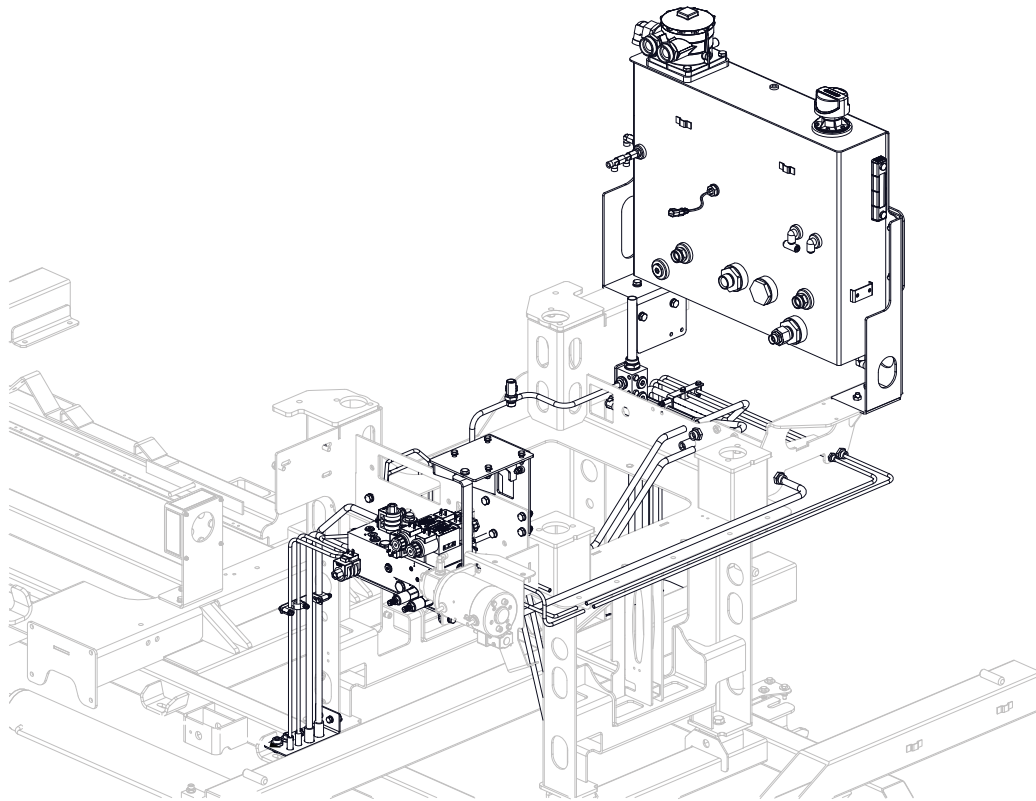
Rotatilt Relay Box ()
Subframe\Rotatilt Relay Box

Item no.	Part no.	Description	QTY	Unit
10	7042982	Bracket - Rotatilt Relay Box	1	PC
20	7022865	Dual Rotatilt Relay Box Assembly 12V	1	PC
20	7022875	Single Rotatilt Relay Box Assembly 12 V	1	PC
20	7022820	Dual Rotatilt Relay Box Assembly 24V	1	PC
20	7022848	Single Rotatilt Relay Box Assembly 24 V	1	PC
30	92097376-0	Hex Head Screw - M8Cx25 - 8.8	3	PC
40	93699710-0	Spring Washer - Plated M8	3	PC
50	93212011-0	Plain Washer - M8	4	PC
60	93085002-0	Nyloc Hex Nut M4C - 8	4	PC
70	93212007-0	Plain Washer M4	4	PC
80	134-43	Pan Head Screw - M4Cx16 - 4.8	4	PC

This page is intentionally left blank

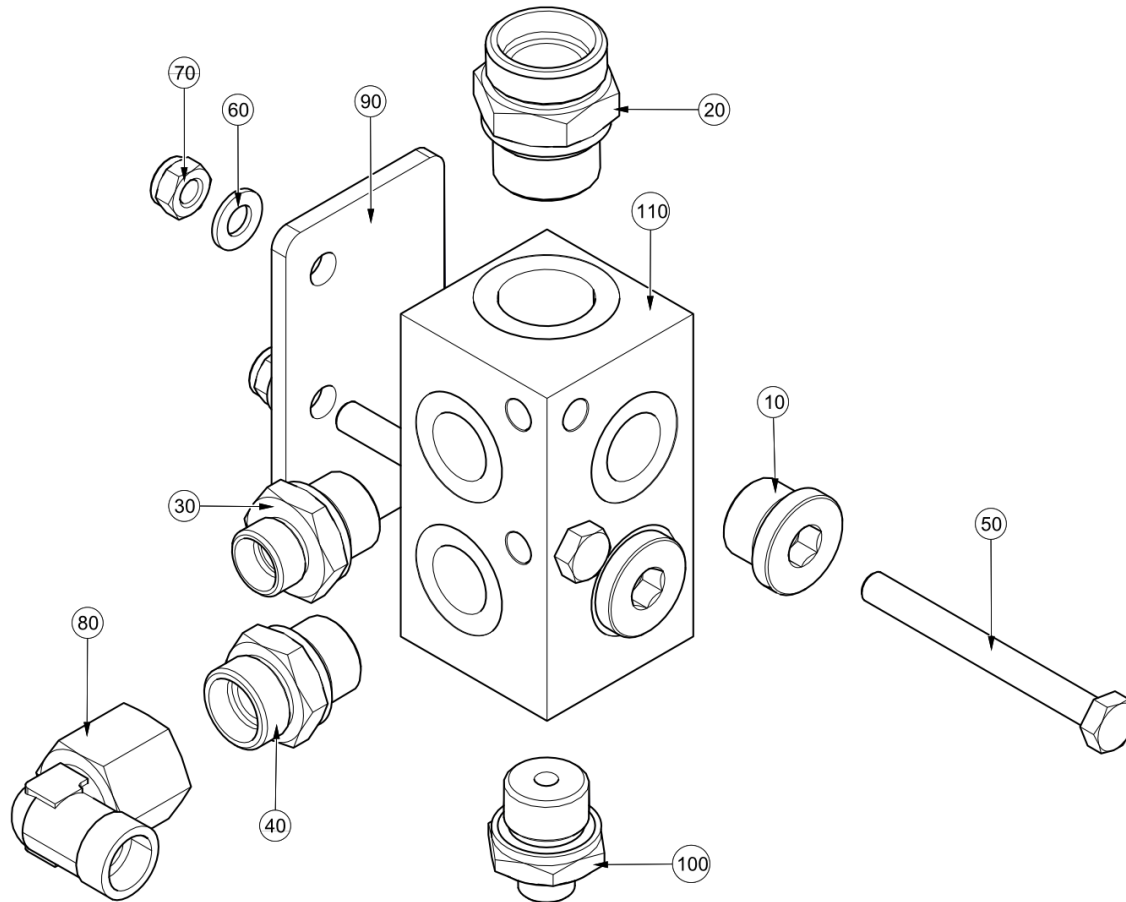
Powapack Elements

Table of Contents



Section	Page
5.3 Powapack Elements	54
5.3.1 Return Manifold	56
5.3.2 RHS & LHS Bulkhead	58
5.3.3 Engine Frame Pipework	60
5.3.4 Hydraulic Tank	64
5.3.5 Hydraulic Manifold	68

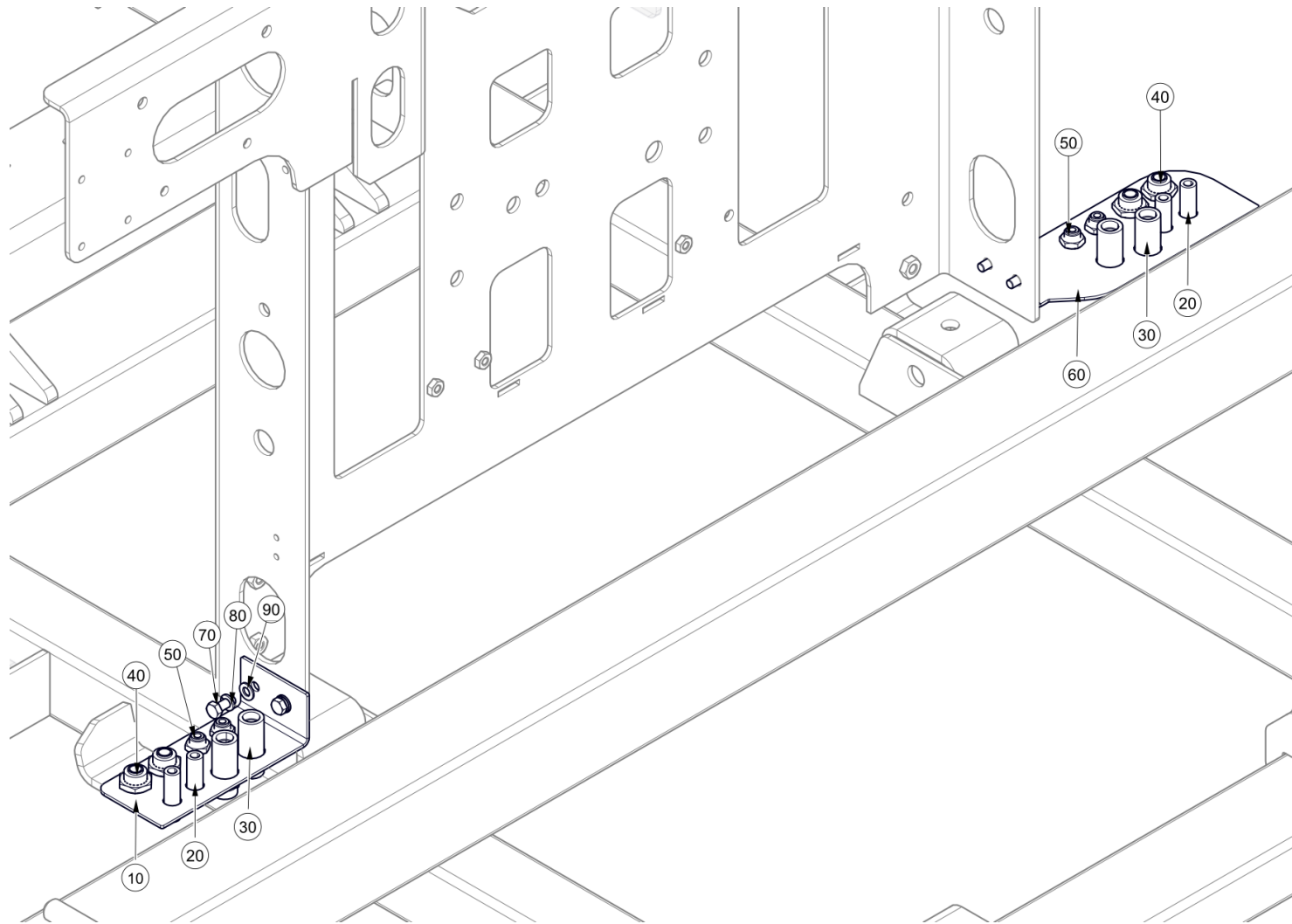
Return Manifold ()
Subframe\Powapack Elements\Return Manifold



Return Manifold ()
Subframe\Powapack Elements\Return Manifold

Item no.	Part no.	Description	QTY	Unit
10	09572135-0	Sealing Plug VS-R 1/2 WD	2	PC
20	6601-1342	Stud Coupling Male G 3/4" x M30 x 2.0	1	PC
30	09570131-0	Stud Coupling Male G 1/2" x M18 x 1.	1	PC
40	6601-1329	Stud Coupling Male G 1/2" x M22 x 1.5	1	PC
50	92067391-0	Hex Head Bolt - M8Cx80 - 8.8	2	PC
60	93212011-0	Plain Washer - M8	2	PC
70	93085005-0	Nyloc Hex Nut M8C - 8	2	PC
80	6613-0505	Adjustable Male Elbow - M22 x 1.5	1	PC
90	7041075	Plate - Return Manifold	1	PC
100	09570104-0	Stud Coupling Male G 1/2" x M14 x 1.5	1	PC
110	281548-1	Manifold-Hydraulic S/Frame	1	PC

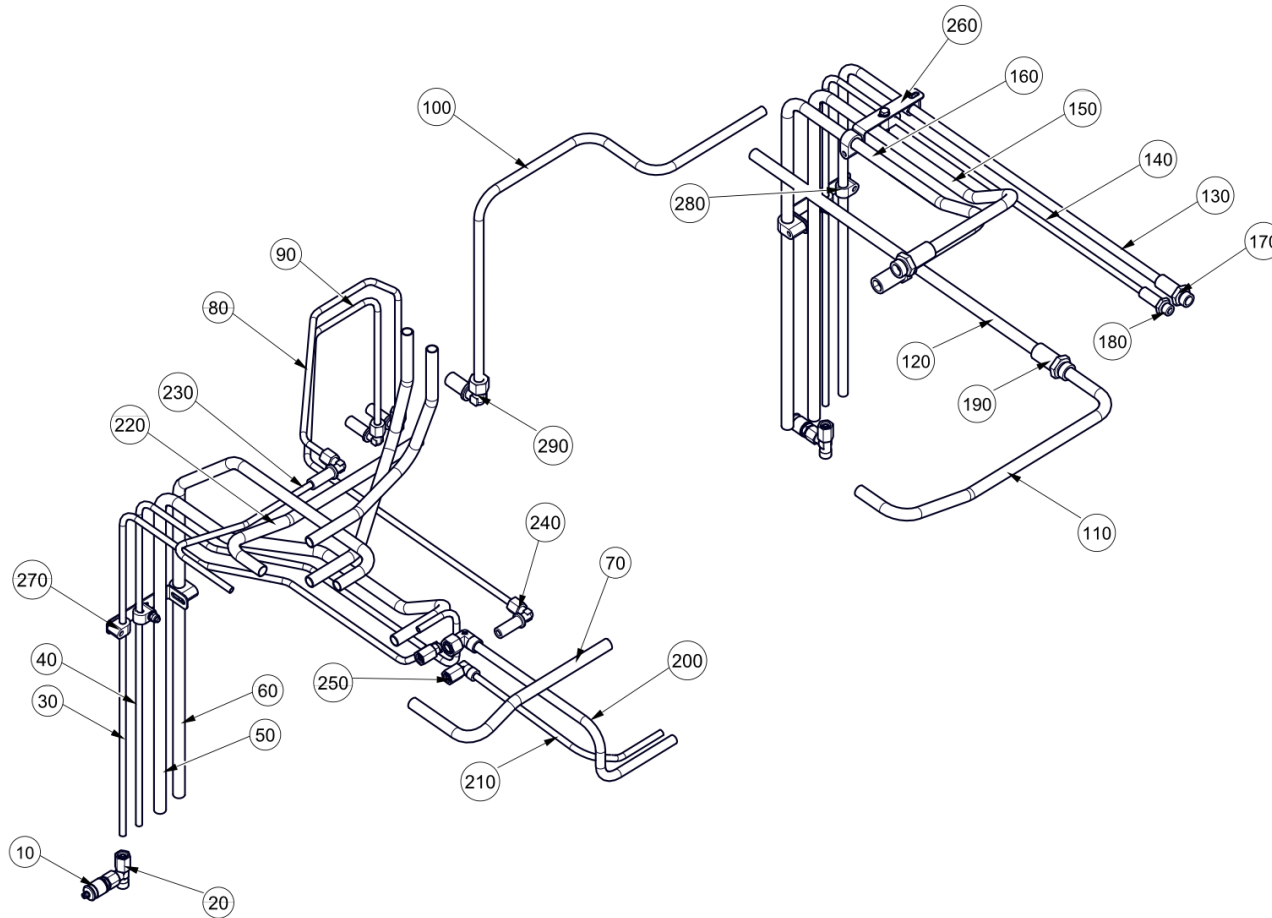
RHS & LHS Bulkhead ()
Subframe\Powapack Elements\RHS & LHS Bulkhead



RHS & LHS Bulkhead ()
Subframe\Powapack Elements\RHS & LHS Bulkhead

Item no.	Part no.	Description	QTY	Unit
10	7040410	Plate - RH Bulkhead Mounting	1	PC
20	09570456-0	Straight Bulkhead Connector M14 x 1.5	4	PC
30	302-3	Straight Bulkhead Connector - M22 x 1.5	4	PC
40	555-5	Adaptor Bulkhead 10mm x M20x1.5	4	PC
50	555-3	Adaptor Bulkhead 6mm x M14x1.5	5	PC
60	7040409	Plate - LH Bulkhead Mounting	1	PC
70	92097374-0	Hex Head Screw - M8Cx20 - 8.8	4	PC
80	93699710-0	Spring Washer - Plated M8	4	PC
90	93212011-0	Plain Washer - M8	4	PC

Engine Frame Pipework ()
Subframe\Powapack Elements\Engine Frame Pipework

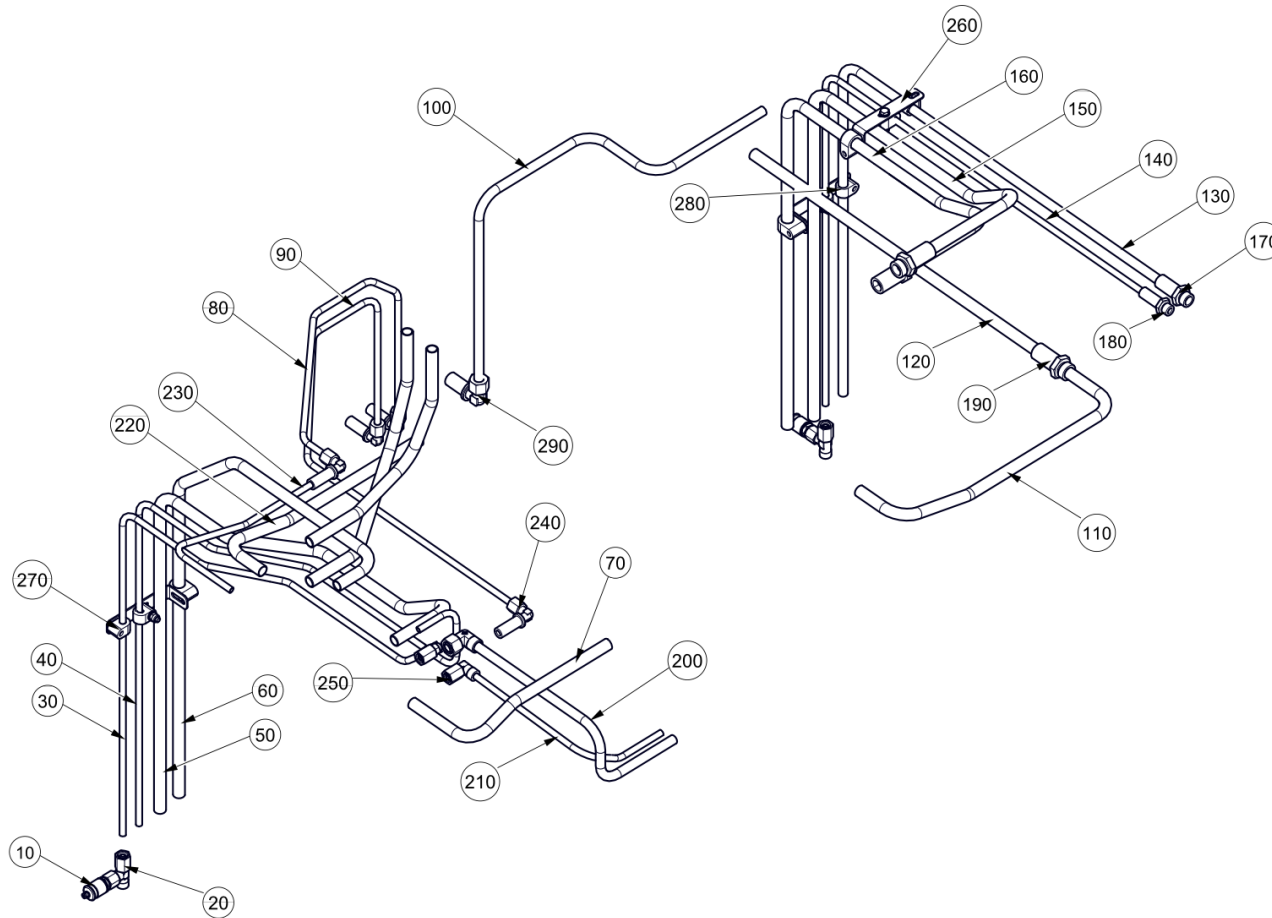


Engine Frame Pipework ()

Subframe\Powapack Elements\Engine Frame Pipework

Item no.	Part no.	Description	QTY	Unit
10	7040082	Pipe Hyd H-1Z3-H-1C1	1	PC
20	308-1	Adjustable Male Tee - M14 x 1.5	2	PC
30	518-8	Adaptor Straight - 8 OD 1/4 BSP	1	PC
40	7040399	Pipe Hyd H-3Z1(P1)-H-2Z2(P1)	1	PC
50	451-17	Washer Bonded G1-4"	1	PC
60	511-3	Olive - Tube 6mm O/D	1	PC
70	7040404	Pipe Hyd H-3Z1(A3)-H-3M2	1	PC
80	7040405	Pipe Hyd H-3M2-H-3Z1(B3)	1	PC
90	7040832	Pipe Hyd H-3V1-H-3Z1(B1)	1	PC
100	7040831	Pipe Hyd H-3Z1(A1)-H-3V1	1	PC
110	7040079	Pipe Hyd H-3Z1(P1)-H-2Z2(P1)	1	PC
120	7040088	Pipe Hyd H-2Z2(T1)-H-1Z3	1	PC
130	7040089	Pipe Hyd H-3Z1(T1)-H-1Z3	1	PC
140	7040395	Pipe Hyd H-3Z1(T1)-H-1Z3	1	PC
150	7040394	Pipe Hyd H-3A3-H-3Z1(B6)	1	PC
160	7040393	Pipe Hyd H-3Z1(A6)-H-3A3	1	PC
170	7040759	Pipe Hyd H-3Z1(A6)-H-3A3	1	PC
180	7040761	Pipe Hyd H-3A3-H-3Z1(B6)	1	PC
190	7040407	Pipe Hyd H-3M2-H-3Z1(B3)	1	PC
200	7040406	Pipe Hyd H-3Z1(A3)-H-3M2	1	PC
210	7040392	Pipe Hyd H-3Z1(A6/B6)-H-3A3	2	PC
220	7040401	Pipe Hyd H-3Z1(A7)-H-3A4	1	PC
230	7040402	Pipe Hyd H-3Z1(A4)-H-3M3	1	PC
240	7040400	Pipe Hyd H-3A4-H-3Z1(B7)	1	PC

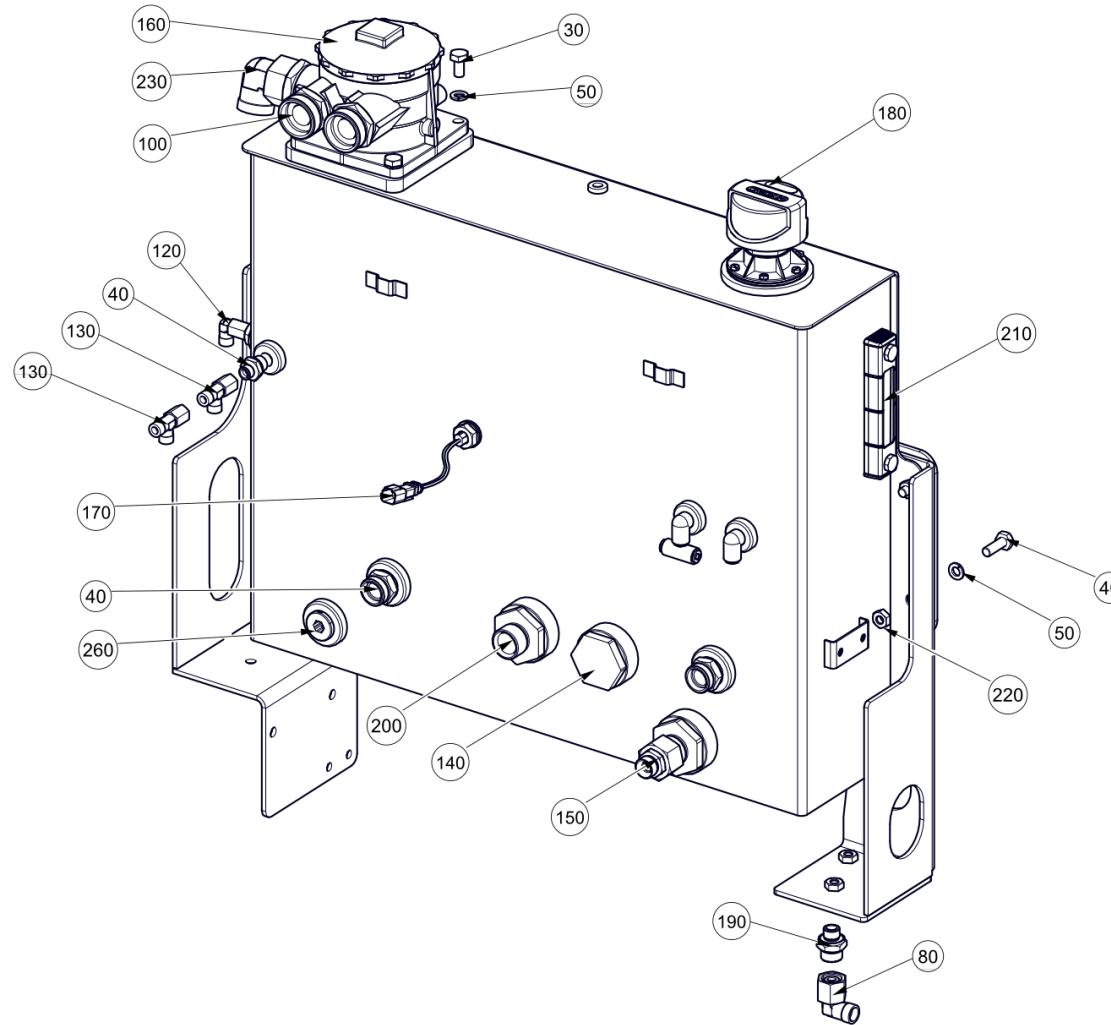
Engine Frame Pipework ()
Subframe\Powapack Elements\Engine Frame Pipework



Engine Frame Pipework ()
Subframe\Powapack Elements\Engine Frame Pipework

Item no.	Part no.	Description	QTY	Unit
250	7040072	Pipe Hyd H-1P1-H-2Z2(P2)	1	PC
260	6613-0505	Adjustable Male Elbow - M22 x 1.5	3	PC
270	303-1	Adjustable Male Elbow - M14 x 1.5	3	PC
280	51-76	Clamp - Pipe Ø 12mm Light Series	4	PC
290	09570472-0	Bulkhead Elbow Connector - M18 x 1.5	2	PC
320	510-4	Nut - Tube 8mm O/D	1	PC
330	7042049	Pipe Hyd H-3M3-H-3Z1(B4)	1	PC
400	51-56	Clamp - Pipe Ø 8mm Light Series	6	PC
410	51-64	Clamp - Pipe Ø 15mm Light Series	3	PC
420	7042470	Bracket - Clamp	3	PC
440	09518198-0	Test Coupling - Ø8 Pipe M14x1.5	2	PC

Hydraulic Tank ()
Subframe\Powapack Elements\Hydraulic Tank

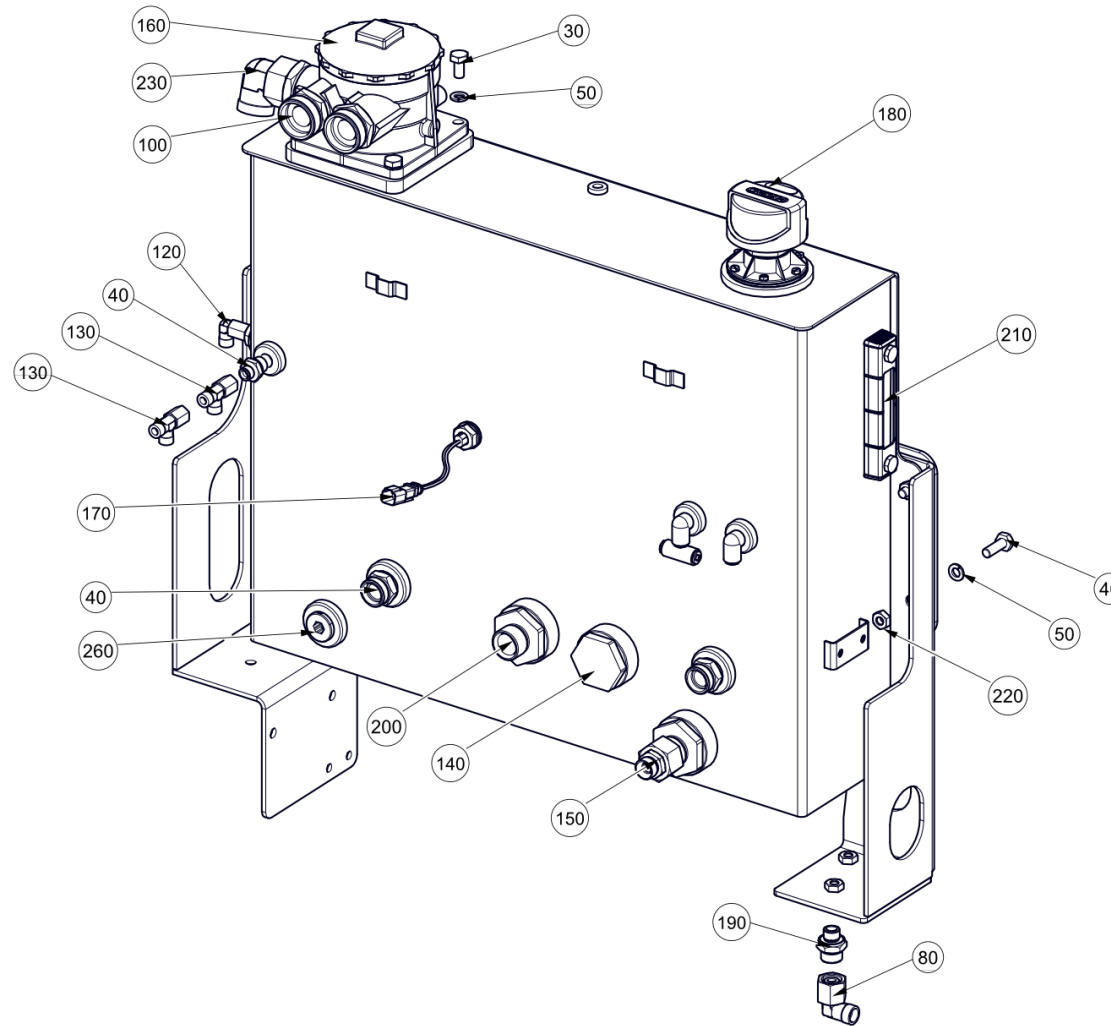


Hydraulic Tank ()

Subframe\Powapack Elements\Hydraulic Tank

Item no.	Part no.	Description	QTY	Unit
10	6601-1342	Stud Coupling Male G 3/4" x M30 x 2.0	2	PC
20	521-12	Adaptor - Male Elbow 8 O/D 3/8 BSP	2	PC
30	92097410-0	Hex Head Screw - M10Cx20 - 8.8	4	PC
40	92097414-0	Hex Head Screw - M10Cx30 - 8.8	6	PC
50	93699711-0	Spring Washer - Plated M10	10	PC
80	6613-0505	Adjustable Male Elbow - M22 x 1.5	1	PC
90	09570117-0	Stud Coupling Male G 1 1/4" x M36 x 2.0	1	PC
100	6601-1351	Stud Coupling Male G 1" x M45 x 2.0	2	PC
110	09570102-0	Stud Coupling Male G 3/8" x M14 x 1.5	2	PC
120	303-1	Adjustable Male Elbow - M14 x 1.5	1	PC
130	308-1	Adjustable Male Tee - M14 x 1.5	2	PC
140	55-28	Plug - Solid Hex Head 1 7/8" With O Ring	1	PC
150	306-3	Reducing Connector - M30x2 - M22x1.5	1	PC
160	7005394	Hydraulic Return Filter	1	PC
170	48-328	Switch - Float and Deutsch Connector	1	PC
180	09552142-0	Vent Filter and Filler	1	PC
190	6601-1326	Stud Coupling Male G 3/8" x M22 x 1.5	1	PC
200	7005390	Filter - Hydraulic Suction	2	PC
210	7005395	Hydraulic Level Gauge	1	PC
220	7030412	Hydraulic Tank Welded Assembly	1	PC
230	6613-0508	Adjustable Male Elbow - M36 x 2.0	1	PC
260	09572136-0	Sealing Plug VS-R 3/4 WD	1	PC
270	532-23	Tee - Stem 8mm	1	PC
0290	520-4	Plug Tubing O/D 8	1	PC

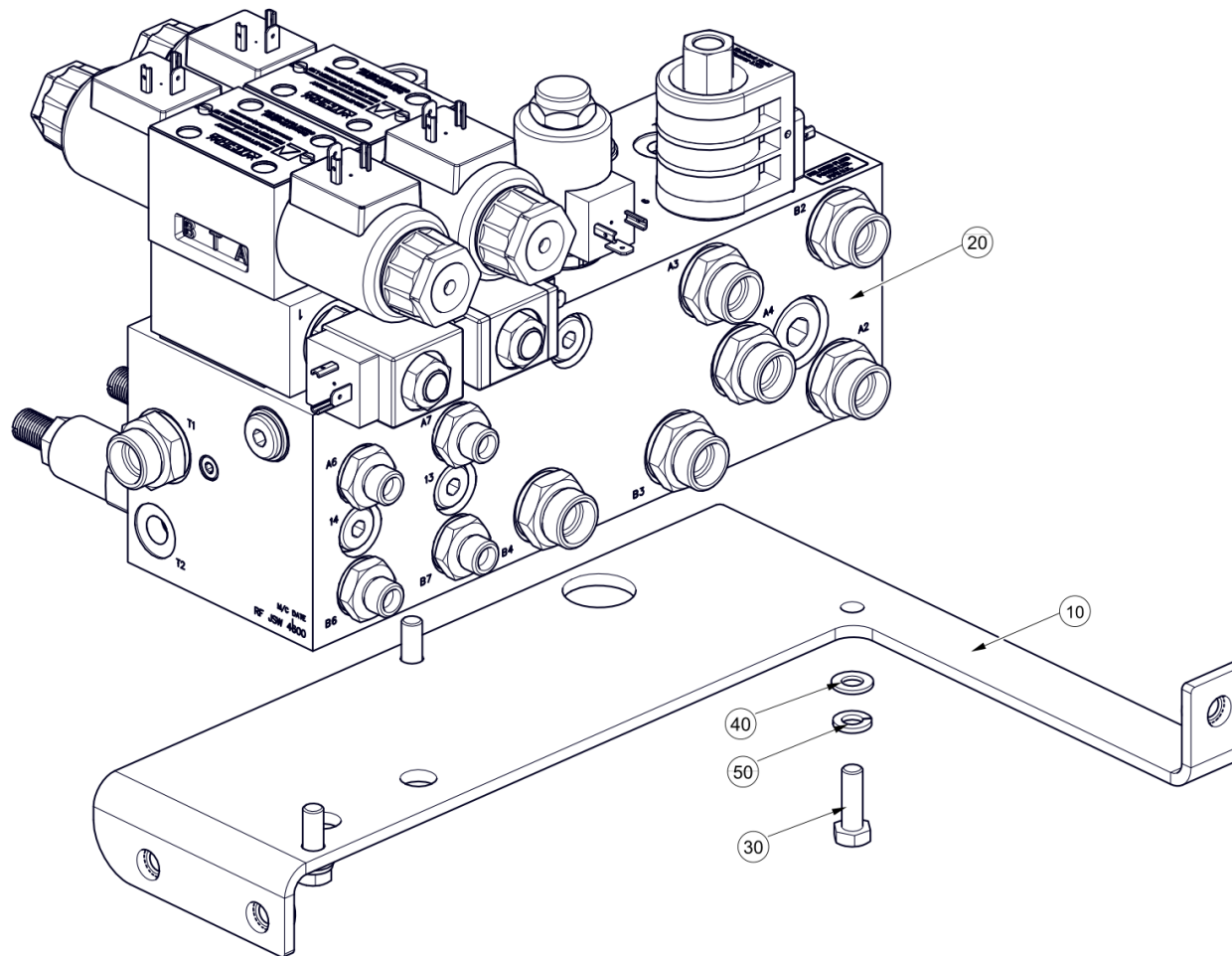
Hydraulic Tank ()
Subframe\Powapack Elements\Hydraulic Tank



Hydraulic Tank ()
Subframe\Powapack Elements\Hydraulic Tank

Item no.	Part no.	Description	QTY	Unit
300	41038-1-B	SLEEVE	2	PC

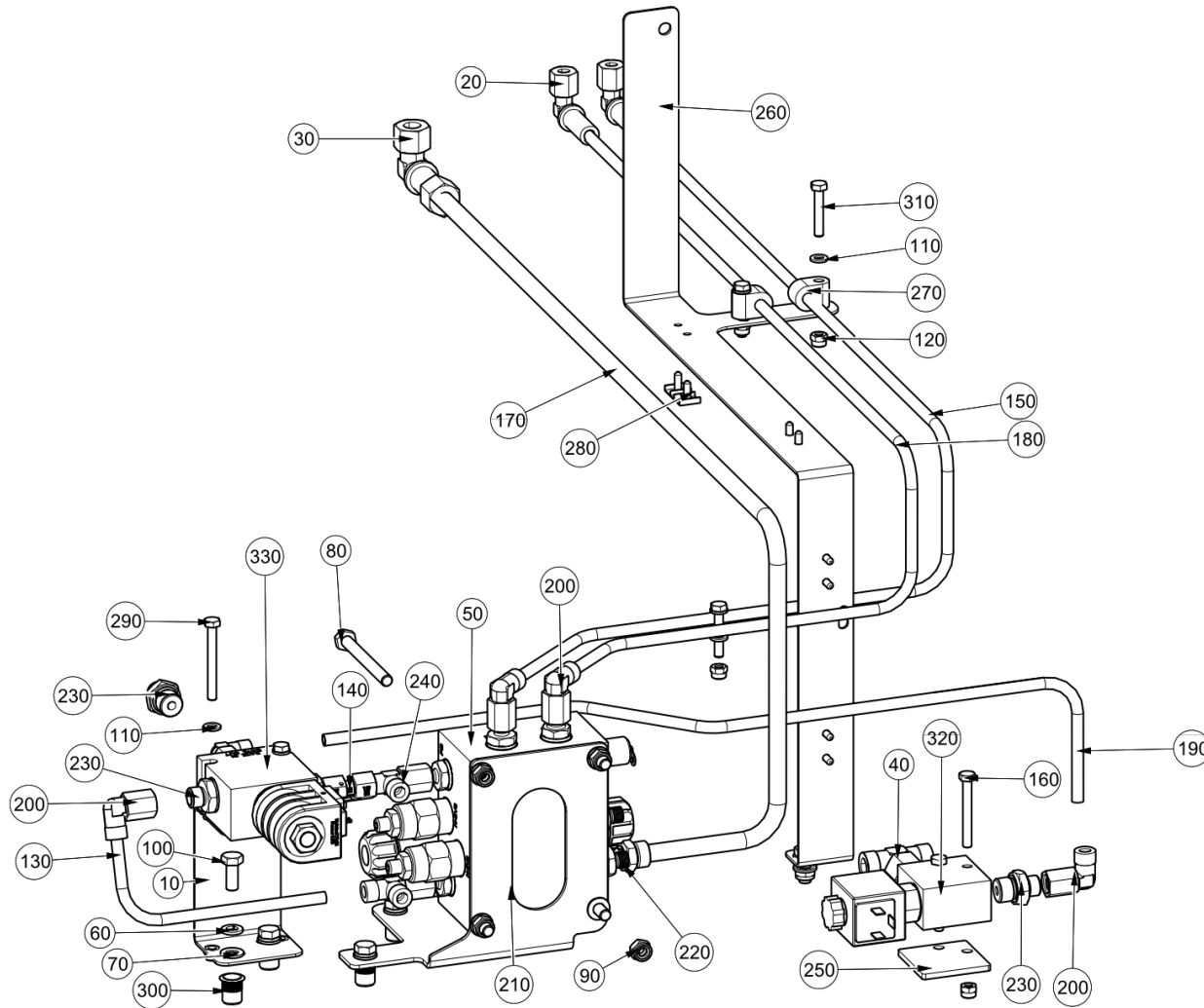
Hydraulic Manifold ()
Subframe\Powapack Elements\Hydraulic Manifold



Hydraulic Manifold ()
Subframe\Powapack Elements\Hydraulic Manifold

Item no.	Part no.	Description	QTY	Unit
10	7040777	Plate - Manifold	1	PC
20	7040530	HIC Sweep RT655 24V	1	PC
20	7040529	HIC Sweep RT655 12V	1	PC
30	92097376-0	Hex Head Screw - M8Cx25 - 8.8	3	PC
40	93212011-0	Plain Washer - M8	3	PC
50	93699710-0	Spring Washer - Plated M8	3	PC
5000	7050707	Hydraulic Manifold S/Assy 12v - MKIV	1	PC

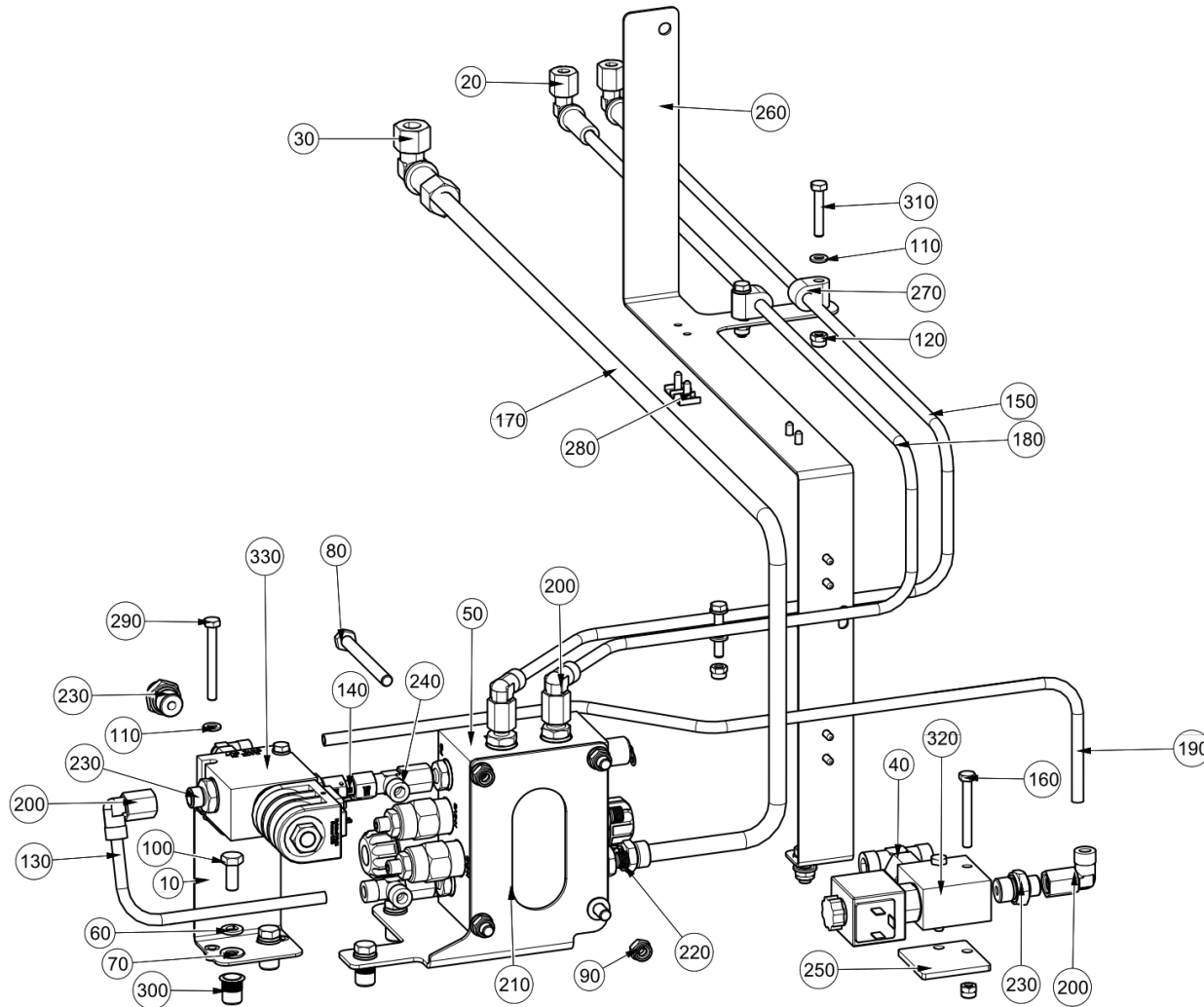
Subframe Hydraulics Pipework ()
Subframe\Subframe Hydraulics Pipework



Subframe Hydraulics Pipework ()
Subframe\Subframe Hydraulics Pipework

Item no.	Part no.	Description	QTY	Unit
10	7044418	Bracket - Nozzle Lift Valve	1	PC
20	09570473-0	Bulkhead Elbow Connector - M14 x 1.5	2	PC
30	09570472-0	Bulkhead Elbow Connector - M18 x 1.5	1	PC
40	6615-0504	Adjustable Equal Tee - M18 x 1.5	1	PC
50	7005341	Manifold - Hydraulic Body 24V	1	PC
50	7021315	Manifold - Hydraulic Body 12V	1	PC
60	93699710-0	Spring Washer - Plated M8	5	PC
70	93212011-0	Plain Washer - M8	11	PC
80	92067391-0	Hex Head Bolt - M8Cx80 - 8.8	4	PC
90	93085005-0	Nyloc Hex Nut M8C - 8	5	PC
100	92097374-0	Hex Head Screw - M8Cx20 - 8.8	6	PC
110	93212009-0	Plain Washer - M6	10	PC
120	93085004-0	Nyloc Hex Nut M6C - 8	8	PC
130	7044419	Pipe - Nozzle Lift to discharge block	1	PC
140	601-14	Hydraulic Fitting - Straight, Tube Ø 8mm	1	PC
150	7042298	Pipe Hyd H-1P1-H-2Z2(P2)	1	PC
160	92097309-0	Hex Head Screw - M6Cx50 - 8.8	2	PC
170	7042295	Pipe Hyd H-2Z2(T1)-H-1Z3	1	PC
180	7042296	Pipe Hyd H-1P1-H-2Z2(P1)	1	PC
190	7044430	Pipe Hyd H-3Z1(A5)-H-3V14	1	PC
200	303-1	Adjustable Male Elbow - M14 x 1.5	5	PC
210	7042290	Bracket - Discharge Manifold	1	PC
220	09570128-0	Stud Coupling Male G 1/4" x M18 x 1.5	1	PC
230	09570102-0	Stud Coupling Male G 3/8" x M14 x 1.5	5	PC

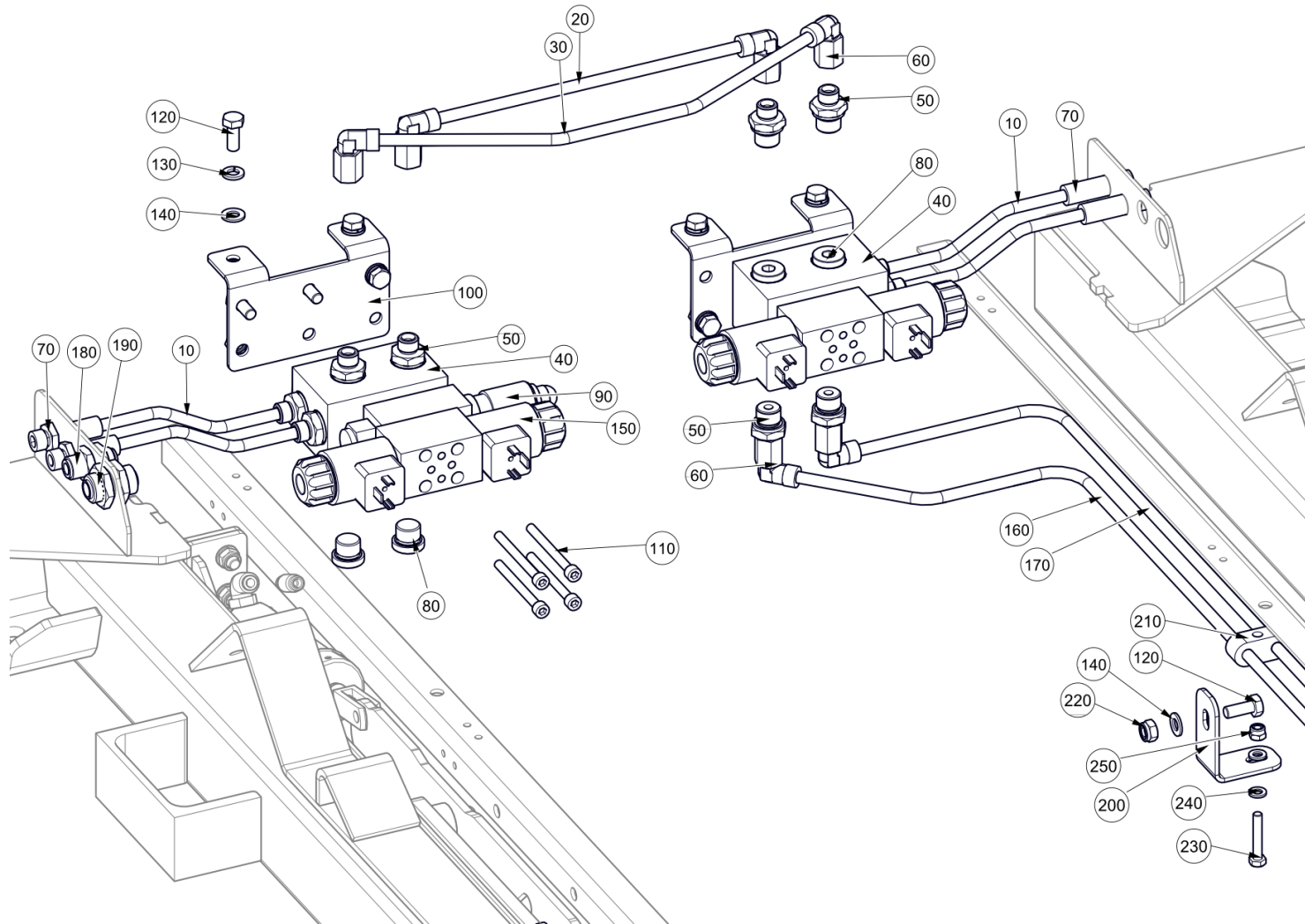
Subframe Hydraulics Pipework ()
Subframe\Subframe Hydraulics Pipework



Subframe Hydraulics Pipework ()
Subframe\Subframe Hydraulics Pipework

Item no.	Part no.	Description	QTY	Unit
240	308-1	Adjustable Male Tee - M14 x 1.5	2	PC
250	7042574	Plate - Nozzle Lift	1	PC
260	7043795	Bracket - Harness Support	1	PC
270	51-56	Clamp - Pipe Ø 8mm Light Series	2	PC
280	24-17	Cable Tie Clip - Heavy Duty 15mm Wide	4	PC
290	92067312-0	Hex Head Bolt - M6Cx55 - 8.8	2	PC
300	433-120	Insert - M8, 3.8 to 7.9	5	PC
310	92067308-0	Hex Head Bolt - M6Cx35 - 8.8	3	PC
320	72679-1	Valve - Lock 12v	1	PC
320	72679-4	Valve - Lock 24v	1	PC
330	241-328	Valve - Solenoid Operated 12v	1	PC
330	241-329	Valve - Solenoid Operated 24v	1	PC

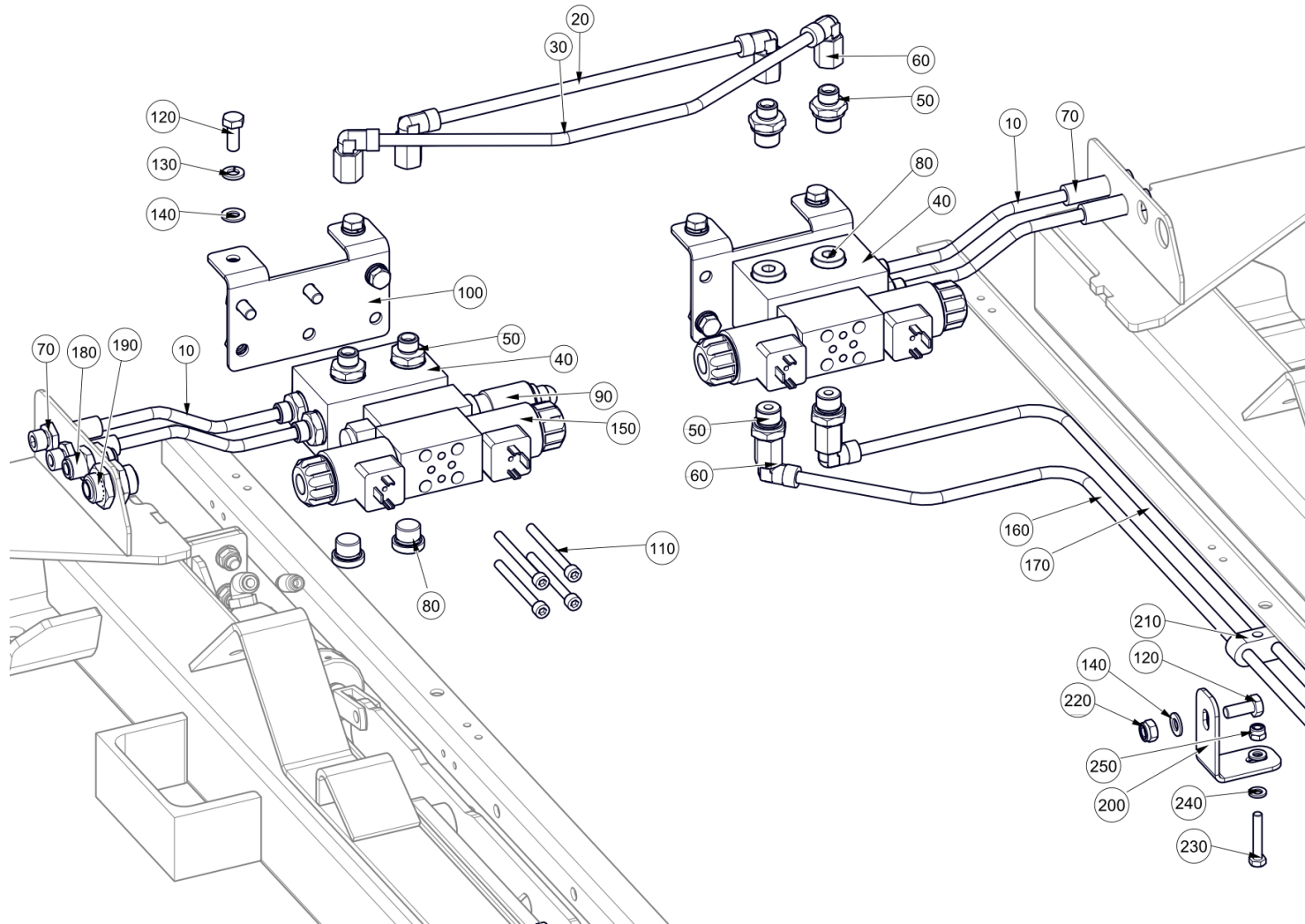
Powaboom and Rear Door Hydraulics ()
Subframe\Powaboom and Rear Door Hydraulics



Powaboom and Rear Door Hydraulics ()
 Subframe\Powaboom and Rear Door Hydraulics

Item no.	Part no.	Description	QTY	Unit
10	7039145	Pipe Hyd H-2Z3(A/B)-H-2V9(A/B)	2	PC
20	7039146	Pipe Hyd H-2Z3(T2)-H-5Z1(T)	1	PC
30	7039147	Pipe Hyd H-2Z3(P2)-H-5Z1(P)	1	PC
40	7009457	Manifold - Hydraulic CETOP2 (04)	1	PC
50	09570102-0	Stud Coupling Male G 3/8" x M14 x 1.5	6	PC
60	303-1	Adjustable Male Elbow - M14 x 1.5	4	PC
70	09570456-0	Straight Bulkhead Connector M14 x 1.5	2	PC
80	09572134-0	Sealing Plug VS-R 3/8 WD	2	PC
90	298-1	Valve - Pressure Reducing	1	PC
100	7039144	Bracket - Manifold	1	PC
110	92137091-0	Hex Socket Cap Screw - M6Cx65 - 12.9	4	PC
120	92097374-0	Hex Head Screw - M8Cx20 - 8.8	5	PC
130	93699710-0	Spring Washer - Plated M8	5	PC
140	93212011-0	Plain Washer - M8	5	PC
150	298-21	Valve Solenoid Operated Directional 24v	1	PC
150	298-11	Valve Solenoid Operated Directional 12v	1	PC
151	298-124	Coil - 24v	1	PC
151	298-150	Solenoid Coil (2A)	1	PC
160	7042299	Pipe Hyd H-2Z2(T2)-H-2Z3(T)	1	PC
170	7042300	Pipe Hyd H-2Z2(PB)-H-2Z3(P)	1	PC
180	555-4	Adaptor Bulkhead 8mm x M16x1.5	1	PC
190	555-5	Adaptor Bulkhead 10mm x M20x1.5	1	PC
200	7042433	Bracket - Pipe Clamp	2	PC
210	51-58	Clamp - Pipe Ø 8mm Light Series	2	PC

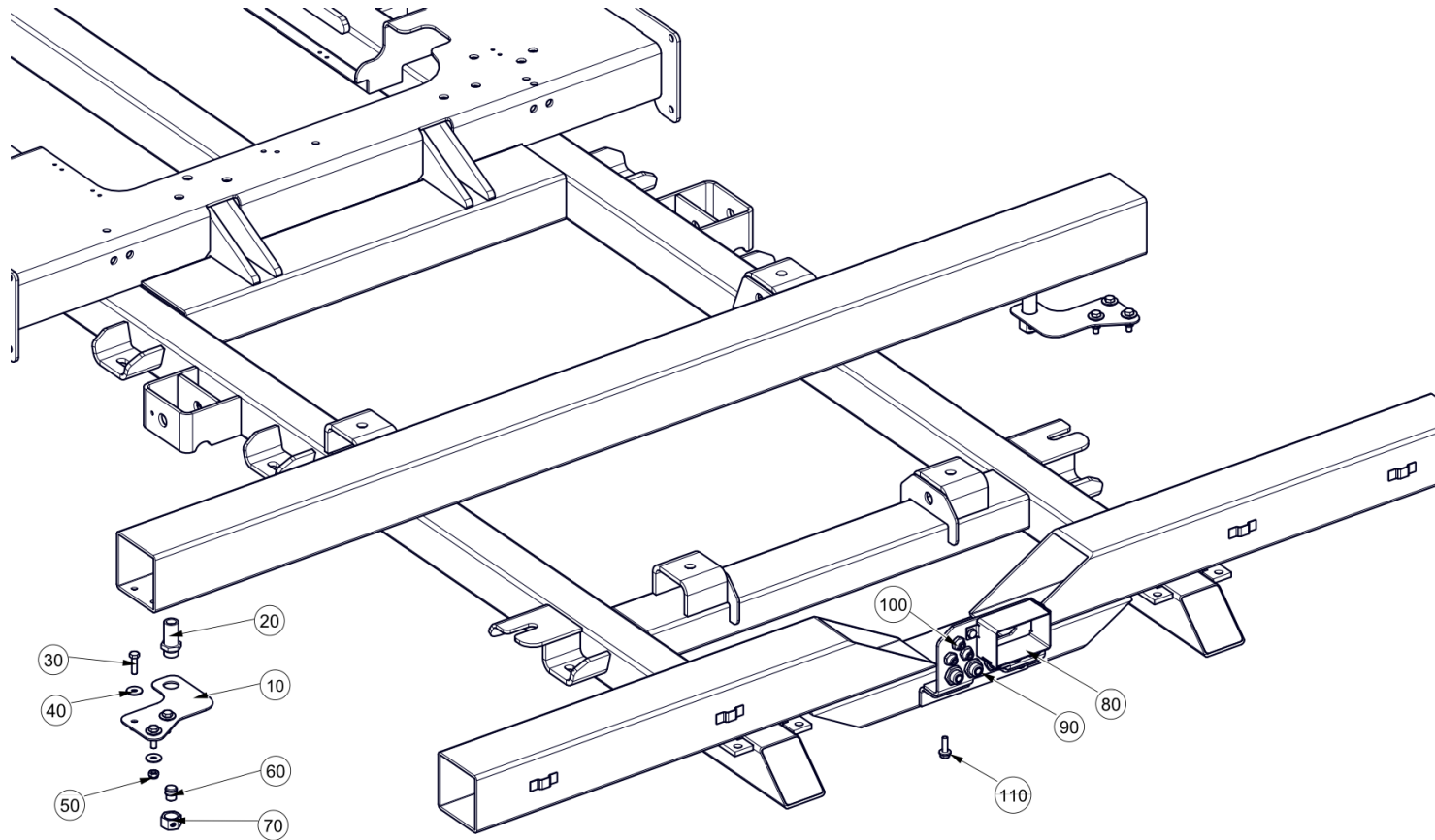
Powaboom and Rear Door Hydraulics ()
Subframe\Powaboom and Rear Door Hydraulics



Powaboom and Rear Door Hydraulics ()
Subframe\Powaboom and Rear Door Hydraulics

Item no.	Part no.	Description	QTY	Unit
220	93085005-0	Nyloc Hex Nut M8C - 8	2	PC
230	92097306-0	Hex Head Screw - M6Cx35 - 8.8	2	PC
240	93212009-0	Plain Washer - M6	2	PC
250	93085004-0	Nyloc Hex Nut M6C - 8	2	PC

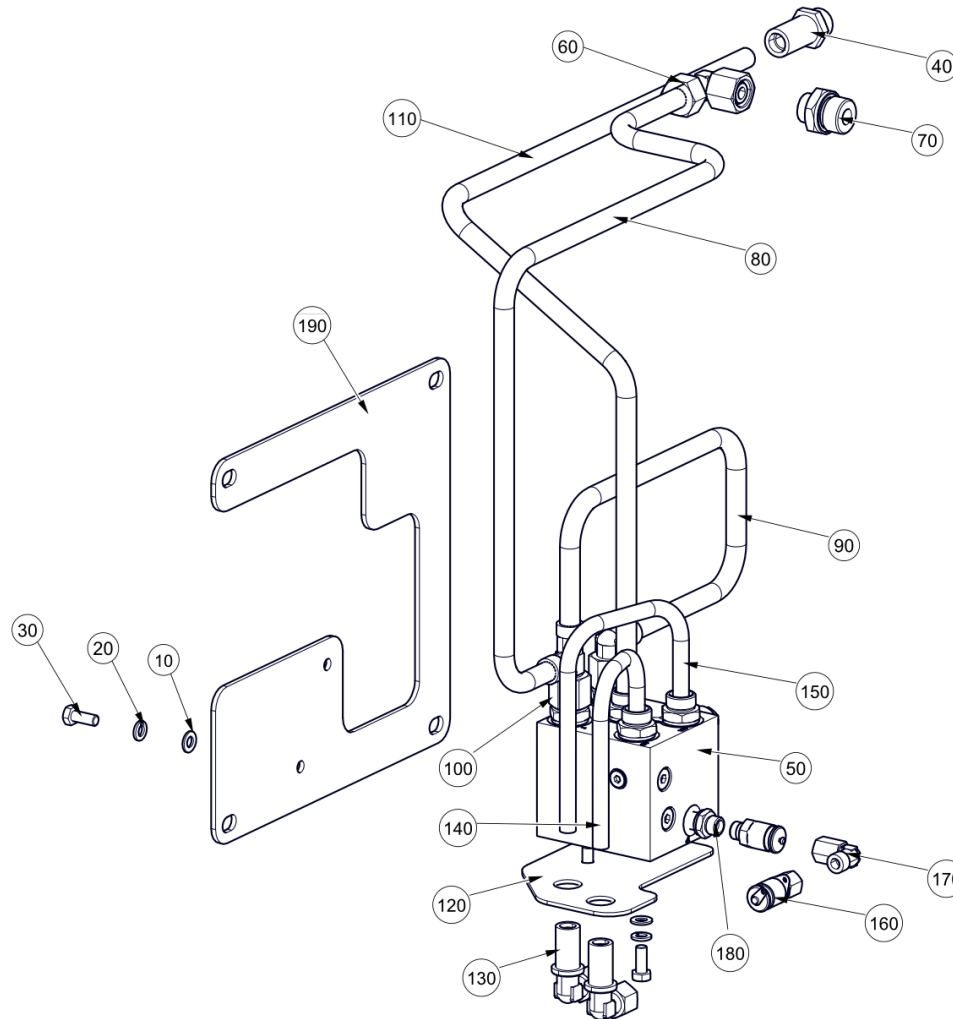
Subframe Front Bulkheads ()
Subframe\Subframe Front Bulkheads



Subframe Front Bulkheads ()
Subframe\Subframe Front Bulkheads

Item no.	Part no.	Description	QTY	Unit
10	7043092	Plate - Drain Bulkhead	2	PC
20	302-3	Straight Bulkhead Connector - M22 x 1.5	2	PC
30	92097378-0	Hex Head Screw - M8Cx30 - 8.8	6	PC
40	93300509-0	Plain Large Washer - M8	12	PC
50	93085005-0	Nyloc Hex Nut M8C - 8	6	PC
60	09572104-0	Plug Female - Tube O/D = 15mm	2	PC
70	09570009-0	Cap Nut - M22 x 1.5 (Tube O/D = 15mm)	2	PC
80	7051426	Front Bulkhead S/assy	2	PC
90	555-5	Adaptor Bulkhead 10mm x M20x1.5	5	PC
100	555-3	Adaptor Bulkhead 6mm x M14x1.5	3	PC
110	92119016-0	Hex Flange Bolt - M8Cx25 - 8.8	2	PC

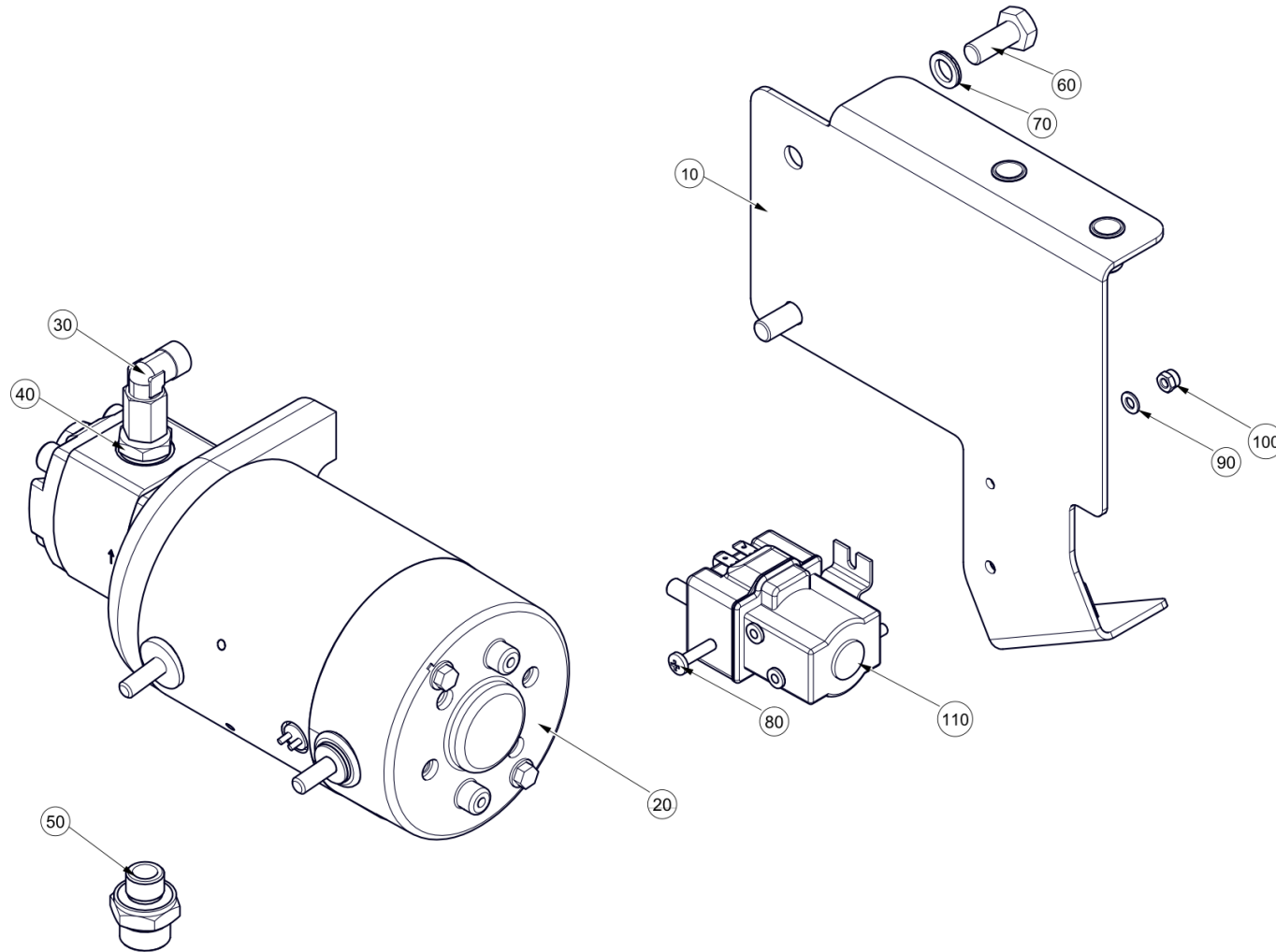
Tandem Valve Block ()
Subframe\Tandem Valve Block



Tandem Valve Block ()
Subframe\Tandem Valve Block

Item no.	Part no.	Description	QTY	Unit
10	93212011-0	Plain Washer - M8	4	PC
20	93699710-0	Spring Washer - Plated M8	4	PC
30	92097374-0	Hex Head Screw - M8Cx20 - 8.8	4	PC
40	302-3	Straight Bulkhead Connector - M22 x 1.5	1	PC
50	7008196	Manifold - Hydraulic 12 Volt	1	PC
60	6613-0505	Adjustable Male Elbow - M22 x 1.5	2	PC
70	09572938-0	Stud Coupling Male G 3/4" x M22 x 1.5	1	PC
80	7050950	Pipe Hyd - Tandem Valve Return	1	PC
90	7007891	Pipe Hyd H12Z1(T) H12Z1(A)	1	PC
100	6615-2320	Adjustable Male Tee - M22 x 1.5	1	PC
110	7050949	Pipe Hyd - Tandem Valve Feed	1	PC
120	7042529	Plate - Supawash Manifold Bulkhead	1	PC
130	09570472-0	Bulkhead Elbow Connector - M18 x 1.5	2	PC
140	7042532	Pipe Hydraulic - Supwash MA - SP Pump	1	PC
150	7042527	Pipe Hydraulic - Supwash MB - SP Pump	1	PC
160	09518198-0	Test Coupling - Ø8 Pipe M14x1.5	1	PC
170	303-1	Adjustable Male Elbow - M14 x 1.5	1	PC
180	09570126-0	Stud Coupling Male G 1/4" x M14x1.5 (8L)	1	PC
190	7041243	Plate - Supawash Manifold	1	PC

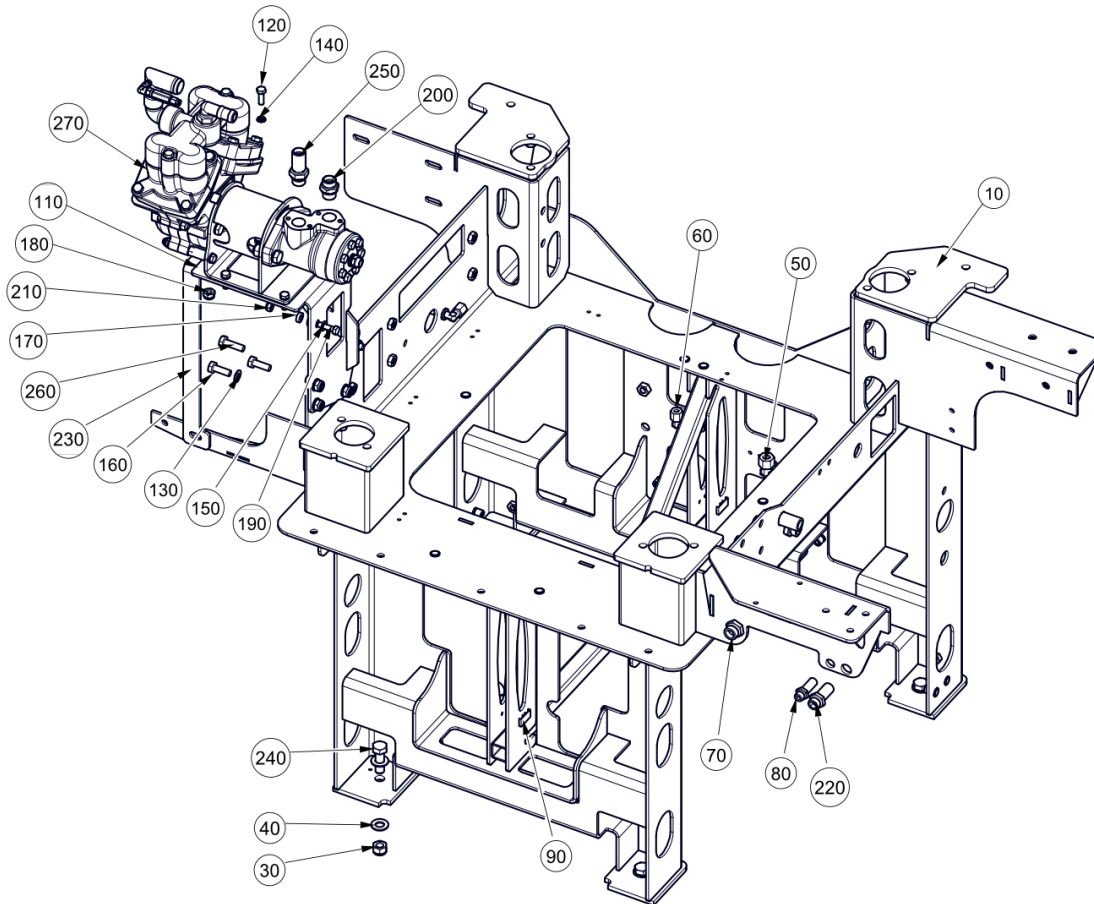
Discharge Pump ()
Subframe\Discharge Pump



Discharge Pump ()
Subframe\Discharge Pump

Item no.	Part no.	Description	QTY	Unit
10	7050126	Bracket - Discharge Pump R/assy	1	PC
20	7035298	Electric Discharge Pump 2.7cc 12v	1	PC
30	303-1	Adjustable Male Elbow - M14 x 1.5	1	PC
40	09570102-0	Stud Coupling Male G 3/8" x M14 x 1.5	1	PC
50	6601-1326	Stud Coupling Male G 3/8" x M22 x 1.5	1	PC
60	92097412-0	Hex Head Screw - M10Cx25 - 8.8	2	PC
70	93212012-0	Plain Washer - M10	2	PC
80	134-59	Pan Head Screw - M5Cx20 - 4.8	2	PC
90	93210109-0	Plain Washer M5	2	PC
100	93085003-0	Nyloc Hex Nut M5C - 8	2	PC
110	7033966	COM- Start solenoid	1	PC

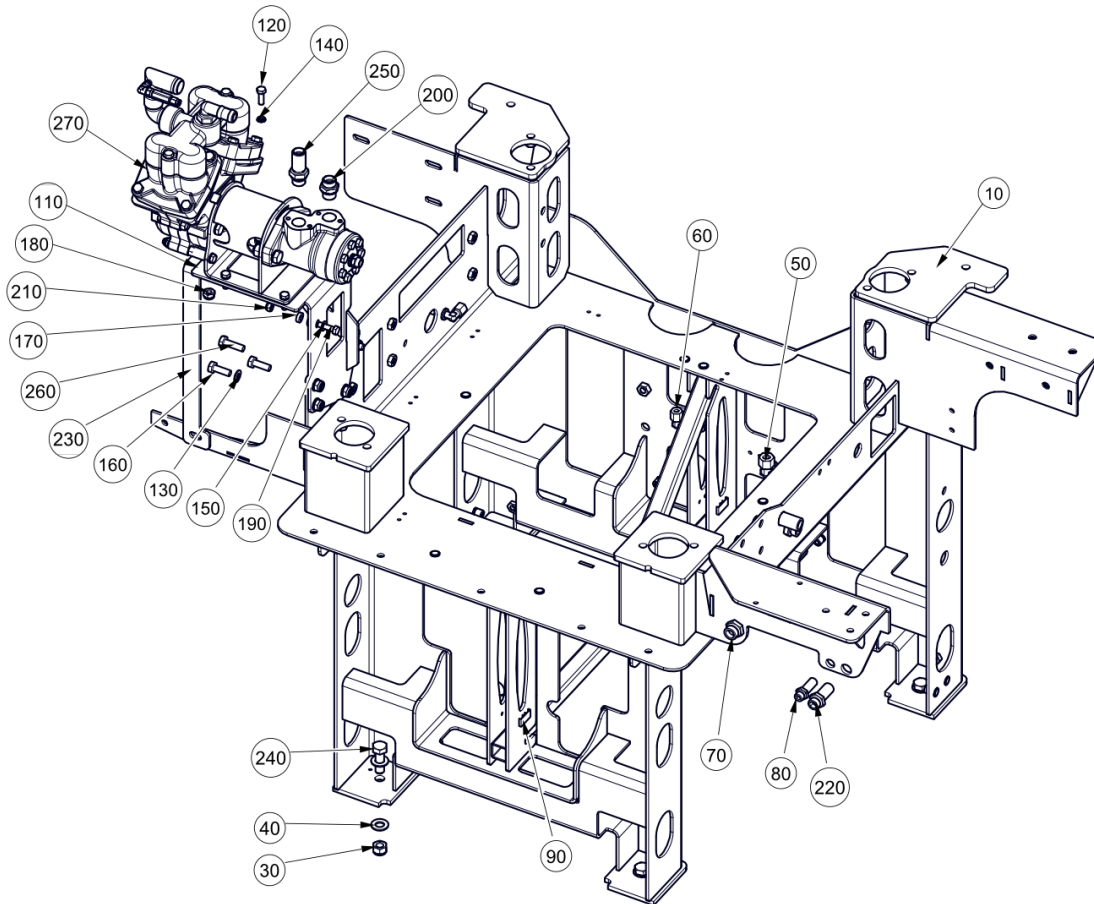
Engine Frame ()
Subframe\Engine Frame



Engine Frame ()
Subframe\Engine Frame

Item no.	Part no.	Description	QTY	Unit
10	7050097	Engine Frame R/assy	1	PC
30	404-17	Hex Nyloc Nut - M14c x Grade 10	4	PC
40	93212015-0	Plain Washer M14	8	PC
50	09570472-0	Bulkhead Elbow Connector - M18 x 1.5	1	PC
60	09570473-0	Bulkhead Elbow Connector - M14 x 1.5	4	PC
70	302-3	Straight Bulkhead Connector - M22 x 1.5	3	PC
80	09570456-0	Straight Bulkhead Connector M14 x 1.5	1	PC
90	24-17	Cable Tie Clip - Heavy Duty 15mm Wide	3	PC
110	7050548	Bracket - Water Pump W/assy	1	PC
120	92097376-0	Hex Head Screw - M8Cx25 - 8.8	4	PC
130	93212012-0	Plain Washer - M10	10	PC
140	93361108-0	Washer Nord - Lock M8	4	PC
150	93212011-0	Plain Washer - M8	2	PC
160	92097414-0	Hex Head Screw - M10Cx30 - 8.8	4	PC
170	56569-9	Spacer - 16 Dia x 5 M8	1	PC
180	93085006-0	Nyloc Hex Nut M10C - 8	5	PC
190	92097378-0	Hex Head Screw - M8Cx30 - 8.8	1	PC
200	6601-1329	Stud Coupling Male G 1/2" x M22 x 1.5	1	PC
210	93085005-0	Nyloc Hex Nut M8C - 8	1	PC
220	302-2	Straight Bulkhead Connector M18 x 1.5	1	PC
230	7056649	Bracket - Water Pump Brace	1	PC
240	92072212-0	Hex Head Bolt - M14Cx45 - 10.9	4	PC
250	09518194-0	Bulkhead Fitting M/M G 1/2-14 x M 22x1.5	1	PC
260	92097415-0	Hex Head Screw - M10Cx35 - 8.8	1	PC

Engine Frame ()
Subframe\Engine Frame



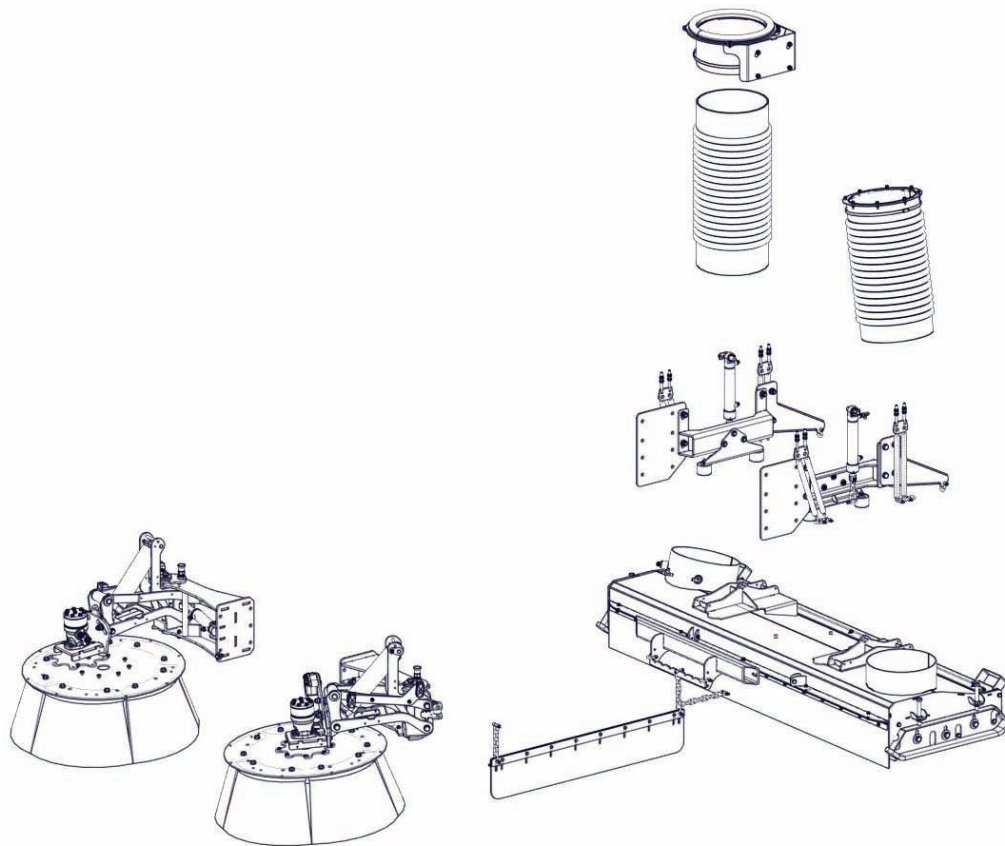
Engine Frame ()
Subframe\Engine Frame

Item no.	Part no.	Description	QTY	Unit
270	7056961	Water Pump Assembly RT MKIV	1	PC

This page is intentionally left blank

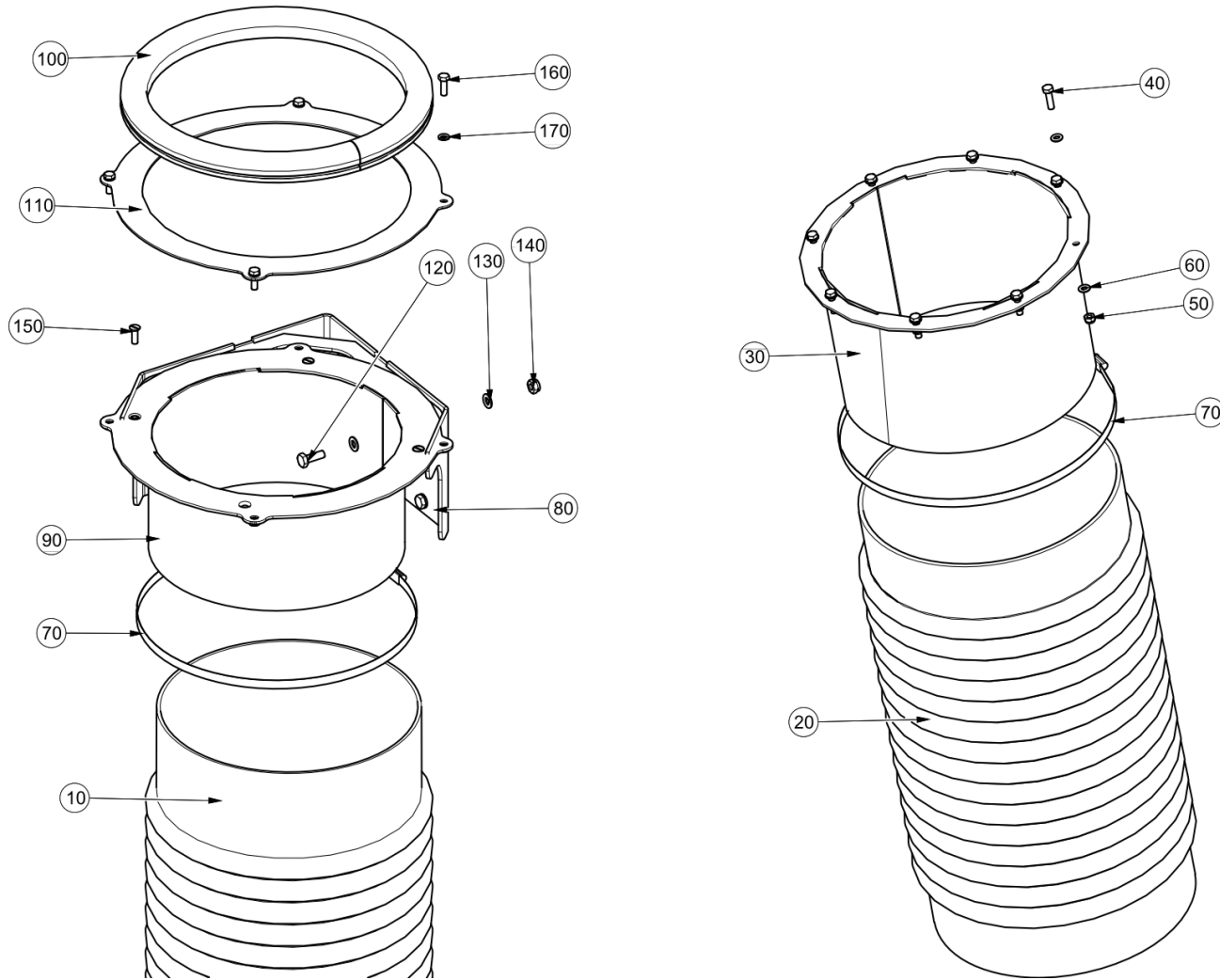
Chapter 6 Sweepgear

Table of Contents



Section	Page
6.1 Intake & Blast Tubes	90
6.2 Pick-up Head Install	92
6.3 Pick-up Head Assembly	96
6.3.1 Pick-up Head Curtain	100
6.4 Sweep Curtain	102
6.5 Gutter Broom	104
6.5.1 Pivot Frame Assembly	106
6.5.2 Brush Arm	108
6.5.3 Brush Head	112
6.5.4 Rotatilt	114

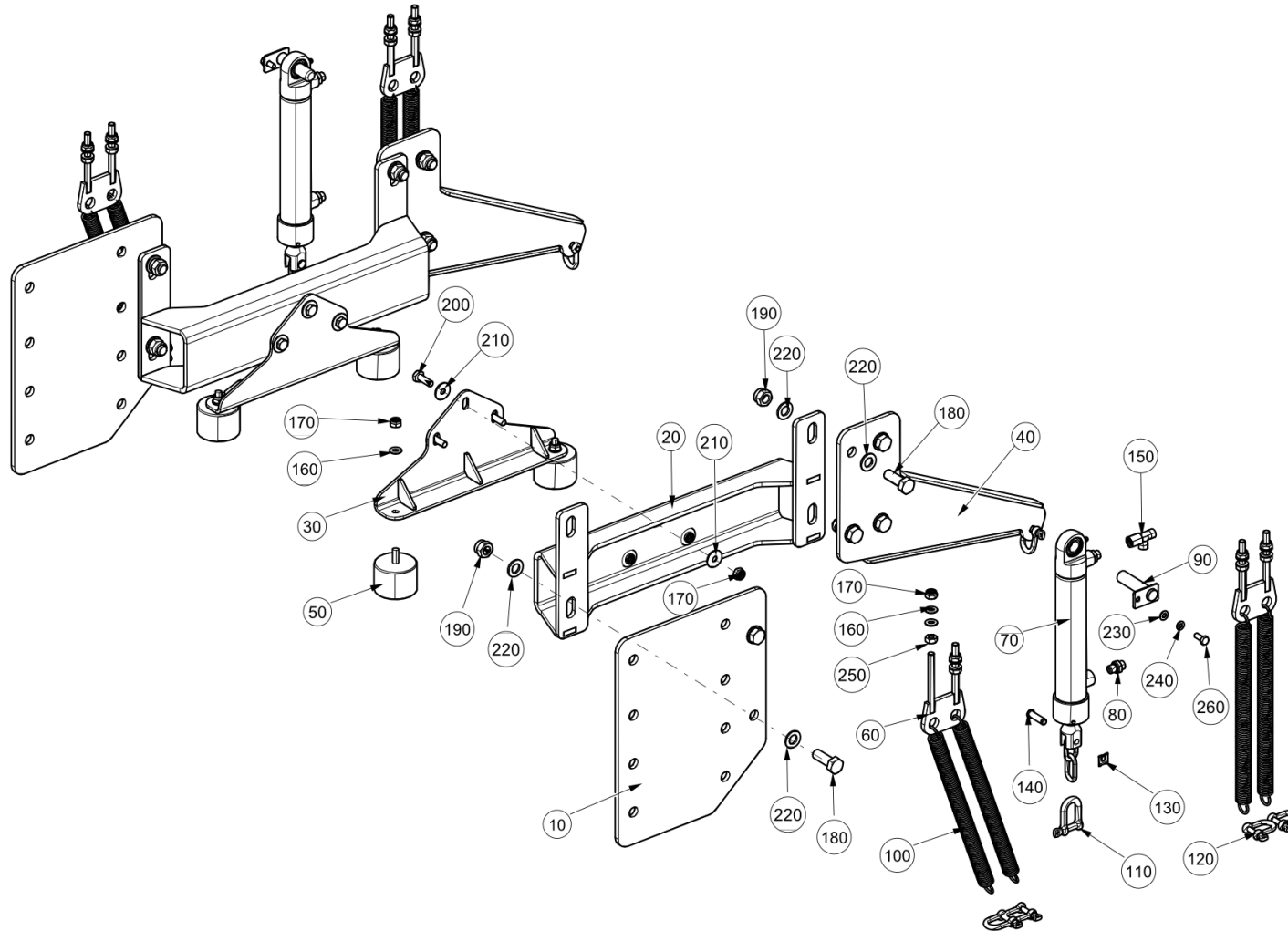
Intake & Blast Tubes ()
Sweepgear\Intake & Blast Tubes



Intake & Blast Tubes ()
Sweepgear\Intake & Blast Tubes

Item no.	Part no.	Description	QTY	Unit
10	223950-1	Trunking - Suction Hood RT655	1	PC
20	223960-1	Trunking - Blaster Hood RT655	1	PC
30	221201-2	Trunking Fixture Seat W/A 655	1	PC
40	92097378-0	Hex Head Screw - M8Cx30 - 8.8	8	PC
50	93085005-0	Nyloc Hex Nut M8C - 8	8	PC
60	93212011-0	Plain Washer - M8	16	PC
70	501-33	Hose Clip - Worm Drive (350-380)	2	PC
80	221045-1	Brkt-Intake Seat Subframe 655	1	PC
90	221044-1	Intake Seat W/A - 179mm	1	PC
90	221044-11	Intake Seat W/A - 179mm, Bonded	1	PC
90	221044-12	Intake Seat W/A - 229mm, Bonded	1	PC
90	221044-2	Intake Seat W/A - 229mm	1	PC
100	221799-1	Intake Seat Seal 1130mm Lg 655	1	PC
110	221043-1	Intake Seat Clamp-Subframe 655	1	PC
120	92097414-0	Hex Head Screw - M10Cx30 - 8.8	4	PC
130	93212012-0	Plain Washer - M10	8	PC
140	93085006-0	Nyloc Hex Nut M10C - 8	4	PC
150	6133-2781	CSK Flat HD Slotted Screw-M8Cx25-4.8	3	PC
160	92097376-0	Hex Head Screw - M8Cx25 - 8.8	4	PC
170	93699710-0	Spring Washer - Plated M8	4	PC

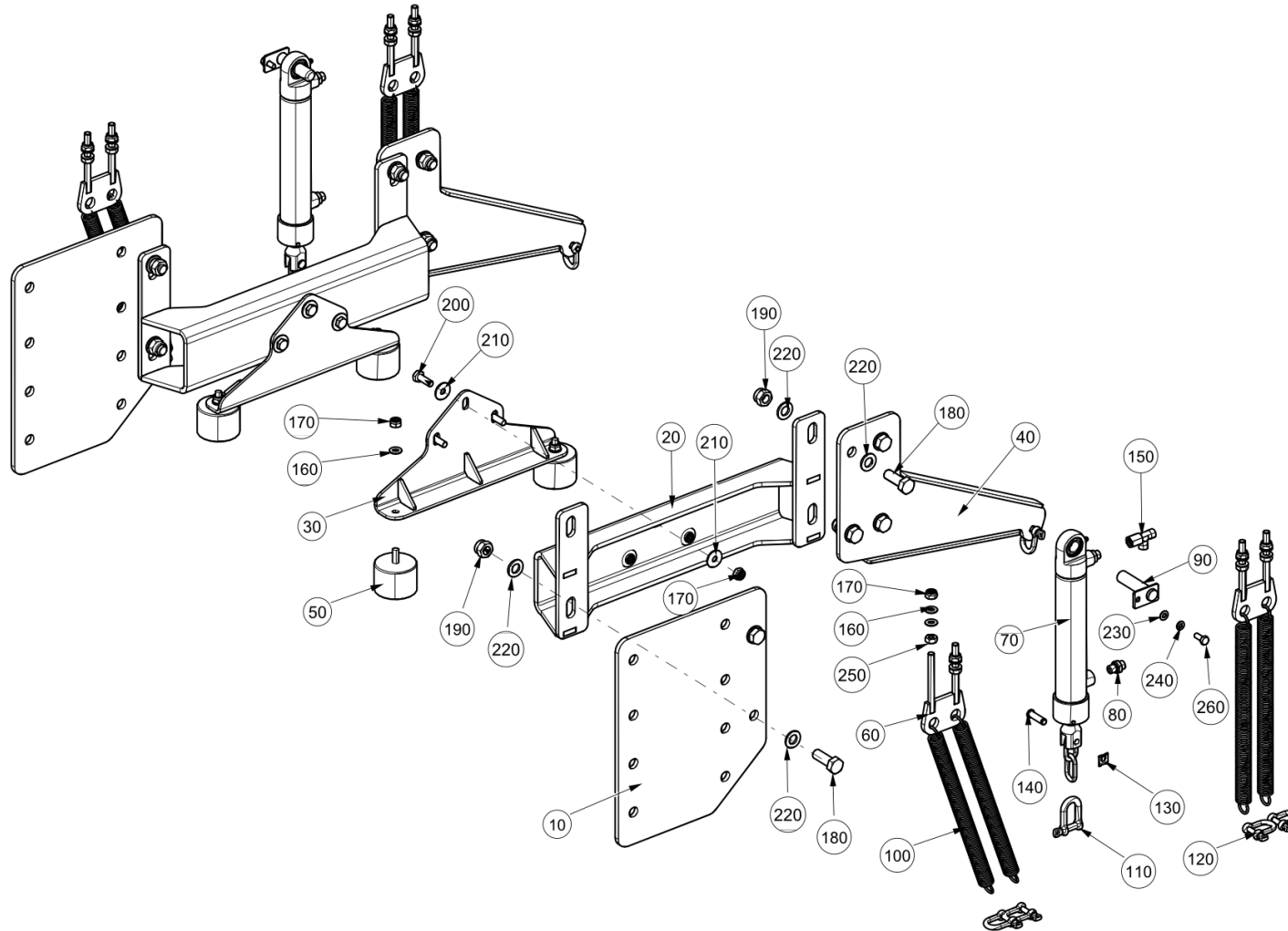
Pick-up Head Install ()
Sweepgear\Pick-up Head Install



Pick-up Head Install ()
Sweepgear\Pick-up Head Install

Item no.	Part no.	Description	QTY	Unit
10	7029469	Mount - Front Sweepgear	2	PC
20	221350-1	Cranked Brkt W/A Sweep Gear655	2	PC
30	221355-1	Bracket W/Assy Buffer Hood 655	2	PC
40	221348-1	Rear Plate W/A Sweep Gear 655	2	PC
50	290-37	Stud Mount Ø 70x50Lg M10 Stud	4	PC
60	221310-1	Spring Support W/Assy RT655	4	PC
70	223900-1	Hydraulic Cyl 175mm Stroke	2	PC
80	09570126-0	Stud Coupling Male G 1/4" x M14x1.5 (8L)	4	PC
90	7044829	Pin W/assy - Hood Lift	2	PC
100	3637-1	Spring - Tension	8	PC
110	62172-1	Shackle D	2	PC
120	6032-1-A	Shackle D	16	PC
130	39624	Slim Safety Fastener	2	PC
140	29145-1-B	Clevis Pin (37.5mm Lg)	2	PC
150	308-1	Adjustable Male Tee - M14 x 1.5	1	PC
160	93212012-0	Plain Washer - M10	20	PC
170	93085006-0	Nyloc Hex Nut M10C - 8	18	PC
180	92097525-0	Hex Head Screw - M16Cx45 - 8.8	12	PC
190	93085009-0	Nyloc Hex Nut M16C - 8	12	PC
200	92097414-0	Hex Head Screw - M10Cx30 - 8.8	6	PC
210	93300510-0	Plain Large Washer M10	12	PC
220	93210523-0	Plain Washer - M16	24	PC
230	93212011-0	Plain Washer - M8	2	PC
240	93699710-0	Spring Washer - Plated M8	2	PC

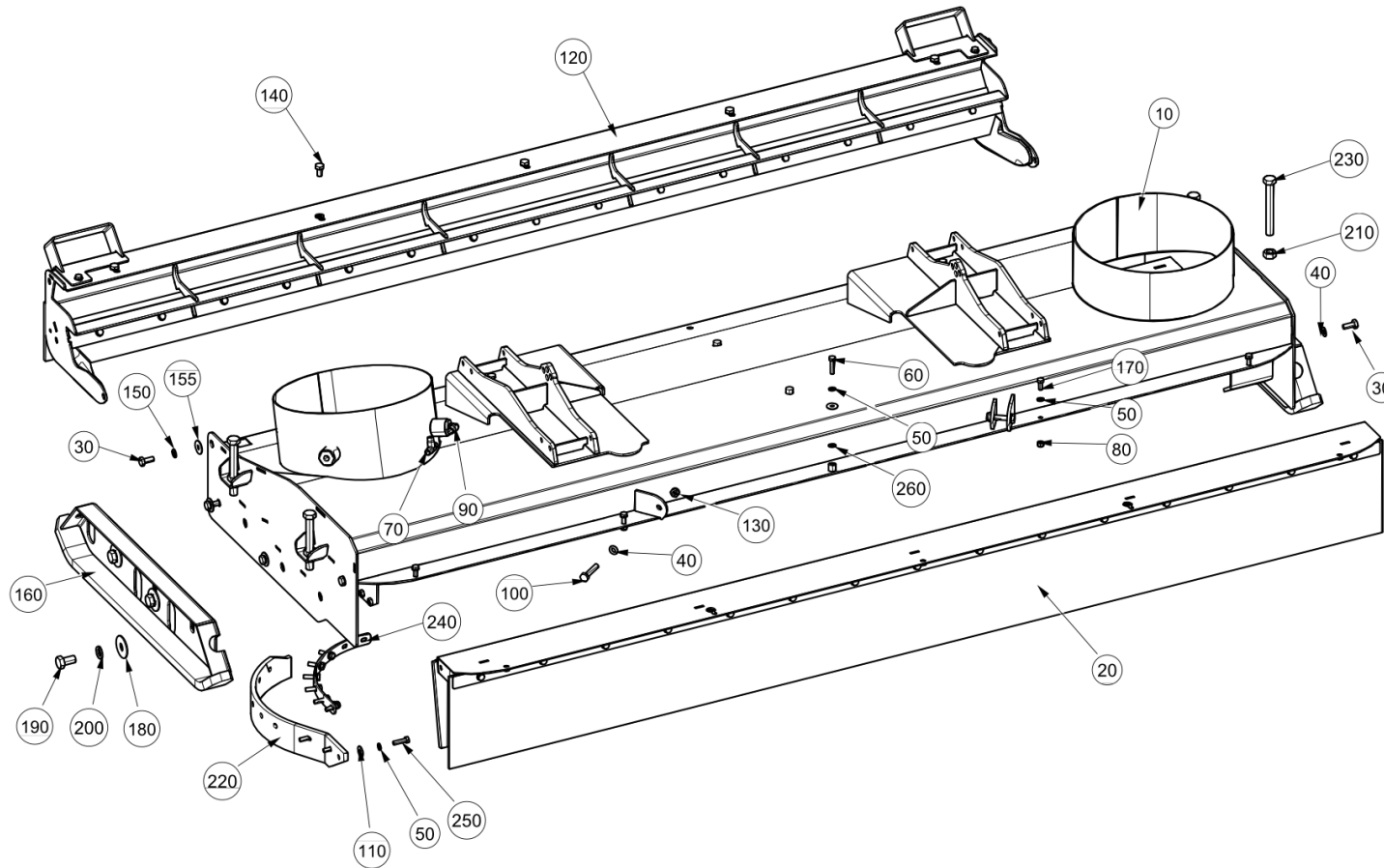
Pick-up Head Install ()
Sweepgear\Pick-up Head Install



Pick-up Head Install ()
Sweepgear\Pick-up Head Install

Item no.	Part no.	Description	QTY	Unit
250	93056015-0	Hex Nut M10C-8	8	PC
260	92097374-0	Hex Head Screw - M8Cx20 - 8.8	2	PC
5000	284-19	Chain - Diameter 10 Short Link	2	PC
5010	62165-13	Chain - 13 Links	6	PC
5020	284-18	Locking Wire 1mm Dia REEL	0.625	MM

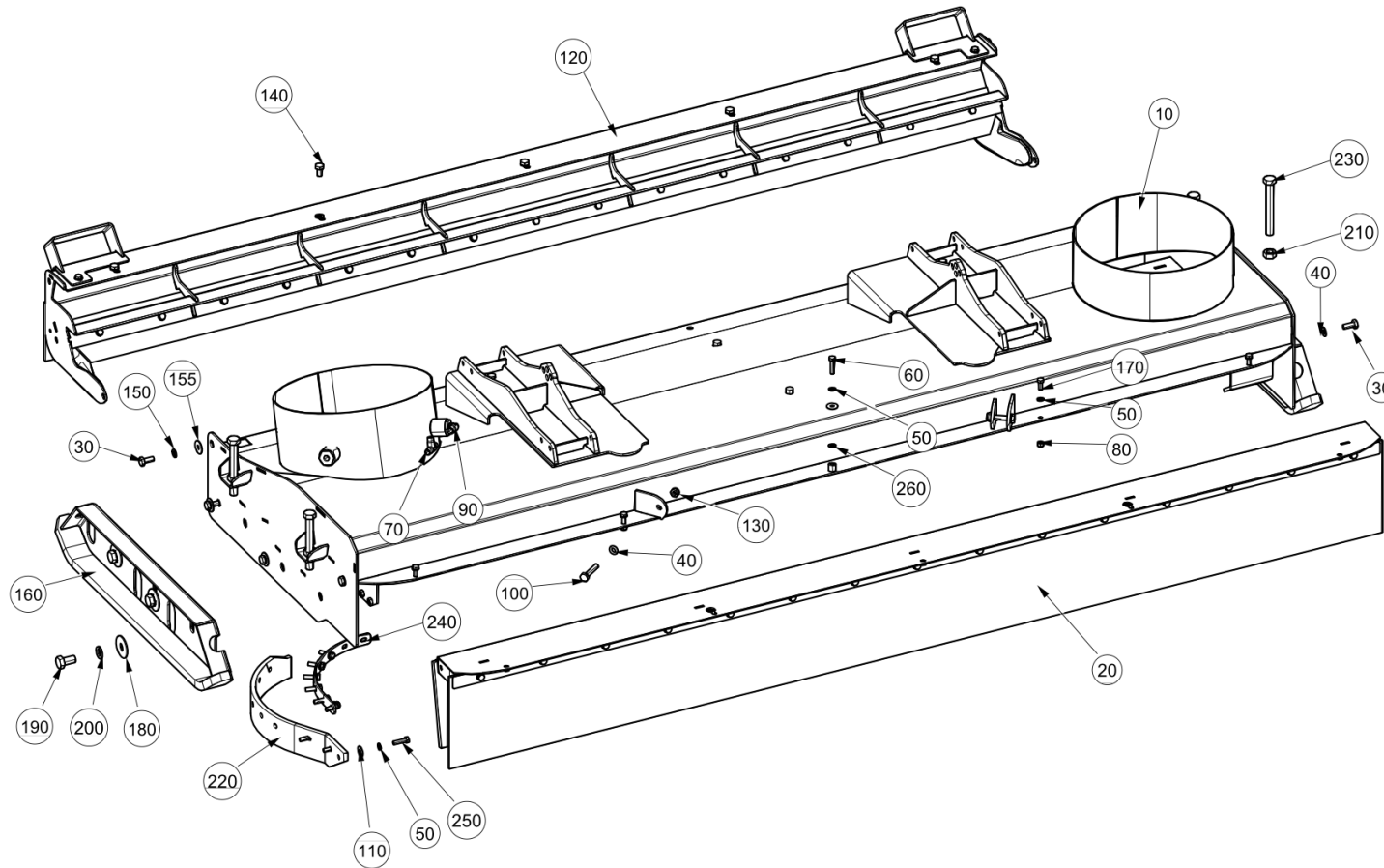
Pick-up Head Assembly ()
Sweepgear\Pick-up Head Assembly



Pick-up Head Assembly ()
Sweepgear\Pick-up Head Assembly

Item no.	Part no.	Description	QTY	Unit
10	221700-1	Hood W/Assy LH RT655	1	PC
10	221700-2	Hood W/Assy RH RT655	1	PC
20	221410-1	Curtain Flap Assy Cassete 655	1	PC
30	92097412-0	Hex Head Screw - M10Cx25 - 8.8	8	PC
40	93212012-0	Plain Washer - M10	4	PC
50	93699710-0	Spring Washer - Plated M8	14	PC
60	92097379-0	Hex Head Screw - M8Cx35 - 8.8	1	PC
70	09598784-0	Pneumatic Tee Connector, Ø10mm Tube	1	PC
80	93085005-0	Nyloc Hex Nut M8C - 8	2	PC
90	7044851	Nozzle Jet - S/assy	2	PC
100	92067423-0	Hex Head Bolt - M10Cx55 - 8.8	2	PC
110	93300509-0	Plain Large Washer - M8	3	PC
120	221560-1	Air Blade Cassette Assy RT655	1	PC
130	93085006-0	Nyloc Hex Nut M10C - 8	2	PC
140	92097410-0	Hex Head Screw - M10Cx20 - 8.8	5	PC
150	93699711-0	Spring Washer - Plated M10	11	PC
155	93300510-0	Plain Large Washer M10	11	PC
160	221735-1	Nozzle Skate W/Assy RT655	2	PC
170	92097374-0	Hex Head Screw - M8Cx20 - 8.8	4	PC
180	93300513-0	Plain Large Washer M16	6	PC
190	92097522-0	Hex Head Screw - M16Cx30 - 8.8	6	PC
200	93699714-0	Spring Washer - Plated M16	6	PC
210	93076059-0	Locknut - MC Hex, M16	4	PC
220	221414-1	Blister Flap - Nozzle RT655	1	PC

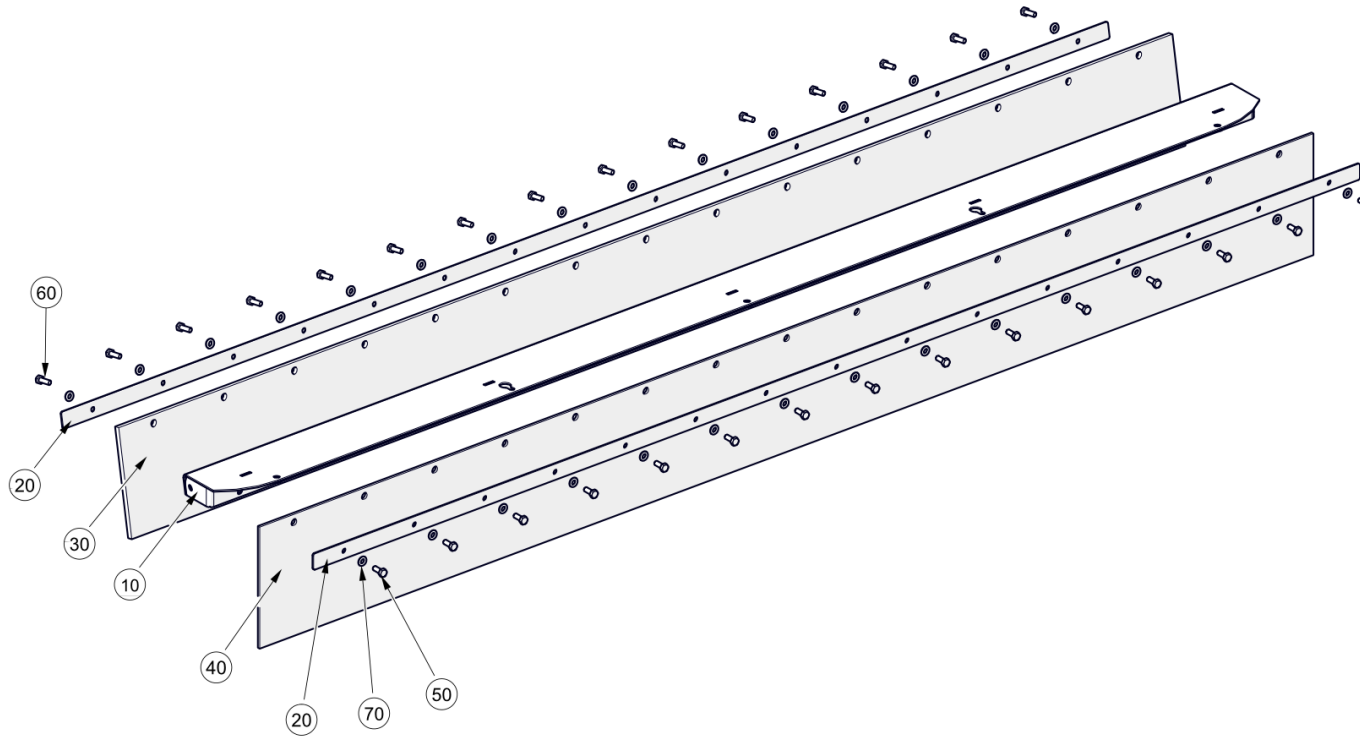
Pick-up Head Assembly ()
Sweepgear\Pick-up Head Assembly



Pick-up Head Assembly ()
Sweepgear\Pick-up Head Assembly

Item no.	Part no.	Description	QTY	Unit
230	92097539-0	Hex Head Screw - M16Cx130 - 8.8	4	PC
240	221564-1	Clamp Plate - Blister Flap 655	1	PC
250	92097378-0	Hex Head Screw - M8Cx30 - 8.8	9	PC
260	93212011-0	Plain Washer - M8	8	PC

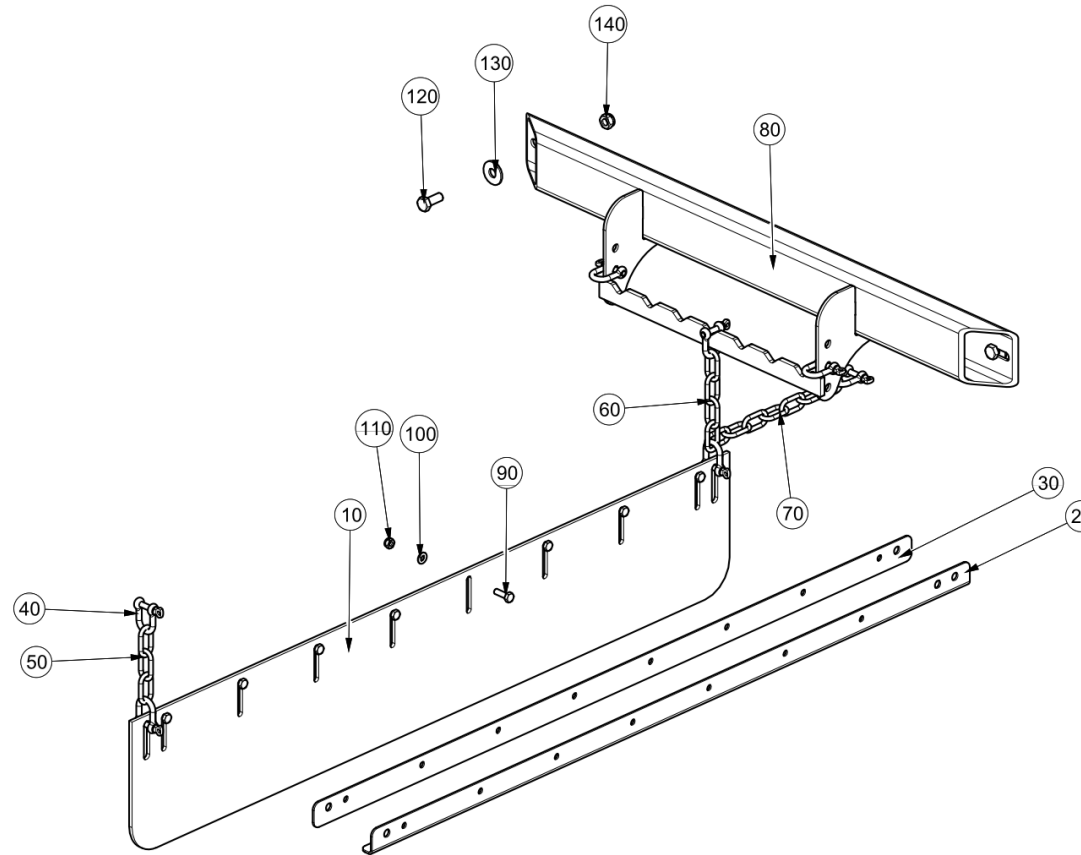
Pick-up Head Curtain ()
Sweepgear\Pick-up Head Assembly\Pick-up Head Curtain



Pick-up Head Curtain ()
Sweepgear\Pick-up Head Assembly\Pick-up Head Curtain

Item no.	Part no.	Description	QTY	Unit
10	221427-1	Curtain Flap Cassete W/A RT655	1	PC
20	221417-1	Clamp Plate - Nozzle RT655	2	PC
30	221418-1	Curtain Flap (Inner) RT655	1	PC
40	221419-1	Curtain Flap (Outer) RT655	1	PC
50	92097374-0	Hex Head Screw - M8Cx20 - 8.8	15	PC
60	92097376-0	Hex Head Screw - M8Cx25 - 8.8	15	PC
70	93212011-0	Plain Washer - M8	30	PC

Sweep Curtain ()
Sweepgear\Sweep Curtain



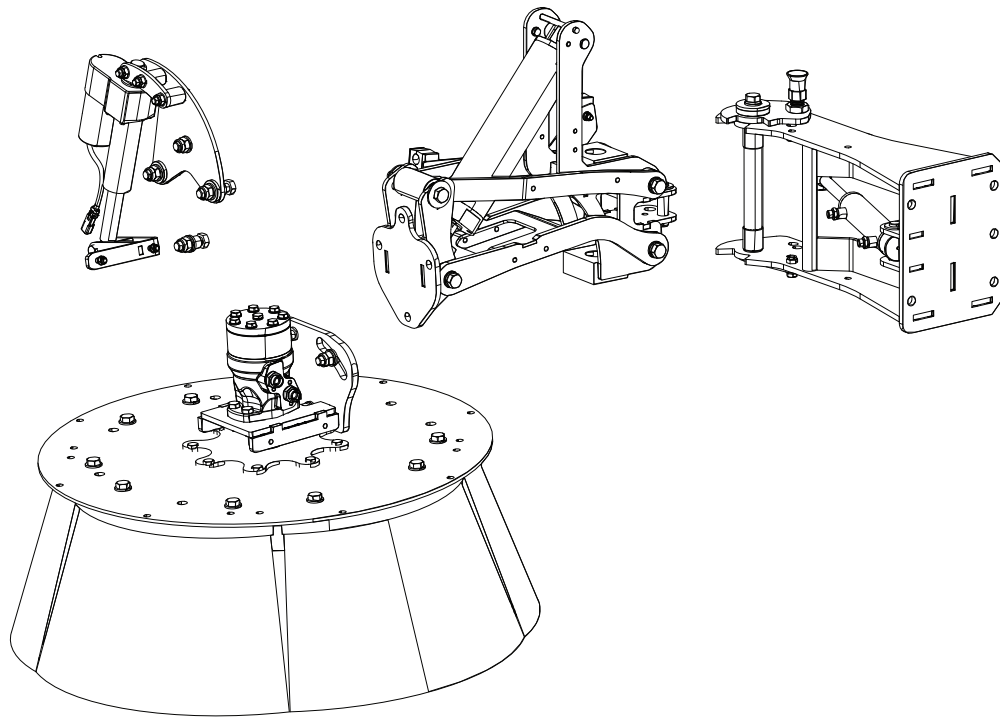
Sweep Curtain ()
Sweepgear\Sweep Curtain

Item no.	Part no.	Description	QTY	Unit
10	221671-1	Curtain - Longitudinal RT655	1	PC
20	221672-1	Angle - Curtain Hanger RT655	1	PC
30	221683-1	Plate Backing - Curtain RT655	1	PC
40	6032-1-A	Shackle D	7	PC
50	62165-3	Chain - 3 Links	1	PC
60	62165-4	Chain - 4 Links	1	PC
70	62165-7	Chain - 7 Links	1	PC
80	221687-1	W/A Curtain Supt RT655	1	PC
90	124-137	Setscrew M8C x 25	8	PC
100	455-10	Washer Plain Plated Steel M8	8	PC
110	425-14	Nut Nyloc Hex MC M8	8	PC
120	124-203	Setscrew M12C x 30	2	PC
130	457-6	Washer Plain Steel M12 Form G	2	PC
140	425-16	Nut Nyloc Hex M12c	2	PC

This page is intentionally left blank

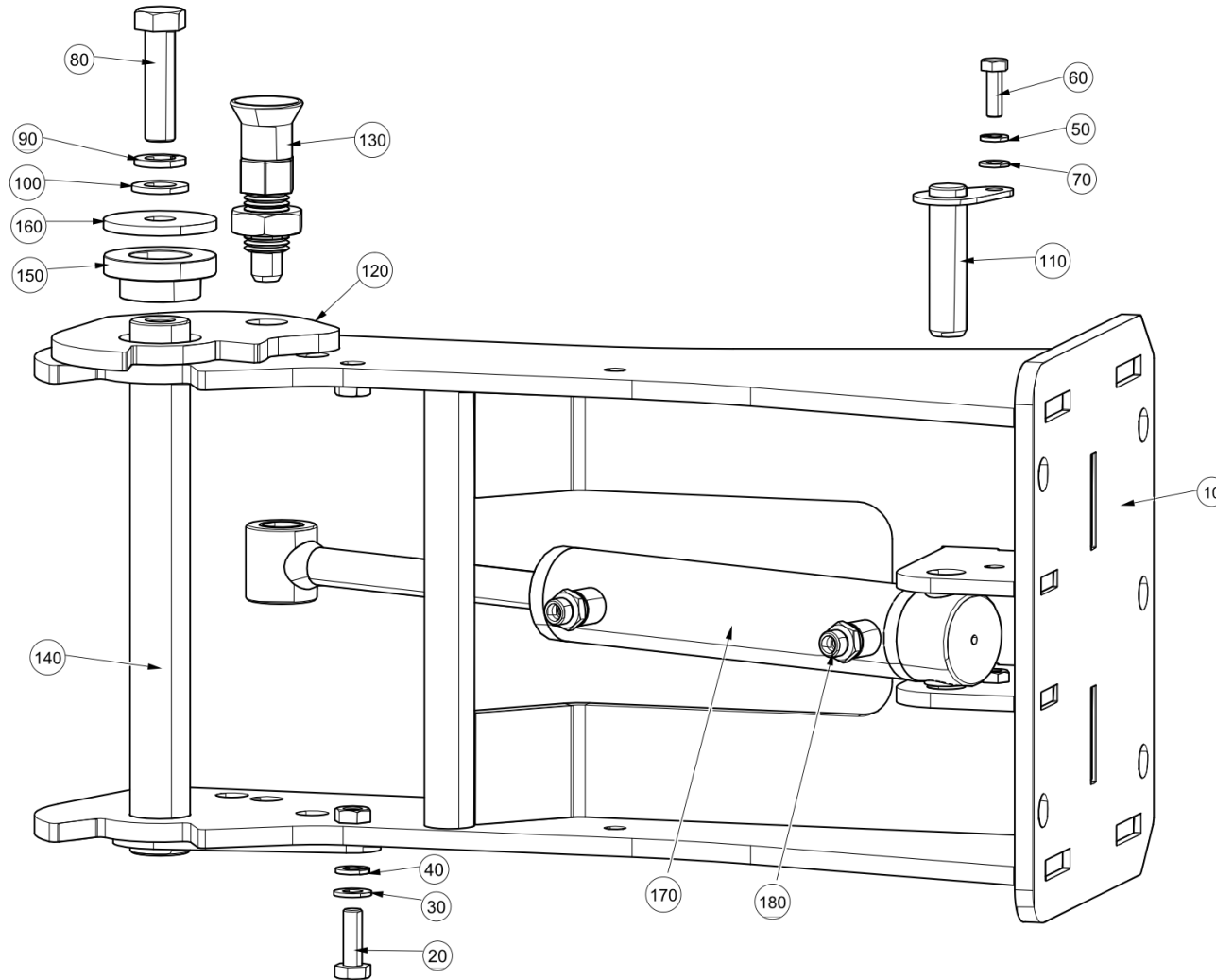
Gutter Broom

Table of Contents



Section	Page
6.5.1 Pivot Frame Assembly.....	106
6.5.2 Brush Arm.....	108
6.5.3 Brush Head	112
6.5.4 Rotatilt	114

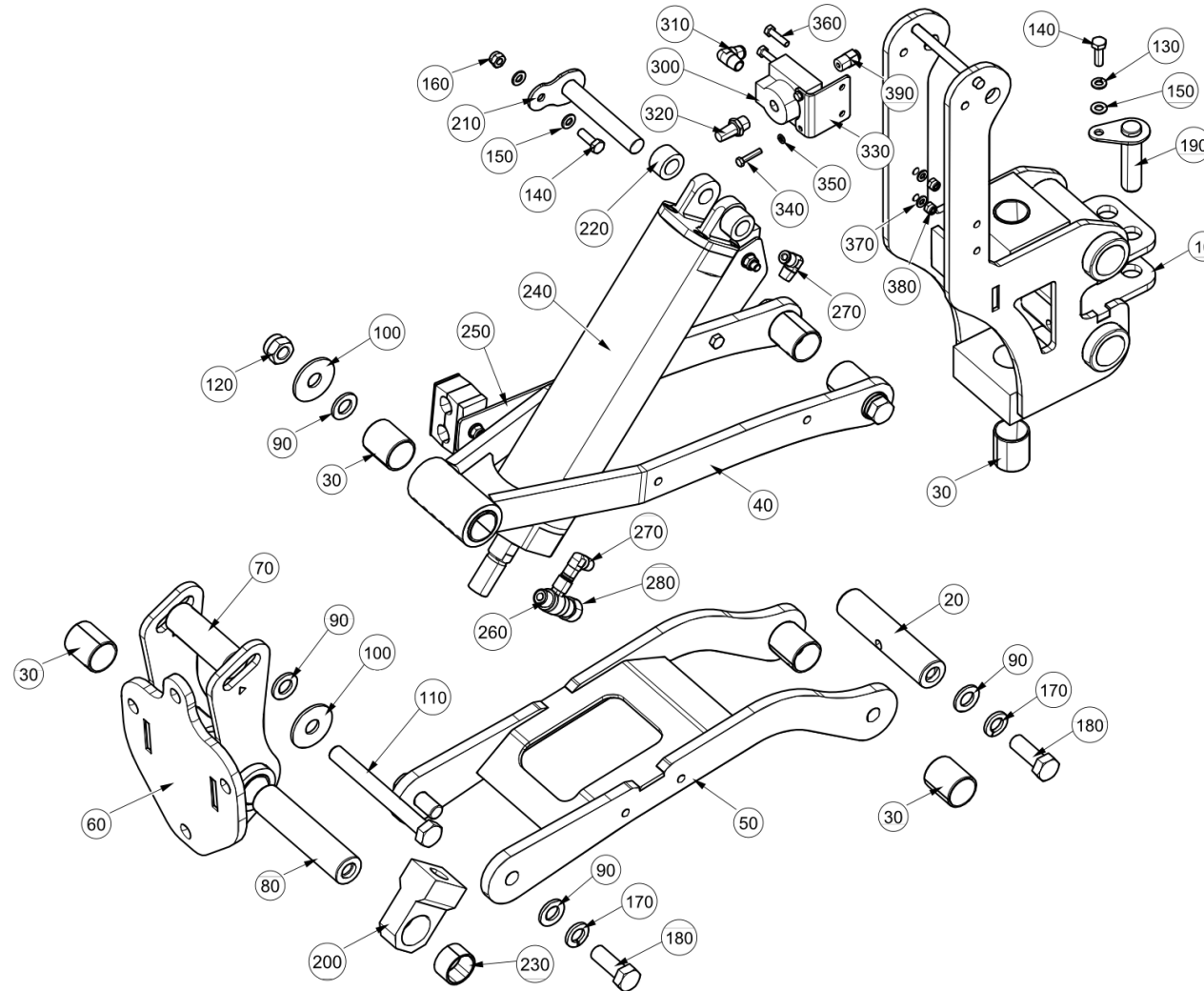
Pivot Frame Assembly ()
Sweepgear\Gutter Broom\Pivot Frame Assembly



Pivot Frame Assembly ()
Sweepgear\Gutter Broom\Pivot Frame Assembly

Item no.	Part no.	Description	QTY	Unit
10	7044293	Mounting Frame W/assy	1	PC
20	92097414-0	Hex Head Screw - M10Cx30 - 8.8	1	PC
30	93212012-0	Plain Washer - M10	1	PC
40	93699711-0	Spring Washer - Plated M10	1	PC
50	93699710-0	Spring Washer - Plated M8	1	PC
60	92097376-0	Hex Head Screw - M8Cx25 - 8.8	1	PC
70	93212011-0	Plain Washer - M8	1	PC
80	92097528-0	Hex Head Screw - M16Cx60 - 8.8	1	PC
90	93699714-0	Spring Washer - Plated M16	1	PC
100	93210523-0	Plain Washer - M16	1	PC
110	7044500	Pin - W/assy	1	PC
120	7033709	Plate - Hardstop	1	PC
130	7033793	Plunger - M24 x 2.0 - 16mm Pin	1	PC
140	7036500	Pin - Main Pivot W/assy	1	PC
150	7036506	Boss - Sweepgear	1	PC
160	7036504	Washer (60mm O/D 16.3mm I/D)	1	PC
170	7044498	Cylinder - Double Acting 40mm Bore	1	PC
180	09570126-0	Stud Coupling Male G 1/4" x M14x1.5 (8L)	2	PC

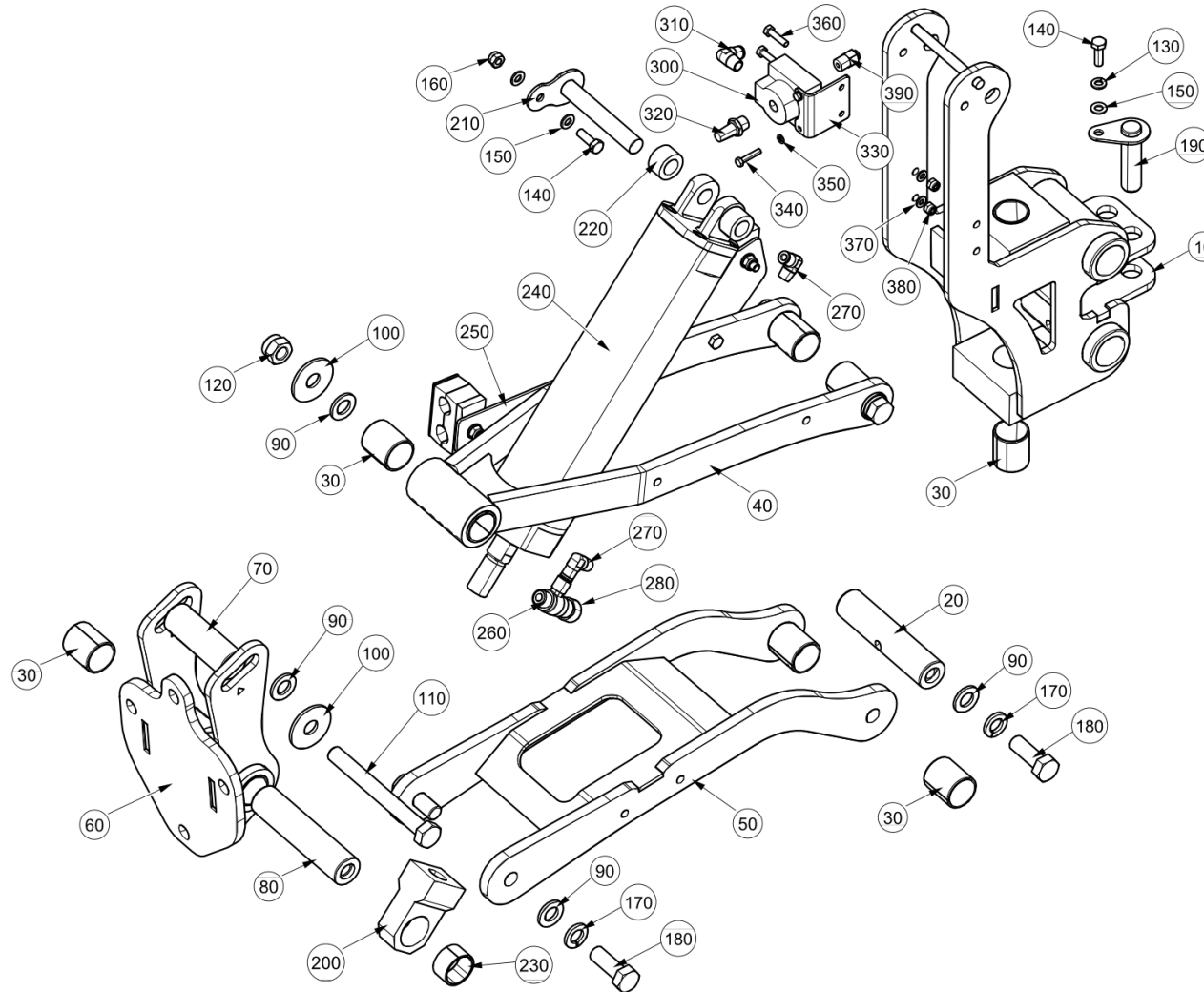
Brush Arm ()
Sweepgear\Gutter Broom\Brush Arm



Brush Arm ()
Sweepgear\Gutter Broom\Brush Arm

Item no.	Part no.	Description	QTY	Unit
10	7044327	Pivot Frame W/assy	1	PC
20	7029194	Pin - Pivot	2	PC
30	18-36	Bearing - Dry Metric 32mm I/D x 40Lg	10	PC
40	7029284	Upper Arm W/assy	1	PC
50	7029286	Lower Arm W/assy	1	PC
60	7029290	Lower Mount W/assy	1	PC
70	7029316	Pin - Top Pivot	1	PC
80	7029287	Pin - Lower Forward	1	PC
90	93210523-0	Plain Washer - M16	8	PC
100	93300513-0	Plain Large Washer M16	2	PC
110	92067548-0	Hex Head Bolt - M16x150C - 8.8	1	PC
120	93085009-0	Nyloc Hex Nut M16C - 8	1	PC
130	93699710-0	Spring Washer - Plated M8	1	PC
140	92097376-0	Hex Head Screw - M8Cx25 - 8.8	2	PC
150	93212011-0	Plain Washer - M8	2	PC
160	93085805-0	Nyloc Hex Nut M8C - 8	1	PC
170	93699714-0	Spring Washer - Plated M16	7	PC
180	92117154-0	Hex Head Screw - M16Fx1.50x45 - 8.8	6	PC
190	7044500	Pin - W/assy	1	PC
200	7031406	Rod End	1	PC
210	7033797	Retainer w/assy - Cylinder	1	PC
220	7033820	Spacer - ø18 x 30mm	2	PC
230	18-39	Bearing - Dry Metric 32mm I/D x 20Lg	1	PC
240	7033725	Pneumatic Cylinder Assy	1	PC

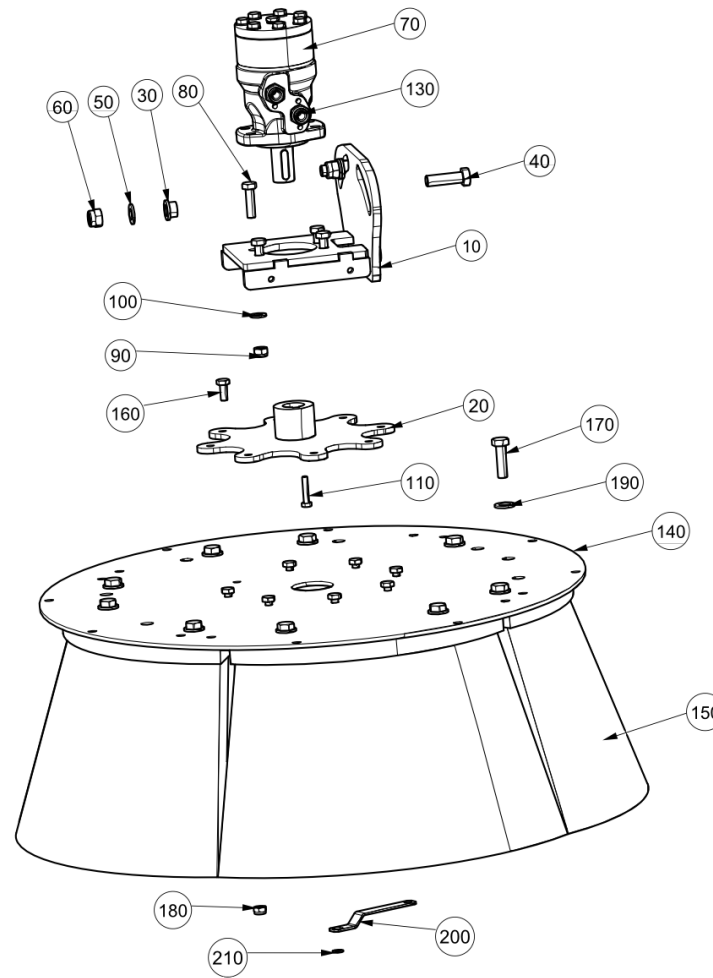
Brush Arm ()
Sweepgear\Gutter Broom\Brush Arm



Brush Arm ()
Sweepgear\Gutter Broom\Brush Arm

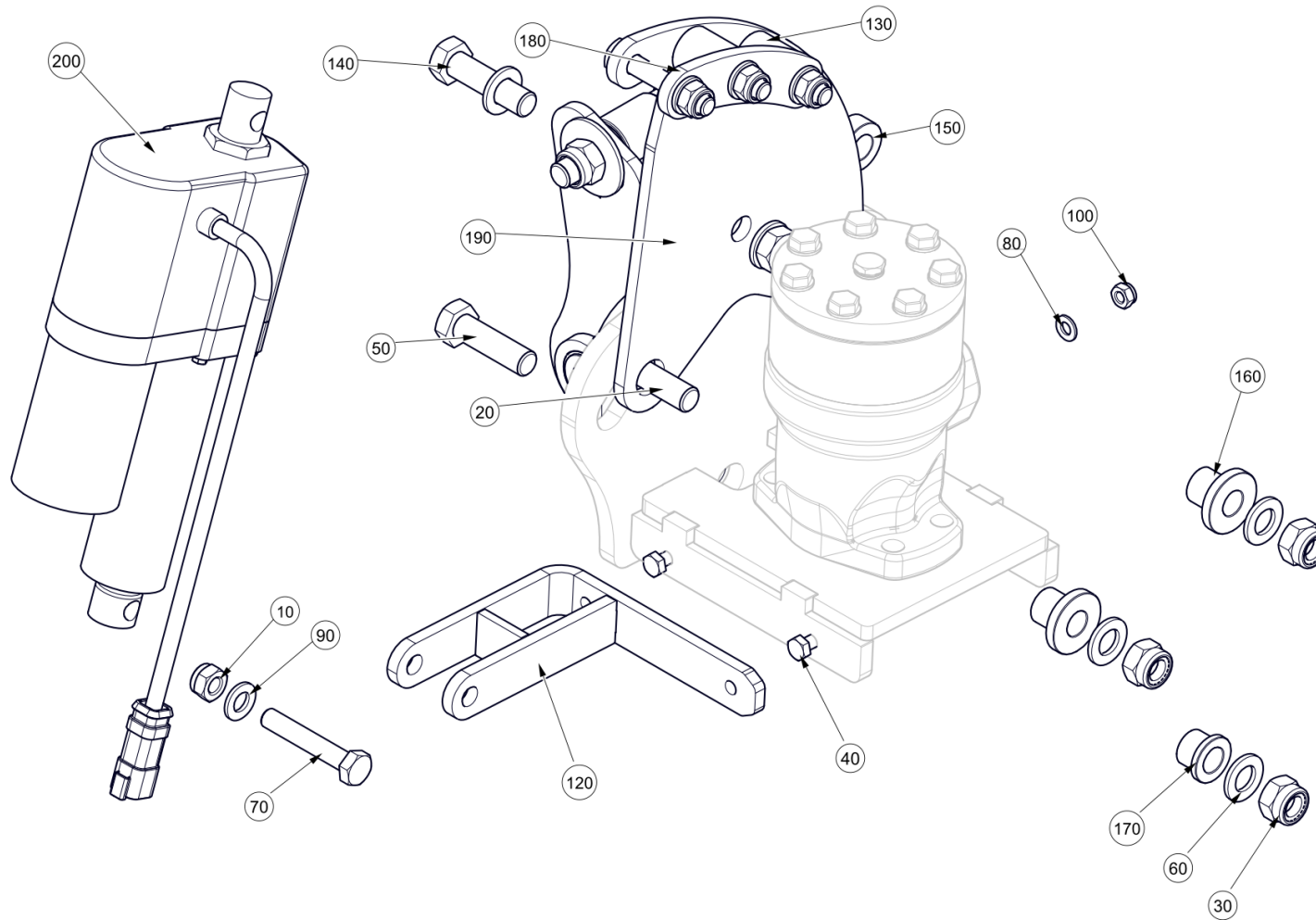
Item no.	Part no.	Description	QTY	Unit
250	7029410	Hose Clamp Assy	1	PC
260	72-111	Check Valve - Pilot Operated	2	PC
270	552-8	Adaptor - Elbow 6mm x 1/4 BSPT	2	PC
280	12869	Tube - Nylon Black 6mm O/D	10	M
300	72-20	Air Silencer - 1/4 BSP	1	PC
310	09593163-0	Elbow 8mm x 1/4 BSPT	1	PC
320	241-323	Valve - Quick Exhaust	1	PC
330	7041606	Bracket - Quick Exhaust Valve	1	PC
340	92097267-0	Hex Head Screw - M5Cx25 - 8.8	2	PC
350	93699707-0	Spring Washer - Plated M5	2	PC
360	92097303-0	Hex Head Screw - M6Cx25 - 8.8	2	PC
370	93212009-0	Plain Washer - M6	4	PC
380	93085004-0	Nyloc Hex Nut M6C - 8	2	PC
390	537-8	Adaptor-Push In 6mm x 1/4 BSPT Straight	1	PC

Brush Head ()
Sweepgear\Gutter Broom\Brush Head



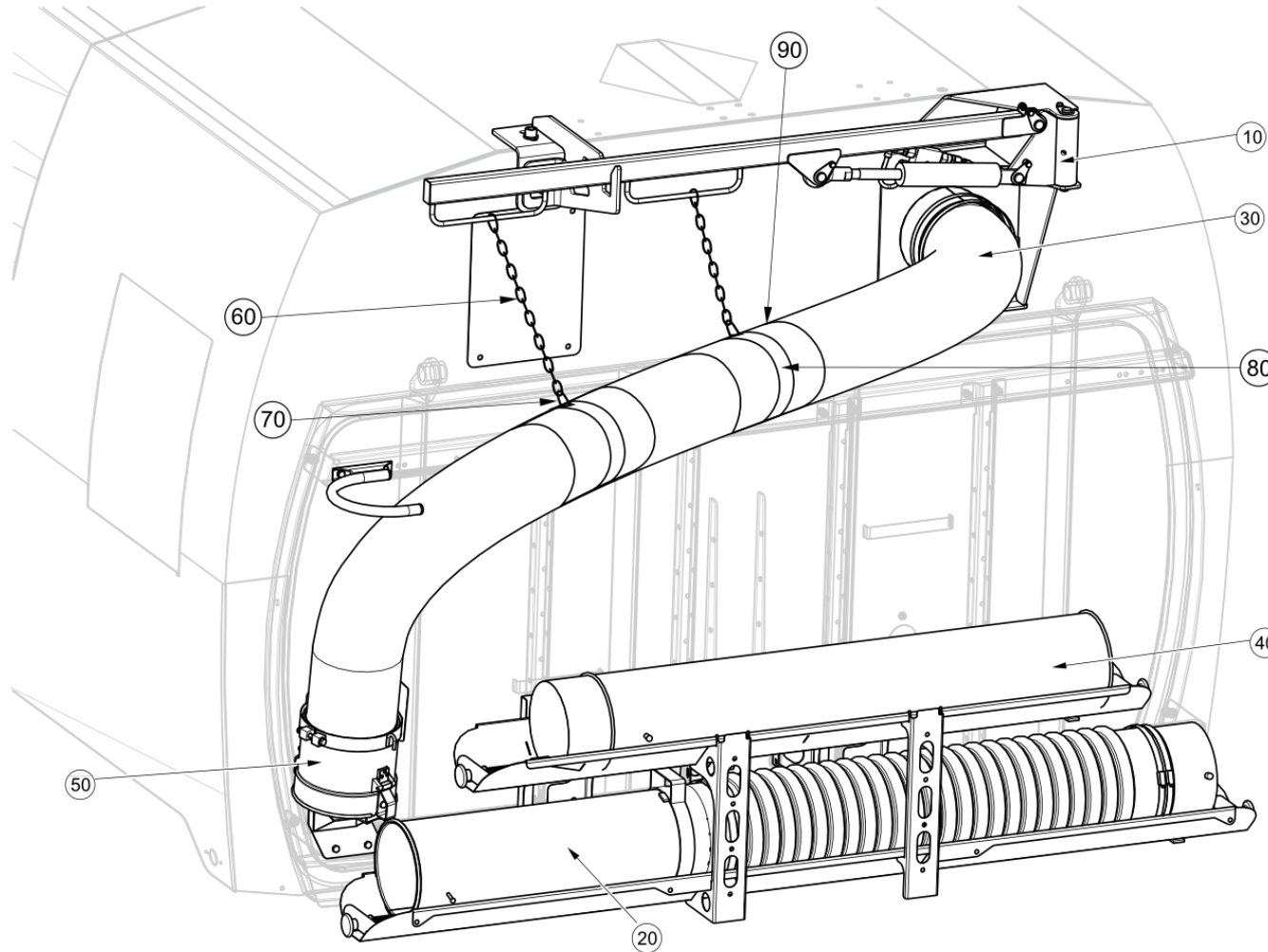
Brush Head ()
Sweepgear\Gutter Broom\Brush Head

Item no.	Part no.	Description	QTY	Unit
10	7029370	Motor Mount w/assy	1	PC
20	7029380	Motor plate w/assy	1	PC
30	221642-1	Bush - Rotatilt	3	PC
40	92067534-0	Hex Head Bolt - M16x55C - 8.8	3	PC
50	93210523-0	Plain Washer - M16	3	PC
60	93085009-0	Nyloc Hex Nut M16C - 8	3	PC
70	7029413	Hydraulic Motor - 315cc 32mm Key Shaft	1	PC
80	92097453-0	Hex Head Screw - M12Cx45 - 8.8	4	PC
90	93085007-0	Nyloc Hex Nut M12C - 8	4	PC
100	93212013-0	Plain Washer M12	4	PC
110	135-239	Hex Head Screw - 180° Patch M8Cx40 8.8	1	PC
130	6601-1329	Stud Coupling Male G 1/2" x M22 x 1.5	2	PC
140	221616-1	Plate-Brush Mt Gutter Brom 655	2	PC
150	833-5	Gutter Broom 250KP (5 Segments)	2	PC
150	833-4	Gutter Broom 350KP (4 Segments)	1	PC
160	92097412-0	Hex Head Screw - M10Cx25 - 8.8	16	PC
170	103-87	Hex Hd Bolt 5/8"-11 UNC x 2"	20	PC
180	93085006-0	Nyloc Hex Nut M10C - 8	16	PC
190	93212015-0	Plain Washer M14	20	PC
200	7055126	Securing Plate - Driveplate	1	PC
210	93212011-0	Plain Washer - M8	1	PC



Item no.	Part no.	Description	QTY	Unit
10	93085007-0	Nyloc Hex Nut M12C - 8	4	PC
20	6105-1911	Hex Head Bolt - M16x65C - 8.8	2	PC
30	93085009-0	Nyloc Hex Nut M16C - 8	4	PC
40	92097378-0	Hex Head Screw - M8Cx30 - 8.8	2	PC
50	92067534-0	Hex Head Bolt - M16x55C - 8.8	1	PC
60	93210523-0	Plain Washer - M16	5	PC
70	92067463-0	Hex Head Bolt - M12Cx70 - 8.8	4	PC
80	93212011-0	Plain Washer - M8	2	PC
90	93212013-0	Plain Washer M12	4	PC
100	93085005-0	Nyloc Hex Nut M8C - 8	2	PC
120	7039802	Bracket W/assy - Rotatilt	1	PC
130	45014-24	Spacer - 35mm	2	PC
140	92067535-0	Hex Head Bolt - M16x60C - 8.8	1	PC
150	7039804	Spacer - ø16 x 13mm ID (32mm OD)	1	PC
160	7040857	Rotatilt Boss	2	PC
170	221642-2	Bush - Rotatilt RT655	1	PC
180	221597-1	Tab Mount Upper Rotatilt RT655	1	PC
190	7051050	Plate - Rotatilt - Pot Actuator	1	PC
200	7051182	Linear Actuator assembly	1	PC

Ancillary Equipment ()
Ancillary Equipment

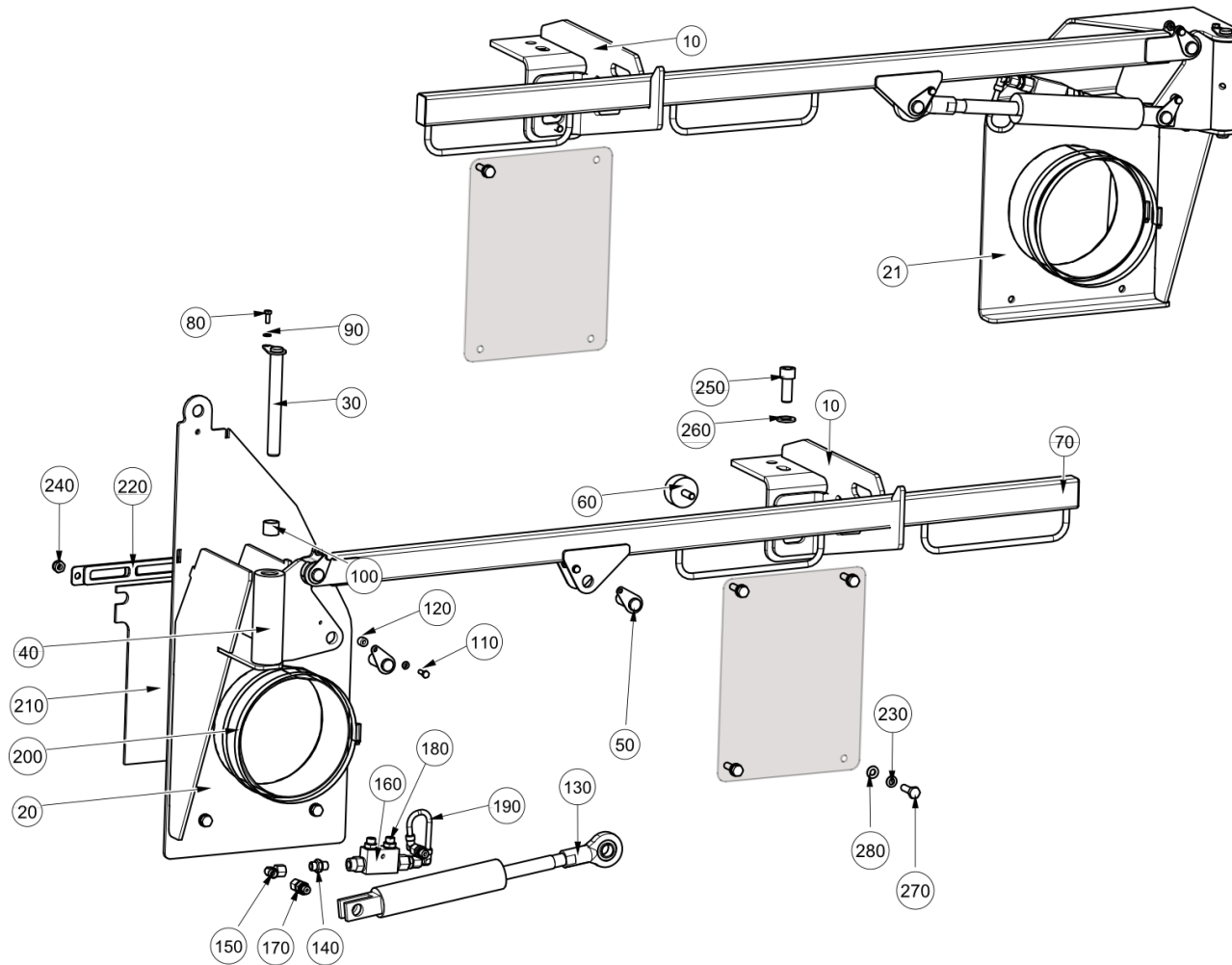


Ancillary Equipment ()

Ancillary Equipment

Item no.	Part no.	Description	QTY	Unit
30	221771-1	Duct, Rear Wanderhose	1	PC
40	282890-3	Wanderhose Extension Assembly 8" 1250Lg	1	PC
60	5485-0207	Chain	2	PC
70	09530792-0	Hook Carbine 60x6 DIN5299	2	PC
80	6483-0156	Hose Clip 220mm (cap head drive)	2	PC
90	7403-0122	Protection Sleeve 680x240x4	2	PC

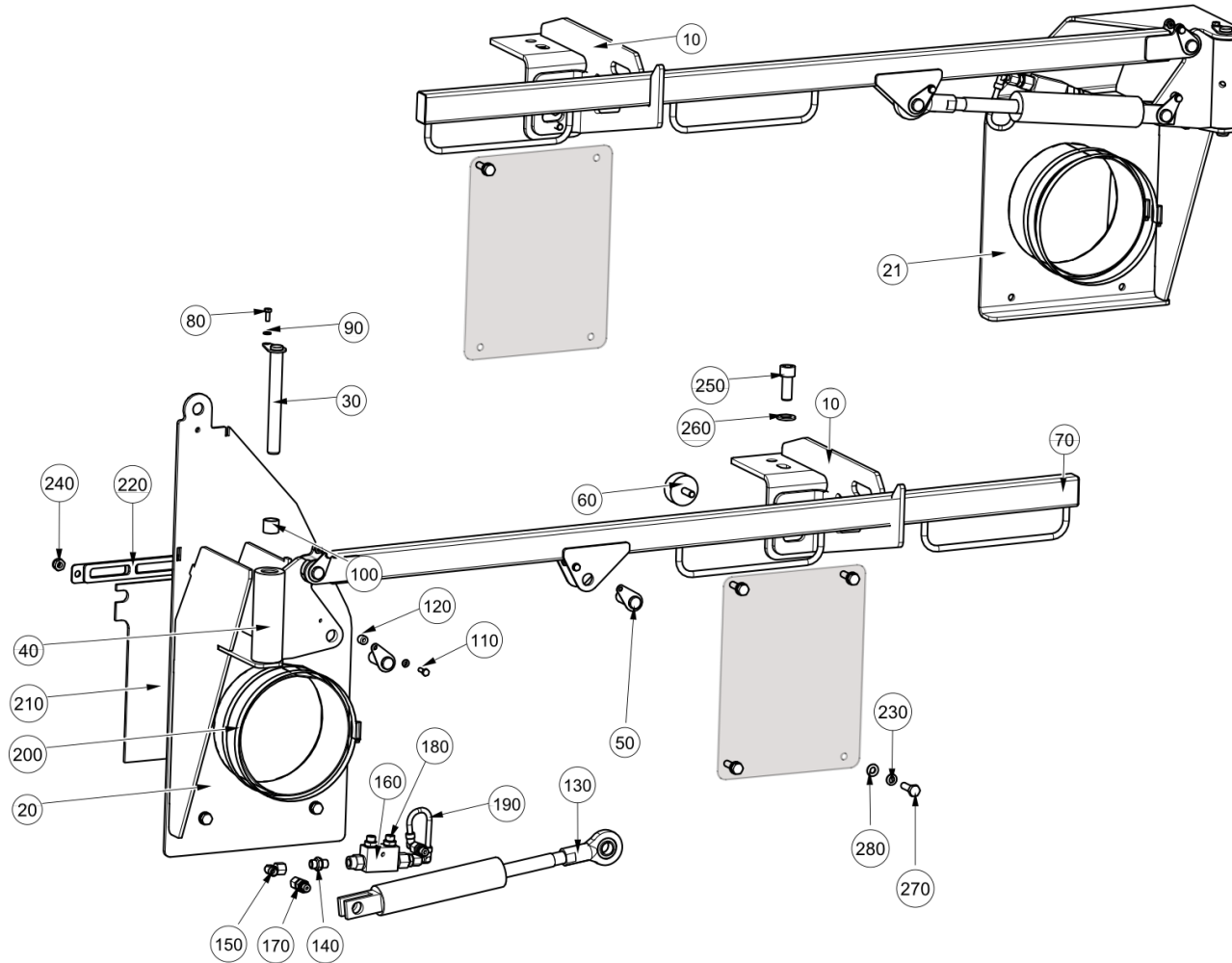
Rear Mounted Wanderhose ()
Ancillary Equipment\Rear Mounted Wanderhose



Rear Mounted Wanderhose ()
Ancillary Equipment\Rear Mounted Wanderhose

Item no.	Part no.	Description	QTY	Unit
10	7030295	Stowage Hook W/Assy	1	PC
20	7041426	Pivot Assy LH Powaboom	1	PC
21	7041425	Pivot Assy RH - Powaboom	1	PC
30	283751-2	Pivot Pin W/Assy Rr Mtd W/Hose	1	PC
40	7011412	Pivot Assembly Rear Wanderhose	1	PC
50	283751-1	Pivot Pin W/Assy Rr Mtd W/Hose	3	PC
60	290-43	Cylinder Rubber Buffer 50 O/D	1	PC
70	283738-1	Arm W/Assy-Rear Mounted W/Hose	1	PC
80	92097299-0	Hex Head Screw - M6Cx16 - 8.8	3	PC
90	93699708-0	Spring Washer - Plated M6	4	PC
100	29128-1-B	Bush - 20Lg	5	PC
110	92097301-0	Hex Head Screw - M6Cx20 - 8.8	1	PC
120	67143-6	Spacer 6.5 ID x 13.5 OD x 10	1	PC
130	7014628	Hydraulic Cylinder	1	PC
140	15052908-0	Restrictor	2	PC
150	09571035-0	Adjustable Male Elbow - M14 x 1.5 A3C	3	PC
160	72-124	Check Valve - PO 1/4 BSP Double	1	PC
170	09571177-0	Male Stud Connector G 1/4	1	PC
180	09570126-0	Stud Coupling Male G 1/4" x M14x1.5 (8L)	3	PC
190	7032363	Pipe - Rear Wanderhose Cylinder	1	PC
200	504-52	Hose Clip - Worm Drive (190-220)	2	PC
210	7015069	Flap, Rear Wanderhose	1	PC
220	7015072	Securing Plate	1	PC
230	93700211-0	Spring Washer M10 - A2	8	PC

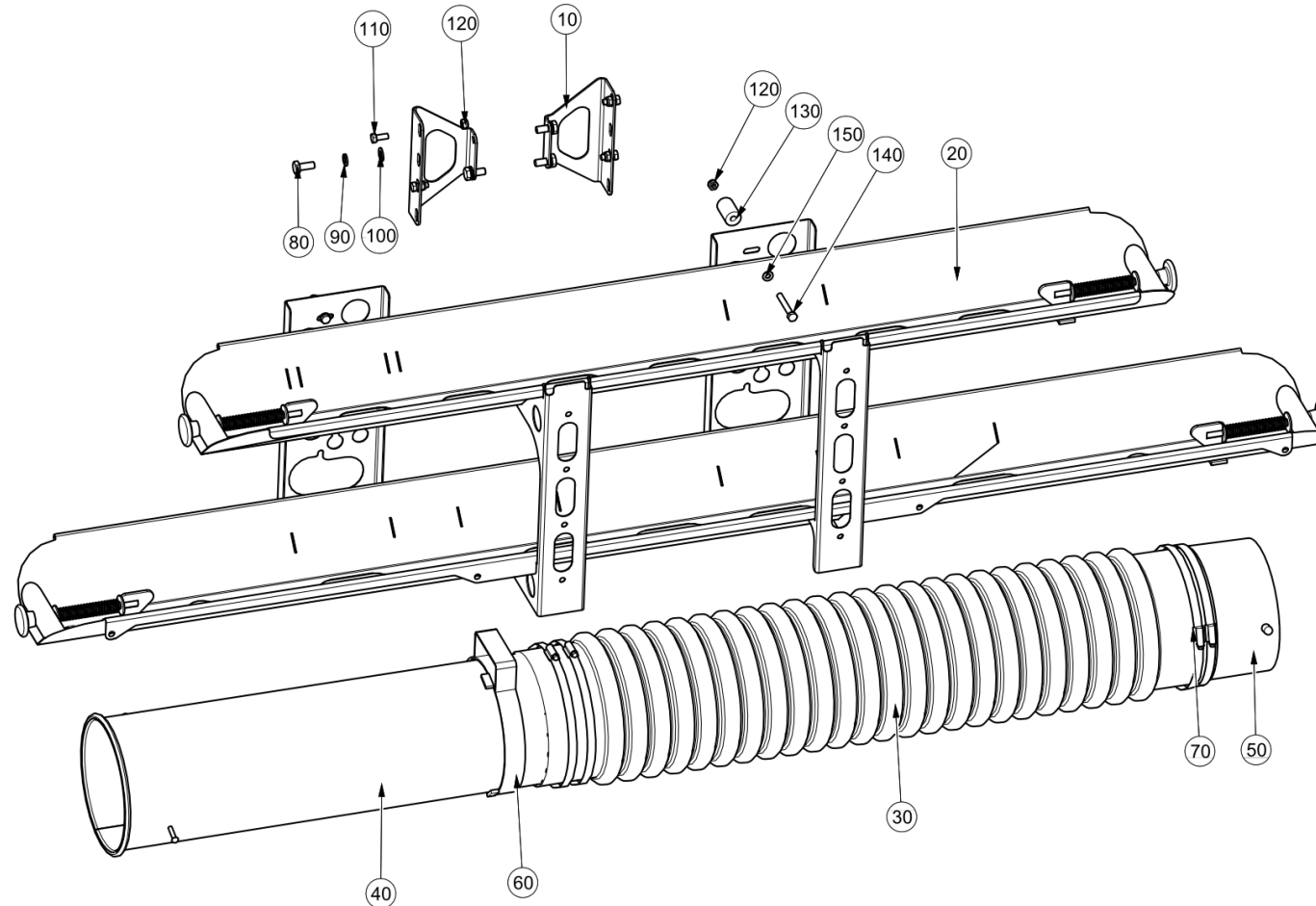
Rear Mounted Wanderhose ()
Ancillary Equipment\Rear Mounted Wanderhose



Rear Mounted Wanderhose ()
Ancillary Equipment\Rear Mounted Wanderhose

Item no.	Part no.	Description	QTY	Unit
240	93085606-0	Nyloc Hex Nut - M10c - A2	2	PC
250	92138271-0	Hex Socket Cap Screw - M16c x 40 A2	1	PC
260	93213014-0	Plain Washer M16 A2	1	PC
270	92099412-0	Hex Head Screw - M10Cx35 - A2	8	PC
280	93213011-0	Plain Washer M10 A2	8	PC
290	7020635	Powaboom Pendant Control	1	PC
300	7020636	Powaboom Cable Assembly	1	PC
310	7045681	Powaboom Control 12Volt	1	PC
320	7045778	Powaboom Control 24Volt	1	PC

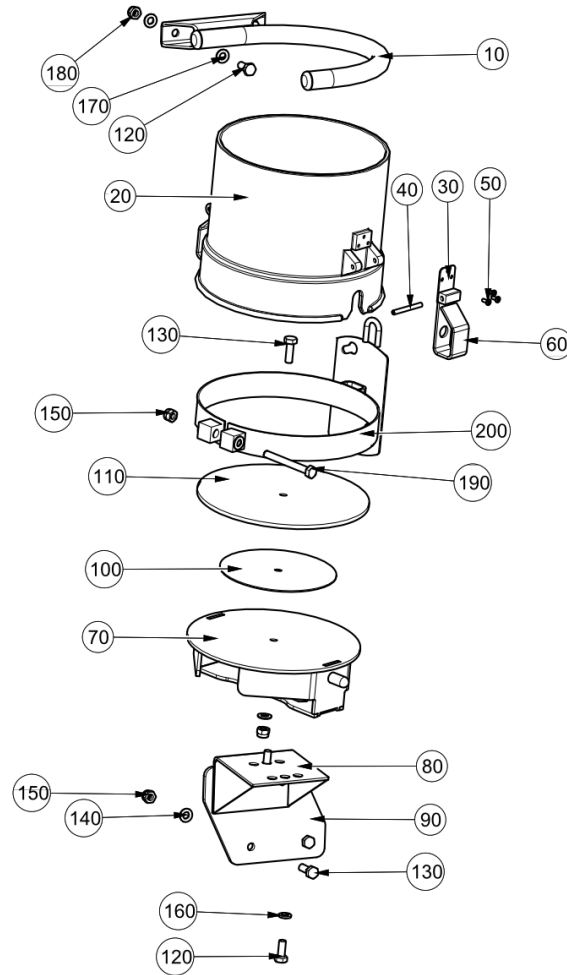
Wanderhose Extension ()
Ancillary Equipment\Wanderhose Extension



Wanderhose Extension ()
Ancillary Equipment\Wanderhose Extension

Item no.	Part no.	Description	QTY	Unit
10	283849-1	Fixing Bracket - Hose Tray	2	PC
20	282867-1-INST	W/HOSE EXTN TRAY ASSY V.Range	1	PC
30	15917-1-B	Hose Extension - Flexible Ø200	1	PC
40	15899-1-B	Hose Fitting End W/Assy	1	PC
50	5996-4	Sleeve - Ø200 W/Assy	1	PC
60	15920-1-C	Handle Welded Assembly - Wanderhose Ø200	1	PC
70	504-52	Hose Clip - Worm Drive (190-220)	4	PC
80	92099409-0	Hex Head Screw - M10Cx25 - A2	4	PC
90	93700211-0	Spring Washer M10 - A2	4	PC
100	93213011-0	Plain Washer M10 A2	4	PC
110	92097374-0	Hex Head Screw - M8Cx20 - 8.8	4	PC
120	93085005-0	Nyloc Hex Nut M8C - 8	8	PC
130	282438-41	Spacer-DIM A 41	4	PC
140	92097384-0	Hex Head Screw - M8Cx60 - 8.8	4	PC
150	93212011-0	Plain Washer - M8	4	PC

Wanderhose Coupling ()
Ancillary Equipment\Wanderhose Coupling



Wanderhose Coupling ()
Ancillary Equipment\Wanderhose Coupling

Item no.	Part no.	Description	QTY	Unit
10	282504-1	Hook - Littasnatch, Assembly	1	PC
20	15895-1-B	Coupling 200/8"	1	PC
30	6002-1-A	Spring - Coupling	2	PC
40	58-6	Pin - Adaptor 3/16 x 1 7/8"	2	PC
50	193-8	Screw Selftap Pan Hd No 6 x 9.5mm	6	PC
60	5999-1-C	Catch - Welded Assembly	2	PC
70	7023959	Anchorage Welded Assembly 8"	1	PC
80	42463-1-C	Anchorage - Bracket, Wanderhose	1	PC
90	283899-1	Plate - Anchorage Relocation	1	PC
100	6043-1-B	Adaptor Plate	1	PC
110	5688-2	Disc, Rubber 8" Dia	1	PC
120	92097374-0	Hex Head Screw - M8Cx20 - 8.8	4	PC
130	92097376-0	Hex Head Screw - M8Cx25 - 8.8	5	PC
140	93212011-0	Plain Washer - M8	6	PC
150	93085805-0	Nyloc Hex Nut M8C - 8	6	PC
160	93699710-0	Spring Washer - Plated M8	2	PC
170	93213010-0	Plain Washer M8 A2	4	PC
180	93085605-0	Nyloc Hex Nut - M8c - A2	2	PC
190	92067389-0	Hex Head Bolt - M8Cx70 - 8.8	1	PC
200	282638-1	Cable Supt W/Assy Ø200 with Hook	1	PC

This page is intentionally left blank

Chapter 8 Water System

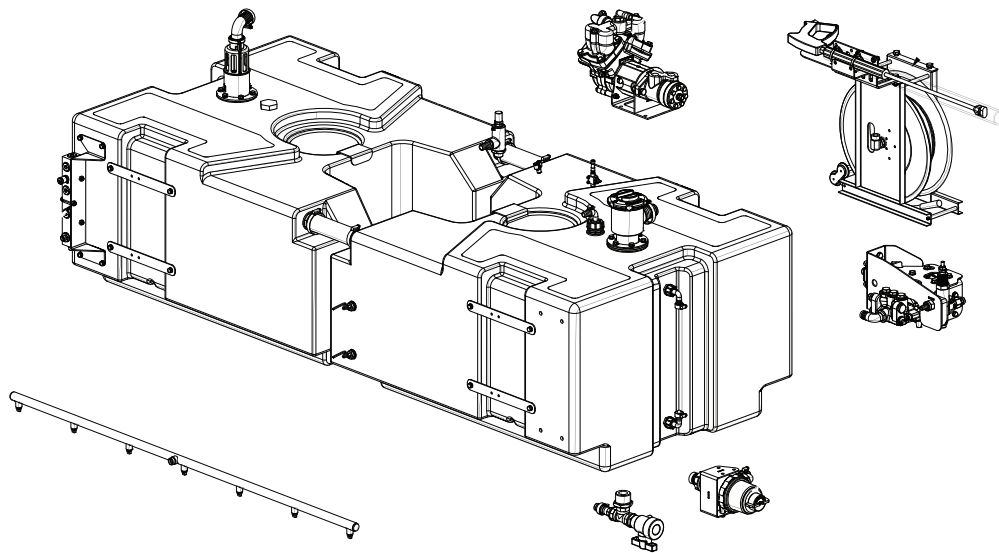
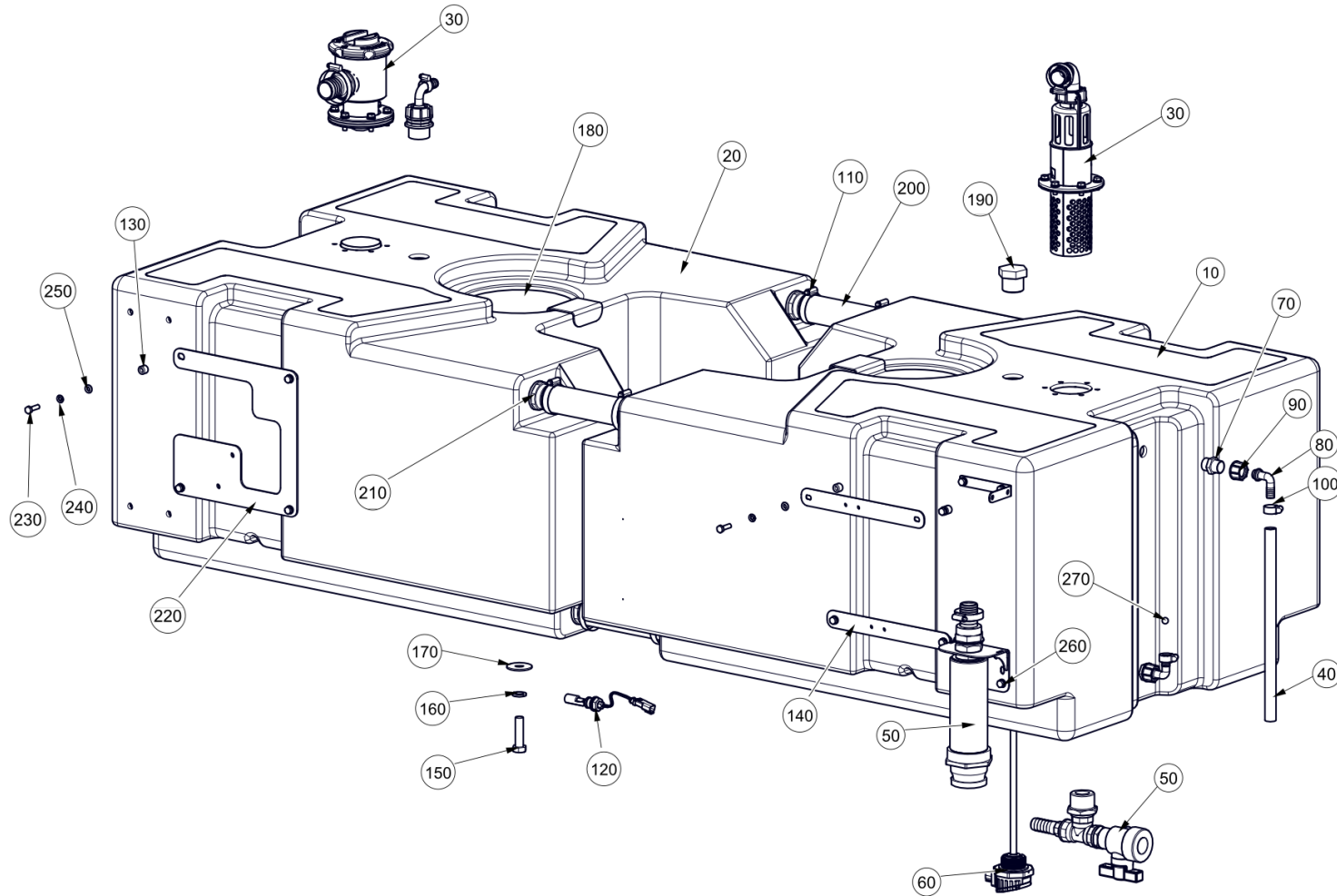


Table of Contents

Section	Page
8.1 Water Tank Assembly.....	128
8.1.1 Overflow and Water Valve.....	132
8.1.2 Hydrant Filler.....	134
8.2 Supawash.....	136
8.2.1 Supawash Install.....	140
8.3 Supawash Hose Reel and Lance.....	144
8.4 Supawash Front Spraybar.....	146
8.5 Water Pump Assembly.....	148
8.5.1 Water Pump Spares.....	152

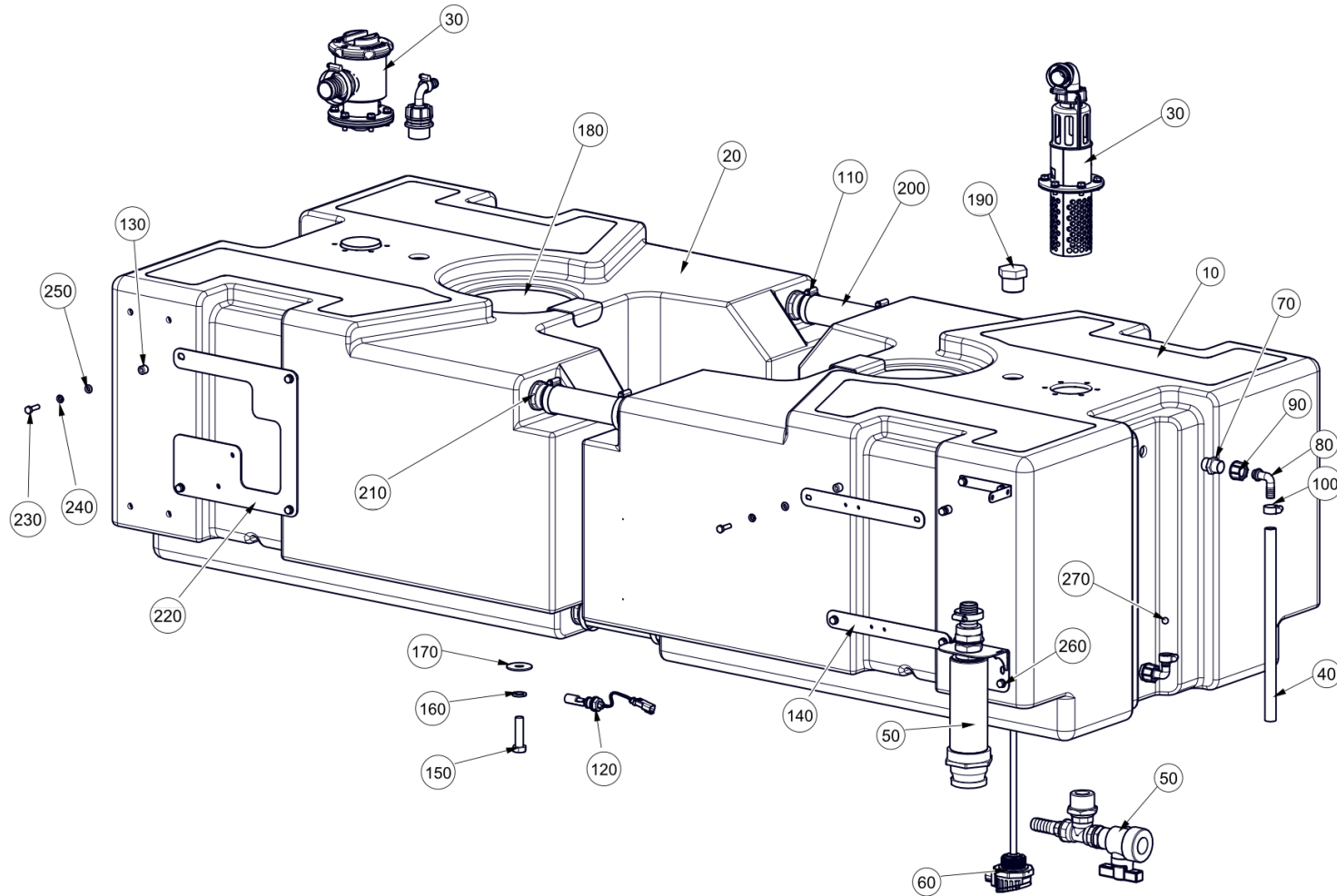
Water Tank Assembly ()
Water System\Water Tank Assembly



Water Tank Assembly ()
Water System\Water Tank Assembly

Item no.	Part no.	Description	QTY	Unit
10	221400-1	Water Tank-530L RT655	1	PC
20	221400-2	Water Tank-530L Add.HolesRT655	1	PC
40	15656-1-D	Sight Tube-Water/Deterg.Tank	2	M
60	09531009-0	Hose Clip - Worm Drive (30-40)	3	PC
70	277-248	Hexagonal Nipple - 3/4" BSP	4	PC
80	277-186	Flynut Hosetail - 90° Barb = 15mm	4	PC
90	277-159	Flynut - 3/4 F	4	PC
100	09531006-0	Hose Clip - Worm Drive (17-25)	5	PC
110	09531004-0	Hose Clip - Worm Drive (50-70)	9	PC
120	48-328	Switch - Float and Deutsch Connector	2	PC
130	56569-10	Spacer - 16 Dia x 11 M8	8	PC
140	221289-1	Cable Tidy Plate RT655	6	PC
150	92097528-0	Hex Head Screw - M16Cx60 - 8.8	2	PC
160	93699714-0	Spring Washer - Plated M16	2	PC
170	93300513-0	Plain Large Washer M16	2	PC
180	221182-1	Water Tank Clamp W/Assy RT655	2	PC
190	277-251	Plug - 1 1/4" BSP M Parallel	2	PC
200	272-40	Hose - Blue Silicone	4	PC
210	231-69	Hosetail - G 1 1/2" x 50mm Barb	8	PC
220	7041243	Plate - Supawash Manifold	1	PC
230	92097378-0	Hex Head Screw - M8Cx30 - 8.8	14	PC
240	93699710-0	Spring Washer - Plated M8	24	PC
250	93212011-0	Plain Washer - M8	25	PC
260	92097374-0	Hex Head Screw - M8Cx20 - 8.8	11	PC

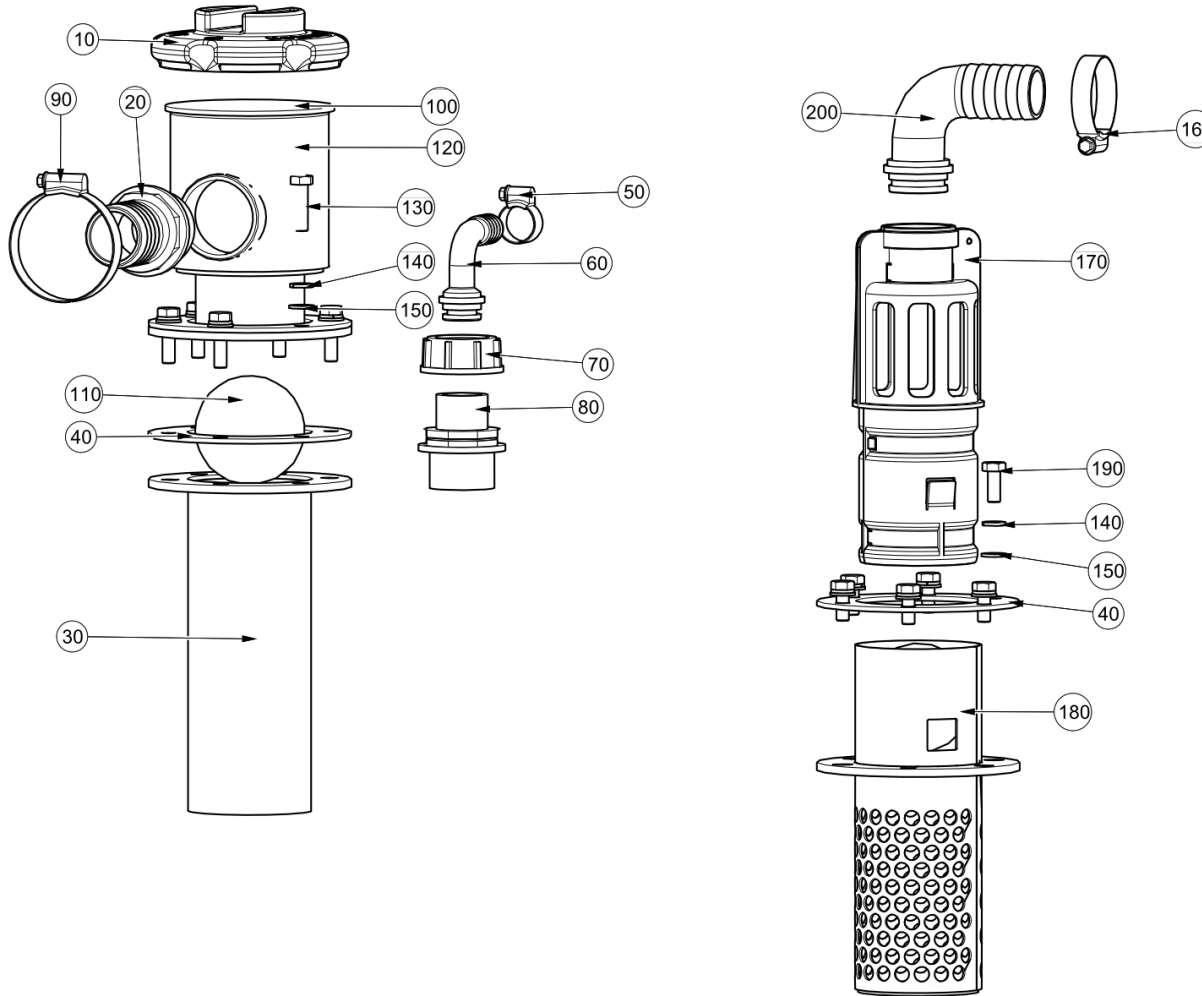
Water Tank Assembly ()
Water System\Water Tank Assembly



Water Tank Assembly ()
Water System\Water Tank Assembly

Item no.	Part no.	Description	QTY	Unit
270	22-13	Ball - Plastic (Blue) 1/2"	2	PC

Overflow and Water Valve ()
 Water System\Water Tank Assembly\Overflow and Water Valve

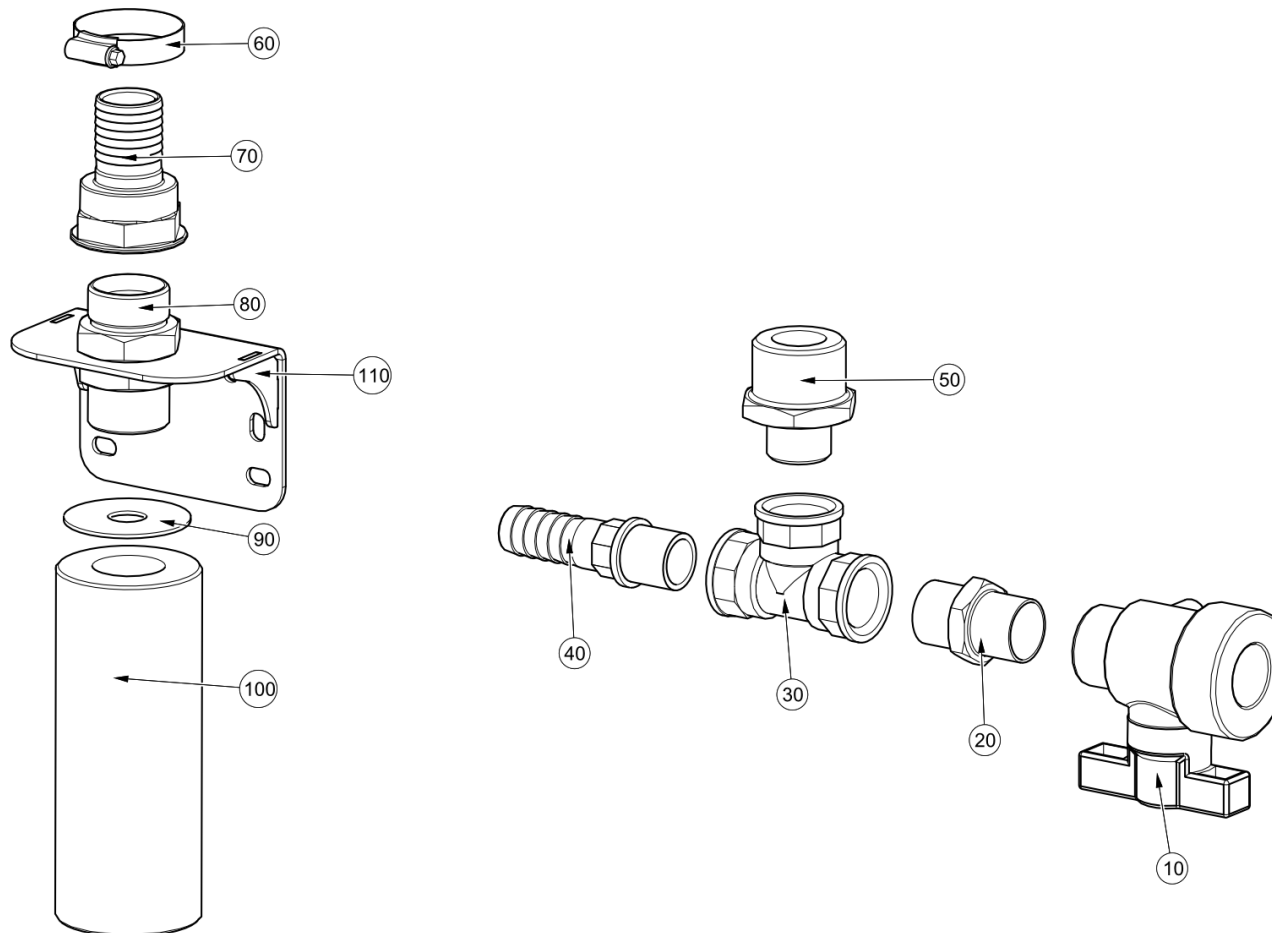


Overflow and Water Valve ()

Water System\Water Tank Assembly\Overflow and Water Valve

Item no.	Part no.	Description	QTY	Unit
10	284040-1	Cap - Water Tank Drain	1	PC
20	277-252	Hosetail - 1 1/2" BSP M x 40mm	1	PC
30	221345-1	Cage W/A Ball Valve-W/Tank 655	1	PC
40	221159-1	Seal - Outlet Water Tank RT655	2	PC
50	09531006-0	Hose Clip - Worm Drive (17-25)	1	PC
60	231-67	Flynut Hosetail - 90° Barb = 19mm	1	PC
70	277-170	Flynut - 1 1/2 F	1	PC
80	277-197	Nipple-Reducing 1 - 1 1/4" BSP	1	PC
90	09531004-0	Hose Clip - Worm Drive (50-70)	1	PC
100	40643-1-C	Washer - Seal, Drain, Water Tank	1	PC
110	22-12	Ball - Plastic 70mm dia	1	PC
120	221360-1	Overflow W/Assy Water Tank 655	1	PC
130	92097378-0	Hex Head Screw - M8Cx30 - 8.8	6	PC
140	93699710-0	Spring Washer - Plated M8	6	PC
150	93212011-0	Plain Washer - M8	6	PC
160	09531011-0	Hose Clip - Worm Drive (40-55)	1	PC
170	7038288	Water Break - Half	2	PC
180	7038297	Water Valve W/Assy	1	PC
190	92097374-0	Hex Head Screw - M8Cx20 - 8.8	6	PC
200	277-208	Cap and Liner 90 Degree	1	PC

Hydrant Filler ()
Water System\Water Tank Assembly\Hydrant Filler

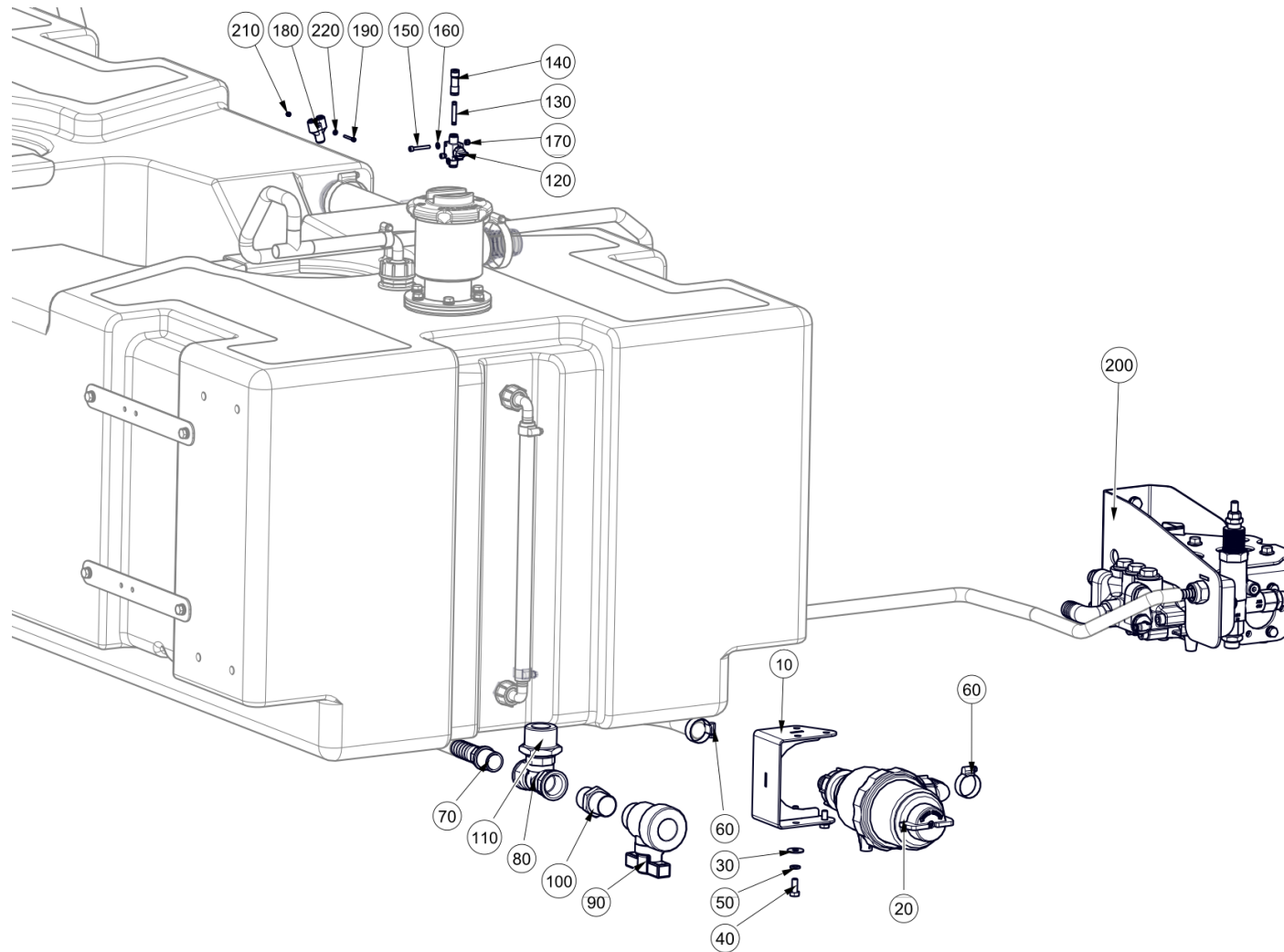


Hydrant Filler ()

Water System\Water Tank Assembly\Hydrant Filler

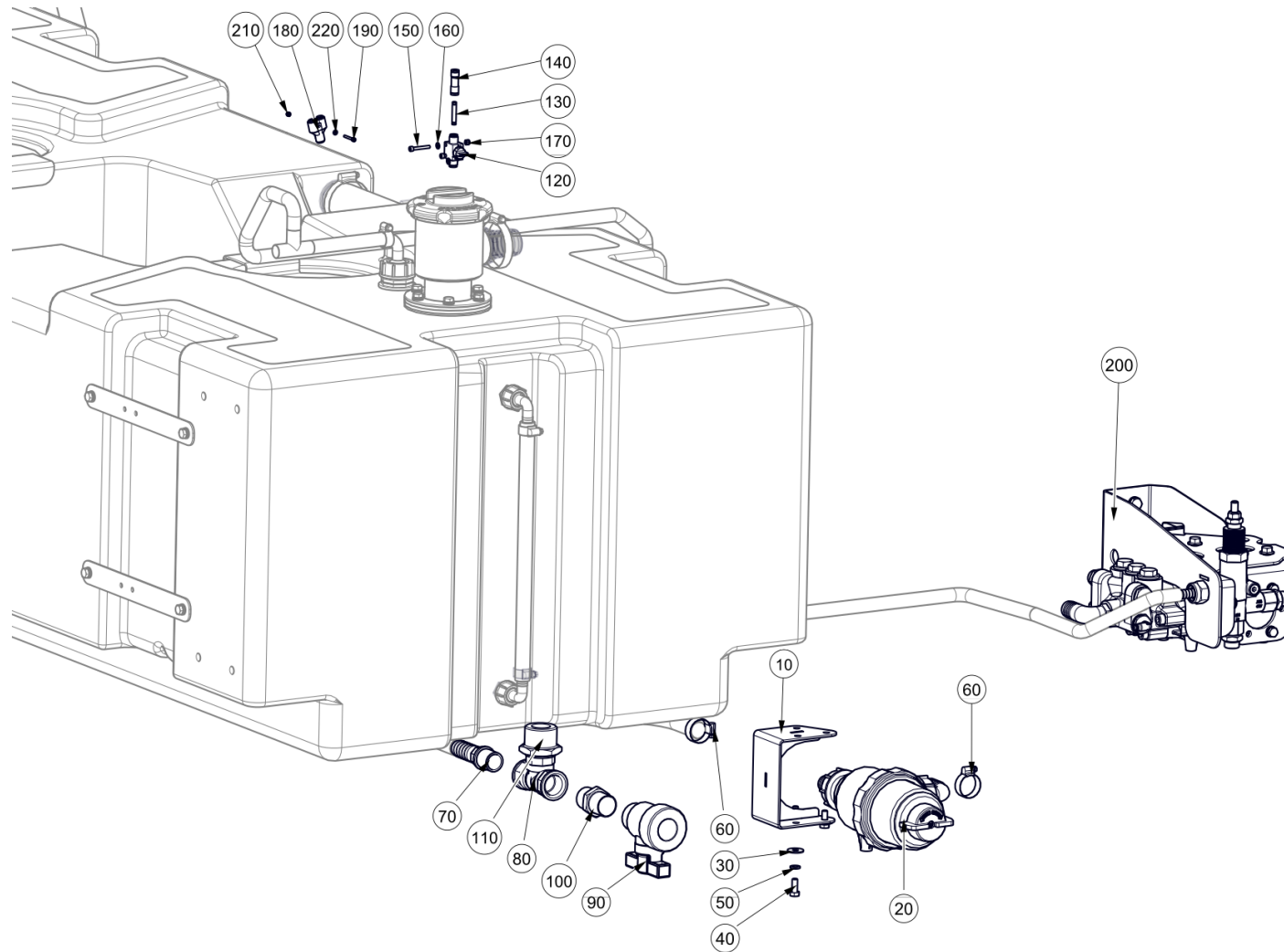
Item no.	Part no.	Description	QTY	Unit
10	88-43	Ball Valve 1" Female	1	PC
20	277-173	Nipple - G 1 22 x 22mm	1	PC
30	277-128	Tee Female - G 1 Equal	1	PC
40	277-286	Hosetail G - 1 Male x 25mm Barb	1	PC
50	277-250	Nipple - Reducer G 1 1/2 - G 1 M	1	PC
60	09531011-0	Hose Clip - Worm Drive (40-55)	1	PC
70	277-210	Hosetail Female 1 1/4"BSPx35mm	1	PC
80	264-8	Adaptor M/M - Bulkhead+Locknut 1 1/4 BSP	1	PC
90	221892-2	Restrictor - Hydrant Fill 655	1	PC
100	7017527	Hydrant Filler - 187 x 50	1	PC
110	221365-1	Bracket W/A Hydrant Fill RT655	1	PC

Supawash ()
Water System\Supawash



Item no.	Part no.	Description	QTY	Unit
10	7010554	Bracket Water Filter	1	PC
20	281750-1	Water Filter Assembly	1	PC
30	93300509-0	Plain Large Washer - M8	3	PC
40	92097374-0	Hex Head Screw - M8Cx20 - 8.8	3	PC
50	93699710-0	Spring Washer - Plated M8	3	PC
60	09531009-0	Hose Clip - Worm Drive (30-40)	4	PC
70	277-286	Hosetail G - 1 Male x 25mm Barb	1	PC
80	277-128	Tee Female - G 1 Equal	1	PC
90	88-43	Ball Valve 1" Female	1	PC
100	277-173	Nipple - G 1 22 x 22mm	1	PC
110	277-250	Nipple - Reducer G 1 1/2 - G 1 M	1	PC
120	72-116	Finger Valve - M/M, Tube Dia 6mm	1	PC
130	549-3	Pneumatic Stem Connector, Ø6mm Tube	1	PC
140	72-115	Check Valve - M/M, Tube Dia 6mm	1	PC
150	92137015-0	Hex Socket Cap Screw - M4Cx30 - 12.9	2	PC
160	93212007-0	Plain Washer M4	4	PC
170	93085002-0	Nyloc Hex Nut M4C - 8	2	PC
180	559-6	Connector - Parallel Y 6x6x6mm	1	PC
190	92137007-0	Hex Socket Cap Screw - M3Cx25 - 12.9	1	PC
210	93085001-0	Nyloc Hex Nut M3C - 8	1	PC
220	93212005-0	Plain Washer M3	1	PC
5000	6117	1" Bore Premoflex Hose	3	M
5001	6111	Hose - Water 1/2"	4	M
5002	H2SC12001-410	Hose - Hyd Straight x 45°Swept	1	PC

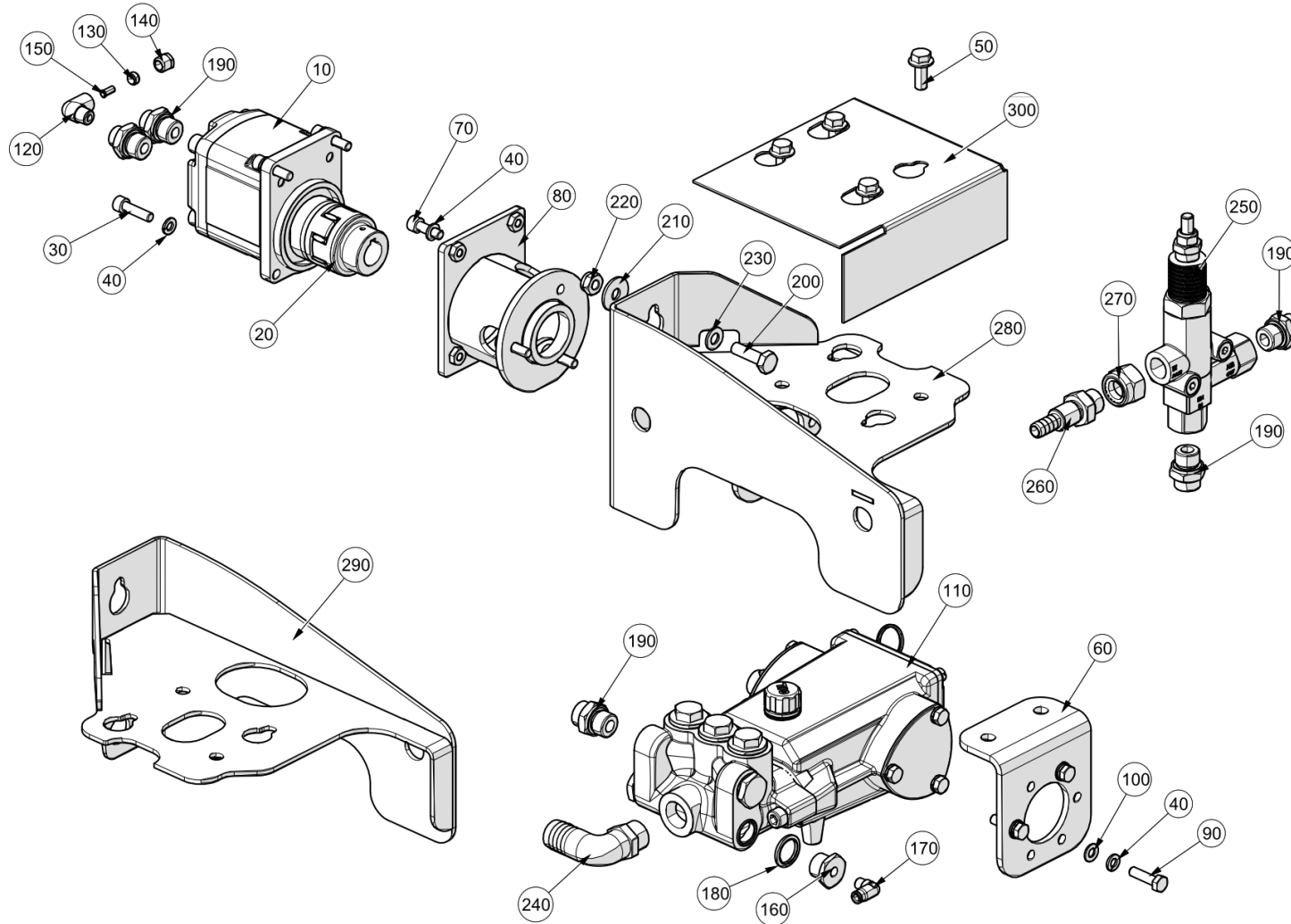
Supawash ()
Water System\Supawash



Supawash ()
Water System\Supawash

Item no.	Part no.	Description	QTY	Unit
5003	H2SC12002-230	Hose - Hyd Straight x 90°Swept	1	PC
5004	H2SC12001-60	Hose - Hyd Straight x 45°Swept	2	PC
5005	12870	Tube - Nylon Black 8mm O/D	3	M

Supawash Install ()
Water System\Supawash\Supawash Install

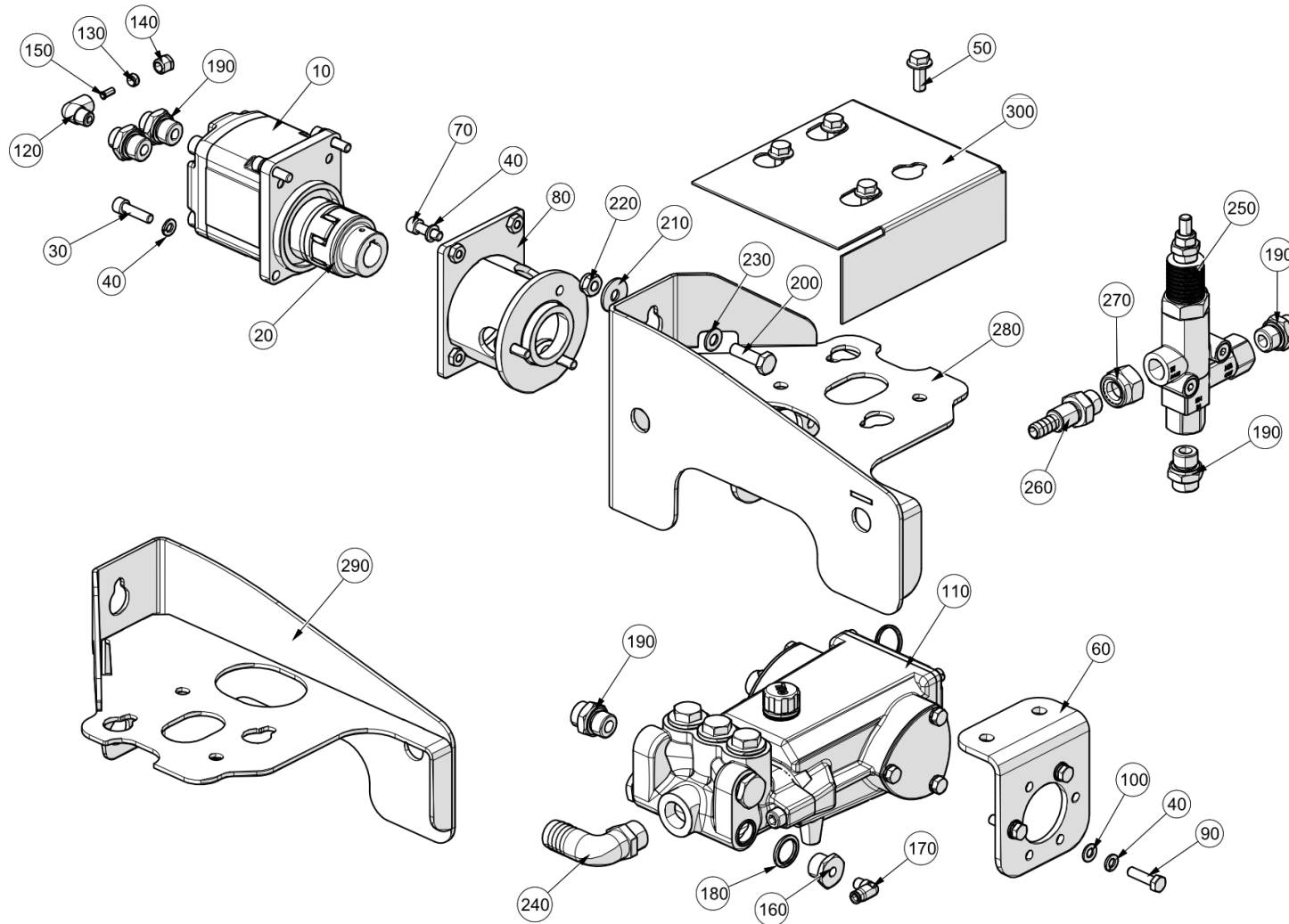


Supawash Install ()

Water System\Supawash\Supawash Install

Item no.	Part no.	Description	QTY	Unit
10	244-15	Motor - Hydraulic + Drain Port	1	PC
20	283681-1	Drive Coupling Assembly SW Pump	1	PC
30	92137121-0	Hex Socket Cap Screw - M8Cx30 - 12.9	4	PC
40	93699710-0	Spring Washer - Plated M8	7	PC
50	09531337-0	Hex Flange Head Bolt - M10C x 25 - 12.9	4	PC
60	283698-1	Mntg Foot W/Assy Supawash Pump	2	PC
70	92137120-0	Hex Socket Cap Screw - M8Cx25 - 12.9	3	PC
80	7008087	Frame - Water System	1	PC
90	92067381-0	Hex Head Bolt - M8Cx30 - 8.8	3	PC
100	93212011-0	Plain Washer - M8	3	PC
110	7008031	Water Pump 100bar	1	PC
120	521-8	Adaptor - Male Elbow 8 O/D 1/4 BSP	1	PC
130	511-4	Olive - Tube 8mm O/D	1	PC
140	510-4	Nut - Tube 8mm O/D	1	PC
150	41038-1-B	SLEEVE	1	PC
160	559-112	Reducer - G 1/2"M x 1/8"F	1	PC
170	552-3	Adaptor - Elbow 6mm x 1/8 BSPT	1	PC
180	451-19	Washer - Bonded G1-2"	1	PC
190	09570131-0	Stud Coupling Male G 1/2" x M18 x 1.	3	PC
200	92097415-0	Hex Head Screw - M10Cx35 - 8.8	2	PC
210	93300510-0	Plain Large Washer M10	2	PC
220	93085006-0	Nyloc Hex Nut M10C - 8	2	PC
230	93212012-0	Plain Washer - M10	2	PC
240	231-76	90 ° Hose Barb - 3/4 BSP x 25mm Barb	1	PC

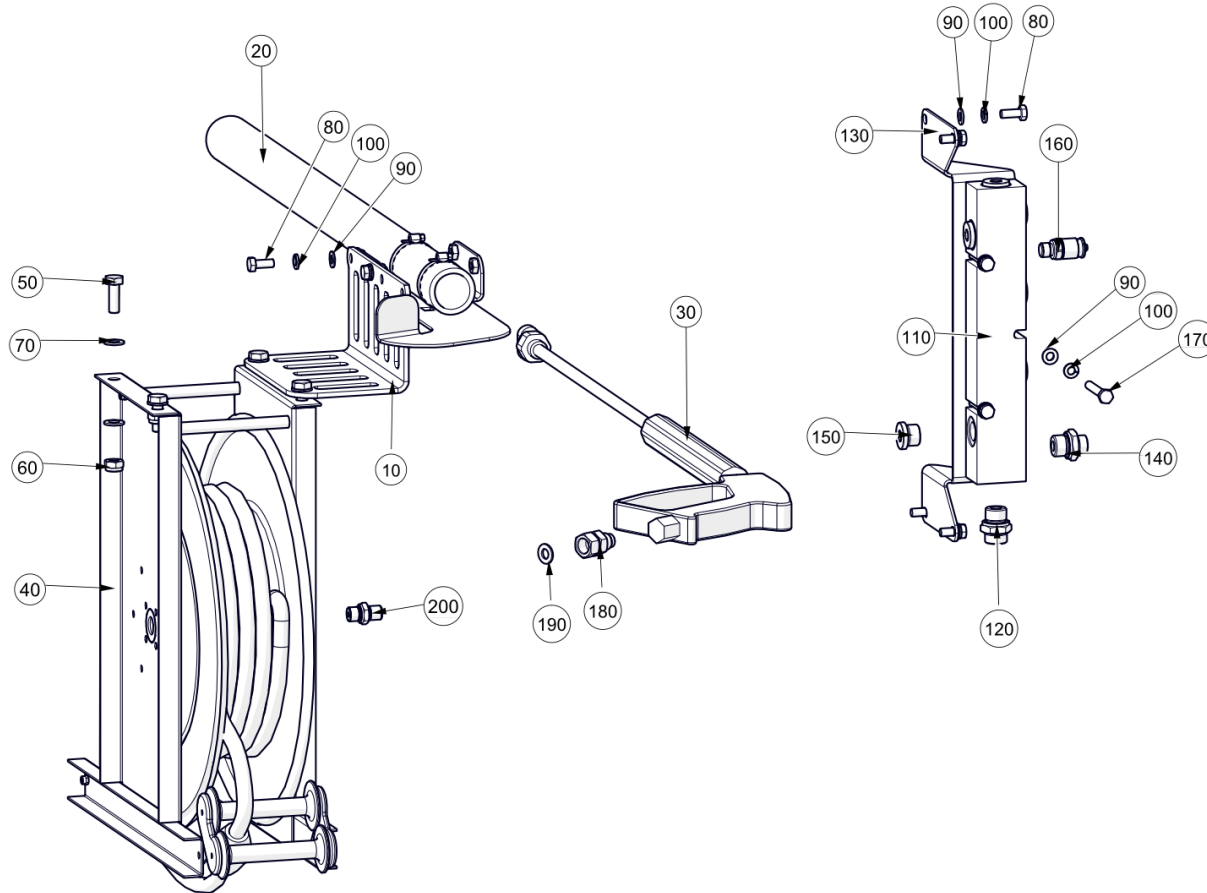
Supawash Install ()
Water System\Supawash\Supawash Install



Supawash Install ()
Water System\Supawash\Supawash Install

Item no.	Part no.	Description	QTY	Unit
250	283702-1	Unloader - Supawash Pump	1	PC
260	7005320	Connector	1	PC
270	93085011-0	Nyloc Hex Nut M20C - 8	1	PC
280	7041278	Supawash Bracket LH	1	PC
For left hand installion				
290	7041279	Supawash Bracket RH	1	PC
For right hand installion				
300	7049372	Filler Shield	1	PC
For US machines only				

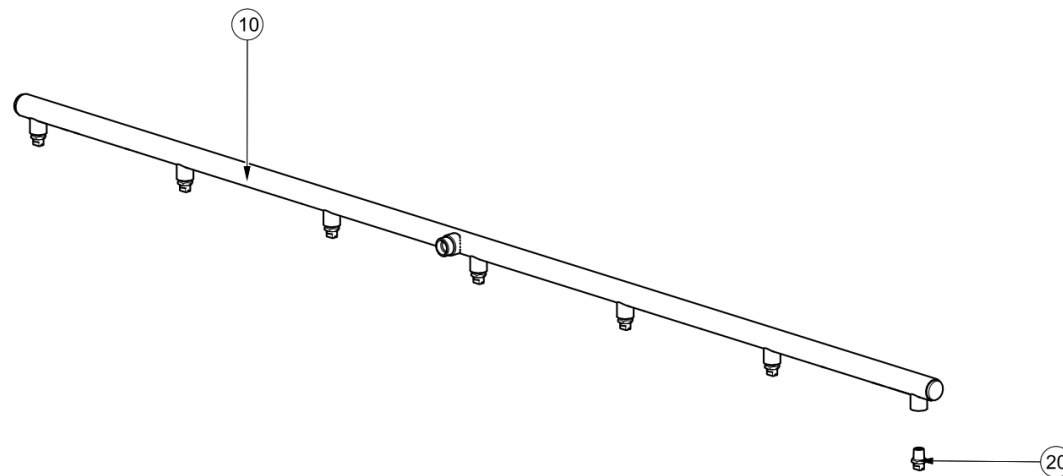
Supawash Hose Reel and Lance ()
Water System\Supawash Hose Reel and Lance



Supawash Hose Reel and Lance ()
Water System\Supawash Hose Reel and Lance

Item no.	Part no.	Description	QTY	Unit
10	221401-1	Bracket - Lance Stowage RT655	1	PC
20	293405-1	Lance Stowage Ass Supawash 550	1	PC
30	21-71	Hand Lance Assembly 700mm	1	PC
40	667-49	Hose Reel 15 Metre Coil	1	PC
50	92097414-0	Hex Head Screw - M10Cx30 - 8.8	4	PC
60	93085006-0	Nyloc Hex Nut M10C - 8	4	PC
70	93212012-0	Plain Washer - M10	8	PC
80	92097374-0	Hex Head Screw - M8Cx20 - 8.8	4	PC
90	93212011-0	Plain Washer - M8	9	PC
100	93699710-0	Spring Washer - Plated M8	9	PC
110	282475-1	Assembly-Supawash Manifold 95	1	PC
120	6601-1329	Stud Coupling Male G 1/2" x M22 x 1.5	1	PC
130	7012546	Bracket, Supawash Manifold	1	PC
140	09570131-0	Stud Coupling Male G 1/2" x M18 x 1.	1	PC
150	09572135-0	Sealing Plug VS-R 1/2 WD	6	PC
160	665-23	Valve - Testpoint M14x1.5	1	PC
170	92097383-0	Hex Head Screw - M8Cx55 - 8.8	3	PC
180	267-20	ADAPTOR-SWIVEL M/F G3/8" 267-30	1	PC
190	451-18	Washer Bonded G3/8"	1	PC
200	6601-1322	Stud Coupling Male G 3/8" x M18 x 1.5	1	PC
5000	H2SC12000-385	Hose Hyd Straight x 90° Swept	1	PC
5010	H2SC10002-530	Hose Hydraulic Straight x 90°	1	PC

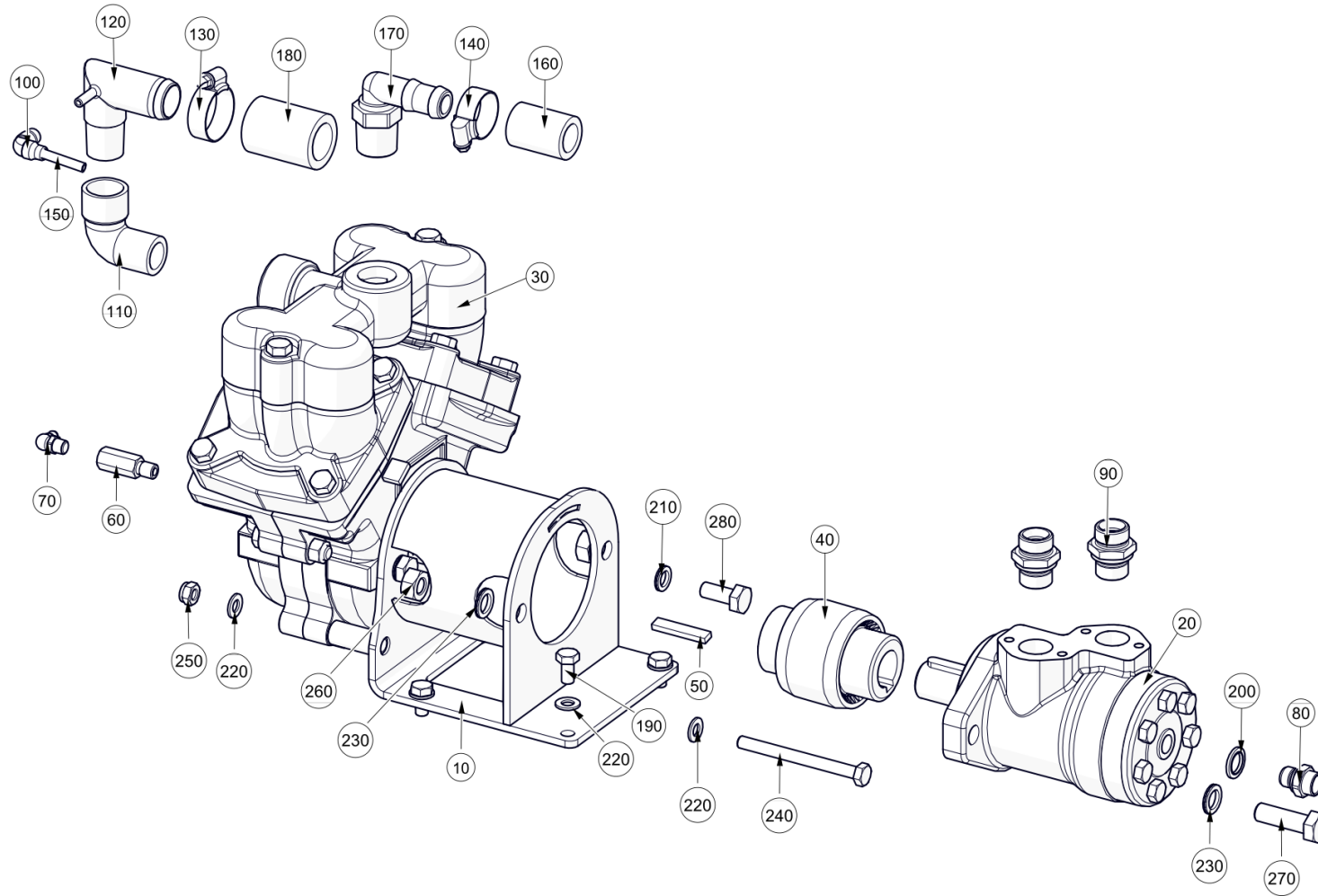
Supawash Front Spraybar ()
Water System\Supawash Front Spraybar



Supawash Front Spraybar ()
Water System\Supawash Front Spraybar

Item no.	Part no.	Description	QTY	Unit
10	7040120	Spraybar Welded Assembly	1	PC
20	21-31	Jet - Fan 65 deg. 1/4"	7	PC

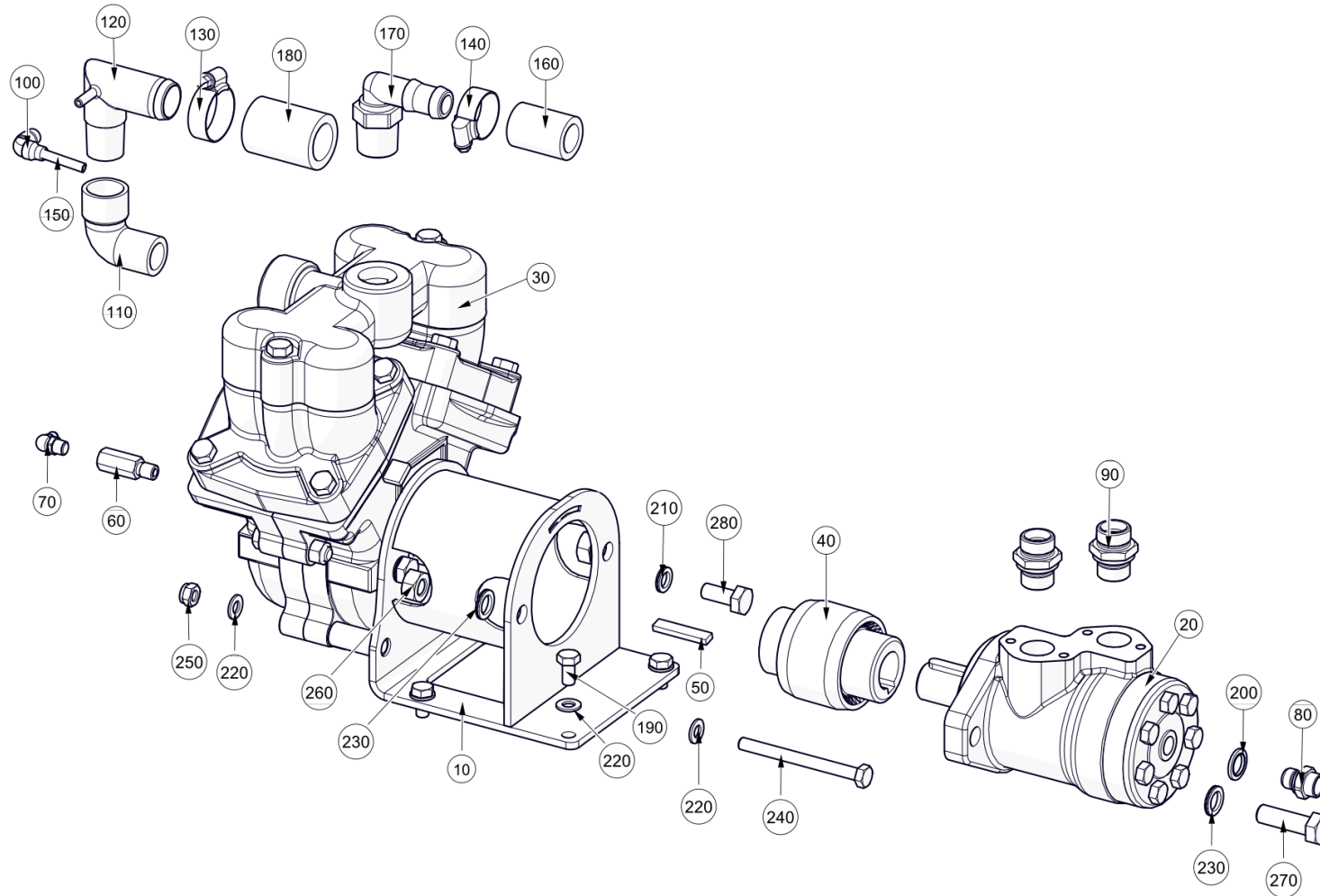
Water Pump Assembly ()
Water System\Water Pump Assembly



Water Pump Assembly ()
Water System\Water Pump Assembly

Item no.	Part no.	Description	QTY	Unit
10	7050935	Water Pump Bracket	1	PC
20	244-10	Motor - Hydraulic OMP32	1	PC
30	22599-1-B	Pump - Water	1	PC
40	282809-1	Coupling - Assembly	1	PC
50	282817-1	Key - Water Pump Coupling	1	PC
60	95780-1	Adaptor - G1/8 M-F	1	PC
70	38-8	Grease Nipple 1/8 BSP x 90 deg	1	PC
80	518-8	Adaptor Straight - 8 OD 1/4 BSP	1	PC
81	511-4	Olive - Tube 8mm O/D	3	PC
82	510-4	Nut - Tube 8mm O/D	3	PC
83	532-23	Tee - Stem 8mm	1	PC
84	41038-1-B	SLEEVE	2	PC
85	520-4	Plug Tubing O/D 8	1	PC
86	12870	Tube - Nylon Black 8mm O/D	1	M
90	6601-1329	Stud Coupling Male G 1/2" x M22 x 1.5	2	PC
100	542-3	Adaptor - Elbow 6mm Push In	1	PC
110	66-42	Elbow - Poly. 90 ° 3/4 F x 3/4 M	1	PC
120	7036081	Elbow, Low Pressure Suction	1	PC
130	09531009-0	Hose Clip - Worm Drive (30-40)	1	PC
140	501-25	Hose Clip - Worm Drive (25-35)	1	PC
150	273-20	Tube - PA Type 12, 6mm O/D Blue	0.5	M
160	497-H12	Hose - 3/4" Bore	0.6	M
170	277-231	Elbow - Poly. 90 ° 3/4 M x 3/4" Barb	1	PC
180	6117	1" Bore Premoflex Hose	0.6	M

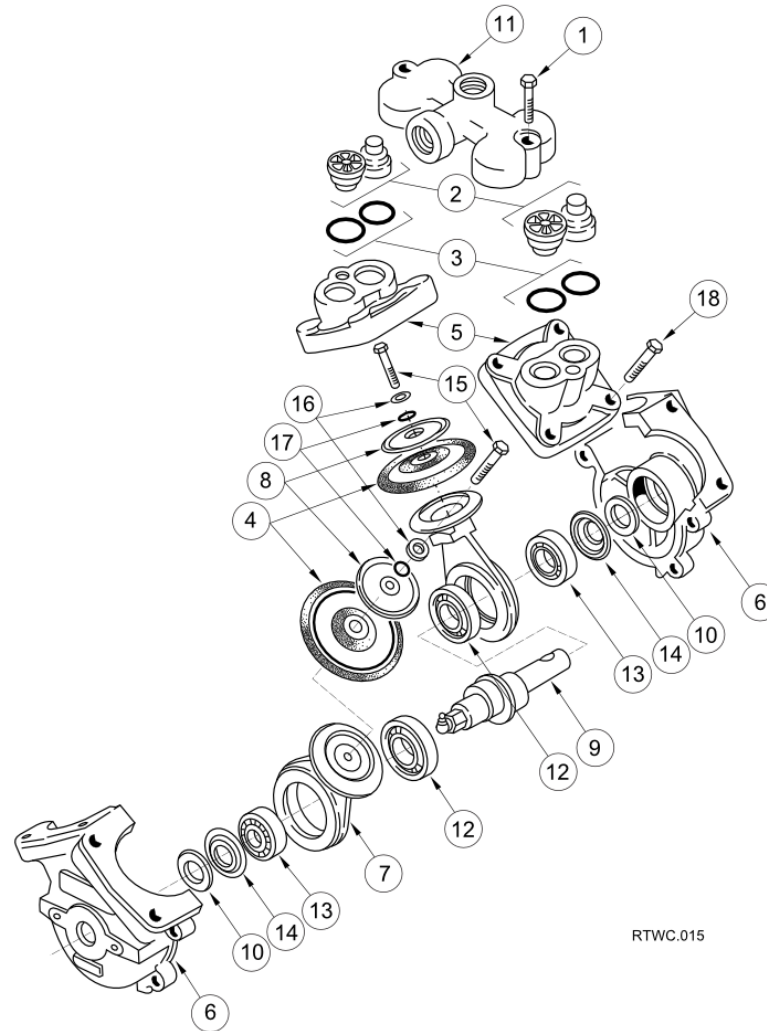
Water Pump Assembly ()
Water System\Water Pump Assembly



Water Pump Assembly ()
Water System\Water Pump Assembly

Item no.	Part no.	Description	QTY	Unit
190	92097372-0	Hex Head Screw - M8Cx16 - 8.8	4	PC
200	451-17	Washer Bonded G1-4"	1	PC
210	93361109-0	Washer Nord - Lock M10	2	PC
220	93212011-0	Plain Washer - M8	6	PC
230	93361111-0	Washer Nord - Lock M12	4	PC
240	92067393-0	Hex Head Bolt - M8Cx90 - 8.8	2	PC
250	93085005-0	Nyloc Hex Nut M8C - 8	2	PC
260	93056016-0	Hex Nut M12C-8	2	PC
270	92067457-0	Hex Head Bolt - M12Cx40 - 8.8	2	PC
280	92097412-0	Hex Head Screw - M10Cx25 - 8.8	2	PC

Water Pump Spares ()
Water System\Water Pump Assembly\Water Pump Spares



RTWC.015

Water Pump Spares ()

Water System\Water Pump Assembly\Water Pump Spares

Item no.	Part no.	Description	QTY	Unit
0	15824-6	Kit Pump Spares	1	PC
0	22599-1-B	Pump - Water	1	PC
1	15824-2-E	Bolt	4	PC
2	15824-3-E	Valve Assy - Complete	4	PC
3	15824-4-E	Seal - O Ring	4	PC
4	15824-5	Diaphragm	2	PC
5	15824-7-E	Head - Cylinder	2	PC
6	15824-8-E	Crankcase	1	PC
7	15824-9-E	Rod - Connecting	2	PC
8	15824-10-E	Pad - Tension	2	PC
9	22599-2	Crankshaft	1	PC
10	15824-12	O Ring	2	PC
11	15824-13-E	Manifold	1	PC
12	14-18	Bearing - 35x62x14	2	PC
13	14-32	Bearing - 25x52x15	2	PC
14	15824-16-E	Cover - Dust	2	PC
15	15824-17	Bolt	2	PC
16	15824-18	Washer	2	PC
17	15824-19-E	O Ring	2	PC
18	15824-2-E	Bolt	8	PC

This page is intentionally left blank

Chapter 9

Body

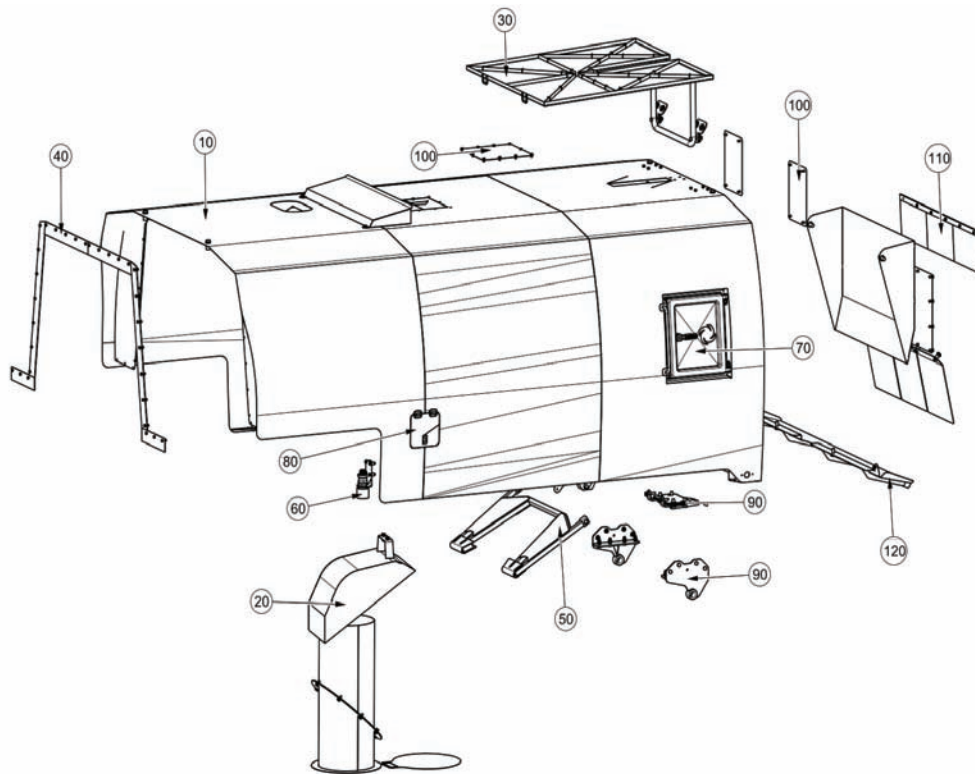
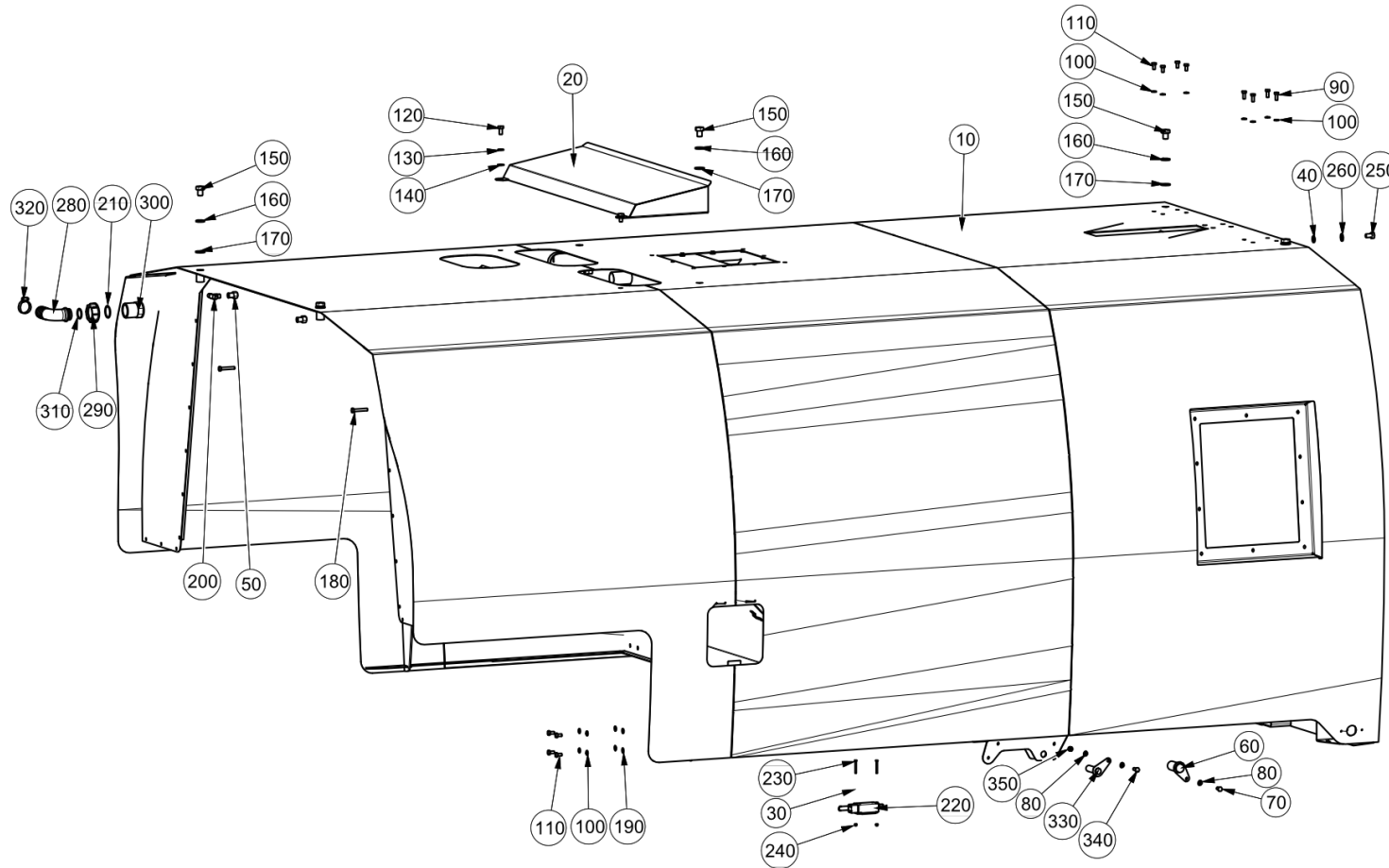


Table of Contents

Section	Page
9.1 Body Assembly	156
9.2 Inlet Tubes	160
9.3 Hopper Mesh	162
9.4 Radiator Seal	164
9.5 Separator Flush	166
9.6 Access Door	168
9.7 Fuel Filler Plate	170
9.8 Tip Bracket and Latch	172
9.9 Blanking Plates	174
9.10 Hopper Screens	176
9.11 Discharge Chute	178

Item no.	Part no	Description	QTY	Unit
50	223470-1	Body Prop Auto Manual W/A 655	1	PC

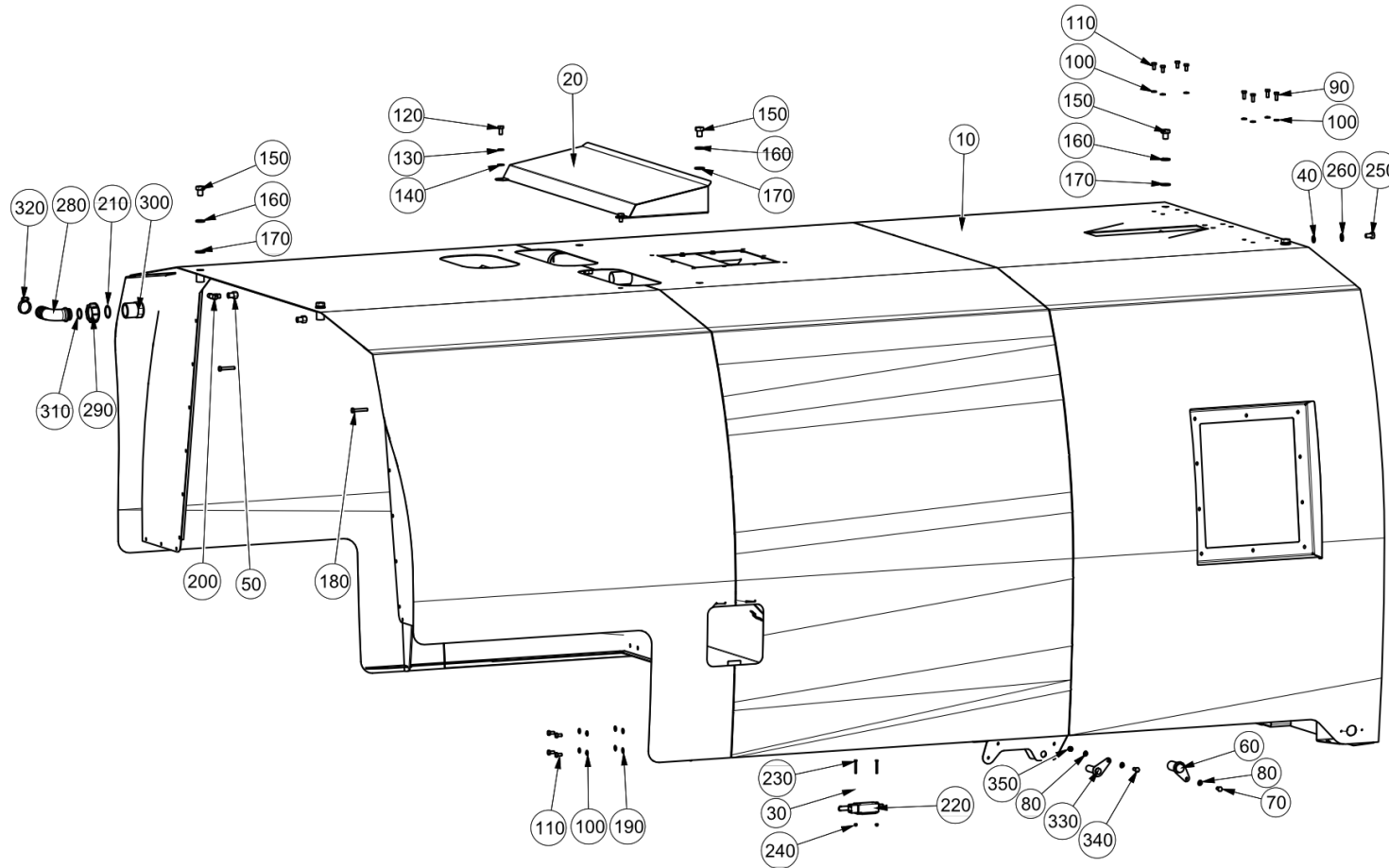
Body Assembly ()
BodyBody Assembly



Body Assembly ()
Body\Body Assembly

Item no.	Part no.	Description	QTY	Unit
10	223400-1	Body W/Assy Mild Steel RT655	1	PC
10	223400-2	Body W/Assy 4003 RT655	1	PC
20	221290-1	Hood - Body W/Assy RT655	1	PC
30	93300506-0	Plain Large Washer M5	2	PC
40	93700212-0	Spring Washer M12 - A2	14	PC
50	541-10	Adaptor - Female Straight 10mm x 3/8 BSP	2	PC
60	221077-1	Anchor Pin W/A Tip Cyl Mtg 655	2	PC
70	92097374-0	Hex Head Screw - M8Cx20 - 8.8	2	PC
80	93212011-0	Plain Washer - M8	8	PC
90	92099373-0	Hex Head Screw - M8Cx20 - A2	5	PC
100	93700210-0	Spring Washer M8 - A2	13	PC
110	92099371-0	Hex Head Screw - M8Cx16 - A2	8	PC
120	92099407-0	Hex Head Screw - M10Cx20 - A2	2	PC
130	93700211-0	Spring Washer M10 - A2	2	PC
140	93213011-0	Plain Washer M10 A2	2	PC
150	92099517-0	Hex Head Bolt - M16Cx20 - A2-70	6	PC
160	93700214-0	Spring Washer M16 - A2	6	PC
170	93213014-0	Plain Washer M16 A2	6	PC
180	92099381-0	Hex Head Screw - M8Cx50 - A2	2	PC
190	93213010-0	Plain Washer M8 A2	4	PC
200	09598784-0	Pneumatic Tee Connector, Ø10mm Tube	1	PC
210	277-220	O-Ring 1/2" BSP Cap + Liner	1	PC
220	7045670	Switch - Body Tip	1	PC
230	92097235-0	Hex Head Screw - M4Cx40 - 8.8	2	PC

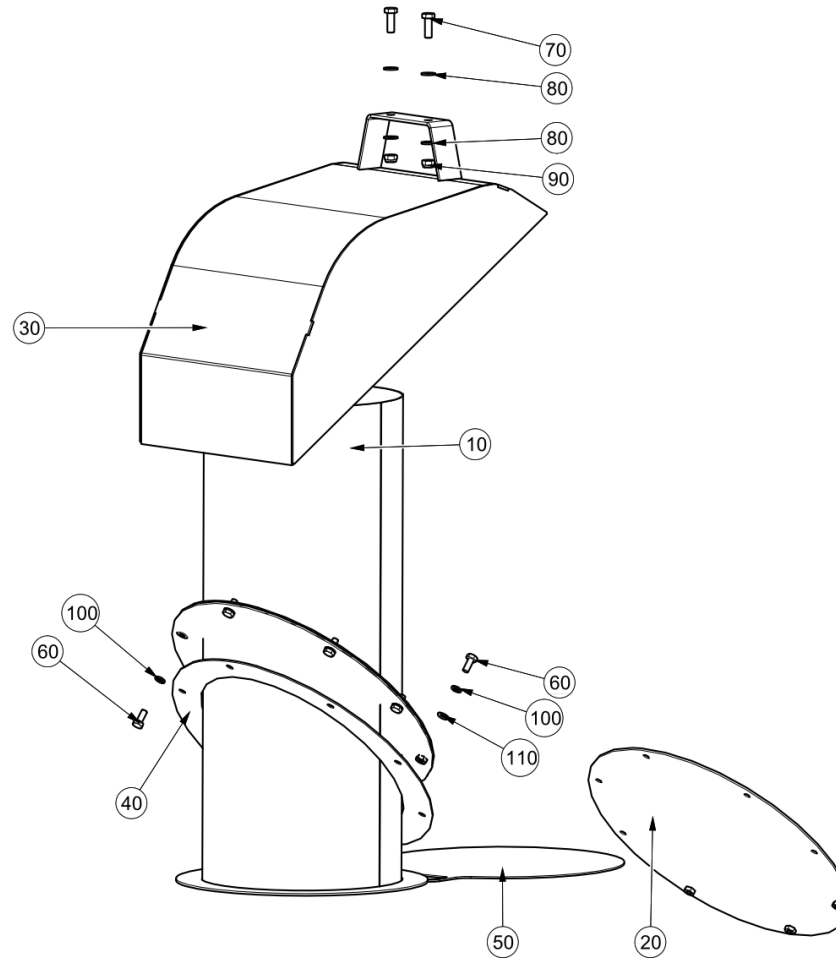
Body Assembly ()
BodyBody Assembly



Body Assembly ()
Body\Body Assembly

Item no.	Part no.	Description	QTY	Unit
240	93085002-0	Nyloc Hex Nut M4C - 8	2	PC
250	92099445-0	Hex Head Screw - M12Cx20 - A2	14	PC
260	93213012-0	Plain Washer M12 A2	14	PC
270	7043566	Hopper Harness	1	PC
280	277-213	Flynut Hosetail - 90° Barb = 38mm	1	PC
290	277-170	Flynut - 1 1/2 F	1	PC
300	277-257	Reducer G 1 1/2 M x G 1 1/4 F	1	PC
310	277-141	Seal For 1 1/4" BSP Cap+Liner	1	PC
320	09531009-0	Hose Clip - Worm Drive (30-40)	1	PC
330	7033385	Pin welded assembly	2	PC
340	92097376-0	Hex Head Screw - M8Cx25 - 8.8	2	PC
350	93085805-0	Nyloc Hex Nut M8C - 8	2	PC

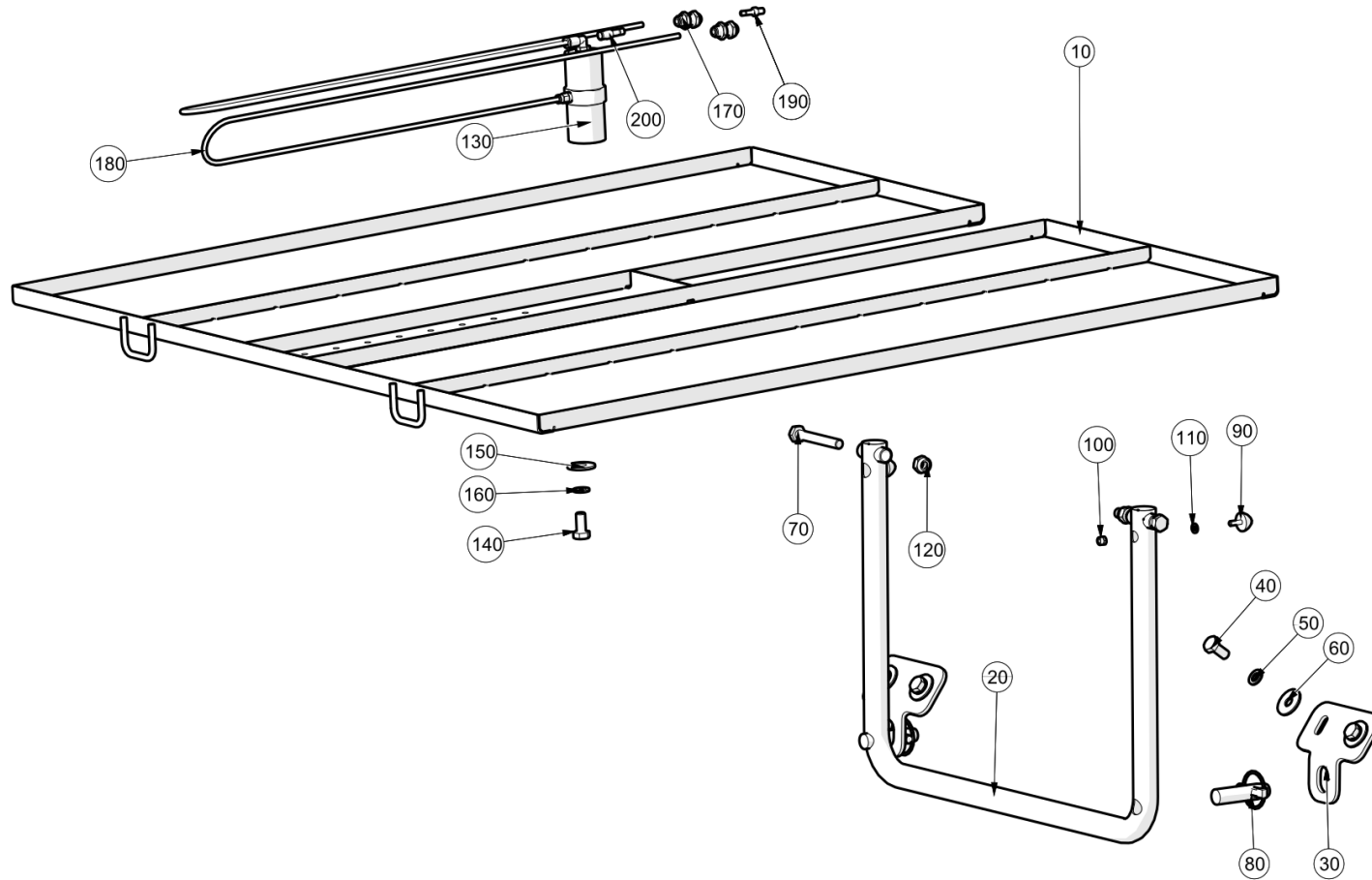
Inlet Tubes ()
Body/Inlet Tubes



Inlet Tubes ()
Body\Inlet Tubes

Item no.	Part no.	Description	QTY	Unit
10	223463-1	Inlet Tube W/Assy MS RT655	1	PC
10	223463-11	Inlet Tube Bonded W/Assy MS RT655	1	PC
20	221252-1	Blanking Plate W/A Inlet Duct	1	PC
30	221110-1	Wear Plate W/Assy M.Stl RT655	1	PC
30	221110-11	WEAR PLATE W/ASSY BONDED	1	PC
40	223988-1	Seal - Intake Tube RT655	2	PC
50	223971-1	Cover Plate - Intake Seat Body	1	PC
60	92099409-0	Hex Head Screw - M10Cx25 - A2	16	PC
70	92099450-0	Hex Head Screw - M12Cx35 - A2	2	PC
80	93213012-0	Plain Washer M12 A2	4	PC
90	93085607-0	Nyloc Hex Nut - M12c - A2	2	PC
100	93700211-0	Spring Washer M10 - A2	16	PC
110	93213011-0	Plain Washer M10 A2	16	PC

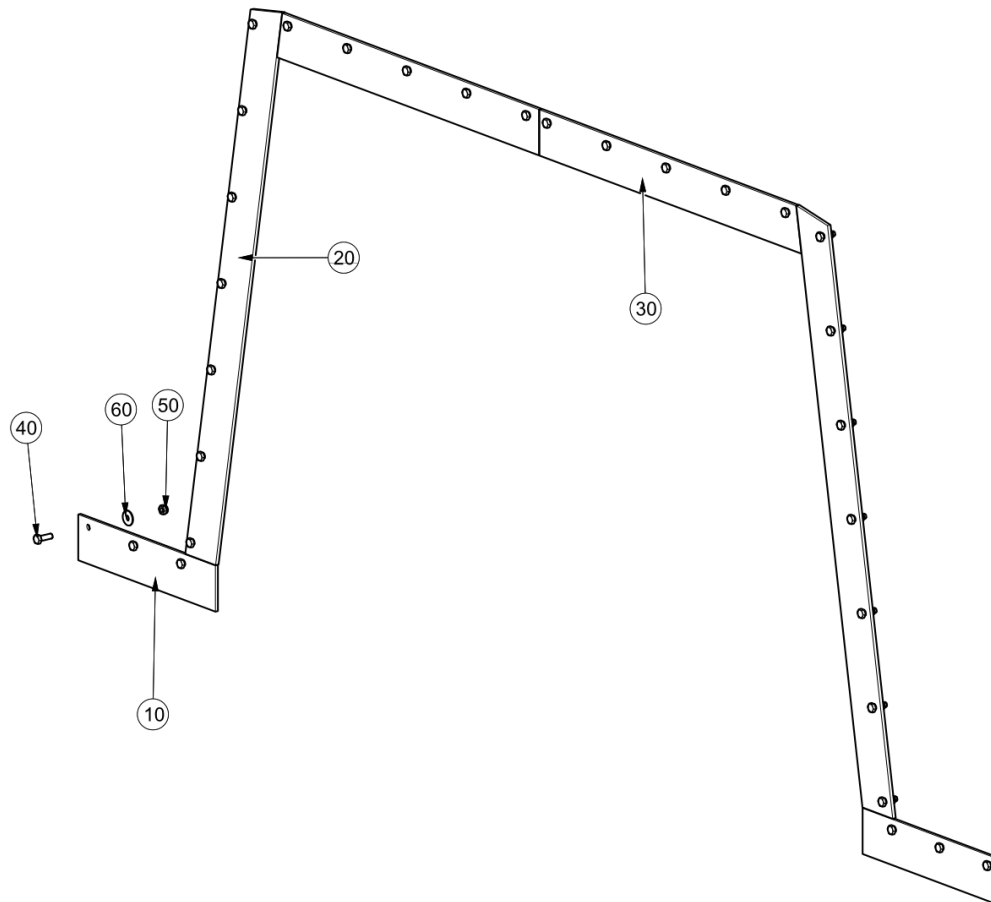
Hopper Mesh ()
Body\Hopper Mesh



Hopper Mesh ()
Body\Hopper Mesh

Item no.	Part no.	Description	QTY	Unit
10	7048905	Mesh W/assy - RT - 1.4301	1	PC
10	7048751	Mesh W/assy - RT	1	PC
20	7037673	Mesh Handle W/ass	1	PC
30	7035569	Plate - Stowage	2	PC
40	92099447-0	Hex Head Screw - M12Cx25 - A2	4	PC
50	93700212-0	Spring Washer M12 - A2	4	PC
60	93300511-0	Plain Large Washer M12	4	PC
70	6105-1511	Hex Head Bolt - M12Cx85 - 8.8	2	PC
80	60-1	Pin Linch with Ring 11mm Dia	2	PC
90	290-60	Buffer- conical male M6 x 18	2	PC
100	93085004-0	Nyloc Hex Nut M6C - 8	2	PC
110	93212009-0	Plain Washer - M6	2	PC
120	6211-0482	Nyloc Hex Nut M14 x 1.5 - 8	2	PC
130	283806-1	Pneumatic Piston Vibrator	1	PC
140	118-201	Setscrew Hexagon Hd M12cx25 SS	1	PC
150	457-6	Washer Plain Steel M12 Form G	1	PC
160	458-12	Washer - Spring M12 SS	1	PC
170	555-3	Adaptor Bulkhead 6mm x M14x1.5	2	PC
180	273-20	Tube - PA Type 12, 6mm O/D Blue	2	M
190	72-53	Silencer - Air 6mm	1	PC
200	548-10	Adaptor - Reducing 8mm x 6mm	1	PC

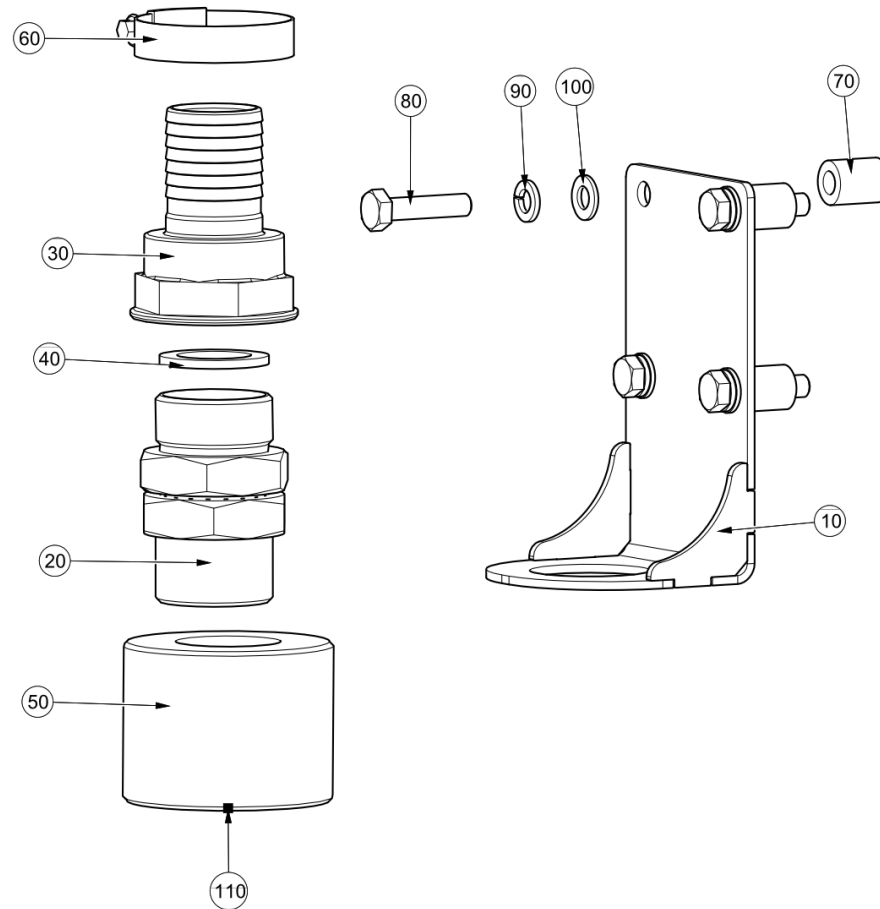
Radiator Seal ()
Body\Radiator Seal



Radiator Seal ()
Body\Radiator Seal

Item no.	Part no.	Description	QTY	Unit
10	221276-1	Radiator Seal RT655	2	PC
20	221277-1	Radiator Seal RT655	2	PC
30	221278-1	Radiator Seal RT655	2	PC
40	92097376-0	Hex Head Screw - M8Cx25 - 8.8	30	PC
50	93085005-0	Nyloc Hex Nut M8C - 8	30	PC
60	93300509-0	Plain Large Washer - M8	30	PC

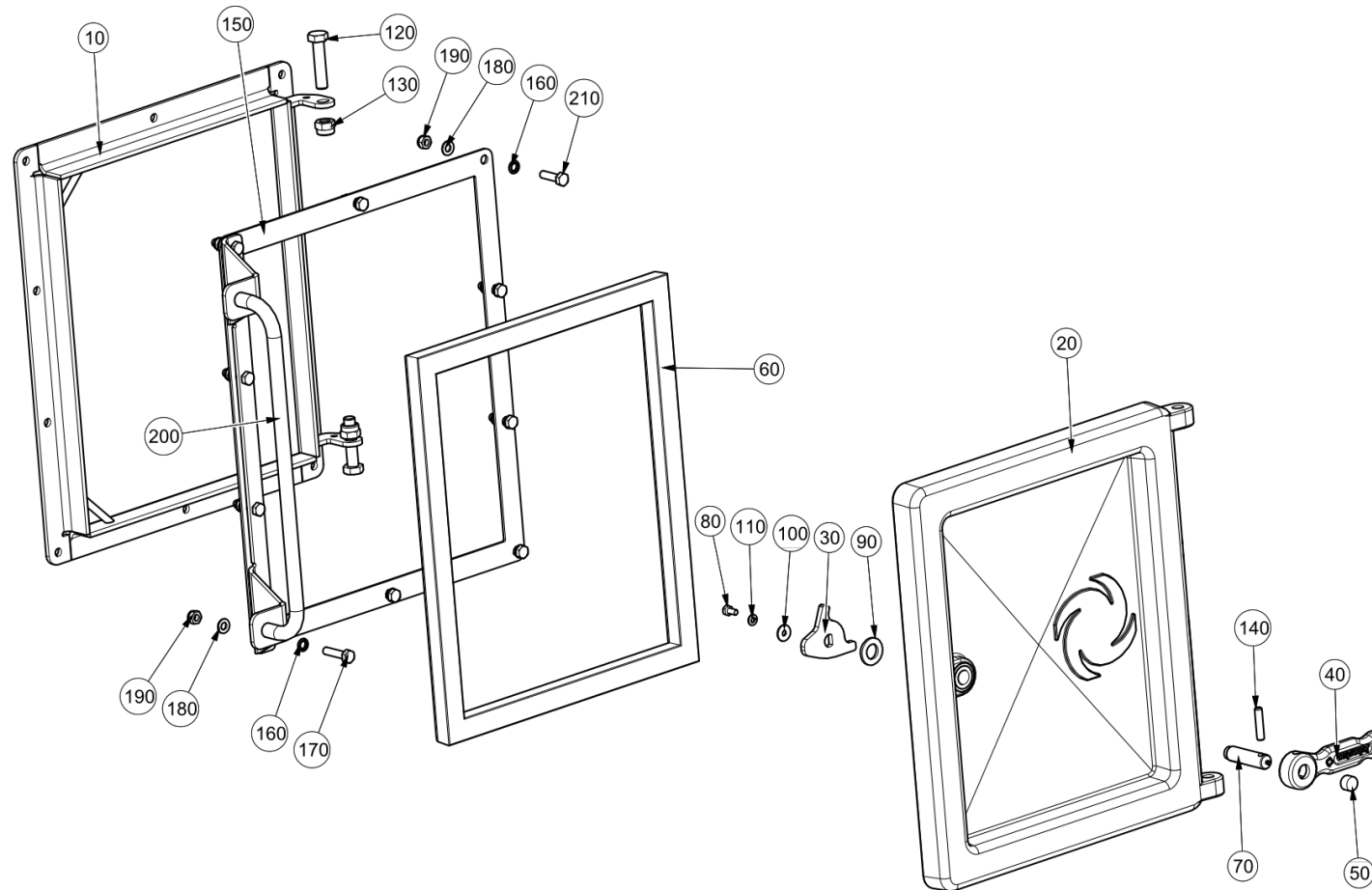
Separator Flush ()
Body\Separator Flush



Separator Flush ()
Body\Separator Flush

Item no.	Part no.	Description	QTY	Unit
10	221130-1	Brkt W/A Hyd Water Flush RT655	1	PC
20	264-8	Adaptor M/M - Bulkhead+Locknut 1 1/4 BSP	1	PC
30	277-210	Hosetail Female 1 1/4"BSPx35mm	1	PC
40	740-9	Washer - Rubber 1 1/4" BSP (F)	1	PC
50	7022151	Hydrant Filler 57 x 30	1	PC
60	09531011-0	Hose Clip - Worm Drive (40-55)	1	PC
70	56569-6	Spacer - 16 Dia x 20 M8	4	PC
80	92099378-0	Hex Head Screw - M8Cx35 - A2	4	PC
90	93700210-0	Spring Washer M8 - A2	4	PC
100	93213010-0	Plain Washer M8 A2	4	PC
110	18684-1-C	Hydrant Coupling - UK	1	PC
110	667-31	Coupling - Stortz 2.5" BSP	1	PC

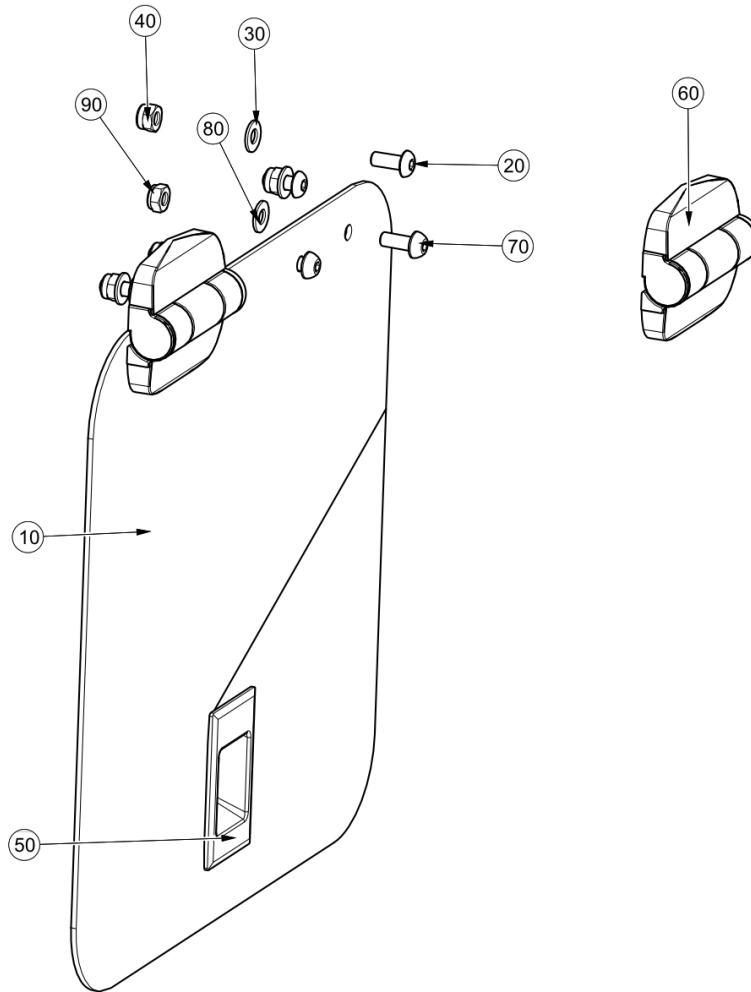
Access Door ()
Body\Access Door



Access Door ()
Body\Access Door

Item no.	Part no.	Description	QTY	Unit
10	283596-2	Frame W/Assy - Rear / Roof Acc Door	2	PC
20	284345-1	Access Door	2	PC
30	200342-1	Lock	2	PC
40	7017706	Handle - Access Door	2	PC
50	290-28	Bump Stop Rubber	2	PC
60	281217-1	Seal - Access Door Moulded	2	PC
70	284348-1	Spindle	2	PC
80	92099298-0	Hex Head Screw - M6Cx12 - A2	2	PC
90	93210523-0	Plain Washer - M16	2	PC
100	93300507-0	Plain Large Washer M6	2	PC
110	93699708-0	Spring Washer - Plated M6	2	PC
120	92067460-0	Hex Head Bolt - M12Cx55 - 8.8	4	PC
130	93085807-0	Nyloc Hex Nut M12C - 8	4	PC
140	93545357-0	Spring Pin (Slotted) - Ø8x36 C.Steel HD	2	PC
150	283613-1	Gasket - Access Panel Roof	2	PC
160	451-3	Washer Bonded Ø5-16" - Bolt	20	PC
170	92099378-0	Hex Head Screw - M8Cx35 - A2	8	PC
180	93213010-0	Plain Washer M8 A2	20	PC
190	93085605-0	Nyloc Hex Nut - M8c - A2	20	PC
200	7010251	HANDLE ACCESS DOOR RT655	2	PC
210	92099377-0	Hex Head Screw - M8Cx30 - A2	12	PC

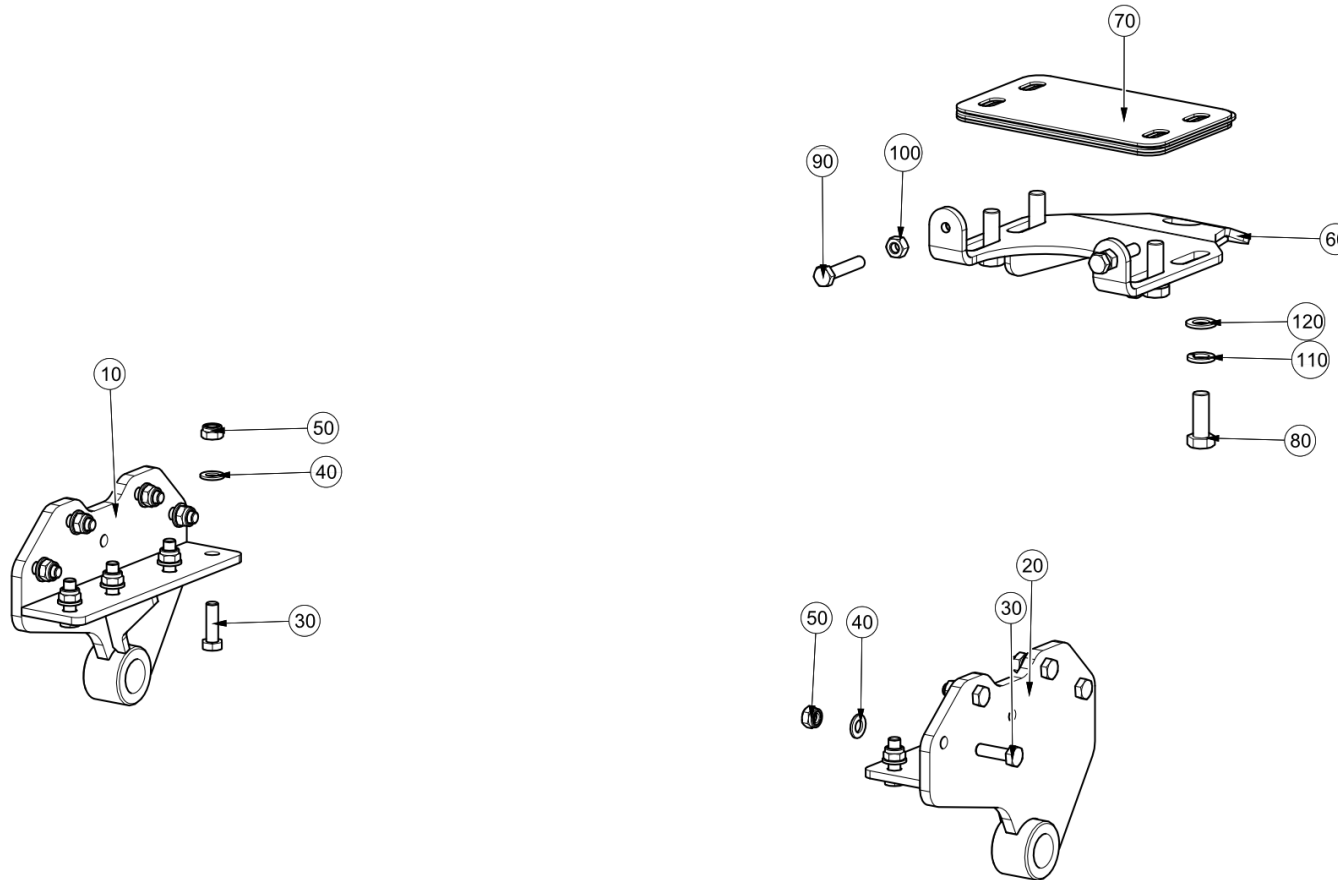
Fuel Filler Plate ()
Body\Fuel Filler Plate



Fuel Filler Plate ()
Body\Fuel Filler Plate

Item no.	Part no.	Description	QTY	Unit
10	221546-2	Fuel Filler Plate 4003 RT655	2	PC
20	92330166-0	Hex Socket Button Head Screw M4Cx10 A2	8	PC
30	93213007-0	Plain Washer M4 A2	8	PC
40	93085602-0	Nyloc Hex Nut - M4c - A2	8	PC
50	720-4	Catch - Push to Close	2	PC
60	212-17	Hinge - Positioning Advantage	4	PC
70	117-32	Screw-Skt Button Hd M4cx10 SS	8	PC
80	454-4	Washer Plain St.Stl M4x9	8	PC
90	417-4	Nut - Nyloc M4 S/Steel DIN985	8	PC

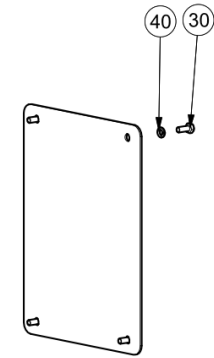
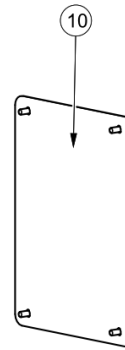
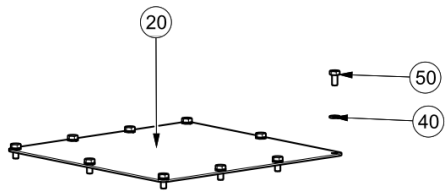
Tip Bracket and Latch ()
Body\Tip Bracket and Latch



Tip Bracket and Latch ()
Body\Tip Bracket and Latch

Item no.	Part no.	Description	QTY	Unit
10	223290-4	Tip Bracket W/Assy RH RT655	1	PC
20	223290-1	Tip Bracket W/Assy LH RT655	1	PC
30	92067457-0	Hex Head Bolt - M12Cx40 - 8.8	16	PC
40	93212013-0	Plain Washer M12	16	PC
50	93085007-0	Nyloc Hex Nut M12C - 8	16	PC
60	293174-1	Latch Plate W/Assy Rr Door 550	1	PC
70	7036709	Packer - Door Lock	7	PC
80	92097525-0	Hex Head Screw - M16Cx45 - 8.8	4	PC
90	92097456-0	Hex Head Screw - M12Cx60 - 8.8	2	PC
100	93056016-0	Hex Nut M12C-8	2	PC
110	93699714-0	Spring Washer - Plated M16	4	PC
120	93210523-0	Plain Washer - M16	4	PC

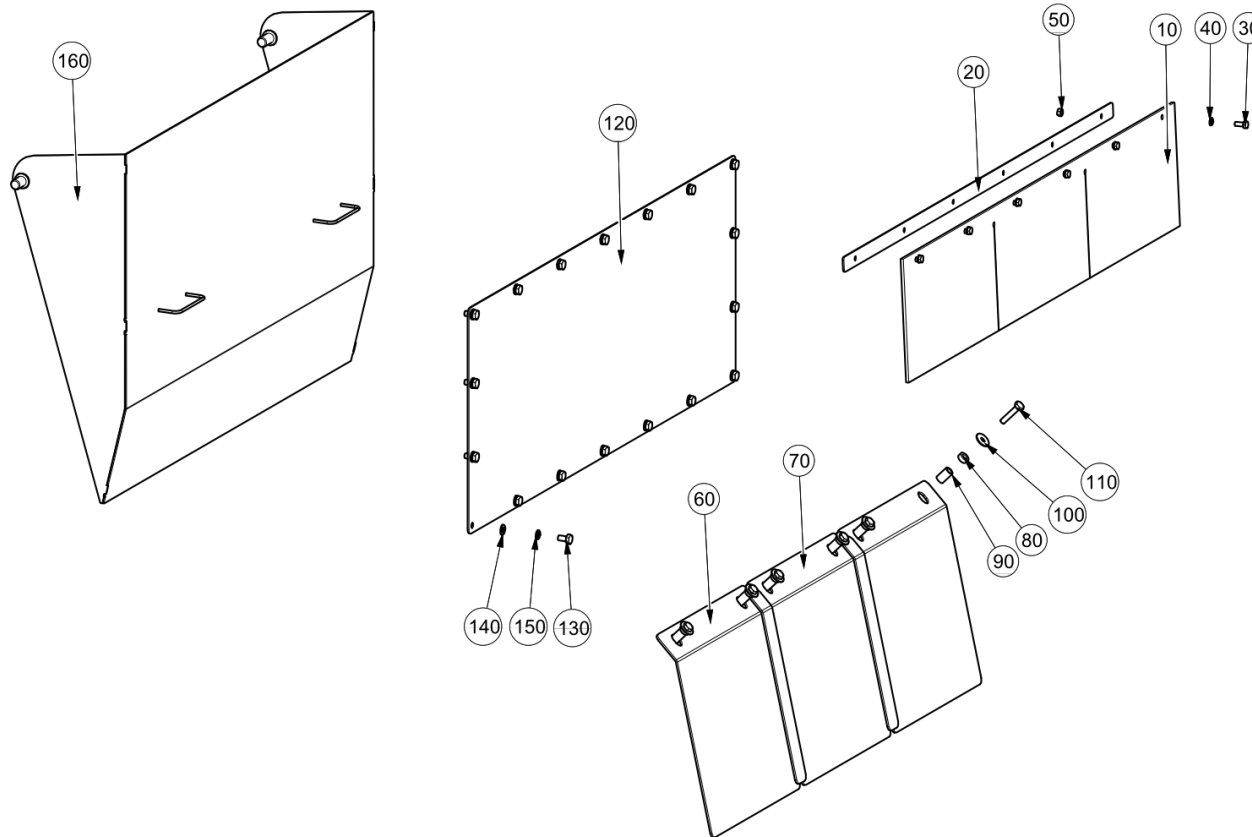
Blanking Plates ()
Body\Blanking Plates



Blanking Plates ()
Body\Blanking Plates

Item no.	Part no.	Description	QTY	Unit
10	221102-1	Blanking Plate-Rr Panel MS 655	2	PC
10	221102-2	Blanking Plate-Rr Panel 4003	2	PC
20	221111-1	Access Plate M.Steel RT655	1	PC
20	221111-2	Access Plate 4003 RT655	1	PC
30	92099373-0	Hex Head Screw - M8Cx20 - A2	8	PC
40	93700210-0	Spring Washer M8 - A2	18	PC
50	92099371-0	Hex Head Screw - M8Cx16 - A2	10	PC

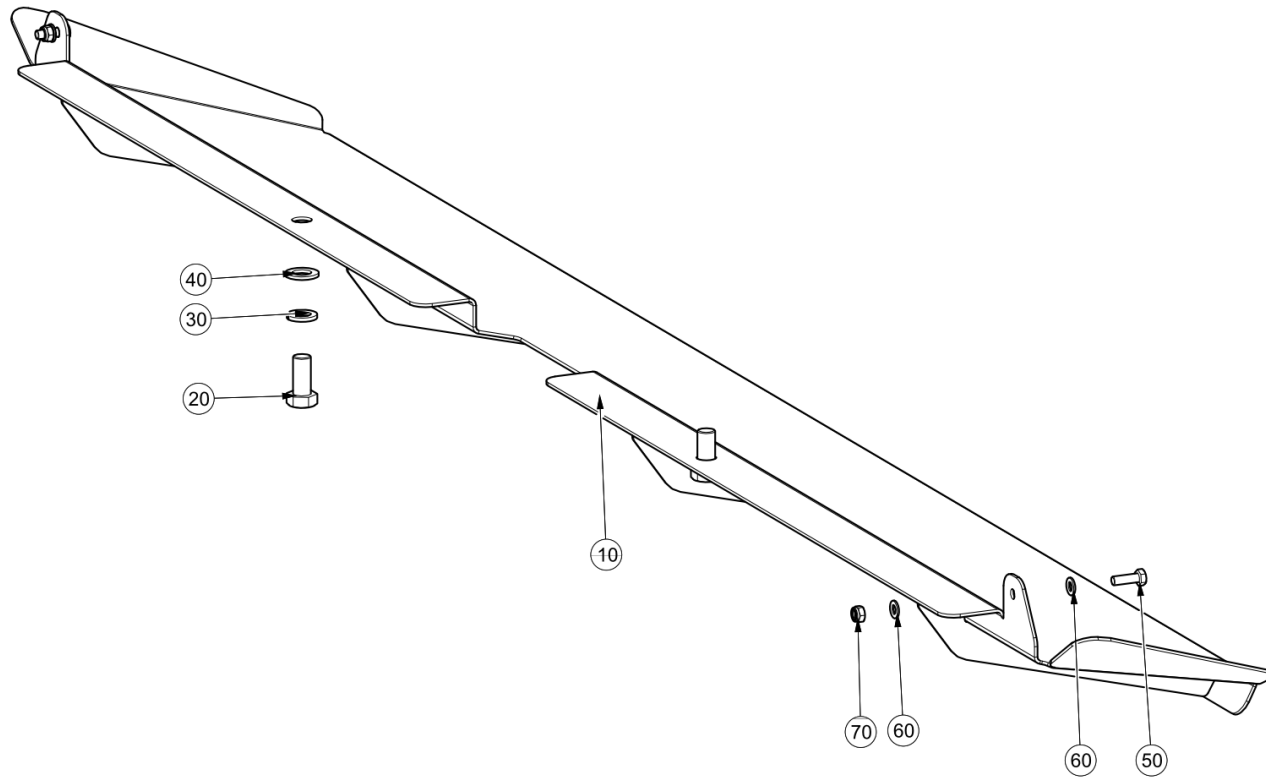
Hopper Screens ()
Body\Hopper Screens



Hopper Screens ()
Body\Hopper Screens

Item no.	Part no.	Description	QTY	Unit
10	200055-1	Rubber Curtain (1275 WSB)	1	PC
20	283126-1	Retaining Strip - Curtain WSB	1	PC
30	92099373-0	Hex Head Screw - M8Cx20 - A2	6	PC
40	93700210-0	Spring Washer M8 - A2	6	PC
50	93057014-0	Nut - MC Hex M8 S.Stl	6	PC
60	223459-1	Plate - Catflap M.Stl RT655	2	PC
60	223459-2	Plate - Catflap 4003 RT655	1	PC
70	223458-1	Catflap W/Assy Body M.Stl 655	1	PC
70	223458-2	Catflap W/Assy Body 4003 RT655	1	PC
80	95200-2	Spacer - Bush 8mm x 11mm ID	6	PC
90	224457-1	Spacer-Catflap Body M.Stl 655	6	PC
100	93300510-0	Plain Large Washer M10	6	PC
110	92099415-0	Hex Head Screw - M10Cx50 - A2	6	PC
120	223408-2	Cover Screen-Sepavac Body 4003	1	PC
130	92099407-0	Hex Head Screw - M10Cx20 - A2	18	PC
140	93213011-0	Plain Washer M10 A2	18	PC
150	93700211-0	Spring Washer M10 - A2	18	PC
160	223990-2	Separator Box W/Assy-4003 655	1	PC

Discharge Chute ()
Body\Discharge Chute



Discharge Chute ()
Body\Discharge Chute

Item no.	Part no.	Description	QTY	Unit
10	221475-2	Rear Chute W/Assy 4003 RT655	1	PC
20	92097523-0	Hex Head Screw - M16Cx35 - 8.8	2	PC
30	93699714-0	Spring Washer - Plated M16	2	PC
40	93210523-0	Plain Washer - M16	2	PC
50	92097376-0	Hex Head Screw - M8Cx25 - 8.8	2	PC
60	93212011-0	Plain Washer - M8	4	PC
70	93085005-0	Nyloc Hex Nut M8C - 8	2	PC

This page is intentionally left blank

Chapter 10

Rear Door

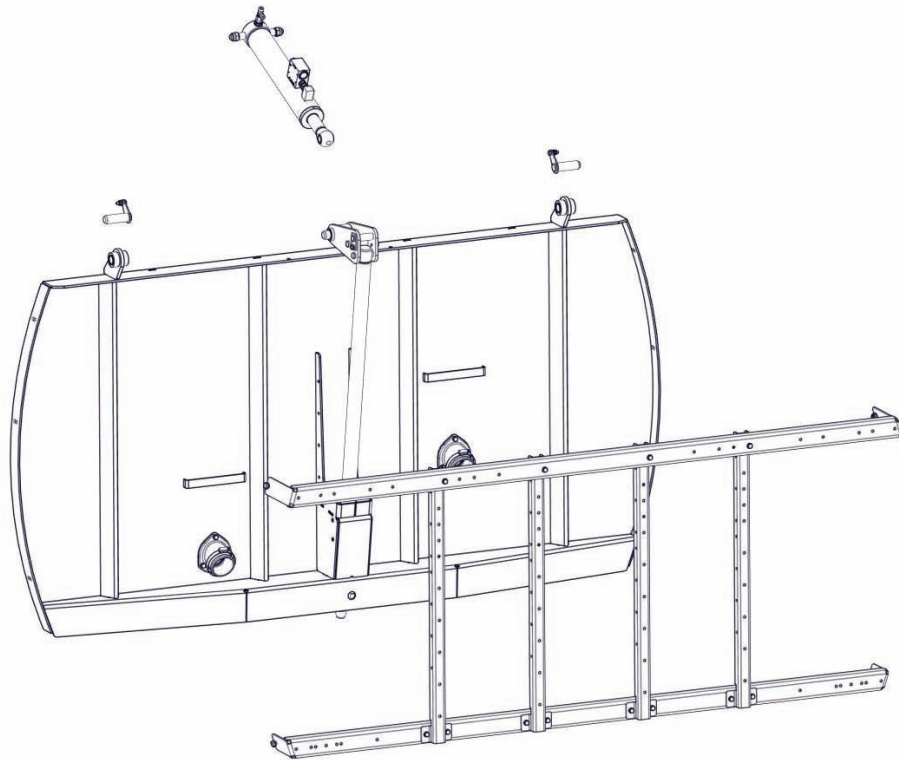
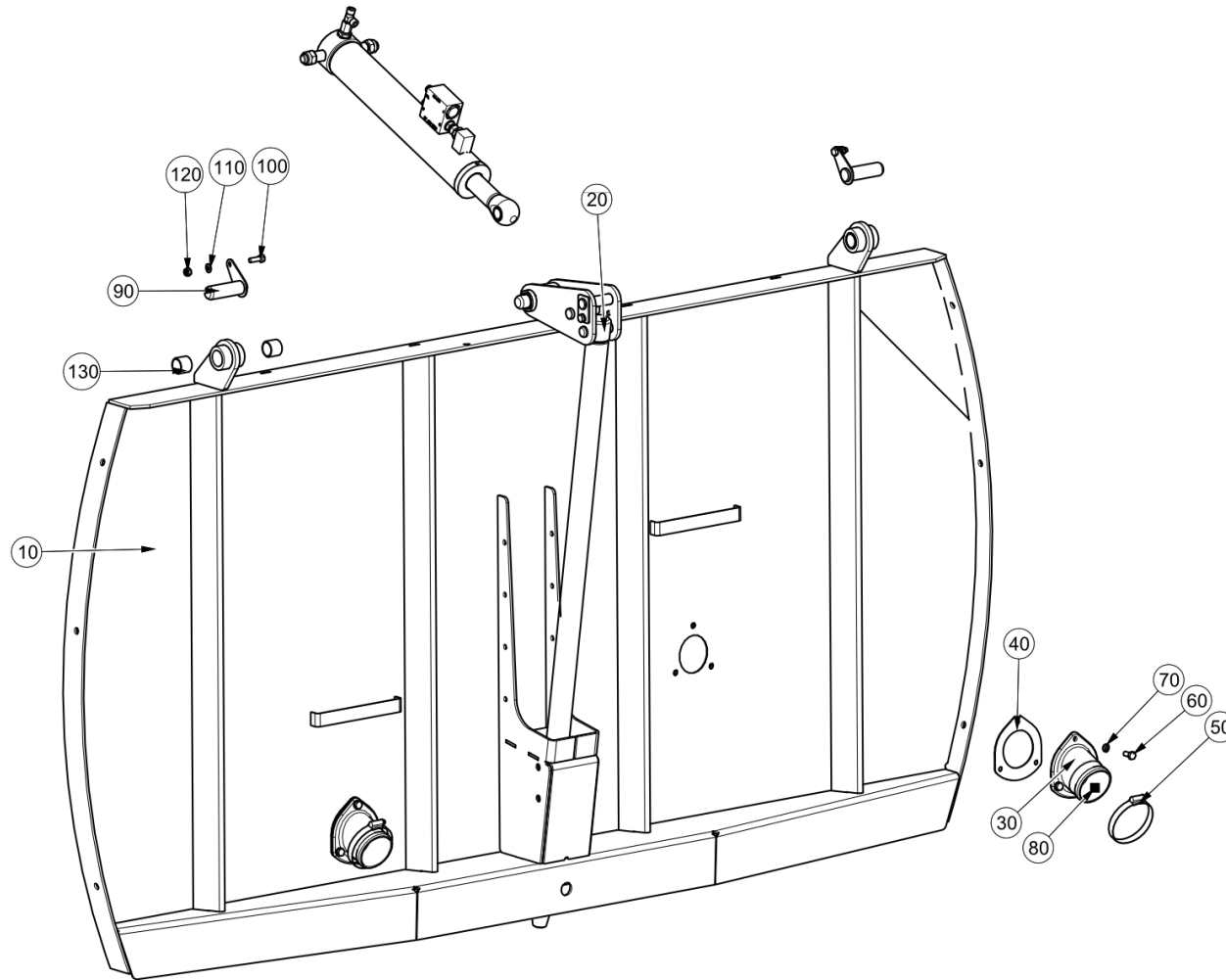


Table of Contents

Section	Page
10.1 Rear Door.....	182
10.1.1 Rear Door Install.....	184
10.2 Options Frame.....	186

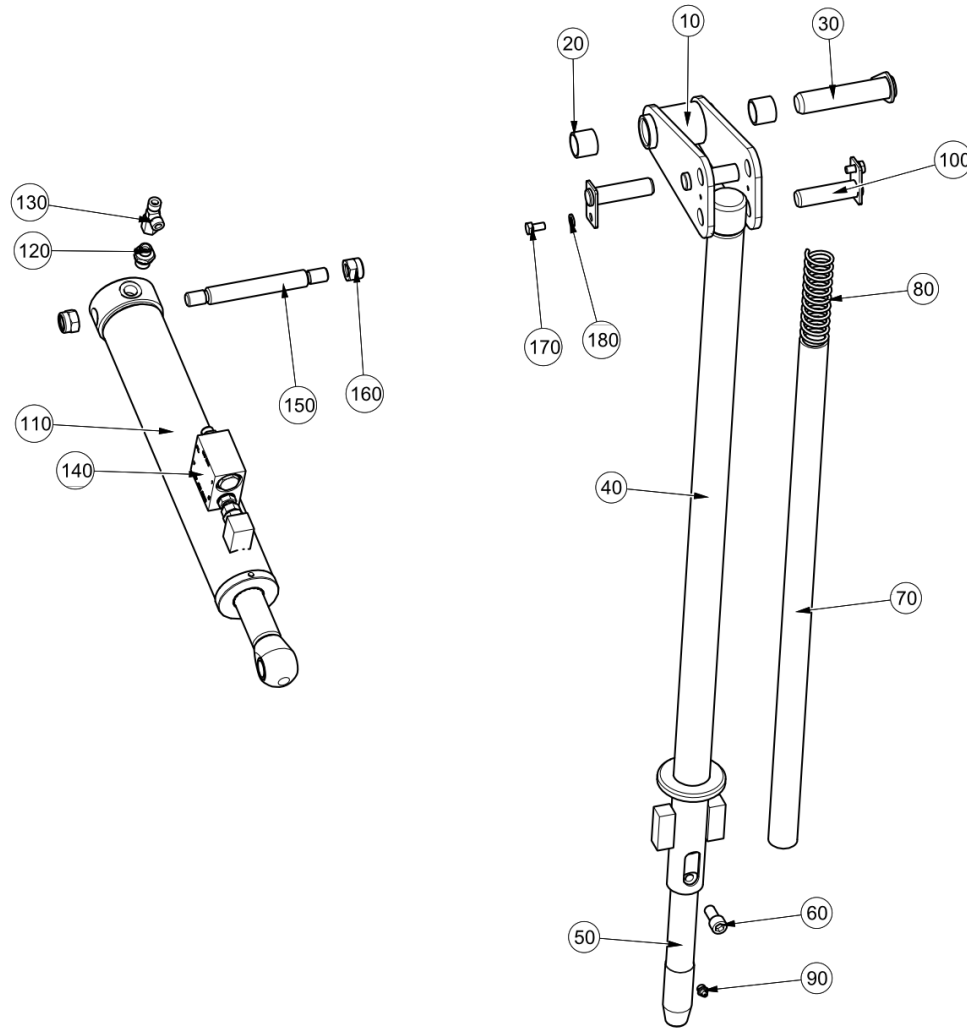
Rear Door ()
Rear Door\Rear Door



Rear Door ()
Rear Door\Rear Door

Item no.	Part no.	Description	QTY	Unit
10	221100-1	Rear Door W/Assy M.Steel RT655	1	PC
10	221100-2	Rear Door W/Assy 4003 RT655	1	PC
11	281777-3	Seal - Rear Door LONG 95	1	PC
30	284085-1	Spigot - Drain Rear Door (Nylon)	2	PC
40	281411-1	Gasket - Spigot Layflat Hose	2	PC
50	09531001-0	Hose Clip - Worm Drive (70-90)	2	PC
60	92099373-0	Hex Head Screw - M8Cx20 - A2	6	PC
70	93700210-0	Spring Washer M8 - A2	6	PC
80	9983	Hose - Drain	2	M
90	282952-1	Pivot Pin W/Assy - 85 Long	2	PC
100	92099376-0	Hex Head Screw - M8Cx25 - A2	2	PC
110	93213010-0	Plain Washer M8 A2	2	PC
120	93085605-0	Nyloc Hex Nut - M8c - A2	2	PC
130	29128-3	Bush	4	PC

Rear Door Install ()
Rear Door\Rear Door\Rear Door Install

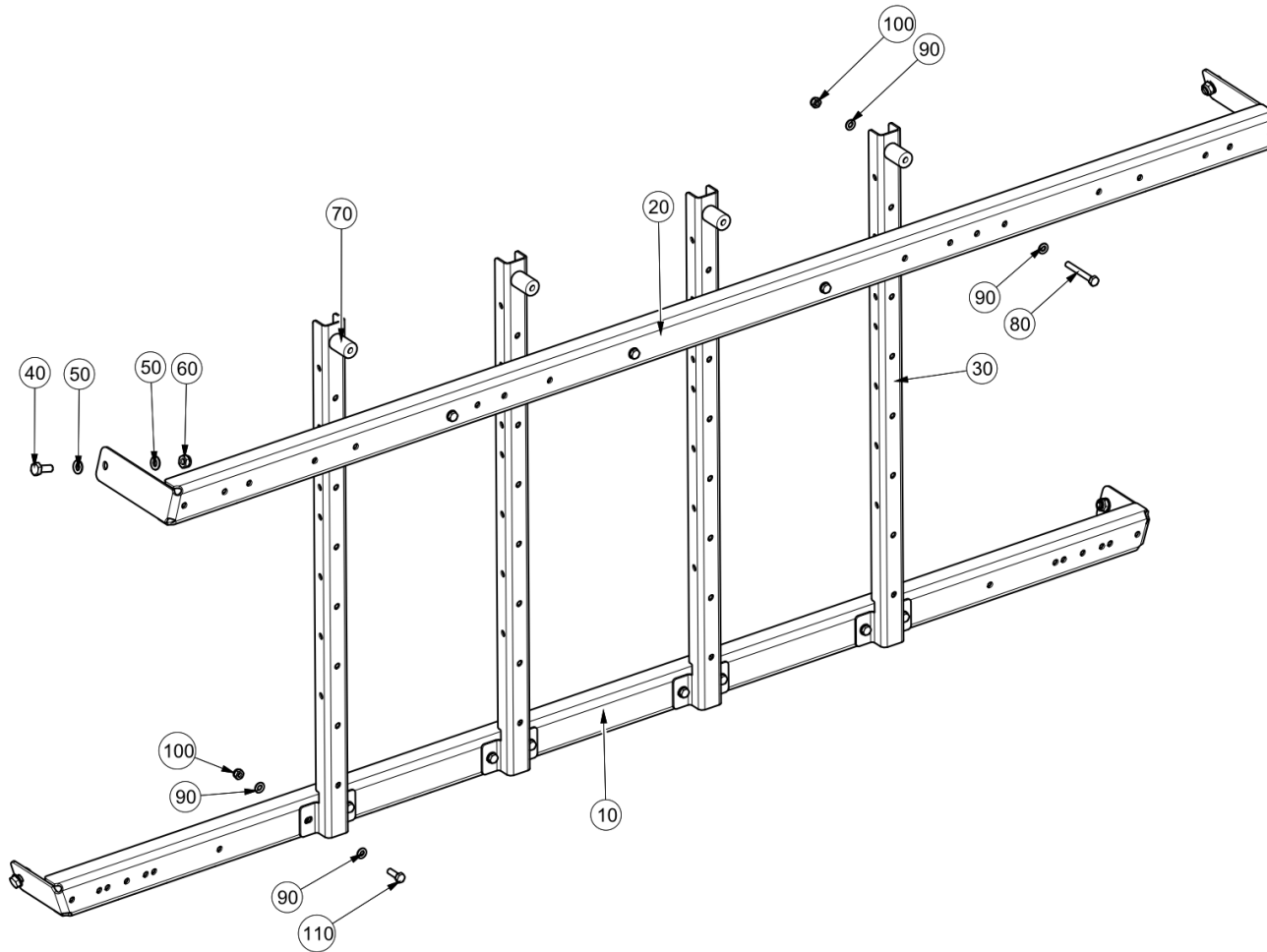


Rear Door Install ()

Rear Door\Rear Door\Rear Door Install

Item no.	Part no.	Description	QTY	Unit
10	40897-1-A	Relay W/Assy-Rear Door	1	PC
20	29128-3	Bush	2	PC
30	282952-2	Pivot Pin Welded Assembly	1	PC
40	60113-9	Latch Pin W/A-Actuation Shaft	1	PC
40	60113-10	Latch Pin Actuation Shaft - 1032 Long	1	PC
For Rear Mouted Wanderhose option.				
50	201064-1	Pin - Rear Door Latch 6XX	1	PC
60	129-183	Screw MC Cap Skt Hd M12x25	1	PC
70	280187-1	Tube - Spring Retainer Rr Door	1	PC
70	7048933	Tube - Door Lock	1	PC
For Rear Mouted Wanderhose option.				
80	13573	Spring-Comp. 31.8x4x152.4 FL	1	PC
90	38-1	Grease Nipple Straight 1/8 BSP	1	PC
100	40572-1-A	Pin Pivot W/A Rr Door x 80 Lg	2	PC
110	29170-1-B	Cylinder - Rear Door/Powaboom 551	1	PC
120	09570102-0	Stud Coupling Male G 3/8" x M14 x 1.5	1	PC
130	308-1	Adjustable Male Tee - M14 x 1.5	1	PC
140	7043386	PO Check Valve - Rear Door	1	PC
150	40553-1-C	Pin Pivot Cylinder Hyd M16	1	PC
160	93085009-0	Nyloc Hex Nut M16C - 8	2	PC
170	92097372-0	Hex Head Screw - M8Cx16 - 8.8	2	PC
180	93699710-0	Spring Washer - Plated M8	2	PC

Options Frame ()
Rear Door\Options Frame



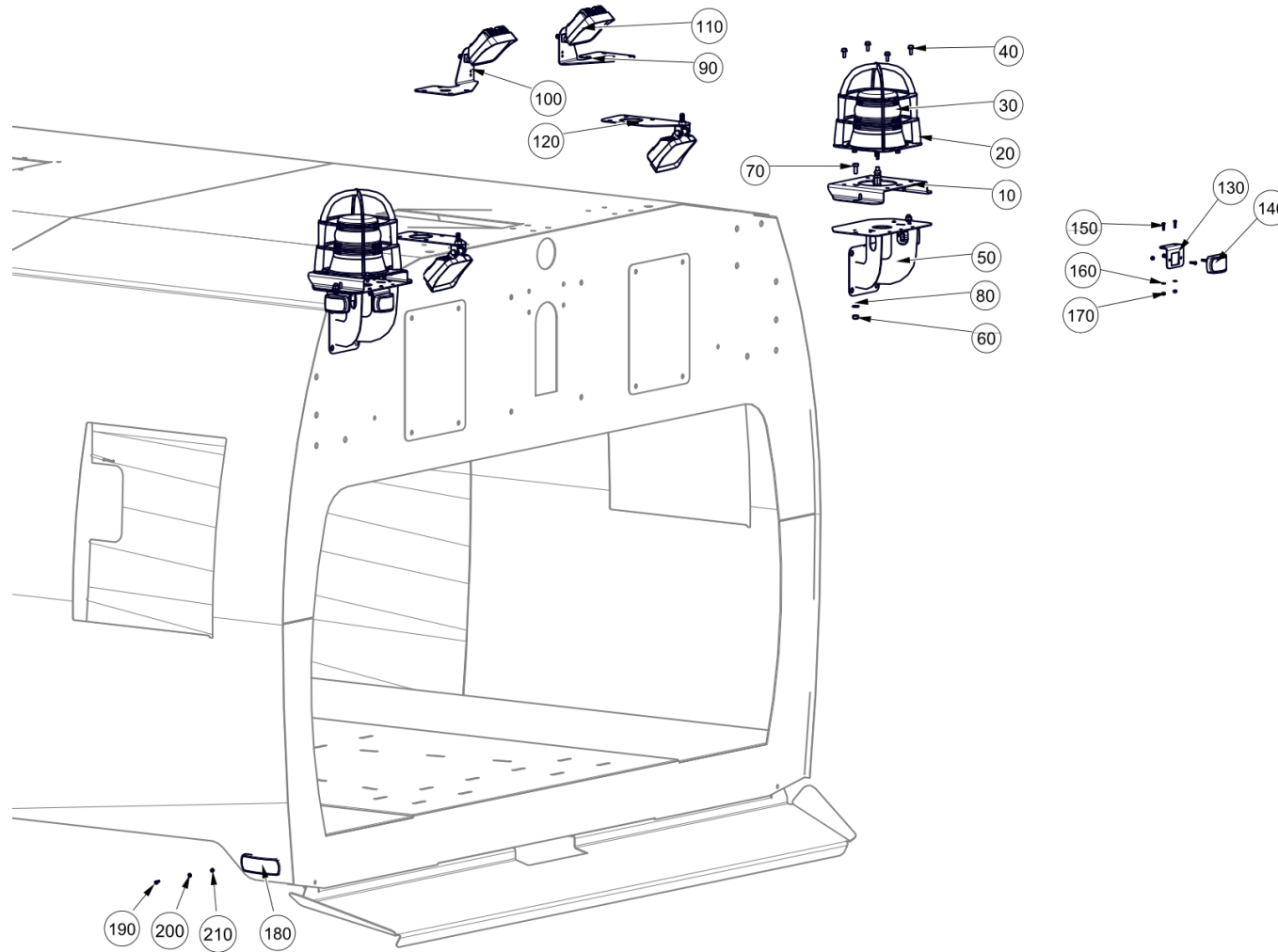
Options Frame ()
Rear Door\Options Frame

Item no.	Part no.	Description	QTY	Unit
10	7041446	Strut - Horizontal	1	PC
20	7041448	Strut - Horizontal, Bottom	1	PC
30	7041442	Strut - Options Frame	4	PC
40	92097412-0	Hex Head Screw - M10Cx25 - 8.8	3	PC
50	93212012-0	Plain Washer - M10	8	PC
60	93085006-0	Nyloc Hex Nut M10C - 8	4	PC
70	282438-37	Spacer - DIM A 37	4	PC
80	6107-1311	Hex Head Screw - M8Cx65 - 8.8	4	PC
90	93212011-0	Plain Washer - M8	24	PC
100	93085005-0	Nyloc Hex Nut M8C - 8	12	PC
110	92097376-0	Hex Head Screw - M8Cx25 - 8.8	9	PC

Trim & Lights ()

Trim & Lights

For optional Wanderhose the higher worklight brackets (100) & (110) are required.



Trim & Lights ()

Trim & Lights

For optional Wanderhose the higher worklight brackets (100) & (110) are required.

Item no.	Part no.	Description	QTY	Unit
10	295079-1	Beacon Base R/Assy	2	PC
20	295078-1	Beacon Cage W/Assy	2	PC
30	46-426	LED Beacon 12/24	2	PC
40	92119004-0	Hex Flange Bolt - M6Cx16 - 8.8	8	PC
50	7022995	Beacon Mount W/Assy	1	PC
60	93085005-0	Nyloc Hex Nut M8C - 8	2	PC
70	92099373-0	Hex Head Screw - M8Cx20 - A2	2	PC
80	93212011-0	Plain Washer - M8	2	PC
90	7016102	Bracket, Rear Worklights - RHS	1	PC
100	7016103	Bracket, Rear Worklights - LHS	1	PC
For Optional Wanderhose				
110	7023519	LED Work Lamp 9 - 36v	2	PC
For Optional Wanderhose				
120	283976-1	Bracket, Rear Worklights - Unhanded Low	2	PC
130	7022616	Rear Marker Light Mount	4	PC
140	46-270	Light - Red LED	4	PC
150	92330027-0	Hex Skt Button Head Screw M5x20 - 10.9	8	PC
160	93210109-0	Plain Washer M5	8	PC
170	93085003-0	Nyloc Hex Nut M5C - 8	8	PC
180	46-267	Light - Amber LED Flush	1	PC
190	134-42	Pan Head Screw - M4Cx12 - 4.8	2	PC
200	93212007-0	Plain Washer M4	2	PC
210	93085002-0	Nyloc Hex Nut M4C - 8	2	PC