

BUCHER
municipal



Johnston
NORTH AMERICA

QUICK REFERENCE GUIDE

for Common Wear Parts

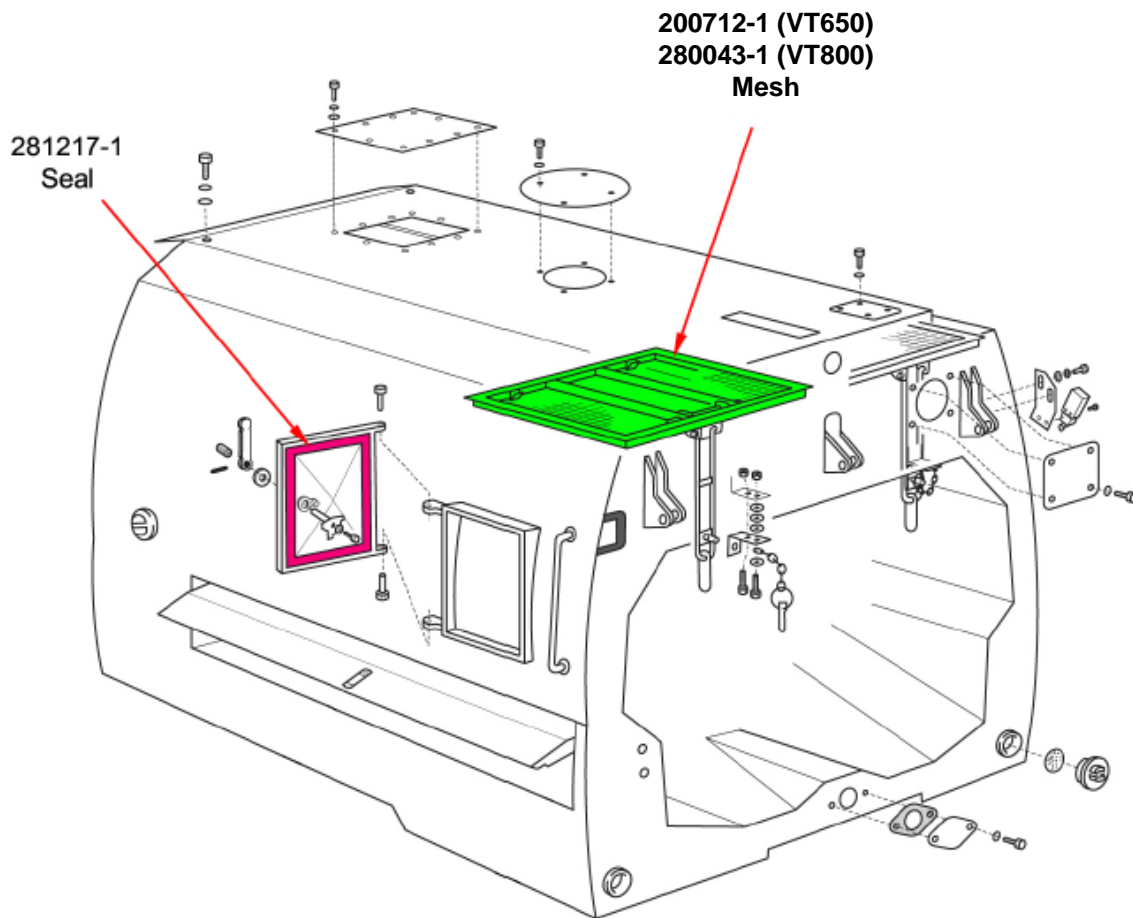


VT650/VT800 Series
Vacuum Sweeper

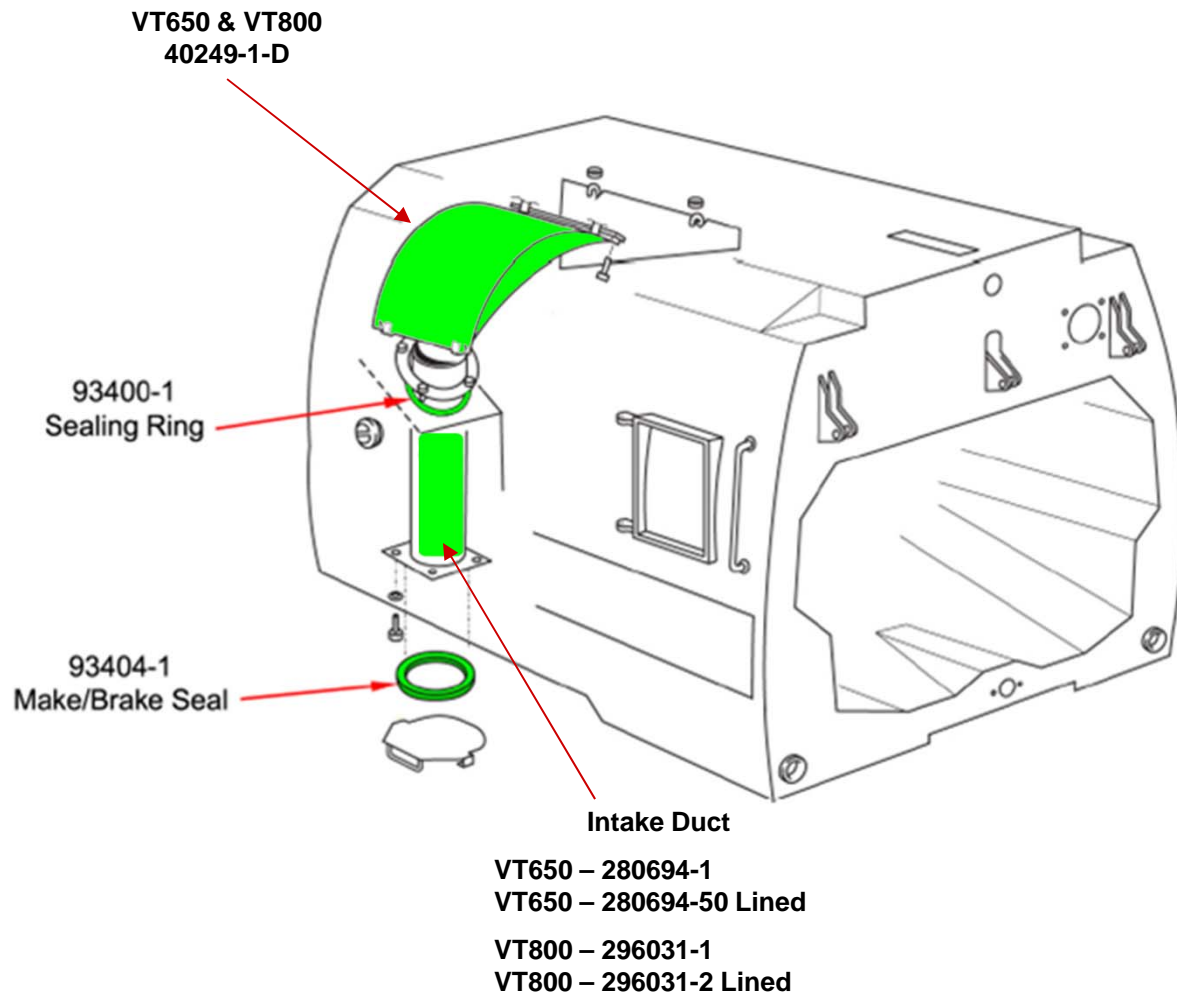
Table of Contents

Mesh Screens & Doors	3
Intake Components	4
Discharge Components	5
Water Components	6
Hooper Door Seals	7
Cowl Seals & Soundproofing	8
John Deere Engine Filters	9
Air Cleaner	10
Channel Brush Curtains	11
Gutter Broom Brush	12
Suction Nozzle Rubber Curtains	13
Suction Nozzle Wheel	14
Suction Nozzle Trunking Assembly	15
Wide Sweep Brush Assembly	16
Powaboom Assembly	17
Hydraulic Tank Filters	18
Water Filter Assembly	19
Channel Brush Water Jet Assembly	20
Low Pressure Water Spray Bar Water Jet Assembly	21
Switch Panel	22

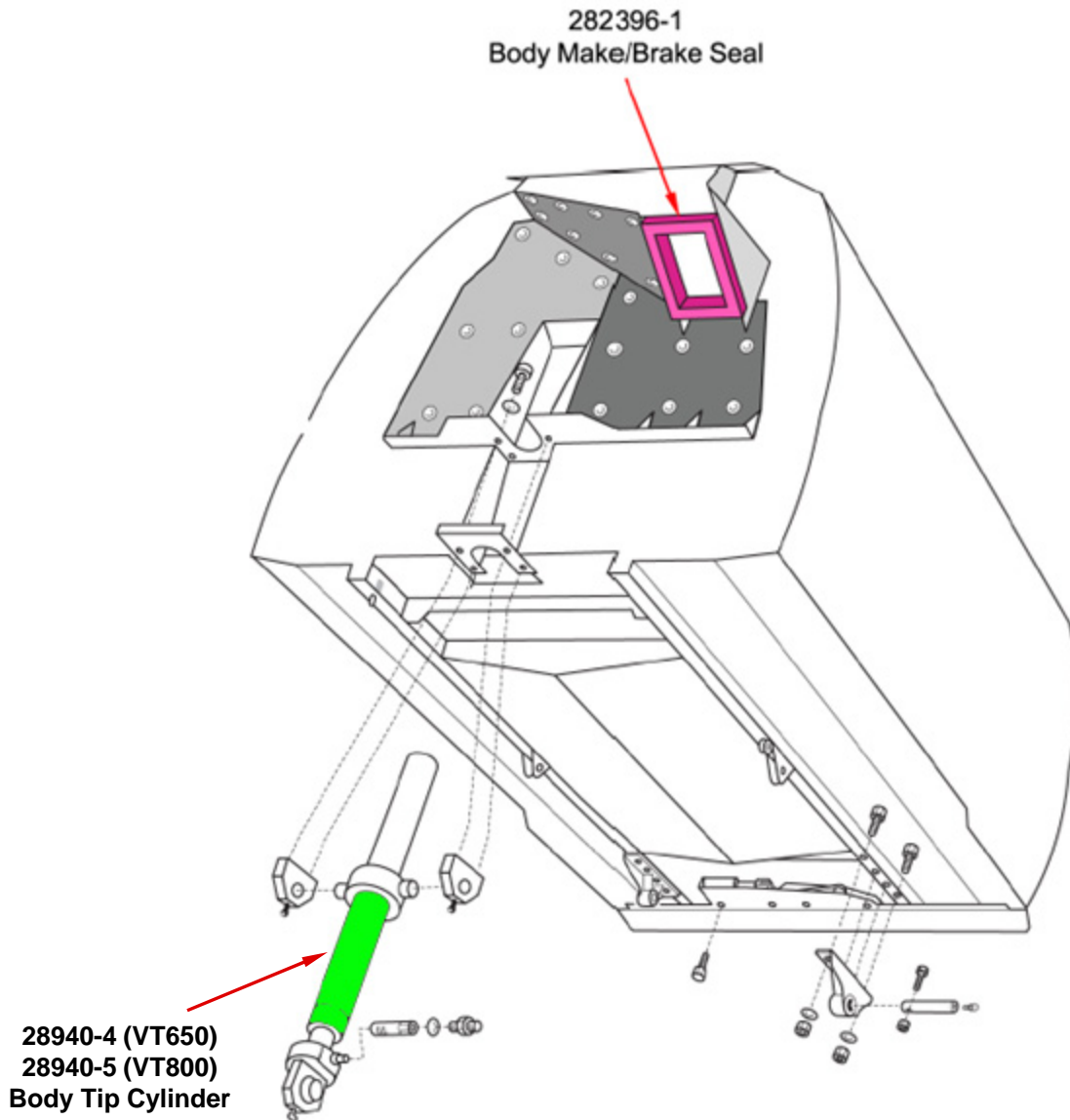
Mesh Screens & Doors



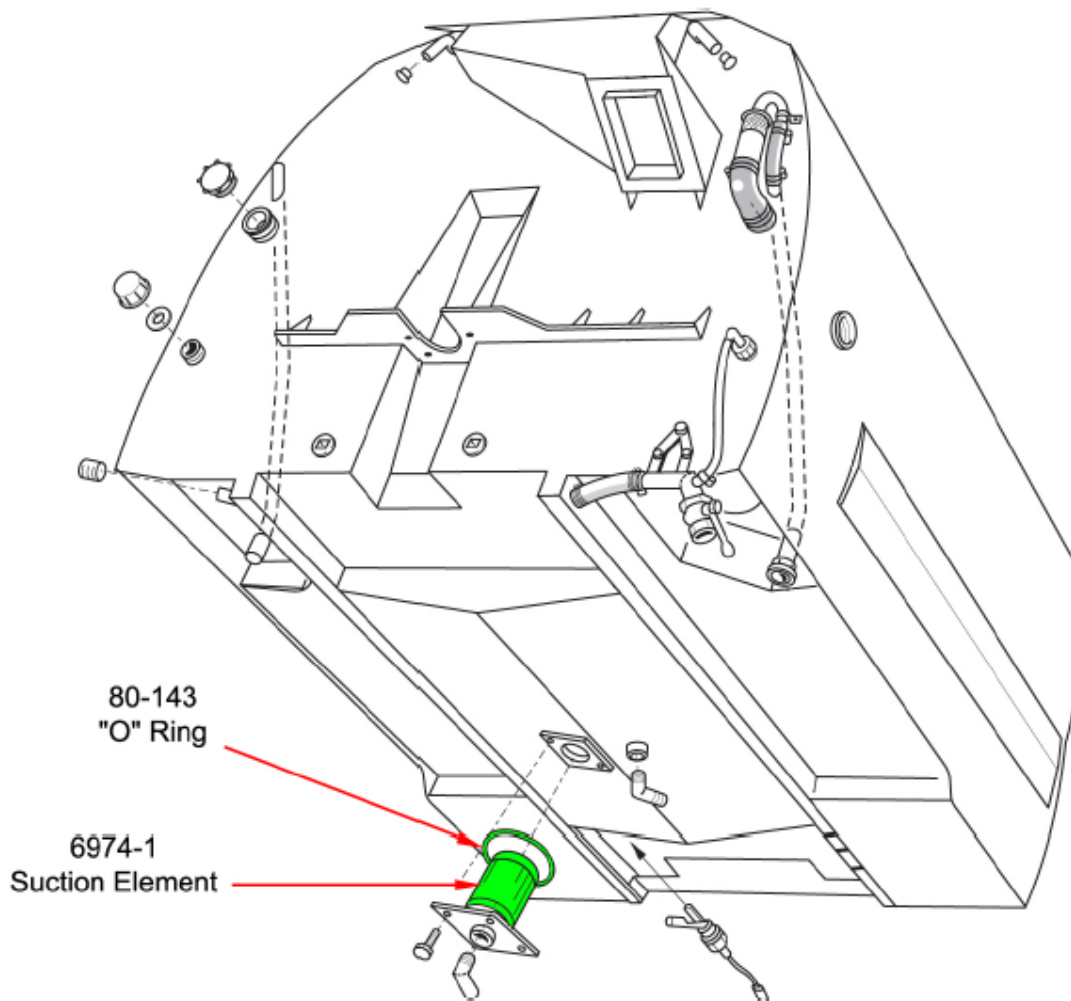
Intake Components



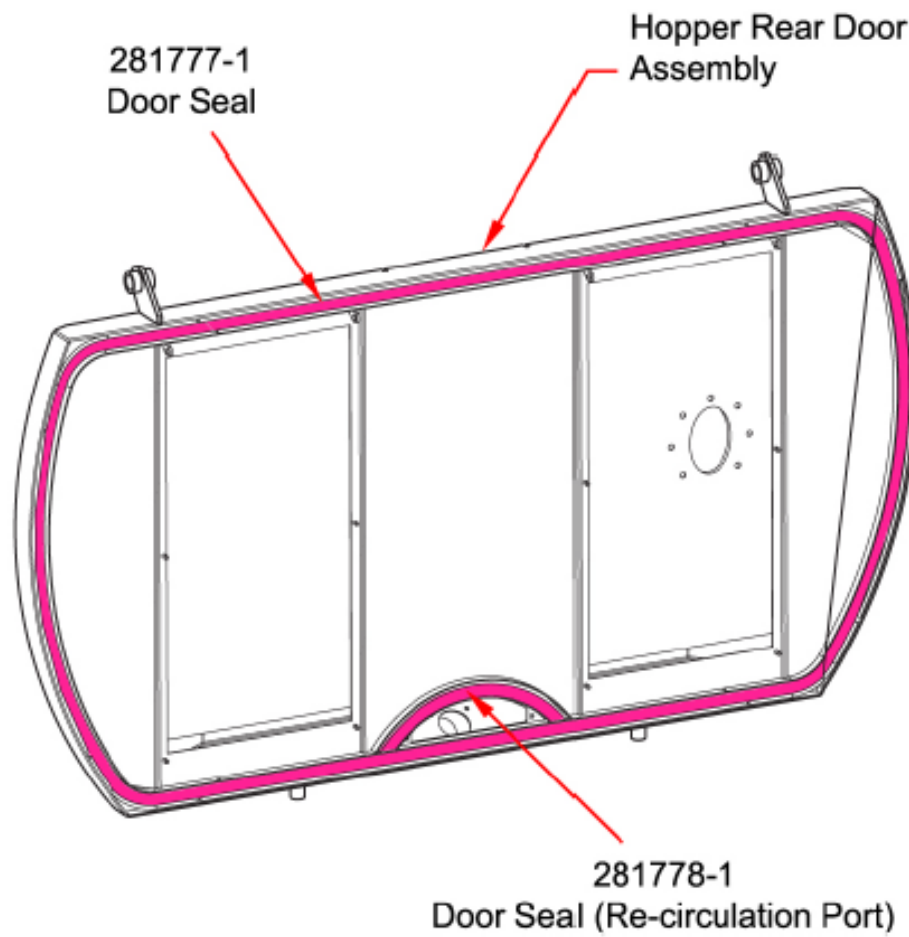
Discharge Components



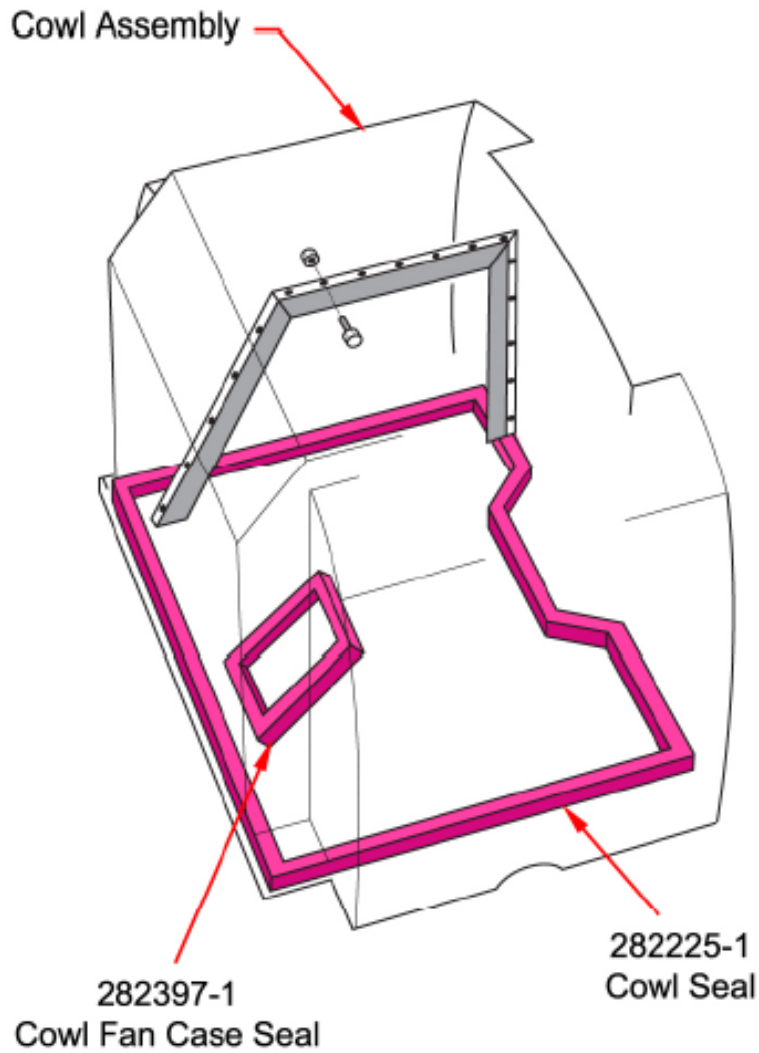
Water Components



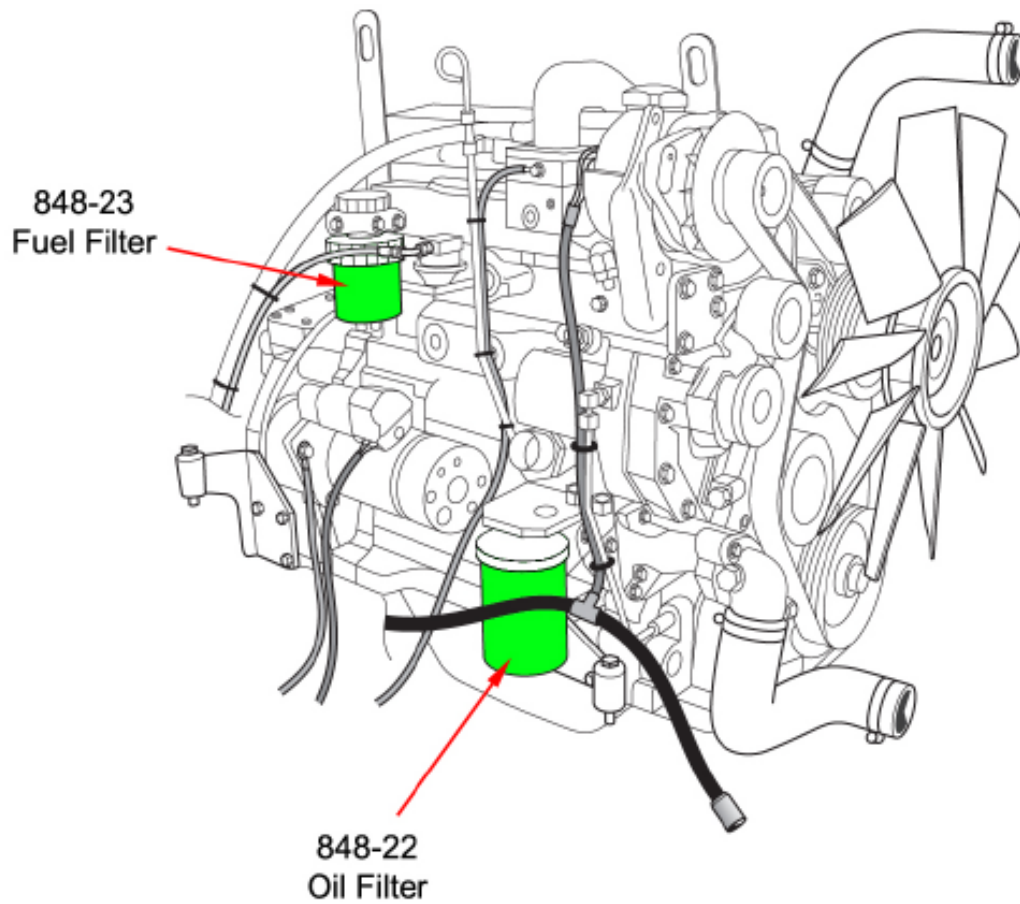
Hooper Door Seals



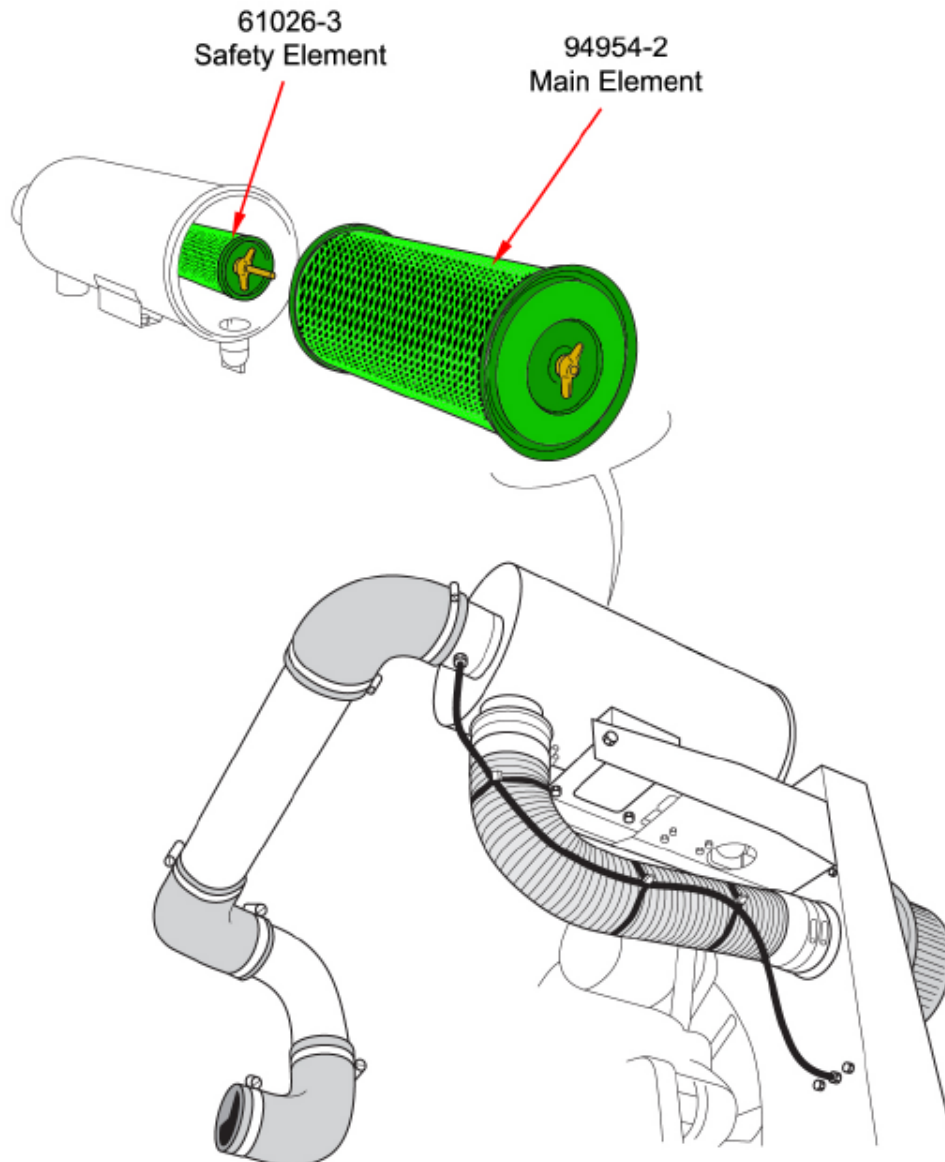
Cowl Seals & Soundproofing



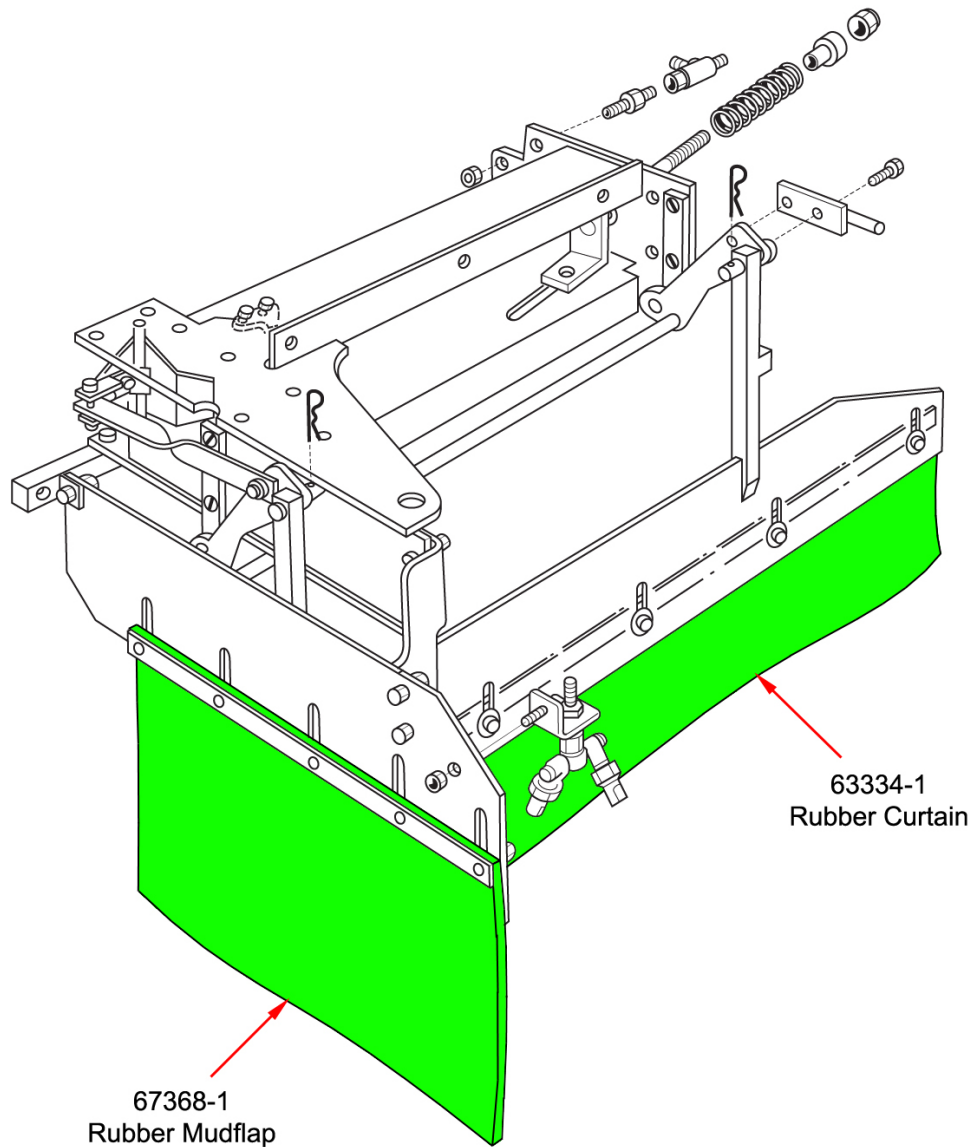
John Deere Engine Filters



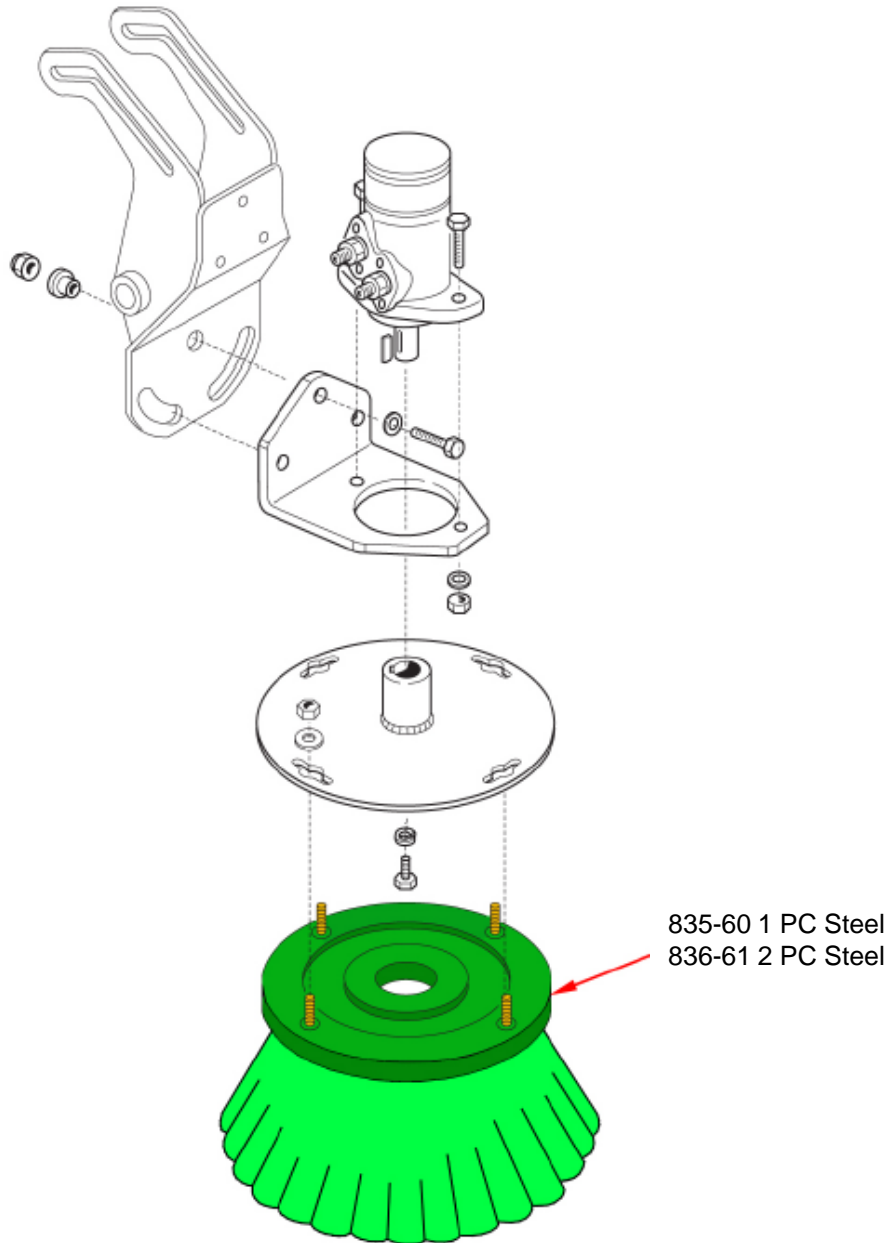
Air Cleaner



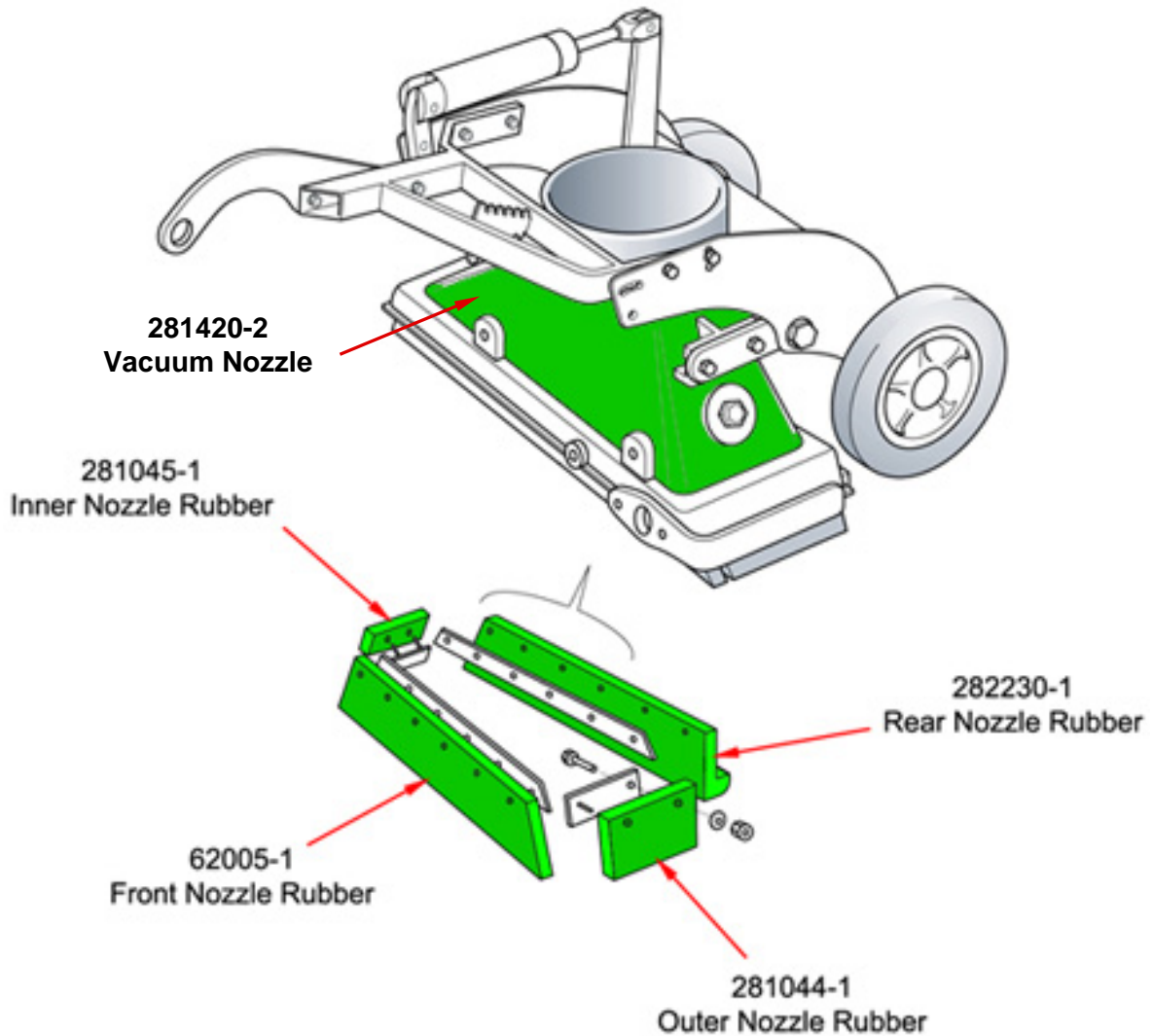
Channel Brush Curtains



Gutter Broom Brush

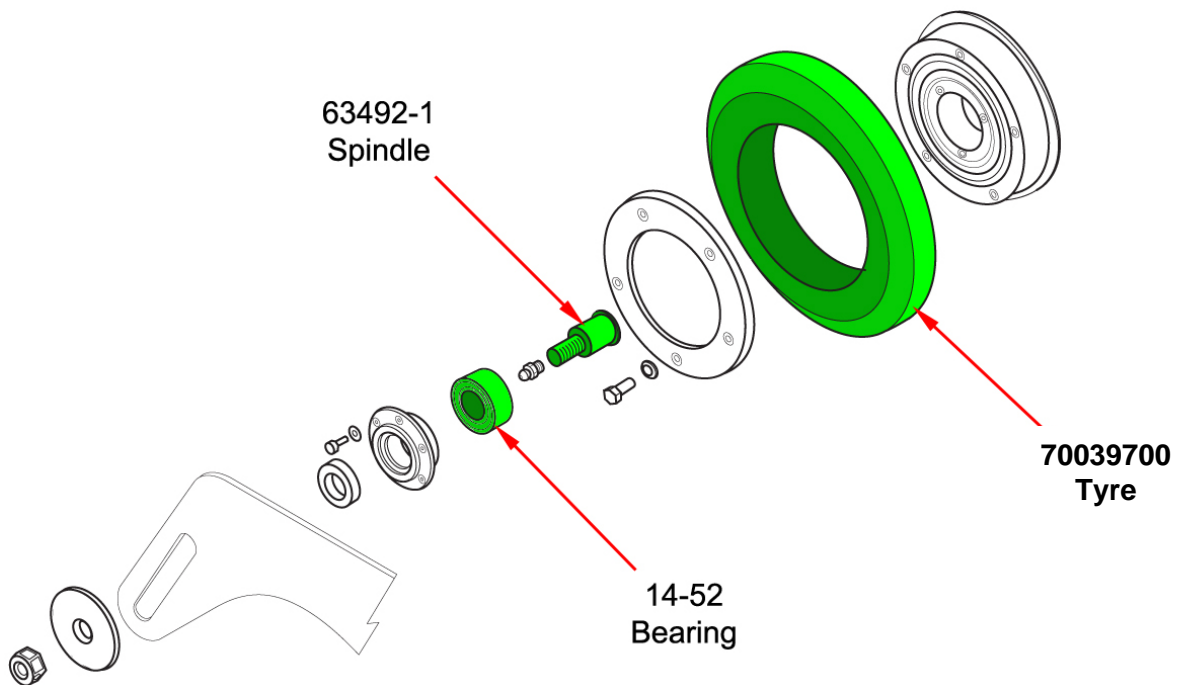


Suction Nozzle Rubber Curtains



Complete Kit
282538-1-SP

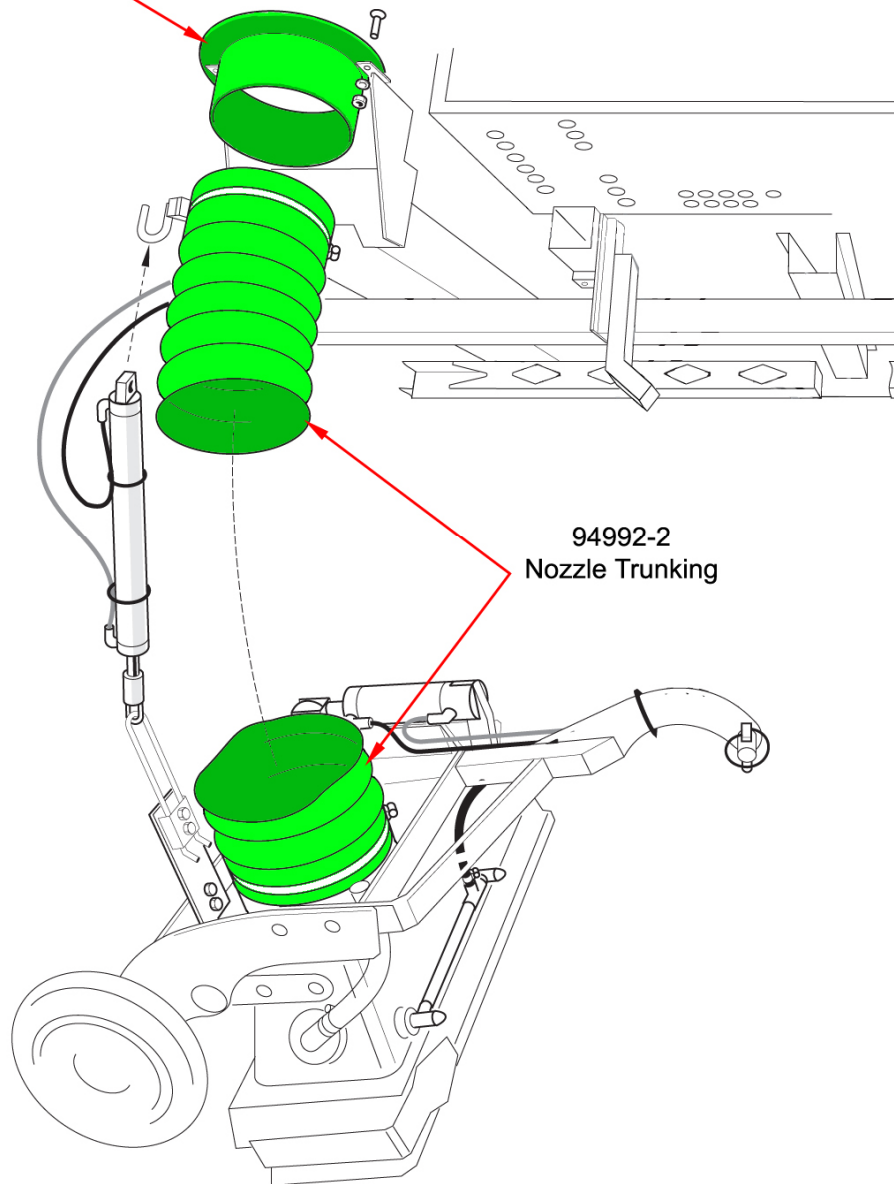
Suction Nozzle Wheel



**Complete Wheel Assembly
63491-1**

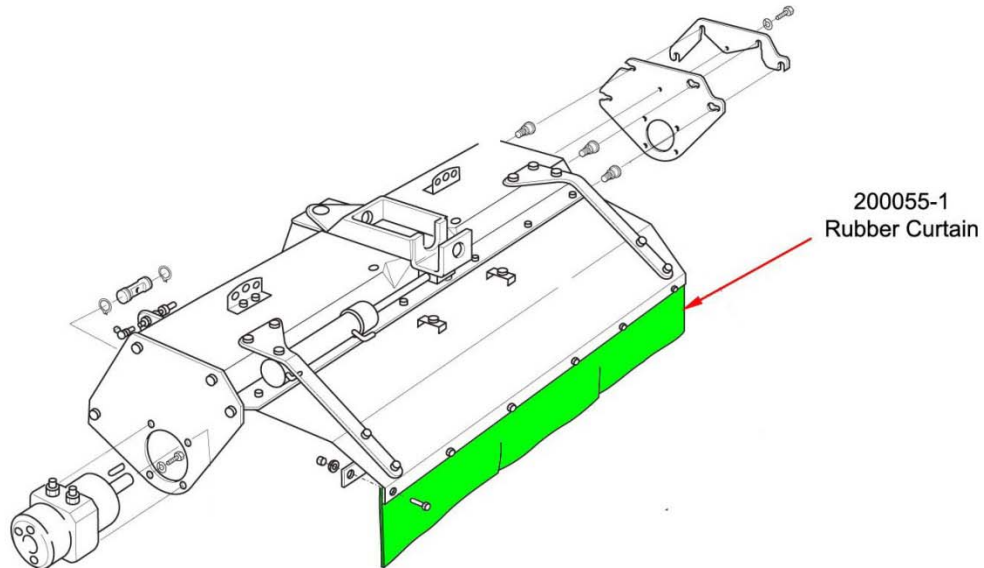
Suction Nozzle Trunking Assembly

94990-1
Intake Seat
(0.8 to 0.99 m)

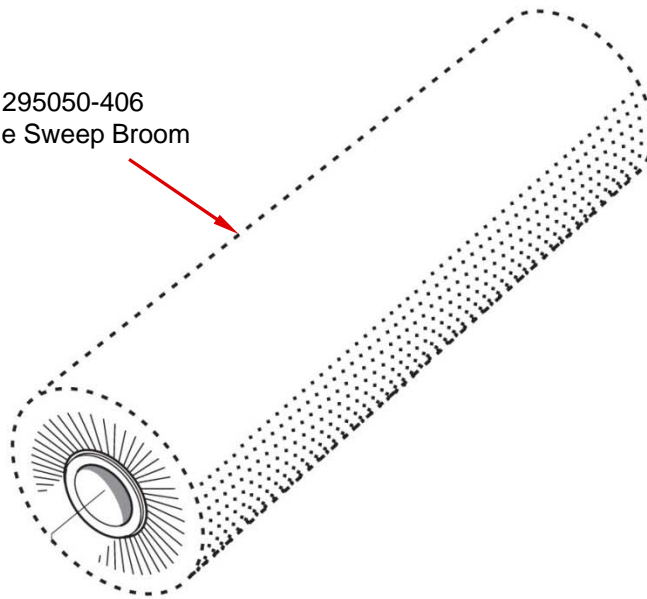


94992-2
Nozzle Trunking

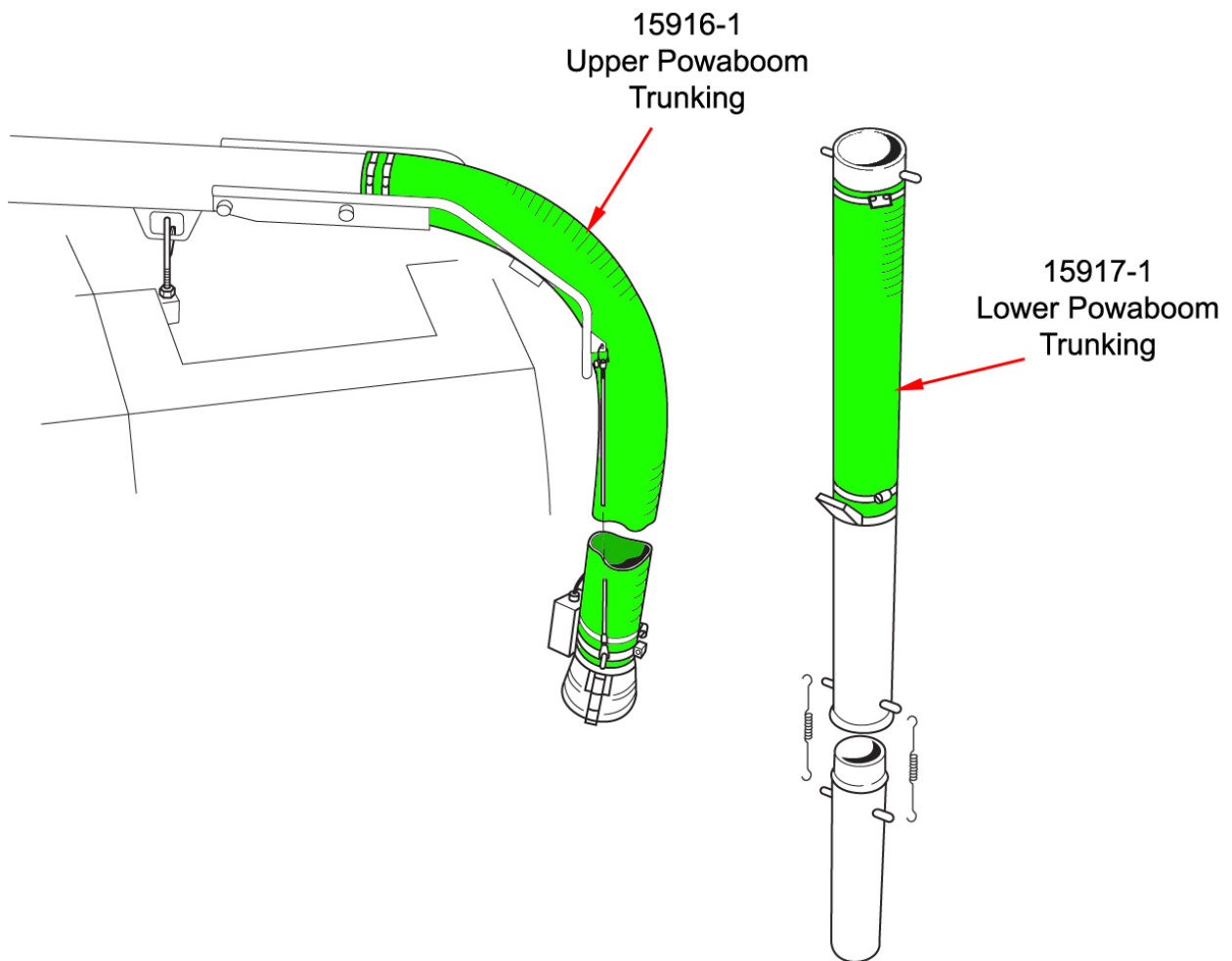
Wide Sweep Brush Assembly



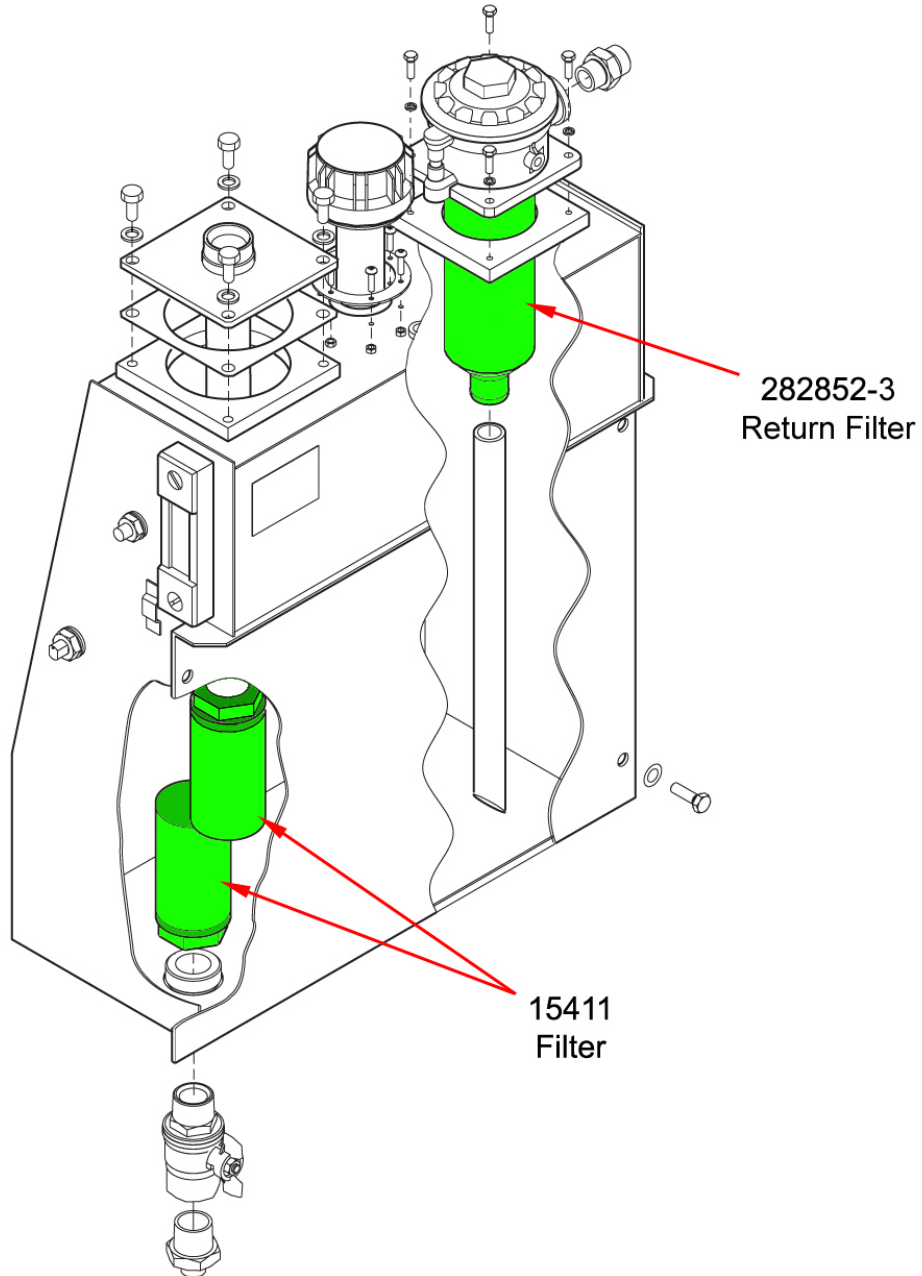
295050-406
Wide Sweep Broom



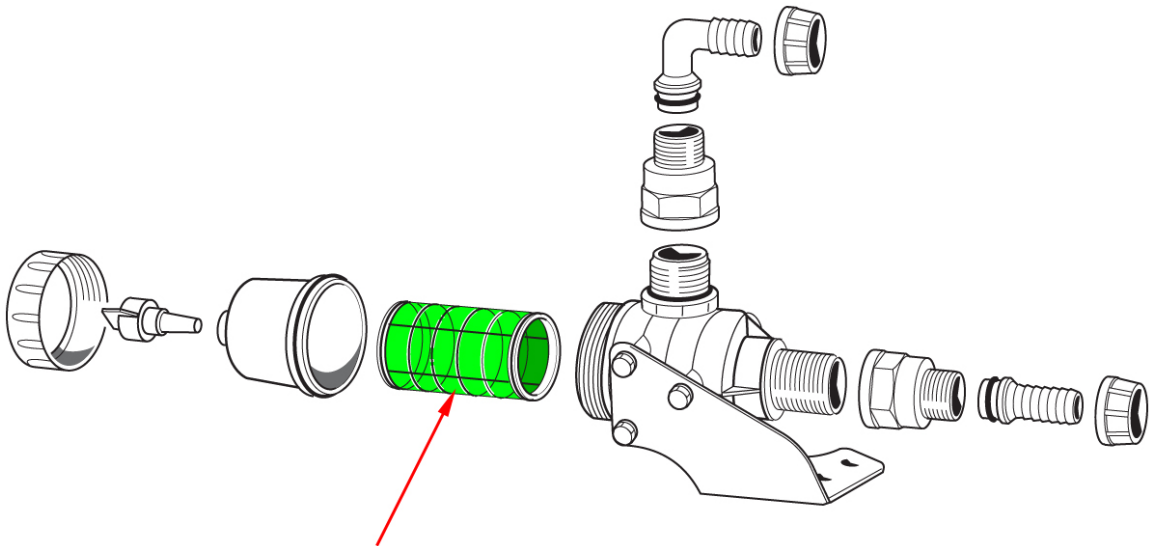
Powaboom Assembly (Option)



Hydraulic Tank Filters

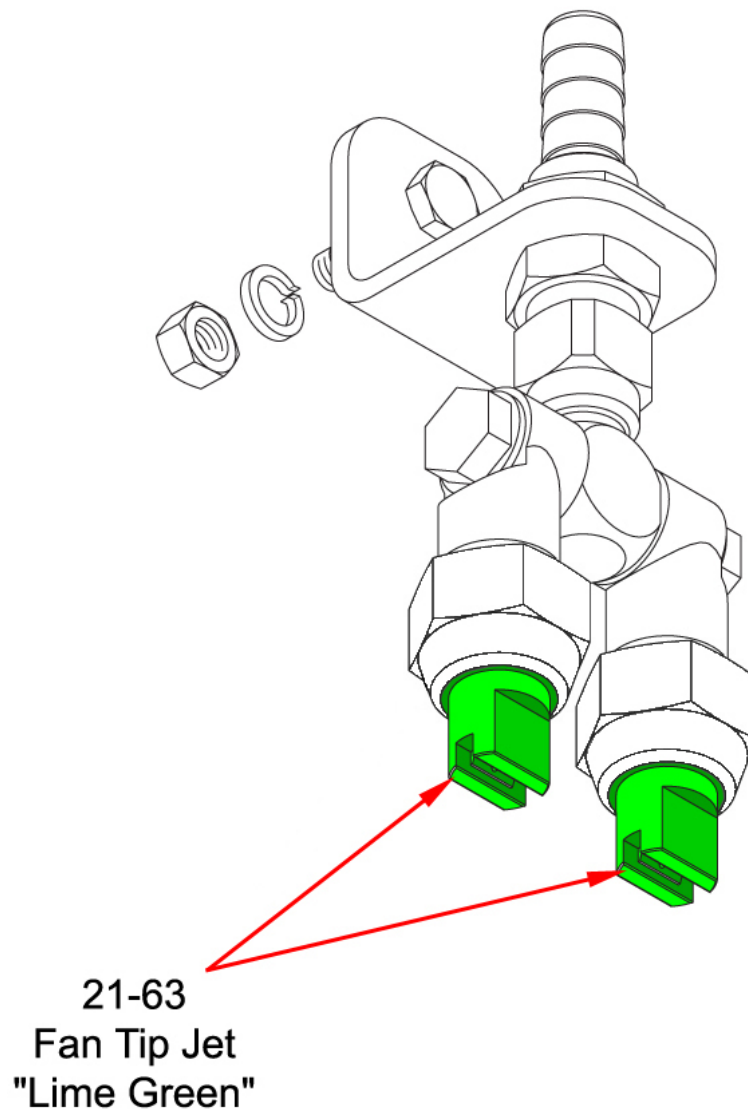


Water Filter Assembly

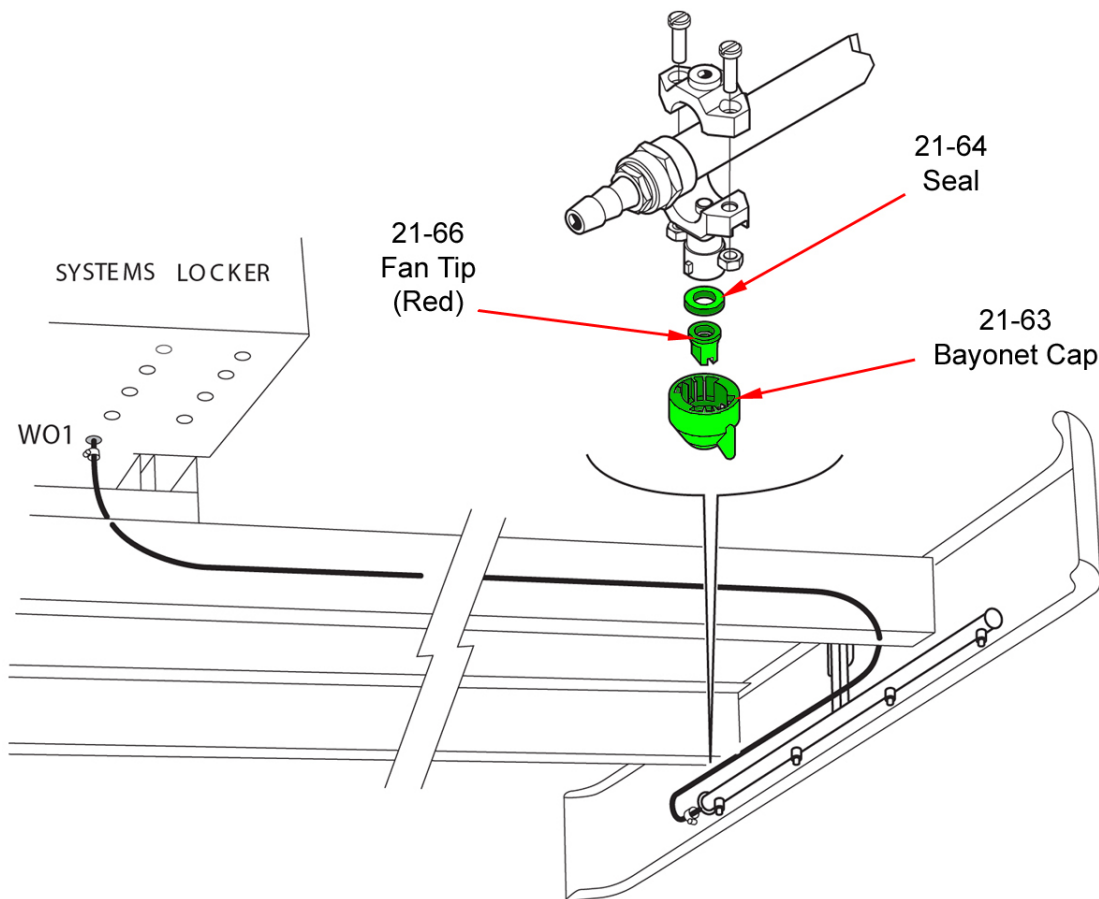


277-145
No. 50 "Blue" Stainless Steel
Filter Element

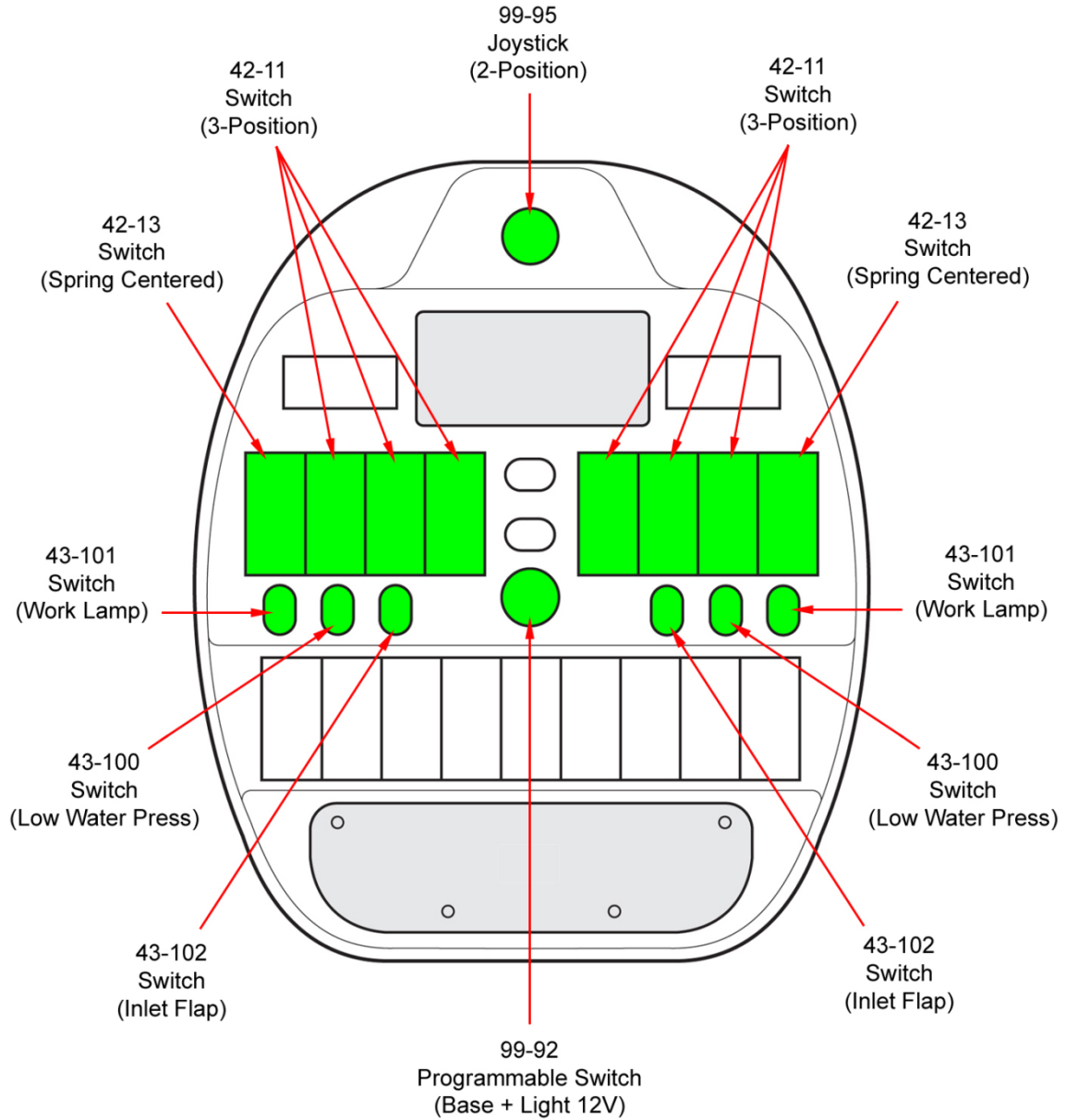
Channel Brush Water Jet Assembly



Low Pressure Water Spray Bar Water Jet Assembly



Switch Panel



PREVENTION BEFORE

FAILURE

VT650 OPTIMAL PERFORMANCE SERVICE SCHEDULE

Part Number	Description	U.O.M	Location of Part	SERVICE HOURS		
				EVERY 50 HOURS	600 HOURS	1200 HOURS / ANNUALLY
282577/1	Intake Flap	EA	Body			X
40516/1/B	Clip - Flap	EA	Body			X
282397/1	Seal cowl/fan	EA	Body		X	X
217/47	Seal - Access Door	EA	Body		X	X
93404/1	Seal - Rubber Nozzle to Body	EA	Body		X	X
40249/1/D	Wear Plate	EA	Body		X	X
281217	Door Seal	EA	Body			X
282396-1	Make/ Brake Seal	EA	Body			X
67368-1	Mudflap	EA	Channel Brush			X
63334-1	Curtain	EA	Channel Brush			X
282397-1	Cowl Fan Case Seal	EA	Cowling			X
282225-1	Cowl Seal	EA	Cowling			X
848/22	Filter - Oil	EA	Engine	X	X	X
848/39	Filter - Fuel	EA	Engine	X	X	X
848/40	Filter Pre-Filter	EA	Engine	X	X	X
15411	Filter - Hydraulic Suction	EA	Engine		X	X
295095/2	Filter - Main Air	EA	Engine	X	X	X
295095/3	Filter - Safety Air	EA	Engine	X	X	X
7033091-SP	Impeller kit 800 dia.	EA	Engine			X*
848/41	Belt	EA	Engine		X	X
282852/3	Filter - Hydraulic Return	EA	Engine		X	X
281777-1	Door Seal	EA	Rear Door			X
281778-1	Door Seal	EA	Rear Door			X
7039700	Tyre - Nozzle	EA	Sweepgear		X	X
63491/1	Nozzle wheel assembly	EA	Sweepgear		X	X
200055/1	Curtain - Rubber W.S.B.	EA	Sweepgear		X	X
67368/1	Curtain - Rubber Mudflap	EA	Sweepgear		X	X
282538/1	Rubber - Nozzle Set Std	EA	Sweepgear		X	X
504/54	Clip - Hose (Nozzle Trunking)	EA	Sweepgear		X	X
94992/2	Trunking - 8 Inch Dia	EA	Sweepgear		X	X
282945/1	Channel Brush Overhaul Kit	EA	Sweepgear			X
835-60	Channel Brush 4 Row 650mm dia.Steel	EA	Sweepgear	X	X	X
295050-406	Main Broom	EA	Sweepgear	X	X	X
09598716-0	Pilot Check Valve	EA	Sweepgear		X	X
72/39	Air bowl filter	EA	Systems Locker		X	X
15916-1	Powaboom Trunking	EA	Wanderhose			X
15917-1	Powaboom Trunking	EA	Wanderhose			X
21/63	EF3 Bayonet Cap Lime Green	EA	Water System	X	X	X
21/64	EF3 Bayonet Cap Seal	EA	Water System		X	X
21/66	EF3 Bayonet Cap Red	EA	Water System		X	X
277/247	Rear Filter - Water	EA	Water System		X	X
6974/1/C	Filter - Water Tank	EA	Water System		X	X
281372/1	Valve - Water 12v	EA	Water System		X	X

*Inspect and replace if necessary



PARTS DEPARTMENT

Christopher Ruggieri, Parts Manager
P: 704.658.1333 ext. 110

Kevin Stutts, Parts Specialist
P: 704.658.1333 ext. 106

Your Local Dealer:



Contact us:

Johnston North America

Parts Department

606 A&B Performance Road

Mooresville, NC 28115

Website: <http://johnstonnorthamerica.com>

Chris Ruggieri

Phone: 704.658.1333 ext. 110

christopher.ruggieri@johnstonnorthamerica.com

Kevin Stutts

Phone: 704.658.1333 ext. 106

Kevin.stutts@johnstonnorthamerica.com

When contacting us:

- Always provide the EQ number of the machine when calling in or emailing an inquiry.

Note: The EQ/Serial Number is located on the rear of the truck under the hopper on the cross member.

- When verifying a part number, please present/state the part number you think it is.
- If part number cannot be located in the appropriate parts manual, be very descriptive of the location on the machine and function of the part required. Photos are recommended.
- Shipping Instructions - State on your PO whether the parts are to be shipped by air, truck, UPS...etc.



Due to continuous product development Johnston North America reserves the right to alter specifications without prior notice.
Copyright © 2015 Johnston North America VRANGEJNA0315