

# Parts Section



## CX200, CN200 Suction Sweepers & CW200 Washer

Part No 02624/1

Revision Level B

VM R754EU4 (Euro 4)

VM R754EU5 (Euro 5)

VM D754TE3 (Tier 3)

<b>Foreword</b>	<b>F</b>
<b>Table of Contents</b>	<b>P</b>
<b>Cab</b>	<b>1</b>
<b>Chassis</b>	<b>2</b>
<b>Engine (Euro 4/Tier 3)</b>	<b>3a</b>
<b>Engine (Euro 5/Tier 3)</b>	<b>3b</b>
<b>Hopper</b>	<b>4</b>
<b>Nozzle</b>	<b>5</b>
<b>Side Brushes</b>	<b>6</b>
<b>Hydraulics</b>	<b>7</b>
<b>Water System</b>	<b>8</b>
<b>Electrical</b>	<b>9</b>
<b>Miscellaneous</b>	<b>10</b>
<b>Options</b>	<b>11</b>
<b>Water Tank (CW200 Only)</b>	<b>12</b>
<b>Spray Bar (CW200 Only)</b>	<b>13</b>



## Foreword

This section of the manual will assist you in ordering parts and serves as a assembly/disassembly reference when used in conjunction with the Maintenance Section procedures.



### **Safety Notice**



**The universal safety symbol is used throughout this manual to indicate information which is essential for the health and safety of all operating personnel.**

Chapters 1 - 13, listed on the front sheet, are divided into major areas of the sweeper.

The table of contents on page 1 of each chapter locates the exact page of a particular illustration or parts list. A detailed complete table of contents at the beginning of the manual is designed in outline form.

The BoM number under the heading on each page is for Johnston internal reference only.

Each illustration begins on even pages and each parts list begins on odd pages to minimize page swapping while searching for parts and locations.

Johnston® is a registered trade mark of Johnston Sweepers Limited.

All copyrights and rights reserved. The reproduction, distribution and utilisation of this document as well as the communication of its contents to others without the express authorisation of Johnston Sweepers Limited is prohibited. Offenders will be held liable for the payment of damages. All rights reserved in the event of the grant of a patent, utility model or design.

Every endeavour has been made to ensure that the information contained in this Manual is correct, but due to continuous product development, the Company reserve the right to alter contents without notice. This document should not be interpreted as being part of a formal contract.

### Ordering Parts

Upon delivery, fill out the information below and use as a reference when ordering parts.

General Instructions:

1. Provide name and address of where to deliver parts.
2. Provide complete serial number.
3. Provide part number, description and quantity for each part required.  
If not sure of part number, provide a detailed description of part and where it is used.

Vehicle Type: Left Hand/Right Hand Drive

Johnston Serial No: \_\_\_\_\_

VIN No: \_\_\_\_\_

Date Delivered: \_\_\_\_\_

Hours on delivery: \_\_\_\_\_

Extras fitted: \_\_\_\_\_

\_\_\_\_\_

\_\_\_\_\_

When ordering spare parts the Johnston Serial number should be quoted. The number will be found stamped on a plate similar to that shown above, attached to the side of the LH seat base.

Johnston Sweepers,  
Curtis Road,  
Dorking,  
Surrey, U.K. RH4 1XF  
Tel: 01306 884722  
Fax: 01306 884151 Sales  
01306 740369 Customer Support  
E-mail: enquiries@johnstonsweepers.co.uk



CHAPTER

**T**

---

**Table of Contents**

<b>1 Section - Cab</b>	<b>Page</b>	<b>Issue</b>	<b>Changed</b>
	1 : 1	11	
Cab Preparation	1 : 2	10	
	1 : 3	10	
	1 : 4	10	
	1 : 5	10	
Cab Assembly (supplied)	1 : 6	10	
	1 : 7	10	
Cab Door Assembly	1 : 8	10	
	1 : 9	10	
Cab Door Spares	1 : 10	10	
	1 : 11	10	
Steering Column Assembly	1 : 12	B	✓
	1 : 13	B	✓
Dump Valve Lever Assembly - MK1	1 : 14	10	
	1 : 15	10	
Dump Valve Lever Assembly - MK2	1 : 16	10	
	1 : 17	10	
Dump Valve Lever Assembly - MK3	1 : 18	10	
	1 : 19	10	
Handbrake Lever Assembly - MK1	1 : 20	10	
	1 : 21	10	
Handbrake Lever Assembly - MK2	1 : 22	10	
	1 : 23	10	
Handbrake Lever Assembly - MK3	1 : 24	10	
	1 : 25	10	
Hydraulic Handbrake	1 : 26	12	
	1 : 27	12	
Third Pedal Assembly	1 : 28	11	
	1 : 29	11	
Heater Assembly	1 : 30	11	
	1 : 31	11	
Heater Kit	1 : 32	11	
	1 : 33	11	
Heater Blower	1 : 34	11	
	1 : 35	11	
Wiper Assembly	1 : 36	11	
	1 : 37	11	
External Mirror Assembly	1 : 38	11	
	1 : 39	11	
Driver & Passenger Seat Assembly	1 : 40	11	
	1 : 41	12	
Throttle Pedal Assembly	1 : 42	11	
	1 : 43	11	
Column Shroud Assembly	1 : 44	11	
	1 : 45	11	
Overhead Console Assembly	1 : 46	12	
	1 : 47	12	
	1 : 48	12	
	1 : 49	12	
Armrest Control Assembly	1 : 50	11	
	1 : 51	11	
Armrest Control Spares	1 : 52	11	
	1 : 53	11	
Palm Rest Control Spares	1 : 54	11	
	1 : 55	11	

<b>1</b>	<b>Section - Cab continued . . .</b>	<b>Page</b>	<b>Issue</b>	<b>Changed</b>
	Floor Covering Assembly	1 : 56	11	
		1 : 57	11	
	Brake Mechanism Assembly	1 : 58	12	
		1 : 59	12	
		1 : 60	12	
		1 : 61	11	
	Centre Console Assembly - MK1	1 : 62	11	
		1 : 63	11	
	Centre Console Assembly - MK2	1 : 64	11	
		1 : 65	11	
	Centre Console Assembly (Hydraulic Handbrake)	1 : 66	11	
		1 : 67	11	
	Cab External Moulding Assembly	1 : 68	11	
		1 : 69	11	
	Heater Ducting & Trim Assembly	1 : 70	12	
		1 : 71	12	
	Tool Kit Assembly	1 : 72	11	
		1 : 73	11	
		1 : 74	11	
<b>2</b>	<b>Section - Chassis</b>			
	Front Axle & Cone Suspension Assembly	2 : 1	B	✓
		2 : 2	12	
		2 : 3	12	
	Front Axle & Coil Suspension Assembly	2 : 4	12	
		2 : 5	12	
		2 : 6	12	
		2 : 7	11	
	Front Suspension Cone Mount Assembly	2 : 8	B	✓
		2 : 9	B	✓
	Front Wheel & Hub Assembly	2 : 10	08	
		2 : 11	08	
	Front Brake Assembly	2 : 12	11	
		2 : 13	11	
	Front Axle Kit Assembly	2 : 14	B	✓
		2 : 15	B	✓
	Wheel Motor Mounting (Cone Suspension) Assembly	2 : 16	08	
		2 : 17	08	
	Wheel Motor Mounting (Coil Suspension) Assembly	2 : 18	08	
		2 : 19	08	
	Rear Cone Suspension Mount Assembly	2 : 20	08	
		2 : 21	08	
	Rear Wheel & Motor Assembly (Euro 4/Tier3)	2 : 22	11	
		2 : 23	11	
	MK1 Chassis Brace Assembly (Euro 4)	2 : 24	08	
		2 : 25	08	
	MK2 Chassis Brace Assembly (Euro 4/5)	2 : 26	11	
		2 : 27	11	
	Chassis Brace Assembly (Tier 3)	2 : 28	11	
		2 : 29	11	
	Heater Pipe Assembly (Euro 4/5)	2 : 30	11	
		2 : 31	11	
	Heater Pipe Assembly (Tier 3)	2 : 32	11	
		2 : 33	11	

<b>2 Section - Chassis continued . . .</b>	<b>Page</b>	<b>Issue</b>	<b>Changed</b>
Rear Wheel Motor Spares	2 : 34	08	
	2 : 35	11	
Side Locker Assembly - CW200	2 : 36	08	
	2 : 37	08	
Fuel Tank Assembly (Euro 4/5)	2 : 38	11	
	2 : 39	11	
Fuel Tank Assembly (Tier 3)	2 : 40	11	
	2 : 41	11	
Chassis Assembly	2 : 42	B	✓
	2 : 43	B	✓
Service Brake Hoses	2 : 44	B	✓
	2 : 45	B	✓
Rear Wheel & Motor Assembly (Euro 5/Tier 3)	2 : 46	B	✓
	2 : 47	B	✓
Rear Wheel & Motor Assembly (Euro 5/Tier 3)	2 : 48	B	✓
	2 : 49	B	✓
	2 : 50	B	✓

### **3a Section - Engine (Euro 4/Tier 3)**

	3a : 1	11	
Sweep/Steering Pump Assembly	3a : 2	11	
	3a : 3	11	
Expansion Tank Assembly	3a : 4	11	
	3a : 5	11	
Engine Mounting Assembly	3a : 6	11	
	3a : 7	11	
Engine Mounting Assembly (re-orientated trans. pump)	3a : 8	11	
	3a : 9	11	
Transmission Pump Assembly	3a : 10	11	
	3a : 11	11	
	3a : 12	11	
	3a : 13	11	
Transmission Pump Assembly (re-orientated)	3a : 14	11	
	3a : 15	11	
	3a : 16	11	
	3a : 17	11	
Cooling System Assembly (Euro 4)	3a : 18	11	
	3a : 19	11	
Air Cleaner Assembly (Euro 4)	3a : 20	11	
	3a : 21	11	
Exhaust System Assembly (Euro 4)	3a : 22	11	
	3a : 23	12	
Engine & Ancillaries (Euro 4)	3a : 24	11	
	3a : 25	11	
Cooling System Assembly (Tier 3)	3a : 26	11	
	3a : 27	11	
Air Cleaner Assembly (Tier 3)	3a : 28	11	
	3a : 29	11	
Exhaust System Assembly (Tier 3)	3a : 30	11	
	3a : 31	11	
Engine & Ancillaries (Tier 3)	3a : 32	11	
	3a : 33	11	

**3a Section - Engine (Euro 4/Tier 3) continued . . .**

	Page	Issue	Changed
Transmission Actuator Assembly (Tier 3)	3a : 34	11	
	3a : 35	11	
	3a : 36	11	

**3b Section - Engine (Euro 5/Tier 3)**

	Page	Issue	Changed
	3b : 1	B	✓
Air Cleaner Assembly (Euro 5)	3b : 2	B	✓
	3b : 3	B	✓
Air Cleaner Assembly (Tier 3)	3b : 4	B	✓
	3b : 5	B	✓
Expansion Tank Assembly	3b : 6	11	
	3b : 7	11	
Engine Mounting Assembly	3b : 8	11	
	3b : 9	11	
Exhaust System Assembly (Euro 5)	3b : 10	12	
	3b : 11	12	
Exhaust System Assembly (Tier 3)	3b : 12	B	✓
	3b : 13	B	✓
Transmission Pump Assembly (Euro 5)	3b : 14	B	✓
	3b : 15	B	✓
	3b : 16	B	✓
	3b : 17	B	✓
Transmission Pump Assembly (Tier 3)	3b : 18	B	✓
	3b : 19	B	✓
	3b : 20	B	✓
	3b : 21	B	✓
Sweep/Steering Pump Assembly	3b : 22	12	
	3b : 23	12	
Cooling System (Euro 4)	3b : 24	11	
	3b : 25	11	
Cooling System (Euro 3)	3b : 26	11	
	3b : 27	11	
Transmission Actuator Assembly (Tier 3)	3b : 28	11	
	3b : 29	11	
Engine & Ancillaries (Euro 5)	3b : 30	12	
	3b : 31	12	
Engine & Ancillaries (Tier 3)	3b : 32	12	
	3b : 33	12	
Engine Spares	3b : 34	B	✓
	3b : 35	B	✓
	3b : 36	B	✓

**4 Section - Hopper**

	4 : 1	11	
Wanderhose Assembly	4 : 2	08	
	4 : 3	08	
Suction Shut-Off Flap Assembly	4 : 4	08	
	4 : 5	08	
Wanderhose Blanking Plate Assembly	4 : 6	08	
	4 : 7	08	
Hopper Lift Ram Assembly	4 : 8	08	
	4 : 9	11	

<b>4</b>	<b>Section - Hopper continued . . .</b>	<b>Page</b>	<b>Issue</b>	<b>Changed</b>
	Hopper Assembly (Euro 4/Tier 3)	4 : 10	11	
		4 : 11	11	
		4 : 12	11	
		4 : 13	11	
	Hopper Door Assembly	4 : 14	08	
		4 : 15	08	
	Suction Fan Impeller Assembly	4 : 16	08	
		4 : 17	08	
	Fan Case Assembly	4 : 18	08	
		4 : 19	08	
	Sound Attenuating Hood Assembly	4 : 20	08	
		4 : 21	08	
	Flap Housing Assembly	4 : 22	12	
		4 : 23	12	
	Hopper Assembly (Euro 5/Tier 3)	4 : 24	11	
		4 : 25	11	
		4 : 26	11	
<b>5</b>	<b>Section - Nozzle</b>			
		5 : 1	08	
	'F' Type Suction Nozzle Assembly	5 : 2	08	
		5 : 3	08	
	Suction Nozzle Wheels Assembly	5 : 4	08	
		5 : 5	08	
	Nozzle Wheel Spares	5 : 6	08	
		5 : 7	08	
	Suction Nozzle Skids Assembly	5 : 8	08	
		5 : 9	08	
	Suction Nozzle Skids (if fitted with Leaf Flap) Assembly	5 : 10	08	
		5 : 11	08	
	Nozzle Struts (Wheeled) Assembly	5 : 12	08	
		5 : 13	08	
	Nozzle Struts (Skidded) Assembly	5 : 14	08	
		5 : 15	11	
	Nozzle Lift Mechanism Assembly	5 : 16	08	
		5 : 17	08	
	Nozzle Lift Ram Assembly	5 : 18	08	
		5 : 19	08	
	Nozzle Flap (no Leaf Lift) Assembly	5 : 20	08	
		5 : 21	08	
	Nozzle Flap (with Leaf Lift) Assembly	5 : 22	08	
		5 : 23	08	
		5 : 24	08	
<b>6</b>	<b>Section - Side Brushes</b>			
		6 : 1	08	
	Side Brush Arm Assembly	6 : 2	08	
		6 : 3	08	
	Side Brush Lift Ram Assembly	6 : 4	08	
		6 : 5	10	
	Side Brush Position Ram Assembly	6 : 6	08	
		6 : 7	08	

<b>6</b>	<b>Section - Side Brushes continued . . .</b>	<b>Page</b>	<b>Issue</b>	<b>Changed</b>
	Side Brush Motor Assembly	6 : 8	08	
		6 : 9	11	
	Side Brush Plate & Brush Assembly	6 : 10	08	
		6 : 11	08	
		6 : 12	08	
<b>7</b>	<b>Section - Hydraulics</b>			
	Transmission Circuit Hoses - MK1	7 : 1	B	✓
		7 : 2	12	
		7 : 3	12	
	Transmission Circuit Hoses - MK2	7 : 4	12	
		7 : 5	B	✓
	Transmission Circuit Hoses - Euro 5	7 : 6	12	
		7 : 7	B	✓
	Sweep Circuit Hoses - MK1	7 : 8	12	
		7 : 9	12	
		7 : 10	12	
		7 : 11	12	
	Sweep Circuit Hoses - MK2	7 : 12	12	
		7 : 13	12	
		7 : 14	12	
		7 : 15	12	
	Sweep Circuit Hoses - Euro 5	7 : 16	12	
		7 : 17	12	
		7 : 18	12	
		7 : 19	12	
	Leaf Flap Circuit Hoses	7 : 20	12	
		7 : 21	12	
	Sweep Control Hyd Block Assy - Sweeper	7 : 22	12	
		7 : 23	12	
	Sweep Control Hyd Block Assy - Fixed S/Bar	7 : 24	12	
		7 : 25	12	
	Sweep Control Hyd Block Assy - Expanding S/Bar	7 : 26	12	
		7 : 27	12	
	Sweep Control Hyd Block Assy - Spares	7 : 28	12	
		7 : 29	12	
	Rear Hydraulic Block Assembly	7 : 30	12	
		7 : 31	12	
	Flow Regulator Assembly	7 : 32	12	
		7 : 33	12	
	HP Return Line Filter Assembly	7 : 34	B	✓
		7 : 35	B	✓
	Hand Pump Assembly	7 : 36	12	
		7 : 37	B	✓
	Tow Valve Assembly - CX200	7 : 38	12	
		7 : 39	12	
	Purge / Tow Valve Assembly - CN200	7 : 40	12	
		7 : 41	12	
	Hydraulic Oil Tank Assembly	7 : 42	12	
		7 : 43	12	
	Mk1 Return Manifold Assembly	7 : 44	B	✓
		7 : 45	B	✓

<b>7</b>	<b>Section - Hydraulics continued . . .</b>	<b>Page</b>	<b>Issue</b>	<b>Changed</b>
	Mk2 Return Manifold Assembly (Euro 4 & 5)	7 : 46	B	✓
		7 : 47	B	✓
	Mk2 Return Manifold Assembly (CW200/Tier 3)	7 : 48	B	✓
		7 : 49	B	✓
		7 : 50	B	✓
<b>8</b>	<b>Section - Water System</b>			
	Lost Water Pump Circuit	8 : 1	B	✓
		8 : 2	11	
		8 : 3	11	
	Side Water Tank Assembly (Euro 4/Tier 3)	8 : 4	11	
		8 : 5	11	
	Side Water Tank Assembly (Euro 5/Tier 3)	8 : 6	11	
		8 : 7	11	
	MK1 Recirculating Water Tank Assembly	8 : 8	11	
		8 : 9	11	
	MK2 Recirculating Water Tank Assembly (Euro 4/Tier 3)	8 : 10	11	
		8 : 11	11	
	Recirculating Water Tank Assembly (Euro 5/Tier 3)	8 : 12	B	✓
		8 : 13	B	✓
	MK1 Oil Cooler Assembly	8 : 14	11	
		8 : 15	11	
	MK2 Oil Cooler Assembly (Euro 4/Tier 3)	8 : 16	11	
		8 : 17	11	
	Oil Cooler Assembly (Euro 5/Tier 3)	8 : 18	11	
		8 : 19	11	
	Recirculating Water Pump Assembly (Euro 4/Tier 3)	8 : 20	11	
		8 : 21	11	
	Recirculating Water Pump Assembly (Euro 5/Tier 3)	8 : 22	11	
		8 : 23	11	
		8 : 24	B	✓
<b>9</b>	<b>Section - Electrical</b>			
	Front Exterior Light Assembly	9 : 1	B	✓
		9 : 2	B	✓
		9 : 3	B	✓
	Headlamp Assembly	9 : 4	12	
		9 : 5	12	
	Rear Light Assembly - MK1	9 : 6	08	
		9 : 7	11	
	Rear Light Assembly - MK2	9 : 8	08	
		9 : 9	08	
	Beacon Assembly	9 : 10	10	
		9 : 11	10	
	General Cab Electrics	9 : 12	08	
		9 : 13	B	✓
	Rear Cam Loom G/Assy	9 : 14	08	
		9 : 15	08	
	Rear Cab Loom Sub Assy	9 : 16	09	
		9 : 17	09	
	Chassis Electrics (Euro 4)	9 : 18	B	✓
		9 : 19	B	✓



<b>9 Section - Electrical continued . . .</b>	<b>Page</b>	<b>Issue</b>	<b>Changed</b>
Chassis Electrics (Tier 3)	9 : 20	B	✓
	9 : 21	B	✓
Battery Assembly (Euro 4)	9 : 22	11	
	9 : 23	11	
Battery Assembly (Tier 3)	9 : 24	11	
	9 : 25	11	
Battery Assembly (Euro 5/Tier 3)	9 : 26	11	
	9 : 27	11	
Cab & Chassis Looms	9 : 28	11	
	9 : 29	B	✓
Roof Bar Beacon	9 : 30	B	✓
	9 : 31	B	✓
	9 : 32	11	
<b>10 Section - Covers</b>	<b>Page</b>	<b>Issue</b>	<b>Changed</b>
Front Side Cover Assembly	10 : 1	B	✓
	10 : 2	08	
	10 : 3	08	
Main Side Cover Assembly - Sweeper	10 : 4	08	
	10 : 5	08	
Main Side Cover Assembly - Washer (Euro 4)	10 : 6	B	✓
	10 : 7	B	✓
Main Side Cover Assembly - Washer (Euro 5)	10 : 8	B	✓
	10 : 9	B	✓
Rear Side Cover Assembly - MK1	10 : 10	B	✓
	10 : 11	B	✓
Rear Side Cover Assembly - MK2	10 : 12	B	✓
	10 : 13	B	✓
Rear Door Assembly (Euro 4/Tier 3)	10 : 14	B	✓
	10 : 15	B	✓
Rear Door Assembly (Euro 5/Tier 3)	10 : 16	B	✓
	10 : 17	B	✓
Upper Bumper Assembly (Euro 4/Tier 3)	10 : 18	B	✓
	10 : 19	B	✓
Upper Bumper Assembly (Euro 4/Tier 3)	10 : 20	B	✓
	10 : 21	B	✓
Lower Bumper & Grille Assembly (Euro 4/Tier 3)	10 : 22	B	✓
	10 : 23	B	✓
Lower Bumper & Grille Assembly (Euro 5/Tier 3)	10 : 24	B	✓
	10 : 25	B	✓
	10 : 26	B	✓
<b>11 Section - Optional Equipment</b>	<b>Page</b>	<b>Issue</b>	<b>Changed</b>
Jetting Pump Assembly	11 : 1	B	✓
	11 : 2	12	
	11 : 3	11	
Water Pump & Motor (Jetting)	11 : 4	11	
	11 : 5	11	
Jetting Hose Reel Assembly	11 : 6	11	
	11 : 7	11	
Jetting Gun Assembly	11 : 8	12	
	11 : 9	12	

<b>11 Section - Optional Equipment continued . . .</b>	<b>Page</b>	<b>Issue</b>	<b>Changed</b>
Jetting Circuit Hoses	11 : 10	12	
	11 : 11	12	
Hydrant Equipment	11 : 12	12	
	11 : 13	11	
Air Conditioning Installation	11 : 14	11	
	11 : 15	11	
Air Conditioning Kit	11 : 16	11	
	11 : 17	B	✓
Hoe Assembly	11 : 18	11	
	11 : 19	11	
Arrow Board Assembly	11 : 20	B	✓
	11 : 21	B	✓
Battery Isolator Assembly	11 : 22	11	
	11 : 23	11	
Wanderhose Brush Assembly	11 : 24	11	
	11 : 25	11	
Reverse Audible Warning Devices	11 : 26	11	
	11 : 27	11	
Forward Motion Alarm Assembly	11 : 28	11	
	11 : 29	11	
Shovel Stowage Assembly	11 : 30	B	✓
	11 : 31	B	✓
Reverse Aid Camera Assembly	11 : 32	B	✓
	11 : 33	B	✓
Interior Coat Hook Assembly	11 : 34	11	
	11 : 35	11	
Floor Grille Assembly	11 : 36	11	
	11 : 37	11	
Manual Water Taps	11 : 38	11	
	11 : 39	11	
Recirculation Water Shut-Off	11 : 40	12	
	11 : 41	12	
Anti-Siphon Filter	11 : 42	11	
	11 : 43	11	
In-Cab Wipe Dispenser	11 : 44	11	
	11 : 45	11	
Weight Load Indicator	11 : 46	11	
	11 : 47	11	
Wanderhose Extension	11 : 48	11	
	11 : 49	11	
Detergent Injection	11 : 50	B	✓
	11 : 51	B	✓
Hopper Broom Stowage	11 : 52	11	
	11 : 53	11	
Tow Hitch	11 : 54	11	
	11 : 55	11	
Cab Grab Handle	11 : 56	11	
	11 : 57	11	
Deadlock (Cab Door)	11 : 58	11	
	11 : 59	11	
Close Proximity Mirror	11 : 60	11	
	11 : 61	11	
Rear Parking Sensors	11 : 62	11	
	11 : 63	11	

<b>11 Section - Optional Equipment continued . . .</b>	<b>Page</b>	<b>Issue</b>	<b>Changed</b>
Anti Tamper Kit	11 : 64	11	
	11 : 65	11	
	11 : 66	11	
	11 : 67	11	
3rd Brush Demount Stand	11 : 68	11	
	11 : 69	11	
3rd Brush Unit	11 : 70	11	
	11 : 71	11	
	11 : 72	11	
	11 : 73	11	
	11 : 74	11	
	11 : 75	11	
	11 : 76	11	
	11 : 77	11	
	11 : 78	11	
	11 : 79	11	
3rd Brush Hydraulic Hoses	11 : 80	11	
	11 : 81	11	
3rd Brush LH/RH Installation	11 : 82	12	
	11 : 83	B	✓
Nozzle Spray Bar	11 : 84	B	✓
	11 : 85	B	✓
Digital Tachograph	11 : 86	B	✓
	11 : 87	B	✓
	11 : 88	B	✓
<b>12 Section - Water Tank (CW200 Only)</b>			
	12 : 1	B	✓
Tank Lift Ram Assembly	12 : 2	08	
	12 : 3	08	
Beacon Assembly (Euro 4)	12 : 4	B	✓
	12 : 5	B	✓
Water Tank Assembly (Euro 4)	12 : 6	B	✓
	12 : 7	B	✓
	12 : 8	B	✓
	12 : 9	B	✓
Water Tank Assembly (Euro 5)	12 : 10	B	✓
	12 : 11	B	✓
Water Tank Frame Assembly (Euro 4)	12 : 12	B	✓
	12 : 13	B	✓
Water Strainer Assembly	12 : 14	B	✓
	12 : 15	B	✓
Oil Cooler Assembly (Euro 4 & 5)	12 : 16	B	✓
	12 : 17	B	✓
Water Filter Assembly	12 : 18	B	✓
	12 : 19	B	✓
Water Pump Assembly	12 : 20	B	✓
	12 : 21	B	✓
Unloader Assembly (Euro 4 & 5)	12 : 22	B	✓
	12 : 23	B	✓
Water Manifold Mounting (Euro 5)	12 : 24	B	✓
	12 : 25	B	✓
	12 : 26	B	✓

<b>13 Section - Spray Bar (CW200 Only)</b>	<b>Page</b>	<b>Issue</b>	<b>Changed</b>
	13 : 1	B	✓
Water Valve Bank Assembly (Expanding/Folding S/Bar - Euro 4)	13 : 2	B	✓
	13 : 3	B	✓
Water Valve Bank Assembly (Expanding/Folding S/Bar - Euro 5)	13 : 4	B	✓
	13 : 5	B	✓
Water Valve Bank Assembly (Fixed S/Bar - Euro 4)	13 : 6	B	✓
	13 : 7	B	✓
Water Valve Bank Assembly (Fixed S/Bar - Euro 5)	13 : 8	B	✓
	13 : 9	B	✓
Spray Bar Carriage and Cover Assembly	13 : 10	B	✓
	13 : 11	B	✓
Spray Bar Slewing Assembly	13 : 12	B	✓
	13 : 13	B	✓
Spray Bar Lifting Assembly	13 : 14	B	✓
	13 : 15	B	✓
Spray Bar Head Assembly	13 : 16	B	✓
	13 : 17	B	✓
Spray Bar Assembly	13 : 18	B	✓
	13 : 19	B	✓
Spray Bar Extension Mechanism Assembly	13 : 20	B	✓
	13 : 21	B	✓
Folding Spray Bar Assembly	13 : 22	B	✓
	13 : 23	B	✓
Hydraulic Hose Circuit - Fixed Spray Bar	13 : 24	B	✓
	13 : 25	B	✓
Hydraulic Hose Circuit - Expanding Spray Bar	13 : 26	B	✓
	13 : 27	B	✓
	13 : 28	B	✓
	13 : 29	B	✓
Hydraulic Hose Circuit - Folding Spray Bar	13 : 30	B	✓
	13 : 31	B	✓
	13 : 32	B	✓
	13 : 33	B	✓
Water Hose Circuit - Fixed Spray Bar (Euro 4)	13 : 34	B	✓
	13 : 35	B	✓
Water Hose Circuit - Expanding Spray Bar (Euro 4)	13 : 36	B	✓
	13 : 37	B	✓
Water hose Circuit - Folding Spray Bar (Euro 4)	13 : 38	B	✓
	13 : 39	B	✓
Flusher Jet Assembly (Euro 4)	13 : 40	B	✓
	13 : 41	B	✓
Flusher Jet Assembly (Under Cab Mounted - Euro 5)	13 : 42	B	✓
	13 : 43	B	✓
Flusher Jet Assembly (Spray Bar Mounted - Euro 5)	13 : 44	B	✓
	13 : 45	B	✓
Hydraulic Hose Circuit - Steering	13 : 46	B	✓
	13 : 47	B	✓
Hydrant Equipment (Euro 4)	13 : 48	B	✓
	13 : 49	B	✓
	13 : 50	B	✓

## CHAPTER

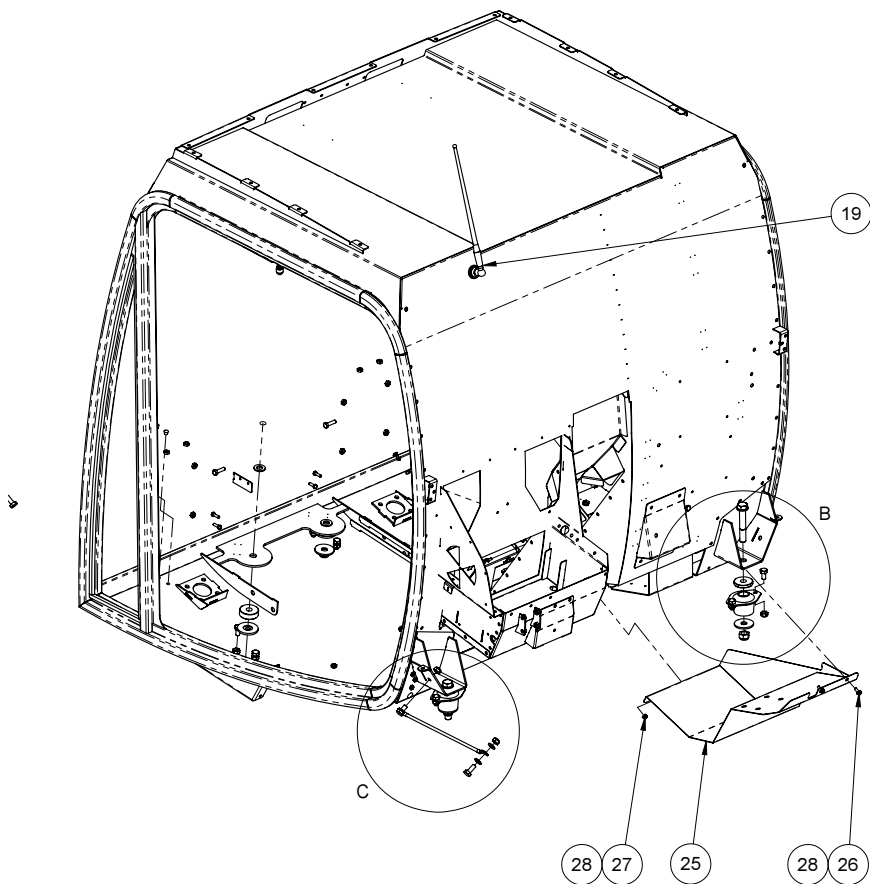
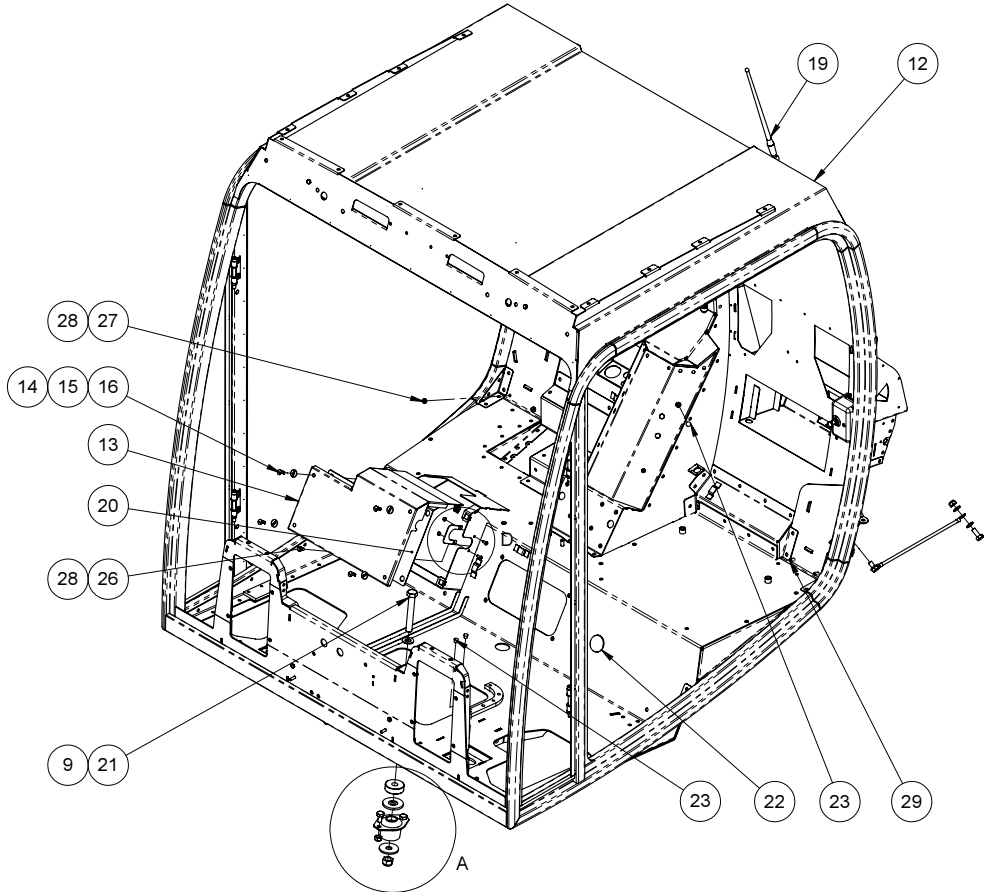
## 1

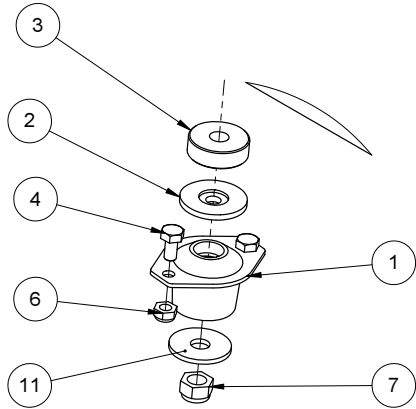
## Cab

**Table of Contents**

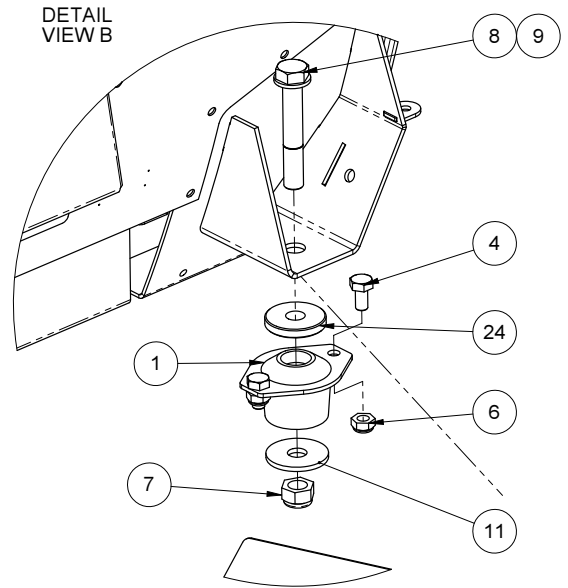
<b>Section</b>	<b>Page</b>
Cab Preparation	1 : 2
Cab Assembly (supplied)	1 : 6
Cab Door Assembly	1 : 8
Cab Door Spares	1 : 10
Steering Column Assembly	1 : 12
Dump Valve Lever Assembly - MK1	1 : 14
Dump Valve Lever Assembly - MK2	1 : 16
Dump Valve Lever Assembly - MK3	1 : 18
Handbrake Lever Assembly - MK1	1 : 20
Handbrake Lever Assembly - MK2	1 : 22
Handbrake Lever Assembly - MK3	1 : 24
Hydraulic Handbrake	1 : 26
Third Pedal Assembly	1 : 28
Heater Assembly	1 : 30
Heater Kit	1 : 32
Heater Blower Assembly	1 : 34
Wiper Assembly	1 : 36
External Mirror Assembly	1 : 38
Driver & Passenger Seat Assembly	1 : 40
Throttle Pedal Assembly	1 : 42
Column Shroud Assembly	1 : 44
Overhead Console Assembly	1 : 46
Armrest Control Assembly	1 : 50
Armrest Control Spares	1 : 52
Palm Rest Control Spares	1 : 54
Floor Covering Assembly	1 : 56
Brake Mechanism Assembly	1 : 58
Centre Console Assembly - MK1	1 : 62
Centre Console Assembly - MK2	1 : 64
Centre Console Assembly (Hydraulic Handbrake)	1 : 66
Cab External Moulding Assembly	1 : 68
Heater Ducting & Trim Assembly	1 : 70
Tool Kit Assembly	1 : 72

**Cab Preparation**  
BoM - 37000/51

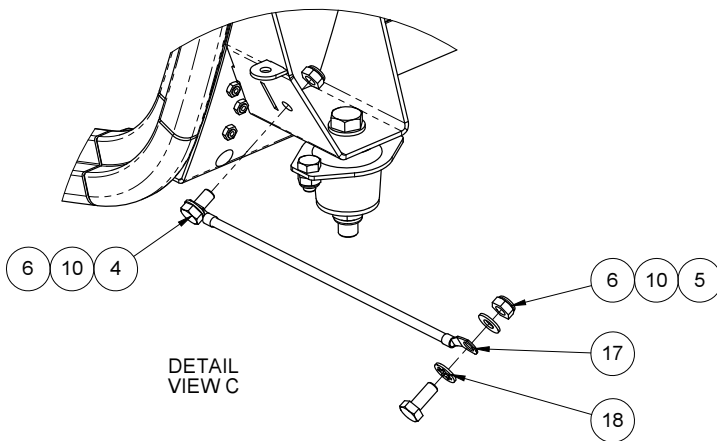




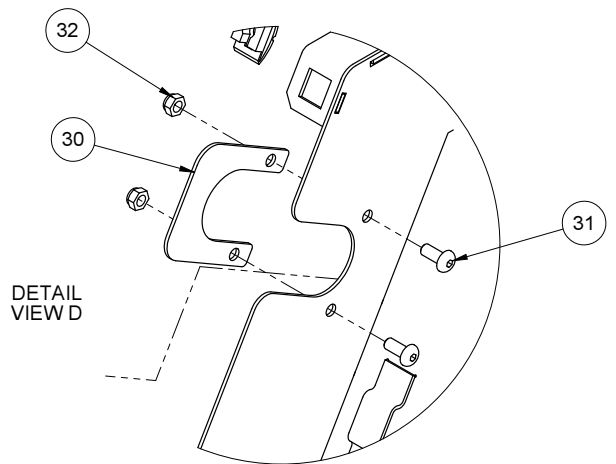
DETAIL  
VIEW A



DETAIL  
VIEW B



DETAIL  
VIEW C



DETAIL  
VIEW D

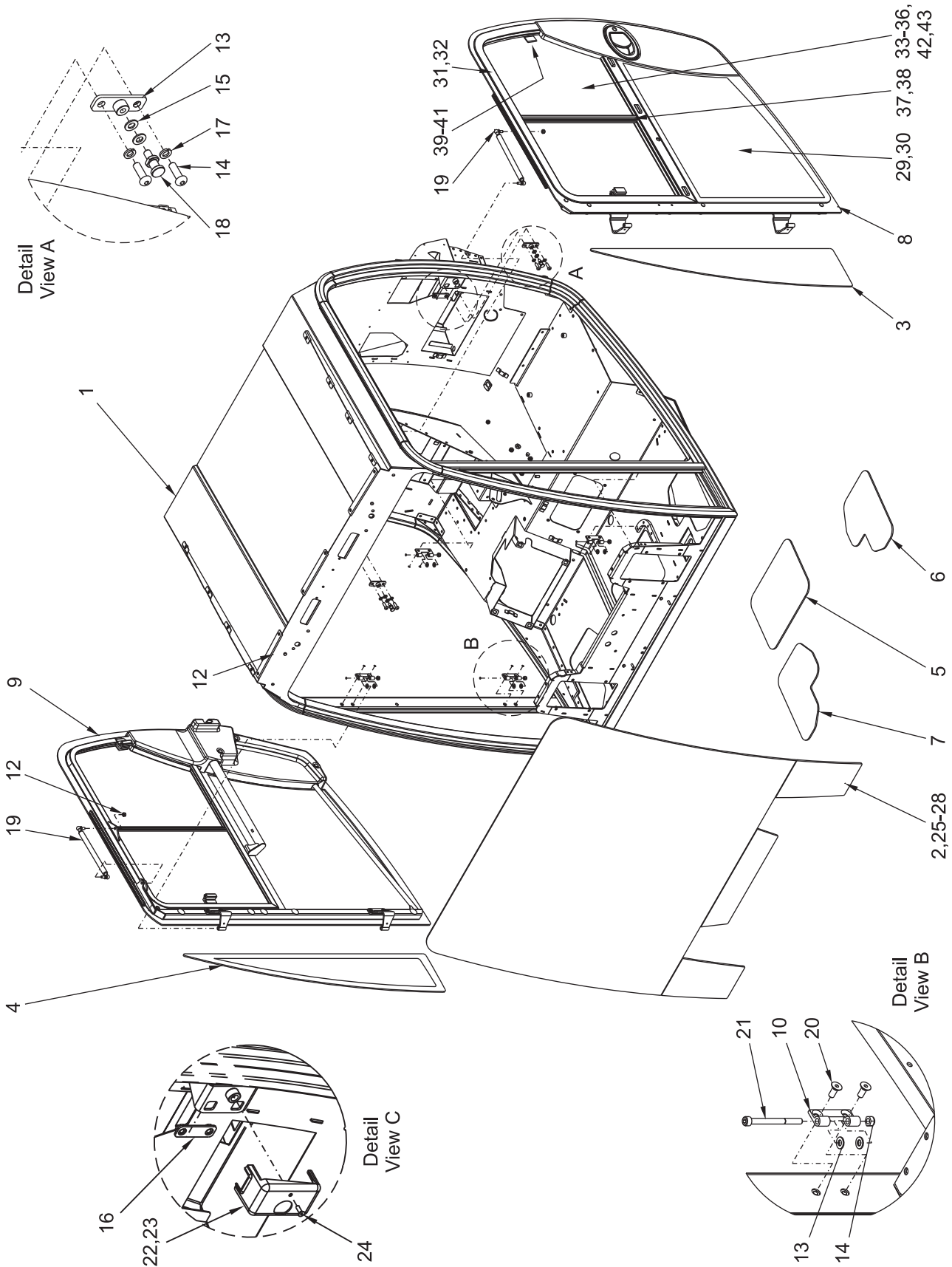
<b>Cab Preparation</b> <b>BoM - 37000/51</b>
---

Item No.	Part No.	Description	Quantity
1	290/15	Mounting - Metacone	4
2	290/16	Washer-Metacone Overload(Step)	2
3	79451/2	Spacer-Cab Mounting, 16mm	2
4	124/167	Setscrew M10C x 20	9
5	124/169	Setscrew M10C x 25	1
6	425/15	Nut Nyloc Hex MC M10	10
7	425/18	Nut Nyloc Hex MC M16	4
8	123/192	Bolt M Coarse M16x100	2
9	455/14	Washer Plain Plated Steel M16	4
10	455/11	Washer Plain Plated Steel M10	2
11	290/17	Washer-Metacone Rebound (Flat)	4
12	720800/1	Cab - Assembly Supplied C200	1
13	721436/1	Lid - Front, HIC	1
14	283/40	Cam - Quarter Turn, 2.3	4
15	283/39	Washer - Quarter Turn	4
16	283/38	Stud - Quarter Turn, 4.5	4
17	72194/1	Earth Strip - Cab To Chassis	1
18	450/275	Washer Shakeproof Int. M10	1
19	220/19	Aerial	1
20	721984/1	Gasket - HIC Lid	1
21	123/193	Bolt - M16C x 110	2
22	288/40	Grommet - Blind, Dia.38.1 x 3.2 Thk.	1
23	288/16	Grommet - Blind 8.5 O/D	5
24	79451/1	Spacer - Cab Mounting, 8mm	2
25	722831/1	Shield - Sweep Block	1
26	124/102	Setscrew - M6C x 16	3
27	425/13	Nut - Nyloc, M6C	3
28	455/8	Washer - Plain, M6	6
29	440/20	Fastener - Panel, Pine Tree	2
30	723004/1	Plate - Grommet	1
31	138/62	Screw - Skt Button Hd, M5C x 12	2
32	425/12	Nut - Nyloc, M5C	2



<p><b>Cab Preparation</b> <b>BoM - 37000/51</b></p>
---

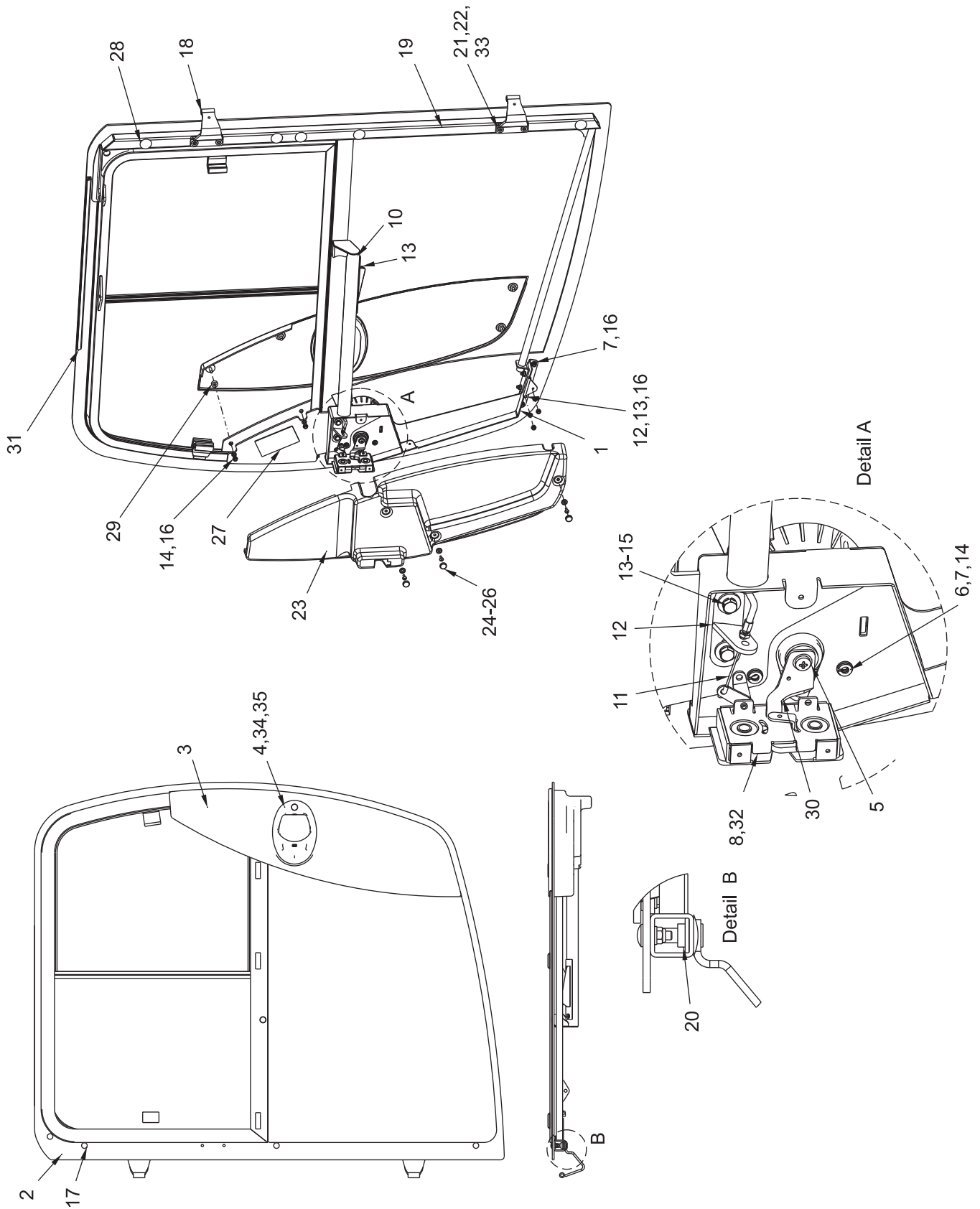
**Cab Assembly (supplied)**  
BoM - 720800/1



**Cab Assembly (supplied)**  
 BoM - 720800/1

Item No.	Part No.	Description	Quantity
1	720700/1	Cab 2003 - W/Assy	1
2	720865/1	Windscreen Assy (complete)	1
3	720737/1	Glass- LH Quarter	1
4	720737/2	Glass- RH Quarter	1
5	720817/1	Glass - Cab Floor, Centre	1
6	720818/1	Glass - Floor, Side LH	1
7	720818/2	Glass - Floor, Side RH	1
8	720801/1	Cab Door Assembly L/H	1
9	720801/2	Cab Door Assembly R/H	1
10	720748/1	Plate - Mount Door Hinge	4
11	453/18	Washer - M8 Form 'A' Brass	8
12	425/14	Nut Nyloc Hex MC M8	8
13	720770/1	Pin - Latch, W/Assy	2
14	138/125	Screw - Skt Button Hd M8cx25	4
15	455/10	Washer Plain Plated Steel M8	4
16	721578/1	Plate-Anchor, Latch Pin W/Assy	2
17	460/10	Washer Spring Single Coil M8	4
18	721672/1	Pin - Door Latch	2
19	722190/1	Spring - Gas	2
20	131/123	Screw - CSK, M8C x 20	8
21	129/141	Capscrew - Skt Hd, M8C x 90	4
22	720781/1	Cover - Latch Pin, LH	1
23	720781/2	Cover - Latch Pin, RH	1
24	131/64	Screw - Csk Skt Hd, M5C x 16	2
<b>Item 2 comprises;</b>			
25	720732/1	Windscreen (main section)	1
26	720864/1	Windscreen - Corner LH	1
27	720864/2	Windscreen - Corner RH	1
28	720895/1	Windscreen - Centre Piece	1
<b>Items 8 &amp; 9 comprises;</b>			
29	720922/1	Glass - Door, LH Lower	2
30	720922/2	Glass - Door, RH Lower	2
31	721497/1	Cassette - Window, LH (complete)	2
32	721497/2	Cassette - Window, RH (complete)	2
33	721497/6	Glass - Front Window, LH	1
34	721497/7	Glass - Front Window, RH	1
35	721497/8	Glass - Rear Window, LH	1
36	721497/9	Glass - Rear Window, RH	1
37	721497/10	Post - Window, LH	1
38	721497/11	Post - Window, RH	1
39	721497/12	Handle	2
40	721497/13	Catch - Front	2
41	721497/14	Catch - Rear	2
42	721497/16	Runner - Plastic, LH	1
43	721497/17	Runner - Plastic, RH	1

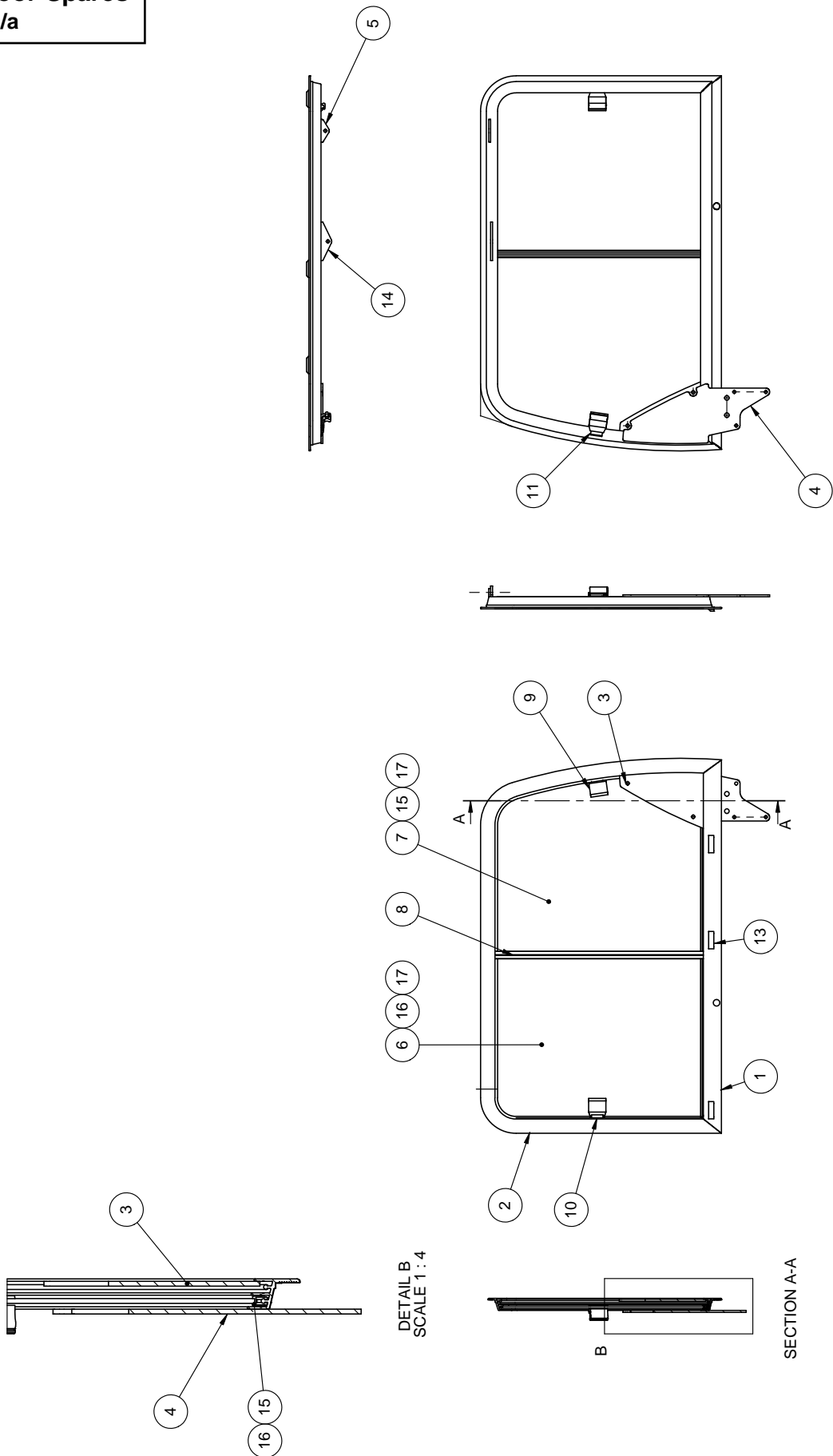
**Cab Door Assembly**  
BoM - 720801/1 & /2



<b>Cab Door Assembly</b> BoM - 720801/1 & /2
---

Item No.	Part No.	Description	720801/1	720801/2
			LH Qty	RH Qty
1	720873/1	Box - Handle, LH W/Assy	1	-
	720873/2	Box - Handle, RH W/Assy	-	1
2	720890/1	Door Skin, Cassette & Glass LH	1	-
	720890/2	Door Skin, Cassette & Glass RH	-	1
3	720779/1	Capping - Cab Door L/H	1	-
	720779/2	Capping - Cab Door R/H	-	1
4	720690/1	Handle - Cab Door (Happich)	1	1
5	457/1	Washer Plain Steel M5 Form G	1	1
6	129/93	Screw MC Cap Skt Hd M6x16	4	4
7	455/8	Washer Plain Plated Steel M6	13	13
8	720652/1	Latch-Heavy Duty, Anti-Burst LH	1	-
	720652/2	Latch-Heavy Duty, Anti-burst RH	-	1
9	720653/1	Lever-Squeeze & Cassette Assy	1	1
10	131/62	Screw MC Csk Skt Hd M5x12	1	1
11	720654/1	Release-Door, Cable Assembly	1	1
12	720806/1	Mount - Cable Lock, W/Assy	1	-
	720806/3	Mount - Cable Lock, W/Assy RH	-	1
13	124/102	Setscrew M6C x 16	6	6
14	460/8	Washer Spring Single Coil M6	10	10
15	457/2	Washer Plain Steel M6 Form G	2	2
16	425/13	Nut Nyloc Hex MC M6	13	13
17	135/229	Bolt-Coach, M6x20 St. Steel	5	5
18	721470/1	Hinge - Door, W/Assy	2	2
19	721524/1	Box - Strengthening, LH W/Assy	1	-
	721524/2	Box - Strengthening, RH W/Assy	-	1
20	721471/1	Hinge - Tapped Block	1	1
21	455/10	Washer Plain Plated Steel M8	4	4
22	129/123	Screw MC Cap Skt Hd M8x20	4	4
23	720780/1	Trim - Interior, Door L/H	1	-
	720780/2	Trim - Interior, Door R/H	-	1
24	192/18	Screw S/tap Flange Poz. No8x16	3	3
25	220/62	Washer - Plastic Special	3	3
26	220/63	Cap - Plastic Silver Grey	3	3
27	217/50	Tape - Velcro, Strip 5m (Reel)	1	1
28	288/14	Grommet 7/8"OD 1/8" Blind	5	5
29	721768/1	Seal - Bighead	4	4
30	722173/1	Actuator - Door Handle, LH	1	-
	722173/2	Actuator - Door Handle, RH	-	1
31	844/25	Seal - Door	1	1
32	131/123	Screw MC Csk Skt Hd M8x20	2	2
33	460/10	Washer - Spring, M8	4	4
<b>Spares Only Items;</b>				
34	720690/2	Key (to suit 720690/1)	2	2
35	720690/3	Gasket (to suit 720690/1)	2	2

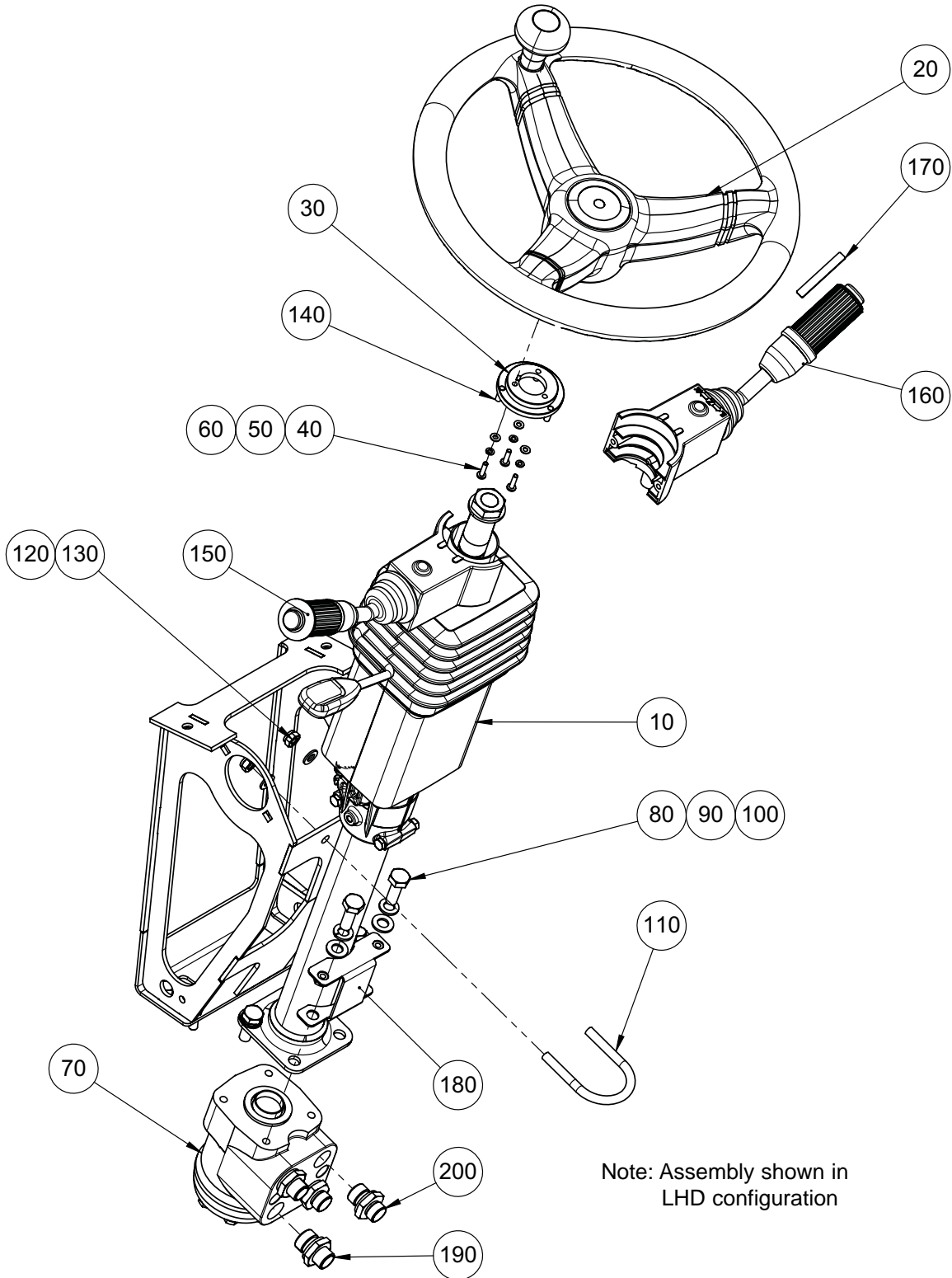
**Cab Door Spares**  
BoM - n/a



<b>Cab Door Spares</b> BoM - n/a
-------------------------------------

Item No.	Part No.	Description	721497/1	721497/2
			LH Quantity	RH Quantity
1	721495/1	Profile - Window, Bottom LH	1	-
	721495/2	Profile - Window, Bottom RH	-	1
2	721496/1	Profile - Window, Top LH	1	-
	721496/2	Profile - Window, Top RH	-	1
3	721481/1	Gusset - Window, Outer	1	1
4	721483/1	Gusset - Window, Inner	1	1
5	721490/1	Lug - Cassette	1	1
6	721497/6	Glass - Front Window, LH	1	-
	721497/7	Glass - Front Window, RH	-	1
7	721497/8	Glass - Rear Window, LH	1	-
	721497/9	Glass - Rear Window, RH	-	1
8	721497/10	Post - Window, LH	1	-
	721497/11	Post - Window, RH	-	1
9	721497/12	Handle	2	2
10	721497/13	Catch - Front	1	1
11	721497/14	Catch - Rear	1	1
12	-	-	-	-
13	721497/15	Cap - Water	3	3
14	722180/1	Lug - Door Mouont, Gas Spring	1	1
15	721497/16	Runner - Plastic, LH	1	1
16	721497/17	Runner - Plastic, RH	1	1
17	721497/18	Weatherstrip - Door Glass	A/R	A/R

**Steering Column Assembly**  
BoM - 37001-52

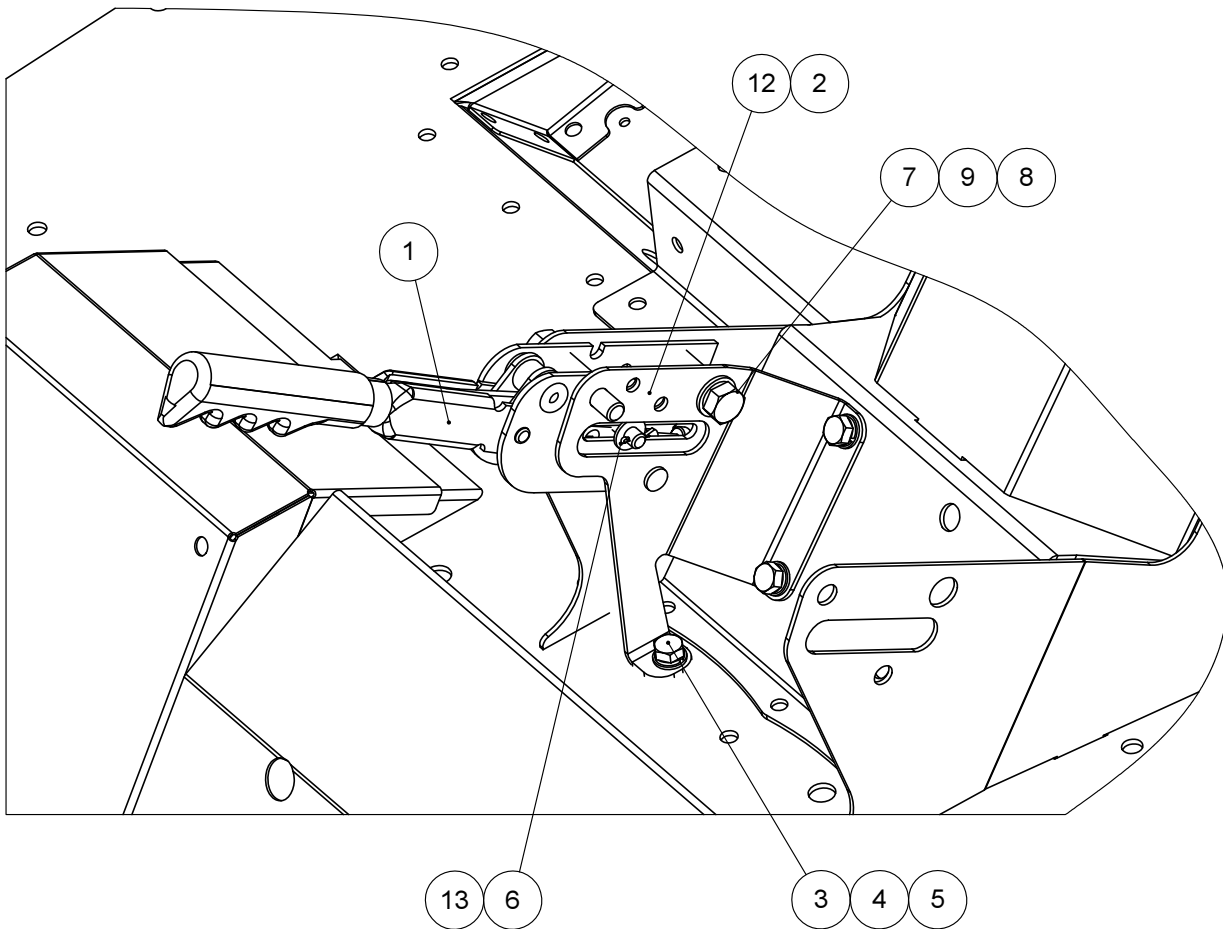




<b>Steering Column Assembly</b> <b>BoM - 37001-52</b>
--

Item No.	Part No.	Description	Quantity
10	7006414	Steering column	1
20	7006418	Steering wheel C200	1
30	7005704	Boss	1
40	134-43	Pan Head Screw-M4Cx16-4.8-Pozidriv	3
50	93699706-0	Spring Washer - Plated M4	3
60	93212007-0	Plain Washer M4	3
70	720309-1	Motor Unit-Steering,(see text)	1
80	92097414-0	Hex Head Screw M10Cx30 8.8	4
90	93699711-0	SPRING WASHER - PLATED M10	4
100	93212012-0	Plain Washer M10	4
110	6645-7-A	Clip - Exhaust Banelli 1 7/8"	1
120	93212011-0	Plain Washer M8	2
130	93085005-0	Nyloc Hex Thin Nut M8C - 8	2
140	60-20	Pin - Spirol, Dia.5x16	3
150	740366-3	Switch-Column (Light&Aux) C200	1
160	741797-2	Switch-Column Assy (Trans)C200	1
170	742111-1	Transmission Switch	1
180	722537-1	Bracket - Steering Column W/A	1
190	09570131-0	Stud Coupling Male G 1/2" x M18 x 1.5	2
200	09570104-0	Stud Coupling Male G 1/2" x M14 x 1.5	2

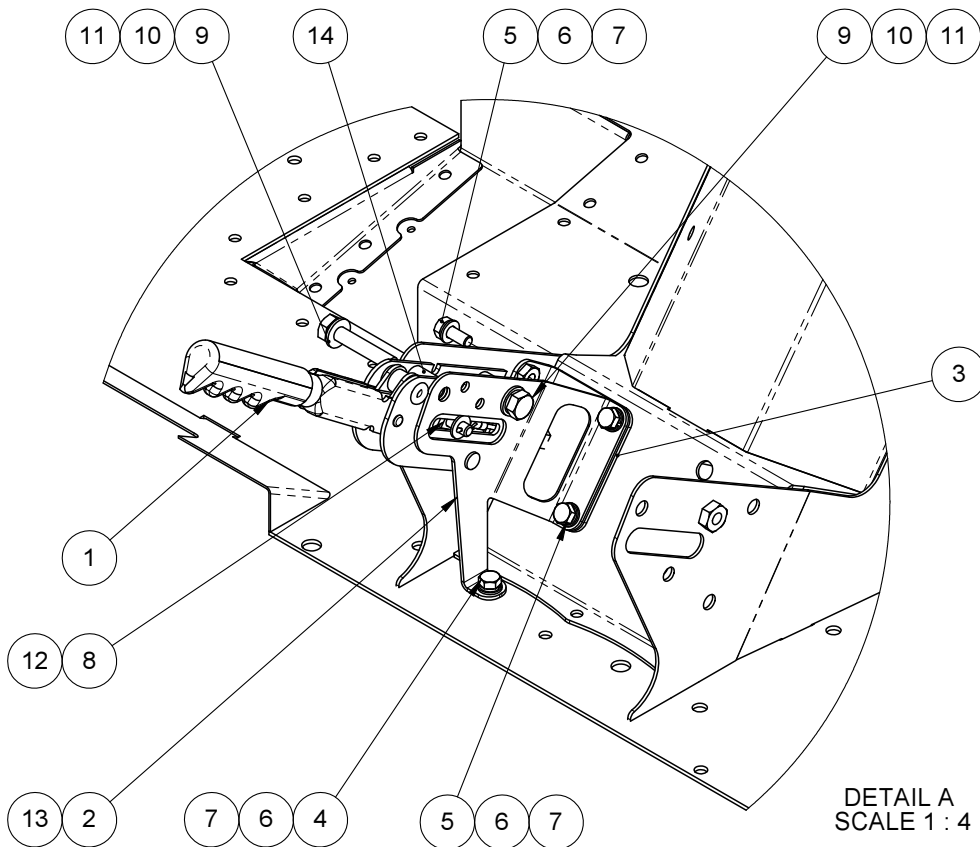
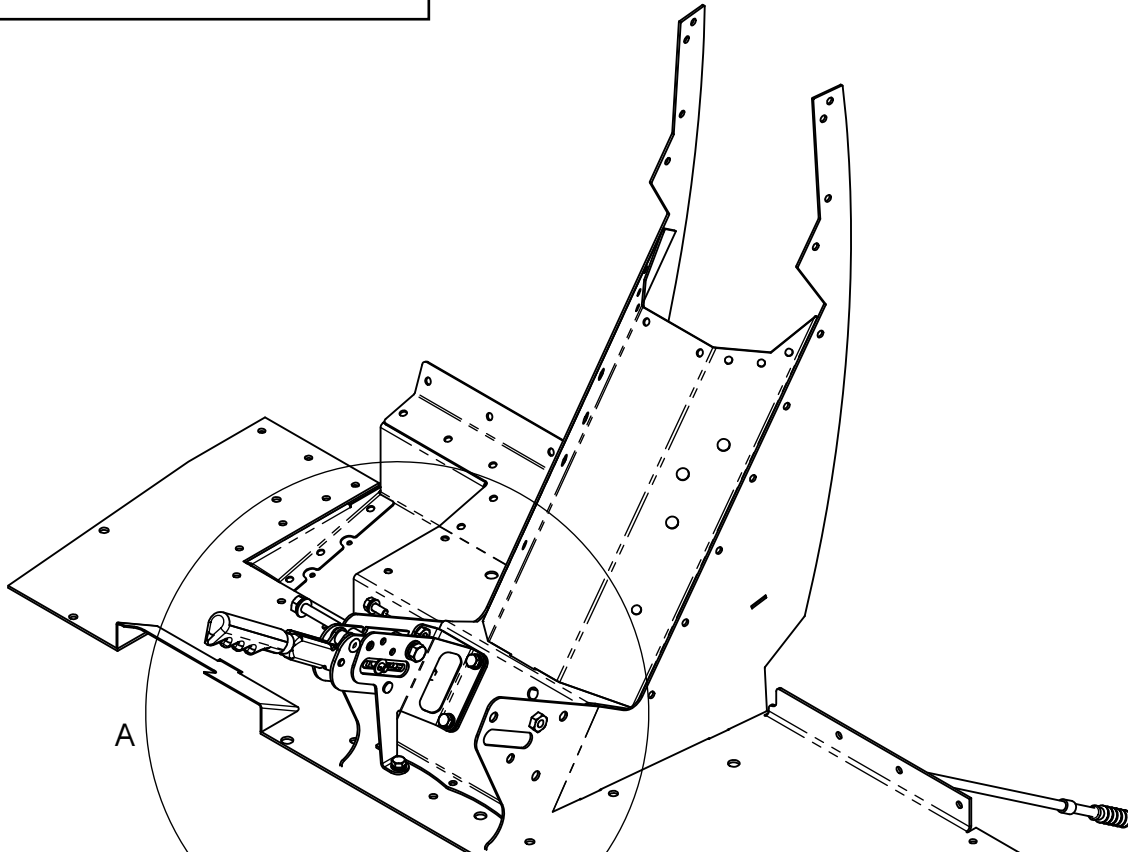
**Dump Valve Lever Assembly - MK1  
(up to chassis no. 3068739)  
BoM - 37003/51 & /52**



**Dump Valve Lever Assembly - MK1**  
**(up to chassis no. 3068739)**  
 BoM - 37003/51 & /52

Item No.	Part No.	Description	37003/51 Quantity	37003/52 Quantity
1	741785/27	Lever - Dump Valve Overcentre	1	1
2	720584/1	Mount - Handbrake, W/Assy	-	1
3	124/134	Setscrew M8C x 16	3	3
4	460/10	Washer Spring Single Coil M8	3	3
5	455/10	Washer Plain Plated Steel M8	3	3
6	721354/1	Cable - Dump Valve LHD	1	-
7	123/131	Bolt M Coarse M10x55	2	2
8	460/11	Washer Spring Single Coil M10	2	2
9	455/11	Washer Plain Plated Steel M10	2	2
10	-	-	-	-
11	-	-	-	-
12	720584/2	Mount - Handbrake, RH W/Assy	1	-

**Dump Valve Lever Assembly - MK2**  
**(from chassis no. 3068740 onwards)**  
BoM - 37003/53 & /54

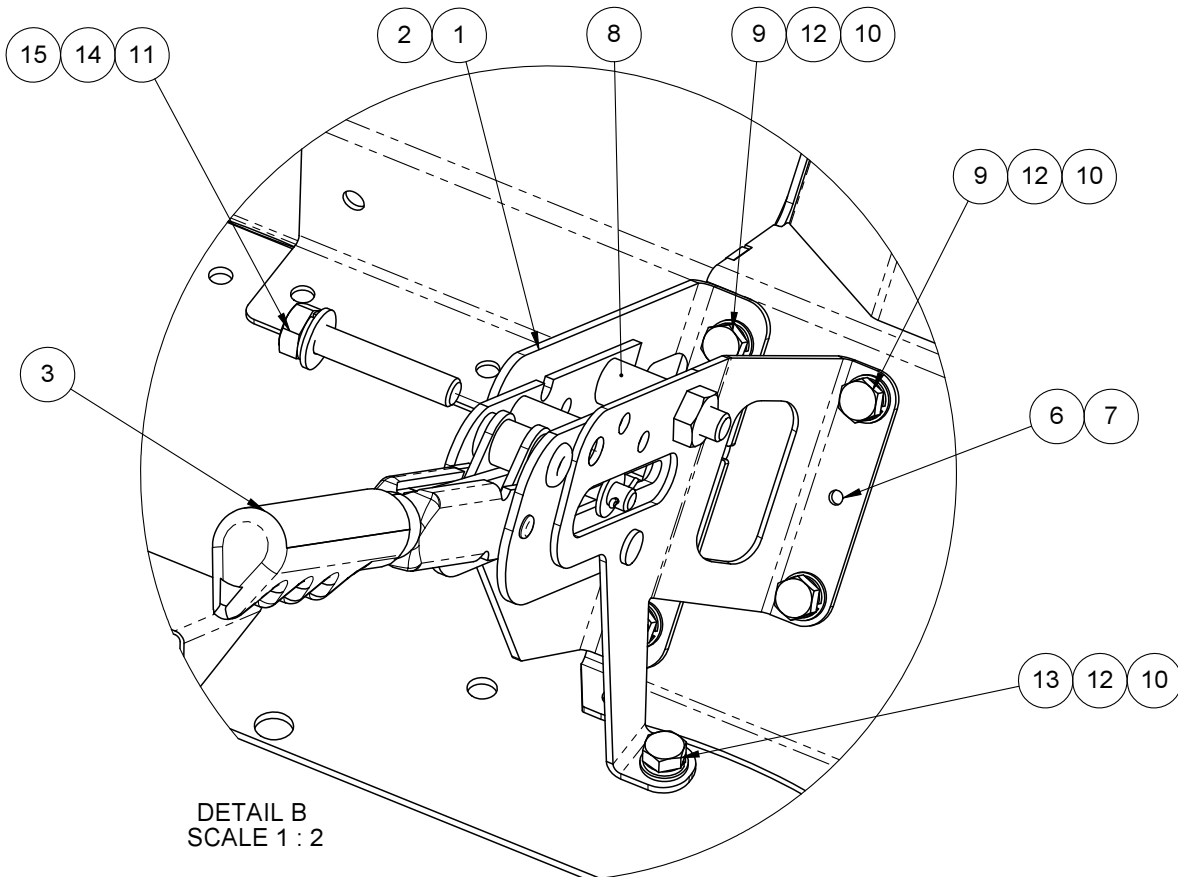
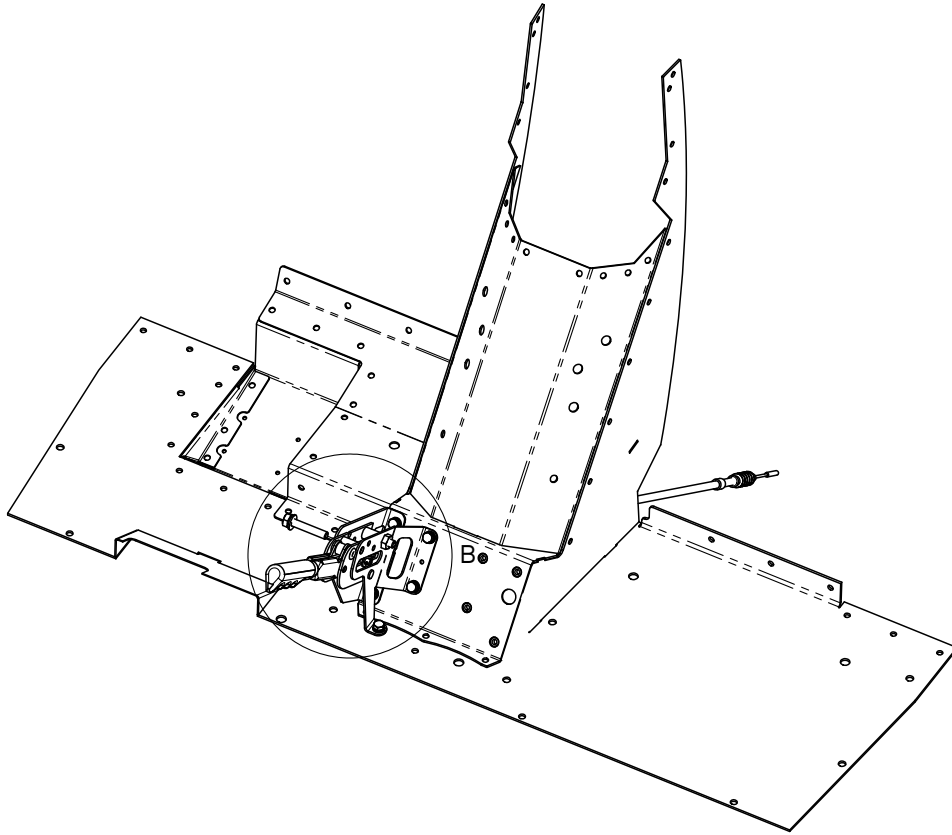


DETAIL A  
SCALE 1 : 4

**Dump Valve Lever Assembly - MK2**  
**(from chassis no. 3068740 onwards)**  
 BoM - 37003/53 & /54

Item No.	Part No.	Description	37003/53 Quantity	37003/54 Quantity
1	741785/27	Lever - Over Centre, Dump Valve	1	1
2	722852/2	Mount - Handbrake, RH	1	-
3	722851/1	Plate - Strengthening	1	1
4	124/134	Setscrew - M8C x 16	1	1
5	124/135	Setscrew - M8C x 20	4	4
6	460/10	Washer - Spring, M8	5	5
7	455/10	Washer - Plain, M8	5	5
8	721354/1	Cable - Dump Valve, LHD	1	-
9	123/131	Bolt - M10C x 55	2	2
10	460/11	Washer - Spring, M10	2	2
11	455/11	Washer - Plain, M10	2	2
12	721354/2	Cable - Dump Valve, RHD	-	1
13	722852/1	Mount - Handbrake	-	1
14	721355/1	Spacer - Handbrake	2	2

**Dump Valve Lever Assembly - MK3**  
BoM - 37003/55 & /56

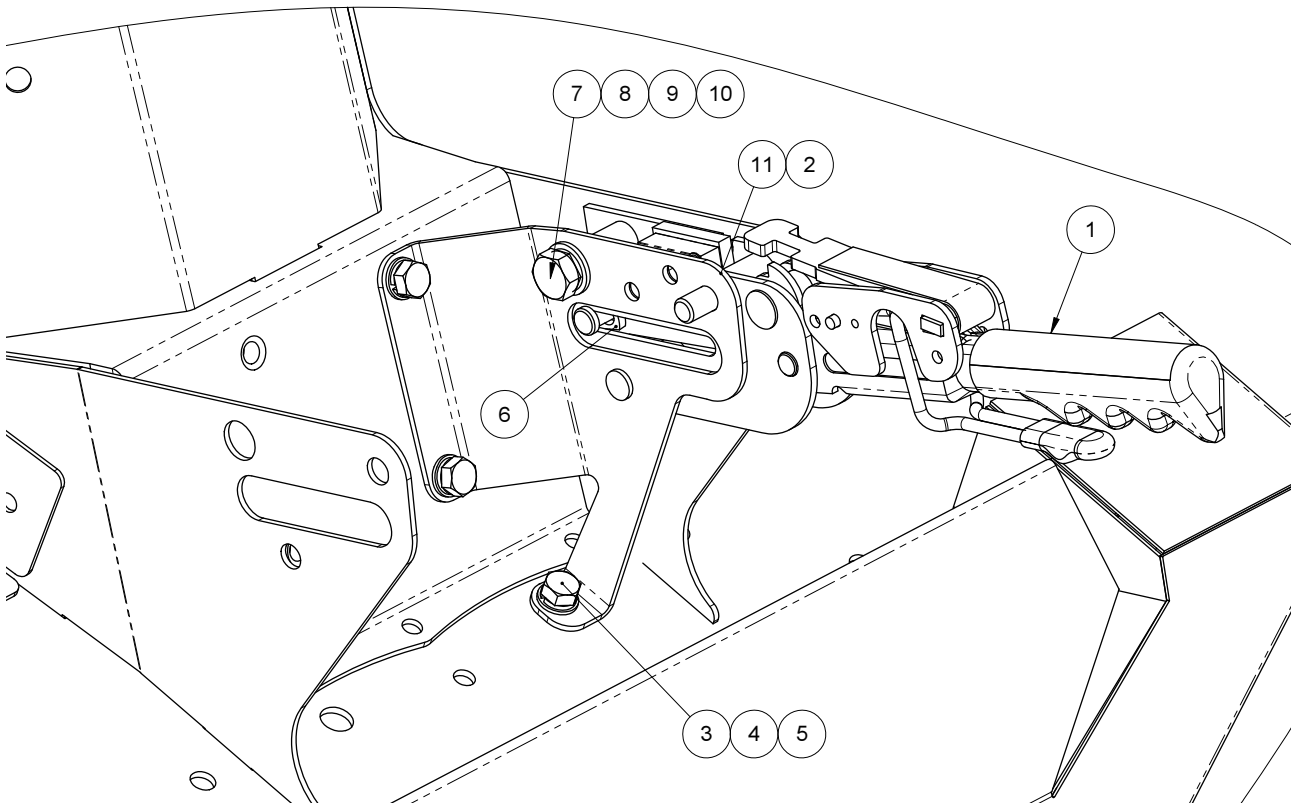
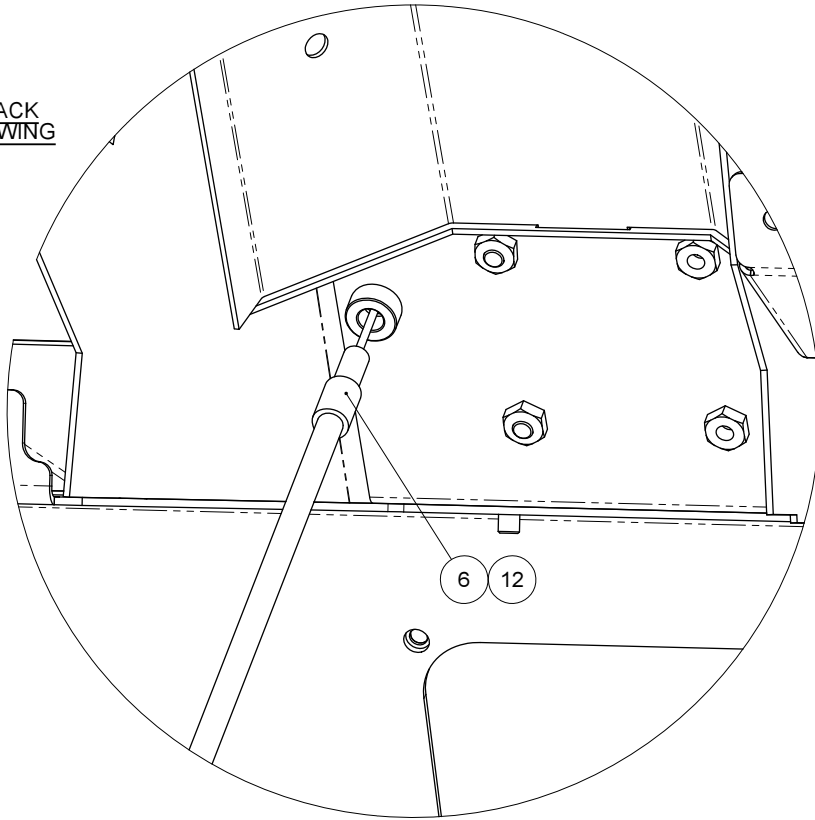


**Dump Valve Lever Assembly - MK3**  
 BoM - 37003/55 & /56

Item No.	Part No.	Description	37003/55 Quantity	37003/56 Quantity
1	722998/2	Plate - Handbrake Mounting, RH	1	-
2	722998/1	Plate - Handbrake Mounting, LH	-	1
3	741785/27	Lever - Over Centre, Dump Valve	1	1
4	721354/1	Cable - Dump Valve, LHD	1	-
5	721354/2	Cable - Dump Valve, RHD	-	1
6	723016/2	Mount - Handbrake, RH	1	-
7	723016/1	Mount - Handbrake, LH	-	1
8	721355/1	Spacer - Handbrake	2	2
9	124/135	Setscrew - M8C x 20	4	4
10	455/10	Washer - Plain, M8	5	5
11	123/131	Bolt - M10C x 55	2	2
12	460/10	Washer - Spring, M8	5	5
13	124/134	Setscrew - M8C x 16	1	1
14	460/11	Washer - Spring, M10	2	2
15	455/11	Washer - Plain, M10	2	2

**Handbrake Lever Assembly - MK1  
(up to chassis no. 3068739)  
BoM - 37004/51 & /52**

VIEW ON BACK  
OF CAB SHOWING  
ITEM 6

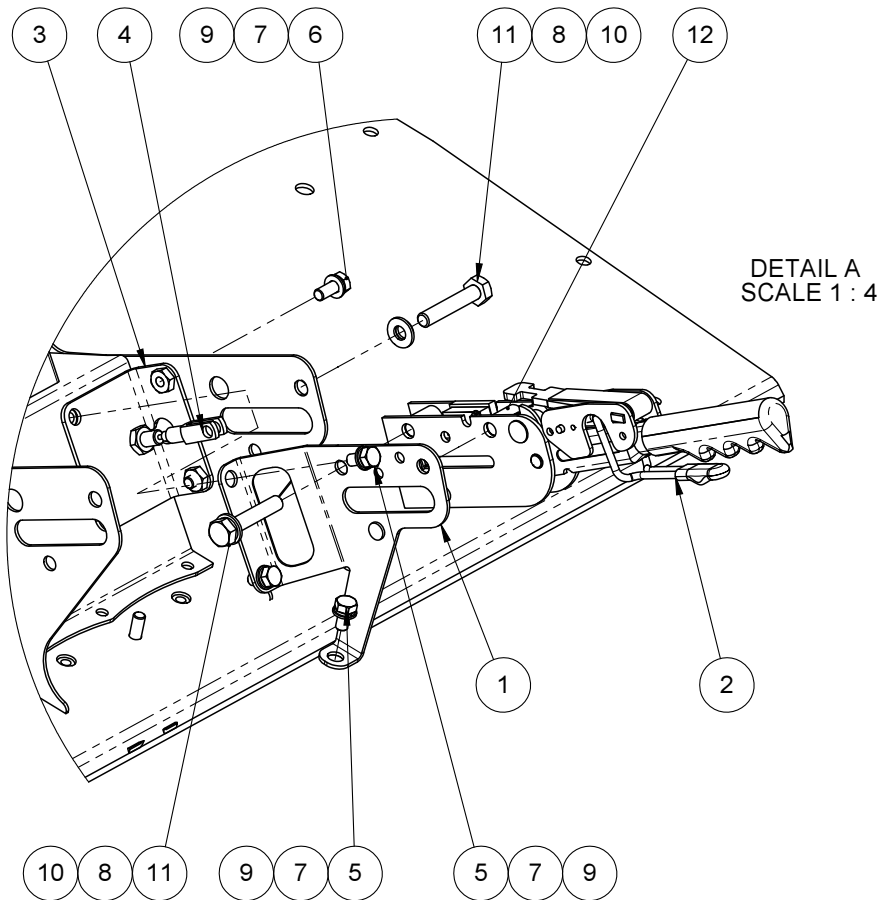
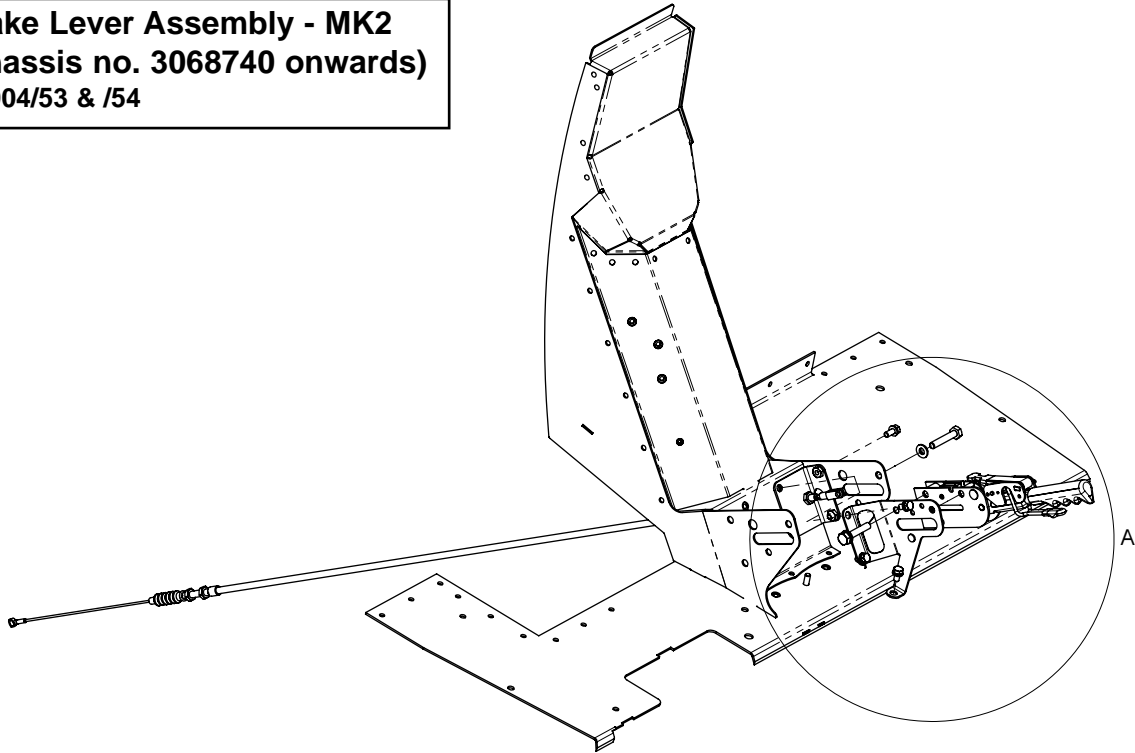




**Handbrake Lever Assembly - MK1**  
**(up to chassis no. 3068739)**  
 BoM - 37004/51 & /52

Item No.	Part No.	Description	37004/51 Quantity	37004/52 Quantity
1	722219/1	Lever - Safety Handbrake	1	1
2	720584/2	Mount - Handbrake, RH W/Assy	1	-
3	124/134	Setscrew M8C x 16	3	3
4	460/10	Washer Spring Single Coil M8	3	3
5	455/10	Washer Plain Plated Steel M8	3	3
6	721293/1	Cable - Handbrake, Primary	1	1
7	123/131	Bolt M Coarse M10x55	2	2
8	460/11	Washer Spring Single Coil M10	2	2
9	455/11	Washer Plain Plated Steel M10	3	3
10	425/15	Nut Nyloc Hex MC M10	1	1
11	720584/1	Handbrake Mount W/Assy	-	1
12	78930/13	Spacer - Universal, 10 lg	1	1
<b>Spares Only Items:</b>				
	741785/26	Switch - Handbrake (suits item 1)		

**Handbrake Lever Assembly - MK2**  
**(from chassis no. 3068740 onwards)**  
BoM - 37004/53 & /54



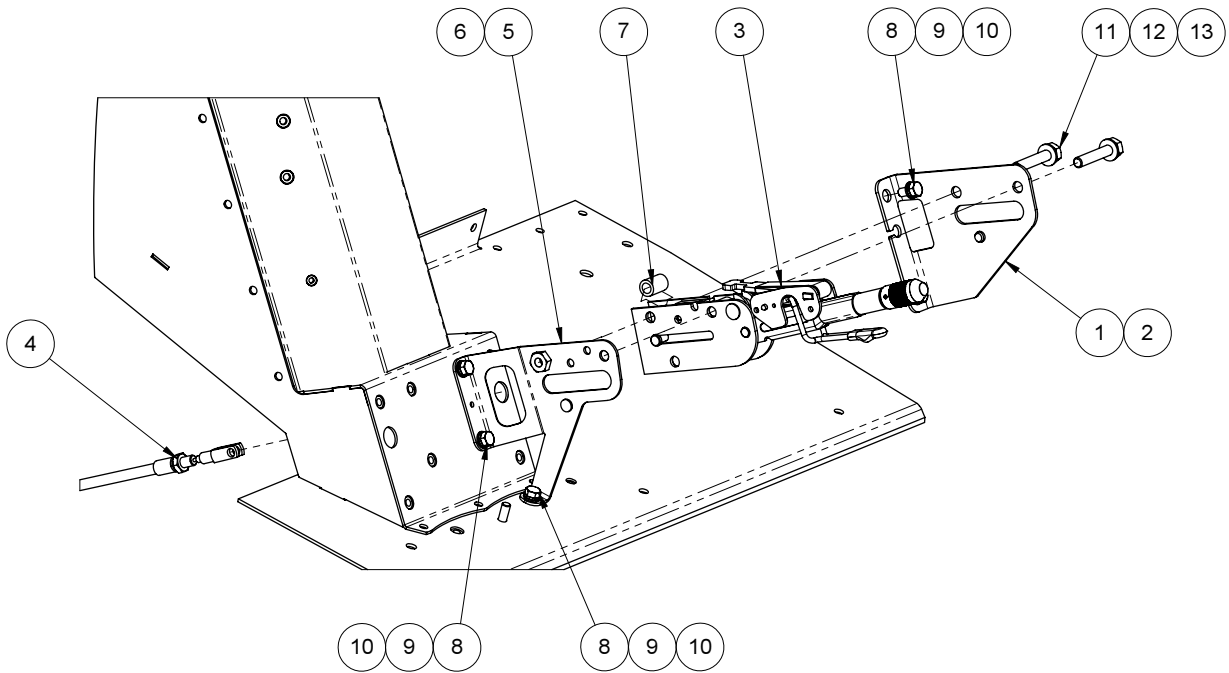
**Handbrake Lever Assembly - MK2**  
**(from chassis no. 3068740 onwards)**  
 BoM - 37004/53 & /54

Item No.	Part No.	Description	37004/53 Quantity	37004/54 Quantity
1	722852/1	Mount - Handbrake, LH	1	-
	722852/2	Mount - Handbrake, RH	-	1
2	722219/1	Lever - Handbrake, Safety	1	1
3	722851/1	Plate - Strengthening	1	1
4	721293/1	Cable - Handbrake, Primary	1	1
5	124/134	Setscrew - M8C x 16	3	3
6	124/135	Setscrew - M8C x 20	2	2
7	460/10	Washer - Spring, M8	5	5
8	460/11	Washer - Spring, M10	2	2
9	455/10	Washer - Plain, M8	5	5
10	455/11	Washer - Plain, M10	2	2
11	123/131	Bolt - M10C x 55	2	2
12	721355/1	Spacer - Handbrake	2	2

**Spares Only Items:**

741785/26      Switch - Handbrake (suits item 2)

**Handbrake Lever Assembly - MK3**  
BoM - 37004/55 & /56



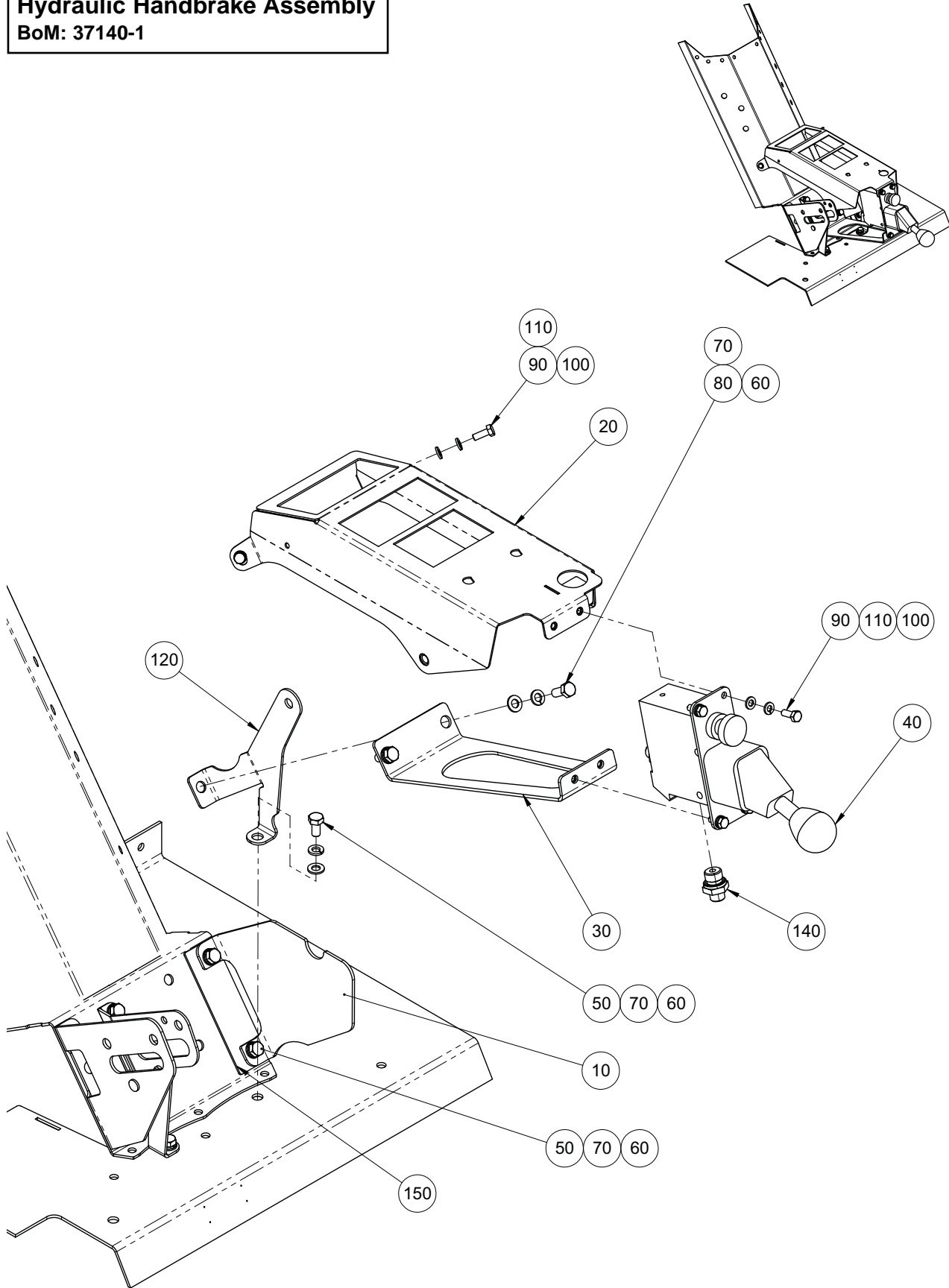
<b>Handbrake Lever Assembly - MK3</b> <b>BoM - 37004/55 &amp; /56</b>
--

Item No.	Part No.	Description	37004/55 Quantity	37004/56 Quantity
1	722998/1	Mount - Handbrake, LH	1	-
2	722998/2	Mount - Handbrake, RH	-	1
3	722219/1	Lever - Handbrake, Safety	1	1
4	721293/1	Cable - Handbrake, Primary	1	1
5	723016/1	Mount - Handbrake, LH	1	1
6	723016/2	Mount - Handbrake, RH	3	3
7	721355/1	Spacer - Handbrake	2	2
8	124/134	Setscrew - M8C x 16	5	5
9	460/10	Washer - Spring, M8	2	2
10	455/10	Washer - Plain, M8	5	5
11	123/131	Bolt - M10C x 55	2	2
12	460/11	Washer - Spring, M10	2	2
13	455/11	Washer - Plain, M10	2	2

**Spares Only Items:**

741785/26	Switch - Handbrake (suits item 3)
-----------	-----------------------------------

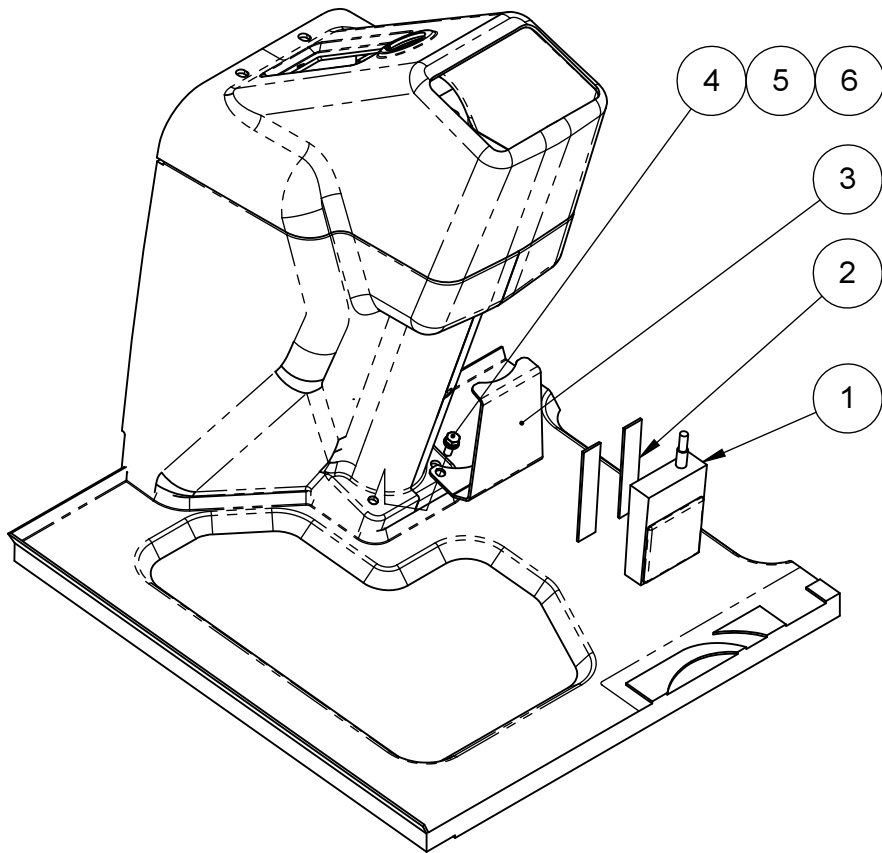
**Hydraulic Handbrake Assembly**  
BoM: 37140-1



<b>Hydraulic Handbrake Assembly</b> <b>BoM: 37140-1</b>
--

Item No.	Part No.	Description	Quantity
10	7007343	Bracket -Cab	1
20	7007306	Tunnel Weld assembly	1
30	7007307	Mounting plate Weld assembly	1
40	813-331	Hydraulic Handbrake + Switch & Pump	1
50	92097372-0	Hex Head Screw M8Cx16 8.8	3
60	93212011-0	Plain Washer M8	5
70	93699710-0	Spring Washer - Plated M8	5
80	92097374-0	Hex Head Screw M8Cx20 8.8	2
90	92097299-0	Hex Head Screw M6Cx16 8.8	6
100	93212009-0	Plain Washer M6	6
110	93699708-0	Spring Washer - Plated M6	6
120	7007903	Support Left	1
140	09570102-0	Stud Coupling Male G 3/8" x M14 x 1.5	3
150	7009378	Plate	1
160	303-1	Adjustable Male Elbow - M14 x 1.5	1
170	09570473-0	Bulkhead Elbow Connector - M14 x 1.5	3

**Third Pedal Assembly**  
BoM - 37005/51

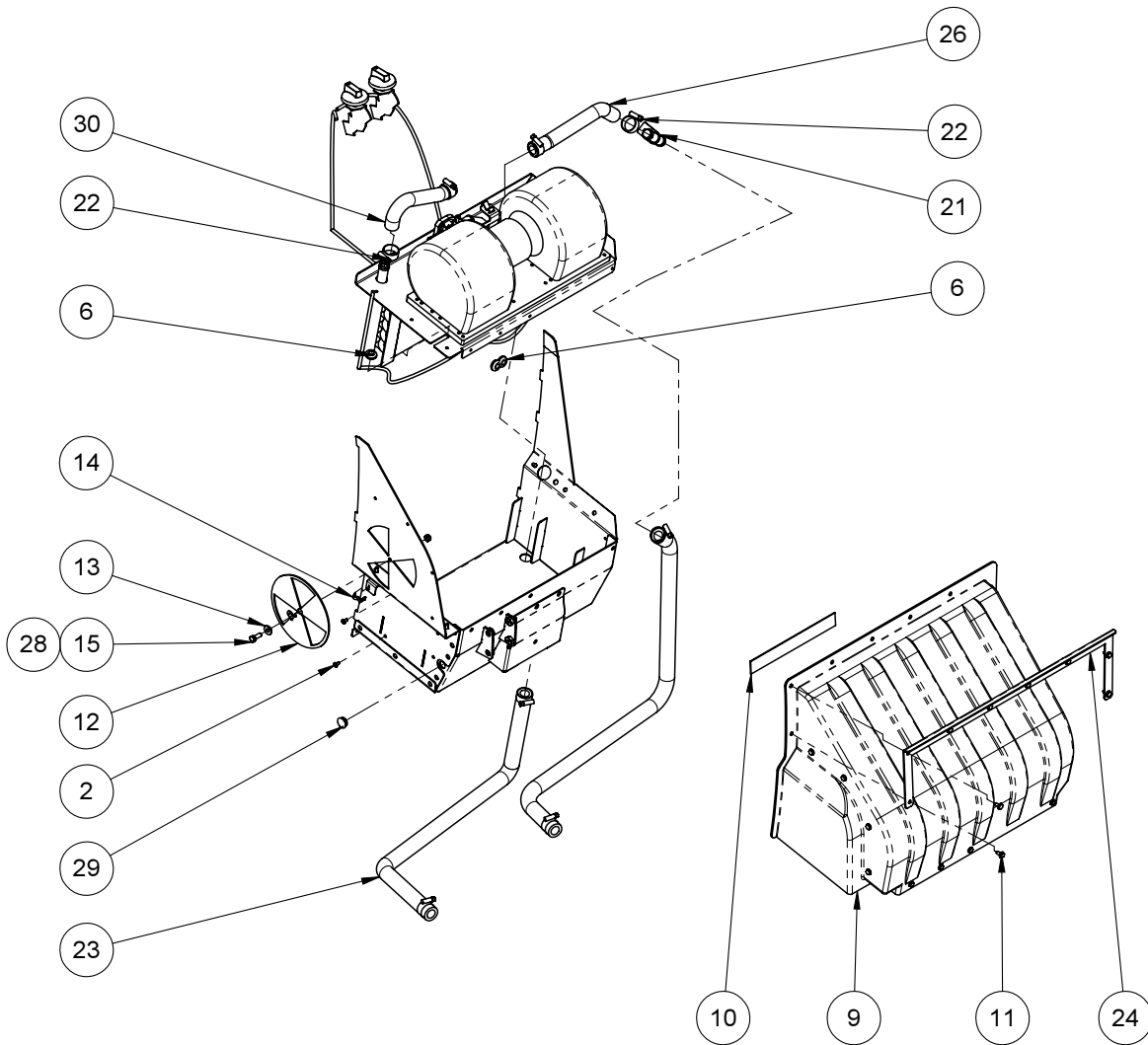




**Third Pedal Assembly  
BoM - 37005/51**

<b>Item No.</b>	<b>Part No.</b>	<b>Description</b>	<b>Quantity</b>
1	742014/1P	Balance-Brush, Foot Pedal Assy	1
2	217/33	Tape - Acrylic Foam, 19mm Wide	0.23M
3	722539/1	Mount - Pedal, Third	1
4	124/102	Setscrew - M6C x 16	2
5	460/8	Washer - Spring, M6	2
6	455/8	Washer - Plain, M6	2

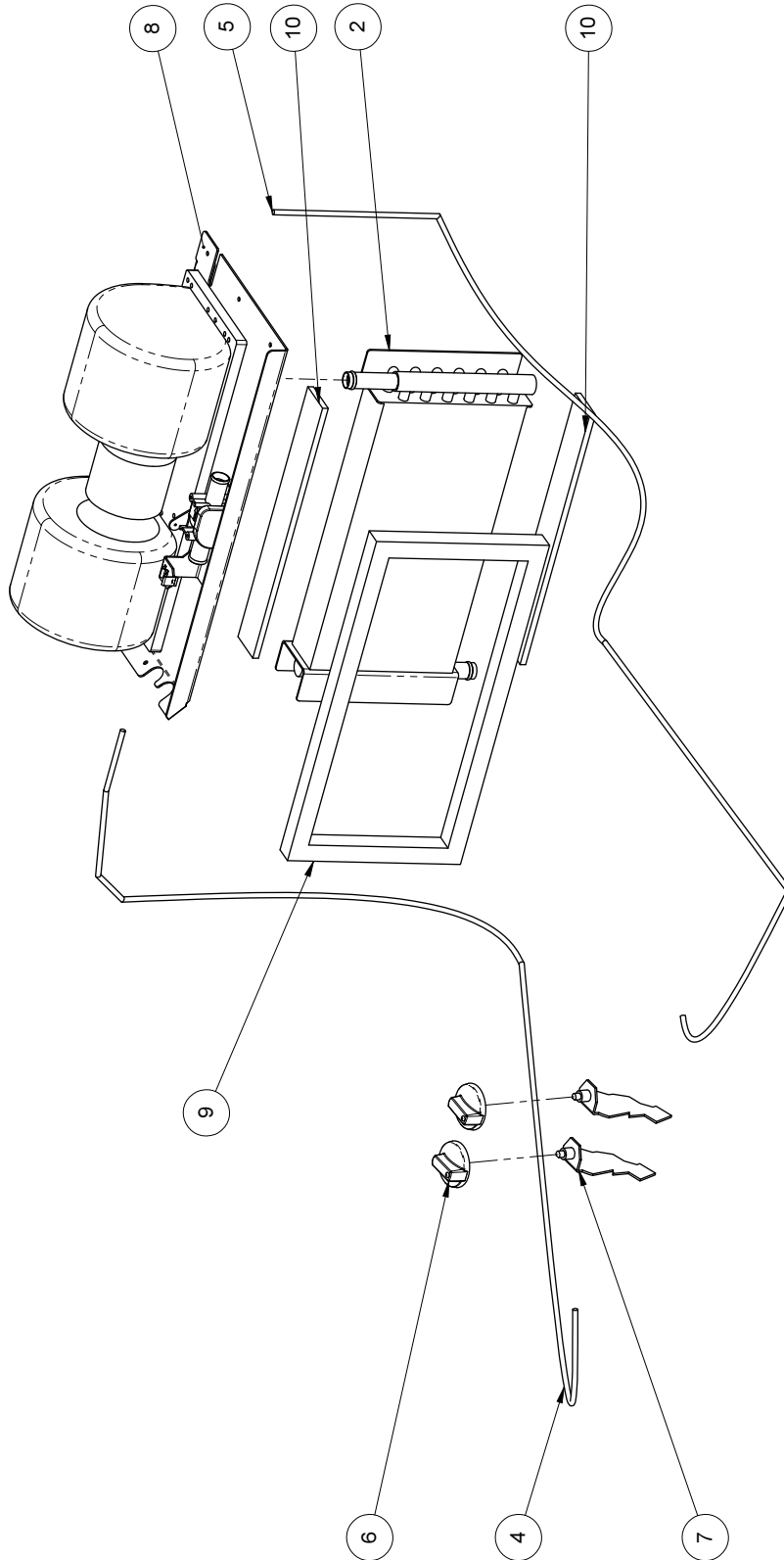
**Heater Assembly**  
BoM - 37006/51



Heater Assembly  
BoM - 37006/51

Item No.	Part No.	Description	Quantity
1	-	-	-
2	192/8	Screw S/tap Flange Poz.No6x3/8	2
3	-	-	-
4	-	-	-
5	-	-	-
6	287/38	Grommet 19mm OD 8mm ID 1.6	3
7	-	-	-
8	-	-	-
9	720981/1	Cover - Heater Box	1
10	217/61	Tape-Acrylic Foam, 3mm x 25mm	2.43M
11	197/5	Screw-Self Tapping, No.10x1/2"	26
12	721270/1	Disc-Inlet, Fresh Air	1
13	721286/1	Spigot - Fresh Air Disc	1
14	721287/1	Clip - Heater Cable	1
15	124/102	Setscrew M6C x 16	1
16	-	-	-
17	-	-	-
18	-	-	-
19	-	-	-
20	-	-	-
21	721515/1	Pipe-Stub, Heater Hose W/Assy	1
22	501/2	Clip Hose Worm Drive 14-22mm	8
23	70859/1	Hose - Heater, 5/8"	2M
24	721691/1	Retainer - Heater Cover	1
25	-	-	-
26	721694/1	Hose - Heater, 5/8"	1
27	721942/1	Kit - Heater, C200	1
28	425/13	Nut - Nyloc, M6C	1
29	288/41	Grommet - Blind, PVC Type E	1
30	722828/1	Hose - Heater, 5/8"	1

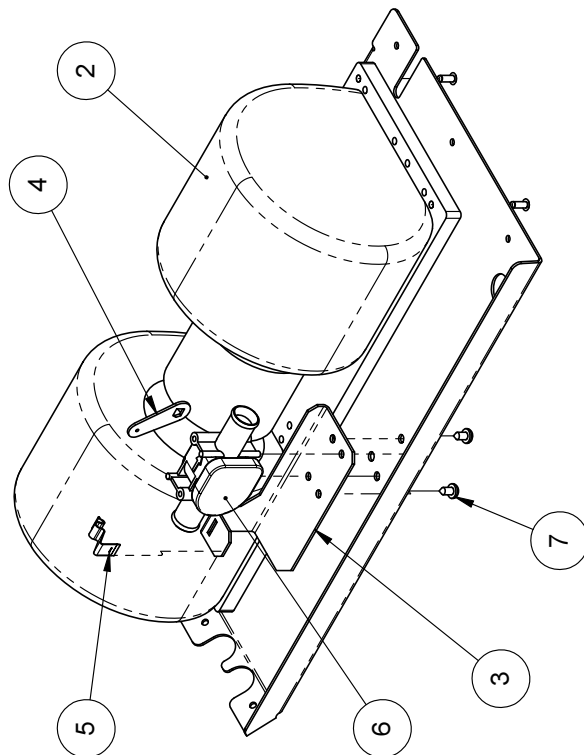
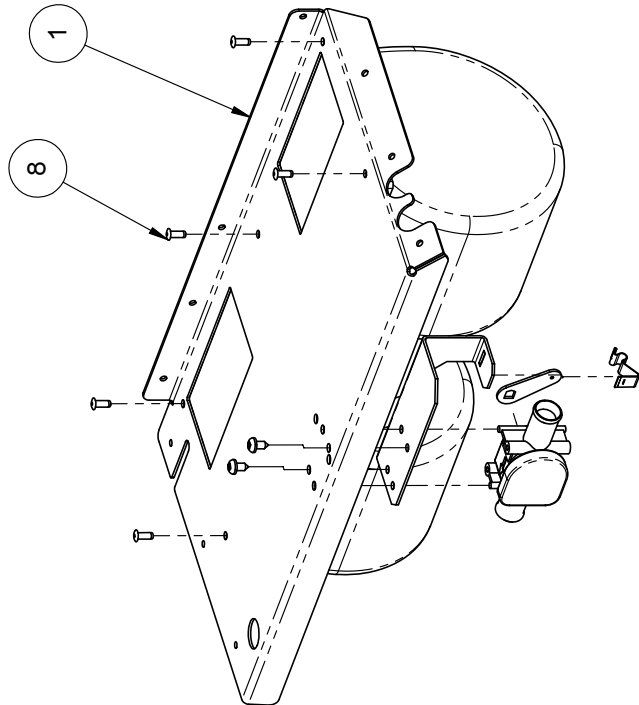
**Heater Kit  
BoM - 721942/1**



<b>Heater Kit BoM - 721942/1</b>
--------------------------------------

<b>Item No.</b>	<b>Part No.</b>	<b>Description</b>	<b>Quantity</b>
1	-	-	-
2	721267/1	Heater Matrix	1
3	-	-	-
4	721466/1	Cable - Hot/Cold	1
5	721466/2	Cable - Fresh/Recirc	1
6	721511/1	Knob - Heater, with Indicator	2
7	76628/6	Heater Cable Control	2
8	722532/1	Blower Assy - with Valve	1
9	722940/1	Gasket - Cab to Heater	1
10	722941/1	Gasket - Heater Matrix	1

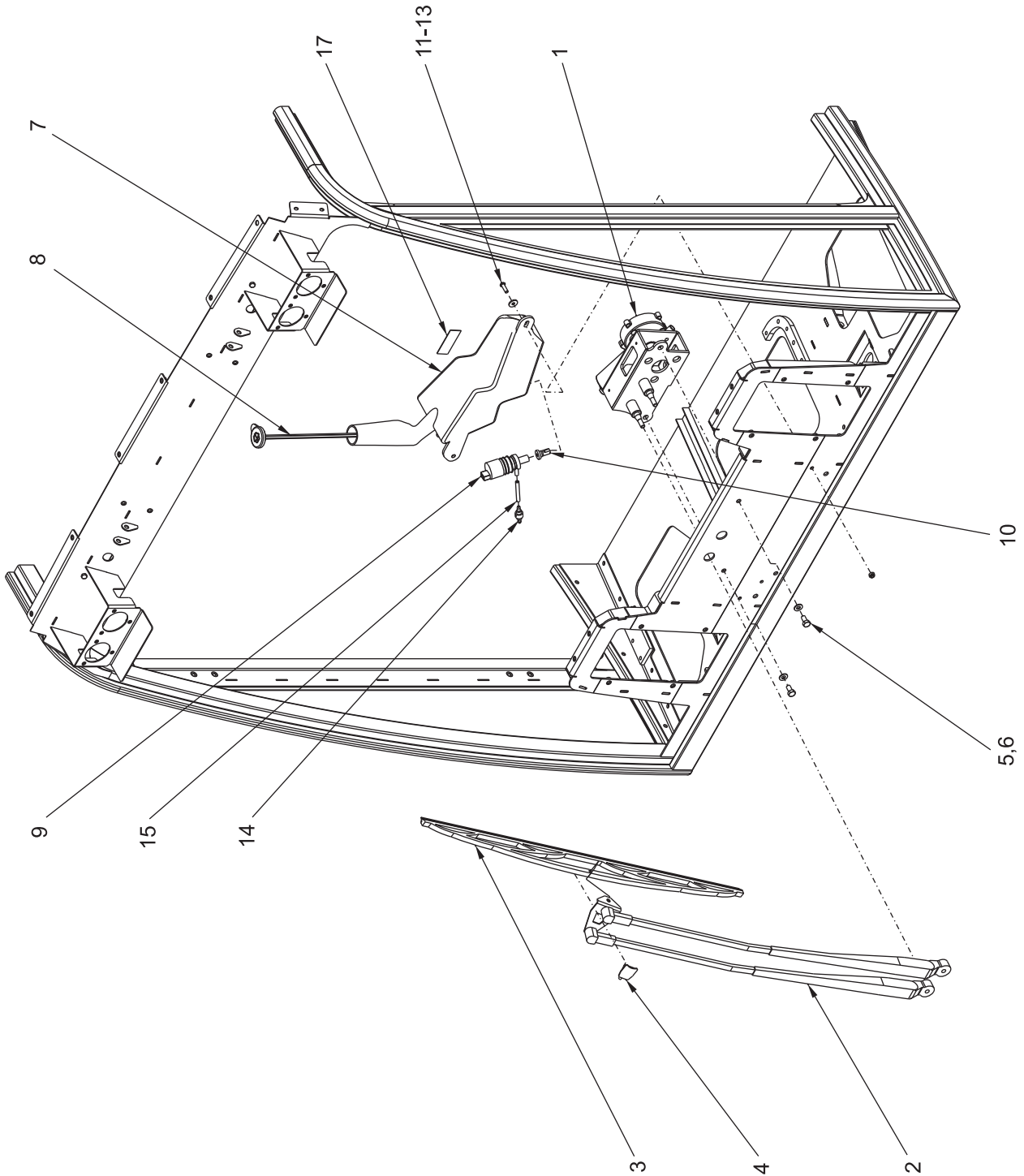
**Heater Blower Assembly**  
BoM - 722532/1



<b>Heater Blower Assembly BoM - 722532/1</b>
--

<b>Item No.</b>	<b>Part No.</b>	<b>Description</b>	<b>Quantity</b>
1	721266/1	Mount - Blower, Heater	1
2	721269/1	Fan - Blower, Heater/Air Con	1
3	722529/1	Mount - Valve, Heater	1
4	722530/1	Arm - Lever, Heater Valve	1
5	722531/1	Clip - Cable, Heater	1
6	722538/1	Valve - Water	1
7	193/16	Screw - Pan Hd, Self Tap No.8x3/8"	2
8	76/9	Rivet - Pop, Dia. 4 x 5	5

**Wiper Assembly**  
BoM - 37007/51





Wiper Assembly  
BoM - 37007/51

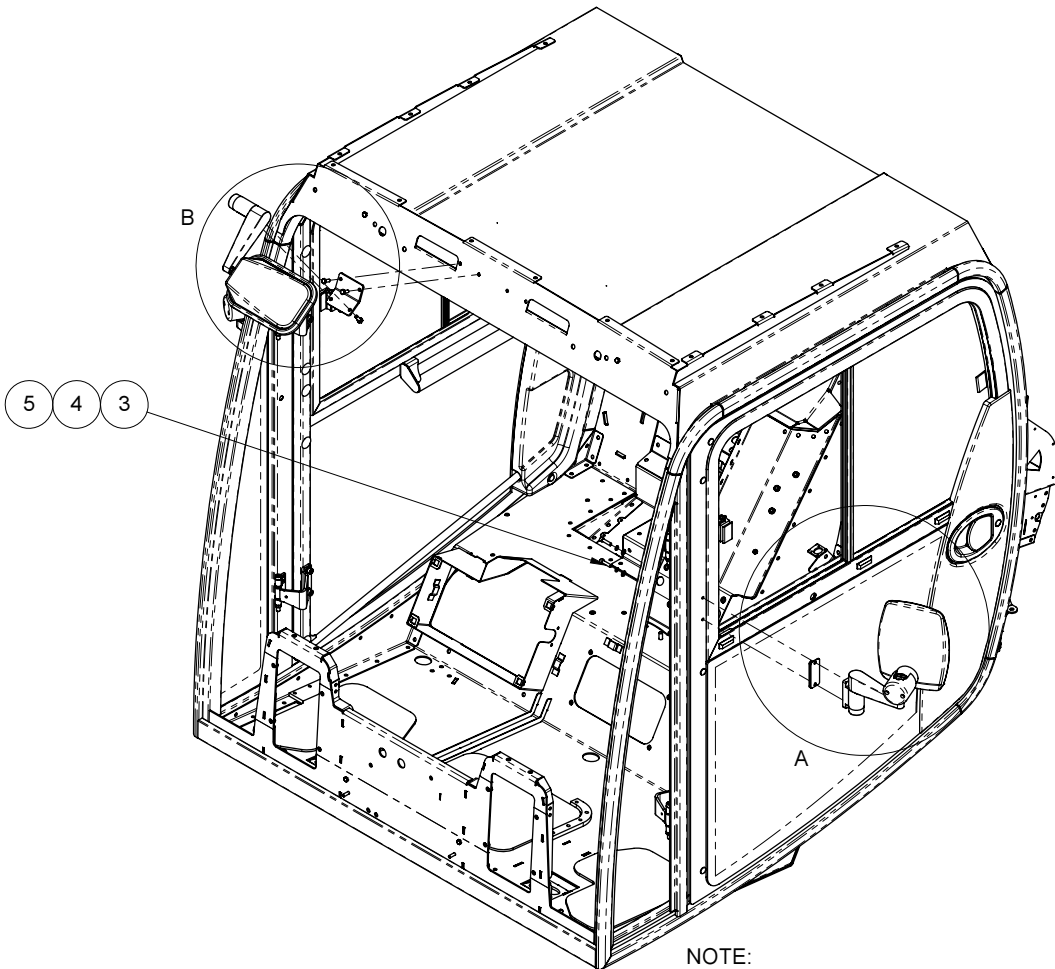
Item No.	Part No.	Description	Quantity
1	721098/2	Wiper Motor Assembly	1
2	721098/3	Arm - Wiper	1
3	721098/4	Blade - Wiper	1
4	721098/5	Nozzle - Windscreen Wiper	1
5	124/134	Setscrew M8C x 16	2
6	455/10	Washer Plain Plated Steel M8	2
7	720808/2	Bottle - Washer	1
8	720808/3	Cap - Washer Bottle	1
9	720808/4	Pump - Washer Bottle	1
10	720808/5	Filter - Washer Pump	1
11	138/94	Screw - Skt Button Hd M6x20	2
12	457/2	Washer Plain Steel M6 Form G	2
13	425/13	Nut Nyloc Hex MC M6	2
14	74434/12	Valve - Non return	1
15	74434/6	Tube - Washer	0.6
16	721661/2	Label - Front Cab Fuse	1

**Note:**

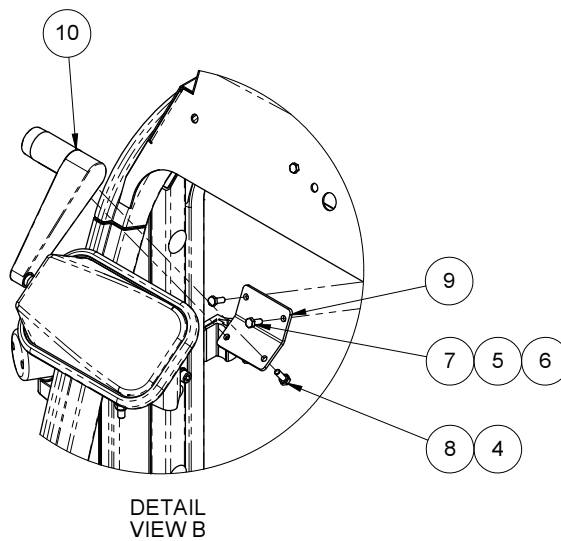
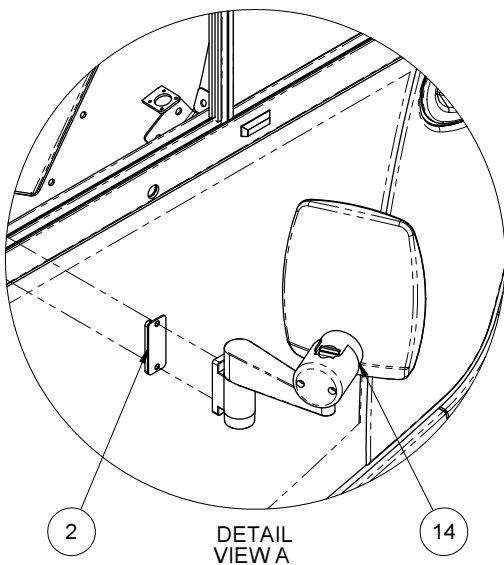
721098/1 Wiper Assembly (complete) comprises items 1 - 4

720808/1 Washer Bottle Assembly (complete) comprises items 7 - 10

**External Mirror Assembly**  
BoM - 37008-51, 2009-3



NOTE:  
ITEM 10 IS SHOWN IN LHD POSITION.



<b>External Mirror Assembly</b> <b>BoM - 37008-51, 2009-3</b>
--

Item No.	Part No.	Description	Quantity
1	-	-	-
2	72818-1	Packer - Mirror	2
3	150-28	Capscrew 1/4UNF x 1"Lg	4
4	450-27	Washer Spring 1/4	4
5	455-8	Washer Plain Plated Steel M6	4
6	425-13	Nut - Nyloc, M6C	2
7	124-102	Setscrew - M6C x 16	2
8	101-4	Setscrew - UNF, 1/4" x 3/4"	2
9	722218-1	Plate - Mount, Sweep Mirror	1
10	220-6	Mirror - Wing	1
11	-	-	-
12	-	-	-
13	-	-	-
14	220-272	Kit - Wing Mirror (Standard)	2
	220-273	Kit - Wing Mirror, Heated (Optional)	2

**Spares Only Items;****Item 14 comprises;****Kit - Wing Mirror (37008-51 Standard)**

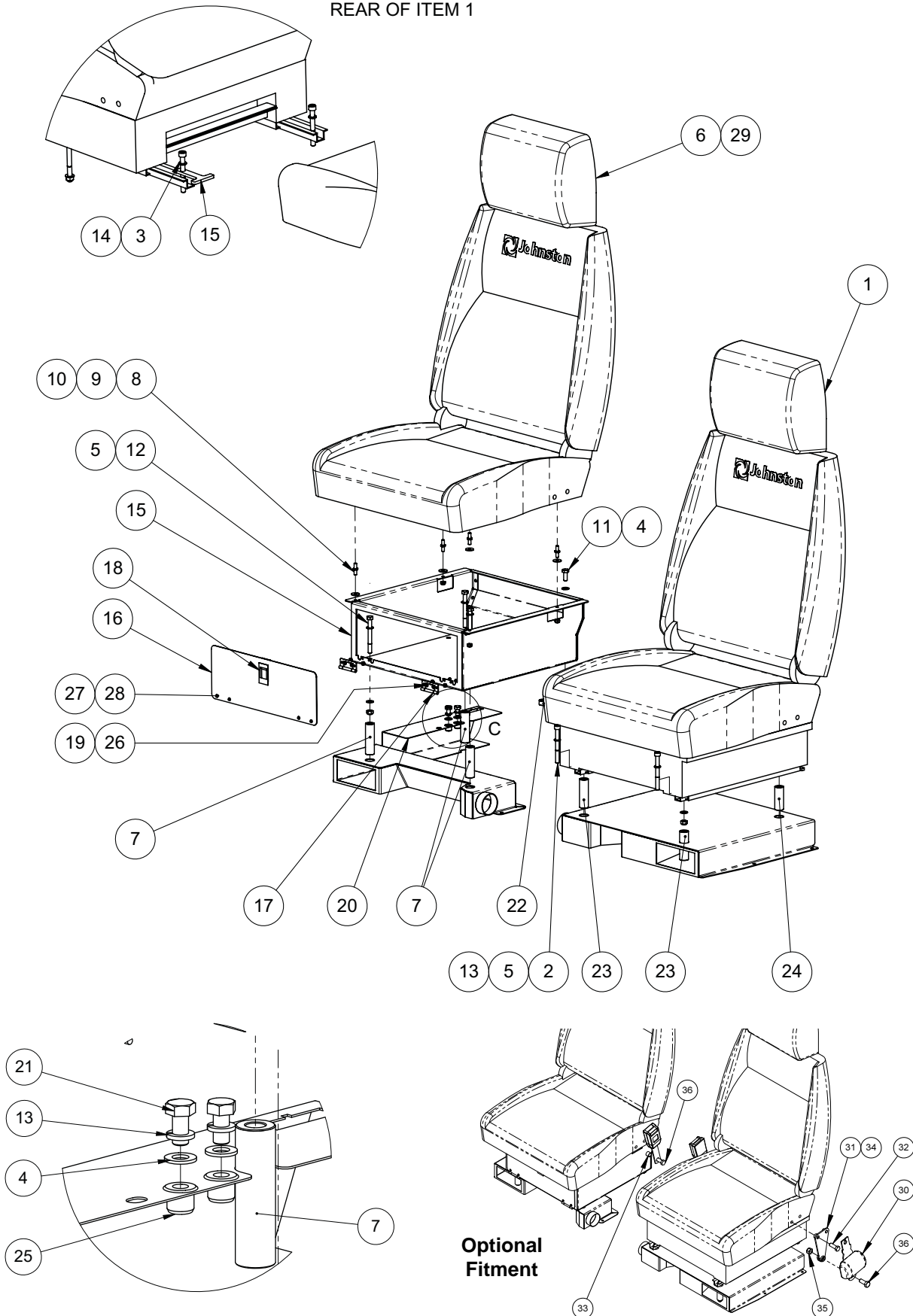
220-67	Arm - Mirror	2
220-264	Mirror - Fitting Kit	2
220-263	Mirror - Unbreakable, Wide Angle	2

**Kit - Wing Mirror, Heated (2009-3 Optional)**

220-67	Arm - Mirror	2
220-264	Mirror - Fitting Kit	2
220-265	Mirror - Unbreakable, Wide Angle 12V	2

**Driver & Passenger Seat Assembly**  
 BoM: 37010-51 & -52, 2012-6, 2102-1

REAR OF ITEM 1



**Driver & Passenger Seat Assembly**  
**BoM: 37010-51 & -52, 2012-6 , 2102-1**

Item No.	Part No.	Description	37010-51 Quantity	37010-52 Quantity
1	7005874	Seat-Air Suspension, Low Pro	1	1
2	129-139	Screw MC Cap Skt Hd M8x80	2	2
3	129-137	Screw MC Cap Skt Hd M8x70	2	2
4	455-10	Washer Plain Plated Steel M8	8	8
5	425-14	Nut Nyloc Hex MC M8	2	2
6	7005912	Seat - Passenger T1 Reclining	1	-
7	78930-12	Spacer - Universal	3	3
8	721179-1	Stud - Passenger Seat	4	4
9	457-2	Washer Plain Steel M6 Form G	4	4
10	425-13	Nut Nyloc Hex MC M6	4	4
11	124-135	Setscrew M8C x 20	1	1
12	123-116	Bolt M Coarse M8x80	3	3
13	460-10	Washer Spring Single Coil M8	6	6
14	721593-1	Stop - Seat	2	2
15	721627-1	Store - Underseat, W-Assy	1	1
16	721625-1	Cover - Underseat Store	1	1
17	844-66	Hinge - E Tec Access Door 5000	2	2
18	844-67	Latch - E Tec Access Door 5000	1	1
19	425-11	Nut Nyloc Hex MC M4	4	4
20	721732-1	Panel - Underseat Trim	1	1
21	124-134	Setscrew M8C x 16	2	2
22	78930-13	Spacer - Universal, 10lg	1	1
23	78930-14	Spacer - Universal, 66.5 lg	2	2
24	78930-15	Spacer - Universal, 53.5 lg	2	2
25	433-119	Insert - M8, 0.7 to 3.8	2	2
26	132-10	Screw Csk Posi. M3 x 6	4	4
27	420-10	Nut MC Hex M3	4	4
28	138-31	Screw - Skt Button Hd M4 x 8	4	4
29	7005911	Seat - Passenger, Static	1	-
30	669-15	Seat Belt - Lap Type, Retractable	2	2
	220-281	Belt - Lap, Retractable (Red)	2	2
31	721570-1	Bracket - Seat Belt, LH	1	1
32	101-77	Setscrew - UNF, 7-16 x 1 1-4"	4	4
33	76755-1	Spacer - Seat Belt	2	2
34	721570-2	Bracket - Seat Belt, RH	1	1
35	425-16	Nut - Nyloc, M12C	2	2
36	124-203	Setscrew - M12C x 30	2	2
37	220-280	Cover - Seat, Waterproof	1 Pr	1 Pr

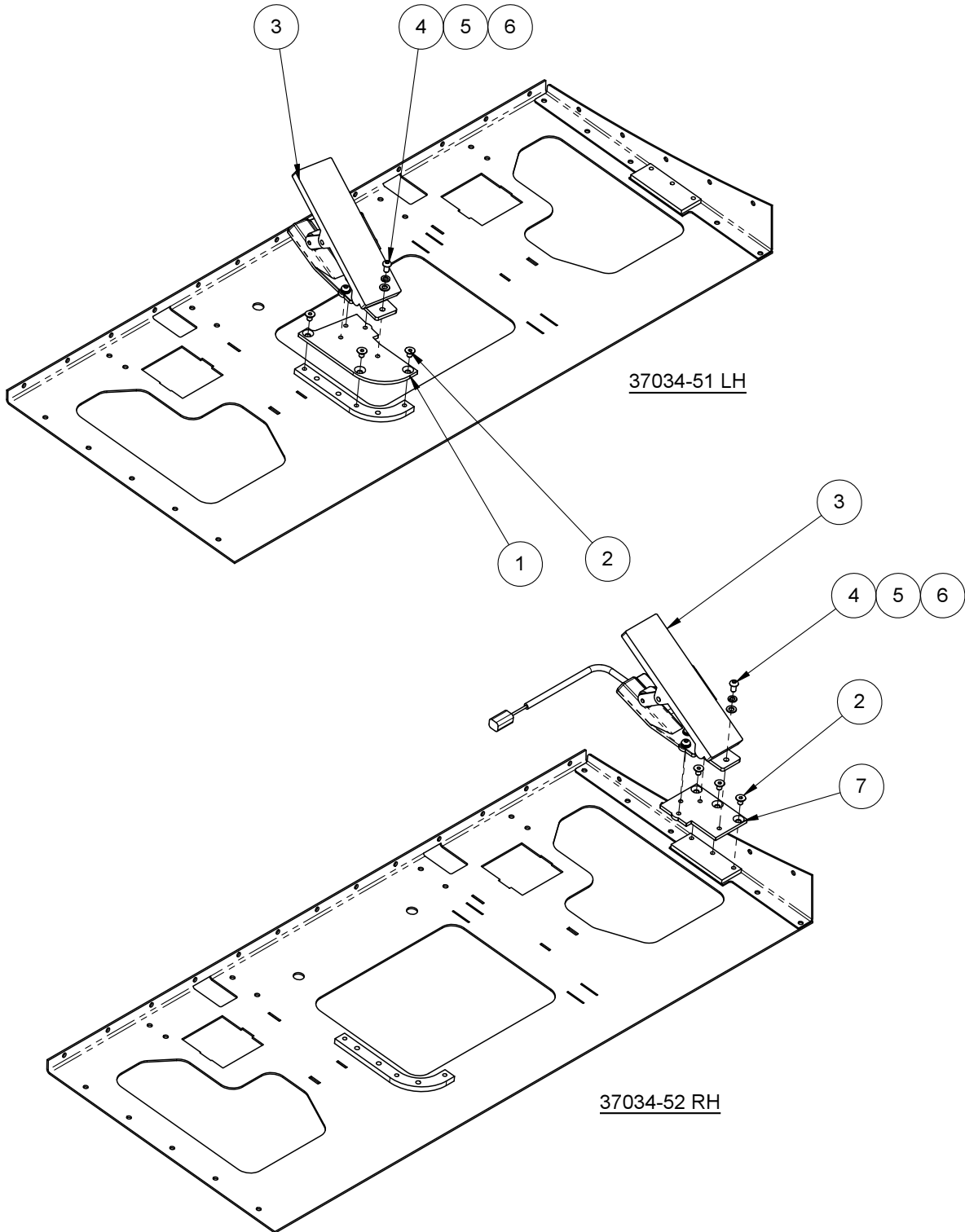
**Note:**

2012-6 Lap-Type Seat Belt Option; comprises items 30 - 36

2012-52 Red Seat Belt Option; comprises items 30 - 36

2102-1 Seat Cover Option, comprises item 37 (not illustrated)

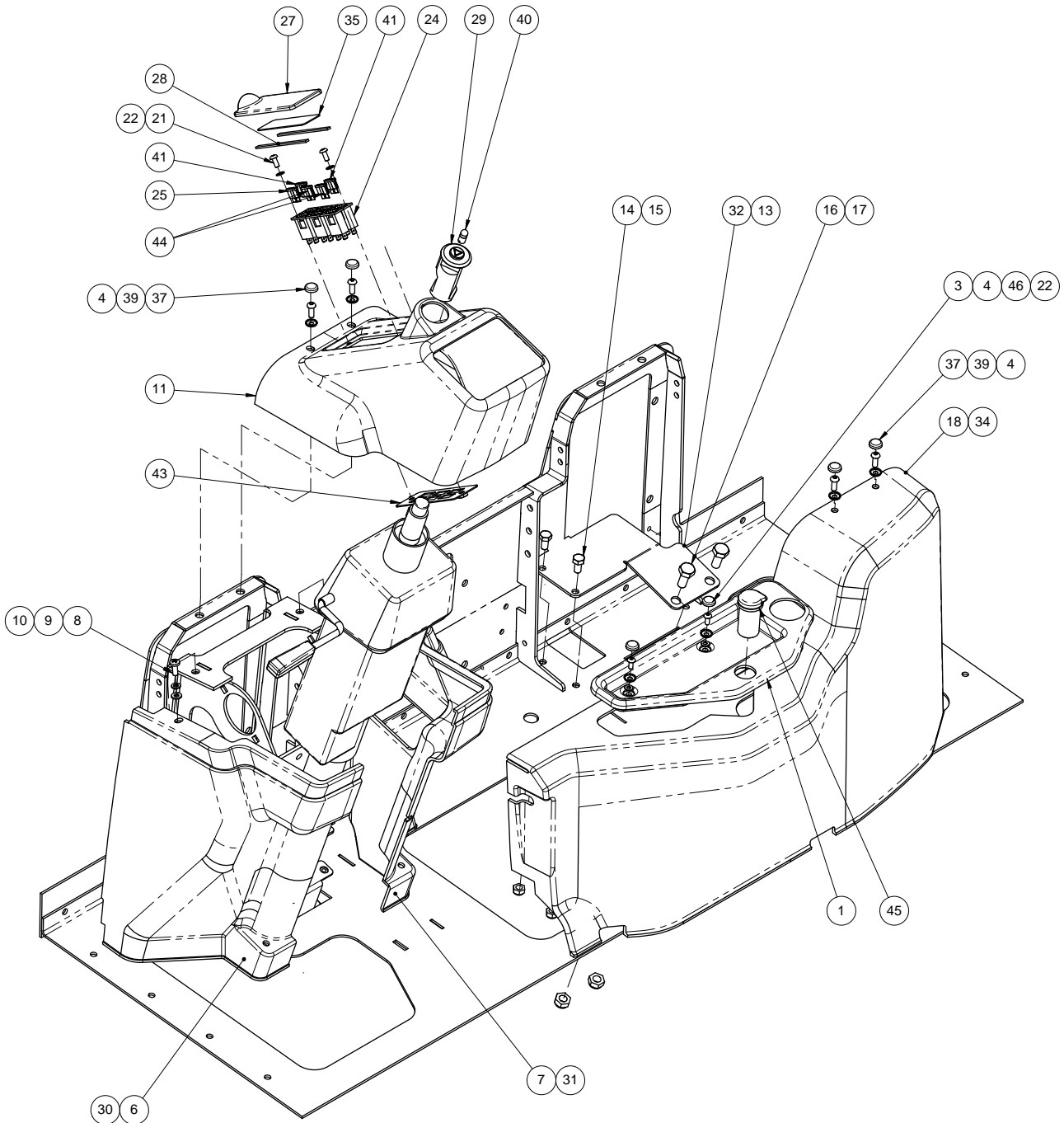
**Throttle Pedal Assembly**  
BoM - 37034/51 & /52



<b>Throttle Pedal Assembly</b> <b>BoM - 37034/51 &amp; /52</b>
---

Item No.	Part No.	Description	37034/51	37034/52
			LH Quantity	RH Quantity
1	721517/1	Plate-Mntg, Pedal LHD	1	-
2	131/120	Screw MC Csk Skt Hd M8x12	3	3
3	836/7	Pedal-VDO, Floor Mounted 31 deg	1	1
4	138-121	Screw - Skt Button Hd M8cx14	4	4
5	460/10	Washer Spring Single Coil M8	4	4
6	455/10	Washer Plain Plated Steel M8	4	4
7	721513/1	Plate - Throttle Pedal Mount, RHD	-	1

**Column Shroud Assembly**  
BoM - 37059/51 & /52

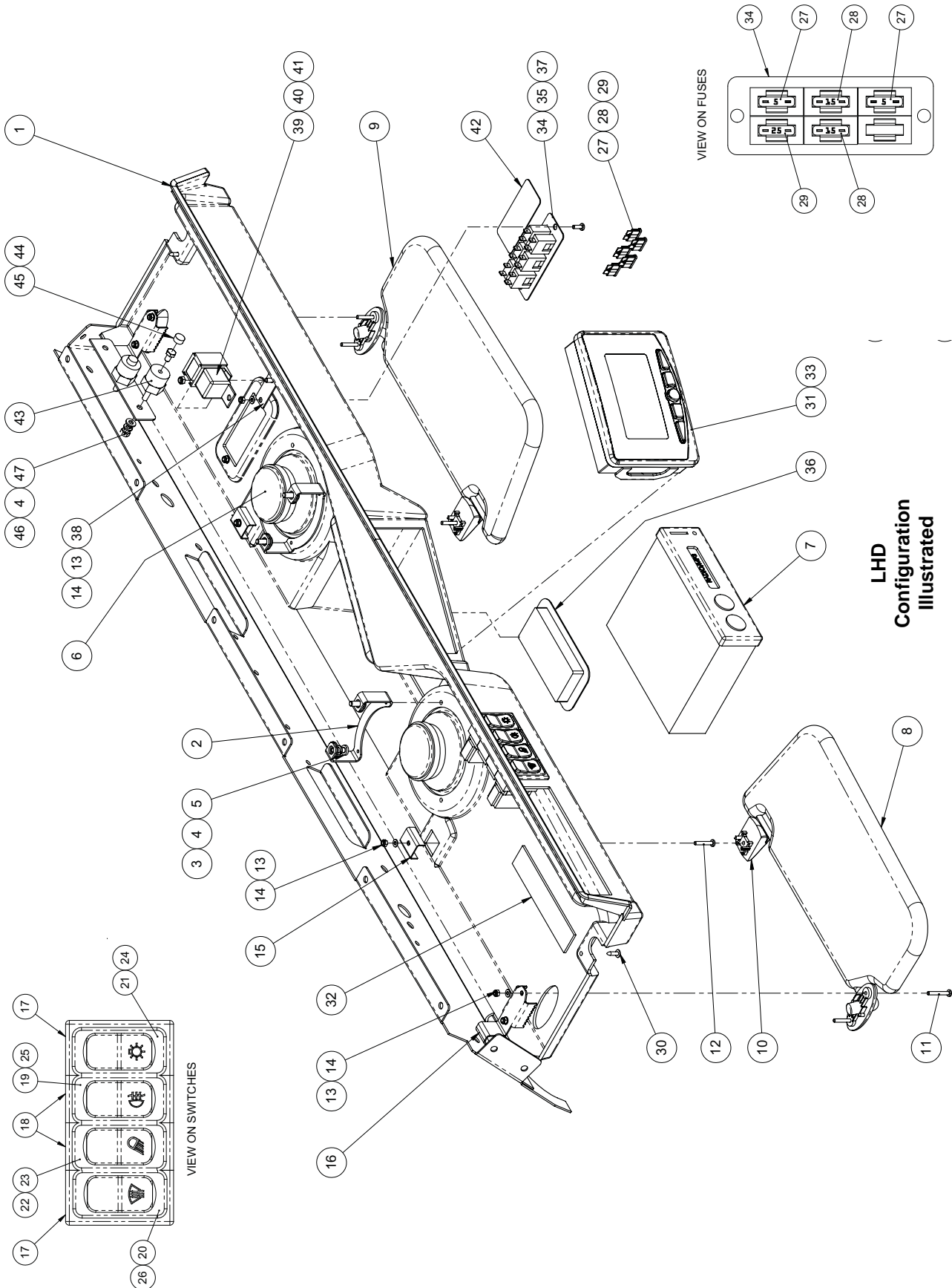




<b>Column Shroud Assembly</b> BoM - 37059/51 & /52
---

Item No.	Part No.	Description	37059/51	37059/52
			LHD Quantity	RHD Quantity
1	721102/1	Tray - Storage	1	1
3	220/245	Cap - Plastic, Black	2	2
4	220/163	Washer-Plastic Special(Small)	6	6
6	721107/1	Shroud-Steering Column L/H LHD	1	-
7	721108/1	Shroud-Steering Column R/H LHD	1	-
8	134/73	Screw Pan Hd Pozidriv M6cx16	2	2
9	460/8	Washer Spring Single Coil M6	2	2
10	455/8	Washer Plain Plated Steel M6	2	2
11	721109/1	Shroud-Steering Column Top	1	1
13	721552/1	Cover-Column Base Plt LH	1	-
14	124/134	Setscrew M8C x 16	2	2
15	425/14	Nut Nyloc Hex MC M8	2	2
16	124/169	Setscrew M10C x 25	2	2
17	425/15	Nut Nyloc Hex MC M10	2	2
18	721110/1	Moulding-Passenger, LHD	1	-
21	138/62	Screw - Skt Button Hd M5cx12	2	2
22	455/7	Washer Plain Plated Steel M5	4	4
24	30/298	Fuseholder - Push In Blade	6	6
25	30/44	Fuse - Flat Blade,Ceramic 10A	2	2
27	721464/1	Cover - Fuse	1	1
28	217/50	Tape - Velcro, Strip 5m (Reel)	0.01M	0.01M
29	48/313	Switch - Hazard, Flasher	1	1
30	721107/2	Shroud-Steering Column L/H RHD	-	1
31	721108/2	Shroud-Steering Column R/H RHD	-	1
32	721552/2	Cover-Column Base Plate	-	1
34	721111/1	Moulding - Passenger, RHD	-	1
35	721661/3	Label - Steering Column Fuse	1	1
37	220/162	Cap - Plastic, Silver Grey	4	4
39	138/93	Screw - Skt Button Hd, M6 x 16	4	4
40	47/57	Bulb - 12V 2W	1	1
41	30/45	Fuse - Blade, 15A	2	2
43	722522/1	Plate - Mounting, Fuse	1	1
44	30/43	Fuse - Blade, 5A	2	2
45	30/397	Socket - Power, Auxiliary	1	1
46	135/230	Screw - Skt Button Hd M5x12, Black	2	2

**Overhead Console Assembly**  
**BoM: 37061-53, 37061-54, 7007930 & 7007931**



**Overhead Console Assembly**  
**BoM: 37061-53, 37061-54, 7007930 & 7007931**

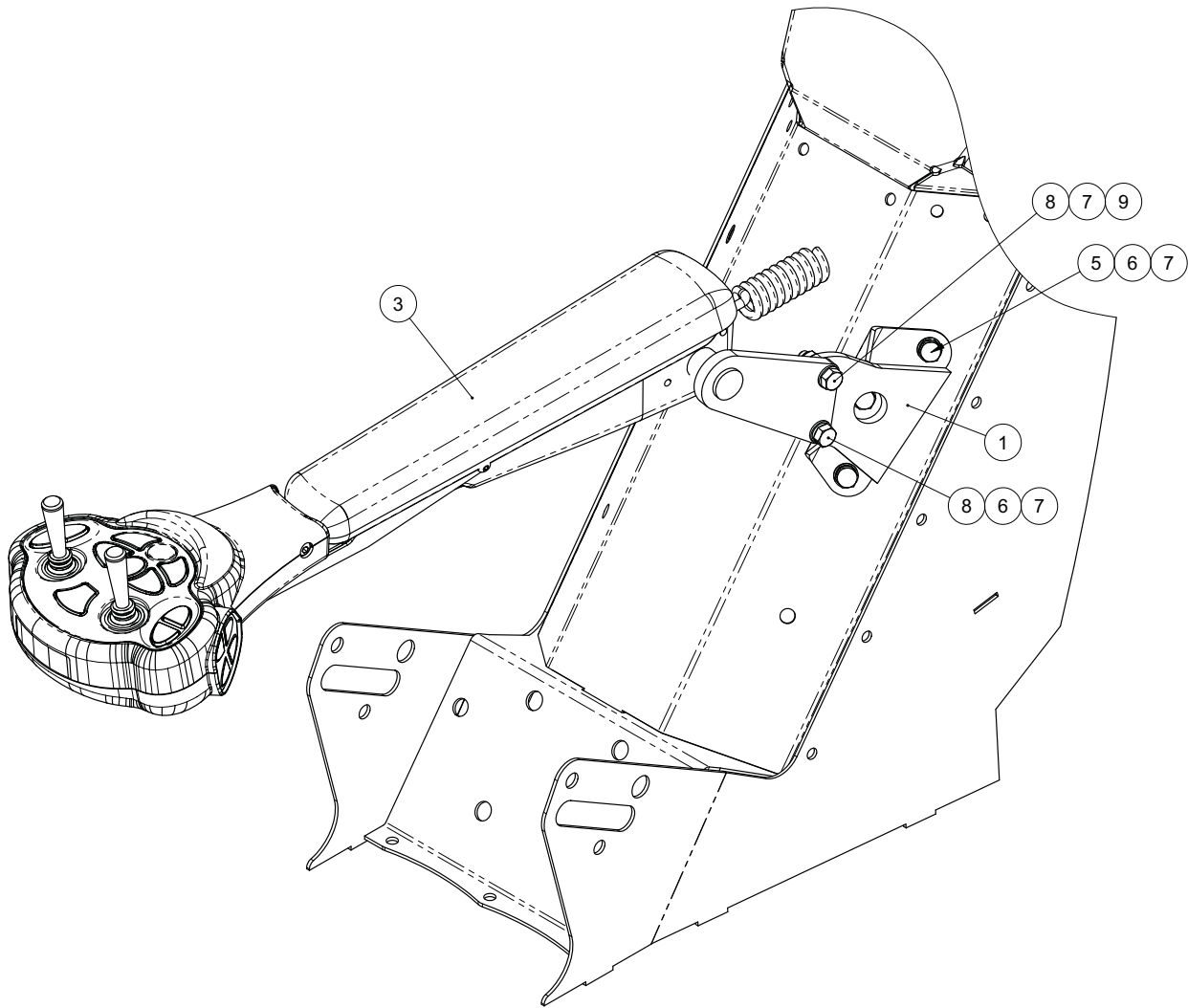
Item No.	Part No.	Description	LHD Quantity	RHD Quantity
1	720896-1	Console - Overhead, LHD	1	-
	720897-1	Console - Overhead, RHD	-	1
2	722156-1	Bracket-Mtg, Overhead Console	2	2
3	452-15	Washer-Repair 1/4"x3/4" Co	4	4
4	460-8	Washer Spring Single Coil M6	6	6
5	134-73	Pan Head Screw-M6Cx16-4.8-Pozidriv	4	4
6	220-102	Speakers - 2 Way 100mm (CTRS)	1 Pr	1 Pr
7	220-260	Radio and MP3 Player Unit	1	1
	30-114	Lead - Extension, Co Axial	-	1
8	220-231	Sunvisor - LH	1	1
9	220-232	Sunvisor - RH	1	1
10	220-233	Clip - Sunvisor, Retaining	2	2
11	134-46	Pan Head Screw-M4Cx30-4.8-Pozidriv	4	4
12	134-45	Pan Head Screw-M4Cx25-4.8-Pozidriv	2	2
13	455-5	Washer Plain Plated Steel M4	8	8
14	425-11	Nut Nyloc Hex MC M4	8	8
15	721403-1	Clip, Retainer, Sun Visor	2	2
16	723028-1	Mount - Front, Overhead	2	2
17	735-70	Bezel - Mounting End Piece	2	2
18	735-71	Bezel - Mounting Centre Piece	2	2
19	735-2	Switch-2 Position Spring 12V	1	1
20	735-3	Switch-2 Position, Spring 12V	1	1
21	735-5	Switch-3 Position, Detent 12V	1	1
22	735-6	Switch-2 Position, Detent 12V	1	1
23	735-118	Cover - Rocker Worklights	1	1
24	735-200	Cover -Rocker Head/Side Lights	1	1
25	735-201	Cover - Rocker Fog Lights	1	1
26	735-202	Cover - Rocker Heated Screen	1	1
27	30-43	Fuse - Flat Blade, Ceramic 5A	2	2
28	30-45	Fuse - Flat Blade 15A	2	2
29	30-98	Fuse - 25A, (Clear)	1	1
30	192-18	Flange Head Tapping ST4.2x15.9	2	2
31	722372-1	CANview-Display Unit Mk2	1	1
32	217-8	Strip Sealing 3x30 white	0.15M	0.15M
33	741823-1	Bracket - Canview, C	1	1
34	721200-1	Plate - Fuse, Mounting	1	1
35	30-298	Fuse Holder - Push In Blade	6	6
36	46-160	Lamp - 12v Interior	1	1
37	134-42	Pan Head Screw-M4Cx12-4.8-Pozidriv	2	2
38	721560-1	Lug - Relay	1	1
39	13193	Relay 12 Volt 30/40RA	1	1
40	138-61	Screw - Skt Button Hd M5cx10	1	1

**Overhead Console Assembly****BoM: 37061-53, 37061-54, 7007930 & 7007931**

<b>Item No.</b>	<b>Part No.</b>	<b>Description</b>	<b>LHD Quantity</b>	<b>RHD Quantity</b>
41	425-12	Nut Nyloc Hex MC M5	1	1
42	721661-4	Label - Overhead Console Fuses	1	1
43	728-3	Electrical Insulator Post M/F M6	2	2
44	124-99	Setscrew M6C x 10	2	2
45	844-221	Cap-Protection,M6 Black	2	2
46	455-8	Washer Plain Plated Steel M6	2	2
47	420-13	Nut MC Hex M6	2	2
48	721544-1	Loom-Overhead Console, C200	1	1

**Overhead Console Assembly**  
**BoM: 37061-53, 37061-54, 7007930 & 7007931**

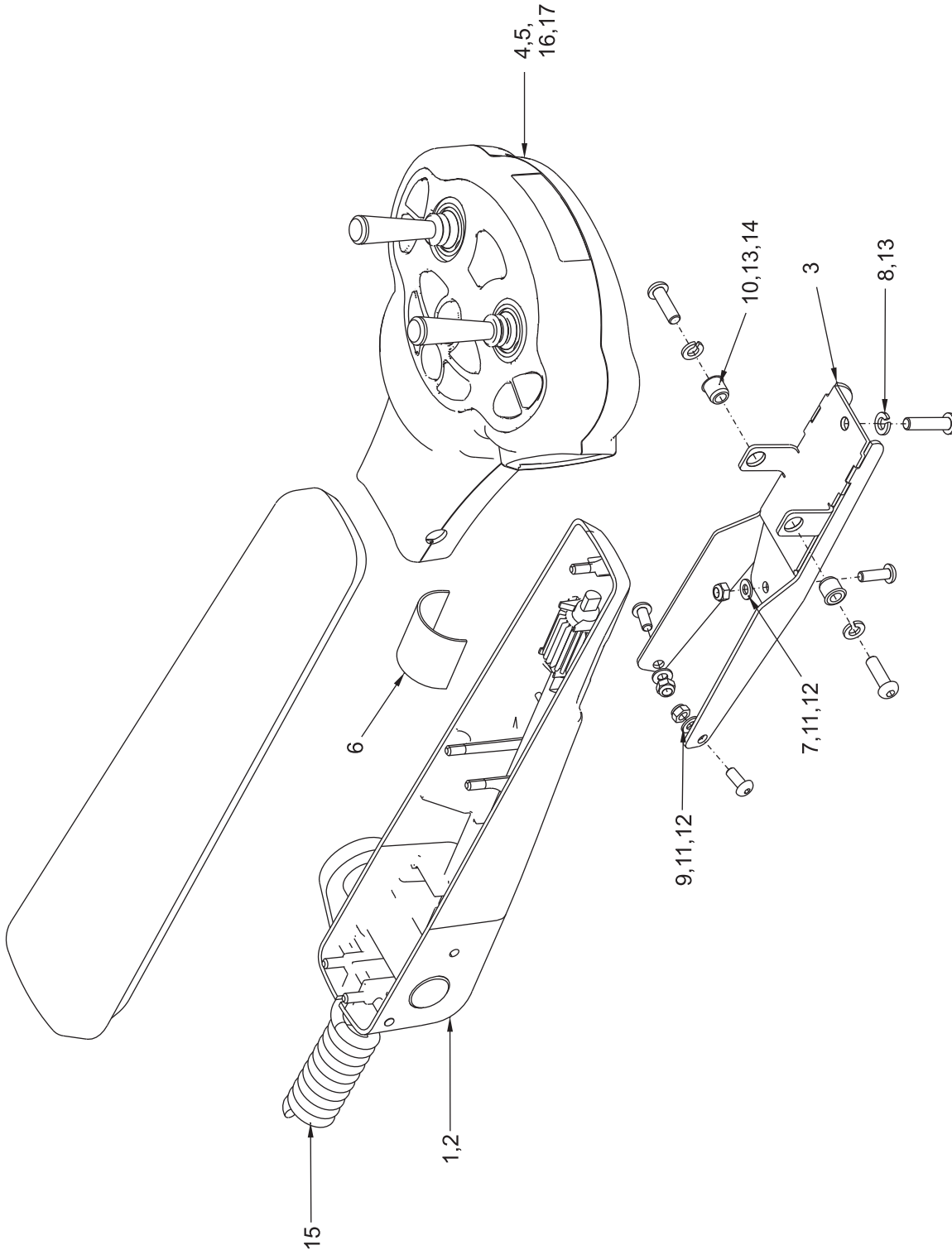
**Armrest Control Assembly**  
BoM: 37062-51 to -54



<p><b>Armrest Control Assembly</b> BoM: 37062-51 to -54</p>
---

Item No.	Part No.	Description	CX/CN200	CX/CN200	CW200	CW200
			37062/51	37062/52	37062/53	37062/54
			LHD	RHD	LHD	RHD
			Quantity	Quantity	Quantity	Quantity
1	721432-1	Mount - Arm Rest, L/H W/Assy	1	-	1	-
2	721432-2	Mount - Arm Rest, R/H W/Assy	-	1	-	1
3	741913-1P	Arm Rest G/Assy LHD	1	-	-	-
	741913-5P	Arm Rest G/Assy LHD	-	-	1	-
4	741913-2P	Arm Rest G/Assy RHD	-	1	-	-
	741913-6P	Arm Rest G/Assy RHD	-	-	-	1
5	124-134	Setscrew M8C x 16	3	3	3	3
6	460-10	Washer Spring Single Coil M8	4	4	4	4
7	455-10	Washer Plain Plated Steel M8	6	6	6	6
8	124-139	Setscrew M8C x 30	2	2	2	2
9	425-14	Nut - Nyloc, M8C	1	1	1	1

**Armrest Control Spares**  
BoM - 741913/1, /2, /5 & /6

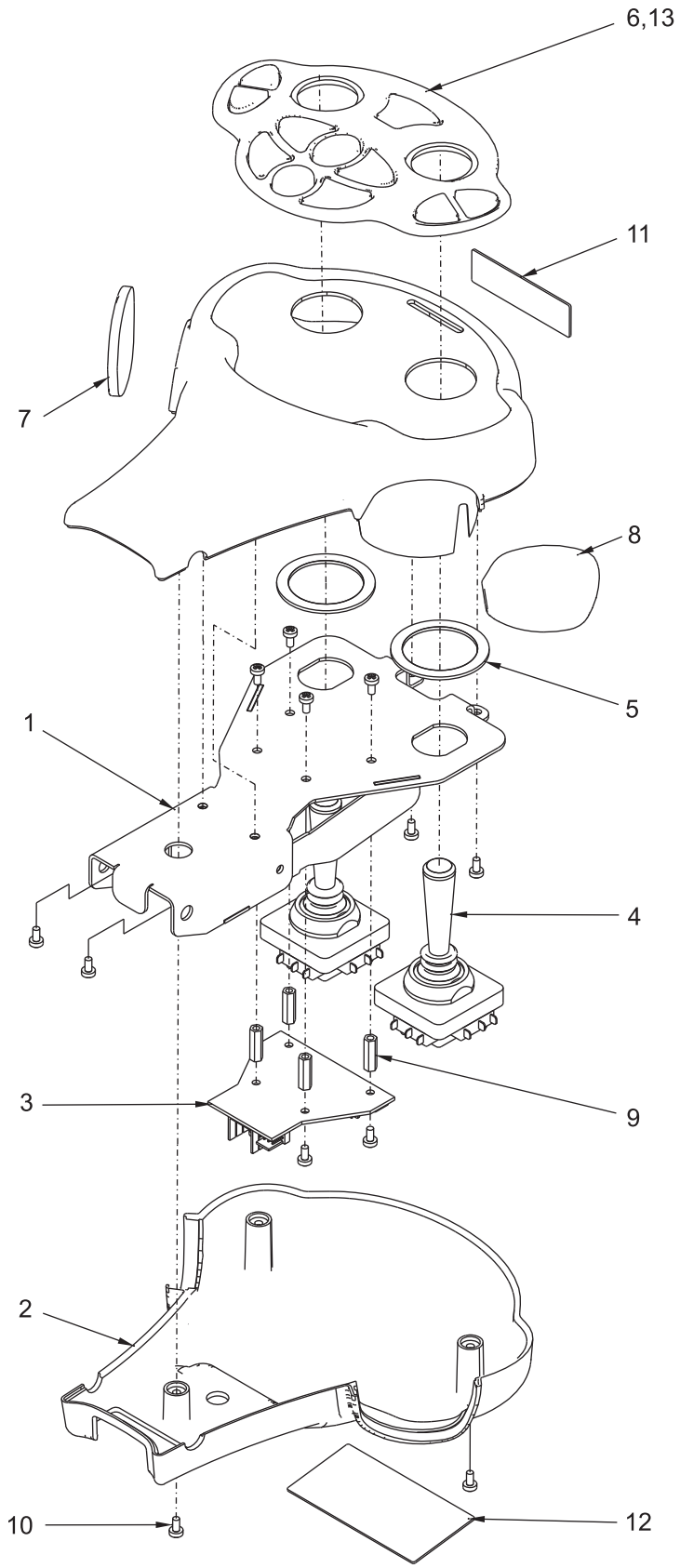




<b>Armrest Control Spares</b> <b>BoM - 741913/1, /2, /5 &amp; /6</b>
---

Item No.	Part No.	Description	CX/CN200	CX/CN200	CW200	CW200
			741913/1 RH Quantity	741913/2 LH Quantity	741913/5 RH Quantity	741913/6 LH Quantity
1	220/104	Arm Rest Kit (RH)	1	-	1	-
2	220/105	Arm Rest Kit (LH)	-	1	-	1
3	741908/1	Palm Rest Bracket W/Assy	1	1	1	1
4	720820/1	Palm Rest Controller Assembly	1	-	-	-
5	720820/2	Palm Rest Controller Assembly	-	1	-	-
6	79122/1	Adjuster Guard	1	1	1	1
7	135/93	M5 x 16 Skt Button Hd Screw	1	1	1	1
8	135/150	M6 x 25 Skt Button Hd Screw	1	1	1	1
9	135/230	M5 x 12 Skt Button Hd Screw	2	2	2	2
10	135/62	M6 x 20 Skt Button Hd Screw	2	2	2	2
11	425/12	M5 Nyloc Nut	3	3	3	3
12	455/7	M5 Plain Washer	3	3	3	3
13	460/8	M6 Spring Washer	3	3	3	3
14	433/104	M6 Threaded Insert	2	2	2	2
15	741928/1	Armrest Cable Assembly	1	1	1	1
16	720820/3	Palm Rest Controller Assembly	-	-	1	-
17	720820/4	Palm Rest Controller Assembly	-	-	-	1

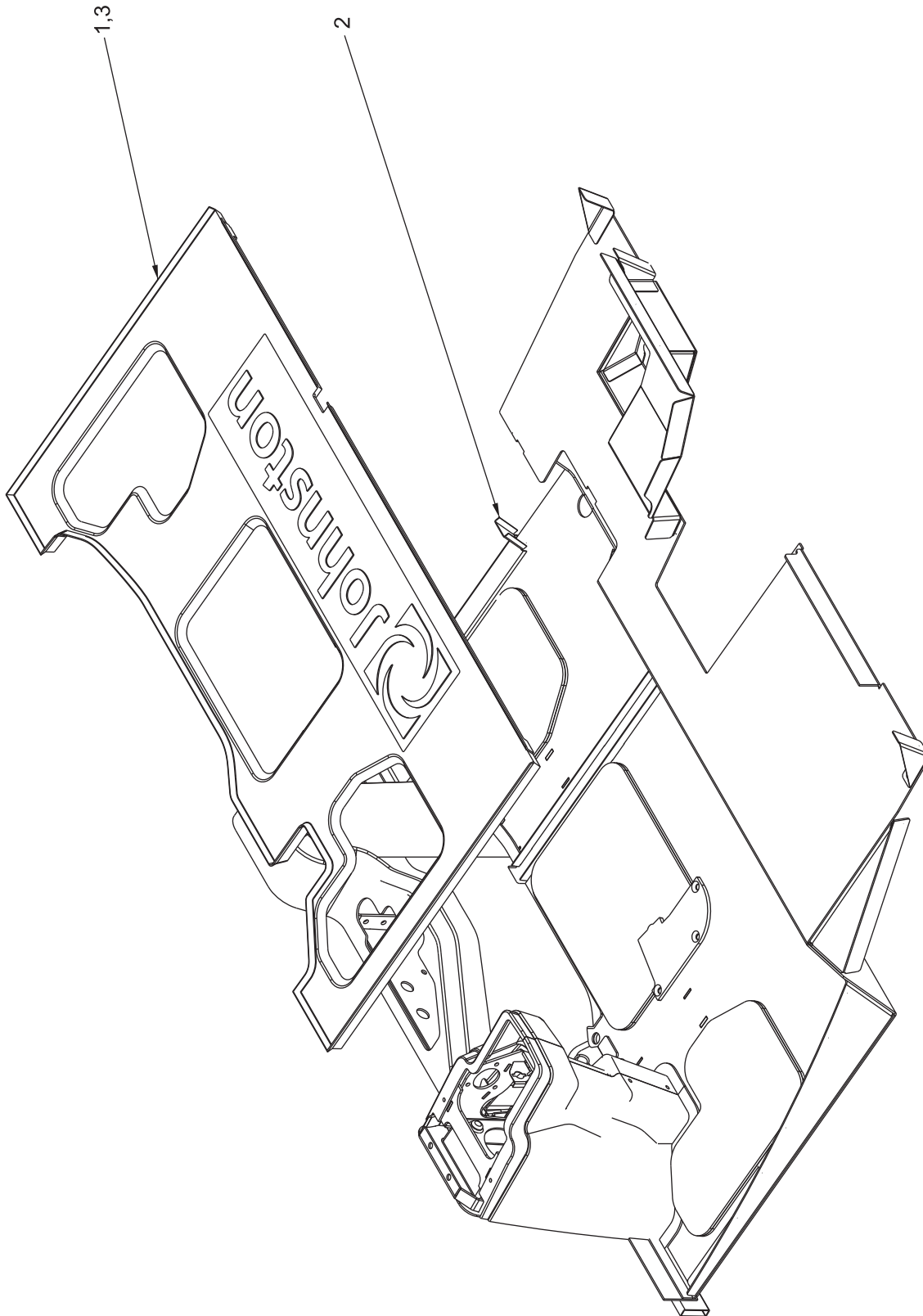
**Palm Rest Control Spares**  
BoM - 720820/1 - /4



<b>Palm Rest Control Spares</b> BoM - 720820/1 - /4
--

Item No.	Part No.	Description	CX/CN200	CW200
			720820/1 & /2 Quantity	720820/3 & /4 Quantity
1	720822/1	Palm Rest Chassis W/Assy	1	1
2	720826/1	Palm Rest Shell Moulding	1	1
3	720821/1	Palm Rest J-Plex Node	1	1
4	720824/1	Palm Rest - Joystick Assembly	2	2
5	720827/1	Palm Rest - Sealing Washer	2	2
6	720823/4	Palm Rest - Main Keypad	1	-
7	720823/7	Palm Rest - Thumbpad	1	1
8	720823/8	Palm Rest - Thumbpad Blank	1	1
9	30/299	Spacer - PCB M3 x 16	4	4
10	134/10	M3 x 6 Pan Pozi Screw	15	15
11	742030/1	Label Set - Palm Rest	1	1
12	742030/2	Label - Palm Rest, Serial No.	1	1
13	720823/5	Palm Rest - Main Keypad	-	1

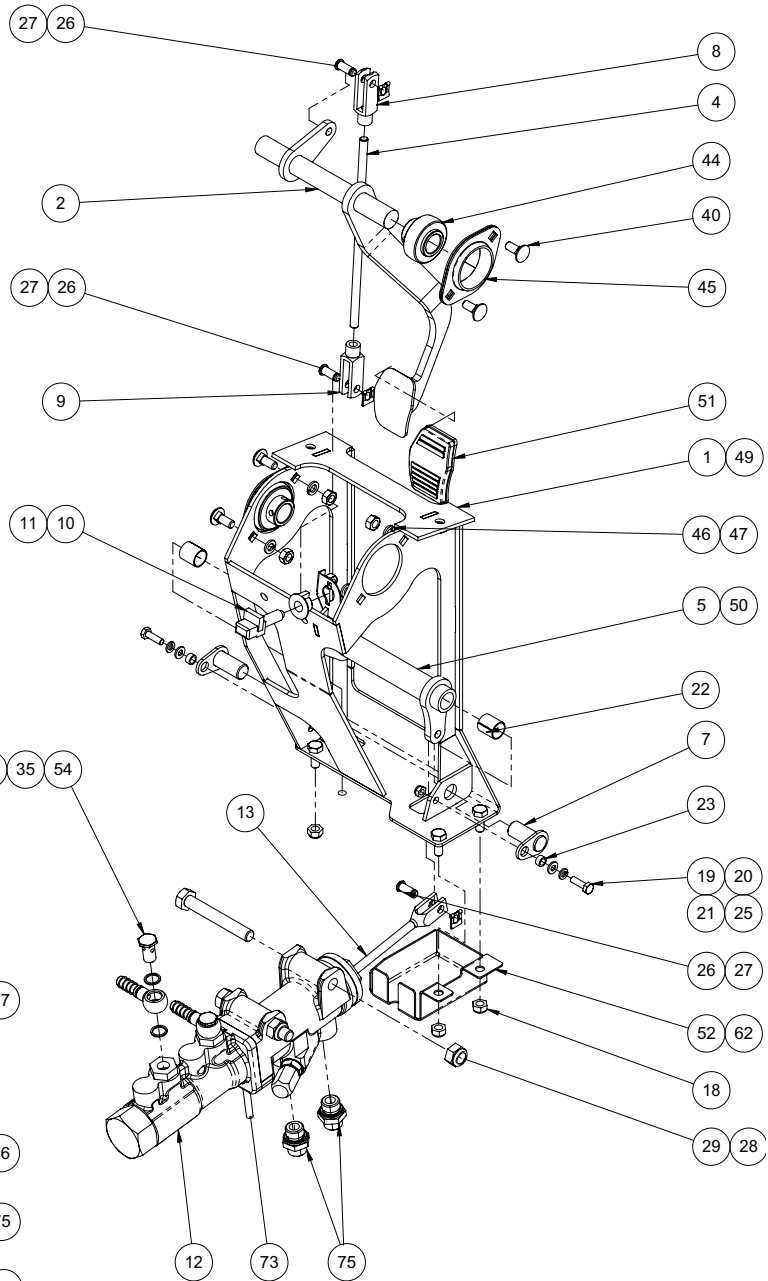
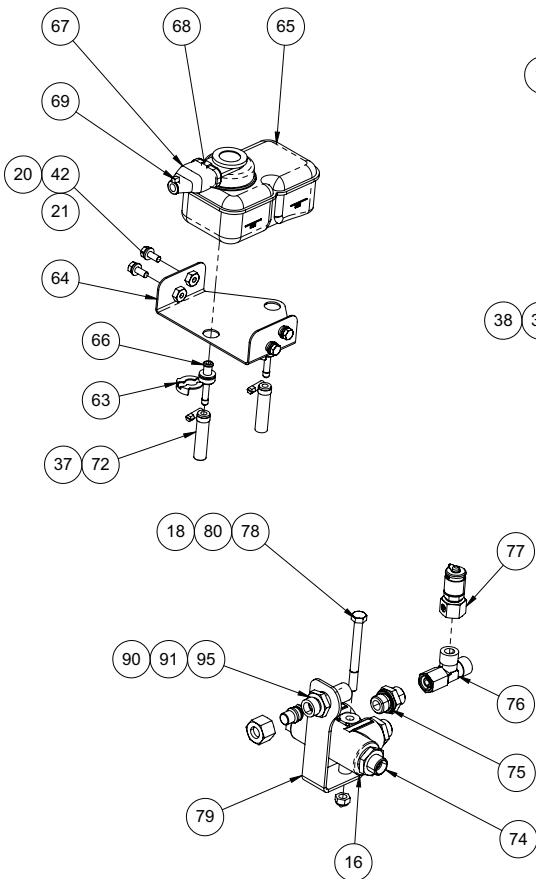
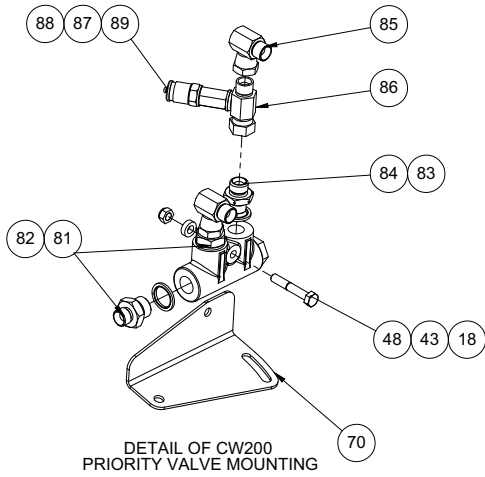
**Floor Covering Assembly**  
BoM - 37096/51 & /52



<b>Floor Covering Assembly</b> BoM - 37096/51 & /52
--

Item No.	Part No.	Description	37096/51	37096/52
			LHD Quantity	RHD Quantity
1	721487/1	Mat - Floor LHD	1	-
2	721536/1	Cover - Cable Channel	1	1
3	721487/2	Mat - Floor RHD	-	1

### Brake Mechanism Assembly BoM: 37104-51 to -54



**Brake Mechanism Assembly**

BoM: 37104-51 to -54

Item No.	Part No.	Description	37104-51	37104-52	37104-53	37104-54
			LH Sweeper Quantity	RH Sweeper Quantity	LH Washer Quantity	RH Washer Quantity
1	720928-1	Box - Pedal, LH W-Assy	1	-	1	-
2	720960-1	Pedal - Brake, W-Assy	1	1	1	1
4	720965-1	Rod - Brake Linakage, Cab 2003	1	1	1	1
5	720963-1	Pivot-Lower, Brake W-Assy	1	-	1	-
7	76210-1	Pin - Pivot Tube, W-Assy	2	2	2	2
8	289-34	Clevis, M8x1.25 RH Thread, long	1	1	1	1
9	289-35	Clevis, M8x1.25 LH Thread, long	1	1	1	1
10	4505-297	Switch - St. Light	1	1	1	1
11	4505-298	Bush	1	1	1	1
12	720967-1	Cylinder-Servo-Brake, Safim	1	1	1	1
13	720966-1	Fork-Actuator, Brake Cylinder	1	1	1	1
16	721049-1	Valve - Priority	1	1	1	1
18	425-14	Nut Nyloc Hex MC M8	5	5	5	5
19	124-103	Setscrew M6C x 20	2	2	2	2
20	460-8	Washer Spring Single Coil M6	6	6	6	6
21	455-8	Washer Plain Plated Steel M6	6	6	6	6
22	18-3	Bearing - Dry Metric	2	2	2	2
23	76209-1	Spacer - Pivot Pin Retainer	2	2	2	2
25	425-13	Nut Nyloc Hex MC M6	2	2	2	2
26	289-24	Pin	3	3	3	3
27	289-25	Clip	3	3	3	3
28	123-155	Bolt M Coarse M12x85 BS3692	2	2	2	2
29	425-16	Nut Nyloc Hex MC M12	2	2	2	2
35	452-60	Washer-Copper, dia 12	4	4	4	4
37	501-1	Clip Hose Worm Drive 11-16mm	2	2	2	2
38	277-179	Insert-Banjo Hose, M12x1-4"	2	2	2	2
40	136-91	M8 x 20 Carriage Bolt	4	4	4	4
42	124-102	Setscrew M6C x 16	4	4	4	4
43	72369-2	Seat Mat Spacer	-	-	1	1
44	16-11	Dia.20 Y-Bearing	2	2	2	2
45	16-12	Dia.20 Y-Bearing Housing	2	2	2	2
46	460-10	M8 Spring Washer	4	4	4	4
47	420-14	M8 Full Nut	4	4	4	4
48	123-110	Bolt - M8C x 50	-	-	1	1
49	720945-1	Box - Pedal, RH W/Assy	-	1	-	1
50	721084-1	Pivot - Lower, Brake	-	1	-	1
51	836-8	Rubber - Pedal, Brake	1	1	1	1
52	721662-1	Cover - Brake Mechanism	1	-	1	-
54	721998-1	Bolt - Banjo, M12 x 1.5	2	2	2	2
62	722624-1	Cover - Brake Mechanism, RH	-	1	-	1

<b>Brake Mechanism Assembly</b> <b>BoM: 37104-51 to -54</b>
--

Item No.	Part No.	Description	37104-51	37104-52	37104-53	37104-54
			LH Sweeper Quantity	RH Sweeper Quantity	LH Washer Quantity	RH Washer Quantity
63	283-47	Clip - Retaining, KLM 16	2	2	2	2
64	722868-1	Mount - Brake Reservoir, W-Assy	1	1	1	1
65	722867-1	Reservoir - Brake Fluid, c-w Cap	1	1	1	1
66	722829-1	Adaptor - Hose Tail, Reservoir	2	2	2	2
67	29-44	Sleeve - End, Dia.25	1	1	1	1
68	24-9	Tie - Cable, 200x4.8mm	1	1	1	1
69	24-8	Tie - Cable, 98x2.5mm	1	1	1	1
70	721961-1	Bracket - Valve, Priority	-	-	1	1
72	497-C04	Hose - 1-4", Megaflex M1T Gates	3M	3M	3M	3M
73	74434-6	Tube - Washer	1.5M	1.5M	1.5M	1.5M
74	09570131-0	Stud Coupling Male G 1/2"xM18x1.5	2	2	1	-
75	09570105-0	Stud Coupling Male - M18x1.5	3	3	2	2
76	6615-2319	Adjustable Male Tee - M18 x 1.5	1	1	-	-
77	09518200-0	Test Point M18 X 1.5	1	1	-	-
78	123-116	Bolt M Coarse M8x80	1	1	-	-
79	7009593	Bracket	1	1	-	-
80	7009594	Spacer Ø12.7 X 30	1	1	-	-
81	265-4	Adaptor - G3/8 x G1/2	-	-	2	2
82	451-19	Washer - Bonded, G1/2	-	-	2	2
83	451-8	Washer - Bonded, G3/4	-	-	1	1
84	270-6	Adaptor - Straight Male	-	-	1	1
85	262-3	Elbow - Swivel, 90 deg.	-	-	2	2
86	255-40	Tee - M/F/M, 3/8" x 3/8" x 1/4"	-	-	1	1
87	451-17	Washer - Bonded, G1/4	-	-	2	2
88	66-7	Socket - Straight, 1/4" BSP	-	-	1	1
89	665-18	Valve - Test Point, G1/4	-	-	1	1
90	09570008-0	Cap Nut - M18 x 1.5	1	1	-	-
91	09572112-0	Plug Female - Tube O/D = 12mm	1	1	-	-
93	721665-1	Kit - Master Cylinder, Hose	1	-	1	-
94	721665-6	Kit - Master Cylinder, Hose	-	1	-	1
95	302-2	Connector - Straight Bulkhead, M18 x 1	1	1	-	-

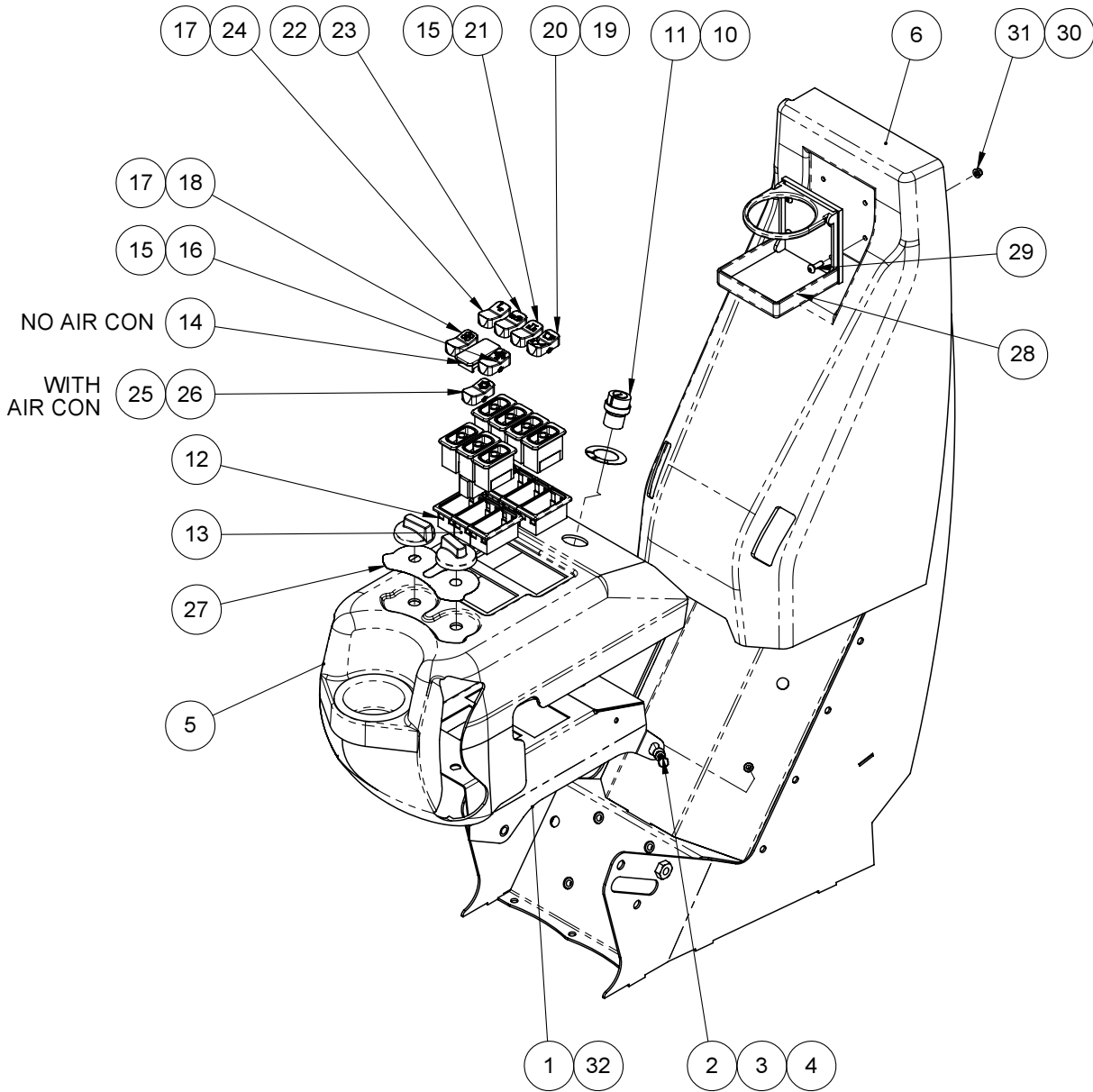
**Spares Only Items;**
**Item 12 comprises;**

720967-2	Boot - Rubber	1	1	1	1
720967-500	Kit - Seal	1	1	1	1



**Brake Mechanism Assembly**  
BoM: 37104-51 to -54

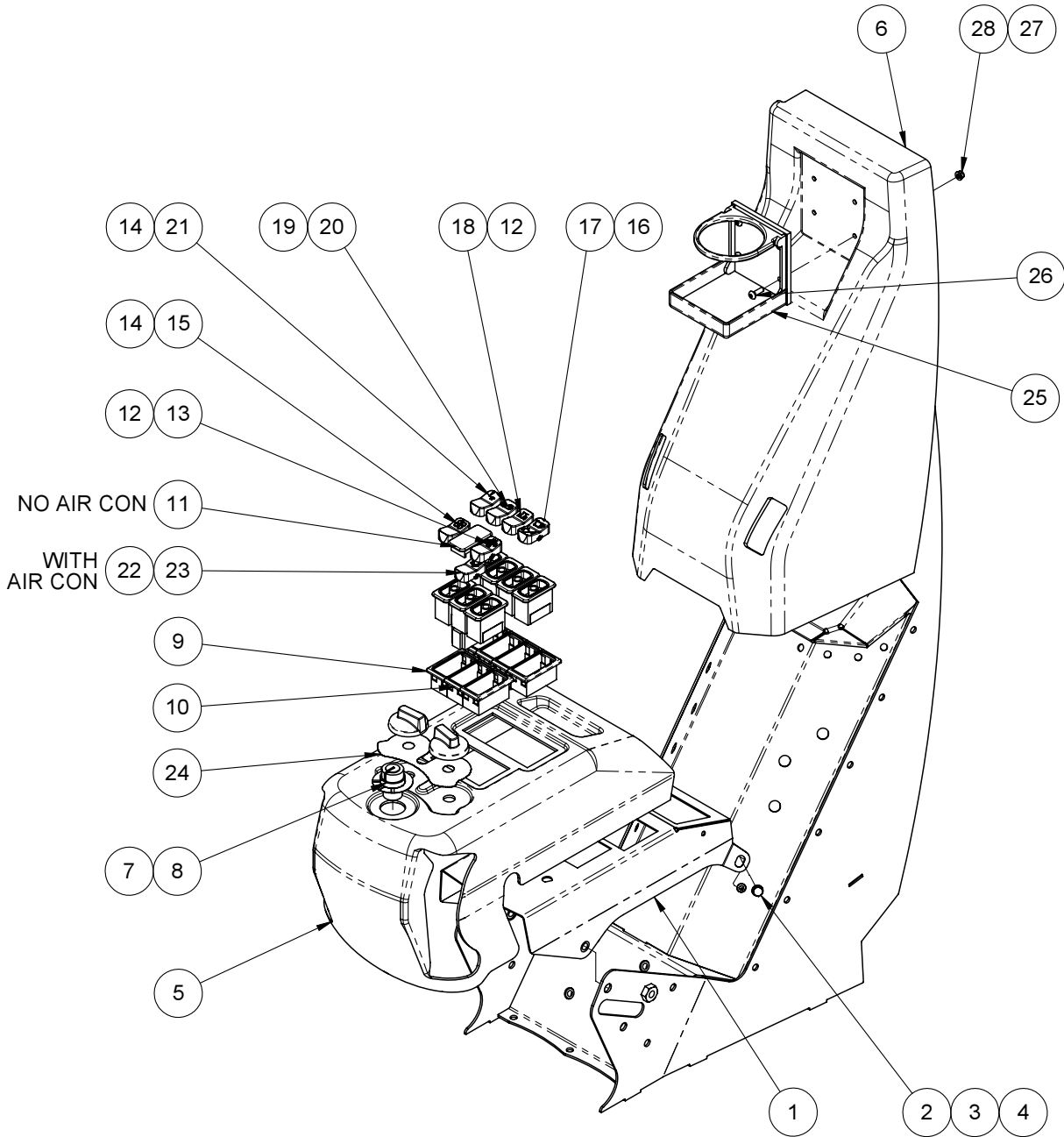
**Centre Console Assembly - MK1  
(up to chassis no. 3068768)  
BoM - 37127/51 & 2004/51**



**Centre Console Assembly - MK1**  
**(up to chassis no. 3068768)**  
 BoM - 37127/51 & 2004/51

Item No.	Part No.	Description	37127/51 Standard Quantity	2004/51 + A/C Quantity
1	721347/1	Mount-Centre Tunnel Control (fitted with MK1 handbrake)	1	1
2	124/102	Setscrew M6C x 16	2	2
3	460/8	Washer Spring Single Coil M6	2	2
4	455/8	Washer Plain Plated Steel M6	2	2
5	721573/1	Panel-Centre Control, Assy	1	1
6	721415/1	Cover - Intake Duct	1	1
7	-	-	-	-
8	-	-	-	-
9	-	-	-	-
10	741984/2	Label - Ignition Switch C200	1	1
11	56/46	Switch-Key,3 Position	1	1
12	735/70	Bezel - Mounting End Piece	4	4
13	735/71	Bezel - Mounting Centre Piece	3	3
14	735/60	Plug - Blanking	1	-
15	735/6	Switch -2 Position, Detent 12V	2	2
16	735/106	Cover -Rocker Supawash	1	1
17	735/7	Switch -3 Position, Detent 12V	2	2
18	735/204	Cover - Rocker, Heater Fan	1	1
19	735/8	Switch-3 Position, Spring 12V	1	1
20	735/122	Cover -Rocker Hopper Raise	1	1
21	735/108	Cover -Beacons	1	1
22	735/4	Switch - 2 Position Spring 12V	1	1
23	735/114	Cover -Rocker Suction Fan	1	1
24	735/127	Cover -Rocker Water Pump	1	1
25	735/1	Switch - 2 Position , Detent 12V	-	1
26	735/203	Cover - Rocker, Air Conditioning	-	1
27	721658/1	Label - Heater Valve	1	1
28	836/9	Holder - Cup, Happich	1	1
29	138/64	Screw - Skt Btn Hd, M5C x 16	4	4
30	455/7	Washer - Plain, M5	4	4
31	425/12	Nut - Nyloc, M5C	4	4
32	722870/1	Mount - Centre Tunnel (fitted with MK2 Handbrake)	1	1
<b>Spares Only Items:</b>				
	56/47	Key - Ignition	1	1

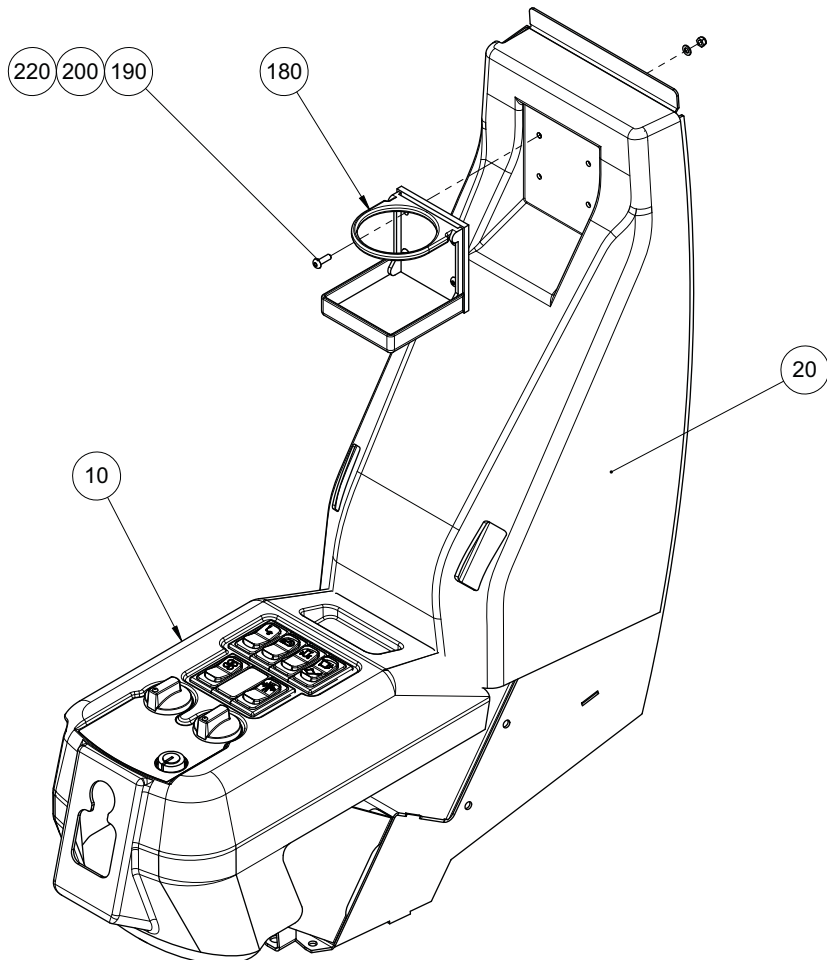
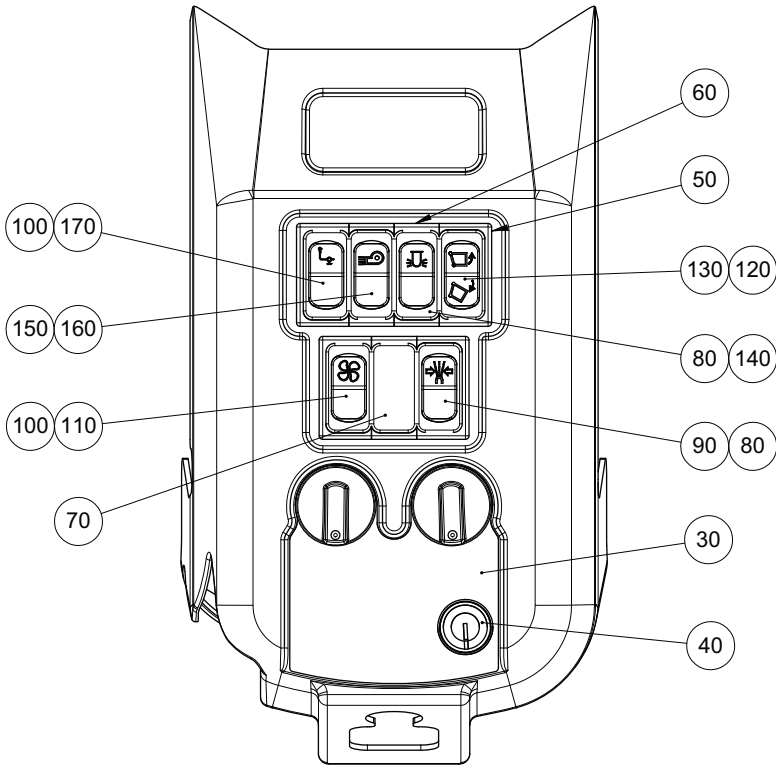
**Centre Console Assembly - MK2  
(from chassis no. 3068769 onwards)  
BoM - 37127/52 & 2004/51**



**Centre Console Assembly - MK2**  
(from chassis no. 3068769 onwards)  
BoM - 37127/52 & 2004/51

Item No.	Part No.	Description	37127/52 Standard Quantity	2004/51 + A/C Quantity
1	722860/1	Mount-Centre Tunnel Control	1	1
2	124/102	Setscrew M6C x 16	2	2
3	460/8	Washer Spring Single Coil M6	2	2
4	455/8	Washer Plain Plated Steel M6	2	2
5	722857/1	Panel - Centre, Control MK2	1	1
6	721415/1	Cover - Intake Duct	1	1
7	741984/2	Label - Ignition Switch C200	1	1
8	56/46	Switch-Key,3 Position	1	1
9	735/70	Bezel - Mounting End Piece	4	4
10	735/71	Bezel - Mounting Centre Piece	3	3
11	735/60	Plug - Blanking	1	-
12	735/6	Switch -2 Position, Detent 12V	2	2
13	735/106	Cover -Rocker Supawash	1	1
14	735/7	Switch -3 Position, Detent 12V	2	2
15	735/204	Cover - Rocker, Heater Fan	1	1
16	735/8	Switch-3 Position, Spring 12V	1	1
17	735/122	Cover -Rocker Hopper Raise	1	1
18	735/108	Cover -Beacons	1	1
19	735/4	Switch - 2 Position Spring 12V	1	1
20	735/114	Cover -Rocker Suction Fan	1	1
21	735/127	Cover -Rocker Water Pump	1	1
22	735/1	Switch - 2 Position , Detent 12V	-	1
23	735/203	Cover - Rocker, Air Conditioning	-	1
24	721658/1	Label - Heater Valve	1	1
25	836/9	Holder - Cup, Happich	1	1
26	138/64	Screw - Skt Btn Hd, M5C x 16	4	4
27	455/7	Washer - Plain, M5	4	4
28	425/12	Nut - Nyloc, M5C	4	4
<b>Spares Only Items:</b>				
	56/47	Key - Ignition	1	1

**Centre Console Assembly (Hydraulic Handbrake)**  
BoM: 37127-53

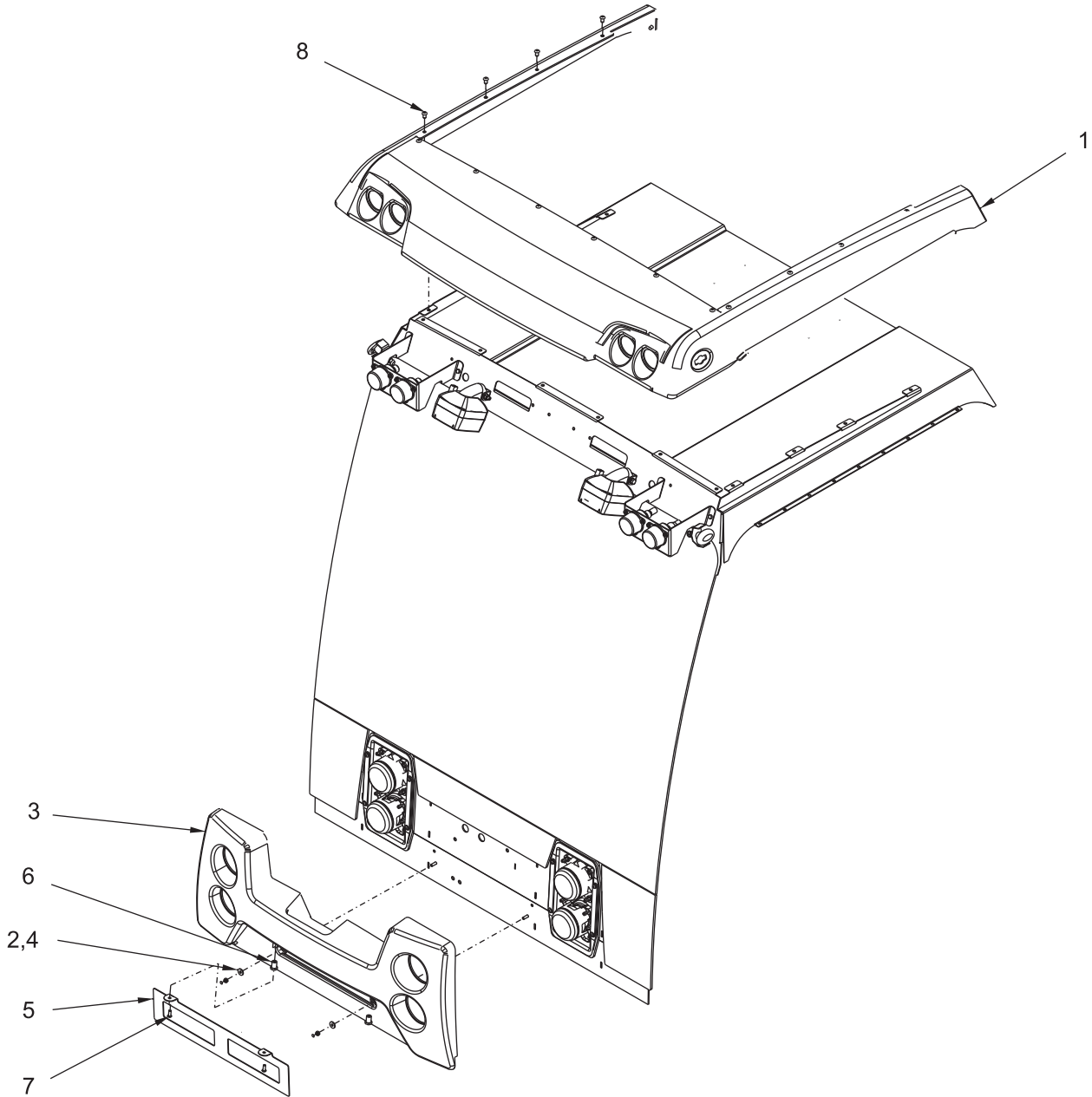


## Centre Console Assembly (Hydraulic Handbrake)

BoM: 37127-53

Item No.	Part No.	Description	Quantity
10	7007491	Control panel	1
20	721415-1	Cover - Intake Duct	1
30	7007364	Label	1
40	56-46	Switch-Key,3 Position	1
50	735-70	Bezel - Mounting End Piece	4
60	735-71	Bezel - Mounting Centre Piece	3
70	735-60	Plug - Blanking	1
80	735-6	Switch-2 Position, Detent 12V	2
90	735-106	Cover - Rocker Supawash	1
100	735-7	Switch-3 Position, Detent 12V	2
110	735-204	Cover - Rocker Heater Fan	1
120	735-8	Switch-3 Position, Spring 12V	1
130	735-122	Cover - Rocker Hopper Raise	1
140	735-108	Cover - Beacons	1
150	735-4	Switch-2 Position, Spring 12V	1
160	735-114	Cover - Rocker Suction Fan	1
170	735-127	Cover - Rocker Water Pump	1
180	836-9	Cup Holder - Black	1
190	138-64	Screw - Skt Button Hd M5cx16	4
200	93210109-0	Plain Washer M5	4
220	425-12	Nut Nyloc Hex MC M5	4

**Cab External Moulding Assembly**  
BoM - 37132/1

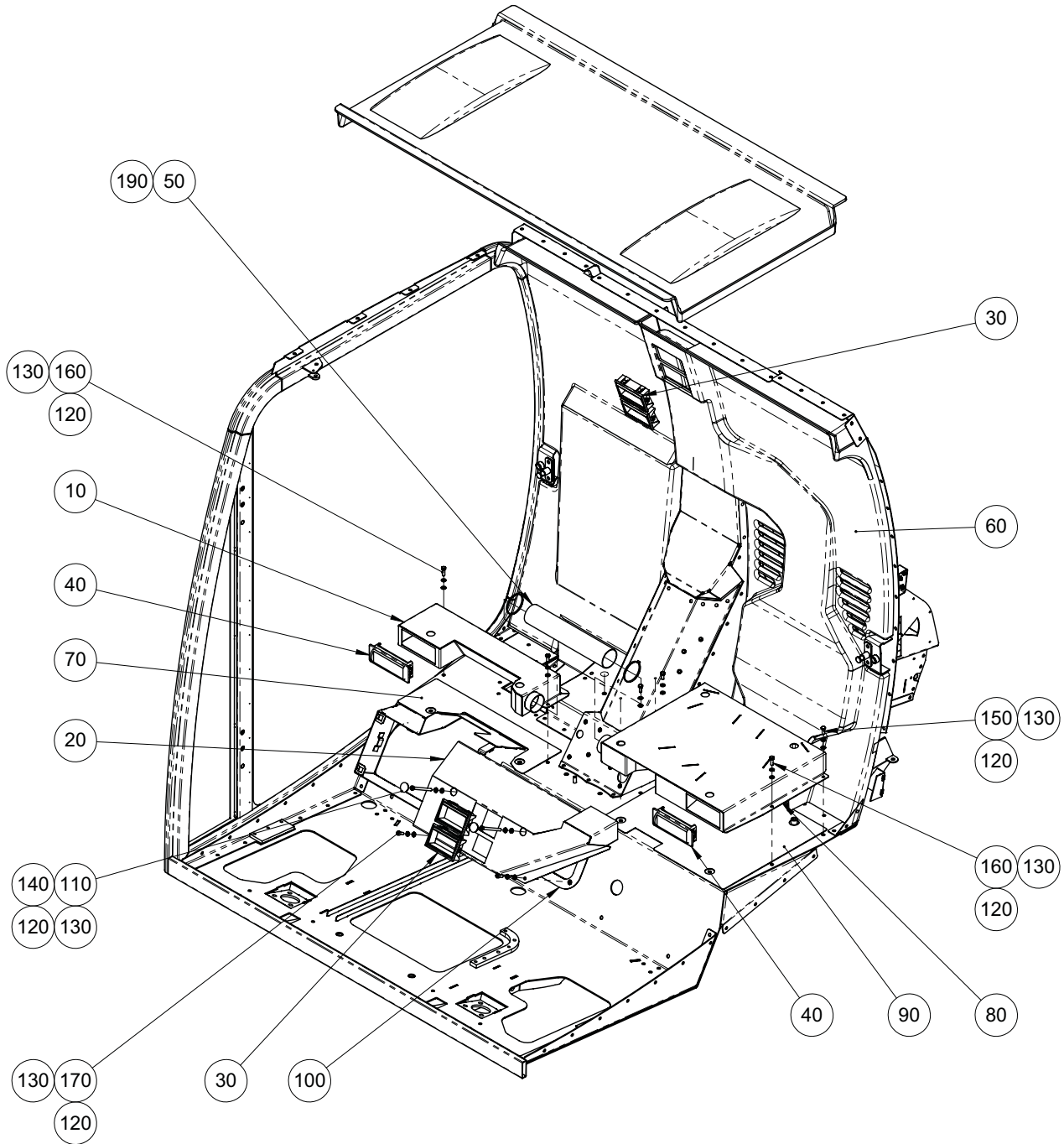




**Cab External Moulding Assembly  
BoM - 37132/1**

<b>Item No.</b>	<b>Part No.</b>	<b>Description</b>	<b>Quantity</b>
1	720722/1	Moulding - Roof	1
2	454/47	Washer - Repair, M6 St.Stl.	2
3	721104/1	Fascia - Front	1
4	417/6	Nut - Nyloc, M6C St.Stl.	2
5	722209/1	Mount - Number Plate	1
6	290/39	Fastener - Anti Vibration, M6C	2
7	138/93	Screw - Skt Btn Hd, M6C x 16	2
8	75/100	Push Rivet - Nylon	16

**Heater Ducting & Trim Assembly**  
BoM - 37135-1 & -2



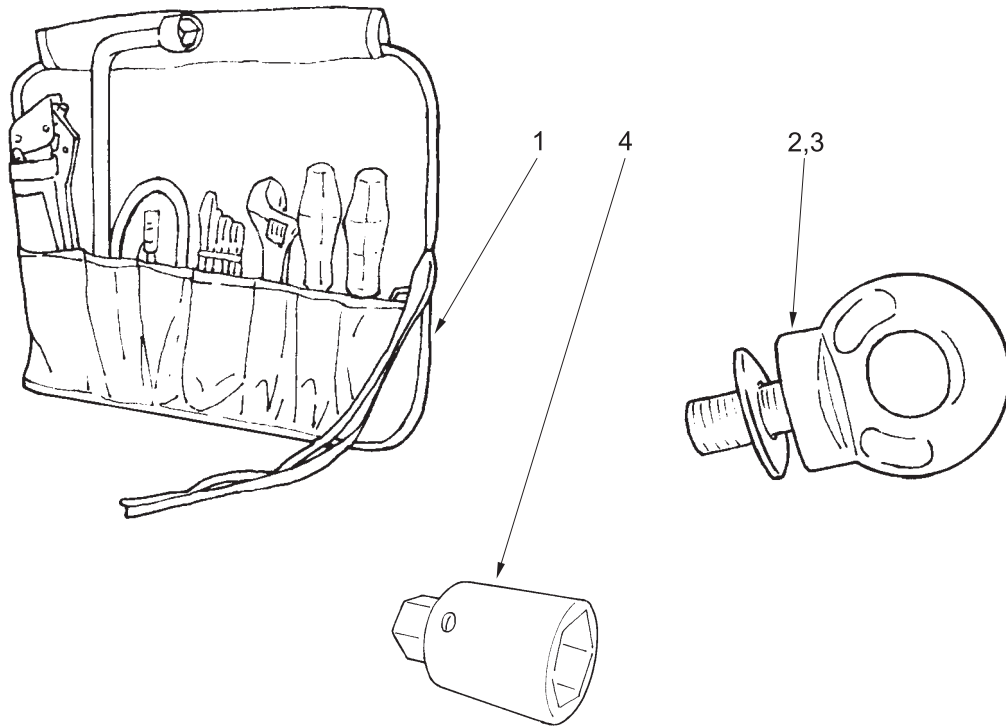
<b>Heater Ducting &amp; Trim Assembly</b> BoM - 37135-1 & -2
---

Item No.	Part No.	Description	37135-1 Quantity	37135-2 Quantity
10	721433-1	Duct-Heater, R/H W/Assy	1	1
20	721427-1	Duct - Centre, W/Assy	1	1
30	220-238	Vent-Rectangular Heater	4	4
40	220-239	Vent - Rectangular Vent	2	2
50	276-21	Ducting - Tension, 50mm ID	0.3M	1M
60	721519-1	Trim, Soft - Kit	1	1
70	721981-1	Gasket - Heater	1	1
80	7009191	Mount Weld assembly	-	1
	721405-1	Mount-Seat & Duct, Heater W/Asy	1	-
90	721982-1	Gasket - Heater, Large	1	1
100	721983-1	Gasket - Heater, Centre	1	1
110	288-18	Grommet 3/8" OD x 1/8" Blind	2	2
120	93212009-0	Plain Washer M6	10	10
130	93699708-0	Spring Washer - Plated M6	10	10
140	92137093-0	Hex Socket Cap Screw - M6Cx75 - 12.9	2	2
150	92097299-0	Hex Head Screw M6Cx16 8.8	2	4
160	92097301-0	Hex Head Screw M6Cx20 8.8	2	2
170	92137079-0	Hex Socket Cap Screw - M6Cx16 - 12.9	2	2
190	24-9	Cable Tie-Black, 200 x 4.8 mm	2	2

**Note:****Item 60 comprises;**

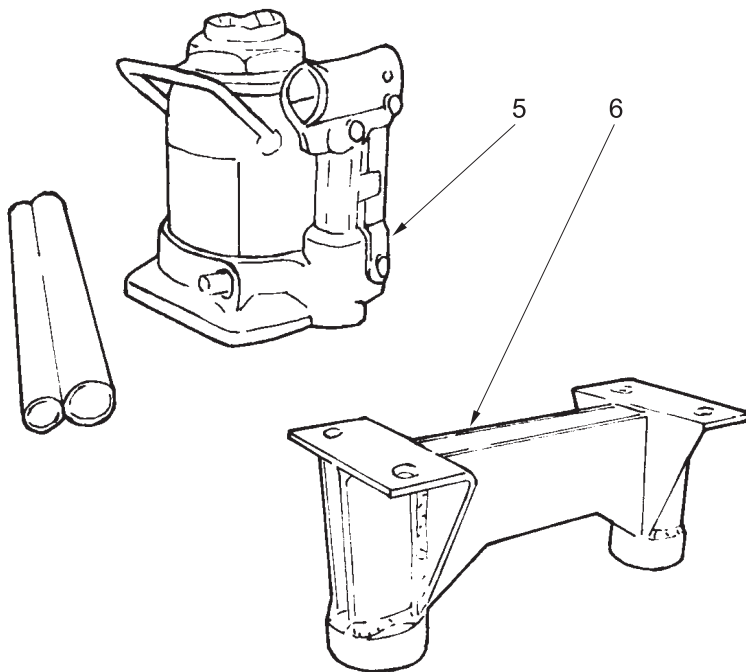
720783-1	Soft Trim - Rear Panel, LH
720782-1	Soft Trim - Roof Lining
720784-1	Soft Trim - Rear Panel, RH

**Tool Kit Assembly**  
**BoM - 37083/1**



**Note:**

Items are located under passenger seat inside cab



<b>Tool Kit Assembly BoM - 37083/1</b>
--

<b>Item No.</b>	<b>Part No.</b>	<b>Description</b>	<b>Quantity</b>
1	74719/1	Tool Kit	1
2	74647/1	Eye - Lifting/Restraining	4
3	453/11	Washer 2"ODx7/8"IDx1/8" Rubber	4
4	72930/1	Adaptor Assy - Wheel Brace	1
5	70222/1	Jack	1
6	75499/1	Front Jacking Point W/Assy	1



## CHAPTER

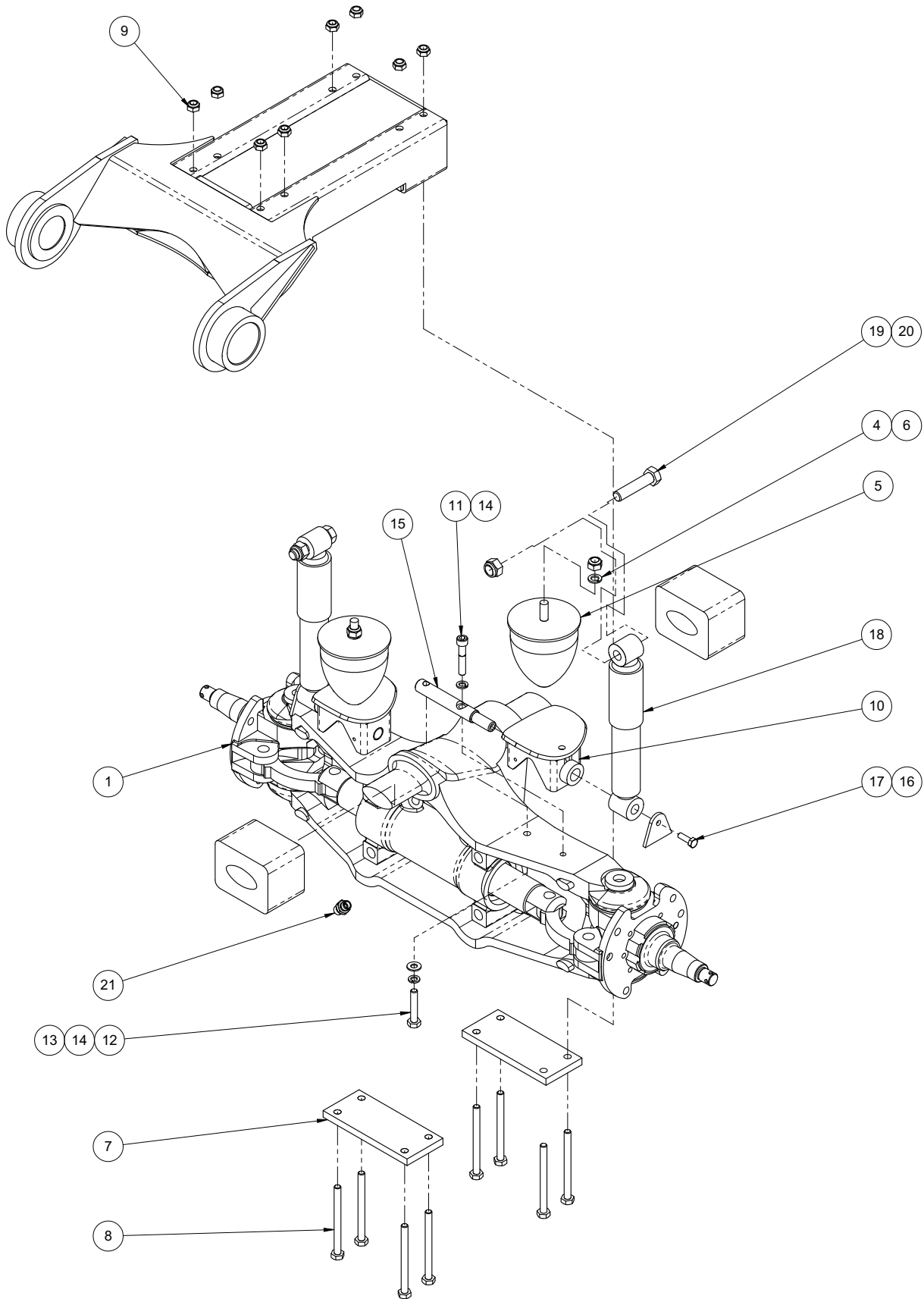
## 2

## Chassis

## Table of Contents

Section	Page
Front Axle & Cone Suspension Assembly	2 : 2
Front Axle & Coil Suspension Assembly	2 : 4
Front Suspension Cone Mount Assembly	2 : 8
Front Wheel & Hub Assembly	2 : 10
Front Brake Assembly	2 : 12
Front Axle Kit Assembly	2 : 14
Wheel Motor Mounting (Cone Suspension) Assembly	2 : 16
Wheel Motor Mounting (Coil Suspension) Assembly	2 : 18
Rear Cone Suspension Mount Assembly	2 : 20
Rear Wheel & Motor Assembly (Euro 4/Tier 3)	2 : 22
MK1 Chassis Brace Assembly (Euro 4)	2 : 24
MK2 Chassis Brace Assembly (Euro 4/5)	2 : 26
Chassis Brace Assembly (Tier 3)	2 : 28
Heater Pipe Assembly (Euro 4/5)	2 : 30
Heater Pipe Assembly (Tier 3)	2 : 32
Rear Wheel Motor Spares	2 : 34
Side Locker Assembly - CW200	2 : 36
Fuel Tank Assembly (Euro 4/5)	2 : 38
Fuel Tank Assembly (Tier 3)	2 : 40
Chassis Assembly (Euro 4)	2 : 42
Chassis Assembly (Euro 5)	2 : 44
Service Brake Hoses	2 : 46
Rear Wheel & Motor Assembly (Euro 5/Tier 3)	4 : 48

**Front Axle & Cone Suspension Assembly**  
BoM: 37076-1





## Front Axle &amp; Cone Suspension Assembly

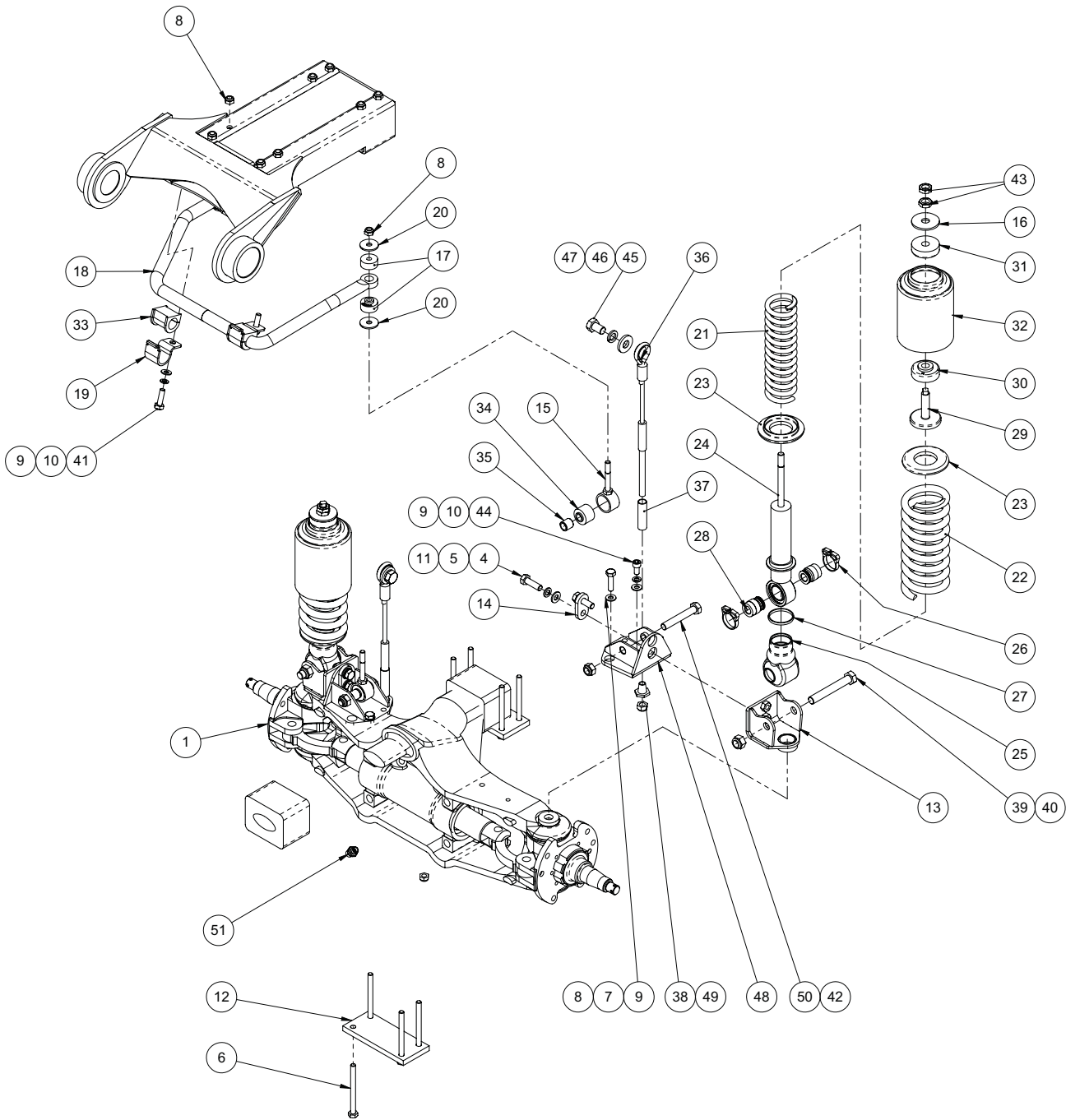
BoM: 37076-1

Item No.	Part No.	Description	Quantity
1	720217-1	Axle - Steering, Drilled	1
4	460-12	Washer Spring Single Coil M12	2
5	70699-2	Buffer- Large	2
6	425-16	Nut Nyloc Hex MC M12	2
7	76622-1	Plate - Retaining	2
8	123-142	Bolt M Coarse M10x120	8
9	425-15	Nut Nyloc Hex MC M10	8
10	75185-1	Suspension Pedestal	2
11	129-163	Screw MC Cap Skt Hd M10x55	2
12	123-131	Bolt M Coarse M10x55	2
13	455-11	Washer Plain Plated Steel M10	2
14	460-11	Washer Spring Single Coil M10	4
15	72249-1	Spindle - Pedestal	2
16	72252-1	Washer - Special	2
17	124-137	Setscrew M8C x 25	2
18	72042-1	Shock Absorber	2
19	120-83	Bolt Hex Hd M16Fx70	2
20	425-5	Nut Nyloc Hex MF M16	2
21	09570051-0	Coupling - Male Stud, M14 x 1.5	2

**Spares only items;****Item 1 comprises;**

72266-13	Steering Cylinder Assembly	1
74012-8	Block - Rubber	2

**Front Axle & Coil Suspension Assembly**  
**BoM: 37076-51**



**Front Axle & Coil Suspension Assembly**  
BoM: 37076-51

Item No.	Part No.	Description	Quantity
1	720217-1	Axle - Steering, Drilled	1
4	124-207	Setscrew M12C x 40	4
5	460-12	Washer Spring Single Coil M12	4
6	123-142	Bolt M Coarse M10x120	8
7	124-175	Setscrew M10C x 40	2
8	425-15	Nut Nyloc Hex MC M10	12
9	455-11	Washer Plain Plated Steel M10	6
10	460-11	Washer Spring Single Coil M10	4
11	455-12	Washer Plain Plated Steel M12	4
12	76622-1	Plate - Retaining	2
13	721373-1	Mount-Bottom,Front Damper Wssy	2
14	76968-1	Plate-Clamp, Anti-Roll Bar Mtg	2
15	76966-1	Link, Anti-Roll Bar W/Assy	2
16	720191-1	Washer - Damper Top	2
17	76969-1	Bush - Anti Roll Bar, End	4
18	76889-3	Bar-Front, Anti-Roll Dia. 25	1
19	720497-1	Clamp - Anti-Roll Bar	2
20	76972-1	Washer, Anti-Roll Bar	4
21	76987-1	Spring-Suspension,Front(Inner)	2
22	76987-2	Spring-Suspension,Front(Outer)	2
23	76989-1	Spring - Seat	4
24	721990-1	Damper-Front, C200. Assy	2
25	721491-1	Bearing-Boot,Damper Heavy Duty	2
26	502-8	Clip - Hose 29-32 Snapper	4
27	24-10	Cable Tie-Black, 368 x 4.8 mm	2
28	721374-1	Boss-Front Damper,Bottom Mount	4
29	76991-1	Damper Top	2
30	720373-1	Bush - Damper Top, Lower	2
31	720374-1	Bush - Damper Top, Upper	2
32	720324-1	Sheath - Suspension Unit	2
33	76970-3	Bush - Anti Roll Bar, Clamp	2
34	290-24	Bush - Novibra Type	2
35	722549-1	Spacer - Anti-Roll Bar	2
36	79184-1	Stirrup Cable - Front Axle	2
37	273-12	Tube - Nylon 15 od 1.5 thk	0.13M
38	425-16	Nut Nyloc Hex MC M12	2
39	123-193	Bolt M Coarse M16x110	2
40	425-18	Nut Nyloc Hex MC M16	2
41	123-126	Bolt M Coarse M10x35	2
42	425-17	Nut Nyloc Hex MC M14	2
43	421-5	Locknut MF Hex M16	4
44	129-152	Screw MC Cap Skt Hd M10x20	2
45	124-265	Setscrew M16C x 25	2
46	460-14	Washer Spring Single Coil M16	2
47	79191-1	Special Washer	2

**Front Axle & Coil Suspension Assembly****BoM: 37076-51**

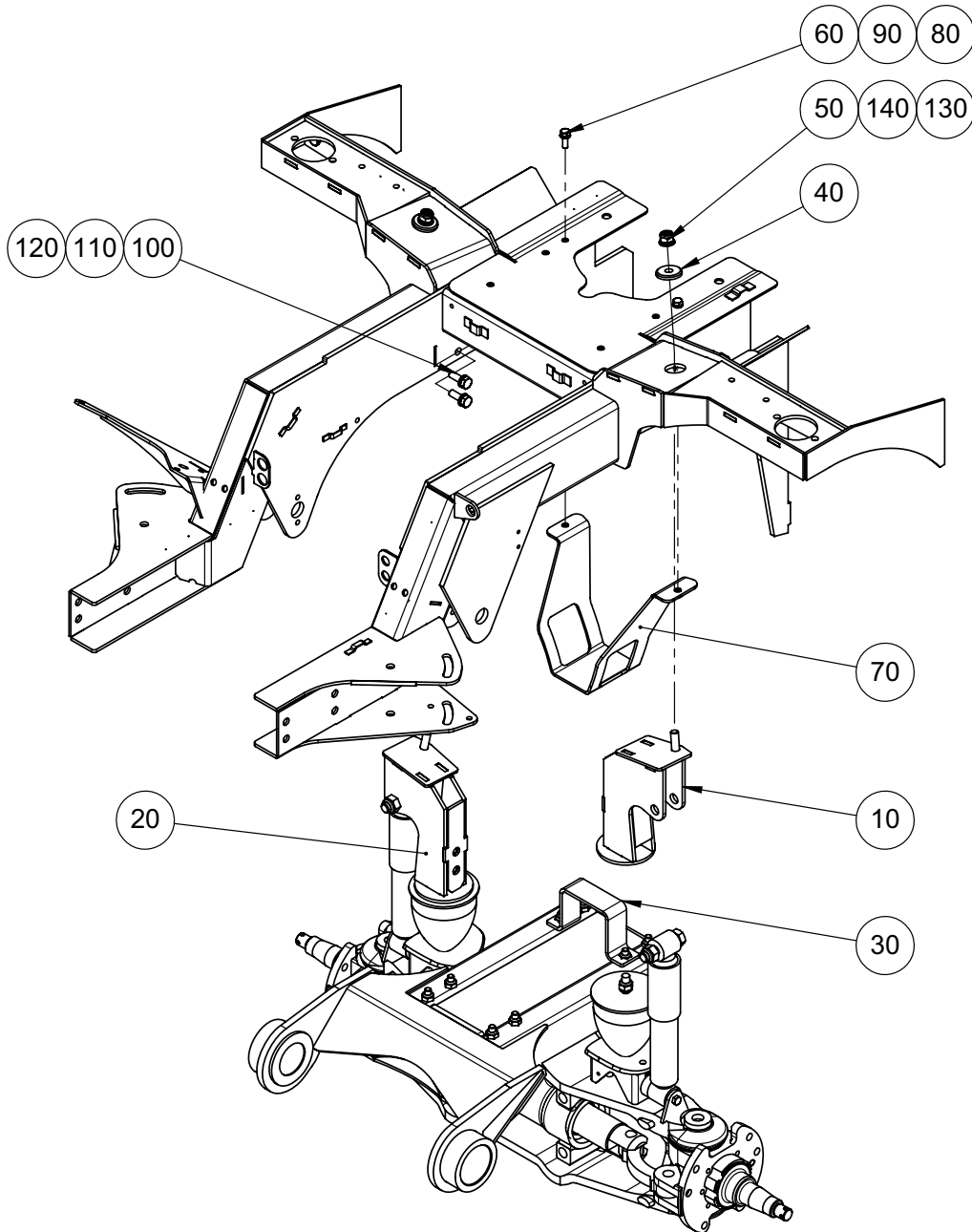
<b>Item No.</b>	<b>Part No.</b>	<b>Description</b>	<b>Quantity</b>
48	720427-1	Bracket-Mtg, Anti-Roll Bar W/A	2
49	720496-1	Boss-Locking Guide,Check Strap	2
50	123-173	Bolt M Coarse M14x90 BS3692	2
51	09570051-0	Stud Coupling - Male, M14 x 1.5	2

**Spares only items;****Item 1 comprises;**

72266-13	Steering Cylinder Assembly	1
74012-8	Block - Rubber	2

**Front Axle & Coil Suspension Assembly**  
BoM: 37076-51

**Front Suspension Cone Mount Assembly**  
BoM - 37133/1 & /2

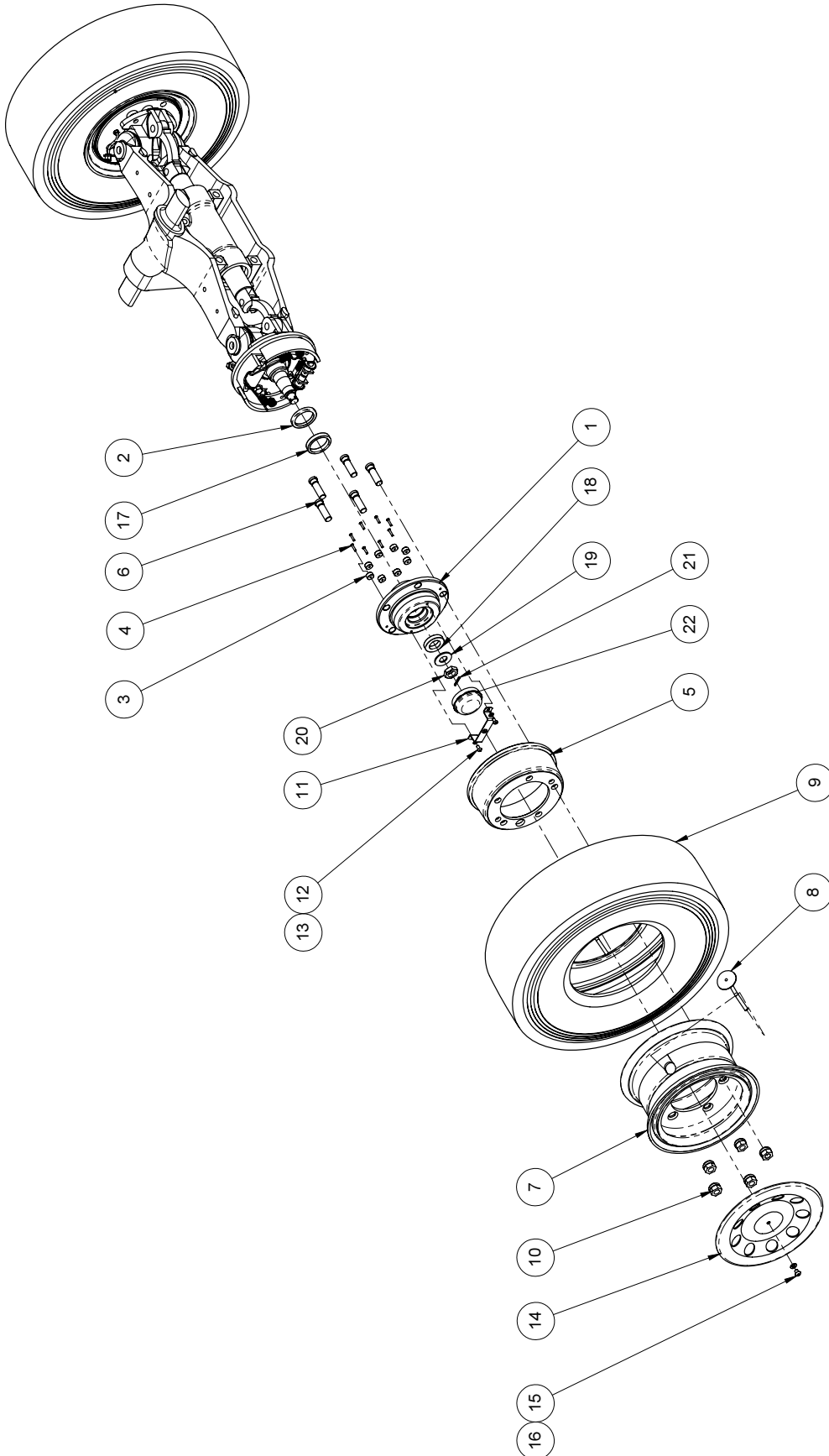


<b>Front Suspension Cone Mount Assembly</b> <b>BoM - 37133/1 &amp; /2</b>
--

37133-1 S/A Front Suspension Cone Mount (Euro 4)  
 37133-2 S/A Front Suspension Cone Mount 2009 (Euro 5)

Item No.	Part No.	Description	37133-1 Quantity	37133-2 Quantity
10	723061-1	Mount - Front Cone LH W/Assy	1	1
20	723061-2	Mount - Front Cone RH W/Assy	1	1
30	72646-1	Retainer Strap	1	1
40	72393-1	Clamp - Washer	2	2
50	93085807-0	Z Nyloc Hex Nut M12C - 8	2	2
60	92097376-0	Hex Head Screw M8Cx25 8.8	2	2
70	720210-1	Limiters-Travel, Front Axle W/A	1	-
	7010690	Travel Limiter W/Assy	-	1
80	93212011-0	Plain Washer M8	2	2
90	93699710-0	Spring Washer - Plated M8	2	2
100	92097414-0	Hex Head Screw M10Cx30 8.8	4	4
110	93212012-0	Plain Washer M10	4	4
120	93699711-0	SPRING WASHER - PLATED M10	4	4
130	93212013-0	Plain Washer M12	2	2
140	93699712-0	FEDERRING 12,2/21,1X2,1 A2B DIN128	2	2

**Front Wheel & Hub Assembly**  
BoM - 37077/1





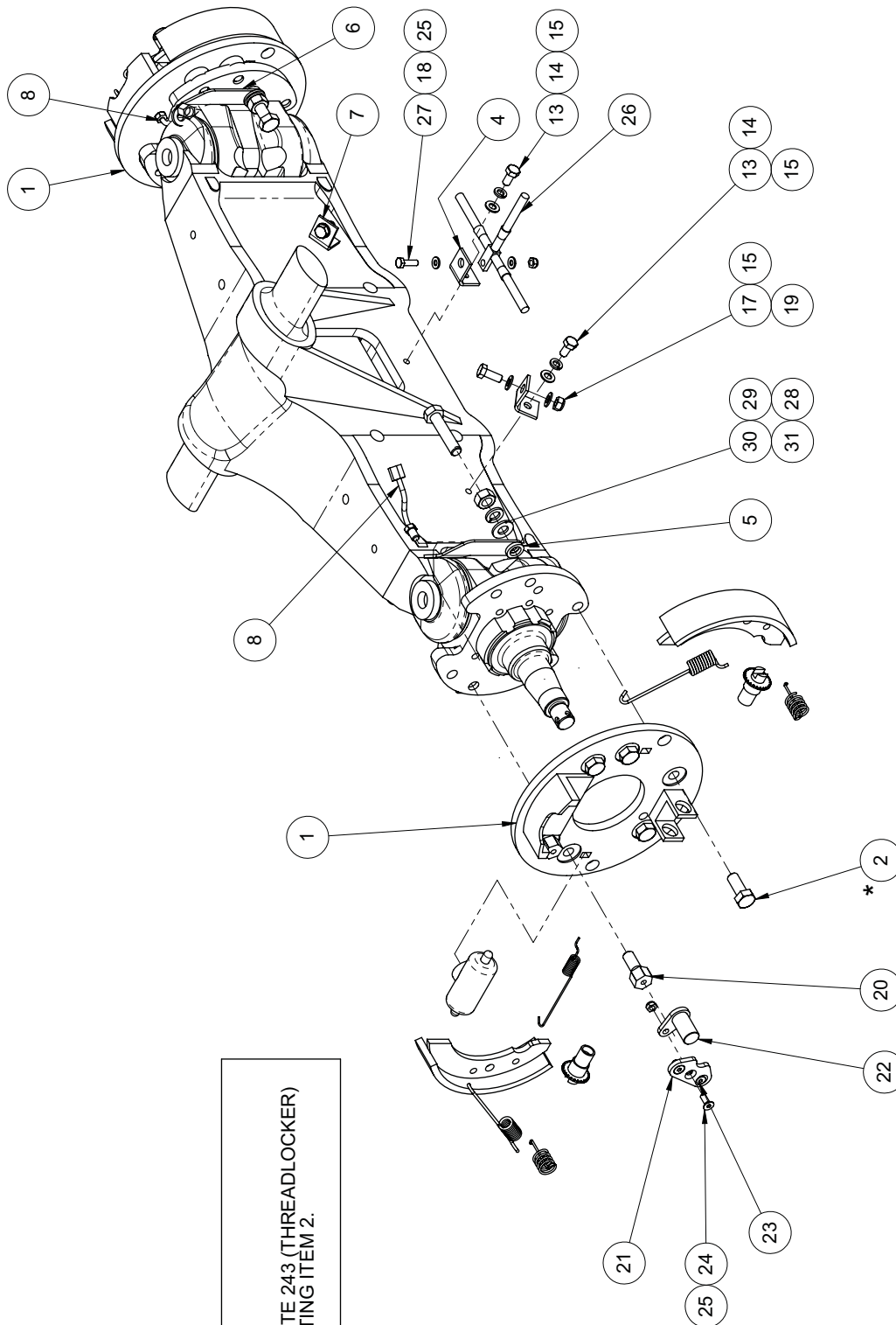
<b>Front Wheel &amp; Hub Assembly</b> <b>BoM - 37077/1</b>
---

Item No.	Part No.	Description	Quantity
1	76197/1	Hub - Front	2
2	77/34	Oil Seal Double Lip 50x65x8	2
3	76349/1	Boss - sensor pick-up	8
4	131/36	Screw MC Csk Skt Hd M4x20	8
5	75332/1	Drum - Brake	2
6	75356/1	Wheel Stud	10
7	75191/1	Front Wheel Rim Assy	2
8	216/17	Valve - Tyre	2
9	216/13	Tyre 6.5R10 (c/w tube & flap)	2
10	215/4	Nut - Wheel M16x1.5	10
11	720129/1	Bracket - Wheel Hub, W/Assy	2
12	138/91	Screw - Skt Button Hd M6cx12	4
13	460/8	Washer Spring Single Coil M6	4
14	75581/1	Trim - Wheel	2
15	138/119	Screw - Skt Button Hd M8cx10	2
16	455/10	Washer Plain Plated Steel M8	2
17	11/18	Bearing - Taper Roller	2
18	11/17	Bearing - Taper Roller	2
19	75500/4	Washer - Thrust	2
20	422/7	Nut - Slotted, M20 x 1.50	2
21	500/136	Split Pin	2
22	74012/6	Bearing Cap	2

**Note:**

75847/1 Wheel / Tyre Assy; comprises items 7-9

**Front Brake Assembly**  
BoM: 37078-51



NOTE:  
\* USE LOCTITE 243 (THREADLOCKER)  
WHEN FITTING ITEM 2.

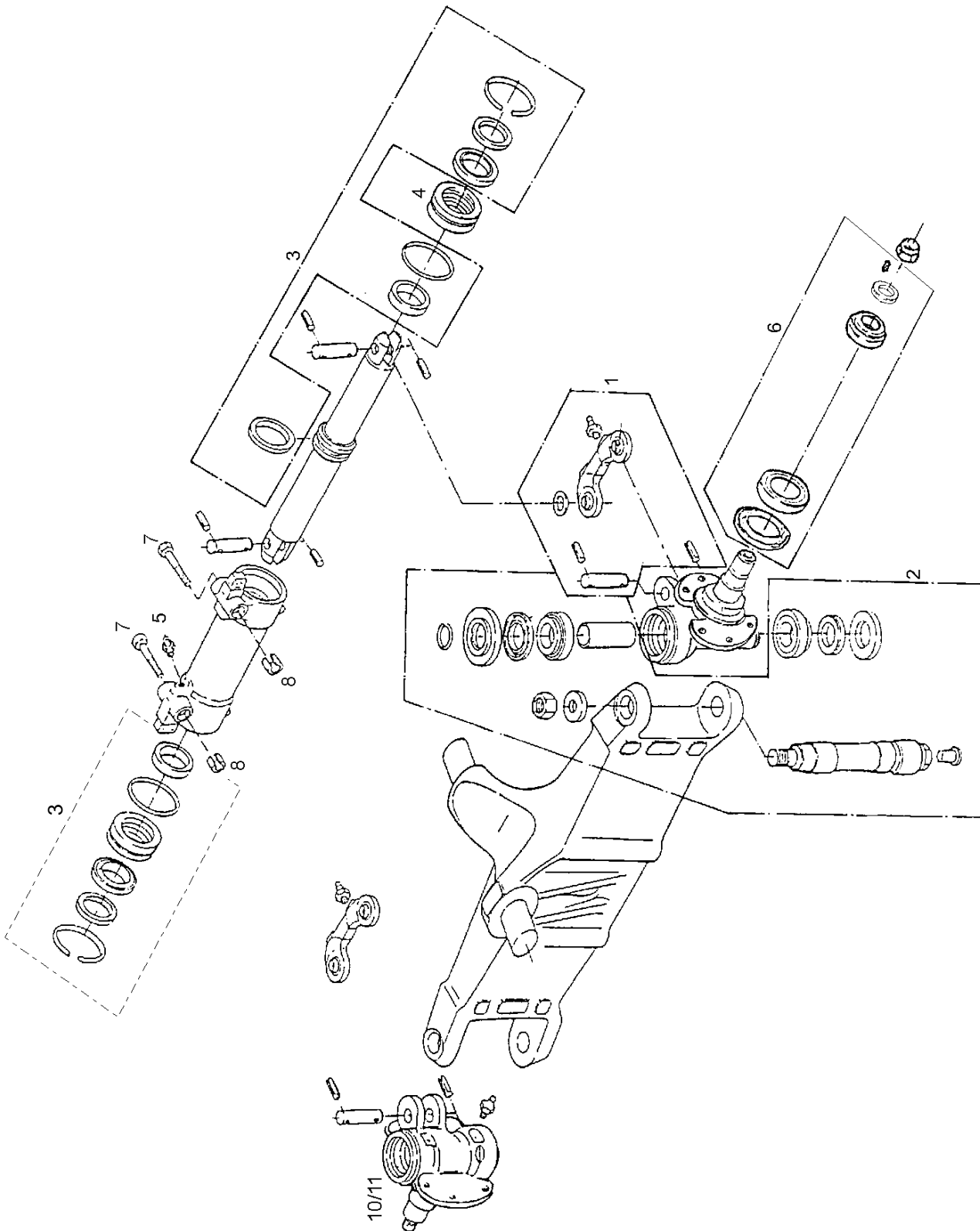
**Front Brake Assembly**  
**BoM: 37078-51**

Item No.	Part No.	Description	Quantity
1	721951-1	Plate-Back, Brake, Assy	2
2	124-203	Setscrew M12C x 30	10
4	73025-1	Anchor - Bracket	1
5	720219-1	Bracket-Bulkhead, W-Assy L-H	1
6	720219-2	Bracket-Bulkhead. W-Assy R-H	1
7	73025-2	Bracket-anchor, Brake Hose	2
8	722414-1	Pipe-Brake, Axle Backplate	2
13	124-134	Setscrew M8C x 16	3
14	460-10	Washer Spring Single Coil M8	3
15	455-10	Washer Plain Plated Steel M8	12
17	425-14	Nut Nyloc Hex MC M8	2
18	455-8	Washer Plain Plated Steel M6	2
19	124-135	Setscrew M8C x 20	2
20	75257-2	Special Bolt - Sensor Mount	2
21	76350-1	Plate - Detec Sensor Mount	1
22	721576-1P	Sensor - Road Speed C200 ASSY	1
23	131-91	Screw MC Csk Skt Hd M6x12	2
24	131-93	Screw MC CSk Skt Hd M6x16	1
25	425-13	Nut Nyloc Hex MC M6	2
26	722397-1	Hose - Brake, Front	1
27	124-103	Setscrew - M6C x 20	1
28	123-149	Bolt - M12C x 55	2
29	460-12	Washer - Spring, M12	2
30	455-12	Washer - Plain, M12	2
31	420-16	Nut - Full, M12C	2

**Spares only items:****Item 1 comprises;**

225-47	Cylinder - Wheel, Front	2
225-13	Kit - Brake Shoes, Front Axle	2
225-34	Kit - Shoe Spring	2

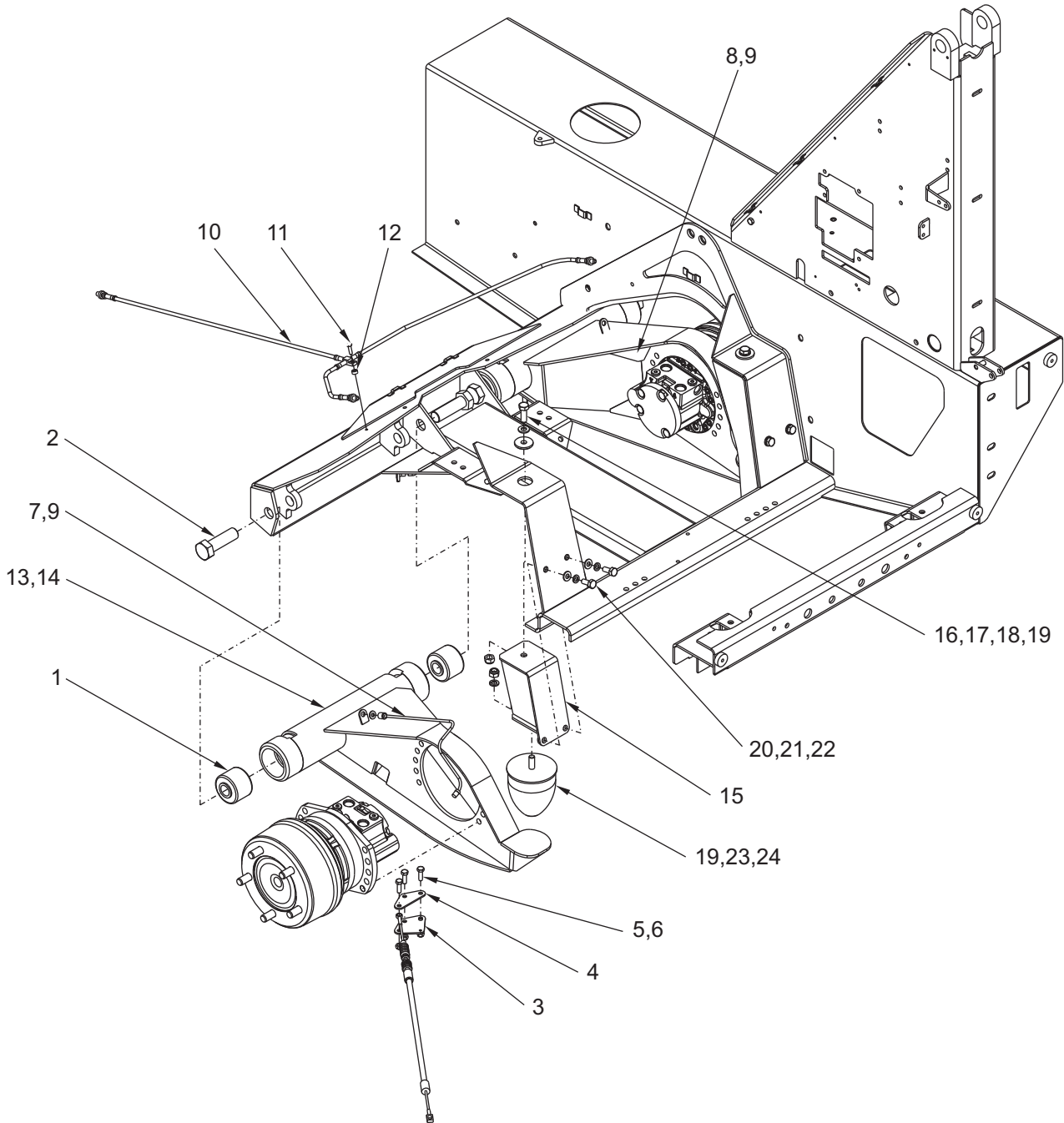
**Front Axle Kit Assembly**  
BoM - n/a



**Front Axle Kit Assembly  
BoM - n/a**

<b>Item No.</b>	<b>Part No.</b>	<b>Description</b>	<b>Quantity</b>
1	810/110	Tie Rod Pin Bush Repair Kit	1
2	810/115	King Pin Steer Pivot Kit	1
3	810/125	Steer Ram Overhaul Kit	1
4	810/127	Guide Bush	1
5	810/130	Stud	2
6	75500/2	Wheel Bearing Kit	1
7	72266/14	Bolt - Cylinder to Axle	2
8	72266/15	Spring - Cotter, Cylinder to Axle	2
9	-	-	-
10	810/143	Stub Axle - LH	1
11	810/144	Stub Axle - RH	1

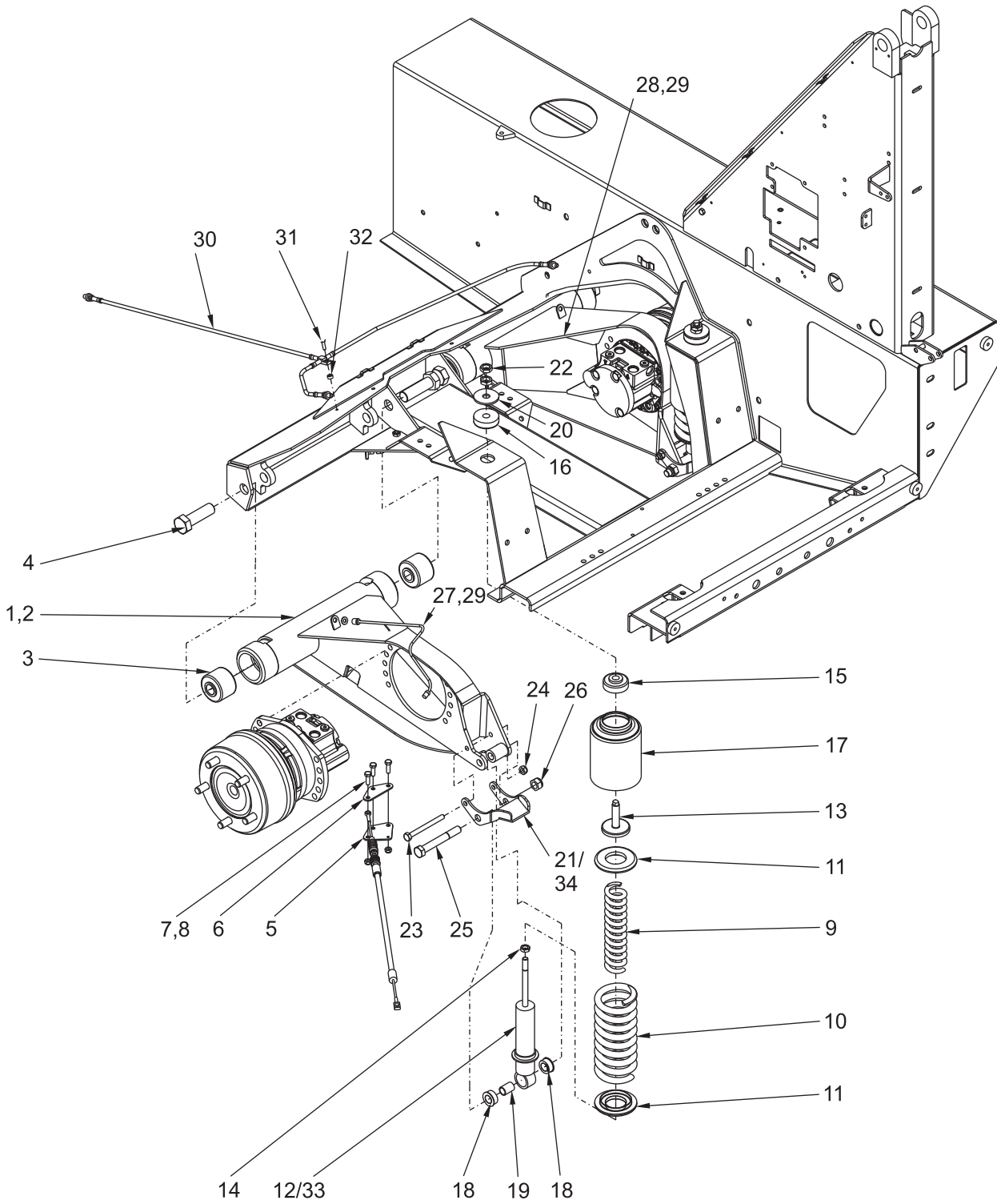
**Wheel Motor Mounting (Cone Suspension) Assembly**  
BoM - 37031/5



<b>Wheel Motor Mounting (Cone Suspension) Assembly</b> <b>BoM - 37031/5</b>
--

Item No.	Part No.	Description	Quantity
1	70698/1	Bush	4
2	100/114	Bolt UNF 1"x 3 1/4	4
3	720337/1	Plate - Bottom, Handbrake	1
4	720338/1	Plate - Top, Handbrake	1
5	124/137	Setscrew M8 x 25	3
6	425/14	Nut Nyloc Hex MC M8	3
7	722427/1	Pipe - Suspension Brake, LH	1
8	722427/2	Pipe - Suspension Brake, RH	1
9	455/10	Washer Plain Plated Steel M8	2
10	721035/1	Pipe-Suspension Brake, Centre	1
11	124/103	Setscrew M6 x 20	1
12	71229/1	Spacer	1
13	720645/1	Arm-Trailing, L/H W/Assy	1
14	720646/1	Arm - Trailing, R/H W/Assy	1
15	720184/1	Mount-Rear Cone. W/Assy	2
16	72393/1	Clamp - Washer	1
17	124/205	Setscrew M12C x 35	2
18	455/12	Washer Plain Plated Steel M12	2
19	425/16	Nut Nyloc Hex MC M12	4
20	124/169	Setscrew M10C x 25	4
21	460/11	Washer Spring Single Coil M10	4
22	455/11	Washer Plain Plated Steel M10	4
23	70699/2	Buffer- Large	2
24	460/12	Washer Spring Single Coil M12	2

**Wheel Motor Mounting (Coil Suspension) Assembly**  
BoM - 37031/6





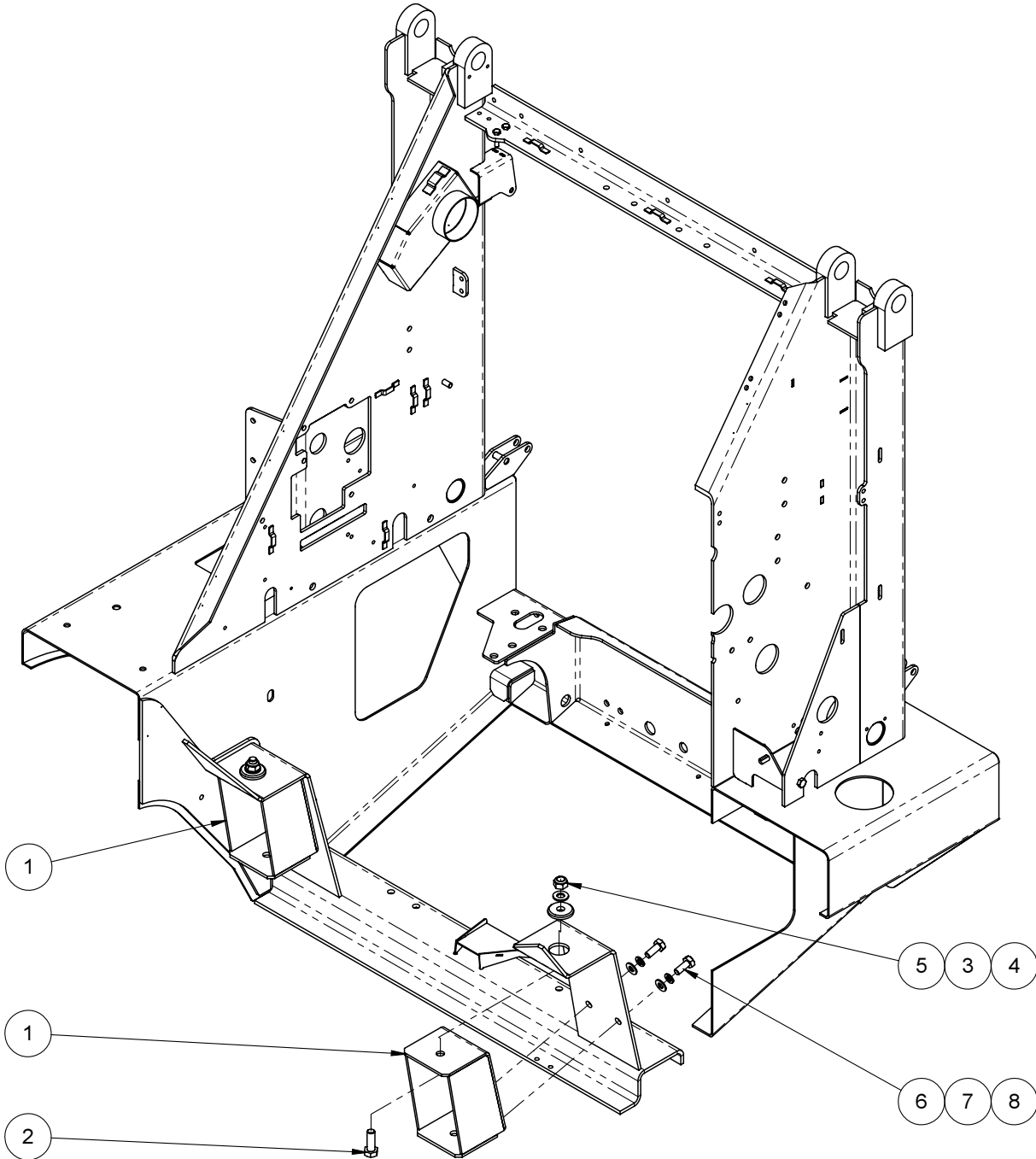
<b>Wheel Motor Mounting (Coil Suspension) Assembly</b>
<b>BoM - 37031/6</b>

Item No.	Part No.	Description	Quantity
1	720326/1	Arm - Trailing L/H W/Assy	1
2	720327/1	Arm - Trailing, R/H W/Assy	1
3	70698/1	Bush	4
4	100/114	Bolt UNF 1"x 3 1/4	4
5	720337/1	Plate - Bottom, Handbrake	1
6	720338/1	Plate - Top, Handbrake	1
7	124/137	Setscrew M8C x 25	3
8	425/14	Nut Nyloc Hex MC M8	3
9	76988/1	Spring-Suspension, Rear(Inner)	2
10	76988/2	Spring-Suspension,Rear (Outer)	2
11	76989/1	Spring - Seat	4
12	76990/1	Damper - Rear	2
13	76991/1	Damper Top	2
14	421/3	Locknut MF Hex M12	2
15	720373/1	Bush - Damper Top, Lower	2
16	720374/1	Bush - Damper Top, Upper	2
17	720324/1	Sheath - Suspension Unit	2
18	76993/1	Bush - Damper, Bottom	4
19	720029/1	Bush - Sleeve Damper, Bottom	2
20	720191/1	Washer - Damper Top	2
21	720278/1	Limiters-Travel,Rear Suspension	2
22	425/18	Nut Nyloc Hex MC M16	2
23	123/141	Bolt M Coarse M10x110	2
24	425/15	Nut Nyloc Hex MC M10	2
25	123/194	Bolt M Coarse M16x120	2
26	421/18	Locknut MC Hex M16	4
27	722427/1	Pipe - Suspension Brake, LH	1
28	722427/2	Pipe - Suspension Brake, RH	1
29	455/10	Washer Plain Plated Steel M8	2
30	721202/1	Hose - Rear Brake	1
31	124/103	Setscrew M6 x 20	1
32	71229/1	Spacer	1
33	721978/1	Damper - Rear, +10mm	2
34	721985/1	Limiters - Travel, W/Assy	2

**Note:**

Items 33 & 34 replace items 12 & 21 as from chassis number 63068198 onwards.

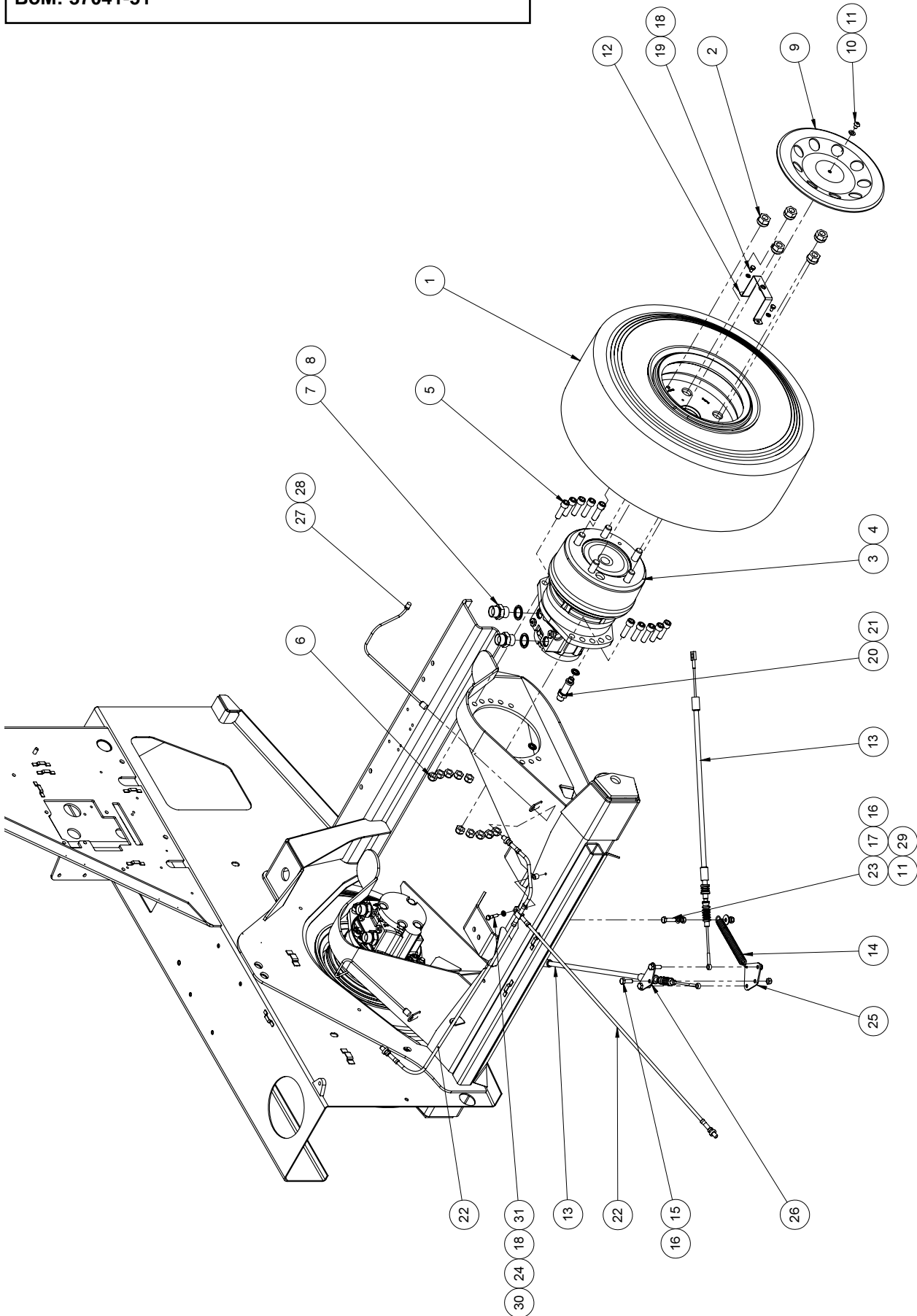
**Rear Suspension Cone Mount Assembly**  
BoM - 37134/51



**Rear Suspension Cone Mount Assembly  
BoM - 37134/51**

<b>Item No.</b>	<b>Part No.</b>	<b>Description</b>	<b>Quantity</b>
1	722825/1	Mount-Rear Cone. W/Assy	2
2	124/205	Setscrew M12Cx35	2
3	455/12	Washer Plain Plated Steel M12	2
4	72393/1	Clamp - Washer	2
5	425/16	Nut Nyloc Hex MC M12	2
6	124/169	Setscrew M10Cx25	4
7	460/11	Washer Spring Single Coil M10	4
8	455/11	Washer Plain Plated Steel M10	4

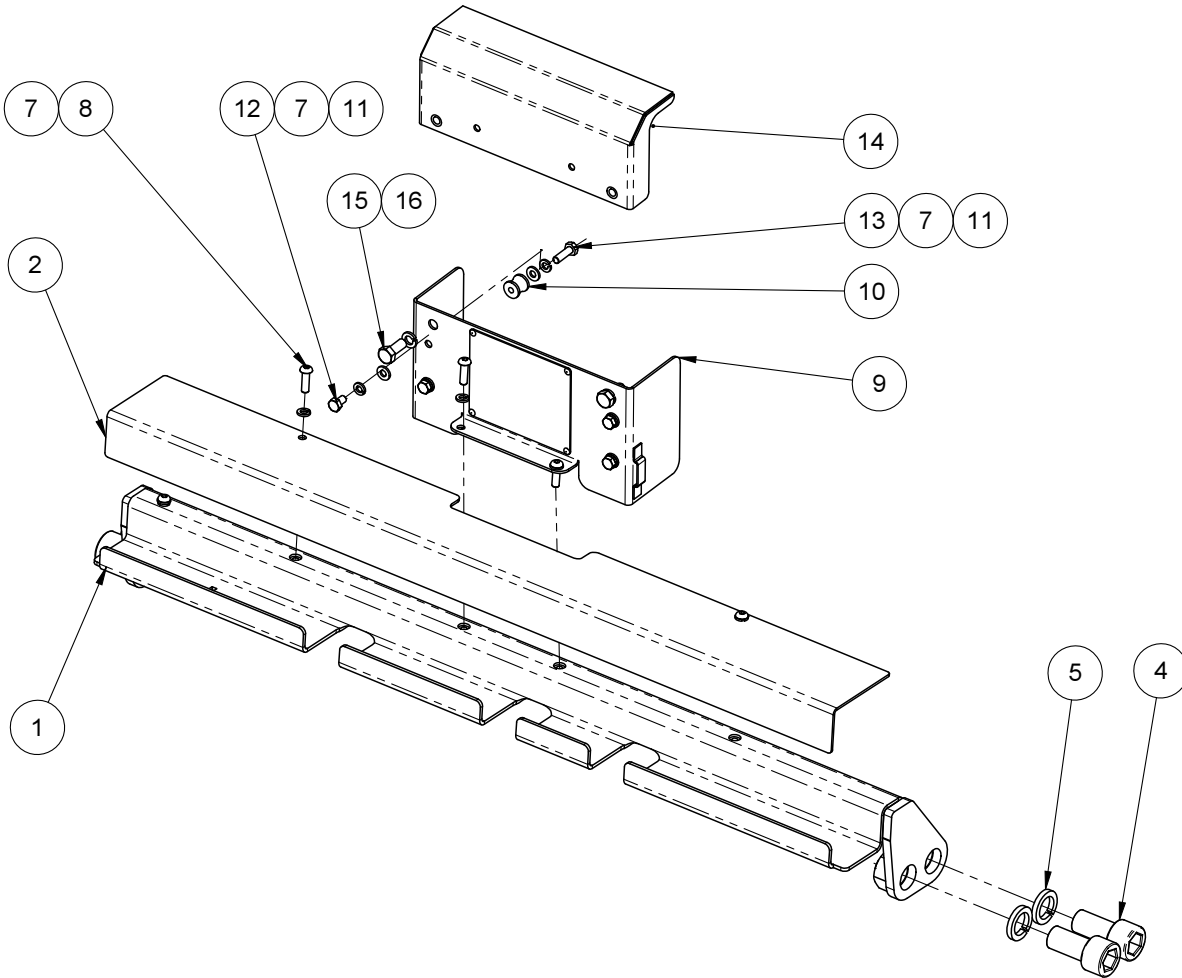
**Rear Wheel & Motor Assembly (Euro 4/Tier 3)**  
BoM: 37041-51



**Rear Wheel & Motor Assembly (Euro 4/Tier 3)**  
**BoM: 37041-51**

Item No.	Part No.	Description	Quantity
1	720666-1	Wheel-Rear	2
2	215-4	Nut - Wheel M16x1.5	10
3	721558-1	Motor-Wheel,LH (Poclain)CN200	1
4	721558-2	Motor-Wheel,RH (Poclain)CN200	1
5	129-189	Bolt - Skt Cap Hd M12 x 40	20
6	425-16	Nut Nyloc Hex MC M12	20
7	263-6	Adaptor - M/M 3/4" BSP	4
8	451-21	Washer - Dowty 3/4" BSP	5
9	75581-1	Trim - Wheel	2
10	138-119	Screw - Skt Button Hd M8cx10	2
11	455-10	Washer Plain Plated Steel M8	2
12	721217-1	Bracket-Wheel Trim	2
13	72769-1	Cable - Handbrake, Secondary	2
14	286-7	Spring Tension - Pull to Pull	1
15	124-137	Setscrew M8C x 25	1
16	425-14	Nut Nyloc Hex MC M8	1
17	457-4	Washer Plain Steel M8 Form G	1
18	460-8	Washer Spring Single Coil M6	5
19	124-99	Setscrew M6C x 10	4
20	721201-1	Adaptor - Poclain Motor Purge	2
21	451-17	Washer - Dowty 1/4" BSP	2
22	721202-1	Hose - Brake, Rear	1
23	124-139	Setscrow - M8C x 30	1
24	455-8	Washer - Plain, M6	1
25	720337-1	Plate - Bottom	1
26	720338-1	Plate - Top	1
27	722427-1	Pipe - Brake, Poclain	1
28	722427-2	Pipe - Brake, Poclain RH	1
29	420-14	Nut - Full, M8C	1
30	71121-3	Spacer - M6	1
31	123-82	Bolt - M6C x 30	1

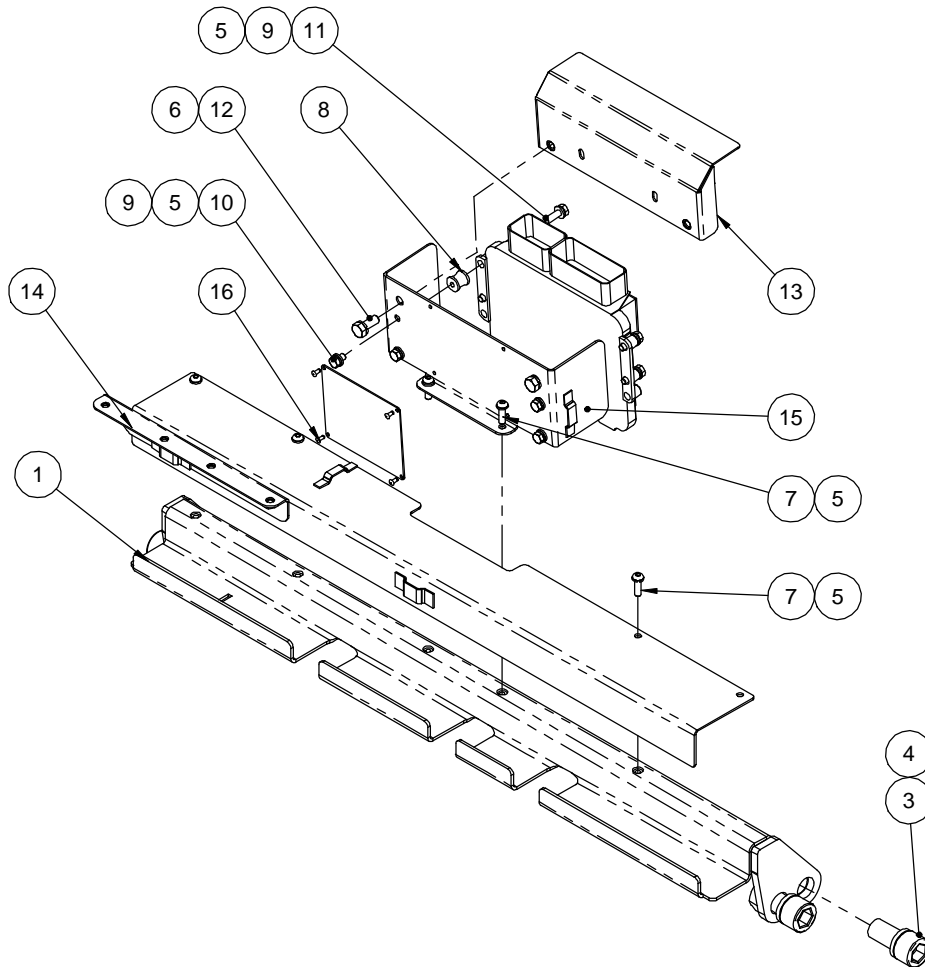
**Chassis Brace Assembly - Euro 4, MK1  
(up to chassis no. 3068395)  
BoM - 37032/52**



**Chassis Brace Assembly - Euro 4, MK1**  
**(up to chassis no. 3068395)**  
 BoM - 37032/52

Item No.	Part No.	Description	Quantity
1	721850/1	Brace - Chassis W/Assy	1
2	721855/1	Lid - Chassis Brace	1
3	-	-	-
4	135/111	Cap Hd Bolt M20 x 40	4
5	460/16	Washer Spring Single Coil M20	4
6	-	-	-
7	460/8	Washer - Spring, M6	13
8	138/94	Screw - Skt Button Hd, M6C x 20	5
9	722460/1	Bracket - ECU Support W/Assy	1
10	290/42	Mount - Bobbin, F/F M6	4
11	455/8	Washer - Plain, M6	8
12	124/99	Setscrew - M6C x 10	4
13	124/103	Setscrew - M6 x 20	4
14	722525/1	Cover - Splash, ECU W/Assy	1
15	124/135	Setscrew - M8C x 20	2
16	460/10	Washer - Spring, M8	2

**MK2 Chassis Brace Assembly (Euro 4/5)**  
**(from chassis no. 3068696 onwards)**  
BoM: 37032-53

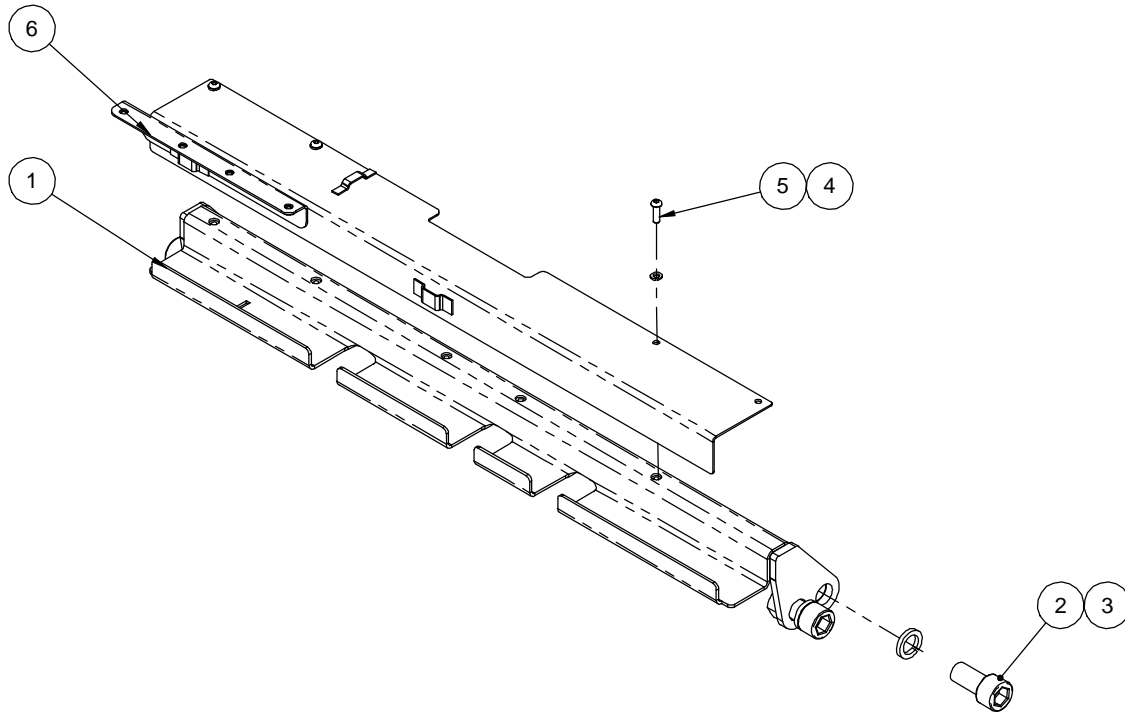




**MK2 Chassis Brace Assembly (Euro 4/5)**  
**(from chassis no. 3068696 onwards)**  
BoM: 37032-53

Item No.	Part No.	Description	Quantity
1	721850-1	Brace - Chassis W-Assy	1
3	135-111	Cap Hd Bolt M20 x 40	4
4	460-16	Washer Spring Single Coil M20	4
5	460-8	Washer - Spring, M6	13
6	460-10	Washer - Spring, M8	2
7	138-94	Screw - Skt Button Hd, M6C x 20	5
8	290-42	Mount - Bobbin, F-F M6	4
9	455-8	Washer - Plain, M6	8
10	124-99	Setscrew - M6C x 10	4
11	124-103	Setscrew - M6 x 20	4
12	124-135	Setscrew - M8C x 20	2
13	722525-1	Cover - Splash, ECU W-Assy	1
14	722670-1	Lid - Chassis Brace W-Assy	1
15	721853-1	Bracket - Support, ECU	1
16	76-2	Rivet - Pop, Ø3.2 x 6.1	4

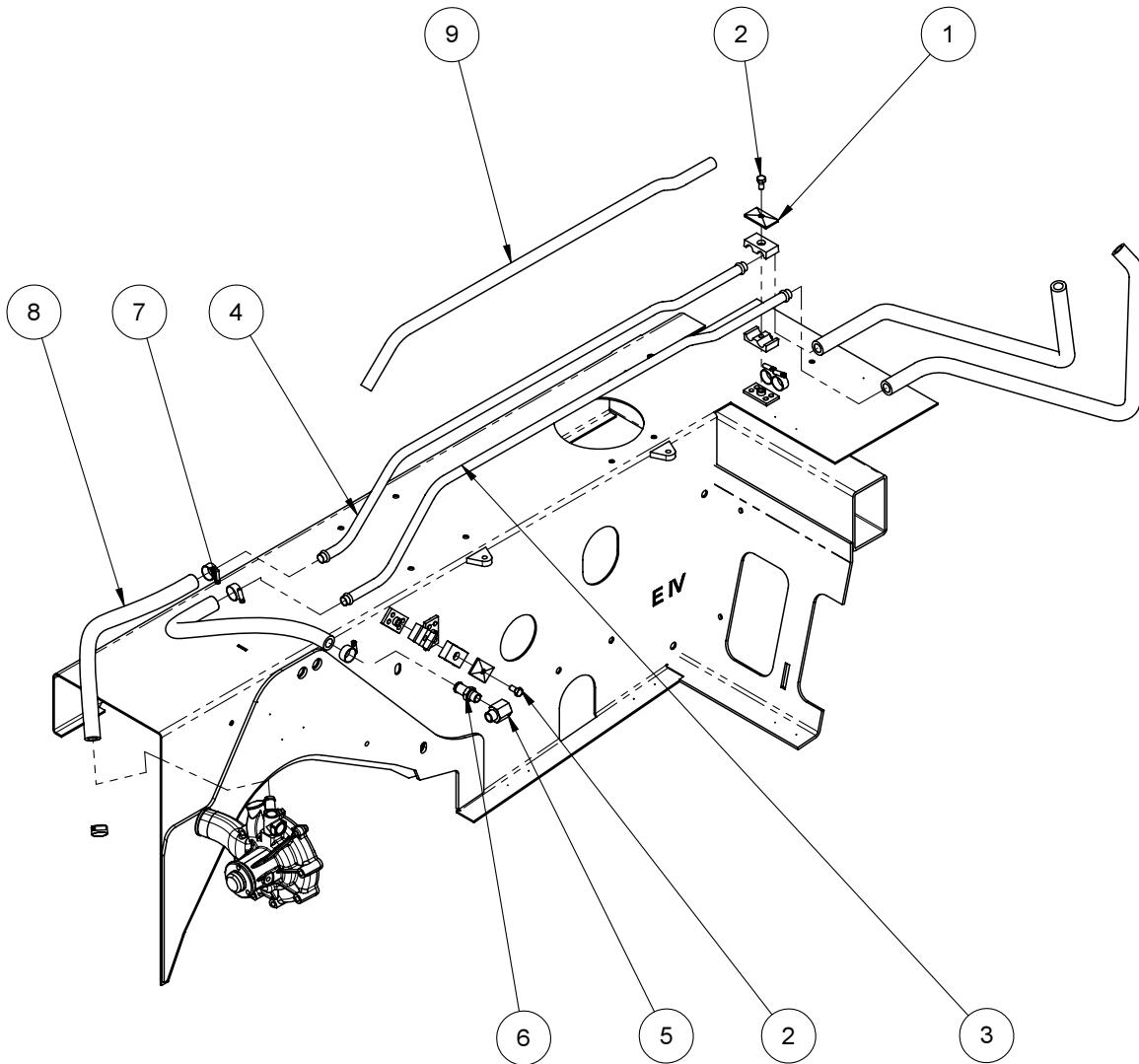
**Chassis Brace Assembly (Tier 3)**  
BoM: 37032-54



**Chassis Brace Assembly (Tier 3)**  
**BoM: 37032-54**

<b>Item No.</b>	<b>Part No.</b>	<b>Description</b>	<b>Quantity</b>
1	721850-1	Brace - Chassis W-Assy	1
2	135-111	Cap Hd Bolt M20 x 40	4
3	460-16	Washer Spring Single Coil M20	4
4	460-8	Washer - Spring, M6	3
5	138-94	Screw - Skt Button Hd, M6C x 20	3
6	722670-1	Lid - Chassis Brace W-Assy	1

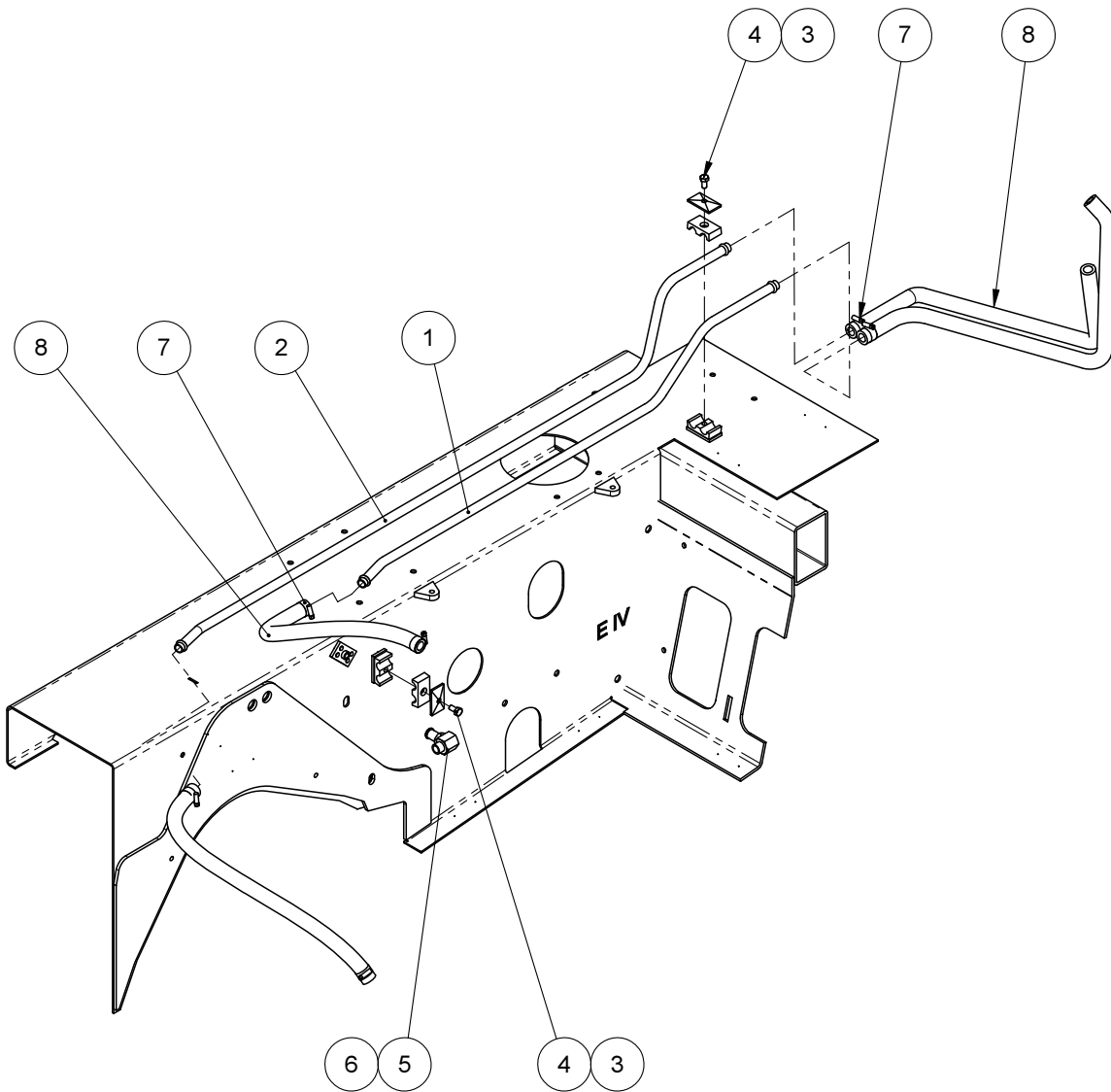
**Heater Pipe Assembly (Euro 4/5)**  
BoM: 37035-3



**Heater Pipe Assembly (Euro 4/5)**  
BoM: 37035-3

Item No.	Part No.	Description	Quantity
1	51/60	Clamp-Pipe, Twin Clamp 16mm	2
2	124/134	Setscrew M8C x 16	2
3	722285/1	Pipe - Heater Inlet	1
4	722286/1	Pipe - Heater Outlet	1
5	75644/1	Adaptor - Heater Connection	1
6	75645/1	Adaptor - Heater Hose	1
7	501/2	Clip Hose Worm Drive 16-22mm	4
8	70859/1	Hose - Heater	4M
9	722481/1	Insulation - Pipe, Top Heater	1

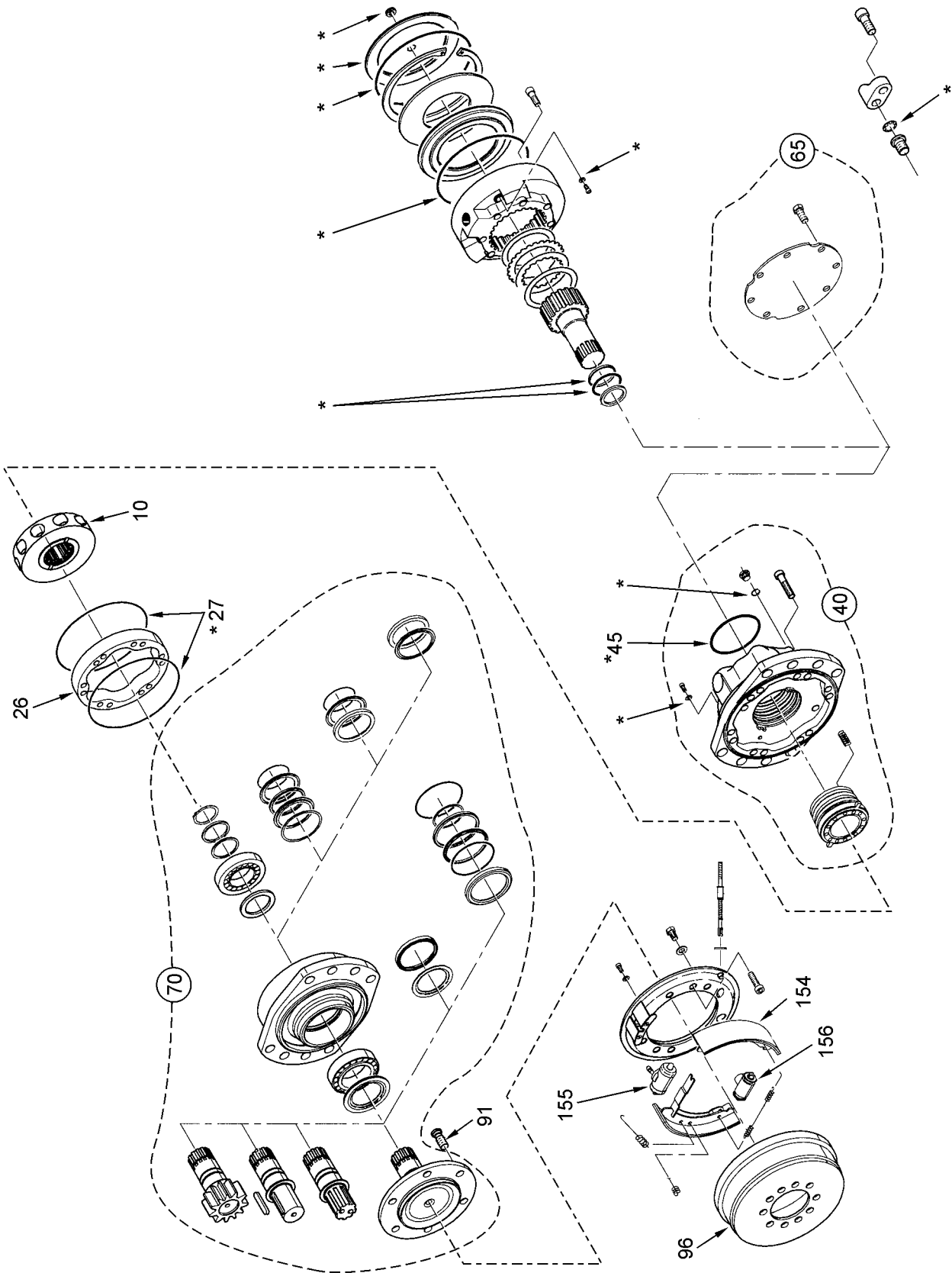
**Heater Pipe Assembly (Tier 3)**  
BoM: 37035-4



**Heater Pipe Assembly (Tier 3)**  
BoM: 37035-4

Item No.	Part No.	Description	Quantity
1	722801/1	Pipe - Heater, Inlet	1
2	722802/1	Pipe - Heater, Outlet	1
3	51/60	Clamp-Pipe, Twin Clamp 16mm	2
4	124/134	Setscrew M8C x 16	2
5	75644/1	Adaptor - Heater Connection	1
6	75645/1	Adaptor - Heater Hose	1
7	501/2	Clip Hose Worm Drive 16-22mm	6
8	70859/1	Hose - Heater	4M

**Rear Wheel Motor Spares**  
BoM - n/a

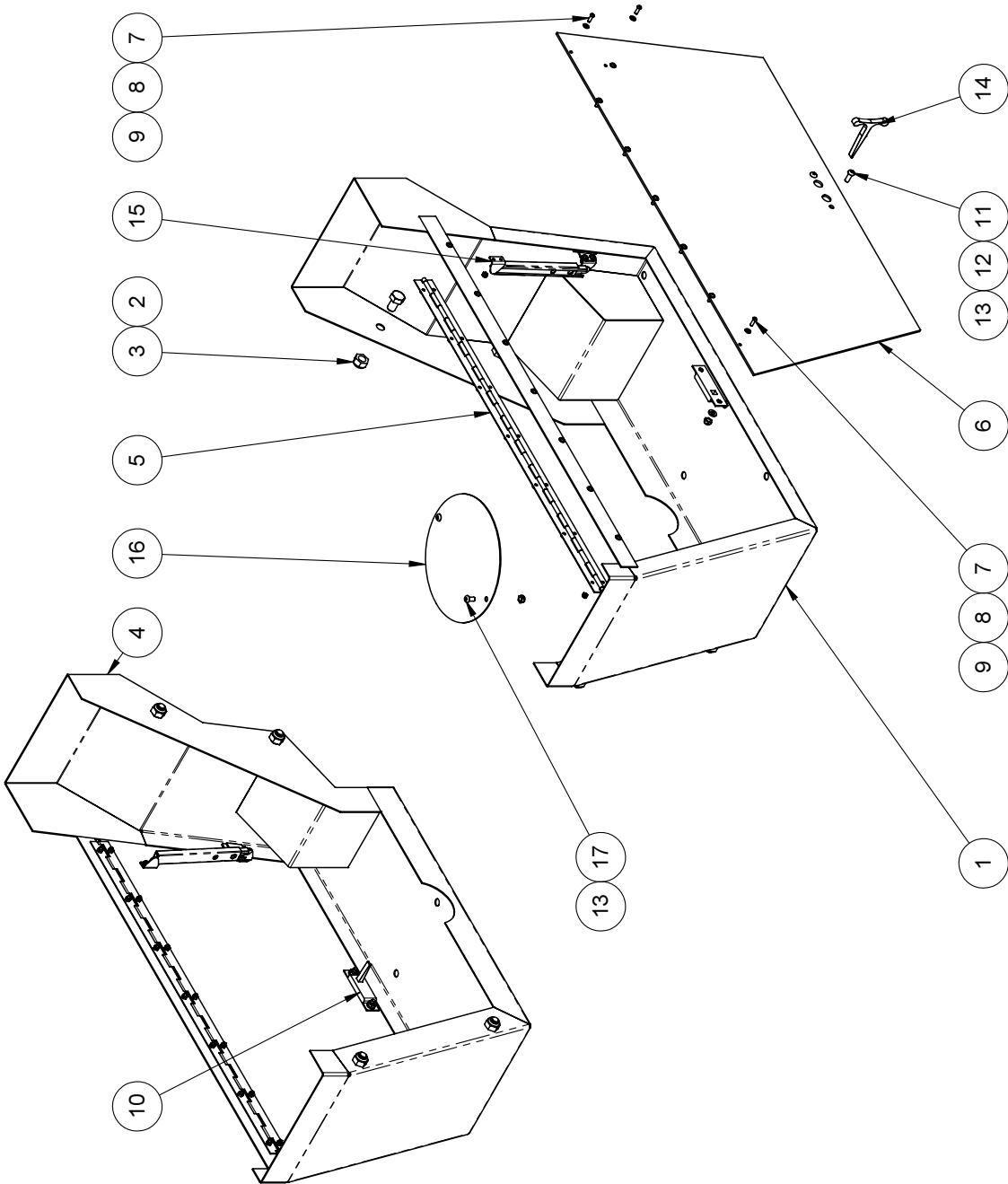




Rear Wheel Motor Spares  
BoM - n/a

Item No.	Part No.	Description	Quantity
10	246/10	Cylinder Block	1
26	246/26	Cam	1
27	246/27	O' Ring	2
40	246/40L	Valving Cover Assembly (Motor:- A04782X)	1
40	246/40R	Valving Cover Assembly (Motor:- A04784A)	1
45	246/45	O' Ring	1
65	246/65	Back Plate	1
70	246/70L	Support (Motor:- A04782X)	1
70	246/70R	Support (Motor:- A04784A)	1
91	246/91	Studs (supplied seperately)	1
96	246/96	Drum	2
154	225/14	Set of shoes (Motor:- A04782X)	2
	246/154R	Set of shoes (Motor:- A04784A)	2
155	246/155	Brake Cylinder	2
156	246/156	Brake Adjustment	2
*	246/2	Full Seal Kit	2

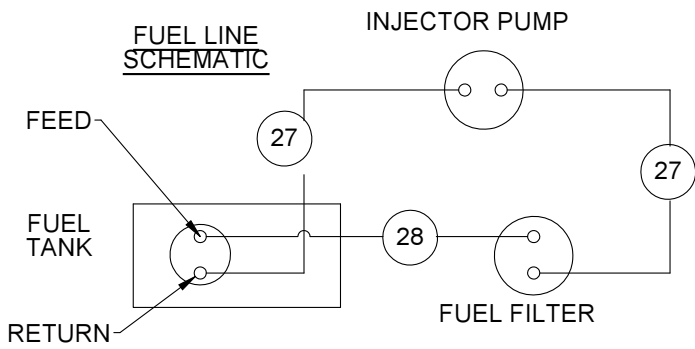
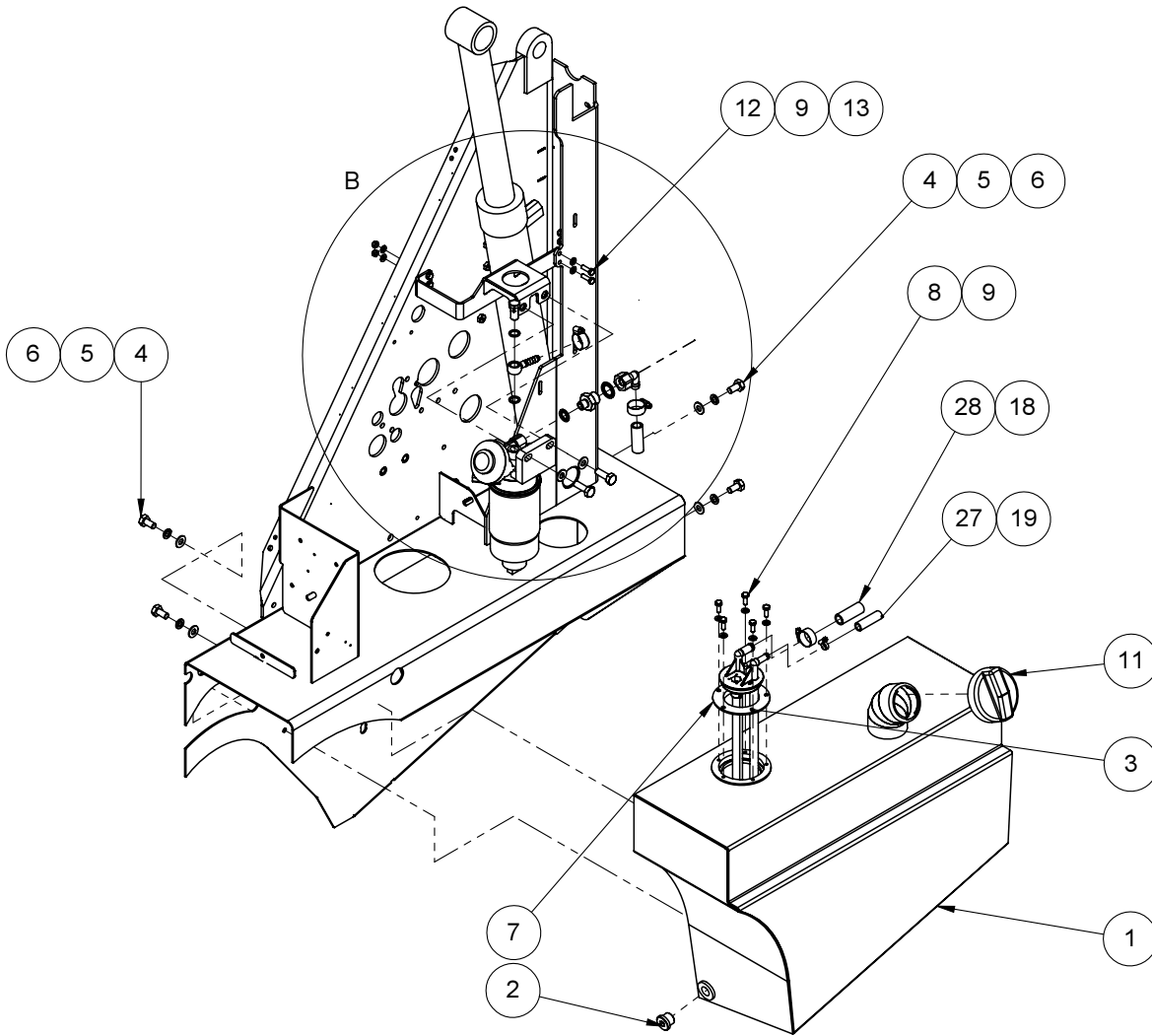
**Side Locker Assembly - CW200**  
BoM - 37118/2

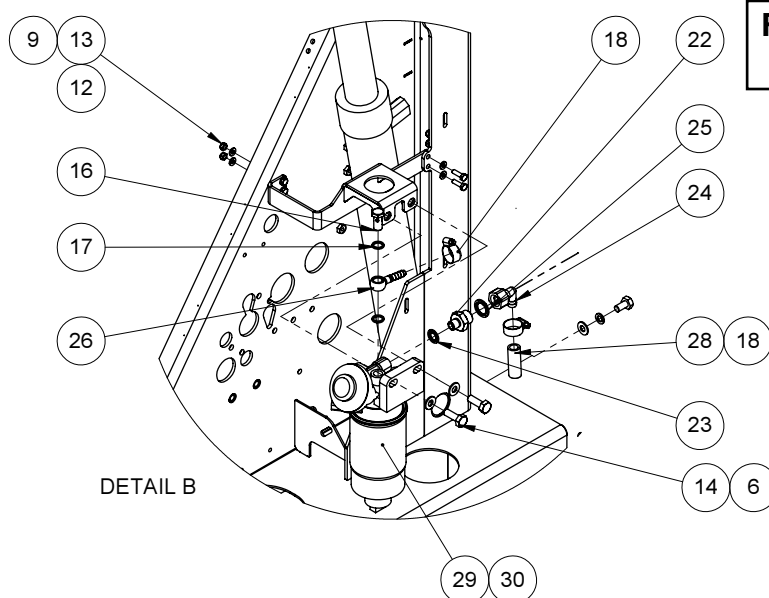


**Side Locker Assembly - CW200**  
BoM - 37118/2

Item No.	Part No.	Description	Quantity
1	76394/1	Body - Locker, LH	1
2	124/199	Setscrew M12C x 20	8
3	425/16	Nut Nyloc Hex MC M12	8
4	76394/2	Body - Locker, RH	1
5	71951/1	Hinge - Locker	2
6	76024/1	Side Locker Door	2
7	138/33	Screw - Skt Btn Hd, M4C x 12	36
8	455/5	Washer Plain Plated Steel M4	36
9	425/11	Nut Nyloc Hex MC M4	36
10	6817/1/A	Lock - Budget, LH	2
11	138/93	Screw - Skt Btn Hd, M6C x 16	4
12	455/8	Washer Plain Plated Steel M6	4
13	425/13	Nut Nyloc Hex MC M6	6
14	6816	Key - Lock For Budget	2
15	211/21	Stay-Miniature Door Support	2
16	72654/1	Plate-Cover (Without cut out)	1
17	138/91	Screw - Skt Btn Hd, M6C x 12	2

**Fuel Tank Assembly (Euro 4/5)**  
BoM: 37037-2





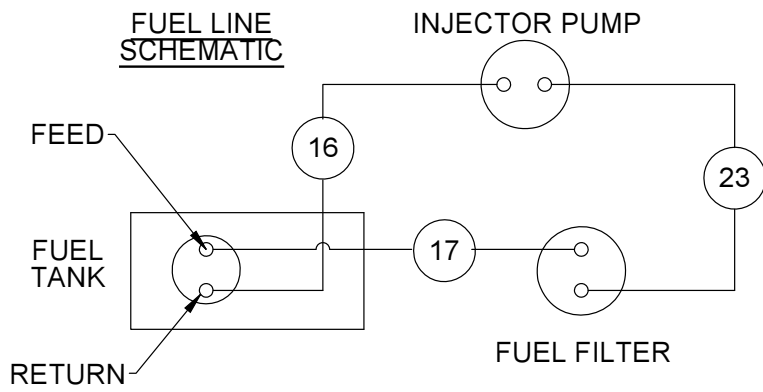
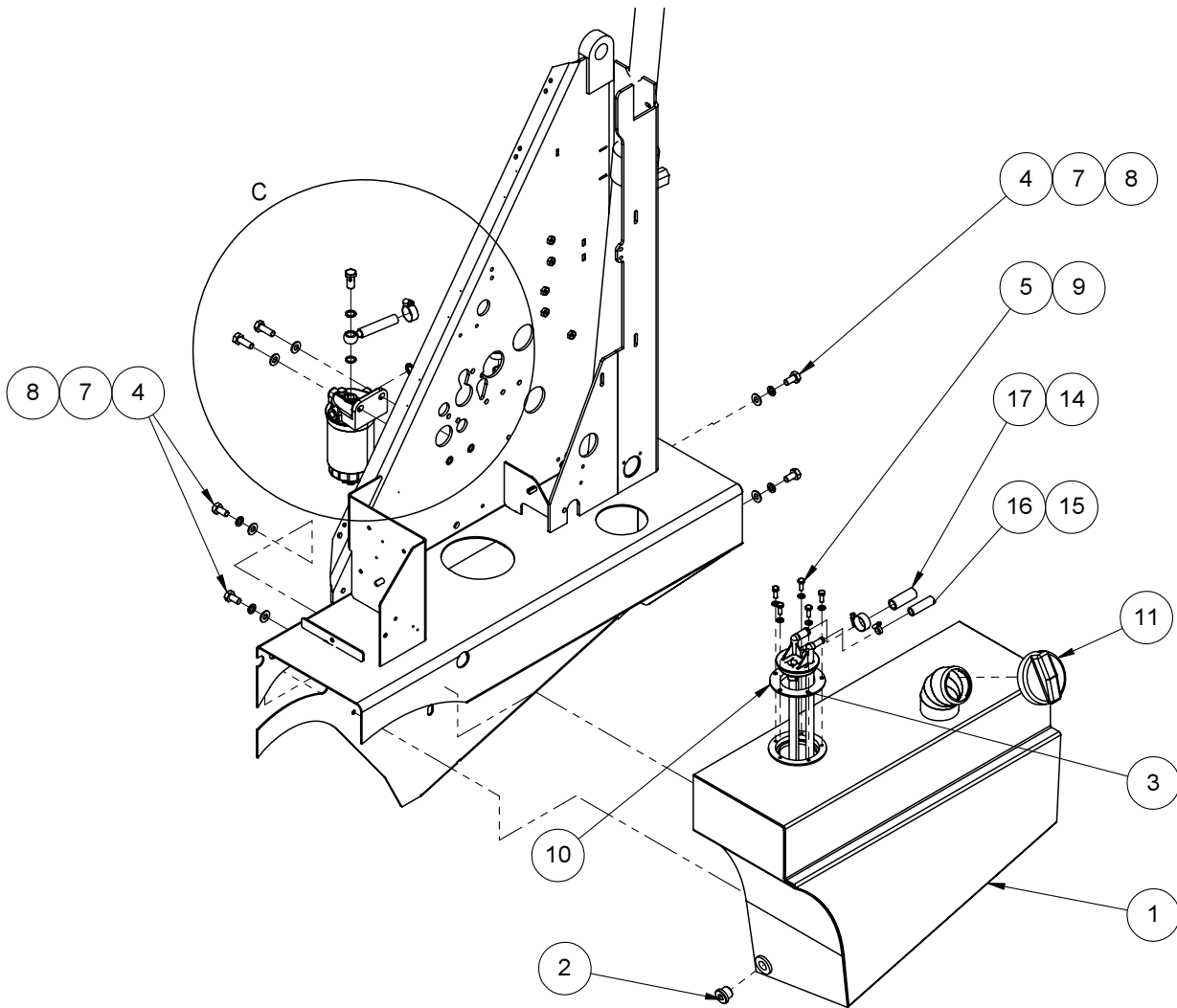
**Fuel Tank Assembly (Euro 4/5)**  
BoM: 37037-2

Item No.	Part No.	Description	Quantity
1	722565/1	Tank - Fuel, W/Assy	1
2	54/4	Plug - Collar G1/2" BSP	1
3	722217/1	Sender - Fuel Level	1
4	124/167	Setscrew M10C x 20	4
5	460/11	Washer Spring Single Coil M10	4
6	455/11	Washer Plain Plated Steel M10	6
7	722026/1	Clamp - Fuel Sender	1
8	124/102	Setscrew M6C x 16	5
9	455/8	Washer Plain Plated Steel M6	13
10	722368/1	Mount - Fuel Filter, W/Assy	1
11	69/6	Cap - Locking, Fuel c/w key	1
12	124/103	Setscrew M6C x 20	4
13	425/13	Nut Nyloc Hex MC M6	4
14	124/171	Setscrew M10C x 30	2
15	-	-	-
16	277/264	Bolt - Banjo, M14	2
17	452/65	Washer - Copper, M14	4
18	501/24	Clip Hose Worm Drive 17-25mm	4
19	501/1	Clip Hose Worm Drive 11-16mm	2
20	-	-	-
21	-	-	-
22	277/270	Adaptor - M/M, M14-1/2" BSP	1
23	451/112	Washer - Dowty, M14	1
24	262/20	Elbow - Swivel	1
25	451/19	Washer - Dowty, 1/2"BSP	1
26	277/279	Insert - Banjo Hose, M12X1/4"	1
27	273/27	Fuel Hose - 2 Ply, 10mm ID 17mm OD	3.1M
28	273/28	Fuel Hose - 2 Ply, 13mm ID 21mm OD	0.7M

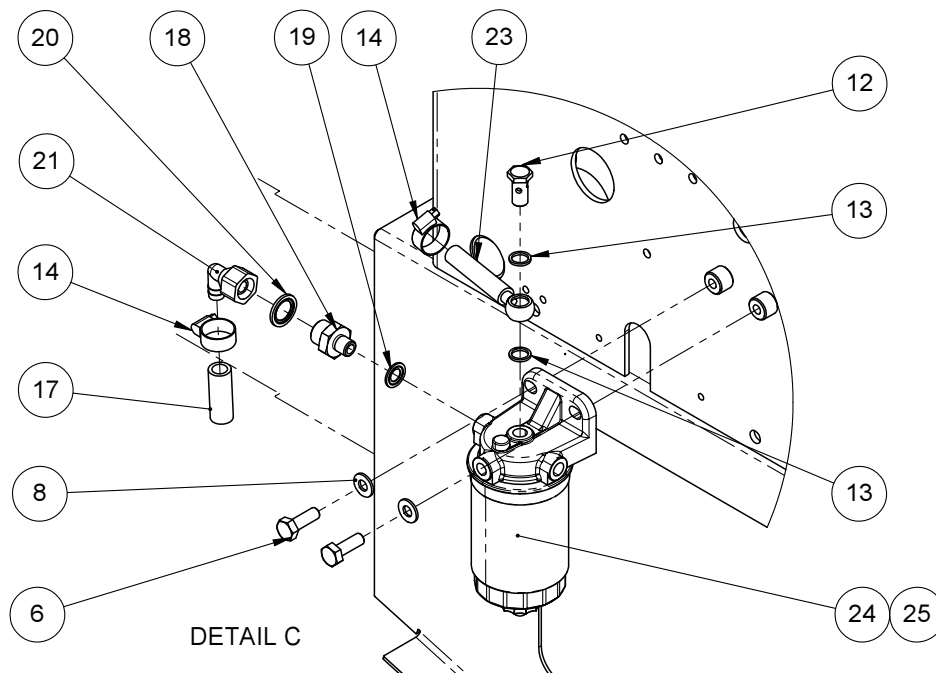
**Spares Only Items:**

29	849/239	Filter - Fuel, Complete	1
30	849/210	Cartridge - Fuel Filter	1

**Fuel Tank Assembly (Tier 3)**  
**BoM: 37037-3**



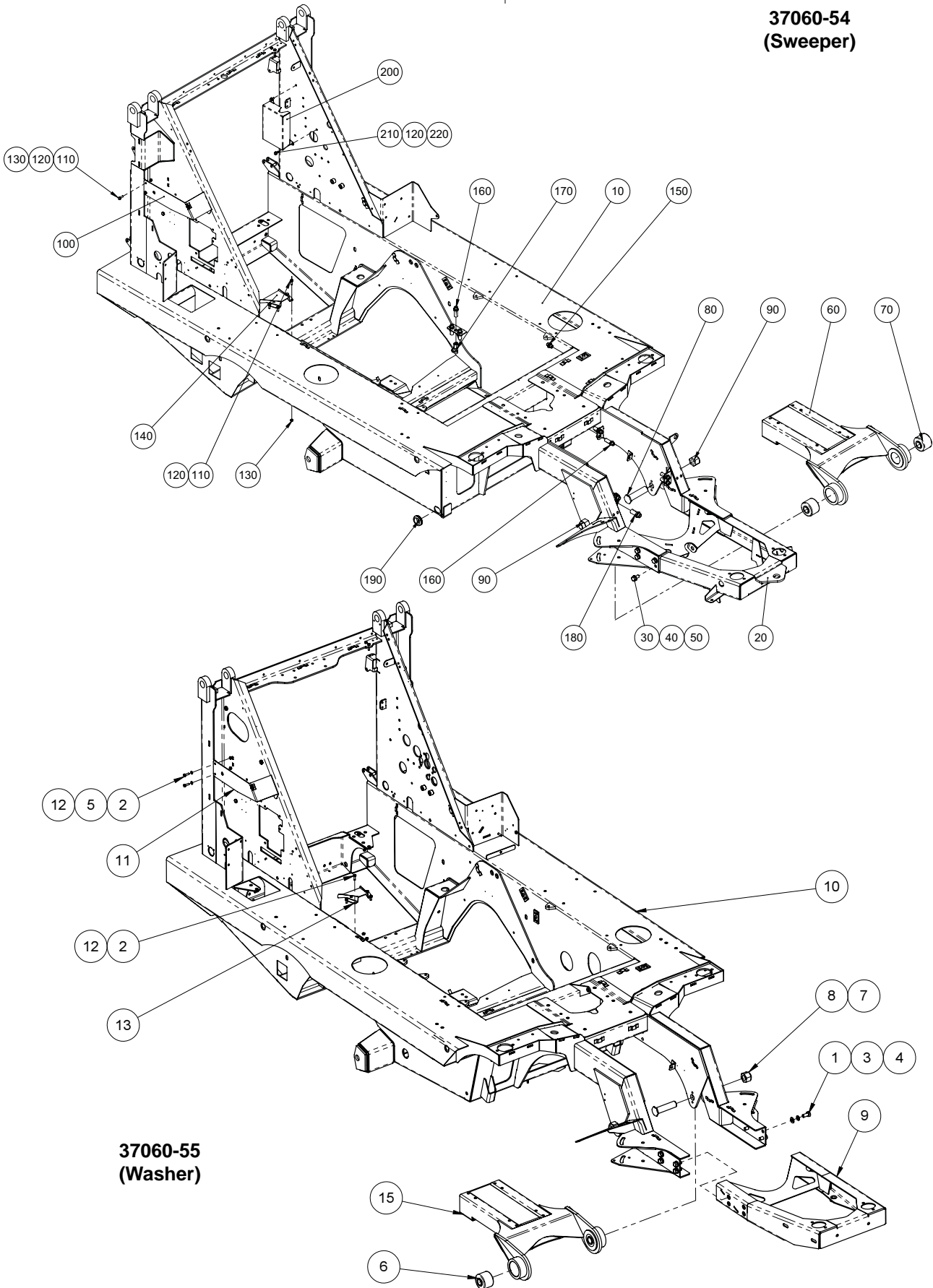
**Fuel Tank Assembly (Tier 3)**  
BoM: 37037-3



Item No.	Part No.	Description	Quantity
1	722565/1	Tank - Fuel, W/Assy	1
2	54/4	Plug - Collar G1/2" BSP	1
3	722217/1	Sender - Fuel Level	1
4	124/167	Setscrew M10C x 20	4
5	124/102	Setscrew M6C x 16	5
6	124/171	Setscrew M10C x 30	2
7	460/11	Washer Spring Single Coil M10	4
8	455/11	Washer Plain Plated Steel M10	6
9	455/8	Washer Plain Plated Steel M6	5
10	722026/1	Clamp - Fuel Sender	1
11	69/6	Cap - Locking, Fuel c/w key	1
12	277/264	Bolt - Banjo, M14	1
13	452/65	Washer - Copper, M14	2
14	501/24	Clip Hose Worm Drive 17-25mm	4
15	501/1	Clip Hose Worm Drive 11-16mm	2
16	273/27	Hose - Fuel, 10mm I/D 17mm O/D	1M
17	273/28	Hose - Fuel, 13mm I/D 21mm O/D	0.7M
18	277/270	Adaptor - M/M, M14-1/2" BSP	1
19	451/112	Washer - Dowty, M14	1
20	451/19	Washer - Dowty, 1/2" BSP	1
21	262/20	Elbow - Swivel	1
22	-	-	-
23	273/30	Hose - Fuel, 8mm 2 Ply	2M
<b>Spares Only Items:</b>			
24	849/239	Cartridge - Fuel, complete	1
25	849/210	Cartridge - Fuel Filter	1

**Chassis Assembly (Euro 4)**  
**BoM: 37060-54 & -55**

**37060-54**  
**(Sweeper)**



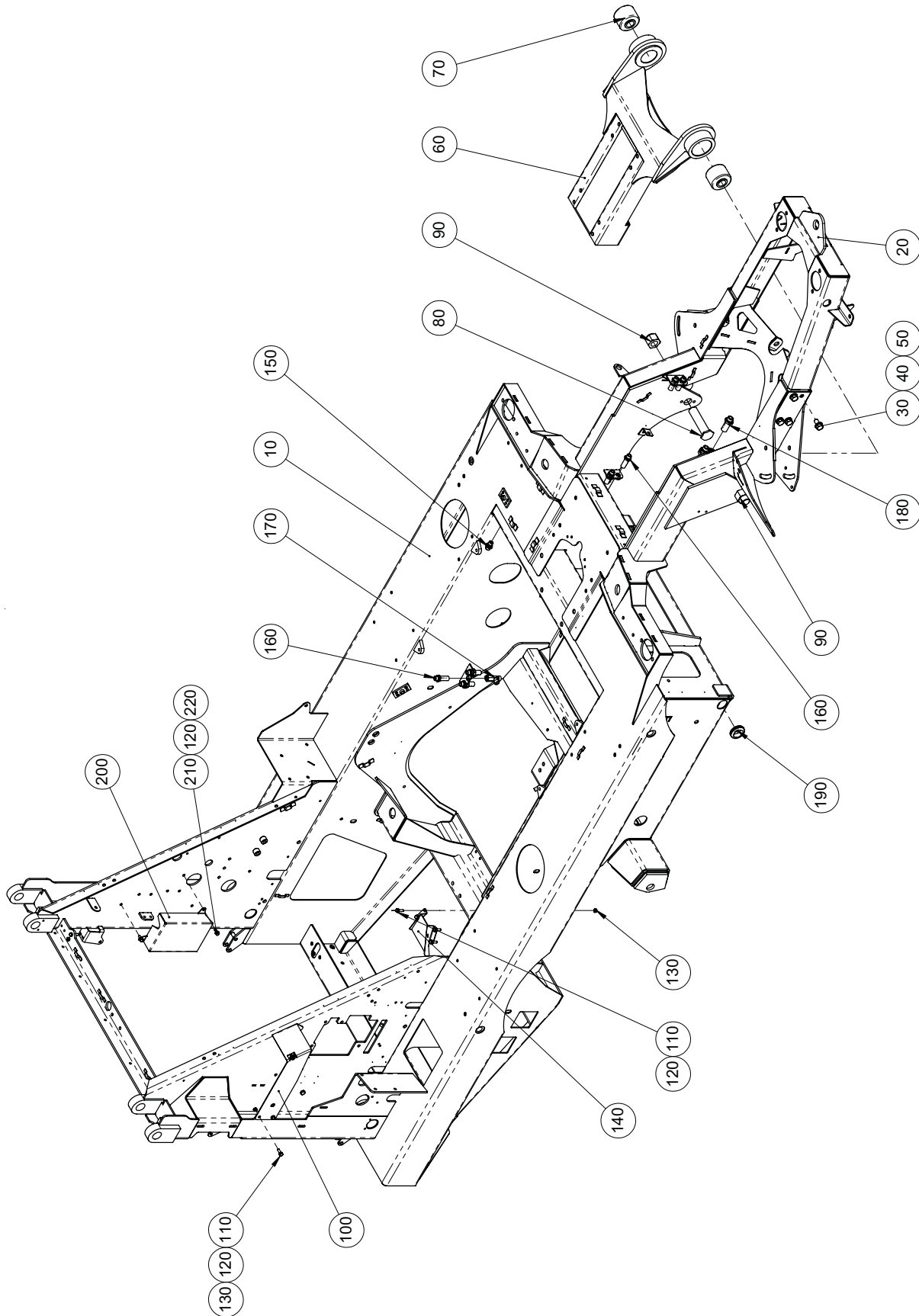


**Chassis Assembly (Euro 4)**

BoM: 37060-54 &amp; -55

Item No.	Part No.	Description	37060-54 Quantity
10	722000-1	Chassis - W/Assy, Euro 4	1
20	720998-1	Nose-Cone, Chassis, W/Assy	1
30	92097448-0	Hex Head Screw M12Cx25 8.8	8
40	93699712-0	Spring Washer - Plated M12	8
50	93212013-0	Plain Washer M12	8
60	7004227	Axle Weld assembly Trailing Arm	1
70	70698-1	Bush	2
80	71156-1	Bolt	2
90	405-11	Nut Nyloc Hex 1" UNF	2
100	722307-1	Mount - Hydraulic Bottle, W/A	1
110	92097301-0	Hex Head Screw M6Cx20 8.8	8
120	93212009-0	Plain Washer M6	10
130	93085004-0	Nyloc Hex Nut M6C - 8	8
140	722873-1	Chute - Oil, W/Assy	1
150	09570126-0	Stud Coupling Male G 1/4" x M14 x 1.5	6
160	09570456-0	Straight Bulkhead Connector M14 x 1.5	7
170	308-1	Adjustable Male Tee - M14 x 1.5	1
180	302-2	Straight Bulkhead Connector M18 x 1.5	2
190	287-77	Grommet - Open 46 Dia Rubber	2
200	7009810	Cover -Chassis	1
210	92097299-0	Hex Head Screw M6Cx16 8.8	2
220	93699708-0	Spring Washer - Plated M6	2
5000	6849	Titanfast-Black	2M
Item No.	Part No.	Description	37060-55 Quantity
1	124-201	Setscrew M12C x 25	8
2	124-103	Setscrew M6C x 20	5
3	460-12	Washer Spring Single Coil M12	8
4	455-12	Washer Plain Plated Steel M12	8
5	455-8	Washer Plain Plated Steel M6	4
6	70698-1	Bush	2
7	71156-1	Bolt	2
8	405-11	Nut Nyloc Hex 1" UNF	2
9	721733-1	Nose-Cone, Chassis, W/Assy	1
10	722000-1	Chassis-W/Assy C200 E4 & Tier3	1
11	722307-1	Mount - Hydraulic Bottle, W/A	1
12	425-13	Nut Nyloc Hex MC M6	8
13	722873-1	Chute - Oil, W/Assy	1
14	124-102	Setscrew M6C x 16	3
15	7004227	Beam - Front Axle, W/Assy	1
16	6849	Titanfast-Black	1.45M

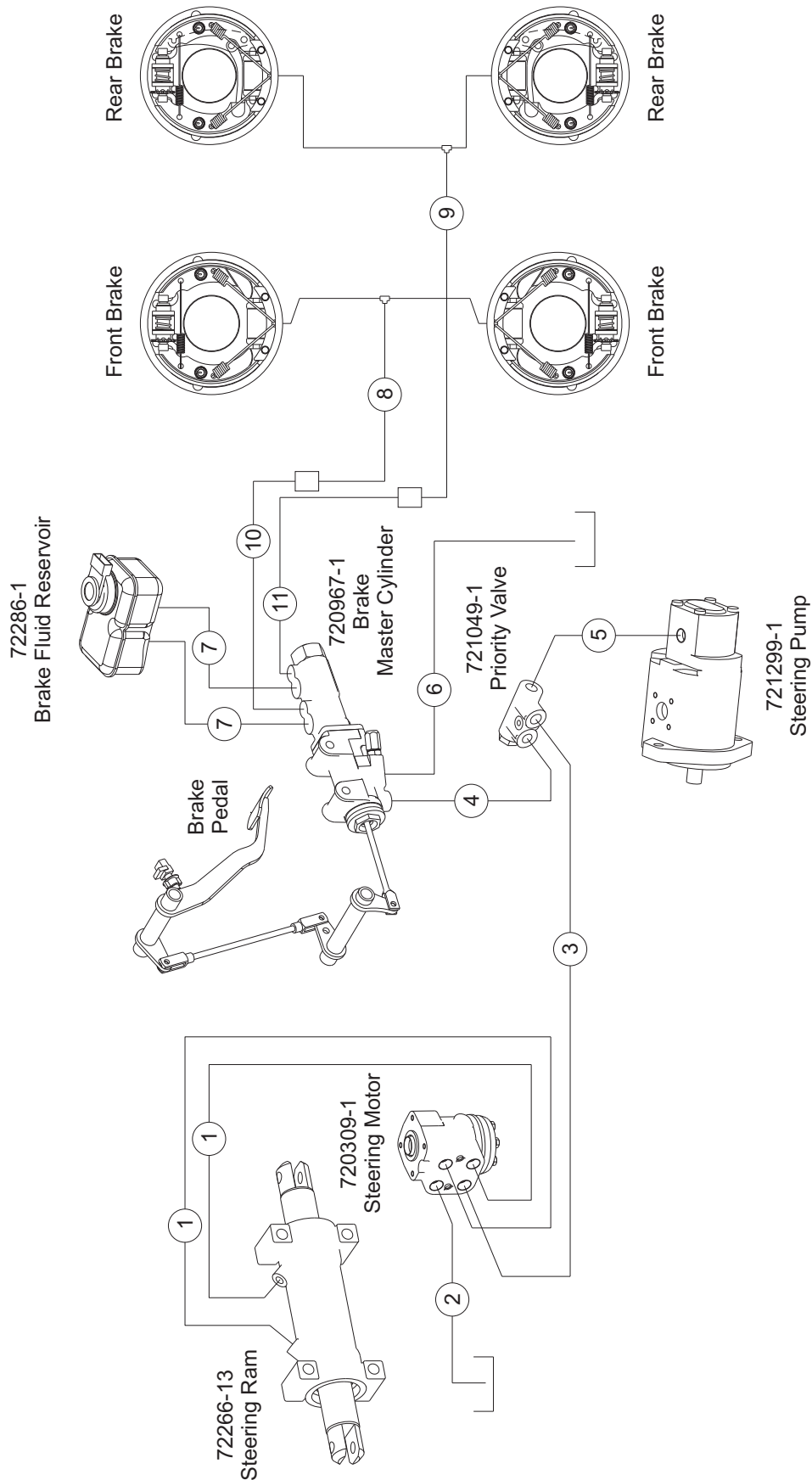
**Chassis Assembly (Euro 5)**  
BoM: 37060-56 & -57



<b>Chassis Assembly (Euro 5)</b> <b>BoM: 37060-56 &amp; -57</b>
--

Item No.	Part No.	Description	37060-56 (Sweeper) Quantity	37060-57 (Washer) Quantity
10	7006005	Chassis - W/Assy, Euro 5	1	1
20	720998-1	Nose-Cone, Chassis, W/Assy	1	-
	721733-1	Cone - Nose, W/Assy (CW200)	-	1
30	92097448-0	Hex Head Screw M12Cx25 8.8	8	8
40	93699712-0	Spring Washer - Plated M12	8	8
50	93212013-0	Plain Washer M12	8	8
60	7004227	Axle Weld assembly Trailing Arm	1	1
70	70698-1	Bush	2	2
80	71156-1	Bolt	2	2
90	405-11	Nut Nyloc Hex 1" UNF	2	2
100	722307-1	Mount - Hydraulic Bottle, W/A	1	1
110	92097301-0	Hex Head Screw M6Cx20 8.8	8	8
120	93212009-0	Plain Washer M6	10	10
130	93085004-0	Nyloc Hex Nut M6C - 8	8	8
140	722873-1	Chute - Oil, W/Assy	1	1
150	09570126-0	Stud Coupling Male G 1/4" x M14 x 1.5	6	6
160	09570456-0	Straight Bulkhead Connector M14 x 1.5	7	7
170	308-1	Adjustable Male Tee - M14 x 1.5	1	1
180	302-2	Straight Bulkhead Connector M18 x 1.5	2	2
190	287-77	Grommet - Open 46 Dia Rubber	2	2
200	7009810	Cover -Chassis	1	1
210	92097299-0	Hex Head Screw M6Cx16 8.8	2	2
220	93699708-0	Spring Washer - Plated M6	2	2
5000	6849	Titanfast-Black	2M	2M

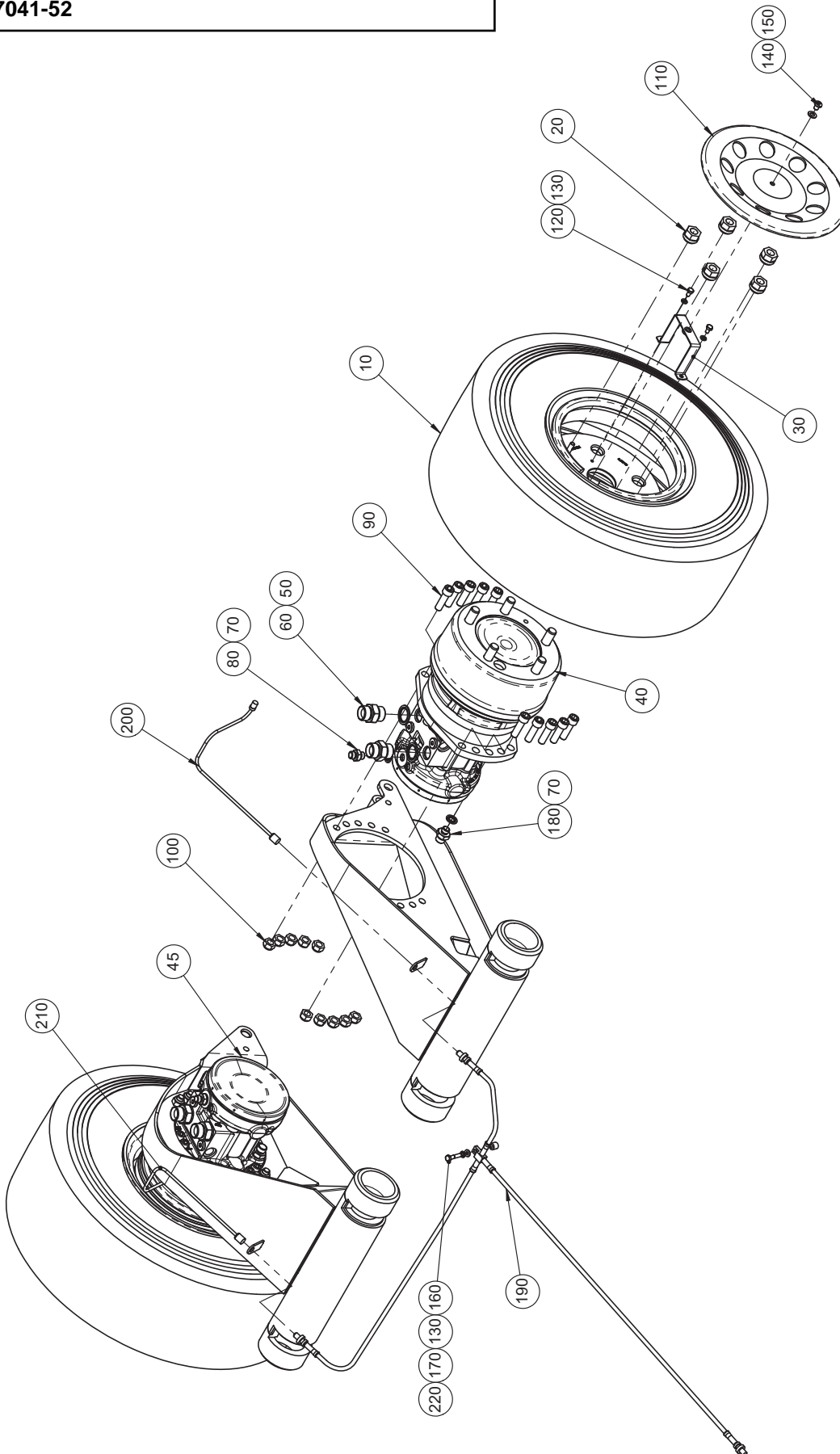
**Service Brake Hoses**  
BoM - n/a



<b>Service Brake Hoses</b> BoM - n/a
---

Item No.	Part No.	Description	LHD Quantity	RHD Quantity
1	HL04002/186	Hose - Megatuff 1/4" STRx90s Steering motor to steering ram	2	2
2	HL06023/155/340 HL06002/170	Hose - Megatuff, 3/8" 45sx90s Hose - Megatuff, 3/8" STRx90s Steering motor to filter	1 -	- 1
3	HL06022/161/45 HL06001/140	Hose - Megatuff, 3/8" 45sx45s Hose - Megatuff, 3/8" STRx45s Steering motor to priority valve (priority line)	1 -	- 1
4	HL06023/155/180 HL06023/136/180	Hose - Megatuff, 3/8" 45sx90s Hose - Megatuff, 3/8" 45sx90s Priority valve to brake master cylinder (residual flow)	1 -	- 1
5	HL06002/200	Hose - Megatuff, 3/8" STRx90s Priority valve to steering pump	1	1
6	HL06043/175/270 HL06043/200/225	Hose - Megatuff, 3/8" 90sx90s Hose - Megatuff, 3/8" 90sx90s Brake master cylinder to tank	1 -	- 1
7	497/C04	Hose - 1/4", SAE100R1T Brake master cylinder to brake fluid reservoir	3M	3M
8	722397/1	Hose - Front Brake, Metric	1	1
9	721202/1	Hose - Rear Brake, Metric	1	1
10	721665-2 721665-4	Hose - Master Cylinder, Front Brakes Hose - Master Cylinder, Front Brakes	1 -	- 1
11	721665-3 721665-5	Hose - Master Cylinder, Rear Brakes Hose - Master Cylinder, Rear Brakes	1 -	- 1

**Rear Wheel & Motor Assembly (Euro 5/Tier 3)**  
BoM: 37041-52



**Rear Wheel & Motor Assembly (Euro 5/Tier 3)**  
**BoM: 37041-52**

Item No.	Part No.	Description	Quantity
10	720666-1	Wheel - Rear	2
20	215-4	Nut - Wheel M16x1.5	10
30	721217-1	Bracket-Wheel Trim	2
40	7007904	Wheelmotor Left A35119X	1
45	7007905	Wheelmotor Right A33774L	1
50	451-21	Washer Bonded G3-4"	4
60	263-6	Adaptor M/M 3/4" BSP	4
70	451-17	Washer Bonded G1-4"	4
80	263-2	Adaptor M/M 1/4" BSP	2
90	129-189	Bolt - Skt Cap Hd M12 x 40	20
100	425-16	Nut Nyloc Hex MC M12	20
110	75581-1	Trim - Wheel	2
120	124-99	Setscrew M6C x 10	4
130	460-8	Washer Spring Single Coil M6	5
140	138-119	Screw - Skt Button Hd M8cx10	2
150	455-10	Washer Plain Plated Steel M8	2
160	123-82	Bolt M Coarse M6x30 BS3692	1
170	455-8	Washer Plain Plated Steel M6	1
180	265-2	Adaptor Reducing M/M 1/4"-3/8" BSP	2
190	721202-1	Hose - Brake, Rear	1
200	722427-1	Pipe - Brake, LH (Poclain)	1
210	722427-2	Pipe - Brake, RH (Poclain)	1
220	71121-3	Spacer-6.5IDx12 OD, L =11/10.5	1



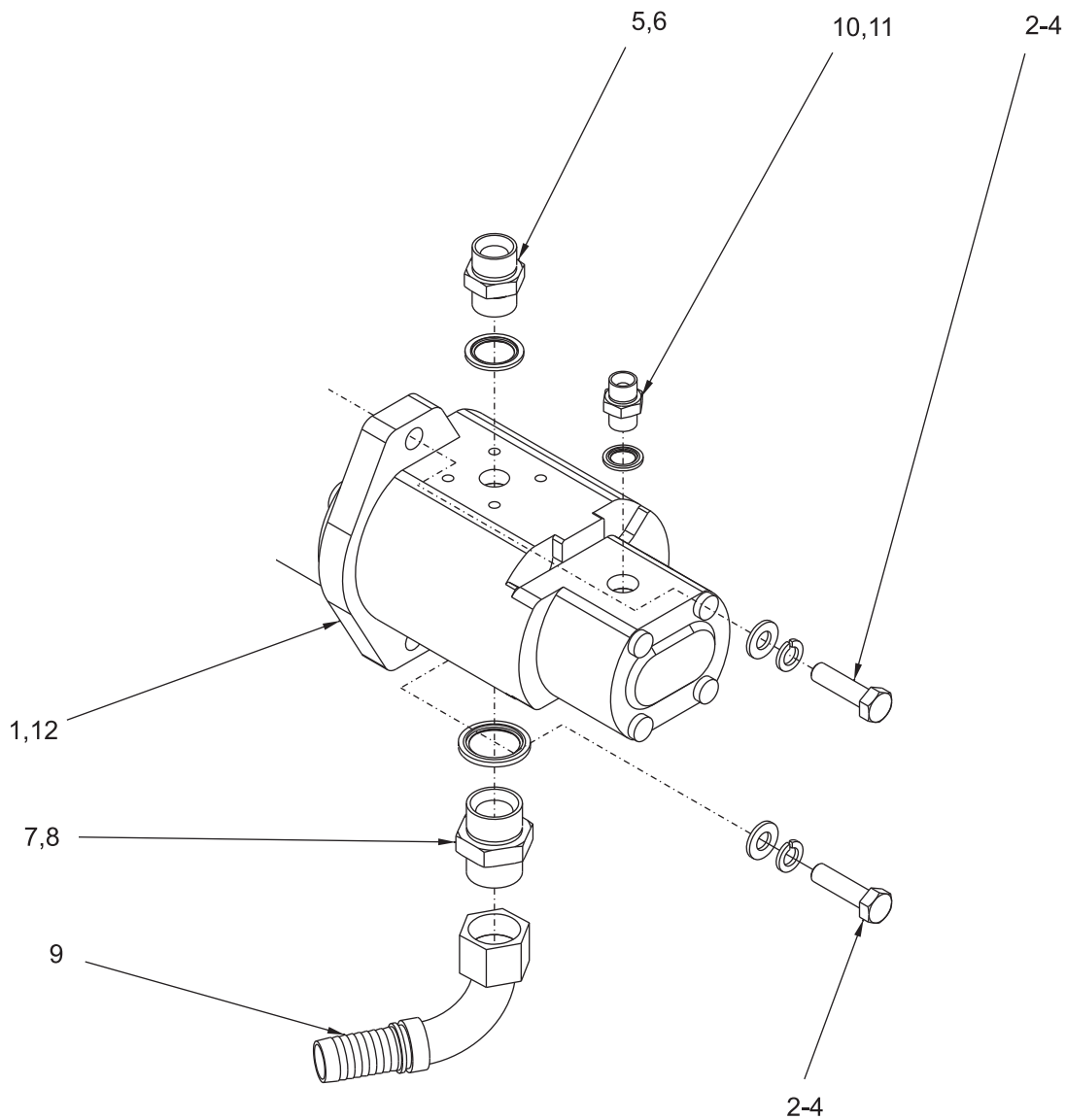


## CHAPTER

**3a****Engine****Euro 4 (R754EU4)  
Tier 3 (D754TE3)****Table of Contents**

<b>Section</b>	<b>Page</b>
Sweep/Steering Pump Assembly	3a : 2
Expansion Tank Assembly	3a : 4
Engine Mounting Assembly	3a : 6
Engine Mounting Assembly (re-orientated trans. pump)	3a : 8
Transmission Pump Assembly	3a : 10
Transmission Pump Assembly (re-orientated)	3a : 14
Cooling System Assembly (Euro 4)	3a : 18
Air Cleaner Assembly (Euro 4)	3a : 20
Exhaust System Assembly (Euro 4)	3a : 22
Engine & Ancillaries (Euro 4)	3a : 24
Cooling System Assembly (Tier 3)	3a : 26
Air Cleaner Assembly (CW200 Euro 4/Tier 3)	3a : 28
Exhaust System Assembly (Tier 3)	3a : 30
Engine & Ancillaries (Tier 3)	3a : 32
Transmission Actuator Assembly (Tier 3)	3a : 34

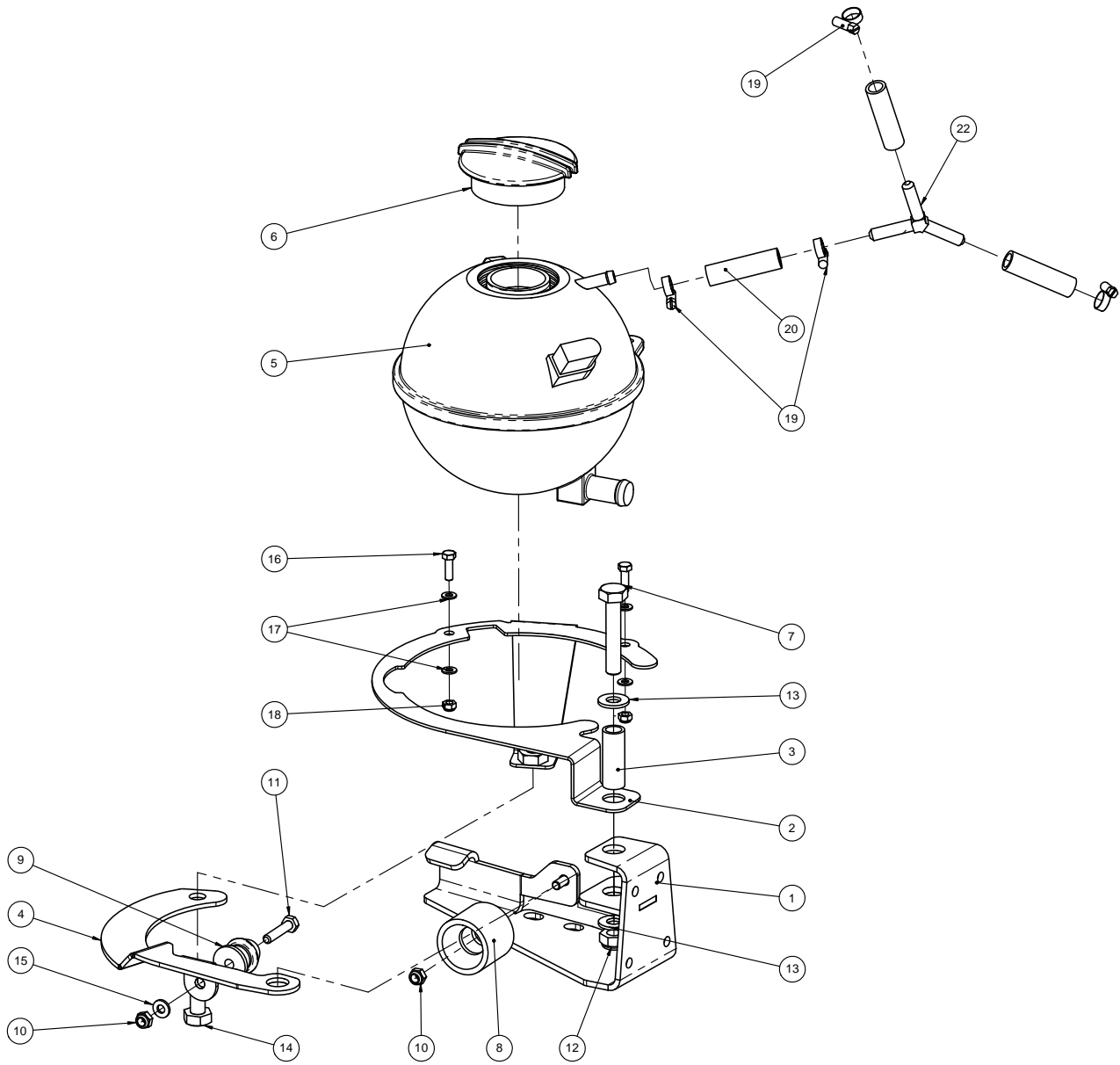
**Sweep/Steering Pump Assembly**  
BoM: 37023-51



Sweep/Steering Pump Assembly  
BoM: 37023-51

Item No.	Part No.	Description	Quantity
1	721299/1	Pump - Tandem Gear, G32+F5,5	1
2	123/147	Bolt M Coarse M12x45	2
3	460/12	Washer Spring Single Coil M12	2
4	455/12	Washer Plain Plated Steel M12	2
5	263/6	Adaptor - M/M 3/4" BSP	1
6	451/21	Washer - Dowty 3/4" BSP	1
7	263/7	Adaptor - M/M 1" BSP	1
8	451/22	Washer - Dowty 1" BSP	1
9	277/99	Adaptor - Swept Elbow	1
10	263/3	Adaptor - M/M 3/8" BSP	1
11	451/18	Washer - Dowty 3/8" BSP (M16)	1
<b>Spares Only Items:</b>			
12	721299/500	Kit - Seal, Sweep Pump	1

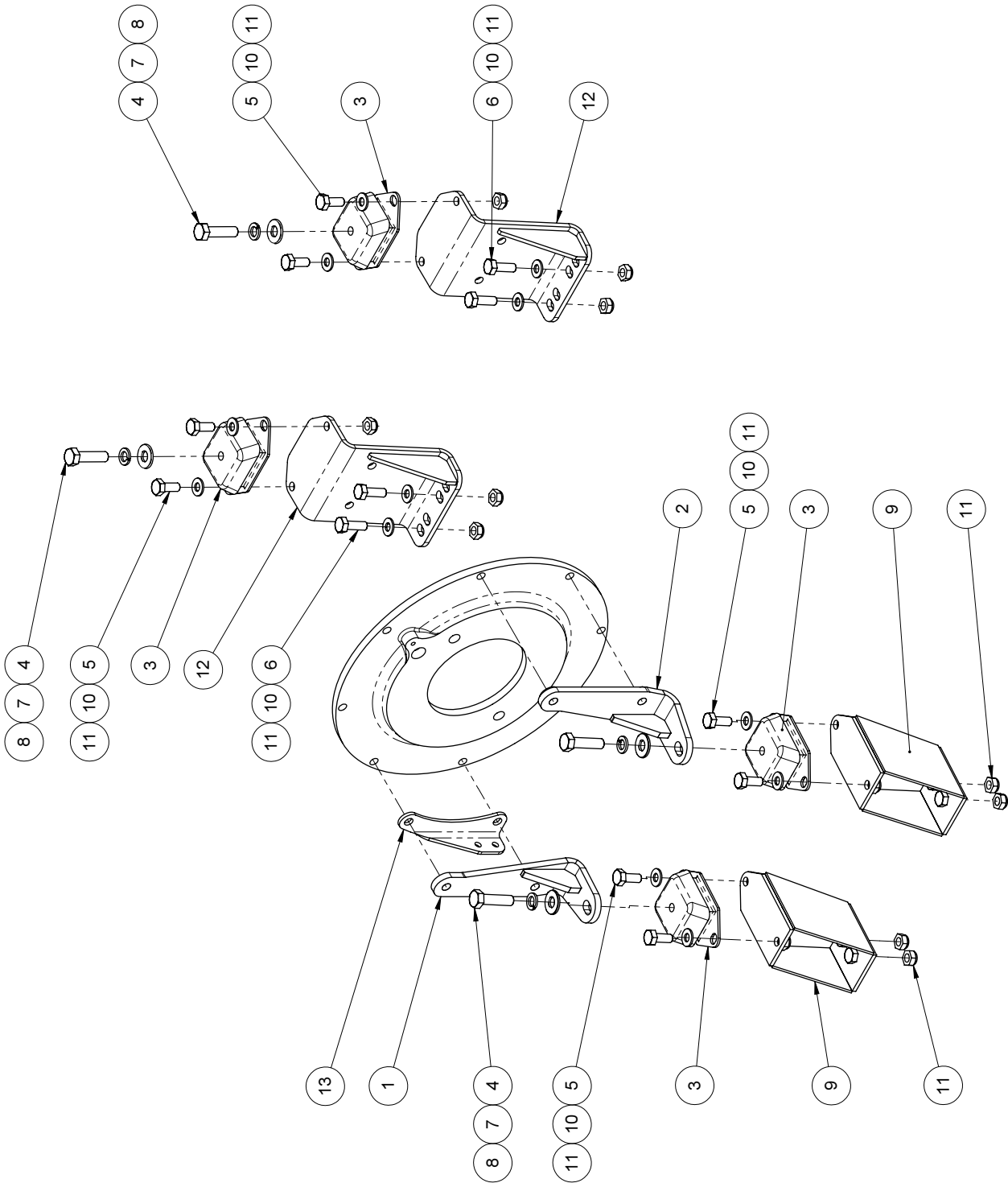
**Expansion Tank Assembly**  
BoM: 37138-1



Expansion Tank Assembly  
BoM: 37138-1

Item No.	Part No.	Description	Quantity
1	722457/1	Bracket - Hinge Tank W/Assy	1
2	722416/1	Bracket-Pivot,Header Tank	1
3	722415/1	Pin - Pivot,Header Tank W/Assy	1
4	722418/1	Plate - Bottom ,Header Tank	1
5	722408/1	Bottle - Header, Ball (C200)	1
6	722409/1	Cap - Pressure, 1.4 Bar	1
7	124/178	Setscrew M10C x 55	1
8	217/30	Rubber Door Holder - Female	1
9	217/19	Holder - Rubber (Male)	1
10	425/13	Nut Nyloc Hex MC M6	2
11	124/107	Setscrew M6C x 30	1
12	425/15	Nut Nyloc Hex MC M10	1
13	454/10	Washer Plain St.Stl M10x21	2
14	124/171	Setscrew M10C x 30	1
15	454/6	Washer Plain St.Stl M6x12.5	1
16	124/70	Setscrew M5C x 16	2
17	454/5	Washer Plain St.Stl M5x10	4
18	425/12	Nut Nyloc Hex MC M5	2
19	501/1	Clip Hose Worm Drive 11-16mm	4
20	271/1	Hose - Rubber, 5/16" Sng Braid	1.5M
22	277/281	Tee - Nylon, Hose Joiner	1

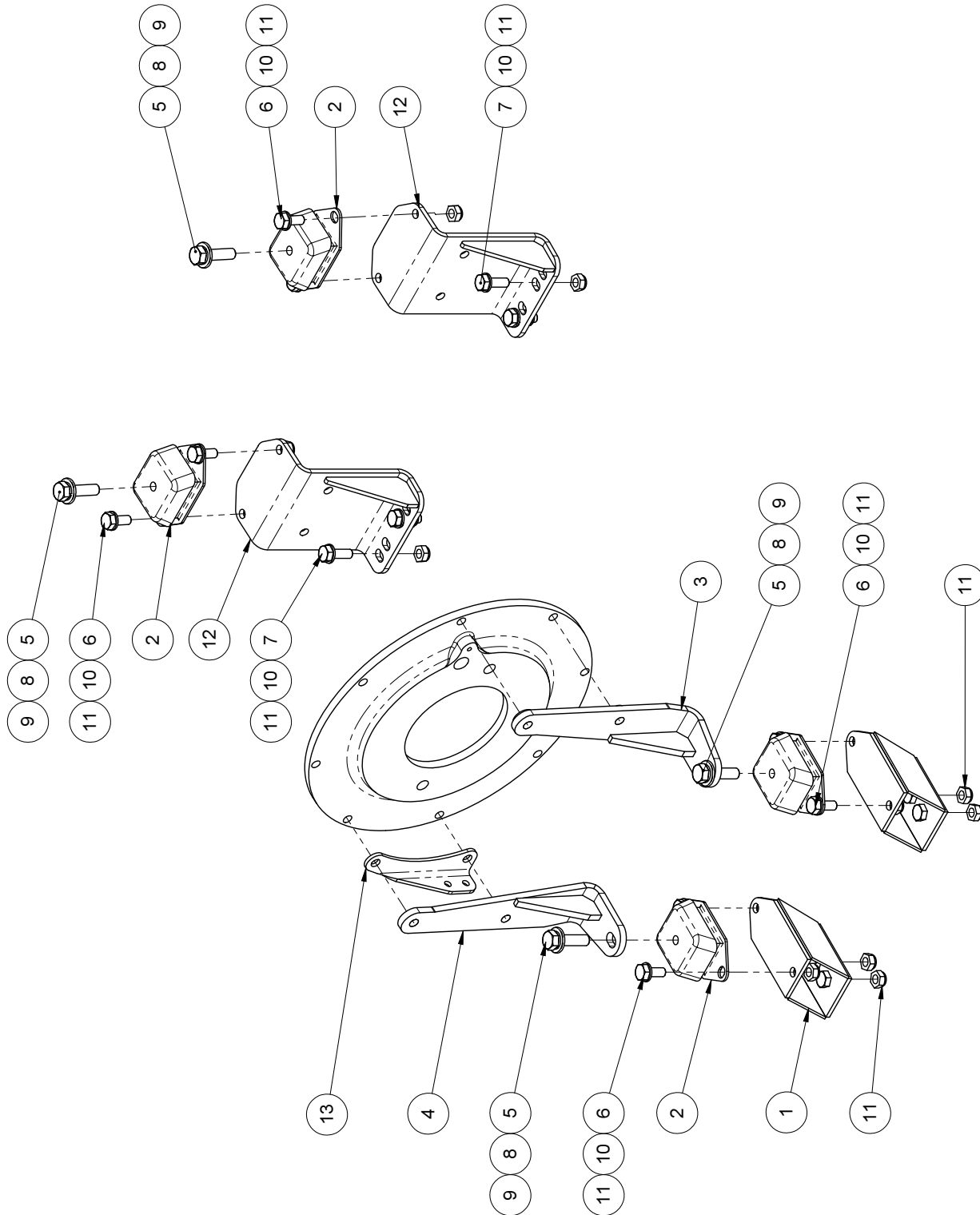
**Engine Mounting Assembly  
(up to chassis no. 3068695)  
BoM: 37019-3**



**Engine Mounting Assembly  
(up to chassis no. 3068695)  
BoM: 37019-3**

Item No.	Part No.	Description	Quantity
1	722356/1	Support-Engine, RH Forward W/A	1
2	722348/1	Support-Engine, LH Forward W/A	1
3	290/10	Mounting-Flexible Cushy Float	4
4	124/208	Setscrew M12C x 45	4
5	124/169	Setscrew M10C x 25	8
6	124/171	Setscrew M10C x 30	4
7	460/12	Washer Spring Single Coil M12	4
8	450/10	Washer Plain 7/16	4
9	76826/1	Support-Forward, Engine W/Assy	2
10	455/11	Washer Plain Plated Steel M10	12
11	425/15	Nut Nyloc Hex MC M10	16
12	722347/1	Mount - Engine, W/Assy	2
13	76917/1	Bracket - Hose, Suction	1

**Engine Mounting Assembly  
(re-orientated Transmission Pump -  
from chassis no. 3068696 onwards)  
BoM: 37019-53**

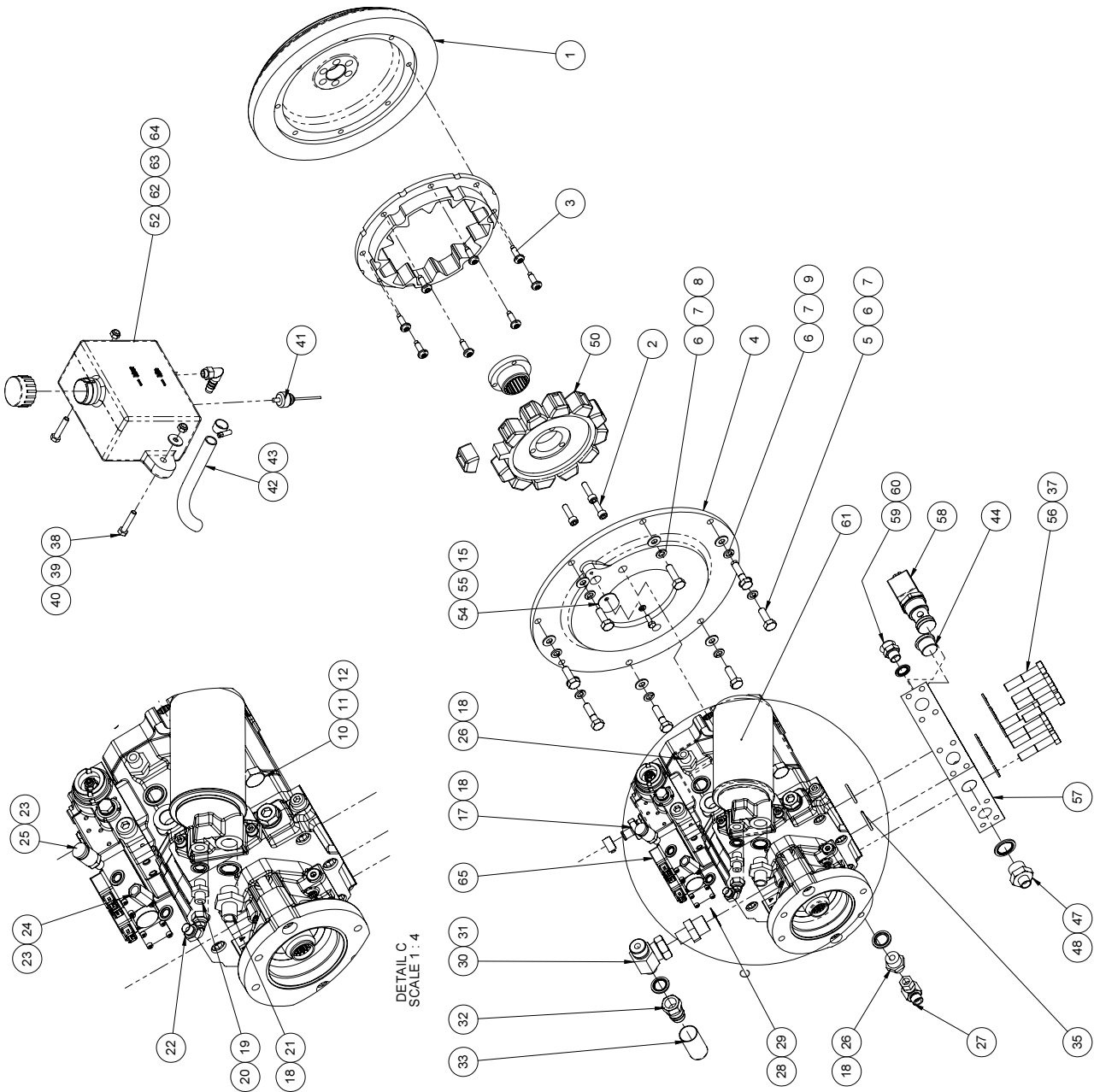




**Engine Mounting Assembly  
(re-orientated Transmission Pump -  
from chassis no. 3068696 onwards)  
BoM: 37019-53**

Item No.	Part No.	Description	Quantity
1	722356/1	Support-Engine, RH Forward W/A	2
2	290/10	Mounting-Flexible Cushy Float	4
3	722561/1	Support - Front Engine, LH	1
4	722570/1	Support - Front Engine, RH	1
5	124/208	Setscrew M12C x 45	4
6	124/169	Setscrew M10C x 25	8
7	124/171	Setscrew M10C x 30	4
8	460/12	Washer Spring Single Coil M12	4
9	450/10	Washer Plain 7/16	4
10	455/11	Washer Plain Plated Steel M10	12
11	425/15	Nut Nyloc Hex MC M10	16
12	722347/1	Mount - Engine, W/Assy	2
13	76917/1	Bracket - Hose, Suction	1

**Transmission Pump  
(up to chassis no. 3068695)  
BoM: 37021-53**



**Transmission Pump**  
**(up to chassis no. 3068695)**  
BoM: 37021-53

Item No.	Part No.	Description	Quantity
1	75662-1	Flywheel - VW HR949HT2	
2	129-127	Screw MC Cap Skt Hd M8x30	3
3	135-127	Screw - Button Hd Torx M8x20	8
4	75799-1	Adaptor Plate-Flywheel Housing	1
5	124-171	Setscrew M10C x 30	4
6	460-11	Washer Spring Single Coil M10	8
7	455-11	Washer Plain Plated Steel M10	8
8	124-173	Setscrew M10C x 35	1
9	123-128	Bolt M Coarse M10x40	3
10	123-182	Bolt M Coarse M16x50 BS3692	2
11	460-14	Washer Spring Single Coil M16	2
12	75944-1	D Washer - Trans. Pump	2
15	460-8	Washer Spring Single Coil M6	1
17	76916-1	Adaptor-Hose, M22x1.5x1/2"	1
18	451-20	Washer Bonded G5-8"	4
19	270-19	Adaptor-M14 x 1.5mm x 1/4" BSP	1
20	451-112	Washer Bonded ø9-16" - Bolt	1
21	270-23	Adaptor - M22 x 3/4" BSP	1
22	242-2	Elbow - Swivel 90 Deg. 1/4"	1
23	451-17	Washer Bonded G1-4"	2
24	66-7	Socket - Straight 1/4 BSP	1
25	665-18	Valve - Testpoint G1/4	1
26	270-13	Adaptor - M22 x 3/8" BSP	2
27	255-3	Tee - 3/8" BSP O/D M/M/F	1
28	270-18	Adaptor - M26 x 3/4" BSP	1
29	451-138	Washer Copper 7/8" BSP	1
30	76262-1	Tee - Oil Cooler, Line	1
31	451-19	Washer Bonded G1-2"	1
32	486-3	Coupling P/Brake Probe 1/2"	1
33	41247-1-A	Boot - Switch, Pressure, Oil	1
35	79-95	O Ring - 1.180" Dia.	2
37	460-12	Washer Spring Single Coil M12	8
38	123-108	Bolt M Coarse M8x40	2
39	457-4	Washer Plain Steel M8 Form G	2
40	425-14	Nut Nyloc Hex MC M8	2
41	720282-1P	Loom-Trans. Bottle Level Float	1
42	273-1	Tube-PVC 1/2" Bore Single Braid	1M
43	501-2	Clip Hose Worm Drive 14-22mm	2
44	54-5	Plug - Collar G3/4" BSP	1
47	265-5	Adaptor Reducing M/M 3/8"-3/4" BSP	1

**Transmission Pump  
(up to chassis no. 3068695)  
BoM: 37021-53**

Item No.	Part No.	Description	Quantity
48	451-21	Washer Bonded G3-4"	1
49	741332-2	Pump - CX200 Assy	1
50	76278-2	Coupling - Flexible , C50	1
52	722385-1	Reservoir Bottle Assy - E4	1
54	722487-1	Plate-Monocle, Flywheel Sensor	1
55	124-102	Setscrew M6C x 16	1
56	123-150	Bolt M Coarse M12x60 BS3692	8
57	721413-1	Block - Hose Connector C200	1
58	741497-4	Valve & Coil Assy - N/C, 12V	1
59	263-3	Adaptor M/M 3/8" BSP	1
60	451-18	Washer Bonded G3-8"	1

**Spares Only Items;**
**Item 49 comprises;**

71662-2	Filter - Transmission Oil	1
---------	---------------------------	---

**Item 52 comprises;**

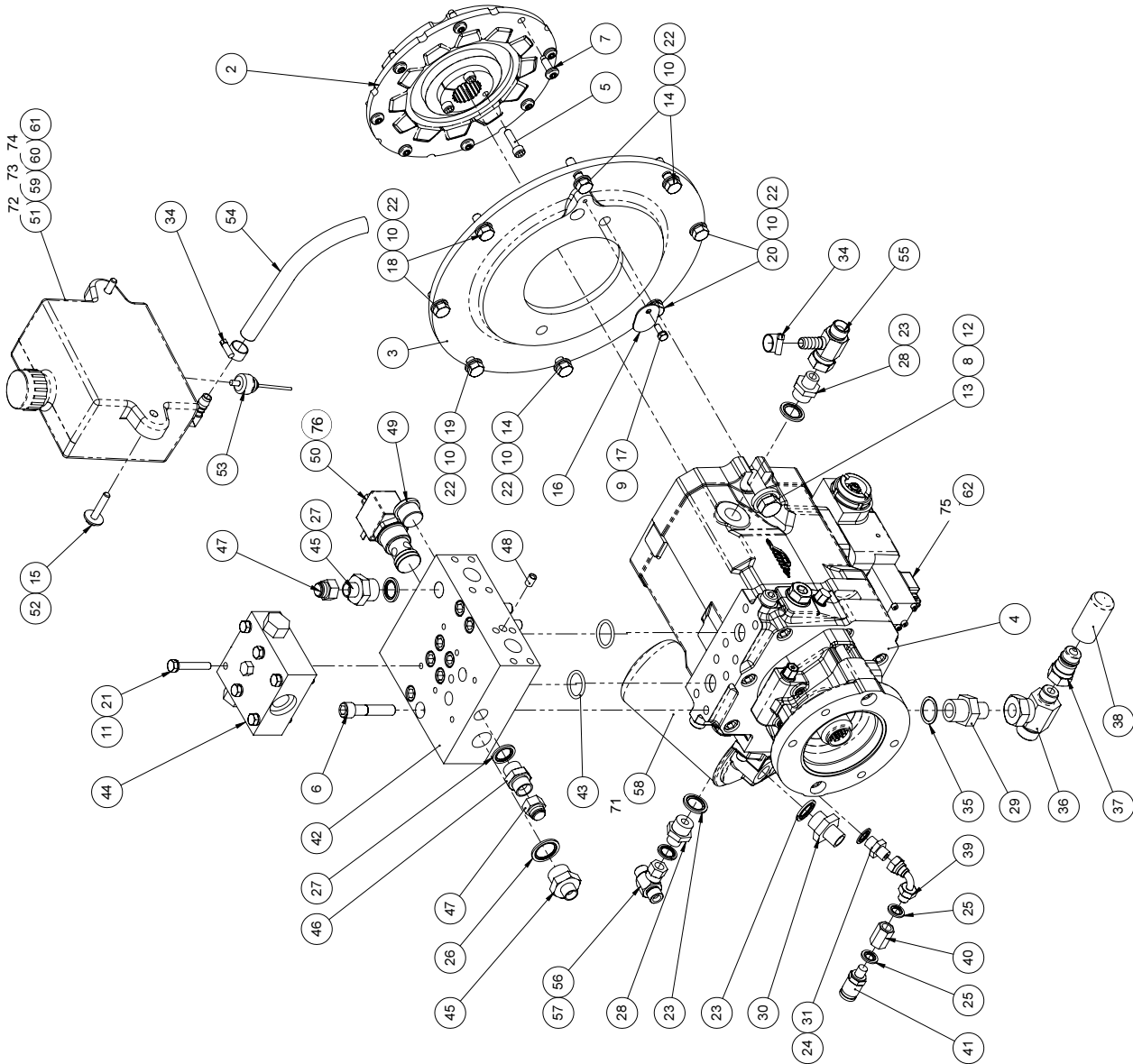
720222-2	Reservoir Bottle Only	1
720220-3	Threaded Cap 1 1/4" WRG - Yellow	1
720220-5	Elbow Connector - Normal 12/R3/8	1

**Item 58 comprises;**

810-142	Valve - 12V Solenoid	2
---------	----------------------	---

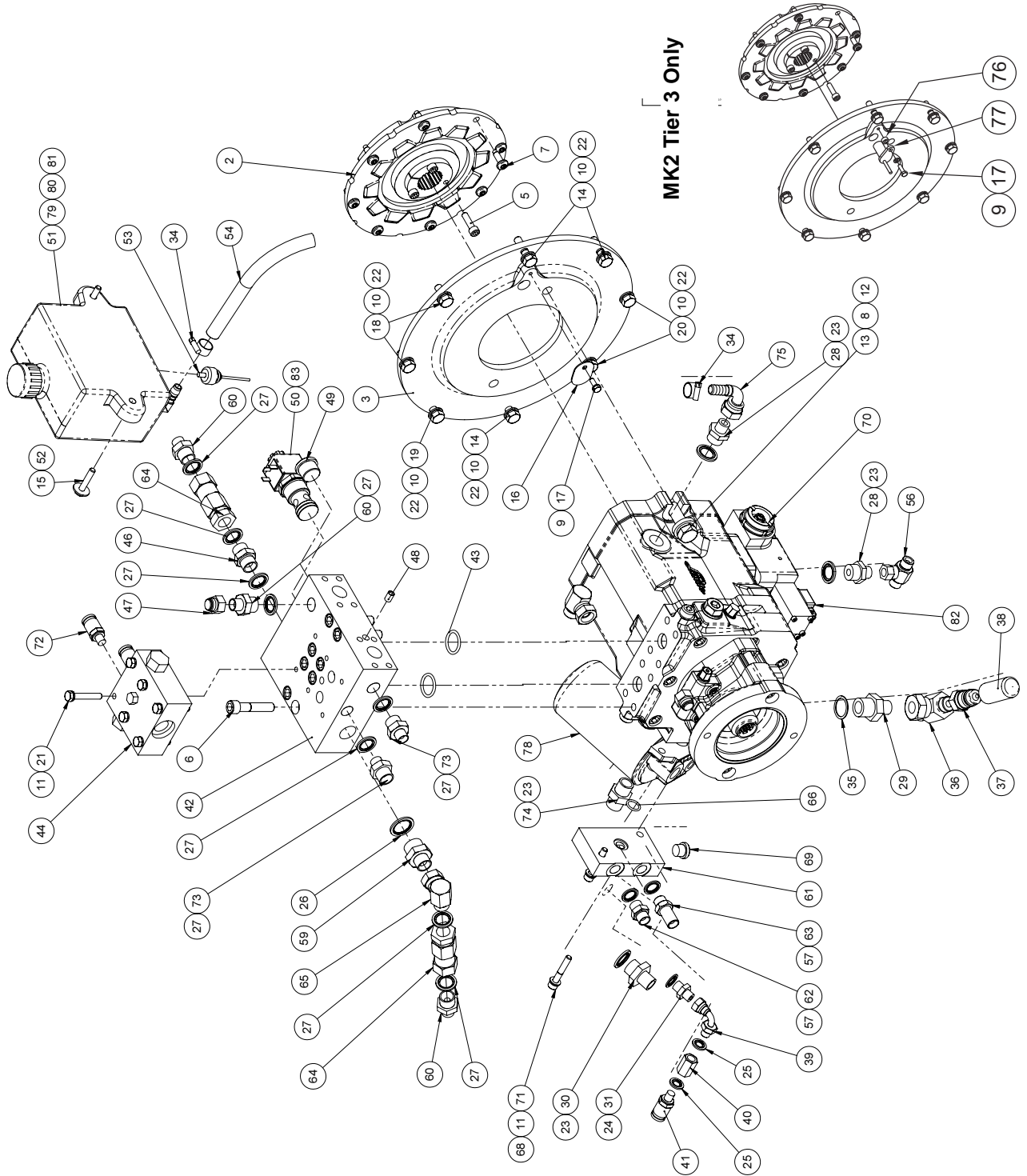
**Transmission Pump  
(up to chassis no. 3068695)  
BoM: 37021-53**

**Transmission Pump (re-orientated)  
(from chassis no. 3068696 onwards)  
BoM: 37021-54 to -56**



**MK1 Pump Installation  
(Pump Assy - 741332/2)**

**Transmission Pump (re-oriented)  
(from chassis no. 3068696 onwards)  
BoM: 37021-54 to -56**



**MK2 Pump Installation  
(Pump Assy - 741332/8)**

**Transmission Pump (re-orientated)**
**BoM: 37021-54 to -56**

Item No.	Part No.	Description	MK1	MK2	MK2
			Qty	Euro 4 Qty	Tier 3 Qty
2	76278/2	Coupling - Flexible , C50	1	1	1
3	75799/1	Adaptor Plate-Flywheel Housing	1	1	1
4	741332/2	Pump - CX200 Assy	1	-	-
5	129/127	Screw MC Cap Skt Hd M8x30	3	3	3
6	129/193	Screw MC Cap Skt Hd M12x60	8	8	8
7	135/127	Screw - Button Hd Torx M8x20	8	8	8
8	460/14	Washer Spring Single Coil M16	2	2	2
9	460/8	Washer Spring Single Coil M6	1	1	1
10	460/11	Washer Spring Single Coil M10	8	8	8
11	460/10	Washer Spring Single Coil M8	6	8	8
12	75944/1	'D' Washer - Trans. Pump	2	2	2
13	123/182	Bolt M Coarse M16x50 BS3692	2	2	2
14	123/128	Bolt M Coarse M10x40	3	3	3
15	123/108	Bolt M Coarse M8x40	2	2	2
16	722487/1	Plate-Monocle, Flywheel Sensor	1	1	-
17	124/102	Setscrew M6C x 16	1	1	-
18	124/169	Setscrew M10C x 25	2	2	2
19	124/173	Setscrew M10C x 35	1	1	1
20	124/171	Setscrew M10C x 30	2	2	2
21	124/145	Setscrew M8C x 50	6	6	6
22	455/11	Washer Plain Plated Steel M10	8	8	8
23	451/20	Washer - Dowty 5/8" BSP	3	4	4
24	451/112	Washer - Dowty M14	1	1	1
25	451/17	Washer - Dowty 1/4" BSP	2	2	2
26	451/21	Washer - Dowty 3/4" BSP	1	1	1
27	451/19	Washer - Dowty 1/2" BSP	2	8	8
28	270/13	Adaptor - M22 x 3/8" BSP	2	2	2
29	270/18	Adaptor - M26 x 3/4" BSP	1	1	1
30	270/23	Adaptor - M22 x 3/4" BSP	1	1	1
31	270/19	Adaptor - M14 x 1/4" BSP	1	1	1
34	501/2	Clip Hose Worm Drive 14-22mm	1	2	2
35	451/138	Washer - Soft Copper, 7/8"	1	1	1
36	76262/1	Tee - Oil Cooler, Line	1	1	1
37	486/3	Coupling P/Brake Probe 1/2"	1	1	1
38	41247/1/A	Boot - Switch, Pressure, Oil	1	1	1
39	242/2	Elbow - Swivel 90 Deg. 1/4"	1	1	1
40	66/7	Socket - Straight 1/4 BSP	1	1	1
41	665/18	Valve - Testpoint G1/4	1	1	1
42	741905/1	Block - Hose Connector	1	1	1
43	79/95	'O' Ring - 1.180" Dia.	2	2	2
44	741919/1	Valve - Purge	1	1	1
45	265/5	Adaptor Reducing 3/8"x3/4" BSP	2	-	-
46	265/4	Adaptor - M/M 1/2"x3/8" BSP	1	1	1

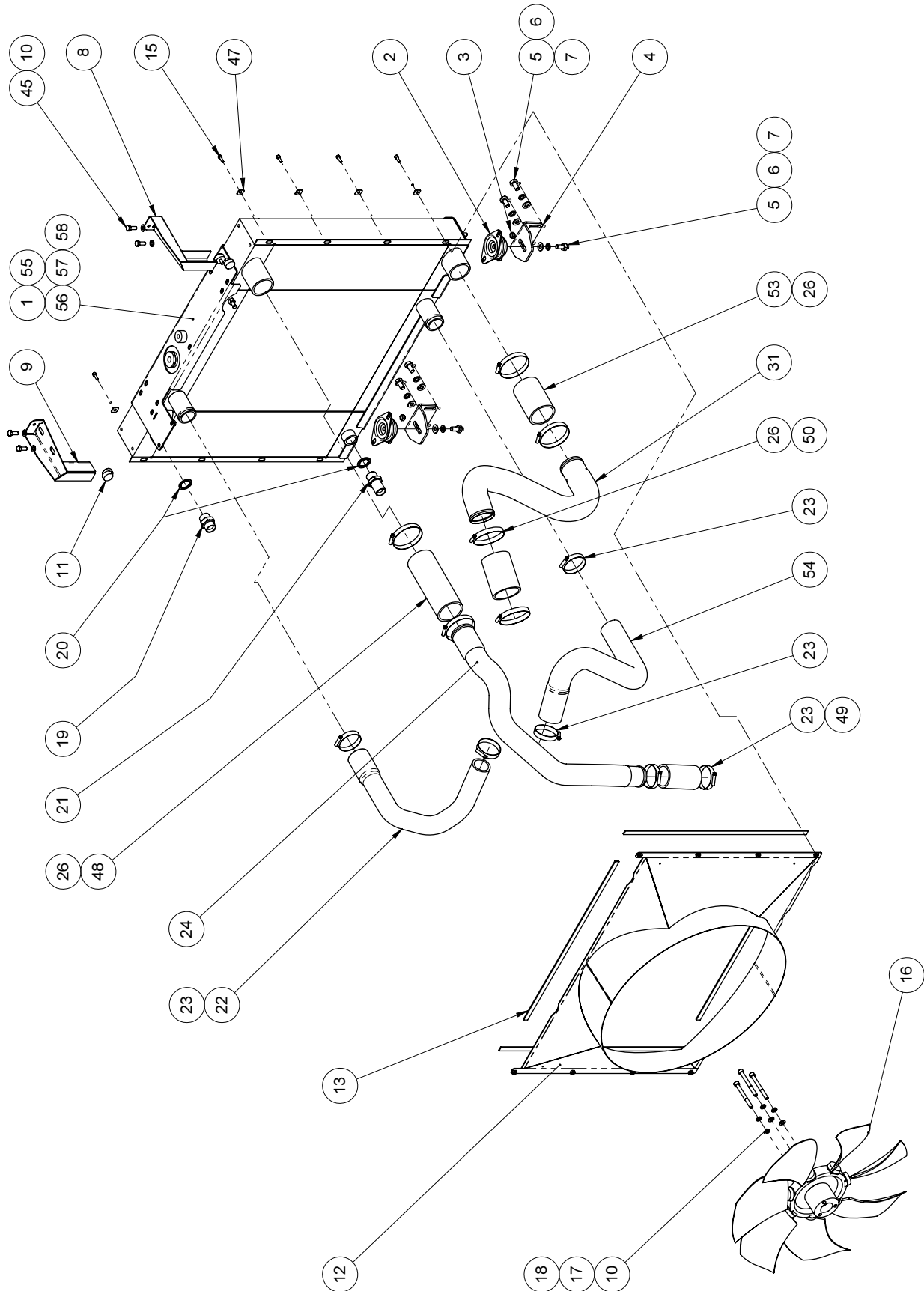


## Transmission Pump (re-orientated)

BoM: 37021-54 to -56

Item No.	Part No.	Description	MK1	MK2	MK2
			Qty	Euro 4 Qty	Tier 3 Qty
47	68/18	Cap - Female 3/8" BSP	2	2	2
48	55/22	Plug - CV Expansion	1	1	1
49	54/5	Plug - Collar, G3/4	1	1	1
50	741497/4	Valve & Coil Assy - N/C, 12V	1	1	1
51	722385/1	Reservoir Bottle Assy - E4	1	1	1
52	457/4	Washer Plain Steel M8 Form G	2	2	2
53	720282/1P	Loom-Trans. Bottle Level Float	1	1	1
54	273/1	Tube-PVC 1/2" Bore Sngle Braid	1M	1M	1M
56	255/3	Tee - 3/8" BSP O/D M/M/F	1	1	1
57	451/18	Washer - Dowty 3/8" BSP (M16)	2	2	2
59	265/7	Adaptor - Reducing, 1/2" x 3/4" BSP	-	1	1
60	265/4	Adaptor - Reducing, 3/8" x 1/2" BSP	-	3	3
61	722861/1	Block - Wafer, Transmission Pump	-	1	1
62	263/3	Adaptor - M/M, 3/8" BSP	-	1	1
63	264/3	Adaptor - Bulkhead, 3/8" BSP M/M	-	1	1
64	740556/1	Valve - Check, G1/2	-	2	2
65	262/4	Elbow - Compact Swivel, 1/2" M/F	-	2	2
66	80/400	O Ring - Viton, ID 16.3 x 2.4	-	1	1
68	455/10	Washer - Plain, M8	-	2	2
69	54/3	Plug - Collar, G3/8	-	1	1
70	741332/8	Pump Assembly - Linde C200, HPV 105	-	1	1
	720675/1	Pump Assembly - Linde C200, HPV 75	-	-	1
71	129/133	Capscrew - M8Cx50	-	2	2
72	665/15	Valve - Testpoint, G7/16	-	2	2
73	265/6	Adaptor - Reducing, 1/2" x 5/8" BSP	-	2	2
74	270/34	Adaptor - M22 x 5/8" BSP	-	1	1
75	277/298	Elbow - Swivel, 1/2" 90° Hosetail	-	1	1
76	71229/1	Spacer	-	-	1
77	280856/1	Loom - with speed sensor	-	-	1
<b>Spares Only Items;</b>					
78	71662/2	Filter - Oil, Transmission	1	1	1
79	720220/2	Bottle - Reservoir	1	1	1
80	720220/3	Cap - Threaded, Yellow	1	1	1
81	720220/4	Elbow - Connector, 12/R3/8	1	1	1
82	810/142	Valve - Solenoid, 12V	2	2	2
83	741497/500	Kit - Seal (suits 741497/4, Item 50)	1	1	1

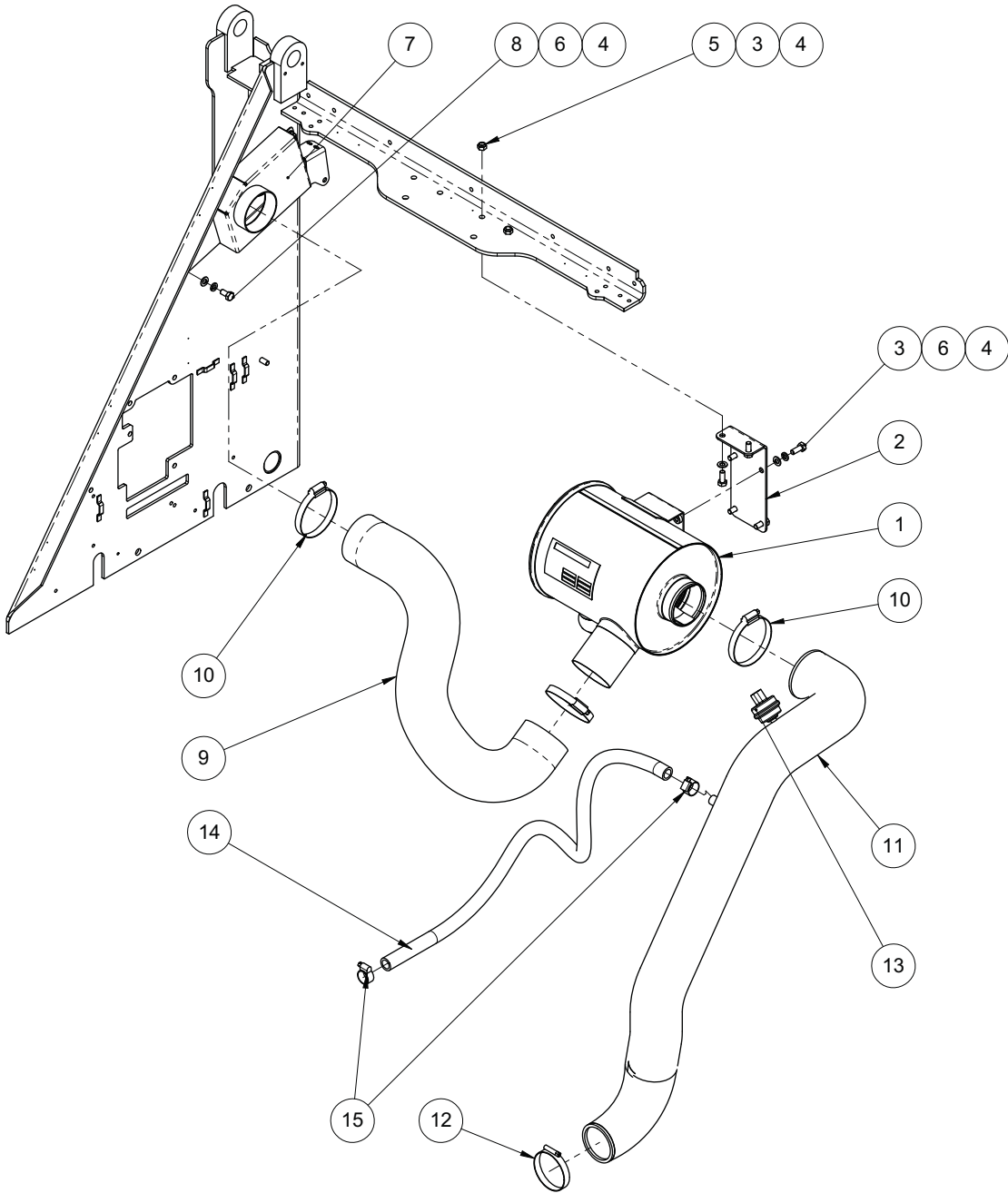
**Cooling System Assembly (Euro 4)**  
BoM: 37025-3



Cooling System Assembly (Euro 4)  
BoM: 37025-3

Item No.	Part No.	Description	Quantity
1	721880/1	Cooling Package	1
2	290/18	Mount - Flexible	2
3	425/14	Nut - Nyloc, M8C	8
4	721928/1	Angle - Radiator Support	2
5	124/167	Setscrew - M10C x 20	6
6	460/11	Washer - Spring, M10	6
7	455/11	Washer - Plain, M10	6
8	722373/1	Mount - Radiator Top, LH	1
9	722373/2	Mount - Radiator Top, RH	1
10	455/10	Washer - Plain, M8	7
11	290/4	Stop - Rubber	4
12	721882/1	Shroud - Cooling Fan W/Assy	1
13	217/25	Strip - Sealing, 3x12 Black	2.5M
15	129/64	Capscrew - M5C x 16	8
16	721890/1	Cooling Fan & Spacer Assembly	1
17	129/139	Capscrew - M8C x 80	3
18	460/10	Washer - Spring, M8	3
19	263/6	Adaptor - M/M, 3/4"	1
20	451/21	Seal - Dowty, 3/8"	2
21	264/6	Adaptor - Bulkhead, M/M 3/4"	1
22	721842/2	Pipe - Radiator Top Hose	1
23	501/28	Clip - Hose, 44 - 60mm	8
24	721840/1	Pipe - Turbo Charge to Cooler	1
26	501/29	Clip - Hose, 60 - 80mm	6
31	722394/1	Pipe - CAC Outlet	1
45	124/135	Setscrew - M8C x 20	4
47	722622/1	Washer - Radiator	8
48	722632/1	Cuff - CAC Top Connection, 60mm ID	1
49	722633/1	Cuff - Turbo Outlet	1
50	722634/1	Cuff - Inlet to Engine	1
53	722637/1	Cuff - CAC Bottom Connection	1
54	721843/1	Pipe - Bottom Water	1
<b>Spares Only Items:</b>			
55	721893/1	Oil Cooler	1
56	721894/1	Radiator - Water	1
57	721895/1	Cooler - Charge	1
58	75638/4	Cap - Radiator	1

**Air Cleaner Assembly (Euro 4)**  
BoM: 37026-3



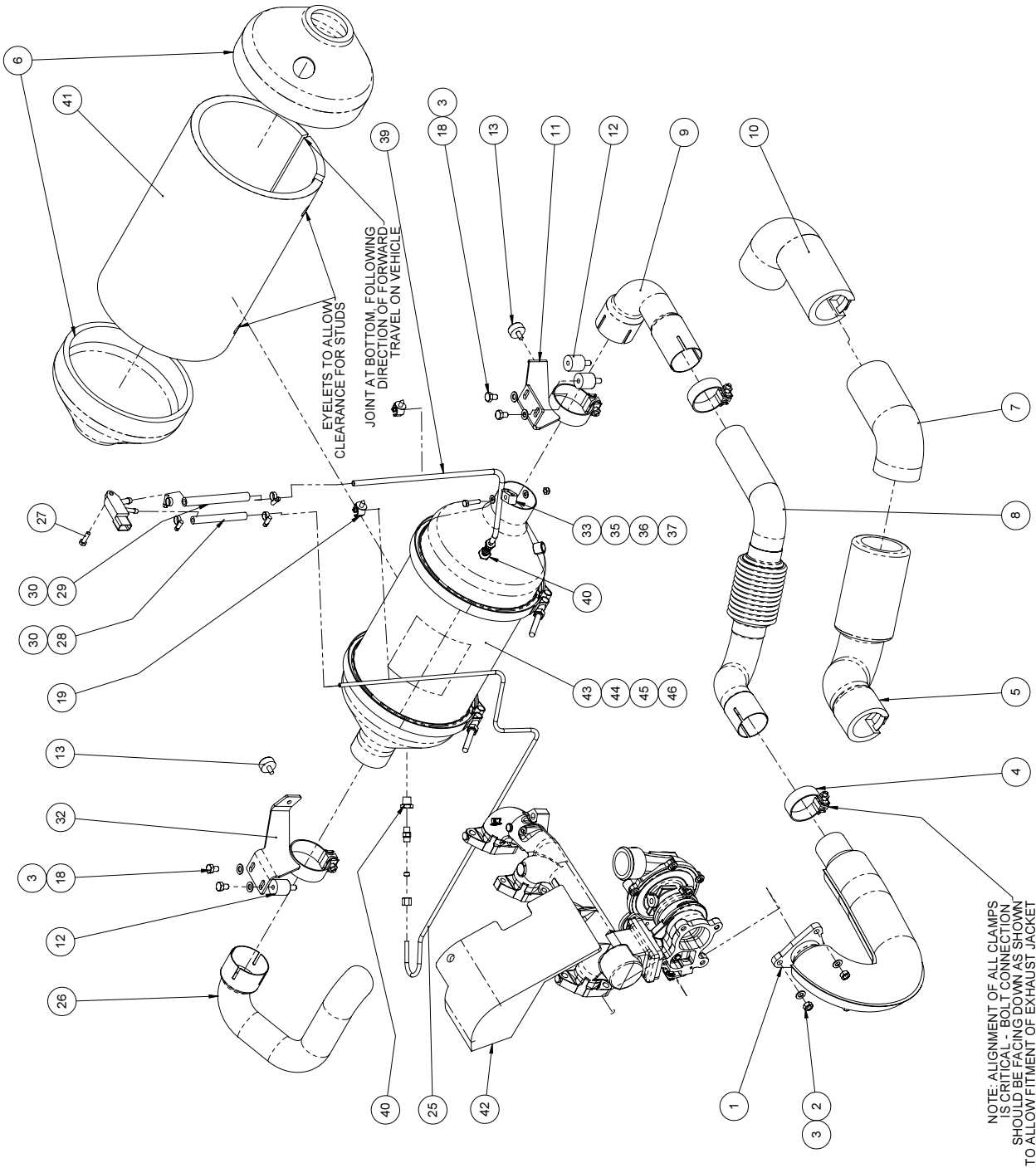
**Air Cleaner Assembly (Euro 4)**  
 BoM: 37026-3

Item No.	Part No.	Description	Quantity
1	721821-1	Air Cleaner - Euro 4	1
2	722362-1	Plate-Mount,Air Cleaner Euro 4	1
3	124-135	Setscrew M8C x 20	6
4	455-10	Washer Plain Plated Steel M8	8
5	425-14	Nut Nyloc Hex MC M8	2
6	460-10	Washer Spring Single Coil M8	2
7	722986-1	Airbox - Bolt On, W/Assy	1
8	124-134	Setscrew M8C x 16	2
9	274-2	Hose-Superflex, 76mm I/D	0.7M
10	501-7	Clip Hose Worm Drive 70/90mm	3
11	722991-1	Hose - Moulded, Air Inlet	1
12	501-6	Clip Hose Worm Drive 55-70mm	1
13	904-60	Indicator-Filter State,75mBar	1
14	273-13	5/8" Bore Griflex Hose	1M
15	501-24	Clip Hose Worm Drive 17-25mm	2

**Spares Only Items;****Item 1 comprises;**

721821-2	Element - Main	1
721821-3	Element - Safety	1

**Exhaust System Assembly (Euro 4)**  
**BoM: 37095-2**

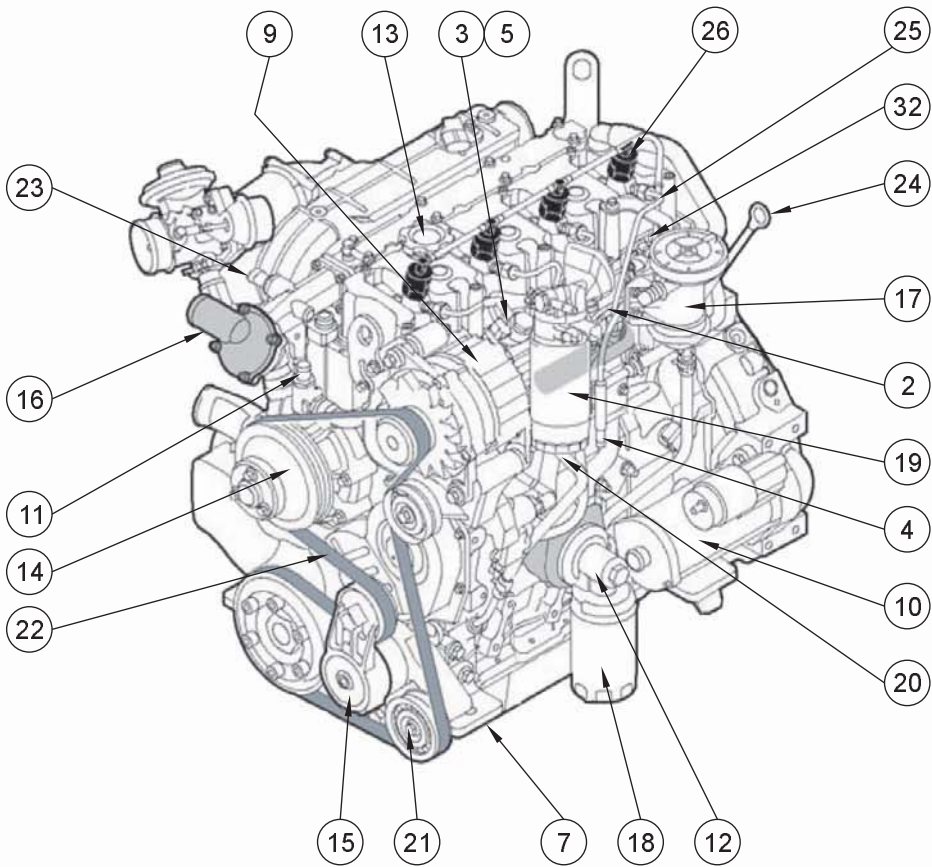
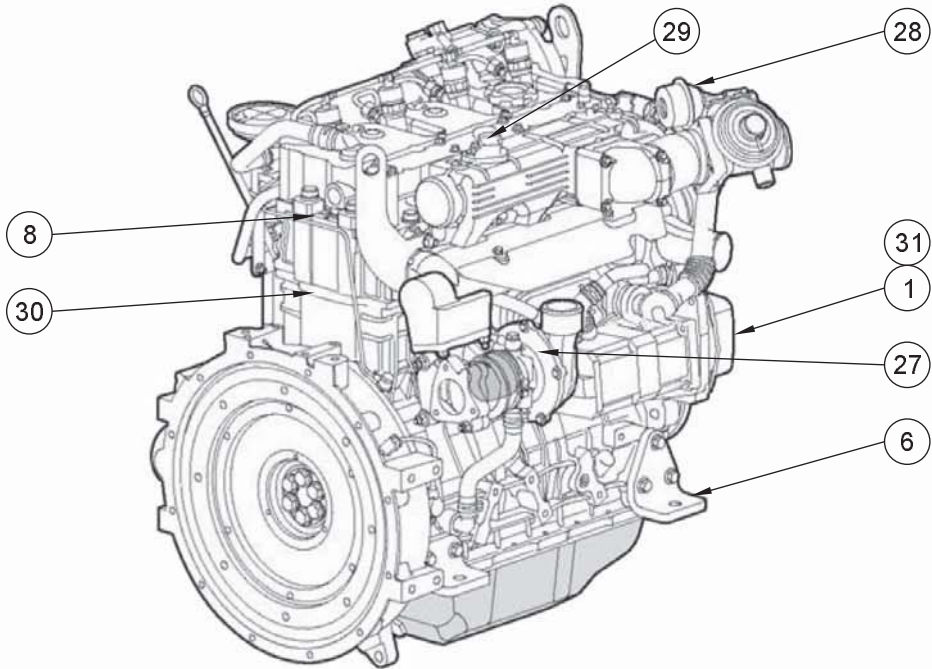


## Exhaust System Assembly (Euro 4)

BoM: 37095-2

Item No.	Part No.	Description	Quantity
1	721836-1	Downpipe- Insulated Hard	1
2	410-203	Nut - M8C Stover	3
3	455-10	Washer Plain Plated Steel M8	7
4	903-107	Clamp - Exhaust, Accuseal 2"	2
5	721814-1	Insulation Jacket-Dpipe toFlex	1
6	721815-1	Insulation Jacket-D/pipe Flex	1
7	721818-1	Insulation Jacket-Flex to Cuff	1
8	721812-1	Exhaust - Flexible Pipe	1
9	721925-1	Pipe - Ex. Cuff to Conical DPF	1
10	721848-1	Insulation Jacket-Cuff to DPF	1
11	721816-1	Bracket - Exhaust Mount LH	1
12	290-23	Mounting-Anti Vibration 25x25	4
13	290-4	Stop - Rubber	2
18	124-132	Setscrew M8C x 12	4
19	52-6	Clamp-Pipe, Dia. 6.0 - 8.0 mm	2
25	721833-1	Pipe - Exhaust Tail	1
26	124-103	Setscrew M6C x 20	1
27	425-13	Nut Nyloc Hex MC M6	2
28	272-37	Hose-Clear Plastic,Braided 6mm	1
29	272-38	Hose-Clear Plastic,Braided 8mm	1
30	501-1	Clip Hose Worm Drive 11-16mm	4
32	124-105	Setscrew - M6 x 25	1
33	455-8	Washer - Plain, M6	2
35	721816-2	Bracket - Exhaust Mount RH	1
36	722996-1	Heat Shield - Turbo	1
37	51-65	Clamp - Pipe, Double	1
39	722603-1	Pipe Assy - Delta P, Inlet Side	1
40	256-11	Bush - Reducing 1/4" - 1/8"	2
41	722904-1	Jacket - Insulation, DPF Centre Section	1
42	722996-1	Heat Shield - Turbo	1
<b>Spares Only Items:</b>			
43	721810-3	Cleaner - Emissions, Dinex Dipex Catalytic (fitted up to chassis no. 83068722)	1
	722926-1	DPF Assy - Filtri Klarius (fitted from chassis no. 83068723 onwards)	1
44	721810-6	End - Conical, Dipex	1
45	721810-7	End - Conical, Dipex	1
46	721810-4	Clamp - Dipex	2

**Engine & Ancillaries (Euro 4)**  
**BoM: 37018-4**



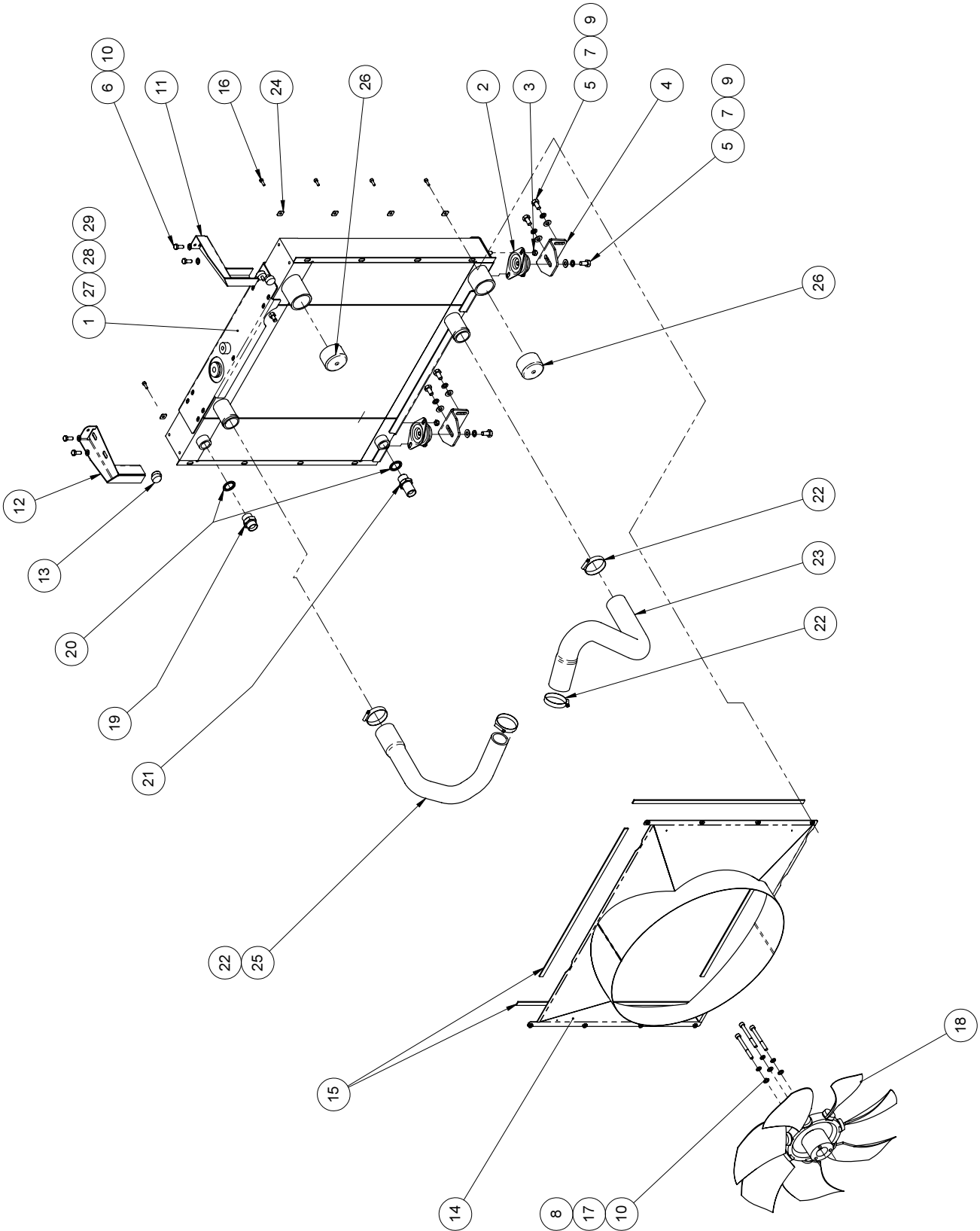


**Engine & Ancillaries (Euro 4)**

BoM: 37018-4

Item No.	Part No.	Description	Quantity
1	721800/1	Engine - VM R754EU4	1
2	722515/1	Loom - Rail, W/Assy C200 E4	1
3	275/50	Hose-Vacuum, Silicon Blue 3mmID	3
4	275/49	Hose - Silicone, I/D = 4mm	1.08M
5	722359/1	Connection - Vacuum, Euro 4	1
6	722488/1	Foot - Engine Mount	1
7	722489/1	Foot-Engine Mount, Non A/Con	1
8	52/6	Clamp-Pipe, Dia. 6.0 - 8.0 mm	2
<b>Spares Only Items;</b>			
9	849/243	Alternator - 12V	1
10	849/244	Motor - Starter, 12V	1
11	849/235	Sensor - Temperature, Water	1
12	849/226	Sensor - Oil	1
13	849/46	Cap - Filler, Oil	1
14	849/146	Pump - Water	1
15	849/238	Tensioner - Belt	1
16	849/294	Thermostat	1
17	849-192	Seperator - Oil	1
18	849-179	Filter - Oil	1
19	849-210	Cartridge - Filter, Fuel	1
20	849-288	Sensor - Water Indicator	1
21	849-290	Pulley - Tensioner	1
22	849-217	Belt (Standard, not fitted with air con.)	1
23	849-235	Switch - Water Temperature	1
24	849-240	Dipstick	1
25	849-261	Fuel Pipe Assembly	1
26	849-259	Injectors	4
27	849-251	Turbo	1
28	849-296	EGR Valve	1
29	849-225	Sensor	1
30	849-253	Cylinder Head Gasket Set	1
31	849-252	Engine Gasket Set	1
32	849-237	Glow Plugs	4

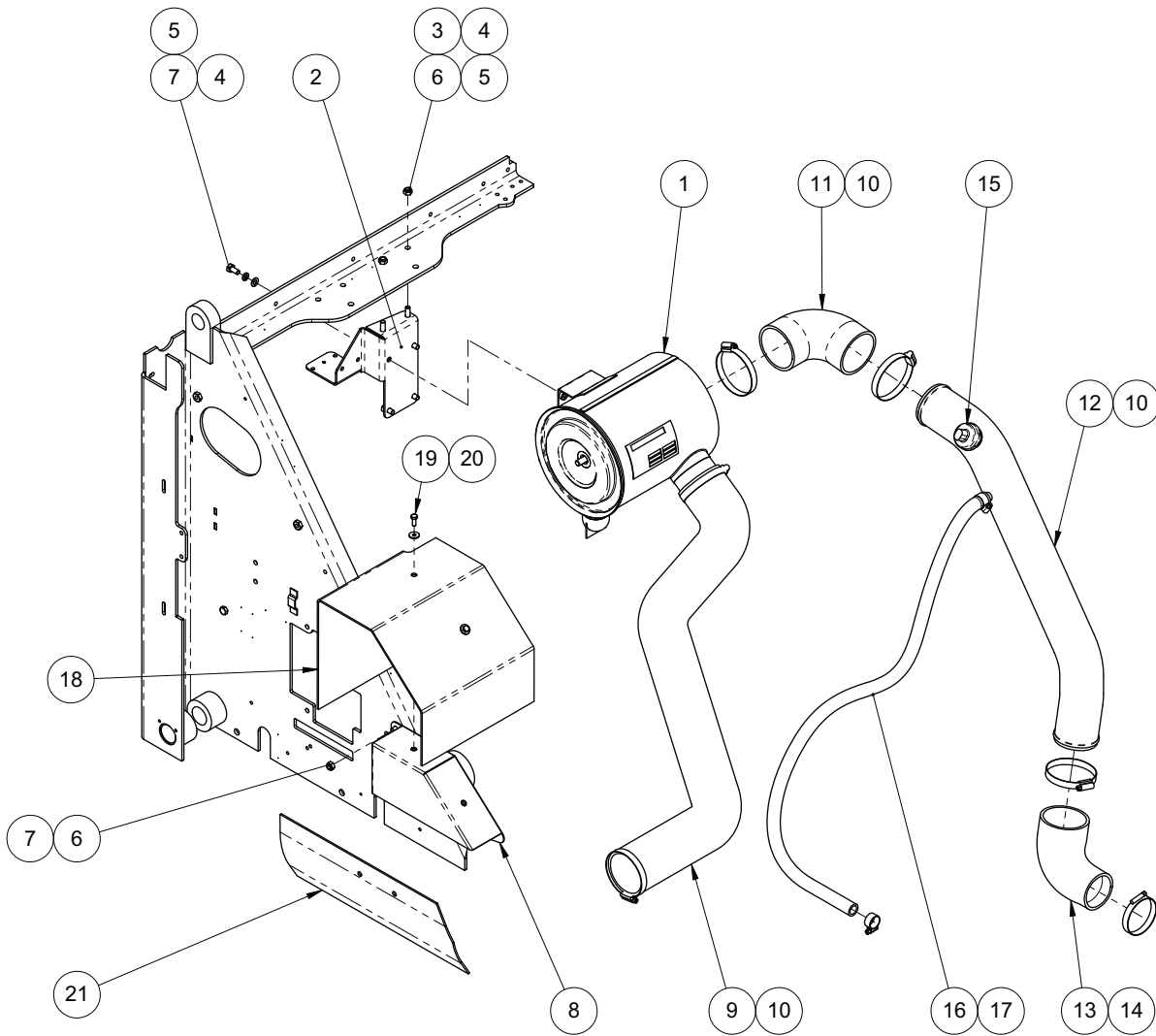
**Cooling System Assembly (Tier 3)**  
BoM: 37025-4



**Cooling System Assembly (Tier 3)**  
 BoM: 37025-4

Item No.	Part No.	Description	Quantity
1	722730/1	Cooling Package	1
2	290/18	Mount - Flexible	2
3	425/14	Nut - Nyloc, M8C	4
4	721928/1	Angle - Radiator Support	2
5	124/167	Setscrew - M10C x 20	6
6	124/135	Setscrew - M8C x 20	4
7	460/11	Washer - Spring, M10	6
8	460/10	Washer - Plain, M8	3
9	455/11	Washer - Plain, M10	6
10	455/10	Washer - Plain, M8	7
11	722373/1	Mount - Radiator Top, LH	1
12	722373/2	Mount - Radiator Top, RH	1
13	290/4	Stop - Rubber	4
14	721882/1	Shroud - Cooling Fan W/Assy	1
15	217/25	Strip - Sealing, 3x12 Black	2.5M
16	129/64	Capscrew - M5C x 16	8
17	129/139	Capscrew - M8C x 80	3
18	721890/1	Cooling Fan & Spacer Assembly	1
19	263/6	Adaptor - M/M, 3/4"	1
20	451/21	Seal - Dowty, 3/8"	2
21	264/6	Adaptor - Bulkhead, M/M 3/4"	1
22	501/28	Clip - Hose, 44 - 60mm	4
23	721843/1	Pipe - Bottom Water	1
24	722622/1	Washer - Radiator	8
25	721842/2	Pipe - Radiator Top Hose	1
26	288/44	Cap - Blanking, Flexible 60mm ID	2
<b>Spares Only Items:</b>			
27	721893/1	Oil Cooler	1
28	721894/1	Radiator - Water	1
29	75638/4	Cap - Radiator	1

**Air Cleaner Assembly (CW200 Euro 4/Tier 3)**  
BoM: 37026-53



**Air Cleaner Assembly (CW200 Euro 4/Tier 3)**  
**BoM: 37026-53**

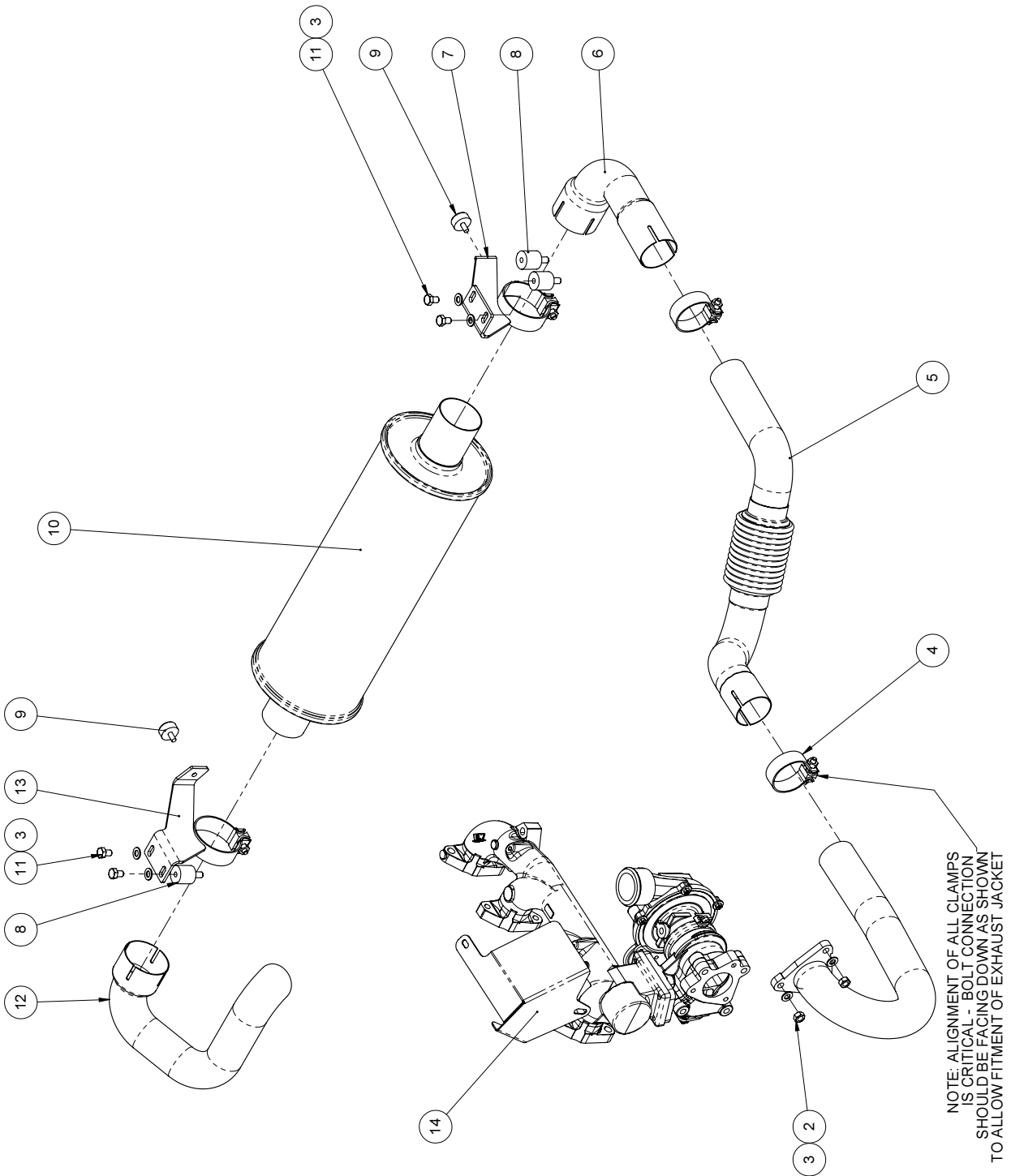
Item No.	Part No.	Description	Quantity
1	721821-1	Air Cleaner - Euro 4	1
2	722690-1	Mount - Air Cleaner, CW200	1
3	124-137	Setscrew M8C x 25	2
4	455-10	Washer Plain Plated Steel M8	6
5	460-10	Washer Spring Single Coil M8	6
6	425-14	Nut Nyloc Hex MC M8	4
7	124-134	Setscrew M8C x 16	6
8	722648-1	Box - Air, W/Assy Euro 3	1
9	274-2	Hose-Superflex, 76mm I/D	1M
10	501-7	Clip Hose Worm Drive 70/90mm	5
11	271-36	Elbow-Reinforced, Dia. 76mm	1
12	722835-1	Pipe - Air Filter, W/Assy	1
13	7008051	Hose Ø76 - Ø60	1
14	501-6	Clip Hose Worm Drive 55-70mm	1
15	904-60	Indicator-Filter State,75mBar	1
16	273-13	5/8" Bore Griflex Hose	1M
17	501-24	Clip Hose Worm Drive 17-25mm	2
18	722656-1	Flap - Rubber, Airbox	1
19	124-102	Setscrew M6C x 16	3
20	457-2	Washer Plain Steel M6 Form G	3
21	722664-1	Flap - Seal Rubber	1

**Spares Only Items;**

**Item 1 comprises;**

721821-2	Element - Main	1
721821-3	Element - Safety	1

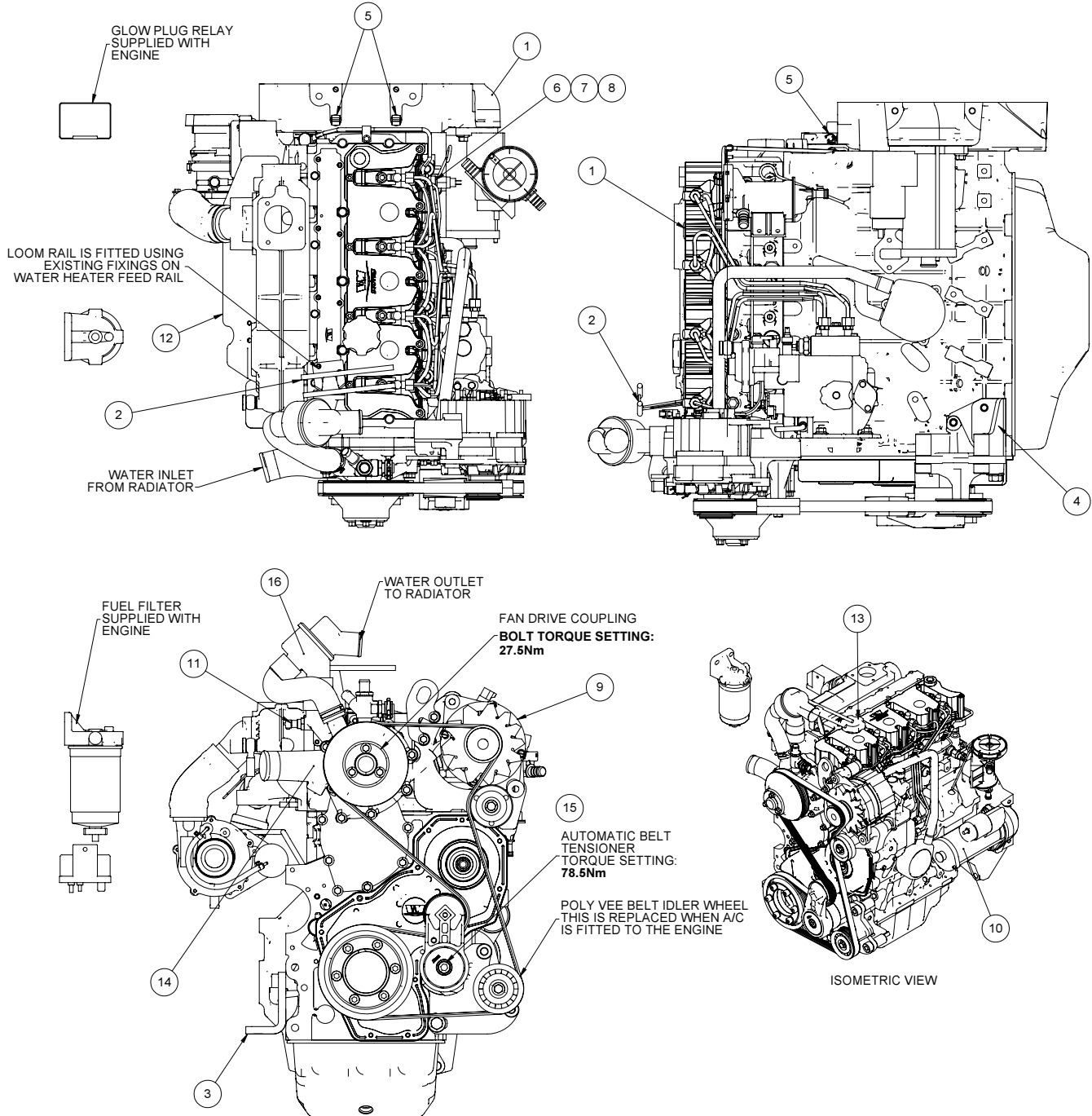
**Exhaust System Assembly (Tier 3)**  
**BoM: 37095-3**



**Exhaust System Assembly (Tier 3)  
BoM: 37095-3**

<b>Item No.</b>	<b>Part No.</b>	<b>Description</b>	<b>Quantity</b>
1	721835/1	Downpipe- Exhaust	1
2	410/203	Nut - M8C Stover	3
3	455/10	Washer Plain Plated Steel M8	7
4	903/107	Clamp - Exhaust, Accuseal 2"	2
5	721812/1	Exhaust - Flexible Pipe	1
6	721925/1	Pipe - Ex. Cuff to Conical DPF	1
7	721816/1	Bracket - Exhaust Mount LH	1
8	290/23	Mounting-Anti Vibration 25x25	4
9	290/4	Stop - Rubber	2
10	722550/1	Silencer - Exhaust	1
11	124/132	Setscrew M8C x 12	4
12	721833/1	Pipe - Exhaust Tail	1
13	721816/2	Bracket - Exhaust Mount RH	1
14	722528/1	Heat Shield - Turbo	1

**Engine & Ancillaries (Tier 3)**  
**BoM: 37139-1**



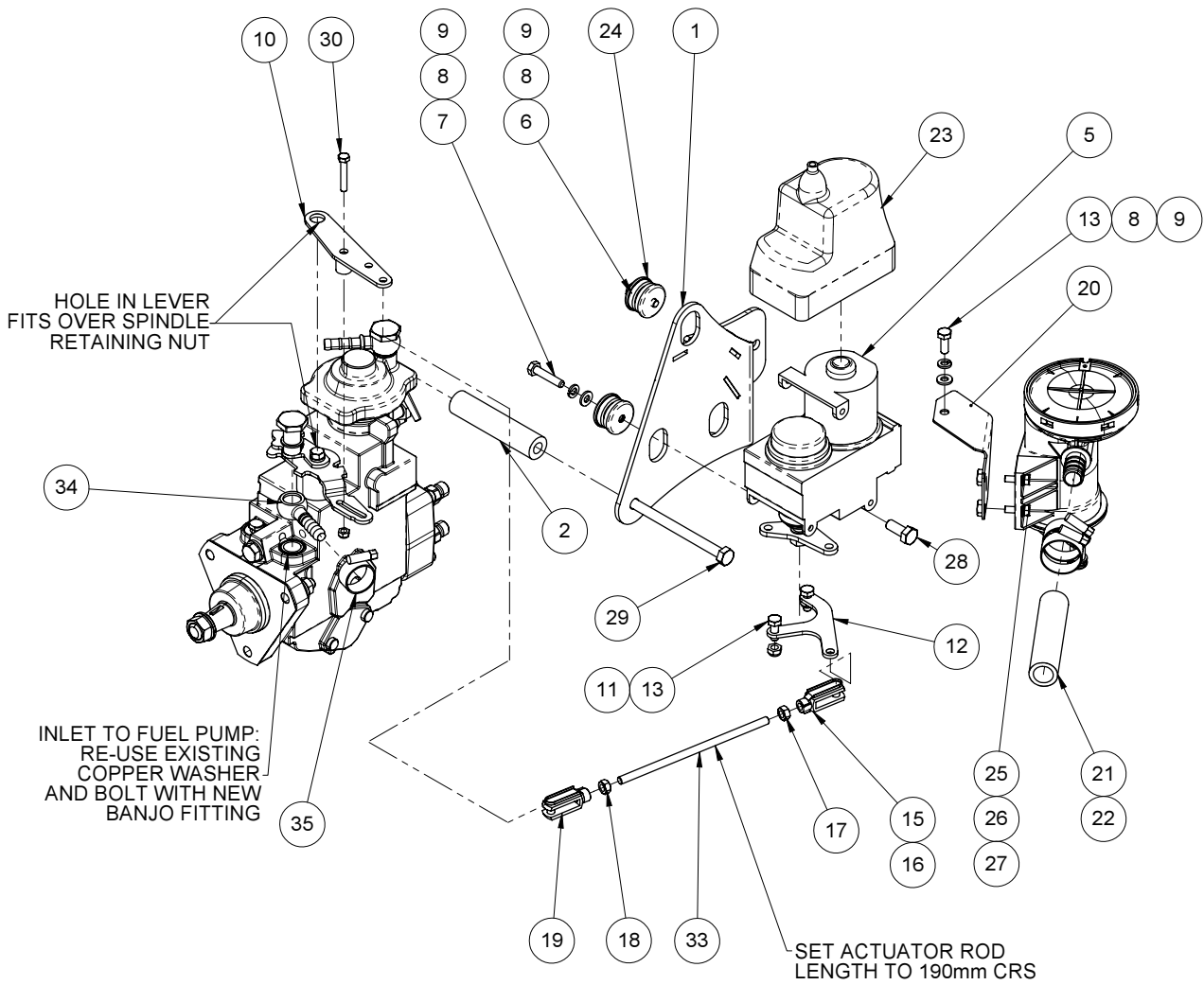


**Engine & Ancillaries (Tier 3)**

BoM: 37139-1

Item No.	Part No.	Description	Quantity
1	722555/1	Engine - VM Step 3A D754	1
2	722515/1	Rail - Loom	1
3	722488/1	Foot - Engine Mount	1
4	722489/1	Foot - Engine Mount	1
5	52/6	Clamp - Pipe, Dia.6 - 8mm	2
6	722875/1	Boss - Bulkhead, Temperature Sensor	1
7	48/38	Sender - Temperature, Water 6-24V	1
8	452/65	Washer - Copper, M14	1
<b>Spares Only Items;</b>			
9	849/243	Alternator - 12V	1
10	849/244	Motor - Starter, 12V	1
11	849/235	Sensor - Temperature, Water	1
12	849/225	Sensor - Oil	1
13	849/46	Cap - Filler, Oil	1
14	849/146	Pump - Water	1
15	849/238	Tensioner - Belt	1
16	849/41	Thermostat	1

**Transmission Actuator Assembly (Tier 3)**  
**BoM: 37022-7**



## Transmission Actuator Assembly (Tier 3)

BoM: 37022-7

Item No.	Part No.	Description	Quantity
1	722773/1	Bracket-Actuator,Throttle	1
2	722734/1	Spacer-Bracket,Actuator Step3A	1
5	720079/1	Actuator - Remote, Assy 440Lg	1
6	124/105	Setscrew M6C x 25	1
7	124/107	Setscrew M6C x 30	2
8	460/8	Washer Spring Single Coil M6	4
9	455/8	Washer Plain Plated Steel M6	4
10	722806/1	Lever - Throttle, W/Assy	1
11	425/13	Nut Nyloc Hex MC M6	2
12	76809/1	Plate-Boomerang, VM E3	1
13	124/102	Setscrew M6C x 16	3
15	289/29	Pin - Clevis, M6 LH Thread	1
16	289/30	Pin - M6 Spring	1
17	420/13	Nut MC Hex M6	1
18	410/84	Nut - Plain, M6C LH Thread	1
19	10950/3	Clevis- c/w Pin	1
20	722780/1	Bracket - Seprator, Oil	1
21	273/13	Hose - 16 ID x 23 OD	1M
22	501/25	Clip - Hose, 25 - 30mm	2
23	743039/1	Cover - Throttle Actuator	1
24	711/30	Kit - Mounting Actuator	1
25	124/70	Setscrew - M5C x 16	2
26	460/7	Washer - Spring, M5	2
27	455/7	Washer - Plain, M5	2
28	124/135	Setscrew - M8C x 20	2
29	124/156	Setscrew - M8C x 110	1
30	124/75	Setscrew - M5C x 30	1
31	425/12	Nut - Nyloc, M5C	1
33	76522/2	Rod - Throttle Actuator Link	1
34	277/279	Insert - Banjo Hose, M12 x 1/4"	1
35	501/2	Clip - Hose, 14-22mm	1

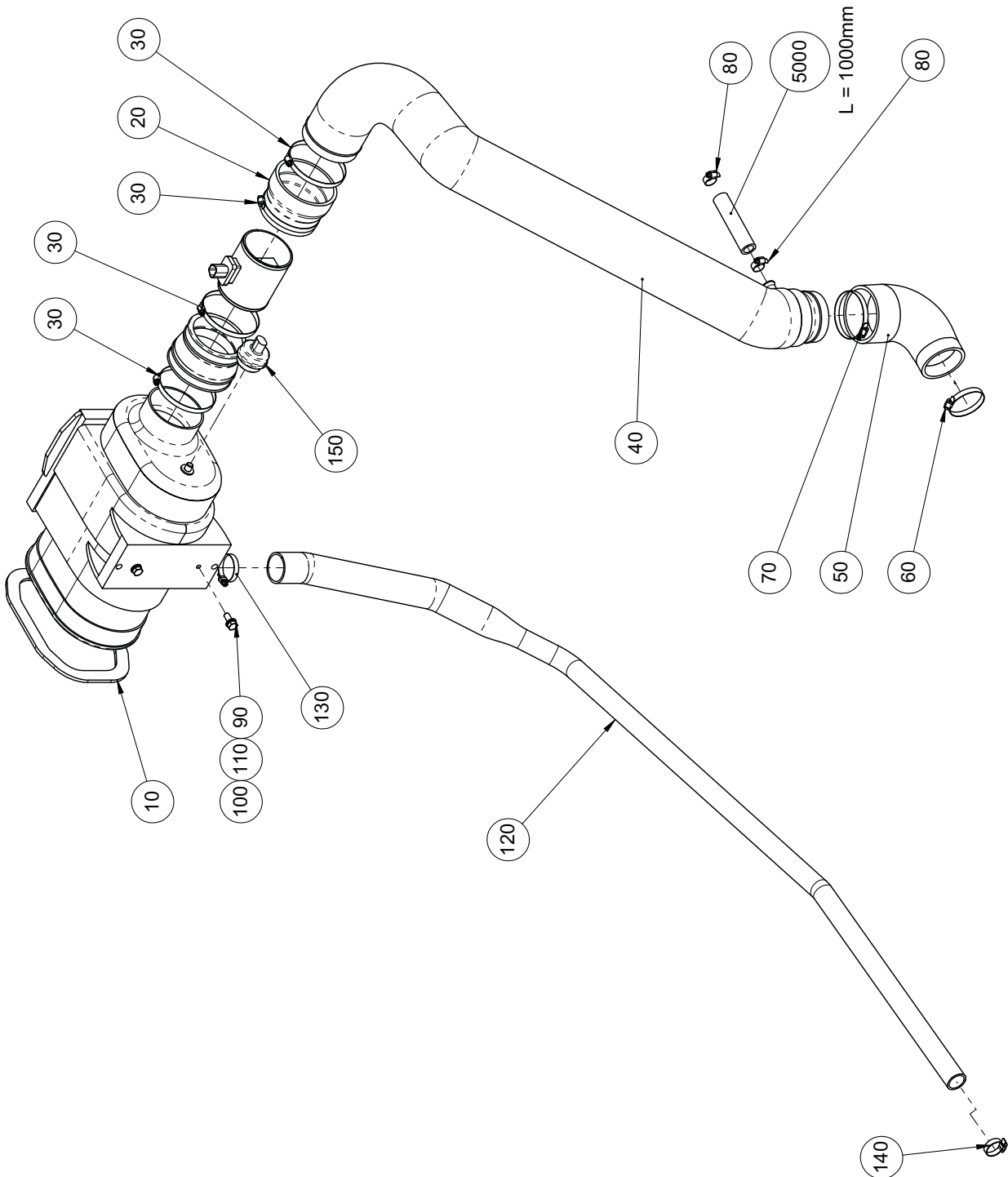


## CHAPTER

**3b****Engine****Euro 5 (R754EU5)  
Tier 3 (D754TE3)****Table of Contents**

<b>Section</b>	<b>Page</b>
Air Cleaner Assembly (Euro 5)	3b : 02
Air Cleaner Assembly (Tier 3)	3b : 04
Expansion Tank Assembly	3b : 06
Engine Mounting Assembly	3b : 08
Exhaust System (Euro 5)	3b : 10
Exhaust System (Tier 3)	3b : 12
Transmission Pump Assembly (Euro 5)	3b : 14
Transmission Pump Assembly (Tier 3)	3b : 18
Sweep/Steering Pump Assembly	3b : 22
Cooling System (Euro 5)	3b : 24
Cooling System (Tier 3)	3b : 26
Transmission Actuator Assembly (Tier 3)	3b : 28
Engine & Ancillaries (Euro 5)	3b : 30
Engine & Ancillaries (Tier 3)	3b : 32
Engine Spares	3b : 34

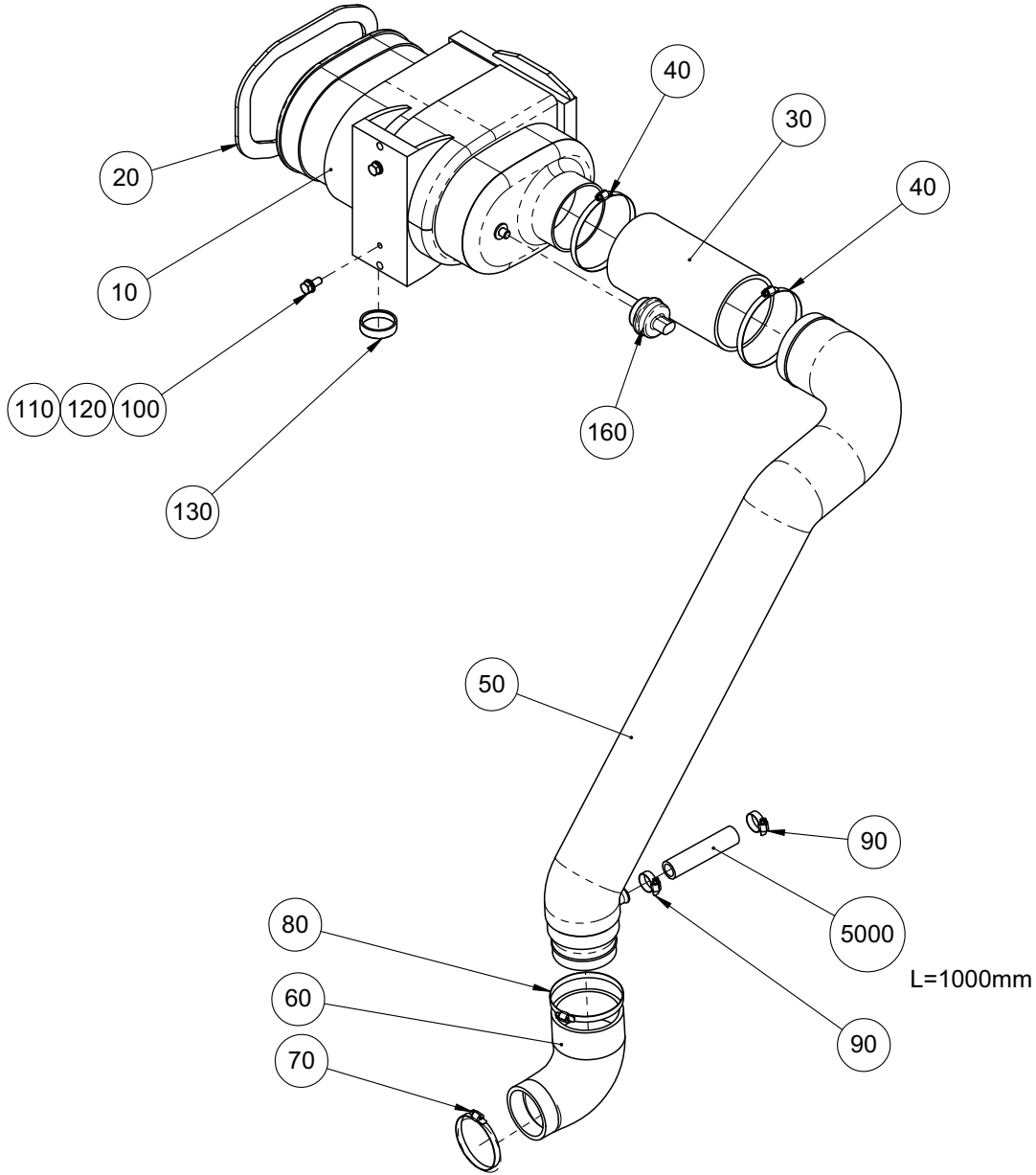
**Air Cleaner Assembly (Euro 5)**  
BoM: 37026-4



**Air Cleaner Assembly (Euro 5)**  
**BoM: 37026-4**

Item No.	Part No.	Description	Quantity
10	7007886	Seal - Air Cleaner	1
20	7007882	Cuff	1
30	501-9	Hose Clip - Worm Drive (90-120)	4
40	7006810	Pipe Air Filter To Turbo	1
50	7008051	Hose Ø76 - Ø60	1
60	501-6	Clip Hose Worm Drive 55-70mm	1
70	501-7	Clip Hose Worm Drive 70/90mm	1
80	501-24	Clip Hose Worm Drive 17-25mm	2
90	92097374-0	Hex Head Screw M8Cx20 8.8	2
100	93212011-0	Plain Washer M8	2
110	93699710-0	Spring Washer - Plated M8	2
120	7008123	Hose -Exhaust system	1
130	501-5	Clip Hose Worm Drive 40-55mm	1
140	501-4	Clip Hose Worm Drive 30-40mm	1
150	904-60	Indicator-Filter State,75mBar	1
5000	273-13	5/8" Bore Griflex Hose	1M
<b>Spare Use Only;</b>			
	904-65	Air Cleaner (supplied with engine)	1
	849-338	Cuff - Air Cleaner, E5 Engine Kit	1
	849-337	Sensor - Mass Air Flow, E5 Engine Kit	1
<b>904-65 comprises;</b>			
	904-68	Element - Main	1
	904-69	Element - Safety	1

**Air Cleaner Assembly (Tier 3)**  
BoM: 37026-5





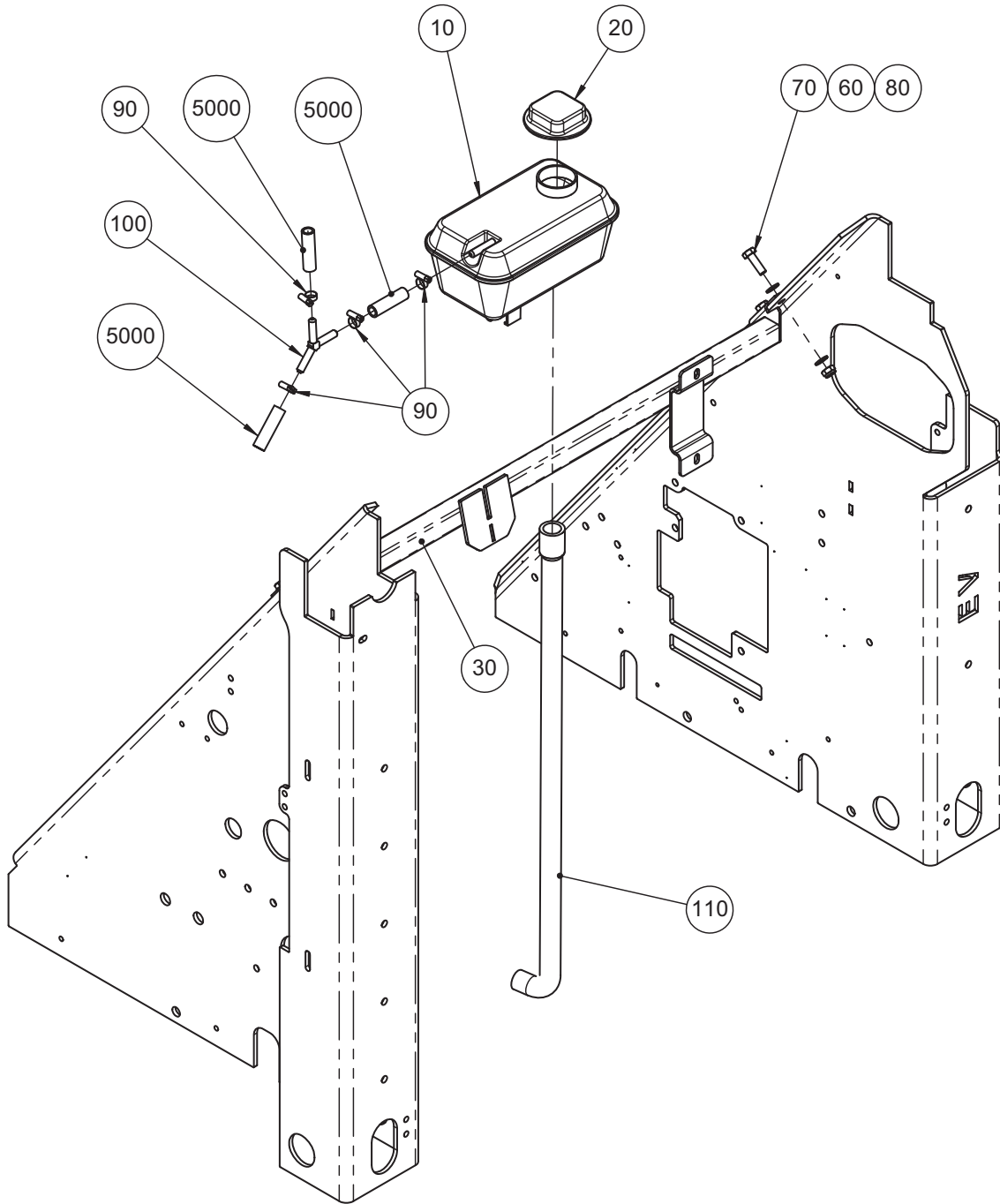
**Air Cleaner Assembly (Tier 3)**  
**BoM: 37026-5**

Item No.	Part No.	Description	Quantity
10	904-65	Air Cleaner (Compact)	1
20	7007886	Seal - Air Cleaner	1
30	7008525	Cuff 180mm	1
40	501-9	Hose Clip - Worm Drive (90-120)	2
50	7006810	Pipe Air Filter To Turbo	1
60	7008051	Hose Ø76 - Ø60	1
70	501-6	Clip Hose Worm Drive 55-70mm	1
80	501-7	Clip Hose Worm Drive 70/90mm	1
90	501-24	Clip Hose Worm Drive 17-25mm	2
100	92097374-0	Hex Head Screw M8Cx20 8.8	2
110	93212011-0	Plain Washer M8	2
120	93699710-0	Spring Washer - Plated M8	2
130	44-69	Butt Weld Cover SAE - 3/4" Red	1
160	904-60	Indicator-Filter State,75mBar	1
5000	273-13	5/8" Bore Griflex Hose	1M

**Spare Use Only;****Item 10 comprises;**

904-68	Element - Main	1
904-69	Element - Safety	1

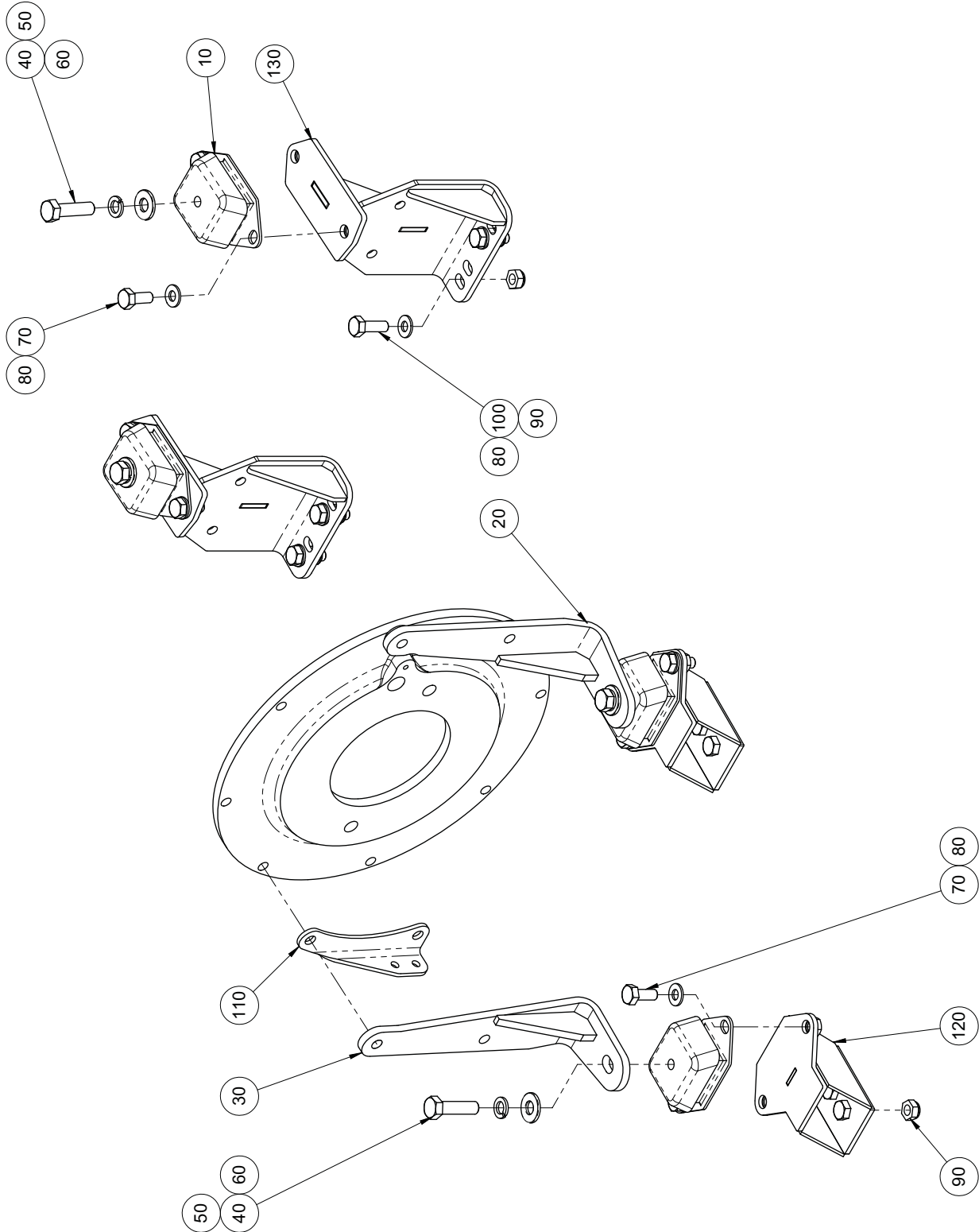
**Expansion Tank Assembly**  
BoM: 37138-2



**Expansion Tank Assembly  
BoM: 37138-2**

<b>Item No.</b>	<b>Part No.</b>	<b>Description</b>	<b>Quantity</b>
10	15052120-0	Expansion Tank	1
20	15052121-0	Cap 1 Bar	1
30	7007873	Expansion tank Holder	1
60	93212011-0	Plain Washer M8	8
70	92097376-0	Hex Head Screw M8Cx25 8.8	4
80	93085005-0	Nyloc Hex Thin Nut M8C - 8	4
90	501-1	Clip Hose Worm Drive 11-16mm	4
100	277-281	Y - Nylon Hose Connector 8mm	1
110	7007826	Hose	1
5000	271-1	Hose - Rubber, 5/16" Sng Braid	1.2M

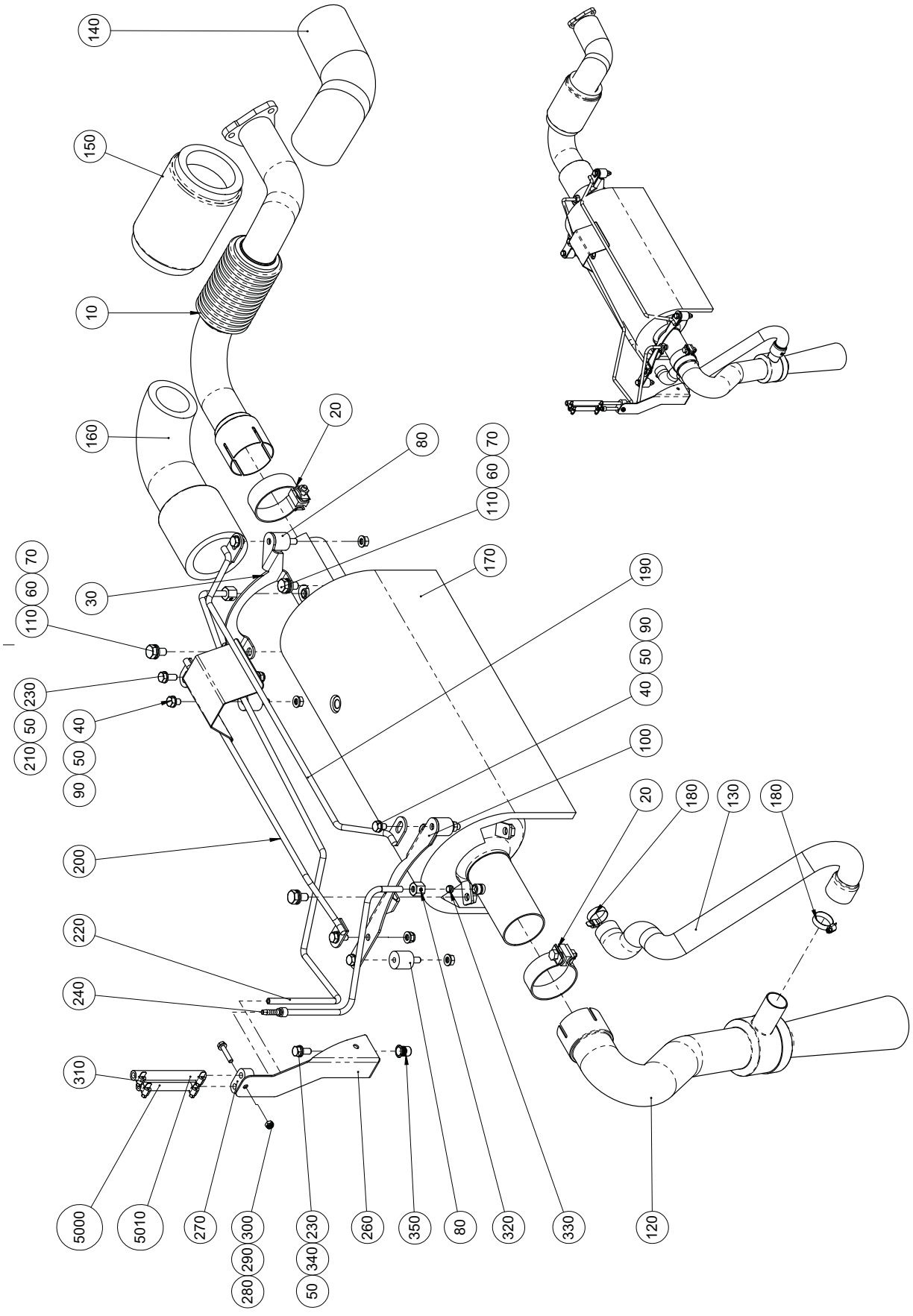
**Engine Mounting Assembly**  
BoM: 37019-54



**Engine Mounting Assembly**  
BoM: 37019-54

Item No.	Part No.	Description	Quantity
10	290-10	Mounting-Flexible Cushy Float	4
20	722561-1	Support - Front Engine, LH W/A	1
30	722570-1	Support - Front Engine, RH W/A	1
40	124-208	Setscrew M12C x 45	4
50	460-12	Washer Spring Single Coil M12	4
60	450-10	Washer Plain 7/16	4
70	124-169	Setscrew M10C x 25	8
80	455-11	Washer Plain Plated Steel M10	12
90	425-15	Nut Nyloc Hex MC M10	9
100	124-171	Setscrew M10C x 30	4
110	76917-1	Bracket-Hose, Suction	1
120	7007543	Engine mount Front	2
130	7007546	Engine mount Rear	2

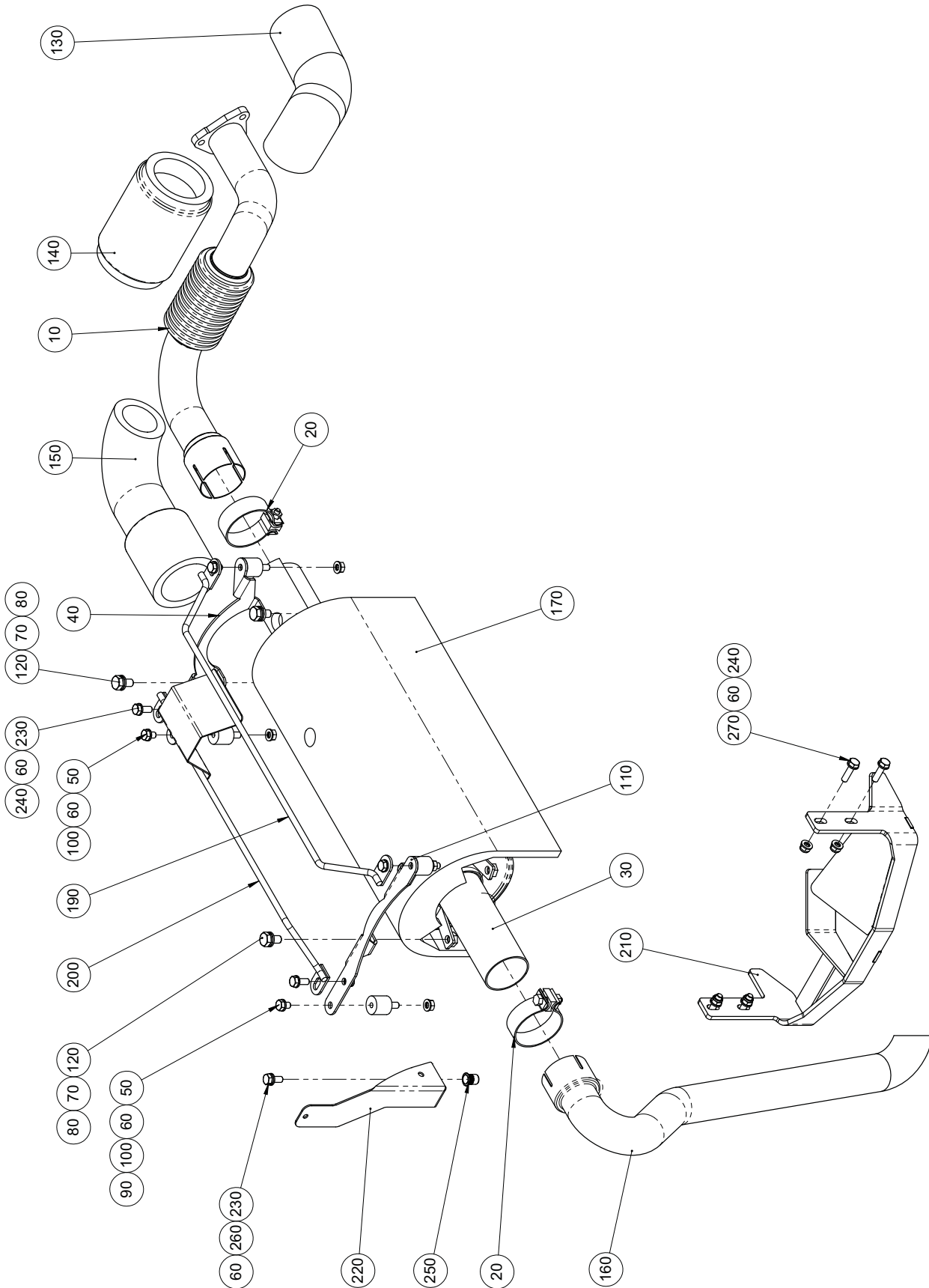
**Exhaust System Assembly (Euro 5)**  
BoM: 37095-4



<b>Exhaust System Assembly (Euro 5)</b> <b>BoM: 37095-4</b>
--

Item No.	Part No.	Description	Quantity
10	7007271	Pipe Turbo - Silencer	1
20	903-108	Clamp - Exhaust, Accuseal 2.5"	2
30	7008142	Bracket Rear	1
40	92097371-0	Hex Head Screw M8Cx12 8.8	4
50	93212011-0	Plain Washer M8	13
60	93699711-0	Washer - Spring, M10	4
70	93212012-0	Plain Washer M10	4
80	290-23	Mounting-Anti Vibration 25x25	4
90	93056014-0	Hex Nut M8C-8	4
100	7007791	Bracket Front Exhaust	1
110	92097410-0	Hex Head Screw M10Cx20 8.8	4
120	7008154	Tail Pipe -Exhaust system	1
130	7009186	Hose -Exhaust system	1
140	7007855	Exhaust jacket	1
150	7007856	Exhaust jacket	1
160	7007857	Exhaust jacket	1
170	7008141	Exhaust jacket	1
180	501-4	Clip Hose Worm Drive 30-40mm	2
190	7008138	Brace Weld assembly 586mm	1
200	7008161	Brace Weld assembly 540mm	1
210	93085005-0	Nyloc Hex Thin Nut M8C - 8	2
220	7008841	Pipe -Exhaust system	1
230	92097374-0	Hex Head Screw M8Cx20 8.8	3
240	7008840	Pipe -Exhaust system	1
260	7009213	Bracket -Exhaust system	1
270	51-58	Clamp - Pipe, 8mm Double	1
280	92097305-0	Hex Head Screw M6Cx30 8.8	1
290	93212009-0	Plain Washer M6	1
300	93085004-0	Nyloc Hex Nut M6C - 8	1
310	501-1	Clip Hose Worm Drive 11-16mm	4
320	09570007-0	Cap Nut - M14 x 1.5	2
330	512-4	Olive Tube Metal O/D 8	2
340	93699710-0	Spring Washer - Plated M8	1
350	433-119	Rivet Nut - S. CI Nut M8c g0.7-3.8 Blind	1
5000	272-37	Hose-Clear Plastic,Braided 6mm	0.6M
5010	272-38	Hose-Clear Plastic,Braided 8mm	0.6M

**Exhaust System Assembly (Tier 3)**  
BoM: 37095-5



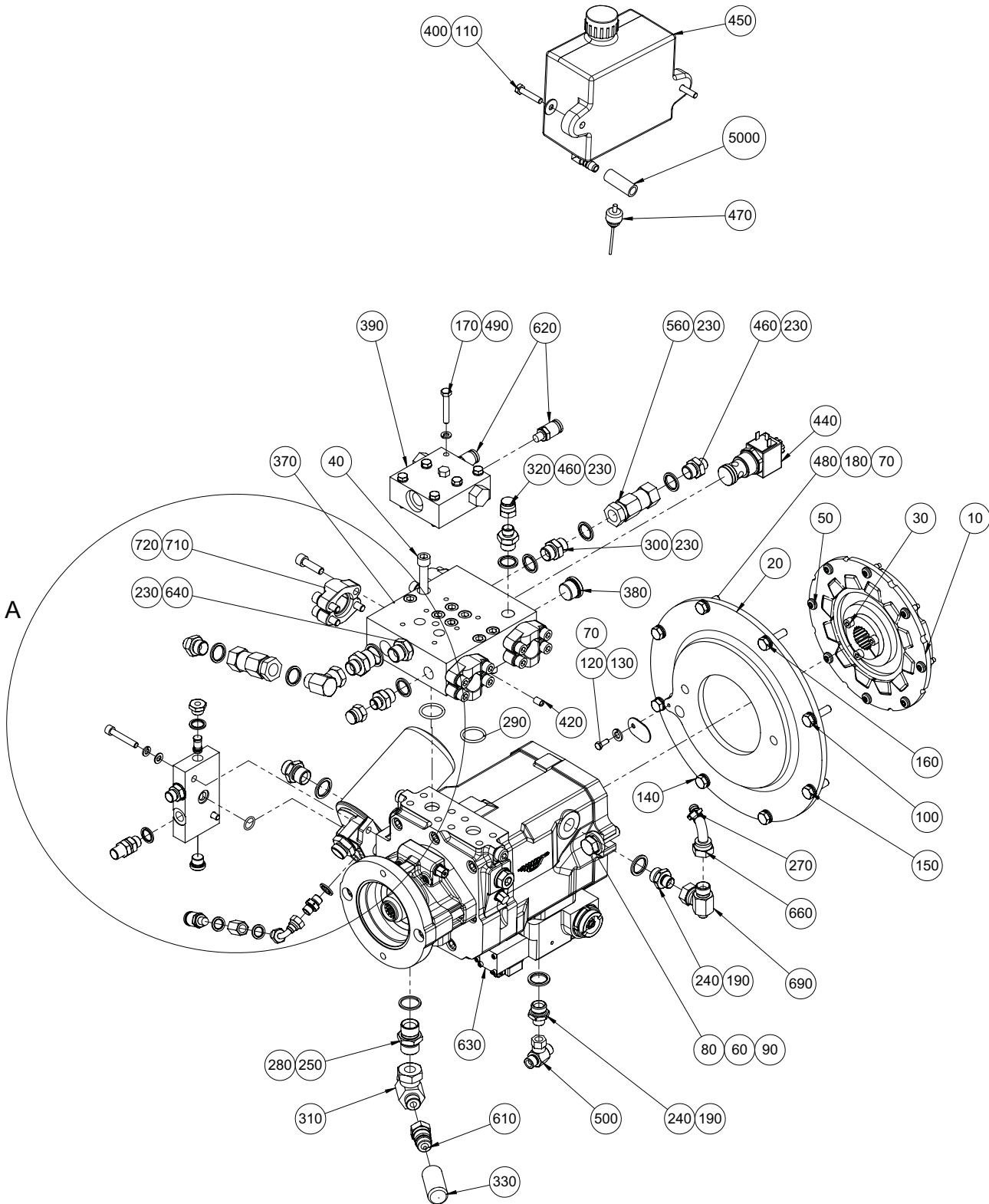


**Exhaust System Assembly (Tier 3)**

BoM: 37095-5

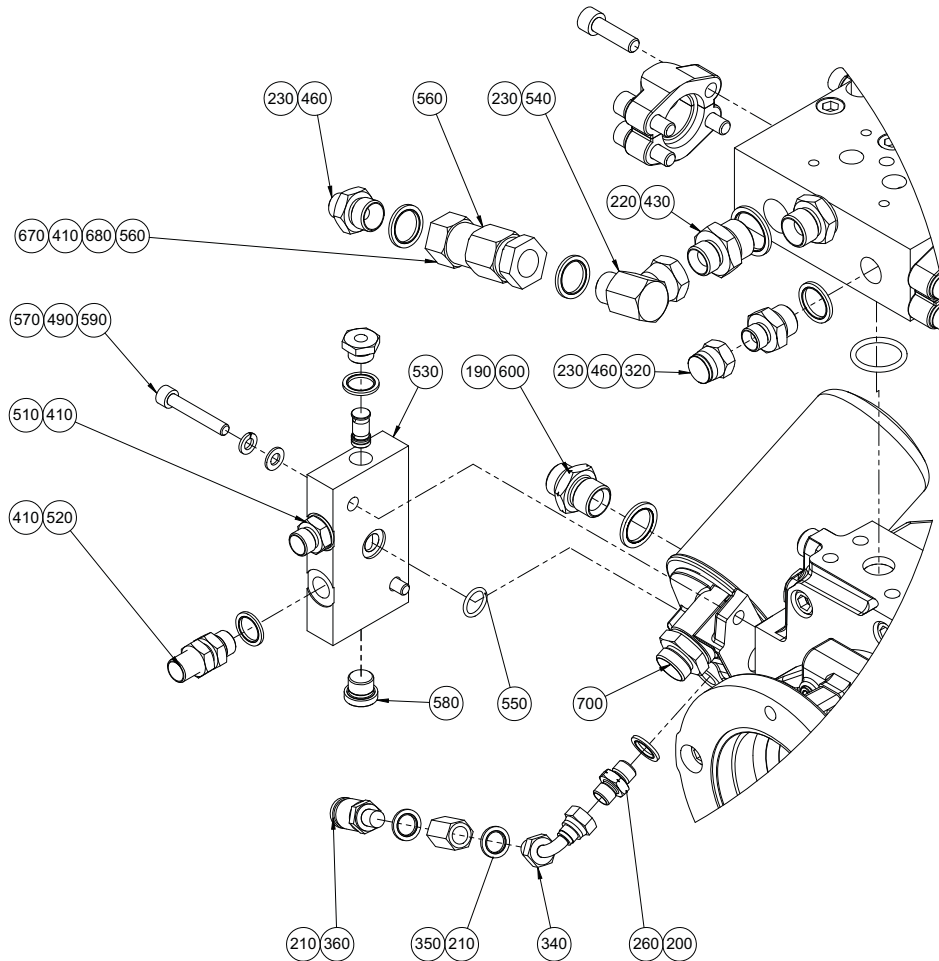
Item No.	Part No.	Description	Quantity
10	7007271	Pipe Turbo - Silencer	1
20	903-108	Clamp - Exhaust, Accuseal 2.5"	2
30	7008448	Exhaust silencer	1
40	7008142	Bracket Rear	1
50	92097371-0	Hex Head Screw M8Cx12 8.8	4
60	93212011-0	Plain Washer M8	13
70	93699711-0	Washer - Spring, M10	4
80	93212012-0	Plain Washer M10	4
90	290-23	Mounting-Anti Vibration 25x25	4
100	93056014-0	Hex Nut M8C-8	4
110	7007791	Bracket Front Exhaust	1
120	92097410-0	Hex Head Screw M10Cx20 8.8	4
130	7007855	Exhaust jacket	1
140	7007856	Exhaust jacket	1
150	7007857	Exhaust jacket	1
160	7013198	Tail Pipe - Exhaust	1
170	7008141	Exhaust jacket	1
190	7008138	Brace Weld assembly 586mm	1
200	7008161	Brace Weld assembly 540mm	1
210	7013215	Guard W/Assy - Tail Pipe	1
220	7009213	Bracket -Exhaust system	1
230	92097374-0	Hex Head Screw M8Cx20 8.8	3
240	93085805-0	Nyloc Hex Nut M8C - 8	2
250	433-119	Rivet Nut - S. CI Nut M8c g0.7-3.8 Blind	1
260	93699710-0	Spring Washer - Plated M8	1
270	92097378-0	Hex Head Screw M8Cx30 8.8	4

**Transmission Pump Assembly (Euro 5)**  
**BoM: 37021-57**



**Transmission Pump Assembly (Euro 5)**

BoM: 37021-57



DETAIL A  
SCALE 2 : 5

Item No.	Part No.	Description	Quantity
10	76278-2	Coupling - Flexible , C50	1
20	75799-1	Adaptor Plate-Flywheel Housing	1
30	92137121-0	Hex Socket Cap Screw - M8Cx30 - 12.9	3
40	92137201-0	Hex Socket Cap Screw - M12Cx60 - 12.9	8
50	135-127	Screw - Button Hd Torx M8x20	8
60	93699714-0	Spring Washer - Plated M16	2
70	93699711-0	SPRING WASHER - PLATED M10	9
80	92067533-0	Hex Head Bolt M16x50C 8.8	2
90	75944-1	D Washer - Trans. Pump	2
100	92067420-0	Hex Head Bolt M10Cx40 8.8	1
110	92097380-0	Hex Head Screw M8Cx40 8.8	1
120	92097299-0	Hex Head Screw M6Cx16 8.8	1
130	722487-1	Plate-Monocle, Flywheel Sensor	1
140	92097412-0	Hex Head Screw M10Cx25 8.8	2
150	92097415-0	Hex Head Screw M10Cx35 8.8	2

**Transmission Pump Assembly (Euro 5)**
**BoM: 37021-57**

Item No.	Part No.	Description	Quantity
160	92097416-0	Hex Head Screw M10Cx40 8.8	2
170	92097382-0	Hex Head Screw M8Cx50 8.8	7
180	93212012-0	Plain Washer M10	8
190	451-20	Washer Bonded G5-8"	3
200	451-112	Washer Bonded $\varnothing$ 9-16" - Bolt	1
210	451-17	Washer Bonded G1-4"	2
220	451-21	Washer Bonded G3-4"	1
230	451-19	Washer Bonded G1-2"	8
240	270-13	Adaptor - M22 x 3/8" BSP	2
250	270-18	Adaptor - M26 x 3/4" BSP	1
260	270-19	Adaptor-M14 x 1.5mm x 1/4" BSP	1
270	501-2	Clip Hose Worm Drive 14-22mm	1
280	451-138	Washer Copper 7/8" BSP	1
290	79-95	O Ring - 1.180" Dia.	2
300	263-4	Adaptor M/M 1/2" BSP	1
310	76262-1	Tee - Oil Cooler, Line	1
320	68-18	Cap Female 3/8" BSP	2
330	41247-1-A	Boot - Switch, Pressure, Oil	1
340	242-2	Elbow - Swivel 90 Deg. 1/4"	1
350	66-7	Socket - Straight 1/4 BSP	1
360	665-18	Valve - Testpoint G1/4	1
370	741905-1	Block - Hose Connector	1
380	09572136-0	Sealing Plug VS-R 3/4 WD	1
390	741919-1	Valve - Purge	1
400	93300509-0	Plain Large Washer M8	2
410	451-18	Washer Bonded G3-8"	3
420	55-22	Plug - CV Expansion	1
430	265-7	Adaptor Reducing M/M 1/2"-3/4" BSP	1
440	741497-4	Valve & Coil Assy - N/C, 12V	1
450	722385-1	Reservoir Bottle Assy - E4	1
460	265-4	Adaptor Reducing M/M 3/8"-1/2" BSP	4
470	92097414-0	Hex Head Screw M10Cx30 8.8	1
480	720282-1	Loom-Trans. Bottle Level Float (not illustrated)	1
490	93699710-0	Spring Washer - Plated M8	8
500	255-3	Tee - 3/8" BSP O/D M/M/F	1
510	263-3	Adaptor M/M 3/8" BSP	1
520	264-3	Adaptor-Bulkhead BSP M/M 3/8"	1
530	722861-1	Block-Wafer, Transmission Pump	1
540	262-4	Swivel Elbow 90 Degree Size 1/2" BSP	1
550	80-400	O Ring - VITON 16.3 ID x 2.4	1
560	740556-1	Valve-Check, 500 Bar, G1/2"	2
570	93212011-0	Plain Washer M8	2
580	09572134-0	Sealing Plug VS-R 3/8 WD	1
590	92137125-0	Hex Socket Cap Screw - M8Cx50 - 12.9	2
600	270-34	Adaptor - M22 x 5/8" BSP	1

## Transmission Pump Assembly (Euro 5)

BoM: 37021-57

Item No.	Part No.	Description	Quantity
610	486-3	Coupling P/Brake Probe 1/2"	1
620	665-15	Valve - Testpoint G7/16"	2
630	741332-2SP	Pump - Transmission, MK2	1
640	265-6	Adaptor Reducing 1/2"x5/8" BSP	1
650	09570120-0	Stud Coupling Male G 1/8" x M14 x 1.5	1
660	277-298	1/2" Swivel F x 1/2" Hosetail 90°	1
670	241-111	Valve - Check	1
680	90720-1	Plug - Transmission Control	1
690	7008724	Adaptor M14x1.5 x1/2 BSP x 1/2 BSP	1
700	09572938-0	Stud Coupling Male G 3/4" x M22 x 1.5	1
710	498-N08	SAE Flange Kit 3/4" 6000 PSI	4
720	92137159-0	Hex Socket Cap Screw - M10x35 - 12.9	16
5000	273-1	Tube-PVC 1/2" Bore Single Braid	1M

**Spares Only Items;****Item 630 comprises;**

71662-2	Filter - Oil, Transmission	1
75764-2	Valve - Solenoid, 12V	1
75764-3	Valve - Solenoid, 12V	2

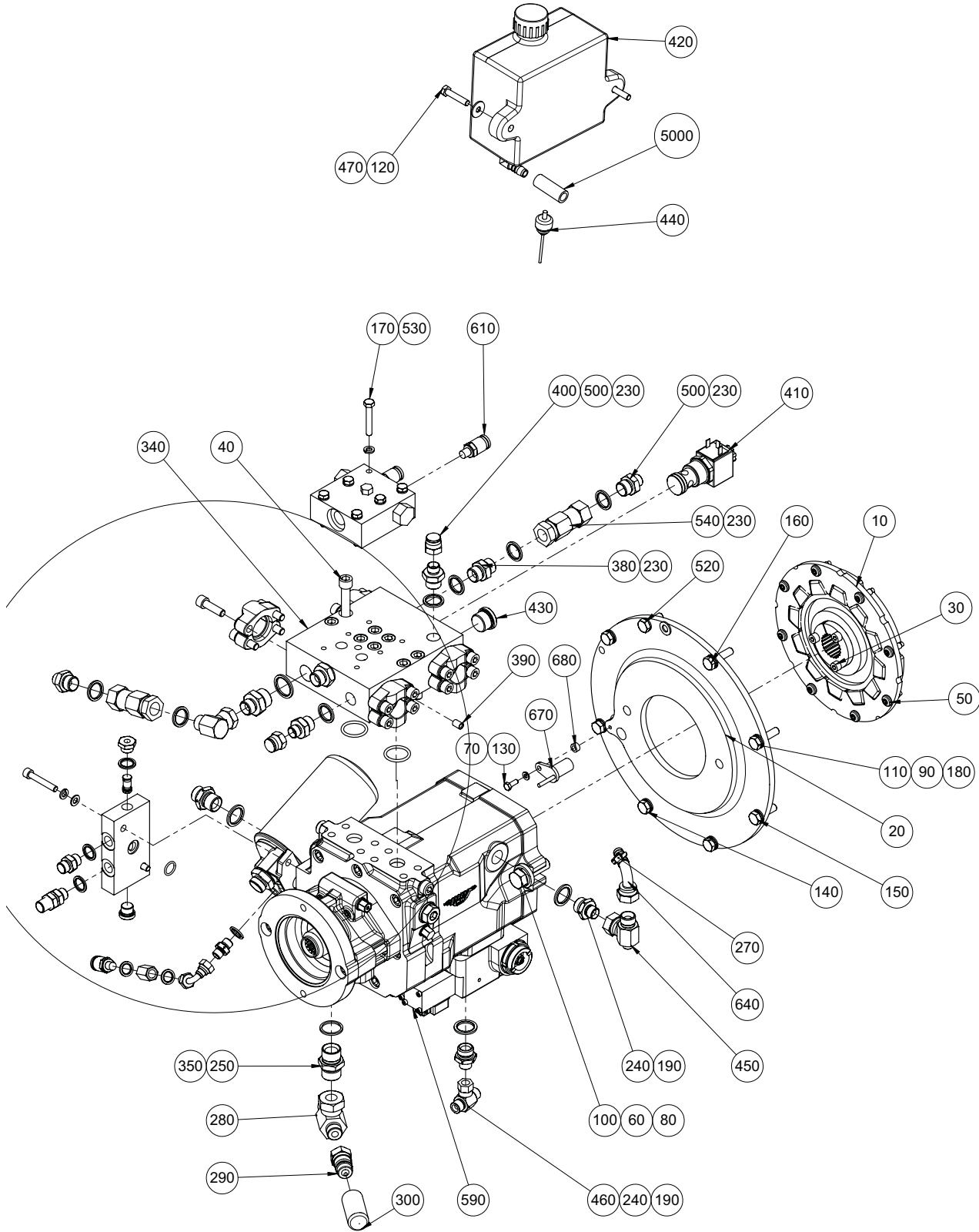
**Item 450 comprises;**

720220-2	Bottle - Reservoir	1
720220-3	Cap - Threaded, Yellow	1
720220-4	Elbow - Connector, 12/R3/8	1

**Item 440 comprises;**

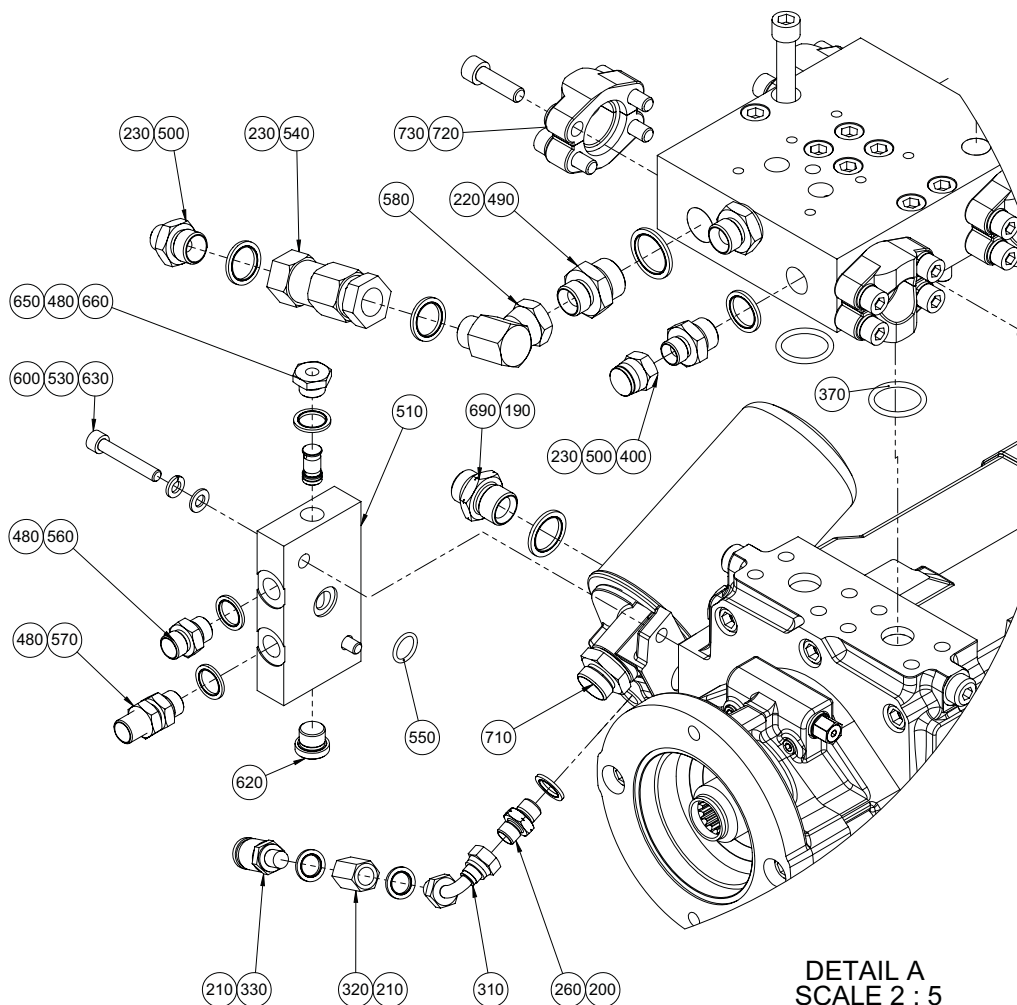
741497-500	Kit - Seal (suits 741497-4)	1
------------	-----------------------------	---

**Transmission Pump Assembly (Tier 3)**  
BoM: 37021-58



**Transmission Pump Assembly (Tier 3)**

BoM: 37021-58



Item No.	Part No.	Description	Quantity
10	76278-2	Coupling - Flexible , C50	1
20	75799-1	Adaptor Plate-Flywheel Housing	1
30	92137121-0	Hex Socket Cap Screw - M8Cx30 - 12.9	3
40	92137201-0	Hex Socket Cap Screw - M12Cx60 - 12.9	8
50	135-127	Screw - Button Hd Torx M8x20	8
60	93699714-0	Spring Washer - Plated M16	2
70	93699708-0	Spring Washer - Plated M6	1
80	75944-1	D Washer - Trans. Pump	2
90	93699711-0	SPRING WASHER - PLATED M10	8
100	92067533-0	Hex Head Bolt M16x50C 8.8	2
110	92067420-0	Hex Head Bolt M10Cx40 8.8	1
120	92097380-0	Hex Head Screw M8Cx40 8.8	1
130	92097299-0	Hex Head Screw M6Cx16 8.8	1
140	92097412-0	Hex Head Screw M10Cx25 8.8	2
150	92097415-0	Hex Head Screw M10Cx35 8.8	2

**Transmission Pump Assembly (Tier 3)**
**BoM: 37021-58**

Item No.	Part No.	Description	Quantity
160	92097416-0	Hex Head Screw M10Cx40 8.8	2
170	92097382-0	Hex Head Screw M8Cx50 8.8	7
180	93212012-0	Plain Washer M10	8
190	451-20	Washer Bonded G5-8"	3
200	451-112	Washer Bonded $\varnothing$ 9-16" - Bolt	1
210	451-17	Washer Bonded G1-4"	2
220	451-21	Washer Bonded G3-4"	1
230	451-19	Washer Bonded G1-2"	8
240	270-13	Adaptor - M22 x 3/8" BSP	2
250	270-18	Adaptor - M26 x 3/4" BSP	1
260	270-19	Adaptor-M14 x 1.5mm x 1/4" BSP	1
270	501-2	Clip Hose Worm Drive 14-22mm	1
280	76262-1	Tee - Oil Cooler, Line	1
290	486-3	Coupling P/Brake Probe 1/2"	1
300	41247-1-A	Boot - Switch, Pressure, Oil	1
310	242-2	Elbow - Swivel 90 Deg. 1/4"	1
320	66-7	Socket - Straight 1/4 BSP	1
330	665-18	Valve - Testpoint G1/4	1
340	741905-1	Block - Hose Connector	1
350	451-138	Washer Copper 7/8" BSP	1
360	741919-1	Valve - Purge	1
370	79-95	O Ring - 1.180" Dia.	2
380	263-4	Adaptor M/M 1/2" BSP	1
390	55-22	Plug - CV Expansion	1
400	68-18	Cap Female 3/8" BSP	2
410	741497-4	Valve & Coil Assy - N/C, 12V	1
420	722385-1	Reservoir Bottle Assy - E4	1
430	09572136-0	Sealing Plug VS-R 3/4 WD	1
440	720282-1	Loom-Trans. Bottle Level Float	1
450	7008724	Adaptor M14x1.5 x1/2 BSP x 1/2 BSP	1
460	255-3	Tee - 3/8" BSP O/D M/M/F	1
470	93300509-0	Plain Large Washer M8	2
480	451-18	Washer Bonded G3-8"	3
490	265-7	Adaptor Reducing M/M 1/2"-3/4" BSP	1
500	265-4	Adaptor Reducing M/M 3/8"-1/2" BSP	4
510	722861-1	Block-Wafer, Transmission Pump	1
520	92097414-0	Hex Head Screw M10Cx30 8.8	1
530	93699710-0	Spring Washer - Plated M8	8
540	740556-1	Valve-Check, 500 Bar, G1/2"	2
550	80-400	O Ring - VITON 16.3 ID x 2.4	1
560	263-3	Adaptor M/M 3/8" BSP	1
570	264-3	Adaptor-Bulkhead BSP M/M 3/8"	1
580	262-4	Swivel Elbow 90 Degree Size 1/2" BSP	1
590	741332-2SP	Pump - Transmission, MK2	1
600	93212011-0	Plain Washer M8	2



**Transmission Pump Assembly (Tier 3)**  
**BoM: 37021-58**

Item No.	Part No.	Description	Quantity
610	665-15	Valve - Testpoint G7/16"	2
620	09572134-0	Sealing Plug VS-R 3/8 WD	1
630	92137125-0	Hex Socket Cap Screw - M8Cx50 - 12.9	2
640	277-298	1/2" Swivel F x 1/2" Hosetail 90°	1
650	241-111	Valve - Check	1
660	90720-1	Plug - Transmission Control	1
670	280856-1	Loom-With Speed Sensor 660/95	1
680	71229-1	Spacer	1
690	270-34	Adaptor - M22 x 5/8" BSP	1
700	265-6	Adaptor Reducing 1/2"x5/8" BSP	1
710	09572938-0	Stud Coupling Male G 3/4" x M22 x 1.5	1
720	498-N08	SAE Flange Kit 3/4" 6000 PSI	4
730	92137159-0	Hex Socket Cap Screw - M10x35 - 12.9	16
5000	273-1	Tube-PVC 1/2" Bore Sngle Braid	1M

**Spares Only Items;****Item 590 comprises;**

71662-2	Filter - Oil, Transmission	1
75764-2	Valve - Solenoid, 12V	1
75764-3	Valve - Solenoid, 12V	2

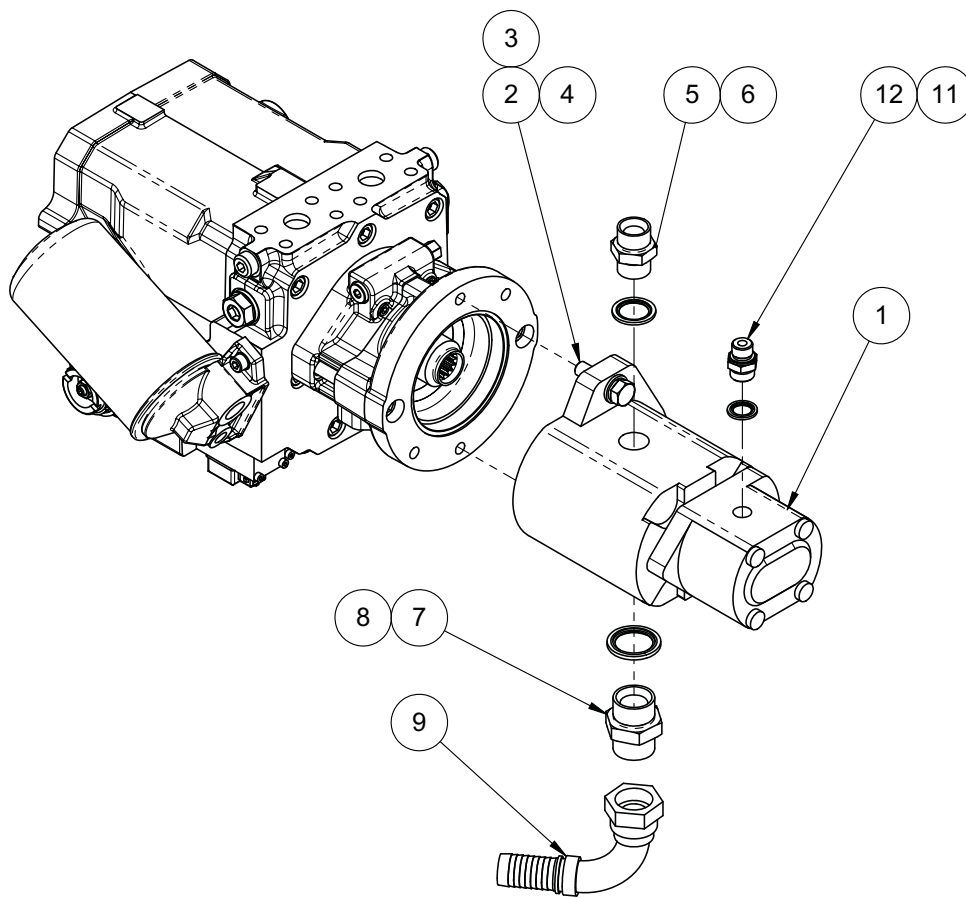
**Item 420 comprises;**

720220-2	Bottle - Reservoir	1
720220-3	Cap - Threaded, Yellow	1
720220-4	Elbow - Connector, 12/R3/8	1

**Item 410 comprises;**

741497-500	Kit - Seal (suits 741497-4)	1
------------	-----------------------------	---

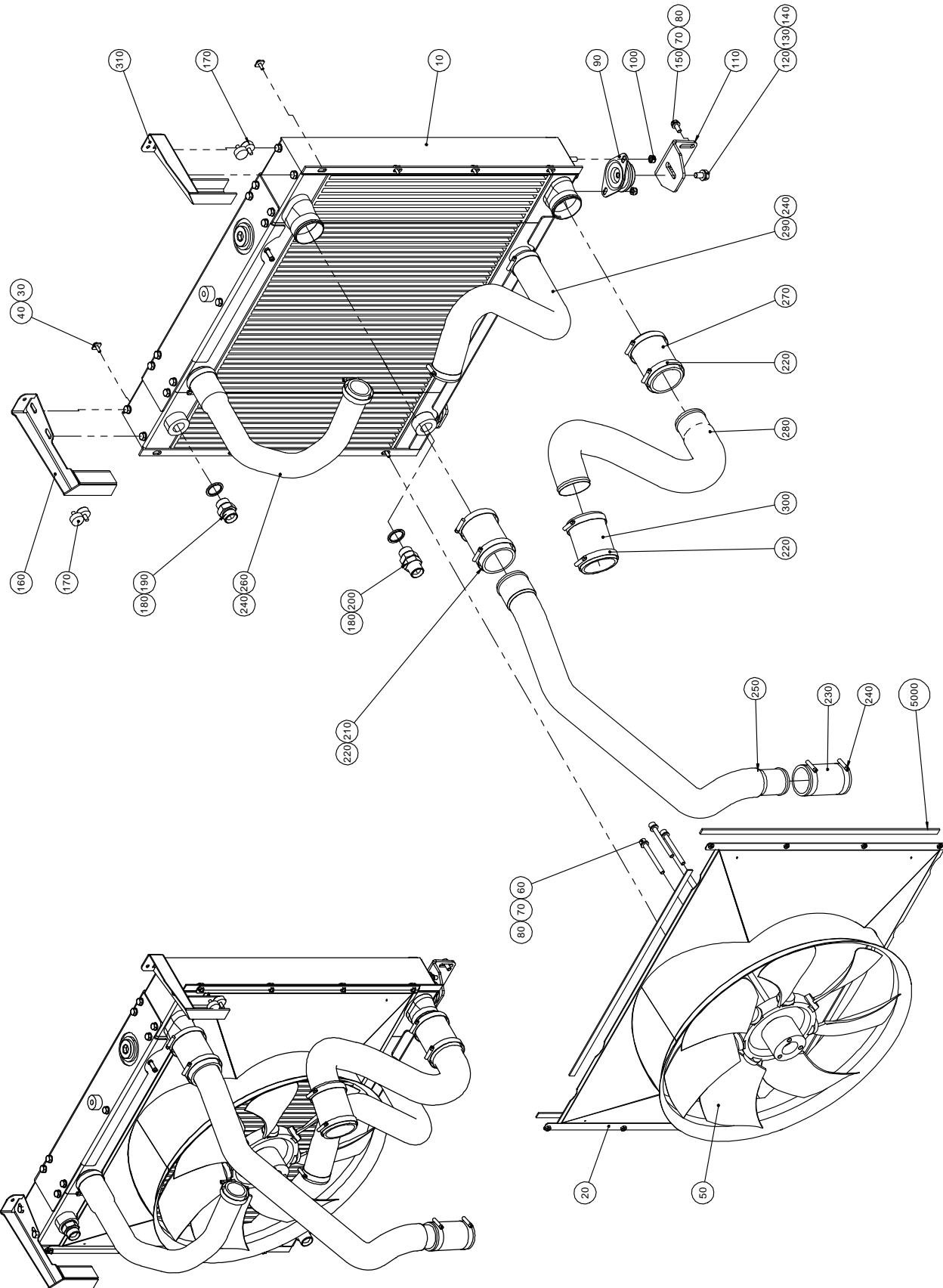
**Sweep/Steering Pump Assembly**  
BoM: 37023-51



**Sweep/Steering Pump Assembly**  
BoM: 37023-51

Item No.	Part No.	Description	Quantity
1	721299-1	Pump - Tandem Gear, G32+F5,5	1
2	123-147	Bolt M Coarse M12x45	2
3	460-12	Washer Spring Single Coil M12	2
4	455-12	Washer Plain Plated Steel M12	2
5	263-6	Adaptor M/M 3/4" BSP	1
6	451-21	Washer Bonded G3-4"	1
7	263-7	Adaptor M/M 1" BSP	1
8	451-22	Washer Bonded G1"	1
9	277-99	Adaptor - Swept Elbow	1
11	451-18	Washer Bonded G3-8"	1
12	6601-1322	Stud Coupling Male G 3/8" x M18 x 1.5	1
<b>Spares Only Items:</b>			
<b>Item 1 comprises;</b>			
	721299-500	Kit - Seal, Sweep Pump	1

**Cooling System (Euro 5)**  
BoM: 37025-5



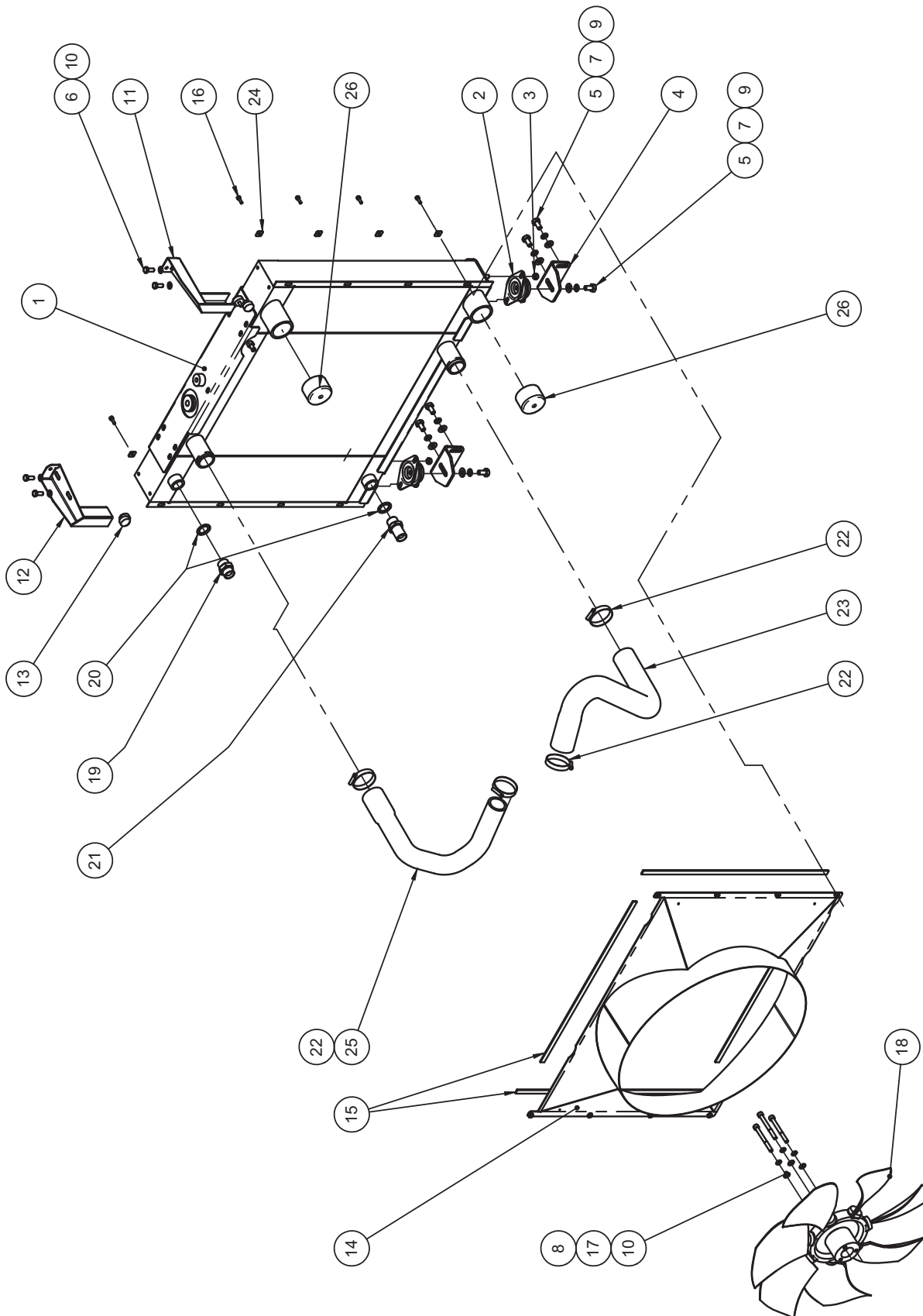
**Cooling System (Euro 5)**  
 BoM: 37025-5

Item No.	Part No.	Description	Quantity
10	7007883	Cooling system Assembly	1
20	7008167	Fan shroud Weld assembly	1
30	92137042-0	Hex Socket Cap Screw - M5Cx16 - 12.9	8
40	722622-1	Washer - Radiator, Euro 4	8
50	721890-1	Cooling Fan & Spacer Assy E4	1
60	92137131-0	Hex Socket Cap Screw - M8Cx80 - 12.9	3
70	93699710-0	Spring Washer - Plated M8	7
80	93212011-0	Plain Washer M8	7
90	290-18	Mount - Flexible, Novibra Type	2
100	93085005-0	Nyloc Hex Thin Nut M8C - 8	4
110	721928-1	Angle - Radiator Support	2
120	92097410-0	Hex Head Screw M10Cx20 8.8	2
130	93699711-0	Spring Washer - Plated M10	2
140	93212012-0	Plain Washer M10	2
150	92097374-0	Hex Head Screw M8Cx20 8.8	4
160	7007970	Bracket Weld assembly	1
170	290-4	Stop - Rubber	4
180	451-21	Washer Bonded G3-4"	2
190	263-6	Adaptor M/M 3/4" BSP	1
200	264-6	Adaptor-Bulkhead BSP M/M 3/4"	1
210	7008425	Cuff 105mm	1
220	501-29	Clip Hose Worm Drive 60-80mm	6
230	722633-1	Cuff - Turbo Outlet	1
240	501-28	Clip Hose Worm Drive 44-60mm	6
250	7006811	Pipe Turbo Charge To Cooler	1
260	721842-2	Pipe - Top, Water (EPDM)	1
270	722637-1	Cuff - CAC Bottom Connection	1
280	722394-1	Pipe - CAC Outlet (Euro 4)	1
290	721843-1	Pipe - Water, Bottom	1
300	722634-1	Cuff - Inlet to Engine	1
310	722373-1	Mount - Radiator Top, LH W/A	1
5000	217-25	Strip Sealing 3x12 Black	2.5M

**Spares Only Items;**
**Item 10 comprises;**

7008144	Radiator	1
7008145	Oil Cooler	1
7008146	Charge air cooler	1

**Cooling System (Tier 3)**  
**BoM: 37025-4**



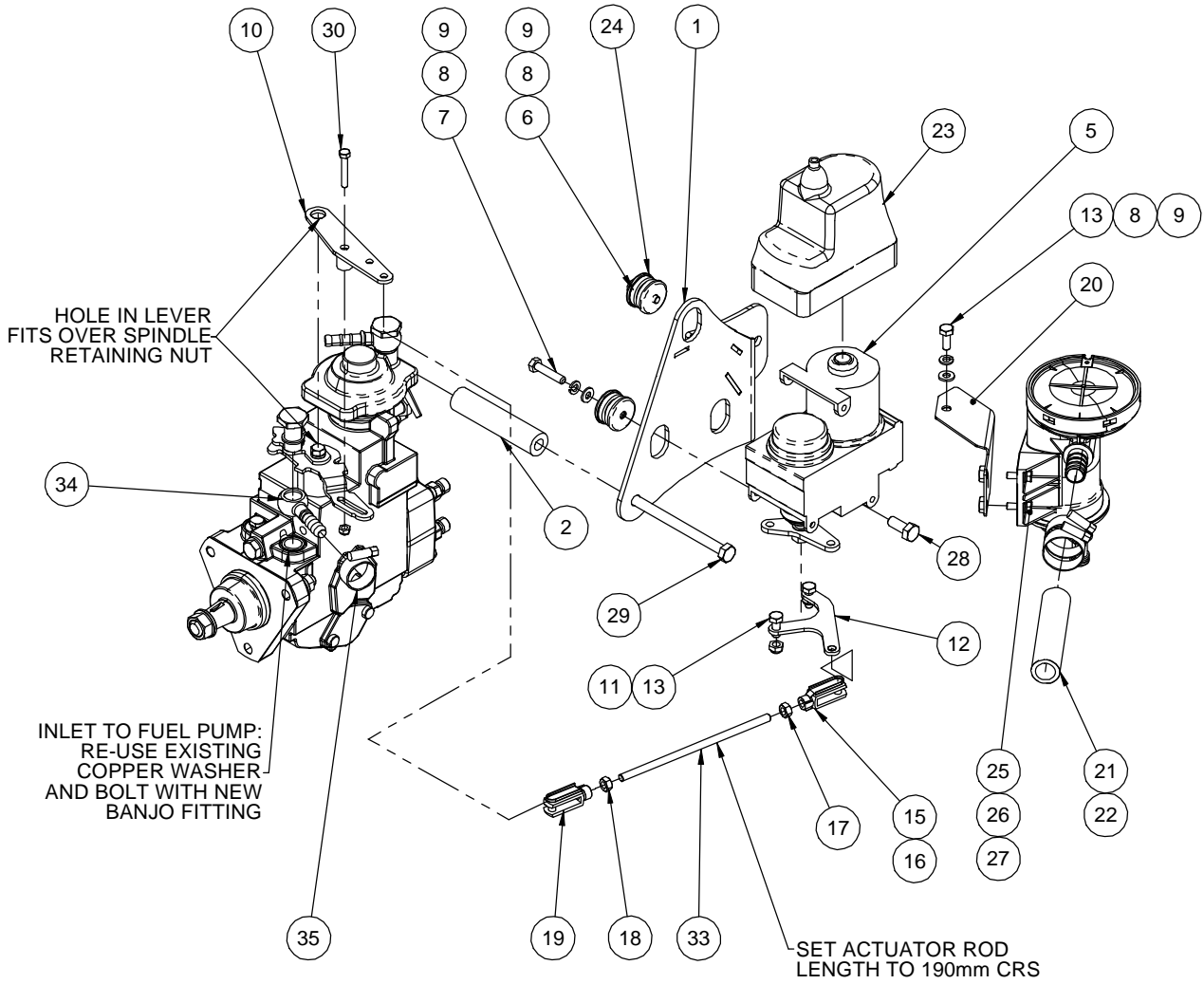
Cooling System (Tier 3)  
BoM: 37025-4

Item No.	Part No.	Description	Quantity
1	7007883	Cooling Package	1
2	290-18	Mount - Flexible	2
3	425-14	Nut - Nyloc, M8C	4
4	721928-1	Angle - Radiator Support	2
5	124-167	Setscrew - M10C x 20	6
6	124-135	Setscrew - M8C x 20	4
7	460-11	Washer - Spring, M10	6
8	460-10	Washer - Plain, M8	3
9	455-11	Washer - Plain, M10	6
10	455-10	Washer - Plain, M8	7
11	722373-1	Mount - Radiator Top, LH	1
12	722373-2	Mount - Radiator Top, RH	1
13	290-4	Stop - Rubber	4
14	721882-1	Shroud - Cooling Fan W-Assy	1
15	217-25	Strip - Sealing, 3x12 Black	2.5M
16	129-64	Capscrew - M5C x 16	8
17	129-139	Capscrew - M8C x 80	3
18	721890-1	Cooling Fan & Spacer Assembly	1
19	263-6	Adaptor - M-M, 3-4"	1
20	451-21	Seal - Dowty, 3-8"	2
21	264-6	Adaptor - Bulkhead, M-M 3-4"	1
22	501-28	Clip - Hose, 44 - 60mm	4
23	721843-1	Pipe - Bottom Water	1
24	722622-1	Washer - Radiator	8
25	721842-2	Pipe - Radiator Top Hose	1
26	288-44	Cap - Blanking, Flexible 60mm ID	2

**Spares Only Items:****Item 1 comprises;**

7008144	Radiator	1
7008145	Oil Cooler	1
7008146	Charge Air Cooler	1

**Transmission Actuator Assembly (Tier 3)**  
**BoM: 37022-7**



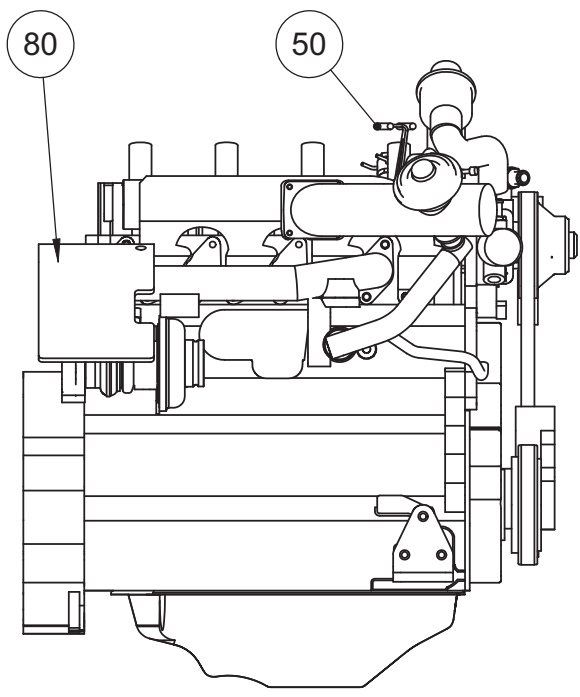
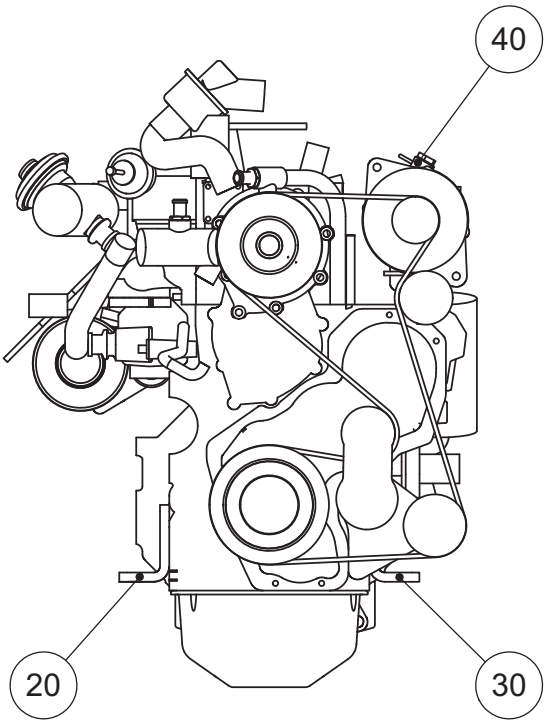
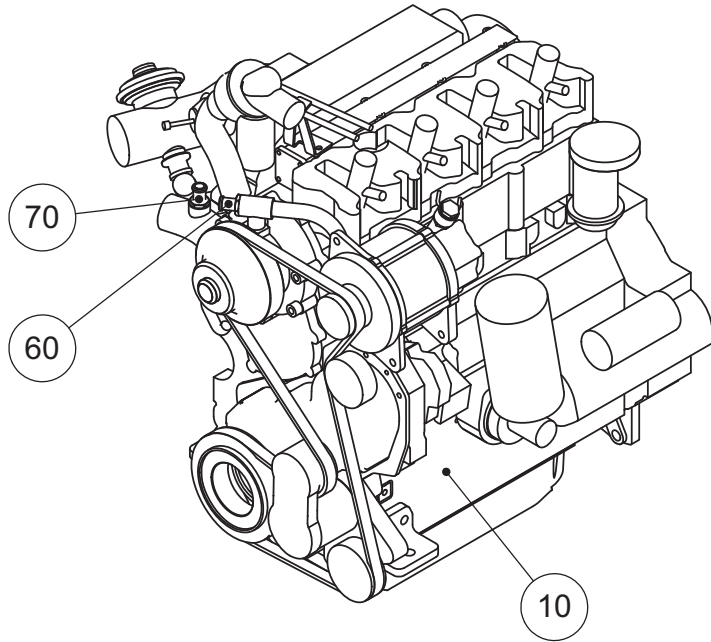


## Transmission Actuator Assembly (Tier 3)

BoM: 37022-7

Item No.	Part No.	Description	Quantity
1	722773-1	Bracket-Actuator,Throttle	1
2	722734-1	Spacer-Bracket,Actuator Step3A	1
5	720079-1	Actuator - Remote, Assy 440Lg	1
6	124-105	Setscrew M6C x 25	1
7	124-107	Setscrew M6C x 30	2
8	460-8	Washer Spring Single Coil M6	4
9	455-8	Washer Plain Plated Steel M6	4
10	722806-1	Lever - Throttle, W-Assy	1
11	425-13	Nut Nyloc Hex MC M6	2
12	76809-1	Plate-Boomerang, VM E3	1
13	124-102	Setscrew M6C x 16	3
15	289-29	Pin - Clevis, M6 LH Thread	1
16	289-30	Pin - M6 Spring	1
17	420-13	Nut MC Hex M6	1
18	410-84	Nut - Plain, M6C LH Thread	1
19	10950-3	Clevis- c-w Pin	1
20	722780-1	Bracket - Seprator, Oil	1
21	273-13	Hose - 16 ID x 23 OD	1M
22	501-25	Clip - Hose, 25 - 30mm	2
23	743039-1	Cover - Throttle Actuator	1
24	711-30	Kit - Mounting Actuator	1
25	124-70	Setscrew - M5C x 16	2
26	460-7	Washer - Spring, M5	2
27	455-7	Washer - Plain, M5	2
28	124-135	Setscrew - M8C x 20	2
29	124-156	Setscrew - M8C x 110	1
30	124-75	Setscrew - M5C x 30	1
31	425-12	Nut - Nyloc, M5C	1
33	76522-2	Rod - Throttle Actuator Link	1
34	277-279	Insert - Banjo Hose, M12 x 1-4"	1
35	501-2	Clip - Hose, 14-22mm	1

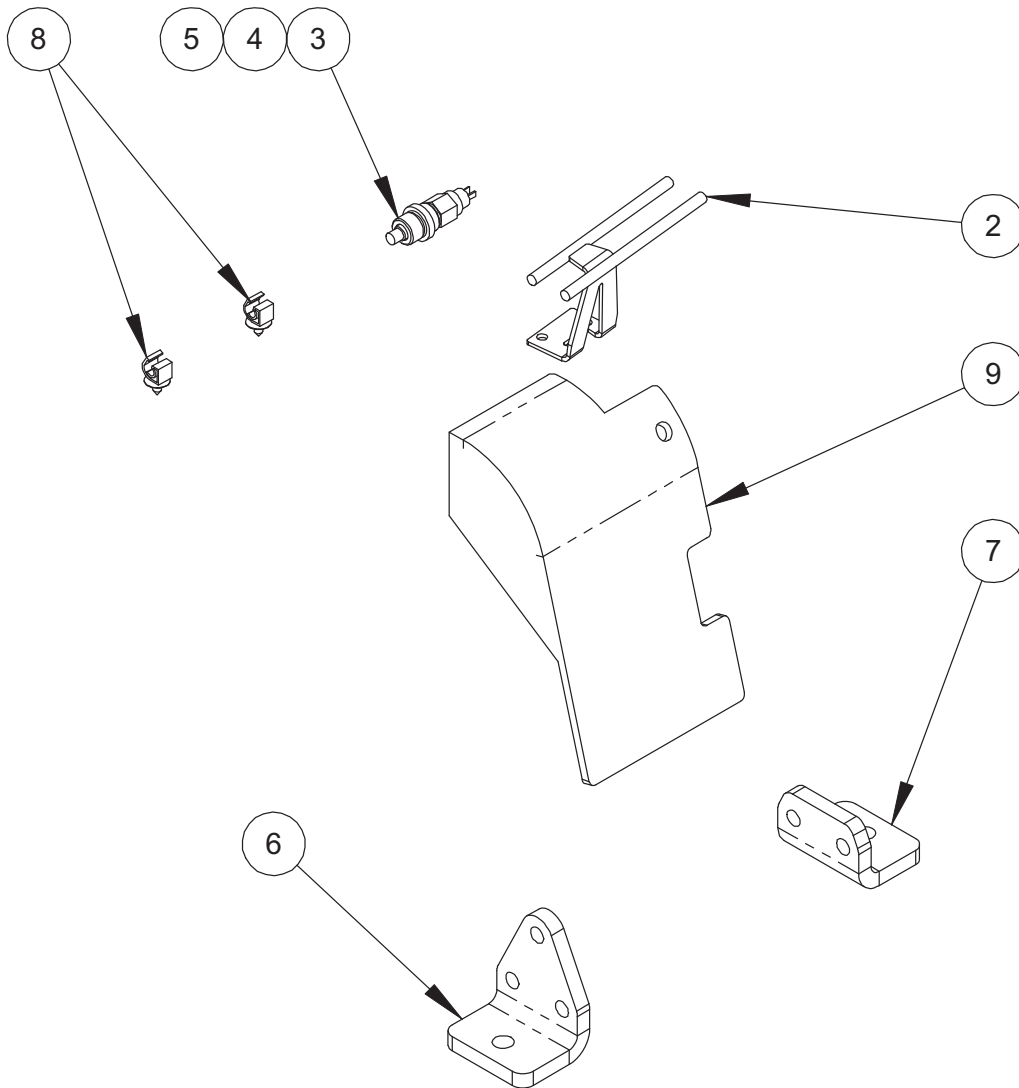
**Engine & Ancillaries (Euro 5)**  
BoM: 37018-5



**Engine & Ancillaries (Euro 5)  
BoM: 37018-5**

<b>Item No.</b>	<b>Part No.</b>	<b>Description</b>	<b>Quantity</b>
10	722900-1	Engine - VM Euro 5 R754	1
20	722488-1	Foot - Engine Mount	1
30	722489-1	Foot-Engine Mount, Non A/Con	1
40	722359-1	Connection - Vacuum, Euro 4	1
50	722515-1	Loom - Rail, W/Assy C200 E4	1
60	7008831	Adaptor -Water system M20	1
70	7008830	Adaptor -Water system M16	1
80	722996-1	Shield - Heat, Turbo. Mk2	1
5000	275-50	Hose-Vacuum, Silicon Blue 3mmID	3.4M

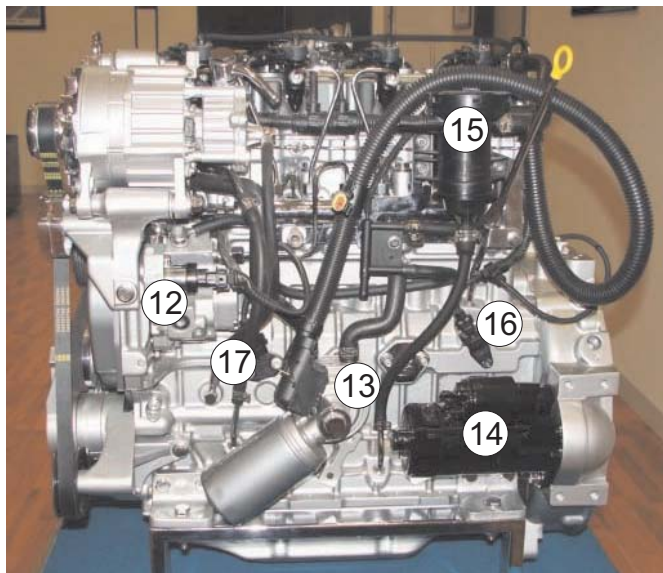
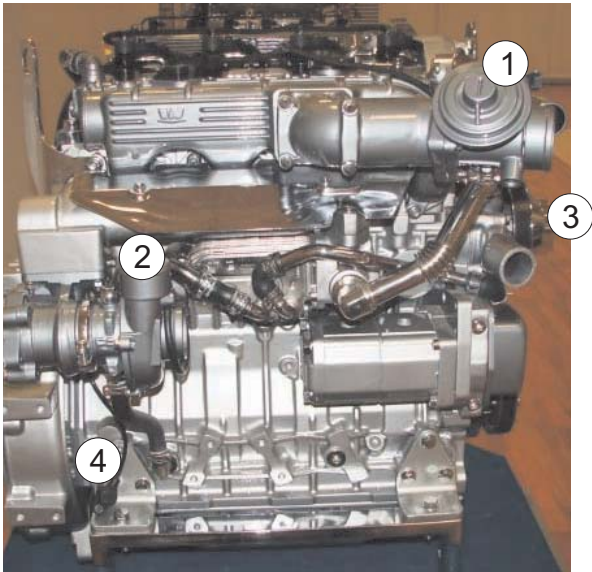
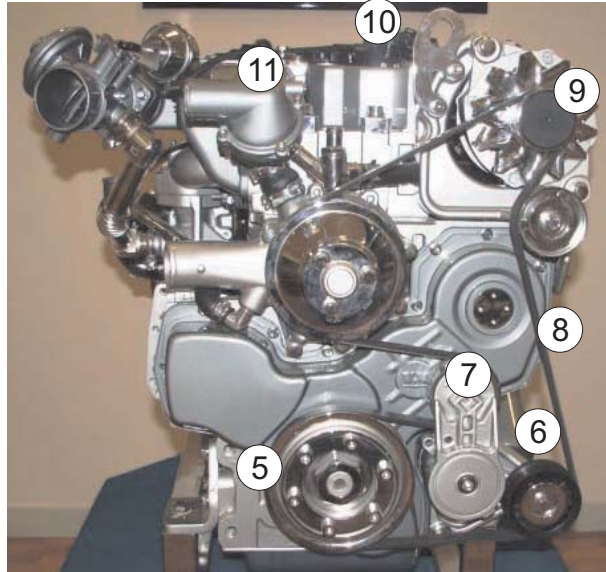
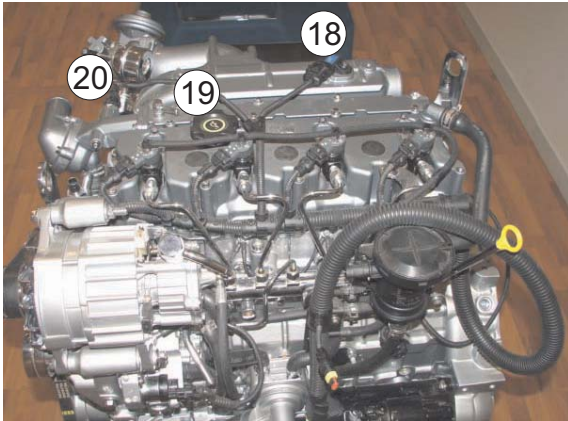
**Engine & Ancillaries (Tier 3)**  
**BoM: 37139-1**



**Engine & Ancillaries (Tier 3)**  
**BoM: 37139-1**

<b>Item No.</b>	<b>Part No.</b>	<b>Description</b>	<b>Quantity</b>
1	722555-1	Engine - VM, Step 3A D754 (not illustrated)	1
2	722515-1	Loom - Rail, W/Assy C200 E4	1
3	722875-1	Boss - Bulkhead, Temp. Sensor	1
4	452-29	Washer-Copper M14	1
5	48-38	Sender - Temp, Water 6-24v VM	1
6	722488-1	Foot - Engine Mount	1
7	722489-1	Foot-Engine Mount, Non A/Con	1
8	52-6	Clamp-Pipe, Dia. 6.0 - 8.0 mm	2
9	722996-1	Shield - Heat, Turbo. Mk2	1

**Engine Spares**  
BoM - n/a



<b>Engine Spares</b> BoM - n/a
-----------------------------------

Item No.	Part No.	Description	Quantity
1	849-390	EGR Valve & Intake Throttle	1
2	849-251	Turbocharger	1
3	849-250	Water Pump Pulley	1
4	849-236	Crankshaft Speed Sensor	1
5	849-249	Crankshaft Pulley	1
6	849-68	Oil Filter	1
7	849-238	Automatic Belt Tensioner	1
8	849-361	Alternator Poly V Belt	1
9	849-243	Alternator	1
10	849-394	Injector	1
11	849-294	Coolant Manifold	1
12	849-385	High Pressure Pump	1
13	849-183	Oil Heat Exchanger	1
14	849-244	Starter	1
15	849-132	Oil Seperator	1
16	849-224	Canshaft Sensor	1
17	849-226	Oil Pressure & Temperature Sensor	1
18	849-375	Intake Temperature & Pressure Sensor	1
19	849-46	Oil Filler Cap	1
20	849-235	Coolant Temperature	1





## CHAPTER

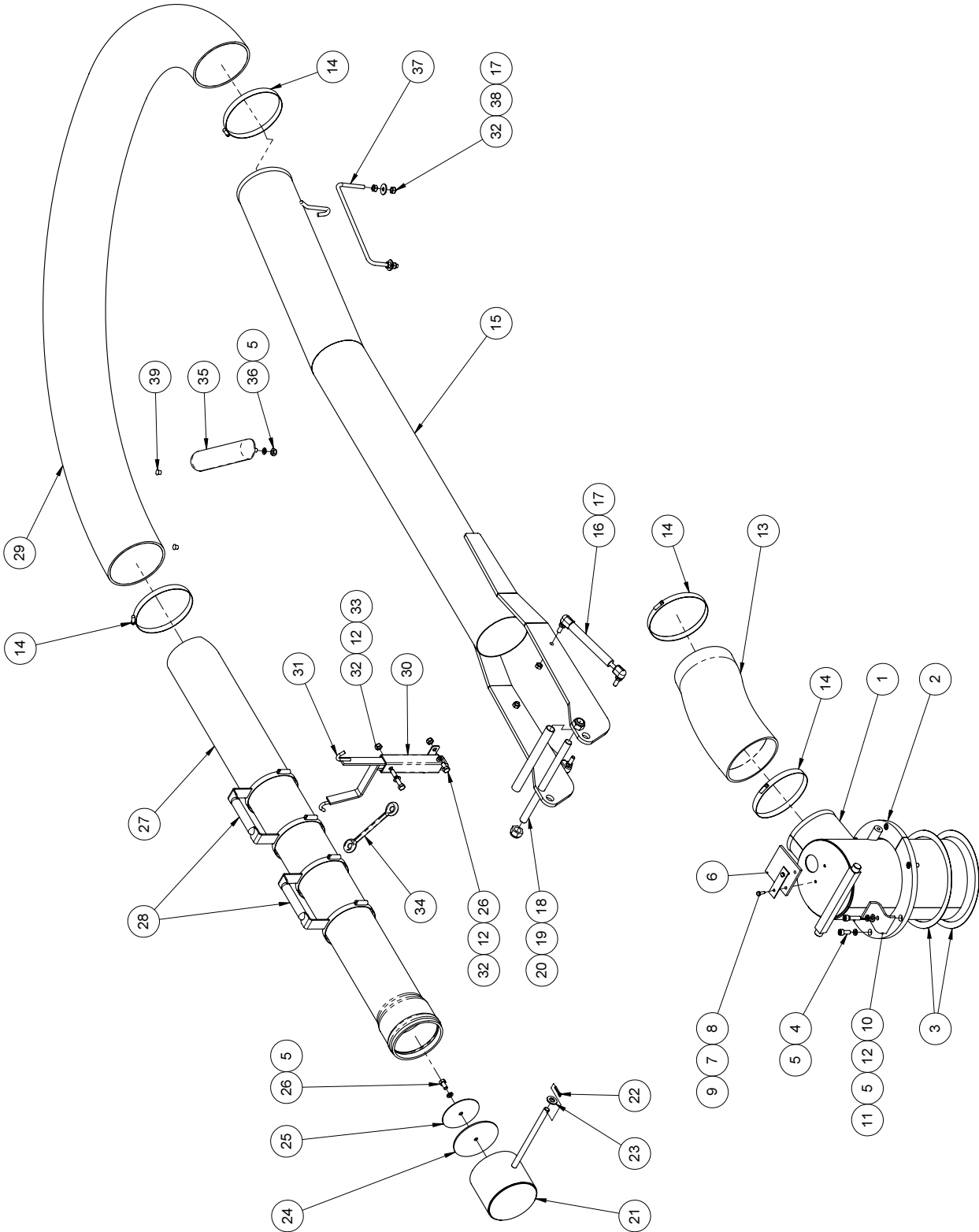
## 4

## Hopper

**Table of Contents**

<b>Section</b>	<b>Page</b>
Wanderhose Assembly	4 : 2
Suction Shut-Off Flap Assembly	4 : 4
Wanderhose Blanking Plate Assembly	4 : 6
Hopper Lift Ram Assembly	4 : 8
Hopper Assembly (Euro 4/Tier 3)	4 : 10
Hopper Door Assembly	4 : 14
Suction Fan Impeller Assembly	4 : 16
Fan Case Assembly	4 : 18
Sound Attenuating Hood Assembly	4 : 20
Flap Housing Assembly	4 : 22
Hopper Assembly (Euro 5/Tier 3)	4 : 24

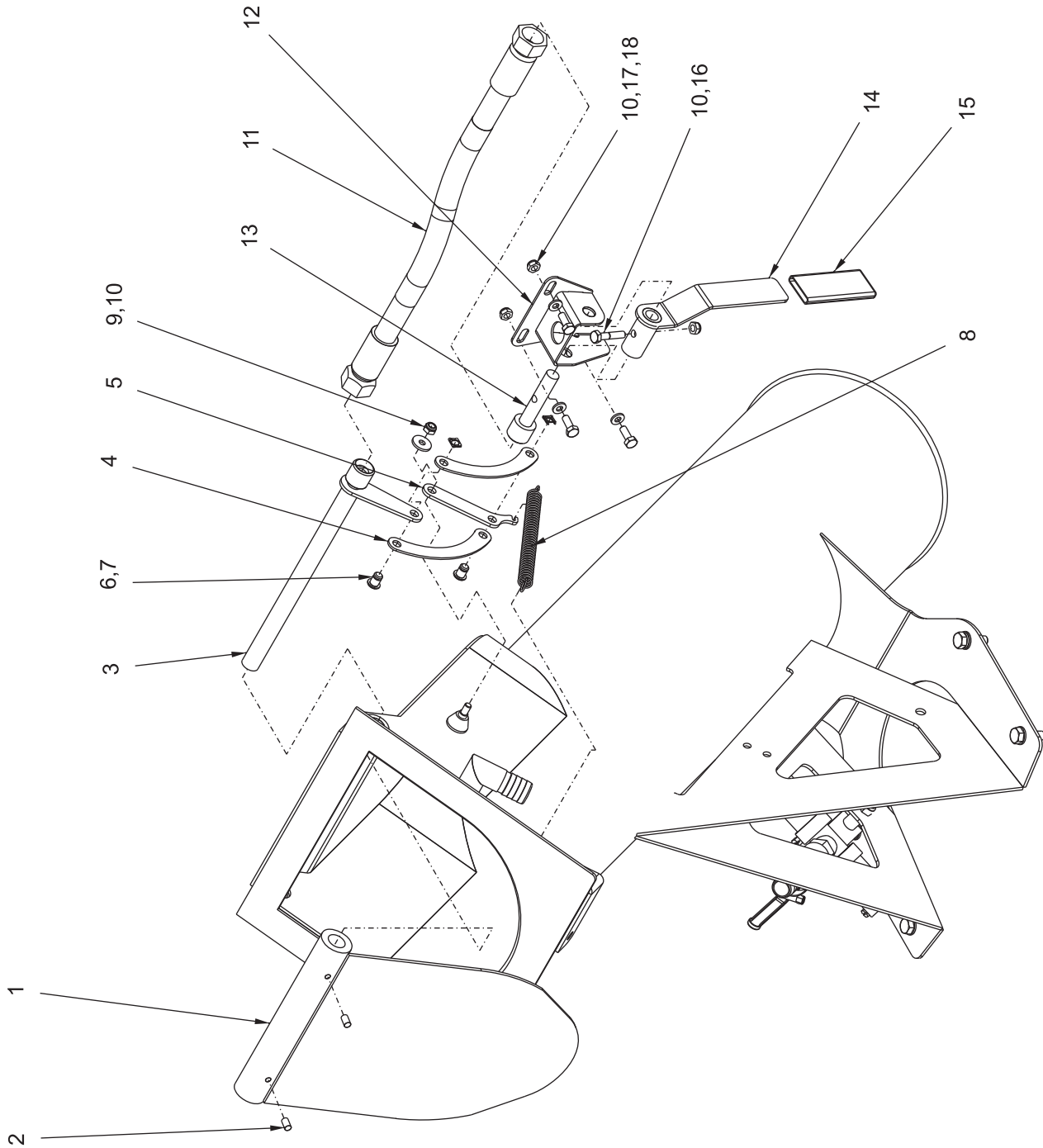
**Wanderhose Assembly**  
BoM - 37058/2



Wanderhose Assembly  
BoM - 37058/2

Item No.	Part No.	Description	Quantity
1	72351/1	Turret - Wanderhose W/Assy	1
2	72313/1	Plate - Split Clamp	1
3	72311/1	Shim	2
4	129/123	Screw - Cap, M8C x 20	5
5	460/10	Washer Spring Single Coil M8	9
6	71674/1	Flap Elbow Suction	1
7	70941/1	Clamp - Flap	1
8	124/70	Setscrew M5C x 16	2
9	425/12	Nut Nyloc Hex MC M5	2
10	75885/1	Limitter - Wanderhose Travel	1
11	129/129	Screw - Cap, M8C x 35	1
12	455/10	Washer Plain Plated Steel M8	4
13	276/3	Ducting - Flexible 400mm	1
14	501/10	Clip Hose Worm Drive 110-140mm	4
15	76539/1	Boom - Wanderhose, W/Assy	1
16	293/3	Spring - Gas	2
17	420/14	Nut MC Hex M8	4
18	72357/1	Rod - Tie	1
19	72358/1	Spacer Tube	1
20	425/18	Nut Nyloc Hex MC M16	2
21	75889/1	Wanderhose Cap W/Assy	1
22	500/102	Pin - Split cotter 3/4"x 1/8"	1
23	455/12	Washer Plain Plated Steel M12	1
24	70836/1	Washer - Sealing	1
25	70837/1	Washer - Retaining	1
26	124/134	Setscrew M8C x 16	3
27	74703/1	Pipe - Suction	1
28	73065/1	Handle W/A	2
29	276/4	Ducting - Flexible 1800mm	1
30	75872/1	Cradle Housing-Wanderhose W/A	1
31	75857/1	Cradle W/Assy	1
32	425/14	Nut Nyloc Hex MC M8	5
33	123/110	Bolt - M8C x 50	1
34	73067/1	Rubber - Jack	1
35	72063/1	Rubber Buffer	1
36	405/44	Nut Nyloc Hex 5/16" BSW	2
37	75884/1	Sliding W/Hose Anchor	1
38	457/4	Washer Plain Steel M8 Form G	2
39	288/16	Grommet - Blind 8.5 O/D	6

**Suction Shut-Off Flap Assembly**  
BoM - 37067/51

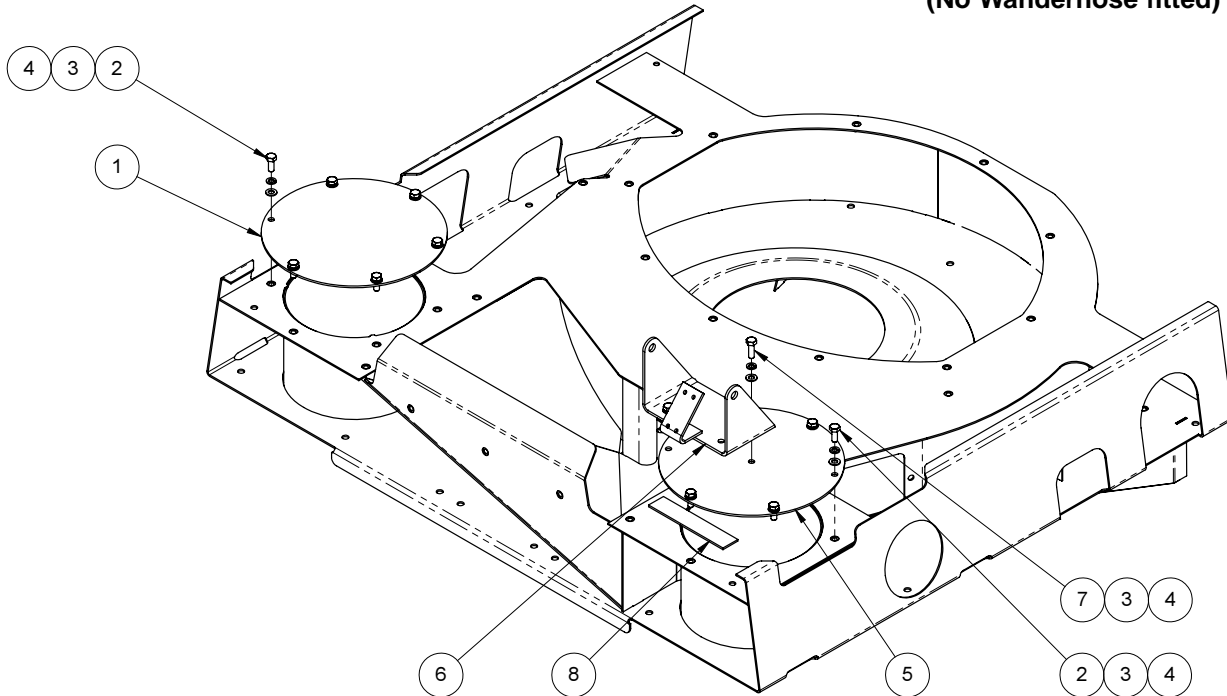


**Suction Shut-Off Flap Assembly**  
 BoM - 37067/51

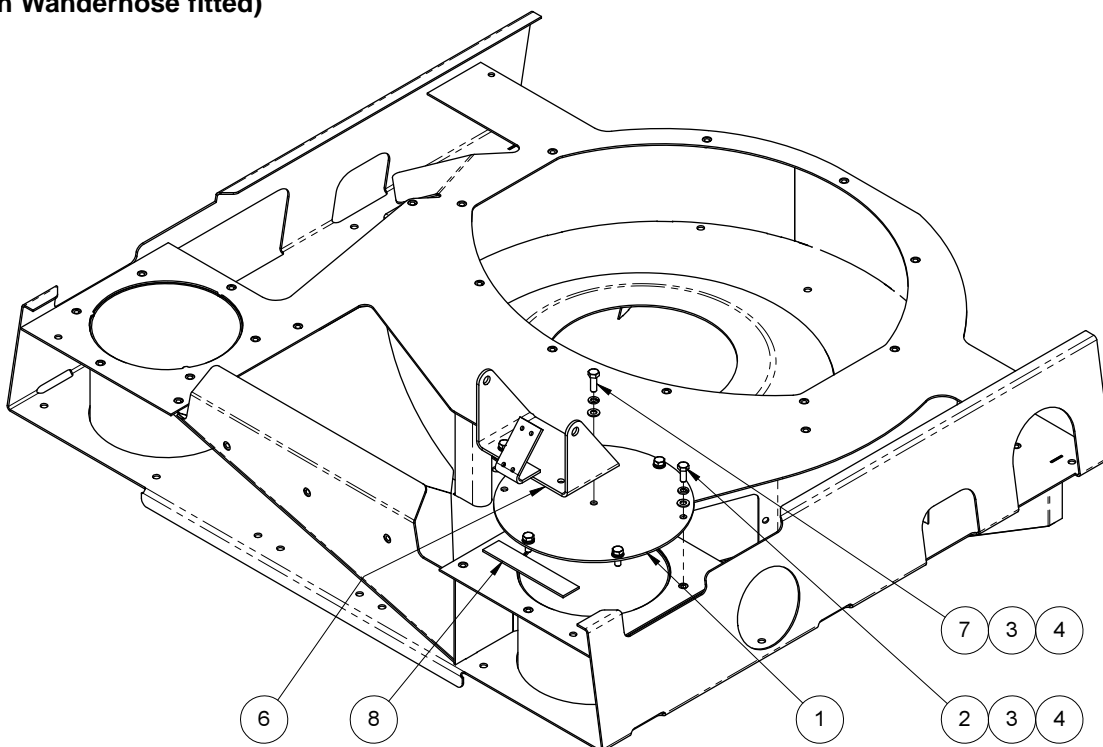
Item No.	Part No.	Description	Quantity
1	70611/1	Flap - W/Assy	1
2	135/23	Grubscrew - Cone Point M6cx10	2
3	721253/1	Shaft-Flap,Sction Shut-off W/A	1
4	721239/1	Plate - Relay	2
5	721238/1	Plate - Spring Link	1
6	721390/1	Pin - Clevis, Dia 8	2
7	289/25	Clip	2
8	286/15	Spring - Extension, 1.2 Wire	1
9	457/2	Washer Plain Steel M6 Form G	1
10	425/13	Nut Nyloc Hex MC M6	5
11	HL08000/39.5	Hose - Megatuff 1/2" STRxSTR	1
12	721247/1	Mount - Flap Handle, W/Assy	1
13	721244/1	Shaft - Handle, W/Assy	1
14	721250/1	Handle-Suction Shut-Off Flap	1
15	671/2	Handgrip	1
16	123/82	Bolt M Coarse M6x30 BS3692	1
17	124/102	Setscrew M6C x 16	3
18	455/8	Washer Plain Plated Steel M6	3

**Wanderhose Blanking Plate Assembly**  
BoM - 37087/1 & /2

**37087/1 Assembly**  
**(No Wanderhose fitted)**



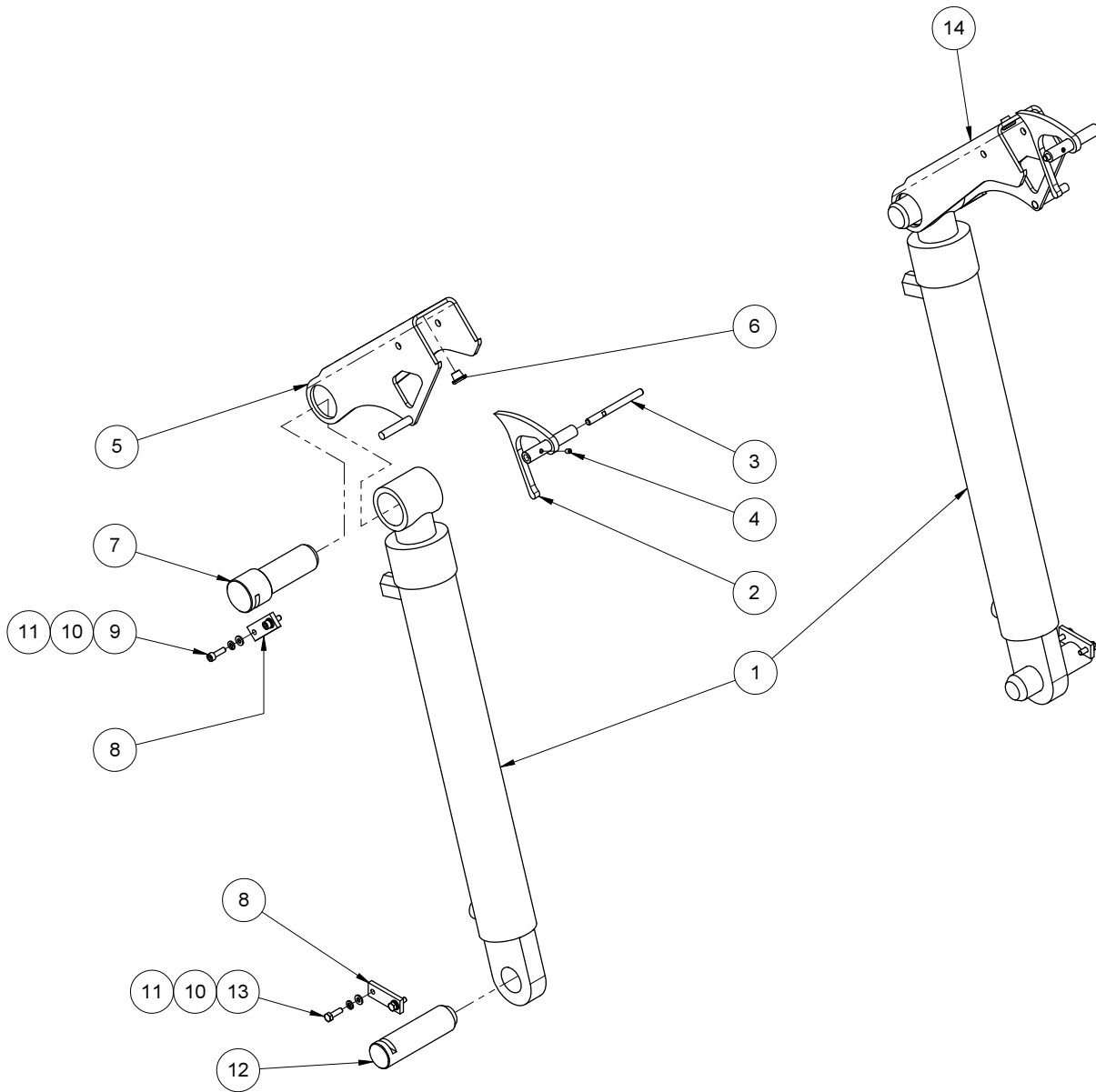
**37087/2 Assembly**  
**(with Wanderhose fitted)**



**Wanderhose Blanking Plate Assembly**  
BoM - 37087/1 & /2

Item No.	Part No.	Description	37087/1 Quantity	37087/2 Quantity
1	72359/1	Plate - Blanking	1	-
2	124/135	Setscrew M8C x 20	11	5
3	460/10	Washer Spring Single Coil M8	13	7
4	455/10	Washer Plain Plated Steel M8	13	7
5	75883/1	Blanking Plate (Wanderhose)	1	1
6	75888/1	Beacon Pivot W/Assy	1	1
7	124/137	Setscrew M8 x 25	2	2
8	217/8	Strip Sealing 3x30 white	1.7	1.7

**Hopper Lift Ram Assembly**  
BoM - 37042/1

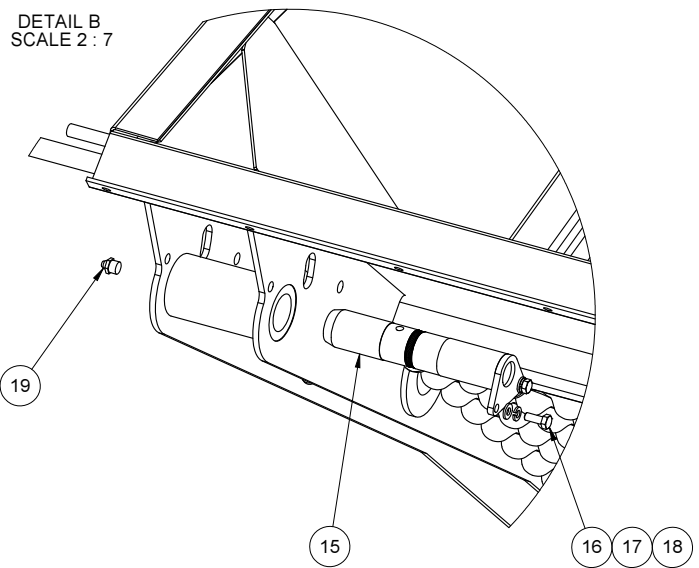
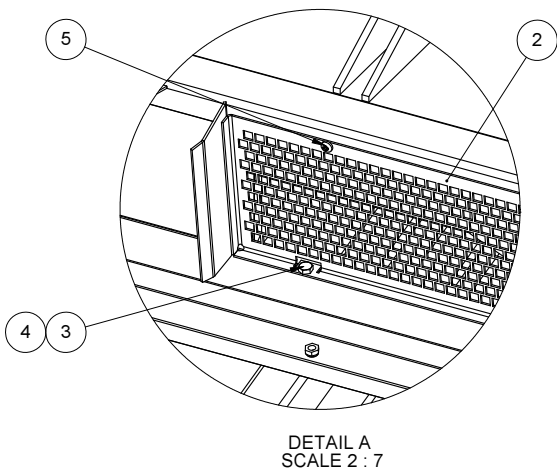
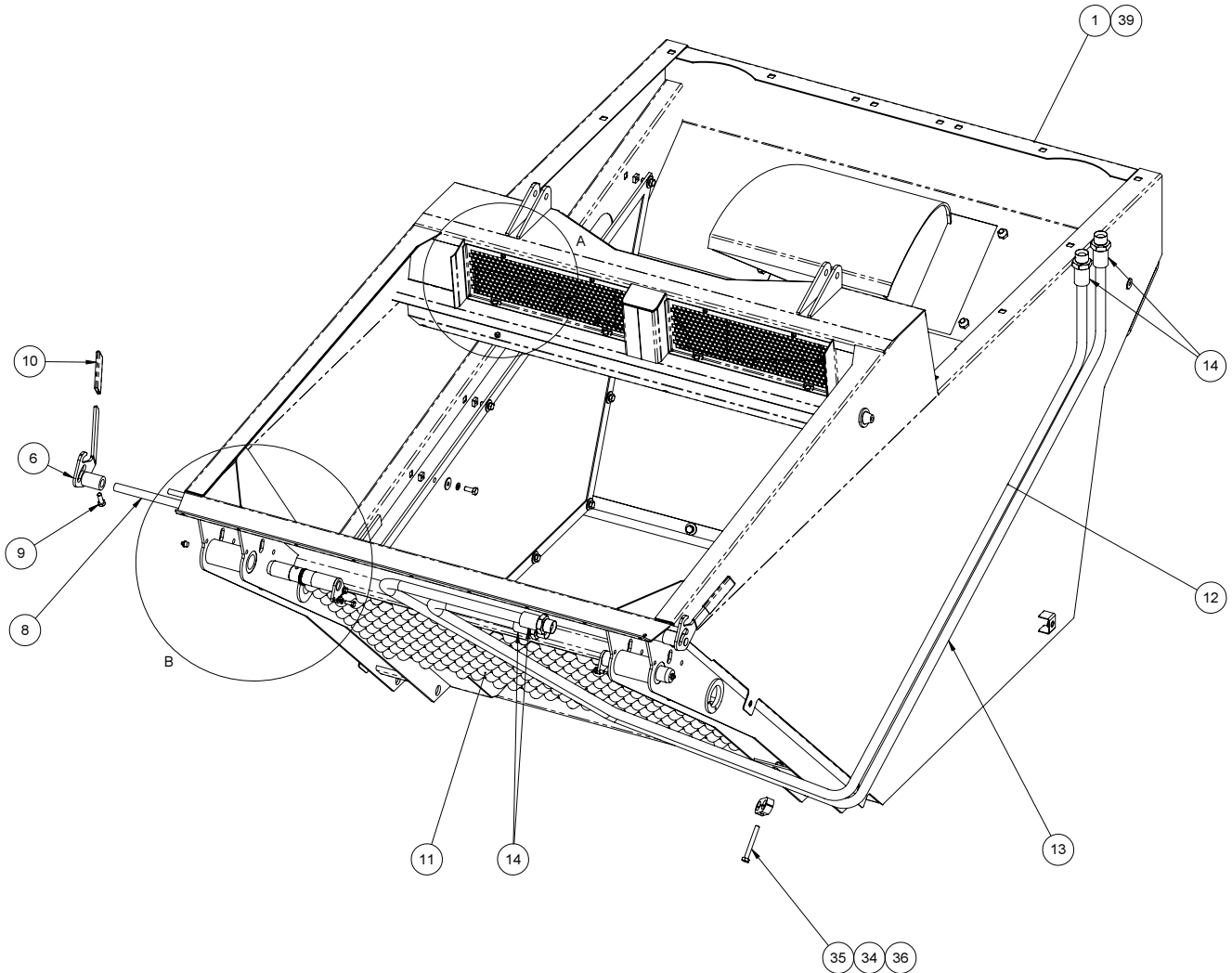




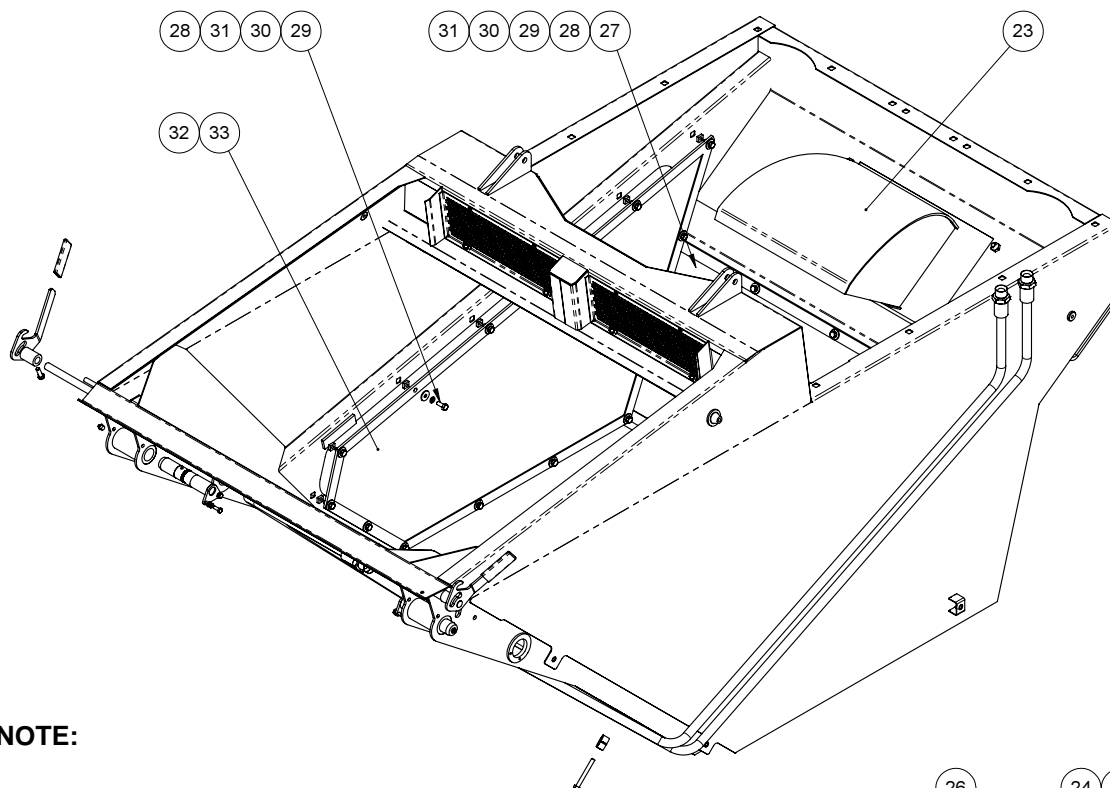
**Hopper Lift Ram Assembly**  
BoM - 37042/1

Item No.	Part No.	Description	Quantity
1	29330/1	Ram - Hopper	2
2	75545/1	Catch - Autoprop, W/Assy	2
3	75546/1	Pivot Pin - Autoprop	2
4	135/37	Socket Screw Flat Point M5cx6	2
5	75551/1	Hopper Prop LH W/Assy	1
6	287/31	Grommet - 13.5 x 9.5	2
7	75550/1	Pin - Hopper Ram Top	2
8	76164/1	Plate - Securing Ram Pin	4
9	129/94	Screw MC Cap Skt Hd M6x20	8
10	460/8	Washer Spring Single Coil M6	8
11	455/8	Washer Plain Plated Steel M6	8
12	70786/1	Pin - Ram	2
13	124/103	Setscrew - M6C x 20	4
14	75551/2	Hopper Prop RH W/Assy	1

**Hopper Assembly (Euro 4/Tier 3)**  
**BoM: 37043-51 & -52**

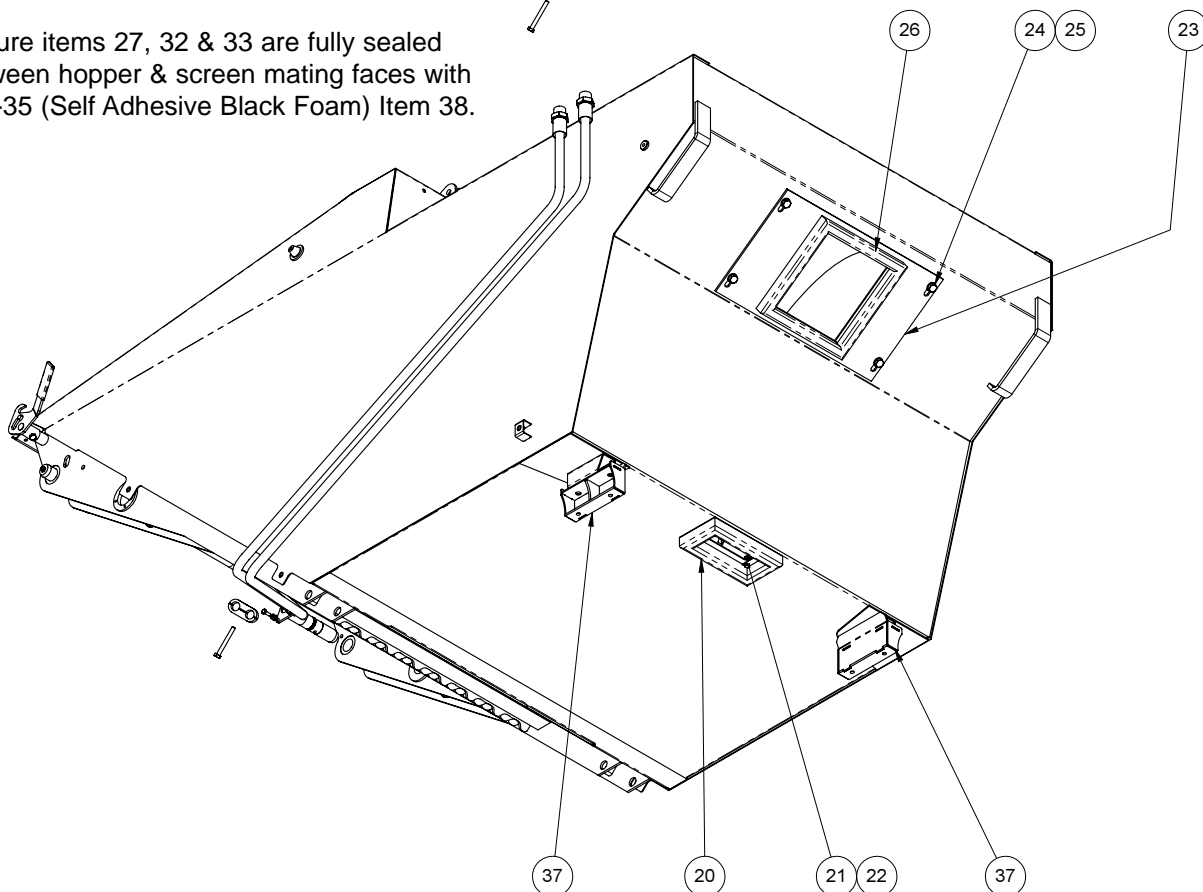


**Hopper Assembly (Euro 4/Tier 3)**  
BoM: 37043-51 & -52



**NOTE:**

Ensure items 27, 32 & 33 are fully sealed between hopper & screen mating faces with 217-35 (Self Adhesive Black Foam) Item 38.

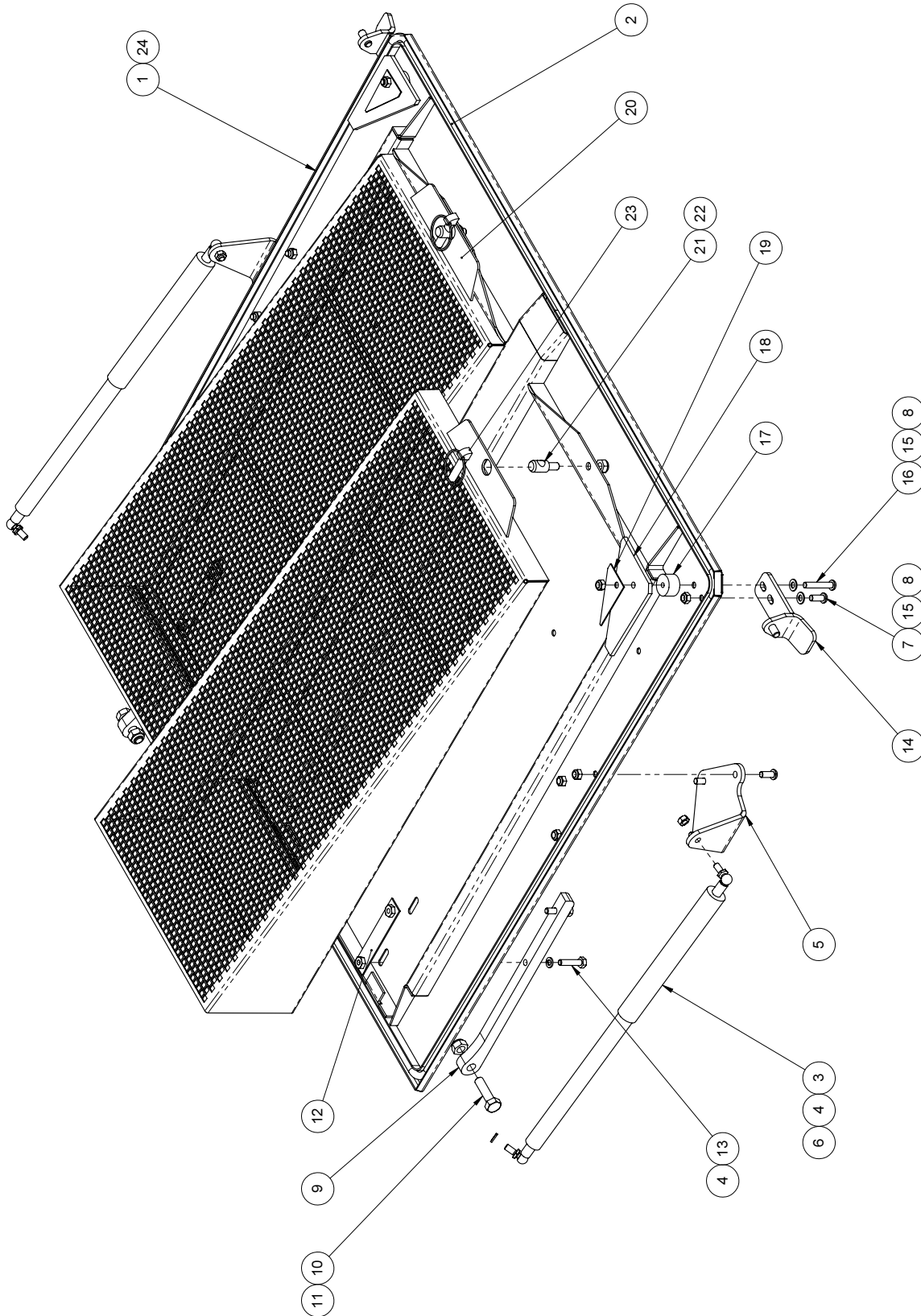


**Hopper Assembly (Euro 4/Tier 3)**
**BoM: 37043-51 & -52**

Item No.	Part No.	Description	37043/51 Quantity	37043/52 Quantity
1	720600/1	Hopper - Cromweld (C200) W/Assy	1	-
2	75563/1	Mesh - Letterbox, W/Assy	2	2
3	124/100	Setscrew M6C x 12	4	4
4	425/13	Nut Nyloc Hex MC M6	4	4
5	193/23	Screw Selftap Pan Hd No10x13mm	4	4
6	75643/1	Clamp - Door Handle W/Assy	1	1
7	75643/2	Clamp - Door Handle W/Assy	1	1
8	75033/2	Tube - Pivot, 1124mm	1	1
9	124/137	Setscrew M8 x 25	2	2
10	671/2	Handgrip	2	2
11	722432/1	Sound Atten. Foam - Hopper	1	1
12	720479/1	Pipe - Steel, Hopper	1	1
13	720480/1	Pipe - Steel, Hopper	1	1
14	68/63	Adaptor - bulkhead 3/4" BSP	4	4
15	72070/1	Pin - Pivot Hopper W/Assy	2	2
16	124/102	Setscrew M6C x 16	4	4
17	460/8	Washer Spring Single Coil M6	4	4
18	455/8	Washer Plain Plated Steel M6	4	4
19	38/1	Nipple Grease Straight 1/8 BSP	2	2
20	74207/1	Seal - Water Entry	1	1
21	118/102	Setscrew Hexagon Hd M6c x 16 SS	4	4
22	417/6	Nut - Nyloc, M6C St.Stl.	4	4
23	75873/1	Entry Duct - W/Assy	1	1
24	124/169	Setscrew M10C x 25	4	4
25	455/11	Washer Plain Plated Steel M10	4	4
26	70327/1	Seal - Entry, Hopper	1	1
27	74103/1	Screen - Front, Wedge Wire	1	1
28	434/8	Fastener - M8 x 1.25	40	40
29	124/135	Setscrew M8C x 20	40	40
30	460/10	Washer Spring Single Coil M8	40	40
31	457/4	Washer Plain Steel M8 Form G	40	40
32	75801/2	Wedge Wire Screen - Side, RH	1	1
33	75801/1	Wedge Wire Screen - Side, LH	1	1
34	51/55	Clamp - Pipe, Twin 20 Dia Tubes	1	1
35	123/114	Bolt M Coarse M8 x 70	1	1
36	425/14	Nut - Nyloc Hex MC M8	1	1
37	720592/1	Support - Hopper, W/Assy	2	2
38	217/35	Foam - Self Adhesive Black 25x6	9.5M	9.5M
39	720600/2	Hopper - Stainless Steel (C200) W/Assy	-	1

**Hopper Assembly (Euro 4/Tier 3)**  
**BoM: 37043-51 & -52**

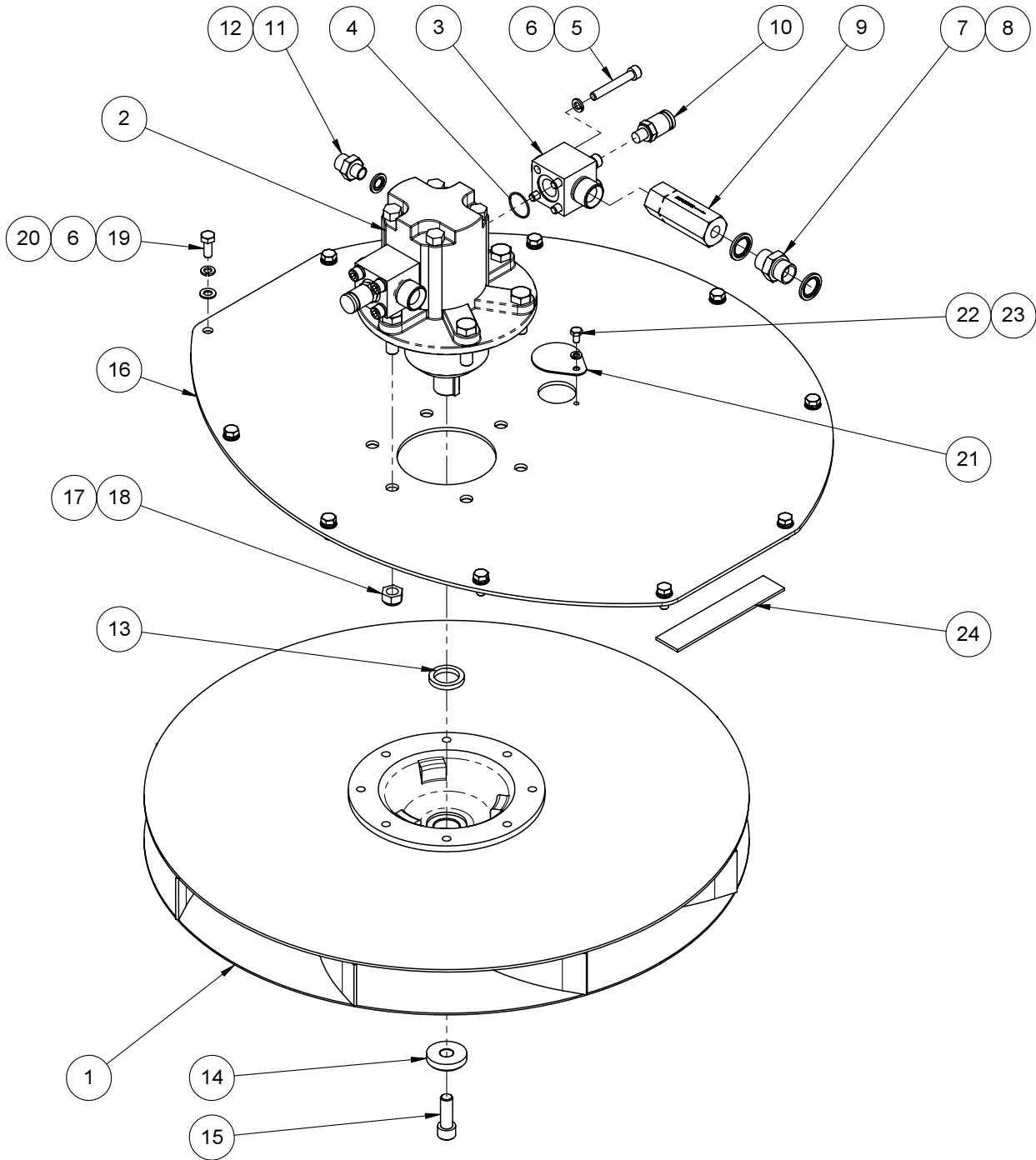
**Hopper Door Assembly**  
BoM - 37044/1 & /2



<b>Hopper Door Assembly</b> <b>BoM - 37044/1 &amp; /2</b>
--

Item No.	Part No.	Description	37044/1 Quantity	37044/2 Quantity
1	75820/1	Hopper Door, W/Assy	1	-
2	217/22	Cord - Black Neoprene Dia.21mm	4M	4M
3	293/6	Spring - Gas c/w 30ml damp oil	2	2
4	460/10	Washer Spring Single Coil M8	6	6
5	75890/1	Mount - Gas Strut	2	2
6	420/14	Nut MC Hex M8	2	2
7	138/123	Screw - Skt Btn Hd, M8C x 20	8	8
8	425/14	Nut Nyloc Hex MC M8	10	10
9	75893/1	Hinge - Hopper Door	2	2
10	123/147	Bolt M Coarse M12x45	2	2
11	425/16	Nut Nyloc Hex MC M12	2	2
12	75833/1	Plate - Hinge Keeper, W/Assy	2	2
13	123/106	Bolt M Coarse M8x35	4	4
14	720351/1	Clamp - Door, Hopper W/Assy	2	2
15	455/10	Washer Plain Plated Steel M8	4	4
16	138/132	Screw - Skt Btn Hd, M8C x 45	2	2
17	70993/1	Spacer	2	2
18	75896/1	Flap - Sludge Channel Cover	2	2
19	75903/1	Sup.Plt.-Sludge Channel Cover	2	2
20	76806/1	Basket - Mesh, Hopper W/Assy	2	2
21	71663/1	Retainer - Pin	2	2
22	425/15	Nut Nyloc Hex MC M10	2	2
23	60/1	Pin Linch (With Ring) 11mm Dia	2	2
24	75820/2	Hopper Door, W/Assy	-	1

**Suction Fan Impeller Assembly**  
BoM - 37055/1

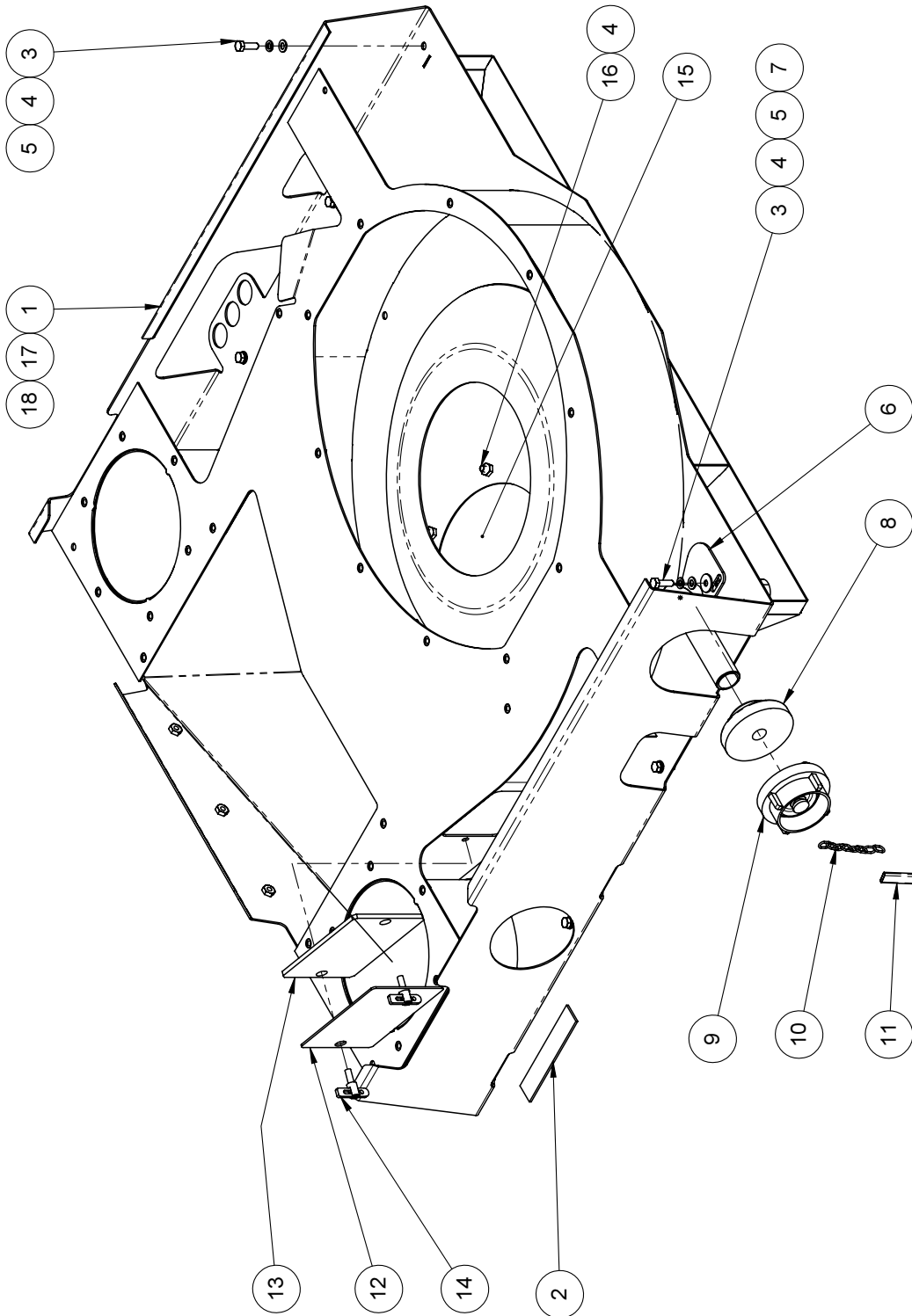




<b>Suction Fan Impeller Assembly</b> <b>BoM - 37055/1</b>
--

Item No.	Part No.	Description	Quantity
1	75850/1	Impeller Assy	1
2	75881/1	Motor - Hydraulic 16cc/rev	1
3	75858/1	Adaptor Block - Hyd. Motor	2
4	80/52	'O' Ring	2
5	151/55	Capscrew Skt Hd UNC 5/16x2 1/4	8
6	460/10	Washer Spring Single Coil M8	18
7	263/4	Adaptor - M/M 1/2" BSP	1
8	451/19	Washer - Dowty 1/2" BSP	2
9	70270/1	Valve - Non Return	1
10	665/18	Valve - Testpoint G1/4	2
11	265/2	Adaptor Reducing 1/4"x3/8" BSP	1
12	451/17	Washer - Dowty 1/4" BSP	1
13	72287/1	Washer - Abutment	1
14	72180/1	Washer - Clamp	1
15	180/96	Setscrew - 1/2" UNC x 1 1/2"	1
16	75856/1	Motor Mounting Plate	1
17	124/207	Setscrew M12C x 40	6
18	425/16	Nut Nyloc Hex MC M12	6
19	124/135	Setscrew M8C x 20	10
20	455/10	Washer Plain Plated Steel M8	10
21	75877/1	Inspection Cover - Fancase	1
22	124/99	Setscrew M6C x 10	1
23	460/8	Washer Spring Single Coil M6	1
24	217/8	Sealing Strip 3x30 White	2M

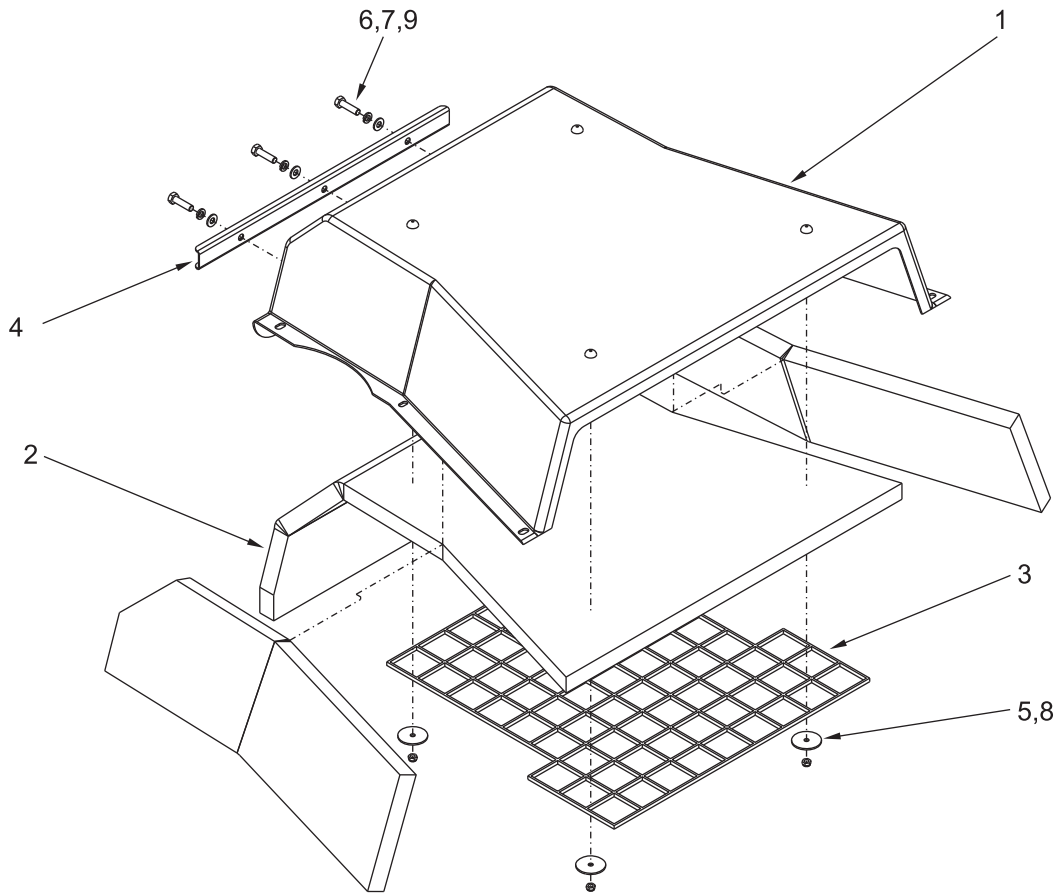
**Fan Case Assembly**  
BoM - 37056/1 2051/1 & /2



<b>Fan Case Assembly</b> <b>BoM - 37056/1 2051/1 &amp; /2</b>
--

Item No.	Part No.	Description	37056/1 Quantity	2051/1 Quantity	2051/2 Quantity
1	75860/1	Fancase - W/Assy	1	-	-
2	217/8	Strip Sealing 3x30 white	4.5M	4.5M	4.5M
3	124/137	Setscrew M8 x 25	15	15	15
4	460/10	Washer Spring Single Coil M8	21	21	21
5	455/10	Washer Plain Plated Steel M8	15	15	15
6	75950/1	Hydrant Filler Pipe, W/Assy	1	1	1
7	457/4	Washer Plain Steel M8 Form G	1	1	1
8	667/39	Coupling - Stortz G1 Fem	1	1	1
9	667/2	Cap - Stortz	1	1	1
10	284/1	Galvanised Chain	0.25M	0.25M	0.25M
11	32/15	Sleeving - PVC 12mm	0.2M	0.2M	0.2M
12	76569/1	Door - Inspection, Fancase	1	1	1
13	76556/1	Seal - Door, Inspection	1	1	1
14	60/15	Pin - Antiluce, Baby	2	2	2
15	72359/1	Plate - Blanking	1	1	1
16	124/135	Setscrew M8C x 20	6	6	6
17	75860/20	Fancase - W/Assy, Cromweld	-	1	-
18	75860/40	Fancase - W/Assy, Stainless Steel	-	-	1

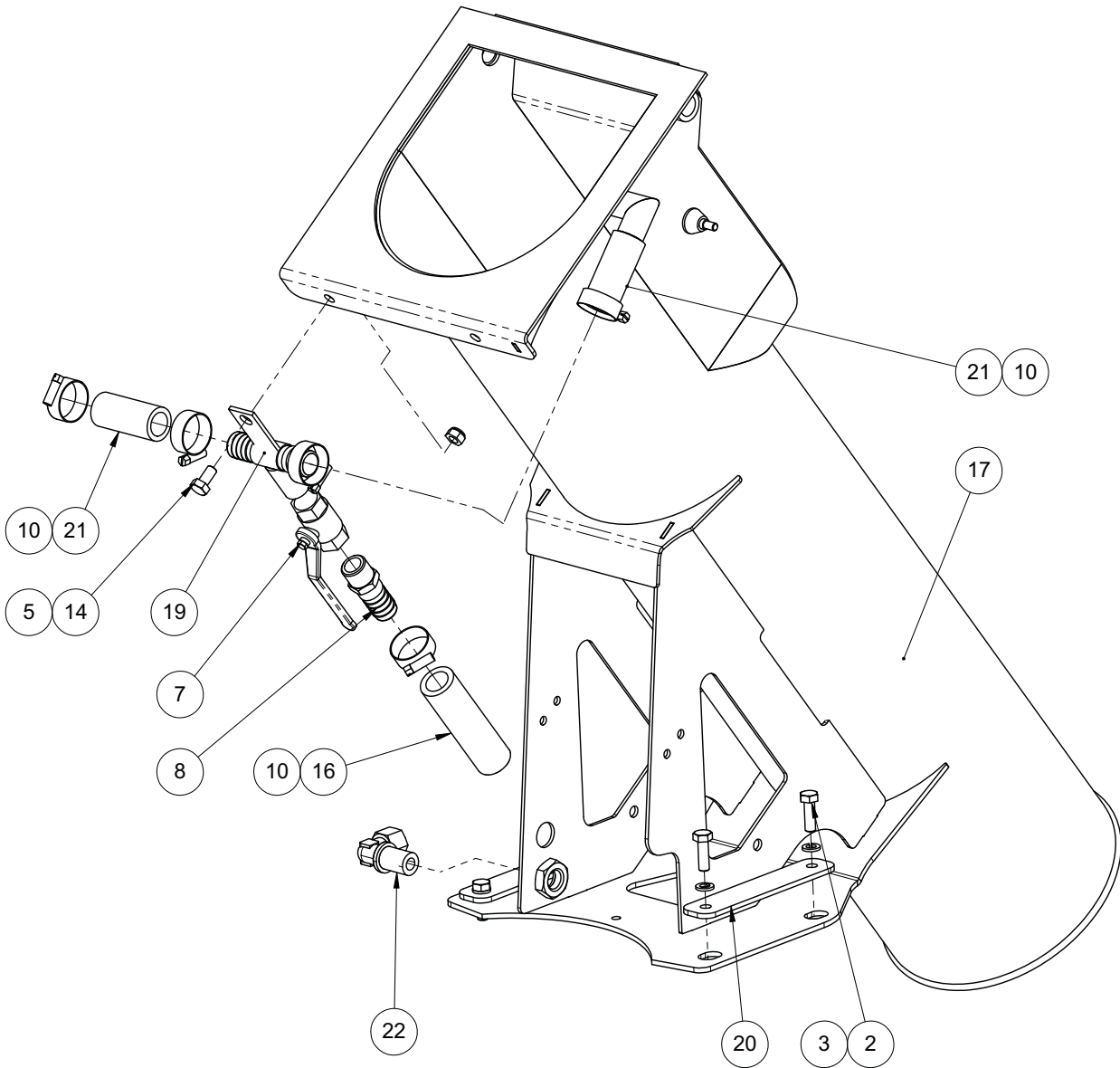
**Sound Attenuating Hood Assembly**  
BoM - 37057/1



**Sound Attenuating Hood Assembly  
BoM - 37057/1**

<b>Item No.</b>	<b>Part No.</b>	<b>Description</b>	<b>Quantity</b>
1	721146/1	Hood - Plastic Fan Outlet	1
2	75895/1	Lining Foam - Fan Outlet Hood	1
3	75904/1	Mesh - Hood Soundpack	1
4	721046/1	Strip - Hood Retaining	1
5	425/13	Nut Nyloc Hex MC M6	4
6	455/10	Washer Plain Plated Steel M8	3
7	460/10	Washer Spring Single Coil M8	3
8	452/62	Washer - Repair, 1/4 x 1 1/2	4
9	124/139	Setscrew M8C x 30	3

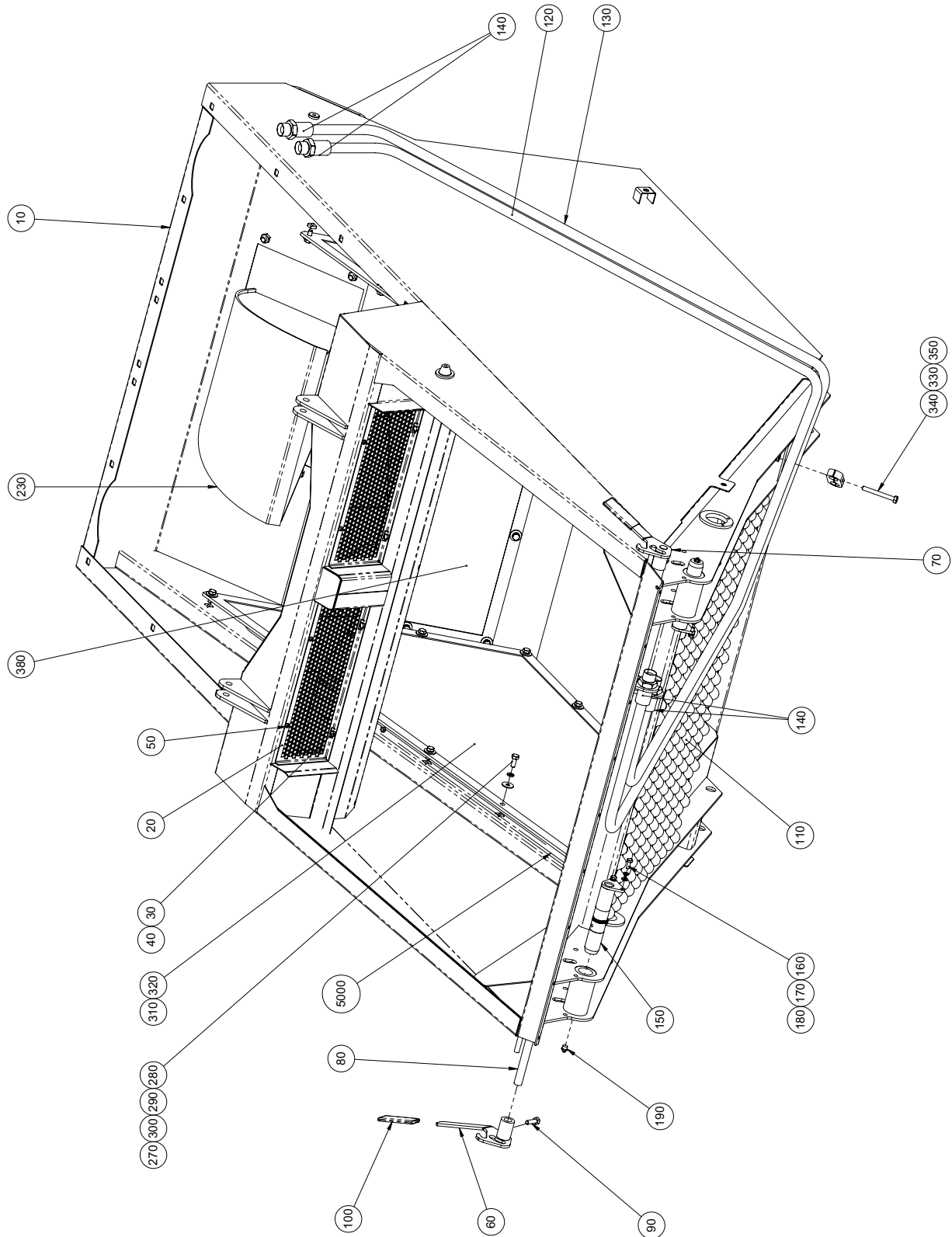
**Flap Housing Assembly**  
BoM - 37066/51



<b>Flap Housing Assembly</b> <b>BoM - 37066/51</b>
---

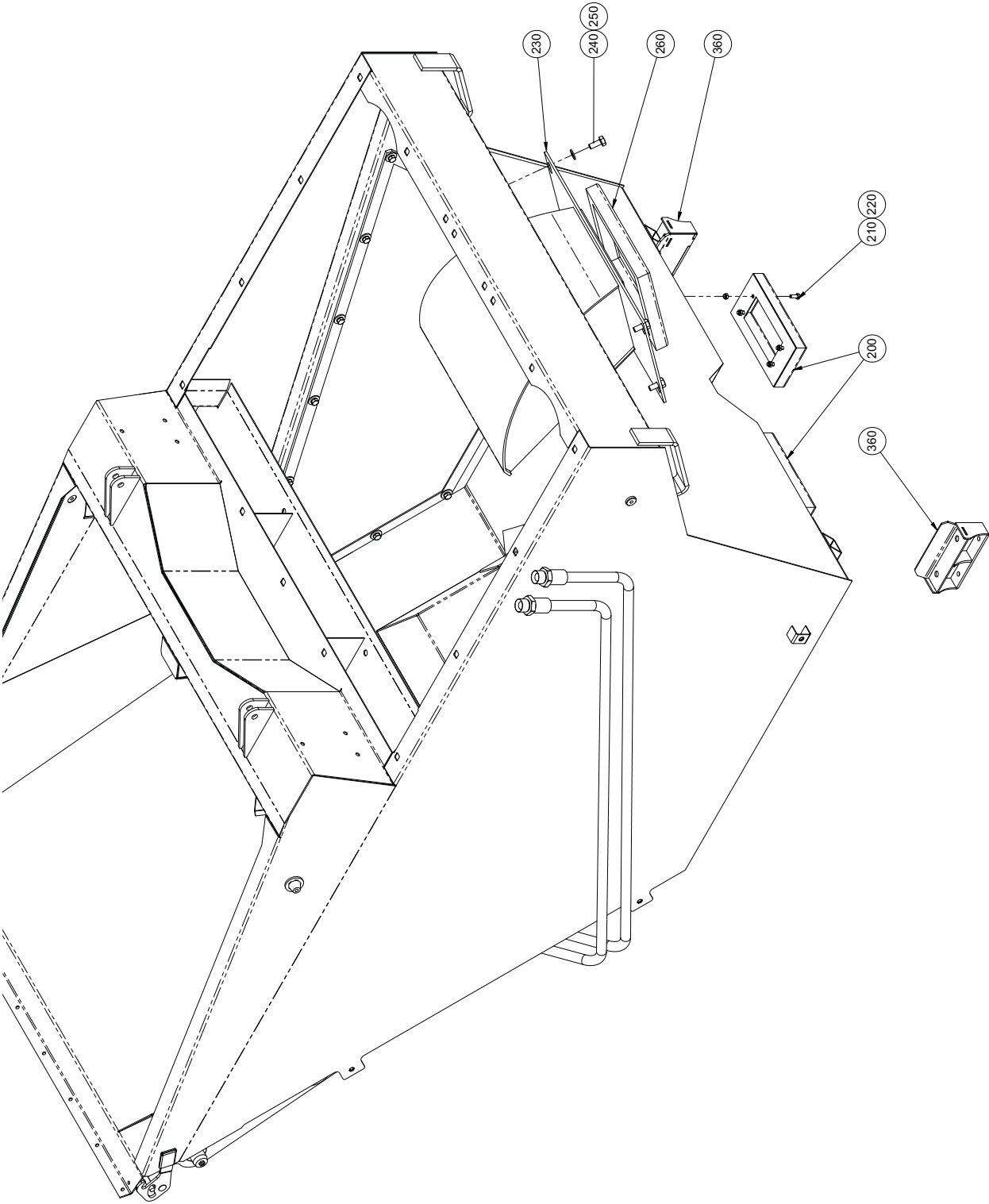
Item No.	Part No.	Description	Quantity
2	124-137	Setscrew M8C x 25	4
3	460-10	Washer Spring Single Coil M8	4
5	425-14	Nut Nyloc Hex MC M8	1
7	72764-1	Valve - Ball, G1/2	1
8	277-18	Hosetail-Brass 1/2"x3/4"	1
10	501-3	Clip Hose Worm Drive 22-30mm	4
14	124-134	Setscrew M8C x 16	1
16	HE12226-163	Hose - Hydraulic 3/4" 90cxNIL	1
17	721929-1	Housing - Flap, W/Assy	1
19	72763-1	Tee - Hose	1
20	722221-1	Plate - Clamp	2
21	15184	Hose - Griflex, Clear 3/4" I/D	1.75M
22	09570472-0	Bulkhead Elbow Connector - M18 x 1.5	1

**Hopper Assembly (Euro 5/Tier 3)**  
BoM: 37043-53 & -54





**Hopper Assembly (Euro 5/Tier 3)**  
BoM: 37043-53 & -54



**Hopper Assembly (Euro 5/Tier 3)**
**BoM: 37043-53 & -54**

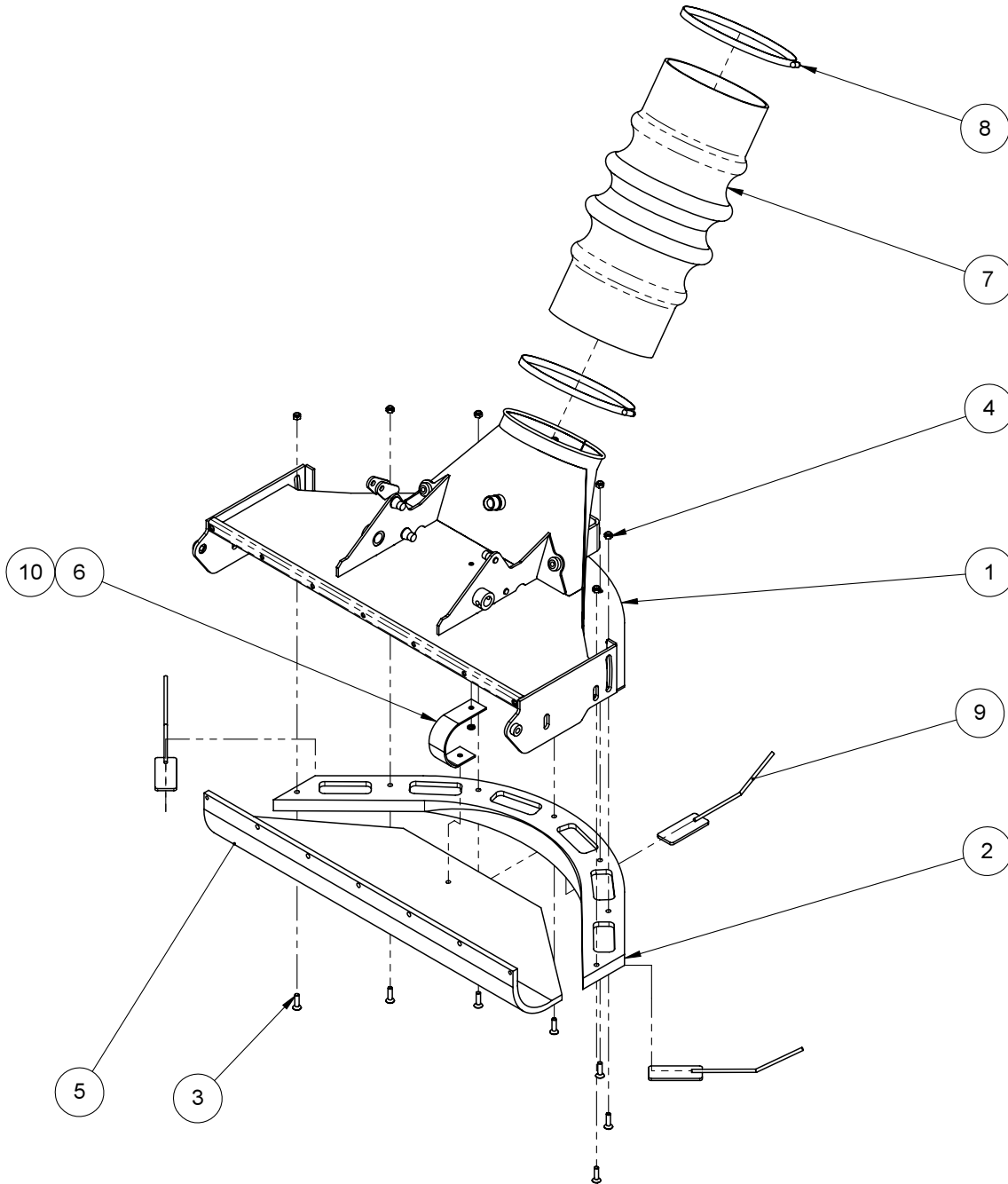
Item No.	Part No.	Description	37043-53 Cromweld Quantity	37043-54 St. Steel Quantity
10	7007370	Hopper Weld assembly	1	-
	7007371	Hopper Weld assembly	-	1
20	75563-1	Mesh - Letterbox, W/Assy	2	2
30	124-100	Setscrew M6C x 12	4	4
40	425-13	Nut Nyloc Hex MC M6	4	4
50	193-23	Pan Head Screw-4.8x13-4.8-Pozidriv	4	4
60	75643-1	Clamp - Door Handle LH W/Assy	1	1
70	75643-2	Clamp - Door Handle RH W/Assy	1	1
80	75033-2	Tube - Pivot, 1124mm	1	1
90	124-137	Setscrew M8C x 25	2	2
100	671-2	Handgrip	2	2
110	722432-1	Foam-Sound Attenuating, Euro 4	1	1
120	720479-1	Pipe - Steel, Hopper	1	1
130	720480-1	Pipe-Steel, Hopper	1	1
140	68-63	Bulkhead S Series 20mmx3/4"	4	4
150	72070-1	Pin - Pivot Hopper W/Assy	2	2
160	124-102	Setscrew M6C x 16	4	4
170	460-8	Washer Spring Single Coil M6	4	4
180	455-8	Washer Plain Plated Steel M6	4	4
190	38-1	Nipple Grease Straight 1/8 BSP	2	2
200	74207-1	Seal - Water Entry	2	2
210	118-102	Setscrew Hexagon Hd M6cx16 SS	8	8
220	417-6	Nut - Nyloc M6 S/Steel DIN985	8	8
230	75873-1	Entry Duct - W/Assy	1	1
240	124-169	Setscrew M10C x 25	4	4
250	455-11	Washer Plain Plated Steel M10	4	4
260	70327-1	Seal - Entry Hopper	1	1
270	434-8	Fastener - M8 x 1.25	40	40
280	124-135	Setscrew M8C x 20	40	40
290	460-10	Washer Spring Single Coil M8	40	40
300	457-4	Washer Plain Steel M8 Form G	40	40
310	75801-2	Screen-Wedge Wire Side RH 0.75	1	1
320	75801-1	Screen-Wedge Wire Side LH 0.75	1	1
330	51-55	Clamp - Pipe, Twin 20 Dia Tubes	1	1
340	123-114	Bolt M Coarse M8x70	1	1
350	425-14	Nut Nyloc Hex MC M8	1	1
360	720592-1	Support - Hopper, W/Assy	2	2
380	7007659	Mesh Front	1	1
5000	217-35	Foam-Self Adhesive Black 25x6	9M	9M

## CHAPTER

**5****Nozzle****Table of Contents**

<b>Section</b>	<b>Page</b>
'F' Type Suction Nozzle Assembly	5 : 2
Suction Nozzle Wheels Assembly	5 : 4
Nozzle Wheel Spares	5 : 6
Suction Nozzle Skids Assembly	5 : 8
Suction Nozzle Skids (if fitted with Leaf Flap) Assembly	5 : 10
Nozzle Struts (Wheeled) Assembly	5 : 12
Nozzle Struts (Skidded) Assembly	5 : 14
Nozzle Lift Mechanism Assembly	5 : 16
Nozzle Lift Ram Assembly	5 : 18
Nozzle Flap (no Leaf Lift) Assembly	5 : 20
Nozzle Flap (with Leaf Lift) Assembly	5 : 22

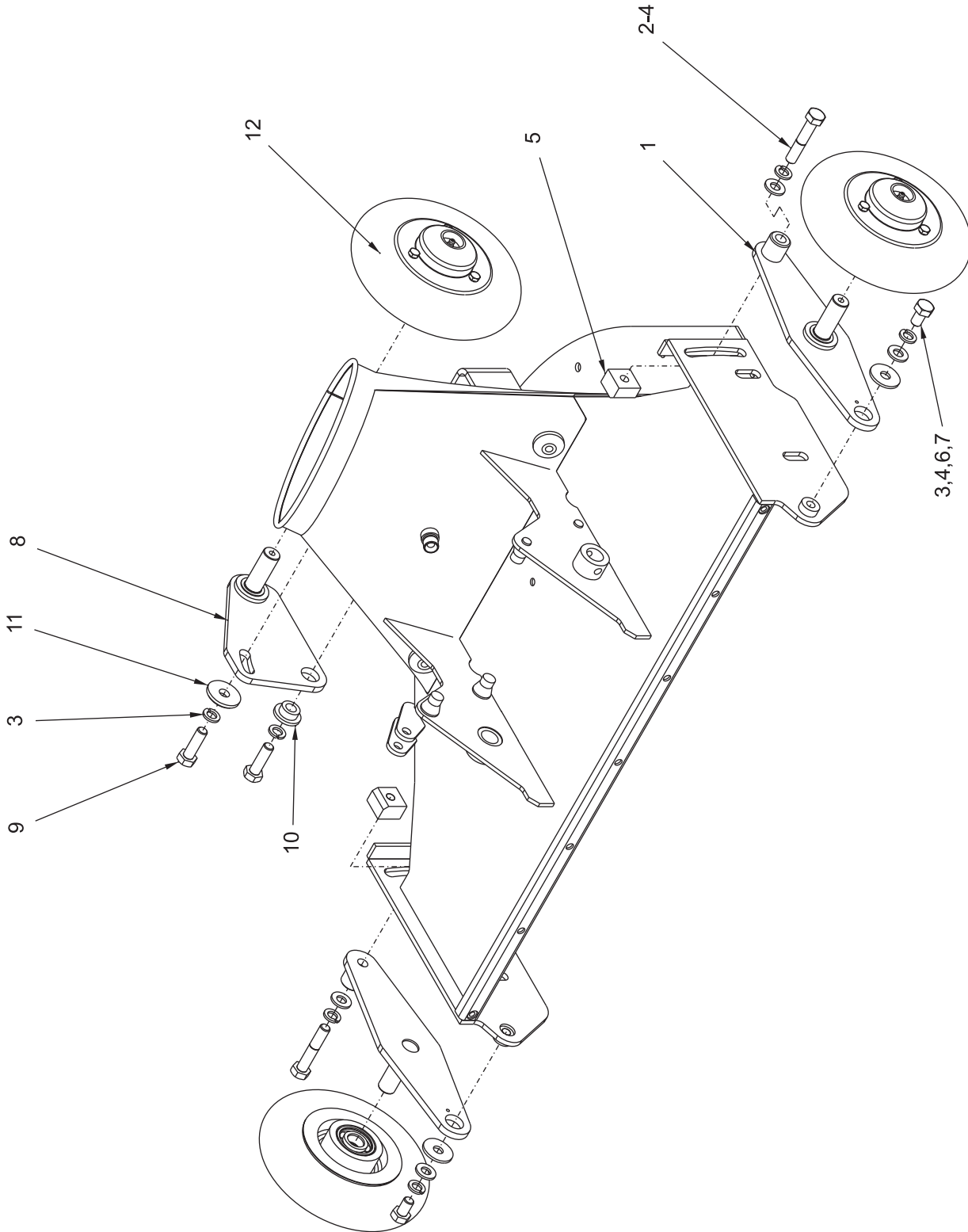
**'F' Type Suction Nozzle Assembly**  
BoM - 37068/51



**'F' Type Suction Nozzle Assembly  
BoM - 37068/51**

<b>Item No.</b>	<b>Part No.</b>	<b>Description</b>	<b>Quantity</b>
1	720941/1	Suction Head - W/Assy	1
2	72923/1	Slide - Suction Head	1
3	131/127	Screw MC Csk Skt Hd M8x30	7
4	425/14	Nut Nyloc Hex MC M8	7
5	720979/1	Flap - Suction Head	1
6	71386/1	Tie Flap	1
7	71600/1	Trunking - Nozzle	1
8	504/50	Clip - Hose (200-230mm) S/Stl	2
9	72432/1	Anvil - Nozzle Gap Setting	3
10	460/10	Washer - Spring, M8	1

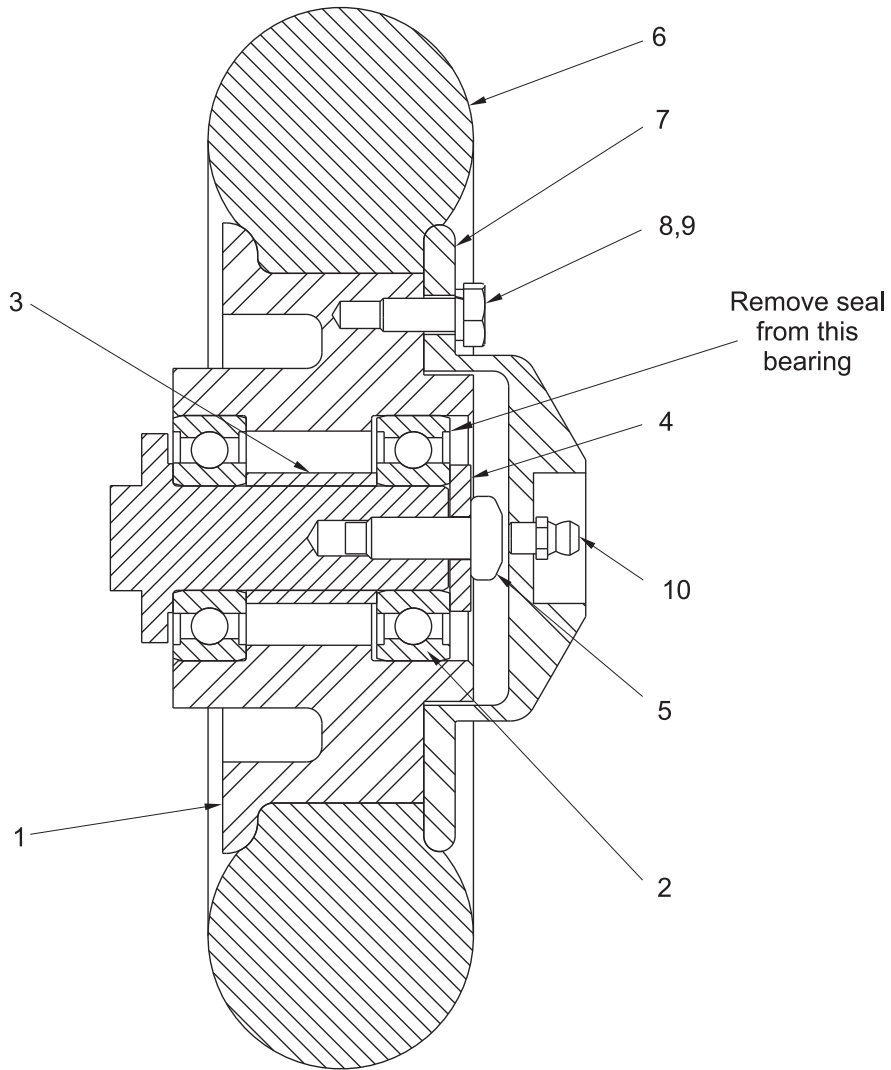
**Suction Nozzle Wheels Assembly**  
BoM - 37069/51



**Suction Nozzle Wheels Assembly  
BoM - 37069/51**

<b>Item No.</b>	<b>Part No.</b>	<b>Description</b>	<b>Quantity</b>
1	720266/1	Support-Nozzle Wheel, Front	2
2	123/151	Bolt M Coarse M12x65 BS3692	2
3	460/12	Washer Spring Single Coil M12	6
4	455/12	Washer Plain Plated Steel M12	4
5	72385/1	Block - Tapped	2
6	124/199	Setscrew M12C x 20	2
7	457/6	Washer Plain Steel M12 Form G	2
8	720267/1	Support-Nozzle Wheel, Rear	1
9	124/207	Setscrew M12C x 40	2
10	72384/1	Bush	1
11	72393/1	Clamp - Washer	1
12	720272/1PH	Wheel - Nozzle, 8" Dia. Assy	3

**Nozzle Wheel Spares**  
BoM - n/a





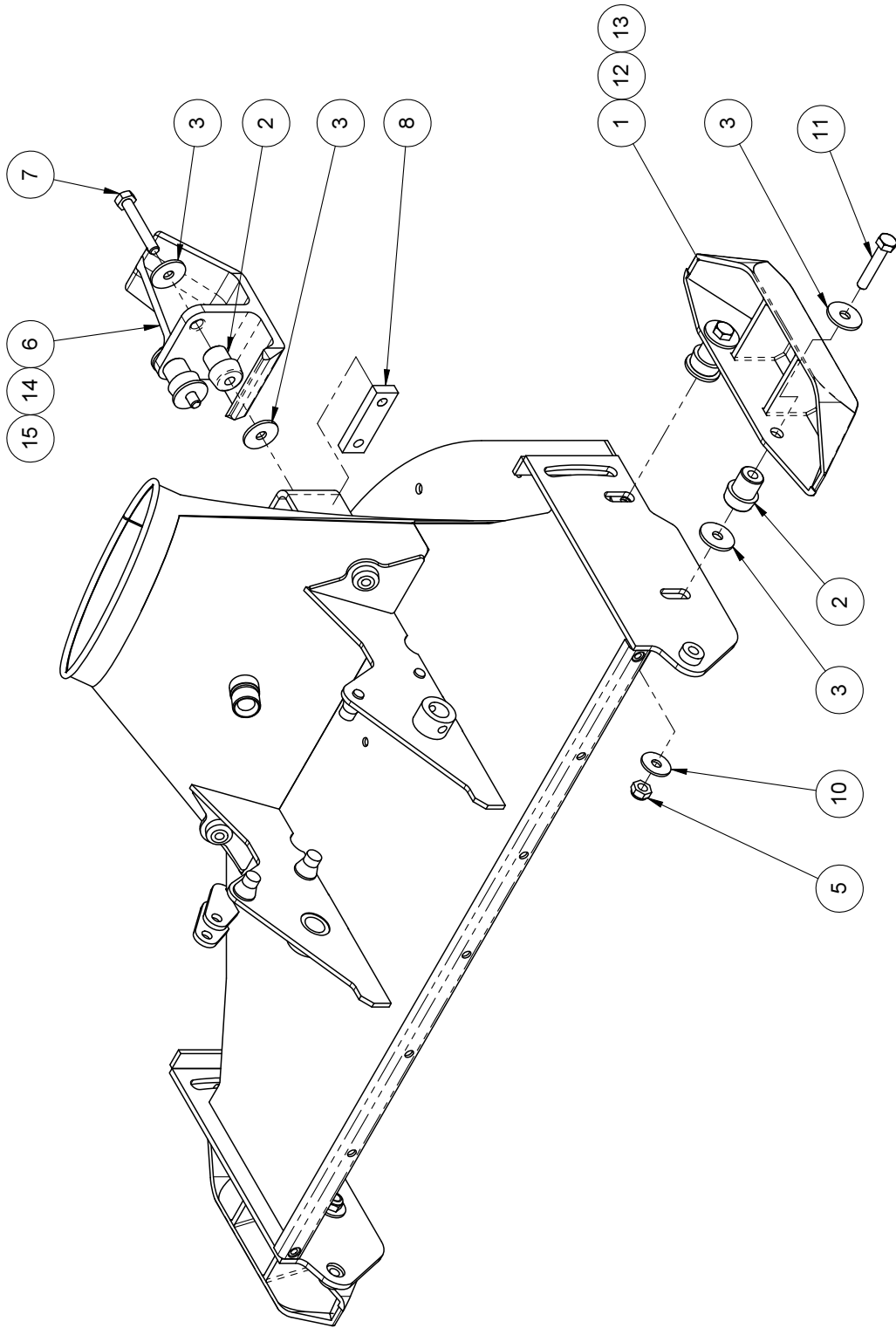
<b>Nozzle Wheel Spares</b> BoM - n/a
---

Item No.	Part No.	Description	Quantity
1	720269/1	Hub - Wheel, Nozzle	1
2	14/27	Bearing - 20x47x14 Single Seal	2
3	720270/1	Sleeve - Nozzle Wheel, Bearing	1
4	720271/1	Washer - Nozzle Wheel, Bearing	1
5	135/127	Screw - Button Hd Torx M8x20	1
6	216/12	Tyre -8"x2" Non Marking White	1
7	72381/1	Flange - Wheel	1
8	104/3	Setscrew UNC 1/4 x 5/8"	3
9	450/27	Washer Spring 1/4	3
10	38/30	Nipple Grease M6 X 1	1

**Note:**

720272/1PH Nozzle Wheel - 8" Dia. comprises items 1 - 10

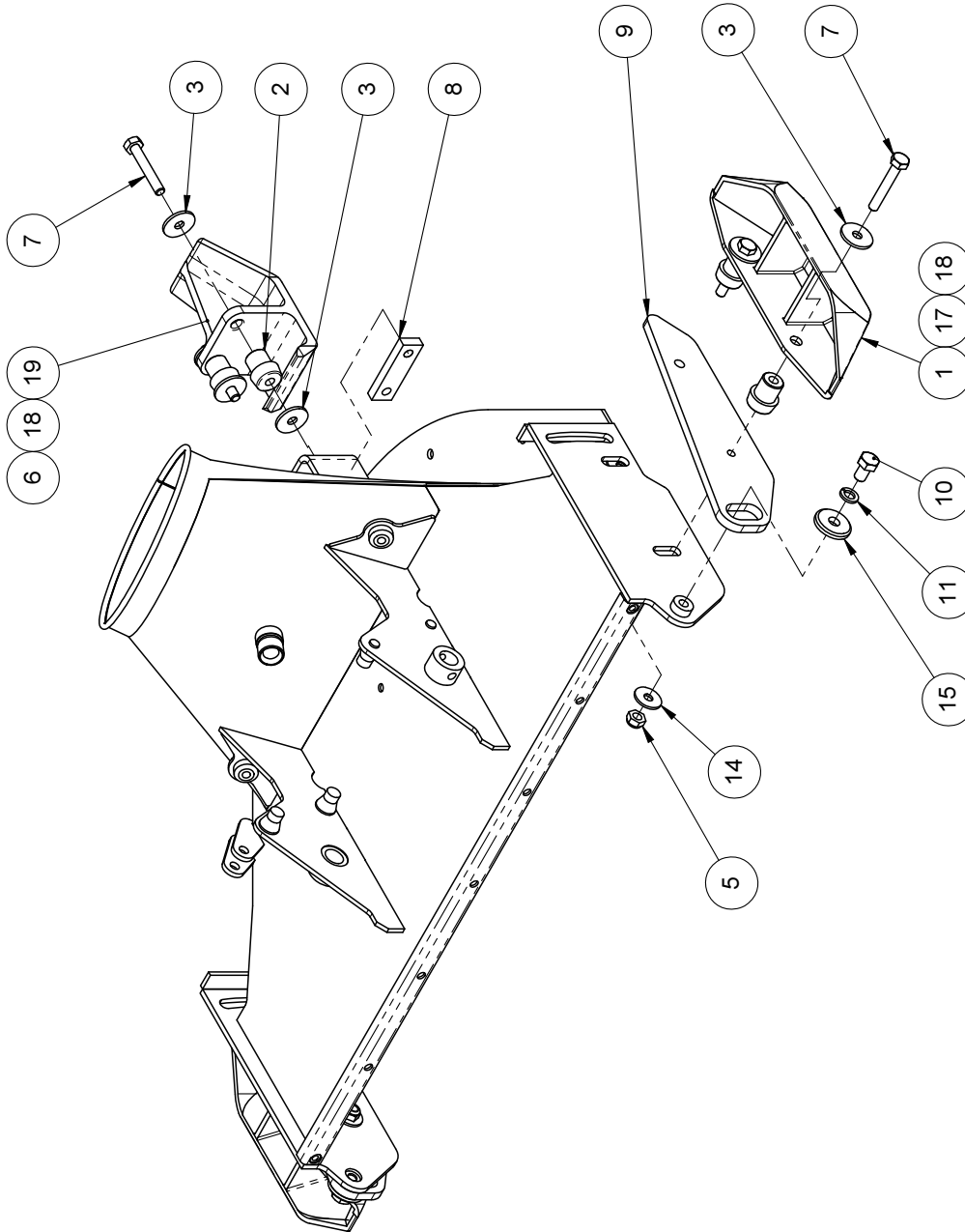
**Suction Nozzle Skids Assembly**  
BoM - 37069/52



**Suction Nozzle Skids Assembly**  
 BoM - 37069/52

Item No.	Part No.	Description	Quantity
1	72723/1	Skid - Side, Braised Assembly	2
2	13566	Mounting Anti Vibration	6
3	41914/1	Washer - Special Extra Large	12
4	-	-	-
5	425/15	Nut Nyloc Hex MC M10	4
6	72725/1	Skid - Rear, Braised Assembly	1
7	123/133	Bolt M Coarse M10x65 BS3692	2
8	72726/2	Tapped Block - 70mm	1
9	-	-	-
10	457/5	Washer - M10, Form G	4
11	123/132	Bolt - M10C x 60	4
<b>Spares Only Items:</b>			
12	71282/1	Skid - Side	2
13	70753/3	Insert - Skid	2
14	71281/1	Skid - Rear	1
15	70753/2	Insert - Skid	1

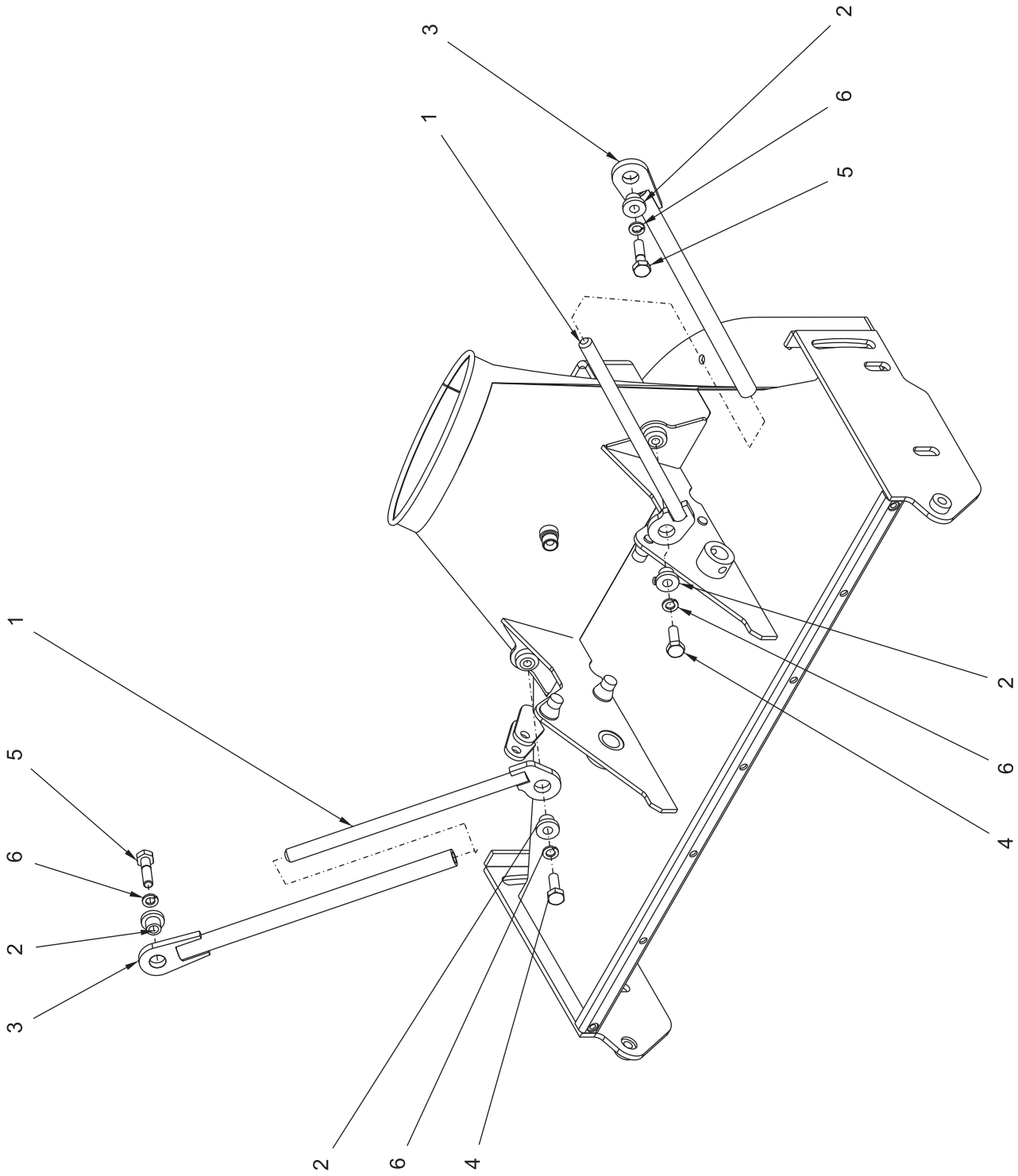
**Suction Nozzle Skids (if fitted with Leaf Flap) Assembly**  
BoM - 37069/53



**Suction Nozzle Skids (if fitted with Leaf Flap) Assembly**  
BoM - 37069/53

Item No.	Part No.	Description	Quantity
1	72723/1	Skid - Side, Braised Assembly	2
2	13566	Mounting Anti Vibration	6
3	41914/1	Washer - Special Extra Large	8
4	-	-	-
5	425/15	Nut Nyloc Hex MC M10	4
6	72725/1	Skid - Rear, Braised Assembly	1
7	123/133	Bolt M Coarse M10x65 BS3692	6
8	72726/2	Tapped Block - 70mm	1
9	721469/1	Plate - Skid Adaptor	2
10	124/199	Setscrew M12C x 20	2
11	460/12	Washer Spring Single Coil M12	2
12	-	-	-
13	-	-	-
14	457/5	Washer - Form G, M10	4
15	72393/1	Washer - Clamp	2
<b>Spares Only Items:</b>			
16	71282/1	Skid - Side	2
17	70753/3	Insert - Skid	2
18	71281/1	Skid - Rear	1
19	70753/2	Insert - Skid	1

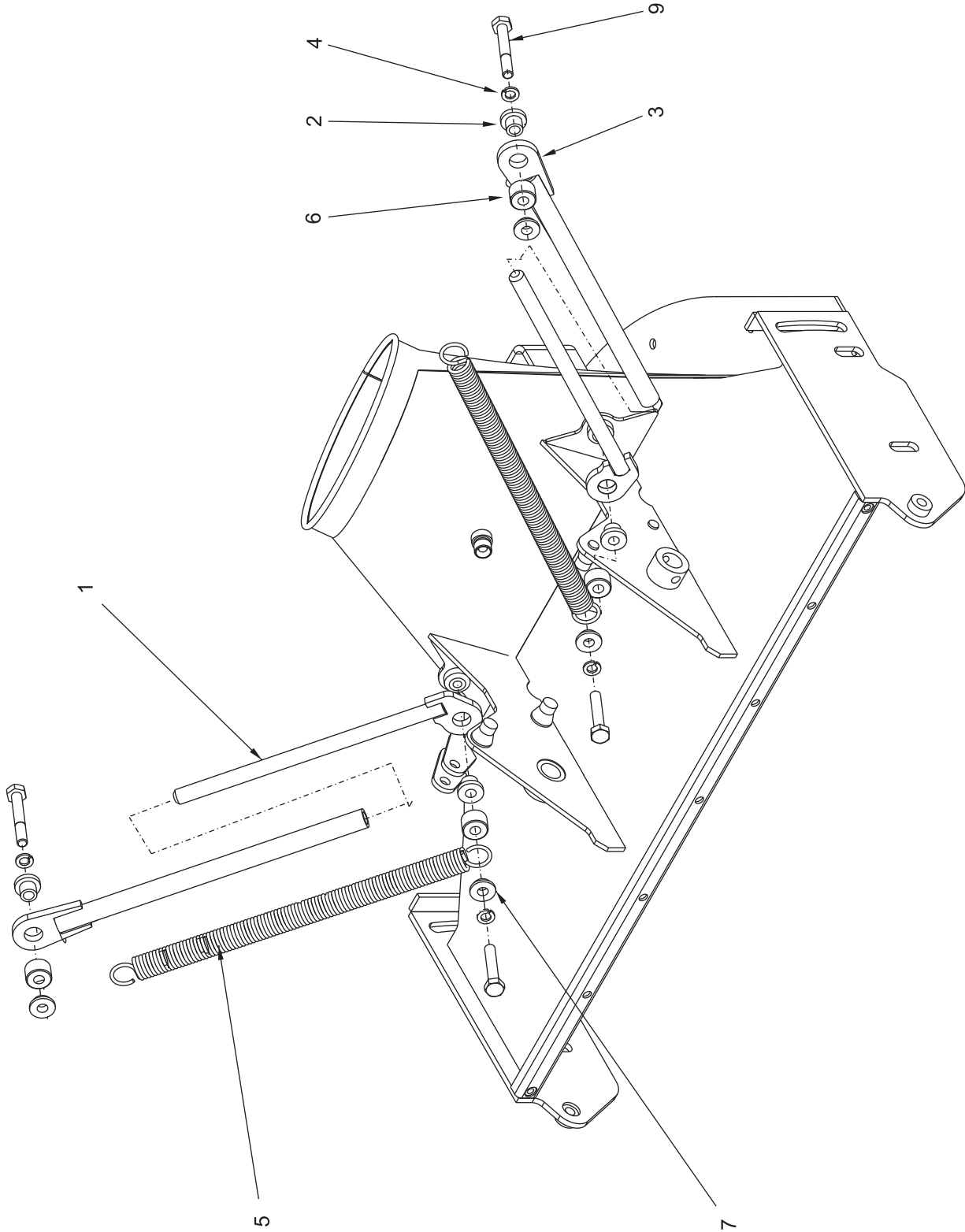
**Nozzle Struts (Wheeled) Assembly**  
BoM - 37070/51



**Nozzle Struts (Wheeled) Assembly  
BoM - 37070/51**

<b>Item No.</b>	<b>Part No.</b>	<b>Description</b>	<b>Quantity</b>
1	722140/1	Rod - W/Assy	2
2	72732/1	Bush	4
3	72728/1	Strut - W/Assy	2
4	124/171	Setscrew M10C x 30	2
5	123/128	Bolt - M10C x 40	2
6	460/11	Washer Spring Single Coil M10	4

**Nozzle Struts (Skidded) Assembly**  
BoM - 37070/52

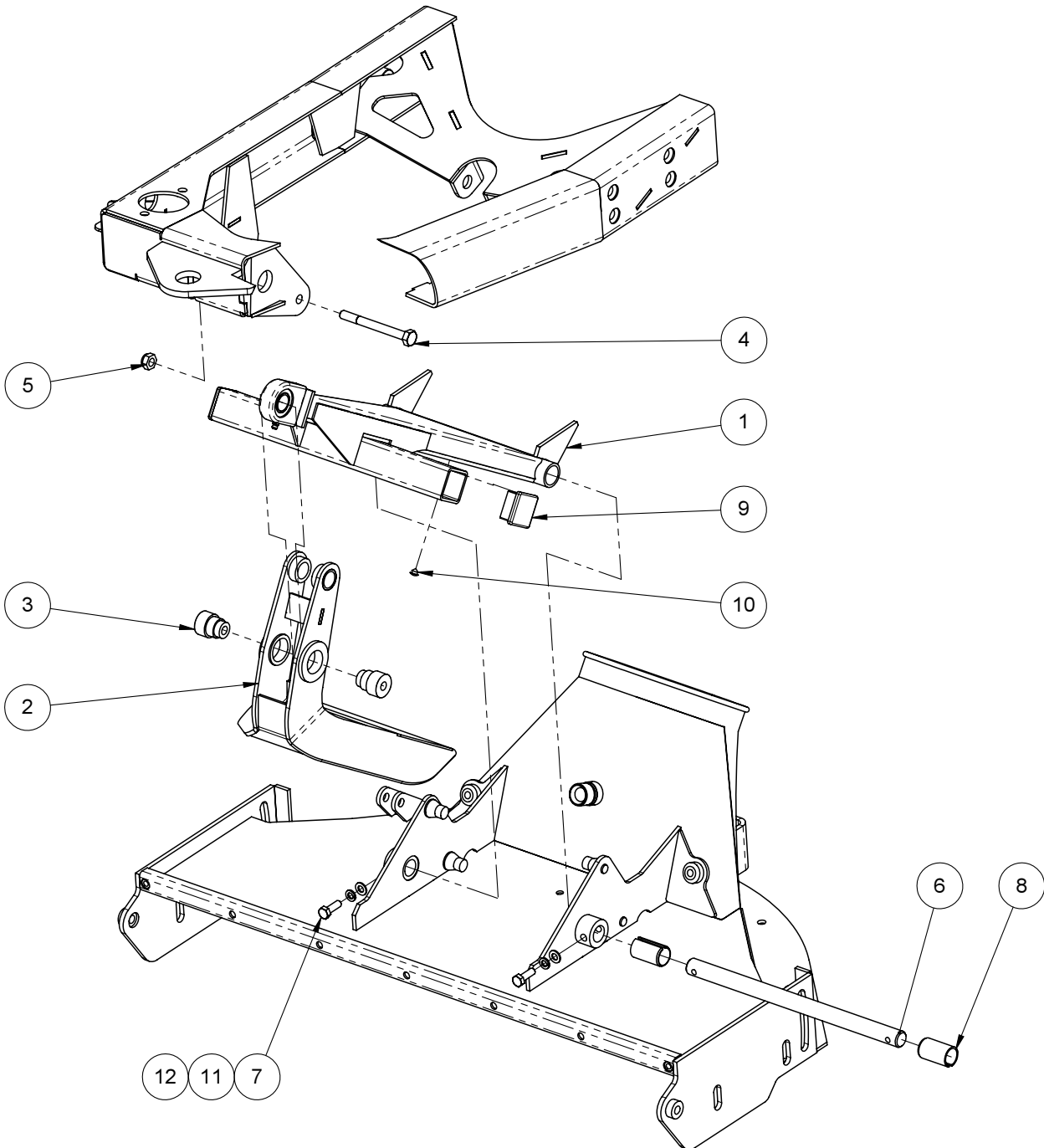




**Nozzle Struts (Skidded) Assembly  
BoM - 37070/52**

<b>Item No.</b>	<b>Part No.</b>	<b>Description</b>	<b>Quantity</b>
1	722140-1	Rod - W-Assy	2
2	72732-1	Bush	4
3	72728-1	Strut - W-Assy	2
4	460-11	Washer Spring Single Coil M10	4
5	3637-1	Spring - Tension	2
6	72036-1	Spring - Spacer	4
7	71476-2	Locator Spring	4
8	123-131	Bolt M Coarse M10x55	2
9	123-132	Bolt - M10C x 60	2

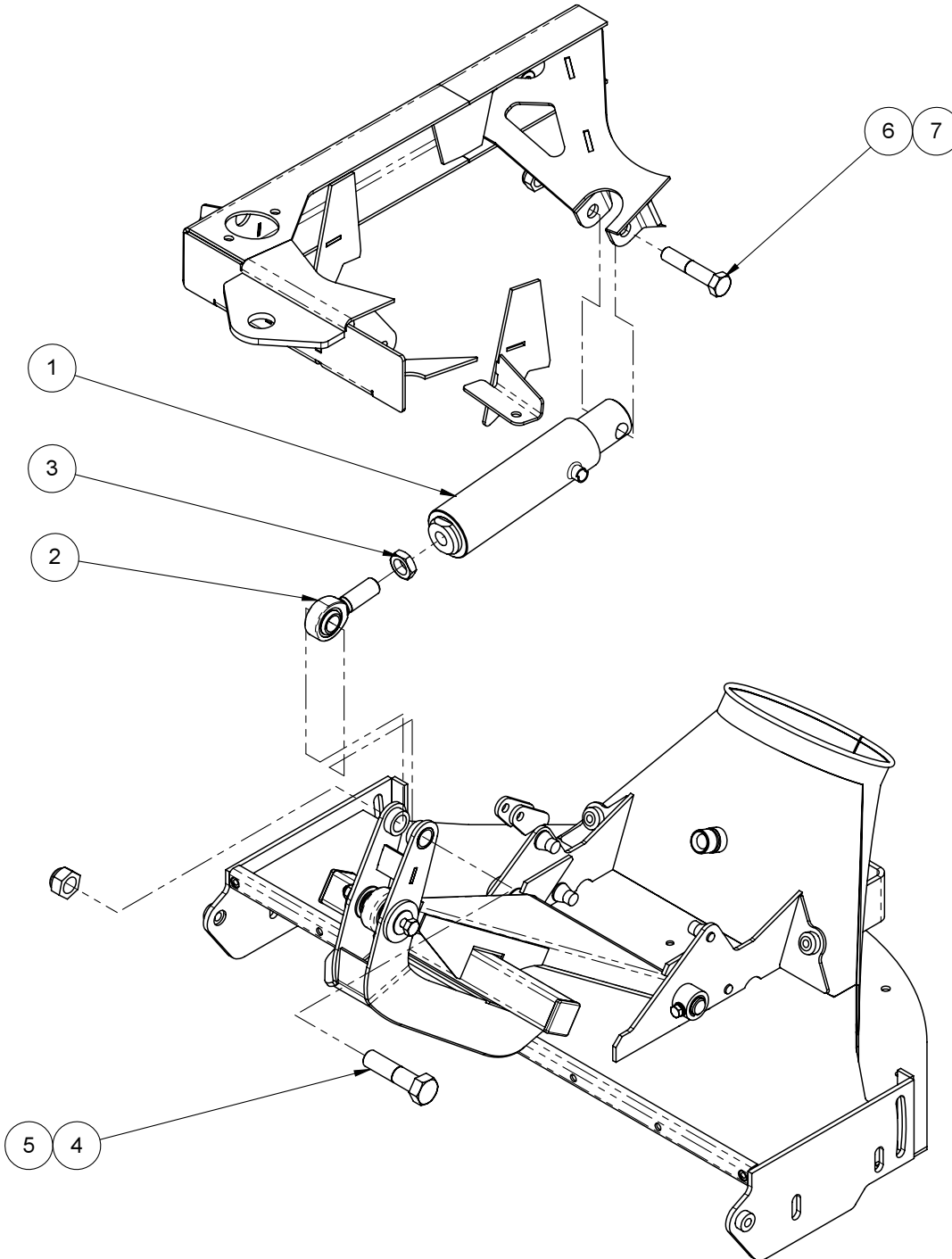
**Nozzle Lift Mechanism Assembly**  
BoM - 37071/51



**Nozzle Lift Mechanism Assembly**  
BoM - 37071/51

Item No.	Part No.	Description	Quantity
1	721180/1	Drawbar - Nozzle, W/Assy	1
2	721188/1	Davit - Nozzle Lift W/A	1
3	722123//1	Boss - Pivot	2
4	123/140	Bolt - M10C x 100	1
5	425/15	Nut - Nyloc, M10C	1
6	70782/1	Shaft - Pivot, Head	1
7	135/58	M8 x 25 Tuflock Bolt	2
8	28404	Bush - Elastic	2
9	44/47	Insert - Ribbed, 40x40	2
10	288/31	Grommet - Blind, Type 'J'	1
11	460/10	Washer - Spring, M8	2
12	455/10	Washer - Plain, M8	2

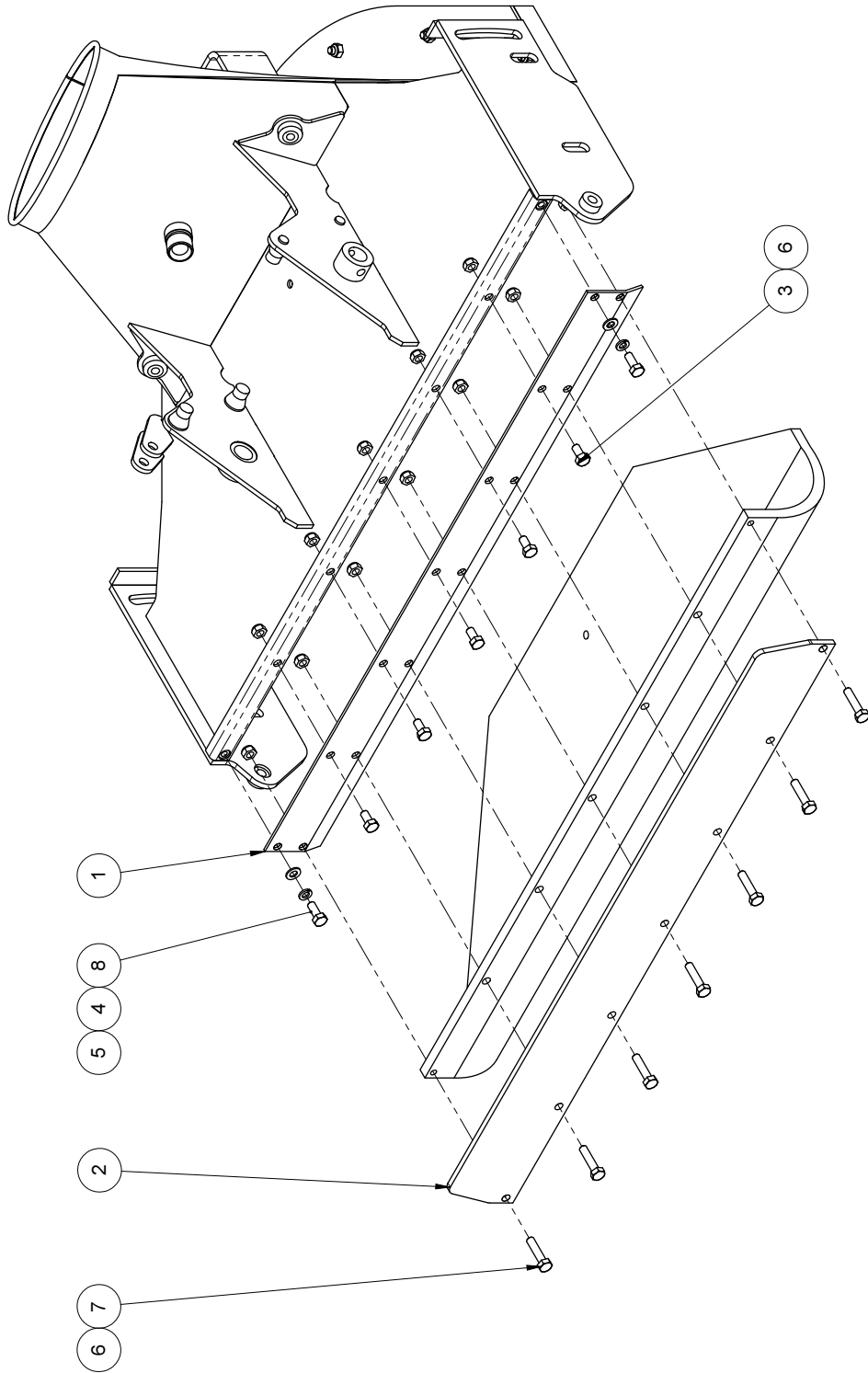
**Nozzle Lift Ram Assembly**  
BoM - 37072/51



**Nozzle Lift Ram Assembly  
BoM - 37072/51**

<b>Item No.</b>	<b>Part No.</b>	<b>Description</b>	<b>Quantity</b>
1	28970/2	Cylinder - Brush Lift	1
2	74680/1	Rod End	1
3	421/7	Locknut MF Hex M20	1
4	123/219	Bolt M Coarse M20x80	1
5	425/20	Nut Nyloc Hex MC M20	1
6	123/188	Bolt M Coarse M16x80	1
7	425/18	Nut Nyloc Hex MC M16	1

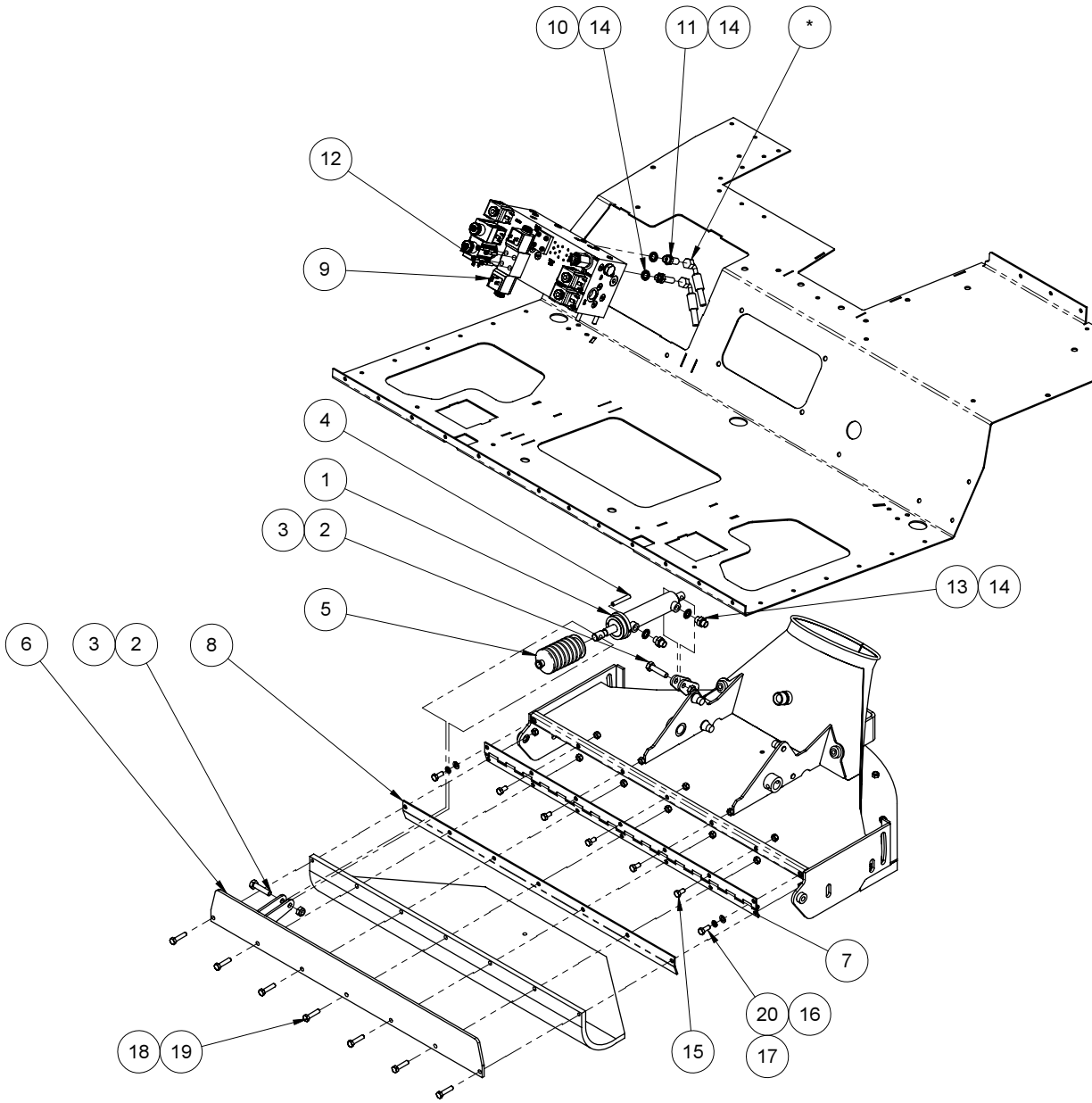
**Nozzle Flap (no Leaf Lift) Assembly**  
BoM - 37073/51



**Nozzle Flap (no Leaf Lift) Assembly  
BoM - 37073/51**

<b>Item No.</b>	<b>Part No.</b>	<b>Description</b>	<b>Quantity</b>
1	72868/1	Flap Support	1
2	72921/2	Clamp - Plate	1
3	124/134	Setscrew M8C x 16	5
4	460/10	Washer Spring Single Coil M8	2
5	455/10	Washer Plain Plated Steel M8	2
6	425/14	Nut Nyloc Hex MC M8	12
7	124/141	Setscrew M8C x 35	7
8	124/135	Setscrew - M8C x 20	2

**Nozzle Flap (with Leaf Lift) Assembly**  
BoM - 37073/52





<b>Nozzle Flap (with Leaf Lift) Assembly</b> <b>BoM - 37073/52</b>
---

Item No.	Part No.	Description	Quantity
1	75429/1	Cylinder-'E' Type Nozzle Flap	1
2	123/129	Bolt M Coarse M10x45	2
3	425/15	Nut Nyloc Hex MC M10	2
4	12870	Tube - Nylon Black 8mm O/D	2.5M
5	650/8	Gaiter	1
6	72921/1	Plate - Clamp	1
7	72927/1	Hinge - Flap	1
8	70916/2	Clamp Flap	1
9	78352/2	Valve-Directional Control 12v	1
10	72012/1	Special Bulk Hd.Fitting	1
11	264/2	Adaptor-Blk M/M + Nut 1/4" BSP	1
12	129/71	Screw MC Cap Skt Hd M5x35	4
13	263/2	Adaptor - M/M 1/4" BSP	2
14	451/17	Washer - Dowty 1/4" BSP	4
15	124/134	Setscrew M8C x 16	5
16	460/10	Washer Spring Single Coil M8	2
17	455/10	Washer Plain Plated Steel M8	2
18	425/14	Nut Nyloc Hex MC M8	12
19	123/106	Bolt M Coarse M8x35 BS3692	7
20	124/135	Setscrew - M8C x 20	2



CHAPTER

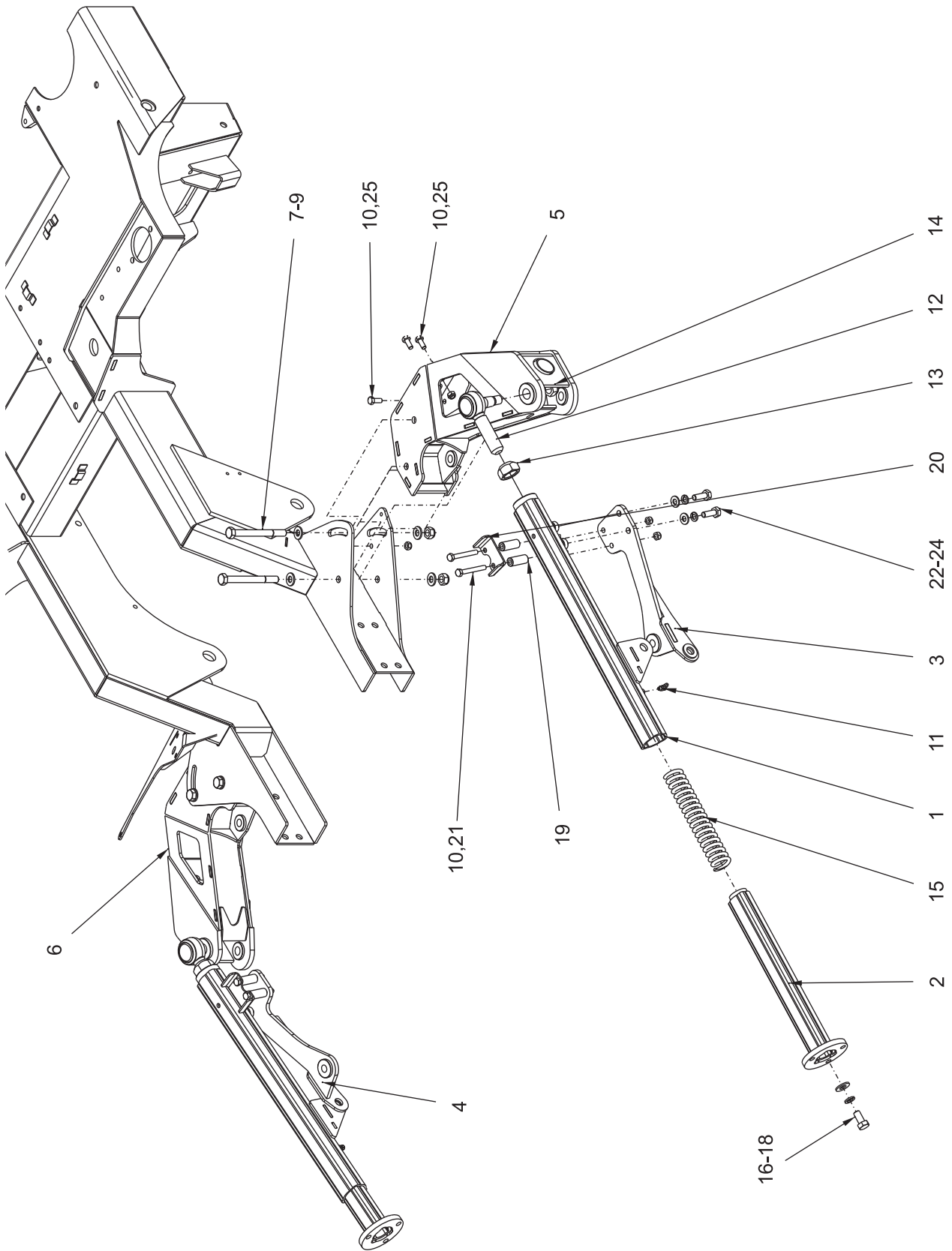
6

Side Brushes

**Table of Contents**

<b>Section</b>	<b>Page</b>
Side Brush Arm Assembly	6 : 2
Side Brush Lift Ram Assembly	6 : 4
Side Brush Position Ram Assembly	6 : 6
Side Brush Motor Assembly	6 : 8
Side Brush Plate & Brush Assembly	6 : 10

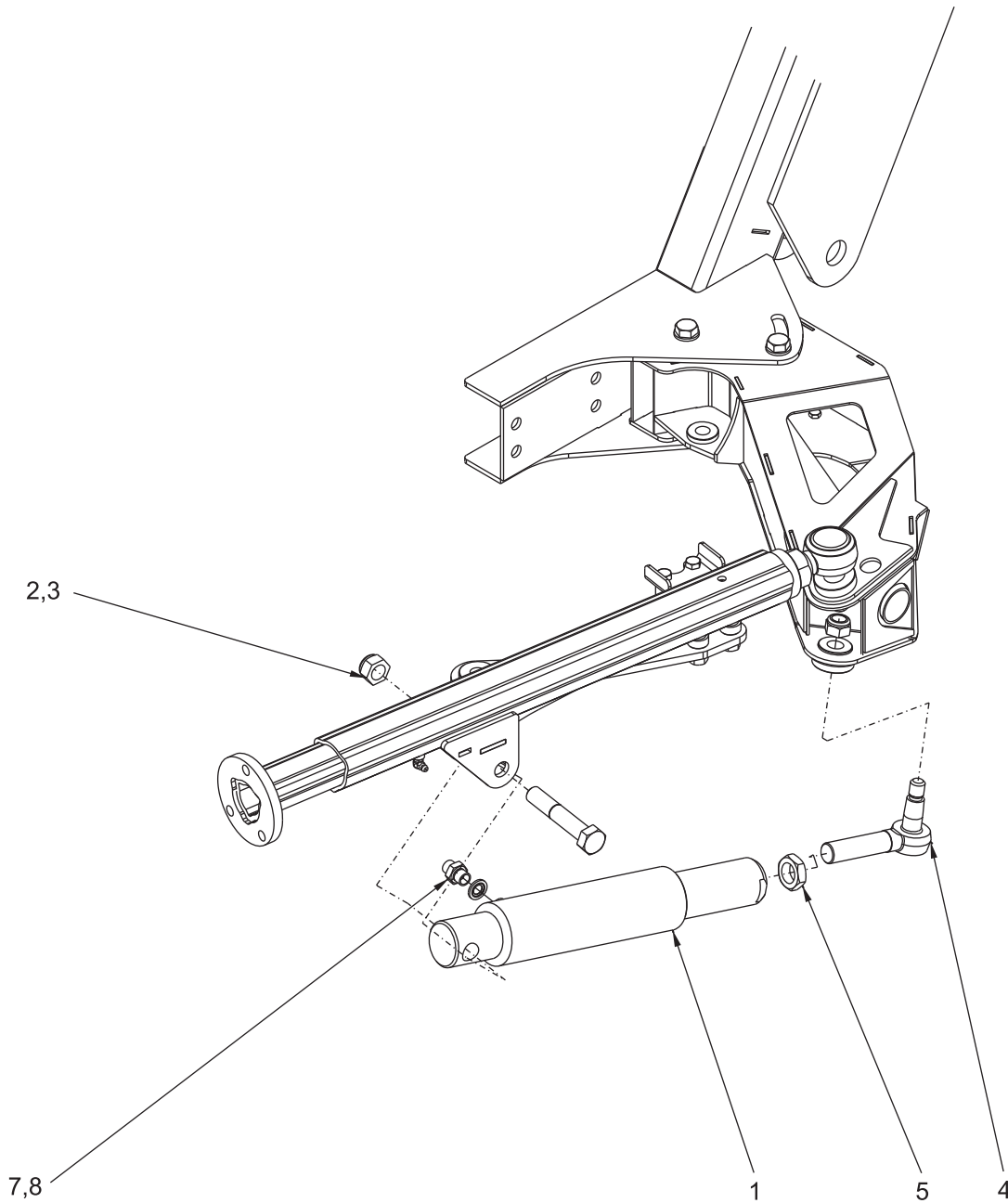
**Side Brush Arm Assembly**  
BoM - 37051/51



Side Brush Arm Assembly  
BoM - 37051/51

Item No.	Part No.	Description	Quantity
1	720458/1	Brush Arm, Outer. W/Assy	2
2	720462/1	Brush Arm - Inner. W/Assy	2
3	720676/1	Brkt - Brush Position Ram L/H	1
4	720676/2	Brkt-Brush Position Ram R/H	1
5	721085/1	Arm - Support, L/H W/Assy	1
6	721085/2	Arm - Support, R/H W/Assy	1
7	123/160	Bolt M Coarse M12x120 BS3692	4
8	455/12	Washer Plain Plated Steel M12	8
9	425/16	Nut Nyloc Hex MC M12	4
10	425/14	Nut Nyloc Hex MC M8	8
11	38/11	Nipple - M6 (H3-90 Deg)	2
12	283/4	Ball Joint - M24 Male	2
13	72065/1	Locknut	2
14	425/5	Nut Nyloc Hex MF M16	2
15	5010/1	Spring-Comp. 1 1/2" 8 1/4"Lg	2
16	124/201	Setscrew M12C x 25	2
17	460/12	Washer Spring Single Coil M12	2
18	462/12	Washer - Plain, M12 Stl Form C	2
19	720939/1	Tube - Hose (Brush Arm)	4
20	720923/1	Plate - Hose Clamp (Brush Arm)	2
21	123/113	Bolt - M8C x 65	4
22	124/171	Setscrew M10C x 30	4
23	455/11	Washer Plain Plated Steel M10	4
24	460/11	Washer Spring Single Coil M10	4
25	124/135	Setscrew - M8C x 20	4

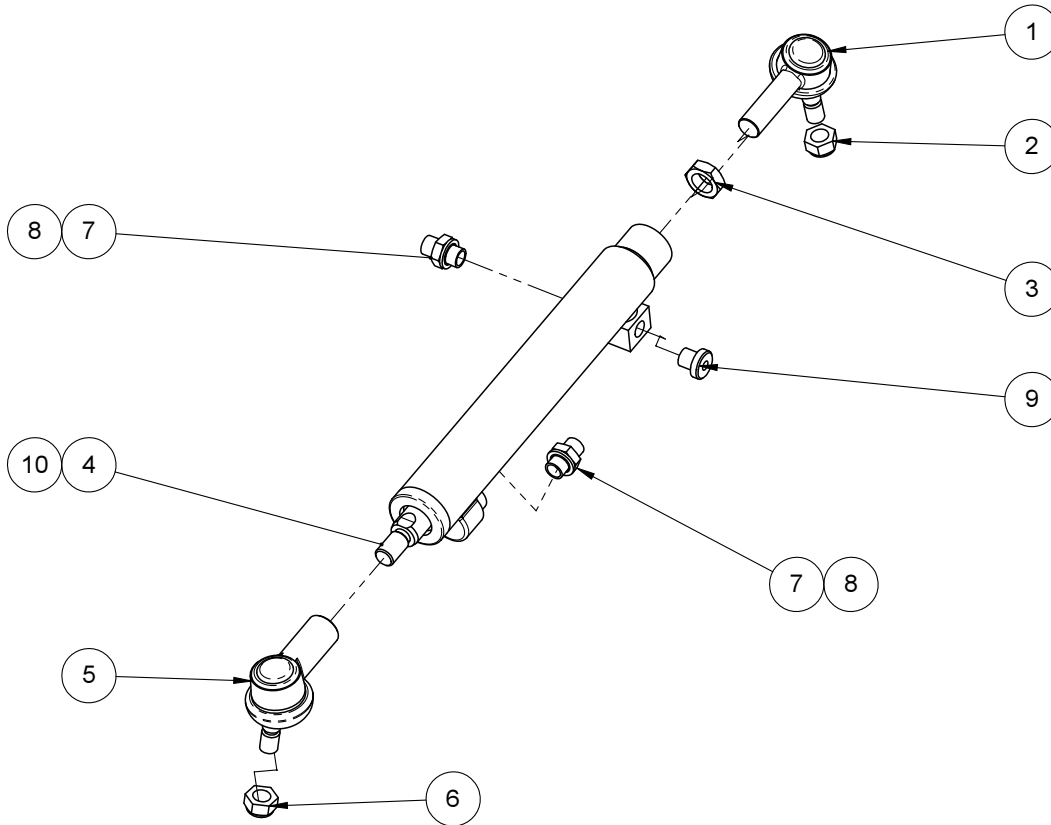
**Side Brush Lift Ram Assembly**  
BoM - 37052/51



<b>Side Brush Lift Ram Assembly</b> <b>BoM - 37052/51</b>
--

<b>Item No.</b>	<b>Part No.</b>	<b>Description</b>	<b>Quantity</b>
1	28970/2	Cylinder - Brush Lift	2
2	425/5	Nut Nyloc Hex MF M16	2
3	120/87	Bolt - Hex Hd, M16F x 90	2
4	283/1	Ball Joint	2
5	421/7	Locknut MF Hex M20	2
6	425/4	Nut nyloc Hex MF M14	2
7	263/2	Adaptor - M/M 1/4" BSP	2
8	451/17	Washer - Dowty 1/4" BSP	2
<b>Note:</b>			
	28970-501	Kit - Seal (suits item 1)	

**Side Brush Position Ram Assembly**  
BoM - 37053/51

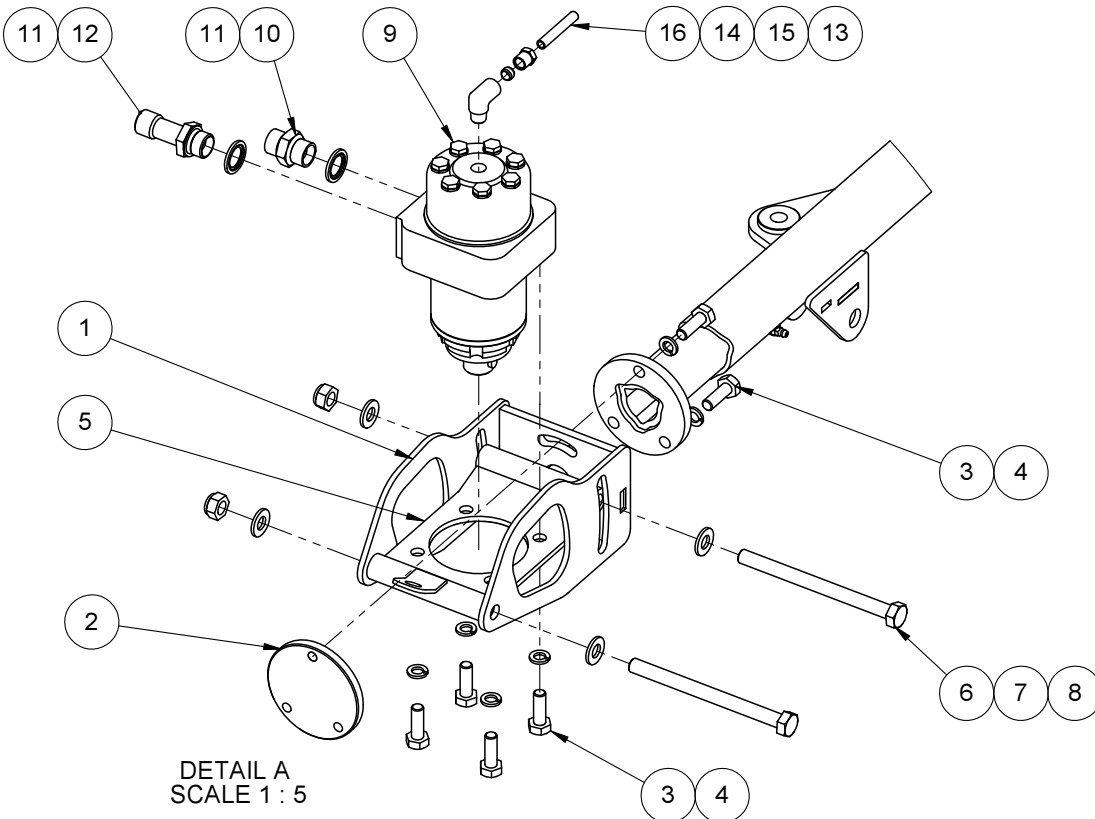
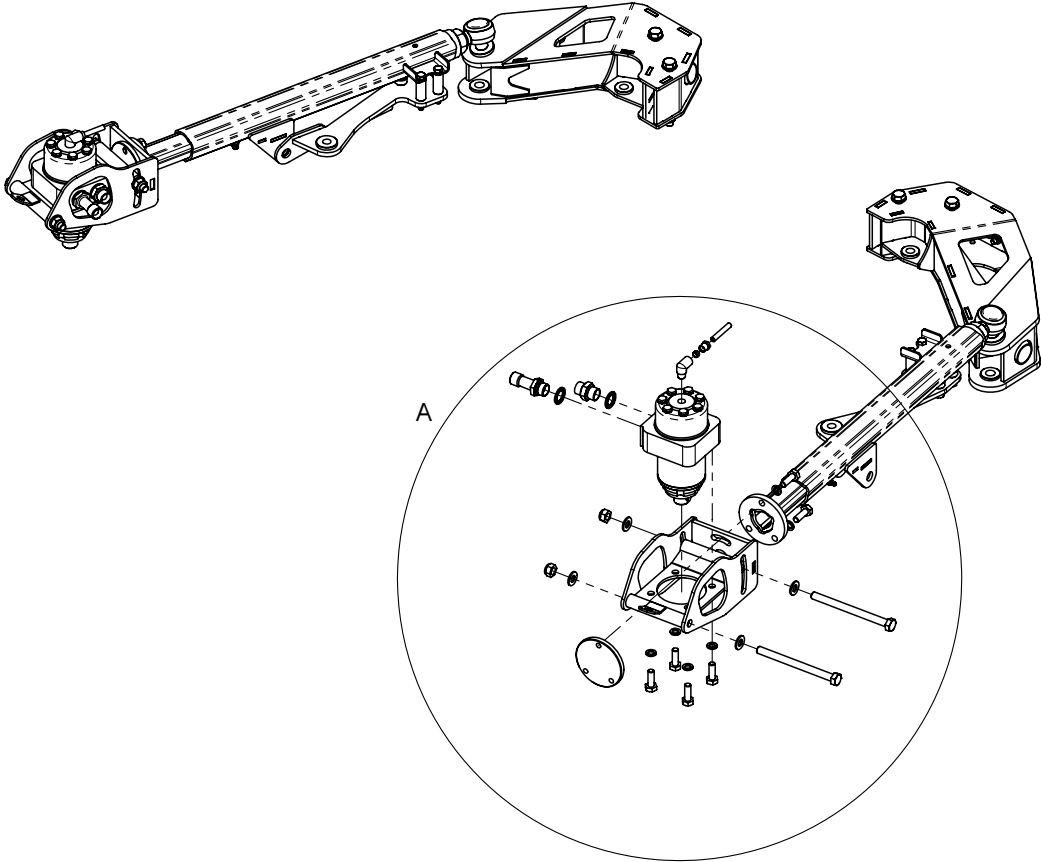




**Side Brush Position Ram Assembly**  
BoM - 37053/51

Item No.	Part No.	Description	Quantity
1	720682/1	End-Rod, Brush Position Ram	2
2	410/206	Nut - Nyloc, M12x1.25	2
3	421/5	Locknut MF Hex M16	2
4	721186/1	Cylinder - Brush Position	2
5	720683/1	Bearing-Rod End,	2
6	425/3	Nut Nyloc Hex MF M12	2
7	263/2	Adaptor - M/M 1/4" BSP	4
8	451/17	Washer - Dowty 1/4" BSP	4
9	54/2	Plug - Collar, G1/4	2
<b>Spares only items;</b>			
10	721186/500	Kit - Seal (to suit 721186/1)	1

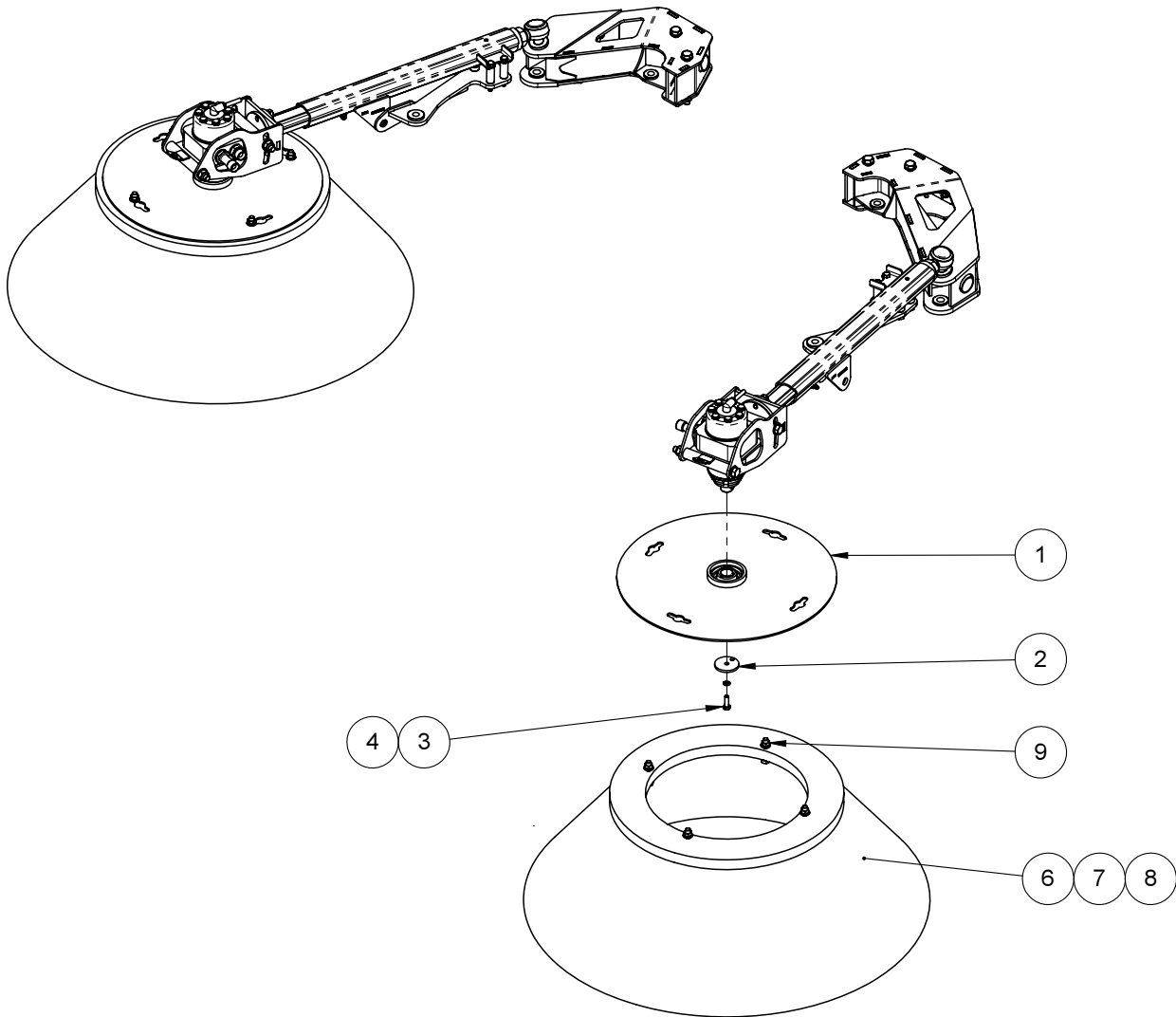
**Side Brush Motor Assembly**  
BoM - 37054/2



<b>Side Brush Motor Assembly</b> <b>BoM - 37054/2</b>
--

Item No.	Part No.	Description	Quantity
1	720469/1	Clevis - Brush Motor W/Assy	2
2	720448/1	Plate - Clamp (Brush Arm)	2
3	124/171	Setscrew M10C x 30	14
4	460/11	Washer Spring Single Coil M10	14
5	720472/1	Mounting - Brush Motor W/Assy	2
6	123/163	Bolt M Coarse M12x150	4
7	455/12	Washer Plain Plated Steel M12	8
8	425/16	Nut Nyloc Hex MC M12	4
9	72250/1	Motor - Hydraulic OMPW 200	2
10	263/4	Adaptor - M/M 1/2" BSP	2
11	451/19	Washer - Dowty 1/2" BSP	4
12	720927/1	Adaptor - 1/2" Brush Motor	2
13	521/8	Adaptor - Elbow, Tube O/D 8mm	2
14	510/4	Nut - Tube 8mm O/D	2
15	511/4	Olive - Tube 8mm O/D	2
16	12870	Tube - Nylon Black 8mm O/D	4.9M

**Side Brush Plate & Brush Assembly**  
BoM - 37080/1, 2001/1 & /2



**Side Brush Plate & Brush Assembly**  
BoM - 37080/1, 2001/1 & /2

Item No.	Part No.	Description	37080/1 Quantity	2001/1 Quantity	2001/2 Quantity
1	72138/1	Plate - Brush, Top W/Assy	2	2	2
2	73038/1	Washer - Plate	2	2	2
3	124/137	Setscrew M8C x 25	2	2	2
4	460/10	Washer Spring Single Coil M8	2	2	2
5	38/30	Nipple - Grease, M6	2	2	2
6	70104/1	Brush - Polypropylene	2	-	-
7	71107/1	Brush - Poly/Steel	-	2	-
8	71343/1	Brush - Steel	-	-	2
9	410/207	Nut - Flange, M10C	4	4	4



## CHAPTER

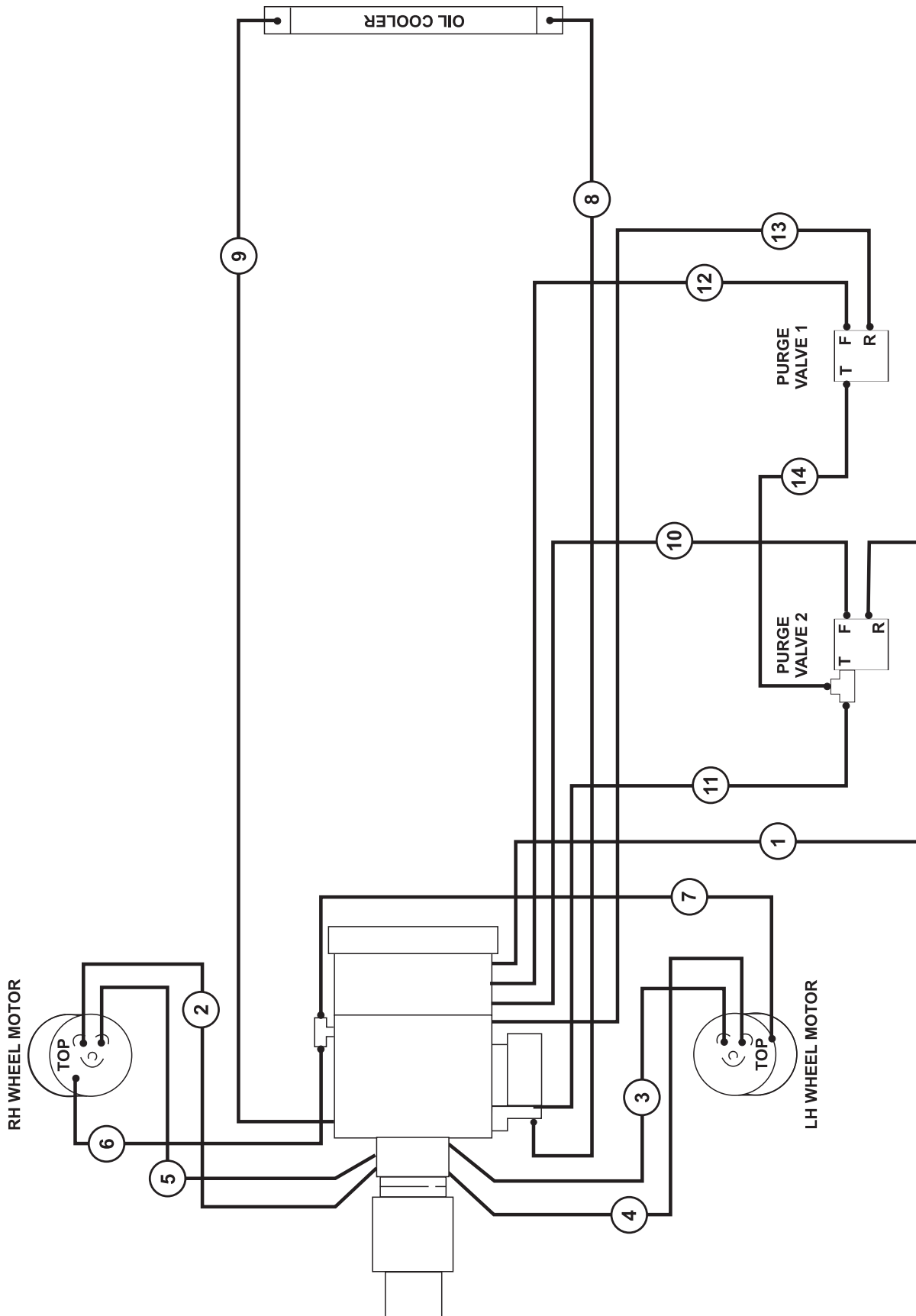
## 7

## Hydraulics

## Table of Contents

Section	Page
Transmission Circuit Hoses - MK1	7 : 2
Transmission Circuit Hoses - MK2	7 : 4
Transmission Circuit Hoses - Euro 5	7 : 6
Sweep Circuit Hoses - MK1	7 : 8
Sweep Circuit Hoses - MK2	7 : 12
Sweep Circuit Hoses - Euro 5	7 : 16
Leaf Flap Circuit Hoses	7 : 20
Sweep Control Hyd Block Assy - Sweeper	7 : 22
Sweep Control Hyd Block Assy - Fixed S/Bar	7 : 24
Sweep Control Hyd Block Assy - Expanding S/Bar	7 : 26
Sweep Control Hyd Block Assy - Spares	7 : 28
Rear Hydraulic Block Assembly	7 : 30
Flow Regulator Assembly	7 : 32
HP Return Line Filter Assembly	7 : 34
Hand Pump Assembly	7 : 36
Tow Valve Assembly - CX200	7 : 38
Purge / Tow Valve Assembly - CN200	7 : 40
Hydraulic Oil Tank Assembly	7 : 42
MK1 Return Manifold Assembly	7 : 44
MK2 Return Manifold Assembly (Euro 4 & 5)	7 : 46
MK2 Return Manifold Assembly (CW200/Tier 3)	7 : 48

**Transmission Circuit Hoses - MK1  
(up to chassis no. 3068695)  
BoM - 37100/52**





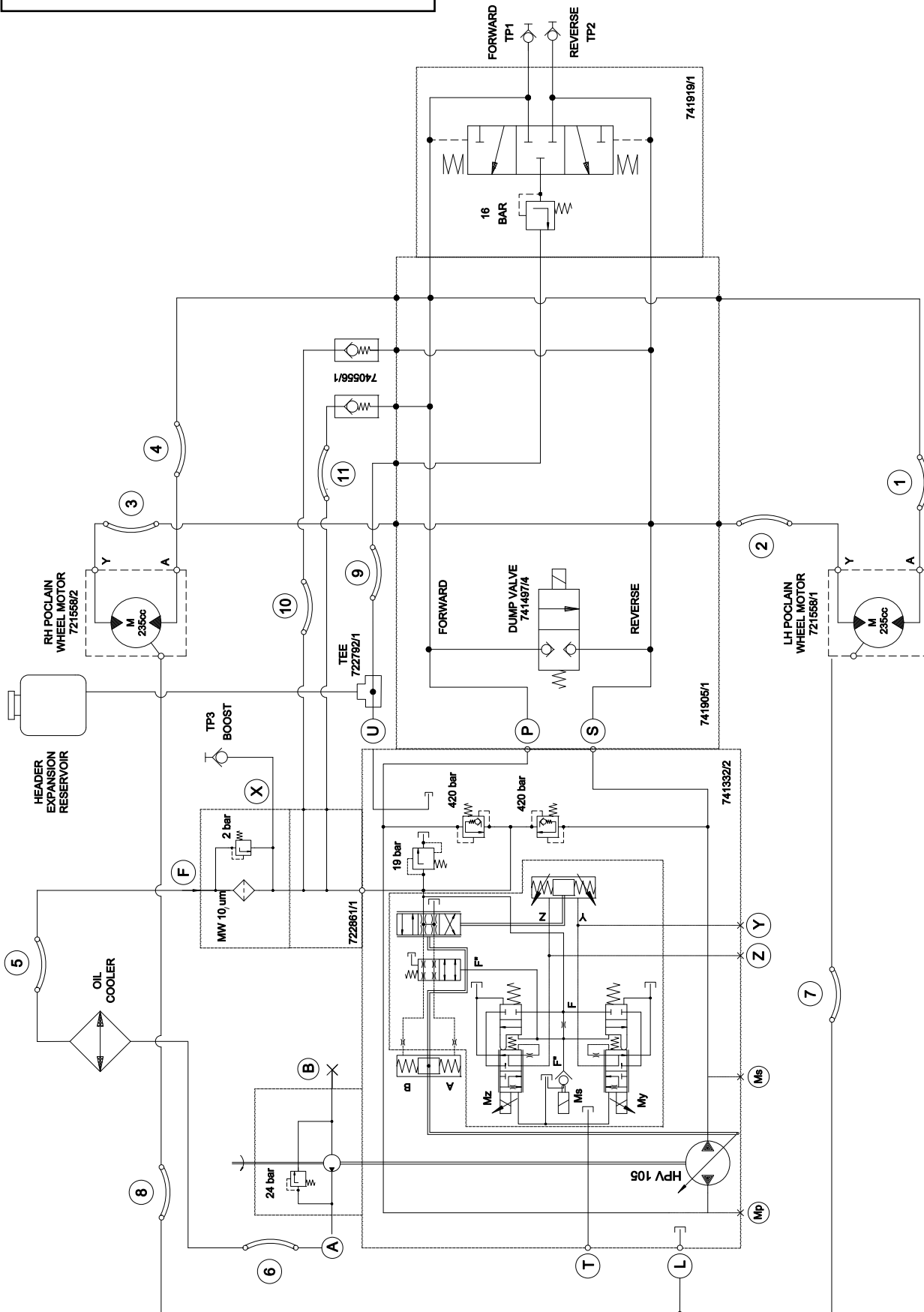
**Transmission Circuit Hoses - MK1**  
**(up to chassis no. 3068695)**  
 BoM - 37100/52

Item No.	Part No.	Description	Quantity
1	HS06002/30	Hose - Megatuff 3/8" STRx90s Purge Valve 2 to transmission pump reverse block	1
2	HN12032/73/210	Hose-Envirofluid 3/4" 45sxSAE90 Wheel motor hose - RH forward loop	1
3	HN12012/79	Hose-Envirofluid 3/4" STRxSAE22 Wheel motor hose - LH reverse loop	1
4	HN12009/62	Hose-Envirofluid 3/4" STRxSTR Wheel motor hose - LH forward loop	1
5	HN12052/75/285	Hose-Envirofluid 3/4" 90sxSAE90s Wheel motor hose - RH reverse loop	1
6	HL06002/60	Hose - Megatuff 3/8" STRx90s RH wheel motor drain	1
7	HL06002/43	Hose-Megatuff 3/8" STRx90s LH wheel motor drain	1
8	HP12002/190	Hose - Megatuff 3/4" STRx90s Transmission filter to oil cooler	1
9	HP12022/135/45	Hose - Megatuff 3/4" 45sx45s Transmission pump to oil cooler	1
10	HS06043/33/270	Hose - Megatuff 3/8" 90s x 90s Purge Valve 2 to trans. pump forward block tee	1
11	HL08043/50/90	Hose-Megatuff 1/2" 90sx90s Purge Line	1
12	HS06023/125/90	Hose - Megatuff 3/8" 45sx90s Purge Valve 1 to transmission pump forward block	1
13	HS06023/104/225	Hose - Megatuff 3/8" 45sx90s Purge Valve 1 to transmission pump reverse block	1
14	HL06002/126	Hose - Megatuff 3/8" STRx90s Purge Valve 1 to Purge Valve 2	1

**Spares only items;****Fitted with items 2 - 5**

498/N08	SAE Flange Kit 3/4" (1 off per hose)
123/126	Bolt - M10C x 35 (4 off per hose)
460/11	Washer - Spring, M10 (4 off per hose)

**Transmission Circuit Hoses - MK2  
(from chassis no. 3068696 onwards)  
BoM - 37100/54 & /55**



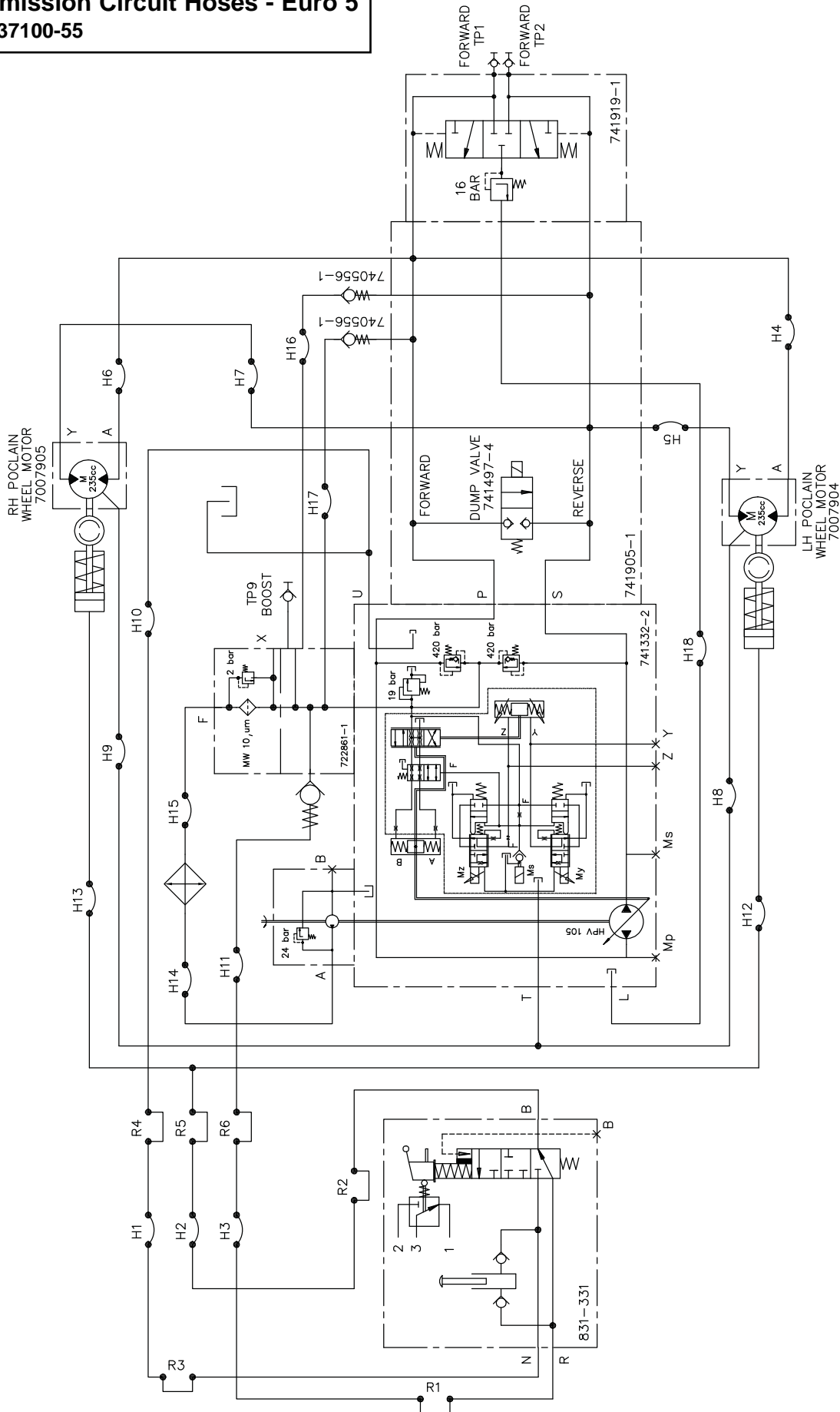
**Transmission Circuit Hoses - MK2**  
**(from chassis no. 3068696 onwards)**  
 BoM - 37100/54 & /55

Item No.	Part No.	Description	Quantity
1	HN12012/58/0	Hose-Envirofluid 3/4" STRxSAE22 Wheel Motor Hose - LH Forward Loop	1
2	HN12010/76/0	Hose-Envirofluid 3/4" STRxSAE45 Wheel Motor Hose - LH Reverse Loop	1
3	HN12010/66	Hose-Envirofluid 3/4" STRxSAE45 Wheel Motor Hose - RH Reverse Loop	1
4	HN12010/60	Hose-Envirofluid 3/4" STRxSAE45 Wheel Motor Hose - RH Forward Loop	1
5	HP12043/180/280	Hose - Megatuff 3/4" 90sx90s Transmission filter to oil cooler	1
6	HP12001/155	Hose - Megatuff 3/4" STRx45s Transmission pump to oil cooler	1
7	HL06002/60	Hose - Megatuff 3/8" STRx90s LH Wheel Motor Drain Hose	1
8	HL06002/43	Hose-Megatuff 3/8" STRx90s RH Wheel Motor Drain Hose	1
9	HQ08043/50/45	Hose - Megatuff 1/2" 90s x 90s Transmission Pump Tee (722792/1) to Block	1
10	HL06002/37	Hose - Megatuff 3/8" STRx90s Bottom port of wafer block (722861/1) to front port hose connector block (741905/1)	1
11	HL06043/70	Hose - Megatuff 3/8" 90sx90s Top port of wafer block (722861/1) to rear port hose connector block (741905/1)	1

**Spares only items;****Fitted with items 1 - 4**

498/N08	SAE Flange Kit 3/4" (1 off per hose)
92137159-0	Hex. Socket Cap Screw M10C x 35 - 12.9
460/11	Washer - Spring, M10 (4 off per hose)

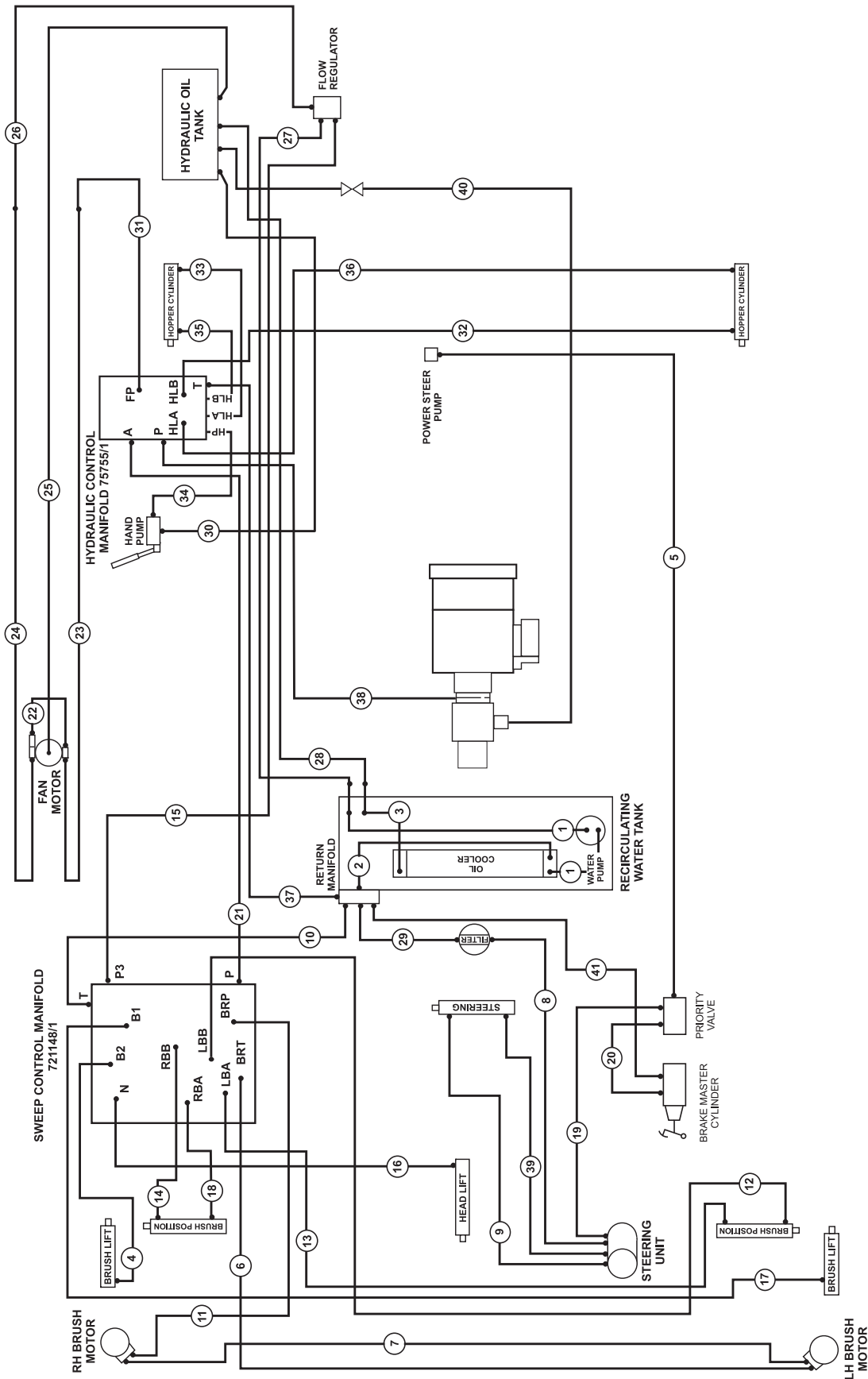
**Transmission Circuit Hoses - Euro 5**  
**BoM - 37100-55**



<b>Transmission Circuit Hoses - Euro 5</b> <b>BoM - 37100-55</b>
---

Item No.	Part No.	Description	Quantity
H1	HR1SC06051-58-280	Hose - Hyd 45 Swept x 45 Swept	1
H2	HR1SC06051-61-280	Hose - Hyd 45 Swept x 45 Swept	1
H3	HR1SC06051-64-280	Hose - Hyd 45 Swept x 45 Swept	1
H4	HN12010-51	Hose-Envirofluid 3/4"STRxSAE45	1
H5	HN12010-70	Hose-Envirofluid 3/4"STRxSAE45	1
H6	HN12010-60	Hose-Envirofluid 3/4"STRxSAE45	1
H7	HN12010-66	Hose-Envirofluid 3/4"STRxSAE45	1
H8	HL06022-35-225	Hose - Megatuff 3/8" 45s x 45s	1
H9	HL06022-40-90	Hose - Megatuff 3/8" 45s x 45s	1
H10	HR1SC06002-65	Hose - Hyd STR x 90 Swept	1
H11	HR1SC06002-116	Hose - Hyd STR x 90 Swept	1
H12	HR1SC06002-42	Hose - Hyd STR x 90 Swept	1
H13	HR1SC06027-130-125	Hose - Hyd 45 Swept x 90 Swept	1
H14	HP12001-155	Hose - Megatuff 3/4" STRx45s	1
H15	HP12043-180-280	Hose - Megatuff, 3/4" 90sx90s	1
H16	HL06002-37	Hose - Megatuff 3/8" STRx90s	1
H17	HL06043-70	Hose - Megatuff 3/8" 90sx90s	1
H18	HQ08043-50-45	Hose - Megatuff 1/2" 90s x 90s	1
R1	7008174	Pipe -Braking system 1	1
R2	7008175	Pipe -Braking system 2	1
R3	7008176	Pipe -Braking system 3	1
R4	7008177	Pipe -Braking system 4	1
R5	7008178	Pipe -Braking system 5	1
R6	7008179	Pipe -Braking system 6	1

**Sweep Circuit Hoses - MK1 (up to chassis no. 3068513)**  
**BoM - 37101/53 & /54**



## Sweep Circuit Hoses - MK1 (up to chassis no. 3068513)

BoM - 37101/53 &amp; /54

Item No.	Part No.	Description	37101/53	37101/54
			LHD Quantity	RHD Quantity
1	HL06002/77	Hose - Megatuff 3/8" STRx90s Water pump to oil cooler	2	2
2	HE16235/96	Hose - Hydraulic 1" 90cx90c3 Return manifold to oil cooler BTM left	1	1
3	HE16220/52	Hose - Hydraulic 1" STRxSt.Bk Oil cooler (top right) to front connector	1	1
4	HQ04043/133/250	Hose - Megatuff 1/4" 90sx90s Port 'B2' (sweep control manifold) to RH brush lift	1	1
5	HL06002/200	Hose - Megatuff 3/8" STRx90s Priority valve to power steer pump	1	1
6	HQ08023/178	Hose - 1/2" Megatuff 45sx90s Port 'BRT' (sweep control manifold) LH brush motor	1	1
7	HQ08043/306	Hose - Megatuff 1/2" 90sX90s LH brush motor to RH brush motor	1	1
8	HL06023/155/340 HL06002/170	Hose - Megatuff 3/8" 45sx90s Hose - Megatuff 3/8" STRx90s RHD steering unit to filter	1 -	- 1
9	HL04002/186	Hose - Megatuff 1/4" STRx90s RHD steering unit to steering ram	1	1
10	HQ08023/105	Hose - Megatuff 1/2" 45sx90s Port 'T' (sweep control manifold) to recirc.	1	1
11	HQ08043/115/315	Hose - 1/2" Megatuff 90sx90s Port 'BRP' (sweep control manifold) to RH brush motor	1	1
12	HQ04002/130	Hose - Megatuff 1/4" STRx90s Port 'LBB' (sweep control manifold) to LH brush slew in	1	1
13	HQ04043/105/215	Hose - Megatuff 1/4" 90sx90s Port 'LBA' (sweep control manifold) LH brush motor out	1	1
14	HQ04002/95	Hose - Megatuff 1/4" STRx90s Port 'RBB' (sweep control manifold) to RH brush slew in	1	1
15	HQ08002/310	Hose - Megatuff 1/2" STRx45s Port 'P3' (sweep control manifold) to flow regulator	1	1
16	HQ04043/80/225	Hose - Megatuff 1/4" 90sx90s Port 'N' (sweep control manifold) to nozzle lift	1	1
17	HQ04043/165/180	Hose - Megatuff 1/4" 90sx90s Port 'B1' (sweep control manifold) to LH brush lift	1	1
18	HQ04043/76/315	Hose - Megatuff 1/4" 90sx90s Port 'RBA' (sweep control manifold) to RH brush cylinder out	1	1
19	HL06022/161/45 HL06001/140	Hose - Megatuff 3/8" 45sx45s Hose - Megatuff 3/8" STRx45s Priority valve to power steering	1 -	- 1
20	HL06023/155/180 HL06023/136/180	Hose - Megatuff 3/8" 45sx90s Hose - Megatuff 3/8" 45sx90s Priority valve to brake master cylinder	1 -	- 1
21	HQ08022/240/180	Hose - Megatuff 1/2" 45sx45s Port 'A' (75755/1) to port 'P' (sweep control manifold)	1	1

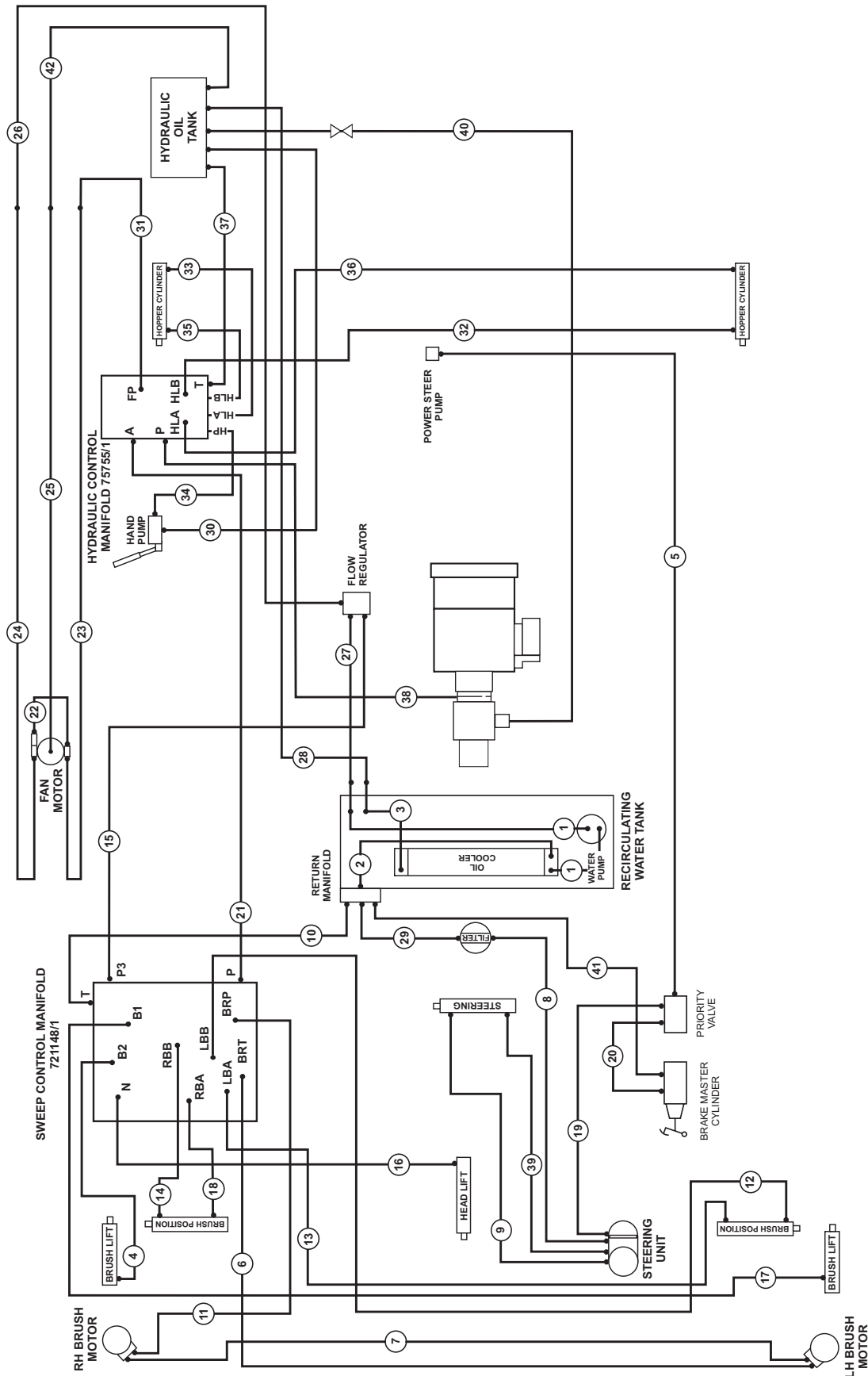
**Sweep Circuit Hoses - MK1 (up to chassis no. 3068513)**
**BoM - 37101/53 & /54**

Item No.	Part No.	Description	37101/53	37101/54
			LHD Quantity	RHD Quantity
22	HL08000/45	Hose - Megatuff 1/2" STRxSTR Fan motor adaptor block to adaptor block	1	1
23	HP12023/68/100	Hose - Megatuff 3/4" 45sx90s Fan motor outlet to hopper steel pipe	1	1
24	HP12023/85/95	Hose - Megatuff 3/4" 45sx90s Fan motor inlet to hopper steel pipe	1	1
25	HL06000/515	Hose - Megatuff 3/8" STRxSTR Fan motor return to hydraulic tank	1	1
26	MD12063/97/10	Hose - Manuli K2 3/4" 90cx90c Flow regulator to hopper steel pipe	1	1
27	HL06000/130	Hose - Megatuff 3/8" STRxSTR Flow regulator to recirculation tank	1	1
28	HP16003/92	Hose - Megatuff 1" STRx90c Return pipe to recirculation tank	1	1
29	HL08002/26	Hose - Megatuff 1/2" STRx90s Filter to return manifold	1	1
30	HL06044/83/270	Hose - Megatuff 3/8" 90sx90c Suction manifold to hand pump	1	1
31	MD12043/103/270	Hose - Manuli K2 3/4" 90sx90s Port 'FP' (75755/1) to fan pressure	1	1
32	HL04002/115	Hose - Megatuff 1/4" STRxBanjo Port 'HLB' (75755/1) to LH hopper ram (lower)	1	1
33	HL04002/24	Hose - Megatuff 1/4" STRx90s Port 'HLA' (75755/1) to RH hopper ram (raise)	1	1
34	HL04043/28/180	Hose - Megatuff 1/4" 90sx90s Port 'HP' (75755/1) to hand pump	1	1
35	HL04002/51	Hose - Megatuff 1/4" STRx90s Port 'HLB' (75755/1) to RH hopper ram (lower)	1	1
36	HL04054/115/90	Hose - Megatuff 1/4" 90sxBanjo Port 'HLA' (75755/1) to LH hopper ram (raise)	1	1
37	HL08073/160/90	Hose - Megatuff 1/2" 90cxBanjo Port 'T' to recirculation manifold	1	1
38	HP12024/117/325	Hose - Megatuff 3/4" 45sx90c Port 'P' (75755/1) to tandem pump	1	1
39	HL04002/186	Hose - Megatuff 1/4" STRx90s RH Steering Unit to Steering Ram	1	1
40	260/16	Hose - 1" Bore Gaflo Suction	1	1
41	HL06043/175/270	Hose - Megatuff 3/8" 90sx90s	1	-
	HL06043/200/225	Hose - Megatuff 3/8" 90sx90s Brake master cylinder to tank	-	1



**Sweep Circuit Hoses - MK1 (up to chassis no. 3068513)**  
BoM - 37101/53 & /54

**Sweep Circuit Hoses - MK2 (from chassis no. 3068514 onwards)**  
**BoM - 37101/55 & /56**



**Sweep Circuit Hoses - MK2 (from chassis no. 3068514 onwards)**  
BoM - 37101/55 & /56

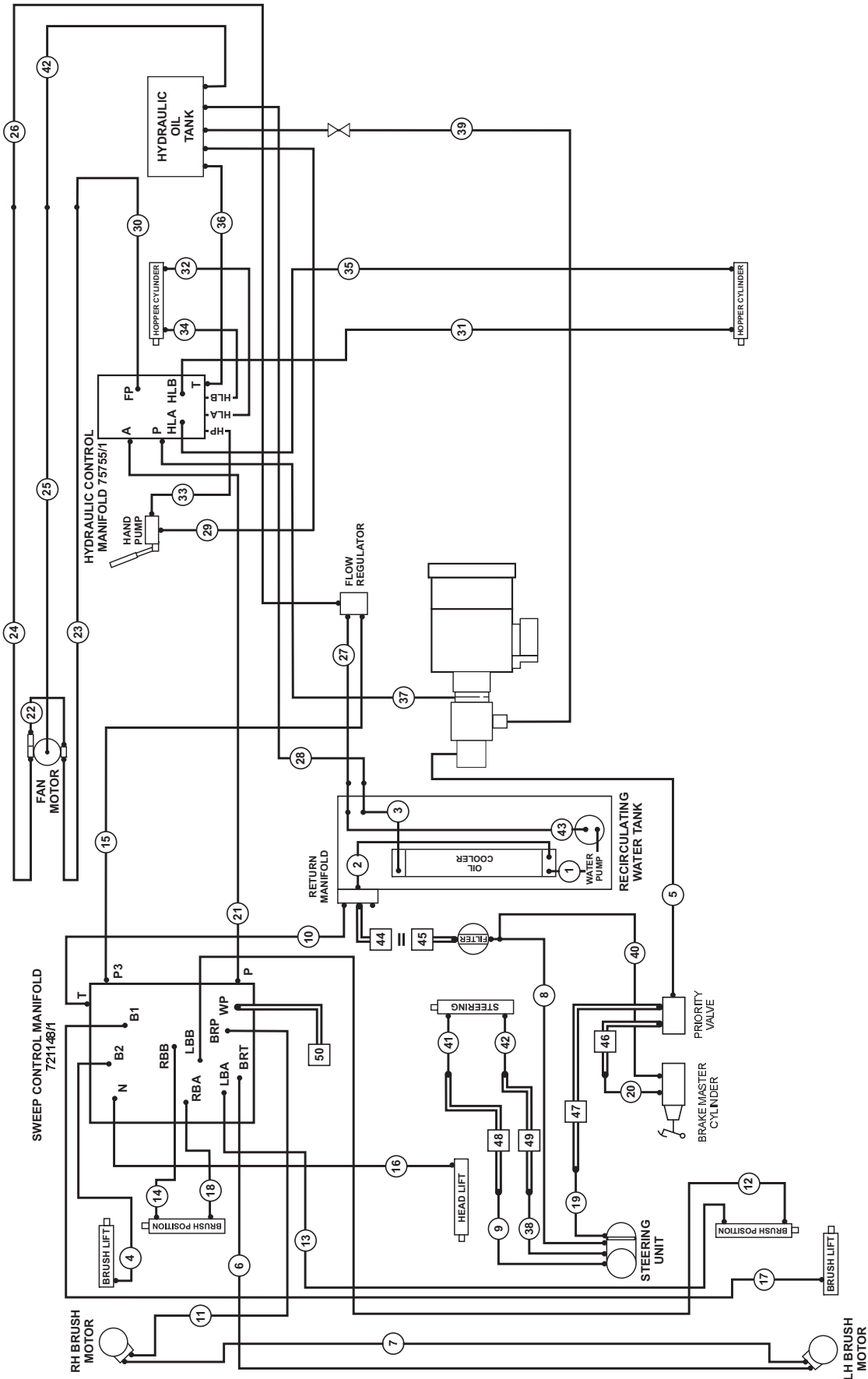
Item No.	Part No.	Description	37101/55	37101/56
			LHD Quantity	RHD Quantity
1	HL06002/77	Hose - Megatuff 3/8" STRx90s Water pump to oil cooler	2	2
2	HE16003/63	Hose - Hydraulic 1" STRx90c Return manifold to oil cooler top left	1	1
3	HE16064/60	Hose - Hydraulic 1" 90cxSt.Bk Oil cooler (top right) to front connector	1	1
4	HQ04043/133/250	Hose - Megatuff 1/4" 90sx90s Port 'B2' (sweep control manifold) to RH brush lift	1	1
5	HL06002/155	Hose - Megatuff 3/8" STRx90s Priority valve to power steer pump	1	1
6	HQ08023/188/45	Hose - 1/2" Megatuff 45sx90s Port 'BRT' (sweep control manifold) LH brush motor	1	1
7	HQ08043/316	Hose - Megatuff 1/2" 90sx90s LH brush motor to RH brush motor	1	1
8	HL06023/155/340 HL06002/170	Hose - Megatuff 3/8" 45sx90s Hose - Megatuff 3/8" STRx90s RHD steering unit to filter	1 /	/ 1
9	HL04002/186	Hose - Megatuff 1/4" STRx90s RHD steering unit to steering ram	1	1
10	HQ08023/105	Hose - Megatuff 1/2" 45sx90s Port 'T' (sweep control manifold) to recirc.	1	1
11	HQ08043/115/315	Hose - 1/2" Megatuff 90sx90s Port 'BRP' (sweep control manifold) to RH brush motor	1	1
12	HQ04002/130	Hose - Megatuff 1/4" STRx90s Port 'LBB' (sweep control manifold) to LH brush slew in	1	1
13	HQ04043/105/215	Hose - Megatuff 1/4" 90sx90s Port 'LBA' (sweep control manifold) LH brush motor out	1	1
14	HQ04002/95	Hose - Megatuff 1/4" STRx90s Port 'RBB' (sweep control manifold) to RH brush slew in	1	1
15	HQ08002/215	Hose - Megatuff 1/2" STRx45s Port 'P3' (sweep control manifold) to flow regulator	1	1
16	HQ04043/80/225	Hose - Megatuff 1/4" 90sx90s Port 'N' (sweep control manifold) to nozzle lift	1	1
17	HQ04043/174/135	Hose - Megatuff 1/4" 90sx90s Port 'B1' (sweep control manifold) to LH brush lift	1	1
18	HQ04043/76/315	Hose - Megatuff 1/4" 90sx90s Port 'RBA' (sweep control manifold) to RH brush cylinder out	1	1
19	HL06022/161/45 HL06001/140	Hose - Megatuff 3/8" 45sx45s Hose - Megatuff 3/8" STRx45s Priority valve to power steering	1 /	/ 1
20	HL06023/155/180 HL06023/136/180	Hose - Megatuff 3/8" 45sx90s Hose - Megatuff 3/8" 45sx90s Priority valve to brake master cylinder	1 /	/ 1
21	HQ08022/240/180	Hose - Megatuff 1/2" 45sx45s Port 'A' (75755/1) to port 'P' (sweep control manifold)	1	1

**Sweep Circuit Hoses - MK2 (from chassis no. 3068514 onwards)**  
**BoM - 37101/55 & /56**

Item No.	Part No.	Description	37101/55	37101/56
			LHD Quantity	RHD Quantity
22	HL08000/45	Hose - Megatuff 1/2" STRxSTR Fan motor adaptor block to adaptor block	1	1
23	HP12023/68/100	Hose - Megatuff 3/4" 45sx90s Fan motor outlet to hopper steel pipe	1	1
24	HP12023/85/95	Hose - Megatuff 3/4" 45sx90s Fan motor inlet to hopper steel pipe	1	1
25	HL06000/455	Hose - Megatuff 3/8" STRxSTR Fan motor return to hydraulic tank, pt.1	1	1
26	MD12063/180	Hose - Manuli K2 3/4" 90cx90c Flow regulator to hopper steel pipe	1	1
27	HL06000/35	Hose - Megatuff 3/8" STRxSTR Flow regulator to recirculation tank	1	1
28	HP16003/65	Hose - Megatuff 1" STRx90c Return pipe to recirculation tank	1	1
29	HL08002/26	Hose - Megatuff 1/2" STRx90s Filter to return manifold	1	1
30	HL06044/83/270	Hose - Megatuff 3/8" 90sx90c Suction manifold to hand pump	1	1
31	MD12043/103/270	Hose - Manuli K2 3/4" 90sx90s Port 'FP' (75755/1) to fan pressure	1	1
32	HL04002/115	Hose - Megatuff 1/4" STRxBanjo Port 'HLB' (75755/1) to LH hopper ram (lower)	1	1
33	HL04002/24	Hose - Megatuff 1/4" STRx90s Port 'HLA' (75755/1) to RH hopper ram (raise)	1	1
34	HL04043/28/180	Hose - Megatuff 1/4" 90sx90s Port 'HP' (75755/1) to hand pump	1	1
35	HL04002/51	Hose - Megatuff 1/4" STRx90s Port 'HLB' (75755/1) to RH hopper ram (lower)	1	1
36	HL04054/115/90	Hose - Megatuff 1/4" 90sxBanjo Port 'HLA' (75755/1) to LH hopper ram (raise)	1	1
37	HQ08044/33/80	Hose - Megatuff 1/2" 90cx90s Port 'T' to recirculation manifold	1	1
38	HP12023/120/350	Hose - Megatuff 3/4" 45sx90s Port 'P' (75755/1) to tandem pump	1	1
39	HL04002/186	Hose - Megatuff 1/4" STRx90s RH Steering Unit to Steering Ram	1	1
40	260/16	Hose - 1" Bore Gaflo Suction	1	1
41	HL06043/175/270	Hose - Megatuff 3/8" 90sx90s	1	-
	HL06043/200/225	Hose - Megatuff 3/8" 90sx90s Brake master cylinder to tank	-	1
42	HL06016/60	Hose - Megatuff 3/8" STR M x STR F Fan motor return to hydraulic tank, pt.2	1	1

**Sweep Circuit Hoses - MK2 (from chassis no. 3068514 onwards)**  
BoM - 37101/55 & /56

**Sweep Circuit Hoses - Euro 5**  
BoM - 37101/57 & /58



**Sweep Circuit Hoses - Euro 5**  
BoM - 37101/57 & /58

Item No.	Part No.	Description	37101/57	37101/58
			LHD Quantity	RHD Quantity
1	HL06000-45	Hose - Megatuff 3/8" STRxSTR Water pump to oil cooler	1	1
2	HE16003-67	Hose - Hydraulic 1" STRx90c Return manifold to oil cooler top left	1	1
3	HE16064-73.5	Hose - Hydraulic 1" 90cxSt.Bk Oil cooler (top right) to front connector	1	1
4	HQ04043/133/250	Hose - Megatuff 1/4" 90sx90s Port 'B2' (sweep control manifold) to RH brush lift	1	1
5	HR1SC10027-150-180	Hose - Hyd 45 Swept x 90 Swept Priority valve to power steer pump	1	1
6	HQ08023/188/45	Hose - 1/2" Megatuff 45sx90s Port 'BRT' (sweep control manifold) LH brush motor	1	1
7	HQ08043/316	Hose - Megatuff 1/2" 90sX90s LH brush motor to RH brush motor	1	1
8	HR1SC10001-90 HR1SC10000-110	Hose - Hyd Straight x 45 Swept Hose - Hyd Straight x Straight Steering unit to filter	1 -	- 1
9	HR1SC06000-76	Hose - Hyd Straight x Straight RHD steering unit to steel pipe 7008206	1	1
10	HQ08023/105	Hose - Megatuff 1/2" 45sx90s Port 'T' (sweep control manifold) to recirc.	1	1
11	HQ08043/115/315	Hose - 1/2" Megatuff 90sx90s Port 'BRP' (sweep control manifold) to RH brush motor	1	1
12	HQ04002/130	Hose - Megatuff 1/4" STRx90s Port 'LBB' (sweep control manifold) to LH brush slew in	1	1
13	HQ04043/105/215	Hose - Megatuff 1/4" 90sx90s Port 'LBA' (sweep control manifold) LH brush motor out	1	1
14	HQ04002/95	Hose - Megatuff 1/4" STRx90s Port 'RBB' (sweep control manifold) to RH brush slew in	1	1
15	HQ08002/207	Hose - Megatuff 1/2" STRx45s Port 'P3' (sweep control manifold) to flow regulator	1	1
16	HQ04043/80/225	Hose - Megatuff 1/4" 90sx90s Port 'N' (sweep control manifold) to nozzle lift	1	1
17	HQ04043/174/135	Hose - Megatuff 1/4" 90sx90s Port 'B1' (sweep control manifold) to LH brush lift	1	1
18	HQ04043/76/315	Hose - Megatuff 1/4" 90sx90s Port 'RBA' (7221148) to RH brush cylinder out	1	1
19	HR1SC10051-90-125 HR1SC10000-76	Hose - Hyd 90 Swept x 90 Swept Hose - Hyd Straight x Straight Power steering to steel pipe 7008203	1 -	- 1
20	HR1SC10027-98-225 HR1SC10002-75	Hose - Hyd 45 Swept x 90 Swept Hose - Hyd Straight x 90 Swept Brake master cylinder to steel pipe 7008200	1 -	- 1
21	HQ08022/240/180	Hose - Megatuff 1/2" 45sx45s Port 'A' (75755/1) to port 'P' (sweep control manifold)	1	1
22	HL08000/45	Hose - Megatuff 1/2" STRxSTR Fan motor adaptor block to adaptor block	1	1

**Sweep Circuit Hoses - Euro 5**  
**BoM - 37101/57 & /58**

Item No.	Part No.	Description	37101/57 LHD Quantity	37101/58 RHD Quantity
23	HP12023/68/100	Hose - Megatuff 3/4" 45sx90s Fan motor outlet to hopper steel pipe	1	1
24	HP12023/85/95	Hose - Megatuff 3/4" 45sx90s Fan motor inlet to hopper steel pipe	1	1
25	HL06000-515	Hose - Megatuff 3/8" STRxSTR Fan motor return to hydraulic tank	1	1
26	MD12044-180-180	Hose - Hyd 90 Swept x 90 Compact Flow regulator to hopper steel pipe	1	1
27	HL06002-80	Hose - Hyd Straight x 90 Swept Flow regulator to recirculation tank	1	1
28	HP16003-110	Hose - Megatuff 1" STRx90c Return pipe to recirculation tank	1	1
29	HL06044/83/270	Hose - Megatuff 3/8" 90sx90c Suction manifold to hand pump	1	1
30	MD12043/103/270	Hose - Manuli K2 3/4" 90sx90s Port 'FP' (75755/1) to fan pressure	1	1
31	HL04002/115	Hose - Megatuff 1/4" STRxBanjo Port 'HLB' (75755/1) to LH hopper ram (lower)	1	1
32	HL04002/24	Hose - Megatuff 1/4" STRx90s Port 'HLA' (75755/1) to RH hopper ram (raise)	1	1
33	HL04043/28/180	Hose - Megatuff 1/4" 90sx90s Port 'HP' (75755/1) to hand pump	1	1
34	HL04002/51	Hose - Megatuff 1/4" STRx90s Port 'HLB' (75755/1) to RH hopper ram (lower)	1	1
35	HL04054/115/90	Hose - Megatuff 1/4" 90sxBanjo Port 'HLA' (75755/1) to LH hopper ram (raise)	1	1
36	HQ08044/33/80	Hose - Megatuff 1/2" 90cx90s Port 'T' to recirculation manifold	1	1
37	HP12023/120/350	Hose - Megatuff 3/4" 45sx90s Port 'P' (75755/1) to tandem pump	1	1
38	HR1SC06000-72	Hose - Hyd Straight x Straight RH Steering Unit to steel pipe 7008207	1	1
39	260/16	Hose - 1" Bore Gaflo Suction	1	1
40	HR1SC10051-77-90	Hose - Hyd 90 Swept x 90 Swept	1	-
	HR1SC10002-102	Hose - Hyd Straight x 90 Swept Brake master cylinder to filter (brake return)	-	1
41	HR1SC06002-85	Hose - Hyd Straight x 90 Swept	1	-
	HR1SC06001-100	Hose - Hyd Straight x 45 Swept Steering ram (LH) to steel pipe 7008206	-	1
42	HR1SC06002-85	Hose - Hyd Straight x 90 Swept	1	-
	HR1SC06001-100	Hose - Hyd Straight x 45 Swept Steering ram (RH) to steel pipe 7008207	-	-
43	HL06002/80	Hose - Megatuff 3/8" STRx90s Water pump to bulkhead		
44	7008205	Pipe -Steering system 3	1	1
45	7008204	Pipe -Steering system 2	1	1

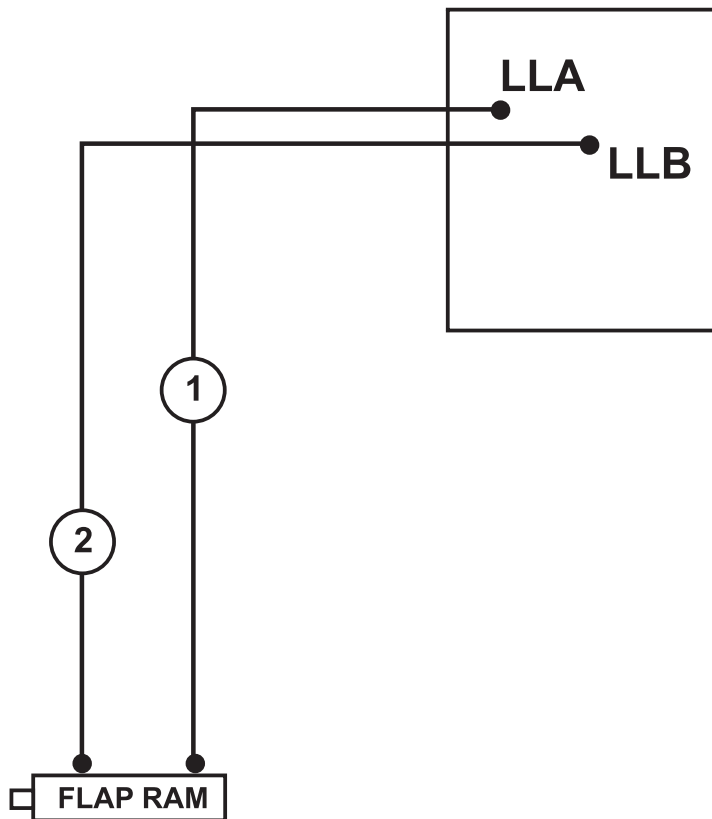


**Sweep Circuit Hoses - Euro 5  
BoM - 37101/57 & /58**

Item No.	Part No.	Description	37101/57	37101/58
			LHD Quantity	RHD Quantity
46	7008200	Pipe -Braking system 7	1	1
47	7008203	Pipe -Steering system 1	1	1
48	7008206	Pipe -Braking system 4	1	1
49	7008207	Pipe -Steering system 5	1	1
50	7008212	Pipe -Water system 1	1	1

Leaf Flap Circuit Hoses  
BoM - 37103/51

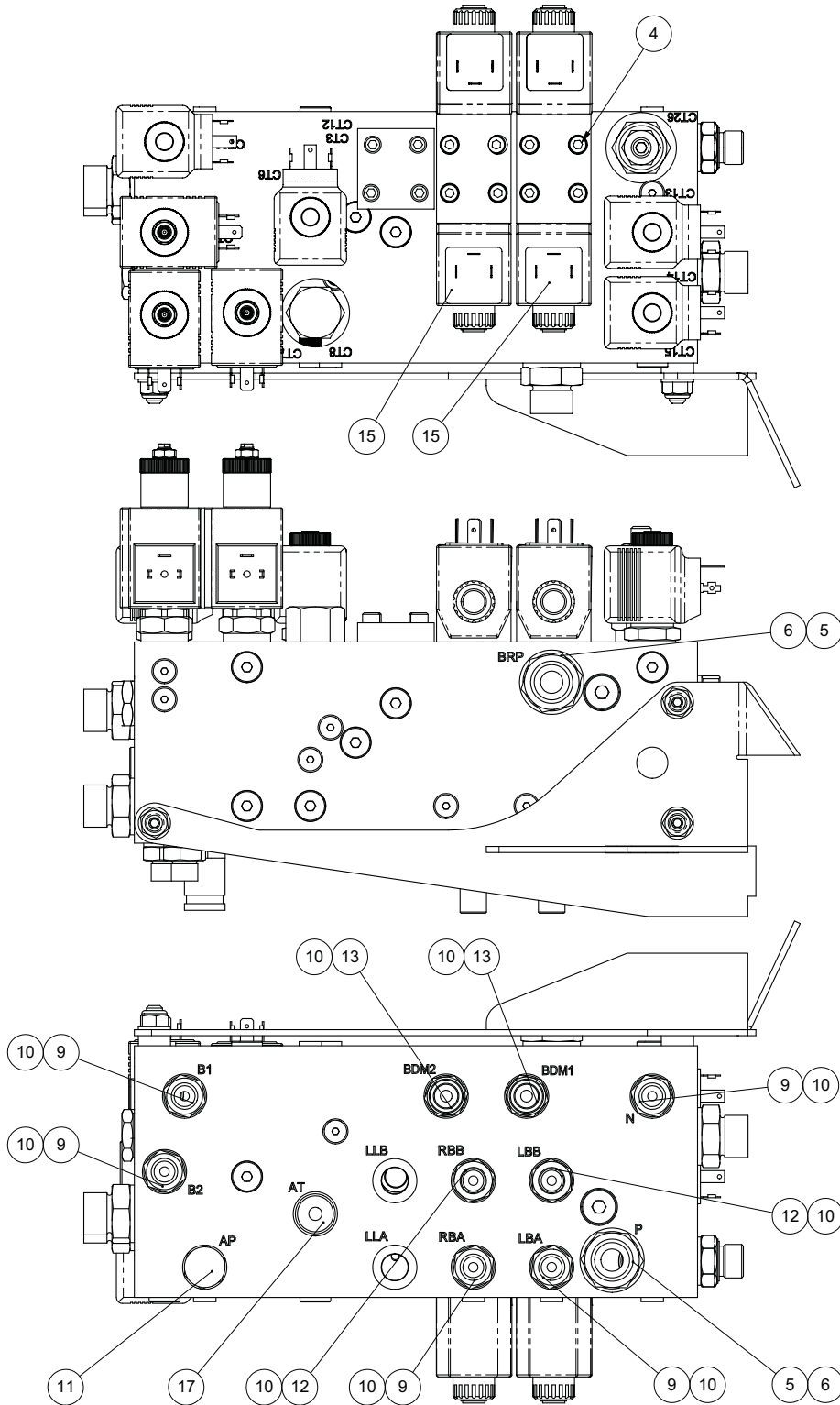
**SWEEP CONTROL MANIFOLD  
721148/1**



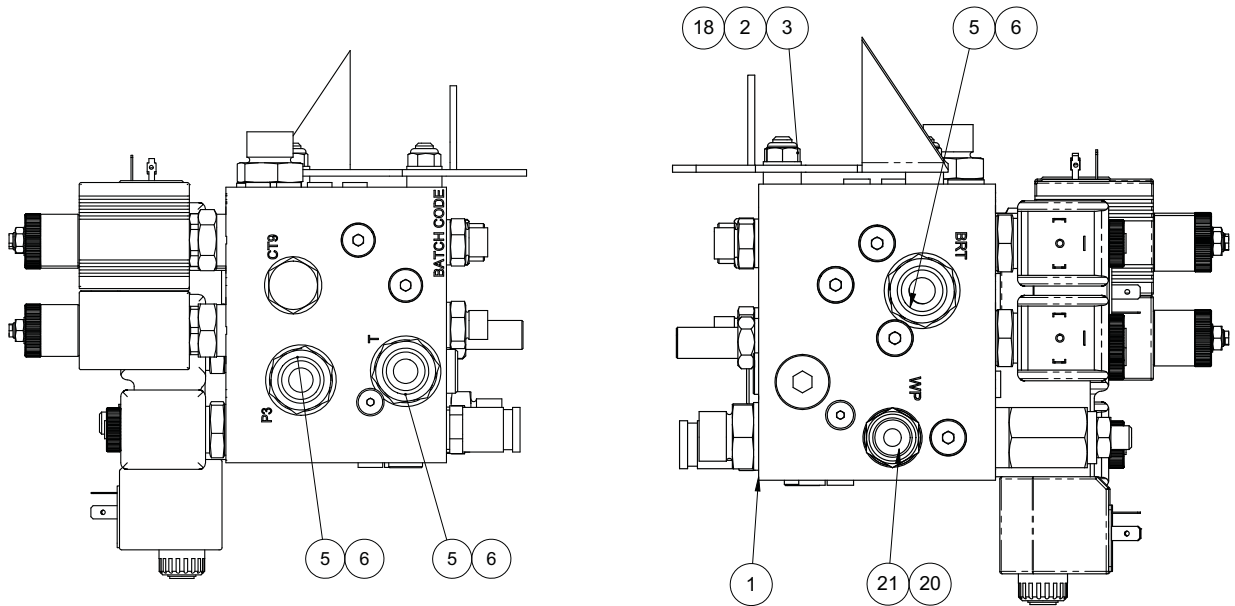
<b>Leaf Flap Circuit Hoses</b> <b>BoM - 37103/51</b>
---

<b>Item No.</b>	<b>Part No.</b>	<b>Description</b>	<b>Quantity</b>
1	HQ04043/130/45	Hose - Megatuff 1/4" 90sx90s Port 'LLA' (sweep control manifold) to flap open	1
2	HQ04043/130/45	Hose - Megatuff 1/4" 90sx90s Port 'LLB' (sweep control manifold) to flap close	1

**Sweep Control Hydraulic Block Assembly  
(Sweeper - CX/CN200)  
BoM - 37048/51**

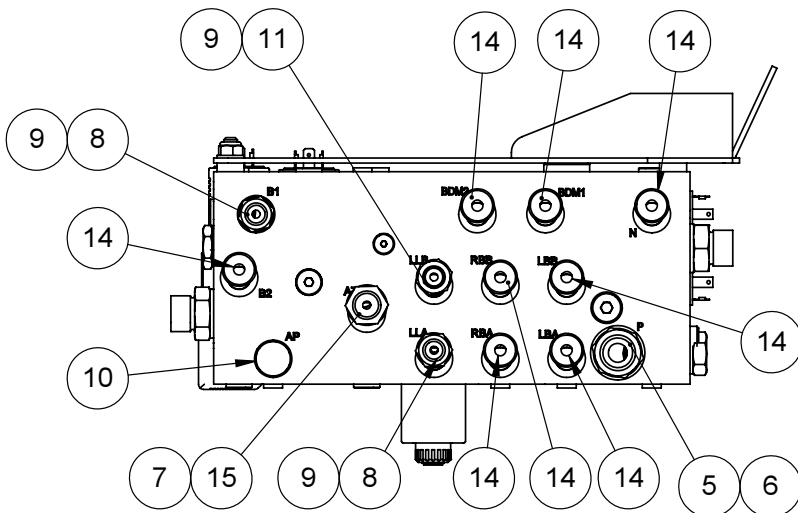
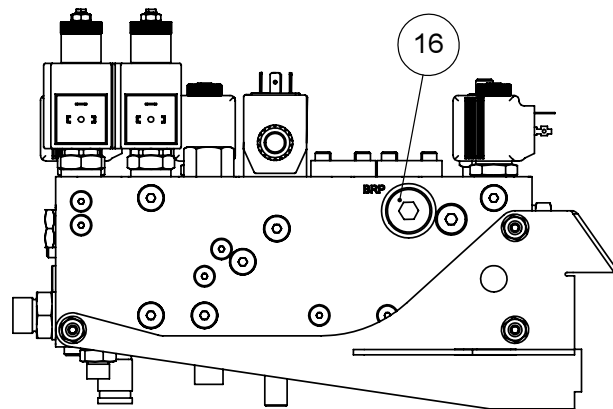
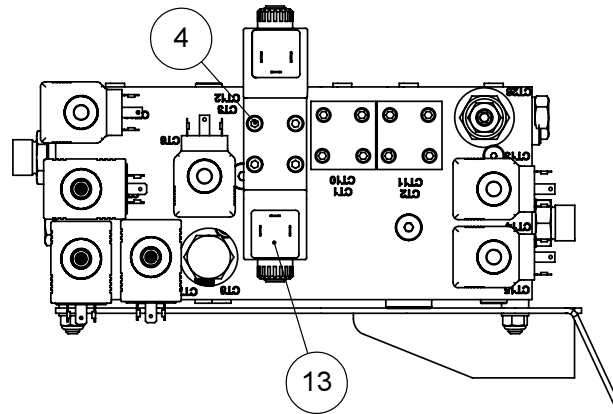


**Sweep Control Hydraulic Block Assembly  
(Sweeper - CX/CN200)  
BoM - 37048/51**

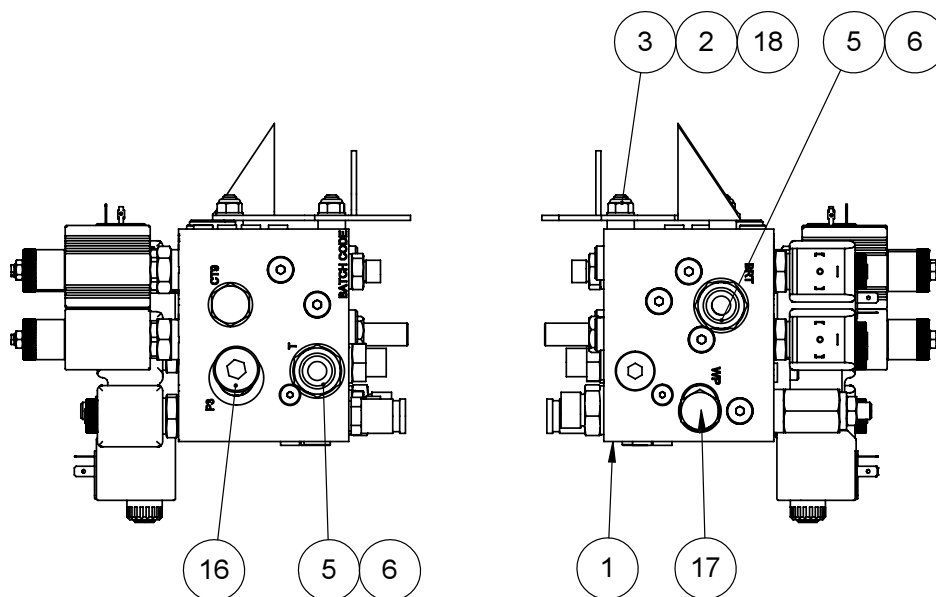


Item No.	Part No.	Description	Quantity
1	722390-1	Block-Manifold, Front CX-CN200	1
2	455-10	Washer Plain Plated Steel M8	3
3	425-14	Nut Nyloc Hex MC M8	3
4	129-71	Screw MC Cap Skt Hd M5x35	8
5	263-4	Adaptor - M-M 1-2" BSP	5
6	451-19	Washer - Dowty 1-2" BSP	5
9	263-2	Adaptor - M-M 1-4" BSP	5
10	451-17	Washer - Dowty 1-4" BSP	9
11	665-18	Valve - Testpoint G1-4	1
12	264-2	Adaptor-Blk M-M + Nut 1-4" BSP	2
13	518-8	Adaptor Straight 8 OD 1-4" BSP	2
15	78352-1	Valve-Directional Control 12v	2
17	54-2	Plug - Collar G1-4" BSP	1
18	72369-2	Spacer - Seat Mat	3
20	451-18	Washer - Dowty 3-8" BSP (M16)	1
21	6601-1322	Coupling - Male Stud, G3/8"	1

**Sweep Control Hydraulic Block Assembly  
(Fixed Spray Bar - CW200)  
BoM - 37048/52**

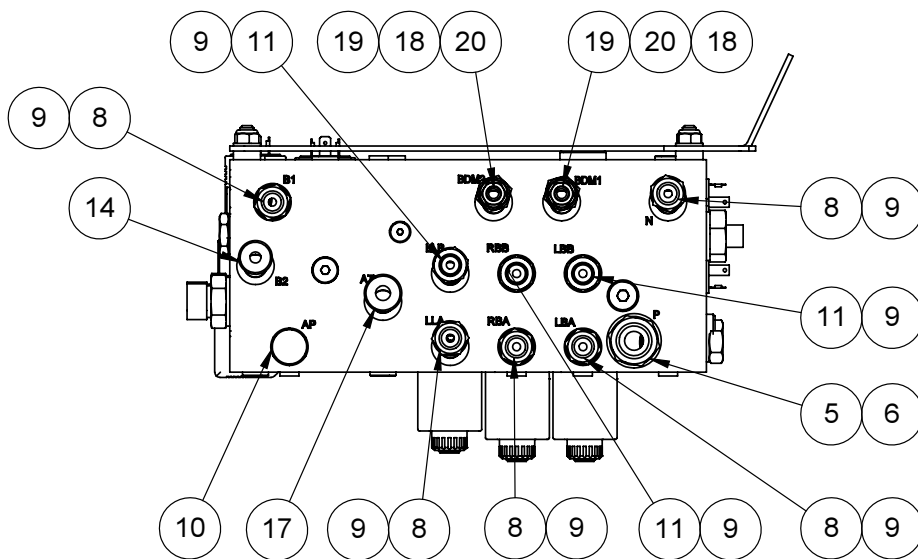
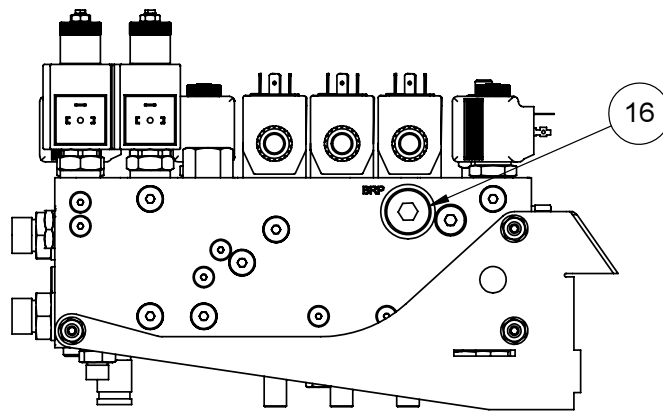
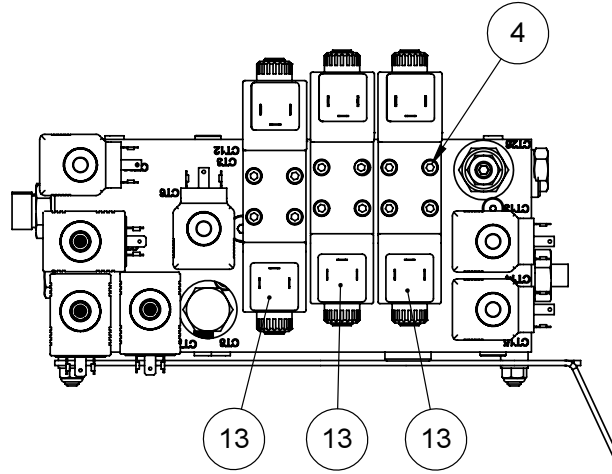


**Sweep Control Hydraulic Block Assembly  
(Fixed Spray Bar - CW200)  
BoM - 37048/52**



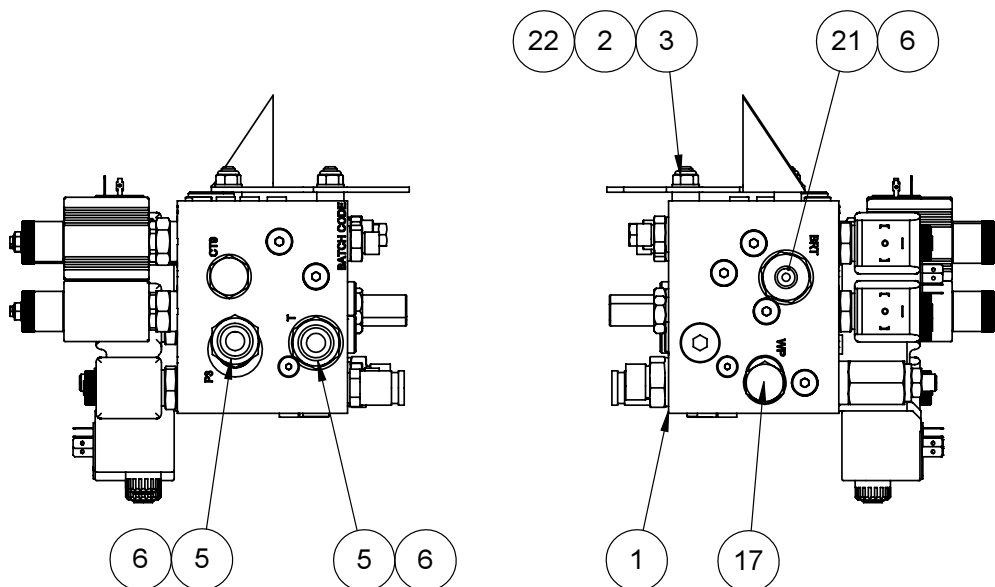
Item No.	Part No.	Description	Quantity
1	722391/1	Block-Manifold,Front CW200	1
2	455/10	Washer - Plain, M8	3
3	425/14	Nut - Nyloc, M8C	3
4	129/71	Screw MC Cap Skt Hd M5x35	4
5	263/4	Adaptor - M/M 1/2" BSP	3
6	451/19	Washer - Dowty 1/2" BSP	3
7	451/18	Washer - Dowty 3/8" BSP (M16)	1
8	263/2	Adaptor - M/M 1/4" BSP	2
9	451/17	Washer - Dowty 1/4" BSP	3
10	665/18	Valve - Testpoint G1/4	1
11	264/2	Adaptor - Bulkhead, M/M 1/4"BSP	
12	-	-	-
13	78352/1	Valve-Directional Control 12v	1
14	54/2	Plug - Collar G1/4" BSP	8
15	265/2	Adaptor Reducing 1/4"x3/8" BSP	1
16	54/4	Plug - Collar G1/2" BSP	2
17	54/3	Plug - Collar G3/8" BSP	1
18	72369/2	Spacer - Seat Mat	3

**Sweep Control Hydraulic Block Assembly  
(Expanding Spray Bar - CW200)  
BoM - 37048/53**





**Sweep Control Hydraulic Block Assembly  
(Expanding Spray Bar - CW200)  
BoM - 37048/53**



Item No.	Part No.	Description	Quantity
1	722391/1	Block-Manifold,Front CW200	1
2	455/10	Washer - Plain, M8	3
3	425/14	Nut - Nyloc, M8C	3
4	129/71	Screw MC Cap Skt Hd M5x35	12
5	263/4	Adaptor - M/M 1/2" BSP	3
6	451/19	Washer - Dowty 1/2" BSP	4
7	-	-	-
8	263/2	Adaptor - M/M 1/4" BSP	5
9	451/17	Washer - Dowty 1/4" BSP	8
10	665/18	Valve - Testpoint G1/4	1
11	264/2	Adaptor - Bulkhead, M/M 1/2"BSP	3
12	-	-	-
13	78352/1	Valve-Directional Control 12v	3
14	54/2	Plug - Collar G1/4" BSP	1
15	-	-	-
16	54/4	Plug - Collar G1/2" BSP	1
17	54/3	Plug - Collar G3/8" BSP	2
18	511/4	Olive - Tube 8mm O/D	2
19	510/4	Nut - Tube 8mm O/D	2
20	518/8	Adaptor Straight 8 OD 1/4" BSP	2
21	265/3	Adaptor Reducing 1/4"x1/2" BSP	1
22	72369/2	Spacer - Seat Mat	3

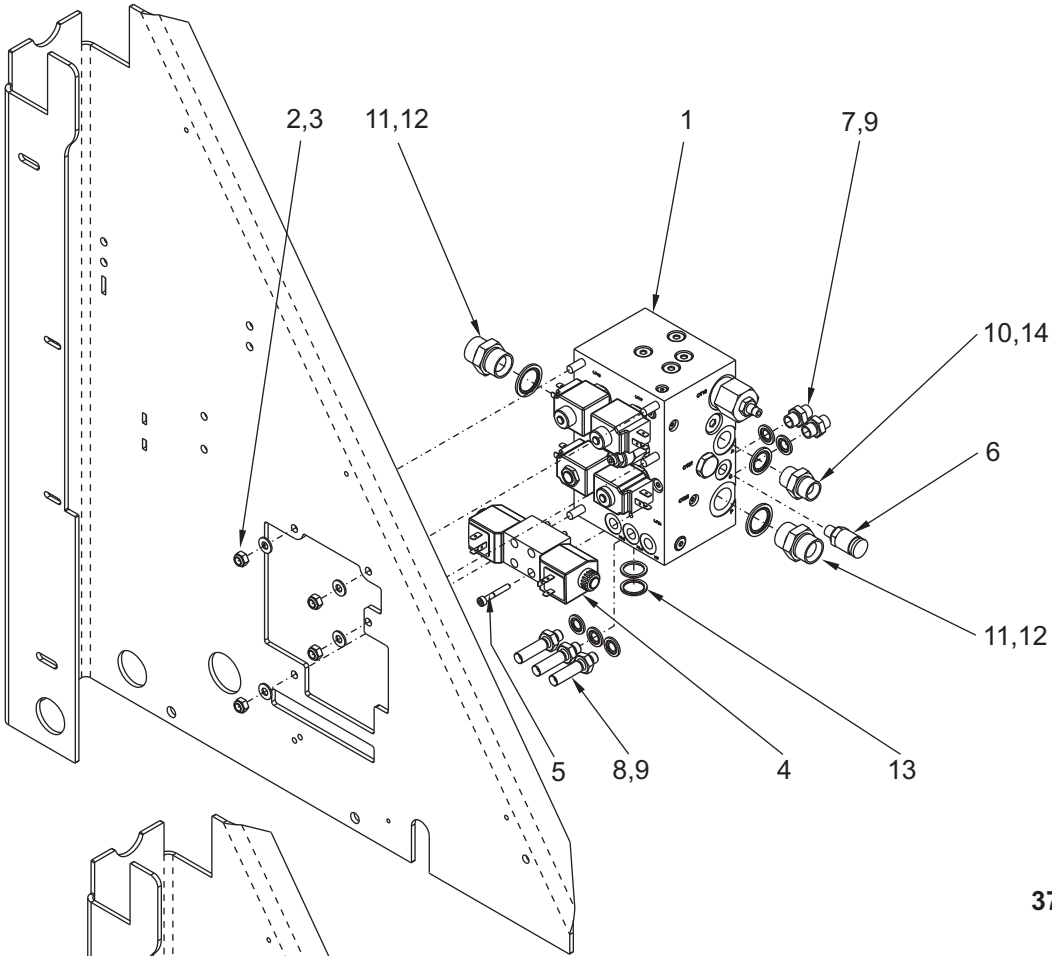
**Sweep Control Hydraulic Block - Spares**  
**BoM - 722390/1**

Port Ref.	Description	Part No.	Coil Part No.	Seal Kit No.
CT3	CE-Top 02 Blanking Plate	847/1	-	-
CT4	Pressure Reducer Solenoid	847/31	847/9	847/32
CT5	Pressure Reducer Solenoid	847/31	847/9	847/32
CT6	Solenoid Cartridge	847/33	847/3	847/4
CT7	Flow Regulator Solenoid	847/82	847/9	847/99
CT8	Flow Compensator Cartridge	847/88	-	847/100
CT9	Check Cartridge	847/11	-	847/12
CT10	M4x0.70 Orifice Ø1.00	847/89	-	-
CT11	M4x0.70 Orifice Ø1.00	847/89	-	-
CT12	M4x0.70 Orifice Ø1.00	847/89	-	-
CT13	M6x0.75 Orifice Ø2.00	847/91	-	-
CT14	-	-	-	-
CT15	Solenoid Cartridge	847/33	847/3	847/4
CT26	Pressure Reducer Cartridge	847/36	-	-
CT27	M6 Jet c/w Ø1.50 Orifice	847/57	-	-
CT28	M6 Jet c/w Ø1.50 Orifice	847/57	-	-
CT29	Solenoid Cartridge	847/33	847/3	847/4
CT30	Orifice Jet	847/98	-	-

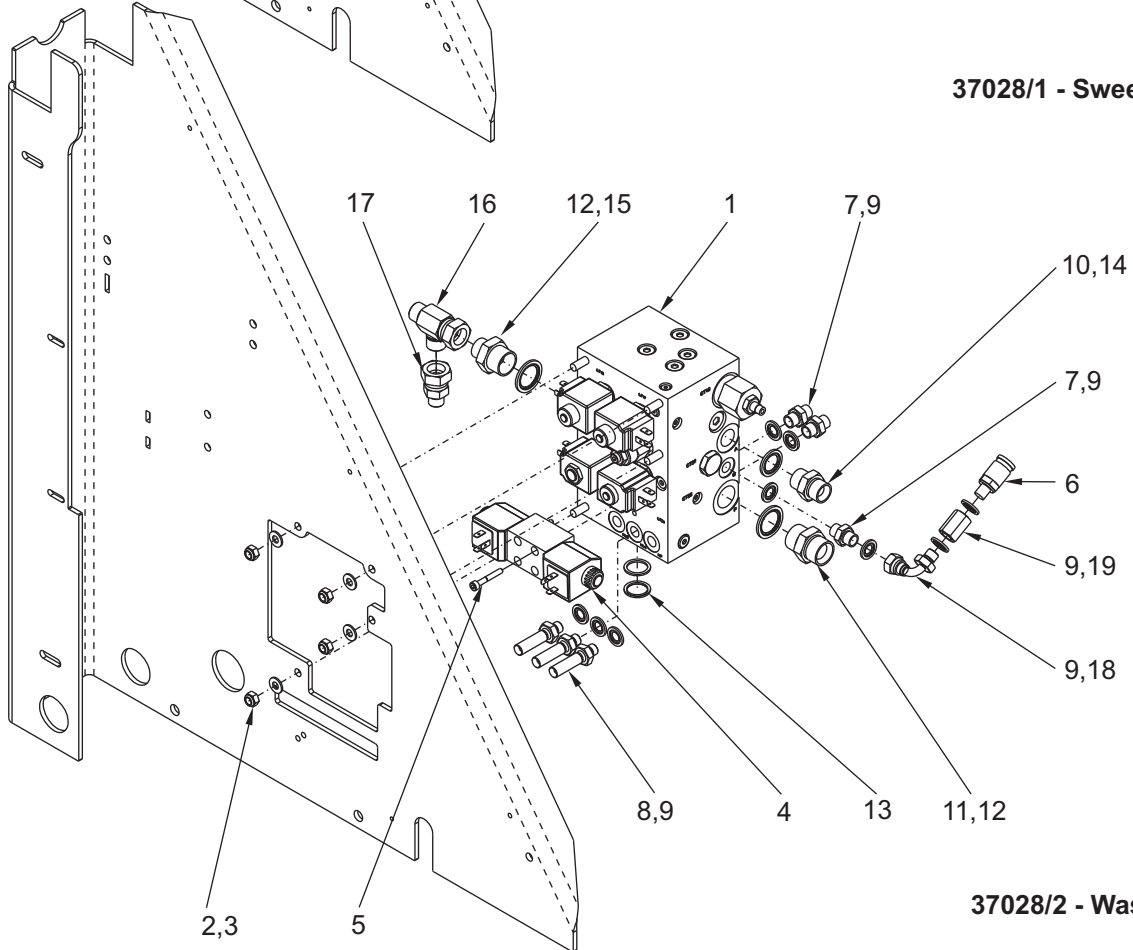
<b>Sweep Control Hydraulic Block - Spares</b> <b>BoM - 722391/1</b>
--

Port Ref.	Description	Part No.	Coil Part No.	Seal Kit No.
CT3	CE-Top 02 Blanking Plate	847/1	-	-
CT4	Pressure Reducer Solenoid	847/102	847/3	847/105
CT5	Cavity Plug	847/103	-	-
CT6	Solenoid Cartridge	847/33	847/3	847/4
CT7	Flow Regulator Solenoid	847/82	847/9	847/99
CT8	Cavity Plug	-	-	-
CT9	Check Cartridge	847/11	-	847/12
CT10	M4x0.70 Orifice Ø1.00	847/89	-	-
CT11	M4x0.70 Orifice Ø1.00	847/89	-	-
CT12	M4x0.75 Orifice Ø1.00	847/89	-	-
CT13	M6x0.75 Orifice Ø2.00	847/91	-	-
CT14	-	-	-	-
CT15	Solenoid Cartridge	847/2	847/69	847/4
CT26	Pressure Reducer Cartridge	847/36	-	-
CT27	M6 Jet c/w Ø1.50 Orifice	847/57	-	-
CT28	M6 Jet c/w Ø1.50 Orifice	847/57	-	-
CT29	Cavity Plug	847/104	-	-
CT30	Orifice Jet	847/88	-	-

**Rear Hydraulic Block Assembly  
BoM - 37028/1**



**37028/1 - Sweeper**

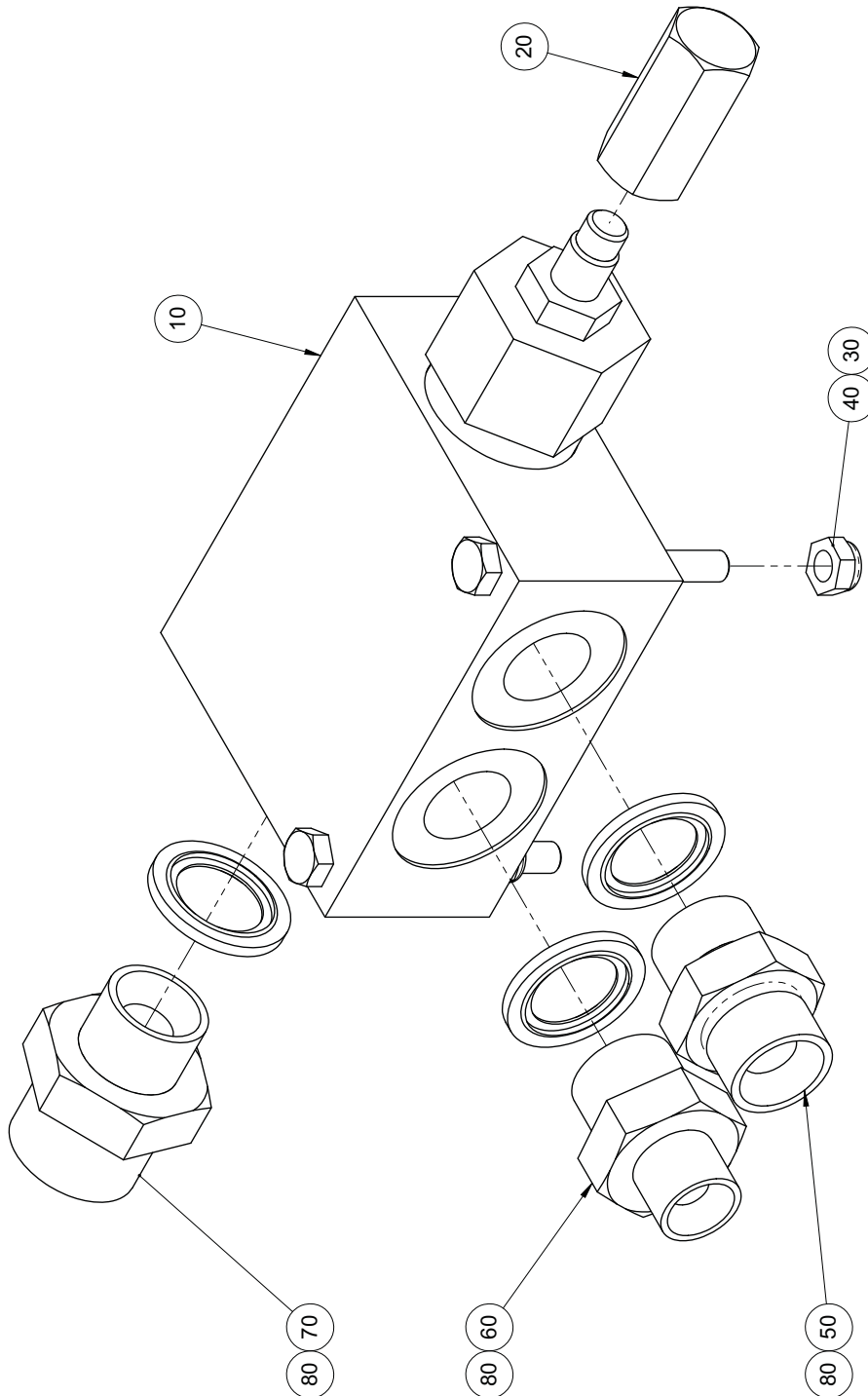


**37028/2 - Washer**

Rear Hydraulic Block Assembly  
BoM - 37028/1

Item No.	Part No.	Description	Sweeper Quantity	Washer Quantity
1	75755/1	Manifold - Hydraulic Control	1	1
2	425/14	Nut Nyloc Hex MC M8	4	4
3	455/10	Washer Plain Plated Steel M8	4	4
4	78352/4	Valve - Dir. Cont. (P to T)	1	1
5	129/71	Screw MC Cap Skt Hd M5x35	4	4
6	665/18	Valve - Testpoint G1/4	1	1
7	263/2	Adaptor - M/M 1/4" BSP	2	3
8	72012/1	Special Bulk Hd.Fitting	3	3
9	451/17	Washer - Dowty 1/4" BSP	5	9
10	451/19	Washer - Dowty 1/2" BSP	1	1
11	263/6	Adaptor - M/M 3/4" BSP	2	1
12	451/21	Washer - Dowty 3/4" BSP	2	2
13	452/16	Washer - Copper 1/2"BSP Rolled	2	2
14	263/4	Adaptor - M/M 1/2" BSP	1	2
15	265/7	Adaptor Reducing 1/2"x3/4" BSP	-	1
16	255/13	Tee - 1/2" BSP O/D M/F/M	-	1
17	252/2	Adaptor - Swivel M/F 3/8"x1/2"	-	1
18	242/2	Elbow - Swivel 90 Deg. 1/4"	-	1
19	66/7	Socket - Straight 1/4 BSP	-	1
<b>Spares Only Items;</b>				
20	847/44	1/8" SAE Plug - c/w 'O' ring		
21	847/43	1/4" SAE Plug - c/w 'O' ring		
22	847/42	3/8" SAE Plug - c/w 'O' ring		
23	847/41	1/2" SAE Plug - c/w 'O' ring		
24	847/40	5/8" SAE Plug - c/w 'O' ring		
25	847/13	Ventable Relief Valve (210 Bar) for 75755/1 - CT16		
26	847/14	Seal Kit for 847/13		
27	847/15	Solenoid Valve for 75755/1 - CT17 & CT18		
28	847/3	Coil Only for 847/15 - CT17, 847/21 - CT21 & 847/58 - CT22		
29	847/51	Coil Only for 847/15 - CT18		
30	847/17	Seal Kit for 847/15, 847/18 & 847/58		
31	847/18	Relief Valve (110 Bar) for 75755/1 - CT19		
32	847/19	Check Valve (0.2 Bar) for 75755/1 - CT20		
33	847/20	Seal Kit for 847/19		
34	847/21	Solenoid Valve for 75755/1 - CT21		
35	847/22	Seal Kit for 847/21		
36	847/58	Solenoid Valve for 75755/1 - CT22		

**Flow Regulator Assembly**  
BoM - 37029/5



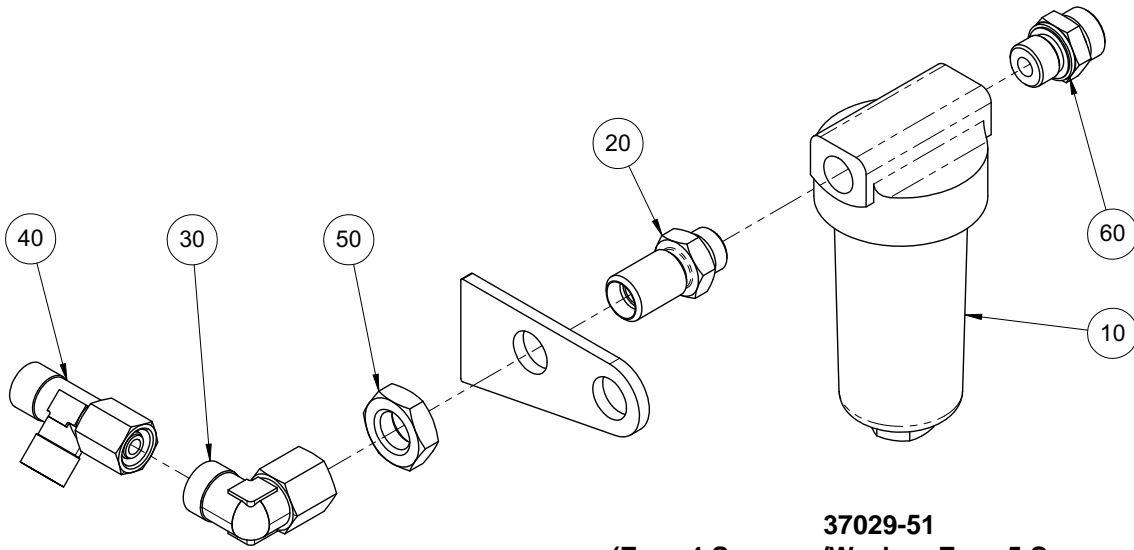
**Flow Regulator Assembly**  
BoM - 37029/5

Item No.	Part No.	Description	Quantity
10	70625-1	Regulator - Flow	1
20	71285-1	Capnut	1
30	123-89	Bolt M Coarse M6x55 BS3692	2
40	425-13	Nut Nyloc Hex MC M6	2
50	263-4	Adaptor M/M 1/2" BSP	1
60	265-4	Adaptor Reducing M/M 3/8"-1/2" BSP	1
70	265-7	Adaptor Reducing M/M 1/2"-3/4" BSP	1
80	451-19	Washer Bonded G1-2"	3

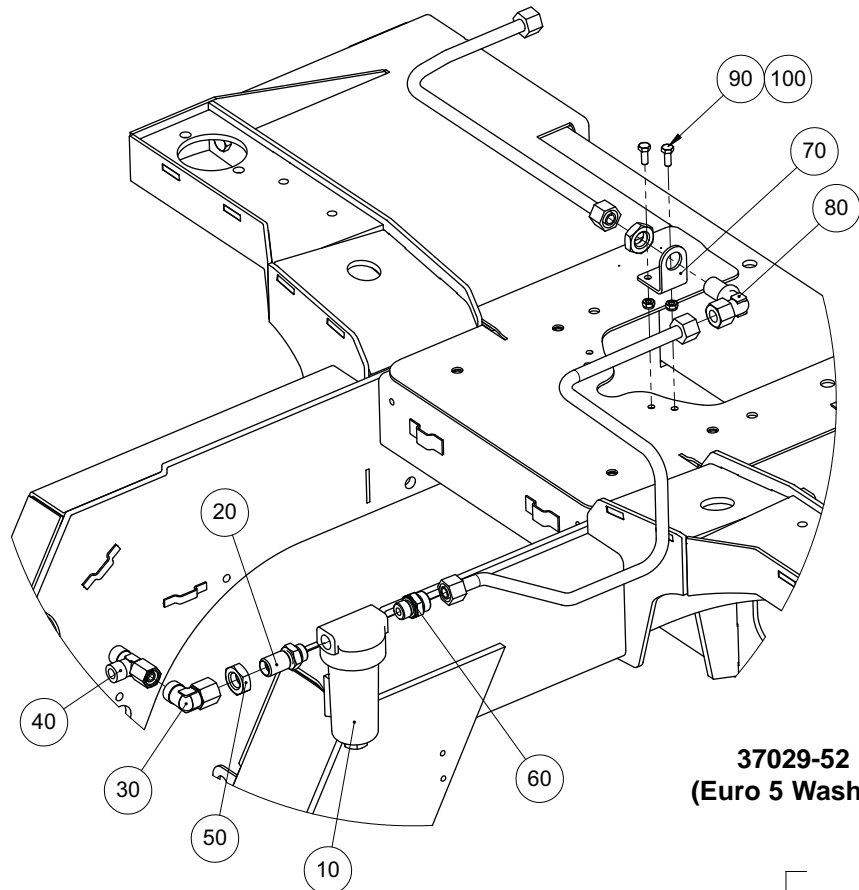
**Spares Only Items;****Item 10 comprises;**

847-56	Flow Regulator Cartridge	1
--------	--------------------------	---

**HP Return Line Filter Assembly**  
BoM - 37029-51 & -52



**37029-51**  
**(Euro 4 Sweeper/Washer, Euro 5 Sweeper)**



**37029-52**  
**(Euro 5 Washer)**



**HP Return Line Filter Assembly**  
 BoM - 37029-51 & -52
**37029-51 HP Return Line Filter (Euro 4 Sweeper/Washer & Euro 5 Sweeper)**

Item No.	Part No.	Description	Quantity
10	76579-1	Filter - High Pressure	1
20	7008272	Bulkhead adapter M/M 12mm to G3/8	1
30	6613-0503	Adjustable Male Elbow - M18 x 1.5	1
40	6615-2319	Adjustable Male Tee - M18 x 1.5	1
50	421-19	Locknut MC Hex M18	1
60	6601-1322	Stud Coupling Male G 3/8" x M18 x 1.5	1

**For Spares Use Only:****Item 10 comprises;**

76579-2	Replacement Element	1
---------	---------------------	---

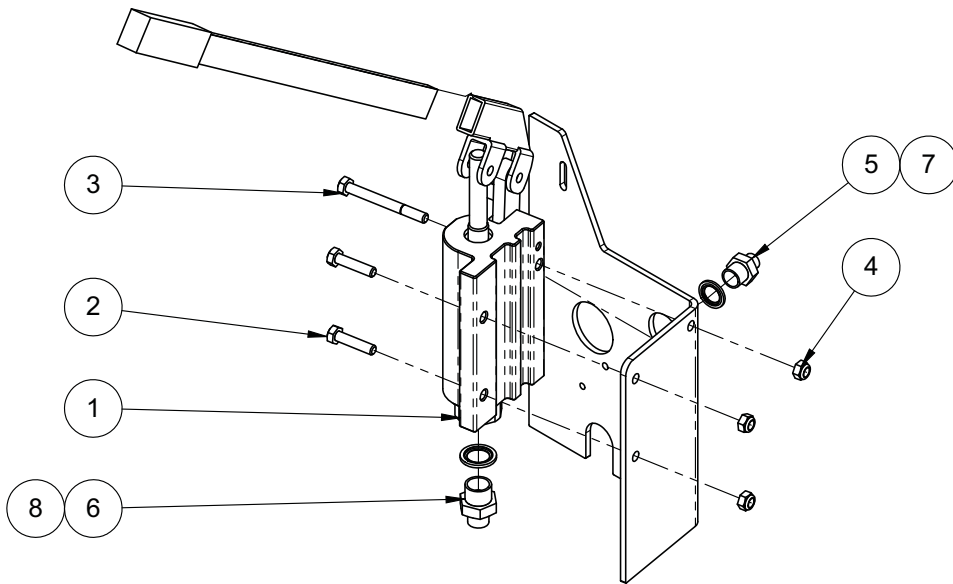
**37029-52 HP Return Line Filter (Euro 5 - Washer)**

Item No.	Part No.	Description	Quantity
10	76579-1	Filter - High Pressure	1
20	7008272	Bulkhead adapter M/M 12mm to G3/8	1
30	6613-0503	Adjustable Male Elbow - M18 x 1.5	1
40	6615-2319	Adjustable Male Tee - M18 x 1.5	1
50	421-19	Locknut MC Hex M18	1
60	6601-1322	Stud Coupling Male G 3/8" x M18 x 1.5	1
70	7011886	Pipe Mount	1
80	09570472-0	Bulkhead Elbow Connector - M18 x 1.5	1
90	92097299-0	Hex Head Screw M6Cx16 8.8	2
100	93085004-0	Nyloc Hex Nut M6C - 8	2

**For Spares Use Only:****Item 10 comprises;**

76579-2	Replacement Element	1
---------	---------------------	---

**Hand Pump Assembly**  
BoM - 37029/3



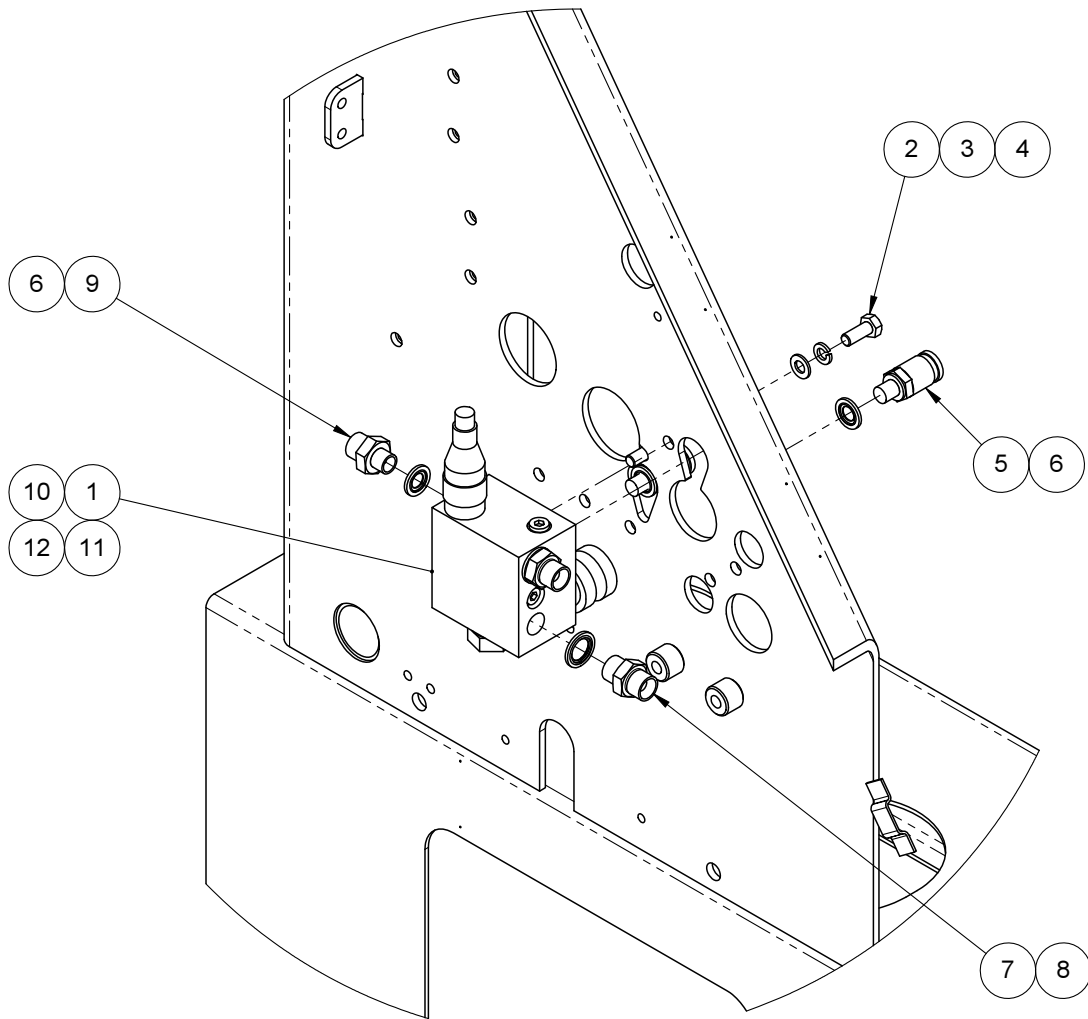
**Hand Pump Assembly**  
BoM - 37029/3

Item No.	Part No.	Description	Quantity
1	70116-1	Pump - Hand	1
2	123-106	Bolt M Coarse M8x35 BS3692	2
3	123-115	Bolt M Coarse M8x75 BS3692	1
4	425-14	Nut Nyloc Hex MC M8	3
5	265-2	Adaptor Reducing 1-4"x3-8" BSP	1
6	451-18	Washer - Dowty 3-8" BSP (M16)	1
7	265-4	Adaptor Reducing 3-8"x1-2" BSP	1
8	451-19	Washer - Dowty 1-2" BSP	1

**Note:****Item 1 comprises;**

70116-2	Handle - Hand Pump
70116-3	Pump - Hand

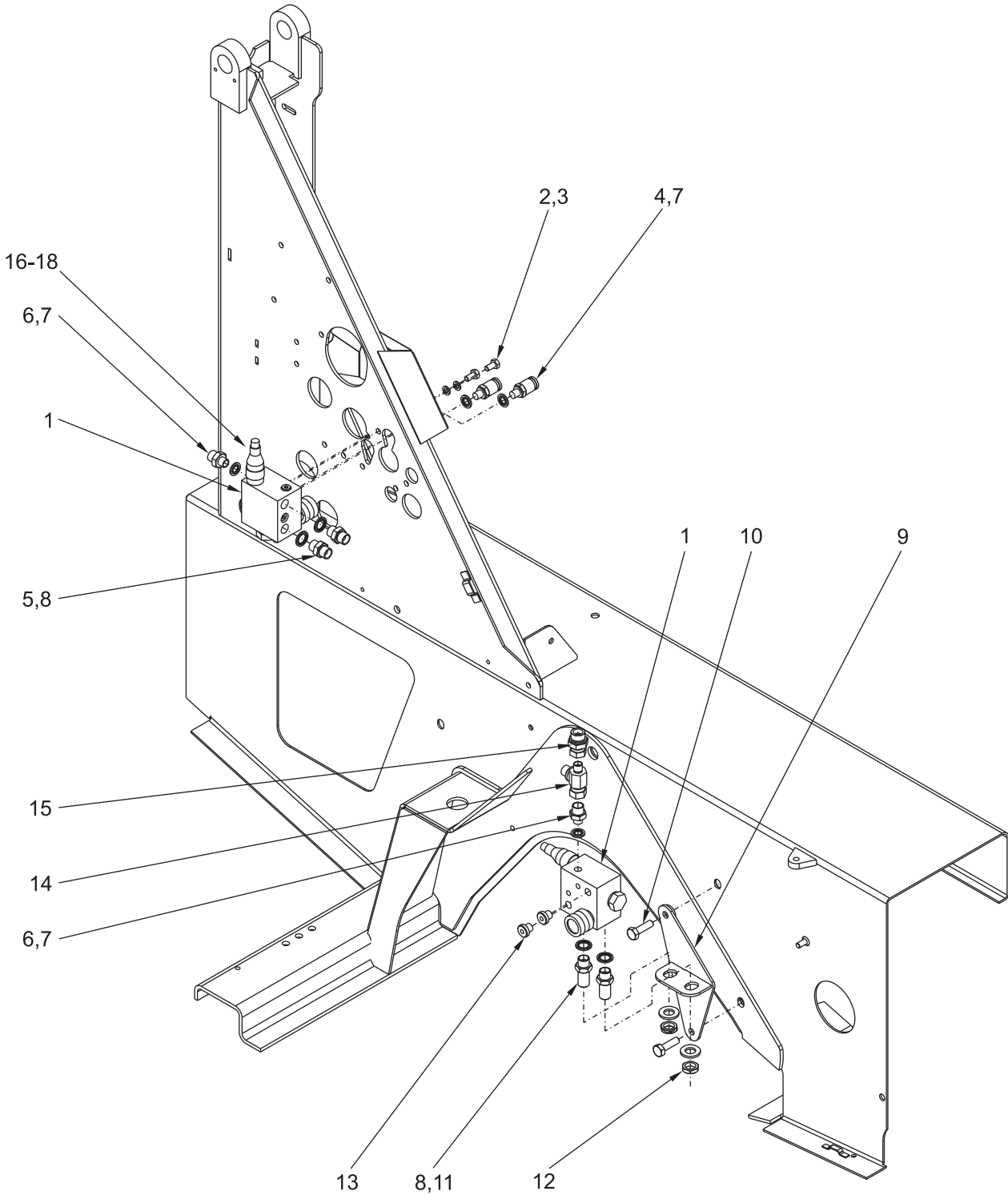
**Tow Valve Assembly - CX200**  
BoM - 37030/2



**Tow Valve Assembly - CX200**  
**BoM - 37030/2**

Item No.	Part No.	Description	Quantity
1	76773/1	Block-Purge Valve Transmission	1
2	124/135	Setscrew M8C x 20	2
3	460/10	Washer Spring Single Coil M8	2
4	455/10	Washer - Plain, M8	2
5	665/18	Valve - Testpoint G1/4	2
6	451/17	Washer - Dowty 1/4" BSP	3
7	263/3	Adaptor - M/M 3/8" BSP	2
8	451/18	Washer - Dowty 3/8" BSP	2
9	265/2	Adaptor Reducing 1/4"x3/8" BSP	1
<b>Spares items only;</b>			
10	76773/2	Relief Cartridge	1
11	76773/3	Hot Oil Shuttle Cartridge	1
12	76773/4	Adjuster Assy	1

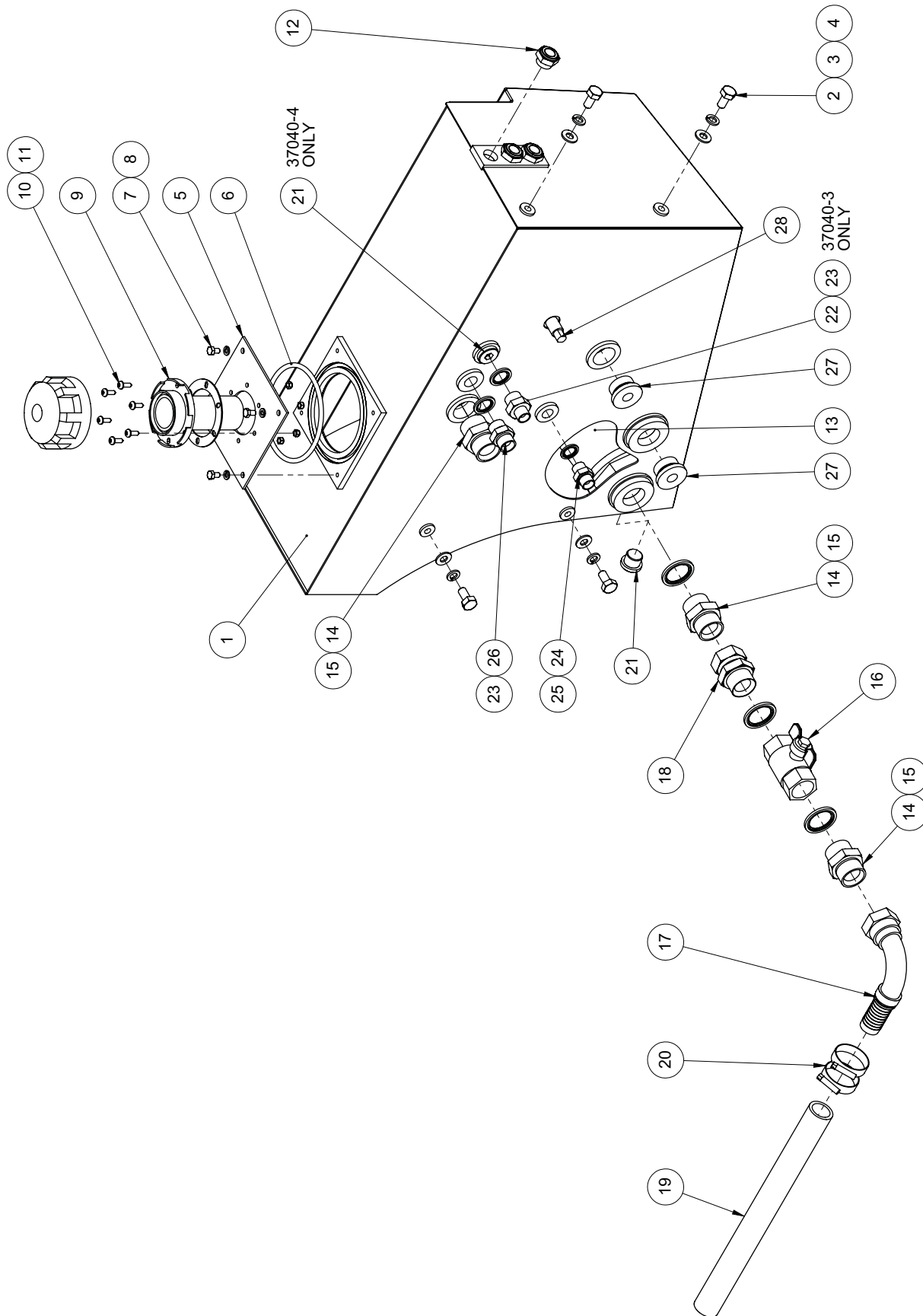
**Purge / Tow Valve Assembly - CN200**  
BoM - 37030/3



**Purge / Tow Valve Assembly - CN200**  
**BoM - 37030/3**

Item No.	Part No.	Description	Quantity
1	76773/1	Block-Purge Valve Transmission	2
2	124/134	Setscrew M8C x 16	2
3	460/10	Washer Spring Single Coil M8	2
4	665/18	Valve - Testpoint G1/4	2
5	263/3	Adaptor - M/M 3/8" BSP	2
6	265/2	Adaptor Reducing 1/4"x3/8" BSP	2
7	451/17	Washer - Dowty 1/4" BSP	4
8	451/18	Washer - Dowty 3/8" BSP (M16)	4
9	721211/1	Bracket-2nd Purge Block W/Assy	1
10	124/173	Setscrew M10C x 35	2
11	264/3	Adaptor - M/M Blk 3/8" BSP	2
12	455/14	Washer Plain Plated Steel M16	2
13	54/2	Plug - Collard G1/4" BSP	2
14	255/12	Tee - 3/8" BSP O/D M/F	2
15	252/4	Adaptor- 1/2"M - 3/8" F Swivel	1
<b>Spares Items Only</b>			
16	76773/2	Relief Cartridge	1
17	76773/3	Hot Oil Shuttle Cartridge	1
18	76773/4	Adjuster Assy	1

**Hydraulic Oil Tank Assembly**  
BoM - 37040/3 & /4

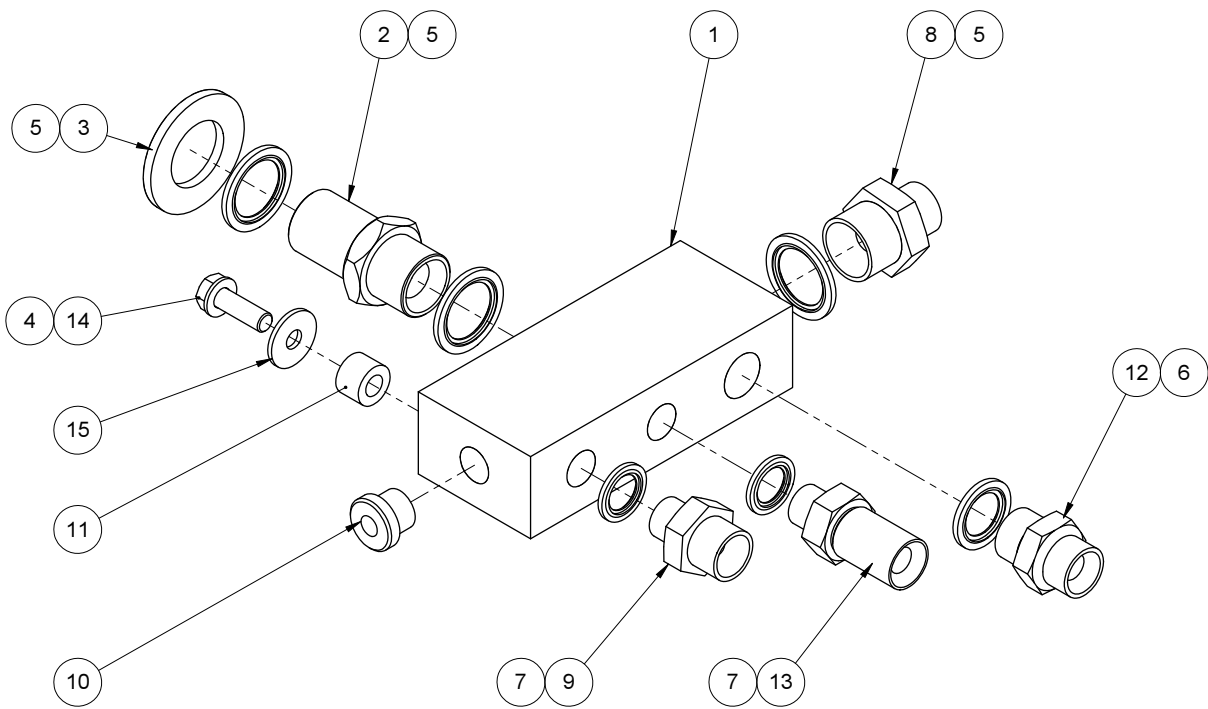




<b>Hydraulic Oil Tank Assembly</b> <b>BoM - 37040/3 &amp; /4</b>
---

Item No.	Part No.	Description	Sweeper	Washer
			37040-3 Quantity	37040-4 Quantity
1	722272-1	Tank - Hydraulic, W-Assy	1	1
2	124-167	Setscrew M10C x 20	4	4
3	460-11	Washer Spring Single Coil M10	4	4
4	455-11	Washer Plain Plated Steel M10	4	4
5	72611-1	Cover - Tank Filter	1	1
6	80-143	'O' Ring	1	1
7	124-99	Setscrew M6C x 10	4	4
8	460-8	Washer Spring Single Coil M6	4	4
9	69-5	Filler Cap & Strainer	1	1
10	181-3	Screw Pan Hd Pozidriv M5cx16	6	6
11	425-12	Nut Nyloc Hex MC M5	6	6
12	87-25	Oil Level Sight Plug 1-2" BSP	3	3
13	15411	Filter-Hydraulic Suction	1	1
14	263-7	Adaptor - M-M 1" BSP	3	3
15	451-22	Washer - Dowty 1" BSP	4	4
16	89-3	Ball Valve - Full Flow Type	1	1
17	277-99	Adaptor - Swept Elbow	1	1
18	267-7	Adaptor -1" M-F Swivel Nut	1	1
19	260-16	Hose - Hydraulic 1" Bore	1	1
20	501-11	Clip Hose Worm Drive 35-50mm	2	2
21	54-4	Plug - Collar G1-2" BSP	1	2
22	265-4	Adaptor Reducing 3-8"x1-2" BSP	1	-
23	451-19	Washer - Dowty 1-2" BSP	2	1
24	263-3	Adaptor - M-M 3-8" BSP	1	1
25	451-18	Washer - Dowty 3-8" BSP (M16)	1	1
26	263-4	Adaptor - M-M, 1-2" BSP	1	1
27	54-6	Plug - Collar,G1	2	2
28	740459-1	Switch - Float, Horizontal	1	1

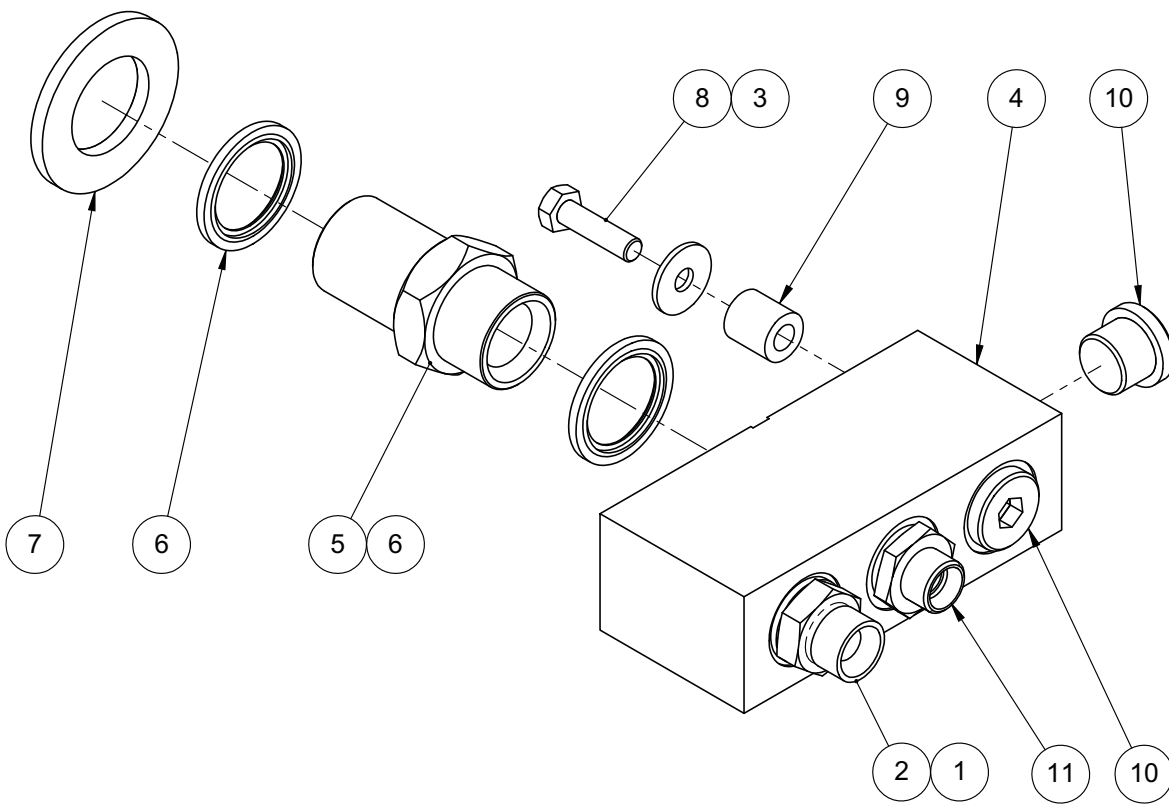
**MK1 Return Manifold Assembly  
(up to chassis no. 3068965)  
BoM: 37074-51**



**MK1 Return Manifold Assembly**  
**(up to chassis no. 3068965)**  
BoM: 37074-51

Item No.	Part No.	Description	Quantity
1	72557-1	Return Manifold	1
2	264-6	Adaptor - M/M Blk 3/4" BSP	1
3	455-19	Washer Plain Plated Steel M27	1
4	455-10	Washer Plain Plated Steel M8	1
5	451-21	Washer - Dowty 3/4" BSP	3
6	451-19	Washer - Dowty 1/2" BSP	1
7	451-18	Washer - Dowty 3/8" BSP	2
8	265-7	Adaptor Reducing 1/2"x3/4" BSP	1
9	265-4	Adaptor Reducing 3/8"x1/2" BSP	1
10	54-3	Plug - Collard G3/8" BSP	1
11	71277-2	Spacer 12mm	1
12	263-4	Adaptor - M/M 1/2" BSP	1
13	251-4	Adaptor - Bulkhead, G3/8 x G1/2	1
14	124-137	Setscrew M8 x 25	1
15	457-4	Washer Plain Steel M8 Form G	1

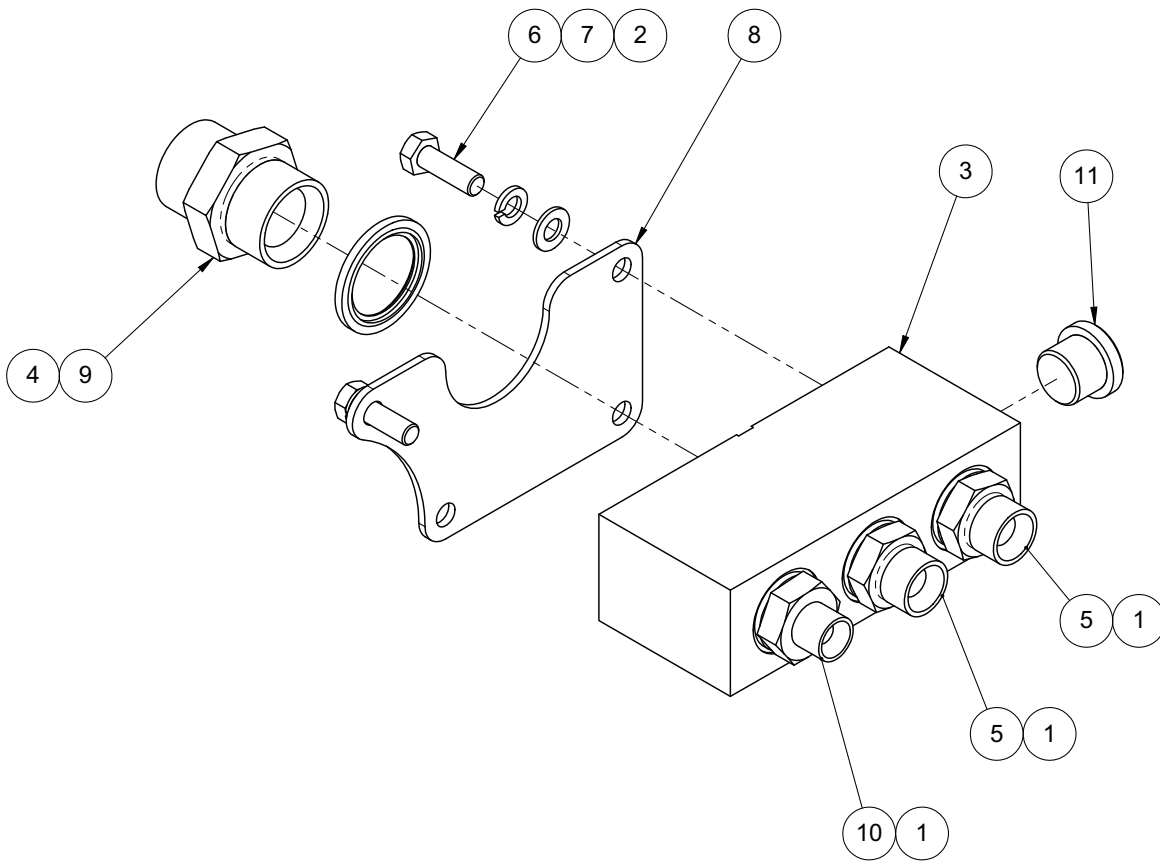
**MK2 Return Manifold Assembly (Euro 4 & 5)  
(from chassis no. 3068966 onwards)  
BoM: 37074-52**



**MK2 Return Manifold Assembly (Euro 4 & 5)**  
**(from chassis no. 3068966 onwards)**  
BoM: 37074-52

Item No.	Part No.	Description	Quantity
1	451-19	Washer - Dowty 1/2" BSP	1
2	263-4	Adaptor - M/M 1/2" BSP	1
3	457-4	Washer Plain Steel M8 Form G	1
4	722743-1	Manifold - Return	1
5	264-7	Adaptor - Bulkhead, M/M 1"BSP	1
6	451-22	Washer - Dowty, 1"BSP	2
7	455-21	Washer - Plain, M33	1
8	124-139	Setscrew - M8C x 30	1
9	71277-3	Spacer	1
10	54-4	Plug - Collar, G1/2	2
11	09570131-0	Stud Coupling - Male, G1/2" x M18 x 1.5	1

**MK2 Return Manifold Assembly (CW200 & Tier 3)  
(from chassis no. 3068966 onwards)  
BoM: 37074-53**



**MK2 Return Manifold Assembly (CW200 & Tier 3)  
(from chassis no. 3068966 onwards)  
BoM: 37074-53**

<b>Item No.</b>	<b>Part No.</b>	<b>Description</b>	<b>Quantity</b>
1	451-19	Washer - Dowty 1/2" BSP	3
2	455-10	Washer Plain Plated Steel M8	2
3	722743-1	Manifold - Return	1
4	451-22	Washer - Dowty, 1"BSP	1
5	263-4	Adaptor - M/M 1/2" BSP	2
6	124-137	Setscrew - M8C x 25	2
7	460-10	Washer - Spring, M8	2
8	722790-1	Mount - Manifold	1
9	263-7	Adaptor - M/M, 1"BSP	1
10	265-4	Adaptor - Reducing, 3/8" x 1/2"	1
11	54-4	Plug - Collar, G1/2	1





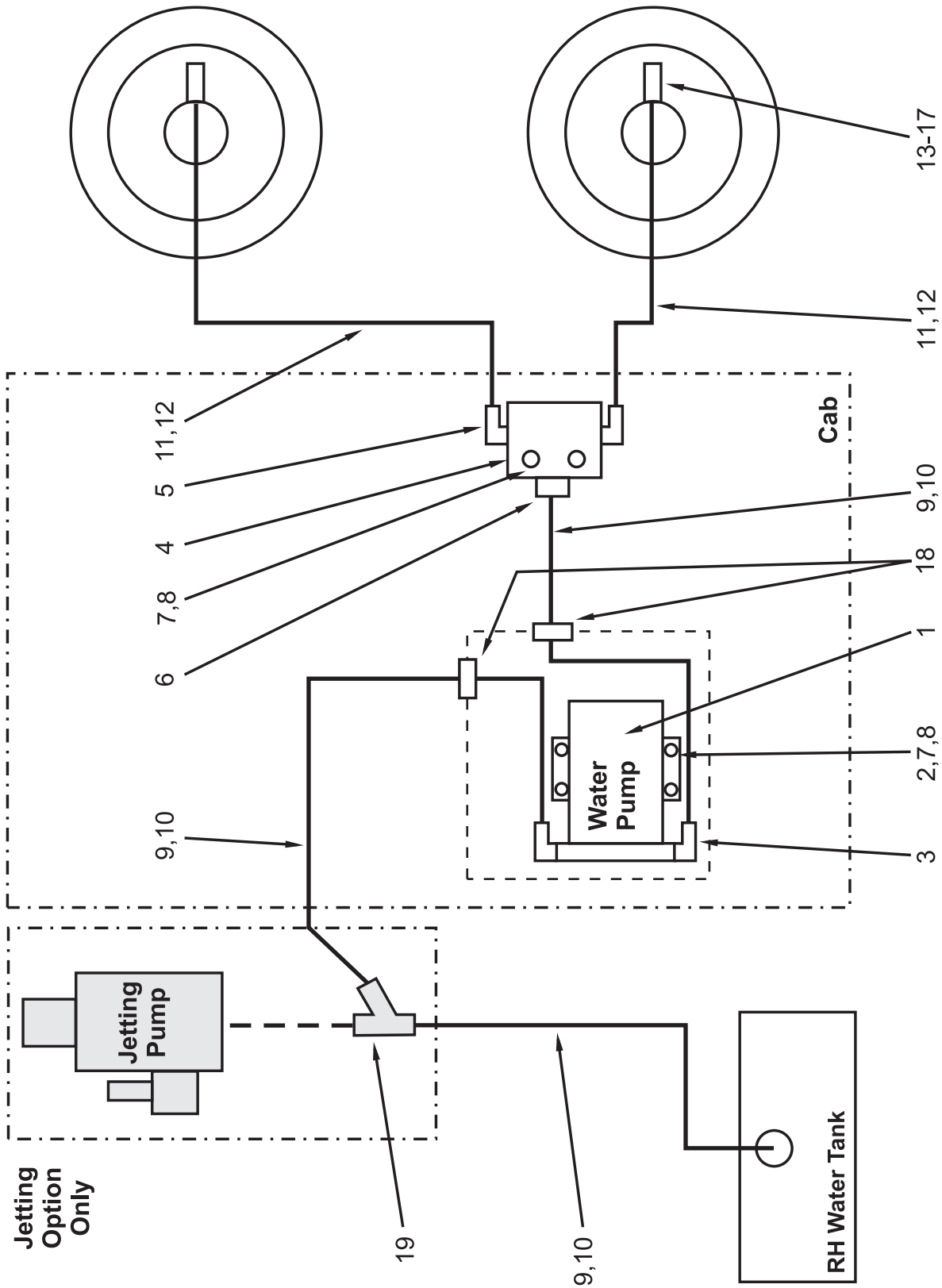
## CHAPTER

## 8

**Water System****Table of Contents**

<b>Section</b>	<b>Page</b>
Lost Water Pump Circuit	8 : 2
Side Water Tank Assembly (Euro 4/Tier 3)	8 : 4
Side Water Tank Assembly (Euro 5/Tier 3)	8 : 6
MK1 Recirculating Water Tank Assembly	8 : 8
MK2 Recirculating Water Tank Assembly (Euro 4/Tier 3)	8 : 10
Recirculating Water Tank Assembly (Euro 5/Tier 3)	8 : 12
MK1 Oil Cooler Assembly	8 : 14
MK2 Oil Cooler Assembly (Euro 4/Tier 3)	8 : 16
Oil Cooler Assembly (Euro 5/Tier 3)	8 : 18
Recirculating Water Pump Assembly (Euro 4/Tier 3)	8 : 20
Recirculating Water Pump Assembly (Euro 5/Tier 3)	8 : 22

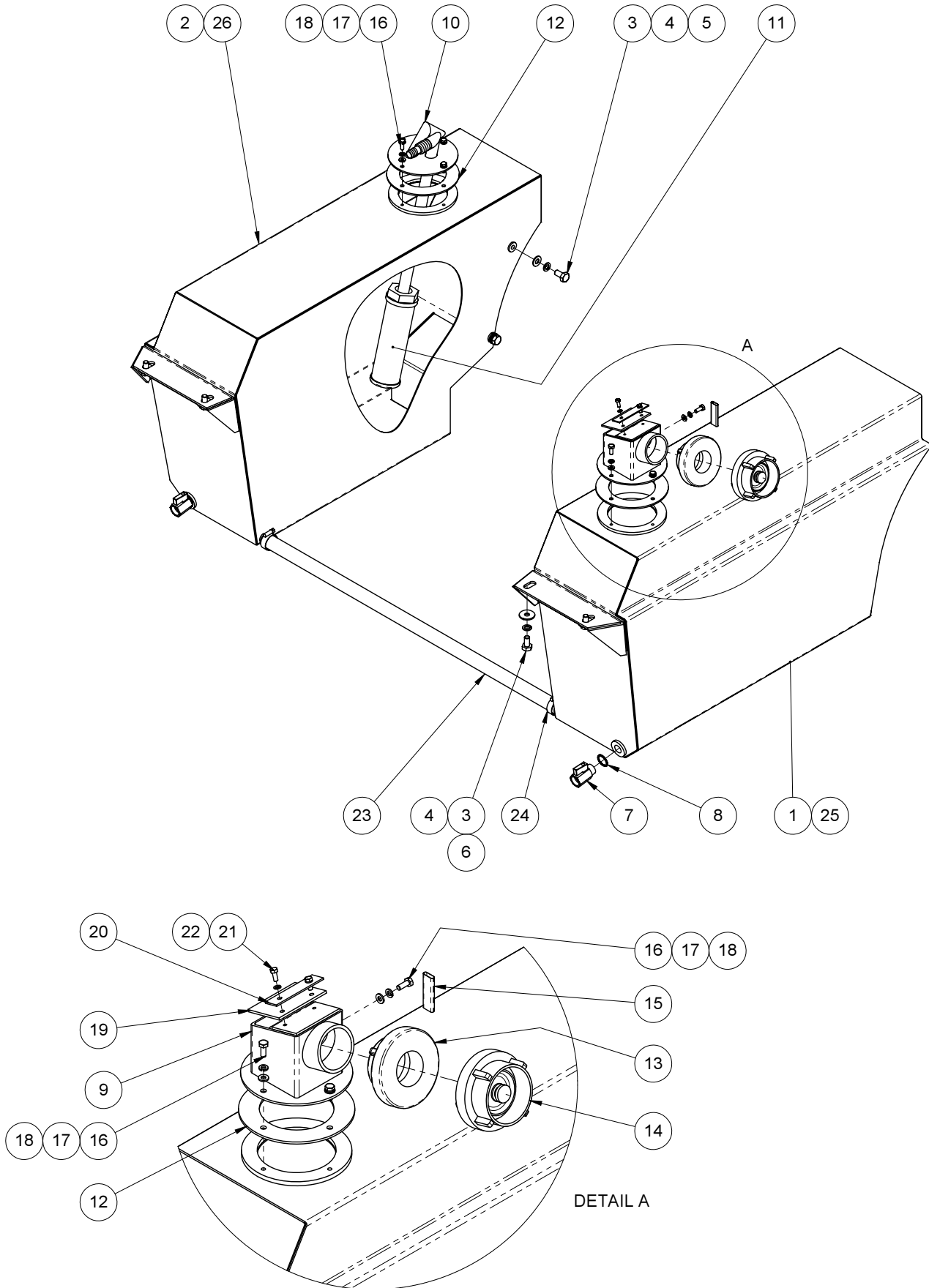
**Lost Water Pump Circuit**  
BoM: 37050-2 & 37045-51



<b>Lost Water Pump Circuit</b> <b>BoM: 37050-2 &amp; 37045-51</b>
--

Item No.	Part No.	Description	37050/2 Quantity	37050/2 & 37045/51 Quantity
1	223-3	Pump-Water	1	1
2	457-1	Washer Plain Steel M5 Form G	4	4
3	68-10	Elbow Swivel 90 Deg. 1/2" Bore	2	2
4	72607-1	Manifold - 3 Way Block	1	1
5	231-1	Hose Elbow G1/4x3/8	2	2
6	231-7	Hose Barb R1/4 x 1/2"	1	1
7	124-79	Setscrew M5C x 40	6	6
8	425-12	Nut Nyloc Hex MC M5	6	6
9	273-1	Tube-PVC 1/2" Bore Sngle Braid	1.9M	1.9M
10	501-2	Clip Hose Worm Drive 14-22mm	4	8
11	39444	Hose - Black Plastic 3/8" Bore	5.10M	5.10M
12	501-1	Clip Hose Worm Drive 11-16mm	4	4
13	21-10	Nozzle - Flood Jet 0.75	4	4
14	224-5	Filter - Water Jet	4	4
15	73040-1	Nozzle - Swivel D/Assy	2	2
16	410-11	Nut - Lock 1/4 BSP	2	2
17	282214-1	Adaptor-Channel Brush Hose 295	2	2
18	287-60	Grommet - open O/D=31.8 I/D=19.0	2	2
19	72399-1	Y Piece	-	1

**Side Water Tank Assembly (Euro 4/Tier 3)**  
BoM: 37049-1 & -2

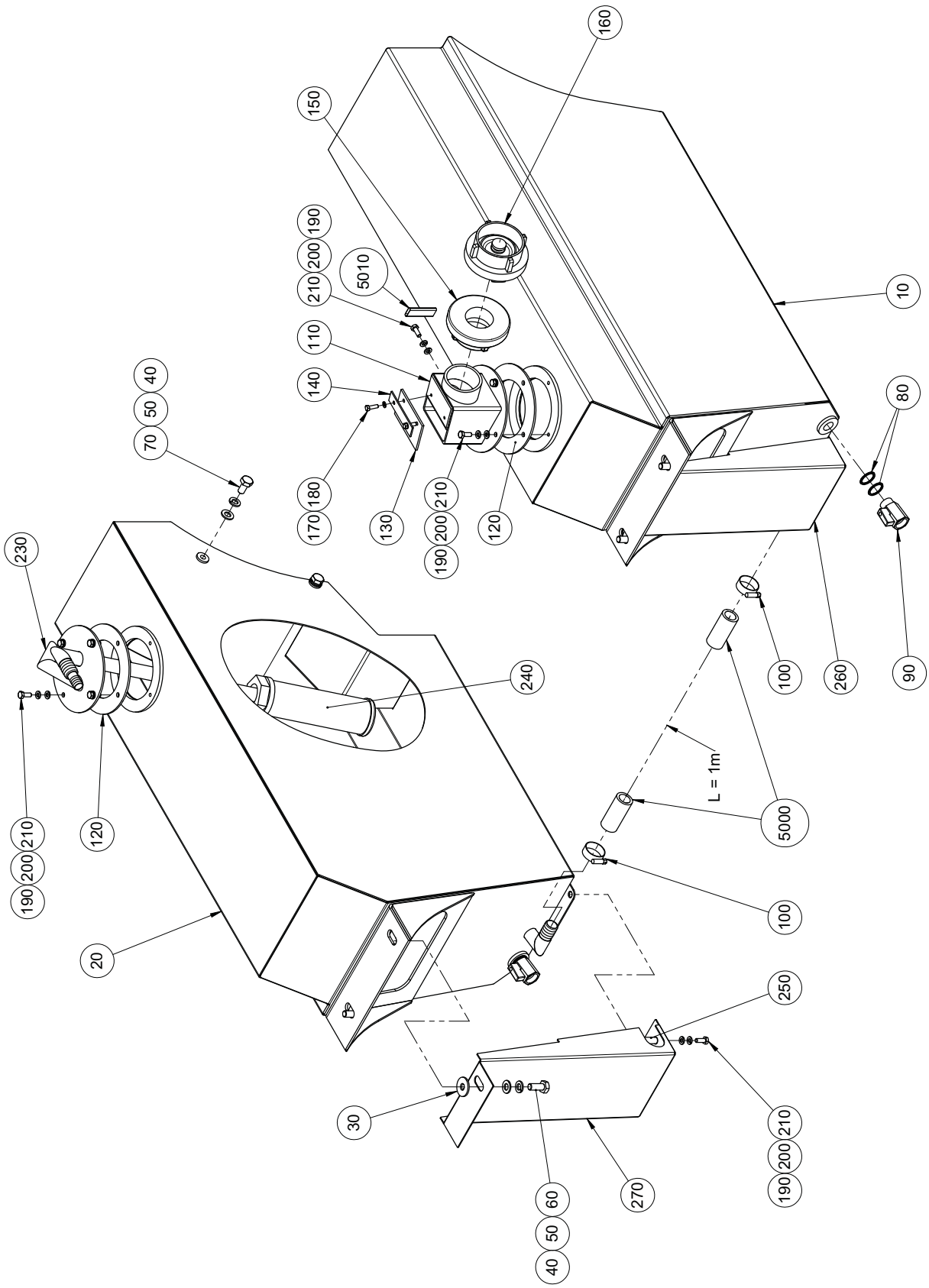


## Side Water Tank Assembly (Euro 4/Tier 3)

BoM: 37049-1 &amp; -2

Item No.	Part No.	Description	Galvatite 37049/1 Quantity	St. Stl. 37049/2 Quantity
1	720065-1	Water Tank - LH	1	-
2	720066-1	Water Tank - RH	1	-
3	124-167	Setscrew M10C x 20	8	8
4	460-11	Washer Spring Single Coil M10	8	8
5	455-11	Washer Plain Plated Steel M10	6	6
6	457-5	Washer - Plain, M10 Form G	4	4
7	70905-1	Valve - Ball	2	2
8	452-16	Washer - Copper 1/2" BSP Rolled	6	6
9	70368-1	Pipe - Filler W/A	1	1
10	76075-1	Suction Pipe, W/Assy	1	1
11	224-13	Element - Water Filter	1	1
12	70938-1	Gasket - Rubber	2	2
13	667-1	Coupling - Stortz	1	1
14	667-2	Cap - Stortz	1	1
15	32-15	Sleeving - PVC 12mm	0.18M	0.18M
16	124-102	Setscrew M6C x 16	9	9
17	460-8	Washer Spring Single Coil M6	9	9
18	455-8	Washer Plain Plated Steel M6	9	9
19	70940-1	Flap - Rubber	1	1
20	70941-1	Clamp - Flap	1	1
21	124-68	Setscrew M5C x 12 BS3692	2	2
22	460-7	Washer Spring Single Coil M5	2	2
23	15184	3/4" I/D Clear Griflex Hose	0.8M	0.8M
24	501-3	Clip Hose Worm Drive 22-30mm	2	2
25	720065-2	Tank - Water LH W/A Stainless	-	1
26	720066-2	Tank - Water RH W/A Stainless	-	1

**Side Water Tank Assembly (Euro 5/Tier 3)**  
**BoM: 37049-3 & -4**

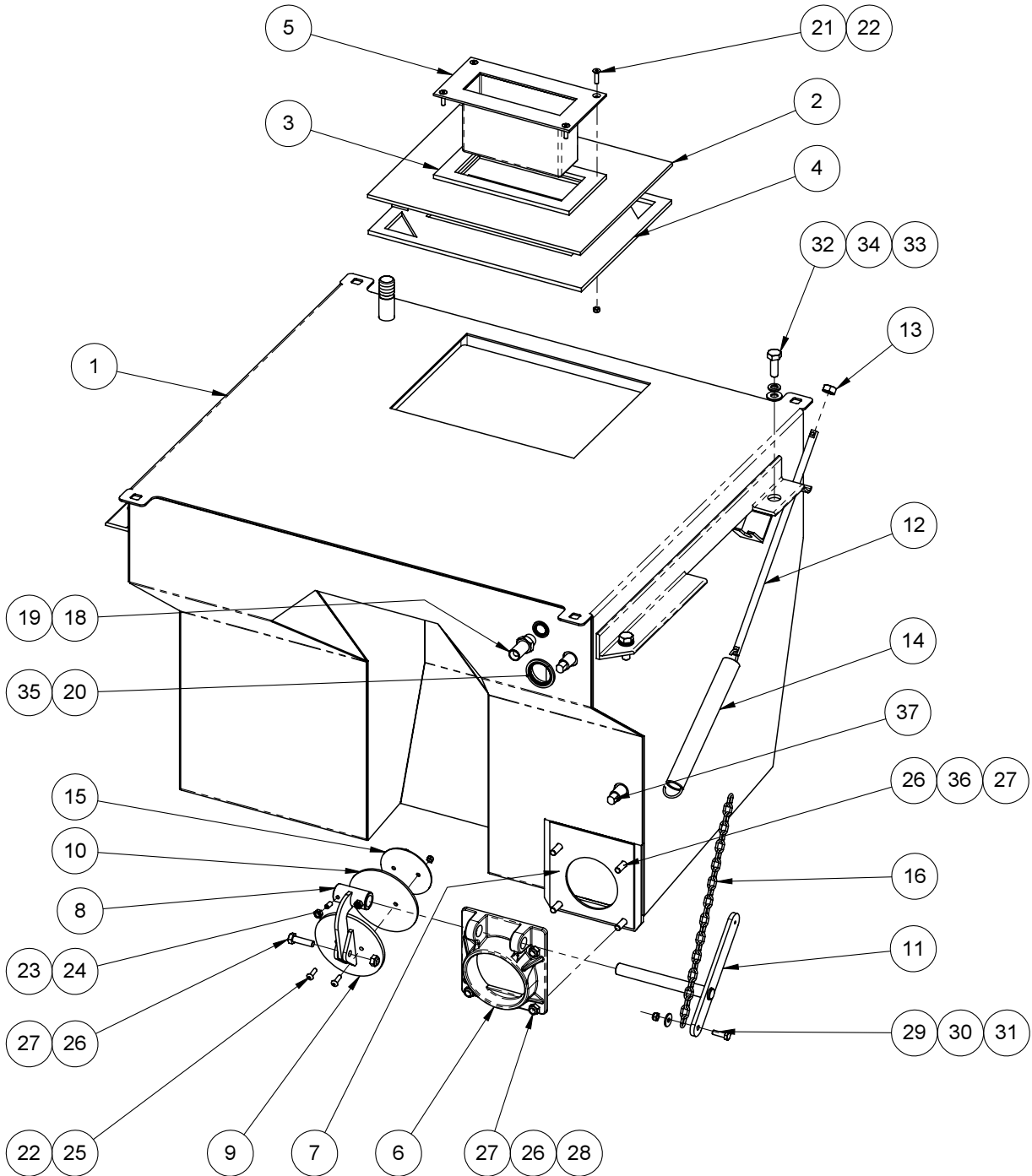


## Side Water Tank Assembly (Euro 5/Tier 3)

BoM: 37049-3 &amp; -4

Item No.	Part No.	Description	37049-3 Cromweld Quantity	37049-4 St. Steel Quantity
10	7007733	Water tank Left	1	-
	7007761	Water tank Left 1.4401	-	1
20	7007734	Water tank Right	1	-
	7007763	Water tank Right 1.4401	-	1
30	93300510-0	Plain Large Washer M10	4	4
40	93212012-0	Plain Washer M10	8	8
50	93699711-0	Spring Washer - Plated M10	8	8
60	92097412-0	Hex Head Screw M10Cx25 8.8	4	4
70	92097410-0	Hex Head Screw M10Cx20 8.8	4	4
80	452-16	Washer-Copper 21/25.4x1.75	4	4
90	70905-1	Valve - Ball	2	2
100	501-3	Clip Hose Worm Drive 22-30mm	2	2
110	70368-1	Pipe - Filler W/Assy	1	1
120	70938-1	Gasket - Rubber	2	2
130	70940-1	Flap - Rubber	1	1
140	70941-1	Clamp - Flap	1	1
150	667-1	Coupling - Stortz	1	1
160	667-2	Cap - Stortz	1	1
170	93699707-0	Spring Washer - Plated M5	2	2
180	92097263-0	Hex Head Screw M5Cx16 8.8	2	2
190	93212009-0	Plain Washer M6	13	13
200	93699708-0	Spring Washer - Plated M6	13	13
210	92097299-0	Hex Head Screw M6Cx16 8.8	13	13
230	76075-1	Suction Pipe, W/Assy	1	1
240	224-13	Element - Water Filter	1	1
250	433-130	Insert - M6, 0.7 to 4.2	4	4
260	7007759	Cover	1	1
270	7007790	Cover Right	1	1
5000	15184	Hose - Griflex, Clear 3/4" I/D	1M	1M
5010	32-15	Sleeving - PVC 12mm	0.18M	0.18M

**MK1 Recirculating Water Tank Assembly  
(up to chassis no. 3068965)  
BoM: 37063-1**

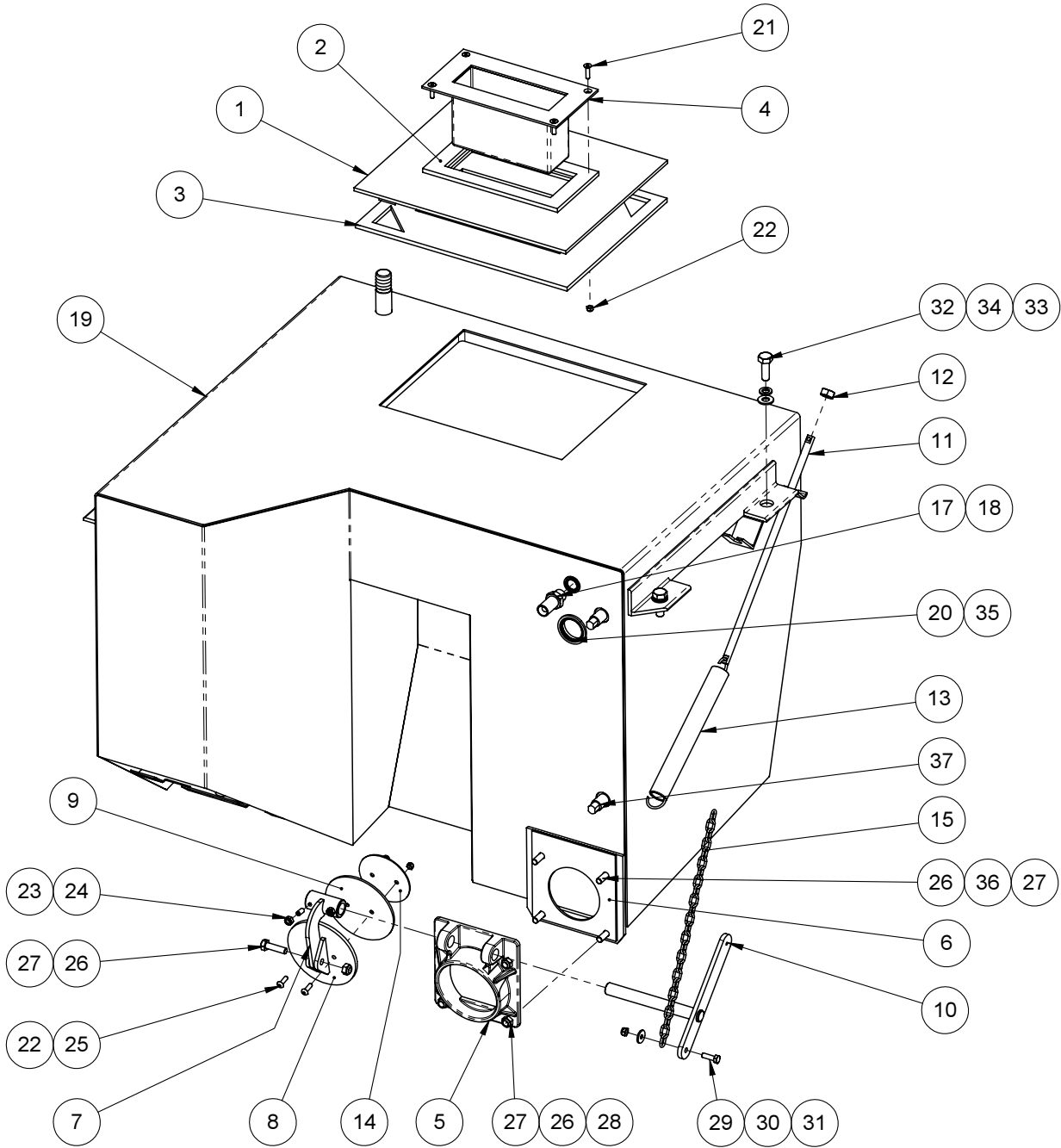




**MK1 Recirculating Water Tank Assembly**  
**(up to chassis no. 3068965)**  
 BoM: 37063-1

Item No.	Part No.	Description	Quantity
1	70841-2	Tank - Water Recirc. Galvanise	1
2	76514-1	Cover - Tank, Recirc. W/Assy	1
3	76557-1	Seal - Filter, Tank	1
4	70901-1	Seal - Tank Cover	1
5	74210-1	Filter - Water Tank	1
6	721051-1	Bracket - Dump Valve	1
7	72205-1	Gasket - Valve Dump	1
8	70134-1-B	Lever - W/Assy	1
9	70133-1	Valve - Dump	1
10	70124-1-B	Disc - Sealing	1
11	70135-1	Lever - W/Assy	1
12	70196-1-A	Rod - Spring	1
13	420-15	Nut MC Hex M10	1
14	286-5	Spring - Tension	1
15	70199-1-A	Plate - Keep	1
16	284-5	Chain - Galvanised 4mm x 19mm	0.3M
18	264-3	Adaptor M/M Blk 3/8" BSP	1
19	451-18	Washer - Dowty 3/8" BSP	1
20	451-22	Washer - Dowty 1" BSP	1
21	131-65	Screw - CSK Skt Hd, M5C x 20	4
22	425-12	Nut - Nyloc, M5C	6
23	135-227	Grubscrew - Flat Point M6Cx12	2
24	420-13	Nut MC Hex M6	2
25	138-64	Screw - Skt Btn Hd, M5C x 16	2
26	124-139	Setscrew - M8C x 30	5
27	425-14	Nut Nyloc Hex MC M8	5
28	455-10	Washer - Plain, M10	2
29	124-103	Setscrew M6C x 20	1
30	457-2	Washer Plain Steel M6 Form G	1
31	425-13	Nut Nyloc Hex MC M6	1
32	124-171	Setscrew M10C x 30	4
33	455-11	Washer Plain Plated Steel M10	4
34	460-11	Washer Spring Single Coil M10	4
35	455-21	Washer - Plain, M33	1
36	457-4	Washer Plain Steel M8 Form G	2
37	740459-1	Switch - Float, Horizontal	2

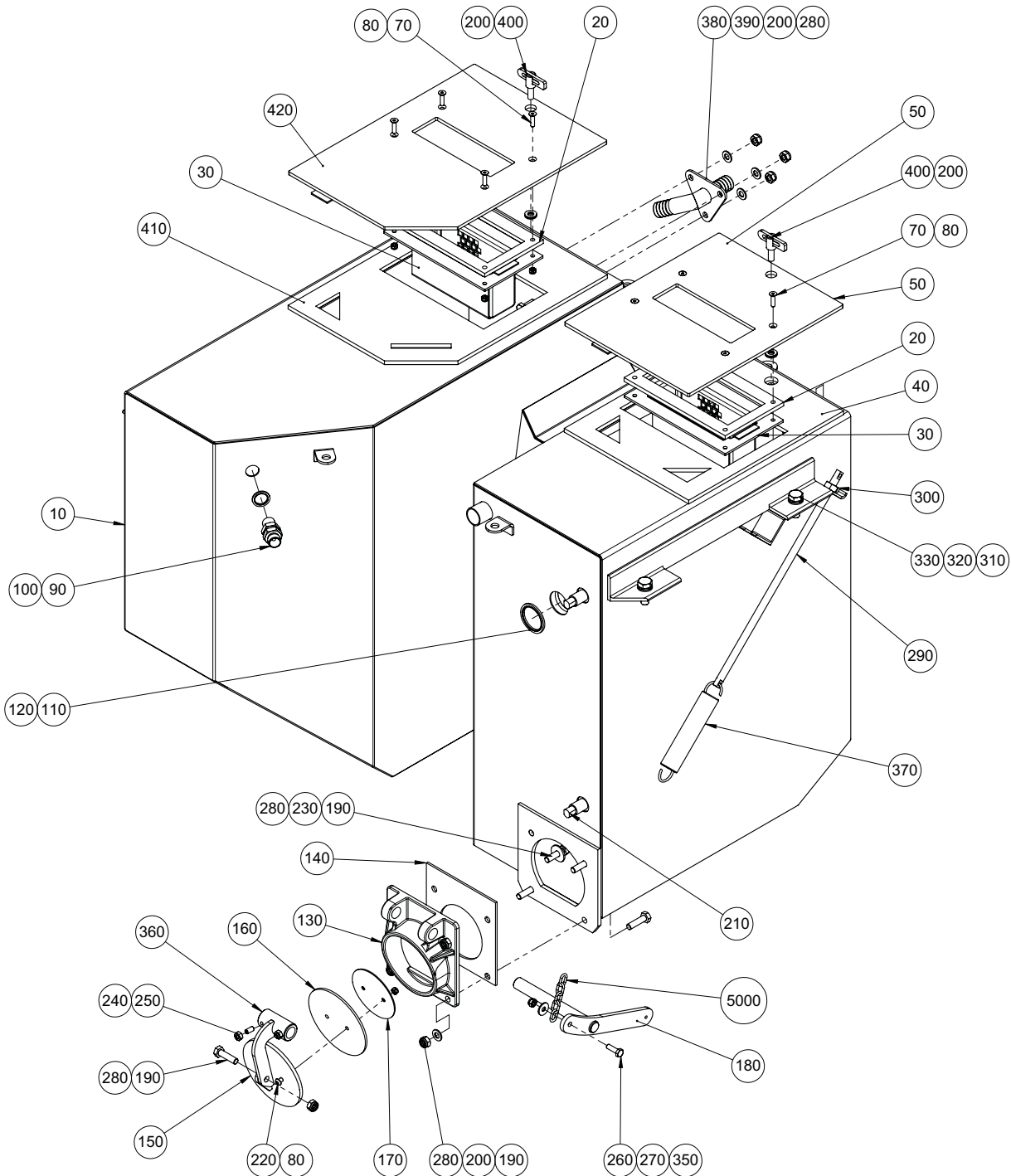
**MK2 Recirculating Water Tank Assembly (Euro 4/Tier 3)  
(from chassis no. 3068696 onwards)  
BoM: 37063-51**



**MK2 Recirculating Water Tank Assembly (Euro 4/Tier 3)**  
**(from chassis no. 3068696 onwards)**  
 BoM: 37063-51

Item No.	Part No.	Description	Quantity
1	76514-1	Cover - Tank, Recirc. W/Assy	1
2	76557-1	Seal - Filter, Tank	1
3	70901-1	Seal - Tank Cover	1
4	74210-1	Filter - Water Tank	1
5	721051-1	Bracket - Dump Valve	1
6	72205-1	Gasket - Valve Dump	1
7	70134-1-B	Lever - W/Assy	1
8	70133-1	Valve - Dump	1
9	70124-1-B	Disc - Sealing	1
10	70135-1	Lever - W/Assy	1
11	70196-1-A	Rod - Spring	1
12	420-15	Nut MC Hex M10	1
13	286-5	Spring - Tension	1
14	70199-1-A	Plate - Keep	1
15	284-5	Chain - Galvanised 4mm x 19mm	0.3M
17	264-3	Adaptor-Blk M/M + Nut 3/8" BSP	1
18	451-18	Washer - Dowty 3/8" BSP (M16)	1
19	722575-1	Tank - Recirculating, W/Assy	1
20	451-22	Washer - Dowty 1" BSP	1
21	131-65	Screw MC Csk Skt Hd M5x20	4
22	425-12	Nut Nyloc Hex MC M5	6
23	135-227	Grubscrew - Flat Point M6Cx12	2
24	420-13	Nut MC Hex M6	2
25	138-64	Screw - Skt Button Hd M5cx16	2
26	124-139	Setscrew M8C x 30	5
27	425-14	Nut Nyloc Hex MC M8	5
28	455-10	Washer Plain Plated Steel M8	2
29	124-103	Setscrew M6C x 20	1
30	457-2	Washer Plain Steel M6 Form G	1
31	425-13	Nut Nyloc Hex MC M6	1
32	124-171	Setscrew M10C x 30	4
33	455-11	Washer Plain Plated Steel M10	4
34	460-11	Washer Spring Single Coil M10	4
35	455-21	Washer Plain Plated Steel M33	1
36	457-4	Washer - Plain, M8 Form G	2
37	740459-1	Switch - Float, Horizontal	2

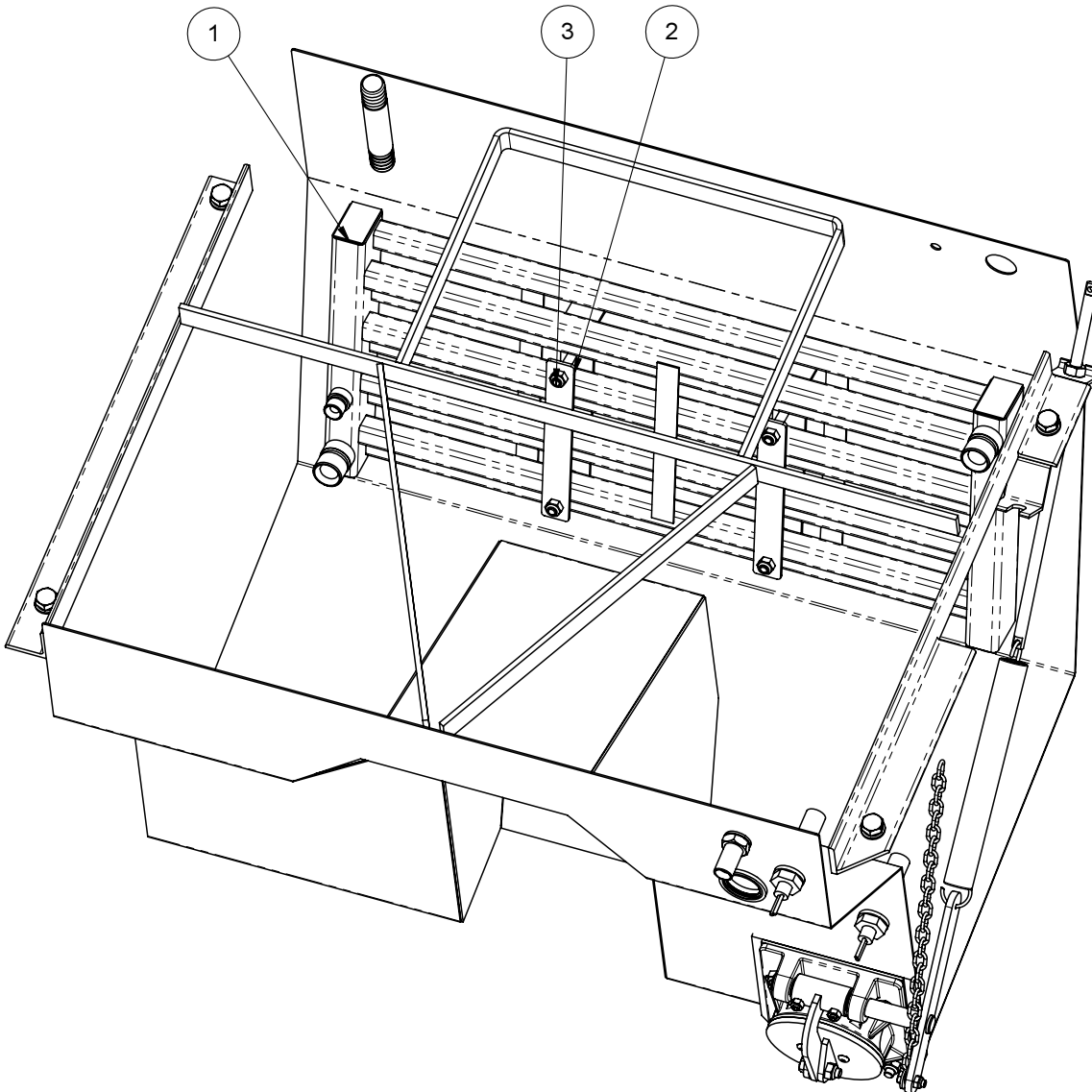
**Recirculating Water Tank Assembly (Euro 5/Tier 3)**  
**BoM: 37063-52**



**Recirculating Water Tank Assembly (Euro 5/Tier 3)**  
**BoM: 37063-52**

Item No.	Part No.	Description	Quantity
10	7005967	Water tank Weld assembly	1
20	7009093	Seal Inside	2
30	7009079	Filter Weld assembly	2
40	7012562	Seal - Cover RH	1
50	7012549	Cover - W/Assy RH	1
70	92153034-0	Hex Socket CSK Screw M5Cx20 10.9	8
80	93085003-0	Nyloc Hex Nut M5C - 8	10
90	264-3	Adaptor-Bulkhead BSP M/M 3/8"	1
100	451-18	Washer Bonded G3-8"	1
110	451-22	Washer Bonded G1"	1
120	93212023-0	Plain Washer M33	1
130	721051-1	Bracket - Dump Valve	1
140	72205-1	Gasket - Valve Dump	1
150	70133-1	Valve - Dump W/Assy	1
160	70124-1-B	Disc - Sealing	1
170	70199-1-A	Plate - Keep	1
180	70135-1	Lever - W/Assy	1
190	92097378-0	Hex Head Screw M8Cx30 8.8	5
200	93212011-0	Plain Washer M8	9
210	740459-1	Switch-Float, Horizontal. Assy	2
220	92330009-0	Hex Skt Button Head Screw M5x16 - 10.9	2
230	93300509-0	Plain Large Washer M8	5
240	135-227	Grubscrew - Flat Point M6Cx12	2
250	93056012-0	Hex Nut M6C-8	2
260	92097301-0	Hex Head Screw M6Cx20 8.8	1
270	93300507-0	Plain Large Washer M6	1
280	93085005-0	Nyloc Hex Thin Nut M8C - 8	8
290	70196-1-A	Rod - Spring	1
300	93056015-0	Hex Nut M10C-8	1
310	93212012-0	Plain Washer M10	4
320	93699711-0	SPRING WASHER - PLATED M10	4
330	92097414-0	Hex Head Screw M10Cx30 8.8	4
350	93085004-0	Nyloc Hex Nut M6C - 8	1
360	70134-1-B	Lever - W/Assy	1
370	286-5	Spring - Tension	1
380	7007641	Hose Connector 3/4"	1
390	92097374-0	Hex Head Screw M8Cx20 8.8	3
400	60-15	Pin - Antiluce, Baby	2
410	7012568	Seal - Cover LH	1
420	7012548	Cover - W/Assy LH	1
5000	284-5	Chain - Galvanised 4mm x 19mm	0.3M

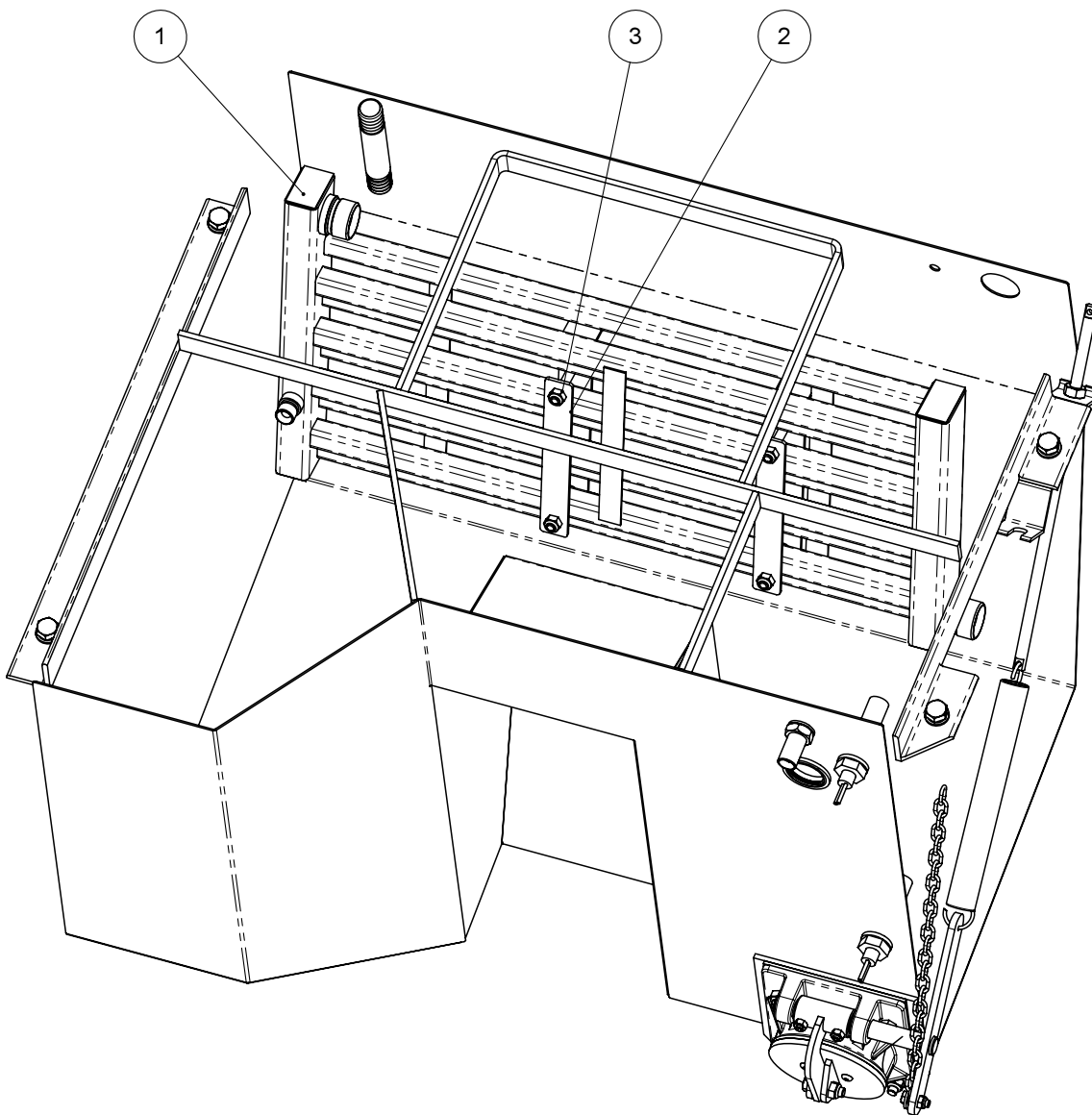
**MK1 Oil Cooler Assembly  
(up to chassis no. 3068965)  
BoM: 37064-1**



**MK1 Oil Cooler Assembly  
(up to chassis no. 3068965)  
BoM: 37064-1**

<b>Item No.</b>	<b>Part No.</b>	<b>Description</b>	<b>Quantity</b>
1	70890-1	Cooler - Hydraulic Oil	1
2	70892-1	Plate - Clamp	2
3	417-8	Nut - Nyloc, M8 S/S	4

**MK2 Oil Cooler Assembly (Euro 4/Tier 3)**  
**(from chassis no. 3068966 onwards)**  
BoM: 37064-51

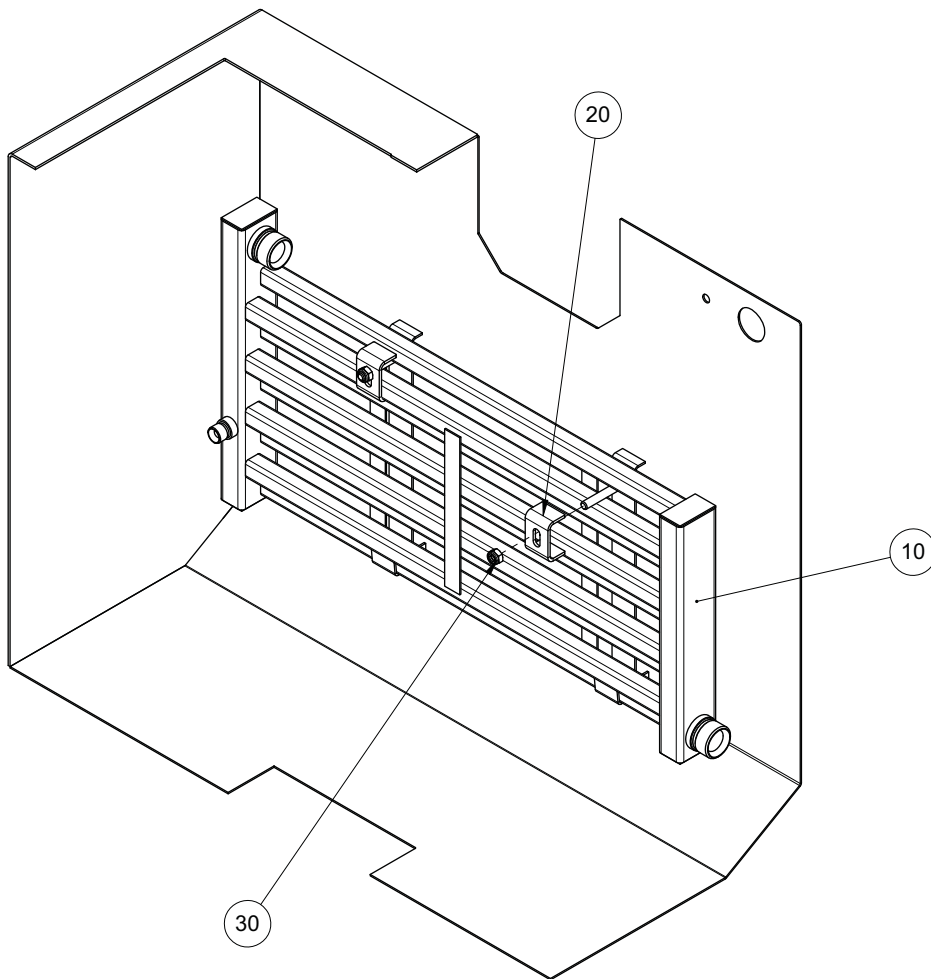




**MK2 Oil Cooler Assembly (Euro 4/Tier 3)  
(from chassis no. 3068966 onwards)  
BoM: 37064-51**

<b>Item No.</b>	<b>Part No.</b>	<b>Description</b>	<b>Quantity</b>
1	722643-1	Cooler - Hydraulic Oil	1
2	70892-1	Plate - Clamp	2
3	417-8	Nut - Nyloc, M8 S/S	4

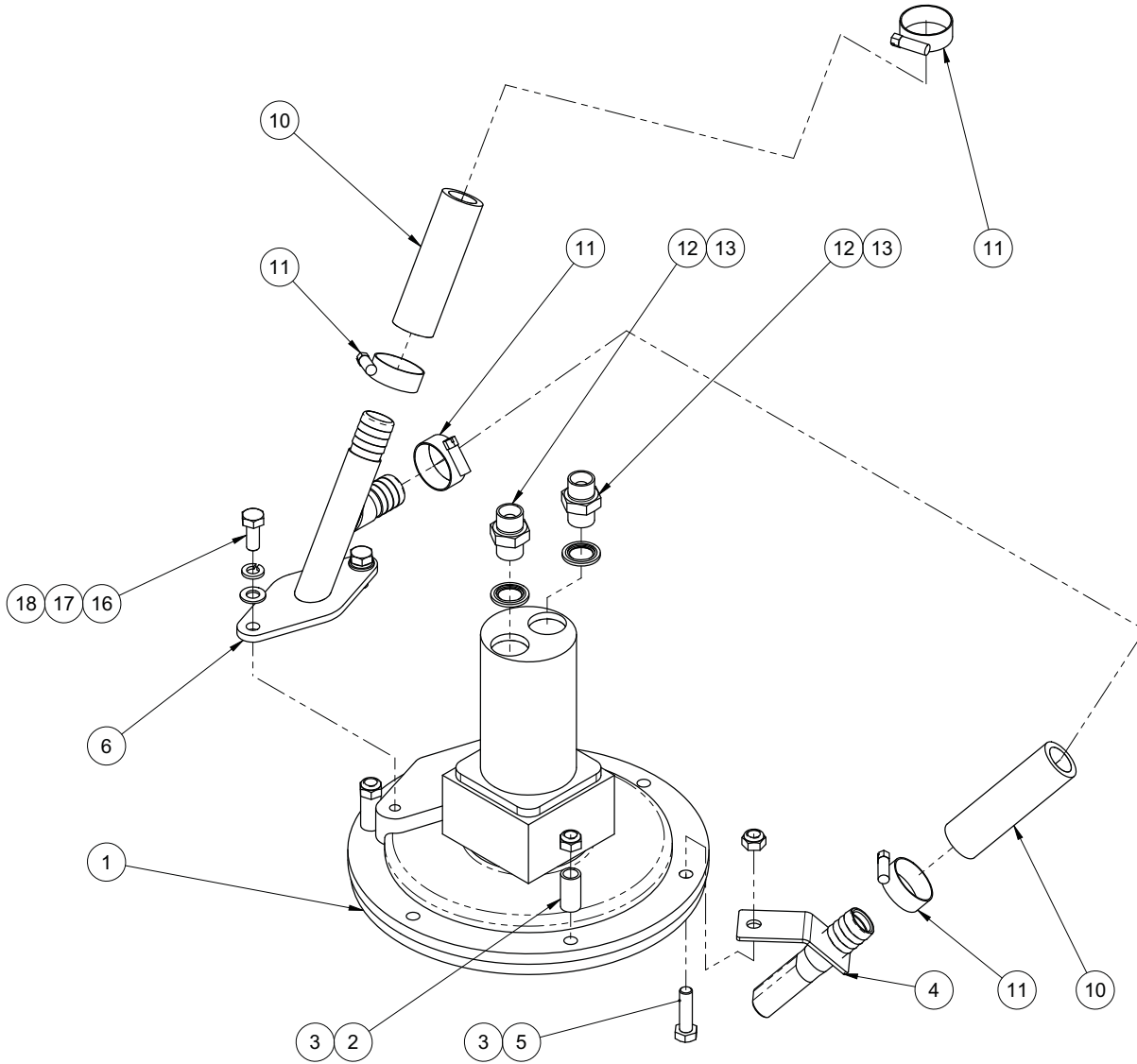
**Oil Cooler Assembly (Euro 5/Tier 3)**  
BoM: 37064-52



**Oil Cooler Assembly (Euro 5/Tier 3)  
BoM: 37064-52**

<b>Item No.</b>	<b>Part No.</b>	<b>Description</b>	<b>Quantity</b>
10	722643-1	Cooler - Oil, C200 W/Assy	1
20	7005155	Clamp	2
30	93085605-0	Nyloc Hex Nut - M8c - 8	2

**Recirculating Water Pump Assembly (Euro 4/Tier 3)**  
BoM: 37065-1



## Recirculating Water Pump Assembly (Euro 4/Tier 3)

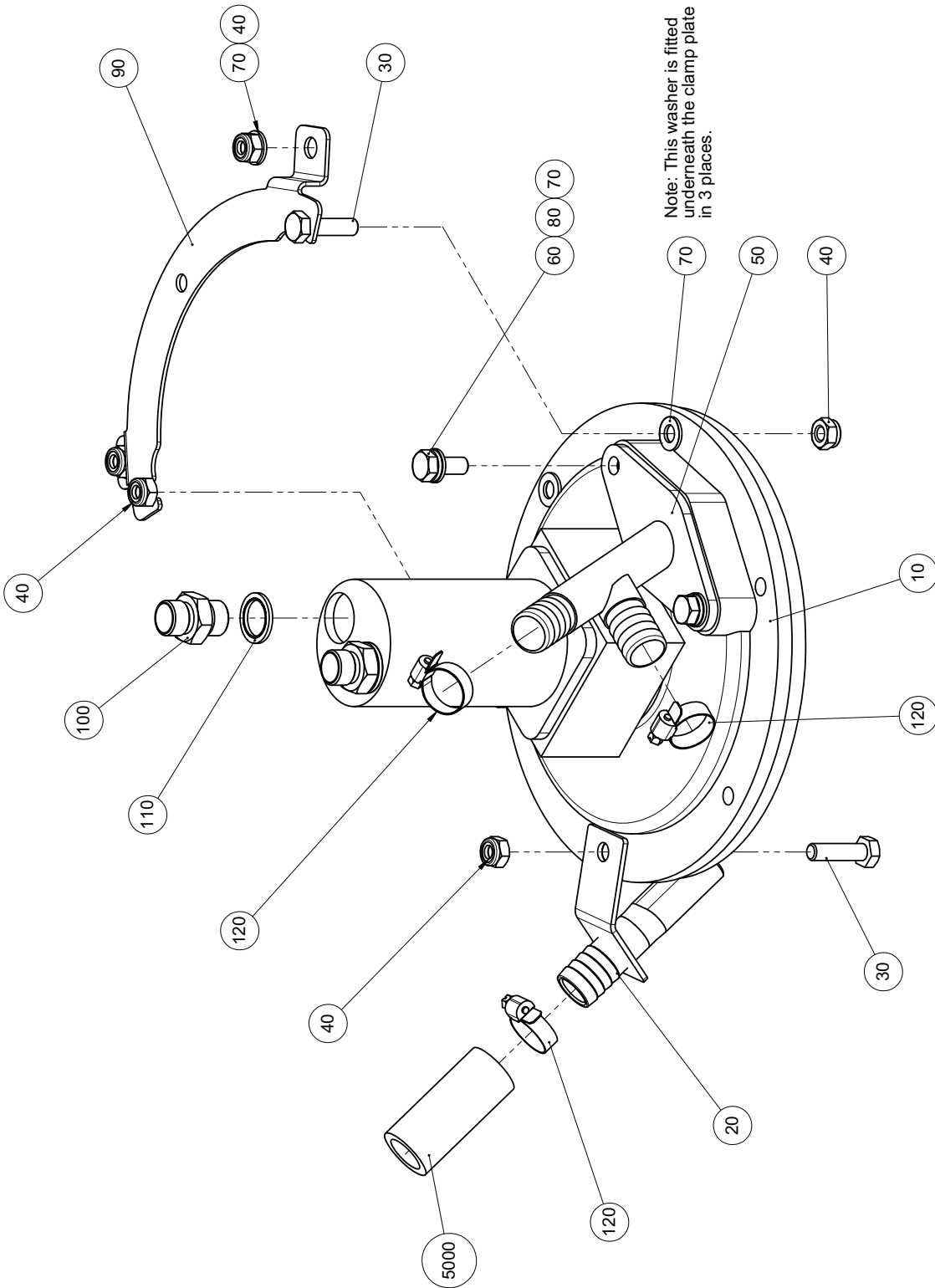
BoM: 37065-1

Item No.	Part No.	Description	Quantity
1	720399-1	Pump - Recirculating Water	1
2	70893-1	Spacer	2
3	417-8	Nut - Nyloc, M8C St.Stl.	3
4	72159-1	Hose - Anchor	1
5	118-139	Setscrew - M8C x 30	1
6	70064-1-A	Nozzle - Pump	1
10	15184	3/4" I/D Clear Griflex Hose	0.9M
11	501-3	Clip Hose Worm Drive 22-30mm	4
12	263-3	Adaptor - M/M 3/8" BSP	1
13	451-18	Washer - Dowty 3/8" BSP	1
16	124-135	Setscrew M8C x 20	2
17	460-10	Washer Spring Single Coil M8	2
18	455-10	Washer - Plain, M8	2

**Spares Only Items****Item 1 comprises;**

810-26	Impellor Repair Kit	1
810-162	Kit - Seal, Water Pump & Motor	1
810-163	Kit - Seal, Motor	1
810-157	Motor - Hydraulic (for 720399/1)	1
810-171	Pump - Water (for 720399/1)	1

**Recirculating Water Pump Assembly (Euro 5/Tier 3)**  
**BoM: 37065-2**



## Recirculating Water Pump Assembly (Euro 5/Tier 3)

BoM: 37065-2

Item No.	Part No.	Description	Quantity
10	720399-1	Pump - Recirculating Water	1
20	72159-1	Hose - Anchor	1
30	92099377-0	Hex Head Screw M8Cx30 A2	3
40	93085605-0	Nyloc Hex Nut - M8c - 8	5
50	70064-1-A	Nozzle - Pump	1
60	92099373-0	Hex Head Screw M8Cx20 A2	2
70	93213010-0	Plain Washer M8 A2	7
80	93700210-0	Spring Washer M8 - A2	2
90	7008607	Clamp	1
100	263-3	Adaptor M/M 3/8" BSP	2
110	451-18	Washer Bonded G3-8"	2
120	501-3	Clip Hose Worm Drive 22-30mm	3
5000	15184	Hose - Griflex, Clear 3/4" I/D	0.9M

**Spares Only Items****Item 1 comprises;**

810-26	Impellor Repair Kit	1
810-162	Kit - Seal, Water Pump & Motor	1
810-163	Kit - Seal, Motor	1
810-157	Motor - Hydraulic (for 720399/1)	1
810-171	Pump - Water (for 720399/1)	1





## CHAPTER

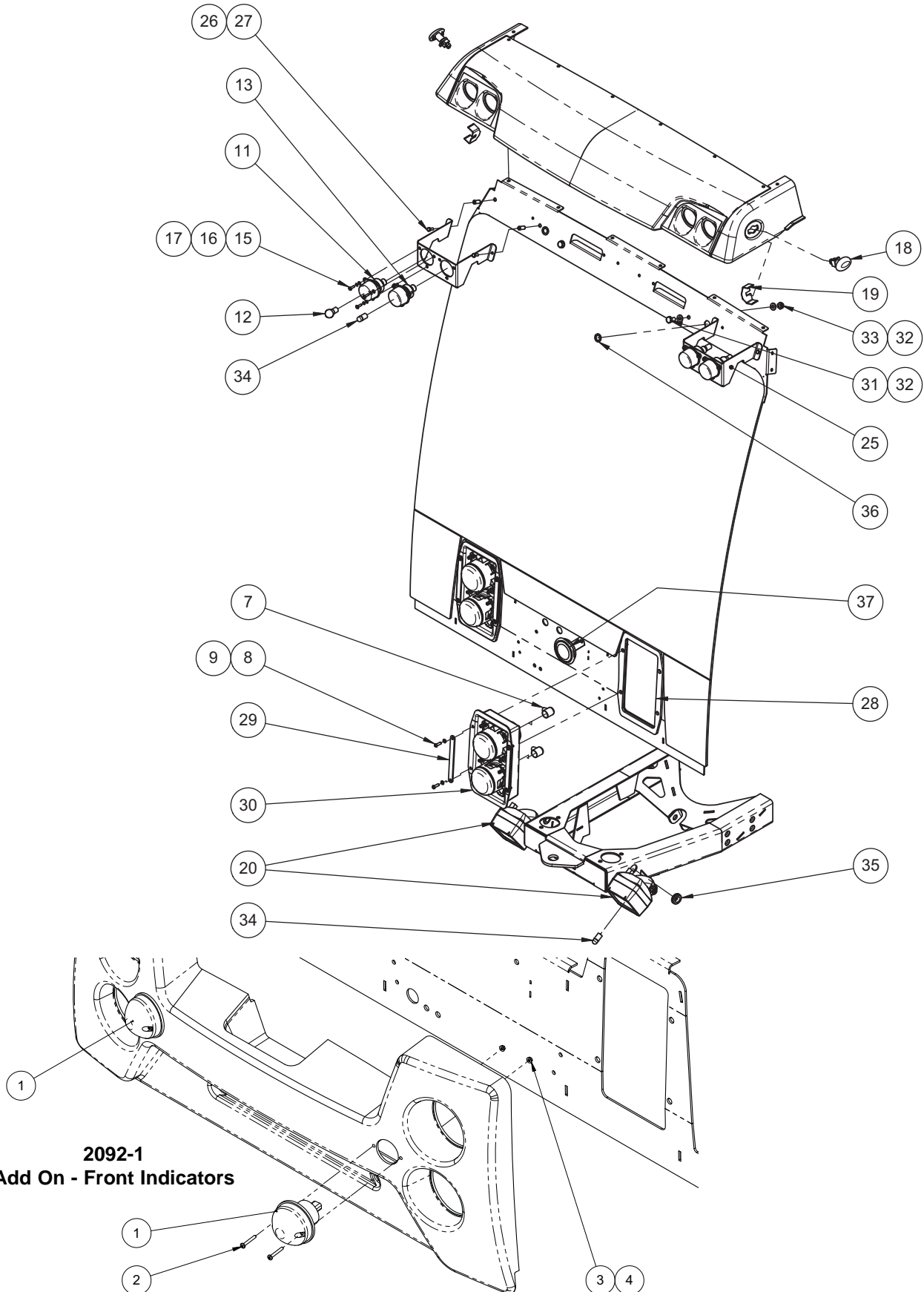
## 9

## Electrical

**Table of Contents**

<b>Section</b>	<b>Page</b>
Front Exterior Light Assembly	9 : 2
Headlamp Assembly	9 : 4
Rear Light Assembly - MK1	9 : 6
Rear Light Assembly - MK2	9 : 8
Beacon Assembly	9 : 10
General Cab Electrics	9 : 12
Rear Cab Loom G/Assy	9 : 14
Rear Cab Loom Sub Assy	9 : 16
Chassis Electrics (Euro 4 & 5)	9 : 18
Chassis Electrics (Tier 3)	9 : 20
Battery Assembly (Euro 4)	9 : 22
Battery Assembly (Tier 3)	9 : 24
Battery Assembly (Euro 5/Tier 3)	9 : 26
Cab & Chassis Looms	9 : 28
Roof Bar Beacon	9 : 30

**Front Exterior Light Assembly**  
**BoM: 37033-51, 2028-51 & 2092-1**



**Front Exterior Light Assembly**  
**BoM: 37033-51, 2028-51 & 2092-1**

Item No.	Part No.	Description	Quantity
7	46-275	Cable Set & Rubber Boot	4
8	138-94	Screw - Skt Button Hd M6x20	8
9	460-8	Washer Spring Single Coil M6	8
11	46-274	Lamp - Flasher	2
12	47-63	Bulb - Indicator 12V-21W, Amber	2
13	46-273	Lamp-Position	2
15	135-104	Screw M5cx16 Slit Pan Hd	12
16	460-7	Washer Spring Single Coil M5	12
17	455-7	Washer Plain Plated Steel M5	12
18	48-279	Flasher - Compact Lamp Side	2
19	721353-1	Bracket - Side Repeater	2
20	46-399	Worklamp	2
25	721910-1	Bracket - Light, W/Assy	2
26	433-131	Insert - M6, 4.2 to 6.6	4
27	124-102	Setscrew M6C x 16	4
28	722210-1	Gasket - Headlight Bowl	2
29	722214-1	Plate - Spreader	4
30	721356-1	Headlight Assy	2
31	124-167	Setscrew M10C x 20	2
32	455-11	Washer Plain Plated Steel M10	4
33	425-15	Nut Nyloc Hex MC M10	2
34	47-60	Bulb - White, 12V 5W	2
35	287-60	Grommet-Open O/D=31.8 I/D=19.0	2
36	722766-1	Washer - Neoprene	2
37	30-14	Horn	1

**Spares Only Items;****Item 20 comprises;**

47-10	Bulb - Spotlamp, 12V 21W	2
-------	--------------------------	---

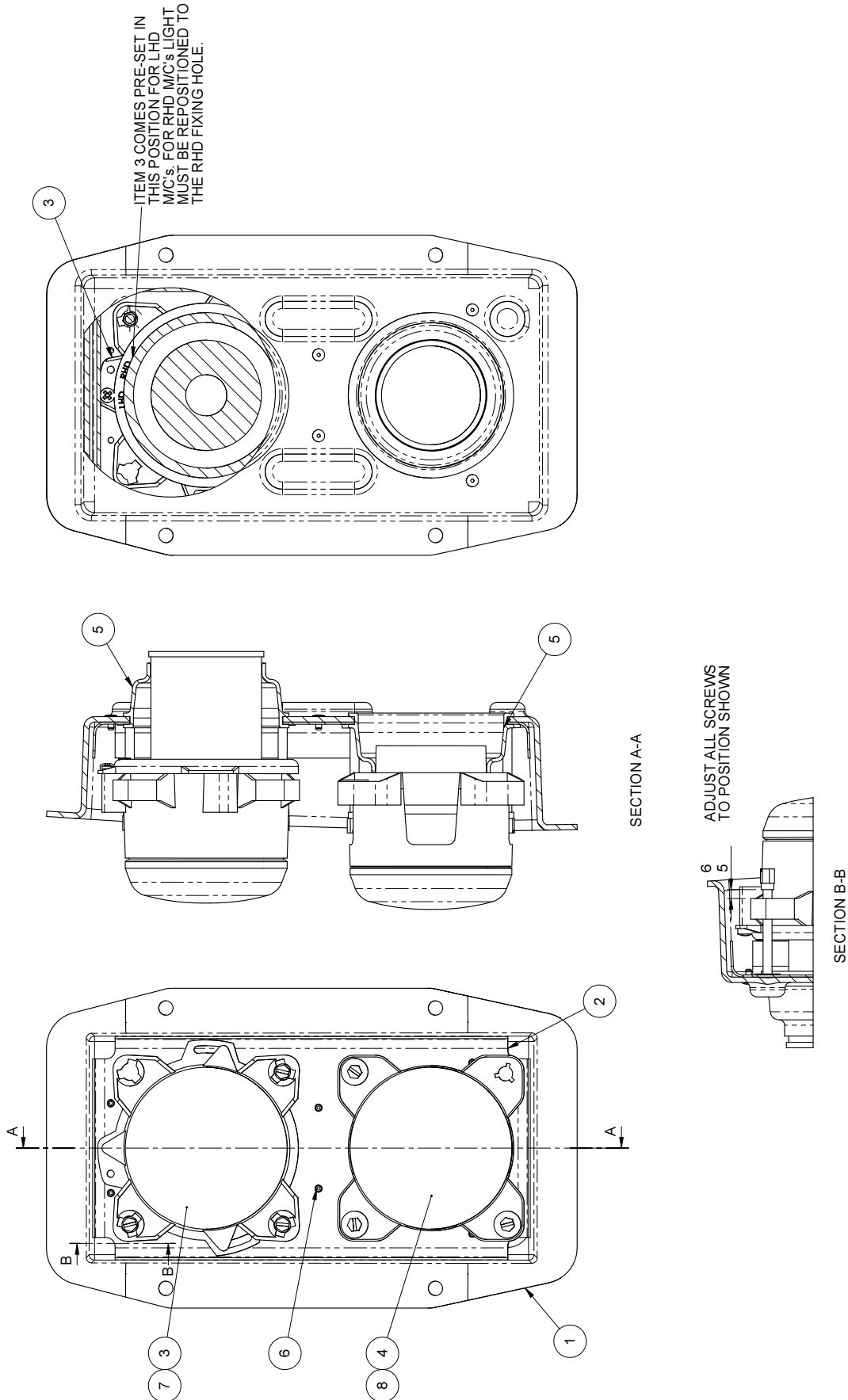
**2028-51 Add On Option - High Level Worklamps  
(not illustrated)**

46-399	Worklamp	2
721547-1	Loom - Lights, Cab Exterior	2
735-5	Switch - 3 Position, Detent 12v	1
30-45	Fuse - Blade 15A	1
47-10	Bulb - Spotlamp 12v-55 Watt	2

**2092-1 Add On Option - Front Indicators**

1	46-181	Front Direction Indicator Lamp	2
2	134-46	Pan Hd Screw - M4C x 30	4
3	455-5	Washer - Plain, M4	4
4	420-11	Washer - Spring, M4	4
5	722931-1P	Loom - Indicator Front Fascia	1

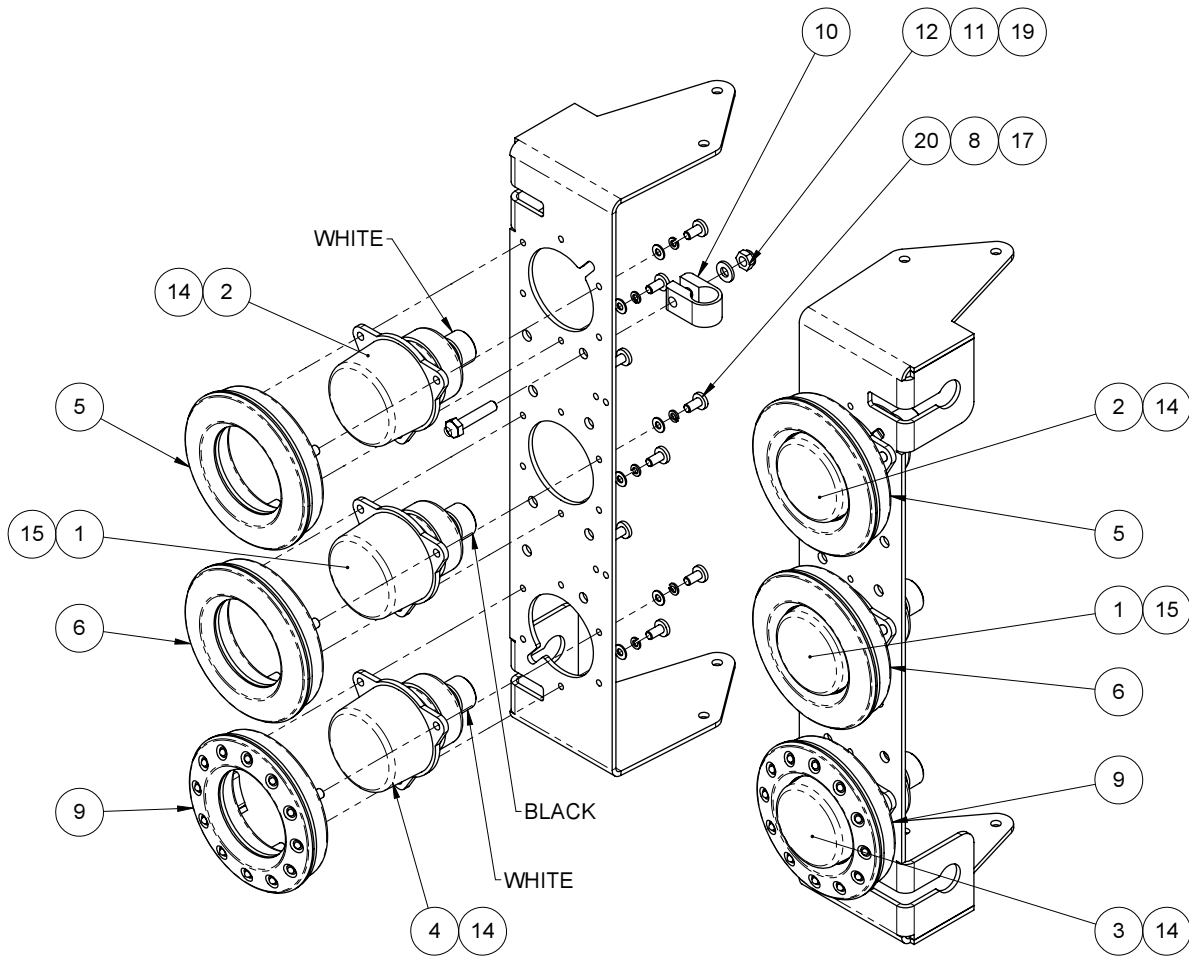
**Headlamp Assembly**  
**BoM - 721356-1 & 7007932**



**Headlamp Assembly  
BoM - 721356-1 & 7007932**

<b>Item No.</b>	<b>Part No.</b>	<b>Description</b>	<b>Quantity</b>
1	720612/1	Bowl - Mounting, Headlight	1
2	720613/1	Tray - Bowl, Headlight Mounting	1
3	46/277	Headlight Assy - Dipped Beam	1
4	46/276	Headlight Assembly - Main Beam	1
5	720615/1	Boot - Sealing, Headlight	2
6	76/2	Rivet - Pop, 3.2 x 6.1	6
7	47/65	Bulb - 12V, 55W	2
8	47/45	Bulb - 12V, 5W	2

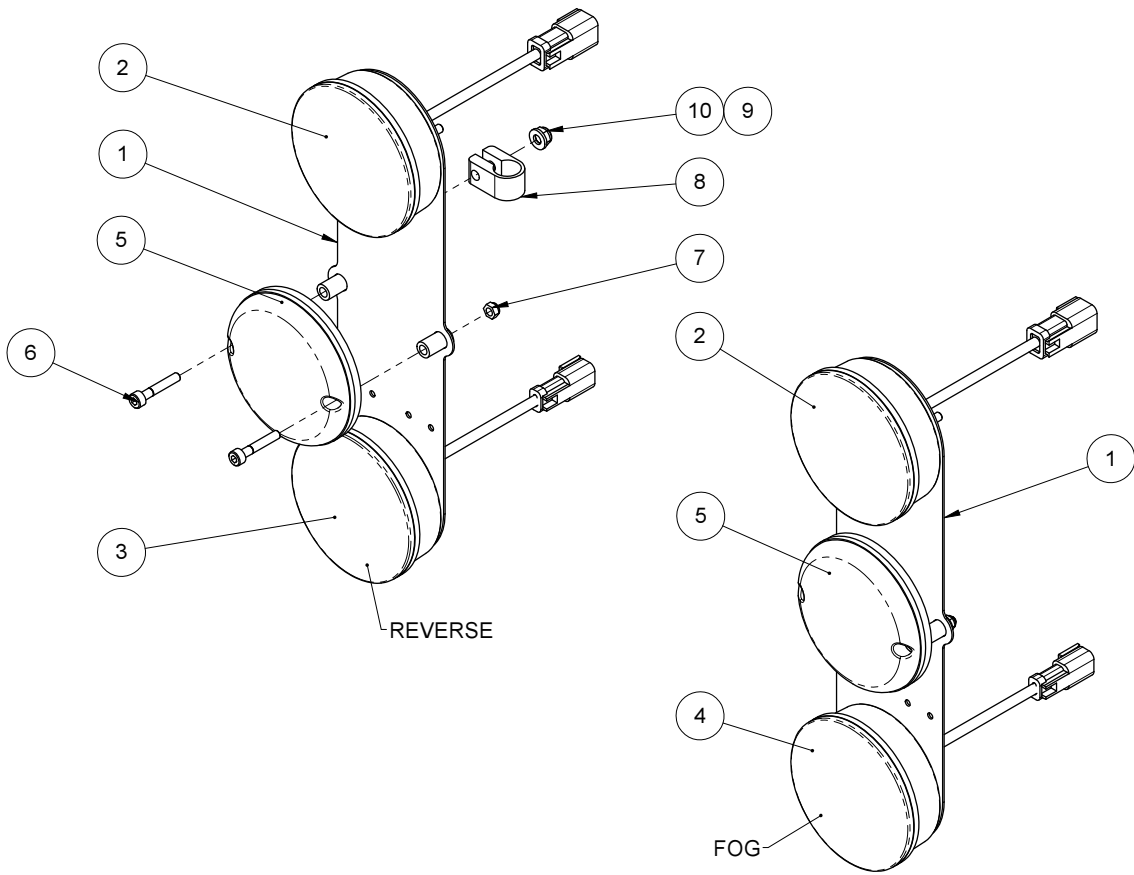
**Rear Light Assembly - MK1**  
BoM - 37017/51 & /52



**Rear Light Assembly - MK1**  
BoM - 37017/51 & /52

Item No.	Part No.	Description	Quantity
1	46/403	Lamp - Flasher (Smoked Glass)	2
2	46/400	Light - Stop	2
3	46/401	Light - Rear Fog	1
4	46/402	Light - Reversing	1
5	46/406	Trim - Chrome	2
6	46/405	Reflector - Reflex	2
8	460/5	Washer Spring Single Coil M4	18
9	721527/1	Tail Lamp LED Assy	2
10	436/15	Clip - 'P' Type, Black Nylon	2
11	455/8	Washer Plain Plated Steel M6	2
12	425/13	Nut Nyloc Hex MC M6	2
14	47/11	Bulb Rear Lamp 12v-21 Watt	4
15	47/63	Bulb-Indicator 12V-21W, Amber	2
17	455/5	Washer Plain Plated Steel M4	18
19	124/107	Setscrew - M6C x 30	2
20	134/56	Screw - Pan Hd, M5C x 10	18

**Rear Light Assembly - MK2**  
BoM - 37017/53 & /54





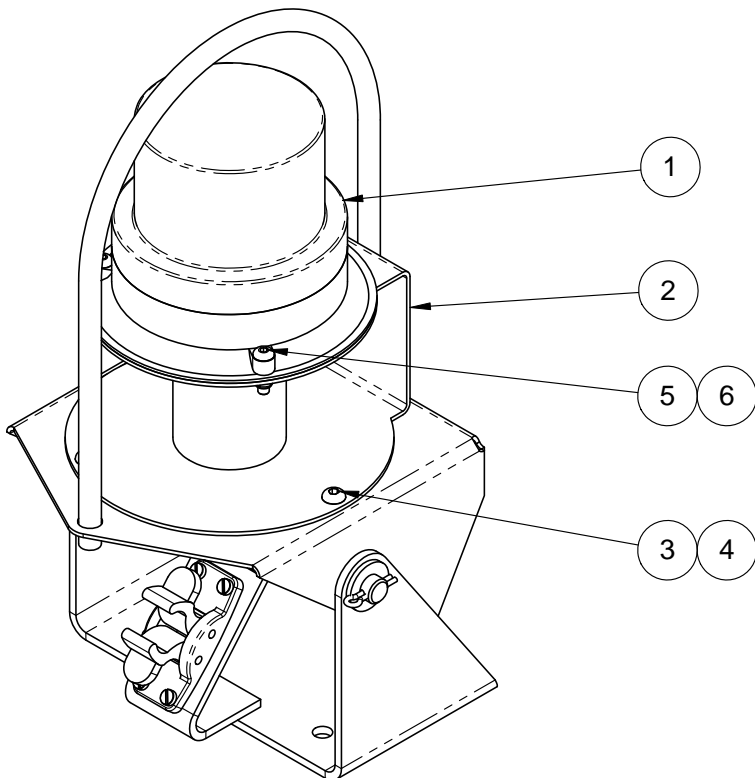
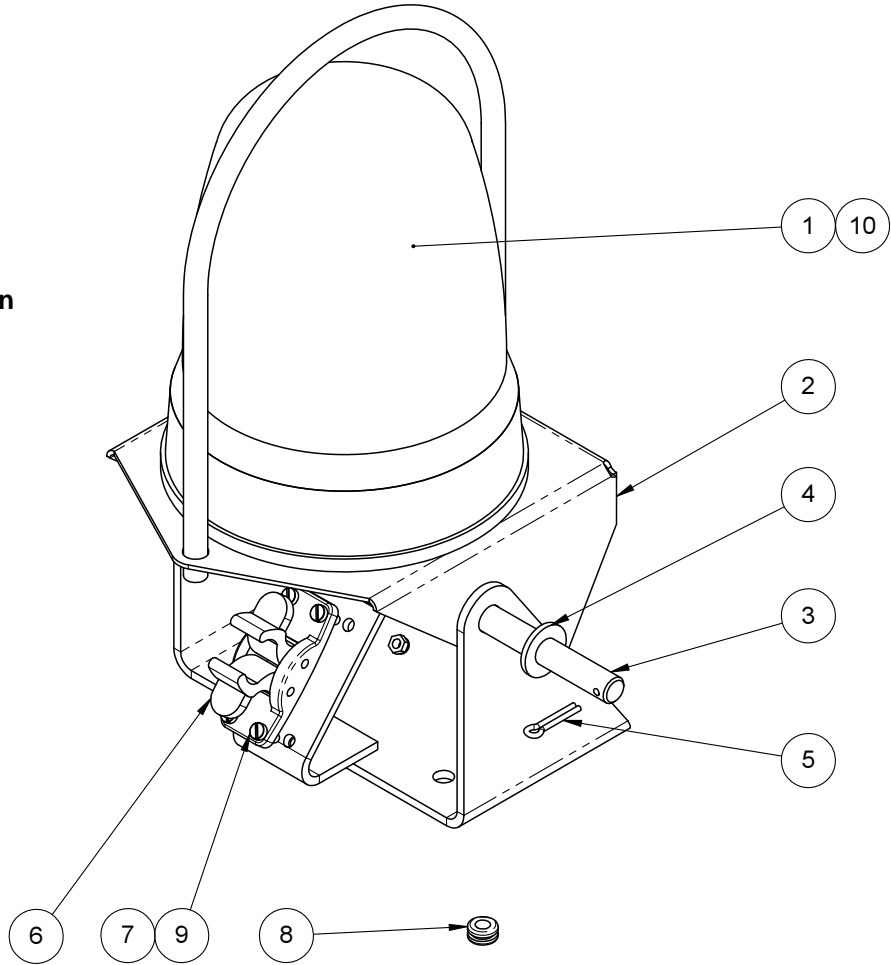
**Rear Light Assembly - MK2  
BoM - 37017/53 & /54**

<b>Item No.</b>	<b>Part No.</b>	<b>Description</b>	<b>Quantity</b>
1	722711/1	Plate - Lights, Rear W/Assy	2
2	722731/1P	Light - LED, Stop/Tail/Ind 12V	2
3	722731/3P	Light - LED, Reverse 12V	1
4	722731/2P	Light - LED, Rear Fog 12V	1
5	46/425	Reflector - Red Dia 95mm	2
6	129/69	Screw MC Cap Skt Hd M5x30	4
7	425/12	Nut Nyloc Hex MC M5	4
8	436/15	Clip - 'P' Type, Black Nylon	2
9	455/8	Washer Plain Plated Steel M6	2
10	455/13	Washer Plain Plated Steel M14	2

**Beacon Assembly**  
BoM - 37086-1, -2 & 2035-4

37086/1 & /2

Standard Beacon



2035-4

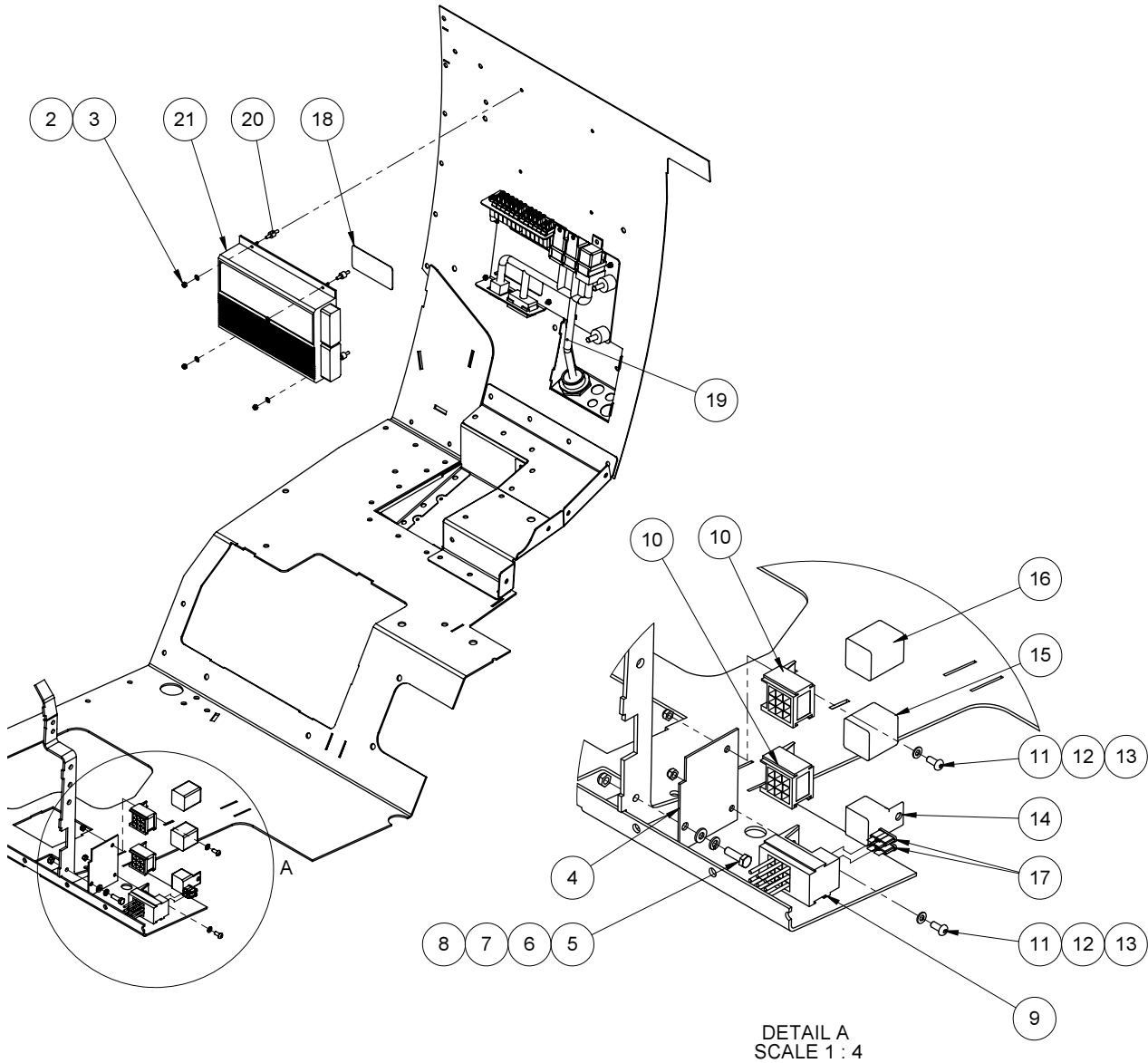
LED Beacon

<b>Beacon Assembly</b> <b>BoM - 37086-1, -2 &amp; 2035-4</b>
---

Item No.	Part No.	Description	37086-1 Quantity	37086-2 Quantity
1	46-15-12	Beacon - Britax 12v	1	1
2	76777-1	Bracket - Beacon	1	1
3	70771-1	Pivot - Beacon	1	-
4	455-12	Washer Plain Plated Steel M12	1	-
5	500-102	Pin - Split cotter 3/4"x 1/8"	1	-
6	436-1	Catch - Retaining Plastic	1	1
7	425-11	Nut Nyloc Hex MC M4	4	4
8	287-27	Grommet 12.7 OD 6.35 ID 1.8mm	1	1
9	135-102	Screw M4cx12 Slr Cheese Hd	4	4
<b>Spares Only Items</b>				
10	47-4	Bulb - Beacon, Type H1 12V 55W	1	1

Item No.	Part No.	Description	2035-4 Quantity
1	46-426	LED Beacon 12/24	1
2	723067-1	Mount - Beacon, LED W/Assy	1
3	138-91	Screw - Skt Button Hd M6cx12	3
4	425-13	Nut Nyloc Hex MC M6	3
5	138-65	Screw - Skt Button Hd M5cx20	3
6	425-12	Nut Nyloc Hex MC M5	3

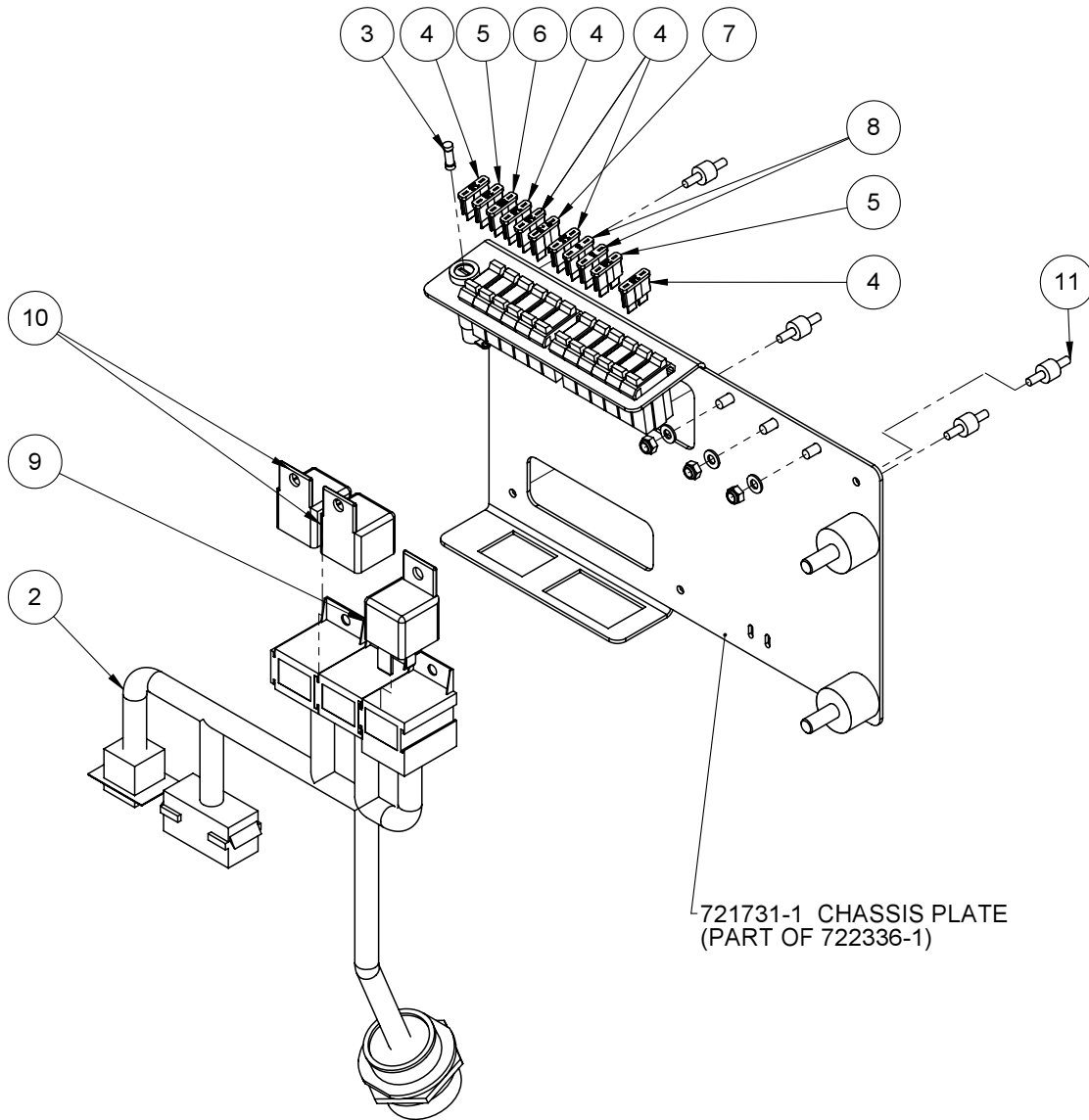
**General Cab Electrics  
BoM - 37105/53 & /54**



<b>General Cab Electrics</b> <b>BoM - 37105/53 &amp; /54</b>
---

Item No.	Part No.	Description	Quantity
2	455/5	Washer Plain Plated Steel M4	4
3	425/11	Nut Nyloc Hex MC M4	16
4	721551/1	Plate - Mount, Relay	1
5	124/103	Setscrew M6C x 20	1
6	460/8	Washer Spring Single Coil M6	1
7	455/8	Washer Plain Plated Steel M6	1
8	425/13	Nut Nyloc Hex MC M6	1
9	48/365	Base - Relay	1
10	48/89	Base - Relay, 30A	2
11	138/62	Screw - Skt Button Hd M5cx12	2
12	455/7	Washer Plain Plated Steel M5	2
13	425/12	Nut Nyloc Hex MC M5	2
14	13193	Relay 12 Volt	1
15	738-3	Relay - Indicator Flasher, LED (Red)	1
	738-5	Flasher Relay Module 12V Nominal (Green)	1
16	48/180	Relay - Incremental Wiper	1
17	30/45	Fuse - Flat Blade, 15 Amp	2
18	721661/5	Label - Rear Cab Fuse, Euro 4	1
19	722339/1	Loom G/Assy - Rear Cab	1
20	290/36	Mount - Anti Vibration (MM)	4
21	742838/1	Node-JPlex Int.Cont Mk2 12/24V	1

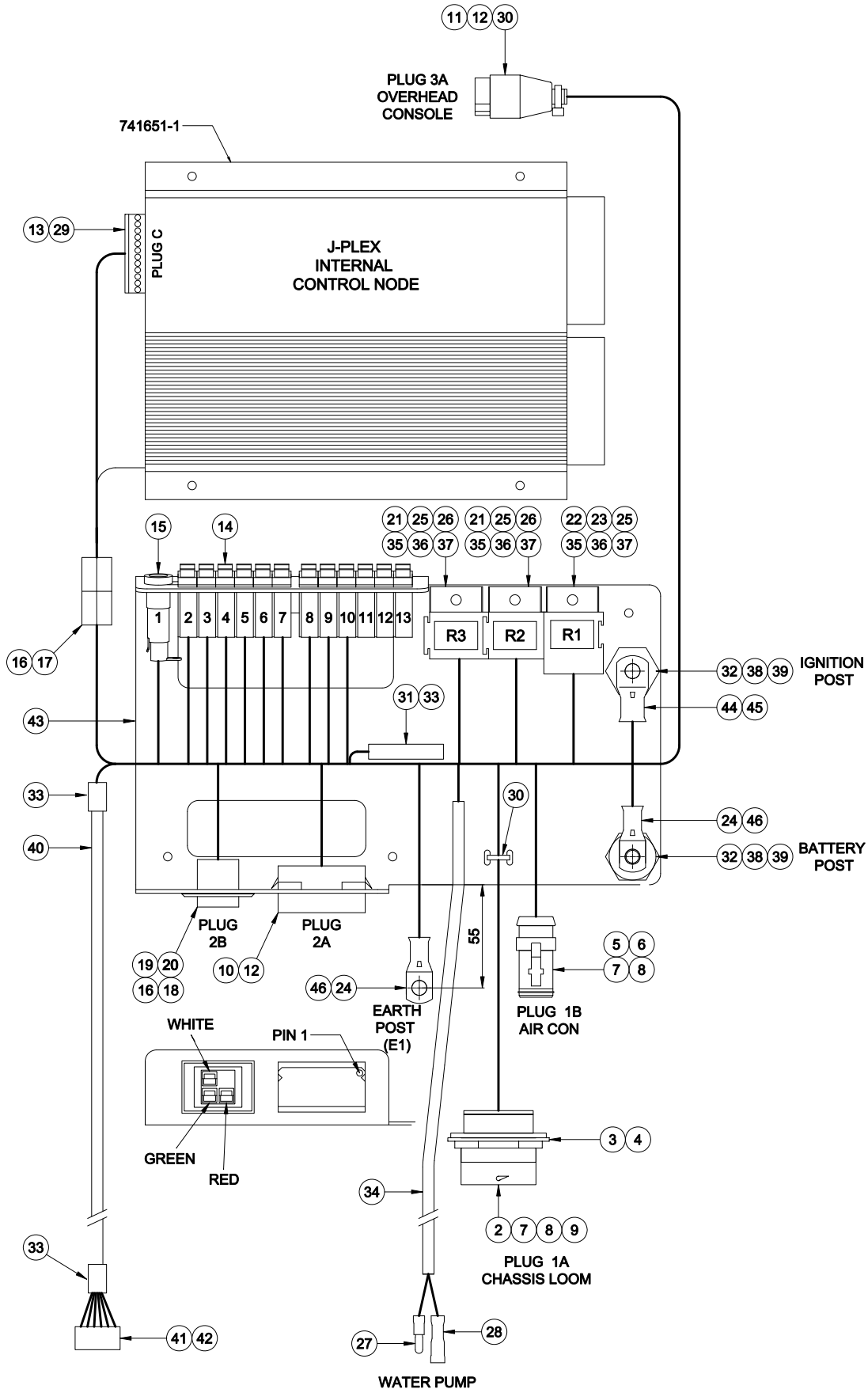
**Rear Cab Loom G/Assy**  
BoM - 722339/1



**Rear Cab Loom G/Assy  
BoM - 722339/1**

<b>Item No.</b>	<b>Part No.</b>	<b>Description</b>	<b>Quantity</b>
1	-	-	-
2	722336/1	Loom Sub Assy, C200 Rear Cab	1
3	30/162	Fuse - 16A, Anti-Surge Glass	1
4	30/45	Fuse - 15A Bade	5
5	30/44	Fuse - 10A Blade	2
6	30/46	Fuse - 20A Blade	1
7	30/57	Fuse - 7.5A Blade	1
8	30/43	Fuse - 5A Blade	2
9	48/73	Relay - 70A	1
10	13193	Relay - 30A	2
11	290/36	Mount - Anto Vibration, M4 x 10	4

**Rear Cab Loom Sub-Assy**  
BoM - 722336/1

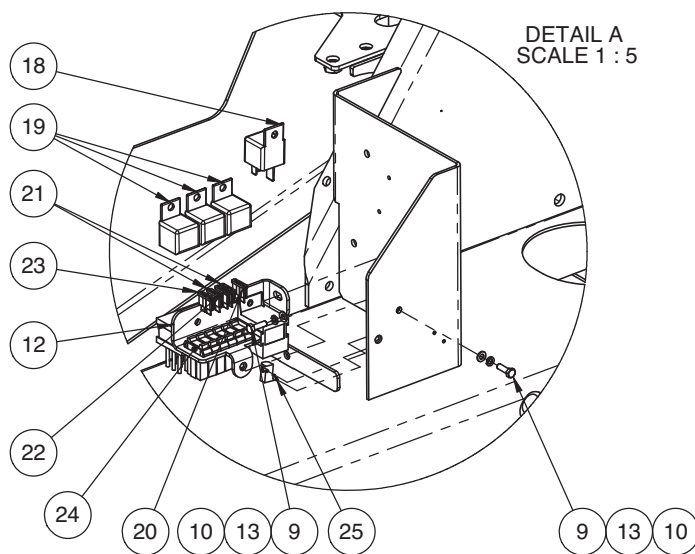
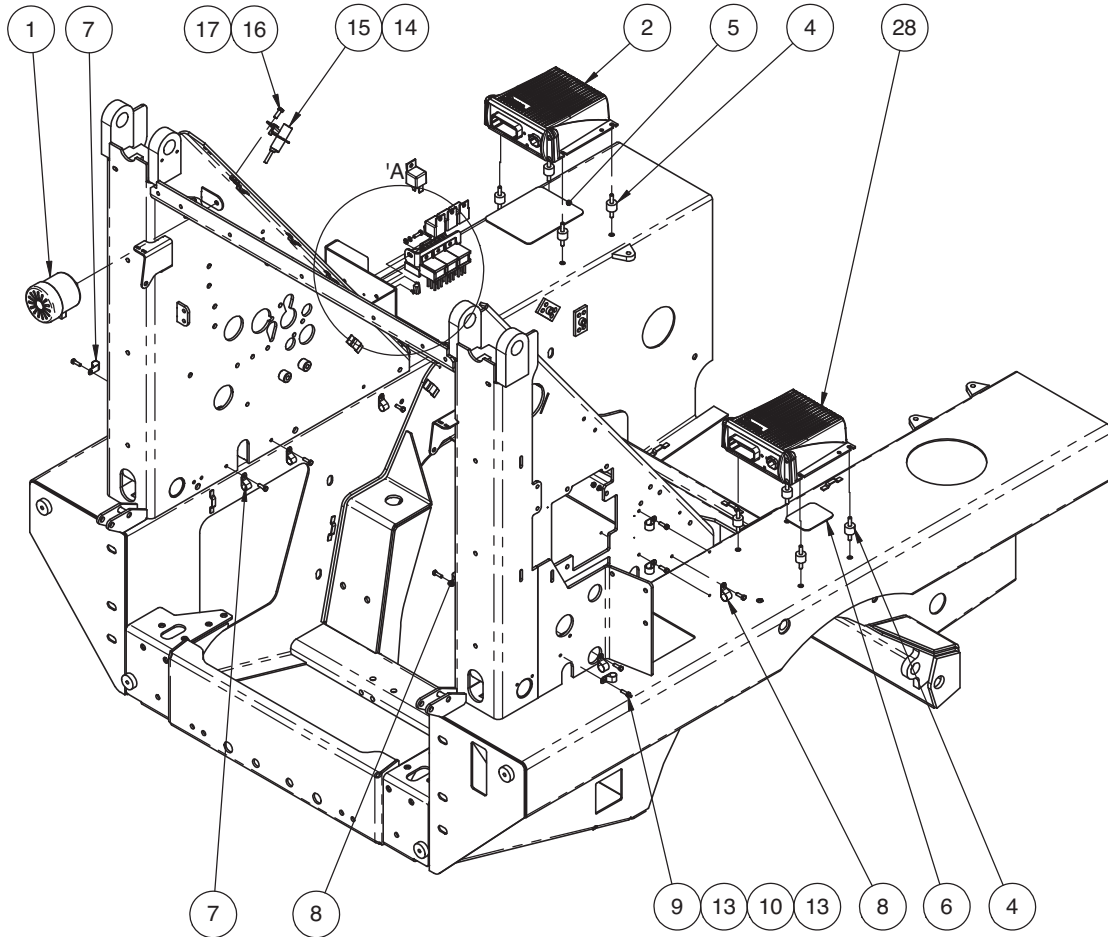




Rear Cab Loom Sub-Assy  
BoM - 722336/1

Item No.	Part No.	Description	Quantity
1	722336/1	Loom - Rear Cab Sub-Assy	-
2	710/67	Receptacle	1
3	31/322	Locking Washer	1
4	31/323	Locknut	1
5	31/255	Plug - DT 4 Way	1
6	31/256	Wedge - DT 4 Way Plug	1
7	31/246	Contact - Socket Size 16	29
8	710/83	Contact - Socket Size 16	5
9	31/254	Blanking Plug - Contact Size 12 & 16	1
10	31/328	Socket Housing - 36 Way	1
11	31/291	Socket Housing - 12 Way FCI + Hood	1
12	31/193	Contact - Socket	46
13	31/405	Plug In Terminal Block - 12 Way	1
14	30/381	Fuse Holder, Inline Panel Mount	12
15	30/264	Fuse Holder 1" x 1"1/4	1
16	31/312	Connector - 30A Power Pole, Red	2
17	31/304	Connector - 30A Power Pole, Black	1
18	31/313	Connector - 30A Power Pole, Green	1
19	31/314	Connector - 30A Power Pole, White	1
20	722/50	Powerpole Pak 4-Way	1
21	48/89	Relay Base 30A	2
22	48/330	Relay Base 70A	1
23	49/15	Terminal - 9.6 x 1.2	2
24	31/187	Terminal - End Ring	2
25	31/19	Terminal - 6.3 x 0.8 Small	6
26	31/356	Terminal - 6.3 x 0.8 Medium	4
27	50/56	Terminal - Insulated Male Bullet, Blue	1
28	50/57	Terminal - Insulated Female Bullet, Blue	1
29	50/96	Terminal - Cord End	4
30	24/8	Cable Tie	2
31	30/190	Diode - 3A, 600V	2
32	290/35	Anti-Vibration Mount MF	2
33	30/156	Heatshrink - Black	0.1M
34	32/6	Sleeving - PVC	0.4M
35	135/158	M5 x 10 Pan Sltd Hd	3
36	455/7	M5 Plain Washer	3
37	425/12	M5 Nyloc Nut	3
38	138/119	M8 x 10 Skt Btn Hd Screw	2
39	460/10	M8 Spring Washer	2
40	29/49	Sleeving - Nylon Braided, dia.15,,	0.52M
41	31/547	Connector - OBD, VM Euro 4	1
42	31/548	Terminal (to suit 31/547)	7
43	721731/1	Chassis Plate - Rear Cab Loom	1
44	32/75	Terminal - Ring, 8mm hole	1
45	30/182	Heatshrink 19<>6mm - Adhesive, Black	0.035M
46	30/183	Heatshrink 16<>4mm - Adhesive, Black	0.07M

**Chassis Electrics (Euro 4 & 5)**  
**BoM: 37099-52, 54 & -55**



**Chassis Electrics (Euro 4 & 5)**

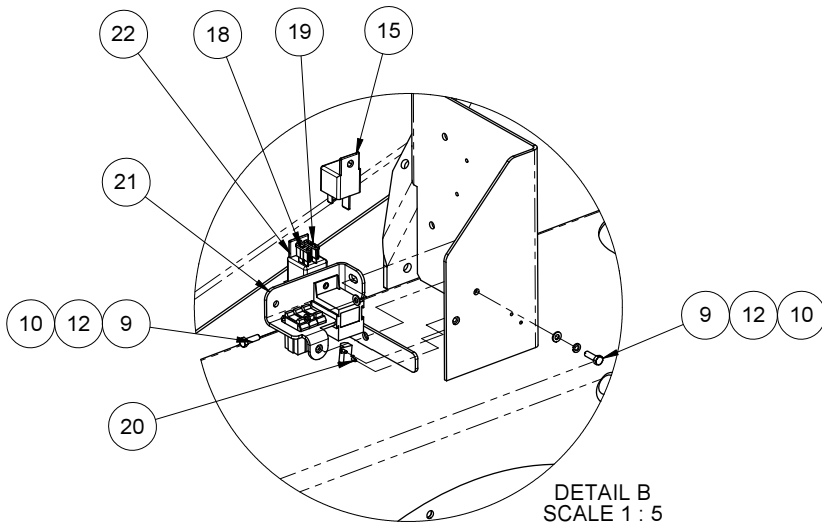
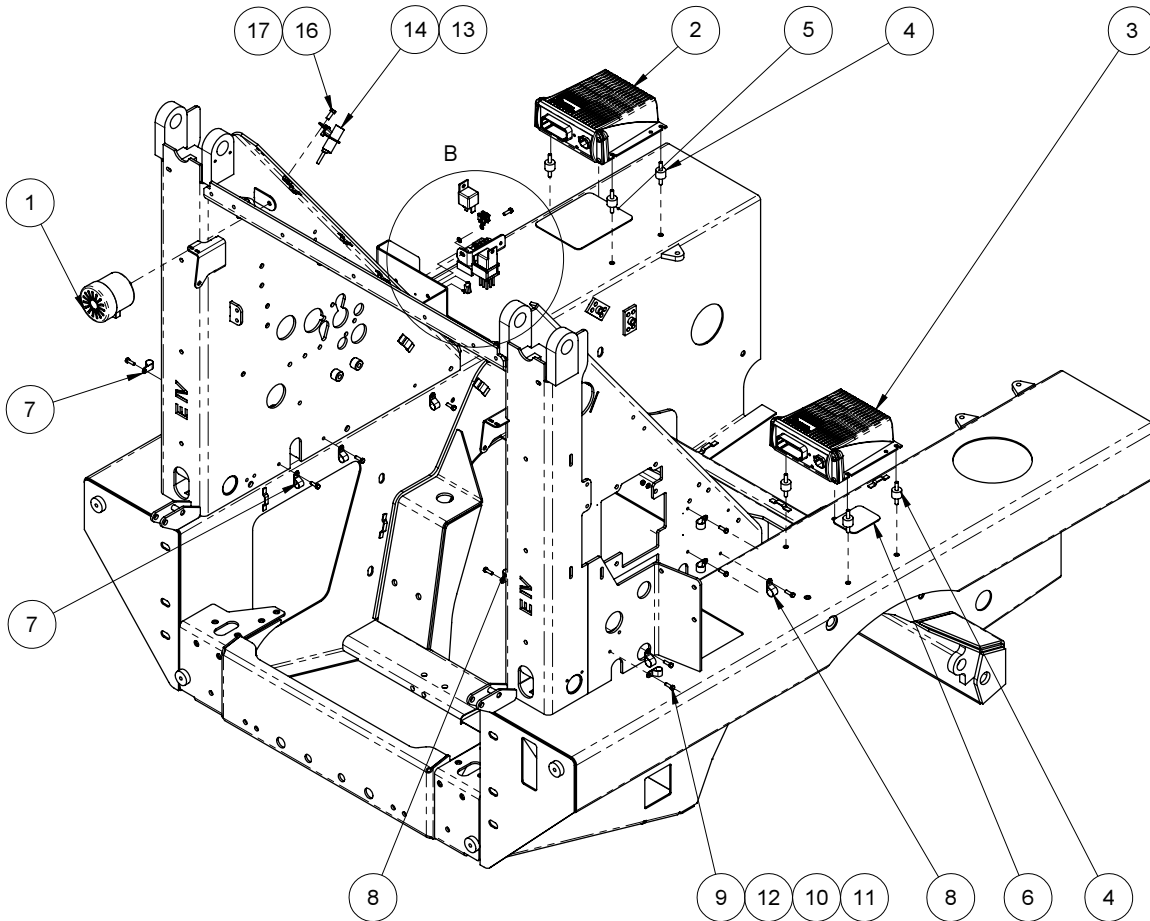
BoM: 37099-52, 54 &amp; -55

Item No.	Part No.	Description	37099-52	37099-54	37099-55
			Euro 4	Euro 4 LED	Euro 5
			Quantity	Quantity	Quantity
1	30-184	Alarm - Reverse, Deutsch	1	1	1
2	722406-1	Controller-Megajet MK2, 12-24V	1	1	-
	7008839	Control unit -Transmission system	-	-	1
3	290-21	Mounting-Anti Vibration M6x18	8	8	8
4	721618-1	Label - MegaJET Node	1	1	
6	721619-1	Label - JPlex Universal Node	1	1	
7	700-393	P Clip - 12mm Conduit	5	5	4
8	700-394	P Clip - 16mm Conduit	5	5	5
9	124-70	Setscrew M5C x 16	13	13	13
10	455-7	Washer - Plain, M5	12	12	12
11	425-12	Nut Nyloc Hex MC M5	10	10	10
12	722315-1	Plate - Relay-Fuse, W-Assy	1	1	-
13	460-7	Washer - Spring, M5	2	2	2
14	722310-1	Bracket - Hopper, Proximity	1	1	-
15	722363-1P	Sensor - Proximity, Assy	1	1	-
16	124-102	Setscrew - M6C x 16	2	2	-
17	425-13	Nut - Nyloc, M6C	2	2	-
18	48-73	Relay - 70A	1	1	-
19	13193	Relay - 30A	3	3	-
20	30-99	Fuse - Blade, 30A	1	1	-
21	30-45	Fuse - Blade, 15A	2	2	-
22	30-44	Fuse - Blade, 10A	1	1	-
23	30-46	Fuse - Blade, 20A	1	1	-
24	30-381	Holder - Fuse	6	6	-
25	75-27	Rivet - Pop, Micro 2.5 x 6.8	2	2	-
26	48-369	Relay - Indicator Flasher	1	-	-
28	722700-2	Node - Universal, J-Plex MK2B	1	1	1

**Spares Only Items:**

288-45 Vent - Protective, Snap In (suits items 2 &amp; 28)

**Chassis Electrics (Tier 3)**  
**BoM: 37099-53 & -56**



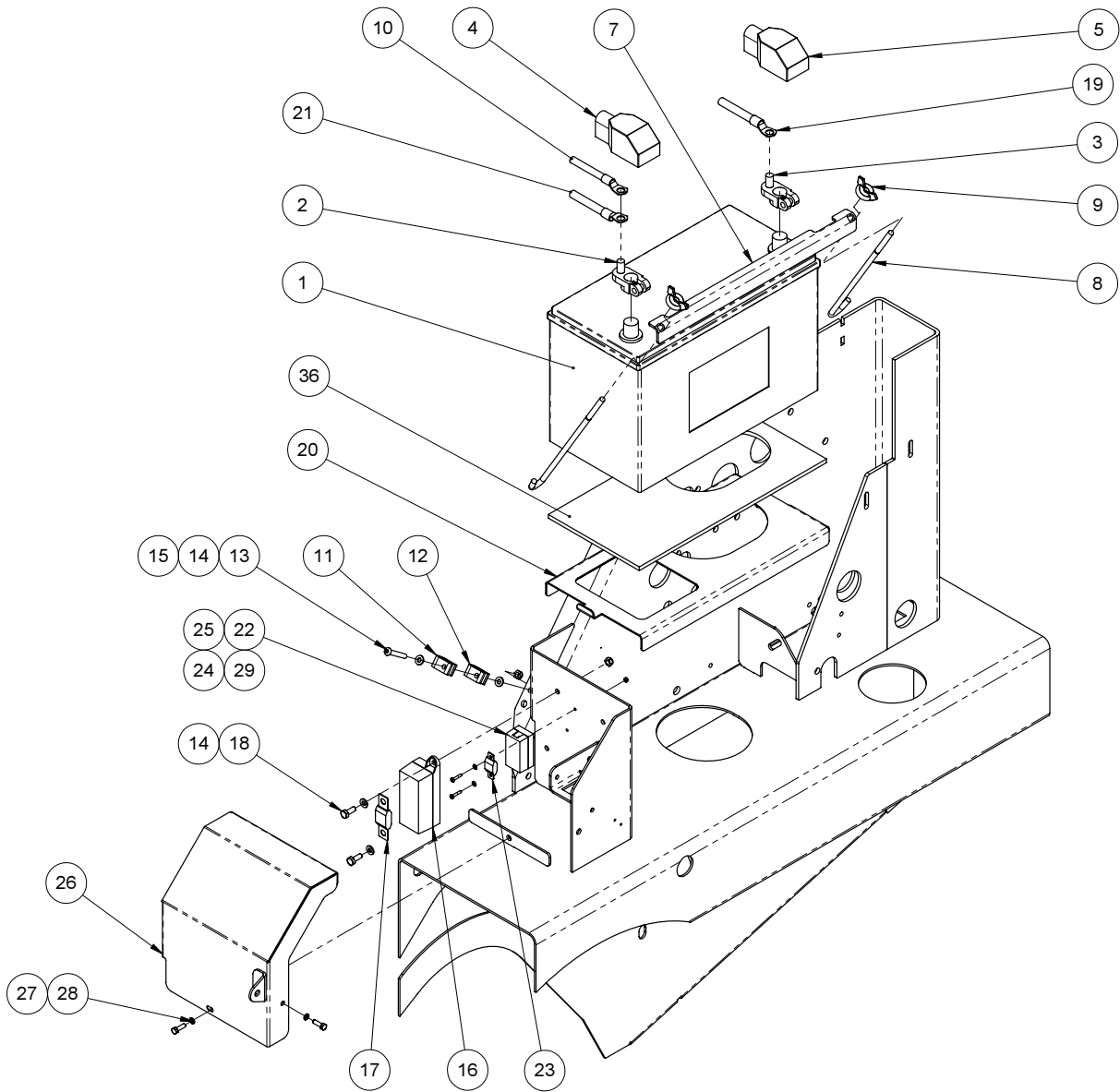
<b>Chassis Electrics (Tier 3)</b> <b>BoM: 37099-53 &amp; 56</b>
--

Item No.	Part No.	Description	37099-53	37099-56
			Euro 4 Tier 3 Quantity	Euro 5 Tier 3 Quantity
1	30-184	Alarm - Reverse, Deutsch	1	1
2	722406-1	Controller-Megajet MK2, 12-24V	1	-
	7008839	Control unit -Transmission system	-	1
3	722700-2	Node - Universal, J-Plex MK2B	1	1
4	290-21	Mounting-Anti Vibration M6x18	8	8
5	721618-1	Label - MegaJET Node	1	1
6	721619-1	Label - JPlex Universal Node	1	1
7	700-393	P Clip - 12mm Conduit	5	5
8	700-394	P Clip - 16mm Conduit	5	5
9	124-70	Setscrew M5C x 16	13	13
10	455-7	Washer - Plain, M5	12	12
11	425-12	Nut Nyloc Hex MC M5	10	10
12	460-7	Washer - Spring, M5	2	2
13	722310-1	Bracket - Hopper, Proximity	1	-
14	722363-1P	Sensor - Proximity, Assy	1	-
15	48-73	Relay - 70A	1	-
16	124-102	Setscrew - M6C x 16	2	-
17	425-13	Nut - Nyloc, M6C	2	-
18	30-43	Fuse - Blade, 5A	1	-
19	30-126	Fuse - Blade, 30A	1	-
20	75-27	Rivet - Pop, Micro 2.5 x 6.8	2	-
21	722765-1	Plate - Relay-Fuse, W-Assy	1	-
22	13193	Relay - 30A	1	-

**Spares Only Items:**

288-45 Vent - Protective, Snap In (suits items 2 & 3)

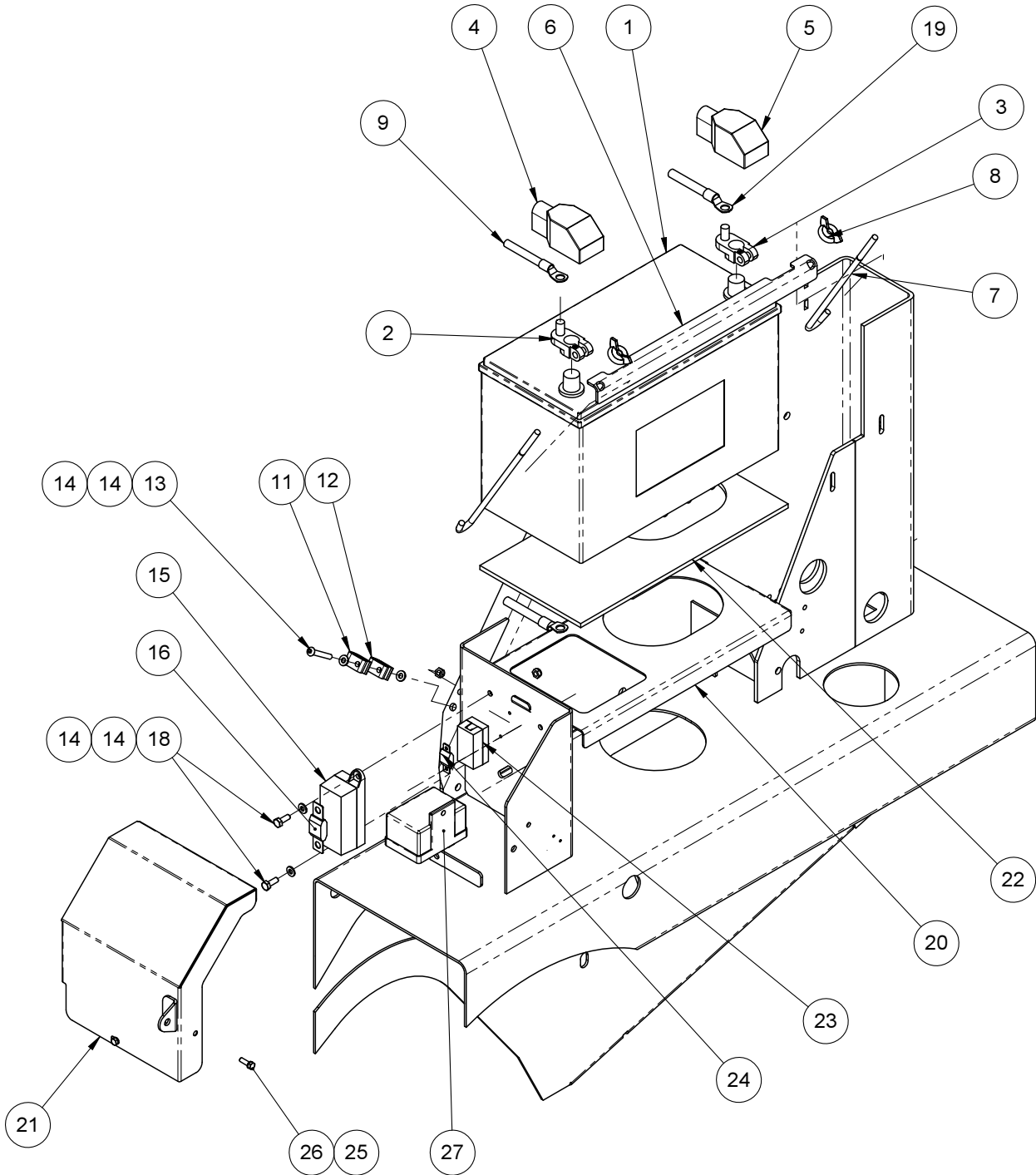
**Battery Assembly (Euro 4)**  
BoM: 37027-52



<b>Battery Assembly (Euro 4)</b> <b>BoM: 37027-52</b>
--

Item No.	Part No.	Description	Quantity
1	30-214	Battery - 12V,105 A-H, 700 C-C	1
2	30-216	Lug-Battery, +ve, 3-8 UNC	1
3	30-217	Lug-Battery, -ve, 3-8 UNC	1
4	30-218	Cover - Terminal, Red	1
5	30-219	Cover - Terminal, Blue	1
7	721946-1	Clamp - Battery	1
8	135-61	Bolt - Hook	2
9	410-37	Nut - Wing M8	2
10	721620-1P	Cable Assy - Battery To CB	1
11	436-13	Clip 'P' Type, max dia.10.2mm	1
12	436-14	Clip 'P' Type, max dia. 12.5mm	1
13	138-102	Screw - Skt Button Hd M6cx40	1
14	455-8	Washer Plain Plated Steel M6	4
15	425-13	Nut Nyloc Hex MC M6	3
16	30-271	Fuse Holder - Mega Type	1
17	30-225	Fuse - 100A Mega Type	1
18	124-102	Setscrew - M6Cx16	2
19	722248-1P	Lead - Battery, Negative Assy	1
20	722019-1	Support - Battery	1
21	722338-1P	Lead - Battery to Starter Motor	1
22	719-11	Littelfuse Midi	1
23	30-269	Fuse - 60A Midi	1
24	134-14	Screw - Pan Pozi, M6 x 16	2
25	455-3	Washer - Plain, M3	2
26	722334-1	Cover - Relay Plate W-Assy	1
27	124-70	Setscrew - M5C x 16	2
28	460-7	Washer - Spring, M5	2
29	425-10	Nut - Nyloc, M3C	2
36	722494-1	Mat - Rubber, Battery	1
37	722765-2	Plate - Relay-Fuse	1

**Battery Assembly (Tier 3)**  
BoM: 37027-53

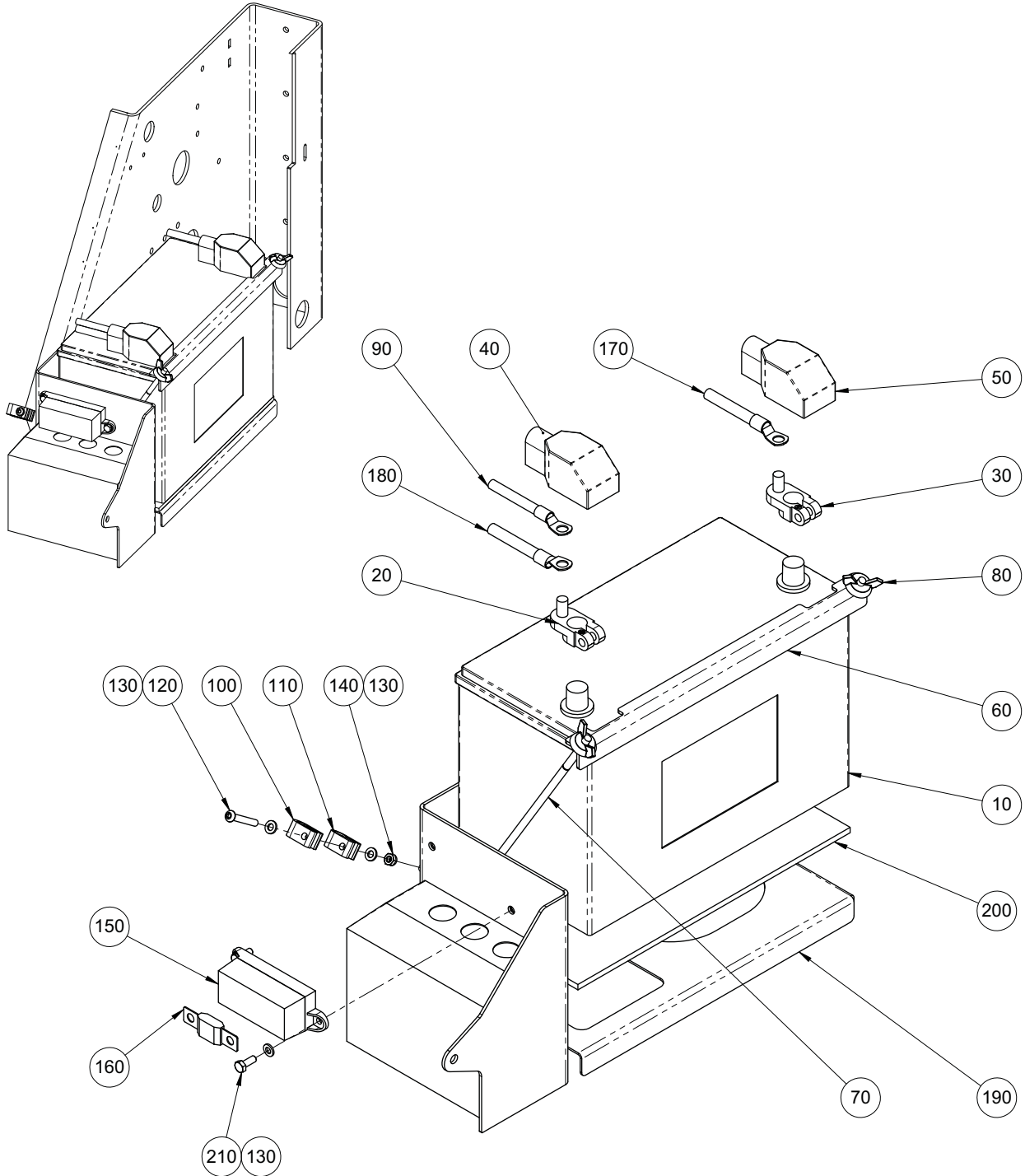




**Battery Assembly (Tier 3)**  
 BoM: 37027-53

Item No.	Part No.	Description	Quantity
1	30-214	Battery - 12V,105 A-H, 700 C-C	1
2	30-216	Lug-Battery, +ve, 3-8 UNC	1
3	30-217	Lug-Battery, -ve, 3-8 UNC	1
4	30-218	Cover - Terminal, Red	1
5	30-219	Cover - Terminal, Blue	1
6	721946-1	Clamp - Battery	1
7	135-61	Bolt - Hook	2
8	410-37	Nut - Wing M8	2
9	721620-1P	Cable Assy - Battery To CB	1
10	722338-1P	Lead - Battery to Starter Motor	1
11	436-13	Clip 'P' Type, max dia.10.2mm	1
12	436-14	Clip 'P' Type, max dia. 12.5mm	1
13	138-102	Screw - Skt Button Hd M6cx40	1
14	455-8	Washer Plain Plated Steel M6	4
15	425-13	Nut Nyloc Hex MC M6	3
16	30-271	Fuse Holder - Mega Type	1
17	30-225	Fuse - 100A Mega Type	1
18	124-102	Setscrew - M6Cx16	2
19	722248-1P	Lead - Battery, Negative Assy	1
20	722019-1	Support - Battery	1
21	722334-1	Cover - Relay Plate W-Assy	1
22	722494-1	Mat - Rubber, Battery	1
23	719-11	Littelfuse Midi	1
24	30-269	Fuse - 60A Midi	1
25	460-7	Washer - Spring, M5	2
26	124-70	Setscrew - M5C x 16	2
27	849-273	Relay - Glow Plug (Spares Only)	1

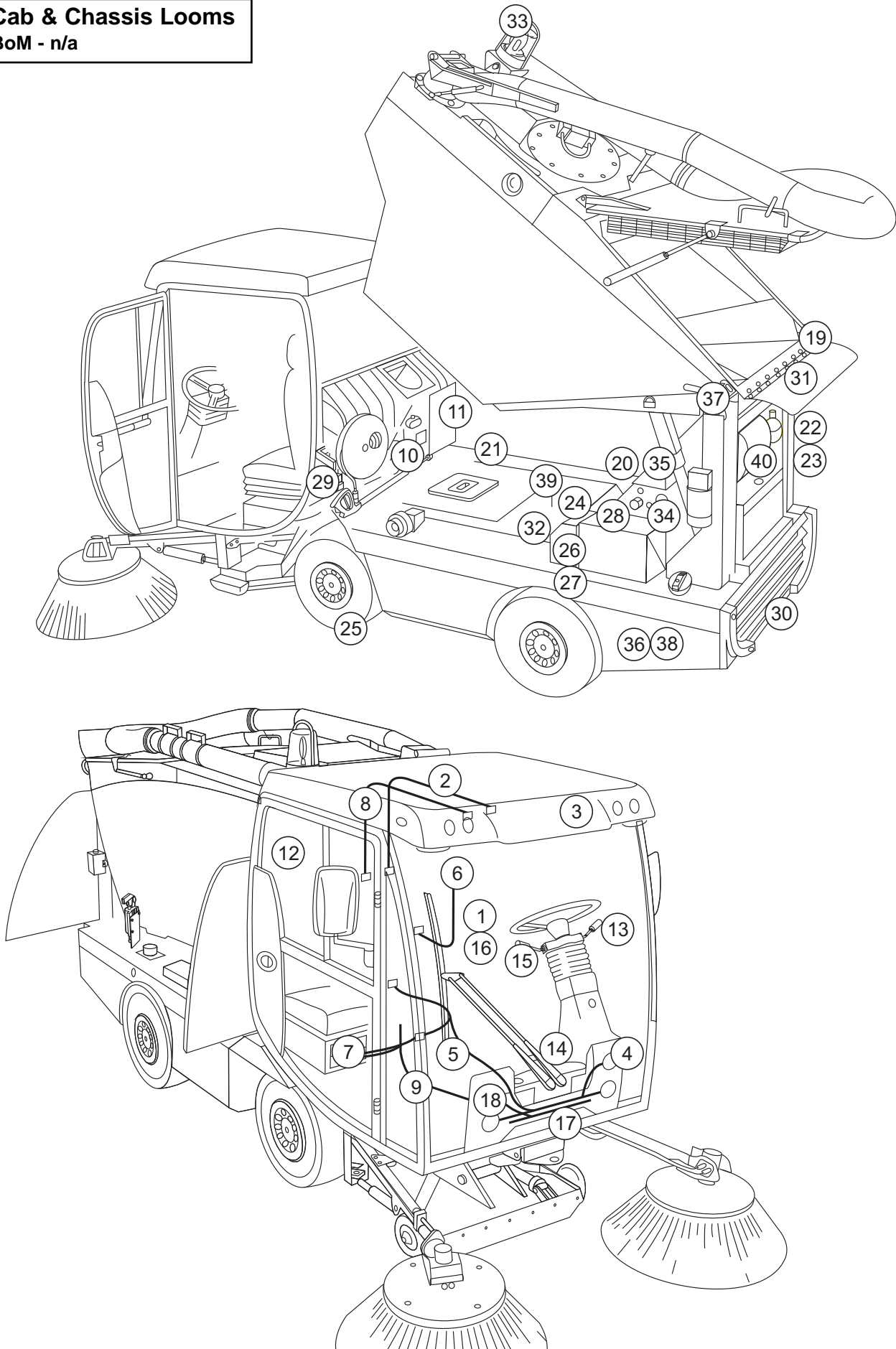
**Battery Installation (Euro 5/Tier 3)**  
BoM: 37027-54



**Battery Installation (Euro 5/Tier 3)**  
**BoM: 37027-54**

Item No.	Part No.	Description	Quantity
10	30-214	Battery - 12V, 96 Ah 640 CCA	1
20	30-216	Lug-Battery, +ve, 3/8 UNC	1
30	30-217	Lug-Battery, -ve, 3/8 UNC	1
40	30-218	Cover - Terminal, Red	1
50	30-219	Cover - Terminal, Blue	1
60	721946-1	Clamp - Battery C200	1
70	135-61	Bolt - Hook	2
80	410-37	Nut - Wing M8	2
90	7008394	Cable Assembly	1
100	436-13	Clip P Type, max dia.10.2mm	1
110	436-14	Clip P Type, max dia. 12.5mm	1
120	92330039-0	Hex Skt Button Head Screw M6x40 - 12.9	1
130	93212009-0	Plain Washer M6	4
140	93085004-0	Nyloc Hex Nut M6C - 8	1
150	30-271	Mount-Fuse Holder Surface	1
160	30-225	Fuse - 100A (MEGA) Surface Mtd	1
170	722248-1P	Lead - Battery, Negative	1
180	722338-1P	Cable - Starter Motor	1
190	7008105	Battery Holder	1
200	722494-1	Mat - Battery, Rubber (Euro 4)	1
210	92097299-0	Hex Head Screw M6Cx16 8.8	2

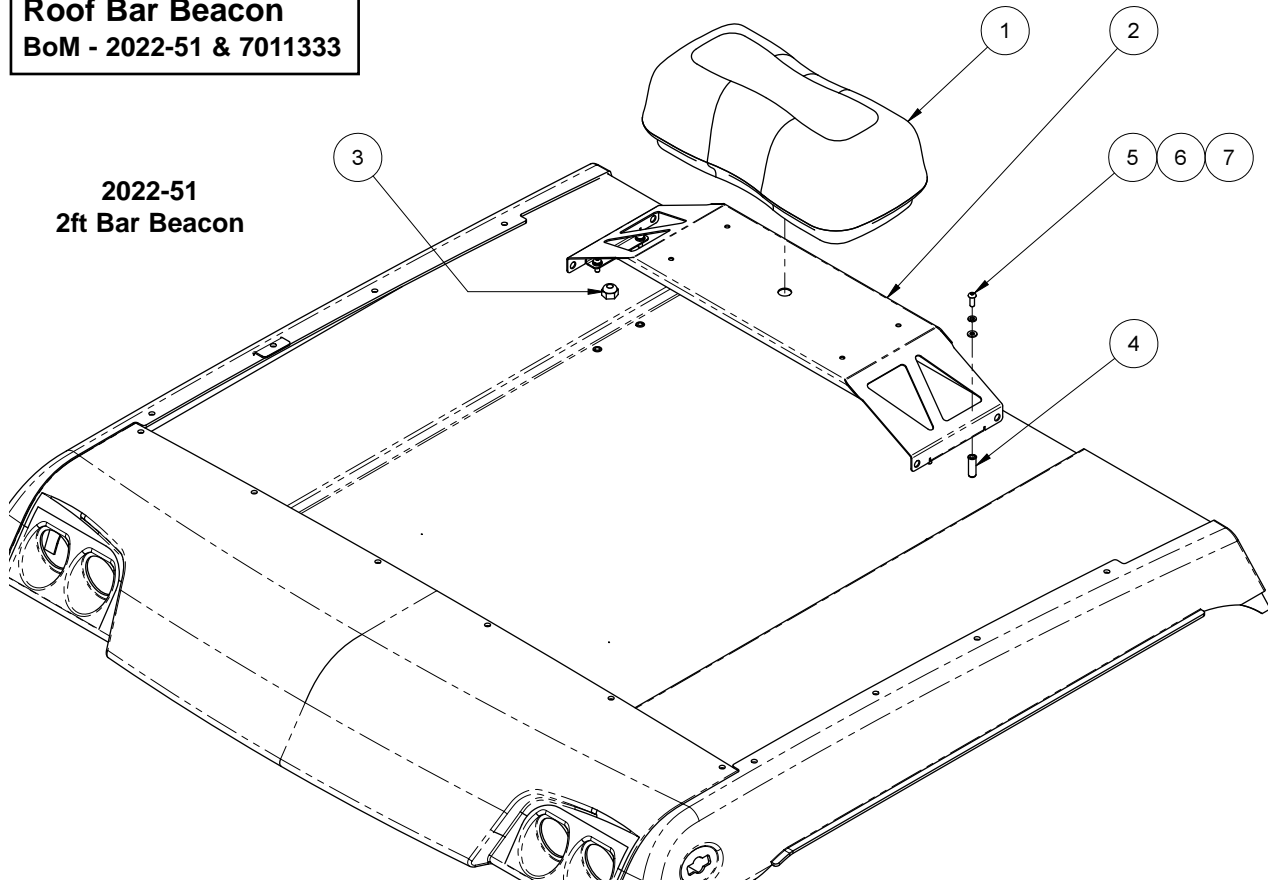
**Cab & Chassis Looms**  
BoM - n/a



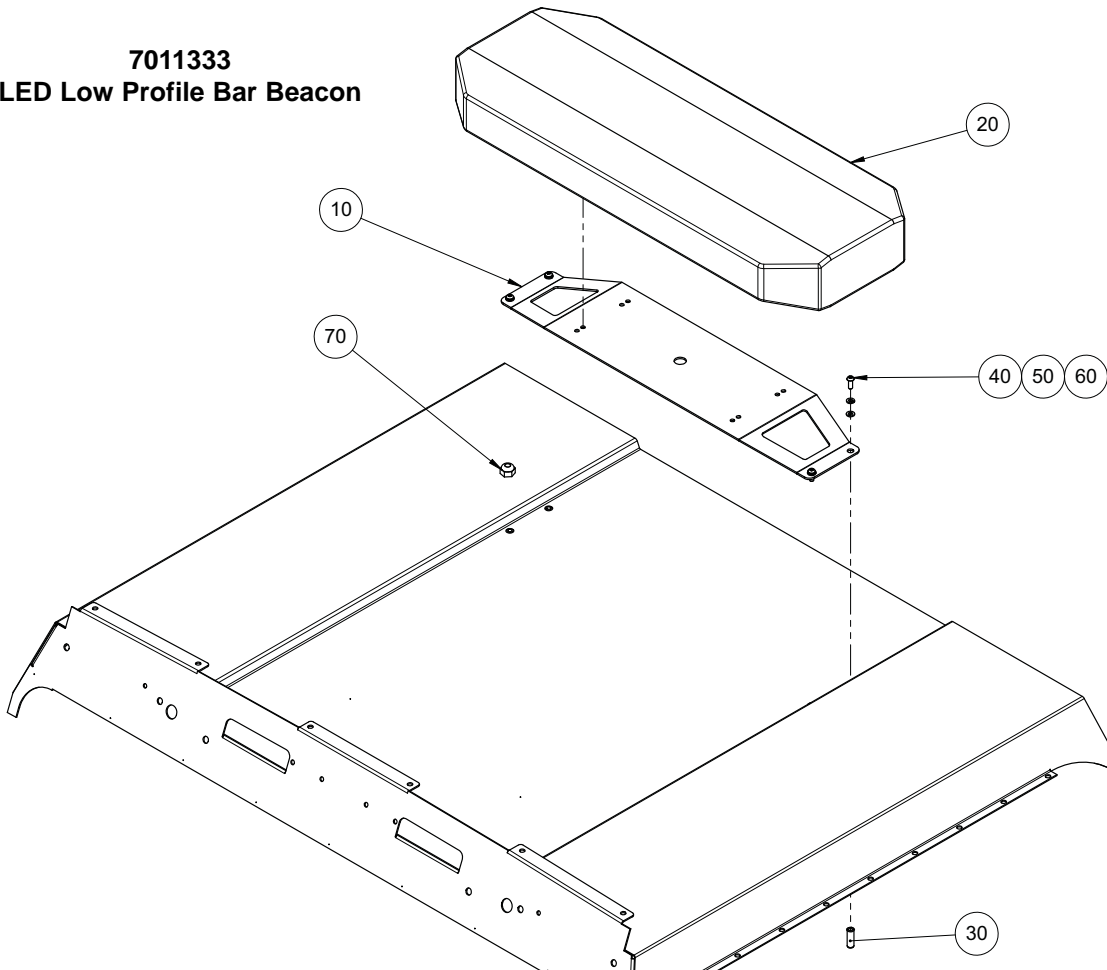
Cab & Chassis Looms  
BoM - n/a

Item No.	Part No.	Description	Quantity
1	720820-1, 2, 3 or 4	Armrest Console Assy	1
2	721533-1	Loom - Rear Cab to Overhead Console	1
3	721544-1	Overhead Console Assembly	1
4	721547-1	Loom - Cab Exterior Lights	2
5	722133-1	Loom - C200 Main Cab LH	1
	722134-1	Loom - C200 Main Cab RH	1
6	721611-1	Loom - Cab Air Con	1
7	721638-1	Loom - Cab Valve Block	1
8	721680-1	Overhead Power Cables	1
9	721681-1	Floor Mounted Power Cables	1
10	721682-1	Loom - C200 Exterior Air Con (option)	1
11	721687-1	Earth Lead - Chassis to Cab	1
12	722336-1	Loom S-Assy - C200 Rear Cab	1
	722339-1	Loom G-Assy - C200 Rear Cab	1
13	740366-3	Column Switch Assy C200 (Lights & Aux)	1
14	742014-1	Pedal - Brush Balance	1
15	741797-2	Column Switch Assy C200 (Transmission)	1
16	741913-1 - -6	Armrest G-Assembly	1
17	722931-1	Loom - Front Fascia, Indicators	1
18	722948-1	Loom - Front Fascia, Indicator Extension	1
19	720285-1	Fork Sensor Assy	1
20	721472-2	Loom - C200 J-Plex Chassis Node	1
21	722141-1	Loom - Main Chassis (Euro 4)	1
	7008370	Loom - Main Chassis (Euro 5)	1
	7008919	Loom - Main Chassis (Tier 3)	1
22	721521-1	Rear Chassis Lights	2
23	721527-1	Tail Lamp LED Assy	2
24	722480-1	Alternator Charging Lead	1
	721760-1	Lead - Dump Valve	1
25	721576-1	Road Speed Sensor Assy	1
26	721620-1	Cable Assy - Battery to Main Fuse (Euro 4)	1
	7008394	Cable Assembly	1
27	721621-1	Cable Assy - Main Fuse to Cab	1
28	721622-2	Cable Assy - Battery to Starter Motor	1
29	721630-1	Loom - C200 Supawash (option)	1
30	721653-1	Loom - C200 Trailer Socket LHD (option)	1
	721653-2	Loom - C200 Trailer Socket RHD (option)	1
31	721675-1	Loom - C200 Rear Door	1
	721675-2	Loom - C200 Rear Door - Single (option)	1
	722479-1	Loom - C200 Rear Door, Euro 4	1
	7012539	Sensor Module, LED Indicators	2
32	721686-1	Earth Lead - Engine to Chassis	1
33	721765-1	Cable Assy - Hopper Beacon	1
34	722248-1	Cable Assy - Battery Negative	1
35	722249-1	Cable Assy - Battery Isolator (option)	1
36	722294-1	Loom - C200 Weight Load Indicator	1
37	722363-1	Sensor Assy - Hopper Down	1
38	740455-3	Sensor Assy - C200 Weight Load Indicator (option)	1
39	740459-1	Float Switch Assembly	2
40	722946-1	Loom - Beacon, Rear LED Strobe	1

**Roof Bar Beacon**  
BoM - 2022-51 & 7011333



**7011333**  
**LED Low Profile Bar Beacon**



Roof Bar Beacon  
BoM - 2022-51 & 7011333**2022-51 Add On - Bar Beacon 2ft C200**

Item No.	Part No.	Description	Quantity
1	46-40	Beacon - Bar, 2 Foot	1
2	721979-1	Bracket - Bar Beacon	1
3	86-18	Gland - Cable, PG9	1
4	433-143	Insert - Threaded, M6	4
5	138-93	Screw - Skt Button Hd, M6C x 16	4
6	460-8	Washer - Spring, M6	4
7	455-8	Washer - Plain, M6	4

**7011333****Add On-Bar Beacon, Amber LED,Low Profile**

Item No.	Part No.	Description	Quantity
10	7009697	Bracket	1
20	745-25	Light Bar Dual Voltage Length 750mm	1
30	433-143	Rivet Nut - S.Cl. Nut M6c g0.7-4.2	4
40	92330109-0	Hex Skt Button Head Screw M6x16 - 10.9	4
50	93699708-0	Spring Washer - Plated M6	4
60	93212009-0	Plain Washer M6	4
70	86-18	Cable Gland IP68 PG9	1



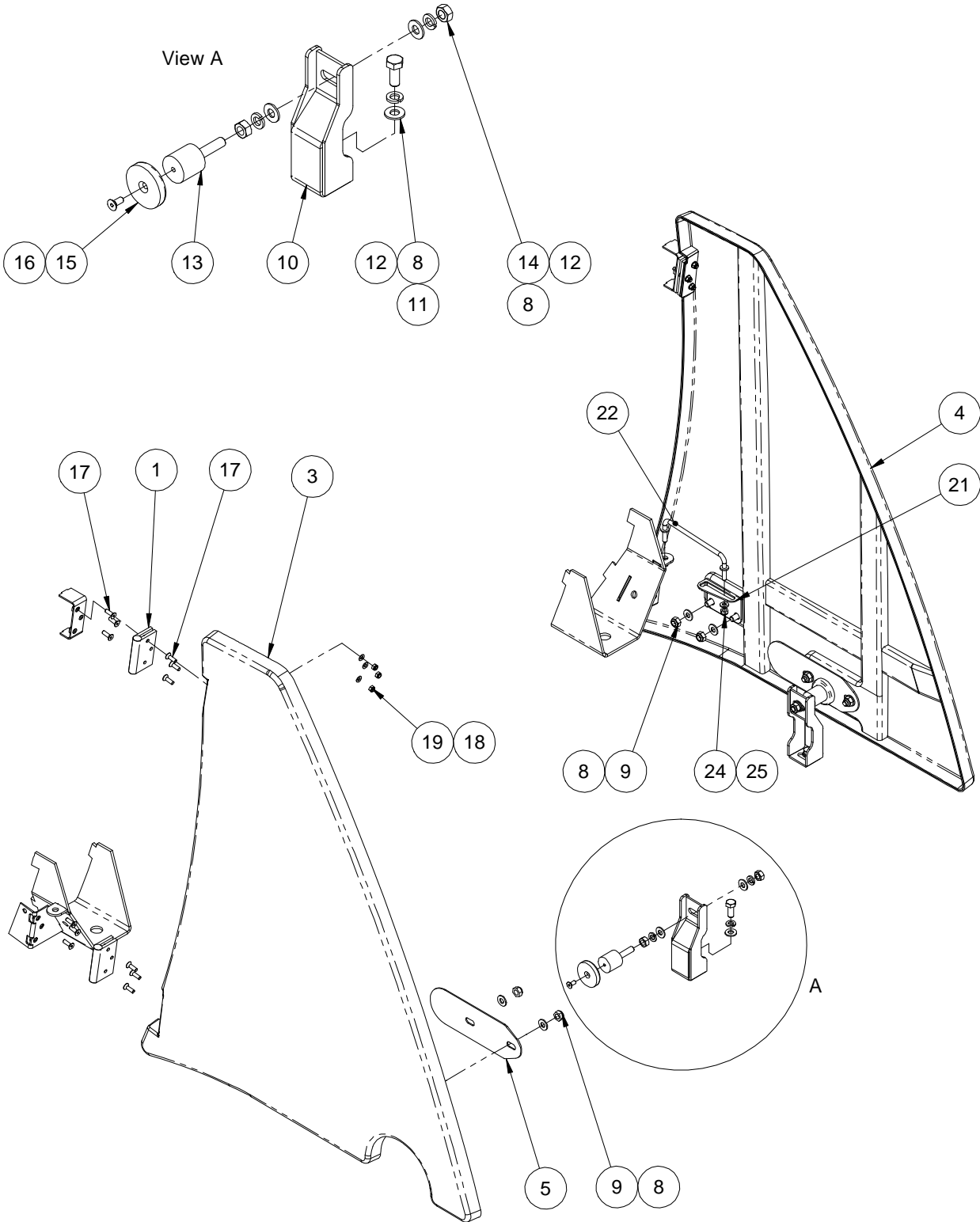


## CHAPTER

**10****Covers****Table of Contents**

<b>Section</b>	<b>Page</b>
Front Side Cover Assembly	10 : 2
Main Side Cover Assembly - Sweeper	10 : 4
Main Side Cover Assembly - Washer (Euro 4)	10 : 6
Main Side Cover Assembly - Washer (Euro 5)	10 : 8
Rear Side Cover Assembly - MK1	10 : 10
Rear Side Cover Assembly - MK2	10 : 12
Rear Door Assembly (Euro 4/Tier 3)	10 : 14
Rear Door Assembly (Euro 5/Tier 3)	10 : 16
Upper Bumper Assembly (Euro 4/Tier 3)	10 : 18
Upper Bumper Assembly (Euro 5/Tier 3)	10 : 20
Lower Bumper & Grille Assembly (Euro 4/Tier 3)	10 : 22
Lower Bumper & Grille Assembly (Euro 5/Tier 3)	10 : 24

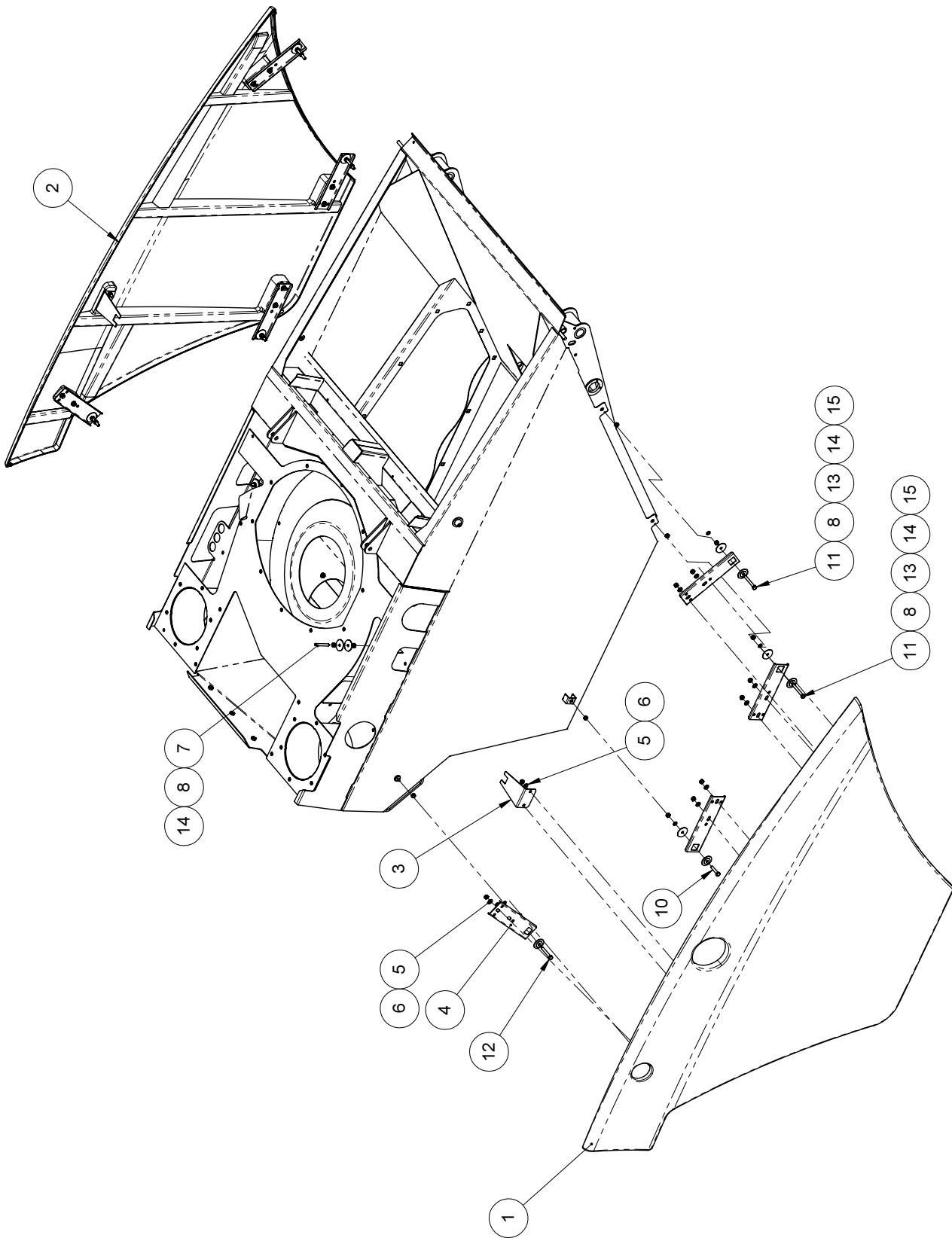
**Front Side Cover Assembly**  
BoM: 37011-51



<b>Front Side Cover Assembly</b> <b>BoM: 37011-51</b>
--

Item No.	Part No.	Description	Quantity
1	212-15	Hinge - Plastic	4
2	-	-	-
3	720786-1	Panel - Side, Front LH	1
4	720787-1	Panel - Side, Front RH	1
5	721317-1	Plate - Magnet, Side Panel	2
6	-	-	-
7	-	-	-
8	454-8	Washer Plain St.Stl M8x17	10
9	417-8	Nut - Nyloc M8 S/Steel DIN985	4
10	721509-1	Bracket-Magnet Mtg. W/Assy	2
11	118-135	Setscrew Hexagon Hd M8cx20 SS	2
12	458-8	Washer Spring Single Coil M8SS	6
13	290-34	Bobbin - 25x25 M/F, M8x33/M5	2
14	415-8	Nut - MC Hex M8 S.Stl	4
15	211-37	Magnet - Pot Type, 40mm OD	2
16	131-62	Screw MC Csk Skt Hd M5x12	2
17	135-133	Screw-Skt Bt.Hd.M5Cx16,S.Steel	24
18	454-5	Washer Plain St.Stl M5x10	12
19	417-5	Nut - Nyloc M5 S/Steel DIN985	12
20	722300-1	Stay - Limiter Travel, LH	1
21	722300-2	Stay - Limiter Travel RH	1
22	722306-1	Limitter - Travel, Bar W/Assy	2
23	-	-	-
24	417-6	Nut - Nyloc M6 S/Steel DIN985	4
25	454-6	Washer Plain St.Stl M6x12.5	4

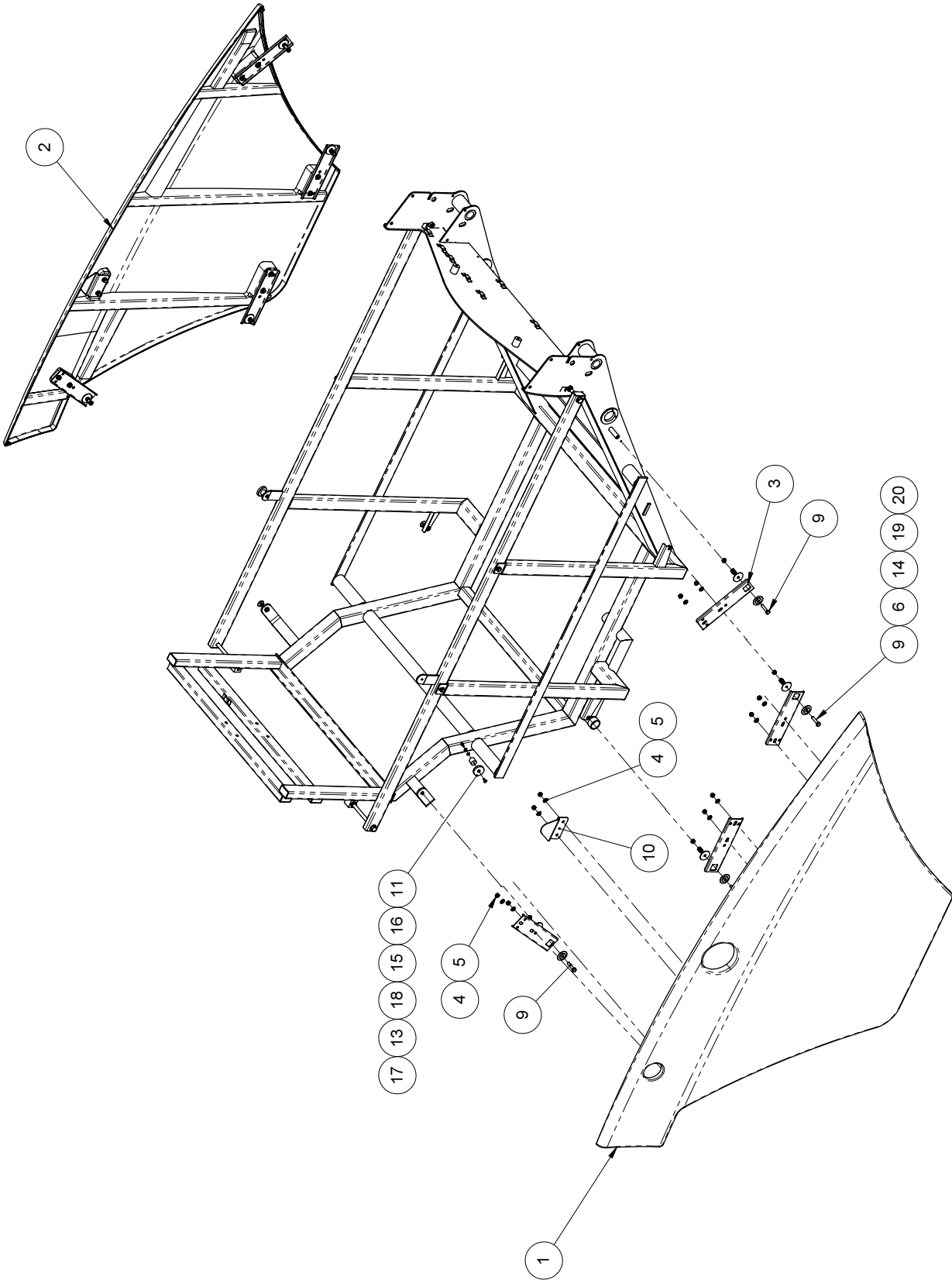
**Main Side Cover Assembly - Sweeper**  
BoM: 37012-51



**Main Side Cover Assembly - Sweeper**  
**BoM: 37012-51**

Item No.	Part No.	Description	Quantity
1	720788-1	Panel - Side, Centre LH	1
2	720789-1	Panel - Side Centre RH	1
3	721311-1	Bracket - Top Mtg, Side Panel	2
4	721351-1	Mount - Main Side Panel	8
5	454-8	Washer Plain St.Stl M8x17	20
6	417-8	Nut - Nyloc M8 S/Steel DIN985	20
7	721378-1	Stud - Side Panels	2
8	415-8	Nut - MC Hex M8 S.Stl	20
9	-	-	-
10	118-143	Setscrew Hexagon Hd M8cx40 SS	2
11	118-148	Setscrew Hexagon Hd M8cx65 SS	4
12	118-146	Setscrew Hexagon Hd M8cx55 SS	2
13	458-8	Washer Spring Single Coil M8SS	8
14	452-66	Washer-Repair 5/16"x1½"x1.4Thk	20
15	457-4	Washer Plain Steel M8 Form G	8

**Main Side Cover Assembly - Washer (Euro 4)**  
BoM: 37012-52

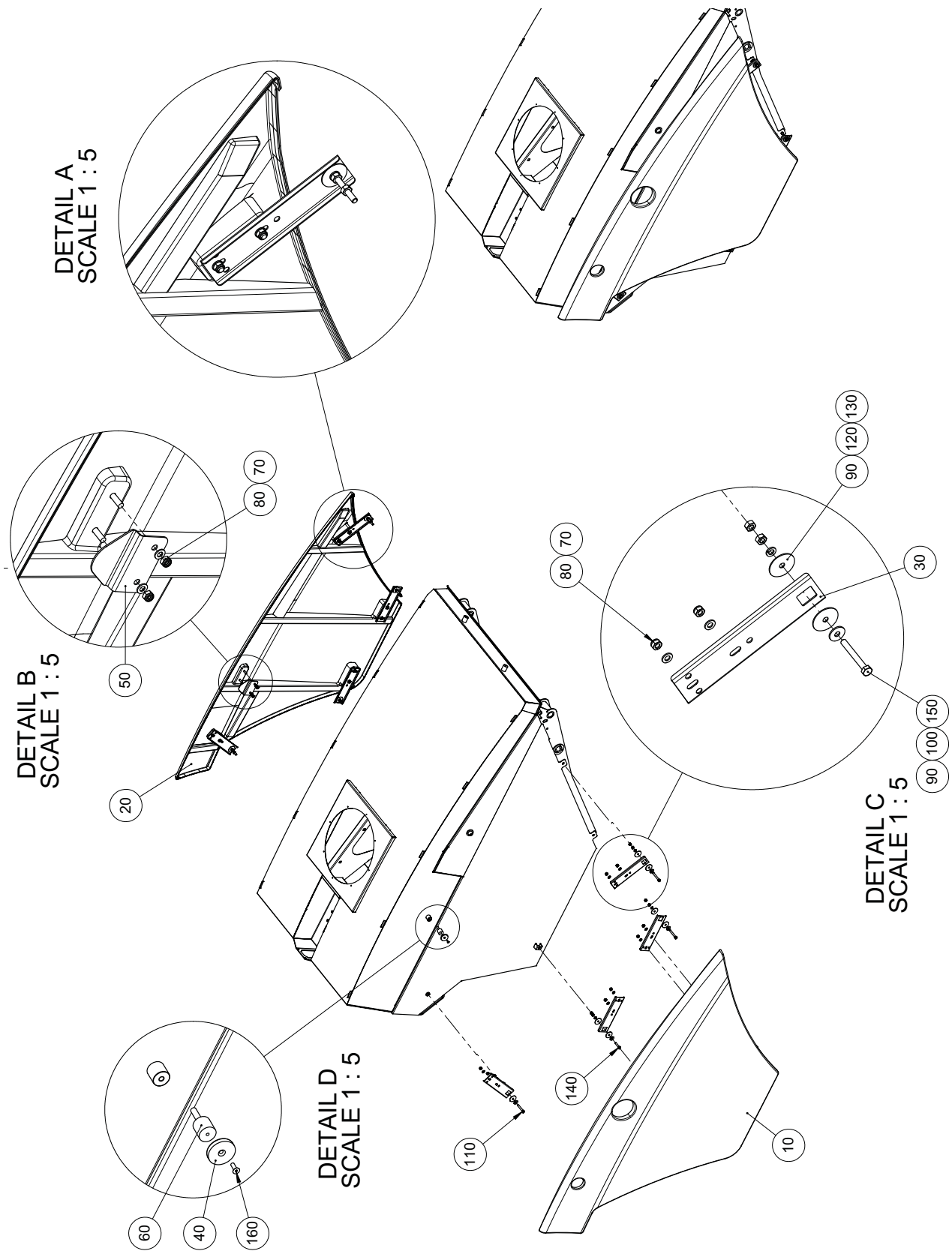


## Main Side Cover Assembly - Washer (Euro 4)

BoM: 37012-52

Item No.	Part No.	Description	Quantity
1	720788-1	Panel - Side, Centre LH	1
2	720789-1	Panel - Side Centre RH	1
3	721351-1	Mount - Main Side Panel	8
4	454-8	Washer - Plain, St.Stl M8x17	20
5	417-8	Nut - Nyloc M8 S/Steel DIN985	20
6	415-8	Nut - MC Hex M8 S.Stl	16
7	-	-	-
8	-	-	-
9	118-143	Setscrew Hexagon Hd M8cx40 SS	8
10	721664-1	Plate - Side Panel Top Ctr Mtg	2
11	211-37	Magnet - Pot Type, 40mm OD	2
12	-	-	-
13	458-5	Washer - Spring, St.Stl. M5	2
14	458-8	Washer Spring Single Coil M8SS	8
15	290-40	Mount - Anti Vibration M5 F/F	2
16	135-133	Screw-Skt Bt.Hd.M5Cx16,S.Steel	2
17	118-68	Setscrew Hexagon Hd M5cx12 SS	2
18	454-5	Washer Plain St.Stl M5x10	2
19	452-66	Washer-Repair 5/16"x1½"x1.4Thk	16
20	457-4	Washer Plain Steel M8 Form G	8

**Main Side Cover Assembly - Washer (Euro 5)**  
BoM: 7012382



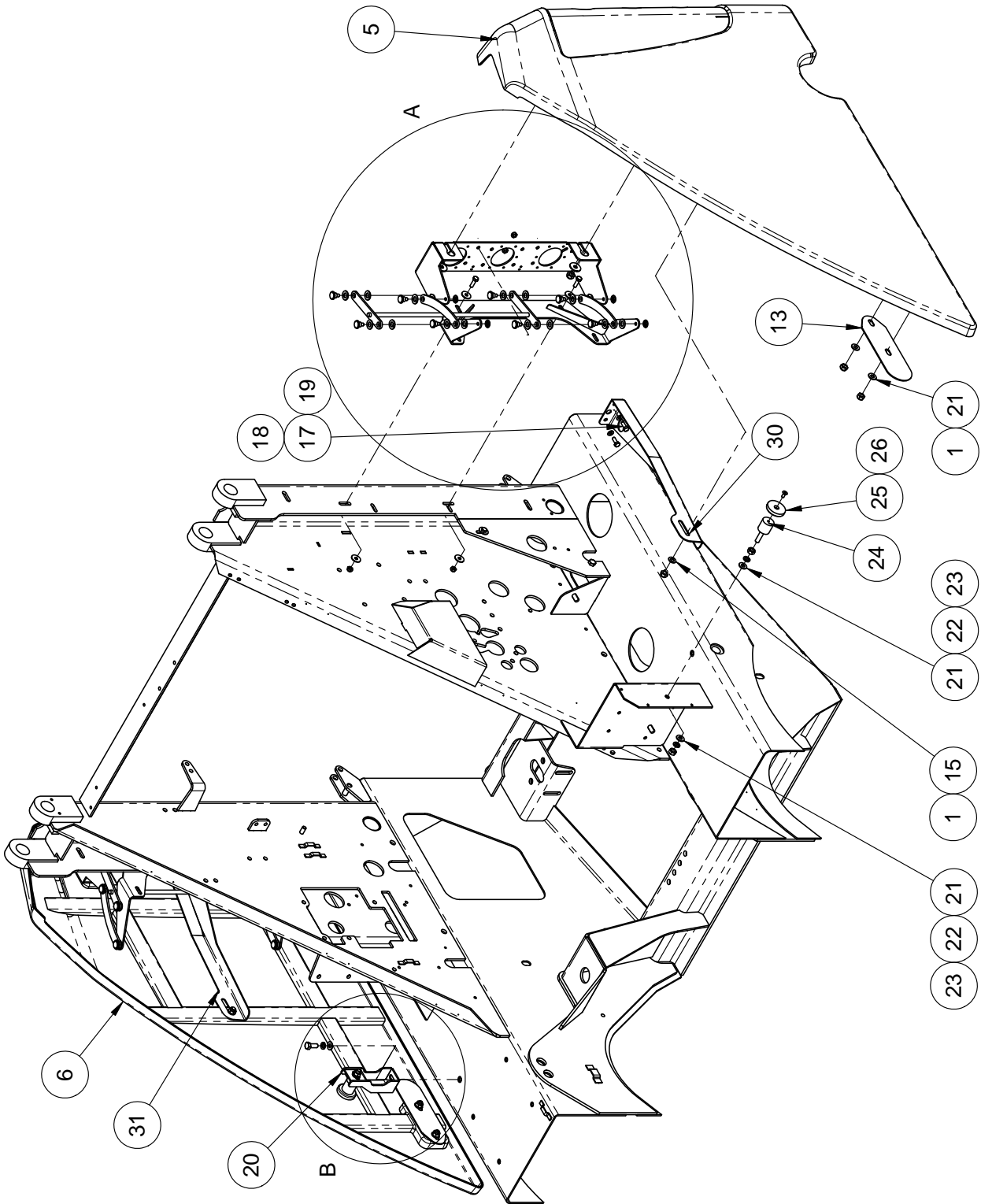


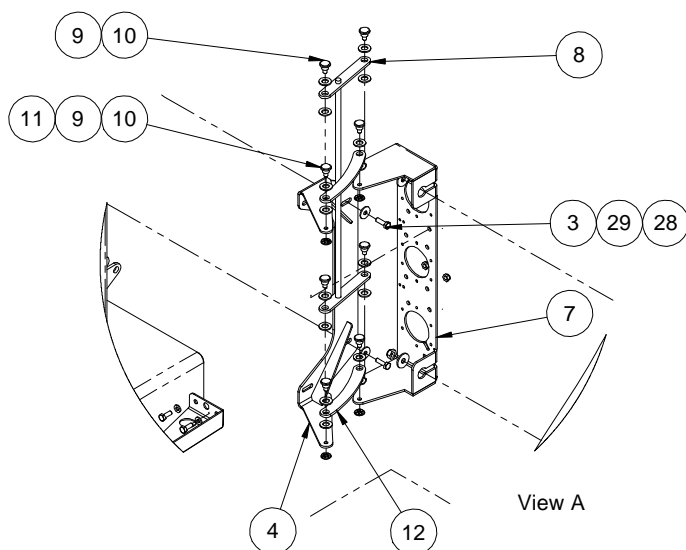
## Main Side Cover Assembly - Washer (Euro 5)

BoM: 7012382

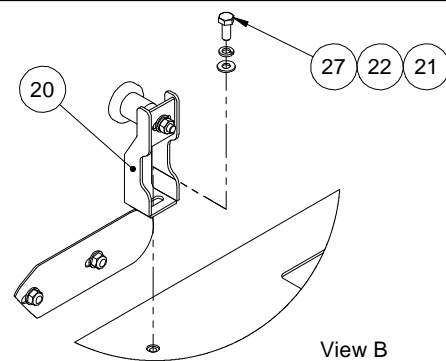
Item No.	Part No.	Description	Quantity
10	720788-1	Panel - Side, Centre LH	1
20	720789-1	Panel - Side Centre RH	1
30	721351-1	Mount - Main Side Panel	8
40	211-37	Magnet - Pot Type, 40mm OD	2
50	721664-1	Plate - Side Panel Top Ctr Mtg	2
60	290-34	Bobbin - 25x25 M/F, M8x33/M5	2
70	93213010-0	Plain Washer M8 A2	20
80	93085605-0	Nyloc Hex Nut - M8c - A2	20
90	452-66	Washer-Repair 5/16"x1½"x1.4Thk	16
100	93300509-0	Plain Large Washer M8	8
110	92099382-0	Hex Head Screw M8Cx55 A2	2
120	93700210-0	Spring Washer M8 - A2	8
130	93057014-0	Nut-MC Hex M8 S.Stl	16
140	92099379-0	Hex Head Screw M8Cx40 A2	2
150	92099384-0	Hex Head Screw M8Cx65 A2	4
160	92153033-0	Hex Socket CSK Screw M5Cx16 10.9	2

**Rear Side Cover Assembly - MK1  
(up to chassis no. 3068650)  
BoM: 37013-51**



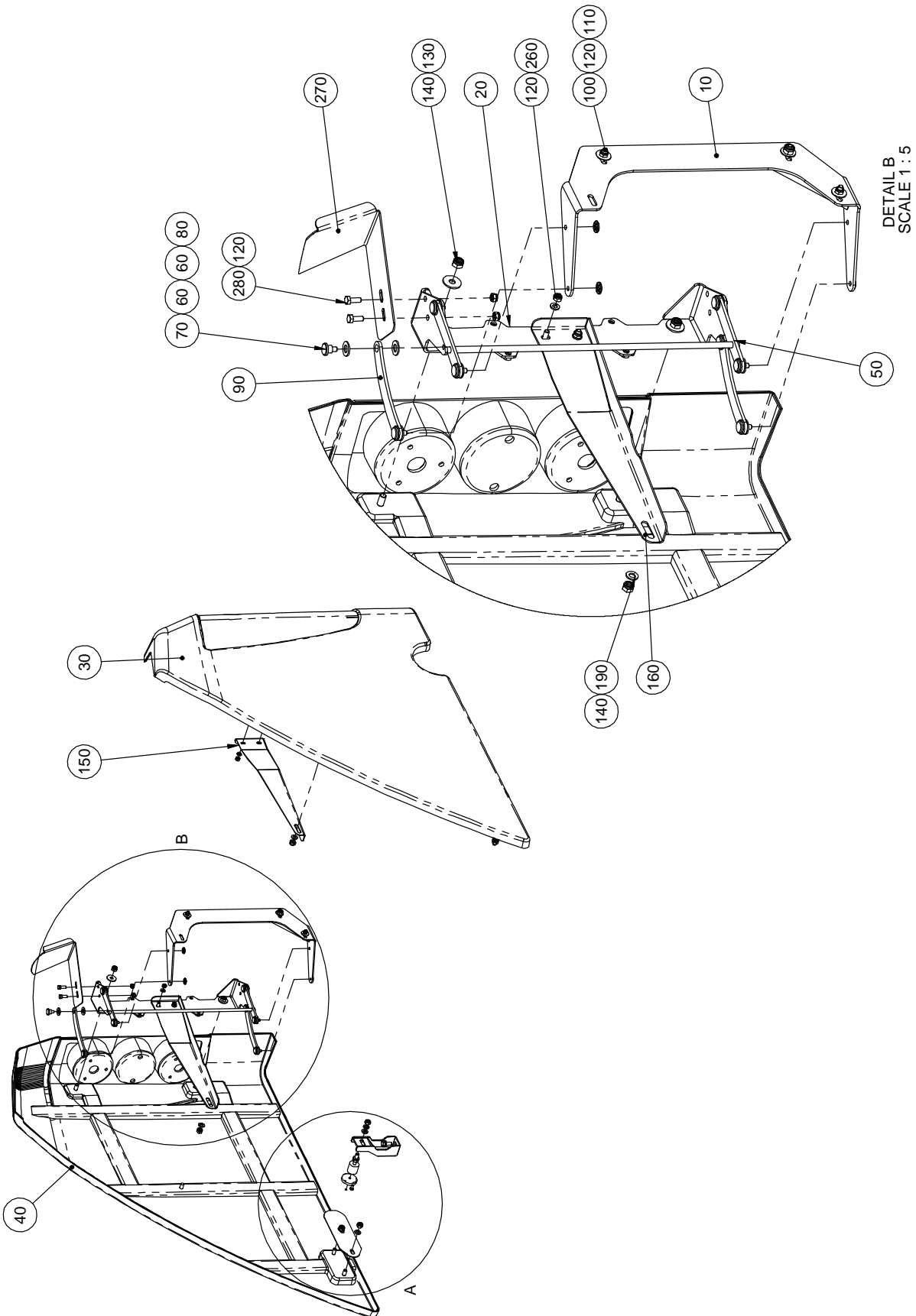


**Rear Side Cover Assembly - MK1**  
**(up to chassis no. 3068650)**  
BoM: 37013-51

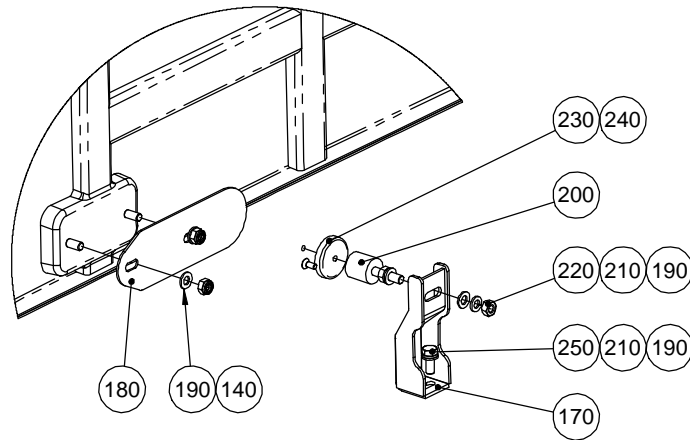


Item No.	Part No.	Description	Quantity
1	417-8	Nut - Nyloc, M8C St.Stl.	10
2	452-58	Washer - Repair, M8 St.Stl.	4
3	118-103	Setscrew - M6C x 20	6
4	721350-1	Mount - Chassis, Rear Panel	2
5	720792-1	Panel - Side, Rear LH	1
6	720793-1	Panel - Side, Rear RH	1
7	721348-1	Bracket - Mounting, Rear Panel	2
8	721352-1	Pivot	2
9	453-19	Washer - Nylon, M10x1.6	32
10	721159-1	Pin - Shoulder	16
11	449-6	Fastener - Push On, 6mm dia.	16
12	721161-1	Pivot - Long	4
13	721317-1	Plate - Magnet, Side Panel	2
14	-	-	-
15	455-10	Washer - Plain, M8	2
16	-	-	-
17	124-102	Setscrew - M6C x 16	4
18	455-8	Washer - Plain, M6	4
19	425-13	Nut - Nyloc, M6C	4
20	721509-1	Bracket - Mounting, Magnet	1
21	454-8	Washer - Plain, M8 St.Stl.	9
22	458-8	Washer - Spring, M8 St.Stl.	5
23	415-8	Nut - Full, M8C St.Stl.	4
24	290-34	Bobbin - M/F, 25x25	2
25	211-37	Magnet	2
26	131-62	Setscrew - CSK Hd, M5C x 12	2
27	118-135	Setscrew - CSK Hd, M8C x 20	1
28	417-6	Nut - Nyloc, M6C St.Stl.	6
29	452-15	Washer - Repair, 1/4x3/4	12
30	722428-1	Stiffener - Rear Panel, LH	1
31	722428-2	Stiffener - Rear Panel, RH	1

**Rear Side Cover Assembly - MK2**  
**(from chassis no. 3068651 onwards)**  
BoM: 37013-52



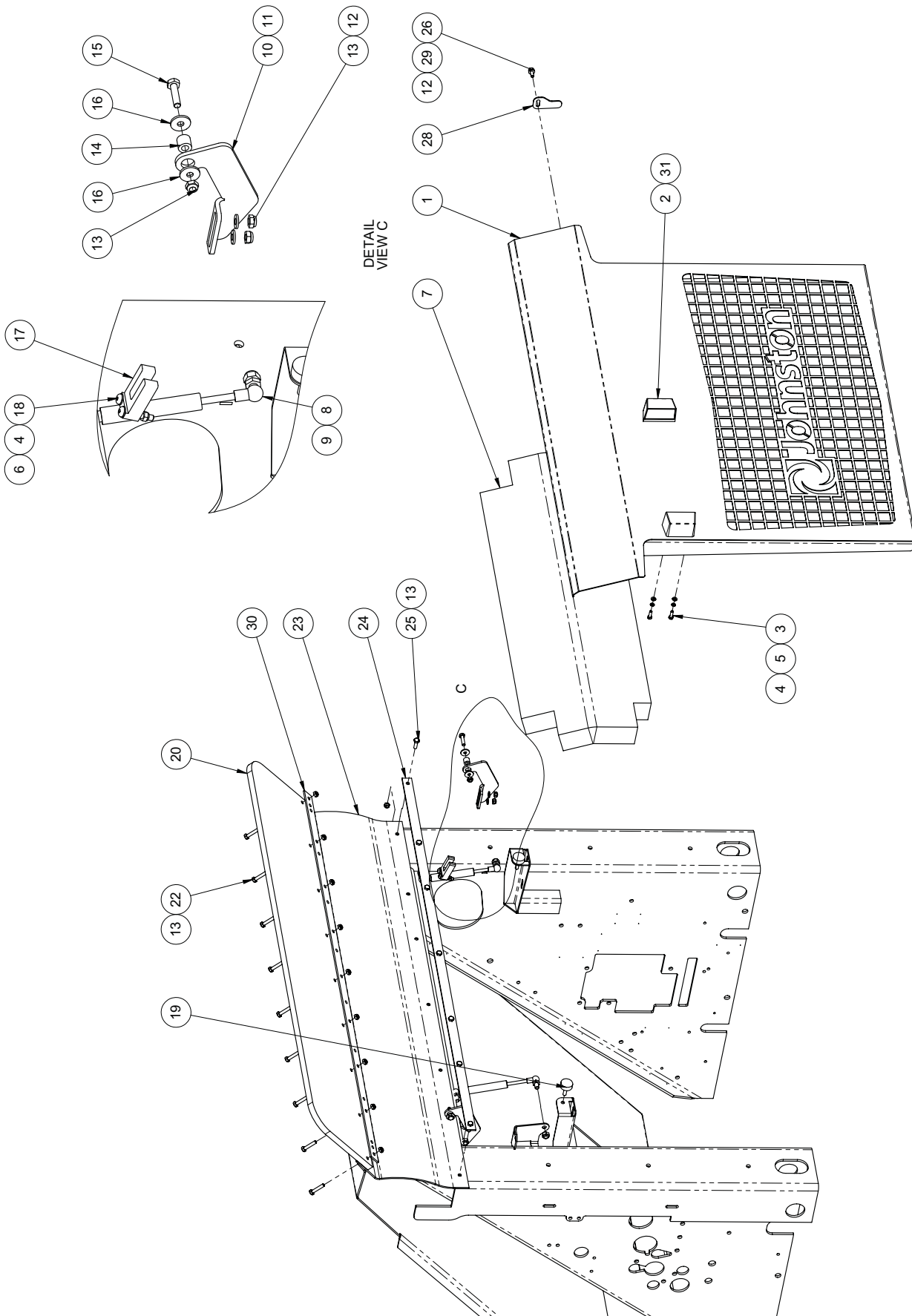
**Rear Side Cover Assembly - MK2**  
**(from chassis no. 3068651 onwards)**  
BoM: 37013-52



DETAIL A  
SCALE 1 : 5

Item No.	Part No.	Description	Quantity
10	721350-1	Mount-Chassis, Rear Panel	2
20	722727-1	Mount - Panel, Side W/Assy	2
30	722728-1	Panel - Side, Rear (LH - LED)	1
40	722729-1	Panel - Side, Rear (RH - LED)	1
50	721352-1	Pivot W/Assy	2
60	453-19	Washer - Nylon, M10x1.6 thk	32
70	721159-1	Pin - Shoulder	16
80	449-6	Push On Fastener 6mm Dia	16
90	721161-1	Pivot - Long	4
100	92099301-0	Hex Head Screw M6Cx20 A2	6
110	452-15	Washer-Repair 1/4"x3/4" Co	12
120	93085004-0	Nyloc Hex Nut M6C - 8	11
130	93300509-0	Plain Large Washer M8	4
140	93085005-0	Nyloc Hex Thin Nut M8C - 8	11
150	722723-1	Stiffener - Panel, Rear LH	1
160	722723-2	Stiffener - Panel, Rear RH	1
170	721509-1	Bracket-Magnet Mtg. W/Assy	1
180	721317-1	Plate - Magnet, Side Panel	2
190	93212011-0	Plain Washer M8	11
200	290-34	Bobbin - 25x25 M/F, M8x33/M5	2
210	93699710-0	Spring Washer - Plated M8	5
220	93056014-0	Hex Nut M8C-8	4
230	211-37	Magnet - Pot Type, 40mm OD	2
240	92153032-0	Hex Socket CSK Screw M5Cx12 10.9	2
250	92099373-0	Hex Head Screw M8Cx20 A2	1
260	93212009-0	Plain Washer M6	4
270	7009129	Deflector	1
280	92097299-0	Hex Head Screw M6Cx16 8.8	2

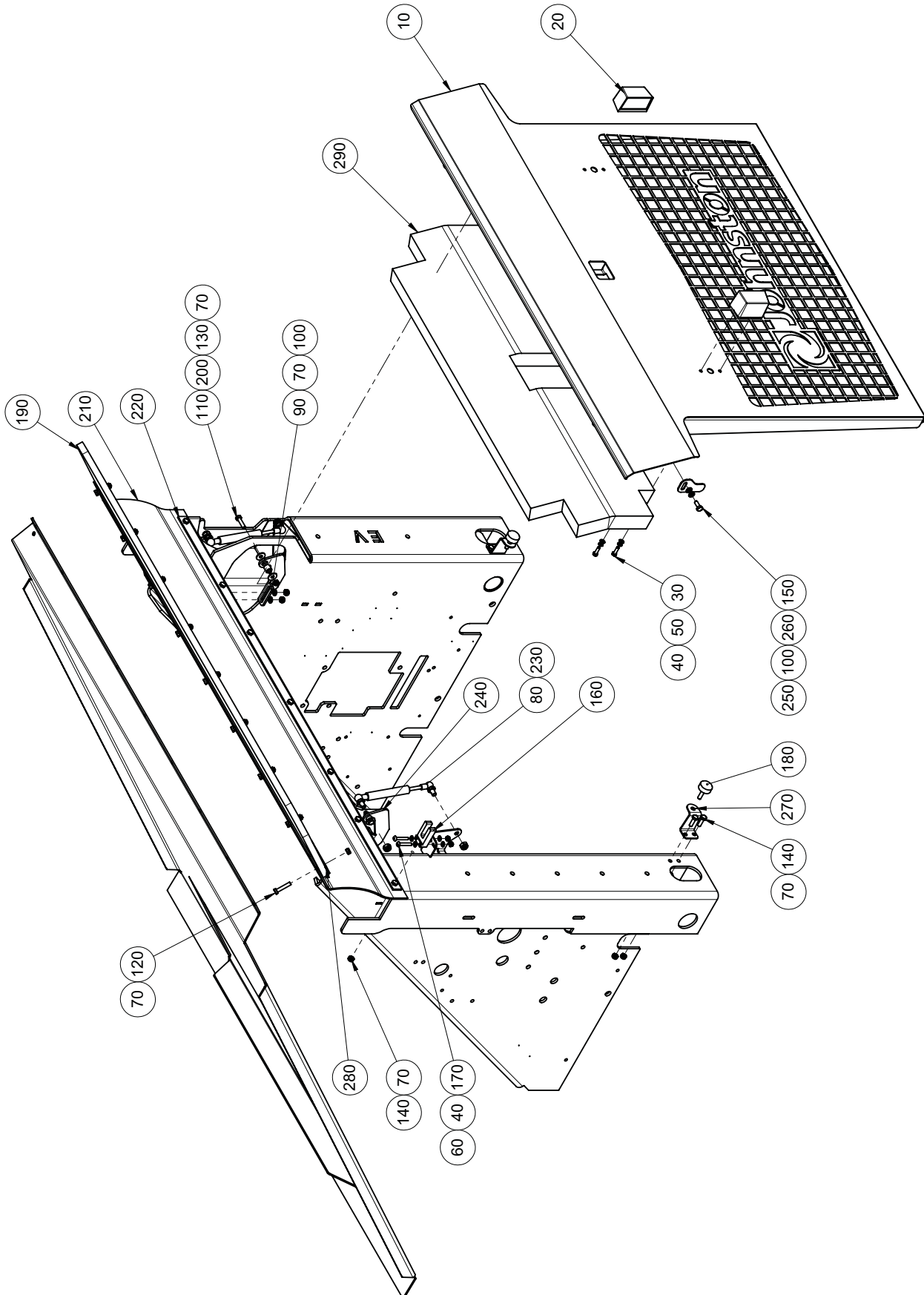
**Rear Door Assembly (Euro 4/Tier 3)**  
**BoM: 37014-52**



**Rear Door Assembly (Euro 4/Tier 3)**  
**BoM: 37014-52**

Item No.	Part No.	Description	Quantity
1	722446-1	Door - Rear, Euro 4 W/Assy	1
2	46-120	Lamp - Number Plate 12v	2
3	124-70	Setscrew M5C x 16	4
4	455-7	Washer Plain Plated Steel M5	6
5	460-7	Washer Spring Single Coil M5	4
6	425-12	Nut Nyloc Hex MC M5	2
7	722439-1	Foam - Sound Attenuating Euro4	1
8	722375-1	Spring - Gas	2
9	425-14	Nut Nyloc Hex MC M8	4
10	722366-1	Bracket-Rear Door Pivot,LH	1
11	722366-2	Bracket-Rear Door Pivot,RH	1
12	455-8	Washer Plain Plated Steel M6	5
13	425-13	Nut Nyloc Hex MC M6	22
14	71121-3	Spacer-6.5IDx12 OD, L =11/10.5	2
15	124-105	Setscrew M6C x 25	2
16	457-2	Washer Plain Steel M6 Form G	4
17	720285-1P	Sensor Assy - Magnetic Fork	1
18	135-84	Setscrew - Button Head M5x30	2
19	290-41	Stop - Rubber, M6 x 25	2
20	74339-1	Flap - Hopper Thick	1
22	124-107	Setscrew M6C x 30	9
23	722379-1	Flap - Hopper, Thin (Euro 4)	1
24	722384-1	Strip - Flap Clamp (Euro 4)	1
25	124-103	Setscrew M6C x 20	7
26	124-102	Setscrew M6C x 16	1
28	722627-1	Blade - Sensor	1
29	460-8	Washer Spring Single Coil M6	1
30	74728-1	Clamp - Flap	1
31	18868	Spirap - Plastic, Black	0.3M

**Rear Door Assembly (Euro 5/Tier 3)**  
BoM: 37014-53

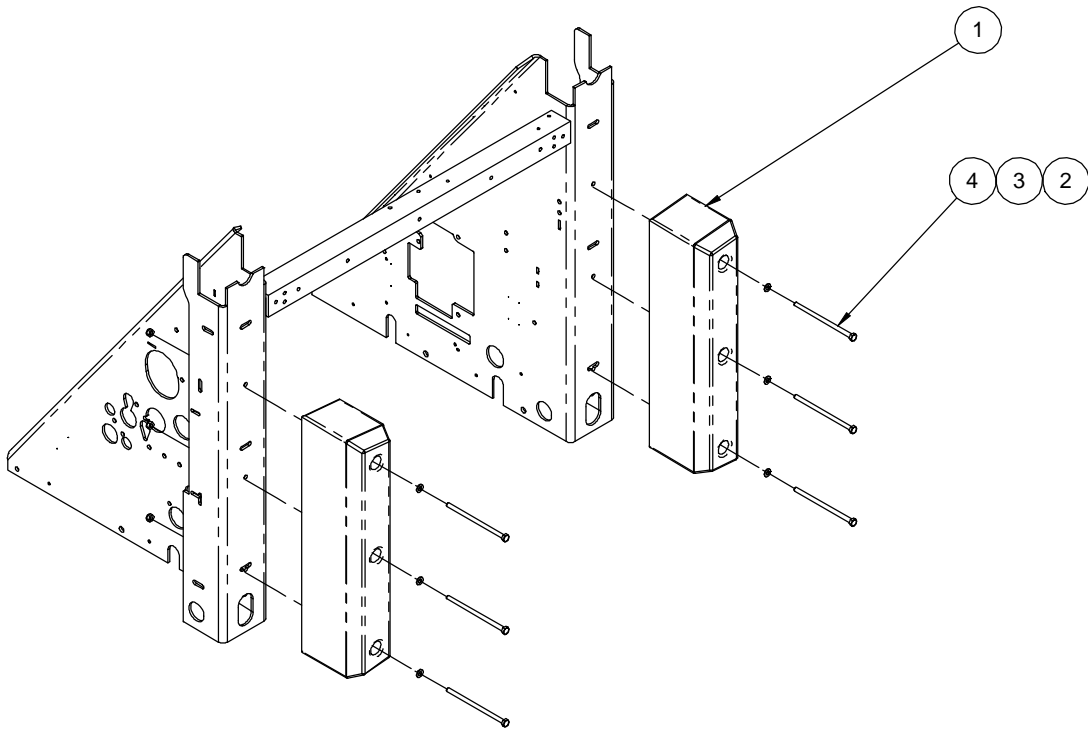




**Rear Door Assembly (Euro 5/Tier 3)**  
**BoM: 37014-53**

Item No.	Part No.	Description	Quantity
10	7007789	Rear door Weld assembly	1
20	46-120	Lamp - Number Plate 12v	2
30	92097263-0	Hex Head Screw M5Cx16 8.8	4
40	93210109-0	Plain Washer M5	8
50	93699707-0	Spring Washer - Plated M5	4
60	93085003-0	Nyloc Hex Nut M5C - 8	2
70	93085004-0	Nyloc Hex Nut M6C - 8	26
80	722375-1	Spring - Gas	2
90	722366-1	Bracket-Rear Door Pivot,LH	1
100	93212009-0	Plain Washer M6	5
110	92097303-0	Hex Head Screw M6Cx25 8.8	2
120	92097305-0	Hex Head Screw M6Cx30 8.8	9
130	71121-3	Spacer-6.5IDx12 OD, L =11/10.5	2
140	92097301-0	Hex Head Screw M6Cx20 8.8	11
150	92097299-0	Hex Head Screw M6Cx16 8.8	1
160	720285-1P	Sensor Assy - Magnetic Fork	1
170	135-84	Setscrew - Button Head M5x30	2
180	290-41	Stop - Rubber, M6 x 25	2
190	74339-1	Flap - Hopper Thick	1
200	93300507-0	Plain Large Washer M6	4
210	722379-1	Flap - Hopper, Thin (Euro 4)	1
220	722384-1	Strip - Flap Clamp (Euro 4)	1
230	93085805-0	Nyloc Hex Nut M8C - 8	4
240	722366-2	Bracket-Rear Door Pivot,RH	1
250	722627-1	Blade - Sensor	1
260	93699708-0	Spring Washer - Plated M6	1
270	7009446	Bracket Weld assembly	2
280	74728-1	Clamp - Flap	1
290	7008457	Sound attenuation -Rear door	1

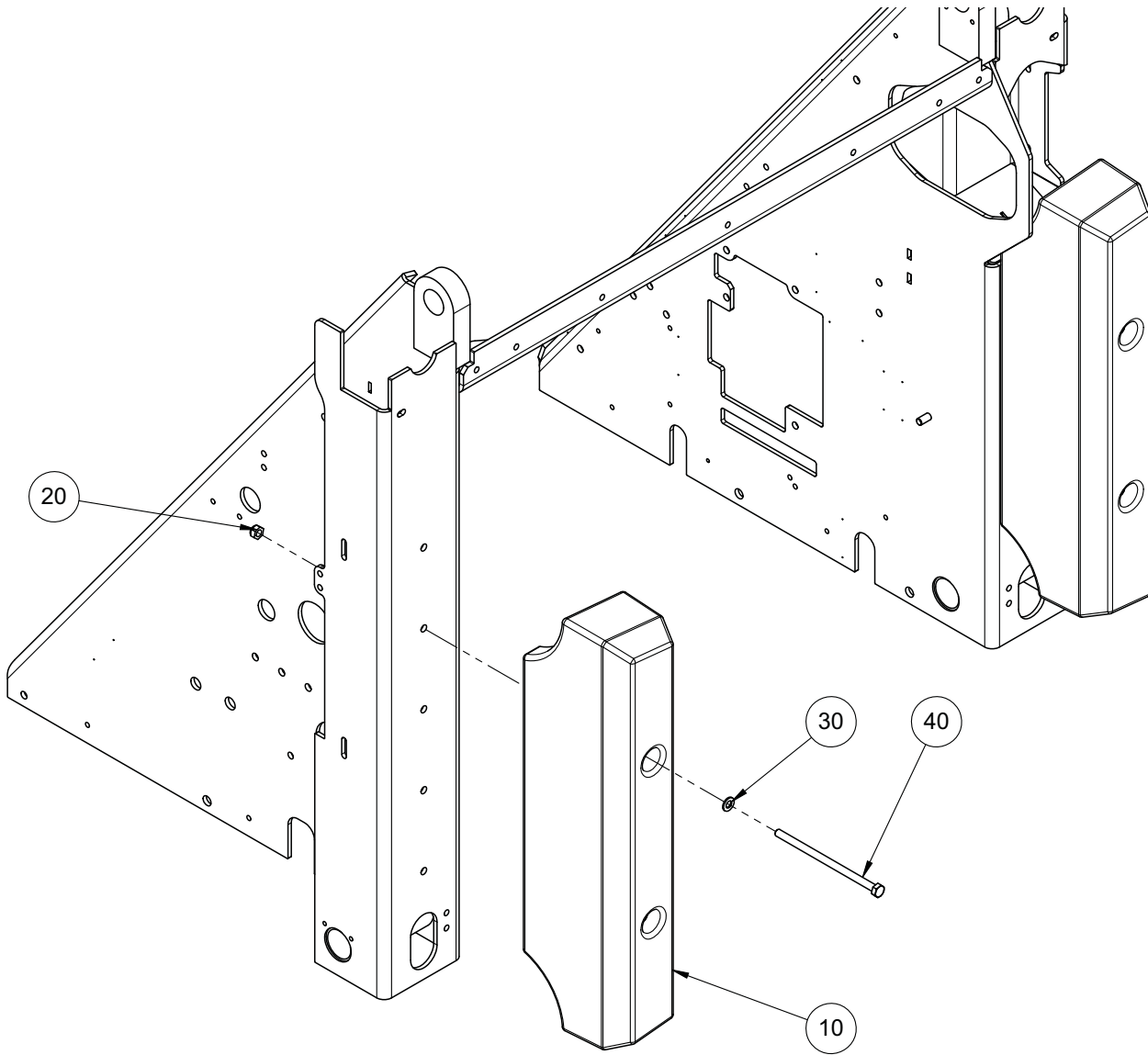
**Upper Bumper Assembly (Euro 4/Tier 3)**  
BoM: 37015-51



**Upper Bumper Assembly (Euro 4/Tier 3)  
BoM: 37015-51**

<b>Item No.</b>	<b>Part No.</b>	<b>Description</b>	<b>Quantity</b>
1	721305-1	Bumper - Upper, Assy	2
2	425-14	Nut Nyloc Hex MC M8	6
3	455-10	Washer Plain Plated Steel M8	6
4	123-125	Bolt M Coarse M8x150	6

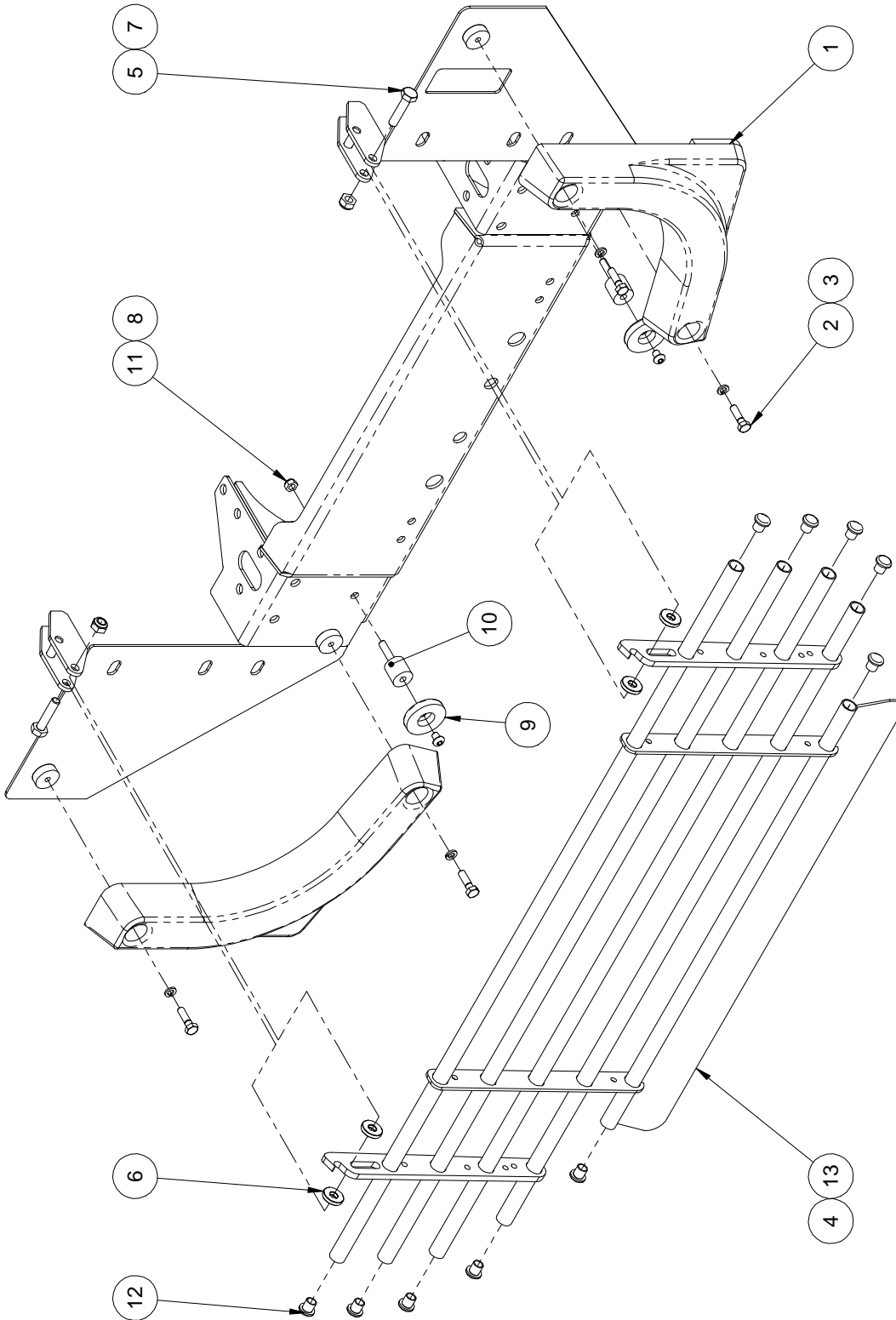
**Upper Bumper Assembly (Euro 5/Tier 3)**  
BoM: 37015-52



**Upper Bumper Assembly (Euro 5/Tier 3)  
BoM: 37015-52**

<b>Item No.</b>	<b>Part No.</b>	<b>Description</b>	<b>Quantity</b>
10	7007841	Bumper Assembly	2
20	425-14	Nut Nyloc Hex MC M8	4
30	455-10	Washer Plain Plated Steel M8	4
40	123-125	Bolt M Coarse M8x150	4

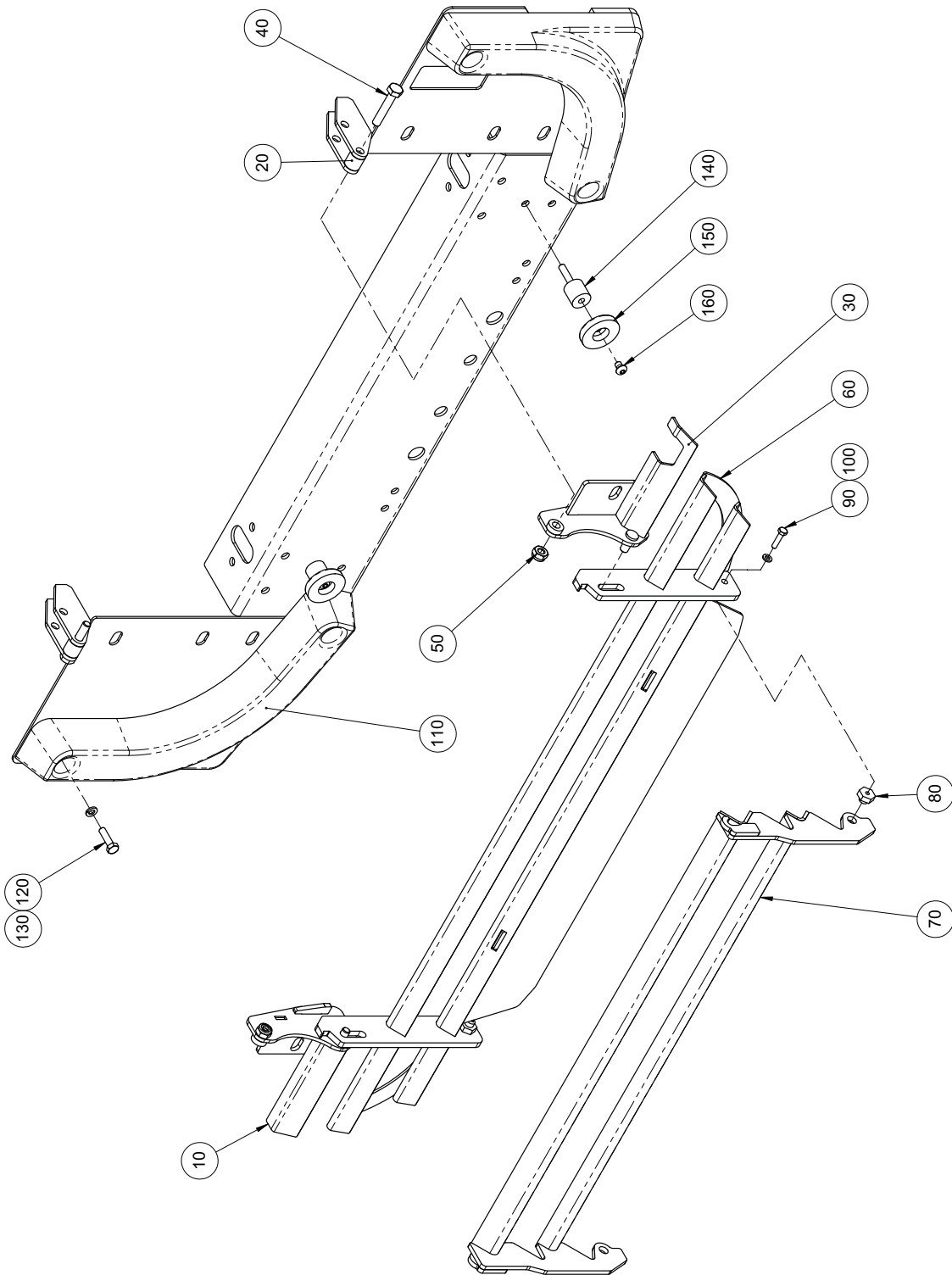
**Lower Bumper & Grille Assembly (Euro 4/Tier 3)**  
BoM: 37016-5, 2020-53 & -54



**Lower Bumper & Grille Assembly (Euro 4/Tier 3)**  
BoM: 37016-5, 2020-53 & -54

Item No.	Part No.	Description	37016-5 Quantity	2020-53&-54 Quantity
1	720082-1	Bumper-Lower, Assy	2	2
2	123-104	Bolt M Coarse M8x30 BS3692	4	4
3	460-10	Washer Spring Single Coil M8	4	4
4	722015-1	Grille - Rear, Euro 4 W/Assy	1	-
5	123-129	Bolt M Coarse M10x45	2	2
6	33322-9	Packer	4	4
7	425-15	Nut Nyloc Hex MC M10	2	2
8	138-119	Screw - Skt Button Hd M8cx10	2	2
9	211-27	Magnet - Pot Type, O/D 50	2	2
10	290-32	Bobbin-25x25 M/F, M8x35	2	2
11	425-14	Nut Nyloc Hex MC M8	2	2
12	44-53	Cap-End, 3/4 Dia x 16-20G	10	10
13	722520-1	Grille - Rear, W/Assy	-	1

**Lower Bumper & Grille Assembly (Euro 5/Tier 3)**  
BoM: 37016-51





**Lower Bumper & Grille Assembly (Euro 5/Tier 3)**  
BoM: 37016-51

Item No.	Part No.	Description	Quantity
10	7005397	Pivot Weld assembly	1
20	7005659	Spacer	2
30	7005398	Pivot Weld assembly	1
40	92067423-0	Hex Head Bolt M10Cx55 8.8	2
50	93085006-0	Nyloc Hex Thin Nut M10C - 8	2
60	7005436	Rear panel Weld assembly	1
70	7005441	Rear panel Outside	1
80	7005450	Spacer M6	2
90	92097303-0	Hex Head Screw M6Cx25 8.8	2
100	93212009-0	Plain Washer M6	2
110	720081-1	Lower Bumper	2
120	92067381-0	Hex Head Bolt M8Cx30 8.8	4
130	93699710-0	Spring Washer - Plated M8	4
140	290-32	Bobbin-25x25 M/F, M8x35	2
150	211-27	Magnet - Pot Type, O/D 50	2
160	138-119	Screw - Skt Button Hd M8cx10	2



## CHAPTER

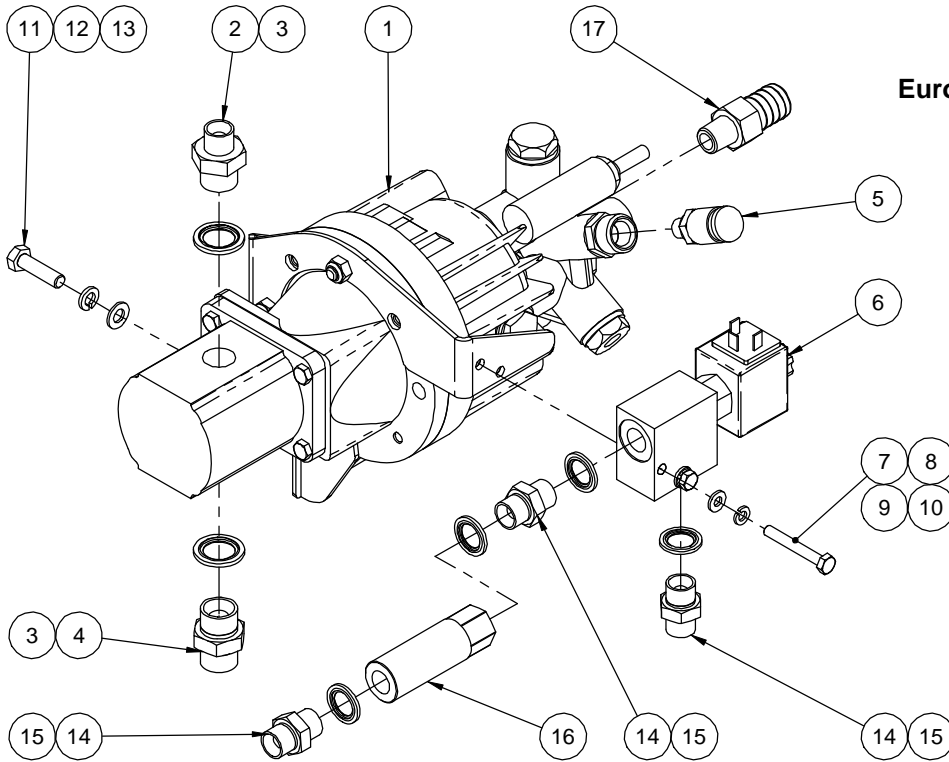
## 11

## Options

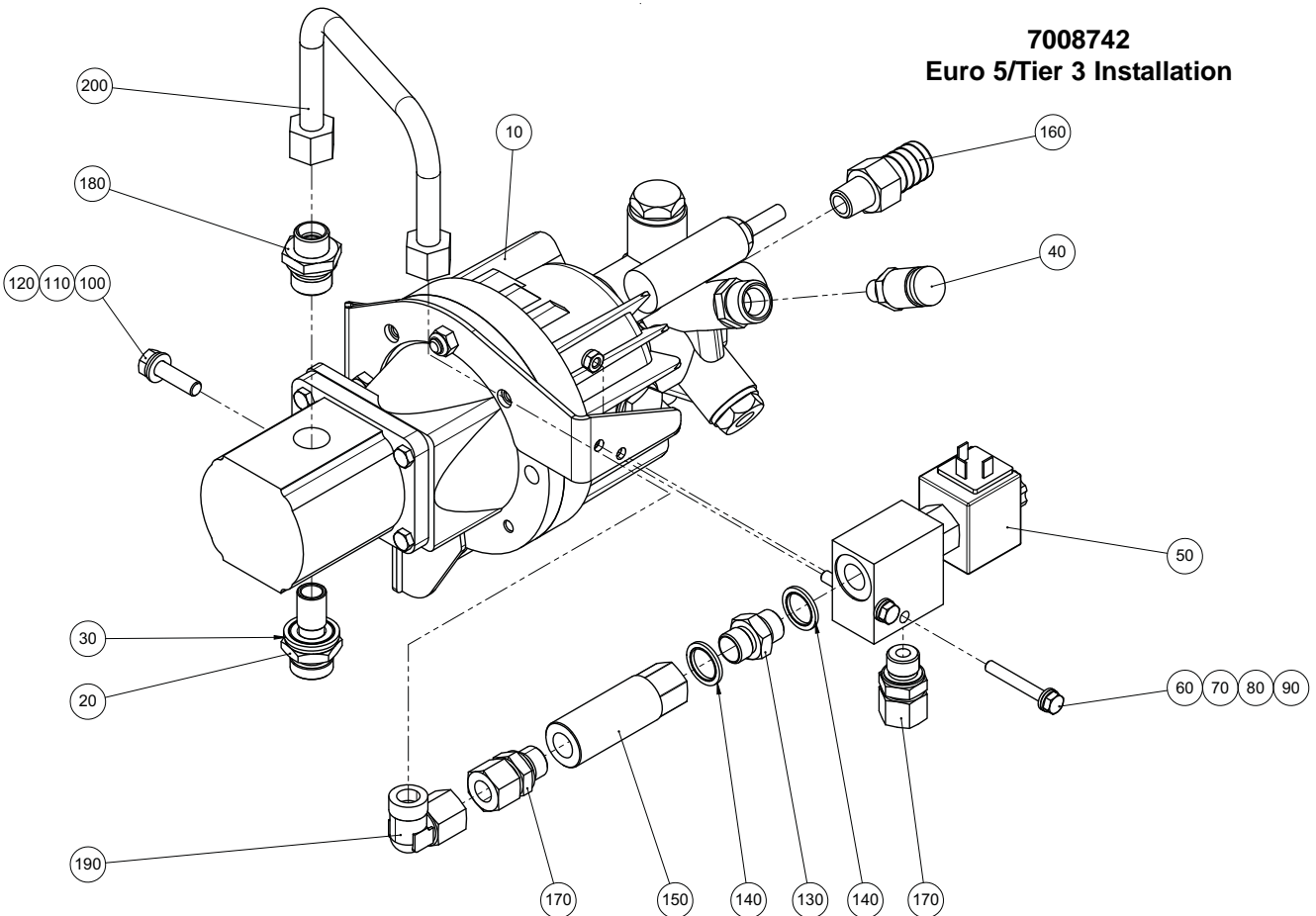
**Table of Contents**

<b>Section</b>	<b>Page</b>
Jetting Pump Assembly	11 : 2
Water Pump & Motor (Jetting)	11 : 4
Jetting Hose Reel Assembly	11 : 6
Jetting Gun Assembly	11 : 8
Jetting Circuit Hoses	11 : 10
Hydrant Equipment	11 : 12
Air Conditioning Installation	11 : 14
Air Conditioning Kit	11 : 16
Hoe Assembly	11 : 18
Arrow Board Assembly	11 : 20
Battery Isolator Assembly	11 : 22
Wanderhose Brush Assembly	11 : 24
Reversible Audible Warning Devices	11 : 26
Forward Motion Alarm Assembly	11 : 28
Shovel Stowage Assembly	11 : 30
Reverse Aid Camera Assembly	11 : 32
Interior Coat Hook	11 : 34
Floor Grille Assembly	11 : 36
Manual Water Taps	11 : 38
Recirculation Water Shut Off	11 : 40
Anti-Siphon Filter	11 : 42
In-Cab Wipe Dispenser	11 : 44
Weight Load Indicator	11 : 46
Wanderhose Extension	11 : 48
Detergent Injection	11 : 50
Hopper Broom Stowage	11 : 52
Tow Hitch	11 : 54
Cab Grab Handle	11 : 56
Deadlock (Cab Door)	11 : 58
Close Proximity Mirror	11 : 60
Rear Parking Sensors	11 : 62
Anti Tamper Kit	11 : 64
3rd Brush Demount Stand	11 : 68
3rd Brush Unit	11 : 70
3rd Brush Hydraulic Circuit Hoses	11 : 80
3rd Brush LH/RH Installation	11 : 82
Nozzle Spraybar	11 : 84
Digital Tachograph	11 : 86

**Jetting Pump Assembly**  
BoM: 37045-51 & 7008742



**37045-51**  
**Euro 4/Tier 3 Installation**



**7008742**  
**Euro 5/Tier 3 Installation**

**Jetting Pump Assembly**  
**BoM: 37045-51 & 7008742**
**37045-51 Euro 4/Tier 3 Installation**

Item No.	Part No.	Description	Quantity
1	721663-1	Water Pump & Motor Assy	1
2	265-4	Adaptor Reducing M/M 3/8" -1/2" BSP	1
3	451-19	Bonded Washer 21.54/28.58X2.49 ST NBR	2
4	263-4	Adaptor M/M 1/2" BSP	1
5	665-18	Valve - Testpoint G1/4	1
6	72679-1	Lock Valve - 12V	1
7	123-87	Bolt M Coarse M6x45 BS3692	2
8	460-8	Washer Spring Single Coil M6	2
9	455-8	Washer Plain Plated Steel M6	2
10	425-13	Nut Nyloc Hex MC M6	2
11	124-139	Setscrew M8C x 30	2
12	460-10	Washer Spring Single Coil M8	2
13	455-10	Washer Plain Plated Steel M8	2
14	263-3	Adaptor M/M 3/8" BSP	3
15	451-18	Bonded Washer 17.28/23.80x2.03 ST NBR	4
16	253-6	Regulator - Flow 18L/Min.	1
17	72400-1	Connector - Hose R3/8" x 3/4"	1

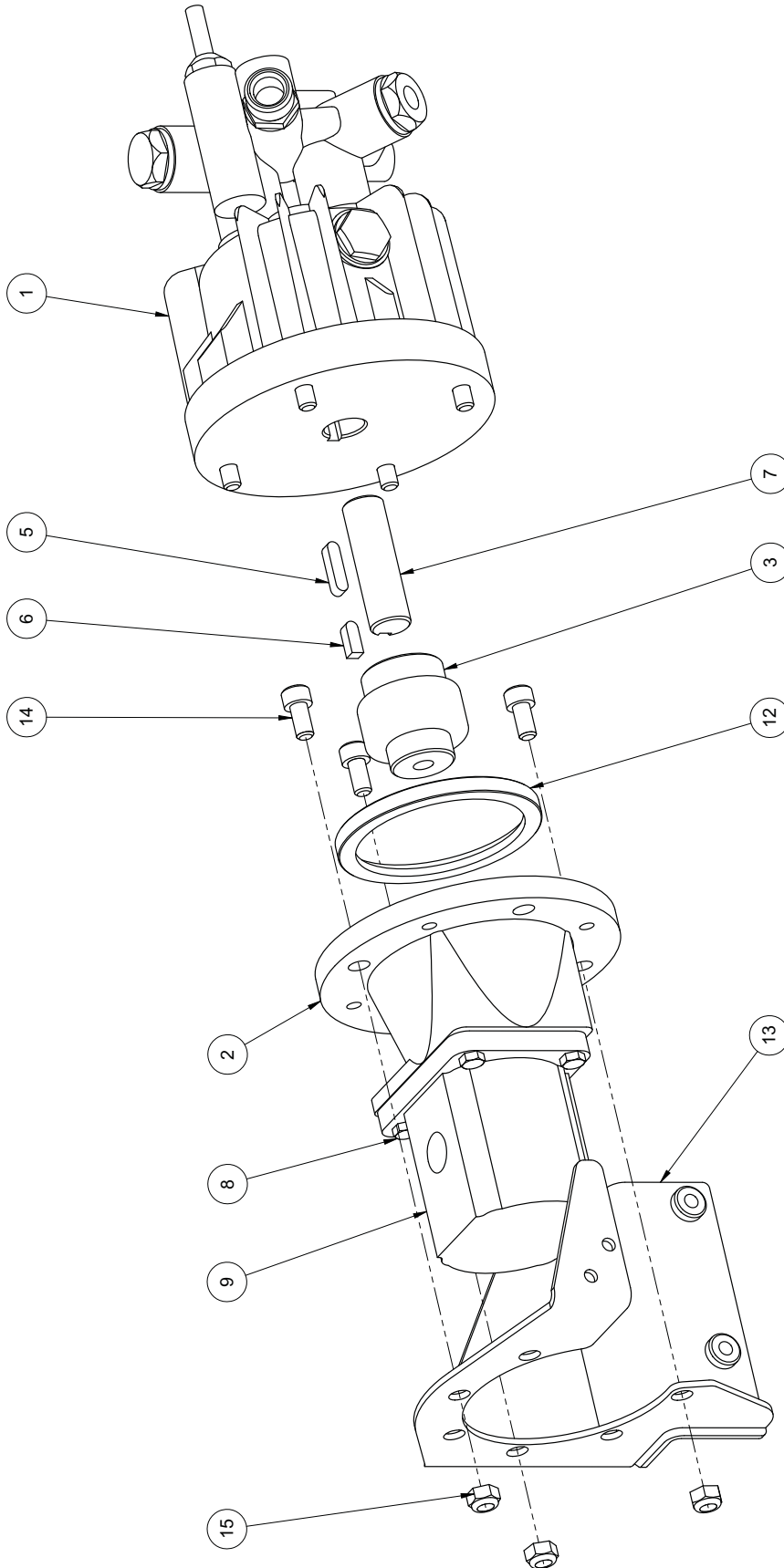
**7008742 Euro 5/Tier 3 Installation**

Item No.	Part No.	Description	Quantity
10	721663-1P	Motor & Water Pump Assy	1
20	263-4	Adaptor M/M 1/2" BSP	1
30	451-19	Washer Bonded G1-2"	1
40	665-18	Valve - Testpoint G1/4	1
50	72679-1	Valve - Lock 12v	1
60	92067310-0	Hex Head Bolt M6Cx45 8.8	2
70	93699708-0	Spring Washer - Plated M6	2
80	93212009-0	Plain Washer M6	2
90	93085004-0	Nyloc Hex Nut M6C - 8	2
100	92097378-0	Hex Head Screw M8Cx30 8.8	2
110	93699710-0	Spring Washer - Plated M8	2
120	93212011-0	Plain Washer M8	2
130	263-3	Adaptor M/M 3/8" BSP	2
140	451-18	Washer Bonded G3-8"	3
150	253-6	Regulator - Flow 18L/Min.	1
160	72400-1	Connector - Hose R3/8" x 3/4"	1
170	6601-1322	Stud Coupling Male G 3/8" x M18 x 1.5	1
180	09570131-0	Stud Coupling Male G 1/2" x M18 x 1.5	1
190	6613-0503	Adjustable Male Elbow - M18 x 1.5	1
200	7008213	Pipe - Water System 2	1

**Spares Only Items;****Item 6/50 comprises;**

72679-2	Valve Only	1
72679-3	Solenoid - 12V	1

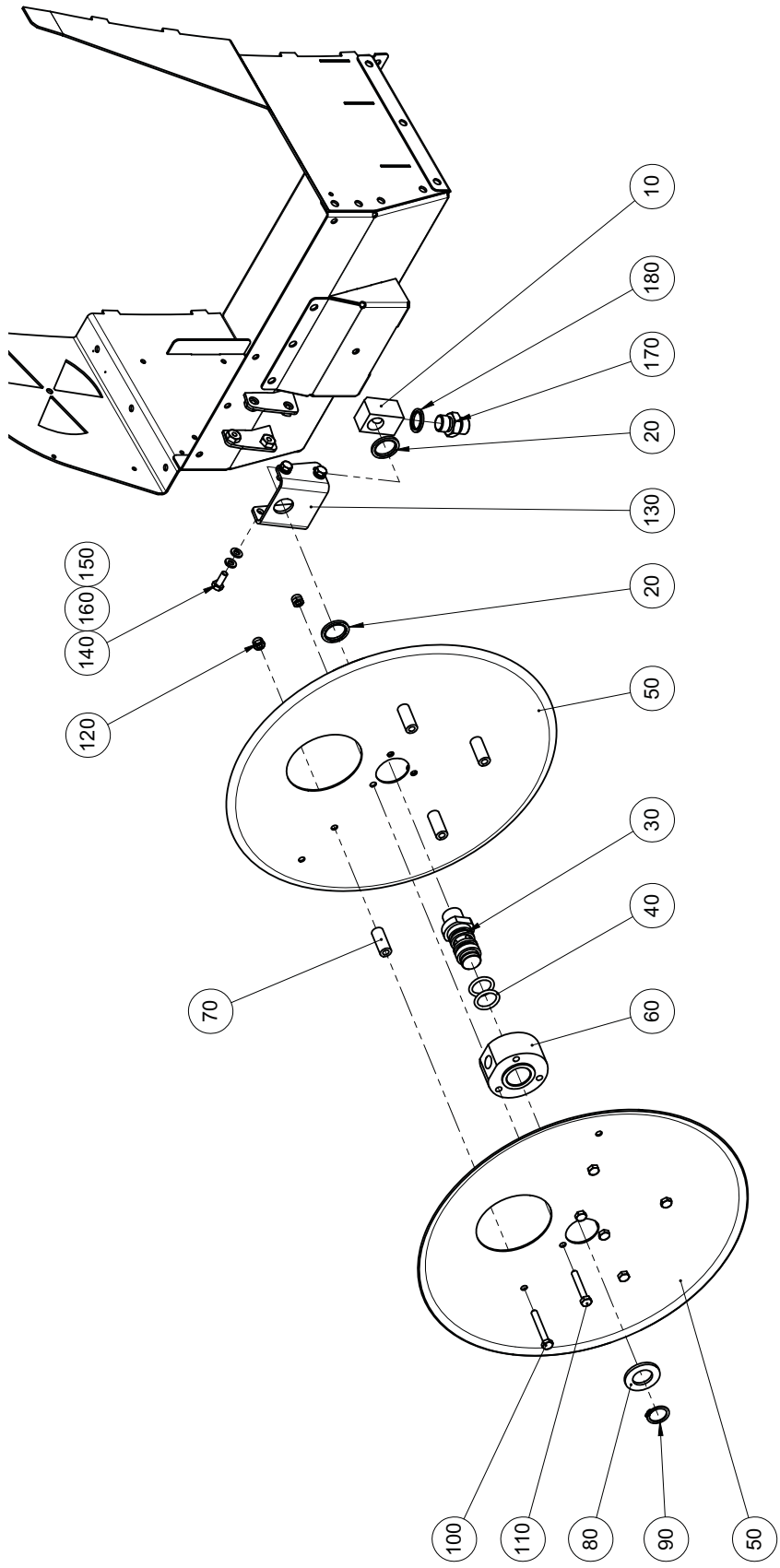
**Water Pump & Motor (Jetting)**  
BoM: 721663-1



**Water Pump & Motor (Jetting)**  
BoM: 721663-1

<b>Item No.</b>	<b>Part No.</b>	<b>Description</b>	<b>Quantity</b>
1	70278-1	Pump - Supawash	1
2	70274-1	Bell Housing - Supawash	1
3	70276-1	Modified Coupling Assembly	1
5	70216-2	Key	1
6	70216-3	Key	1
7	71252-1	Drive Shaft	1
8	124-103	Setscrew - M6C x 20	4
9	72172-1	Motor - Hydraulic	1
12	70279-1	Spigot - Mounting, Bell Housing	1
13	721704-1	Bracket - Mount, Jetting Pump	1
14	129-122	Capscrew - M8C x 16	3
15	425-14	Nut - Nyloc, M8C	3

**Jetting Hose Reel Assembly**  
BoM: 7008725



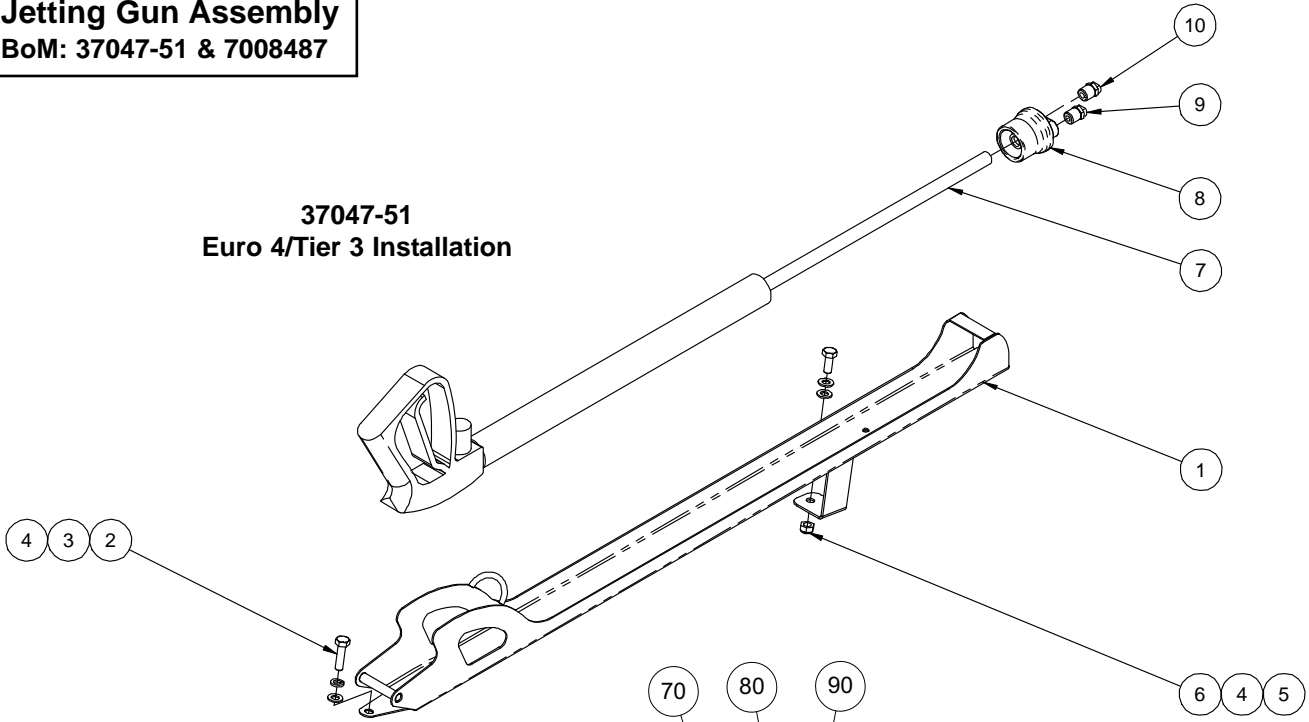


<b>Jetting Hose Reel Assembly</b> <b>BoM: 7008725</b>
--

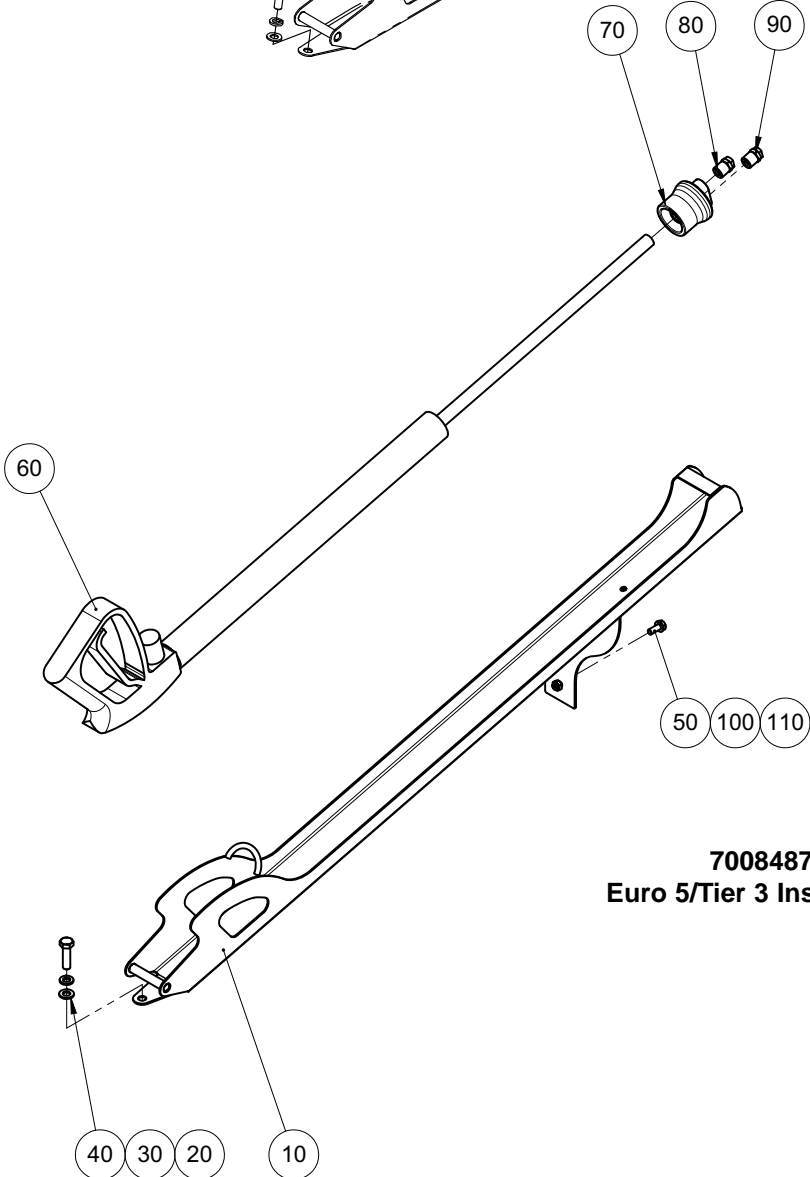
Item No.	Part No.	Description	Quantity
10	721626-1	Block - Water	1
20	451-19	Washer Bonded G1-2"	2
30	721631-1	Shaft - Hose Reel	1
40	663-71	O Ring	2
50	76022-1	Plate - Side, Hose Reel	2
60	72155-1	Boss - Hose Reel	1
70	71121-2	Spacer - 6.5 IDx12 OD, L =30	4
80	93212018-0	Plain Washer M20	1
90	09500020-0	Circlips-External DIN471 20x1.2	1
100	92067310-0	Hex Head Bolt M6Cx45 8.8	4
110	92067309-0	Hex Head Bolt M6Cx40 8.8	3
120	93085004-0	Nyloc Hex Nut M6C - 8	7
130	721718-1	Plate - Hose Reel Mounting	1
140	92097299-0	Hex Head Screw M6Cx16 8.8	4
150	93212009-0	Plain Washer M6	4
160	93699708-0	Spring Washer - Plated M6	4
170	263-3	Adaptor M/M 3/8" BSP	1
180	451-18	Washer Bonded G3-8"	1

**Jetting Gun Assembly**  
**BoM: 37047-51 & 7008487**

**37047-51**  
**Euro 4/Tier 3 Installation**



**7008487**  
**Euro 5/Tier 3 Installation**



**Jetting Gun Assembly**  
**BoM: 37047-51 & 7008487**
**37047-51 Euro 4/Tier 3 Installation**

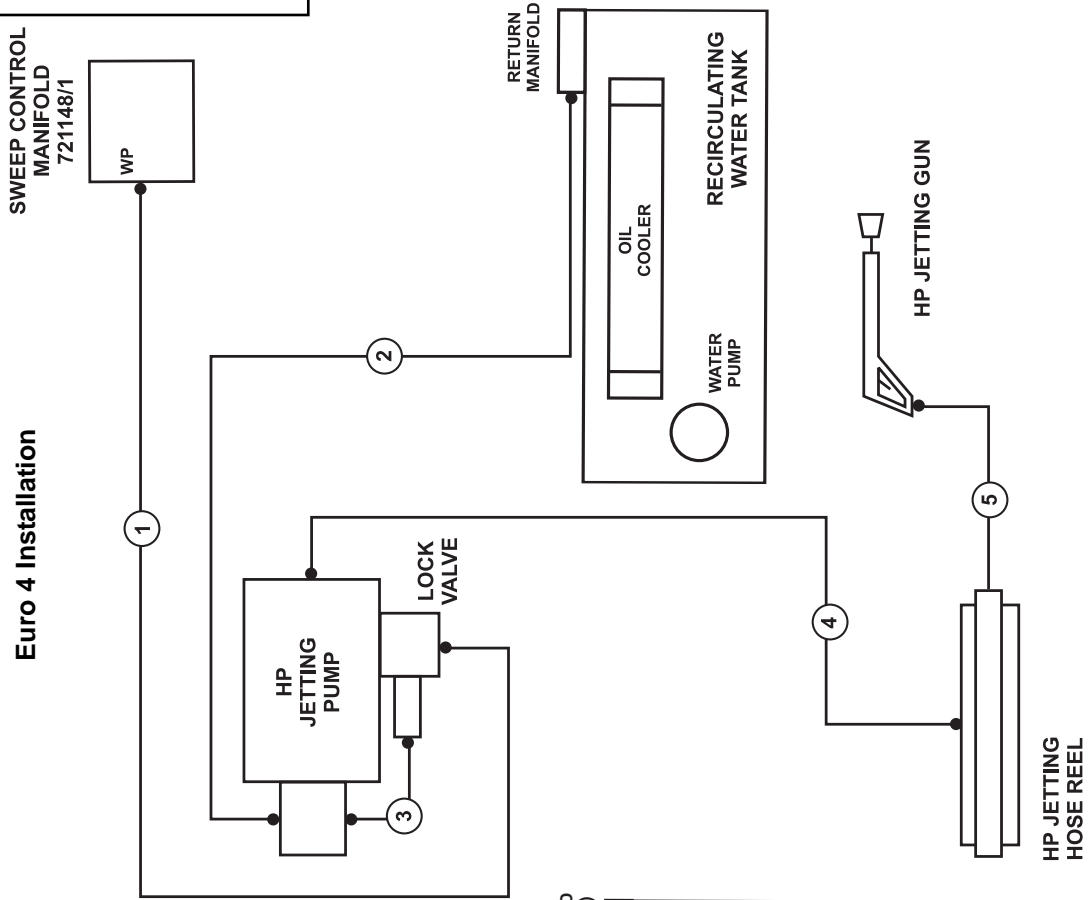
Item No.	Part No.	Description	Quantity
1	721634-1	Holster W/Assy	1
2	124-139	Setscrew - M8C x 30	1
3	460-10	Washer Spring Single Coil M8	1
4	455-10	Washer Plain Plated Steel M8	3
5	124-135	Setscrew M8C x 20	1
6	425-14	Nut Nyloc Hex MC M8	1
7	70284-1	Gun - Mini	1
8	71362-2	Holder - Twin Nozzle	1
9	71362-3	Jet - Straight	1
10	71362-4	Jet - Fan	1

**7008487 Euro 5/Tier 3 Installation**

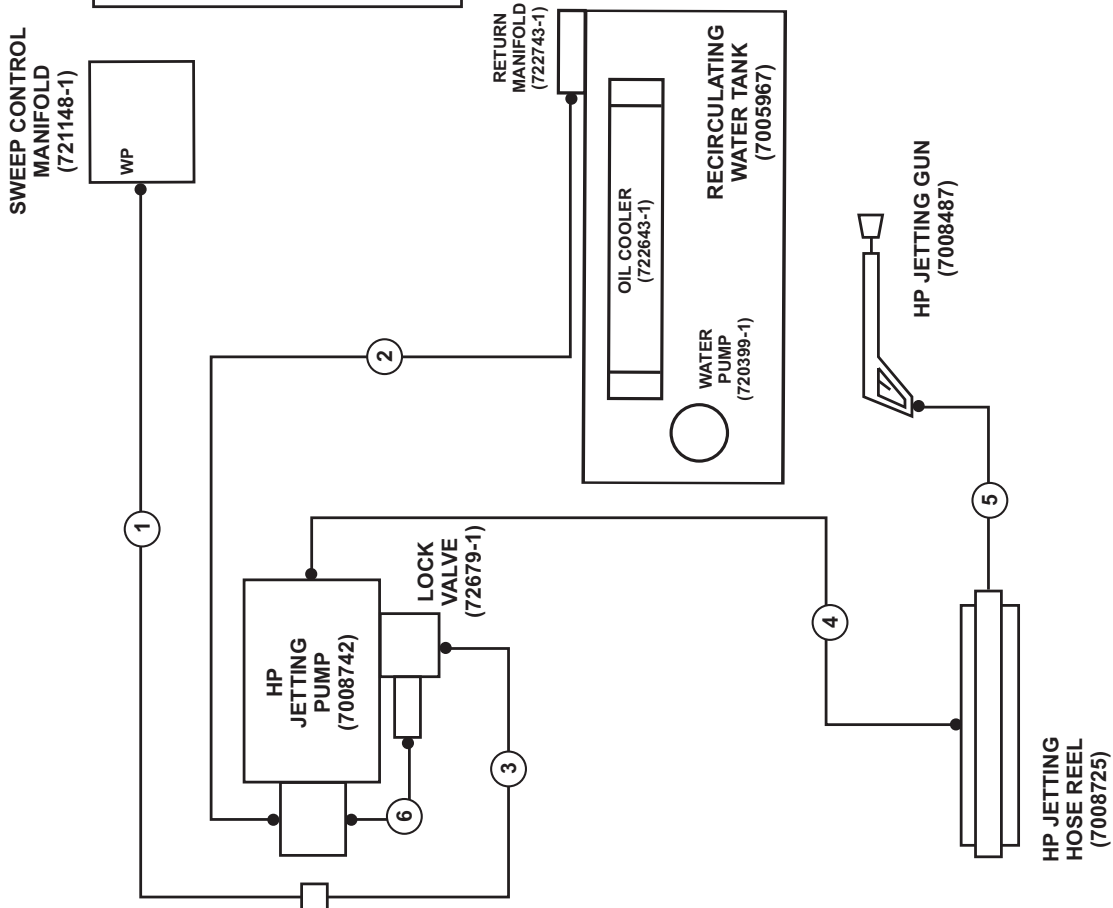
Item No.	Part No.	Description	Quantity
10	7008517	Lance Holder	1
20	92097378-0	Hex Head Screw M8Cx30 8.8	1
30	93699710-0	Spring Washer - Plated M8	1
40	93212011-0	Plain Washer M8	1
50	92097299-0	Hex Head Screw M6Cx16 8.8	1
60	70284-1	Gun - Mini	1
70	71362-2	Holder - Twin Nozzle	1
80	71362-3	Jet - Straight	1
90	71362-4	Jet - Fan	1
100	93212009-0	Plain Washer M6	1
110	93085004-0	Nyloc Hex Nut M6C - 8	1

**Jetting Circuit Hoses**  
BoM: 37046-51 & 37102-51

**Euro 4 Installation**



**Euro 5/Tier 3 Installation**



**Jetting Circuit Hoses**  
**BoM: 37046-51 & 37102-51**
**37045-51 & 37102-51 Euro 4/Tier 3 Installation**

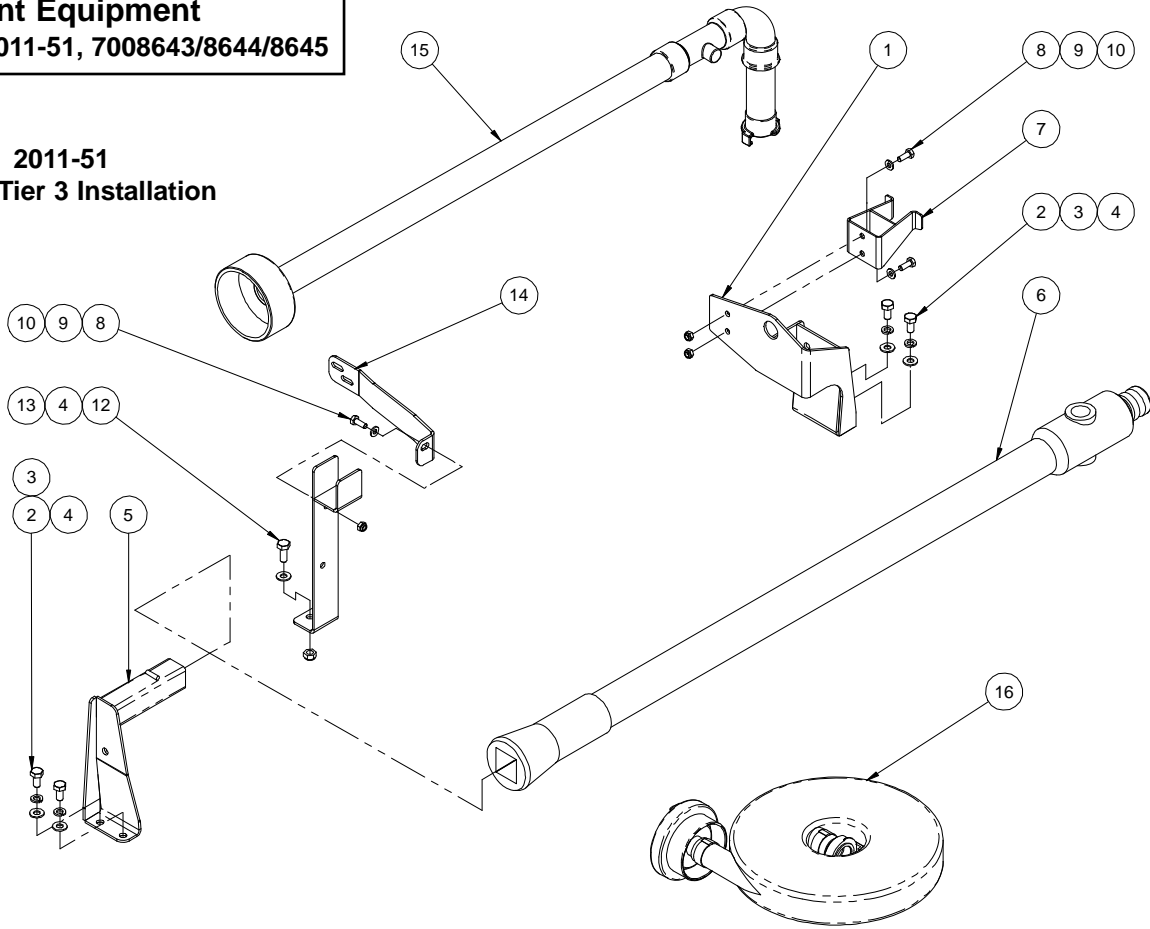
Item No.	Part No.	Description	Quantity
1	HQ06002/130	Hose - Megatuff 3/8" STRx90s Port 'WP' (sweep control manifold) to jetting pump lock valve	1
2	HQ08002/85	Hose - Megatuff 1/2" STRx90s Jetting pump motor to return manifold (recirculation water tank)	1
3	HQ06002/40	Hose - Megatuff 3/8" STRx90s Jetting pump lock valve to jetting pump motor	1
4	HE06312/83	Hose - Hydraulic 3/8" Str x KAR Jetting pump to hose reel	1
5	HC04422/920	Hose - Megaflex 1/4" 90sxSTAP Hose reel to jetting gun	1

**7008742, 7008995 & 37101-57 & -58 Euro 5/Tier 3 Installation**

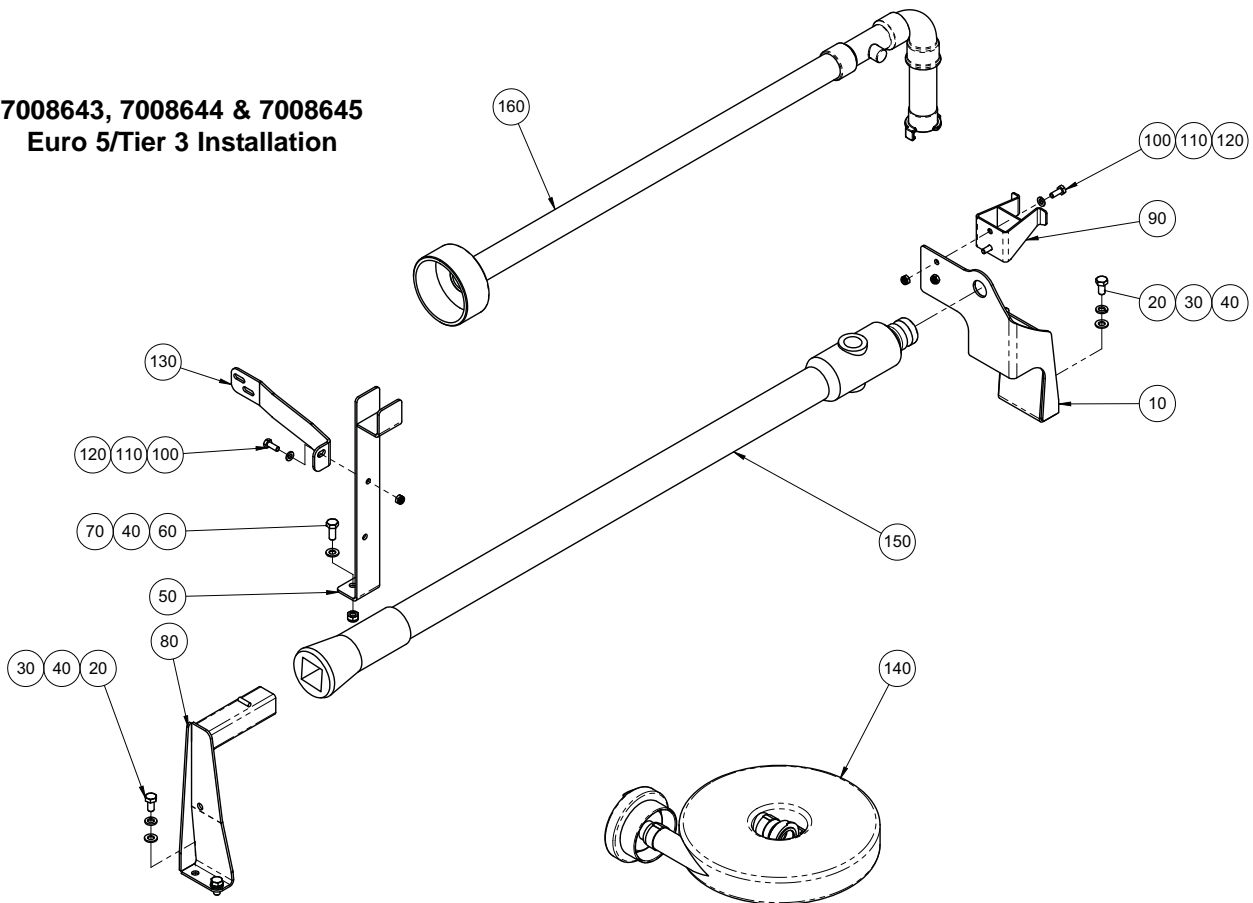
Item No.	Part No.	Description	Quantity
1	7008212	Pipe - Water System 1 Port 'WP' (sweep control manifold) to chassis bulkhead	1
2	HR1SC12027-88-270	Hose - Hyd 45 Swept x 90 Swept Jetting pump motor to return manifold (recirculation water tank)	1
3	HR1SC10027-70-90	Hose - Hyd 45 Swept x 90 Swept Chassis bulkhead to lock valve	1
4	HE06312-83	Hose - Hydraulic 3/8" Str x KAR Jetting pump to hose reel	1
5	HC04422/920	Hose - Megaflex 1/4" 90sxSTAP Hose reel to jetting gun	1
6	7008213	Pipe - Water System 2 Jetting pump lock valve to jetting pump motor	1

**Hydrant Equipment**  
**BoM: 2011-51, 7008643/8644/8645**

**2011-51**  
**Euro 4/Tier 3 Installation**



**7008643, 7008644 & 7008645**  
**Euro 5/Tier 3 Installation**



**Hydrant Equipment**  
BoM: 2011-51, 7008643/8644/8645

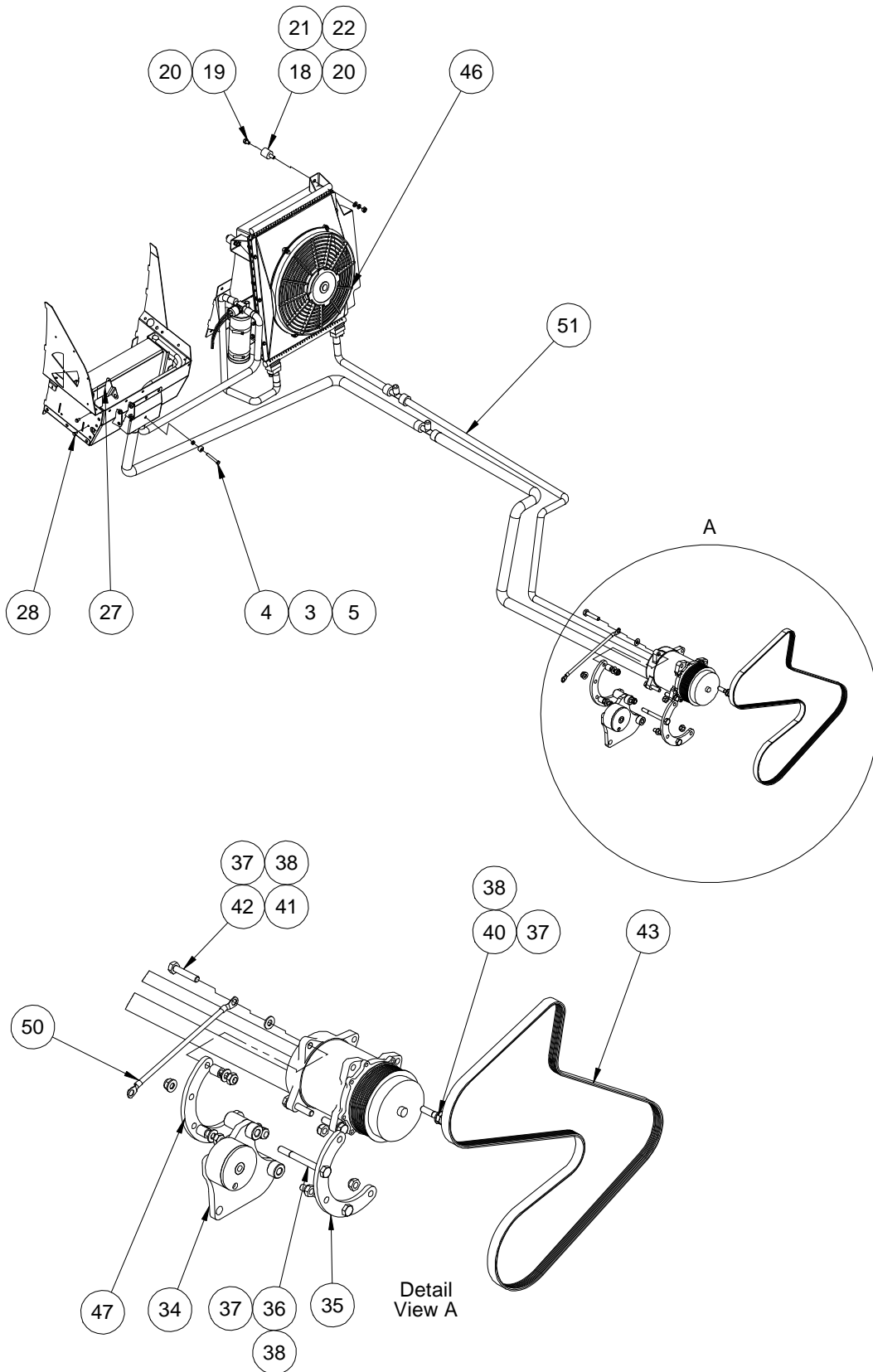
**Euro 4/Tier 3 Hydrant Equipment Installation**

Item No.	Part No.	Description	2011-51 Quantity
1	721780-1	Mount-Magnet/Standpipe, W/Assy	1
2	118-134	Setscrew Hexagon Hd M8cx16 SS	4
3	458-8	Washer Spring Single Coil M8SS	4
4	454-8	Washer Plain St.Stl M8x17	5
5	721775-1	Mount - Magnet/Key, W/Assy	1
6	667-6	Key - Hydrant Aluminium	1
7	72690-1	Standpipe Clip	1
8	118-102	Setscrew Hexagon Hd M6cx16 SS	3
9	454-6	Washer Plain St.Stl M6x12.5	3
10	417-6	Nut - Nyloc M6 S/Steel DIN985	3
11	721773-1	Support - Standpipe, W/Assy	1
12	118-135	Setscrew Hexagon Hd M8cx20 SS	1
13	417-8	Nut - Nyloc M8 S/Steel DIN985	1
14	721931-1	Bar - Stay	1
15	72688-1	Standpipe Assembly	1
16	72689-1	Hose Assy - 1" Bore Stortz	1

**Euro 5/Tier 3 Hydrant Equipment Installation**

Item No.	Part No.	Description	7008643 Standard Quantity	7008644 Belfast Quantity	7008645 Stowage Quantity
10	7008583	Support Weld assembly	1	1	1
20	92099371-0	Hex Head Screw M8Cx16 A2	4	4	4
30	93700210-0	Spring Washer M8 - A2	4	4	4
40	93213010-0	Plain Washer M8 A2	5	5	5
50	7008586	Prop Weld assembly	1	1	1
60	92099373-0	Hex Head Screw M8Cx20 A2	1	1	1
70	93085605-0	Nyloc Hex Nut - M8c - 8	1	1	1
80	7008600	Support Weld assembly	1	1	1
90	72690-1	Standpipe Clip	1	1	1
100	92099299-0	Hex Head Screw M6Cx16 A2	3	3	3
110	93213009-0	Plain Washer M6 A2	3	3	3
120	93085604-0	Nyloc Hex Nut - M6c - 8	3	3	3
130	721931-1	Bar - Stay	1	1	1
140	72689-1	Hose Assy - 1" Bore Stortz	1	1	-
150	667-6	Key - Hydrant Aluminium	1	1	-
160	72688-1	Standpipe Assembly	1	-	-
	72688-11	Standpipe Assembly (Belfast)	-	1	-

**Air Conditioning Installation**  
BoM: 2004-52





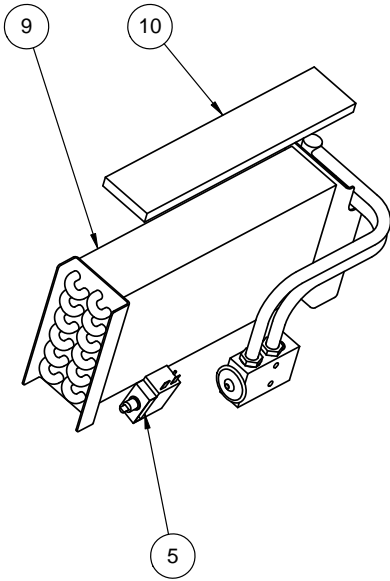
<b>Air Conditioning Installation</b> <b>BoM: 2004-52</b>
---

Item No.	Part No.	Description	Quantity
3	721396-1	Spacer	1
4	123-87	Bolt - M6C x 45	1
5	425-13	Nut Nyloc Hex MC M6	1
18	290-23	Mounting-Anti Vibration 25x25	4
19	124-132	Setscrew M8C x 12	4
20	460-10	Washer Spring Single Coil M8	8
21	455-10	Washer Plain Plated Steel M8	4
22	420-14	Nut MC Hex M8	4
27	721395-1	Bracket - Ice Stat Mounting	1
28	197-5	Screw-Self Tapping, No.10x1/2"	2
34	722250-1	Mount - Compressor, W/Assy	1
35	722253-1	Bracket - Rear Banana	1
36	123-140	Bolt M Coarse M10x100	2
37	455-11	Washer Plain Plated Steel M10	11
38	425-15	Nut Nyloc Hex MC M10	8
40	123-128	Bolt M Coarse M10x40	3
41	59-38	Pin Tension Spring Heavy Duty	3
42	123-130	Bolt M Coarse M10x50 BS3692	3
43	722275-1	Belt - Poly V, AC Drive	1
46	722458-1	Kit-Air Conditioning, E4 C200	1
47	722254-1	Banana	1
50	722620-1	Strap - Earth Braid, 210mm	1
51	722827-1	Kit - Hose, Air Con (Euro 4)	1

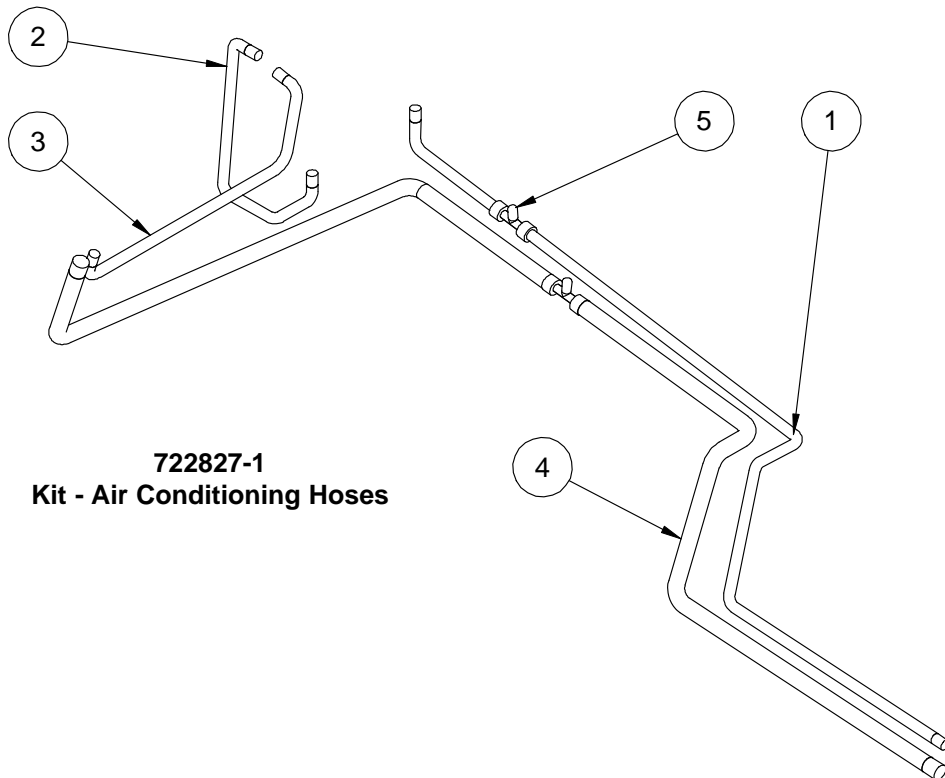
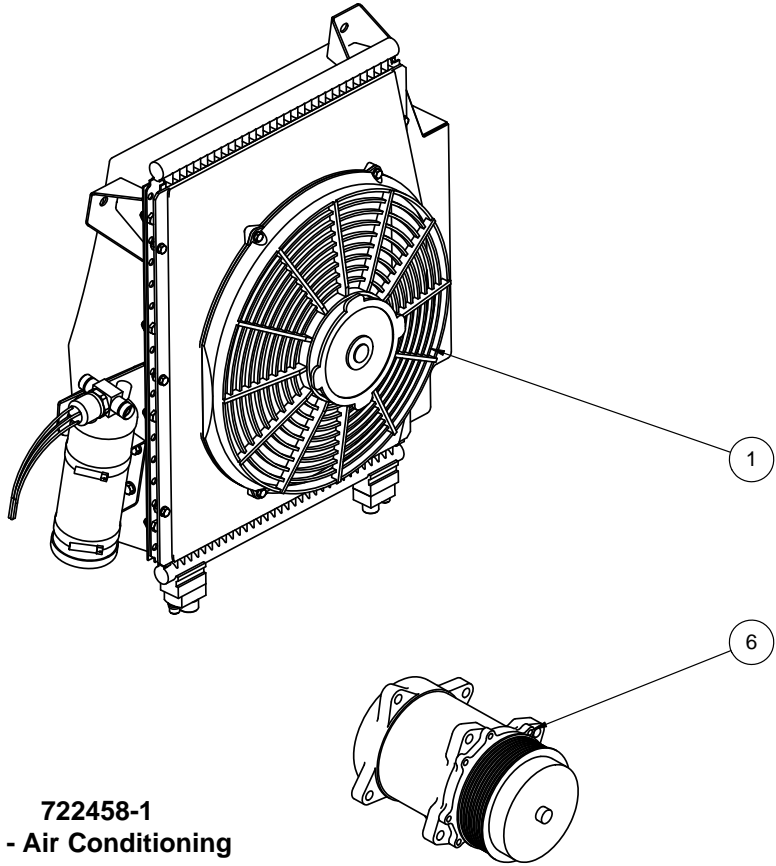
**Note:**

Gas to be replenished by an approved Air Conditioning Service Engineer Only;  
(C200 = 0.7Kg, Part No. 134R)

**Air Conditioning Kits**  
BoM: 722458-1 & 722827-1



**722458-1**  
**Kit - Air Conditioning**



**722827-1**  
**Kit - Air Conditioning Hoses**

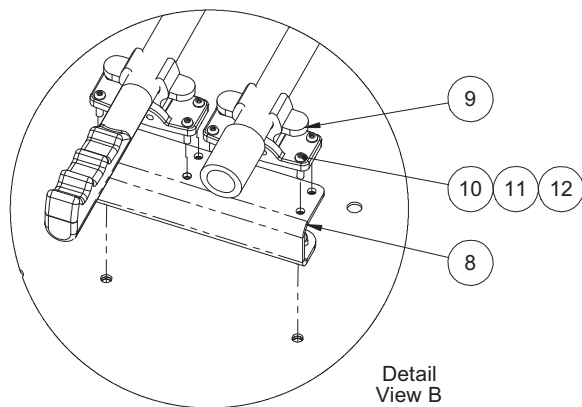
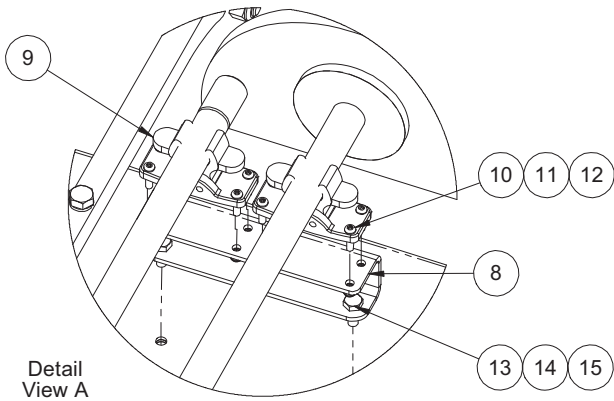
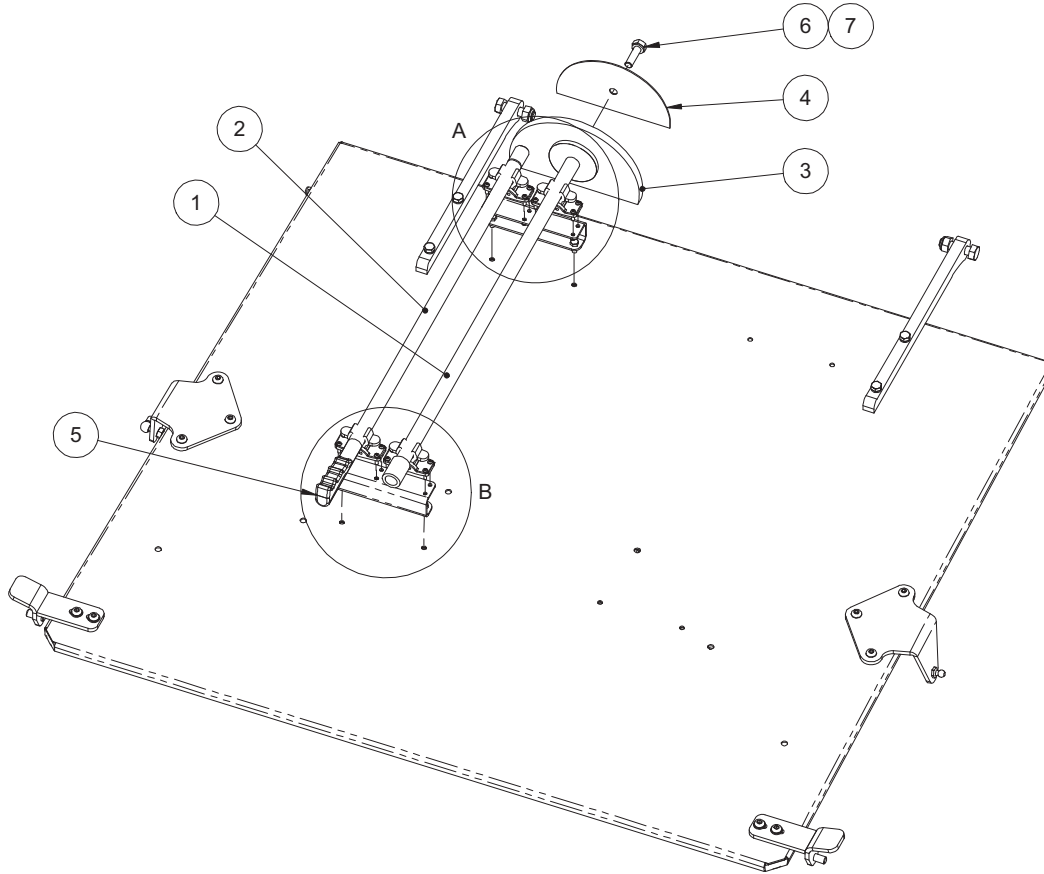
**Air Conditioning Kits**  
**BoM: 722458-1 & 722827-1**
**722458-1 Kit - Air Conditioning**

Item No.	Part No.	Description	Quantity
1	722455-2	Condenser Assy with Fan	1
5	721284-1	Ice Stat	1
6	722261-1	Compressor - Air Con	1
8	721944-16	Booklet - Service	1
9	722454-1	Evaporator Assy	1
10	722942-1	Gasket - Evaporator	1

**722827-1 Kit - Air Conditioning Hoses**

Item No.	Part No.	Description	Quantity
1	722380-1	Hose Assy - Comp/Condensor	1
2	721492-1	Hose Assy, Condensor-Receiver	1
3	721503-1	Hose Assy, Receiver-Evaporator	1
4	722381-1	Hose Assy - Comp/Evaporator	1
5	721944-15	Seal - Port	2

**Hoe Assembly**  
**BoM: 2083-1**

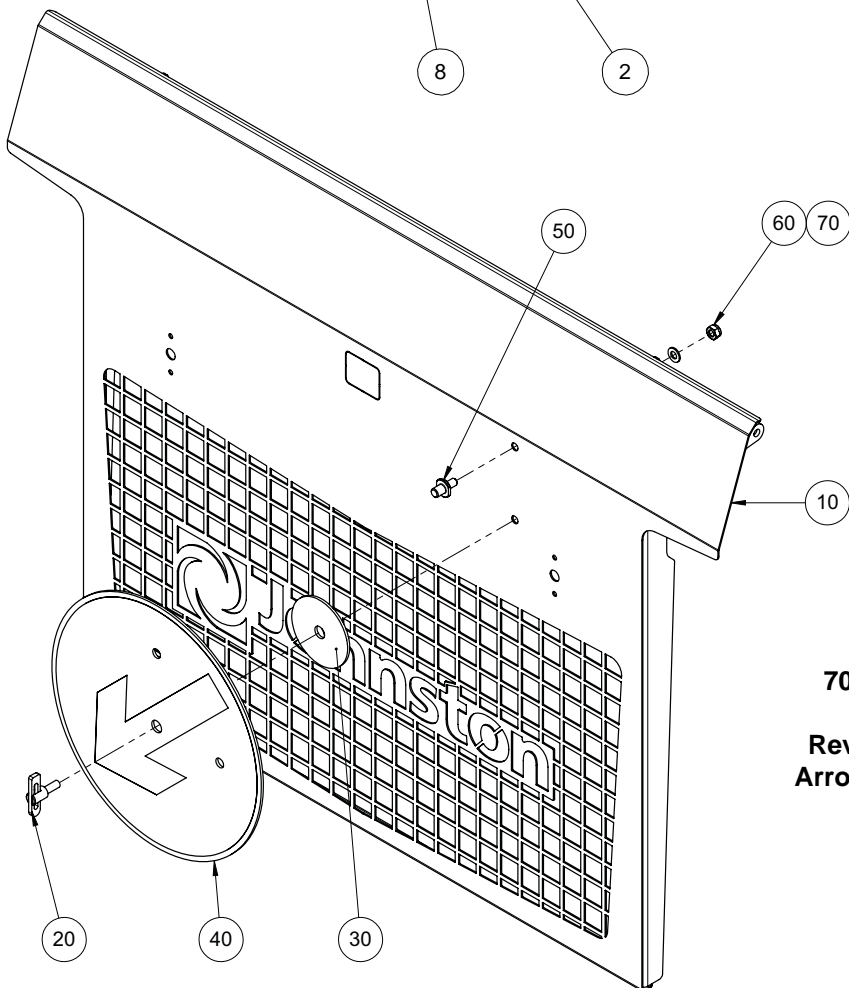
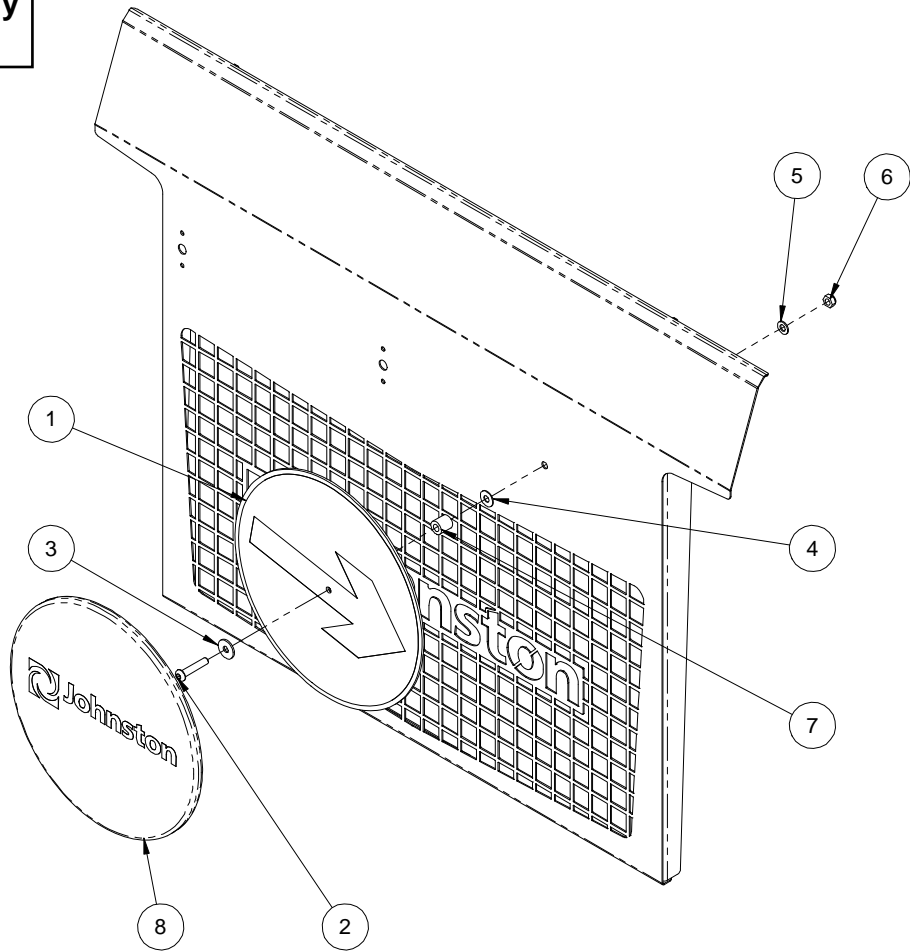


**Hoe Assembly**  
BoM: 2083-1

Item No.	Part No.	Description	Quantity
1	72980-1	Handle - Hoe, W/Assy	1
2	722421-1	Handle - Hoe, W/Assy	1
3	74720-1	Head - Hoe	1
4	76402-1	Plate - Support, Hoe	1
5	671-3	Handgrip	1
6	124-173	Setscrew M10C x 35	1
7	460-11	Washer Spring Single Coil M10	1
8	722424-1	Mount - Hoe	2
9	436-1	Catch - Retaining Plastic	4
10	135-35	Screw Hex Hd M8c x 30	16
11	455-5	Washer Plain Plated Steel M4	16
12	425-11	Nut Nyloc Hex MC M4	16
13	124-102	Setscrew M6C x 16	4
14	455-8	Washer Plain Plated Steel M6	4
15	425-13	Nut Nyloc Hex MC M6	4

**Arrow Board Assembly**  
BoM: 2010-52 & 7012678

**2010-52**  
**Arrow Board**



**7012678**  
**Reversible**  
**Arrow Board**

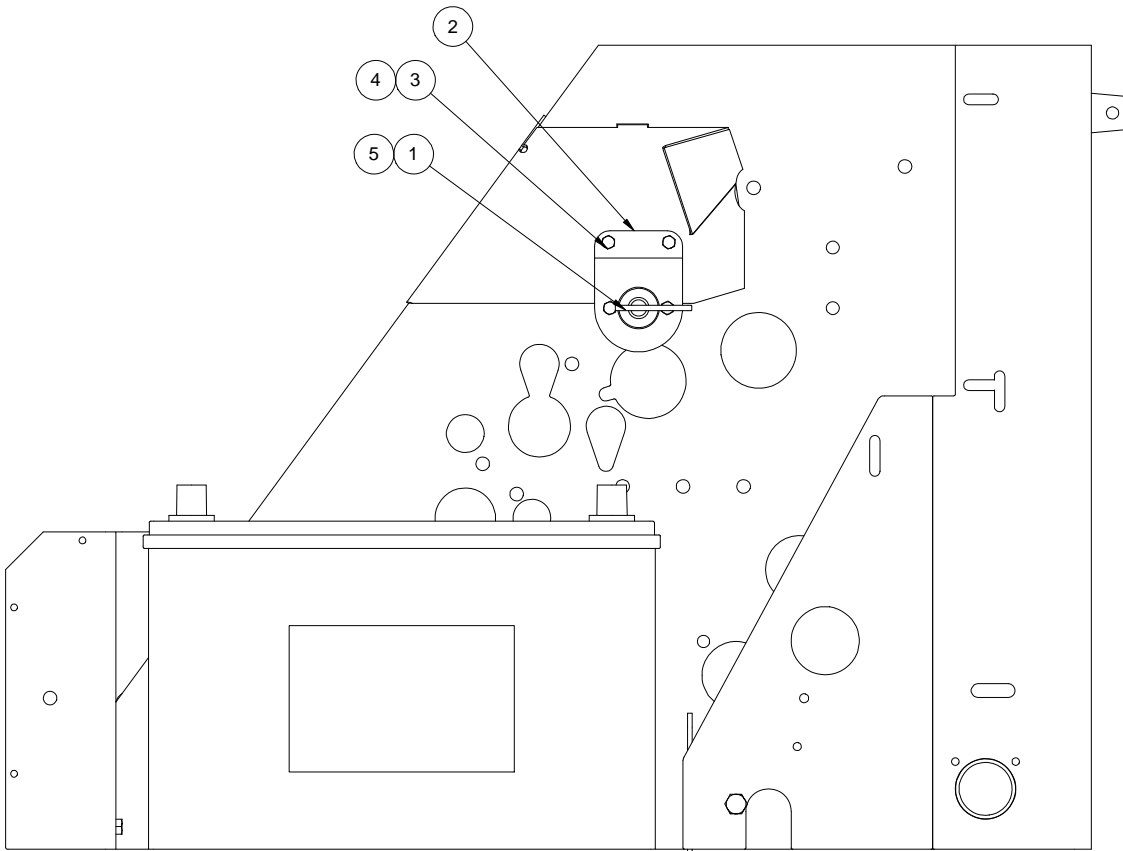
**Arrow Board Assembly**  
**BoM: 2010-52 & 7012678**
**2010-52 Add On - Arrow Board**

Item No.	Part No.	Description	Quantity
1	661-8	Arrow Board - Dia 300 mm	1
2	138-131	Screw - Skt Button Hd M8cx40	1
3	457-4	Washer Plain Steel M8 Form G	1
4	463-8	Washer - Belle Ville, M8	1
5	455-10	Washer Plain Plated Steel M8	1
6	425-14	Nut Nyloc Hex MC M8	1
7	71277-3	Spacer - 18mm	1
8	7006918	Cover Arrowboard	1

**7012678 Add On - Reversible Arrow Board**

Item No.	Part No.	Description	Quantity
10	7012674	Door, Rear, Reversible Arrowboard Mnt	1
20	60-15	Pin - Antiluce, Baby	1
30	7012653	Non Scratch Pad, Reversible Arrowboard	1
40	7012652	Reversible Arrow Board	1
50	7012663	Anchor Stud	1
60	93085805-0	Nyloc Hex Nut M8C - 8	1
70	93212011-0	Plain Washer M8	1

**Battery Isolator Assembly**  
BoM: 2034-52

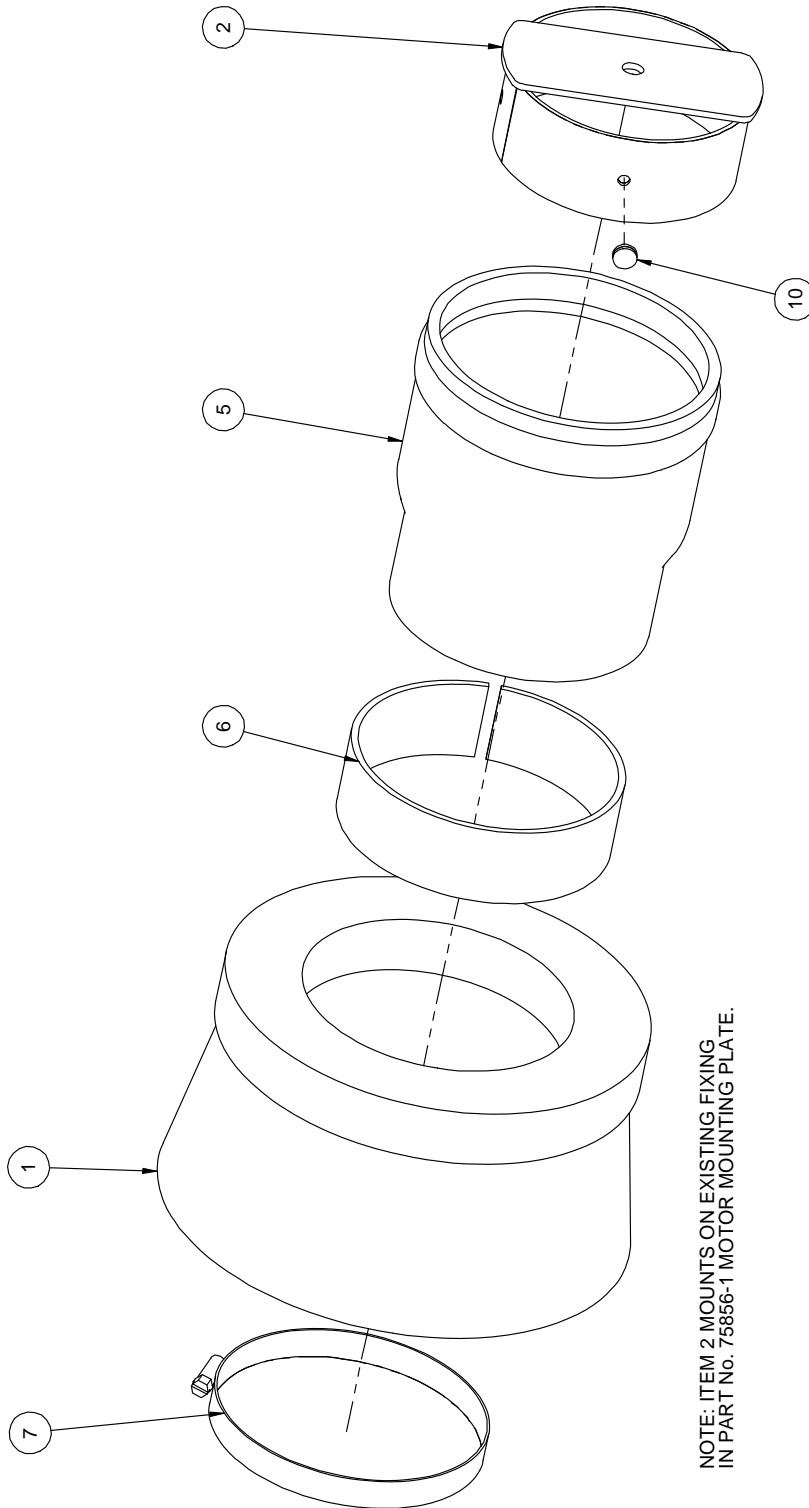




**Battery Isolator Assembly**  
BoM: 2034-52

Item No.	Part No.	Descripton	Quantity
1	48-366	Isolator - Battery, 12V 100A	1
2	722491-1	Bracket - Battery Isolator	1
3	124-70	Setscrew M5C x 16	4
4	425-13	Nut Nyloc Hex MC M6	4

**Wanderhose Brush Assembly**  
BoM: 2032-2

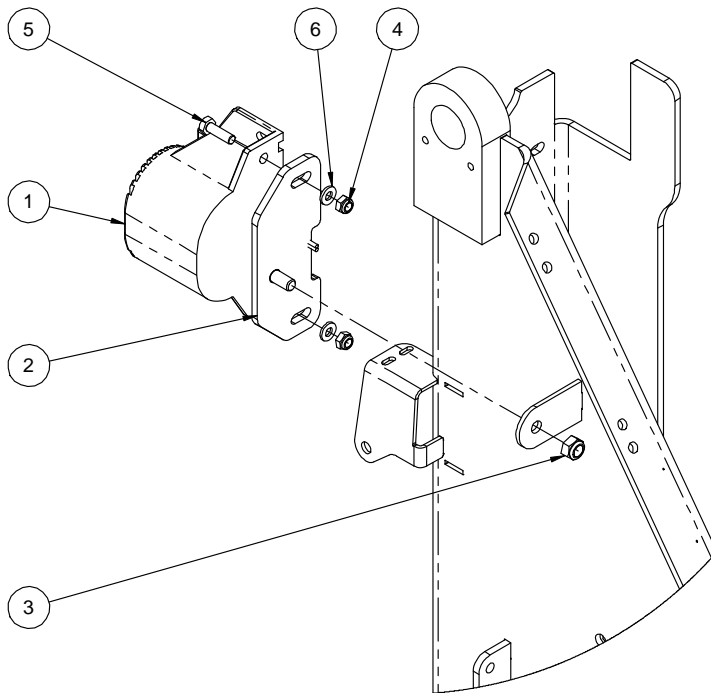


NOTE: ITEM 2 MOUNTS ON EXISTING FIXING  
IN PART No. 75856-1 MOTOR MOUNTING PLATE.

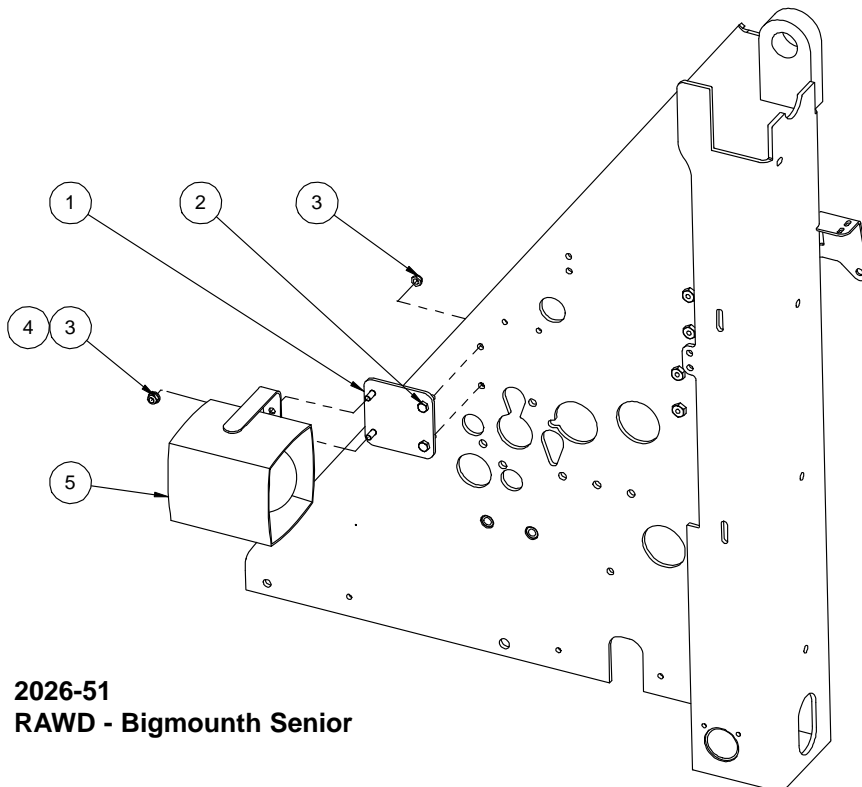
**Wanderhose Brush Assembly  
BoM: 2032-2**

<b>Item No.</b>	<b>Part No.</b>	<b>Description</b>	<b>Quantity</b>
1	71601-1	Brush - Wanderhose	1
2	722505-1	Mount - Brush, W/Assy	1
5	722508-1	Adaptor - Brush, Wanderhose	1
6	722509-1	Strip-Rubber, Wanderhose Brush	1
7	501-9	Clip Hose Worm Drive 90-120mm	1
10	288-26	Grommet - Blind, PVC	2

**Reverse Audible Warning Devices (RAWD)  
BoM: 2026-3 & -51**



**2026-3  
RAWD - White Noise**



**2026-51  
RAWD - Bigmouth Senior**

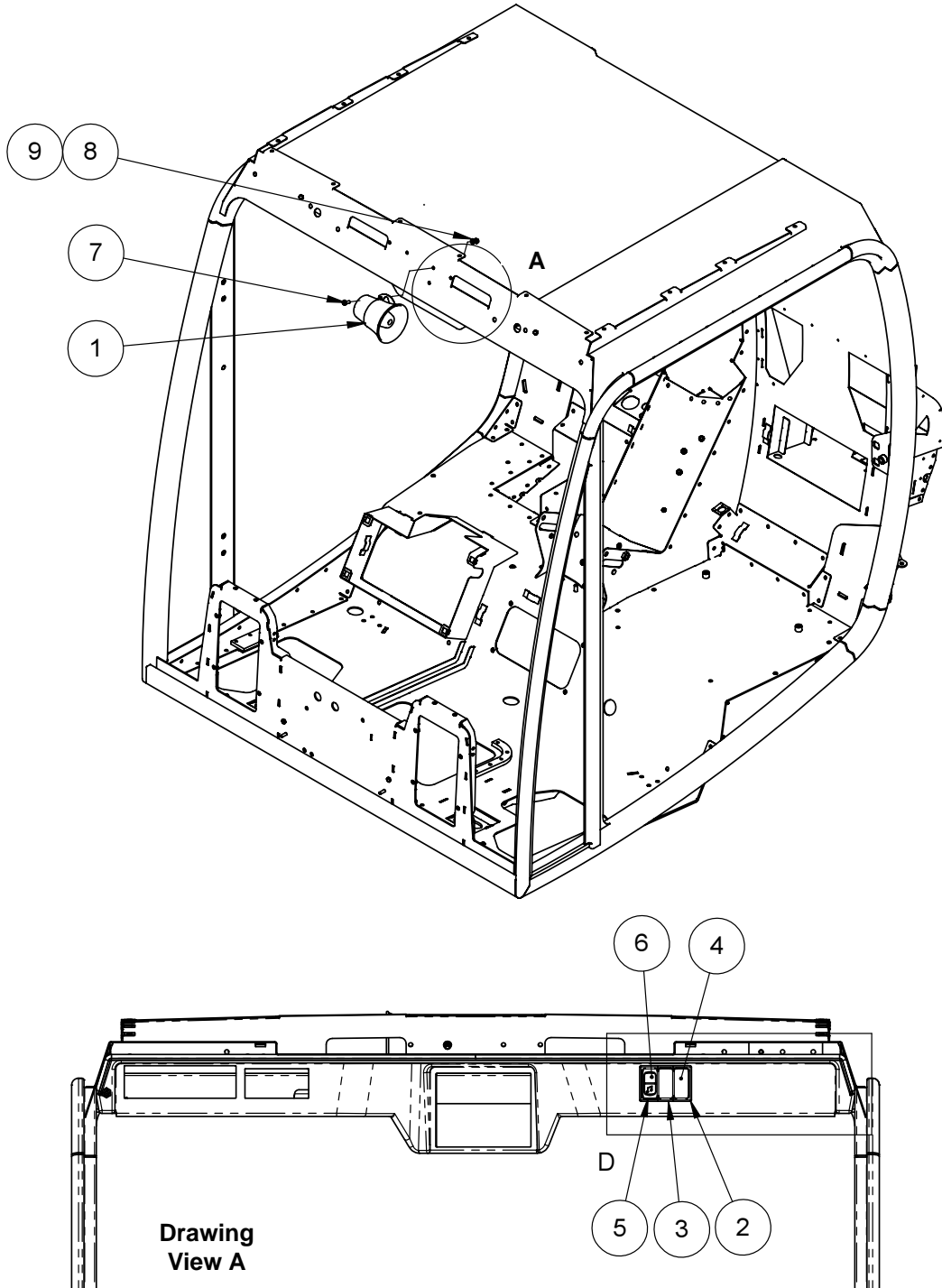
**Reverse Audible Warning Devices (RAWD)**  
 BoM: 2026-3 & -51
**2026-3****RAWD - White Noise**

Item No.	Part No.	Description	Quantity
1	724-1	Back Alarm 12-24v White Noise	1
2	722472-1	Mount - Back Alarm, W/Assy	1
3	425-14	Nut Nyloc Hex MC M8	1
4	425-13	Nut Nyloc Hex MC M6	2
5	124-103	Setscrew M6C x 20	2
6	455-8	Washer - Plain, M6	2

**2026-51****RAWD - Bigmouth Senior**

Item No.	Part No.	Description	Quantity
1	722813-1	Bracket - Sensor, Bigmouth W/A	1
2	124-103	Setscrew M6C x 20	2
3	425-13	Nut Nyloc Hex MC M6	4
4	455-8	Washer Plain Plated Steel M6	2
5	654-61	R.A.W.D. Big Mouth (Senior)	1

**Forward Motion Alarm Assembly**  
BoM: 2026-4



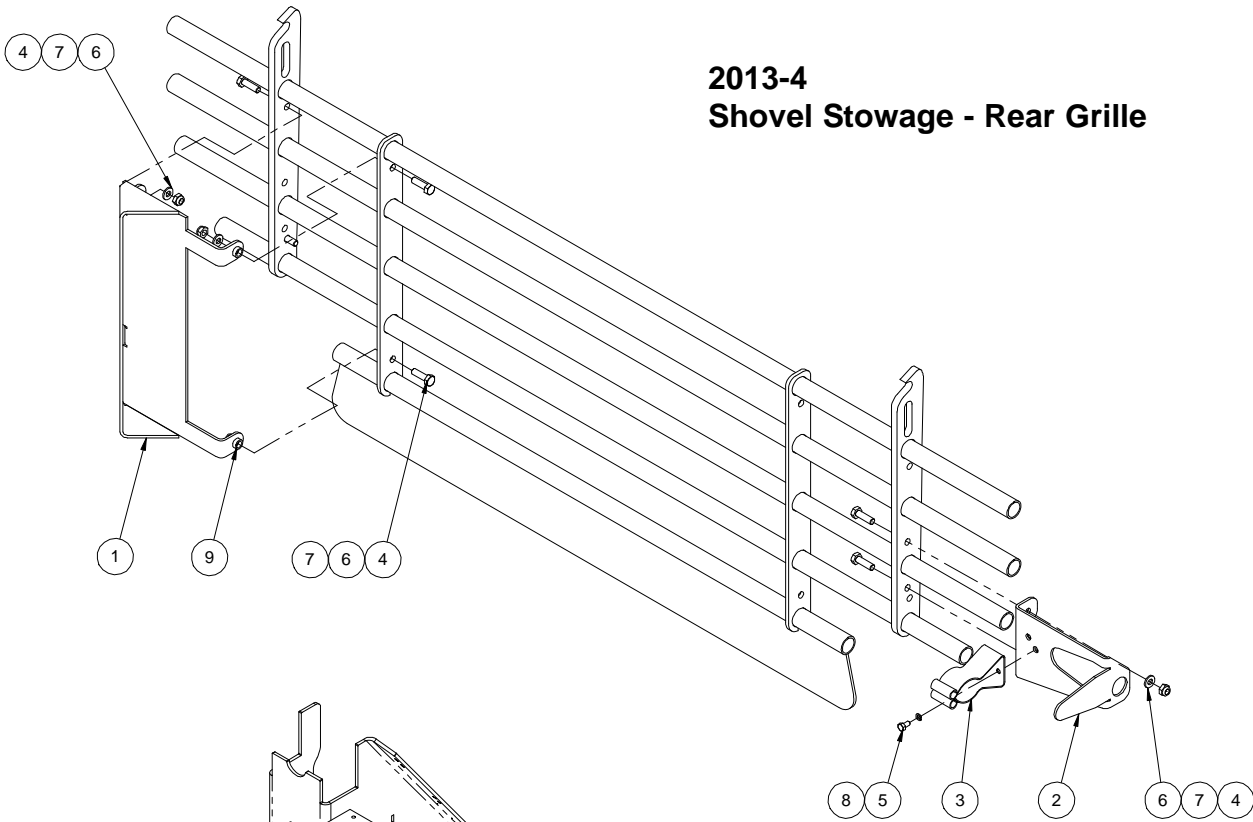
**Drawing**  
**View A**

**Forward Motion Alarm Assembly  
BoM: 2026-4**

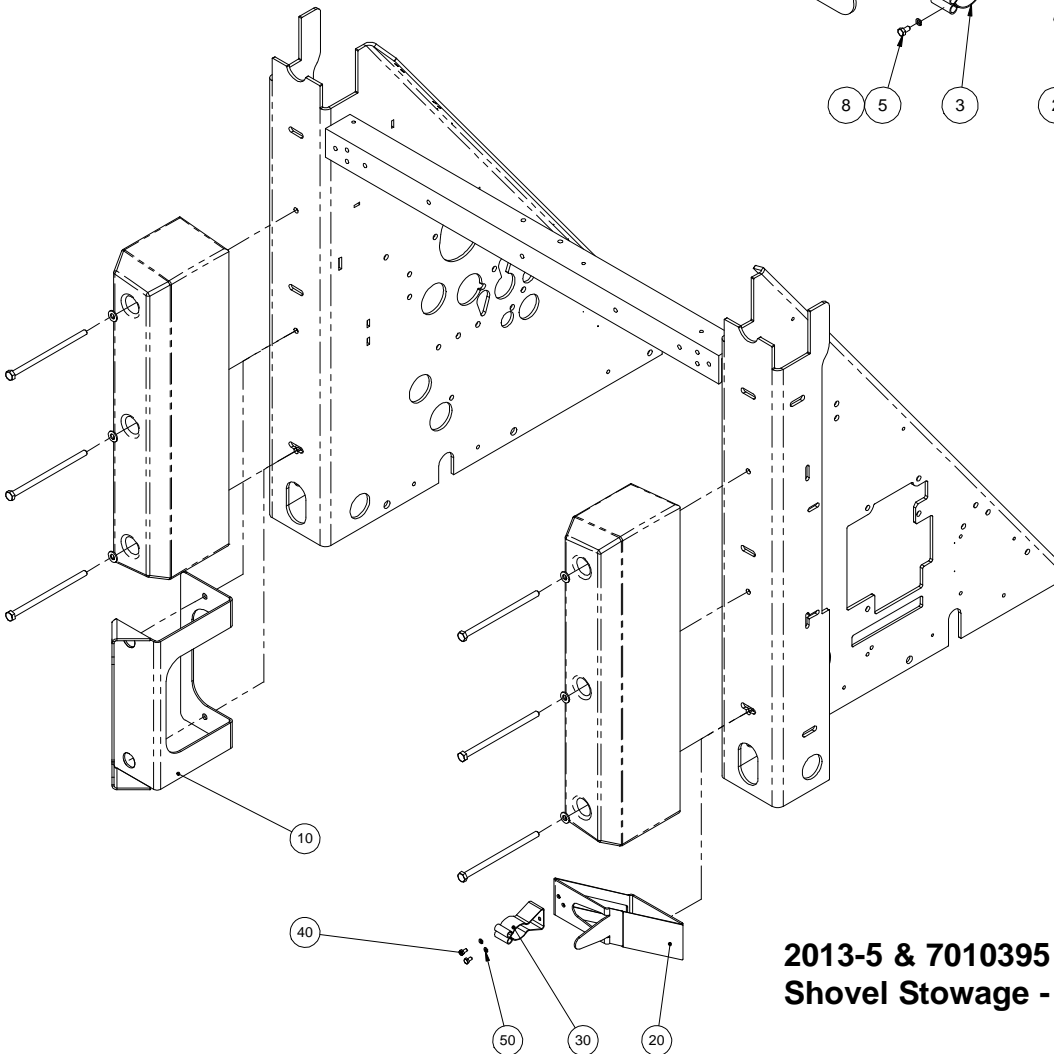
<b>Item No.</b>	<b>Part No.</b>	<b>Description</b>	<b>Quantity</b>
1	722625-1	Forward Motion Alarm Assy	1
2	735-70	Bezel - Mounting End Piece	2
3	735-71	Bezel - Mounting Centre Piece	1
4	735-60	NGR Panel Plug	2
5	735-6	Switch - 2 position, Detent 12V	1
6	735-135	Cover - Rocker, Forward Motion Alarm	1
7	124-102	Setscrew - M6C x 16	2
8	455-8	Washer - Plain, M6	2
9	425-13	Nut - Nyloc, M6C	2

**Shovel Stowage Assembly**  
BoM: 2013-4, -5 & 7010395

**2013-4**  
**Shovel Stowage - Rear Grille**



**2013-5 & 7010395**  
**Shovel Stowage - Rear Bumper**





**Shovel Stowage Assembly**  
BoM: 2013-4, -5 & 7010395

**2013-4 Shovel Stowage - Rear Grille**

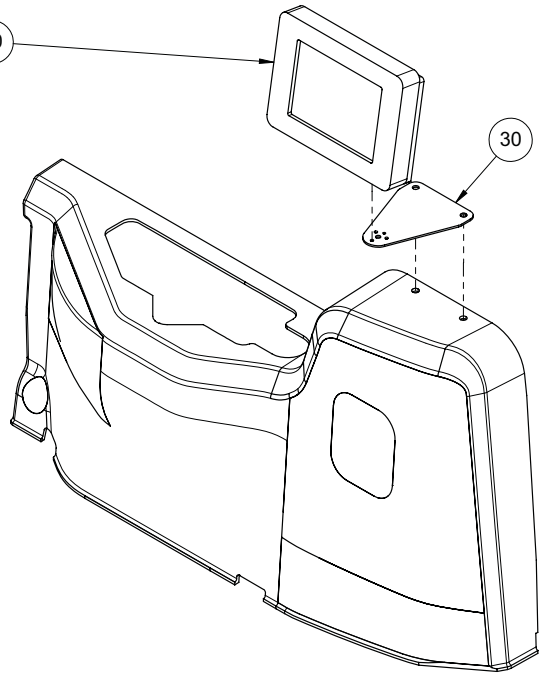
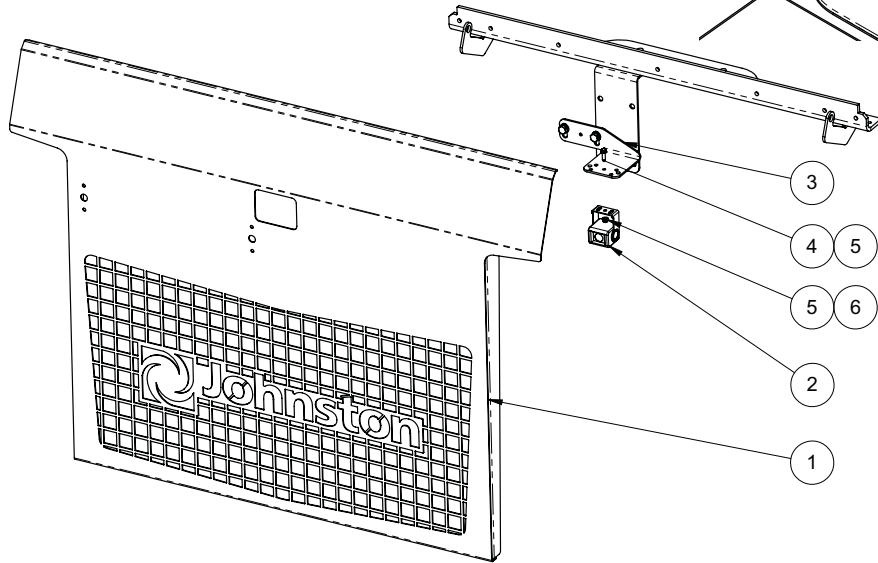
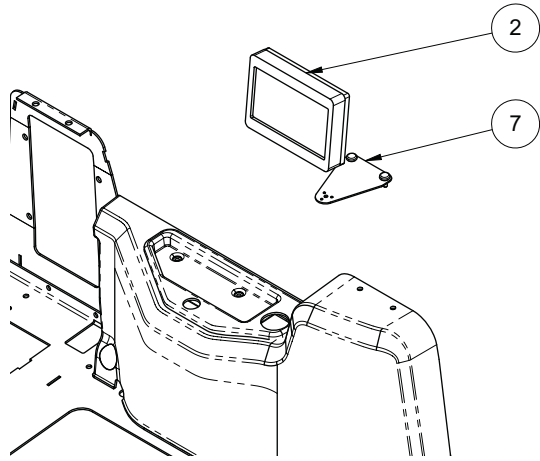
Item No.	Part No.	Description	Quantity
1	720193-1	Bracket - Mounting, Shovel W/A	1
2	720297-1	Bracket - Shovel, Handle W/A	1
3	222-88	Clip - Tool	1
4	124-103	Setscrew M6C x 20	6
5	124-34	Setscrew M4C x 8      BS3692	2
6	455-8	Washer Plain Plated Steel M6	6
7	425-13	Nut Nyloc Hex MC M6	6
8	460-5	Washer Spring Single Coil M4	2
9	722470-1	Spacer - Shovel Stowage	2

**2013-5 Shovel Stowage - Rear Bumper**  
**7010395 Shovel Stowage Fold Out Grille**

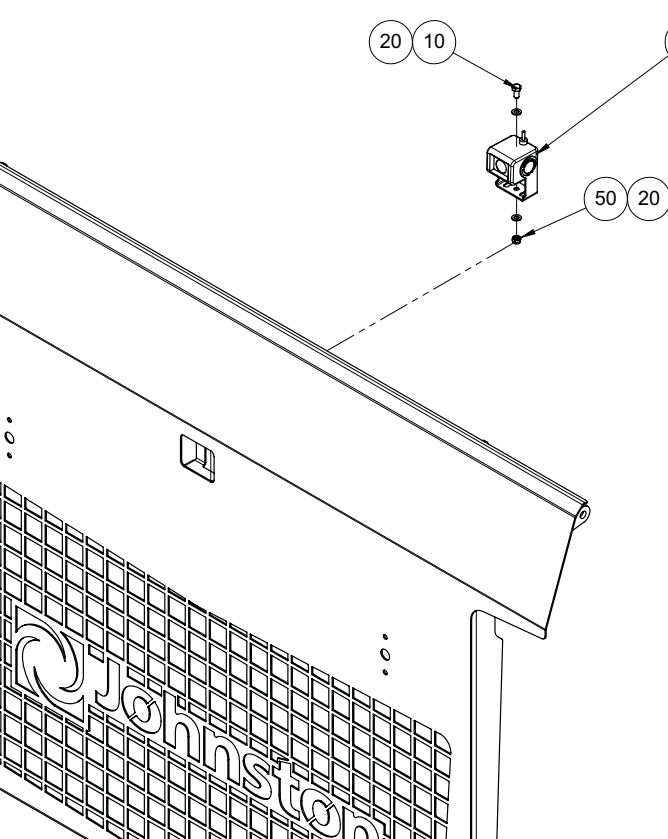
Item No.	Part No.	Description	2013-5 Quantity	7010395 Quantity
10	7007440	Mount Weld assembly	1	-
	7010392	Shovel Blade Holster W/Assy	-	1
20	7007419	Handle Holder	1	-
	7010382	Handle Holster W/Assy	-	1
30	222-88	Clip - Tool	1	1
40	124-34	Setscrew M4C x 8      BS3692	2	2
50	460-5	Washer Spring Single Coil M4	2	2

**Reverse Aid Camera Assembly**  
BoM: 2017-61 & -62, 7008917, 7008922

**Euro 4 Installation**



**Euro 5 Installation**



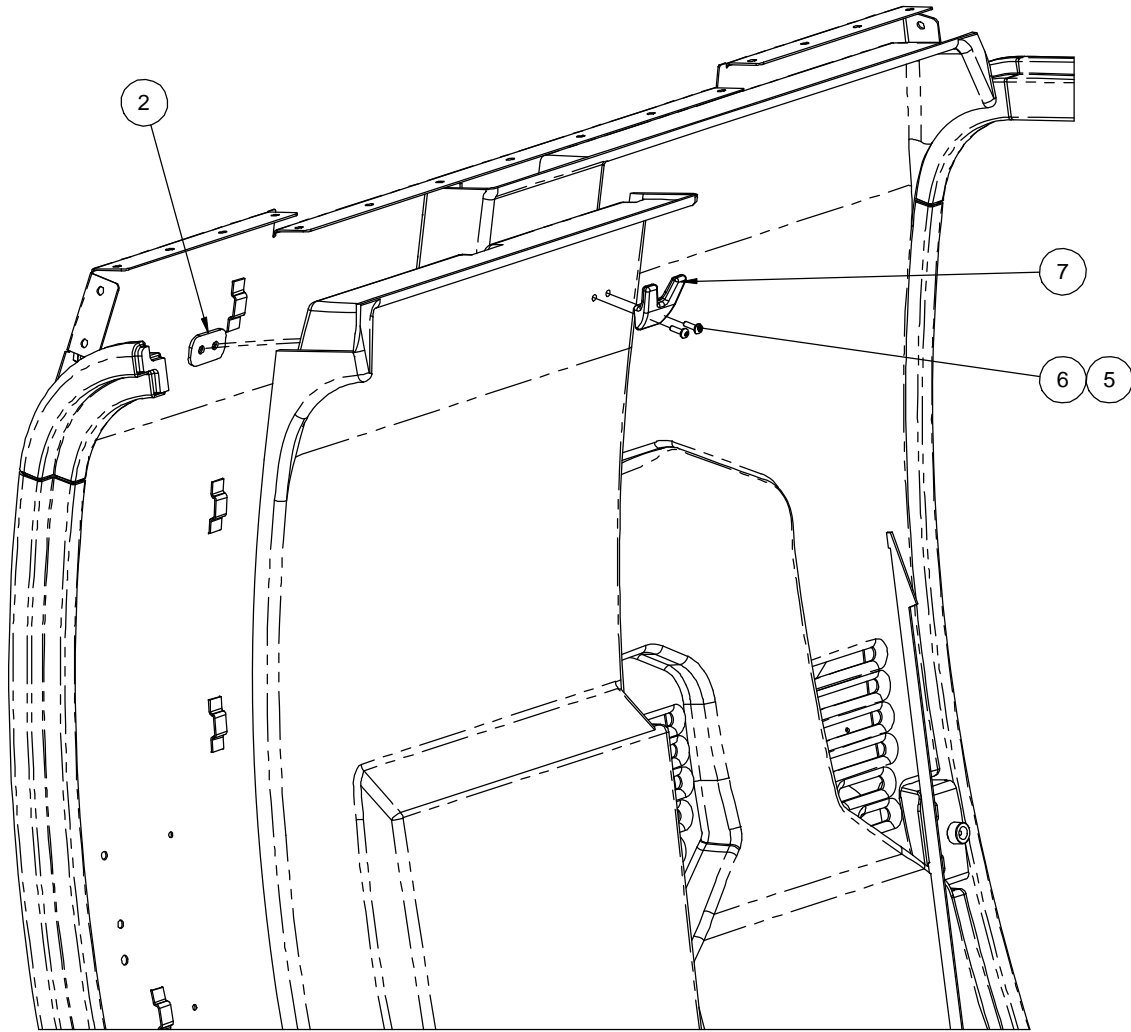
**Reverse Aid Camera Assembly**  
**BoM: 2017-61 & -62, 7008917, 7008922**
**Euro 4 Installation**

Item No.	Part No.	Description	2017-61 Quantity	2017-62 Quantity
1	722468-1	Door - Rear, W/Assy (Camera)	1	1
2	657-1S	Monitor-VT56AE 1xVT70JM Camera	1	-
	657-31S	Monitor - VT70JM 1xVT70JM Camera	-	1
3	722398-1	Mount - Camera (Euro 4)	1	1
4	124-70	Setscrew M5C x 16	1	1
5	455-7	Washer Plain Plated Steel M5	2	2
6	425-12	Nut Nyloc Hex MC M5	1	1
7	722855-1	Mount - Monitor 5.6" & 7" LCD	1	1
8	657-6S	Camera Cable - 6M IP67 Fitting	1	1

**Euro 5 Installation**

Item No.	Part No.	Description	7008917 (5.6") Quantity	7008922 (7") Quantity
10	92097261-0	Hex Head Screw M5Cx10 8.8	1	1
20	93210109-0	Plain Washer M5	2	2
30	722855-1	Mount - Monitor 5.6" & 7" LCD	1	1
40	657-1S	Monitor-VT56AE 1xVT70JM Camera	1	-
	657-31S	Monitor-VT70JM 1xVT70JM Camera	-	1
50	93085003-0	Nut - Nyloc, M5C	1	1
5000	657-6S	Camera Cable - 6M IP67 Fitting (not illustrated)	1	1
5010	13193	Relay 12 Volt 30/40RA (not illustrated)	1	1

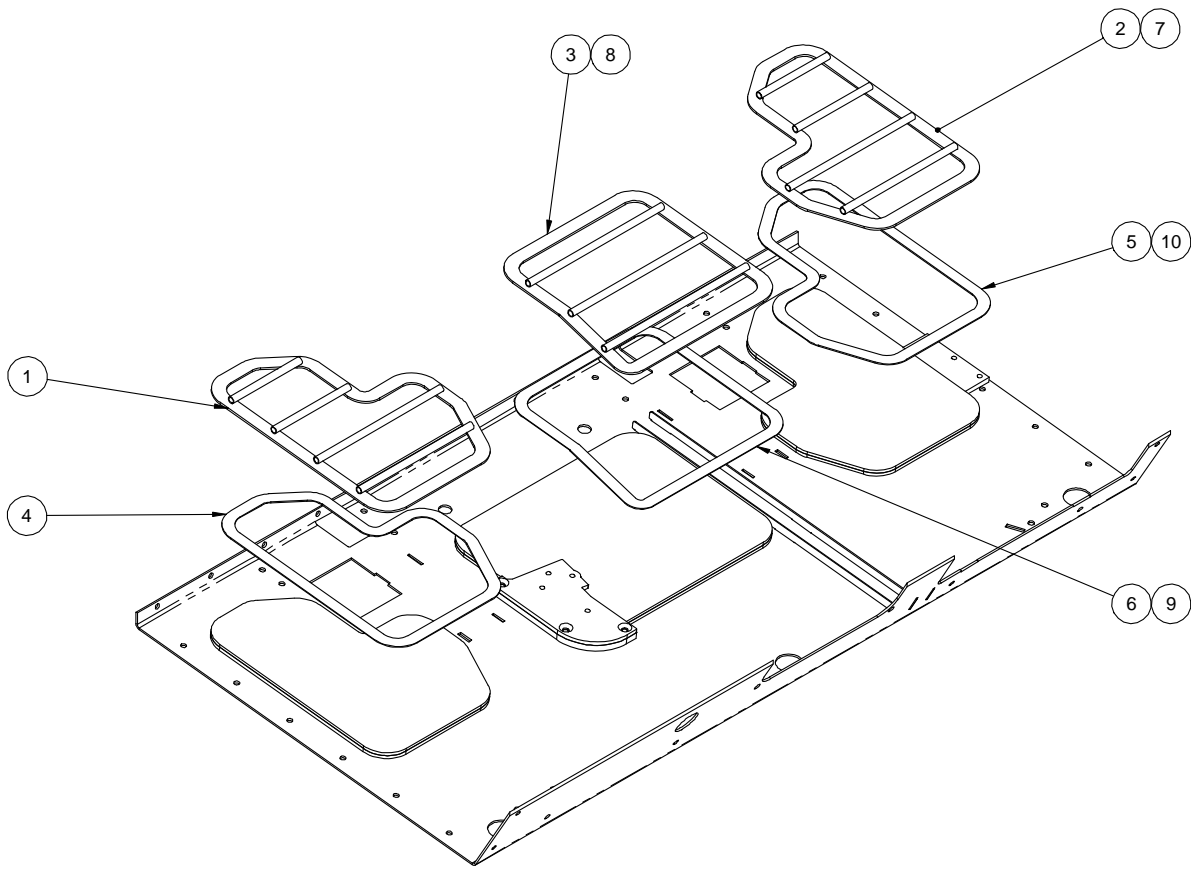
**Interior Coat Hook Assembly**  
BoM: 2015-1



**Interior Coat Hook Assembly**  
BoM: 2015-1

<b>Item No.</b>	<b>Part No.</b>	<b>Description</b>	<b>Quantity</b>
2	722641-1	Mount - Hook, Coat	1
5	460-7	Washer - Spring, M5	2
6	138-64	Screw - Skt Btn Hd, M5C x 16	2
7	844-207	Hook - Double	1

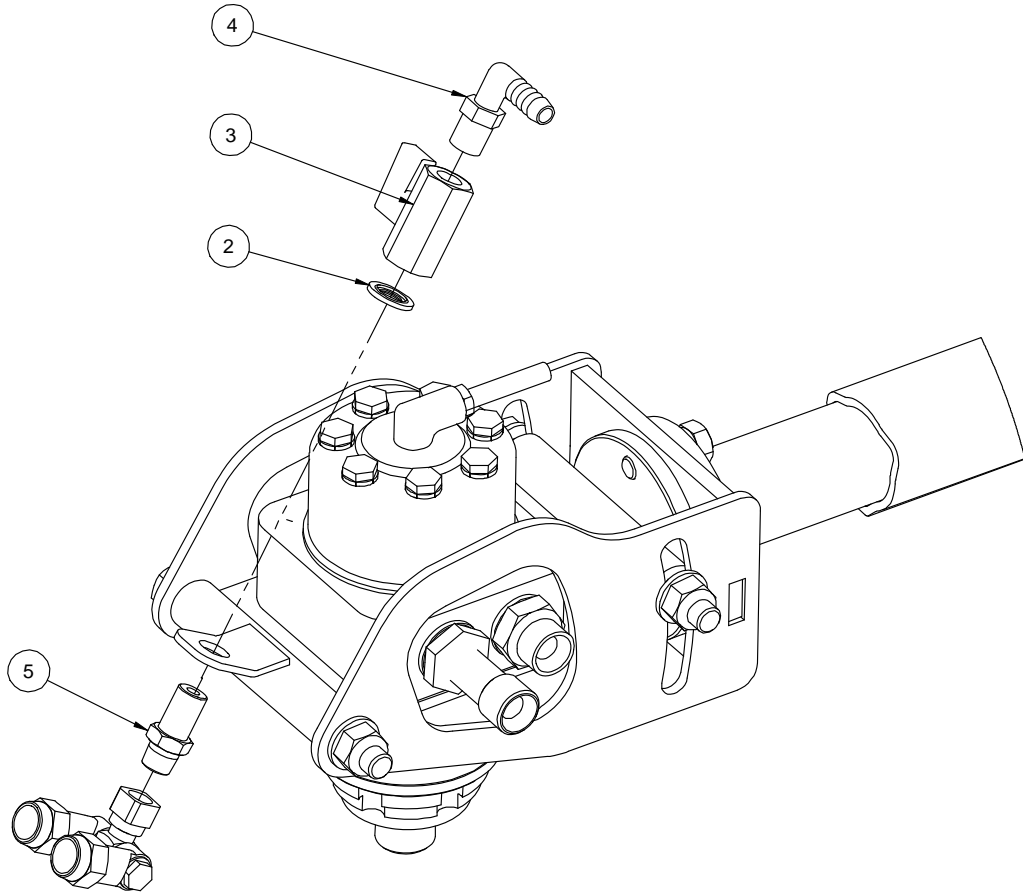
**Floor Grille Assembly**  
BoM: 2087-1 & -2



**Floor Grille Assembly**  
BoM: 2087-1 & -2

<b>Item No.</b>	<b>Part No.</b>	<b>Description</b>	<b>(LH) Quantity</b>	<b>(RH) Quantity</b>
1	722837-1	Grille - Floor, Outer LHD (LH)	1	1
2	722837-2	Grille - Floor, Outer LHD (RH)	1	-
3	722840-1	Grille - Floor, Centre LHD	1	-
4	722906-1	Gasket - Outer Grille, LH	1	1
5	722906-2	Gasket - Outer Grille, RH	1	1
6	722907-1	Gasket - Centre Grille, LHD	1	-
7	722842-1	Grille - Floor, Outer RHD	-	1
8	722844-1	Grille - Floor, Centre RHD	-	1
9	722910-1	Gasket - Grille, Centre RHD	-	1
10	722912-1	Gasket - Grille, Outer RHD	-	1

**Manual Water Taps**  
BoM: 2050-51





**Manual Water Taps**  
**BoM: 2050-51**

<b>Item No.</b>	<b>Part No.</b>	<b>Description</b>	<b>Quantity</b>
2	451-17	Bonded Washer 13.74/20.57X2.03 ST NBR	2
3	88-10	Ball Valve 1/4" T Handle Black	2
4	231-1	Hose Elbow G1/4x3/8	2
5	723035-1	Adaptor-1/4"BSP - 1/4"BSPT M/M	2



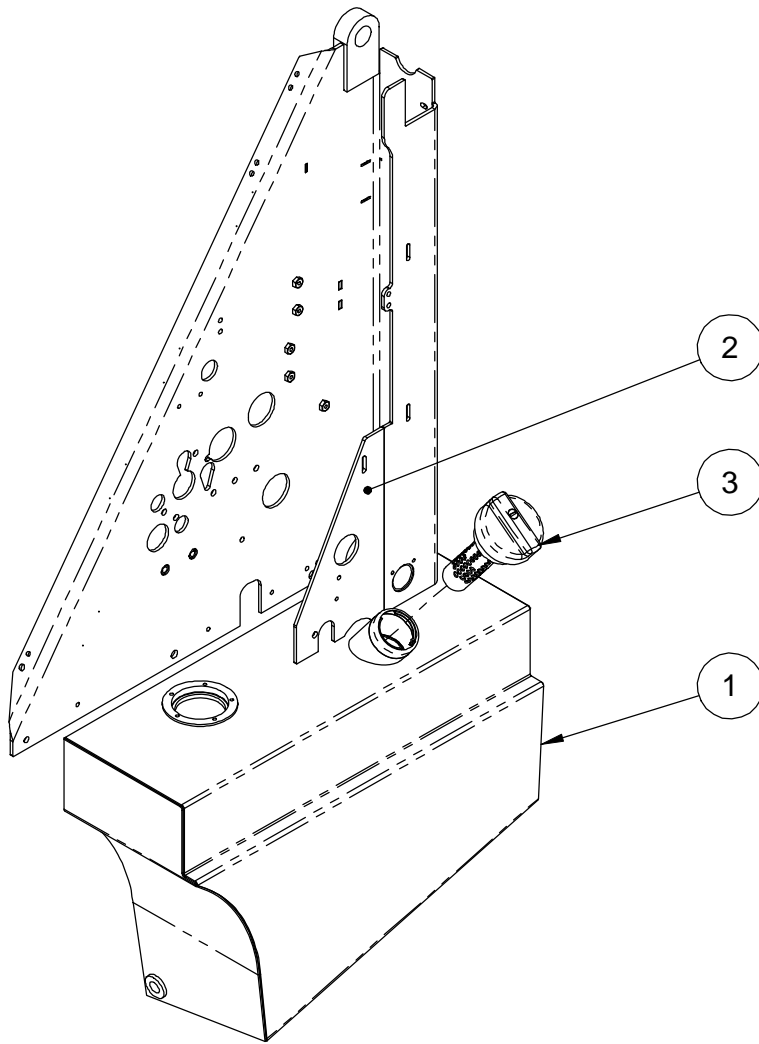
**Recirculation Water Shut-Off**  
**BoM: 2007-4 & 7008194**
**2007-4 Euro 4/Tier 3 Installation**

Item No.	Part No.	Description	Quantity
1	72943-1	Mod. Recirc. Tank Inlet Basket	1
2	72936-1	Gate W/Assy - Recirc Water	1
3	285-14	Spring-Comp. 15/16"14SWG 2" SS	1
4	123-136	Bolt M Coarse M10x80	1
5	457-5	Washer Plain Steel M10 Form G	2
6	421-15	Locknut MC Hex M10	1
7	425-15	Nut Nyloc Hex MC M10	1
8	72940-1	Plate - Recirc Water Shut Off	1
9	72942-1	Seal Flap-Recirc Water ShutOff	1
10	124-102	Setscrew M6C x 16	2
11	457-2	Washer Plain Steel M6 Form G	2
12	425-13	Nut Nyloc Hex MC M6	2

**7008194 Euro 5/Tier 3 Installation**

Item No.	Part No.	Description	Quantity
10	93085806-0	Nyloc Hex Nut M10C - 8	2
20	93085004-0	Nyloc Hex Nut M6C - 8	4
30	285-14	Spring-Comp. 15/16"14SWG 2" SS	2
40	92067428-0	Hex Head Bolt M10Cx80 8.8	2
50	93300510-0	Plain Large Washer M10	4
60	93041011-0	Hexagon Nut - M10c Lock	2
70	7010029	Gate W/Assy	2
80	7009781	Cover Left W/Assembly Special	1
90	7010003	Cover Right W/Assembly Special	1
100	92097299-0	Hex Head Screw M6Cx16 8.8	4
110	93300507-0	Plain Large Washer M6	4
120	7010038	Seal	2
130	7010039	Plate - Shutter	2

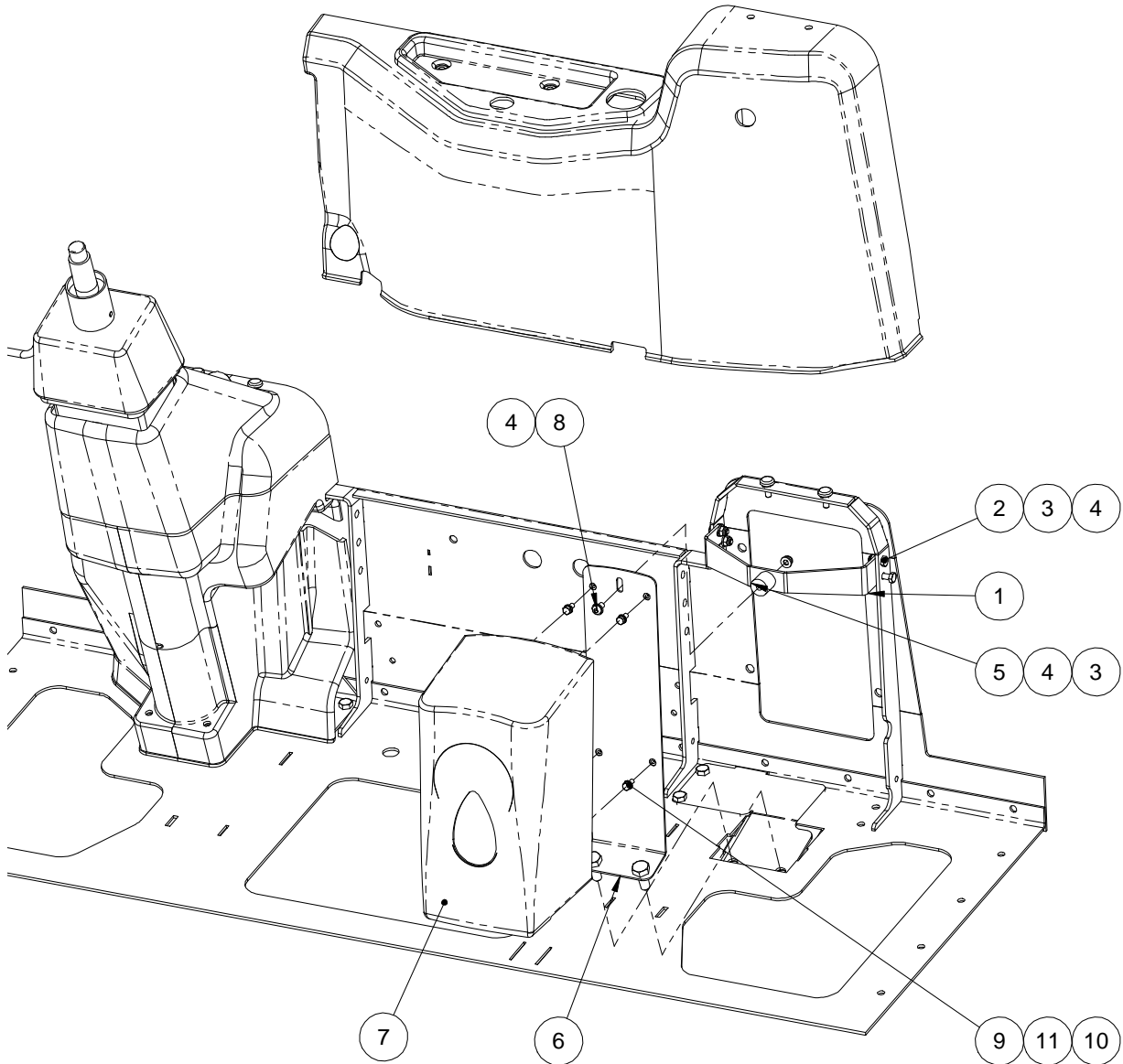
**Anti-Siphon Filter**  
BoM: 2096-1



**Anti-Siphon Filter**  
**BoM: 2096-1**

<b>Item No.</b>	<b>Part No.</b>	<b>Description</b>	<b>Quantity</b>
1	723011-1	Tank - Fuel, Anti Siphon	1
2	723009-1	Gusset - Rear Upright(special)	1
3	723008-1	Filter - Anti Syphon	1

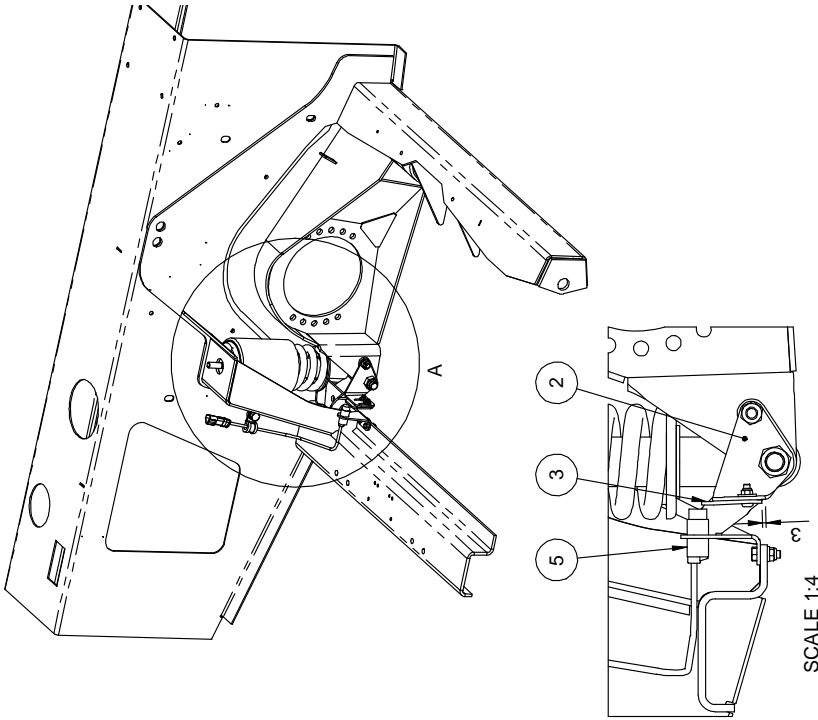
**In-Cab Wipe Dispenser**  
BoM: 2027-5



**In-Cab Wipe Dispenser  
BoM: 2027-5**

<b>Item No.</b>	<b>Part No.</b>	<b>Description</b>	<b>Quantity</b>
1	721938-1	Brace - Monitor Mount	1
2	124-102	Setscrew M6C x 16	4
3	425-13	Nut Nyloc Hex MC M6	5
4	455-8	Washer Plain Plated Steel M6	6
5	290-33	Mount-Anti Vibration M6x20x20	1
6	722629-1	Bracket-Wipe Dispenser W/Assy	1
7	220-257	Hygienic Wipe Dispenser	1
8	138-91	Screw - Skt Button Hd M6cx12	1
9	124-68	Setscrew M5C x 12 BS3692	4
10	455-7	Washer Plain Plated Steel M5	4
11	460-7	Washer Spring Single Coil M5	4

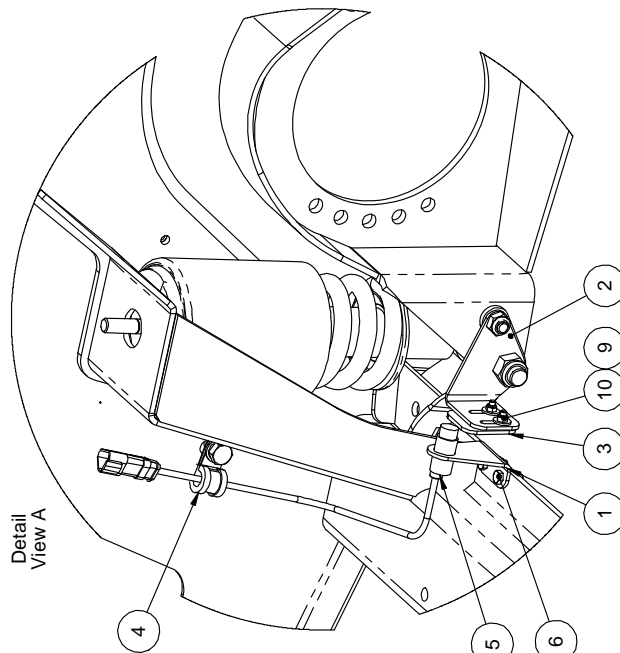
**Weight Load Indicator**  
BoM: 2081-1



SET UP BY POSITIONING BOTTOM FACE OF ITEM 3 3mm ABOVE BOTTOM FACE OF ITEM 2 (THIS DIMENSION IS A GUIDE ONLY DUE TO BUILD VARIATIONS). ENSURE THERE IS CLEARANCE BETWEEN FACE OF ITEM 5 AND ITEM 3.

FOR A MORE ACCURATE SETUP IT IS ADVISABLE TO LOAD M/C TO 4000 Kg, THEN SET POSITION OF ITEM 3 TO ACTIVATE ITEM 5.

TO ENABLE THIS OPTION GO TO THE CANVIEW VEHICLE SET UP MENU AND TICK OPTION 8. THIS PROCEDURE REQUIRES A SECURITY PASS CODE.



ENSURE SHAKEPROOF WASHER IS FITTED.

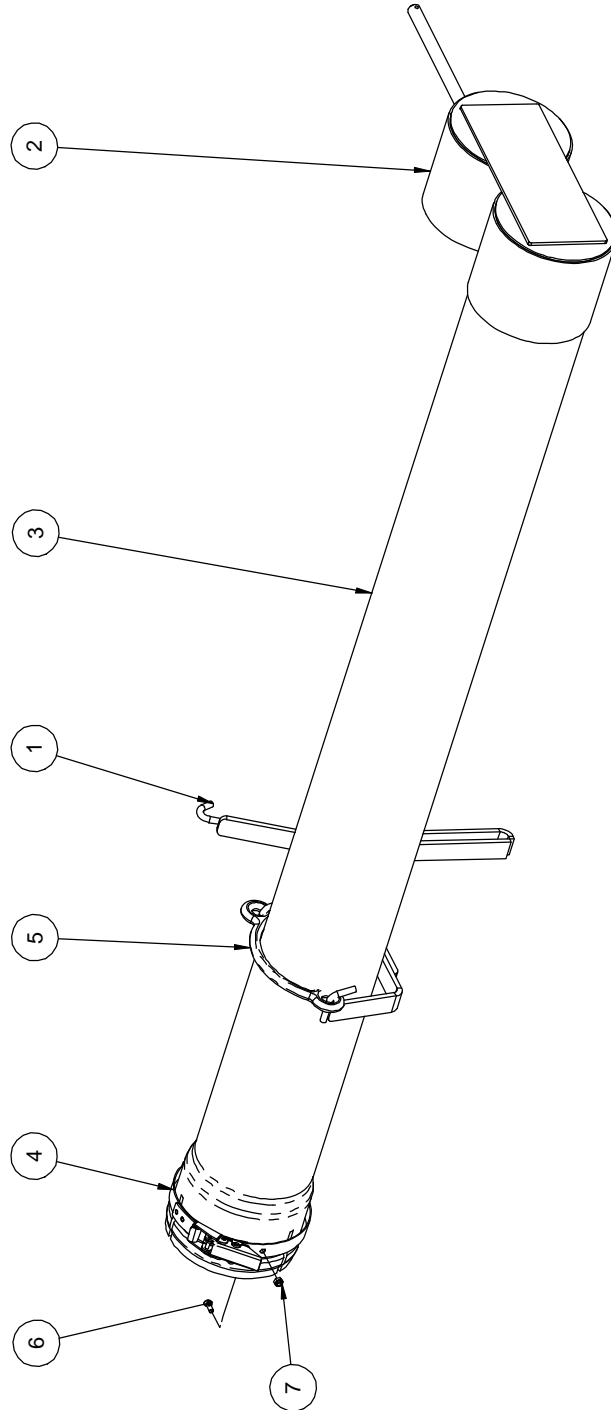
ITEM 11 NOT SHOWN - CONNECTS TO J-PLEX CHASSIS NODE



<b>Weight Load Indicator</b> BoM: 2081-1
---

<b>Item No.</b>	<b>Part No.</b>	<b>Description</b>	<b>Quantity</b>
1	722287-1	Bracket - Proximity Sensor	1
2	722288-1	Mount - Acitvator	1
3	722290-1	Activator - Proximity, W/Assy	1
4	508-3	Clip - P Rubber Covered .656	1
5	740455-3	Sensor Assy W.L.I C200	1
6	124-103	Setscrew M6C x 20	2
7	455-8	Washer Plain Plated Steel M6	2
8	425-13	Nut Nyloc Hex MC M6	2
9	457-1	Washer - Form G, M5	2
10	425-12	Nut Nyloc Hex MC M5	2
11	722871-1	Loom - WLI, MK2	1

**Wanderhose Extension**  
BoM: 2031-4

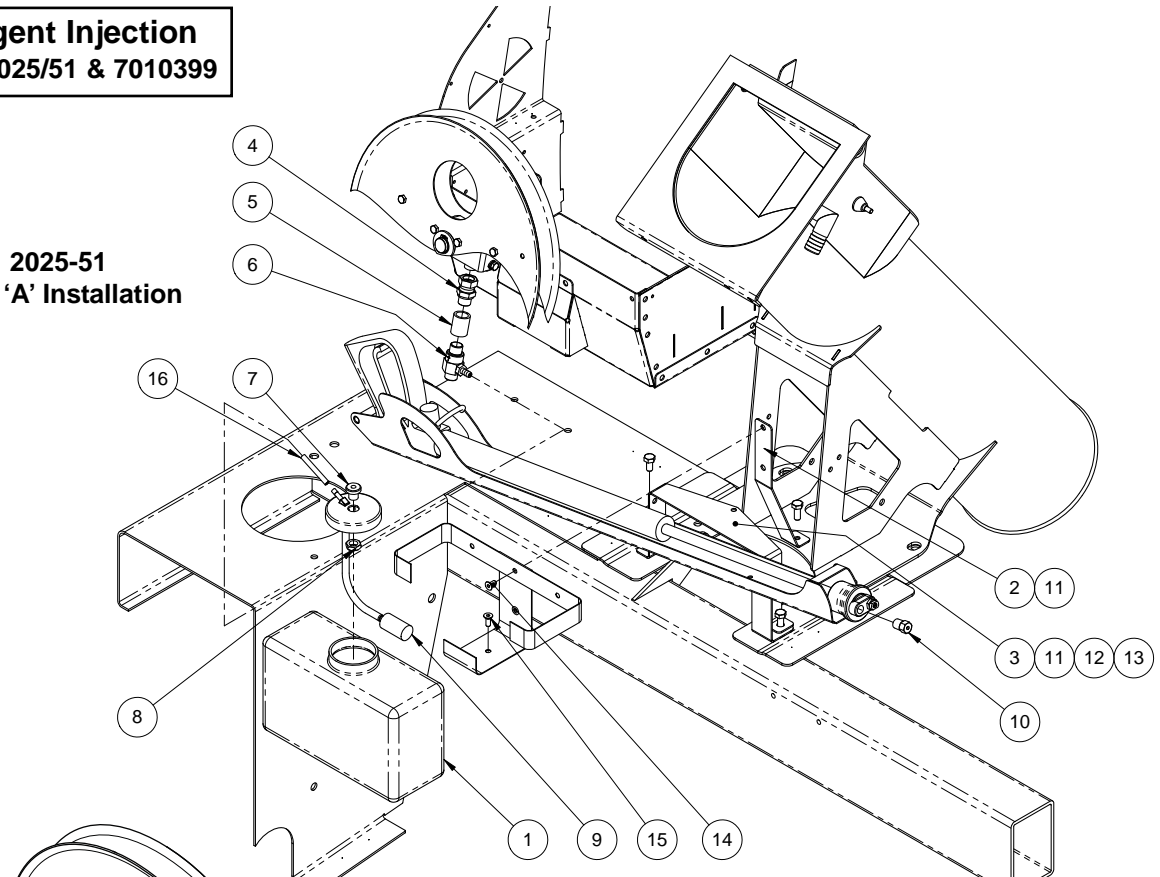


**Wanderhose Extension  
BoM: 2031-4**

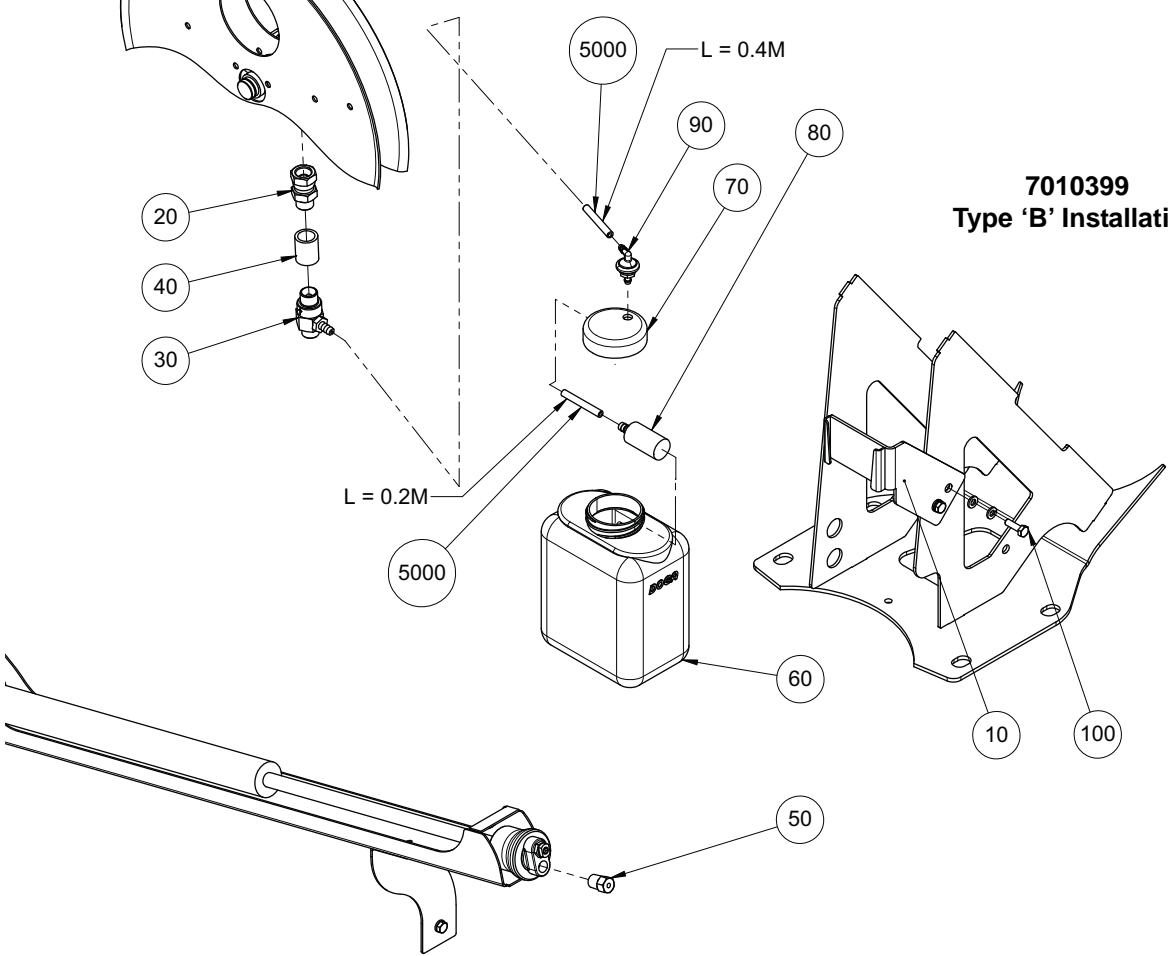
<b>Item No.</b>	<b>Part No.</b>	<b>Description</b>	<b>Quantity</b>
1	722716-1	Cradle - Wanderhose, Twin	1
2	722714-1	Cap - Wanderhose, Twin	1
3	722713-1	Extension - Wanderhose, 4'	1
4	433-10	Clamp - Band, 90 - 135mm	1
5	73067-1	Rubber - Jack	1
6	131-33	Setscrew - CSK Hd, M4C x 12	1
7	425-11	Nut - Nyloc, M4C	1

**Detergent Injection**  
BoM: 2025/51 & 7010399

**2025-51**  
**Type 'A' Installation**



**7010399**  
**Type 'B' Installation**



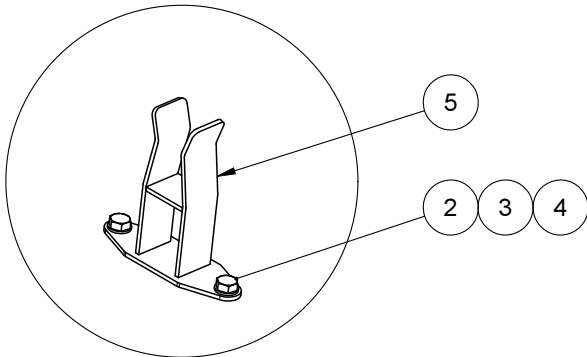
Detergent Injection  
BoM: 2025/51 & 7010399**2025-51 Add On Detergent Injection C200 (Type A)**

Item No.	Part No.	Description	Quantity
1	740588-1	Bottle-Detergent, Modification	1
2	721974-1	Strap - Detergent Bottle	1
3	721975-1	Mount - Detergent Bottle	1
4	267-3	Adaptor - M/F, 3/8" BSP	1
5	72061-1	Socket - G3/8"	1
6	21-50	Injector - Water Jet 3/8mm	1
7	54-2	Plug - Collar G1/4" BSP	1
8	410-11	Nut - Lock 1/4 BSP	1
9	224-20	Strainer - Plastic	1
10	76580-1	Jet - Injection, Detergent	1
11	124-135	Setscrew M8C x 20	2
12	124-134	Setscrew M8C x 16	1
13	433-119	Self Clinching Nut M8 ISO	2
14	131-91	Screw MC Csk Skt Hd M6x12	2
15	131-93	Screw MC CSK Skt Hd M6x16	1
16	74434-6	Tube - Washer	1M

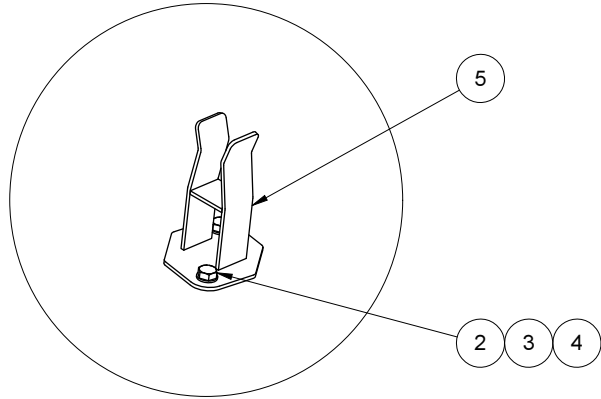
**7010399 Add On Detergent Injection (Type B)**

Item No.	Part No.	Description	Quantity
10	267-3	ADAPTOR-SWIVEL M/F 3/8"BSP	1
20	21-50	Injector - Water Jet 3/8mm	1
30	72061-1	Socket - G3/8"	1
40	76580-1	Jet - Injection, Detergent	1
50	439-9	1.5l Washer Bottle	1
60	7010427	Screw Top Lid for 1.5l Bottle	1
70	224-20	Strainer - Plastic	1
80	439-11	Elbow Connector - Cap	1
90	92097301-0	Hex Head Screw M6Cx20 8.8	2
100	7009443	Mounting plate Weld assembly	1
5000	74434-6	Tube - Washer	0.6M

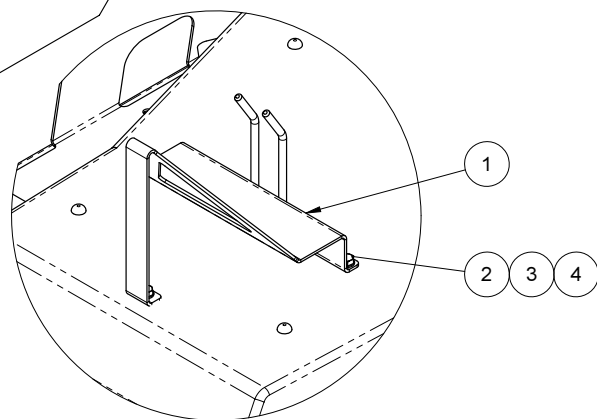
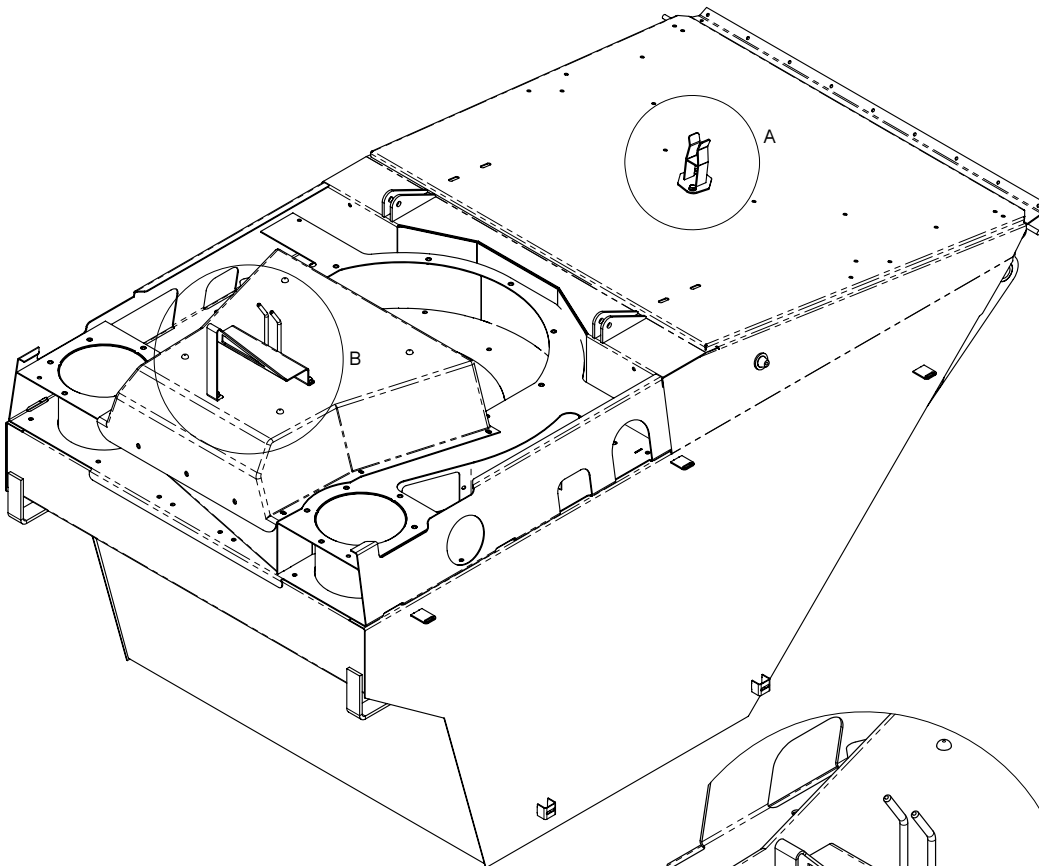
**Hopper Broom Storage**  
BoM: 2013-1 & -2



(2013-2)  
DETAIL A  
SCALE 1 : 4



(2013-1)  
DETAIL A  
SCALE 1 : 4



DETAIL B  
SCALE 1 : 5

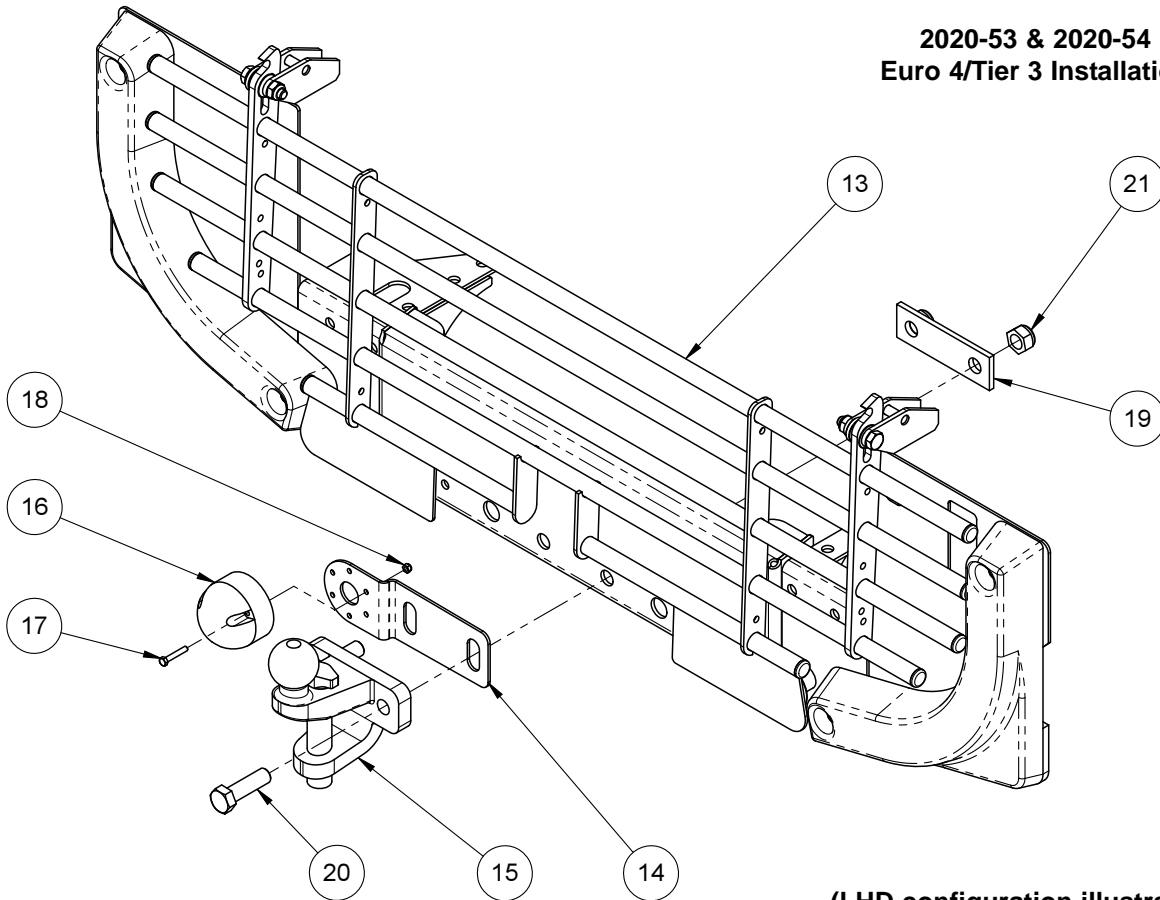
<b>Hopper Broom Stowage</b> <b>BoM: 2013-1 &amp; -2</b>
--

<b>Item No.</b>	<b>Part No.</b>	<b>Description</b>	<b>2013-1 Quantity</b>	<b>2013-2 Quantity</b>
1	76135-1	Stowage - Broom, W/Assy	1	1
2	124-135	Setscrew - M8C x 20	5	5
3	455-10	Washer - Plain, M8	5	5
4	425-14	Nut - Nyloc, M8C	5	5
5	76138-1	Handle - Broom, W/Assy	1	-
	76468-1	Handle - Broom, Lug W/Assy	-	1

**Tow Hitch**

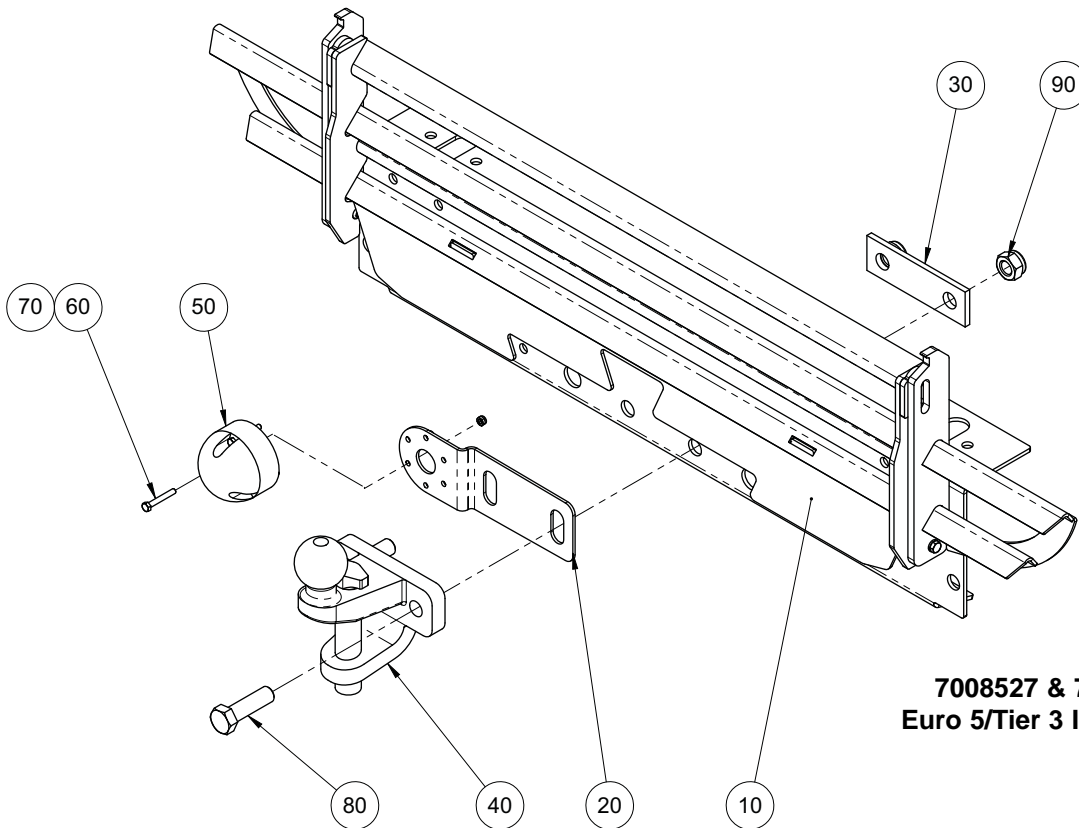
BoM: 2020-53 & -54, 7008527/8528

**2020-53 & 2020-54  
Euro 4/Tier 3 Installation**



**(LHD configuration illustrated)**

**7008527 & 7008528  
Euro 5/Tier 3 Installation**





**Tow Hitch**  
BoM: 2020-53 & -54, 7008527/8528

**Euro 4/Tier 3 Installation**

Item No.	Part No.	Description	2020-53	2020-54
			LHD Quantity	RHD Quantity
13	722520-1	Grille - Rear, Tow Hitch	1	1
14	720088-1	Plate - Mounting, Trailer Socket	1	1
15	71253-1	Coupling - Trailer, Universal	1	1
16	6907	Socket - 7 Pole Trailer	1	1
17	123-58	Bolt - M5C x 30	3	3
18	425-12	Nut - Nyloc, M5C	3	3
19	71570-1	Back - Strong	1	1
20	123-183	Bolt - M16C x 55	2	2
21	425-18	Nut - Nyloc, M16C	2	2

**Euro 5/Tier 3 Installation**

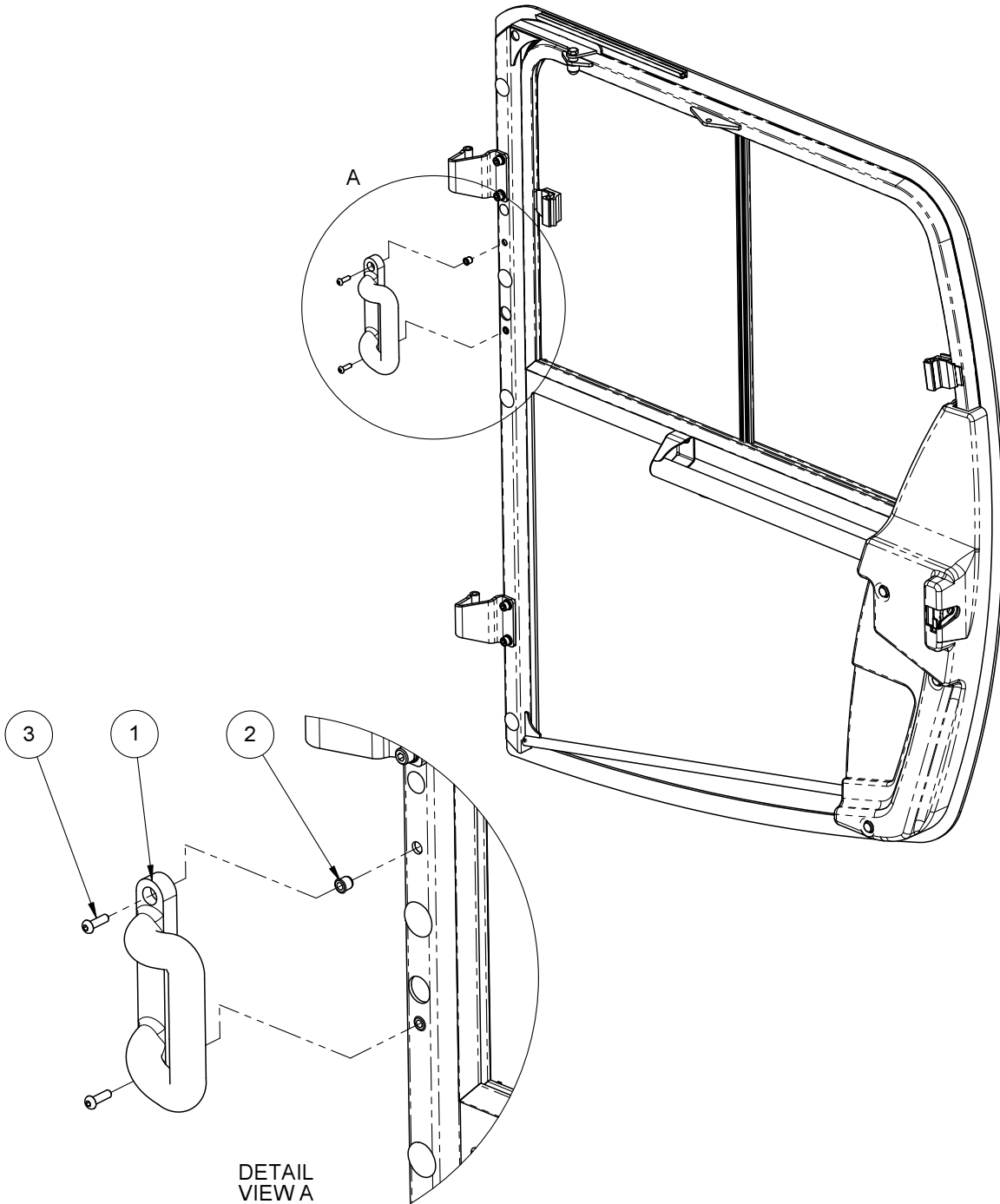
Item No.	Part No.	Description	7008527	7008528
			LHD Quantity	RHD Quantity
10	7008503	Rear panel Weld assembly	1	1
20	720088-1	Plate - Mtg. Trailer Socket	1	1
30	71570-1	Strong Back	1	1
40	71253-1	Trailer Coupling Universal	1	1
50	6907	Socket - 7 Pole trailer	1	1
60	123-60	Bolt M Coarse M5x35	3	3
70	425-12	Nut Nyloc Hex MC M5	3	3
80	123-183	Bolt M Coarse M16x55 BS3692	2	2
90	425-18	Nut Nyloc Hex MC M16	2	2

**Note:**

**The following items are not illustrated;**

721653-1	Cable - LHD, Trailer Socket	1	-
721653-2	Cable - RHD, Trailer Socket	-	1

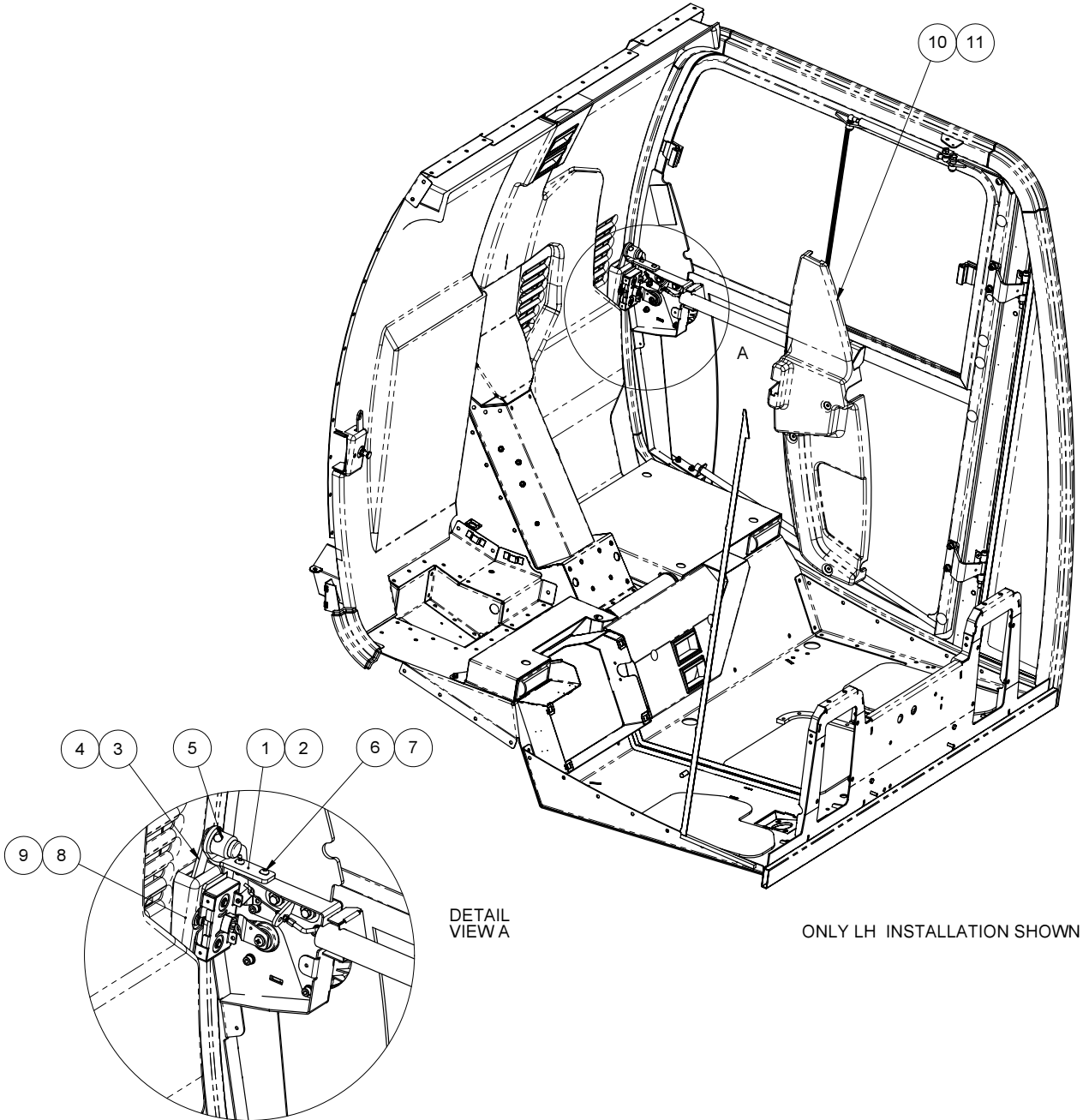
**Cab Grab Handle**  
BoM: 2091-1



**Cab Grab Handle**  
**BoM: 2091-1**

<b>Item No.</b>	<b>Part No.</b>	<b>Description</b>	<b>Quantity</b>
1	836-10	Handle - Grab	1
2	433-104	Insert - Open Ended, M6	2
3	138-94	Screw - Skt Button Hd, M6C x 20	2

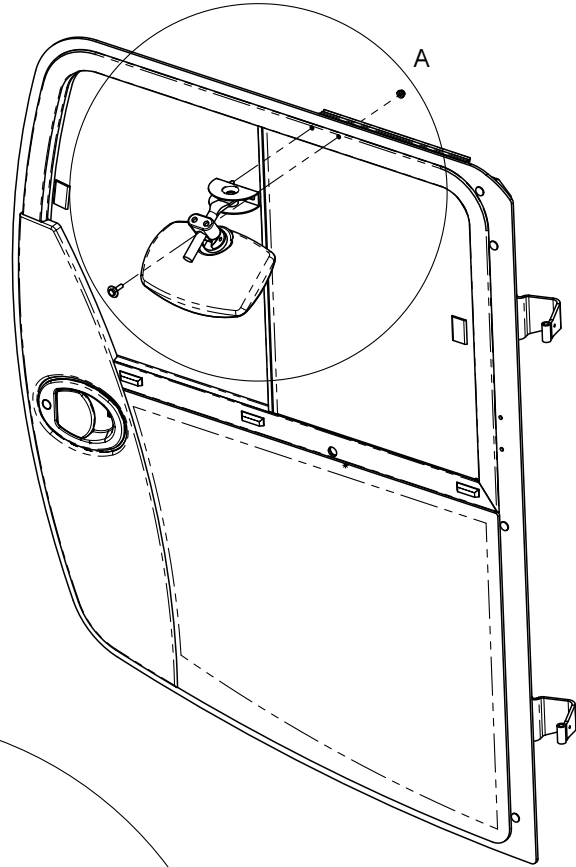
**Deadlock (Cab Door)**  
BoM: 2014-51



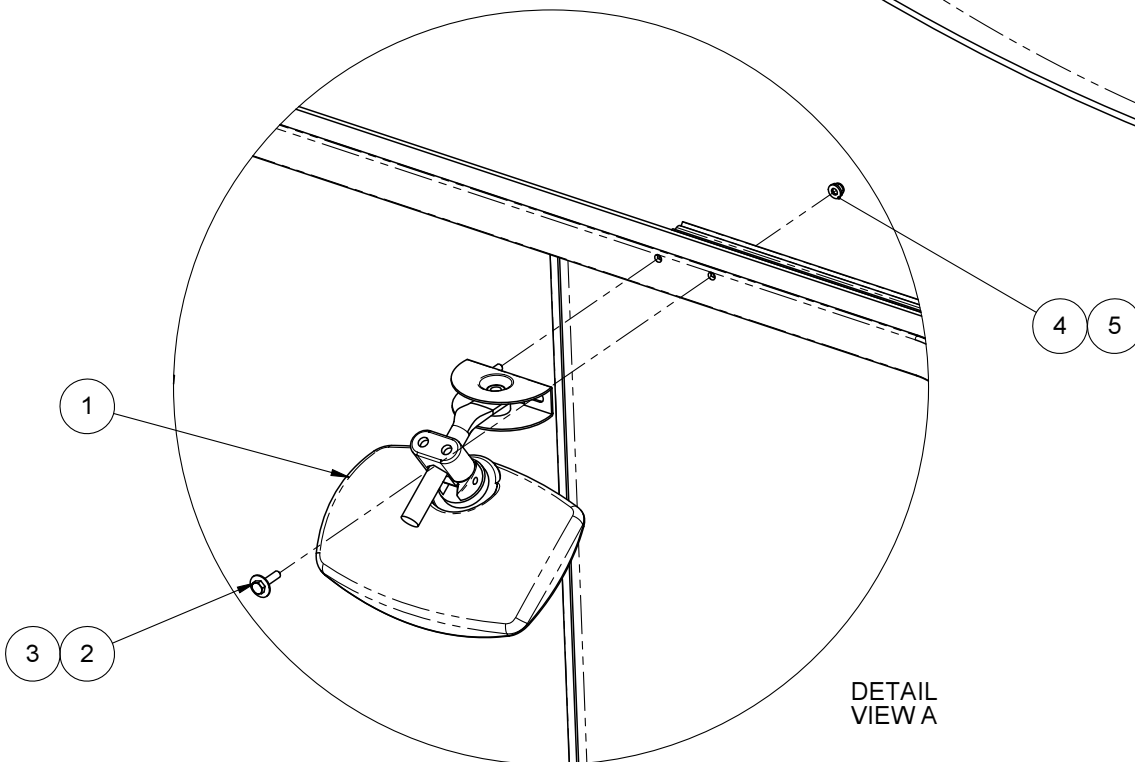
**Deadlock (Cab Door)**  
**BoM: 2014-51**

<b>Item No.</b>	<b>Part No.</b>	<b>Description</b>	<b>Quantity</b>
1	722701-1	Bracket - Latch, Deadlock LH	1
2	722701-2	Bracket - Latch, Deadlock RH	1
3	722703-1	Pin - Latch, Deadlock LH W/A	1
4	722703-2	Pin - Latch, Deadlock RH W/A	1
5	211-29	Latch - Window, Push Button	2
6	138-93	Screw - Skt Button Hd M6x16	4
7	425-13	Nut Nyloc Hex MC M6	4
8	722938-1	Cover - Latch Pin, LH (Deadlock)	1
9	722938-2	Cover - Latch Pin, RH (Deadlock)	1
10	722939-1	Trim - Interior Door, LH (Deadlock)	1
11	722939-2	Trim - Interior Door, RH (Deadlock)	1

**Close Proximity Mirror**  
BoM: 2090-1



MIRROR SHOWN IN LHD POSITION

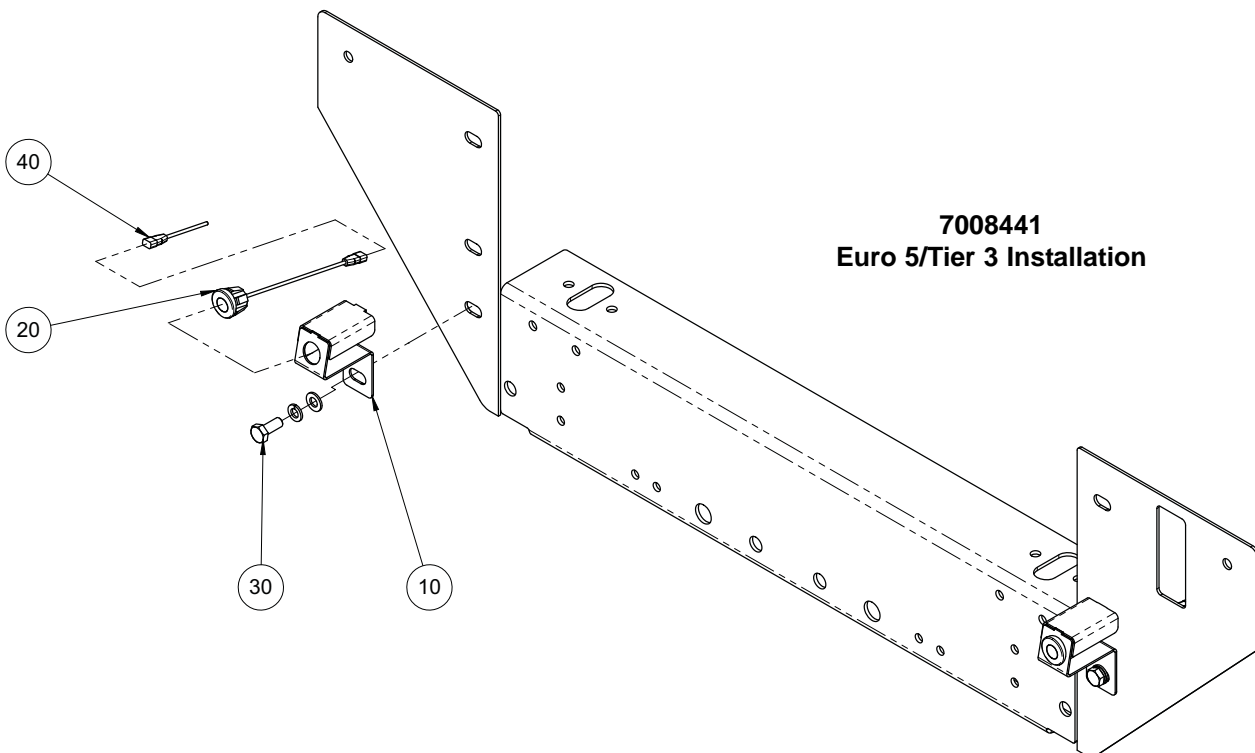
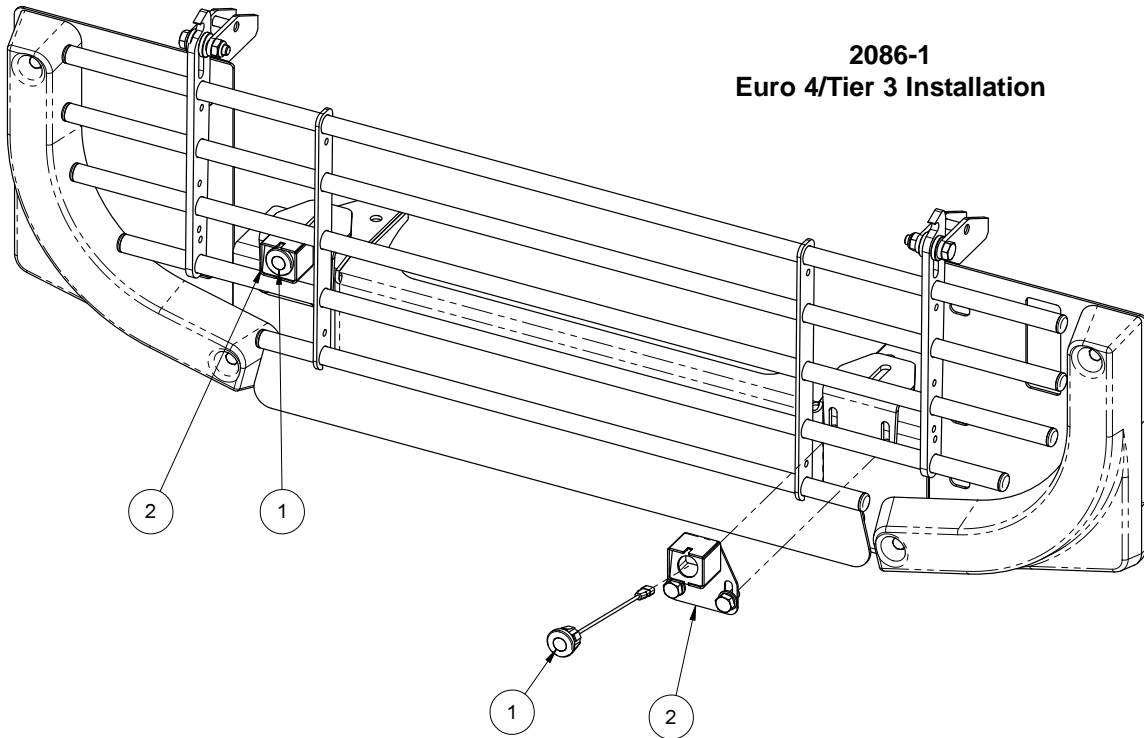


DETAIL  
VIEW A

<b>Close Proximity Mirror</b> <b>BoM: 2090-1</b>
---

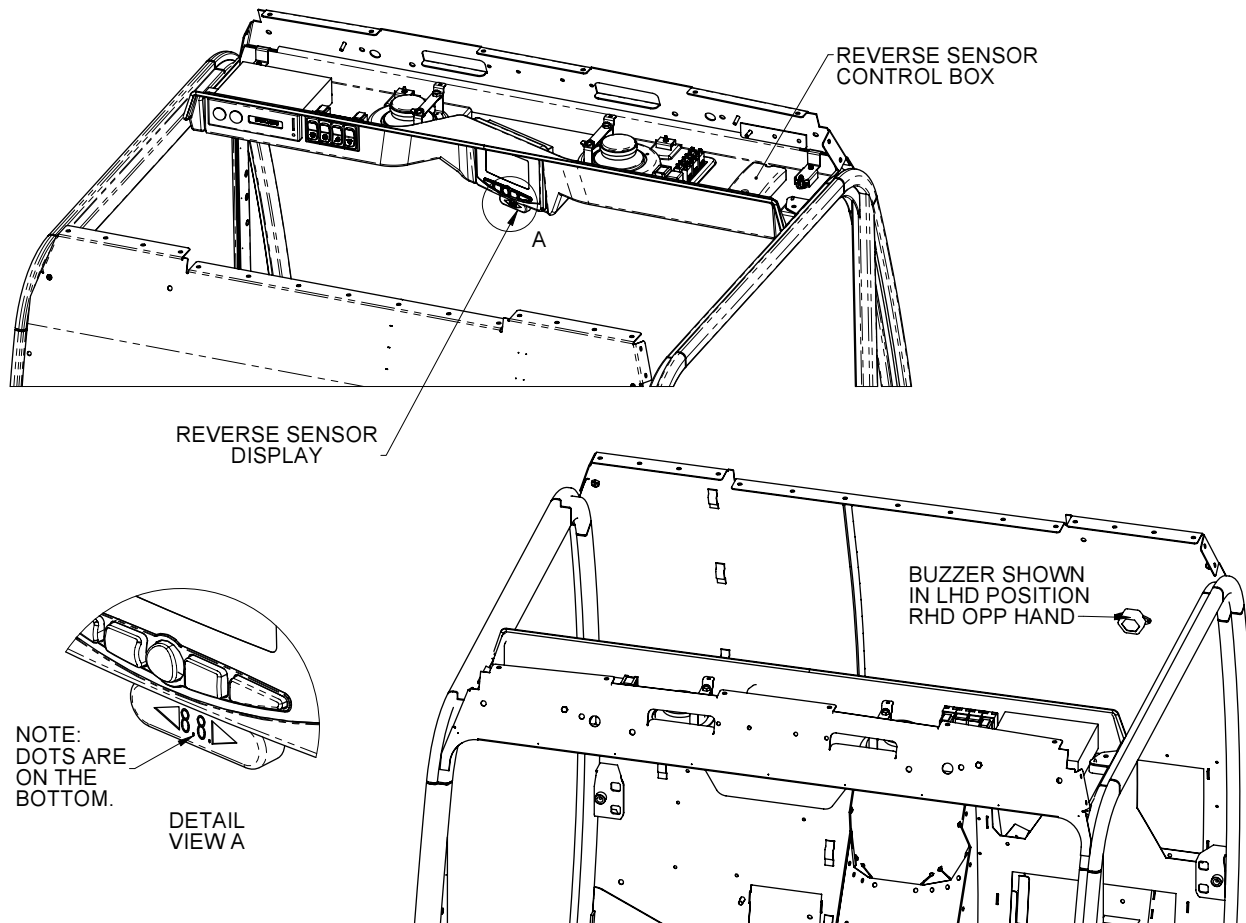
<b>Item No.</b>	<b>Part No.</b>	<b>Description</b>	<b>Quantity</b>
1	220-261	Mirror - Close Proximity, R300	1
2	124-105	Setscrew - M6C x 25	2
3	452-15	Washer - Repair, 1/4 x 3/4	2
4	455-8	Washer - Plain, M6	2
5	425-13	Nut - Nyloc, M6C	2

**Rear Parking Sensors**  
BoM: 2086-1 & 7008441





**Rear Parking Sensors  
BoM: 2086-1 & 7008441**



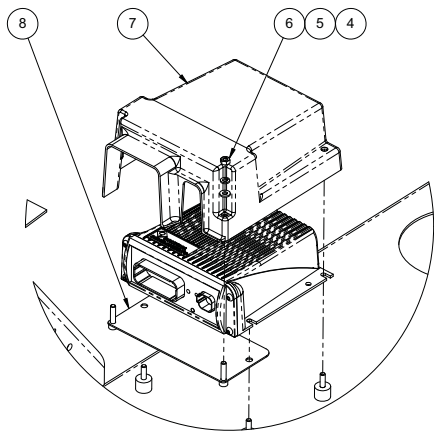
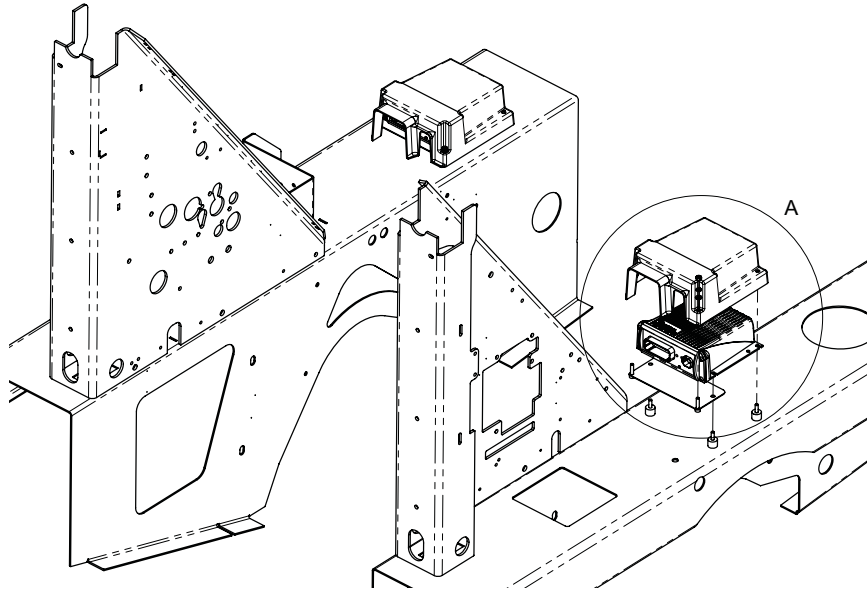
**Euro 4/Tier 3 Installation**

Item No.	Part No.	Description	Quantity
1	724-3	Kit - Sensor, Reverse Parking	1
2	722768-1	Bracket - Parking Sensor	2
3	724-4	Cable - Extension, Parking Sensor (1M)	2
4	724-5	Cable - Extension, Parking Sensor (4.5M)	2

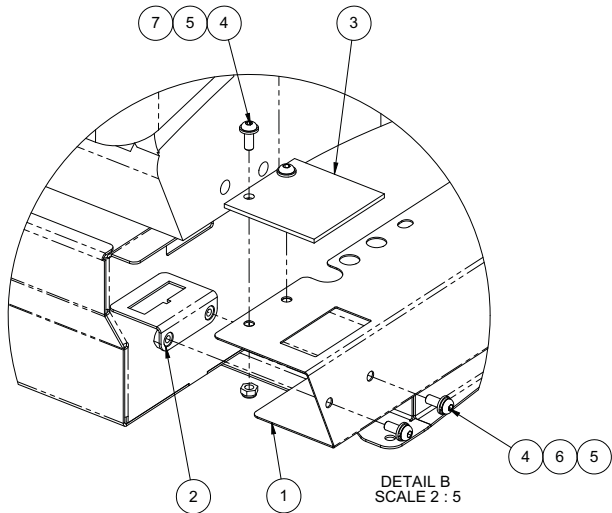
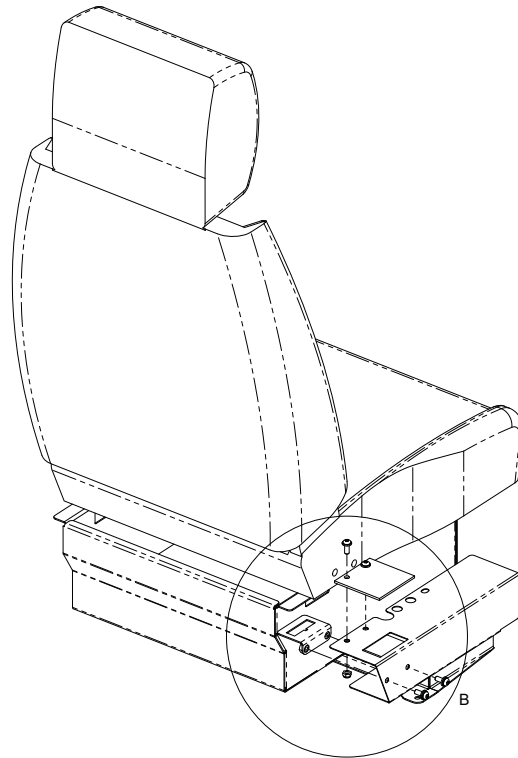
**7008441 Euro 5/Tier 3 Installation**

Item No.	Part No.	Description	Quantity
10	7008408	Sensor mount Weld assembly	2
20	724-3	Reverse Parking Sensor Kit	1
30	92097412-0	Hex Head Screw M10Cx25 8.8	2
40	724-5	Reverse Sensor Extn Cable 4.5m	2

**Anti Tamper Kit**  
BoM: 2089-1

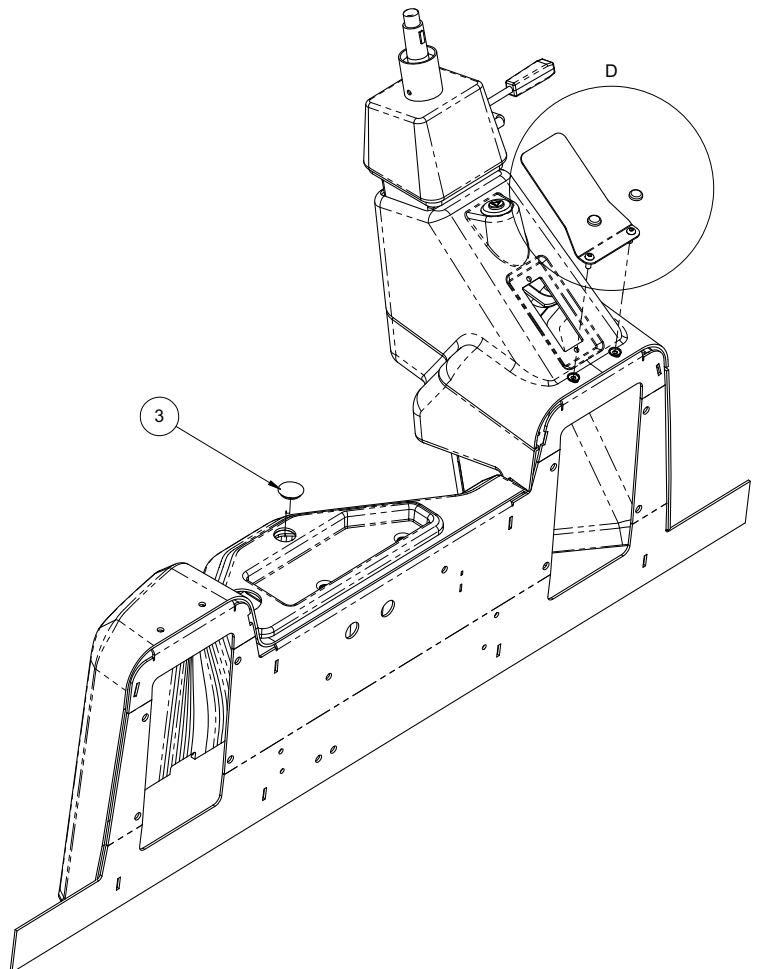
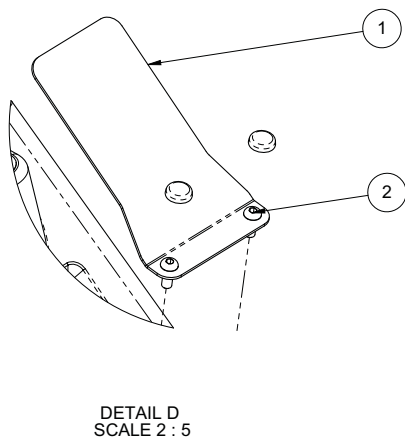
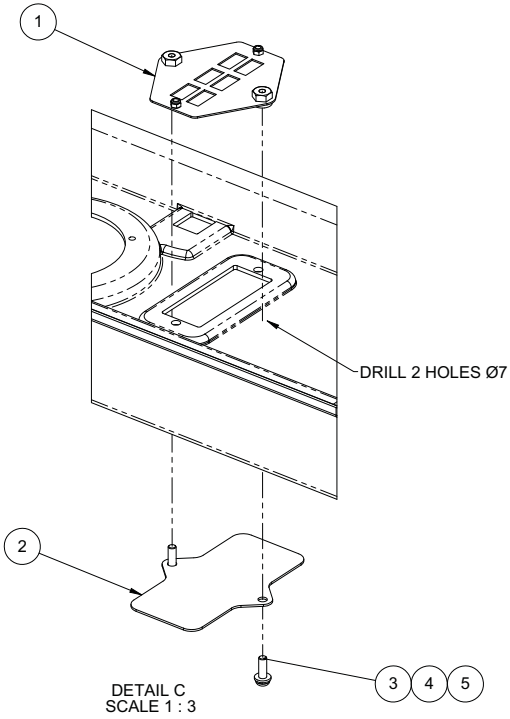


DETAIL A  
SCALE 1 : 4



DETAIL B  
SCALE 2 : 5

Anti Tamper Kit  
BoM: 2089-1

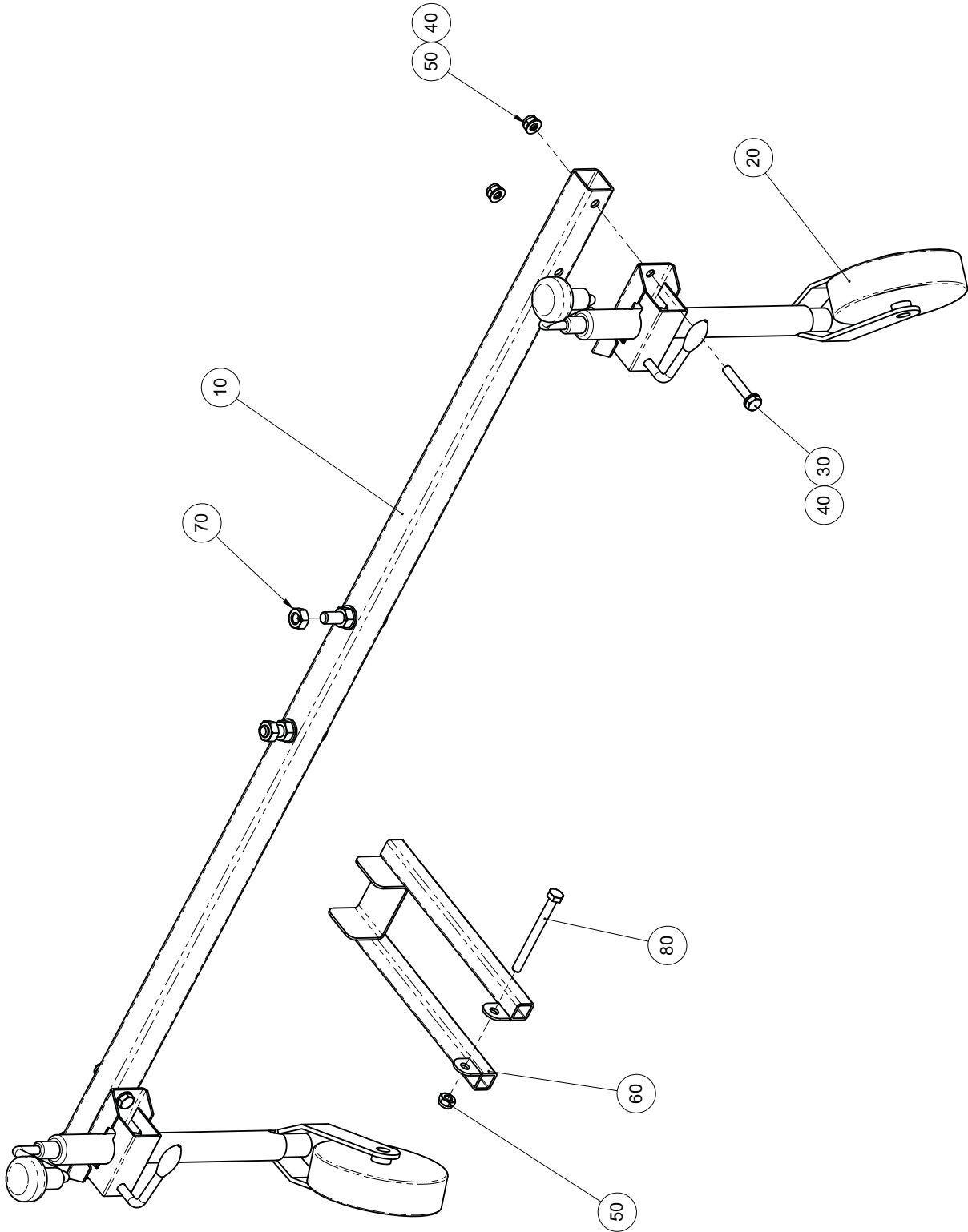


**Anti Tamper Kit**  
**BoM: 2089-1**

Item No.	Part No.	Description	Quantity
<b>Node Covers (Detail View A)</b>			
4	455-8	Washer - Plain, M6	4
5	460-8	Washer - Spring, M6	4
6	420-13	Nut MC Hex M6	4
7	7005327	Cover	2
8	7005329	Mounting plate Weld assembly	2
<b>OBD Cover (Detail View B)</b>			
1	722923-1	Panel - Trim, Underseat	1
2	722924-1	Bracket - OBD Connector	1
3	722921-1	Flap - Rubber, OBD	1
4	138-93	Screw - Skt Button Hd, M6C x 16	4
5	455-8	Washer - Plain, M6	4
6	460-8	Washer - Spring, M6	2
7	425-13	Nut - Nyloc, M6C	2
<b>Overhead Panel Cover (Detail View C)</b>			
1	722933-1	Plate - Mounting, Fuse	1
2	722917-1	Fuse - Cover, Anti Tamper	1
3	138-94	Screw - Skt Button Hd, M6C x 20	2
4	455-8	Washer - Plain, M6	2
5	460-8	Washer - Spring, M6	2
<b>Steering Column Cover (Detail View D)</b>			
1	722916-1	Cover - Fuse, Anti Tamper	1
2	138-93	Screw - Skt Button Hd, M6C x 16	2
3	288-35	Grommet - Blind	1

<p><b>Anti Tamper Kit</b> <b>BoM: 2089-1</b></p>
--

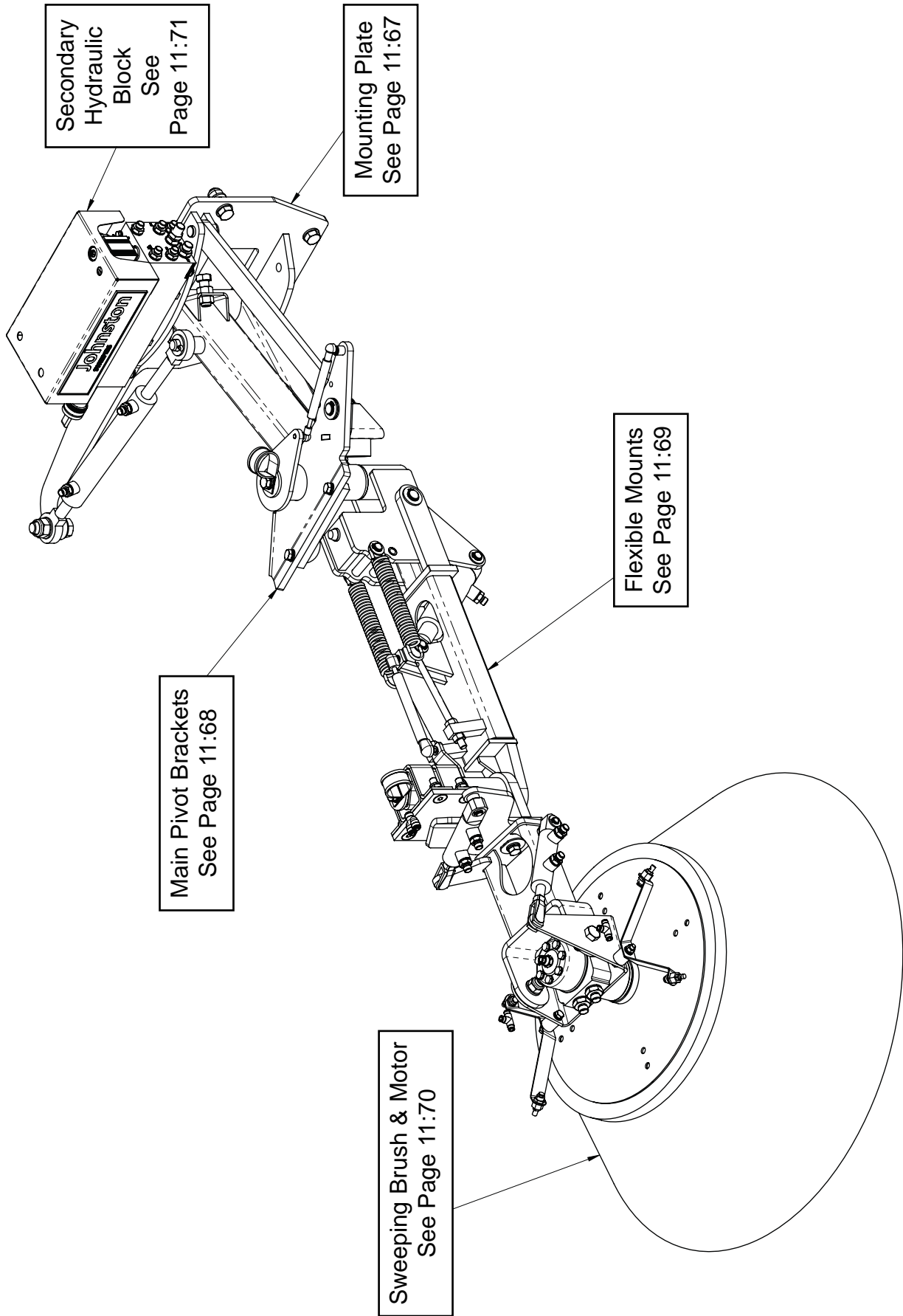
**3rd Brush Demount Stand**  
BoM: 2100-5



**3rd Brush Demount Stand  
BoM: 2100-5**

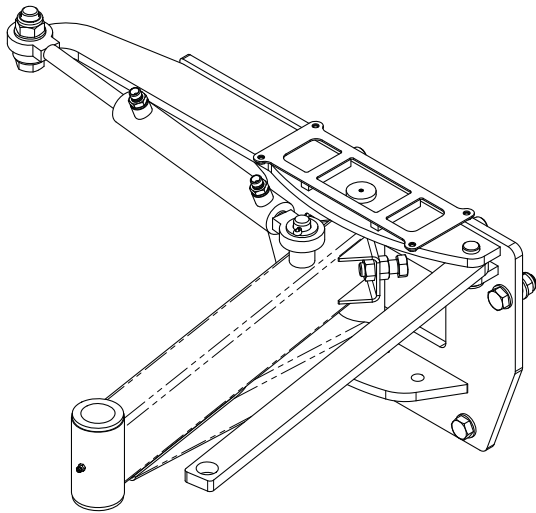
<b>Item No.</b>	<b>Part No.</b>	<b>Description</b>	<b>Quantity</b>
10	7005789	Support Weld assembly 3rd Brush	1
20	215-28	Jockey Wheel - C200 3rd Brush	2
30	92097420-0	Hex Head Screw M10Cx60 8.8	4
40	93212012-0	Plain Washer M10	8
50	93085006-0	Nyloc Hex Thin Nut M10C - 8	5
60	7007027	Lock Weld assembly	1
70	93056017-0	Hex Nut M14C-8	2
80	92067433-0	Hex Head Bolt M10Cx110 8.8	1

**3rd Brush Unit**  
BoM: 2100-1

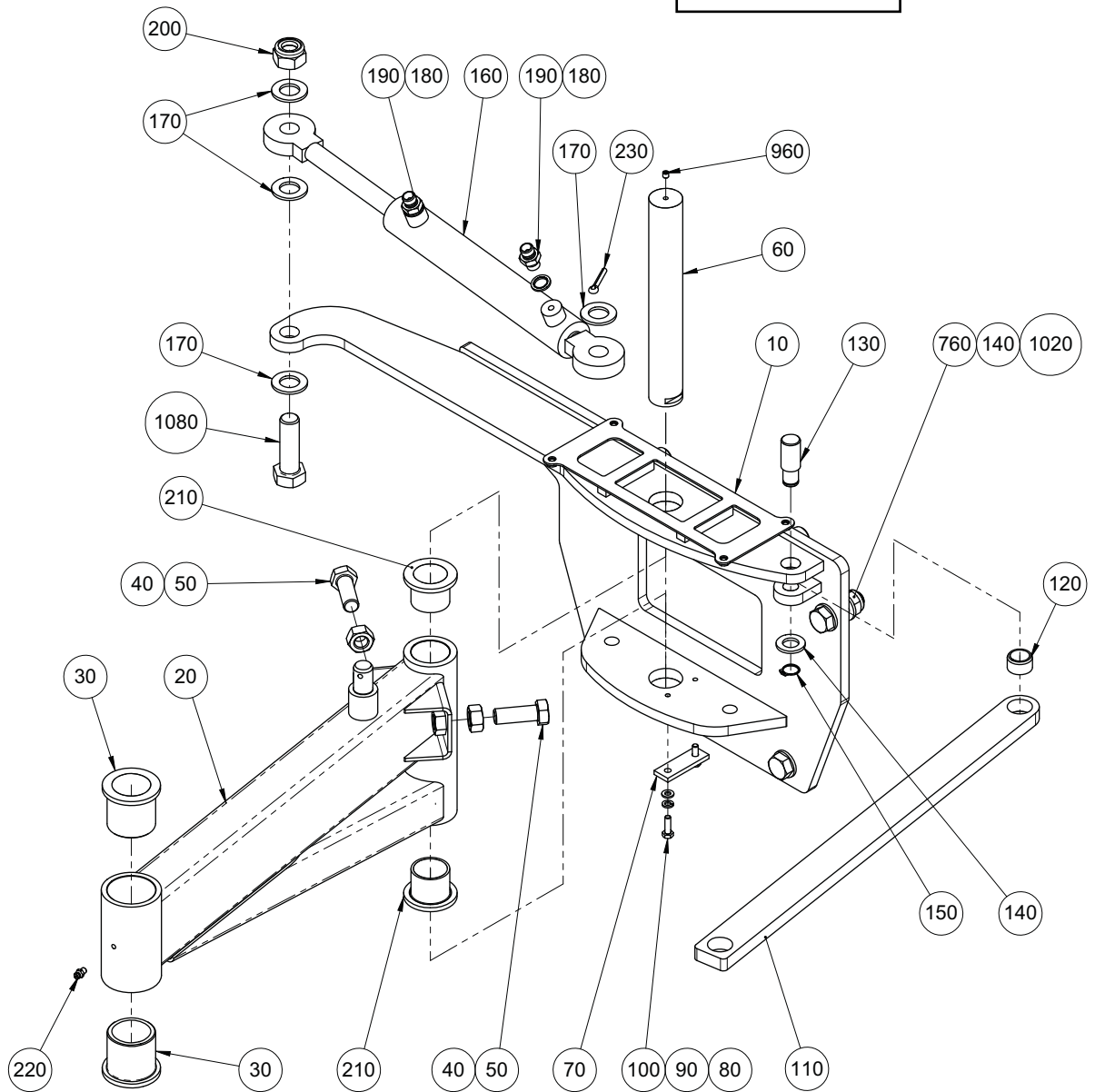




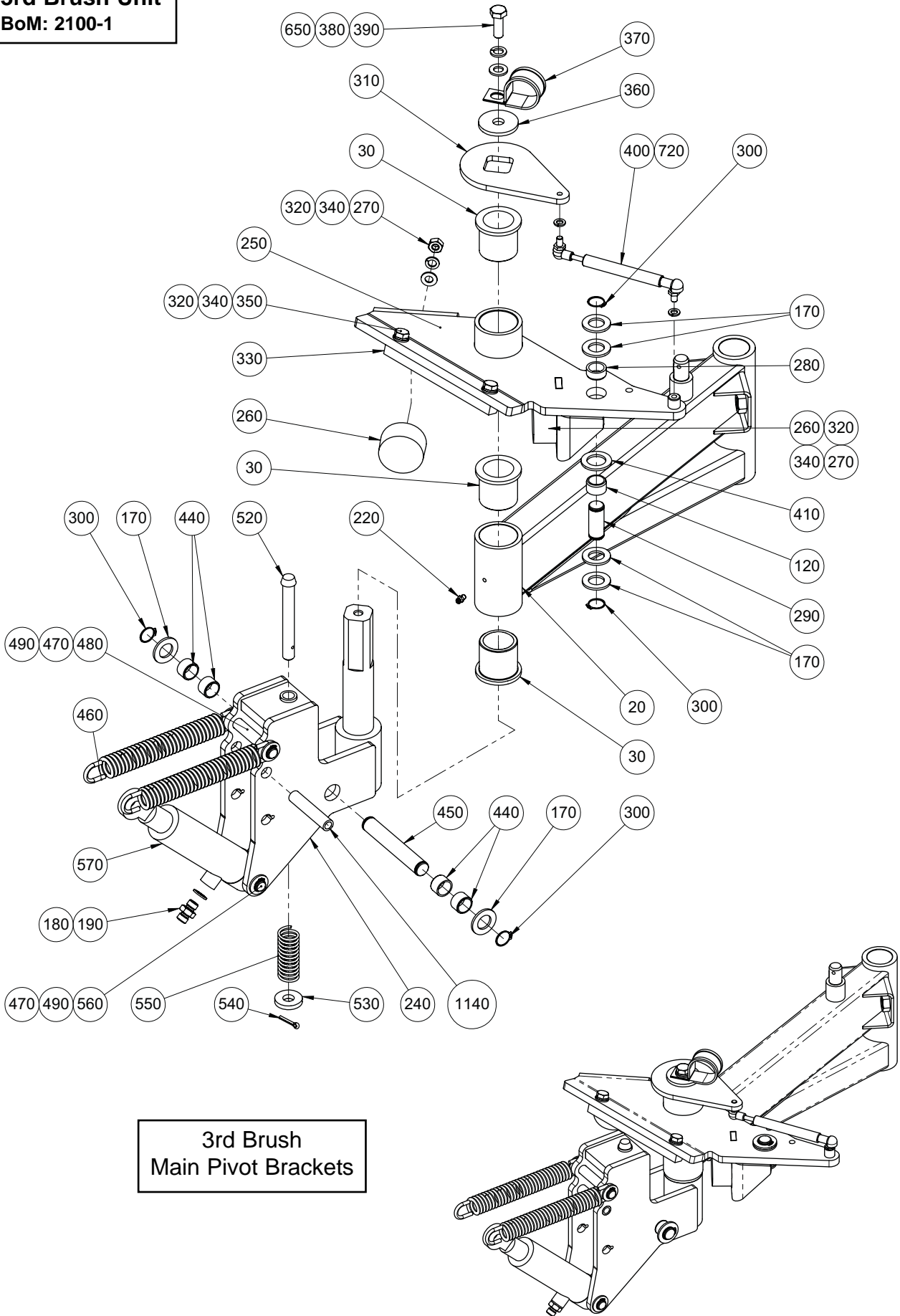
3rd Brush Unit  
BoM: 2100-1



3rd Brush  
Mounting Plate

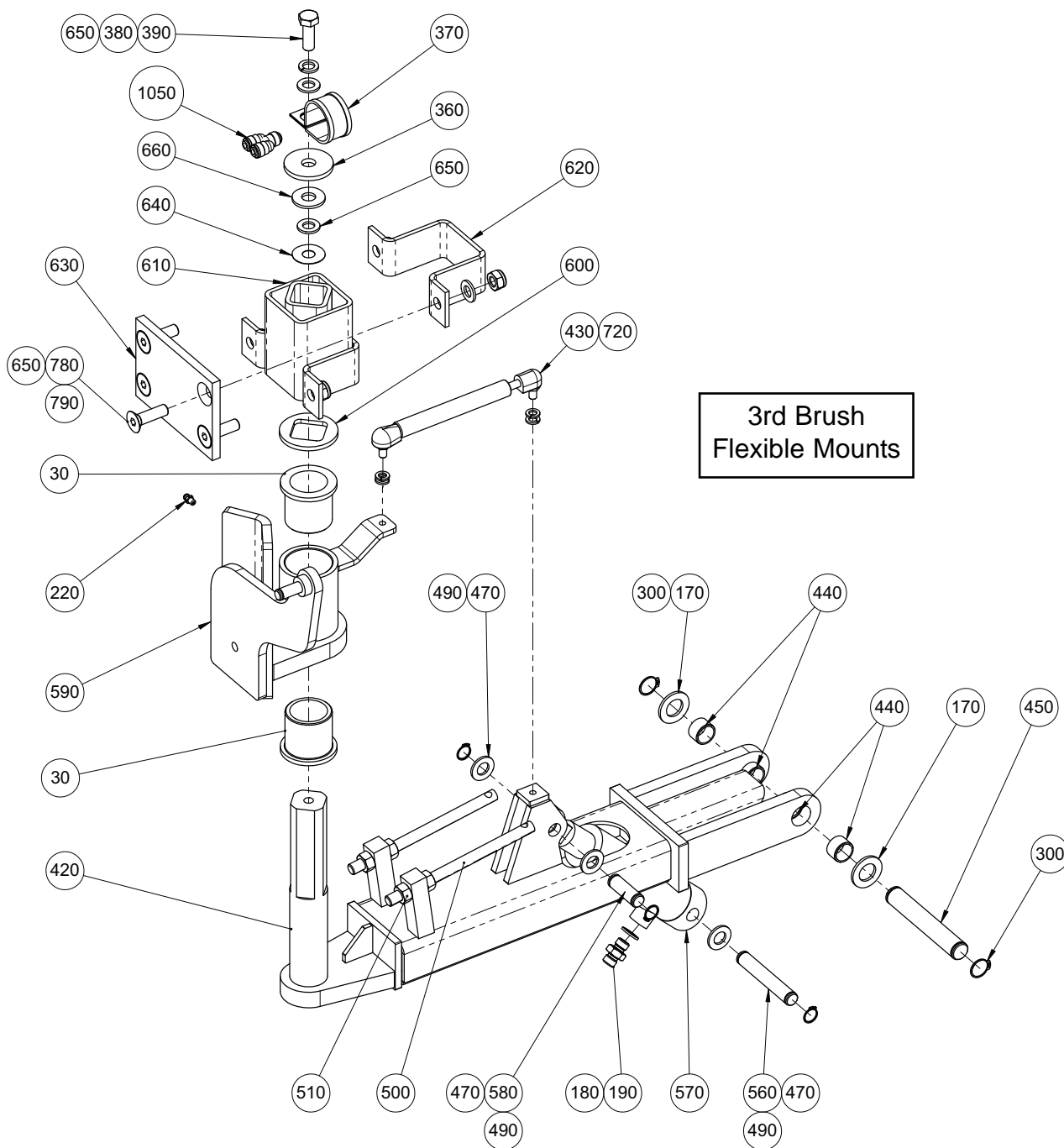
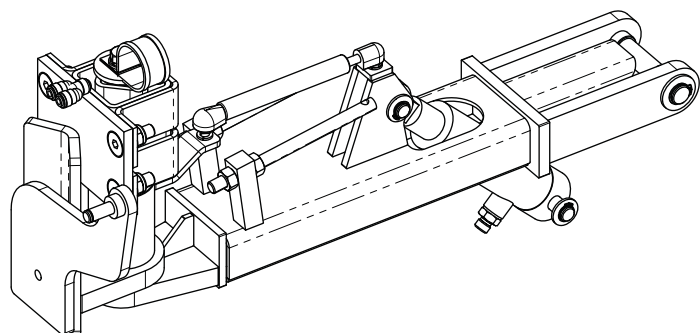


**3rd Brush Unit  
BoM: 2100-1**

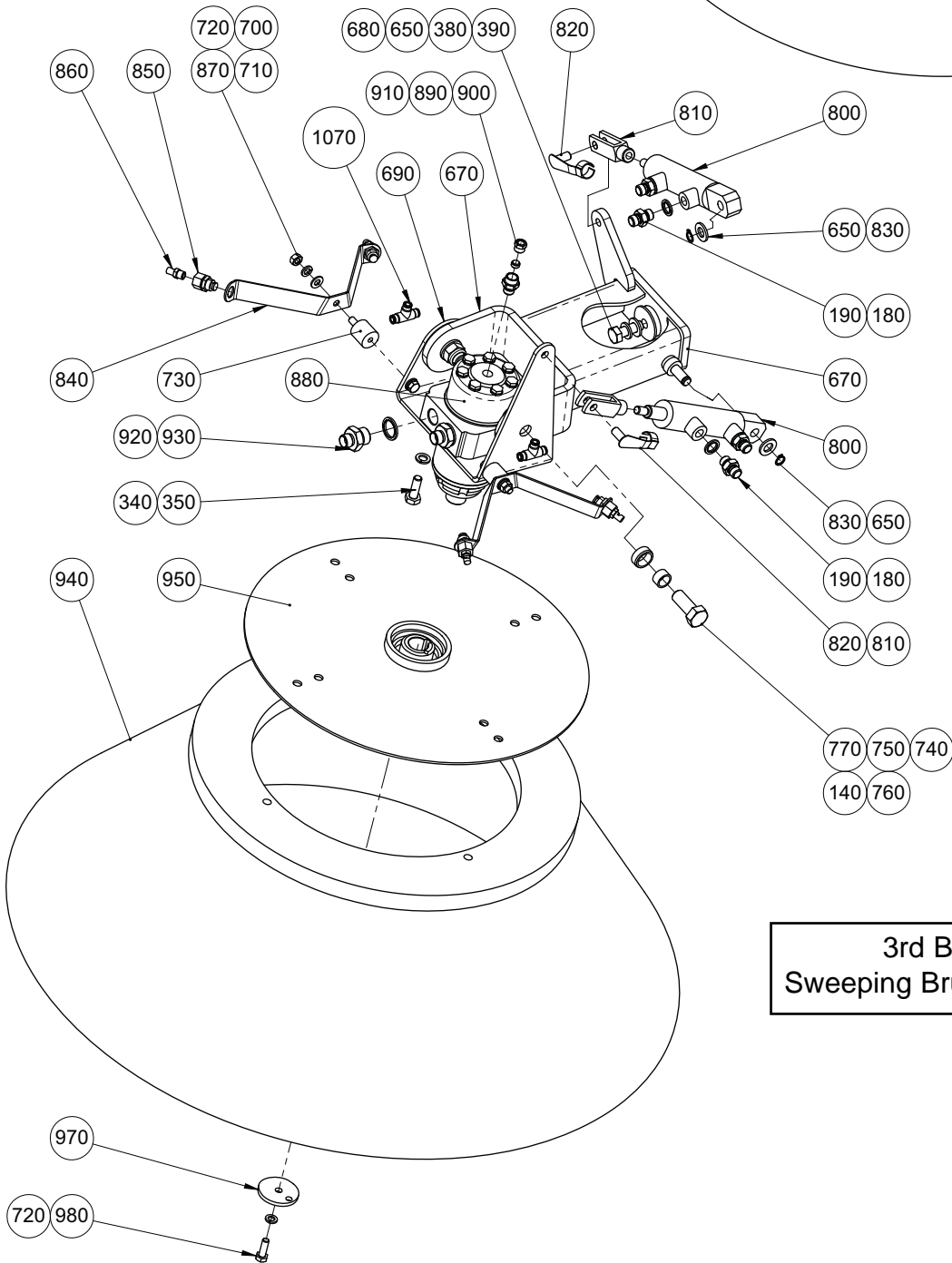
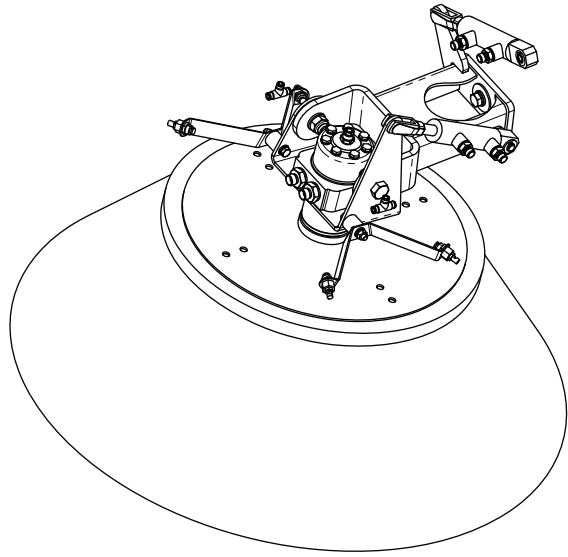


**3rd Brush  
Main Pivot Brackets**

3rd Brush Unit  
BoM: 2100-1

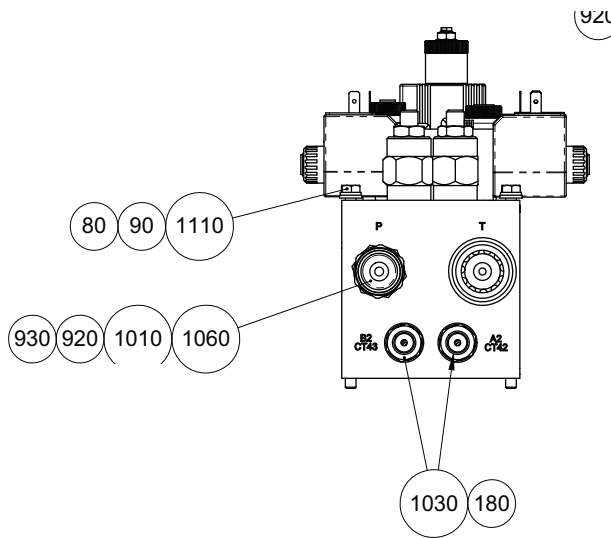
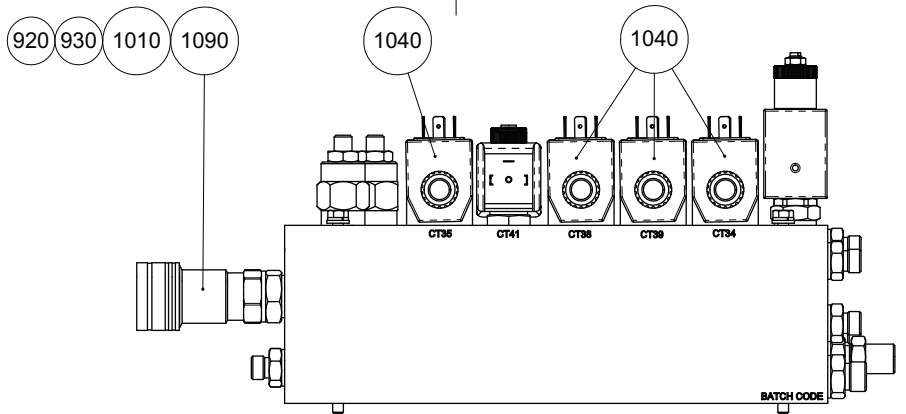


**3rd Brush Unit**  
**BoM: 2100-1**

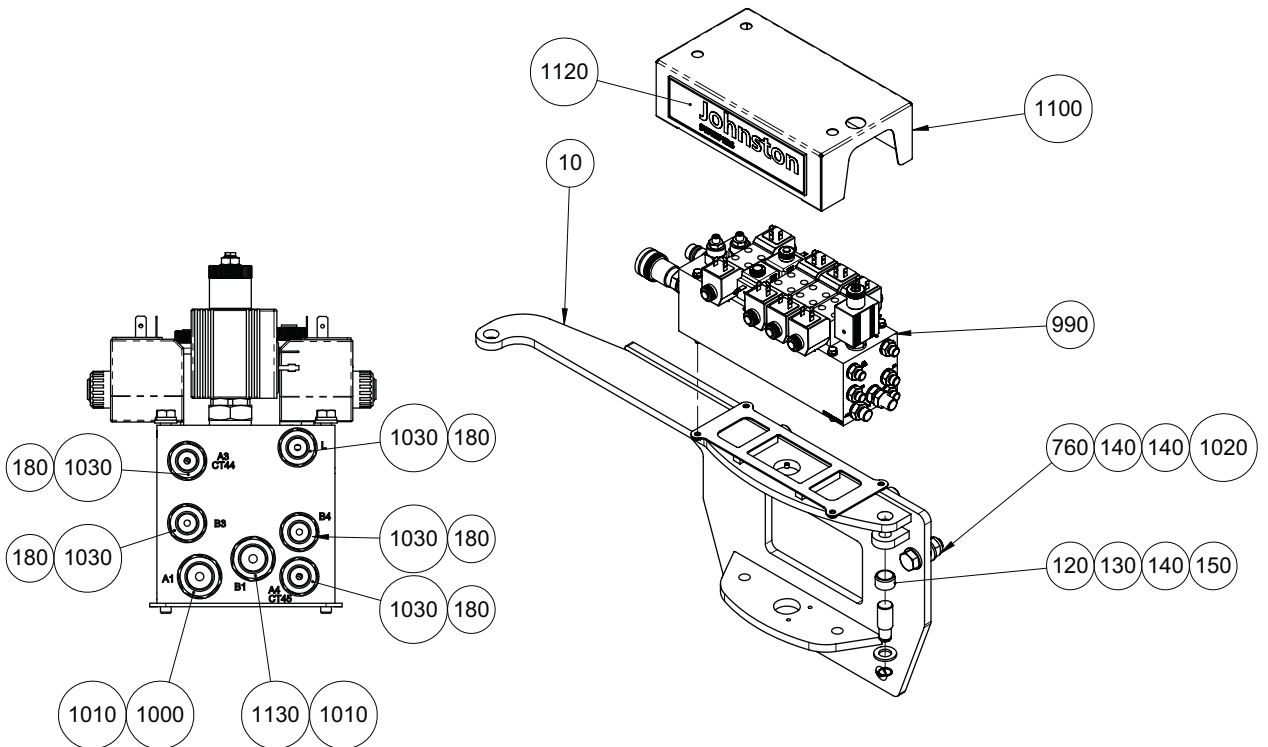


**3rd Brush**  
**Sweeping Brush & Motor**

**3rd Brush Unit**  
BoM: 2100-1



**3rd Brush  
Secondary Hydraulic Block**



<b>3rd Brush Unit</b> <b>BoM: 2100-1</b>
---

Item No.	Part No.	Description	Quantity
10	7004958	Mounting plate Weld assembly	1
20	7004654	Brush arm Weld assembly	1
30	15053190-0	Bush	5
40	420-18	Nut MC Hex M16	2
50	124-272	Setscrew M16C x 45	2
60	15052532-0	Axle	1
70	15052540-0	Lock washer	1
80	455-8	Washer Plain Plated Steel M6	6
90	460-8	Washer Spring Single Coil M6	6
100	124-103	Setscrew M6C x 20	2
110	7005007	Link	1
120	09505059-0	Bush 20/26x15	2
130	7005236	Pin	1
140	455-14	Washer Plain Plated Steel M16	11
150	27-12	Circlip - External I/D 16mm	1
160	15052538-1	Hydraulic Cylinder 20 x 32 C 200	1
170	455-16	Washer Plain Plated Steel M20	10
180	451-17	Washer Bonded G1-4"	14
190	79399-1	Adaptor - G1/4 Restrictor	7
200	425-20	Nut Nyloc Hex MC M20	1
210	15050364-0	Bush	2
220	38-30	Nipple Grease M6 X 1	2
230	93565280-0	SPLIT PIN 5x32 ST	1
240	7004618	Pivot Weld assembly	1
250	7005319	Bracket Weld assembly	1
260	290-49	Male Flat Buffer - 60x30, M10x25 60IRHD	2
270	420-15	Nut MC Hex M10	2
280	09505058-0	Bearing Bush 20/26x12	1
290	15053412-0	Pin D=20H9x42	1
300	27-1	Circlip - External I/D 20mm	4
310	7005317	Plate Top	1
320	455-11	Washer Plain Plated Steel M10	4
330	15053209-1	Plate	1
340	460-11	Washer Spring Single Coil M10	8
350	124-171	Setscrew M10C x 30	6
360	09523186-0	Washer 15/52x5 ST A2B	2
370	508-12	Clip - P Rubber Covered	2
380	460-12	Washer Spring Single Coil M12	3
390	124-205	Setscrew M12C x 35	3
400	09503018-0	Shock Absorber 80/235,5 300N 4924DX	1
410	R414000430095	Washer Special 25/40x3 Polyamide	1
420	7004760	Brush arm Weld assembly	1
430	09503019-0	Pneumatic Spring 100/285.5 500N	1
440	09505054-0	Bush 20/24x15	4
450	15055674-0	Bolt D=20H9x119.2	1

3rd Brush Unit  
BoM: 2100-1

Item No.	Part No.	Description	Quantity
460	15052545-0	Spring 5,5DA30X217 FEDBD-ST DACR	2
470	455-13	Washer Plain Plated Steel M14	6
480	7005372	Pin $\varnothing$ 15	1
490	09500215-0	Circlip 15x1	6
500	15052521-1	Pin M12	2
510	420-16	Nut MC Hex M12	4
520	15053194-0	Bolt	1
530	93281008-0	Washer 15/36x6 ST A2	1
540	93565240-0	Split pin 4x25 ST	1
550	R414000430047	Spring	1
560	15053409-0	Pin D=15H9x87	1
570	15053271-0	Hydraulic cylinder	1
580	15053408-0	Pin D=15H9x40	1
590	7004941	Mount Weld assembly	1
600	15053171-0	Washer	1
610	15053189-0	Spring Bracket 45x100	1
620	15053206-0	Clamp	2
630	15055646-0	Plate	1
640	09522350-0	Spacer 13.5/35x0.5 ST	1
650	455-12	Washer Plain Plated Steel M12	10
660	09523266-0	Washer 15/35x3 ST A2	1
670	7004917	Brush arm Weld assembly	1
680	7004915	Bush	1
690	7005210	Brush Holder	1
700	124-134	Setscrew M8C x 16	2
710	455-10	Washer Plain Plated Steel M8	4
720	460-10	Washer Spring Single Coil M8	11
730	290-23	Mounting-Anti Vibration 25x25	2
740	09505051-0	Bush 20/26x10	2
750	7005469	Spacer bush	2
760	425-18	Nut Nyloc Hex MC M16	6
770	124-271	Setscrew M16C x 40 BS3692	2
780	131-187	Screw MC Csk Skt Hd M12x35	4
790	425-16	Nut Nyloc Hex MC M12	4
800	15052537-0	Cylinder Hydraulic 16 X 25 C 50	2
810	09533012-0	Fork G10X40 ST A2B DIN71752	2
820	09533044-0	Pin - 10X40 ST A2B	2
830	27-14	Circlip - External I/D 12mm	2
840	15055689-0	Support Bracket	2
850	09593560-0	Bulkhead Adapter ND6 R1/8" KQ2E06-01	4
860	09531194-0	Nozzle Jet 0-1/8" 00CD3-1.5 MS CFG: 00	4
870	420-14	Nut MC Hex M8	2
880	72250-1	Motor - Hydraulic OMPW 200	1
890	511-4	Olive - Tube 8mm O/D	1
900	510-4	Nut - Tube 8mm O/D	1

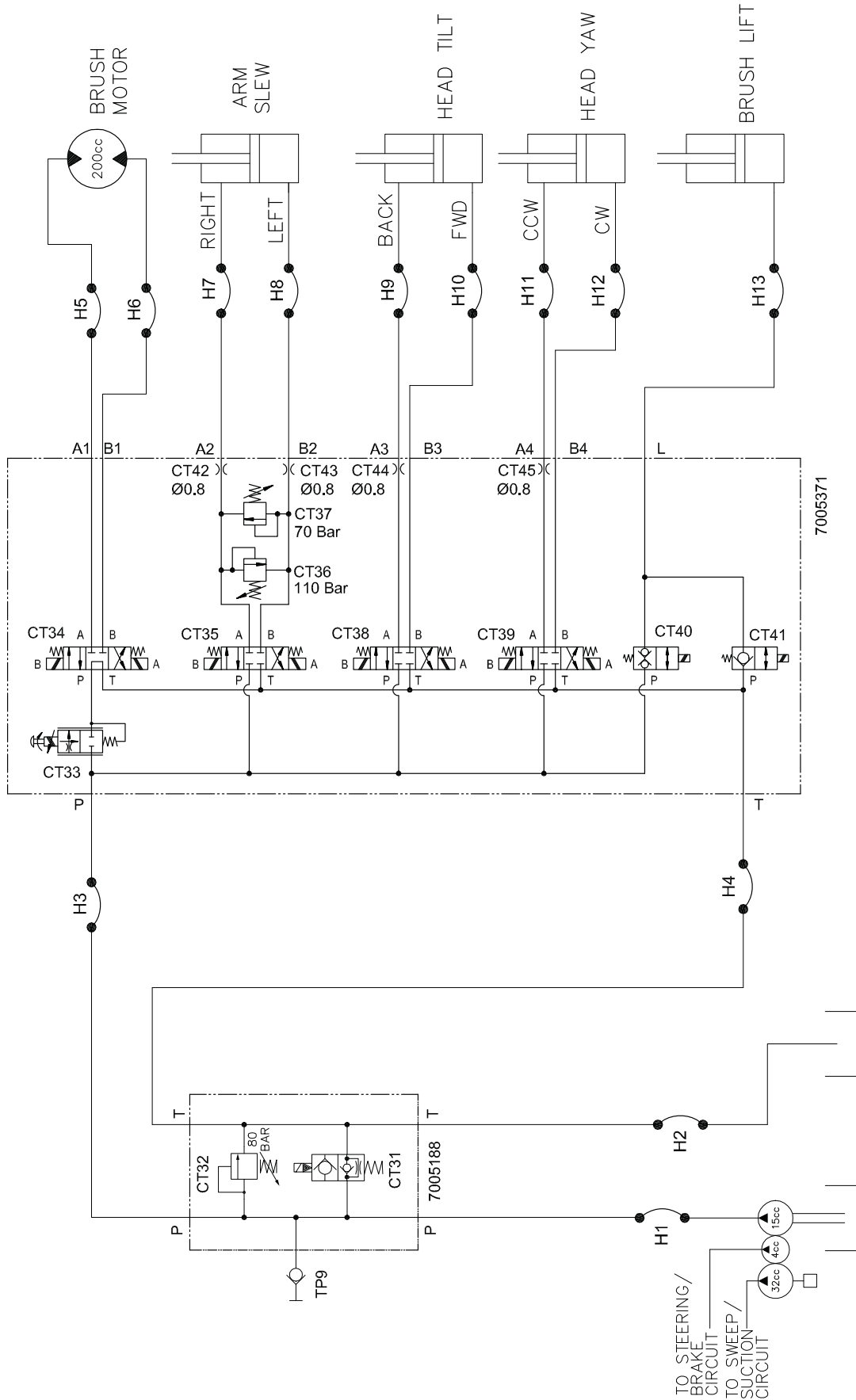
<b>3rd Brush Unit</b> <b>BoM: 2100-1</b>
---

Item No.	Part No.	Description	Quantity
910	518-8	Adaptor Straight 8 OD 1/4" BSP	1
920	451-19	Washer Bonded G1-2"	4
930	265-4	Adaptor Reducing M/M 3/8"-1/2" BSP	4
940	70104-1S	Brush - Polypropylene	1
	13-405000	Weed Brush (Optional Fitment)	1
950	79882-1	Plate - Brush, Weed Rip W/Assy	1
960	135-2	Setscrew Hollow M6C x 6	1
970	73038-1	Washer - Plate	1
980	124-137	Setscrew M8C x 25	1
990	7005371	Hydraulic block Second	1
1000	263-3	Adaptor M/M 3/8" BSP	1
1010	451-18	Washer Bonded G3-8"	4
1020	124-273	Setscrew M16C x 50	4
1030	263-2	Adaptor M/M 1/4" BSP	7
1040	78352-1	Valve-Directional Control 12v	4
1050	559-6	Connector - Parallel Y 6mm	1
1060	486-3	Coupling P/Brake Probe 1/2"	1
1070	554-3	Tee - Connector 6mm	2
1080	124-340	Setscrew M20C x 65	1
1090	486-13	Coupling P/Brake Carrier 1/2"F	1
1100	7006221	Cover -Hydraulic	1
1110	124-124	Setscrew M6C x 110 BS3692	4
1120	282426-1	Badge - Johnston Sweepers 95	1
1130	264-3	Adaptor-Bulkhead BSP M/M 3/8"	1
1140	93545536-0	Spirol Pin 16x80	1



<b>3rd Brush Unit</b> <b>BoM: 2100-1</b>
---

**3rd Brush Hydraulic Circuit Hoses**  
**BoM: 2100-1, -2 & -3**



## 3rd Brush Hydraulic Circuit Hoses

BoM: 2100-1, -2 &amp; -3

Item No.	Part No.	Description	Quantity
H1	HL08043-175-90	Hose - Megatuff 1/2" 90s x 90s Port P (7005188) 1st Hyd Block to Sweep Gear Pump (7005006)	1
H2	HL08043-235-90	Hose - Megatuff 1/2" 90s x 90s Port T (7005188) 1st Hyd Block to Hyd Oil Tank	1
H3	HL08002-285	Hose - Megatuff 1/2" STRx90s Port P (7005188) 1st Hyd Block to Port P (7005371) 2nd Hyd Block	1
H4	HL08002-300	Hose - Megatuff 1/2" STRx90s Port T (7005188) 1st Hyd Block to Port T (7005371) 2nd Hyd Block	1
H5	HL06043-210-270	Hose - Megatuff 3/8" 90sx90s Port A1 (7005371) 2nd Hyd Block to Brush Motor	1
H6	HL06043-210-270	Hose - Megatuff 3/8" 90sx90s Port B1 (7005371) 2nd Hyd Block to Brush Motor	1
H7	HL04002-45	Hose - Megatuff 1/4" STRx90s Port A2 (7005371) 2nd Hyd Block to Arm Slew Cylinder (Right)	1
H8	HL04002-67	Hose - Megatuff 1/4" STRx90s Port B2 (7005371) 2nd Hyd Block to Arm Slew Cylinder (Left)	1
H9	HL04043-198-270	Hose - Megatuff 1/4" 90sx90s Port A3 (7005371) 2nd Hyd Block to Head Tilt Cylinder (Back)	1
H10	HL04043-200-270	Hose - Megatuff 1/4" 90sx90s Port B3 (7005371) Secondary Hyd Block to Head Tilt Cylinder (Fwd)	1
H11	HL04000-210	Hose - Megaflex 1/4" STRxSTR Port A4 (7005371) Secondary Hyd Block to Head Yaw Cylinder (CCW)	1
H12	HL04000-210	Hose - Megaflex 1/4" STRxSTR Port B4 (7005371) Secondary Hyd Block to Head Yaw Cylinder (CW)	1
H13	HL04002-175	Hose - Megatuff 1/4" STRx90s Port L (7005371) Secondary Hyd Block to Brush Lift Cylinder	1

**3rd Brush LH/RH Installation**
**BoM: 2100-2, -3, -6 & -7**

Item No.	Part No.	Description	2100-2	2100-3	2100-6	2100-7
			LH-E4 Qty	RH-E4 Qty	LH-E5 Qty	RH-E5 Qty
20	7004243	Water tank W/Assy	1	1	-	-
30	7004458	Lid W/Assy	1	1	-	-
40	7004472	Seal	1	1	-	-
50	7005155	Clamp	2	2	-	-
60	7004963	Nose cone Weld assembly	1	1	1	1
70	7005006	Hydraulic pump -Sweep gear	1	1	1	1
80	263-4	Adaptor M/M 1/2" BSP	1	1	1	1
90	451-19	Washer Bonded G1-2"	1	1	1	1
100	451-22	Washer Bonded G1"	1	1	1	1
110	263-7	Adaptor M/M 1" BSP	1	1	1	1
130	15411	Filter-Hydraulic Suction	1	1	1	1
140	263-7	Adaptor M/M 1" BSP	1	1	1	1
150	451-22	Washer Bonded G1"	2	2	2	2
160	267-7	ADAPTOR-SWIVEL M/F 1"BSP	1	1	1	1
170	89-3	Ball Valve - Full Flow Type	1	1	1	1
180	76926-1	Adaptor-G1x1" Bore Hose	1	1	1	1
190	720820-5	Palm Rest-5000 3rd Brush LH	1	-	1	-
	720820-6	Palm Rest-5000 3rd Brush RH	-	1	-	1
200	7005568	Module -Control system	1	1	1	1
210	46-420	Headlamp - Low/High Beam LH 12v	2	-	2	-
	46-421	Headlamp - Low/High Beam RH 12v	-	2	-	2
220	7004971	Headlight Housing	2	2	2	2
230	7005593	Headlight Housing Tray	2	2	2	2
240	720615-1	Boot - Headlight Sealing	2	2	2	2
250	76-2	Rivet - Pop Domed Head 3.2x6.1	12	12	12	12
260	7004970	Front Fascia	1	1	1	1
270	7005250	Cylinder -Sweep gear	2	2	2	2
280	7005591	Manifold -Water system	1	1	1	1
290	516-10	Adaptor Straight 10 OD 1/4"BSP	1	1	1	1
300	76988-1	Spring-Suspension, Rear(Inner)	2	2	2	2
310	76988-2	Spring-Suspension,Rear (Outer)	2	2	2	2
340	7005187	Bracket Weld assembly	1	1	1	1
350	559-113	Bulkhead - Check Valve for 8mm Tube	1	1	1	1
360	09593570-0	Bulkhead Adaptor ND6 M14x1 KCE	1	1	1	1
370	7005624	Harness -Wide sweep brush	1	1	1	1
380	7005188	Hydraulic block Primary	1	1	1	1
390	265-4	Adaptor Reducing M/M 3/8"-1/2" BSP	4	4	4	4
400	451-8	Washer Bonded Ø3-4" - Bolt	4	4	4	4
410	260-16	Hose - Hydraulic 1" Bore	1.65M	1.65M	1.65M	1.65M
430	7005848	Harness -Wide sweep brush	1	1	1	1
440	486-23	Dust Cap Carrier 1/2" Coupling	1	1	1	1
450	486-33	Dust Cap Probe 1/2" Coupling	1	1	1	1

**3rd Brush LH/RH Installation**

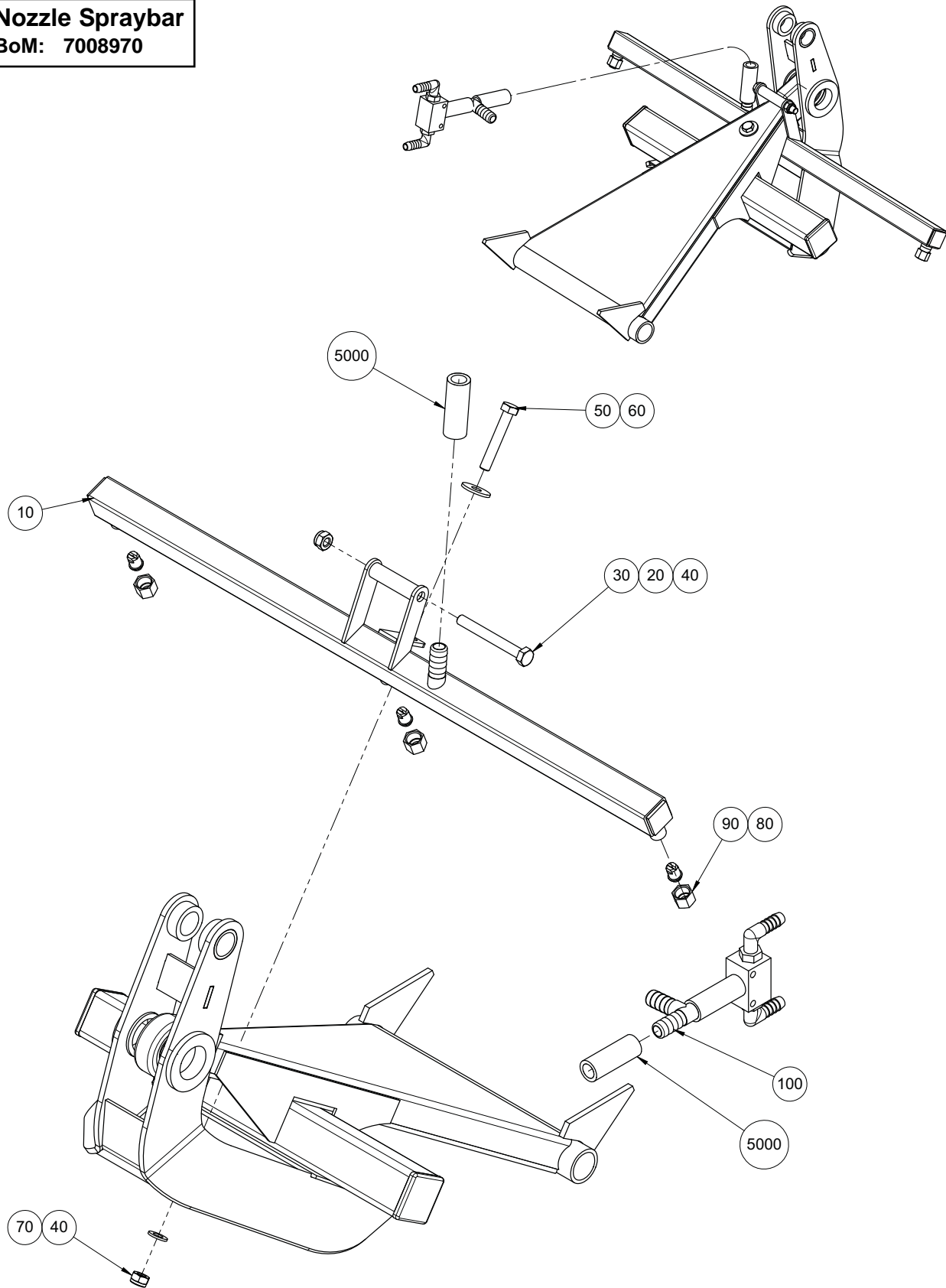
BoM: 2100-2 &amp; -3

Item No.	Part No.	Description	2100-2	2100-3	2100-6	2100-6
			LH-E4 Quantity	RH-E4 Quantity	LH-E5 Quantity	RH-E5 Quantity
460	486-3	Coupling P/Brake Probe 1/2"	2	2	2	2
470	486-13	Coupling P/Brake Carrier 1/2"F	2	2	2	2
500	287-64	Grommet-Rubber	1	1	1	1
510	710-340	Protective Cap for HDP24 Conn	1	1	1	1
520	511-3	Olive - Tube 6mm O/D	1	1	1	1
530	510-3	Nut - Tube 6mm O/D	1	1	1	1
540	44-65	Push Fit Cap - Green 11mm Diameter	1	1	1	1
550	44-66	Push Fit Cap - Green 13mm Diameter	1	1	1	1
560	511-4	Olive - Tube 8mm O/D	1	1	1	1
570	510-4	Nut - Tube 8mm O/D	1	1	1	1
580	536-3	Tee - Stem 8mm	1	1	1	1
590	46-427	Connection Plug Set for 46-420	2	2	2	2
600	251-104	Adaptor - Bulkhead G3/8 x G1/2	2	2	2	2

**Spares Only Items;****Item 210 comprises;**

47-65            Bulb - 12V, 55W

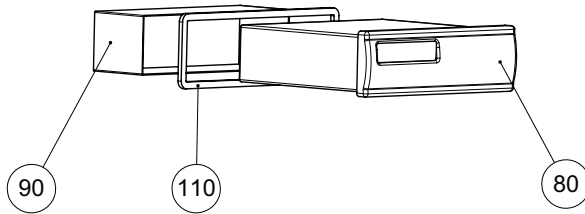
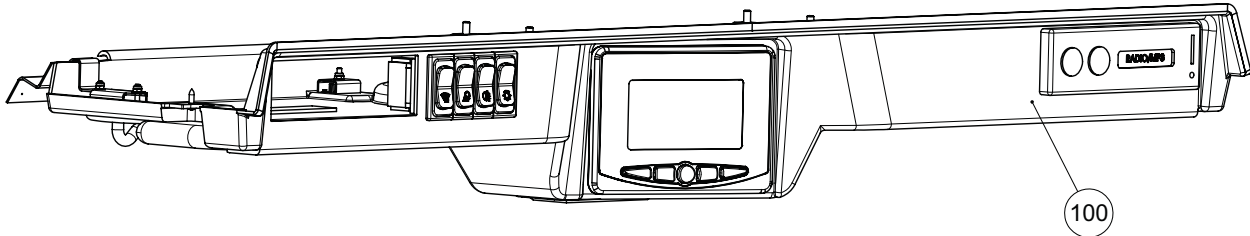
**Nozzle Spraybar**  
BoM: 7008970



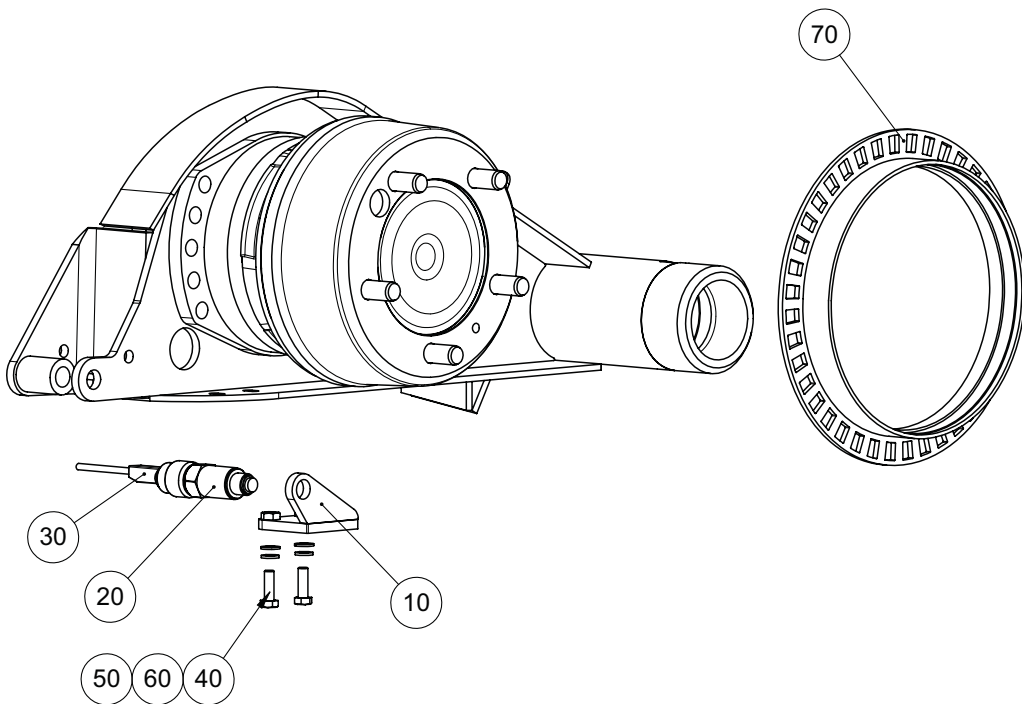
<b>Nozzle Spraybar</b> <b>BoM: 7008970</b>
---

<b>Item No.</b>	<b>Part No.</b>	<b>Description</b>	<b>Quantity</b>
10	7008957	Spraybar Weld assembly	1
20	7008928	Spacer Ø12.7	1
30	92097386-0	Hex Head Screw M8Cx70 8.8	1
40	93085005-0	Nyloc Hex Thin Nut M8C - 8	2
50	92097382-0	Hex Head Screw M8Cx50 8.8	1
60	93300509-0	Plain Large Washer M8	1
70	93212011-0	Plain Washer M8	1
80	60688-1	Nozzle Spraybar - (Out-Side)	3
90	60689-1	Nut - Union	3
100	277-113	Tee - 1/2" Barbed, Nylon	1
5000	273-1	Tube-PVC 1/2" Bore Sngle Braid	1.6M
5010	501-2	Hose Clip - Worm Drive (14-22)	4

**Digital Tachograph**  
BoM: 7010467 & 7010468



**LHD  
Overhead Console  
Illustrated**





<p><b>Digital Tachograph</b> BoM: 7010467 &amp; 7010468</p>
---

<b>Item No.</b>	<b>Part No.</b>	<b>Description</b>	<b>7010426 LHD Quantity</b>	<b>7010456 RHD Quantity</b>
10	7009284	Sensor mount Weld assembly	1	1
20	87-104	KITAS Sender Unit	1	1
30	87-105	KITAS Sender Cable 10m	1	1
40	92097376-0	Hex Head Screw M8Cx25 8.8	2	2
50	93212011-0	Plain Washer M8	2	2
60	93699710-0	Spring Washer - Plated M8	2	2
70	7009206	Sensor plate Weld assembly	1	1
80	87-100	Digital Tachograph 12v	1	1
90	87-101	Mounting Sleeve	1	1
100	7010467	Overhead Console - Digital Tacho - LH	1	-
	7010468	Overhead Console - Digital Tacho - RH	-	1
110	720148-1	Packer - Tachograph	1	1



---

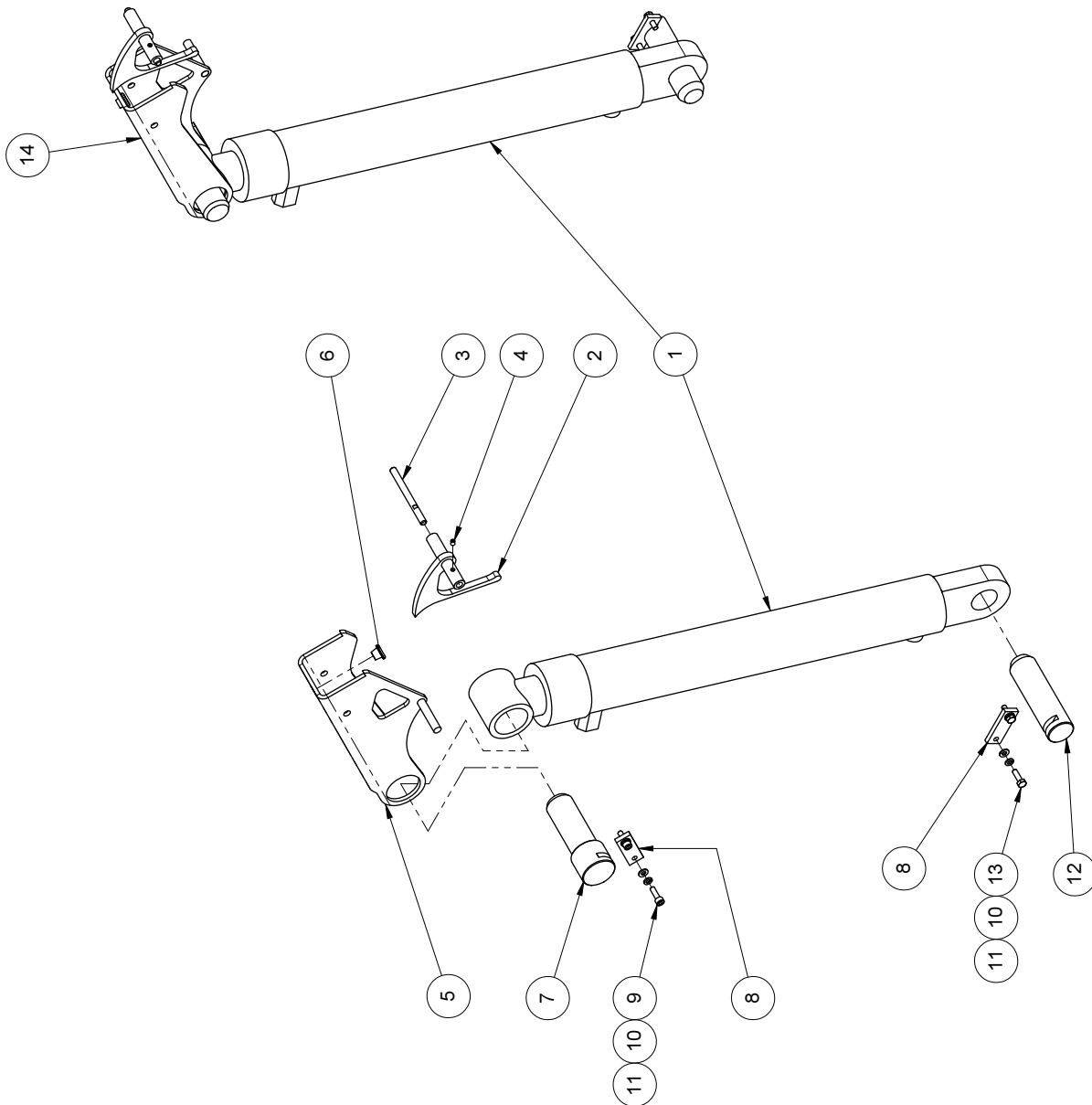
**CHAPTER** **12**

---

**Water Tank (CW200)****Table of Contents**

<b>Section</b>	<b>Page</b>
Tank Lift Ram Assembly	12 : 2
Beacon Assembly (Euro 4)	12 : 4
Water Tank Assembly (Euro 4)	12 : 6
Water Tank Assembly (Euro 5)	12 : 10
Water Tank Frame Assembly (Euro 4)	12 : 12
Water Strainer	12 : 14
Oil Cooler Assembly (Euro 4 & 5)	12 : 16
Water Filter Assembly	12 : 18
Water Pump Assembly	12 : 20
Unloader Assembly (Euro 4 & 5)	12 : 22
Water Manifold Mounting (Euro 5)	12 : 24

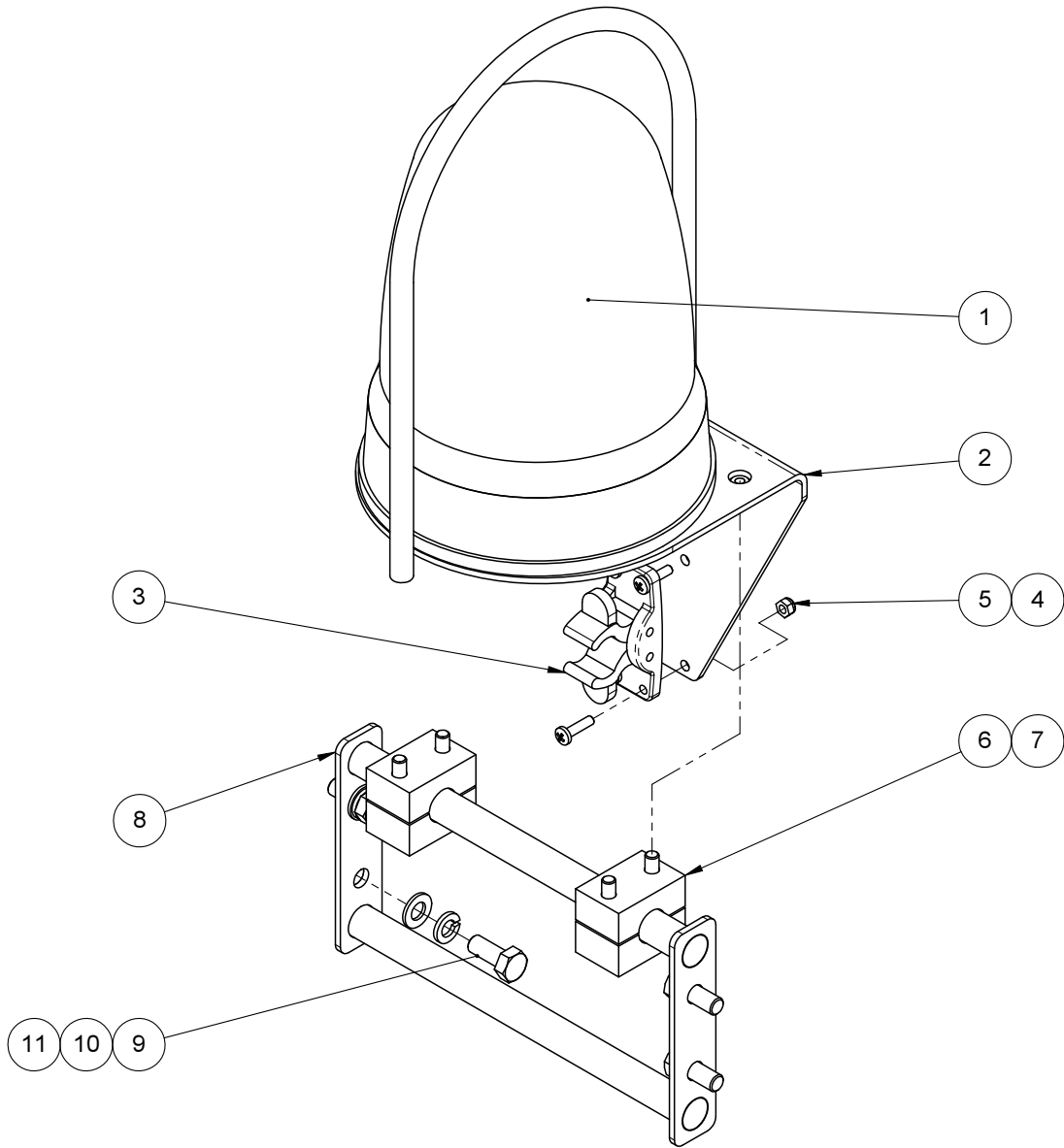
**Tank Lift Ram Assembly**  
BoM: 37042-1



**Tank Lift Ram Assembly**  
**BoM: 37042-1**

<b>Item No.</b>	<b>Part No.</b>	<b>Description</b>	<b>Quantity</b>
1	29330-1	Ram - Hopper	2
2	75545-1	Catch - Autoprop, W/Assy	2
3	75546-1	Pivot Pin - Autoprop	2
4	135-37	Socket Screw Flat Point M5cx6	2
5	75551-1	Hopper Prop LH W/Assy	1
6	287-31	Grommet 13.5 x 9.5	2
7	75550-1	Pin - Hopper Ram Top	2
8	76164-1	Plate - Securing Ram Pin	2
9	129-94	Screw MC Cap Skt Hd M6x20	8
10	460-8	Washer Spring Single Coil M6	8
11	455-8	Washer Plain Plated Steel M6	8
12	70786-1	Pin - Ram	2
13	124-103	Setscrew M6C x 20	4
14	75551-2	Hopper Prop RH W/Assy	1

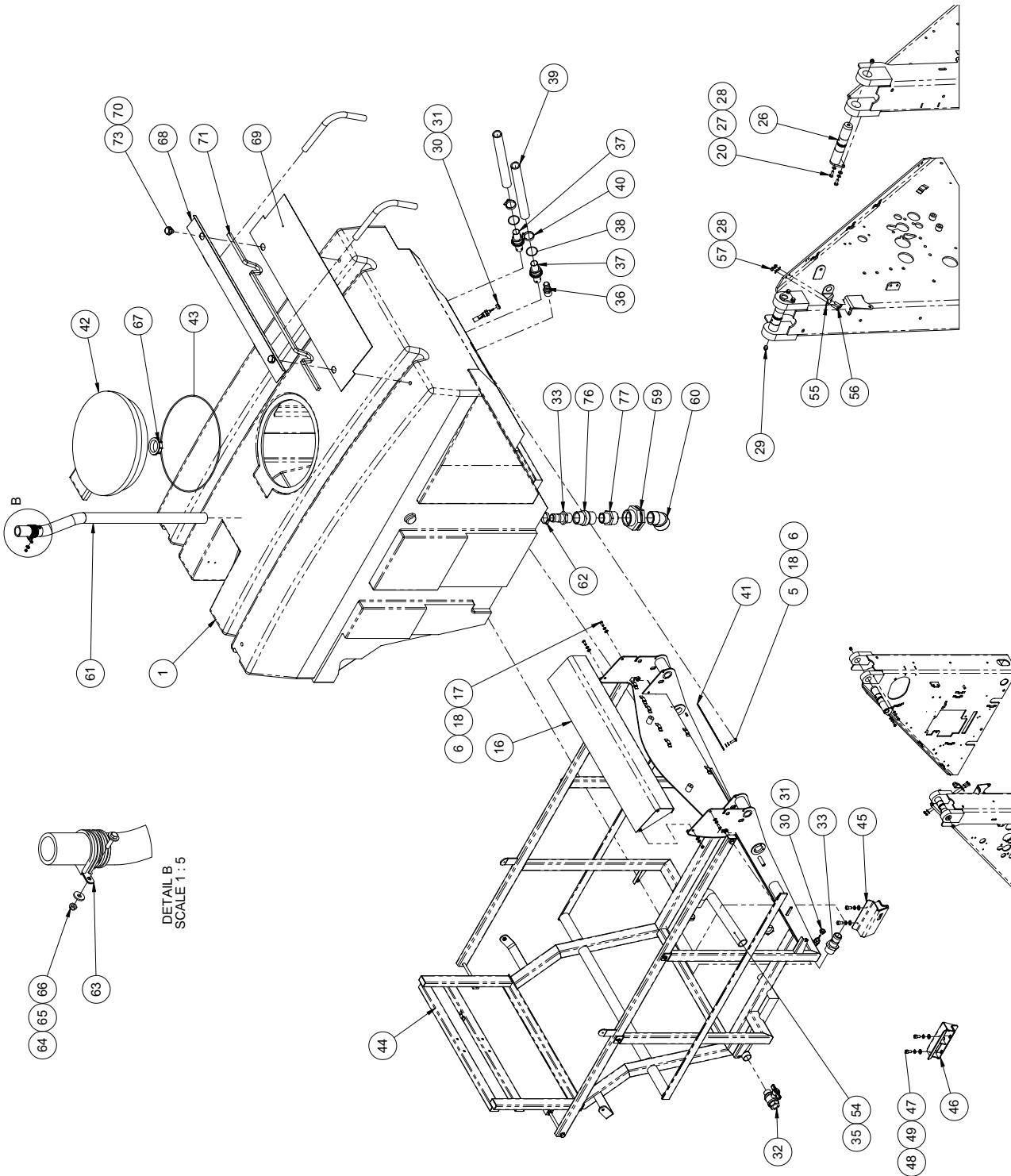
**Beacon Assembly (Euro 4)**  
BoM: 37106-1



**Beacon Assembly (Euro 4)**  
BoM: 37106-1

Item No.	Part No.	Description	Quantity
1	46-15-12	Beacon - Britax, 12V	1
2	76366-1	Bracket - Beacon, W/Assy	1
3	436-1	Catch - Retaining Plastic	1
4	134-43	Pan Head Srew-M4Cx16-4.8-Pozidriv	4
5	425-11	Nut Nyloc Hex MC M4	4
6	51-19	Clamp - Pipe 17.2mm	2
7	129-100	Screw MC Cap Skt Hd M6x35	4
8	76369-1	Frame-Brkt Mount, Beacon W/A	1
9	124-135	Setscrew M8C x 20	4
10	460-10	Washer Spring Single Coil M8	4
11	455-10	Washer Plain Plated Steel M8	4

**Water Tank Assembly (Euro 4)**  
BoM: 37107-51





Water Tank Assembly (Euro 4)  
BoM: 37107-51

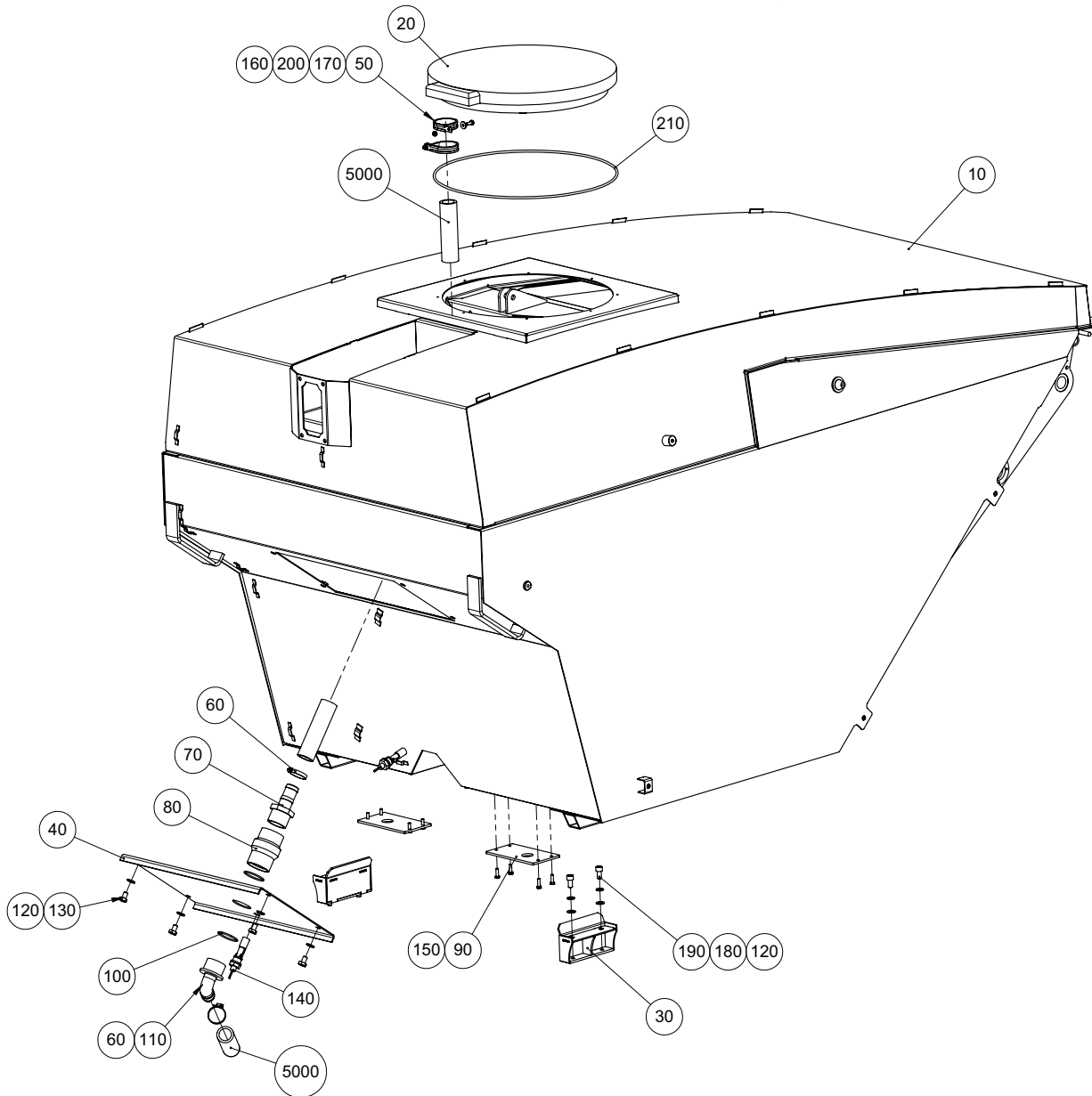
Item No.	Part No.	Description	Quantity
1	721635-1	Tank - Water, CW200	1
5	124-137	Setscrew M8C x 25	1
6	455-10	Washer Plain Plated Steel M8	5
16	76607-1	Cover - Rear, W/Assy	1
17	138-123	Screw - Skt Button Hd M8cx20	4
18	460-10	Washer Spring Single Coil M8	5
20	124-102	Setscrew M6C x 16	4
26	72070-1	Pin - Pivot Hopper W/Assy	2
27	460-8	Washer Spring Single Coil M6	4
28	455-8	Washer Plain Plated Steel M6	6
29	38-1	Nipple Grease Straight 1/8 BSP	2
30	721011-1	Nut - Sensor Float	2
31	39378	Detector Level Fluid 12v	2
32	88-713	Ball Valve M/F G1	1
33	66-16	Adaptor-Poly. G1 1/2" x 1 1/2" Hose Tail	2
35	501-11	Hose Clip - Worm Drive (35-50)	2
36	66-35	Adaptor-Poly. G 1" x 1" Hose Tail	1
37	76759-1	Pipe - Suction, W/Assy	2
38	80-89	O Ring - Hole Dia.55	2
39	260-26	Hose - Reinforced Water 1 1/4"	12M
40	501-5	Clip Hose Worm Drive 40-55mm	2
41	76820-1	Bar - Hose Restraint	1
42	812-8	Lid - Hinged	1
43	812-9	Seal (to suit 812-8)	1
44	722328-1	Frame - Water Tank G/Assy	1
45	722279-1	Rest-Water Tank Frame, LH W/A	1
46	722279-2	Rest-Water Tank Frame, RH W/A	1
47	129-152	Screw MC Cap Skt Hd M10x20	4
48	455-11	Washer Plain Plated Steel M10	4
49	460-11	Washer Spring Single Coil M10	4
54	722193-2	Hose - Drain (Dim A = 100)	1
55	722527-1	Proximity Mount - Washer	1
56	124-103	Setscrew M6C x 20	2
57	425-13	Nut Nyloc Hex MC M6	2
59	66-39	Adaptor-Poly Bulkhead Ftg 2" F	1
60	66-40	Elbow 45 Deg Poly Female/Male	1
61	260-27	Hose - Reinforced Water 1 1/2"	1.04M
62	504-5	Clip - Hose (40 - 55mm)	1
63	664-10	P Clip - Stainless Steel 48mm	2
64	118-105	Setscrew Hexagon Hd M6cx25 SS	2
65	452-47	Washer-M6 Stainless Steel	4
66	417-6	Nut - Nyloc M6 S/Steel DIN985	2
67	277-291	Blanking Cap 2" BSP F	1
68	722651-1	Plate - Clamp, W/Assy	1
69	722654-1	Flap - Rubber, Water Tank	1

**Water Tank Assembly (Euro 4)****BoM: 37107-51**

<b>Item No.</b>	<b>Part No.</b>	<b>Description</b>	<b>Quantity</b>
70	455-16	Washer Plain Plated Steel M20	2
71	217-62	Tape - Expanding, 15Wx20Tx6M	1.3M
73	722655-1	Screw -M20x20 Set	2
75	15184	Hose - Griflex, Clear 3/4" I/D	4M
76	277-278	Check Valve Polyprop 1 1/2"	1
77	277-296	Reducing Nipple - 2"M x 1 1/2"M	1

**Water Tank Assembly (Euro 4)**  
BoM: 37107-51

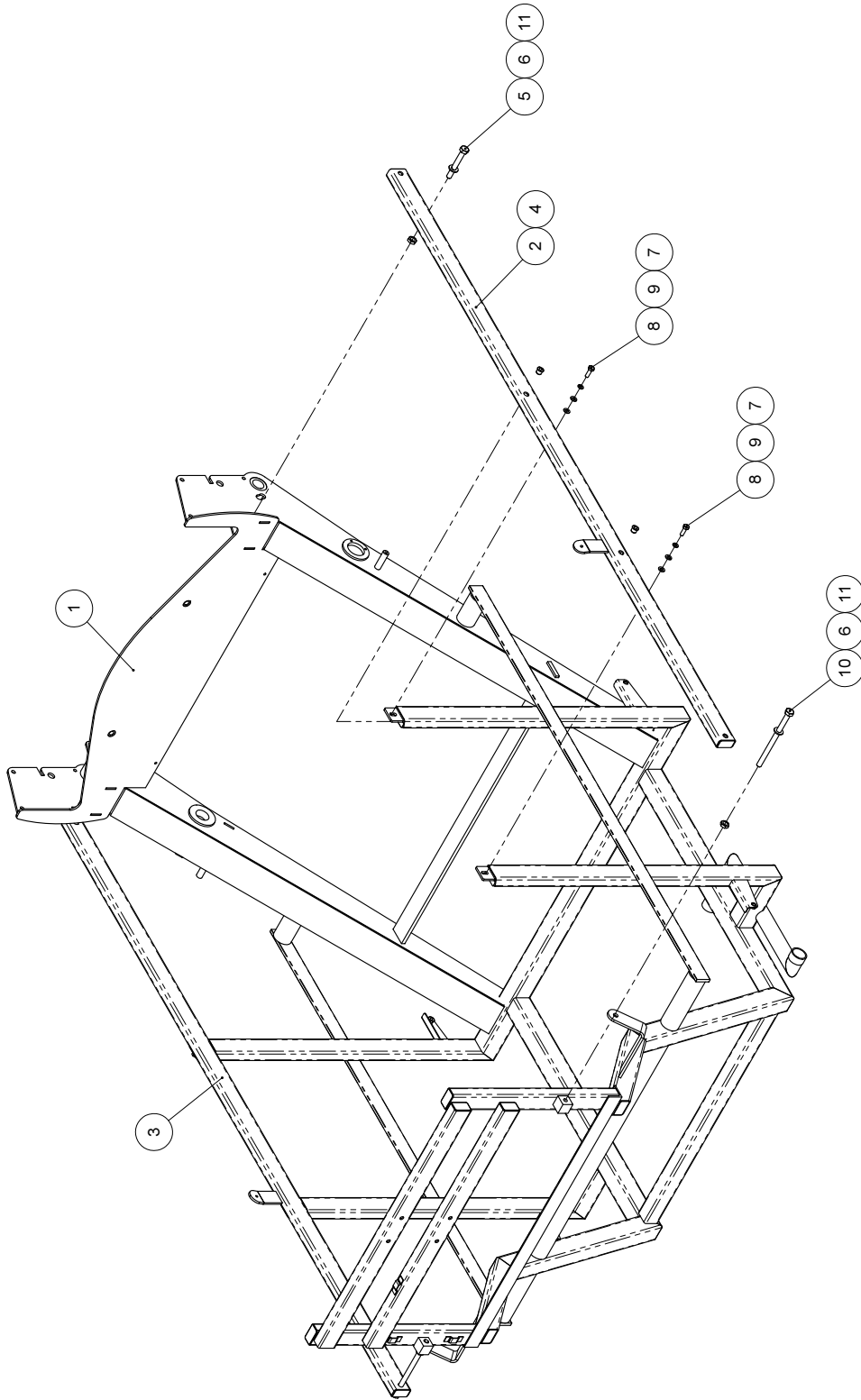
**Water Tank Assembly (Euro 5)**  
BoM: 37107-52



<b>Water Tank Assembly (Euro 5)</b> <b>BoM: 37107-52</b>
---

Item No.	Part No.	Description	Quantity
10	7009833	Water Tank W/assy	1
20	812-8	Lid-Hinged Water Tank	1
30	720592-1	Support - Hopper, W/Assy	2
40	7011467	Mounting Plate - Overflow Pipe	1
60	504-5	Clip - Hose (40 - 55mm)	2
70	66-44	Adaptor-Poly. G 1 1/2" x 1 1/4" Hose Tail	1
80	277-278	Check Valve Polyprop 1 1/2"	1
90	7011098	Interface Plate	2
100	80-89	O Ring - Hole Dia.55	1
110	66-43	90" Hose Tail G1 1/2M x 32	1
120	93212012-0	Plain Washer M10	8
130	92099405-0	Hex Head Screw M10Cx16 A2	4
140	39378	Detector Level Fluid 12v	2
150	92099301-0	Hex Head Screw M6Cx20 A2	8
160	93085604-0	Nyloc Hex Nut - M6c - A2	10
170	92099299-0	Hex Head Screw M6Cx16 A2	2
180	93699711-0	SPRING WASHER - PLATED M10	4
190	92137155-0	Hex Socket Cap Screw - M10Cx20 - 12.9	4
200	452-47	Washer-M6 Stainless Steel	2
210	812-9	Seal (to suit 812/8)	1
5000	260-24	Hose - 1 1/4" Bore Duracord	2M

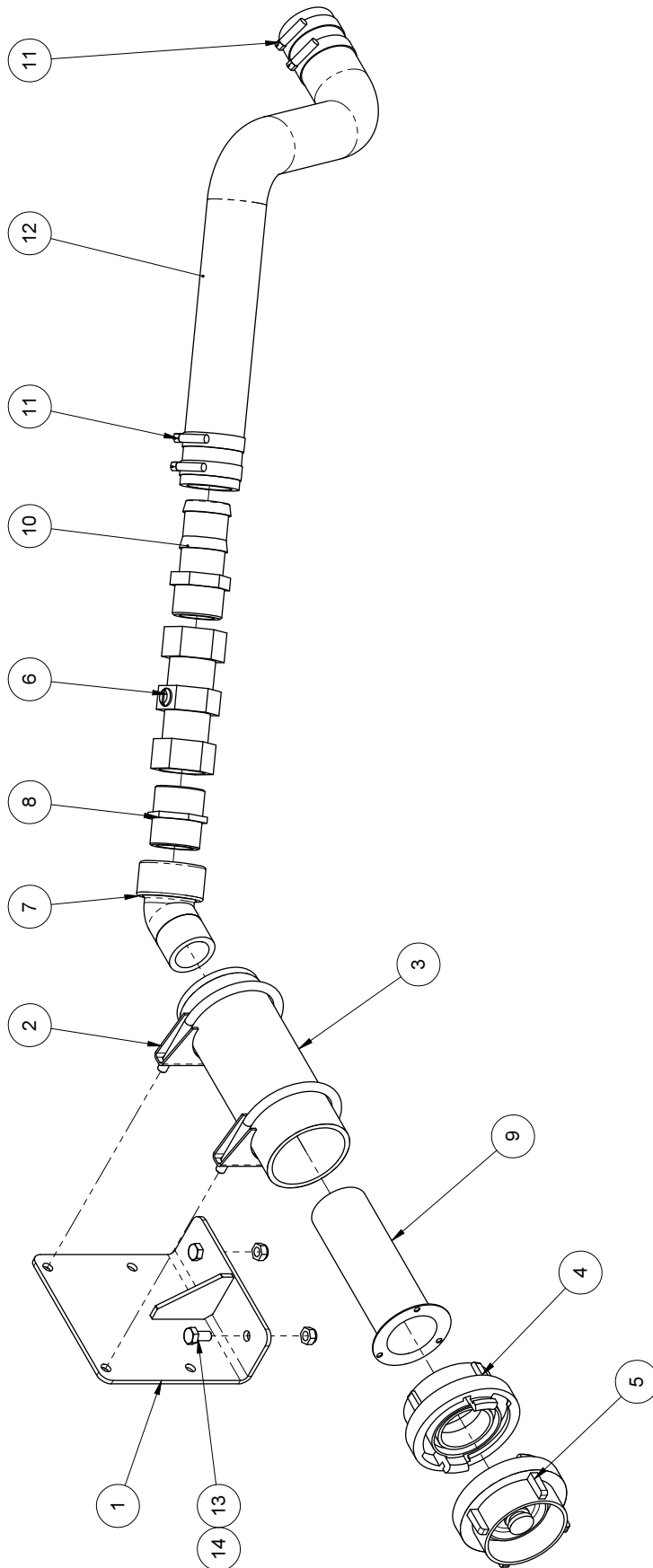
**Water Tank Frame Assembly (Euro 4)**  
BoM: 722328-1



**Water Tank Frame Assembly (Euro 4)**  
**BoM: 722328-1**

<b>Item No.</b>	<b>Part No.</b>	<b>Description</b>	<b>Quantity</b>
1	721636-1	Frame - Water Tank, W/Assy	1
2	722327-1	Bar - Restraining, LH W/Assy	1
3	722327-2	Bar - Restraining, RH W/Assy	1
4	433-119	Self Clinching Nut M8 ISO	4
5	123-156	Bolt M Coarse M12x90	2
6	455-12	Washer Plain Plated Steel M12	4
7	455-10	Washer Plain Plated Steel M8	8
8	124-137	Setscrew M8C x 25	4
9	460-10	Washer Spring Single Coil M8	4
10	123-308	Bolt M Coarse M12x180 BS3692	2
11	421-16	Locknut MC Hex M12	4

**Water Strainer Installation**  
BoM: 37108-2



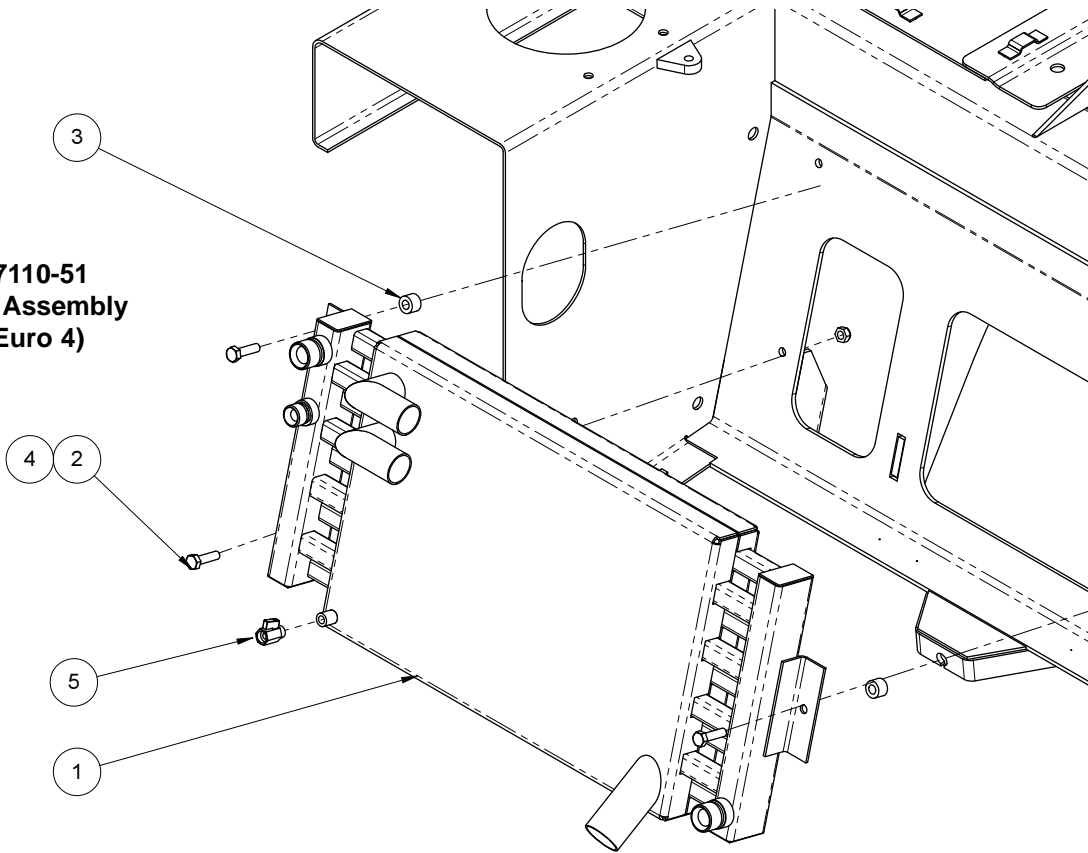


<b>Water Strainer Installation</b> <b>BoM: 37108-2</b>
---

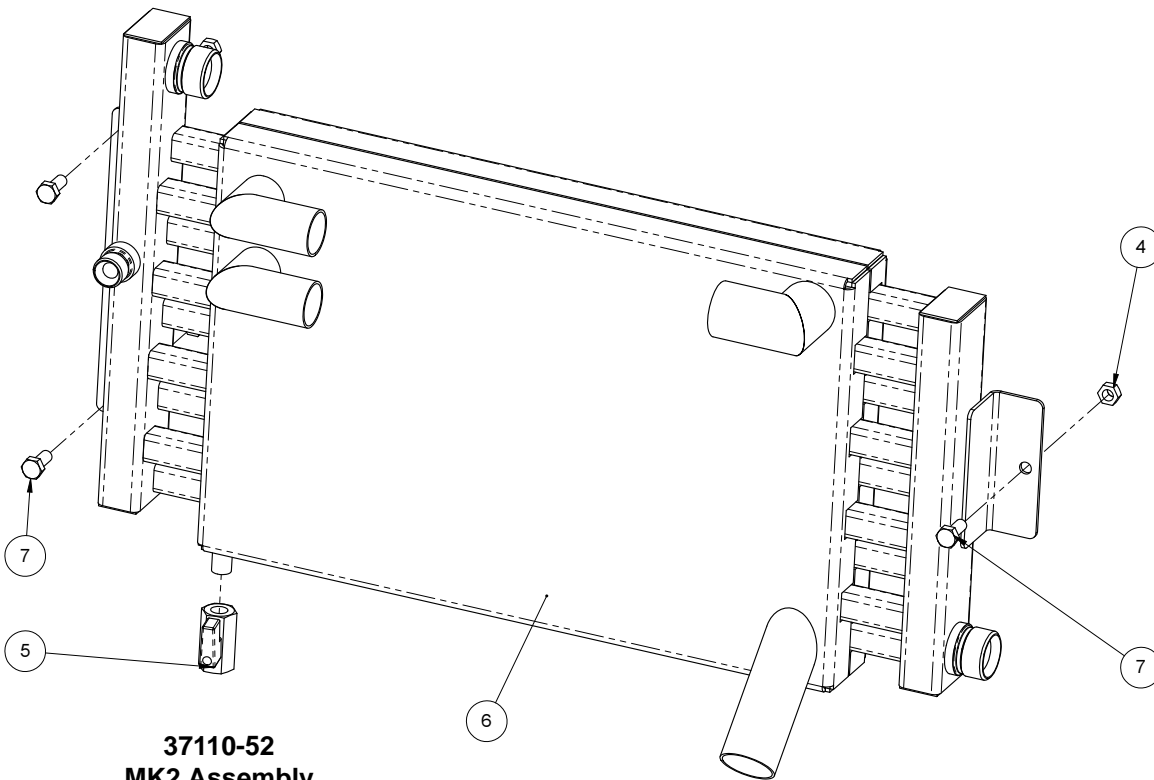
Item No.	Part No.	Description	Quantity
1	722799-1	Strainer Mount W/Assy	1
2	6645-17-A	Clip - Exhaust Banelli 3 1/8"	2
3	42119-1-A	Body Hydrant Filler W/Assy	1
4	667-31	Hydrant Connection - G2 1/2	1
5	667-2	Cap - Stortz	1
6	667-40	G1 1/4 Double Check & Drain Valve	1
7	66-31	Elbow - Polypropelene	1
8	66-22	Adaptor - Poly, G1 1/4" M/M	1
9	39402	Filter	1
10	66-25	Hosetail Adaptor - Poly, 1 1/2"	1
11	501-5	Clip - Hose, 40 - 55mm	4
12	260-27	Hose - Reinforced Water, 1 1/2"	0.5M
13	124-134	Setscrew - M8C x 16	2
14	425-14	Nut - Nyloc, M8C	6

**Oil Cooler Assembly (Euro 4 & 5)**  
BoM: 37110-51, -52 & -53

**37110-51  
MK1 Assembly  
(Euro 4)**



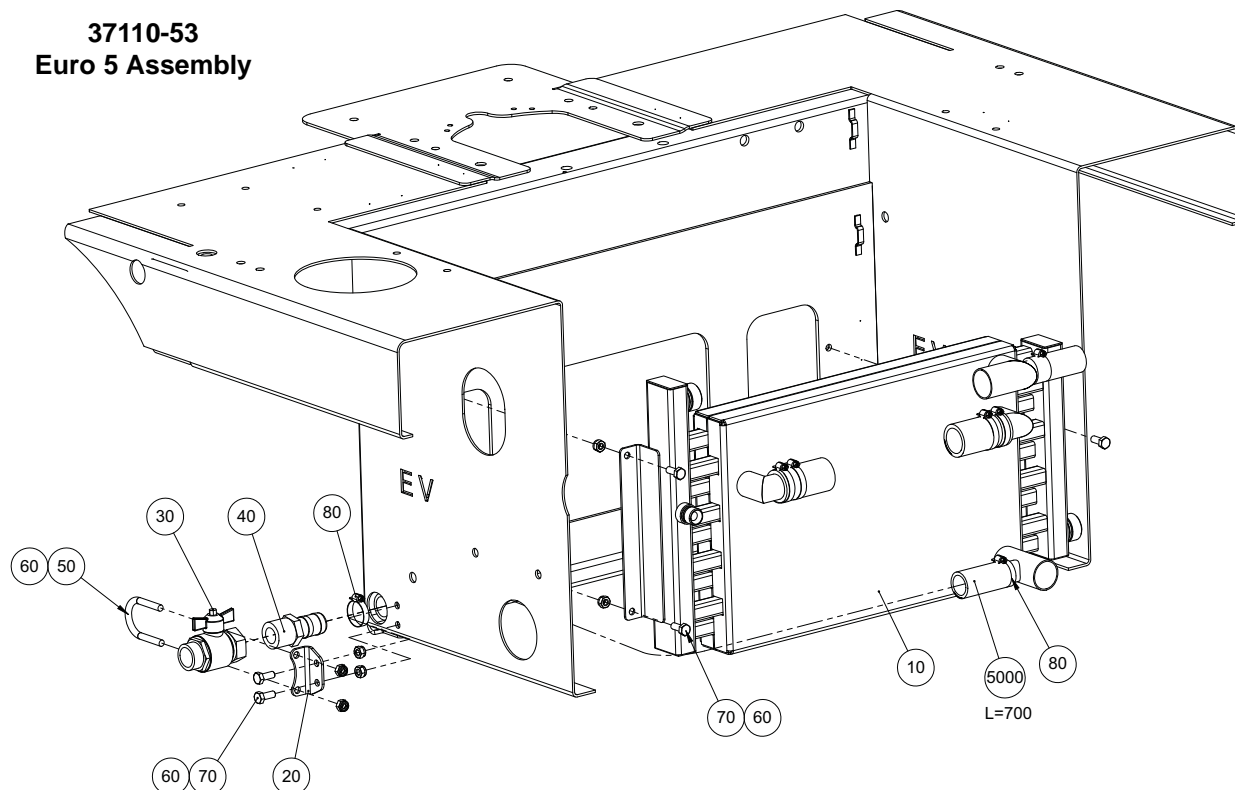
**37110-52  
MK2 Assembly  
(Euro 4)**



**Oil Cooler Assembly (Euro 4 & 5)**

BoM: 37110-51, -52 & -53

**37110-53  
Euro 5 Assembly**



**37110-52 Oil Cooler - MK2 (Euro 4)**

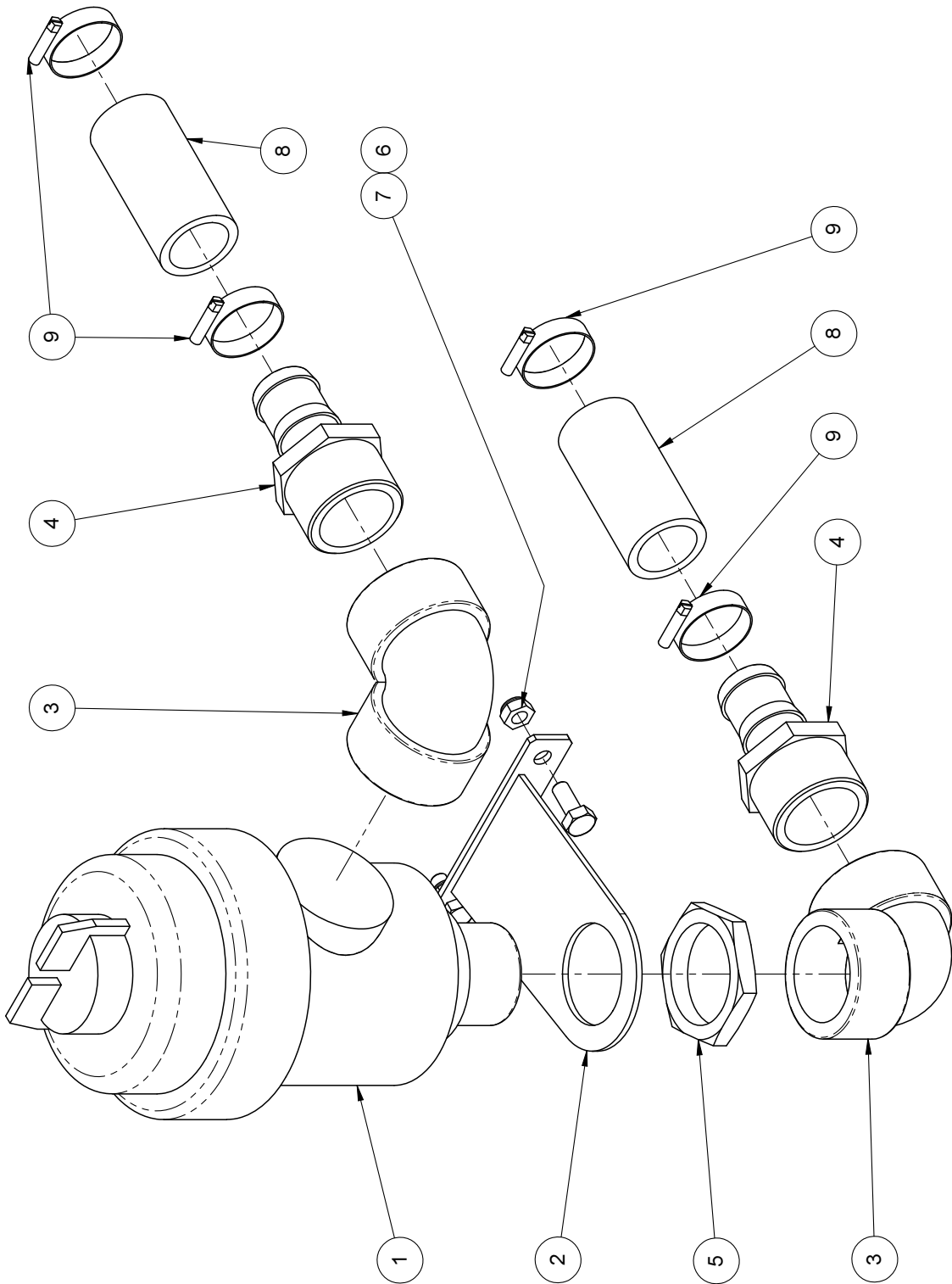
**37110-51 Oil Cooler - MK1 (Euro 4)**

Item No.	Part No.	Description	MK1 Quantity	MK2 Quantity
1	721795-1	Cooler - Oil, W/Assy	1	-
2	124-139	Setscrew - M8C x 30	3	-
3	71277-2	Spacer - 12mm	3	-
4	425-14	Nut - Nyloc, M8C	3	3
5	88-10	Valve - Ball	1	1
6	722775-1	Oil Cooler - Jacketed, W/Assy	-	1
7	124-135	Setscrew - M8C x 20	-	3

**37110-53 Oil Cooler (Euro 5)**

Item No.	Part No.	Description	Quantity
10	7011710	Oil Cooler W/assy	1
20	7011160	Drain Valve Mount	1
30	88-713	Ball Valve M/F G1	1
40	66-35	Adaptor-Poly. G 1" x 1" Hose Tail	1
50	139-3	U-Bolt M8x45 CTRS x 61 Long	1
60	93085805-0	Nyloc Hex Nut M8C - 8	7
70	92097374-0	Hex Head Screw M8Cx20 8.8	5
80	501-25	Hose Clip - Worm Drive (25-35)	2
5000	272-20	Clear Ducting 25mm Bore x 20m	0.7M

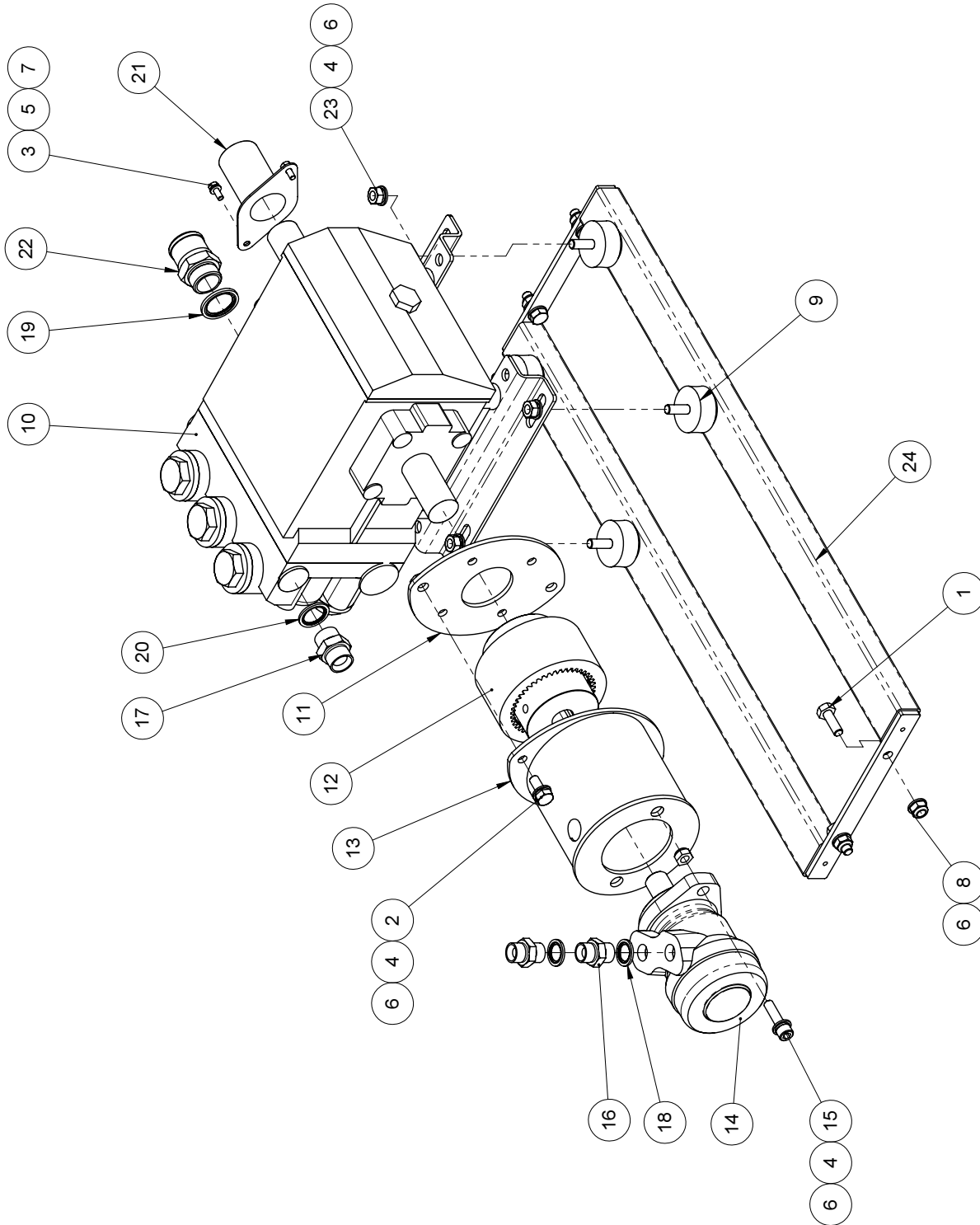
**Water Filter Assembly**  
BoM: 37111-1



**Water Filter Assembly  
BoM: 37111-1**

<b>Item No.</b>	<b>Part No.</b>	<b>Description</b>	<b>Quantity</b>
1	224-215	Suction Filter, 2"	1
2	76360-1	Bracket - Filter, Water	1
3	66-17	Elbow - Poly.G2" FxF.	2
4	66-18	Adaptor-Poly.G2x1 1/2"Hosetail	2
5	410-79	Nut - Back G2 Polypropylene	1
6	124-169	Setscrew M10C x 25	2
7	425-15	Nut Nyloc Hex MC M10	2
8	260-27	Hose - Reinforced Water 1 1/2"	1
9	501-11	Clip Hose Worm Drive 35-50mm	4

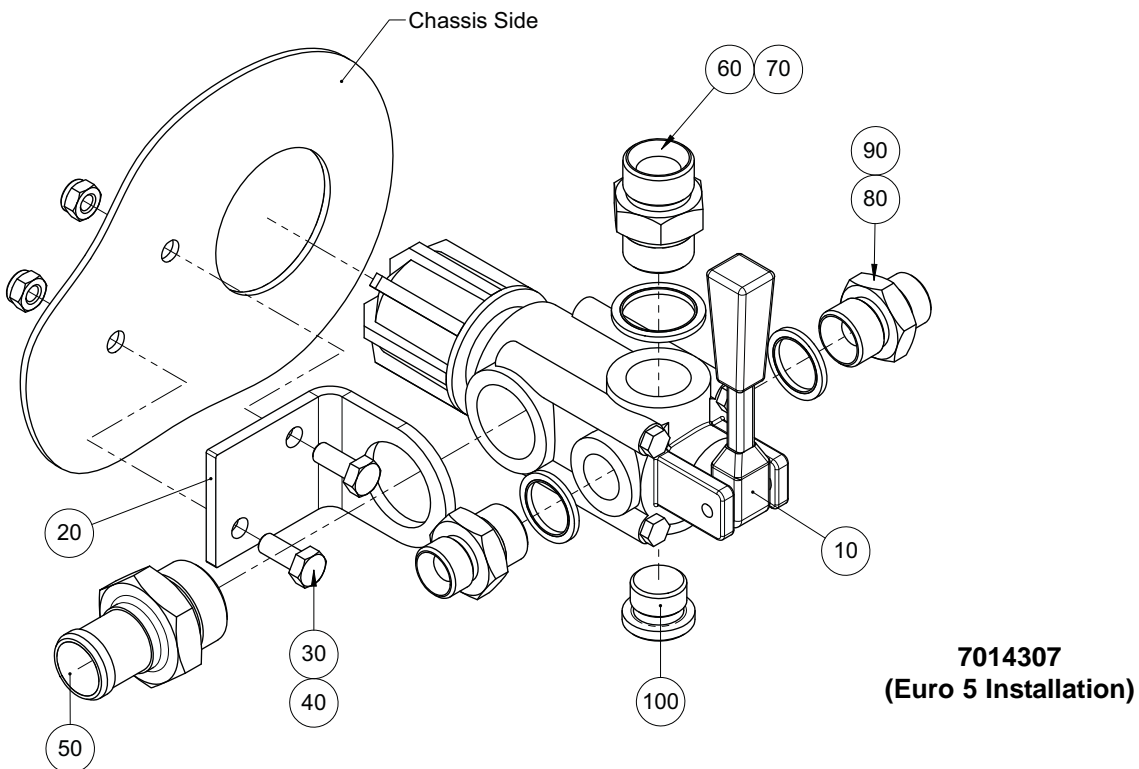
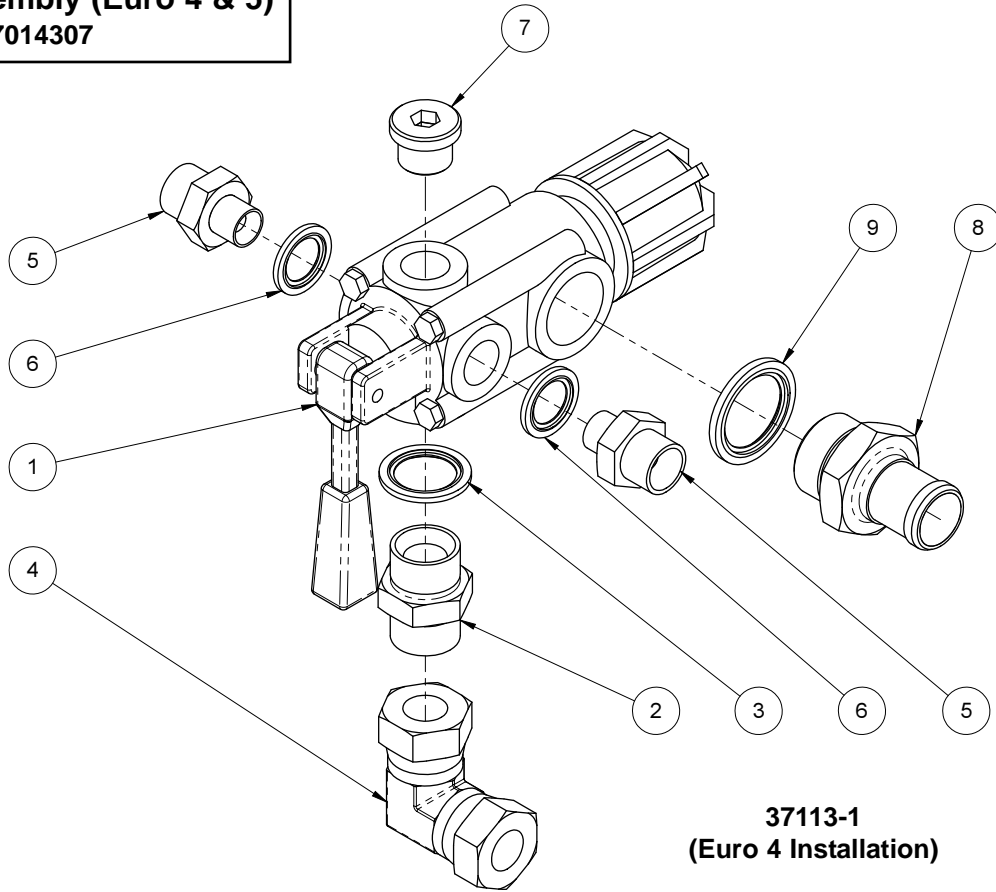
**Water Pump Assembly**  
BoM: 37112-52



**Water Pump Assembly**  
**BoM: 37112-52**

Item No.	Part No.	Description	Quantity
1	124-171	Setscrew M10C x 30	4
2	124-169	Setscrew M10C x 25	2
3	124-102	Setscrew M6C x 16	2
4	460-11	Washer Spring Single Coil M10	8
5	460-8	Washer Spring Single Coil M6	2
6	455-11	Washer Plain Plated Steel M10	16
7	455-8	Washer Plain Plated Steel M6	2
8	425-15	Nut Nyloc Hex MC M10	6
9	290-1	Mounting	4
10	223-17	Pump - 3 Piston Water	1
11	75517-1	Plate - W/Assy	1
12	294-12	Coupling - Drive	1
13	75513-1	Bell Housing W/Assy	1
14	244-2	Motor 80	1
15	129-160	Screw MC Cap Skt Hd M10x40	2
16	263-4	Adaptor M/M 1/2" BSP	2
17	263-6	Adaptor M/M 3/4" BSP	1
18	451-19	Bonded Washer 21.54/28.58X2.49 ST NBR	2
19	451-22	Bonded Washer 33.89/42.80X2.50 ST NBR	1
20	451-21	Bonded Washer 27.05/34.93X2.49 ST NBR	1
21	720117-1	Guard-W/Pump Shaft, W/Assy	1
22	75536-1	Adaptor-G1 x 1 1/2" Bore Hose	1
23	420-15	Nut MC Hex M10	4
24	722785-1	Frame - Pump, Water (Tier 3)	1

**Unloader Assembly (Euro 4 & 5)**  
BoM: 37113-1 & 7014307





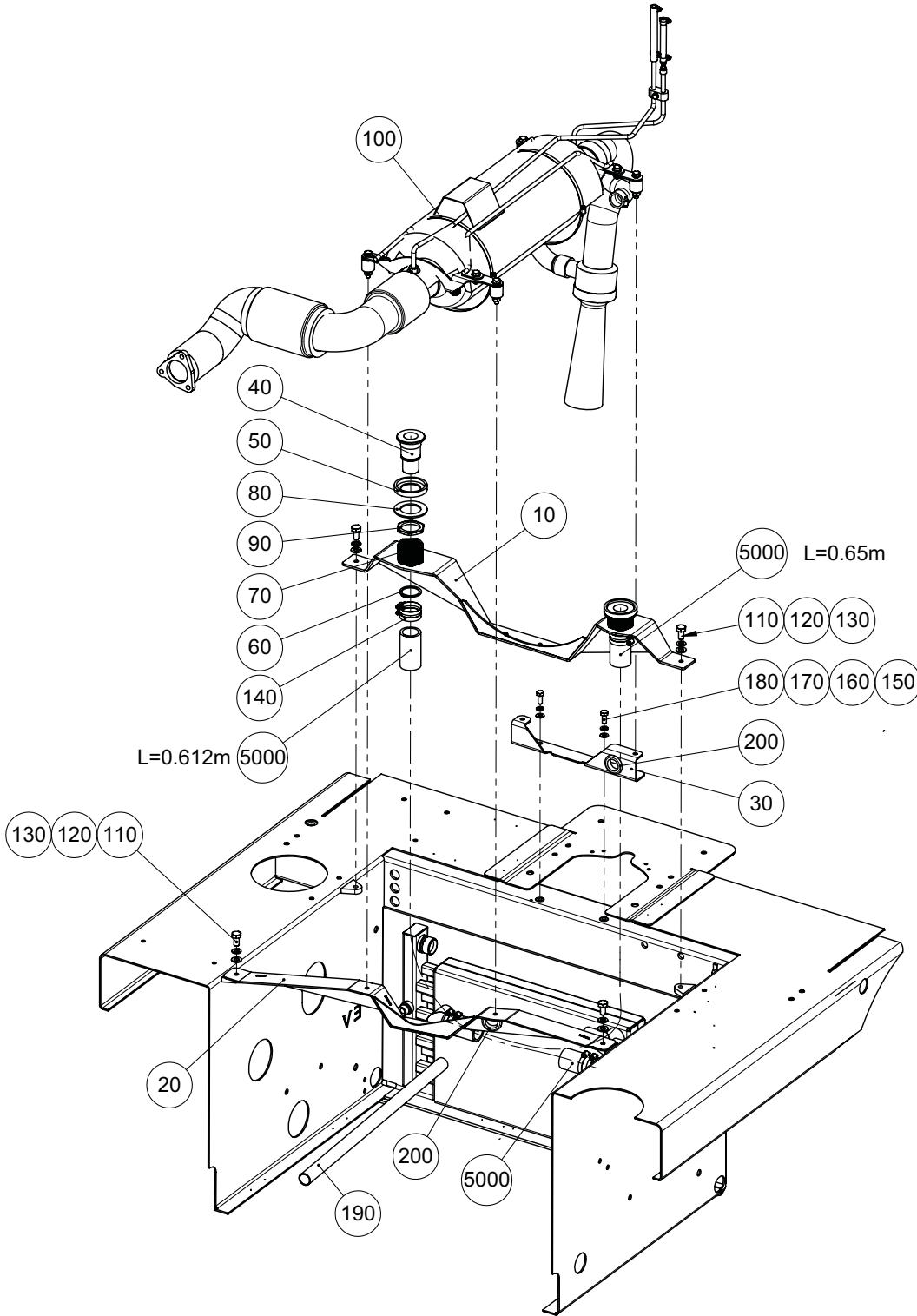
**Unloader Assembly (Euro 4 & 5)**  
**BoM: 37113-1 & 7014307**
**37113-1 Unloader Valve Installation (Euro 4)**

Item No.	Part No.	Description	Quantity
1	223-18	Valve - Unloader	1
2	263-6	Adaptor M/M 3/4" BSP	3
3	451-21	Bonded Washer 27.05/34.93X2.49 ST NBR	2
4	268-17	Coupling-Swivel Elbow F/F 3/4"	1
5	265-6	Adaptor Reducing 1/2"x5/8" BSP	2
6	451-19	Bonded Washer 21.54/28.58X2.49 ST NBR	2
7	54-4	Plug - Collar G1/2" BSP	1
8	76926-1	Adaptor-G1x1" Bore Hose	1
9	451-22	Bonded Washer 33.89/42.80X2.50 ST NBR	1

**7014307 Unloader Valve Installation (Euro 5)**

Item No.	Part No.	Description	Quantity
10	223-18	Valve - Unloader	1
20	7011550	Unloader Valve Mount	1
30	92097374-0	Hex Head Screw M8Cx20 8.8	2
40	93085005-0	Nyloc Hex Thin Nut M8C - 8	2
50	76926-1	Adaptor-G1x1" Bore Hose	1
60	263-6	Adaptor M/M 3/4" BSP	1
70	451-21	Washer Bonded G3-4"	1
80	265-6	Adaptor Reducing M/M 1/2"x5/8" BSP	2
90	451-19	Washer Bonded G1-2"	2
100	54-4	Plug - Collar G1/2" BSP	1

**Water Manifold Mounting (Euro 5)**  
 BoM: 37108-52



**Water Manifold Mounting (Euro 5)**  
 BoM: 37108-52

Item No.	Part No.	Description	Quantity
10	7011081	Make and Break Cross Member W/A	1
20	7011043	DPF Cross Member - W/assy	1
30	7011096	DPF Front Mounting	1
40	7011164	Valve Stem - Make and Break	2
50	282765-1	Re-Circ Seal (Moulded)	2
60	09500038-0	Circlips-External DIN471 38x1.85	2
70	200174-1	Wave Spring	2
80	282752-1	Seal Supt Water Re-Circ System	2
90	700-540	Locknut - Plated Brass M40 1.5	2
100	501-17	Hose Clip - Worm Drive (190-220)	2
110	92097410-0	Hex Head Screw M10Cx20 8.8	4
120	93699711-0	SPRING WASHER - PLATED M10	4
130	93212012-0	Plain Washer M10	4
140	501-5	Clip Hose Worm Drive 40-55mm	8
150	433-120	Insert - M8, 3.8 to 7.9	2
160	93212011-0	Plain Washer M8	2
170	93699710-0	Spring Washer - Plated M8	2
180	92097374-0	Hex Head Screw M8Cx20 8.8	2
190	7012708	Air Pipe	1
200	287-68	Grommet-Open, 31.8 ODx25.4 ID	2
5000	272-42	Clear Ducting 31.75mm (1 1/4") I/D x 10m	1.3M

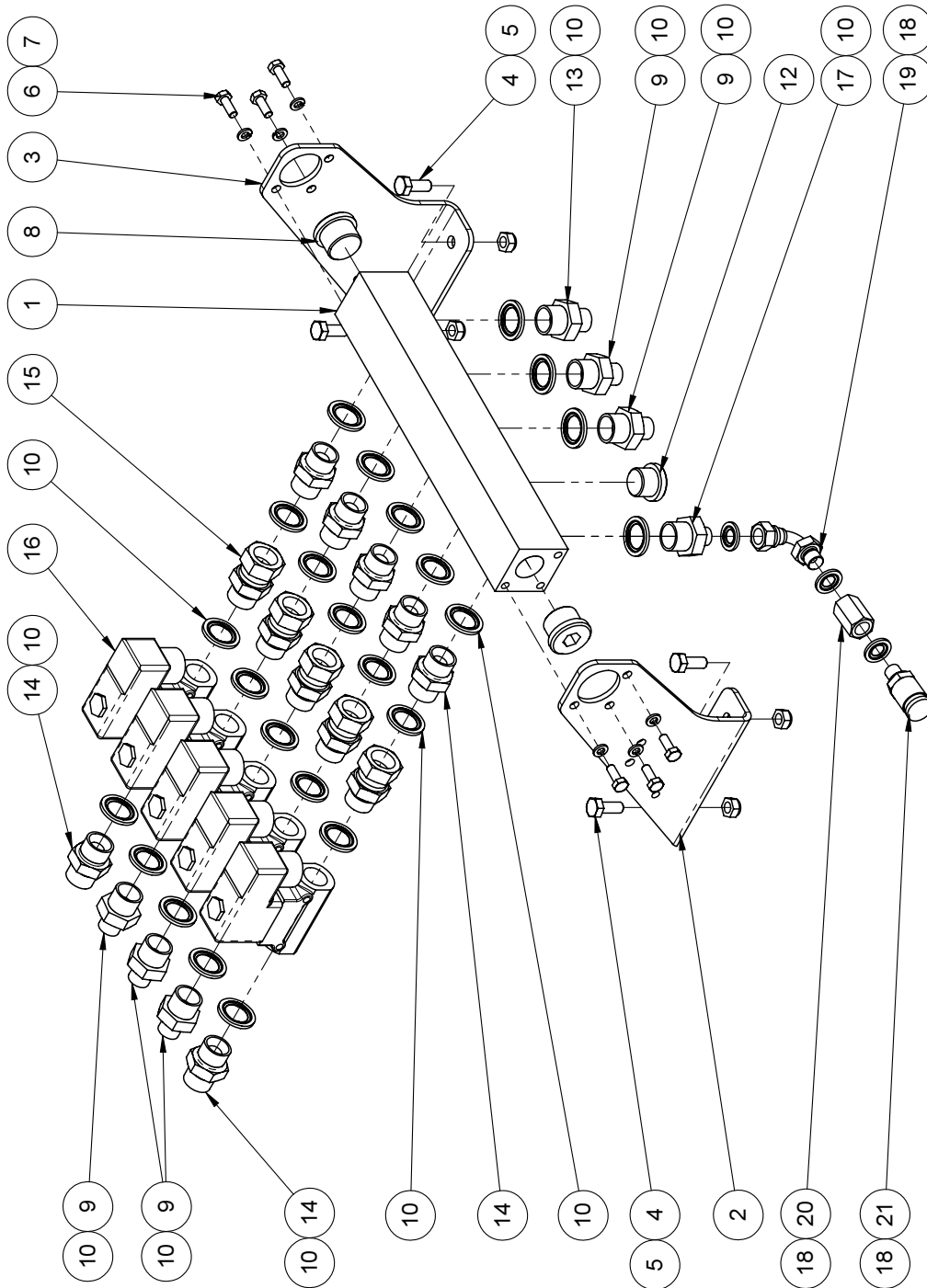


## CHAPTER

**13****Spray Bar (CW200 Only)****Table of Contents**

<b>Section</b>	<b>Page</b>
Water Valve Bank Assembly (Expanding/Folding S/Bar - Euro 4)	13 : 2
Water Valve Bank Assembly (Expanding/Folding S/Bar - Euro 5)	13 : 4
Water Valve Bank Assembly (Fixed S/Bar - Euro 4)	13 : 6
Water Valve Bank Assembly (Fixed S/Bar - Euro 5)	13 : 8
Spray Bar Carriage and Cover Assembly	13 : 10
Spray Bar Slewing Assembly	13 : 12
Spray Bar Lifting Assembly	13 : 14
Spray Bar Head Assembly	13 : 16
Spray Bar Assembly	13 : 18
Spray Bar Extension Mechanism Assembly	13 : 20
Folding Spray Bar Assembly	13 : 22
Hydraulic Hose Circuit - Fixed Spray Bar	13 : 24
Hydraulic Hose Circuit - Expanding Spray Bar	13 : 26
Hydraulic Hose Circuit - Folding Spray Bar	13 : 30
Water Hose Circuit - Fixed Spray Bar (Euro 4)	13 : 34
Water Hose Circuit - Expanding Spray Bar (Euro 4)	13 : 36
Water Hose Circuit - Folding Spray Bar (Euro 4)	13 : 38
Flusher Jet Assembly (Euro 4)	13 : 40
Flusher Jet Assembly (Under Cab Mounted - Euro 5)	13 : 42
Flusher Jet Assembly (Spray Bar Mounted - Euro 5)	13 : 44
Hydraulic Hose Circuit - Steering	13 : 46
Hydrant Equipment (Euro 4)	13 : 48

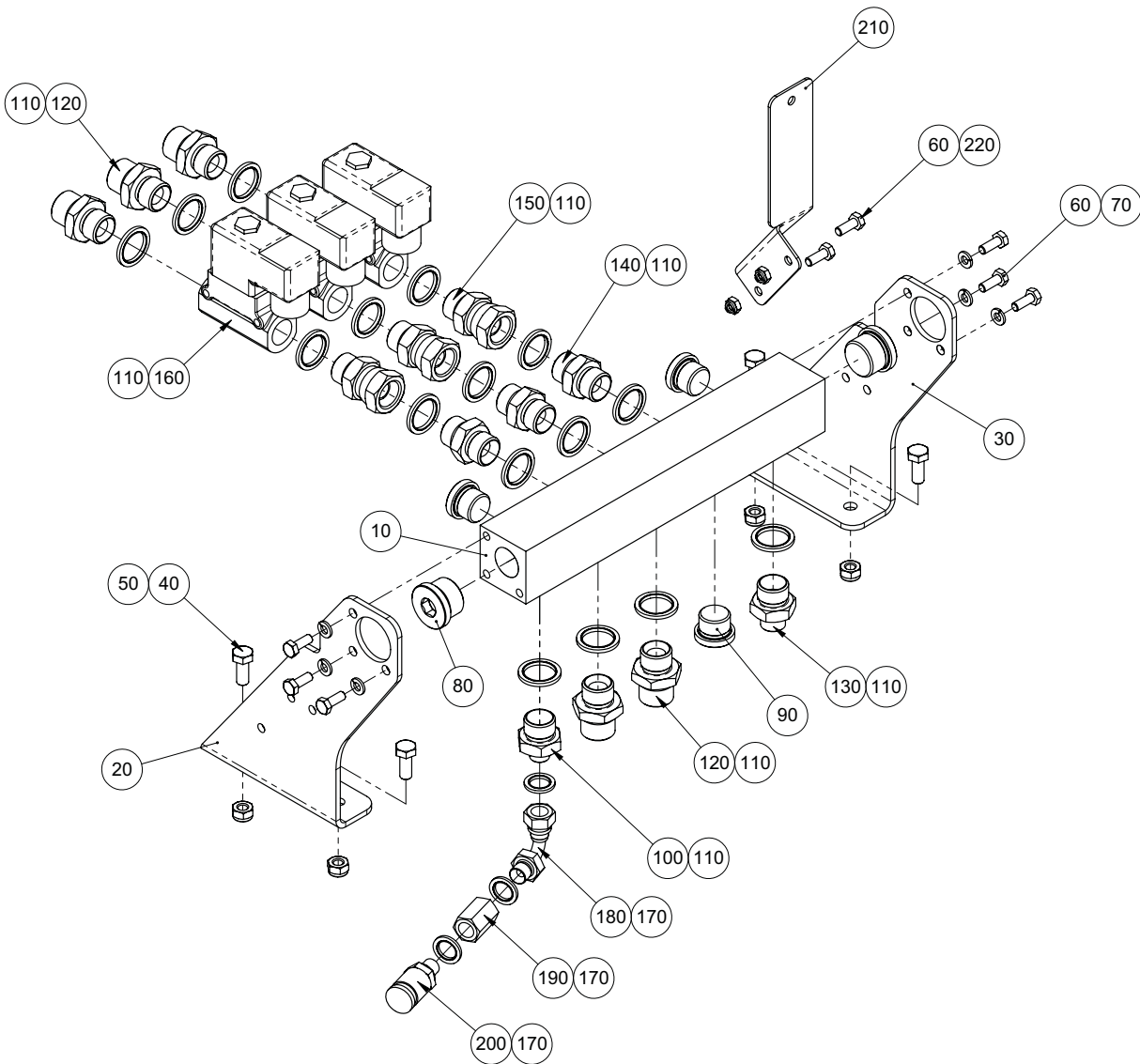
**Water Valve Bank Assembly  
(Expanding/Folding Spray Bar - Euro 4)  
BoM - 37114/2**



**Water Valve Bank Assembly  
(Expanding/Folding Spray Bar - Euro 4)  
BoM - 37114/2**

Item No.	Part No.	Description	Quantity
1	72951/1	Manifold	1
2	72952/2	Bracket - Manifold	1
3	72952/1	Bracket - Manifold	1
4	124/135	Setscrew M8C x 20	4
5	425/14	Nut Nyloc Hex MC M8	4
6	124/102	Setscrew M6C x 16	6
7	460/8	Washer Spring Single Coil M6	6
8	54/5	Plug - Collar G3/4" BSP	2
9	265/6	Adaptor Reducing 1/2"x5/8" BSP	5
10	451/19	Washer - Dowty 1/2" BSP	24
11	-	-	-
12	54/4	Plug - Collar G1/2" BSP	3
13	265/4	Adaptor Reducing 3/8"x1/2" BSP	1
14	263/4	Adaptor - M/M 1/2" BSP	7
15	267/4	Adaptor - M/F 1/2" BSP	5
16	89/13	Valve - G 1/2" Solenoid	5
17	265/3	Adaptor Reducing 1/4"x1/2" BSP	1
18	451/17	Washer - Dowty 1/4" BSP	3
19	242/2	Elbow - Swivel 90 Deg. 1/4"	1
20	66/7	Socket - Straight 1/4 BSP	1
21	665/18	Valve - Testpoint G1/4	1

**Water Valve Bank Assembly  
(Expanding/Folding Spray Bar - Euro 5)  
BoM - 7013036**

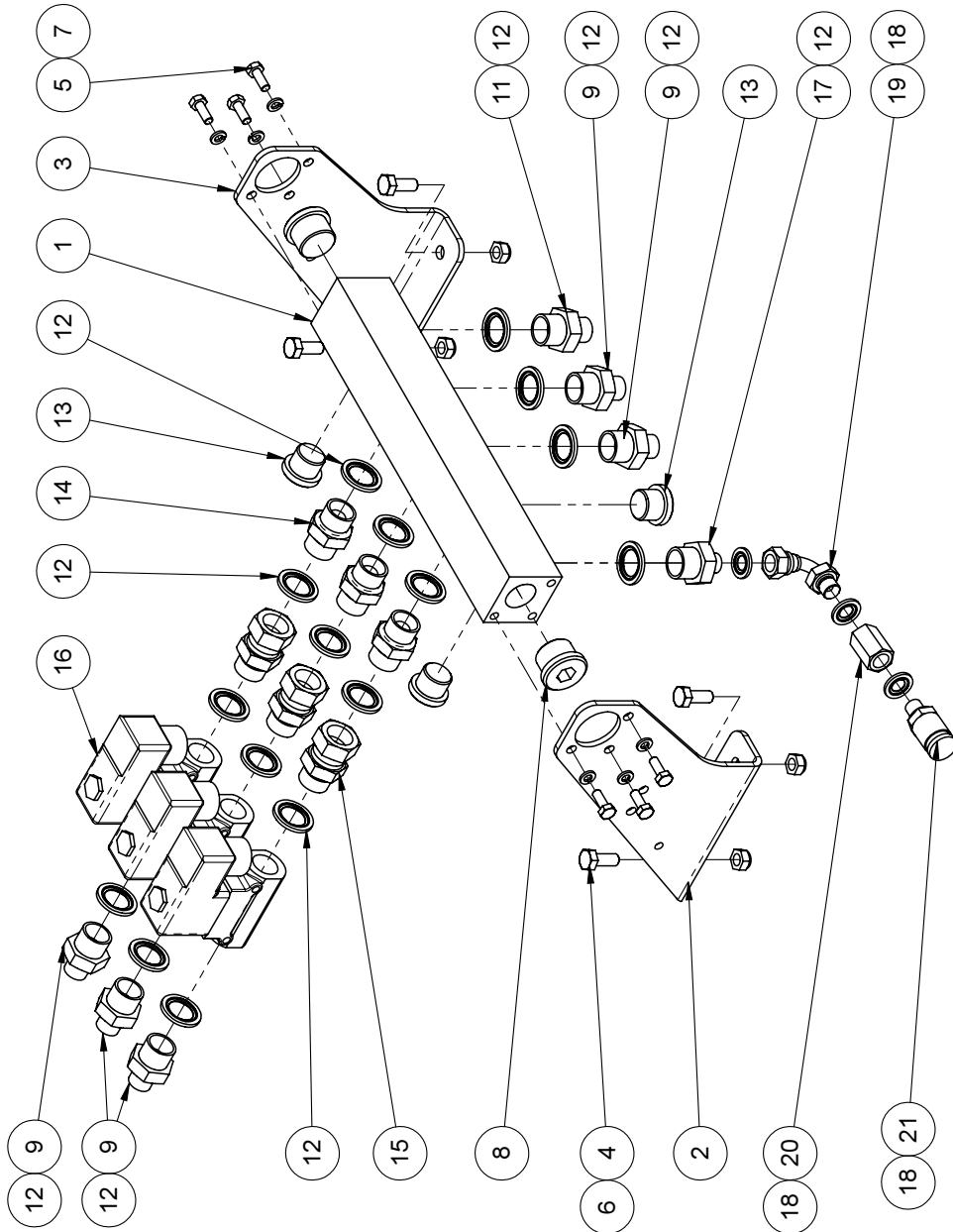




**Water Valve Bank Assembly  
(Expanding/Folding Spray Bar - Euro 5)  
BoM - 7013036**

Item No.	Part No.	Description	Quantity
10	72951-1	Water Manifold	1
20	72952-2	Bracket - Manifold	1
30	72952-1	Bracket - Manifold	1
40	92097374-0	Hex Head Screw M8Cx20 8.8	4
50	93085805-0	Nyloc Hex Nut M8C - 8	4
60	92097299-0	Hex Head Screw M6Cx16 8.8	8
70	93699708-0	Spring Washer - Plated M6	6
80	09572136-0	Sealing Plug VS-R 3/4 WD	2
90	09572135-0	Sealing Plug VS-R 1/2 WD	3
100	265-3	Adaptor Reducing M/M 1/4"-1/2" BSP	1
110	451-19	Washer Bonded G1-2"	16
120	265-6	Adaptor Reducing M/M 1/2"x5/8" BSP	5
130	265-4	Adaptor Reducing M/M 3/8"-1/2" BSP	1
140	263-4	Adaptor M/M 1/2" BSP	3
150	267-4	ADAPTOR-SWIVEL M/F 1/2"BSP	3
160	89-13	Valve - G 1/2" Solenoid	3
170	451-17	Washer Bonded G1-4"	3
180	242-2	Elbow - Swivel 90 Deg. 1/4"	1
190	66-7	Socket - Straight 1/4 BSP	1
200	665-18	Valve - Testpoint G1/4	1
210	7011211	Pipe Mount	1
220	93085004-0	Nyloc Hex Nut M6C - 8	2

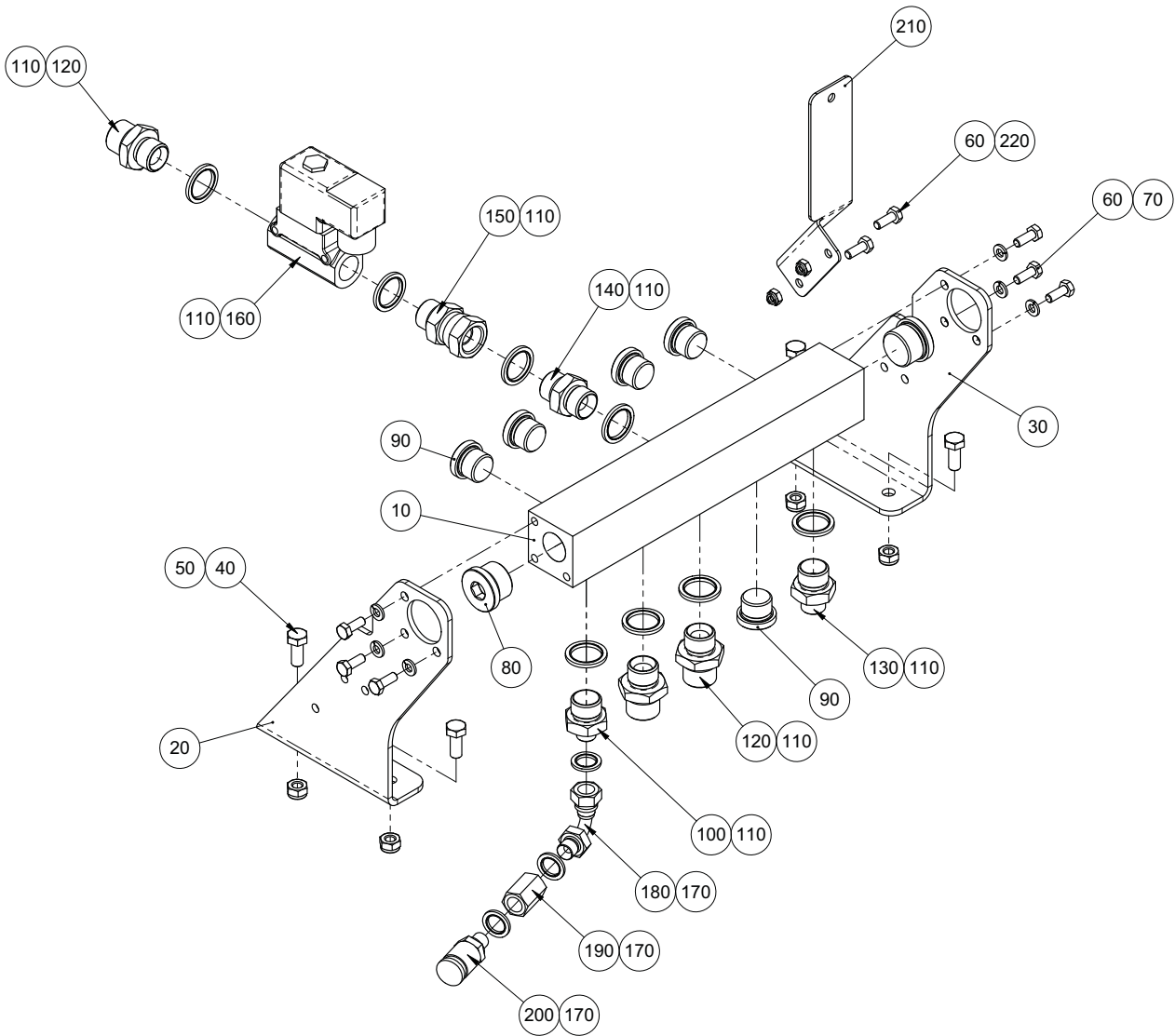
**Water Valve Bank Assembly  
(Fixed Spray Bar - Euro 4)  
BoM - 37114/1**



<b>Water Valve Bank Assembly</b> <b>(Fixed Spray Bar - Euro 4)</b> BoM - 37114/1
--

Item No.	Part No.	Description	Quantity
1	72951/1	Manifold	1
2	72952/2	Bracket - Manifold	1
3	72952/1	Bracket - Manifold	1
4	124/135	Setscrew M8C x 20	4
5	124/102	Setscrew M6C x 16	6
6	425/14	Nut Nyloc Hex MC M8	4
7	460/8	Washer Spring Single Coil M6	6
8	54/5	Plug - Collar G3/4" BSP	2
9	265/6	Adaptor Reducing 1/2"x5/8" BSP	5
10	-	-	-
11	265/4	Adaptor - Reducing, 3/8" x 1/2"BSP	1
12	451/19	Washer - Dowty 1/2" BSP	24
13	54/4	Plug - Collar G1/2" BSP	3
14	263/4	Adaptor - M/M 1/2" BSP	7
15	267/4	Adaptor - M/F 1/2" BSP	5
16	89/13	Valve - G 1/2" Solenoid	5
17	265/3	Adaptor Reducing 1/4"x1/2" BSP	1
18	451/17	Washer - Dowty 1/4" BSP	3
19	242/2	Elbow - Swivel 90 Deg. 1/4"	1
20	66/7	Socket - Straight 1/4 BSP	1
21	665/18	Valve - Testpoint G1/4	1

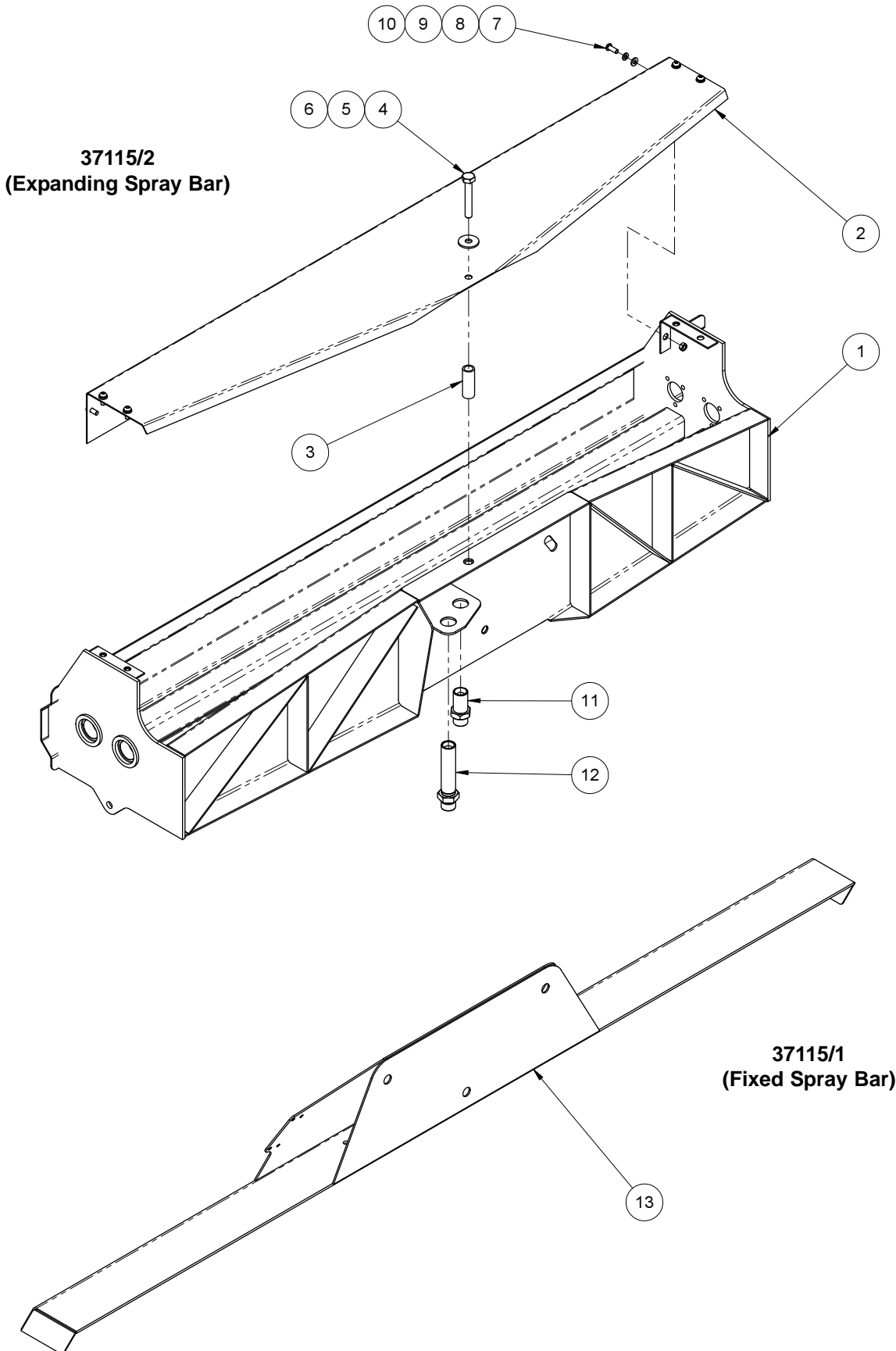
**Water Valve Bank Assembly  
(Fixed Spray Bar - Euro 5)  
BoM - 7013033**



<b>Water Valve Bank Assembly</b> <b>(Fixed Spray Bar - Euro 5)</b> BoM - 7013033
--

Item No.	Part No.	Description	Quantity
10	72951-1	Water Manifold	1
20	72952-2	Bracket - Manifold	1
30	72952-1	Bracket - Manifold	1
40	92097374-0	Hex Head Screw M8Cx20 8.8	4
50	93085805-0	Nyloc Hex Nut M8C - 8	4
60	92097299-0	Hex Head Screw M6Cx16 8.8	8
70	93699708-0	Spring Washer - Plated M6	6
80	09572136-0	Sealing Plug VS-R 3/4 WD	2
90	09572135-0	Sealing Plug VS-R 1/2 WD	5
100	265-3	Adaptor Reducing M/M 1/4"-1/2" BSP	1
110	451-19	Washer Bonded G1-2"	8
120	265-6	Adaptor Reducing M/M 1/2"x5/8" BSP	3
130	265-4	Adaptor Reducing M/M 3/8"-1/2" BSP	1
140	263-4	Adaptor M/M 1/2" BSP	1
150	267-4	ADAPTOR-SWIVEL M/F 1/2"BSP	1
160	89-13	Valve - G 1/2" Solenoid	1
170	451-17	Washer Bonded G1-4"	3
180	242-2	Elbow - Swivel 90 Deg. 1/4"	1
190	66-7	Socket - Straight 1/4 BSP	1
200	665-18	Valve - Testpoint G1/4	1
210	7011211	Pipe Mount	1
220	93085004-0	Nyloc Hex Nut M6C - 8	2

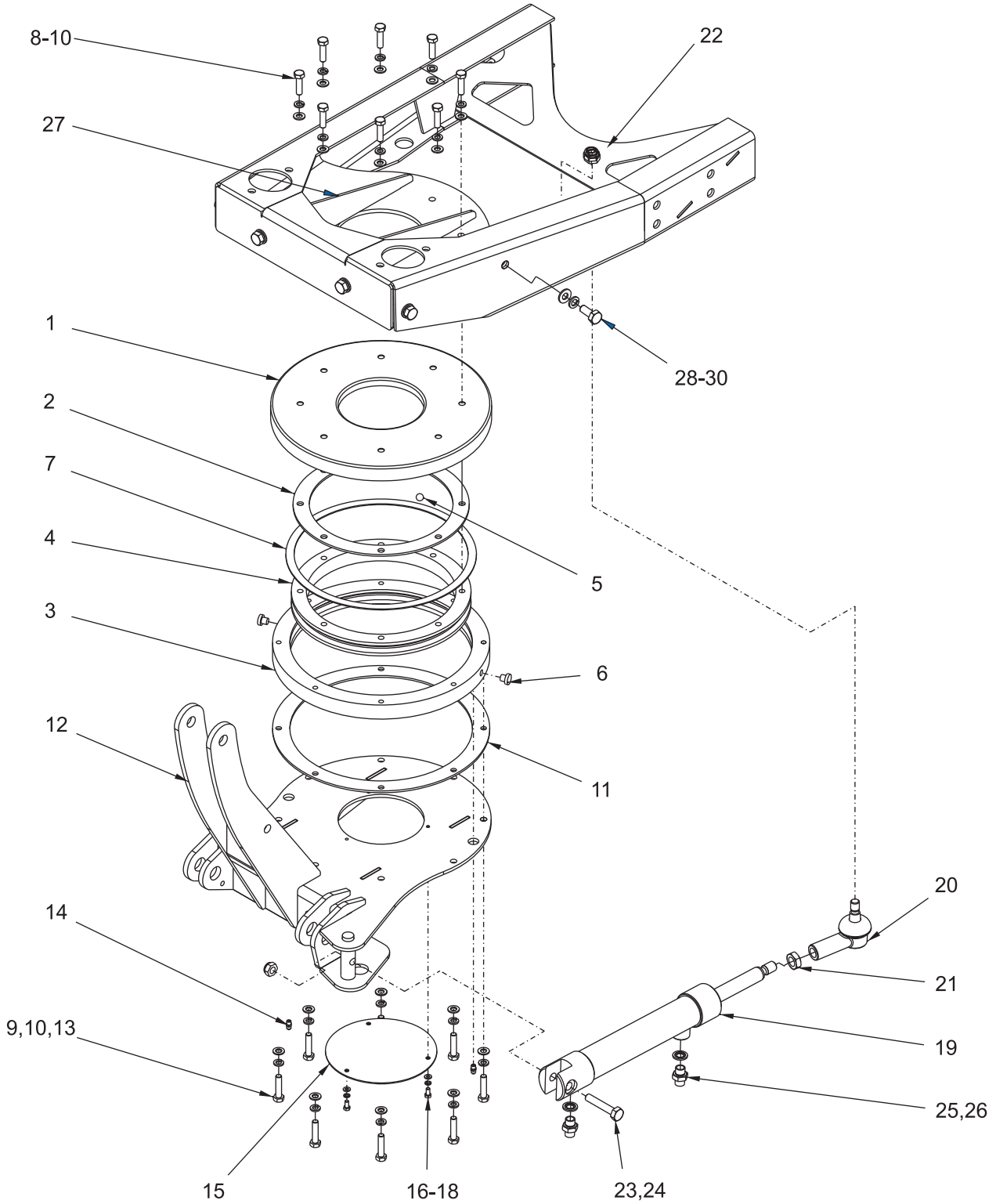
**Spray Bar Carriage and Cover Assembly**  
BoM - 37115/1 & /2



**Spray Bar Carriage and Cover Assembly**  
 BoM - 37115/1 & /2

Item No.	Part No.	Description	37115/2 Quantity	37115/1 Quantity
1	71935/1	Carriage W/Assy.	1	-
2	71934/1	Cover Carriage	1	-
3	72147/1	Spacer	1	-
4	123/133	Bolt M Coarse M10x65 BS3692	1	-
5	457/5	Washer Plain Steel M10(Plated)	1	-
6	425/15	Nut Nyloc Hex MC M10	1	-
7	138/93	Screw - Socket Button Hd M6x16	6	-
8	460/8	Washer Spring Single Coil M6	6	-
9	455/8	Washer Plain Plated Steel M6	6	-
10	420/13	Nut MC Hex M6	6	-
11	264/4	Adaptor - M/M Blk 1/2" BSP	1	-
12	72038/1	Bulkhead Fitting G1/2", Special	1	-
13	76533/1	Carriage-Fxed Sraybar W/Assy	-	1

**Spray Bar Slewing Assembly**  
BoM - 37120/51

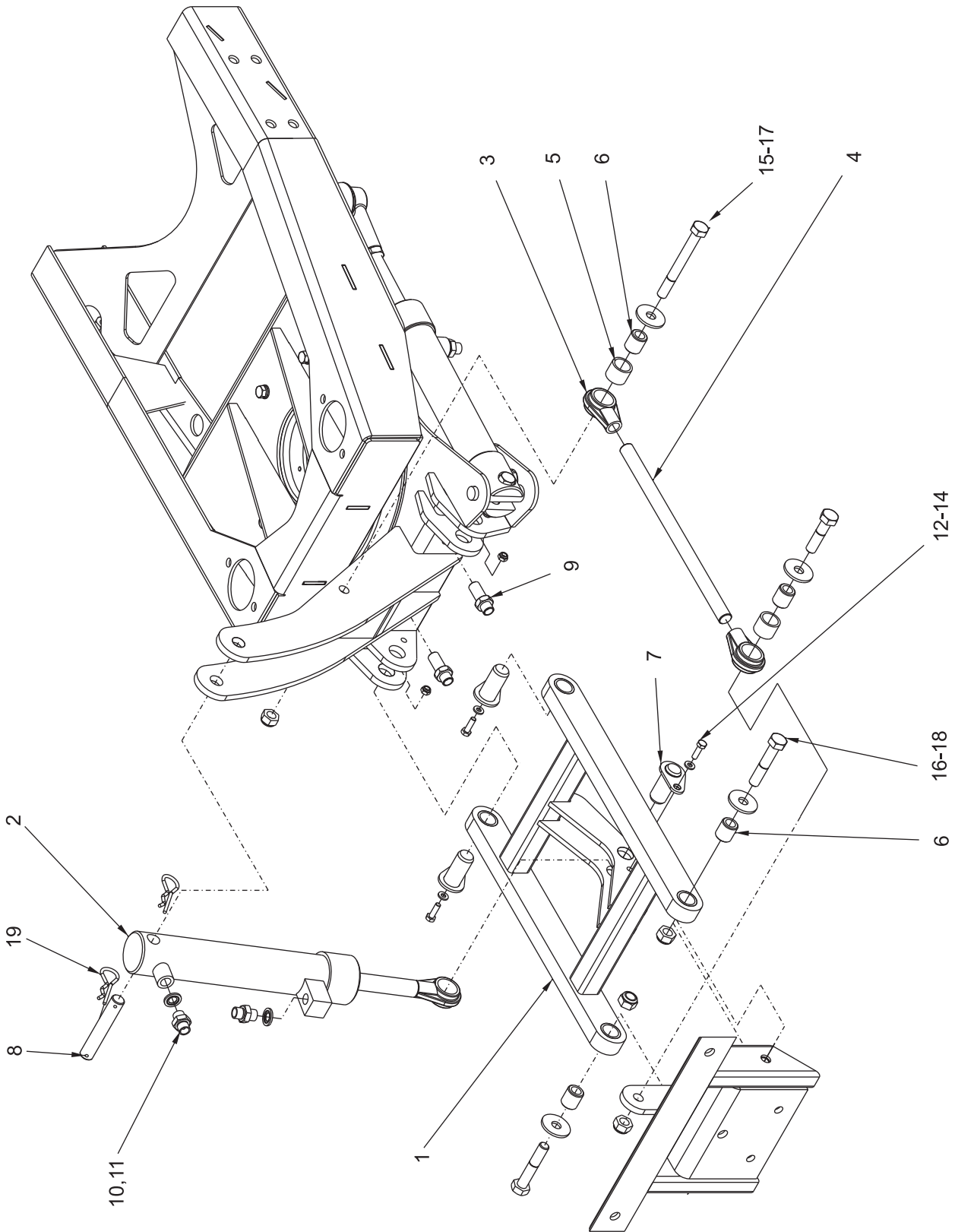




<b>Spray Bar Slewing Assembly</b> <b>BoM - 37120/51</b>
--

Item No.	Part No.	Description	Quantity
1	72073/1	Bearing - Shroud	1
2	72071/1	Gasket	1
3	72079/1	Race - Outer	1
4	22197/1/A	Race - Inner	1
5	22/8	Ball Steel 10	78
6	5259	Plug - Taper 1/8 BSP	2
7	22201/1/A	Seal	1
8	124/139	Setscrew M8C x 30	8
9	460/10	Washer Spring Single Coil M8	16
10	455/10	Washer Plain Plated Steel M8	16
11	22199/1/B	Gasket	1
12	721740/1	Plate - Slew, W/Assy	1
13	124/141	Setscrew M8C x 35	8
14	38/30	Nipple Grease M6 X 1	2
15	72074/1	Plate - Cover	1
16	124/67	Setscrew M5C x 10	3
17	460/7	Washer Spring Single Coil M5	3
18	455/7	Washer Plain Plated Steel M5	3
19	29460/2	Slewing Cylinder Assy.	1
20	283/5	Ball Joint - M14 Female	1
21	421/17	Locknut MC Hex M14	1
22	425/16	Nut Nyloc Hex MC M12	1
23	123/131	Bolt M Coarse M10x55	1
24	425/15	Nut Nyloc Hex MC M10	1
25	263/2	Adaptor - M/M 1/4" BSP	2
26	451/17	Washer - Dowty 1/4" BSP	2
27	722239/1	Plate - Turntable W/Assy	1
28	124/169	Setscrew - M10C x 25	6
29	455/11	Washer - Plain, M10	6
30	460/11	Washer - Spring, M10	6

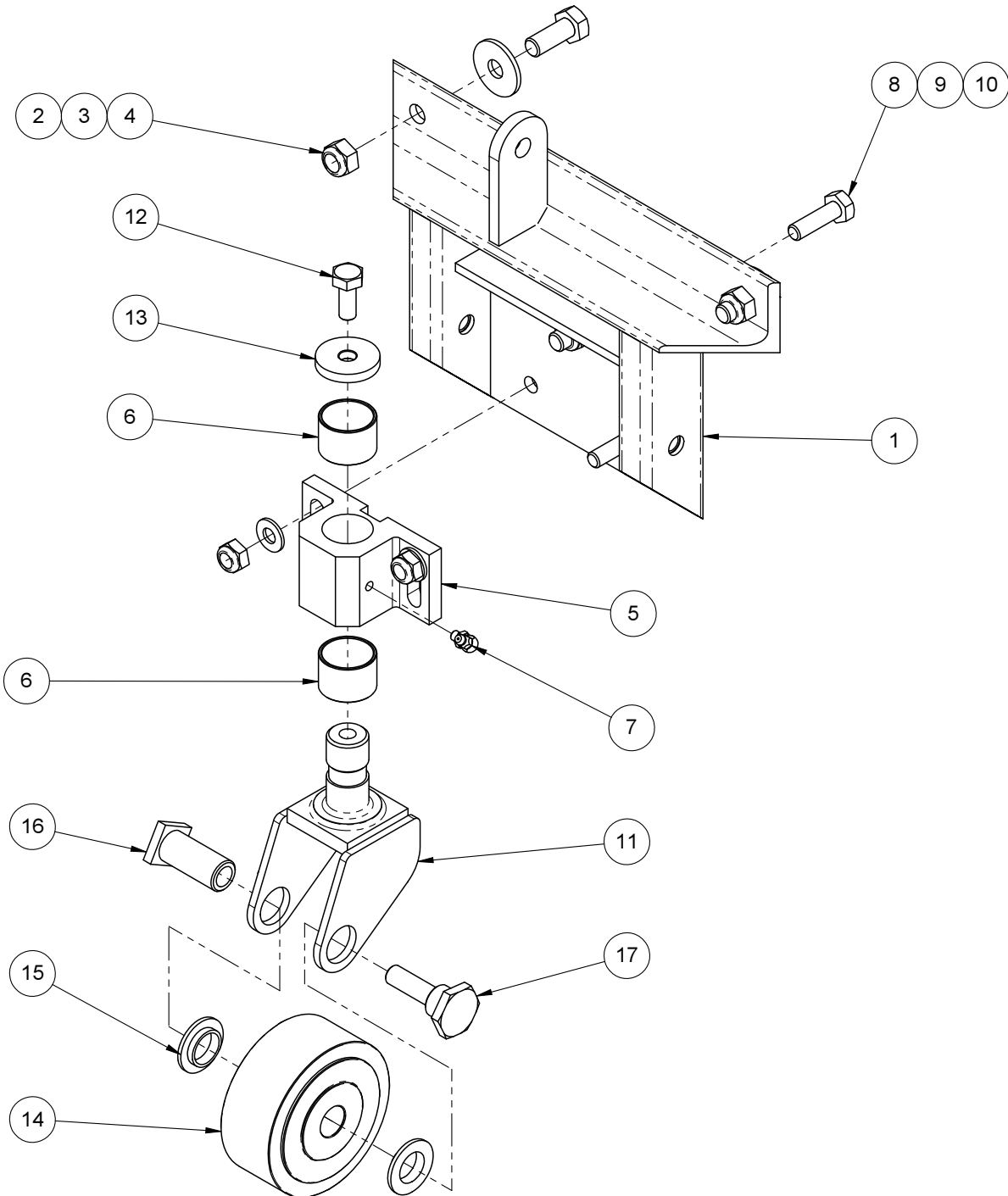
**Spray Bar Lifting Assembly**  
BoM - 37121/51



<b>Spray Bar Lifting Assembly</b> <b>BoM - 37121/51</b>
--

Item No.	Part No.	Description	Quantity
1	71900/1	Gate Assembly	1
2	29450/1	Spraybar Lift Cylinder Assy.	1
3	28928/1/C	Eye - Cylinder, Hydraulic	2
4	71913/1	Rod - Tie	1
5	29128/1/B	Bush-Plastic DIM'B'25.2 20Lg	2
6	72133/1	Bush	4
7	721766/1	Pin - Pivot, W/Assy	3
8	71983/1	Pin - Pivot	1
9	264/2	Adaptor-Blk M/M + Nut 1/4" BSP	2
10	451/17	Washer - Dowty 1/4" BSP	2
11	263/2	Adaptor - M/M 1/4" BSP	2
12	124/103	Setscrew M6C x 20	3
13	455/8	Washer Plain Plated Steel M6	3
14	425/13	Nut Nyloc Hex MC M6	3
15	123/159	Bolt M Coarse M12x110	2
16	457/6	Washer Plain Steel M12 Form G	4
17	425/16	Nut Nyloc Hex MC M12	4
18	123/151	Bolt M Coarse M12x65 BS3692	2
19	58/29	Pin - Cotter, 2 1/2"x10 SWG	2

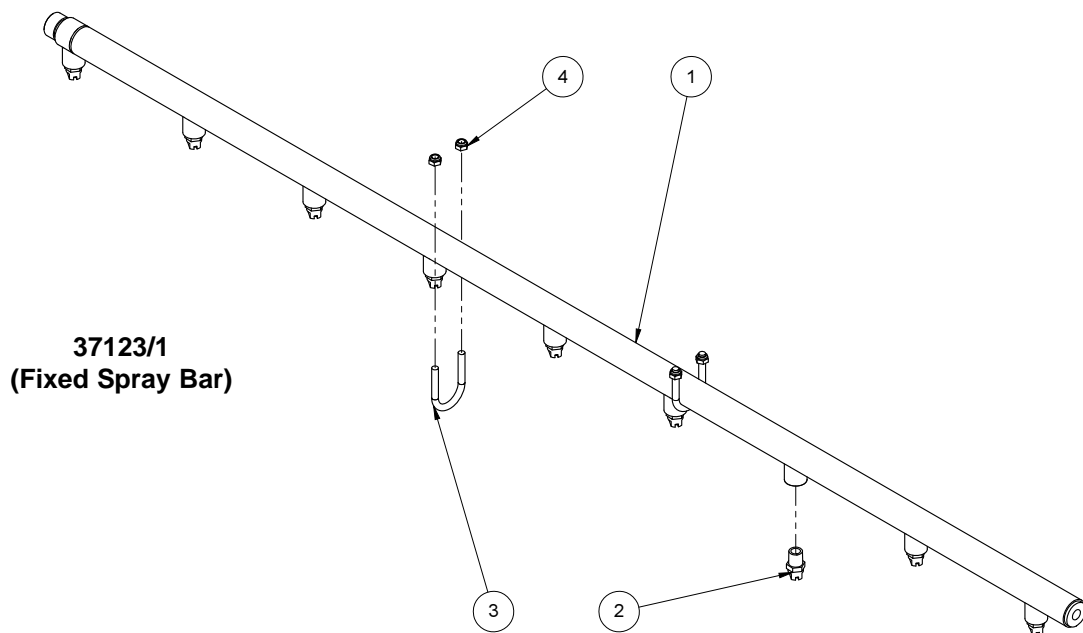
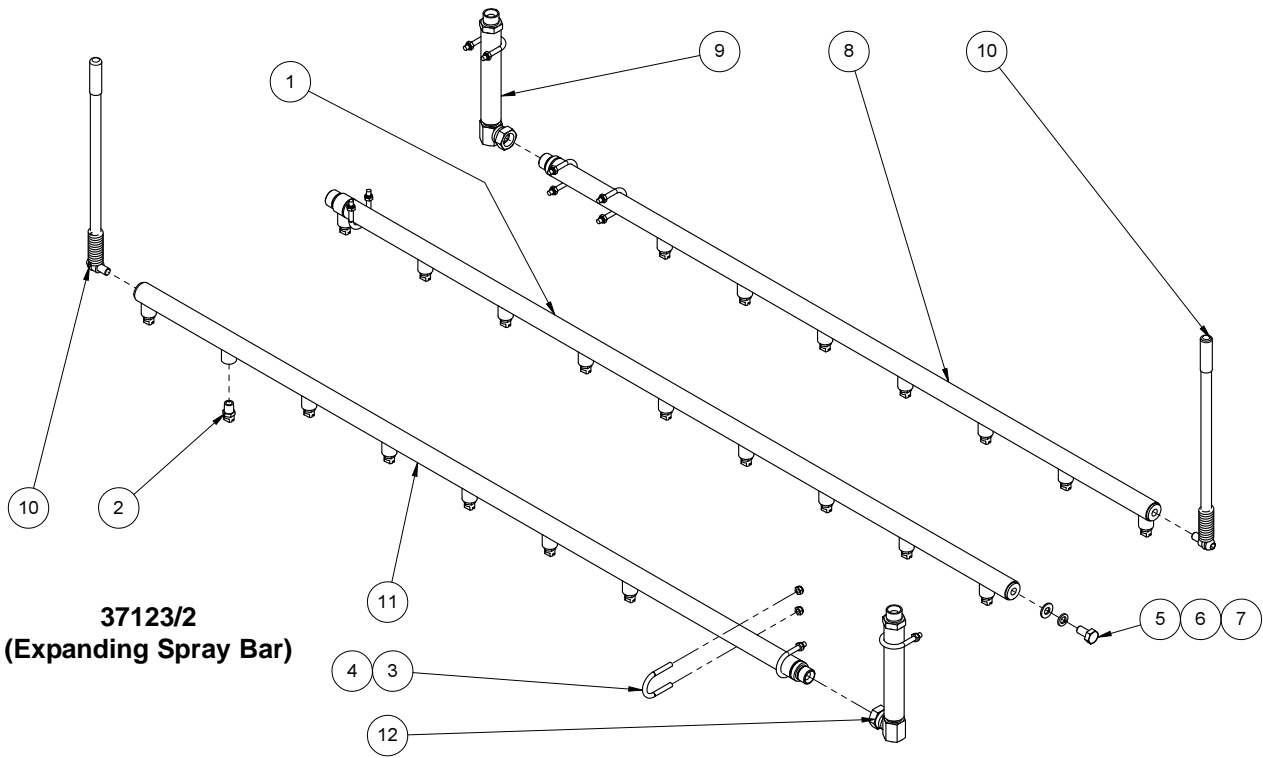
**Spray Bar Head Assembly**  
BoM - 37122/1



<b>Spray Bar Head Assembly</b> <b>BoM - 37122/1</b>
--

Item No.	Part No.	Description	Quantity
1	71908/1	Head Assembly	1
2	124/203	Setscrew M12C x 30	3
3	457/6	Washer Plain Steel M12 Form G	2
4	425/16	Nut Nyloc Hex MC M12	3
5	71959/1	Bearing Block	1
6	29128/3	Bush - Plastic, 30.2 x 24	2
7	38/11	Nipple - M6 (H3-90 Deg)	1
8	123/126	Bolt M Coarse M10x35	2
9	455/11	Washer Plain Plated Steel M10	2
10	425/15	Nut Nyloc Hex MC M10	2
11	71972/1	Wheel - Support W/Assy	1
12	135/29	Setscrew HexHd Selfloc M10cx25	1
13	72134/1	Clamp - Washer	1
14	215/10	Wheel - Polyurethane Tyred	1
15	71971/1	Spacer	2
16	71968/1	Axle	1
17	71969/1	Axle Screw	1

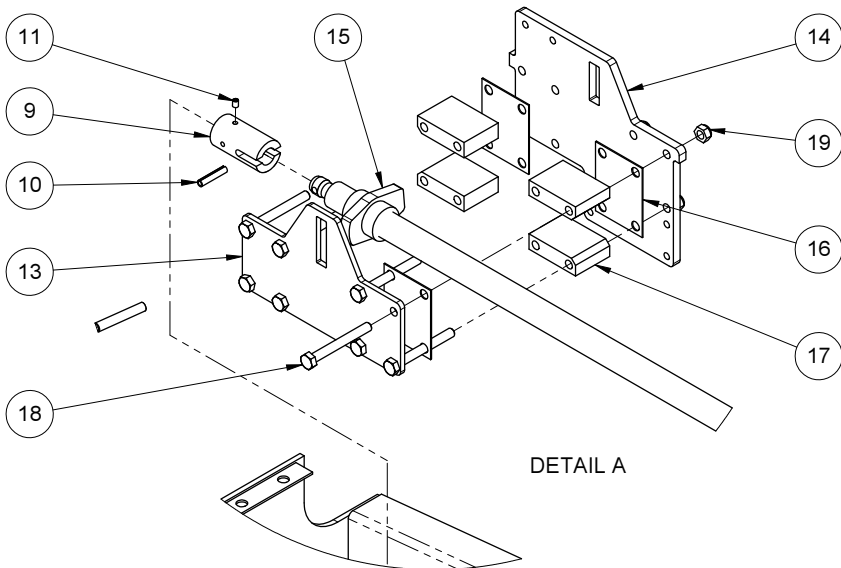
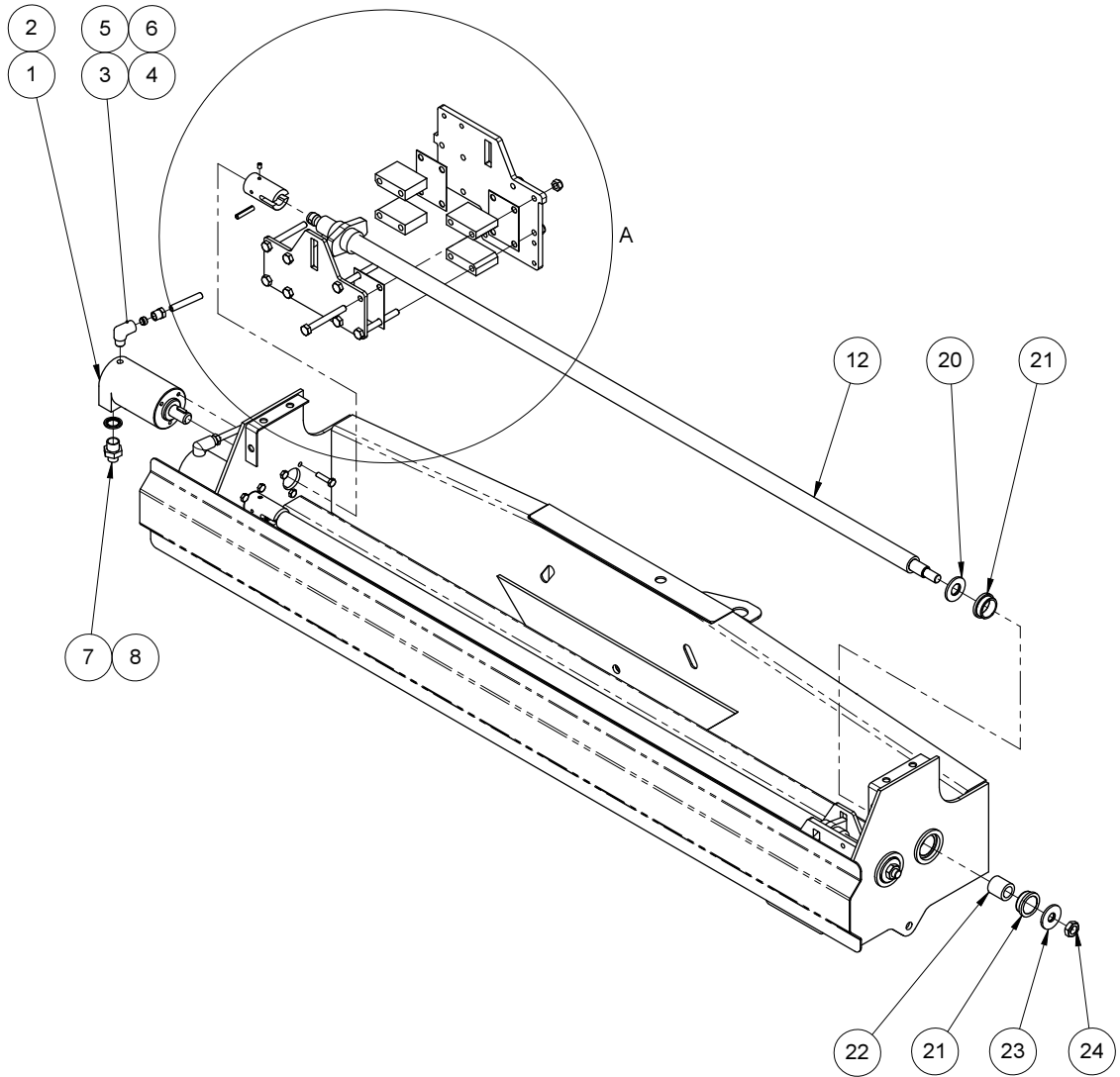
**Spray Bar Assembly**  
BoM - 37123/1 & /2



<b>Spray Bar Assembly</b> <b>BoM - 37123/1 &amp; /2</b>
--

Item No.	Part No.	Description	37123/2 Quantity	37123/1 Quantity
1	71929/1	Spraybar - Centre W/Assy	1	1
2	21/15	Jet	23	9
3	71893/1	Bolt 'U'	7	2
4	425/13	Nut Nyloc Hex MC M6	14	4
5	124/167	Setscrew M10C x 20	1	-
6	460/11	Washer Spring Single Coil M10	1	-
7	455/11	Washer Plain Plated Steel M10	1	-
8	71925/1	Spraybar - R.H. W/Assy.	1	-
9	72021/1	Manifold - W/A	1	-
10	71933/1P	Mast Assy.	2	-
11	71925/2	Spraybar - L.H. W/Assy.	1	-
12	72021/2	Manifold - W/A	1	-

**Spray Bar Extension Mechanism Assembly**  
BoM - 37124/1

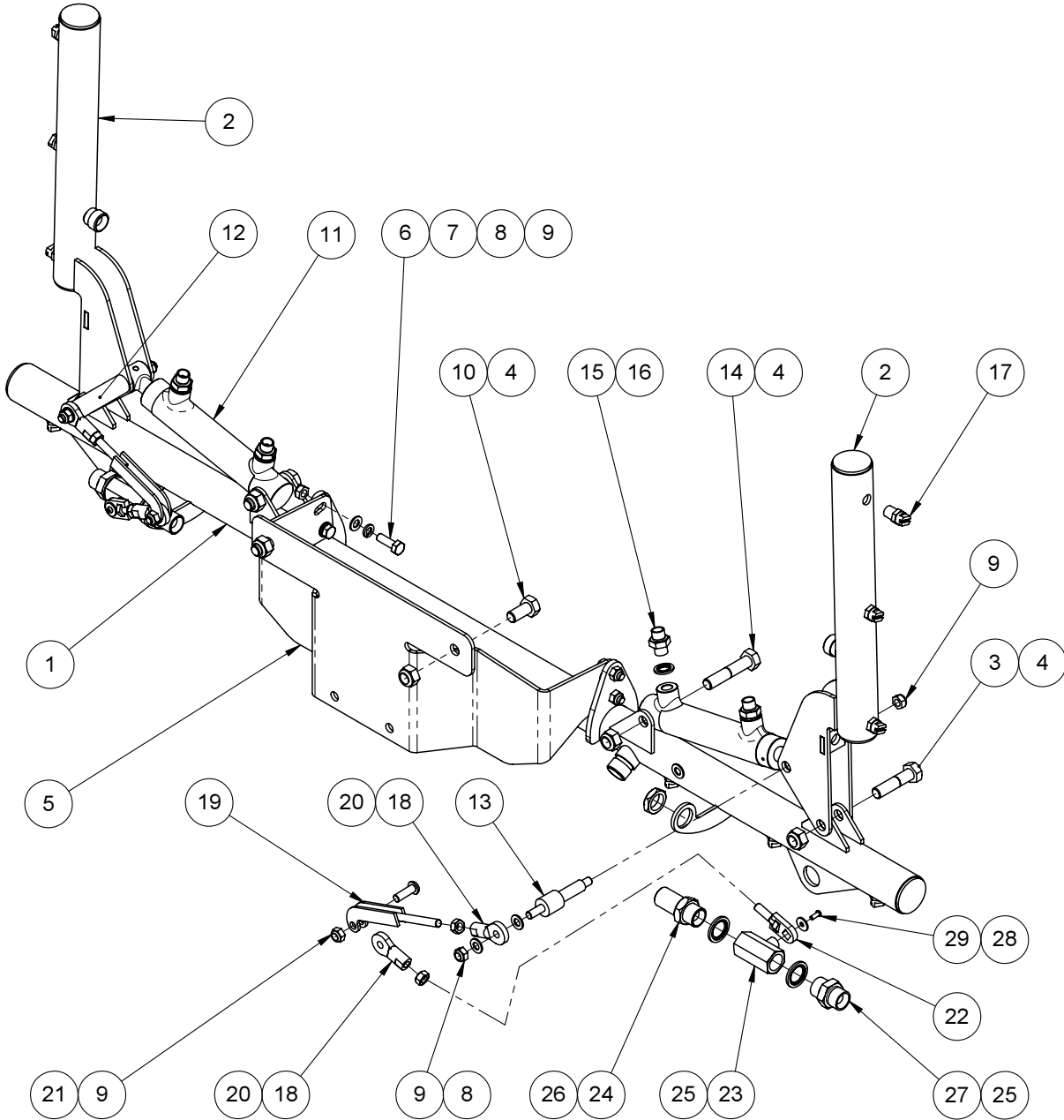




**Spray Bar Extension Mechanism Assembly**  
**BoM - 37124/1**

Item No.	Part No.	Description	Quantity
1	244/3	Motor-Danfoss shaft dia.16mm	2
2	124/105	Setscrew - M6C x 25	6
3	521/4	Adaptor Elbow 8 OD 1/8" BSP	2
4	510/4	Nut - Tube 8mm O/D	2
5	511/4	Olive - Tube 8mm O/D	2
6	12870	Tube - Nylon Black 8mm O/D	2M
7	265/2	Adaptor Reducing 1/4"x3/8" BSP	4
8	451/18	Washer - Dowty 3/8" BSP	4
9	71896/1	Coupling - Motor	2
10	59/12	Pin Tension Spring 6 O/Dx30Lg	2
11	135/37	Socket Screw Flat Point M5cx6	4
12	72130/1	Powascrow	2
13	71891/1	Plate Actuator Spraybar	2
14	71892/1	Plate Actuator Spraybar	2
15	71920/1	Nut Drive	2
16	71898/1	Shim	8
17	71897/1	Bearing - Actuator	8
18	123/114	Bolt M Coarse M8x70	16
19	425/14	Nut Nyloc Hex MC M8	16
20	71921/1	Washer	2
21	71922/1	Bearing	4
22	71923/1	Bush - Bearing	2
23	71921/2	Washer	2
24	421/16	Locknut MC Hex M12	2

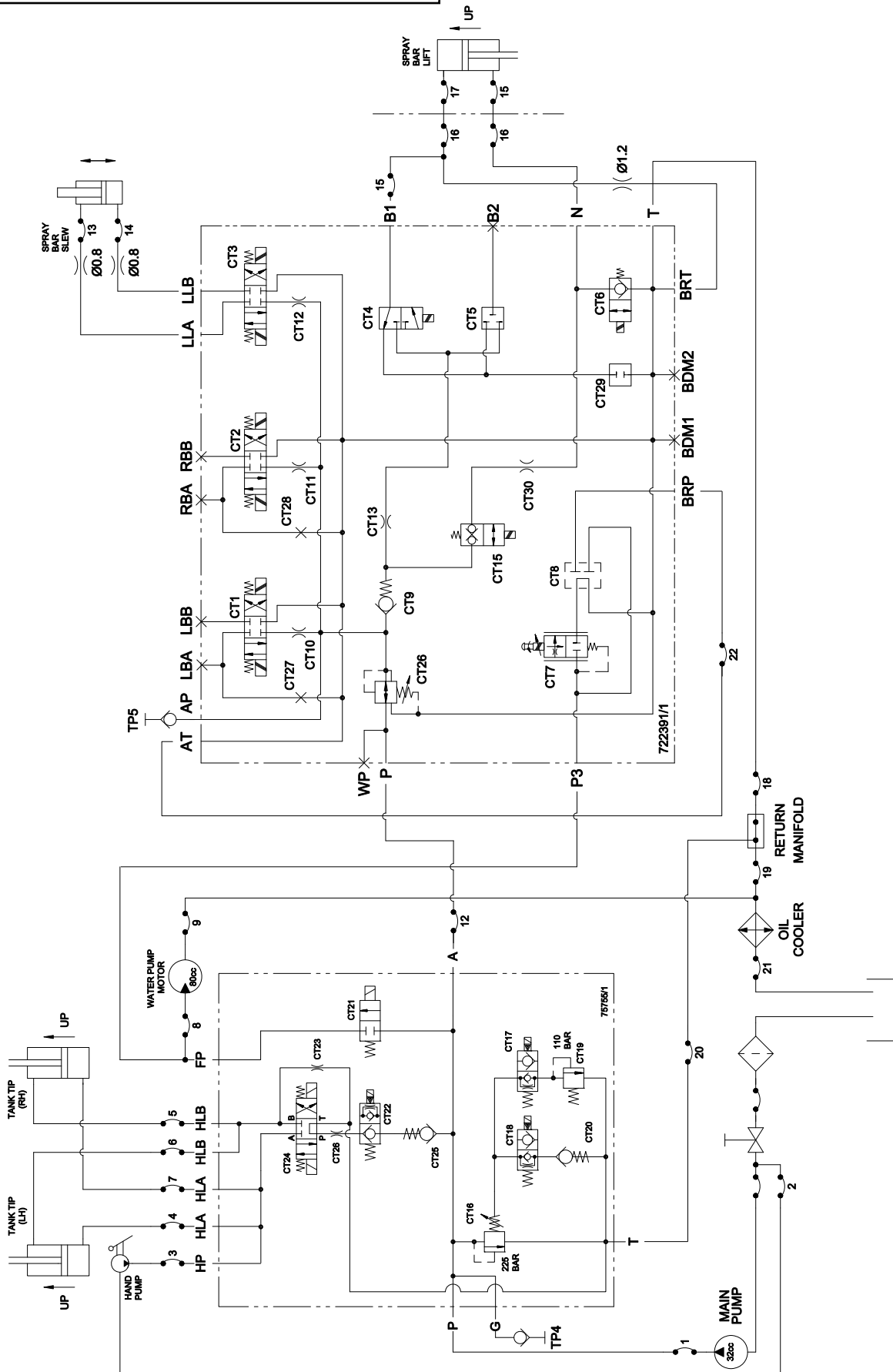
**Folding Spray Bar Assembly**  
BoM - 37115/3



<b>Folding Spray Bar Assembly</b> BoM - 37115/3
--

Item No.	Part No.	Description	Quantity
1	76642/1	Spraybar - Folding, W/Assy	1
2	76651/1	Spraybar-Folding, Side W/Assy	2
3	123/148	Bolt M Coarse M12x50	2
4	425/16	Nut Nyloc Hex MC M12	6
5	720312/1	Plate - Folding Spraybar Mount	1
6	124/137	Setscrew M8C x 25	4
7	460/10	Washer Spring Single Coil M8	4
8	455/10	Washer Plain Plated Steel M8	11
9	425/14	Nut Nyloc Hex MC M8	10
10	124/201	Setscrew M12C x 25	2
11	249/29	Ram-Hyd.,25 Bore,100 Stroke	2
12	76654/1	Pin - Ram Mounting,Dimn A = 70	1
13	76654/2	Pin - Ram Mounting,Dimn A = 22	1
14	123/150	Bolt M Coarse M12x60	2
15	263/2	Adaptor - M/M, 1/4" BSP	4
16	451/17	Washer - Dowty, 1/4" BSP	4
17	21/15	Jet	15
18	283/32	Rod End - M8 Female (DIN 648)	4
19	76656/1	Actuator-Ballvalve,Fork W/Assy	2
20	420/14	Nut MC Hex M8	4
21	138/125	Setscrew Soc Btn Hd. M8x25	2
22	76659/1	Actuator-Ball Valve, W/Assy	2
23	88/9	Valve - Ball 1/2"	2
24	264/4	Adaptor - M/M Blk 1/2" BSP	2
25	415/19	Washer - Dowty 1/2" BSP	4
26	410/80	Backnut 1/2" BSP	2
27	263/4	Adaptor - M/M 1/2" BSP	2
28	457/1	Washer - Plan, M5 Form G	2
29	138/32	Screw - Skt Btn Hd, M4C x 10	2

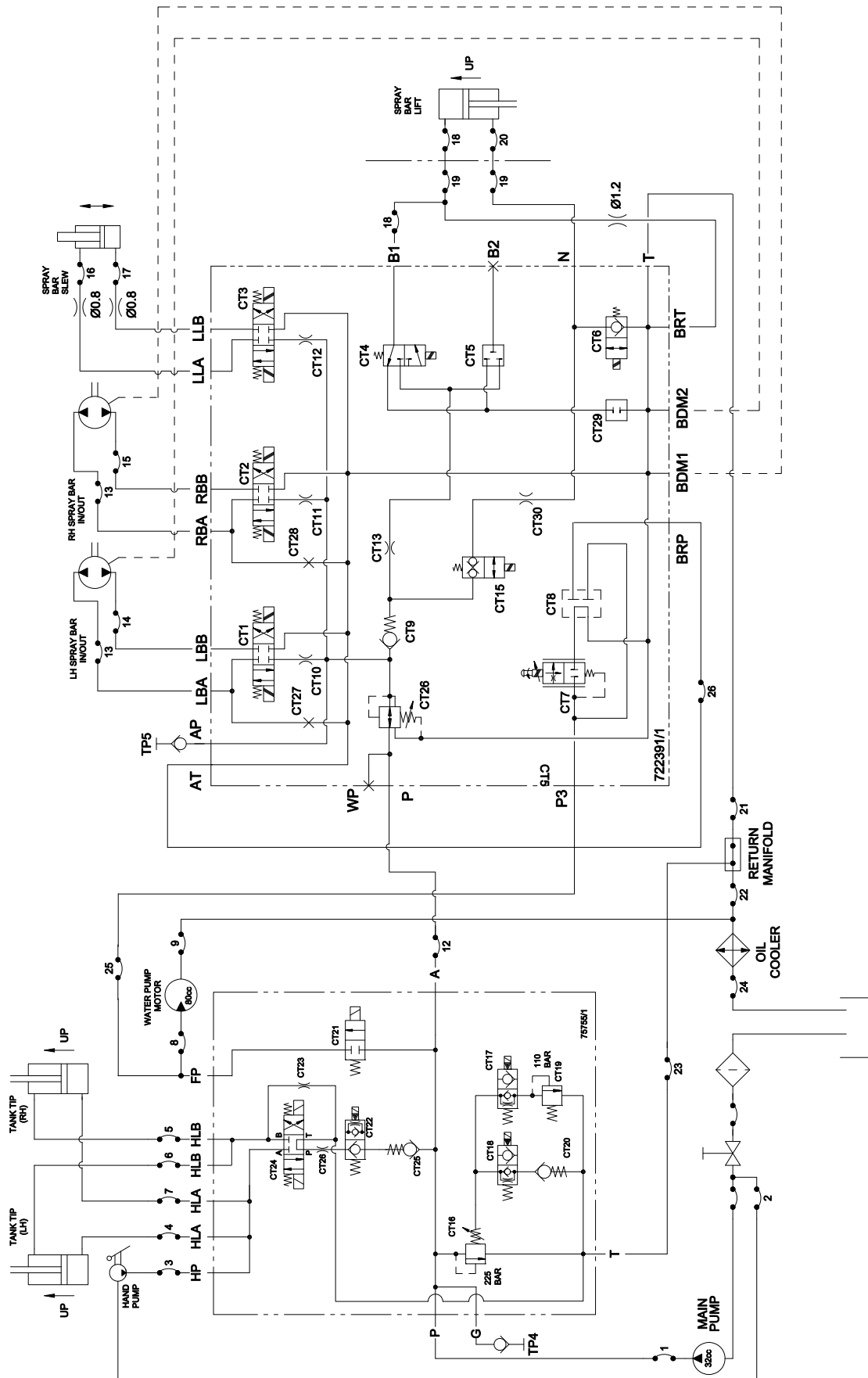
**Hydraulic Hose Circuit - Fixed Spray Bar**  
BoM - 37125/54



<b>Hydraulic Hose Circuit - Fixed Spray Bar</b> BoM - 37125/54
---

Item No.	Part No.	Description	Quantity
1	HF12024/117/325	Hose - Twinflex 3/4" 45sx90c Gear pump to port 'P'	1
2	HC06044/59/270	Hose - Megaflex 3/8" 90sx90c Suction manifold to hand pump	1
3	HC04043/28/180	Hose - Megaflex 1/4" 90sx90s Port 'HP' to hand pump	1
4	HC04043/116/160	Hose - Megaflex 1/4" 90sx90s Port 'HLA' to LH hopper ram (raise)	1
5	HC04002/24	Hose - Megaflex 1/4" STRx90s Port 'HLB' RH hopper ram (lower)	1
6	HC04002/51	Hose - Megaflex 1/4" STRx90s Port 'HLB' to LH hopper ram (lower)	1
7	HC04002/114	Hose - Megaflex 1/4" STRx90s Port 'HLA' to RH hopper ram (raise)	1
8	HC08043/175/180	Hose - Megaflex 1/2" 90sx90s Port 'FP' to water pump motor	1
9	HC08043/80/45	Hose - Megaflex 1/2" 90sx90s Water pump motor to oil cooler	1
10	-	-	-
11	-	-	-
12	HC08023/238/90	Hose - Megaflex 1/2" 45sx90s Port 'A' to port 'P' (sweep control manifold)	1
13	HC04043/115	Hose - Megaflex 1/4" 90sx90s Port 'LLA' (sweep control manifold) to spraybar slew ram	1
14	HC06000/135	Hose - Megaflex 1/4" 90sx90s Port 'LLB' (sweep control manifold) to spraybar slew ram	1
15	HC04002/44	Hose - Megaflex 1/4" STRx90s Port 'B1' (sweep control manifold) to port 'BRT' Slew plate bulkhead to lift ram raise	2
16	HC04002/145	Hose - Megaflex 1/4" 45sx90s Port 'BRT' to slew plate bulkhead Port 'B2' (sweep control manifold) to slew plate bulkhead	2
17	HC04023/35	Hose - Megaflex 1/2" STRx90s Slew plate bulkhead to lift ram lower	1
18	HC08002/78	Hose - Hydraulic 1" STRx90c Port 'T' (sweep control manifold) to return manifold	1
19	HE16003/56	Hose - Hydraulic 1" STRx90c Oil cooler to return manifold	1
20	HQ08044/33/80	Hose - Megatuff 1/2" 90cx90s Rear valve block to return manifold	1
21	HE16063/154/180	Hose - Hydraulic 1" 90cx90c Hydraulic tank to oil cooler	1
22	HC06043/33	Hose - Hydraulic 3/8" 90sx90s Port BRP to Port AT (sweep control manifold)	1

**Hydraulic Hose Circuit - Expanding Spray Bar**  
BoM - 37125/55



**Hydraulic Hose Circuit - Expanding Spray Bar**  
 BoM - 37125/55

Item No.	Part No.	Description	Standard + Air Con.	
			Quantity	Quantity
1	HP12024/117/325	Hose - Megatuff 3/4" 45sx90c Gear pump to port 'P'	1	1
2	HL06044/59/270	Hose - Megatuff 3/8" 90sx90c Suction manifold to hand pump	1	1
3	HL04043/28/180	Hose - Megatuff 1/4" 90sx90s Port 'HP' to hand pump	1	1
4	HL04043/116/160	Hose - Megatuff 1/4" 90sx90s Port 'HLA' to LH hopper ram (raise)	1	1
5	HL04002/24	Hose - Megatuff 1/4" STRx90s Port 'HLB' RH hopper ram (lower)	1	1
6	HL04002/51	Hose - Megatuff 1/4" STRx90s Port 'HLB' to LH hopper ram (lower)	1	1
7	HL04002/114	Hose - Megatuff 1/4" STRx90s Port 'HLA' to RH hopper ram (raise)	1	1
8	HC08043/175/180	Hose - Megatuff 1/2" STRx90s Port 'FP' to water pump motor	1	-
9	HC08043/80/45	Hose - Megatuff 1/2" STRx90s Water pump motor to oil cooler	1	1
12	HC08023/238/90	Hose - Megatuff 1/2" 45sx90s Port 'A' to port 'P' (sweep control manifold)	1	1
13	HC04043/200/60	Hose - Megaflex 1/4" 90sx90s Port 'LBA' (sweep control manifold) to LH spraybar motor Port 'RBA' (sweep control manifold) to RH spraybar motor	2	2
14	HC04043/200/60	Hose - Megaflex 1/4" 90sx90s Port 'LBB' (sweep control manifold) to LH spraybar motor	1	1
15	HC04043/210/90	Hose - Megaflex 1/4" 90sx90s Port 'RBB' (sweep control manifold) to RH spraybar motor	1	1
16	HC04043/125/90	Hose - Megaflex 1/4" 90sx90s Port 'LLA' (sweep control manifold) to spraybar slew ram	1	1
17	HC04043/145/90	Hose - Megaflex 1/4" 90sx90s Port 'LLB' (sweep control manifold) to spraybar slew ram	1	1
18	HC04002/55	Hose - Megaflex 1/4" STRx90s Port 'B1' (sweep control manifold) to port 'BRT' Slew plate bulkhead to lift ram lower	2	2
19	HC04002/55.5	Hose - Megaflex 1/4" STRx90s Port 'BRT' to slew plate bulkhead	1	1
20	HC04043/45	Hose - Megaflex 1/4" 90sx90s Slew plate bulkhead to lift ram raise	1	1
21	HL08002/78	Hose - Megatuff 1/2" STRx90s Port 'T' (front valve block) to return manifold	1	1
22	HE16003/56	Hose - Hydraulic 1" STRx90c Oil cooler to return manifold	1	1
23	HQ08044/33/90	Hose - Megatuff 1/2" 90cx90s Rear valve block to return manifold	1	1
24	HE16063/154/180	Hose-Hydraulic 1" 90cx90c Hydraulic tank to oil cooler	1	1

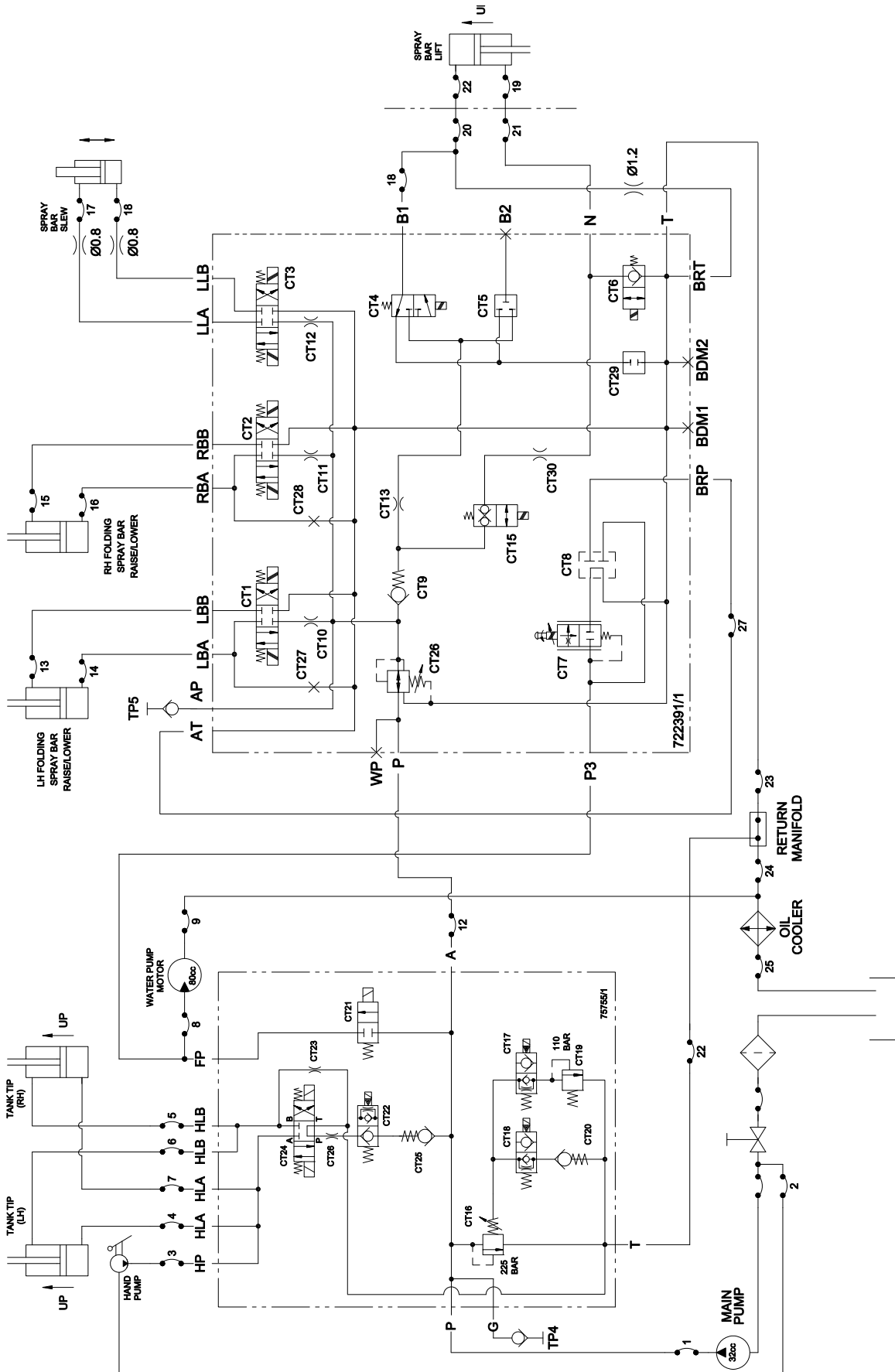
<b>Hydraulic Hose Circuit - Expanding Spray Bar</b> <b>BoM - 37125/55</b>
--

<b>Item No.</b>	<b>Part No.</b>	<b>Description</b>	<b>Standard Quantity</b>	<b>+ Air Con. Quantity</b>
25	HQ08002/310	Hose - Megatuff 1/2" STRx90s Port FP (rear manifold block) to return manifold	1	-
26	HC06043/33	Hose - Megaflex 3/8" 90s x 90s Port BRP to Port AT (Sweep Control Manifold)	1	1
27	HC04002/40	Hose - Megaflex 1/4" STR x 90s Port 'N' (sweep control manifold) to slew plate bulkhead	1	1
28	HL08002/170	Hose - Megatuff 1/2" STRx90s Port 'FP' to water pump tee	-	1
29	HQ08002/165	Hose - Megatuff 1/2" STRx90s Water pump tee to Port 'P3' (Sweep Control Manifold)	-	1



**Hydraulic Hose Circuit - Expanding Spray Bar**  
BoM - 37125/55

**Hydraulic Hose Circuit - Folding Spray Bar**  
BoM - 37125/56



**Hydraulic Hose Circuit - Folding Spray Bar**  
 BoM - 37125/56

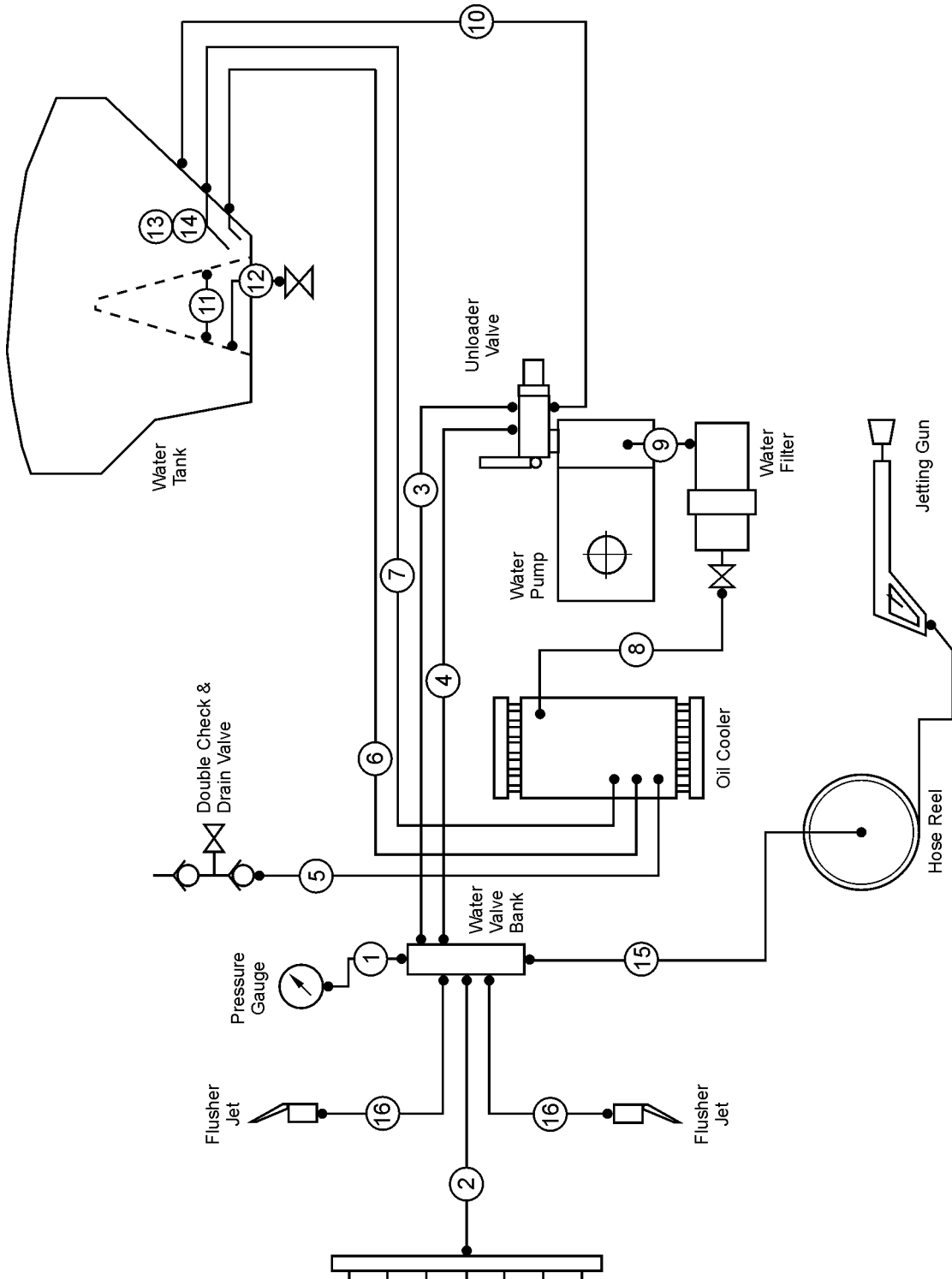
Item No.	Part No.	Description	Quantity
1	HF12024/117/325	Hose - Twinflex 3/4" 45sx90c Gear pump to port 'P'	1
2	HC06044/59/270	Hose - Megaflex 3/8" 90sx90c Suction manifold to hand pump	1
3	HC04043/28/180	Hose - Megaflex 1/4" 90sx90s Port 'HP' to hand pump	1
4	HC04043/116/160	Hose - Megaflex 1/4" 90sx90s Port 'HLA' to LH hopper ram (raise)	1
5	HC04002/24	Hose - Megaflex 1/4" STRx90s Port 'HLB' RH hopper ram (lower)	1
6	HC04002/51	Hose - Megaflex 1/4" STRx90s Port 'HLB' to LH hopper ram (lower)	1
7	HC04002/114	Hose - Megaflex 1/4" STRx90s Port 'HLA' to RH hopper ram (raise)	1
8	HC08043/175/180	Hose - Megaflex 1/2" 90sx90s Port 'FP' to water pump motor	1
9	HC08043/80/45	Hose - Megaflex 1/2" 90sx90s Water pump motor to oil cooler	1
10	HC06002/345	Hose - Megaflex 3/8" STRx90s Port 'FP' to speed control valve	1
11	HC06000/135	Hose - Megaflex 3/8" STRxSTR Speed control valve to return manifold	1
12	HC08023/238/90	Hose - Megaflex 1/2" 45sx90s Port 'A' to port 'P' (sweep control manifold)	1
13	HC04043/240/180	Hose - Megaflex 1/4" 90sx90s Port 'LBB' to LH spraybar lower	1
14	HC04043/254/180	Hose - Megaflex 1/4" 90sx90s Port 'LBA' to LH spraybar raise	1
15	HC04043/184/180	Hose - Megaflex 1/4" 90sx90s Port 'RBB' to RH spraybar lower	1
16	HC04043/194/180	Hose - Megaflex 1/4" 90sx90s Port 'RBA' to RH spraybar raise	1
17	HC04043/115	Hose - Megaflex 1/4" 90sx90s Port 'LLA' (sweep control manifold) to spraybar slew ram	1
18	HC04043/135	Hose - Megaflex 1/4" 90sx90s Port 'LLB' (sweep control manifold) to spraybar slew ram	1
19	HC04002/44	Hose - Megaflex 1/4" STRx90s Port 'B1' (sweep control manifold) to port 'BRT' Slew plate bulkhead to lift ram lower	2
20	HC04002/145	Hose - Megaflex 1/4" STRx90s Port 'BRT' to slew plate bulkhead Port 'B2' (sweep control manifold) to slew plate bulkhead	2
21	HC04023/35	Hose - Megaflex 1/4" 45sx90s Slew plate bulkhead to lift ram raise	1
22	HC08002/78	Hose - Megaflex 1/2" STRx90s Port 'T' (front valve block) to return manifold	1

**Hydraulic Hose Circuit - Folding Spray Bar**  
**BoM - 37125/56**

<b>Item No.</b>	<b>Part No.</b>	<b>Description</b>	<b>Quantity</b>
23	HE16003/56	Hose - Hydraulic 1" STRx90c Oil cooler to return manifold	1
24	HQ08044/33/80	Hose - Megatuff 1/2" 90cx90s Rear valve block to return manifold	1
25	HE16063/154/180	Hose-Hydraulic 1" 90cx90c Hydraulic tank to oil cooler	1
26	HC04002/40	Hose - Megaflex 3/8" 90s x 90s Port BRP to Port AT (Sweep Control Manifold)	1

**Hydraulic Hose Circuit - Folding Spray Bar**  
BoM - 37125/56

**Water Hose Circuit - Fixed Spray Bar (Euro 4)**  
BoM - 37126/54



**Water Hose Circuit - Fixed Spray Bar (Euro 4)**  
 BoM - 37126/54

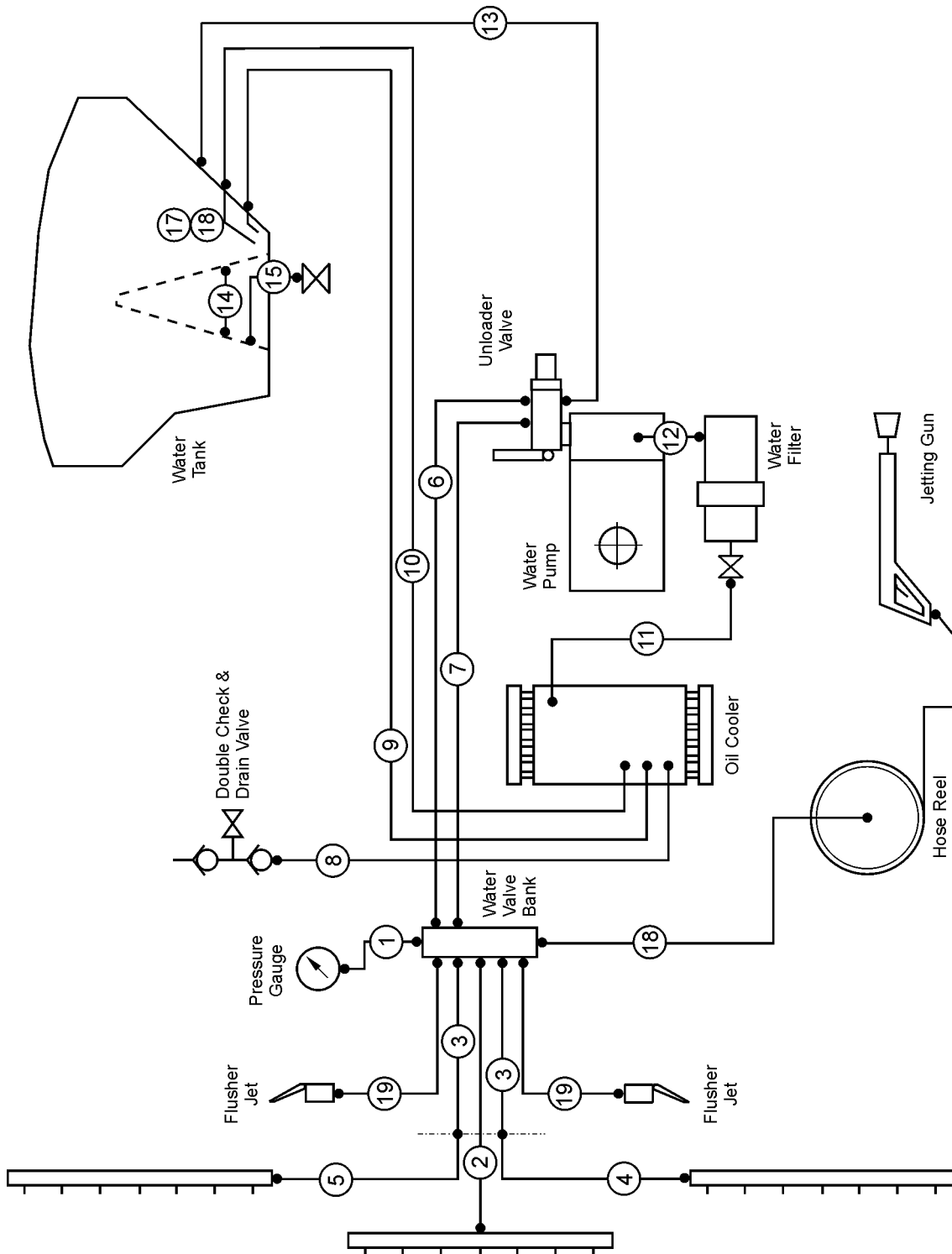
Item No.	Part No.	Description	Quantity
1	HP03003/150	Hose - Parflex 3/16" STRx90c Manifold to pressure gauge	1
2	HE10003/235	Hose - Hydraulic 5/8" STRx90c Manifold to centre spraybar	1
3	HA10023/120/90	Hose - Hydraulic 5/8" 45sx90s Unloader valve to manifold	1
4	HA10023/100/270	Hose - Hydraulic 5/8" 45sx90s Unloader valve to manifold	1
5	260/27	Hose - Reinforced Water, 1 1/2" Fill point to oil cooler	0.7m
6	260/26	Hose - Reinforced Water, 1 1/4" Water tank to oil cooler	3.36m
7	260/26	Hose - Reinforced Water, 1 1/4" Water tank to oil cooler	3.36m
8	260/27	Hose - Reinforced Water, 1 1/2" Oil cooler to filter	0.9m
9	260/27	Hose - Reinforced Water, 1 1/2" Filter to water pump	0.15m
10	260/16	Hose - 1" bore suction unloader valve to water tank	3m
11	260/27	Hose - Reinforced Water, 1 1/2" Water tank link hose	0.2m
12	260/27	Hose - Reinforced Water, 1 1/2" Water tank drain hose	0.5m
13	260/28	Hose - Suction, 1 1/4" Water tank internal	0.5m
14	260/28	Hose - Suction, 1 1/4" Water tank internal	0.5m
15	HA06001/193	Hose - Hydraulic 3/8" STRx45s Manifold to hosereel	1
16	HA10001/157	Hose - Hydraulic 5/8" STRx45s Manifold to LH & RH flusher jets	2

**Note:** The above listed parts include the following Add On Options

**Add On - Flusher Jets - 2036/1P & /2**

**Add On - Hose Reel with Flusher Jets - 2036/3P**

**Water Hose Circuit - Expanding Spray Bar (Euro 4)**  
BoM - 37162/55





**Water Hose Circuit - Expanding Spray Bar (Euro 4)**  
 BoM - 37162/55

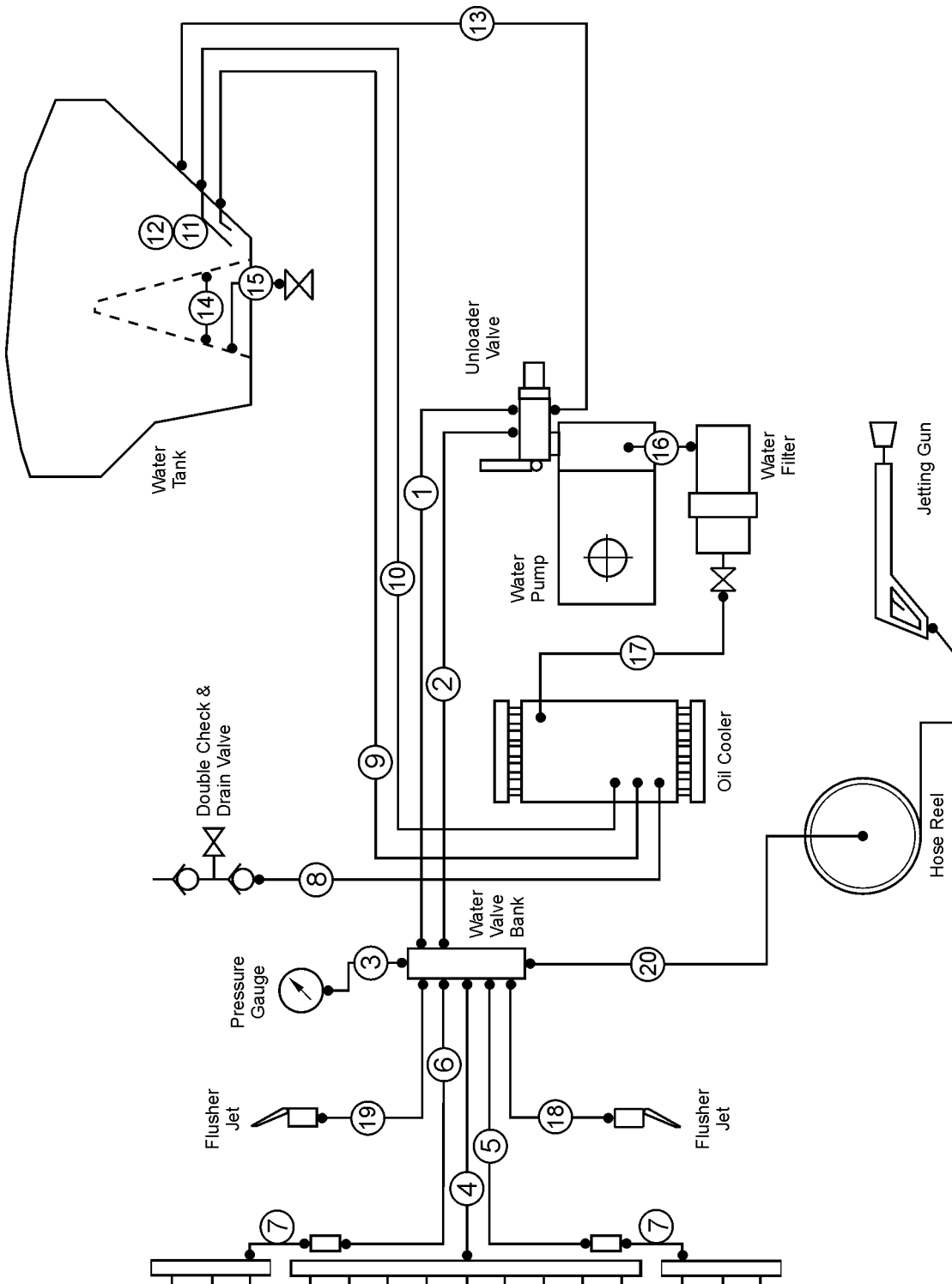
Item No.	Part No.	Description	Quantity
1	HP03003/150	Hose - Parflex 3/16" STRx90c Manifold to pressure gauge	1
2	HE10003/235	Hose - Hydraulic 5/8" STRx90c Manifold to centre spray bar	1
3	HF08003/220	Hose - Twinflex 1/2" STRx90c Manifold to spray bar bulkhead	2
4	HC08063/87	Hose - Megaflex 1/2" 90cx90c Spray bar bulkhead to LH spray bar	1
5	HC08063/90	Hose - Megaflex 1/2" 90cx90c Spray bar bulkhead to RH spray bar	1
6	HA10023/120/90	Hose - Hydraulic 5/8" 45sx90s Unloader valve to manifold	1
7	HA10023/100/270	Hose - Hydraulic 5/8" 90sx90s Unloader valve to manifold	1
8	260/27	Hose - Reinforced Water, 1 1/2" Fill point to oil cooler	0.7m
9	260/26	Hose - Reinforced Water, 1 1/4" Water tank to oil cooler	3.36m
10	260/26	Hose - Reinforced Water, 1 1/4" Water tank to oil cooler	3.36m
11	260/27	Hose - Reinforced Water, 1 1/2" Oil cooler to filter	0.9m
12	260/27	Hose - Reinforced Water, 1 1/2" Filter to water pump	0.15m
13	260/16	Hose - 1" bore suction unloader valve to water tank	3m
14	260/27	Hose - Reinforced Water, 1 1/2" Water tank link hose	0.2m
15	260/27	Hose - Reinforced Water, 1 1/2" Water tank drain hose	0.5m
16	260/28	Hose - Suction, 1 1/4" Water tank internal	0.5m
17	260/28	Hose - Suction, 1 1/4" Water tank internal	0.5m
18	HA06001/193	Hose - hydraulic 3/8" STRx45s Manifold to hosereel	1
19	HA10001/157	Hose - hydraulic 5/8" STRx45s Manifold to LH & RH flusher jets	2

**Note:** The above listed parts include the following Add On Options

**Add On - Flusher Jets - 2036/1P & /2**

**Add On - Hose Reel with Flusher Jets - 2036/3P**

**Water Hose Circuit - Folding Spray Bar (Euro 4)**  
BoM - 37126/56



**Water Hose Circuit - Folding Spray Bar (Euro 4)**  
 BoM - 37126/56

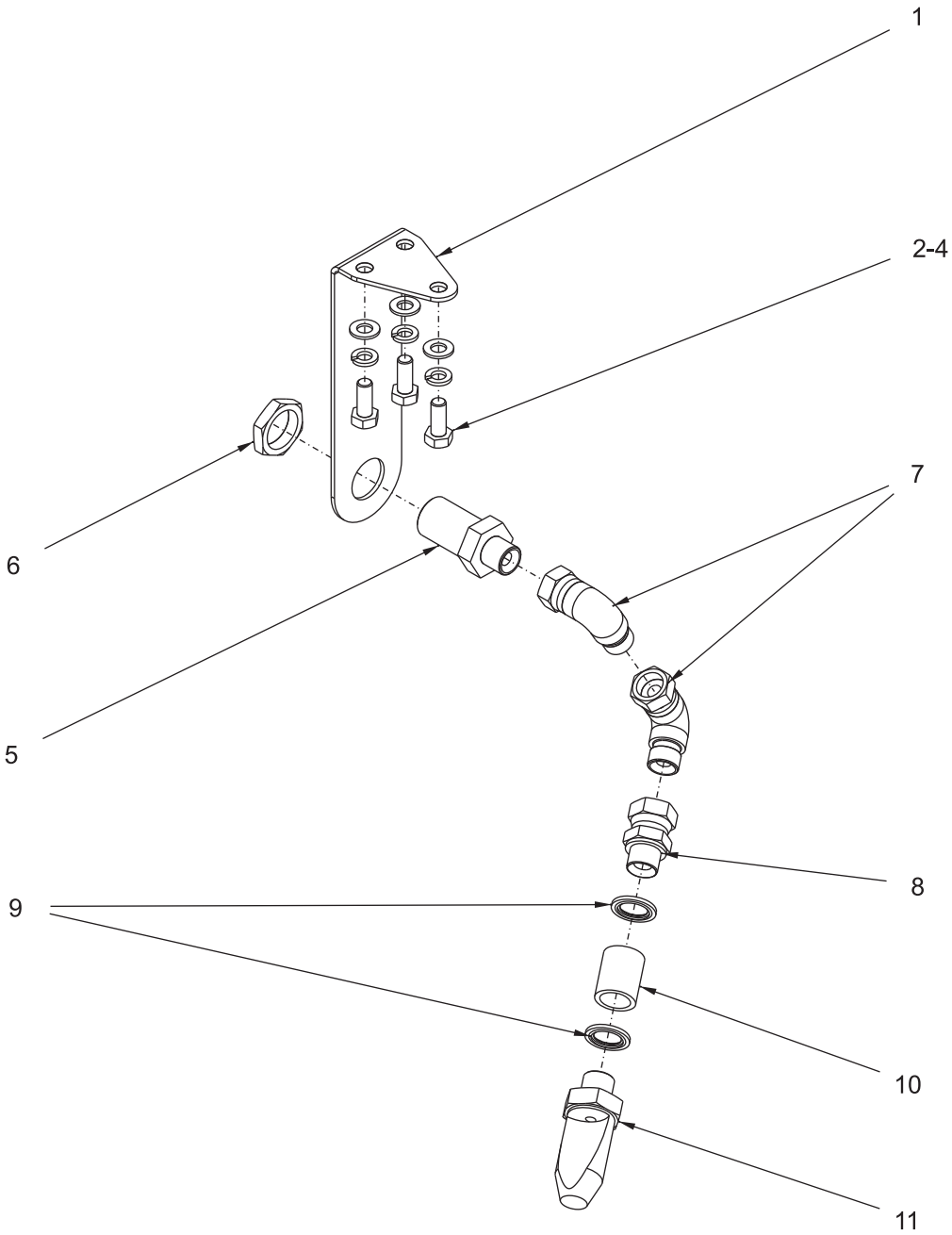
Item No.	Part No.	Description	Quantity
1	HA10023/120/90	Hose - Hydraulic 5/8" 45sx90s Unloader Valve to Manifold	1
2	HA10023/100/270	Hose - Hydraulic 5/8" 45sx90s Unloader Valve to Manifold	1
3	HP03003/150	Hose - Parflex 3/16" STRx90c Manifold to Pressure Gauge	1
4	HA10001/238	Hose - Hydraulic 5/8" STRx45s Manifold to Centre Spraybar	1
5	HA08000/278	Hose - Hydraulic 1/2" STRxSTR Manifold to LH Spraybar	1
6	HA08001/228	Hose - Hydraulic 1/2" STRx45s Manifold to RH Spraybar	1
7	HA08002/52	Hose - Hydraulic 1/2" STRx90s Bulkhead to LH Spraybar Bulkhead to RH Spraybar	2
8	260/27	Hose - Reinforced Water, 1 1/2" Fill point to oil cooler	0.7m
9	260/26	Hose - Reinforced Water, 1 1/4" Water tank to oil cooler	3.36m
10	260/26	Hose - Reinforced Water, 1 1/4" Water tank to oil cooler	3.36m
11	260/28	Hose - Suction, 1 1/4" Water tank internal	0.5m
12	260/28	Hose - Suction, 1 1/4" Water tank internal	0.5m
13	260/16	Hose - 1" bore suction unloader valve to water tank	3m
14	260/27	Hose - Reinforced Water, 1 1/2" Water tank link hose	0.2m
15	260/27	Hose - Reinforced Water, 1 1/2" Water tank drain hose	0.5m
16	260/27	Hose - Reinforced Water, 1 1/2" Filter to water pump	0.15m
17	260/27	Hose - Reinforced Water, 1 1/2" Oil cooler to filter	0.9m
18	HA10002/290	Hose - Hydraulic 5/8" STRx90s Manifold to LH Flusher Jet	1
19	HA10002/240	Hose - Hydraulic 5/8" STRx90s Manifold to RH Flusher Jet	1
20	HA06001/193	Hose - Hydraulic 3/8" STRx45s Manifold to hosereel	1

**Note:** The above listed parts include the following Add On Options

**Add On - Flusher Jets - 2036/1P & /2**

**Add On - Hose Reel with Flusher Jets - 2036/3P**

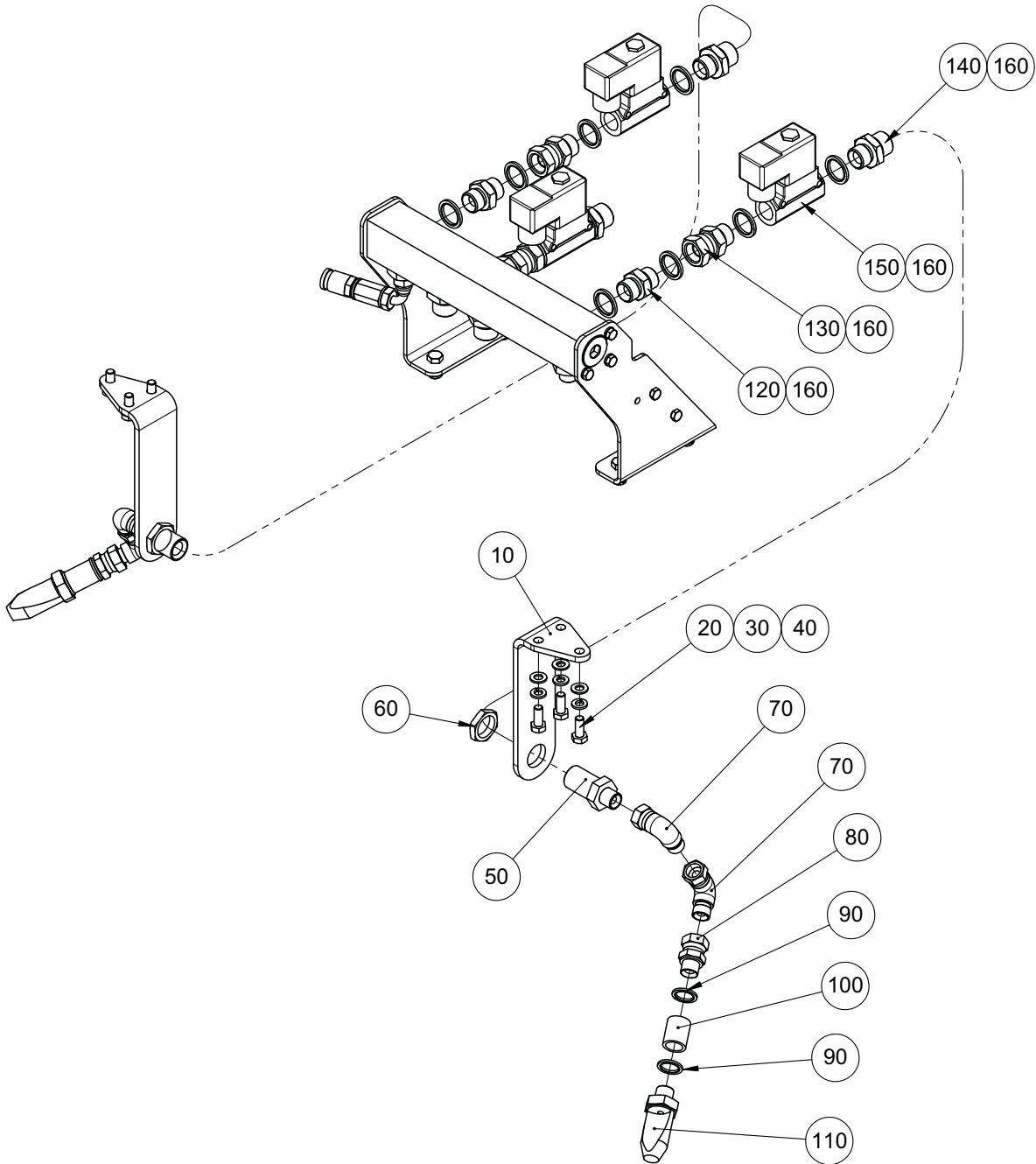
**Flusher Jet Assembly (Euro 4)**  
BoM - 2036/51P



**Flusher Jet Assembly (Euro 4)  
BoM - 2036/51P**

<b>Item No.</b>	<b>Part No.</b>	<b>Description</b>	<b>Quantity</b>
1	721960/1	Bracket - Flusher Jet	2
2	124/135	Setscrew M8C x 20	6
3	460/10	Washer Spring Single Coil M8	6
4	455/10	Washer Plain Plated Steel M8	6
5	72060/1	Bulkhead Fitting G5/8"xG3/8"	2
6	410/43	Nut - Back G 5/8"	2
7	277/11	Elbow - Swivel G3/8" M/F	4
8	267/3	Adaptor - M/F 3/8" BSP	2
9	451/18	Washer - Dowty 3/8" BSP (M16)	4
10	72061/1	Socket - G3/8"	2
11	21/18	Jet - Flusher	2

**Flusher Jet Assembly (Under Cab Mounted - Euro 5)**  
BoM - 7013359

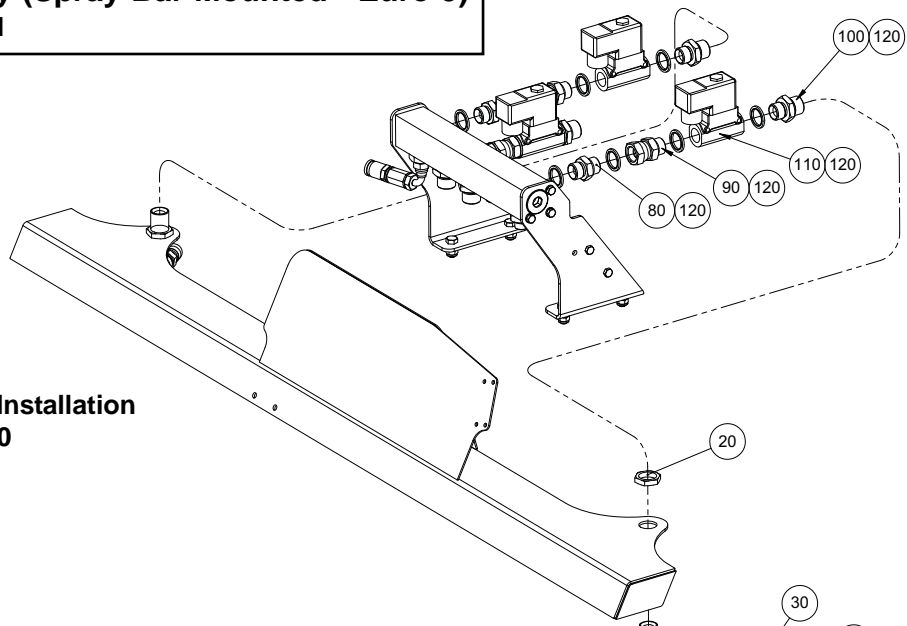


## Flusher Jet Assembly (Under Cab Mounted - Euro 5)

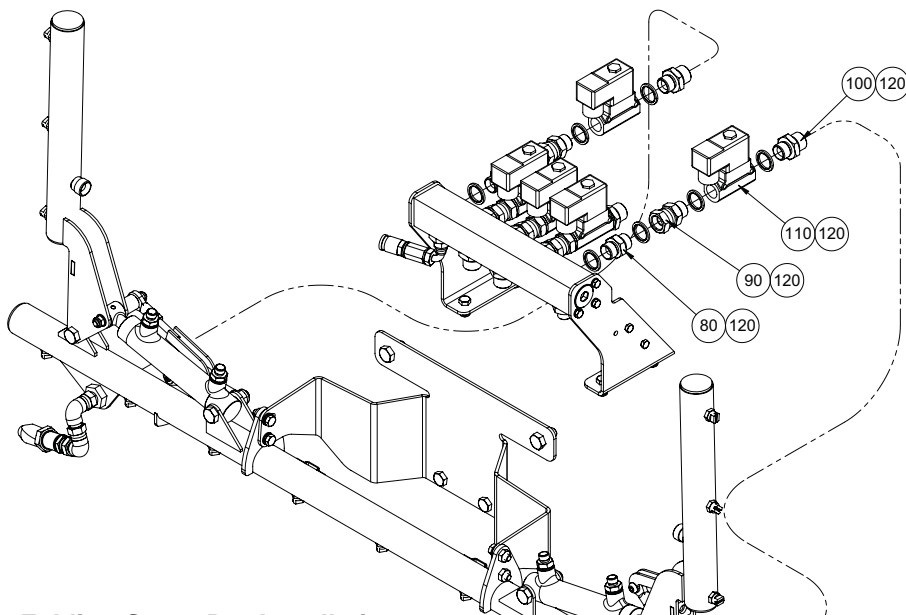
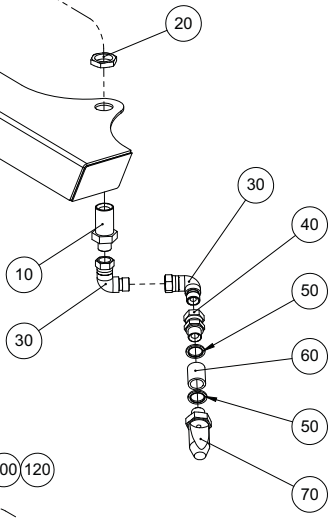
BoM - 7013359

Item No.	Part No.	Description	Quantity
10	721960-1	Bracket - Flusher Jet	2
20	92097374-0	Hex Head Screw M8Cx20 8.8	6
30	93699710-0	Spring Washer - Plated M8	6
40	93212011-0	Plain Washer M8	6
50	72060-1	Bulkhead Fitting G5/8"xG3/8"	2
60	410-43	Nut - Back G 5/8"	2
70	277-11	Elbow - Swivel G3/8" M/F	4
80	267-3	ADAPTOR-SWIVEL M/F 3/8"BSP	2
90	451-18	Washer Bonded G3-8"	4
100	72061-1	Socket - G3/8"	2
110	21-18	Jet - Flusher	2
120	263-4	Adaptor M/M 1/2" BSP	2
130	267-4	ADAPTOR-SWIVEL M/F 1/2"BSP	2
140	265-6	Adaptor Reducing M/M 1/2"x5/8" BSP	2
150	89-13	Valve - G 1/2" Solenoid	2
160	451-19	Washer Bonded G1-2"	8

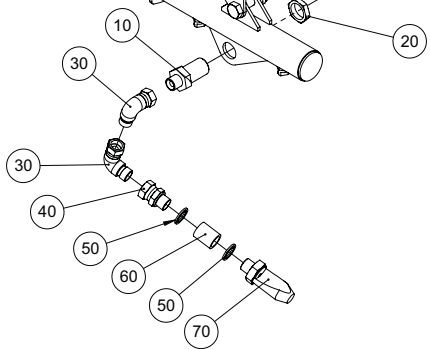
**Flusher Jet Assembly (Spray Bar Mounted - Euro 5)**  
**BoM - 7013360 & 7013361**



**Fixed Spray Bar Installation**  
**7013360**



**Folding Spray Bar Installation**  
**7013361**

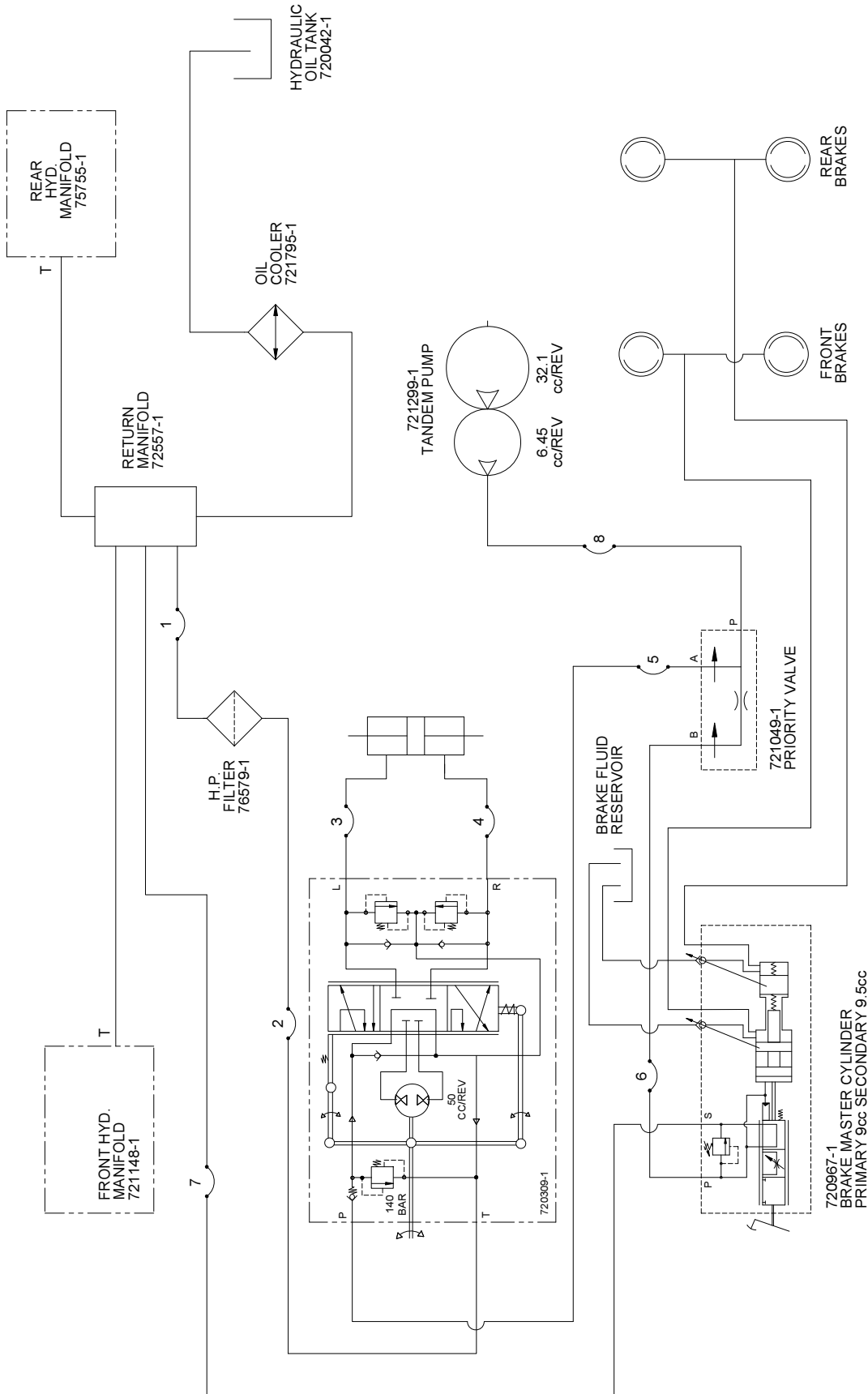




**Flusher Jet Assembly (Spray Bar Mounted - Euro 5)**  
BoM - 7013360 & 7013361

Item No.	Part No.	Description	Quantity
10	72060-1	Bulkhead Fitting G5/8"xG3/8"	2
20	410-43	Nut - Back G 5/8"	2
30	277-11	Elbow - Swivel G3/8" M/F	4
40	267-3	ADAPTOR-SWIVEL M/F 3/8"BSP	2
50	451-18	Washer Bonded G3-8"	4
60	72061-1	Socket - G3/8"	2
70	21-18	Jet - Flusher	2
80	263-4	Adaptor M/M 1/2" BSP	2
90	267-4	ADAPTOR-SWIVEL M/F 1/2"BSP	2
100	265-6	Adaptor Reducing M/M 1/2"x5/8" BSP	2
110	89-13	Valve - G 1/2" Solenoid	2
120	451-19	Washer Bonded G1-2"	8

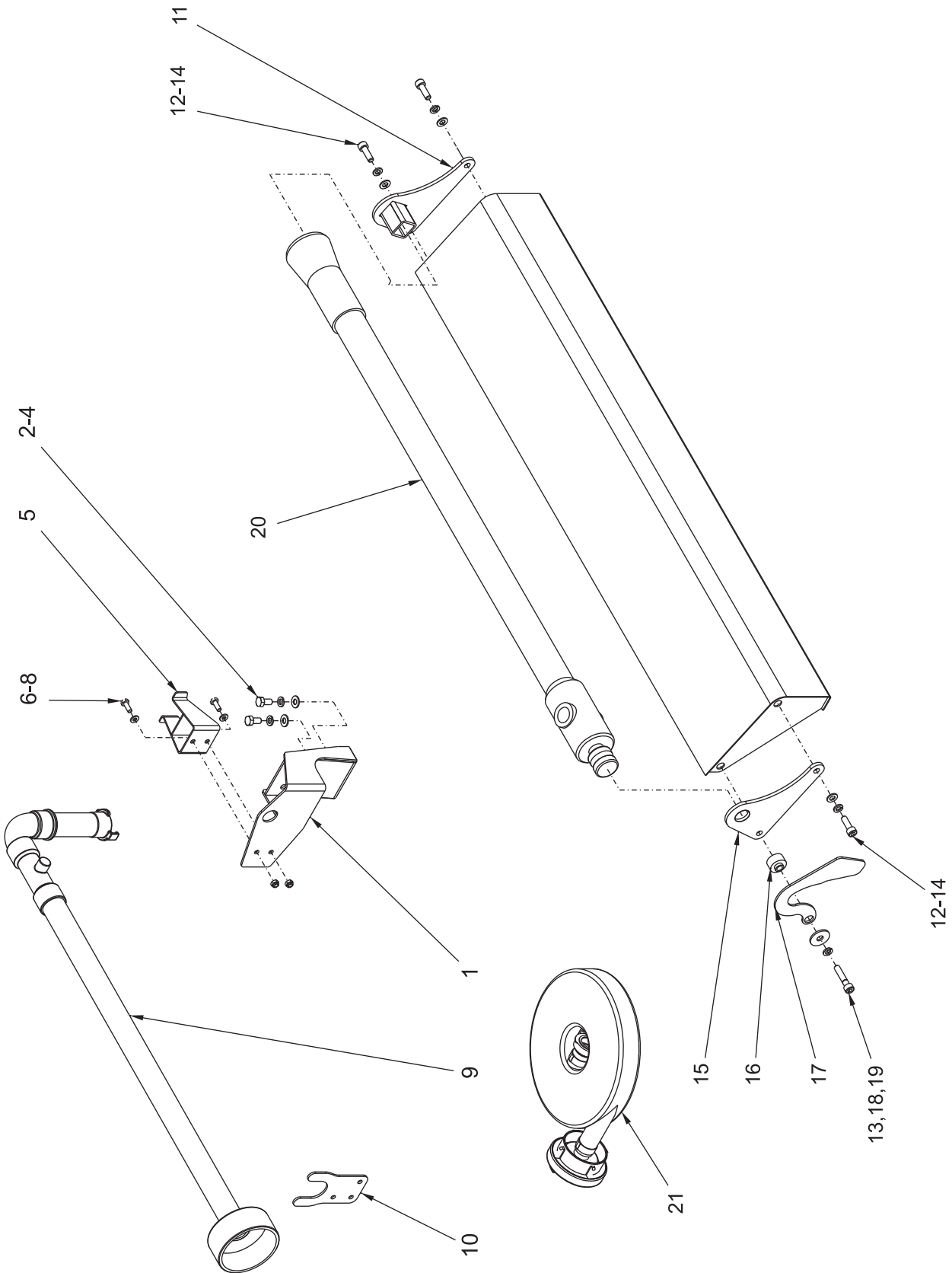
**Hydraulic Hose Circuit - Steering - Euro 4**  
**BoM - 37125/54**



<b>Hydraulic Hose Circuit - Steering</b> <b>BoM - 37125/54</b>
---

Item No.	Part No.	Description	Quantity
1	HL08002/70	Hose - Megatuff 1/2" STRx90s Return manifold to return filter	1
2	HL06002/163	Hose - Megatuff 3/8" STRx90s Return filter to port 'T' steering motor	1
3	HL04002/186	Hose - Megatuff 1/4" STRx90s Port 'L' steering motor to steering ram	1
4	HL04002/186	Hose - Megatuff 1/4" STRx90s Port 'R' steering motor to steering ram	1
5	HL06001/140	Hose - Megatuff 3/8" STRx45s Port 'P' steering motor to port 'A' priority valve	1
6	HL06023/136/180	Hose - Megatuff 3/8" 45sx90s Port 'P' brake master cylinder to port 'B' priority valve	1
7	HL06002/180	Hose - Megatuff 3/8" STRx90s Return manifold to port 'S' brake master cylinder	1
8	HL06002/200	Hose - Megatuff 3/8" STRx90s Port 'P' priority valve to tandem pump	1

**Hydrant Equipment - Euro 4**  
BoM - 2011/53



Hydrant Equipment  
BoM - 2011/53

Item No.	Part No.	Description	Quantity
1	721780-1	Bracket-Magnet Mtg. W/Assy	1
2	118/134	Setscrew Hexagon Hd M8cx16 SS	2
3	458/8	Washer Spring Single CoilM8 SS	2
4	454/8	Washer Plain St.Stl M8x17	2
5	72690/1	Standpipe Clip	1
6	118/102	Setscrew Hexagon Hd M6cx16 SS	2
7	454/6	Washer - Plain, M6 St. Steel	2
8	417/6	Nut - Nyloc M6 S/Steel DIN985	2
9	72688/1	Standpipe Assembly	1
10	722341/1	Plate - Standpipe Adaptor	1
11	720296/1	Bracket-Hydrant Key, Stow. W/A	1
12	129/125	Capscrew - M8C x 25	3
13	460/10	Washer Spring Single Coil M8	4
14	455/10	Washer Plain Plated Steel M8	4
15	720293/1	Plate-Hydrant Key, Mtg Washer	1
16	720302/1	Boss-Hydrant Key, Swing Plate	1
17	720303/1	Plate-Swing, Hydrant Key Stow.	1
18	129/131	Capscrew - M8C x 40	1
19	457/4	Washer - Form G, M8	1
20	667/6	Key - Hydrant, Aluminium	1
21	72689/1	Hose Assy - 1" Bore Stortz	1

