



Spare Parts Catalogue

C201

Sweeper & Washer - Euro 5 & Tier 3

7020857 - Revision E

Foreword

This parts catalogue will assist you in ordering parts and serves as a assembly/disassembly reference when used in conjunction with the Maintenance Manual procedures.



Safety Notice



The universal safety symbol is used throughout this manual to indicate information which is essential for the health and safety of all operating personnel.

The BoM number on each page is for Johnston internal reference only.

Each illustration begins on even pages and each parts list begins on odd pages to minimize page swapping while searching for parts and locations.

Johnston® is a registered trade mark of Johnston Sweepers Limited.

All copyrights and rights reserved. The reproduction, distribution and utilisation of this document as well as the communication of its contents to others without the express authorisation of Johnston Sweepers Limited is prohibited. Offenders will be held liable for the payment of damages. All rights reserved in the event of the grant of a patent, utility model or design.

Every endeavour has been made to ensure that the information contained in this Manual is correct, but due to continuous product development, the Company reserve the right to alter contents without notice. This document should not be interpreted as being part of a formal contract.

Ordering Parts

Upon delivery, fill out the information below and use as a reference when ordering parts.

General Instructions:

1. Provide name and address of where to deliver parts.
2. Provide complete serial number.
3. Provide part number, description and quantity for each part required.
If not sure of part number, provide a detailed description of part and where it is used.

Vehicle Type: Left Hand/Right Hand Drive




Johnston Serial No:

VIN No:

Date Delivered:

Hours on delivery:

Extras fitted:

	
Type Approval No	<input type="text"/>
Vehicle Ident. No VIN	<input type="text"/>
Gross Vehicle Mass	<input type="text"/>
Gross Train Mass	<input type="text"/>
Front Axle Mass	<input type="text"/>
Rear Axle Mass	<input type="text"/>
 Serial No <input type="text"/> 	
<small>Johnston Sweepers Ltd, Castle Road, Sittingbourne, ME10 3JP, UK</small>	

When ordering spare parts the Johnston Serial number should be quoted. The number will be found stamped on a plate similar to that shown above, attached to the side of the LH seat base.

Johnston Sweepers,
Curtis Road,
Dorking,
Surrey, U.K. RH4 1XF
Tel: 01306 884722
Fax: 01306 884151 Sales
01306 740369 Customer Support
E-mail: enquiries@johnstonsweepers.co.uk

Table of Contents

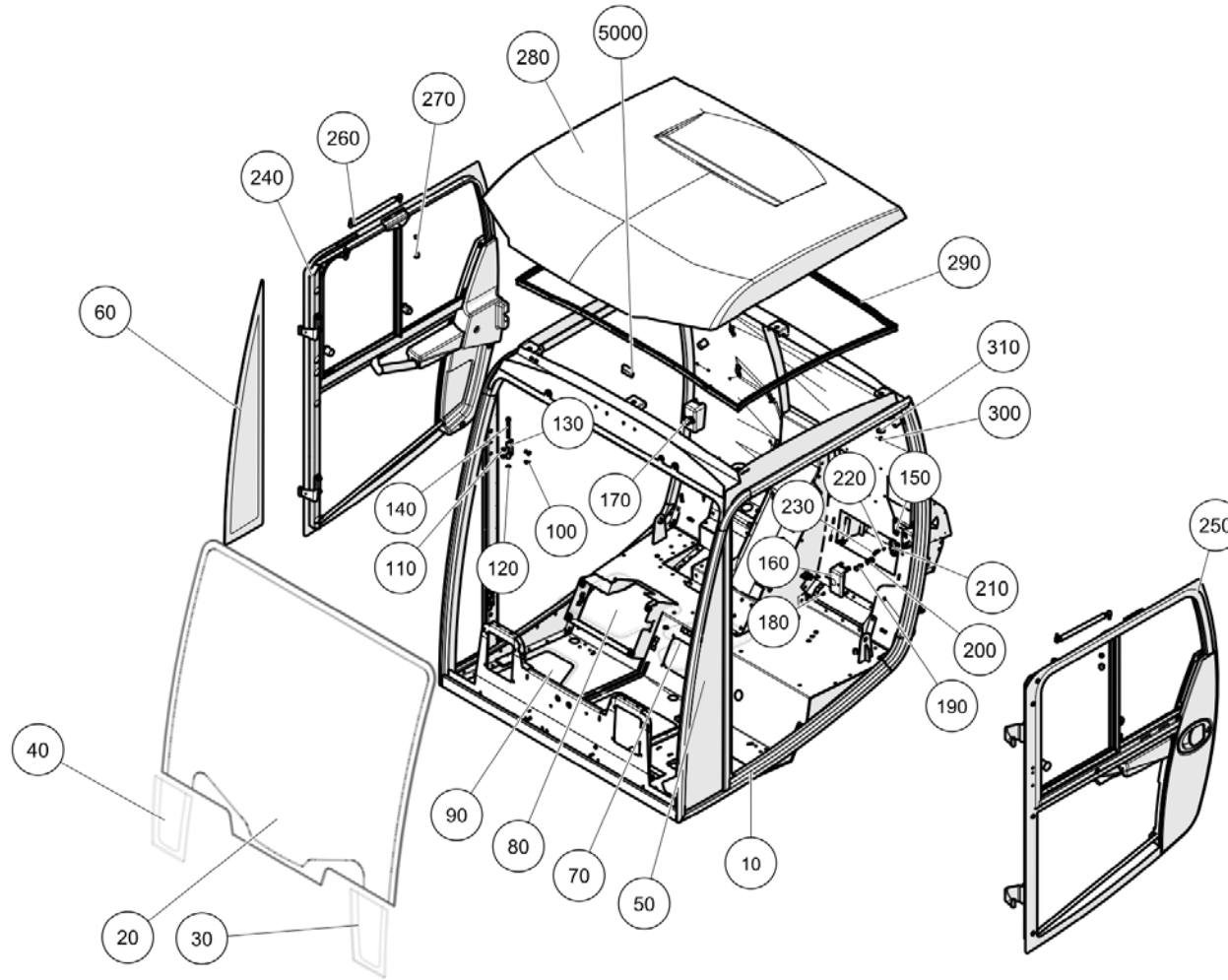
1 Cab Feature	10	2 Cab Options.....	80
1.1 Cab General	10	2.1 Heater Installation.....	80
1.2 Cab Preparation.....	14	2.2 Heater Kit.....	82
1.3 Cab Door.....	18	2.3 Air Conditioning Installation.....	84
1.4 Window Cassette.....	24	2.4 Air Conditioning Kit.....	88
1.5 Cab External Mouldings.....	26	2.5 Climate Control - Centre Console.....	90
1.6 Wiper Installation.....	28	2.6 Climate Control - Heater.....	92
1.7 External Mirrors.....	30	2.7 Climate Control - Air Con.....	96
1.8 Exterior Lights.....	32	2.8 Climate Control - Kits.....	98
1.9 LHD/RHD LH Headlights.....	34	2.9 On-Lap Belts.....	100
1.10 LHD/RHD RH Headlights.....	36	2.10 Large Sweep Mirror.....	102
1.11 Cab Electrics.....	38	2.11 Heated Mirrors.....	104
1.12 Distribution Panel.....	40	2.12 Close Proximity Mirror.....	106
1.13 Overhead Console.....	42	2.13 Reverse Aid Camera.....	108
1.14 Column Shroud.....	44	2.14 Roof Bar Beacon.....	110
1.15 Centre Console.....	48	2.15 LED Low Profile Bar Beacon.....	112
1.16 Arm Rest Control Installation.....	50	2.16 LED Bar Beacon.....	114
1.17 Arm Rest Controller.....	52	2.17 Floor Grilles.....	116
1.18 Palm Rest Controller.....	54	2.18 Deadlock Push Button.....	118
1.19 Heater Ducting & Trim.....	56	2.19 Internal Hook/Hanger.....	120
1.20 Hydraulic Handbrake.....	58	2.20 Relocated 3rd Pedal.....	122
1.21 Dump Valve Lever.....	60	2.21 Digital Tacho Installation.....	124
1.22 Throttle Pedal.....	62	2.22 Cab Grab Handle.....	126
1.23 Third Pedal.....	64	2.23 Front Strobes.....	128
1.24 Brake Mechanism.....	66	2.24 Internal Blind Spot Mirror.....	130
1.25 Floor Covering.....	72	2.25 Number Plate Mounting.....	132
1.26 Seats - Standard.....	74	3 Steer Feature.....	134
1.27 3-Point Safety Belt.....	78	3.1 2WS Steering Column.....	134
		3.2 2WS Rear Wheel Mounting.....	136

3.3	2WS Wheel Motor Connections.....	138	4.17	Front Axle & Coil Suspension.....	204
3.4	2WS Chassis Shield.....	140	4.18	Front Wheel & Hubs.....	208
3.5	2WS Steering Circuit.....	142	4.19	Front Axle.....	210
3.6	Dynamic Brakes.....	144	4.20	Front Axle Spares.....	212
3.7	Steering Sensor.....	146	4.21	Front Brakes.....	214
3.8	4WS Steering Column.....	148	4.22	Hand Pump.....	218
3.9	4WS Wheel Motor Mounting.....	150	4.23	Flow Regulator.....	220
3.10	4WS Gimbal.....	152	4.24	Heater Pipes.....	222
3.11	4WS Suspension Strut.....	154	4.25	Recirculating Water Tank.....	224
3.12	4WS Wheel Motor Connections.....	156	4.26	Recirculating Water Pump.....	228
3.13	4WS Chassis Shield.....	158	4.27	Side Water Tanks.....	230
3.14	4WS Rear Steering.....	160	4.28	Sweep Control Block.....	234
3.15	4WS Steering Circuit.....	164	4.29	Sweep Control Block Spares.....	236
4	Chassis Feature.....	168	4.30	Sweep Circuit.....	240
4.1	Node Mounting.....	168	4.31	Chassis Electrics.....	244
4.2	ECU/Node Mounting - CW.....	170	4.32	Water Filter - CW.....	246
4.3	HP Return Line Filter.....	172	4.33	Water Pump - CW.....	248
4.4	HP Return Line Filter - CW.....	174	4.34	Unloader Valve - CW.....	252
4.5	Rear Hydraulic Block.....	176	4.35	Water Strainer - CW.....	254
4.6	Rear Hydraulic Block - CW.....	178	4.36	Water Manifold Mount - CW.....	256
4.7	Rear Hydraulic Block Spares.....	180	4.37	Side Locker - CW.....	258
4.8	Chassis.....	182	5	Chassis Options.....	260
4.9	Chassis - CW.....	184	5.1	Anti Siphon Filler.....	260
4.10	Return Manifold.....	186	5.2	Battery Isolator Installation.....	262
4.11	Return Manifold - CW.....	188	5.3	3rd Brush Installation - Cab.....	264
4.12	Hydraulic Oil Tank.....	190	5.4	3rd Brush Installation - Chassis.....	266
4.13	Hydraulic Oil Tank - CW.....	194	5.5	Weight Load Indicator.....	268
4.14	Oil Cooler.....	198	5.6	Rear Parking Sensors.....	270
4.15	Oil Cooler - CW.....	200	5.7	White Noise RAWD.....	272
4.16	Rear Wheel & Motor.....	202	5.8	Big Mouth Senior RAWD.....	274

5.9	Forward Travel Warning Bleeper.....	276	7.1	Hopper.....	346
5.10	Rear Tow Hitch.....	278	7.2	Hopper Lift Rams.....	350
5.11	Anti-Tamper Kit Installation.....	280	7.3	Suction Fan Impeller.....	352
5.12	Hosereel Installation - CW.....	282	7.4	Fancase.....	354
5.13	Winter Equipment Installation.....	284	7.5	Sound Attenuating Hood.....	356
6	Engine Feature.....	286	7.6	Hopper Door.....	358
6.1	High Pressure Boost Transmission Circuit.....	286	7.7	Water Tank - CW.....	360
6.2	Engine Mounting.....	290	8	Hopper/Water Tank Options.....	364
6.3	Chassis Cross Brace.....	292	8.1	Blanking Plates - Beacon, No Wanderhose.....	364
6.4	Transmission Pump - High Pressure Boost (Filter/Header Bottle)..	294	8.2	Blanking Plates - Beacon & Wanderhose.....	366
6.5	Transmission Pump - High Pressure Boost (Nearside).....	298	8.3	Blanking Plates - No Beacon / Wanderhose.....	368
6.6	Transmission Pump - High Pressure Boost (Offside).....	300	8.4	Wanderhose.....	370
6.7	Sweep/Steer Pump - Standard (+ Winter Maintenance).....	304	8.5	Wanderhose 4ft Rigid Extension.....	374
6.8	Sweep/Steer Pump - 3rd Brush.....	306	8.6	Suction Shut Off Flap.....	376
6.9	Expansion Tank.....	308	8.7	Beacon Mounting - without Wanderhose.....	378
6.10	Battery Installation.....	310	8.8	Beacon Mounting - with Wanderhose.....	380
6.11	Tier 3 Transmission Actuator.....	312	8.9	Amber LED Beacon.....	382
6.12	Tier 3 Engine.....	316	8.10	Recirculation Water Shut-Off.....	384
6.13	Tier 3 Cooling System.....	318	8.11	Broom Stowage.....	386
6.14	Tier 3 Air Cleaner.....	322	8.12	Boom Hose (inc. Lance) - CW.....	388
6.15	Tier 3 Fuel System.....	324	8.13	Boom Hose Kit - CW.....	392
6.16	Tier 3 Exhaust System.....	326	9	Main Build Feature.....	394
6.17	Euro 5 Engine.....	328	9.1	Front Side Covers.....	394
6.18	Euro 5 Engine Spares.....	330	9.2	Main Side Covers.....	398
6.19	Euro 5 Cooling System.....	332	9.3	Main Side Covers - CW.....	400
6.20	Euro 5 Air Cleaner.....	336	9.4	Rear Side Covers.....	402
6.21	Euro 5 Fuel System.....	338	9.5	Side Brush Arms.....	406
6.22	Euro 5 Exhaust System.....	342	9.6	Brush Lift Rams.....	410
7	Hopper/Water Tank Feature.....	346	9.7	Side Brush Position Cylinders.....	412

9.8	Side Brush Motors.....	414	10.22	3rd Brush Pivot.....	476
9.9	Brush Plate & Brushes.....	416	10.23	3rd Brush Arm.....	480
9.10	Lost Water Circuit.....	418	10.24	3rd Brush Motor Mounting.....	484
9.11	Rear Door.....	420	10.25	3rd Brush Hydraulic Block.....	488
9.12	Rear Upper Bumpers.....	424	10.26	3rd Brush Demout Stand.....	490
9.13	Lower Bumpers & Rear Grille.....	426	10.27	3rd Brush Hoses - Standard.....	492
9.14	Flap Housing.....	428	10.28	3rd Brush Hoses - Winter Equipment.....	494
9.15	Rear LED Lights.....	430	10.29	Winter Equipment Installation.....	496
10	Main Build Options.....	432	10.30	Winter Equipment Interface.....	498
10.1	Jetting Water Pump.....	432	10.31	Winter Equipment Interface Hydraulic Block.....	502
10.2	Jetting Pump & Motor.....	434	10.32	Winter Equipment Hose Circuit.....	504
10.3	Jetting Hose Reel.....	436	10.33	Gritter - Winter Equipment.....	506
10.4	Jetting Hand Lance.....	438	10.34	Gritter Interface - Winter Equipment.....	508
10.5	Jetting Hose Circuit.....	440	10.35	Winter Equipment - Additional Lighting.....	512
10.6	Arrowboard.....	442	10.36	Snow Plough Spares.....	514
10.7	Reversible Arrowboard.....	444	10.37	Snow Broom Spares.....	516
10.8	Standard Hydrant.....	446	10.38	Gritter Spares.....	518
10.9	Belfast Hydrant.....	448	11	Nozzle/Spraybar Feature.....	520
10.10	Hydrant Stowage.....	450	11.1	Suction Nozzle.....	520
10.11	Hydrant Equipment - CW.....	452	11.2	Nozzle with Castor Wheels.....	522
10.12	Rear LED Beacons.....	454	11.3	Nozzle with Wheels.....	524
10.13	Rear LED Stobes.....	456	11.4	Wheeled Nozzle Struts.....	526
10.14	Rear Grille Shovel Stowage.....	458	11.5	Nozzle with Skids.....	528
10.15	Hoe.....	460	11.6	Skidded Nozzle Struts.....	530
10.16	Manual Water Taps.....	462	11.7	Nozzle Lift Mechanism.....	532
10.17	Detergent Injection.....	464	11.8	Nozzle Lift Ram.....	534
10.18	Detergent Injection - CW.....	466	11.9	No Leaf Lift.....	536
10.19	3rd Brush Plate & Brush.....	468	11.10	Spray Bar Head - CW.....	538
10.20	3rd Brush Lights.....	470	11.11	Spray Bar Lifting - CW.....	540
10.21	3rd Brush Mounting Plate.....	472	11.12	Spray Bar Fixed - CW.....	542

11.13	Folding Spray Bar - CW	544
11.14	Spray Bar Expanding - CW.....	548
11.15	Spray Bar Extension Mechanism - CW	550
11.16	Spray Bar Slewing - CW.....	554
11.17	Spray Bar Expanding Carriage - CW.....	558
11.18	Fixed Spray Bar Hydraulic Block - CW.....	560
11.19	Folding Spray Bar Hydraulic Block - CW.....	562
11.20	Expanding Spray Bar Hydraulic Block - CW	564
11.21	Fixed Spray Bar Water Valve Bank - CW.....	566
11.22	Expanding Spray Bar Water Valve Bank - CW.....	568
11.23	Fixed Spray Bar Hyd Circuit - CW.....	570
11.24	Folding Spray Bar Hyd Circuit - CW.....	574
11.25	Expanding Spray Bar Hyd Circuit - CW.....	578
11.26	Fixed Spray Bar Water Hose Kit - CW.....	582
11.27	Folding Spray Bar Water Hose Kit - CW.....	584
11.28	Expanding Spray Bar Water Hose Kit - CW	586
12	Nozzle/Spraybar Options.....	588
12.1	Leaf Lift Nozzle	588
12.2	Leaf-Lift Hose Circuit.....	590
12.3	Nozzle Spray Bar	592
12.4	Fixed Spray Bar Flusher Jets - CW.....	594
12.5	Folding Spray Bar Flusher Jets - CW.....	596
12.6	Expanding Spray Bar Flusher Jets.....	598

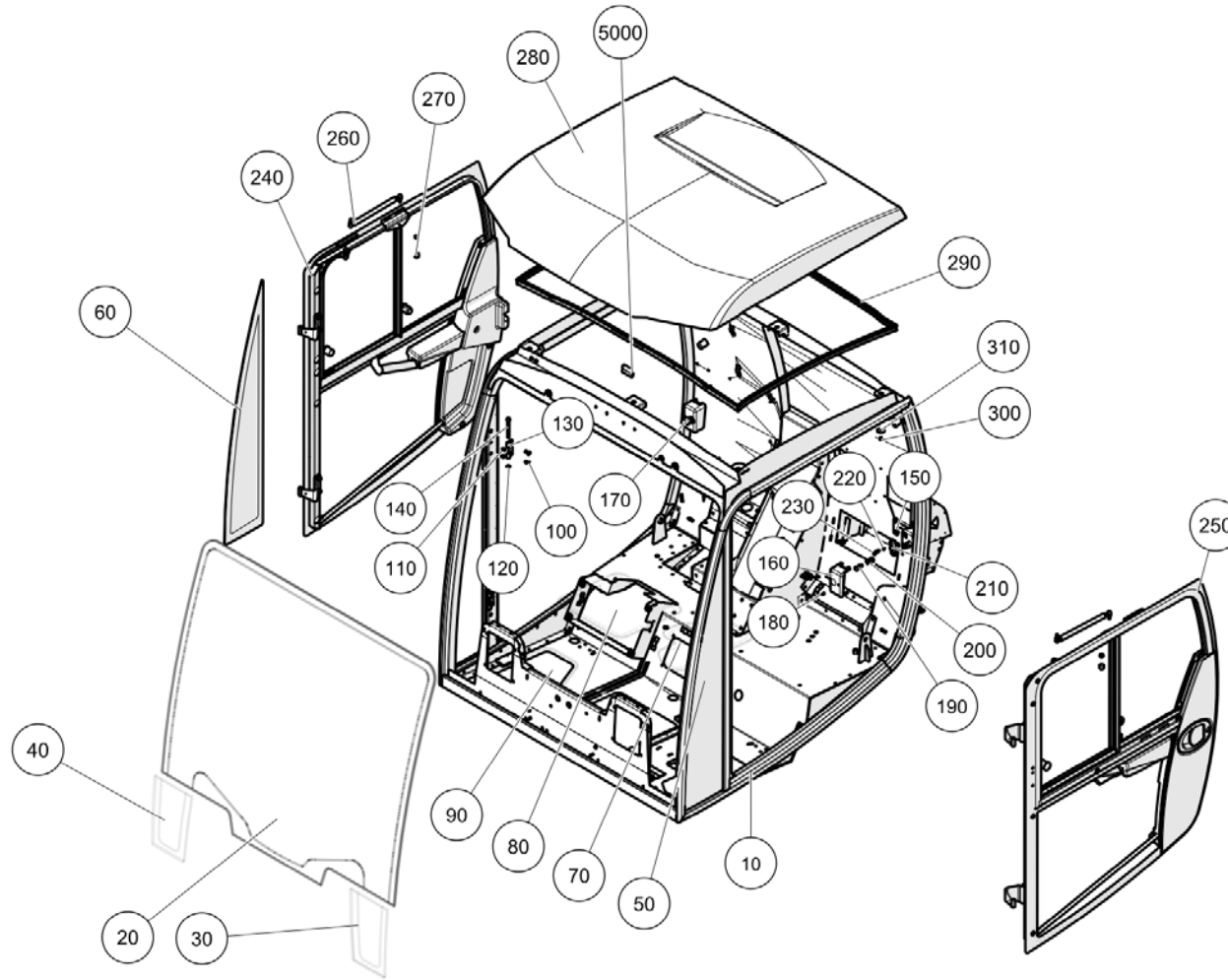


All Copyright and rights are the property of Johnston Sweepers Ltd.

Cab General (7027700)
Cab Feature\Cab General

Item no.	Part no.	Description	QTY	Unit
10	7009885	Cab Weld Assembly	1	PC
20	7025017	Windscreen R50	1	PC
30	720864-1	Windscreen - Corner LH	1	PC
40	720864-2	Windscreen - Corner RH	1	PC
50	720737-1	Glass- LH Quarter	1	PC
60	720737-2	Glass- RH Quarter	1	PC
70	7010215	Glass- Cab Floor Side	1	PC
80	7010214	Glass- Cab Floor Centre	1	PC
90	7010216	Glass- Cab Floor Side	1	PC
100	92153063-0	Hex Socket CSK Screw M8Cx20 10.9	8	PC
110	453-18	Washer - M8 Form A Brass	8	PC
120	93085005-0	Nyloc Hex Thin Nut M8C - 8	8	PC
130	720748-1	Mount Plate - Door Hinge	4	PC
140	92137131-0	Hex Socket Cap Screw - M8Cx80 - 12.9	4	PC
150	721578-1	Plate-Anchor, Latch Pin W/Assy	2	PC
160	720781-1	Cover - Latch Pin	1	PC
170	720781-2	Cover - Latch Pin	1	PC
180	92153033-0	Hex Socket CSK Screw M5Cx16 10.9	2	PC
190	721672-1	Pin - Door Latch	2	PC
200	93212012-0	Plain Washer M10	4	PC
210	720770-1	Pin - Latch, W/Assy	2	PC
220	93699710-0	Spring Washer - Plated M8	4	PC
230	92330046-0	Hex Skt Button Head Screw M8x25 - 10.9	4	PC
240	7012791	Door RH, Cab, Assy	1	PC

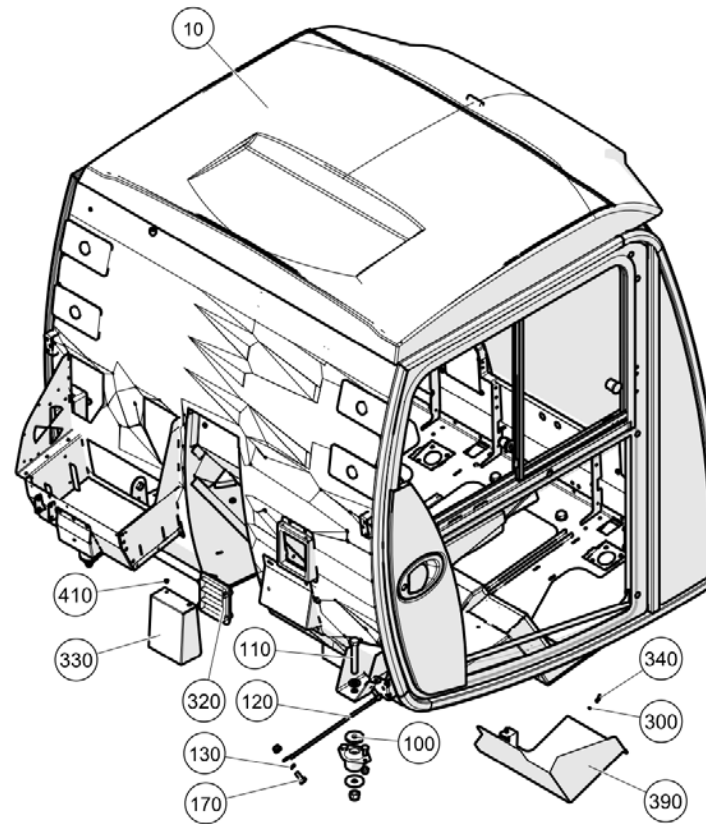
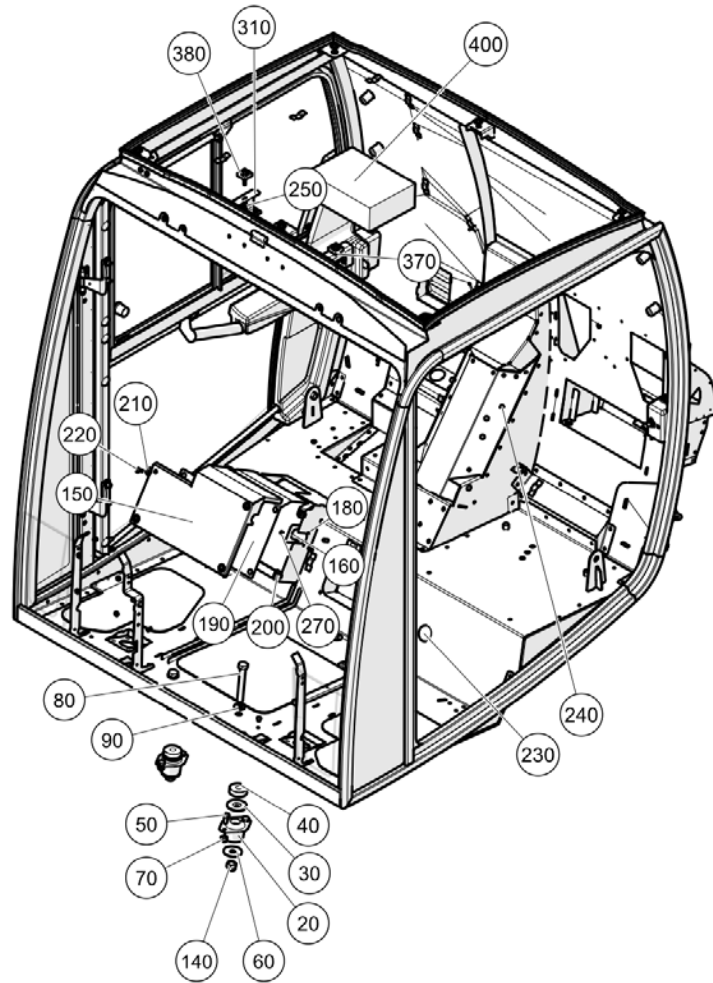
All Copyright and rights are the property of Johnston Sweepers Ltd.



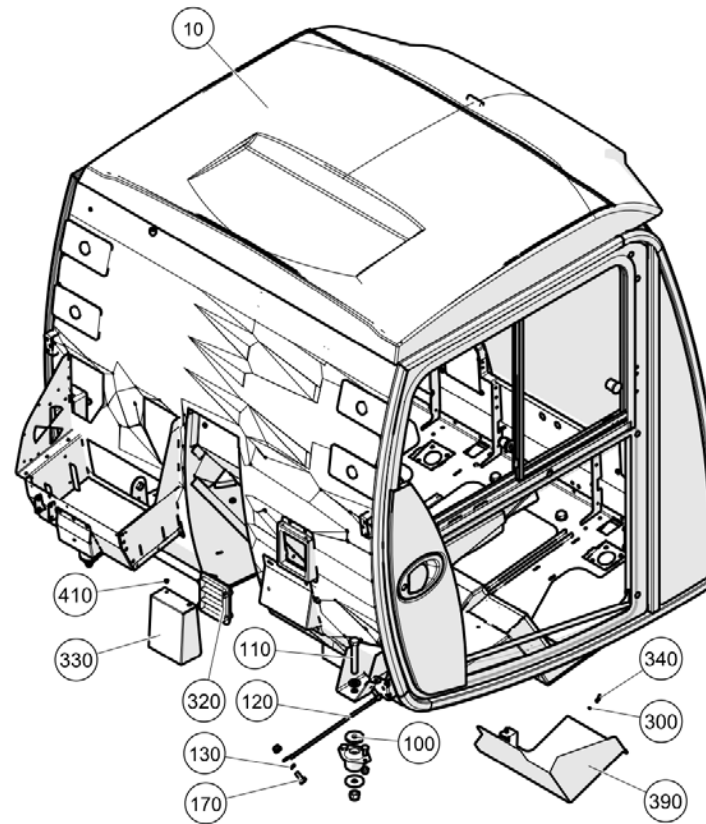
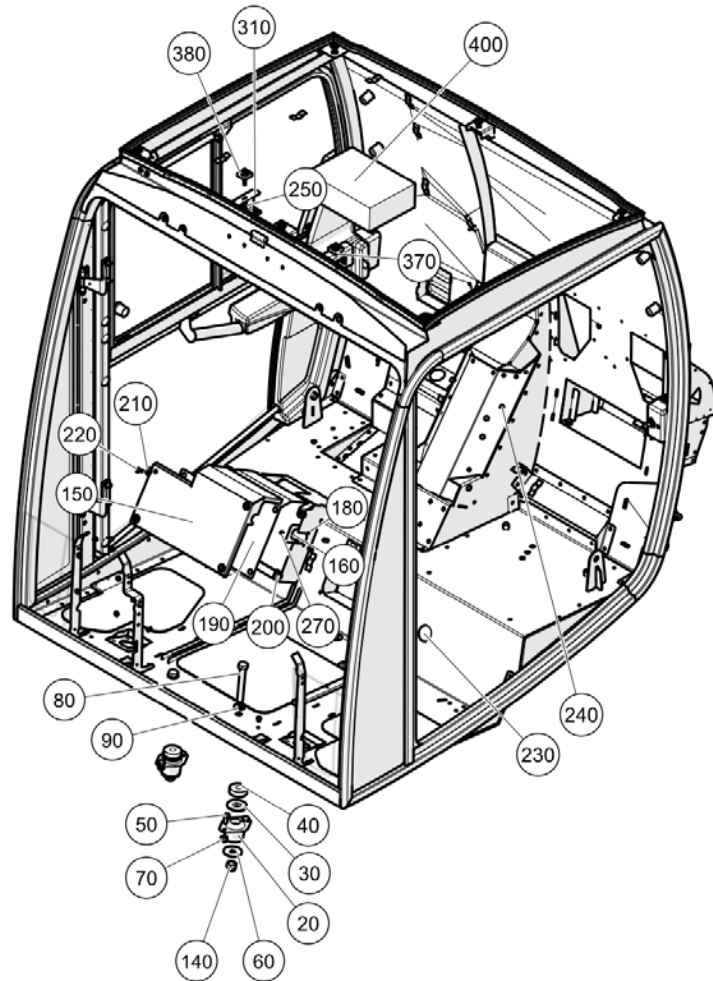
All Copyright and rights are the property of Johnston Sweepers Ltd.

Cab General (7027700)
Cab Feature\Cab General

Item no.	Part no.	Description	QTY	Unit
250	7012790	Door LH, Cab, Assy	1	PC
260	722190-1	Gas Spring-Cab Door Restraint	2	PC
270	44-64	Cap Nut - M8 Black	4	PC
280	7011241	Cab Roof with Fixings	1	PC
290	7012481	Roof Seal	1	PC
300	93085004-0	Nyloc Hex Nut M6C - 8	6	PC
310	452-54	Washer-Repair 1/4"x1 1/4"	6	PC
5000	217-71	Sealing Section - Clamping Range 1-3mm	1.2	M

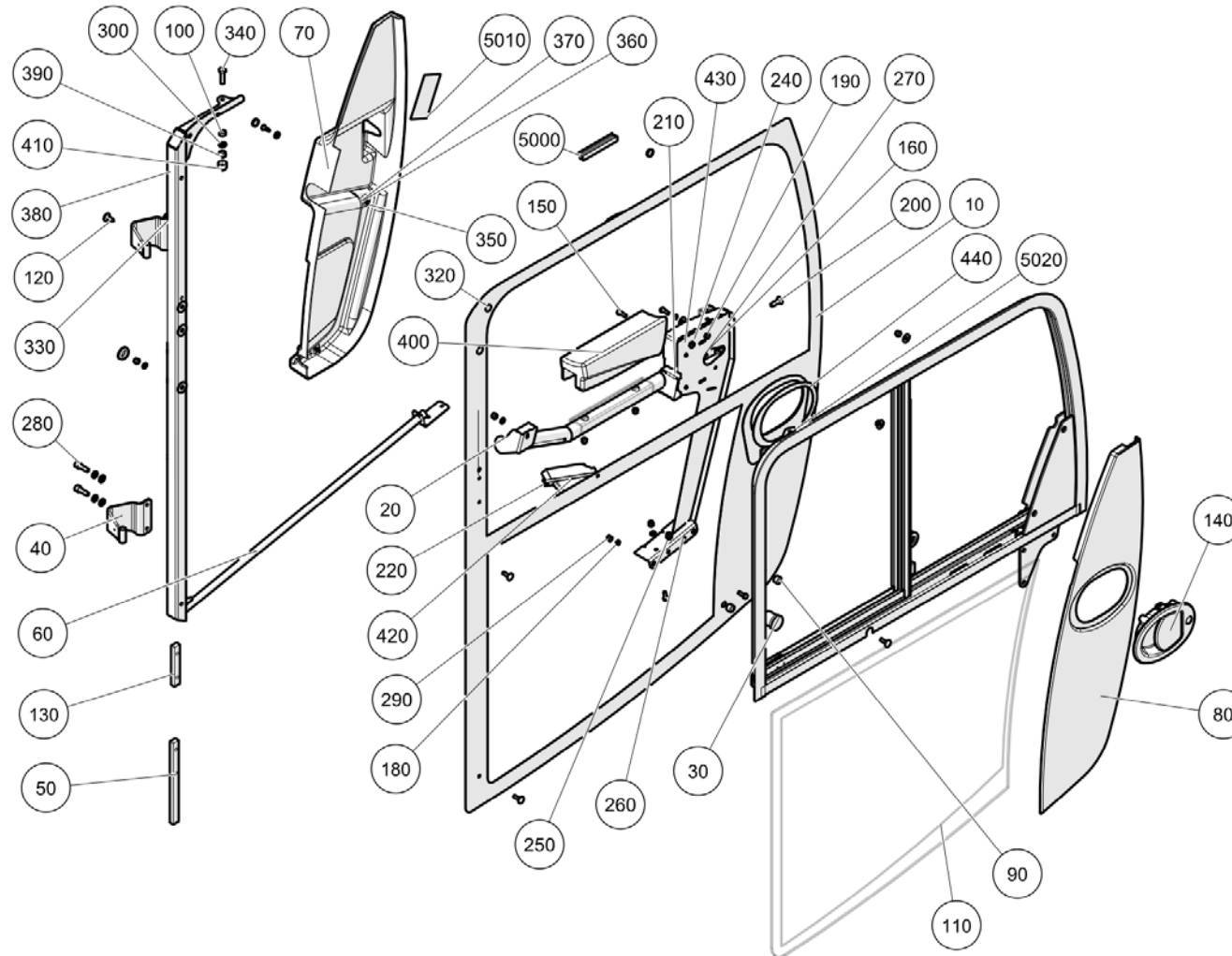


Item no.	Part no.	Description	QTY	Unit
10	7027700	Cab G/Assy	1	PC
20	290-15	Mounting - Metacone	4	PC
30	290-16	Washer-Metacone Overload(Step)	2	PC
40	79451-2	Spacer-Cab Mounting, 16mm	2	PC
50	92097410-0	Hex Head Screw - M10Cx20 - 8.8	8	PC
60	290-17	Washer-Metacone Rebound (Flat)	4	PC
70	93085806-0	Nyloc Hex Nut M10C - 8	10	PC
80	92067544-0	Hex Head Bolt - M16x110C - 8.8	2	PC
90	93210523-0	Plain Washer M16	4	PC
100	79451-1	Spacer-Cab Mounting, 8mm	2	PC
110	92067543-0	Hex Head Bolt - M16x100C - 8.8	2	PC
120	72194-1	Earth Strip - Cab To Chassis	1	PC
130	93212012-0	Plain Washer M10	3	PC
140	93085009-0	Nyloc Hex Nut M16C - 8	4	PC
150	721436-1	Cover- Hydraulic Integrated Control	1	PC
160	723004-1	Plate - Grommet	1	PC
170	92097412-0	Hex Head Screw - M10Cx25 - 8.8	2	PC
180	6122-2028	Hex Skt Button Head Screw M5x12 - 10.9	2	PC
190	721984-1	Gasket - HIC Lid	1	PC
200	283-40	Cam - Quarter Turn, 2.3	4	PC
210	283-39	Washer - Quarter Turn	4	PC
220	283-38	Stud - Quarter Turn, 4.5	4	PC
230	288-40	Grommet - Blind 38.1 O/D x 3.2	1	PC
240	288-16	Grommet - Blind 8.5 O/D	5	PC



Item no.	Part no.	Description	QTY	Unit
250	93300507-0	Plain Large Washer M6	2	PC
270	93085003-0	Nyloc Hex Nut M5C - 8	2	PC
300	93212009-0	Plain Washer M6	3	PC
310	7015275	Bracket- Console Mount W/Assy	2	PC
320	220-289	Excess Pressure Flap	1	PC
330	7026220	Cover - Excess Pressure Flap	1	PC
340	92097299-0	Hex Head Screw - M6Cx16 - 8.8	3	PC
370	93085004-0	Nyloc Hex Nut M6C - 8	2	PC
380	7018447	Spacer, Overhead Console	2	PC
390	7018583	Shield, Flexi Pipes - W/Assy	1	PC
400	7021868	Spacer Pad- Headliner	1	PC
410	76-11	Pop Rivet - 4.8mm Diameter	2	PC

Cab Door (7012790, 7012791)
Cab Feature\Cab Door



All Copyright and rights are the property of Johnston Sweepers Ltd.

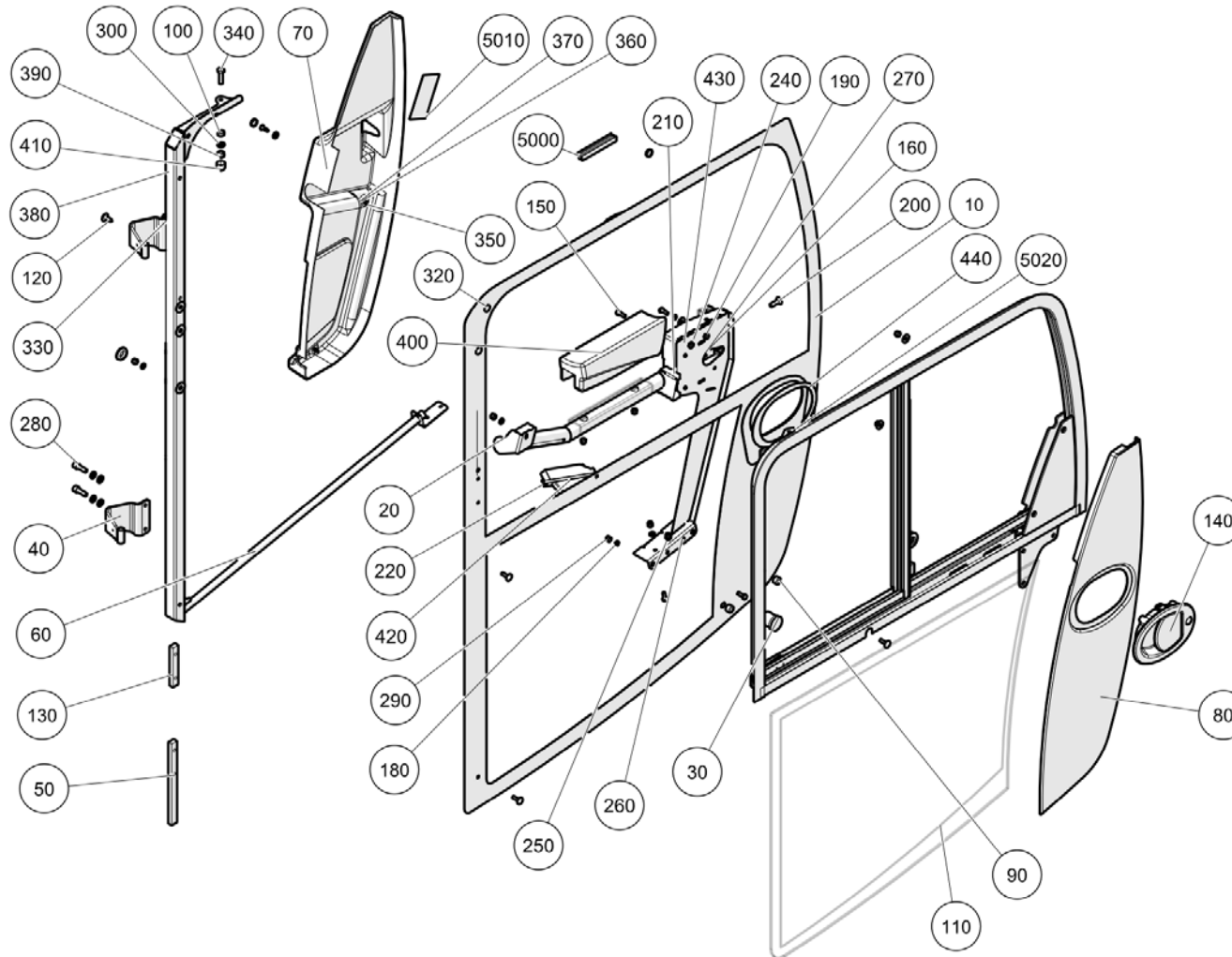
Cab Door (7012790, 7012791)

Cab Feature\Cab Door

Item no.	Part no.	Description	QTY	Unit
10	7018538	Door Skin W/Assy	1	PC
10	7018542	Door Skin W/Assy, RH	1	PC
20	7016263	Release Lever Mnt W/Assy	1	PC
20	7016668	Release Lever Mnt W/Assy RH	1	PC
30	7013197	Window Cassette LH	1	PC
30	7013239	Window Cassette RH	1	PC
40	721470-1	Hinge - Door, W/Assy	2	PC
50	721471-1	Hinge - Tapped Block	1	PC
60	7012823	Door Strengthening, W/Assy	1	PC
60	7012833	Door Strengthening, W/Assy RH	1	PC
70	7016514	Interior Door Panel, Standard Trim	1	PC
70	7016515	Interior Door Panel, Standard Trim RH	1	PC
80	720779-1	Capping - Cab Door L/H	1	PC
80	720779-2	Capping - Cab Door R/H	1	PC
90	7025412	Spacer- Door	2	PC
100	722854-1	Spacer - Nylon	1	PC
110	720922-1	Door Glass LH	1	PC
110	720922-2	Door Glass RH	1	PC
120	440-20	Fastener - Panel (Pine Tree)	1	PC
130	721528-1	Hinge-Top, Tapped Block	1	PC
140	720690-1	Handle - Cab Door (Happich)	1	PC
150	92137079-0	Hex Socket Cap Screw - M6Cx16 - 12.9	4	PC
160	722173-1	Actuator - Door Handle, Short	1	PC
160	722173-2	Actuator door handle (short) right hand	1	PC

All Copyright and rights are the property of Johnston Sweepers Ltd.

Cab Door (7012790, 7012791)
Cab Feature\Cab Door

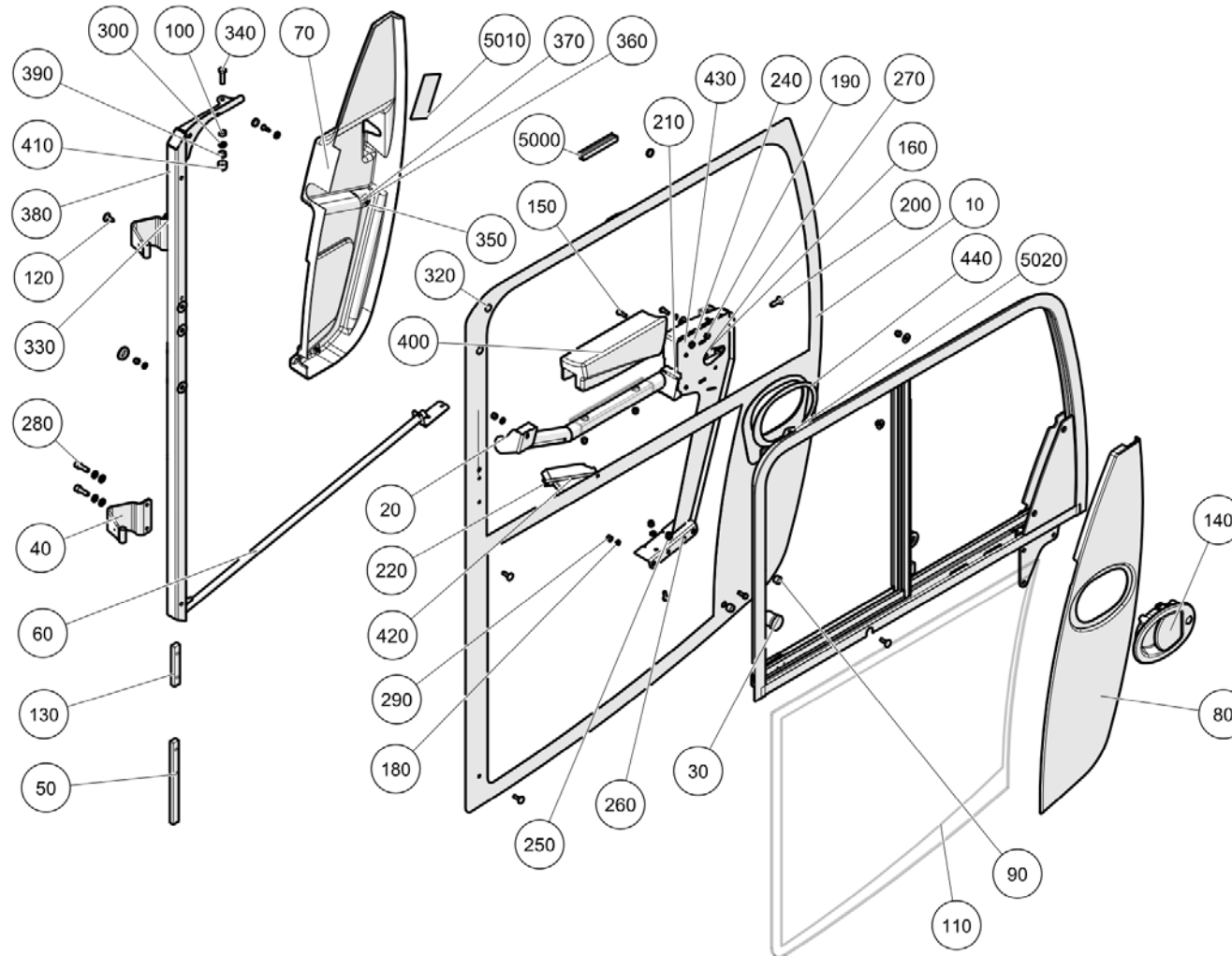


All Copyright and rights are the property of Johnston Sweepers Ltd.

Item no.	Part no.	Description	QTY	Unit
180	93212009-0	Plain Washer M6	13	PC
190	720652-1	Latch-Heavy Duty, Anti-Burst LH	1	PC
190	720652-2	Latch-Heavy Duty, Anti-burst RH	1	PC
200	92153065-0	Hex Socket CSK Screw M8Cx25 10.9	2	PC
210	7016701	Cable, Bowden	1	PC
220	92153032-0	Hex Socket CSK Screw M5Cx12 10.9	1	PC
240	7016508	Cable Mount	1	PC
240	7016684	Cable Mounting W/Assy RH	1	PC
250	92097299-0	Hex Head Screw - M6Cx16 - 8.8	6	PC
260	93699708-0	Spring Washer - Plated M6	10	PC
270	93300506-0	Plain Large Washer M5	1	PC
280	92137120-0	Hex Socket Cap Screw - M8Cx25 - 12.9	4	PC
290	93085004-0	Nyloc Hex Nut M6C - 8	14	PC
300	93212011-0	Plain Washer M8	5	PC
320	135-229	Bolt-Coach, M6x20 St. Steel	5	PC
330	93699710-0	Spring Washer - Plated M8	4	PC
340	92097378-0	Hex Head Screw - M8Cx30 - 8.8	1	PC
350	192-25	Screw S/tap Flange Poz. 10x3/4"	3	PC
360	220-62	Washer - Plastic Special	3	PC
370	220-63	Cap - Plastic Silver Grey	3	PC
380	288-14	Grommet - Blind 22.2 O/D x 3.2	5	PC
390	93085805-0	Nyloc Hex Nut M8C - 8	2	PC
400	7016690	Armrest Bonded Assembly	1	PC
400	7016691	Armrest Bonded Assembly RH	1	PC

All Copyright and rights are the property of Johnston Sweepers Ltd.

Cab Door (7012790, 7012791)
Cab Feature\Cab Door



All Copyright and rights are the property of Johnston Sweepers Ltd.

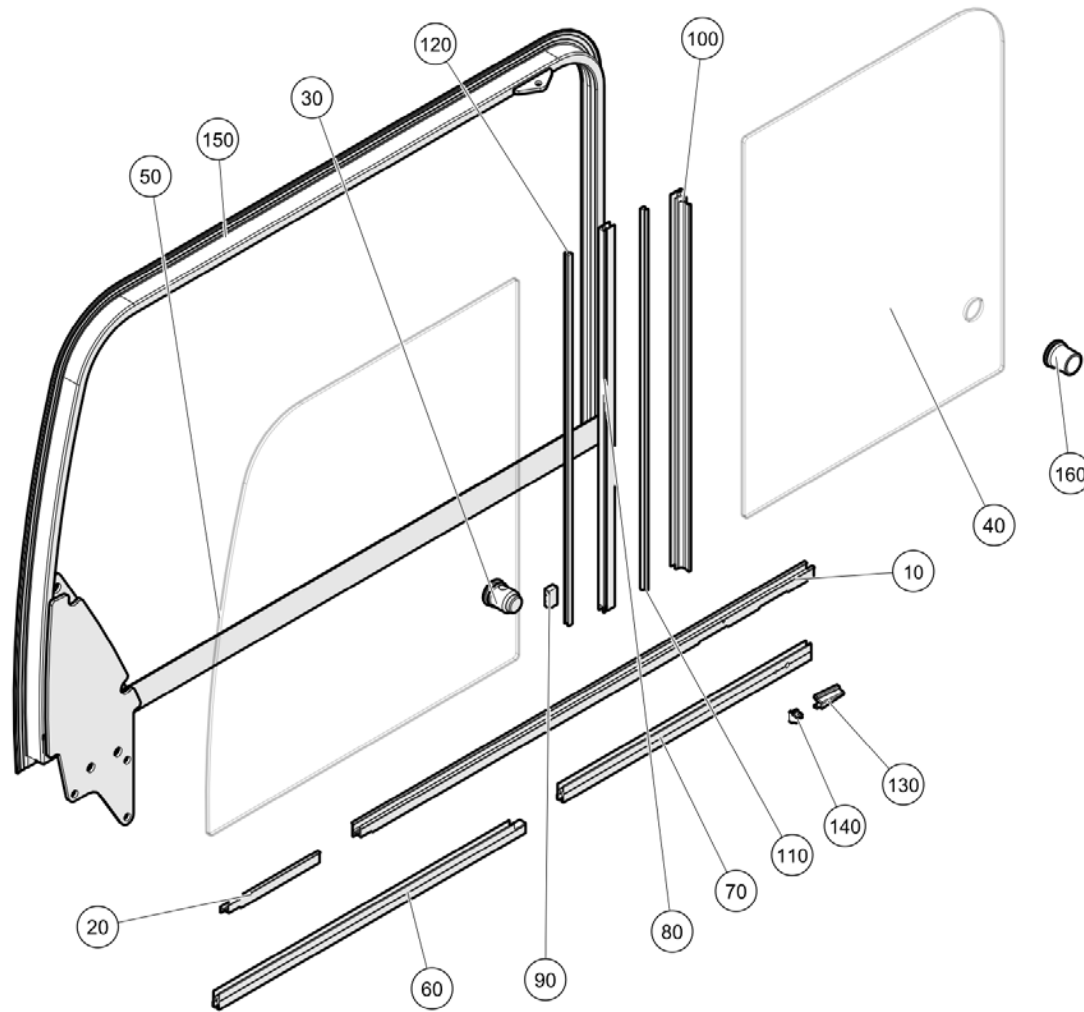
Cab Door (7012790, 7012791)

Cab Feature\Cab Door

Item no.	Part no.	Description	QTY	Unit
410	44-64	Cap Nut - M8 Black	1	PC
420	720653-1	Lever-Squeeze & Cassette Assy	1	PC
430	93300507-0	Plain Large Washer M6	2	PC
440	7025026	Handle- Foam Gasket	1	PC
450	720690-2	Key -Door (to suit 720690/1)	2	PC
5000	844-25	Seal - Door (Cab Door)	4.5	M
5010	217-68	Tape - Velcro, Strip 5m (Reel)	0.1	M
5020	217-35	Foam-Self Adhesive Black 25x6	1	PC

Window Cassette (7013197, 7013239)
Cab Feature\Window Cassette

All Copyright and rights are the property of Johnston Sweepers Ltd.

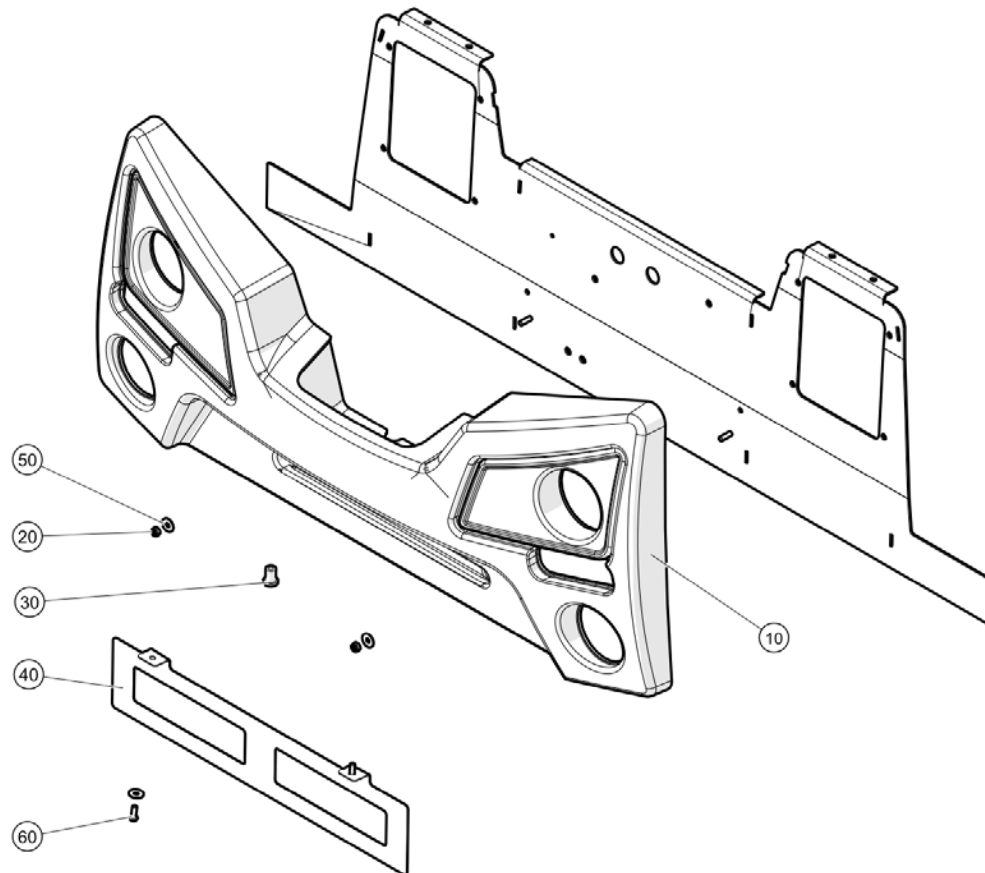


Window Cassette (7013197, 7013239)

Cab Feature\Window Cassette

Item no.	Part no.	Description	QTY	Unit
10	7013155	Rem Rail, Long	1	PC
10	7013225	Rem Rail Long, RH	1	PC
20	7013158	Rem Rail	1	PC
20	7013227	Rem Rail, RH	1	PC
30	211-29	Latch - Window, Push Button	1	PC
40	7013138	Window Glass, Door Front	1	PC
50	7013139	Window Glass, Door Rear	1	PC
60	7013191	Slider Rail, Rear	1	PC
60	7013218	Slider Rail, Rear RH	1	PC
70	7013189	Slider Rail, Front	1	PC
70	7013216	Slider Rail, Front RH	1	PC
80	7013171	Draught Rail	1	PC
80	7013212	Draught Rail RH	1	PC
90	7013173	Catch Block	1	PC
100	7013174	Finger pull	1	PC
100	7013210	Finger pull RH	1	PC
110	7013181	Draught Seal	1	PC
120	7013192	Draught Seal 534mm	1	PC
130	7013188	Stop, Window	1	PC
140	7013292	Buffer, Window Stop	1	PC
150	7013230	Window Frame W/Assy, LH	1	PC
150	7013236	Window Frame W/Assy, RH	1	PC
160	211-39	Dummy Window Catch	1	PC

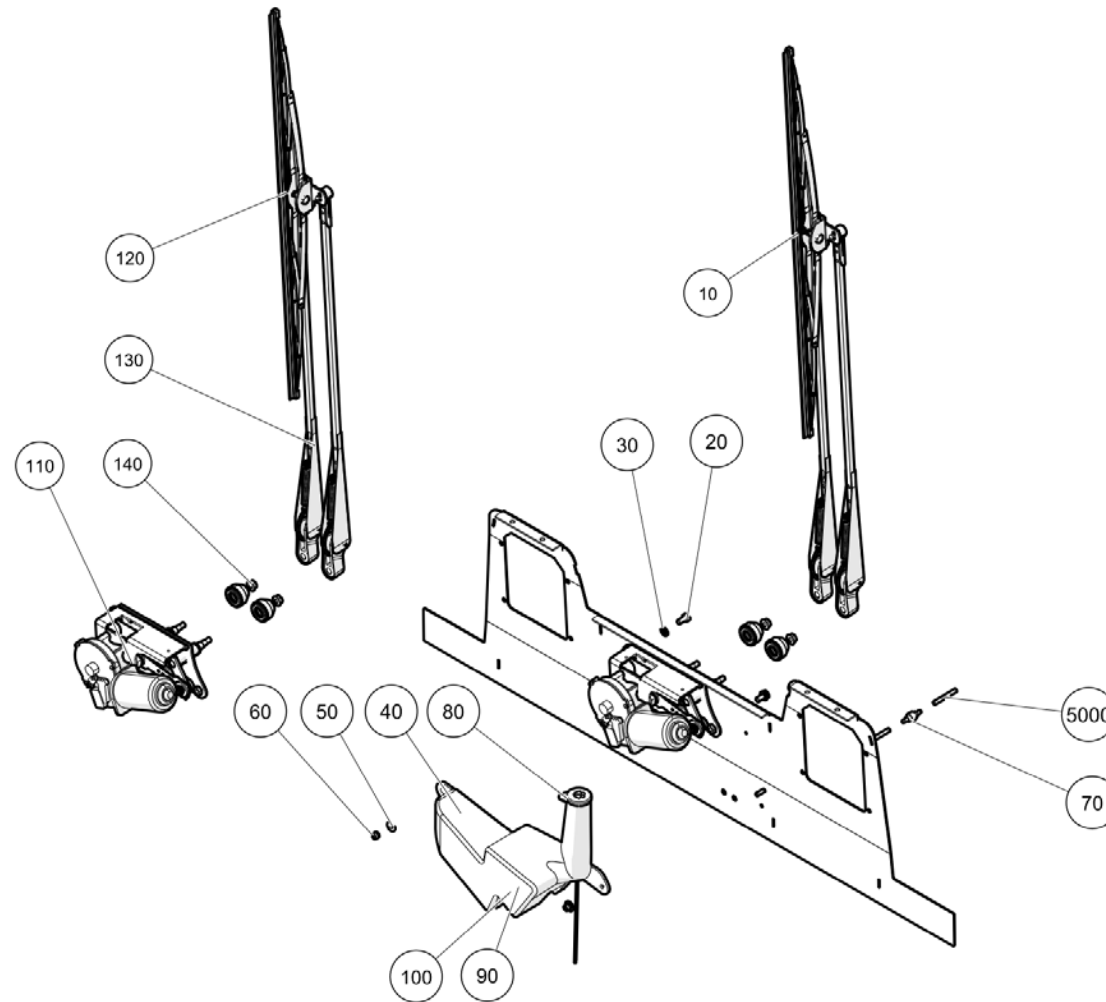
Cab External Mouldings (7015288)
Cab Feature\Cab External Mouldings



All Copyright and rights are the property of Johnston Sweepers Ltd.

Cab External Mouldings (7015288)
Cab Feature\Cab External Mouldings

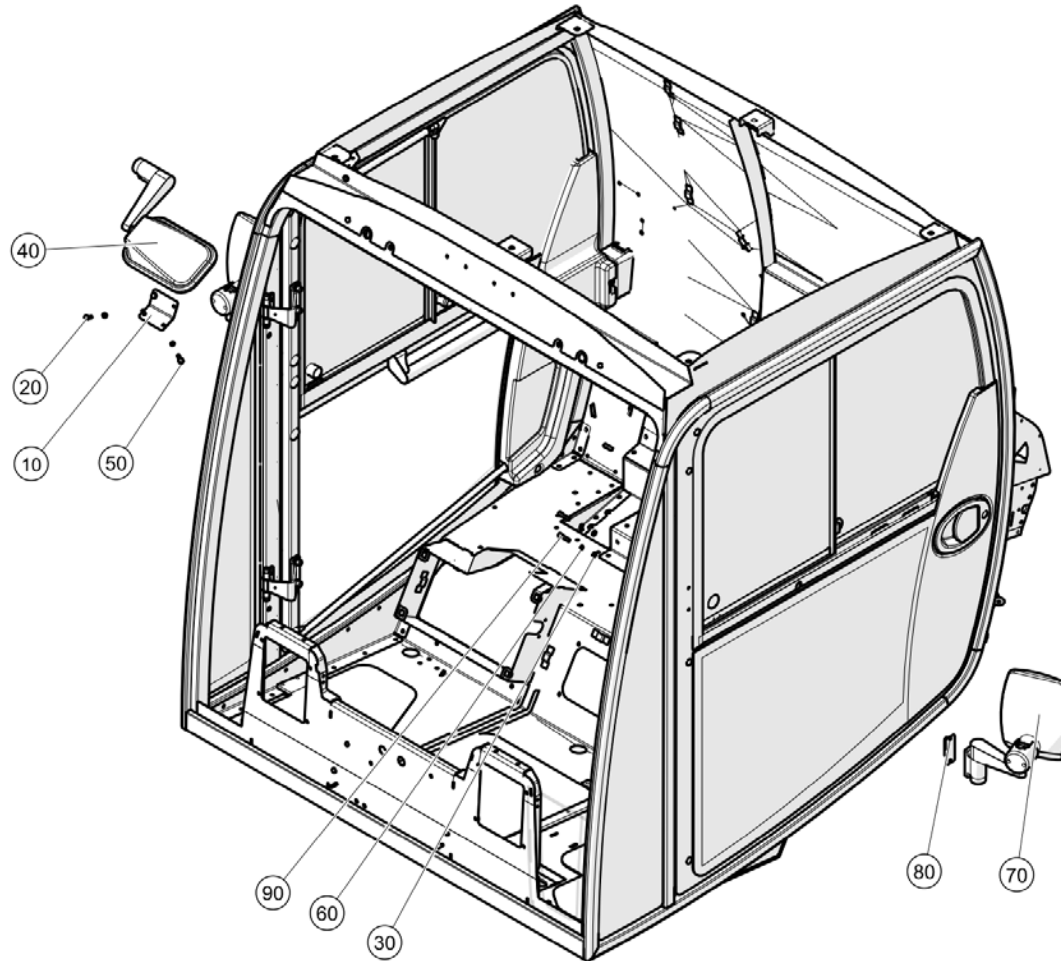
Item no.	Part no.	Description	QTY	Unit
10	7010142	Cab - Fascia Assembly	1	PC
20	93085604-0	Nyloc Hex Nut - M6c - A2	2	PC
30	290-39	Fastener - Flex-loc, M6C	2	PC
40	7006994	Mount - Number Plate	1	PC
50	93300507-0	Plain Large Washer M6	4	PC
60	92330109-0	Hex Skt Button Head Screw M6x16 - 10.9	2	PC



Item no.	Part no.	Description	QTY	Unit
20	92097372-0	Hex Head Screw - M8Cx16 - 8.8	2	PC
30	93212011-0	Plain Washer M8	2	PC
40	720808-1	Bottle - Washer (Complete)	1	PC
50	93300507-0	Plain Large Washer M6	2	PC
60	93085004-0	Nyloc Hex Nut M6C - 8	2	PC
70	844-402	Non Return Valve	1	PC
80	720808-3	Cap - Washer Bottle (C200)	1	PC
90	720808-4	Pump - Washer Bottle (C200)	1	PC
100	720808-5	Filter - Washer Bottle (C200)	1	PC
110	220-285	Wiper Motor And Linkage Assembly	1	PC
120	220-284	Wiper Blade - 800mm	1	PC
130	220-283	Wiper Arm - Central Blade Mounting	1	PC
140	844-231	Wiper Accessory Kit	1	PC
5000	844-403	Clear Plastic Hose Ø 4	0.6	M

External Mirrors (7015315)
Cab Feature\External Mirrors

All Copyright and rights are the property of Johnston Sweepers Ltd.



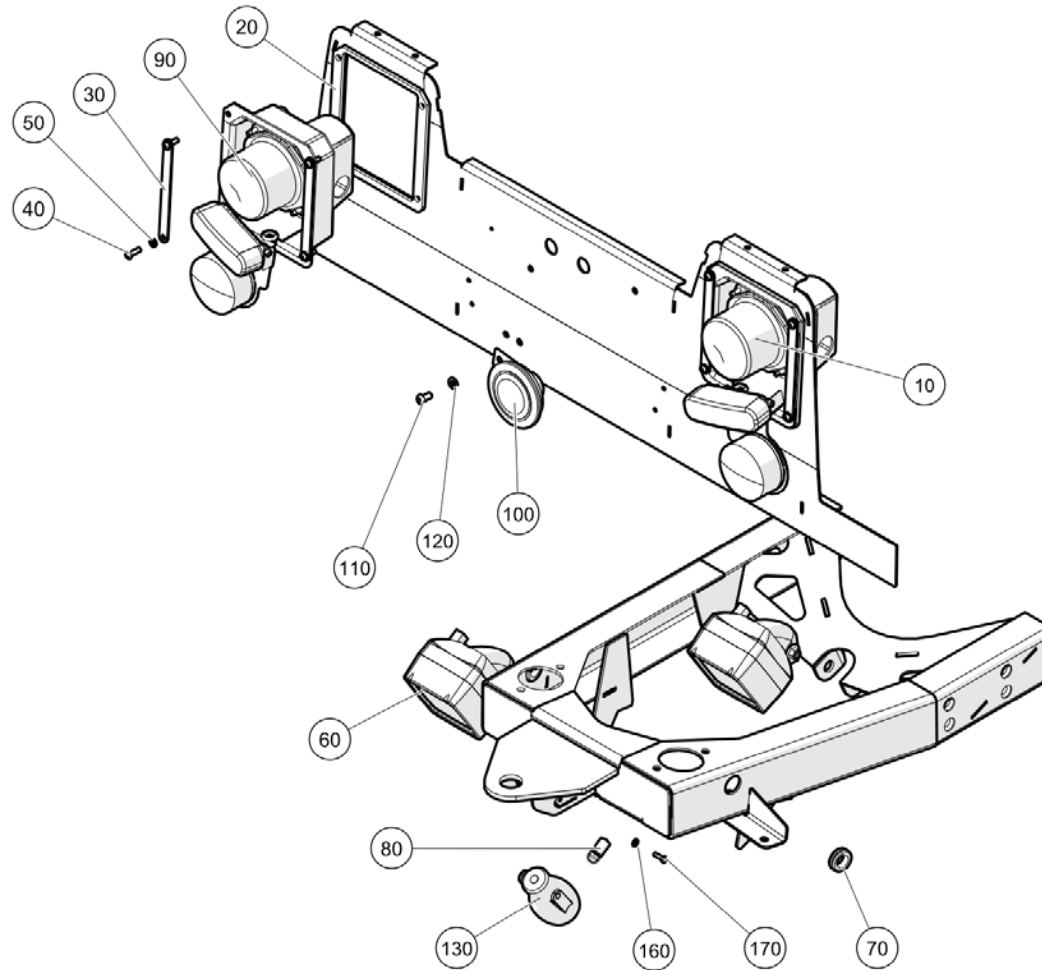
External Mirrors (7015315)

Cab Feature\External Mirrors

Item no.	Part no.	Description	QTY	Unit
10	7015313	Plate- Mount, Sweep Mirror	1	PC
20	92097299-0	Hex Head Screw - M6Cx16 - 8.8	2	PC
30	93212009-0	Plain Washer M6	6	PC
40	220-6	Mirror - Wing	1	PC
50	101-4	Setscrew UNF 1/4 x 3/4"	2	PC
60	450-27	Washer Spring 1/4	6	PC
70	220-272	Wing Mirror Kit - C200	2	PC
80	72818-1	Packer - Mirror	2	PC
90	150-28	Capscrew 1/4UNF x 1"Lg	4	PC

Exterior Lights (7013935, 7013962, 7028056, 7028057)

Cab Feature\Exterior Lights



Exterior Lights (7013935, 7013962, 7028056, 7028057)

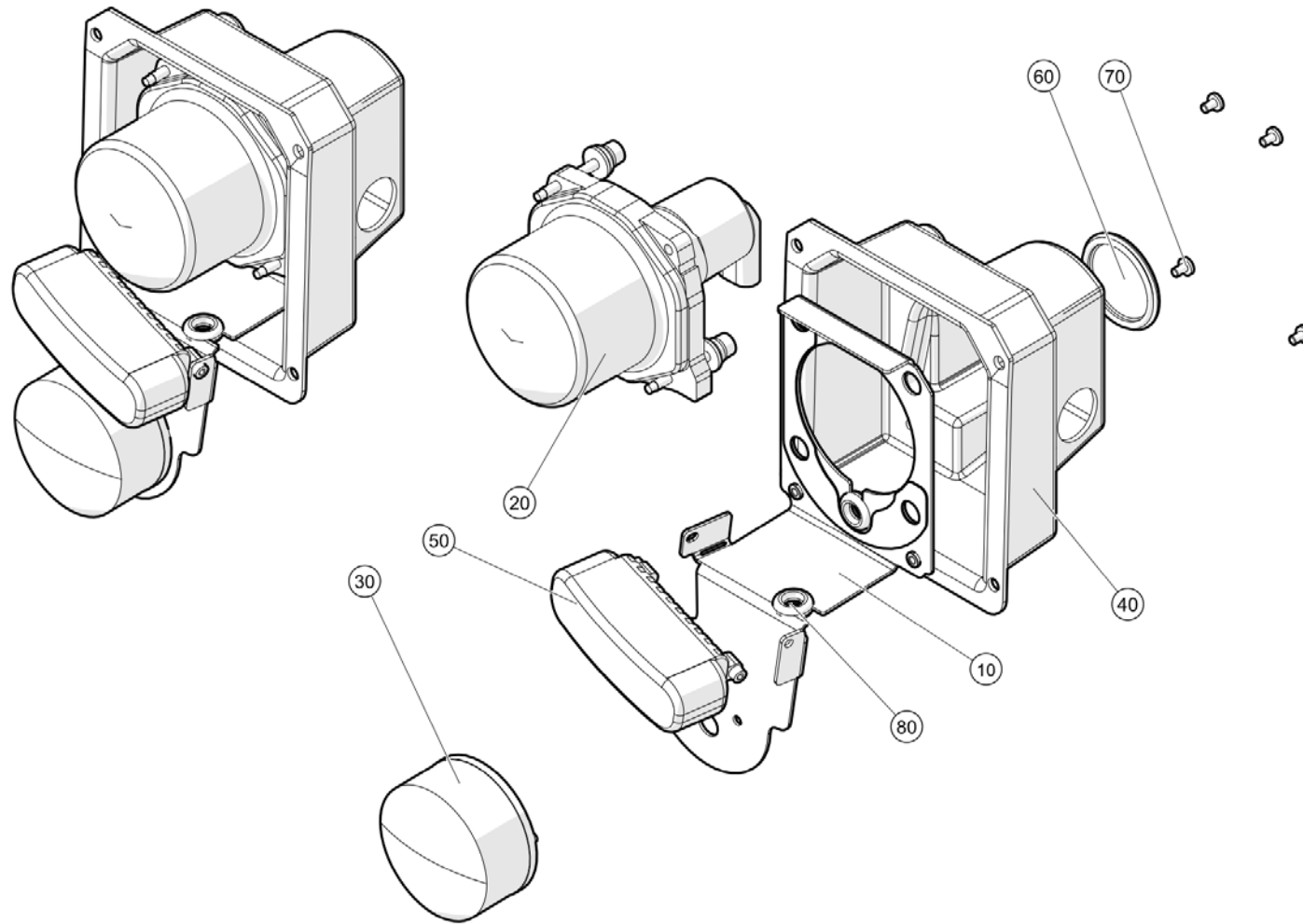
Cab Feature\Exterior Lights

Item no.	Part no.	Description	QTY	Unit
10	7015085	S/Assy Headlight LHD	1	PC
10	7015263	S/Assy Headlight RHD	1	PC
10	7026254	S/Assy Headlight LHD	1	PC
10	7026255	S/Assy Headlight LHD RH	1	PC
20	7010020	Gasket- Headlight Mounting	2	PC
20	7026267	Gasket-Light Bowl	2	PC
30	7013888	Plate, Spreader	4	PC
40	92330035-0	Hex Skt Button Head Screw M6x20 - 10.9	8	PC
50	93699708-0	Spring Washer - Plated M6	8	PC
60	46-399	Worklamp	2	PC
70	287-60	Grommet - Ø 25.4 O/D, 19.0 I/D 4.0 Thick	2	PC
80	47-10	Bulb - Spotlamp 12v-55 Watt	2	PC
90	7013889	S/Assy Headlight LHD RH	1	PC
90	7013936	S/Assy Headlight RHD RH	1	PC
100	30-14	Horn	1	PC
110	92330044-0	Hex Skt Button Head Screw M8x16 - 10.9	1	PC
120	93212011-0	Plain Washer M8	1	PC
130	7017257	S/Assy Nozzle Work Lamp	1	PC
160	93210109-0	Plain Washer M5	2	PC
170	92097263-0	Hex Head Screw - M5Cx16 - 8.8	2	PC

All Copyright and rights are the property of Johnston Sweepers Ltd.

LHD/RHD LH Headlights (7013889, 7013936, 7026255, 7026257)

Cab Feature\LHD/RHD LH Headlights



All Copyright and rights are the property of Johnston Sweepers Ltd.

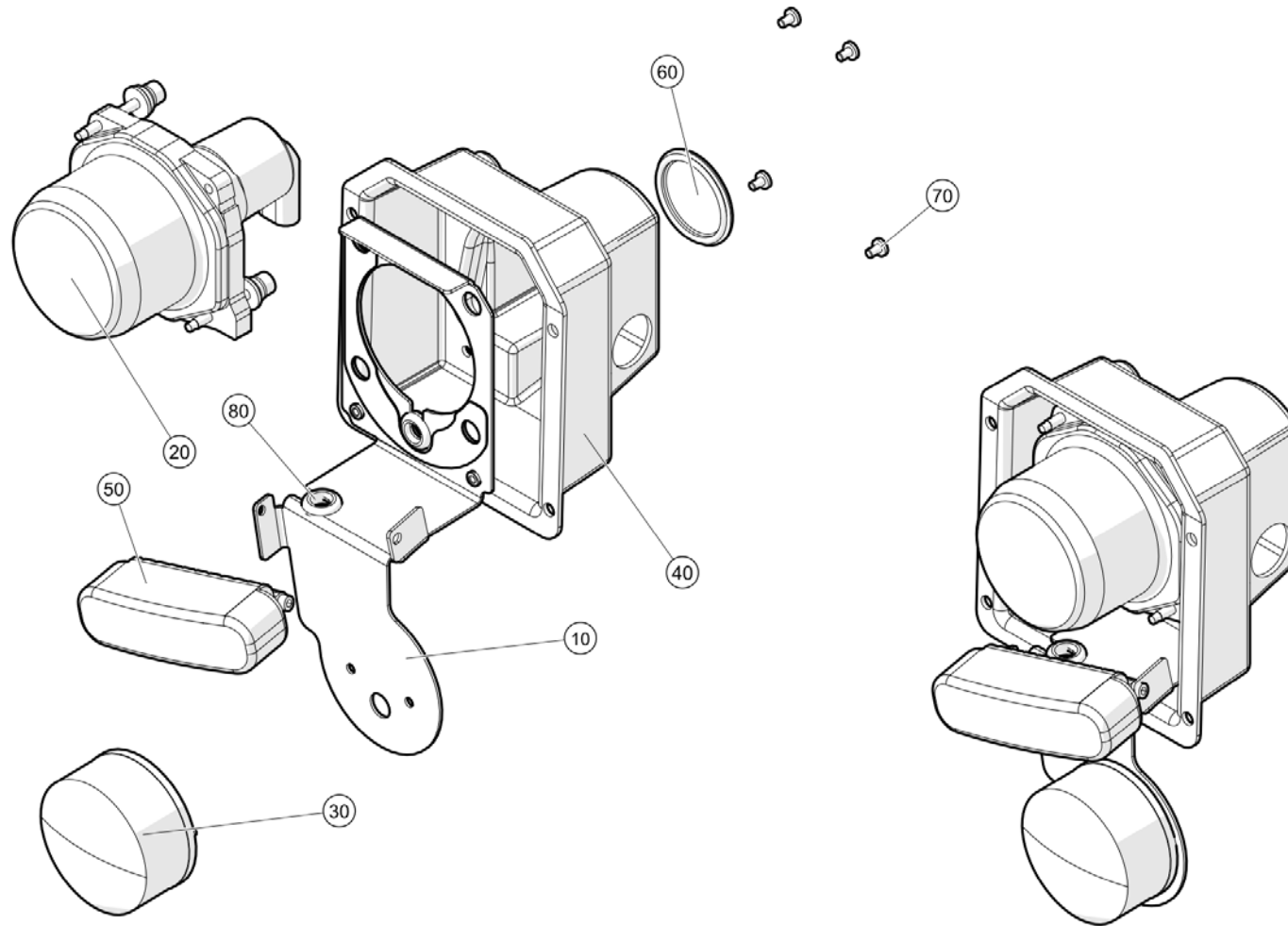
LHD/RHD LH Headlights (7013889, 7013936, 7026255, 7026257)

Cab Feature\LHD/RHD LH Headlights

Item no.	Part no.	Description	QTY	Unit
10	7015086	Plate W/Assy - Headlight Mounting RH	1	PC
20	46-420	Headlamp - Low/High Beam LH 12v	1	PC
20	46-421	Headlamp - Low/High Beam RH 12v	1	PC
30	744-1	Lamp - Indicator And Side 12v	1	PC
40	7006995	Bowl- Headlight Mounting	1	PC
40	7026249	Bowl- Headlight Mounting R50	1	PC
50	7015740	S/Assy Daytime Running Light	1	PC
60	288-47	Grommet - Blind 50.8 O/D x 1.6	1	PC
70	134-55	Pan Head Screw-M5Cx8-4.8-Pozidriv	4	PC
80	287-30	Grommet - Ø 17.5 O/D, 12.7 I/D 1.6 Thick	2	PC

LHD/RHD RH Headlights (7015085, 7015263, 7026254, 7026256)

Cab Feature\LHD/RHD RH Headlights

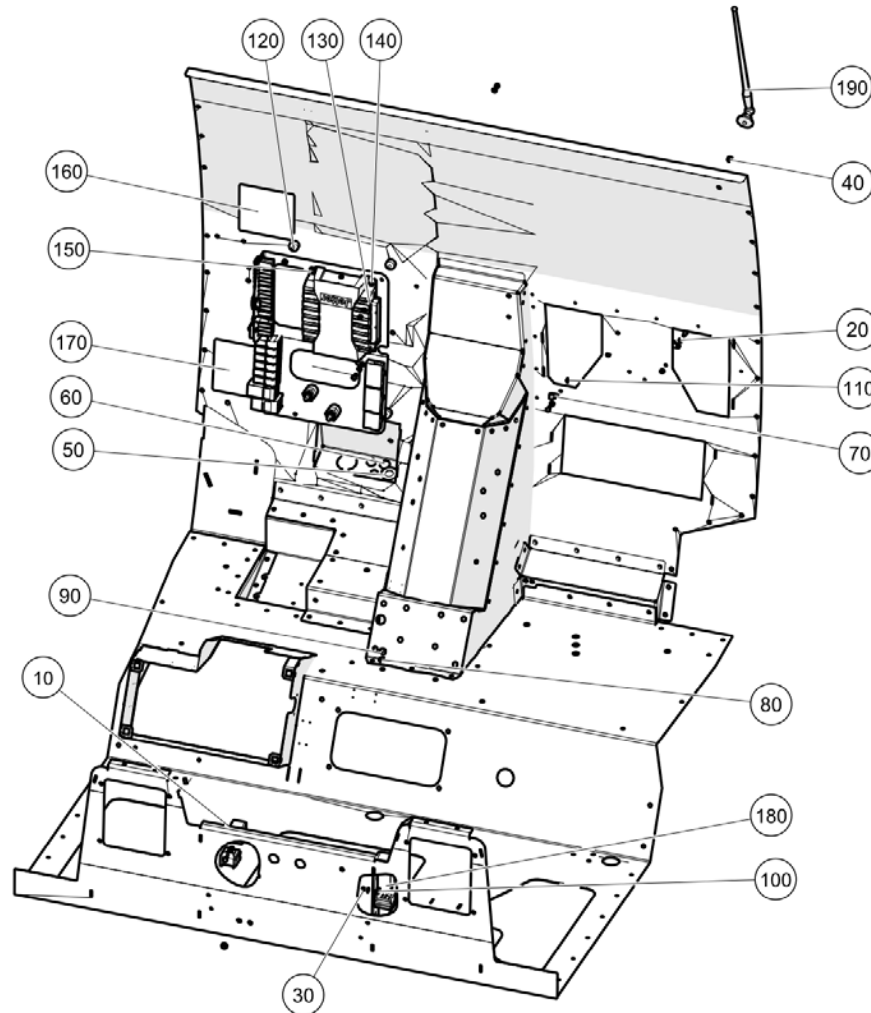


LHD/RHD RH Headlights (7015085, 7015263, 7026254, 7026256)

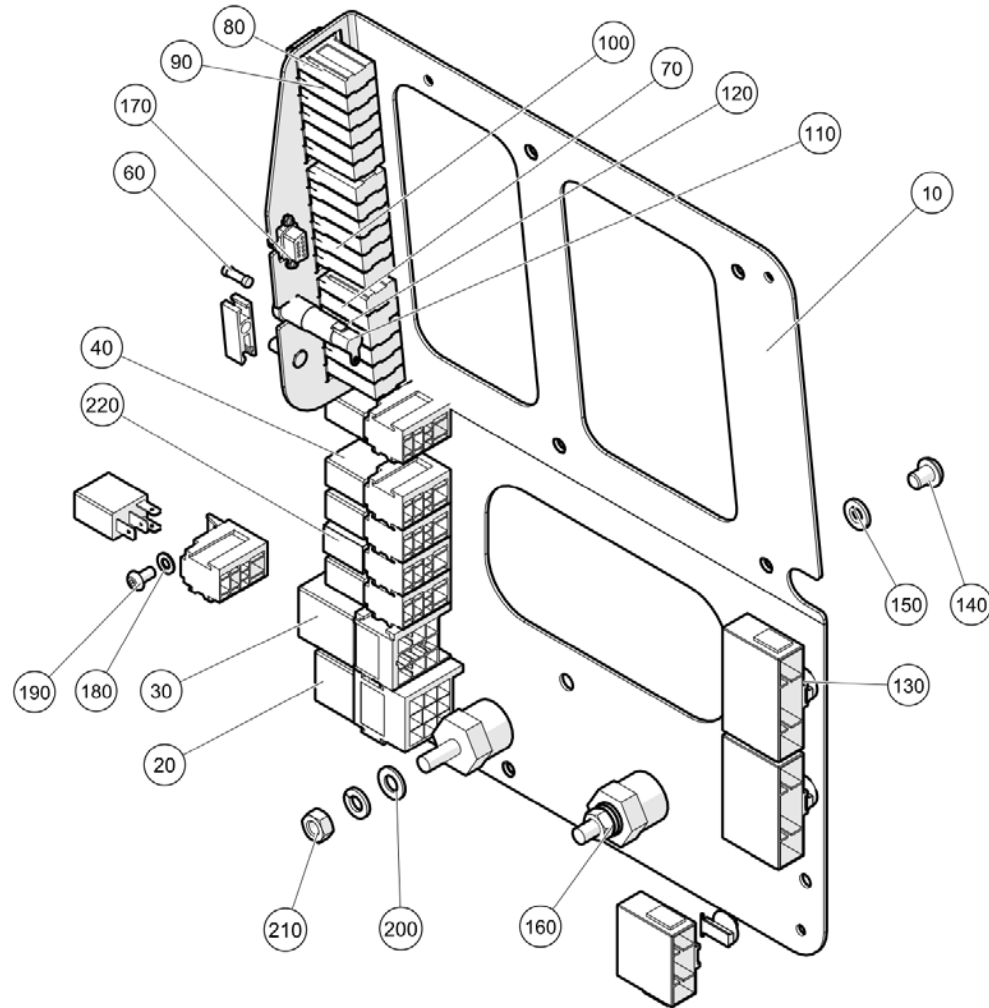
Cab Feature\LHD/RHD RH Headlights

Item no.	Part no.	Description	QTY	Unit
10	7015089	Plate W/Assy - Headlight Mounting LH	1	PC
20	46-420	Headlamp - Low/High Beam LH 12v	1	PC
20	46-421	Headlamp - Low/High Beam RH 12v	1	PC
30	744-1	Lamp - Indicator And Side 12v	1	PC
40	7006995	Bowl- Headlight Mounting	1	PC
40	7026249	Bowl- Headlight Mounting R50	1	PC
50	7015740	S/Assy Daytime Running Light	1	PC
60	288-47	Grommet - Blind 50.8 O/D x 1.6	1	PC
70	134-55	Pan Head Screw-M5Cx8-4.8-Pozidriv	4	PC
80	287-30	Grommet - Ø 17.5 O/D, 12.7 I/D 1.6 Thick	2	PC

All Copyright and rights are the property of Johnston Sweepers Ltd.

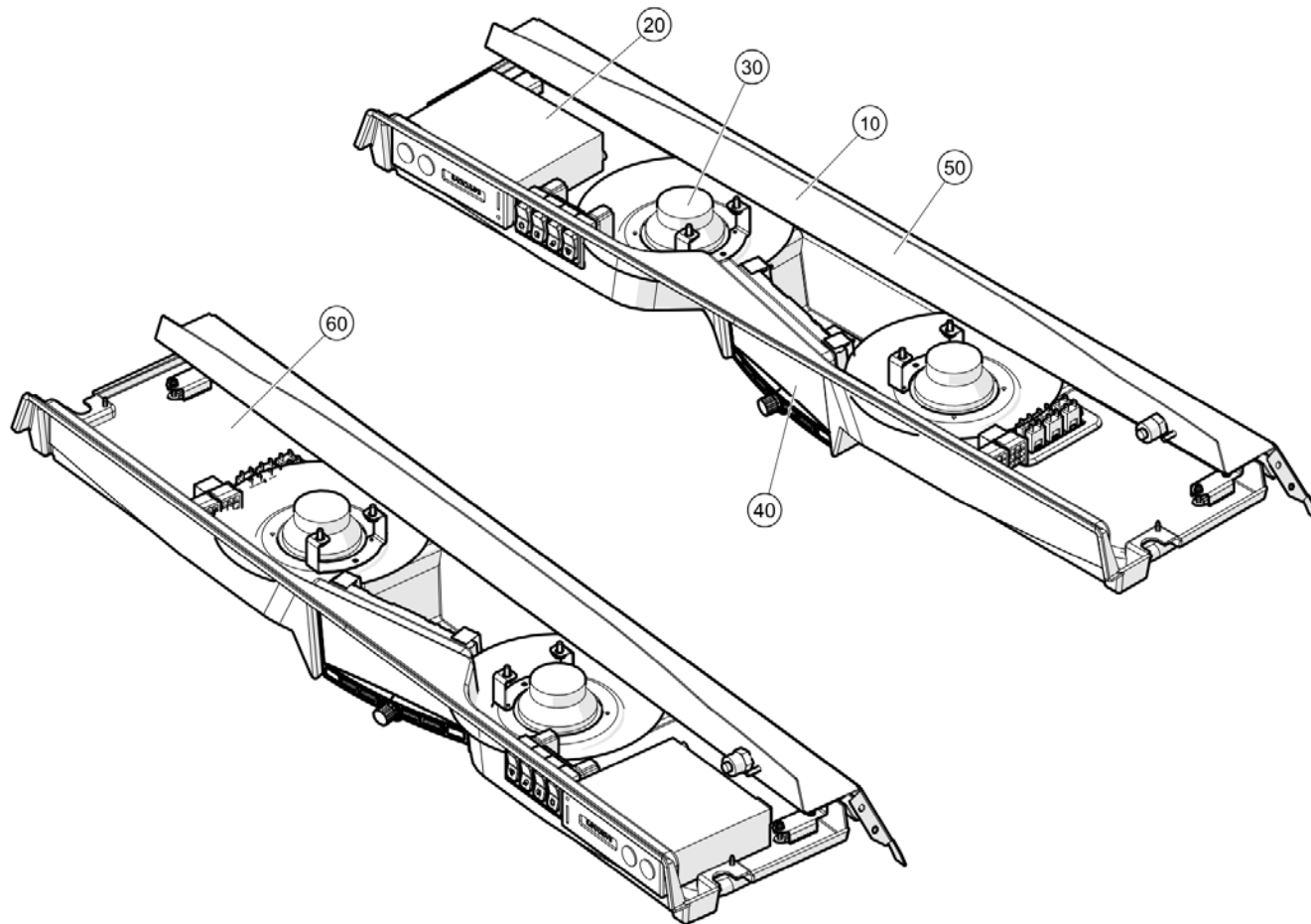


Item no.	Part no.	Description	QTY	Unit
10	48-180	Relay - Incremental Wiper	1	PC
20	93210109-0	Plain Washer M5	17	PC
30	93056011-0	Hex Nut M5C-8	2	PC
40	287-27	Grommet - Ø 9.5 O/D, 6.4 I/D 1.8 Thick	2	PC
50	287-73	Grommet - 34.9 O/D, 25.4 I/D	1	PC
60	288-11	Grommet - Blind 15.9 O/D x 1.6	1	PC
70	436-17	Clip- P Black Nylon Dia.7.5mm	3	PC
80	93212011-0	Plain Washer M8	1	PC
90	93056014-0	Hex Nut M8C-8	1	PC
100	92097261-0	Hex Head Screw - M5Cx10 - 8.8	4	PC
110	93085003-0	Nyloc Hex Nut M5C - 8	11	PC
120	290-101	Mount - Anti Vibration MM M5 Ø 20	4	PC
130	7005456	Control JXM IO Node	1	PC
140	93699707-0	Spring Washer - Plated M5	4	PC
150	181-3	Screw Pan Hd Pozidriv M5cx16	4	PC
160	7015538	Label - Rear Cab, Fuses (C201)	1	PC
170	7015539	Label - Rear Cab, Relays (C201)	1	PC
180	7019036	Control Unit, Daytime Running Lights	1	PC
190	220-19	Aerial	1	PC



All Copyright and rights are the property of Johnston Sweepers Ltd.

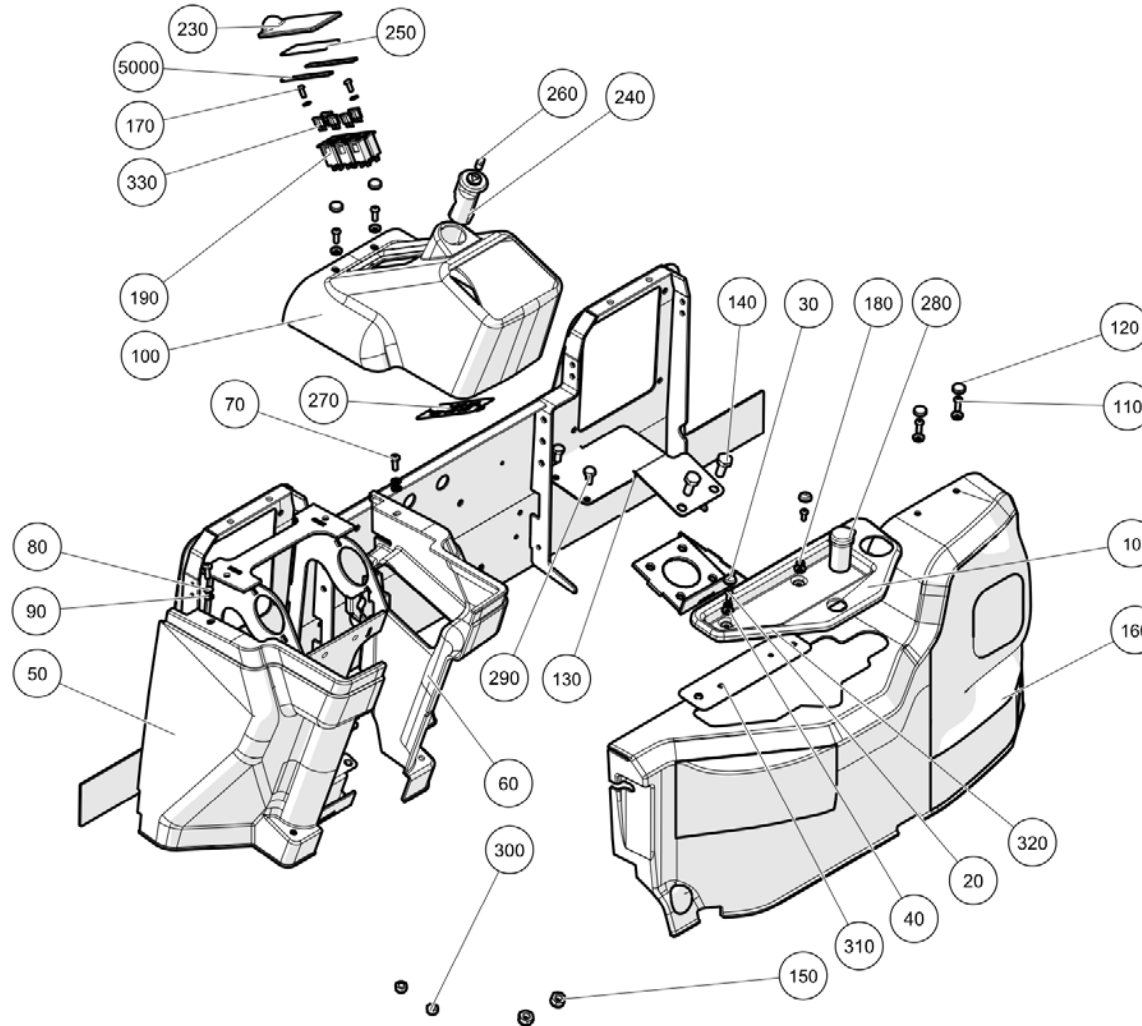
Item no.	Part no.	Description	QTY	Unit
10	7013377	Panel, Electrical Distribution Assy	1	PC
20	738-4	Relay-Heavy Duty 12V 70 Amps SPNO	1	PC
30	738-5	Flasher Relay Module 12v Nominal	1	PC
40	725-150	Relay - 12v 20 AMP N/O Micro	5	PC
50	719-5	Tool-Extraction (Blade Fuses)	1	PC
60	30-162	Fuse - 15A, Anti-Surge Glass	1	PC
70	30-44	Fuse - Flat Blade, Ceramic 10A	6	PC
80	30-43	Fuse - Flat Blade, Ceramic 5A	2	PC
90	30-46	Fuse - Flat Blade 20A	2	PC
100	30-45	Fuse - Flat Blade 15A	4	PC
110	30-57	Fuse - Flat Blade 7.5A	2	PC
120	719-10	Fuse - Flat Blade, Black, 1A	1	PC
130	709-200	Body Fastening Clamp (Clip)	3	PC
140	92330126-0	Hex Skt Button Head Screw M8x10 - 10.9	2	PC
150	93699710-0	Spring Washer - Plated M8	4	PC
160	728-2	Electrical Insulator Post M/F M8	2	PC
170	718-173	Kit - Screwlock, Female HDP20 Housing	1	PC
180	93210109-0	Plain Washer M5	4	PC
190	92330025-0	Hex Skt Button Head Screw M5x10 - 10.9	4	PC
200	93212011-0	Plain Washer M8	2	PC
210	93056014-0	Hex Nut M8C-8	2	PC
220	725-152	Relay - 12v 20/10 AMP Changeover	1	PC



Overhead Console (7011625, 7011626, 920005-003)

Cab Feature\Overhead Console

Item no.	Part no.	Description	QTY	Unit
10	7011612	Console - Top, LHD	1	PC
20	220-260	Radio and MP3 Player Unit	1	PC
20	220-314	Tuner 12v With Bluetooth	1	PC
30	220-102	Speakers - 2 Way 100mm (CTRS)	1	PAA
40	7020919	JVM - Replacement, C201	1	PC
Please refer to maintenance section when replacing JVM.				
50	287-27	Grommet - Ø 9.5 O/D, 6.4 I/D 1.8 Thick	1	PC
60	7011624	Console - Top, RHD	1	PC

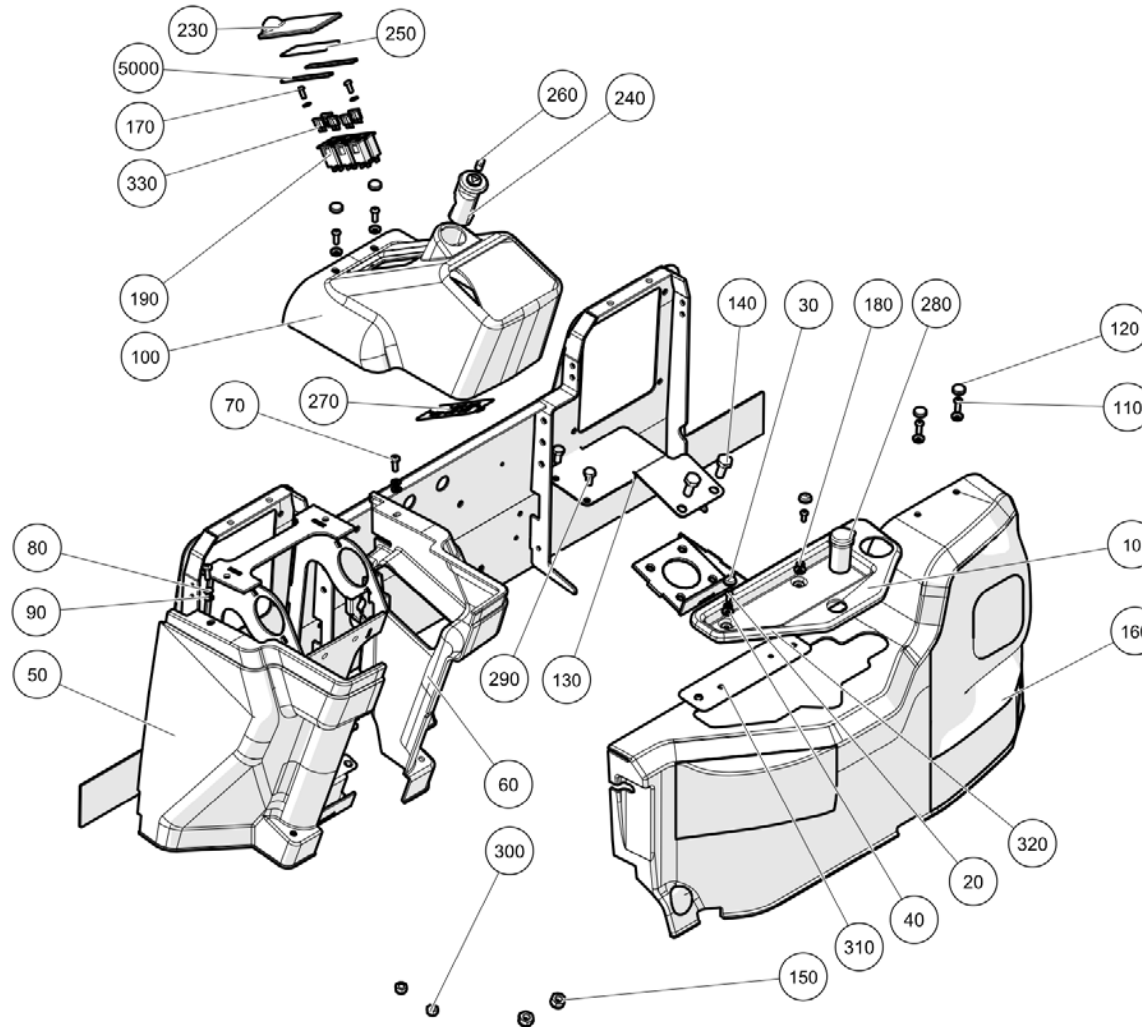


Column Shroud (7015459, 7015461)

Cab Feature\Column Shroud

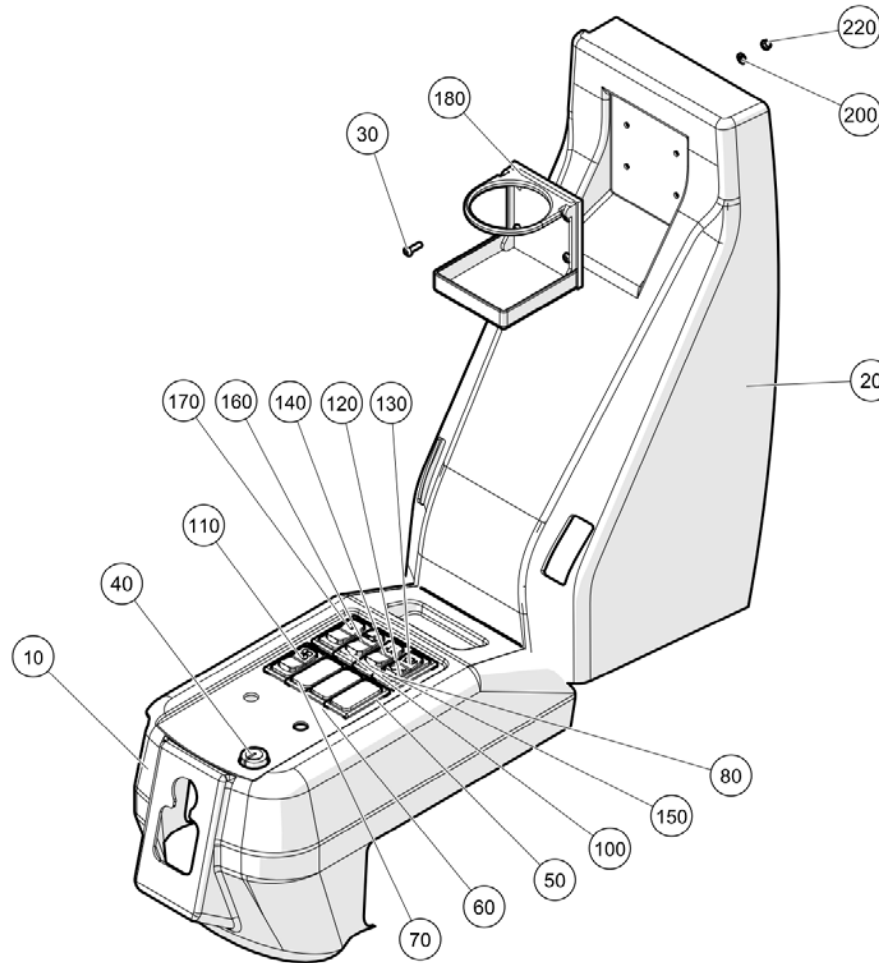
Item no.	Part no.	Description	QTY	Unit
10	721102-1	Tray - Storage	1	PC
20	135-230	Screw-Skt Btn Hd,M5x12(Black)	2	PC
30	220-245	Cap - Plastic, Black	2	PC
40	220-62	Washer - Plastic Special	6	PC
50	721107-1	Shroud-Steering Column LH LHD	1	PC
50	721107-2	Shroud-Steering Column LH RHD	1	PC
60	721108-1	Shroud-Steering Column RH	1	PC
60	721108-2	Shroud-Steering Column RH RHD	1	PC
70	134-73	Pan Head Screw-M6Cx16-4.8-Pozidriv	2	PC
80	93699708-0	Spring Washer - Plated M6	2	PC
90	93212009-0	Plain Washer M6	2	PC
100	721109-1	Shroud-Steering Column Top	1	PC
110	92330109-0	Hex Skt Button Head Screw M6x16 - 10.9	4	PC
120	220-63	Cap - Plastic Silver Grey	4	PC
130	721552-2	Cover-Column Base Plate RH	1	PC
130	721552-1	Cover-Column Base Plt LH	1	PC
140	92097412-0	Hex Head Screw - M10Cx25 - 8.8	2	PC
150	93085806-0	Nyloc Hex Nut M10C - 8	2	PC
160	721110-1	Moulding-Passenger, LHD	1	PC
160	721111-1	Moulding - Passenger, RHD	1	PC
170	6122-2028	Hex Skt Button Head Screw M5x12 - 10.9	2	PC
180	93210109-0	Plain Washer M5	4	PC
190	30-298	Fuse Holder - Push In Blade	6	PC
230	721464-1	Cover - Fuse	1	PC

Column Shroud (7015459, 7015461)
Cab Feature\Column Shroud



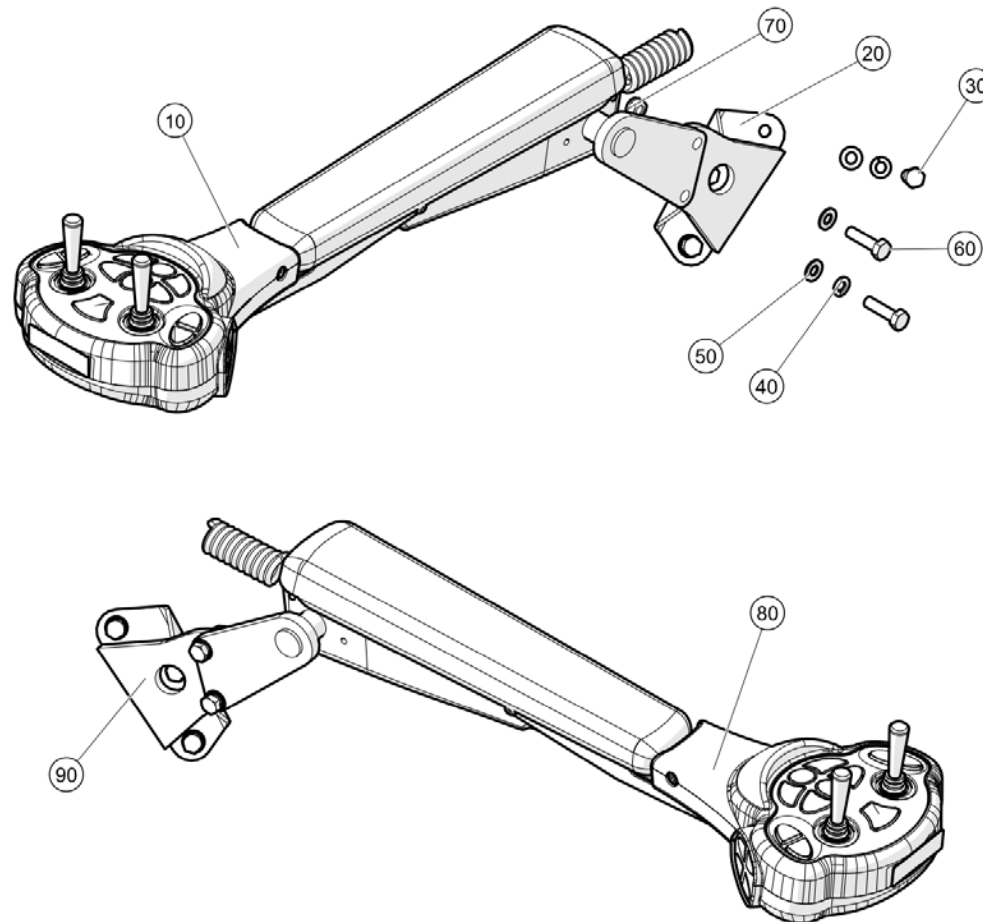
Item no.	Part no.	Description	QTY	Unit
240	48-313	Switch - Hazard, Flasher	1	PC
250	7018711	Label - Steering Column, C201	1	PC
260	47-57	Bulb - 12V 2W (T8/2)	1	PC
270	722522-1	Plate - Fuse Mounting, W/Assy	1	PC
280	30-397	Socket - Auxiliary Power	1	PC
290	92097372-0	Hex Head Screw - M8Cx16 - 8.8	2	PC
300	93085805-0	Nyloc Hex Nut M8C - 8	2	PC
310	7015332	Plate- Intermediate W/Assy	1	PC
320	92330025-0	Hex Skt Button Head Screw M5x10 - 10.9	2	PC
5000	217-68	Tape - Velcro, Strip 5m (Reel)	0.1	M
330	30-57	Fuse - Flat Blade 7.5A	5	PC

Centre Console (37127-53)
Cab Feature\Centre Console



Item no.	Part no.	Description	QTY	Unit
10	7014085	Control Panel Cover, Standard Trim	1	PC
20	721415-1	Cover - Intake Duct	1	PC
30	92330009-0	Hex Skt Button Head Screw M5x16 - 10.9	4	PC
40	56-46	Switch-Key,3 Position	1	PC
40	56-47	Key - Ignition (to suit 56/46)	1	PAA
50	735-70	Bezel - Mounting End Piece	4	PC
60	735-71	Bezel - Mounting Centre Piece	4	PC
70	735-60	Plug - Blanking	3	PC
80	735-6	Switch-2 Position, Detent 12V	1	PC
100	735-7	Switch-3 Position, Detent 12V	2	PC
110	735-204	Cover - Rocker Heater Fan	1	PC
120	735-8	Switch-3 Position, Spring 12V	1	PC
130	735-122	Cover - Rocker Hopper Raise	1	PC
140	735-108	Cover - Beacons	1	PC
150	735-4	Switch-2 Position, Spring 12V	1	PC
160	735-114	Cover - Rocker Suction Fan	1	PC
170	735-127	Cover - Rocker Water Pump	1	PC
180	836-9	Cup Holder - Black	1	PC
200	93210109-0	Plain Washer M5	4	PC
220	93085003-0	Nyloc Hex Nut M5C - 8	4	PC

Arm Rest Control Installation (7011438, 7011440, 7011478, 7011479, 7011466, 7011470)
Cab Feature\Arm Rest Control Installation



All Copyright and rights are the property of Johnston Sweepers Ltd.

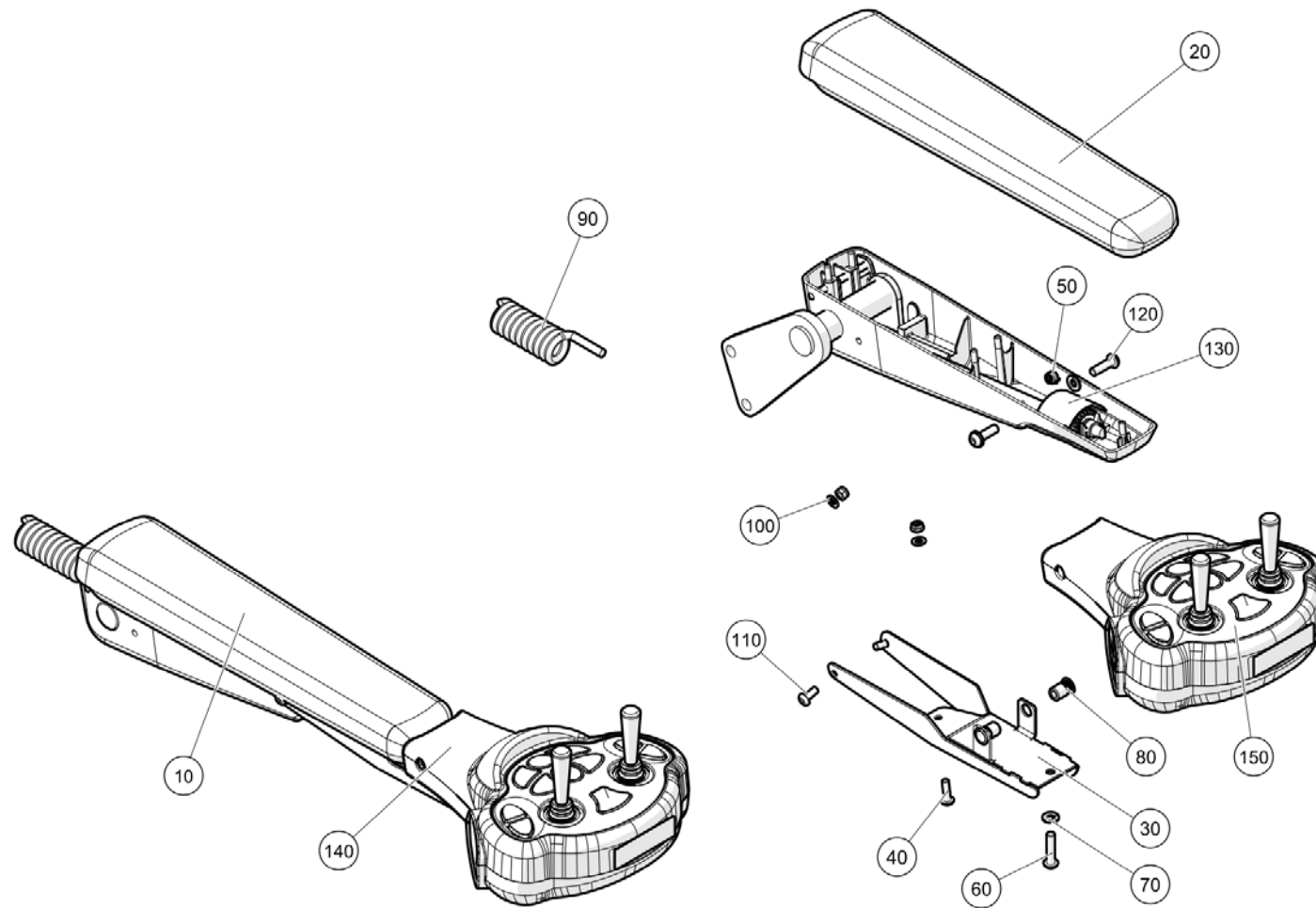
Arm Rest Control Installation (7011438, 7011440, 7011478, 7011479, 7011466, 7011470)

Cab Feature\Arm Rest Control Installation

Item no.	Part no.	Description	QTY	Unit
10	7011419	Arm Rest Control - LHD (Sweeper)	1	PC
10	7011474	Arm Rest Control - LHD (3rd Brush)	1	PC
10	7011463	Arm Rest Control - LHD (Washer)	1	PC
20	721432-1	Mount - Arm Rest, W/Assy	1	PC
30	92097372-0	Hex Head Screw - M8Cx16 - 8.8	3	PC
40	93699710-0	Spring Washer - Plated M8	4	PC
50	93212011-0	Plain Washer M8	6	PC
60	92097378-0	Hex Head Screw - M8Cx30 - 8.8	2	PC
70	93085005-0	Nyloc Hex Thin Nut M8C - 8	1	PC
80	7011436	Arm Rest Control - RHD (Sweeper)	1	PC
80	7011475	Arm Rest Control - RHD (3rd Brush)	1	PC
80	7011464	Arm Rest Control - RHD (Washer)	1	PC
90	721432-2	Mount - Arm Rest, R/H W/Assy	1	PC

Arm Rest Controller (7011419, 7011436, 7011474, 7011475, 7011463, 7011464)

Cab Feature\Arm Rest Controller



All Copyright and rights are the property of Johnston Sweepers Ltd.

Arm Rest Controller (7011419, 7011436, 7011474, 7011475, 7011463, 7011464)

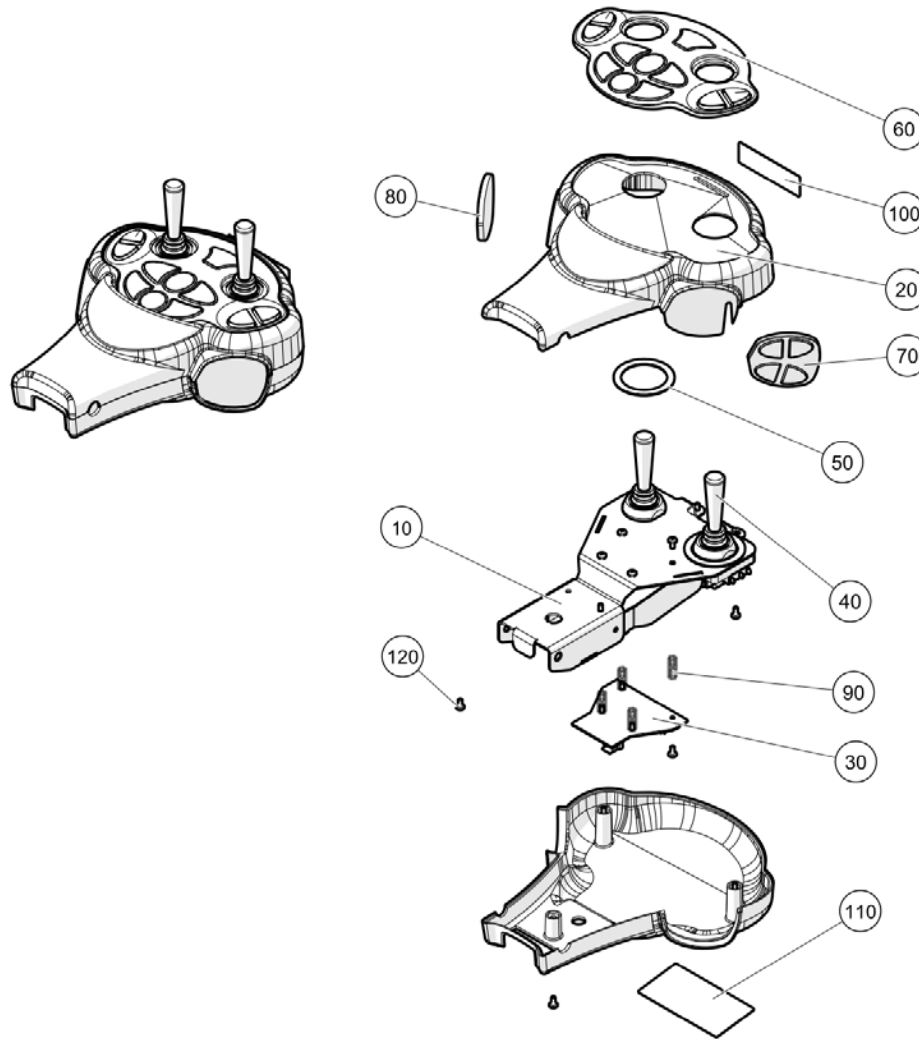
Cab Feature\Arm Rest Controller

Item no.	Part no.	Description	QTY	Unit
10	220-104	Arm Rest Kit (RH) c/w fixings	1	PC
20	220-105	Arm Rest Kit (LH) c/w fixings	1	PC
30	741908-1	Bracket - Palm Rest	1	PC
40	92330009-0	Hex Skt Button Head Screw M5x16 - 10.9	1	PC
50	93085003-0	Nyloc Hex Nut M5C - 8	3	PC
60	92330036-0	Hex Skt Button Head Screw M6x25 - 10.9	1	PC
70	93699708-0	Spring Washer - Plated M6	3	PC
80	433-104	Insert, Small Hd, M6, 0.7-4.2, Open, MS	2	PC
90	741928-1	Armrest Cable Assy	1	PC
100	93210109-0	Plain Washer M5	3	PC
110	6122-2028	Hex Skt Button Head Screw M5x12 - 10.9	2	PC
120	92330035-0	Hex Skt Button Head Screw M6x20 - 10.9	2	PC
130	742407-1	Guard - Adjuster	1	PC
140	7011460	Controller - Palm Rest, LH (Sweeper)	1	PC
140	7011472	Controller - Palm Rest, LH (3rd Brush)	1	PC
150	7011334	Controller - Palm Rest, RH (Sweeper)	1	PC
150	7011473	Controller - Palm Rest, RH (3rd Brush)	1	PC
150	7011462	Controller - Palm Rest, Washer	1	PC

All Copyright and rights are the property of Johnston Sweepers Ltd.

Palm Rest Controller (n/a)
Cab Feature\Palm Rest Controller

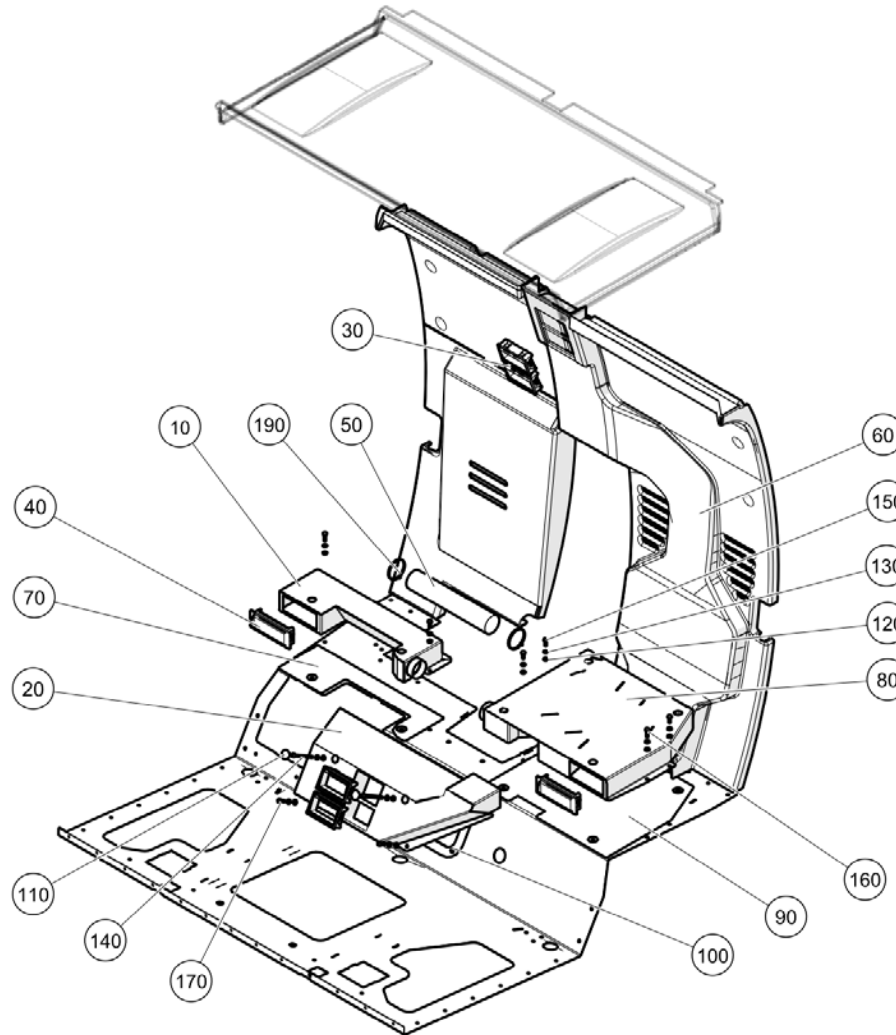
All Copyright and rights are the property of Johnston Sweepers Ltd.



Palm Rest Controller (n/a)
Cab Feature\Palm Rest Controller

Item no.	Part no.	Description	QTY	Unit
10	720822-1	Palm Rest - Chassis W/Assy	1	PC
20	720826-1	Shell - Moulding, Palm Rest	1	PC
30	7010646	Node - Palm Rest	1	PC
40	720824-1	Joystick - Palm Rest, A/ssy	2	PC
50	720827-1	Washer - Sealing, Palm Rest	2	PC
70	720823-7	Thumbpad - Palm Rest	1	PC
80	720823-8	Thumbpad - Palm Rest, Blank	1	PC
90	30-299	Spacer - PCB, M3 x 16mm	4	PC
100	742030-1	Label-Palm Rest,Identification	1	PC
110	742030-2	Label-Palm Rest,Serial Number	1	PC
120	134-10	Pan Head Screw-M3Cx6-4.8-Pozidriv	15	PC
60	720823-10	Keypad - Main, C201	1	PC
60	720823-6	Keypad - Main, 3rd Brush	1	PC
60	720823-5	Keypad - Main, CW200	1	PC

Heater Ducting & Trim (37135-2)
Cab Feature\Heater Ducting & Trim

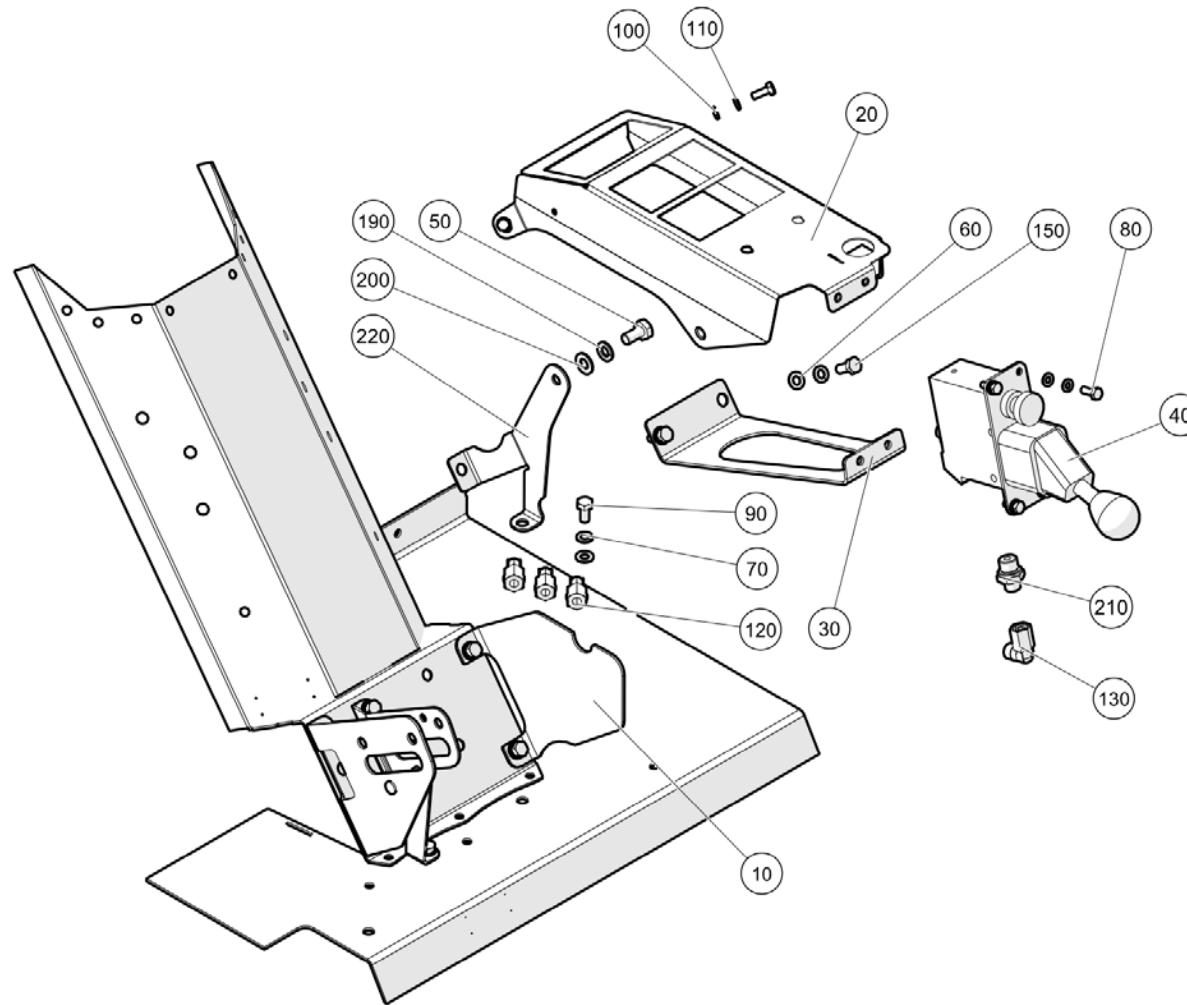


Heater Ducting & Trim (37135-2)
Cab Feature\Heater Ducting & Trim

Item no.	Part no.	Description	QTY	Unit
10	721433-1	Duct-Heater, R/H W/Assy	1	PC
20	721427-1	Duct - Centre, W/Assy	1	PC
30	220-238	Vent-Rectangular Heater	4	PC
40	220-239	Vent - Rectangular Vent	2	PC
50	276-21	Ducting - Tension, 50mm ID	1	M
60	721519-1	Soft Trim - Kit	1	PC
70	721981-1	Gasket - Heater	1	PC
80	7009191	Mount Weld assembly	1	PC
90	721982-1	Gasket - Heater, Large	1	PC
100	721983-1	Gasket - Heater, Centre	1	PC
110	288-18	Grommet - Blind 19.0 O/D x 3.2	2	PC
120	93212009-0	Plain Washer M6	10	PC
130	93699708-0	Spring Washer - Plated M6	10	PC
140	92137093-0	Hex Socket Cap Screw - M6Cx75 - 12.9	2	PC
150	92097299-0	Hex Head Screw - M6Cx16 - 8.8	4	PC
160	92097301-0	Hex Head Screw - M6Cx20 - 8.8	2	PC
170	92137079-0	Hex Socket Cap Screw - M6Cx16 - 12.9	2	PC
190	24-9	Cable Tie-Black, 200 x 4.8 mm	2	PC
200	720783-1	Soft Trim- Rear Panel LH Assy	1	PC
210	720782-1	Roof Lining	1	PC
220	720784-1	Soft Trim-Rear Panel RH Kit	1	PC

All Copyright and rights are the property of Johnston Sweepers Ltd.

Hydraulic Handbrake (37140-1)
Cab Feature\Hydraulic Handbrake



All Copyright and rights are the property of Johnston Sweepers Ltd.

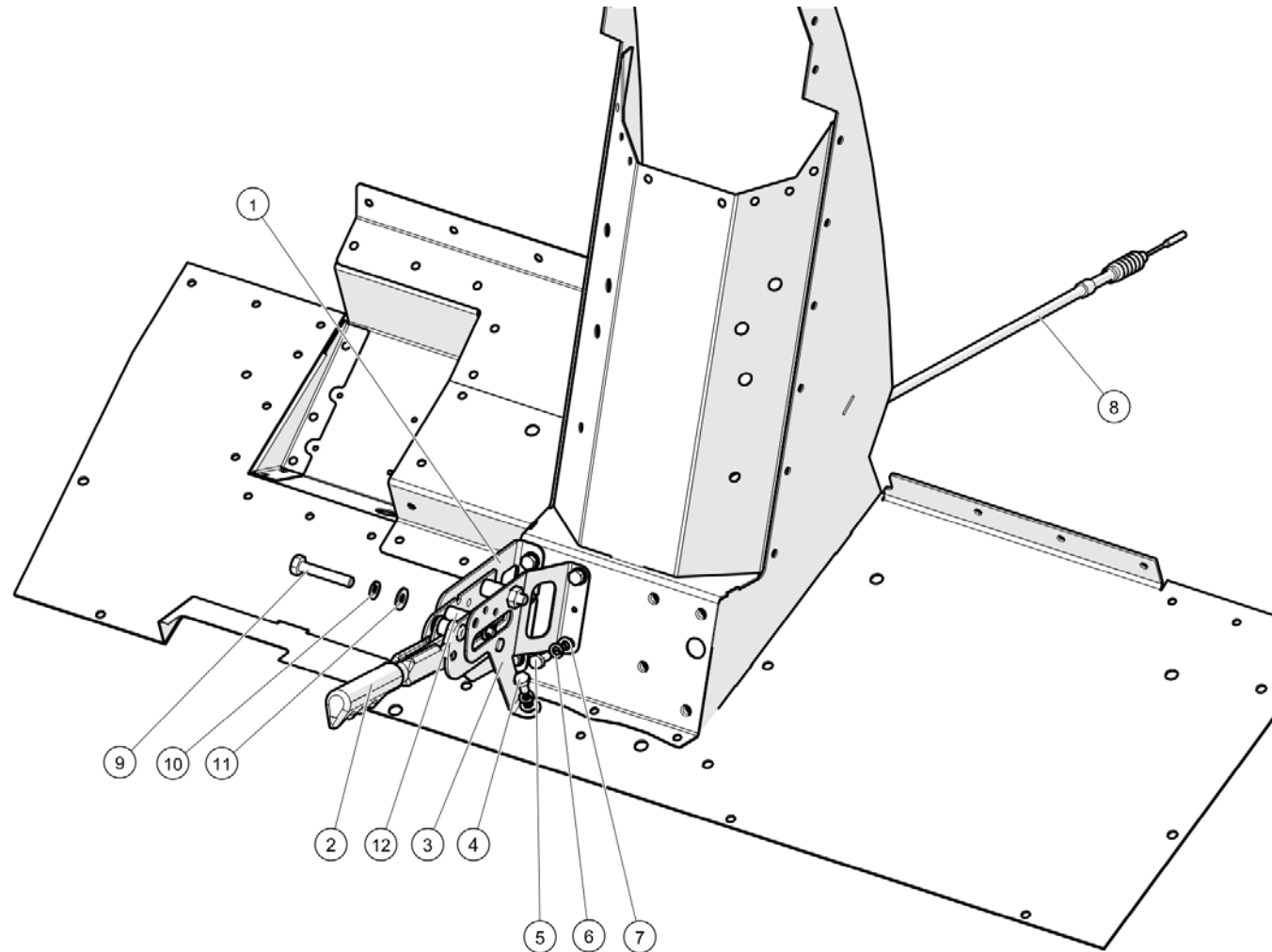
Hydraulic Handbrake (37140-1)
Cab Feature\Hydraulic Handbrake

Item no.	Part no.	Description	QTY	Unit
10	7007343	Bracket -Cab	1	PC
20	7007306	Tunnel Weld assembly	1	PC
30	7007307	Mounting plate Weld assembly	1	PC
40	813-331	Hydraulic Handbrake + Switch & Pump	1	PC
50	92097410-0	Hex Head Screw - M10Cx20 - 8.8	1	PC
60	93212011-0	Plain Washer M8	5	PC
70	93699710-0	Spring Washer - Plated M8	5	PC
80	92097299-0	Hex Head Screw - M6Cx16 - 8.8	6	PC
90	92097372-0	Hex Head Screw - M8Cx16 - 8.8	3	PC
100	93212009-0	Plain Washer M6	6	PC
110	93699708-0	Spring Washer - Plated M6	6	PC
120	09570473-0	Bulkhead Elbow Connector - M14 x 1.5	3	PC
130	303-1	Adjustable Male Elbow - M14 x 1.5	1	PC
150	92097374-0	Hex Head Screw - M8Cx20 - 8.8	2	PC
190	93699711-0	Spring Washer - Plated M10	1	PC
200	93212012-0	Plain Washer M10	1	PC
210	09570102-0	Stud Coupling Male G 3/8" x M14 x 1.5	3	PC
220	7007903	Support Left	1	PC

All Copyright and rights are the property of Johnston Sweepers Ltd.

Dump Valve Lever (37003-55, 37003-56)

Cab Feature\Dump Valve Lever



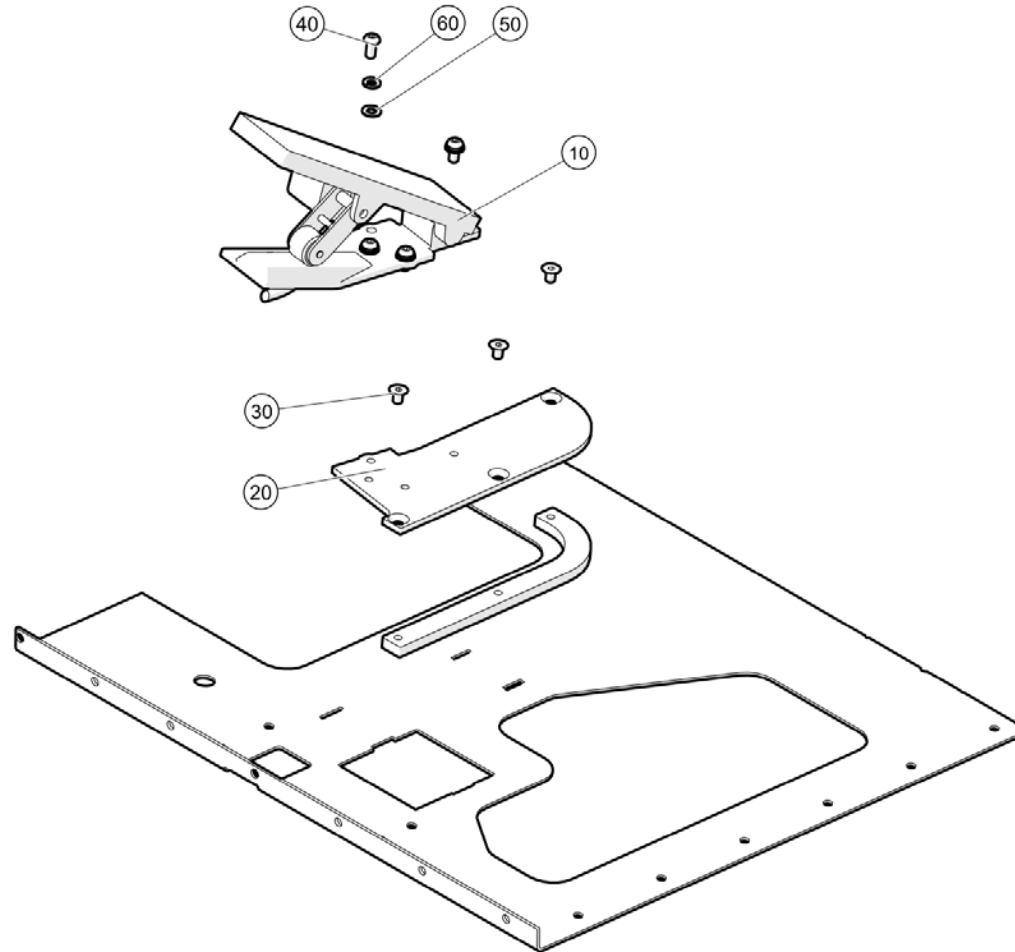
All Copyright and rights are the property of Johnston Sweepers Ltd.

Dump Valve Lever (37003-55, 37003-56)

Cab Feature\Dump Valve Lever

Item no.	Part no.	Description	QTY	Unit
1	723052-2	Plate - Handbrake Mounting RH	1	PC
1	723052-1	Plate - Handbrake Mounting LH	1	PC
2	741785-27	Lever - Dump Valve Overcentre	1	PC
3	723016-2	Mount - Handbrake, RH	1	PC
3	723016-1	Mount - Handbrake, LH	1	PC
4	124-134	Setscrew M8C x 16	1	PC
5	124-135	Setscrew M8C x 20	4	PC
6	460-10	Washer Spring Single Coil M8	5	PC
7	455-10	Washer Plain Plated Steel M8	5	PC
8	721354-1	Cable - Dump Valve LHD	1	PC
8	721354-2	Cable - Dump Valve RHD	1	PC
9	123-131	Bolt M Coarse M10x55	2	PC
10	460-11	Washer Spring Single Coil M10	2	PC
11	455-11	Washer Plain Plated Steel M10	2	PC
12	721355-1	Spacer - Handbrake	2	PC

Throttle Pedal (7011651)
Cab Feature\Throttle Pedal



Throttle Pedal (7011651)

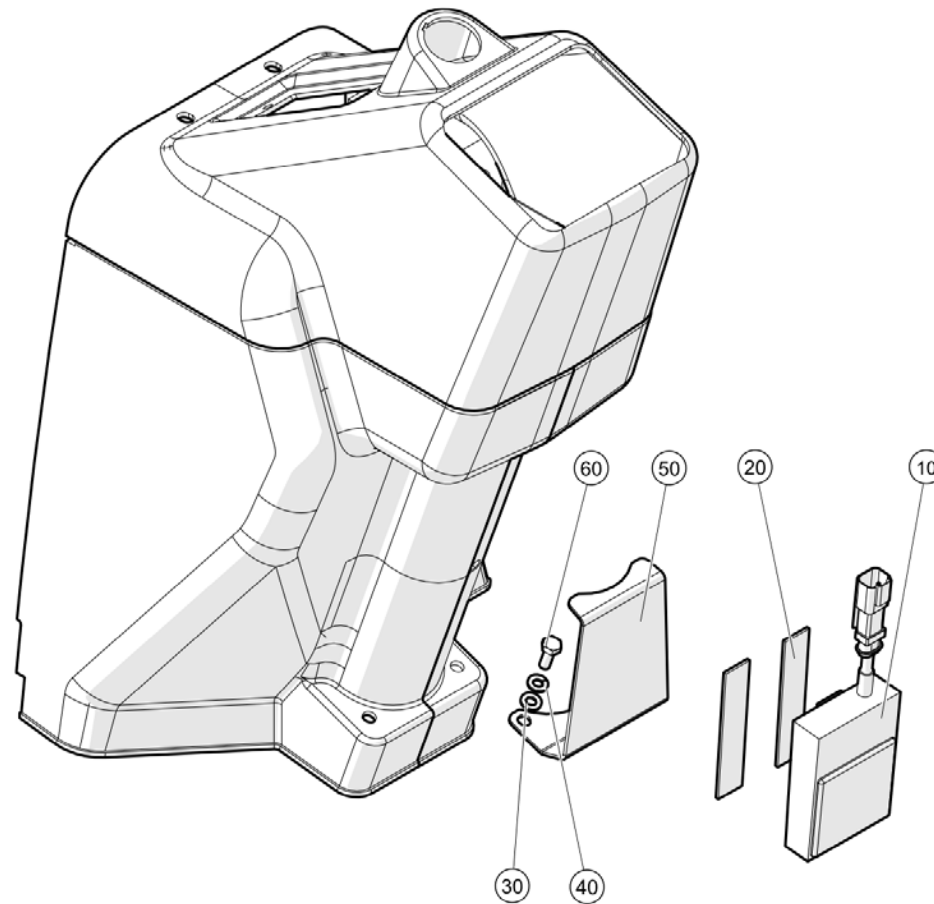
Cab Feature\Throttle Pedal

Item no.	Part no.	Description	QTY	Unit
10	836-7	Pedal-VDO,Floor Mounted 31 deg	1	PC
20	7009960	Mounting Plate Throttle Pedal LH	1	PC
30	92153062-0	Hex Socket CSK Screw M8Cx12 10.9	3	PC
40	92330044-0	Hex Skt Button Head Screw M8x16 - 10.9	4	PC
50	93212011-0	Plain Washer M8	4	PC
60	93699710-0	Spring Washer - Plated M8	4	PC

All Copyright and rights are the property of Johnston Sweepers Ltd.

Third Pedal (37005-51)
Cab Feature\Third Pedal

All Copyright and rights are the property of Johnston Sweepers Ltd.



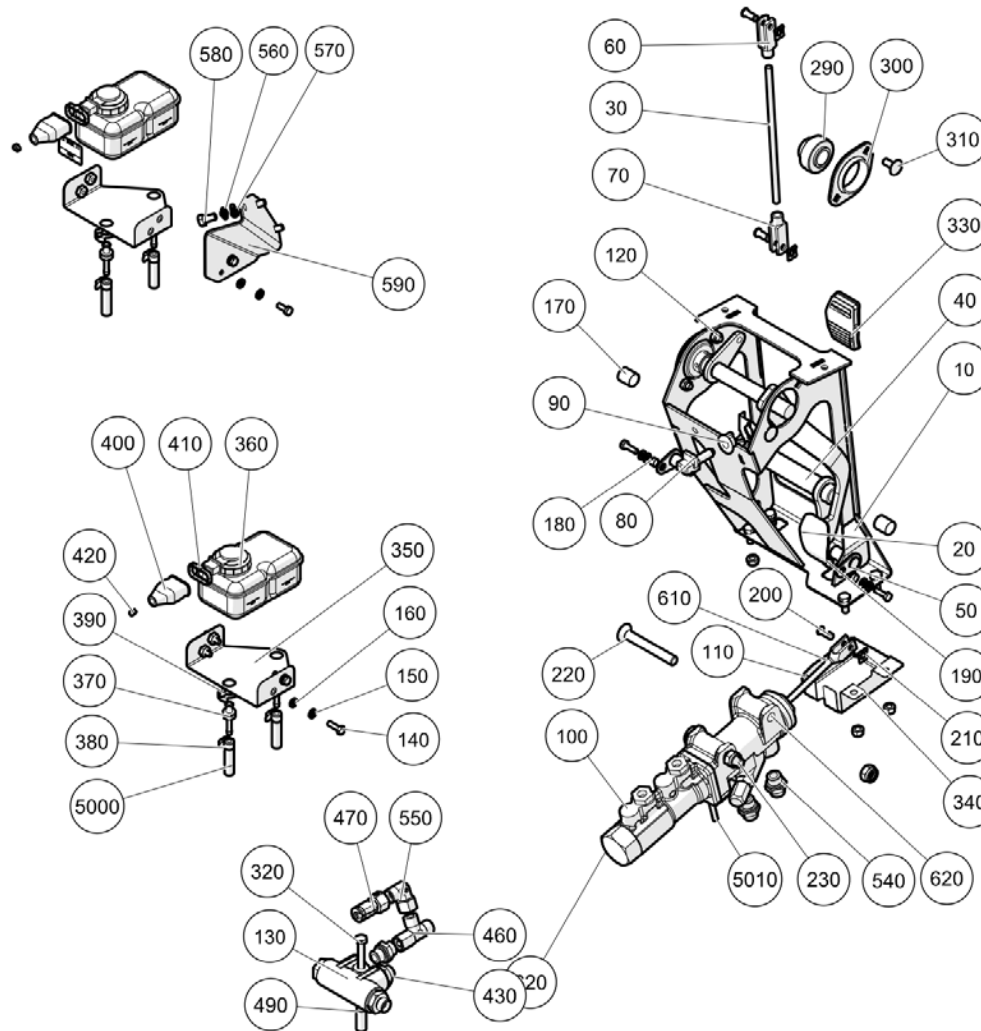
Third Pedal (37005-51)

Cab Feature\Third Pedal

Item no.	Part no.	Description	QTY	Unit
10	742014-1	Balance-Brush, Foot Pedal Assy	1	PC
20	217-33	Tape - Acrylic Foam, 19mm Wide	2	M
30	93212009-0	Plain Washer M6	2	PC
40	93699708-0	Spring Washer - Plated M6	2	PC
50	722539-1	Mount - Third Pedal	1	PC
60	92097299-0	Hex Head Screw - M6Cx16 - 8.8	2	PC

Brake Mechanism (7011152, 7010782, 7012158, 7012160)

Cab Feature\Brake Mechanism



Brake Mechanism (7011152, 7010782, 7012158, 7012160)

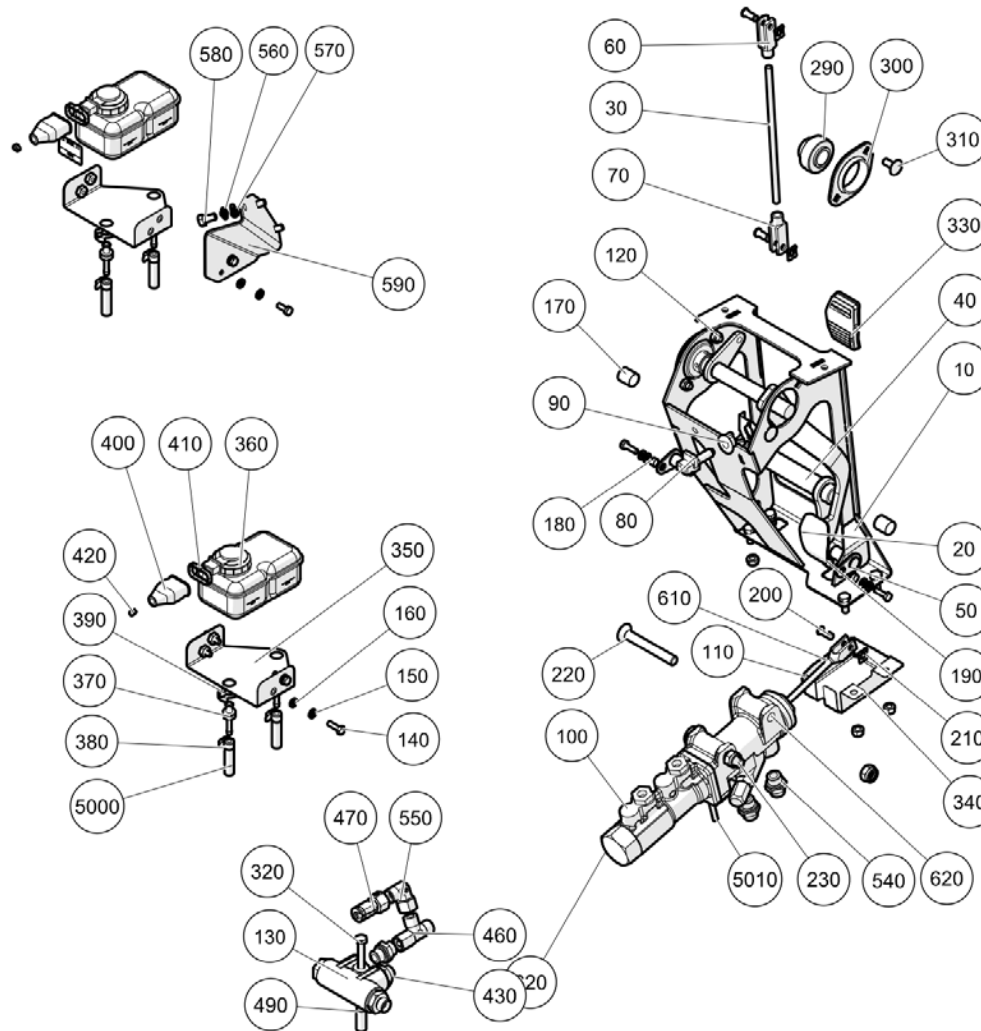
Cab Feature\Brake Mechanism

Item no.	Part no.	Description	QTY	Unit
10	7010205	Pedal Box W/Assy RH	1	PC
10	7010765	Pedal Box W/Assy LH	1	PC
20	7010208	Brake Pedal W/Assy	1	PC
30	720965-1	Rod - Brake Linakage, Cab 2003	1	PC
40	721084-1	Pivot-Bottom,W/Assy RHD	1	PC
40	720963-1	Pivot-Lower, Brake W/Assy	1	PC
50	76210-1	Pin - Pivot Tube, W/Assy	2	PC
60	289-34	Clevis,M8x1.25 RH Thread,long	1	PC
70	289-35	Clevis,M8x1.25 LH Thread,long	1	PC
80	4505-297	Switch - St. Light	1	PC
90	4505-298	Bush	1	PC
100	720967-1	Cylinder/Servo-Brake, Safim	1	PC
110	720966-1	Fork-Actuator, Brake Cylinder	1	PC
120	93085005-0	Nyloc Hex Thin Nut M8C - 8	8	PC
130	721049-1	Valve - Priority	1	PC
140	92097301-0	Hex Head Screw - M6Cx20 - 8.8	6	PC
150	93699708-0	Spring Washer - Plated M6	6	PC
160	93212009-0	Plain Washer M6	6	PC
170	18-3	Bearing - Dry Metric 16mm I/D x 20Lg	2	PC
180	76209-1	Spacer - Pivot Pin Retainer	2	PC
190	93085004-0	Nyloc Hex Nut M6C - 8	2	PC
200	289-24	Pin	3	PC
210	289-25	Slim Safety Fastener SLM 8	3	PC
220	131-199	Hex Socket CSK Screw M12Cx90 10.9	2	PC

All Copyright and rights are the property of Johnston Sweepers Ltd.

Brake Mechanism (7011152, 7010782, 7012158, 7012160)

Cab Feature\Brake Mechanism



Brake Mechanism (7011152, 7010782, 7012158, 7012160)

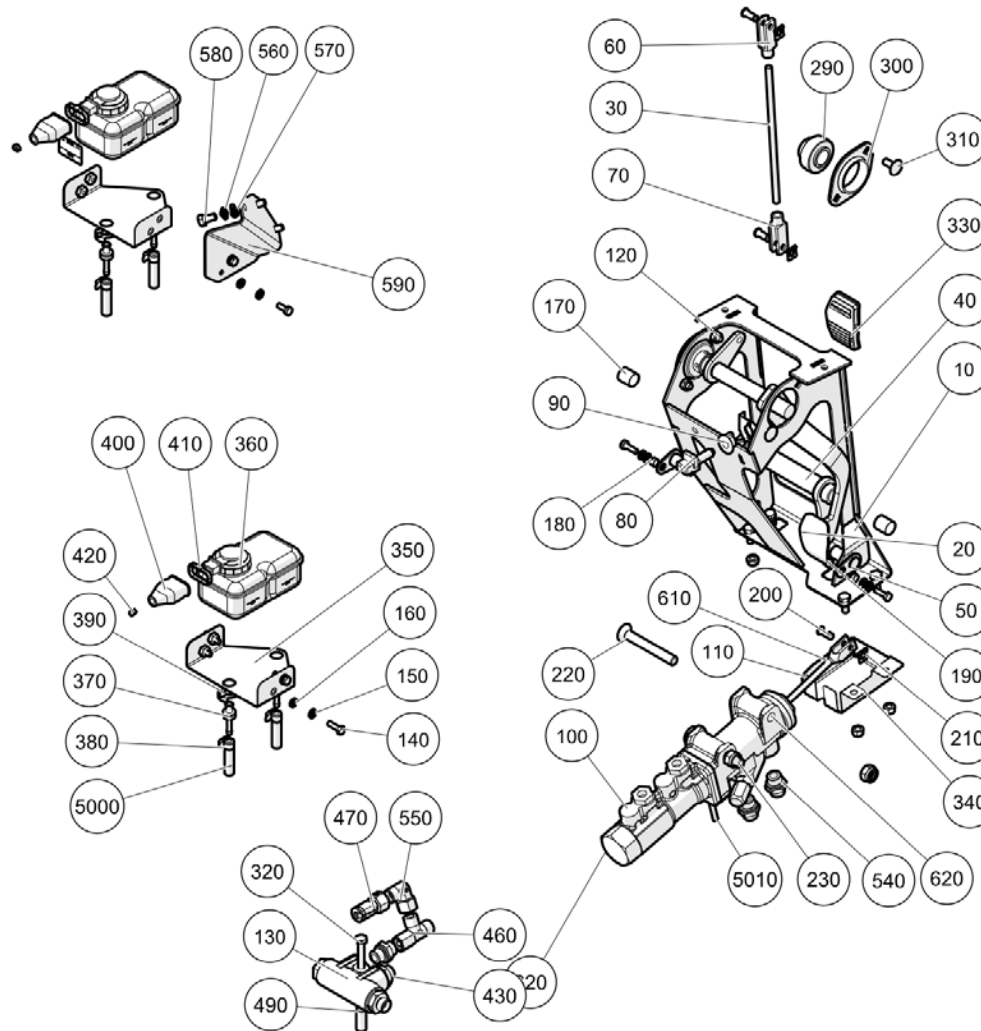
Cab Feature\Brake Mechanism

Item no.	Part no.	Description	QTY	Unit
230	93085007-0	Nyloc Hex Thin Nut M12C - 8	2	PC
290	16-11	Y Bearing - Flanged Unit Shaft	2	PC
300	16-12	Housing - Y Bearing	2	PC
310	92555554-0	Round Head Square Neck Bolt-M8Cx20 4.6	4	PC
320	92067390-0	Hex Head Bolt - M8Cx75 - 8.8	1	PC
330	836-8	Rubber - Brake Pedal	1	PC
340	722624-1	Cover - Brake Mechanism, RHD	1	PC
340	721662-1	Cover-Brake Mechanism LH	1	PC
350	722868-1	Mount - Reservoir, Brake W/A	1	PC
360	7025426	Brake Fluid Reservoir	1	PC
370	722829-1	Adaptor - Hosetail, Reservoir	2	PC
380	501-1	Hose Clip - Worm Drive (11-16)	2	PC
390	283-47	Retaining Clip - KLM I/D 16mm	2	PC
400	29-44	Sleeve - End, dia 25 conduit	1	PC
410	24-9	Cable Tie-Black, 200 x 4.8 mm	1	PC
420	24-8	Cable Tie - Black, 98 x 2.5 mm	1	PC
430	09570131-0	Stud Coupling Male G 1/2" x M18 x 1.5	2	PC
460	6615-2319	Adjustable Male Tee - M18 x 1.5	1	PC
470	09518200-0	Test Coupling SMK20 - Ø12 Pipe M18x1.5	1	PC
490	7009594	Spacer Ø12.7 X 30	1	PC
540	09570105-0	Stud Coupling Male - M18x1.5 x M18x1.5	3	PC
550	6613-0503	Adjustable Male Elbow - M16 x 1.5	1	PC
560	93699710-0	Spring Washer - Plated M8	3	PC
570	93212011-0	Plain Washer M8	3	PC

All Copyright and rights are the property of Johnston Sweepers Ltd.

Brake Mechanism (7011152, 7010782, 7012158, 7012160)

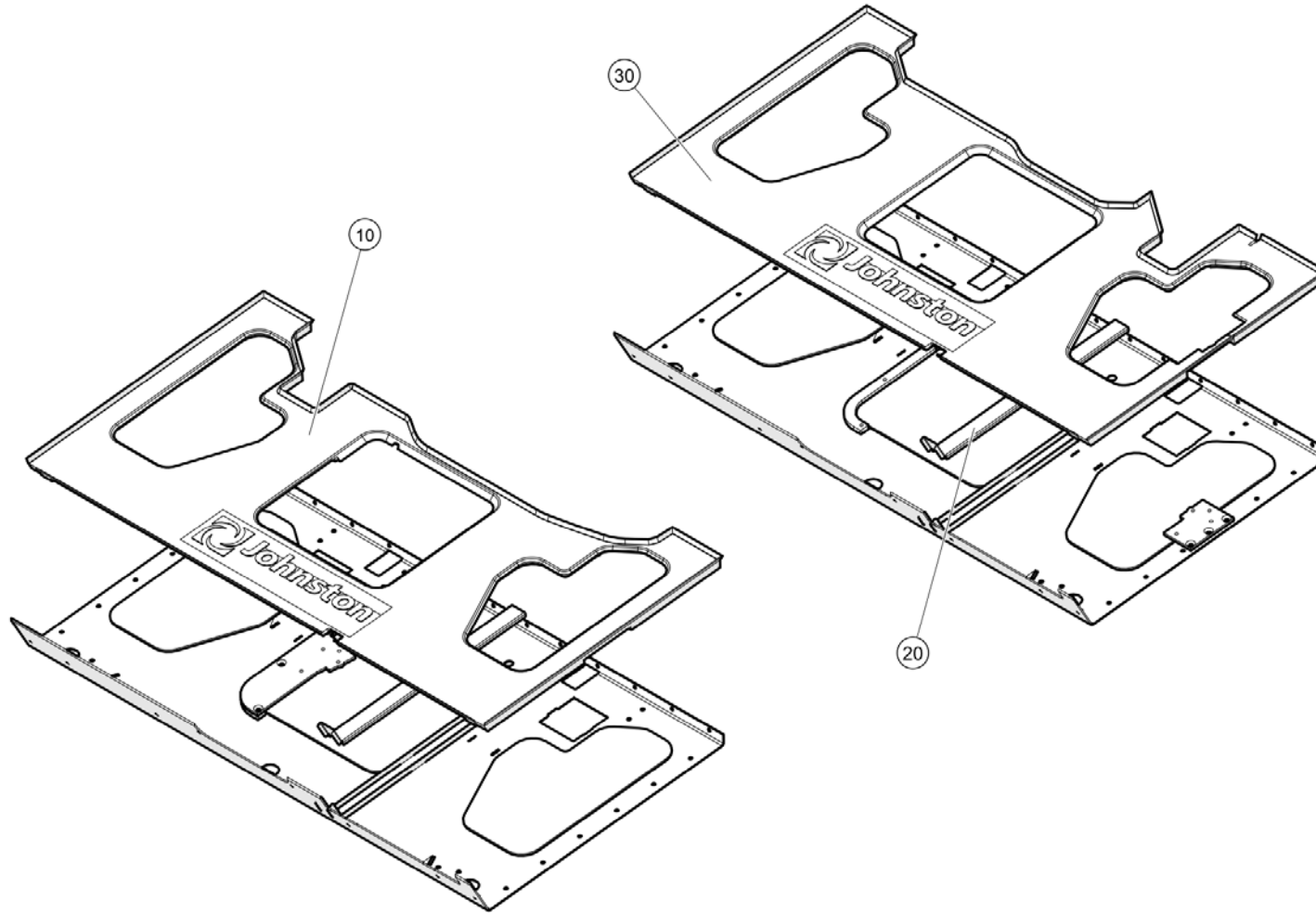
Cab Feature\Brake Mechanism



Brake Mechanism (7011152, 7010782, 7012158, 7012160)

Cab Feature\Brake Mechanism

Item no.	Part no.	Description	QTY	Unit
580	92097372-0	Hex Head Screw - M8Cx16 - 8.8	3	PC
590	7012148	Brake Reservoir Bracket	1	PC
590	7012149	Brake Reservoir Bracket RH	1	PC
610	720967-2	Boot-Rubber (for 720967/1)	1	PC
620	720967-500	Kit-Seal (for 720967/1)	1	PC
5000	497-C04	Hose 1/4" Megaflex M1T Gates	2	M
5010	74434-6	Tube - Washer	1	M

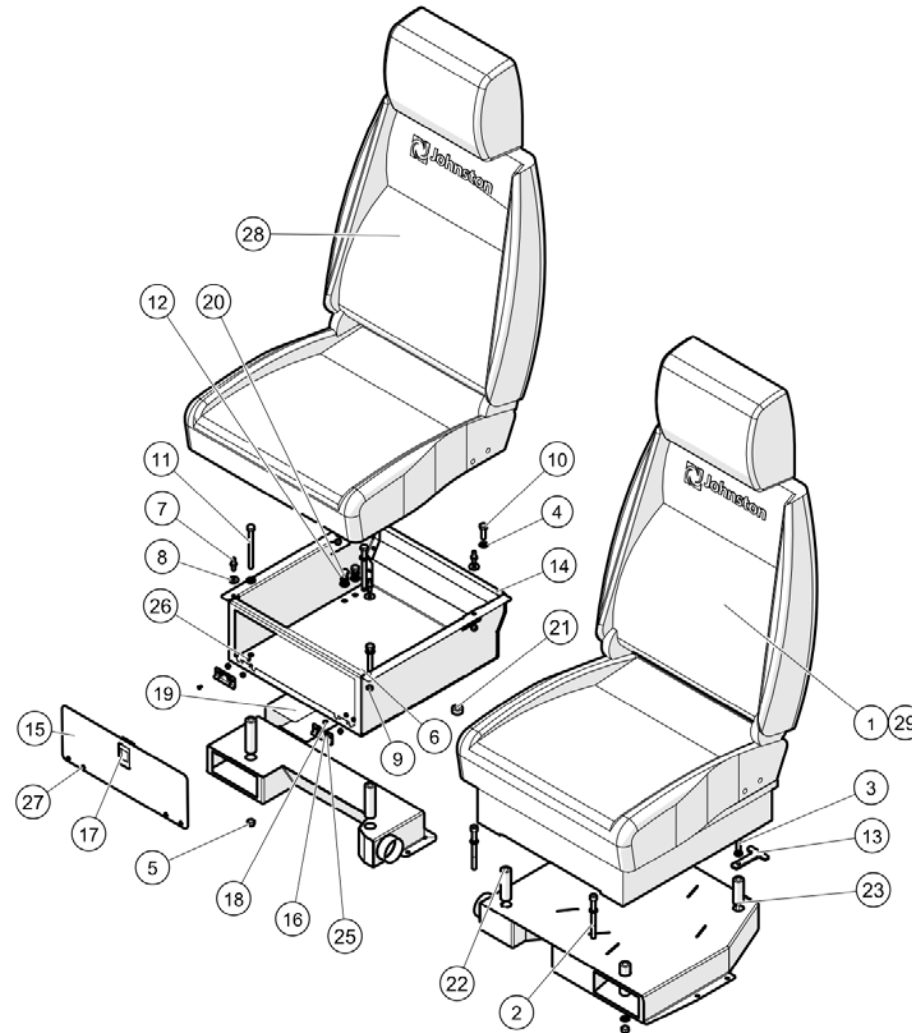


Floor Covering (7012218, 7012236)

Cab Feature\Floor Covering

Item no.	Part no.	Description	QTY	Unit
10	7012207	Floor Mat- Cab LHD	1	PC
20	721536-1	Cover - Cable Channel	1	PC
30	7012234	Floor Mat- Cab RHD	1	PC

All Copyright and rights are the property of Johnston Sweepers Ltd.

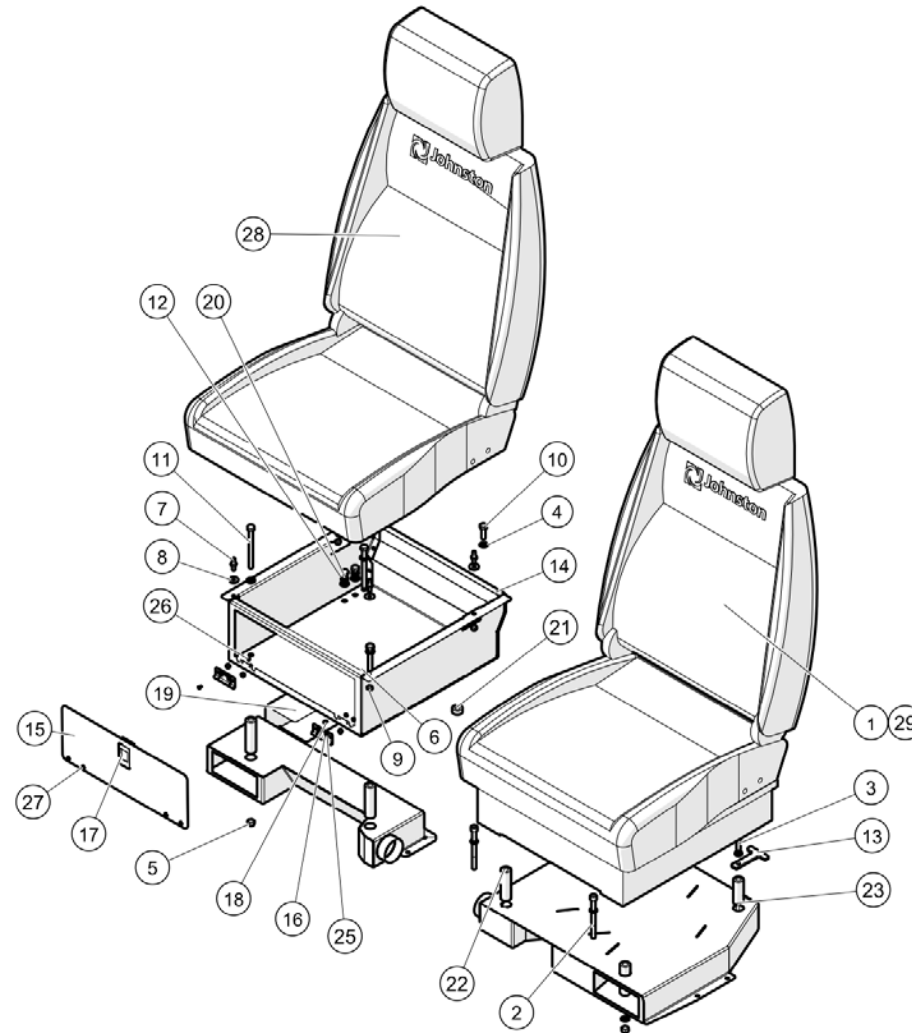


Seats - Standard (37010-51, 37010-52, 2102-1)

Cab Feature\Seats - Standard

Item no.	Part no.	Description	QTY	Unit
1	7005874	Seat KAB 711 Johnston	1	PC
1	7005910	Seat	1	PC
2	129-141	Screw MC Cap Skt Hd M8x90	2	PC
3	129-137	Screw MC Cap Skt Hd M8x70	2	PC
4	455-10	Washer Plain Plated Steel M8	8	PC
5	425-14	Nut Nyloc Hex MC M8	2	PC
6	78930-12	Spacer - Universal	3	PC
7	721179-1	Stud - Passenger Seat	4	PC
8	457-2	Washer Plain Steel M6 Form G	4	PC
9	425-13	Nut Nyloc Hex M6C	4	PC
10	124-137	Setscrew M8C x 25	1	PC
11	123-118	Bolt M Coarse M8x90 BS3692	3	PC
12	460-10	Washer Spring Single Coil M8	6	PC
13	721593-1	Stop - Seat	1	PC
14	721627-1	Store - Underseat, W/Assy	1	PC
15	721625-1	Cover - Underseat Store	1	PC
16	844-66	Hinge - E Tec Access Door 5000	2	PC
17	844-67	Latch - E Tec Access Door 5000	1	PC
18	425-11	Nut Nyloc Hex MC M4	4	PC
19	721732-1	Panel - Underseat Trim	1	PC
20	124-134	Setscrew M8C x 16	1	PC
21	78930-13	Spacer - Universal, 10lg	1	PC
22	78930-14	Spacer - Universal, 66.5 lg	2	PC
23	78930-15	Spacer - Universal, 53.5 lg	2	PC

All Copyright and rights are the property of Johnston Sweepers Ltd.

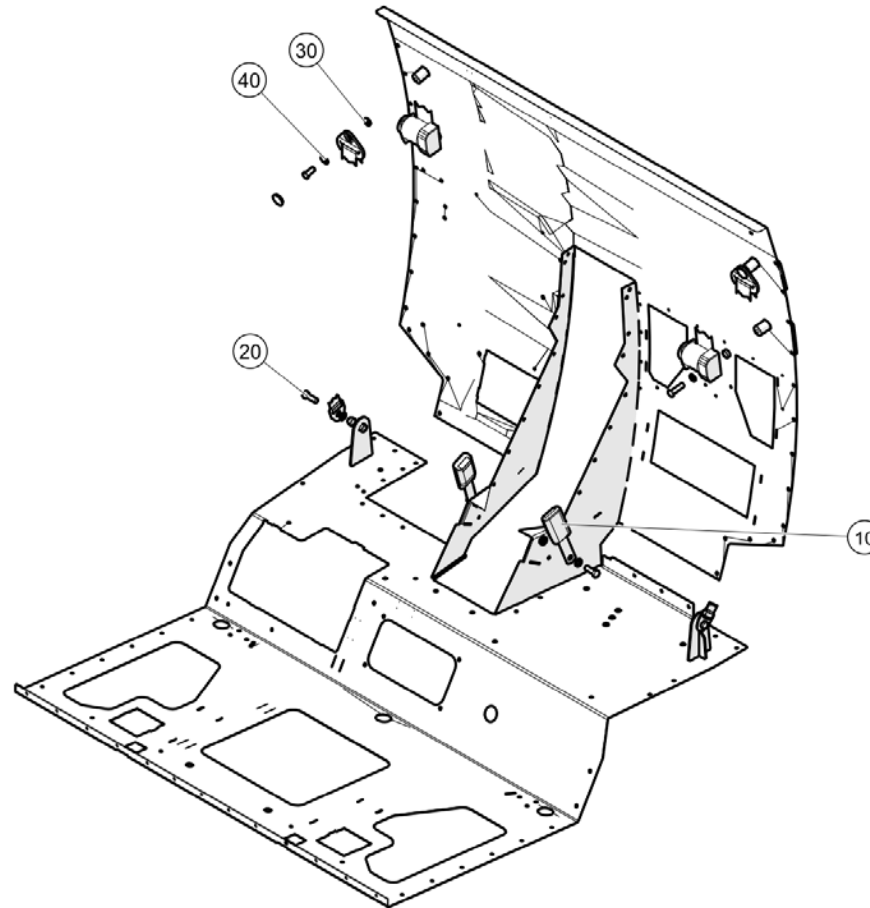


Seats - Standard (37010-51, 37010-52, 2102-1)

Cab Feature\Seats - Standard

Item no.	Part no.	Description	QTY	Unit
24	433-119	Insert, Big Hd, M8, 0.7-3.8, Open, MS	2	PC
25	132-10	CSK Flat Head Screw M3Cx6 4.8 Pozidriv	4	PC
26	420-10	Nut MC Hex M3	4	PC
27	138-31	Screw - Skt Button Hd M4 x 8	4	PC
28	7005911	Seat - Passenger, RHD	1	PC
28	7005912	Seat - Passenger, LHD	1	PC
29	220-280	Seat Covers-Waterproof grey (pair) C200	1	PC

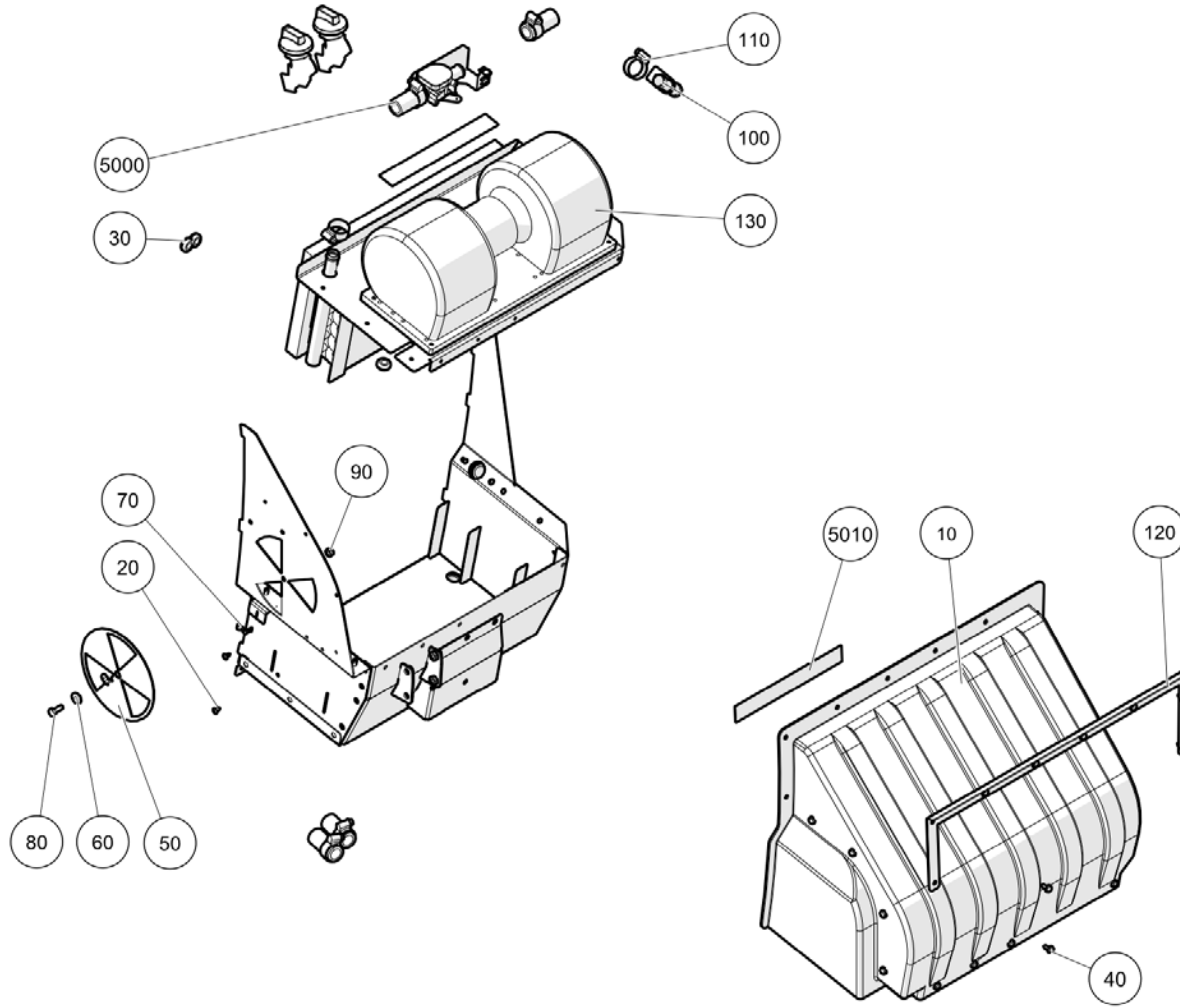
3-Point Safety Belt (7025714)
Cab Feature\3-Point Safety Belt



3-Point Safety Belt (7025714)
Cab Feature\3-Point Safety Belt

Item no.	Part no.	Description	QTY	Unit
10	669-18	Belt 3 Point - 'N' Type Sensor Retractor	2	PC
20	101-77	Setscrew UNF 7/16 x 1"1/4	4	PC
30	740848-1	Spacer - Seatbelt	4	PC
40	450-278	Washer Shakeproof Int. M12	2	PC

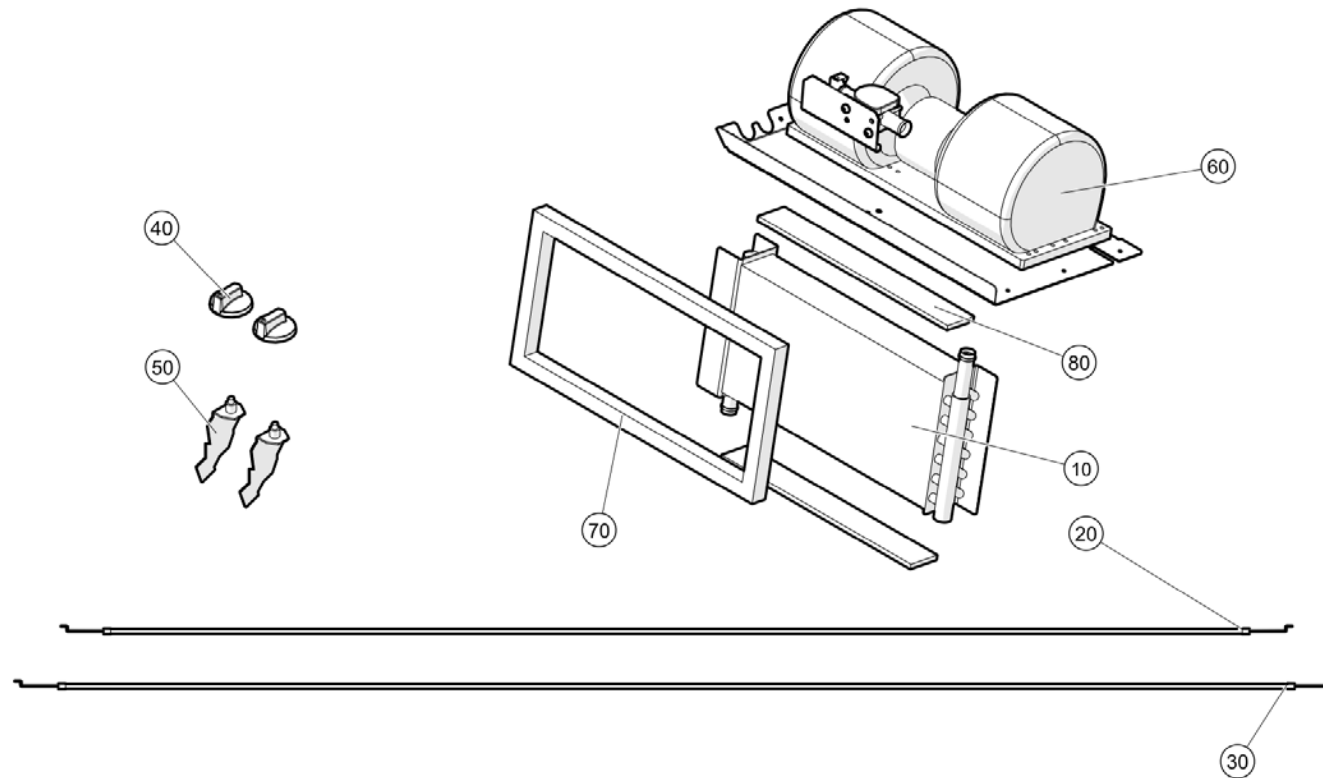
Heater Installation (7016363)
Cab Options\Heater Installation



All Copyright and rights are the property of Johnston Sweepers Ltd.

Item no.	Part no.	Description	QTY	Unit
10	720981-1	Cover - Heater Box	1	PC
20	192-8	Flange Head Tapping ST3.5x9.5	2	PC
30	287-38	Grommet - Ø 12.7 O/D, 8.0 I/D 1.6 Thick	3	PC
40	197-5	Screw-Self Tapping, No.10x1/2"	26	PC
50	721270-1	Disc-Inlet, Fresh Air	1	PC
60	721286-1	Spigot - Fresh Air Disc	1	PC
70	721287-1	Clip - Heater Cable	1	PC
80	92097299-0	Hex Head Screw - M6Cx16 - 8.8	1	PC
90	93085004-0	Nyloc Hex Nut M6C - 8	1	PC
100	721515-1	Pipe-Stub, Heater Hose W/Assy	1	PC
110	09531052-0	Hose Clip - Worm Drive (22-32)	8	PC
120	721691-1	Retainer - Heater Cover	1	PC
130	721942-1	Kit - Heater, C200	1	PC
5000	70859-1	Hose - Heater, 5/8" 5mm Wall	0.5	M
5010	217-61	Tape-Acrylic Foam, 3mm x 25mm	0.5	M

Heater Kit (721942-1)
Cab Options\Heater Kit



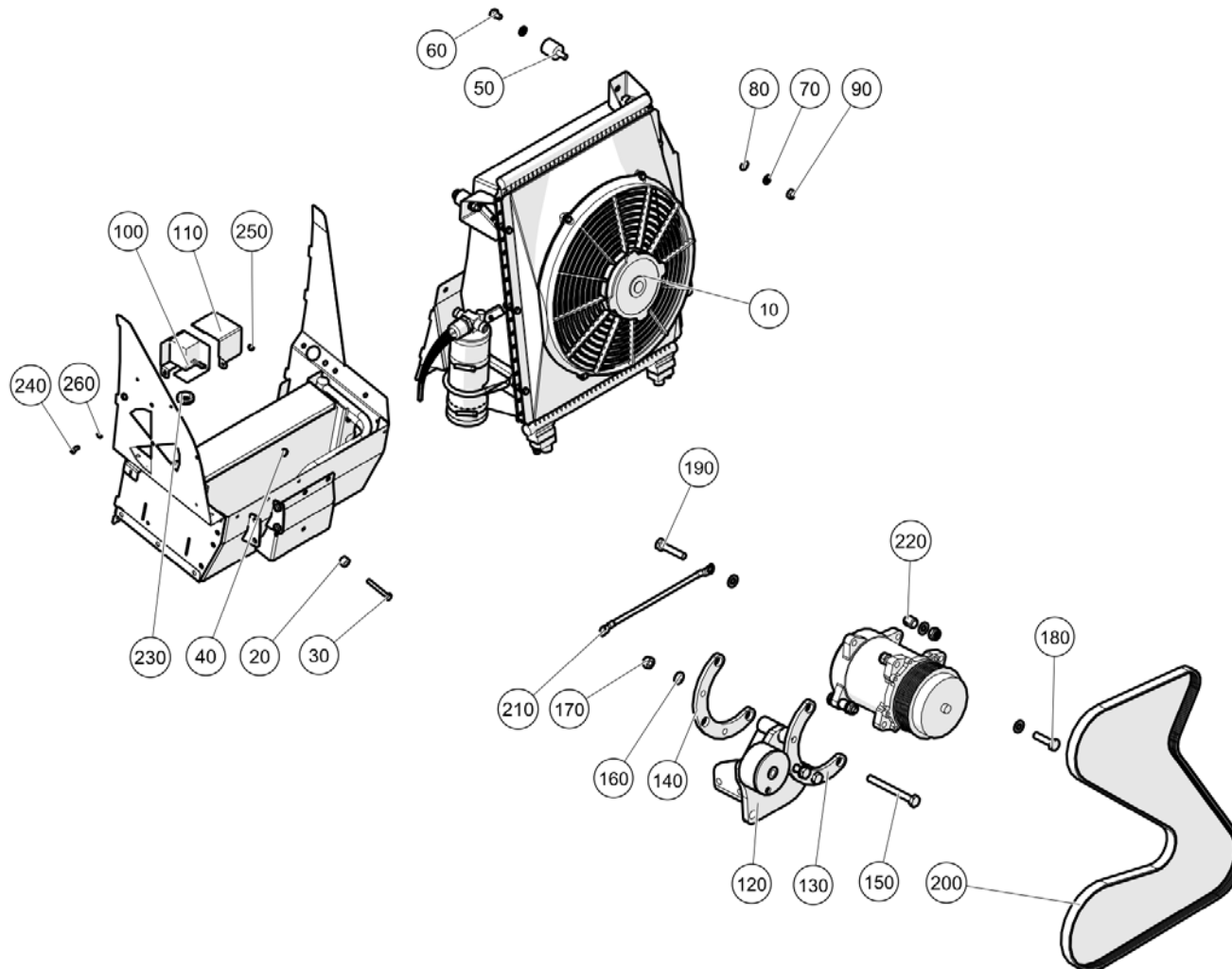
All Copyright and rights are the property of Johnston Sweepers Ltd.

Heater Kit (721942-1)
Cab Options\Heater Kit

Item no.	Part no.	Description	QTY	Unit
10	721267-1	Matrix - Heater	1	PC
20	721466-1	Cable - Hot/Cold	1	PC
30	721466-2	Cable - Fresh/Recirc	1	PC
40	721511-1	Knob - Control	2	PC
50	76628-6	Control - Rotary (Steel)	2	PC
60	722532-1	Blower Assy (with Valve)	1	PC
70	722940-1	Gasket - Cab to Heater	1	PC
80	722941-1	Gasket - Heater Matrix	2	PC

Air Conditioning Installation (7014236)

Cab Options\Air Conditioning Installation



Air Conditioning Installation (7014236)

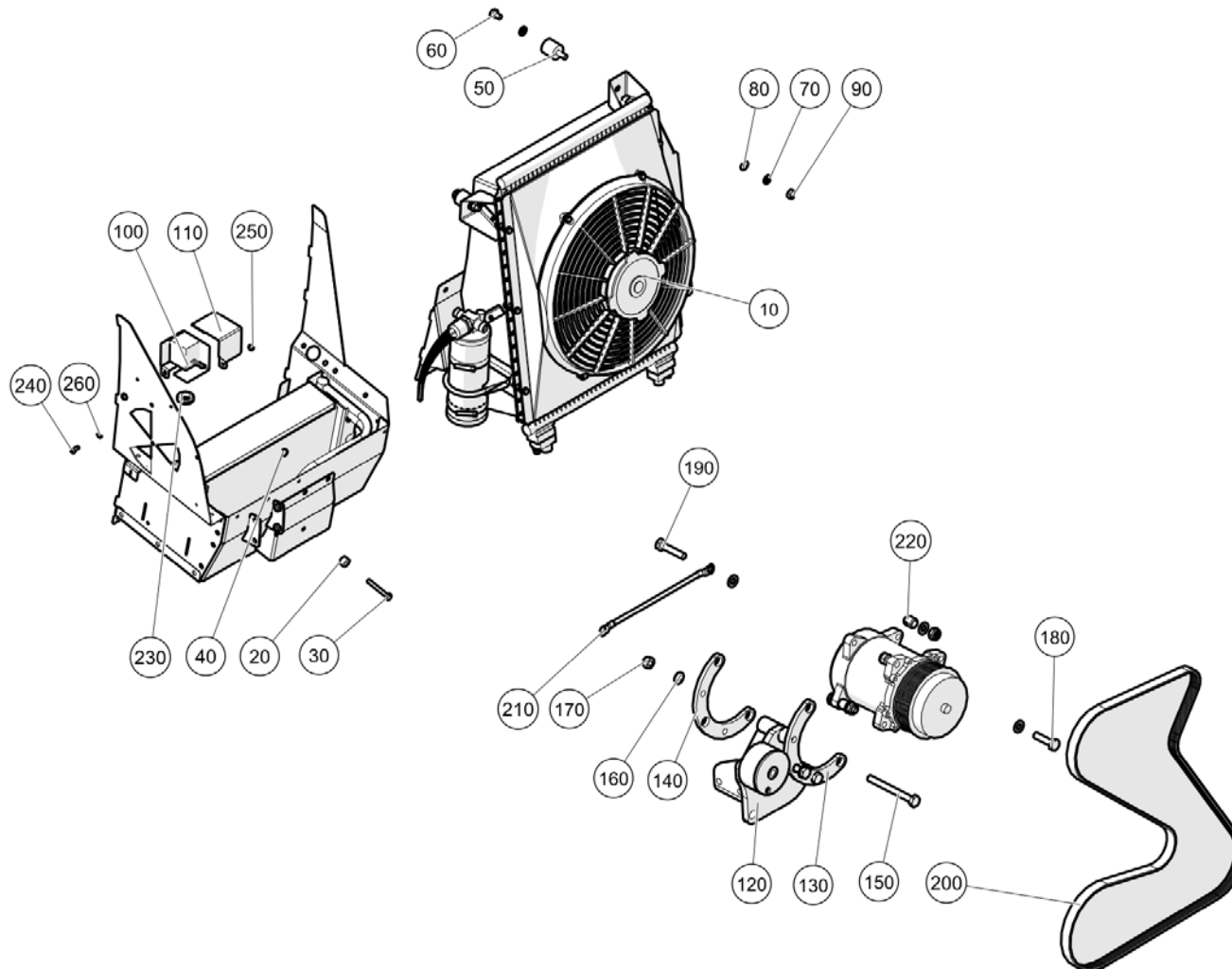
Cab Options\Air Conditioning Installation

Item no.	Part no.	Description	QTY	Unit
10	722458-1	Kit-Air Conditioning	1	PC
20	721396-1	Spacer - Expansion Valve Mount	1	PC
30	92067310-0	Hex Head Bolt - M6Cx45 - 8.8	1	PC
40	93085004-0	Nyloc Hex Nut M6C - 8	1	PC
50	290-23	Mounting-Anti Vibration 25x25	4	PC
60	92097371-0	Hex Head Screw - M8Cx12 - 8.8	4	PC
70	93699710-0	Spring Washer - Plated M8	8	PC
80	93212011-0	Plain Washer M8	4	PC
90	93056014-0	Hex Nut M8C-8	4	PC
100	7015865	Enclosure - Ice Stat	1	PC
110	7015869	Enclosure - Ice Stat	1	PC
120	7014225	Compressor Mount, W/Assy	1	PC
130	722253-1	Bracket - Rear Banana	1	PC
140	722254-1	Banana	1	PC
150	92067432-0	Hex Head Bolt - M10Cx100 - 8.8	2	PC
160	93212012-0	Plain Washer M10	11	PC
170	93085806-0	Nyloc Hex Nut M10C - 8	8	PC
180	92067420-0	Hex Head Bolt - M10Cx40 - 8.8	3	PC
190	92067422-0	Hex Head Bolt - M10Cx50 - 8.8	3	PC
200	722275-1	Belt - Poly V, AC Drive	1	PC
210	722620-1	Strap - Earth Braid, 210mm	1	PC
220	59-38	Spring Pin (Slotted) - Ø16x18 C.Steel HD	3	PC
230	287-28	Grommet - Ø 20.6 O/D, 15.9 I/D 1.6 Thick	1	PC
240	6122-2028	Hex Skt Button Head Screw M5x12 - 10.9	2	PC

All Copyright and rights are the property of Johnston Sweepers Ltd.

Air Conditioning Installation (7014236)

Cab Options\Air Conditioning Installation



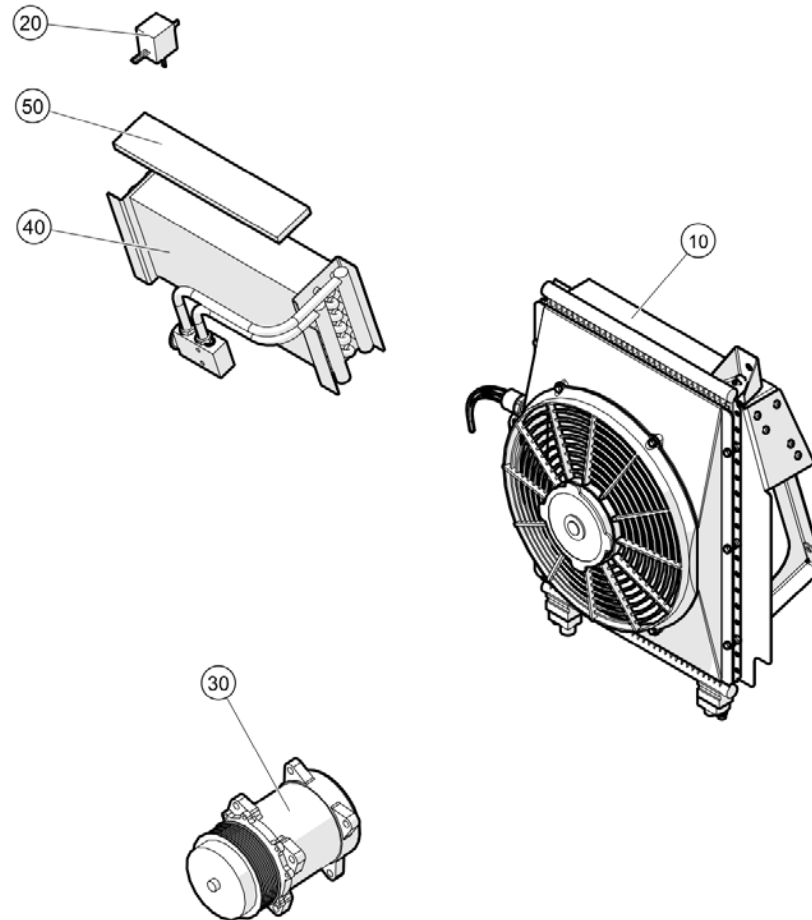
Air Conditioning Installation (7014236)

Cab Options\Air Conditioning Installation

Item no.	Part no.	Description	QTY	Unit
250	93085003-0	Nyloc Hex Nut M5C - 8	2	PC
260	93210109-0	Plain Washer M5	2	PC
5000	7015426	Kit- Air Con Hoses	1	PC
5010	7015429	Hose assy-Compressor to Condenser	1	PC
5020	7015430	Hose assy-Compressor to Evaporator	1	PC
5030	721492-1	Hose Assy,Condensor-Receiver	1	PC
5040	721503-1	Hose Assy,Receiver-Evaporator	1	PC

Air Conditioning Kit (722458-1)

Cab Options\Air Conditioning Kit



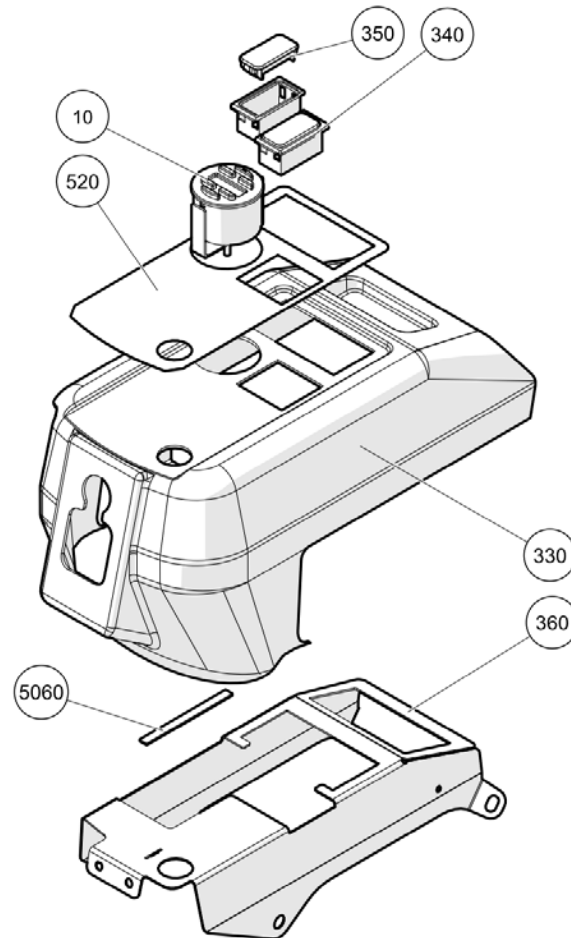
Air Conditioning Kit (722458-1)

Cab Options\Air Conditioning Kit

Item no.	Part no.	Description	QTY	Unit
10	722455-2	Condenser Assy with Fan Euro4	1	PC
20	749-50	Ice Stat - 12v	1	PC
30	722261-1	Compressor - Air Con (Euro 4)	1	PC
40	722454-1	Evaporator Assy	1	PC
50	722942-1	Gasket - Evaporator	1	PC
Gas to be replenished by an approved air conditioning engineer only. C200 = 0.7kg. part no. 134R.				

Climate Control - Centre Console (7016821)
Cab Options\Climate Control - Centre Console

All Copyright and rights are the property of Johnston Sweepers Ltd.

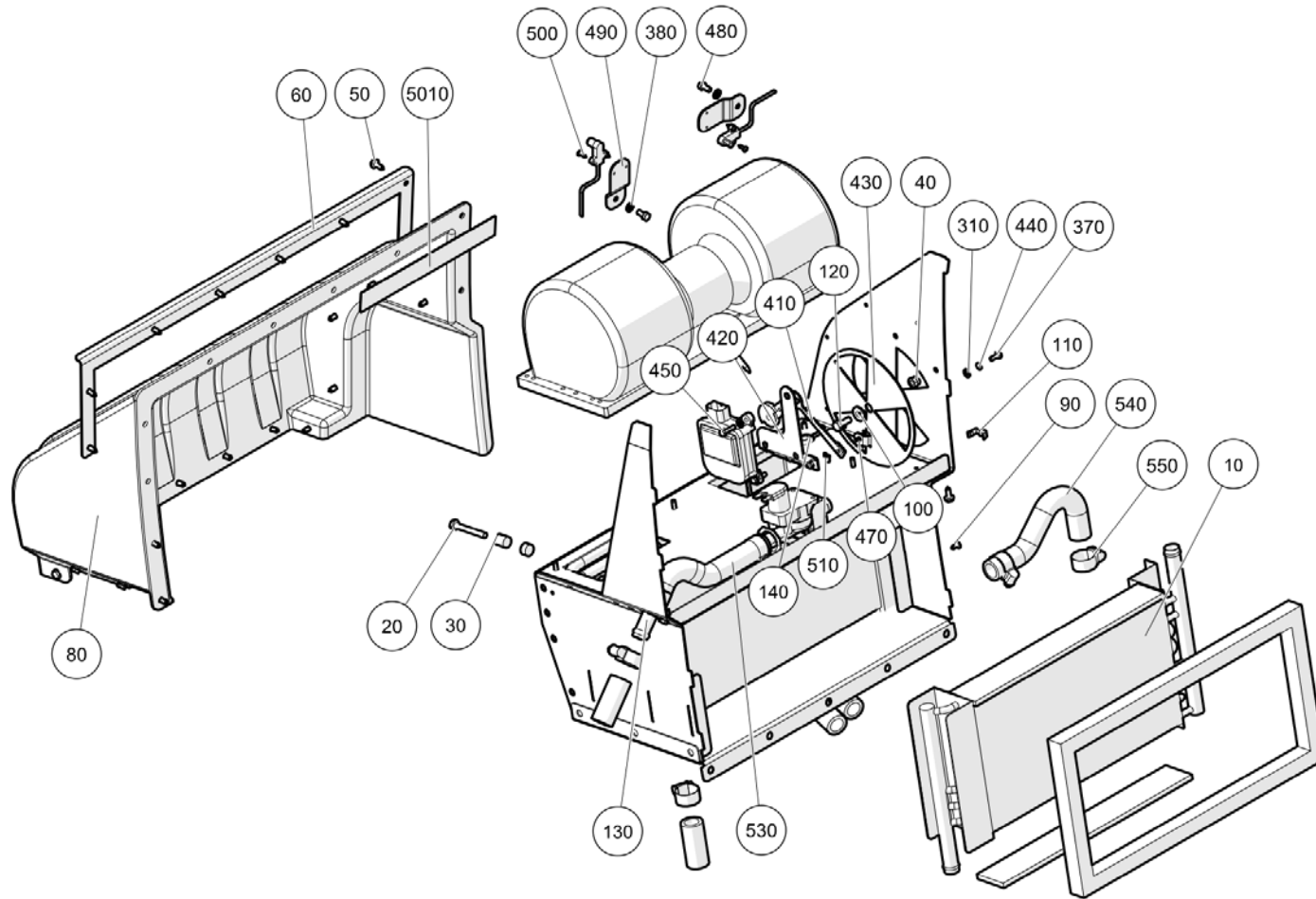


Climate Control - Centre Console (7016821)

Cab Options\Climate Control - Centre Console

Item no.	Part no.	Description	QTY	Unit
10	7016813	Kit, HVAC- Climate Control	1	PC
330	7014086	Control Panel Cover, Climate Trim	1	PC
340	735-70	Bezel - Mounting End Piece	2	PC
350	735-60	Plug - Blanking	2	PC
360	7018002	Tunnel Weld Assembly	1	PC
520	7016919	Label - Climate Control	1	PC
5060	217-68	Tape - Velcro, Strip 5m (Reel)	0.1	M

Climate Control - Heater (7016821)
Cab Options\Climate Control - Heater



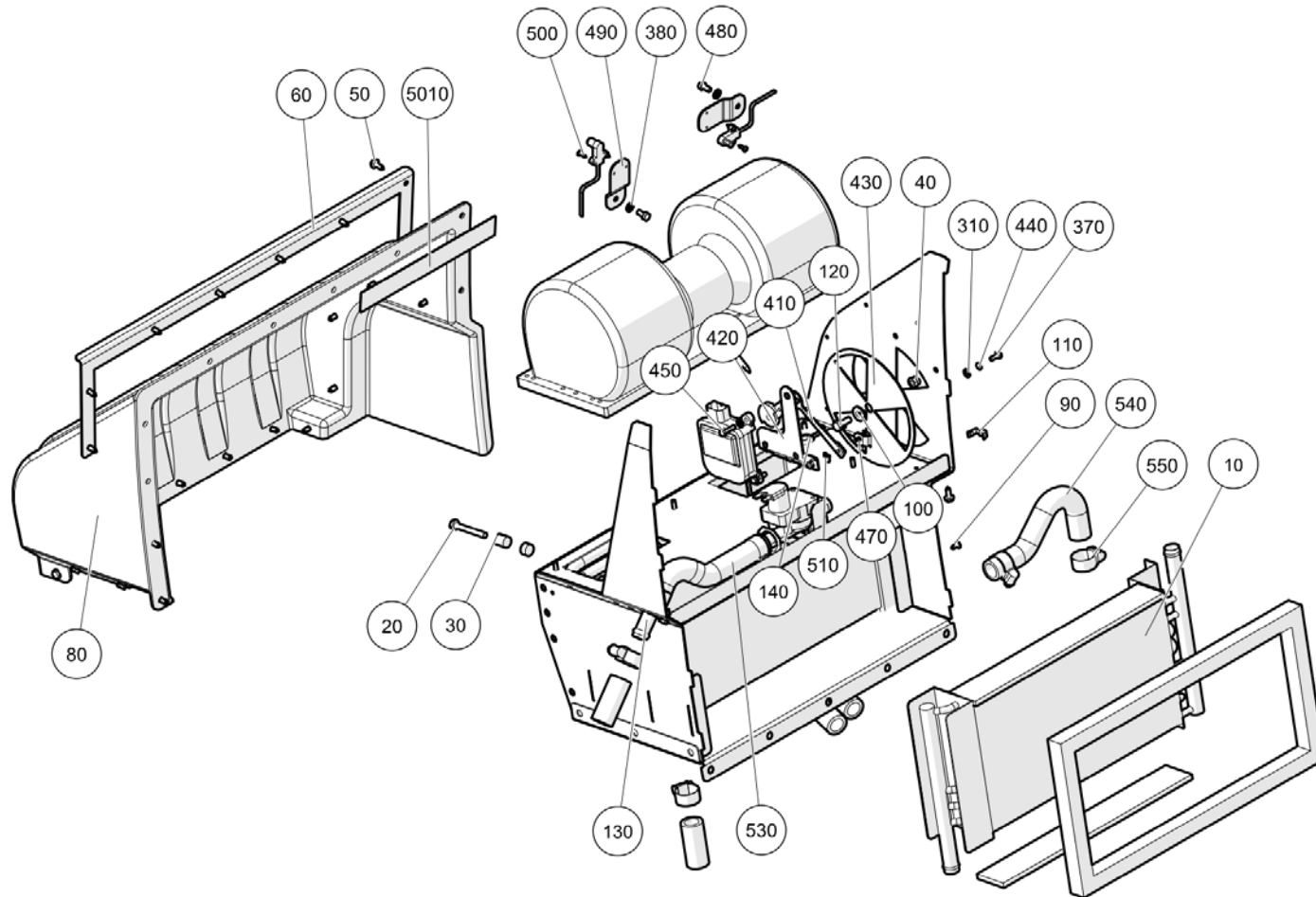
All Copyright and rights are the property of Johnston Sweepers Ltd.

Climate Control - Heater (7016821)
Cab Options\Climate Control - Heater

Item no.	Part no.	Description	QTY	Unit
10	7016813	Kit, HVAC- Climate Control	1	PC
40	93085004-0	Nyloc Hex Nut M6C - 8	2	PC
50	197-5	Screw-Self Tapping, No.10x1/2"	26	PC
60	721691-1	Retainer - Heater Cover	1	PC
80	720981-1	Cover - Heater Box	1	PC
90	192-8	Flange Head Tapping ST3.5x9.5	2	PC
100	721286-1	Spigot - Fresh Air Disc	1	PC
110	721287-1	Clip - Heater Cable	1	PC
120	92097299-0	Hex Head Screw - M6Cx16 - 8.8	1	PC
130	721515-1	Pipe-Stub, Heater Hose W/Assy	1	PC
140	287-38	Grommet - Ø 12.7 O/D, 8.0 I/D 1.6 Thick	1	PC
310	93212007-0	Plain Washer M4	5	PC
370	92097225-0	Hex Head Screw - M4Cx10 - 8.8	2	PC
380	93210109-0	Plain Washer M5	2	PC
410	7017846	Plate, Linkage- Actuator	1	PC
420	7017845	Bracket W/Assy, Actuator	1	PC
430	7017862	Inlet Disc, Fresh Air	1	PC
440	93699706-0	Spring Washer - Plated M4	2	PC
450	92097227-0	Hex Head Screw - M4Cx16 - 8.8	3	PC
470	289-41	Pin - Clevis, Dia 4	1	PC
480	92097261-0	Hex Head Screw - M5Cx10 - 8.8	2	PC
490	7017940	Mounting Plate, Sensor	2	PC
500	193-3	Pan Head Screw-2.9x9.5-4.8-Pozidriv	4	PC
510	289-42	Slim Safety Fastener SLM 4	1	PC

All Copyright and rights are the property of Johnston Sweepers Ltd.

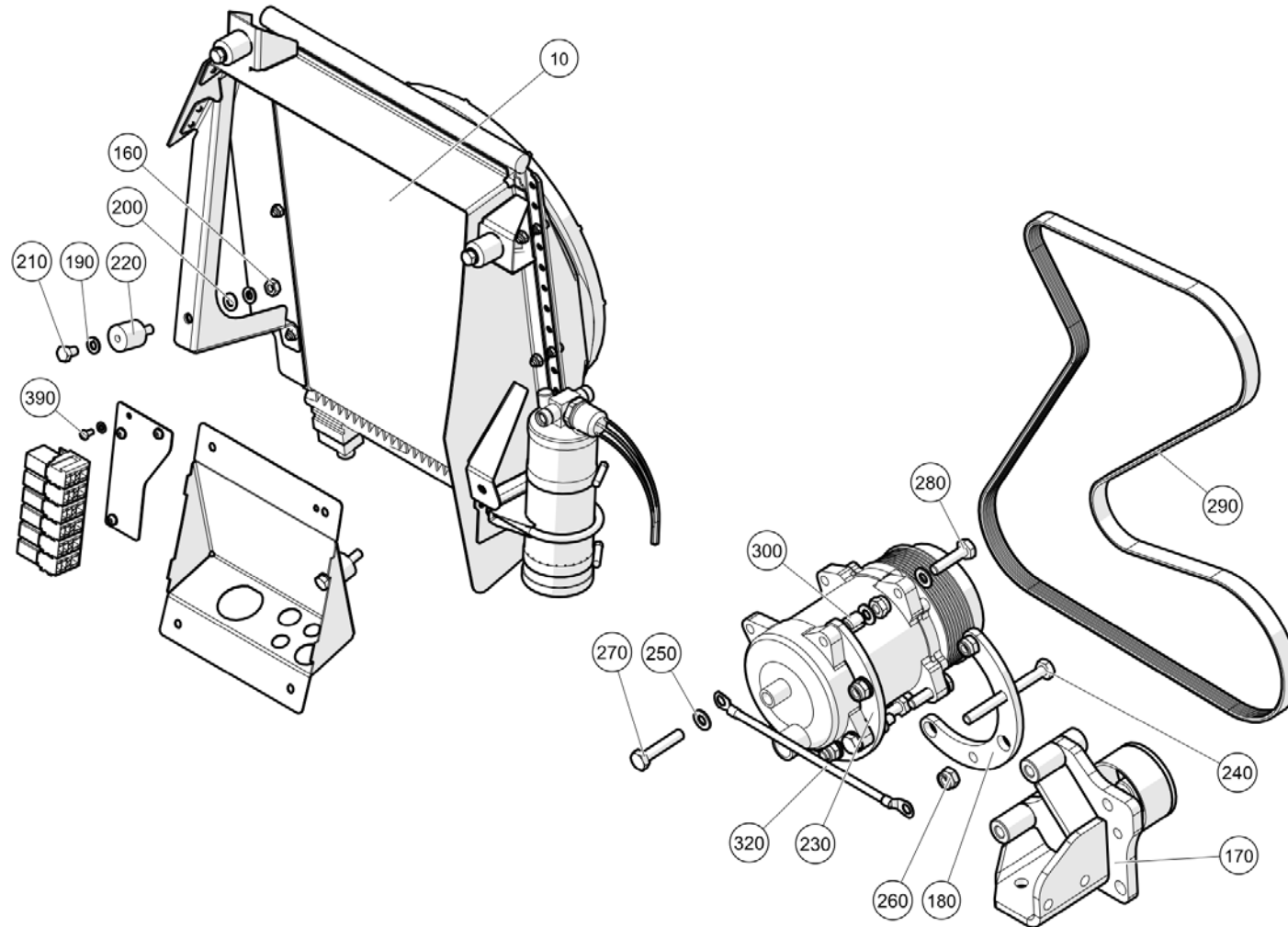
Climate Control - Heater (7016821)
Cab Options\Climate Control - Heater



All Copyright and rights are the property of Johnston Sweepers Ltd.

Climate Control - Heater (7016821)
Cab Options\Climate Control - Heater

Item no.	Part no.	Description	QTY	Unit
530	7020807	Hose- Heater Valve Out	1	PC
540	7020808	Hose- Heater Valve In	1	PC
550	09531052-0	Hose Clip - Worm Drive (22-32)	8	PC
5010	217-61	Tape-Acrylic Foam, 3mm x 25mm	0.5	M
30	721396-1	Spacer - Expansion Valve Mount	1	PC
20	92067310-0	Hex Head Bolt - M6Cx45 - 8.8	1	PC

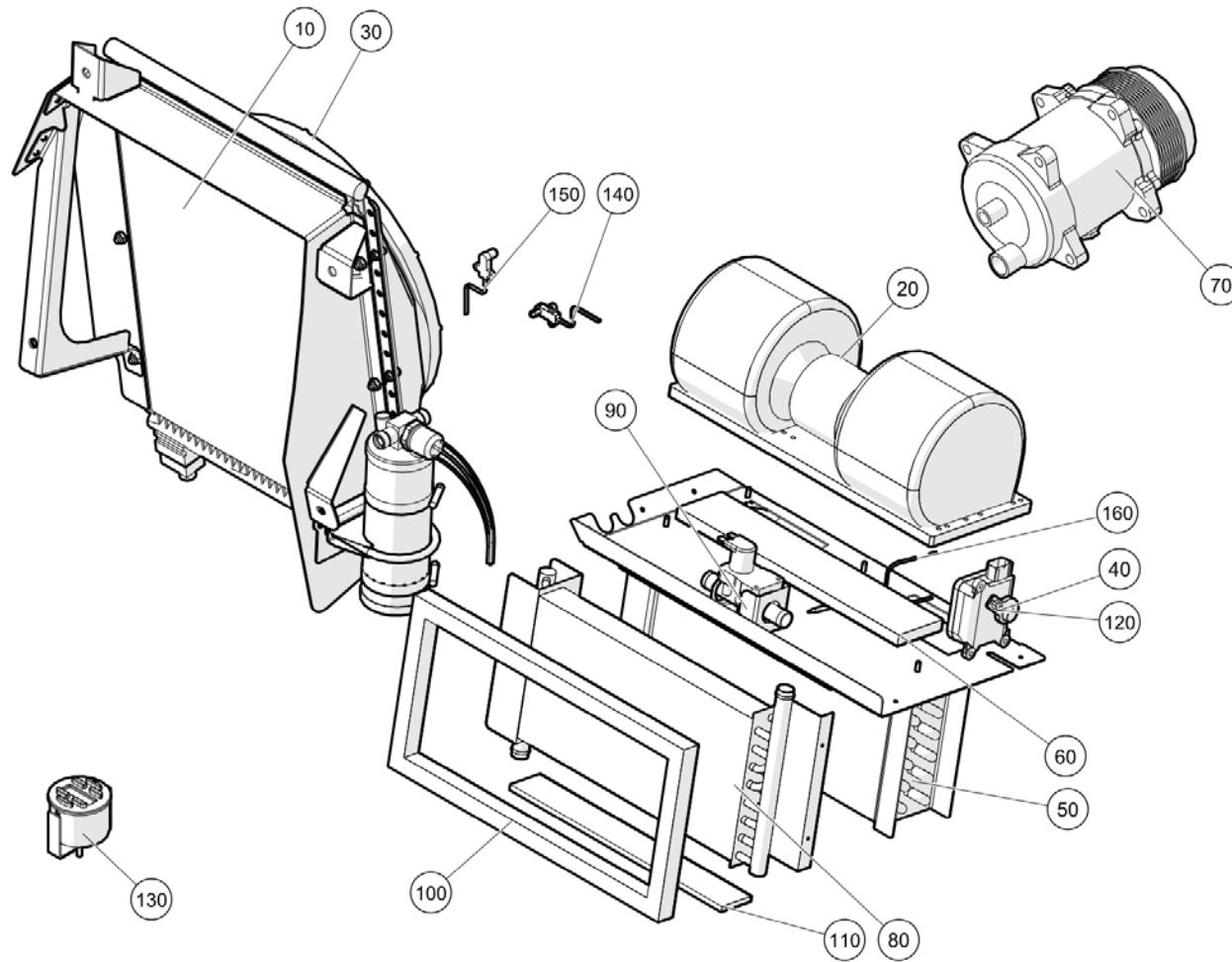


Climate Control - Air Con (7016821)

Cab Options\Climate Control - Air Con

Item no.	Part no.	Description	QTY	Unit
160	93056014-0	Hex Nut M8C-8	4	PC
170	7014225	Compressor Mount, W/Assy	1	PC
180	722253-1	Bracket - Rear Banana	1	PC
190	93699710-0	Spring Washer - Plated M8	8	PC
200	93212011-0	Plain Washer M8	4	PC
210	92097371-0	Hex Head Screw - M8Cx12 - 8.8	4	PC
220	290-23	Mounting-Anti Vibration 25x25	4	PC
230	722254-1	Banana	1	PC
240	92067432-0	Hex Head Bolt - M10Cx100 - 8.8	2	PC
250	93212012-0	Plain Washer M10	11	PC
260	93085806-0	Nyloc Hex Nut M10C - 8	8	PC
270	92067422-0	Hex Head Bolt - M10Cx50 - 8.8	3	PC
280	92067420-0	Hex Head Bolt - M10Cx40 - 8.8	3	PC
290	722275-1	Belt - Poly V, AC Drive	1	PC
300	59-38	Spring Pin (Slotted) - Ø16x18 C.Steel HD	3	PC
320	722620-1	Strap - Earth Braid, 210mm	1	PC
390	92330025-0	Hex Skt Button Head Screw M5x10 - 10.9	2	PC
10	7016813	Kit, HVAC- Climate Control	1	PC

All Copyright and rights are the property of Johnston Sweepers Ltd.

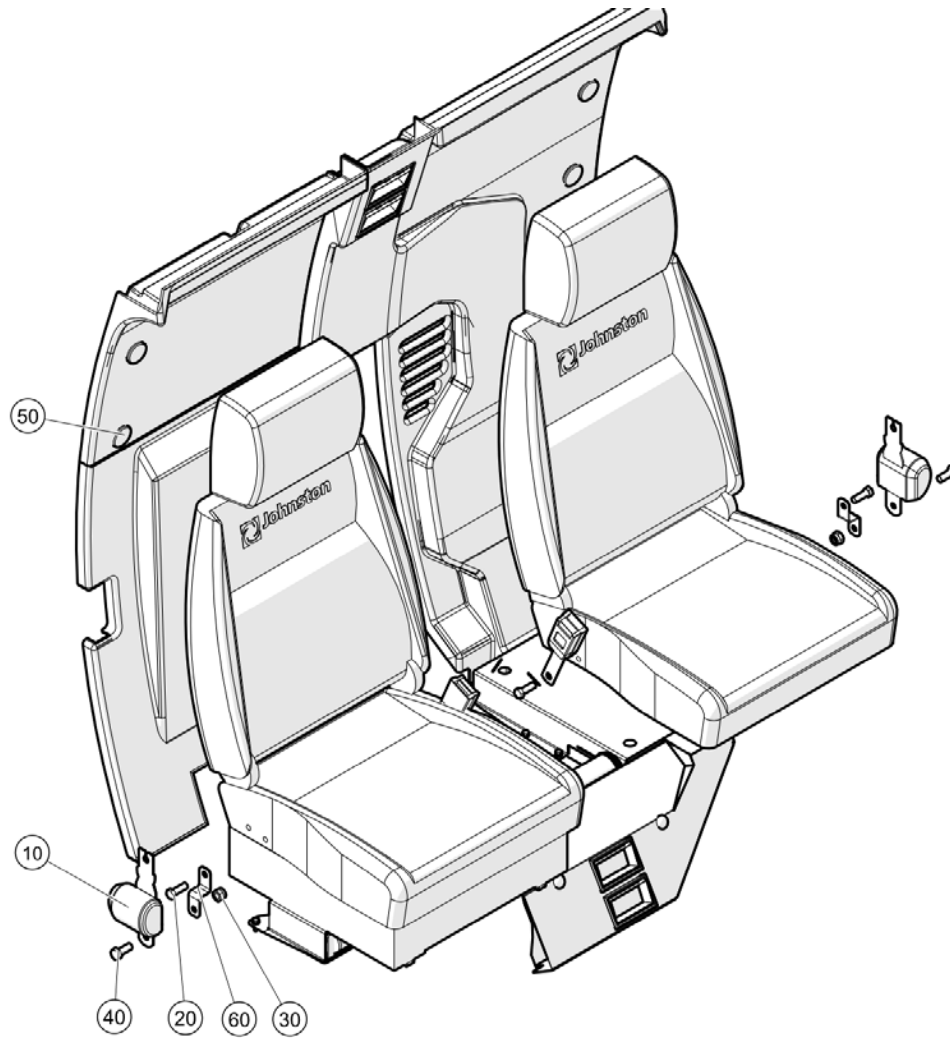


Climate Control - Kits (7016813)
 Cab Options\Climate Control - Kits

Item no.	Part no.	Description	QTY	Unit
10	7016781	Kit, AC-C201 Climate Control	1	PC
20	7016776	Kit, Heater- Climate Control	1	PC
30	722455-2	Condenser Assy with Fan Euro4	1	PC
40	7016807	Kit, Climate Control Unit	1	PC
50	722454-1	Evaporator Assy	1	PC
60	722942-1	Gasket - Evaporator	1	PC
70	722261-1	Compressor - Air Con (Euro 4)	1	PC
80	721267-1	Matrix - Heater	1	PC
90	7016768	Blower with Solenoid Valve	1	PC
100	722940-1	Gasket - Cab to Heater	1	PC
110	722941-1	Gasket - Heater Matrix	2	PC
120	749-10	Bosch Actuator - 12v	1	PC
130	749-20	Control Unit 12v	1	PC
140	749-30	Internal Sensor - Climate Control	1	PC
150	749-31	External Sensor - Climate Control	1	PC
160	749-32	Thermostat Sensor - Climate Control	1	PC

On-Lap Belts (2012-51)
Cab Options\On-Lap Belts

All Copyright and rights are the property of Johnston Sweepers Ltd.

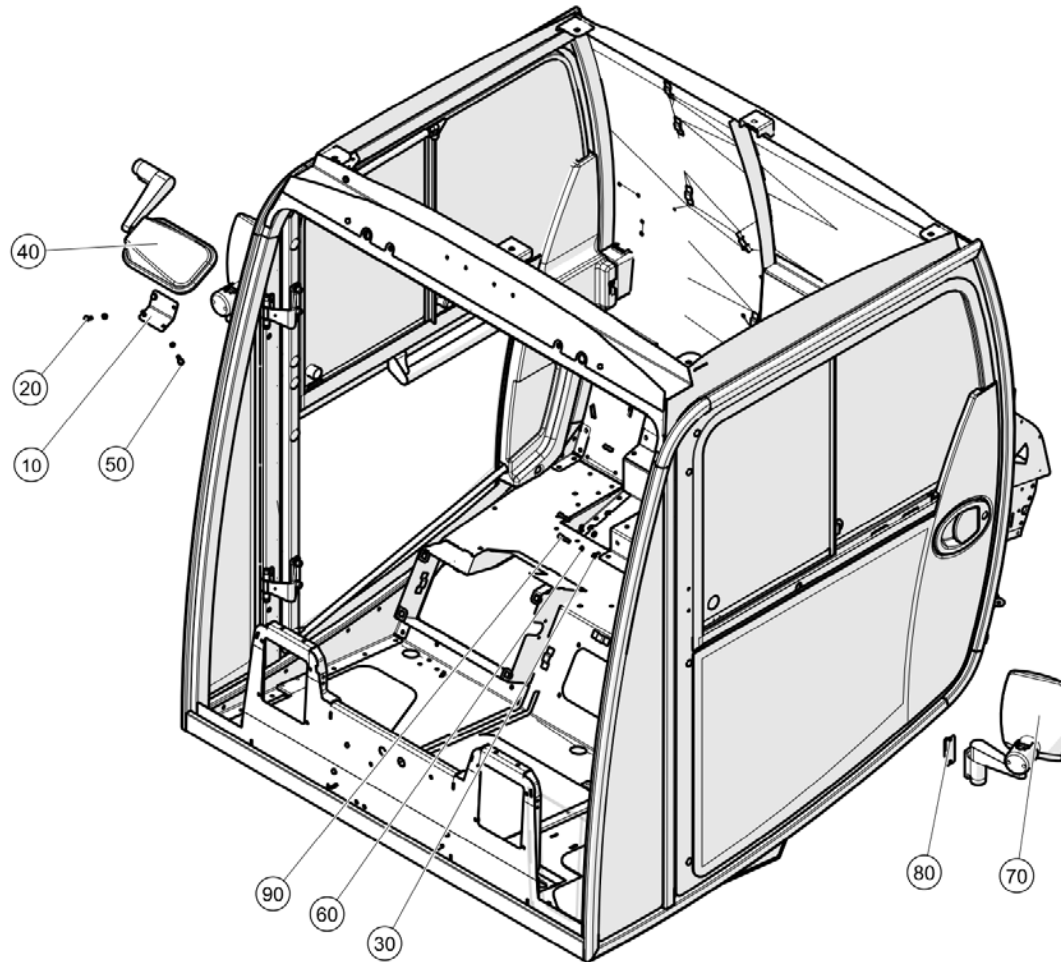


On-Lap Belts (2012-51)
Cab Options\On-Lap Belts

Item no.	Part no.	Description	QTY	Unit
10	669-15	Seat Belt-Lap Type,Retractable	2	PC
20	101-77	Setscrew UNF 7/16 x 1"1/4	4	PC
30	425-16	Nut Nyloc Hex M12c	2	PC
40	124-203	Setscrew M12C x 30	2	PC
50	44-74	42mm Dia Round Insert (Black)	4	PC
60	7028819	Joggle Bkt, Lap Belt	2	PC

Large Sweep Mirror (2009-10)
Cab Options\Large Sweep Mirror

All Copyright and rights are the property of Johnston Sweepers Ltd.

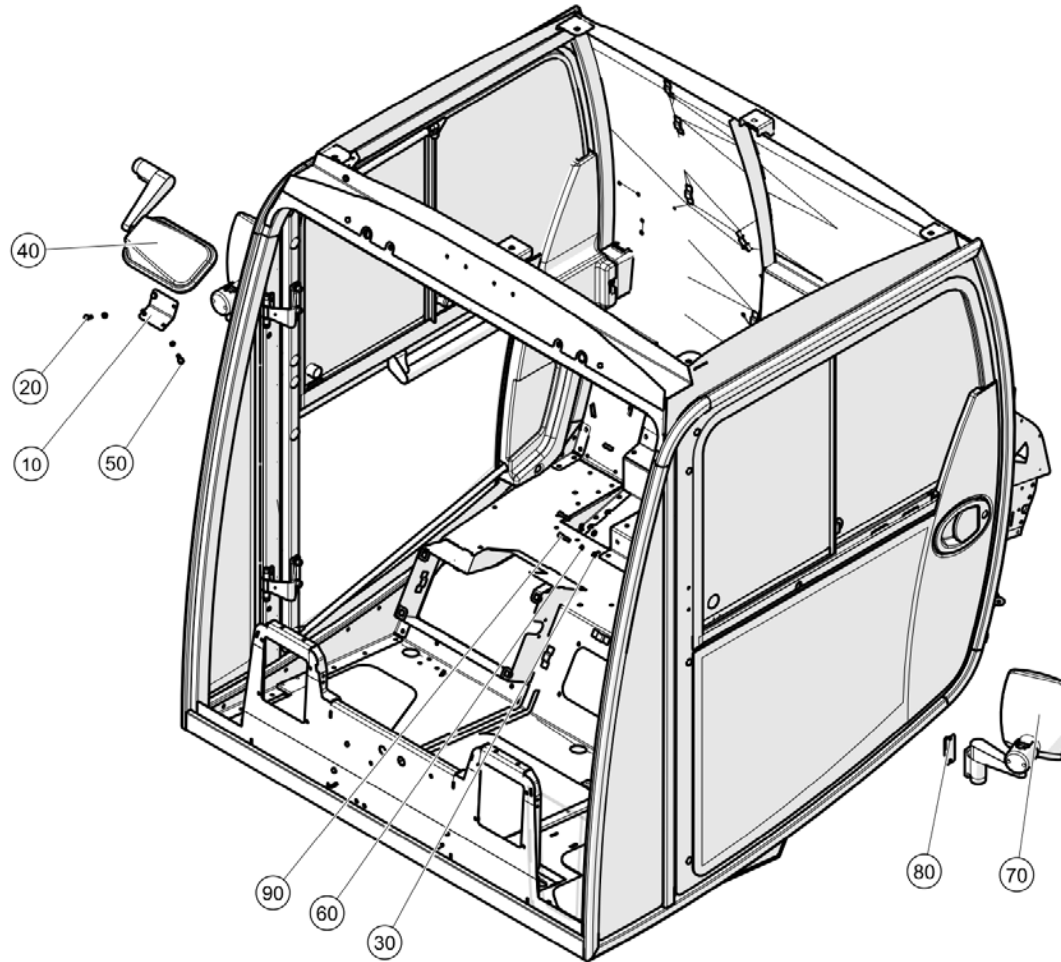


Large Sweep Mirror (2009-10)
Cab Options\Large Sweep Mirror

Item no.	Part no.	Description	QTY	Unit
10	7015313	Plate- Mount, Sweep Mirror	1	PC
20	92097299-0	Hex Head Screw - M6Cx16 - 8.8	2	PC
30	93212009-0	Plain Washer M6	6	PC
40	220-71	Mirror - Unit, Complete	1	PC
50	101-4	Setscrew UNF 1/4 x 3/4"	2	PC
60	450-27	Washer Spring 1/4	6	PC
70	220-272	Wing Mirror Kit - C200	2	PC
80	72818-1	Packer - Mirror	2	PC
90	150-28	Capscrew 1/4UNF x 1"Lg	4	PC

Heated Mirrors (2009-3)
Cab Options\Heated Mirrors

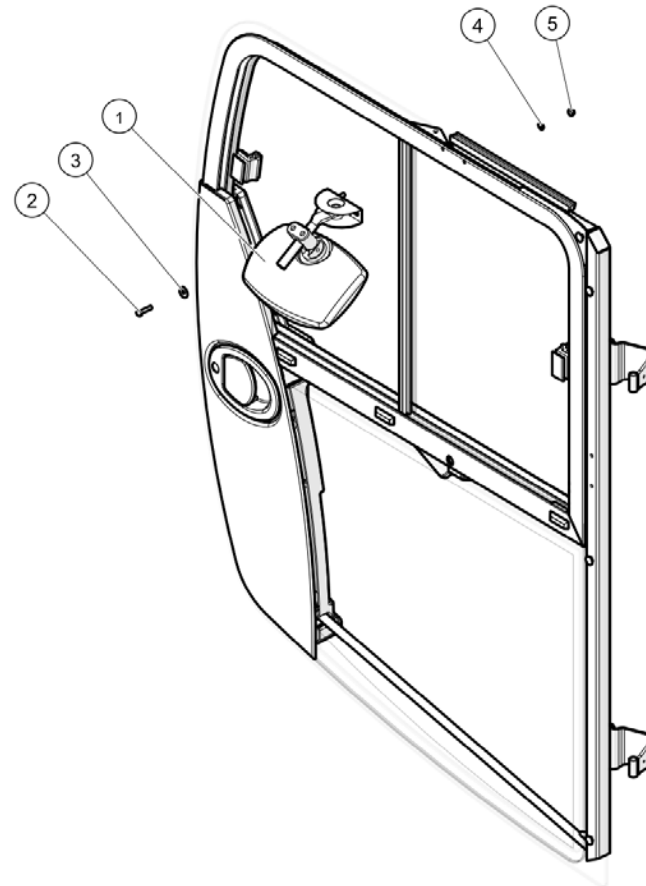
All Copyright and rights are the property of Johnston Sweepers Ltd.



Heated Mirrors (2009-3)
Cab Options\Heated Mirrors

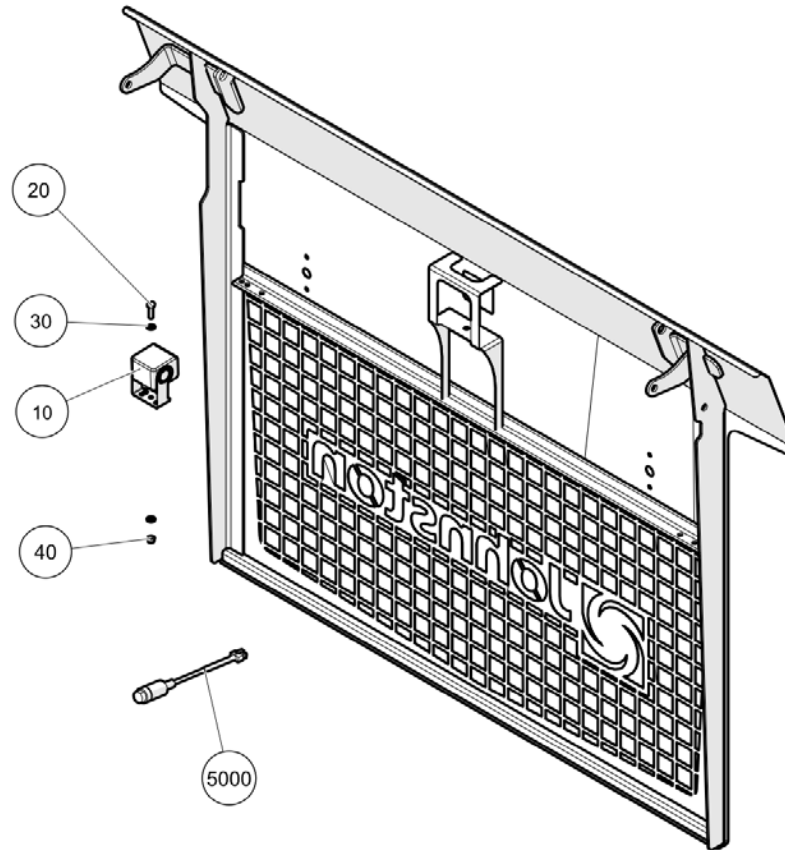
Item no.	Part no.	Description	QTY	Unit
10	7015313	Plate- Mount, Sweep Mirror	1	PC
20	92097299-0	Hex Head Screw - M6Cx16 - 8.8	2	PC
30	93212009-0	Plain Washer M6	6	PC
40	220-6	Mirror - Wing	1	PC
50	101-4	Setscrew UNF 1/4 x 3/4"	2	PC
60	450-27	Washer Spring 1/4	6	PC
70	220-273	Wing Mirror Kit - Heated C200	2	PC
80	72818-1	Packer - Mirror	2	PC
90	150-28	Capscrew 1/4UNF x 1"Lg	4	PC

Close Proximity Mirror (2090-1)
Cab Options\Close Proximity Mirror



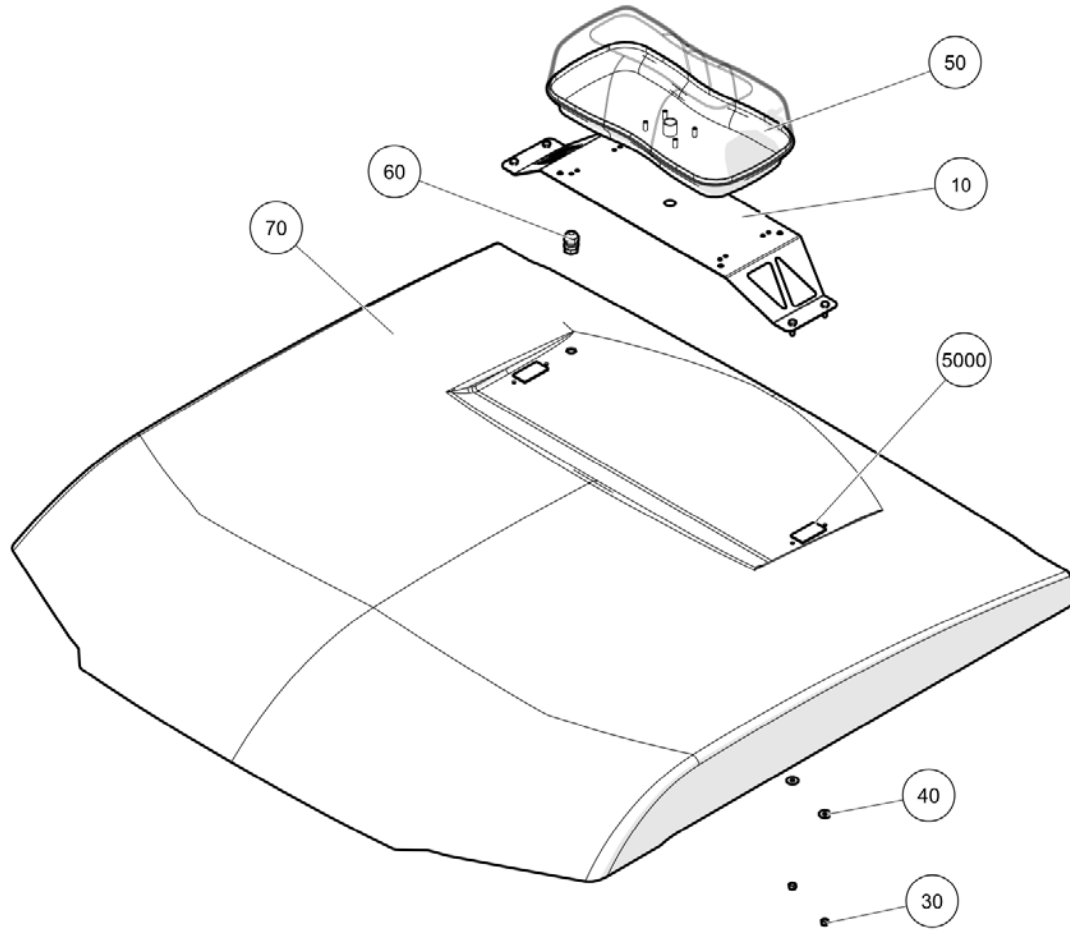
Close Proximity Mirror (2090-1)
Cab Options\Close Proximity Mirror

Item no.	Part no.	Description	QTY	Unit
1	220-261	Mirror - Close Proximity R300	1	PC
2	124-105	Setscrew M6C x 25	2	PC
3	452-15	Washer-Repair 1/4"x3/4" Co	2	PC
4	455-8	Washer Plain Plated Steel M6	2	PC
5	425-13	Nut Nyloc Hex M6C	2	PC



Reverse Aid Camera (7015531)
Cab Options\Reverse Aid Camera

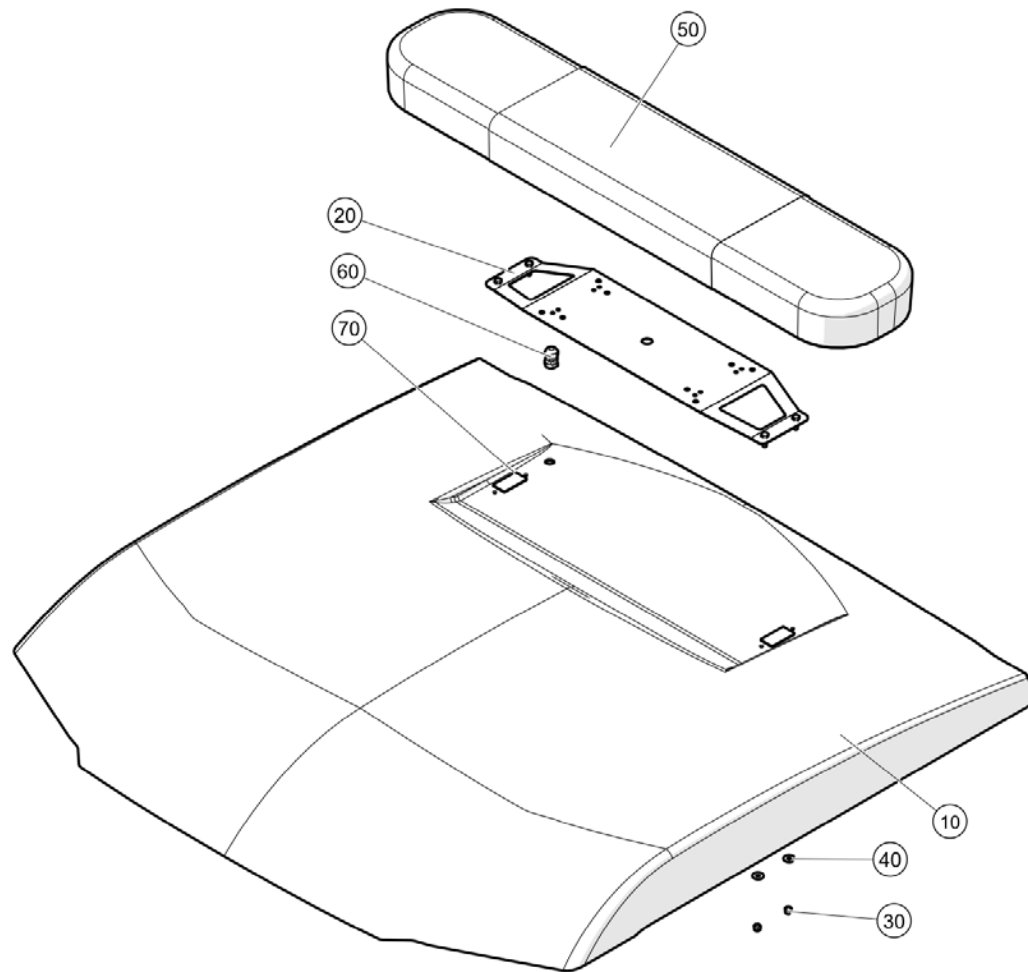
Item no.	Part no.	Description	QTY	Unit
10	657-100	Camera Only VT70 JM Camera	1	PC
20	92097263-0	Hex Head Screw - M5Cx16 - 8.8	1	PC
30	93210109-0	Plain Washer M5	2	PC
40	93085003-0	Nyloc Hex Nut M5C - 8	1	PC
5000	7016286	Camera Cable with Molex Connector	1	PC



Roof Bar Beacon (7015509)
Cab Options\Roof Bar Beacon

Item no.	Part no.	Description	QTY	Unit
10	7015502	Bracket W/Assy- Beacon Bar	1	PC
30	93085004-0	Nyloc Hex Nut M6C - 8	4	PC
40	93300507-0	Plain Large Washer M6	4	PC
50	46-40	Beacon Mini Bar, Two Module	1	PC
60	86-18	Cable Gland IP68 PG9	1	PC
70	7015553	Trim Detail - Beacon Mounting Cab Roof	1	PC
5000	217-61	Tape-Acrylic Foam, 3mm x 25mm	0.2	M

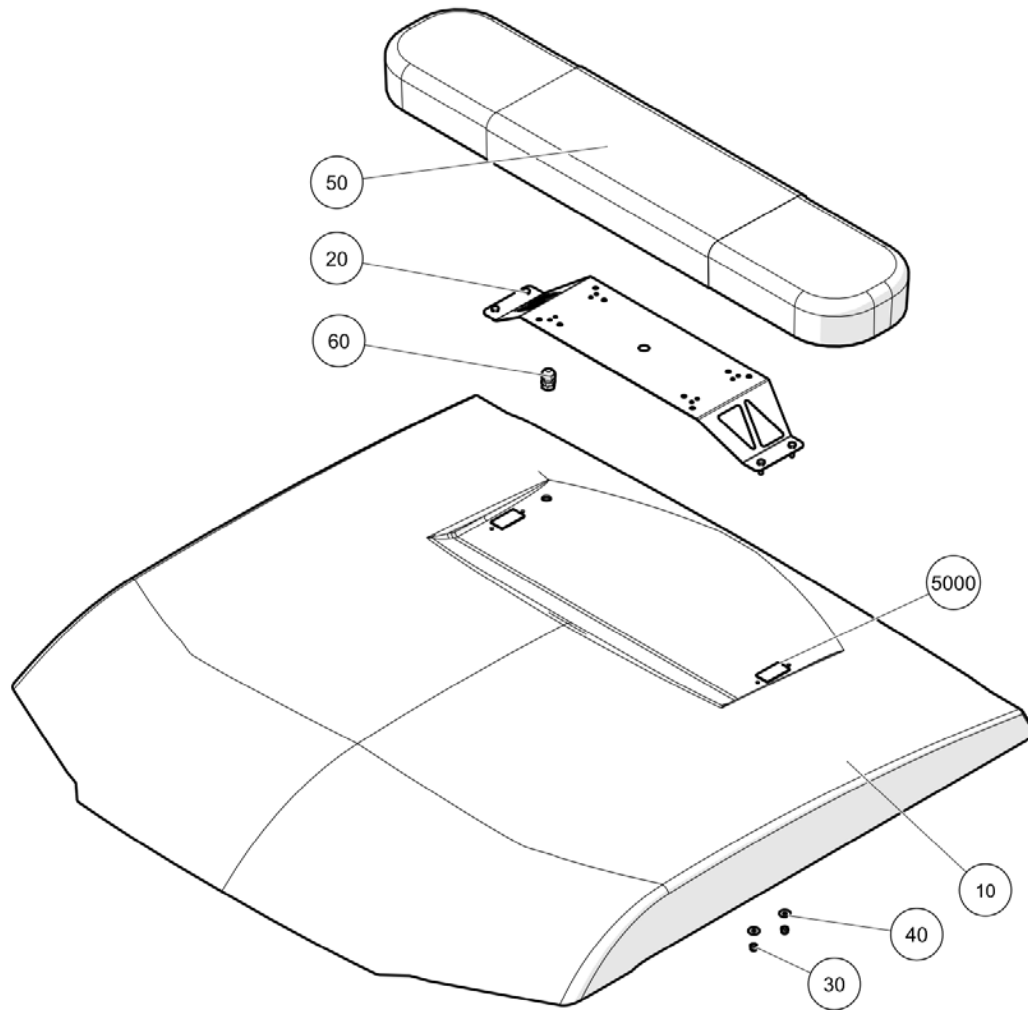
LED Low Profile Bar Beacon (7031587)
Cab Options\LED Low Profile Bar Beacon



LED Low Profile Bar Beacon (7031587)

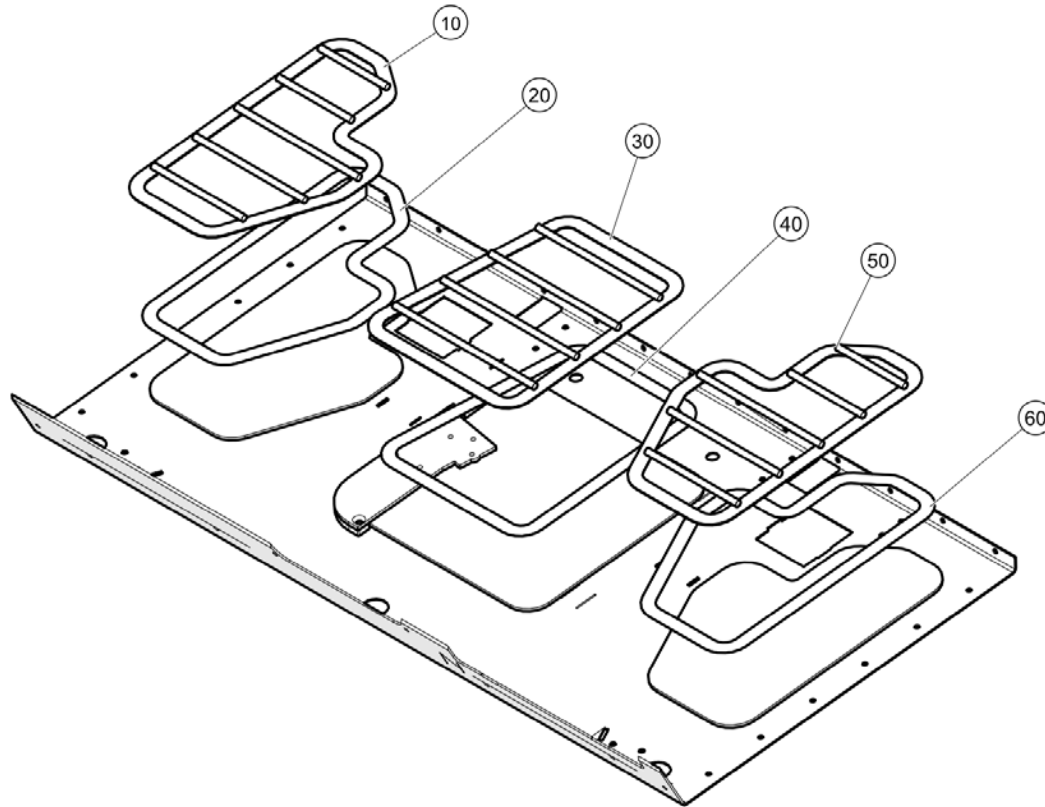
Cab Options\LED Low Profile Bar Beacon

Item no.	Part no.	Description	QTY	Unit
10	7015553	Trim Detail - Beacon Mounting Cab Roof	1	PC
20	7015501	Bracket W/Assy- Beacon Lo-Pro	1	PC
30	93085004-0	Nyloc Hex Nut M6C - 8	4	PC
40	93300507-0	Plain Large Washer M6	4	PC
50	745-130	LED Light Bar Dual Voltage - 1063mm Wide	1	PC
60	86-18	Cable Gland IP68 PG9	1	PC
70	217-61	Tape-Acrylic Foam, 3mm x 25mm	0.2	M



LED Bar Beacon (7031590)
Cab Options\LED Bar Beacon

Item no.	Part no.	Description	QTY	Unit
10	7015553	Trim Detail - Beacon Mounting Cab Roof	1	PC
20	7015502	Bracket W/Assy- Beacon Bar	1	PC
30	93085004-0	Nyloc Hex Nut M6C - 8	4	PC
40	93300507-0	Plain Large Washer M6	4	PC
50	745-130	LED Light Bar Dual Voltage - 1063mm Wide	1	PC
60	86-18	Cable Gland IP68 PG9	1	PC
5000	217-61	Tape-Acrylic Foam, 3mm x 25mm	0.2	M

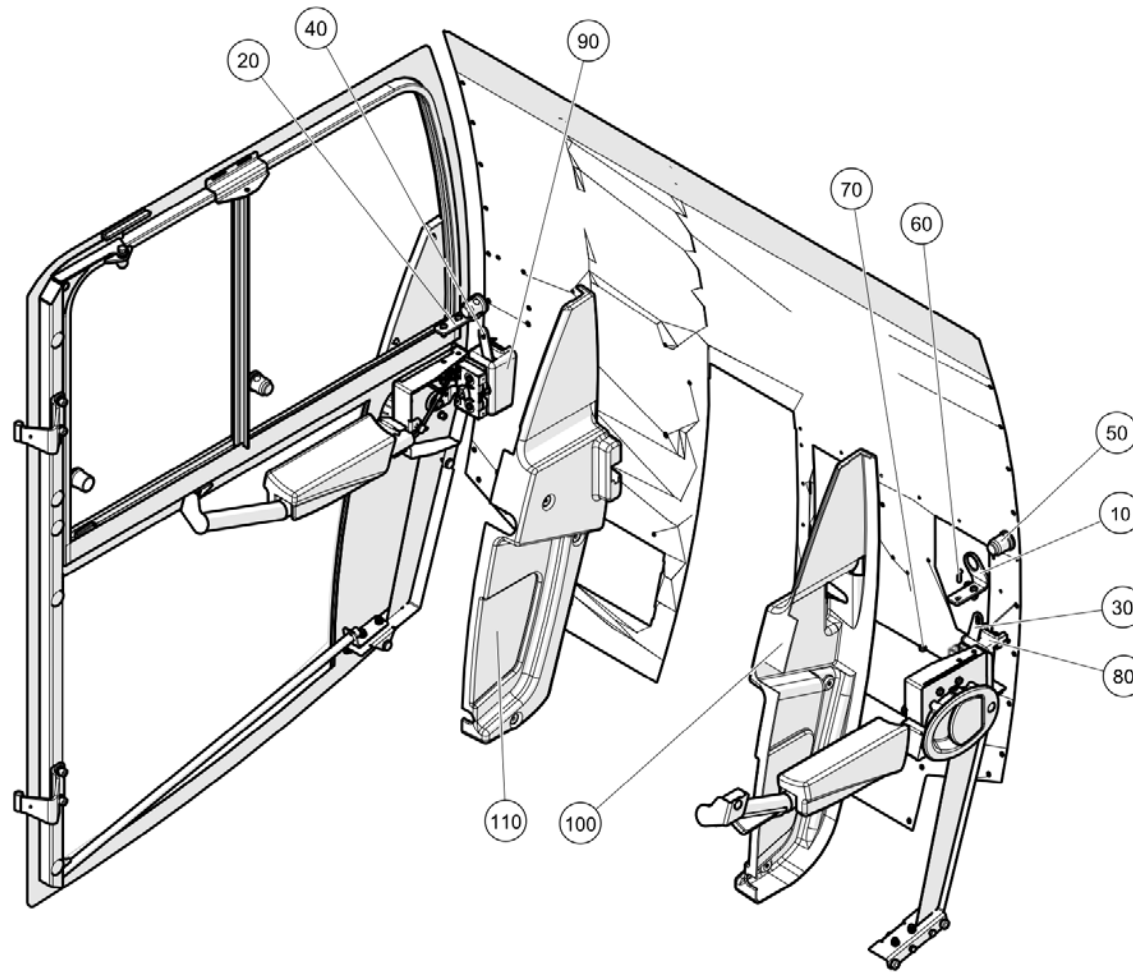


Floor Grilles (7012412, 7012422)

Cab Options\Floor Grilles

Item no.	Part no.	Description	QTY	Unit
10	7012370	Grille- Floor Outer LH W/Assy	1	PC
20	7012408	Gasket- Grille Outer	1	PC
30	7012373	Grille- Floor Centre LHD W/Assy	1	PC
30	7012415	Grille- Floor Centre RHD W/Assy	1	PC
40	7012411	Gasket- Grille Centre LHD	1	PC
40	7012417	Gasket- Grille Centre RHD	1	PC
50	7012371	Grille- Floor Outer RH (LHD) W/Assy	1	PC
50	7012421	Grille- Floor Outer RH (RHD) W/Assy	1	PC
60	7012409	Gasket- Grille Outer RH LHD	1	PC
60	7012420	Gasket- Grille Outer RH (RHD)	1	PC

Deadlock Push Button (7019822)
Cab Options\Deadlock Push Button

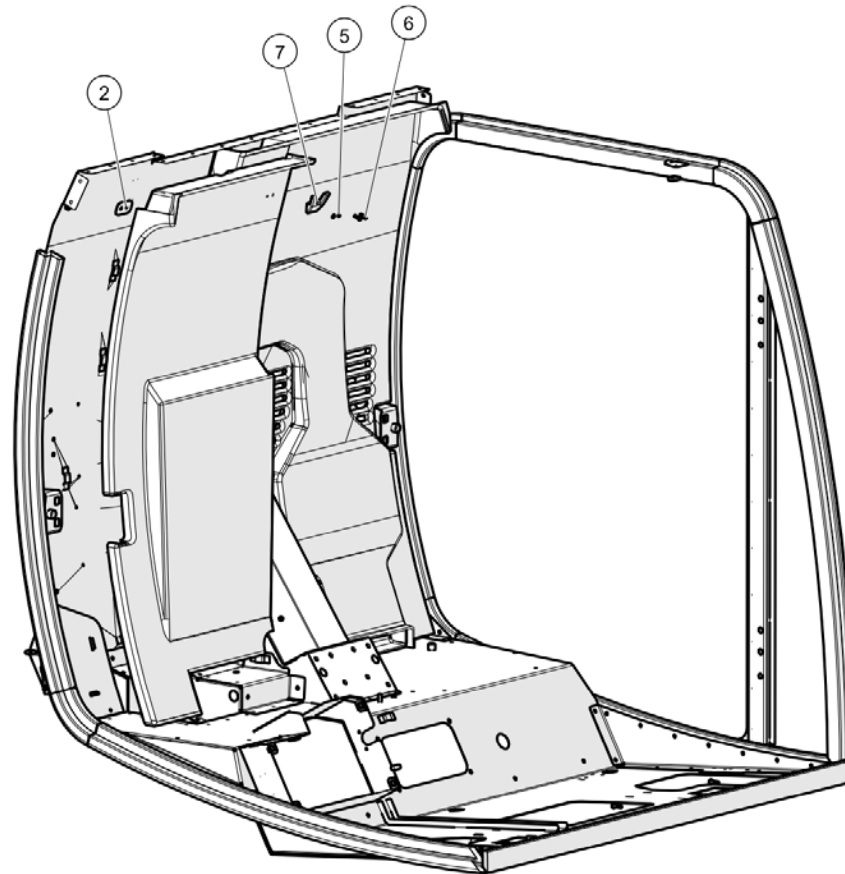


Deadlock Push Button (7019822)
Cab Options\Deadlock Push Button

Item no.	Part no.	Description	QTY	Unit
10	722701-1	Bracket - Latch, Deadlock LH	1	PC
20	722701-2	Bracket - Latch, Deadlock RH	1	PC
30	722703-1	Pin - Latch, Deadlock LH W/A	1	PC
40	722703-2	Pin - Latch, Deadlock RH W/A	1	PC
50	211-29	Latch - Window, Push Button	2	PC
60	92330035-0	Hex Skt Button Head Screw M6x20 - 10.9	4	PC
70	93085004-0	Nyloc Hex Nut M6C - 8	4	PC
80	722938-1	Cover - Latch Pin LH Deadlock	1	PC
90	722938-2	Cover - Latch Pin RH Deadlock	1	PC
100	7019820	Trim- Interior Door Deadlock	1	PC
110	7019821	Trim- Interior Door Deadlock RH	1	PC

All Copyright and rights are the property of Johnston Sweepers Ltd.

Internal Hook/Hanger (2015-1)
Cab Options\Internal Hook/Hanger

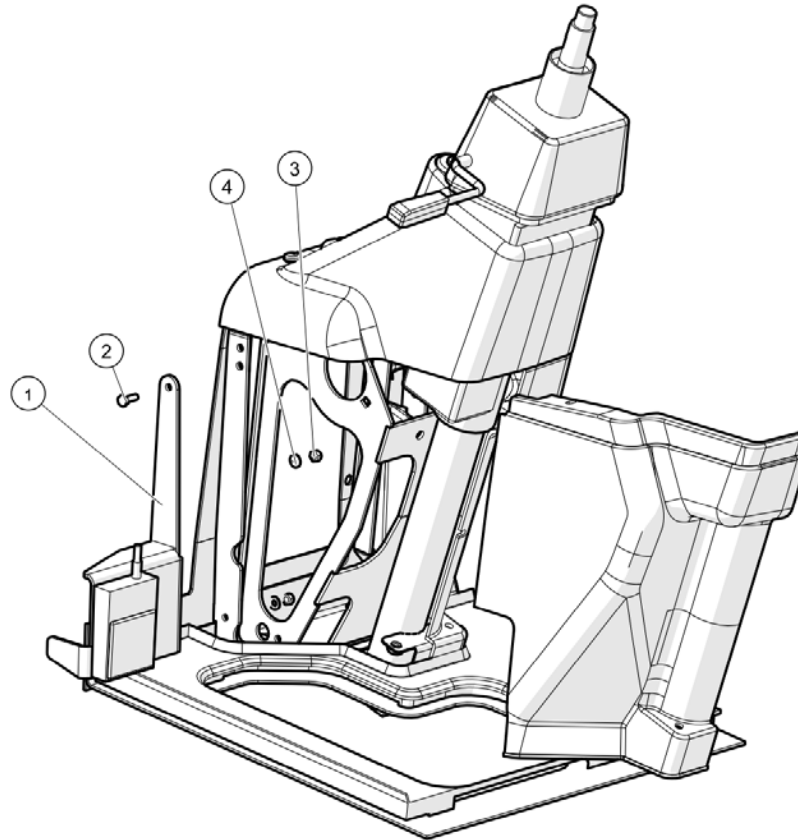


All Copyright and rights are the property of Johnston Sweepers Ltd.

Internal Hook/Hanger (2015-1)
Cab Options\Internal Hook/Hanger

Item no.	Part no.	Description	QTY	Unit
2	722641-1	Mount - Coat Hook, W/Assy	1	PC
6	138-64	Screw - Skt Button Hd M5cx16	2	PC
7	844-207	Hook - Double	1	PC
5	460-7	Washer Spring Single Coil M5	2	PC

Relocated 3rd Pedal (2085-1)
Cab Options\Relocated 3rd Pedal



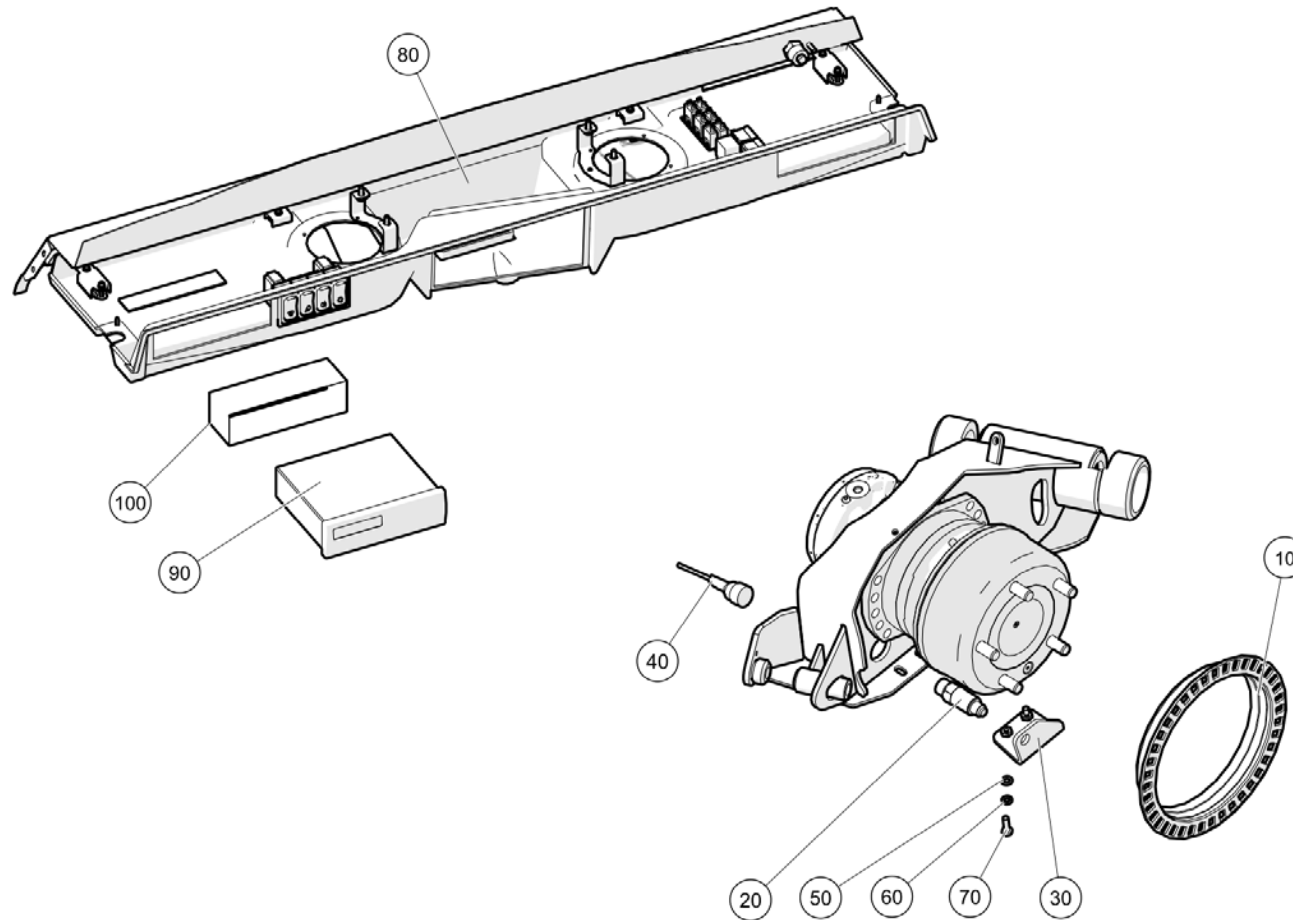
Relocated 3rd Pedal (2085-1)
Cab Options\Relocated 3rd Pedal

Item no.	Part no.	Description	QTY	Unit
1	722473-1	Bracket - Third Pedal	1	PC
2	138-94	Screw - Skt Button Hd M6x20	2	PC
3	425-13	Nut Nyloc Hex M6C	2	PC
4	455-8	Washer Plain Plated Steel M6	2	PC

All Copyright and rights are the property of Johnston Sweepers Ltd.

Digital Tacho Installation (7020333 & 7020339)

Cab Options\Digital Tacho Installation



All Copyright and rights are the property of Johnston Sweepers Ltd.

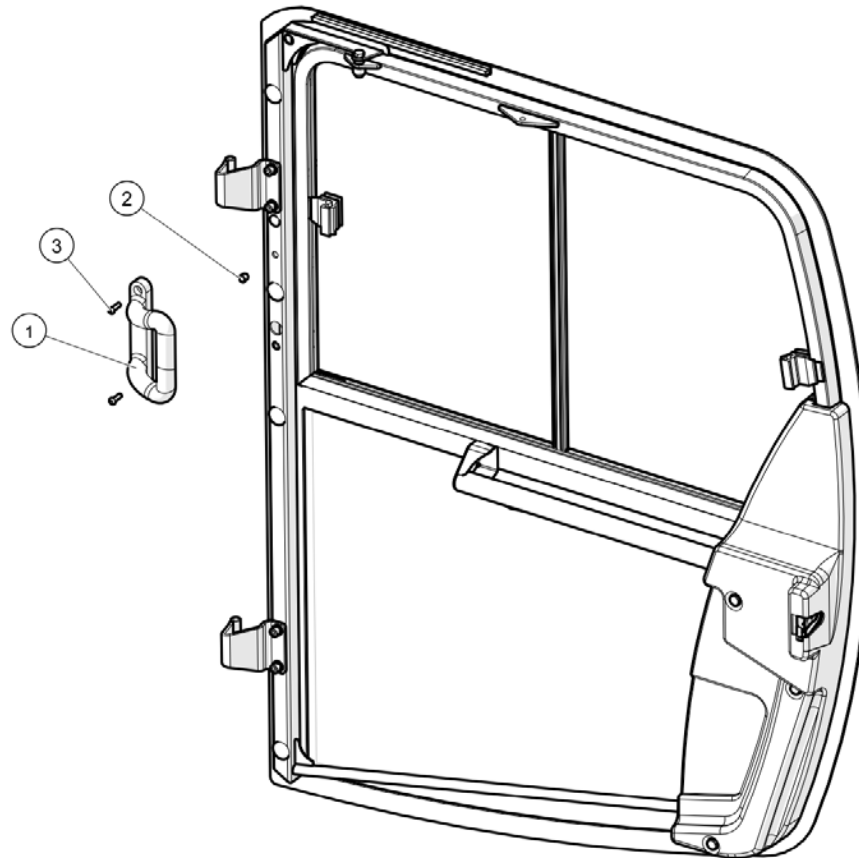
Digital Tacho Installation (7020333 & 7020339)

Cab Options\Digital Tacho Installation

Item no.	Part no.	Description	QTY	Unit
10	7009206	Sensor plate Weld assembly	1	PC
20	87-104	KITAS Sender Unit	1	PC
30	7020315	Mount Bkt W/Assy- Kitas Sensor	1	PC
40	87-105	KITAS Sender Cable 10m	1	PC
50	93212011-0	Plain Washer M8	2	PC
60	93699710-0	Spring Washer - Plated M8	2	PC
70	92097376-0	Hex Head Screw - M8Cx25 - 8.8	2	PC
80	7020326	OHD Console Trim- Digital Tacho LHD	1	PC
80	7020328	OHD Console Trim- Digital Tacho RHD	1	PC
90	87-100	Digital Tachograph 12v	1	PC
100	87-101	Mounting Sleeve	1	PC

All Copyright and rights are the property of Johnston Sweepers Ltd.

Cab Grab Handle (2091-1)
Cab Options\Cab Grab Handle



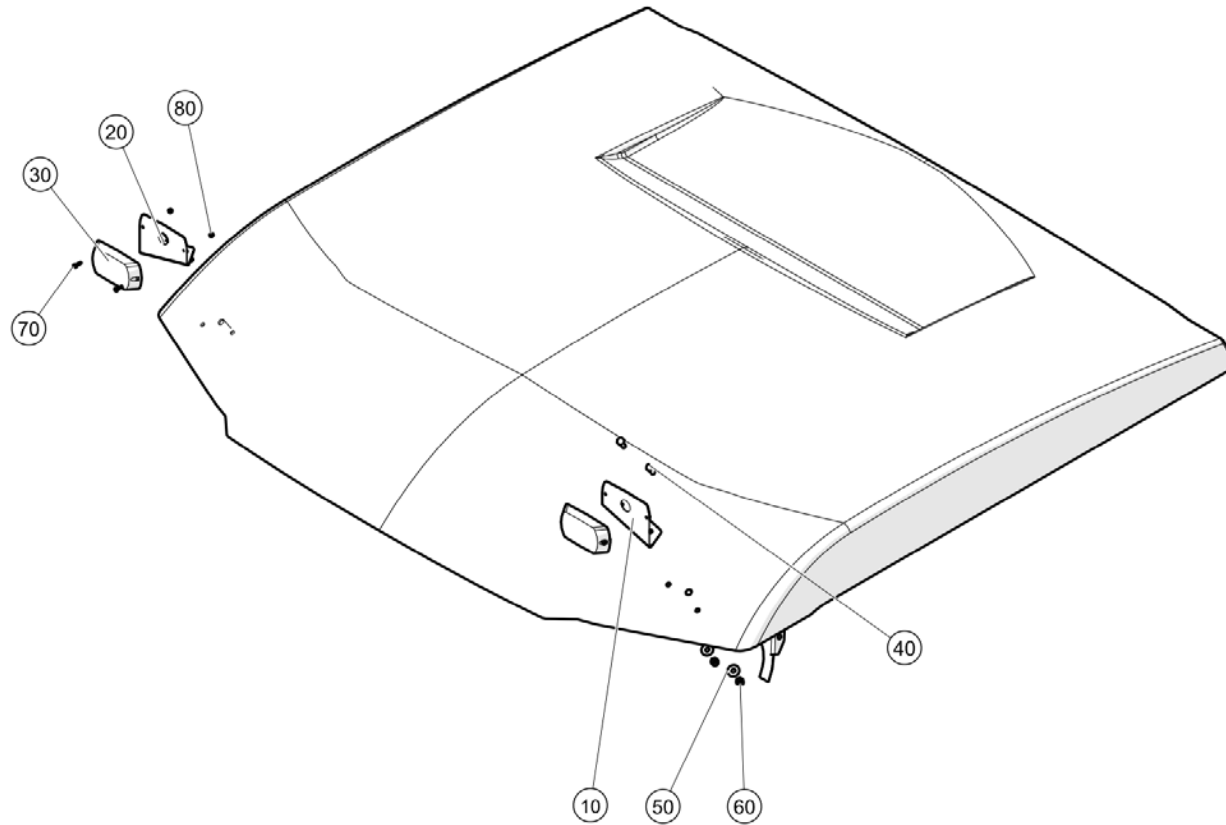
Cab Grab Handle (2091-1)
Cab Options\Cab Grab Handle

Item no.	Part no.	Description	QTY	Unit
1	836-10	Grab Handle C200 Series	1	PC
2	433-104	Insert, Small Hd, M6, 0.7-4.2, Open, MS	2	PC
3	138-94	Screw - Skt Button Hd M6x20	2	PC

All Copyright and rights are the property of Johnston Sweepers Ltd.

Front Strobes (7028282)

Cab Options\Front Strobes



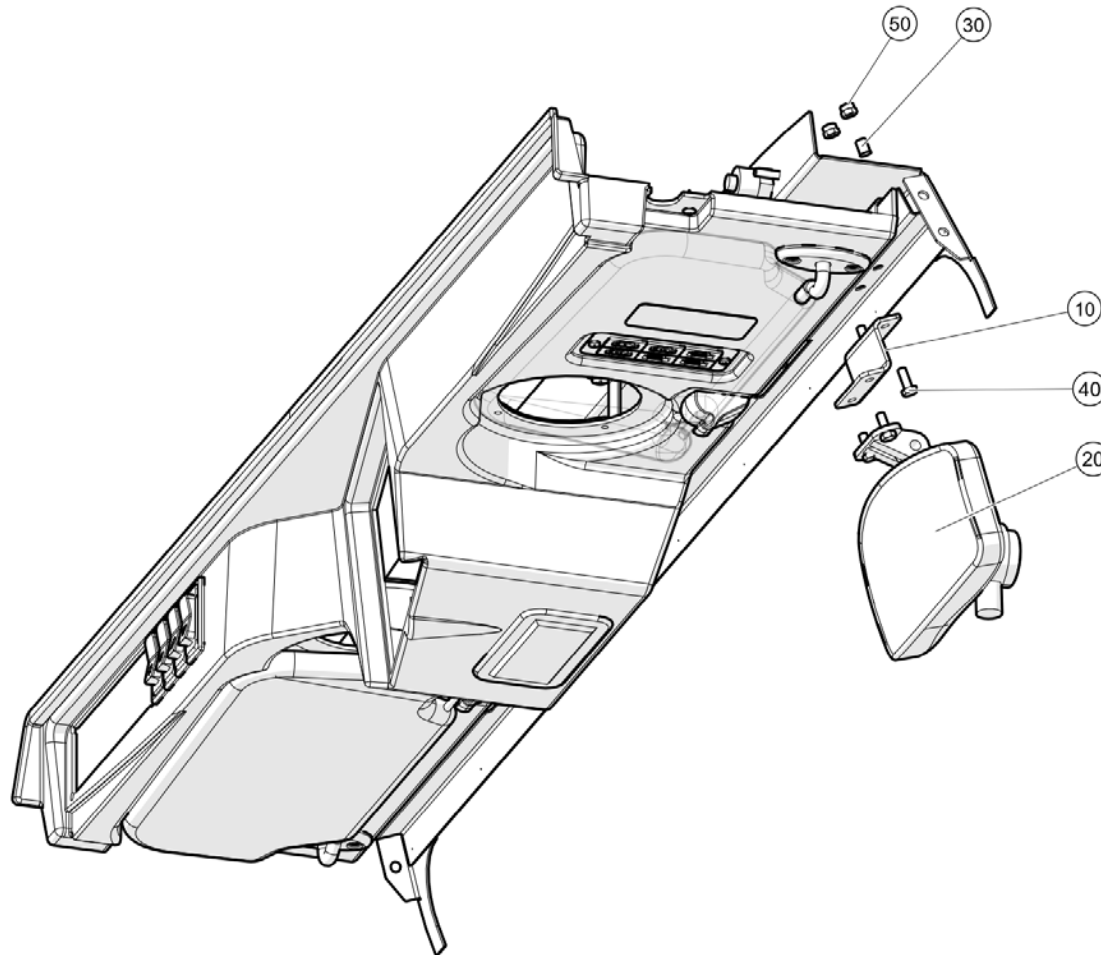
All Copyright and rights are the property of Johnston Sweepers Ltd.

Front Strobes (7028282)

Cab Options\Front Strobes

Item no.	Part no.	Description	QTY	Unit
10	7029854	Bracket - LED Front Strobe	1	PC
20	7029855	Bracket - LED Front Strobe RH	1	PC
30	7029006	Lamp, Strobe Assy	2	PC
40	92097301-0	Hex Head Screw - M6Cx20 - 8.8	4	PC
50	93300507-0	Plain Large Washer M6	4	PC
60	93085004-0	Nyloc Hex Nut M6C - 8	4	PC
70	134-13	Pan Head Screw-M3Cx12-4.8-Pozidriv	4	PC
80	93085001-0	Nyloc Hex Nut M3C - 8	4	PC

Internal Blind Spot Mirror (7028972)
Cab Options\Internal Blind Spot Mirror

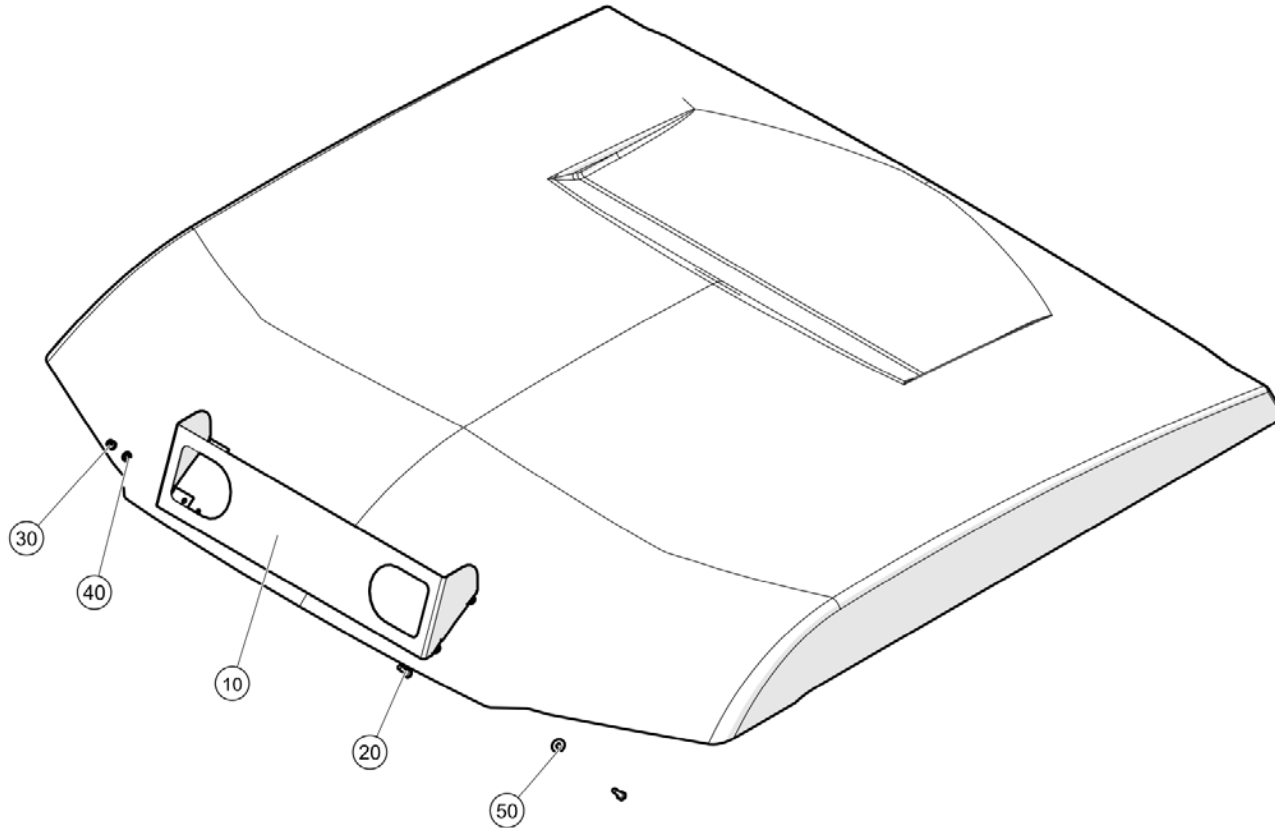


Internal Blind Spot Mirror (7028972)

Cab Options\Internal Blind Spot Mirror

Item no.	Part no.	Description	QTY	Unit
10	7028969	Bracket - Mirror	1	PC
20	220-313	Mirror Unit - Complete	1	PC
30	433-2	Rivet Nut - S.Cl. Nut M6c g0.5-3.0	2	PC
40	92097299-0	Hex Head Screw - M6Cx16 - 8.8	4	PC
50	93085004-0	Nyloc Hex Nut M6C - 8	2	PC

Number Plate Mounting (7020143)
Cab Options\Number Plate Mounting



All Copyright and rights are the property of Johnston Sweepers Ltd.

Number Plate Mounting (7020143)
Cab Options\Number Plate Mounting

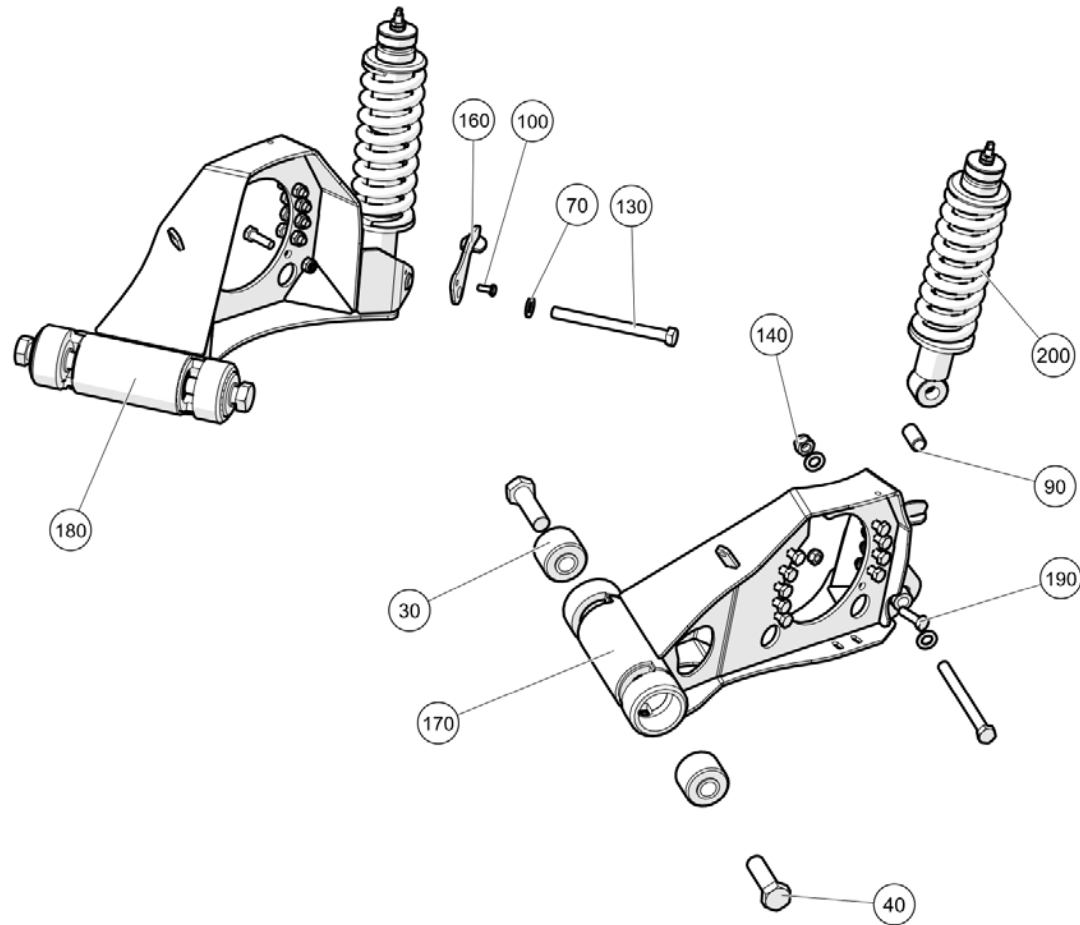
Item no.	Part no.	Description	QTY	Unit
10	7018841	Mount, Number Plate-3rd Brush	1	PC
20	92097301-0	Hex Head Screw - M6Cx20 - 8.8	4	PC
30	93085004-0	Nyloc Hex Nut M6C - 8	4	PC
40	93212009-0	Plain Washer M6	4	PC
50	93300507-0	Plain Large Washer M6	4	PC

2WS Steering Column (7012605)
Steer Feature\2WS Steering Column

Item no.	Part no.	Description	QTY	Unit
10	7006414	Steering column	1	PC
20	7006418	Steering wheel C200	1	PC
30	7005704	Boss	1	PC
40	134-43	Pan Head Screw-M4Cx16-4.8-Pozidriv	3	PC
50	93699706-0	Spring Washer - Plated M4	3	PC
60	93212007-0	Plain Washer M4	3	PC
70	92097414-0	Hex Head Screw - M10Cx30 - 8.8	4	PC
80	93699711-0	Spring Washer - Plated M10	4	PC
90	93212012-0	Plain Washer M10	4	PC
100	6645-7-A	Clip - Exhaust Banelli 1 7/8"	1	PC
110	93212011-0	Plain Washer M8	2	PC
120	93085005-0	Nyloc Hex Thin Nut M8C - 8	2	PC
130	60-20	Pin - Spirol, Dia.5x16	3	PC
140	7013994	Column Switch, Auxilliary	1	PC
150	7013995	Column Switch, Transmission	1	PC
170	722537-1	Bucket - Steering Column W/A	1	PC
180	7012601	Steering Control Unit	1	PC
190	09570104-0	Stud Coupling Male G 1/2" x M14 x 1.5	2	PC
200	09570131-0	Stud Coupling Male G 1/2" x M18 x 1.5	2	PC

All Copyright and rights are the property of Johnston Sweepers Ltd.

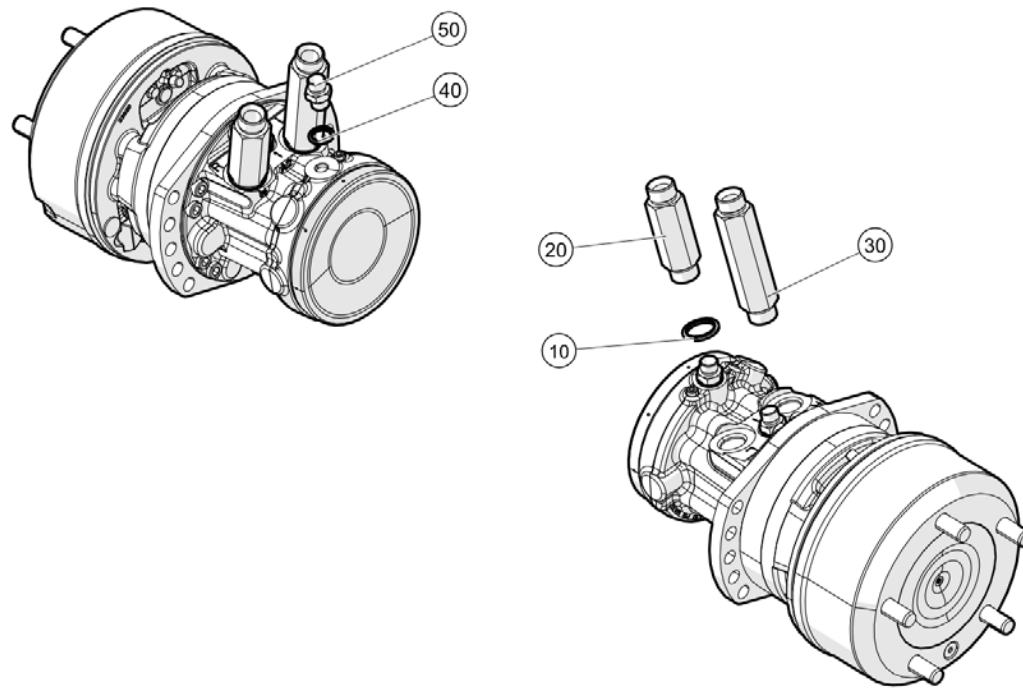
2WS Rear Wheel Mounting (7013647)
Steer Feature\2WS Rear Wheel Mounting



2WS Rear Wheel Mounting (7013647)
Steer Feature\2WS Rear Wheel Mounting

Item no.	Part no.	Description	QTY	Unit
30	70698-1	Bush	4	PC
40	100-114	Bolt UNF 1"x 3 1/4	4	PC
70	93210523-0	Plain Washer M16	3	PC
80	93212011-0	Plain Washer M8	2	PC
90	7017194	Bush Rear Suspension Mount Lower	2	PC
100	92097374-0	Hex Head Screw - M8Cx20 - 8.8	2	PC
110	93085007-0	Nyloc Hex Thin Nut M12C - 8	20	PC
130	92067551-0	Hex Head Bolt - M16Cx180 - 8.8	2	PC
140	93085009-0	Nyloc Hex Nut M16C - 8	1	PC
160	7020805	Travel Limiter W/Assy	2	PC
170	7020950	Semi-trailing Arm 2WS QED LH W/Assy	1	PC
180	7020952	Semi-trailing Arm 2WS QED RH W/Assy	1	PC
190	92067457-0	Hex Head Bolt - M12Cx40 - 8.8	20	PC
200	7026057	Suspension Strut Assy	2	PC

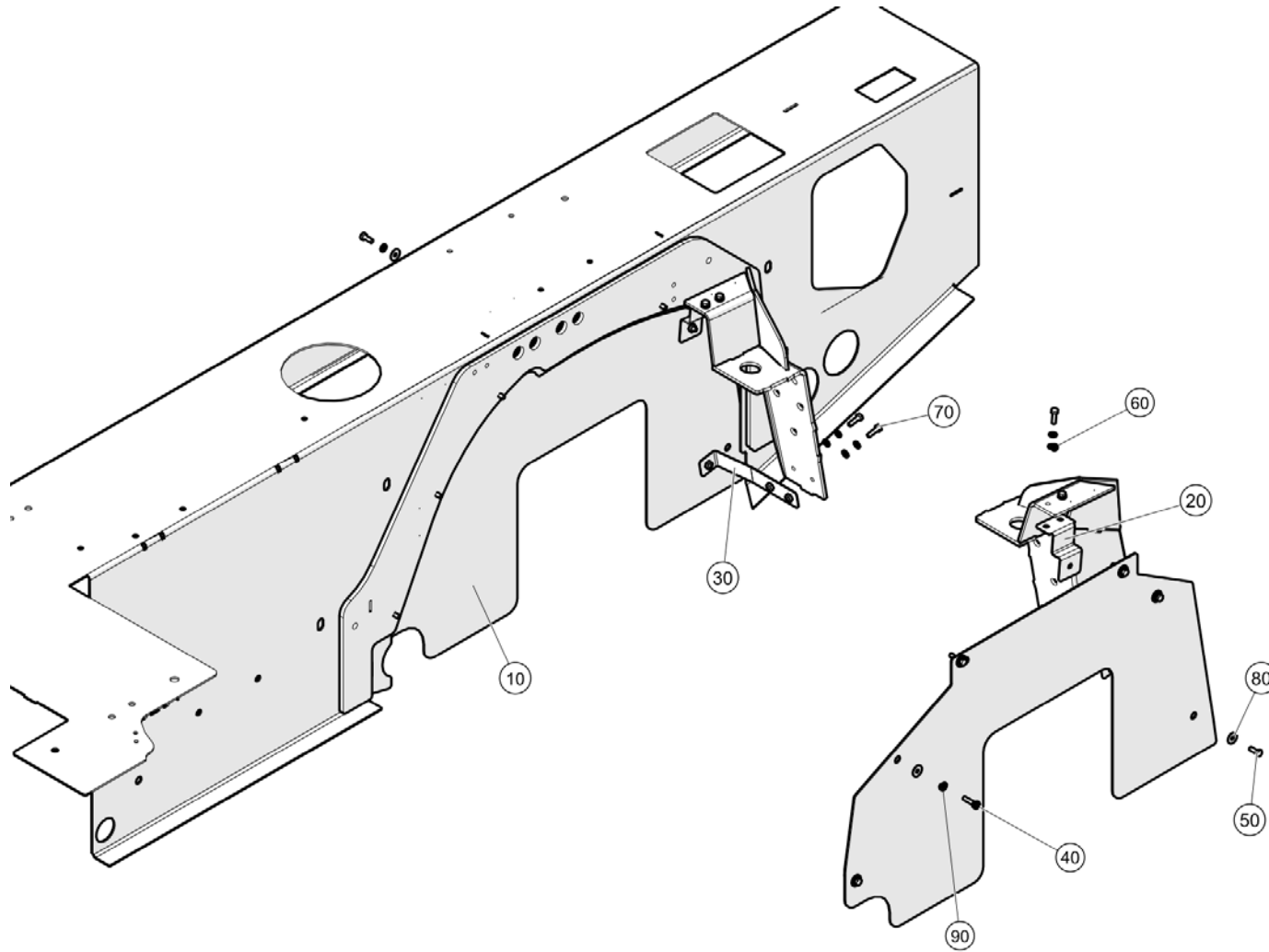
2WS Wheel Motor Connections (7013691)
Steer Feature\2WS Wheel Motor Connections



2WS Wheel Motor Connections (7013691)
Steer Feature\2WS Wheel Motor Connections

Item no.	Part no.	Description	QTY	Unit
10	451-21	Washer Bonded G3-4"	4	PC
20	7021009	Adaptor - G3/4, Short	2	PC
30	7021015	Adaptor - G3/4, Long	2	PC
40	451-18	Washer Bonded G3/8"	4	PC
50	263-3	Adaptor M/M 3/8 BSP	4	PC

2WS Chassis Shield (7017827)
Steer Feature\2WS Chassis Shield



All Copyright and rights are the property of Johnston Sweepers Ltd.

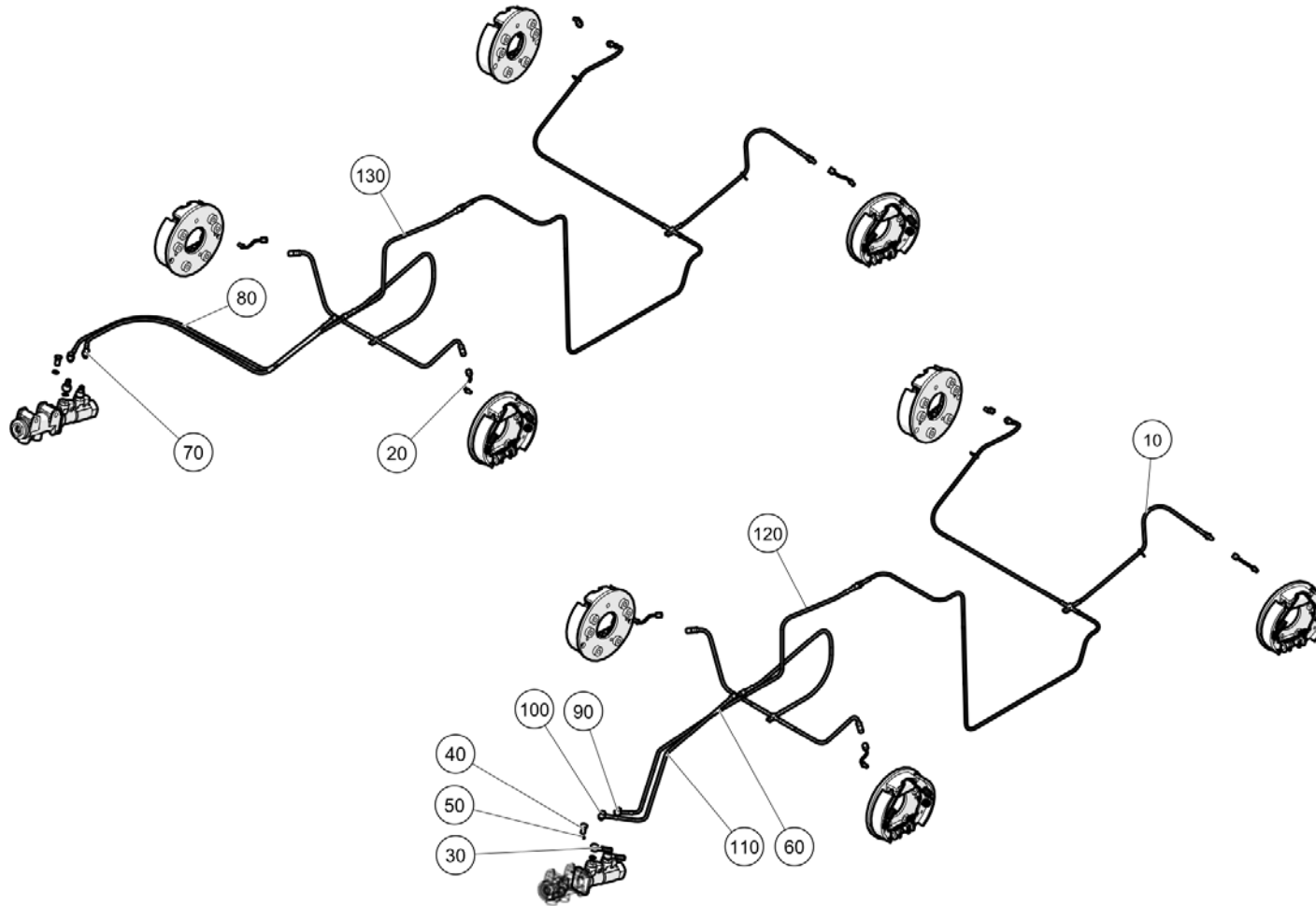
2WS Chassis Shield (7017827)
Steer Feature\2WS Chassis Shield

Item no.	Part no.	Description	QTY	Unit
10	7016245	Shield - 2WS Trailing Arm	2	PC
20	7017816	Bracket W/Assy, Top	2	PC
30	7017814	Bracket W/Assy, Lower	2	PC
40	92097303-0	Hex Head Screw - M6Cx25 - 8.8	8	PC
50	92097299-0	Hex Head Screw - M6Cx16 - 8.8	4	PC
60	93212009-0	Plain Washer M6	8	PC
70	92097301-0	Hex Head Screw - M6Cx20 - 8.8	8	PC
80	93300507-0	Plain Large Washer M6	12	PC
90	93699708-0	Spring Washer - Plated M6	20	PC

2WS Steering Circuit (7011978, 7011979)

Steer Feature\2WS Steering Circuit

Item no.	Part no.	Description	QTY	Unit
H1	HR1SC10051-102-260	Hose - Hyd 90 Swept x 90 Swept (LHD)	1	PC
H1	HR1SC10002-80	Hose - Hyd Straight x 90 Swept (RHD)	1	PC
H2	HR1SC10002-115	Hose - Hyd Straight x 90 Swept (LHD)	1	PC
H2	HR1SC10000-81	Hose-Hyd. Straight F x Straight F (RHD)	1	PC
H3	HR1SC10027-80-170	Hose - Hyd 45 Swept x 90 Swept (LHD)	1	PC
H3	HR1SC10051-114-135	Hose - Hyd 1st 90 Swept x 90 Swept (RHD)	1	PC
H4	HR1SC10027-150-180	Hose - Hyd 45 Swept x 90 Swept	1	PC
H5	HR1SC10001-90	Hose - Hyd Straight x 45 Swept (LHD)	1	PC
H5	HR1SC10002-113	Hose - Hyd Straight x 90 Swept (RHD)	1	PC
H6	HR1SC06000-74	Hose - Hyd Straight x Straight (LHD)	1	PC
H6	HR1SC06001-100	Hose - Hyd Straight x 45 Swept (RHD)	1	PC
H7	HR1SC06000-74	Hose - Hyd Straight x Straight (LHD)	1	PC
H7	HR1SC06001-100	Hose - Hyd Straight x 45 Swept (RHD)	1	PC
H8	HR1SC06002-85	Hose - Hyd Straight x 90 Swept	1	PC
H9	HR1SC06002-85	Hose - Hyd Straight x 90 Swept	1	PC
R1	7020775	Pipe- Braking System 7	1	PC
R2	7020774	Pipe- Steering System 1	1	PC
R3	7008204	Pipe -Steering system 2	1	PC
R4	7008205	Pipe -Steering system 3	1	PC
R5	7008207	Pipe -Steering system 5	1	PC
R6	7008207	Pipe -Steering system 5	1	PC
R7	7014607	Pipe 02 - 12mm, Braking System	1	PC
R8	7014609	Pipe 01.02 - 12mm, Braking System	1	PC

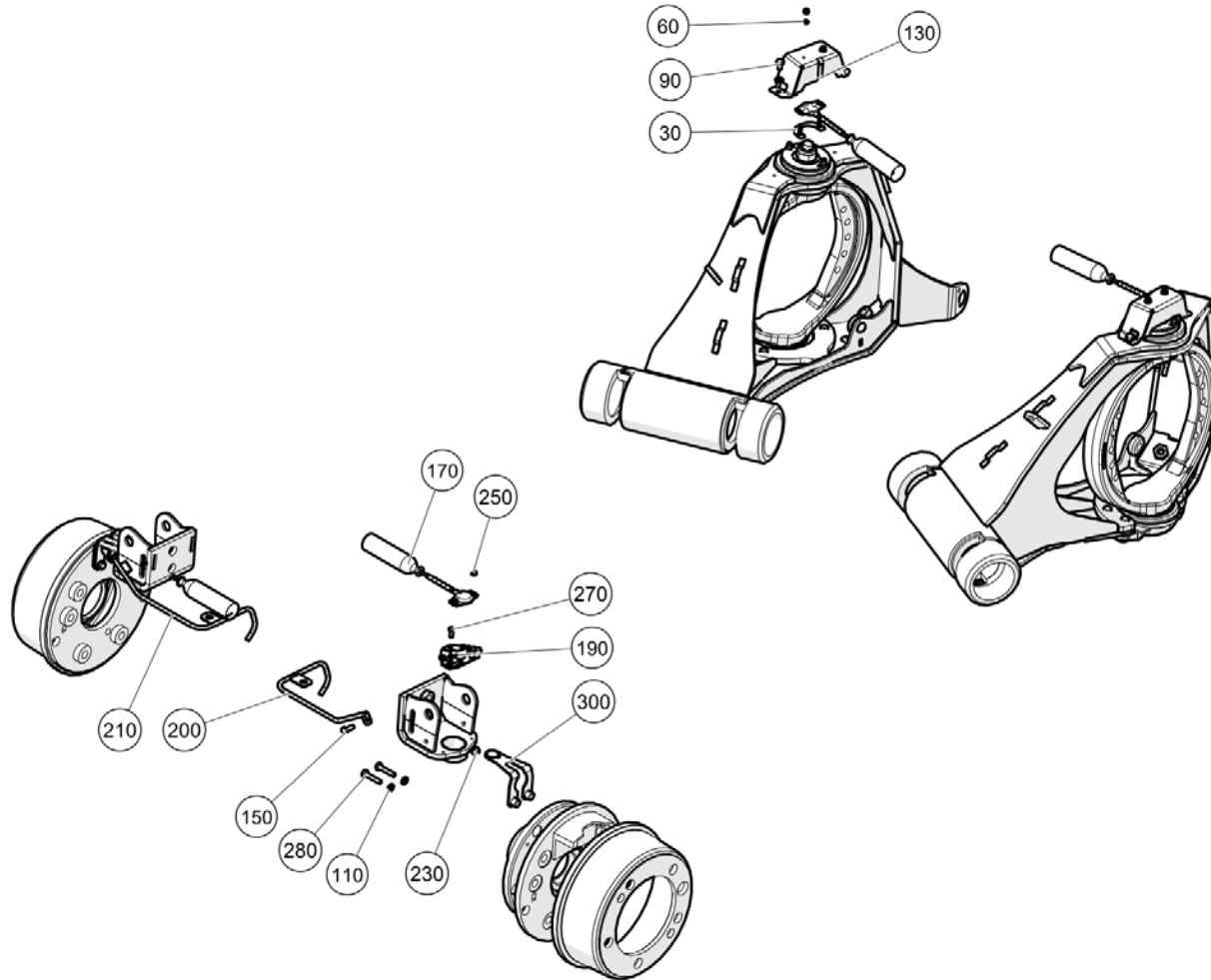


Dynamic Brakes (7012142, 7012143)

Steer Feature\Dynamic Brakes

Item no.	Part no.	Description	QTY	Unit
10	7011194	Hose - Rear Brake	1	PC
20	722414-1	Pipe - Brake, Front Axle	4	PC
30	277-179	Insert-Banjo Hose,M12x1/4"	2	PC
40	721998-1	Bolt - Banjo, M12x1.5	2	PC
50	452-60	Washer-Copper M12	4	PC
60	721665-1	Brake Master Cylinder Hose Kit	1	PC
70	721665-6	Kit-Hose Brake Master Cyl RHD	1	PC
80	721665-4	Front Brake Hose RHD	1	PC
90	721665-7	M10 Banjo Bolt	2	PC
100	721665-8	Washer - Copper, M10	4	PC
110	721665-2	Front Brake Hose LHD	1	PC
120	721665-3	Rear Brake Hose LHD	1	PC
130	721665-5	Rear Brake Hose RHD	1	PC

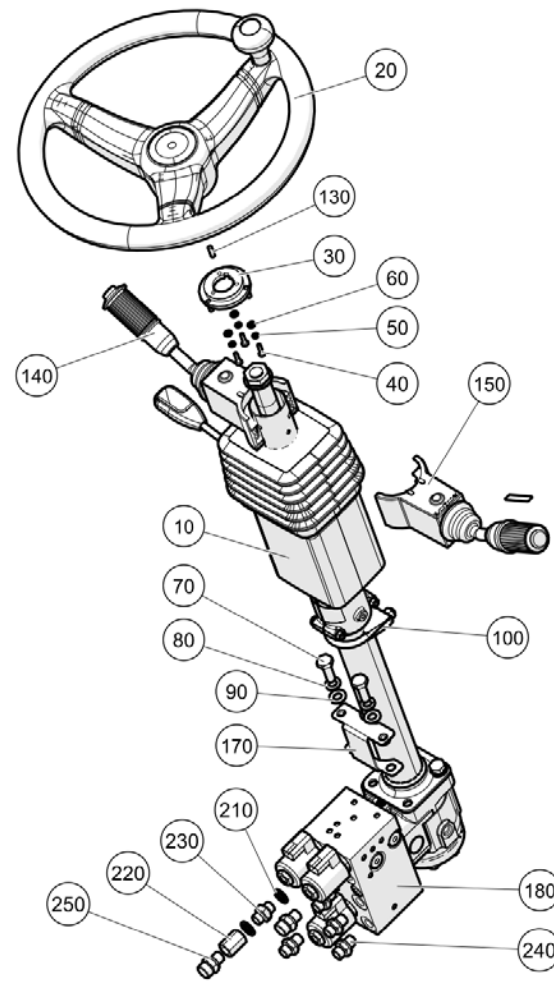
Steering Sensor (7012841)
Steer Feature\Steering Sensor



Steering Sensor (7012841)
Steer Feature\Steering Sensor

Item no.	Part no.	Description	QTY	Unit
30	7012253	Plate Locking - Sensor mount W/Assy	2	PC
60	93212007-0	Plain Washer M4	4	PC
90	92097297-0	Hex Head Screw - M6Cx10 - 8.8	4	PC
110	93212009-0	Plain Washer M6	4	PC
130	7019554	Bracket - Sensor Mounting	2	PC
150	92097299-0	Hex Head Screw - M6Cx16 - 8.8	2	PC
170	7024174	Angle sensor S/Assy	4	PC
190	7024264	Front Sensor Bracket W/Assy	2	PC
200	7024261	Loom Rail Front W/Assy	1	PC
210	7024267	Loom Rail Front W/Assy RH	1	PC
230	93085004-0	Nyloc Hex Nut M6C - 8	2	PC
250	93085602-0	Nyloc Hex Nut - M4c - A2	8	PC
270	92099262-0	Hex Head Screw - M5Cx12 - A2	4	PC
280	92097305-0	Hex Head Screw - M6Cx30 - 8.8	4	PC
300	7031877	Bracket - Magnet Holder Front Samarium	2	PC

4WS Steering Column (7012619)
Steer Feature 4WS Steering Column

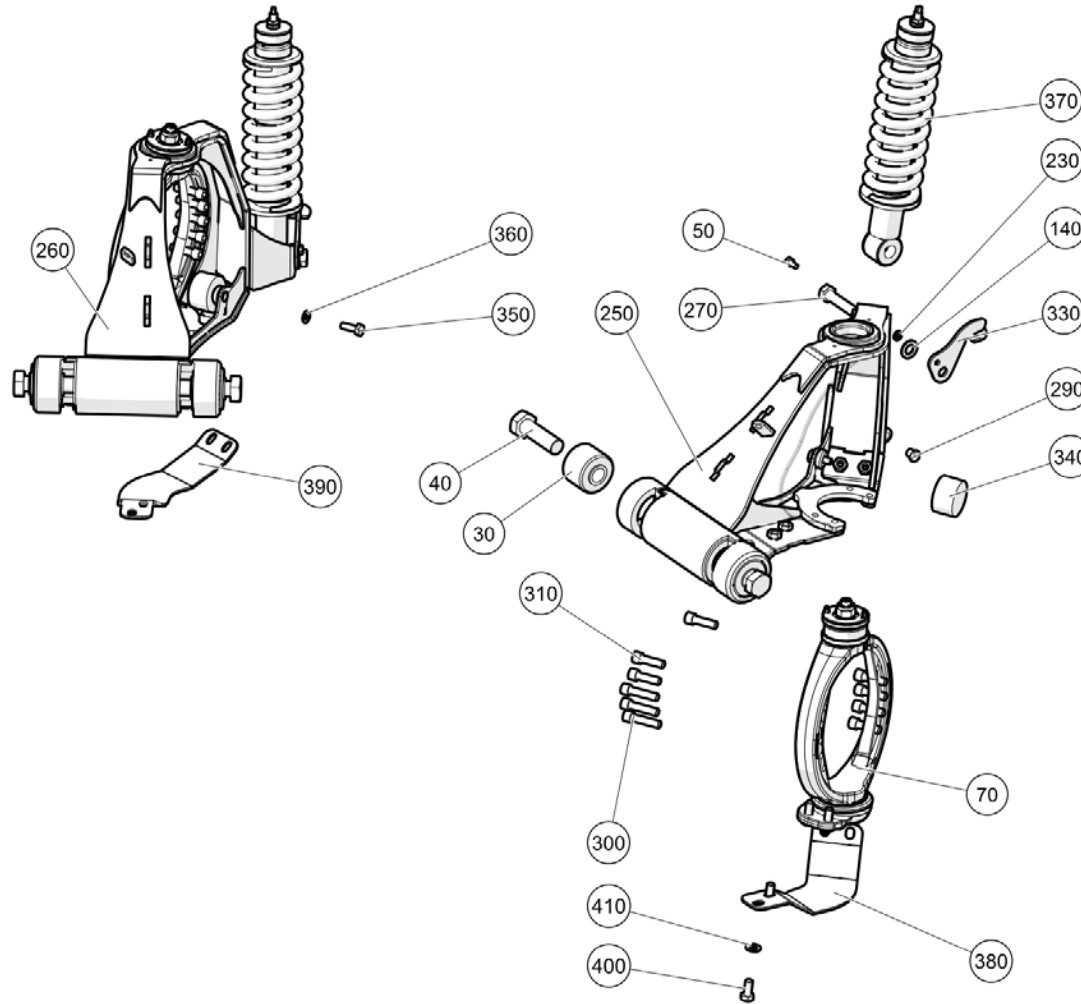


4WS Steering Column (7012619)
Steer Feature\4WS Steering Column

Item no.	Part no.	Description	QTY	Unit
10	7006414	Steering column	1	PC
20	7006418	Steering wheel C200	1	PC
30	7005704	Boss	1	PC
40	134-43	Pan Head Screw-M4Cx16-4.8-Pozidriv	3	PC
50	93699706-0	Spring Washer - Plated M4	3	PC
60	93212007-0	Plain Washer M4	3	PC
70	92097414-0	Hex Head Screw - M10Cx30 - 8.8	4	PC
80	93699711-0	Spring Washer - Plated M10	4	PC
90	93212012-0	Plain Washer M10	4	PC
100	6645-7-A	Clip - Exhaust Banelli 1 7/8"	1	PC
130	60-20	Pin - Spirol, Dia.5x16	3	PC
140	7013994	Column Switch, Auxilliary	1	PC
150	7013995	Column Switch, Transmission	1	PC
170	722537-1	Bracket - Steering Column W/A	1	PC
180	7012612	SCU with Valve Block 4WS	1	PC
210	451-17	Washer Bonded G1-4"	2	PC
220	66-7	Socket - Straight 1/4 BSP	1	PC
230	263-2	Adaptor M/M 1/4 BSP	1	PC
240	09570126-0	Stud Coupling Male G 1/4" x M14 x 1.5	4	PC
250	09570128-0	Stud Coupling Male G 1/4" x M18 x 1.5	2	PC

All Copyright and rights are the property of Johnston Sweepers Ltd.

4WS Wheel Motor Mounting (7010645)
Steer Feature\4WS Wheel Motor Mounting



All Copyright and rights are the property of Johnston Sweepers Ltd.

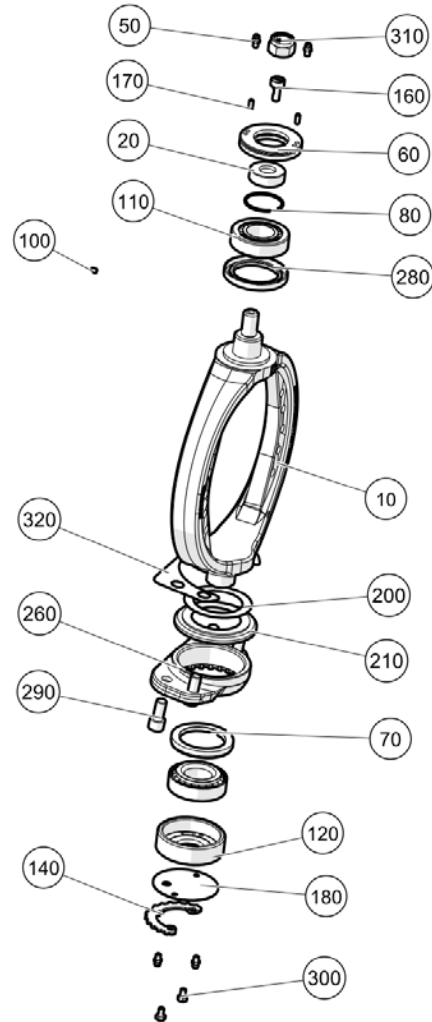
4WS Wheel Motor Mounting (7010645)
Steer Feature\4WS Wheel Motor Mounting

Item no.	Part no.	Description	QTY	Unit
30	70698-1	Bush	4	PC
40	100-114	Bolt UNF 1"x 3 1/4	4	PC
50	92097372-0	Hex Head Screw - M8Cx16 - 8.8	2	PC
70	7010651	Gimbal Assembly	2	PC
140	93210523-0	Plain Washer M16	2	PC
210	7017194	Bush Rear Suspension Mount Lower	2	PC
230	93212011-0	Plain Washer M8	2	PC
250	7018700	Semi-Trailing Arm 4WS LH W/Assy	1	PC
260	7018745	Semi-Trailing Arm 4WS RH W/Assy	1	PC
270	92067541-0	Hex Head Bolt - M16x90C - 8.8	2	PC
290	44-53	Cap-End, 3/4 Dia x 16-20G	2	PC
300	92137199-0	Hex Socket Cap Screw - M12Cx50 - 12.9	6	PC
310	92137197-0	Hex Socket Cap Screw - M12Cx40 - 12.9	14	PC
330	7020805	Travel Limiter W/Assy	2	PC
340	290-104	Flat Buffer Female - 60x35 M10 60IRHD	2	PC
350	92097414-0	Hex Head Screw - M10Cx30 - 8.8	2	PC
360	93212012-0	Plain Washer M10	2	PC
370	7026057	Suspension Strut Assy	2	PC
380	7026306	Fish Plate Cover Plate	1	PC
390	7026307	Fish Plate Cover Plate - RH	1	PC
400	92097448-0	Hex Head Screw - M12Cx25 - 8.8	8	PC
410	93212013-0	Plain Washer M12	8	PC

All Copyright and rights are the property of Johnston Sweepers Ltd.

4WS Gimbal (7010651)
Steer Feature\4WS Gimbal

All Copyright and rights are the property of Johnston Sweepers Ltd.



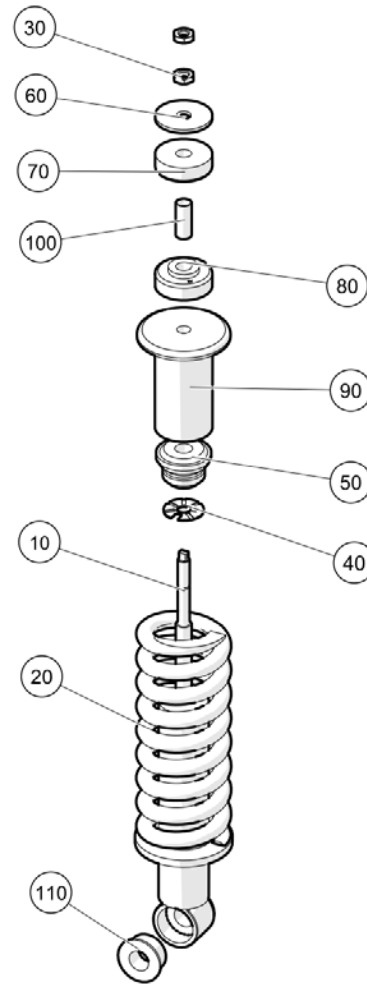
4WS Gimbal (7010651)
Steer Feature\4WS Gimbal

Item no.	Part no.	Description	QTY	Unit
10	7006581	Gimbal Rear 4WS - Machining	1	PC
20	7006932	Bearing Middle 4WS	1	PC
50	38-30	Nipple Grease M6 X 1	4	PC
60	7006931	Bearing Housing 4WS	1	PC
70	810-185	Oil Seal - ID 54 OD 73.2 Width 9mm	1	PC
80	80-59	O Ring - Hole Dia.46	1	PC
100	135-37	Socket Screw Flat Point M5cx6	1	PC
110	11-22	Bearing - Taper Single Roller	2	PC
120	7012175	Bracket Bearing Support Holder	1	PC
140	7015488	Locking Ring - Gimbal Tensioner	1	PC
160	7010899	Rear Magnet Holder	1	PC
170	59-31	Spring Pin (Slotted) - Ø5x12 C.Steel HD	2	PC
180	7015490	Plate - Cover	1	PC
200	7016703	Shim, Separator	1	PC
210	7016704	Cover Top, Lower Gimbal Bearing	1	PC
260	7015830	Fishplate Machining	1	PC
280	77-45	Seal - Oil 55x75x8mm	1	PC
290	92137194-0	Hex Socket Cap Screw - M12Cx25 - 12.9	4	PC
300	92097297-0	Hex Head Screw - M6Cx10 - 8.8	2	PC
310	93085035-0	Nyloc Hex Thin Nut M18F - 8	1	PC
320	7020832	Shim Plate Rear Bottom 4WS	1	PC

All Copyright and rights are the property of Johnston Sweepers Ltd.

4WS Suspension Strut (7026057)
Steer Feature\4WS Suspension Strut

All Copyright and rights are the property of Johnston Sweepers Ltd.

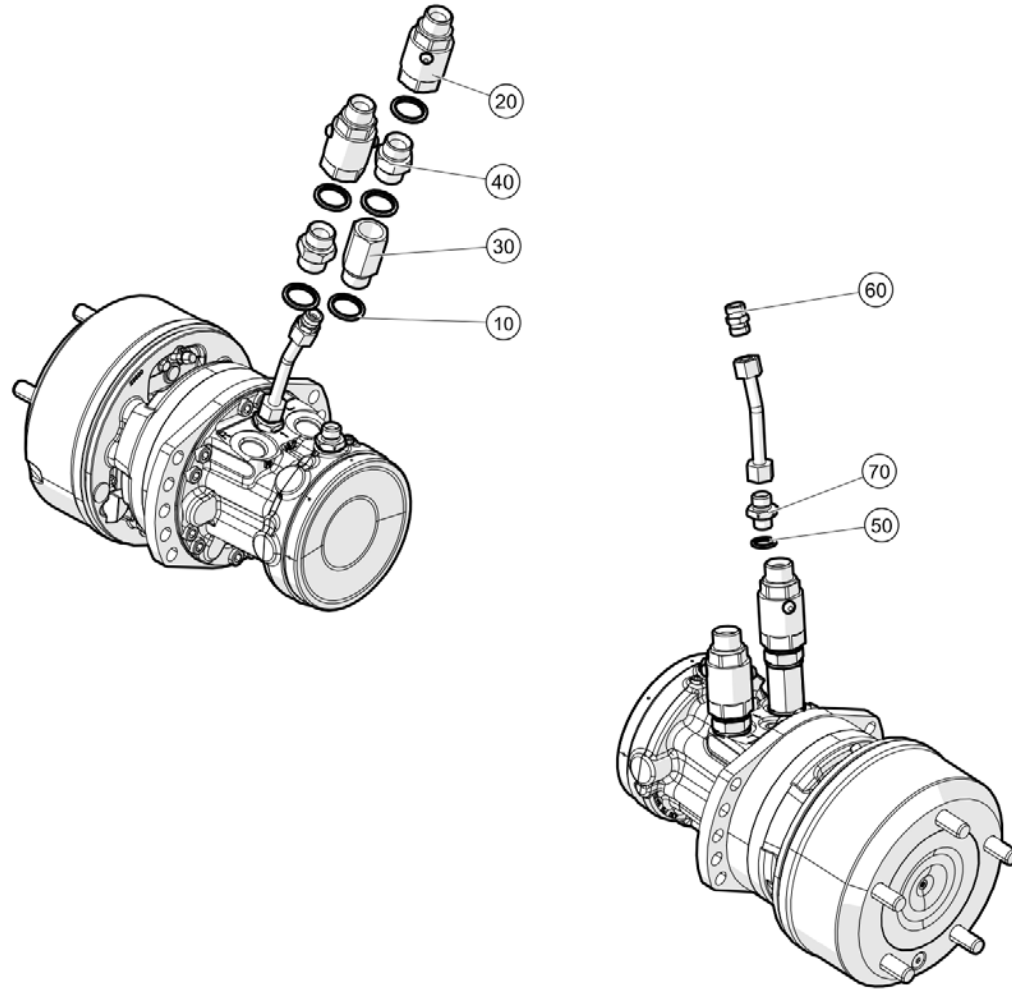


4WS Suspension Strut (7026057)
Steer Feature\4WS Suspension Strut

Item no.	Part no.	Description	QTY	Unit
10	7020577	Suspension Damper Strut, Rear	1	PC
20	7026994	Spring, Suspension - 230N/m	1	PC
30	421-3	Hexagon Nut - M12f Lock	2	PC
40	7012449	Vent Plate	1	PC
50	7020787	Bump Stop - 37mm Limit	1	PC
60	7012511	Washer - Damper Top	1	PC
70	720374-1	Bush - Damper Top, Upper	1	PC
80	720373-1	Bush - Damper Top, Lower	1	PC
90	7012432	Plate - Top Damper Platform	1	PC
100	7020788	Spacer Sleeve	1	PC
110	7016226	Bush, Poly - Suspension	2	PC

All Copyright and rights are the property of Johnston Sweepers Ltd.

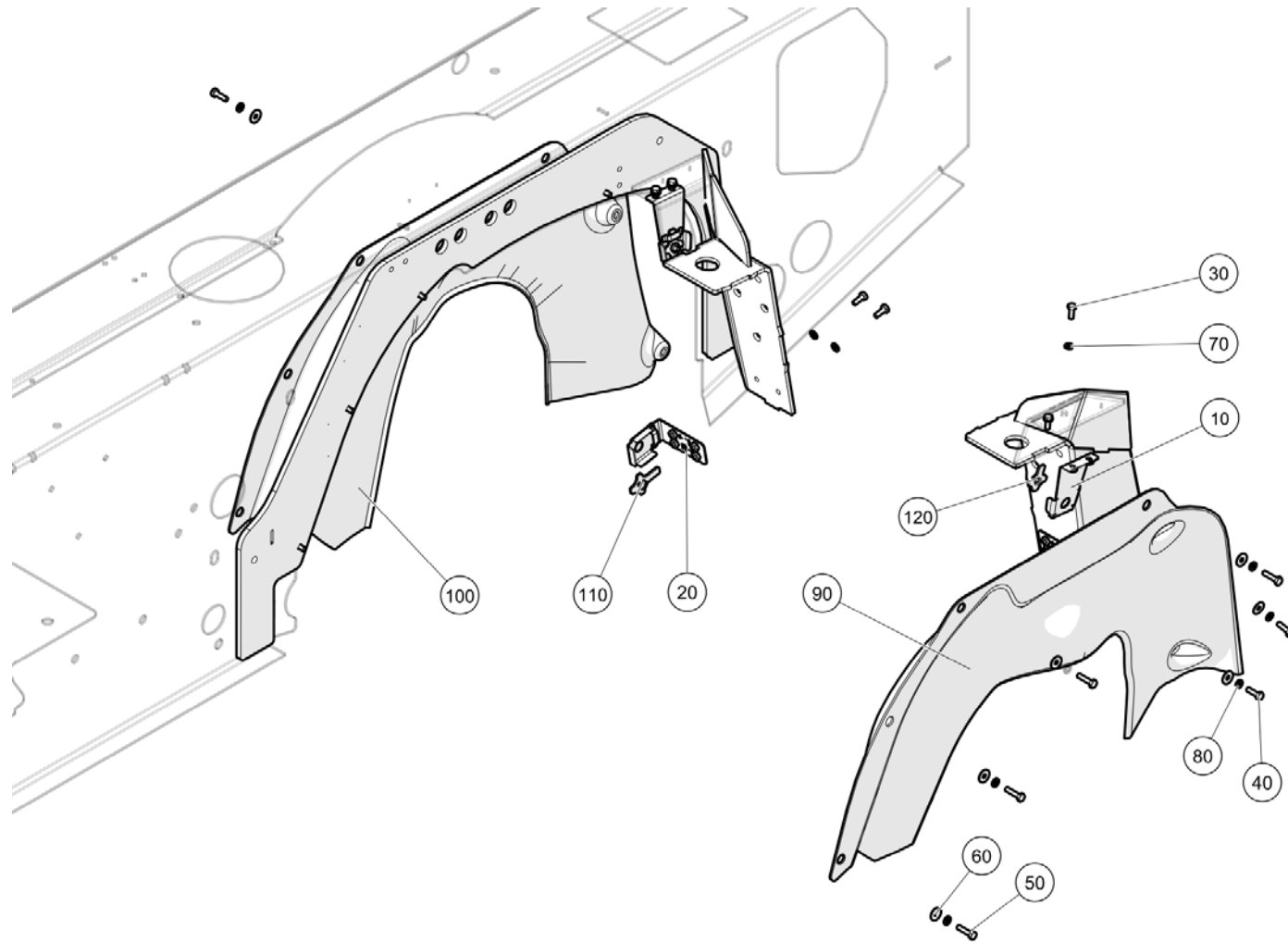
4WS Wheel Motor Connections (7013689)
Steer Feature\4WS Wheel Motor Connections



4WS Wheel Motor Connections (7013689)
Steer Feature\4WS Wheel Motor Connections

Item no.	Part no.	Description	QTY	Unit
10	451-21	Washer Bonded G3-4"	10	PC
20	268-50	Adaptor Staight Swivel 3/4 BSP	4	PC
30	7016374	Spacer - G3/4	2	PC
40	263-6	Adaptor M/M 3/4" BSP	4	PC
50	451-18	Washer Bonded G3/8"	4	PC
60	6611-2112	Straight Coupling Male M22 x 1.5	2	PC
70	270-6	Adaptor - M18 x 3/8" BSP	4	PC

4WS Chassis Shield (7021792)
Steer Feature\4WS Chassis Shield



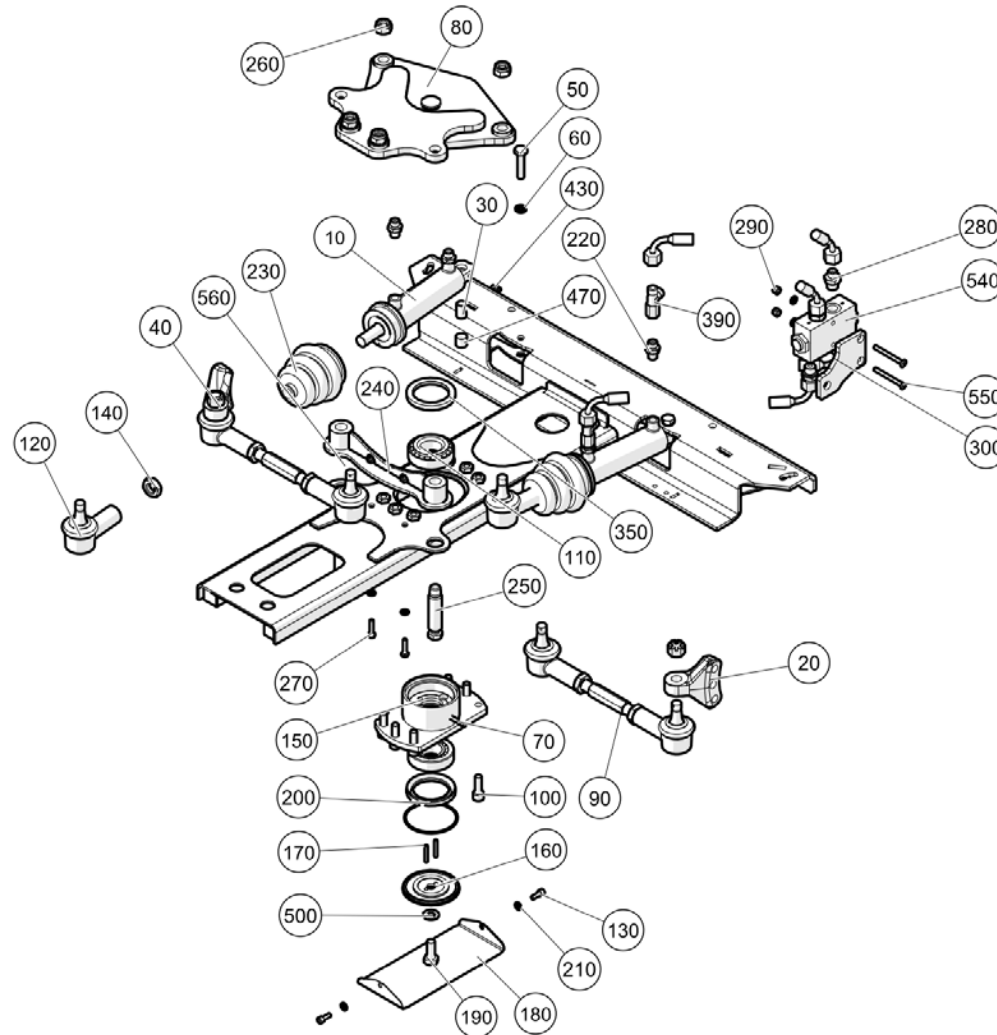
All Copyright and rights are the property of Johnston Sweepers Ltd.

4WS Chassis Shield (7021792)
Steer Feature\4WS Chassis Shield

Item no.	Part no.	Description	QTY	Unit
10	7021797	Bracket, Upper W/Assy	2	PC
20	7021791	Bracket, Lower W/Assy	2	PC
30	92097299-0	Hex Head Screw - M6Cx16 - 8.8	8	PC
40	92097301-0	Hex Head Screw - M6Cx20 - 8.8	4	PC
50	92097303-0	Hex Head Screw - M6Cx25 - 8.8	8	PC
60	93300507-0	Plain Large Washer M6	12	PC
70	93212009-0	Plain Washer M6	8	PC
80	93699708-0	Spring Washer - Plated M6	14	PC
90	7021835	Shield 4WS Trimming	1	PC
100	7021906	Shield 4WS Trimming RH	1	PC
110	7022096	Bracket Cross Retainer - W/Assy	2	PC
120	7022167	Bracket Cross Retainer - W/Assy	2	PC

All Copyright and rights are the property of Johnston Sweepers Ltd.

4WS Rear Steering (7009424)
Steer Feature\4WS Rear Steering



4WS Rear Steering (7009424)
Steer Feature\4WS Rear Steering

Item no.	Part no.	Description	QTY	Unit
10	7015346	Cylinder - Steering, Cross Over	2	PC
20	7013291	Connector - Steering Link Machining	1	PC
30	7010709	Sleeve - Ram Mounting	2	PC
40	7013293	Connector - Steering Link Machining RH	1	PC
50	92097417-0	Hex Head Screw - M10CX45 - 8.8	2	PC
60	93361109-0	Washer Nord-Lock M10	2	PC
70	38-33	Grease Nipple, M6 x 29mm Long	2	PC
80	7020186	Pivot Plate Under-Slung W/Assy	1	PC
90	7012916	Linkage Bar, Hex - Steering, Assy	2	PC
100	92137158-0	Hex Socket Cap Screw - M10Cx30 - 12.9	6	PC
110	11-22	Bearing - Taper Single Roller	2	PC
120	283-53	Ball Joint - M18x1.5 RH 18mm 1:10 Taper	2	PC
130	92137079-0	Hex Socket Cap Screw - M6Cx16 - 12.9	2	PC
140	421-6	Hex Lock Nut - M18f	2	PC
150	7012648	Bearing Carrier W/Assy	1	PC
160	7012656	Cover Plate - Lower Pivot Assy	1	PC
170	93545287-0	Spring Pin (Slotted) - Ø5x30 C.Steel HD	2	PC
180	7010613	Cover- Bearing	1	PC
190	92097450-0	Hex Head Screw - M12Cx30 - 8.8	1	PC
200	80-294	O-RING 74,5X2,4 NBR 70SH ORM 0750-24	1	PC
210	93212009-0	Plain Washer M6	6	PC
220	09570126-0	Stud Coupling Male G 1/4" x M14 x 1.5	4	PC
230	214-1	CV Boot 19x93x58	2	PC
240	7019725	locking Mechanism 4WS W/Assy	1	PC

All Copyright and rights are the property of Johnston Sweepers Ltd.

4WS Rear Steering (7009424)
Steer Feature\4WS Rear Steering

Item no.	Part no.	Description	QTY	Unit
250	7020464	Locking Pin 4WS W/Assy	2	PC
260	6211-0482	Nyloc Hex Thin Nut M14F - 8	4	PC
270	92067305-0	Hex Head Bolt - M6Cx25 - 8.8	2	PC
280	09570102-0	Stud Coupling Male G 3/8" x M14 x 1.5	4	PC
290	93085004-0	Nyloc Hex Nut M6C - 8	2	PC
300	7021317	Plate, Mounting - POC Block	1	PC
350	810-185	Oil Seal - ID 54 OD 73.2 Width 9mm	2	PC
390	308-1	Adjustable Male Tee - M14 x 1.5	2	PC
430	38-30	Nipple Grease M6 X 1	4	PC
470	18-32	Bearing - Dry Metric 15mm I/D x 15Lg	2	PC
500	93212013-0	Plain Washer M12	1	PC
540	241-301	Valve - Check, Pilot Operated	1	PC
550	92153058-0	Hex Socket CSK Screw M6Cx60 10.9	2	PC
560	44-76	Plug - Lateral Pull M20	4	PC

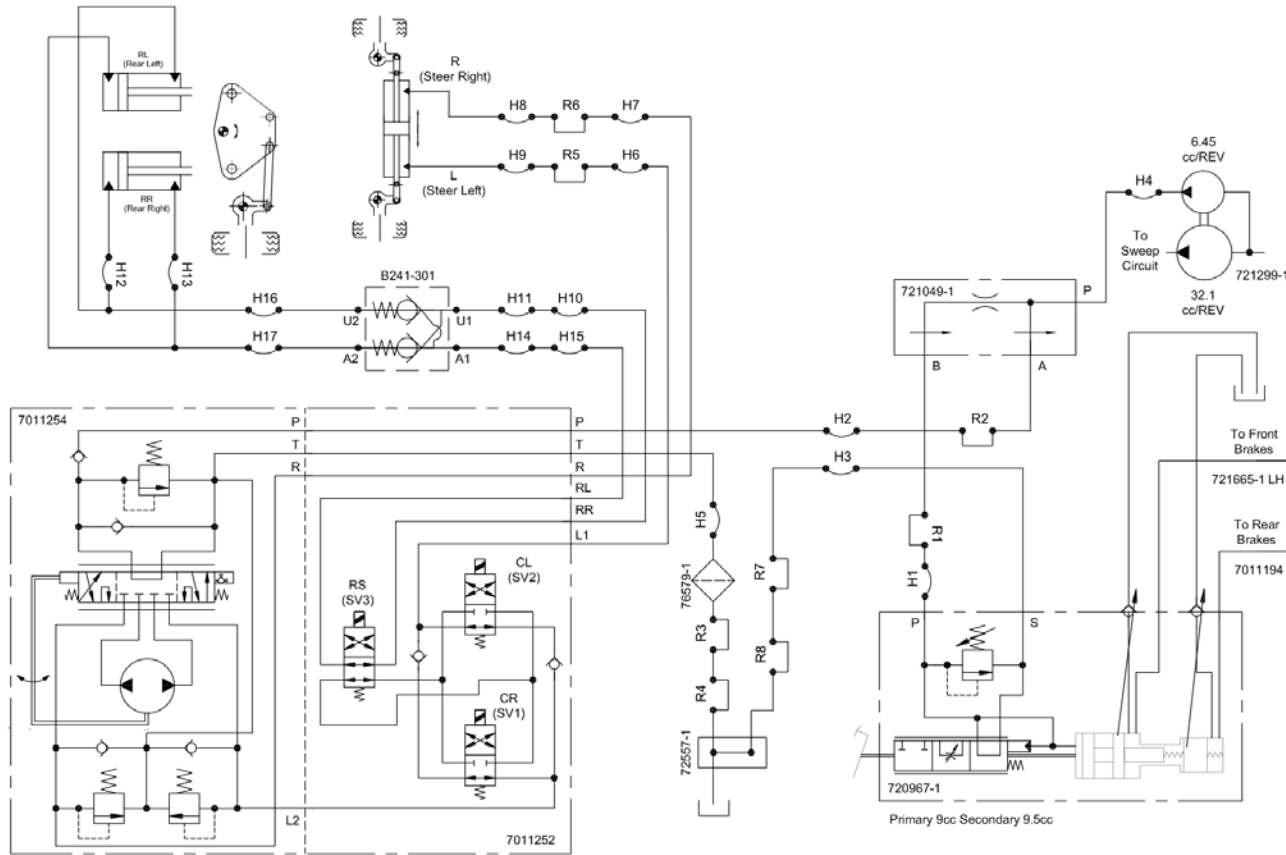
4WS Steering Circuit (7011981, 7011982)

Steer Feature\4WS Steering Circuit

Item no.	Part no.	Description	QTY	Unit
H1	HR1SC10051-90-260	Hose - Hyd 90 Swept x 90 Swept (LHD)	1	PC
H1	HR1SC10002-80	Hose - Hyd Straight x 90 Swept (RHD)	1	PC
H2	HR1SC10002-94	Hose - Hyd Straight x 90 Swept (LHD)	1	PC
H2	HR1SC10000-74	Hose - Hyd Straight x Straight (RHD)	1	PC
H3	HR1SC10027-80-170	Hose - Hyd 45 Swept x 90 Swept (LHD)	1	PC
H3	HR1SC10051-114-135	Hose - Hyd 1st 90 Swept x 90 Swept (RHD)	1	PC
H4	HR1SC10027-150-180	Hose - Hyd 45 Swept x 90 Swept	1	PC
H5	HR1SC10001-82	Hose - Hyd Straight x 45 Swept (LHD)	1	PC
H5	HR1SC10002-107	Hose - Hyd Straight x 90 Swept (RHD)	1	PC
H6	HR1SC06000-74	Hose - Hyd Straight x Straight (LHD)	1	PC
H6	HR1SC06001-92	Hose - Hyd Straight x 45 Swept (RHD)	1	PC
H7	HR1SC06000-74	Hose - Hyd Straight x Straight (LHD)	1	PC
H7	HR1SC06001-92	Hose - Hyd Straight x 45 Swept (RHD)	1	PC
H8	HR1SC06002-85	Hose - Hyd Straight x 90 Swept	1	PC
H9	HR1SC06002-85	Hose - Hyd Straight x 90 Swept	1	PC
H10	HR1SC06000-150	Hose - Hyd Straight x 90 Swept (LHD)	1	PC
H10	HR1SC06001-170	Hose - Hyd Straight x 90 Swept (RHD)	1	PC
H11	HR1SC06000-190	Hose-Hyd. Straight fem x Straight fem	1	PC
H12	HR1SC06002-63	Hose - Hyd Straight x 90 Swept	1	PC
H13	HR1SC06002-63	Hose - Hyd Straight x 90 Swept	1	PC
H14	HR1SC06000-190	Hose-Hyd. Straight fem x Straight fem	1	PC
H15	HR1SC06000-150	Hose - Hyd Straight x 90 Swept (LHD)	1	PC
H15	HR1SC06000-170	Hose - Hyd Straight x Straight (RHD)	1	PC
H16	HR1SC06051-50-180	Hose-Hyd. 1st 90 Swept x 90 Swept	1	PC

All Copyright and rights are the property of Johnston Sweepers Ltd.

4WS Steering Circuit (7011981, 7011982)
Steer Feature\4WS Steering Circuit



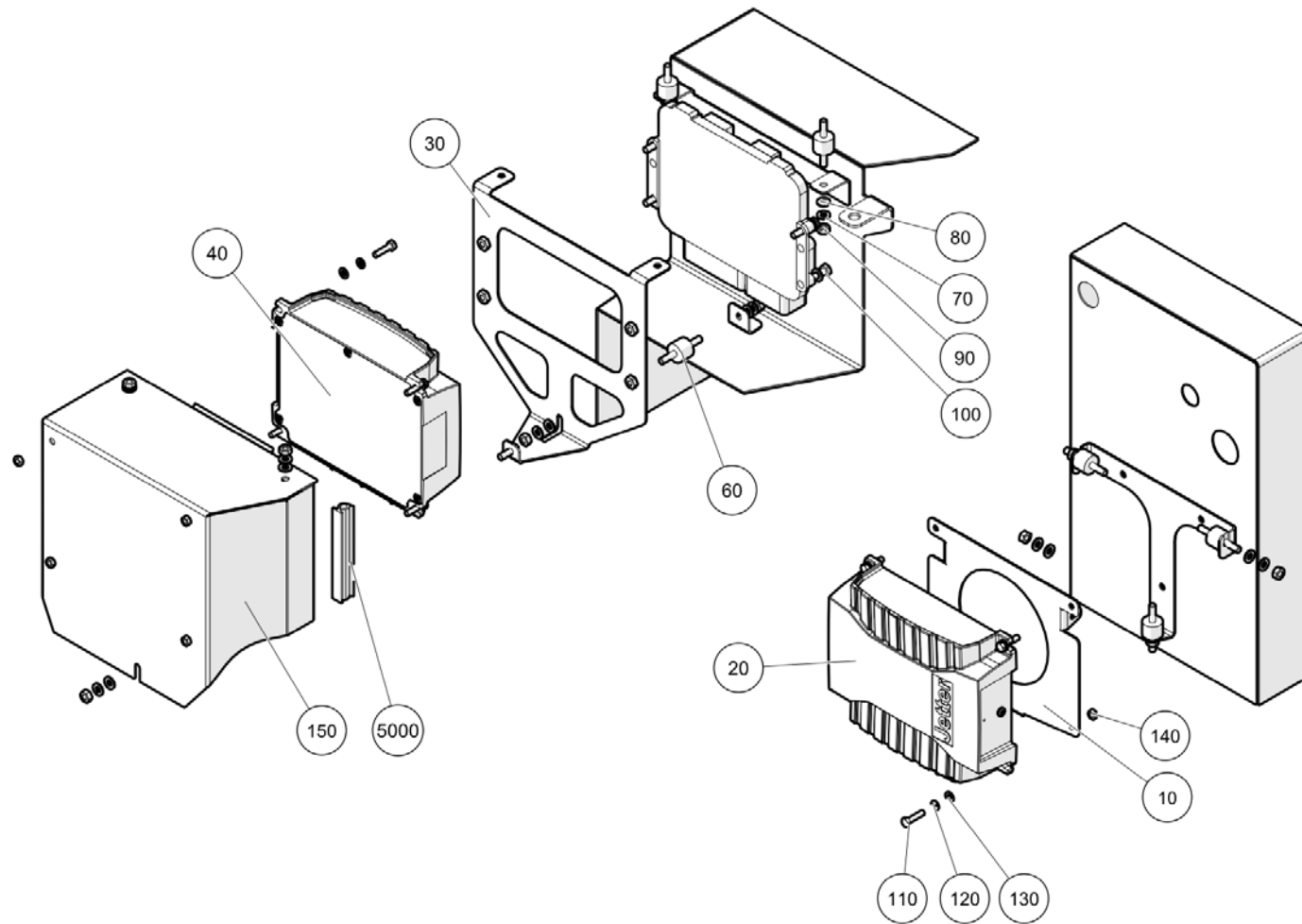
All Copyright and rights are the property of Johnston Sweepers Ltd.

4WS Steering Circuit (7011981, 7011982)

Steer Feature\4WS Steering Circuit

Item no.	Part no.	Description	QTY	Unit
H17	HR1SC06051-41-180	Hose-Hyd. 1st 90 Swept x 90 Swept	1	PC
R1	7020775	Pipe- Braking System 7	1	PC
R2	7020774	Pipe- Steering System 1	1	PC
R3	7008204	Pipe -Steering system 2	1	PC
R4	7008205	Pipe -Steering system 3	1	PC
R5	7008207	Pipe -Steering system 5	1	PC
R6	7008207	Pipe -Steering system 5	1	PC
R7	7014607	Pipe 02 - 12mm, Braking System	1	PC
R8	7014609	Pipe 01.02 - 12mm, Braking System	1	PC

Node Mounting (7015671)
Chassis Feature\Node Mounting



All Copyright and rights are the property of Johnston Sweepers Ltd.

Node Mounting (7015671)
Chassis Feature\Node Mounting

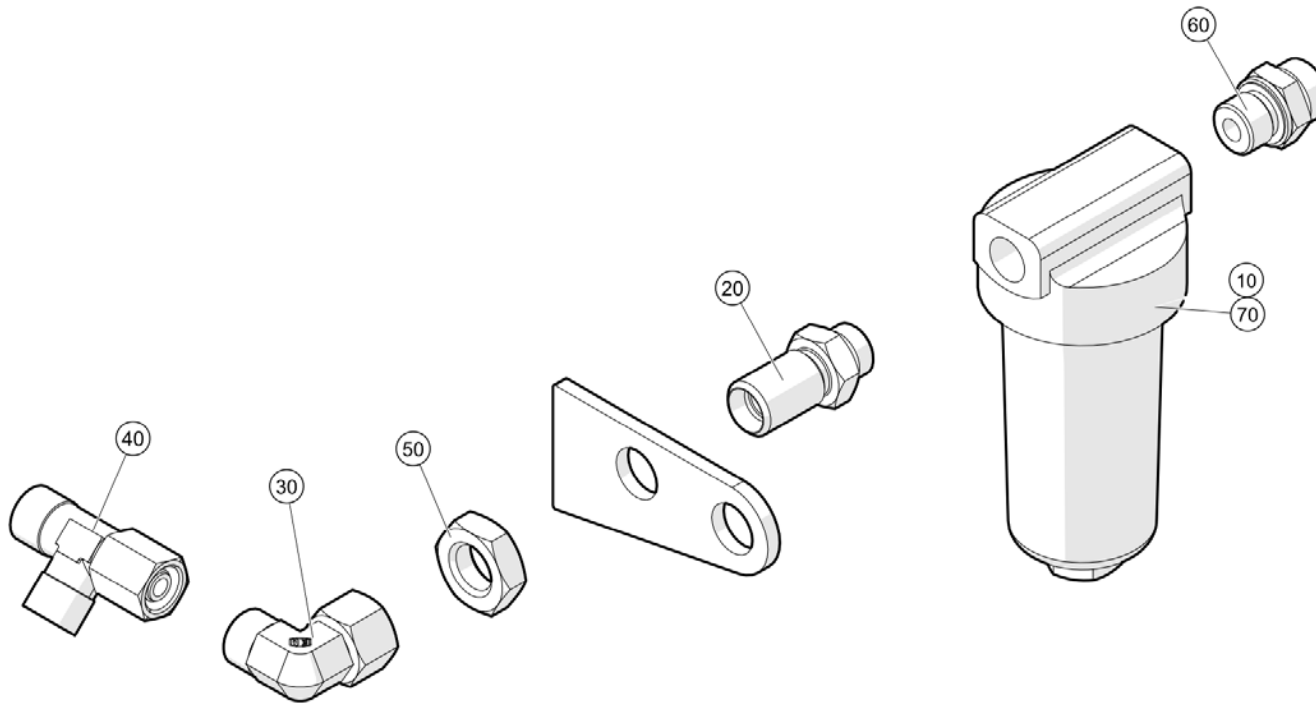
Item no.	Part no.	Description	QTY	Unit
10	7012147	Mounting Plate - Node	1	PC
20	7005456	Control JXM IO Node	1	PC
30	7013334	Mounting Plate W/Assy - ECU	1	PC
40	7005760	Control -Electric JXM-TX5 Transmission	1	PC
60	290-21	Mounting-Anti Vibration M6x18	6	PC
70	93699708-0	Spring Washer - Plated M6	13	PC
80	93212009-0	Plain Washer M6	17	PC
90	93056012-0	Hex Nut M6C-8	13	PC
100	92097303-0	Hex Head Screw - M6Cx25 - 8.8	4	PC
110	92097265-0	Hex Head Screw - M5Cx20 - 8.8	8	PC
120	93699707-0	Spring Washer - Plated M5	8	PC
130	93210109-0	Plain Washer M5	8	PC
140	93056011-0	Hex Nut M5C-8	8	PC
150	7024902	Cover- Node/ECU	1	PC
5000	844-25	Seal - Door (Cab Door)	0.5	M

ECU/Node Mounting - CW (7021298)
 Chassis Feature\ECU/Node Mounting - CW

Item no.	Part no.	Description	QTY	Unit
10	7024485	Mount/Cover - Node W/Assy	1	PC
20	7005760	Control -Electric JXM-TX5 Transmission	1	PC
30	7024270	Mounting Frame ECU/Node W/Assy	1	PC
40	7021313	Bracket - Node, Painted	1	PC
50	7012147	Mounting Plate - Node	1	PC
60	7005456	Control JXM IO Node	1	PC
70	290-21	Mounting-Anti Vibration M6x18	7	PC
80	93085004-0	Nyloc Hex Nut M6C - 8	3	PC
90	92097299-0	Hex Head Screw - M6Cx16 - 8.8	7	PC
100	93212009-0	Plain Washer M6	26	PC
110	93699708-0	Spring Washer - Plated M6	18	PC
120	92097265-0	Hex Head Screw - M5Cx20 - 8.8	4	PC
130	93210109-0	Plain Washer M5	8	PC
140	93699707-0	Spring Washer - Plated M5	8	PC
150	433-104	Insert, Small Hd, M6, 0.7-4.2, Open, MS	2	PC
160	93056011-0	Hex Nut M5C-8	4	PC
170	93056012-0	Hex Nut M6C-8	11	PC
180	7024280	Cover - ECU	1	PC
190	92097263-0	Hex Head Screw - M5Cx16 - 8.8	4	PC
200	92097303-0	Hex Head Screw - M6Cx25 - 8.8	4	PC

All Copyright and rights are the property of Johnston Sweepers Ltd.

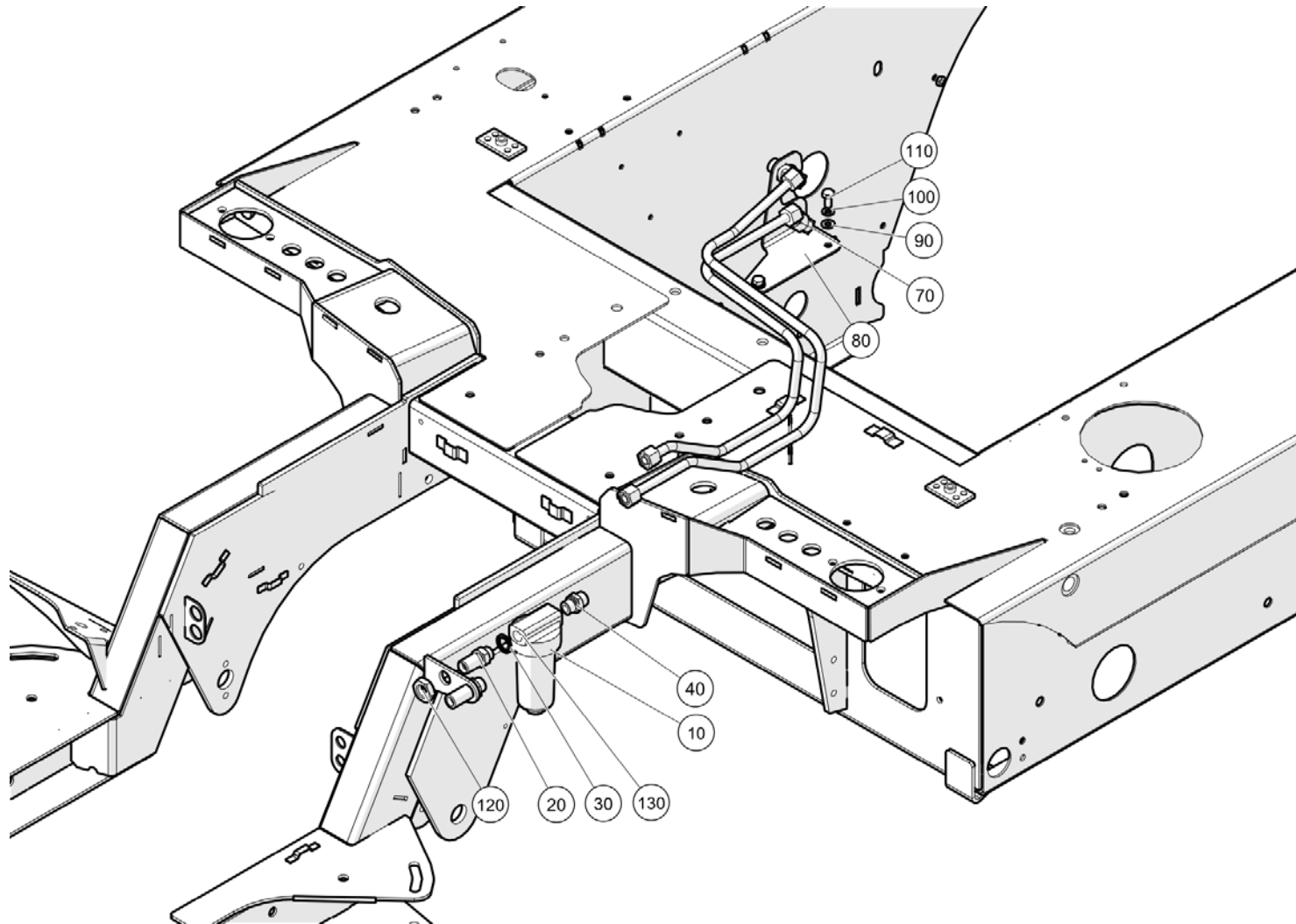
HP Return Line Filter (37029-51)
Chassis Feature\HP Return Line Filter



HP Return Line Filter (37029-51)
Chassis Feature\HP Return Line Filter

Item no.	Part no.	Description	QTY	Unit
10	76579-1	Filter - High Pressure	1	PC
20	7008272	Bulkhead adaptor M/M 12mm to G3/8	1	PC
30	6613-0503	Adjustable Male Elbow - M16 x 1.5	1	PC
40	6615-2319	Adjustable Male Tee - M18 x 1.5	1	PC
50	421-19	Locknut MC Hex M18	1	PC
60	6601-1322	Stud Coupling Male G 3/8" x M18 x 1.5	1	PC
70	76579-2	Element-HP Return Line Filter	1	PC

HP Return Line Filter - CW (7023769)
Chassis Feature\HP Return Line Filter - CW



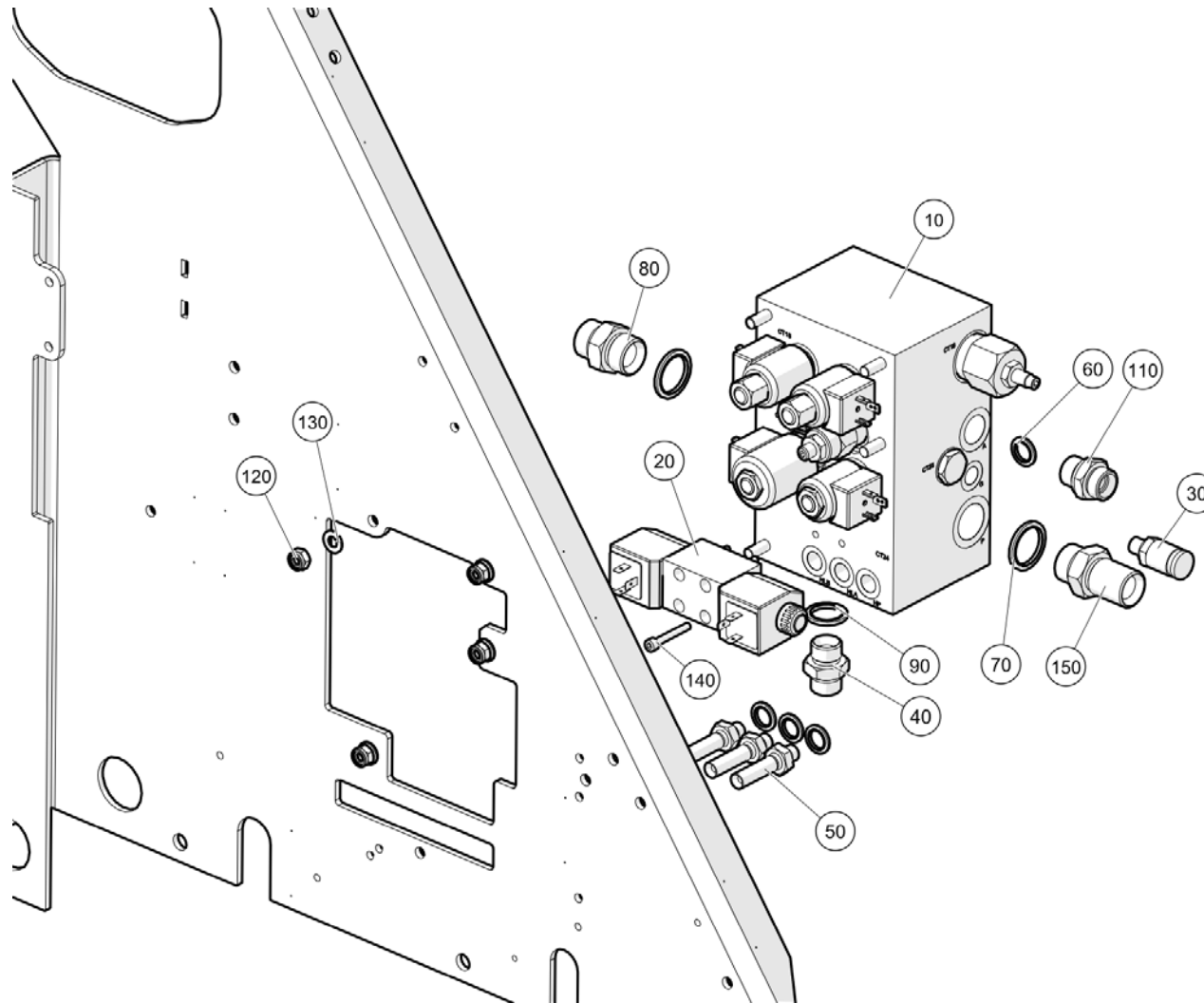
All Copyright and rights are the property of Johnston Sweepers Ltd.

HP Return Line Filter - CW (7023769)
 Chassis Feature\HP Return Line Filter - CW

Item no.	Part no.	Description	QTY	Unit
10	76579-1	Filter - High Pressure	1	PC
20	7008272	Bulkhead adaptor M/M 12mm to G3/8	1	PC
30	451-18	Washer Bonded G3/8"	1	PC
40	6601-1322	Stud Coupling Male G 3/8" x M18 x 1.5	1	PC
70	09570472-0	Bulkhead Elbow Connector - M18 x 1.5	2	PC
80	7023795	Bracket - Steel pipes	1	PC
90	93212011-0	Plain Washer M8	2	PC
100	93699710-0	Spring Washer - Plated M8	2	PC
110	92097372-0	Hex Head Screw - M8Cx16 - 8.8	2	PC
120	421-19	Locknut MC Hex M18	1	PC
130	76579-2	Element-HP Return Line Filter	1	PC

All Copyright and rights are the property of Johnston Sweepers Ltd.

Rear Hydraulic Block (7015842)
Chassis Feature\Rear Hydraulic Block

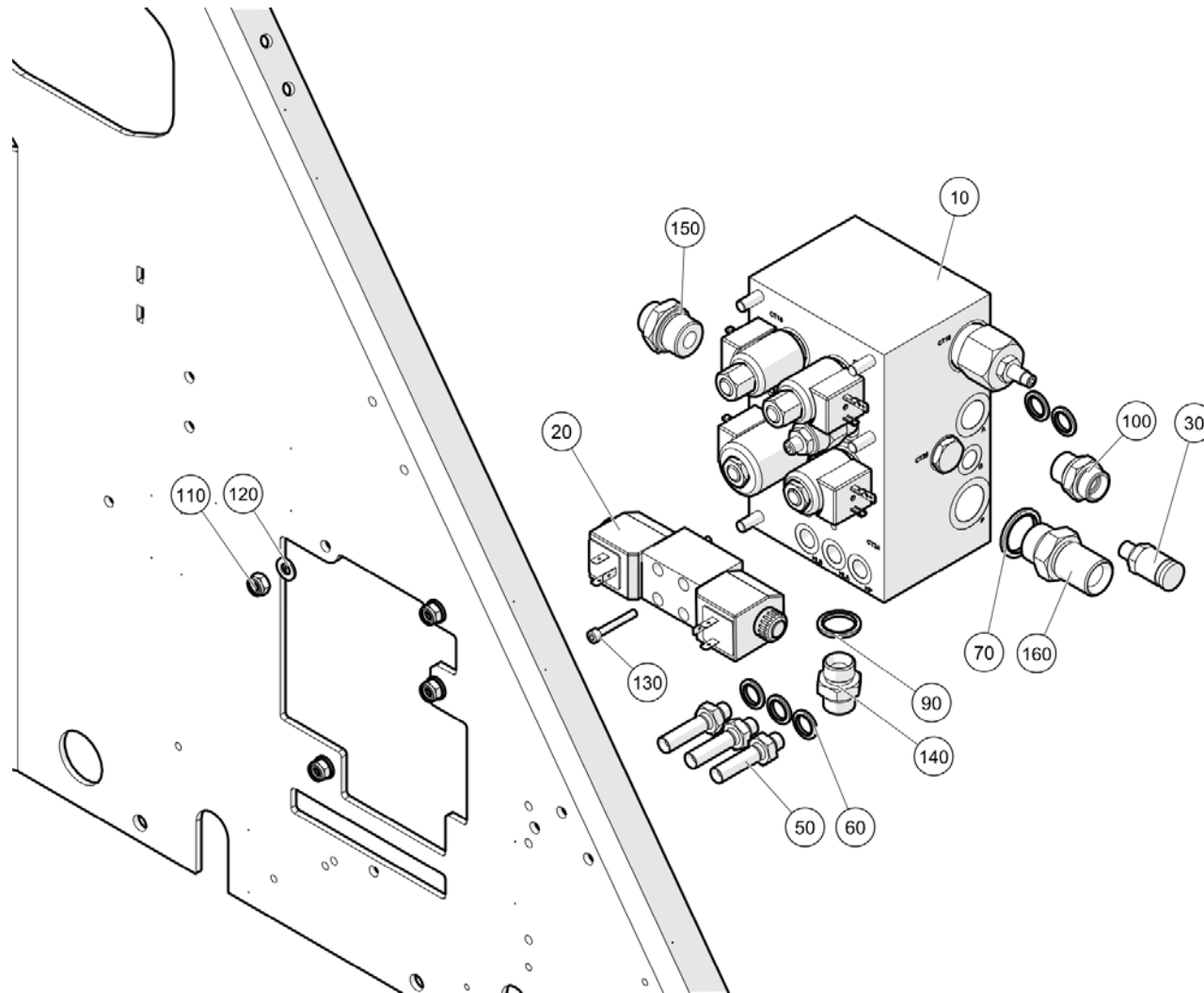


All Copyright and rights are the property of Johnston Sweepers Ltd.

Rear Hydraulic Block (7015842)
Chassis Feature\Rear Hydraulic Block

Item no.	Part no.	Description	QTY	Unit
10	7029228	Manifold - Hydraulic Control	1	PC
20	78352-4	Valve-Dir. Control (P to T)	1	PC
30	665-18	Test Coupling SMK20 - G1/4 Type B	1	PC
40	263-4	Adaptor M/M 1/2 BSP BS5200	1	PC
50	72012-1	Special Bulk Hd.Fitting	3	PC
60	451-17	Washer Bonded G1-4"	7	PC
70	451-21	Washer Bonded G3-4"	2	PC
80	263-6	Adaptor M/M 3/4" BSP	1	PC
90	451-19	Washer - Bonded G1-2"	1	PC
110	6601-1329	Stud Coupling Male G 1/2" x M22 x 1.5	1	PC
120	93085005-0	Nyloc Hex Thin Nut M8C - 8	4	PC
130	93212011-0	Plain Washer M8	4	PC
140	92137048-0	Hex Socket Cap Screw - M5Cx35 - 12.9	4	PC
150	264-6	Adaptor M/M - Bulkhead 3/4 BSP	1	PC

Rear Hydraulic Block - CW (7023717)
Chassis Feature\Rear Hydraulic Block - CW

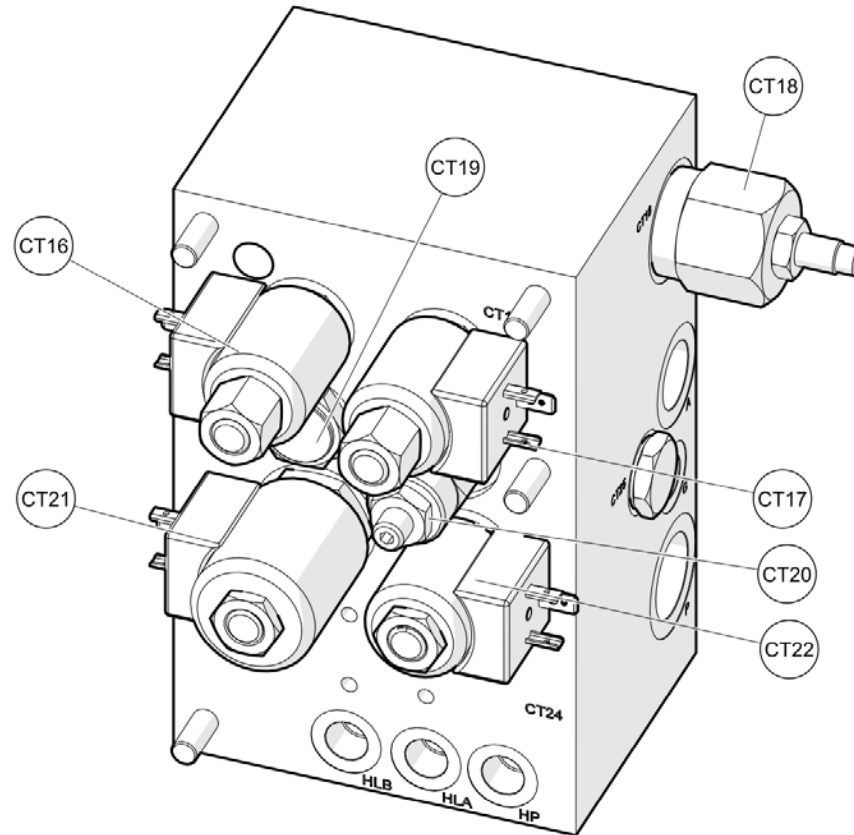


All Copyright and rights are the property of Johnston Sweepers Ltd.

Rear Hydraulic Block - CW (7023717)
 Chassis Feature\Rear Hydraulic Block - CW

Item no.	Part no.	Description	QTY	Unit
10	7029228	Manifold - Hydraulic Control	1	PC
20	78352-4	Valve-Dir. Control (P to T)	1	PC
30	665-18	Test Coupling SMK20 - G1/4 Type B	1	PC
50	72012-1	Special Bulk Hd.Fitting	3	PC
60	451-17	Washer Bonded G1-4"	7	PC
70	451-21	Washer Bonded G3-4"	1	PC
90	451-19	Washer - Bonded G1-2"	1	PC
100	6601-1329	Stud Coupling Male G 1/2" x M22 x 1.5	1	PC
110	93085005-0	Nyloc Hex Thin Nut M8C - 8	4	PC
120	93212011-0	Plain Washer M8	4	PC
130	92137048-0	Hex Socket Cap Screw - M5Cx35 - 12.9	4	PC
140	263-4	Adaptor M/M 1/2 BSP BS5200	1	PC
150	09572938-0	Stud Coupling Male G 3/4" x M22 x 1.5	1	PC
160	264-6	Adaptor M/M - Bulkhead 3/4 BSP	1	PC

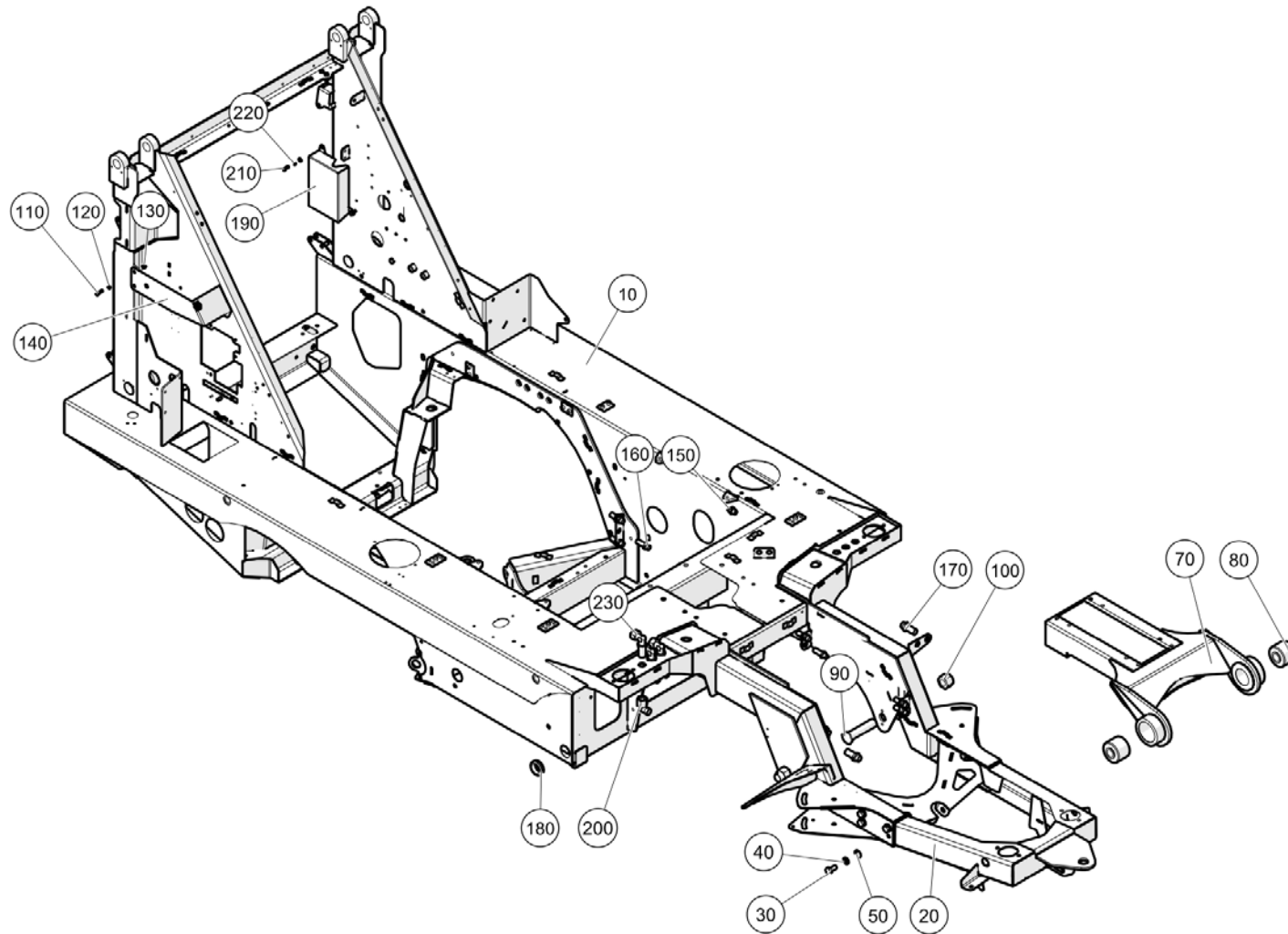
Rear Hydraulic Block Spares (N/A)
Chassis Feature\Rear Hydraulic Block Spares



Rear Hydraulic Block Spares (N/A)
Chassis Feature\Rear Hydraulic Block Spares

Item no.	Part no.	Description	QTY	Unit
CT16	847-13	Valve-Ventable Relief (CT16)	1	PC
CT16	847-14	Kit-Seal, for 847/13	1	PC
CT17	847-15	Cartridge Valve Assy12v 210bar	1	PC
CT17	847-3	Coil Only - 12 Volt 14 watt	1	PC
CT17	847-17	Kit-Seal for 847/15, /18 & /58	1	PC
CT18	847-15	Cartridge Valve Assy12v 210bar	1	PC
CT18	847-51	Coil Only for 847/50 & 847/15	1	PC
CT18	847-17	Kit-Seal for 847/15, /18 & /58	1	PC
CT19	847-18	Valve-Relief (see text)	1	PC
CT19	847-17	Kit-Seal for 847/15, /18 & /58	1	PC
CT20	847-19	Check Valve	1	PC
CT20	847-20	Kit-Seal, for 847/19	1	PC
CT21	847-21	Cartridge Valve - NC 250 bar	1	PC
CT21	847-3	Coil Only - 12 Volt 14 watt	1	PC
CT21	847-22	Kit-Seal, for 847/21	1	PC
CT22	847-58	Valve-Solenoid (75755/1, CT22)	1	PC
CT22	847-3	Coil Only - 12 Volt 14 watt	1	PC
CT22	847-17	Kit-Seal for 847/15, /18 & /58	1	PC

All Copyright and rights are the property of Johnston Sweepers Ltd.

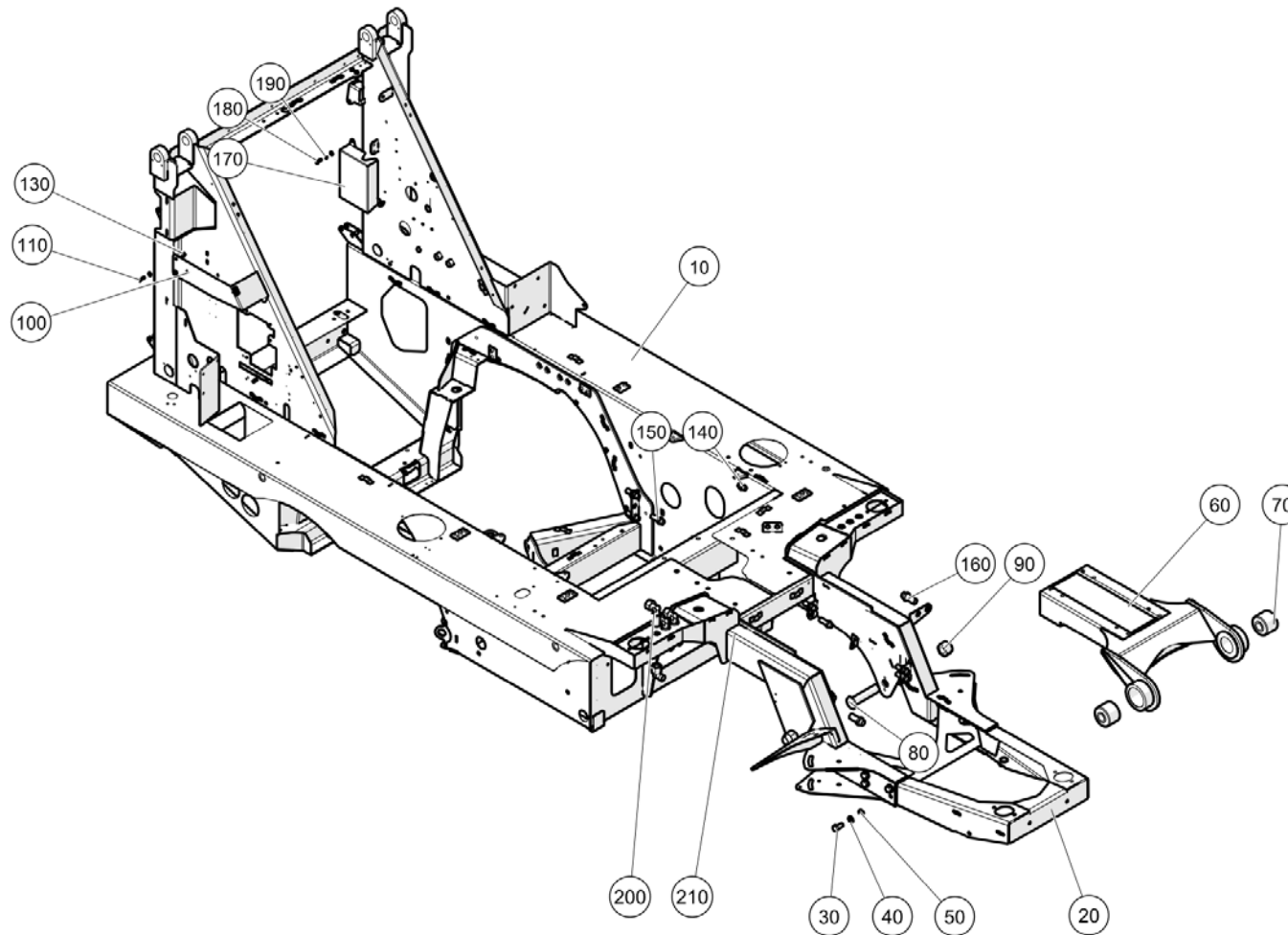


Chassis (7011542)

Chassis Feature\Chassis

Item no.	Part no.	Description	QTY	Unit
10	7009177	Chassis Weld assembly	1	PC
20	720998-1	Nose-Cone, Chassis, W/Assy	1	PC
30	92097448-0	Hex Head Screw - M12Cx25 - 8.8	8	PC
40	93699712-0	Spring Washer - Plated M12	8	PC
50	93212013-0	Plain Washer M12	8	PC
70	7004227	Axle Weld assembly Trailing Arm	1	PC
80	70698-1	Bush	2	PC
90	71156-1	Bolt	2	PC
100	405-11	Nut Nyloc Hex 1" UNF	2	PC
110	92097301-0	Hex Head Screw - M6Cx20 - 8.8	4	PC
120	93212009-0	Plain Washer M6	6	PC
130	93085004-0	Nyloc Hex Nut M6C - 8	4	PC
140	722307-1	Mount - Hydraulic Bottle, W/A	1	PC
150	09570126-0	Stud Coupling Male G 1/4" x M14 x 1.5	6	PC
160	09570456-0	Straight Bulkhead Connector M14 x 1.5	7	PC
170	302-2	Straight Bulkhead Connector M18 x 1.5	3	PC
180	287-77	Grommet - Ø 38.1 O/D, 31.8 I/D 6.4 Thick	2	PC
190	7009810	Cover -Chassis	1	PC
200	6613-0505	Adjustable Male Elbow - M22 x 1.5	3	PC
210	92097299-0	Hex Head Screw - M6Cx16 - 8.8	2	PC
220	93699708-0	Spring Washer - Plated M6	2	PC
230	09570487-0	Bulkhead Elbow Connector - M22 x 1.5	3	PC

All Copyright and rights are the property of Johnston Sweepers Ltd.



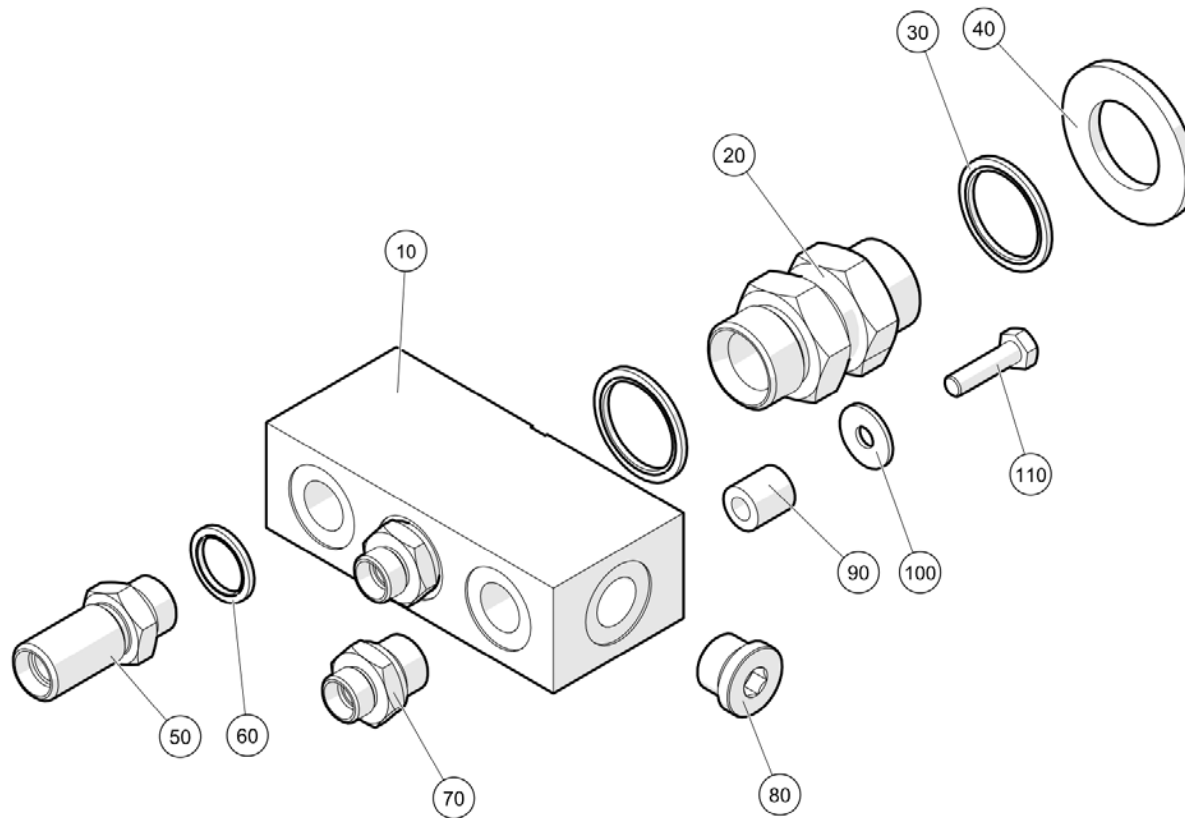
Chassis - CW (7021412)

Chassis Feature\Chassis - CW

Item no.	Part no.	Description	QTY	Unit
10	7009177	Chassis Weld assembly	1	PC
20	721733-1	Cone - Nose, W/Assy	1	PC
30	92097448-0	Hex Head Screw - M12Cx25 - 8.8	8	PC
40	93699712-0	Spring Washer - Plated M12	8	PC
50	93212013-0	Plain Washer M12	8	PC
60	7004227	Axle Weld assembly Trailing Arm	1	PC
70	70698-1	Bush	2	PC
80	71156-1	Bolt	2	PC
90	405-11	Nut Nyloc Hex 1" UNF	2	PC
100	722307-1	Mount - Hydraulic Bottle, W/A	1	PC
110	92097301-0	Hex Head Screw - M6Cx20 - 8.8	3	PC
120	93212009-0	Plain Washer M6	5	PC
130	93085004-0	Nyloc Hex Nut M6C - 8	3	PC
140	09570126-0	Stud Coupling Male G 1/4" x M14 x 1.5	6	PC
150	09570456-0	Straight Bulkhead Connector M14 x 1.5	7	PC
160	302-2	Straight Bulkhead Connector M18 x 1.5	3	PC
170	7009810	Cover -Chassis	1	PC
180	92097299-0	Hex Head Screw - M6Cx16 - 8.8	2	PC
190	93699708-0	Spring Washer - Plated M6	2	PC
200	09570487-0	Bulkhead Elbow Connector - M22 x 1.5	3	PC
210	6613-0505	Adjustable Male Elbow - M22 x 1.5	3	PC

All Copyright and rights are the property of Johnston Sweepers Ltd.

Return Manifold (7023669)
Chassis Feature\Return Manifold

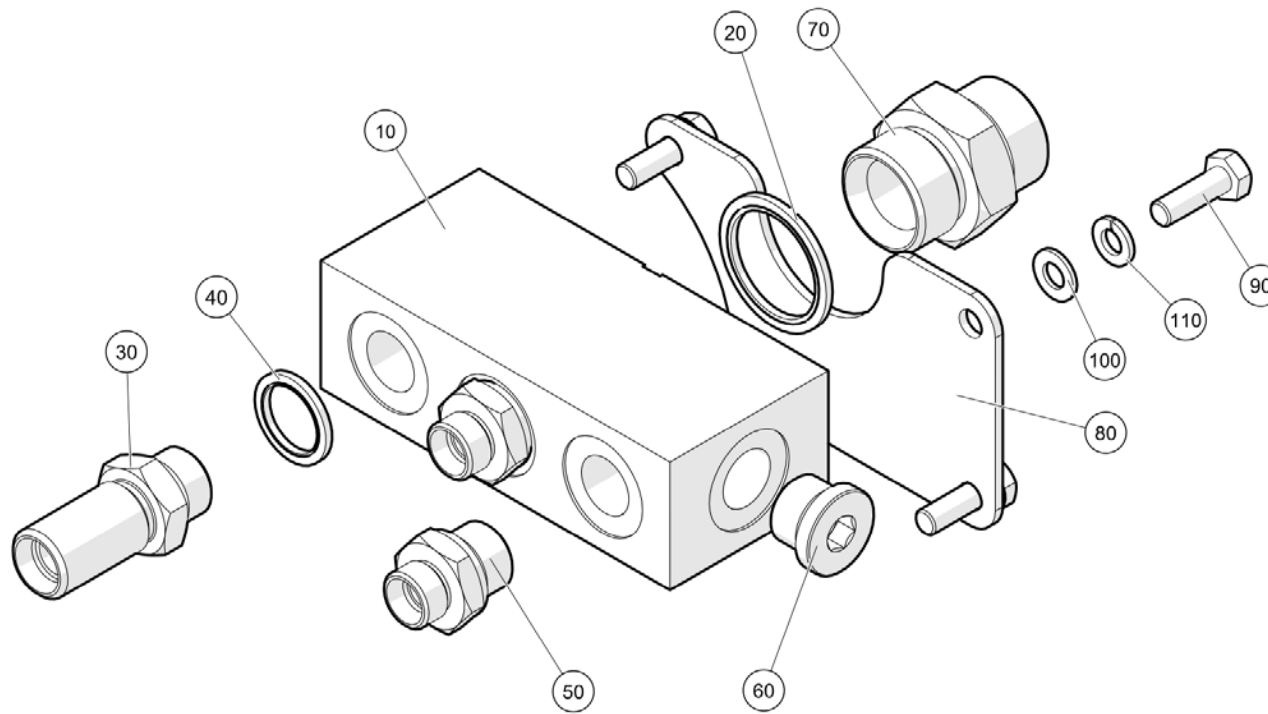


All Copyright and rights are the property of Johnston Sweepers Ltd.

Return Manifold (7023669)
Chassis Feature\Return Manifold

Item no.	Part no.	Description	QTY	Unit
10	722743-1	Manifold - Return	1	PC
20	264-7	Adaptor M/M - Bulkhead 1 BSP	1	PC
30	451-22	Washer Bonded G1"	2	PC
40	93212023-0	Plain Washer M33	1	PC
50	740731-1	Adaptor - Bulkhead 15mm Pipe	1	PC
60	451-19	Washer - Bonded G1-2"	1	PC
70	09570131-0	Stud Coupling Male G 1/2" x M18 x 1.5	2	PC
80	09572135-0	Sealing Plug VS-R 1/2 WD	1	PC
90	71277-3	Spacer - 18mm	1	PC
100	93300509-0	Plain Large Washer M8	1	PC
110	92097378-0	Hex Head Screw - M8Cx30 - 8.8	1	PC

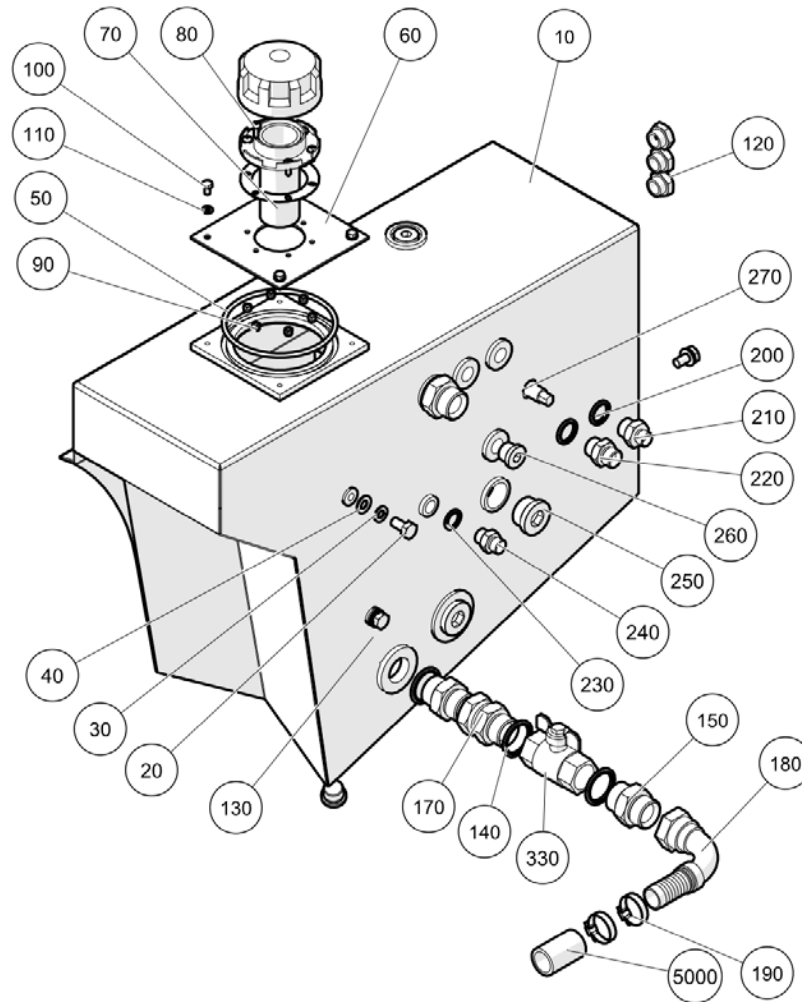
Return Manifold - CW (7023670)
Chassis Feature\Return Manifold - CW



Return Manifold - CW (7023670)
Chassis Feature\Return Manifold - CW

Item no.	Part no.	Description	QTY	Unit
10	722743-1	Manifold - Return	1	PC
20	451-22	Washer Bonded G1"	1	PC
30	740731-1	Adaptor - Bulkhead 15mm Pipe	1	PC
40	451-19	Washer - Bonded G1-2"	1	PC
50	09570131-0	Stud Coupling Male G 1/2" x M18 x 1.5	2	PC
60	09572135-0	Sealing Plug VS-R 1/2 WD	1	PC
70	263-7	Adaptor M/M 1 BSP	1	PC
80	722790-1	Mount - Manifold, Return	1	PC
90	92097376-0	Hex Head Screw - M8Cx25 - 8.8	4	PC
100	93212011-0	Plain Washer M8	4	PC
110	93699710-0	Spring Washer - Plated M8	4	PC

Hydraulic Oil Tank (7011087)
Chassis Feature\Hydraulic Oil Tank

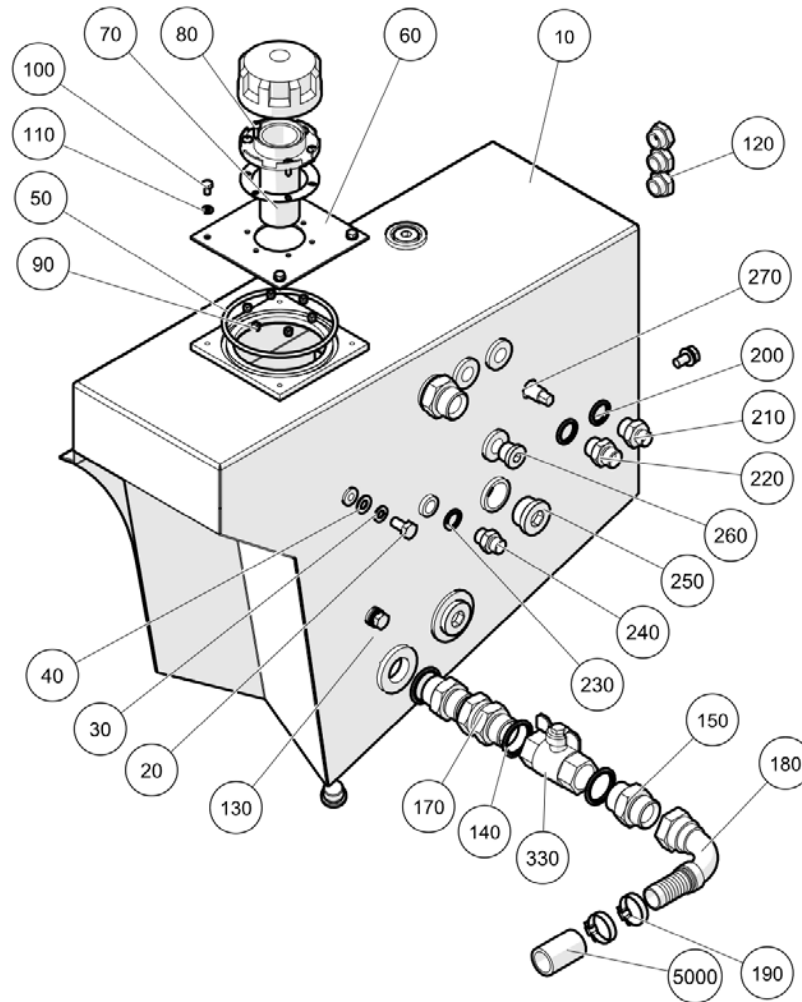


Hydraulic Oil Tank (7011087)
Chassis Feature\Hydraulic Oil Tank

Item no.	Part no.	Description	QTY	Unit
10	7024479	Hydraulic Tank W/Assy	1	PC
20	92097410-0	Hex Head Screw - M10Cx20 - 8.8	4	PC
30	93699711-0	Spring Washer - Plated M10	4	PC
40	93212012-0	Plain Washer M10	4	PC
50	80-143	O-Ring	1	PC
60	72611-1	Cover - Tank Filter	1	PC
70	69-5	Filler Cap & Strainer	1	PC
80	181-3	Screw Pan Hd Pozidriv M5cx16	6	PC
90	93085003-0	Nyloc Hex Nut M5C - 8	6	PC
100	92097297-0	Hex Head Screw - M6Cx10 - 8.8	4	PC
110	93699708-0	Spring Washer - Plated M6	4	PC
120	87-25	Oil Level Sight Plug 1/2" BSP	3	PC
130	15411	Filter-Hydraulic Suction	1	PC
140	451-22	Washer Bonded G1"	4	PC
150	263-7	Adaptor M/M 1 BSP	3	PC
170	267-7	Adaptor - Equal M/F Swivel 1 BSP	1	PC
180	277-99	Adaptor - Swept Elbow	1	PC
190	501-4	Clip Hose Worm Drive 30-40mm	2	PC
200	451-19	Washer - Bonded G1-2"	2	PC
210	265-4	Adaptor Reducing M/M 3/8 x 1/2 BSP	1	PC
220	263-4	Adaptor M/M 1/2 BSP BS5200	1	PC
230	451-18	Washer Bonded G3/8"	1	PC
240	263-3	Adaptor M/M 3/8 BSP	1	PC
250	09572137-0	Sealing Plug VS-R 1 WD	2	PC

All Copyright and rights are the property of Johnston Sweepers Ltd.

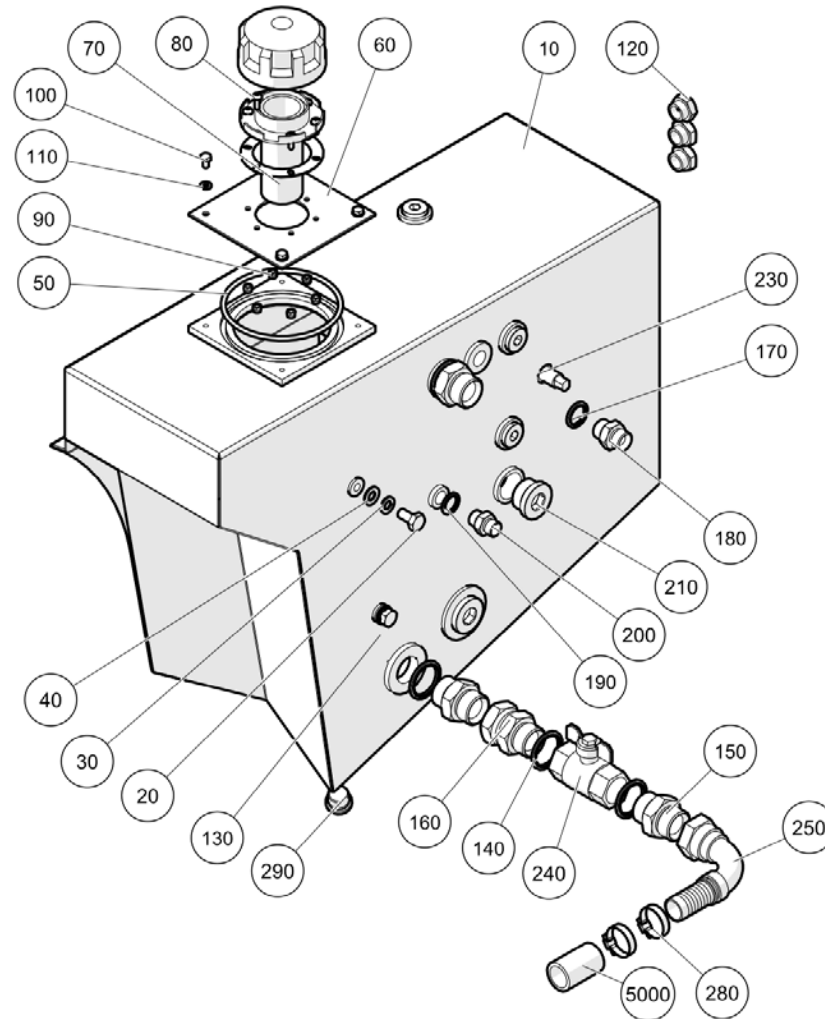
Hydraulic Oil Tank (7011087)
Chassis Feature\Hydraulic Oil Tank



Hydraulic Oil Tank (7011087)
Chassis Feature\Hydraulic Oil Tank

Item no.	Part no.	Description	QTY	Unit
260	09572135-0	Sealing Plug VS-R 1/2 WD	3	PC
270	740459-1	Switch-Float, Horizontal. Assy	1	PC
330	89-3	Ball Valve - Full Flow Type	1	PC
5000	260-16	Hose - Hydraulic 1" Bore	1.1	M

Hydraulic Oil Tank - CW (7021655)
Chassis Feature\Hydraulic Oil Tank - CW

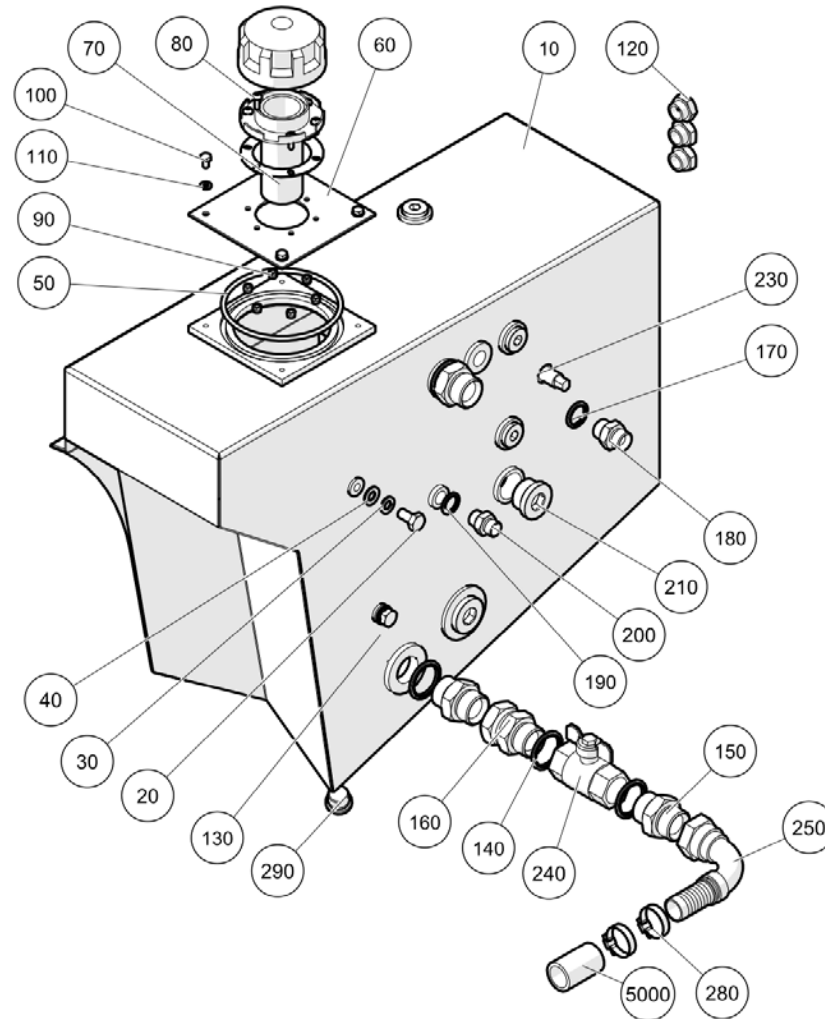


Hydraulic Oil Tank - CW (7021655)
Chassis Feature\Hydraulic Oil Tank - CW

Item no.	Part no.	Description	QTY	Unit
10	7024479	Hydraulic Tank W/Assy	1	PC
20	92097410-0	Hex Head Screw - M10Cx20 - 8.8	4	PC
30	93699711-0	Spring Washer - Plated M10	4	PC
40	93212012-0	Plain Washer M10	4	PC
50	80-143	O-Ring	1	PC
60	72611-1	Cover - Tank Filter	1	PC
70	69-5	Filler Cap & Strainer	1	PC
80	181-3	Screw Pan Hd Pozidriv M5cx16	6	PC
90	93085003-0	Nyloc Hex Nut M5C - 8	6	PC
100	92097297-0	Hex Head Screw - M6Cx10 - 8.8	4	PC
110	93699708-0	Spring Washer - Plated M6	4	PC
120	87-25	Oil Level Sight Plug 1/2" BSP	3	PC
130	15411	Filter-Hydraulic Suction	1	PC
140	451-22	Washer Bonded G1"	3	PC
150	263-7	Adaptor M/M 1 BSP	3	PC
160	267-7	Adaptor - Equal M/F Swivel 1 BSP	1	PC
170	451-19	Washer - Bonded G1-2"	1	PC
180	263-4	Adaptor M/M 1/2 BSP BS5200	1	PC
190	451-18	Washer Bonded G3/8"	1	PC
200	263-3	Adaptor M/M 3/8 BSP	1	PC
210	09572137-0	Sealing Plug VS-R 1 WD	2	PC
230	740459-1	Switch-Float, Horizontal. Assy	1	PC
240	89-3	Ball Valve - Full Flow Type	1	PC
250	277-99	Adaptor - Swept Elbow	1	PC

All Copyright and rights are the property of Johnston Sweepers Ltd.

Hydraulic Oil Tank - CW (7021655)
Chassis Feature\Hydraulic Oil Tank - CW

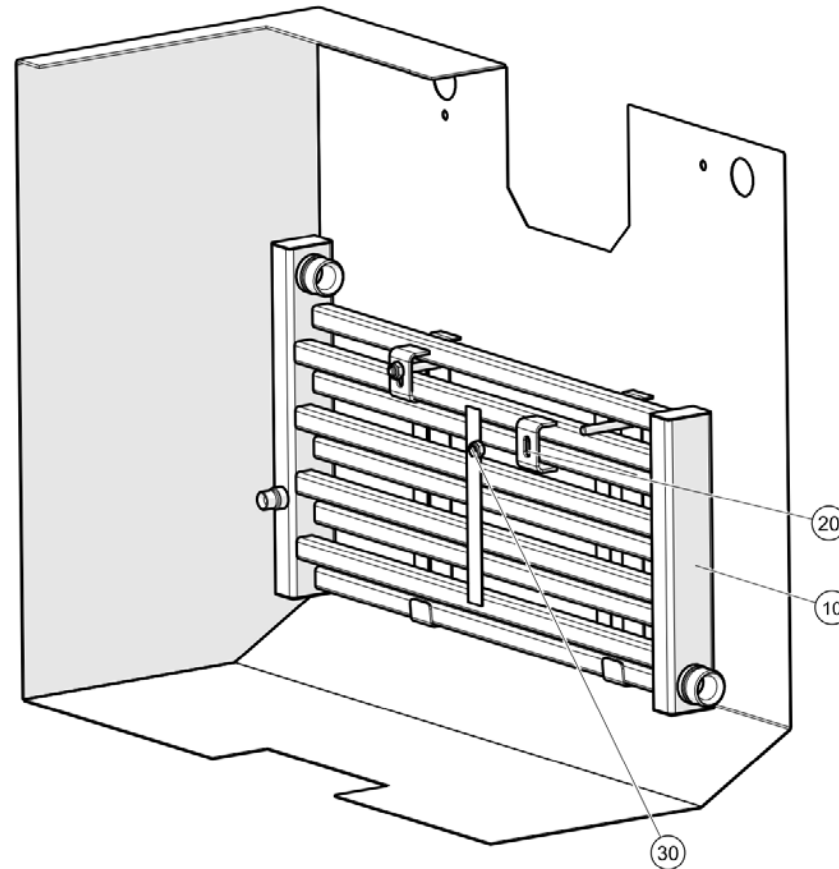


Hydraulic Oil Tank - CW (7021655)
Chassis Feature\Hydraulic Oil Tank - CW

Item no.	Part no.	Description	QTY	Unit
280	501-4	Clip Hose Worm Drive 30-40mm	2	PC
290	09572135-0	Sealing Plug VS-R 1/2 WD	4	PC
5000	260-16	Hose - Hydraulic 1" Bore	1.1	M

All Copyright and rights are the property of Johnston Sweepers Ltd.

Oil Cooler (37064-52)
Chassis Feature\Oil Cooler



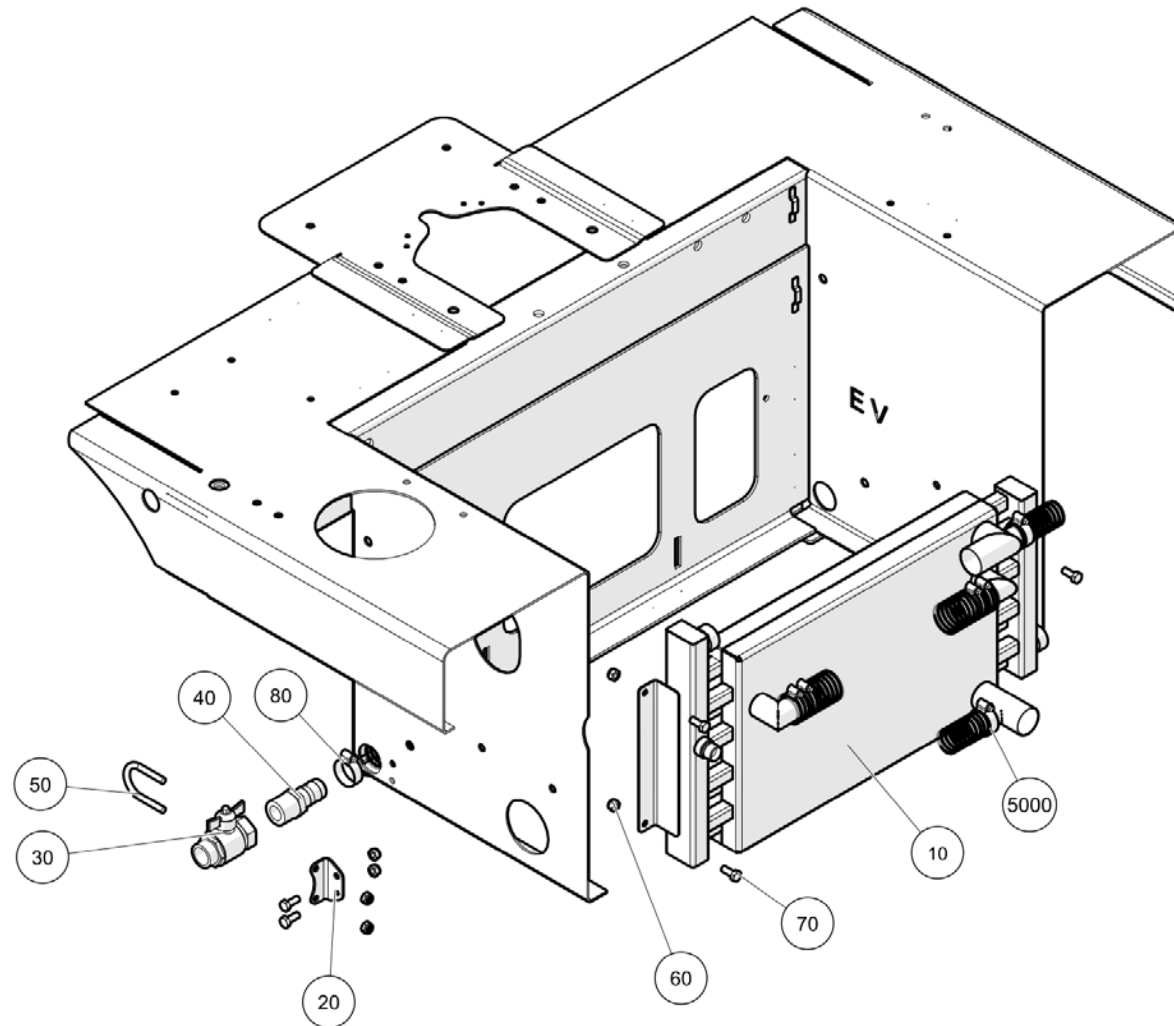
Oil Cooler (37064-52)
Chassis Feature\Oil Cooler

Item no.	Part no.	Description	QTY	Unit
10	722643-1	Cooler - Oil, C200 W/Assy	1	PC
20	7005155	Clamp	2	PC
30	93085605-0	93085605-0	2	PC

All Copyright and rights are the property of Johnston Sweepers Ltd.

Oil Cooler - CW (37110-53)
Chassis Feature\Oil Cooler - CW

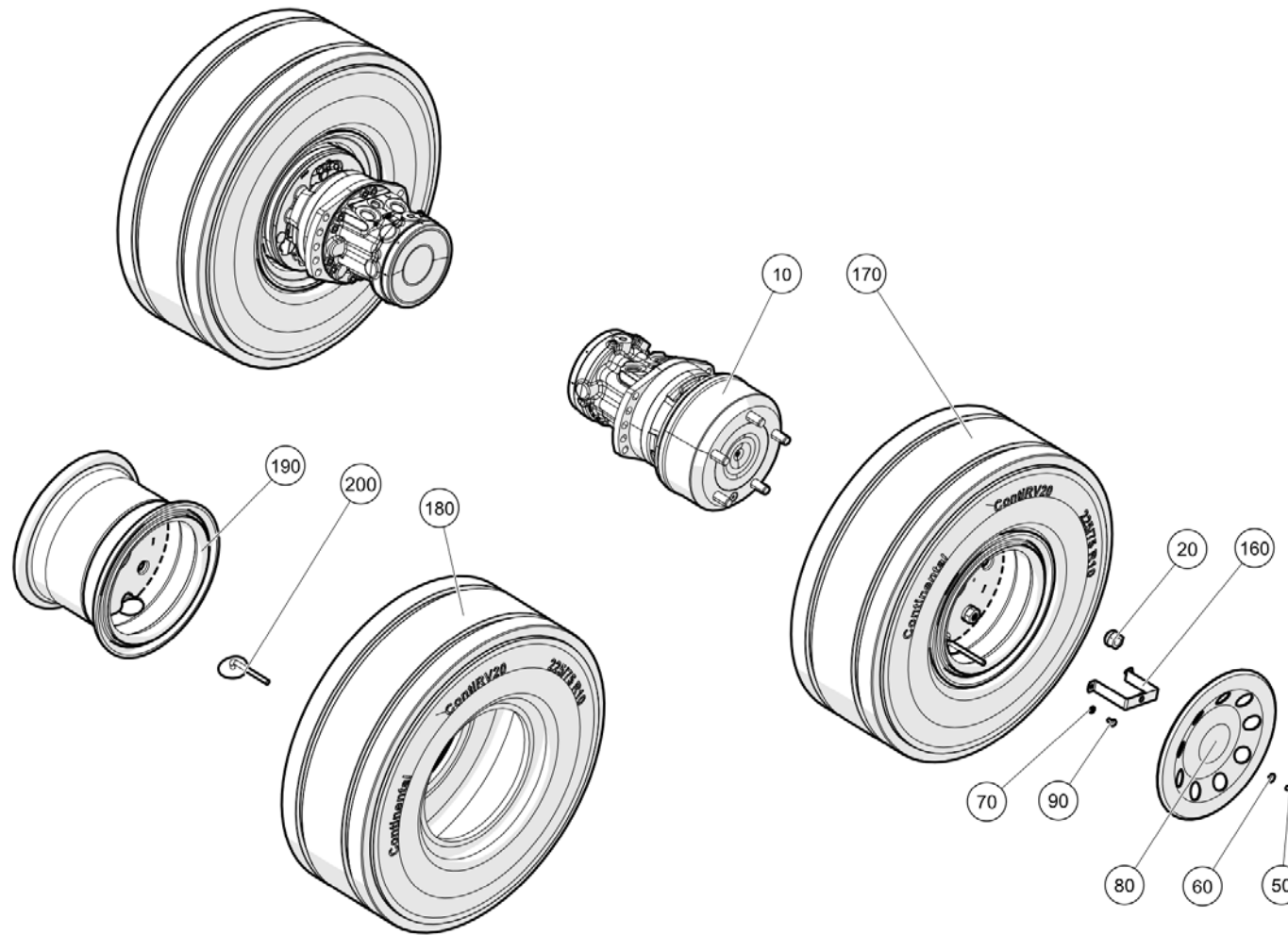
All Copyright and rights are the property of Johnston Sweepers Ltd.



Oil Cooler - CW (37110-53)
Chassis Feature\Oil Cooler - CW

Item no.	Part no.	Description	QTY	Unit
10	7011710	Oil Cooler W/assy	1	PC
20	7011160	Drain Valve Mount	1	PC
30	88-713	Ball Valve M/F G1	1	PC
40	66-35	Adaptor-Poly. G 1" x 1" Hose Tail	1	PC
50	139-3	U-Bolt M8x45 CTRS x 61 Long	1	PC
60	93085805-0	Nyloc Hex Nut M8C - 8	7	PC
70	92097374-0	Hex Head Screw - M8Cx20 - 8.8	5	PC
80	501-25	Hose Clip - Worm Drive (25-35)	3	PC
5000	272-20	Clear Ducting 25mm Bore x 20m	1.2	M

Rear Wheel & Motor (7012157, 7030582)
Chassis Feature\Rear Wheel & Motor



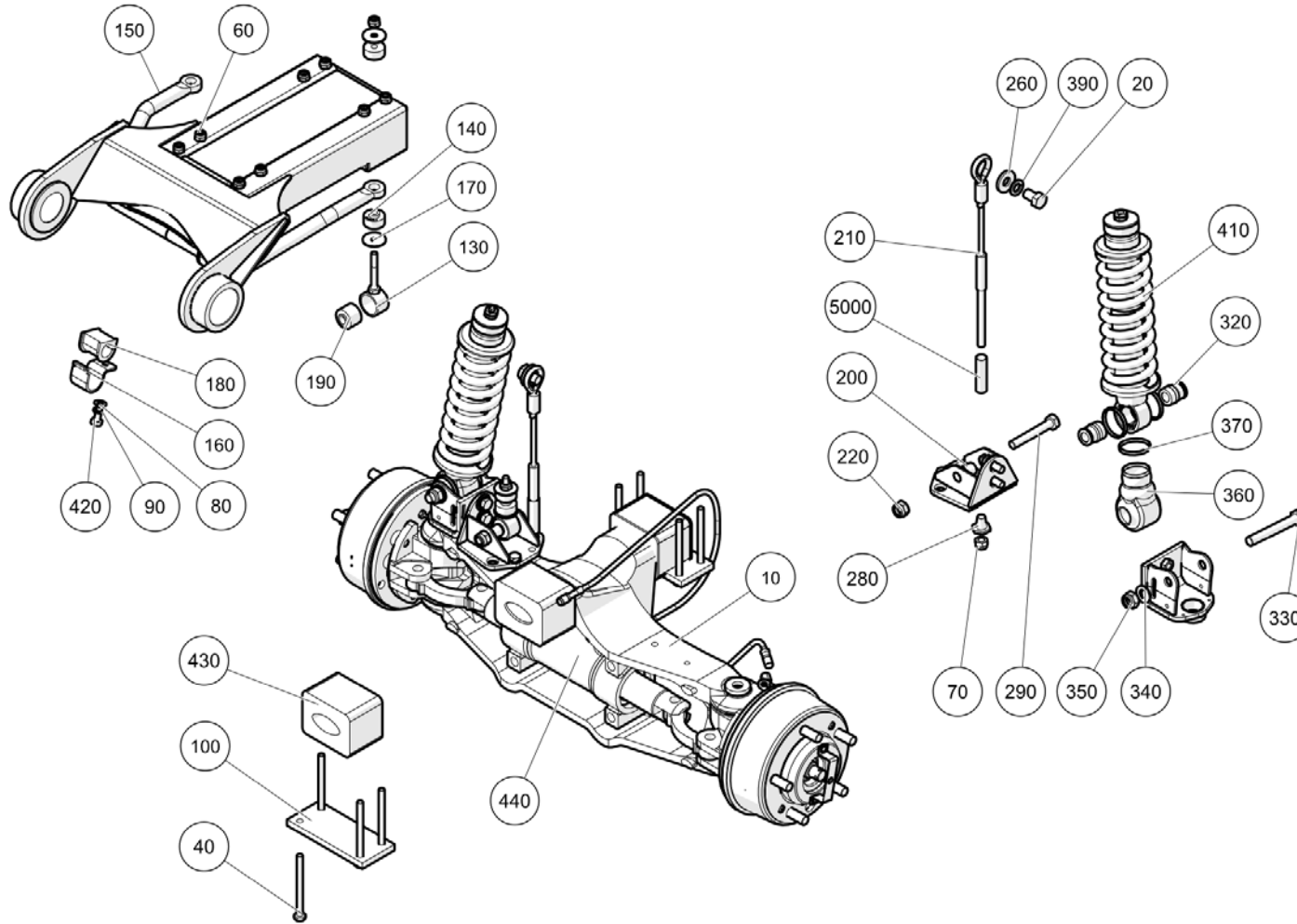
All Copyright and rights are the property of Johnston Sweepers Ltd.

Rear Wheel & Motor (7012157, 7030582)

Chassis Feature\Rear Wheel & Motor

Item no.	Part no.	Description	QTY	Unit
10	7009189	Wheel Motor Assembly	2	PC
20	215-4	Nut - Wheel M16x1.5	10	PC
50	92330044-0	Hex Skt Button Head Screw M8x16 - 10.9	2	PC
60	93212011-0	Plain Washer M8	2	PC
70	93699708-0	Spring Washer - Plated M6	4	PC
80	75581-1	Trim - Wheel	2	PC
90	92097297-0	Hex Head Screw - M6Cx10 - 8.8	4	PC
160	7020846	Bracket - Wheel Trim Support W/Assy	2	PC
170	7017541	Wheel & Tyre Assy, Rear C201 4WS	2	PC
Note: The following tyre (7030576) is optional fitment to CN only. Tyre is not rated for speeds of over 40 km/h.				
180	216-59	Tyre - Continental RV20 (Rear)	2	PC
Note: The following tyre (216-61) is optional fitment to CN only. Tyre is not rated for speeds of over 40 km/h.				
190	7017500	Wheel Rim Assy, Rear 4WS	2	PC
200	216-18	Valve - Tyre, 225/75 R10	2	PC
180	216-61	Tyre - Continental RT20 (Rear)	2	PC
170	7030575	Wheel & Tyre Assy -RT20, Rear	2	PC

Front Axle & Coil Suspension (7009171)
Chassis Feature\Front Axle & Coil Suspension



All Copyright and rights are the property of Johnston Sweepers Ltd.

Front Axle & Coil Suspension (7009171)
 Chassis Feature\Front Axle & Coil Suspension

Item no.	Part no.	Description	QTY	Unit
10	7020876	S/Assy Front Axle	1	PC
20	92097520-0	Hex Head Screw - M16Cx25 - 8.8	2	PC
40	92067434-0	Hex Head Bolt - M10Cx120 - 8.8	8	PC
60	93085806-0	Nyloc Hex Nut M10C - 8	10	PC
70	93085807-0	Nyloc Hex Nut M12C - 8	2	PC
80	93212012-0	Plain Washer M10	2	PC
90	93699711-0	Spring Washer - Plated M10	2	PC
100	76622-1	Plate - Retaining	2	PC
130	76966-1	Link, Anti-Roll Bar W/Assy	2	PC
140	76969-1	Bush - Anti Roll Bar, End	4	PC
150	76889-3	Bar-Front, Anti-Roll Dia. 25	1	PC
160	720497-1	Clamp - Anti-Roll Bar	2	PC
170	76972-1	Washer, Anti-Roll Bar	4	PC
180	76970-3	Bush - Anti Roll Bar, Clamp	2	PC
190	290-24	Bush - Novibra Type	2	PC
200	722549-1	Spacer - Anti-Roll Bar	2	PC
210	79184-1	Stirrup Cable - Front Axle	2	PC
220	93085008-0	Nyloc Hex Nut M14C - 8	2	PC
260	79191-1	Special Washer	2	PC
280	720496-1	Boss-Locking Guide,Check Strap	2	PC
290	92067504-0	Hex Head Bolt - M14Cx90 - 8.8	2	PC
320	721374-1	Boss-Front Damper,Bottom Mount	4	PC
330	92067544-0	Hex Head Bolt - M16x110C - 8.8	2	PC
340	93210523-0	Plain Washer M16	2	PC

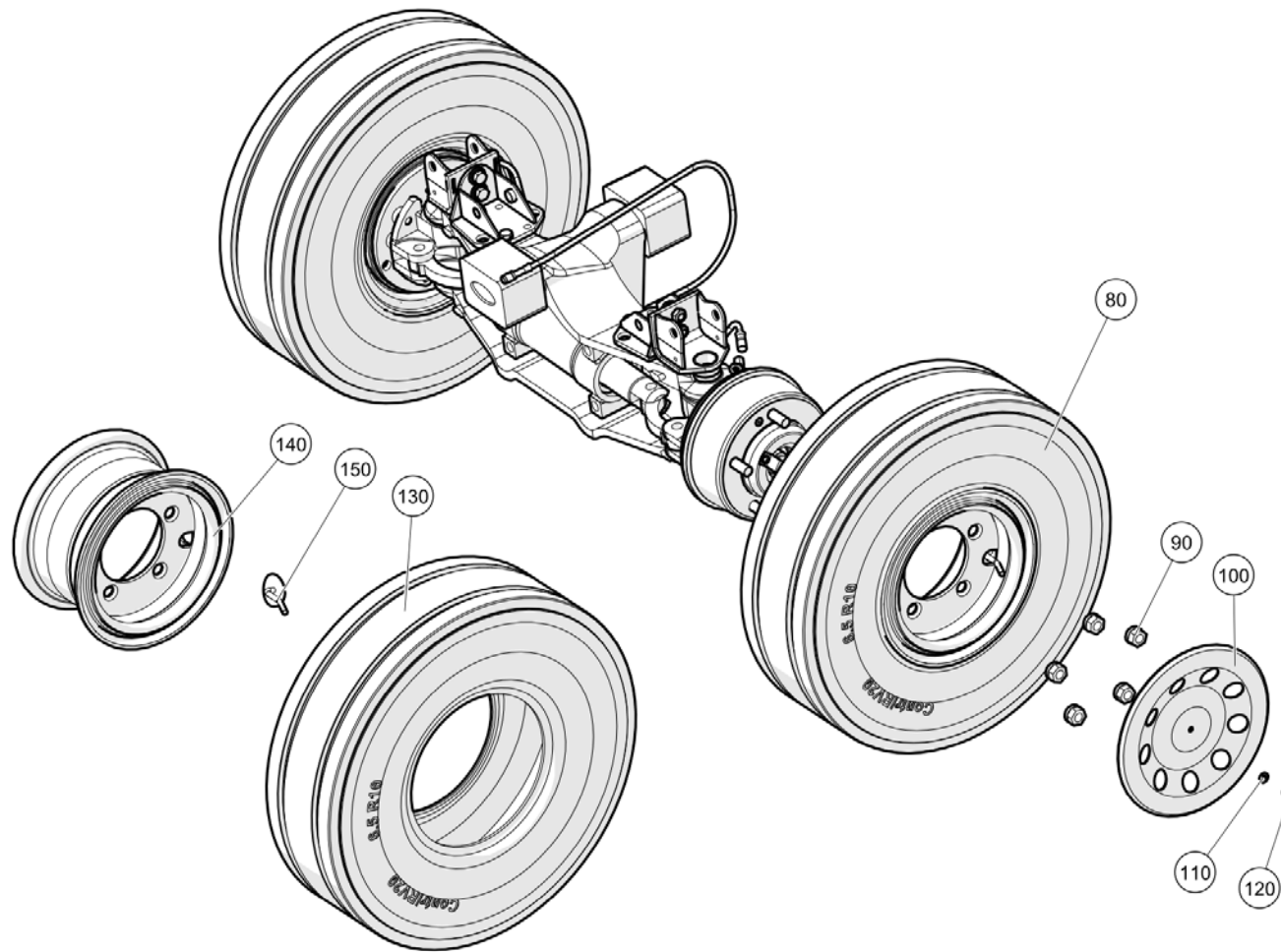
All Copyright and rights are the property of Johnston Sweepers Ltd.

Front Axle & Coil Suspension (7009171)
Chassis Feature\Front Axle & Coil Suspension

Item no.	Part no.	Description	QTY	Unit
350	425-18	Nut Nyloc Hex M16C	2	PC
360	721491-1	Bearing-Boot,Damper Heavy Duty	2	PC
370	24-10	Cable Tie-Black, 368 x 4.8 mm	6	PC
390	93699714-0	Spring Washer - Plated M16	2	PC
410	7027986	Suspension Strut Assy - Front HP	2	PC
420	92097412-0	Hex Head Screw - M10Cx25 - 8.8	2	PC
5000	273-12	Tube - Nylon 15 od 1.5 thk	0.13	M
430	74012-8	Block - Rubber, Front Axle	2	PC
440	72266-13	Steering Cylinder Assy	1	PC

Front Wheel & Hubs (7015836, 7030576)

Chassis Feature\Front Wheel & Hubs

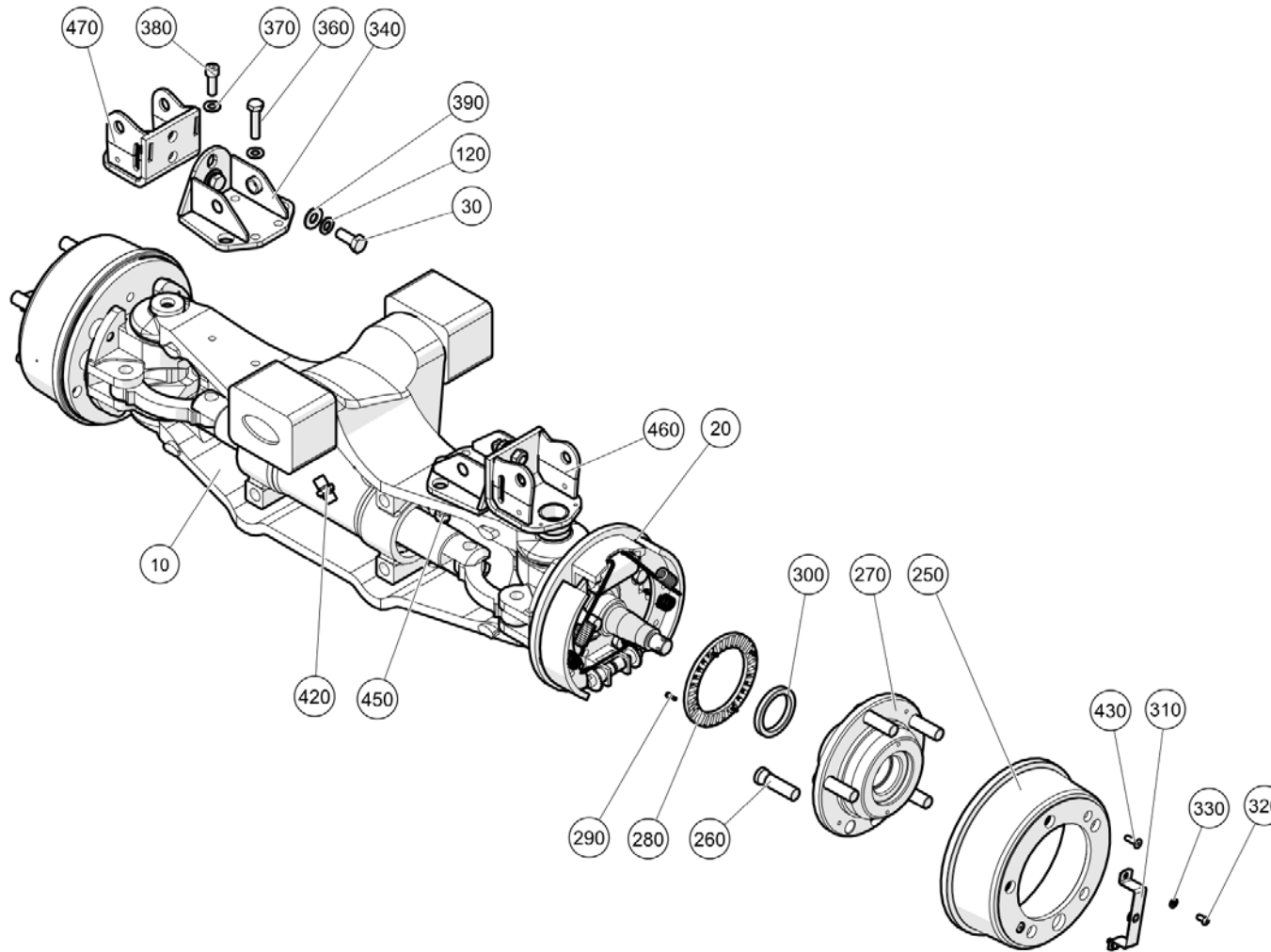


Front Wheel & Hubs (7015836, 7030576)

Chassis Feature\Front Wheel & Hubs

Item no.	Part no.	Description	QTY	Unit
80	7011236	Wheel & Tyre Assembly - Front	2	PC
Note: The following tyre (7030576) is optional fitment to CN only. Tyre is not rated for speeds of over 40 km/h.				
90	215-4	Nut - Wheel M16x1.5	10	PC
100	75581-1	Trim - Wheel	2	PC
110	93212011-0	Plain Washer M8	2	PC
120	92330126-0	Hex Skt Button Head Screw M8x10 - 10.9	2	PC
130	216-58	Tyre - Continental RV20 (Front)	2	PC
Note: The following tyre (216-60) is optional fitment to CN only. Tyre is not rated for speeds of over 40 km/h.				
140	75191-1	Wheel Rim (Narrow)	2	PC
150	216-17	Valve - Tyre, R6.5 R10	2	PC
130	216-60	Tyre - Continental RT20 (Front)	2	PC
80	7030576	Wheel & Tyre Assy -RT20, Front	2	PC

Front Axle (7020876)
Chassis Feature\Front Axle



All Copyright and rights are the property of Johnston Sweepers Ltd.

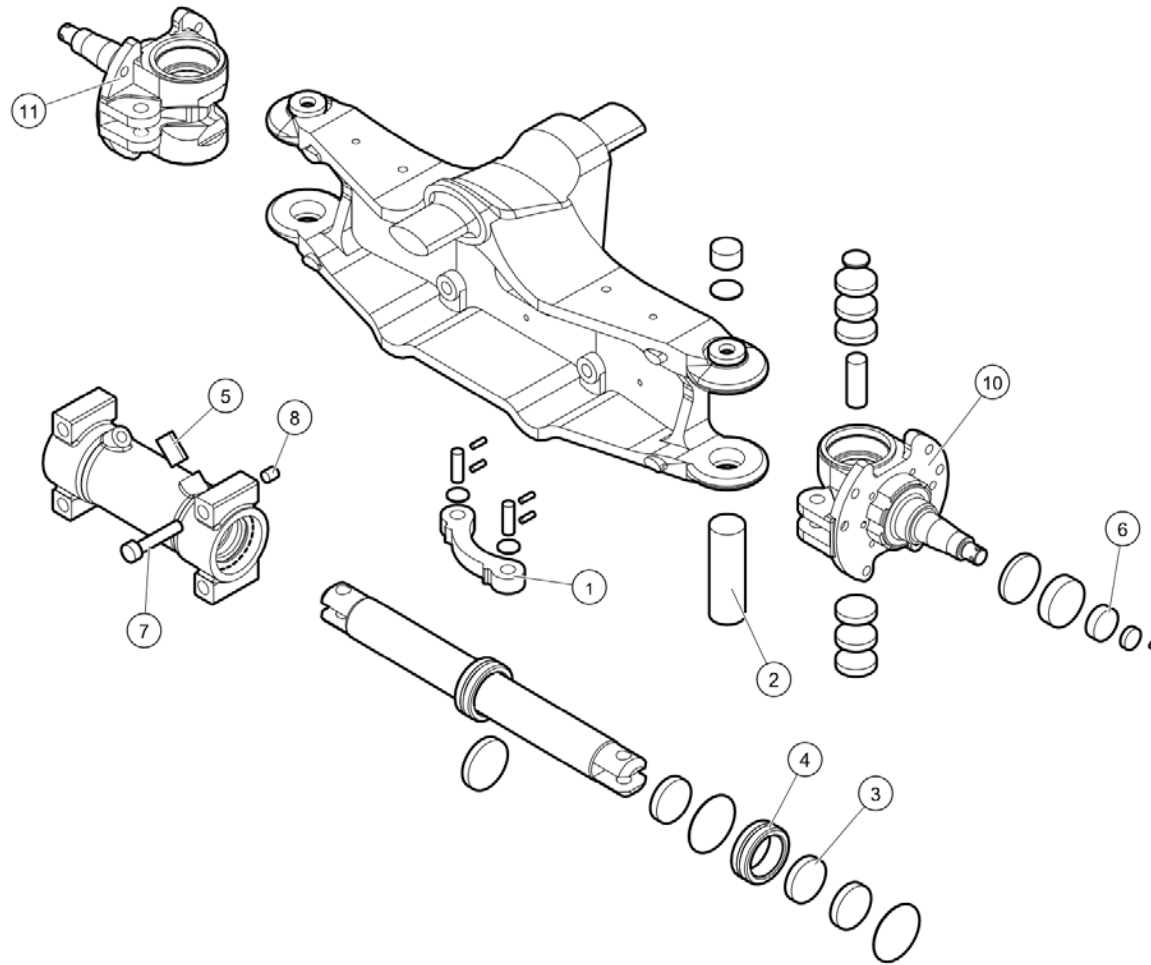
Front Axle (7020876)

Chassis Feature\Front Axle

Item no.	Part no.	Description	QTY	Unit
30	92097450-0	Hex Head Screw - M12Cx30 - 8.8	4	PC
120	93699712-0	Spring Washer - Plated M12	4	PC
250	75332-1	Drum - Brake	2	PC
260	75356-1	Wheel Stud	10	PC
270	76197-1	Hub - Front	2	PC
280	7020203	Sensor Ring	1	PC
290	135-115	M3Cx12 Slotted Cheese Hd Screw	4	PC
300	77-34	Seal - Oil 50x65x8mm DoubleLip	2	PC
310	720129-1	Bracket - Wheel Hub, W/Assy	2	PC
320	92330033-0	Hex Skt Button Head Screw M6x12 - 10.9	4	PC
330	93699708-0	Spring Washer - Plated M6	4	PC
340	720427-1	Bracket-Mtg, Anti-Roll Bar W/Assy	2	PC
360	92097417-0	Hex Head Screw - M10CX45 - 8.8	2	PC
370	93212012-0	Plain Washer M10	4	PC
380	92137158-0	Hex Socket Cap Screw - M10Cx30 - 12.9	2	PC
390	462-12	Washer - Plain,M12 Steel Form C	4	PC
420	09570051-0	Stud Coupling Male M14x1.50 x M14x1.50	2	PC
430	92153050-0	Hex Socket CSK Screw M6Cx20 10.9	4	PC
450	93085006-0	Nyloc Hex Thin Nut M10C - 8	2	PC
460	7024272	Bracket W/Assy Suspension LH	1	PC
470	7024291	Bracket W/Assy Suspension RH	1	PC
10	720217-1	Axle - Steering, Drilled	1	PC
20	7016142	Plate - Brake	2	PC

All Copyright and rights are the property of Johnston Sweepers Ltd.

Front Axle Spares (N/A)
Chassis Feature\Front Axle Spares

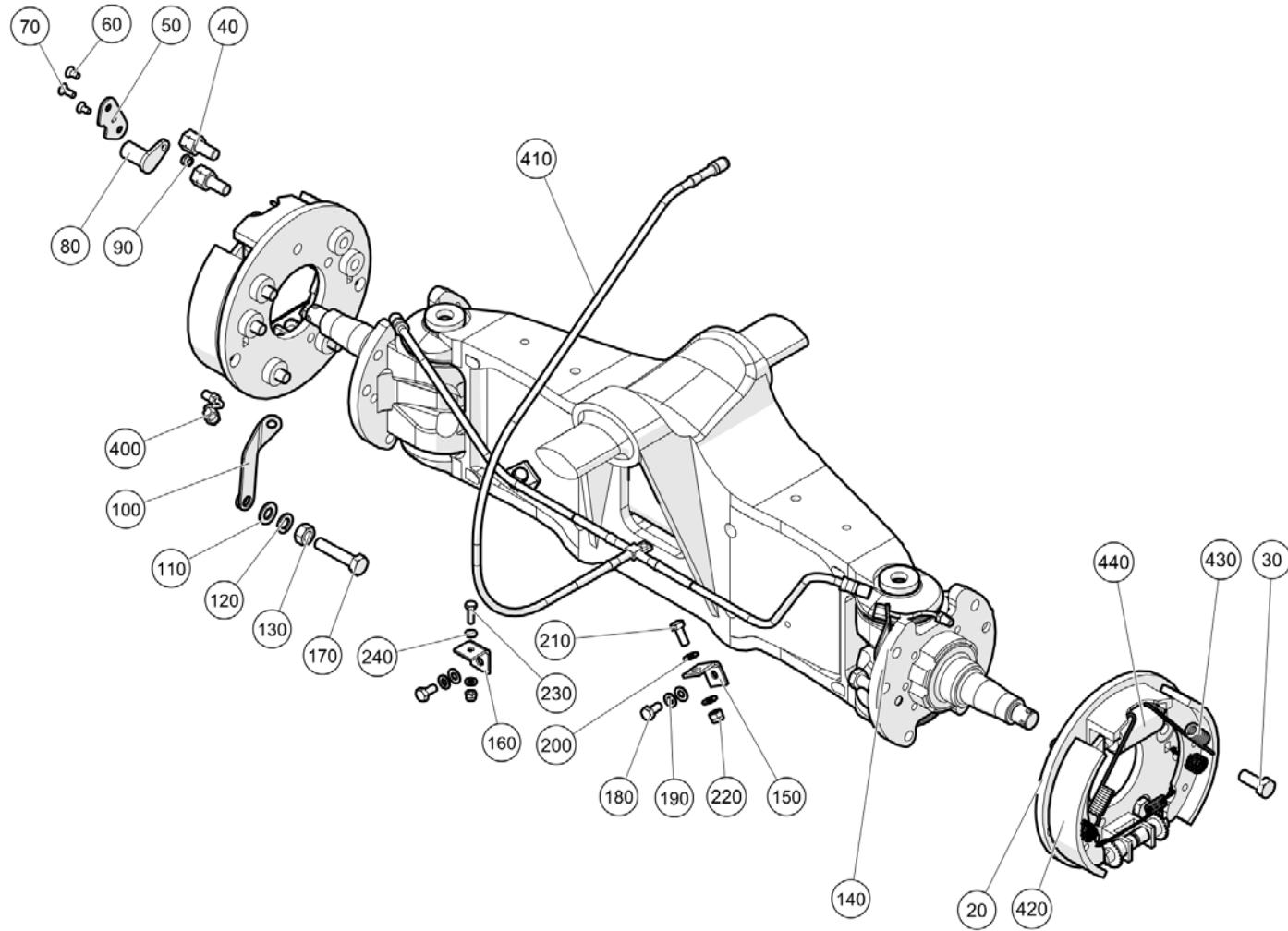


Front Axle Spares (N/A)

Chassis Feature\Front Axle Spares

Item no.	Part no.	Description	QTY	Unit
1	810-110	Kit - Tie Rod Pin Bush Repair	1	PC
2	810-115	Kit - King Pin Steer Pivot	1	PC
3	810-125	Overhaul Kit Steering Ram	1	PC
4	810-127	Bush - Guide	1	PC
5	810-130	Stud	2	PC
6	75500-2	Wheel Bearing Kit	1	PC
7	72266-14	Bolt - Cylinder to Axle	2	PC
8	72266-15	Spring - Cotter Cyl. to Axle	2	PC
10	810-143	Stub Axle LH (Suit 75500/1)	1	PC
11	810-144	Stub Axle RH (Suit 75500/1)	1	PC

Front Brakes (7015722)
Chassis Feature\Front Brakes

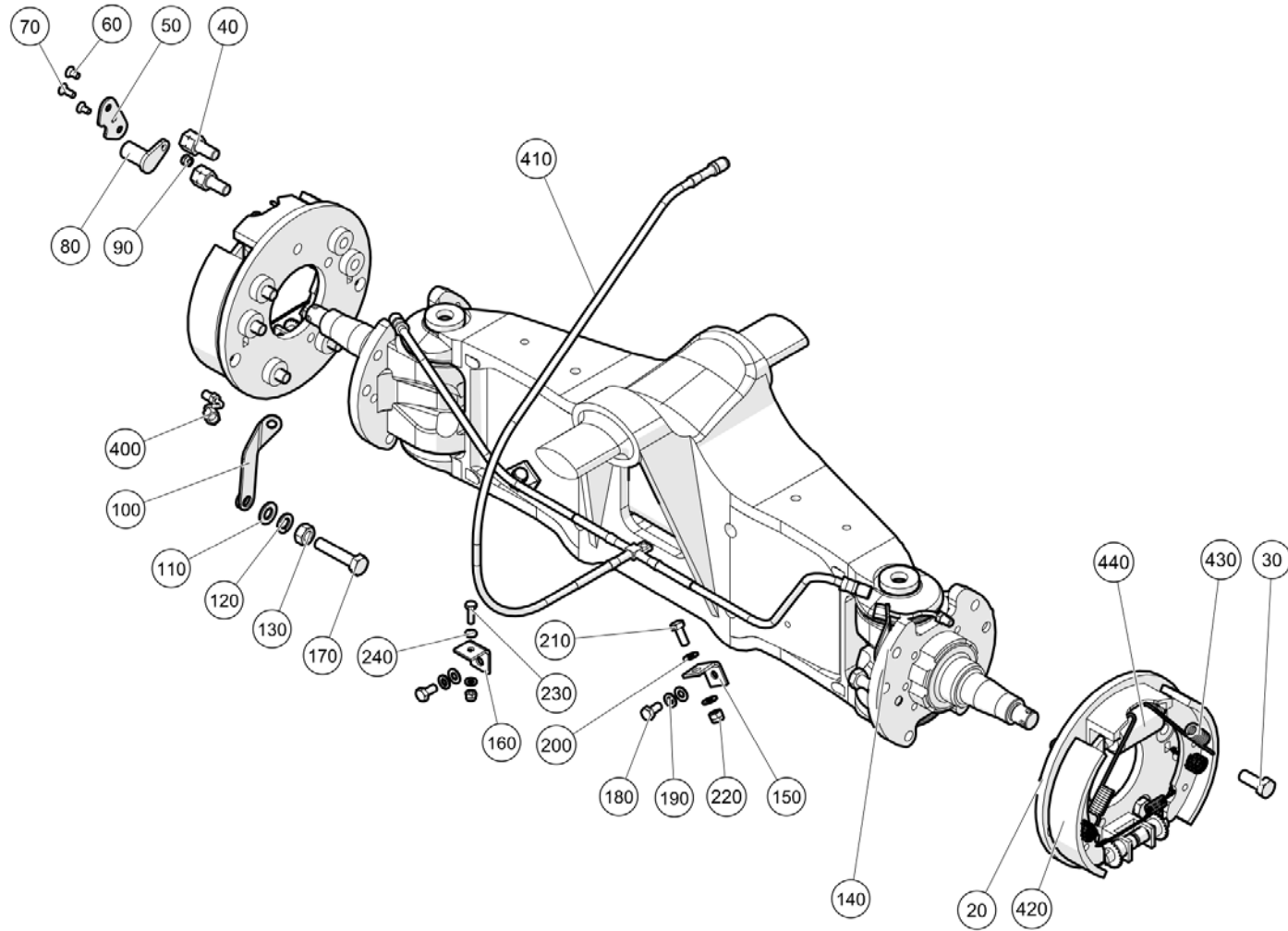


Front Brakes (7015722)
Chassis Feature\Front Brakes

Item no.	Part no.	Description	QTY	Unit
20	7016142	Plate - Brake	2	PC
30	92097450-0	Hex Head Screw - M12Cx30 - 8.8	10	PC
40	7020190	Speed Sensor Mounting Post	2	PC
50	7020187	Speed Sensor Mount	1	PC
60	92153048-0	Hex Socket CSK Screw M6Cx12 10.9	2	PC
70	92153049-0	Hex Socket CSK Screw M6Cx16 10.9	1	PC
80	721576-1	Sensor - Road Speed C200 ASSY	1	PC
90	93085004-0	Nyloc Hex Nut M6C - 8	1	PC
100	720219-1	Bracket-Bulkhead, W/Assy L/H	1	PC
110	93212013-0	Plain Washer M12	2	PC
120	93699712-0	Spring Washer - Plated M12	2	PC
130	93056016-0	Hex Nut M12C-8	2	PC
140	720219-2	Bracket-Bulkhead. W/Assy R/H	1	PC
150	73025-2	Bracket-anchor, Brake Hose	2	PC
160	73025-1	Anchor - Bracket	1	PC
170	92067460-0	Hex Head Bolt - M12Cx55 - 8.8	2	PC
180	92097372-0	Hex Head Screw - M8Cx16 - 8.8	3	PC
190	93699710-0	Spring Washer - Plated M8	3	PC
200	93212011-0	Plain Washer M8	7	PC
210	92097374-0	Hex Head Screw - M8Cx20 - 8.8	2	PC
220	93085805-0	Nyloc Hex Nut M8C - 8	2	PC
230	92097301-0	Hex Head Screw - M6Cx20 - 8.8	1	PC
240	93212009-0	Plain Washer M6	2	PC
400	722414-1	Pipe - Brake, Front Axle	2	PC

All Copyright and rights are the property of Johnston Sweepers Ltd.

Front Brakes (7015722)
Chassis Feature\Front Brakes

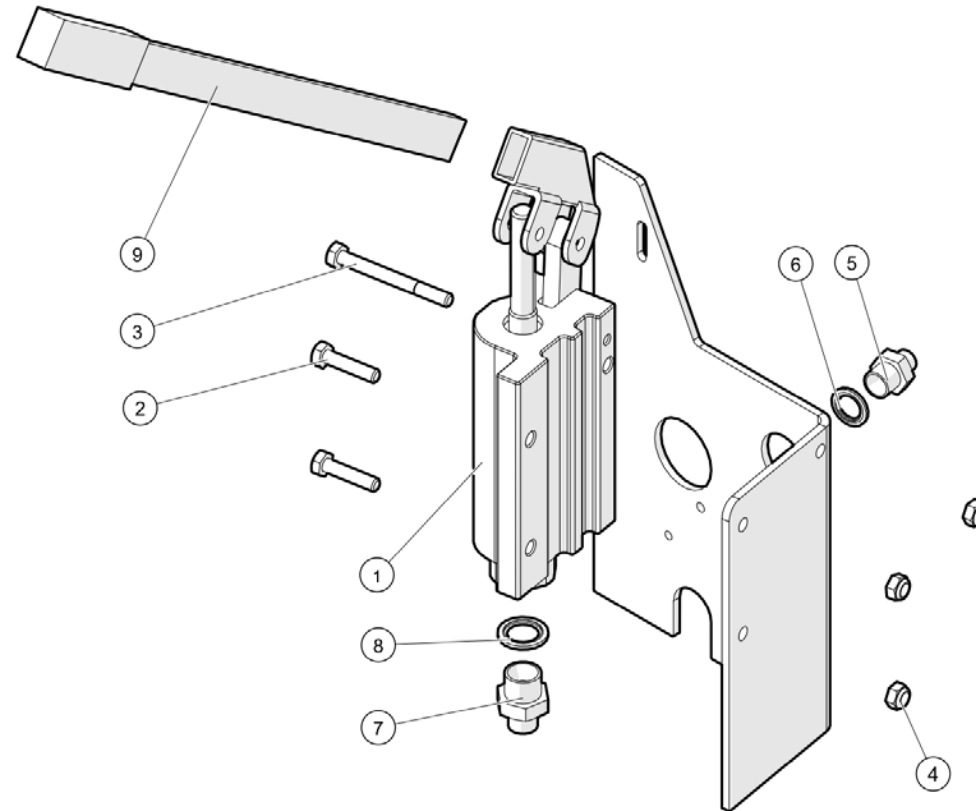


All Copyright and rights are the property of Johnston Sweepers Ltd.

Front Brakes (7015722)
Chassis Feature\Front Brakes

Item no.	Part no.	Description	QTY	Unit
410	722397-1	Hose - Front Brake, Metric	1	PC
420	225-13	Brake Shoe Kit (4 pads)	1	PAC
430	225-34	Shoe Spring Kit (Spares)C40/50	1	PC
440	225-47	Ft Wheel Cylinder For 721421/1	1	PC

All Copyright and rights are the property of Johnston Sweepers Ltd.

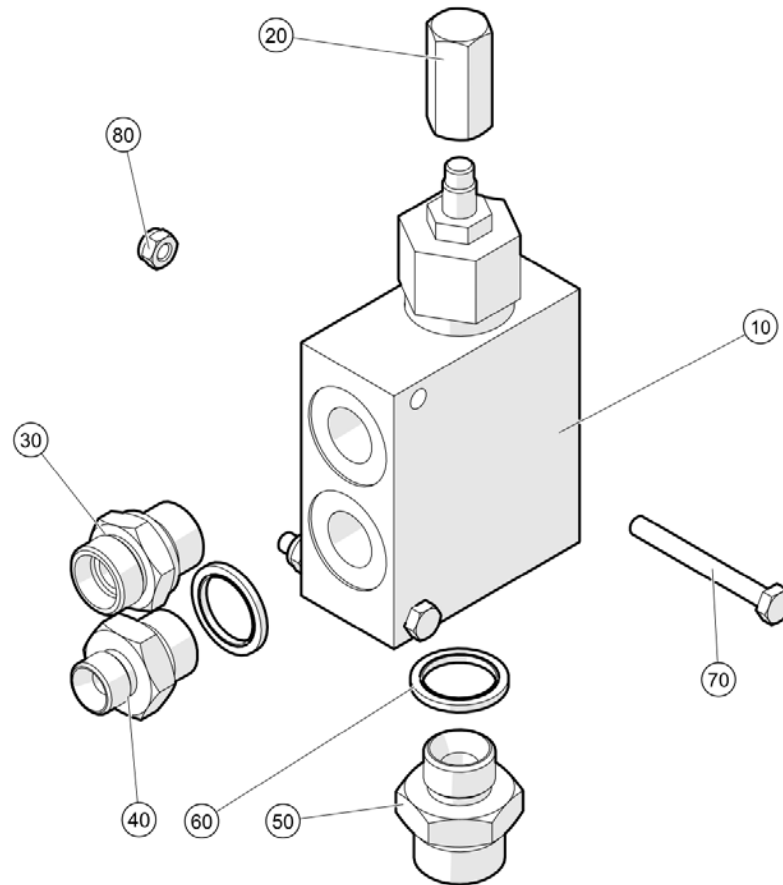


Hand Pump (37029-3)

Chassis Feature\Hand Pump

Item no.	Part no.	Description	QTY	Unit
2	123-106	Bolt M Coarse M8x35 BS3692	2	PC
3	123-115	Bolt M Coarse M8x75	1	PC
4	425-14	Nut Nyloc Hex MC M8	2	PC
5	265-2	Adaptor Reducing M/M 1/4 x 3/8 BSP	1	PC
6	451-18	Washer Bonded G3/8"	1	PC
7	265-4	Adaptor Reducing M/M 3/8 x 1/2 BSP	1	PC
8	451-19	Washer - Bonded G1-2"	1	PC
9	70116-2	Handle - Hand Pump	1	PC
1	70116-3	Pump - Hand (MILAN)	1	PC

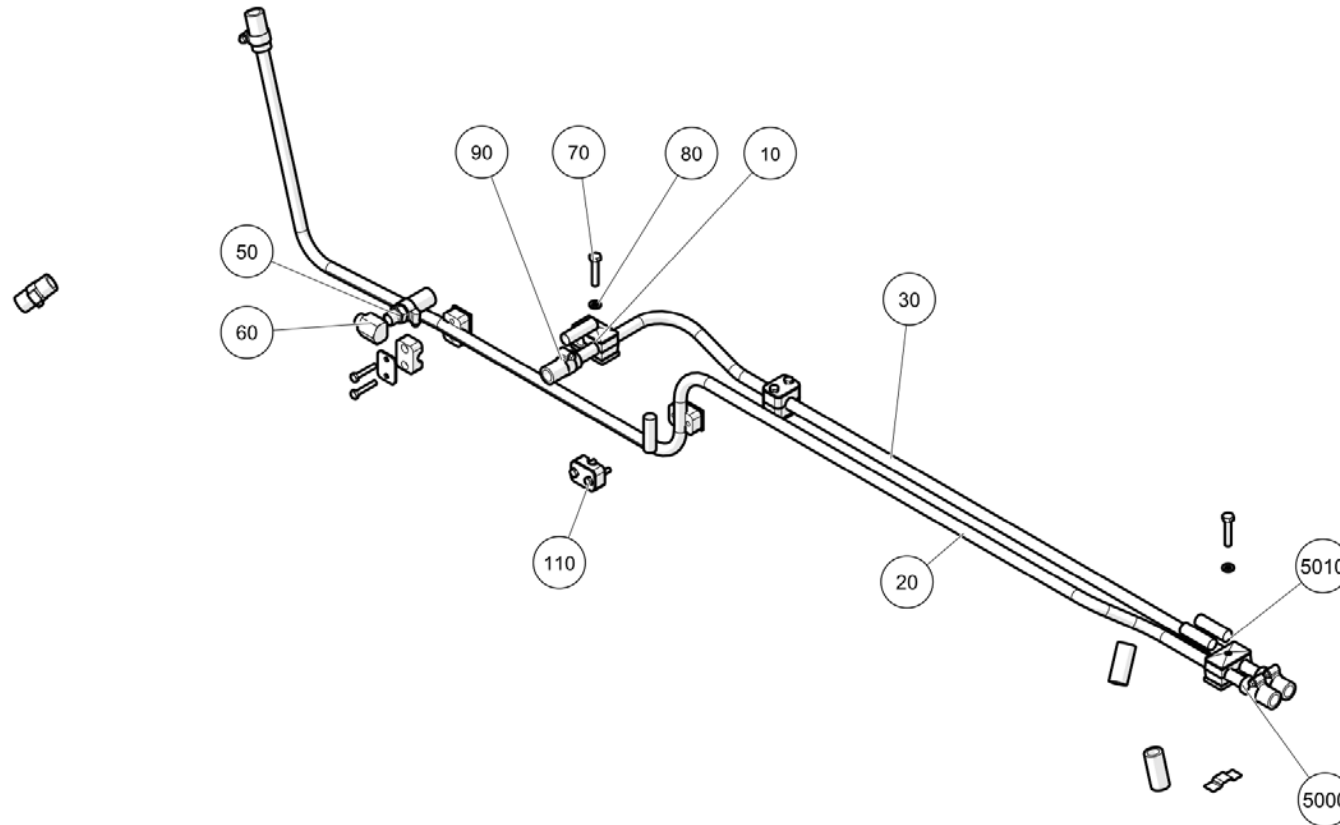
Flow Regulator (7011942)
Chassis Feature\Flow Regulator



Flow Regulator (7011942)
Chassis Feature\Flow Regulator

Item no.	Part no.	Description	QTY	Unit
10	70625-1	Regulator - Flow	1	PC
20	71285-1	Capnut	1	PC
30	6601-1329	Stud Coupling Male G 1/2" x M22 x 1.5	1	PC
40	265-4	Adaptor Reducing M/M 3/8 x 1/2 BSP	1	PC
50	265-7	Adaptor Reducing M/M 1/2 x 3/4 BSP	1	PC
60	451-19	Washer - Bonded G1-2"	2	PC
70	92067312-0	Hex Head Bolt - M6Cx55 - 8.8	2	PC
80	93085004-0	Nyloc Hex Nut M6C - 8	2	PC

All Copyright and rights are the property of Johnston Sweepers Ltd.

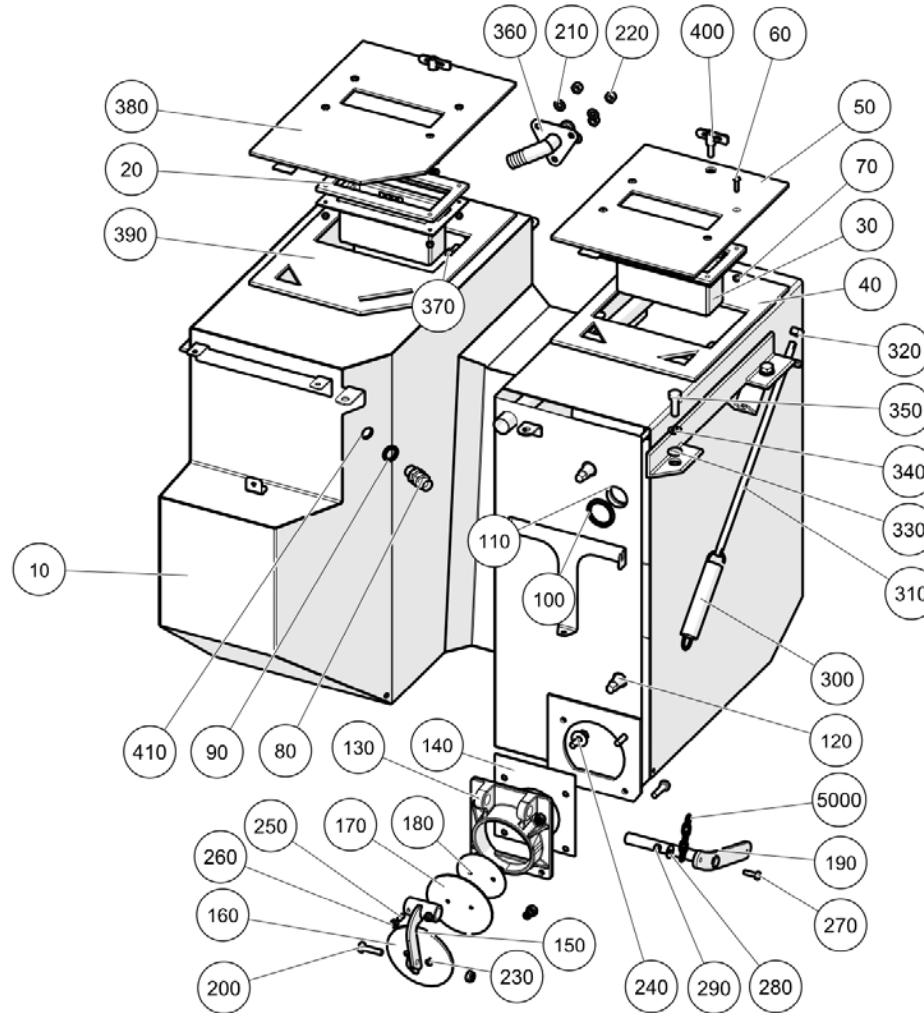


Heater Pipes (7013806)
Chassis Feature\Heater Pipes

Item no.	Part no.	Description	QTY	Unit
10	51-60	Clamp - Pipe, Twin Clamp 16mm	2	PC
20	7013751	Pipe, Heater Inlet	1	PC
30	7013750	Pipe, Heater Outlet	1	PC
50	75645-1	Adaptor - Heater Hose	1	PC
60	75644-1	Adaptor - Heater Connection	1	PC
70	92097380-0	Hex Head Screw - M8Cx40 - 8.8	2	PC
80	93699710-0	Spring Washer - Plated M8	2	PC
90	09531052-0	Hose Clip - Worm Drive (22-32)	6	PC
110	51-61	Clamp- Pipe, Single 16mm	3	PC
5000	70859-1	Hose - Heater, 5/8" 5mm Wall	2	M
5010	903-118	Tube - Insulation	2.1	M

All Copyright and rights are the property of Johnston Sweepers Ltd.

Recirculating Water Tank (7011842)
Chassis Feature\Recirculating Water Tank



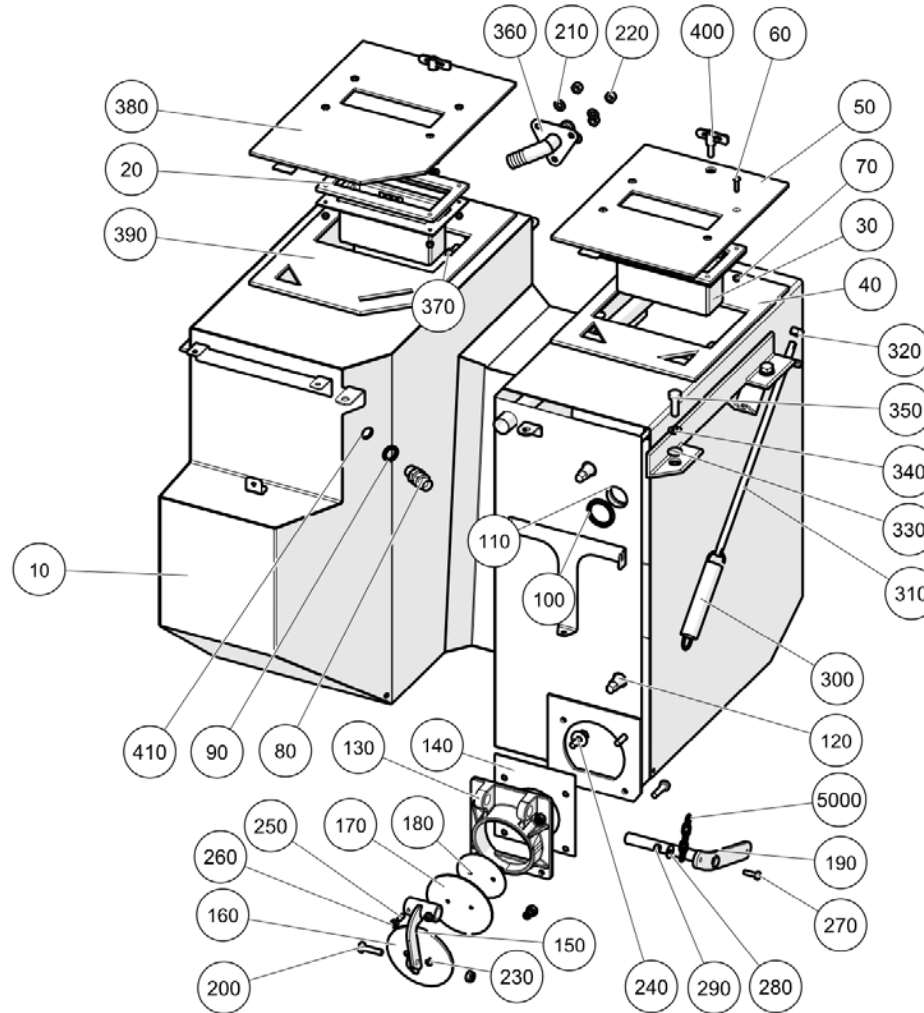
All Copyright and rights are the property of Johnston Sweepers Ltd.

Recirculating Water Tank (7011842)
 Chassis Feature\Recirculating Water Tank

Item no.	Part no.	Description	QTY	Unit
10	7011883	Recirc Water Tank W/Assy	1	PC
20	7009093	Seal Inside	2	PC
30	7009079	Filter Weld assembly	2	PC
40	7012562	Seal - Cover RH	1	PC
50	7012549	Cover - W/Assy RH	1	PC
60	92153034-0	Hex Socket CSK Screw M5Cx20 10.9	8	PC
70	93085003-0	Nyloc Hex Nut M5C - 8	10	PC
80	264-3	Adaptor M/M - Bulkhead 3/8 BSP	1	PC
90	451-18	Washer Bonded G3/8"	1	PC
100	451-22	Washer Bonded G1"	1	PC
110	93212023-0	Plain Washer M33	1	PC
120	740459-1	Switch-Float, Horizontal. Assy	2	PC
130	721051-1	Bracket - Dump Valve	1	PC
140	72205-1	Gasket - Valve Dump	1	PC
150	70134-1-B	Lever - W/Assy	1	PC
160	70133-1	Valve - Dump W/Assy	1	PC
170	70124-1-B	Disc - Sealing	1	PC
180	70199-1-A	Plate - Keep	1	PC
190	70135-1	Lever - W/Assy	1	PC
200	92097378-0	Hex Head Screw - M8Cx30 - 8.8	5	PC
210	93212011-0	Plain Washer M8	7	PC
220	93085005-0	Nyloc Hex Thin Nut M8C - 8	8	PC
230	92330009-0	Hex Skt Button Head Screw M5x16 - 10.9	2	PC
240	93300509-0	Plain Large Washer M8	5	PC

All Copyright and rights are the property of Johnston Sweepers Ltd.

Recirculating Water Tank (7011842)
Chassis Feature\Recirculating Water Tank



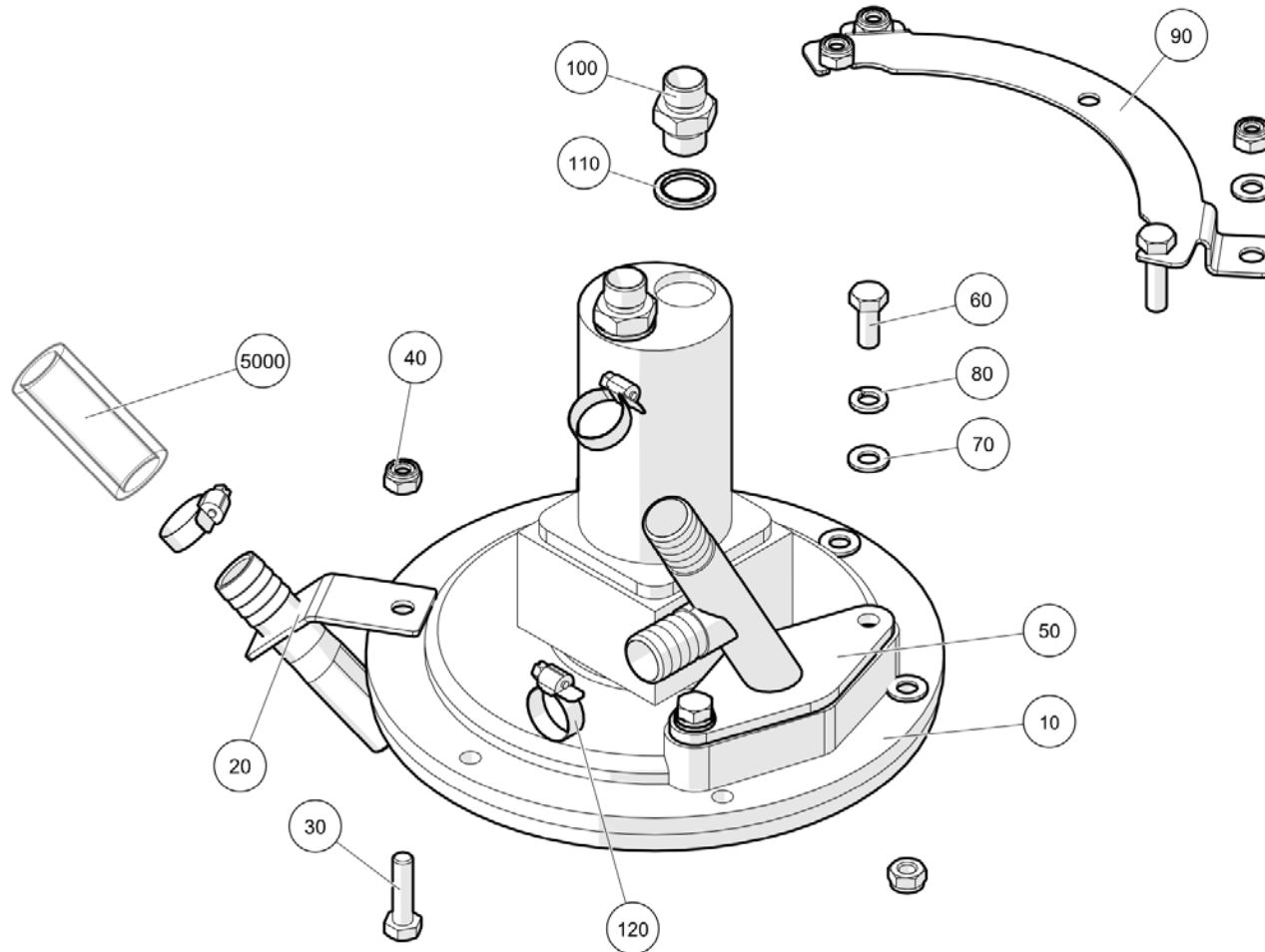
All Copyright and rights are the property of Johnston Sweepers Ltd.

Recirculating Water Tank (7011842)
Chassis Feature\Recirculating Water Tank

Item no.	Part no.	Description	QTY	Unit
250	135-227	Grubscrew - Flat Point M6Cx12	2	PC
260	93056012-0	Hex Nut M6C-8	2	PC
270	92097301-0	Hex Head Screw - M6Cx20 - 8.8	1	PC
280	93300507-0	Plain Large Washer M6	1	PC
290	93085004-0	Nyloc Hex Nut M6C - 8	1	PC
300	286-5	Spring - Tension	1	PC
310	70196-1-A	Rod - Spring	1	PC
320	93056015-0	Hex Nut M10C-8	1	PC
330	93212012-0	Plain Washer M10	4	PC
340	93699711-0	Spring Washer - Plated M10	4	PC
350	92097414-0	Hex Head Screw - M10Cx30 - 8.8	4	PC
360	7007641	Hose Connector 3/4"	1	PC
370	92097374-0	Hex Head Screw - M8Cx20 - 8.8	3	PC
380	7012548	Cover - W/Assy LH	1	PC
390	7012568	Seal - Cover LH	1	PC
400	60-15	Pin - Antiluce, M8 x 18	2	PC
410	93300513-0	Plain Large Washer M16	1	PC
5000	284-5	Chain - Galvanised 4mm x 19mm	0.3	M

All Copyright and rights are the property of Johnston Sweepers Ltd.

Recirculating Water Pump (37065-2)
Chassis Feature\Recirculating Water Pump

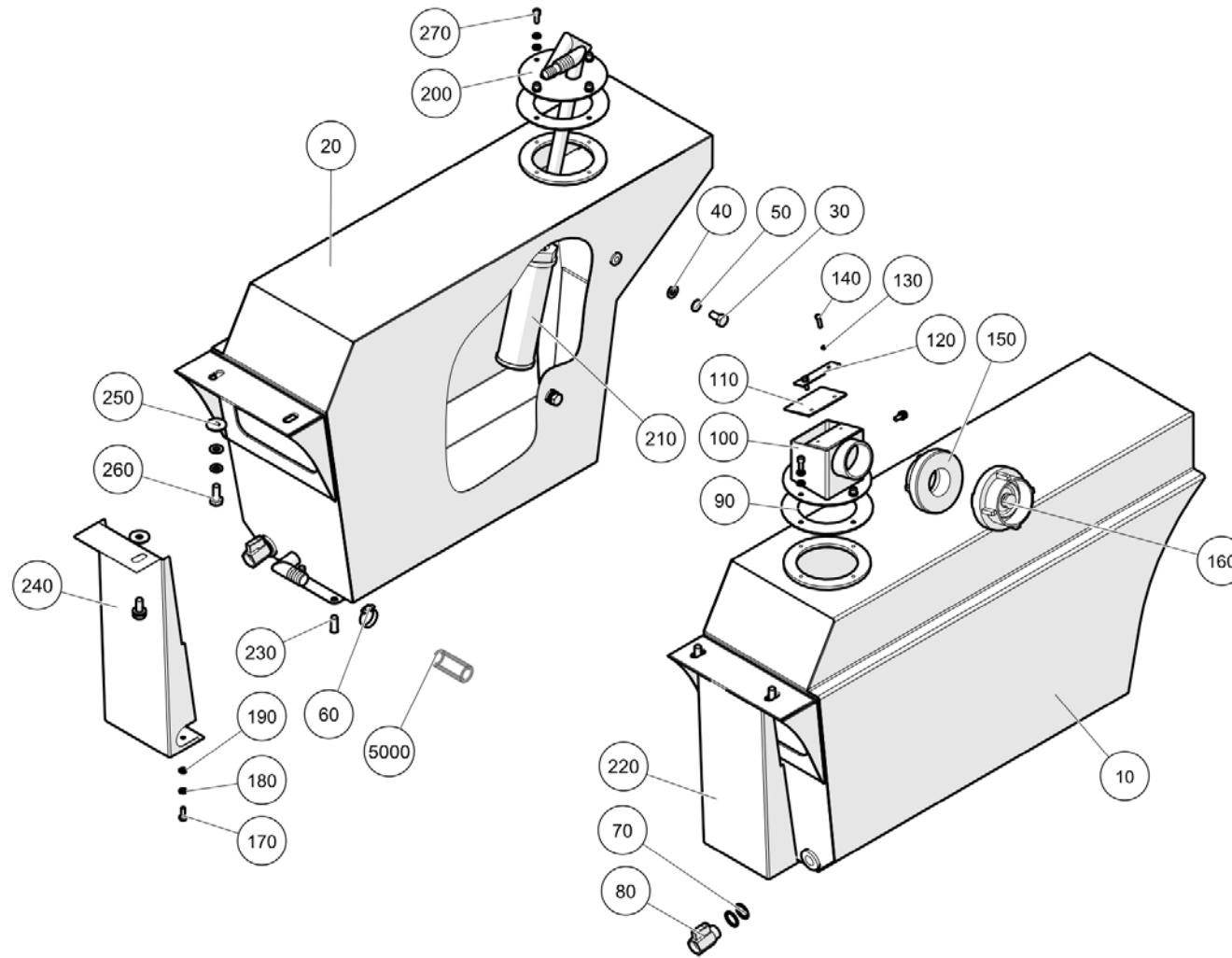


Recirculating Water Pump (37065-2)
Chassis Feature\Recirculating Water Pump

Item no.	Part no.	Description	QTY	Unit
10	720399-1	Pump - Recirculating Water	1	PC
20	72159-1	Hose - Anchor	1	PC
30	92099377-0	Hex Head Screw - M8Cx30 - A2	3	PC
40	93085605-0	93085605-0	5	PC
50	70064-1-A	Nozzle - Pump	1	PC
60	92099373-0	Hex Head Screw - M8Cx20 - A2	2	PC
70	93213010-0	Plain Washer M8 A2	7	PC
80	93700210-0	Spring Washer M8 - A2	2	PC
90	7008607	Clamp	1	PC
100	263-3	Adaptor M/M 3/8 BSP	2	PC
110	451-18	Washer Bonded G3/8"	2	PC
120	501-3	Clip Hose Worm Drive 22-30mm	3	PC
5000	15184	Hose - Griflex, Clear 3/4" I/D	0.9	M

All Copyright and rights are the property of Johnston Sweepers Ltd.

Side Water Tanks (7011137 & 7011766)
Chassis Feature\Side Water Tanks



All Copyright and rights are the property of Johnston Sweepers Ltd.

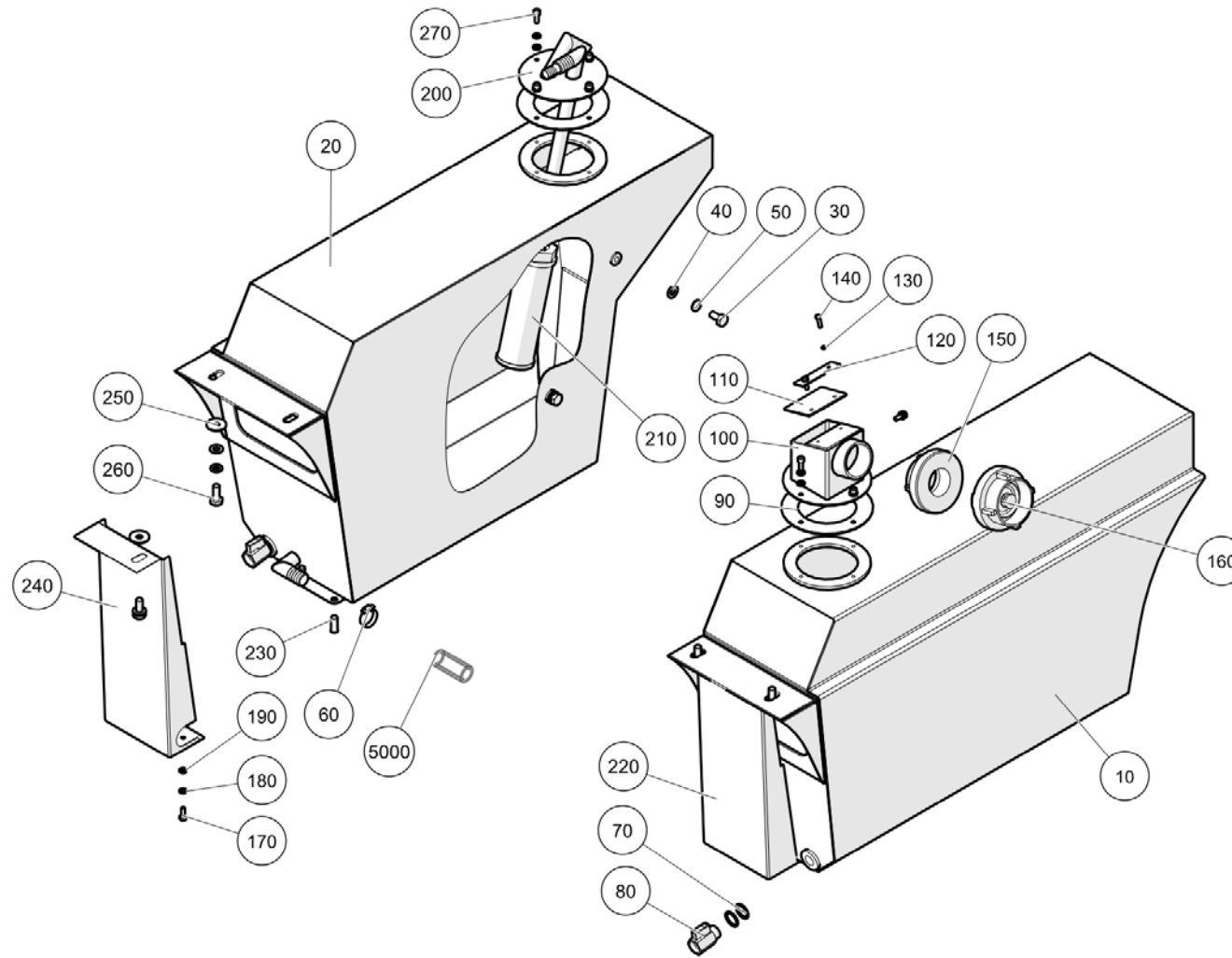
Side Water Tanks (7011137 & 7011766)

Chassis Feature\Side Water Tanks

Item no.	Part no.	Description	QTY	Unit
10	7024458	Water Tank W/Assy LH	1	PC
10	7024613	Water Tank W/Assy LH St.St	1	PC
20	7024461	Water Tank W/Assy RH	1	PC
20	7024615	Water Tank W/Assy RH St.St	1	PC
30	92097410-0	Hex Head Screw - M10Cx20 - 8.8	4	PC
40	93212012-0	Plain Washer M10	8	PC
50	93699711-0	Spring Washer - Plated M10	8	PC
60	501-3	Clip Hose Worm Drive 22-30mm	2	PC
70	452-16	Washer-Copper 21/25.4x1.75	4	PC
80	70905-1	Valve - Ball	2	PC
90	70938-1	Gasket - Rubber	2	PC
100	70368-1	Pipe - Filler W/Assy	1	PC
110	70940-1	Flap - Rubber	1	PC
120	70941-1	Clamp - Flap	1	PC
130	93699707-0	Spring Washer - Plated M5	2	PC
140	92097263-0	Hex Head Screw - M5Cx16 - 8.8	2	PC
150	667-1	Coupling - Stortz	1	PC
160	667-2	Cap - Stortz	1	PC
170	92097299-0	Hex Head Screw - M6Cx16 - 8.8	5	PC
180	93699708-0	Spring Washer - Plated M6	13	PC
190	93212009-0	Plain Washer M6	13	PC
200	76075-1	Suction Pipe, W/Assy	1	PC
210	224-13	Element - Water Filter	1	PC
220	7007759	Cover	1	PC

All Copyright and rights are the property of Johnston Sweepers Ltd.

Side Water Tanks (7011137 & 7011766)
Chassis Feature\Side Water Tanks



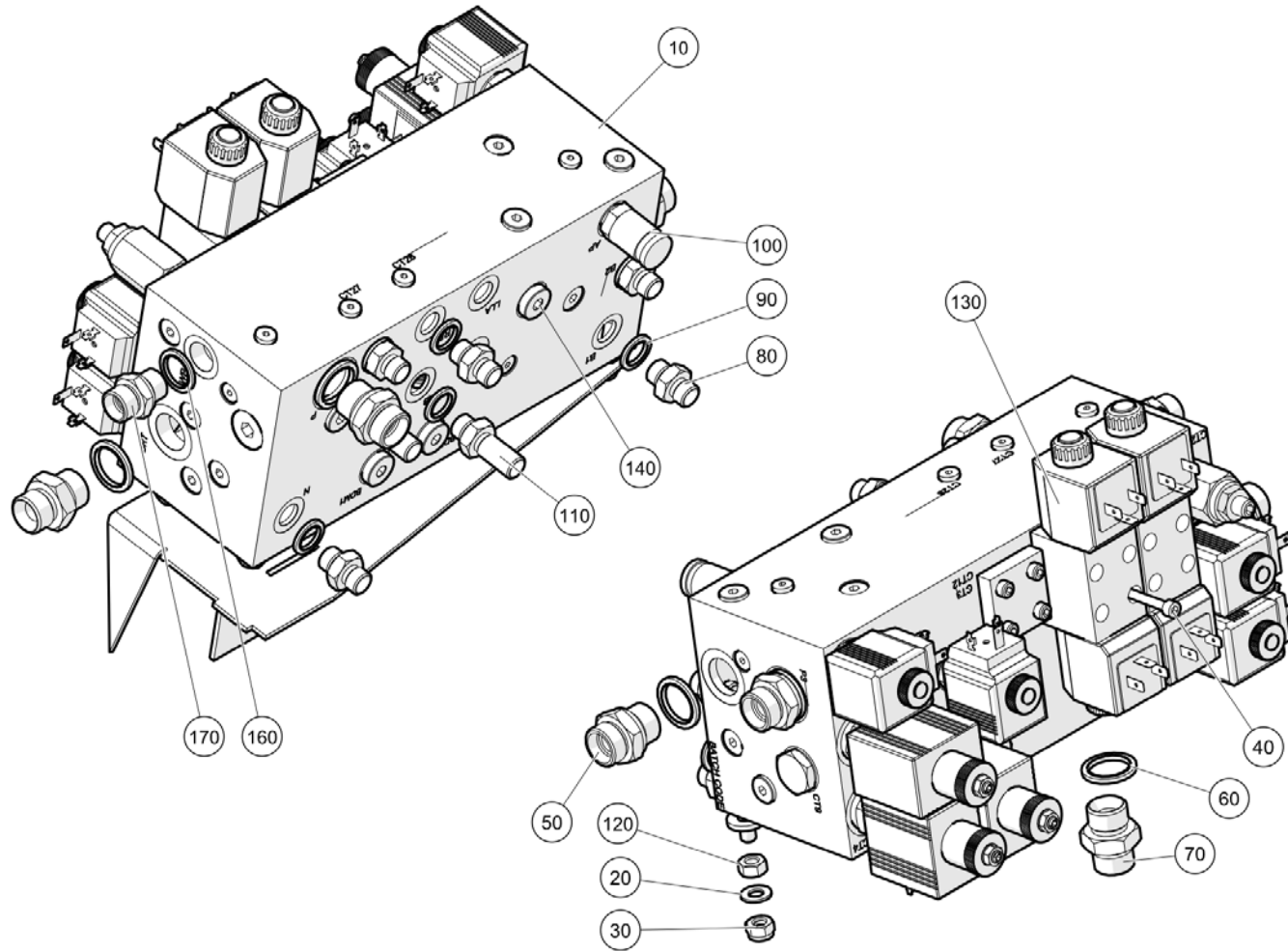
All Copyright and rights are the property of Johnston Sweepers Ltd.

Side Water Tanks (7011137 & 7011766)

Chassis Feature\Side Water Tanks

Item no.	Part no.	Description	QTY	Unit
230	433-130	Insert, Small Hd, M6, 0.7-4.2,Closed, MS	4	PC
240	7007790	Cover Right	1	PC
250	93300510-0	Plain Large Washer M10	4	PC
260	92097412-0	Hex Head Screw - M10Cx25 - 8.8	4	PC
270	92137079-0	Hex Socket Cap Screw - M6Cx16 - 12.9	8	PC
5000	15184	Hose - Griflex, Clear 3/4" I/D	1	M

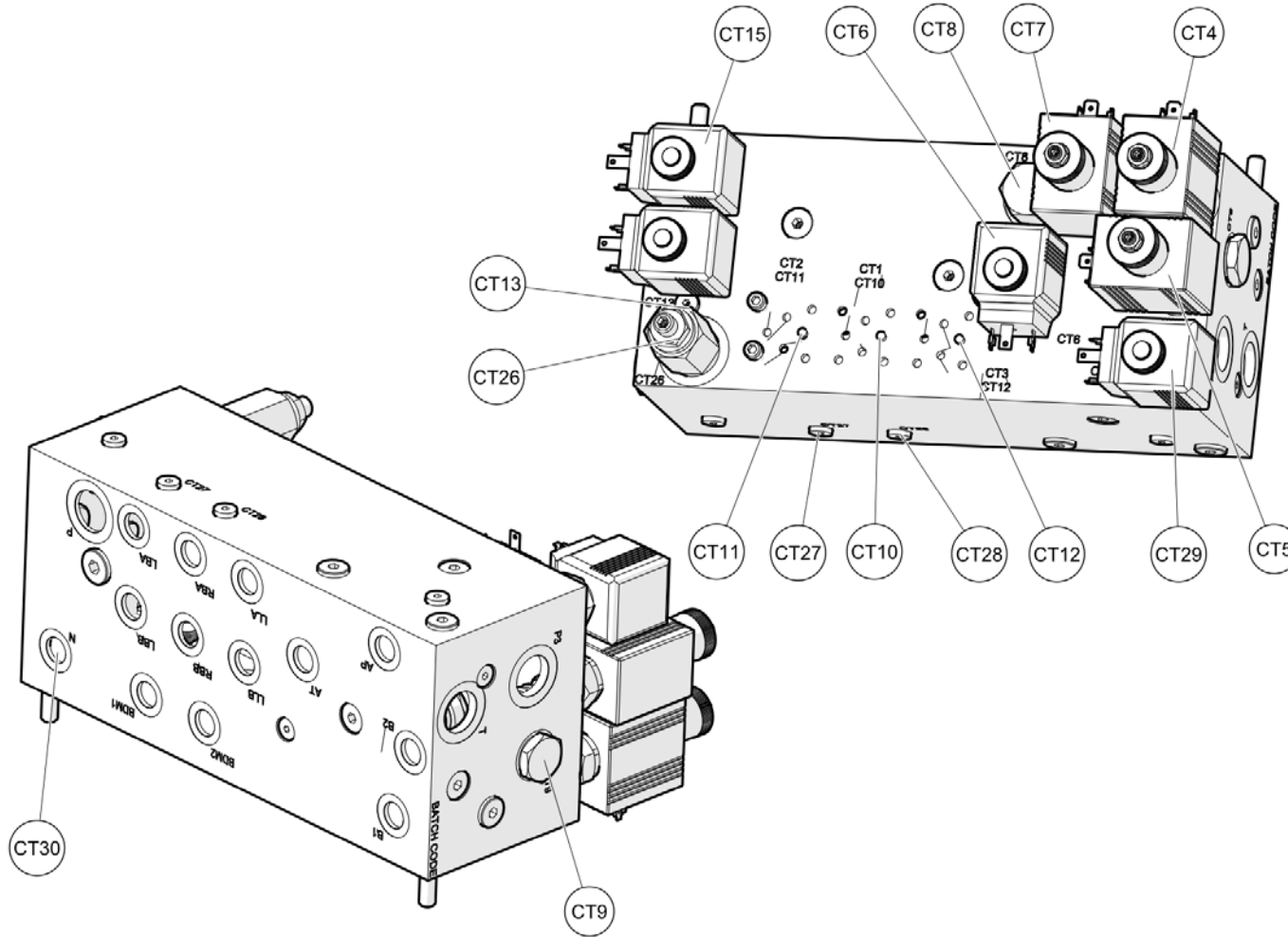
Sweep Control Block (7015848)
Chassis Feature\Sweep Control Block



Sweep Control Block (7015848)
Chassis Feature\Sweep Control Block

Item no.	Part no.	Description	QTY	Unit
10	722390-1	Block-Manifold, Front CX/CN200	1	PC
20	93212011-0	Plain Washer M8	3	PC
30	93085005-0	Nyloc Hex Thin Nut M8C - 8	3	PC
40	92137048-0	Hex Socket Cap Screw - M5Cx35 - 12.9	8	PC
50	6601-1329	Stud Coupling Male G 1/2" x M22 x 1.5	3	PC
60	451-19	Washer - Bonded G1-2"	5	PC
70	263-4	Adaptor M/M 1/2 BSP BS5200	2	PC
80	263-2	Adaptor M/M 1/4 BSP	5	PC
90	451-17	Washer Bonded G1-4"	7	PC
100	665-18	Test Coupling SMK20 - G1/4 Type B	1	PC
110	264-2	Adaptor M/M - Bulkhead 1/4 BSP	2	PC
120	93056014-0	Hex Nut M8C-8	3	PC
130	78352-1	Valve-Directional Control 12v	2	PC
140	09572133-0	Sealing Plug VS-R 1/4 WD	1	PC
160	451-18	Washer Bonded G3/8"	1	PC
170	6601-1322	Stud Coupling Male G 3/8" x M18 x 1.5	1	PC

Sweep Control Block Spares (N/A)
 Chassis Feature\Sweep Control Block Spares



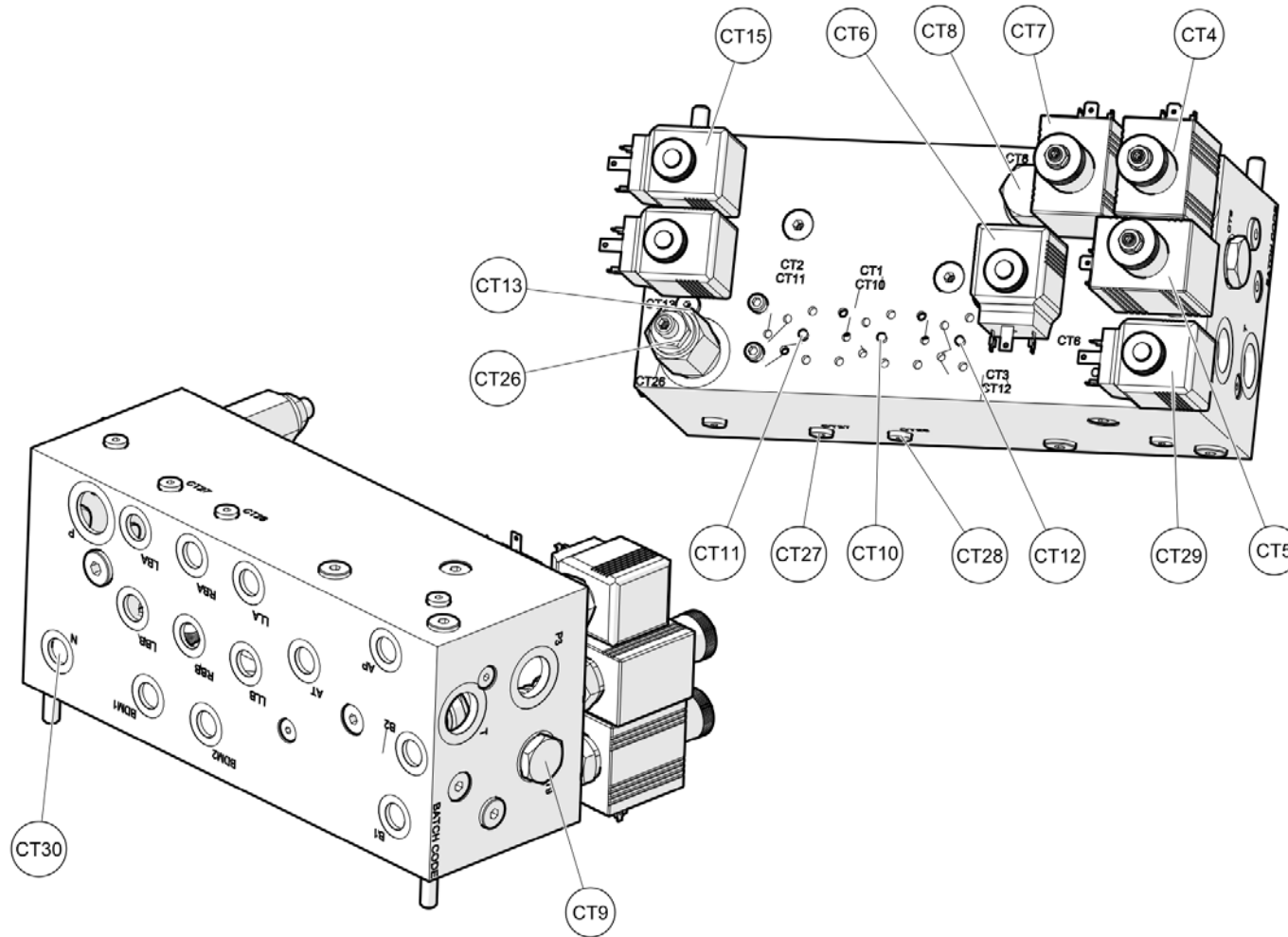
All Copyright and rights are the property of Johnston Sweepers Ltd.

Sweep Control Block Spares (N/A)
Chassis Feature\Sweep Control Block Spares

Item no.	Part no.	Description	QTY	Unit
CT4	847-31	Pressure Reducing Cartridge	1	PC
CT4	847-9	Coil - 12v 19 watt	1	PC
CT4	847-32	Seal Kit For 847/31	1	PC
CT5	847-31	Pressure Reducing Cartridge	1	PC
CT5	847-9	Coil - 12v 19 watt	1	PC
CT5	847-32	Seal Kit For 847/31	1	PC
CT6	847-33	Cartridge Valve Ass 12v 210bar	1	PC
CT6	847-3	Coil Only - 12 Volt 14 watt	1	PC
CT6	847-4	Seal Kit for 847/2,/5 & 847/4	1	PC
CT7	847-82	Cartridge Valve Prop Flow	1	PC
CT7	847-9	Coil - 12v 19 watt	1	PC
CT7	847-99	Solenoid Cartridge CT1	1	PC
CT8	847-88	Cartridge Valve - Flow Comp	1	PC
CT8	847-100	Solenoid Cartridge CT2	1	PC
CT9	847-11	Check Valve 0.2 bar	1	PC
CT9	847-12	Seal Kit for 847/11	1	PC
CT10	847-89	M4 x 0.70 Orifice Ø 1.00	1	PC
CT11	847-89	M4 x 0.70 Orifice Ø 1.00	1	PC
CT12	847-89	M4 x 0.70 Orifice Ø 1.00	1	PC
CT13	847-91	M6 Jet C/W Ø 2.00 Orifice	1	PC
CT15	847-33	Cartridge Valve Ass 12v 210bar	1	PC
CT15	847-3	Coil Only - 12 Volt 14 watt	1	PC
CT15	847-4	Seal Kit for 847/2,/5 & 847/4	1	PC
CT26	847-120	Pressure Reducing Valve	1	PC

All Copyright and rights are the property of Johnston Sweepers Ltd.

Sweep Control Block Spares (N/A)
 Chassis Feature\Sweep Control Block Spares



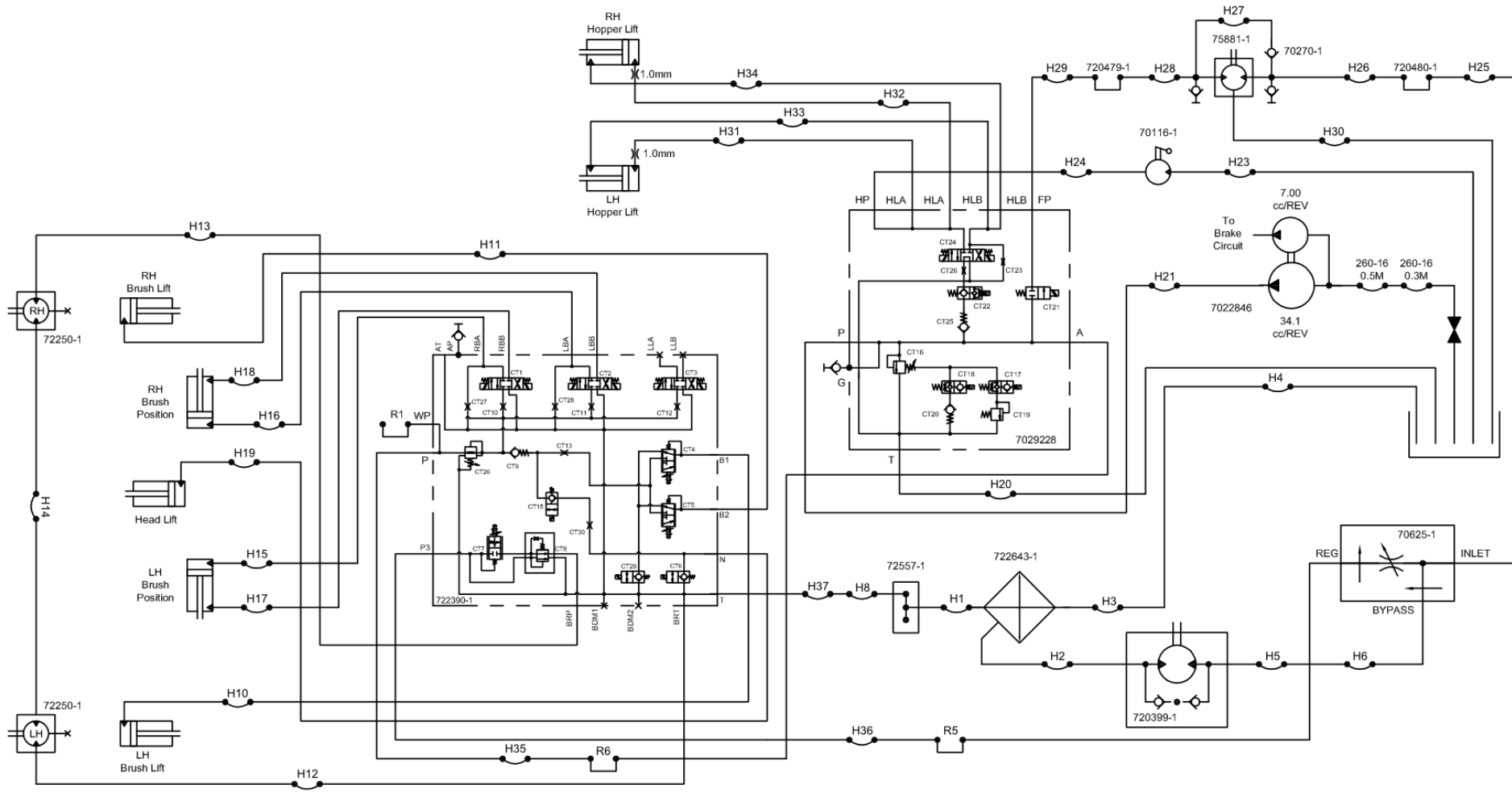
All Copyright and rights are the property of Johnston Sweepers Ltd.

Sweep Control Block Spares (N/A)
Chassis Feature\Sweep Control Block Spares

Item no.	Part no.	Description	QTY	Unit
CT27	847-57	Grubscrew (CT27 & CT28)	1	PC
CT28	847-57	Grubscrew (CT27 & CT28)	1	PC
CT29	847-33	Cartridge Valve Ass 12v 210bar	1	PC
CT29	847-3	Coil Only - 12 Volt 14 watt	1	PC
CT29	847-4	Seal Kit for 847/2,/5 & 847/4	1	PC
CT30	847-98	Orifice Jet M6 x 0.75 Ø 1.20	1	PC

Sweep Circuit (7011983)
Chassis Feature\Sweep Circuit

All Copyright and rights are the property of Johnston Sweepers Ltd.



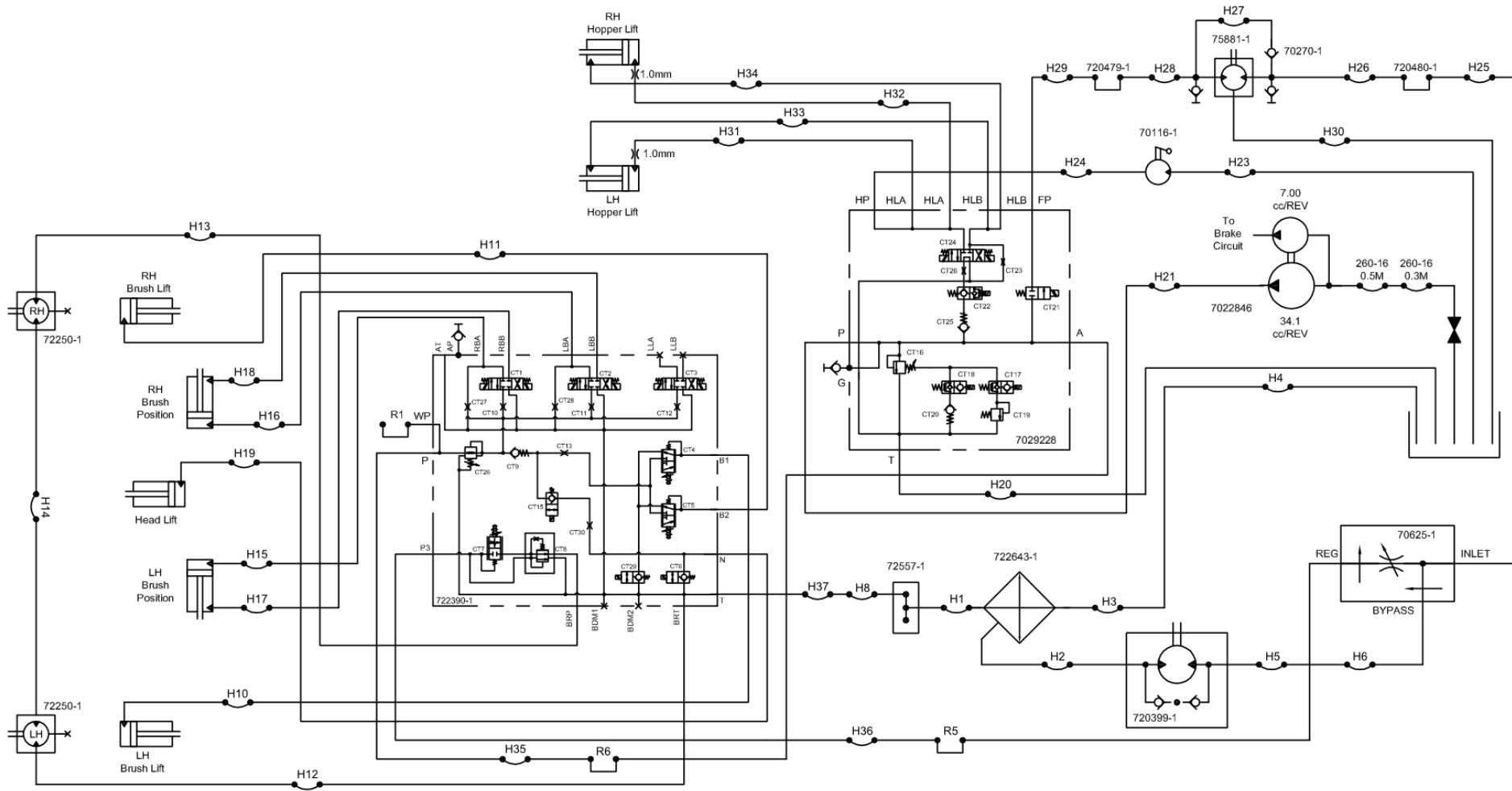
Sweep Circuit (7011983)
Chassis Feature\Sweep Circuit

Item no.	Part no.	Description	QTY	Unit
H1	HE16003-67	Hose - Hydraulic 1" STRx90c	1	PC
H2	HL06000-45	Hose - Hyd Straight x Straight	1	PC
H3	HE16064-73.5	Hose-Hydraulic 1" 90cxStr.Blk	1	PC
H4	HP16003-110	Hose - Megatuff 1" STRx90c	1	PC
H5	HL06002-80	Hose - Hyd Straight x 90 Swept	1	PC
H6	HL06001-104	Hose - Hyd Straight x 45 Swept	1	PC
H8	HR1SC12002-32	hose - Hyd Straight x 90 Swept	1	PC
H10	HQ04043-174-135	Hose-Megatuff 1/4" 90s x 90s	1	PC
H11	HQ04043-133-250	Hose-Megatuff 1/4" 90s x 90s	1	PC
H12	HQ08023-187-45.	Hose - Hyd 1/2" Megatuff 45sx90s	1	PC
H13	HQ08043-115-315	Hose-Megatuff 1/2" 90s x 90s	1	PC
H14	HQ08043-315.	Hose - Megatuff 1/2" 90sx90s	1	PC
H15	HQ04043-105-215	Hose-Megatuff 1/4" 90sx90s	1	PC
H16	HQ04043-76-315	Hose-Megatuff 1/4" 90sx90s	1	PC
H17	HQ04002-130	Hose - Megatuff 1/4" STRx90s	1	PC
H18	HQ04002-95	Hose-Megatuff 1/4" STR x 90s	1	PC
H19	HQ04043-80-225	Hose-Megatuff 1/4" 90s x 90s	1	PC
H20	HQ08044-33-80	Hose - Megatuff 1/2" 90cx90s	1	PC
H21	HP12023-108-20	Hose - Hyd 45 Swept x 90 Swept	1	PC
H23	HL06044-83-270	Hose - Megatuff 3/8" 90sx90c	1	PC
H24	HL04043-28-180	Hose - Megatuff 1/4" 90sx90s	1	PC
H25	MD12044-143-270	Hose - Hyd 90 Swept x 90 Compact	1	PC
H26	HP12023-85-95	Hose - Megatuff 3/4" 45sx90s	1	PC
H27	HL08000-45	Hose - Megatuff 1/2" STRxSTR	1	PC

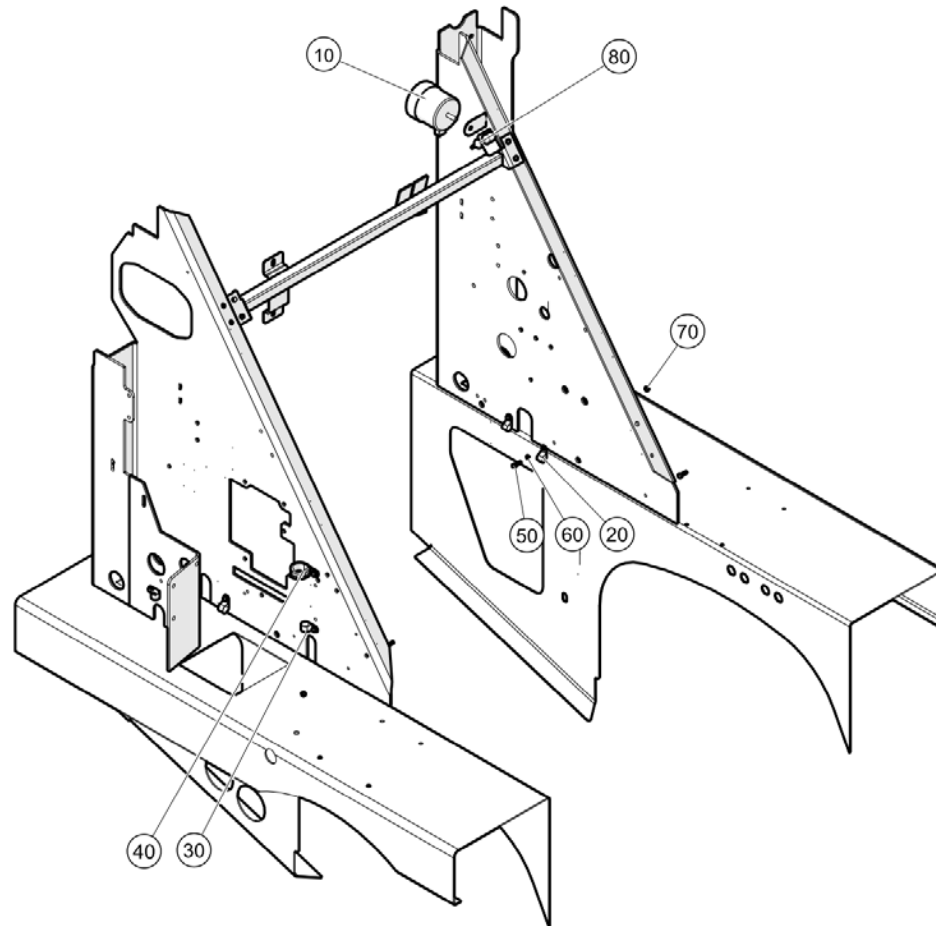
All Copyright and rights are the property of Johnston Sweepers Ltd.

Sweep Circuit (7011983)
Chassis Feature\Sweep Circuit

All Copyright and rights are the property of Johnston Sweepers Ltd.

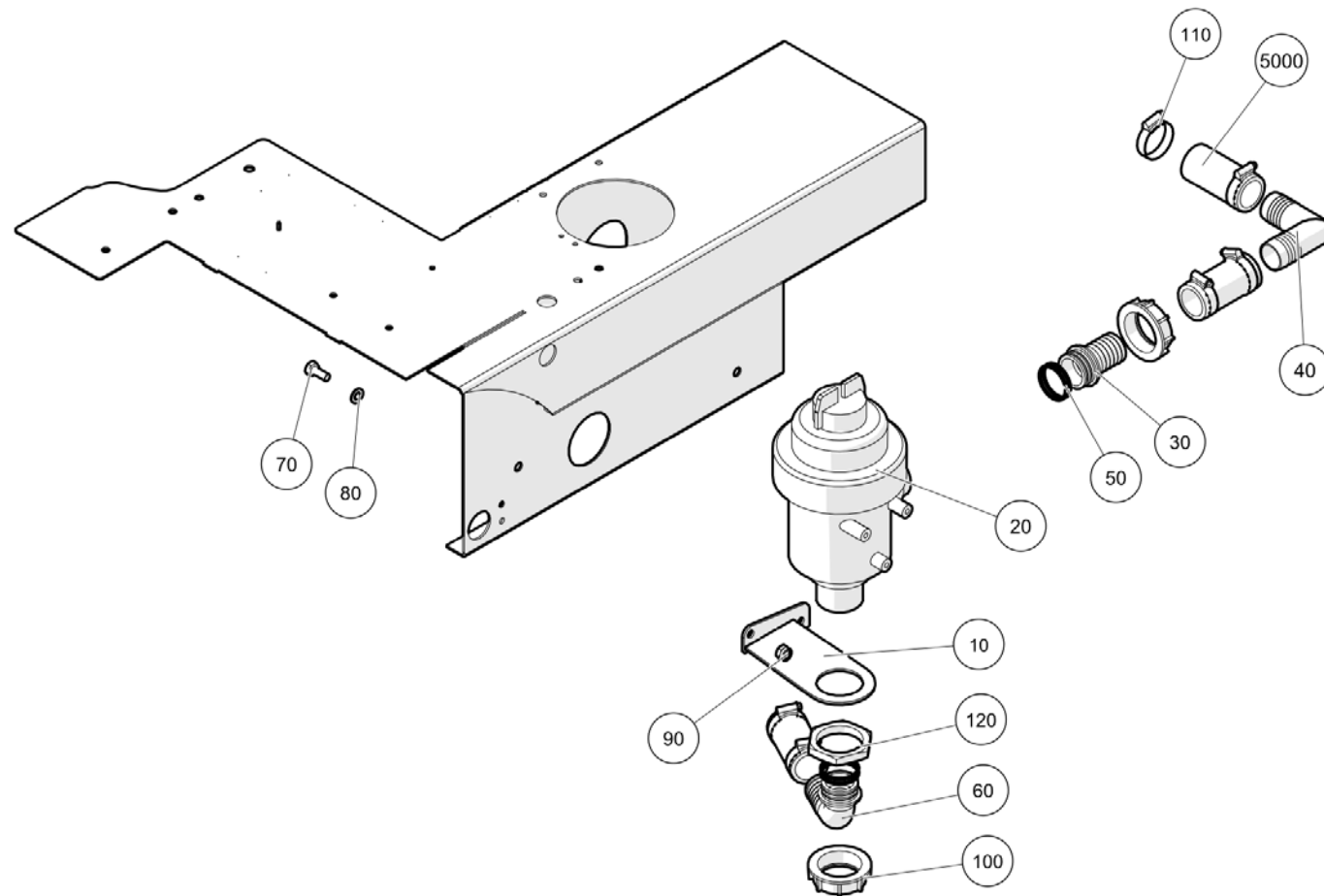


Item no.	Part no.	Description	QTY	Unit
H28	HP12023-68-100	Hose - Megatuff 3/4" 45sx90s	1	PC
H29	MD12043-103-270	Hose - Manuli K2 3/4" 90sx90s	1	PC
H30	HL06000-515	Hose - Megatuff 3/8" STRxSTR	1	PC
H31	HL04054-115-90	Hose-Megatuff 1/4" 90s x Banjo	1	PC
H32	HL04002-24	Hose - Megatuff 1/4" STRx90s	1	PC
H33	HL04013-115	Hose - Megatuff 1/4" STRxBanjo	1	PC
H34	HL04002-51	Hose - Megatuff 1/4" STRx90s	1	PC
R1	7020062	Pipe - Jetting WP to BH	1	PC
H35	HR1SC12027-45-350	Hose - Hyd 45 Swept x 90 Swept	1	PC
H37	HR1SC12051-64-90	Hose - Hyd 90 Swept x 90 Swept	1	PC
H36	HR1SC12051-66-90	Hose - Hyd 90 Swept x 90 Swept	1	PC
R5	7014613	Pipe 06 - 15mm, Sweeping System	1	PC
R6	7014614	Pipe 07 - 15mm, Sweeping System	1	PC



Item no.	Part no.	Description	QTY	Unit
10	30-184	Alarm - Reverse	1	PC
20	700-393	P Clip - 12mm Conduit	4	PC
30	700-394	P Clip - 16mm Conduit	5	PC
40	508-111	Clip - P Rubber Covered 25.00mm	1	PC
50	92097263-0	Hex Head Screw - M5Cx16 - 8.8	10	PC
60	93210109-0	Plain Washer M5	10	PC
70	93085003-0	Nyloc Hex Nut M5C - 8	10	PC
80	7013996	Proximity Sensor Assy, PNP	1	PC

Water Filter - CW (7022001)
Chassis Feature\Water Filter - CW



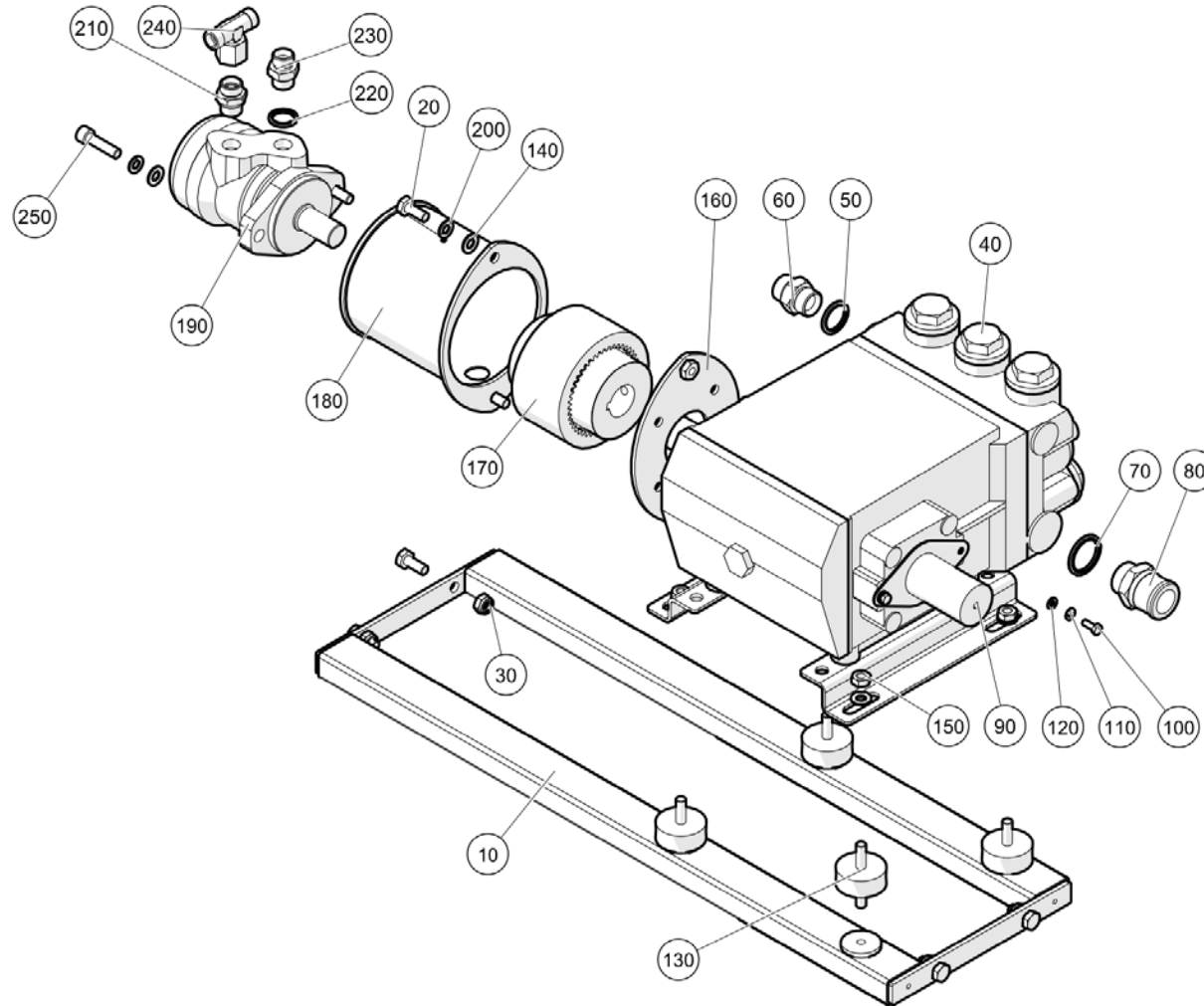
All Copyright and rights are the property of Johnston Sweepers Ltd.

Water Filter - CW (7022001)
 Chassis Feature\Water Filter - CW

Item no.	Part no.	Description	QTY	Unit
10	7021604	Mounting Bracket - W/Assy	1	PC
20	224-215	Suction Filter, 2"	1	PC
30	277-322	Flynut Hose Tail 40mm Barb	1	PC
40	277-243	Elbow - Barbed 90 Degree 1 1/2" Nylon	1	PC
50	277-324	'O' Ring Seal For 277-322 & -323	4	PC
60	277-323	90 Degree Flynut Hosetail - Barb = 40mm	1	PC
70	92097412-0	Hex Head Screw - M10Cx25 - 8.8	1	PC
80	93212012-0	Plain Washer M10	1	PC
90	93085806-0	Nyloc Hex Nut M10C - 8	1	PC
100	277-325	Flynut - 2" BSP	2	PC
110	09531011-0	Hose Clip - Worm Drive (40-55)	6	PC
120	410-79	Nut - Back G2 Polypropylene	1	PC
5000	260-27	Hose - Reinforced Water 1 1/2"	1.19	M

All Copyright and rights are the property of Johnston Sweepers Ltd.

Water Pump - CW (7023738)
Chassis Feature\Water Pump - CW



All Copyright and rights are the property of Johnston Sweepers Ltd.

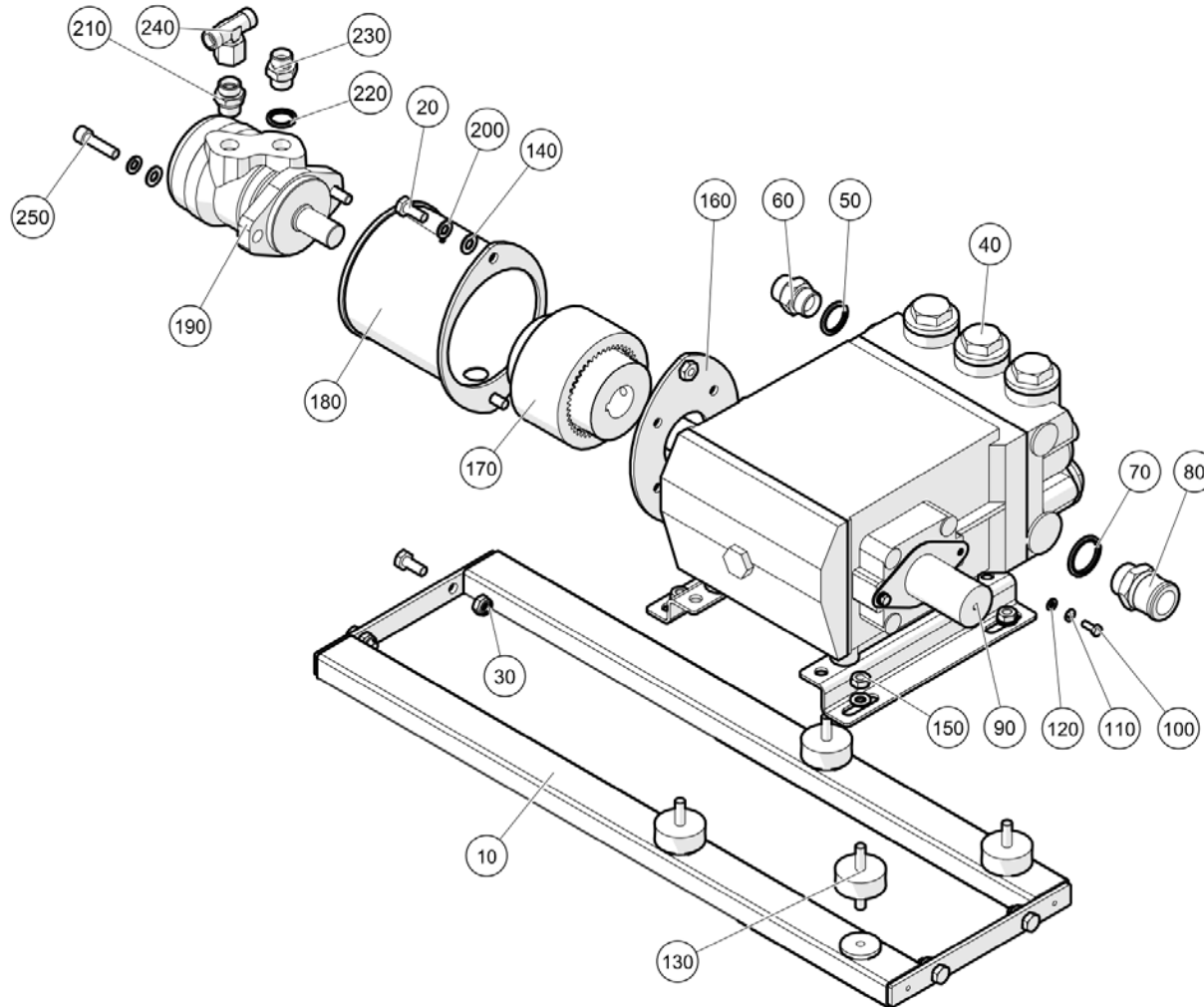
Water Pump - CW (7023738)

Chassis Feature\Water Pump - CW

Item no.	Part no.	Description	QTY	Unit
10	722785-1	Frame - Pump, Water (Tier 3)	1	PC
20	92097412-0	Hex Head Screw - M10Cx25 - 8.8	6	PC
30	93085806-0	Nyloc Hex Nut M10C - 8	4	PC
40	223-17	Pump - 3 Piston Water	1	PC
50	451-21	Washer Bonded G3-4"	1	PC
60	263-6	Adaptor M/M 3/4" BSP	1	PC
70	451-22	Washer Bonded G1"	1	PC
80	75536-1	Adaptor-G1 x 1 1/2" Bore Hose	1	PC
90	720117-1	Guard-W/Pump Shaft, W/Assy	1	PC
100	92097299-0	Hex Head Screw - M6Cx16 - 8.8	2	PC
110	93212009-0	Plain Washer M6	2	PC
120	93699708-0	Spring Washer - Plated M6	2	PC
130	290-1	Mounting	4	PC
140	93212012-0	Plain Washer M10	8	PC
150	93056015-0	Hex Nut M10C-8	4	PC
160	75517-1	Plate - W/Assy	1	PC
170	294-12	Coupling - Drive	1	PC
180	75513-1	Bell Housing W/Assy	1	PC
190	244-2	Motor 80	1	PC
200	93699711-0	Spring Washer - Plated M10	4	PC
210	6601-1329	Stud Coupling Male G 1/2" x M22 x 1.5	1	PC
220	451-19	Washer - Bonded G1-2"	1	PC
230	263-4	Adaptor M/M 1/2 BSP BS5200	1	PC
240	6615-0505	Adjustable Equal Tee - M22 x 1.5	1	PC

All Copyright and rights are the property of Johnston Sweepers Ltd.

Water Pump - CW (7023738)
Chassis Feature\Water Pump - CW



All Copyright and rights are the property of Johnston Sweepers Ltd.

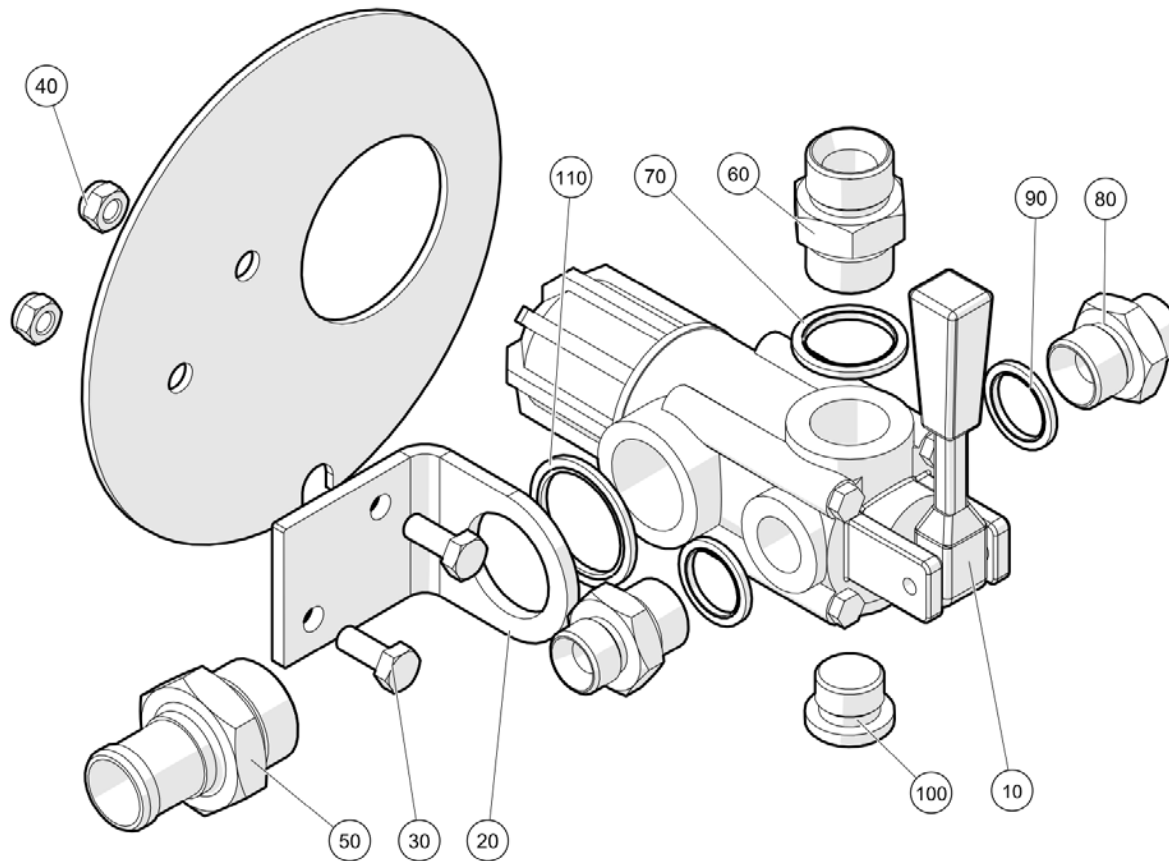
Water Pump - CW (7023738)

Chassis Feature\Water Pump - CW

Item no.	Part no.	Description	QTY	Unit
250	92137160-0	Hex Socket Cap Screw - M10Cx40 - 12.9	2	PC

All Copyright and rights are the property of Johnston Sweepers Ltd.

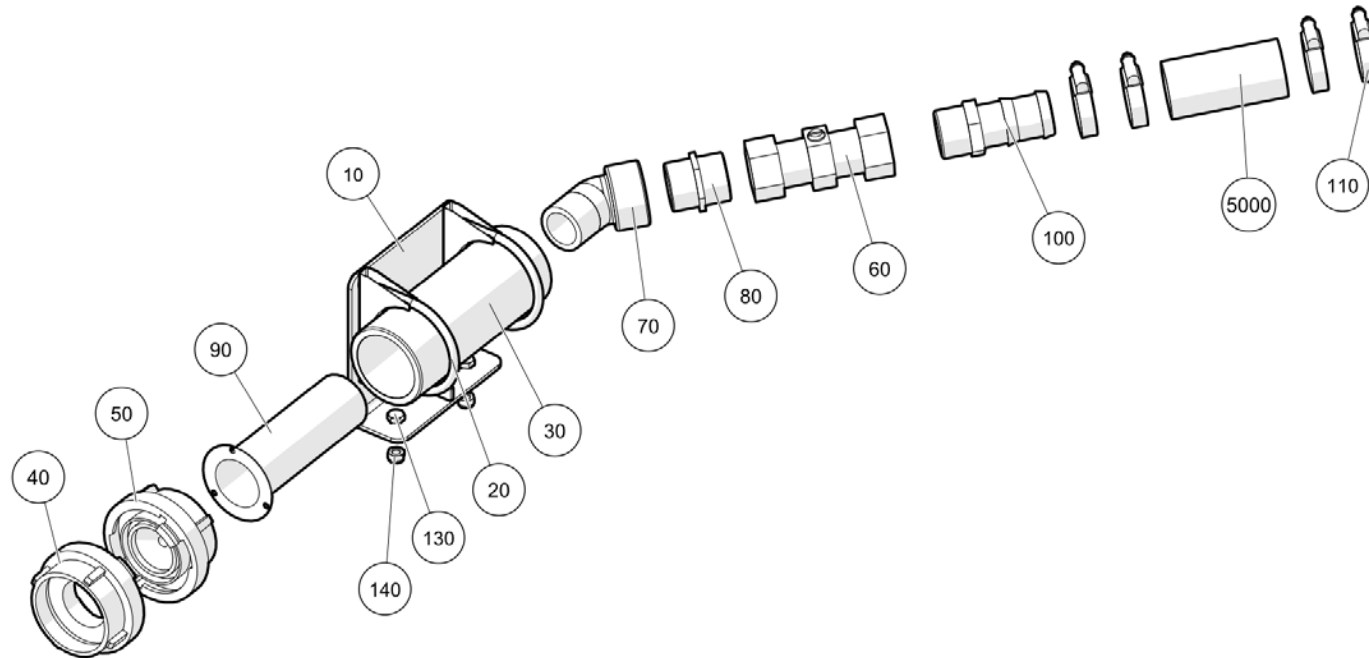
Unloader Valve - CW (7014307)
Chassis Feature\Unloader Valve - CW



Unloader Valve - CW (7014307)
Chassis Feature\Unloader Valve - CW

Item no.	Part no.	Description	QTY	Unit
10	223-18	Valve - Unloader	1	PC
20	7011550	Unloader Valve Mount	1	PC
30	92097374-0	Hex Head Screw - M8Cx20 - 8.8	2	PC
40	93085005-0	Nyloc Hex Thin Nut M8C - 8	2	PC
50	76926-1	Adaptor-G1x1" Bore Hose	1	PC
60	263-6	Adaptor M/M 3/4" BSP	1	PC
70	451-21	Washer Bonded G3-4"	1	PC
80	265-6	Adaptor Reducing M/M 1/2 x 5/8 BSP	2	PC
90	451-19	Washer - Bonded G1-2"	2	PC
100	54-4	Plug - Collar G1/2" BSP	1	PC
110	451-22	Washer Bonded G1"	1	PC

Water Strainer - CW (7022982)
Chassis Feature\Water Strainer - CW



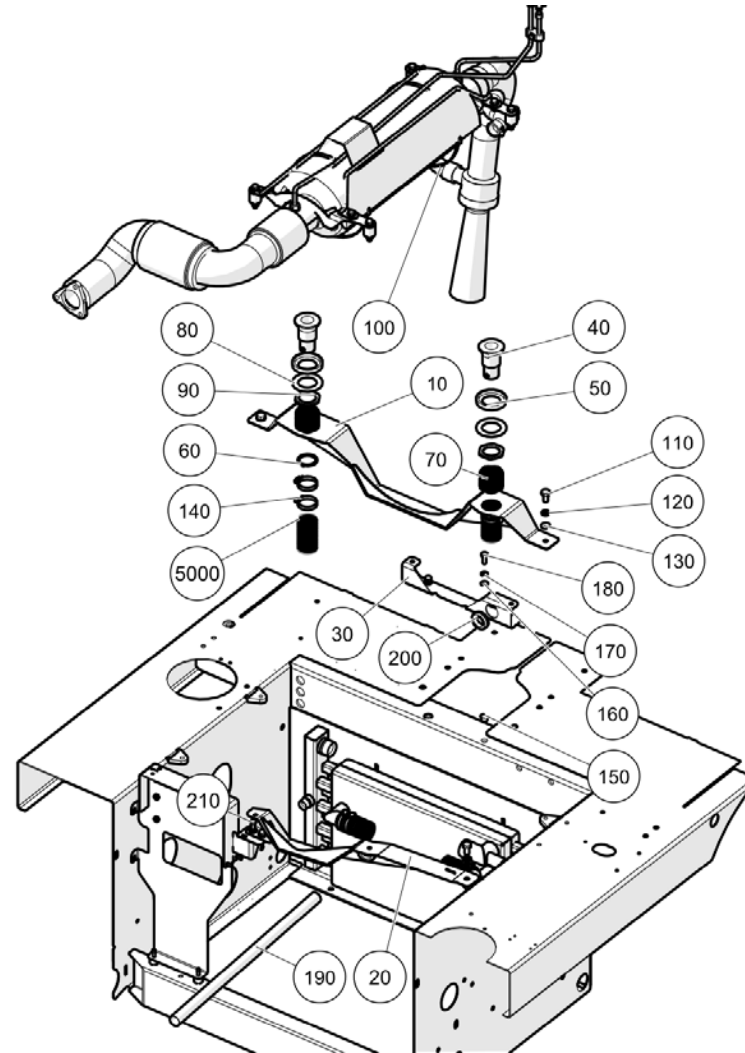
All Copyright and rights are the property of Johnston Sweepers Ltd.

Water Strainer - CW (7022982)
 Chassis Feature\Water Strainer - CW

Item no.	Part no.	Description	QTY	Unit
10	722799-1	Mount - Strainer, W/Assy	1	PC
20	6645-17-A	Clip - Exhaust Banelli 3 1/8"	2	PC
30	7017522	Hydrant Filler - 187 x 30	1	PC
40	667-31	Coupling-Stortz 2.5" BSP	1	PC
50	667-2	Cap - Stortz	1	PC
60	667-40	G1 1/4 Double Check&Drain Vlv.	1	PC
70	66-31	Elbow - Polypropelene	1	PC
80	66-22	Nipple G 1 1/4M x 2" M	1	PC
90	39402	Filter	1	PC
100	66-25	Adaptor-Poly. G 1 1/4" x 1 1/2" Hose Tail	1	PC
110	09531011-0	Hose Clip - Worm Drive (40-55)	4	PC
130	92097372-0	Hex Head Screw - M8Cx16 - 8.8	2	PC
140	93085805-0	Nyloc Hex Nut M8C - 8	2	PC
5000	260-27	Hose - Reinforced Water 1 1/2"	0.5	M

All Copyright and rights are the property of Johnston Sweepers Ltd.

Water Manifold Mount - CW (7021255)
Chassis Feature\Water Manifold Mount - CW

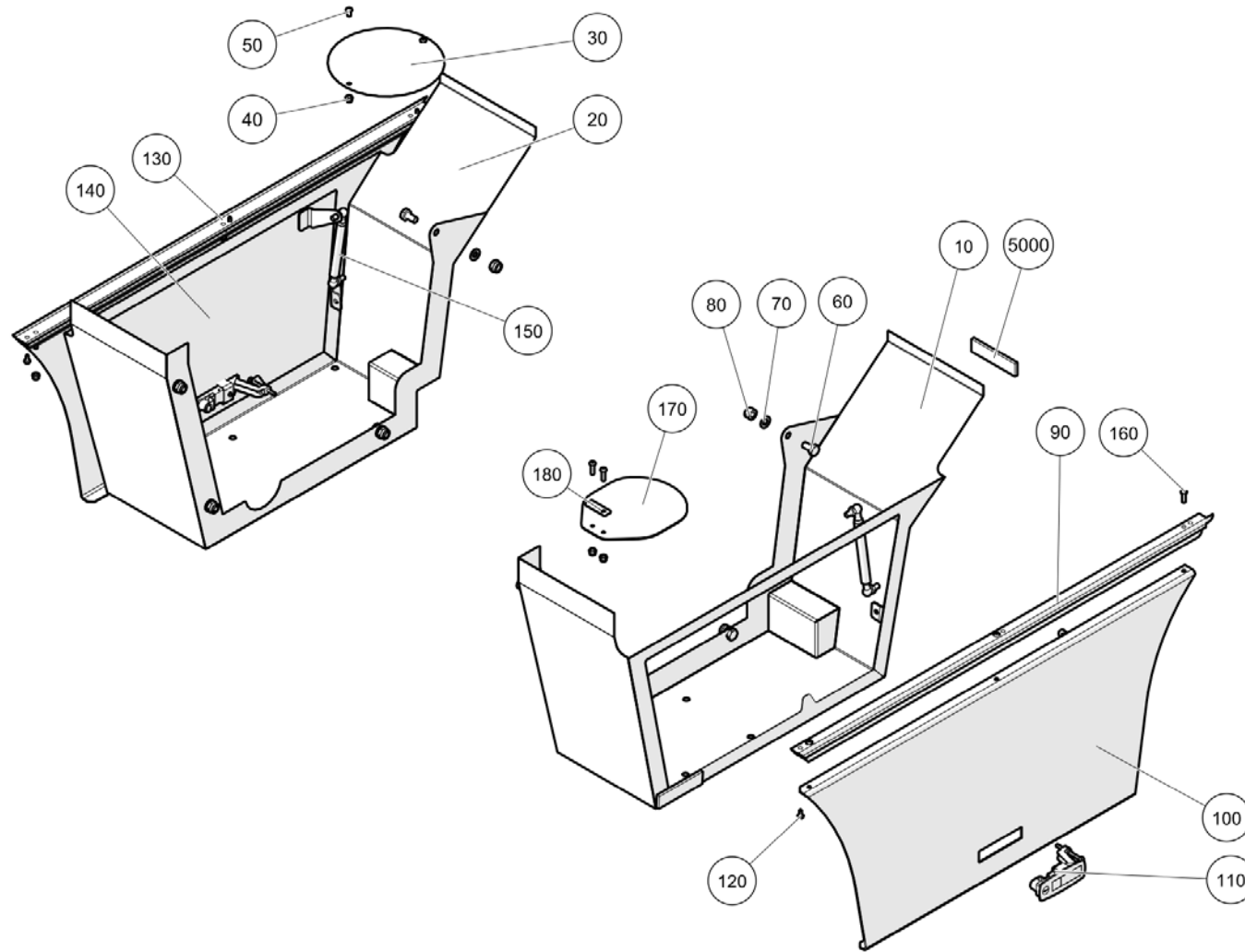


Water Manifold Mount - CW (7021255)
 Chassis Feature\Water Manifold Mount - CW

Item no.	Part no.	Description	QTY	Unit
10	7011081	Make and Break Cross Member W/A	1	PC
20	7021172	Crossmember - ECU/Node W/Assy	1	PC
30	7011096	DPF Front Mounting	1	PC
40	7011164	Valve Stem - Make and Break	2	PC
50	282765-1	Re-Circ Seal (Moulded)	2	PC
60	09500038-0	Circlips-External DIN471 38x1.85	2	PC
70	200174-1	Wave Spring	2	PC
80	282752-1	Seal Supt Water Re-Circ System	2	PC
90	700-540	Locknut - Plated Brass M40 1.5	2	PC
100	501-17	Hose Clip - Worm Drive (190-220)	2	PC
110	92097410-0	Hex Head Screw - M10Cx20 - 8.8	3	PC
120	93699711-0	Spring Washer - Plated M10	3	PC
130	93212012-0	Plain Washer M10	3	PC
140	501-5	Clip Hose Worm Drive 40-55mm	8	PC
150	433-120	Insert - M8, 3.8 to 7.9	2	PC
160	93212011-0	Plain Washer M8	4	PC
170	93699710-0	Spring Washer - Plated M8	4	PC
180	92097374-0	Hex Head Screw - M8Cx20 - 8.8	2	PC
190	7012708	Air Pipe	1	PC
200	287-68	Grommet - Ø 31.8 O/D, 25.4 I/D 3.2 Thick	2	PC
210	92097372-0	Hex Head Screw - M8Cx16 - 8.8	2	PC
5000	272-42	Clear Ducting 31.75mm (1 1/4") I/D x 10m	1.3	M

All Copyright and rights are the property of Johnston Sweepers Ltd.

Side Locker - CW (7021507)
Chassis Feature\Side Locker - CW



All Copyright and rights are the property of Johnston Sweepers Ltd.

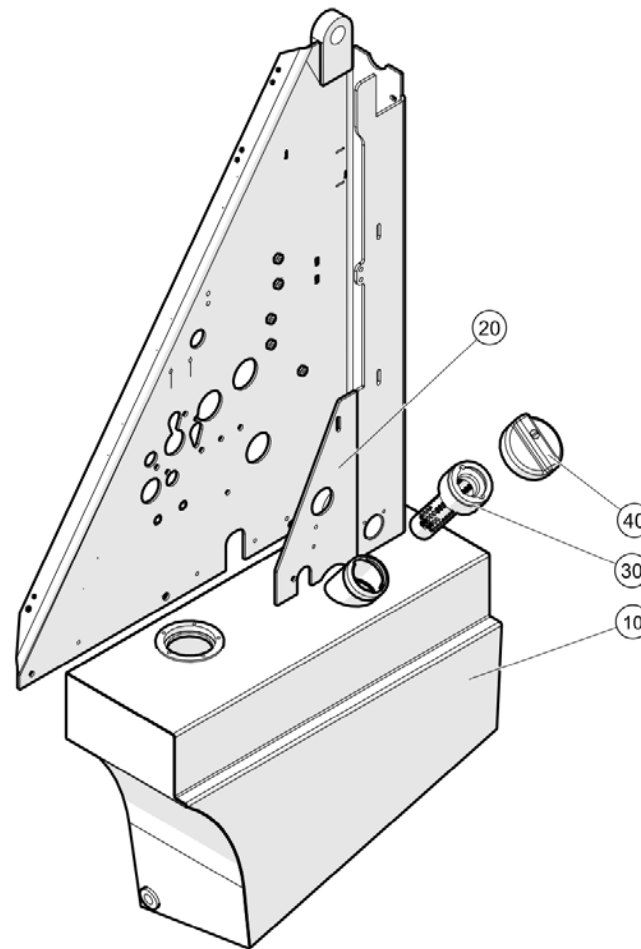
Side Locker - CW (7021507)
 Chassis Feature\Side Locker - CW

Item no.	Part no.	Description	QTY	Unit
10	7021509	Side Locker W/Assy LH	1	PC
20	7021520	Side Locker W/Assy RH	1	PC
30	72654-1	Plate-Cover (Without cut out)	1	PC
40	93085004-0	Nyloc Hex Nut M6C - 8	10	PC
50	92330033-0	Hex Skt Button Head Screw M6x12 - 10.9	2	PC
60	92097410-0	Hex Head Screw - M10Cx20 - 8.8	8	PC
70	93212012-0	Plain Washer M10	8	PC
80	93085806-0	Nyloc Hex Nut M10C - 8	8	PC
90	7022180	Hinge LH - Side Locker	1	PC
100	7022102	Door W/Assy LH	1	PC
110	211-40	Push Button Trigger Latch	2	PC
120	197-5	Screw-Self Tapping, No.10x1/2"	6	PC
130	7022189	Hinge RH - Side Locker	1	PC
140	7022103	Door W/Assy RH	1	PC
150	293-8	Spring - Gas	2	PC
160	92330035-0	Hex Skt Button Head Screw M6x20 - 10.9	8	PC
170	7023913	Flap - Water Filter	1	PC
180	742931-1	Plate - Clamping	1	PC
5000	217-35	Foam-Self Adhesive Black 25x6	3	PC

All Copyright and rights are the property of Johnston Sweepers Ltd.

Anti Siphon Filler (2096-1)
Chassis Options\Anti Siphon Filler

All Copyright and rights are the property of Johnston Sweepers Ltd.

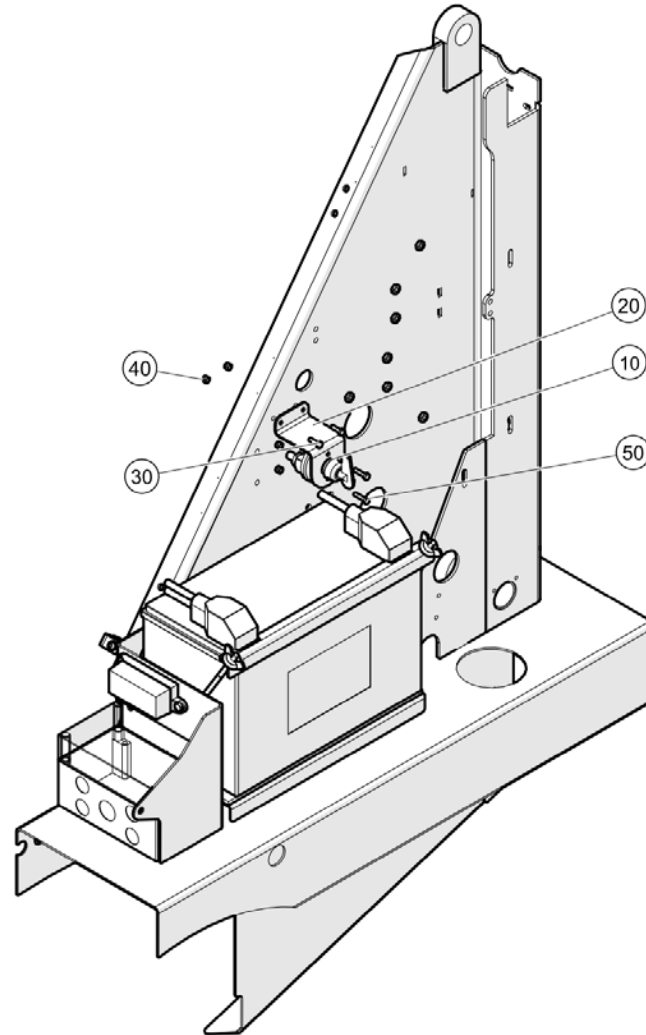


Anti Siphon Filler (2096-1)
Chassis Options\Anti Siphon Filler

Item no.	Part no.	Description	QTY	Unit
10	723011-1	Tank - Fuel, Anti Siphon	1	PC
20	723009-1	Gusset - Rear Upright(special)	1	PC
30	723008-1	Filter - Anti Syphon	1	PC
40	723008-2	Cap Locking	1	PC

Battery Isolator Installation (7025332)
Chassis Options\Battery Isolator Installation

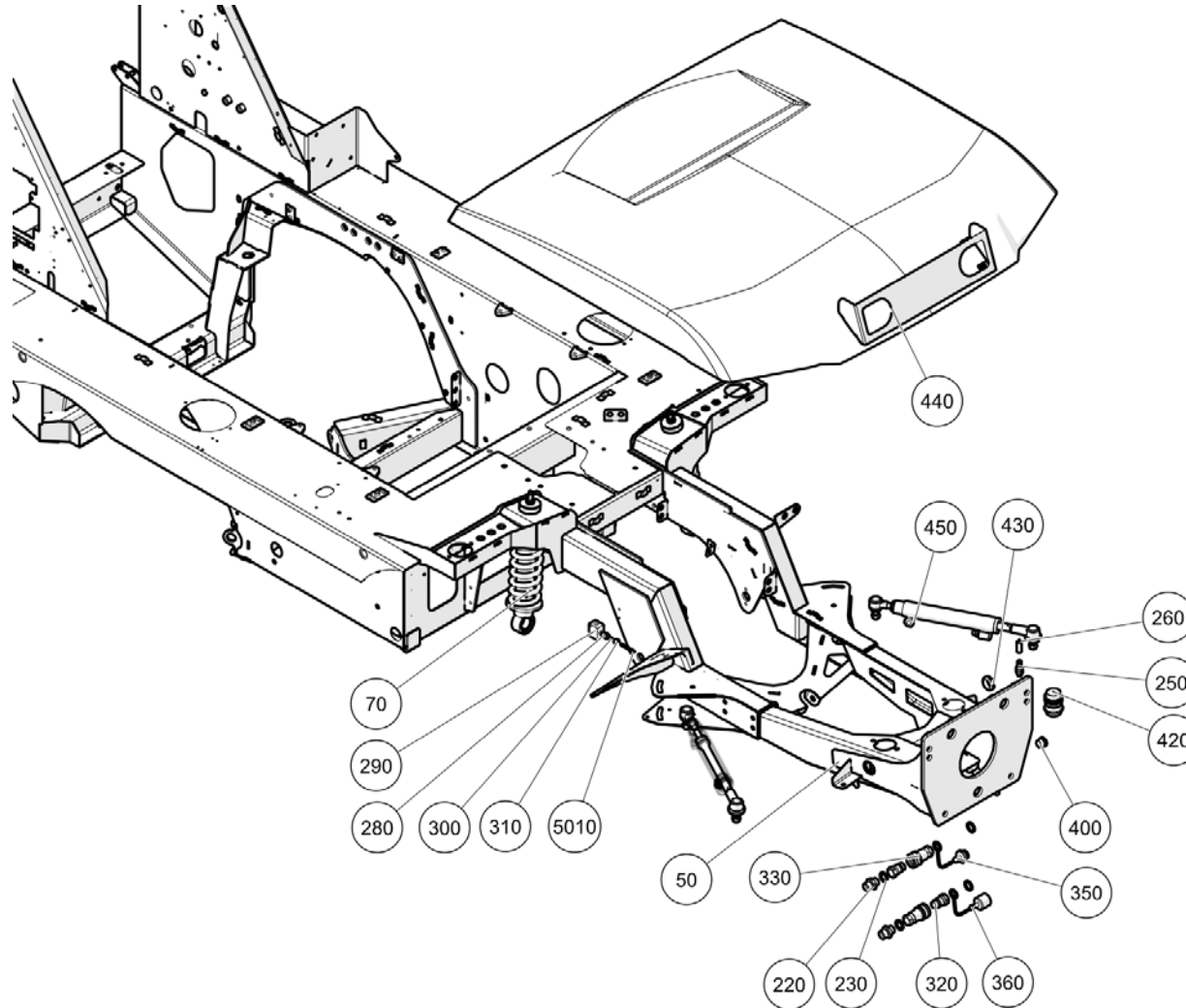
All Copyright and rights are the property of Johnston Sweepers Ltd.



Battery Isolator Installation (7025332)
Chassis Options\Battery Isolator Installation

Item no.	Part no.	Description	QTY	Unit
10	48-366	Isolator - Battery, 12V 100A	1	PC
20	722491-1	Bracket - Battery Isolator	1	PC
30	92097263-0	Hex Head Screw - M5Cx16 - 8.8	2	PC
40	93085003-0	Nyloc Hex Nut M5C - 8	4	PC
50	92097265-0	Hex Head Screw - M5Cx20 - 8.8	2	PC

3rd Brush Installation - Cab (7023159)
Chassis Options\3rd Brush Installation - Cab

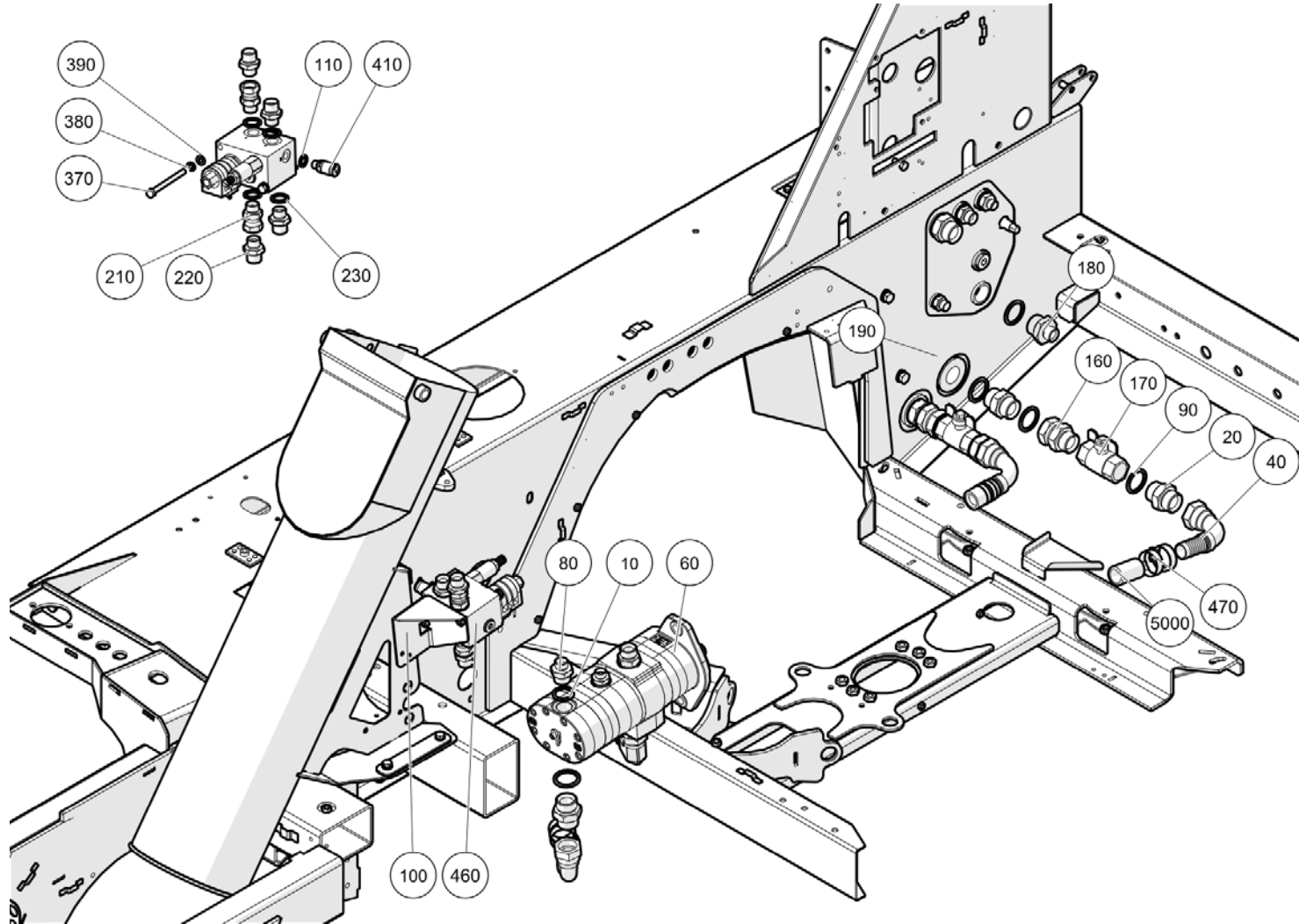


3rd Brush Installation - Cab (7023159)
 Chassis Options\3rd Brush Installation - Cab

Item no.	Part no.	Description	QTY	Unit
50	7004963	Nose cone Weld assembly	1	PC
70	7021114	Suspension Strut Assy- Front	2	PC
220	265-6	Adaptor Reducing M/M 1/2 x 5/8 BSP	2	PC
230	451-19	Washer - Bonded G1-2"	4	PC
250	09593570-0	Bulkhead Adaptor ND6 M14x1 KCE	1	PC
260	44-65	Push Fit Cap - Green 11mm Diameter	1	PC
280	516-10	Adaptor Straight 10 OD 1/4"BSP	1	PC
290	7005591	Manifold -Water system	1	PC
300	511-3	Olive - Tube 6mm O/D	1	PC
310	510-3	Nut - Tube 6mm O/D	1	PC
320	486-3	Coupling P/Brake Probe 1/2"	2	PC
330	486-13	Coupling P/Brake Carrier 1/2"F	2	PC
350	486-23	Dust Cap Carrier 1/2" Coupling	1	PC
360	486-33	Dust Cap Probe 1/2" Coupling	1	PC
400	09572135-0	Sealing Plug VS-R 1/2 WD	2	PC
420	710-340	Protective Cap for HDP24 Conn	1	PC
430	287-64	Grommet - Ø 31.8 O/D, 25.4 I/D 5.2 Thick	1	PC
440	7020143	Number Plate Mounting- 3rd Brush	1	PC
450	7025797	Brush Position Cylinder, 3rd Brush	2	PC
5010	12869	Tube - Nylon Black 6mm O/D	1.5	M

All Copyright and rights are the property of Johnston Sweepers Ltd.

3rd Brush Installation - Chassis (7023159)
Chassis Options\3rd Brush Installation - Chassis



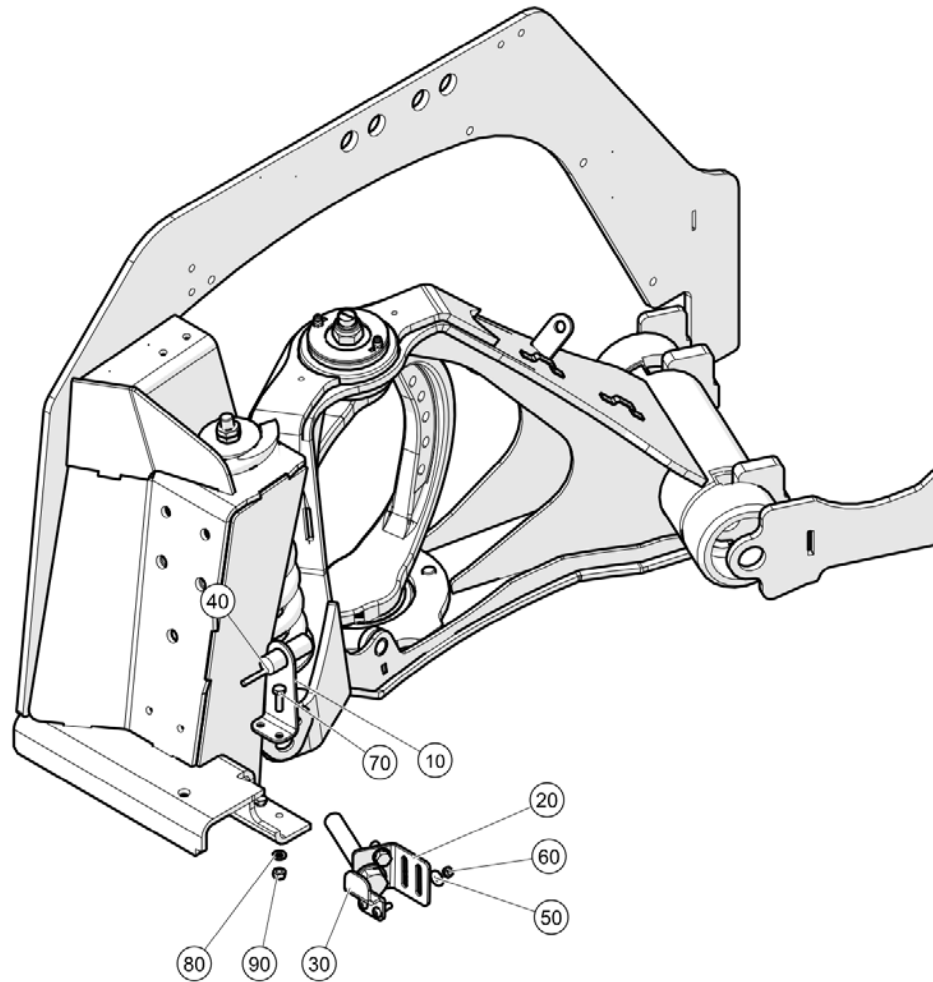
All Copyright and rights are the property of Johnston Sweepers Ltd.

3rd Brush Installation - Chassis (7023159)
 Chassis Options\3rd Brush Installation - Chassis

Item no.	Part no.	Description	QTY	Unit
10	451-21	Washer Bonded G3-4"	1	PC
20	263-7	Adaptor M/M 1 BSP	3	PC
40	277-99	Adaptor - Swept Elbow	2	PC
60	7021990	Auxiliary Equipment Pump- Cast Iron	1	PC
80	265-7	Adaptor Reducing M/M 1/2 x 3/4 BSP	1	PC
90	451-22	Washer Bonded G1"	5	PC
100	7026290	Bracket W/Assy - Primary Block	1	PC
110	451-17	Washer Bonded G1-4"	1	PC
160	267-7	Adaptor - Equal M/F Swivel 1 BSP	1	PC
170	89-3	Ball Valve - Full Flow Type	1	PC
180	265-18	Adaptor Reducing M/M 5/8 x 1 BSP	1	PC
190	15856	Filter	1	PC
210	267-4	Adaptor - Equal M/F Swivel 1/2 BSP	2	PC
220	265-6	Adaptor Reducing M/M 1/2 x 5/8 BSP	4	PC
230	451-19	Washer - Bonded G1-2"	4	PC
370	92067393-0	Hex Head Bolt - M8Cx90 - 8.8	2	PC
380	93699710-0	Spring Washer - Plated M8	2	PC
390	93212011-0	Plain Washer M8	2	PC
410	665-18	Test Coupling SMK20 - G1/4 Type B	1	PC
460	7026936	Hydraulic Block-Primary	1	PC
470	09531009-0	Hose Clip - Worm Drive (30-40)	4	PC
5000	260-16	Hose - Hydraulic 1" Bore	1.65	M

All Copyright and rights are the property of Johnston Sweepers Ltd.

Weight Load Indicator (7020173)
Chassis Options\Weight Load Indicator

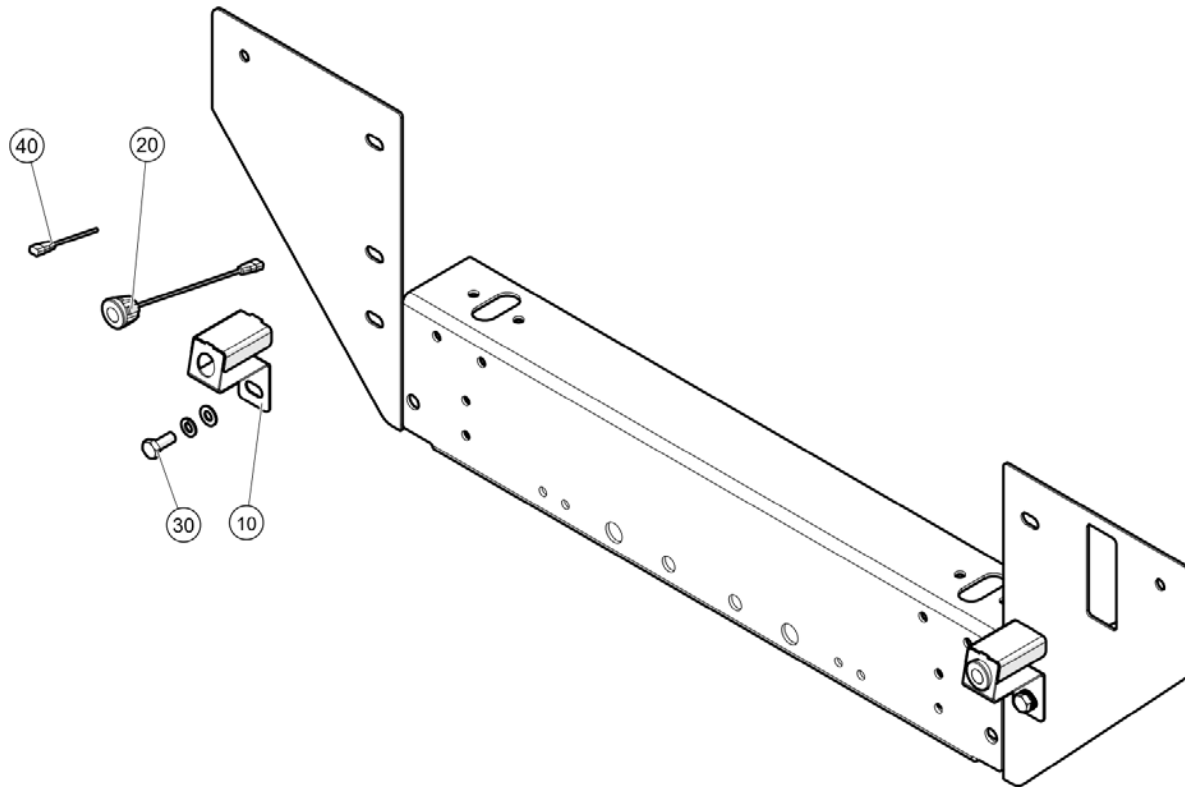


All Copyright and rights are the property of Johnston Sweepers Ltd.

Weight Load Indicator (7020173)
Chassis Options\Weight Load Indicator

Item no.	Part no.	Description	QTY	Unit
10	7019786	Mounting Bracket, Proximity Sensor	1	PC
20	7019760	Mount, Sensor Activating	1	PC
30	7019791	Proximity Activator W/Assy	1	PC
40	7013996	Proximity Sensor Assy, PNP	1	PC
50	93300506-0	Plain Large Washer M5	2	PC
60	93085003-0	Nyloc Hex Nut M5C - 8	2	PC
70	92097301-0	Hex Head Screw - M6Cx20 - 8.8	2	PC
80	93212009-0	Plain Washer M6	2	PC
90	93085004-0	Nyloc Hex Nut M6C - 8	2	PC
5000	7014775	Harness, Axle Load	1	PC

Rear Parking Sensors (7008441)
Chassis Options\Rear Parking Sensors



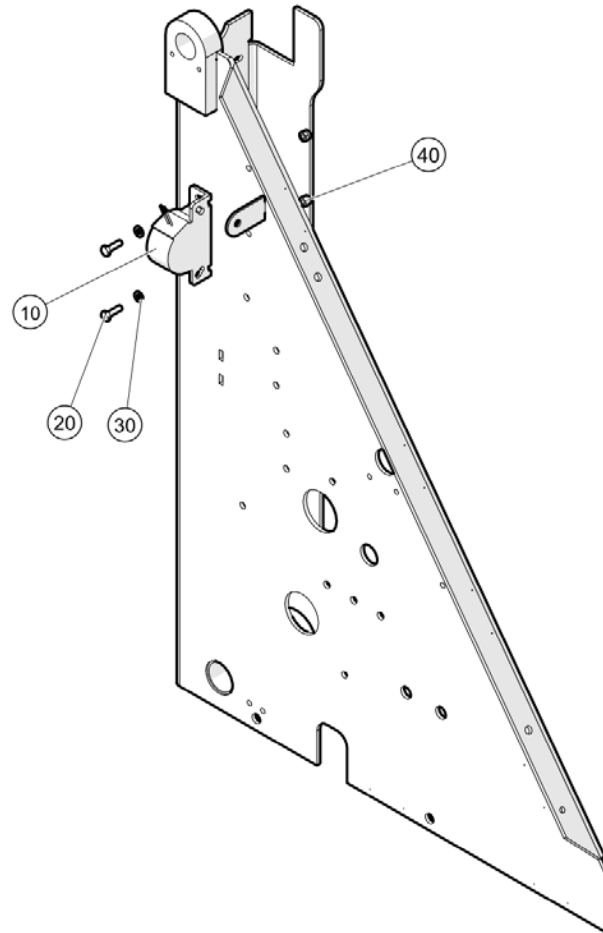
All Copyright and rights are the property of Johnston Sweepers Ltd.

Rear Parking Sensors (7008441)
Chassis Options\Rear Parking Sensors

Item no.	Part no.	Description	QTY	Unit
10	7008408	Sensor mount Weld assembly	2	PC
20	724-3	Reverse Parking Sensor Kit	1	PC
30	92097412-0	Hex Head Screw - M10Cx25 - 8.8	2	PC
40	724-5	Reverse Sensor Extn Cable 4.5m	2	PC

All Copyright and rights are the property of Johnston Sweepers Ltd.

All Copyright and rights are the property of Johnston Sweepers Ltd.

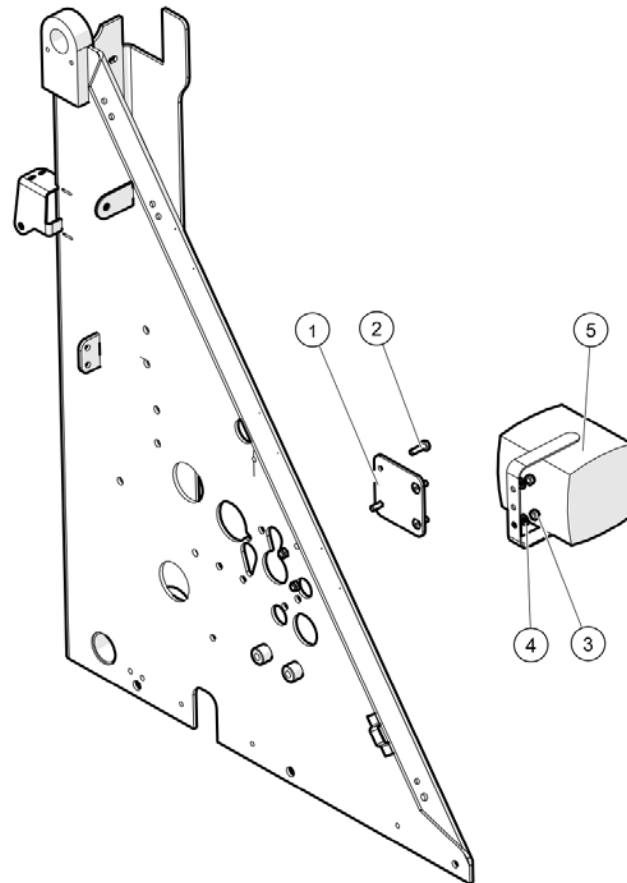


White Noise RAWD (7028335)
Chassis Options\White Noise RAWD

Item no.	Part no.	Description	QTY	Unit
10	724-1	Back Alarm 12-24v White Noise	1	PC
20	92097301-0	Hex Head Screw - M6Cx20 - 8.8	2	PC
30	93212009-0	Plain Washer M6	2	PC
40	93085004-0	Nyloc Hex Nut M6C - 8	2	PC

Big Mouth Senior RAWD (2026-51)
Chassis Options\Big Mouth Senior RAWD

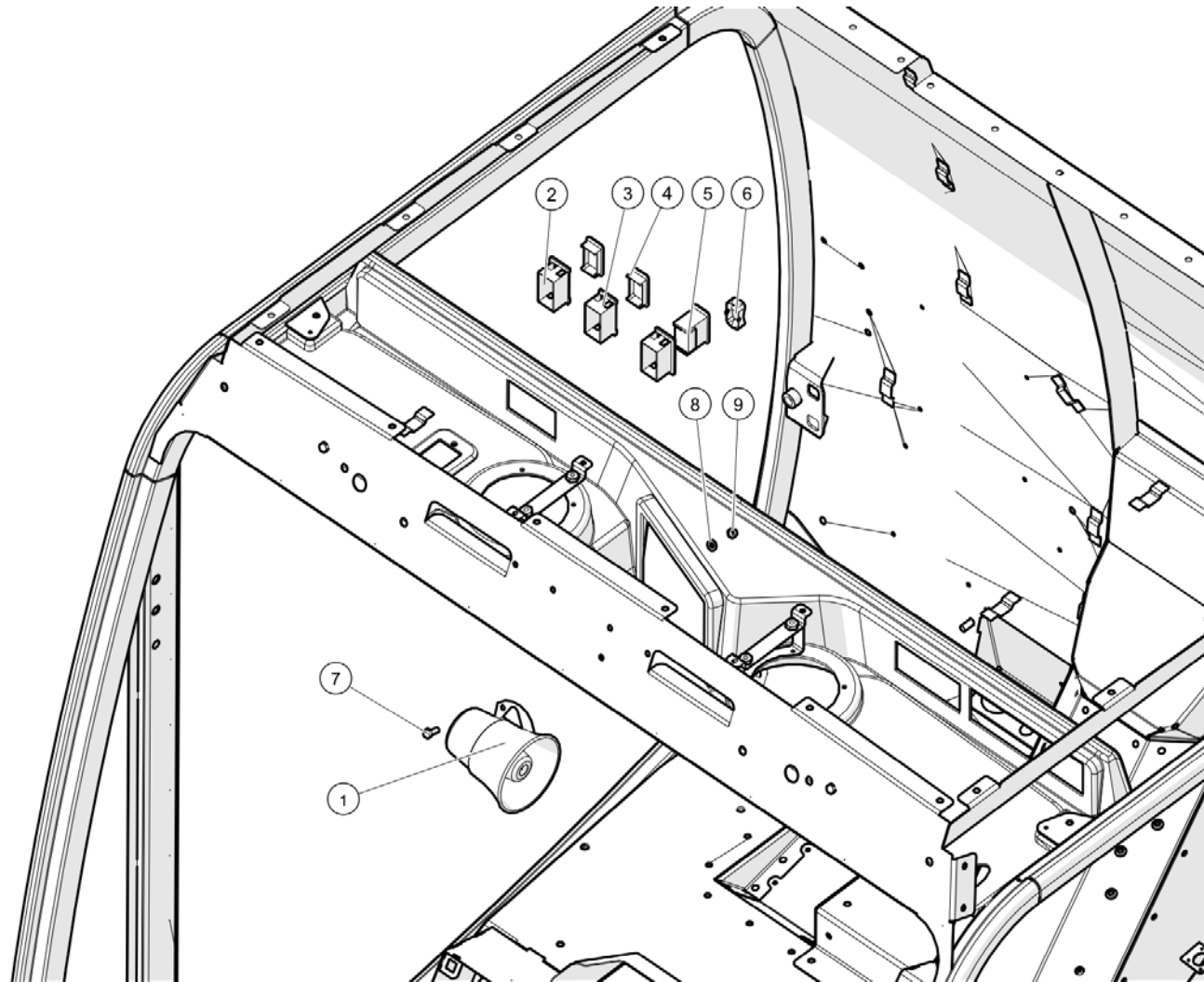
All Copyright and rights are the property of Johnston Sweepers Ltd.



Big Mouth Senior RAWD (2026-51)
Chassis Options\Big Mouth Senior RAWD

Item no.	Part no.	Description	QTY	Unit
1	722813-1	Bracket - Sensor, Bigmouth W/A	1	PC
2	124-103	Setscrew M6C x 20	2	PC
3	425-13	Nut Nyloc Hex M6C	4	PC
4	455-8	Washer Plain Plated Steel M6	2	PC
5	654-61	R.A.W.D. Big Mouth (Senior)	1	PC

Forward Travel Warning Bleeper (2026-4)
Chassis Options\Forward Travel Warning Bleeper



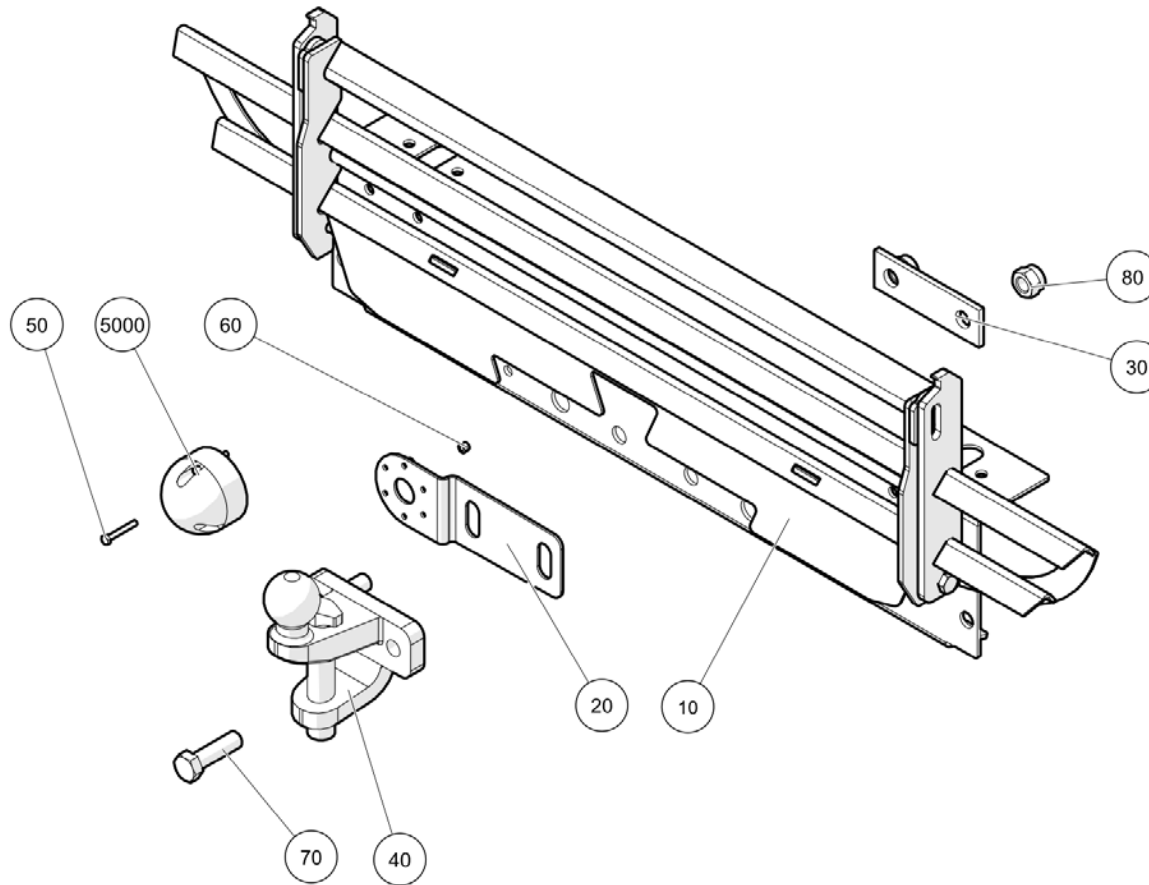
All Copyright and rights are the property of Johnston Sweepers Ltd.

Forward Travel Warning Bleeper (2026-4)
Chassis Options\Forward Travel Warning Bleeper

Item no.	Part no.	Description	QTY	Unit
1	724-2	Forward Motion Alarm	1	PC
2	735-70	Bezel - Mounting End Piece	2	PC
3	735-71	Bezel - Mounting Centre Piece	1	PC
4	735-60	Plug - Blanking	2	PC
5	735-6	Switch-2 Position, Detent 12V	1	PC
6	735-135	Cover-Rocker Fwd Motion Alarm	1	PC
7	124-102	Setscrew M6C x 16	2	PC
8	455-8	Washer Plain Plated Steel M6	2	PC
9	425-13	Nut Nyloc Hex M6C	2	PC

Rear Tow Hitch (7026969)
Chassis Options\Rear Tow Hitch

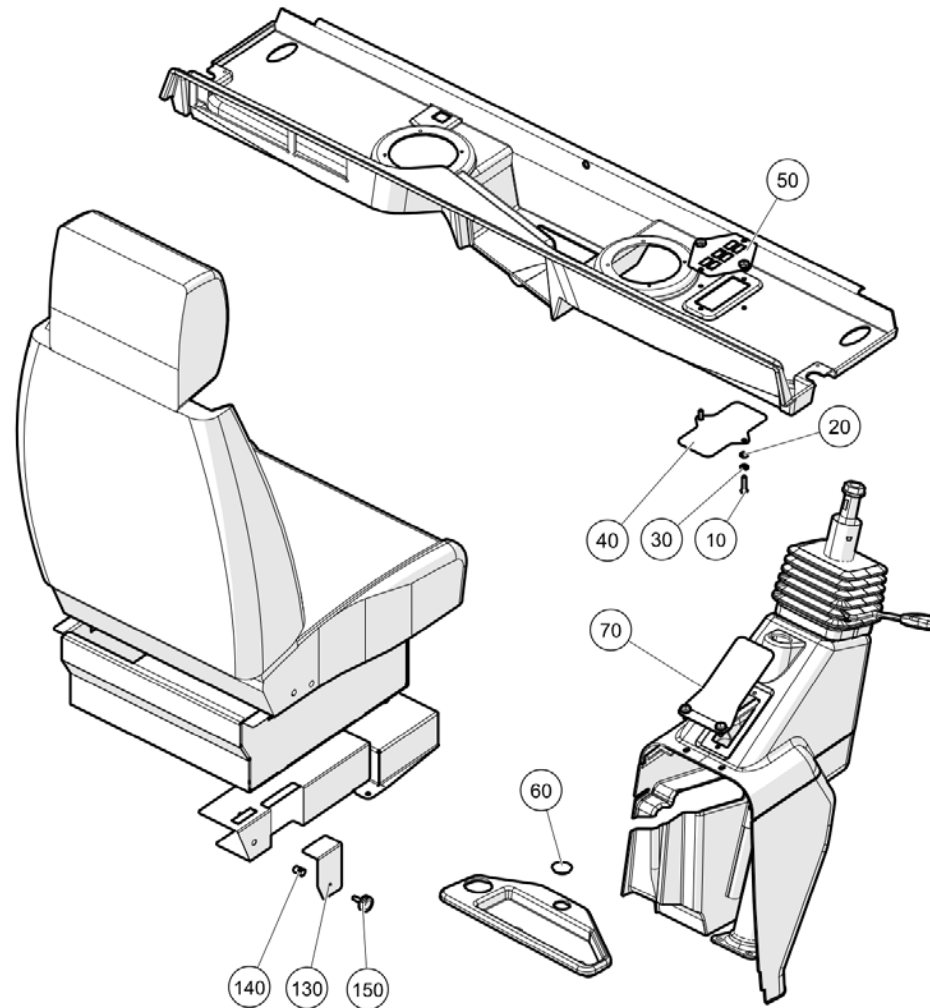
All Copyright and rights are the property of Johnston Sweepers Ltd.



Rear Tow Hitch (7026969)
Chassis Options\Rear Tow Hitch

Item no.	Part no.	Description	QTY	Unit
10	7008503	Rear panel Weld assembly	1	PC
20	720088-1	Plate - Mtg. Trailer Socket	1	PC
30	71570-1	Strong Back	1	PC
40	71253-1	Trailer Coupling Universal	1	PC
50	123-60	Bolt M Coarse M5x35	3	PC
60	93085003-0	Nyloc Hex Nut M5C - 8	3	PC
70	123-183	Bolt M Coarse M16x55 BS3692	2	PC
80	93085009-0	Nyloc Hex Nut M16C - 8	2	PC
5000	7026449	Harness, Trailer - C201	1	PC

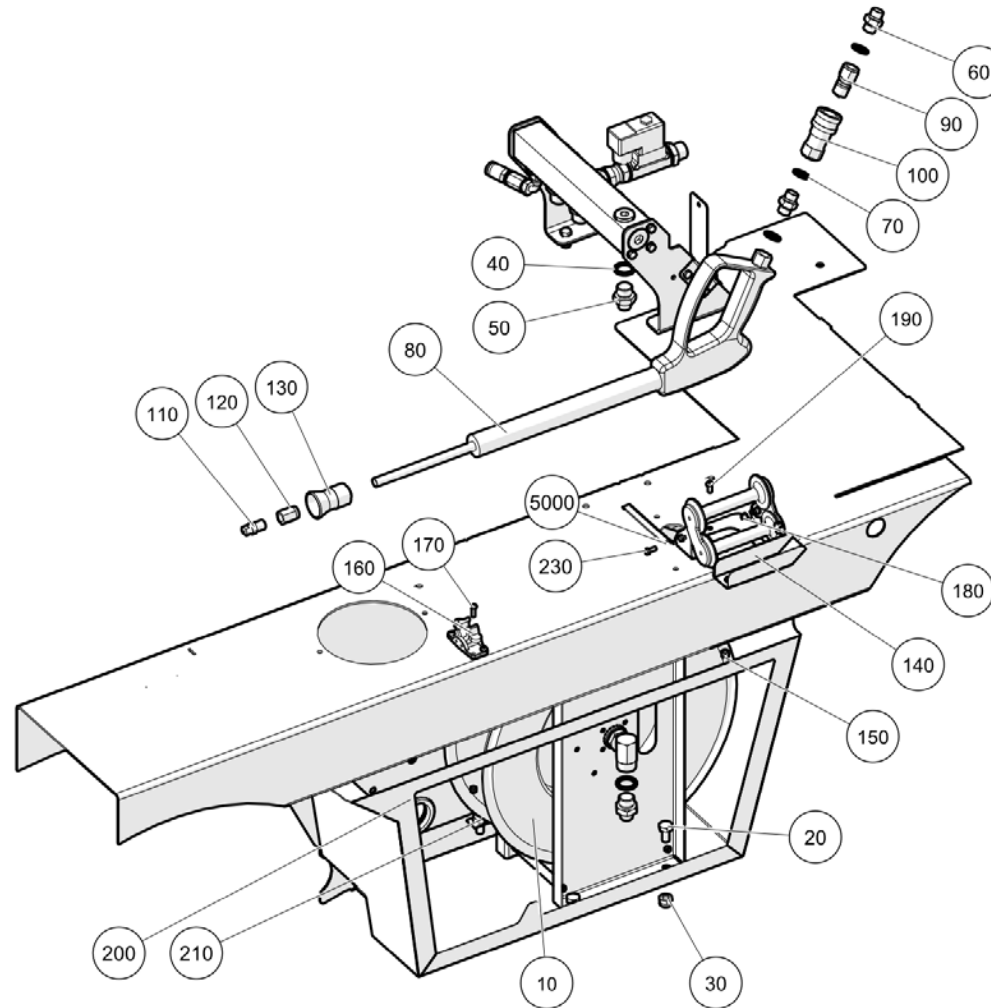
Anti-Tamper Kit Installation (7019871)
Chassis Options\Anti-Tamper Kit Installation



Anti-Tamper Kit Installation (7019871)
Chassis Options\Anti-Tamper Kit Installation

Item no.	Part no.	Description	QTY	Unit
10	92330036-0	Hex Skt Button Head Screw M6x25 - 10.9	2	PC
20	93212009-0	Plain Washer M6	2	PC
30	93699708-0	Spring Washer - Plated M6	2	PC
40	722917-1	Cover - Fuse, Overhead	1	PC
50	722933-1	Plate - Mounting, Fuse W/Assy	1	PC
60	288-35	Grommet - Blind 24.2 O/D x 2.4	1	PC
70	722916-1	Cover - Fuse, Steering Column	1	PC
130	7028793	Anti-Tamper OBD Cover	1	PC
140	433-104	Insert, Small Hd, M6, 0.7-4.2, Open, MS	1	PC
150	23-12	Thumbscrew - M6x15	1	PC

Hosereel Installation - CW (7022465)
Chassis Options\Hosereel Installation - CW

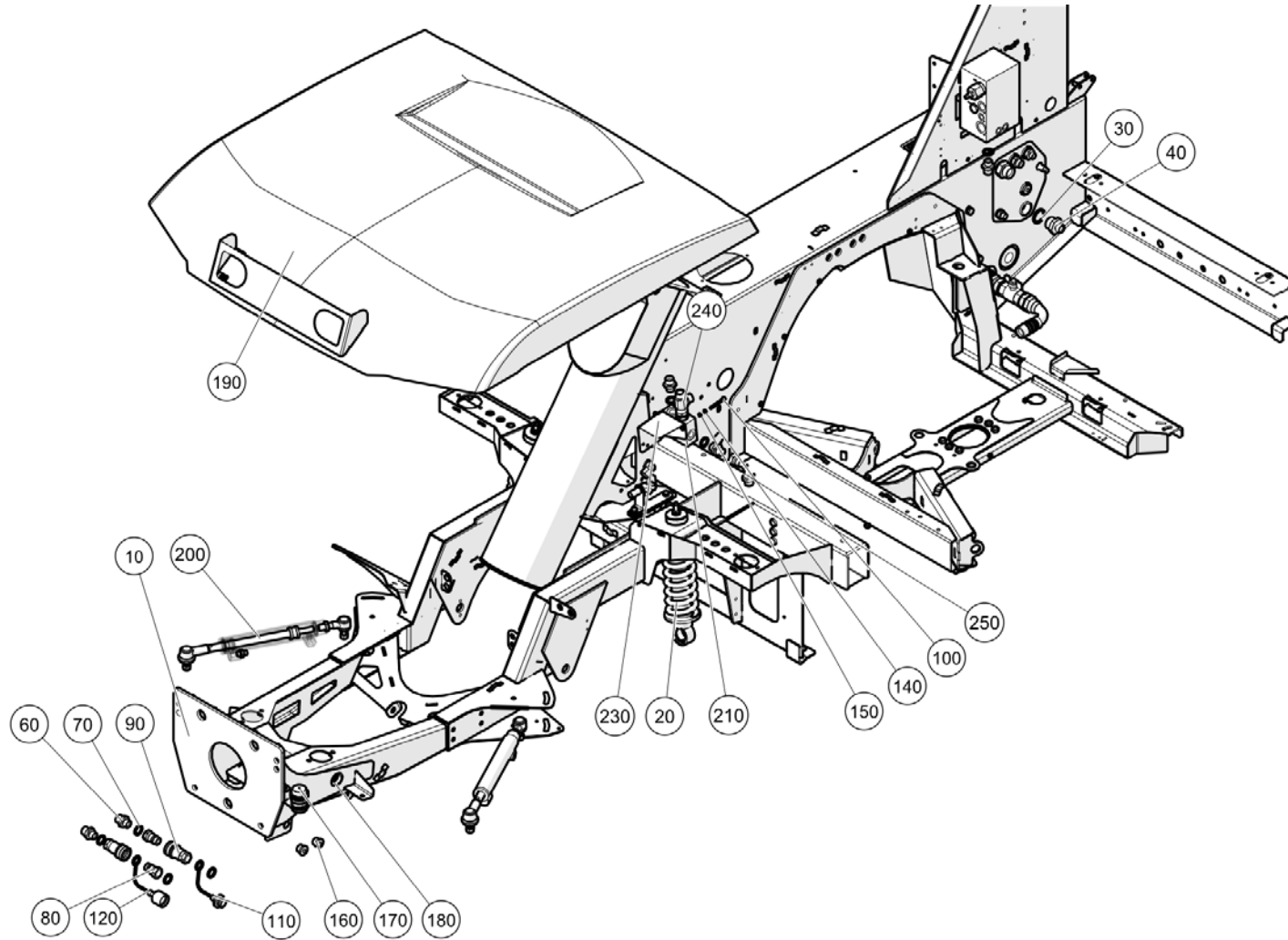


Hosereel Installation - CW (7022465)
 Chassis Options\Hosereel Installation - CW

Item no.	Part no.	Description	QTY	Unit
10	667-49	Hose Reel 15 Metre Coil	1	PC
20	92097410-0	Hex Head Screw - M10Cx20 - 8.8	2	PC
30	93085806-0	Nyloc Hex Nut M10C - 8	4	PC
40	451-19	Washer - Bonded G1-2"	2	PC
50	265-4	Adaptor Reducing M/M 3/8 x 1/2 BSP	2	PC
60	263-3	Adaptor M/M 3/8 BSP	2	PC
70	451-18	Washer Bonded G3/8"	3	PC
80	21-320	Speck Star Jetting Gun	1	PC
90	486-8	Coupling P/Brake Probe 3/8 Brass	1	PC
100	486-18	Coupling P/Brake Carrier 3/8"	1	PC
110	21-321	Nozzle - 25° Spray Pattern	1	PC
120	21-323	Nozzle - Ferrule	1	PC
130	21-324	Nozzle - Protector	1	PC
140	7024003	Bracket W/Assy Jetting/Hose Reel	1	PC
150	93085004-0	Nyloc Hex Nut M6C - 8	3	PC
160	436-1	Catch - Retaining Plastic	1	PC
170	92330009-0	Hex Skt Button Head Screw M5x16 - 10.9	4	PC
180	93085003-0	Nyloc Hex Nut M5C - 8	8	PC
190	92330033-0	Hex Skt Button Head Screw M6x12 - 10.9	3	PC
200	287-62	Grommet - Ø 50.8 O/D, 44.4 I/D 4.8 Thick	1	PC
210	7024023	Plate W/Assy - Hose Reel	1	PC
230	92097262-0	Hex Head Screw - M5Cx12 - 8.8	4	PC
5000	6849	Titanfast-Black	0.15	M

All Copyright and rights are the property of Johnston Sweepers Ltd.

Winter Equipment Installation (7026291)
Chassis Options\Winter Equipment Installation



All Copyright and rights are the property of Johnston Sweepers Ltd.

Winter Equipment Installation (7026291)
 Chassis Options\Winter Equipment Installation

Item no.	Part no.	Description	QTY	Unit
10	7004963	Nose cone Weld assembly	1	PC
20	7021114	Suspension Strut Assy- Front	2	PC
30	451-22	Washer Bonded G1"	1	PC
40	265-18	Adaptor Reducing M/M 5/8 x 1 BSP	1	PC
60	265-6	Adaptor Reducing M/M 1/2 x 5/8 BSP	6	PC
70	451-19	Washer - Bonded G1-2"	8	PC
80	486-3	Coupling P/Brake Probe 1/2"	2	PC
90	486-13	Coupling P/Brake Carrier 1/2"F	2	PC
100	92097309-0	Hex Head Screw - M6Cx50 - 8.8	2	PC
110	486-23	Dust Cap Carrier 1/2" Coupling	1	PC
120	486-33	Dust Cap Probe 1/2" Coupling	1	PC
140	93699708-0	Spring Washer - Plated M6	2	PC
150	93212009-0	Plain Washer M6	2	PC
160	09572135-0	Sealing Plug VS-R 1/2 WD	2	PC
170	710-340	Protective Cap for HDP24 Conn	1	PC
180	287-64	Grommet - Ø 31.8 O/D, 25.4 I/D 5.2 Thick	1	PC
190	7020143	Number Plate Mounting- 3rd Brush	1	PC
200	7025797	Brush Position Cylinder, 3rd Brush	2	PC
210	70625-1	Regulator - Flow	1	PC
230	7029594	Bracket W/Assy- Front Flow Reg	1	PC
240	255-14	Tee - M/Swivel Female/M Branch 5/8 BSP	1	PC
250	242-56	Elbow 90° 5/8 BSP M x 5/8 BSP Swivel F	1	PC

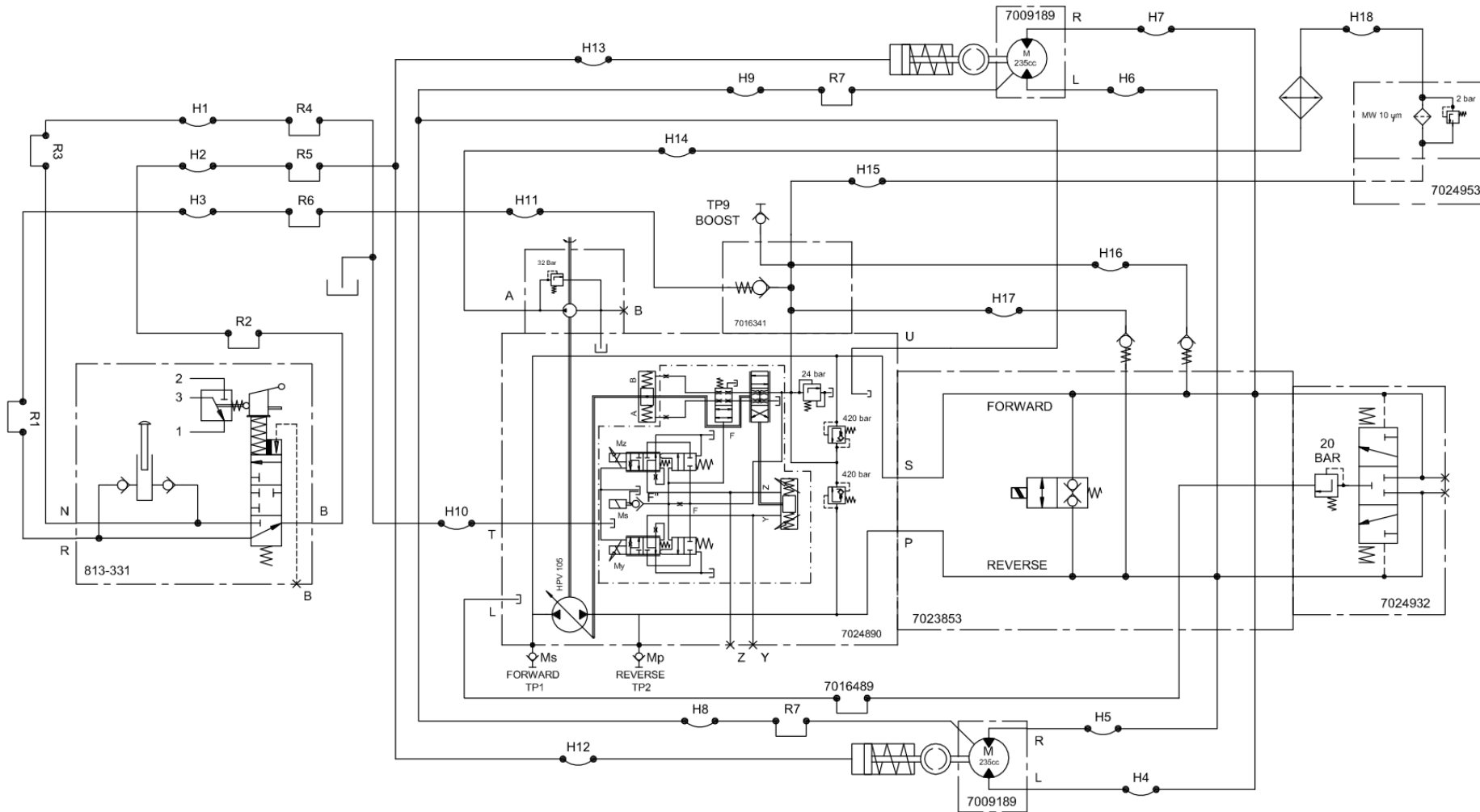
All Copyright and rights are the property of Johnston Sweepers Ltd.

High Pressure Boost Transmission Circuit (7024989)
 Engine Feature\High Pressure Boost Transmission Circuit

Item no.	Part no.	Description	QTY	Unit
H1	HR1SC06051-58-280	Hose - Hyd 90 Swept x 90 Swept	1	PC
H2	HR1SC06051-61-280	Hose - Hyd 90 Swept x 90 Swept	1	PC
H3	HR1SC06051-64-280	Hose - Hyd 90 Swept x 90 Swept	1	PC
H4	HN12048-57-90	Hose - Envirofluid 3/4" 90s x SAE 45s	1	PC
H5	HN12048-65-160	Hose - Envirofluid 3/4" 90s x SAE 45s	1	PC
H6	HN12048-65-200	Hose - Envirofluid 3/4" 90s x SAE 45s	1	PC
H7	HN12048-57-270	Hose - Envirofluid 3/4" 90s x SAE 45s	1	PC
H8	HR1SC10051-85-135	Hose - Hyd 90 Swept x 90 Swept	1	PC
H9	HR1SC10027-67	Hose - Hyd 45 Swept x 90 Swept	1	PC
H10	HR1SC06027-87-180	Hose - Hyd 45 Swept x 90 Swept	1	PC
H11	HR1SC06051-38-180	Hose - Hyd 45 Swept x 90 Swept	1	PC
H12	HL04043-55-90	Hose - Megatuff, 1/4" 90s x 90s	1	PC
H13	HR1SC06002-107	Hose - Hyd Straight x 90 Swept	1	PC
H14	HP12001-130	Hose - Hyd Straight x 45 Swept	1	PC
H15	HP12044-87	Hose - Megatuff 3/4" 90s x 90c	1	PC
H17	HR1SC10027-53-300	Hose - Hyd 45 Swept x 90 Swept	1	PC
H18	HP12043-104-90	Hose - Megatuff, 3/4" 90s x 90s	1	PC
R1	7008174	Pipe -Braking system 1	1	PC
R2	7008175	Pipe -Braking system 2	1	PC
R3	7008176	Pipe -Braking system 3	1	PC
R4	7013820	Pipe, Braking System 4	1	PC
R5	7013821	Pipe, Braking System 5	1	PC
R6	7013822	Pipe, Braking System 6	1	PC
R7	7015479	Pipe- Wheel Motor Case Drain	1	PC

All Copyright and rights are the property of Johnston Sweepers Ltd.

High Pressure Boost Transmission Circuit (7024989)
 Engine Feature\High Pressure Boost Transmission Circuit



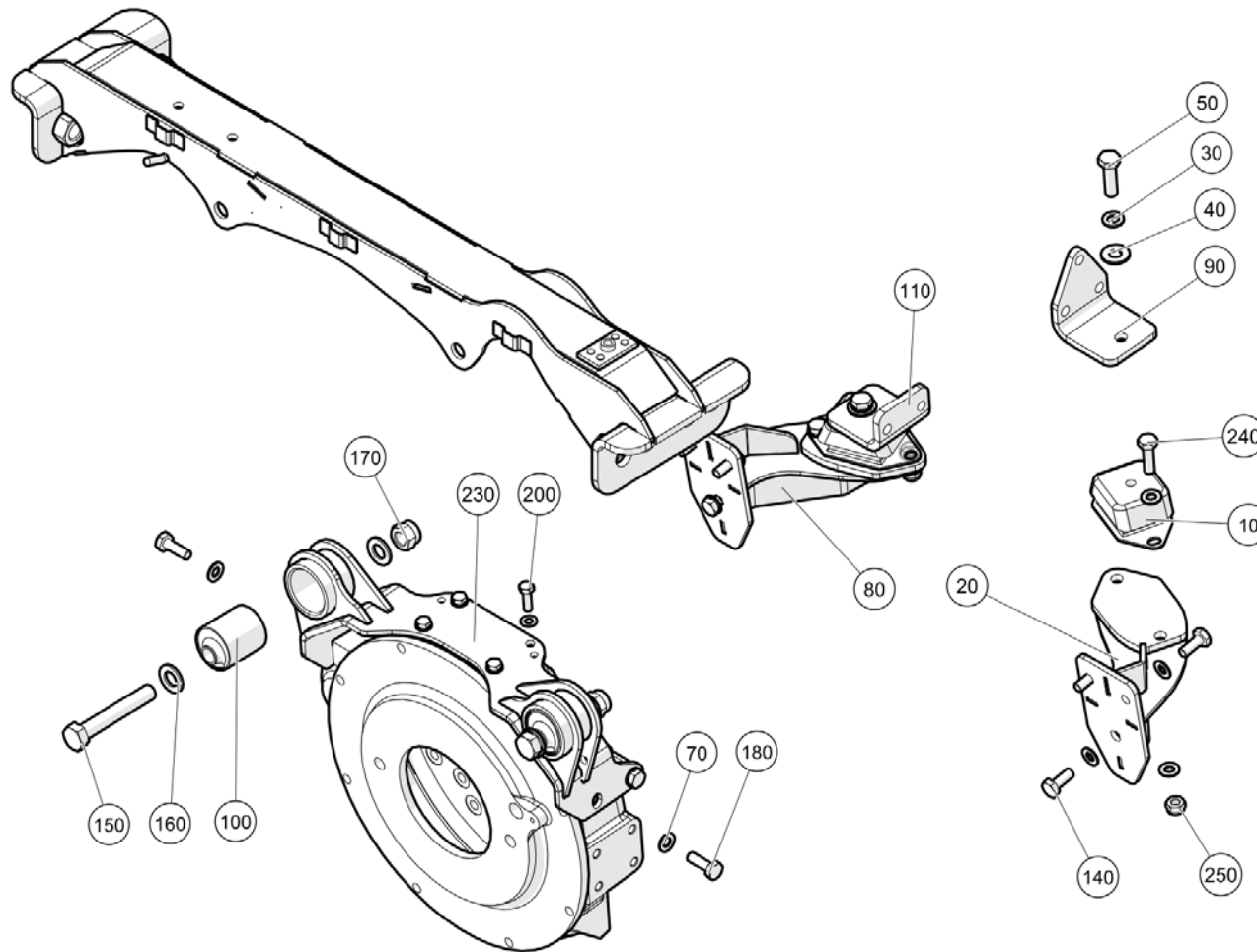
All Copyright and rights are the property of Johnston Sweepers Ltd.

High Pressure Boost Transmission Circuit (7024989)
Engine Feature\High Pressure Boost Transmission Circuit

Item no.	Part no.	Description	QTY	Unit
H16	HR1SC10027-31-280	Hose - Hyd 45 Swept x 90 Swept	1	PC

All Copyright and rights are the property of Johnston Sweepers Ltd.

Engine Mounting (7008374)
Engine Feature\Engine Mounting



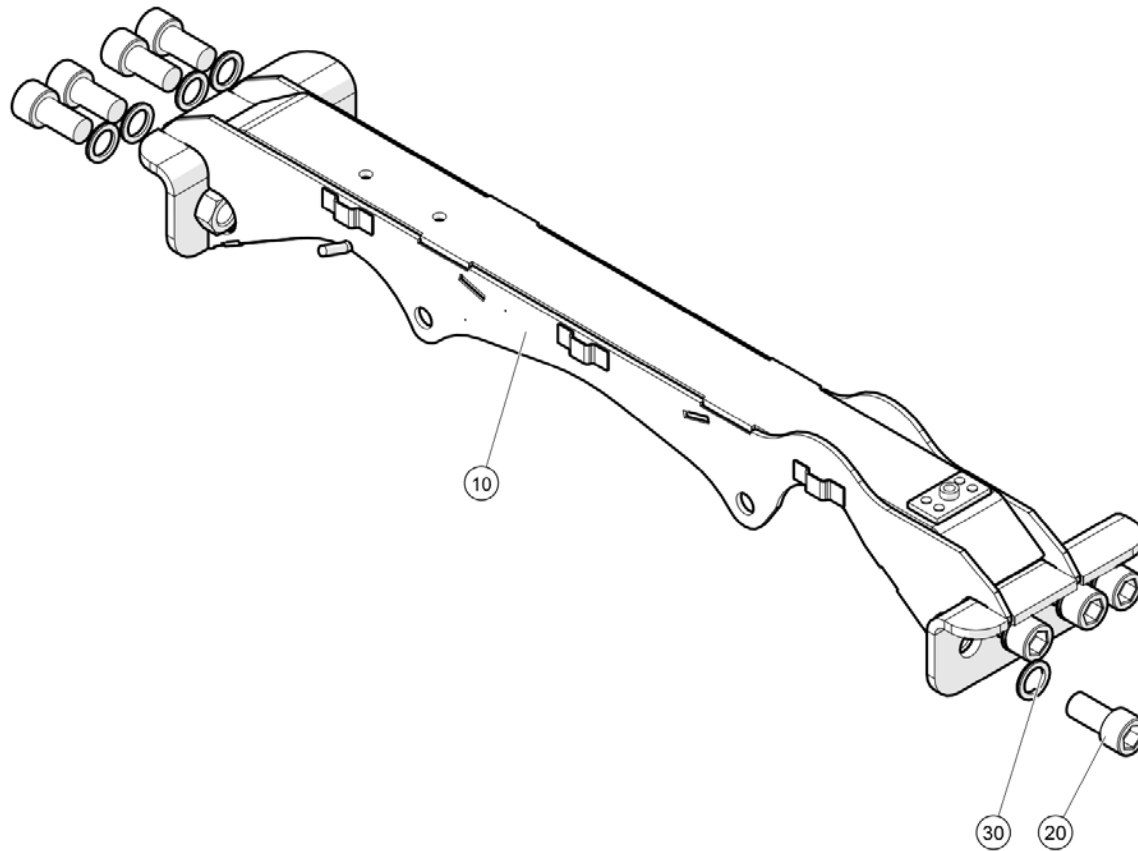
All Copyright and rights are the property of Johnston Sweepers Ltd.

Engine Mounting (7008374)
 Engine Feature\Engine Mounting

Item no.	Part no.	Description	QTY	Unit
10	290-10	Mounting-Flexible Cushy Float	2	PC
20	7008544	Engine mount Rear LH C201	1	PC
30	93699712-0	Spring Washer - Plated M12	2	PC
40	450-10	Washer Plain 7/16	2	PC
50	92097452-0	Hex Head Screw - M12Cx40 - 8.8	2	PC
70	93212012-0	Plain Washer M10	17	PC
80	7008545	Engine mount Rear RH W/Assy C201	1	PC
90	7009119	Engine mount Rear LH Side 4WS	1	PC
100	290-100	Metaxentric Bush 50.8mm Diameter	2	PC
110	7009181	Engine mount Rear RH Side	1	PC
140	92097412-0	Hex Head Screw - M10Cx25 - 8.8	6	PC
150	92067543-0	Hex Head Bolt - M16x100C - 8.8	2	PC
160	93210523-0	Plain Washer M16	4	PC
170	93085009-0	Nyloc Hex Nut M16C - 8	2	PC
180	92097414-0	Hex Head Screw - M10Cx30 - 8.8	3	PC
190	93212011-0	Plain Washer M8	4	PC
200	92097376-0	Hex Head Screw - M8Cx25 - 8.8	4	PC
230	7021578	Engine Mount Front W/Assy	1	PC
240	92097415-0	Hex Head Screw - M10Cx35 - 8.8	4	PC
250	93085006-0	Nyloc Hex Thin Nut M10C - 8	4	PC

All Copyright and rights are the property of Johnston Sweepers Ltd.

Chassis Cross Brace (7011926)
Engine Feature\Chassis Cross Brace

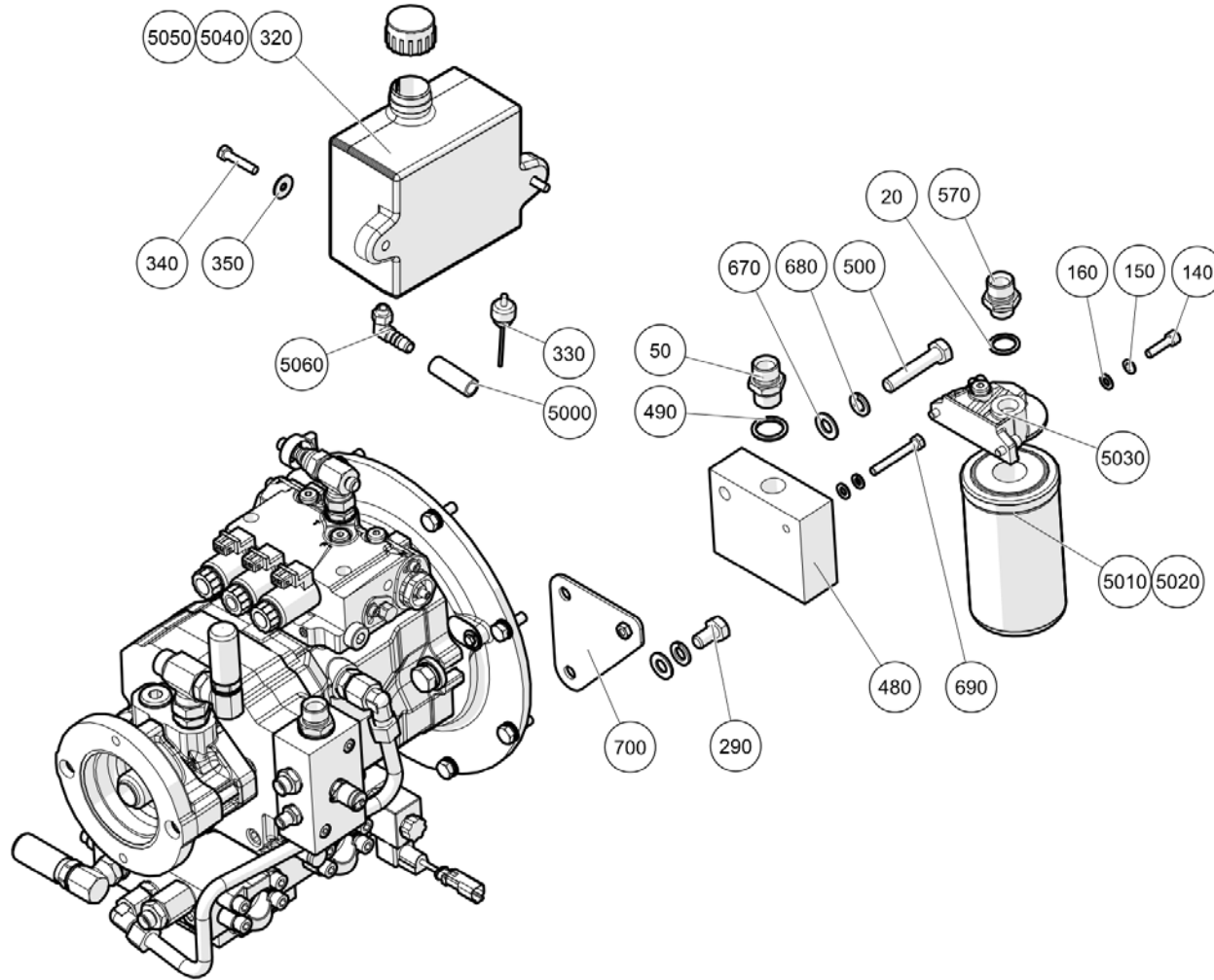


Chassis Cross Brace (7011926)
Engine Feature\Chassis Cross Brace

Item no.	Part no.	Description	QTY	Unit
10	7011108	Chassis Cross Brace W/Assy	1	PC
20	135-111	Cap Hd Bolt M20 x 40	8	PC
30	93361118-0	Washer - NORD-LOCK M20	8	PC

All Copyright and rights are the property of Johnston Sweepers Ltd.

Transmission Pump - High Pressure Boost (Filter/Header Bottle) (7024895)
Engine Feature\Transmission Pump - High Pressure Boost (Filter/Header Bottle)



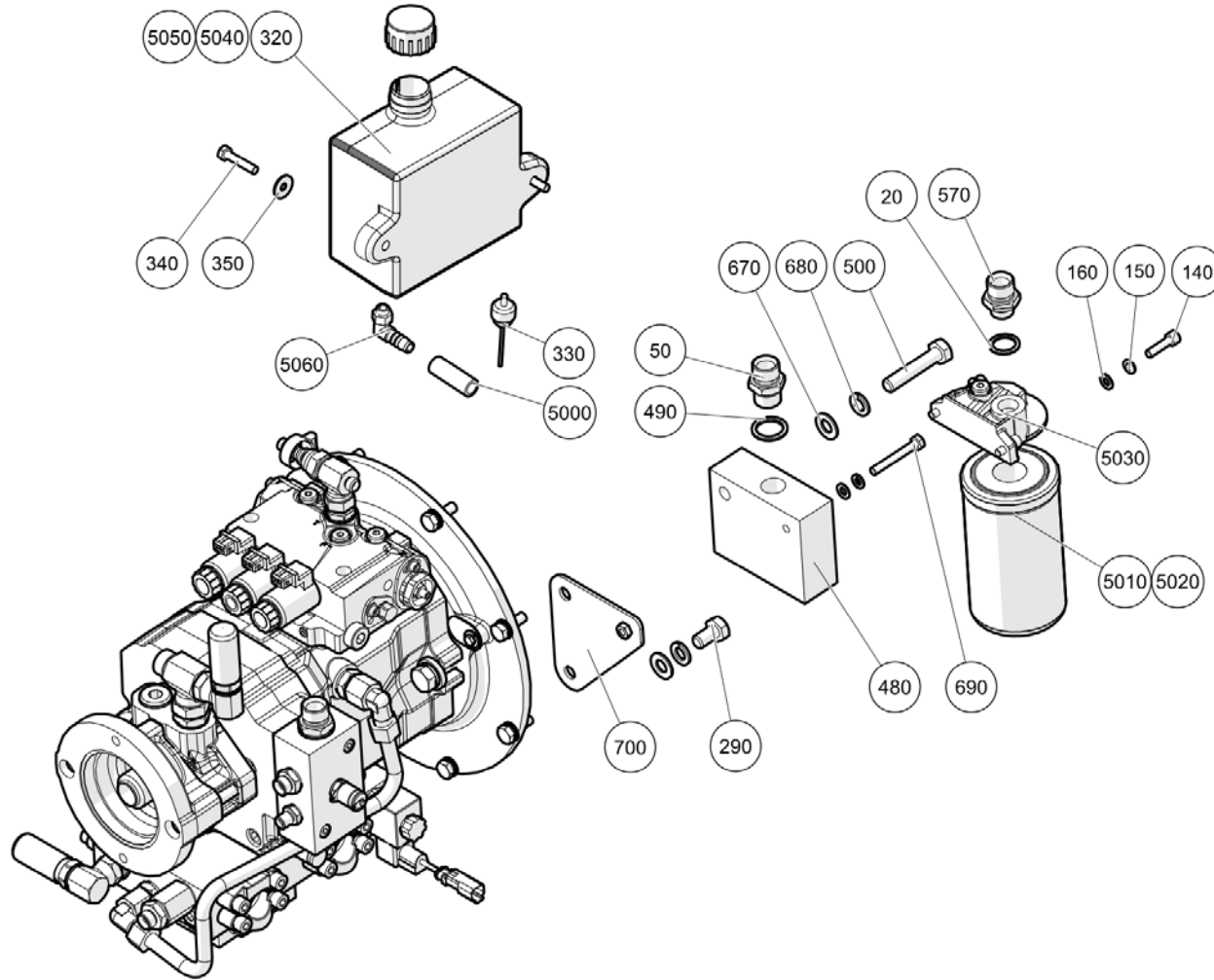
All Copyright and rights are the property of Johnston Sweepers Ltd.

Transmission Pump - High Pressure Boost (Filter/Header Bottle) (7024895)

Engine Feature\Transmission Pump - High Pressure Boost (Filter/Header Bottle)

Item no.	Part no.	Description	QTY	Unit
20	451-150	Washer Bonded M22 - Bolt	2	PC
50	270-18	Adaptor - M26 x 3/4" BSP	3	PC
140	92137121-0	Hex Socket Cap Screw - M8Cx30 - 12.9	5	PC
150	93699710-0	Spring Washer - Plated M8	7	PC
160	93212011-0	Plain Washer M8	3	PC
290	92097484-0	Hex Head Screw - M14Cx25 - 8.8	1	PC
320	722385-1	Reservoir Bottle Assy - E4	1	PC
330	720282-1	Loom-Trans. Bottle Level Float	1	PC
340	92097380-0	Hex Head Screw - M8Cx40 - 8.8	2	PC
350	93300509-0	Plain Large Washer M8	2	PC
480	7024953	Hydraulic Block - HP Oil Filter	1	PC
490	451-21	Washer Bonded G3-4"	2	PC
500	92097494-0	Hex Head Screw - M14Cx70 - 8.8	1	PC
570	270-23	Adaptor - M22 x 3/4" BSP	1	PC
670	93212015-0	Plain Washer M14	2	PC
680	93699713-0	Spring Washer - Plated M14	2	PC
690	92067387-0	Hex Head Bolt - M8Cx60 - 8.8	1	PC
700	7024956	Mounting Plate W/Assy	1	PC
5000	273-1	Tube-PVC 1/2" Bore Sngle Braid	1	M
5010	7028661	Label - Transmission Pump Filter	1	PC
5020	810-210	Filter - HP Tranmission Pump 24 bar	1	PC
5030	810-213	Filter Flange	1	PC
5040	720220-1	Reservoir Bottle c/w Cap	1	PC
5050	720220-3	Cap-Yellow Threaded,1 1/4"" WRG	1	PC

All Copyright and rights are the property of Johnston Sweepers Ltd.

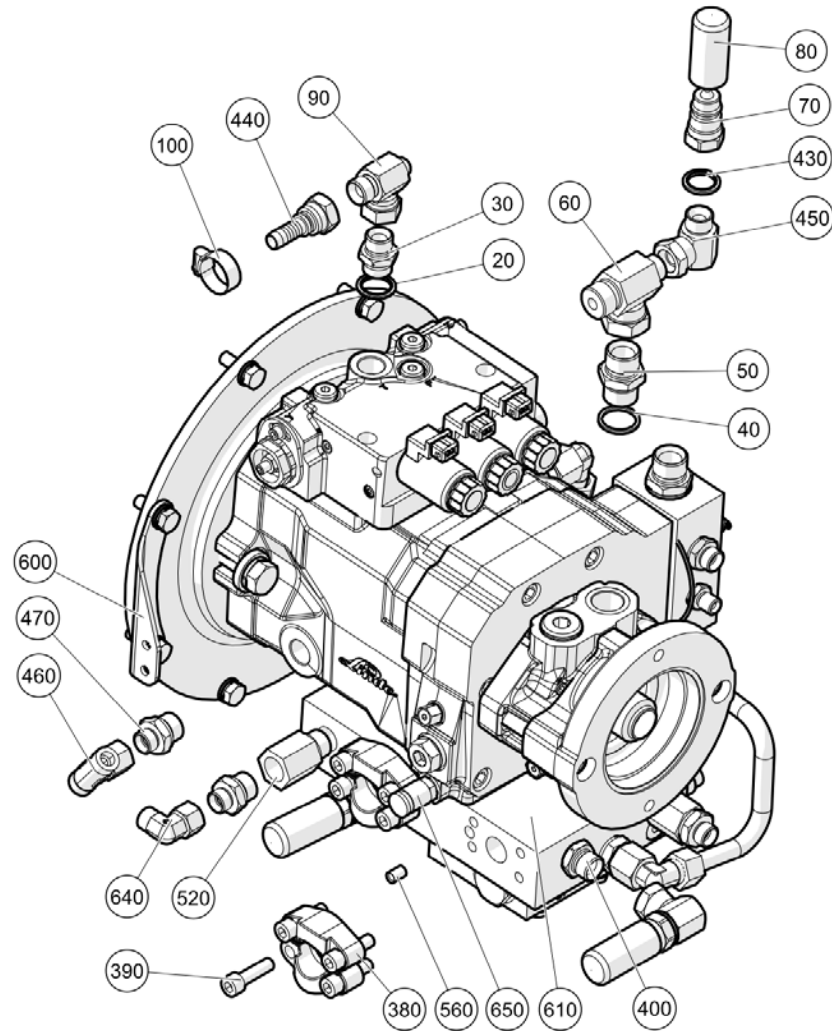
Transmission Pump - High Pressure Boost (Filter/Header Bottle) (7024895)
Engine Feature\Transmission Pump - High Pressure Boost (Filter/Header Bottle)


Transmission Pump - High Pressure Boost (Filter/Header Bottle) (7024895)
Engine Feature\Transmission Pump - High Pressure Boost (Filter/Header Bottle)

Item no.	Part no.	Description	QTY	Unit
5060	720220-4	Elbow-Connector, Norma 12/R3/8	1	PC

All Copyright and rights are the property of Johnston Sweepers Ltd.

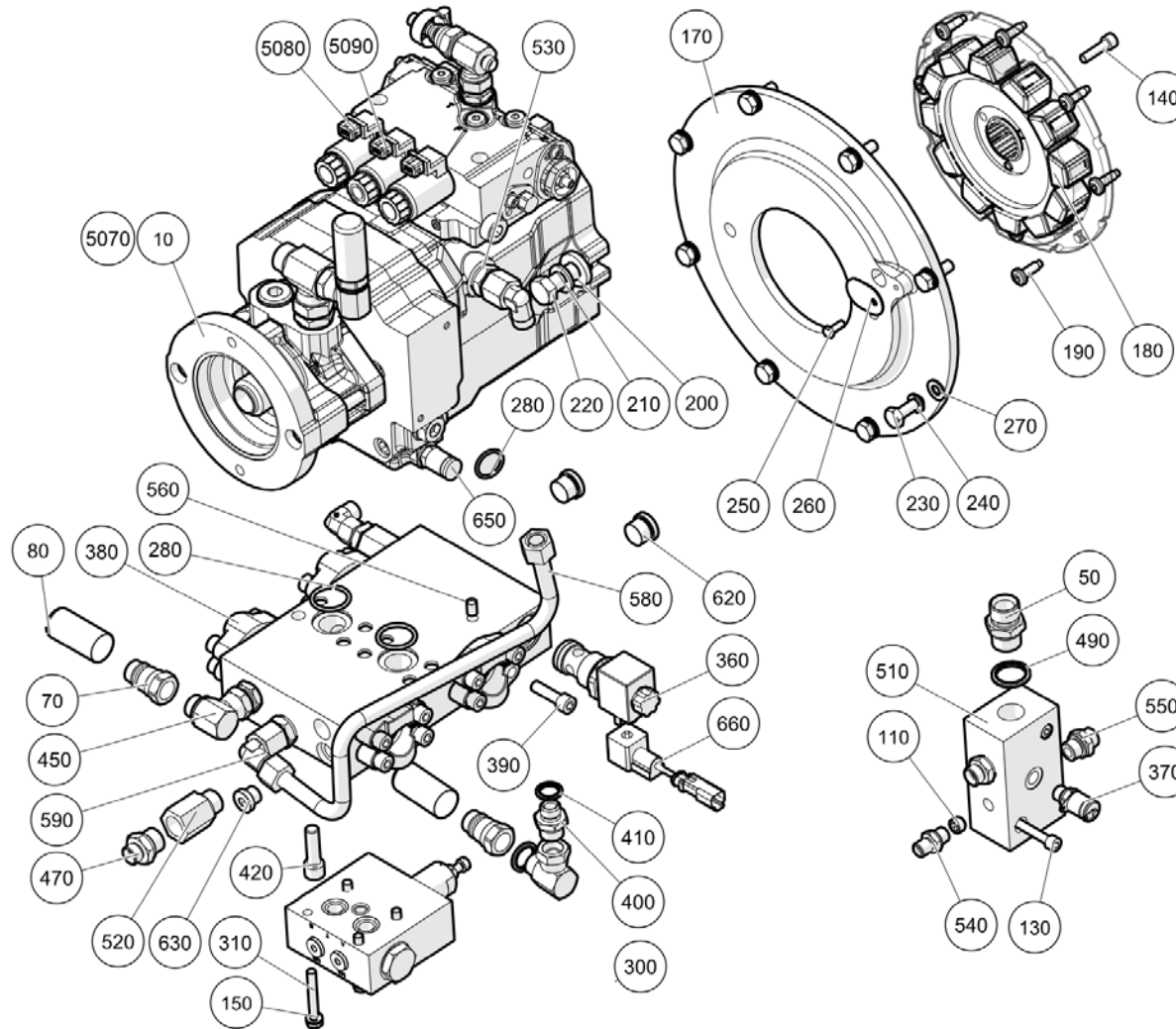
Transmission Pump - High Pressure Boost (Nearside) (7024895)
Engine Feature\Transmission Pump - High Pressure Boost (Nearside)



Transmission Pump - High Pressure Boost (Nearside) (7024895)
 Engine Feature\Transmission Pump - High Pressure Boost (Nearside)

Item no.	Part no.	Description	QTY	Unit
20	451-150	Washer Bonded M22 - Bolt	2	PC
30	270-14	Adaptor M/M - M22 x 1/2 BSP	1	PC
40	451-138	Washer Copper 7/8" Diameter	1	PC
50	270-18	Adaptor - M26 x 3/4" BSP	3	PC
60	76262-1	Tee - Oil Cooler, Line	1	PC
70	486-3	Coupling P/Brake Probe 1/2"	3	PC
80	41247-1-A	Boot - Switch, Pressure, Oil	3	PC
90	7008724	Adaptor M14x1.5 x1/2 BSP x 1/2 BSP	1	PC
100	09531052-0	Hose Clip - Worm Drive (22-32)	1	PC
380	09582990-0	SAE Split Flange 3/4" 400bar	4	PC
390	92137159-0	Hex Socket Cap Screw - M10Cx35 - 12.9	16	PC
400	270-7	Adaptor M/M M18 x 1.5 x 1/2 BSP	2	PC
430	451-19	Washer - Bonded G1-2"	3	PC
440	277-310	Adaptor 1/2 BSP Swivel F x 1/2 Hosetail	1	PC
450	262-4	Elbow 90° 1/2 BSP M x 1/2 BSP Swivel F	3	PC
460	6615-0504	Adjustable Equal Tee - M18 x 1.5	1	PC
470	09570100-0	Stud Coupling, M22x1.5 - M18x1.5	3	PC
520	380-101	Check Valve - M22 x 1.5 With Housing	2	PC
560	55-22	CV Expansion Plug Ø10	2	PC
600	76917-1	Bracket-Hose, Suction	1	PC
610	7023853	Block - Hyd Transmission	1	PC
640	6613-0504	Adjustable Male Elbow - M18 x 1.5	1	PC
650	665-40	Valve - Testpoint M14x1.5	2	PC

All Copyright and rights are the property of Johnston Sweepers Ltd.

Transmission Pump - High Pressure Boost (Offside) (7024895)
 Engine Feature\Transmission Pump - High Pressure Boost (Offside)


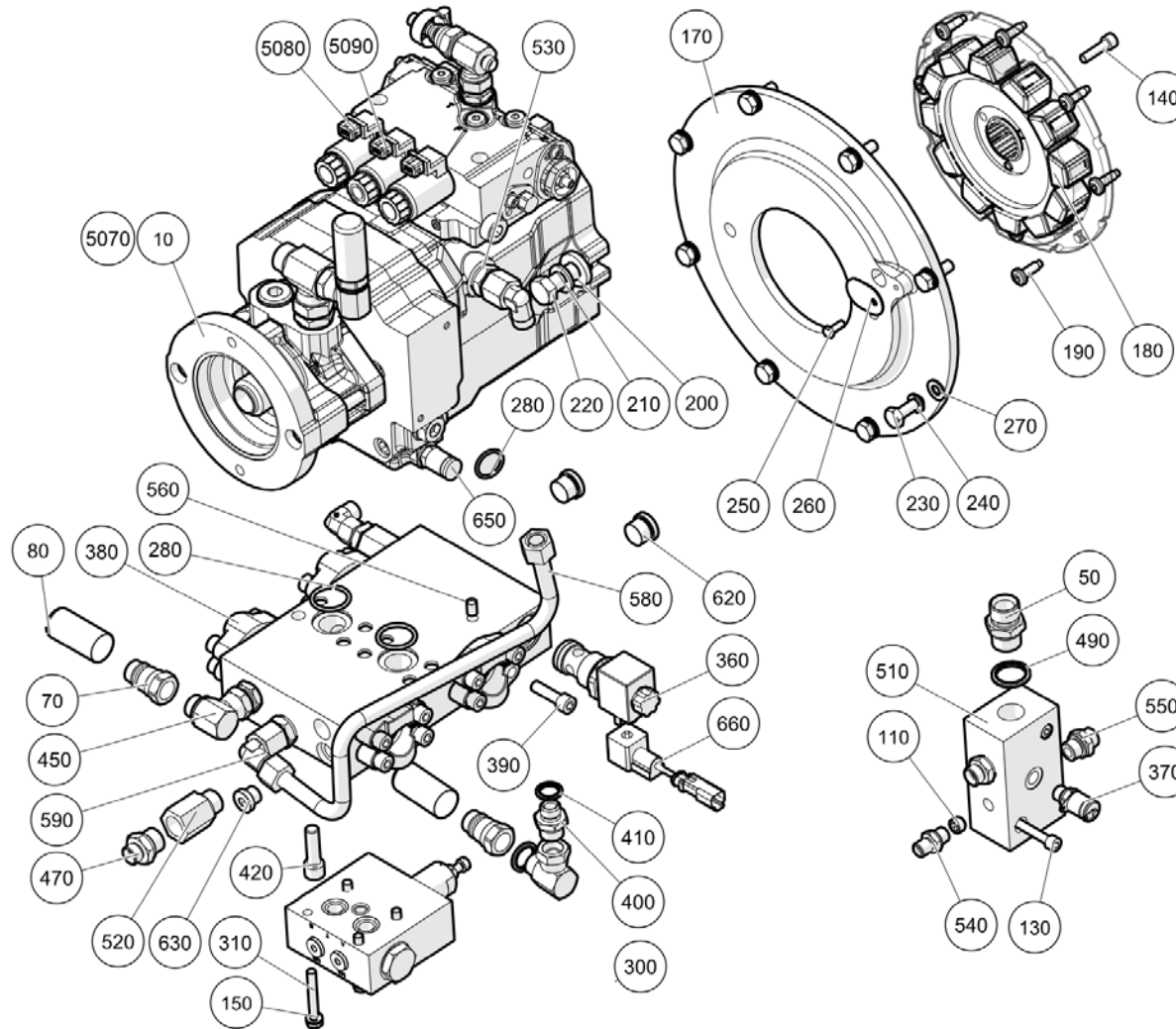
All Copyright and rights are the property of Johnston Sweepers Ltd.

Transmission Pump - High Pressure Boost (Offside) (7024895)
 Engine Feature\Transmission Pump - High Pressure Boost (Offside)

Item no.	Part no.	Description	QTY	Unit
10	7024890	Pump - Transmission HP 24bar RAL5005	1	PC
50	270-18	Adaptor - M26 x 3/4" BSP	3	PC
70	486-3	Coupling P/Brake Probe 1/2"	3	PC
80	41247-1-A	Boot - Switch, Pressure, Oil	3	PC
110	380-10	Check Valve - Hydraulic M14	1	PC
120	80-400	O Ring - VITON 16.3 ID x 2.4	1	PC
130	92137126-0	Hex Socket Cap Screw - M8Cx55 - 12.9	2	PC
140	92137121-0	Hex Socket Cap Screw - M8Cx30 - 12.9	5	PC
150	93699710-0	Spring Washer - Plated M8	7	PC
170	75799-1	Adaptor Plate-Flywheel Housing	1	PC
180	76278-2	Coupling - Flexible , C50	1	PC
190	135-127	Screw - Button Hd Torx M8x20	8	PC
200	75944-1	D Washer - Trans. Pump	2	PC
210	93699714-0	Spring Washer - Plated M16	2	PC
220	92067533-0	Hex Head Bolt - M16x50C - 8.8	2	PC
230	92097414-0	Hex Head Screw - M10Cx30 - 8.8	8	PC
240	93699711-0	Spring Washer - Plated M10	9	PC
250	92097299-0	Hex Head Screw - M6Cx16 - 8.8	1	PC
260	722487-1	Plate-Monocle, Flywheel Sensor	1	PC
270	93212012-0	Plain Washer M10	8	PC
280	79-95	O Ring - 1.180" Dia.	2	PC
300	7024932	Valve - Purge	1	PC
310	92097383-0	Hex Head Screw - M8Cx55 - 8.8	4	PC
360	741497-4	Valve & Coil Assy - N/C, 12V	1	PC

All Copyright and rights are the property of Johnston Sweepers Ltd.

Transmission Pump - High Pressure Boost (Offside) (7024895)
 Engine Feature\Transmission Pump - High Pressure Boost (Offside)



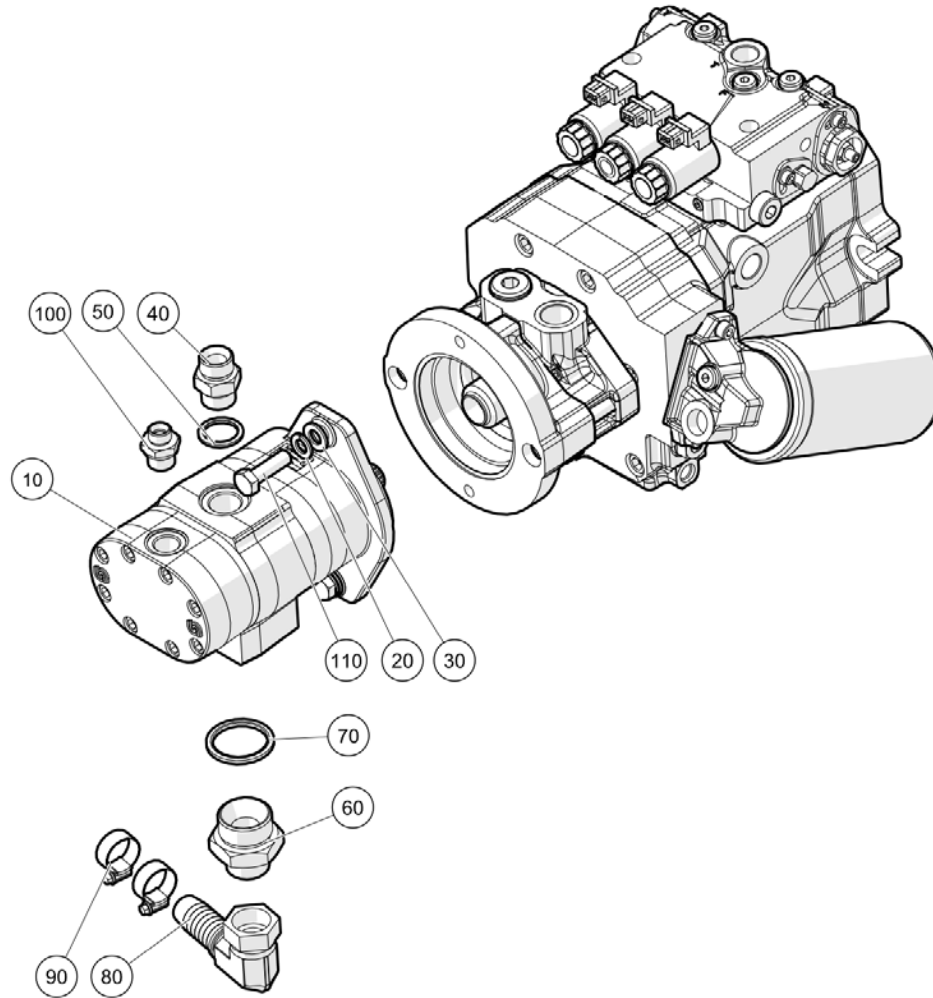
All Copyright and rights are the property of Johnston Sweepers Ltd.

Transmission Pump - High Pressure Boost (Offside) (7024895)
 Engine Feature\Transmission Pump - High Pressure Boost (Offside)

Item no.	Part no.	Description	QTY	Unit
370	665-23	Valve - Testpoint M14x1.5	1	PC
380	09582990-0	SAE Split Flange 3/4" 400bar	4	PC
390	92137159-0	Hex Socket Cap Screw - M10Cx35 - 12.9	16	PC
400	270-7	Adaptor M/M M18 x 1.5 x 1/2 BSP	2	PC
410	451-18	Washer Bonded G3/8"	2	PC
420	92137197-0	Hex Socket Cap Screw - M12Cx40 - 12.9	8	PC
450	262-4	Elbow 90° 1/2 BSP M x 1/2 BSP Swivel F	3	PC
470	09570100-0	Stud Coupling, M22x1.5 - M18x1.5	3	PC
490	451-21	Washer Bonded G3-4"	2	PC
510	7016341	Hydraulic Block - Manifold	1	PC
520	380-101	Check Valve - M22 x 1.5 With Housing	2	PC
530	6601-1432	Stud Coupling Male M22 Straight	2	PC
540	09570051-0	Stud Coupling Male M14x1.50 x M14x1.50	1	PC
550	09570105-0	Stud Coupling Male - M18x1.5 x M18x1.5	2	PC
560	55-22	CV Expansion Plug Ø10	2	PC
580	7016489	Pipe - Purge Line	1	PC
590	6613-0505	Adjustable Male Elbow - M22 x 1.5	2	PC
620	09572130-0	Sealing Plug VS-M22X1,5 WD	2	PC
630	09572123-0	Sealing Plug VS-M16X1,5 WD	1	PC
650	665-40	Valve - Testpoint M14x1.5	2	PC
660	721760-1	Lead - Dump Valve	1	PC
5070	741497-500	Kit - Seal (suits 741497)	1	PC
5080	810-202	Solenoid Coil 12v For Transmission Pump	2	PC
5090	810-206	Solenoid Coil 12v-For Transmission Pump	1	PC

All Copyright and rights are the property of Johnston Sweepers Ltd.

Sweep/Steer Pump - Standard (+ Winter Maintenance) (7023153)
Engine Feature\Sweep/Steer Pump - Standard (+ Winter Maintenance)



All Copyright and rights are the property of Johnston Sweepers Ltd.

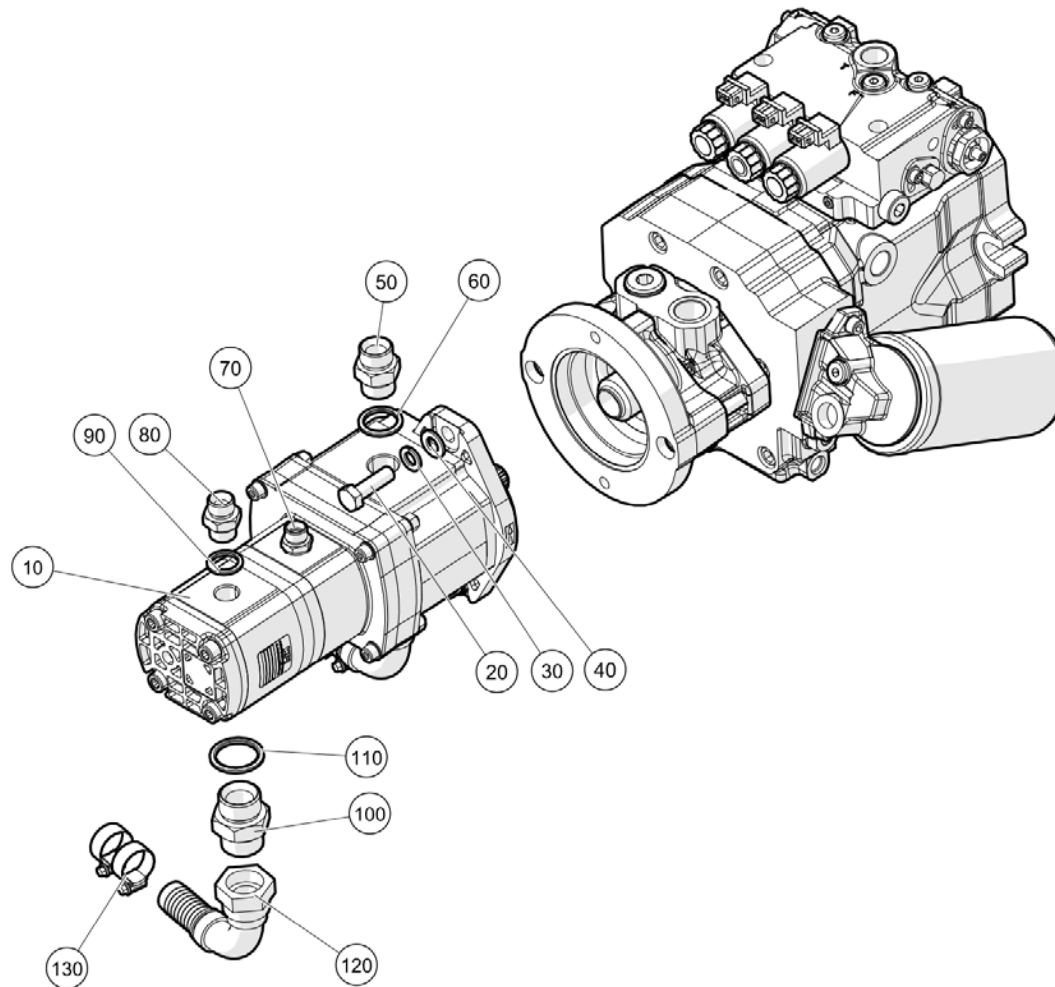
Sweep/Steer Pump - Standard (+ Winter Maintenance) (7023153)

Engine Feature\Sweep/Steer Pump - Standard (+ Winter Maintenance)

Item no.	Part no.	Description	QTY	Unit
10	7022846	Pump - Tandem Gear	1	PC
20	93699712-0	Spring Washer - Plated M12	2	PC
30	93212013-0	Plain Washer M12	2	PC
40	263-6	Adaptor M/M 3/4" BSP	1	PC
50	451-21	Washer Bonded G3-4"	1	PC
60	265-11	Adaptor Reducing M/M 1 x 1 1/4 BSP	1	PC
70	451-111	Washer Bonded G1 1-4"	1	PC
80	262-21	Elbow-Compact Swivel 90° 1"BSP	1	PC
90	501-25	Hose Clip - Worm Drive (25-35)	2	PC
100	09570131-0	Stud Coupling Male G 1/2" x M18 x 1.5	1	PC
110	92067457-0	Hex Head Bolt - M12Cx40 - 8.8	2	PC

Sweep/Steer Pump - 3rd Brush (7017223 & 7017224)

Engine Feature\Sweep/Steer Pump - 3rd Brush

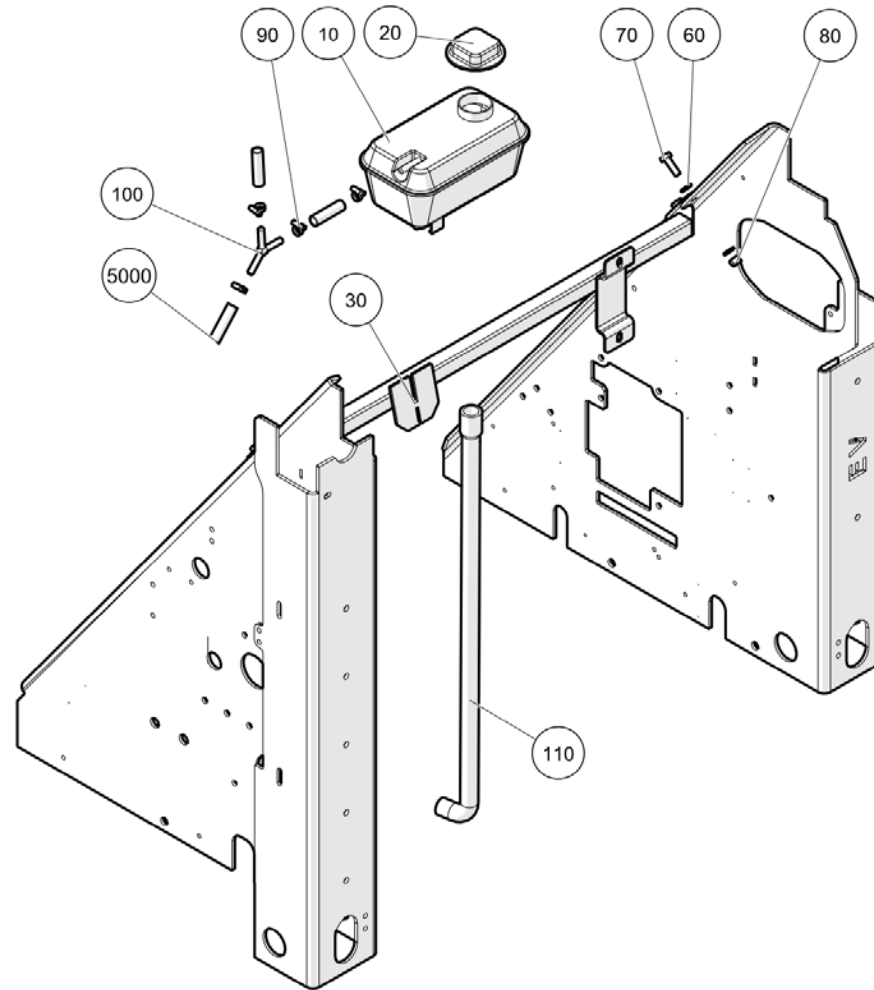


Sweep/Steer Pump - 3rd Brush (7017223 & 7017224)

Engine Feature\Sweep/Steer Pump - 3rd Brush

Item no.	Part no.	Description	QTY	Unit
10	7005006	Hydraulic pump -Sweep gear	1	PC
30	93699712-0	Spring Washer - Plated M12	2	PC
40	93212013-0	Plain Washer M12	2	PC
120	277-99	Adaptor - Swept Elbow	2	PC
130	501-25	Hose Clip - Worm Drive (25-35)	4	PC
20	92067457-0	Hex Head Bolt - M12Cx40 - 8.8	2	PC
100	263-7	Adaptor M/M 1 BSP	2	PC
110	451-22	Washer Bonded G1"	2	PC
50	263-6	Adaptor M/M 3/4" BSP	1	PC
60	451-21	Washer Bonded G3-4"	1	PC
70	6601-1322	Stud Coupling Male G 3/8" x M18 x 1.5	1	PC
80	263-4	Adaptor M/M 1/2 BSP BS5200	1	PC
90	451-19	Washer - Bonded G1-2"	1	PC

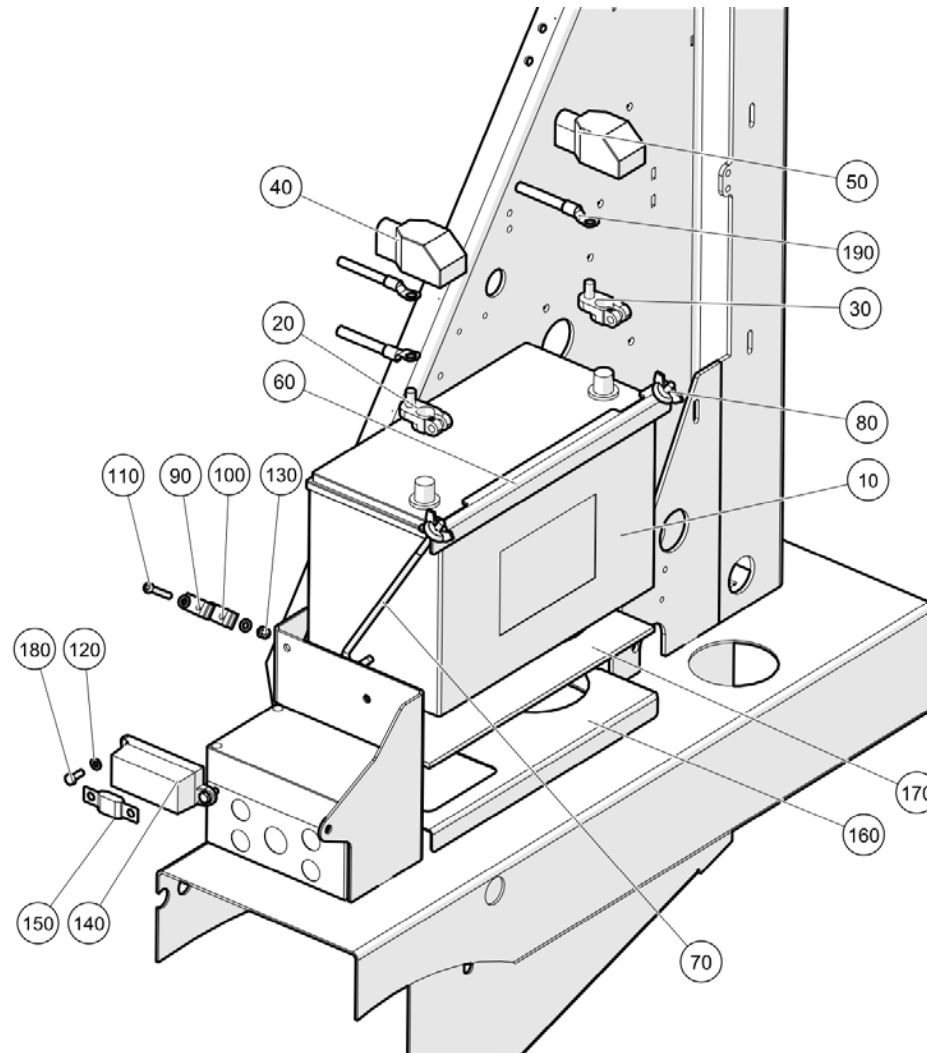
Expansion Tank (37138-2)
Engine Feature\Expansion Tank



Expansion Tank (37138-2)
Engine Feature\Expansion Tank

Item no.	Part no.	Description	QTY	Unit
10	15052120-0	Expansion Tank	1	PC
20	15052121-0	Cap 1 Bar	1	PC
30	7007873	Expansion Tank Holder W/Assy	1	PC
60	93212011-0	Plain Washer M8	8	PC
70	92097376-0	Hex Head Screw - M8Cx25 - 8.8	4	PC
80	93085005-0	Nyloc Hex Thin Nut M8C - 8	4	PC
90	501-1	Hose Clip - Worm Drive (11-16)	4	PC
100	277-280	Tee - Nylon Hose Connector 8mm	1	PC
110	7007826	Hose	1	PC
5000	271-1	Hose - Rubber, 5/16" Sng Braid	1.2	M

Battery Installation (7014944)
Engine Feature\Battery Installation



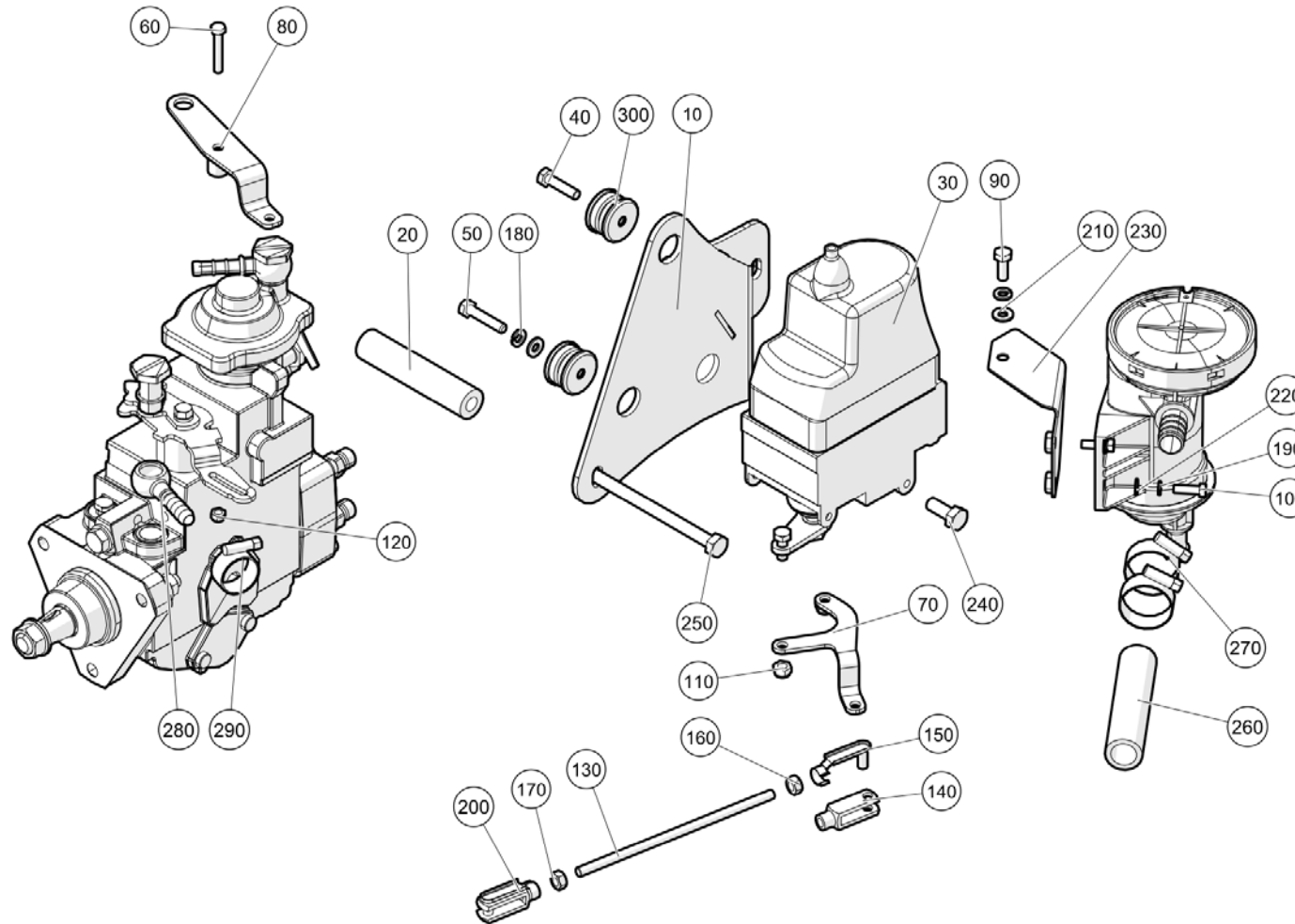
All Copyright and rights are the property of Johnston Sweepers Ltd.

Battery Installation (7014944)
 Engine Feature\Battery Installation

Item no.	Part no.	Description	QTY	Unit
10	30-214	Battery - 12V, 96 Ah 640 CCA	1	PC
20	30-216	Lug-Battery, +ve, 3/8 UNC	1	PC
30	30-217	Lug-Battery, -ve, 3/8 UNC	1	PC
40	30-218	Cover - Terminal, Red	1	PC
50	30-219	Cover - Terminal, Blue	1	PC
60	721946-1	Clamp - Battery C200	1	PC
70	135-61	Bolt - Hook	2	PC
80	410-37	Nut - Wing M8	2	PC
90	436-13	Clip P Type, max dia.10.2mm	1	PC
100	436-14	Clip P Type, max dia. 12.5mm	1	PC
110	92330039-0	Hex Skt Button Head Screw M6x40 - 10.9	1	PC
120	93212009-0	Plain Washer M6	4	PC
130	93085004-0	Nyloc Hex Nut M6C - 8	1	PC
140	30-271	Mount-Fuse Holder Surface	1	PC
150	30-225	Fuse - 100A (MEGA) Surface Mtd	1	PC
160	7008105	Battery Holder	1	PC
170	7025265	Mat - Battery	1	PC
180	92097299-0	Hex Head Screw - M6Cx16 - 8.8	2	PC
190	7014092	Cable Assy, Battery Negative	1	PC

All Copyright and rights are the property of Johnston Sweepers Ltd.

Tier 3 Transmission Actuator (37022-7)
Engine Feature\Tier 3 Transmission Actuator



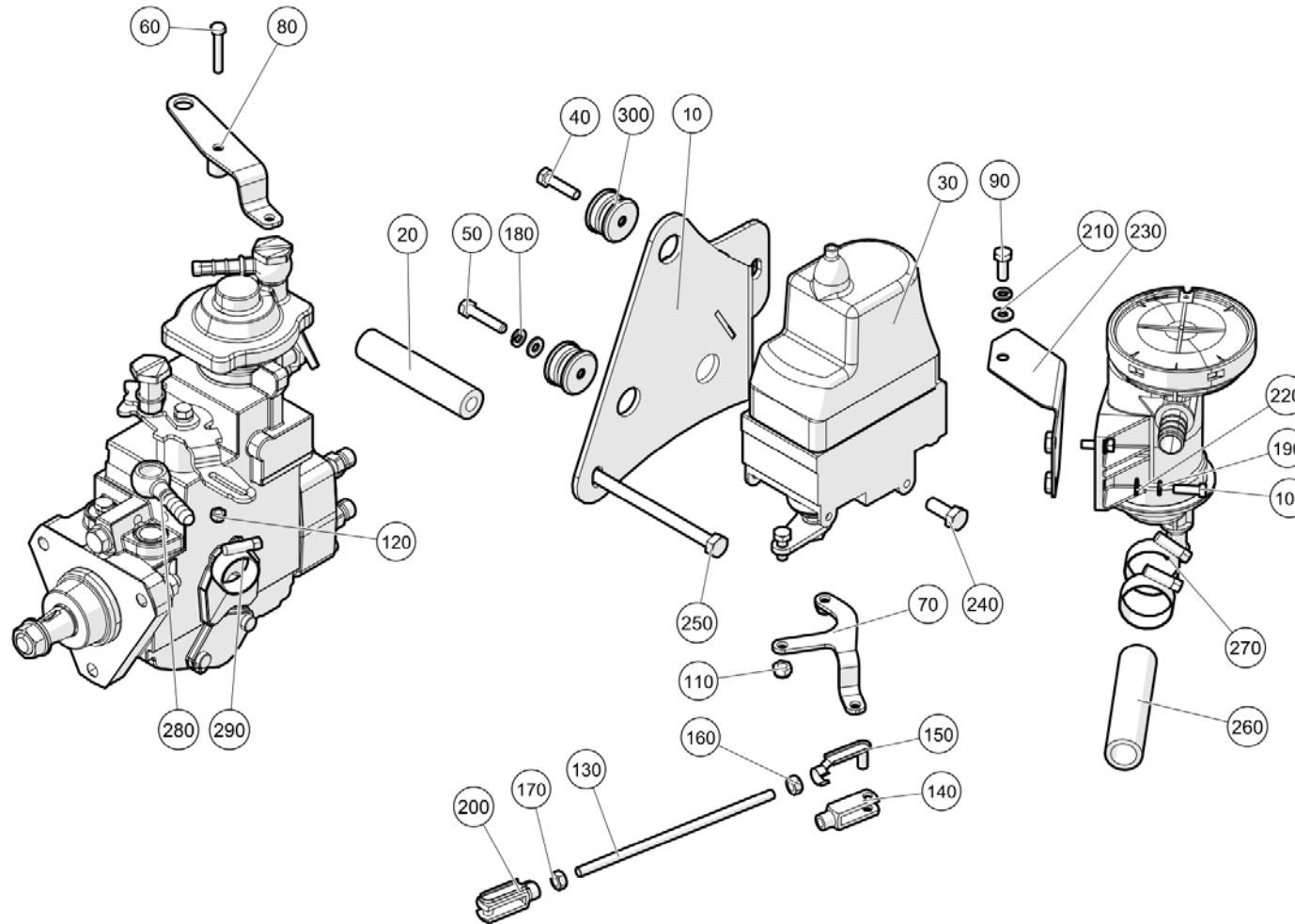
All Copyright and rights are the property of Johnston Sweepers Ltd.

Tier 3 Transmission Actuator (37022-7)
 Engine Feature\Tier 3 Transmission Actuator

Item no.	Part no.	Description	QTY	Unit
10	722773-1	Bracket - Actuator, Throttle W/Assy	1	PC
20	722734-1	Spacer-Bracket,Actuator Step3A	1	PC
30	720079-1	Actuator - Remote, Assy 440Lg (see text)	1	PC
40	124-105	Setscrew M6C x 25	1	PC
50	124-107	Setscrew M6C x 30	2	PC
60	124-75	Setscrew M5C x 30	1	PC
70	7018440	Plate - Throttle Actuator	1	PC
80	7018439	Plate - Throttle Lever W/Assy	1	PC
90	124-102	Setscrew M6C x 16	3	PC
100	124-70	Setscrew M5C x 16	2	PC
110	425-13	Nut Nyloc Hex M6C	2	PC
120	425-12	Nut Nyloc Hex M5C	1	PC
130	76522-2	Rod-Throttle Actuator Link	1	PC
140	289-29	Pin - Clevis, M6 LH Thread	1	PC
150	289-30	Pin - M6 Spring	1	PC
160	420-13	Nut MC Hex M6	1	PC
170	410-84	Nut - Plain, M6C LH Thread	1	PC
180	460-8	Washer Spring Single Coil M6	4	PC
190	460-7	Washer Spring Single Coil M5	2	PC
200	10950-3	Clevis- c/w Pin	1	PC
210	455-8	Washer Plain Plated Steel M6	4	PC
220	455-7	Washer Plain Plated Steel M5	2	PC
230	722780-1	Bracket - Separator, Oil	1	PC
240	124-135	Setscrew M8C x 20	2	PC

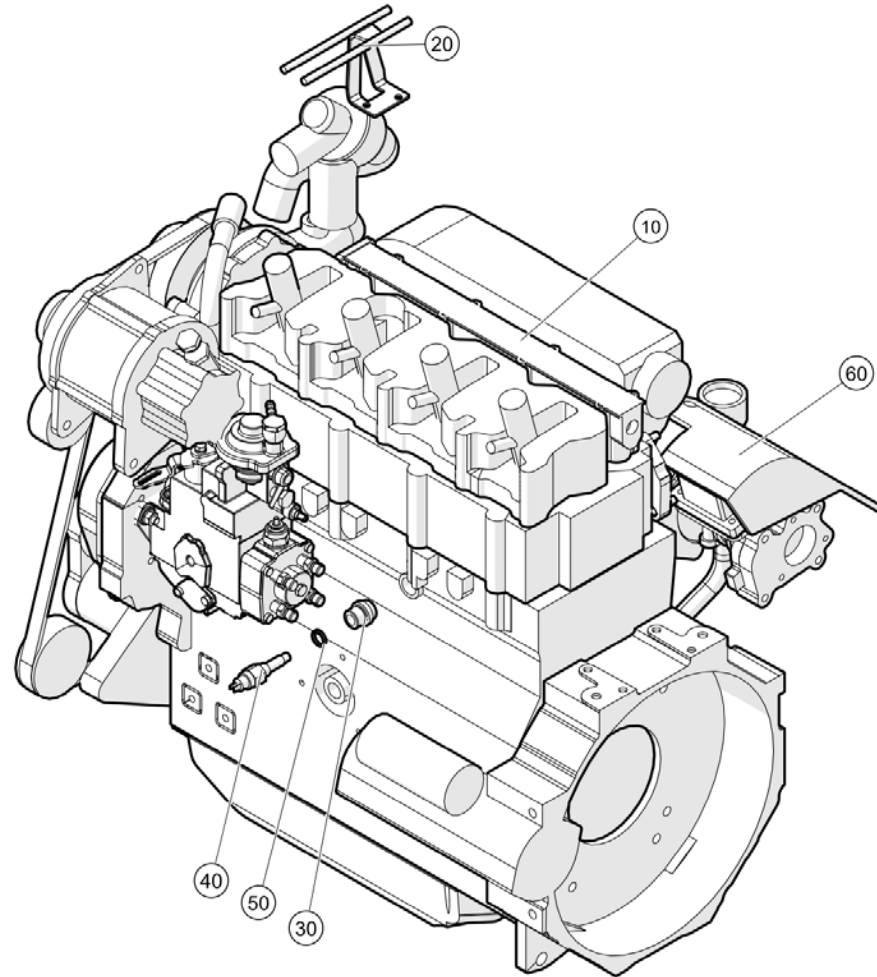
All Copyright and rights are the property of Johnston Sweepers Ltd.

Tier 3 Transmission Actuator (37022-7)
Engine Feature\Tier 3 Transmission Actuator



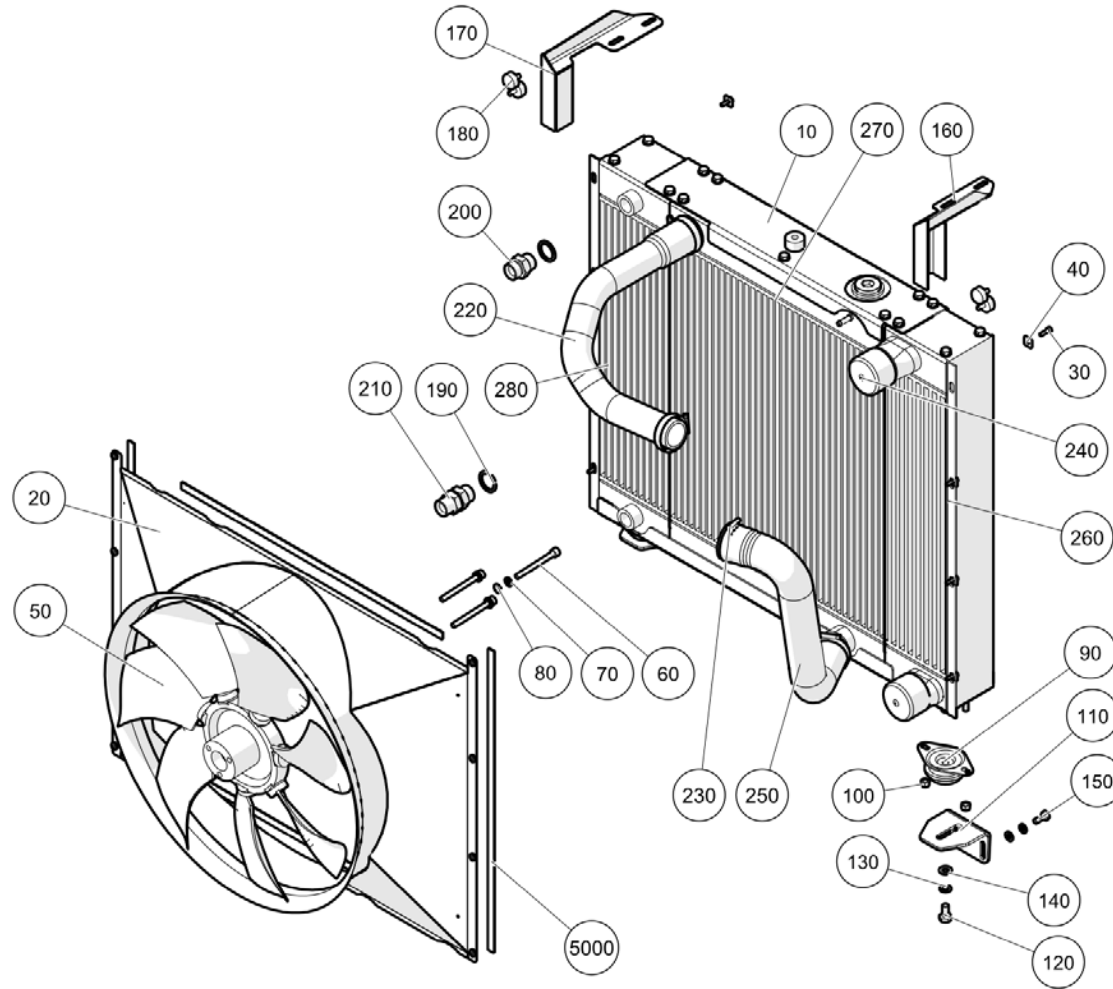
Tier 3 Transmission Actuator (37022-7)
Engine Feature\Tier 3 Transmission Actuator

Item no.	Part no.	Description	QTY	Unit
250	124-156	Setscrew M8C x 110 BS3692	1	PC
260	273-13	5/8" Bore Griflex Hose	1	M
270	501-25	Hose Clip - Worm Drive (25-35)	2	PC
280	277-279	Fiting-H Banjo 3/8" Bore Hose	1	PC
290	501-2	Hose Clip - Worm Drive (14-22)	1	PC
300	711-30	Mounting Kit - Actuator	1	PC



Item no.	Part no.	Description	QTY	Unit
10	722555-1	Engine - VM, Step 3A D754	1	PC
20	722515-1	Loom - Rail, W/Assy C200 E4	1	PC
30	722875-1	Boss - Bulkhead, Temp. Sensor	1	PC
40	48-38	Sender - Temp,Water 6-24v VM	1	PC
50	452-65	Washer-Copper 14.1/18.1x2.5	1	PC
60	722996-1	Shield - Heat,Turbo. Mk2	1	PC

Tier 3 Cooling System (7015048)
Engine Feature Tier 3 Cooling System

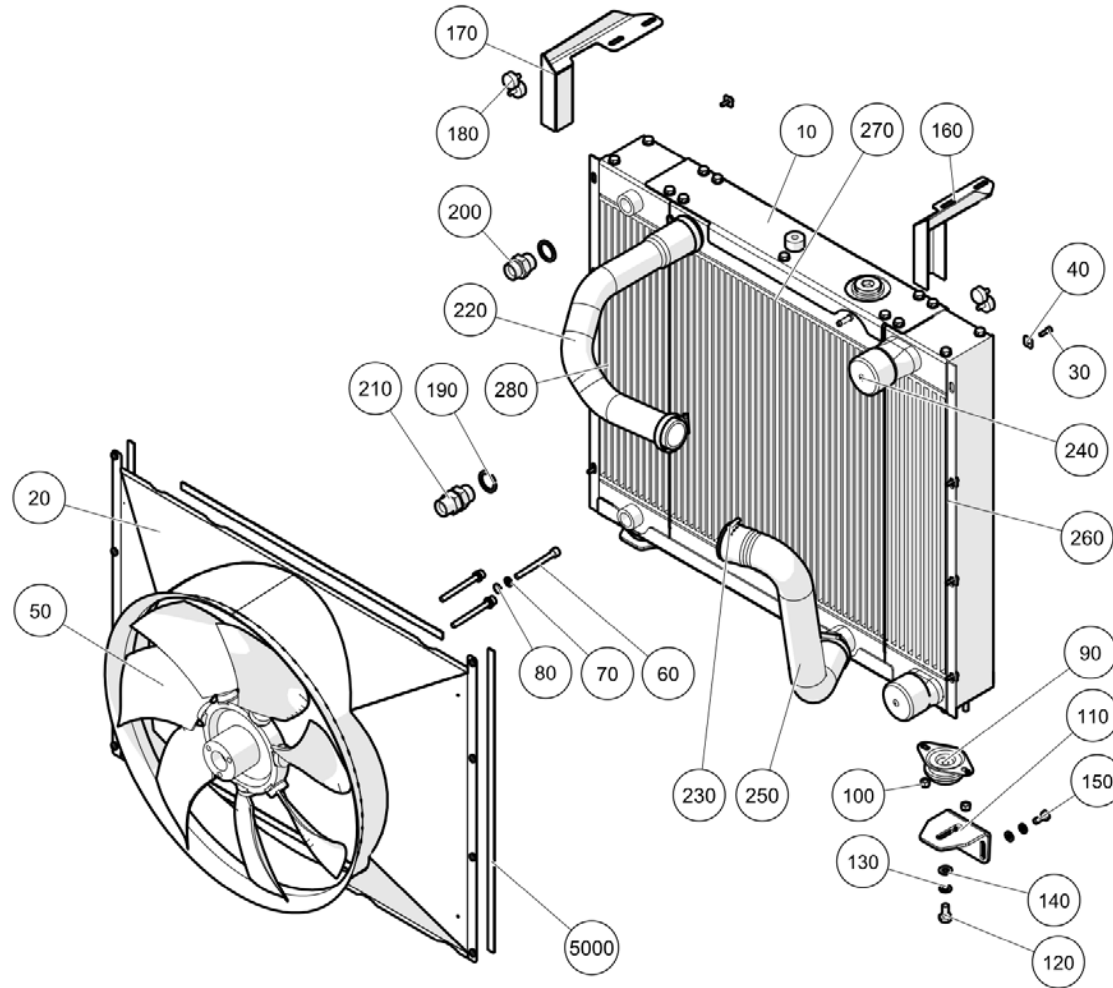


Tier 3 Cooling System (7015048)
 Engine Feature\Tier 3 Cooling System

Item no.	Part no.	Description	QTY	Unit
10	7015014	Cooling System Assembly	1	PC
20	7008167	Fan shroud Weld assembly	1	PC
30	92137042-0	Hex Socket Cap Screw - M5Cx16 - 12.9	8	PC
40	722622-1	Washer - Radiator, Euro 4	8	PC
50	721890-1	Cooling Fan & Spacer Assy	1	PC
60	92137131-0	Hex Socket Cap Screw - M8Cx80 - 12.9	3	PC
70	93699710-0	Spring Washer - Plated M8	7	PC
80	93212011-0	Plain Washer M8	7	PC
90	290-18	Mount - Flexible, Novibra Type	2	PC
100	93085005-0	Nyloc Hex Thin Nut M8C - 8	4	PC
110	721928-1	Angle - Radiator Support	2	PC
120	92097410-0	Hex Head Screw - M10Cx20 - 8.8	2	PC
130	93699711-0	Spring Washer - Plated M10	2	PC
140	93212012-0	Plain Washer M10	2	PC
150	92097374-0	Hex Head Screw - M8Cx20 - 8.8	4	PC
160	7010057	Bracket W/Assy -LH	1	PC
170	7010055	Bracket W/Assy RH	1	PC
180	290-4	Stop - Rubber	4	PC
190	451-21	Washer Bonded G3-4"	2	PC
200	263-6	Adaptor M/M 3/4" BSP	1	PC
210	264-6	Adaptor M/M - Bulkhead 3/4 BSP	1	PC
220	721842-2	Pipe - Top, Water (EPDM)	1	PC
230	501-28	Clip Hose Worm Drive 44-60mm	4	PC
240	288-44	Flexicap - Black 60mm x 38mm	2	PC

All Copyright and rights are the property of Johnston Sweepers Ltd.

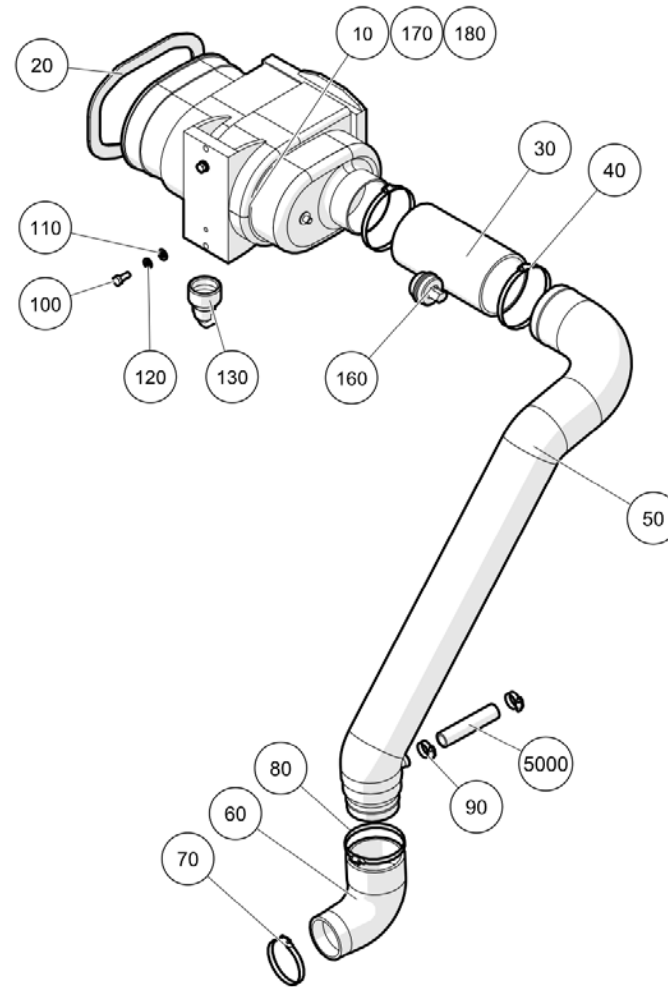
Tier 3 Cooling System (7015048)
Engine Feature Tier 3 Cooling System



Tier 3 Cooling System (7015048)
Engine Feature\Tier 3 Cooling System

Item no.	Part no.	Description	QTY	Unit
250	7014947	Pipe - Bottom Water	1	PC
5000	217-25	Strip Sealing 3x12 Black	2.5	M
260	7008146	Charge air cooler	1	PC
270	7015015	Radiator	1	PC
280	7023287	Oil Cooler (HP Transmission)	1	PC

Tier 3 Air Cleaner (37026-5)
Engine Feature\Tier 3 Air Cleaner



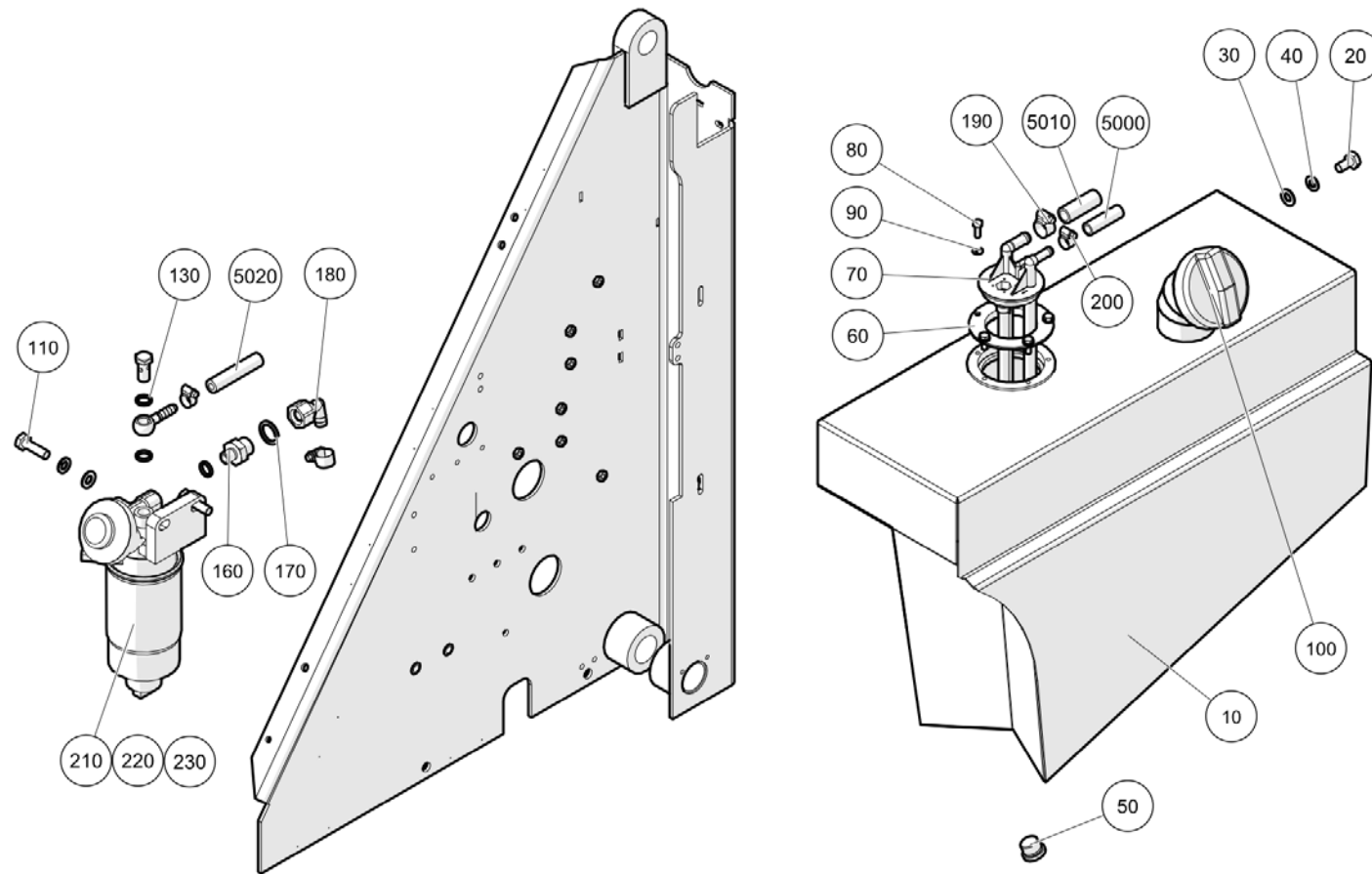
All Copyright and rights are the property of Johnston Sweepers Ltd.

Tier 3 Air Cleaner (37026-5)
 Engine Feature\Tier 3 Air Cleaner

Item no.	Part no.	Description	QTY	Unit
10	904-65	Air Cleaner (Compact)	1	PC
20	7007886	Seal - Air Cleaner	1	PC
30	7008525	Cuff 180mm	1	PC
40	501-9	Hose Clip - Worm Drive (90-120)	2	PC
50	7006810	Pipe Air Filter To Turbo	1	PC
60	7008051	Hose Ø76 - Ø60	1	PC
70	501-6	Clip Hose Worm Drive (55-70)	1	PC
80	501-7	Clip Hose Worm Drive (70-90)	1	PC
90	501-24	Clip Hose Worm Drive 17-25mm	2	PC
100	92097374-0	Hex Head Screw - M8Cx20 - 8.8	2	PC
110	93212011-0	Plain Washer M8	2	PC
120	93699710-0	Spring Washer - Plated M8	2	PC
130	904-72	Valve - Dust Discharge For 904-65	1	PC
160	904-60	Indicator-Filter State,75mBar	1	PC
5000	273-13	5/8" Bore Griflex Hose	1	M
170	904-68	Air Filter Element - Main	1	PC
180	904-69	Air Filter Element - Secondary	1	PC

All Copyright and rights are the property of Johnston Sweepers Ltd.

Tier 3 Fuel System (7011076)
Engine Feature\Tier 3 Fuel System



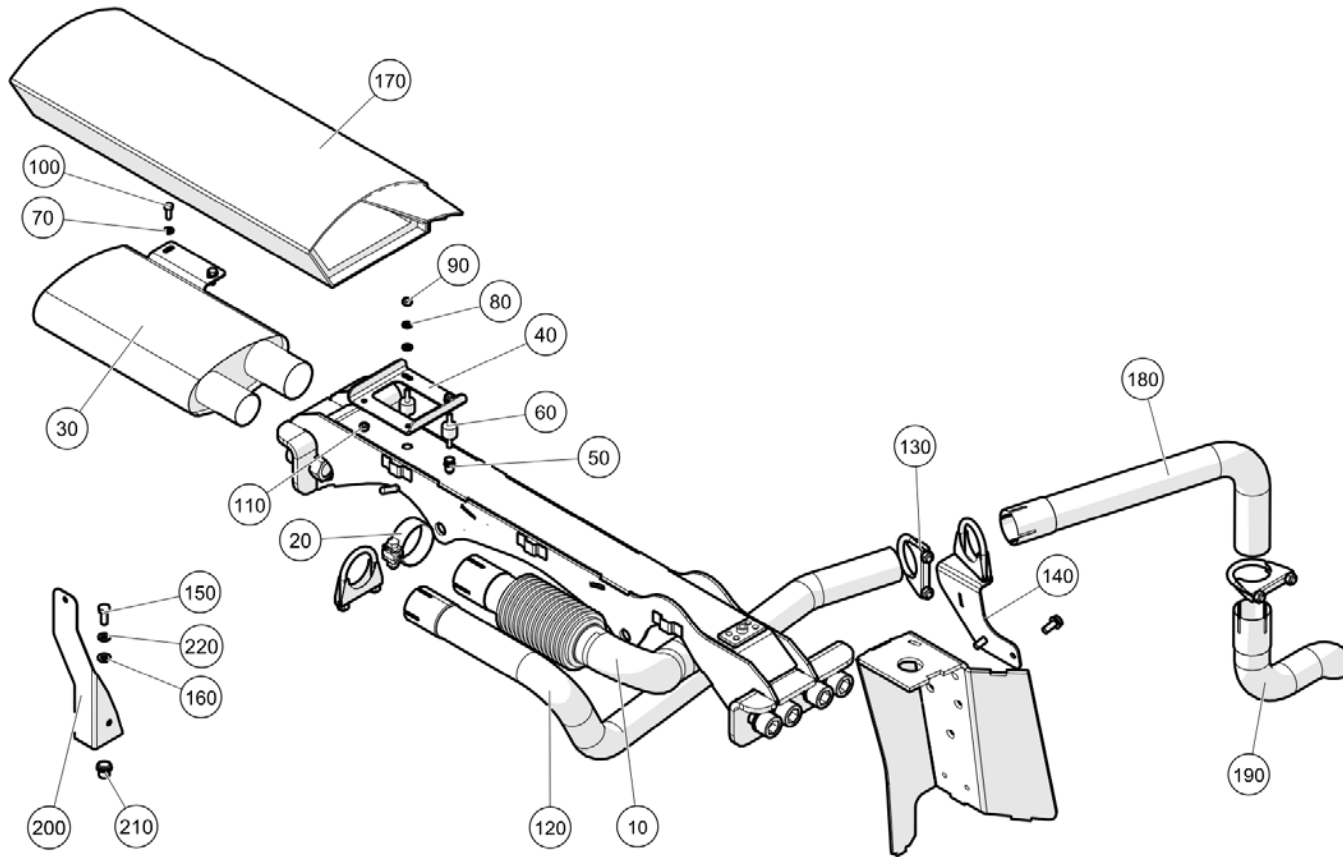
All Copyright and rights are the property of Johnston Sweepers Ltd.

Tier 3 Fuel System (7011076)
 Engine Feature\Tier 3 Fuel System

Item no.	Part no.	Description	QTY	Unit
10	7024511	Fuel Tank W/Assy	1	PC
20	92097410-0	Hex Head Screw - M10Cx20 - 8.8	4	PC
30	93212012-0	Plain Washer M10	6	PC
40	93699711-0	Spring Washer - Plated M10	6	PC
50	09572135-0	Sealing Plug VS-R 1/2 WD	1	PC
60	722026-1	Clamp - Fuel Sender	1	PC
70	722217-1	Sender - Fuel Level	1	PC
80	92097299-0	Hex Head Screw - M6Cx16 - 8.8	5	PC
90	93699708-0	Spring Washer - Plated M6	5	PC
100	69-6	Cap - Locking, Fuel c/w key	1	PC
110	92097415-0	Hex Head Screw - M10Cx35 - 8.8	2	PC
130	452-65	Washer-Copper 14.1/18.1x2.5	1	PC
160	277-270	Adaptor Male-Male M14 - 1/2" BSP	1	PC
170	451-19	Washer - Bonded G1-2"	1	PC
180	262-20	Elbow-Compact Swivel 90° 1/2"BSP	1	PC
190	501-2	Hose Clip - Worm Drive (14-22)	2	PC
200	501-1	Hose Clip - Worm Drive (11-16)	2	PC
5000	273-27	Fuel Hose 10mm I/D 17mm O/D	1	M
5010	273-28	Fuel Hose 13mm I/D 21mm O/D	0.7	M
5020	273-30	Fuel Hose 8mm I/D 16mm O/D	2	M
210	849-383	E5 Fuel Filter Assembly	1	PC
220	849-384	E5 Fuel Filter Sensor	1	PC
230	224-35	Filter-Fuel VM Engines	1	PC

All Copyright and rights are the property of Johnston Sweepers Ltd.

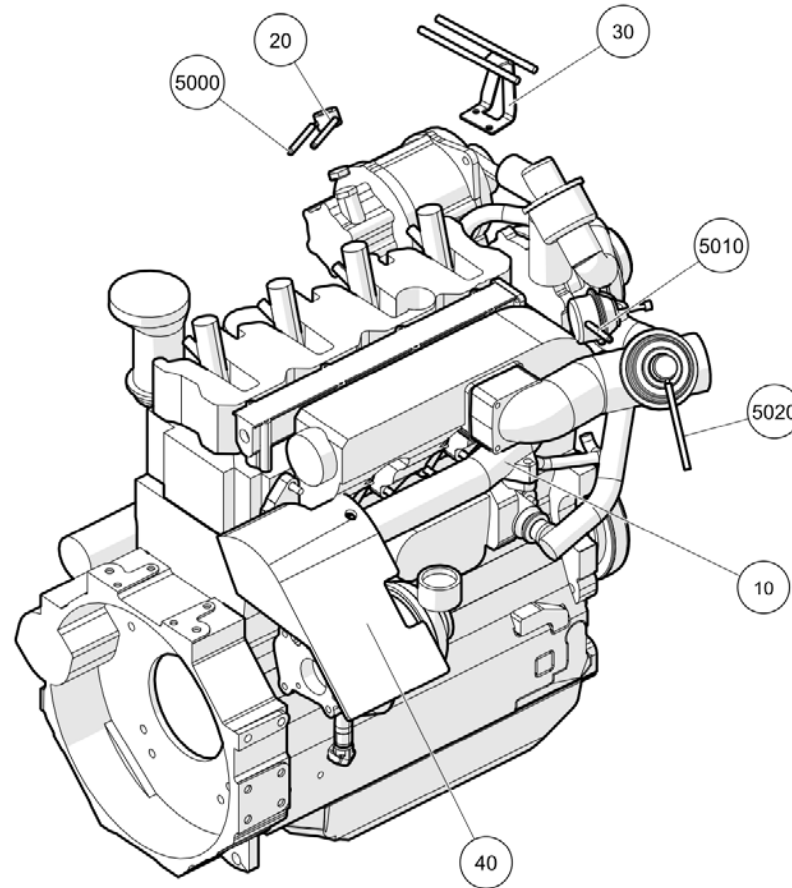
Tier 3 Exhaust System (7017572)
Engine Feature\Tier 3 Exhaust System



Tier 3 Exhaust System (7017572)
 Engine Feature\Tier 3 Exhaust System

Item no.	Part no.	Description	QTY	Unit
10	7018423	Exhaust - Flexible Pipe	1	PC
20	903-107	Clamp - Exhaust, Accuseal 2"	1	PC
30	7015775	Silencer-tier 3	1	PC
40	7017593	Bracket - Silencer	1	PC
50	433-105	Insert, Small Hd, M6, 4.2-6.6, Open, MS	2	PC
60	290-21	Mounting-Anti Vibration M6x18	2	PC
70	93212009-0	Plain Washer M6	4	PC
80	93699708-0	Spring Washer - Plated M6	2	PC
90	93056012-0	Hex Nut M6C-8	2	PC
100	92097299-0	Hex Head Screw - M6Cx16 - 8.8	2	PC
110	93085004-0	Nyloc Hex Nut M6C - 8	2	PC
120	7017582	Pipe - Silencer Outlet	1	PC
130	6645-7-A	Clip - Exhaust Banelli 1 7/8"	4	PC
140	7017592	Bracket - Exhaust W/Assy	1	PC
150	92097374-0	Hex Head Screw - M8Cx20 - 8.8	3	PC
160	93212011-0	Plain Washer M8	3	PC
170	7017884	Exhaust Jacket - Tier 3A	1	PC
180	7015959	Exhaust Pipe	1	PC
190	7015958	Tail Pipe - Exhaust	1	PC
200	7009213	Bracket -Exhaust system	1	PC
210	433-119	Insert, Big Hd, M8, 0.7-3.8, Open, MS	1	PC
220	93699710-0	Spring Washer - Plated M8	1	PC

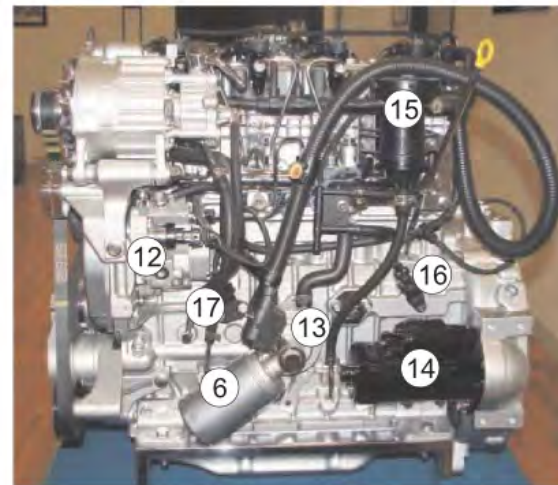
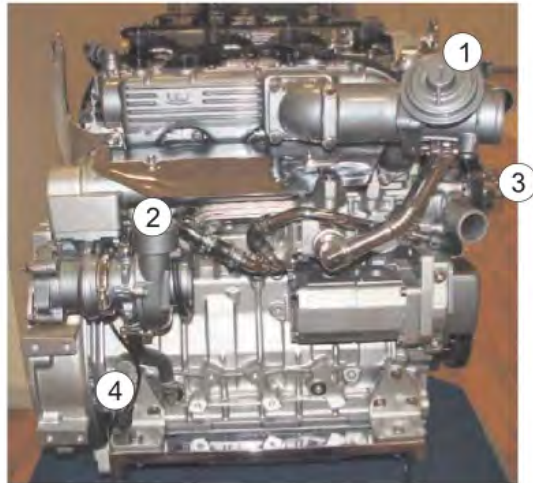
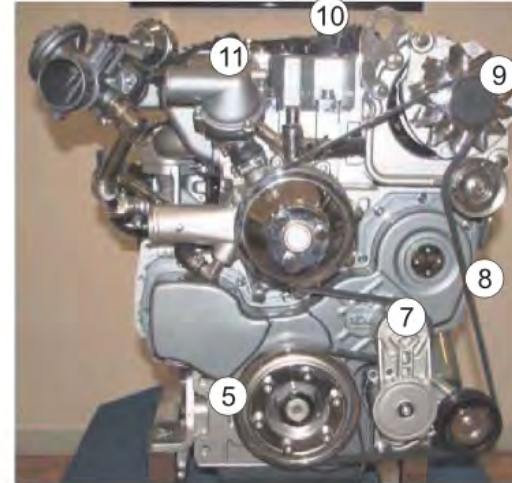
All Copyright and rights are the property of Johnston Sweepers Ltd.



Item no.	Part no.	Description	QTY	Unit
10	722900-1	Engine - VM Euro 5 R754	1	PC
20	722359-1	Connection - Vacuum, Euro 4	1	PC
30	722515-1	Loom - Rail, W/Assy C200 E4	1	PC
40	722996-1	Shield - Heat,Turbo. Mk2	1	PC
5000	275-50	Hose-Vacuum, Silicon Blue 3mm ID	1.8	M
5010	275-53	Hose-Vacuum, Silicon Red 3mm ID	0.7	M
5020	275-54	Hose-Vacuum, Silicon Green 3mm ID	0.44	M

Euro 5 Engine Spares (N/A)
Engine Feature\Euro 5 Engine Spares

All Copyright and rights are the property of Johnston Sweepers Ltd.



Euro 5 Engine Spares (N/A)
 Engine Feature\Euro 5 Engine Spares

Item no.	Part no.	Description	QTY	Unit
1	849-390	EGR Valve C200 E5 Engine	1	PC
1	849-400	Filter for Valve 849-379	1	PC
2	849-251	Turbocharger For VM E4/E5 C200	1	PC
4	849-236	Crankshaft Position Sensor	1	PC
5	849-249	Pulley Crankshaft VM E4 C200	1	PC
6	849-68	Filter - Engine Oil	1	PC
7	849-238	Belt Pulley Tensioner VME4	1	PC
8	849-361	Belt	1	PC
9	849-243	Alternator 12v VM E4 C200	1	PC
10	849-394	Injector Assembly C200 E5 Engine	1	PC
11	849-294	Thermostatic Valve VM Euro 4	1	PC
12	849-385	E5 Injection Pump	1	PC
13	849-183	Cooler-Oil Compact Engine	1	PC
14	849-244	Startor Motor 12v VM E4/E5 C200	1	PC
15	849-132	Gear - Ring I.D.275MM	1	PC
16	849-224	Phase Sensor - C200	1	PC
17	849-226	Transmitter Sensor C200 (oil)	1	PC
18	849-375	Air pressure Temp Sensor VM E5	1	PC
19	849-46	Oil Filler Cap VM ENGINE	1	PC
20	849-235	Water Temperature Sensor C200	1	PC

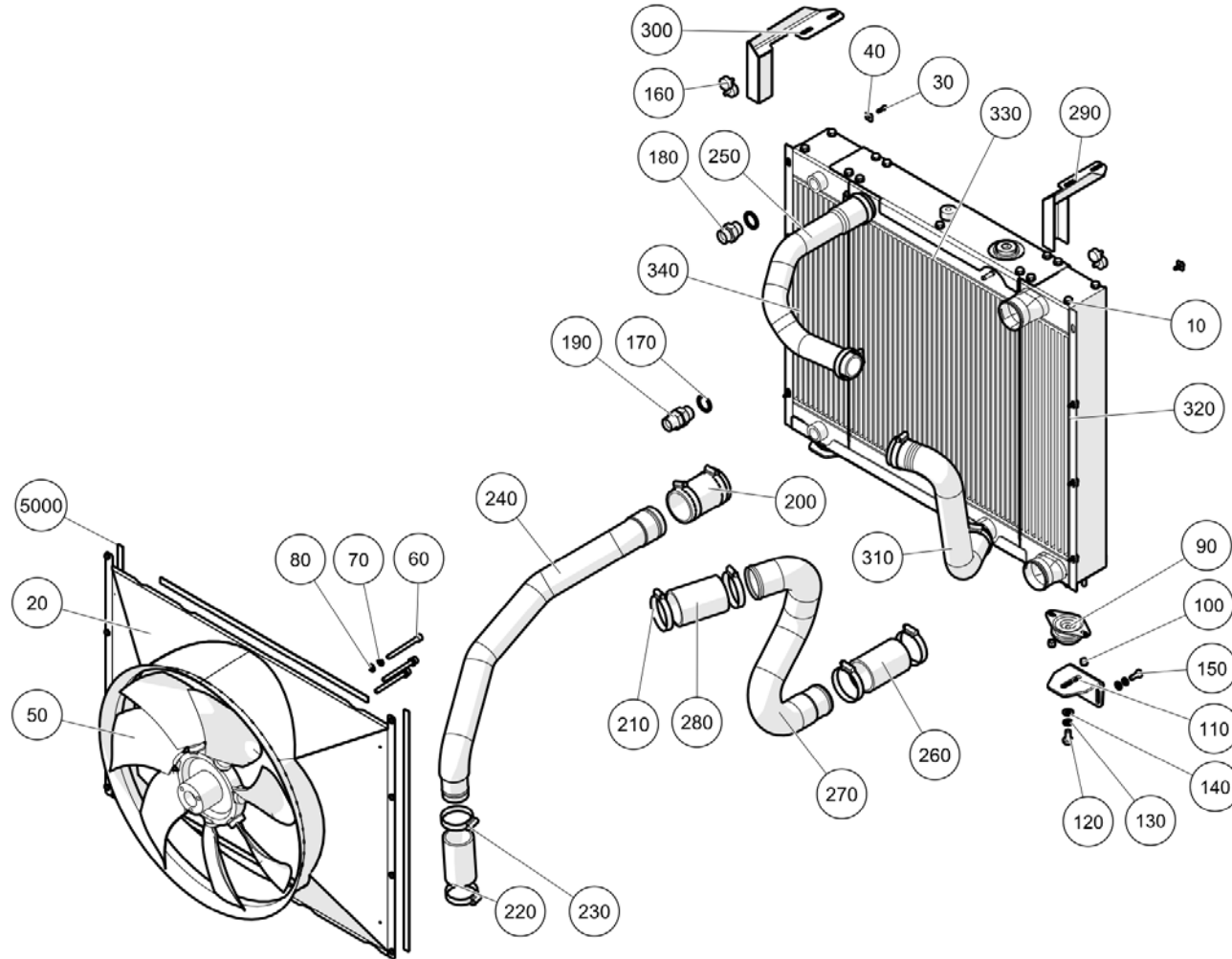
All Copyright and rights are the property of Johnston Sweepers Ltd.

Euro 5 Cooling System (7015047)
 Engine Feature\Euro 5 Cooling System

Item no.	Part no.	Description	QTY	Unit
10	7015014	Cooling System Assembly	1	PC
20	7008167	Fan shroud Weld assembly	1	PC
30	92137042-0	Hex Socket Cap Screw - M5Cx16 - 12.9	8	PC
40	722622-1	Washer - Radiator, Euro 4	8	PC
50	721890-1	Cooling Fan & Spacer Assy	1	PC
60	92137131-0	Hex Socket Cap Screw - M8Cx80 - 12.9	3	PC
70	93699710-0	Spring Washer - Plated M8	7	PC
80	93212011-0	Plain Washer M8	7	PC
90	290-18	Mount - Flexible, Novibra Type	2	PC
100	93085805-0	Nyloc Hex Nut M8C - 8	4	PC
110	721928-1	Angle - Radiator Support	2	PC
120	92097410-0	Hex Head Screw - M10Cx20 - 8.8	2	PC
130	93699711-0	Spring Washer - Plated M10	2	PC
140	93212012-0	Plain Washer M10	2	PC
150	92097374-0	Hex Head Screw - M8Cx20 - 8.8	4	PC
160	290-4	Stop - Rubber	4	PC
170	451-21	Washer Bonded G3-4"	2	PC
180	263-6	Adaptor M/M 3/4" BSP	1	PC
190	264-6	Adaptor M/M - Bulkhead 3/4 BSP	1	PC
200	7008425	Cuff 105mm	1	PC
210	09531004-0	HOSE CLAMP 50-70 wd12 C7 W2	6	PC
220	722633-1	Cuff - Turbo Outlet	1	PC
230	09531034-0	Hose Clip - Worm Drive (40-60)	6	PC
240	7006811	Pipe Turbo Charge To Cooler	1	PC

All Copyright and rights are the property of Johnston Sweepers Ltd.

Euro 5 Cooling System (7015047)
Engine Feature\Euro 5 Cooling System

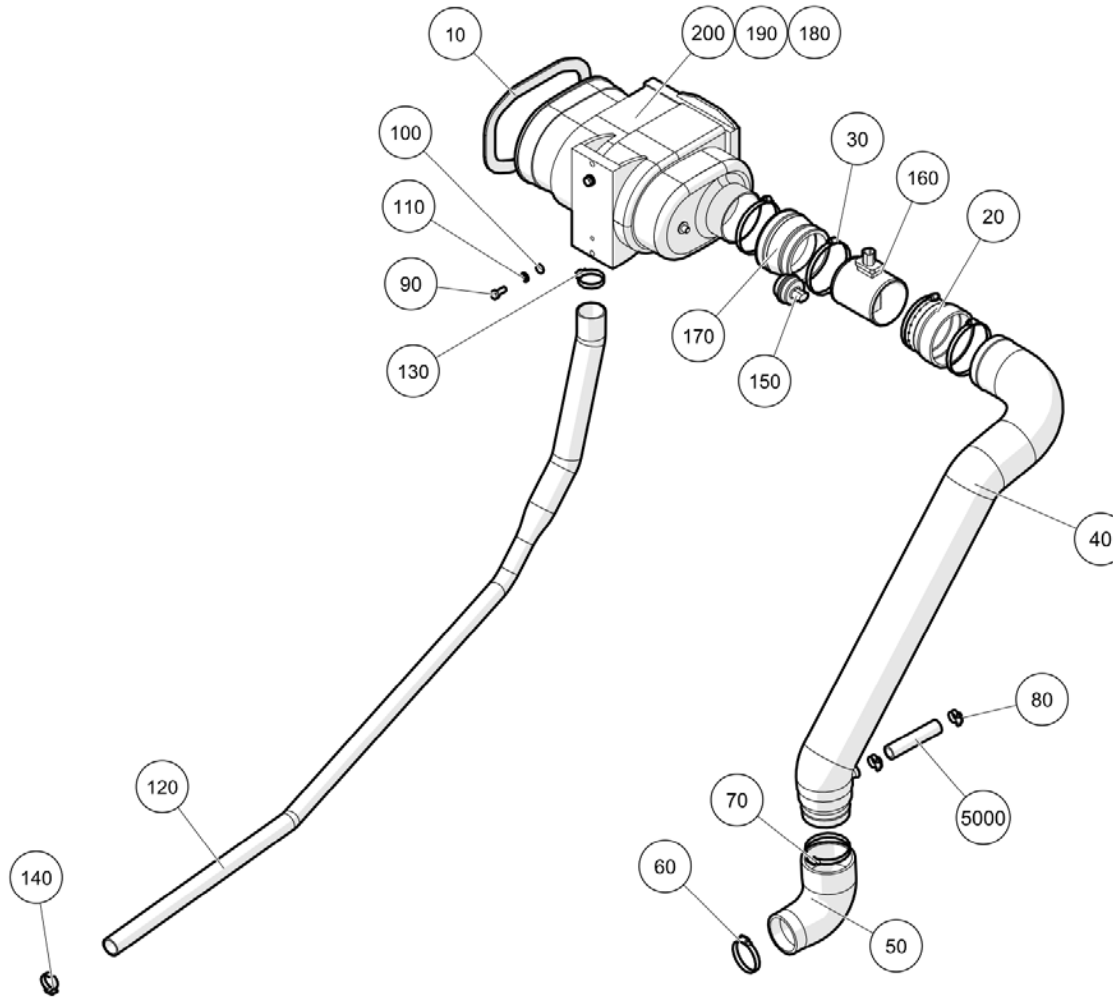


All Copyright and rights are the property of Johnston Sweepers Ltd.

Euro 5 Cooling System (7015047)
Engine Feature\Euro 5 Cooling System

Item no.	Part no.	Description	QTY	Unit
250	721842-2	Pipe - Top, Water (EPDM)	1	PC
260	722637-1	Cuff - CAC Bottom Connection	1	PC
270	722394-1	Pipe - CAC Outlet (Euro 4)	1	PC
280	722634-1	Cuff - Inlet to Engine	1	PC
290	7010057	Bracket W/Assy -LH	1	PC
300	7010055	Bracket W/Assy RH	1	PC
310	7014947	Pipe - Bottom Water	1	PC
5000	217-25	Strip Sealing 3x12 Black	2.5	M
320	7008145	Oil Cooler	1	PC
330	7015015	Radiator	1	PC
340	7023287	Oil Cooler (HP Transmission)	1	PC

Euro 5 Air Cleaner (37026-4)
Engine Feature\Euro 5 Air Cleaner



All Copyright and rights are the property of Johnston Sweepers Ltd.

Euro 5 Air Cleaner (37026-4)
 Engine Feature\Euro 5 Air Cleaner

Item no.	Part no.	Description	QTY	Unit
10	7007886	Seal - Air Cleaner	1	PC
20	7007882	Cuff	1	PC
30	501-9	Hose Clip - Worm Drive (90-120)	4	PC
40	7006810	Pipe Air Filter To Turbo	1	PC
50	7008051	Hose Ø76 - Ø60	1	PC
60	501-6	Clip Hose Worm Drive (55-70)	1	PC
70	501-7	Clip Hose Worm Drive (70-90)	1	PC
80	501-24	Clip Hose Worm Drive 17-25mm	2	PC
90	92097374-0	Hex Head Screw - M8Cx20 - 8.8	2	PC
100	93212011-0	Plain Washer M8	2	PC
110	93699710-0	Spring Washer - Plated M8	2	PC
120	7008123	Hose -Exhaust system	1	PC
130	501-5	Clip Hose Worm Drive 40-55mm	1	PC
140	501-4	Clip Hose Worm Drive 30-40mm	1	PC
150	904-60	Indicator-Filter State,75mBar	1	PC
160	849-337	Mass Air Flow Sensor - E5 Engine Kit	1	PC
170	849-338	Cuff - Air Cleaner - E5 Engine Kit	1	PC
180	904-65	Air Cleaner (Compact)	1	PC
190	904-68	Air Filter Element - Main	1	PC
200	904-69	Air Filter Element - Secondary	1	PC
5000	273-13	5/8" Bore Griflex Hose	1	M

All Copyright and rights are the property of Johnston Sweepers Ltd.

Euro 5 Fuel System (7011053)
 Engine Feature\Euro 5 Fuel System

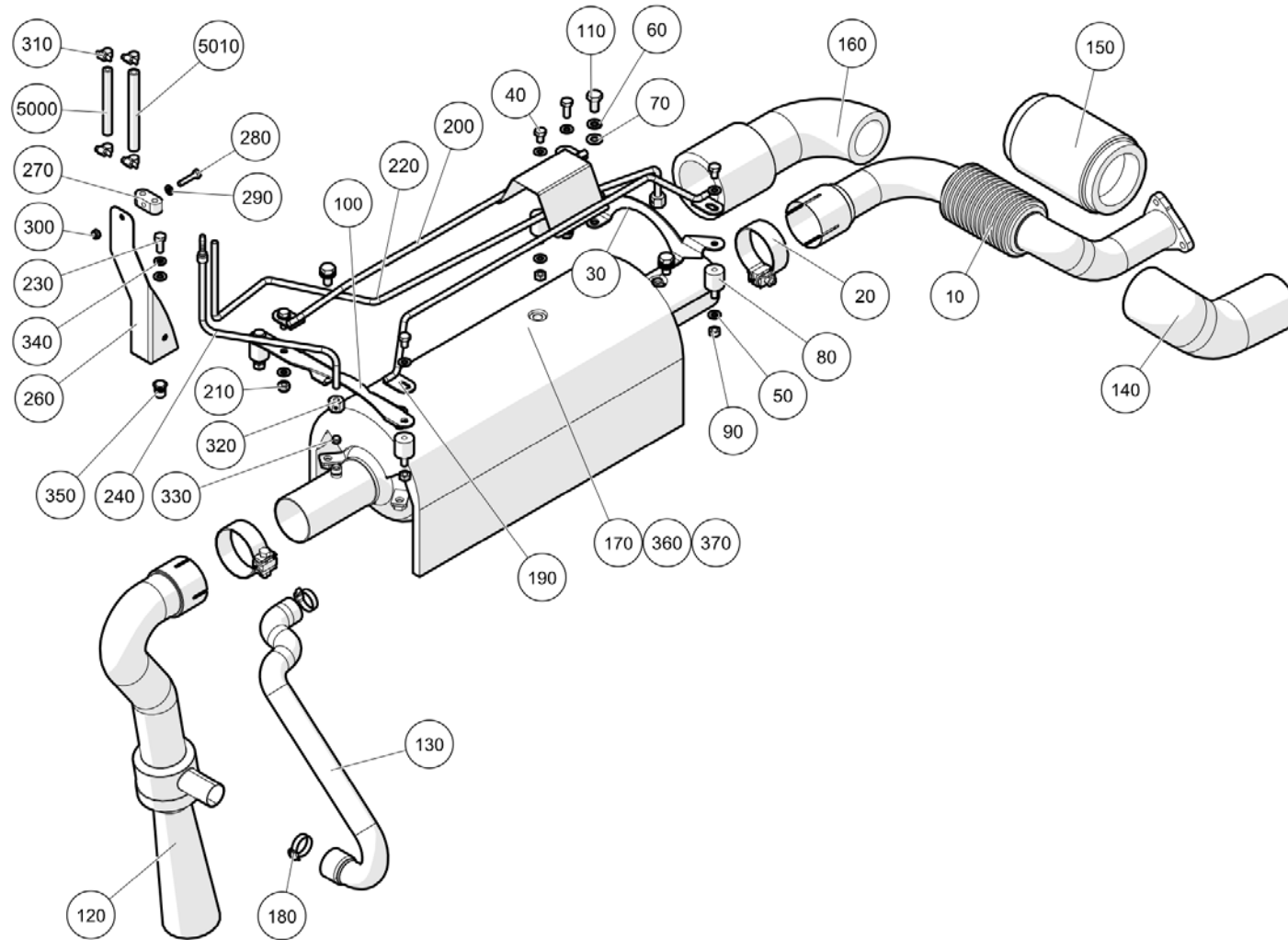
Item no.	Part no.	Description	QTY	Unit
10	7024511	Fuel Tank W/Assy	1	PC
20	92097410-0	Hex Head Screw - M10Cx20 - 8.8	4	PC
30	93212012-0	Plain Washer M10	6	PC
40	93699711-0	Spring Washer - Plated M10	6	PC
50	501-1	Hose Clip - Worm Drive (11-16)	1	PC
60	54-4	Plug - Collar G1/2" BSP	1	PC
70	722026-1	Clamp - Fuel Sender	1	PC
80	722217-1	Sender - Fuel Level	1	PC
90	92097299-0	Hex Head Screw - M6Cx16 - 8.8	5	PC
100	93699708-0	Spring Washer - Plated M6	5	PC
110	69-6	Cap - Locking, Fuel c/w key	1	PC
120	722368-1	Mount - Fuel Filter, W/Assy	1	PC
130	92097301-0	Hex Head Screw - M6Cx20 - 8.8	4	PC
140	93212009-0	Plain Washer M6	4	PC
150	93085004-0	Nyloc Hex Nut M6C - 8	4	PC
160	92097415-0	Hex Head Screw - M10Cx35 - 8.8	2	PC
170	277-264	Bolt - Banjo, M14	1	PC
180	452-65	Washer-Copper 14.1/18.1x2.5	3	PC
190	277-279	Fiting-H Banjo 3/8" Bore Hose	1	PC
210	277-270	Adaptor Male-Male M14 - 1/2" BSP	1	PC
220	451-19	Washer - Bonded G1-2"	1	PC
230	262-20	Elbow-Compact Swivel 90° 1/2"BSP	1	PC
240	501-24	Clip Hose Worm Drive 17-25mm	3	PC
250	849-383	E5 Fuel Filter Assembly	1	PC

All Copyright and rights are the property of Johnston Sweepers Ltd.

Euro 5 Fuel System (7011053)
Engine Feature\Euro 5 Fuel System

Item no.	Part no.	Description	QTY	Unit
260	849-384	E5 Fuel Filter Sensor	1	PC
270	224-35	Filter-Fuel VM Engines	1	PC
5000	273-27	Fuel Hose 10mm I/D 17mm O/D	3.1	M
5010	273-28	Fuel Hose 13mm I/D 21mm O/D	0.7	M

Euro 5 Exhaust System (37095-4)
Engine Feature\Euro 5 Exhaust System

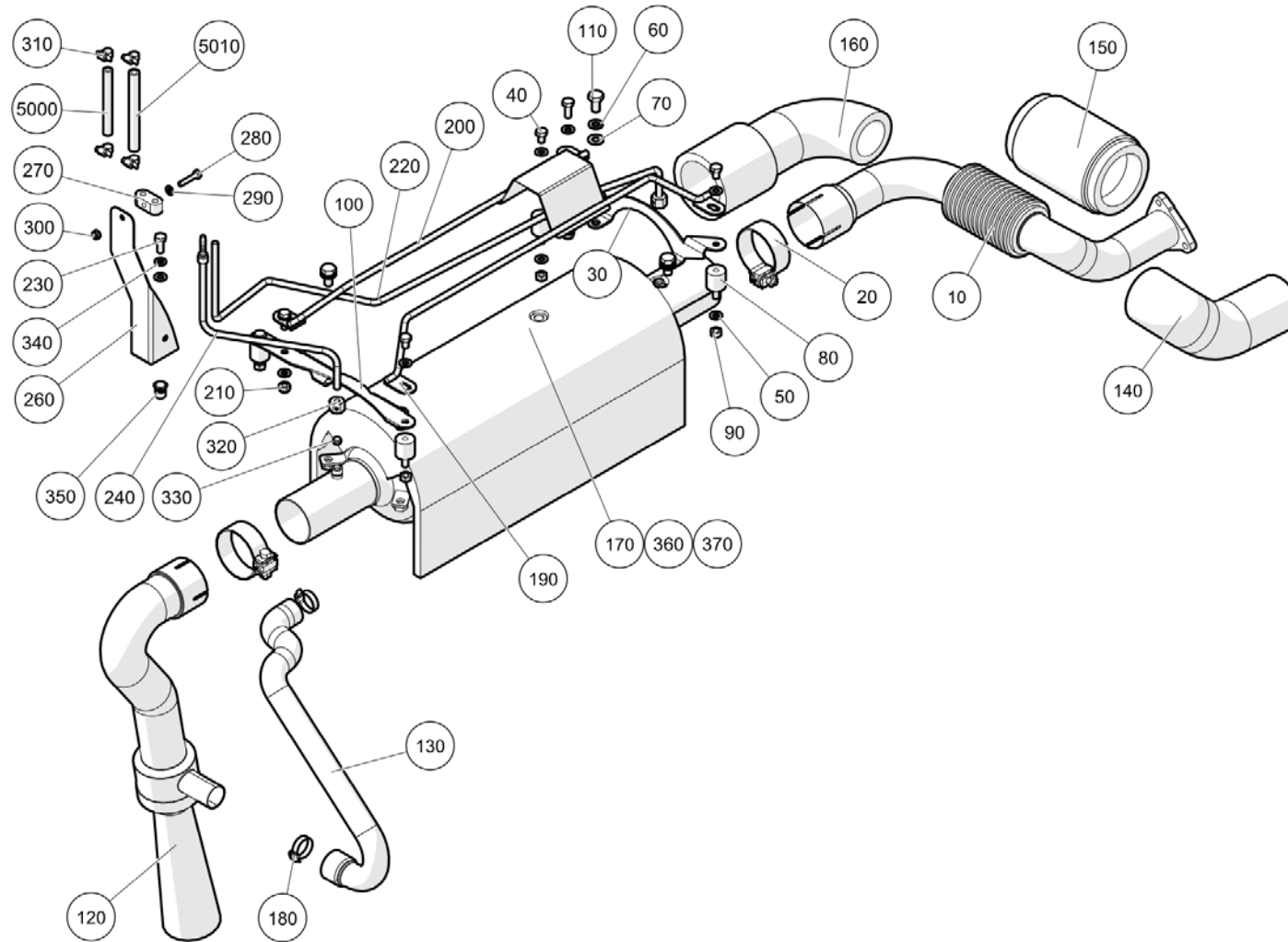


Euro 5 Exhaust System (37095-4)
 Engine Feature\Euro 5 Exhaust System

Item no.	Part no.	Description	QTY	Unit
10	7007271	Pipe Turbo - Silencer	1	PC
20	903-108	Clamp - Exhaust, Accuseal 2.5"	2	PC
30	7008142	Bracket Rear	1	PC
40	92097371-0	Hex Head Screw - M8Cx12 - 8.8	4	PC
50	93212011-0	Plain Washer M8	13	PC
60	93699711-0	Spring Washer - Plated M10	4	PC
70	93212012-0	Plain Washer M10	4	PC
80	290-23	Mounting-Anti Vibration 25x25	4	PC
90	93056014-0	Hex Nut M8C-8	4	PC
100	7007791	Bracket Front Exhaust	1	PC
110	92097410-0	Hex Head Screw - M10Cx20 - 8.8	4	PC
120	7008154	Tail Pipe -Exhaust system	1	PC
130	7009186	Hose -Exhaust system	1	PC
140	7007855	Exhaust jacket	1	PC
150	7007856	Exhaust jacket	1	PC
160	7007857	Exhaust jacket	1	PC
170	7008141	Exhaust jacket	1	PC
180	501-4	Clip Hose Worm Drive 30-40mm	2	PC
190	7008138	Brace Weld assembly 586mm	1	PC
200	7008161	Brace Weld assembly 540mm	1	PC
210	93085005-0	Nyloc Hex Thin Nut M8C - 8	2	PC
220	7008841	Pipe -Exhaust system	1	PC
230	92097374-0	Hex Head Screw - M8Cx20 - 8.8	3	PC
240	7008840	Pipe -Exhaust system	1	PC

All Copyright and rights are the property of Johnston Sweepers Ltd.

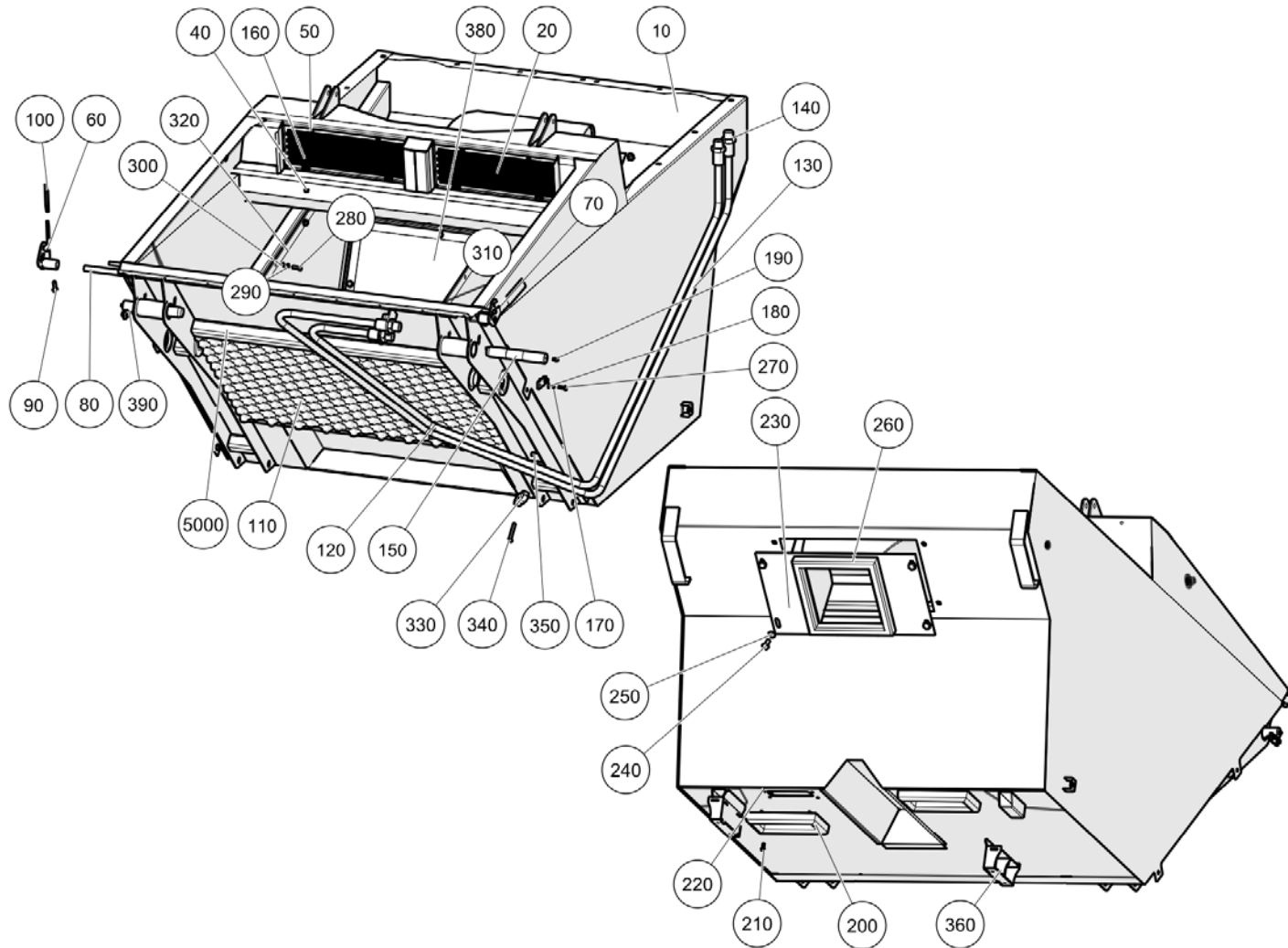
Euro 5 Exhaust System (37095-4)
Engine Feature\Euro 5 Exhaust System



Euro 5 Exhaust System (37095-4)
 Engine Feature\Euro 5 Exhaust System

Item no.	Part no.	Description	QTY	Unit
260	7009213	Bracket -Exhaust system	1	PC
270	51-58	Clamp - Pipe, 8mm Double	1	PC
280	92097305-0	Hex Head Screw - M6Cx30 - 8.8	1	PC
290	93212009-0	Plain Washer M6	1	PC
300	93085004-0	Nyloc Hex Nut M6C - 8	1	PC
310	501-1	Hose Clip - Worm Drive (11-16)	4	PC
320	09570007-0	Cap Nut - M14 x 1.5 (Tube O/D = 8mm)	2	PC
330	512-4	Olive Tube Metal O/D 8	2	PC
340	93699710-0	Spring Washer - Plated M8	1	PC
350	433-119	Insert, Big Hd, M8, 0.7-3.8, Open, MS	1	PC
360	849-378	Exhaust Gas Temperature Sensor E5	1	PC
370	849-379	Exhaust Pressure Sensor E5	1	PC
5000	272-37	Hose-Clear Plastic,Braided 6mm	0.6	M
5010	272-38	Hose-Clear Plastic,Braided 8mm	0.6	M

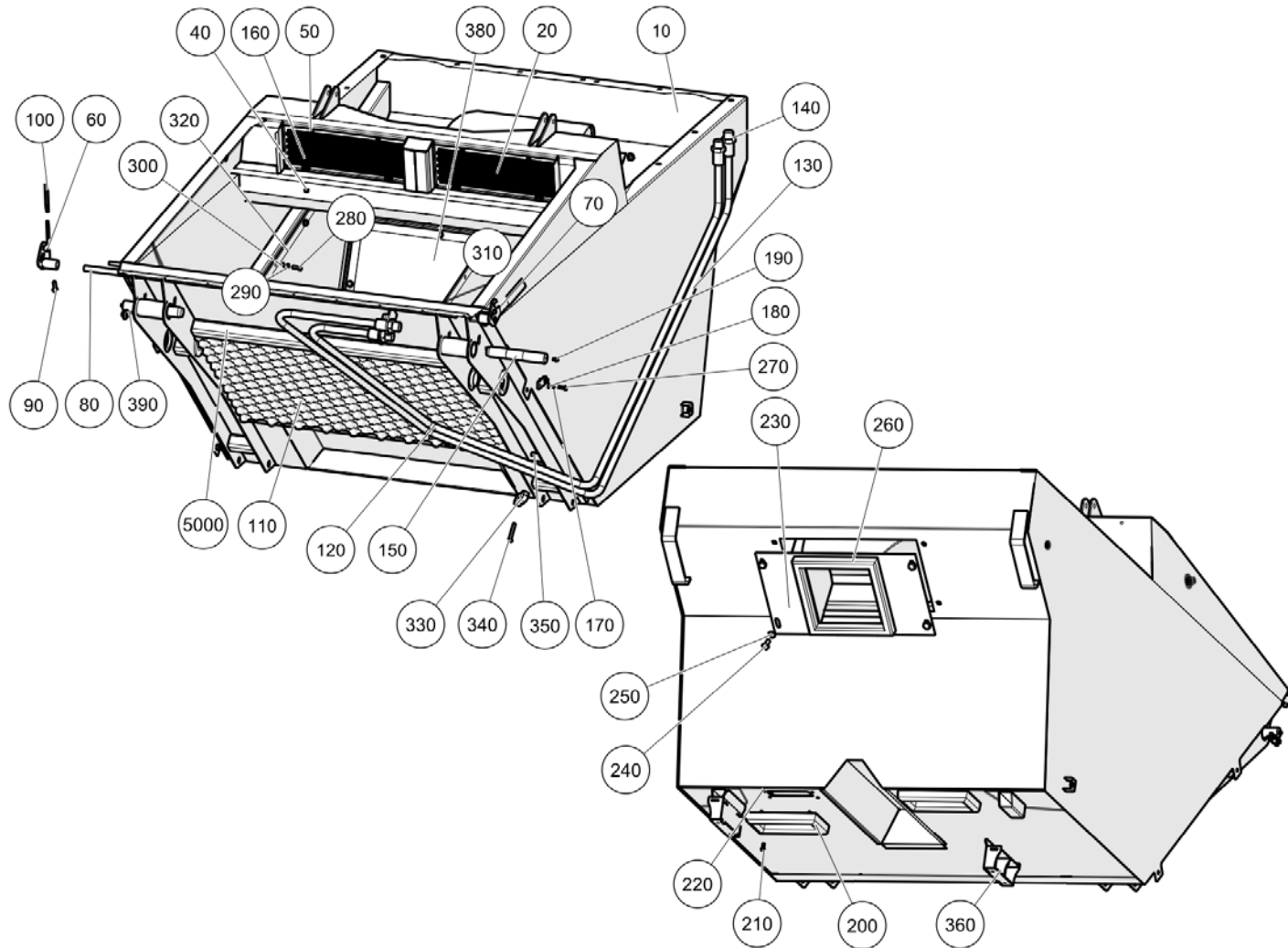
Hopper (37043-53 & -54)
Hopper/Water Tank Feature\Hopper



Hopper (37043-53 & -54)
Hopper/Water Tank Feature\Hopper

Item no.	Part no.	Description	QTY	Unit
10	7007370	Hopper W/Assy (1.4003)	1	PC
10	7007371	Hopper W/Assy (1.4001)	1	PC
20	75563-1	Mesh - Letterbox, W/Assy	2	PC
40	93085004-0	Nyloc Hex Nut M6C - 8	4	PC
50	193-23	Pan Head Screw-4.8x13-4.8-Pozidriv	4	PC
60	75643-1	Clamp - Door Handle LH W/Assy	1	PC
70	75643-2	Clamp - Door Handle RH W/Assy	1	PC
80	75033-2	Tube - Pivot, 1124mm	1	PC
90	92097376-0	Hex Head Screw - M8Cx25 - 8.8	2	PC
100	671-2	Handgrip	2	PC
110	722432-1	Foam-Sound Attenuating, Euro 4	1	PC
120	720479-1	Pipe - Steel, Hopper	1	PC
130	720480-1	Pipe-Steel, Hopper	1	PC
140	68-63	Bulkhead S Series 20mmx3/4"	4	PC
150	7025952	Pivot Pin - Hopper	2	PC
160	92097299-0	Hex Head Screw - M6Cx16 - 8.8	4	PC
170	93699708-0	Spring Washer - Plated M6	4	PC
180	93212009-0	Plain Washer M6	4	PC
190	38-30	Nipple Grease M6 X 1	2	PC
200	217-48	Seal - Water Entry	2	PC
210	92099299-0	Hex Head Screw - M6Cx16 - A2	8	PC
220	93085604-0	Nyloc Hex Nut - M6c - A2	8	PC
230	75873-1	Entry Duct - W/Assy	1	PC
240	92097412-0	Hex Head Screw - M10Cx25 - 8.8	4	PC

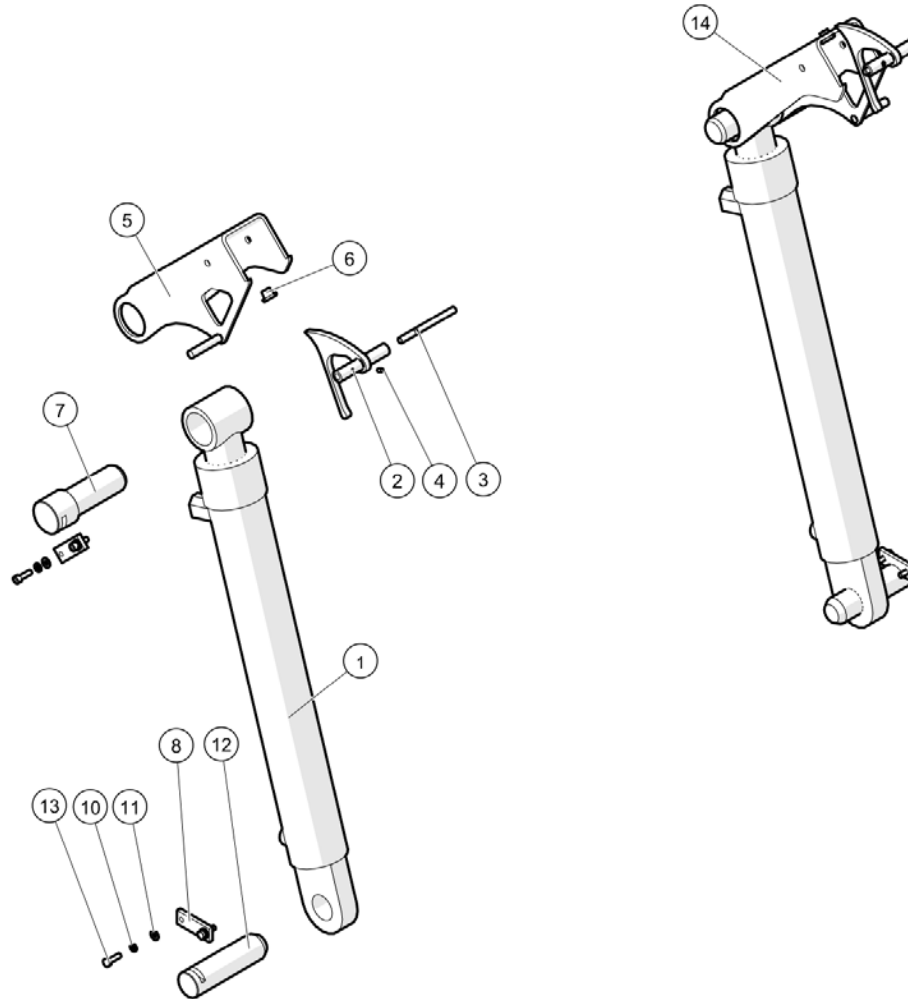
All Copyright and rights are the property of Johnston Sweepers Ltd.



Hopper (37043-53 & -54)
Hopper/Water Tank Feature\Hopper

Item no.	Part no.	Description	QTY	Unit
250	93212012-0	Plain Washer M10	4	PC
260	70327-1	Seal - Entry Hopper	1	PC
270	92097301-0	Hex Head Screw - M6Cx20 - 8.8	4	PC
280	92099373-0	Hex Head Screw - M8Cx20 - A2	40	PC
290	93700210-0	Spring Washer M8 - A2	40	PC
300	93213010-0	Plain Washer M8 A2	40	PC
310	75801-2	Screen-Wedge Wire Side RH 0.75	1	PC
320	75801-1	Screen-Wedge Wire Side LH 0.75	1	PC
330	51-55	Clamp - Pipe, Twin 20 Dia Tubes	1	PC
340	92067385-0	Hex Head Bolt - M8Cx50 8.8	1	PC
350	93085805-0	Nyloc Hex Nut M8C - 8	1	PC
360	720592-1	Support - Hopper, W/Assy	2	PC
380	7007659	Mesh Front	1	PC
390	76164-1	Plate - Securing Ram Pin	2	PC
5000	217-35	Foam-Self Adhesive Black 25x6	9	PC

Hopper Lift Rams (37042-1)
Hopper/Water Tank Feature\Hopper Lift Rams



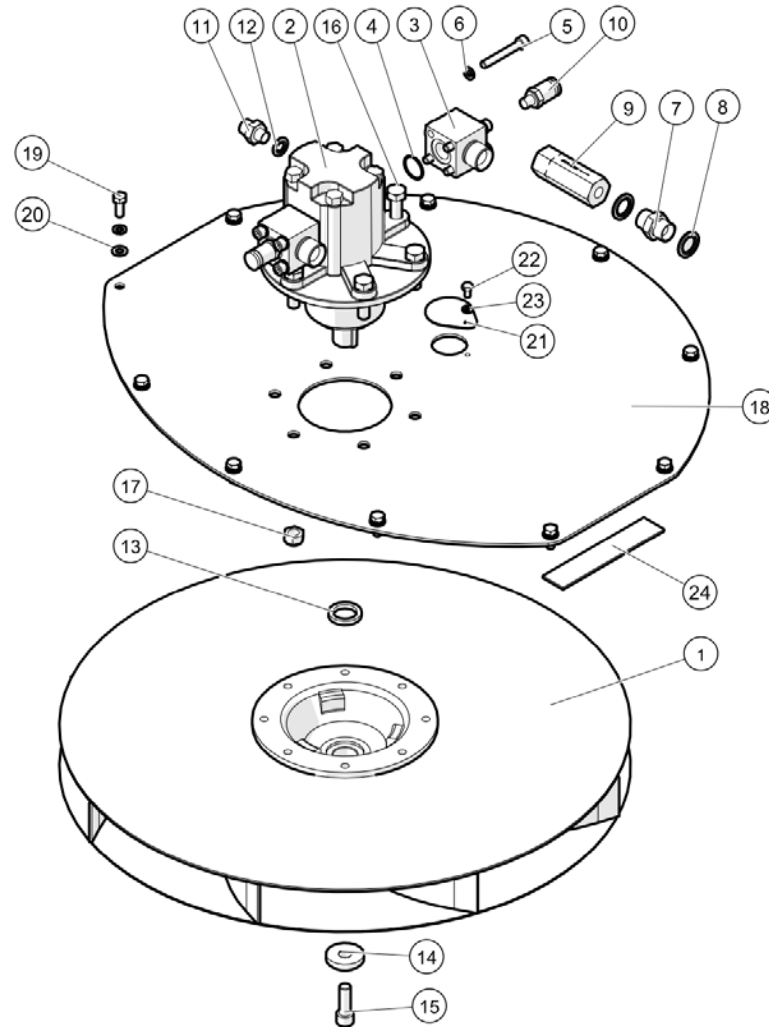
All Copyright and rights are the property of Johnston Sweepers Ltd.

Hopper Lift Rams (37042-1)

Hopper/Water Tank Feature\Hopper Lift Rams

Item no.	Part no.	Description	QTY	Unit
1	29330-1	Ram - Hopper	2	PC
2	75545-1	Catch - Autoprop, W/Assy	2	PC
3	75546-1	Pivot Pin - Autoprop	2	PC
4	135-37	Socket Screw Flat Point M5cx6	2	PC
5	75551-1	Hopper Prop LH W/Assy	1	PC
6	287-31	Grommet - Ø 13.5 O/D, 9.5 I/D 3.2 Thick	2	PC
7	75550-1	Pin - Hopper Ram Top	2	PC
8	76164-1	Plate - Securing Ram Pin	4	PC
9	129-94	Screw MC Cap Skt Hd M6x20	4	PC
10	460-8	Washer Spring Single Coil M6	8	PC
11	455-8	Washer Plain Plated Steel M6	8	PC
12	70786-1	Pin - Ram	2	PC
13	124-103	Setscrew M6C x 20	4	PC
14	75551-2	Hopper Prop RH W/Assy	1	PC

Suction Fan Impeller (37055-1)
Hopper/Water Tank Feature\Suction Fan Impeller



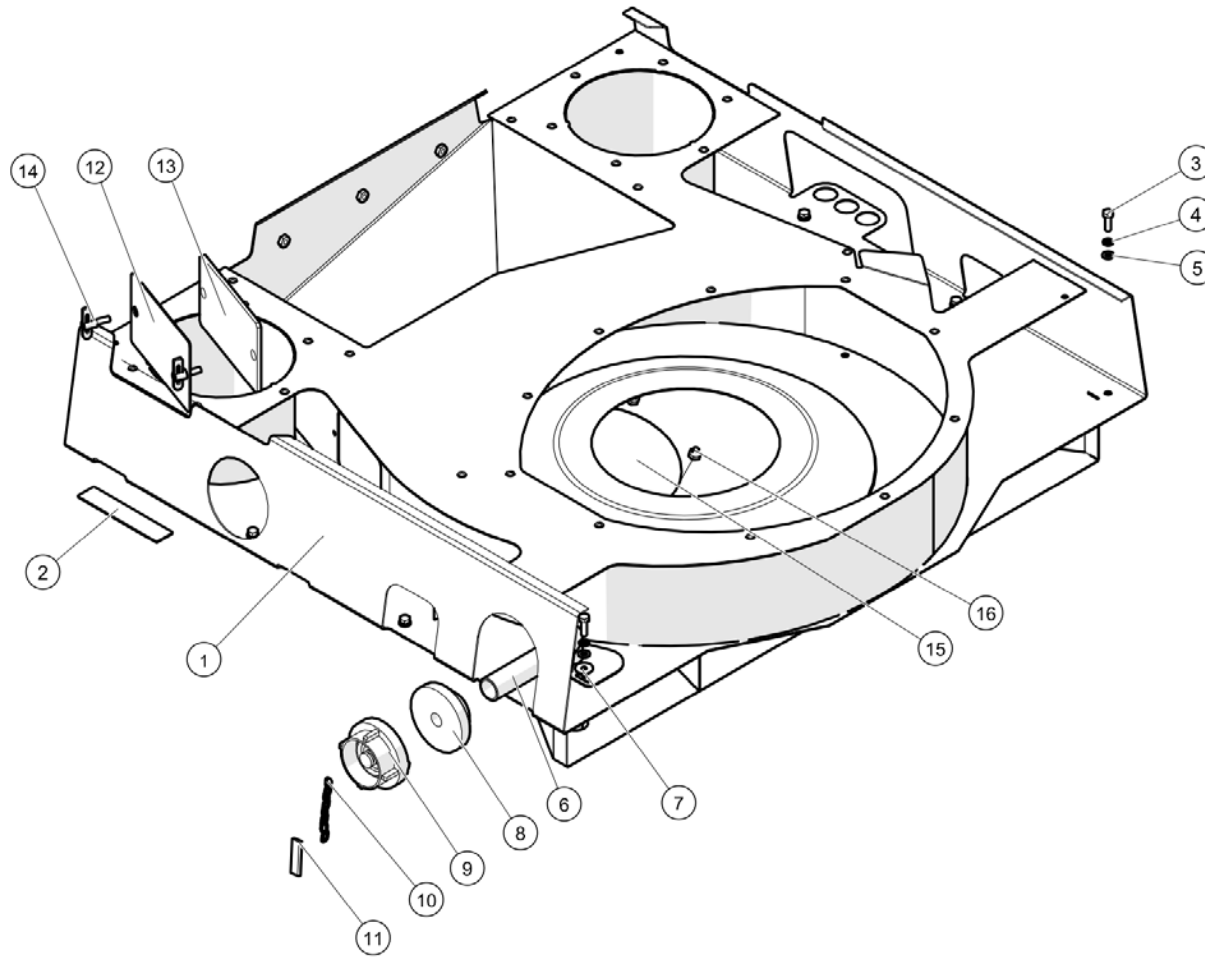
Suction Fan Impeller (37055-1)

Hopper/Water Tank Feature\Suction Fan Impeller

Item no.	Part no.	Description	QTY	Unit
1	75850-1	Impeller Assy	1	PC
2	75881-1	Motor - Hydraulic 16cc/rev	1	PC
3	75858-1	Adaptor Block - Hyd. Motor	2	PC
4	80-52	O Ring - Hole Dia.29	2	PC
5	151-55	Capscrew Skt Hd UNC 5/16x2 1/4	8	PC
6	460-10	Washer Spring Single Coil M8	18	PC
7	263-4	Adaptor M/M 1/2 BSP BS5200	1	PC
8	451-19	Washer - Bonded G1-2"	2	PC
9	70270-1	Valve - Non Return	1	PC
10	665-18	Test Coupling SMK20 - G1/4 Type B	2	PC
11	265-2	Adaptor Reducing M/M 1/4 x 3/8 BSP	1	PC
12	451-17	Washer Bonded G1-4"	1	PC
13	72287-1	Washer - Abutment	1	PC
14	72180-1	Washer - Clamp	1	PC
15	180-96	Setscrew - 1/2" UNC x 1 1/2"	1	PC
16	124-207	Setscrew M12C x 40	6	PC
17	425-16	Nut Nyloc Hex M12c	6	PC
18	75856-1	Motor Mounting Plate	1	PC
19	124-135	Setscrew M8C x 20	10	PC
20	455-10	Washer Plain Plated Steel M8	10	PC
21	75877-1	Inspection Cover - Fancase	1	PC
22	124-99	Setscrew M6C x 10	1	PC
23	460-8	Washer Spring Single Coil M6	1	PC
24	217-8	Strip Sealing 3x30 white	2	M

All Copyright and rights are the property of Johnston Sweepers Ltd.

Fancase (37056-1)
Hopper/Water Tank Feature\Fancase



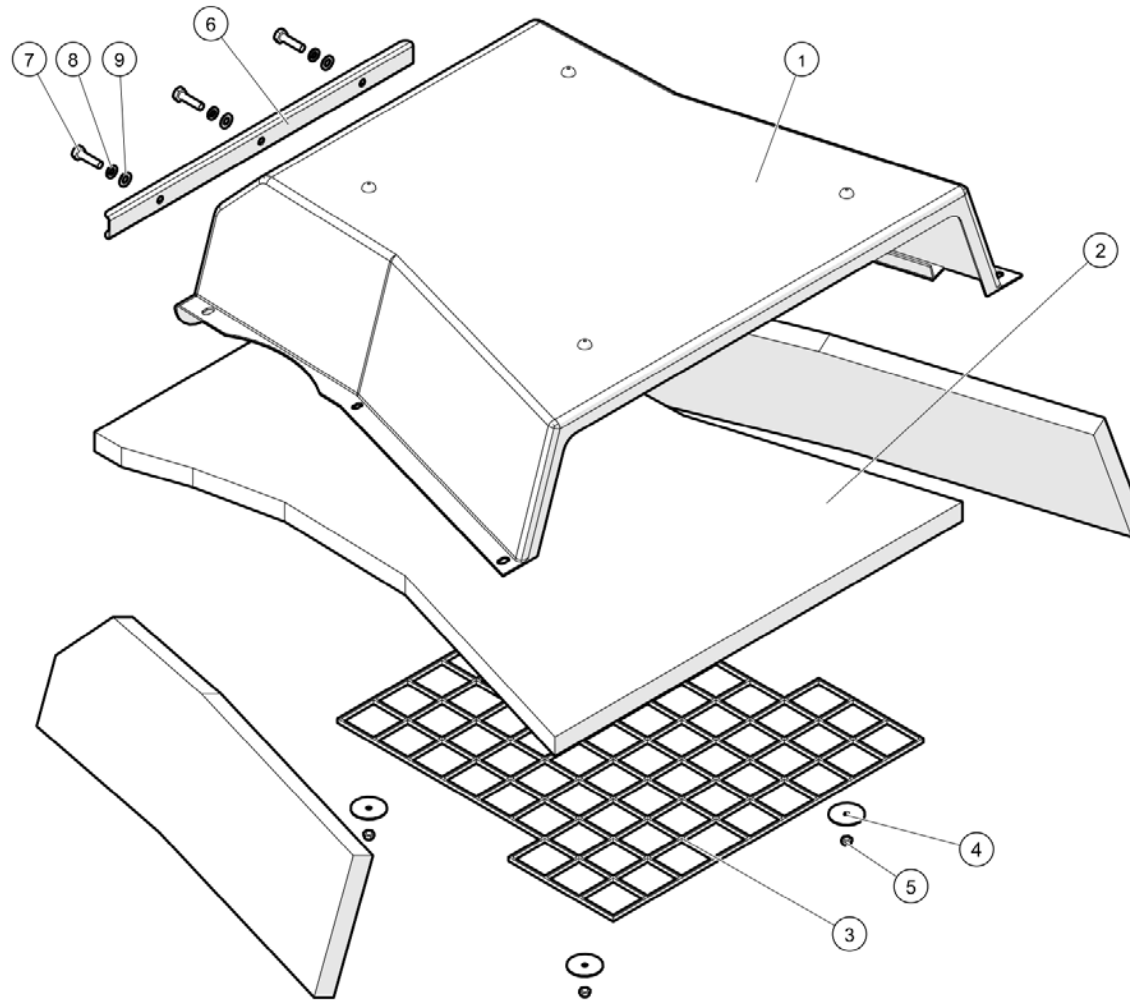
Fancase (37056-1)

Hopper/Water Tank Feature\Fancase

Item no.	Part no.	Description	QTY	Unit
1	75860-1	Fancase - Mild Steel, W/Assy	1	PC
1	75860-20	Fancase - Cromweld, W/Assy	1	PC
1	75860-40	Fancase - Stainless, W/Assy	1	PC
2	217-8	Strip Sealing 3x30 white	4.5	M
3	124-137	Setscrew M8C x 25	15	PC
4	460-10	Washer Spring Single Coil M8	21	PC
5	455-10	Washer Plain Plated Steel M8	15	PC
6	75950-1	Hydrant Filler Pipe, W/Assy	1	PC
7	457-4	Washer Plain Steel M8 Form G	1	PC
8	667-39	Coupling - Stortz G1 Fem	1	PC
9	667-2	Cap - Stortz	1	PC
10	284-1	Chain	0.25	M
11	32-15	Sleeving PVC - Ø 12mm	0.2	M
12	76569-1	Door - Inspection, Fancase	1	PC
13	76556-1	Seal - Door, Inspection	1	PC
14	60-15	Pin - Antiluce, M8 x 18	2	PC
15	72359-1	Plate - Blanking	1	PC
16	124-135	Setscrew M8C x 20	6	PC

All Copyright and rights are the property of Johnston Sweepers Ltd.

Sound Attenuating Hood (37057-1)
Hopper/Water Tank Feature\Sound Attenuating Hood

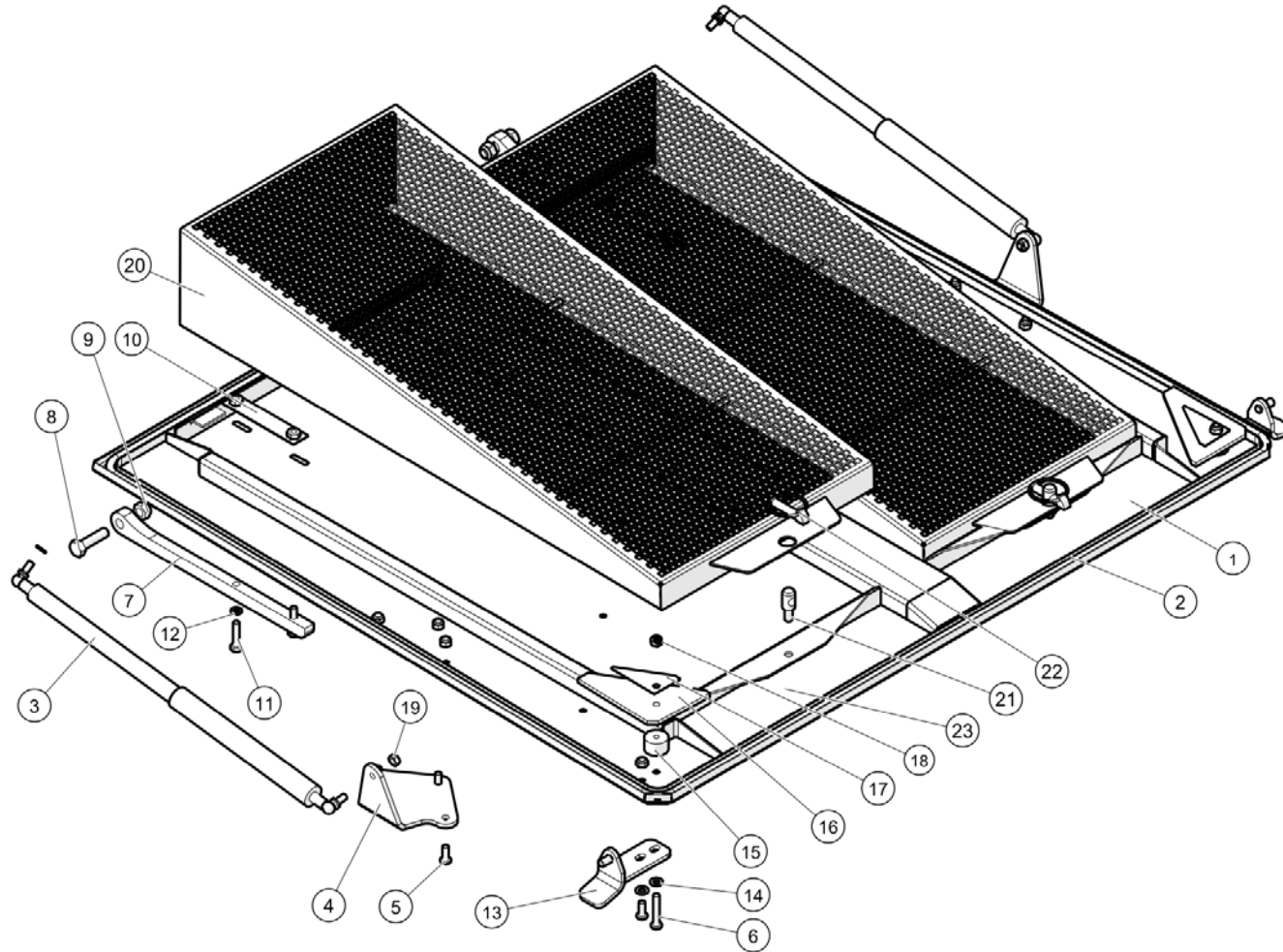


All Copyright and rights are the property of Johnston Sweepers Ltd.

Sound Attenuating Hood (37057-1)
Hopper/Water Tank Feature\Sound Attenuating Hood

Item no.	Part no.	Description	QTY	Unit
1	721146-1	Hood - Plastic, Fan Outlet	1	PC
2	75895-1	Lining Foam - Fan Outlet Hood	1	PC
3	75904-1	Mesh - Hood Soundpack	1	PC
4	452-62	Washer-Repair M 6/40x1.5 Steel	4	PC
5	425-13	Nut Nyloc Hex M6C	4	PC
6	721046-1	Strip - Hood Retaining.	1	PC
7	124-139	Setscrew M8C x 30	3	PC
8	460-10	Washer Spring Single Coil M8	3	PC
9	455-10	Washer Plain Plated Steel M8	3	PC

Hopper Door (37044-1, 37044-2)
Hopper/Water Tank Feature\Hopper Door



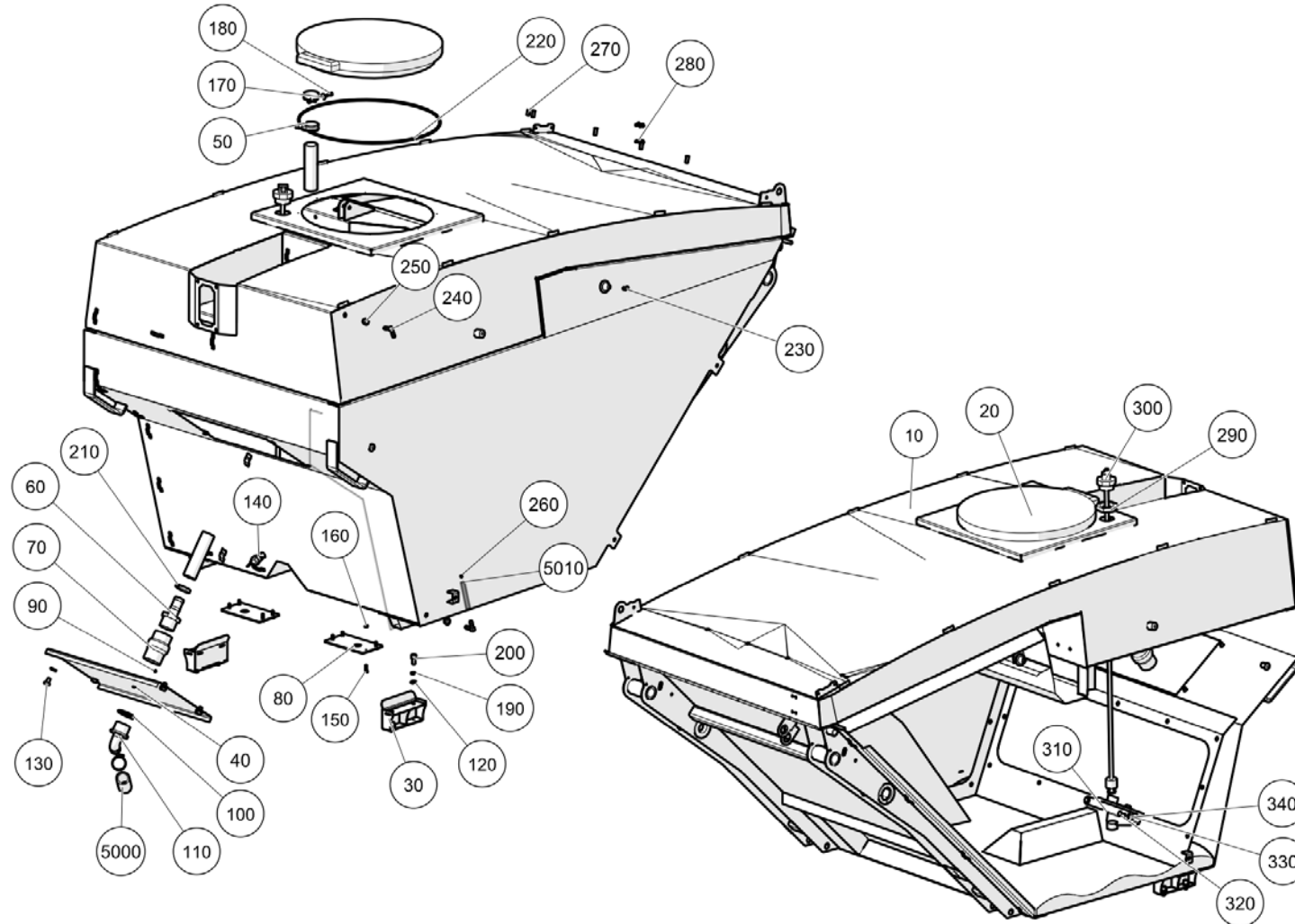
All Copyright and rights are the property of Johnston Sweepers Ltd.

Hopper Door (37044-1, 37044-2)
Hopper/Water Tank Feature\Hopper Door

Item no.	Part no.	Description	QTY	Unit
1	75820-1	Hopper Door, W/Assy	1	PC
1	75820-2	Hopper Door, W/Assy	1	PC
2	217-22	Cord - Black	4	M
3	293-6	Spring - Gas Including Shroud	2	PC
4	75890-1	Mount - Gas Strut	2	PC
5	138-123	Screw - Skt Button Hd M8cx20	8	PC
6	138-132	Screw - Skt Button Hd M8cx45	2	PC
7	75893-1	Hinge - Hopper Door	2	PC
8	123-147	Bolt M Coarse M12x45	2	PC
9	425-16	Nut Nyloc Hex M12c	2	PC
10	75833-1	Plate - Hinge Keeper, W/Assy	2	PC
11	123-106	Bolt M Coarse M8x35 BS3692	4	PC
12	460-10	Washer Spring Single Coil M8	6	PC
13	720351-1	Clamp - Door, Hopper W/Assy	2	PC
14	455-10	Washer Plain Plated Steel M8	4	PC
15	70993-1	Spacer	2	PC
16	75896-1	Flap - Sludge Channel Cover	2	PC
17	75903-1	Sup.Plit.-Sludge Channel Cover	2	PC
18	425-14	Nut Nyloc Hex MC M8	10	PC
19	420-14	Nut MC Hex M8	2	PC
20	76806-1	Basket-Mesh, Hopper W/Assy	2	PC
21	71663-1	Retainer - Pin	2	PC
22	60-1	Pin Linch (With Ring) 11mm Dia	2	PC
23	425-15	Nut Nyloc Hex M10C	2	PC

All Copyright and rights are the property of Johnston Sweepers Ltd.

Water Tank - CW (7024755)
Hopper/Water Tank Feature\Water Tank - CW



All Copyright and rights are the property of Johnston Sweepers Ltd.

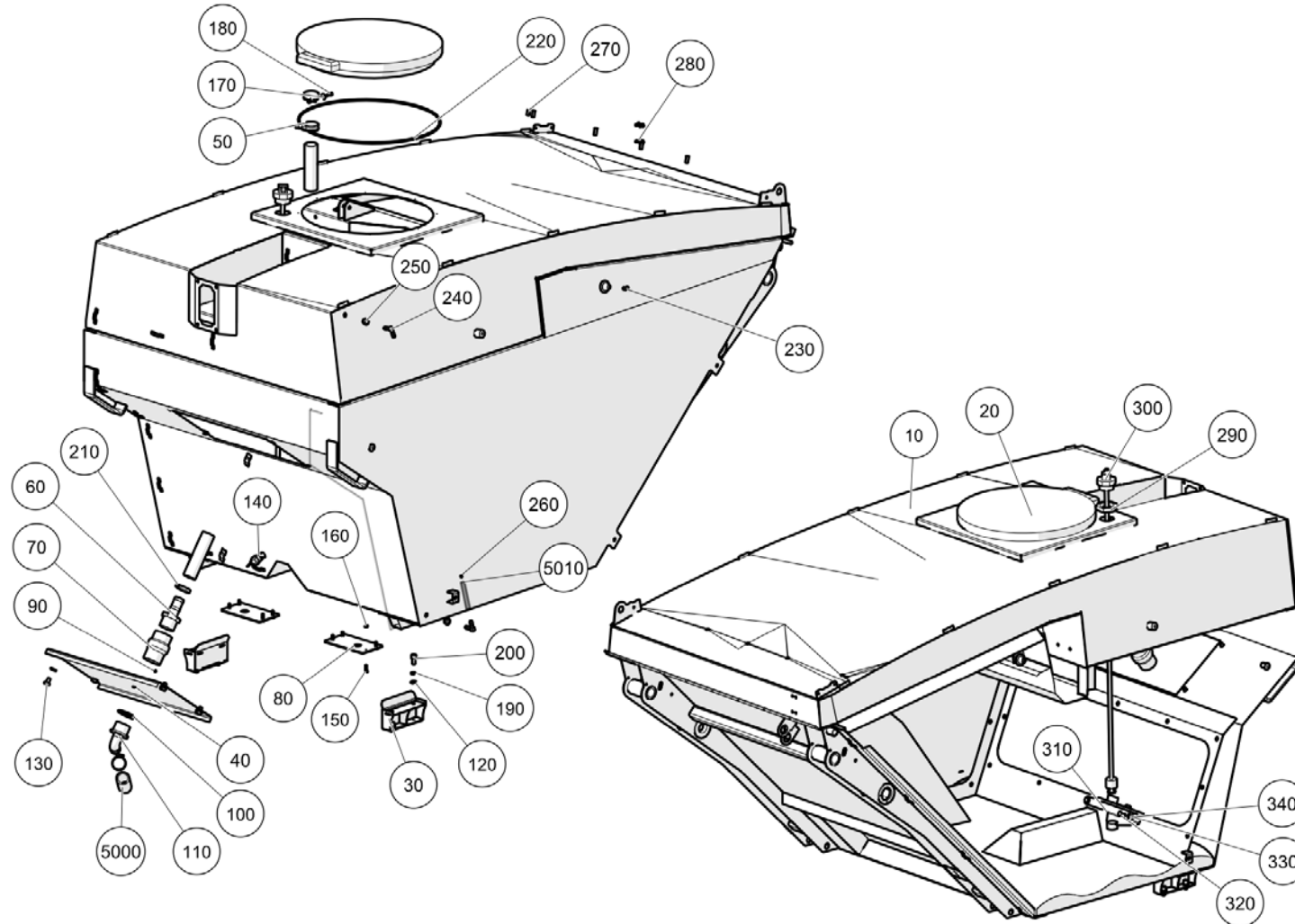
Water Tank - CW (7024755)

Hopper/Water Tank Feature\Water Tank - CW

Item no.	Part no.	Description	QTY	Unit
10	7009833	Water Tank W/assy	1	PC
20	812-8	Lid-Hinged Water Tank	1	PC
30	720592-1	Support - Hopper, W/Assy	2	PC
40	7024757	Mounting Plate - Tank Overflow	1	PC
50	508-130	Clip - P Rubber Covered S.Steel 40.00mm	2	PC
60	66-44	Adaptor-Poly. G 1 ½" x 1 ¼" Hose Tail	1	PC
70	277-278	Check Valve Polyprop 1 1/2"	1	PC
80	7011098	Interface Plate	2	PC
90	80-89	O Ring - Hole Dia.55	1	PC
100	277-214	Gasket - 1 1/2"	1	PC
110	66-43	90° Hose Tail G1 1/2M x 32	1	PC
120	93212012-0	Plain Washer M10	8	PC
130	92099405-0	Hex Head Screw - M10Cx16 - A2	4	PC
140	39378	Detector Level Fluid 12v	1	PC
150	92099301-0	Hex Head Screw - M6Cx20 - A2	8	PC
160	93085604-0	Nyloc Hex Nut - M6c - A2	10	PC
170	452-47	Washer-M6 Stainless Steel	2	PC
180	92099299-0	Hex Head Screw - M6Cx16 - A2	2	PC
190	93699711-0	Spring Washer - Plated M10	4	PC
200	92137155-0	Hex Socket Cap Screw - M10Cx20 - 12.9	4	PC
210	504-5	Clip - Hose (40 - 55mm)	2	PC
220	812-9	Seal (to suit 812/8)	1	PC
230	92330044-0	Hex Skt Button Head Screw M8x16 - 10.9	2	PC
240	09518704-0	ANGLE HOSE CONNECTOR, WS 8 NORMA	2	PC

All Copyright and rights are the property of Johnston Sweepers Ltd.

Water Tank - CW (7024755)
Hopper/Water Tank Feature\Water Tank - CW



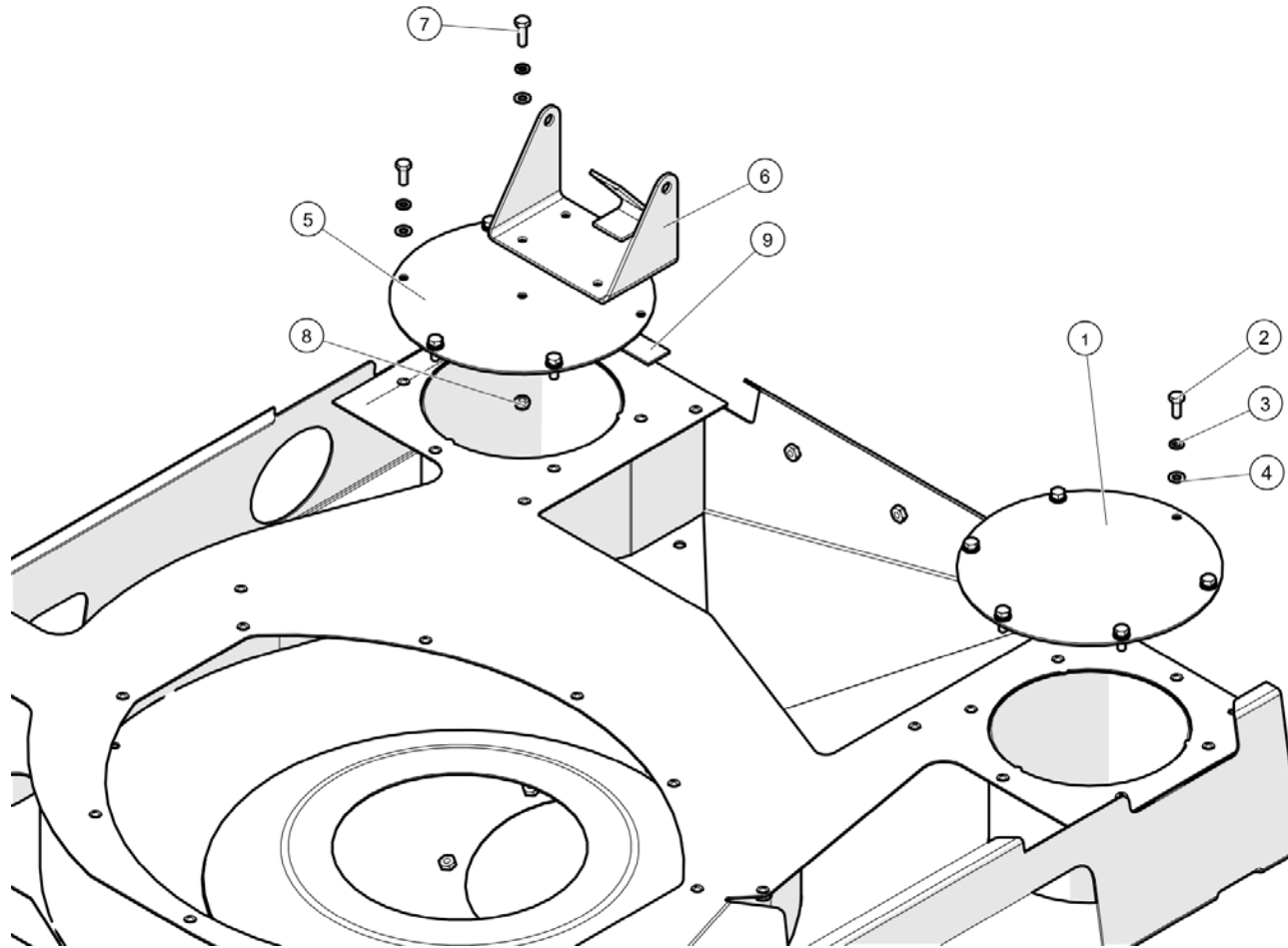
All Copyright and rights are the property of Johnston Sweepers Ltd.

Water Tank - CW (7024755)

Hopper/Water Tank Feature\Water Tank - CW

Item no.	Part no.	Description	QTY	Unit
250	7010074	Rubber-Sealing GRN 8	2	PC
260	7003680	Float Ø7 Orange	1	PC
270	433-3	Rivet Nut - S.Cl. Nut M6c g0.5-3.0 Blind	5	PC
280	433-127	Insert, Small Hd, M4, 2.0-3.3,Closed, MS	4	PC
290	277-198	Back Nut 1 1/2" BSP	1	PC
300	7024759	Float Switch (1100mm)	1	PC
310	7024771	Support Bracket W/Assy	1	PC
320	92099373-0	Hex Head Screw - M8Cx20 - A2	2	PC
330	93213010-0	Plain Washer M8 A2	2	PC
340	93700210-0	Spring Washer M8 - A2	2	PC
5000	260-24	Hose - 1 1/4" Bore Duracord	2	M
5010	09593917-0	Polyurethane Tube O/D 12 I/D 8	1	M

Blanking Plates - Beacon, No Wanderhose (37087-1)
Hopper/Water Tank Options\Blanking Plates - Beacon, No Wanderhose

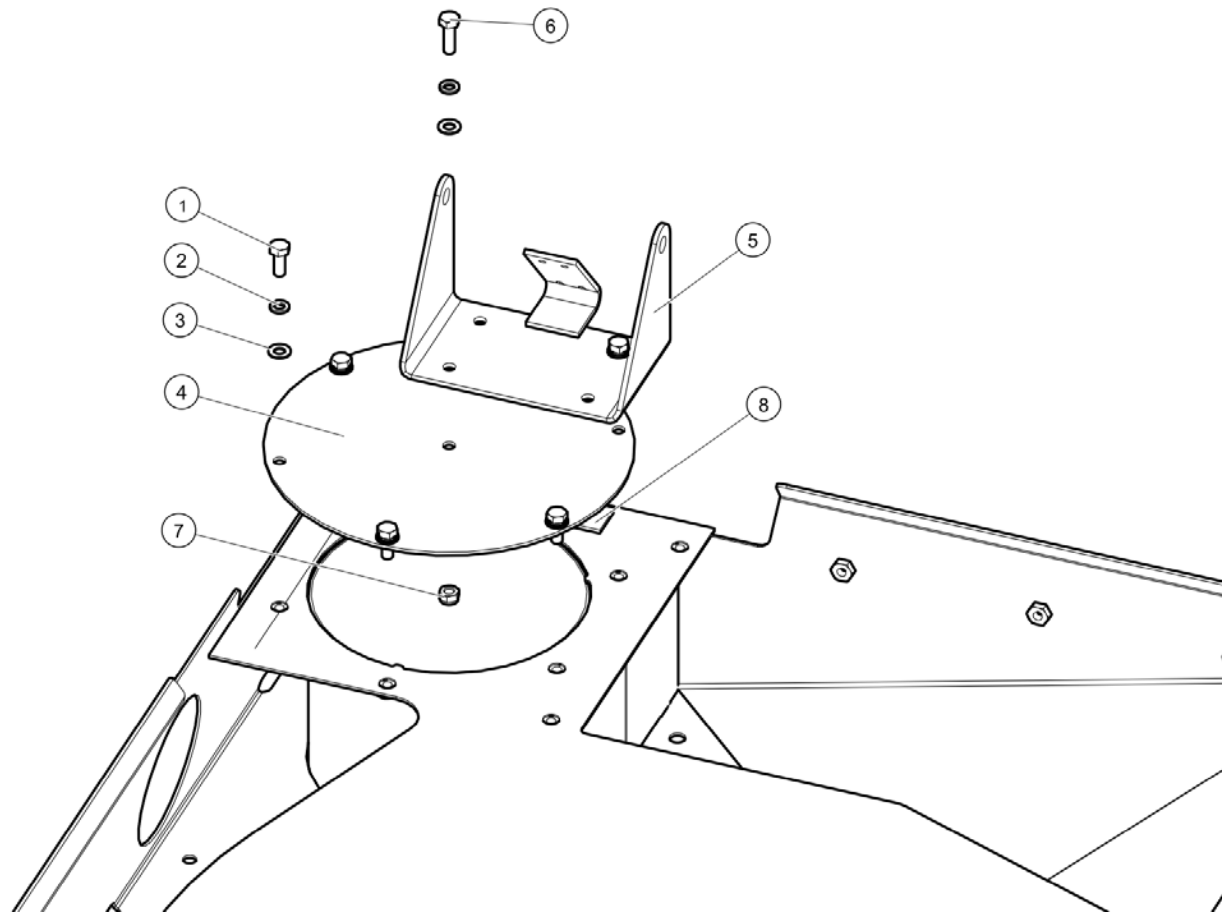


Blanking Plates - Beacon, No Wanderhose (37087-1)

Hopper/Water Tank Options\Blanking Plates - Beacon, No Wanderhose

Item no.	Part no.	Description	QTY	Unit
2	124-135	Setscrew M8C x 20	11	PC
7	124-137	Setscrew M8C x 25	2	PC
3	460-10	Washer Spring Single Coil M8	13	PC
4	455-10	Washer Plain Plated Steel M8	13	PC
6	75888-1	Beacon Pivot W/Assy	1	PC
9	217-8	Strip Sealing 3x30 white	1.7	M
1	72359-1	Plate - Blanking	1	PC
5	75883-1	Blanking Plate (Wanderhose)	1	PC
8	425-14	Nut Nyloc Hex MC M8	1	PC

Blanking Plates - Beacon & Wanderhose (37087-2)
Hopper/Water Tank Options\Blanking Plates - Beacon & Wanderhose

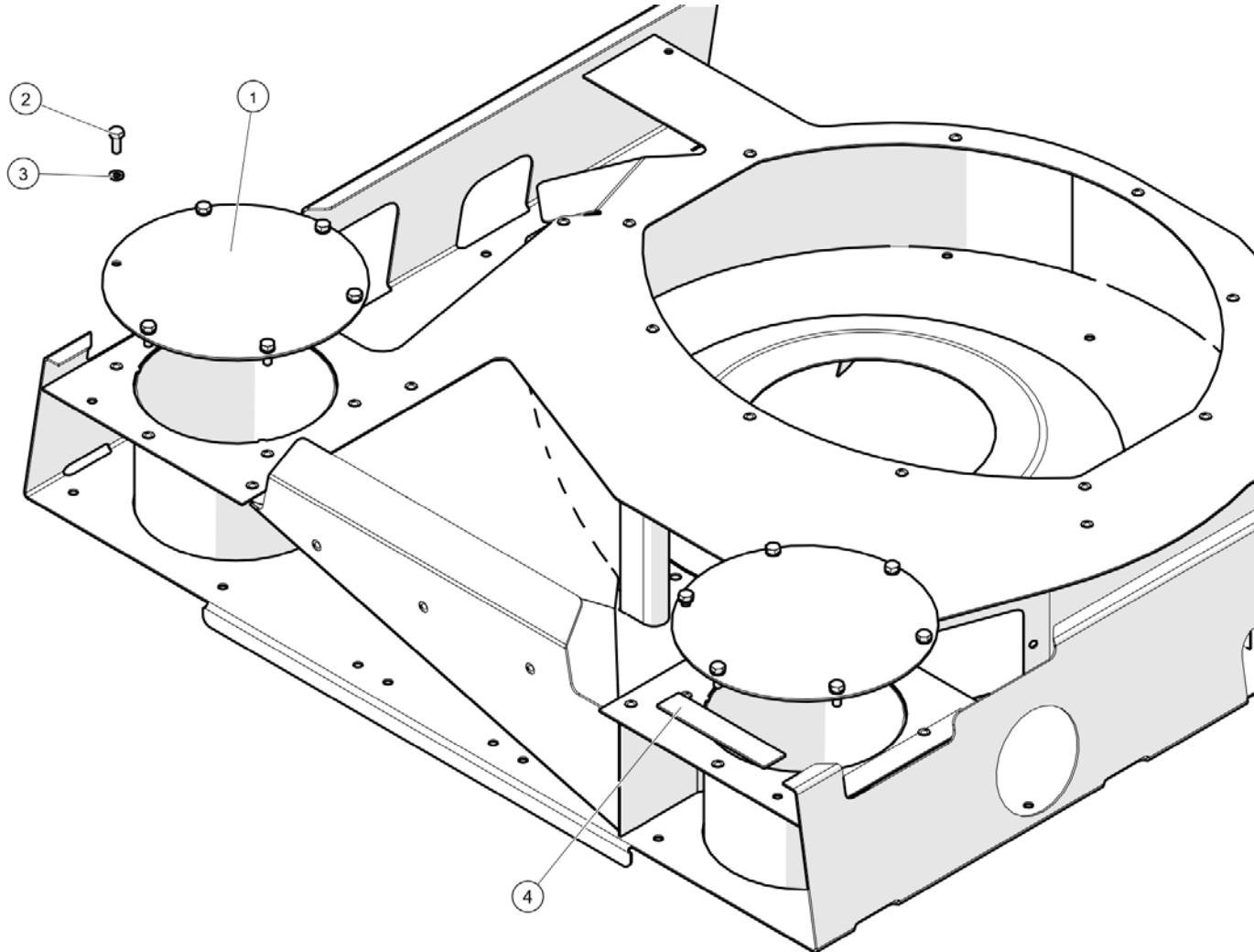


Blanking Plates - Beacon & Wanderhose (37087-2)

Hopper/Water Tank Options\Blanking Plates - Beacon & Wanderhose

Item no.	Part no.	Description	QTY	Unit
1	124-135	Setscrew M8C x 20	5	PC
2	460-10	Washer Spring Single Coil M8	7	PC
3	455-10	Washer Plain Plated Steel M8	7	PC
4	75883-1	Blanking Plate (Wanderhose)	1	PC
5	75888-1	Beacon Pivot W/Assy	1	PC
6	124-137	Setscrew M8C x 25	2	PC
8	217-8	Strip Sealing 3x30 white	1.7	M
7	425-14	Nut Nyloc Hex MC M8	1	PC

Blanking Plates - No Beacon / Wanderhose (37087-3)
Hopper/Water Tank Options\Blanking Plates - No Beacon / Wanderhose

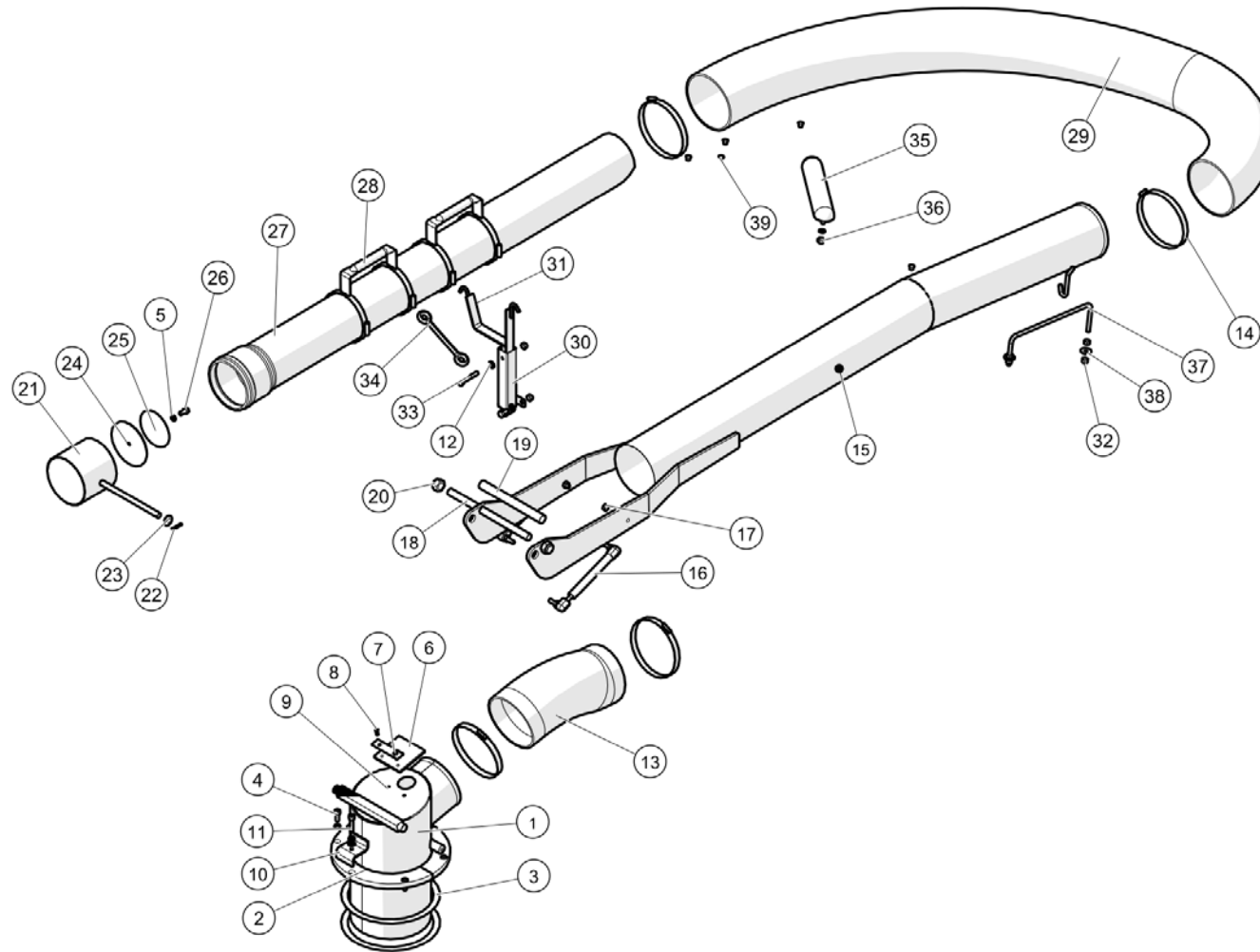


All Copyright and rights are the property of Johnston Sweepers Ltd.

Blanking Plates - No Beacon / Wanderhose (37087-3)
Hopper/Water Tank Options\Blanking Plates - No Beacon / Wanderhose

Item no.	Part no.	Description	QTY	Unit
1	72359-1	Plate - Blanking	2	PC
2	124-134	Setscrew M8C x 16	12	PC
3	460-10	Washer Spring Single Coil M8	12	PC
4	217-8	Strip Sealing 3x30 white	1.7	M

Wanderhose (37058-2)
Hopper/Water Tank Options\Wanderhose



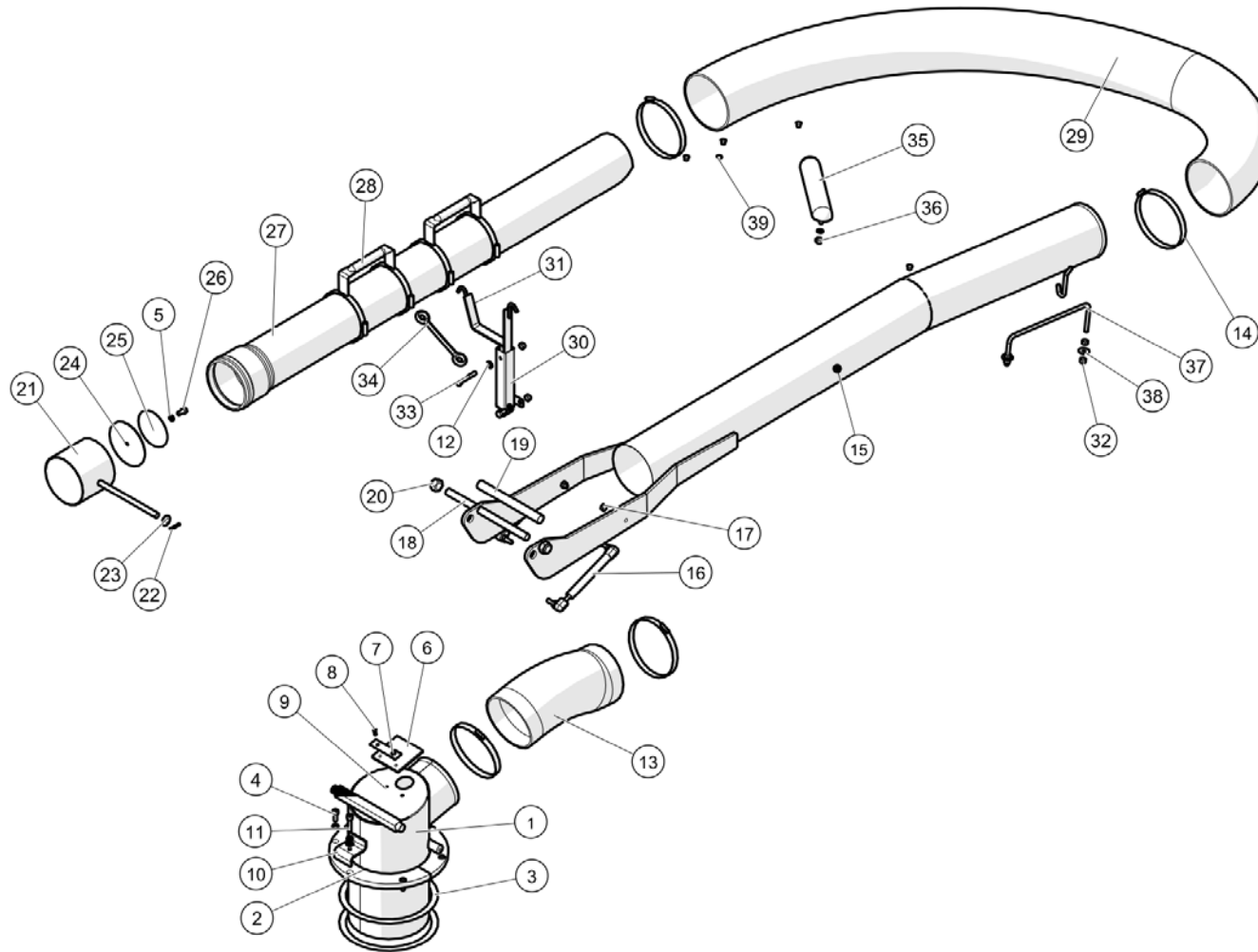
All Copyright and rights are the property of Johnston Sweepers Ltd.

Wanderhose (37058-2)
Hopper/Water Tank Options\Wanderhose

Item no.	Part no.	Description	QTY	Unit
1	72351-1	Turret - Wanderhose W/Assy	1	PC
2	72313-1	Plate - Split Clamp	1	PC
3	72311-1	Shim	2	PC
4	129-123	Screw MC Cap Skt Hd M8x20	7	PC
5	460-10	Washer Spring Single Coil M8	13	PC
6	71674-1	Flap Elbow Suction	1	PC
7	70941-1	Clamp - Flap	1	PC
8	124-70	Setscrew M5C x 16	2	PC
9	425-12	Nut Nyloc Hex M5C	2	PC
10	75885-1	Limitter - Wanderhose Travel	1	PC
11	129-129	Screw MC Cap Skt Hd M8x35	1	PC
12	455-10	Washer Plain Plated Steel M8	2	PC
13	276-3	Ducting - Flexible, 400mm	1	PC
14	501-10	Hose Clip - Worm Drive (110-140)	4	PC
15	76539-1	Boom - Wanderhose, W/Assy	1	PC
16	293-3	Spring - Gas	2	PC
17	420-14	Nut MC Hex M8	4	PC
18	72357-1	Rod - Tie	1	PC
19	72358-1	Tube - Spacer	1	PC
20	425-18	Nut Nyloc Hex M16C	2	PC
21	75889-1	Wanderhose Cap W/Assy	1	PC
22	500-102	Cotter Pin Split 3/4"x 1/8"	1	PC
23	455-12	Washer Plain Plated Steel M12	5	PC
24	70836-1	Washer - Sealing	1	PC

All Copyright and rights are the property of Johnston Sweepers Ltd.

Wanderhose (37058-2)
Hopper/Water Tank Options\Wanderhose

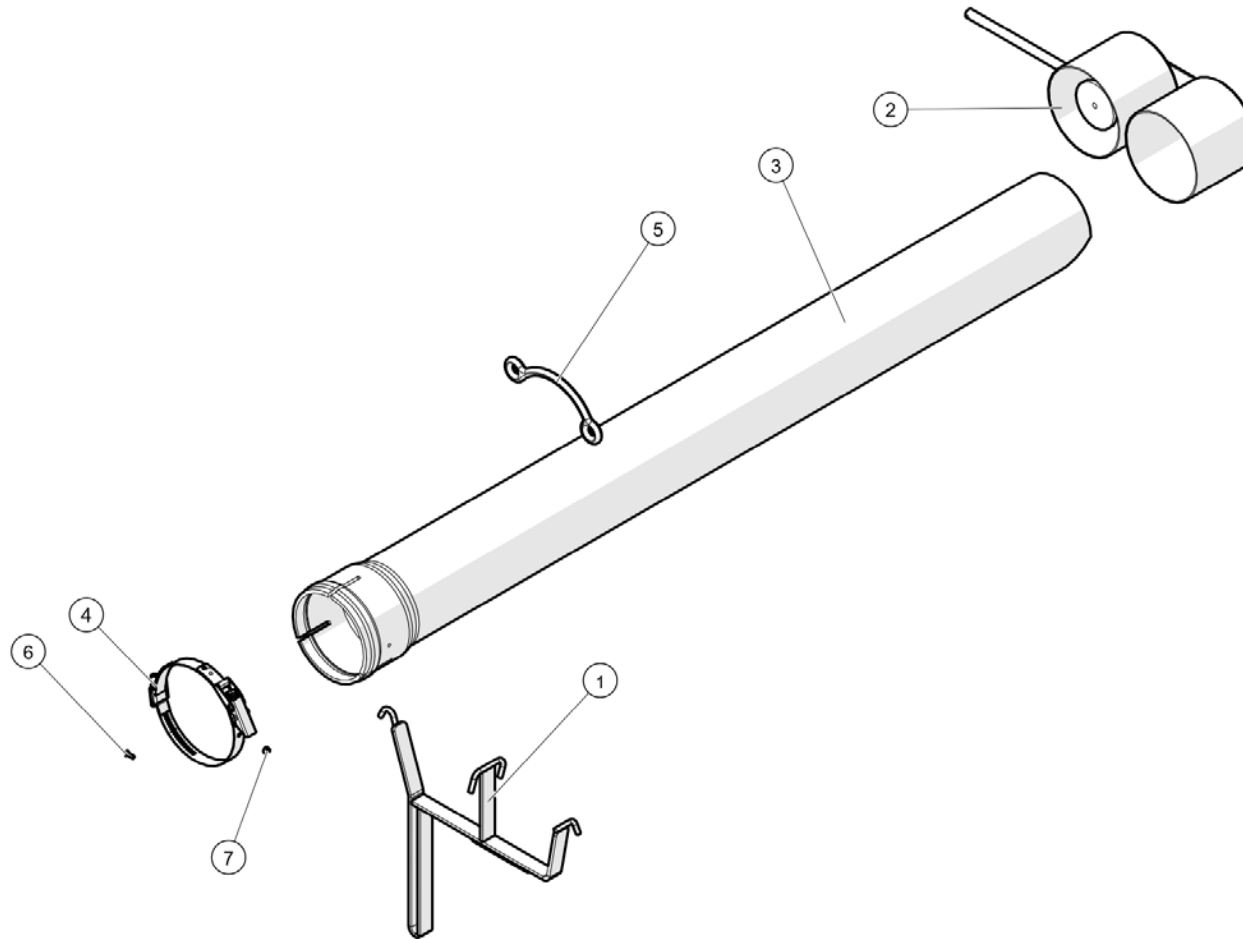


All Copyright and rights are the property of Johnston Sweepers Ltd.

Wanderhose (37058-2)
Hopper/Water Tank Options\Wanderhose

Item no.	Part no.	Description	QTY	Unit
25	70837-1	Washer - Retaining	1	PC
26	124-134	Setscrew M8C x 16	1	PC
27	74703-1	Pipe - Suction	1	PC
28	73065-1	Handle W/A	2	PC
29	276-4	Ducting - Flexible, 1800mm	1	PC
30	75872-1	Cradle Housing-Wanderhose W/A	1	PC
31	75857-1	Cradle W/Assy	1	PC
32	425-14	Nut Nyloc Hex MC M8	5	PC
33	123-110	Bolt M Coarse M8x50	1	PC
34	73067-1	Rubber - Jack	1	PC
35	72063-1	Rubber Buffer	1	PC
36	405-44	Nut Nyloc Hex 5/16" BSW	2	PC
37	75884-1	Sliding W/Hose Anchor	1	PC
38	457-4	Washer Plain Steel M8 Form G	2	PC
39	288-16	Grommet - Blind 8.5 O/D	5	PC

Wanderhose 4ft Rigid Extension (2031-2)
Hopper/Water Tank Options\Wanderhose 4ft Rigid Extension



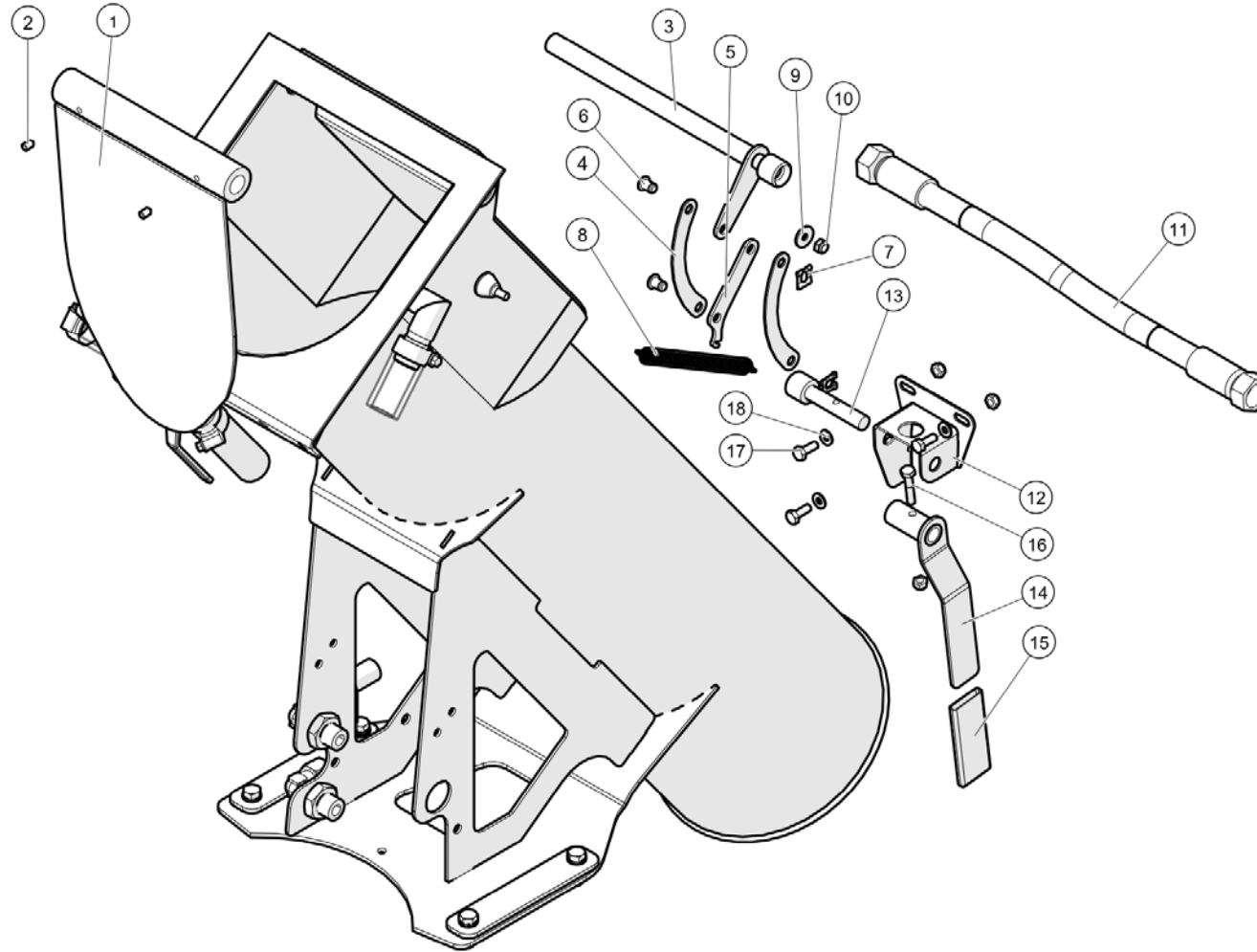
All Copyright and rights are the property of Johnston Sweepers Ltd.

Wanderhose 4ft Rigid Extension (2031-2)

Hopper/Water Tank Options\Wanderhose 4ft Rigid Extension

Item no.	Part no.	Description	QTY	Unit
1	722716-1	Cradle - W/Hose, Twin W/Assy	1	PC
2	722714-1	Cap - W/Hose, Twin W/Assy	1	PC
3	722713-1	Extension - Wanderhose, 4	1	PC
4	443-10	Band Clamp-Quick Rel 90-135mm	1	PC
5	73067-1	Rubber - Jack	1	PC
6	131-33	Hex Socket CSK Screw M4Cx12 10.9	1	PC
7	425-11	Nut Nyloc Hex MC M4	1	PC

Suction Shut Off Flap (37067-51)
Hopper/Water Tank Options\Suction Shut Off Flap



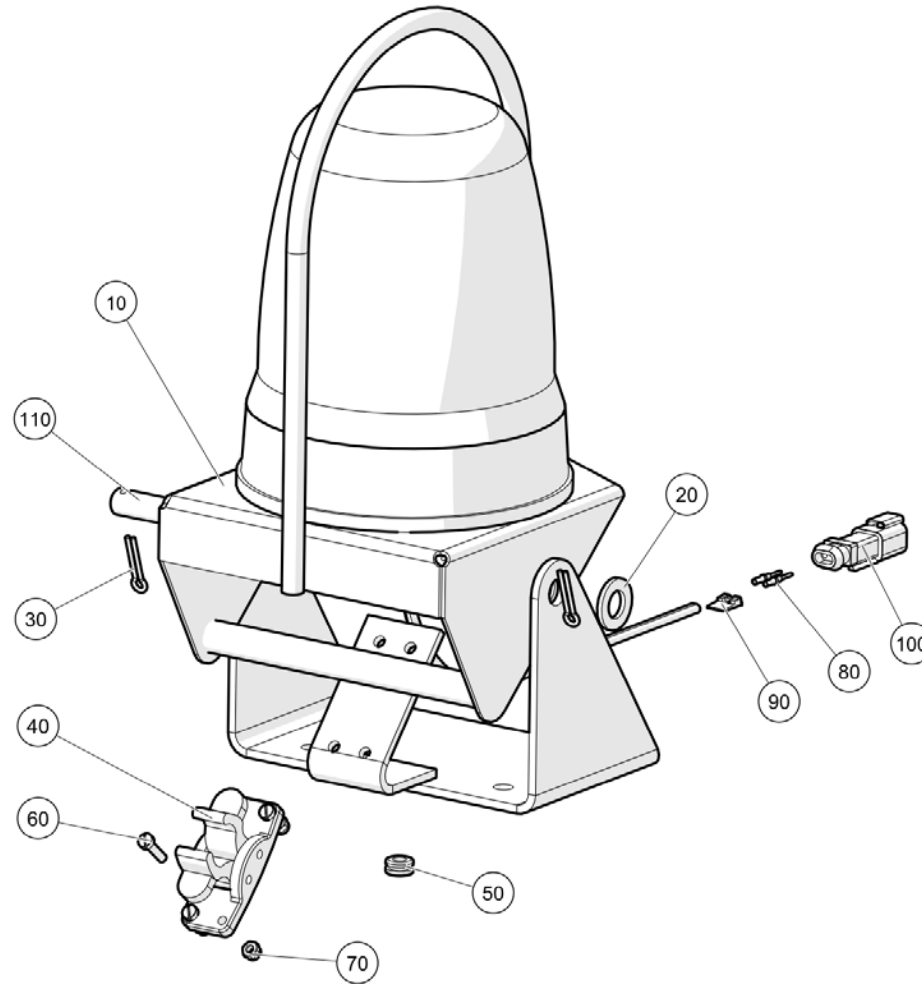
Suction Shut Off Flap (37067-51)

Hopper/Water Tank Options\Suction Shut Off Flap

Item no.	Part no.	Description	QTY	Unit
1	70611-1	Flap - W/Assy	1	PC
2	135-23	Grubscrew - Cone Point M6cx10	2	PC
3	721253-1	Shaft-Flap,Sction Shut-off W/A	1	PC
4	721239-1	Plate - Relay	2	PC
5	721238-1	Plate - Spring Link	1	PC
6	721390-1	Pin - Clevis, Dia 8	2	PC
7	289-25	Slim Safety Fastener SLM 8	2	PC
8	286-15	Spring - Tension	1	PC
9	457-2	Washer Plain Steel M6 Form G	1	PC
10	425-13	Nut Nyloc Hex M6C	5	PC
11	HL08000-39-5	Hose - Megatuff 1/2" STRxSTR	1	PC
12	721247-1	Mount - Flap Handle, W/Assy	1	PC
13	721244-1	Shaft - Handle, W/Assy	1	PC
14	721250-1	Handle-Suction Shut-Off Flap	1	PC
15	671-2	Handgrip	1	PC
16	123-82	Bolt M Coarse M6x30 BS3692	1	PC
17	124-102	Setscrew M6C x 16	3	PC
18	455-8	Washer Plain Plated Steel M6	3	PC

All Copyright and rights are the property of Johnston Sweepers Ltd.

Beacon Mounting - without Wanderhose (37086-1)
Hopper/Water Tank Options\Beacon Mounting - without Wanderhose

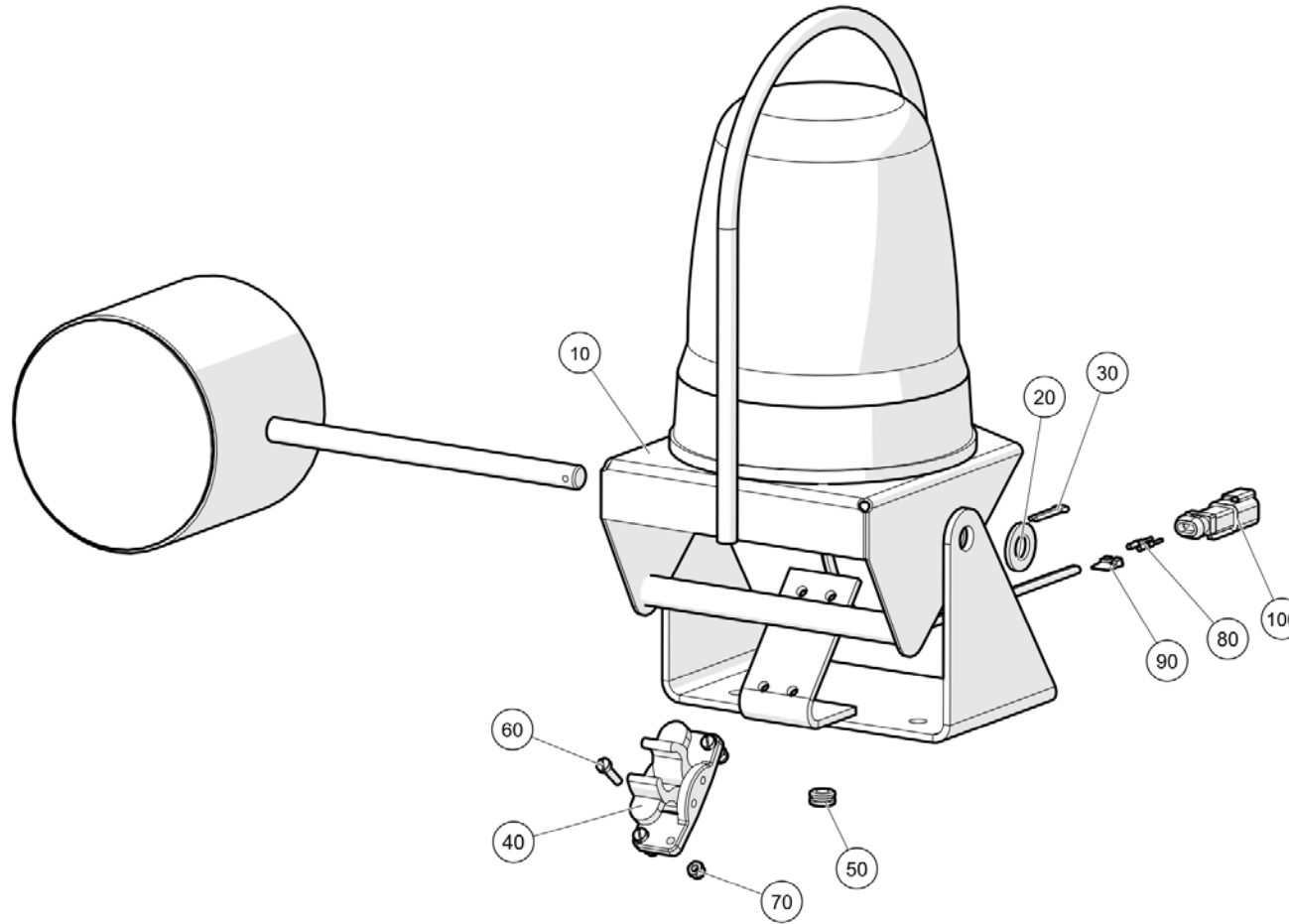


Beacon Mounting - without Wanderhose (37086-1)

Hopper/Water Tank Options\Beacon Mounting - without Wanderhose

Item no.	Part no.	Description	QTY	Unit
10	76777-1	Beacon Mounting Bracket W/Assy	1	PC
20	93212013-0	Plain Washer M12	2	PC
30	500-102	Cotter Pin Split 3/4"x 1/8"	2	PC
40	436-1	Catch - Retaining Plastic	1	PC
50	287-27	Grommet - Ø 9.5 O/D, 6.4 I/D 1.8 Thick	1	PC
60	135-101	Screw M4cx16 Slit Cheese Hd	4	PC
70	93085002-0	Nyloc Hex Nut M4C - 8	4	PC
80	31-249	Contact - Pin Size 16 (0.5-1mm ²)	4	PC
90	31-253	Wedge - DT 2 Way Receptacle Deutsh	2	PC
100	31-252	Receptacle - DT 2 Way Deutsh	2	PC
110	70771-1	Pivot - Beacon	1	PC

Beacon Mounting - with Wanderhose (37086-2)
Hopper/Water Tank Options\Beacon Mounting - with Wanderhose



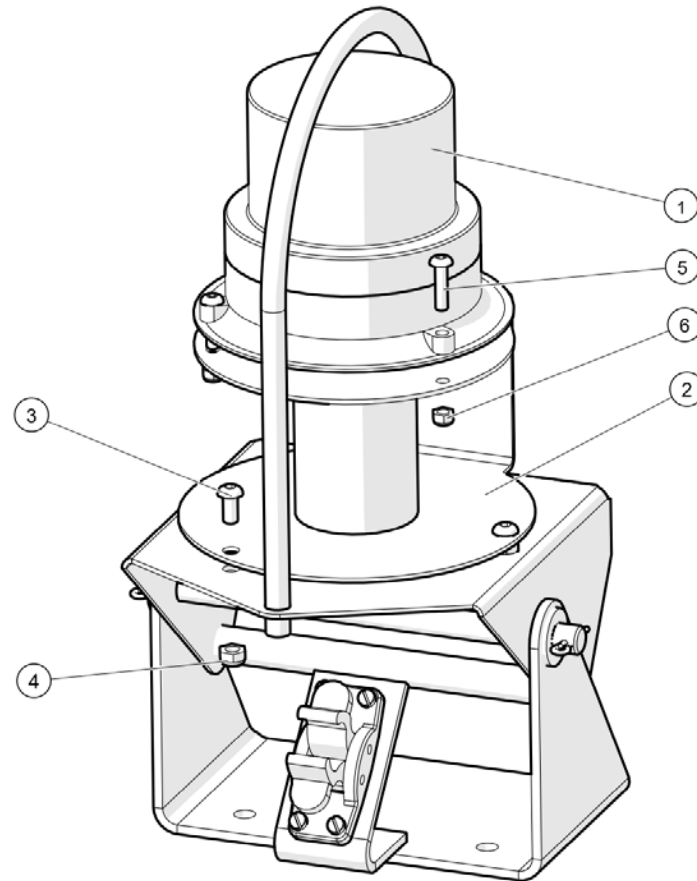
All Copyright and rights are the property of Johnston Sweepers Ltd.

Beacon Mounting - with Wanderhose (37086-2)

Hopper/Water Tank Options\Beacon Mounting - with Wanderhose

Item no.	Part no.	Description	QTY	Unit
10	76777-1	Beacon Mounting Bracket W/Assy	1	PC
20	93212013-0	Plain Washer M12	1	PC
30	500-102	Cotter Pin Split 3/4"x 1/8"	1	PC
40	436-1	Catch - Retaining Plastic	1	PC
50	287-27	Grommet - Ø 9.5 O/D, 6.4 I/D 1.8 Thick	1	PC
60	135-101	Screw M4cx16 Slit Cheese Hd	4	PC
70	93085002-0	Nyloc Hex Nut M4C - 8	4	PC
80	31-249	Contact - Pin Size 16 (0.5-1mm ²)	4	PC
90	31-253	Wedge - DT 2 Way Receptacle Deutsh	2	PC
100	31-252	Receptacle - DT 2 Way Deutsh	2	PC

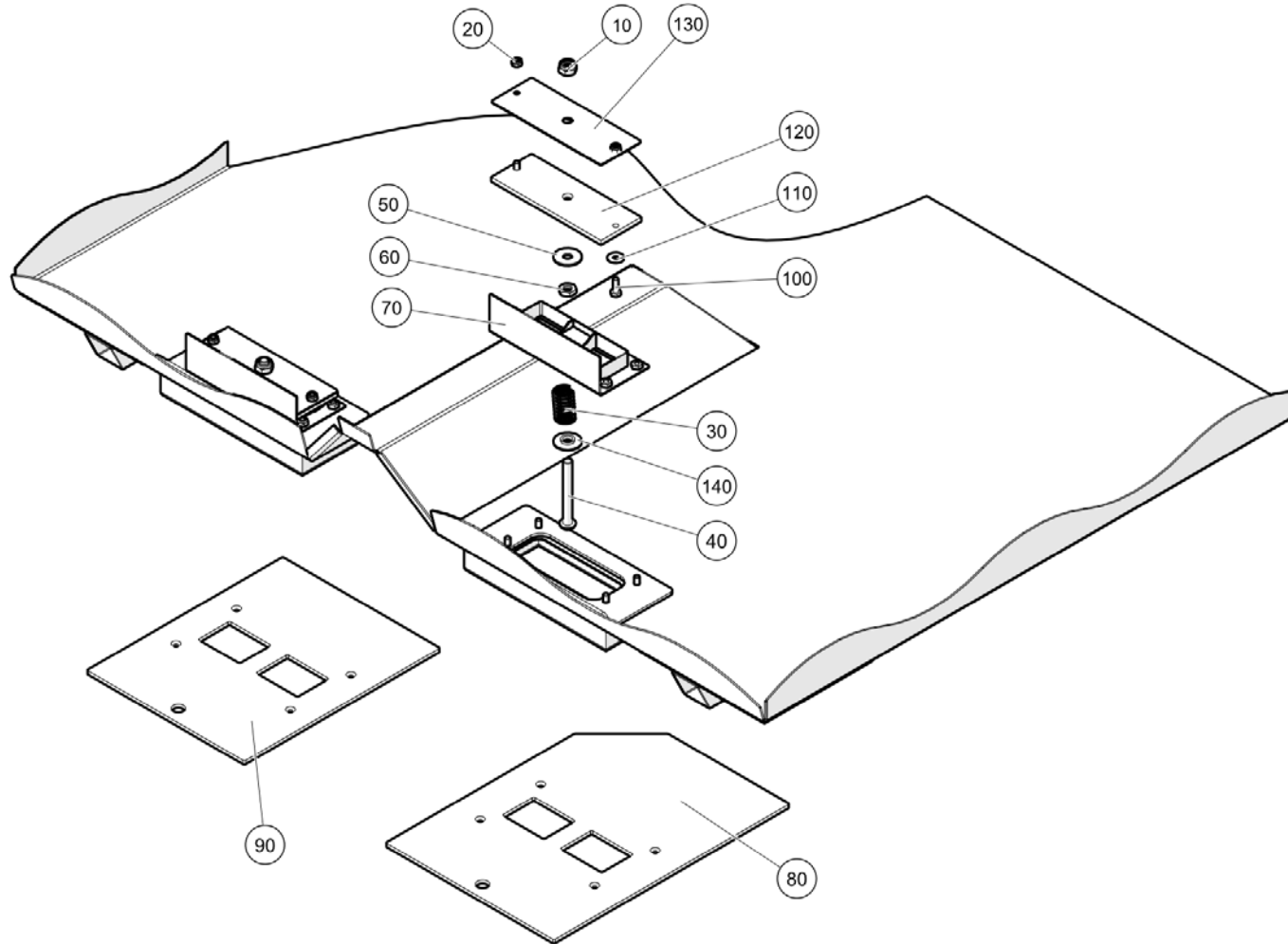
Amber LED Beacon (2035-4, 7025258)
Hopper/Water Tank Options\Amber LED Beacon



Amber LED Beacon (2035-4, 7025258)
Hopper/Water Tank Options\Amber LED Beacon

Item no.	Part no.	Description	QTY	Unit
1	46-426	LED Beacon 12/24	1	PC
2	723067-1	Mount - Beacon, LED W/Assy	1	PC
3	138-91	Screw - Skt Button Hd M6cx12	3	PC
4	425-13	Nut Nyloc Hex M6C	3	PC
5	138-65	Screw - Skt Button Hd M5cx20	3	PC
6	425-12	Nut Nyloc Hex M5C	3	PC

Recirculation Water Shut-Off (7008194)
Hopper/Water Tank Options\Recirculation Water Shut-Off



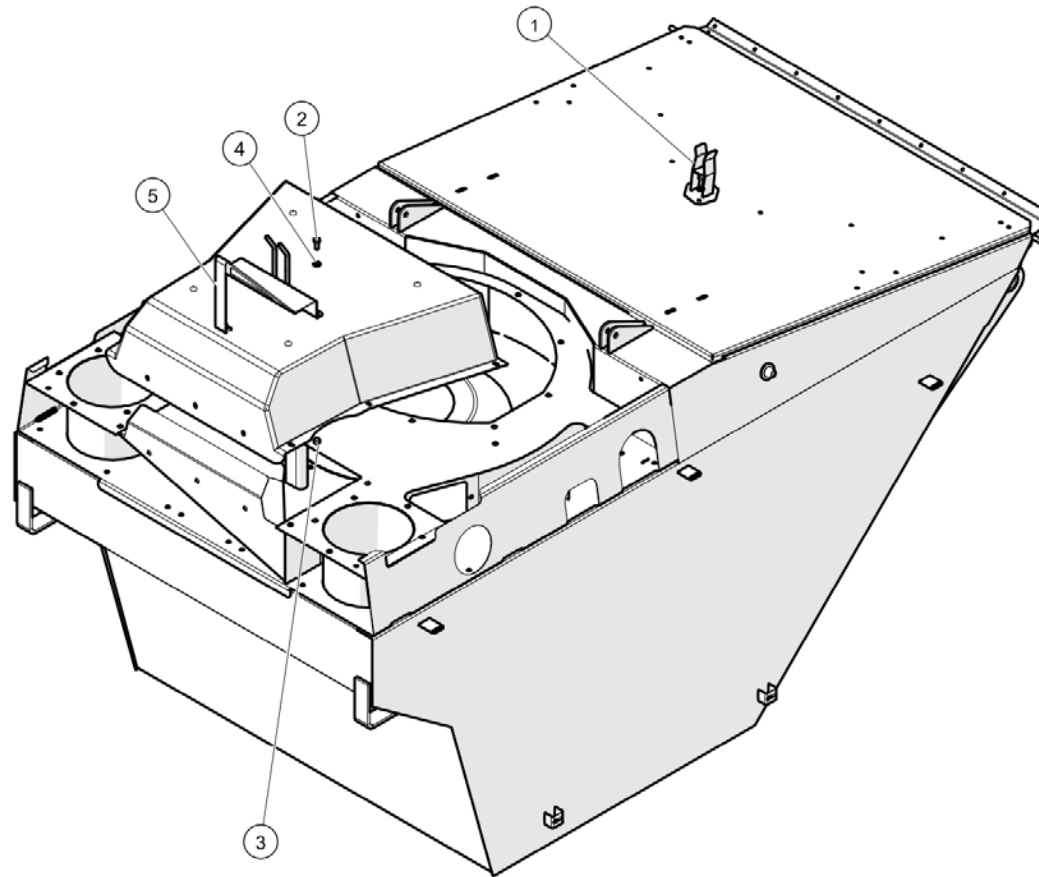
All Copyright and rights are the property of Johnston Sweepers Ltd.

Recirculation Water Shut-Off (7008194)

Hopper/Water Tank Options\Recirculation Water Shut-Off

Item no.	Part no.	Description	QTY	Unit
10	93085606-0	Nyloc Hex Nut - M10c - A2	2	PC
20	93085604-0	Nyloc Hex Nut - M6c - A2	4	PC
30	285-14	Spring-Comp. 15/16"14SWG 2" SS	2	PC
40	117-168	Hex Socket Button Head Screw M10Cx80 A2	2	PC
50	93300610-0	Washer 10,5/30X2,5 A2 DIN9021	2	PC
60	93077056-0	Locknut - Stainless M10C	2	PC
70	7010029	Gate W/Assy	2	PC
80	7009781	Cover Left W/Assembly Special	1	PC
90	7010003	Cover Right W/Assembly Special	1	PC
100	92099299-0	Hex Head Screw - M6Cx16 - A2	4	PC
110	93300607-0	WASHER	4	PC
120	7010038	Seal	2	PC
130	7010039	Plate - Shutter	2	PC
140	7025190	Washer - Spring Guide	2	PC

All Copyright and rights are the property of Johnston Sweepers Ltd.

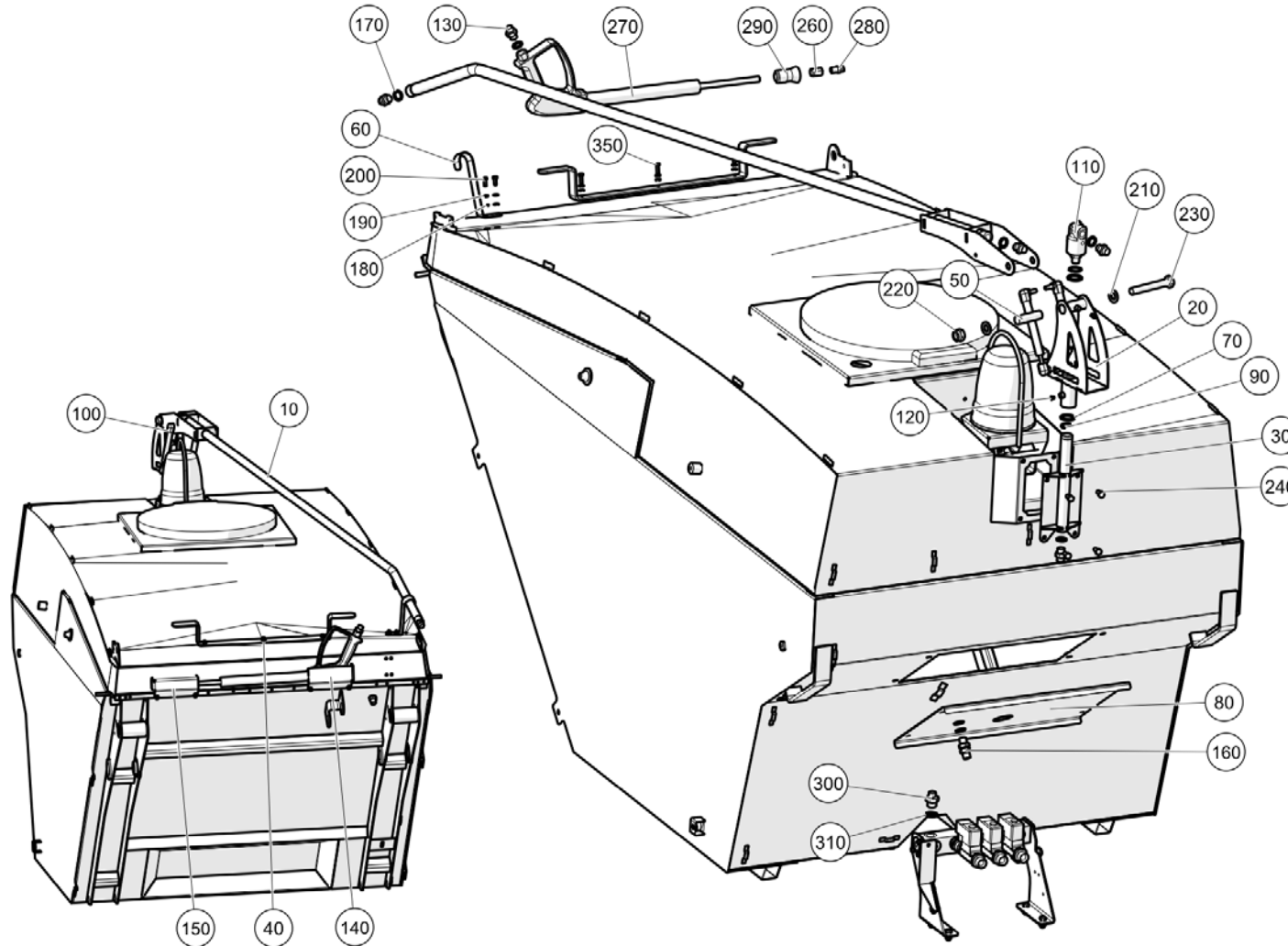


Broom Stowage (2013-1)

Hopper/Water Tank Options\Broom Stowage

Item no.	Part no.	Description	QTY	Unit
1	76138-1	Broom Handle, W/Assy	1	PC
2	124-135	Setscrew M8C x 20	5	PC
3	425-14	Nut Nyloc Hex MC M8	5	PC
4	455-10	Washer Plain Plated Steel M8	5	PC
5	76135-1	Broom Stowage, W/Assy	1	PC

Boom Hose (inc. Lance) - CW (7013858)
Hopper/Water Tank Options\Boom Hose (inc. Lance) - CW



All Copyright and rights are the property of Johnston Sweepers Ltd.

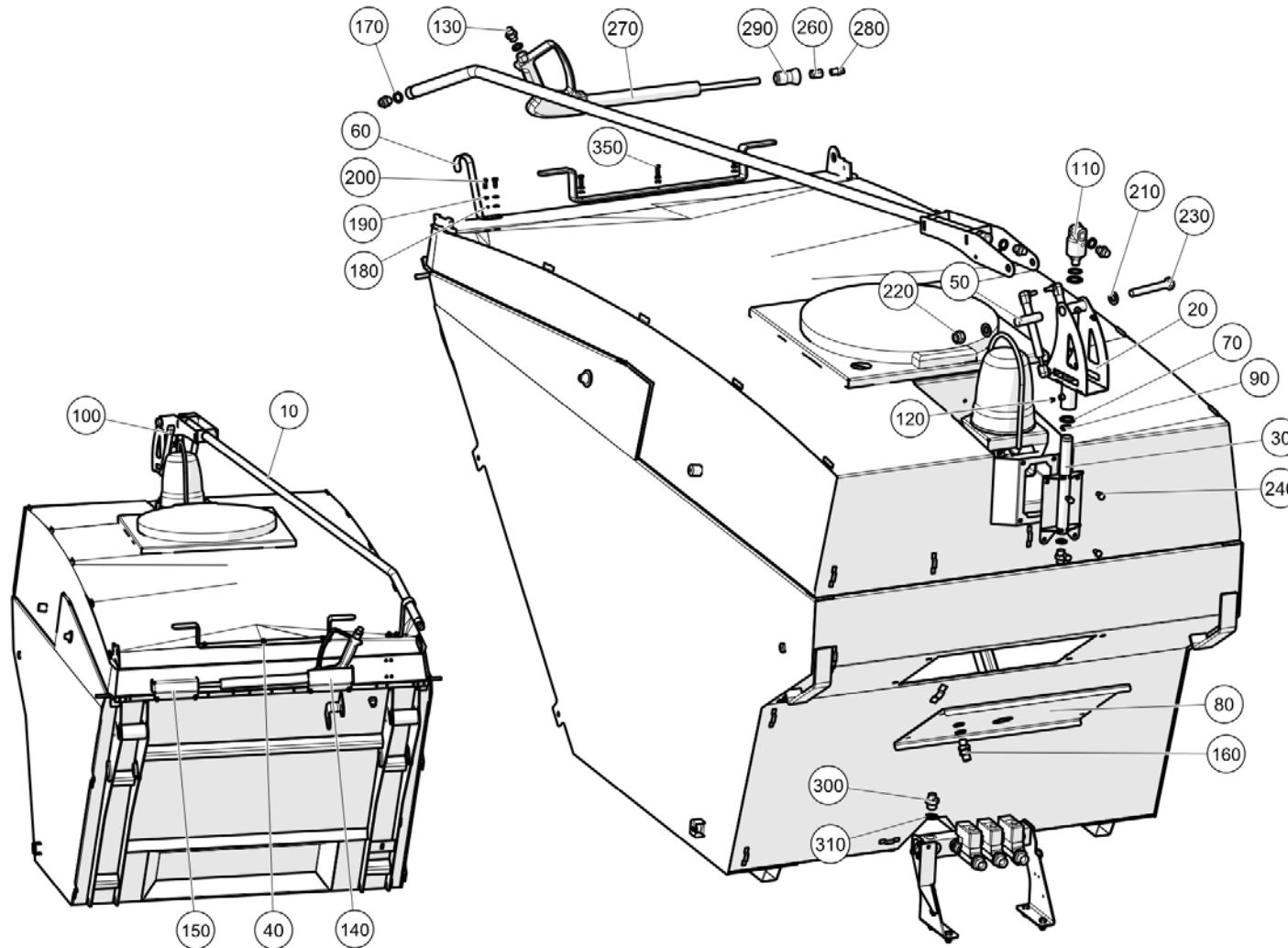
Boom Hose (inc. Lance) - CW (7013858)

Hopper/Water Tank Options\Boom Hose (inc. Lance) - CW

Item no.	Part no.	Description	QTY	Unit
10	7013522	Boom W/Assy	1	PC
20	76064-1	Pivot, W/Assy	1	PC
30	76481-1	Connector - Boom Hose W/Assy	1	PC
40	7014191	Hose Stowage	1	PC
50	76077-1	Spacer	1	PC
60	7013718	Boom Hook	1	PC
70	76096-1	Washer - Special	2	PC
80	7025053	Mounting Plate - Overflow/Boom	1	PC
90	09500027-0	Circlip-External DIN471 27x1.2	2	PC
100	293-3	Spring - Gas	2	PC
110	468-1	Union - Rotating 3/8" BSP	1	PC
120	38-30	Nipple Grease M6 X 1	2	PC
130	263-3	Adaptor M/M 3/8 BSP	5	PC
140	7014192	Lance Stowage	1	PC
150	7014193	Lance Stowage	1	PC
160	264-3	Adaptor M/M - Bulkhead 3/8 BSP	2	PC
170	451-18	Washer Bonded G3/8"	9	PC
180	93212009-0	Plain Washer M6	5	PC
190	93699708-0	Spring Washer - Plated M6	5	PC
200	92097299-0	Hex Head Screw - M6Cx16 - 8.8	2	PC
210	93210523-0	Plain Washer M16	2	PC
220	93085009-0	Nyloc Hex Nut M16C - 8	1	PC
230	92067544-0	Hex Head Bolt - M16x110C - 8.8	1	PC
240	92097372-0	Hex Head Screw - M8Cx16 - 8.8	4	PC

All Copyright and rights are the property of Johnston Sweepers Ltd.

Boom Hose (inc. Lance) - CW (7013858)
Hopper/Water Tank Options\Boom Hose (inc. Lance) - CW



All Copyright and rights are the property of Johnston Sweepers Ltd.

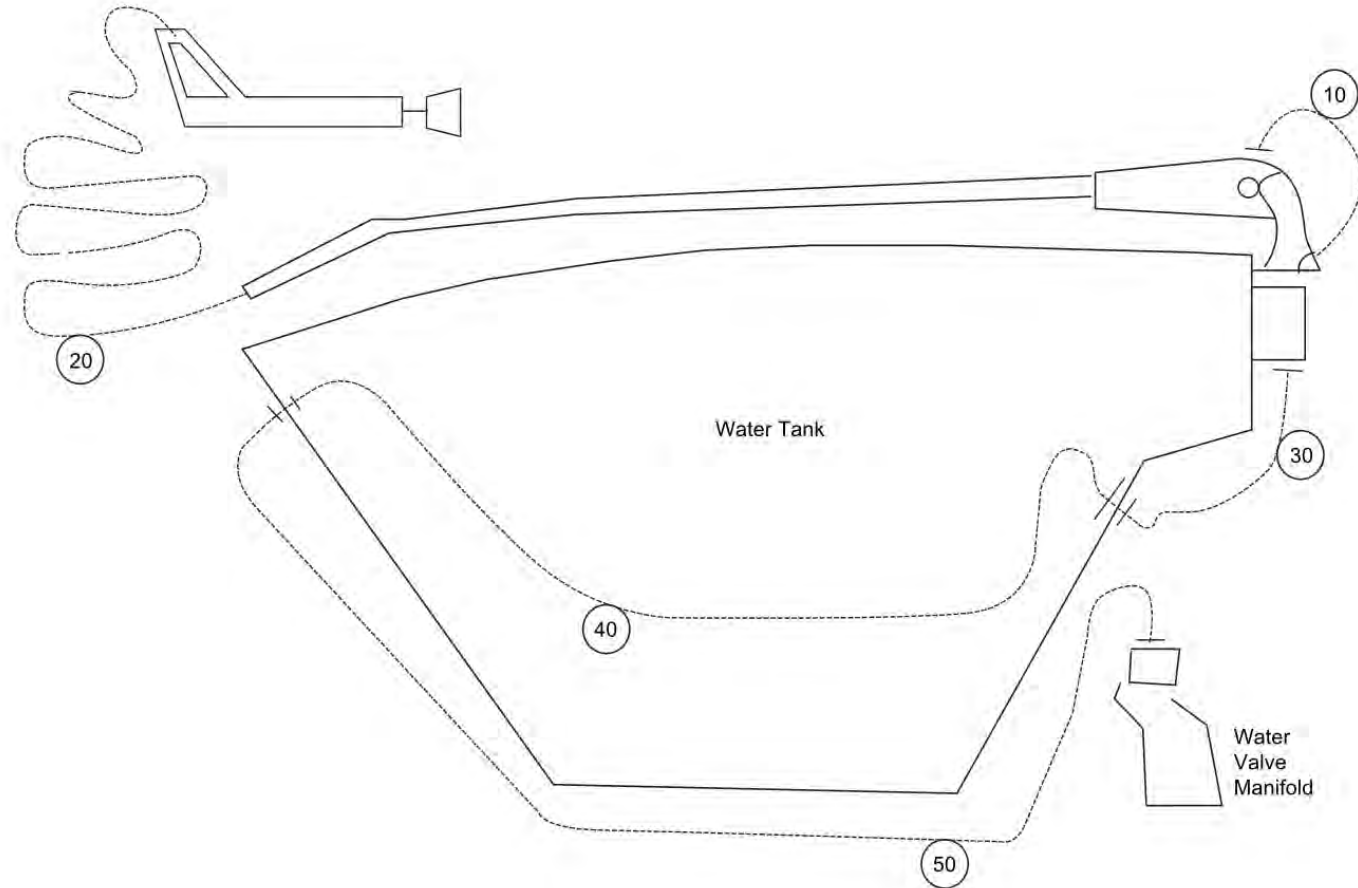
Boom Hose (inc. Lance) - CW (7013858)

Hopper/Water Tank Options\Boom Hose (inc. Lance) - CW

Item no.	Part no.	Description	QTY	Unit
250	93085805-0	Nyloc Hex Nut M8C - 8	4	PC
260	21-323	Nozzle - Ferrule	1	PC
270	21-320	Speck Star Jetting Gun	1	PC
280	21-321	Nozzle - 25° Spray Pattern	1	PC
290	21-324	Nozzle - Protector	1	PC
300	265-4	Adaptor Reducing M/M 3/8 x 1/2 BSP	1	PC
310	451-19	Washer - Bonded G1-2"	1	PC
350	92097301-0	Hex Head Screw - M6Cx20 - 8.8	3	PC

Boom Hose Kit - CW (7013872, 7013873)
Hopper/Water Tank Options\Boom Hose Kit - CW

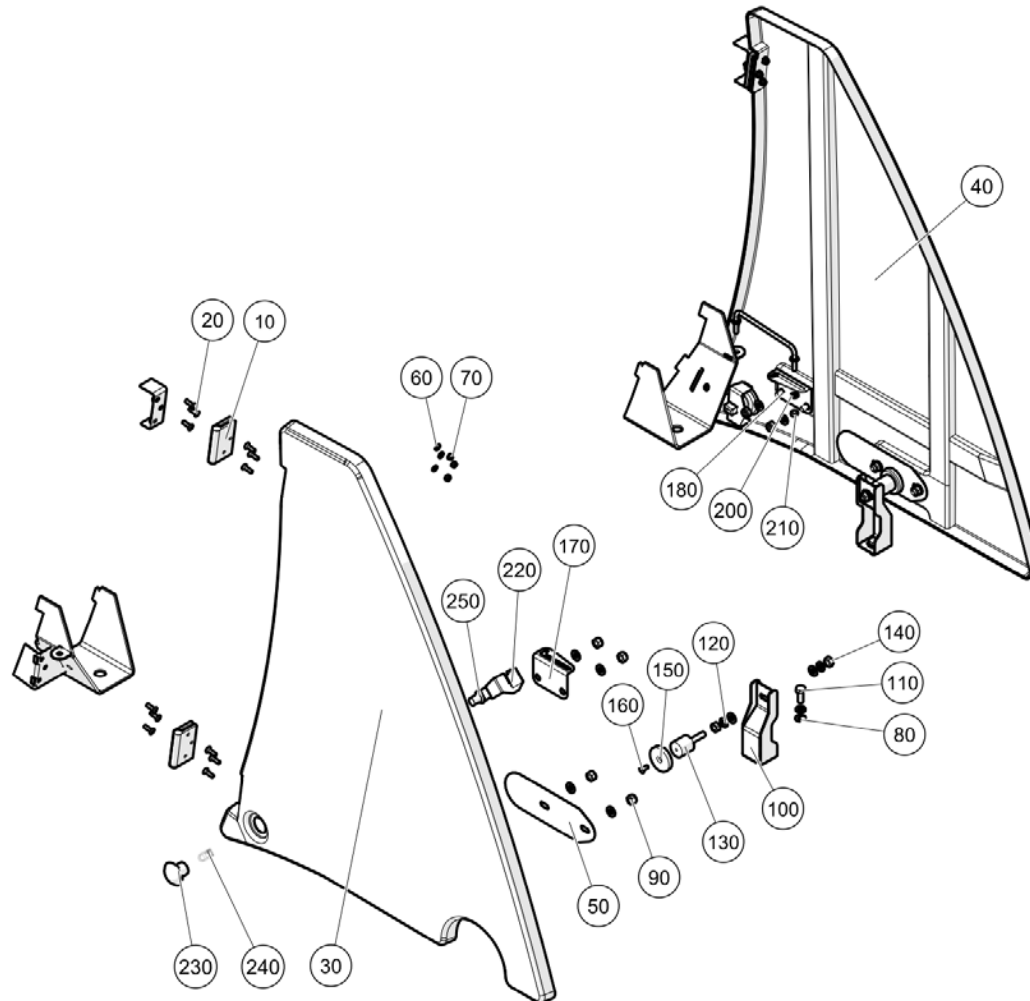
All Copyright and rights are the property of Johnston Sweepers Ltd.



Boom Hose Kit - CW (7013872, 7013873)
Hopper/Water Tank Options\Boom Hose Kit - CW

Item no.	Part no.	Description	QTY	Unit
10	HC06002-29	Hose - Megaflex 3/8" STRx90s	1	PC
20	HC06000-400	Hose - Megaflex 3/8" STRxSTR	1	PC
20	HC06000-600	Hose - Megaflex 3/8" STRxSTR	1	PC
30	HC06003-69	Hose - Megaflex 3/8" STRx90c	1	PC
40	HC06000-215	Hose - Hyd 3/8" Straight x Straight	1	PC
50	HC06002-300	Hose - Megaflex 3/8" STRx90s	1	PC

Front Side Covers (7012469)
Main Build Feature\Front Side Covers



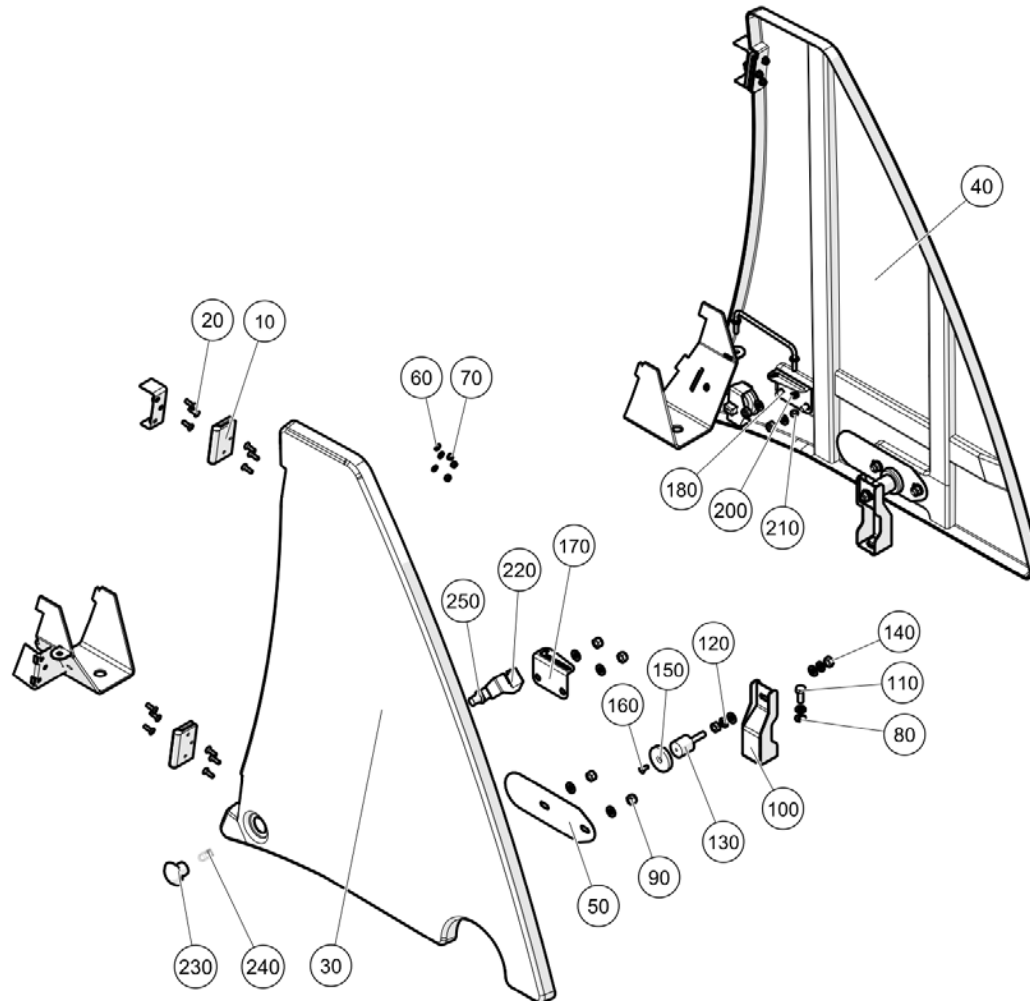
All Copyright and rights are the property of Johnston Sweepers Ltd.

Front Side Covers (7012469)
Main Build Feature\Front Side Covers

Item no.	Part no.	Description	QTY	Unit
10	212-15	Hinge - Plastic	4	PC
20	92153033-0	Hex Socket CSK Screw M5Cx16 10.9	24	PC
30	7012467	Side Panel Front LH	1	PC
40	7012468	Side Panel Front RH	1	PC
50	721317-1	Plate - Magnet, Side Panel	2	PC
60	93213008-0	Plain Washer M5 A2	12	PC
70	93085603-0	Nyloc Hex Nut - M5c - A2	12	PC
80	93213010-0	Plain Washer M8 A2	14	PC
90	93085605-0	93085605-0	8	PC
100	721509-1	Bracket-Magnet Mtg. W/Assy	2	PC
110	92099373-0	Hex Head Screw - M8Cx20 - A2	2	PC
120	93700210-0	Spring Washer M8 - A2	6	PC
130	290-34	Bobbin - 25x25 M/F, M8x33/M5	2	PC
140	93057014-0	Nut-MC Hex M8 S.Stl	4	PC
150	211-37	Magnet - Pot Type, 40mm OD	2	PC
160	92153032-0	Hex Socket CSK Screw M5Cx12 10.9	2	PC
170	722300-1	Stay - Limiter Travel, LH	1	PC
180	722300-2	Stay - Limiter Travel RH	1	PC
190	722306-1	Limiter - Travel, Bar W/Assy	2	PC
200	93213009-0	Plain Washer M6 A2	4	PC
210	93085604-0	Nyloc Hex Nut - M6c - A2	4	PC
220	7012464	Side Repeater Bracket	2	PC
230	744-2	Side Repeater Lamp	2	PC
240	47-45	Bulb - 12v (5W)	2	PC

All Copyright and rights are the property of Johnston Sweepers Ltd.

Front Side Covers (7012469)
Main Build Feature\Front Side Covers

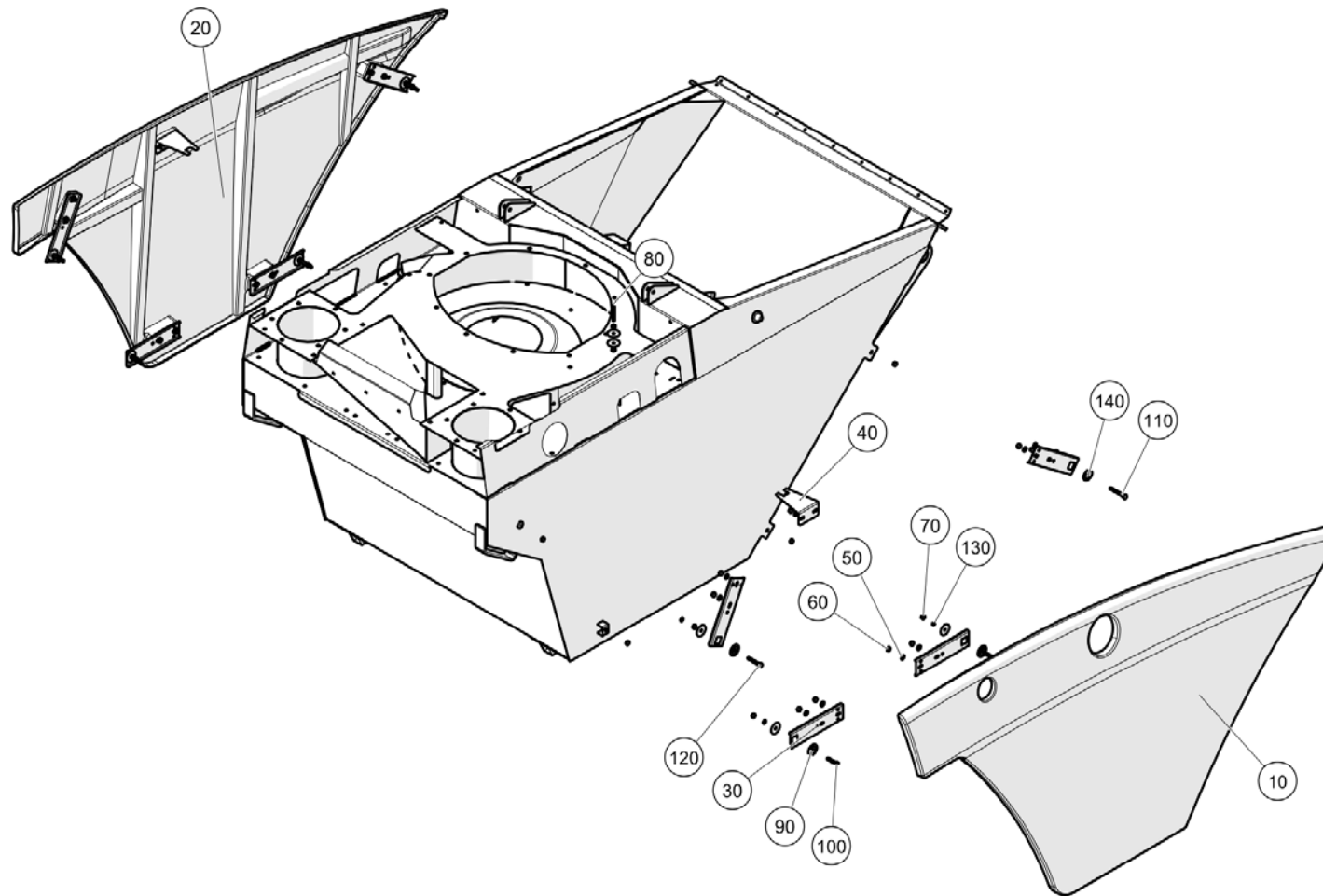


Front Side Covers (7012469)
Main Build Feature\Front Side Covers

Item no.	Part no.	Description	QTY	Unit
250	744-3	Bulb Holder	2	PC

All Copyright and rights are the property of Johnston Sweepers Ltd.

Main Side Covers (37012-51)
Main Build Feature/Main Side Covers

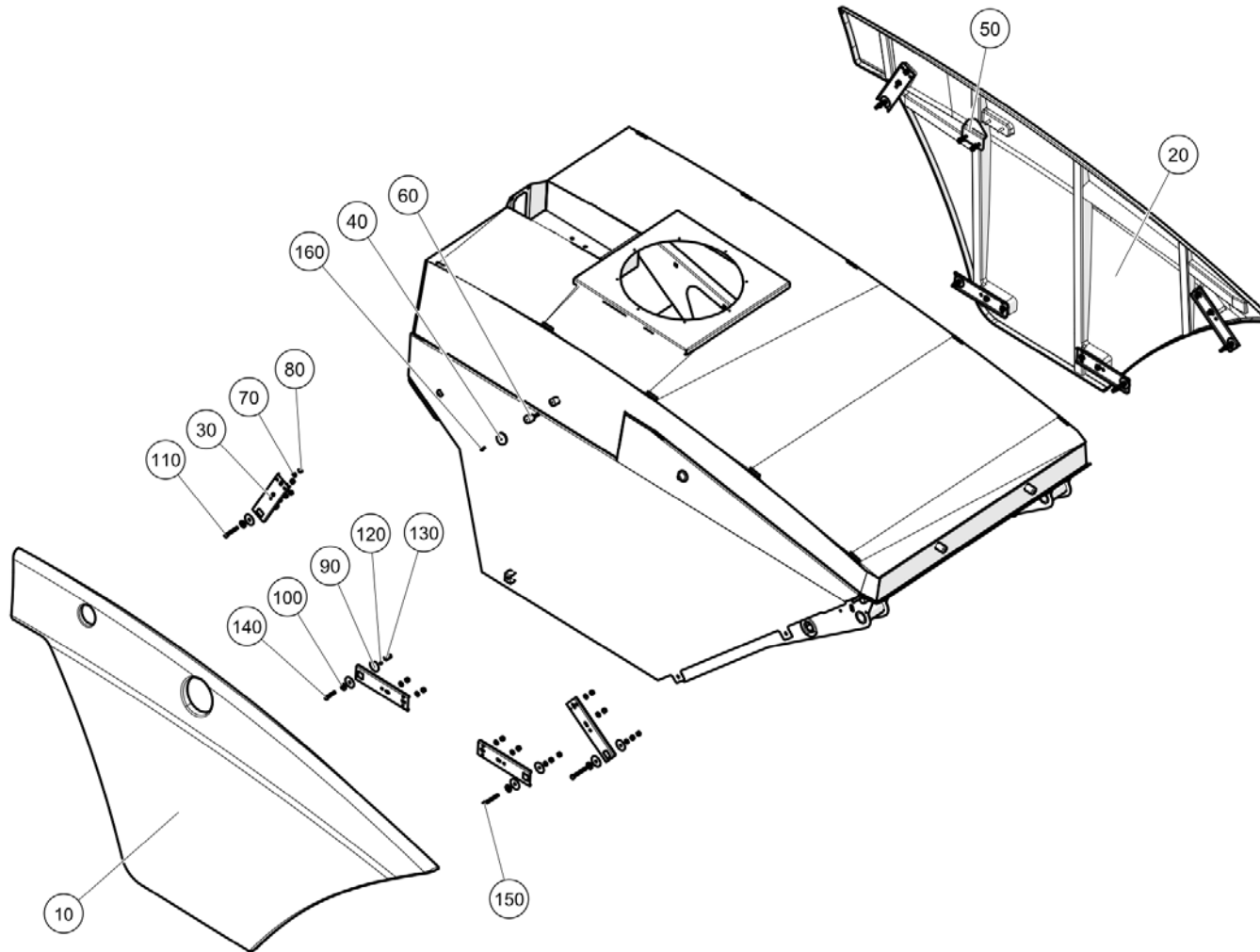


All Copyright and rights are the property of Johnston Sweepers Ltd.

Main Side Covers (37012-51)
Main Build Feature/Main Side Covers

Item no.	Part no.	Description	QTY	Unit
10	720788-1	Panel - Side, Centre LH	1	PC
20	720789-1	Panel - Side Centre RH	1	PC
30	721351-1	Mount - Main Side Panel	8	PC
40	721311-1	Bracket - Top Mtg, Side Panel	2	PC
50	454-8	Washer Plain St.Stl M8x17	20	PC
60	417-8	Nut - Nyloc M8 S/Steel DIN985	20	PC
70	415-8	Nut - MC Hex M8 S.Stl	20	PC
80	721378-1	Stud - Side Panels	2	PC
90	452-66	Washer-Repair 5/16"x1½"x1.4Thk	20	PC
100	118-143	Setscrew Hexagon Hd M8cx40 SS	2	PC
110	118-148	Setscrew Hexagon Hd M8cx65 SS	4	PC
120	118-146	Setscrew Hexagon Hd M8cx55 SS	2	PC
130	458-8	Washer Spring Single Coil M8SS	8	PC
140	457-4	Washer Plain Steel M8 Form G	8	PC

Main Side Covers - CW (7012382)
Main Build Feature/Main Side Covers - CW



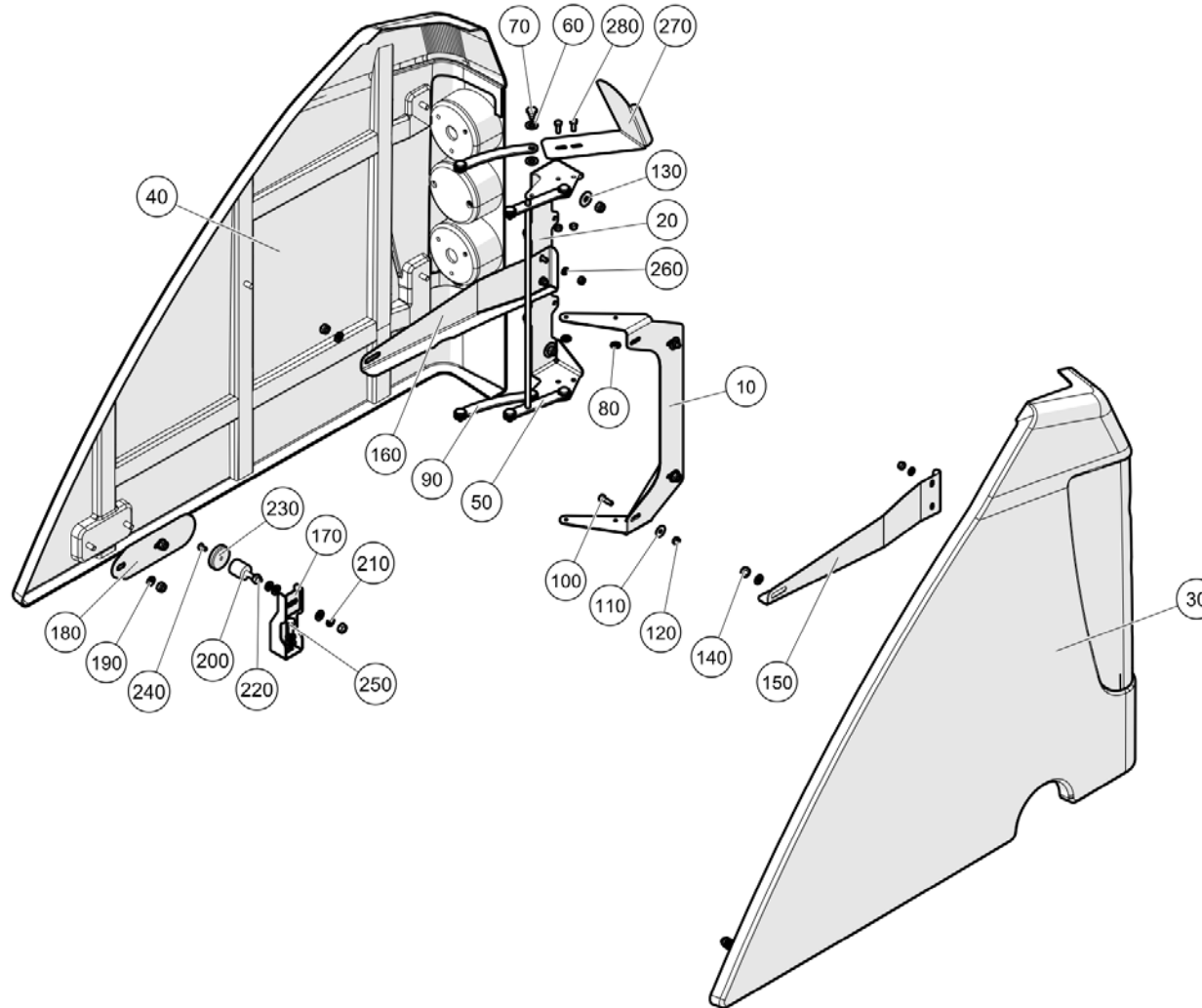
All Copyright and rights are the property of Johnston Sweepers Ltd.

Main Side Covers - CW (7012382)

Main Build Feature\Main Side Covers - CW

Item no.	Part no.	Description	QTY	Unit
10	720788-1	Panel - Side, Centre LH	1	PC
20	720789-1	Panel - Side Centre RH	1	PC
30	721351-1	Mount - Main Side Panel	8	PC
40	211-37	Magnet - Pot Type, 40mm OD	2	PC
50	721664-1	Plate - Side Panel Top Ctr Mtg	2	PC
60	290-34	Bobbin - 25x25 M/F, M8x33/M5	2	PC
70	93213010-0	Plain Washer M8 A2	20	PC
80	93085605-0	93085605-0	20	PC
90	452-66	Washer-Repair 5/16"x1½"x1.4Thk	16	PC
100	93300509-0	Plain Large Washer M8	8	PC
110	92099382-0	Hex Head Screw - M8Cx55 - A2	2	PC
120	93700210-0	Spring Washer M8 - A2	8	PC
130	93057014-0	Nut-MC Hex M8 S.Stl	16	PC
140	92099379-0	Hex Head Screw - M8Cx40 - A2	2	PC
150	92099384-0	Hex Head Screw - M8Cx65 - A2	4	PC
160	92153033-0	Hex Socket CSK Screw M5Cx16 10.9	2	PC

Rear Side Covers (37013-52)
Main Build Feature\Rear Side Covers



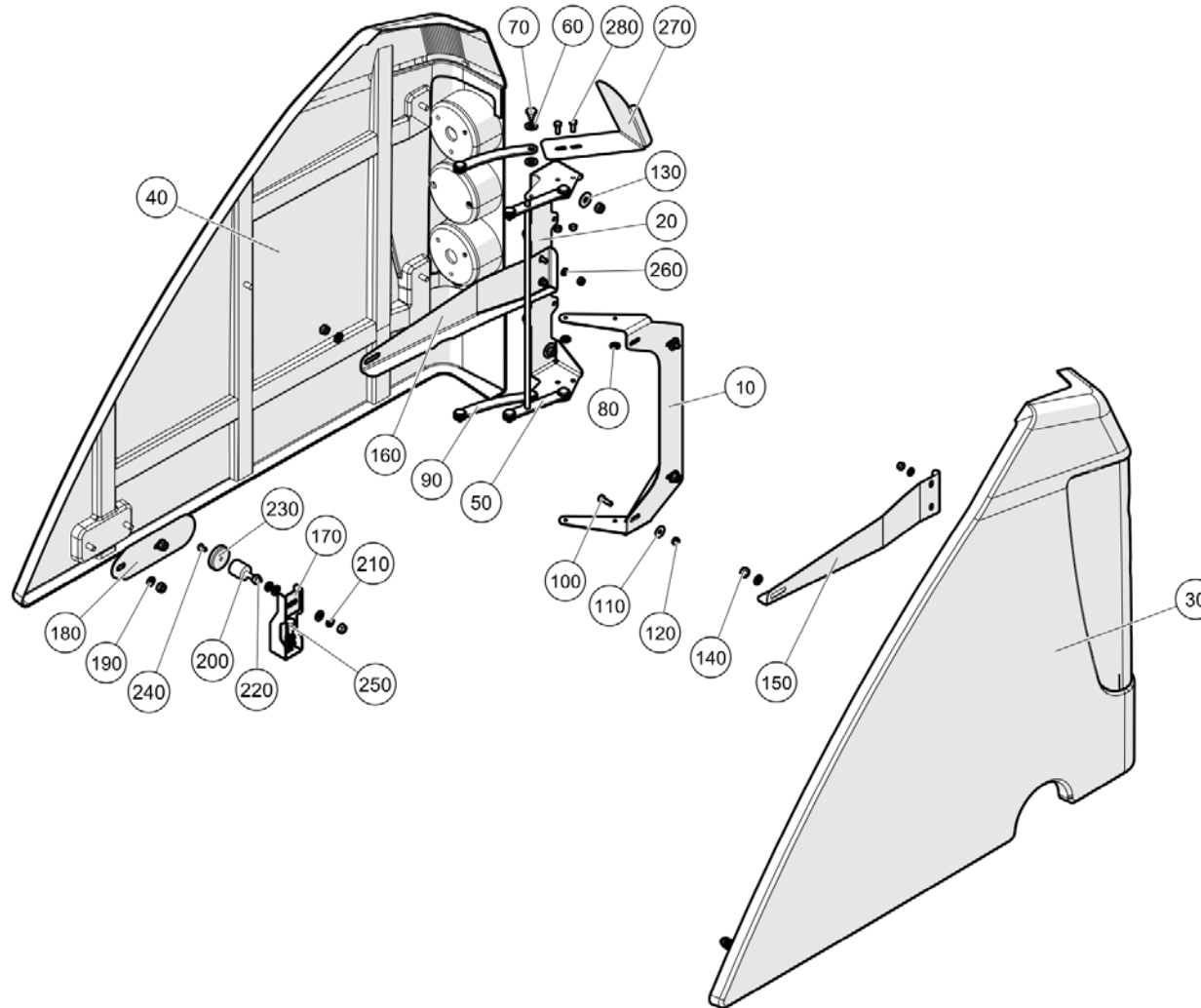
All Copyright and rights are the property of Johnston Sweepers Ltd.

Rear Side Covers (37013-52)
Main Build Feature\Rear Side Covers

Item no.	Part no.	Description	QTY	Unit
10	721350-1	Mount-Chassis, Rear Panel	2	PC
20	722727-1	Mount - Panel, Side W/Assy	2	PC
30	722728-1	Panel - Side, Rear (LH - LED)	1	PC
40	722729-1	Panel - Side, Rear (RH - LED)	1	PC
50	721352-1	Pivot W/Assy	2	PC
60	453-19	Washer - Nylon, M10x1.6 thk	32	PC
70	721159-1	Pin - Shoulder	16	PC
80	449-6	Push On Fastener 6mm Dia	16	PC
90	721161-1	Pivot - Long	4	PC
100	92099301-0	Hex Head Screw - M6Cx20 - A2	6	PC
110	452-15	Washer-Repair 1/4"x3/4" Co	12	PC
120	93085004-0	Nyloc Hex Nut M6C - 8	11	PC
130	93300509-0	Plain Large Washer M8	4	PC
140	93085005-0	Nyloc Hex Thin Nut M8C - 8	11	PC
150	722723-1	Stiffener - Panel, Rear LH	1	PC
160	722723-2	Stiffener - Panel, Rear RH	1	PC
170	721509-1	Bracket-Magnet Mtg. W/Assy	1	PC
180	721317-1	Plate - Magnet, Side Panel	2	PC
190	93212011-0	Plain Washer M8	11	PC
200	290-34	Bobbin - 25x25 M/F, M8x33/M5	2	PC
210	93699710-0	Spring Washer - Plated M8	5	PC
220	93056014-0	Hex Nut M8C-8	4	PC
230	211-37	Magnet - Pot Type, 40mm OD	2	PC
240	92153032-0	Hex Socket CSK Screw M5Cx12 10.9	2	PC

All Copyright and rights are the property of Johnston Sweepers Ltd.

Rear Side Covers (37013-52)
Main Build Feature\Rear Side Covers

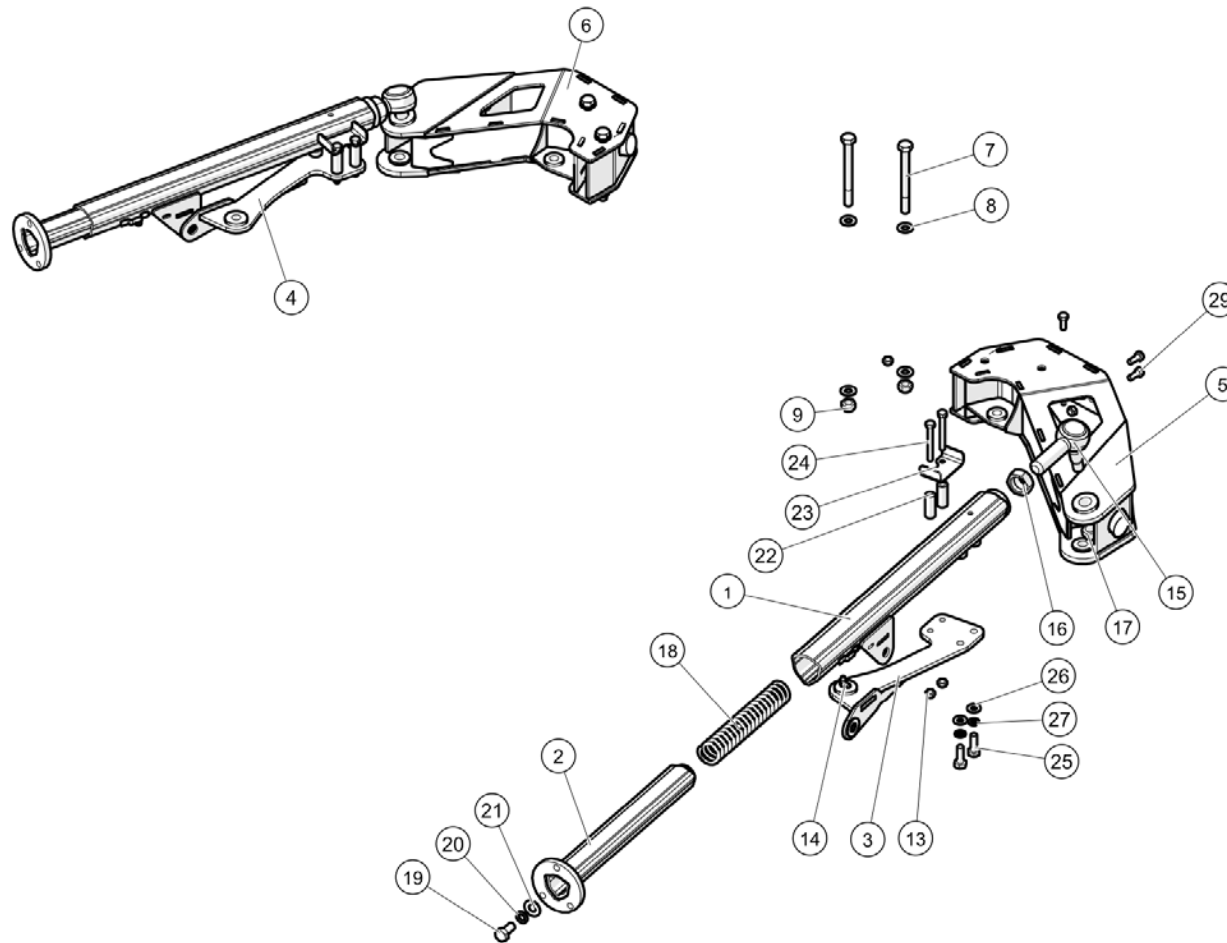


All Copyright and rights are the property of Johnston Sweepers Ltd.

Rear Side Covers (37013-52)
Main Build Feature\Rear Side Covers

Item no.	Part no.	Description	QTY	Unit
250	92099373-0	Hex Head Screw - M8Cx20 - A2	1	PC
260	93212009-0	Plain Washer M6	4	PC
270	7009129	Deflector	1	PC
280	92097299-0	Hex Head Screw - M6Cx16 - 8.8	2	PC

Side Brush Arms (37051-51)
Main Build Feature\Side Brush Arms



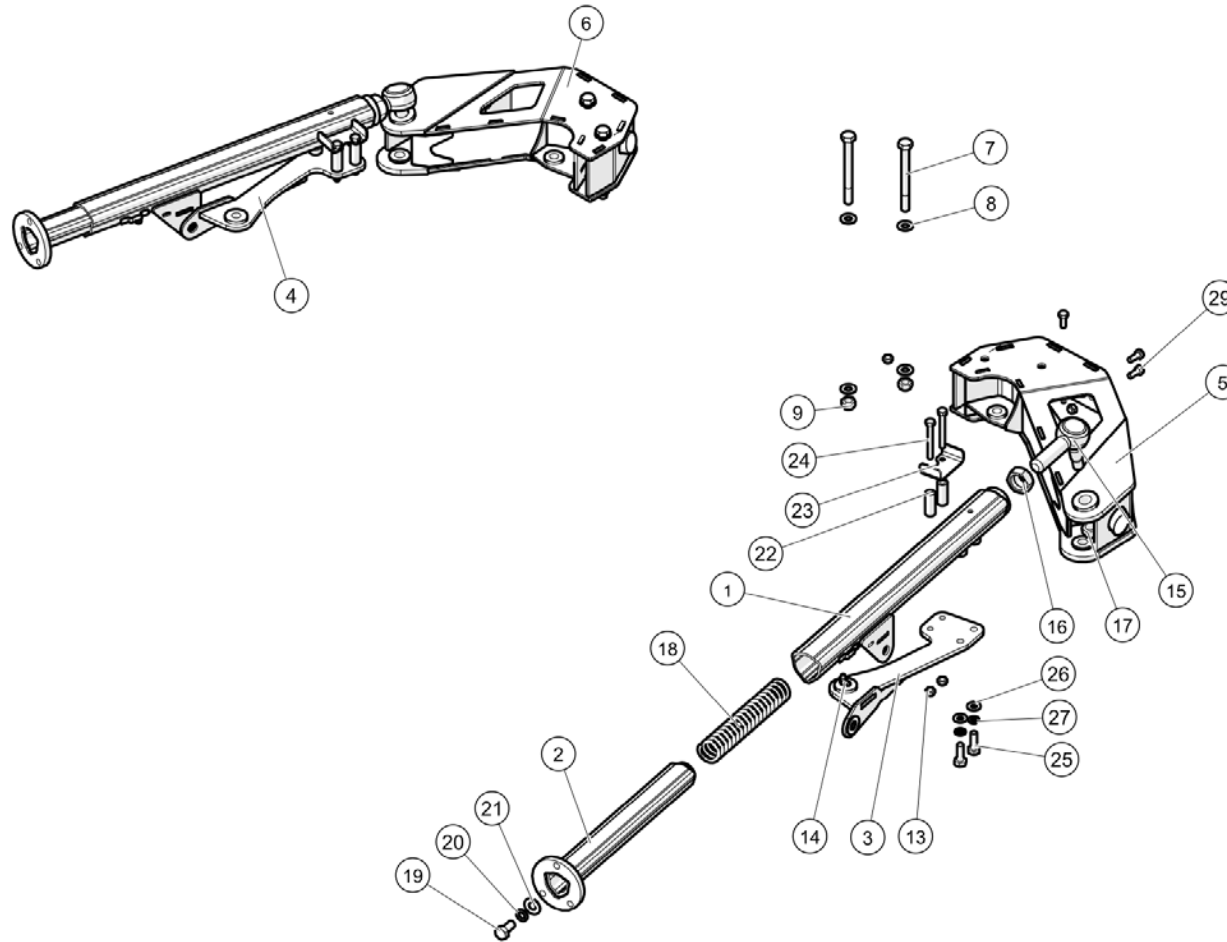
All Copyright and rights are the property of Johnston Sweepers Ltd.

Side Brush Arms (37051-51)
Main Build Feature\Side Brush Arms

Item no.	Part no.	Description	QTY	Unit
1	720458-1	Brush Arm - Outer W/Assy	2	PC
2	720462-1	Brush Arm - Inner. W/Assy	2	PC
3	720676-1	Brkt - Brush Position Ram L/H	1	PC
4	720676-2	Brkt-Brush Position Ram R/H	1	PC
5	721085-1	Support - Brush Arm W/Assy	1	PC
6	721085-2	Support - Brush Arm W/Assy RH	1	PC
7	123-160	Bolt M Coarse M12x120 BS3692	4	PC
8	455-12	Washer Plain Plated Steel M12	8	PC
9	425-16	Nut Nyloc Hex M12c	4	PC
13	425-14	Nut Nyloc Hex MC M8	8	PC
14	38-11	Nipple - M6 (H3-90 Deg)	2	PC
15	283-4	Ball Joint - M24 Male	2	PC
16	72065-1	Locknut	2	PC
17	425-5	Nut Nyloc Hex MF M16	2	PC
18	5010-1	Spring-Comp. 1 1/2" 8 1/4"Lg	2	PC
19	124-201	Setscrew M12C x 25	2	PC
20	460-12	Washer Spring Single Coil M12	2	PC
21	462-12	Washer - Plain,M12 Steel Form C	2	PC
22	720939-1	Tube - Hose (Brush Arm)	4	PC
23	720923-1	Plate - Hose Clamp (Brush Arm)	2	PC
24	123-113	Bolt M Coarse M8x65 BS3692	4	PC
25	124-171	Setscrew M10C x 30	4	PC
26	455-11	Washer Plain Plated Steel M10	4	PC
27	460-11	Washer Spring Single Coil M10	4	PC

All Copyright and rights are the property of Johnston Sweepers Ltd.

Side Brush Arms (37051-51)
Main Build Feature\Side Brush Arms



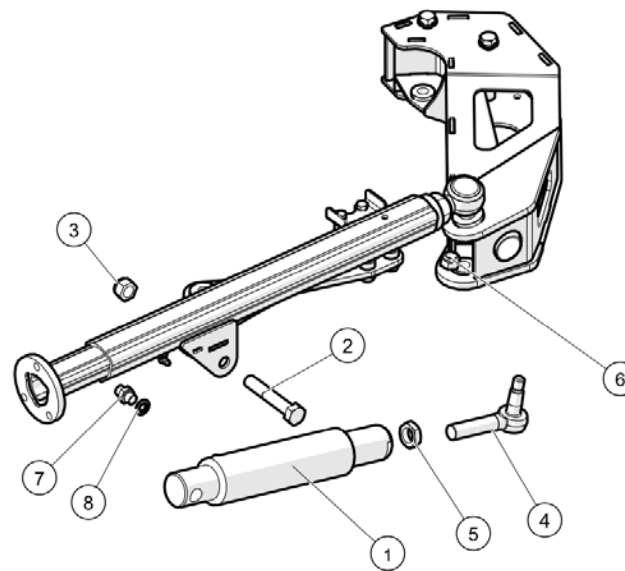
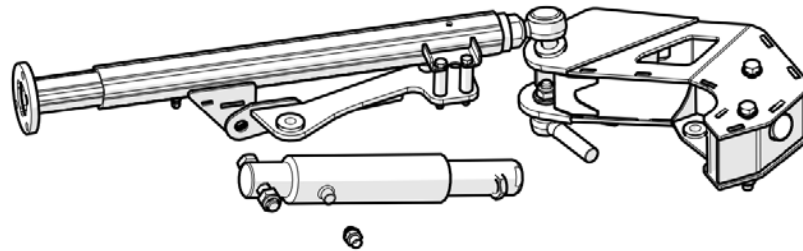
All Copyright and rights are the property of Johnston Sweepers Ltd.

Side Brush Arms (37051-51)
Main Build Feature\Side Brush Arms

Item no.	Part no.	Description	QTY	Unit
29	124-135	Setscrew M8C x 20	4	PC

All Copyright and rights are the property of Johnston Sweepers Ltd.

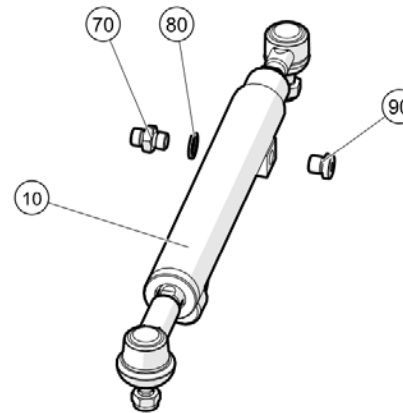
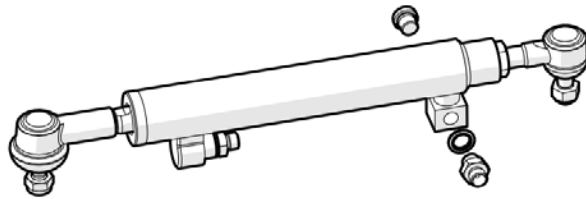
Brush Lift Rams (37052-51)
Main Build Feature\Brush Lift Rams



Brush Lift Rams (37052-51)
Main Build Feature\Brush Lift Rams

Item no.	Part no.	Description	QTY	Unit
1	28970-2	Cylinder - Brush Lift	2	PC
2	120-85	Bolt Hex Hd M16Fx80	2	PC
3	425-5	Nut Nyloc Hex MF M16	2	PC
4	283-1	Ball Joint	2	PC
5	421-7	Locknut MF Hex M20	2	PC
6	425-4	Nut Nyloc Hex MF M14	2	PC
7	263-2	Adaptor M/M 1/4 BSP	2	PC
8	451-17	Washer Bonded G1-4"	2	PC

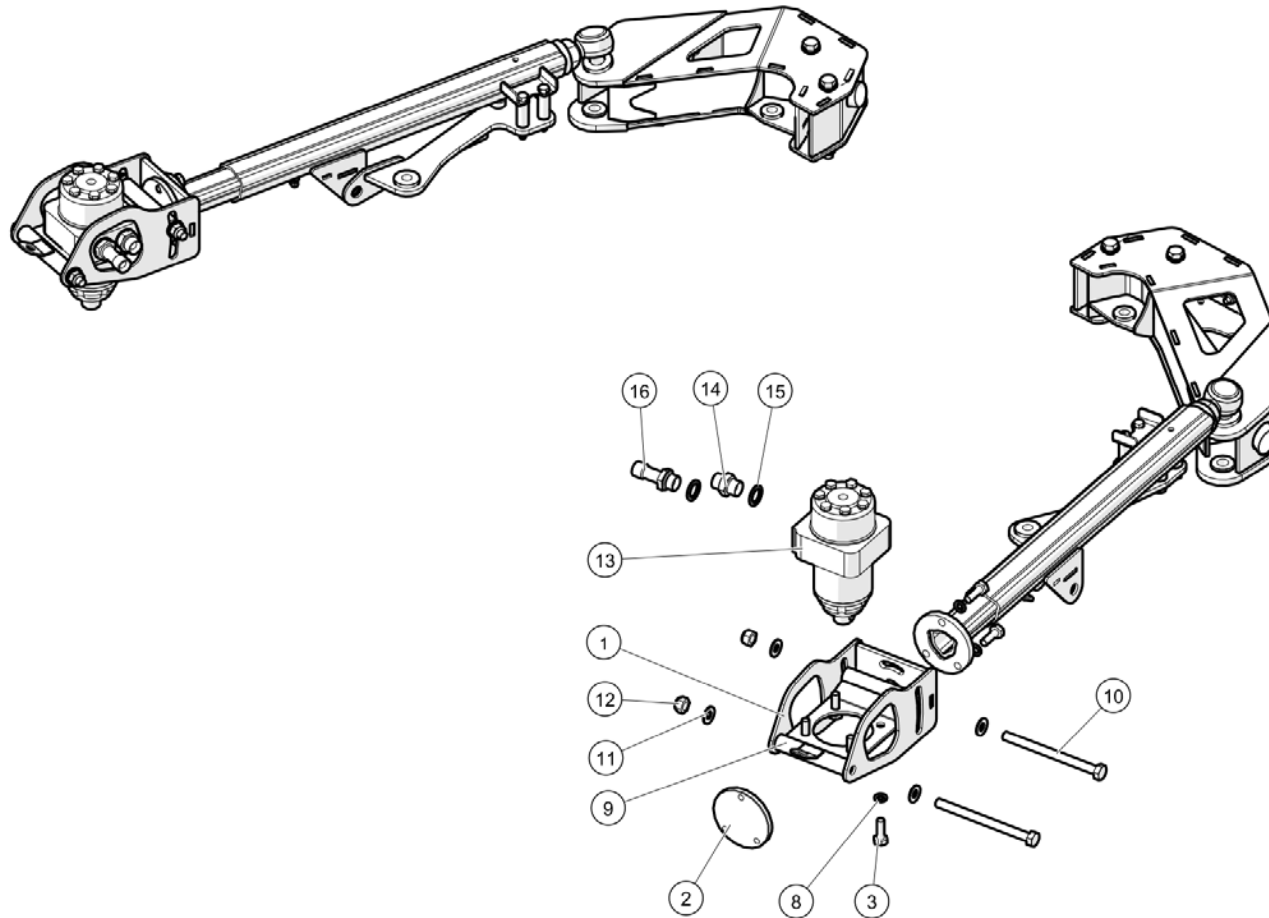
Side Brush Position Cylinders (7018961)
Main Build Feature\Side Brush Position Cylinders



Side Brush Position Cylinders (7018961)
Main Build Feature\Side Brush Position Cylinders

Item no.	Part no.	Description	QTY	Unit
10	7025782	Brush Position Cylinder, Standard- Assy	2	PC
70	263-2	Adaptor M/M 1/4 BSP	2	PC
80	451-17	Washer Bonded G1-4"	2	PC
90	09572133-0	Sealing Plug VS-R 1/4 WD	2	PC

Side Brush Motors (37054-2)
Main Build Feature\Side Brush Motors

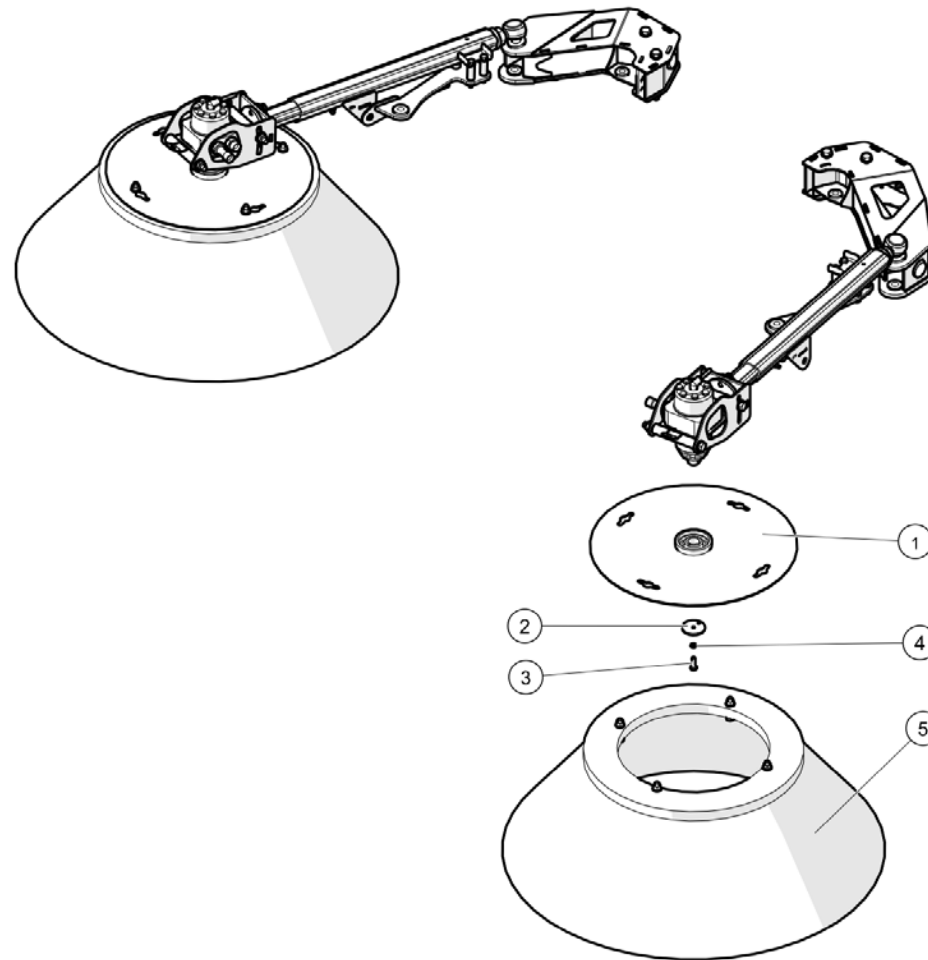


Side Brush Motors (37054-2)

Main Build Feature\Side Brush Motors

Item no.	Part no.	Description	QTY	Unit
1	720469-1	Clevis - Brush Motor W/Assy	2	PC
2	720448-1	Plate - Clamp (Brush Arm)	2	PC
3	124-171	Setscrew M10C x 30	14	PC
8	460-11	Washer Spring Single Coil M10	14	PC
9	720472-1	Mounting - Brush Motor W/Assy	2	PC
10	123-163	Bolt M Coarse M12x150	4	PC
11	455-12	Washer Plain Plated Steel M12	8	PC
12	425-16	Nut Nyloc Hex M12c	4	PC
13	72250-1	Motor - Hydraulic OMPW 200	2	PC
14	263-4	Adaptor M/M 1/2 BSP BS5200	2	PC
15	451-19	Washer - Bonded G1-2"	4	PC
16	720927-1	Adaptor - 1/2" Brush Motor	2	PC

Brush Plate & Brushes (37080-1, 2001-1 & 2001-2)
Main Build Feature\Brush Plate & Brushes



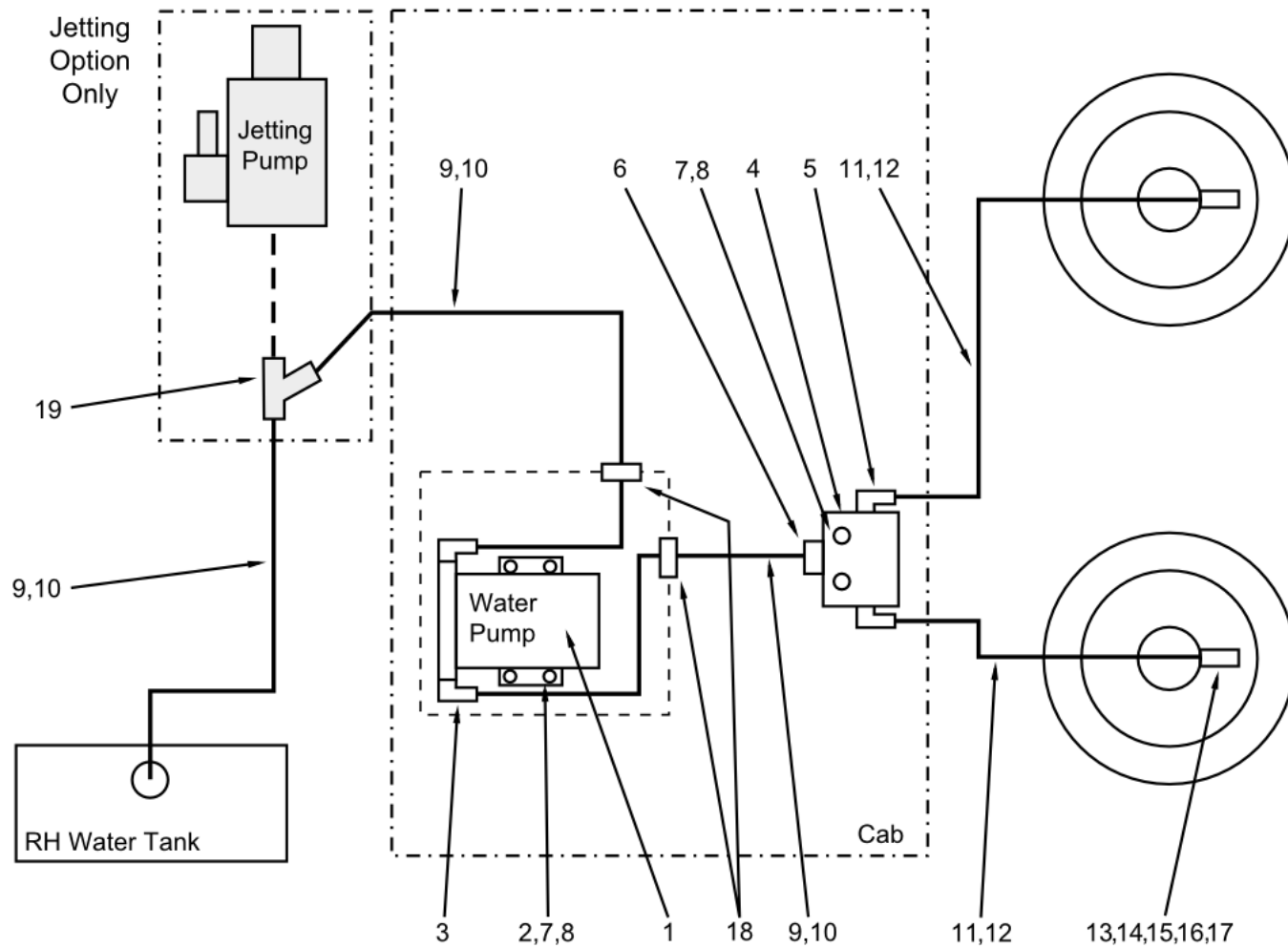
Brush Plate & Brushes (37080-1, 2001-1 & 2001-2)

Main Build Feature\Brush Plate & Brushes

Item no.	Part no.	Description	QTY	Unit
1	72138-1	Plate - Brush, Top W/Assy	2	PC
2	73038-1	Washer - Plate	2	PC
3	92097376-0	Hex Head Screw - M8Cx25 - 8.8	2	PC
4	93699710-0	Spring Washer - Plated M8	2	PC
5	70104-1S	Brush - Polypropylene	2	PC
5	71343-1	Steel Brush	2	PC
5	71107-1	Brush Poly/Steel	2	PC

Lost Water Circuit (37050-2)
Main Build Feature\Lost Water Circuit

All Copyright and rights are the property of Johnston Sweepers Ltd.

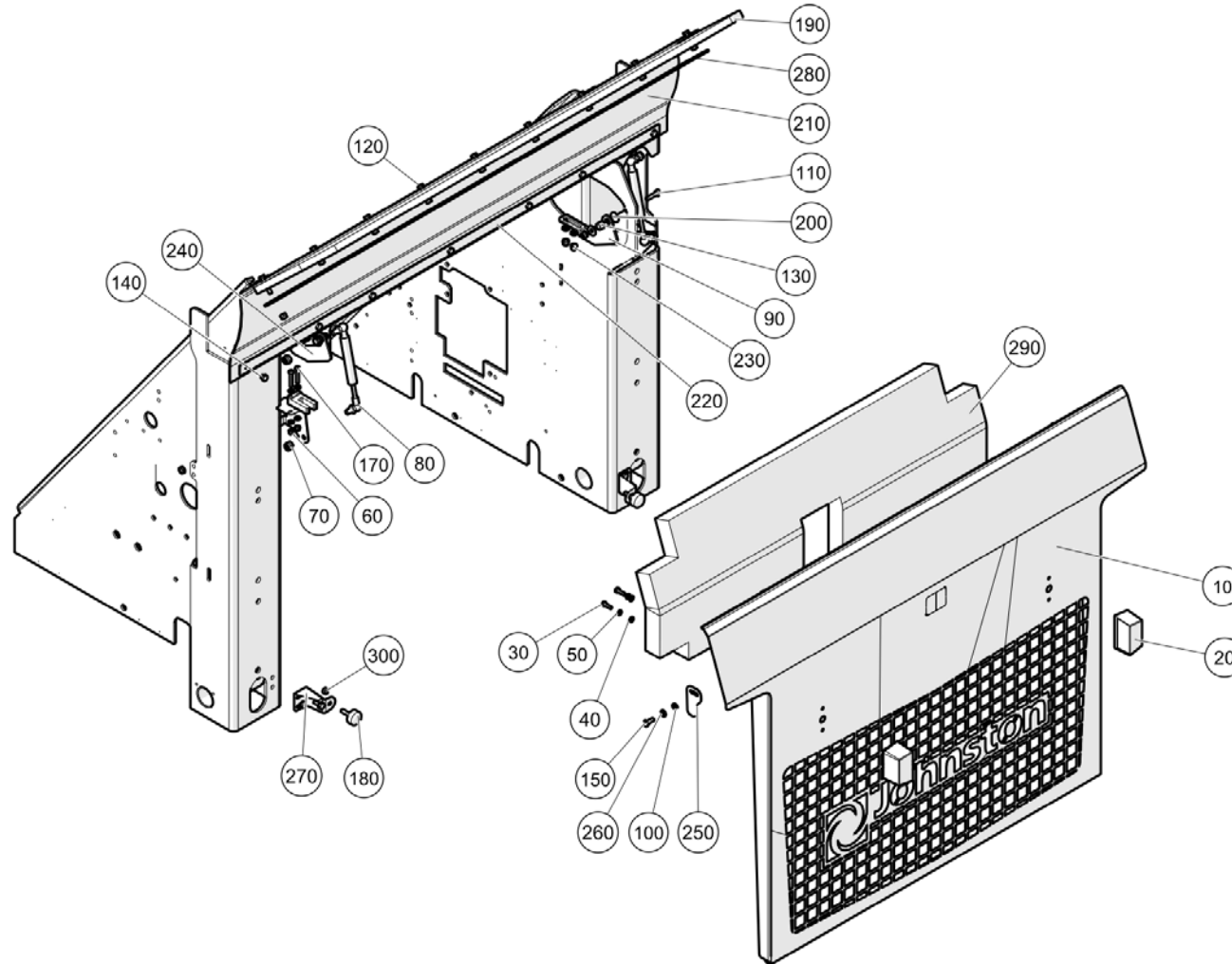


Lost Water Circuit (37050-2)
Main Build Feature\Lost Water Circuit

Item no.	Part no.	Description	QTY	Unit
1	223-3	Pump - Water	1	PC
2	457-1	Washer Plain Steel M5 Form G	4	PC
3	68-10	Elbow Swivel 90 Deg. 1/2" Bore	2	PC
4	72607-1	Manifold - 3 Way Block	1	PC
5	231-1	Hose Elbow G1/4x3/8	2	PC
6	231-7	Hose Barb R1/4 x 1/2"	1	PC
7	124-79	Setscrew M5C x 40	6	PC
8	425-12	Nut Nyloc Hex M5C	6	PC
9	273-1	Tube-PVC 1/2" Bore Sngle Braid	2.5	M
10	501-2	Hose Clip - Worm Drive (14-22)	4	PC
11	39444	Hose - Black Plastic 3/8" Bore	5.1	M
12	501-1	Hose Clip - Worm Drive (11-16)	4	PC
13	21-10	Nozzle - Flood Jet 0.75	4	PC
14	224-5	Filter - Water Jet	4	PC
15	73040-1	Nozzle - Swivel D/Assy	2	PC
16	410-11	Nut - Lock 1/4 BSP	2	PC
17	282214-1	Adaptor-Channel Brush Hose	2	PC
18	287-60	Grommet - Ø 25.4 O/D, 19.0 I/D 4.0 Thick	2	PC
19	72399-1	Connector - Y , W/Assy	1	PC

All Copyright and rights are the property of Johnston Sweepers Ltd.

Rear Door (37014-53)
Main Build Feature\Rear Door



All Copyright and rights are the property of Johnston Sweepers Ltd.

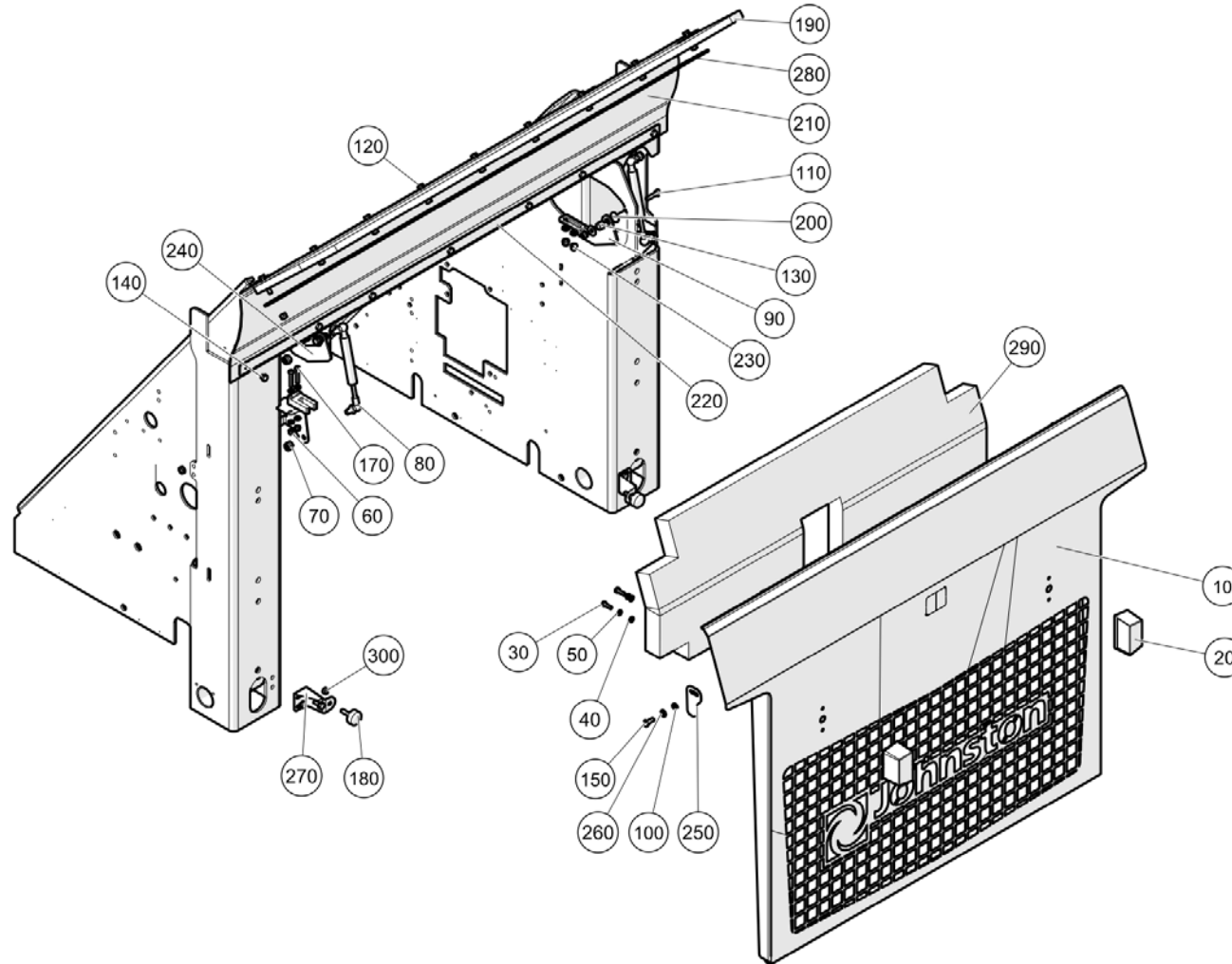
Rear Door (37014-53)

Main Build Feature\Rear Door

Item no.	Part no.	Description	QTY	Unit
10	7007789	Rear door Weld assembly	1	PC
20	46-120	Lamp - Number Plate 12v	2	PC
30	92097263-0	Hex Head Screw - M5Cx16 - 8.8	4	PC
40	93210109-0	Plain Washer M5	8	PC
50	93699707-0	Spring Washer - Plated M5	4	PC
60	93085003-0	Nyloc Hex Nut M5C - 8	2	PC
70	93085805-0	Nyloc Hex Nut M8C - 8	4	PC
80	722375-1	Spring - Gas	2	PC
90	722366-1	Bracket-Rear Door Pivot,LH	1	PC
100	93212009-0	Plain Washer M6	9	PC
110	92097303-0	Hex Head Screw - M6Cx25 - 8.8	2	PC
120	92097305-0	Hex Head Screw - M6Cx30 - 8.8	9	PC
130	71121-3	Spacer-6.5IDx12 OD, L =11/10.5	2	PC
140	92097301-0	Hex Head Screw - M6Cx20 - 8.8	7	PC
150	92097299-0	Hex Head Screw - M6Cx16 - 8.8	5	PC
170	135-84	Setscrew - Button Head M5x30	2	PC
180	290-41	Stop - Rubber, M6 x 25	2	PC
190	74339-1	Flap - Hopper Thick	1	PC
200	93300507-0	Plain Large Washer M6	4	PC
210	722379-1	Flap - Hopper, Thin (Euro 4)	1	PC
220	722384-1	Strip - Flap Clamp (Euro 4)	1	PC
230	93085004-0	Nyloc Hex Nut M6C - 8	22	PC
240	722366-2	Bracket-Rear Door Pivot,RH	1	PC
250	722627-1	Blade - Sensor	1	PC

All Copyright and rights are the property of Johnston Sweepers Ltd.

Rear Door (37014-53)
Main Build Feature\Rear Door



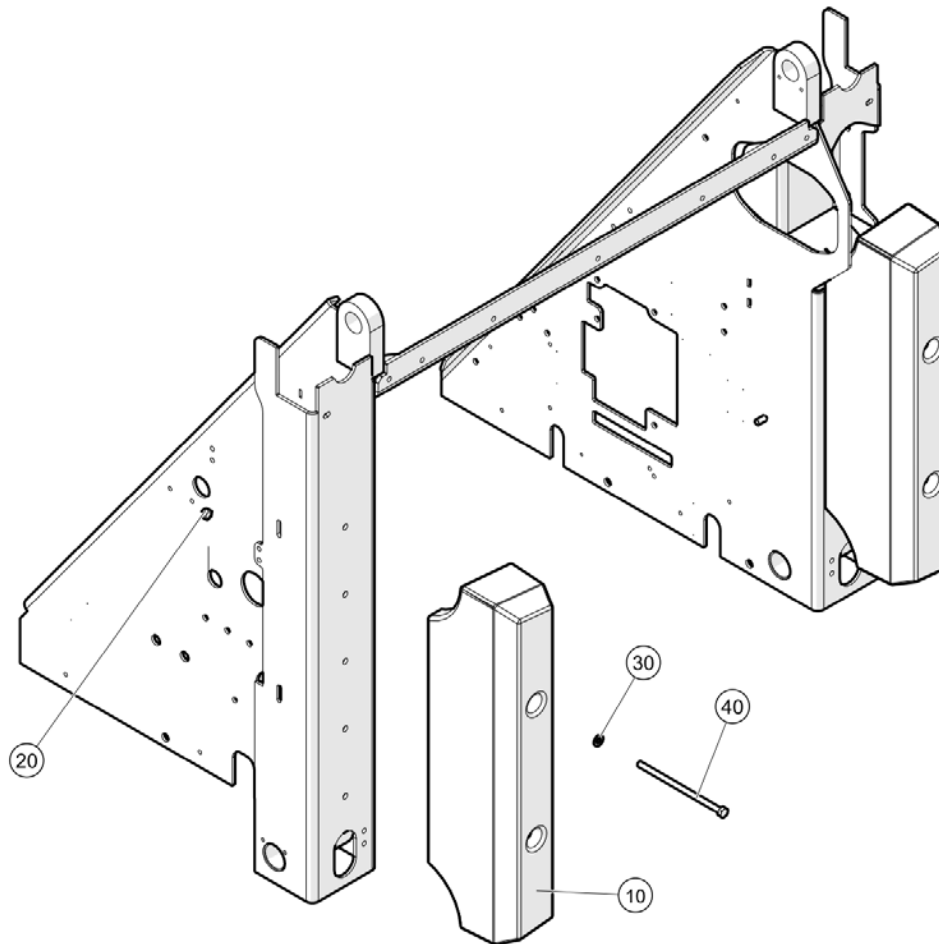
All Copyright and rights are the property of Johnston Sweepers Ltd.

Rear Door (37014-53)

Main Build Feature\Rear Door

Item no.	Part no.	Description	QTY	Unit
260	93699708-0	Spring Washer - Plated M6	1	PC
270	7009446	Bracket Weld assembly	2	PC
280	74728-1	Clamp - Flap	1	PC
290	7008457	Sound attenuation -Rear door	1	PC
300	93056012-0	Hex Nut M6C-8	2	PC

Rear Upper Bumpers (37015-52)
Main Build Feature\Rear Upper Bumpers



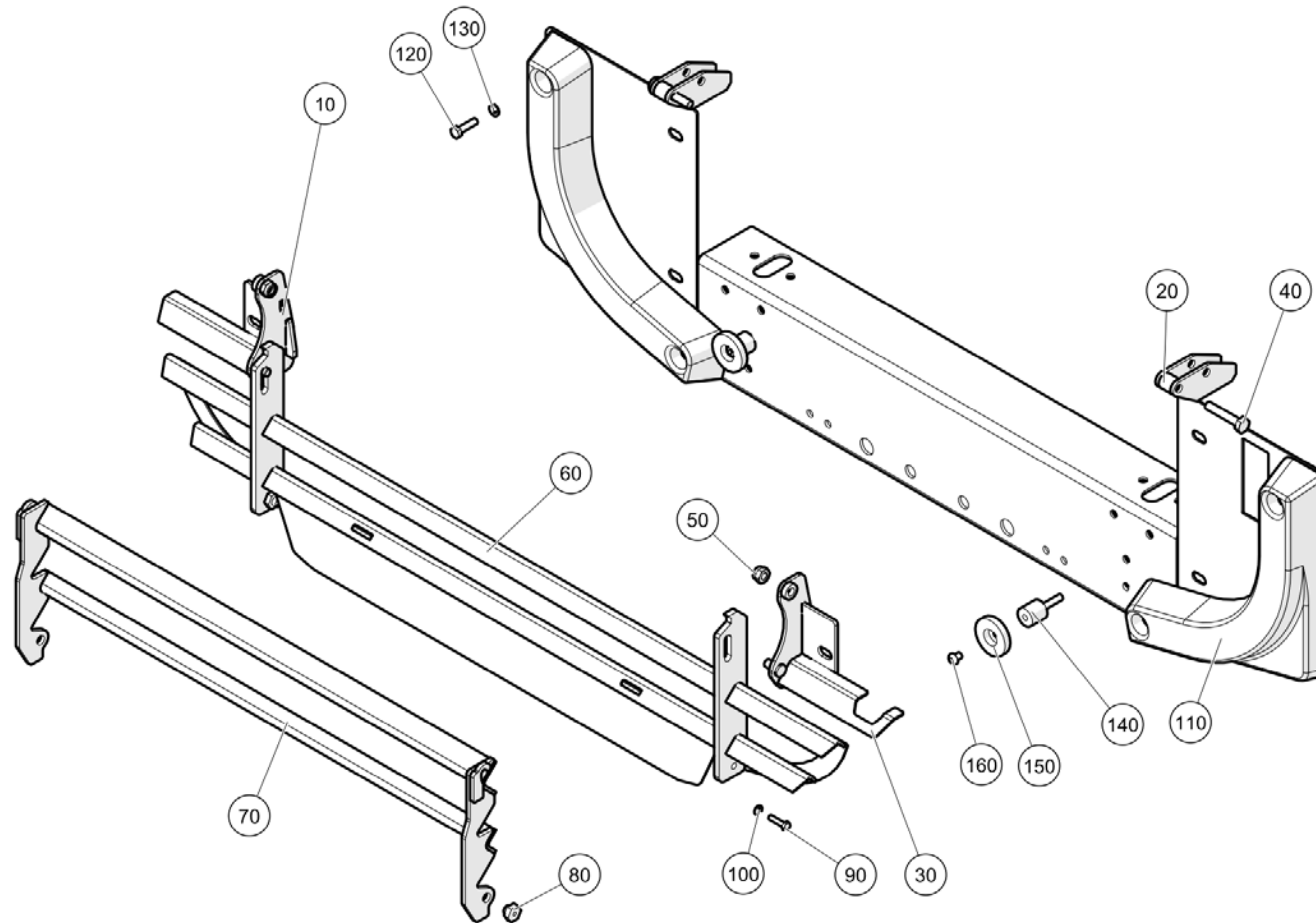
All Copyright and rights are the property of Johnston Sweepers Ltd.

Rear Upper Bumpers (37015-52)
Main Build Feature\Rear Upper Bumpers

Item no.	Part no.	Description	QTY	Unit
10	7007841	Bumper Assembly	2	PC
20	425-14	Nut Nyloc Hex MC M8	4	PC
30	455-10	Washer Plain Plated Steel M8	4	PC
40	123-125	Bolt M Coarse M8x150	4	PC

All Copyright and rights are the property of Johnston Sweepers Ltd.

Lower Bumpers & Rear Grille (37016-51)
Main Build Feature\Lower Bumpers & Rear Grille



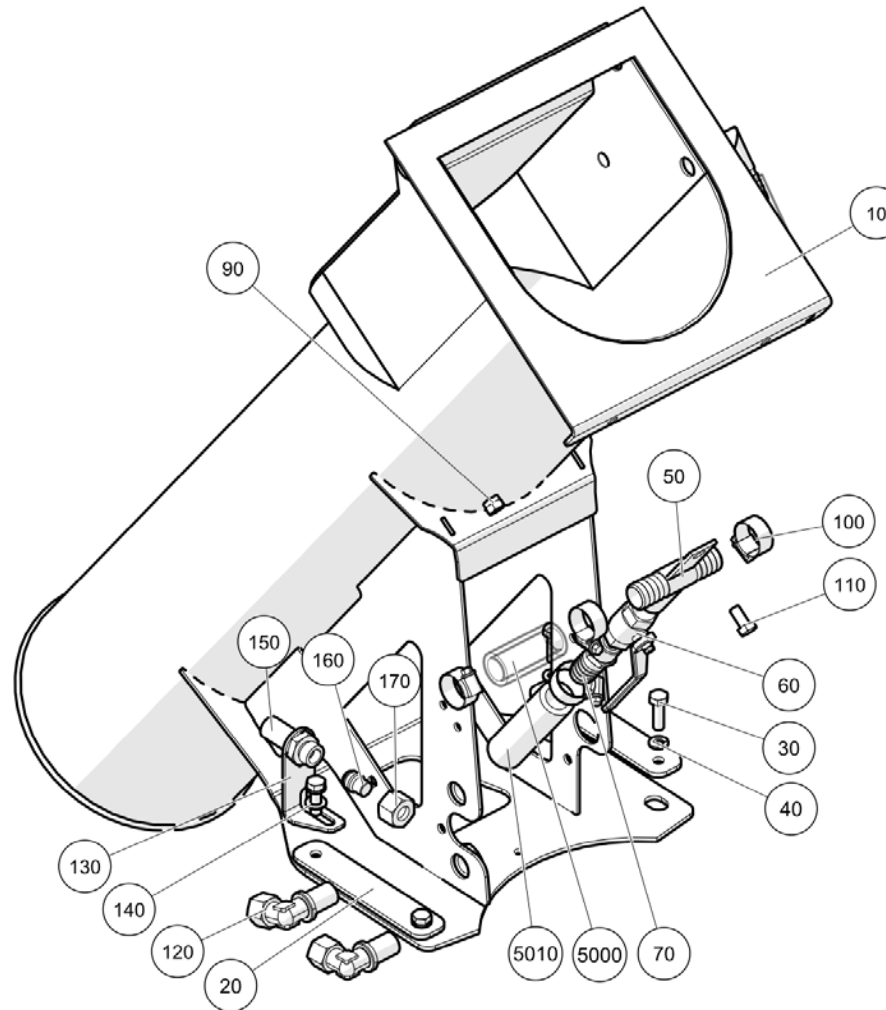
All Copyright and rights are the property of Johnston Sweepers Ltd.

Lower Bumpers & Rear Grille (37016-51)
 Main Build Feature\Lower Bumpers & Rear Grille

Item no.	Part no.	Description	QTY	Unit
10	7005397	Pivot Weld Assembly LH	1	PC
20	7005659	Spacer	2	PC
30	7005398	Pivot Weld Assembly RH	1	PC
40	92067423-0	Hex Head Bolt - M10Cx55 - 8.8	2	PC
50	93085806-0	Nyloc Hex Nut M10C - 8	2	PC
60	7005436	Rear panel Weld assembly	1	PC
70	7005441	Rear Panel Outside	1	PC
80	7005450	Spacer M6	2	PC
90	92097303-0	Hex Head Screw - M6Cx25 - 8.8	2	PC
100	93212009-0	Plain Washer M6	2	PC
110	720082-1	Bumper-Lower, Assy	2	PC
120	92067381-0	Hex Head Bolt - M8Cx30 - 8.8	4	PC
130	93699710-0	Spring Washer - Plated M8	4	PC
140	290-32	Bobbin-25x25 M/F, M8x35	2	PC
150	211-27	Magnet - Pot Type, O/D 50	2	PC
160	138-119	Screw - Skt Button Hd M8cx10	2	PC

All Copyright and rights are the property of Johnston Sweepers Ltd.

Flap Housing (37066-51)
Main Build Feature\Flap Housing



All Copyright and rights are the property of Johnston Sweepers Ltd.

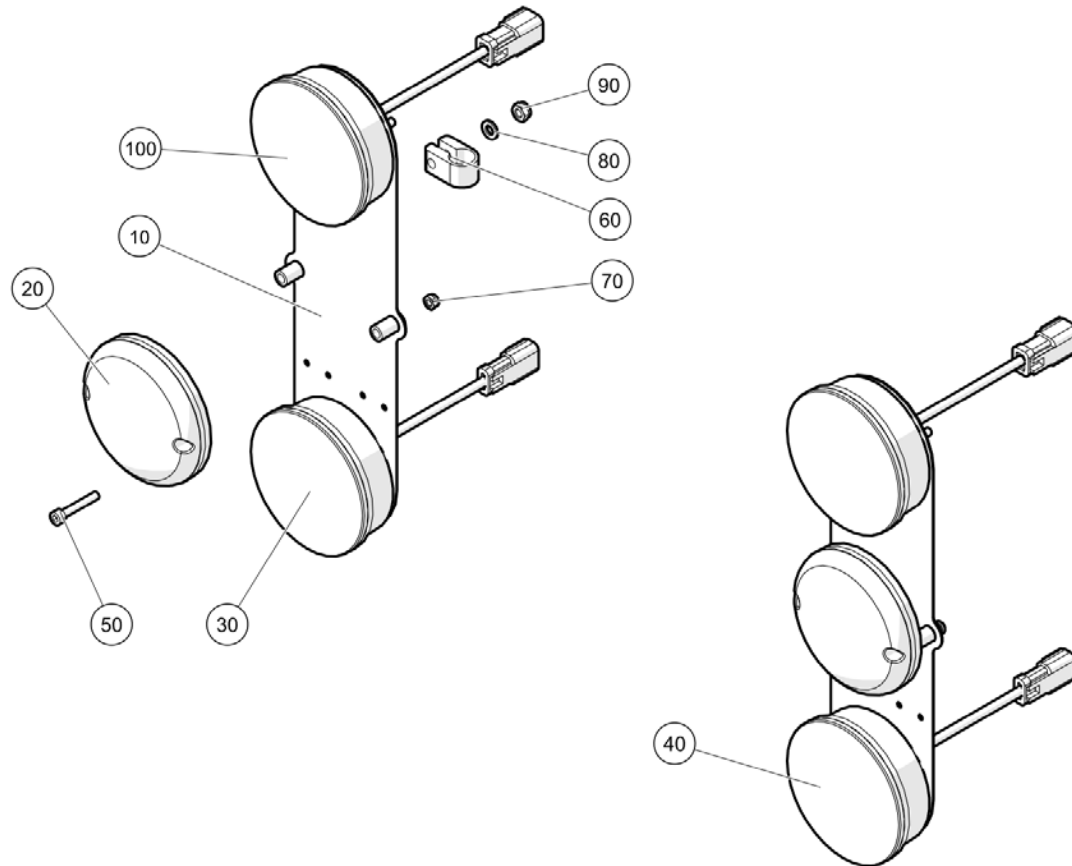
Flap Housing (37066-51)
Main Build Feature\Flap Housing

Item no.	Part no.	Description	QTY	Unit
10	721929-1	Housing - Flap, W/Assy	1	PC
20	722221-1	Plate - Clamp	2	PC
30	92097376-0	Hex Head Screw - M8Cx25 - 8.8	4	PC
40	93699710-0	Spring Washer - Plated M8	4	PC
50	72763-1	Tee - Hose	1	PC
60	72764-1	Valve - Ball, G1/2	1	PC
70	277-18	Hosetail-Brass 1/2"x3/4"	1	PC
90	93085805-0	Nyloc Hex Nut M8C - 8	1	PC
100	09531052-0	Hose Clip - Worm Drive (22-32)	5	PC
110	92097372-0	Hex Head Screw - M8Cx16 - 8.8	1	PC
120	09570472-0	Bulkhead Elbow Connector - M18 x 1.5	2	PC
130	7020070	Bracket - Steel Pipe	1	PC
140	93212011-0	Plain Washer M8	1	PC
150	302-2	Straight Bulkhead Connector M18 x 1.5	1	PC
160	09572112-0	Plug Female - Tube O/D = 12mm	1	PC
170	09570008-0	Cap Nut - M18 x 1.5 (Tube O/D = 12mm)	1	PC
5000	15184	Hose - Griflex, Clear 3/4" I/D	1	M
5010	497-C12	Hose 3/4" Megaflex M1T Gates	1.4	M

All Copyright and rights are the property of Johnston Sweepers Ltd.

Rear LED Lights (7015481, 7015484)

Main Build Feature\Rear LED Lights

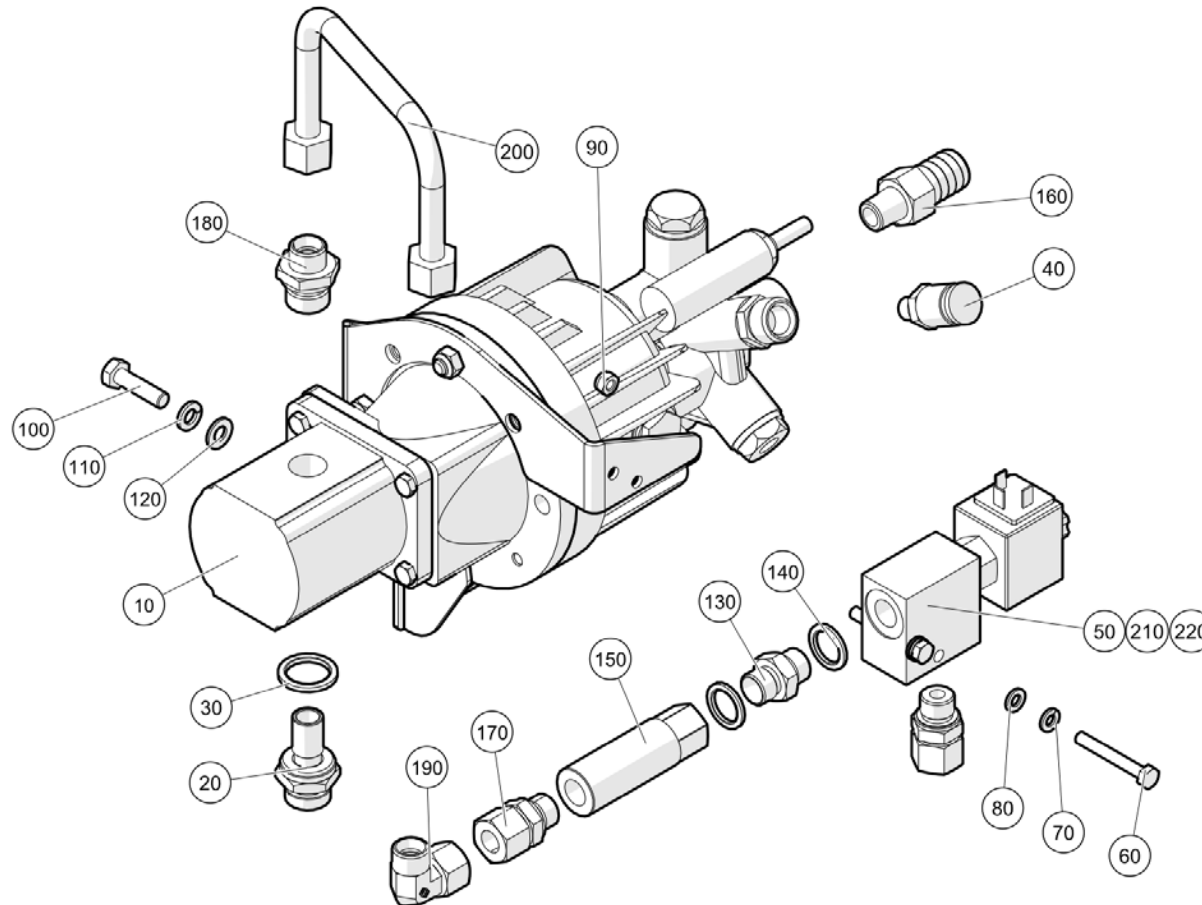


Rear LED Lights (7015481, 7015484)

Main Build Feature\Rear LED Lights

Item no.	Part no.	Description	QTY	Unit
10	722711-1	Plate - Lights, Rear W/Assy	2	PC
20	46-425	Reflector - Red Dia 95mm	2	PC
30	7014039	Reverse Light Assy	1	PC
40	7014038	Fog Light Assy	1	PC
50	92137047-0	Hex Socket Cap Screw - M5Cx30 - 12.9	4	PC
60	436-15	Clip - P Type, Black Nylon	2	PC
70	93085003-0	Nyloc Hex Nut M5C - 8	4	PC
80	93212009-0	Plain Washer M6	2	PC
90	93085004-0	Nyloc Hex Nut M6C - 8	2	PC
100	722731-1	Light - LED, Stop/Tail/Ind 12V	2	PC

Jetting Water Pump (7008742)
Main Build Options\Jetting Water Pump



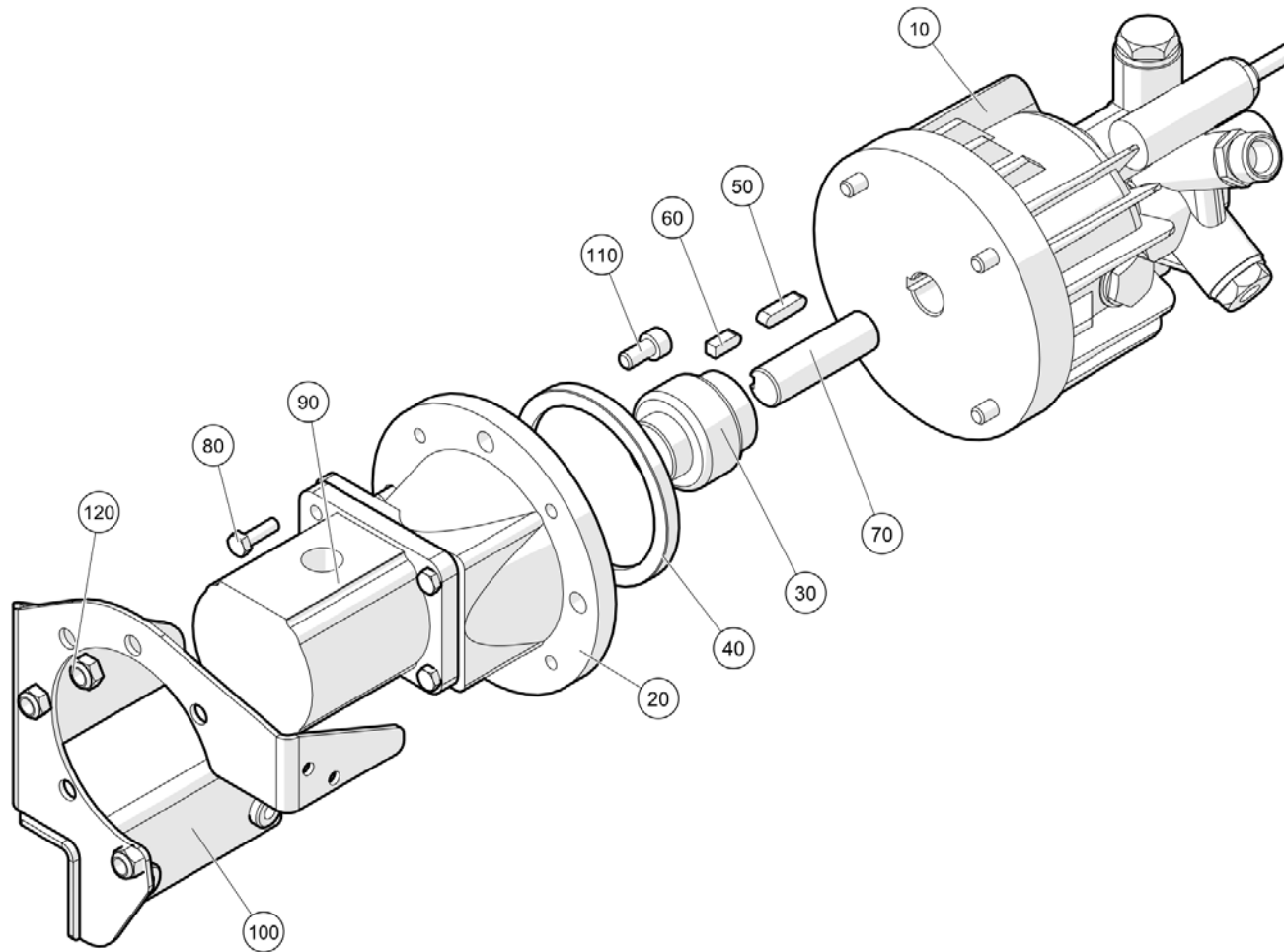
All Copyright and rights are the property of Johnston Sweepers Ltd.

Jetting Water Pump (7008742)
Main Build Options\Jetting Water Pump

Item no.	Part no.	Description	QTY	Unit
10	721663-1P	Motor & Water Pump Assy	1	PC
20	6601-1329	Stud Coupling Male G 1/2" x M22 x 1.5	1	PC
30	451-19	Washer - Bonded G1-2"	1	PC
40	665-18	Test Coupling SMK20 - G1/4 Type B	1	PC
50	72679-1	Valve - Lock 12v	1	PC
60	92067310-0	Hex Head Bolt - M6Cx45 - 8.8	2	PC
70	93699708-0	Spring Washer - Plated M6	2	PC
80	93212009-0	Plain Washer M6	2	PC
90	93085004-0	Nyloc Hex Nut M6C - 8	2	PC
100	92097378-0	Hex Head Screw - M8Cx30 - 8.8	2	PC
110	93699710-0	Spring Washer - Plated M8	2	PC
120	93212011-0	Plain Washer M8	2	PC
130	263-3	Adaptor M/M 3/8 BSP	1	PC
140	451-18	Washer Bonded G3/8"	2	PC
150	253-6	Regulator - Flow 18L/Min.	1	PC
160	72400-1	Connector - Hose R3/8" x 3/4"	1	PC
170	6601-1322	Stud Coupling Male G 3/8" x M18 x 1.5	2	PC
180	09570131-0	Stud Coupling Male G 1/2" x M18 x 1.5	1	PC
190	6613-0503	Adjustable Male Elbow - M16 x 1.5	1	PC
200	7008213	Pipe -Water system 2	1	PC
210	72679-2	Block Only	1	PC
220	72679-3	Solenoid - 12v	1	PC

All Copyright and rights are the property of Johnston Sweepers Ltd.

Jetting Pump & Motor (721663-1)
Main Build Options\Jetting Pump & Motor

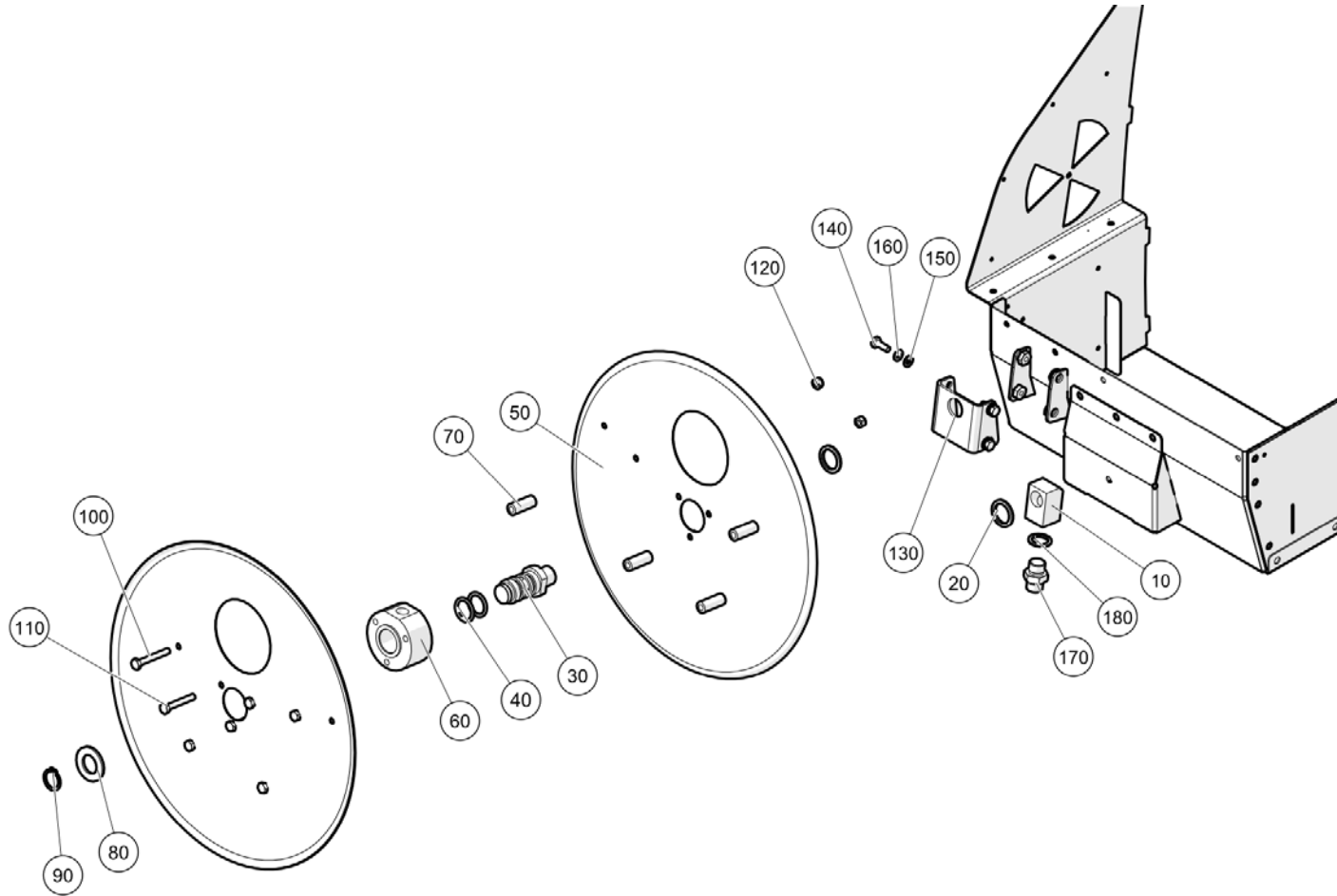


Jetting Pump & Motor (721663-1)
Main Build Options\Jetting Pump & Motor

Item no.	Part no.	Description	QTY	Unit
10	70278-1	Pump - Water, High Pressure	1	PC
20	70274-1	Casing Pump - Powawash	1	PC
30	70276-1	Coupling Modified Assy	1	PC
40	70279-1	Spigot - Bell Housing Mtg.	1	PC
50	70216-2	Key	1	PC
60	70216-3	Key	1	PC
70	71252-1	Shaft Drive	1	PC
80	124-103	Setscrew M6C x 20	4	PC
90	72172-1	Motor - Hydraulic	1	PC
100	721704-1	Bracket - Jetting Pump	1	PC
110	129-122	Screw MC Cap Skt Hd M8x16	3	PC
120	425-14	Nut Nyloc Hex MC M8	3	PC

All Copyright and rights are the property of Johnston Sweepers Ltd.

Jetting Hose Reel (7008725)
Main Build Options\Jetting Hose Reel



All Copyright and rights are the property of Johnston Sweepers Ltd.

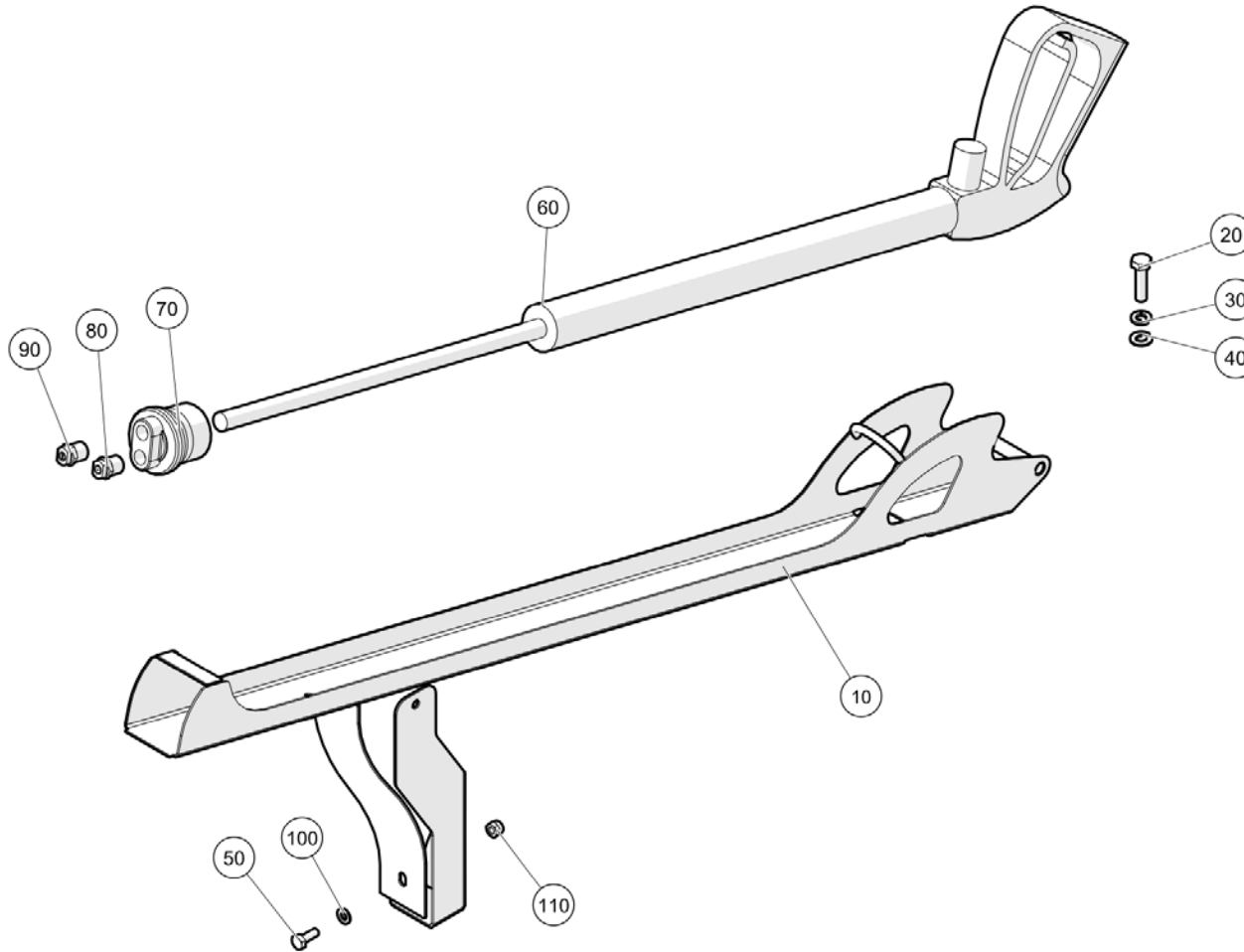
Jetting Hose Reel (7008725)

Main Build Options\Jetting Hose Reel

Item no.	Part no.	Description	QTY	Unit
10	721626-1	Block - Water	1	PC
20	451-19	Washer - Bonded G1-2"	2	PC
30	721631-1	Shaft - Hose Reel	1	PC
40	663-71	O Ring	2	PC
50	76022-1	Plate - Side, Hose Reel	2	PC
60	72155-1	Boss - Hose Reel	1	PC
70	71121-2	Spacer - 6.5 IDx12 OD, L =30	4	PC
80	93212018-0	Plain Washer M20	1	PC
90	09500020-0	Circlips-External DIN471 20x1.2	1	PC
100	92067310-0	Hex Head Bolt - M6Cx45 - 8.8	4	PC
110	92067309-0	Hex Head Bolt - M6Cx40 - 8.8	3	PC
120	93085004-0	Nyloc Hex Nut M6C - 8	7	PC
130	721718-1	Plate - Hose Reel Mounting	1	PC
140	92097299-0	Hex Head Screw - M6Cx16 - 8.8	4	PC
150	93212009-0	Plain Washer M6	4	PC
160	93699708-0	Spring Washer - Plated M6	4	PC
170	263-3	Adaptor M/M 3/8 BSP	1	PC
180	451-18	Washer Bonded G3/8"	1	PC

All Copyright and rights are the property of Johnston Sweepers Ltd.

Jetting Hand Lance (7008487)
Main Build Options\Jetting Hand Lance



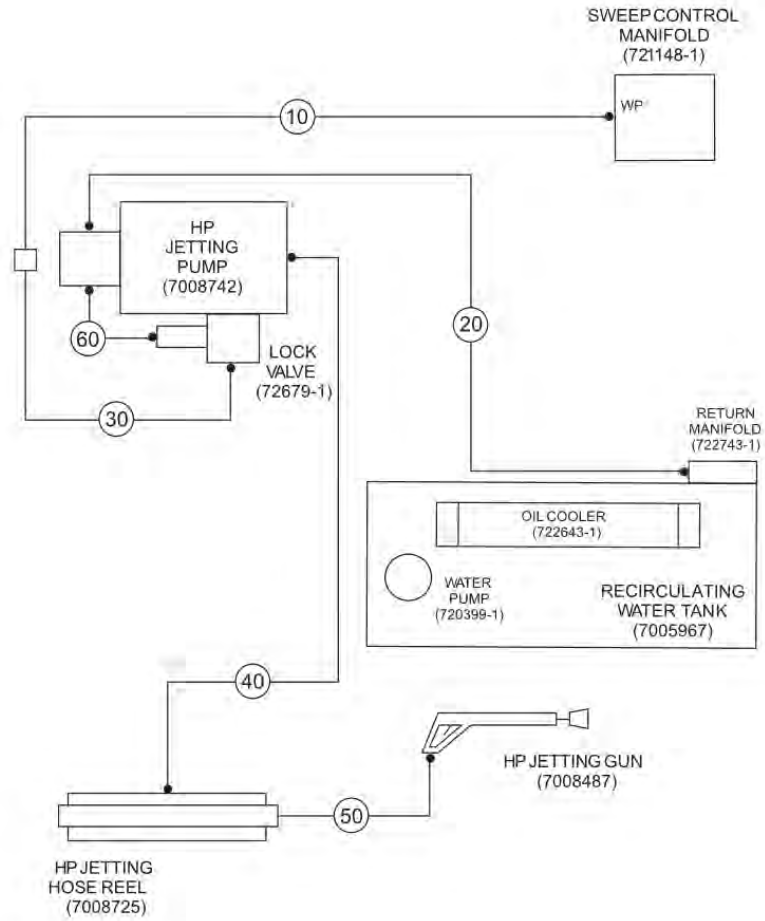
All Copyright and rights are the property of Johnston Sweepers Ltd.

Jetting Hand Lance (7008487)
Main Build Options\Jetting Hand Lance

Item no.	Part no.	Description	QTY	Unit
10	7008517	Lance Holder	1	PC
20	92097378-0	Hex Head Screw - M8Cx30 - 8.8	1	PC
30	93699710-0	Spring Washer - Plated M8	1	PC
40	93212011-0	Plain Washer M8	1	PC
50	92097299-0	Hex Head Screw - M6Cx16 - 8.8	1	PC
60	70284-1	Gun - Mini	1	PC
70	71362-2	Holder - Twin Nozzle	1	PC
80	71362-3	Jet - Straight	1	PC
90	71362-4	Jet - Fan	1	PC
100	93212009-0	Plain Washer M6	1	PC
110	93085004-0	Nyloc Hex Nut M6C - 8	1	PC

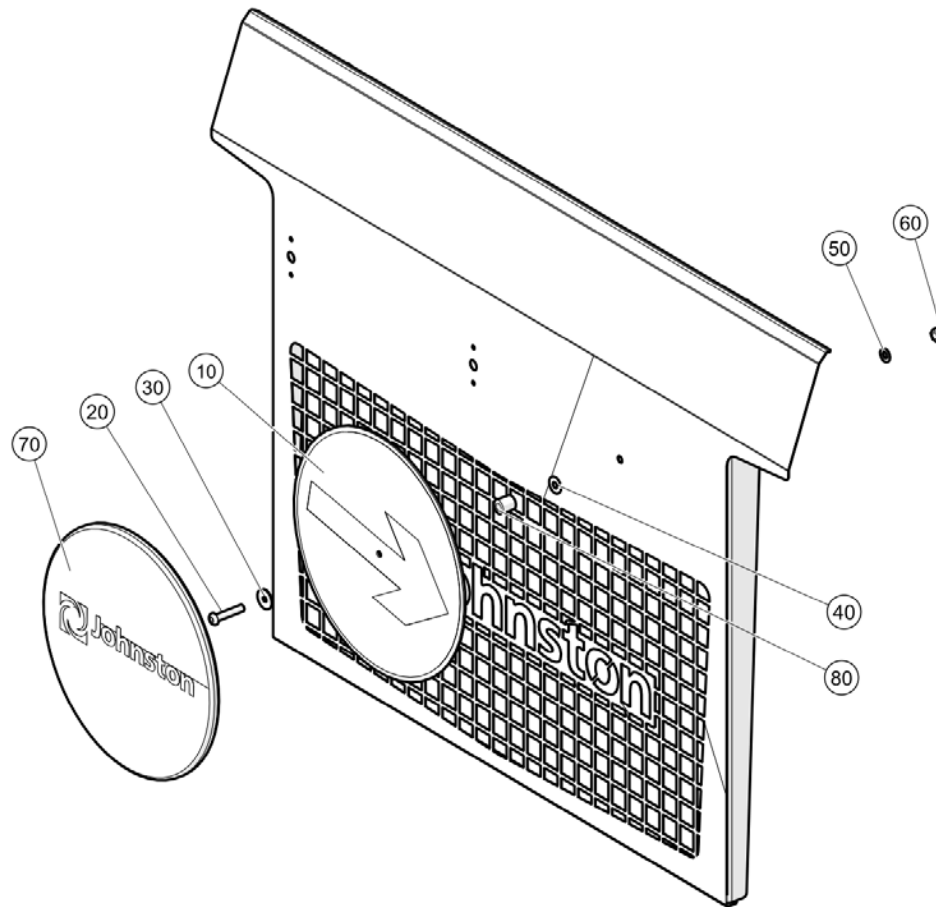
Jetting Hose Circuit (7008795)
Main Build Options\Jetting Hose Circuit

All Copyright and rights are the property of Johnston Sweepers Ltd.



Jetting Hose Circuit (7008795)
Main Build Options\Jetting Hose Circuit

Item no.	Part no.	Description	QTY	Unit
10	7008212	Pipe -Water system 1	1	PC
30	HR1SC10027-70-90	Hose - Hyd 45 Swept x 90 Swept	1	PC
40	HE06312-83	Hose - Hydraulic 3/8" STRxKAR	1	PC
50	HC04422-920	Hose -Megaflex 1/4" 90s x STAP	1	PC
60	7008213	Pipe -Water system 2	1	PC
20	HR1SC12051-89-65	Hose - Hyd 90 Swept x 90 Swept	1	PC

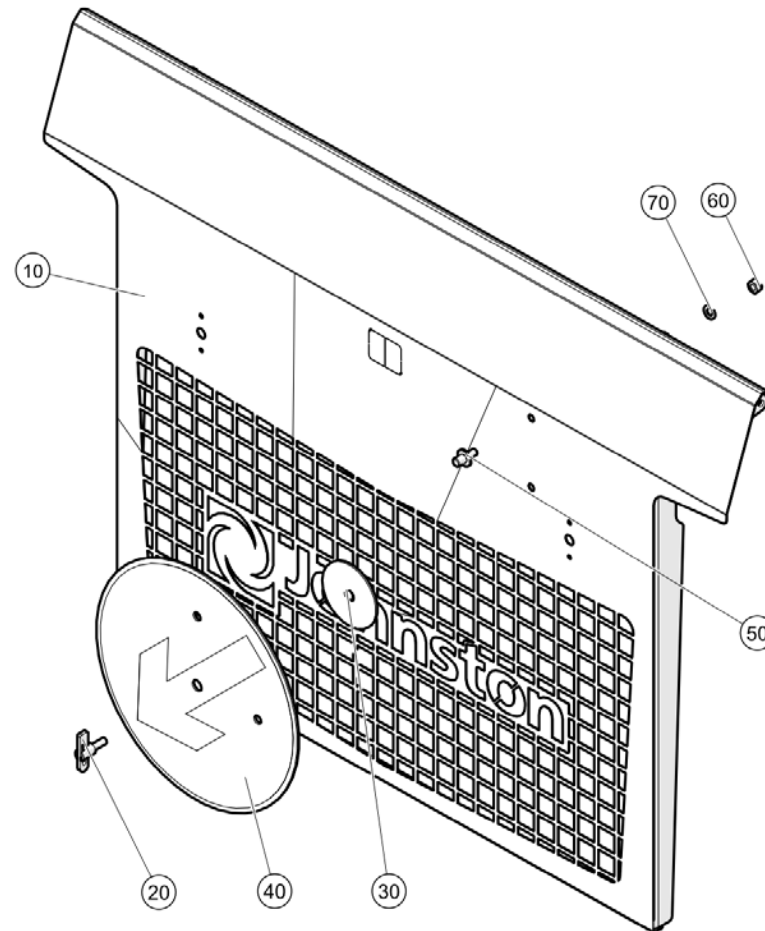


Arrowboard (2010-52)

Main Build Options\Arrowboard

Item no.	Part no.	Description	QTY	Unit
10	661-8	Arrow Board - Dia 300 mm	1	PC
20	138-131	Screw - Skt Button Hd M8cx40	1	PC
30	457-4	Washer Plain Steel M8 Form G	1	PC
40	463-8	Washer - Belle Ville, M8	1	PC
50	455-10	Washer Plain Plated Steel M8	1	PC
60	425-14	Nut Nyloc Hex MC M8	1	PC
70	7006918	Cover Arrowboard	1	PC
80	71277-3	Spacer - 18mm	1	PC

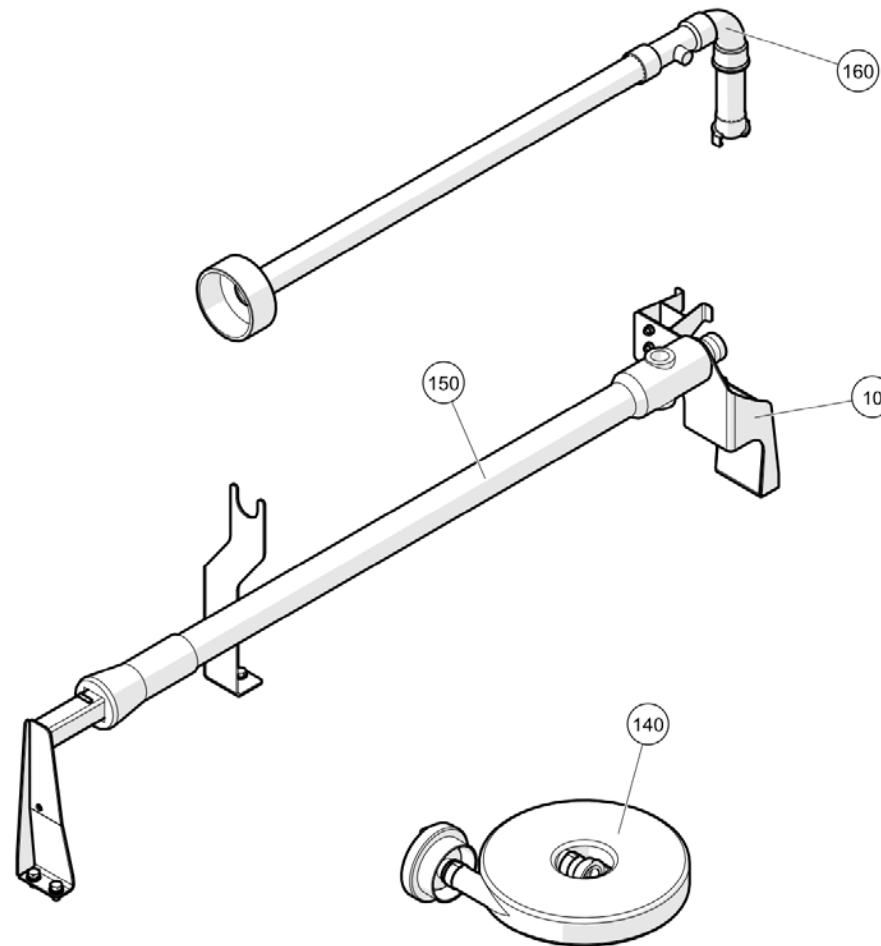
Reversible Arrowboard (7012678)
Main Build Options\Reversible Arrowboard



All Copyright and rights are the property of Johnston Sweepers Ltd.

Reversible Arrowboard (7012678)
Main Build Options\Reversible Arrowboard

Item no.	Part no.	Description	QTY	Unit
10	7012674	Door, Rear, Reversible Arrowboard Mnt	1	PC
20	60-15	Pin - Antiluce, M8 x 18	1	PC
30	7012653	Non Scratch Pad, Revesible Arrowboard	1	PC
40	7012652	Reversible Arrow Board	1	PC
50	7012663	Anchor Stud	1	PC
60	93085805-0	Nyloc Hex Nut M8C - 8	1	PC
70	93212011-0	Plain Washer M8	1	PC



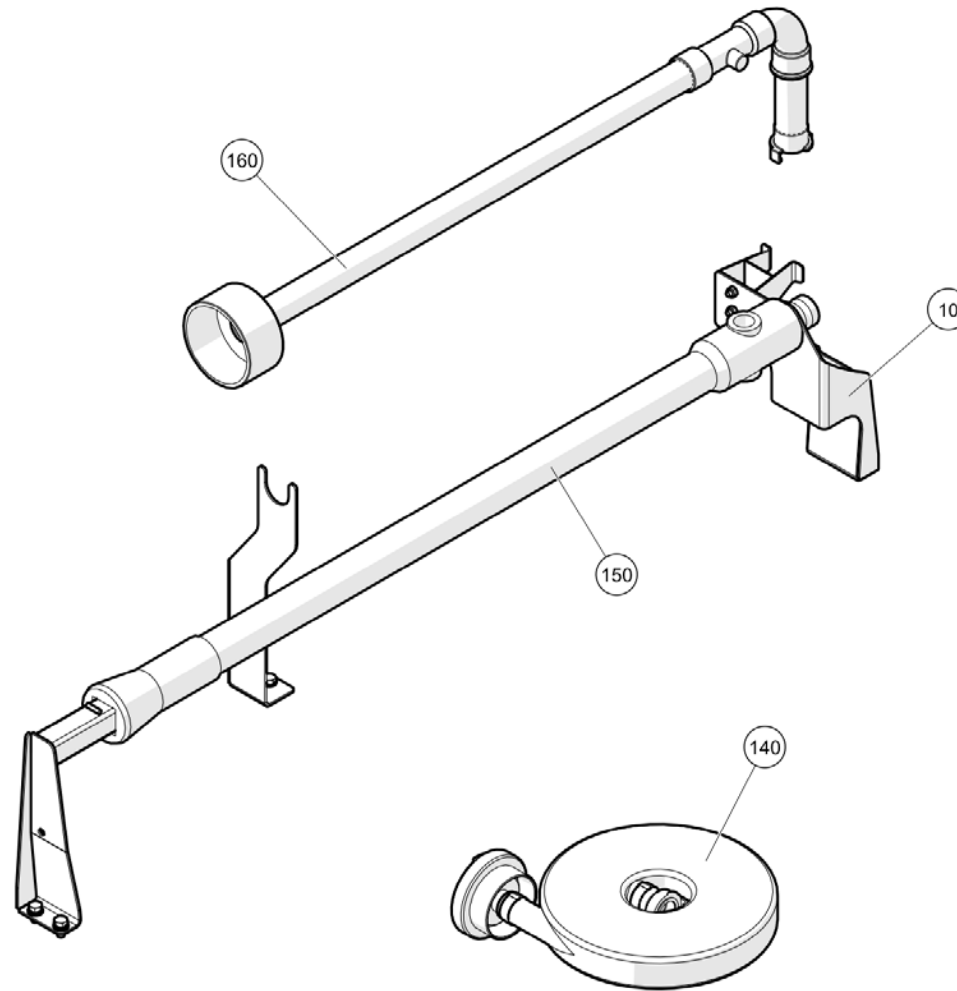
All Copyright and rights are the property of Johnston Sweepers Ltd.

Standard Hydrant (7008643)

Main Build Options\Standard Hydrant

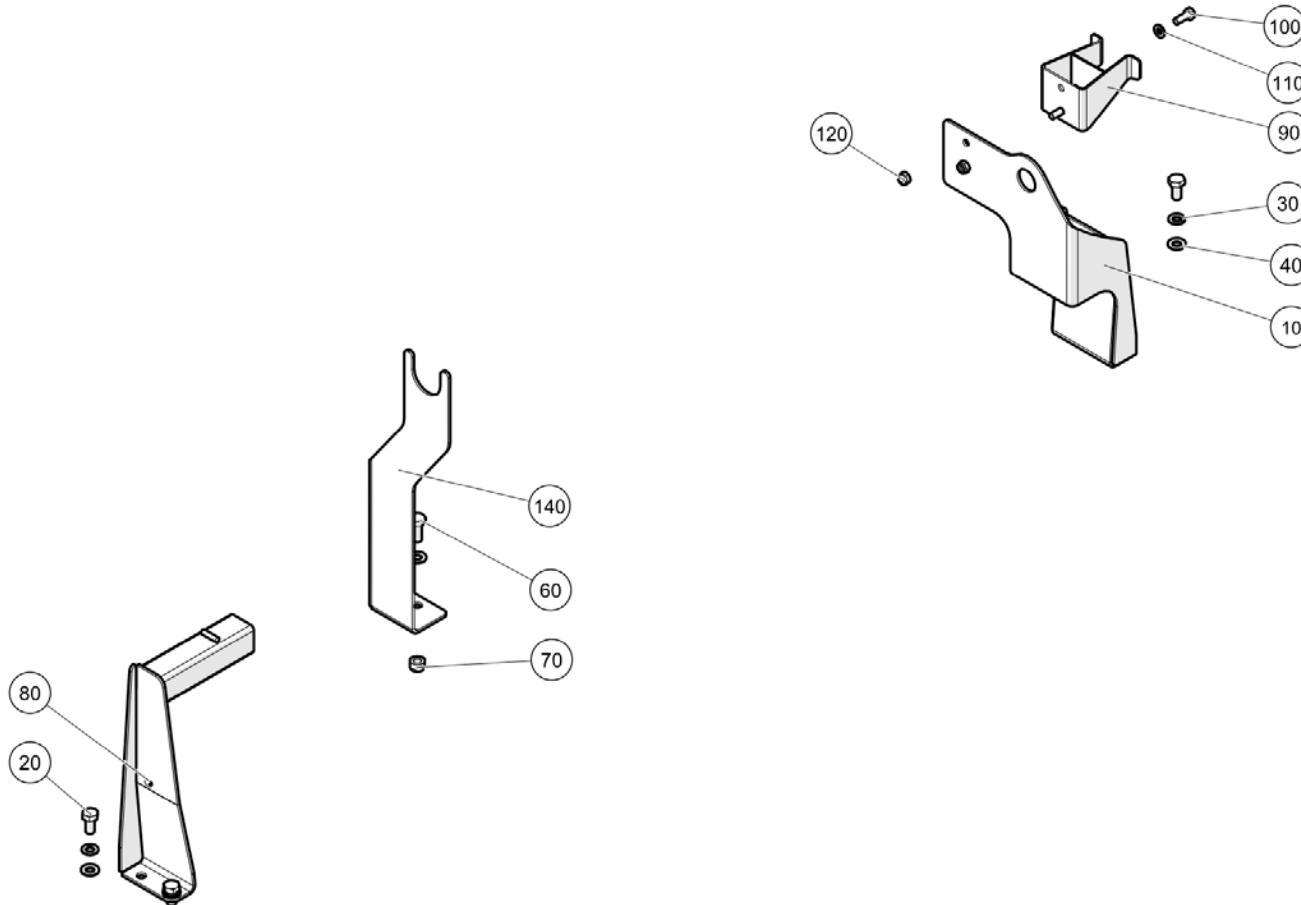
Item no.	Part no.	Description	QTY	Unit
10	7008645	Hydrant Stowage Assembly	1	PC
140	72689-1	Hose Assy - 1" Bore Stortz	1	PC
150	667-6	Key - Hydrant Aluminium	1	PC
160	72688-1	Standpipe Assembly (UK)	1	PC

All Copyright and rights are the property of Johnston Sweepers Ltd.



Item no.	Part no.	Description	QTY	Unit
10	7008645	Hydrant Stowage Assembly	1	PC
140	72689-1	Hose Assy - 1" Bore Stortz	1	PC
150	667-6	Key - Hydrant Aluminium	1	PC
160	72688-11	Standpipe Assembly (Belfast)	1	PC

Hydrant Stowage (7008645)
Main Build Options\Hydrant Stowage

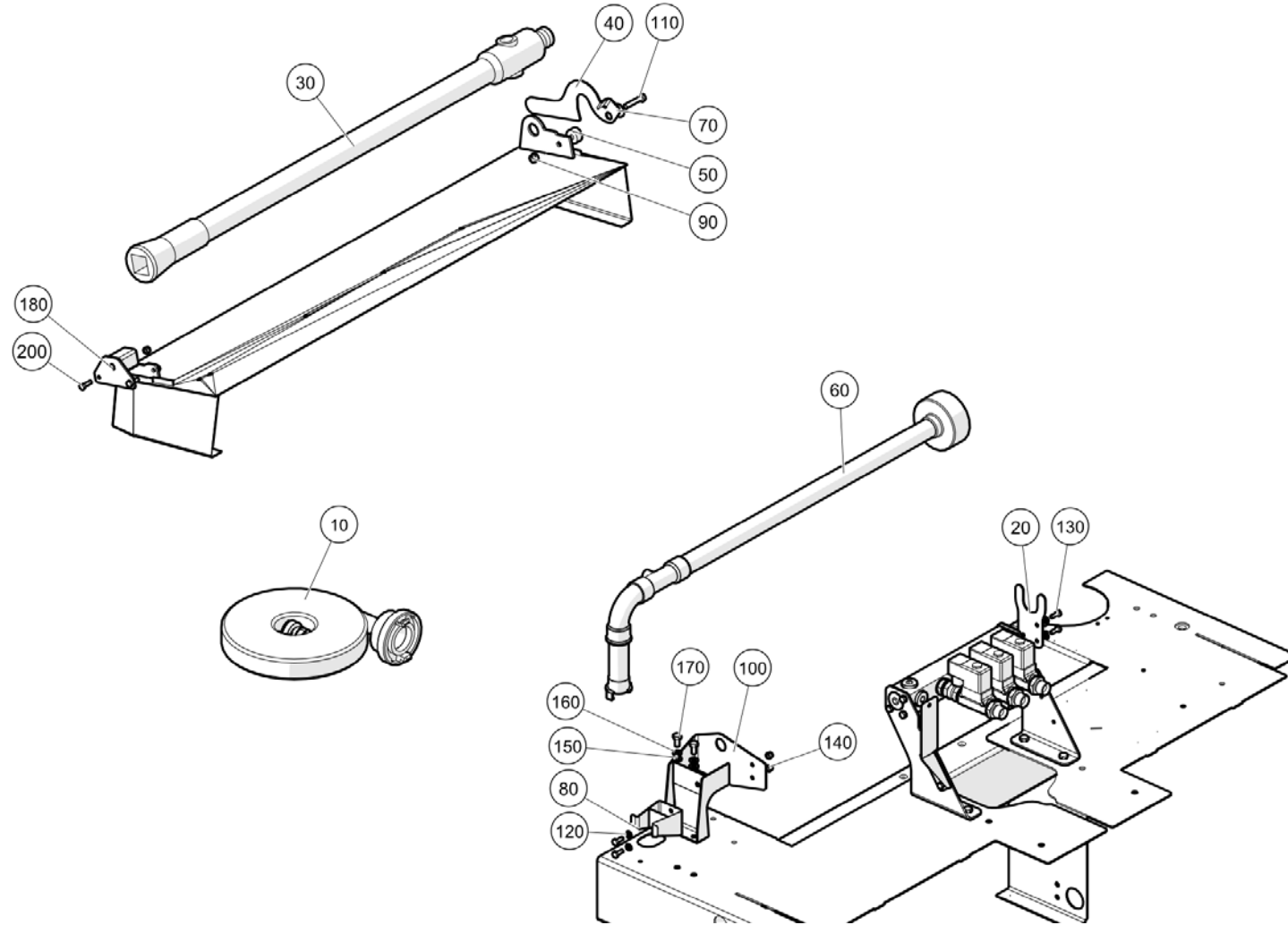


All Copyright and rights are the property of Johnston Sweepers Ltd.

Hydrant Stowage (7008645)
Main Build Options\Hydrant Stowage

Item no.	Part no.	Description	QTY	Unit
10	7008583	Support Weld assembly	1	PC
20	92099371-0	Hex Head Screw - M8Cx16 - A2	4	PC
30	93700210-0	Spring Washer M8 - A2	4	PC
40	93213010-0	Plain Washer M8 A2	5	PC
60	92099373-0	Hex Head Screw - M8Cx20 - A2	1	PC
70	93085605-0	93085605-0	1	PC
80	7008600	Support Weld assembly	1	PC
90	72690-1	Standpipe Clip	1	PC
100	92099299-0	Hex Head Screw - M6Cx16 - A2	2	PC
110	93213009-0	Plain Washer M6 A2	2	PC
120	93085604-0	Nyloc Hex Nut - M6c - A2	2	PC
140	7026915	Prop- Hydrant	1	PC

Hydrant Equipment - CW (7015287)
Main Build Options\Hydrant Equipment - CW

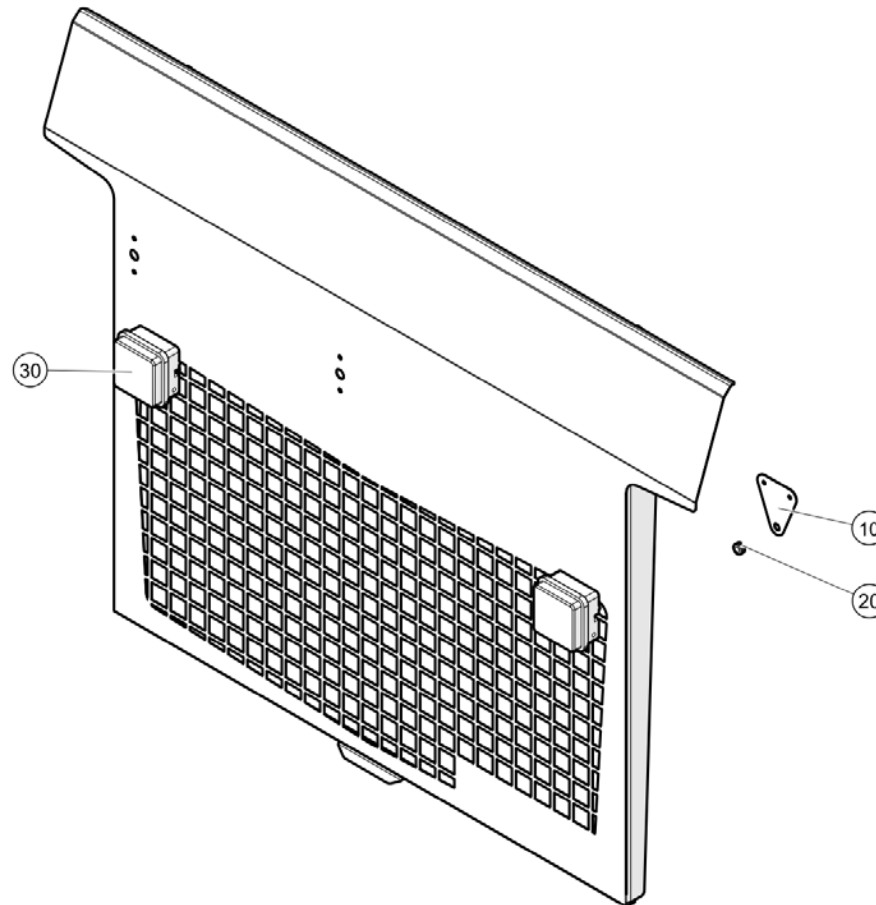


Hydrant Equipment - CW (7015287)
 Main Build Options\Hydrant Equipment - CW

Item no.	Part no.	Description	QTY	Unit
10	72689-1	Hose Assy - 1" Bore Stortz	1	PC
20	722341-1	Plate - Standpipe Adaptor	1	PC
30	667-6	Key - Hydrant Aluminium	1	PC
40	7015286	Hydrant Key Locking Handle	1	PC
50	720302-1	Boss-Hydrant Key, Swing Plate	1	PC
60	72688-1	Standpipe Assembly (UK)	1	PC
70	93300509-0	Plain Large Washer M8	1	PC
80	72690-1	Standpipe Clip	1	PC
90	93085805-0	Nyloc Hex Nut M8C - 8	1	PC
100	721780-1	Mount-Magnet/Standpipe, W/Assy	1	PC
110	92097380-0	Hex Head Screw - M8Cx40 - 8.8	1	PC
120	93212009-0	Plain Washer M6	2	PC
130	92097299-0	Hex Head Screw - M6Cx16 - 8.8	5	PC
140	93085004-0	Nyloc Hex Nut M6C - 8	4	PC
150	93212011-0	Plain Washer M8	2	PC
160	93699710-0	Spring Washer - Plated M8	2	PC
170	92097372-0	Hex Head Screw - M8Cx16 - 8.8	2	PC
180	7025089	Support Bracket W/Assy - Hydrant Key	1	PC
200	92097301-0	Hex Head Screw - M6Cx20 - 8.8	2	PC

All Copyright and rights are the property of Johnston Sweepers Ltd.

Rear LED Beacons (2022-55)
Main Build Options\Rear LED Beacons



All Copyright and rights are the property of Johnston Sweepers Ltd.

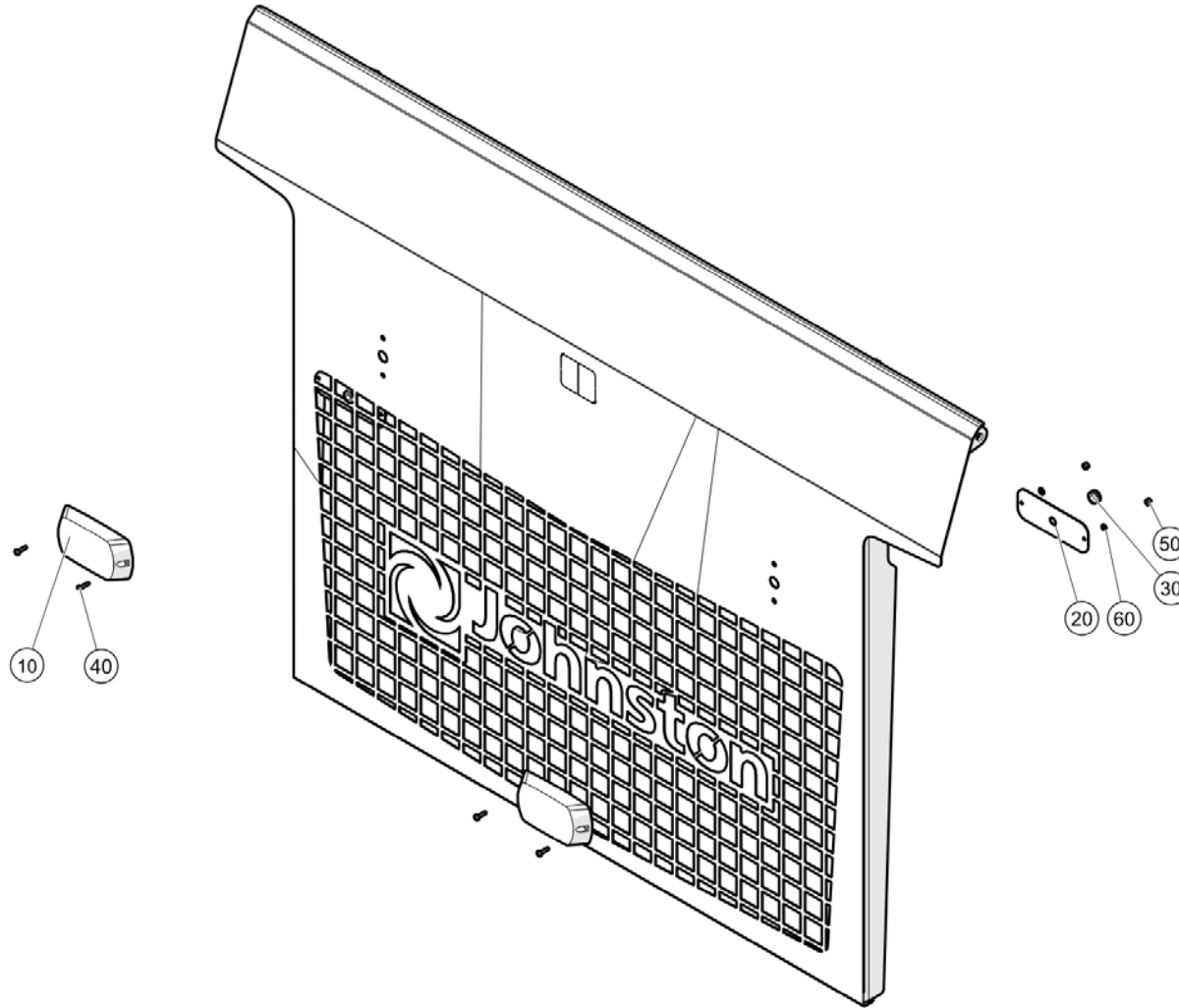
Rear LED Beacons (2022-55)

Main Build Options\Rear LED Beacons

Item no.	Part no.	Description	QTY	Unit
20	287-27	Grommet - Ø 9.5 O/D, 6.4 I/D 1.8 Thick	2	PC
30	722947-1P	Beacon - LED Strobe	2	PC
10	722935-1	Plate - Mounting, LED Beacon	2	PC

Rear LED Strobes (7029865)
Main Build Options\Rear LED Strobes

All Copyright and rights are the property of Johnston Sweepers Ltd.



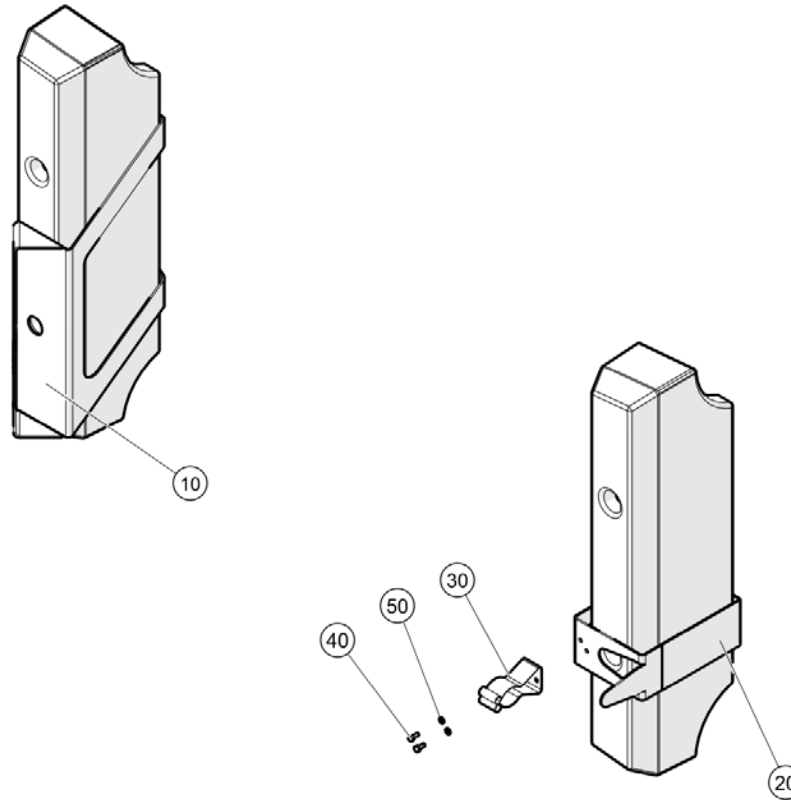
Rear LED Strobes (7029865)

Main Build Options\Rear LED Strobes

Item no.	Part no.	Description	QTY	Unit
10	7029006	Lamp, Strobe Assy	2	PC
20	7029866	Mounting Plate - LED Strobe	2	PC
30	287-27	Grommet - Ø 9.5 O/D, 6.4 I/D 1.8 Thick	2	PC
40	134-13	Pan Head Screw-M3Cx12-4.8-Pozidriv	4	PC
50	93085001-0	Nyloc Hex Nut M3C - 8	4	PC
60	93212005-0	Plain Washer M3	4	PC

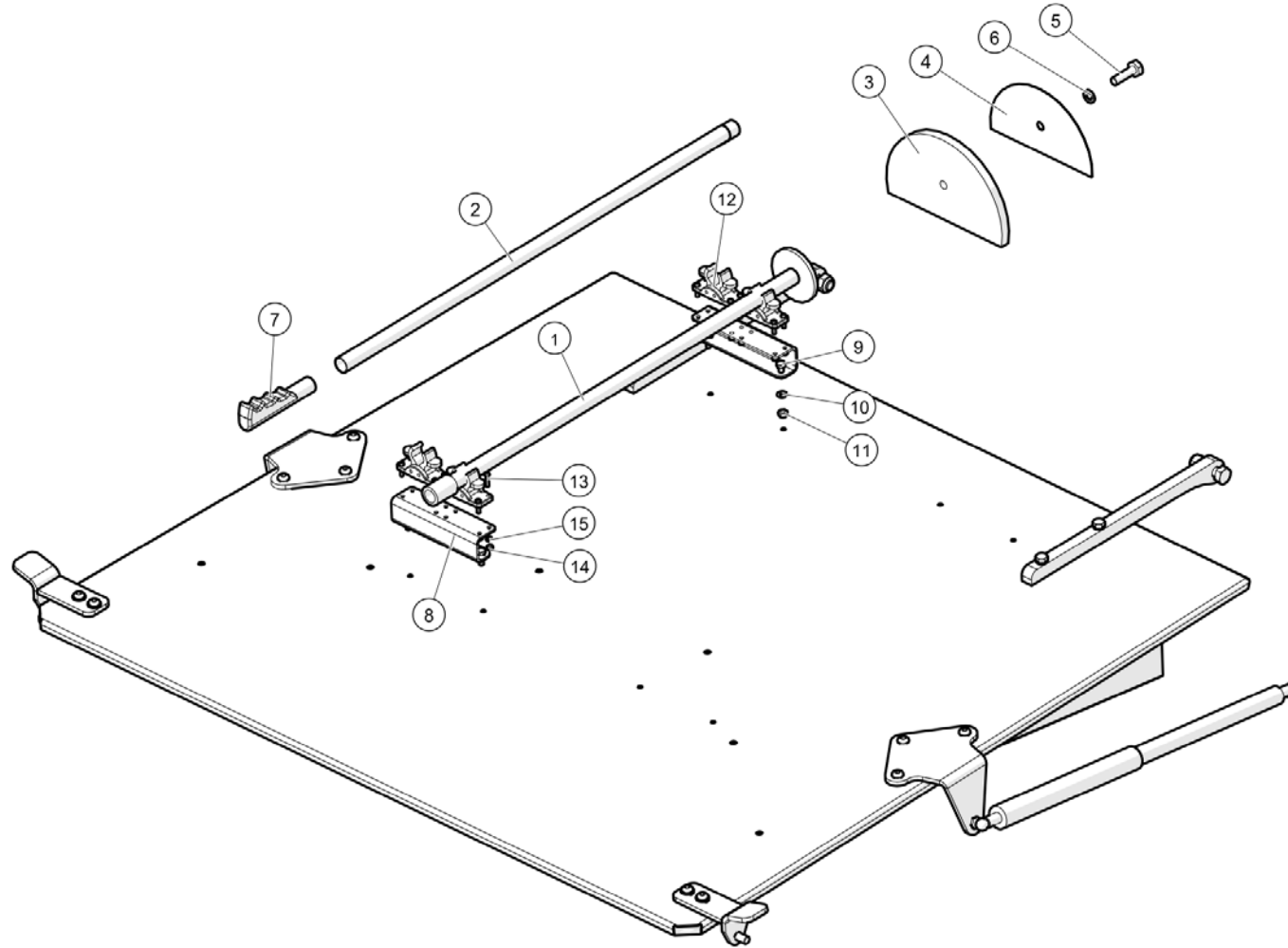
Rear Grille Shovel Stowage (7010395)
Main Build Options\Rear Grille Shovel Stowage

All Copyright and rights are the property of Johnston Sweepers Ltd.



Rear Grille Shovel Stowage (7010395)
Main Build Options\Rear Grille Shovel Stowage

Item no.	Part no.	Description	QTY	Unit
10	7010392	Shovel Blade Holster W/Assy	1	PC
20	7010382	Handle Holster W/Assy	1	PC
30	222-88	Clip - Tool	1	PC
40	92097225-0	Hex Head Screw - M4Cx10 - 8.8	2	PC
50	93699706-0	Spring Washer - Plated M4	2	PC



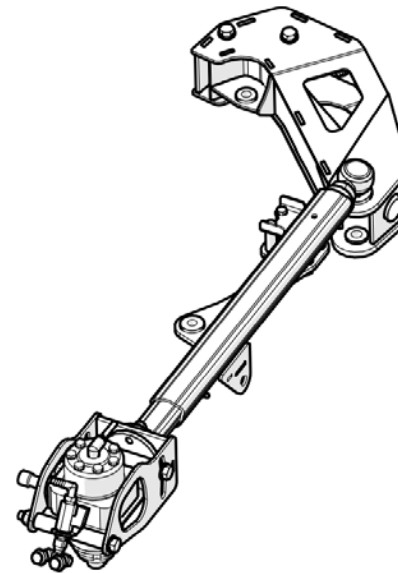
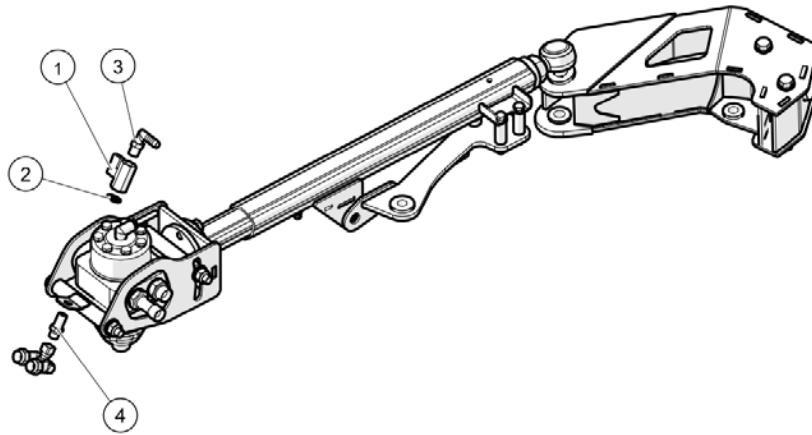
All Copyright and rights are the property of Johnston Sweepers Ltd.

Hoe (2083-1)

Main Build Options\Hoe

Item no.	Part no.	Description	QTY	Unit
1	72980-1	Handle - Hoe, W/Assy	1	PC
2	722421-1	Handle - Hoe, W/Assy	1	PC
3	74720-1	Head - Hoe	1	PC
4	76402-1	Plate - Support, Hoe	1	PC
5	124-173	Setscrew M10C x 35	1	PC
6	460-11	Washer Spring Single Coil M10	1	PC
7	671-3	Handgrip	1	PC
8	722424-1	Mount - Hoe	2	PC
9	124-102	Setscrew M6C x 16	4	PC
10	455-8	Washer Plain Plated Steel M6	4	PC
11	425-13	Nut Nyloc Hex M6C	4	PC
12	436-1	Catch - Retaining Plastic	4	PC
13	135-35	Screw Hex Hd M8c x 30	16	PC
14	425-11	Nut Nyloc Hex MC M4	16	PC
15	455-5	Washer Plain Plated Steel M4	16	PC

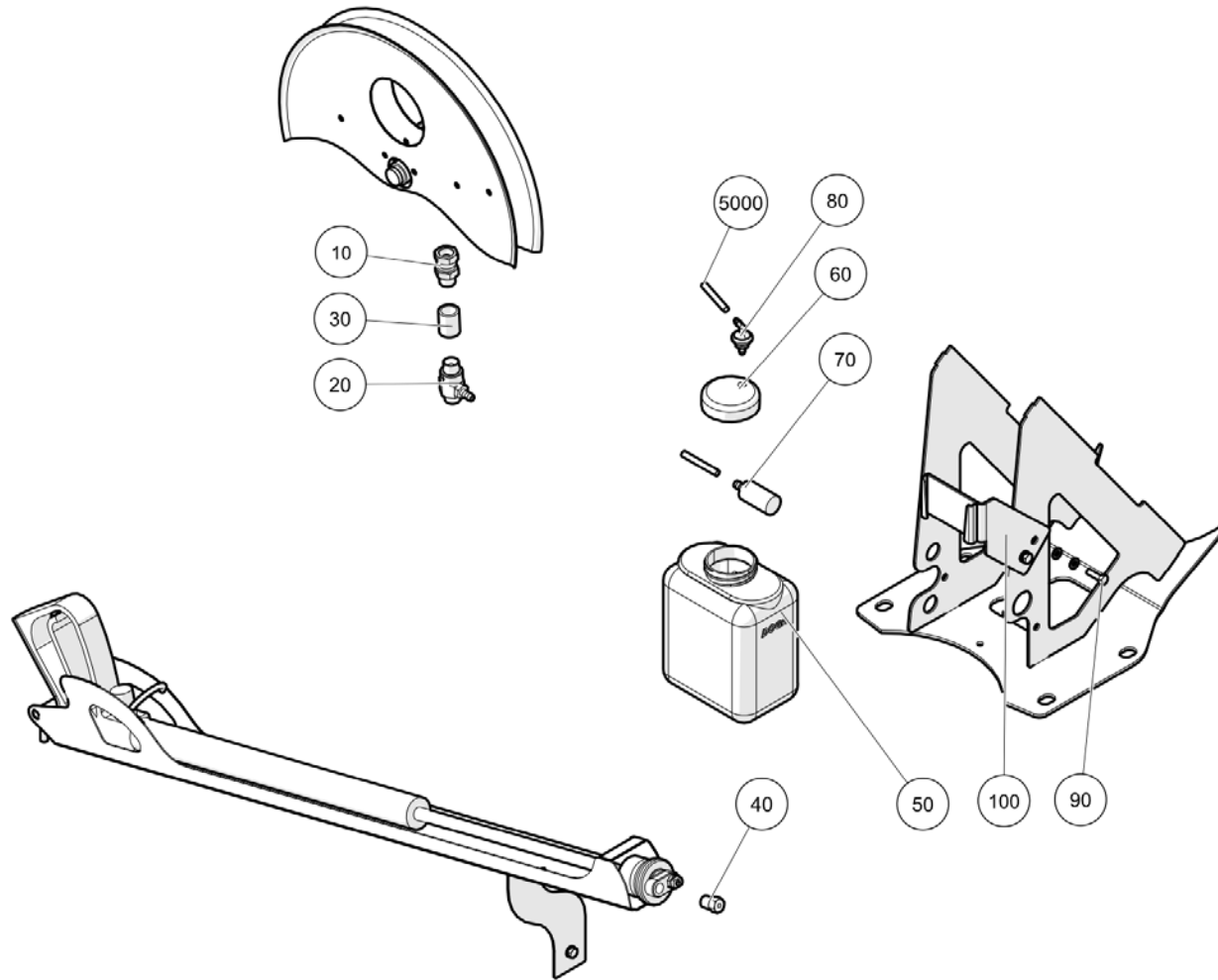
Manual Water Taps (2050-51)
Main Build Options\Manual Water Taps



Manual Water Taps (2050-51)
Main Build Options\Manual Water Taps

Item no.	Part no.	Description	QTY	Unit
1	88-10	Ball Valve 1/4" T Handle Black	2	PC
2	451-17	Washer Bonded G1-4"	2	PC
3	231-1	Hose Elbow G1/4x3/8	2	PC
4	723035-1	Adaptor-1/4"BSP - 1/4"BSPT M/M	2	PC

Detergent Injection (7010399)
Main Build Options\Detergent Injection

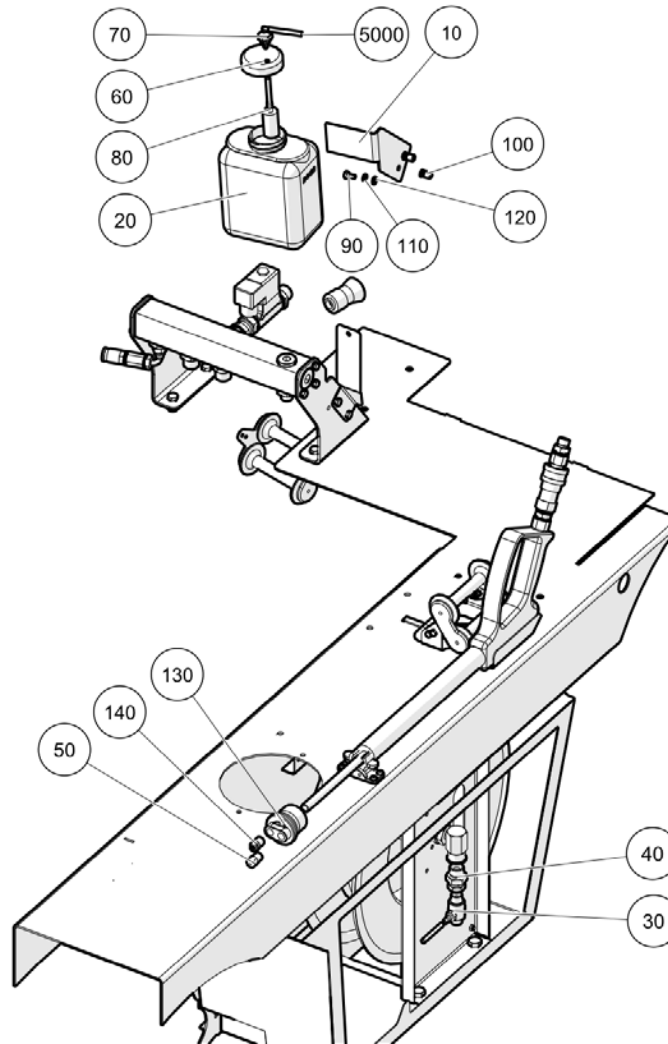


All Copyright and rights are the property of Johnston Sweepers Ltd.

Detergent Injection (7010399)
Main Build Options\Detergent Injection

Item no.	Part no.	Description	QTY	Unit
10	267-3	Adaptor - Equal M/F Swivel 3/8 BSP	1	PC
20	21-50	Injector - Water Jet 3/8mm	1	PC
30	72061-1	Socket - G3/8"	1	PC
40	76580-1	Jet - Injection, Detergent	1	PC
50	439-9	1.5l Washer Bottle	1	PC
60	7010427	Screw Top Lid for 1.5l Bottle	1	PC
70	224-20	Strainer - Plastic	1	PC
80	439-11	Elbow Connector - Cap	1	PC
90	92097301-0	Hex Head Screw - M6Cx20 - 8.8	2	PC
100	7009443	Mounting plate Weld assembly	1	PC
5000	74434-6	Tube - Washer	0.6	M

Detergent Injection - CW (7024875)
Main Build Options\Detergent Injection - CW



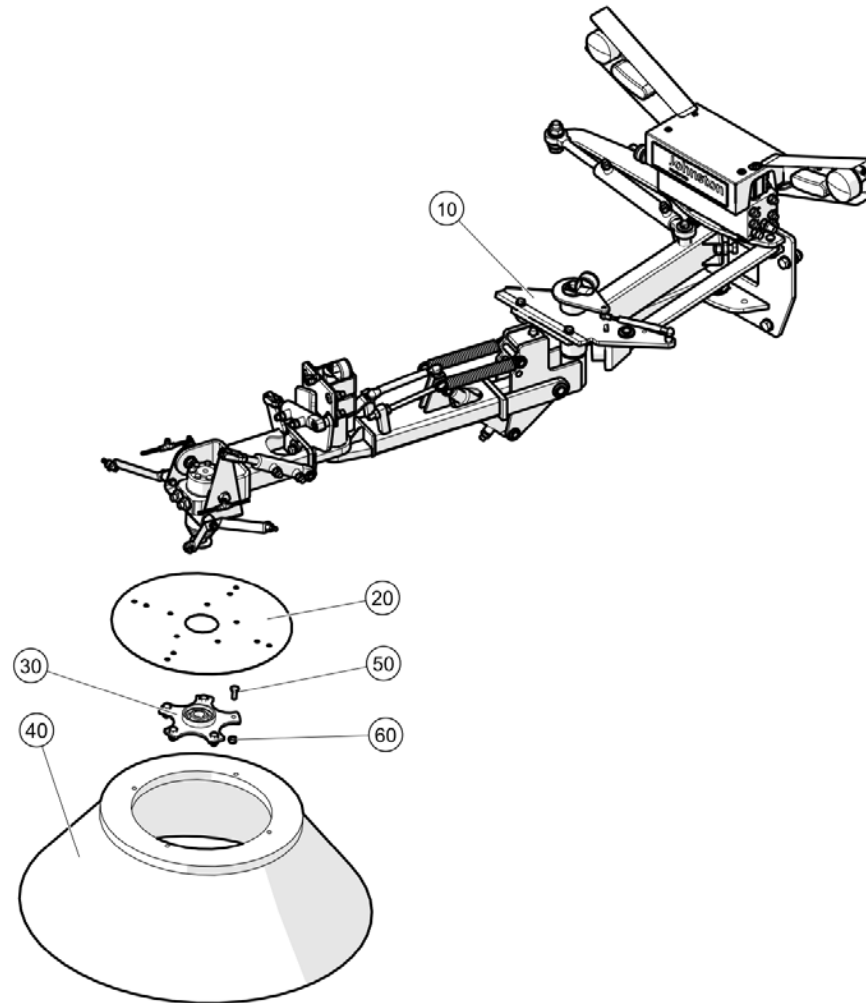
All Copyright and rights are the property of Johnston Sweepers Ltd.

Detergent Injection - CW (7024875)

Main Build Options\Detergent Injection - CW

Item no.	Part no.	Description	QTY	Unit
10	7009443	Mounting plate Weld assembly	1	PC
20	439-9	1.5l Washer Bottle	1	PC
30	21-50	Injector - Water Jet 3/8mm	1	PC
40	252-4	Adaptor - M/Female Swivel 1/2 - 3/8 BSP	1	PC
50	76580-1	Jet - Injection, Detergent	1	PC
60	7010427	Screw Top Lid for 1.5l Bottle	1	PC
70	439-11	Elbow Connector - Cap	1	PC
80	224-20	Strainer - Plastic	1	PC
90	92097298-0	Hex Head Screw - M6Cx12 - 8.8	2	PC
100	433-104	Insert, Small Hd, M6, 0.7-4.2, Open, MS	2	PC
110	93699708-0	Spring Washer - Plated M6	2	PC
120	93212009-0	Plain Washer M6	2	PC
130	71362-2	Holder - Twin Nozzle	1	PC
140	71362-4	Jet - Fan	1	PC
5000	74434-6	Tube - Washer	2.2	M

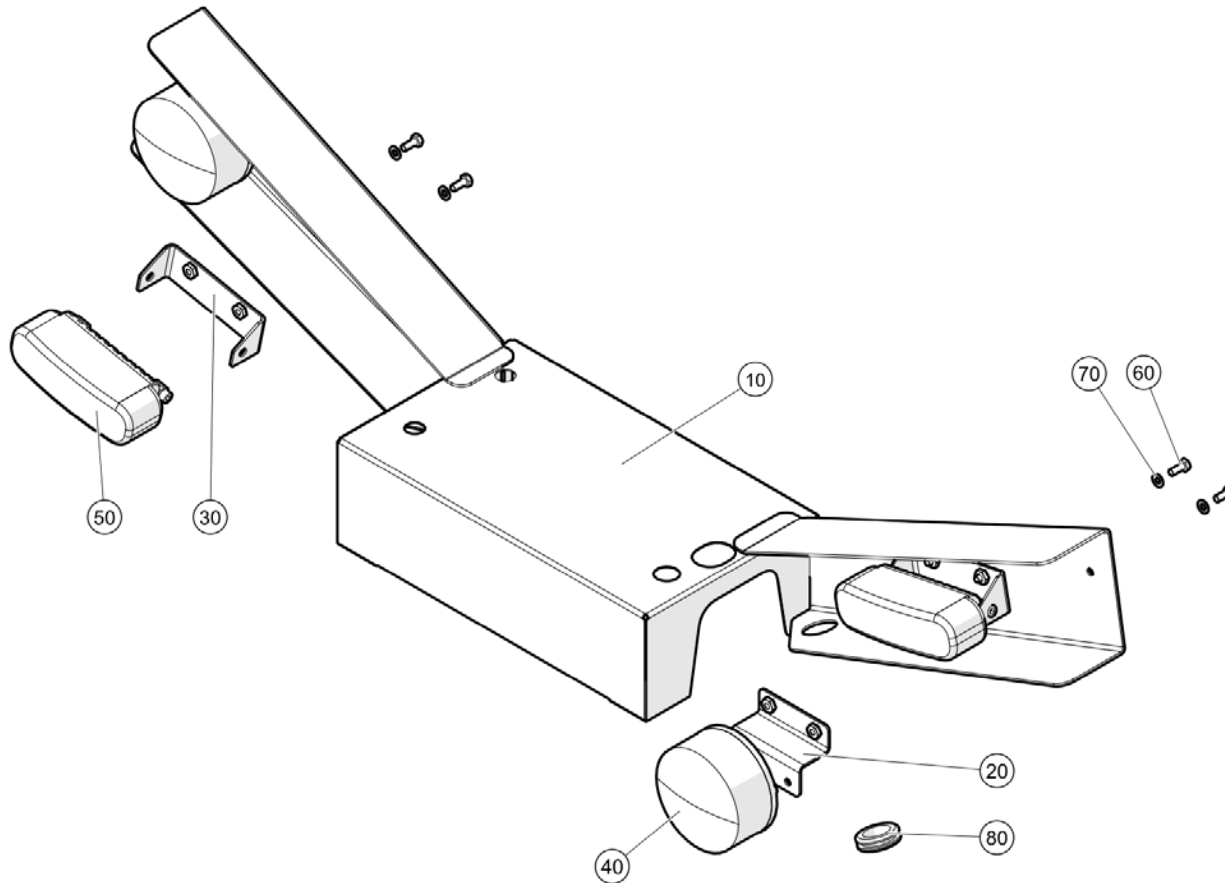
3rd Brush Plate & Brush (7021441)
Main Build Options\3rd Brush Plate & Brush



3rd Brush Plate & Brush (7021441)
Main Build Options\3rd Brush Plate & Brush

Item no.	Part no.	Description	QTY	Unit
10	7018870	3rd Brush Unit	1	PC
20	7021468	Plate, 3rd Brush	1	PC
30	742181-1	Hub - Cast, Brush	1	PC
40	70104-1S	Brush - Polypropylene	1	PC
50	92097412-0	Hex Head Screw - M10Cx25 - 8.8	5	PC
60	93085806-0	Nyloc Hex Nut M10C - 8	5	PC

3rd Brush Lights (7021968)
Main Build Options\3rd Brush Lights

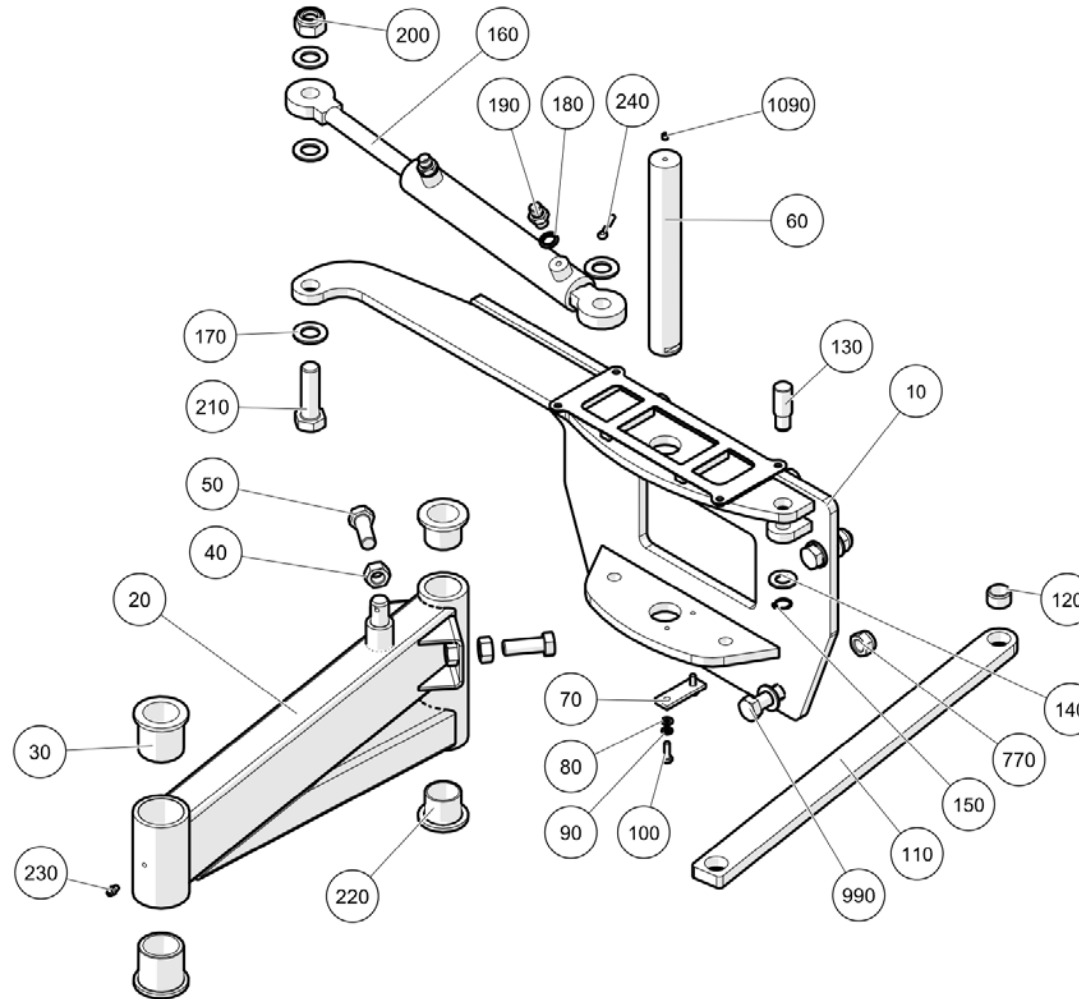


All Copyright and rights are the property of Johnston Sweepers Ltd.

3rd Brush Lights (7021968)
Main Build Options\3rd Brush Lights

Item no.	Part no.	Description	QTY	Unit
10	7021967	Mounting Arm and Valve Cover W/Assy	1	PC
20	7021993	Mounting Bracket W/Assy- Indicator	2	PC
30	7021991	Mounting Bracket W/Assy- DRL	2	PC
40	744-1	Lamp - Indicator And Side 12v	2	PC
50	744-10	Daytime Running Light -12/24v	2	PC
60	92097262-0	Hex Head Screw - M5Cx12 - 8.8	8	PC
70	93210109-0	Plain Washer M5	8	PC
80	287-70	Grommet - Ø 25.4 O/D, 20.6 I/D 3.2 Thick	2	PC

3rd Brush Mounting Plate (7018870)
Main Build Options\3rd Brush Mounting Plate



All Copyright and rights are the property of Johnston Sweepers Ltd.

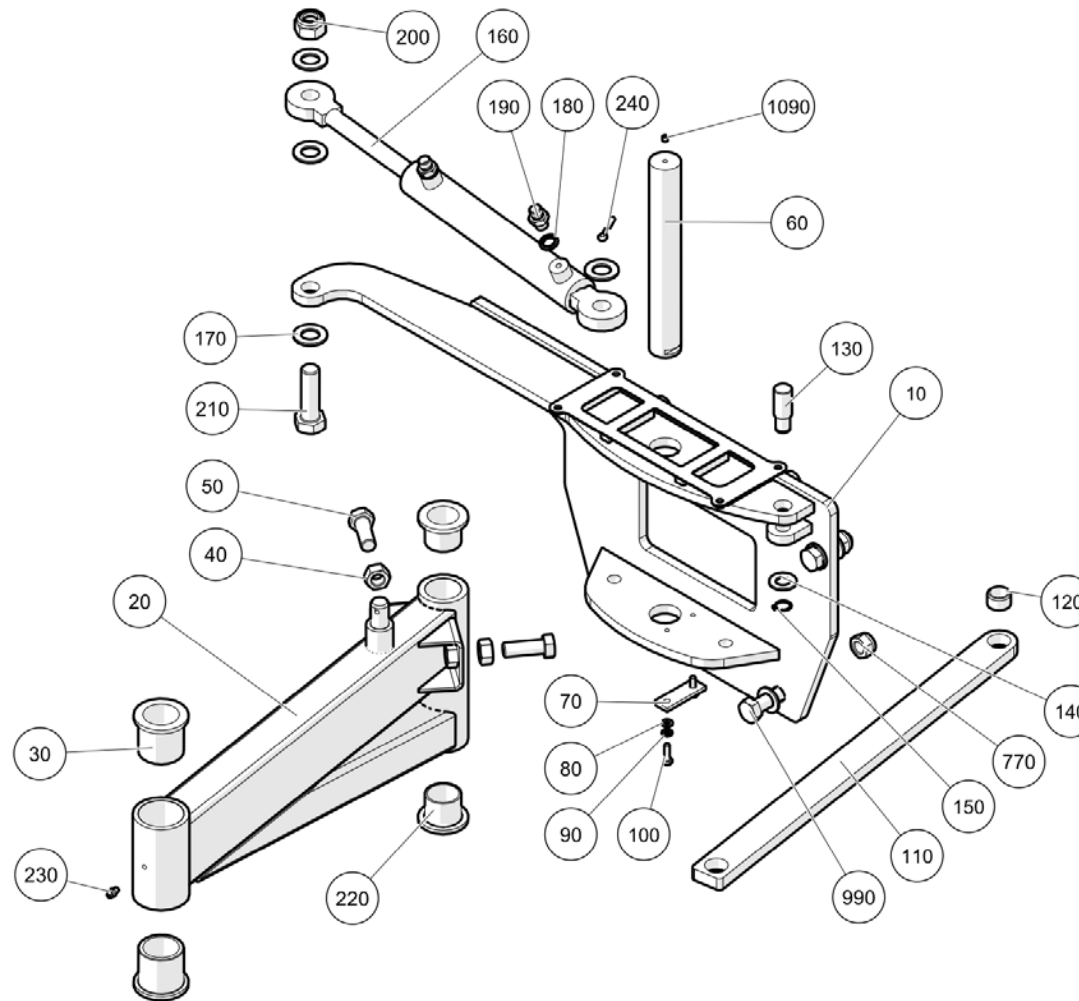
3rd Brush Mounting Plate (7018870)

Main Build Options\3rd Brush Mounting Plate

Item no.	Part no.	Description	QTY	Unit
10	7004958	Mounting plate Weld assembly	1	PC
20	7004654	Brush arm Weld assembly	1	PC
30	15053190-0	Bush	2	PC
40	420-18	Nut MC Hex M16	2	PC
50	124-272	Setscrew M16C x 45	2	PC
60	15052532-0	Axle	1	PC
70	15052540-0	Lock washer	1	PC
80	455-8	Washer Plain Plated Steel M6	2	PC
90	460-8	Washer Spring Single Coil M6	2	PC
100	124-103	Setscrew M6C x 20	2	PC
110	7005007	Link	1	PC
120	09505059-0	Bush 20/26x15	1	PC
130	7005236	Pin	1	PC
140	455-14	Washer Plain Plated Steel M16	9	PC
150	27-12	Circlip - External I/D 16mm	1	PC
160	15052538-1	Hydraulic Cylinder 20 x 32 C 200	1	PC
170	455-16	Washer Plain Plated Steel M20	4	PC
180	451-17	Washer Bonded G1-4"	2	PC
190	79399-1	Adaptor - G1/4 Restrictor	2	PC
200	425-20	Nut Nyloc Hex MC M20	1	PC
210	124-340	Setscrew M20C x 65	1	PC
220	15050364-0	Bearing bush	2	PC
230	38-30	Nipple Grease M6 X 1	1	PC
240	93565280-0	SPLIT PIN 5x32 ST	1	PC

All Copyright and rights are the property of Johnston Sweepers Ltd.

3rd Brush Mounting Plate (7018870)
Main Build Options\3rd Brush Mounting Plate



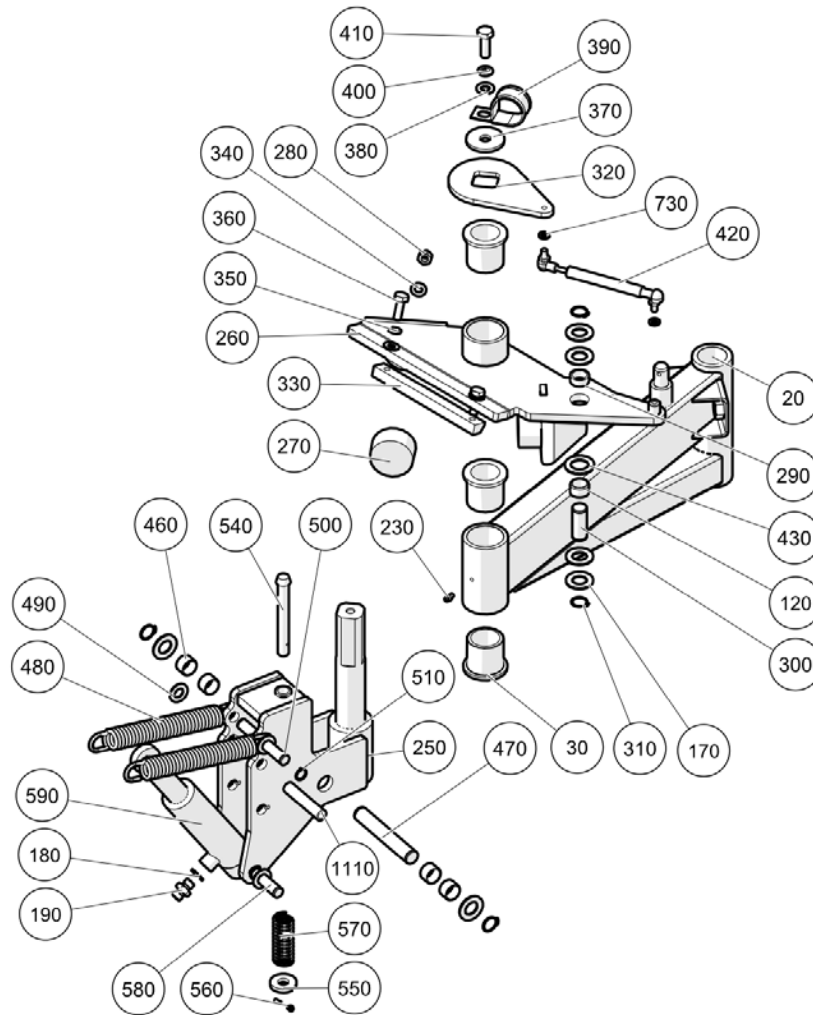
All Copyright and rights are the property of Johnston Sweepers Ltd.

3rd Brush Mounting Plate (7018870)

Main Build Options\3rd Brush Mounting Plate

Item no.	Part no.	Description	QTY	Unit
770	425-18	Nut Nyloc Hex M16C	6	PC
990	124-273	Setscrew M16C x 50	4	PC
1090	135-2	Setscrew Hollow M6C x 6	1	PC

3rd Brush Pivot (7018870)
Main Build Options\3rd Brush Pivot

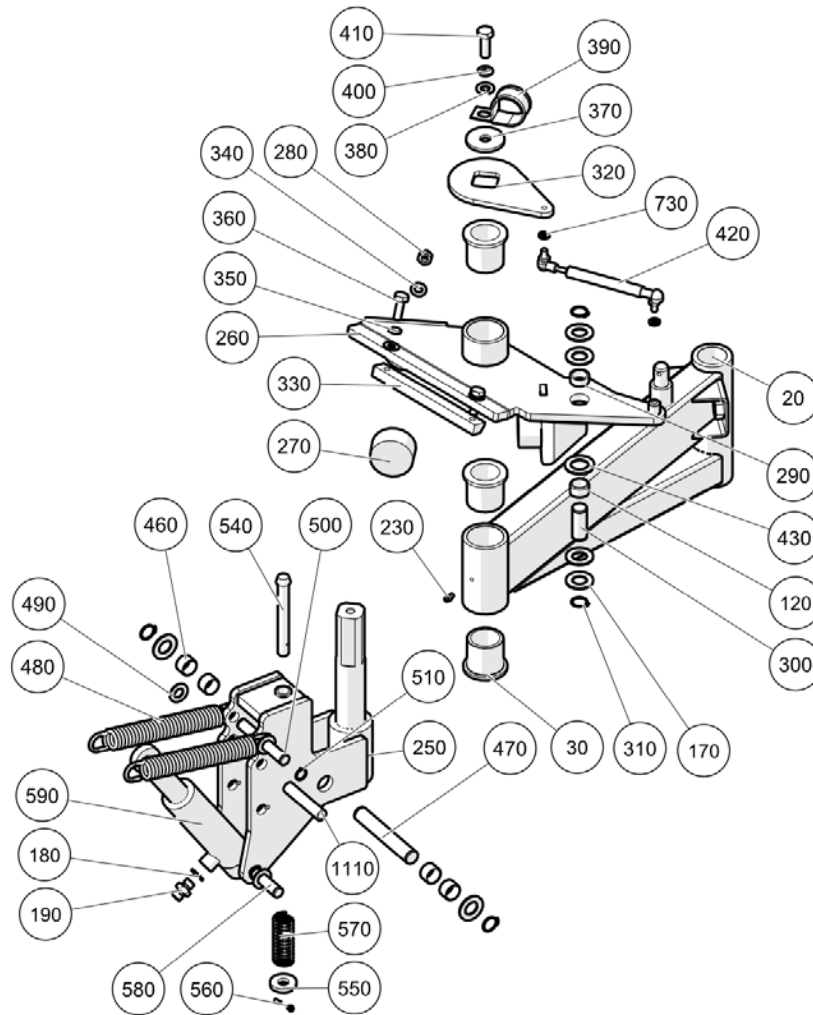


3rd Brush Pivot (7018870)
Main Build Options\3rd Brush Pivot

Item no.	Part no.	Description	QTY	Unit
20	7004654	Brush arm Weld assembly	1	PC
30	15053190-0	Bush	3	PC
120	09505059-0	Bush 20/26x15	1	PC
170	455-16	Washer Plain Plated Steel M20	6	PC
180	451-17	Washer Bonded G1-4"	1	PC
190	79399-1	Adaptor - G1/4 Restrictor	1	PC
230	38-30	Nipple Grease M6 X 1	1	PC
250	7004618	Pivot Weld assembly	1	PC
260	7005319	Bracket Weld assembly	1	PC
270	290-49	Male Flat Buffer - 60x30, M10x25 60IRHD	2	PC
280	420-15	Nut MC Hex M10	2	PC
290	09505058-0	Bearing Bush 20/26x12	1	PC
300	15053412-0	Pin D=20H9x42	1	PC
310	27-1	Circlip - External I/D 20mm	4	PC
320	7005317	Plate Top	1	PC
330	15053209-1	Plate	1	PC
340	455-11	Washer Plain Plated Steel M10	4	PC
350	460-11	Washer Spring Single Coil M10	3	PC
360	124-171	Setscrew M10C x 30	2	PC
370	09523186-0	Washer 15/52x5 ST A2B	1	PC
380	455-12	Washer Plain Plated Steel M12	1	PC
390	508-12	Clip - P Rubber Covered 44.50MM	1	PC
400	460-12	Washer Spring Single Coil M12	1	PC
410	124-205	Setscrew M12C x 35	1	PC

All Copyright and rights are the property of Johnston Sweepers Ltd.

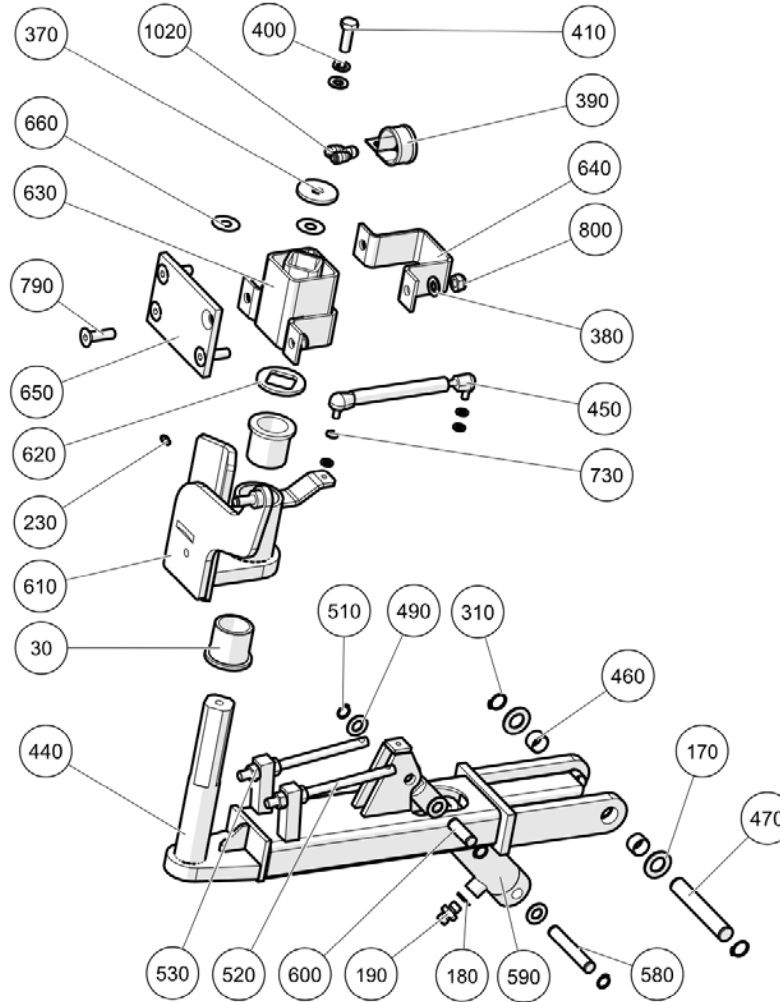
3rd Brush Pivot (7018870)
Main Build Options\3rd Brush Pivot



3rd Brush Pivot (7018870)
Main Build Options\3rd Brush Pivot

Item no.	Part no.	Description	QTY	Unit
420	09503018-0	Shock Absorber 80/235,5 300N 4924DX	1	PC
430	R414000430095	Washer Special 25/40x3 Polyamide	1	PC
460	09505054-0	Bush 20/24x15	4	PC
470	15055674-0	Bolt D=20H9x119.2	1	PC
480	15052545-0	Spring 5,5DA30X217 FEDBD-ST DACR	2	PC
490	455-13	Washer Plain Plated Steel M14	4	PC
500	7005372	Pin Ø15	1	PC
510	09500215-0	Circlip 15x1	4	PC
540	15053194-0	Bolt	1	PC
550	93281008-0	Washer 15/36x6 ST A2	1	PC
560	93565240-0	Split pin 4x25 ST	1	PC
570	R414000430047	Spring	1	PC
580	15053409-0	Pin D=15H9x87	1	PC
590	15053271-0	Hydraulic cylinder	1	PC
730	460-10	Washer Spring Single Coil M8	2	PC
1110	93545536-0	Spring Pin (Slotted)-Ø16x80 C.Steel HD	1	PC

3rd Brush Arm (7018870)
Main Build Options\3rd Brush Arm

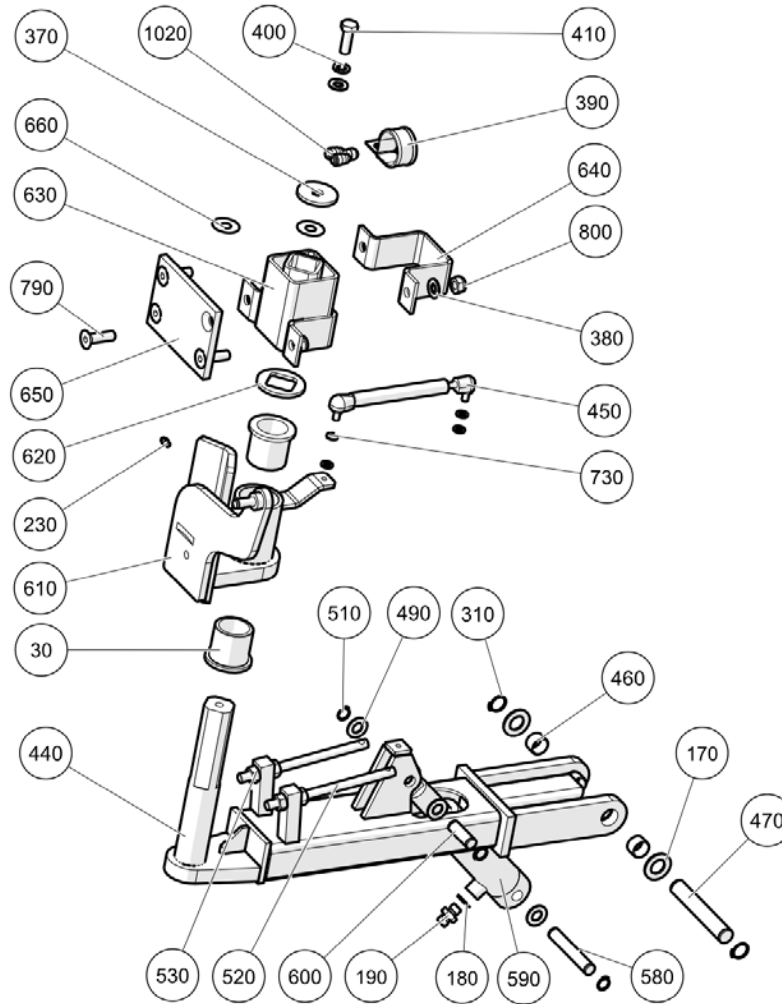


3rd Brush Arm (7018870)
Main Build Options\3rd Brush Arm

Item no.	Part no.	Description	QTY	Unit
30	15053190-0	Bush	2	PC
170	455-16	Washer Plain Plated Steel M20	2	PC
180	451-17	Washer Bonded G1-4"	1	PC
190	79399-1	Adaptor - G1/4 Restrictor	1	PC
230	38-30	Nipple Grease M6 X 1	1	PC
310	27-1	Circlip - External I/D 20mm	2	PC
370	09523186-0	Washer 15/52x5 ST A2B	1	PC
380	455-12	Washer Plain Plated Steel M12	4	PC
390	508-12	Clip - P Rubber Covered 44.50MM	1	PC
400	460-12	Washer Spring Single Coil M12	1	PC
410	124-205	Setscrew M12C x 35	1	PC
440	7004760	Brush arm Weld assembly	1	PC
450	09503019-0	Pneumatic Spring 100/285.5 500N	1	PC
460	09505054-0	Bush 20/24x15	4	PC
470	15055674-0	Bolt D=20H9x119.2	1	PC
490	455-13	Washer Plain Plated Steel M14	4	PC
510	09500215-0	Circlip 15x1	4	PC
520	15052521-1	Pin M12	2	PC
530	420-16	Nut MC Hex M12	4	PC
580	15053409-0	Pin D=15H9x87	1	PC
590	15053271-0	Hydraulic cylinder	1	PC
600	15053408-0	Pin D=15H9x40	1	PC
610	7004941	Mount Weld assembly	1	PC
620	15053171-0	Washer	1	PC

All Copyright and rights are the property of Johnston Sweepers Ltd.

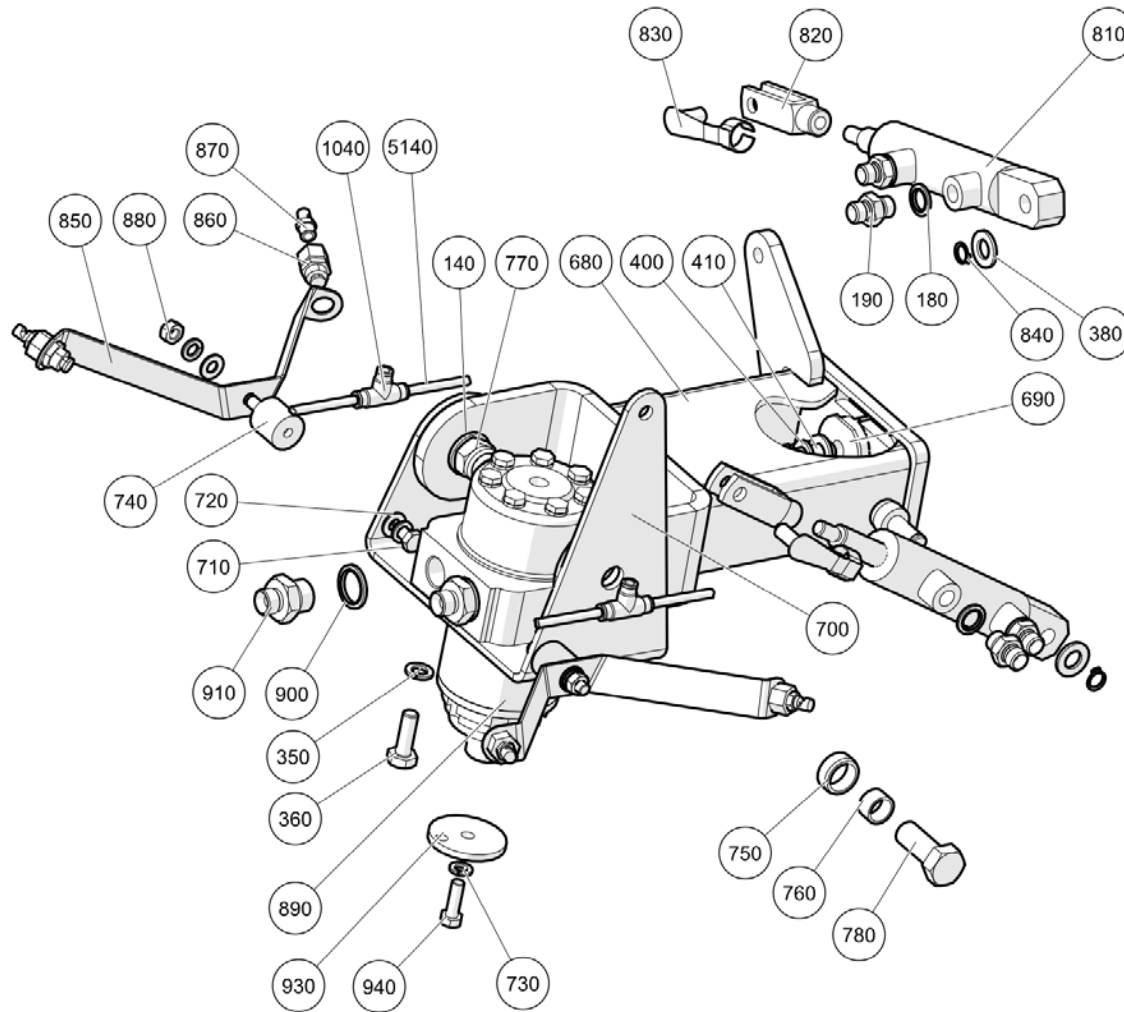
3rd Brush Arm (7018870)
Main Build Options\3rd Brush Arm



3rd Brush Arm (7018870)
Main Build Options\3rd Brush Arm

Item no.	Part no.	Description	QTY	Unit
630	15053189-0	Spring Bracket 45x100	1	PC
640	15053206-0	Clamp	2	PC
650	15055646-0	Plate	1	PC
660	09522350-0	Spacer 13.5/35x0.5 ST	2	PC
730	460-10	Washer Spring Single Coil M8	4	PC
790	131-187	Screw MC Csk Skt Hd M12x35	4	PC
800	425-16	Nut Nyloc Hex M12c	4	PC
1020	559-6	Connector - Parallel Y 6x6x6mm	1	PC

3rd Brush Motor Mounting (7018870)
Main Build Options\3rd Brush Motor Mounting



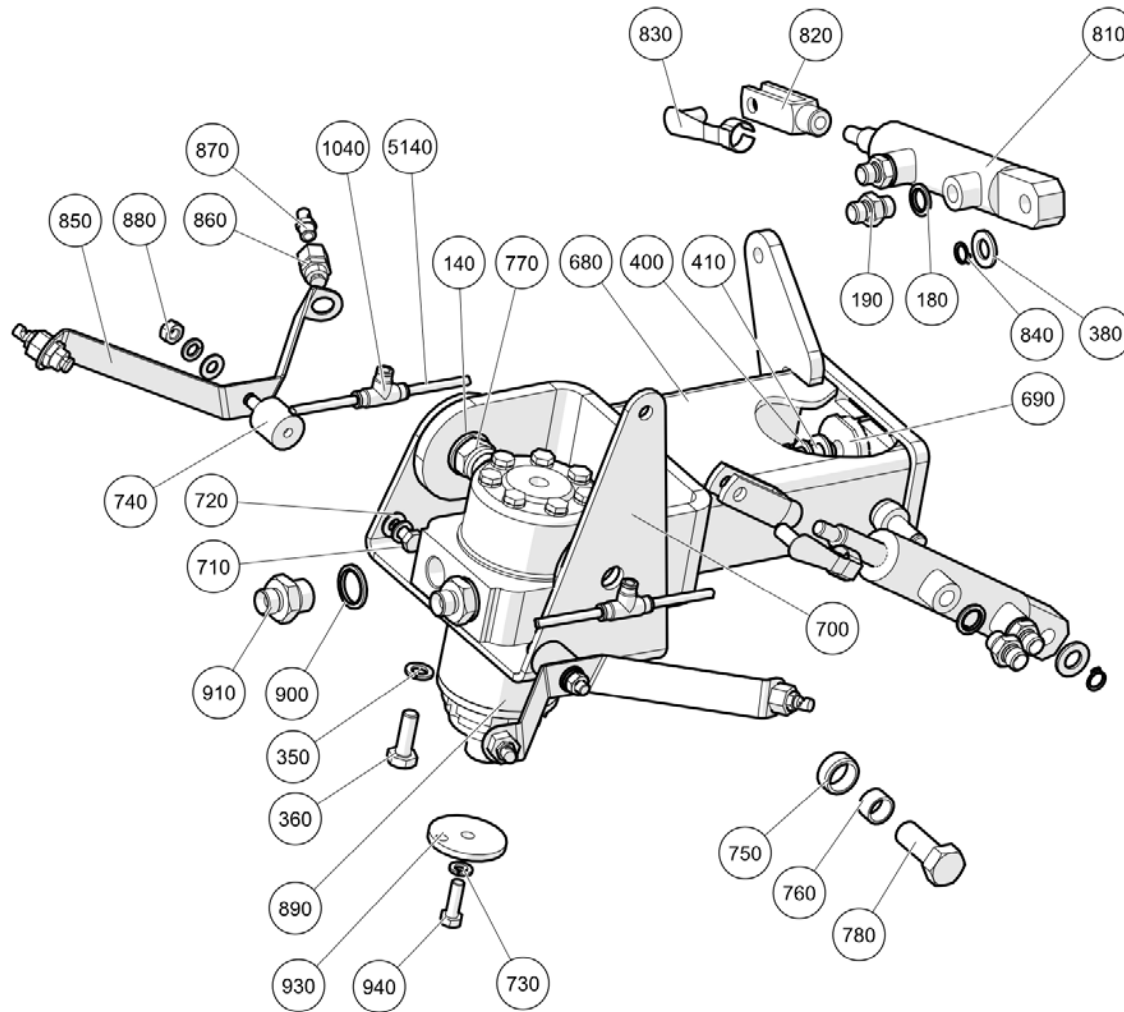
All Copyright and rights are the property of Johnston Sweepers Ltd.

3rd Brush Motor Mounting (7018870)
Main Build Options\3rd Brush Motor Mounting

Item no.	Part no.	Description	QTY	Unit
140	455-14	Washer Plain Plated Steel M16	2	PC
180	451-17	Washer Bonded G1-4"	4	PC
190	79399-1	Adaptor - G1/4 Restrictor	4	PC
350	460-11	Washer Spring Single Coil M10	4	PC
360	124-171	Setscrew M10C x 30	4	PC
380	455-12	Washer Plain Plated Steel M12	3	PC
400	460-12	Washer Spring Single Coil M12	1	PC
410	124-205	Setscrew M12C x 35	1	PC
680	7004917	Brush arm Weld assembly	1	PC
690	7004915	Bush	1	PC
700	7005210	Brush Holder	1	PC
710	124-134	Setscrew M8C x 16	2	PC
720	455-10	Washer Plain Plated Steel M8	4	PC
730	460-10	Washer Spring Single Coil M8	5	PC
740	290-23	Mounting-Anti Vibration 25x25	2	PC
750	09505051-0	Bush 20/26x10	2	PC
760	7005469	Spacer bush	2	PC
770	425-18	Nut Nyloc Hex M16C	2	PC
780	124-271	Setscrew M16C x 40 BS3692	2	PC
810	15052537-0	Cylinder Hydraulic 16 X 25 C 50	2	PC
820	09533012-0	Fork G10X40 ST A2B DIN71752	2	PC
830	09533044-0	Pin - 10X40 ST A2B	2	PC
840	27-14	Circlip - External I/D 12mm	2	PC
850	15055689-0	Support Bracket	2	PC

All Copyright and rights are the property of Johnston Sweepers Ltd.

3rd Brush Motor Mounting (7018870)
Main Build Options\3rd Brush Motor Mounting

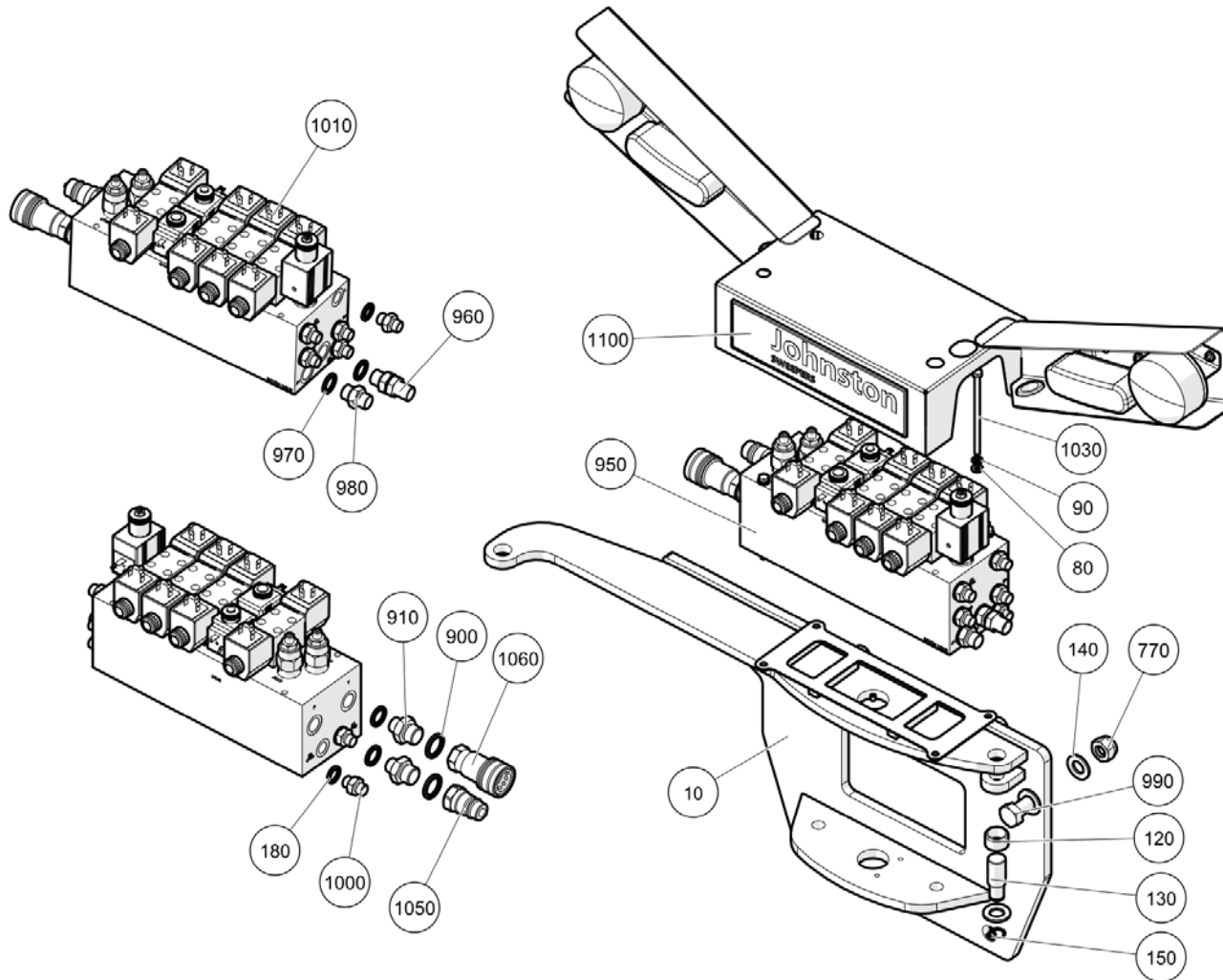


All Copyright and rights are the property of Johnston Sweepers Ltd.

3rd Brush Motor Mounting (7018870)
Main Build Options\3rd Brush Motor Mounting

Item no.	Part no.	Description	QTY	Unit
860	09593560-0	Bulkhead Adaptor ND6 R1/8" KQ2E06-01	4	PC
870	09531194-0	Nozzle Jet 0-1/8" 00CD3-1.5 MS CFG: 00	4	PC
880	420-14	Nut MC Hex M8	2	PC
890	72250-1	Motor - Hydraulic OMPW 200	1	PC
900	451-19	Washer - Bonded G1-2"	4	PC
910	265-4	Adaptor Reducing M/M 3/8 x 1/2 BSP	4	PC
930	73038-1	Washer - Plate	1	PC
940	92097376-0	Hex Head Screw - M8Cx25 - 8.8	1	PC
1040	554-3	Tee - Connector 6mm	2	PC
5140	12869	Tube - Nylon Black 6mm O/D	3.7	M

3rd Brush Hydraulic Block (7018870)
 Main Build Options\3rd Brush Hydraulic Block



All Copyright and rights are the property of Johnston Sweepers Ltd.

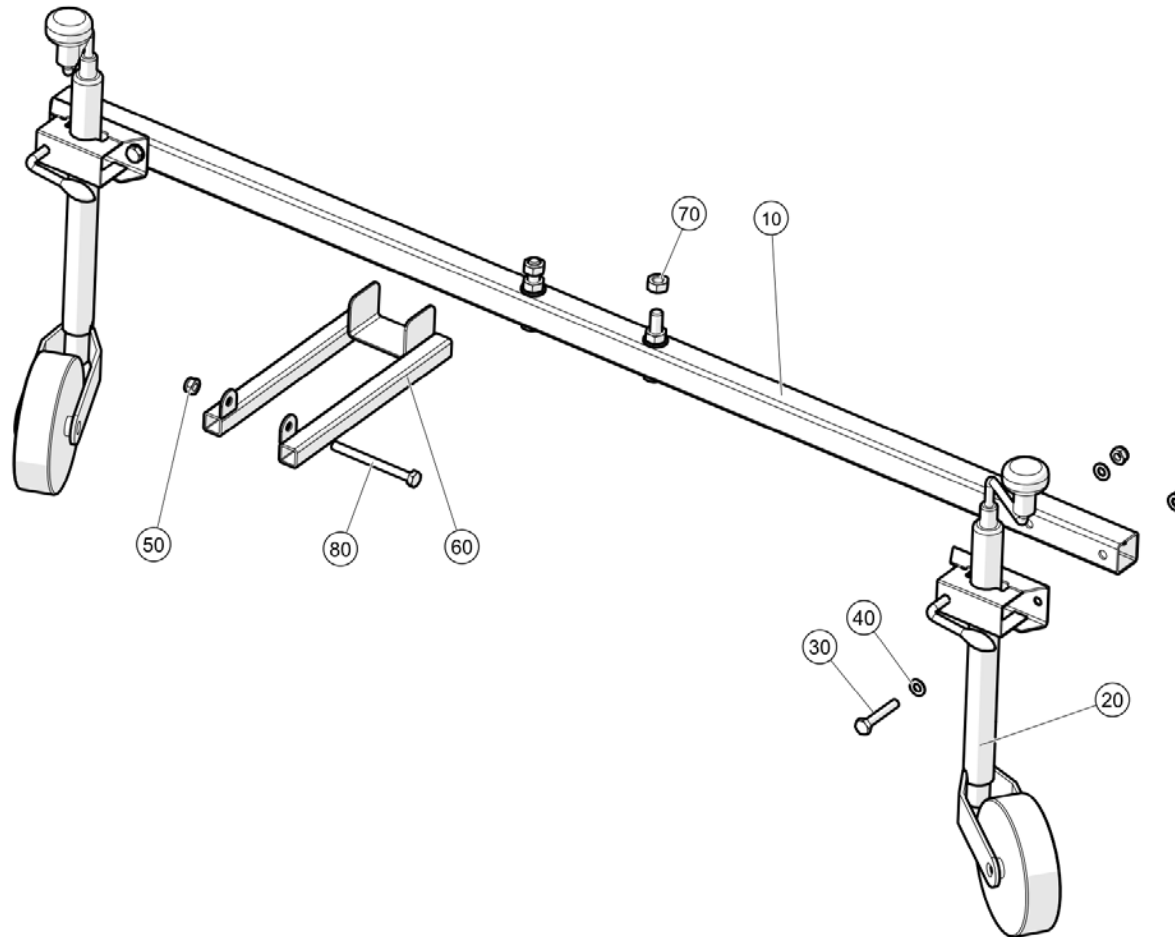
3rd Brush Hydraulic Block (7018870)
Main Build Options\3rd Brush Hydraulic Block

Item no.	Part no.	Description	QTY	Unit
10	7004958	Mounting plate Weld assembly	1	PC
80	455-8	Washer Plain Plated Steel M6	4	PC
90	460-8	Washer Spring Single Coil M6	4	PC
120	09505059-0	Bush 20/26x15	1	PC
130	7005236	Pin	1	PC
140	455-14	Washer Plain Plated Steel M16	6	PC
150	27-12	Circlip - External I/D 16mm	1	PC
180	451-17	Washer Bonded G1-4"	7	PC
770	425-18	Nut Nyloc Hex M16C	3	PC
900	451-19	Washer - Bonded G1-2"	2	PC
910	265-4	Adaptor Reducing M/M 3/8 x 1/2 BSP	4	PC
950	7005371	Hydraulic block Second	1	PC
960	264-3	Adaptor M/M - Bulkhead 3/8 BSP	1	PC
970	451-18	Washer Bonded G3/8"	4	PC
980	263-3	Adaptor M/M 3/8 BSP	1	PC
990	124-273	Setscrew M16C x 50	3	PC
1000	263-2	Adaptor M/M 1/4 BSP	7	PC
1010	78352-1	Valve-Directional Control 12v	4	PC
1030	124-124	Setscrew M6C x 110 BS3692	4	PC
1050	486-3	Coupling P/Brake Probe 1/2"	1	PC
1060	486-13	Coupling P/Brake Carrier 1/2"F	1	PC
1100	282426-1	Badge - Johnston Sweepers 95	1	PC
1030	124-124	Setscrew M6C x 110 BS3692	4	PC

All Copyright and rights are the property of Johnston Sweepers Ltd.

3rd Brush Demout Stand (2100-5)
Main Build Options\3rd Brush Demout Stand

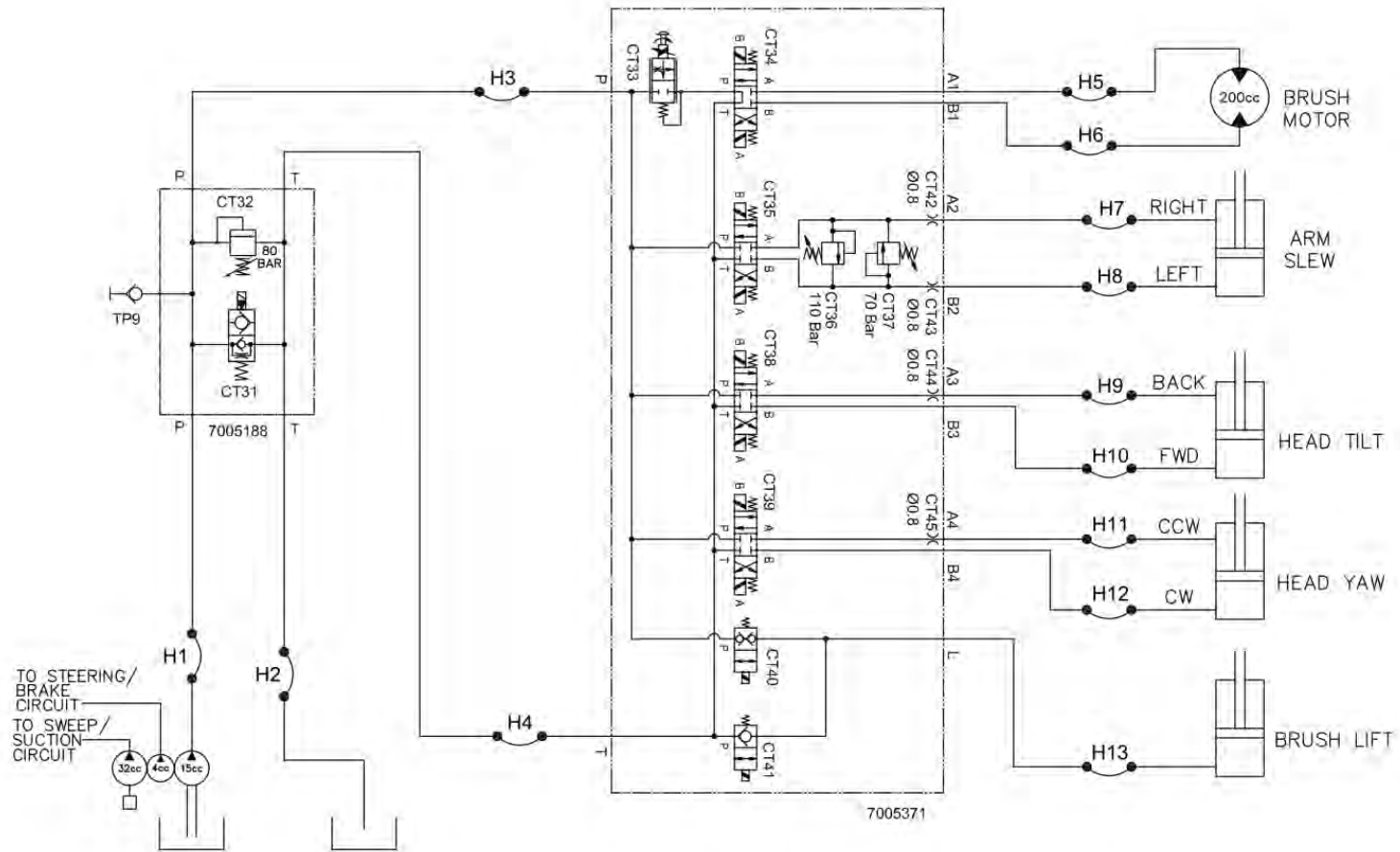
All Copyright and rights are the property of Johnston Sweepers Ltd.



3rd Brush Demout Stand (2100-5)
Main Build Options\3rd Brush Demout Stand

Item no.	Part no.	Description	QTY	Unit
10	7005789	Support Weld assembly 3rd Brush	1	PC
20	215-28	Jockey Wheel - C200 3rd Brush	2	PC
30	92097420-0	Hex Head Screw - M10Cx60 - 8.8	4	PC
40	93212012-0	Plain Washer M10	8	PC
50	93085006-0	Nyloc Hex Thin Nut M10C - 8	5	PC
60	7007027	Lock Weld assembly	1	PC
70	93056017-0	Hex Nut M14C-8	2	PC
80	92067433-0	Hex Head Bolt - M10Cx110 - 8.8	1	PC

3rd Brush Hoses - Standard (7017223, 7017224)
 Main Build Options\3rd Brush Hoses - Standard



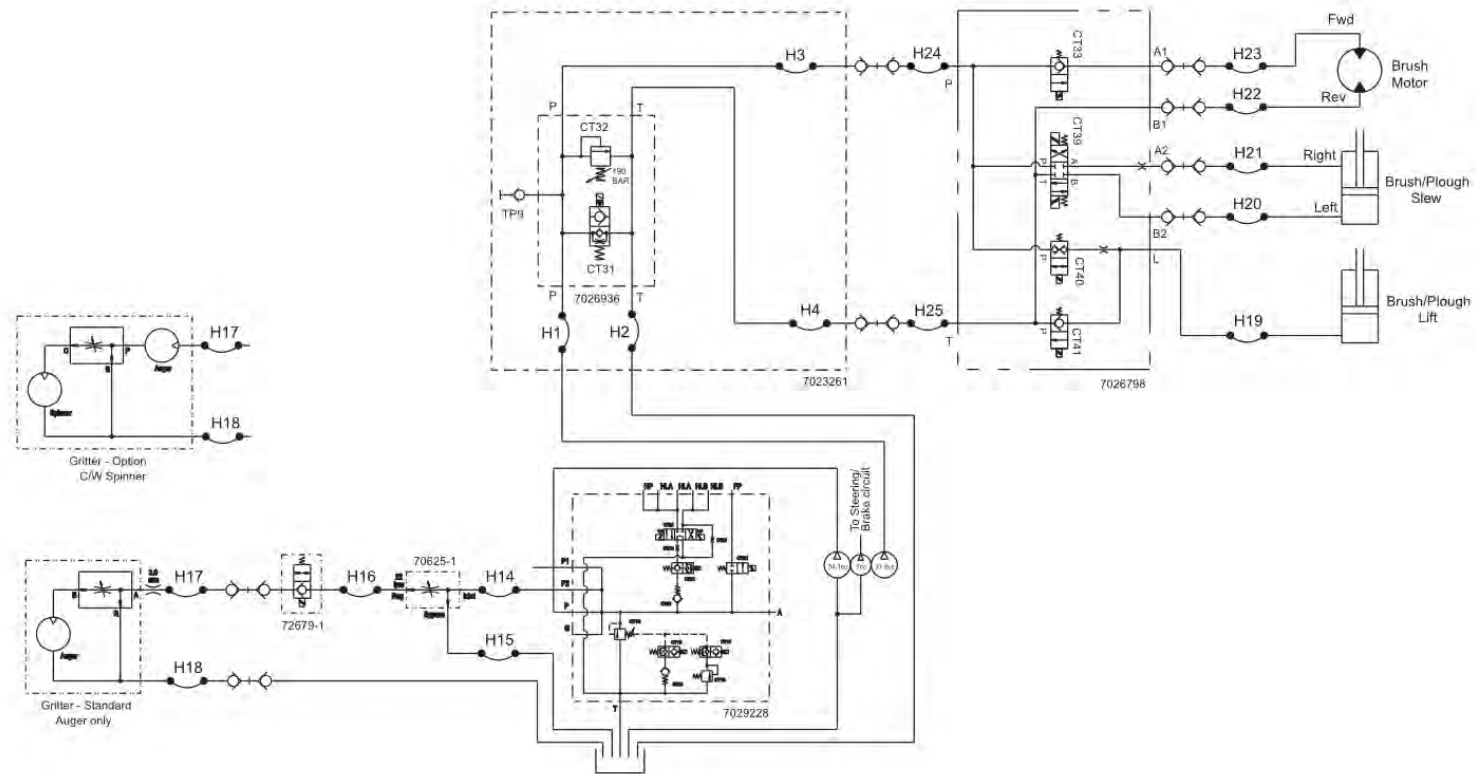
All Copyright and rights are the property of Johnston Sweepers Ltd.

3rd Brush Hoses - Standard (7017223, 7017224)

Main Build Options\3rd Brush Hoses - Standard

Item no.	Part no.	Description	QTY	Unit
H1	HL08043-175-90	Hose - Megatuff 1/2" 90s x 90s	1	PC
H2	HL08043-235-90	Hose - Megatuff 1/2" 90s x 90s	1	PC
H3	HL08002-285	Hose - Megatuff 1/2" STRx90s	1	PC
H4	HL08002-300	Hose - Megatuff 1/2" STRx90s	1	PC
H5	HL06043-210-270	Hose - Megatuff 3/8" 90sx90s	1	PC
H6	HL06043-210-270	Hose - Megatuff 3/8" 90sx90s	1	PC
H7	HL04002-45	Hose - Megatuff 1/4" STRx90s	1	PC
H8	HL04002-67	Hose - Megatuff 1/4" STRx90s	1	PC
H9	HL04043-198-270	Hose - Megatuff 1/4" 90sx90s	1	PC
H10	HL04043-200-270	Hose - Megatuff 1/4" 90sx90s	1	PC
H11	HL04000-210	Hose - Megaflex 1/4" STRxSTR	1	PC
H12	HL04000-210	Hose - Megaflex 1/4" STRxSTR	1	PC
H13	HL04002-175	Hose - Megatuff 1/4" STRx90s	1	PC

3rd Brush Hoses - Winter Equipment (7023261)
 Main Build Options\3rd Brush Hoses - Winter Equipment



All Copyright and rights are the property of Johnston Sweepers Ltd.

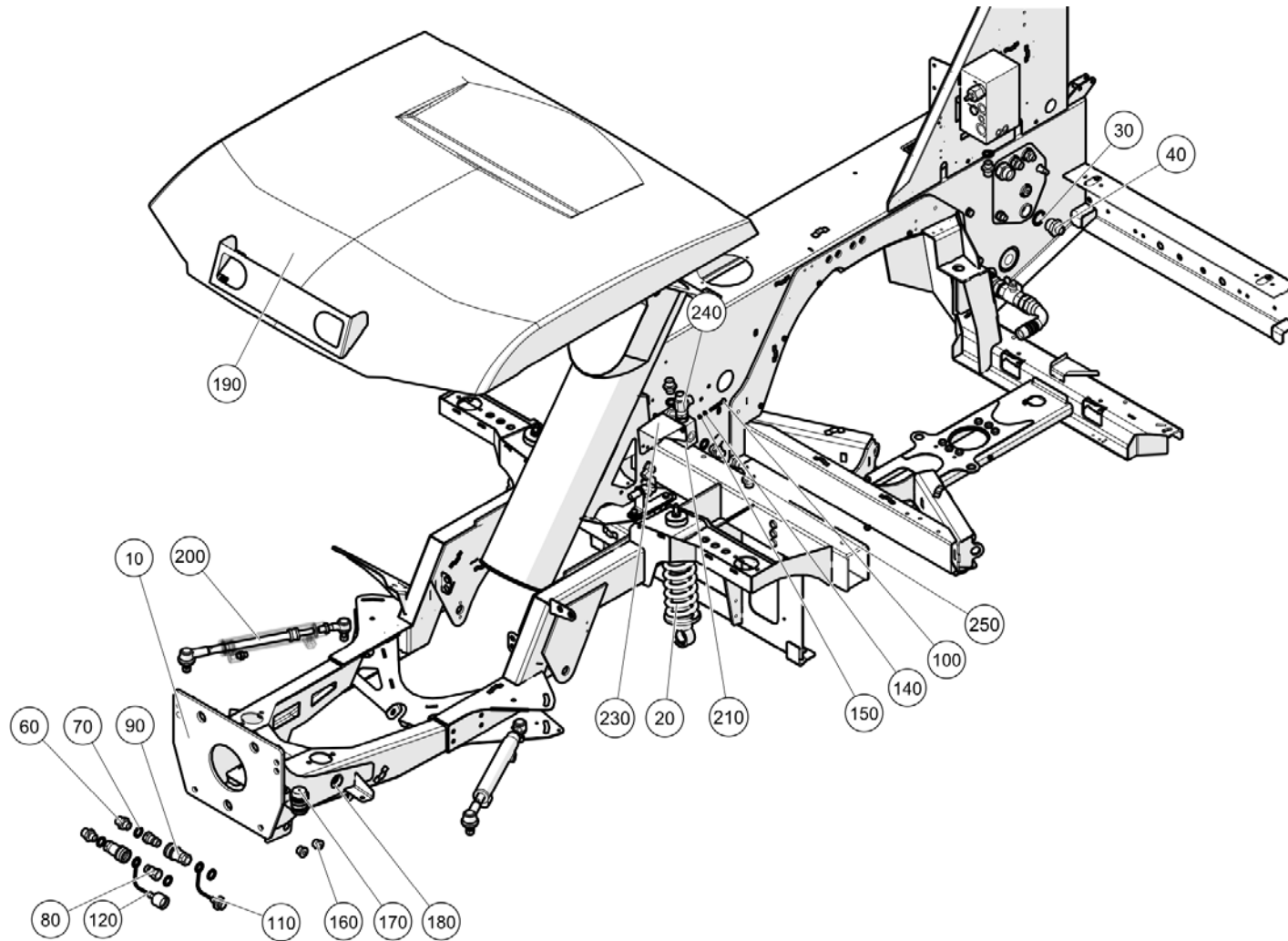
3rd Brush Hoses - Winter Equipment (7023261)

Main Build Options\3rd Brush Hoses - Winter Equipment

Item no.	Part no.	Description	QTY	Unit
H1	HP10043-175-90	Hose - Megatuff 5/8" 90s x 90s	1	PC
H2	HP10043-235-90	Hose - Megatuff 5/8" 90s x 90s	1	PC
H3	HP10002-295	Hose - Megatuff 5/8" STR x 90s	1	PC
H4	HP10002-310	Hose - Megatuff 5/8" STR x 90s	1	PC
H14	HP10043-38-270	Hose - Hyd 90s x 90s	1	PC
H15	HR1SC12002-92	Hose - Hyd STR x 90s	1	PC
H16	HR1SC12000-80	Hose - Hyd Str x Str	1	PC
H17	HR1SC12001-155	Hose - Hyd STR x 45s	1	PC
H18	HR1SC12000-172	Hose - Hyd STR x STR	1	PC
H19	HR1SC06051-63-270	Hose - Hyd 90s x 90s	1	PC
H20	HR1SC06002-152	Hose - Hyd STR x 90 Swept	1	PC
H21	HR1SC06002-152	Hose - Hyd STR x 90 Swept	1	PC
H22	HR1SC10000-70	Hose-Hyd. Straight fem x Straight fem	1	PC
H23	HR1SC10000-70	Hose-Hyd. Straight fem x Straight fem	1	PC
H24	HP08000-36	Hose - Hyd STR x STR	1	PC
H25	HP08000-28	Hose - Hyd STR x STR	1	PC

All Copyright and rights are the property of Johnston Sweepers Ltd.

Winter Equipment Installation (7026291)
Main Build Options\Winter Equipment Installation



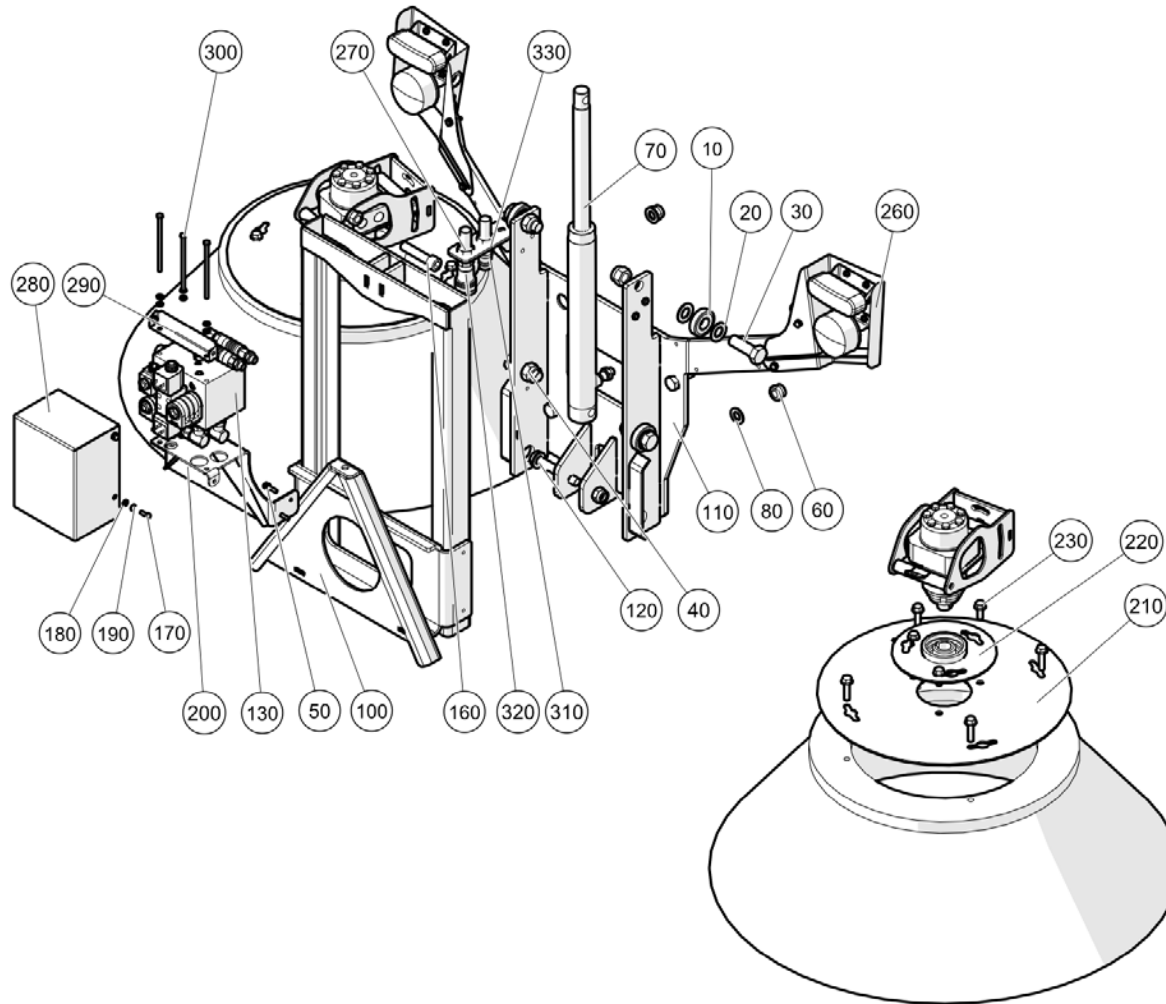
All Copyright and rights are the property of Johnston Sweepers Ltd.

Winter Equipment Installation (7026291)
Main Build Options\Winter Equipment Installation

Item no.	Part no.	Description	QTY	Unit
10	7004963	Nose cone Weld assembly	1	PC
20	7021114	Suspension Strut Assy- Front	2	PC
30	451-22	Washer Bonded G1"	1	PC
40	265-18	Adaptor Reducing M/M 5/8 x 1 BSP	1	PC
60	265-6	Adaptor Reducing M/M 1/2 x 5/8 BSP	6	PC
70	451-19	Washer - Bonded G1-2"	8	PC
80	486-3	Coupling P/Brake Probe 1/2"	2	PC
90	486-13	Coupling P/Brake Carrier 1/2"F	2	PC
100	92097309-0	Hex Head Screw - M6Cx50 - 8.8	2	PC
110	486-23	Dust Cap Carrier 1/2" Coupling	1	PC
120	486-33	Dust Cap Probe 1/2" Coupling	1	PC
140	93699708-0	Spring Washer - Plated M6	2	PC
150	93212009-0	Plain Washer M6	2	PC
160	09572135-0	Sealing Plug VS-R 1/2 WD	2	PC
170	710-340	Protective Cap for HDP24 Conn	1	PC
180	287-64	Grommet - Ø 31.8 O/D, 25.4 I/D 5.2 Thick	1	PC
190	7020143	Number Plate Mounting- 3rd Brush	1	PC
200	7025797	Brush Position Cylinder, 3rd Brush	2	PC
210	70625-1	Regulator - Flow	1	PC
230	7029594	Bracket W/Assy- Front Flow Reg	1	PC
240	255-14	Tee - M/Swivel Female/M Branch 5/8 BSP	1	PC
250	242-56	Elbow 90° 5/8 BSP M x 5/8 BSP Swivel F	1	PC

All Copyright and rights are the property of Johnston Sweepers Ltd.

Winter Equipment Interface (7025914)
Main Build Options\Winter Equipment Interface



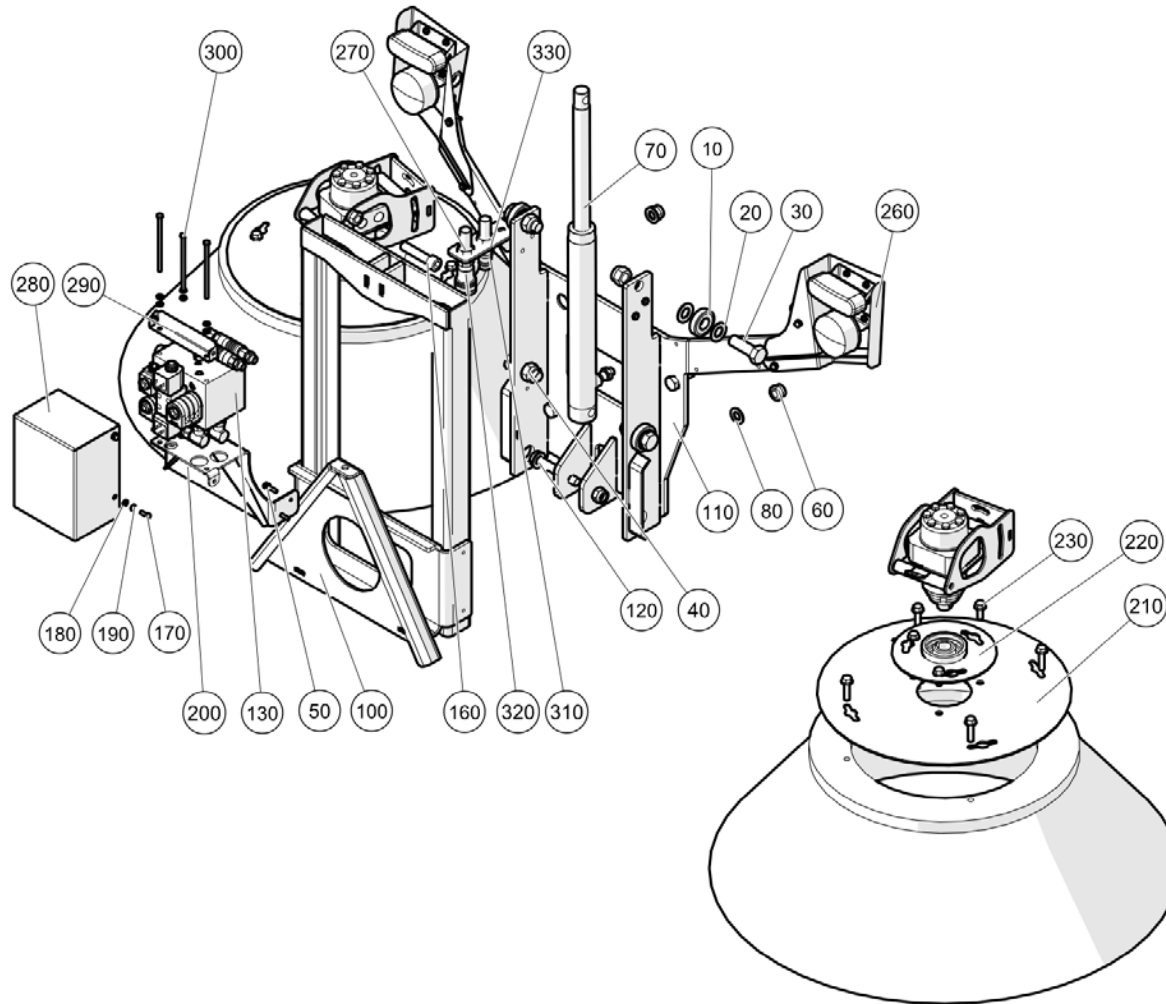
All Copyright and rights are the property of Johnston Sweepers Ltd.

Winter Equipment Interface (7025914)
Main Build Options\Winter Equipment Interface

Item no.	Part no.	Description	QTY	Unit
10	14-69	Bearing - Cam Roller 52mm O/D	4	PC
20	93212018-0	Plain Washer M20	8	PC
30	92101044-0	Hex Head Screw - M20Cx60 - 8.8	4	PC
40	93085011-0	Nyloc Hex Nut M20C - 8	4	PC
50	92097303-0	Hex Head Screw - M6Cx25 - 8.8	4	PC
60	93085009-0	Nyloc Hex Nut M16C - 8	6	PC
70	7025752	Lifting Cylinder	1	PC
80	93210523-0	Plain Washer M16	5	PC
100	7025423	Lifting Frame W/Assy	1	PC
110	7025522	Mounting Plate W/Assy	1	PC
120	92067543-0	Hex Head Bolt - M16x100C - 8.8	1	PC
130	7027288	Hydraulic Block Assembly	1	PC
160	92137277-0	Hex Socket Cap Screw - M16Cx70 - 12.9	1	PC
170	92097299-0	Hex Head Screw - M6Cx16 - 8.8	3	PC
180	93212009-0	Plain Washer M6	10	PC
190	93699708-0	Spring Washer - Plated M6	10	PC
200	7027217	Mount - Hydraulic Block W/Assy	1	PC
210	7027566	Demount Brush Plate W/Assy	2	PC
220	7027584	Brush Top Plate W/Assy	2	PC
230	09531337-0	Hex Flange Head Bolt - M10C x 25 - 12.9	6	PC
260	7026979	S/Assy Additional Lighting	1	PC
270	264-4	Adaptor M/M - Bulkhead 1/2 BSP	2	PC
280	7027668	Cover - Hydraulic Block	1	PC
290	7027670	Bracket W/Assy - Cover	1	PC

All Copyright and rights are the property of Johnston Sweepers Ltd.

Winter Equipment Interface (7025914)
Main Build Options\Winter Equipment Interface

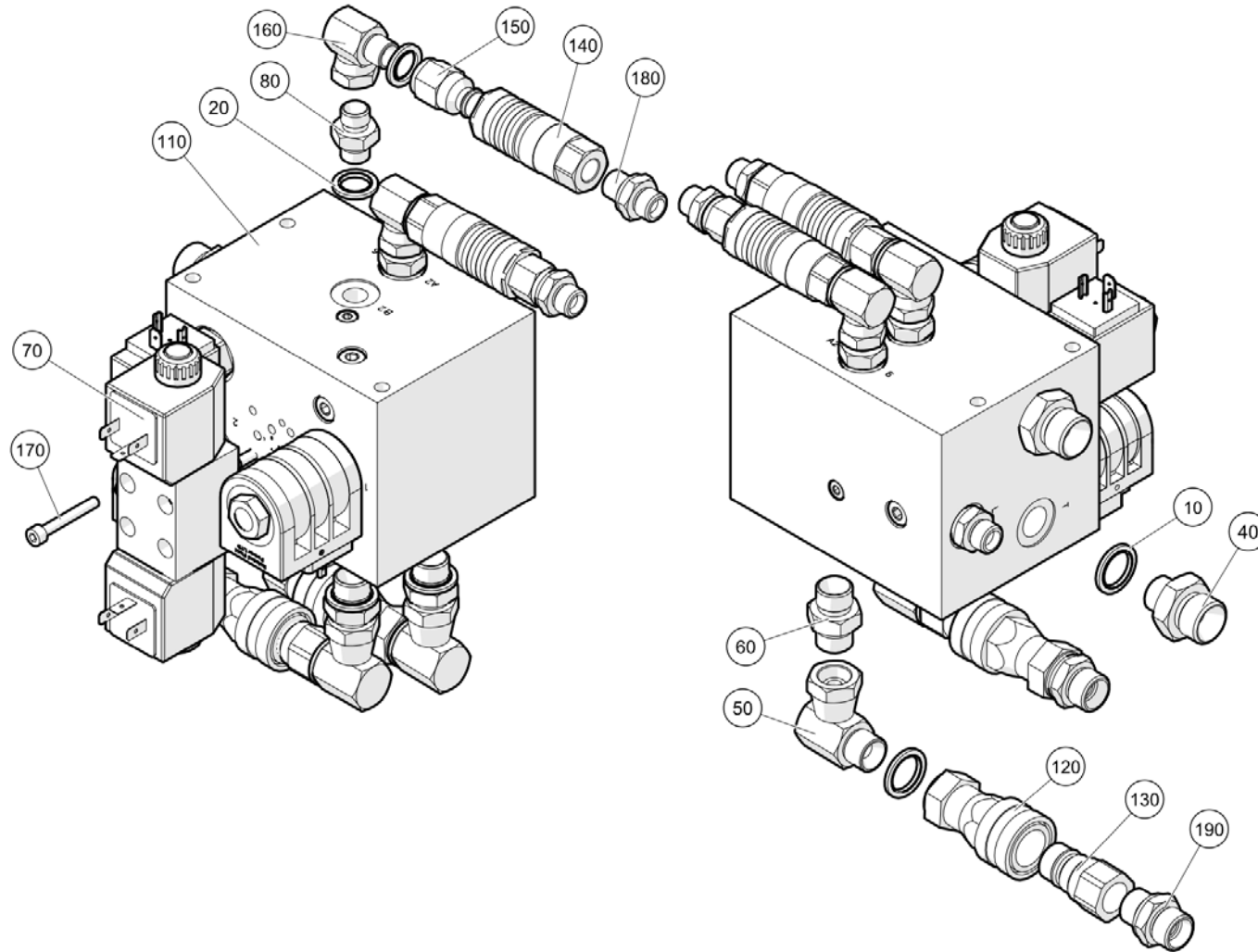


All Copyright and rights are the property of Johnston Sweepers Ltd.

Winter Equipment Interface (7025914)
Main Build Options\Winter Equipment Interface

Item no.	Part no.	Description	QTY	Unit
300	92067324-0	Hex Head Bolt - M6Cx120 - 8.8	3	PC
310	486-3	Coupling P/Brake Probe 1/2"	1	PC
320	486-13	Coupling P/Brake Carrier 1/2"F	1	PC
330	451-19	Washer - Bonded G1-2"	2	PC
150	09570102-0	Stud Coupling Male G 3/8" x M14 x 1.5	1	PC

Winter Equipment Interface Hydraulic Block (7027288)
Main Build Options\Winter Equipment Interface Hydraulic Block



All Copyright and rights are the property of Johnston Sweepers Ltd.

Winter Equipment Interface Hydraulic Block (7027288)
 Main Build Options\Winter Equipment Interface Hydraulic Block

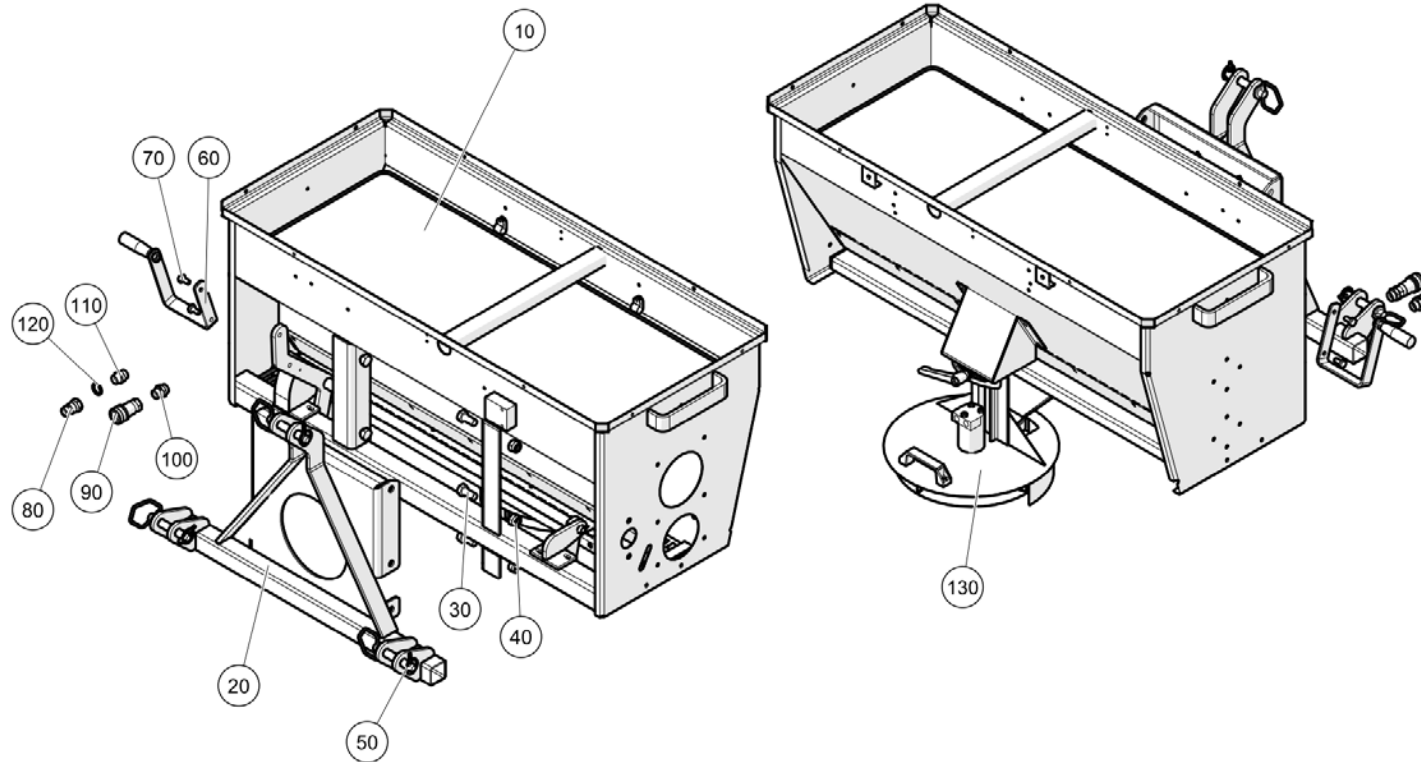
Item no.	Part no.	Description	QTY	Unit
10	451-18	Washer Bonded G3/8"	6	PC
20	451-17	Washer Bonded G1-4"	4	PC
40	265-4	Adaptor Reducing M/M 3/8 x 1/2 BSP	2	PC
50	262-3	Elbow 90° 3/8 BSP M x 3/8 BSP Swivel F	2	PC
60	263-3	Adaptor M/M 3/8 BSP	2	PC
70	78352-1	Valve-Directional Control 12v	1	PC
80	263-2	Adaptor M/M 1/4 BSP	2	PC
110	7026798	Hydraulic Block - Winter Maintenance	1	PC
120	486-2	Coupling P/Brake Probe 3/8"	2	PC
130	486-12	Coupling P/Brake Carrier 3/8"	2	PC
140	486-11	Coupling P/Brake Carrier 1/4"F	2	PC
150	486-1	Coupling P/Brake Probe 1/4"	2	PC
160	262-2	Elbow 90° 1/4 BSP M x 1/4 BSP Swivel F	2	PC
170	92137048-0	Hex Socket Cap Screw - M5Cx35 - 12.9	4	PC
180	09570126-0	Stud Coupling Male G 1/4" x M14 x 1.5	3	PC
190	6601-1322	Stud Coupling Male G 3/8" x M18 x 1.5	2	PC

All Copyright and rights are the property of Johnston Sweepers Ltd.

Winter Equipment Hose Circuit (7027307)
Main Build Options\Winter Equipment Hose Circuit

Item no.	Part no.	Description	QTY	Unit
H3	HP10002-295	Hose - Megatuff 5/8" STR x 90s	1	PC
H4	HP10002-310	Hose - Megatuff 5/8" STR x 90s	1	PC
H14	HP10043-38-270	Hose - Hyd 90s x 90s	1	PC
H15	HR1SC12002-92	Hose - Hyd STR x 90s	1	PC
H16	HR1SC12000-80	Hose - Hyd Str x Str	1	PC
H17	HR1SC12001-155	Hose - Hyd STR x 45s	1	PC
H18	HR1SC12000-172	Hose - Hyd STR x STR	1	PC
H19	HR1SC06051-63-270	Hose - Hyd 90s x 90s	1	PC
H20	HR1SC06002-152	Hose - Hyd STR x 90 Swept	1	PC
H21	HR1SC06002-152	Hose - Hyd STR x 90 Swept	1	PC
H22	HR1SC10000-70	Hose-Hyd. Straight fem x Straight fem	1	PC
H23	HR1SC10000-70	Hose-Hyd. Straight fem x Straight fem	1	PC
H24	HP08000-36	Hose - Hyd STR x STR	1	PC
H25	HP08000-28	Hose - Hyd STR x STR	1	PC
H1	HP10043-215	Hose - Megatuff 5/8" 90s x 90s	1	PC
H2	HP10044-250	Hose - Megatuff 5/8" 90s x 90c	1	PC

All Copyright and rights are the property of Johnston Sweepers Ltd.

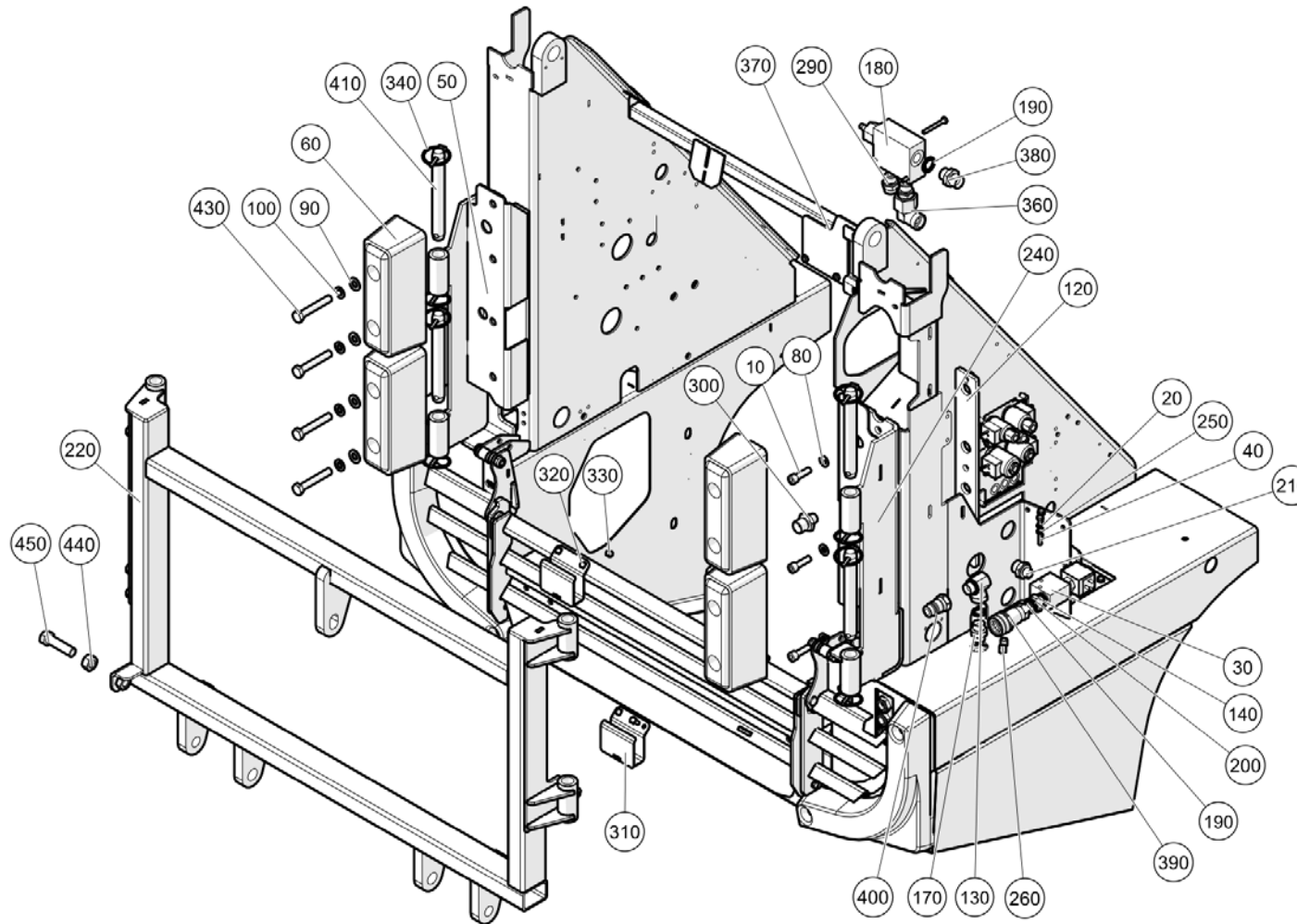


Gritter - Winter Equipment (7027318, 7028837)

Main Build Options\Gritter - Winter Equipment

Item no.	Part no.	Description	QTY	Unit
10	7027311	Gritter Unit - C201	1	PC
20	7027179	3 Point Interface W/Assy	1	PC
30	92097523-0	Hex Head Screw - M16Cx35 - 8.8	6	PC
40	93085009-0	Nyloc Hex Nut M16C - 8	6	PC
50	60-24	Tow Hitch Pin - Diameter 19mm	3	PC
60	7027881	Handle Bracket W/Assy	1	PC
70	92097410-0	Hex Head Screw - M10Cx20 - 8.8	2	PC
80	486-3	Coupling P/Brake Probe 1/2"	1	PC
90	486-13	Coupling P/Brake Carrier 1/2"F	1	PC
100	6601-1329	Stud Coupling Male G 1/2" x M22 x 1.5	2	PC
110	7028828	Adaptor - BSP to Metric Restrictor Ø3	1	PC
120	451-19	Washer - Bonded G1-2"	1	PC
130	7027313	Spinning Plate - Gritter C201	1	PC

Gritter Interface - Winter Equipment (7025902)
Main Build Options\Gritter Interface - Winter Equipment



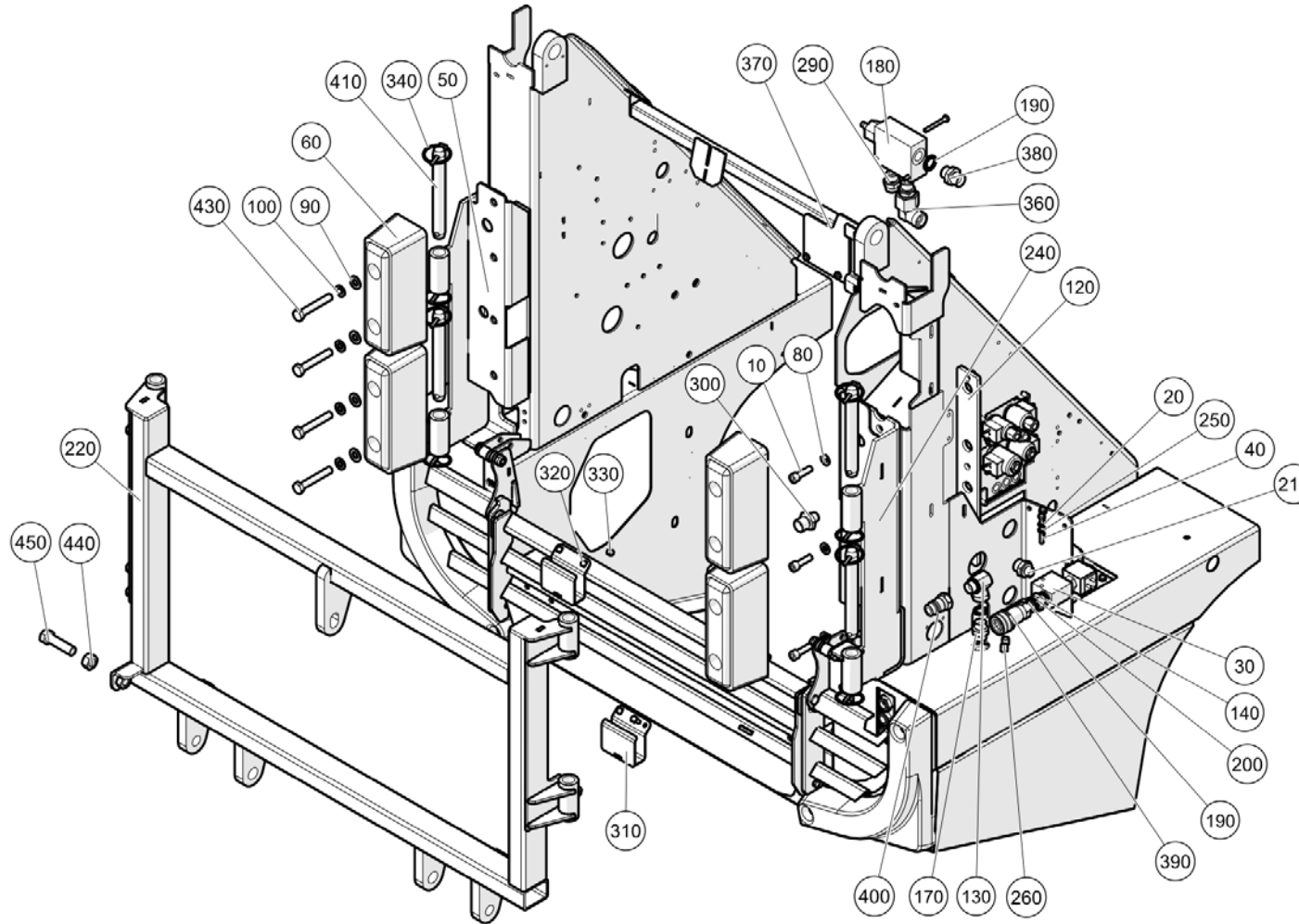
All Copyright and rights are the property of Johnston Sweepers Ltd.

Gritter Interface - Winter Equipment (7025902)
 Main Build Options\Gritter Interface - Winter Equipment

Item no.	Part no.	Description	QTY	Unit
10	92137159-0	Hex Socket Cap Screw - M10Cx35 - 12.9	6	PC
20	93699708-0	Spring Washer - Plated M6	2	PC
30	72679-1	Valve - Lock 12v	1	PC
40	92097310-0	Hex Head Screw - M6Cx55 - 8.8	2	PC
50	7026871	Bracket W/Assy - Rear Pivot	1	PC
60	211-63	Buffer - Rubber 250 x 80 x 90 Deep	4	PC
80	93212012-0	Plain Washer M10	6	PC
90	93212013-0	Plain Washer M12	8	PC
100	93699712-0	Spring Washer - Plated M12	8	PC
120	7026961	Plate - Spreader W/Assy	2	PC
130	262-4	Elbow 90° 1/2 BSP M x 1/2 BSP Swivel F	1	PC
140	451-18	Washer Bonded G3/8"	3	PC
170	263-4	Adaptor M/M 1/2 BSP BS5200	1	PC
180	70625-1	Regulator - Flow	1	PC
190	451-19	Washer - Bonded G1-2"	3	PC
200	265-4	Adaptor Reducing M/M 3/8 x 1/2 BSP	1	PC
210	6601-1326	Stud Coupling Male G 3/8" x M22 x 1.5	1	PC
220	7026951	Mounting Frame W/Assy	1	PC
230	92067311-0	Hex Head Bolt - M6Cx50 - 8.8	2	PC
240	7026873	Bracket W/Assy - Rear Pivot RH	1	PC
250	93212009-0	Plain Washer M6	2	PC
260	71121-3	Spacer-6.5IDx12 OD, L =11/10.5	2	PC
290	6601-1329	Stud Coupling Male G 1/2" x M22 x 1.5	3	PC
300	265-19	Adaptor Reducing M/M 3/8 x 5/8 BSP	1	PC

All Copyright and rights are the property of Johnston Sweepers Ltd.

Gritter Interface - Winter Equipment (7025902)
Main Build Options\Gritter Interface - Winter Equipment

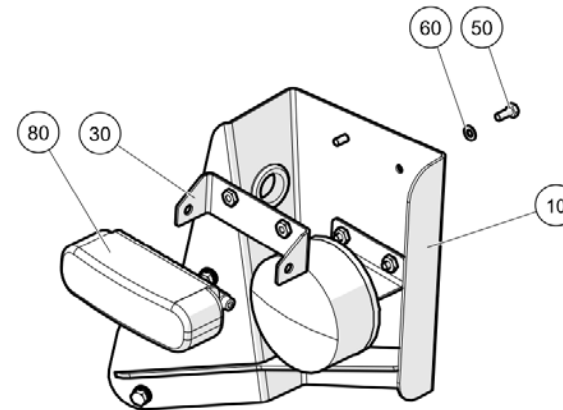
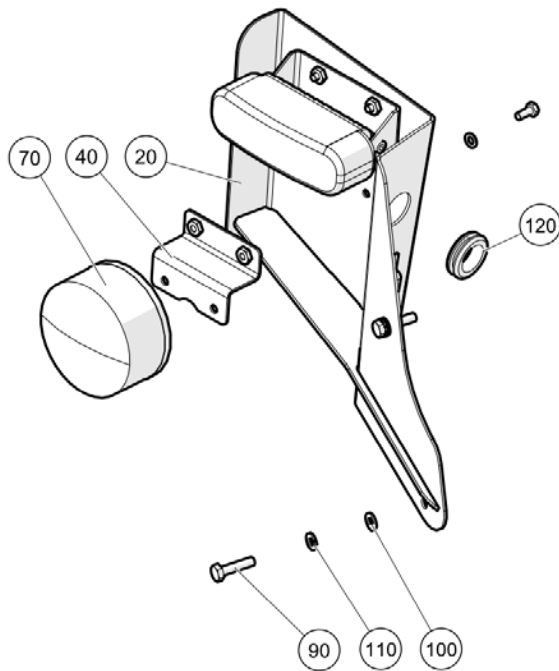


All Copyright and rights are the property of Johnston Sweepers Ltd.

Gritter Interface - Winter Equipment (7025902)
Main Build Options\Gritter Interface - Winter Equipment

Item no.	Part no.	Description	QTY	Unit
310	7028017	Hose Hanger W/Assy	2	PC
320	92097299-0	Hex Head Screw - M6Cx16 - 8.8	4	PC
330	93085004-0	Nyloc Hex Nut M6C - 8	4	PC
340	60-16	Linch Pin with Ring Dia.6x44	8	PC
360	09571074-0	Adjustable Male Elbow - M30 x 2.0	1	PC
370	7028375	Bracket W/Assy - Flow Regulator	1	PC
380	265-6	Adaptor Reducing M/M 1/2 x 5/8 BSP	1	PC
390	486-13	Coupling P/Brake Carrier 1/2"F	1	PC
400	486-3	Coupling P/Brake Probe 1/2"	1	PC
410	7026875	Pin - Pivot	4	PC
430	92067464-0	Hex Head Bolt - M12Cx75 - 8.8	8	PC
440	93056018-0	Hex Nut M16C-8	1	PC
450	92067535-0	Hex Head Bolt - M16x60C - 8.8	1	PC

Winter Equipment - Additional Lighting (7026979)
Main Build Options\Winter Equipment - Additional Lighting

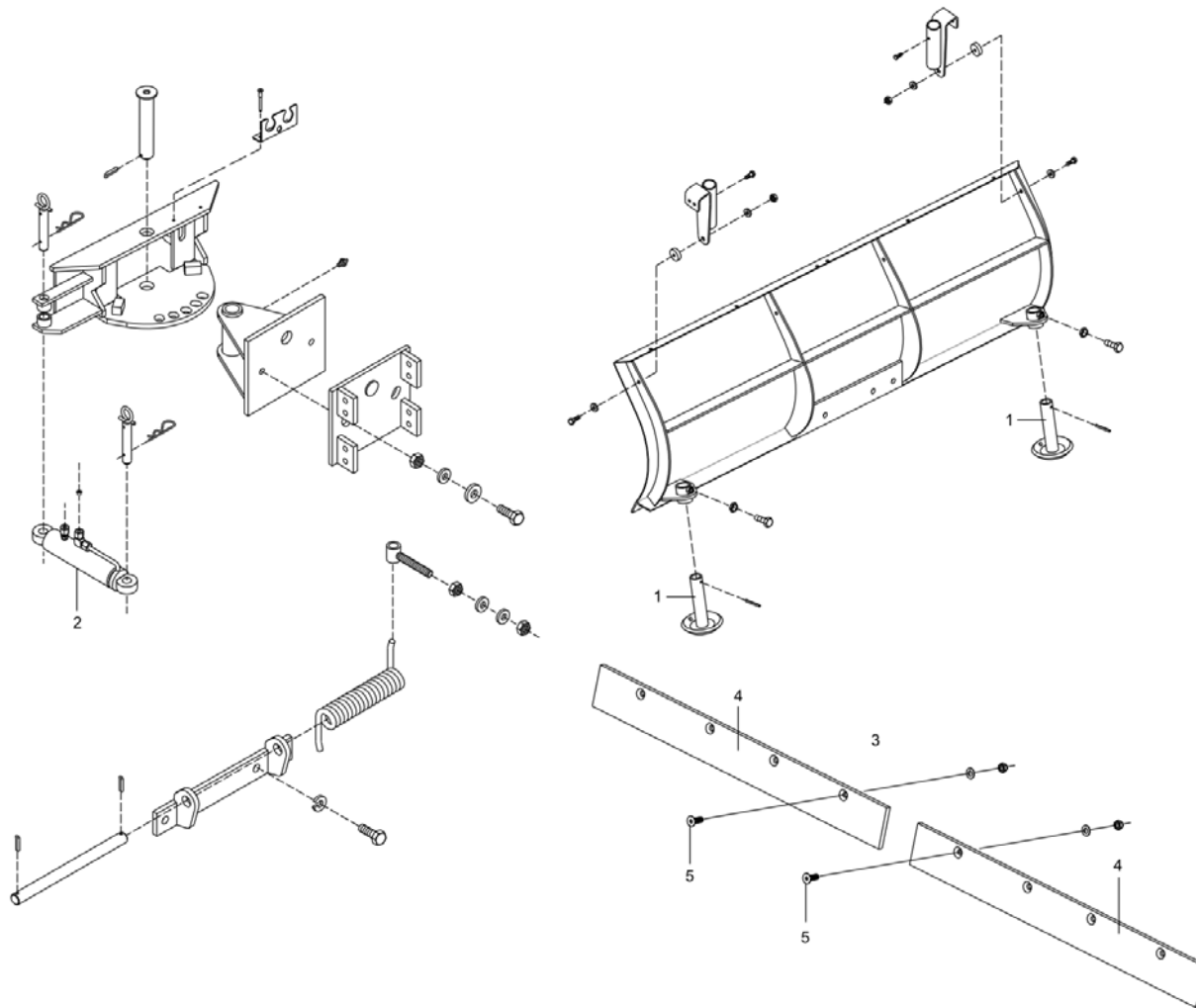


Winter Equipment - Additional Lighting (7026979)
 Main Build Options\Winter Equipment - Additional Lighting

Item no.	Part no.	Description	QTY	Unit
10	7027344	Lighting Arm W/Assy	1	PC
20	7027444	Lighting Arm W/Assy RH	1	PC
30	7021991	Mounting Bracket W/Assy- DRL	2	PC
40	7021993	Mounting Bracket W/Assy- Indicator	2	PC
50	92097262-0	Hex Head Screw - M5Cx12 - 8.8	8	PC
60	93210109-0	Plain Washer M5	8	PC
70	744-1	Lamp - Indicator And Side 12v	2	PC
80	744-10	Daytime Running Light -12/24v	2	PC
90	92097303-0	Hex Head Screw - M6Cx25 - 8.8	4	PC
100	93212009-0	Plain Washer M6	4	PC
110	93699708-0	Spring Washer - Plated M6	4	PC
120	287-70	Grommet - Ø 25.4 O/D, 20.6 I/D 3.2 Thick	2	PC

All Copyright and rights are the property of Johnston Sweepers Ltd.

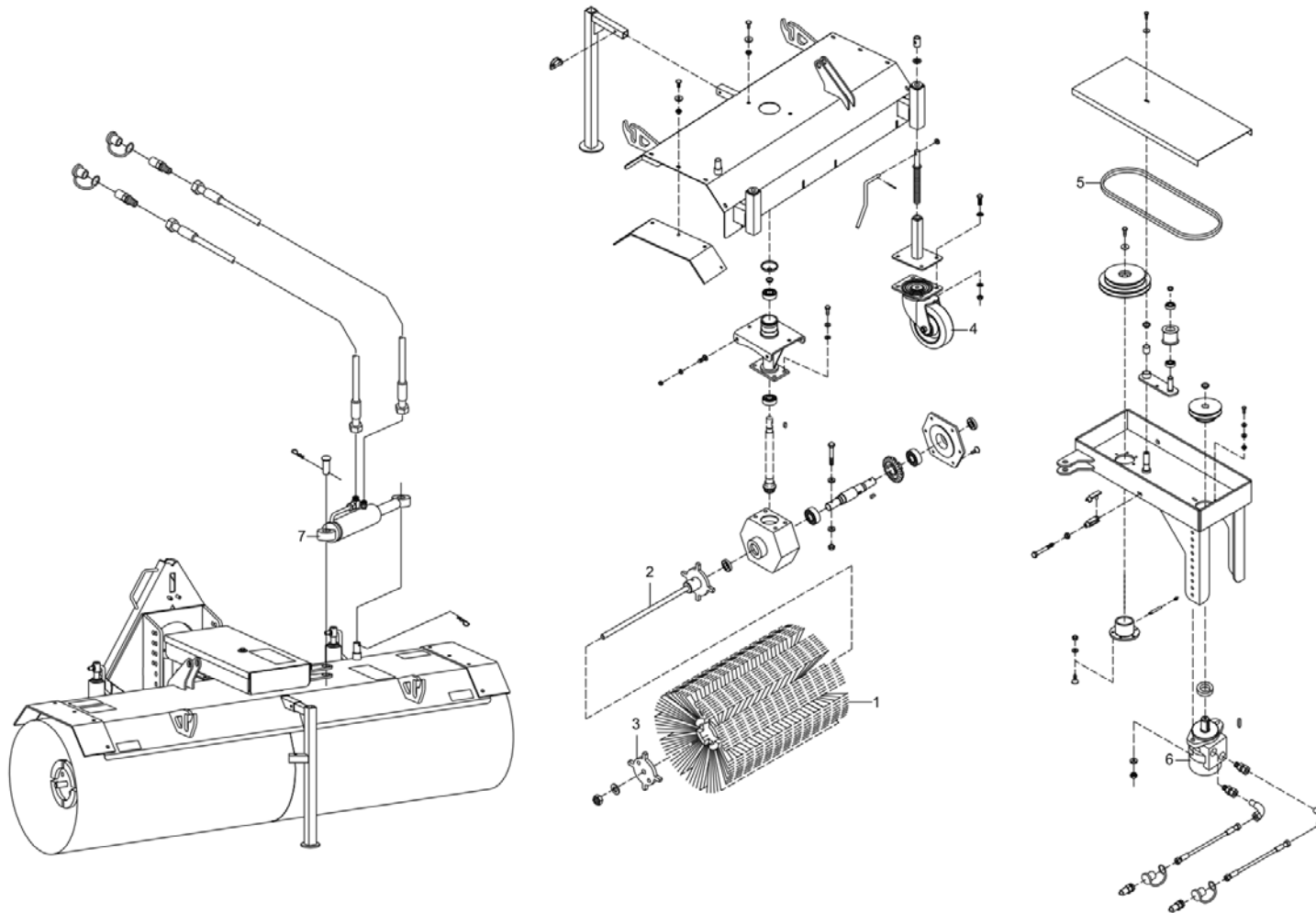
Snow Plough Spares (N/A)
Main Build Options\Snow Plough Spares



Snow Plough Spares (N/A)
Main Build Options\Snow Plough Spares

Item no.	Part no.	Description	QTY	Unit
1	862-200	Slide Shoe	6	PC
2	862-201	Hydraulic Cylinder	1	PC
3	862-202	Wear Strip Plus Screws & Fixing Bars	1	PC
4	862-203	Wear Strip Less Screws & Fixing Bars	10	PC
5	862-204	Fixing Bar For Plastic Wear Strip	12	PC

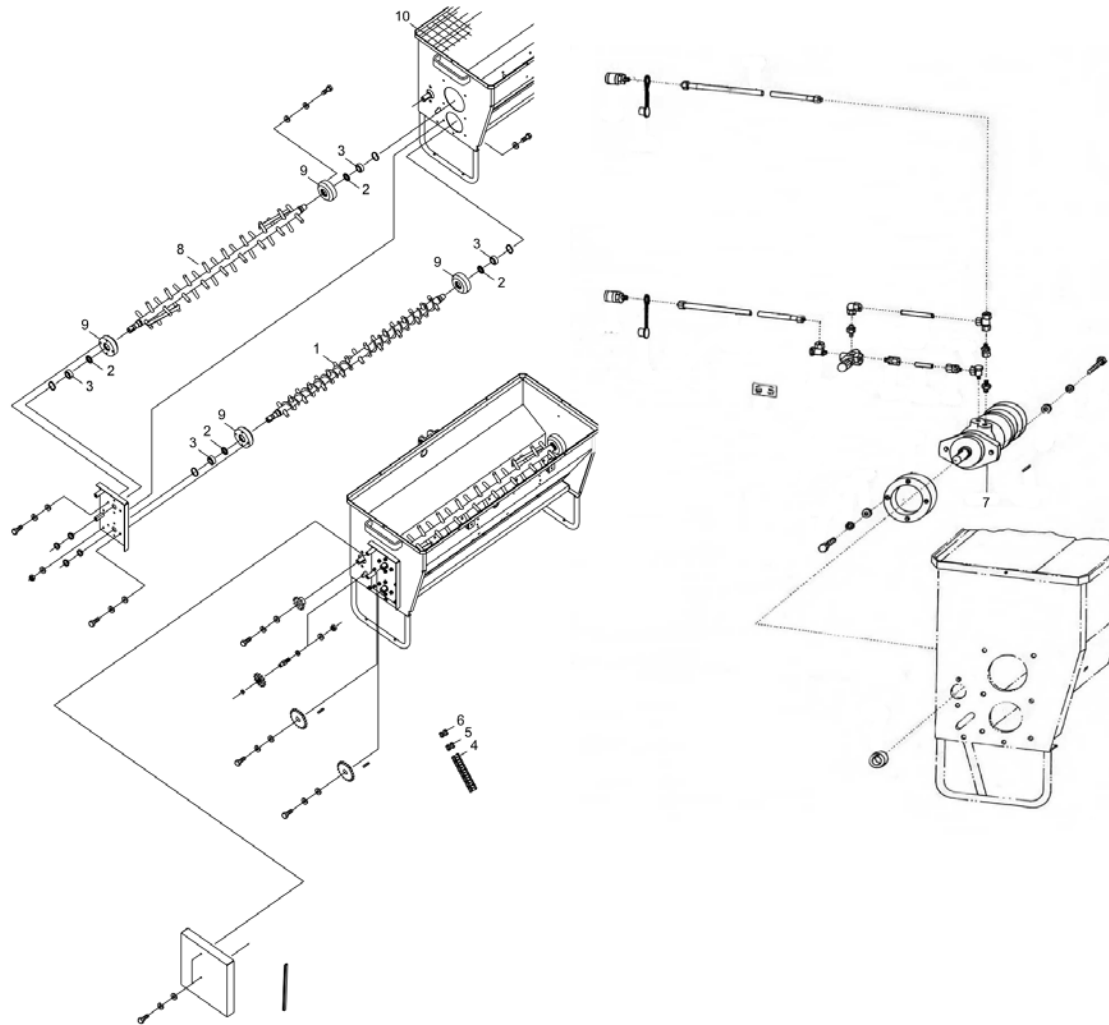
Snow Broom Spares ()
Main Build Options\Snow Broom Spares



All Copyright and rights are the property of Johnston Sweepers Ltd.

Snow Broom Spares ()
Main Build Options\Snow Broom Spares

Item no.	Part no.	Description	QTY	Unit
1	862-300	Set Of Standard Brushes	3	PC
2	862-301	Clamping Shaft	1	PC
3	862-302	Cover Disc	2	PC
4	862-303	Wheel	2	PC
5	862-304	Belt	5	PC
6	862-305	Hydraulic Motor	1	PC
7	862-306	Hydraulic Cylinder	1	PC

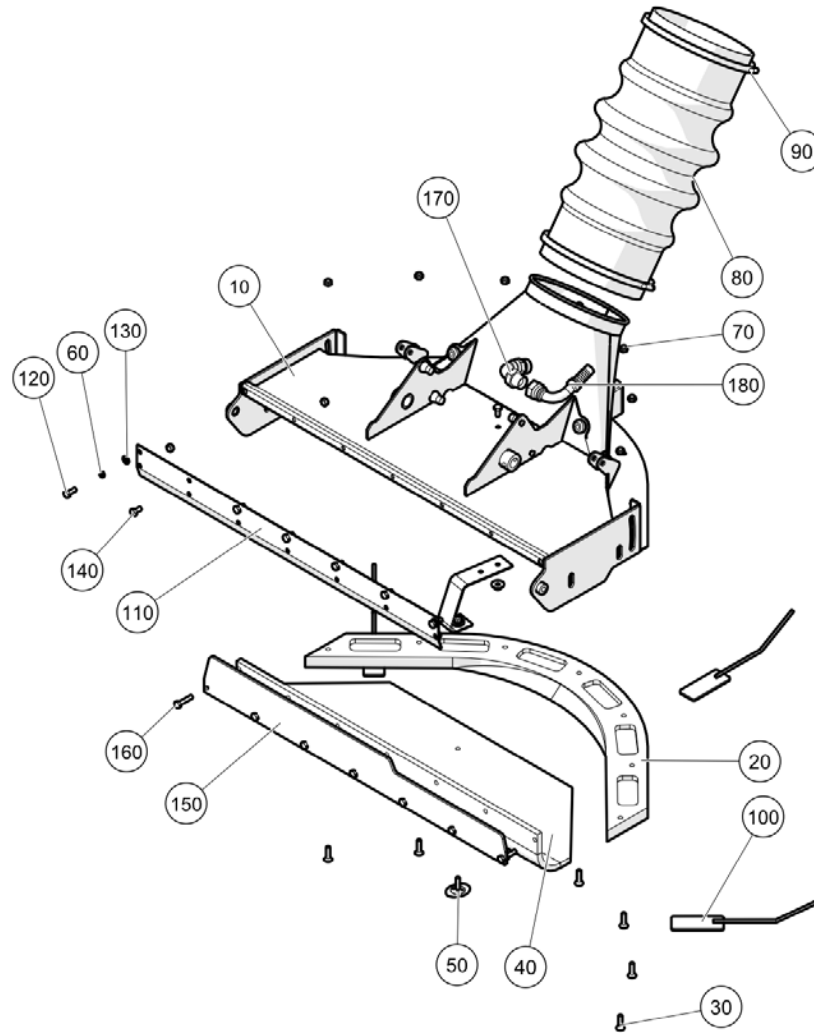


Gritter Spares (N/A)

Main Build Options\Gritter Spares

Item no.	Part no.	Description	QTY	Unit
1	862-1	Conveyor Worm	1	PC
2	862-2	Stripper	8	PC
3	862-3	Pivoting Bearing	8	PC
4	862-4	Chain	3	PC
5	862-5	Chain Lik Cranked	6	PC
6	862-6	Chain Joint	4	PC
7	862-7	Hydraulic Motor	1	PC
8	862-8	Agitating Shaft	1	PC
9	862-9	Bearing	4	PC
10	862-10	Sieve Top	1	PC

Suction Nozzle (37068-51)
Nozzle/Spraybar Feature\Suction Nozzle

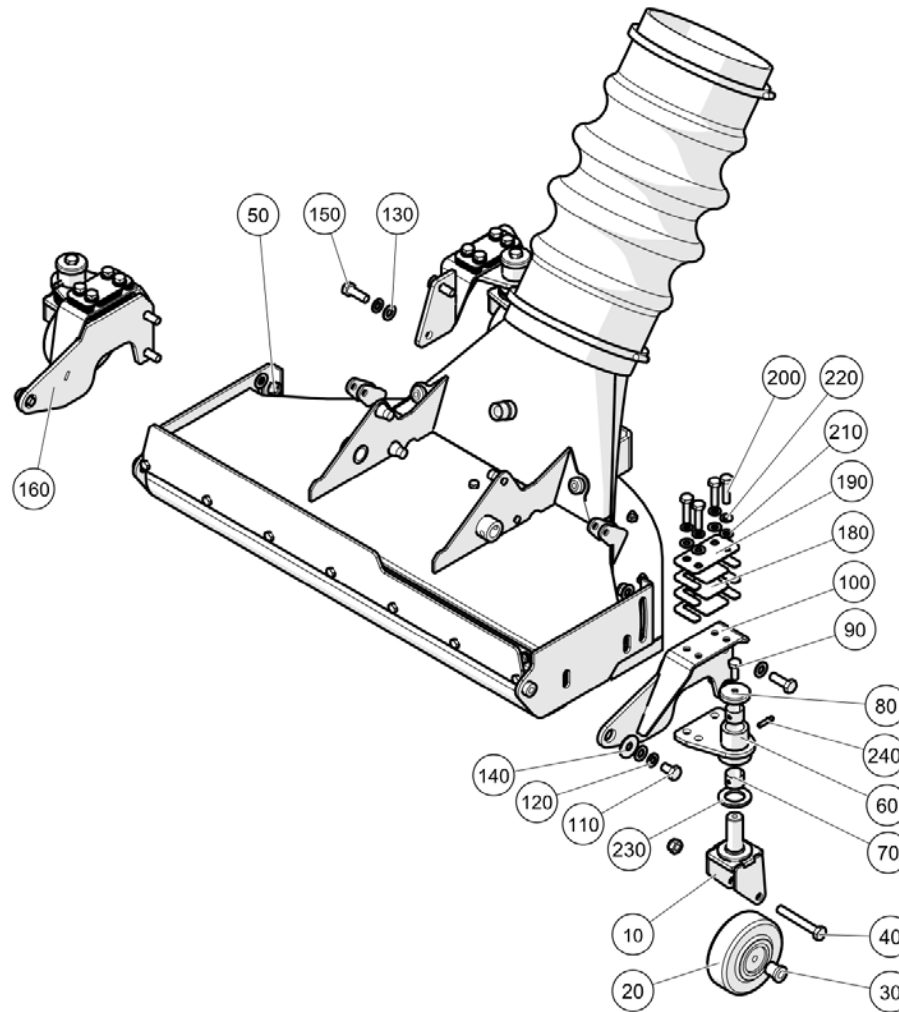


Suction Nozzle (37068-51)
 Nozzle/Spraybar Feature\Suction Nozzle

Item no.	Part no.	Description	QTY	Unit
10	720941-1	Suction Head - W/Assy	1	PC
20	72923-1	Slide - Suction Head	1	PC
30	131-127	Screw MC Csk Skt Hd M8x30	7	PC
40	720979-1	Flap - Suction Head	1	PC
50	71386-1	Tie Flap	1	PC
60	460-10	Washer Spring Single Coil M8	2	PC
70	425-14	Nut Nyloc Hex MC M8	7	PC
80	71600-1	Trunking - Nozzle	1	PC
90	504-50	Hose Clip - Worm Drive (190-220)	2	PC
100	72432-1	Anvil - Nozzle Gap Setting	3	PC
110	72868-1	Flap Support	1	PC
120	124-135	Setscrew M8C x 20	2	PC
130	455-10	Washer Plain Plated Steel M8	2	PC
140	124-134	Setscrew M8C x 16	5	PC
150	7018401	Plate - Flap Clamp (Painted)	1	PC
160	124-141	Setscrew M8C x 35	7	PC
170	242-12	Elbow 90° 3/4 BSP M x 3/4 BSP Swivel F	1	PC
180	277-6	Adaptor - Swept Elbow	1	PC

All Copyright and rights are the property of Johnston Sweepers Ltd.

Nozzle with Castor Wheels (7018518)
Nozzle/Spraybar Feature\Nozzle with Castor Wheels



All Copyright and rights are the property of Johnston Sweepers Ltd.

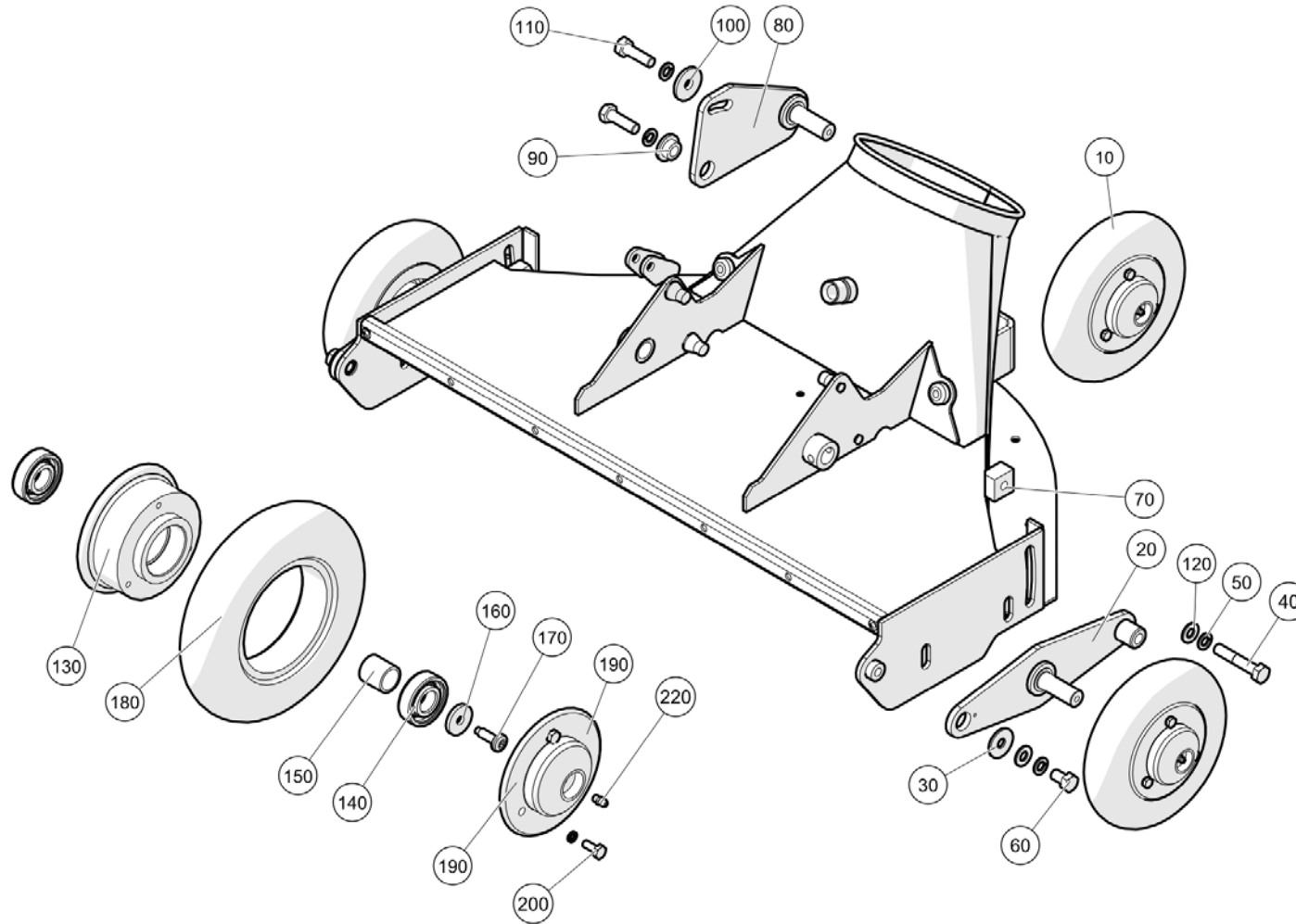
Nozzle with Castor Wheels (7018518)

Nozzle/Spraybar Feature\Nozzle with Castor Wheels

Item no.	Part no.	Description	QTY	Unit
10	7017383	Support W/Assy	3	PC
20	215-20	Wheel	3	PC
30	7018928	Bush - Top Hat	6	PC
40	6105-1511	Hex Head Bolt - M12Cx85 - 8.8	3	PC
50	93085807-0	Nyloc Hex Nut M12C - 8	7	PC
60	7017370	Bearing Housing W/Assy	3	PC
70	18-31	Bearing - Dry Metric 25mm I/D x 20Lg	6	PC
80	7018919	Dust Cap	3	PC
90	135-29	Setscrew HexHd Selfloc M10cx25	3	PC
100	7017988	Mounting Bracket W/Assy LH	1	PC
110	92097446-0	Hex Head Screw - M12Cx20 - 8.8	2	PC
120	93699712-0	Spring Washer - Plated M12	4	PC
130	93212013-0	Plain Washer M12	12	PC
140	93300511-0	Plain Large Washer M12	2	PC
150	92097451-0	Hex Head Screw - M12Cx35 - 8.8	6	PC
160	7018155	Mounting Bracket W/Assy RH	1	PC
170	7018192	Mounting Bracket - Rear W/Assy	1	PC
180	7018159	Packer - Castor	9	PC
190	7018162	Keeper Plate - Castor	3	PC
200	92097416-0	Hex Head Screw - M10Cx40 - 8.8	12	PC
210	93212012-0	Plain Washer M10	12	PC
220	93699711-0	Spring Washer - Plated M10	12	PC
230	7015308	Bearing	3	PC
240	38-33	Grease Nipple, M6 x 29mm Long	3	PC

All Copyright and rights are the property of Johnston Sweepers Ltd.

Nozzle with Wheels (37069-51)
Nozzle/Spraybar Feature\Nozzle with Wheels



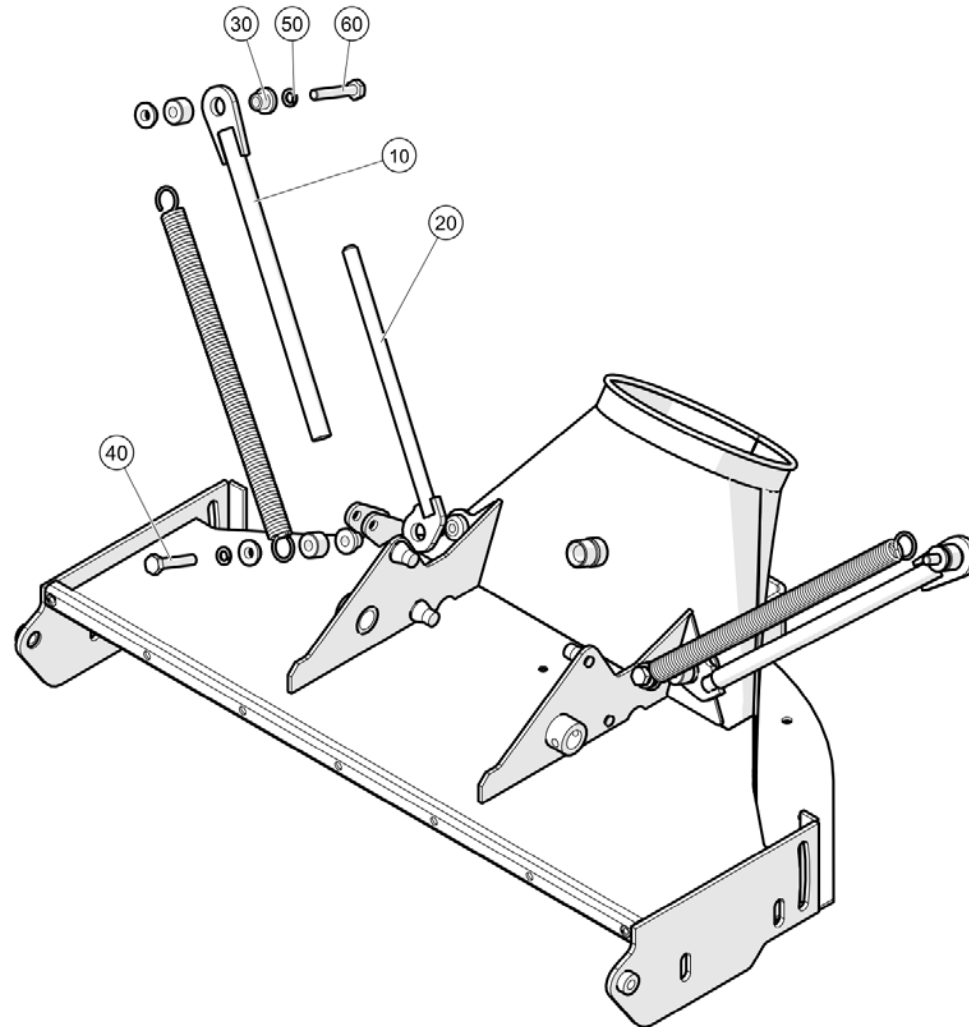
Nozzle with Wheels (37069-51)

Nozzle/Spraybar Feature\Nozzle with Wheels

Item no.	Part no.	Description	QTY	Unit
10	720272-1PH	Wheel - Nozzle, 8" Dia. Assy	3	PC
20	720266-1	Support-Nozzle Wheel, Front	2	PC
30	457-6	Washer Plain Steel M12 Form G	2	PC
40	123-151	Bolt M Coarse M12x65 BS3692	2	PC
50	460-12	Washer Spring Single Coil M12	6	PC
60	124-199	Setscrew M12C x 20	2	PC
70	72385-1	Block - Tapped	2	PC
80	720267-1	Support-Nozzle Wheel, Rear	1	PC
90	72384-1	Bush	1	PC
100	72393-1	Clamp - Washer	1	PC
110	124-207	Setscrew M12C x 40	2	PC
120	455-12	Washer Plain Plated Steel M12	4	PC
130	720269-1	Hub - Wheel, Nozzle	1	PC
140	14-27	Bearing - 20x47x14 Single Seal	2	PC
150	720270-1	Sleeve - Nozzle Wheel, Bearing	1	PC
160	720271-1	Washer - Nozzle Wheel, Bearing	1	PC
170	135-127	Screw - Button Hd Torx M8x20	1	PC
180	216-12	Tyre -8"x2" Non Marking White	1	PC
190	72381-1	Flange - Wheel	1	PC
200	104-3	Setscrew UNC 1/4 x 5/8"	3	PC
210	450-27	Washer Spring 1/4	3	PC
220	38-30	Nipple Grease M6 X 1	1	PC

All Copyright and rights are the property of Johnston Sweepers Ltd.

Wheeled Nozzle Struts (37070-51)
Nozzle/Spraybar Feature\Wheeled Nozzle Struts

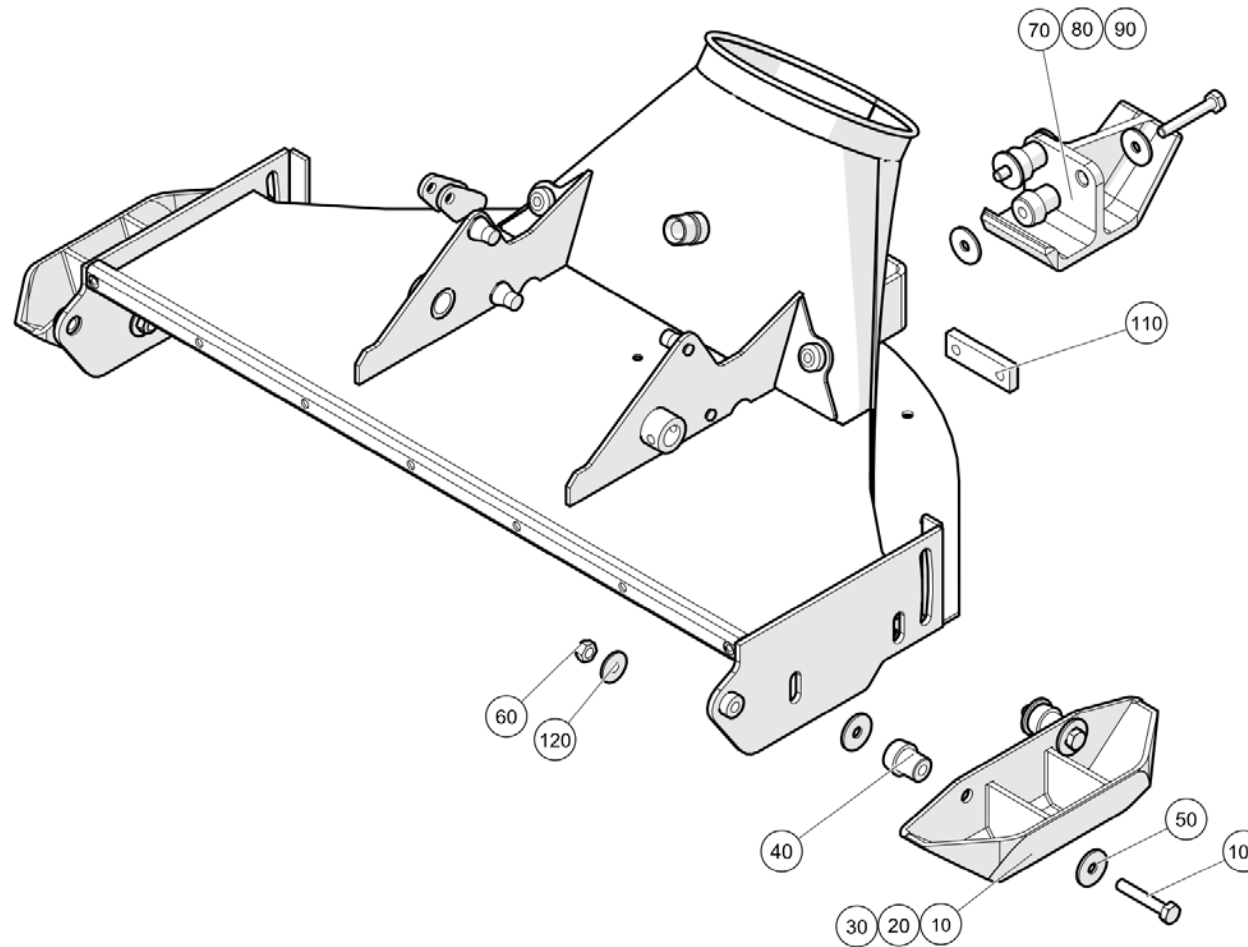


Wheeled Nozzle Struts (37070-51)

Nozzle/Spraybar Feature\Wheeled Nozzle Struts

Item no.	Part no.	Description	QTY	Unit
10	72728-1	Strut - W/Assy	2	PC
20	722140-1	Strut - Nozzle, W/Assy	2	PC
30	72732-1	Bush	4	PC
40	123-128	Bolt M Coarse M10x40	2	PC
50	460-11	Washer Spring Single Coil M10	4	PC
60	124-171	Setscrew M10C x 30	2	PC

Nozzle with Skids (37069-52)
Nozzle/Spraybar Feature\Nozzle with Skids



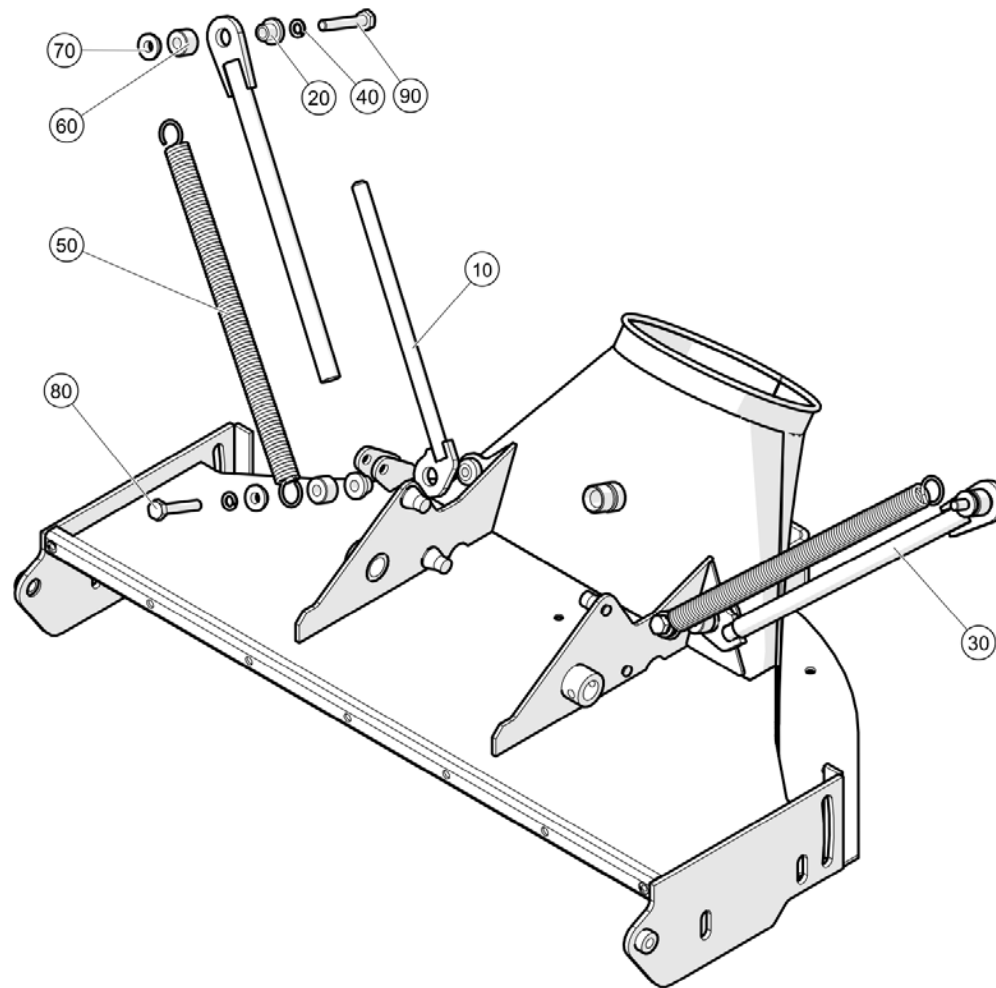
All Copyright and rights are the property of Johnston Sweepers Ltd.

Nozzle with Skids (37069-52)

Nozzle/Spraybar Feature\Nozzle with Skids

Item no.	Part no.	Description	QTY	Unit
10	72723-1	Skid - Side, Braised Assembly	2	PC
20	71282-1	Skid - Side	2	PC
30	70753-3	Insert - Skid	2	PC
100	123-133	Bolt M Coarse M10x65 BS3692	6	PC
60	425-15	Nut Nyloc Hex M10C	4	PC
70	72725-1	Skid - Rear, Braised Assembly	1	PC
80	71281-1	Skid - Rear	1	PC
90	70753-2	Insert - Skid	1	PC
110	72726-2	Tapped Block - 70mm	1	PC
40	13566	Mounting Anti Vibration	6	PC
50	41914-1	Washer - Special Extra Large	8	PC
120	457-5	Washer Plain Steel M10 Form G	4	PC

Skidded Nozzle Struts (37070-52)
Nozzle/Spraybar Feature\Skidded Nozzle Struts

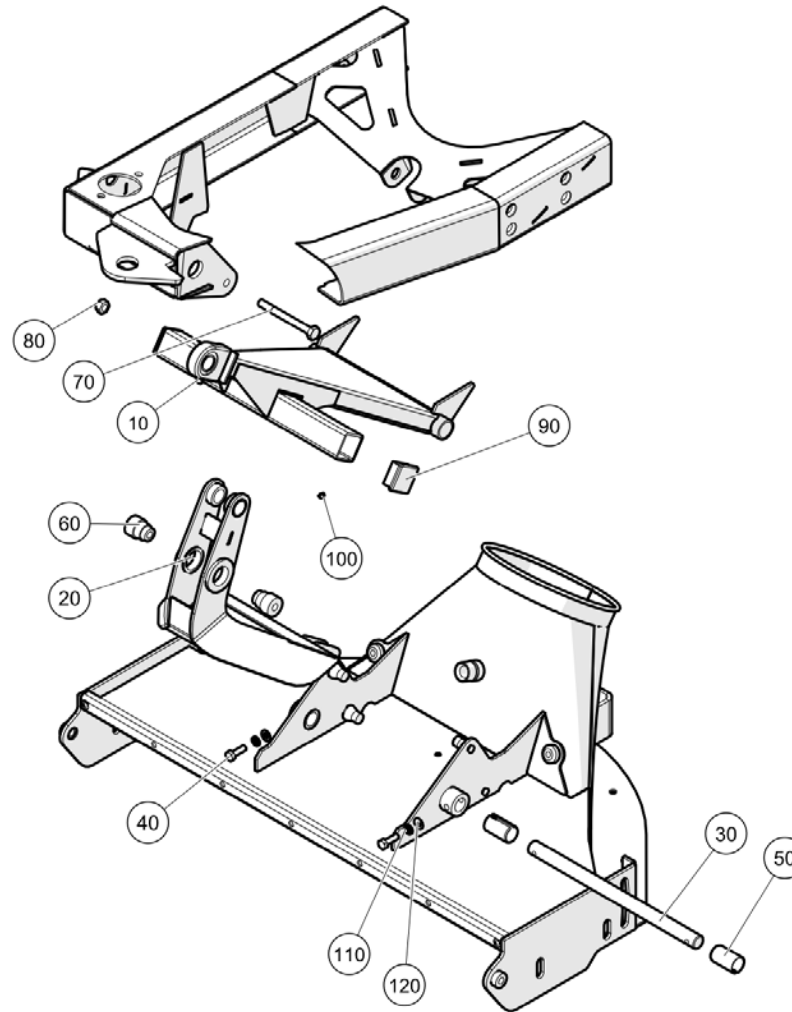


Skidded Nozzle Struts (37070-52)

Nozzle/Spraybar Feature\Skidded Nozzle Struts

Item no.	Part no.	Description	QTY	Unit
30	72728-1	Strut - W/Assy	2	PC
10	722140-1	Strut - Nozzle, W/Assy	2	PC
20	72732-1	Bush	4	PC
40	460-11	Washer Spring Single Coil M10	4	PC
50	3637-1	Spring - Tension	2	PC
70	71476-2	Locator Spring	4	PC
60	72036-1	Spring - Spacer	4	PC
80	123-131	Bolt M Coarse M10x55	2	PC
90	123-132	Bolt M Coarse M10x60	2	PC

Nozzle Lift Mechanism (37071-51)
Nozzle/Spraybar Feature\Nozzle Lift Mechanism

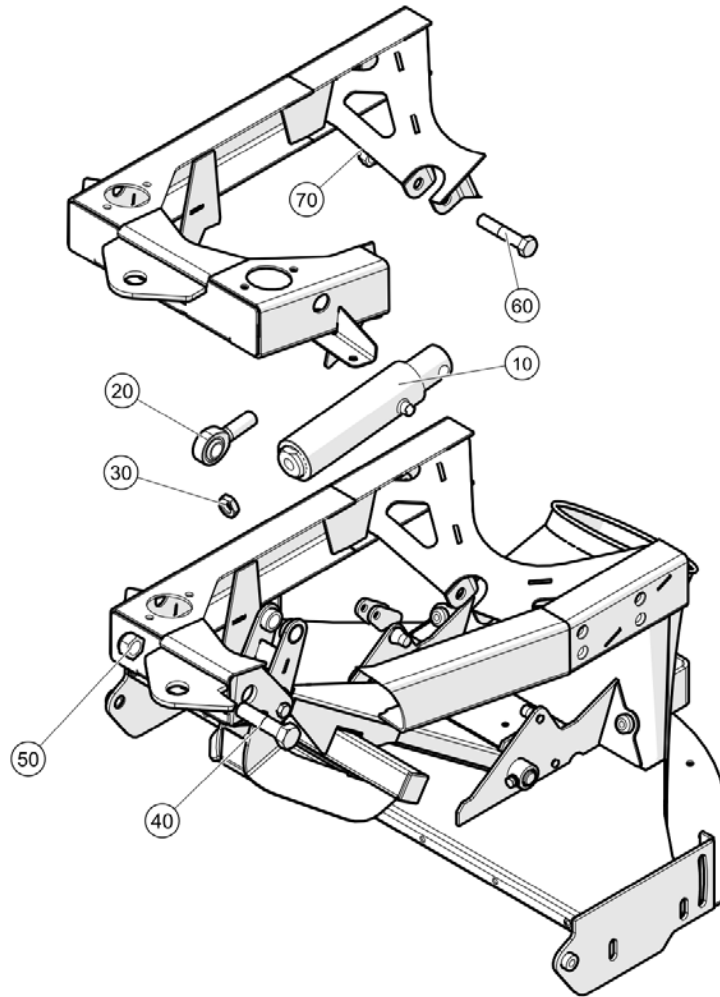


Nozzle Lift Mechanism (37071-51)

Nozzle/Spraybar Feature\Nozzle Lift Mechanism

Item no.	Part no.	Description	QTY	Unit
10	721180-1	Drawbar - Nozzle, W/Assy	1	PC
20	721188-1	Davit - Nozzle Lift W/A	1	PC
30	70782-1	Shaft - Pivot, Head	1	PC
40	135-58	M8 x 25 Tuflock Bolt	2	PC
50	28404	Bush - Elastic	2	PC
60	722123-1	Boss - Pivot, Nozzle Drag Link	2	PC
70	123-140	Bolt M Coarse M10x100	1	PC
80	425-15	Nut Nyloc Hex M10C	1	PC
90	44-47	Insert - Plastic Tube 40x40	2	PC
100	288-31	Grommet - Blind PVC 6.4 O/D x 4.0	1	PC
110	460-10	Washer Spring Single Coil M8	2	PC
120	455-10	Washer Plain Plated Steel M8	2	PC

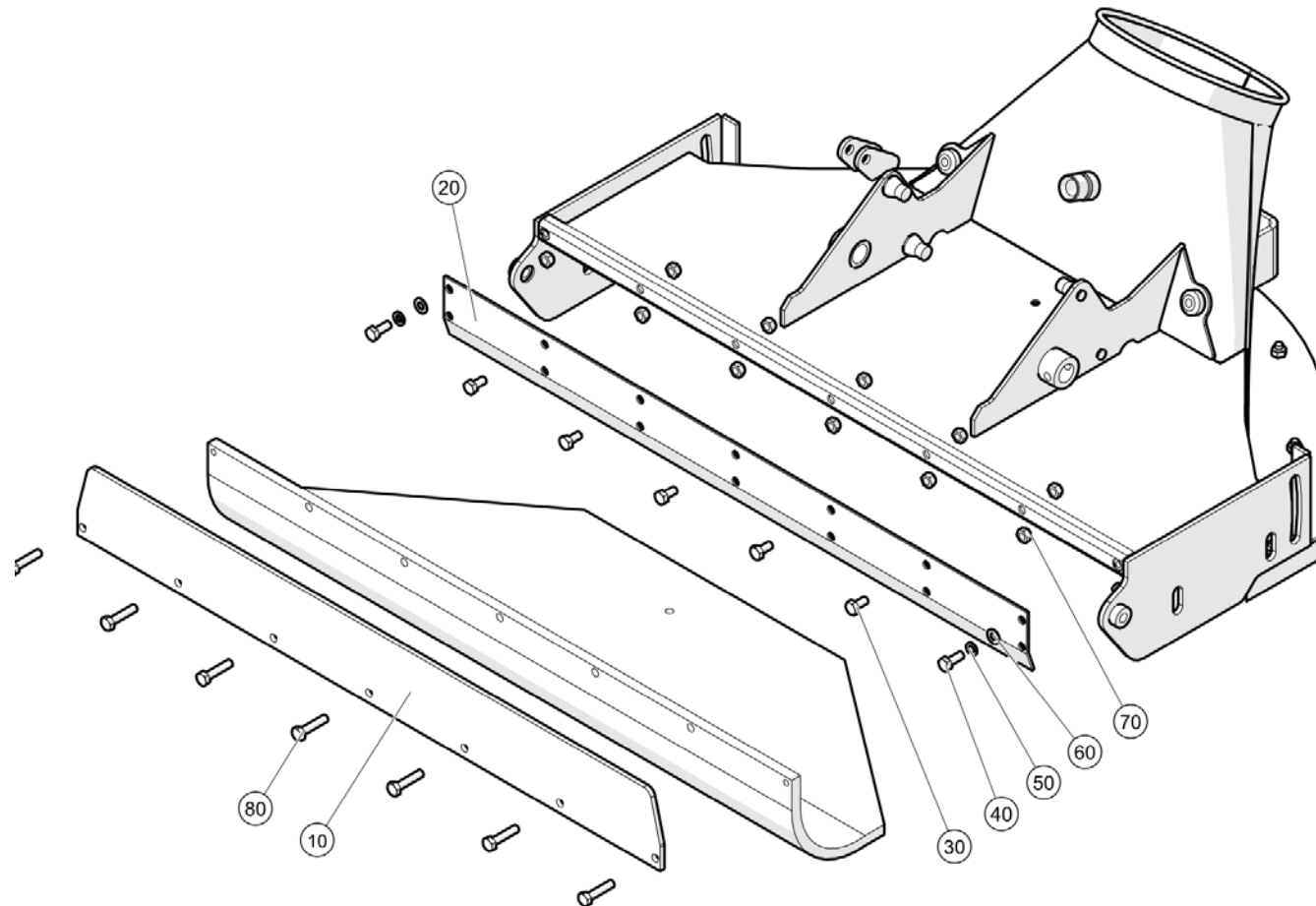
Nozzle Lift Ram (37072-51)
Nozzle/Spraybar Feature\Nozzle Lift Ram



Nozzle Lift Ram (37072-51)
Nozzle/Spraybar Feature\Nozzle Lift Ram

Item no.	Part no.	Description	QTY	Unit
10	28970-2	Cylinder - Brush Lift	1	PC
20	74680-1	Rod End	1	PC
30	421-7	Locknut MF Hex M20	1	PC
40	123-219	Bolt M Coarse M20x80	1	PC
50	425-20	Nut Nyloc Hex MC M20	1	PC
60	123-188	Bolt M Coarse M16x80	1	PC
70	425-18	Nut Nyloc Hex M16C	1	PC

No Leaf Lift (37075-51)
Nozzle/Spraybar Feature\No Leaf Lift

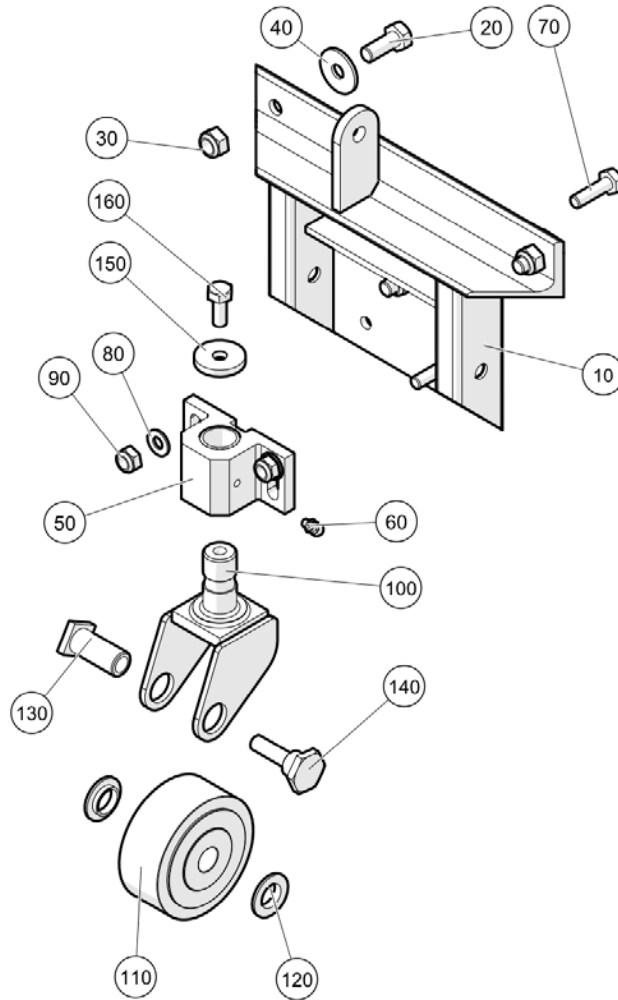


No Leaf Lift (37075-51)

Nozzle/Spraybar Feature\No Leaf Lift

Item no.	Part no.	Description	QTY	Unit
10	72921-2	Clamp - Plate	1	PC
20	72868-1	Flap Support	1	PC
30	124-134	Setscrew M8C x 16	5	PC
40	124-135	Setscrew M8C x 20	2	PC
50	460-10	Washer Spring Single Coil M8	2	PC
60	455-10	Washer Plain Plated Steel M8	2	PC
70	425-14	Nut Nyloc Hex MC M8	12	PC
80	124-141	Setscrew M8C x 35	7	PC

Spray Bar Head - CW (37122-1)
Nozzle/Spraybar Feature\Spray Bar Head - CW

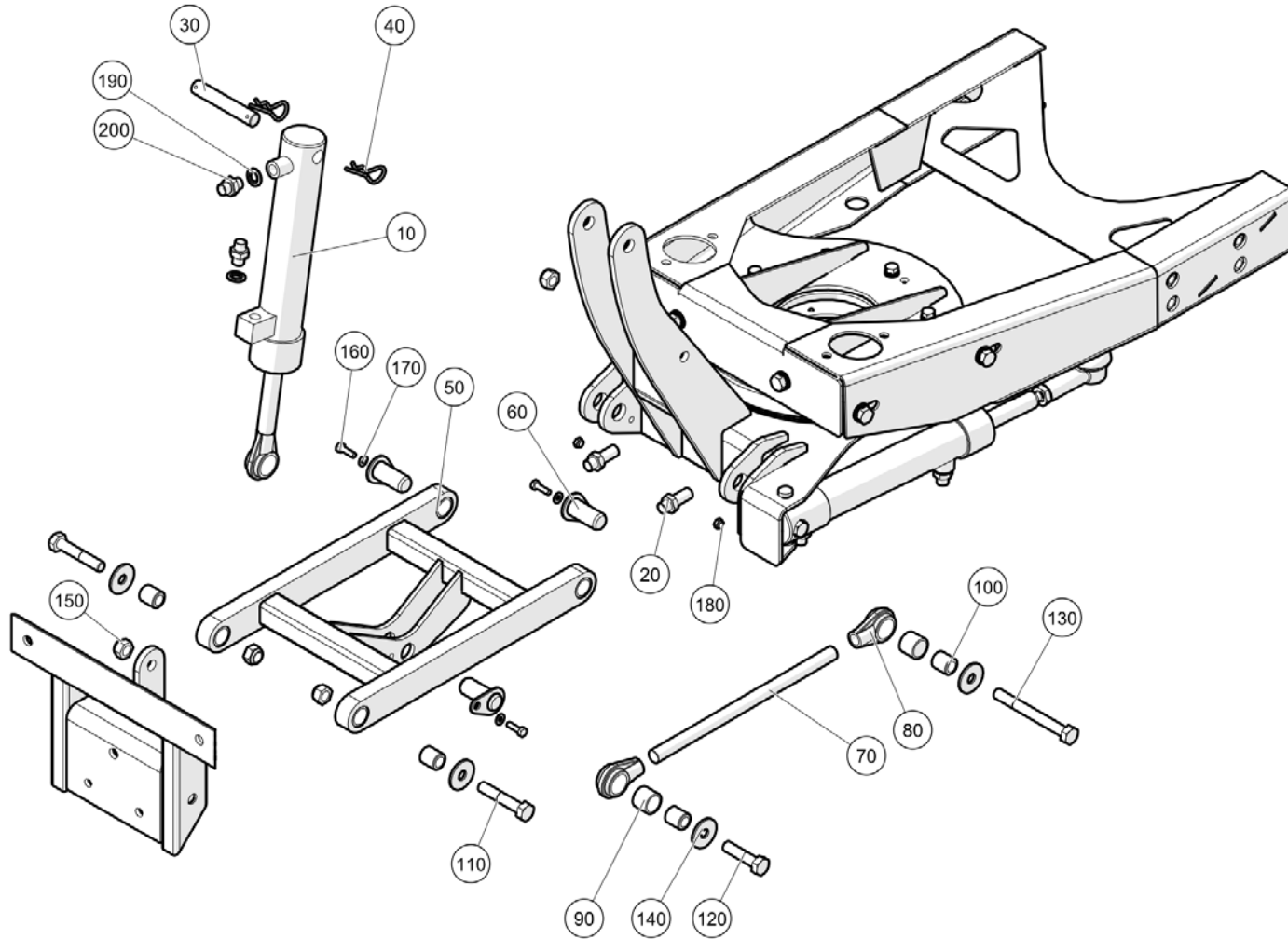


Spray Bar Head - CW (37122-1)

Nozzle/Spraybar Feature\Spray Bar Head - CW

Item no.	Part no.	Description	QTY	Unit
10	71908-1	Head Assembly	1	PC
20	124-203	Setscrew M12C x 30	3	PC
30	425-16	Nut Nyloc Hex M12c	3	PC
40	457-6	Washer Plain Steel M12 Form G	2	PC
50	71959-1	Block - Bearing, Assembly	1	PC
60	38-11	Nipple - M6 (H3-90 Deg)	1	PC
70	123-126	Bolt M Coarse M10x35	2	PC
80	455-11	Washer Plain Plated Steel M10	2	PC
90	425-15	Nut Nyloc Hex M10C	2	PC
100	71972-1	Wheel - Support W/Assy	1	PC
110	215-10	Wheel - Polyurethane Tyred	1	PC
120	71971-1	Spacer	2	PC
130	71968-1	Axle - Screw	1	PC
140	71969-1	Axle - Screw	1	PC
150	72134-1	Clamp - Washer	1	PC
160	135-29	Setscrew HexHd Selfloc M10cx25	1	PC

Spray Bar Lifting - CW (37121-51)
Nozzle/Spraybar Feature\Spray Bar Lifting - CW



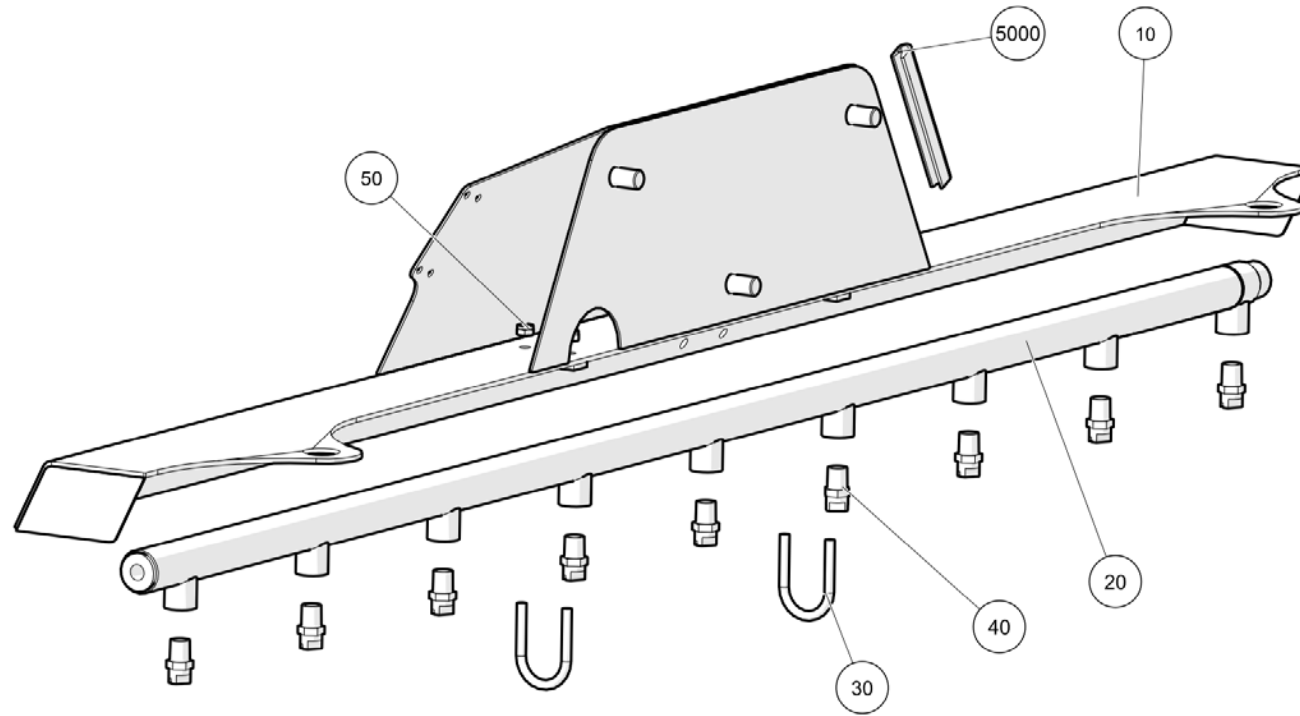
All Copyright and rights are the property of Johnston Sweepers Ltd.

Spray Bar Lifting - CW (37121-51)
 Nozzle/Spraybar Feature\Spray Bar Lifting - CW

Item no.	Part no.	Description	QTY	Unit
10	29450-1	Spraybar Lift Cylinder Assy.	1	PC
20	264-2	Adaptor M/M - Bulkhead 1/4 BSP	2	PC
30	71983-1	Pin - Pivot	1	PC
40	58-29	Pin - Cotter, 2 1/2"x10 SWG	2	PC
50	71900-1	Gate Assembly	1	PC
60	721766-1	Pin - Pivot, W/Assy	3	PC
70	71913-1	Rod - Tie	1	PC
80	28928-1-C	Eye - Cylinder, Hydraulic	2	PC
90	29128-1-B	Bush - 20Lg	2	PC
100	72133-1	Bush	4	PC
110	123-151	Bolt M Coarse M12x65 BS3692	2	PC
120	123-148	Bolt M Coarse M12x50	1	PC
130	123-159	Bolt M Coarse M12x110	1	PC
140	457-6	Washer Plain Steel M12 Form G	4	PC
150	425-16	Nut Nyloc Hex M12c	4	PC
160	124-103	Setscrew M6C x 20	3	PC
170	455-8	Washer Plain Plated Steel M6	3	PC
180	425-13	Nut Nyloc Hex M6C	3	PC
190	451-17	Washer Bonded G1-4"	2	PC
200	263-2	Adaptor M/M 1/4 BSP	2	PC

All Copyright and rights are the property of Johnston Sweepers Ltd.

Spray Bar Fixed - CW (7014382)
Nozzle/Spraybar Feature\Spray Bar Fixed - CW



All Copyright and rights are the property of Johnston Sweepers Ltd.

Spray Bar Fixed - CW (7014382)

Nozzle/Spraybar Feature\Spray Bar Fixed - CW

Item no.	Part no.	Description	QTY	Unit
10	76533-1	Spray Bar Fixed - Carriage W/A	1	PC
20	71929-1	Spraybar - Centre W/Assy	1	PC
30	71893-1	Bolt U	2	PC
40	21-15	Jet	9	PC
50	93085004-0	Nyloc Hex Nut M6C - 8	4	PC
5000	6849	Titanfast-Black	0.1	M

Folding Spray Bar - CW (37115-53)
Nozzle/Spraybar Feature\Folding Spray Bar - CW

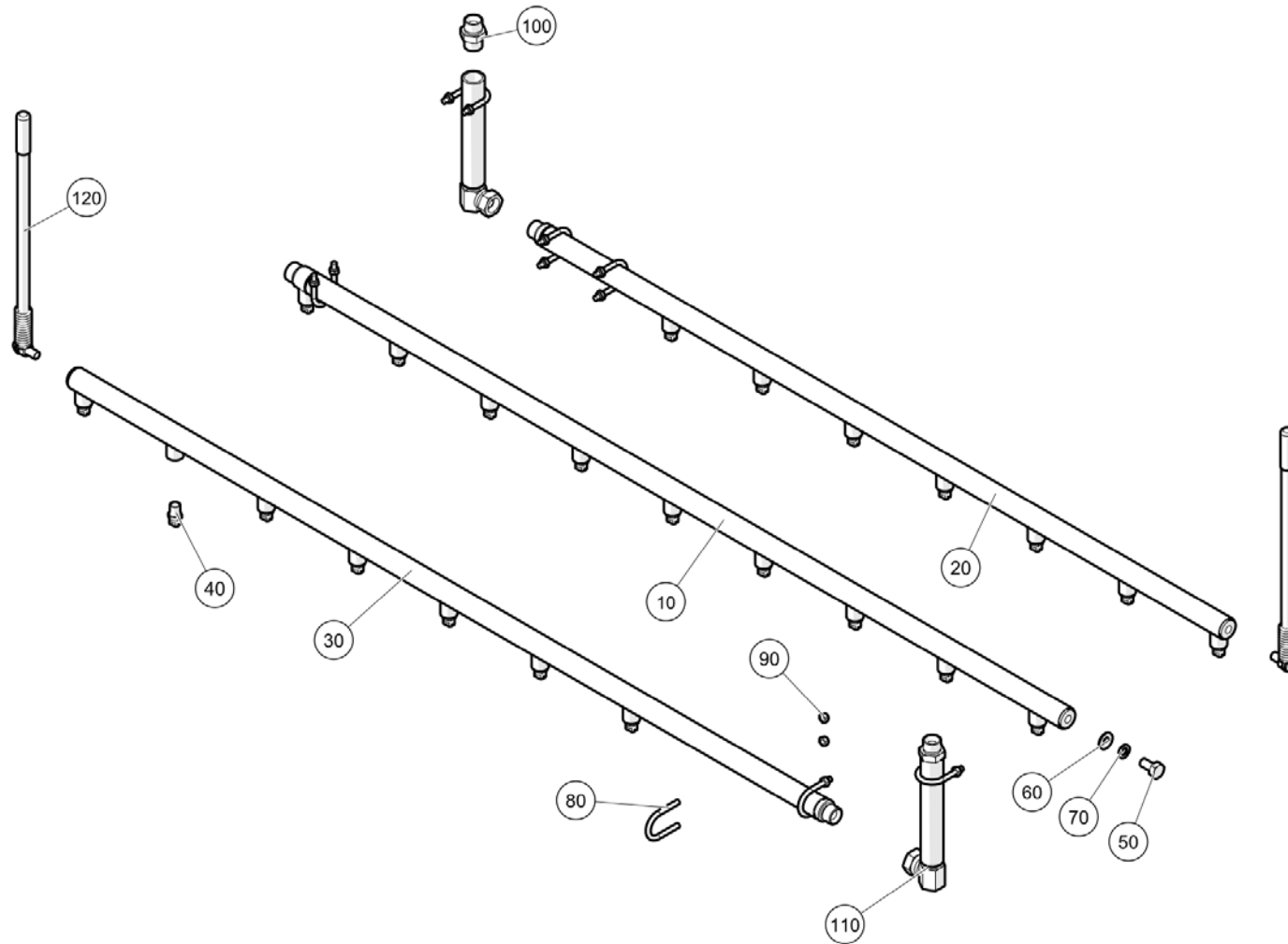
Item no.	Part no.	Description	QTY	Unit
10	720312-1	Plate - Folding Spraybar Mount	1	PC
20	76642-1	Spray Bar Folding Carriage W/Assy	1	PC
30	76651-1	Spraybar-Folding, Side W/Assy	2	PC
40	249-29	Ram-Hyd.,25 Bore,100 Stroke	2	PC
50	76656-1	Actuator-Ballvalve,Fork W/Assy	2	PC
60	76659-1	Actuator-Ball Valve, W/Assy	2	PC
70	76654-1	Pin - Ram Mounting,Dimn A = 70	1	PC
80	76654-2	Pin - Ram Mounting,Dimn A = 22	1	PC
90	88-9	Ball Valve 1/2"	2	PC
100	451-19	Washer - Bonded G1-2"	4	PC
110	264-4	Adaptor M/M - Bulkhead 1/2 BSP	2	PC
120	263-4	Adaptor M/M 1/2 BSP BS5200	2	PC
130	451-17	Washer Bonded G1-4"	4	PC
140	263-2	Adaptor M/M 1/4 BSP	4	PC
150	21-15	Jet	15	PC
160	283-32	Rod End - M8 Female (DIN 648)	4	PC
170	93085807-0	Nyloc Hex Nut M12C - 8	6	PC
180	93085805-0	Nyloc Hex Nut M8C - 8	6	PC
190	93212011-0	Plain Washer M8	10	PC
200	92067459-0	Hex Head Bolt - M12Cx50 - 8.8	2	PC
210	92097448-0	Hex Head Screw - M12Cx25 - 8.8	2	PC
220	92097376-0	Hex Head Screw - M8Cx25 - 8.8	4	PC
230	93699710-0	Spring Washer - Plated M8	4	PC
240	93056014-0	Hex Nut M8C-8	4	PC

All Copyright and rights are the property of Johnston Sweepers Ltd.

Folding Spray Bar - CW (37115-53)
Nozzle/Spraybar Feature\Folding Spray Bar - CW

Item no.	Part no.	Description	QTY	Unit
250	93300506-0	Plain Large Washer M5	2	PC
260	92330015-0	Hex Skt Button Head Screw M4x12 - 10.9	2	PC
270	92330046-0	Hex Skt Button Head Screw M8x25 - 10.9	2	PC
280	92067461-0	Hex Head Bolt - M12Cx60 - 8.8	2	PC
290	92097412-0	Hex Head Screw - M10Cx25 - 8.8	2	PC
300	93085806-0	Nyloc Hex Nut M10C - 8	2	PC

Spray Bar Expanding - CW (37123-2)
Nozzle/Spraybar Feature\Spray Bar Expanding - CW



All Copyright and rights are the property of Johnston Sweepers Ltd.

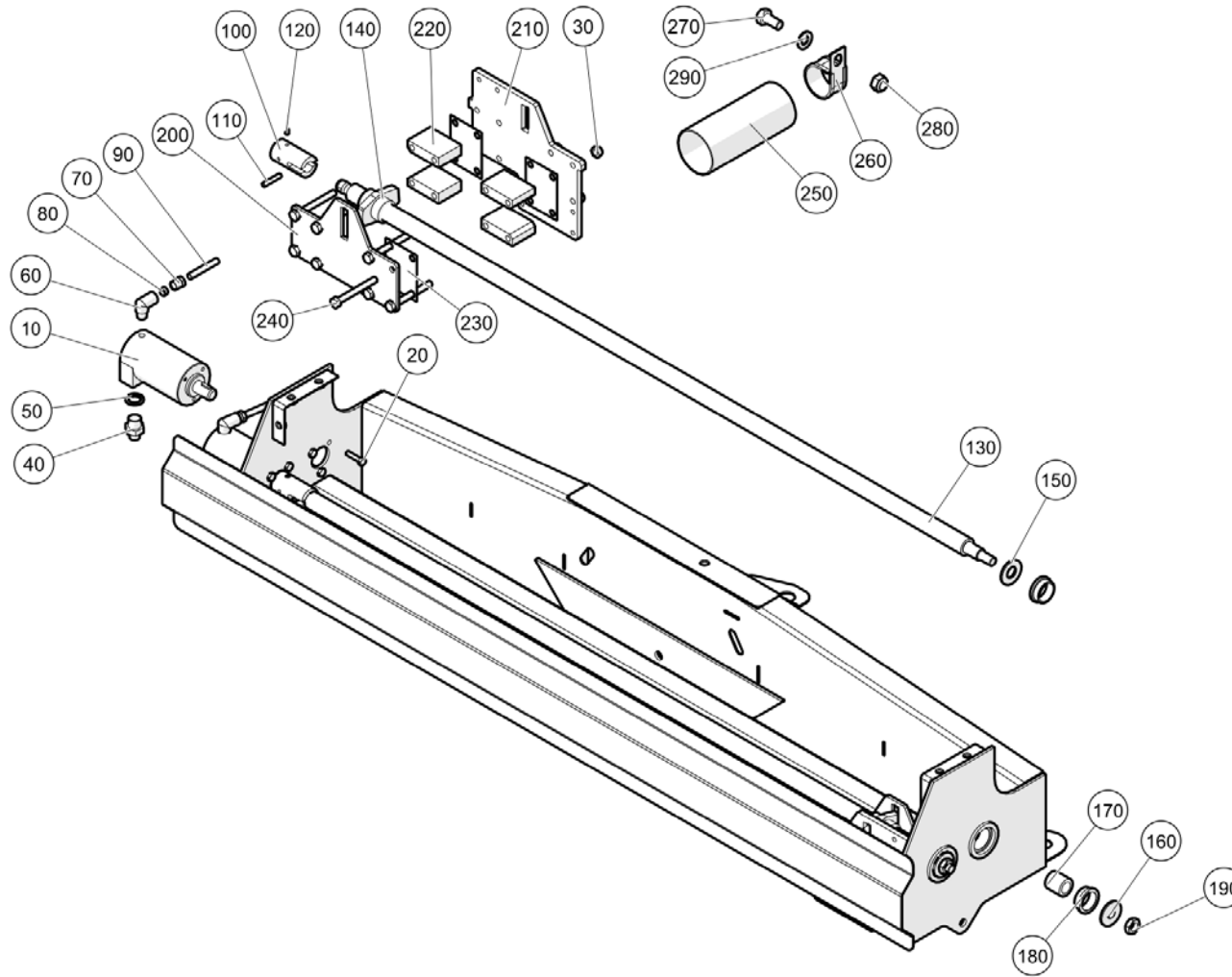
Spray Bar Expanding - CW (37123-2)

Nozzle/Spraybar Feature\Spray Bar Expanding - CW

Item no.	Part no.	Description	QTY	Unit
10	71929-1	Spraybar - Centre W/Assy	1	PC
20	71925-1	Spraybar - R.H. W/Assy.	1	PC
30	71925-2	Spraybar - L.H. W/Assy.	1	PC
40	21-15	Jet	23	PC
50	124-167	Setscrew M10C x 20	1	PC
60	455-11	Washer Plain Plated Steel M10	1	PC
70	460-11	Washer Spring Single Coil M10	1	PC
80	71893-1	Bolt U	7	PC
90	425-13	Nut Nyloc Hex M6C	14	PC
100	72021-1	Manifold - W/A	1	PC
110	72021-2	Manifold - W/A	1	PC
120	71933-1P	Mast Assy.	2	PC

All Copyright and rights are the property of Johnston Sweepers Ltd.

Spray Bar Extension Mechanism - CW (37124-1)
Nozzle/Spraybar Feature\Spray Bar Extension Mechanism - CW



All Copyright and rights are the property of Johnston Sweepers Ltd.

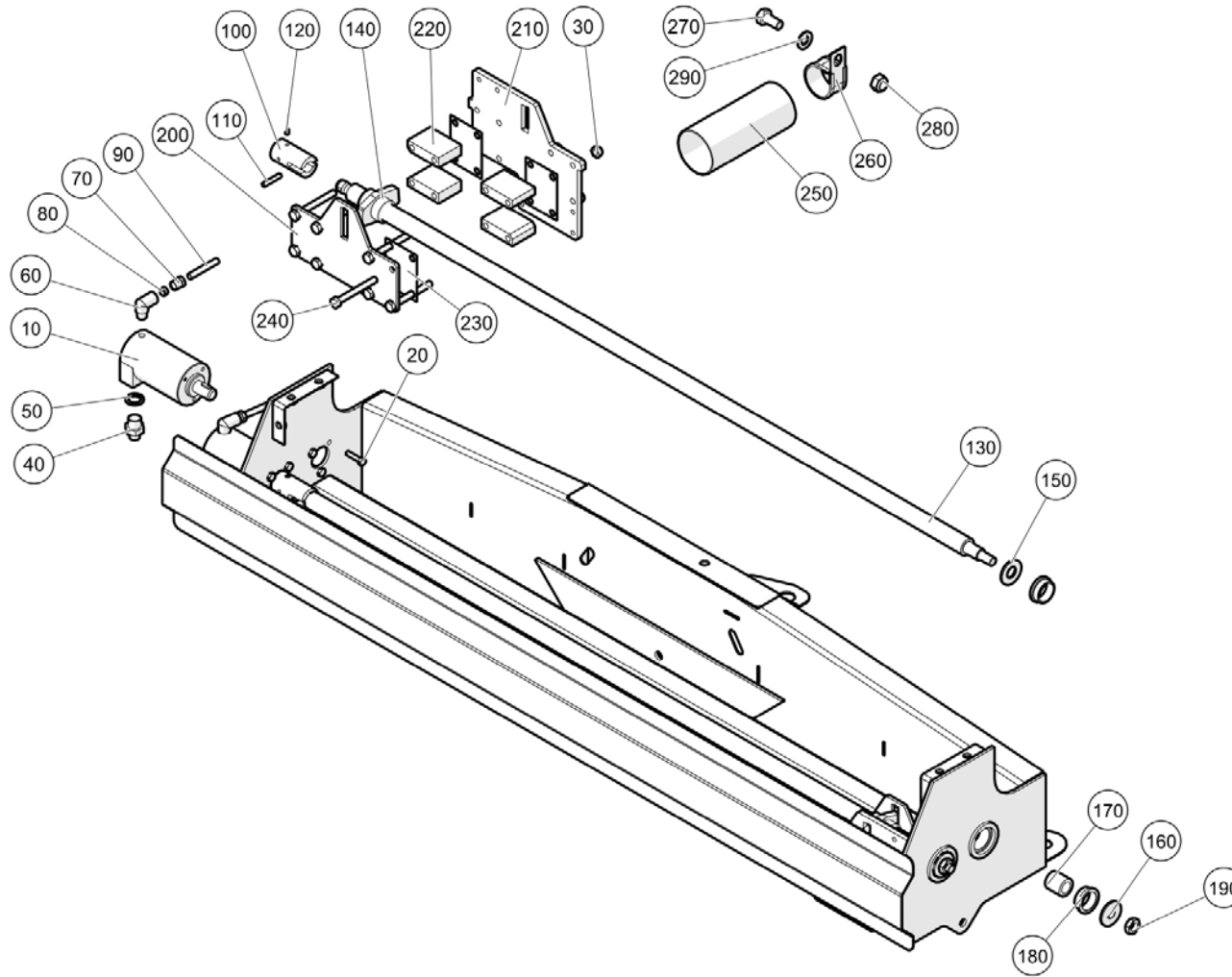
Spray Bar Extension Mechanism - CW (37124-1)

Nozzle/Spraybar Feature\Spray Bar Extension Mechanism - CW

Item no.	Part no.	Description	QTY	Unit
10	244-3	Motor - Danfoss,Shaft dia.16mm	2	PC
20	124-137	Setscrew M8C x 25	4	PC
30	425-14	Nut Nyloc Hex MC M8	20	PC
40	265-2	Adaptor Reducing M/M 1/4 x 3/8 BSP	4	PC
50	451-18	Washer Bonded G3/8"	4	PC
60	521-4	Adaptor - Elbow 8 OD 1/8" BSP	2	PC
70	510-4	Nut - Tube 8mm O/D	2	PC
80	511-4	Olive - Tube 8mm O/D	2	PC
90	12870	Tube - Nylon Black 8mm O/D	4	M
100	71896-1	Coupling - Motor	2	PC
110	59-12	Pin Tension Spring 6 O/Dx30Lg	2	PC
120	135-37	Socket Screw Flat Point M5cx6	4	PC
130	72130-1	PowascREW	2	PC
140	71920-1	Nut Drive	2	PC
150	71921-1	Washer	2	PC
160	71921-2	Washer	2	PC
170	71923-1	Bush - Bearing	2	PC
180	71922-1	Bearing	4	PC
190	421-16	Locknut MC Hex M12	4	PC
200	71891-1	Plate Actuator Spraybar	2	PC
210	71892-1	Plate - Actuator, Spraybar	2	PC
220	71897-1	Bearing - Actuator	8	PC
230	71898-1	Shim	8	PC
240	123-111	Bolt M Coarse M8x55	16	PC

All Copyright and rights are the property of Johnston Sweepers Ltd.

Spray Bar Extension Mechanism - CW (37124-1)
Nozzle/Spraybar Feature\Spray Bar Extension Mechanism - CW



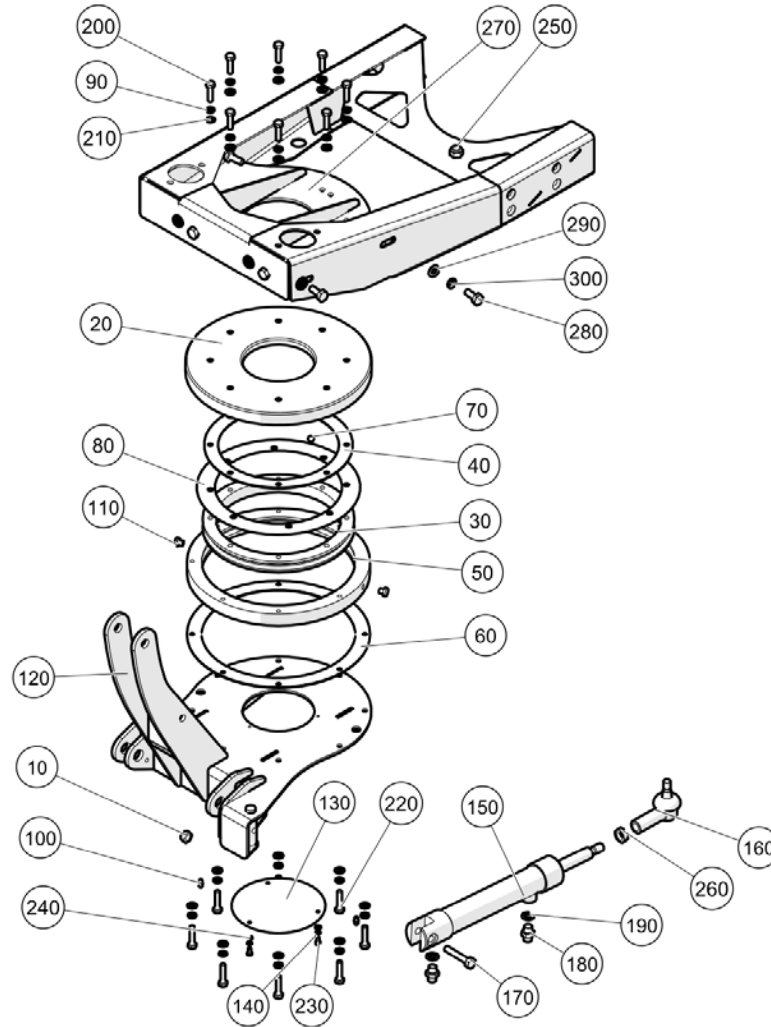
All Copyright and rights are the property of Johnston Sweepers Ltd.

Spray Bar Extension Mechanism - CW (37124-1)

Nozzle/Spraybar Feature\Spray Bar Extension Mechanism - CW

Item no.	Part no.	Description	QTY	Unit
250	13368	Hose Water 2 1/2in Bore	1	M
260	508-12	Clip - P Rubber Covered 44.50MM	1	PC
270	124-201	Setscrew M12C x 25	1	PC
280	425-16	Nut Nyloc Hex M12c	1	PC
290	455-12	Washer Plain Plated Steel M12	1	PC

Spray Bar Slewing - CW (37120-51)
Nozzle/Spraybar Feature\Spray Bar Slewing - CW



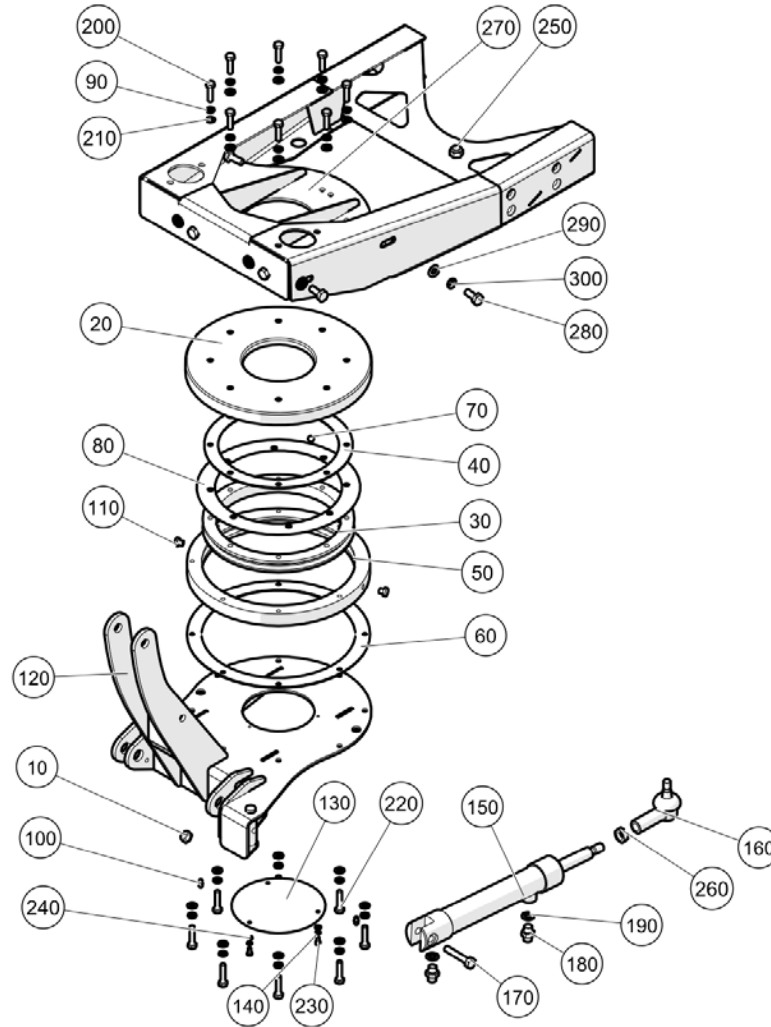
All Copyright and rights are the property of Johnston Sweepers Ltd.

Spray Bar Slewing - CW (37120-51)
Nozzle/Spraybar Feature\Spray Bar Slewing - CW

Item no.	Part no.	Description	QTY	Unit
10	425-15	Nut Nyloc Hex M10C	1	PC
20	72073-1	Bearing - Shroud	1	PC
30	22197-1-A	Race - Inner	1	PC
40	72071-1	Gasket	1	PC
50	72079-1	Race - Outer	1	PC
60	22199-1-B	Gasket	1	PC
70	22-8	Ball Steel 10	78	PC
80	22201-1-A	Seal - Turntable	1	PC
90	460-10	Washer Spring Single Coil M8	16	PC
100	38-30	Nipple Grease M6 X 1	2	PC
110	5259	Plug - Taper 1/8 BSP	2	PC
120	721740-1	Plate - Slew, W/Assy	1	PC
130	72074-1	Plate - Cover	1	PC
140	460-7	Washer Spring Single Coil M5	3	PC
150	29460-2	Slewing Cylinder Assy.	1	PC
160	283-5	Ball Joint - M14 Female	1	PC
170	123-131	Bolt M Coarse M10x55	1	PC
180	263-2	Adaptor M/M 1/4 BSP	2	PC
190	451-17	Washer Bonded G1-4"	2	PC
200	124-139	Setscrew M8C x 30	8	PC
210	455-10	Washer Plain Plated Steel M8	16	PC
220	124-141	Setscrew M8C x 35	8	PC
230	124-67	Setscrew M5C x 10	3	PC
240	455-7	Washer Plain Plated Steel M5	3	PC

All Copyright and rights are the property of Johnston Sweepers Ltd.

Spray Bar Slewing - CW (37120-51)
Nozzle/Spraybar Feature\Spray Bar Slewing - CW

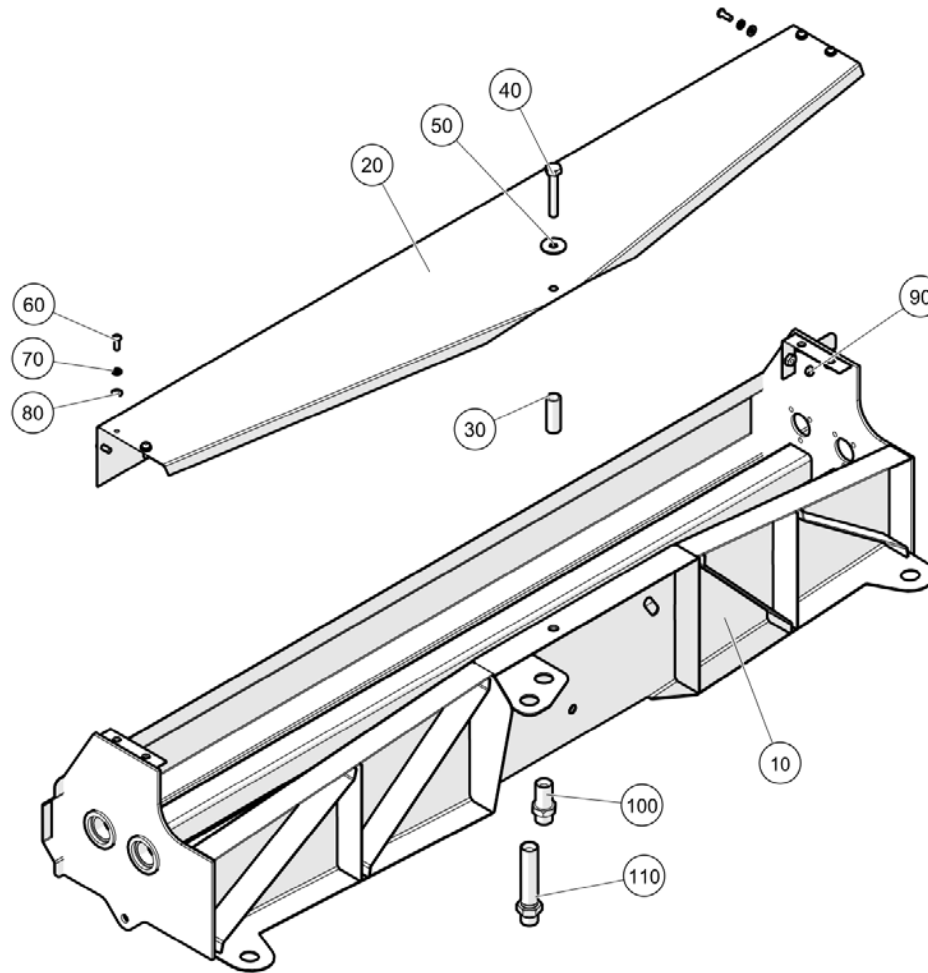


Spray Bar Slewing - CW (37120-51)
Nozzle/Spraybar Feature\Spray Bar Slewing - CW

Item no.	Part no.	Description	QTY	Unit
250	425-16	Nut Nyloc Hex M12c	1	PC
260	421-17	Locknut MC Hex M14	1	PC
270	722239-1	Plate - Turntable, W/Assy	1	PC
280	124-169	Setscrew M10C x 25	6	PC
290	455-11	Washer Plain Plated Steel M10	6	PC
300	460-11	Washer Spring Single Coil M10	6	PC

All Copyright and rights are the property of Johnston Sweepers Ltd.

Spray Bar Expanding Carriage - CW (37115-2)
Nozzle/Spraybar Feature\Spray Bar Expanding Carriage - CW

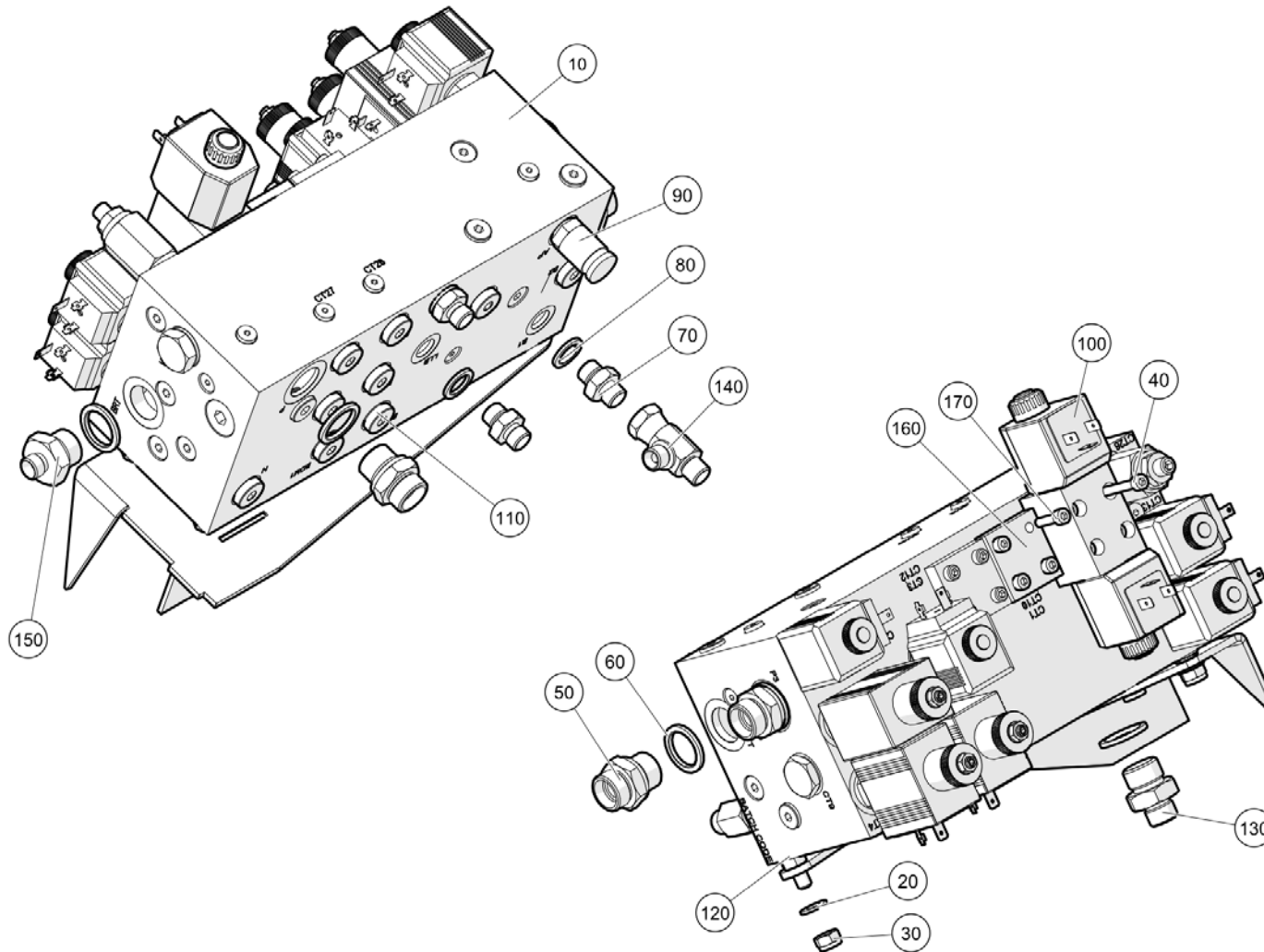


All Copyright and rights are the property of Johnston Sweepers Ltd.

Spray Bar Expanding Carriage - CW (37115-2)
Nozzle/Spraybar Feature\Spray Bar Expanding Carriage - CW

Item no.	Part no.	Description	QTY	Unit
10	71935-1	Carriage W/Assy.	1	PC
20	71934-1	Cover Carriage	1	PC
30	72147-1	Spacer	1	PC
40	123-133	Bolt M Coarse M10x65 BS3692	1	PC
50	457-5	Washer Plain Steel M10 Form G	1	PC
60	138-93	Screw - Skt Button Hd M6x16	6	PC
70	460-8	Washer Spring Single Coil M6	6	PC
80	455-8	Washer Plain Plated Steel M6	6	PC
90	420-13	Nut MC Hex M6	6	PC
100	264-4	Adaptor M/M - Bulkhead 1/2 BSP	1	PC
110	72038-1	Bulkhead Fitting G1/2",Special	1	PC

Fixed Spray Bar Hydraulic Block - CW (7023736)
Nozzle/Spraybar Feature\Fixed Spray Bar Hydraulic Block - CW



All Copyright and rights are the property of Johnston Sweepers Ltd.

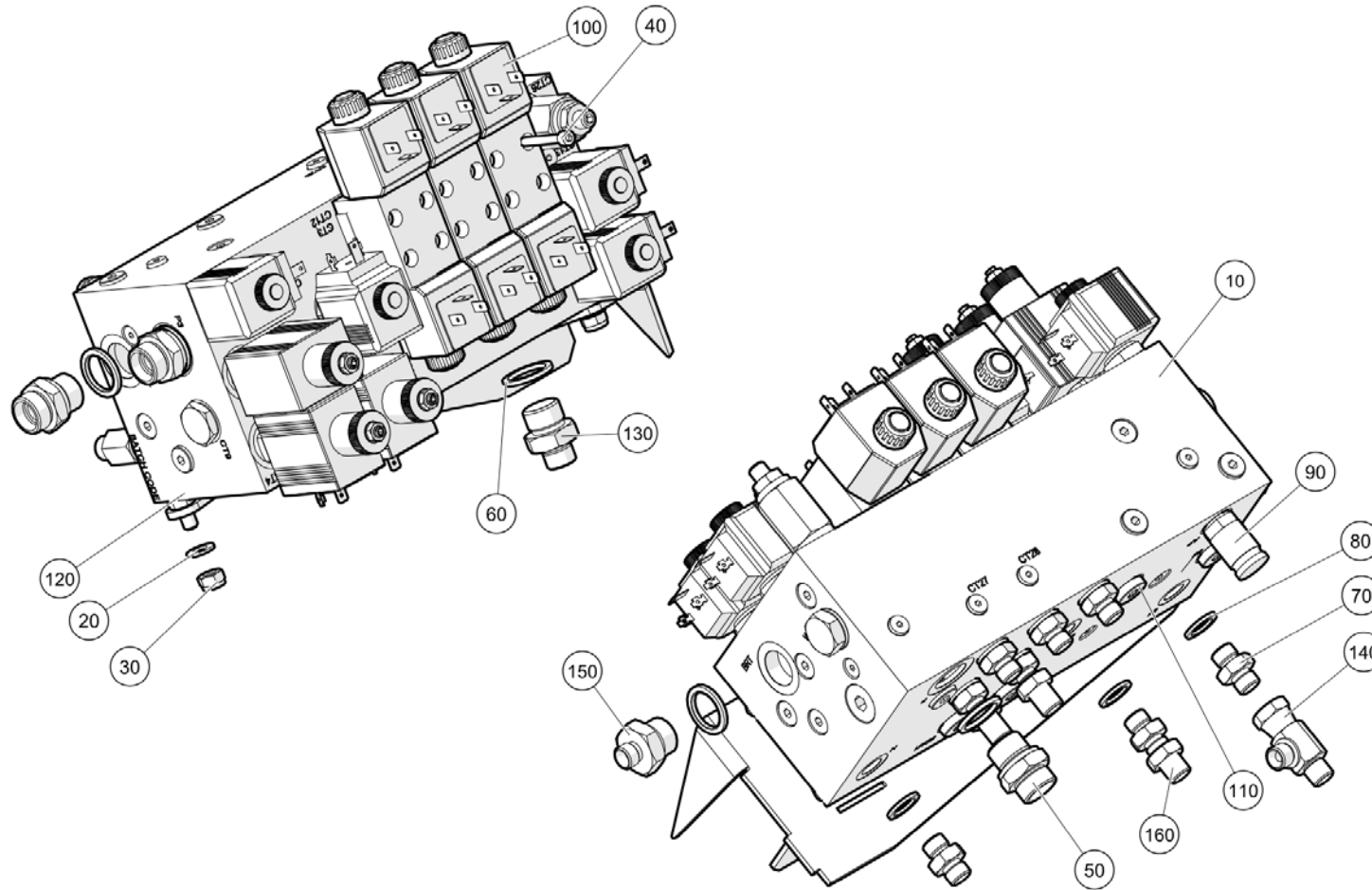
Fixed Spray Bar Hydraulic Block - CW (7023736)

Nozzle/Spraybar Feature\Fixed Spray Bar Hydraulic Block - CW

Item no.	Part no.	Description	QTY	Unit
10	722391-1	Block-Manifold,Front CW200	1	PC
20	93212011-0	Plain Washer M8	3	PC
30	93085005-0	Nyloc Hex Thin Nut M8C - 8	3	PC
40	92137048-0	Hex Socket Cap Screw - M5Cx35 - 12.9	4	PC
50	6601-1329	Stud Coupling Male G 1/2" x M22 x 1.5	3	PC
60	451-19	Washer - Bonded G1-2"	5	PC
70	263-2	Adaptor M/M 1/4 BSP	3	PC
80	451-17	Washer Bonded G1-4"	3	PC
90	665-18	Test Coupling SMK20 - G1/4 Type B	1	PC
100	78352-1	Valve-Directional Control 12v	1	PC
110	09572133-0	Sealing Plug VS-R 1/4 WD	7	PC
120	93056014-0	Hex Nut M8C-8	3	PC
130	265-4	Adaptor Reducing M/M 3/8 x 1/2 BSP	1	PC
140	255-11	Tee - M/Swivel Female/M Branch 1/4 BSP	1	PC
150	265-3	Adaptor Reducing M/M 1/4 x 1/2 BSP	1	PC
160	847-1	Blanking Plate	1	PC
170	92137044-0	Hex Socket Cap Screw - M5Cx20 - 12.9	4	PC

All Copyright and rights are the property of Johnston Sweepers Ltd.

Folding Spray Bar Hydraulic Block - CW (7025023)
Nozzle/Spraybar Feature\Folding Spray Bar Hydraulic Block - CW



All Copyright and rights are the property of Johnston Sweepers Ltd.

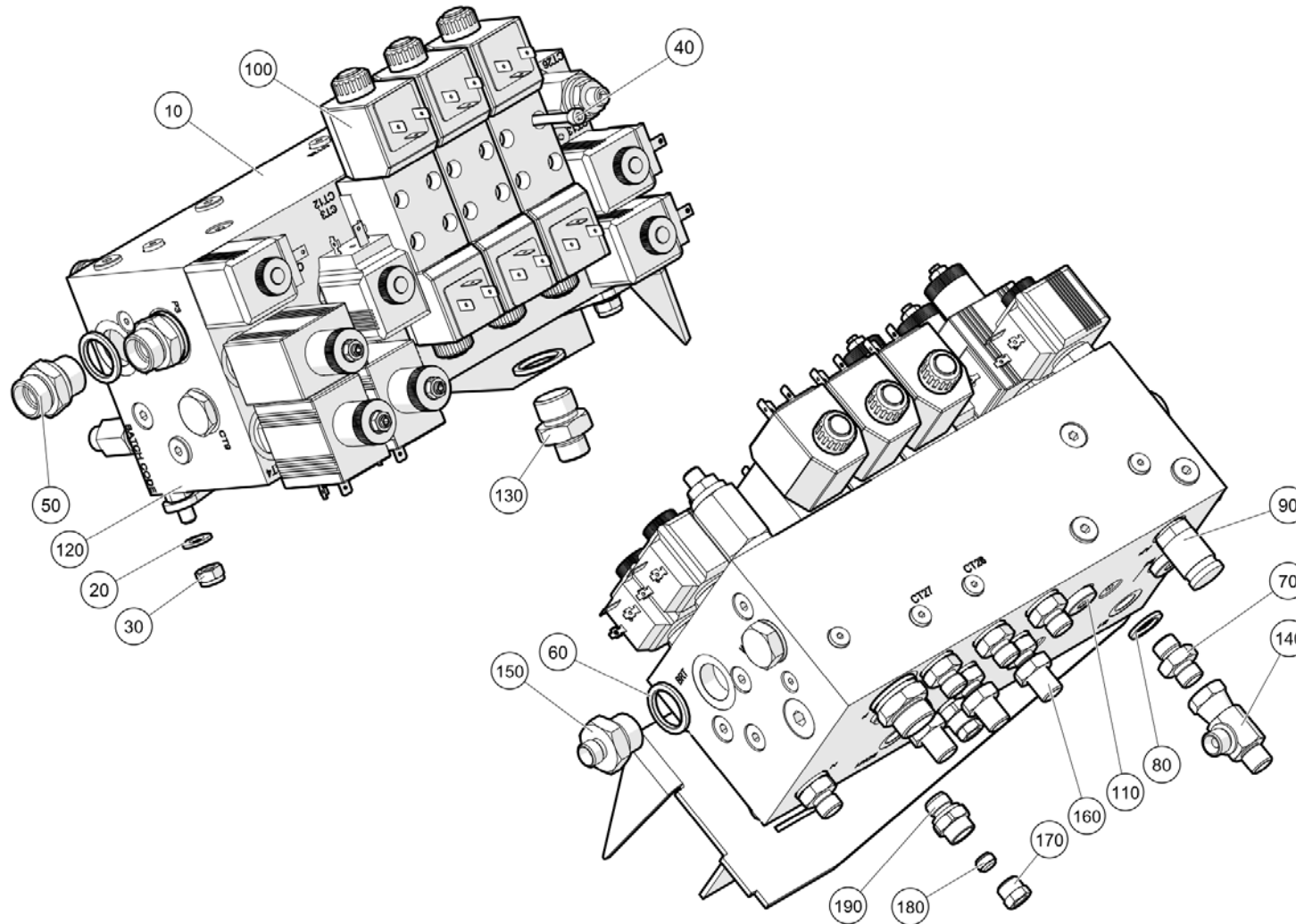
Folding Spray Bar Hydraulic Block - CW (7025023)

Nozzle/Spraybar Feature\Folding Spray Bar Hydraulic Block - CW

Item no.	Part no.	Description	QTY	Unit
10	722391-1	Block-Manifold,Front CW200	1	PC
20	93212011-0	Plain Washer M8	3	PC
30	93085005-0	Nyloc Hex Thin Nut M8C - 8	3	PC
40	92137048-0	Hex Socket Cap Screw - M5Cx35 - 12.9	12	PC
50	6601-1329	Stud Coupling Male G 1/2" x M22 x 1.5	3	PC
60	451-19	Washer - Bonded G1-2"	5	PC
70	263-2	Adaptor M/M 1/4 BSP	5	PC
80	451-17	Washer Bonded G1-4"	8	PC
90	665-18	Test Coupling SMK20 - G1/4 Type B	1	PC
100	78352-1	Valve-Directional Control 12v	3	PC
110	09572133-0	Sealing Plug VS-R 1/4 WD	4	PC
120	93056014-0	Hex Nut M8C-8	3	PC
130	265-4	Adaptor Reducing M/M 3/8 x 1/2 BSP	1	PC
140	255-11	Tee - M/Swivel Female/M Branch 1/4 BSP	1	PC
150	265-3	Adaptor Reducing M/M 1/4 x 1/2 BSP	1	PC
160	264-2	Adaptor M/M - Bulkhead 1/4 BSP	3	PC

All Copyright and rights are the property of Johnston Sweepers Ltd.

Expanding Spray Bar Hydraulic Block - CW (7023737)
Nozzle/Spraybar Feature\Expanding Spray Bar Hydraulic Block - CW



All Copyright and rights are the property of Johnston Sweepers Ltd.

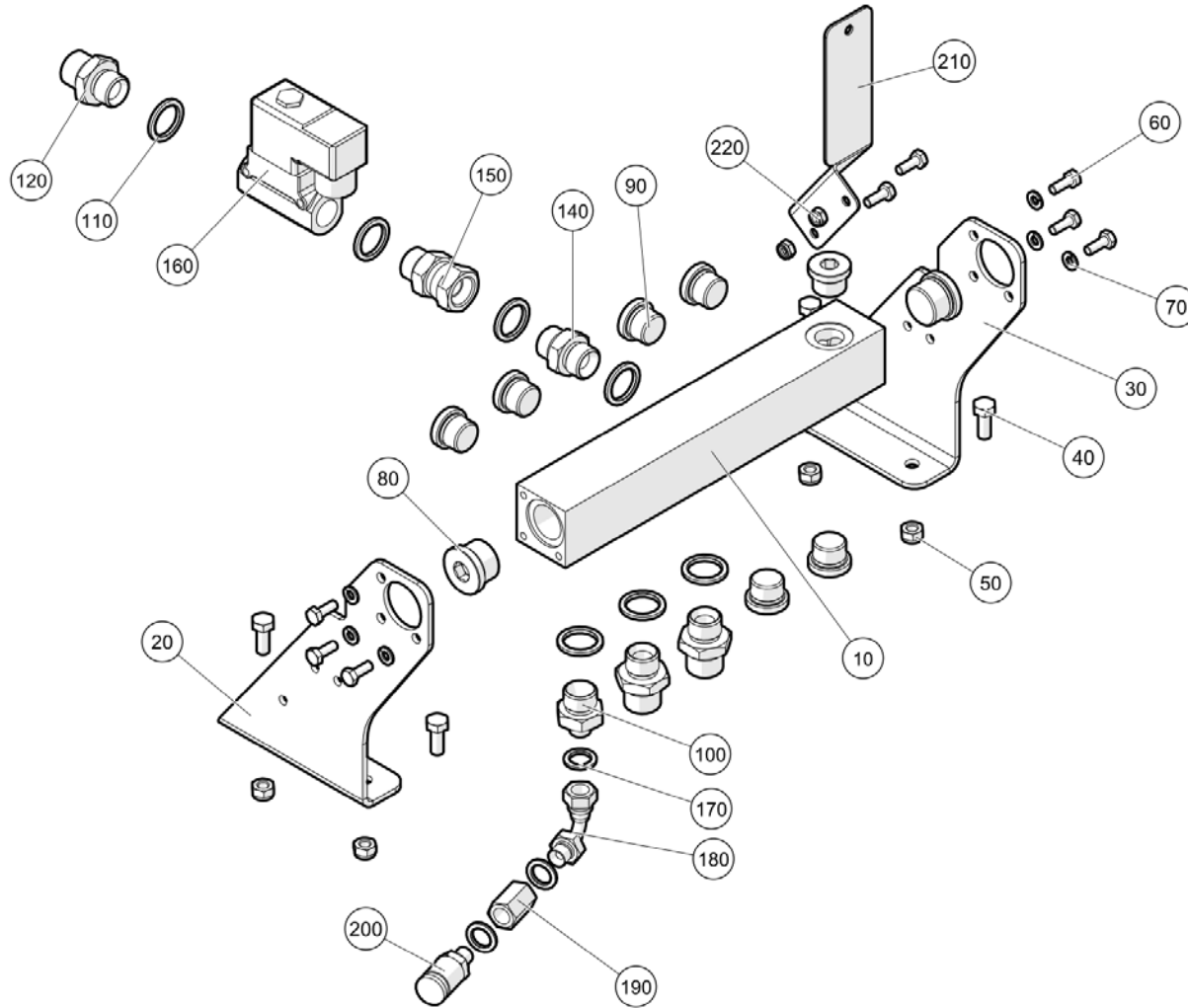
Expanding Spray Bar Hydraulic Block - CW (7023737)

Nozzle/Spraybar Feature\Expanding Spray Bar Hydraulic Block - CW

Item no.	Part no.	Description	QTY	Unit
10	722391-1	Block-Manifold,Front CW200	1	PC
20	93212011-0	Plain Washer M8	3	PC
30	93085005-0	Nyloc Hex Thin Nut M8C - 8	3	PC
40	92137048-0	Hex Socket Cap Screw - M5Cx35 - 12.9	12	PC
50	6601-1329	Stud Coupling Male G 1/2" x M22 x 1.5	3	PC
60	451-19	Washer - Bonded G1-2"	5	PC
70	263-2	Adaptor M/M 1/4 BSP	5	PC
80	451-17	Washer Bonded G1-4"	8	PC
90	665-18	Test Coupling SMK20 - G1/4 Type B	1	PC
100	78352-1	Valve-Directional Control 12v	3	PC
110	09572133-0	Sealing Plug VS-R 1/4 WD	2	PC
120	93056014-0	Hex Nut M8C-8	3	PC
130	265-4	Adaptor Reducing M/M 3/8 x 1/2 BSP	1	PC
140	255-11	Tee - M/Swivel Female/M Branch 1/4 BSP	1	PC
150	265-3	Adaptor Reducing M/M 1/4 x 1/2 BSP	1	PC
160	264-2	Adaptor M/M - Bulkhead 1/4 BSP	3	PC
170	510-4	Nut - Tube 8mm O/D	2	PC
180	511-4	Olive - Tube 8mm O/D	2	PC
190	518-8	Adaptor Straight 8 OD 1/4" BSP	2	PC

All Copyright and rights are the property of Johnston Sweepers Ltd.

Fixed Spray Bar Water Valve Bank - CW (7013033)
Nozzle/Spraybar Feature\Fixed Spray Bar Water Valve Bank - CW



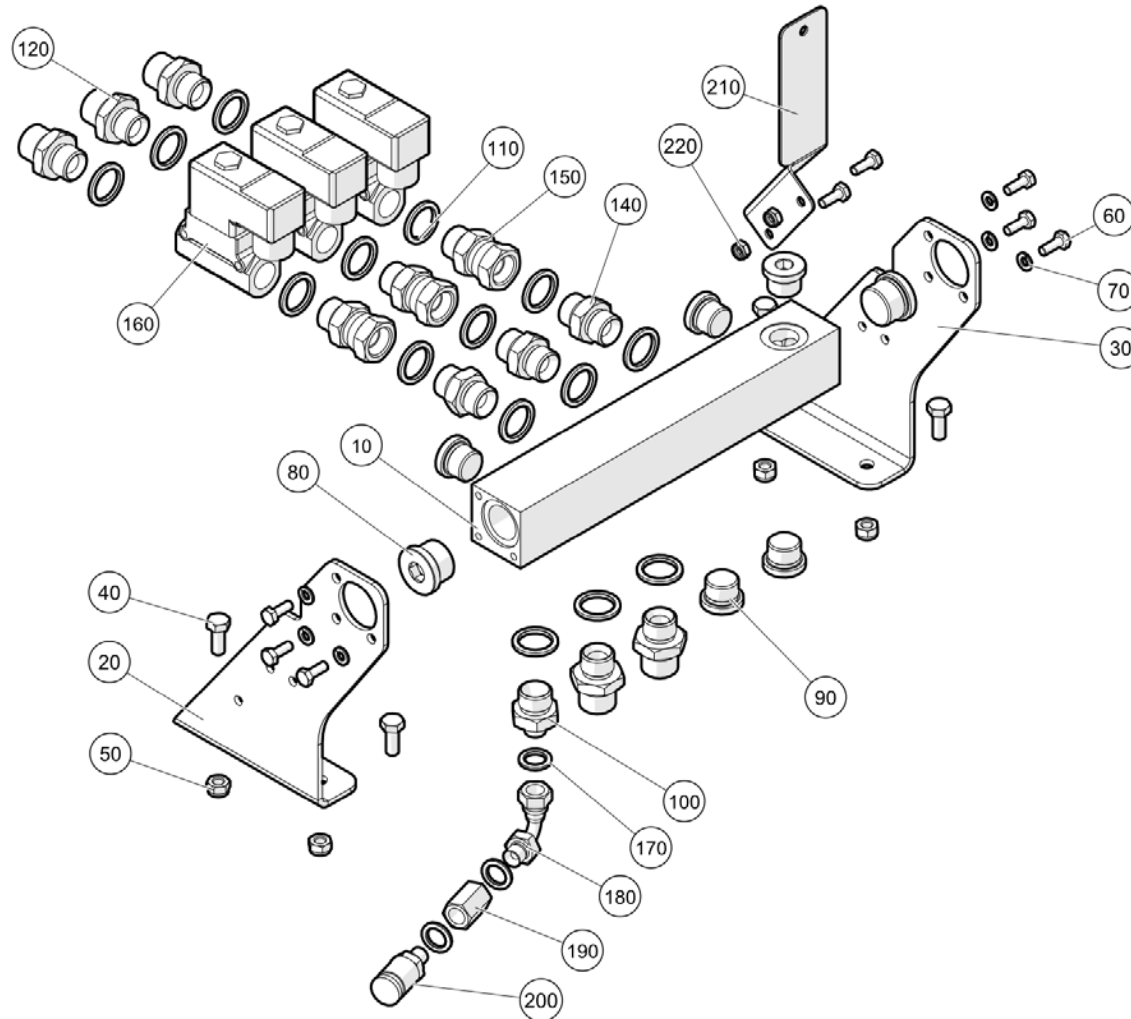
Fixed Spray Bar Water Valve Bank - CW (7013033)

Nozzle/Spraybar Feature\Fixed Spray Bar Water Valve Bank - CW

Item no.	Part no.	Description	QTY	Unit
10	72951-1	Water Manifold	1	PC
20	72952-2	Bracket - Manifold	1	PC
30	72952-1	Bracket - Manifold	1	PC
40	92097374-0	Hex Head Screw - M8Cx20 - 8.8	4	PC
50	93085805-0	Nyloc Hex Nut M8C - 8	4	PC
60	92097299-0	Hex Head Screw - M6Cx16 - 8.8	8	PC
70	93699708-0	Spring Washer - Plated M6	6	PC
80	09572136-0	Sealing Plug VS-R 3/4 WD	2	PC
90	09572135-0	Sealing Plug VS-R 1/2 WD	7	PC
100	265-3	Adaptor Reducing M/M 1/4 x 1/2 BSP	1	PC
110	451-19	Washer - Bonded G1-2"	7	PC
120	265-6	Adaptor Reducing M/M 1/2 x 5/8 BSP	3	PC
140	263-4	Adaptor M/M 1/2 BSP BS5200	1	PC
150	267-4	Adaptor - Equal M/F Swivel 1/2 BSP	1	PC
160	89-13	Valve - G 1/2" Solenoid	1	PC
170	451-17	Washer Bonded G1-4"	3	PC
180	242-2	Elbow - Swivel 90 Deg. 1/4"	1	PC
190	66-7	Socket - Straight 1/4 BSP	1	PC
200	665-18	Test Coupling SMK20 - G1/4 Type B	1	PC
210	7011211	Pipe Mount	1	PC
220	93085004-0	Nyloc Hex Nut M6C - 8	2	PC

All Copyright and rights are the property of Johnston Sweepers Ltd.

Expanding Spray Bar Water Valve Bank - CW (7013036)
Nozzle/Spraybar Feature\Expanding Spray Bar Water Valve Bank - CW



All Copyright and rights are the property of Johnston Sweepers Ltd.

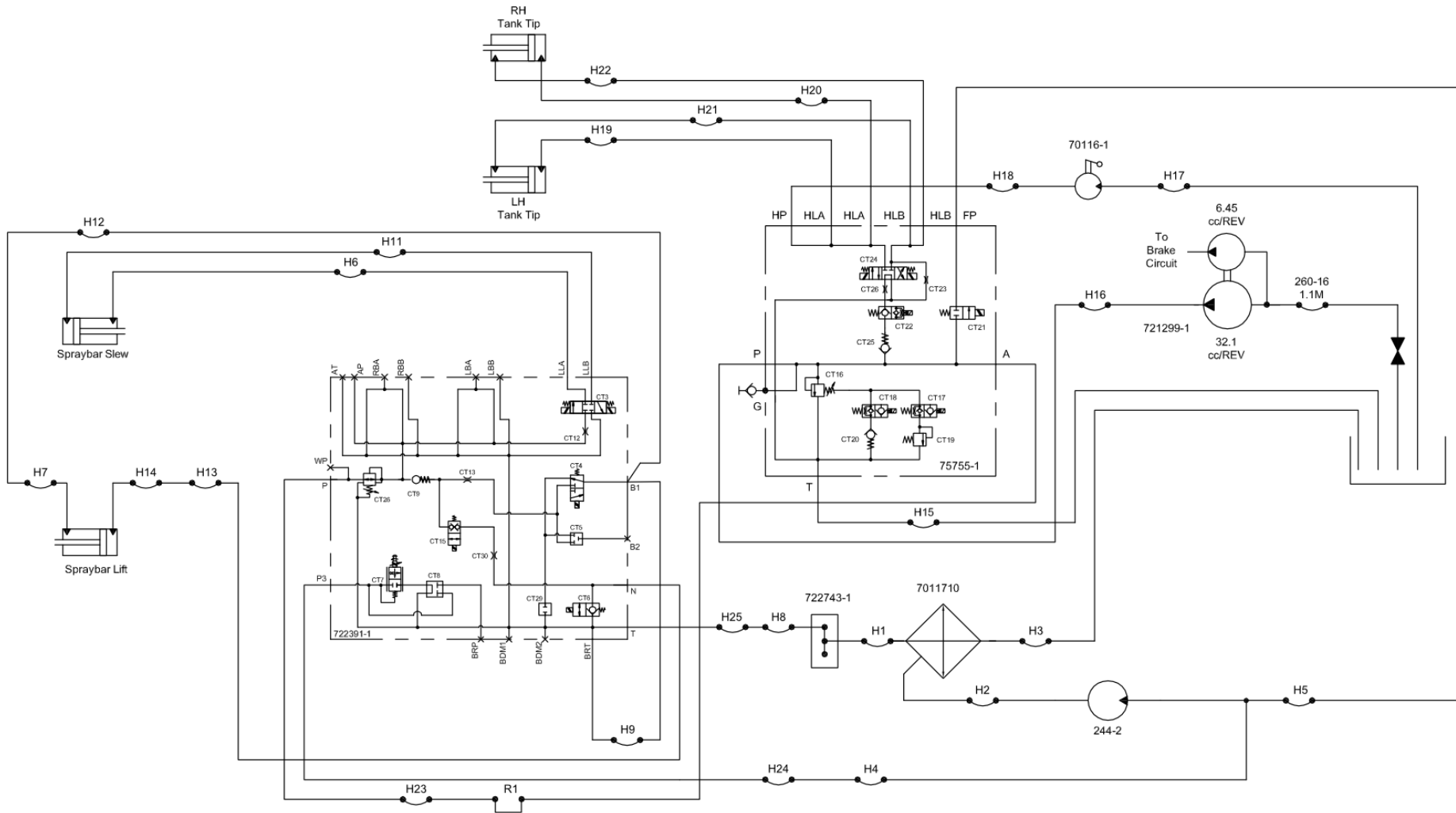
Expanding Spray Bar Water Valve Bank - CW (7013036)

Nozzle/Spraybar Feature\Expanding Spray Bar Water Valve Bank - CW

Item no.	Part no.	Description	QTY	Unit
10	72951-1	Water Manifold	1	PC
20	72952-2	Bracket - Manifold	1	PC
30	72952-1	Bracket - Manifold	1	PC
40	92097374-0	Hex Head Screw - M8Cx20 - 8.8	4	PC
50	93085805-0	Nyloc Hex Nut M8C - 8	4	PC
60	92097299-0	Hex Head Screw - M6Cx16 - 8.8	8	PC
70	93699708-0	Spring Washer - Plated M6	6	PC
80	09572136-0	Sealing Plug VS-R 3/4 WD	2	PC
90	09572135-0	Sealing Plug VS-R 1/2 WD	5	PC
100	265-3	Adaptor Reducing M/M 1/4 x 1/2 BSP	1	PC
110	451-19	Washer - Bonded G1-2"	15	PC
120	265-6	Adaptor Reducing M/M 1/2 x 5/8 BSP	5	PC
140	263-4	Adaptor M/M 1/2 BSP BS5200	3	PC
150	267-4	Adaptor - Equal M/F Swivel 1/2 BSP	3	PC
160	89-13	Valve - G 1/2" Solenoid	3	PC
170	451-17	Washer Bonded G1-4"	3	PC
180	242-2	Elbow - Swivel 90 Deg. 1/4"	1	PC
190	66-7	Socket - Straight 1/4 BSP	1	PC
200	665-18	Test Coupling SMK20 - G1/4 Type B	1	PC
210	7011211	Pipe Mount	1	PC
220	93085004-0	Nyloc Hex Nut M6C - 8	2	PC

All Copyright and rights are the property of Johnston Sweepers Ltd.

Fixed Spray Bar Hyd Circuit - CW (7024704)
 Nozzle/Spraybar Feature/Fixed Spray Bar Hyd Circuit - CW



All Copyright and rights are the property of Johnston Sweepers Ltd.

Fixed Spray Bar Hyd Circuit - CW (7024704)

Nozzle/Spraybar Feature\Fixed Spray Bar Hyd Circuit - CW

Item no.	Part no.	Description	QTY	Unit
H1	HE16003-59	Hose-Hyd 1" Straight fem x 90 Compact	1	PC
H2	HC08043-70-150	Hose - Megaflex 1/2" 90sx90s	1	PC
H3	HE16063-178-150	Hose-Hyd 1" 90 Compact x 90 Compact	1	PC
H4	HR1SC12000-70	Hose - Hyd 1/2" STR x STR	1	PC
H5	HR1SC12002-168	Hose - Hyd 1" Straight x 90 Swept	1	PC
H6	HC04043-115	Hose - Megaflex 1/4" 90sx90s	1	PC
H7	HC04002-55	Hose - Megaflex 1/4" STRx90s	1	PC
H8	HR1SC12002-32	hose - Hyd Straight x 90 Swept	1	PC
H9	HC04002-45	Hose - Megaflex 1/4" STRx90s	1	PC
H11	HC04043-135	Hose - Megaflex 1/4" 90sx90s	1	PC
H12	HC04002-145	Hose - Megaflex 1/4" STRx90s	1	PC
H13	HC04002-145	Hose - Megaflex 1/4" STRx90s	1	PC
H14	HC04043-45	Hose - Megaflex 1/4" 90sx90s	1	PC
H15	HQ08044-33-80	Hose - Megatuff 1/2" 90cx90s	1	PC
H16	HP12023-108-20	Hose - Hyd 45 Swept x 90 Swept	1	PC
H17	HL06044-83-270	Hose - Megatuff 3/8" 90sx90c	1	PC
H18	HL04043-28-180	Hose - Megatuff 1/4" 90sx90s	1	PC
H19	HL04054-115-90	Hose-Megatuff 1/4" 90s x Banjo	1	PC
H20	HL04002-24	Hose - Megatuff 1/4" STRx90s	1	PC
H21	HL04013-115	Hose - Megatuff 1/4" STRxBanjo	1	PC
H22	HL04002-51	Hose - Megatuff 1/4" STRx90s	1	PC
H23	HR1SC12027-45-350	Hose - Hyd 45 Swept x 90 Swept	1	PC
H24	HR1SC12051-66-90	Hose - Hyd 90 Swept x 90 Swept	1	PC
H25	HR1SC12051-64-90	Hose - Hyd 90 Swept x 90 Swept	1	PC

All Copyright and rights are the property of Johnston Sweepers Ltd.

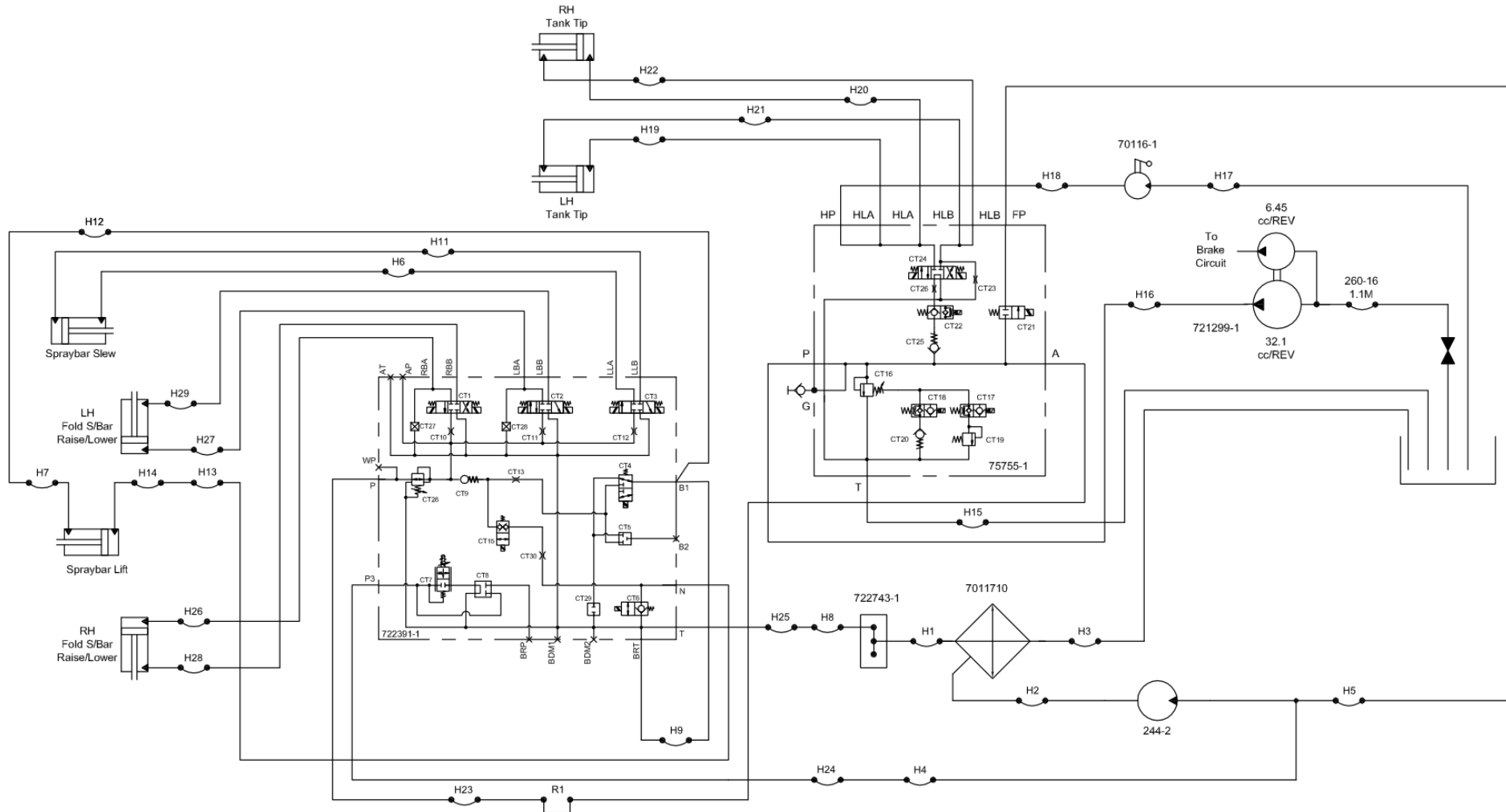
Fixed Spray Bar Hyd Circuit - CW (7024704)

Nozzle/Spraybar Feature\Fixed Spray Bar Hyd Circuit - CW

Item no.	Part no.	Description	QTY	Unit
R1	7014614	Pipe 07 - 15mm, Sweeping System	1	PC

Folding Spray Bar Hyd Circuit - CW (7024705)
 Nozzle/Spraybar Feature\Folding Spray Bar Hyd Circuit - CW

All Copyright and rights are the property of Johnston Sweepers Ltd.



Folding Spray Bar Hyd Circuit - CW (7024705)

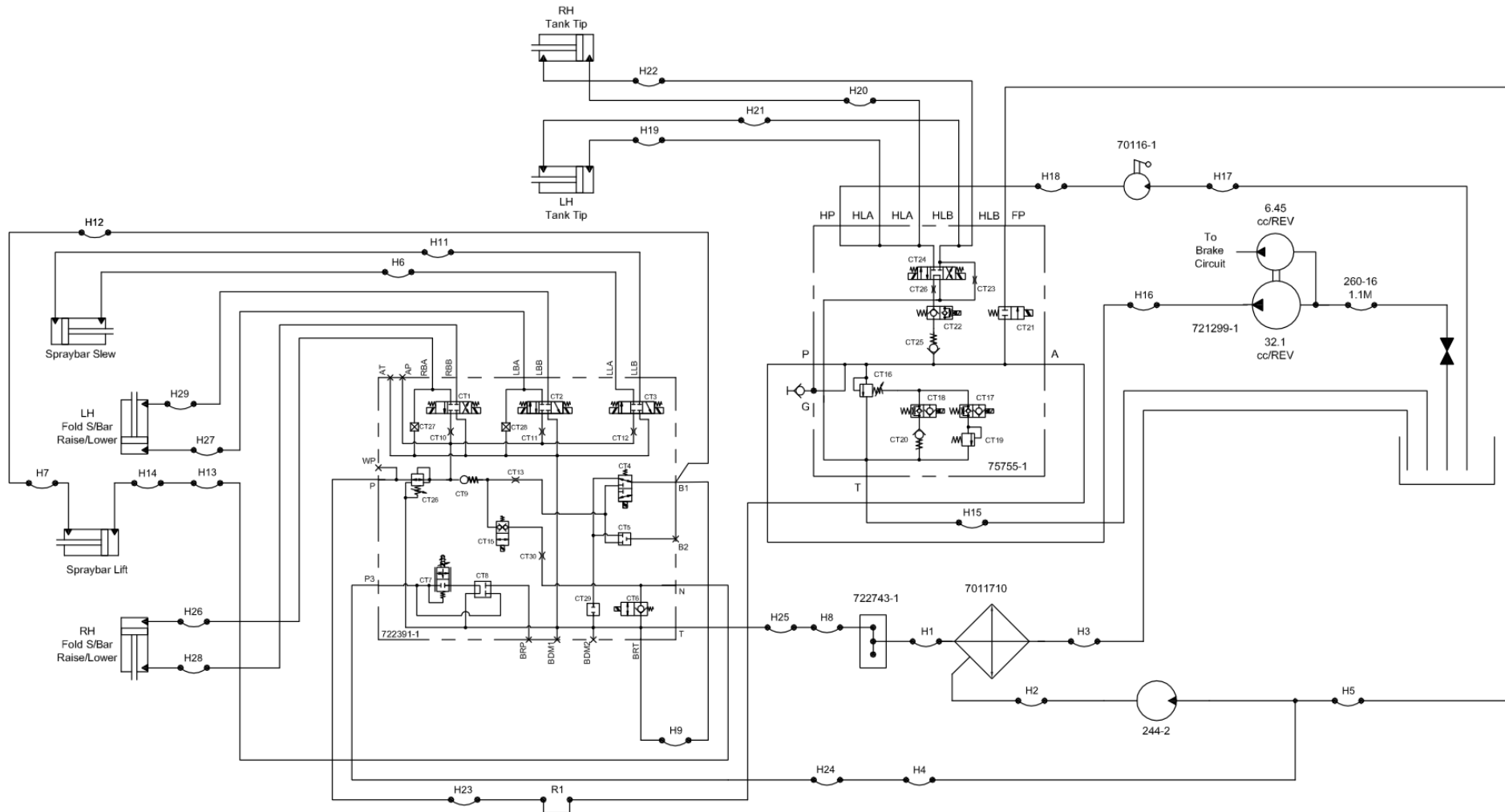
Nozzle/Spraybar Feature\Folding Spray Bar Hyd Circuit - CW

Item no.	Part no.	Description	QTY	Unit
H1	HE16003-59	Hose-Hyd 1" Straight fem x 90 Compact	1	PC
H2	HC08043-70-150	Hose - Megaflex 1/2" 90sx90s	1	PC
H3	HE16063-178-150	Hose-Hyd 1" 90 Compact x 90 Compact	1	PC
H4	HR1SC12000-70	Hose - Hyd 1/2" STR x STR	1	PC
H5	HR1SC12002-168	Hose - Hyd 1" Straight x 90 Swept	1	PC
H6	HC04043-115	Hose - Megaflex 1/4" 90sx90s	1	PC
H7	HC04002-55	Hose - Megaflex 1/4" STRx90s	1	PC
H8	HR1SC12002-32	hose - Hyd Straight x 90 Swept	1	PC
H9	HC04002-45	Hose - Megaflex 1/4" STRx90s	1	PC
H11	HC04043-135	Hose - Megaflex 1/4" 90sx90s	1	PC
H12	HC04002-145	Hose - Megaflex 1/4" STRx90s	1	PC
H13	HC04002-145	Hose - Megaflex 1/4" STRx90s	1	PC
H14	HC04043-45	Hose - Megaflex 1/4" 90sx90s	1	PC
H15	HQ08044-33-80	Hose - Megatuff 1/2" 90cx90s	1	PC
H16	HP12023-108-20	Hose - Hyd 45 Swept x 90 Swept	1	PC
H17	HL06044-83-270	Hose - Megatuff 3/8" 90sx90c	1	PC
H18	HL04043-28-180	Hose - Megatuff 1/4" 90sx90s	1	PC
H19	HL04054-115-90	Hose-Megatuff 1/4" 90s x Banjo	1	PC
H20	HL04002-24	Hose - Megatuff 1/4" STRx90s	1	PC
H21	HL04013-115	Hose - Megatuff 1/4" STRxBanjo	1	PC
H22	HL04002-51	Hose - Megatuff 1/4" STRx90s	1	PC
H23	HR1SC12027-45-350	Hose - Hyd 45 Swept x 90 Swept	1	PC
H24	HR1SC12051-66-90	Hose - Hyd 90 Swept x 90 Swept	1	PC
H25	HR1SC12051-64-90	Hose - Hyd 90 Swept x 90 Swept	1	PC

All Copyright and rights are the property of Johnston Sweepers Ltd.

Folding Spray Bar Hyd Circuit - CW (7024705)
 Nozzle/Spraybar Feature\Folding Spray Bar Hyd Circuit - CW

All Copyright and rights are the property of Johnston Sweepers Ltd.



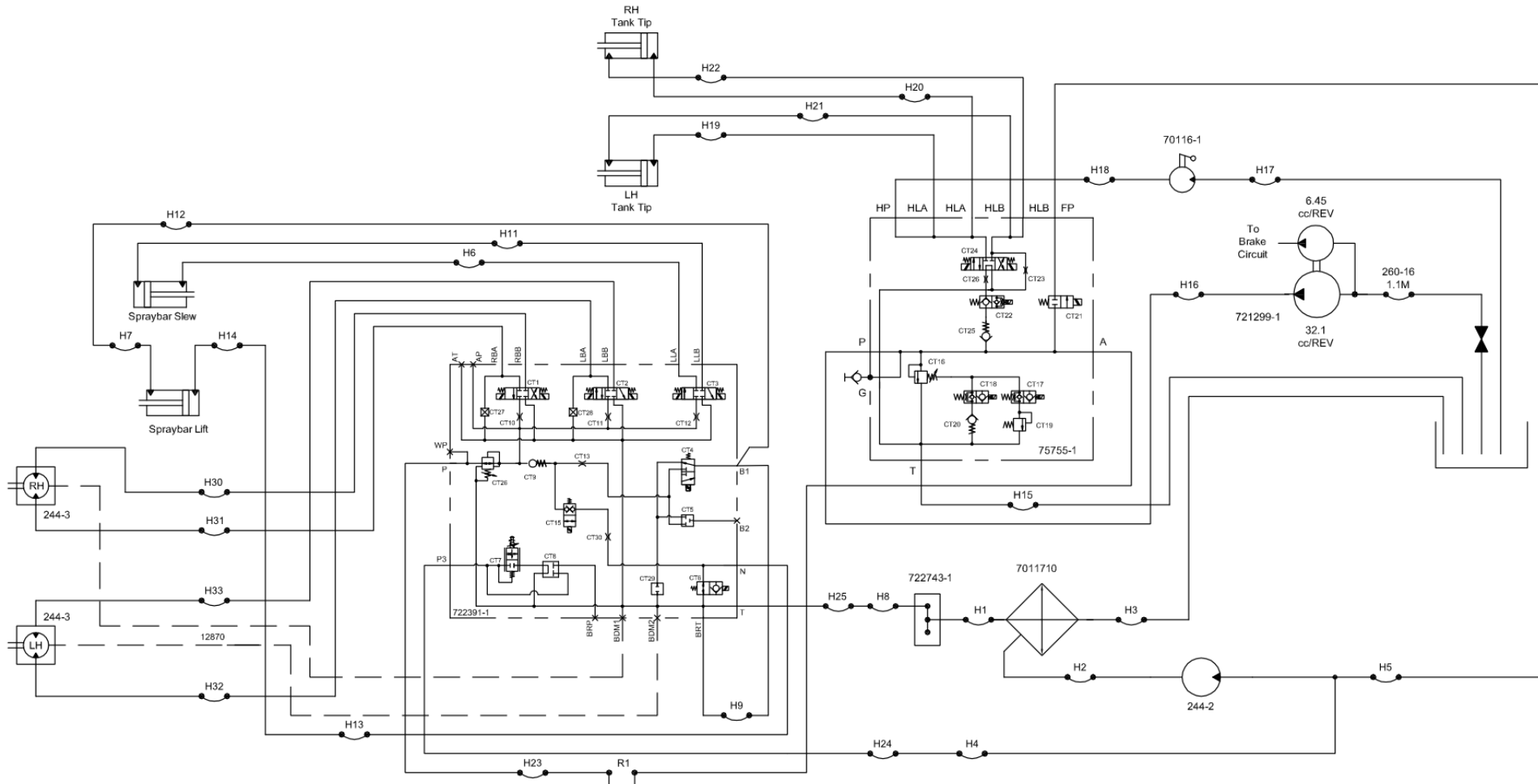
Folding Spray Bar Hyd Circuit - CW (7024705)

Nozzle/Spraybar Feature\Folding Spray Bar Hyd Circuit - CW

Item no.	Part no.	Description	QTY	Unit
H26	HC04043-194-180	Hose - Megaflex 1/4" 90sx90s	1	PC
H27	HC04043-254-180	Hose - Megaflex 1/4" 90sx90s	1	PC
H28	HC04043-184-180	Hose - Megaflex 1/4" 90sx90s	1	PC
H29	HC04043-240-180	Hose - Megaflex 1/4" 90sx90s	1	PC
R1	7014614	Pipe 07 - 15mm, Sweeping System	1	PC

Expanding Spray Bar Hyd Circuit - CW (7024706)
 Nozzle/Spraybar Feature\Expanding Spray Bar Hyd Circuit - CW

All Copyright and rights are the property of Johnston Sweepers Ltd.



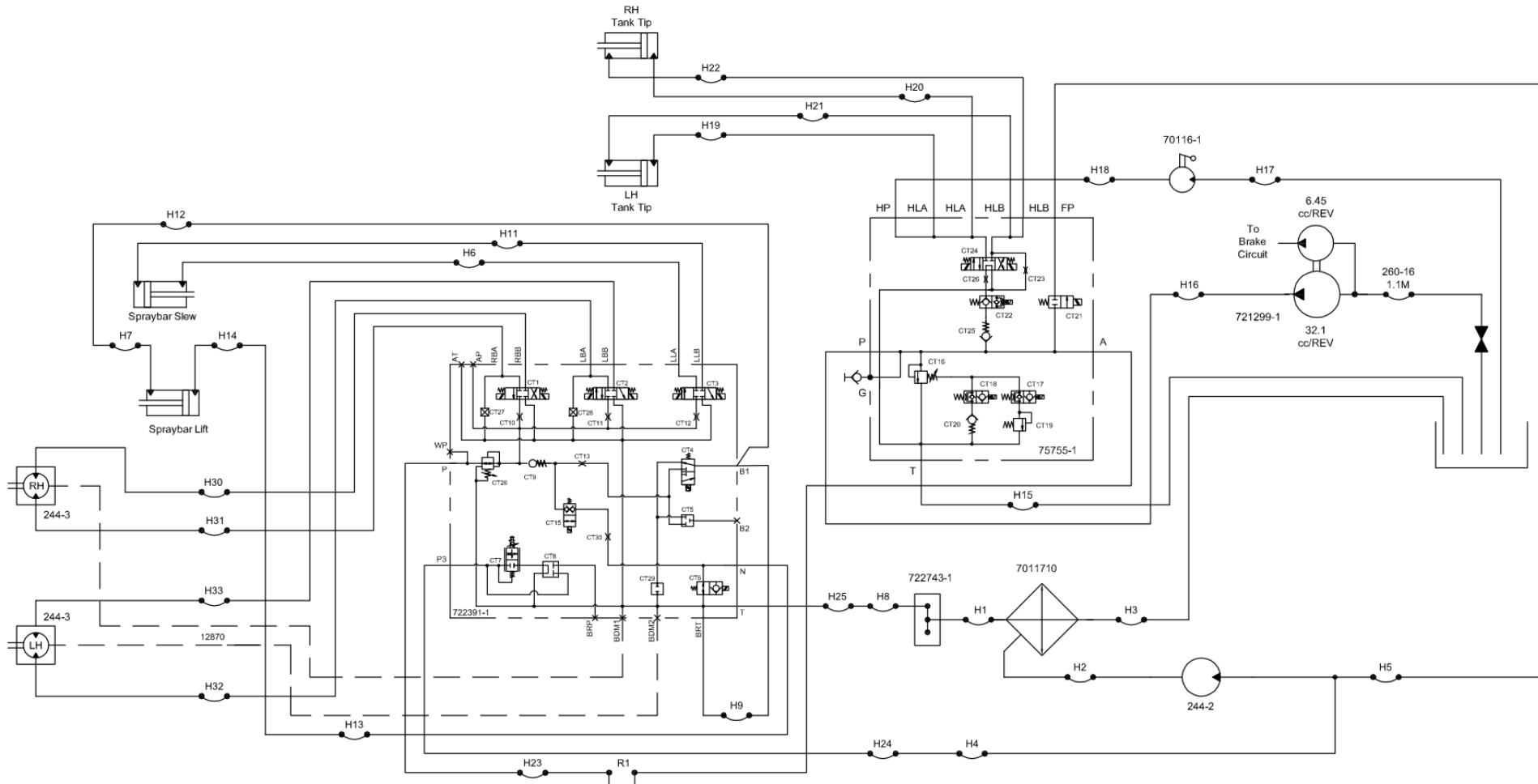
Expanding Spray Bar Hyd Circuit - CW (7024706)
 Nozzle/Spraybar Feature\Expanding Spray Bar Hyd Circuit - CW

Item no.	Part no.	Description	QTY	Unit
H1	HE16003-59	Hose-Hyd 1" Straight fem x 90 Compact	1	PC
H2	HC08043-70-150	Hose - Megaflex 1/2" 90sx90s	1	PC
H4	HR1SC12000-70	Hose - Hyd 1/2" STR x STR	1	PC
H5	HR1SC12002-168	Hose - Hyd 1" Straight x 90 Swept	1	PC
H6	HC04043-115	Hose - Megaflex 1/4" 90sx90s	1	PC
H7	HC04002-55	Hose - Megaflex 1/4" STRx90s	1	PC
H8	HR1SC12002-32	hose - Hyd Straight x 90 Swept	1	PC
H9	HC04002-45	Hose - Megaflex 1/4" STRx90s	1	PC
H11	HC04043-135	Hose - Megaflex 1/4" 90sx90s	1	PC
H12	HC04002-145	Hose - Megaflex 1/4" STRx90s	1	PC
H13	HC04002-145	Hose - Megaflex 1/4" STRx90s	1	PC
H14	HC04043-45	Hose - Megaflex 1/4" 90sx90s	1	PC
H15	HQ08044-33-80	Hose - Megatuff 1/2" 90cx90s	1	PC
H16	HP12023-108-20	Hose - Hyd 45 Swept x 90 Swept	1	PC
H17	HL06044-83-270	Hose - Megatuff 3/8" 90sx90c	1	PC
H18	HL04043-28-180	Hose - Megatuff 1/4" 90sx90s	1	PC
H19	HL04054-115-90	Hose-Megatuff 1/4" 90s x Banjo	1	PC
H20	HL04002-24	Hose - Megatuff 1/4" STRx90s	1	PC
H21	HL04013-115	Hose - Megatuff 1/4" STRxBanjo	1	PC
H22	HL04002-51	Hose - Megatuff 1/4" STRx90s	1	PC
H23	HR1SC12027-45-350	Hose - Hyd 45 Swept x 90 Swept	1	PC
H24	HR1SC12051-66-90	Hose - Hyd 90 Swept x 90 Swept	1	PC
H25	HR1SC12051-64-90	Hose - Hyd 90 Swept x 90 Swept	1	PC
H30	HC04043-210-90	Hose - Megaflex 1/4" 90sx90s	1	PC

All Copyright and rights are the property of Johnston Sweepers Ltd.

Expanding Spray Bar Hyd Circuit - CW (7024706)
 Nozzle/Spraybar Feature\Expanding Spray Bar Hyd Circuit - CW

All Copyright and rights are the property of Johnston Sweepers Ltd.



Expanding Spray Bar Hyd Circuit - CW (7024706)

Nozzle/Spraybar Feature\Expanding Spray Bar Hyd Circuit - CW

Item no.	Part no.	Description	QTY	Unit
R1	7014614	Pipe 07 - 15mm, Sweeping System	1	PC
H3	HE16063-178-150	Hose-Hyd 1" 90 Compact x 90 Compact	1	PC
H31	HC04043-200-60	Hose - Megaflex 1/4" 90sx90s	1	PC
H32	HC04043-200-60	Hose - Megaflex 1/4" 90sx90s	1	PC
H33	HC04043-200-60	Hose - Megaflex 1/4" 90sx90s	1	PC

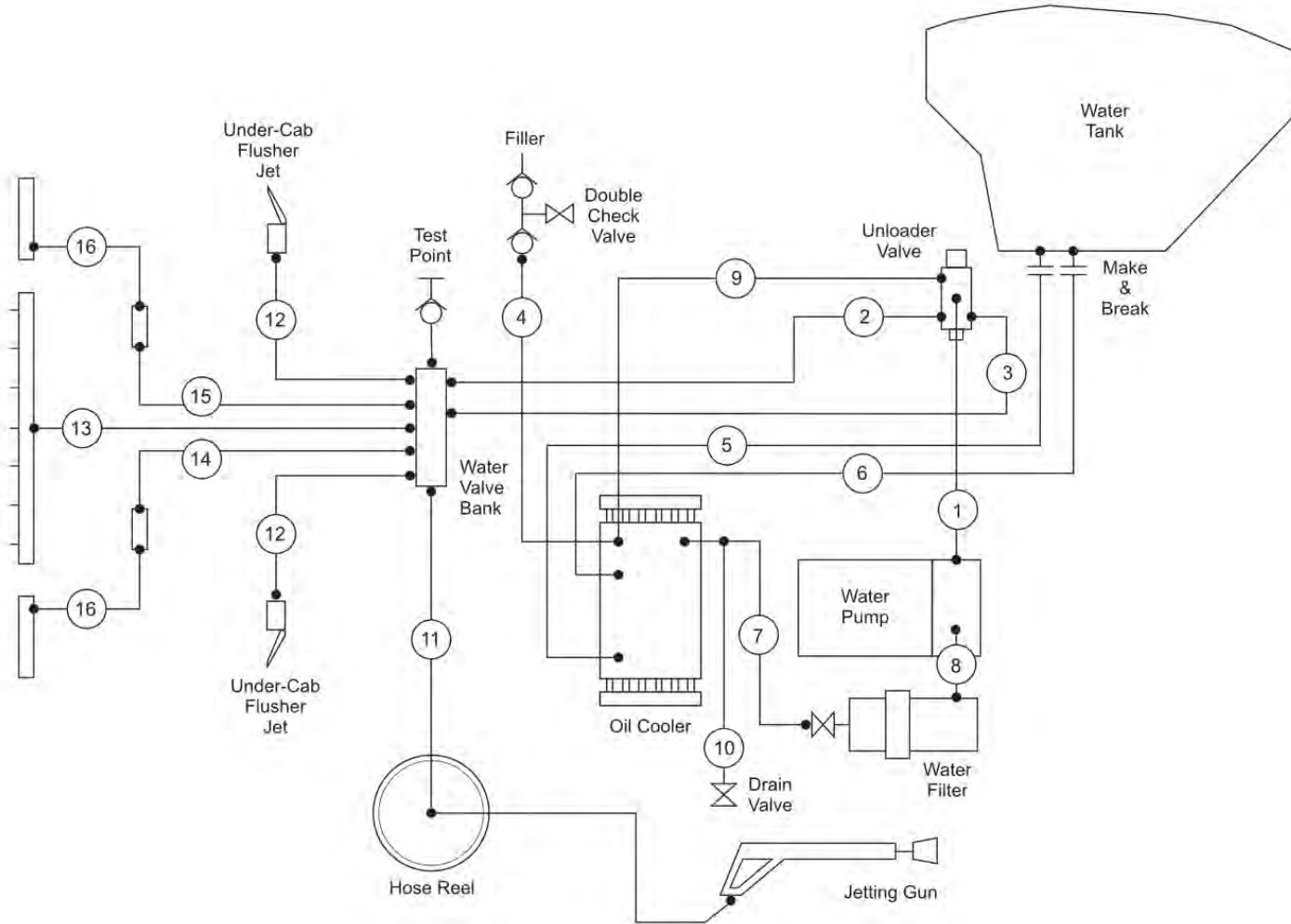
Fixed Spray Bar Water Hose Kit - CW (7014384)

Nozzle/Spraybar Feature\Fixed Spray Bar Water Hose Kit - CW

Item no.	Part no.	Description	QTY	Unit
1	HA12002-38	Hose - Hyd 3/4" Straight Fem x 90 Swept	1	PC
2	HA10002-144	Hose - Hyd 5/8" Straight Fem x 90 Swept	1	PC
3	HA10043-161-180	Hose - Hyd 5/8" 90 Swept x 90 Swept	1	PC
4	260-27	Hose - Reinforced Water 1 1/2"	0.5	M
5	272-42	Clear Ducting 31.75mm (1 1/4") I/D x 10m	0.612	M
6	272-42	Clear Ducting 31.75mm (1 1/4") I/D x 10m	0.65	M
7	260-27	Hose - Reinforced Water 1 1/2"	0.9	M
8	260-27	Hose - Reinforced Water 1 1/2"	0.15	M
9	272-20	Clear Ducting 25mm Bore x 20m	0.5	M
10	272-20	Clear Ducting 25mm Bore x 20m	0.7	M
11	HA06001-193	Hose - Hydraulic 3/8" STRx45s	1	PC
12	HA10001-157	Hose Hydraulic 5/8 STRx45s	2	PC
13	HE10003-235	Hose - Hydraulic 5/8" STRx90c	1	PC
14	HA10002-220	Hose-Hyd 5/8" Straight fem x 90 Swept	1	PC
15	HA10002-290	Hose-Hyd 5/8" Straight fem x 90 Swept	1	PC

Folding Spray Bar Water Hose Kit - CW (7014451)
 Nozzle/Spraybar Feature\Folding Spray Bar Water Hose Kit - CW

All Copyright and rights are the property of Johnston Sweepers Ltd.



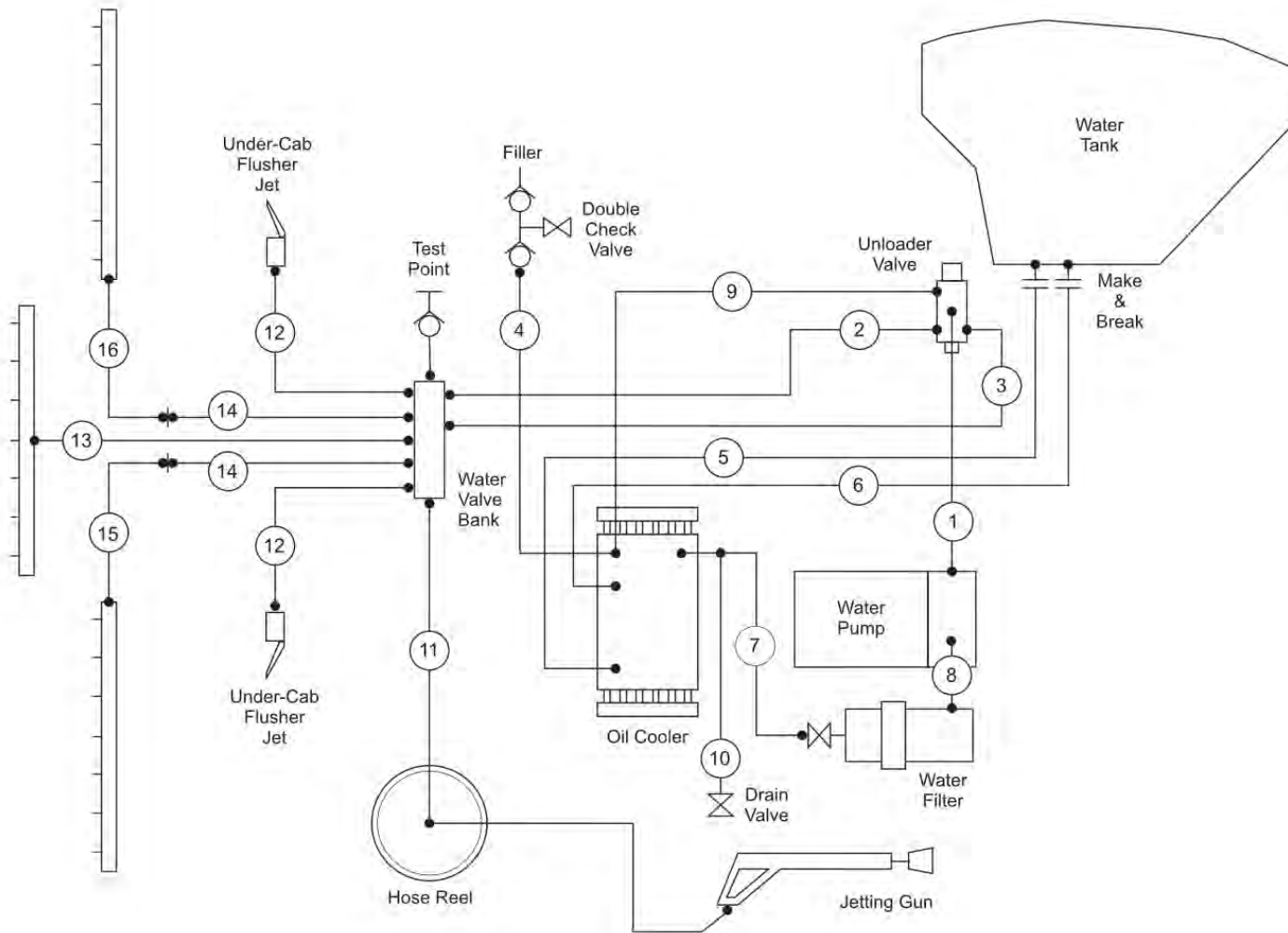
Folding Spray Bar Water Hose Kit - CW (7014451)

Nozzle/Spraybar Feature\Folding Spray Bar Water Hose Kit - CW

Item no.	Part no.	Description	QTY	Unit
1	HA12002-38	Hose - Hyd 3/4" Straight Fem x 90 Swept	1	PC
2	HA10002-144	Hose - Hyd 5/8" Straight Fem x 90 Swept	1	PC
3	HA10043-161-180	Hose - Hyd 5/8" 90 Swept x 90 Swept	1	PC
4	260-27	Hose - Reinforced Water 1 1/2"	0.5	M
5	272-42	Clear Ducting 31.75mm (1 1/4") I/D x 10m	0.612	M
6	272-42	Clear Ducting 31.75mm (1 1/4") I/D x 10m	0.65	M
7	260-27	Hose - Reinforced Water 1 1/2"	0.9	M
8	260-27	Hose - Reinforced Water 1 1/2"	0.15	M
9	272-20	Clear Ducting 25mm Bore x 20m	0.5	M
10	272-20	Clear Ducting 25mm Bore x 20m	0.7	M
11	HA06001-193	Hose - Hydraulic 3/8" STRx45s	1	PC
12	HA10001-147	Hose-Hyd 5/8" Straight fem x 45 Swept	2	PC
13	HE10003-235	Hose - Hydraulic 5/8" STRx90c	1	PC
14	HA08000-278	Hose - Hydraulic 1/2" STRxSTR	2	PC
15	HA08001-228	Hose - Hydraulic 1/2" STRx45s	1	PC
16	HA08002-52	Hose - Hydraulic 1/2" STRx90s	1	PC

All Copyright and rights are the property of Johnston Sweepers Ltd.

Expanding Spray Bar Water Hose Kit - CW (7014388)
 Nozzle/Spraybar Feature\Expanding Spray Bar Water Hose Kit - CW



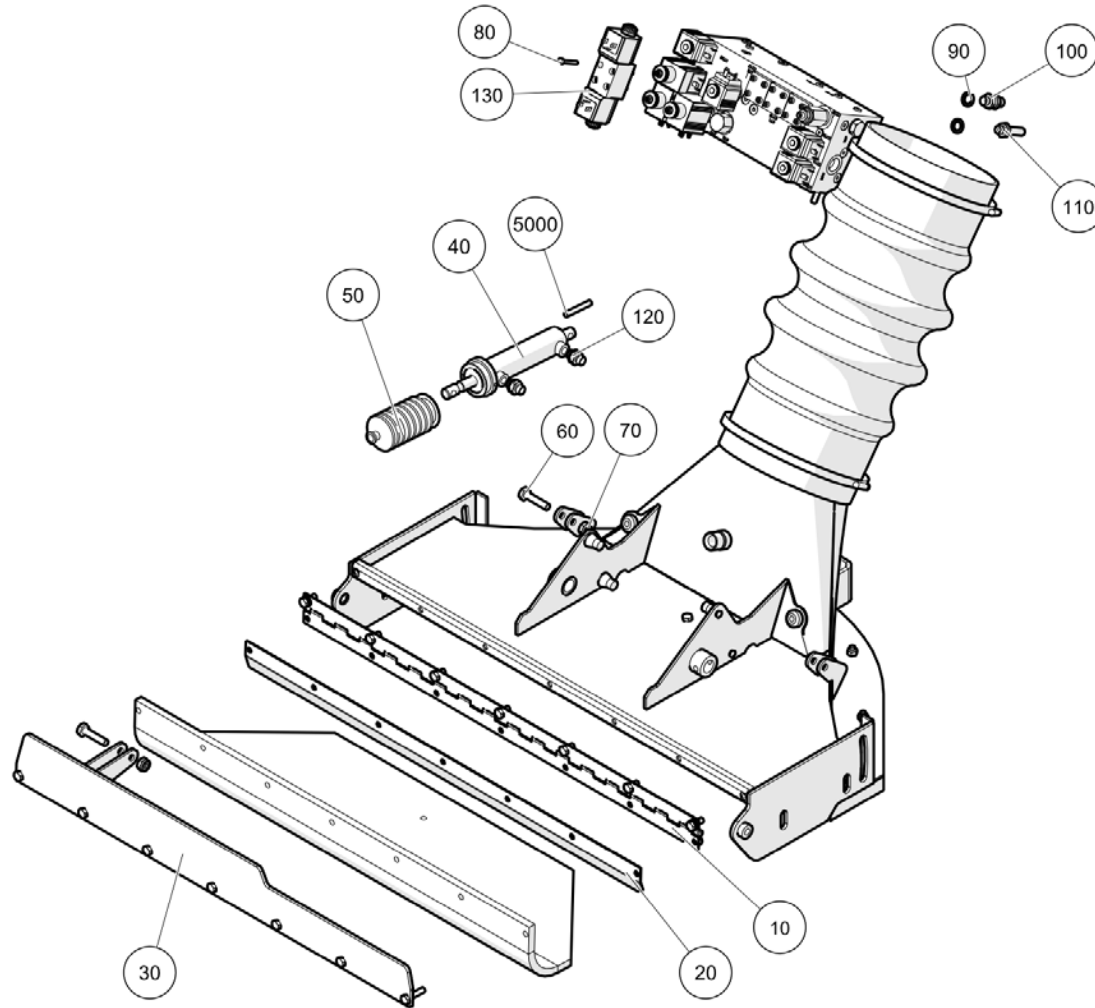
All Copyright and rights are the property of Johnston Sweepers Ltd.

Expanding Spray Bar Water Hose Kit - CW (7014388)
 Nozzle/Spraybar Feature\Expanding Spray Bar Water Hose Kit - CW

Item no.	Part no.	Description	QTY	Unit
1	HA12002-38	Hose - Hyd 3/4" Straight Fem x 90 Swept	1	PC
2	HA10002-144	Hose - Hyd 5/8" Straight Fem x 90 Swept	1	PC
3	HA10043-161-180	Hose - Hyd 5/8" 90 Swept x 90 Swept	1	PC
4	260-27	Hose - Reinforced Water 1 1/2"	0.5	M
5	272-42	Clear Ducting 31.75mm (1 1/4") I/D x 10m	0.612	M
6	272-42	Clear Ducting 31.75mm (1 1/4") I/D x 10m	0.65	M
7	260-27	Hose - Reinforced Water 1 1/2"	0.9	M
8	260-27	Hose - Reinforced Water 1 1/2"	0.15	M
9	272-20	Clear Ducting 25mm Bore x 20m	0.5	M
10	272-20	Clear Ducting 25mm Bore x 20m	0.7	M
11	HA06001-193	Hose - Hydraulic 3/8" STRx45s	1	PC
12	HA10001-147	Hose-Hyd 5/8" Straight fem x 45 Swept	2	PC
13	HE10003-215	Hose - Hyd 5/8" Straight Fem x 90 Comp	1	PC
14	HF08003-220	Hose - Twinflex 1/2" STRx90c	2	PC
15	HC08063-87	Hose - Megaflex 1/2" 90cx90c	1	PC
16	HC08063-90	Hose - Megaflex 1/2" 90cx90c	1	PC

All Copyright and rights are the property of Johnston Sweepers Ltd.

Leaf Lift Nozzle (7017412, 7018608)
Nozzle/Spraybar Options\Leaf Lift Nozzle



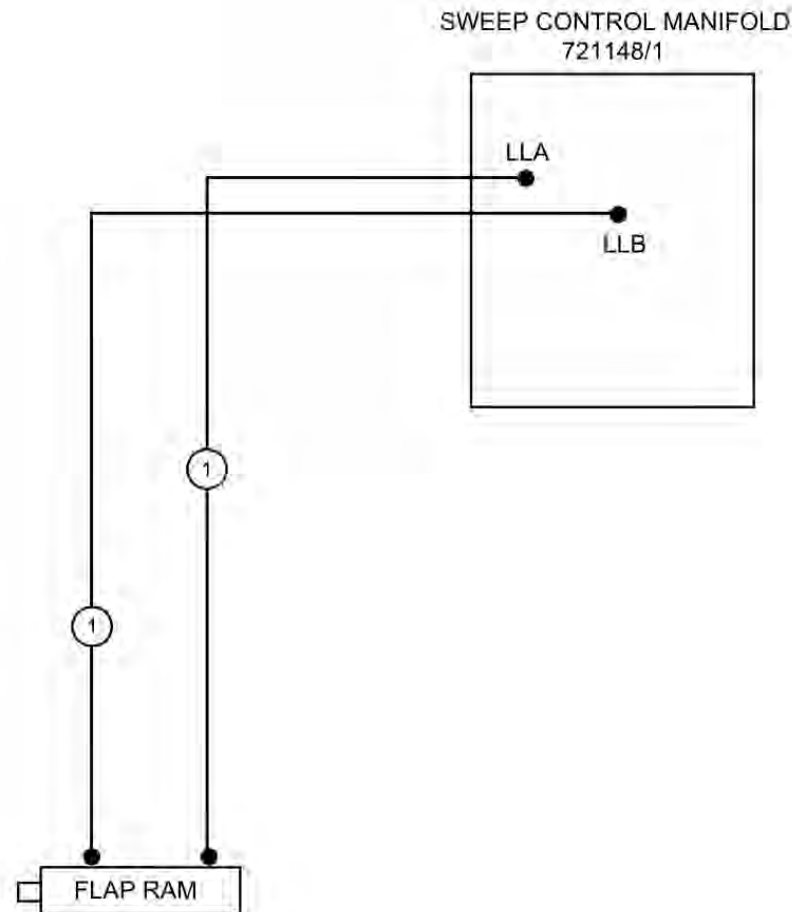
All Copyright and rights are the property of Johnston Sweepers Ltd.

Leaf Lift Nozzle (7017412, 7018608)
 Nozzle/Spraybar Options\Leaf Lift Nozzle

Item no.	Part no.	Description	QTY	Unit
10	72927-1	Hinge - Flap	1	PC
20	70916-2	Clamp Flap	1	PC
30	7018404	Clamp Plate W/Assy LHD	1	PC
30	7018405	Clamp Plate W/Assy RHD	1	PC
40	75429-1	Cylinder- E Type Nozzle Flap	1	PC
50	650-8	Gaiter	1	PC
60	92067421-0	Hex Head Bolt - M10Cx45 - 8.8	2	PC
70	93085806-0	Nyloc Hex Nut M10C - 8	2	PC
80	92137048-0	Hex Socket Cap Screw - M5Cx35 - 12.9	4	PC
90	451-17	Washer Bonded G1-4"	4	PC
100	264-2	Adaptor M/M - Bulkhead 1/4 BSP	1	PC
110	72012-1	Special Bulk Hd.Fitting	1	PC
120	263-2	Adaptor M/M 1/4 BSP	2	PC
130	78352-1	Valve-Directional Control 12v	1	PC
5000	12870	Tube - Nylon Black 8mm O/D	2.5	M

All Copyright and rights are the property of Johnston Sweepers Ltd.

Leaf-Lift Hose Circuit (37103-51)
Nozzle/Spraybar Options\Leaf-Lift Hose Circuit



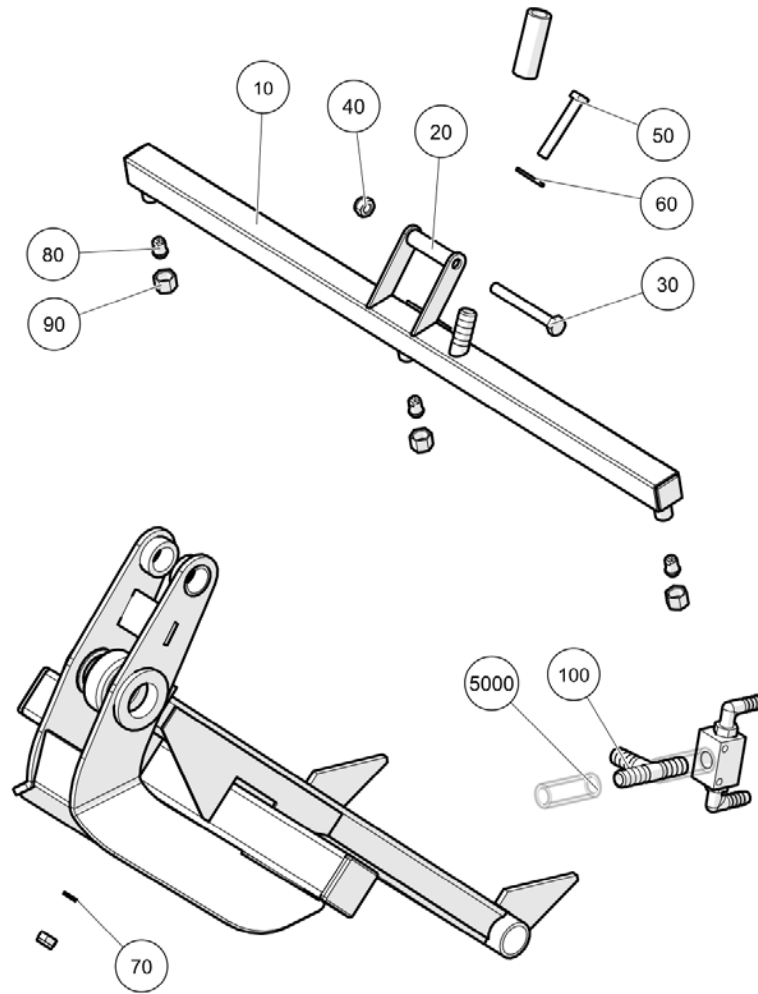
All Copyright and rights are the property of Johnston Sweepers Ltd.

Leaf-Lift Hose Circuit (37103-51)
Nozzle/Spraybar Options\Leaf-Lift Hose Circuit

Item no.	Part no.	Description	QTY	Unit
1	HQ04043-130-45	Hose - Megatuff 1/4" 90sx90s	2	PC

All Copyright and rights are the property of Johnston Sweepers Ltd.

Nozzle Spray Bar (7008970)
Nozzle/Spraybar Options\Nozzle Spray Bar



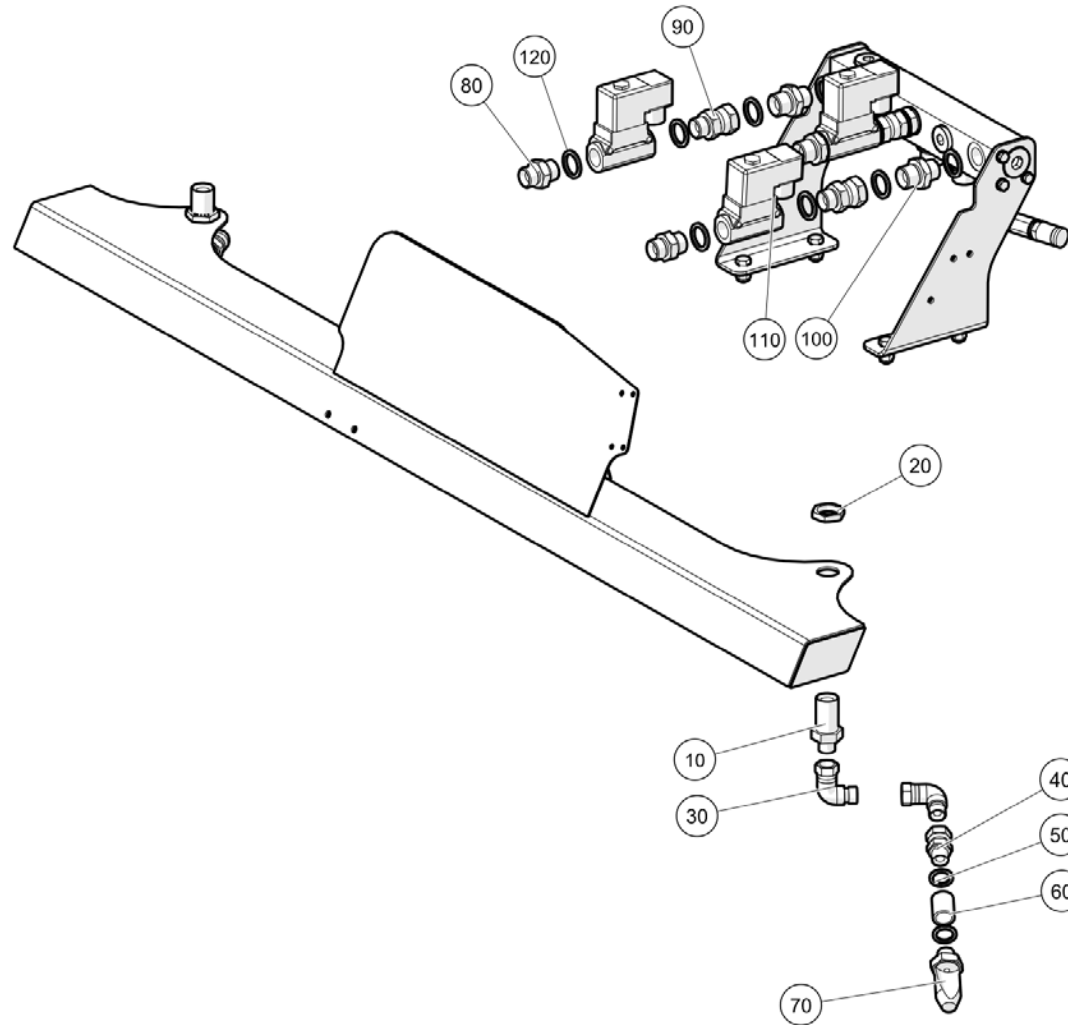
All Copyright and rights are the property of Johnston Sweepers Ltd.

Nozzle Spray Bar (7008970)

Nozzle/Spraybar Options\Nozzle Spray Bar

Item no.	Part no.	Description	QTY	Unit
10	7008957	Spraybar Weld assembly	1	PC
20	7008928	Spacer Ø12.7	1	PC
30	92097386-0	Hex Head Screw - M8Cx70 - 8.8	1	PC
40	93085005-0	Nyloc Hex Thin Nut M8C - 8	2	PC
50	92097382-0	Hex Head Screw - M8Cx50 - 8.8	1	PC
60	93300509-0	Plain Large Washer M8	1	PC
70	93212011-0	Plain Washer M8	1	PC
80	60688-1	Nozzle Spraybar - (Out-Side)	3	PC
90	60689-1	Nut - Union	3	PC
100	277-113	Tee - 1/2" Barbed, Nylon	1	PC
5000	273-1	Tube-PVC 1/2" Bore Sngle Braid	1.6	M

Fixed Spray Bar Flusher Jets - CW (7013360)
Nozzle/Spraybar Options\Fixed Spray Bar Flusher Jets - CW

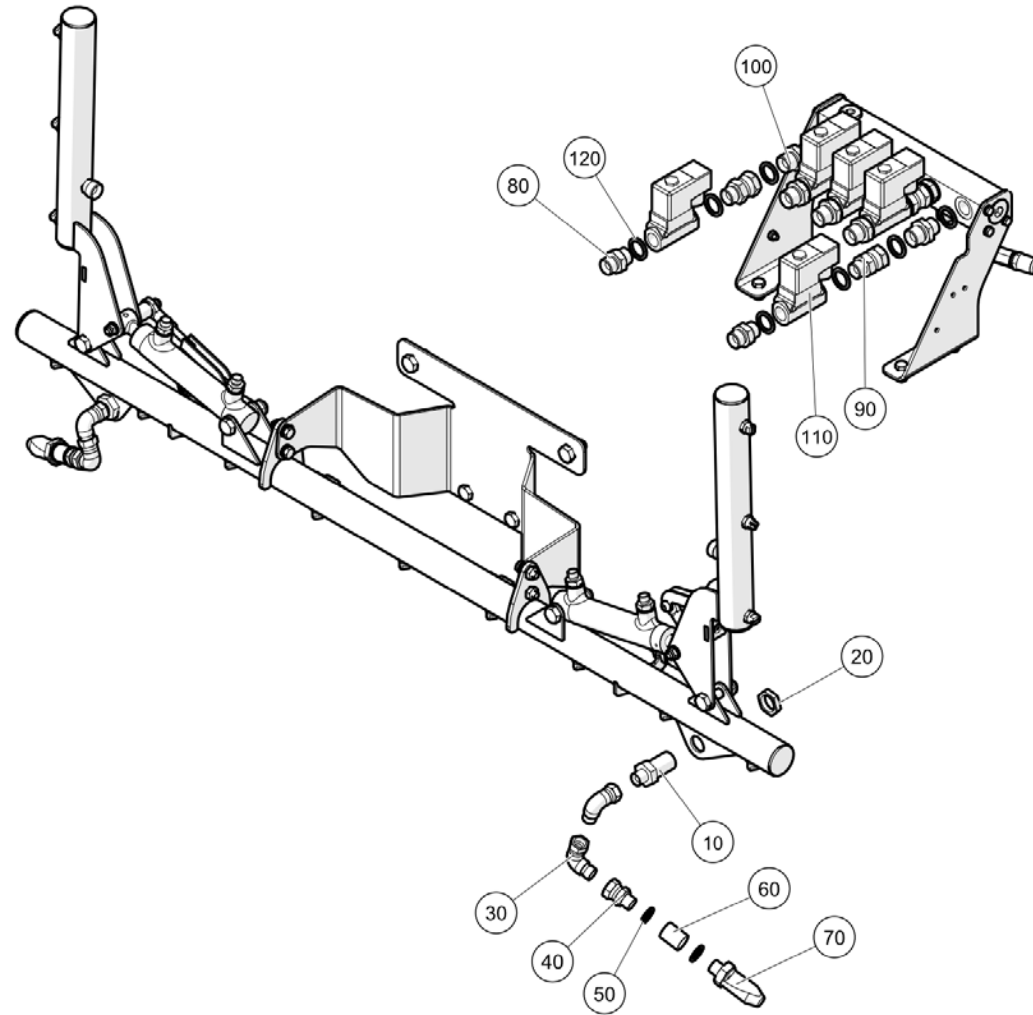


Fixed Spray Bar Flusher Jets - CW (7013360)

Nozzle/Spraybar Options\Fixed Spray Bar Flusher Jets - CW

Item no.	Part no.	Description	QTY	Unit
10	72060-1	Bulkhead Fitting G5/8"xG3/8"	2	PC
20	410-43	Nut - Back G 5/8"	2	PC
30	277-11	Elbow - Swivel G3/8" M/F	4	PC
40	267-3	Adaptor - Equal M/F Swivel 3/8 BSP	2	PC
50	451-18	Washer Bonded G3/8"	4	PC
60	72061-1	Socket - G3/8"	2	PC
70	21-18	Jet - Flusher	2	PC
80	263-4	Adaptor M/M 1/2 BSP BS5200	2	PC
90	267-4	Adaptor - Equal M/F Swivel 1/2 BSP	2	PC
100	265-6	Adaptor Reducing M/M 1/2 x 5/8 BSP	2	PC
110	89-13	Valve - G 1/2" Solenoid	2	PC
120	451-19	Washer - Bonded G1-2"	8	PC

Folding Spray Bar Flusher Jets - CW (7013361)
Nozzle/Spraybar Options\Folding Spray Bar Flusher Jets - CW



All Copyright and rights are the property of Johnston Sweepers Ltd.

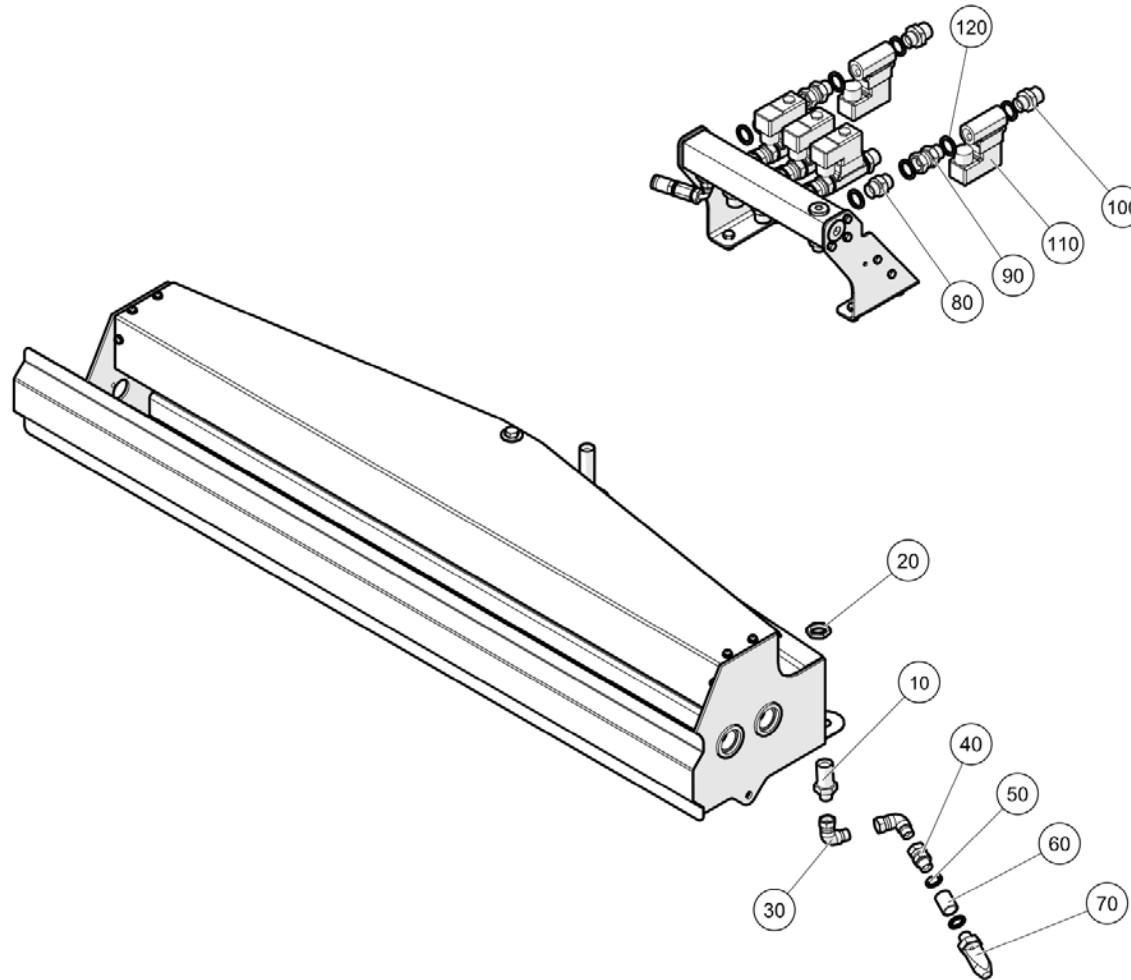
Folding Spray Bar Flusher Jets - CW (7013361)

Nozzle/Spraybar Options\Folding Spray Bar Flusher Jets - CW

Item no.	Part no.	Description	QTY	Unit
10	72060-1	Bulkhead Fitting G5/8"xG3/8"	2	PC
20	410-43	Nut - Back G 5/8"	2	PC
30	277-11	Elbow - Swivel G3/8" M/F	4	PC
40	267-3	Adaptor - Equal M/F Swivel 3/8 BSP	2	PC
50	451-18	Washer Bonded G3/8"	4	PC
60	72061-1	Socket - G3/8"	2	PC
70	21-18	Jet - Flusher	2	PC
80	263-4	Adaptor M/M 1/2 BSP BS5200	2	PC
90	267-4	Adaptor - Equal M/F Swivel 1/2 BSP	2	PC
100	265-6	Adaptor Reducing M/M 1/2 x 5/8 BSP	2	PC
110	89-13	Valve - G 1/2" Solenoid	2	PC
120	451-19	Washer - Bonded G1-2"	8	PC

All Copyright and rights are the property of Johnston Sweepers Ltd.

Expanding Spray Bar Flusher Jets (7021954)
Nozzle/Spraybar Options\Expanding Spray Bar Flusher Jets



All Copyright and rights are the property of Johnston Sweepers Ltd.

Expanding Spray Bar Flusher Jets (7021954)

Nozzle/Spraybar Options\Expanding Spray Bar Flusher Jets

Item no.	Part no.	Description	QTY	Unit
10	72060-1	Bulkhead Fitting G5/8"xG3/8"	2	PC
20	410-43	Nut - Back G 5/8"	2	PC
30	277-11	Elbow - Swivel G3/8" M/F	4	PC
40	267-3	Adaptor - Equal M/F Swivel 3/8 BSP	2	PC
50	451-18	Washer Bonded G3/8"	4	PC
60	72061-1	Socket - G3/8"	2	PC
70	21-18	Jet - Flusher	2	PC
80	263-4	Adaptor M/M 1/2 BSP BS5200	2	PC
90	267-4	Adaptor - Equal M/F Swivel 1/2 BSP	2	PC
100	265-6	Adaptor Reducing M/M 1/2 x 5/8 BSP	2	PC
110	89-13	Valve - G 1/2" Solenoid	2	PC
120	451-19	Washer - Bonded G1-2"	8	PC