

**BUCHER**  
municipal

# C202

---

Small and perfectly formed



# Bucher C202

---

The Bucher C202 compact sweeper is Bucher Municipal's class leading 4 wheel drive compact design. Designed for inner-city use and around six key objectives as required by our customers, the Bucher C202 achieves high performance, high productivity, low cost of ownership, minimal environmental impact, and safe operating experience, all delivered in one package.



# High performance **and productivity**

The Bucher C202 offers longer on-station time allowing the sweeper to be out cleaning whilst others are returning to base to tip, refuel or fill with water.

Maximising on-station time requires a balance of having enough water to allow the operator to fill the hopper on a dry day, having enough hopper capacity to cope with large volumes of leaves and litter, having enough of a payload to handle heavy detritus and having enough fuel to last the shift. Over years of development, Bucher Municipal feel they have achieved this in their most compact design available.

Productivity is driven by a combination of reliability, with fewer service interventions, great suction performance, quick engage options and outstanding manoeuvrability.

Service interventions restrict the time out sweeping. Routine servicing, hydraulic leaks, damage and even punctures have an impact on utilisation. The Bucher C202 has been designed to reduce the risk of damage, reduce tyre wear and punctures and improve hydraulic routing to prevent leaks and chaffing.

## High torque at low rpm

Workmode  
1000 - 1500 rpm

## Low fuel consumption

4.3 l/h EN-15429-2  
standard

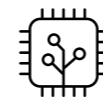
## Class leading turning circle

2110 mm kerb to  
kerb

## High payload

Up to 1750 kg at  
4500 kg GVW

# The Bucher C202 delivers



## Front facing brush system

Individually controllable brush arms that maximise the sweeping width

## Shuffle button

Comes as standard, to drive backwards without changing to the reverse gear

## Hydrostatic drive

Can switch seamlessly from forward to reverse and work mode/transit



## Easy access

To major components

## Independent articulated brush arms

Include forward impact shock absorbers and side impact hydraulic dampening to reduce damage costs

## Low volume 'misting' jets

Reduce clean water consumption



## 1.8 m<sup>3</sup> hopper volume

The 1.8 m<sup>3</sup> capacity and 1.5 m discharge height are ideal for tipping into skips or bins

## 402 litres water volume

250 litres service water volume and 152 litres fresh water volume



## Disc brakes

Provide improved straight line braking

## Stainless steel wedge wire screens

Prevent blocking and allowing easier cleaning of recirculation system



## 1985 mm

Under 2 m with wanderhose, allowing access to car parks and under bus shelters where other sweepers are unable to sweep

## Battery isolation switch

Allows safe working and prevents an accidental discharge



Hopper 1.8 m<sup>3</sup>, stainless-steel

4-wheel drive

LED work lights

Misting jets for dust suppression

Individual brush arm control

Suction intake with leaf flap

## Low environmental **impact**

In a busy urban setting, the Bucher C202 is taken for granted by the public as an environmental benefit to their living space. It's comforting to know that the Bucher C202 can deliver a productive service with minimal impact on the environment.

### Low noise

The Bucher C202 can work down to 1000 rpm reducing noise levels to 65 dB(A) in the cab. Max. sound power of 2000/14/EC LWA 98 dB(A).

### Low water usage

The Bucher C202 uses a pumped water recirculation system to reuse the service water. This reduces refilling costs and extends on-station time.

### Low fuel consumption

Through intelligent design, the Bucher C202 can provide a high performance at lower engine revs, allowing up to 40 % less fuel to be used.

### Dust emissions

EUnited 4 star certified for PM10 and PM2.5

### Less CO<sub>2</sub> emissions

At an average fuel consumption of 4.3 litres per hour in work mode, the Bucher C202 produces up to 10'000 kg less CO<sub>2</sub> emissions per year than other sweepers in its class (per year = 2000 operating hours).

### Latest regulation engine

Standard Euro 6 engine - with diesel particulate filter, SCR and water heated AdBlue system.

### High dust suppression

Water jets on each brush arm provide a fine clean water spray to trap dust particles lifted by the two brushes. In addition, recycled water from the hopper load is filtered via stainless steel 'wedge wire' panels and pumped into the suction pipe. All material is soaked as it passes through this 'water curtain' and falls safely into the hopper.

**Euro 6**  
Standard engine

**PM10 and  
PM2.5**

EUnited 4 star  
certified



# Safety and comfort

Safety for the operator, service engineer, other road users and vulnerable road users is everyone's priority. The Bucher C202 has a range of features and optional equipment designed to make operating and repairing the C202 better than ever, as well as providing a first-class working environment.

### Safe handling

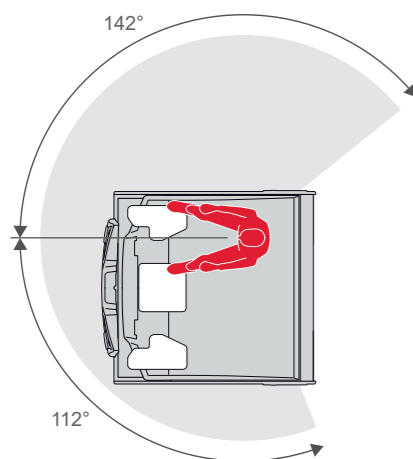
- Cruise control in work mode
- Hydrostatic drive system autobrakes when the driver disengages drive
- Wide front axle, progressive steering and anti-roll bar transform the drive of the Bucher C202 to reduce fatigue on long transits. The axle increases stability and improves road handling

### All-round control

- An audible signal for safe reversing, with night silent override switch
- Rear view camera auto engages when reverse is selected

### Operator safety

- Automatically engaged mechanical hi-vis body props



### Operator comfort

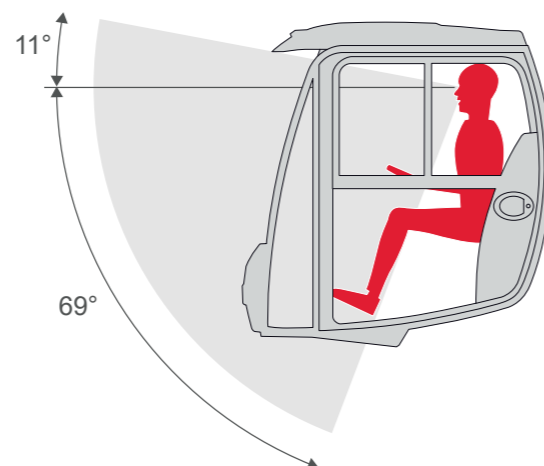
- Low noise
- Armrests fitted to both cab doors for improved comfort in transit
- Adjustable steering column rake and reach
- Glide II suspension design for an improved sweeper ride, further reducing whole body vibration and driver fatigue

### High visibility

- Floor to ceiling heated front windscreen allowing maximum direct vision of suction intake below and above branches, etc.
- Large floor glass panels and removable central floor glass for easy cleaning and best vision

### Cabin layout

- In-cab temperature control of either air conditioning or climate control
- Radio with DAB+ and sockets for both SD Cards and MP3 Player



### Disc brake

Low maintenance disc brakes with best braking performance in all situations, ensuring the safety of the driver and third parties.



### 3-point seatbelts

2 full size seats for the driver and passenger both fitted with red 3-point seatbelts. Driver's seat fully suspended with adjustable back rest.



### Central control arm

Adjustable central control arm ergonomically positioned for ease of use with all sweeper functions fully accessible.



### Cabin

Walk through cab with clear side vision. Easy reach/use control panels positioned to the front and side of the operator.



### Central console

A choice of options for in-cab temperature control of either air conditioning or climate control.



### Visual module

7" full colour visual module display ideally positioned for operator feedback. Rear facing camera screen built into the visual module, reducing monitors and allowing operator to see performance easily.

## Low cost of ownership

- As part of Bucher Municipal's on-going product development program, the Bucher C202 has been designed with low running costs in mind.
- Disc brakes on front axle reduce service time.
- Pusher cooling fan ensures the radiator stays clean when tipping.
- Visual module has full on-board diagnostics for easy fault finding and reduced downtime.
- Designed to cope with tough environments, the Bucher C202 hopper is manufactured from 1.4003 stainless steel for protection against corrosion and wear.
- Industrial, tubeless tyres designed to last up to 3 times longer than commercial tyres.
- Steel hydraulic pipes replace flexible hoses to reduce chaffing and premature hose wear. New quick-change brush arm hoses reduce downtime.
- Vulnerable nodes and electronic components protected up to IP69 standard and additional covers reduce risk of water ingress further.
- Full engine cover protects the engine from water and debris when opening the hopper and when cleaning.



The brush arms include forward impact shock absorbers and side impact hydraulic dampening to reduce damage costs. A replaceable "Shear Pin" which can be easily replaced by the operator, protects the brush arms and chassis from expensive repairs.

### Service interval

Every 500 hours

### LED work lights

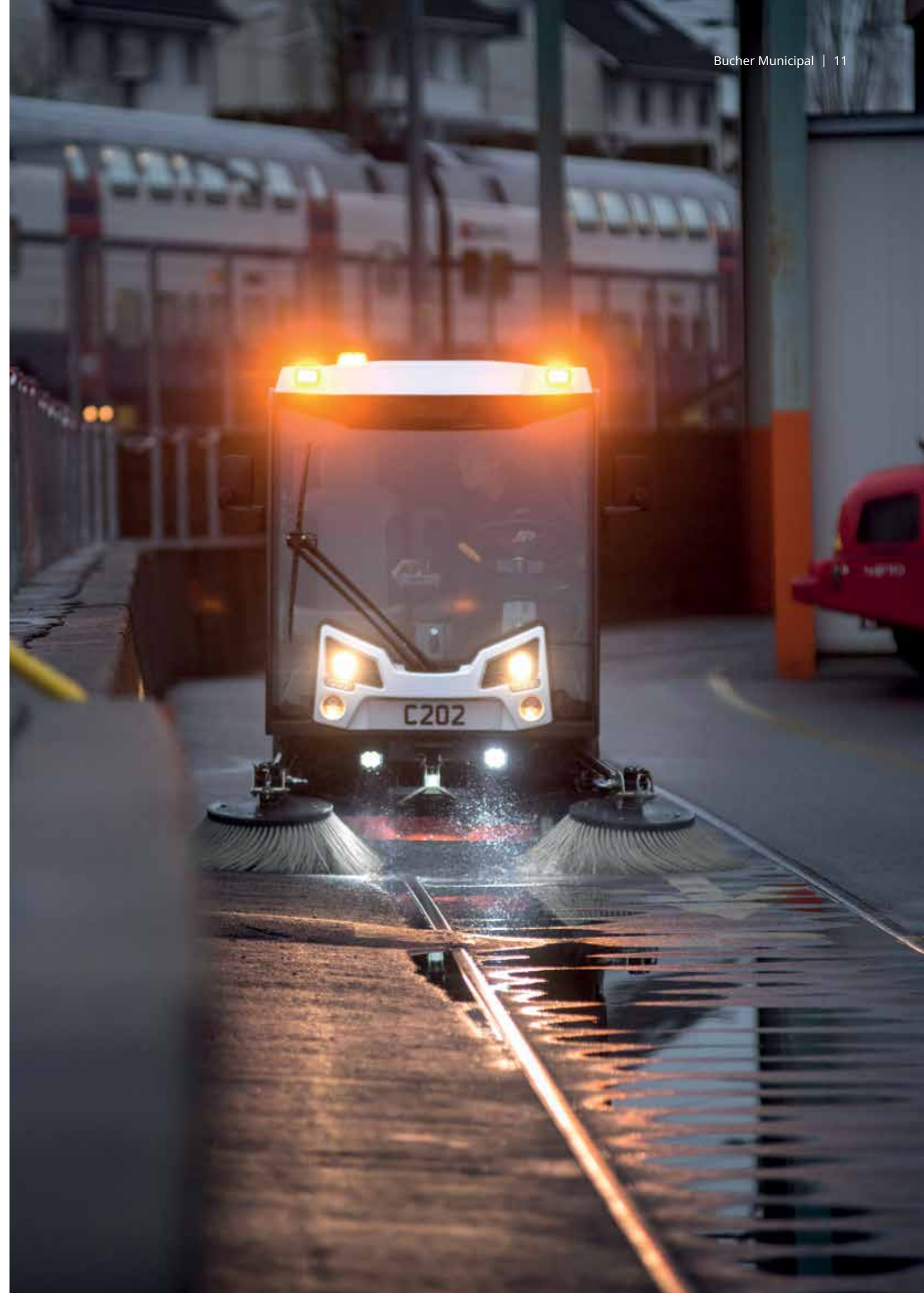
Energy-saving LED work lights

### Tubeless tyres

With industrial design

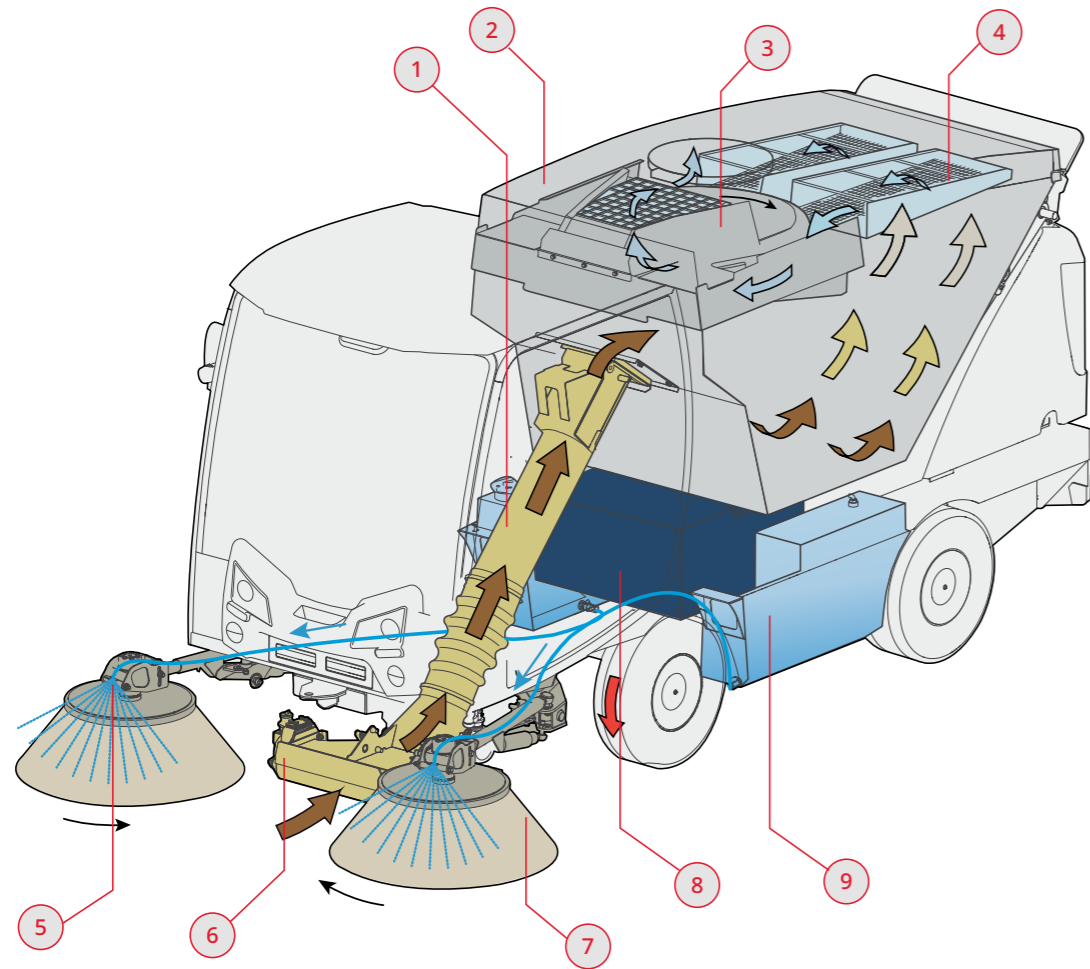
### Bucher Connect

GO / GO+ / BASE / PLUS / MAX



# Sweep and suction system

High productivity starts with the interaction of driver and equipment. The sweeping system with wide suction intake, plus a large water and hopper volume are the basis for achieving this goal. The pushed brush system is easy to manoeuvre, the brush arms are individually adjustable and hammerhead sweeping is also possible.



- |  |  |  |
|--|--|--|
| <p><b>1</b> Suction hose with water nozzles for dust suppression</p>                           | <p><b>4</b> Two easy to clean meshes inside the hopper to prevent clogging by leaves</p> | <p><b>7</b> Pushed brush system with individually adjustable and impact protected brush arms in all three directions</p> |
| <p><b>2</b> Large 2 m<sup>3</sup> hopper with wedge wire screens for used water filtration</p> | <p><b>5</b> Water nozzles for maximum dust suppression adjustable at the brushes</p>     | <p><b>8</b> 250 l recirculation system with great accessibility and hinged pump</p>                                      |
| <p><b>3</b> Fan arrangement on top of the hopper for optimal air flow</p>                      | <p><b>6</b> Wide 815 mm suction intake with standard "hop" function</p>                  | <p><b>9</b> Steel, easy to repair 152 l fresh water tank with low point of gravity</p>                                   |

# Significant options



**Air conditioning**  
Climate or air con options, adjustable in the middle console, offer greater comfort for the driver and passenger.



**Supawash**  
The independent high-pressure cleaner is ideal for cleaning street furniture or the sweeper itself.



**Wanderhose**  
Provides greater cleaning range and access to areas near roads, behind walls and on steps. The 3.65 m long suction hose with rigid boom is turntable mounted.



**4-wheel drive**  
Thanks to its four-wheel drive design, the Bucher C202 is extremely manoeuvrable and true to track. Active safety and driving comfort are optimally combined. The steering is only active in working mode.



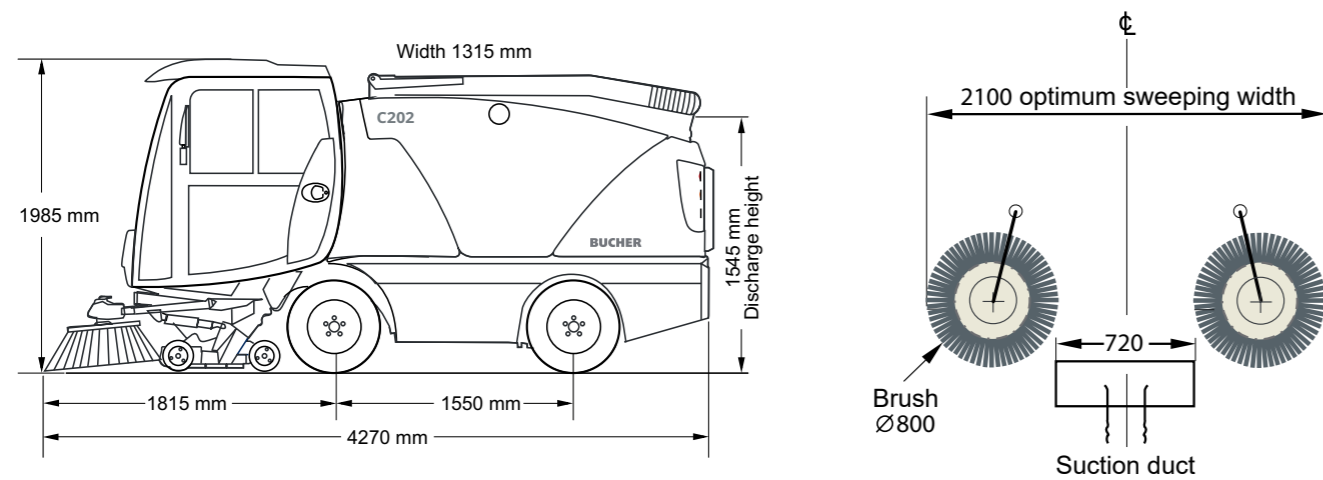
**Camera system**  
Simplifies reversing and improves all-round visibility. Rear-facing single camera with display in Visual Module. Switches on automatically in reverse (even when shuffle button is selected). Also available in full screen mode.



**Rotatilt**  
Allows the front brushes to be angled to suit the changing profile of the road. Option for single or dual system available.



## Sweeper configuration



### Dimensions

Length	4270 mm
Width	1315 mm
Height	1985 mm
Wheelbase	1550 mm
Track	1143 / 1158 mm
Max. cleaning width	3120 mm

### Weight

Unladen weight	2850 kg
Payload	1650 kg
GVW	4500 kg

### Tyres (Tubeless)

Front	6.50 R10 Radial
Rear	225/75 R10 Radial

### Drive system

Infinitely variable, hydrostatic drive

### Driving performance

Working speed	0-16 km/h
Travelling speed	0-50 km/h*
Climbing ability up to	30 %

### Low emission diesel engine

Type	R754EU6C / R754ISE5 / R754TE3
Exhaust class	EU 6 / Stage 5 / Stage 3A
Displacement	2970 cm <sup>3</sup>
Output	62 / 55 / 54 kW
Torque	270 / 310 / 255 Nm
Fuel tank	52 l
Electrical system	12 V

\* According to national legislation





# Get Connected

Bucher Connect is a holistic after sales solution. A leading fleet management system, with comprehensive care and a digital platform for your repair and service planning – all in one simple package.

Using Bucher Connect makes the daily workload much easier for owners and managers of any fleet size. Our all-inclusive service offers targeted support and services for street cleaning and clearing operations, to minimise downtime and costs through the optimal efficiency of vehicles and equipment.

## One connection **Many benefits**

**Combining a digital platform with the complete after sales service, Bucher Connect has everything you need to operate your fleet at its best. It can be perfectly tailored to your needs through five different packages, as well as additional services and products.**

### Digital platform

Featuring two components, our «Fleet» module displays current machine positions, error messages with repair suggestions and important vehicle parameters, while «Service» takes care of all your repair and service needs.

This is supplemented by the two role-specific modules: «Jobs» and «Analytics». On a road map, route planning and road sweeps are marked in different colours for easy handling, with individual tracks via the address search.

### «Fleet» for a detailed overview

- Current vehicle status and GPS position to give an overview of the fleet and detect potential breakdowns early
- Automatic fault alerts and digital support to enable quick resolution
- Service reminders for efficient workshop planning

### «Jobs» for route planning and monitoring

- Digital cleaning report instead of manual operating logs and «On the route» KPIs for track

### «Analytics» for fleet optimisation

- Optimise uptime for improved fleet productivity
- Optimise energy demand for improved sustainability and lower costs
- Easy reporting of vehicle data

### «Service» for repair and service planning

- Access to the e-shop, workshop manuals and maintenance plans for optimal service
- One touch point for all your repair and service needs

### Maintenance and repair

The maintenance and repair service enables you to focus on core business. Your maintenance partner carries out maintenance in accordance with factory specifications and uses trained service technicians, supporting you in procuring spare parts and providing remote support to reduce downtime.

### Digital spare parts procurement

- Proactive service announcement
- Automatic service parts delivery to end-customers
- Time savings and prompt delivery for efficient workshop operation

### Certified service

- Certified service and repair work for optimal fleet availability
- Comprehensive service and repair contract for predictable financial planning

### Technical training

- Technical vehicle training
- Efficient vehicle use and higher first-time fix rate

### Remote support and diagnostics

- Reduced downtime for optimal fleet use

Cleaner streets one  
**sweep** at a time

---



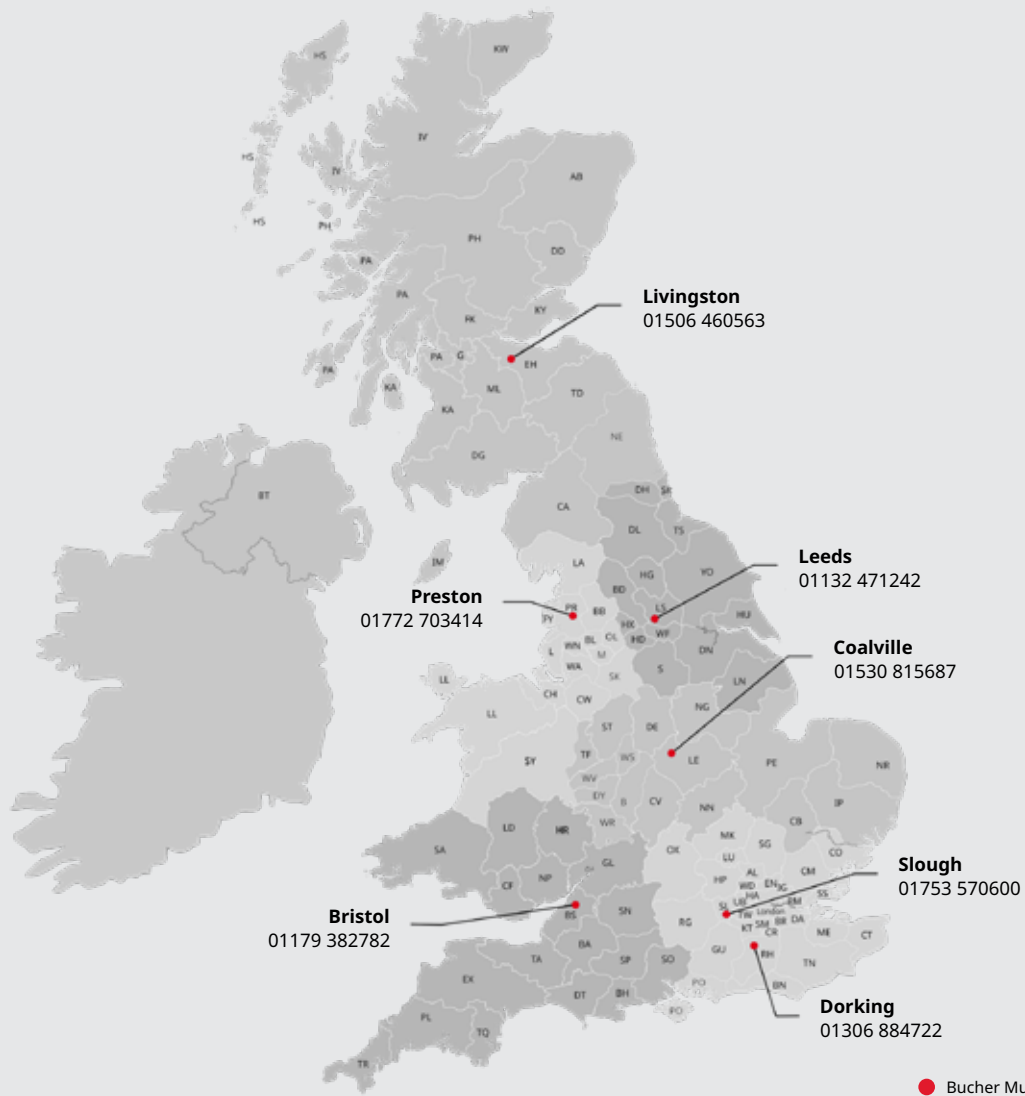
## Bucher Municipal



For local contact and support, please scan the QR code or visit

[buchermunicipal.com](http://buchermunicipal.com)

At Bucher Municipal, we innovate and engineer better cleaning and clearing solutions, helping our customers grow and maintain efficient and profitable businesses. Leveraging the over 200-year-old heritage of Bucher, we are committed to helping you achieve more using less. Taking pride in being seen as a reliable partner, we work locally with you in realising the possibilities for a smarter, cleaner and more efficient tomorrow. Today.



Driven by better



Bucher Municipal  
E-Shop

Version 02\_08/2023  
Technical data is subject to change without prior notice.  
The illustrations may deviate from standard equipment.