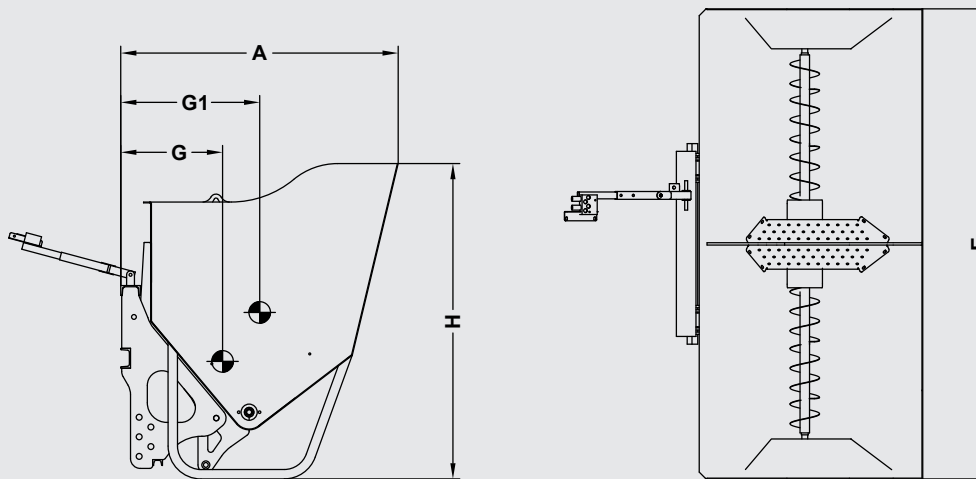


Bucher Tracon V

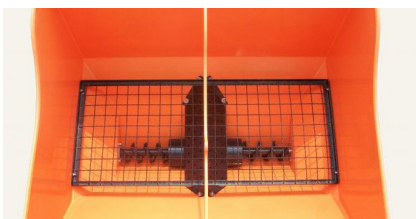


Technical data - Bucher Tracon V

	V15	V24	
A	1270	1420	mm
E	1530	2400	mm
H	1420	1610	mm
	1.2	2.5	m ³
	2 - 6	2 - 6	m
	0 - 40	0 - 40	g/m ²
	10 - 350	10 - 350	g/m ²
	5 - 40	5 - 40	km/h
G	470	670	mm
G1	720	760	mm
	525	1180	kg
	1965	4180	kg

Technical data and images are indicative and not binding.

Key Features



Auger extraction system

Consisting of an auger with steel coils to ensure that material is constantly fed and the hopper is uniformly emptied.



Self-loading system

Two hydraulic pistons tilt the hopper so that it can be used as a shovel for self-loading.



Spreading disc

Made of HD polyethylene with adjustable asymmetry, it can spread material up to a width of 6 m.

Bucher Tracon V

Hopper

Special attention was paid when studying the high-strength steel hopper: its shape makes loading and unloading operations with the materials routinely used in spreading operations (sand, salt, grit, etc.) faster and more efficient. The operating lifespan of the hopper is significantly extended by integrating a plate in anti-abrasive material into the sliding part of the hopper.

Spreading unit

The spreading unit comprises a 340 mm disc equipped with asymmetry adjustment to allow material spreading by up to 6m wide.

Screen grilles

The 60x60 screen grids in the hopper prevent oversized material reaching the spreading disc. Tip-over for loading is performed by a double-acting hydraulic cylinder.

Paintwork

Metal structural components are painted in several stages: SA 2.5 shot blasting; powder primer with 30% galvanized epoxy resin; polyester powder painting, cured at 200 °C. The hydraulic and electrical parts, on the other hand, are treated with Teroson Terotex 3000.

This type of painting has obtained certification from an independent laboratory for resistance to more than 2000h exposed to salt spray.

3-point hitch

This is used to rapidly install equipment on the vehicle 3-point connection and, when fastened onto the equipment's separate mounting, protects the hopper from being knocked and damaged during installation. Bucher Tracon V can be mounted on the front or the rear 3-point hitch of the tractor as well as on wheel loaders in place of the bucket.

Assembly technical notes

- For hydraulically operated spreaders, the vehicle must be equipped with a hydraulic system capable of continuously supplying at least 20 l/min – 200 bar.
- 12V power socket available in the cab for control panel power supply.
- Tachometric signal available in the cab for tachometric dependence dosing.

Reference technical standards:

- DIRECTIVE 2006/42/CE (CE MARK)
- UNI EN 13021

Optional

- Power supply voltage 12V or 24V
- Ecos control panel

Bucher Municipal



For local contact and support, please scan the QR code or visit

buchermunicipal.com

Driven by better

