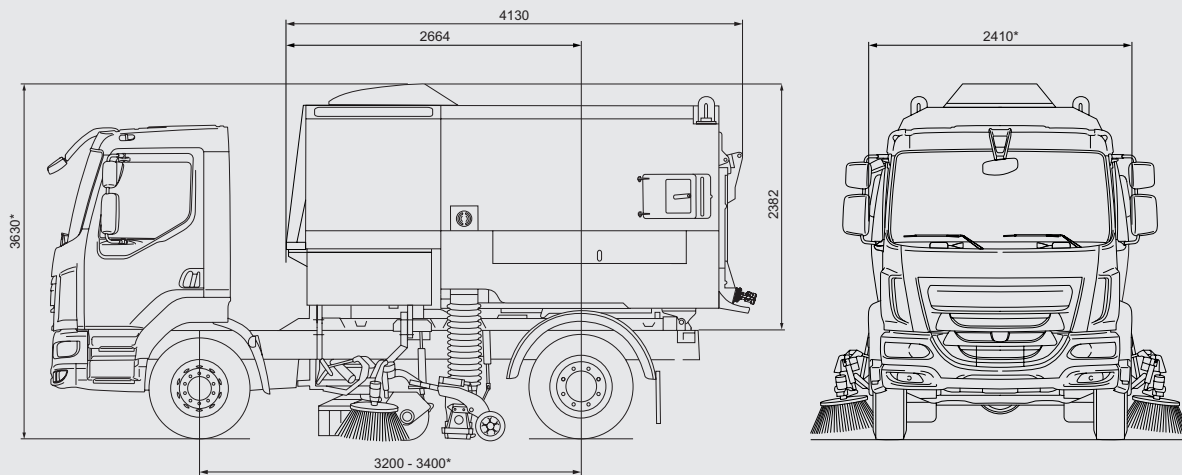


## Bucher MaxPowa V80



### Dimensions

Length (cowl and hopper)	4130 mm
Width*	2410 mm
Height*	3630 mm
Wheelbase*	3200-3400 mm nominal
Sweeping path of suction nozzle and channel brush	1300 mm
Sweeping path with roller brush	2400 mm
Sweeping path for double-sided pick up	3600 mm

### Noise level cab

<75 dB(A) generally  
(dependent on chassis selection)

### Alternative drives

Mekavac (PTO Drive)	V80m
Hydrostatic (OMSI 600)	V80h

### Chassis

GVM	15 - 18 tonnes
-----	----------------

### Diesel fuel tank

Capacity	(up to 190 l with Stage 3a) 170 l
----------	-----------------------------------

### Auxiliary engine

	V80t
Standard:	JCB Dieselmex 448 NRMM Stage 5
Gross power	97 kW @ 2200 rpm
Max torque	550 Nm @ 1500 rpm
Option:	JCB Dieselmex 444 NRMM Stage 3a**
Gross power	85 kW @ 2200 rpm
Max torque	440 Nm @ 1300 rpm
Option:	JCB Dieselmex 448 NRMM Stage 5
Gross power	129 kW @ 2200 rpm
Max torque	690 Nm @ 1500 rpm

\* Dependent on chassis and/or option selected

\*\* Not for EU. 24v only

## Features



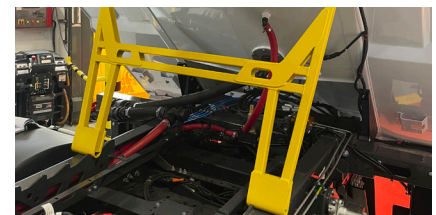
### Quad Camera

for off-side road view providing additional vision for potential blind spots.



### Centre console

JVM with 10" touchscreen which can be adjusted to suit the operators preferred position, featuring cup holders and USB charging points.



### Body prop

highly visible and self-engaging provides the operator and service personnel with a safe working environment.

# Bucher MaxPowa V80

## Controls

JVM with 10" touchscreen. Clear graphics providing information on a wide range of sweeper functions. Clear and intuitive navigation with a shallow menu structure and accessible features. Separate door controller for the main sweeping functions with LEDs for active operations. Provision for up to 6 fully programmable buttons for your chosen sweep settings.

## Fan impellor

Operational speed variable between 1800 rpm - 3500 rpm to suit operation. V80t: Step-up gearbox ratio: 1.79:1

## Channel brush

Quick release brush system with infinitely variable speed up to 160 rpm (cab controlled). Hi-visibility yellow brush plate and hose guide. Ability to independently adjust pressure to channel brushes from the cab.

## Nozzle

Cast aluminium nozzle with 250 mm diameter inlet and tool free adjustment.

## Dust suppression system

Dust suppression sprays located at suction nozzle(s), channel brush(es) and across front of vehicle.

Pressadrain water purging system. EUnited PM10/2.5 4\* Certified.

## Electrical system

24 volt. All external loom connections are full automotive IP67 rated.

## Exterior noise / Sound power level

LWA 110 dB(A) for high power engines measured in accordance with EC directive 2000/14/EC.

## Hopper

Body comprises of hopper & integral water tank. Fabricated from heavy duty stainless steel. Water tight twin lock rear door latching system with de-watering function. Two body side access doors and side storage lockers.

Plug in hopper floor as transfer port for use as Streetwasher. Rear discharge chute, automatic multi position body prop, twin caged LED rear beacons and LED worklights are standard features.

Hopper volume	8.0 m <sup>3</sup>
Discharge angle	56° nominal
Door opening angle	125° nominal

## Water tank

Water tank incorporates anti-surge baffles and filled via a type 'A' water hydrant fill. A twin diaphragm pump runs continuously and is able to run dry. Water capacity 2255 l

## Cowl

Smoothflow cowl lined with frequency matched soundproofing material.

## Brushes

Wide sweep brush	Ø 406 mm
Width of wide sweep brush	1275 mm
Width of suction nozzle	750 mm
Channel brush	650 mm

## Options

- Camera monitoring systems.
- Pneumatic mesh shakers.
- Powascrub - wide sweep brush ground pressure device.
- Supawash: high pressure washing system, 32 l/min @ 100 bar.
- 6" or 8" boom mounted Wanderhose with power assist option.
- Side Slide Brush
- Triple Sweepgear Worklights
- Bonded Intake Ducts

## Bucher Municipal



For local contact and support, please scan the QR code or visit

[buchermunicipal.com](http://buchermunicipal.com)

Driven by better



Bucher Municipal E-Shop