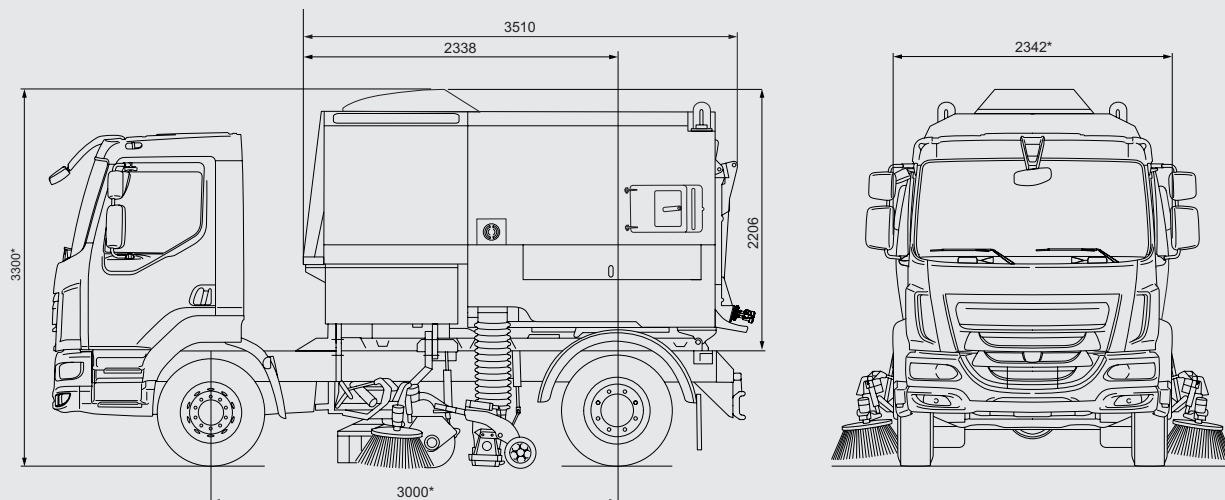


## Bucher MaxPowa V50



### Dimensions

Length (cowl and hopper)	3510 mm
Width*	2342 mm
Height*	3900 mm
Wheelbase*	3000 mm nominal
Sweeping path of suction nozzle and channel brush	1300 mm
Sweeping path with roller brush	2400 mm
Sweeping path for double-sided pick up	3400 mm

### Noise level cab

<75 dB(A) generally  
(dependent on chassis selection)

### Alternative drives

Mekavac (PTO Drive)	V50m
Hydrostatic	V50h

### Chassis

GVM	9.5 - 12 tonnes
-----	-----------------

### Diesel fuel tank

Capacity	up to 190 l
----------	-------------

### Auxiliary engine

	V50t
Standard	JCB Dieselmex 430 NRMM Stage 5
Gross power	55 kW @ 2200 rpm
Max torque	440 Nm @ 1150 rpm
Option:	JCB Dieselmex 448 NRMM Stage 5
Gross power	97 kW @ 2200 rpm
Max torque	550 Nm @ 1500 rpm
Option:	JCB Dieselmex 444 NRMM Stage 3a**
Gross power	85 kW @ 2200 rpm
Max torque	440 Nm @ 1300 rpm

\* Dependent on chassis and/or option selected

\*\* Not for EU. 24v only

## Features



### Simultaneous Sweep

gives a maximum 3600mm swept path using both channel brushes.



### Body prop

highly visible and self-engaging provides the operator and service personnel with a safe working environment.



### Water Strainer

allows the hopper body to be used as a large water tank allowing street flushing operations.

# Bucher MaxPowa V50

## Controls

JVM with 10" touchscreen. Clear graphics providing information on a wide range of sweeper functions. Clear and intuitive navigation with a shallow menu structure and accessible features. Separate door controller for the main sweeping functions with LEDs for active operations. Provision for up to 6 fully programmable buttons for your chosen sweep settings.

## Fan impellor

Operational speed variable between 1800 rpm - 3500 rpm to suit operation. V50t: Step-up gearbox ratio: 1.79:1

## Channel brush

Quick release brush system with infinitely variable speed up to 160 rpm (cab controlled). Hi-visibility yellow brush plate and hose guide. Ability to independantly adjust pressure to channel brushes from the cab.

## Nozzle

Cast aluminium nozzle with 250 mm diameter inlet and tool free adjustment.

## Dust suppression system

Dust suppression sprays located at suction nozzle(s), channel brush(es) and across front of vehicle. Pressadrain water purging system. EUnited PM10/2.5 4\* Certified.

## Electrical system

24 volt. All external loom connections are full automotive IP67 rated.

## Exterior noise / Sound power level

LWA 108 dB(A) for standard power engines measured in accordance with EC directive 2000/14/EC.

LWA 110 dB(A) for high power engines measured in accordance with EC directive 2000/14/EC.

## Hopper

Body comprises of hopper & integral water tank. Fabricated from heavy duty stainless steel.

Water tight twin lock rear door latching system with de-watering function.

Two body side access doors and side storage lockers. Plug in hopper floor as transfer port for use as Streetwasher.

Rear discharge chute, automatic multi position body prop, twin caged LED rear beacons and LED worklights are standard features.

Hopper volume 5.0 m<sup>3</sup>

Discharge angle 53° nominal

Door opening angle 125° nominal

## Water tank

Water tank incorporates anti-surge baffles and filled via a type 'A' water hydrant fill. A twin diaphragm pump runs continuously and is able to run dry. Water capacity 1365 l

## Cowl

Smoothflow cowl lined with frequency matched soundproofing material.

## Brushes

Wide sweep brush Ø 340 mm

Width of wide sweep brush 1275 mm

Width of suction nozzle 750 mm

Channel brush 500mm

## Options

- Camera monitoring systems
- Littasnatch
- Microtrap dust suppression system
- Pneumatic mesh shakers
- Powascrub - wide sweep brush ground pressure device
- Supawash - high pressure washing system, 32 l/min @ 100 bar, c/w hand lance & 15m hose reel
- 6" or 8" boom mounted Wanderhose with power assist option

## Bucher Municipal



For local contact and support, please scan the QR code or visit

[buchermunicipal.com](http://buchermunicipal.com)

Driven by better



Bucher Municipal E-Shop