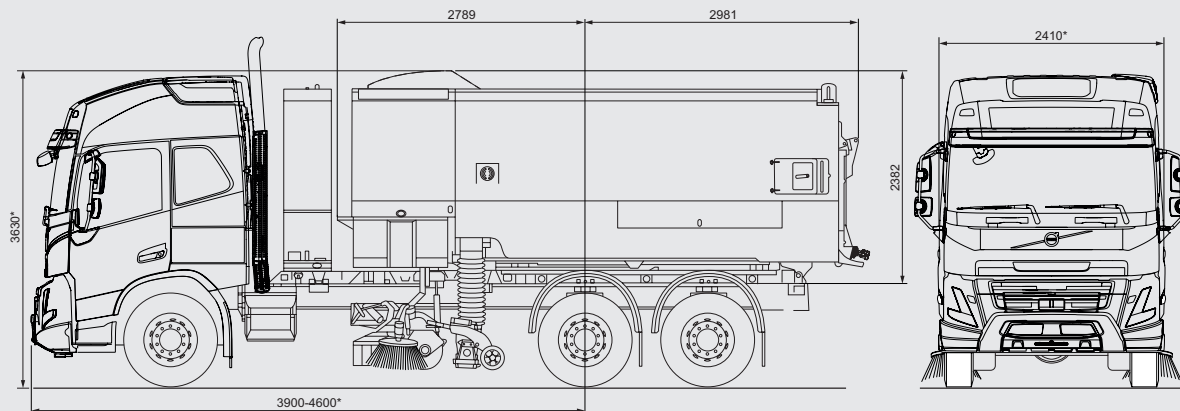


Bucher MaxPowa V120



Dimensions

Length (cowl and hopper)	5770 mm
Width*	2410 mm
Height*	3630 mm
Wheelbase*	3900-4600 mm nominal
Sweeping path of suction nozzle and channel brush	1300 mm
Sweeping path with roller brush	2400 mm
Sweeping path for double-sided pick up	3600 mm

Noise level cab

<75 dB(A) generally
(dependent on chassis selection)

Alternative drives

Hydrostatic (OMSI 600) V80h

Chassis

GVM 26 tonnes

Diesel fuel tank

Capacity 170 l

Auxiliary engine

	V120t
Standard:	JCB Dieselmex 448 NRMM (S Design) Stage 5
Gross power	129 kW @ 2200 rpm
Max torque	690 Nm @ 1500 rpm
Option:	JCB Dieselmex 448 NRMM Stage 5
Gross power	97 kW @ 2200 rpm
Max torque	550 Nm @ 1500 rpm

* Dependent on chassis and/or option selected

Features



Quad Camera

for off-side road view providing additional vision for potential blind spots.



HMI Centre console

JVM with 10" touchscreen which can be adjusted to suit the operators preferred position, featuring cup holders and USB charging points.



Signature design

S design sweepers with the high performance Tri-plate fan, designed for the most demanding and specialist sweeping requirements.

Bucher MaxPowa V120

Controls

JVM with 10" touchscreen. Clear graphics providing information on a wide range of sweeper functions. Clear and intuitive navigation with a shallow menu structure and accessible features. Separate door controller for the main sweeping functions with LEDs for active operations. Provision for up to 6 fully programmable buttons for your chosen sweep settings.

Tri-Plate Fan impellor

Operational speed variable between 1800 rpm - 3500 rpm to suit operation. V120t: Step-up gearbox ratio: 1.79:1

Channel brush

Quick release brush system with infinitely variable speed up to 160 rpm (cab controlled). Hi-visibility yellow brush plate and hose guide. Ability to independently adjust pressure to channel brushes from the cab.

Nozzle

Cast aluminium nozzle with 250 mm diameter inlet and tool free adjustment.

Dust suppression system

Dust suppression sprays located at suction nozzle(s), channel brush(es) and across front of vehicle. Pressadrain water purging system.

Electrical system

24 volt. All external loom connections are full automotive IP67 rated.

Hopper

Body comprises of hopper & integral water tank. Fabricated from heavy duty stainless steel plate. Water tight twin lock rear door latching system with de-watering function. Two body side access doors and side storage lockers.

Rear discharge chute, automatic multi position body prop, twin caged LED rear beacons and LED worklights are standard features.

Hopper voided volume ***	12.0 m ³
Discharge angle	56° nominal
Door opening angle	125° nominal

Water tank

Water tank incorporates anti-surge baffles and filled via a type 'A' water hydrant fill. A twin diaphragm pump runs continuously and is able to run dry.

Water capacity	5200 l
----------------	--------

Cowl

Smoothflow cowl lined with frequency matched soundproofing material.

Brushes

Wide sweep brush	Ø 406 mm
Width of wide sweep brush	1275 mm
Width of suction nozzle	750 mm
Channel brush	650 mm

Options

- Camera monitoring systems.
- Pneumatic mesh shakers.
- Powascrub - wide sweep brush ground pressure device.
- Option 1: 32 l/min @ 100 bar Supawash, high pressure washing system with slim hose reel and hand lance.
- 8" Powaboom wanderhose - top mounted power assisted wanderhose.
- Triple Sweepgear Worklights
- Bonded Intake Ducts

*** All Bucher Municipal Hopper Capacities are measured in accordance with European Standard EN 15429

Bucher Municipal



For local contact and support, please scan the QR code or visit

buchermunicipal.com

Driven by better



Bucher Municipal E-Shop

Version 02_04/2024
 Technical data is subject to change without prior notice.
 The illustrations may deviate from standard equipment.