



Spare Parts Catalogue

V-Range 502/652/802 (2019 onwards)

Range of Twin Engine, Single Engine & Hydrostatic and Single Engine & Semi-Hydrostatic Sweepers.

7063765 - Revision A

Foreword

Introduction

Chapters 1 to 12, listed on the front sheet, cover the major areas of the machine. Some of the more popular options such as the Supawash hi-pressure water system, Channel Brush Rotatilt, Powaboom and Littasnatch wanderhoses are also covered in these chapters. Other more specialised options will be found in the Optional Equipment Chapter 13.

The BoM numbers, shown in brackets after the section title, are for Johnston internal reference only.

Chassis Related Parts

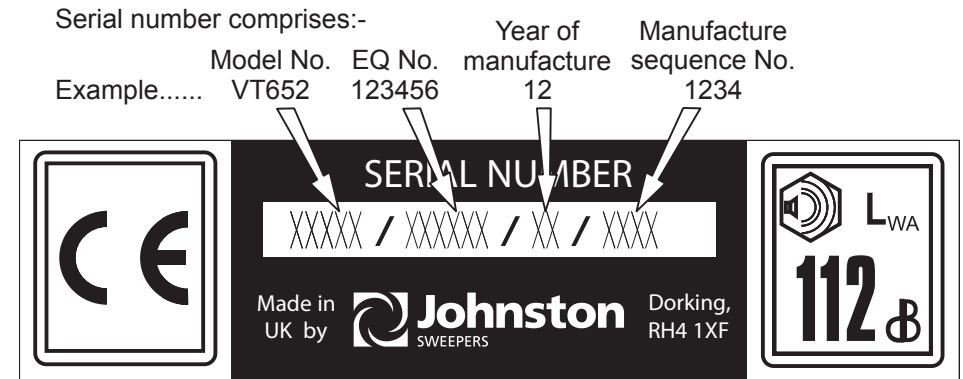
Some parts shown in the Parts Section are chassis related and can vary due to the differences between chassis manufacturers.

It is important that only GENUINE JOHNSTON SPARE PARTS are used when servicing and maintaining the sweeper. This is especially important for consumables, filters etc. as the use of non-genuine parts may cause premature failure and invalidation of warranty.

For the latest parts information please refer to our on-line interactive catalogues which are available through our E-Shop (www.shop.johnstonsweepers.com).

To open an account, please follow the instructions on the Johnston Sweepers website: www.johnstonsweepers.com

When making enquiries or ordering spare parts the Johnston Serial number should be quoted. The number will be found stamped on a plate similar to that shown below and attached to the rearmost crossmember of the subframe, below the rear door.



**Safety Notice**

The universal safety symbol is used throughout this manual to indicate information which is essential for the health and safety of all operating personnel.

Abbreviations

The following abbreviations are used in this Manual:

LH = Left Hand.
RH = Right Hand.
WSB = Wide Sweep Brush.
CB = Channel Brush
CW = Clockwise.
CCW = Counterclockwise.
NO = Normally Open.
NC = Normally Closed.
Item 0 = Whole assembly shown.

Johnston® is a registered trade mark of Johnston Sweepers Limited.

Johnston Sweepers Limited

Curtis Road, Dorking, Surrey RH4 1XF, UK

Tel: +44 (0)1306 884722 Fax: +44 (0)1306 884151

E-mail: enquiries@johnstonsweepers.com Web: www.johnstonsweepers.com

Table of Contents

1 Cab Controls.....	8	2.3.6 Gearbox Mounts.....	76
1.1 JVM Control Panel.....	10	2.3.7 Hydraulic Pump.....	78
1.2 Palm Control.....	14	2.4 Powapack Tub.....	80
1.3 Wireless Discharge Pendant.....	16	2.4.1 Powapack Tub.....	82
1.4 Camera Options.....	18	2.4.2 Fuel Tank.....	86
2 Powapack.....	20	2.4.3 AdBlue.....	88
2.1 Engine.....	22	2.4.4 Powapack Beams.....	92
2.1.1 JCB 55kW S4 Engine.....	24	2.4.5 Systems Locker.....	94
2.1.1.1 Engine Hoses.....	26	2.4.6 Low Pressure Water Pump Connection.....	96
2.1.2 JCB 85kW S3A Engine.....	30	2.4.7 Reverse Alarm.....	100
2.1.2.1 Engine Hoses.....	32	2.4.8 Gearbox Engage Control.....	102
2.1.3 JCB 93kW S4 Engine.....	36	2.4.9 Fan Pressure Control Valve.....	104
2.1.3.1 Engine Hoses.....	38	2.5 Cooling Pack Assembly.....	106
2.1.3.2 SCU Install JCB 93kW T4.....	42	2.5.1 Expansion Tank & Air Filter - JCB 85kW.....	110
2.1.4 JCB Hydraulic Oil Fan Fluid Coupling.....	44	2.5.2 Expansion Tank & Air Filter - JCB 55kW & 93kW S4.....	112
2.1.5 JCB Engine Mounts.....	46	2.5.3 Cooling Shroud.....	114
2.1.6 JCB Hydraulic Pump.....	48	2.5.4 Fan - Oil Cooler.....	116
2.1.7 JCB Exhaust Silencer.....	50	2.6 Fan.....	118
2.2 Mekavac.....	52	2.6.1 Hydraulic Motor.....	122
2.2.1 Fan Pump.....	54	2.7 Hydraulics.....	124
2.2.2 Hydraulic Pump.....	58	2.7.1 Hydraulic Tank - 45L Twin engine.....	126
2.3 Hydrostatic Gearbox.....	60	2.7.2 Hydraulic Tank - Single Engine.....	128
2.3.1 Hydrostatic Gearbox and Spares.....	62	2.7.3 Hydraulic System - Twin Engine.....	132
2.3.2 Transmission Pump.....	68	2.7.4 Hydraulic Manifold - Twin Engine.....	136
2.3.3 Transmission Motor.....	70	2.7.5 Hydraulic System - Hydrostatic.....	138
2.3.4 Fan Pump.....	72	2.7.6 Hydraulic Manifold - Hydrostatic.....	142
2.3.5 Oil Filler.....	74	2.8 Handle.....	144
		2.9 Access Ladder.....	146
		2.10 Fuel Filter.....	150
		2.11 Pod Box.....	154

2.12	JCB Tailpipe	158	5.1.2.1	Upper Arm.....	226
2.13	Engine Drain Installation.....	160	5.1.2.2	Pivot Head.....	230
3	Systems Wafer	162	5.1.2.3	Rotatilt.....	232
3.1	Electrical Assembly.....	164	5.1.2.4	Brush Head.....	236
3.2	Systems Tray Assembly.....	168	5.1.3	Pivot Frame Assembly.....	240
3.3	Filter Regulator Unit.....	172	5.1.3.1	Pivot Frame Assembly.....	242
3.4	Hydraulic Sweep Manifold.....	174	5.1.3.2	Curtain/Flaps.....	246
3.5	Water Manifold.....	178	5.2	Wide Sweep Brush.....	250
3.6	Pneumatic Valve Island.....	180	5.2.1	WSB Carriage.....	252
3.7	Systems Wafer Light.....	182	5.2.2	WSB Slew Assembly.....	256
4	Subframe.....	184	5.2.3	Wide Sweep Brush Installation.....	258
4.1	Subframe Assembly.....	186	5.2.3.1	Nozzle Quick Release.....	262
4.2	Crossmember and Intake Seat.....	188	5.2.4	WSB Spraybar.....	264
4.3	Subframe Sweep Config.....	190	5.2.5	WSB Supawash Spraybar.....	266
4.3.1	RH Single Subframe Config.....	192	5.2.6	WSB Motor Assembly.....	268
4.3.2	LH Single Subframe Config.....	194	5.2.7	WSB Bearing Assembly.....	270
4.3.3	Dual Subframe Sweep Config.....	196	5.2.8	WSB Brush.....	272
4.4	Subframe Extension.....	198	5.3	Nozzle.....	274
4.5	Prop Release Mechanism.....	200	5.3.1	Standard Nozzle.....	276
4.6	Subframe Hose & Pipework.....	202	5.3.1.1	Nozzle Assembly.....	278
4.6.1	Electric Discharge Pump.....	208	5.3.1.2	Carriage.....	282
4.6.2	Discharge Manifold.....	210	5.3.1.2.1	Carriage Assembly.....	284
4.7	Tandem Pump Valve Block.....	212	5.3.1.2.2	Nozzle Frame.....	288
4.8	Mechanical Weight Load Indicator.....	214	5.3.1.2.3	Hi-Lift Nozzle.....	290
4.9	Air Weight Load Indicator.....	216	5.3.1.3	Nozzle Wheels.....	294
5	Sweepgear.....	218	5.3.2	Full Width Nozzle.....	296
5.1	Channel Brush.....	220	5.3.2.1	Wide Mouth Full Width Nozzle.....	298
5.1.1	Channel Brush Installation.....	222	5.3.2.2	Narrow Full Width Nozzle.....	302
5.1.2	Brush Arm.....	224	5.3.2.3	Nozzle Carriage.....	306
			5.3.2.3.1	Nozzle Adjustment.....	310

5.3.2.4	Nozzle Wheels.....	312	6.13.2	Rear Wanderhose Tube.....	392
5.3.3	Combivak Nozzle.....	314	6.13.3	Rear Wanderhose Stowage Assembly.....	394
5.3.3.1	Nozzle Assembly.....	316	6.13.4	Rear Wanderhose Extension.....	396
5.3.3.2	Combivak Carriage.....	318	6.14	Rear Wanderhose/Powaboom Controls.....	398
5.3.3.3	Nozzle Wheels.....	322	6.15	Shovel Stowage Rear Door.....	400
5.3.3.4	Brush and Motor.....	324	6.16	Broom Stowage Rear Door.....	402
5.3.3.5	Nozzle Handle.....	328	7	Water Systems.....	404
5.3.4	Nozzle Installation.....	330	7.1	Water Pump.....	406
5.3.5	Combivak Nozzle Installation.....	332	7.1.1	Water Pump Spares.....	410
5.3.6	Nozzle Intake Water Jets.....	336	7.2	Supawash.....	412
6	Ancillary Equipment.....	338	7.3	Supawash Pump.....	416
6.1	Top Mounted Wanderhose/Powaboom.....	340	7.4	Water Recirculation System.....	420
6.1.1	Powaboom Suspension.....	344	7.5	Backflush System.....	424
6.1.2	Wanderhose Suspension.....	348	7.6	Handwash Installation.....	426
6.2	Turntable Base for Top Mounted Ancillaries.....	350	7.7	Water Strainer Assembly.....	428
6.3	T.M. Wanderhose Dressing.....	352	7.8	Water Relief Valve Installation.....	430
6.4	T.M. Wanderhose Extension.....	356	7.9	Tee Water Supply Installation.....	432
6.5	T.M. Wanderhose Hook Stowage.....	360	7.10	Water Filter Installation.....	434
6.6	T.M. Powaboom Trident Stowage.....	362	7.11	Detergent Injection System.....	436
6.7	Lower Stowage for Top Mounted Ancillaries.....	364	7.12	Ancillary Water Feed/Washdown.....	438
6.8	T.M. Wanderhose Autolubrication.....	366	7.13	EasiClean - LH Fitment.....	442
6.9	Gulley Pack Dressing.....	368	7.14	EasiClean - RH Fitment.....	444
6.10	Gulley Pack Extension.....	370	7.15	Microtrap Dust Suppression System.....	446
6.11	Littasnatch Installation.....	372	7.15.1	100µm Spraybar Channel Brush.....	448
6.11.1	Option Beams Littasnatch.....	374	7.15.2	100µm Spraybar Nozzle.....	450
6.11.2	Gate and Davit Assembly.....	376	7.15.3	200µm Spraybar.....	452
6.12	Mesh Deflector for Littasnatch/Rear Wanderhose.....	380	8	Hopper & Cowl.....	454
6.13	Rear Wanderhose.....	382	8.1	Hopper.....	456
6.13.1	Gantry Assembly.....	386	8.1.1	Inlet Duct and Wear Plates.....	460
6.13.1.1	Hydraulic Cylinder.....	390			

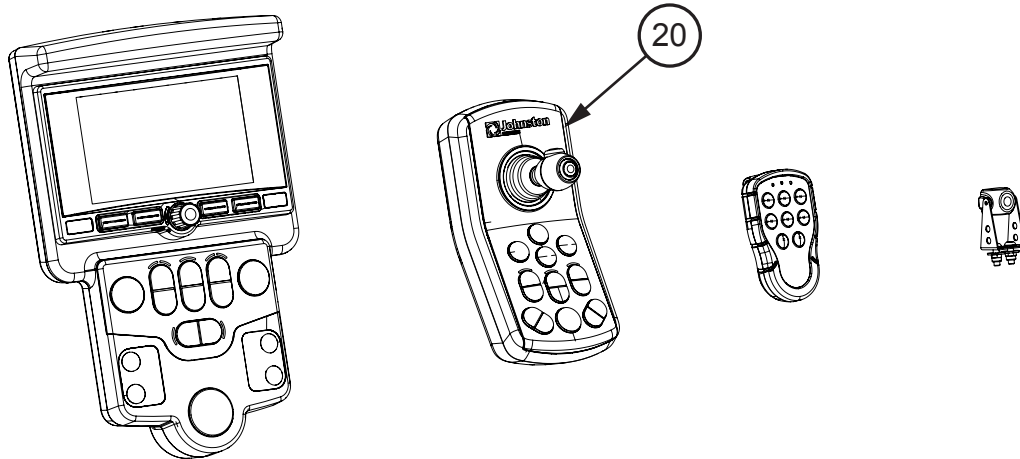
8.1.2	Hopper Pivot Assembly 652 and 802.....	464	9.2	Contractor Door.....	536
8.1.3	Hopper Pivot Assembly 502.....	466	9.3	Option Beams.....	538
8.1.4	Water Break Assembly.....	468	9.4	Rear Door Installation.....	540
8.1.5	Blanking Plates.....	470	9.5	Rear Door Meshes.....	542
8.2	Cowl.....	472	9.6	Door Seals.....	544
8.2.1	Water Connection - Hydrant Filler.....	476	10 Trim and Lights.....	546	
8.2.2	Cowl Seal Assembly.....	478	10.1	Beacons.....	548
8.2.3	Radiator Shroud Seal.....	480	10.2	Engine Bay Work Light.....	550
8.3	Sound Insulation.....	482	10.3	Rear Warning Amber LED Lights.....	552
8.3.1	Fan Exhaust Insulation Kit.....	484	10.4	Rear Work White Reverse Lights.....	556
8.3.2	Cowl Insulation Kit.....	486	10.5	Rear Work White Lights and Warning Amber LED Lights.....	558
8.4	Hopper Access Door.....	492	10.6	Side Marker Lights.....	560
8.5	Tip Cylinder.....	494	10.7	Rear Marker Lights.....	562
8.6	Cowl mounted flap cylinders.....	496	10.8	Double Sweepgear Lights.....	564
8.7	Body Prop.....	498	10.9	Triple Sweepgear Lights.....	566
8.8	Latch Cassette.....	500	10.10	Rear Arrow.....	568
8.9	Flushing Valve Assembly.....	502	10.11	LED Signboard.....	570
8.10	Locker Doors.....	504	10.12	LP13 Arrow Signboard.....	572
8.11	Discharge Chute.....	506	10.12.1	LP13 Arrow Signboard Installation.....	574
8.12	Hopper Controls.....	508	11 Miscellaneous.....	578	
8.13	Hopper Mesh.....	510	11.1	Label sets.....	580
8.14	Auxiliary Water/Fuel Tank.....	512			
8.14.1	Ladder.....	516			
8.14.2	Valve Plate Assembly.....	520			
8.14.3	Water Filter Assembly.....	522			
8.14.4	Overflow Assembly.....	524			
8.15	Aux Water Tank Install.....	526			
8.16	Baffle Drop Link.....	528			
9	Rear Door.....	530			
9.1	Standard Rear Door.....	532			

This page is intentionally left blank

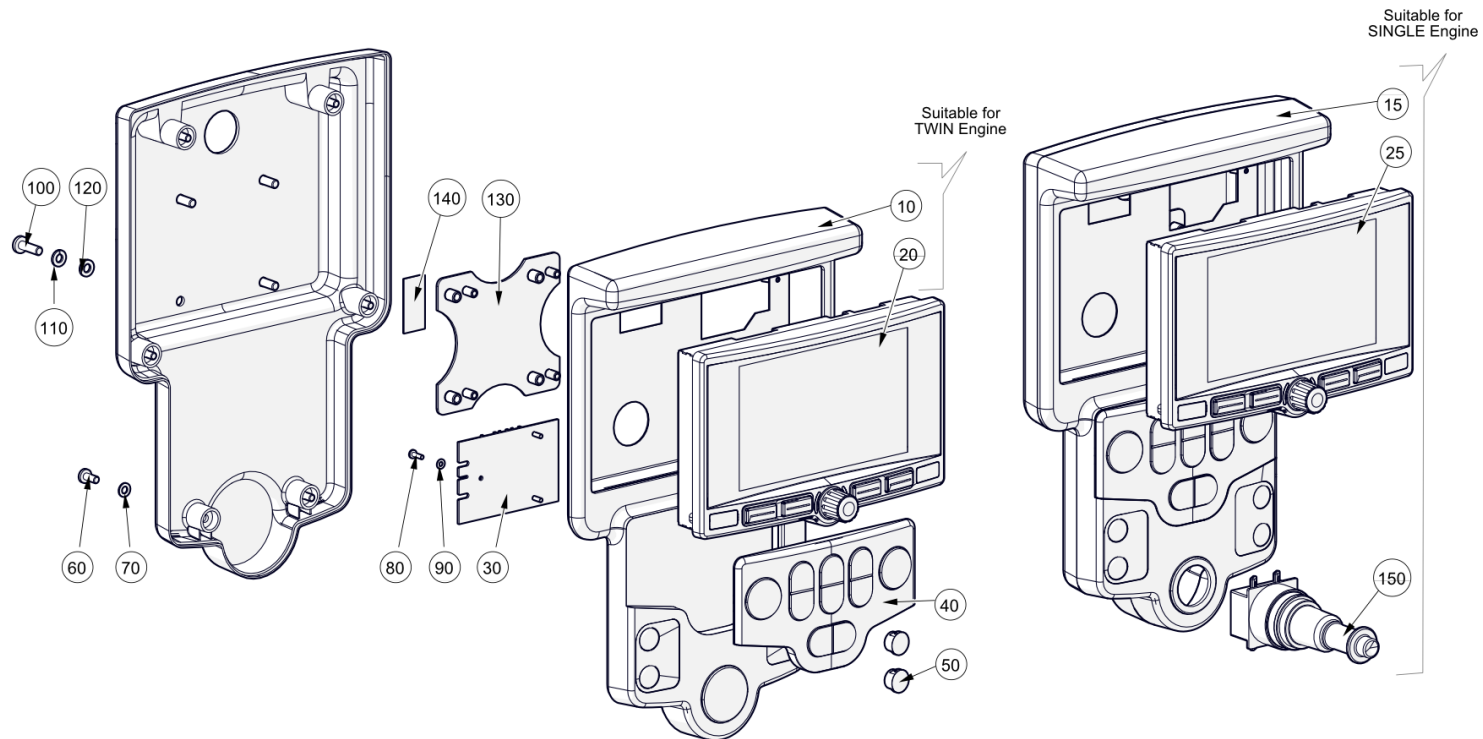
Chapter 1 Cab Controls

Table of Contents

Section	Page
1.1 JVM Control Panel	10
1.2 Palm Control	14
1.3 Palm Control	16
1.4 Camera Options	18

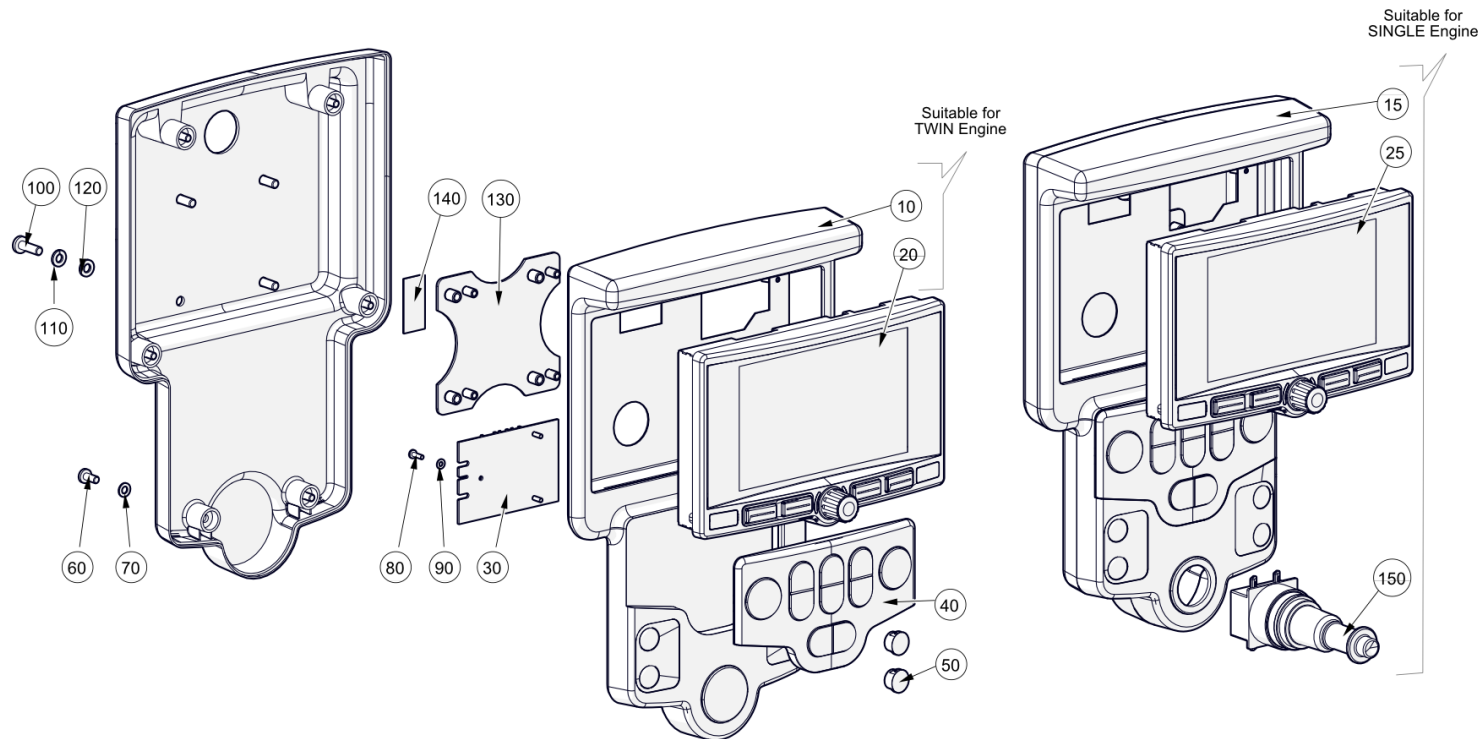


Item no.	Part no.	Description	QTY	Unit
20	7006676	Palm Control	1	PC

JVM Control Panel ()
 Cab Controls\JVM Control Panel


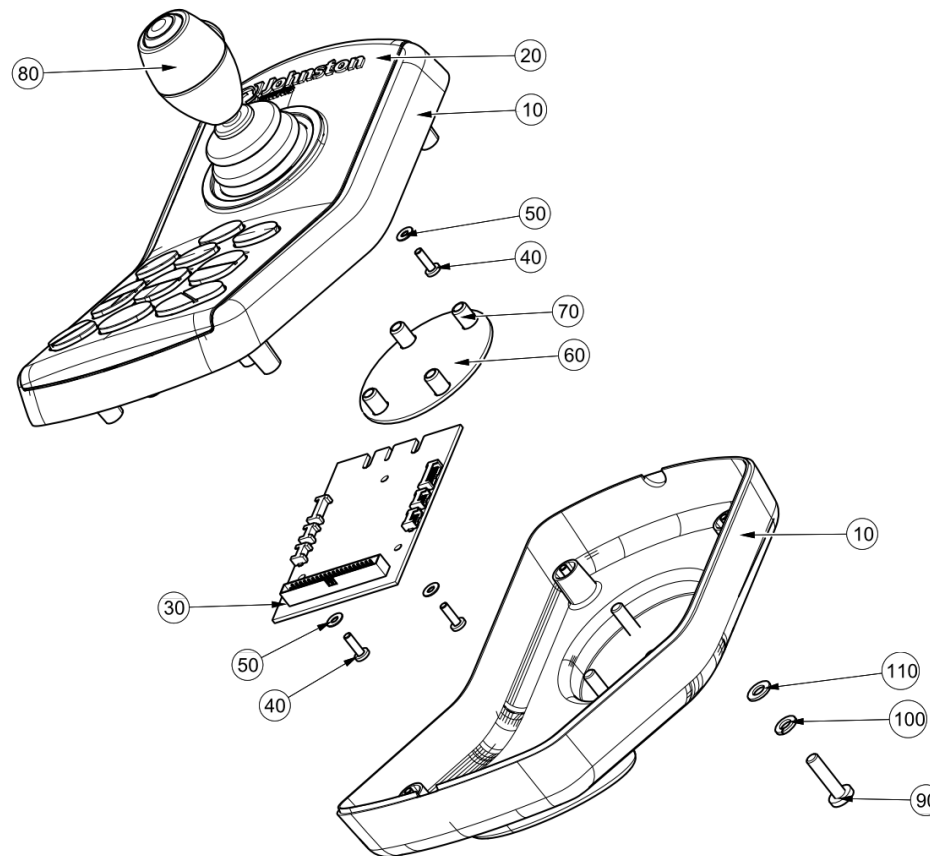
JVM Control Panel ()
Cab Controls\JVM Control Panel

Item no.	Part no.	Description	QTY	Unit
10	7008752	Control panel - VT	1	PC
Suitable for TWIN Engine only.				
15	7008754	Control panel - VS	1	PC
Suitable for SINGLE Engine only.				
20	7007470	JVM VT	1	PC
Suitable for TWIN Engine only.				
25	7007471	JVM VS	1	PC
Suitable for SINGLE Engine only.				
30	7016414	Keypad Node - Centre Console	1	PC
40	7006881	Keypad - Centre Console	1	PC
50	44-70	Plug - Locking Hole, 14.3mm I/D	4	PC
60	134-57	Pan Head Screw - M5Cx12 - 4.8	6	PC
70	93210109-0	Plain Washer M5	6	PC
80	134-12	Pan Head Screw - M3Cx10 - 4.8	3	PC
90	93212005-0	Plain Washer M3	3	PC
100	134-74	Pan Head Screw-M6Cx20-4.8-Pozidriv	4	PC
110	93699708-0	Spring Washer - Plated M6	4	PC
120	93212009-0	Plain Washer - M6	4	PC
130	7063299	Console, Mounting Plate R/Assy	1	PC
140	217-51	Tape - 1.15mm Thick x 19mm Wide x 66m Lg	0,05	RL
150	48-83	Joystick-TwoWay(forward/revers	1	PC
Suitable for SINGLE Engine only.				
5000	30-403	Battery - 3v Lithium (JVM Screen)	1	PC
5010	7008151	Cable Assembly	1	PC

JVM Control Panel ()
Cab Controls\JVM Control Panel

JVM Control Panel ()
Cab Controls\JVM Control Panel

Item no.	Part no.	Description	QTY	Unit
5020	7022168	Cable Assembly	1	PC
Suitable for SINGLE Engine only.				

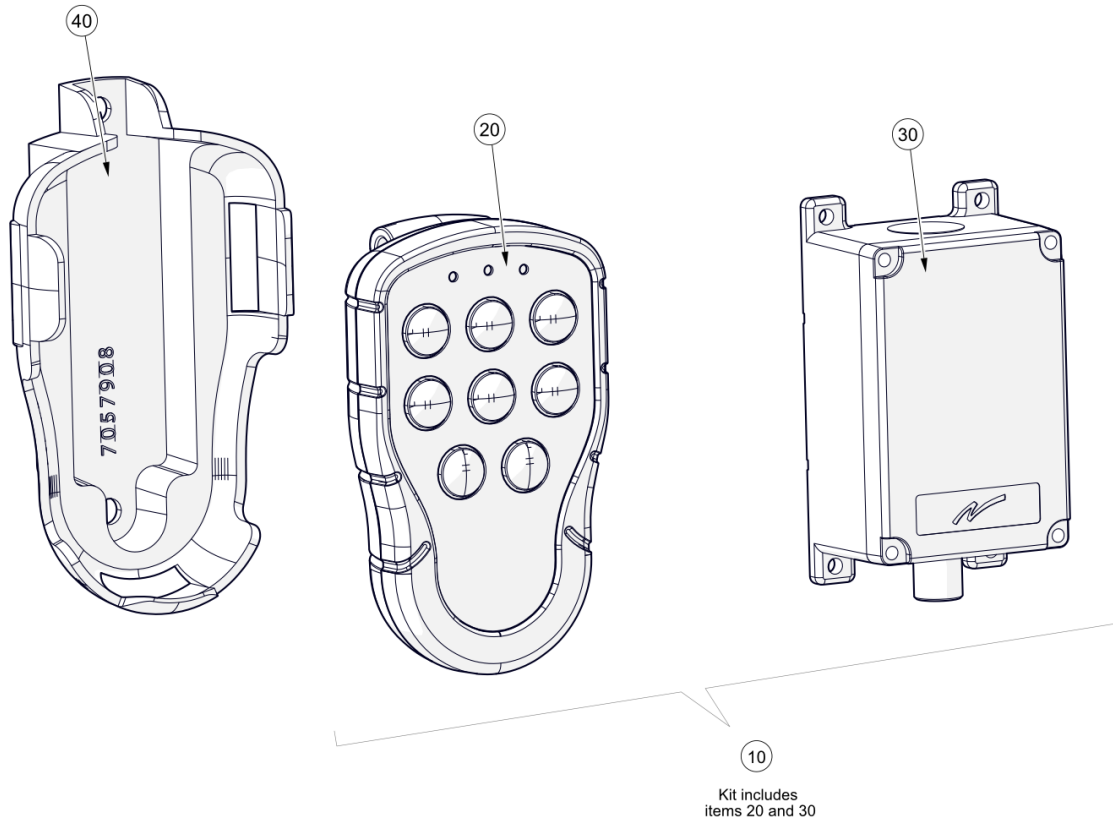


Palm Control ()

Cab Controls\Palm Control

Item no.	Part no.	Description	QTY	Unit
10	7006589	Palm Control, Housing	2	PC
20	7006671	Keypad - Door Controller	1	PC
30	7006364	Control -Control system Keypad Node	1	PC
40	134-12	Pan Head Screw - M3Cx10 - 4.8	10	PC
50	93212005-0	Plain Washer M3	6	PC
60	7030460	Palm Control, Mounting Plate	1	PC
70	433-1	Rivet Nut - S. CI Nut M5c g0.5-3.0 Blind	4	PC
80	7006673	Joy Stick	1	PC
90	134-59	Pan Head Screw - M5Cx20 - 4.8	4	PC
100	93699707-0	Spring Washer - Plated M5	4	PC
110	93210109-0	Plain Washer M5	4	PC
120	7006798	Key Pad Harness	1	PC
Item image is not available.				

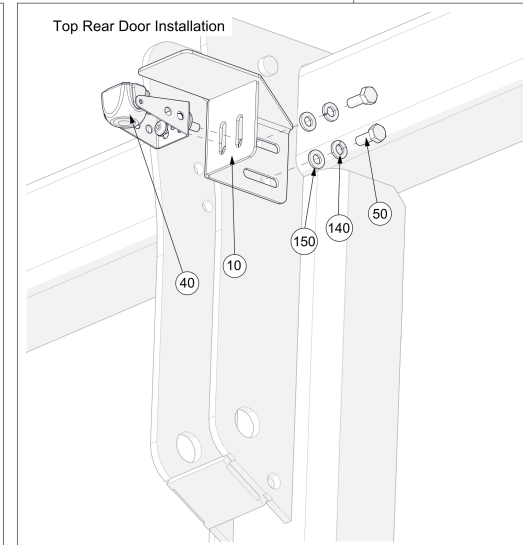
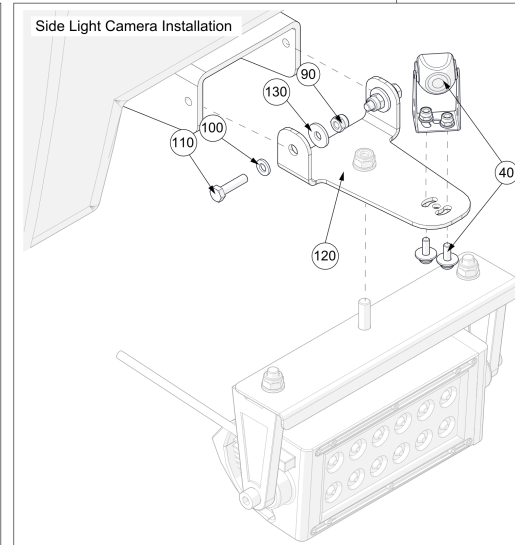
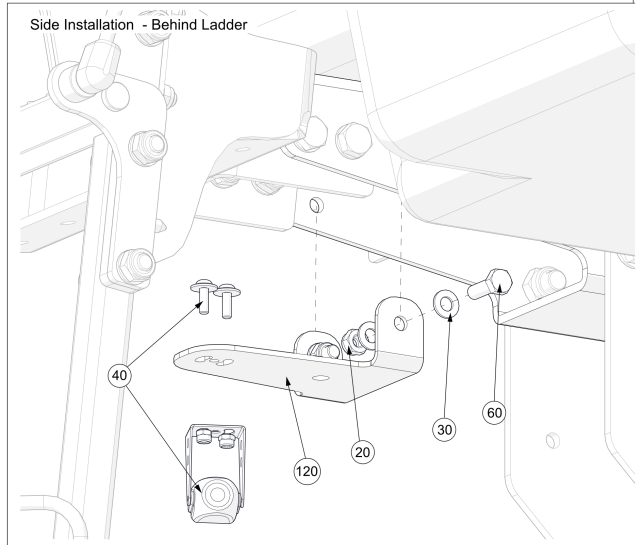
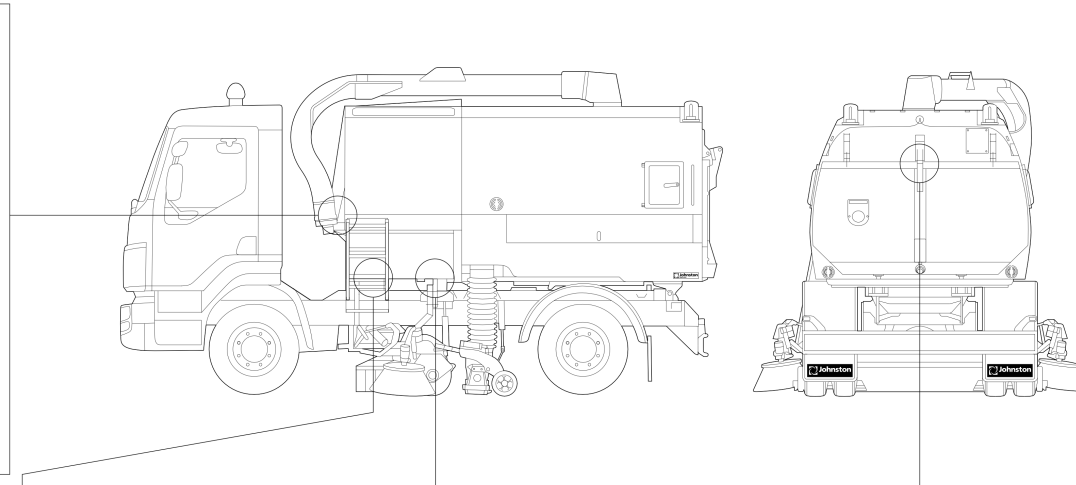
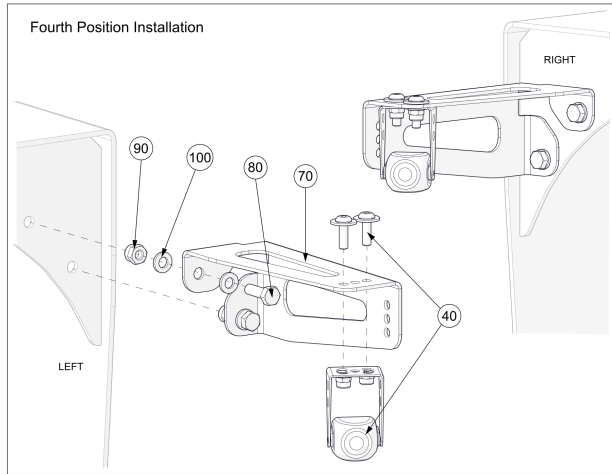
Wireless Discharge Pendant ()
Cab Controls\Wireless Discharge Pendant



Wireless Discharge Pendant ()
Cab Controls\Wireless Discharge Pendant

Item no.	Part no.	Description	QTY	Unit
10	7056435	Wireless Load Discharge Kit	1	PC
The wireless transmitter and receiver are a matched pair. If a replacement is required for item 20 or 30 consult technical support. Note that these items require programming.				
20	7056408	Transmitter - 8 button Wireless	1	PC
If a replacement is required for this item consult technical support. Note that it requires programming.				
21	723-10	Battery 'AAA'	2	PC
Item image is not available.				
30	7056410	Receiver - Wireless Load Discharge	1	PC
If a replacement is required for this item consult technical support. Note that it requires programming.				
40	7057908	Holster - Wireless Discharge Transmitter	1	PC

Camera Options ()
 Cab Controls\Camera Options
 Only callouts are interactive in this image.



Camera Options ()

Cab Controls\Camera Options

Only callouts are interactive in this image.

Item no.	Part no.	Description	QTY	Unit
10	7056024	Rear camera mount	1	PC
20	93085005-0	Nyloc Hex Nut M8C - 8	2	PC
30	93212011-0	Plain Washer - M8	2	PC
40	657-150	Camera - IP69	4	PC
Fastenings included with camera.				
50	92099299-0	Hex Head Screw - M6Cx16 - A2	2	PC
60	92097376-0	Hex Head Screw - M8Cx25 - 8.8	2	PC
70	7041315	Camera Mounting Bracket	1	PC
80	92097301-0	Hex Head Screw - M6Cx20 - 8.8	2	PC
90	93085004-0	Nyloc Hex Nut M6C - 8	4	PC
100	93212009-0	Plain Washer - M6	8	PC
110	92097303-0	Hex Head Screw - M6Cx25 - 8.8	4	PC
120	7036843	Side worklight and camera bracket	2	PC
130	457-2	Washer Plain Steel M6 Form G	4	PC
140	93700208-0	Spring Washer M6 - A2	2	PC
150	93213009-0	Plain Washer M6 A2	2	PC

This page is intentionally left blank

Chapter 2 Powapack

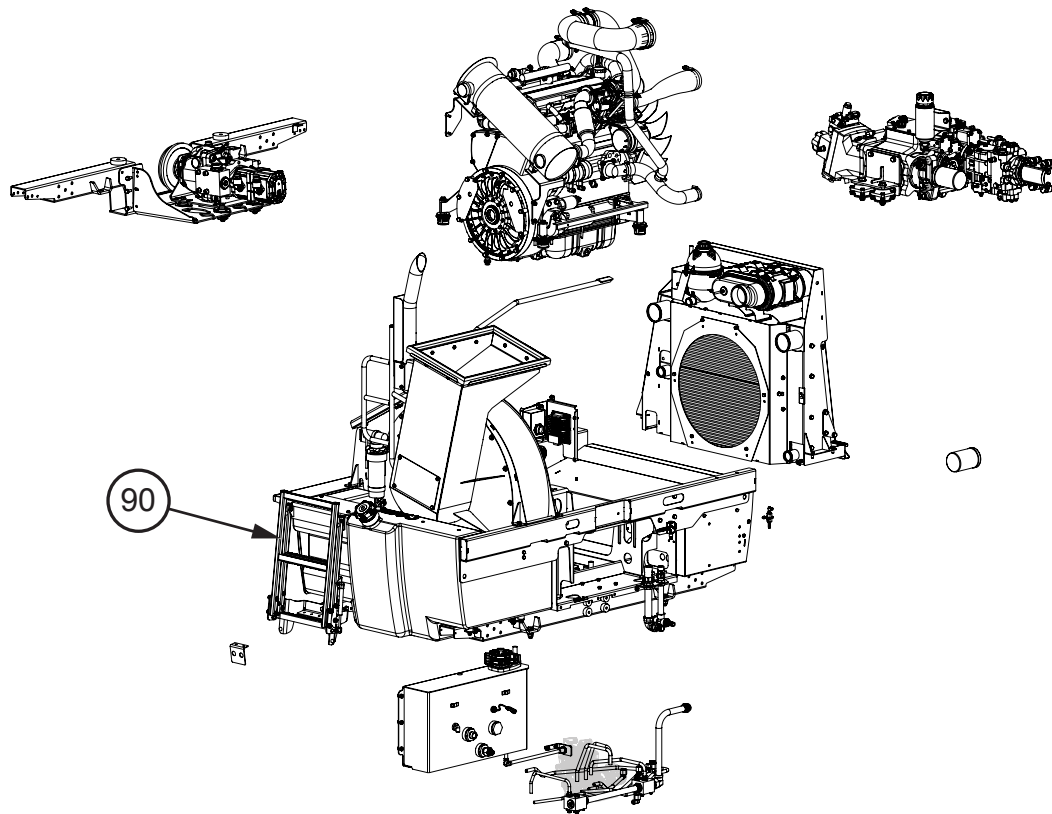


Table of Contents

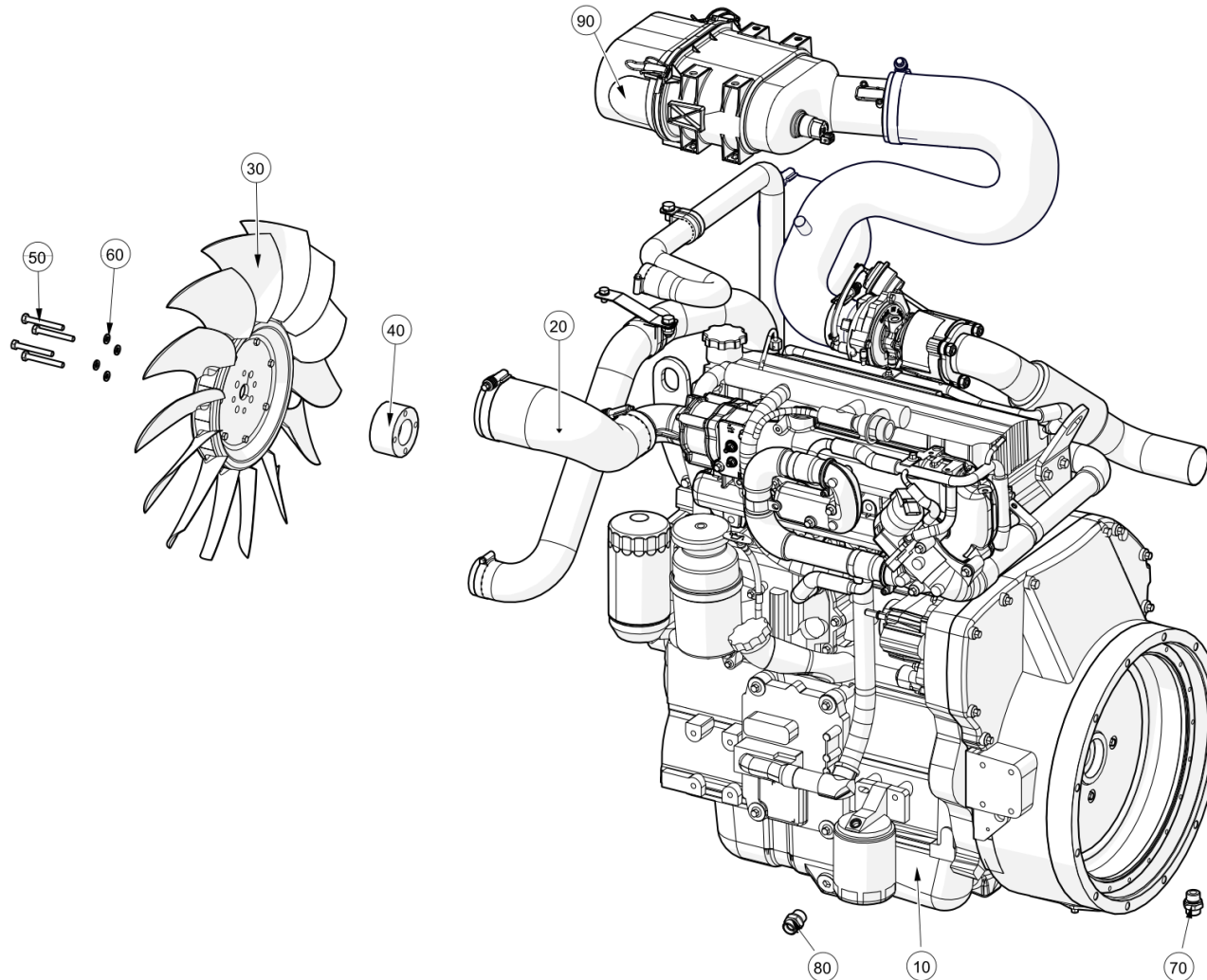
Section	Page
2.1 Engine.....	22
2.2 Mekavac.....	52
2.3 Hydrostatic Gearbox.....	60
2.4 Powapack Tub.....	80
2.5 Cooling Pack Assembly.....	106
2.6 Fan.....	118
2.7 Hydraulics.....	124
2.8 Handle.....	144
2.9 Access Ladder.....	146
2.10 Fuel Filter.....	150
2.11 Pod Box.....	154
2.12 JCB Tailpipe.....	158
2.13 Engine Drain Installation.....	160

Item no.	Part no.	Description	QTY	Unit
90	7035299	Access Ladder	1	PC

This page is intentionally left blank

This page is intentionally left blank

JCB 55kW S4 Engine ()
Powapack\Engine\JCB 55kW S4 Engine

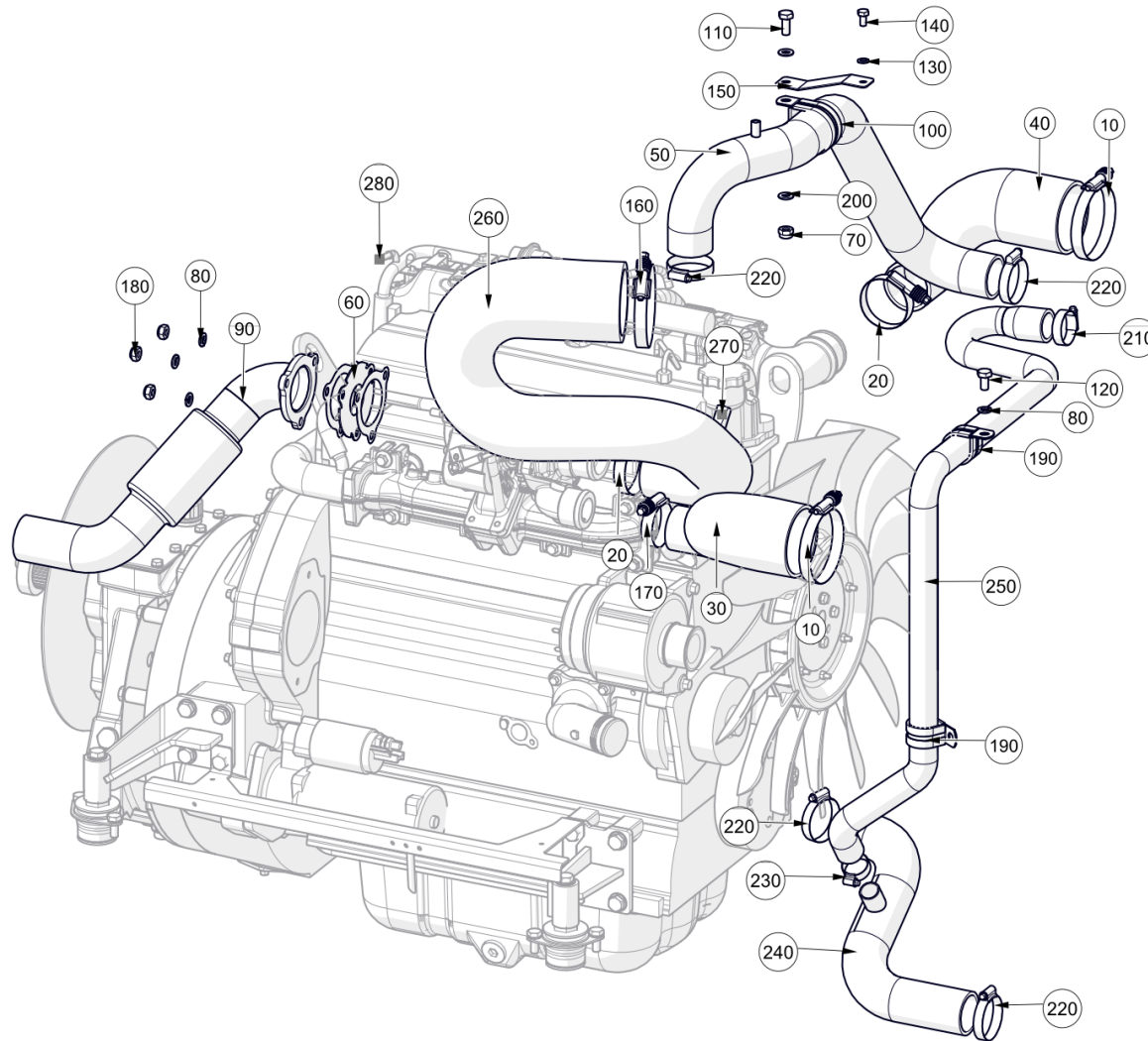


JCB 55kW S4 Engine ()
Powapack\Engine\JCB 55kW S4 Engine

Item no.	Part no.	Description	QTY	Unit
10	7052916	Engine - JCB 55kW S3B 12V	1	PC
This engine is supplied with JCB air cleaner 7035828 (item 90). Check Cooling Pack Area for installation details.				
10	7052915	Engine - JCB 55kW S3B 24V	1	PC
This engine is supplied with JCB air cleaner 7035828 (item 90). Check Cooling Pack Area for installation details.				
30	281-10	Fan - Cooling Puller 530 - 14 Blade	1	PC
40	7017798	Cooling Fan Spacer - JCB	1	PC
50	92067388-0	Hex Head Bolt - M8Cx65 - 8.8	4	PC
60	93699710-0	Spring Washer - Plated M8	4	PC
70	6601-1329	Stud Coupling Male G 1/2" x M22 x 1.5	1	PC
80	6601-1432	Stud Coupling Male M22 Straight	1	PC
90	7035828	JCB Air Cleaner	1	PC
This item is supplied with JCB 55kW engines 7052916 and 7052915 (item 10).				
5000	7032795	JCB 55/93 Kw 24v Power Pack Harness	1	PC
5005	7032827	JCB 55/93 Kw 12v Power Pack Harness	1	PC
5010	7022944	Cable Assembly JCB Alternator	1	PC
5020	7006819	Starter Cable Red 24v	1	PC
5025	7028434	Starter Cable Red 12v	1	PC
5030	7006818	Starter Cable Black 24v	1	PC
5035	7028435	Starter Cable Black 12v	1	PC

Engine Hoses ()

Powapack\Engine\JCB 55kW S4 Engine\Engine Hoses



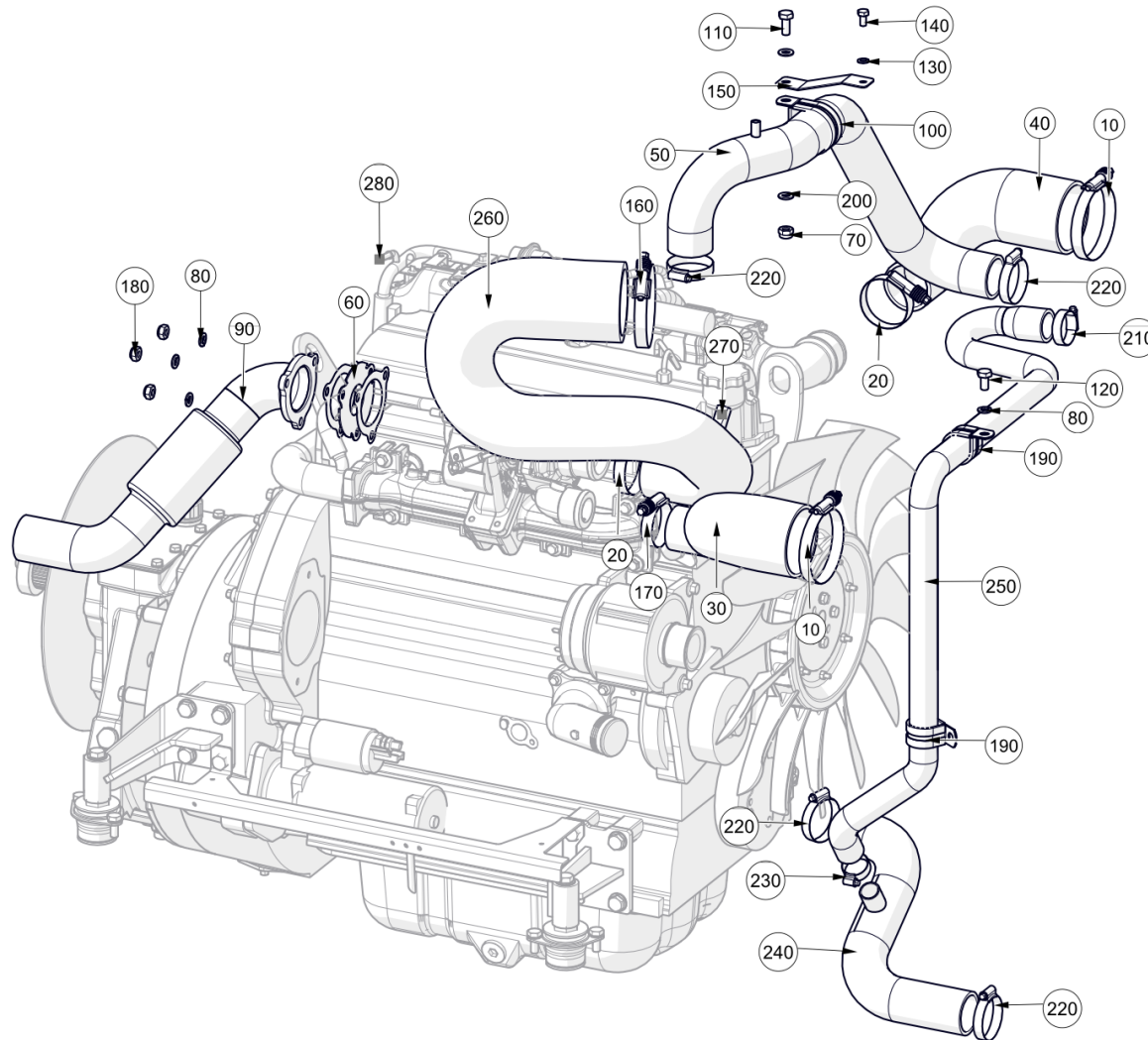
Engine Hoses ()

Powapack\Engine\JCB 55kW S4 Engine\Engine Hoses

Item no.	Part no.	Description	QTY	Unit
10	507-5	Hose Clamp - Constant Torque (83-105)	2	PC
20	507-3	Hose Clamp - Constant Torque (57-79)	2	PC
30	7018318	Charge Air Hose - CAC IN, JCB	1	PC
40	7018059	Charge Air Hose - CAC OUT, JCB	1	PC
50	7018038	Coolant Hose, Top, JCB	1	PC
60	7027449	Exhaust Orifice Plate	1	PC
70	93085806-0	Nyloc Hex Nut M10C - 8	1	PC
80	93699711-0	Spring Washer - Plated M10	4	PC
90	7018612	Exhaust Inlet Pipe W/Assy, JCB 55kW	1	PC
100	508-14	Clip - P Rubber Covered 57.20MM	1	PC
110	92097412-0	Hex Head Screw - M10Cx25 - 8.8	1	PC
120	92097410-0	Hex Head Screw - M10Cx20 - 8.8	1	PC
130	93699710-0	Spring Washer - Plated M8	1	PC
140	92097372-0	Hex Head Screw - M8Cx16 - 8.8	1	PC
150	7026899	Support Plate - Coolant Hose	1	PC
160	507-6	Hose Clamp - Constant Torque (95-118)	1	PC
170	507-2	Hose Clamp - Constant Torque (45-67)	1	PC
180	93086056-0	Nut S/Lock Philidas M10cx17x10	3	PC
190	508-10	CLIP - P RUBBER COVERED 38.1MM	2	PC
200	93212012-0	Plain Washer - M10	2	PC
210	09531011-0	Hose Clip - Worm Drive (40-55)	1	PC
220	09531034-0	Hose Clip - Worm Drive (40-60)	4	PC
230	09531009-0	Hose Clip - Worm Drive (30-40)	1	PC
240	7036811	Bottom Coolant Hose JCB	1	PC

Engine Hoses ()

Powapack\Engine\JCB 55kW S4 Engine\Engine Hoses

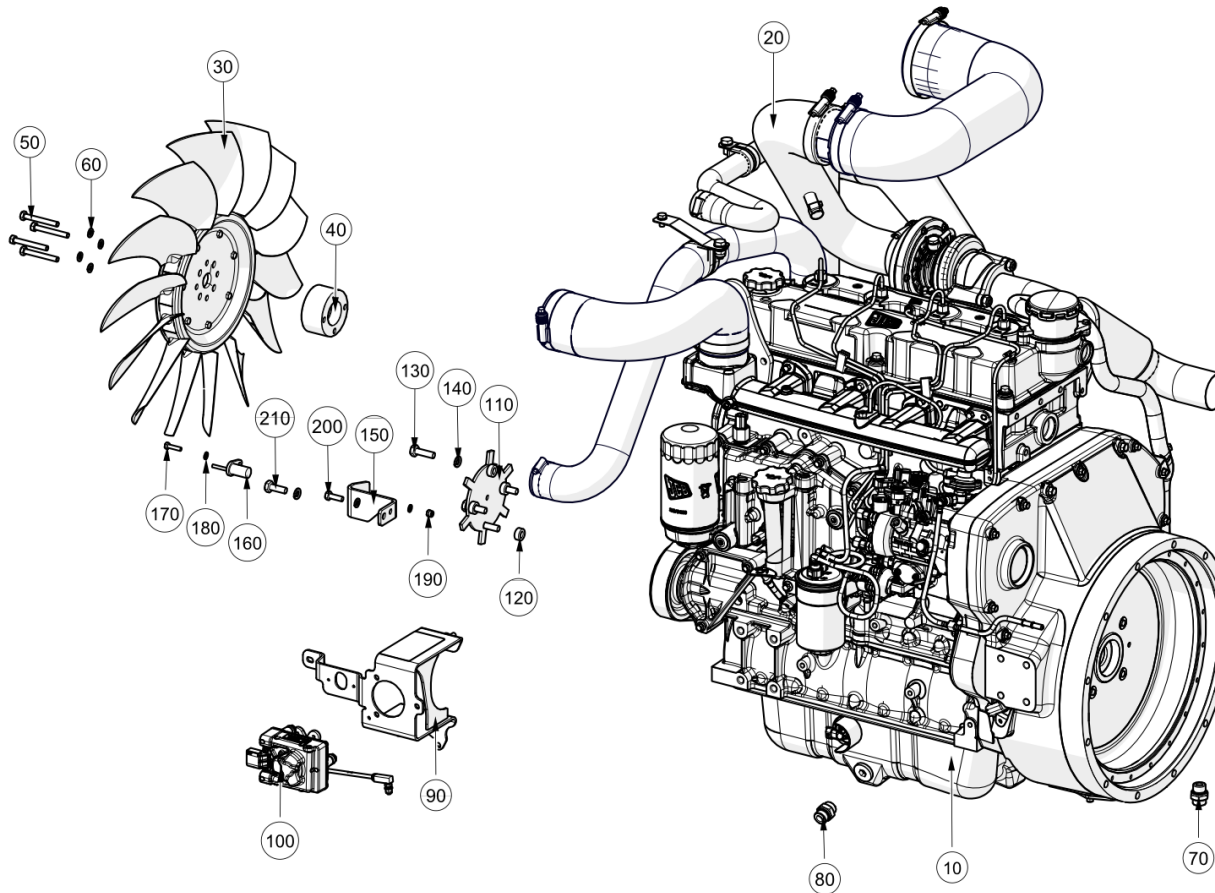


Engine Hoses ()

Powapack\Engine\JCB 55kW S4 Engine\Engine Hoses

Item no.	Part no.	Description	QTY	Unit
250	7036770	Coolant Feed Hose	1	PC
260	7047022	Induction Pipe	1	PC
5020	497-P02	Hose 3/4"	1	M
5030	09531052-0	Hose Clip - Worm Drive (22-32)	2	PC
5040	271-41	Hose - Silicone 9.5mm I/D	0,7	M
5050	271-40	Hose - Silicone 12mm I/D	0,4	M
5060	271-41	Hose - Silicone 9.5mm I/D	0,9	M
5070	09518434-0	Hosetail Tee - 10mm OD	1	PC
5080	271-41	Hose - Silicone 9.5mm I/D	0,2	M
5090	501-1	Hose Clip - Worm Drive (11-16)	8	PC

JCB 85kW S3A Engine ()
Powapack\Engine\JCB 85kW S3A Engine

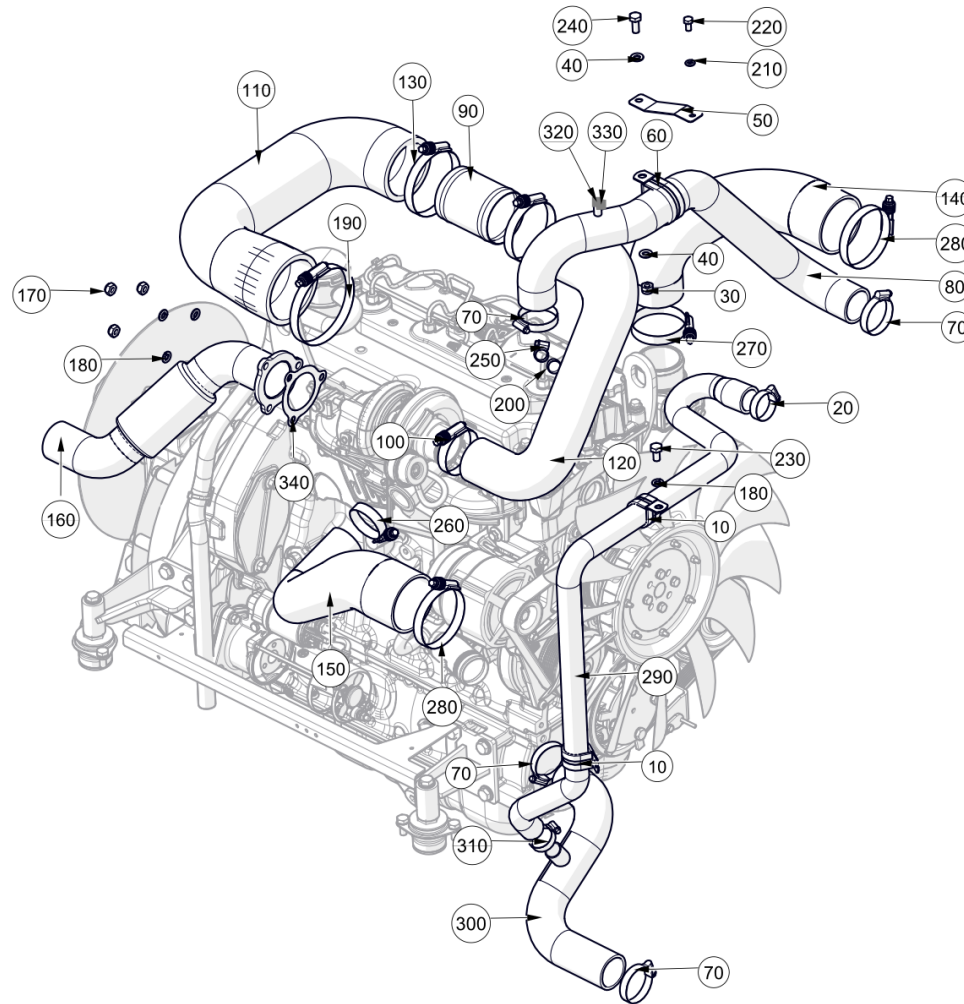


JCB 85kW S3A Engine ()
Powapack\Engine\JCB 85kW S3A Engine

Item no.	Part no.	Description	QTY	Unit
10	7028407	Engine - JCB 85kW S3A 24v	1	PC
30	281-10	Fan - Cooling Puller 530 - 14 Blade	1	PC
40	7017798	Cooling Fan Spacer - JCB	1	PC
50	92067388-0	Hex Head Bolt - M8Cx65 - 8.8	4	PC
60	93699710-0	Spring Washer - Plated M8	5	PC
70	6601-1329	Stud Coupling Male G 1/2" x M22 x 1.5	1	PC
80	6601-0630	Stud Coupling Male 7/8" - 14 UNF	1	PC
90	7029138	JCB 85KW Actuator Bracket	1	PC
100	7029137	JCB 85KW Actuator	1	PC
110	7029374	6 Tooth Speed Sensor Plate	1	PC
120	95200-2	Spacer - Bush 8mm x 11mm ID	4	PC
130	92097415-0	Hex Head Screw - M10Cx35 - 8.8	4	PC
140	93699711-0	Spring Washer - Plated M10	2	PC
150	7029328	Speed Sensor Bracket JCB 85kW	1	PC
160	280856-1	Speed / Crank Sensor with Loom	1	PC
170	92097303-0	Hex Head Screw - M6Cx25 - 8.8	1	PC
180	93212009-0	Plain Washer - M6	2	PC
190	93085004-0	Nyloc Hex Nut M6C - 8	1	PC
200	92097376-0	Hex Head Screw - M8Cx25 - 8.8	1	PC
210	92097414-0	Hex Head Screw - M10Cx30 - 8.8	1	PC
5000	7006818	Starter Cable Black 24v	1	PC
5010	7006819	Starter Cable Red 24v	1	PC

Engine Hoses ()

Powapack\Engine\JCB 85kW S3A Engine\Engine Hoses



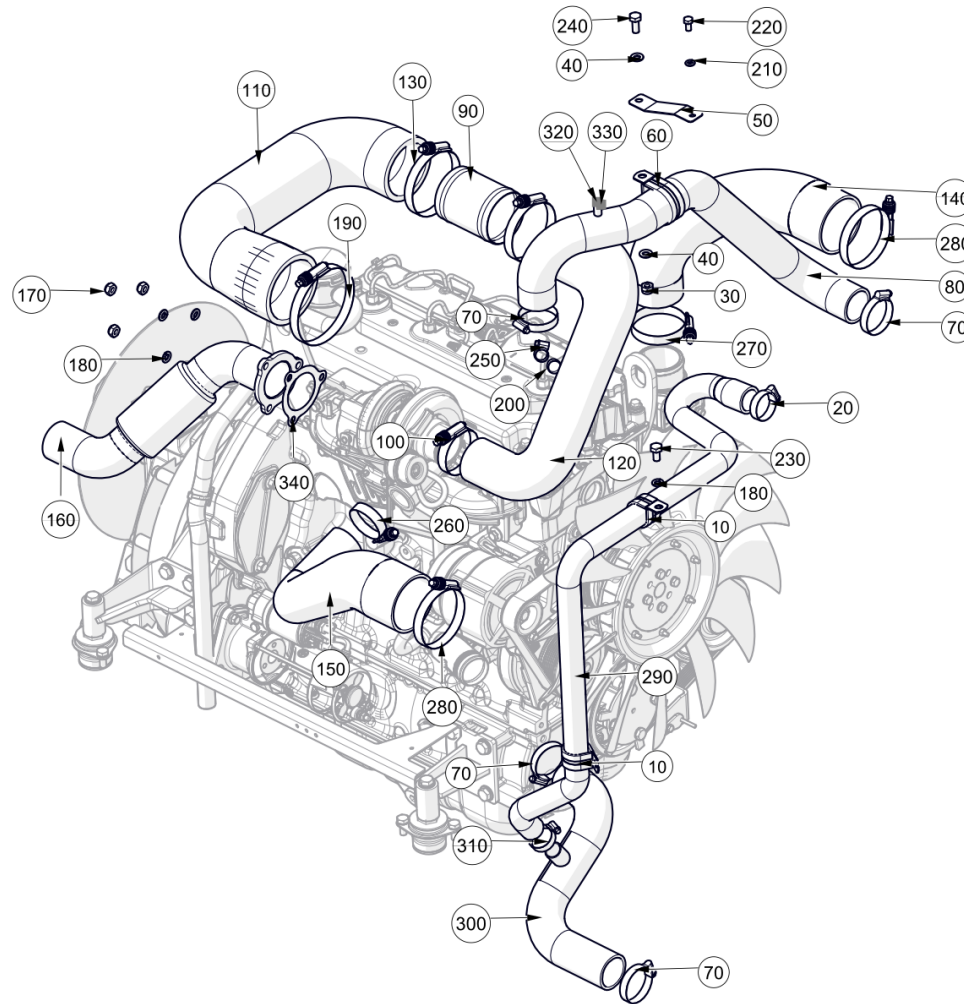
Engine Hoses ()

Powapack\Engine\JCB 85kW S3A Engine\Engine Hoses

Item no.	Part no.	Description	QTY	Unit
10	508-10	CLIP - P RUBBER COVERED 38.1MM	2	PC
20	09531011-0	Hose Clip - Worm Drive (40-55)	1	PC
30	93085806-0	Nyloc Hex Nut M10C - 8	1	PC
40	93212012-0	Plain Washer - M10	2	PC
50	7026899	Support Plate - Coolant Hose	1	PC
60	508-14	Clip - P Rubber Covered 57.20MM	1	PC
70	09531034-0	Hose Clip - Worm Drive (40-60)	4	PC
80	7018038	Coolant Hose, Top, JCB	1	PC
90	7028677	Hose Connector (Air Intake)	1	PC
100	507-3	Hose Clamp - Constant Torque (57-79)	1	PC
110	7026540	Induction Hose, Top Section	1	PC
120	7026497	Induction Hose, Lower Section	1	PC
130	507-6	Hose Clamp - Constant Torque (95-118)	2	PC
140	7028477	CAC OUT Pipe	1	PC
150	7028465	CAC IN Pipe	1	PC
160	7028631	Exhaust Front Pipe	1	PC
170	93086056-0	Nut S/Lock Philidas M10cx17x10	3	PC
180	93699711-0	Spring Washer - Plated M10	4	PC
190	507-7	Hose Clamp - Constant Torque (108-130)	1	PC
200	288-49	Flexicap - Yellow 19.1mm x 12.7mm	1	PC
210	93699710-0	Spring Washer - Plated M8	1	PC
220	92097372-0	Hex Head Screw - M8Cx16 - 8.8	1	PC
230	92097410-0	Hex Head Screw - M10Cx20 - 8.8	1	PC
240	92097412-0	Hex Head Screw - M10Cx25 - 8.8	1	PC

Engine Hoses ()

Powapack\Engine\JCB 85kW S3A Engine\Engine Hoses

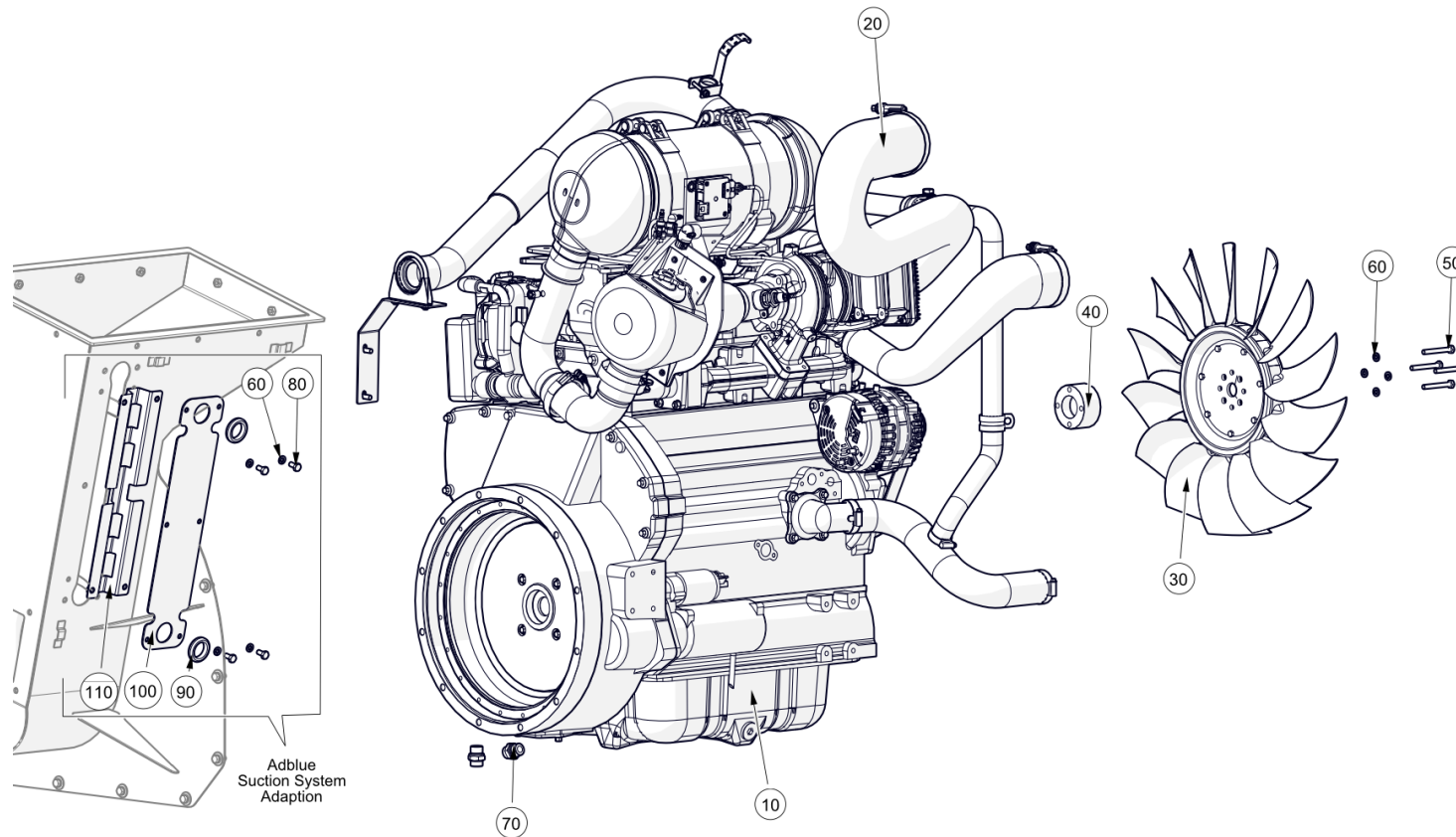


Engine Hoses ()

Powapack\Engine\JCB 85kW S3A Engine\Engine Hoses

Item no.	Part no.	Description	QTY	Unit
250	501-2	Hose Clip - Worm Drive (14-22)	1	PC
260	507-2	Hose Clamp - Constant Torque (45-67)	1	PC
270	09549340-0	Hose Clamp - Constant Torque (70-92)	1	PC
280	507-5	Hose Clamp - Constant Torque (83-105)	2	PC
290	7036770	Coolant Feed Hose	1	PC
300	7036811	Bottom Coolant Hose JCB	1	PC
310	09531009-0	Hose Clip - Worm Drive (30-40)	1	PC
5000	271-40	Hose - Silicone 12mm I/D	0,4	M
5010	271-41	Hose - Silicone 9.5mm I/D	2	M
5020	501-1	Hose Clip - Worm Drive (11-16)	4	PC
5030	7027597	JCB Orifice Gasket	1	PC

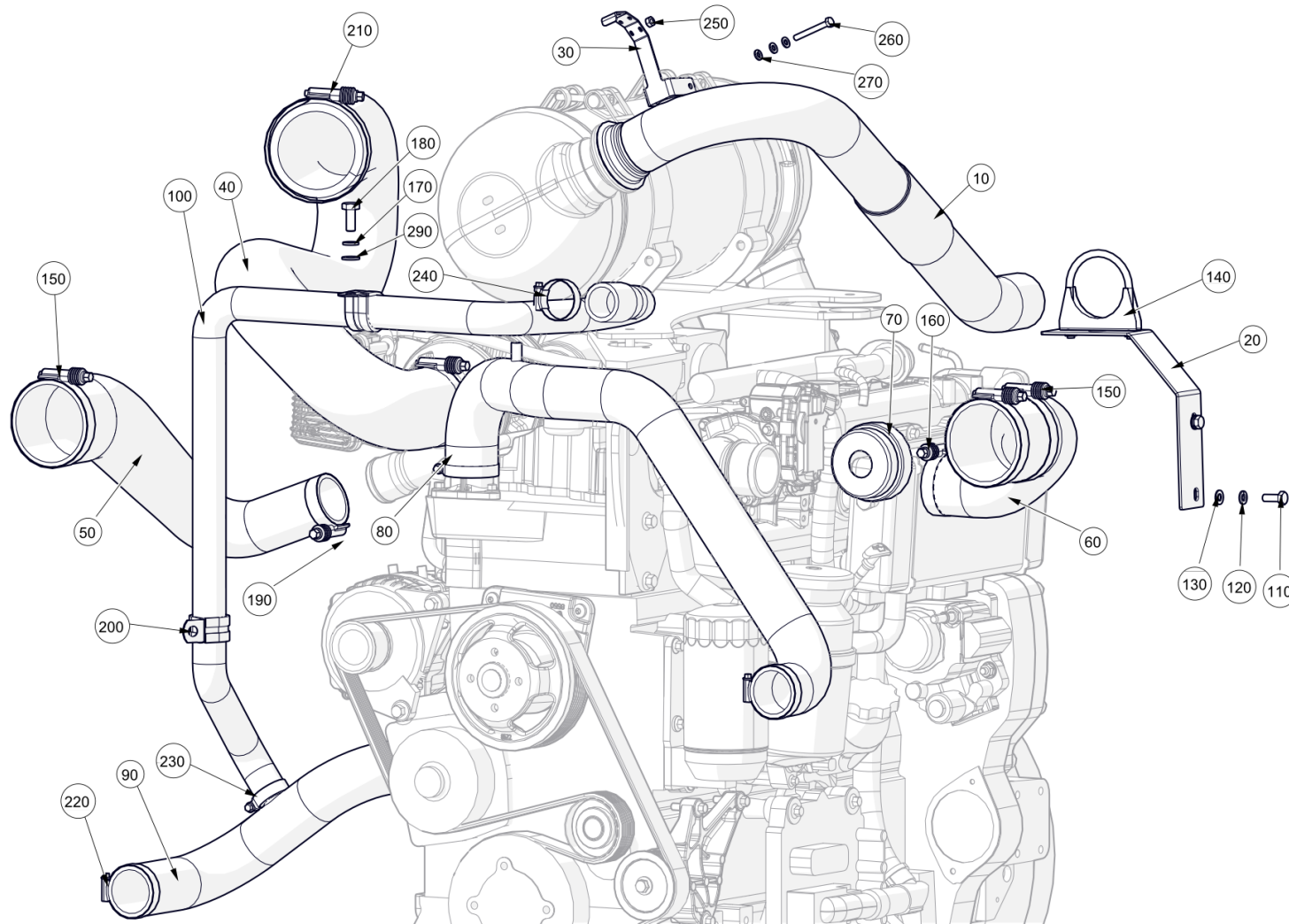
JCB 93kW S4 Engine ()
Powapack\Engine\JCB 93kW S4 Engine



JCB 93kW S4 Engine ()
Powapack\Engine\JCB 93kW S4 Engine

Item no.	Part no.	Description	QTY	Unit
10	7039193	JCB Engine 93kW T4 12v	1	PC
10	7039194	JCB Engine 93kW T4 24v	1	PC
30	281-10	Fan - Cooling Puller 530 - 14 Blade	1	PC
40	7017798	Cooling Fan Spacer - JCB	1	PC
50	92067388-0	Hex Head Bolt - M8Cx65 - 8.8	4	PC
60	93699710-0	Spring Washer - Plated M8	8	PC
70	6601-1432	Stud Coupling Male M22 Straight	2	PC
80	92097372-0	Hex Head Screw - M8Cx16 - 8.8	4	PC
90	287-71	Grommet - Ø 38.1 O/D, 31.8 I/D 3.2 Thick	2	PC
100	7045239	Fan Inlet Adblue Cover Plate	1	PC
110	7045243	Adblue Guard Bracket W/Assy	1	PC
5000	7038271	JCB T4 Engine Adblue Harness	1	PC
5005	7044729	Adblue Harness 12 Volt	1	PC
5010	7040502	JCB 55/93Kw 24v T4 Power Pack Harness	1	PC
5015	7044727	JCB 55/93Kw 12v T4 Power Pack Harness	1	PC
5030	7022944	Cable Assembly JCB Alternator	1	PC
5040	7006818	Starter Cable Black 24v	1	PC
5045	7028435	Starter Cable Black 12v	1	PC
5050	7006819	Starter Cable Red 24v	1	PC
5055	7028434	Starter Cable Red 12v	1	PC
5060	287-61	Grommet - Ø 31.8 O/D, 25.4 I/D 2.4 Thick	2	PC
5080	94-73	Adblue Exhaust Additive	15	L

Engine Hoses ()
Powapack\Engine\JCB 93kW S4 Engine\Engine Hoses

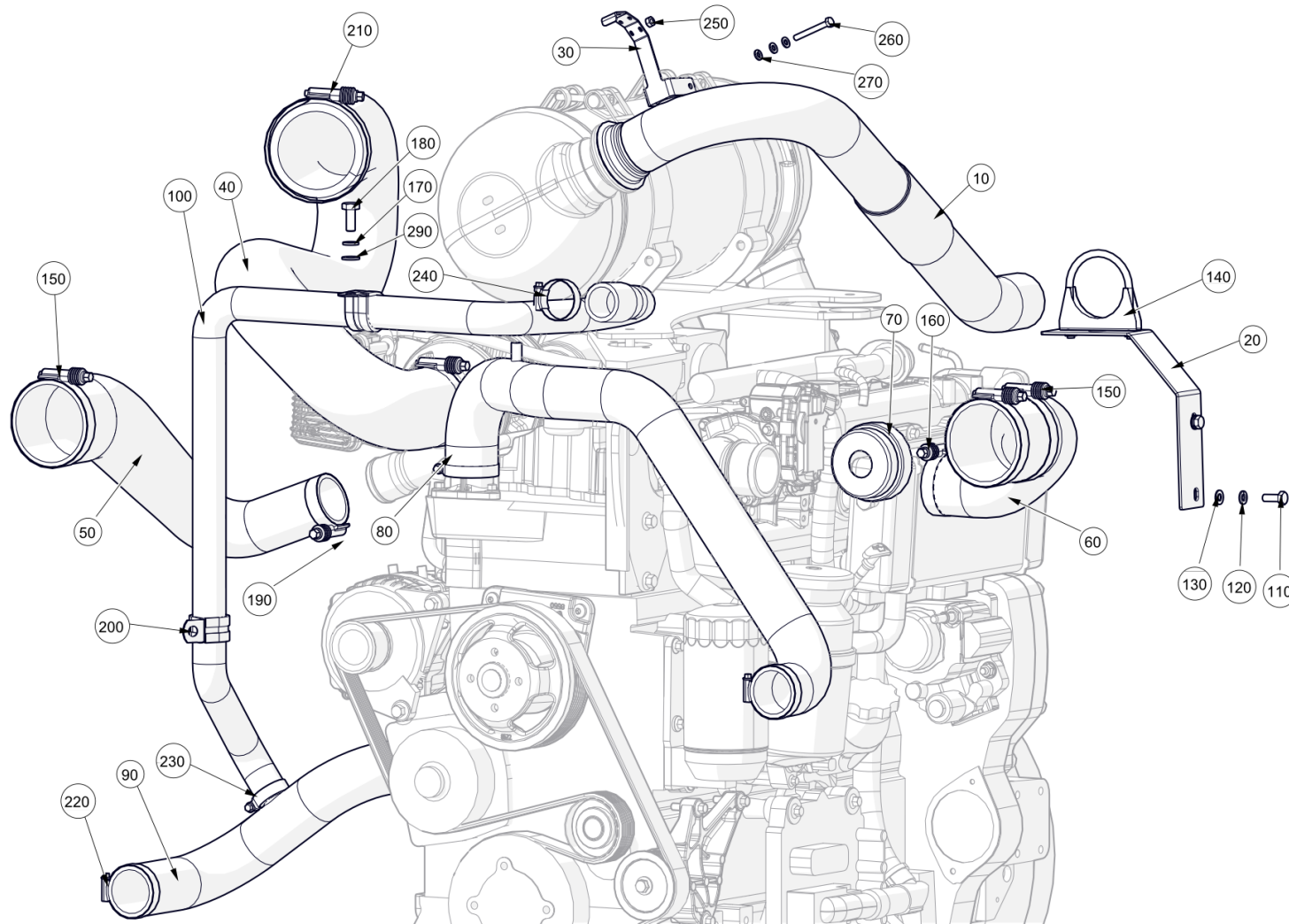


Engine Hoses ()

Powapack\Engine\JCB 93kW S4 Engine\Engine Hoses

Item no.	Part no.	Description	QTY	Unit
10	7035721	Front Pipe W/Assy	1	PC
20	7041650	Exhaust Mount Plate	1	PC
30	7043025	Cable Stay	1	PC
40	7035826	Induction Pipe	1	PC
50	7028465	CAC IN Pipe	1	PC
60	7018059	Charge Air Hose - CAC OUT, JCB	1	PC
70	7045139	Restrictor - CAC Out	1	PC
80	7018038	Coolant Hose, Top, JCB	1	PC
90	7036811	Bottom Coolant Hose JCB	1	PC
100	7036770	Coolant Feed Hose	1	PC
110	92097375-0	Hex Head Screw - M8Cx22 - 8.8	2	PC
120	93699710-0	Spring Washer - Plated M8	2	PC
130	93212011-0	Plain Washer - M8	2	PC
140	6645-14	Clip - Exhaust Banelli 2 3/4"	1	PC
150	507-5	Hose Clamp - Constant Torque (83-105)	4	PC
160	507-3	Hose Clamp - Constant Torque (57-79)	1	PC
170	93699711-0	Spring Washer - Plated M10	1	PC
180	92097412-0	Hex Head Screw - M10Cx25 - 8.8	1	PC
190	507-2	Hose Clamp - Constant Torque (45-67)	1	PC
200	508-10	CLIP - P RUBBER COVERED 38.1MM	2	PC
210	507-6	Hose Clamp - Constant Torque (95-118)	1	PC
220	09531034-0	Hose Clip - Worm Drive (40-60)	4	PC
230	501-11	Hose Clip - Worm Drive (35-50)	1	PC
240	09531011-0	Hose Clip - Worm Drive (40-55)	2	PC

Engine Hoses ()
Powapack\Engine\JCB 93kW S4 Engine\Engine Hoses

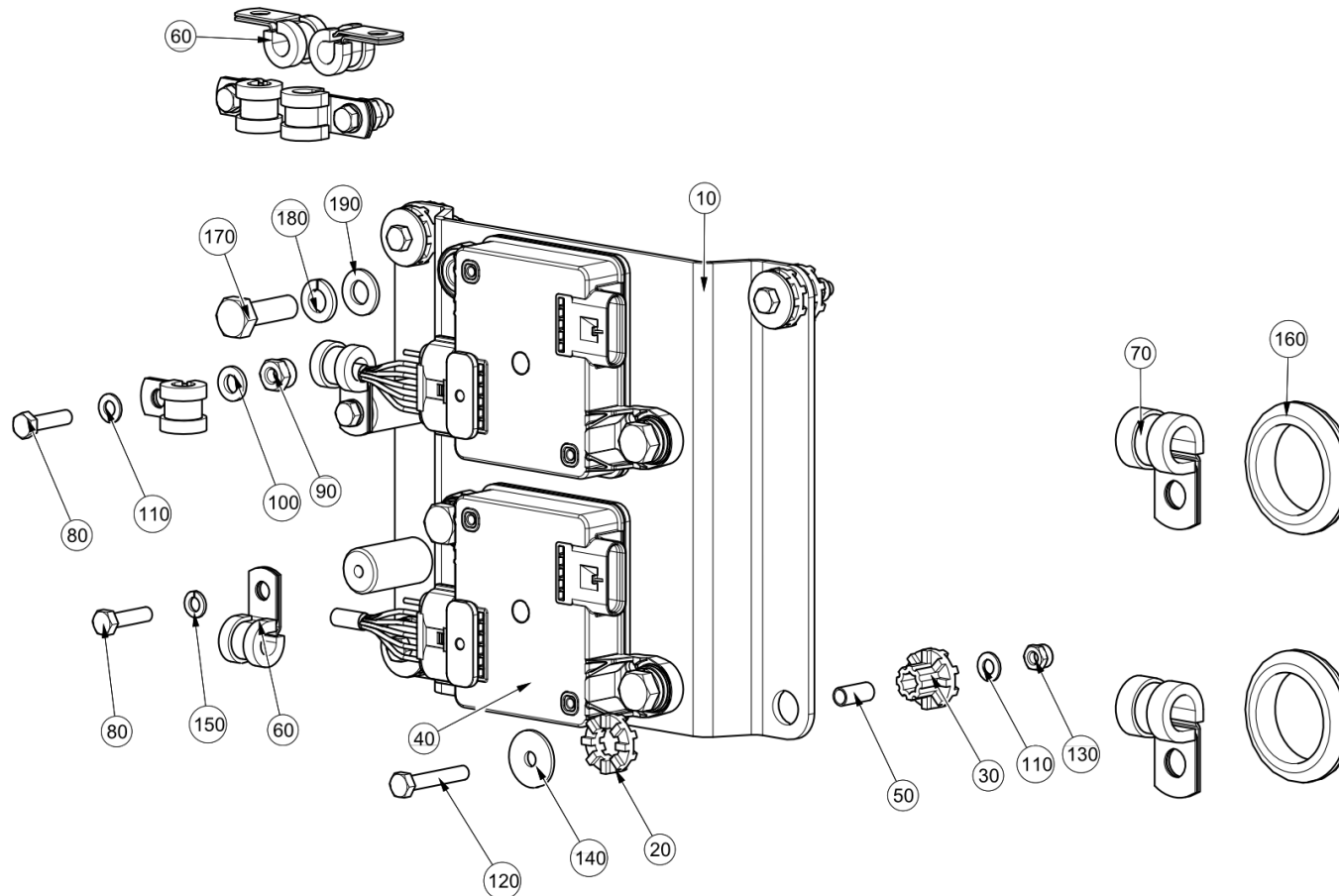


Engine Hoses ()

Powapack\Engine\JCB 93kW S4 Engine\Engine Hoses

Item no.	Part no.	Description	QTY	Unit
250	93056012-0	Hex Nut M6C-8	1	PC
260	92097309-0	Hex Head Screw - M6Cx50 - 8.8	1	PC
270	93699708-0	Spring Washer - Plated M6	1	PC
280	93212009-0	Plain Washer - M6	2	PC
290	93212012-0	Plain Washer - M10	1	PC
5000	271-40	Hose - Silicone 12mm I/D	0,4	M
5010	501-1	Hose Clip - Worm Drive (11-16)	8	PC
5020	271-41	Hose - Silicone 9.5mm I/D	0,7	M
5030	271-41	Hose - Silicone 9.5mm I/D	0,9	M
5040	271-41	Hose - Silicone 9.5mm I/D	0,2	M
5050	09518434-0	Hosetail Tee - 10mm OD	1	PC
5060	7053953	Exhaust Jacket - JCB 93kW Stage 4	1	PC

SCU Install JCB 93kW T4 ()
Powapack\Engine\JCB 93kW S4 Engine\SCU Install JCB 93kW T4

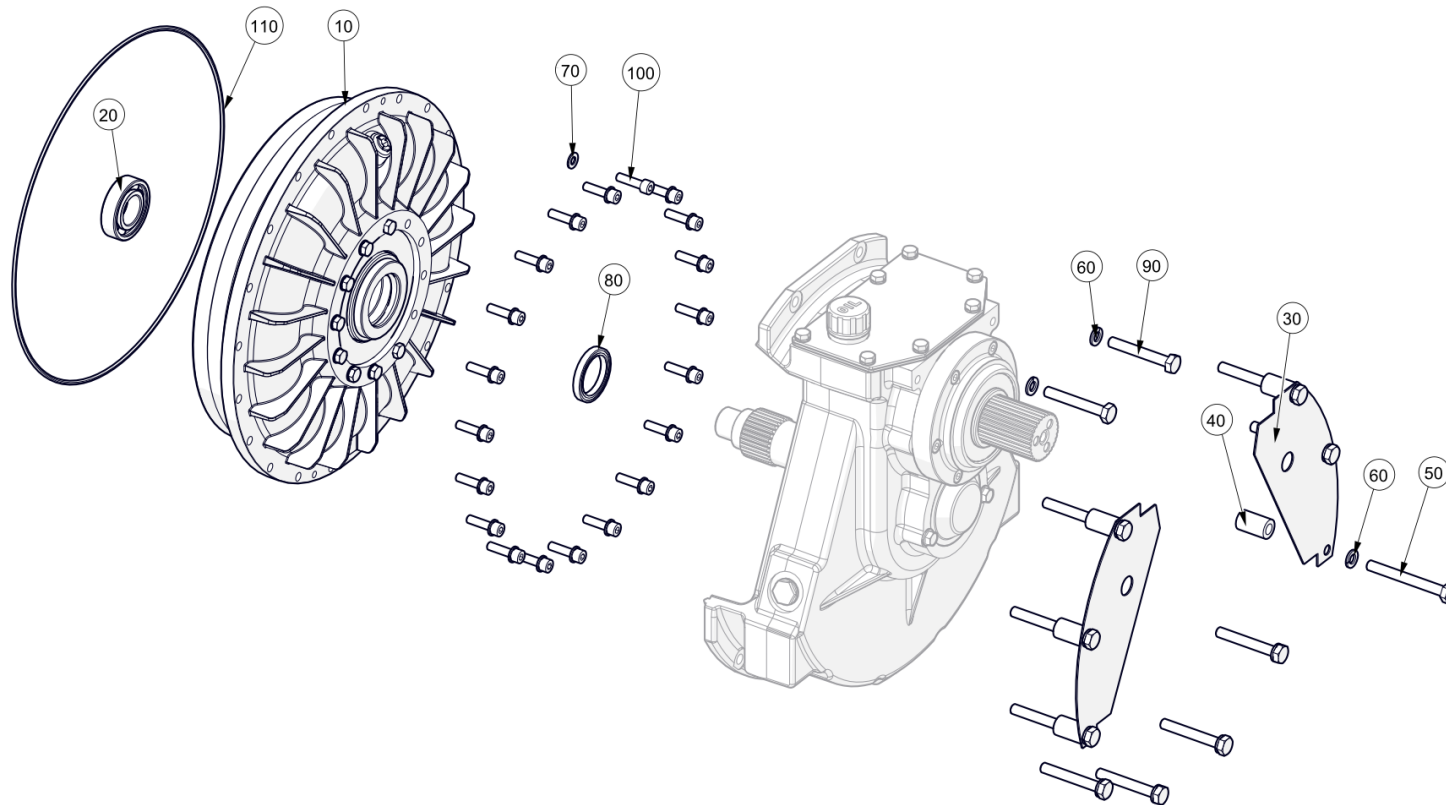


SCU Install JCB 93kW T4 ()

Powapack\Engine\JCB 93kW S4 Engine\SCU Install JCB 93kW T4

Item no.	Part no.	Description	QTY	Unit
10	7040185	NOX Sensor Mount Plate W/Assy	1	PC
20	290-120	AV Mount - Ring	4	PC
30	290-121	AV Mount - Bushing	4	PC
40	855-317	Sensor -NOx 12V 1040m	2	PC
40	855-263	Sensor -NOx 24V 1040m	2	PC
50	7040210	Spacer M5 x 14.3 x 6.4 OD	4	PC
60	508-102	Clip - P Rubber Covered 8.0mm	7	PC
70	508-1	Clip - P Rubber Covered 12.7mm	2	PC
80	92097265-0	Hex Head Screw - M5Cx20 - 8.8	5	PC
90	93085004-0	Nyloc Hex Nut M6C - 8	3	PC
100	93212009-0	Plain Washer - M6	3	PC
110	93210109-0	Plain Washer M5	7	PC
120	92097269-0	Hex Head Screw - M5Cx30 - 8.8	4	PC
130	93085003-0	Nyloc Hex Nut M5C - 8	4	PC
140	452-67	Washer - Repair M5 x 20 O/D x 1.5 Thick	4	PC
150	93699707-0	Spring Washer - Plated M5	2	PC
160	287-85	Grommet - Ø 38.1 O/D, 31.8 I/D 2.0 Thk	2	PC
170	92097376-0	Hex Head Screw - M8Cx25 - 8.8	4	PC
180	93699710-0	Spring Washer - Plated M8	4	PC
190	93212011-0	Plain Washer - M8	4	PC

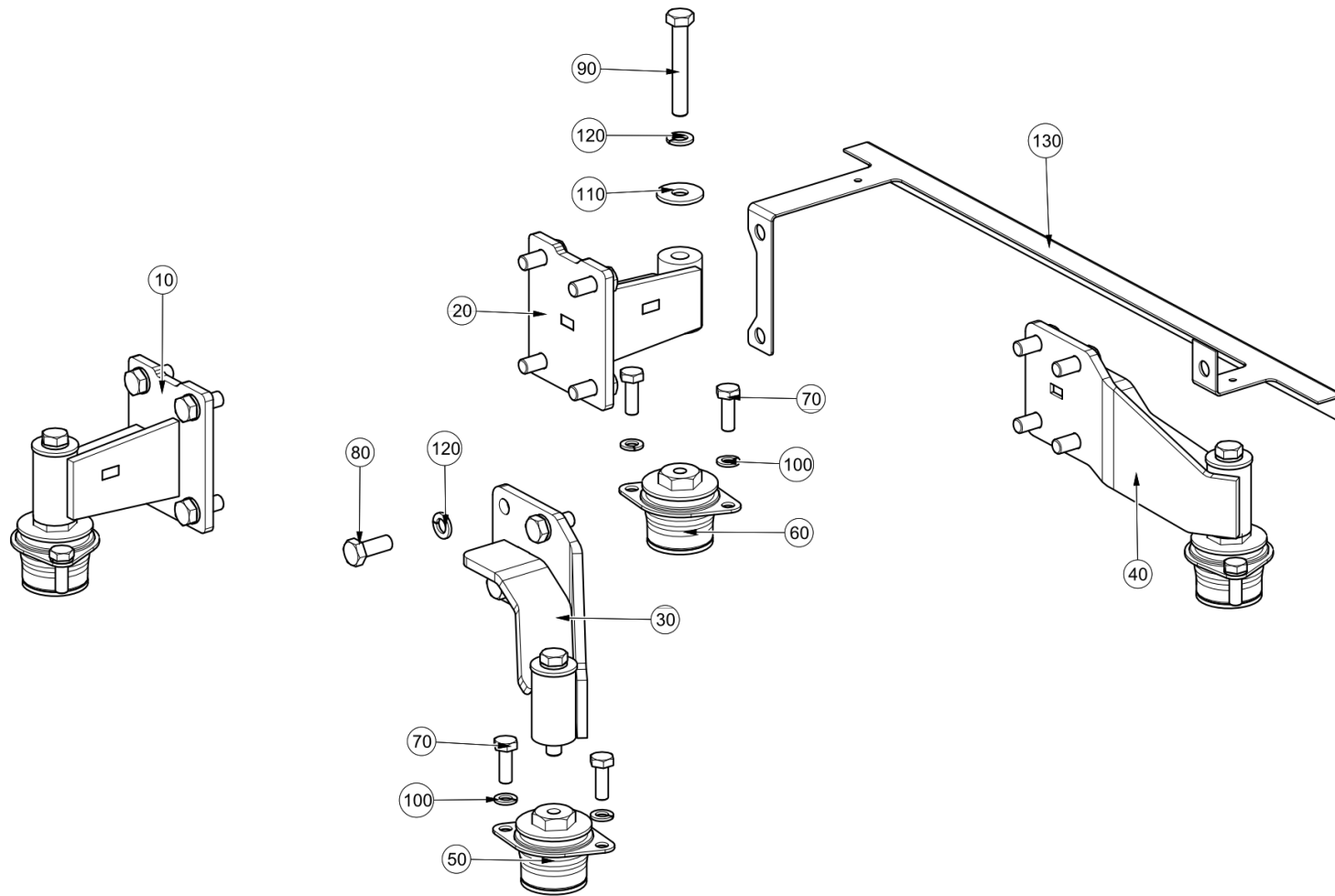
JCB Hydraulic Oil Fan Fluid Coupling ()
Powapack\Engine\JCB Hydraulic Oil Fan Fluid Coupling



JCB Hydraulic Oil Fan Fluid Coupling ()
Powapack\Engine\JCB Hydraulic Oil Fan Fluid Coupling

Item no.	Part no.	Description	QTY	Unit
10	295150-1	Fluid Coupling	1	PC
20	14-7	Bearing - 30x62x16	1	PC
30	42299-1-C	Cover - Safety	2	PC
40	920000-32	Spacer Nylon 20 Dia X 32mm Lg	6	PC
50	92067430-0	Hex Head Bolt - M10Cx90 - 8.8	6	PC
60	93699711-0	Spring Washer - Plated M10	12	PC
70	93212011-0	Plain Washer - M8	20	PC
80	77-39	Seal - Oil 40x55x7mm	1	PC
90	92067426-0	Hex Head Bolt - M10Cx70 - 8.8	6	PC
100	92137121-0	Hex Socket Cap Screw - M8Cx30 - 12.9	20	PC
110	656-1	O-Ring	1	PC

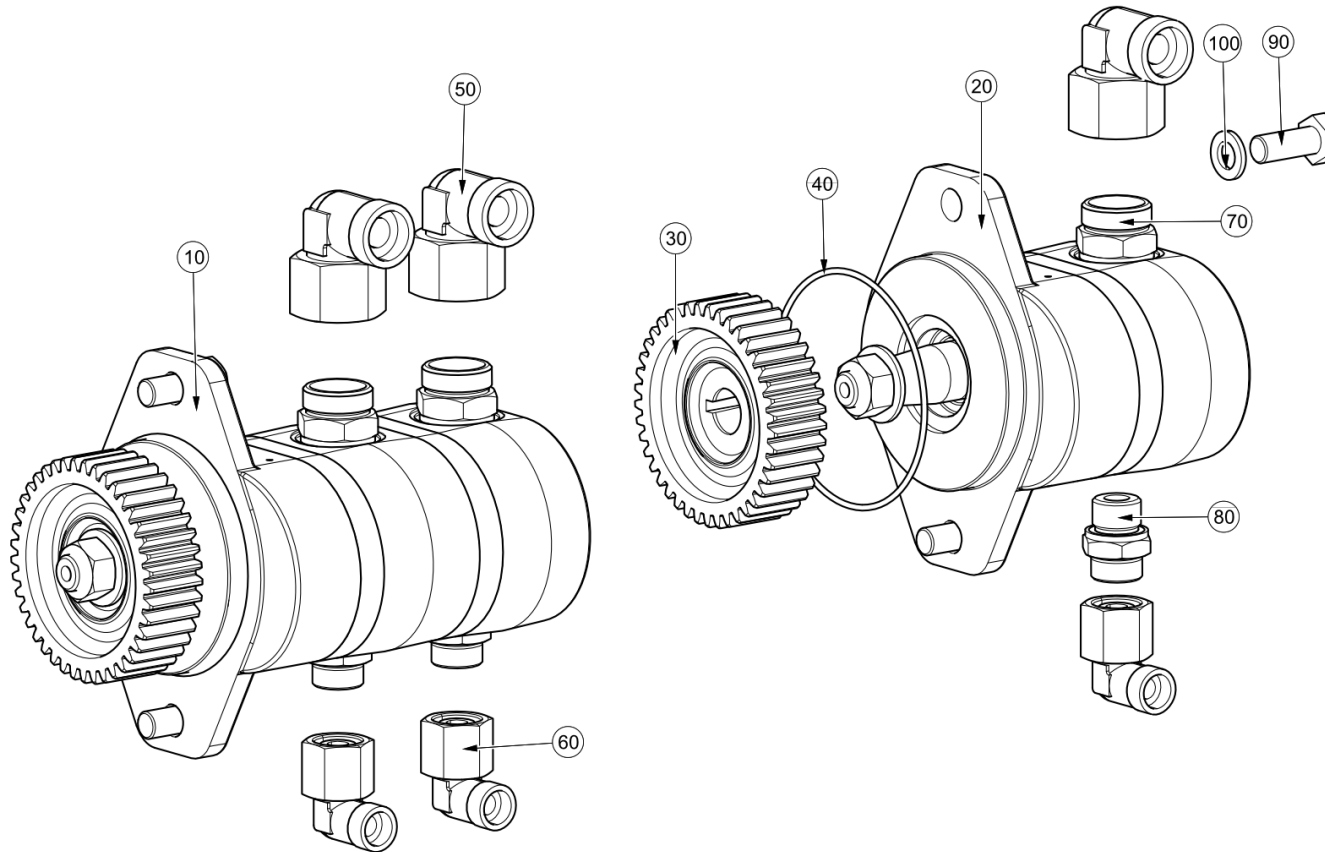
JCB Engine Mounts ()
Powapack\Engine\JCB Engine Mounts



JCB Engine Mounts ()
Powapack\Engine\JCB Engine Mounts

Item no.	Part no.	Description	QTY	Unit
10	7017897	Front Engine Mount LH - JCB	1	PC
20	7017911	Front Engine Mount RH - JCB	1	PC
30	7017872	Rear Engine Mount LH - JCB	1	PC
40	7017915	Rear Engine Mount RH - JCB	1	PC
50	22826-1-A	Rear Anti Vibration Mount - 70 S	2	PC
60	6953	Front Anti Vibration Mount - 60 S	2	PC
70	92097414-0	Hex Head Screw - M10Cx30 - 8.8	2	PC
80	92097450-0	Hex Head Screw - M12Cx30 - 8.8	4	PC
90	6105-1501	Hex Head Bolt - M12Cx80 - 8.8	1	PC
100	93699711-0	Spring Washer - Plated M10	2	PC
110	93300511-0	Plain Large Washer M12	1	PC
120	93699712-0	Spring Washer - Plated M12	5	PC
130	7028100	Cable Tray	1	PC

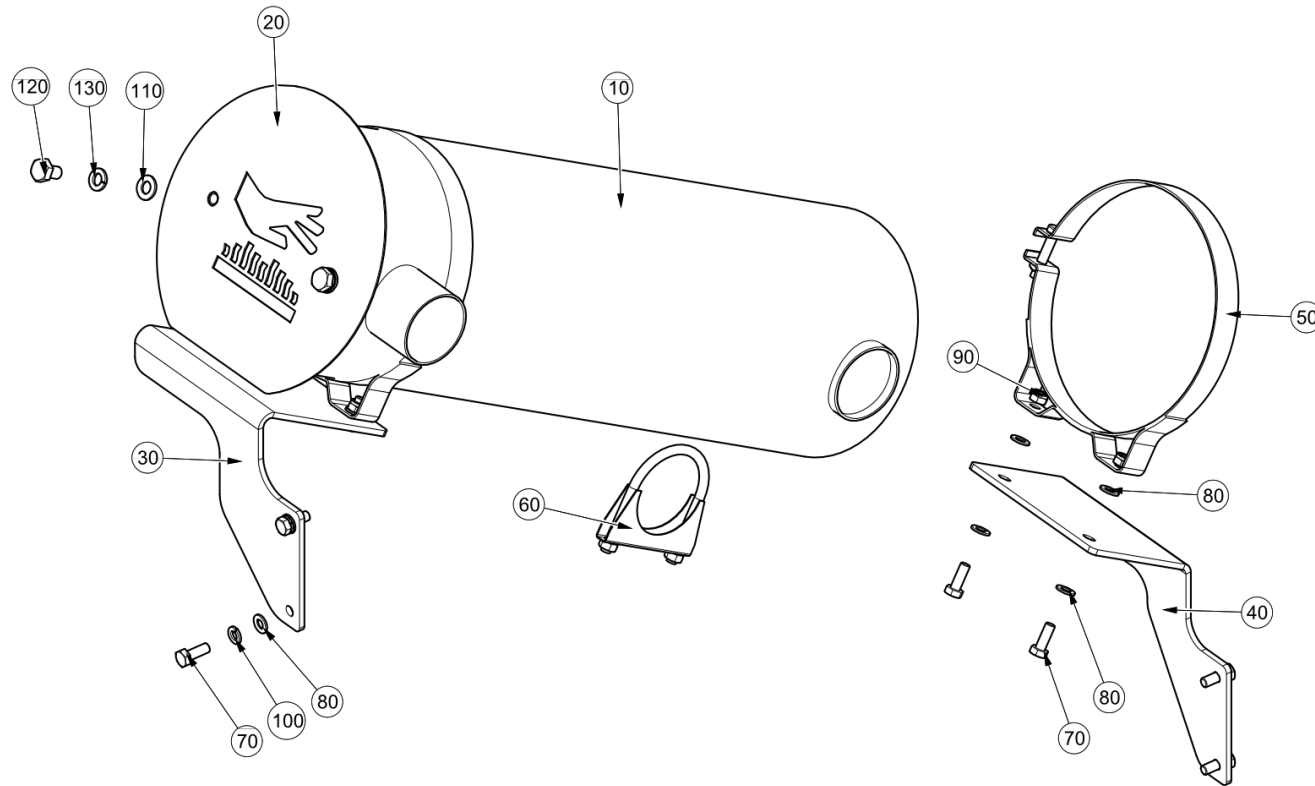
JCB Hydraulic Pump ()
Powapack\Engine\JCB Hydraulic Pump



JCB Hydraulic Pump ()
Powapack\Engine\JCB Hydraulic Pump

Item no.	Part no.	Description	QTY	Unit
10	7023393	Hydraulic Pump 12.6cc/rev x 2 CCW SAEB	1	PC
20	7023394	Hydraulic Pump 12.6cc/rev CCW SAEB	1	PC
30	7023395	Gear, PTO HD 41T JCB	1	PC
40	80-99	O-Ring - Hole Ø105, Shaft Ø100	1	PC
50	09571074-0	Adjustable Male Elbow - M30 x 2.0	2	PC
60	6613-0505	Adjustable Male Elbow - M22 x 1.5	2	PC
70	6601-1342	Stud Coupling Male G 3/4" x M30 x 2.0	2	PC
80	6601-1329	Stud Coupling Male G 1/2" x M22 x 1.5	2	PC
90	92097450-0	Hex Head Screw - M12Cx30 - 8.8	2	PC
100	93699712-0	Spring Washer - Plated M12	2	PC

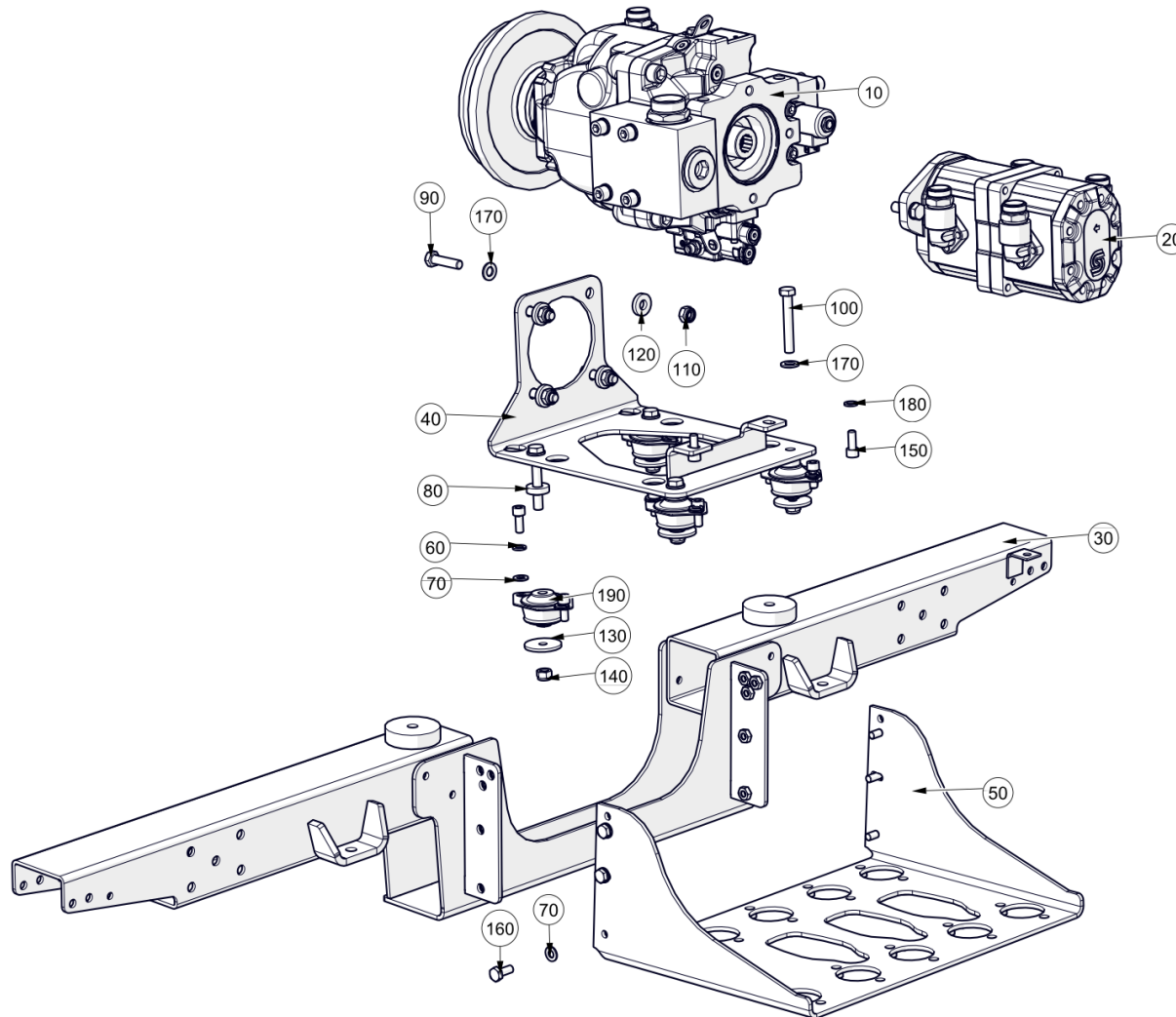
JCB Exhaust Silencer ()
Powapack\Engine\JCB Exhaust Silencer



JCB Exhaust Silencer ()
Powapack\Engine\JCB Exhaust Silencer

Item no.	Part no.	Description	QTY	Unit
10	7035582	JCB Exhaust Silencer	1	PC
20	7029684	Shield - Silencer	1	PC
30	7018912	Silencer Mounting Bracket	1	PC
40	7023397	Silencer Support - Rear	1	PC
50	903-120	Mounting Band 203 Dia (110 Centres)	2	PC
60	6645-14	Clip - Exhaust Banelli 2 3/4"	2	PC
70	92097375-0	Hex Head Screw - M8Cx22 - 8.8	8	PC
80	93212011-0	Plain Washer - M8	12	PC
90	93085005-0	Nyloc Hex Nut M8C - 8	4	PC
100	93699710-0	Spring Washer - Plated M8	4	PC
110	93212012-0	Plain Washer - M10	2	PC
120	92097408-0	Hex Head Screw - M10Cx16 - 8.8	2	PC
130	93699711-0	Spring Washer - Plated M10	2	PC

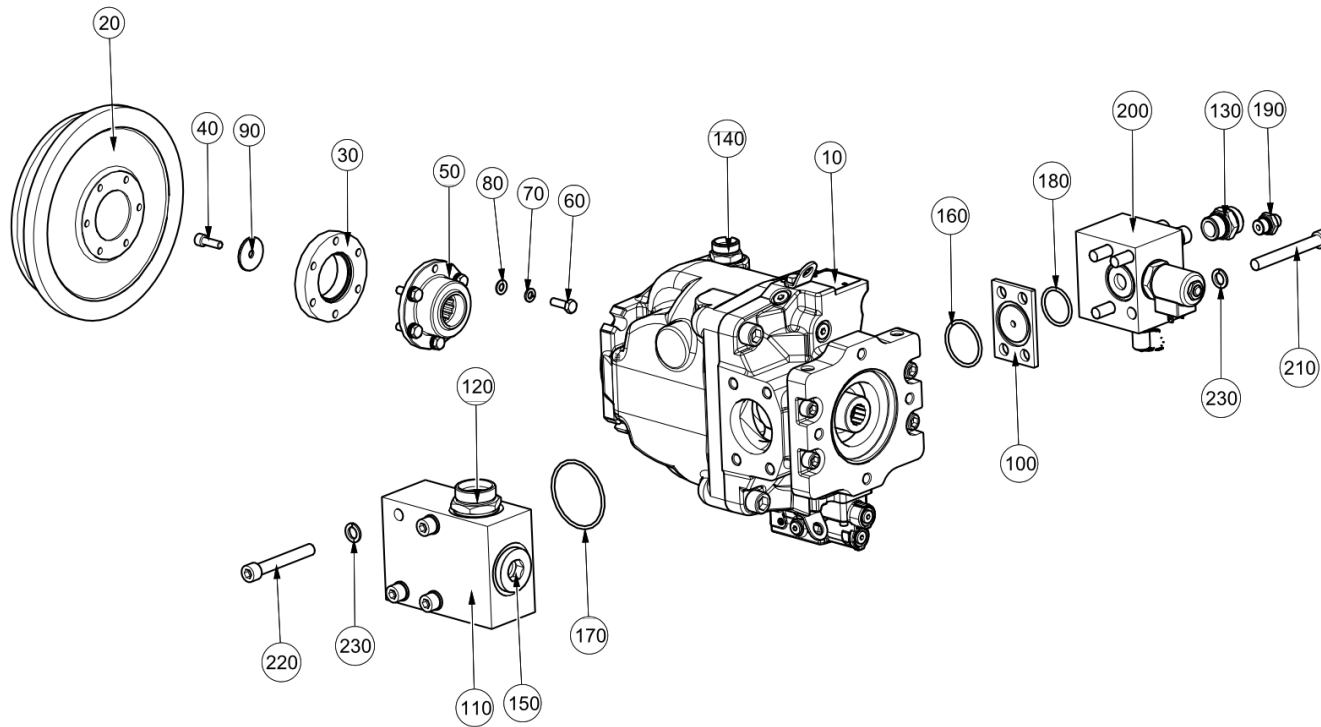
Mekavac ()
Powapack\Mekavac



Mekavac ()
Powapack\Mekavac

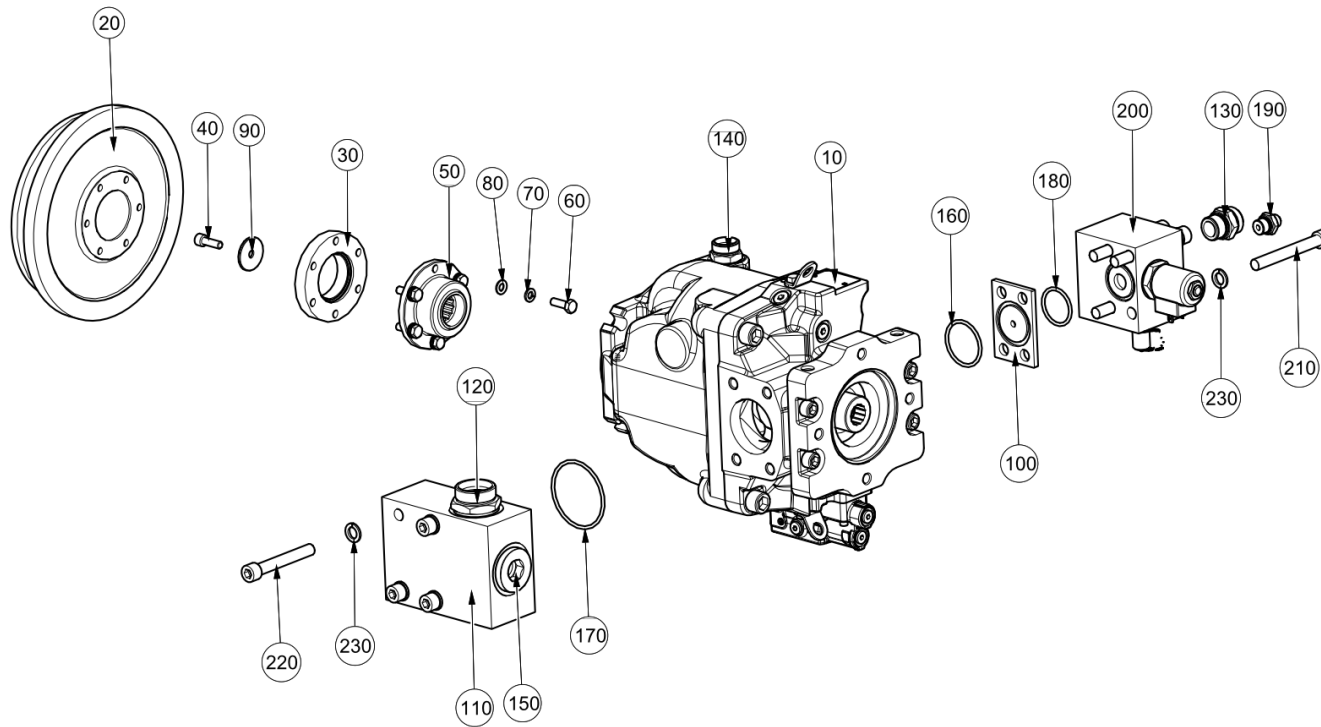
Item no.	Part no.	Description	QTY	Unit
30	7042886	Engine Beam Front Mekavac E6	1	PC
40	7029762	Pump cradle W/Assy	1	PC
50	7043351	Pump Mounting Bracket - W/assy	1	PC
60	93699711-0	Spring Washer - Plated M10	8	PC
70	93212012-0	Plain Washer - M10	14	PC
80	45014-8-H	Spacer - 8mm	4	PC
90	122-148	Bolt M Coarse M12x50 (10.9)	4	PC
100	92097460-0	Hex Head Screw - M12Cx80 - 8.8	4	PC
110	93085007-0	Nyloc Hex Nut M12C - 8	4	PC
120	93281007-0	Plain Thick Washer M12	4	PC
130	290-53	Washer M10 to suit 290-26	4	PC
140	404-16	Hex Nyloc Nut - M12c x Grade 10	4	PC
150	92137157-0	Hex Socket Cap Screw - M10Cx25 - 12.9	10	PC
160	92097412-0	Hex Head Screw - M10Cx25 - 8.8	6	PC
170	93212013-0	Plain Washer M12	8	PC
180	93700211-0	Spring Washer M10 - A2	2	PC
190	290-106	Cone Mounting - Slotted Rubber	4	PC

Fan Pump ()
Powapack\Mekavac\Fan Pump



Item no.	Part no.	Description	QTY	Unit
10	7018876	Pump-Hydraulic tandem 25x25	1	PC
10	7043365	Pump-Hydraulic LS 130 LH (CCW)	1	PC
10	7019283	Pump-Hydraulic LS 130 RH (Clockwise)	1	PC
20	7042089	Flexible Coupling	1	PC
30	7041748	Spacer Ring Flange - Coupling	1	PC
40	92137120-0	Hex Socket Cap Screw - M8Cx25 - 12.9	1	PC
50	7025911	Flange - Drive Shaft Pump	1	PC
60	92097376-0	Hex Head Screw - M8Cx25 - 8.8	6	PC
70	93699710-0	Spring Washer - Plated M8	7	PC
80	93212011-0	Plain Washer - M8	6	PC
90	7025912	Washer - Flange	1	PC
100	7019008	Restrictor plate-Fan pump	1	PC
110	7019013	Inlet manifold- Sauer E130 pump	1	PC
120	09570133-0	Stud Coupling Male G 1 1/4" x M45 x 2.0	1	PC
130	6601-1342	Stud Coupling Male G 3/4" x M30 x 2.0	4	PC
140	09570163-0	Stud Coupling Male 1 1/16"UNF x M30x2	1	PC
150	09572138-0	Sealing Plug VS-R 1 1/4 WD	2	PC
160	79-81	O Ring, BS 225 (1.859" ID x 0.139")	1	PC
170	09534233-0	O-Ring - 2.875" Dia.	2	PC
180	09535886-0	O-RING -1.484 DIA	1	PC
190	09570102-0	Stud Coupling Male G 3/8" x M14 x 1.5	1	PC
200	7021249	Control valve - fan 24v	1	PC
210	151-125	Capscrew Skt Hd UNC 1/2x4"	4	PC
220	151-123	Capscrew Skt Hd UNC 1/2x3 1/2	4	PC

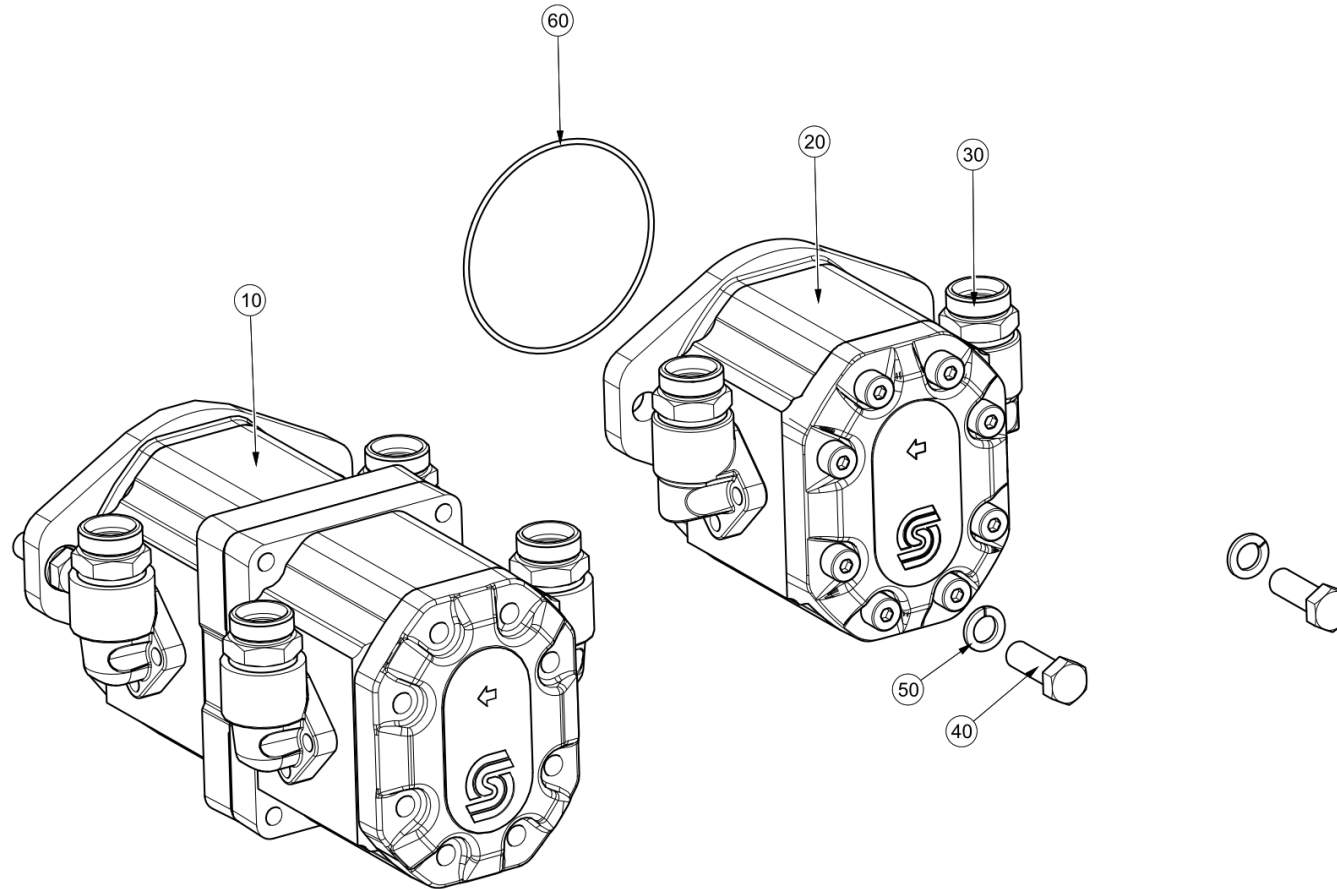
Fan Pump ()
Powapack\Mekavac\Fan Pump



Fan Pump ()
Powapack\Mekavac\Fan Pump

Item no.	Part no.	Description	QTY	Unit
230	450-31	Spring Washer Ø1/2"	8	PC

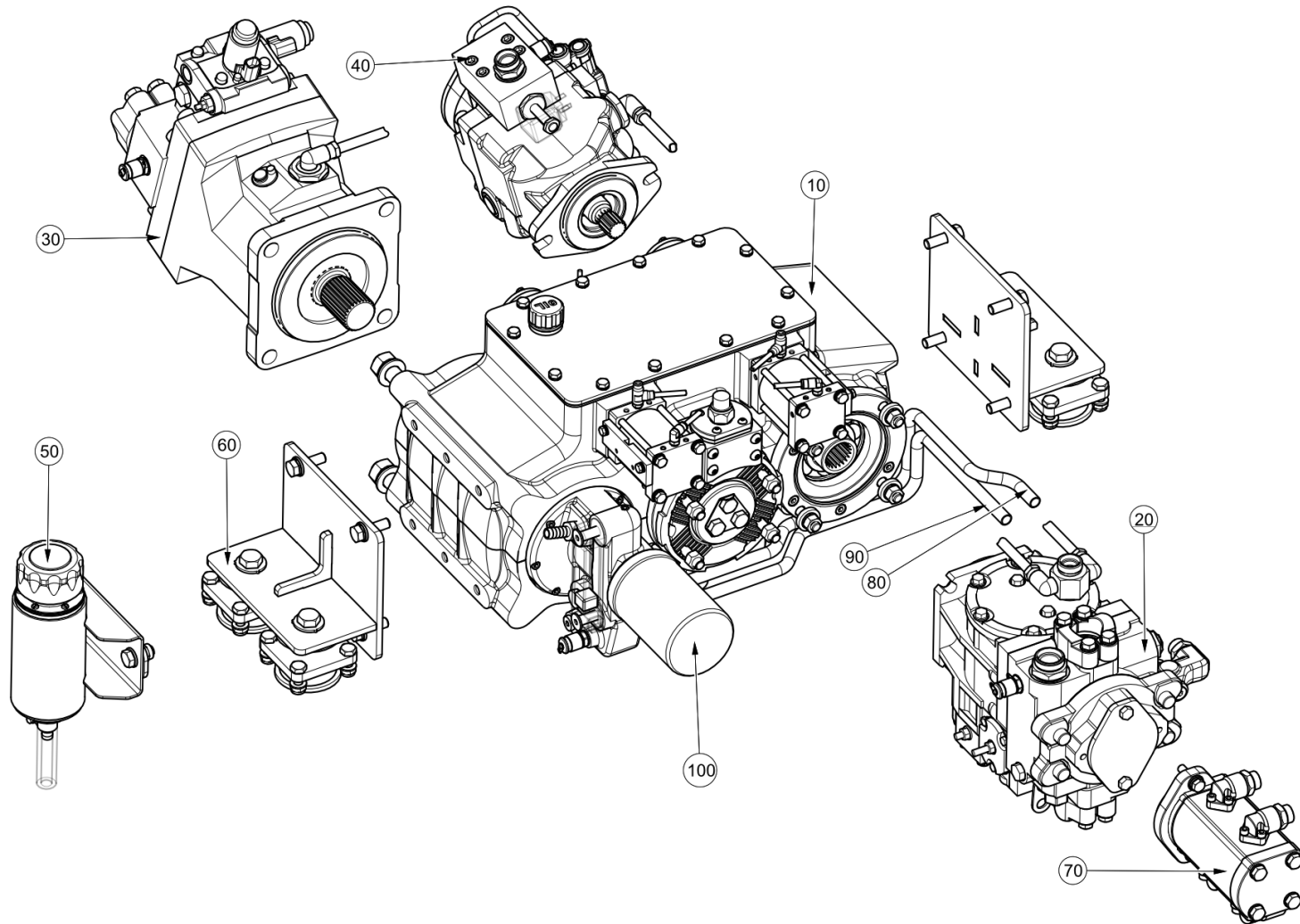
Hydraulic Pump ()
Powapack\Mekavac\Hydraulic Pump



Hydraulic Pump ()
Powapack\Mekavac\Hydraulic Pump

Item no.	Part no.	Description	QTY	Unit
10	7018876	Pump-Hydraulic tandem 25x25	1	PC
10	7047632	Pump - Hydraulic Tandem 25x25 CCW Assy	1	PC
20	7021522	Pump - Hydraulic Single 25	1	PC
20	7045987	Pump - Hydraulic Single 25 CCW	1	PC
30	6601-1342	Stud Coupling Male G 3/4" x M30 x 2.0	2	PC
40	92081158-0	Hexl Hd Bolt - 1/2"-13 UNC x 1 1/2"	2	PC
50	450-31	Spring Washer Ø1/2"	2	PC
60	80-99	O-Ring - Hole Ø105, Shaft Ø100	1	PC

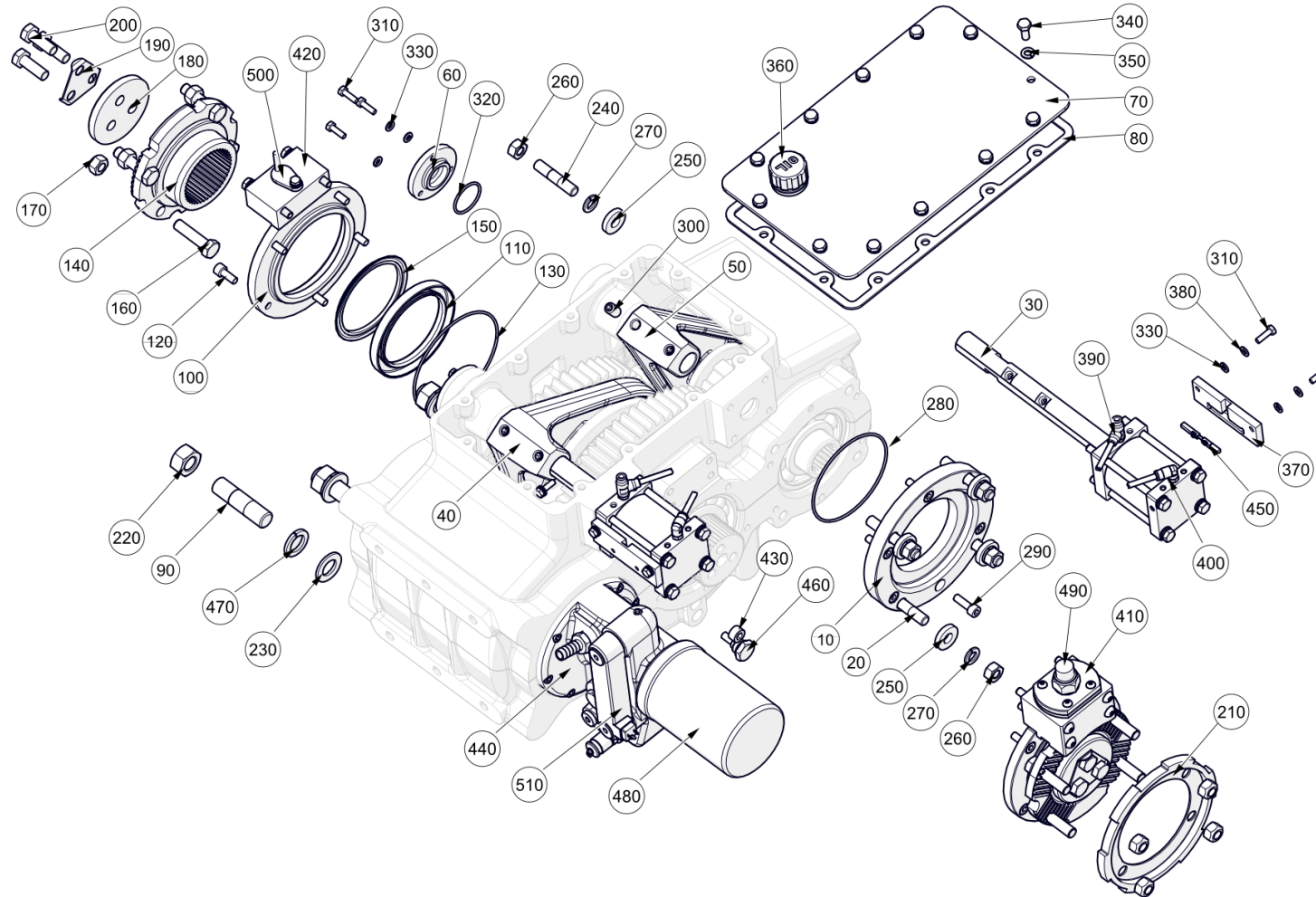
Hydrostatic Gearbox ()
Powapack\Hydrostatic Gearbox



Hydrostatic Gearbox ()
Powapack\Hydrostatic Gearbox

Item no.	Part no.	Description	QTY	Unit
10	7040900	Hydrostatic Gearbox Assembly	1	PC
80	7026904	Filter Supply Pipe	1	PC
90	7026906	Filter Return Pipe	1	PC
100	224-15	Oil filter (Transmission pump)	1	PC
110	7028873	Hydrostatic Gearbox MK2 Harness	1	PC
5000	94-67	Synthetic Gear Oil 75w/90	7.500	ML

Hydrostatic Gearbox and Spares ()
Powapack\Hydrostatic Gearbox\Hydrostatic Gearbox and Spares

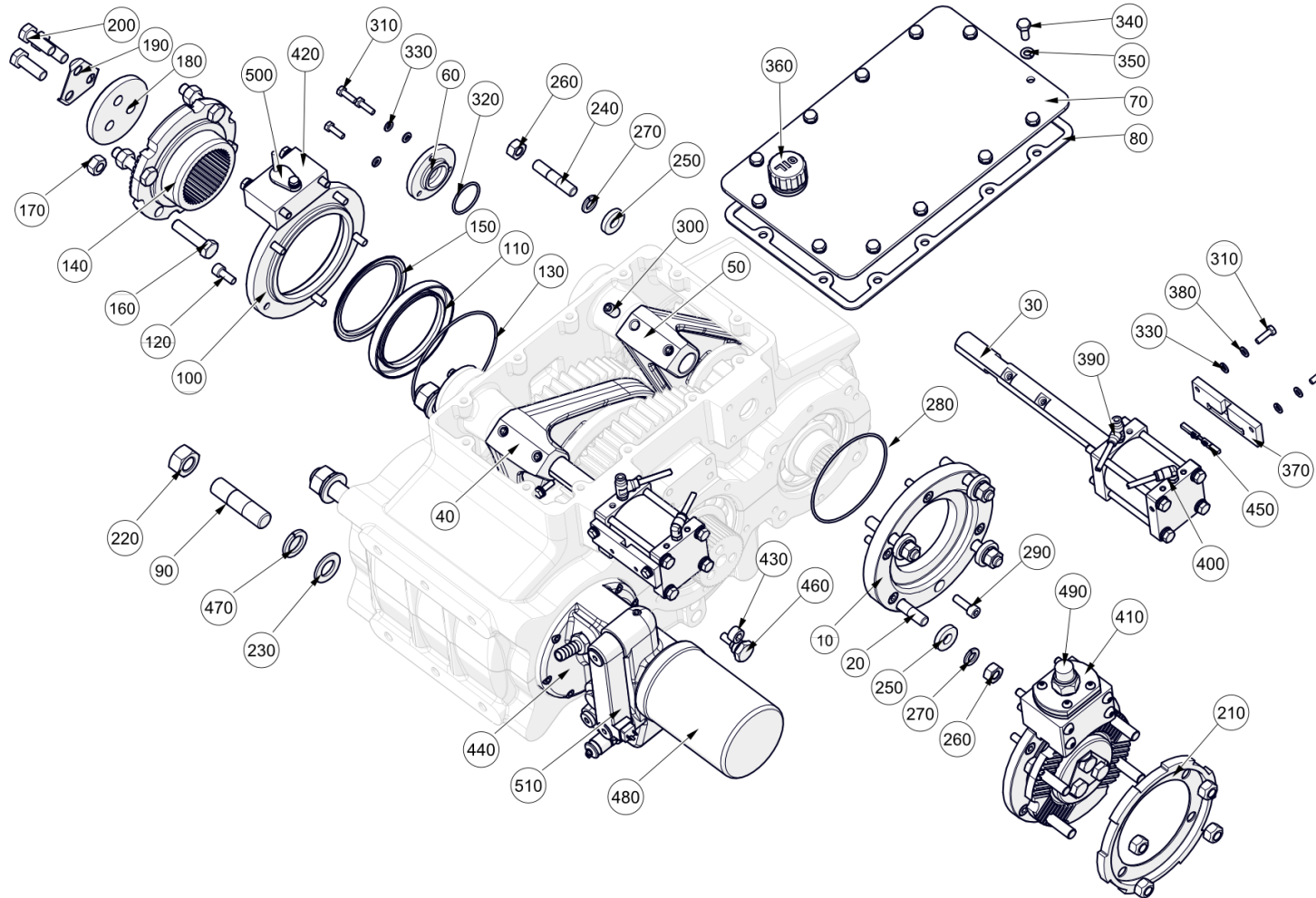


Hydrostatic Gearbox and Spares ()

Powapack\Hydrostatic Gearbox\Hydrostatic Gearbox and Spares

Item no.	Part no.	Description	QTY	Unit
10	7023994	Transmission Pump Adaptor	1	PC
20	7026355	Stud M12 x 76	4	PC
30	7040980	Selector Cylinder Assembly	2	PC
40	7024141	Main Drive Selector Fork - Machining	1	PC
50	7024151	Pump Drive Selector Fork - Machining	1	PC
60	7024232	Shift Rod End Cap	2	PC
70	7035193	Gearbox Lid W/Assy	1	PC
80	7035205	Lid Gasket	1	PC
90	7026391	Stud M20 x 78	4	PC
100	7023626	Seal Housing	2	PC
110	77-47	Radial Shaft Seal 90x120x12	2	PC
120	92137118-0	Hex Socket Cap Screw - M8Cx20 - 12.9	10	PC
130	80-104	O-RING 125X3.0 NBR 70SH ORM 1245-30	2	PC
140	7035201	Input / Output Flange	2	PC
150	77-46	Axial Shaft Seal 90x110x5.5	2	PC
160	92106843-0	Hex Head Bolt - M12Fx1.25x50 - 8.8	8	PC
170	419-12	Nut S/Lock Philidas M12x1.25	8	PC
180	7023628	Drive Flange Retaining Washer	2	PC
190	7023629	Drive Flange Tab Washer	2	PC
200	92097451-0	Hex Head Screw - M12Cx35 - 8.8	6	PC
210	7035199	Speed Sensor Rotor 6-Pulse - Machining	1	PC
210	7036678	Speed Sensor Rotor 8-Pulse - Machining	0	PC
220	93056020-0	Hex Nut M20C-8	4	PC
230	93212018-0	Plain Washer M20	4	PC

Hydrostatic Gearbox and Spares ()
 Powapack\Hydrostatic Gearbox\Hydrostatic Gearbox and Spares

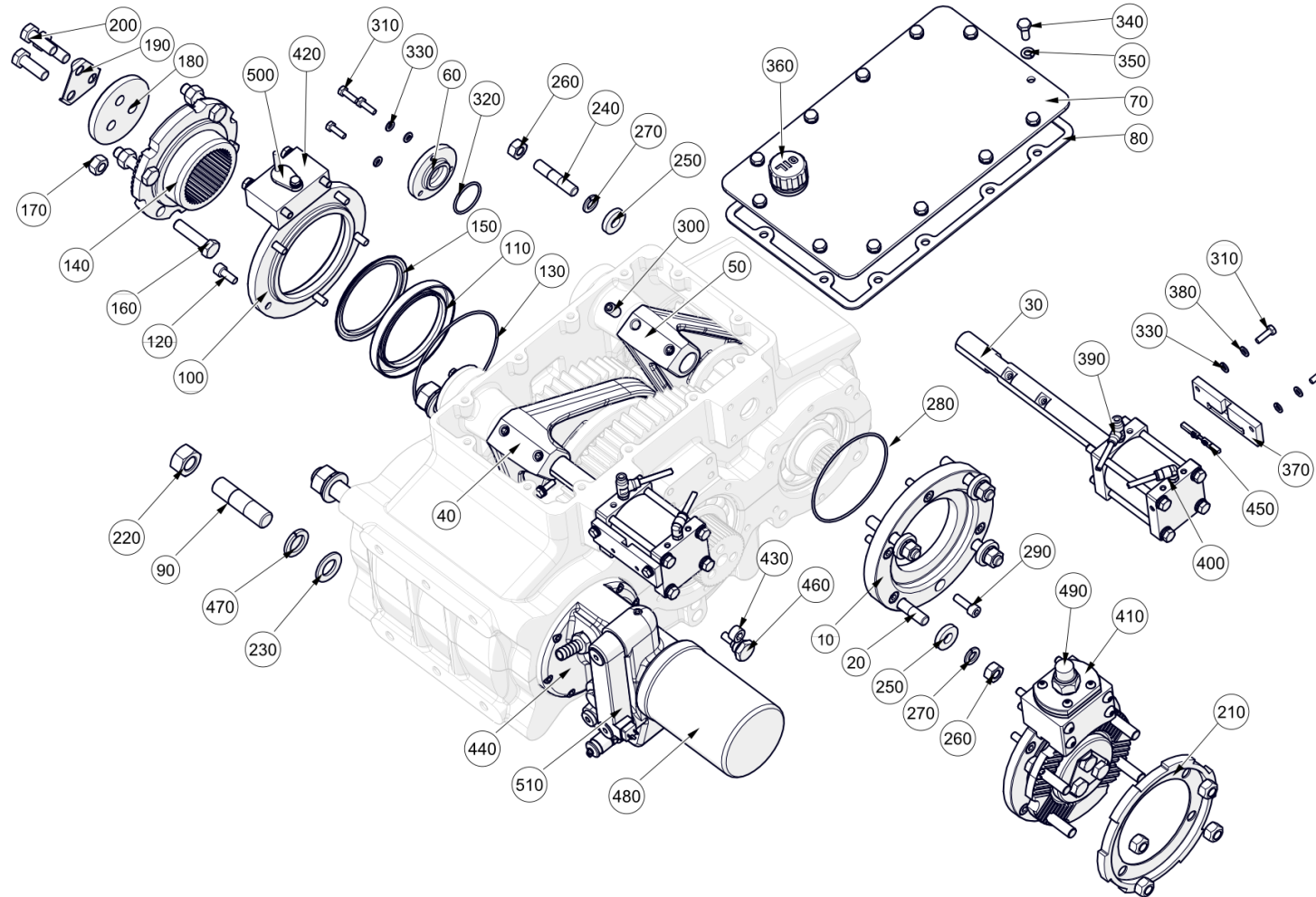


Hydrostatic Gearbox and Spares ()

Powapack\Hydrostatic Gearbox\Hydrostatic Gearbox and Spares

Item no.	Part no.	Description	QTY	Unit
240	7026411	Stud M12 x 60	2	PC
250	93281007-0	Plain Thick Washer M12	6	PC
260	93056016-0	Hex Nut M12C-8	6	PC
270	93699712-0	Spring Washer - Plated M12	6	PC
280	80-101	O Ring - Hole Dia.115	1	PC
290	92137120-0	Hex Socket Cap Screw - M8Cx25 - 12.9	6	PC
300	147-1	Grub Screw - M12c x 20	4	PC
310	92097301-0	Hex Head Screw - M6Cx20 - 8.8	11	PC
320	80-82	O Ring - Hole Dia.41	2	PC
330	93699708-0	Spring Washer - Plated M6	11	PC
340	92097374-0	Hex Head Screw - M8Cx20 - 8.8	12	PC
350	93699710-0	Spring Washer - Plated M8	12	PC
360	69-41	Breather Cap (C/W Splash Guard)	1	PC
370	7043599	Switch Mounting Plate	2	PC
380	93212009-0	Plain Washer - M6	5	PC
390	540-3	Adaptor - Tee 6mm x 1/8 BSPT	2	PC
400	09593147-0	Elbow Push-In Swivel 6mm x 1/8 BSPT	2	PC
410	7035248	Kitas Sensor Adaptor	1	PC
420	7040978	Input Speed Sensor Assembly	1	PC
430	853-150	Grub Screw - 3/8 BSPx1/2" Parallel 12.9	1	PC
440	7036958	Transmission Filter Assembly	1	PC
450	739-9	Sensor - Cylinder With AMR Cell	4	PC
460	54-66	Plug Magnetic - G 3/8	1	PC
470	93699716-0	Spring Washer - Plated M20	4	PC

Hydrostatic Gearbox and Spares ()
Powapack\Hydrostatic Gearbox\Hydrostatic Gearbox and Spares

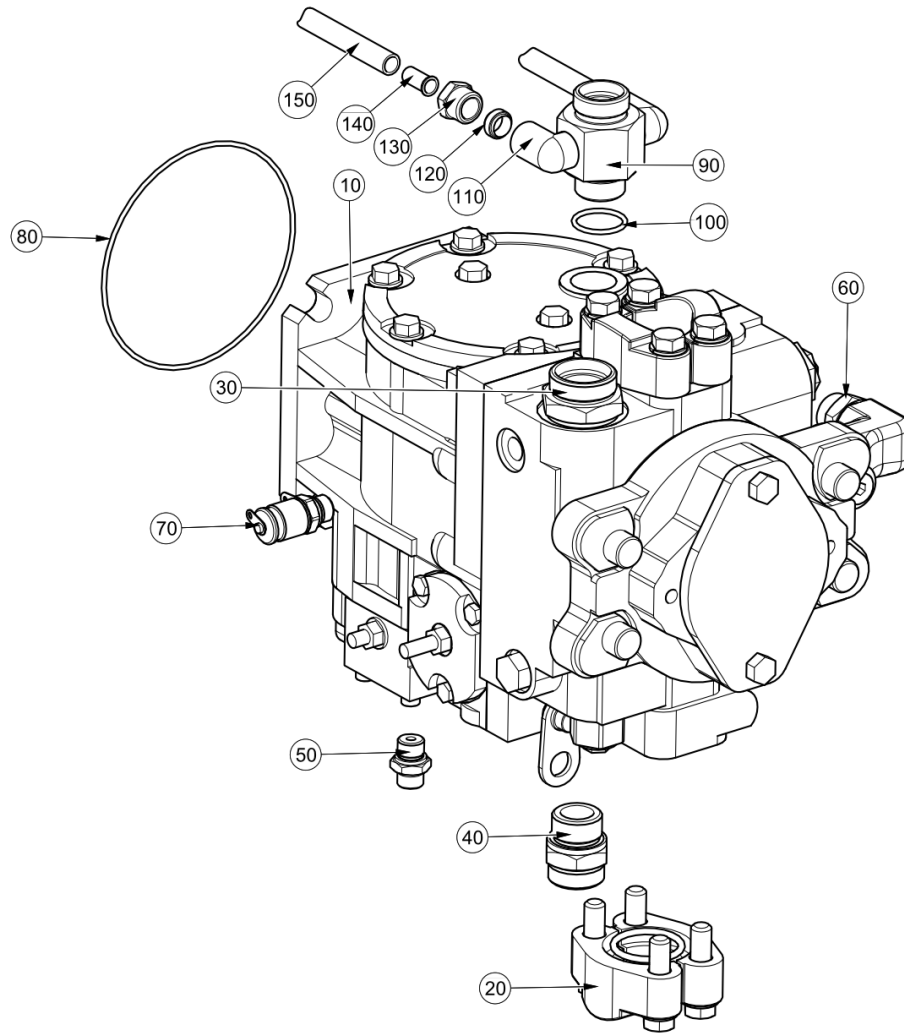


Hydrostatic Gearbox and Spares ()

Powapack\Hydrostatic Gearbox\Hydrostatic Gearbox and Spares

Item no.	Part no.	Description	QTY	Unit
480	224-15	Oil filter (Transmission pump)	1	PC
490	7035249	Kitas Sensor Assembly	1	PC
Assembly includes Kitas Sensor				
500	280856-1	Speed / Crank Sensor with Loom	1	PC
510	87-69	Column Level Indicator (M12)	1	PC

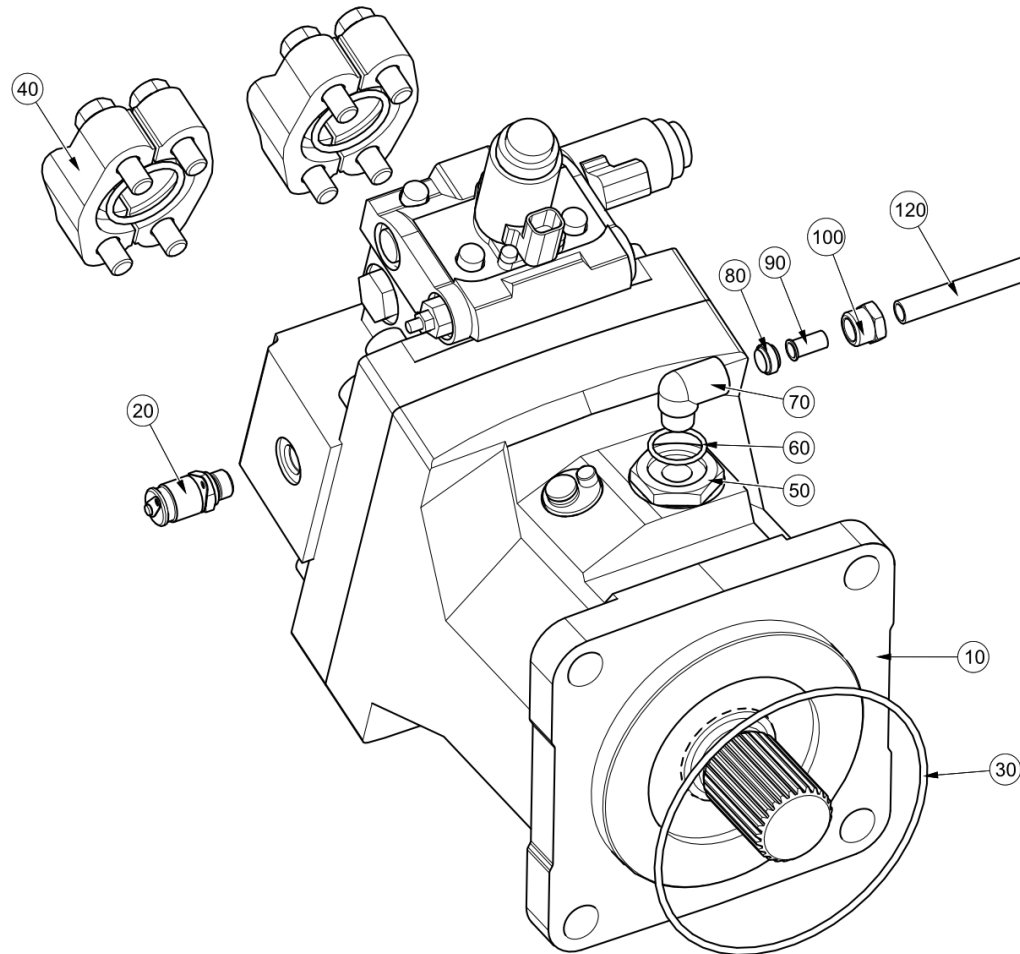
Transmission Pump ()
Powapack\Hydrostatic Gearbox\Transmission Pump



Transmission Pump ()
Powapack\Hydrostatic Gearbox\Transmission Pump

Item no.	Part no.	Description	QTY	Unit
10	7026317	Transmission Pump	1	PC
20	498-N09	SAE Split Flange Kit 1" 415 bar	2	PC
30	09570156-0	Stud Coupling Male 1 5/16"UNF x M36x2	1	PC
40	09570163-0	Stud Coupling Male 1 1/16"UNF x M30x2	1	PC
50	300-1	Stud Coupling Male 9/16" UNF M14x1.5	1	PC
60	6601-0630	Stud Coupling Male 7/8" - 14 UNF	2	PC
70	665-17	Test Coupling SMK20 - 9/16 - 18 UNF	1	PC
80	80-104	O-RING 125X3.0 NBR 70SH ORM 1245-30	1	PC
90	7028979	Adaptor - Drain Junction point	1	PC
100	80-74	O Ring - Hole Dia.30	1	PC
110	521-14	Adaptor - Male Elbow 12 O/D 3/8 BSP	2	PC
120	511-6	Olive - Tube 12mm O/D	2	PC
130	510-6	Nut - Tube 12mm O/D	2	PC
140	532-24	Tube Support O/D 12 I/D 9mm	2	PC
150	227-28	Tube - PA Type 12, 12mm O/D Black	4	M

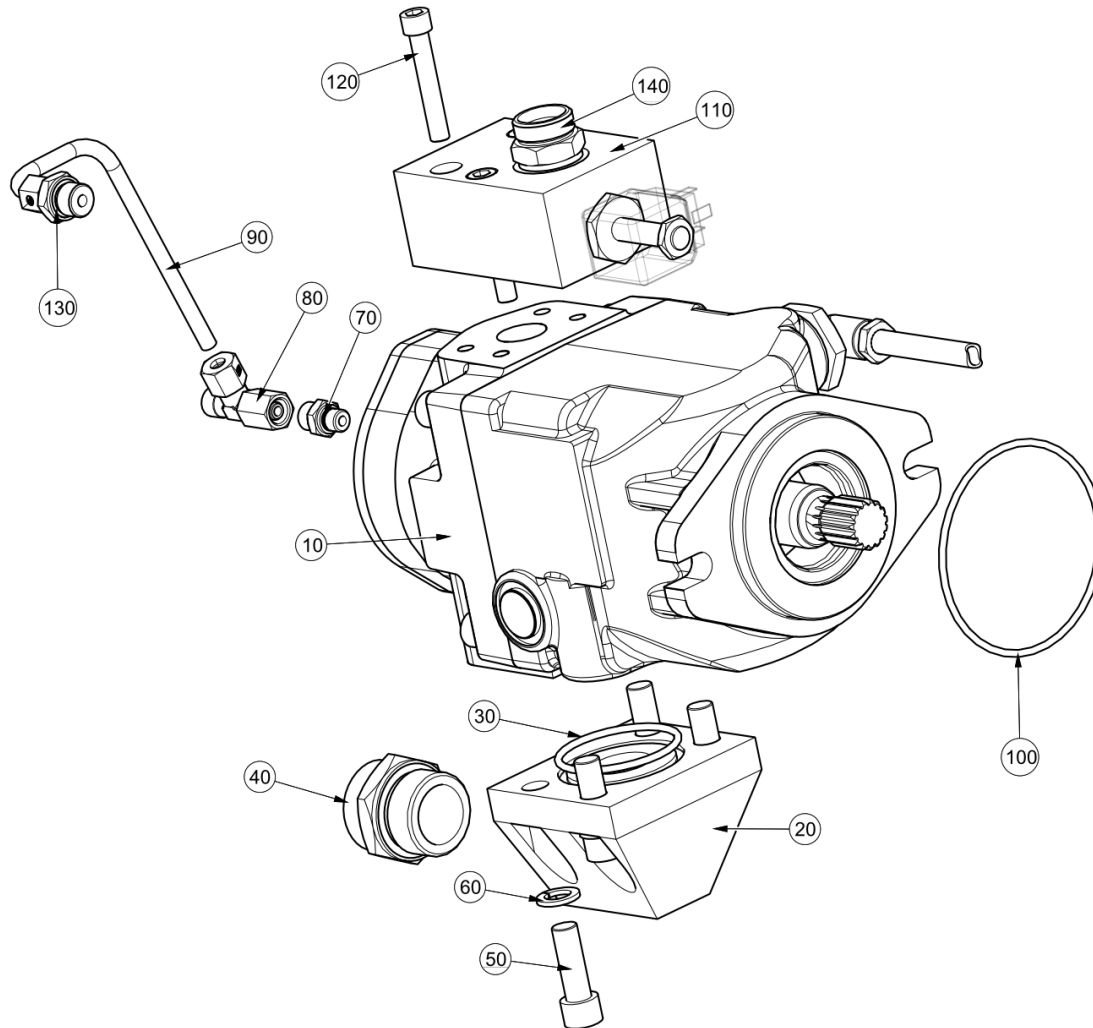
Transmission Motor ()
Powapack\Hydrostatic Gearbox\Transmission Motor



Transmission Motor ()
Powapack\Hydrostatic Gearbox\Transmission Motor

Item no.	Part no.	Description	QTY	Unit
10	7026277	Transmission Motor	1	PC
20	665-17	Test Coupling SMK20 - 9/16 - 18 UNF	2	PC
30	09534659-0	O-RING 151,99X3,53-S-NBR70	1	PC
40	498-N31	SAE Split Flange Kit M12 415 bar DN 32	2	PC
50	7028977	Adaptor - 1 1/16 - 3/8 BSPT	1	PC
60	80-74	O Ring - Hole Dia.30	1	PC
70	521-14	Adaptor - Male Elbow 12 O/D 3/8 BSP	1	PC
80	511-6	Olive - Tube 12mm O/D	1	PC
90	532-24	Tube Support O/D 12 I/D 9mm	1	PC
100	510-6	Nut - Tube 12mm O/D	1	PC
120	227-28	Tube - PA Type 12, 12mm O/D Black	4	M

Fan Pump ()
Powapack\Hydrostatic Gearbox\Fan Pump

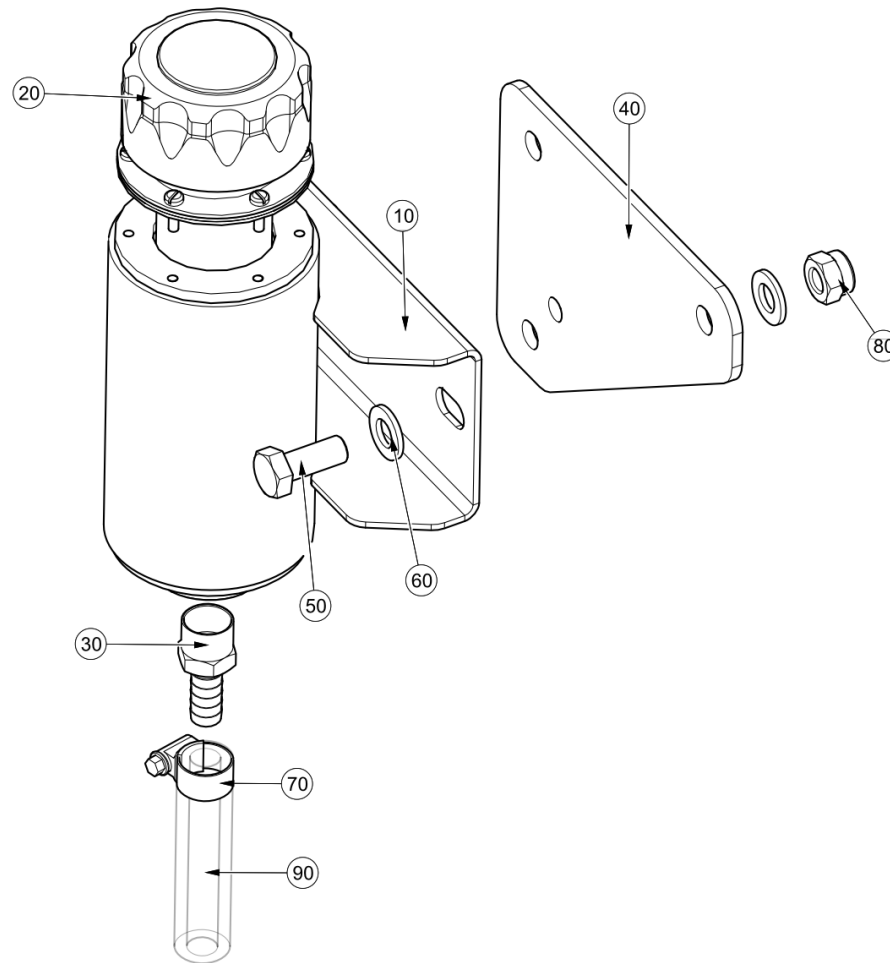


Fan Pump ()

Powapack\Hydrostatic Gearbox\Fan Pump

Item no.	Part no.	Description	QTY	Unit
10	7011065	Fan Drive Pump	1	PC
20	802853-1	Adaptor - 1 1/4" x 1 1/4" BSP	1	PC
30	09504434-0	O-Ring, BS 228 (2.234" ID x 0.139")	1	PC
40	09570133-0	Stud Coupling Male G 1 1/4" x M45 x 2.0	1	PC
50	151-115	Capscrew Skt Hd UNC 1/2x1 1/2	4	PC
60	450-31	Spring Washer Ø1/2"	4	PC
70	09570151-0	Stud Coupling Male 7/16" UNF x M14x1.50	1	PC
80	308-1	Adjustable Male Tee - M14 x 1.5	1	PC
90	7021927	Hydraulic Pipe Ø8x1	1	PC
100	09534242-0	O-Ring 3.984"	1	PC
110	7014387	Control Manifold	1	PC
120	151-76	Capscrew Skt Hd UNC 3/8"x 2 1/4"	4	PC
130	09570102-0	Stud Coupling Male G 3/8" x M14 x 1.5	1	PC
140	6601-1342	Stud Coupling Male G 3/4" x M30 x 2.0	1	PC

Oil Filler ()
Powapack\Hydrostatic Gearbox\Oil Filler

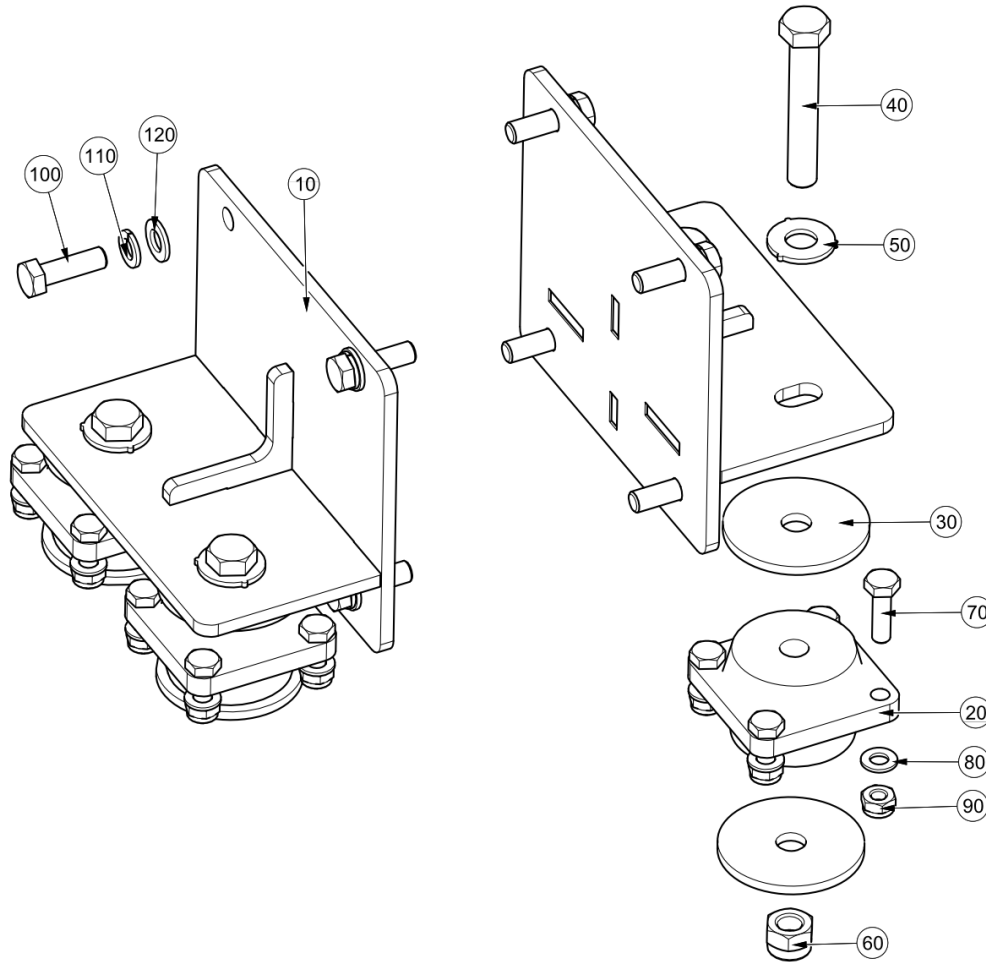


Oil Filler ()

Powapack\Hydrostatic Gearbox\Oil Filler

Item no.	Part no.	Description	QTY	Unit
10	7033328	Oil Filler W/Assy	1	PC
20	69-43	Breather Cap	1	PC
30	231-75	Adaptor - 1/2"BSPMx1/2" I/D	1	PC
40	7033517	Filler Mounting Bracket	1	PC
50	92097450-0	Hex Head Screw - M12Cx30 - 8.8	1	PC
60	93212013-0	Plain Washer M12	3	PC
70	504-2	Hose Clip - Worm Drive (16-22)	2	PC
80	93085807-0	Nyloc Hex Nut M12C - 8	1	PC
90	260-31	Hose - Reinforced 13mm I/D (30m reel)	2	M

Gearbox Mounts ()
Powapack\Hydrostatic Gearbox\Gearbox Mounts

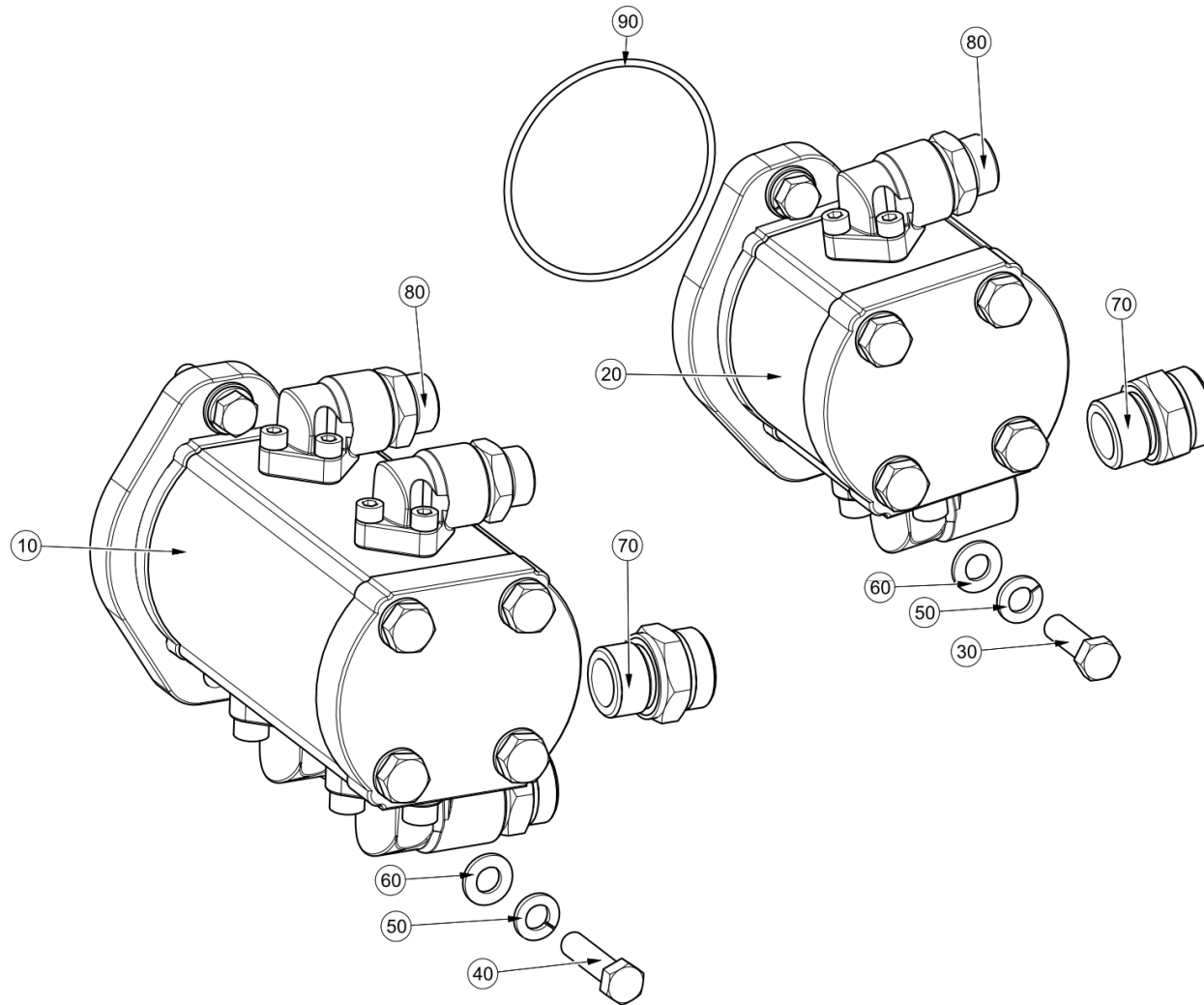


Gearbox Mounts ()

Powapack\Hydrostatic Gearbox\Gearbox Mounts

Item no.	Part no.	Description	QTY	Unit
10	7026703	Gearbox Mounting Bracket	2	PC
20	290-55	Cone Mounting 90mm ² Shore Hardness = 70	4	PC
30	290-50	Rebound Washer M16 (To Suit 290-46)	8	PC
40	92067543-0	Hex Head Bolt - M16x100C - 8.8	4	PC
50	459-16	Washer - M16 Hardened BS 4395	4	PC
60	93085009-0	Nyloc Hex Nut M16C - 8	4	PC
70	92067419-0	Hex Head Bolt - M10Cx35 - 8.8	16	PC
80	93212012-0	Plain Washer - M10	16	PC
90	93085006-0	Nyloc Hex Nut M10C - 8	16	PC
100	92067457-0	Hex Head Bolt - M12Cx40 - 8.8	8	PC
110	93699712-0	Spring Washer - Plated M12	8	PC
120	93212013-0	Plain Washer M12	8	PC

Hydraulic Pump ()
Powapack\Hydrostatic Gearbox\Hydraulic Pump

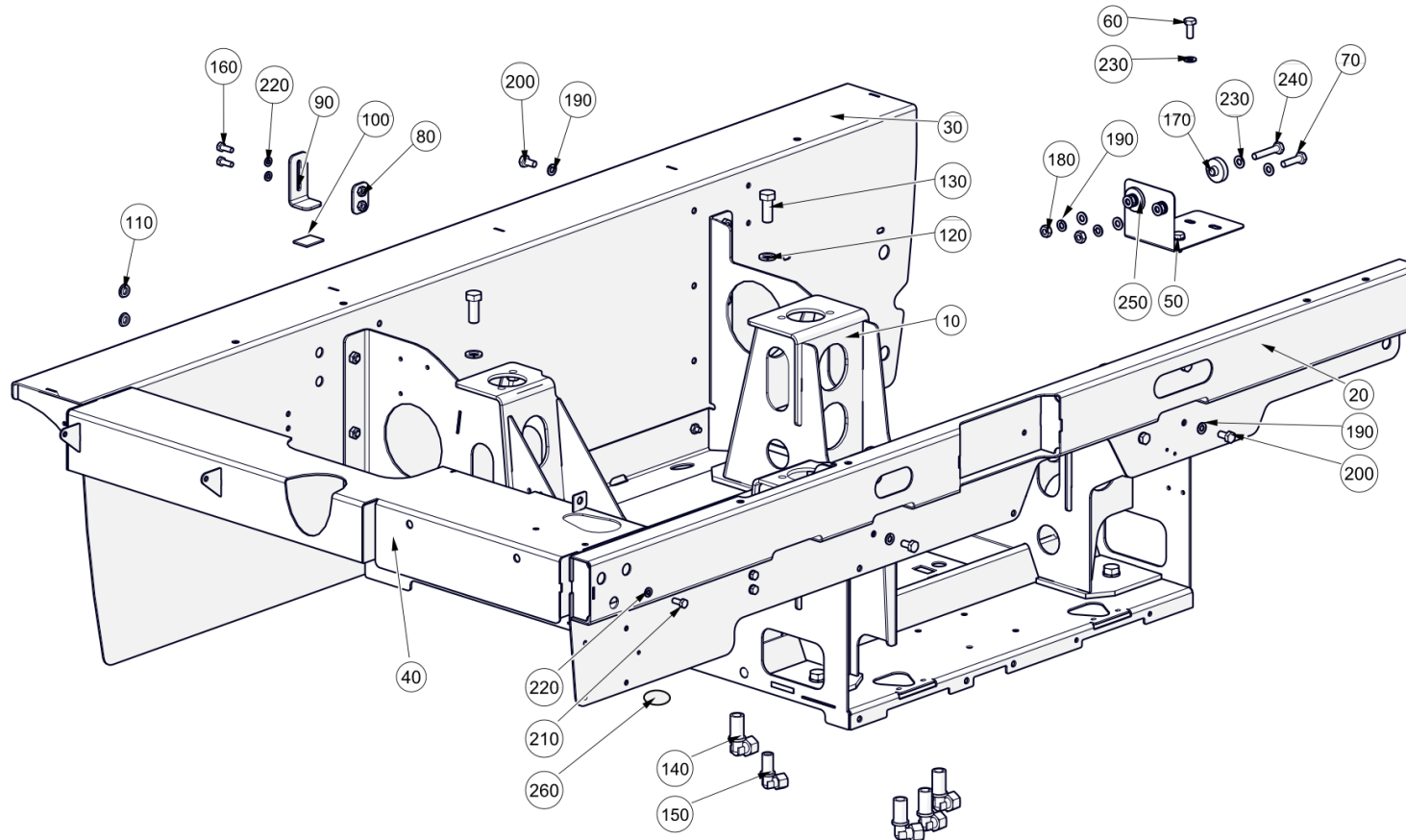


Hydraulic Pump ()
Powapack\Hydrostatic Gearbox\Hydraulic Pump

Item no.	Part no.	Description	QTY	Unit
10	239-33	Pump - Tandem Hyd 14cc/Rev CCW	1	PC
20	239-7	Pump - Hydraulic 14cc/Rev CCW	1	PC
30	92081097-0	Hex Hd Bolt 3/8"-16 UNC x 1 1/4"	2	PC
40	103-41	Hex Hd Bolt 3/8"-16 UNC x 1 1/2"	2	PC
50	93699711-0	Spring Washer - Plated M10	2	PC
60	93212012-0	Plain Washer - M10	2	PC
70	6601-1342	Stud Coupling Male G 3/4" x M30 x 2.0	2	PC
80	6601-1329	Stud Coupling Male G 1/2" x M22 x 1.5	2	PC
90	09534152-0	O-Ring, BS 152 3.237" ID X 0.103"	1	PC

This page is intentionally left blank

This page is intentionally left blank

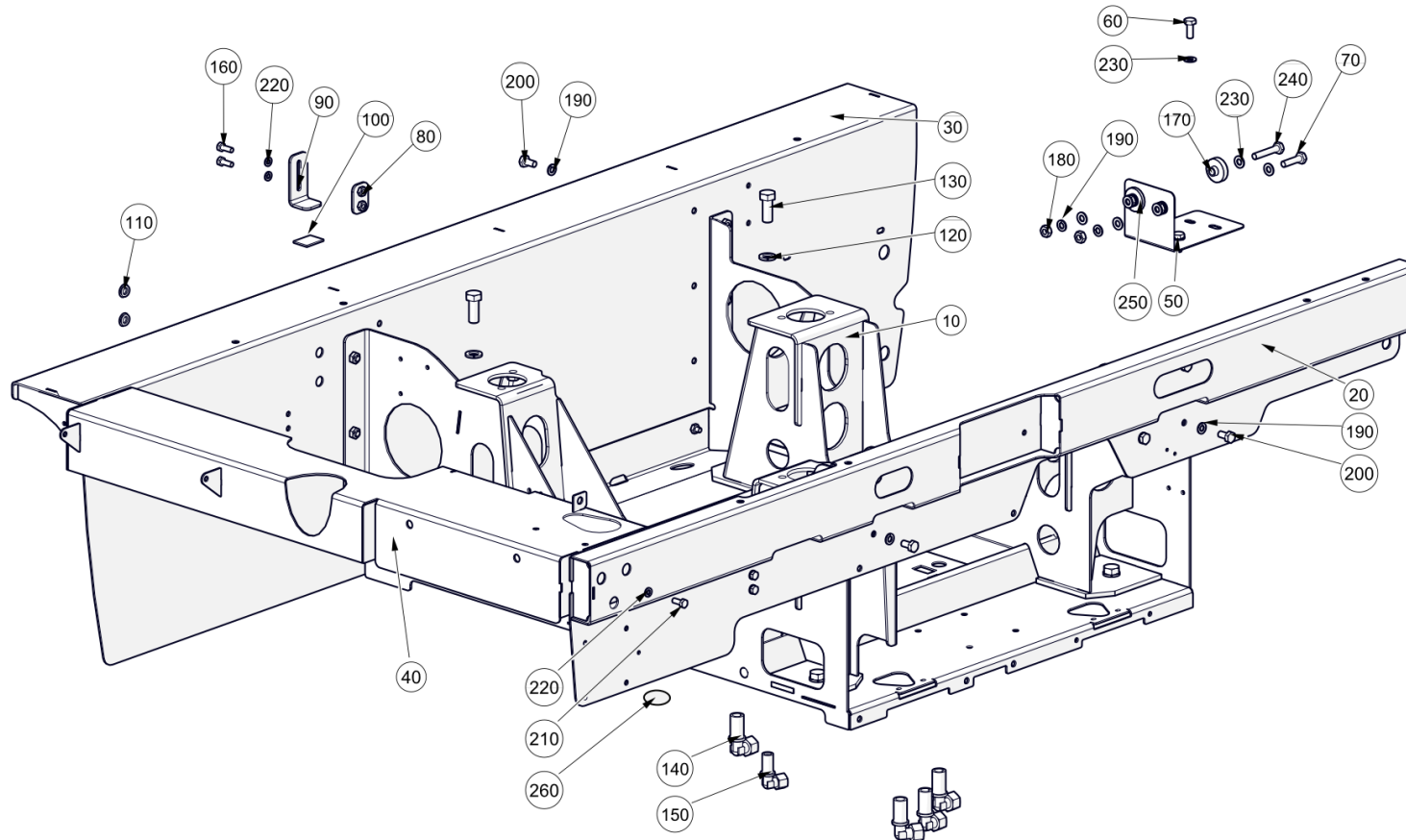
Powapack Tub ()
Powapack\Powapack Tub\Powapack Tub

Powapack Tub ()

Powapack\Powapack Tub\Powapack Tub

Item no.	Part no.	Description	QTY	Unit
10	7028151	Engine Cradle W/Assy	1	PC
10	7018884	Engine Cradle Hydrostatic W/Assy	1	PC
10	7044079	Engine Cradle Mekavac W/Assy	1	PC
20	7038346	Rear Valance W/Assy	1	PC
30	7060168	Valance Front	1	PC
40	7038283	Tank Cover W/Assy	1	PC
50	7012424	Bracket	1	PC
60	92097412-0	Hex Head Screw - M10Cx25 - 8.8	2	PC
70	92097416-0	Hex Head Screw - M10Cx40 - 8.8	1	PC
80	7007992	Clamp Rivnut Assembly	2	PC
90	7007990	Foot - Power Pack	2	PC
100	217-8	Strip Sealing 3x30 White	0,15	M
110	288-52	Grommet - Blind 15.9 O/D x 3.2	2	PC
120	93699714-0	Spring Washer - Plated M16	4	PC
130	92097524-0	Hex Head Screw - M16Cx40 - 8.8	4	PC
140	09570487-0	Bulkhead Elbow Connector - M22 x 1.5	1	PC
150	09570472-0	Bulkhead Elbow Connector - M18 x 1.5	1	PC
160	92097375-0	Hex Head Screw - M8Cx22 - 8.8	7	PC
170	42660-1-A	Spacer - Ø40 ODx18Lg	1	PC
180	93056082-0	Hex Nut M10F-8	4	PC
190	93699711-0	Spring Washer - Plated M10	12	PC
200	92097410-0	Hex Head Screw - M10Cx20 - 8.8	14	PC
210	92097374-0	Hex Head Screw - M8Cx20 - 8.8	12	PC
220	93699710-0	Spring Washer - Plated M8	24	PC

Powapack Tub ()
Powapack\Powapack Tub\Powapack Tub

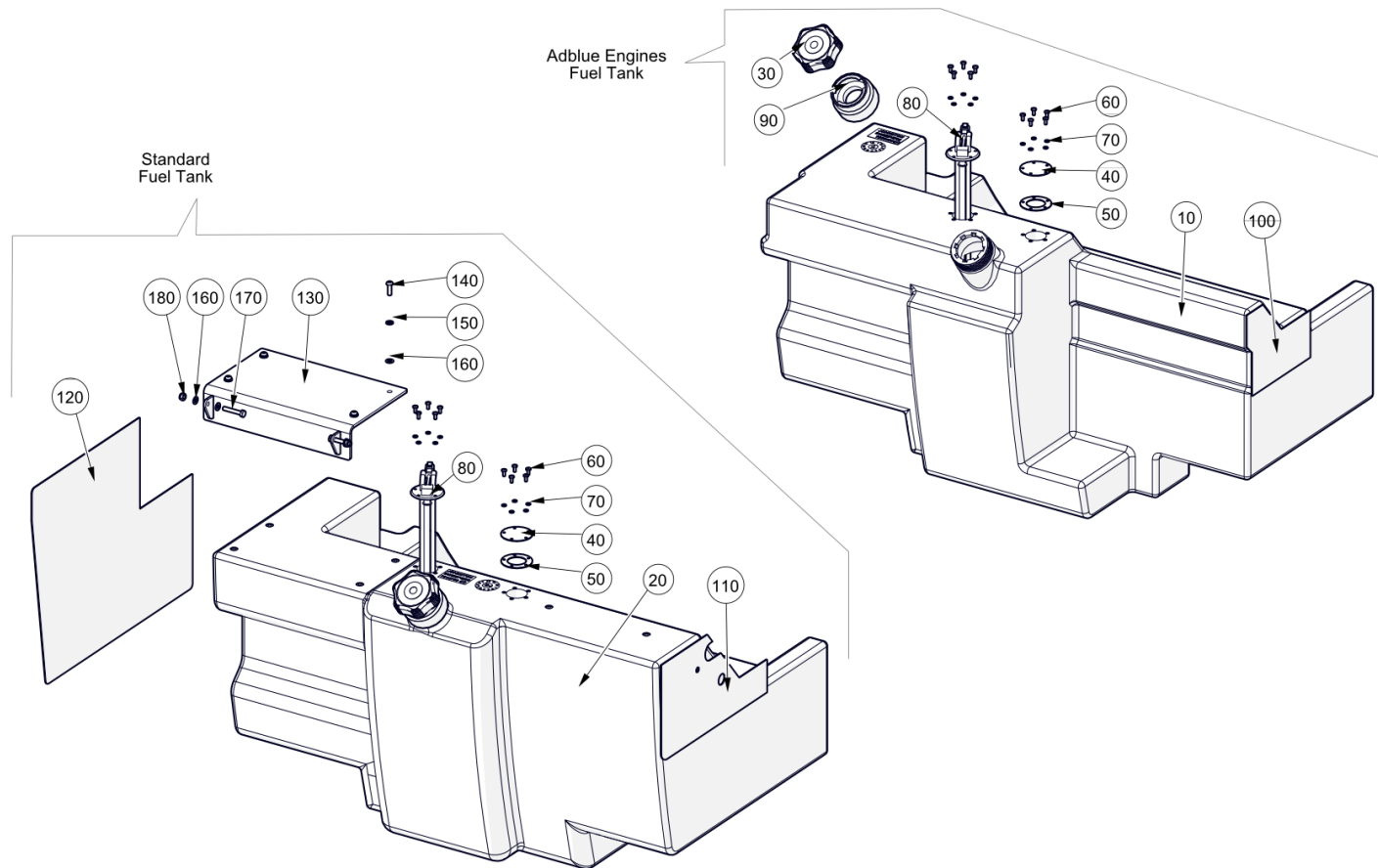


Powapack Tub ()

Powapack\Powapack Tub\Powapack Tub

Item no.	Part no.	Description	QTY	Unit
230	93212012-0	Plain Washer - M10	10	PC
240	92097419-0	Hex Head Screw - M10Cx55 - 8.8	1	PC
250	42661-1-A	Washer - Ø40 ODx6Lg	1	PC
260	287-89	Grommet - Ø 57.2 O/D, 50.8 I/D 3.2 Thick	1	PC

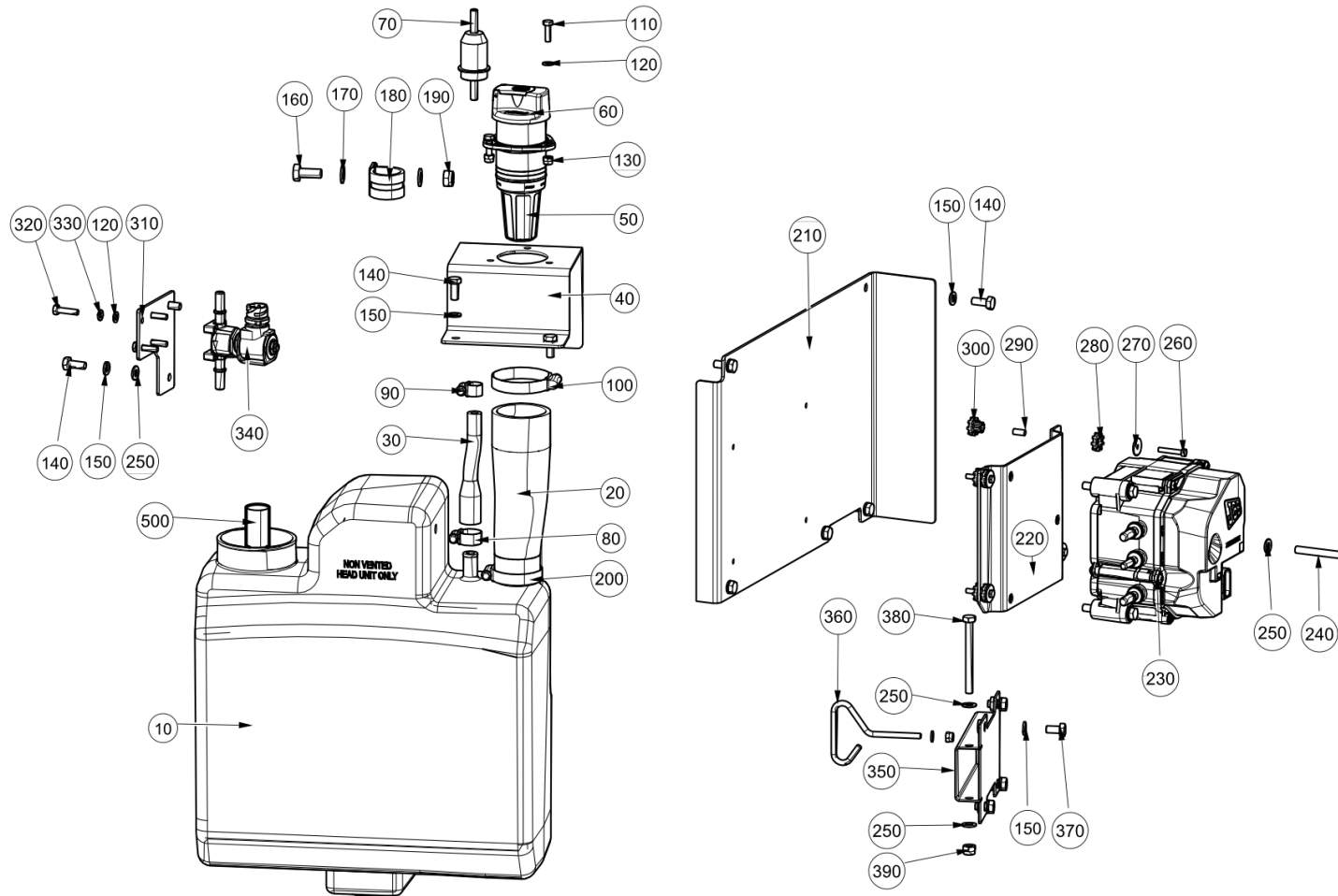
Fuel Tank ()
Powapack\Powapack Tub\Fuel Tank



Fuel Tank ()

Powapack\Powapack Tub\Fuel Tank

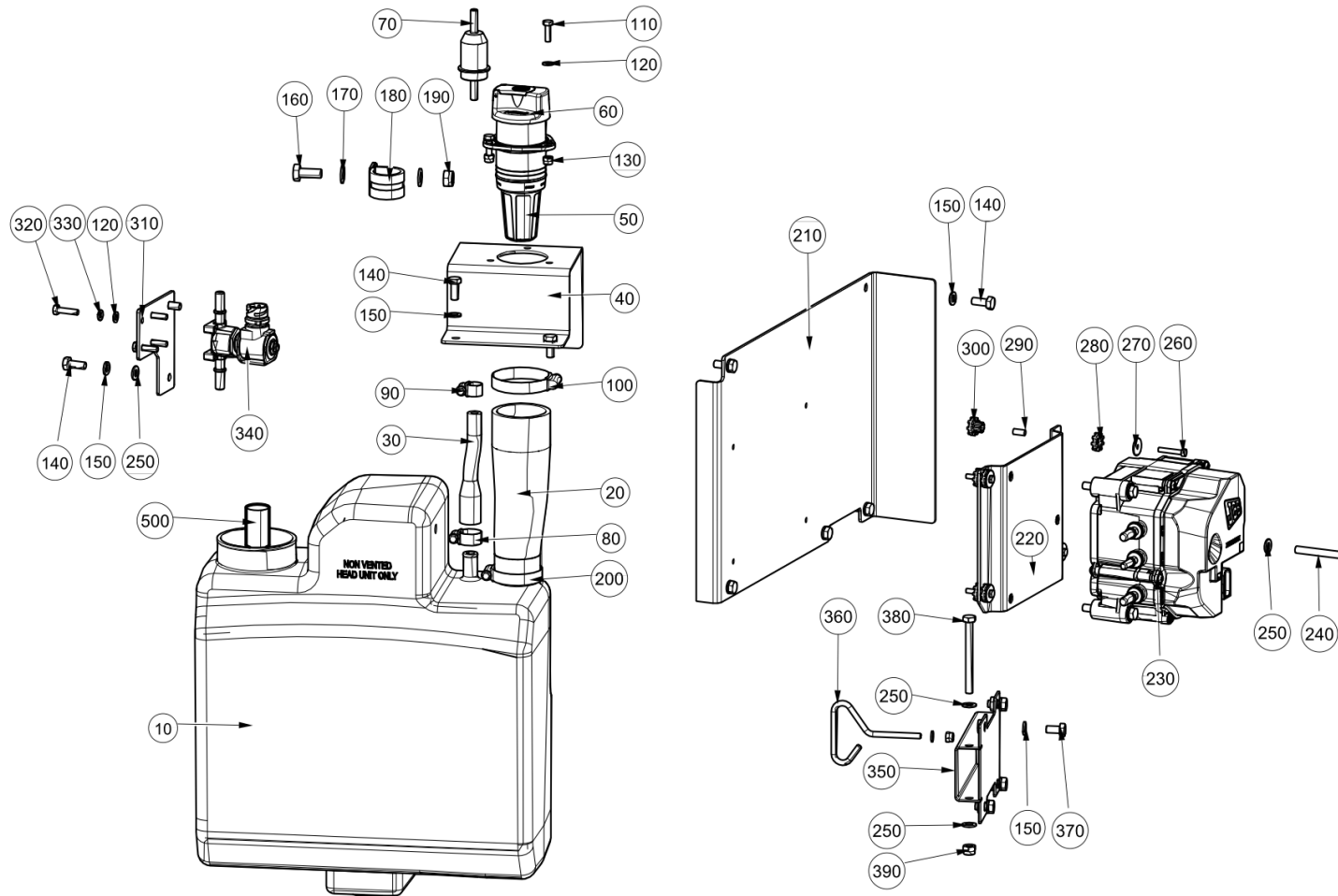
Item no.	Part no.	Description	QTY	Unit
10	7037756	Fuel Tank - Adblue Engines	1	PC
20	7018313	Fuel Tank, 200 litres	1	PC
30	69-42	Fuel Cap - Lockable	1	PC
40	7033097	Blanking Plate - Fuel Sender	1	PC
50	91-1	Gasket - 65mm O/D x 40mm I/D x 4mm Thick	1	PC
60	134-157	Pan Head Screw-M5Cx12 A2-Pozidriv	5	PC
70	93700206-0	Spring Washer M5 - A2	5	PC
80	7005071	Fuel Level Sensor	1	PC
90	7017740	Filler Neck	1	PC
100	7039218	Isolating Pad	1	PC
110	7032309	Isolating Pad - Fuel Tank	1	PC
120	7032312	Isolating Pad - Fuel Tank	1	PC
130	7021810	Mounting Bracket - Welded Assembly	1	PC
140	92330046-0	Hex Skt Button Head Screw M8x25 - 10.9	4	PC
150	93699710-0	Spring Washer - Plated M8	4	PC
160	93212011-0	Plain Washer - M8	8	PC
170	92097381-0	Hex Head Screw - M8Cx45 - 8.8	2	PC
180	93085005-0	Nyloc Hex Nut M8C - 8	2	PC



AdBlue ()

Powapack\Powapack Tub\AdBlue

Item no.	Part no.	Description	QTY	Unit
10	855-168	Tank Adblue	1	PC
20	7042987	AdBlue Fill Hose	1	PC
30	7042989	AdBlue Breather Hose	1	PC
40	7045498	Adblue Filler Bracket	1	PC
50	855-171	AdBlue Filler Neck w/ Strainer	1	PC
60	855-170	Cap Adblue Non Vented Assembly	1	PC
70	855-336	Filter In- line, 125 Micron	1	PC
80	09531052-0	Hose Clip - Worm Drive (22-32)	1	PC
90	501-2	Hose Clip - Worm Drive (14-22)	1	PC
100	09531012-0	Hose Clip - Worm Drive (60-80)	1	PC
110	92097301-0	Hex Head Screw - M6Cx20 - 8.8	3	PC
120	93212009-0	Plain Washer - M6	3	PC
130	93085004-0	Nyloc Hex Nut M6C - 8	3	PC
140	92097374-0	Hex Head Screw - M8Cx20 - 8.8	7	PC
150	93699710-0	Spring Washer - Plated M8	7	PC
160	92097412-0	Hex Head Screw - M10Cx25 - 8.8	1	PC
170	93212012-0	Plain Washer - M10	2	PC
180	508-9	Clip - P Rubber Covered 31.24mm	1	PC
190	93085006-0	Nyloc Hex Nut M10C - 8	1	PC
200	09531034-0	Hose Clip - Worm Drive (40-60)	1	PC
210	7044790	Cover Plate	1	PC
220	7043251	AV Mount W/Assy	1	PC
230	855-169	Module Power Supply (Adblue)	1	PC
240	92067384-0	Hex Head Bolt - M8Cx45 8.8	3	PC

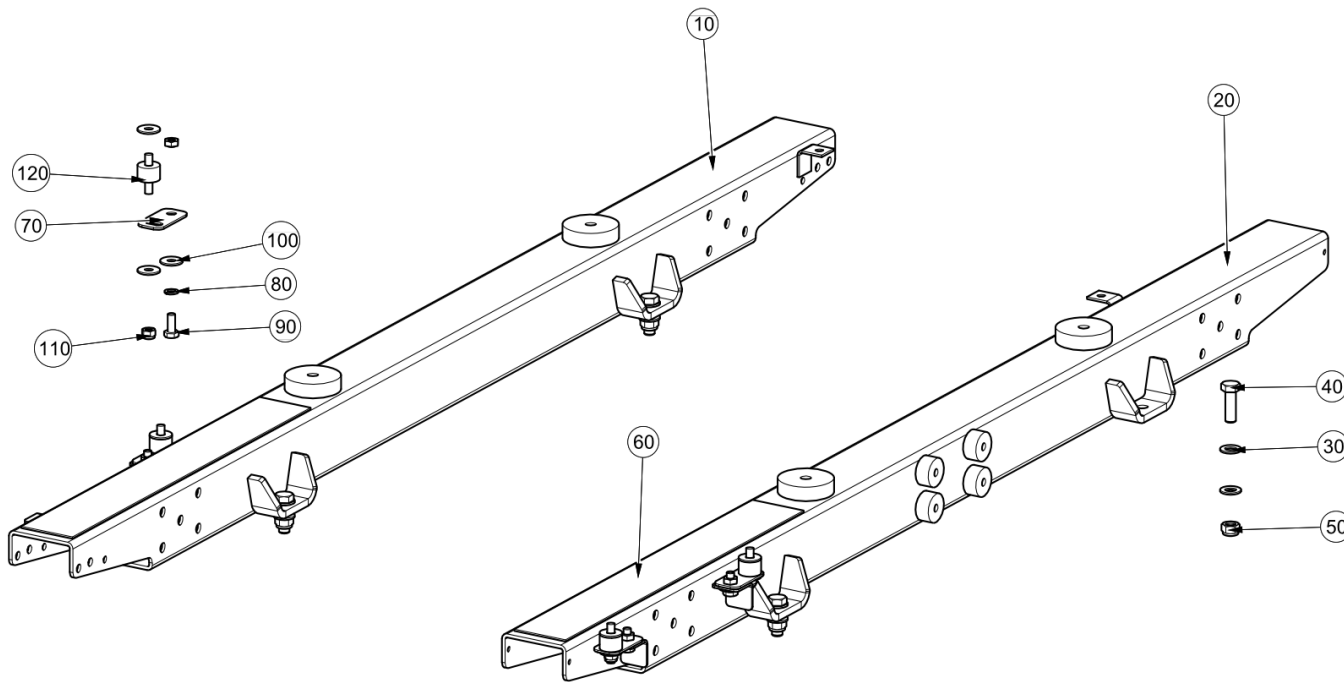


AdBlue ()

Powapack\Powapack Tub\AdBlue

Item no.	Part no.	Description	QTY	Unit
250	93212011-0	Plain Washer - M8	3	PC
260	92097269-0	Hex Head Screw - M5Cx30 - 8.8	4	PC
270	452-67	Washer - Repair M5 x 20 O/D x 1.5 Thick	4	PC
280	290-120	AV Mount - Ring	4	PC
290	7040210	Spacer M5 x 14.3 x 6.4 OD	4	PC
300	290-121	AV Mount - Bushing	4	PC
310	7038002	Coolant Valve Plate	1	PC
320	92097303-0	Hex Head Screw - M6Cx25 - 8.8	4	PC
330	93699708-0	Spring Washer - Plated M6	4	PC
340	7040662	COM - Coolant Valve	1	PC
350	7038345	Strap Brace W/Assy	1	PC
360	7038233	Retainer Hook	1	PC
370	92097372-0	Hex Head Screw - M8Cx16 - 8.8	4	PC
380	92067391-0	Hex Head Bolt - M8Cx80 - 8.8	1	PC
390	93085805-0	Nyloc Hex Nut M8C - 8	1	PC
400	7038271	JCB T4 Engine Adblue Harness	1	PC
500	855-307	Unit Head MEAS	1	PC
Head Unit for the adblue tank. This consists of the Quality Sensor, Temperature Sensor and Ad-blue Level sensor all in one unit.				

Powapack Beams ()
Powapack\Powapack Tub\Powapack Beams

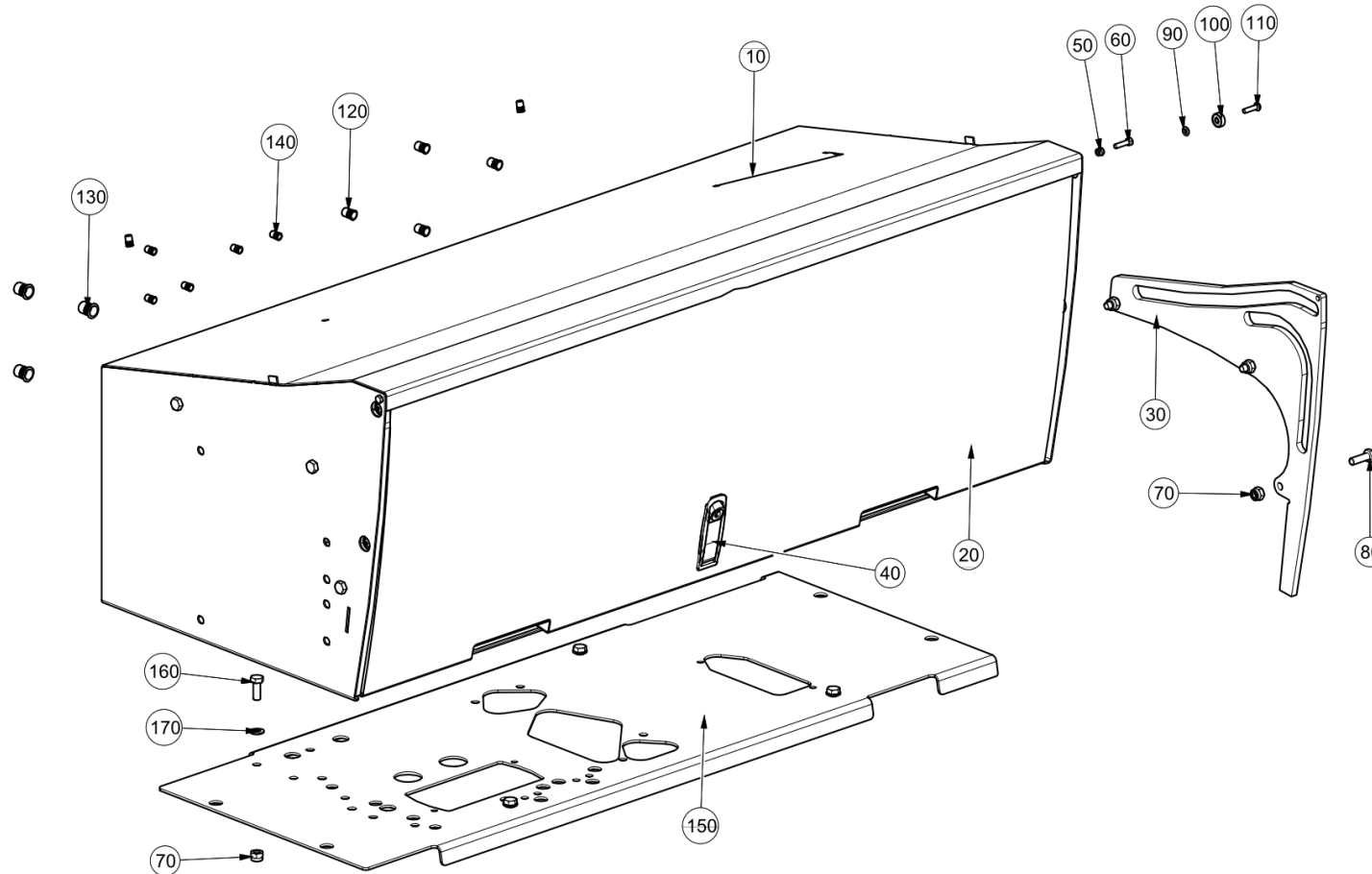


Powapack Beams ()

Powapack\Powapack Tub\Powapack Beams

Item no.	Part no.	Description	QTY	Unit
10	7000381	Engine Beam Front	1	PC
10	7042886	Engine Beam Front Mekavac E6	1	PC
20	7000383	Engine Beam Rear	1	PC
30	93212015-0	Plain Washer M14	16	PC
40	92072212-0	Hex Head Bolt - M14Cx45 - 10.9	8	PC
50	404-17	Hex Nyloc Nut - M14c x Grade 10	8	PC
60	7032314	Isolating Pad - Fuel Tank	2	PC
70	7032435	Fuel Tank - Mount Bracket Assembly	4	PC
80	93699711-0	Spring Washer - Plated M10	4	PC
90	92097412-0	Hex Head Screw - M10Cx25 - 8.8	4	PC
100	457-5	Washer Plain Steel M10 Form G	12	PC
110	404-15	Hex Nyloc Nut - M10c x Grade 10	4	PC
120	290-105	Bobbin M/M M10 x 15/20	4	PC

Systems Locker ()
Powapack\Powapack Tub\System Locker

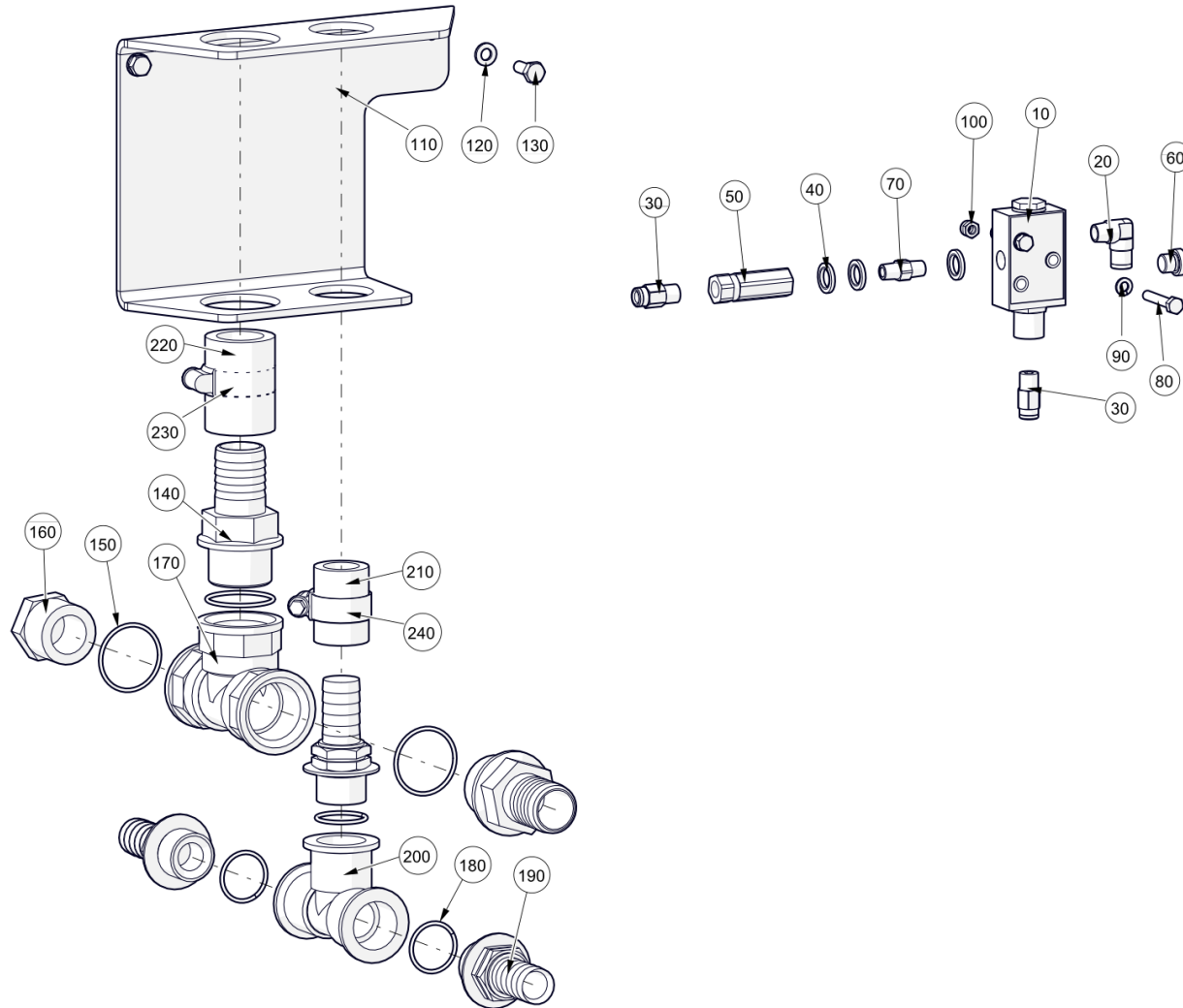


Systems Locker ()

Powapack\Powapack Tub\System Locker

Item no.	Part no.	Description	QTY	Unit
10	7031346	Systems Locker Welded Assembly	1	PC
20	7026615	Door Welded Assembly	1	PC
30	7038750	Door Guide	2	PC
40	211-77	Raised Trigger Handle Latch+Key+Fixings	1	PC
50	93085003-0	Nyloc Hex Nut M5C - 8	2	PC
60	92097265-0	Hex Head Screw - M5Cx20 - 8.8	2	PC
70	93085805-0	Nyloc Hex Nut M8C - 8	6	PC
80	92097376-0	Hex Head Screw - M8Cx25 - 8.8	6	PC
90	455-7	Washer Plain Plated Steel M5	4	PC
100	14-70	Deep Groove Ball Bearing 5x16x5	4	PC
110	92330027-0	Hex Skt Button Head Screw M5x20 - 10.9	4	PC
120	433-104	Insert, Small Hd, M6, 0.7-4.2, Open, MS	4	PC
130	433-121	Insert, Small Hd, M8, 0.7-3.8, Open, MS	3	PC
140	433-155	Insert, Small Hd, M5, 0.7-3.8, Open, MS	7	PC
150	7031821	Plate, Wafer Base	1	PC
160	92097375-0	Hex Head Screw - M8Cx22 - 8.8	4	PC
170	93212011-0	Plain Washer - M8	4	PC

Low Pressure Water Pump Connection ()
Powapack\Powapack Tub\Low Pressure Water Pump Connection

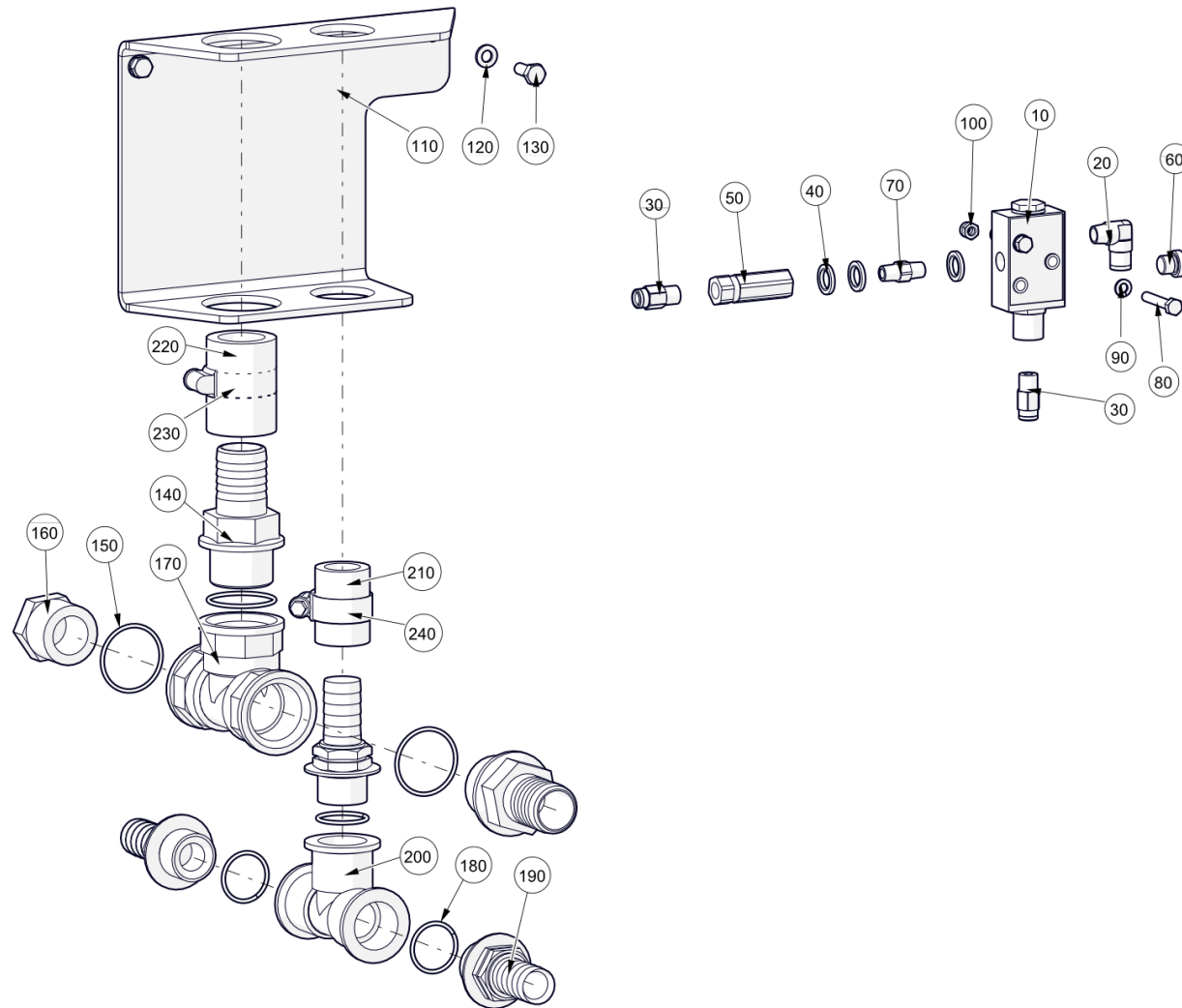


Low Pressure Water Pump Connection ()

Powapack\Powapack Tub\Low Pressure Water Pump Connection

Item no.	Part no.	Description	QTY	Unit
10	72-31	Valve - Pneumatic 3/2	1	PC
20	09593162-0	Adaptor - Push In 6mm Fixed Elbow R1/8"	1	PC
30	537-3	Adaptor-Push In 6mm x 1/8 BSPT Straight	2	PC
40	451-4	Washer Bonded G1-8"	3	PC
50	72-4	Valve Non Return	1	PC
60	09572132-0	Sealing Plug VS-R 1/8 WD	1	PC
70	532-7	Connector - Nippled	1	PC
80	92097269-0	Hex Head Screw - M5Cx30 - 8.8	2	PC
90	93699707-0	Spring Washer - Plated M5	2	PC
100	93085003-0	Nyloc Hex Nut M5C - 8	2	PC
110	7047994	Bracket - Water System	1	PC
120	93212009-0	Plain Washer - M6	2	PC
130	92097299-0	Hex Head Screw - M6Cx16 - 8.8	2	PC
140	277-125	Hosetail 1" BSP	2	PC
150	277-149	Seal O-Ring For 1" Thread	3	PC
160	277-135	Plug - 1" BSP (M) Threaded	1	PC
170	277-128	Tee Female - G 1 Equal	1	PC
180	277-148	Seal - O-Ring For 3/4" Thread	3	PC
190	277-130	Hosetail - 3/4" BSP	3	PC
200	277-133	Tee Female - G 3/4 Equal	1	PC
210	497-H12	Hose - 3/4" Bore	0,75	M
220	6117	1" Bore Premoflex Hose	0,75	M
230	09531009-0	Hose Clip - Worm Drive (30-40)	2	PC
240	501-25	Hose Clip - Worm Drive (25-35)	2	PC

Low Pressure Water Pump Connection ()
 Powapack\Powapack Tub\Low Pressure Water Pump Connection

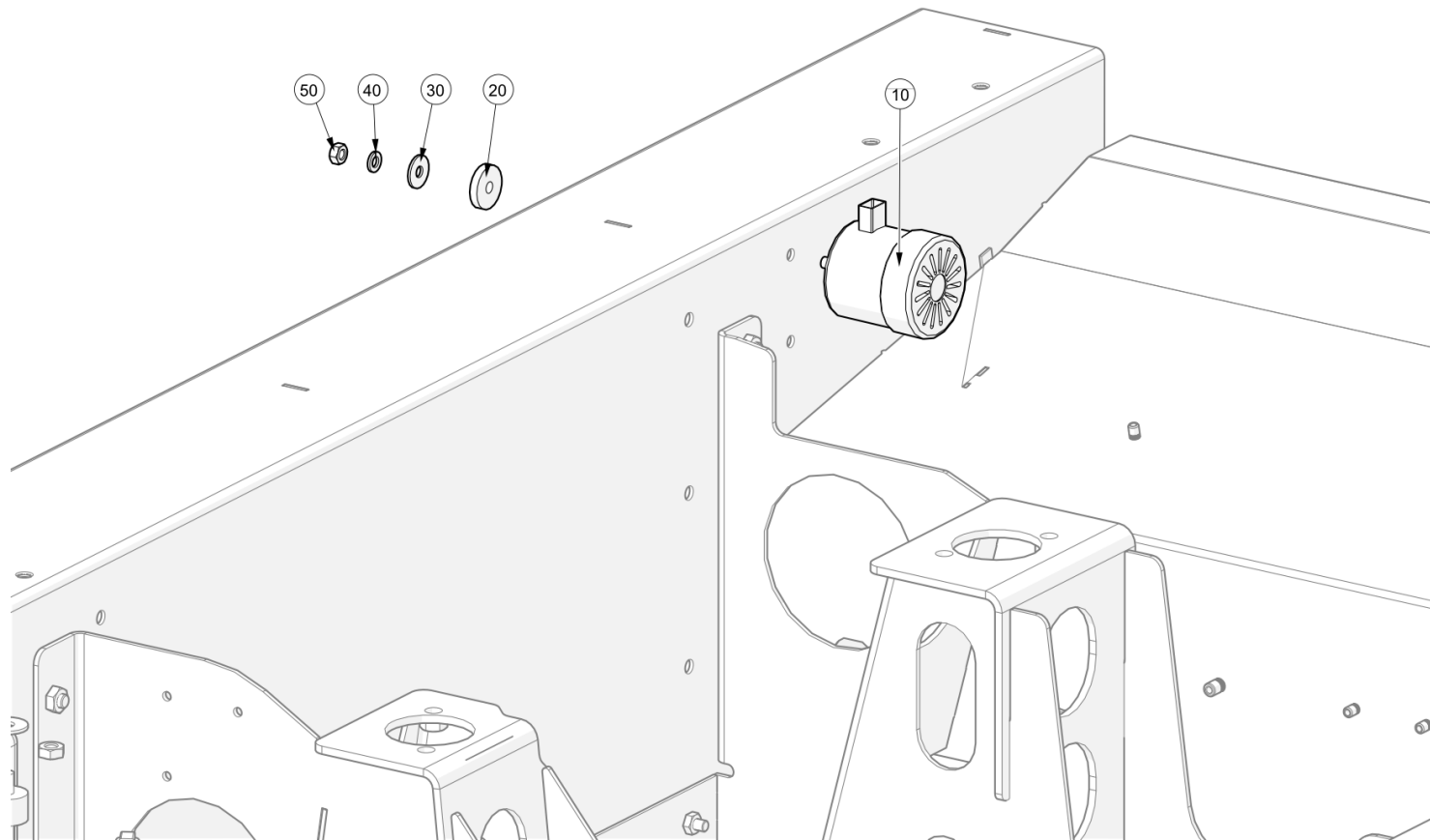


Low Pressure Water Pump Connection ()

Powapack\Powapack Tub\Low Pressure Water Pump Connection

Item no.	Part no.	Description	QTY	Unit
5010	217-1	Grommet Strip Size 5	0,55	M

Reverse Alarm ()
Powapack\Powapack Tub\Reverse Alarm

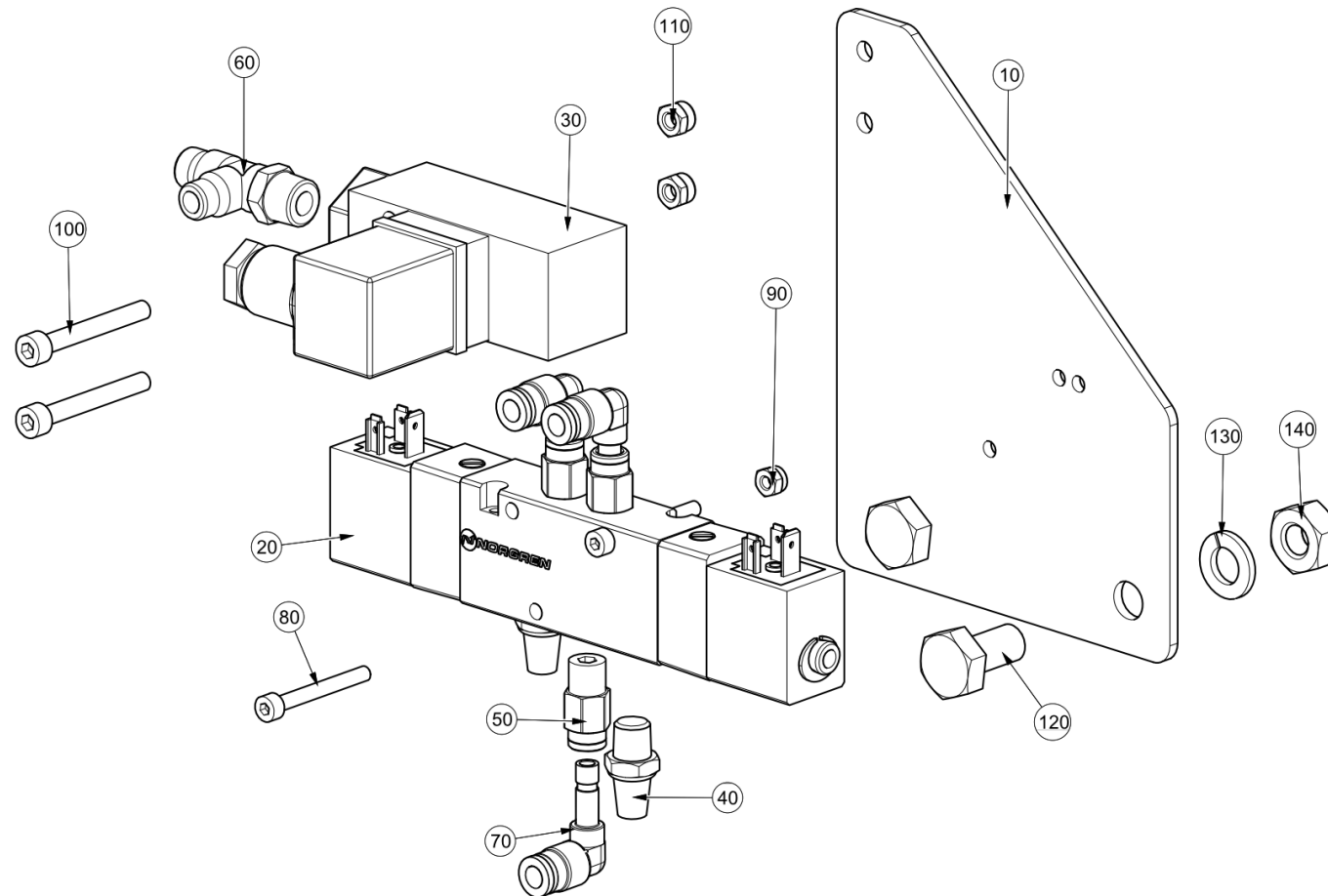


Reverse Alarm ()

Powapack\Powapack Tub\Reverse Alarm

Item no.	Part no.	Description	QTY	Unit
10	30-184	Alarm - Reverse	1	PC
20	283229-6	Spacer - DIM A 6mm	1	PC
30	93300509-0	Plain Large Washer - M8	1	PC
40	93699710-0	Spring Washer - Plated M8	1	PC
50	93056014-0	Hex Nut M8C-8	1	PC

Gearbox Engage Control ()
Powapack\Powapack Tub\Gearbox Engage Control

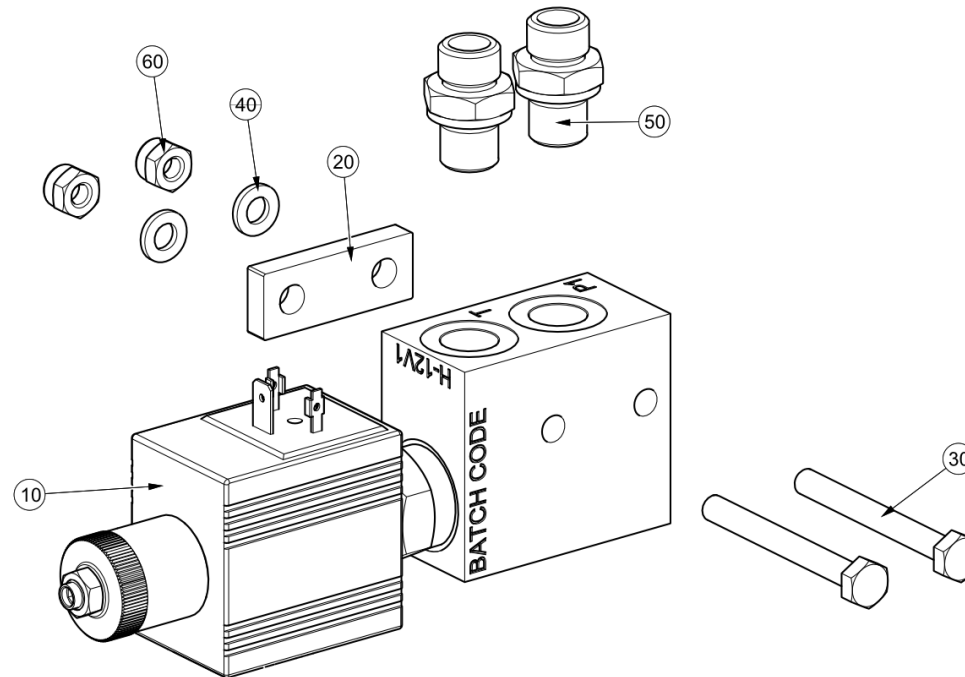


Gearbox Engage Control ()

Powapack\Powapack Tub\Gearbox Engage Control

Item no.	Part no.	Description	QTY	Unit
10	7011689	Plate - Air Valve and Pressure Switch	1	PC
20	72-100	Valve 5/2 Sol/Sol 24v	1	PC
20	72-107	Valve 5/2 Sol/Sol 12v	1	PC
30	72-52	Pneumatic Pressure Switch	1	PC
40	72-17	Exhaust Silencer	2	PC
50	537-3	Adaptor-Push In 6mm x 1/8 BSPT Straight	3	PC
60	540-7	Adaptor - Tee 6mm x 1/4 BSPT	1	PC
70	551-1	Adaptor - Stem Elbow 6mm	3	PC
80	92137016-0	Hex Socket Cap Screw - M4Cx35 - 12.9	2	PC
90	93085002-0	Nyloc Hex Nut M4C - 8	2	PC
100	92137049-0	Hex Socket Cap Screw - M5Cx40 - 12.9	2	PC
110	93085003-0	Nyloc Hex Nut M5C - 8	2	PC
120	92097410-0	Hex Head Screw - M10Cx20 - 8.8	2	PC
130	93699711-0	Spring Washer - Plated M10	2	PC
140	93056015-0	Hex Nut M10C-8	2	PC

Fan Pressure Control Valve ()
Powapack\Powapack Tub\Fan Pressure Control Valve

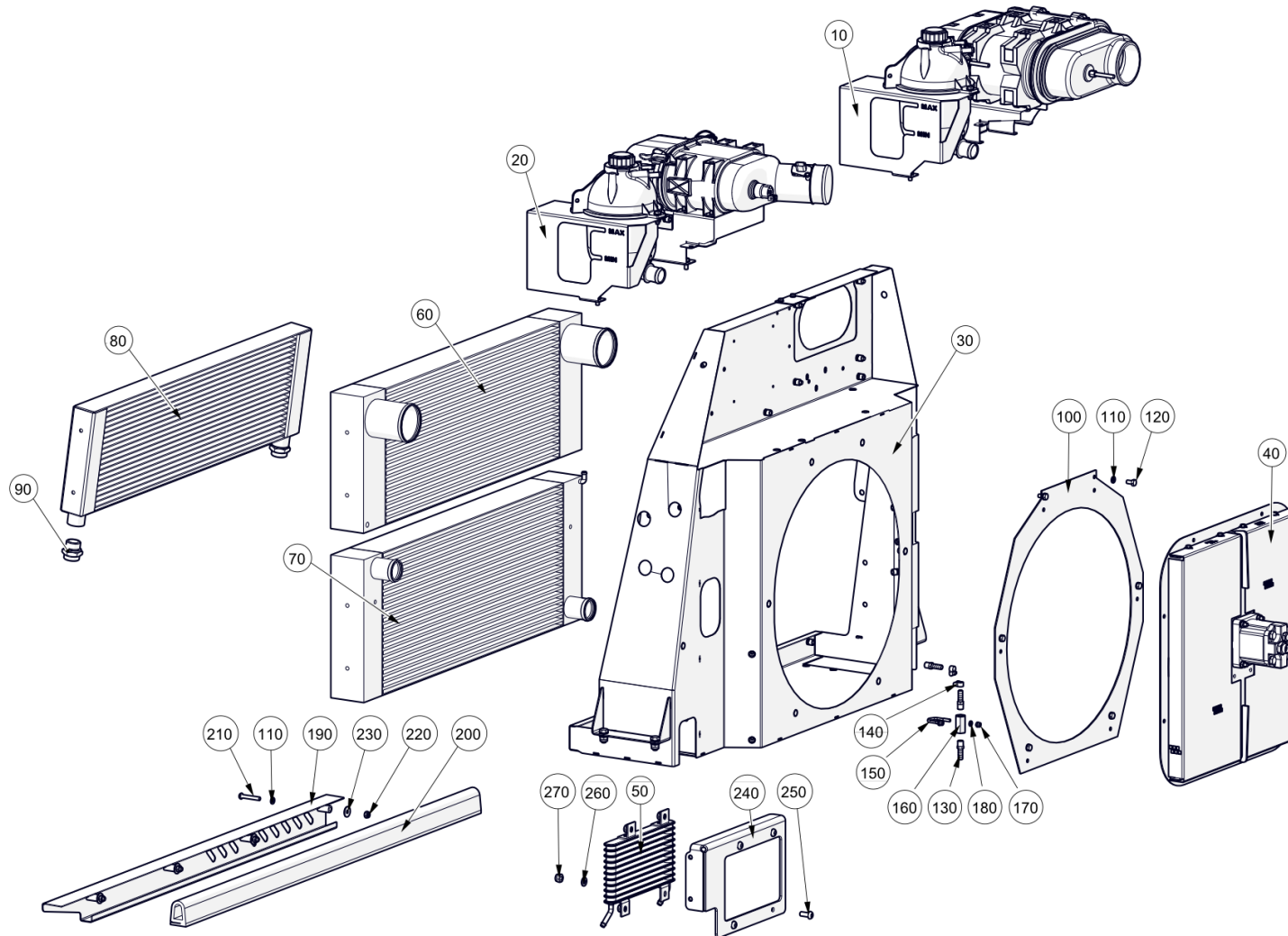


Fan Pressure Control Valve ()

Powapack\Powapack Tub\Fan Pressure Control Valve

Item no.	Part no.	Description	QTY	Unit
10	7022518	Proportional Relief Valve 12V	1	PC
10	7005344	Proportional Relief Valve 24V	1	PC
20	7006312	Spacer	1	PC
30	92067312-0	Hex Head Bolt - M6Cx55 - 8.8	2	PC
40	93212009-0	Plain Washer - M6	2	PC
50	09570126-0	Stud Coupling Male G 1/4" x M14x1.5 (8L)	2	PC
60	93085004-0	Nyloc Hex Nut M6C - 8	2	PC

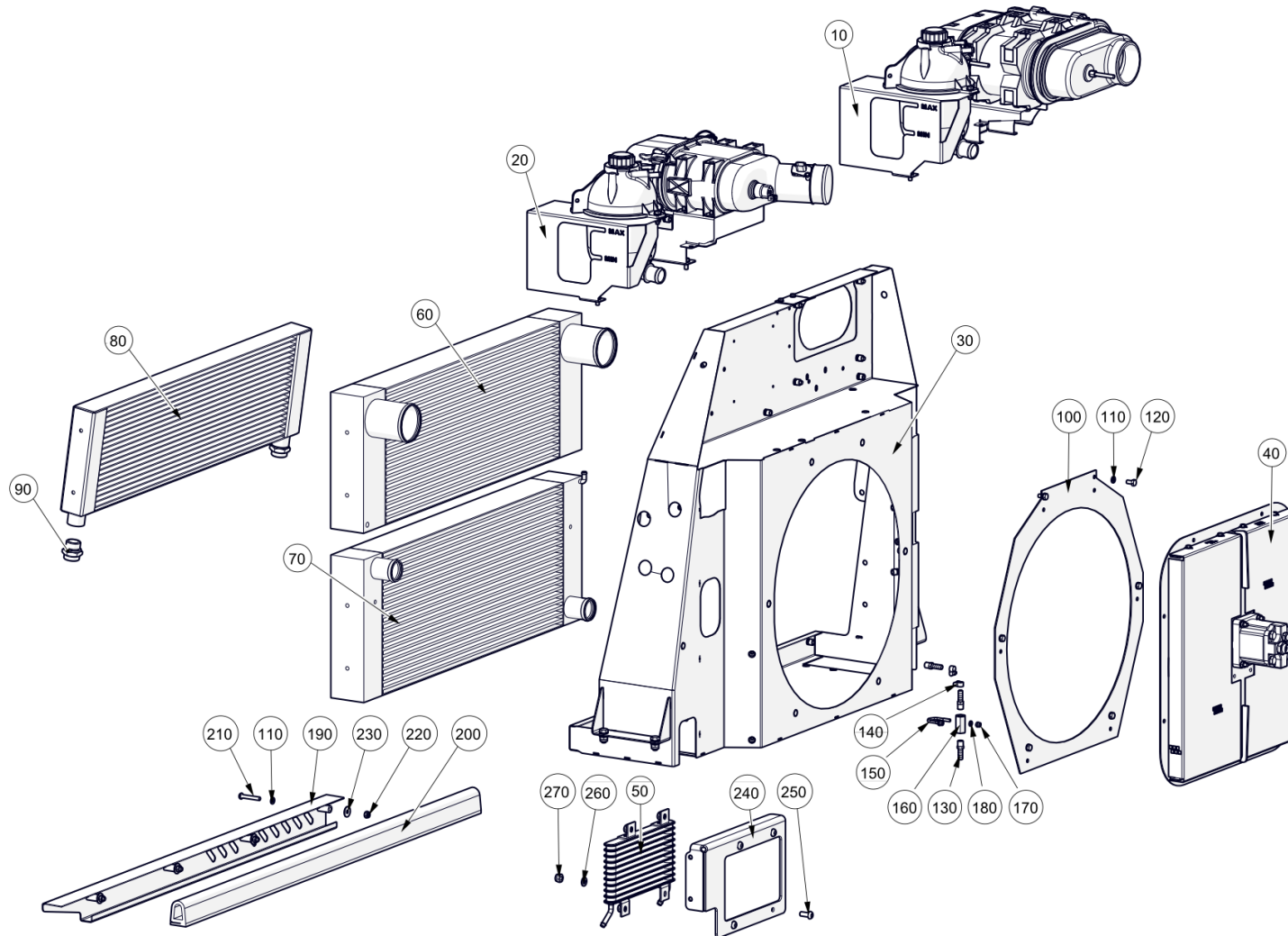
Cooling Pack Assembly ()
Powapack\Cooling Pack Assembly



Cooling Pack Assembly ()
Powapack\Cooling Pack Assembly

Item no.	Part no.	Description	QTY	Unit
50	7025735	Fuel Cooler	1	PC
60	7002541	Charge Air Cooler	1	PC
70	7002540	Radiator	1	PC
80	7054497	Oil Cooler	1	PC
90	6601-1349	Stud Coupling Male G 1" x M36 x 2.0	2	PC
100	7024236	Fan Height Adaptor	1	PC
110	93699710-0	Spring Washer - Plated M8	10	PC
120	92097372-0	Hex Head Screw - M8Cx16 - 8.8	6	PC
130	46382-3-B	Adaptor - Brass R 1/4	3	PC
140	501-2	Hose Clip - Worm Drive (14-22)	2	PC
150	6105-1-C	Bolt - U M6c	1	PC
160	88-51	Ball Valve - 1/4" F-F	1	PC
170	93085004-0	Nyloc Hex Nut M6C - 8	2	PC
180	93212009-0	Plain Washer - M6	2	PC
190	7048682	Grill welded assembly	1	PC
200	7010257	Seal Side Cowl	1	PC
210	138-133	Hex Skt Button Head Screw M8x50 - 10.9	4	PC
220	93085005-0	Nyloc Hex Nut M8C - 8	4	PC
230	93300509-0	Plain Large Washer - M8	4	PC
231	GS0013-78	Loctite 424 500gm	0,1	PC
240	7034118	Fuel cooler mount	1	PC
250	92330357-0	Hex Skt Button Head Screw M10x25 - 10.9	4	PC
260	93212012-0	Plain Washer - M10	4	PC
270	93085806-0	Nyloc Hex Nut M10C - 8	4	PC

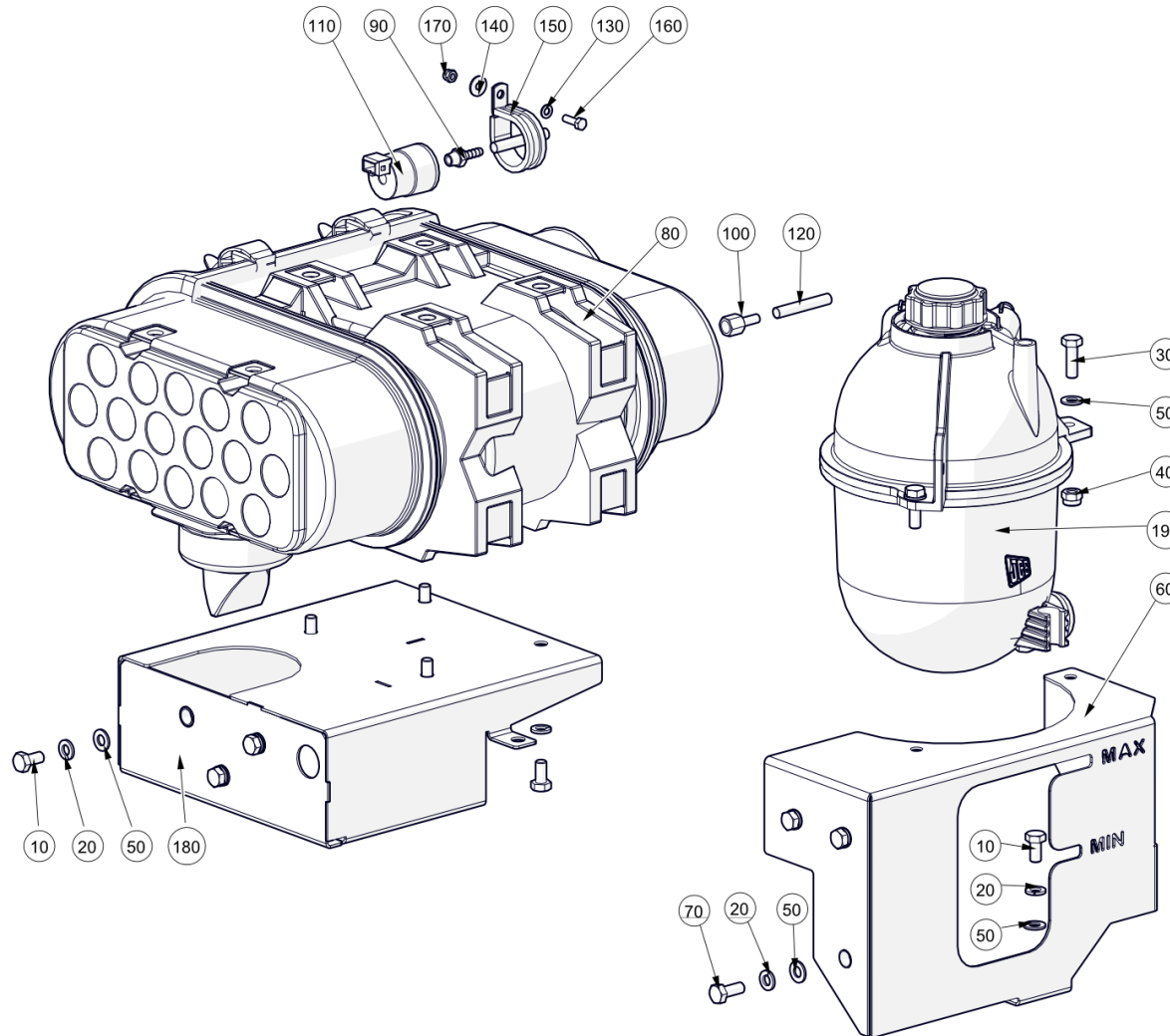
Cooling Pack Assembly ()
Powapack\Cooling Pack Assembly



Cooling Pack Assembly ()
Powapack\Cooling Pack Assembly

Item no.	Part no.	Description	QTY	Unit
5000	271-41	Hose - Silicone 9.5mm I/D	0,5	M

Expansion Tank & Air Filter - JCB 85kW ()
Powapack\Cooling Pack Assembly\Expansion Tank & Air Filter - JCB 85kW



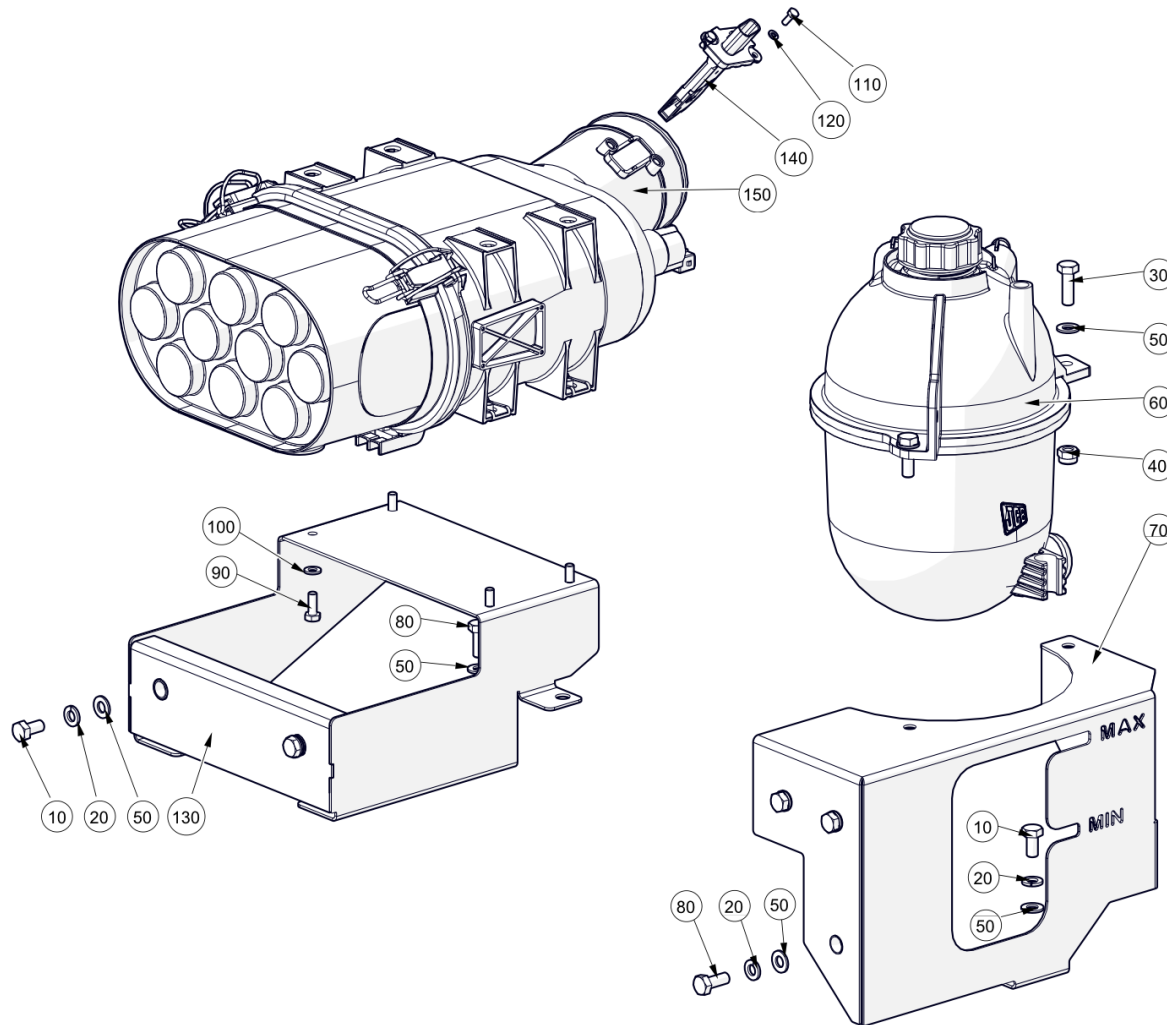
Expansion Tank & Air Filter - JCB 85kW ()

Powapack\Cooling Pack Assembly\Expansion Tank & Air Filter - JCB 85kW

Item no.	Part no.	Description	QTY	Unit
10	92097372-0	Hex Head Screw - M8Cx16 - 8.8	8	PC
20	93699710-0	Spring Washer - Plated M8	11	PC
30	92097376-0	Hex Head Screw - M8Cx25 - 8.8	2	PC
40	93085805-0	Nyloc Hex Nut M8C - 8	2	PC
50	93212011-0	Plain Washer - M8	9	PC
60	7040444	Expansion Tank Bracket Rivnut Assy	1	PC
70	92097374-0	Hex Head Screw - M8Cx20 - 8.8	3	PC
80	7006277	Air Filter Assembly	1	PC
90	904-56	Adaptor - R 1/8" M x 6mm	1	PC
100	904-58	Adaptor - R1/8" x 6mm	1	PC
110	7007654	Pressure Switch - Engine 55 Pa (X770316)	1	PC
120	12870	Tube - Nylon Black 8mm O/D	1	M
130	93210109-0	Plain Washer M5	1	PC
140	93300506-0	Plain Large Washer M5	1	PC
150	508-115	Clip - P Rubber Covered 35.00mm	1	PC
160	92097263-0	Hex Head Screw - M5Cx16 - 8.8	1	PC
170	93085003-0	Nyloc Hex Nut M5C - 8	1	PC
180	7047531	Air Filter Bracket Rivnut Assy	1	PC
190	7017985	Expansion Tank	1	PC

Expansion Tank & Air Filter - JCB 55kW & 93kW S4 ()

Powapack\Cooling Pack Assembly\Expansion Tank & Air Filter - JCB 55kW & 93kW S4



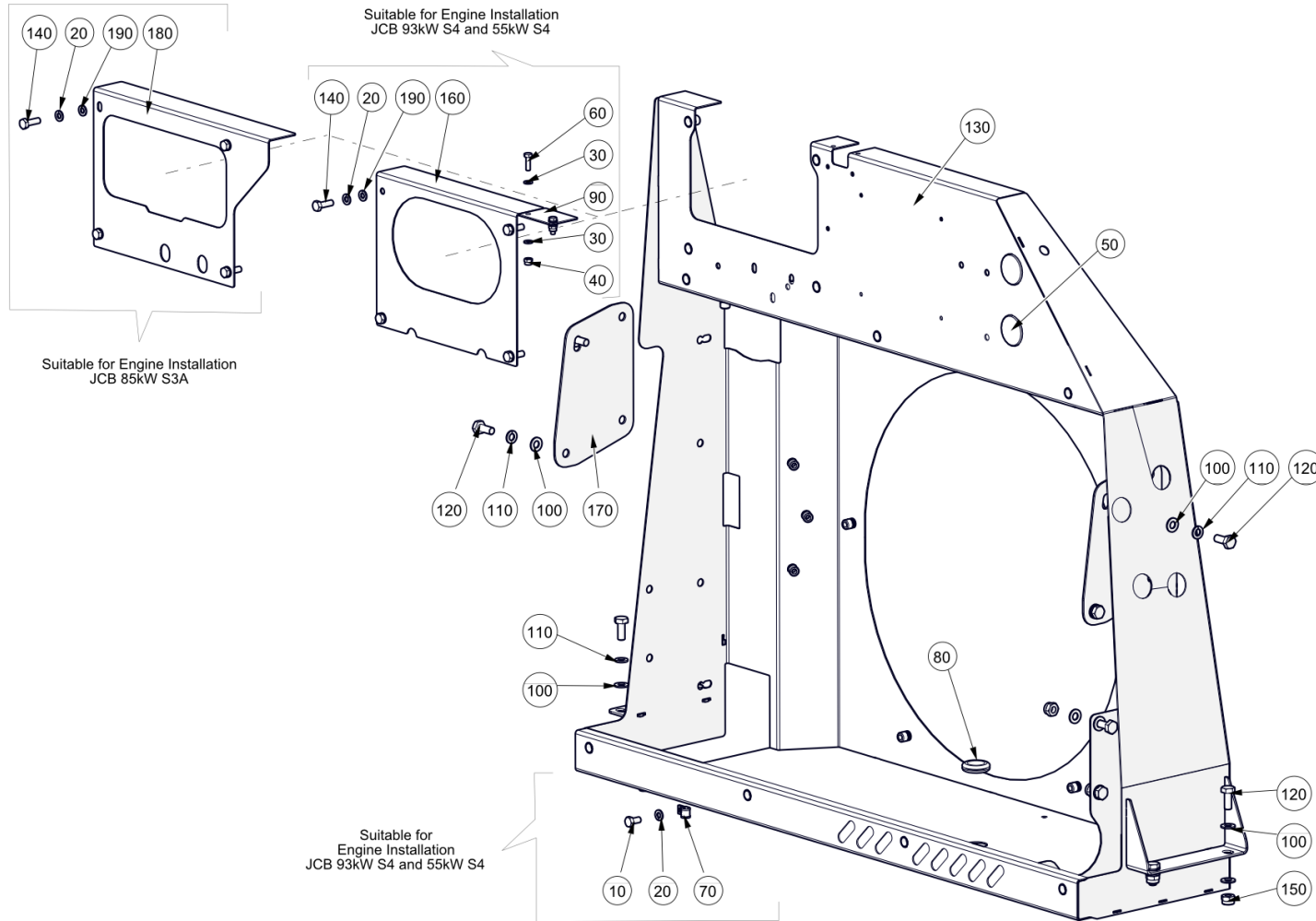
Expansion Tank & Air Filter - JCB 55kW & 93kW S4 ()

Powapack\Cooling Pack Assembly\Expansion Tank & Air Filter - JCB 55kW & 93kW S4

Item no.	Part no.	Description	QTY	Unit
10	92097372-0	Hex Head Screw - M8Cx16 - 8.8	3	PC
20	93699710-0	Spring Washer - Plated M8	6	PC
30	92097376-0	Hex Head Screw - M8Cx25 - 8.8	2	PC
40	93085805-0	Nyloc Hex Nut M8C - 8	2	PC
50	93212011-0	Plain Washer - M8	9	PC
60	7017985	Expansion Tank	1	PC
70	7040444	Expansion Tank Bracket Rivnut Assy	1	PC
80	92097374-0	Hex Head Screw - M8Cx20 - 8.8	3	PC
90	92097299-0	Hex Head Screw - M6Cx16 - 8.8	4	PC
100	93212009-0	Plain Washer - M6	4	PC
110	92097225-0	Hex Head Screw - M4Cx10 - 8.8	2	PC
120	93699706-0	Spring Washer - Plated M4	2	PC
130	7047527	Air Cleaner Bracket R/Assy	1	PC
140	7023408	Sensor TMAF JCB	1	PC
150	7035828	JCB Air Cleaner	1	PC

Cooling Shroud ()

Powapack\Cooling Pack Assembly\Cooling Shroud

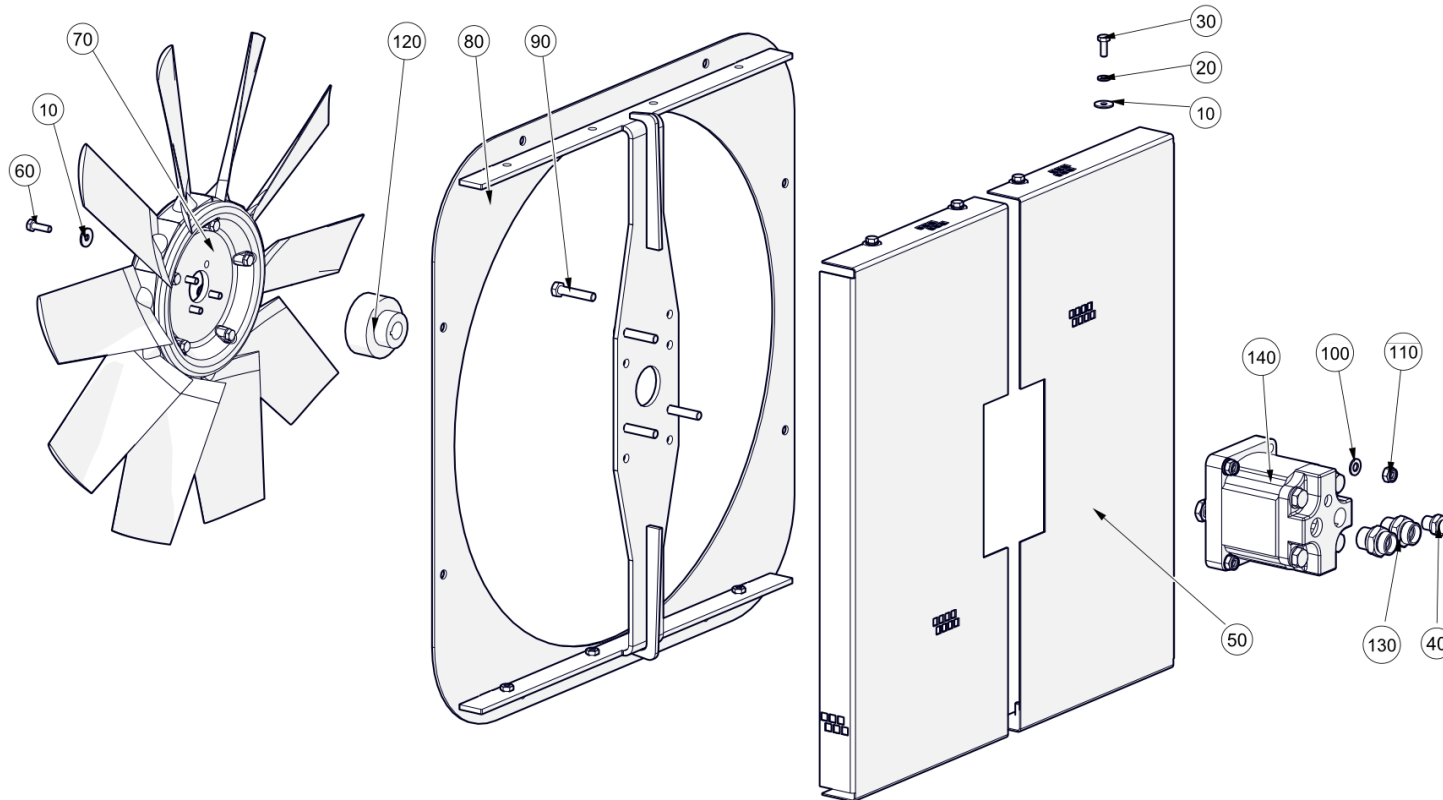


Cooling Shroud ()

Powapack\Cooling Pack Assembly\Cooling Shroud

Item no.	Part no.	Description	QTY	Unit
10	92097372-0	Hex Head Screw - M8Cx16 - 8.8	1	PC
20	93699710-0	Spring Washer - Plated M8	5	PC
30	7024236	Fan Height Adaptor	4	PC
30	93212009-0	Plain Washer - M6	4	PC
40	93085004-0	Nyloc Hex Nut M6C - 8	2	PC
50	288-54	Grommet - Blind 31.8 O/D x 2.4	2	PC
60	92097301-0	Hex Head Screw - M6Cx20 - 8.8	2	PC
70	32-116	Cable Clip P Cable Dia 10	1	PC
80	287-61	Grommet - Ø 31.8 O/D, 25.4 I/D 2.4 Thick	2	PC
90	7052771	Cover plate	1	PC
100	93212012-0	Plain Washer - M10	14	PC
110	93699711-0	Spring Washer - Plated M10	6	PC
120	92097412-0	Hex Head Screw - M10Cx25 - 8.8	10	PC
130	7036595	Radiator Shroud R/Assy JCB Stage 4 93kw	1	PC
140	92097376-0	Hex Head Screw - M8Cx25 - 8.8	4	PC
150	93085806-0	Nyloc Hex Nut M10C - 8	2	PC
160	7036614	Service Plate	1	PC
170	7054423	Plate - Oil Cooler	2	PC
180	7046184	Bracket - Air filter Cover	1	PC
190	93212011-0	Plain Washer - M8	4	PC

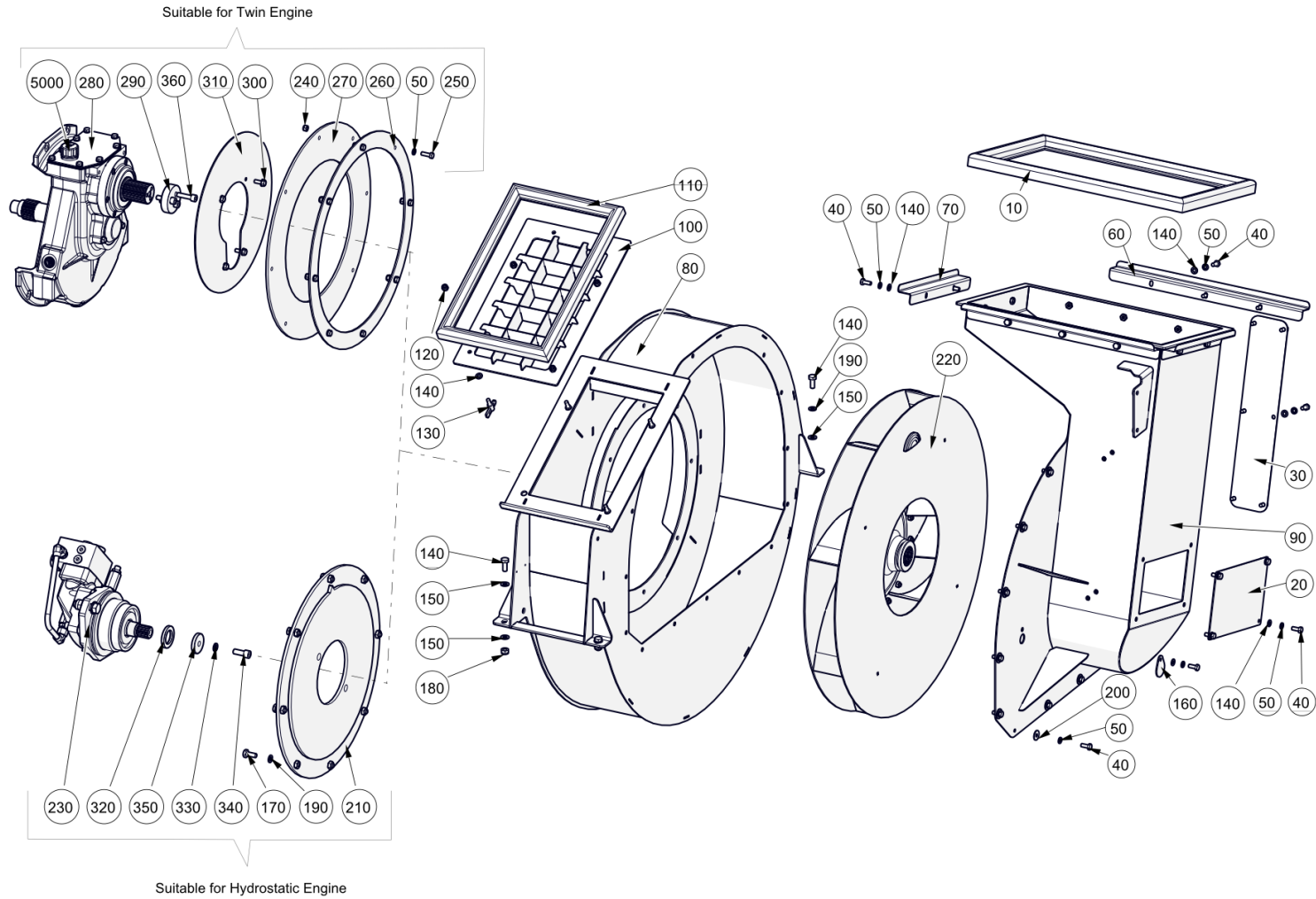
Fan - Oil Cooler ()
Powapack\Cooling Pack Assembly\Fan - Oil Cooler



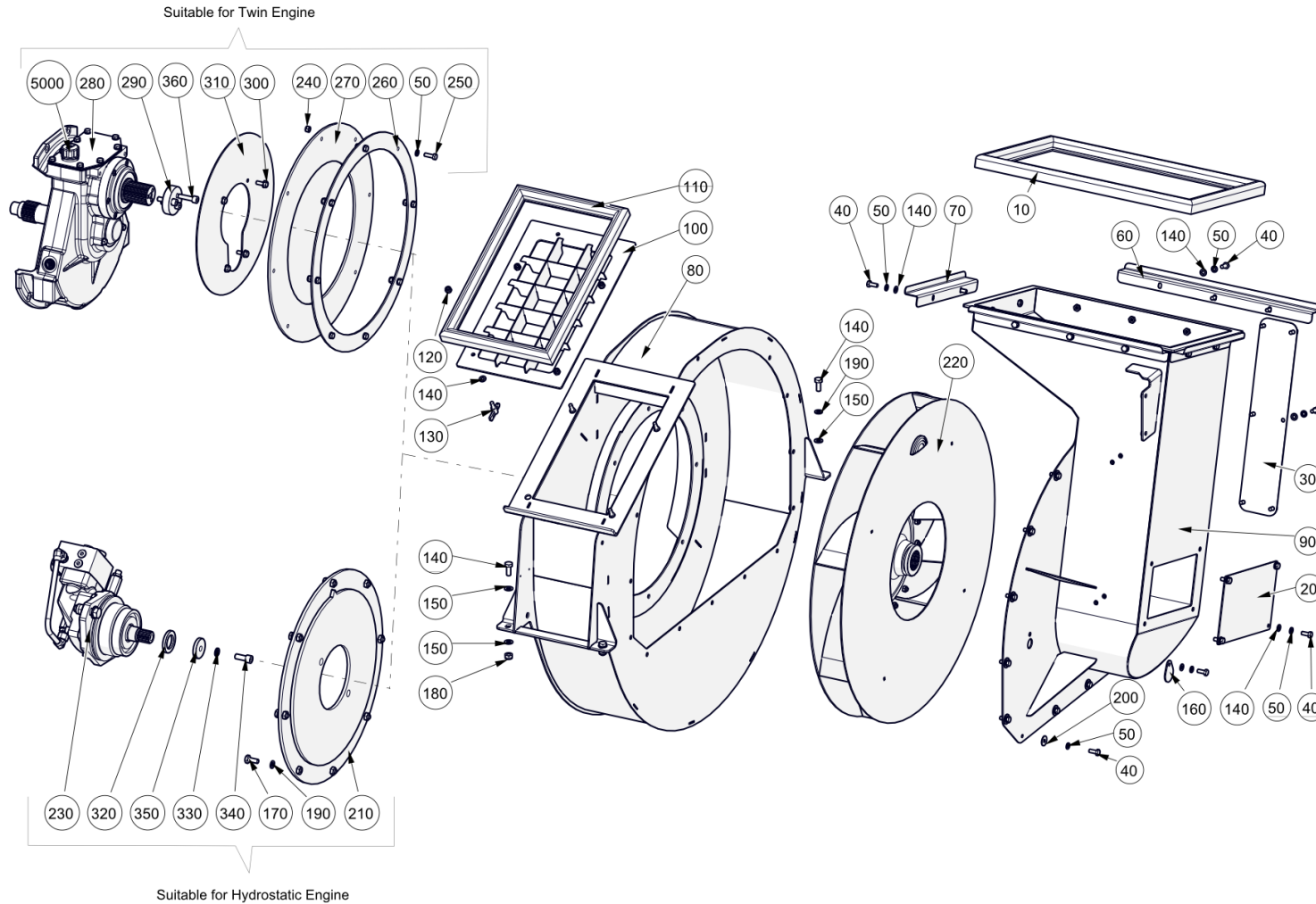
Fan - Oil Cooler ()

Powapack\Cooling Pack Assembly\Fan - Oil Cooler

Item no.	Part no.	Description	QTY	Unit
10	93300507-0	Plain Large Washer M6	12	PC
20	93699708-0	Spring Washer - Plated M6	8	PC
30	92097299-0	Hex Head Screw - M6Cx16 - 8.8	8	PC
40	09570126-0	Stud Coupling Male G 1/4" x M14x1.5 (8L)	1	PC
50	7048270	Fan Shroud	2	PC
60	92097301-0	Hex Head Screw - M6Cx20 - 8.8	4	PC
70	7048312	Impeller 500mm	1	PC
80	7047953	Cooling Fan Plate Mekavac	1	PC
90	92097380-0	Hex Head Screw - M8Cx40 - 8.8	4	PC
100	93212011-0	Plain Washer - M8	4	PC
110	93085005-0	Nyloc Hex Nut M8C - 8	4	PC
120	283295-1	Boss - Fan Drive	1	PC
130	6601-1329	Stud Coupling Male G 1/2" x M22 x 1.5	2	PC
140	7061863	Hydraulic Motor	1	PC

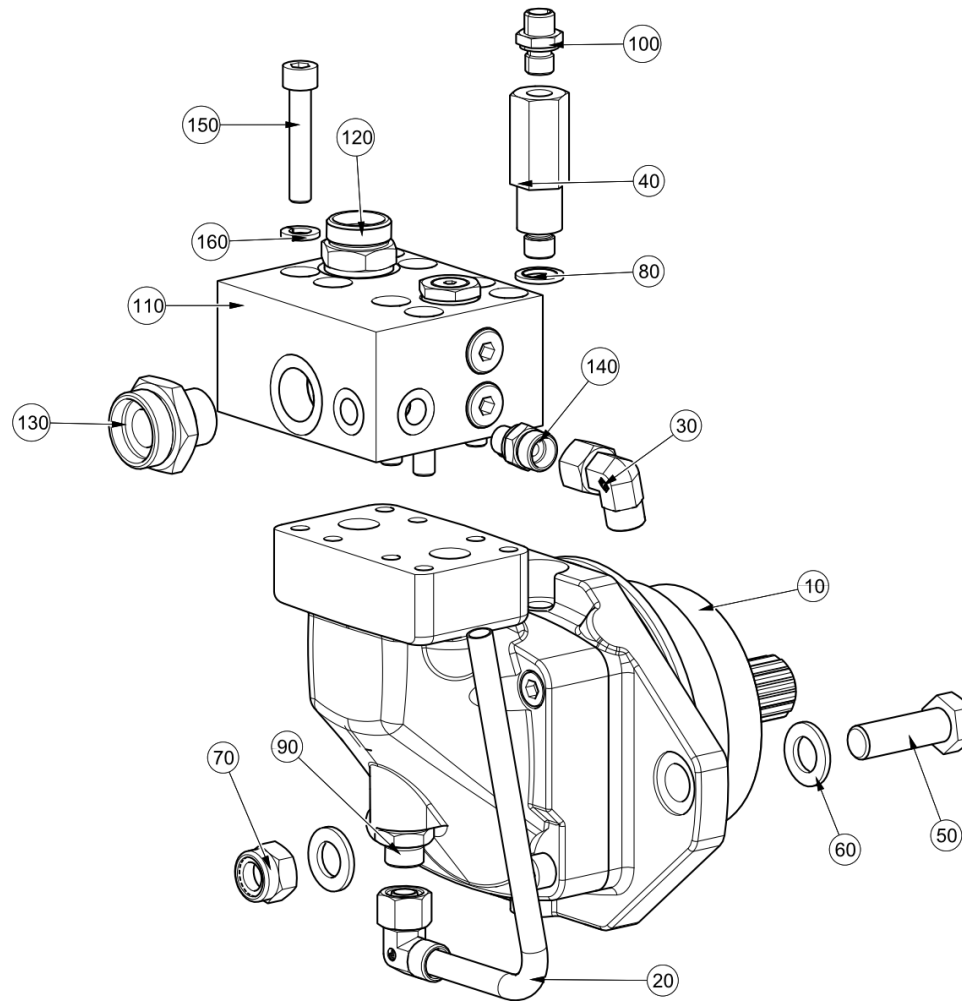


Item no.	Part no.	Description	QTY	Unit
10	7003618	Seal - Fan inlet	1	PC
20	7005177	Plate	1	PC
30	7045240	Cover Plate	1	PC
40	92097374-0	Hex Head Screw - M8Cx20 - 8.8	35	PC
50	93699710-0	Spring Washer - Plated M8	43	PC
60	7010676	Seal Retainer - Long	2	PC
70	7010677	Seal Retainer - Short	2	PC
80	7010089	Fancase Welded Assembly	1	PC
90	7046581	Fancase Inlet W/Assy	1	PC
100	7002366	Guard	1	PC
110	7002395	Seal - Fan outlet	1	PC
120	93085805-0	Nyloc Hex Nut M8C - 8	4	PC
130	60-15	Pin - Antiluce, M8 x 18	4	PC
140	93212011-0	Plain Washer - M8	25	PC
150	93212012-0	Plain Washer - M10	6	PC
160	7011909	Cover	1	PC
170	92097412-0	Hex Head Screw - M10Cx25 - 8.8	12	PC
180	93085006-0	Nyloc Hex Nut M10C - 8	2	PC
190	93699711-0	Spring Washer - Plated M10	8	PC
200	93300509-0	Plain Large Washer - M8	14	PC
210	7044461	Motor mounting plate welded assembly	1	PC
220	7033091	Fan Impeller W/Assy - Twin Engine Ø800x8	1	PC
220	7032948	Fan Impeller W/Assy - Twin Engine Ø760x9	1	PC
220	280830-2	Fan Impeller W/Assy - Hydrostatic Ø800x8	1	PC



Item no.	Part no.	Description	QTY	Unit
240	93085005-0	Nyloc Hex Nut M8C - 8	8	PC
250	92097376-0	Hex Head Screw - M8Cx25 - 8.8	8	PC
260	7017203	Flange, Fancase Assembly	1	PC
270	7017201	Diaphragm - Fancase Assembly	1	PC
280	42270-1-C	Gearbox Assembly	1	PC
290	7028456	Clamp Plate	1	PC
300	837-37	Screw - Special M8c x 20	4	PC
310	7038915	Mask Plate	1	PC
320	78401-1	Spacer - Fan Hub	1	PC
330	93361111-0	Washer Nord - Lock M12	1	PC
340	148-100	Screw-Cap HD 180° Patch M12x1.75x30 12.9	1	PC
350	78404-1	Washer - Fan Hub Securing	1	PC
360	148-3	SCREW-CAP HD 180° PATCH M10X1.25X40 12.9	3	PC
5000	94-67	Synthetic Gear Oil 75w/90	2,5	ML

Hydraulic Motor ()
Powapack\Fan\Hydraulic Motor



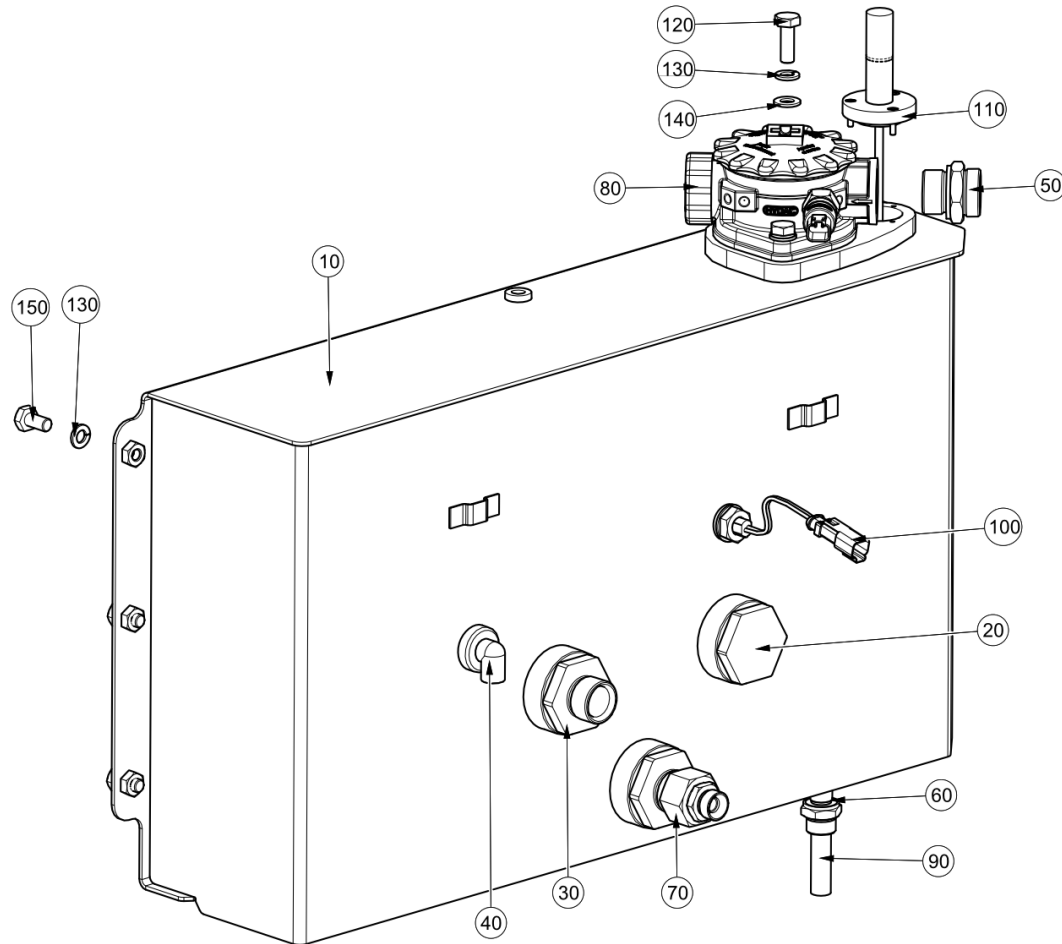
Hydraulic Motor ()
Powapack\Fan\Hydraulic Motor

Item no.	Part no.	Description	QTY	Unit
10	78184-1	Motor - Hydraulic	1	PC
20	7008932	Pipe - Hydraulic	1	PC
30	6613-0504	Adjustable Male Elbow - M18 x 1.5	2	PC
40	7006154	Adaptor - Hydraulic 1/4 x M14	1	PC
50	92067534-0	Hex Head Bolt - M16x55C - 8.8	0	PC
60	93210523-0	Plain Washer - M16	4	PC
70	93085009-0	Nyloc Hex Nut M16C - 8	2	PC
80	451-112	Washer Bonded Ø9-16"	1	PC
90	09570105-0	Stud Coupling Male - M18x1.5 x M18x1.5	1	PC
100	09570126-0	Stud Coupling Male G 1/4" x M14x1.5 (8L)	1	PC
110	293441-24	Fan Control Block Hyd Sys 550	1	PC
120	6601-1342	Stud Coupling Male G 3/4" x M30 x 2.0	1	PC
130	6601-1346	Stud Coupling Male G 3/4" x M36 x 2.0	1	PC
140	09570128-0	Stud Coupling Male G 1/4" x M18 x 1.5	1	PC
150	92137163-0	Hex Socket Cap Screw - M10Cx55 - 12.9	8	PC
160	93699711-0	Spring Washer - Plated M10	8	PC

This page is intentionally left blank

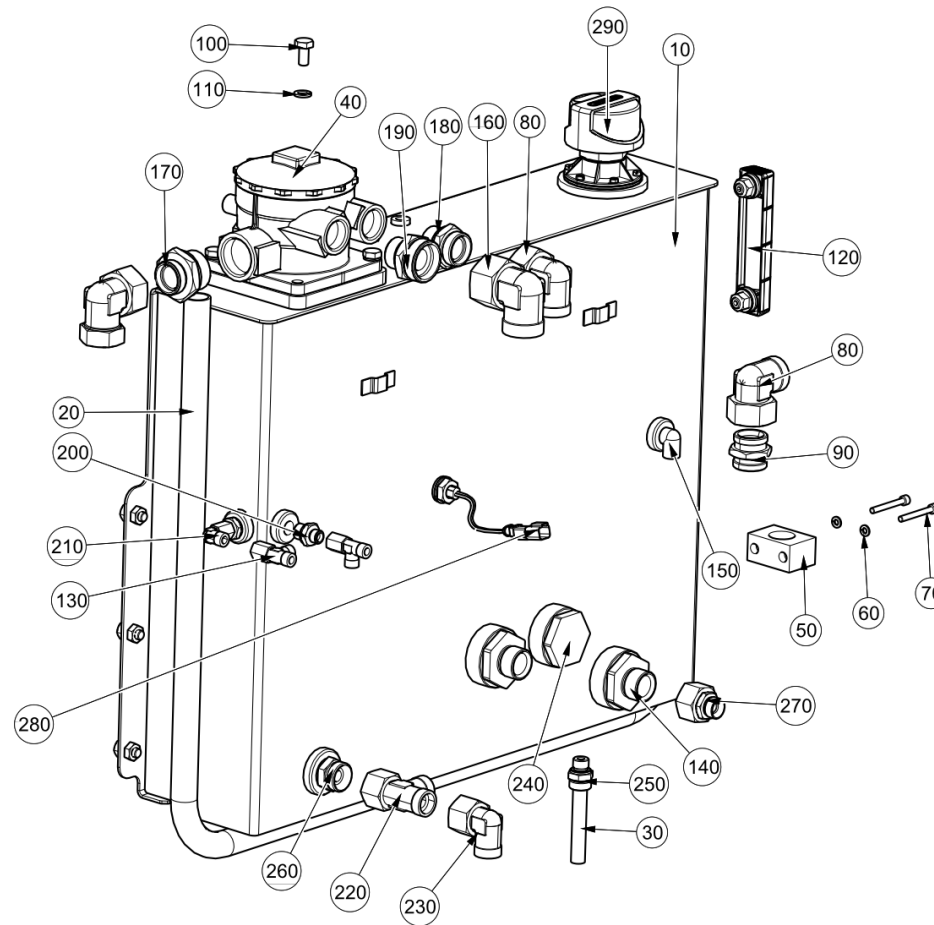
This page is intentionally left blank

Hydraulic Tank - 45L Twin engine ()
Powapack\Hydraulics\Hydraulic Tank - 45L Twin engine



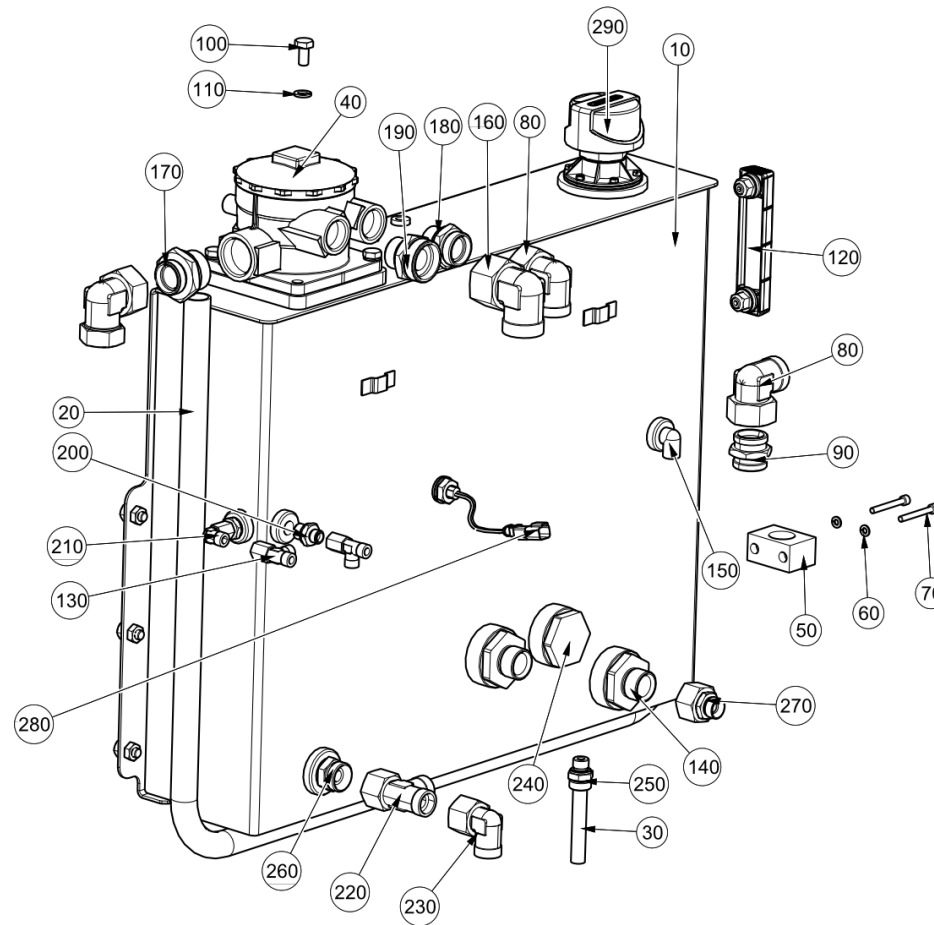
Hydraulic Tank - 45L Twin engine ()
Powapack\Hydraulics\Hydraulic Tank - 45L Twin engine

Item no.	Part no.	Description	QTY	Unit
10	7037788	Hydraulic Tank - W/Assy	1	PC
20	55-28	Plug - Solid Hex Head 1 7/8" With O Ring	1	PC
30	7005390	Filter - Hydraulic Suction	2	PC
40	521-12	Adaptor - Male Elbow 8 O/D 3/8 BSP	1	PC
50	6601-1349	Stud Coupling Male G 1" x M36 x 2.0	1	PC
60	6601-1326	Stud Coupling Male G 3/8" x M22 x 1.5	1	PC
70	306-3	Reducing Connector - M30x2 - M22x1.5	1	PC
80	7040295	Filter - Hydraulic Return	1	PC
81	7014824	Blockage Sensor Hydraulic oil filter	1	PC
82	7025972	Filter Element	1	PC
90	7040322	Drain pipe - Hydraulic Tank	1	PC
100	48-328	Switch - Float and Deutsch Connector	1	PC
110	7040308	Level Switch - Visual Immersion	1	PC
120	92097414-0	Hex Head Screw - M10Cx30 - 8.8	2	PC
130	93699711-0	Spring Washer - Plated M10	8	PC
140	93212012-0	Plain Washer - M10	2	PC
150	92097410-0	Hex Head Screw - M10Cx20 - 8.8	6	PC
160	211-76	Safety Grip Tape Black - 100mm Wide	500	MM

Hydraulic Tank - Single Engine ()
Powapack\Hydraulics\Hydraulic Tank - Single Engine

Hydraulic Tank - Single Engine ()
Powapack\Hydraulics\Hydraulic Tank - Single Engine

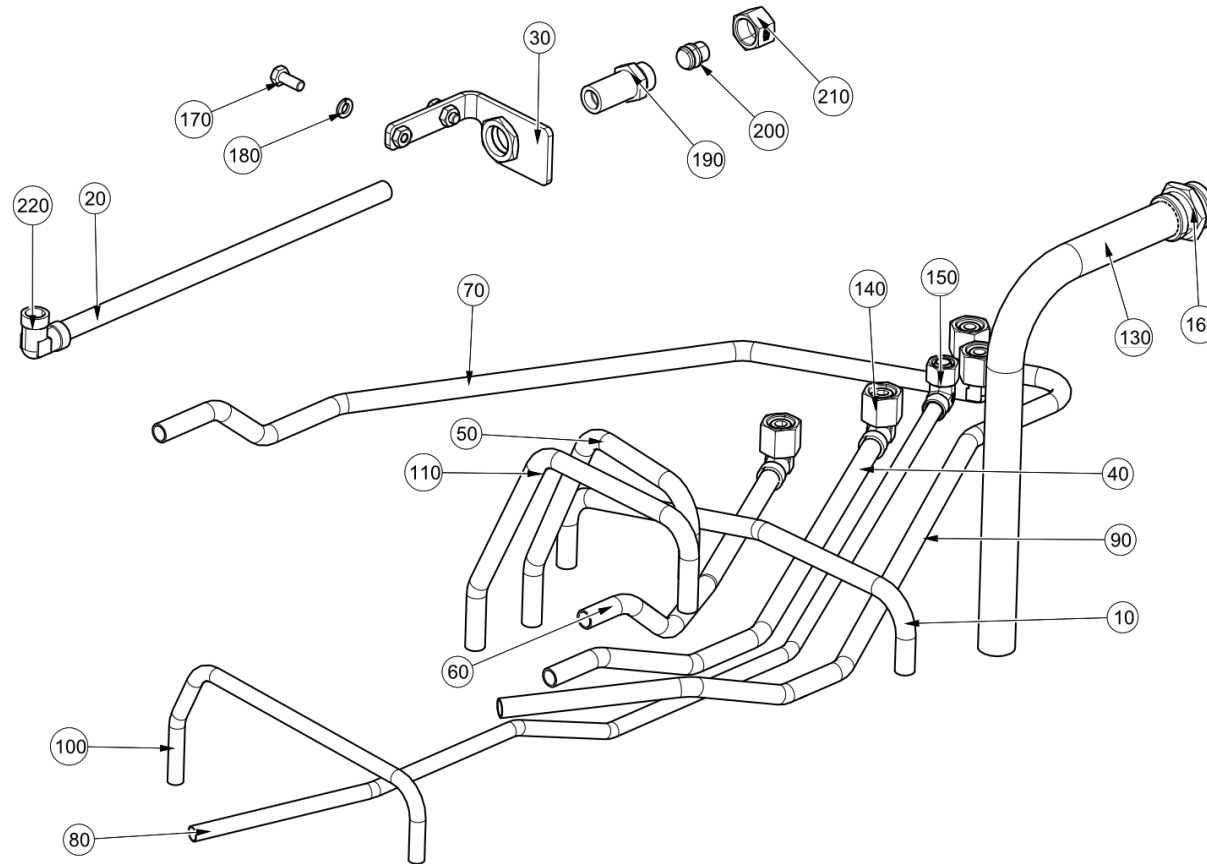
Item no.	Part no.	Description	QTY	Unit
10	7030412	Hydraulic Tank Welded Assembly	1	PC
20	7035778	Pipe - Hydraulic return	1	PC
30	7007948	Pipe - Hydraulic	1	PC
40	7005394	Hydraulic Return Filter	1	PC
41	7015033	Filter Cartridge	1	PC
50	51-22	Clamp - Pipe Ø 28mm With Plate + Bolts	1	PC
60	93699708-0	Spring Washer - Plated M6	2	PC
70	92137088-0	Hex Socket Cap Screw - M6Cx50 - 12.9	2	PC
80	6613-0508	Adjustable Male Elbow - M36 x 2.0	3	PC
90	09570391-0	Straight Coupling Male M36 x 2.0	1	PC
100	92097410-0	Hex Head Screw - M10Cx20 - 8.8	10	PC
110	93699711-0	Spring Washer - Plated M10	10	PC
120	7005395	Hydraulic Level Gauge	1	PC
130	308-1	Adjustable Male Tee - M14 x 1.5	2	PC
140	7005390	Filter - Hydraulic Suction	2	PC
150	521-12	Adaptor - Male Elbow 8 O/D 3/8 BSP	1	PC
160	09571075-0	Adjustable Male Elbow - M45 x 2.0	1	PC
170	09570117-0	Stud Coupling Male G 1 1/4" x M36 x 2.0	1	PC
180	6601-1349	Stud Coupling Male G 1" x M36 x 2.0	1	PC
190	6601-1351	Stud Coupling Male G 1" x M45 x 2.0	1	PC
200	09570102-0	Stud Coupling Male G 3/8" x M14 x 1.5	2	PC
210	303-1	Adjustable Male Elbow - M14 x 1.5	1	PC
220	09571102-0	Adjustable Male Tee - M30 x 2	1	PC
230	09571074-0	Adjustable Male Elbow - M30 x 2.0	1	PC

Hydraulic Tank - Single Engine ()
Powapack\Hydraulics\Hydraulic Tank - Single Engine

Hydraulic Tank - Single Engine ()
Powapack\Hydraulics\Hydraulic Tank - Single Engine

Item no.	Part no.	Description	QTY	Unit
240	55-28	Plug - Solid Hex Head 1 7/8" With O Ring	1	PC
250	6601-1326	Stud Coupling Male G 3/8" x M22 x 1.5	1	PC
260	6601-1342	Stud Coupling Male G 3/4" x M30 x 2.0	1	PC
270	306-3	Reducing Connector - M30x2 - M22x1.5	1	PC
280	48-328	Switch - Float and Deutsch Connector	1	PC
290	09552142-0	Vent Filter and Filler	1	PC

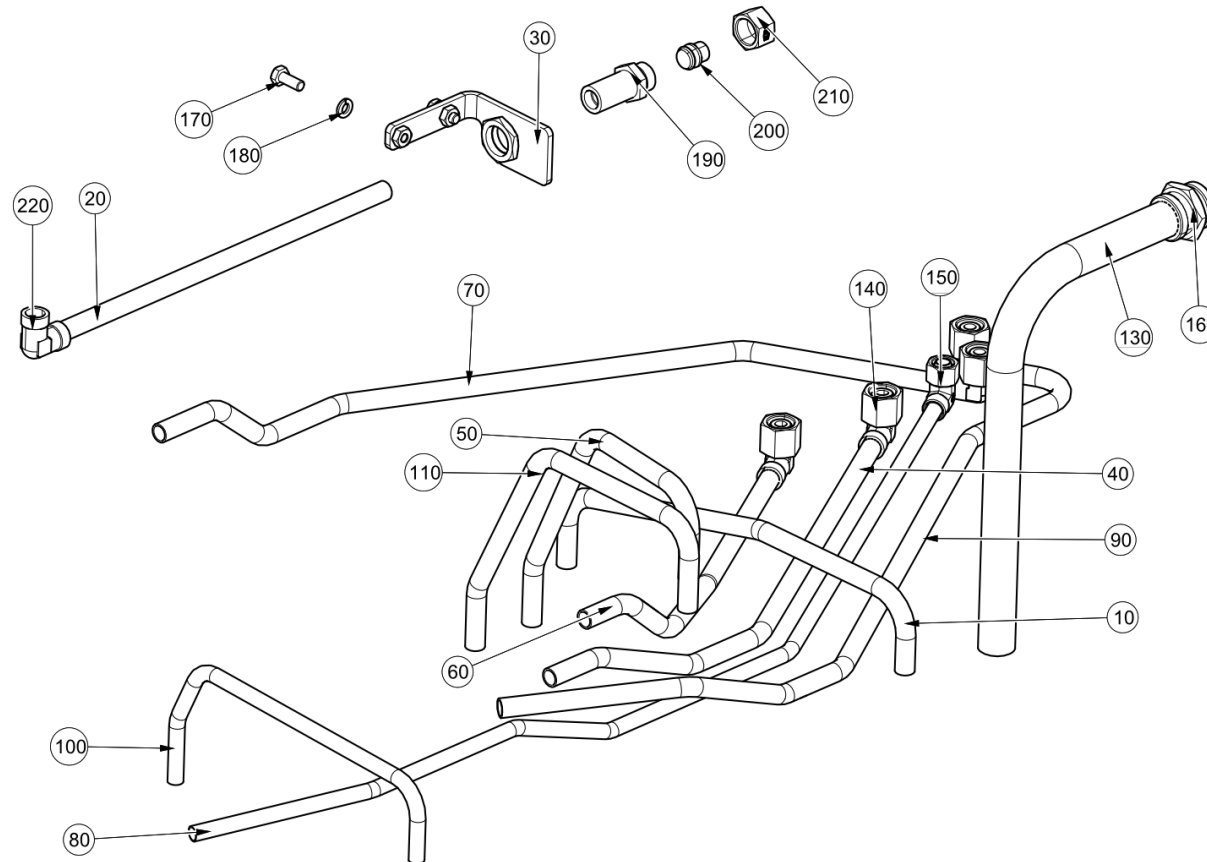
Hydraulic System - Twin Engine ()
Powapack\Hydraulics\Hydraulic System - Twin Engine



Hydraulic System - Twin Engine ()
Powapack\Hydraulics\Hydraulic System - Twin Engine

Item no.	Part no.	Description	QTY	Unit
10	7009162	Pipe - Hydraulic	1	PC
20	7007950	Pipe - Hydraulic	1	PC
30	7022850	Drain Bracket Welded Assembly	1	PC
40	7007945	Pipe - Hydraulic	1	PC
50	7017716	Hydraulic Pipe - Water Pump	1	PC
60	7007941	Pipe - Hydraulic	1	PC
70	7007940	Pipe - Hydraulic	1	PC
80	7027004	Pipe - Hydraulic	1	PC
90	7027002	Pipe - Hydraulic	1	PC
100	7027005	Pipe - Hydraulic	1	PC
110	7027003	Pipe - Hydraulic	1	PC
120	7007943	Pipe - Hydraulic	1	PC
130	7036570	Pipe - Hydraulic return to cooler	1	PC
Item 130 - Small 45L tank pipe 7036570				
130	7008960	Pipe - Hydraulic	1	PC
Item 130 - large 55L tank pipe 7008960				
140	6613-0505	Adjustable Male Elbow - M22 x 1.5	4	PC
150	6613-0504	Adjustable Male Elbow - M18 x 1.5	1	PC
160	09570391-0	Straight Coupling Male M36 x 2.0	1	PC
170	92097374-0	Hex Head Screw - M8Cx20 - 8.8	2	PC
180	93699710-0	Spring Washer - Plated M8	2	PC
190	302-3	Straight Bulkhead Connector - M22 x 1.5	1	PC
200	09572104-0	Plug Female - Tube O/D = 15mm	1	PC
210	09570009-0	Cap Nut - M22 x 1.5 (Tube O/D = 15mm)	1	PC

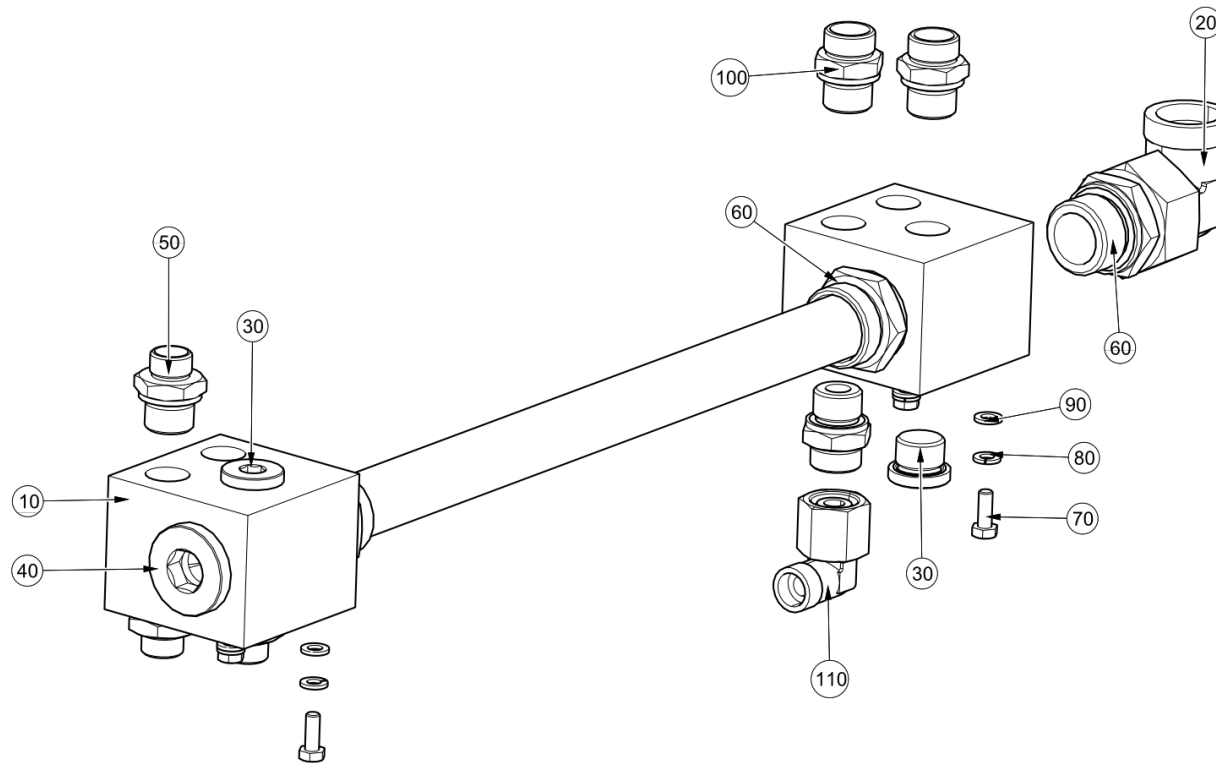
Hydraulic System - Twin Engine ()
Powapack\Hydraulics\Hydraulic System - Twin Engine



Hydraulic System - Twin Engine ()
Powapack\Hydraulics\Hydraulic System - Twin Engine

Item no.	Part no.	Description	QTY	Unit
220	6613-1014	Equal Elbow Connector - M22 x 1.5	1	PC

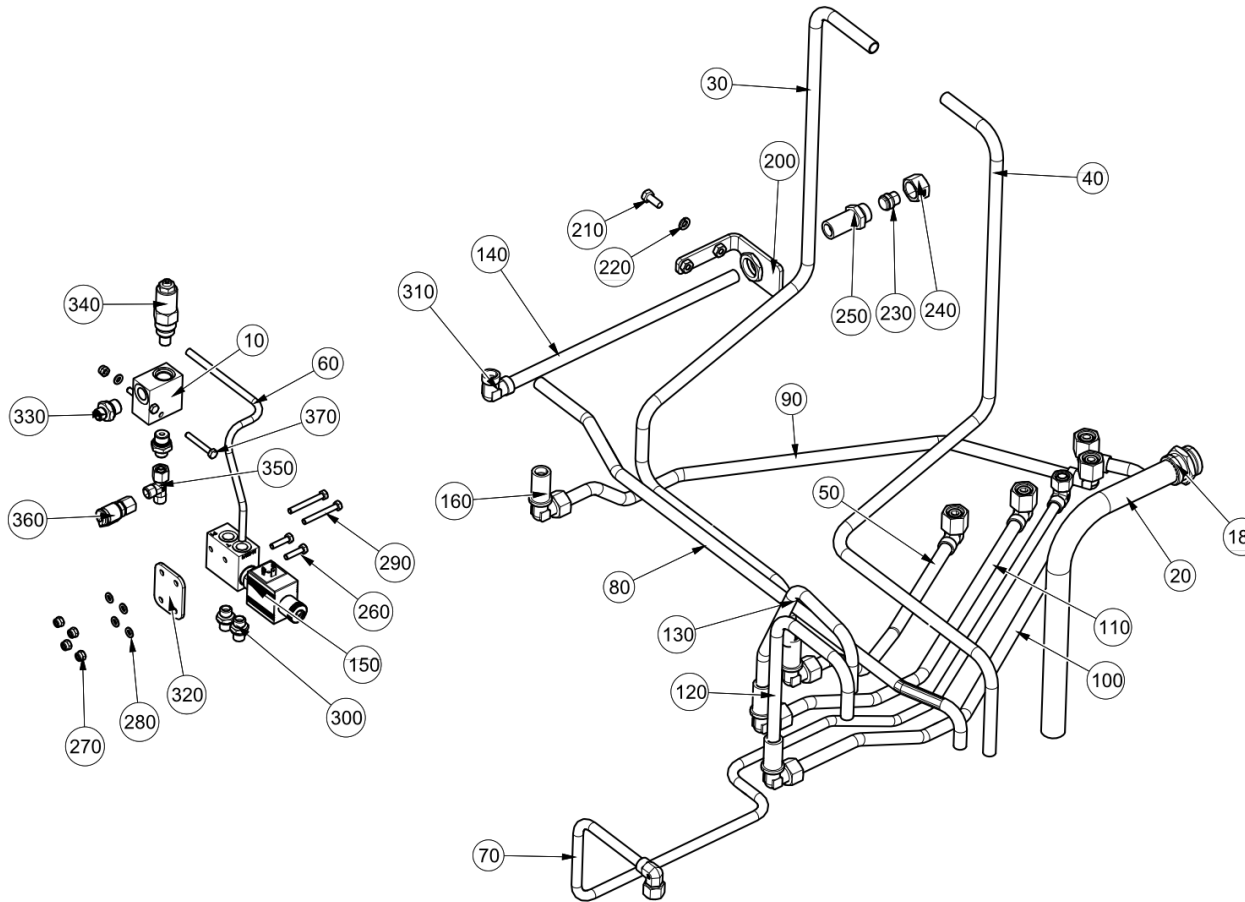
Hydraulic Manifold - Twin Engine ()
Powapack\Hydraulics\Hydraulic Manifold - Twin Engine



Hydraulic Manifold - Twin Engine ()
Powapack\Hydraulics\Hydraulic Manifold - Twin Engine

Item no.	Part no.	Description	QTY	Unit
10	7005626	Manifold - Hydraulic	1	PC
20	6613-0508	Adjustable Male Elbow - M36 x 2.0	1	PC
30	09572135-0	Sealing Plug VS-R 1/2 WD	1	PC
40	09572137-0	Sealing Plug VS-R 1 WD	1	PC
50	09570131-0	Stud Coupling Male G 1/2" x M18 x 1.	3	PC
60	6601-1349	Stud Coupling Male G 1" x M36 x 2.0	1	PC
70	92097299-0	Hex Head Screw - M6Cx16 - 8.8	2	PC
80	93699708-0	Spring Washer - Plated M6	2	PC
90	93212009-0	Plain Washer - M6	2	PC
100	6601-1329	Stud Coupling Male G 1/2" x M22 x 1.5	3	PC
110	6613-0505	Adjustable Male Elbow - M22 x 1.5	1	PC

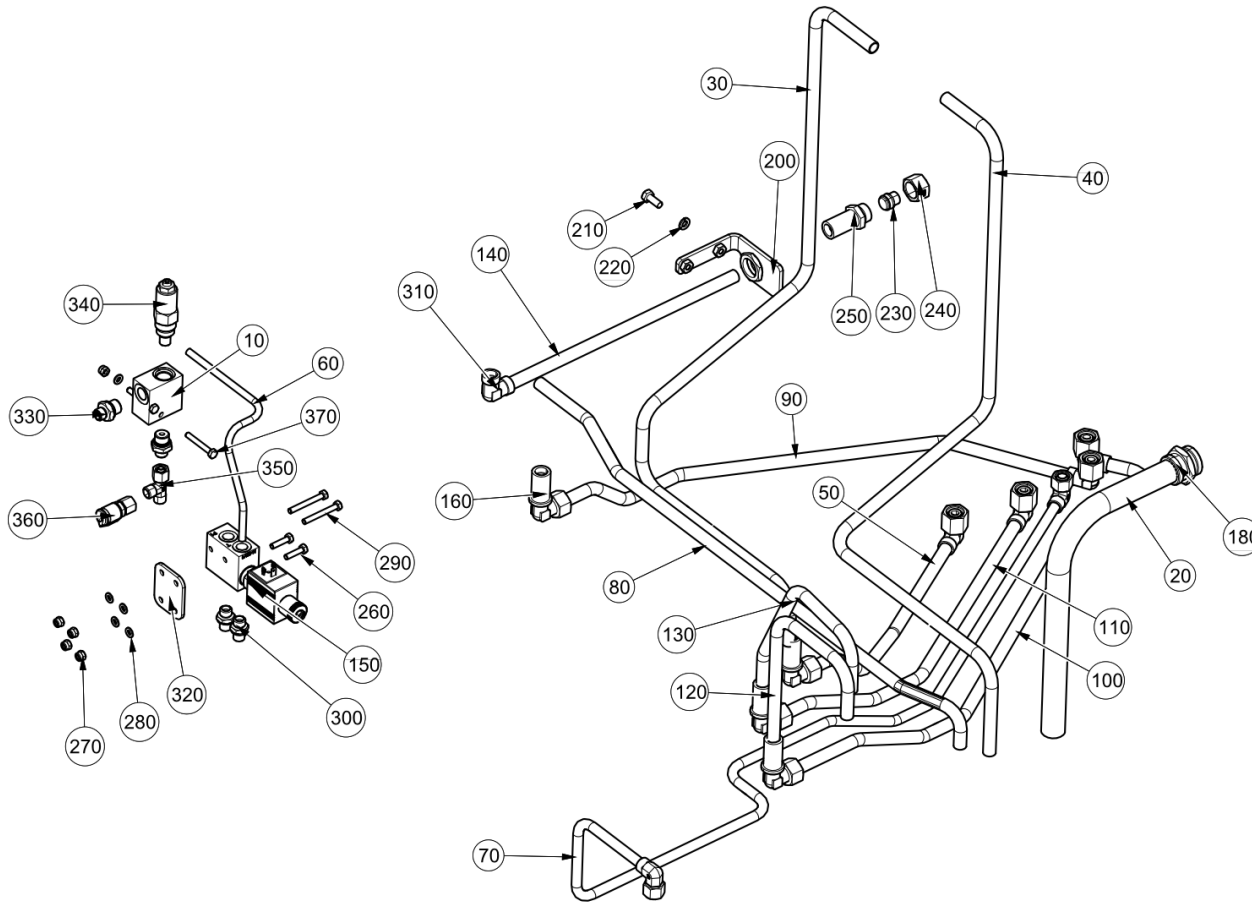
Hydraulic System - Hydrostatic ()
Powapack\Hydraulics\Hydraulic System - Hydrostatic



Hydraulic System - Hydrostatic ()
Powapack\Hydraulics\Hydraulic System - Hydrostatic

Item no.	Part no.	Description	QTY	Unit
10	72679-2	Block Only	1	PC
20	7036570	Pipe - Hydraulic return to cooler	1	PC
30	7021457	Pipe - Hydraulic	1	PC
40	7022447	Pipe - Hydraulic	1	PC
50	7007941	Pipe - Hydraulic	1	PC
60	7045700	Pipe - Hydraulic return	1	PC
70	7021505	Pipe - Hydraulic	1	PC
80	7037713	Pipe - Hydraulic Discharge Suction	1	PC
90	7007940	Pipe - Hydraulic	1	PC
100	7007944	Pipe - Hydraulic	1	PC
110	7007945	Pipe - Hydraulic	1	PC
120	7017685	Hydraulic Pipe - Water Pump	1	PC
130	7017716	Hydraulic Pipe - Water Pump	1	PC
140	7007950	Pipe - Hydraulic	1	PC
150	7005344	Proportional Relief Valve 24V	1	PC
160	09570487-0	Bulkhead Elbow Connector - M22 x 1.5	4	PC
170	6613-0505	Adjustable Male Elbow - M22 x 1.5	4	PC
180	09570391-0	Straight Coupling Male M36 x 2.0	1	PC
190	6613-0504	Adjustable Male Elbow - M18 x 1.5	2	PC
200	7022850	Drain Bracket Welded Assembly	1	PC
210	92097374-0	Hex Head Screw - M8Cx20 - 8.8	2	PC
220	93699710-0	Spring Washer - Plated M8	2	PC
230	09572104-0	Plug Female - Tube O/D = 15mm	1	PC
240	09570009-0	Cap Nut - M22 x 1.5 (Tube O/D = 15mm)	1	PC

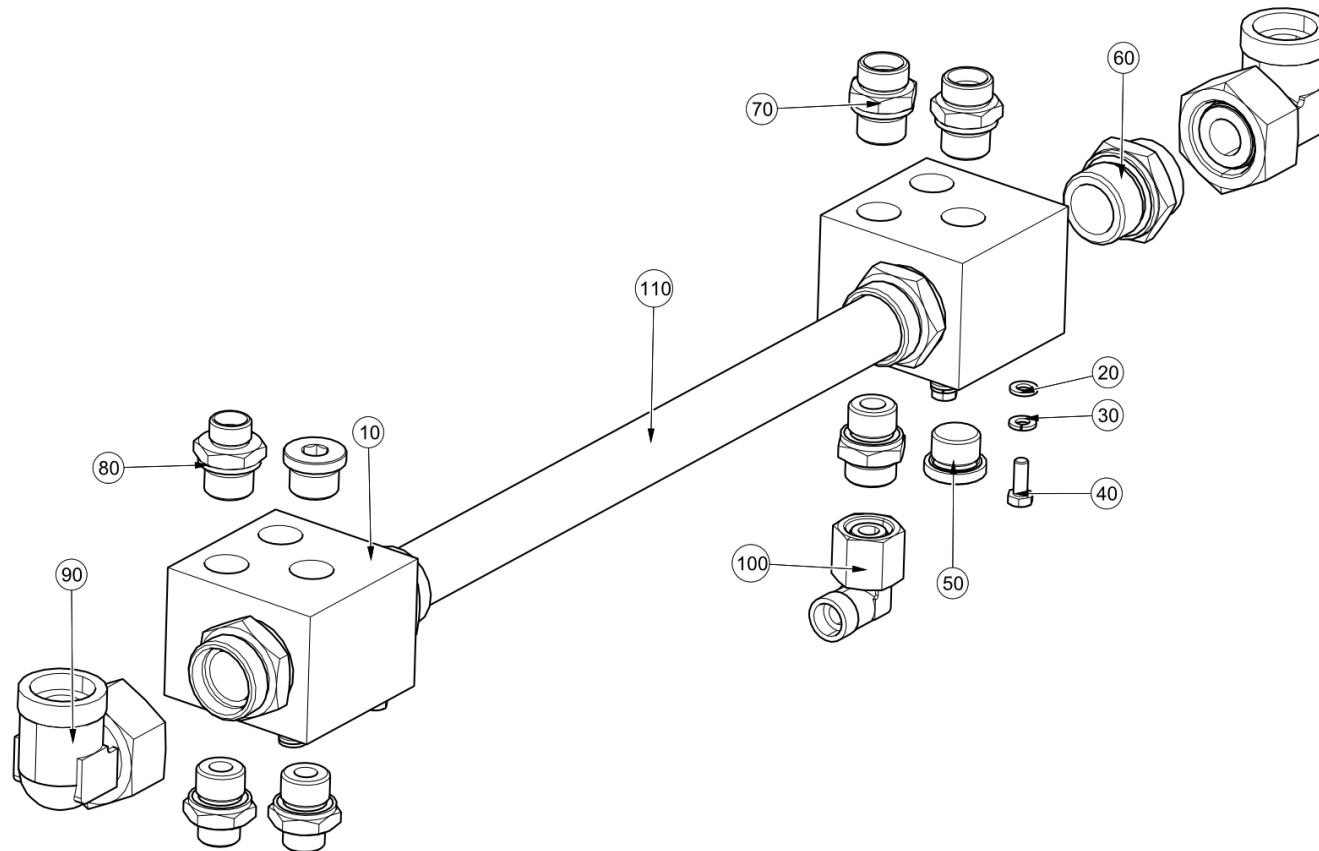
Hydraulic System - Hydrostatic ()
Powapack\Hydraulics\Hydraulic System - Hydrostatic



Hydraulic System - Hydrostatic ()
Powapack\Hydraulics\Hydraulic System - Hydrostatic

Item no.	Part no.	Description	QTY	Unit
250	302-3	Straight Bulkhead Connector - M22 x 1.5	1	PC
260	92067305-0	Hex Head Bolt - M6Cx25 - 8.8	2	PC
270	93085004-0	Nyloc Hex Nut M6C - 8	4	PC
280	93212009-0	Plain Washer - M6	4	PC
290	92067311-0	Hex Head Bolt - M6Cx50 - 8.8	2	PC
300	09570126-0	Stud Coupling Male G 1/4" x M14x1.5 (8L)	2	PC
310	6613-1014	Equal Elbow Connector - M22 x 1.5	1	PC
320	7045699	Mount plate	1	PC
330	09570102-0	Stud Coupling Male G 3/8" x M14 x 1.5	2	PC
340	847-130	Relief Valve - 4.8l/min 210 Bar	1	PC
350	09571084-0	Adjustable Male Tee - M14 x 1.5	1	PC
360	09518198-0	Test Coupling - Ø8 Pipe M14x1.5	1	PC
370	92067310-0	Hex Head Bolt - M6Cx45 - 8.8	2	PC

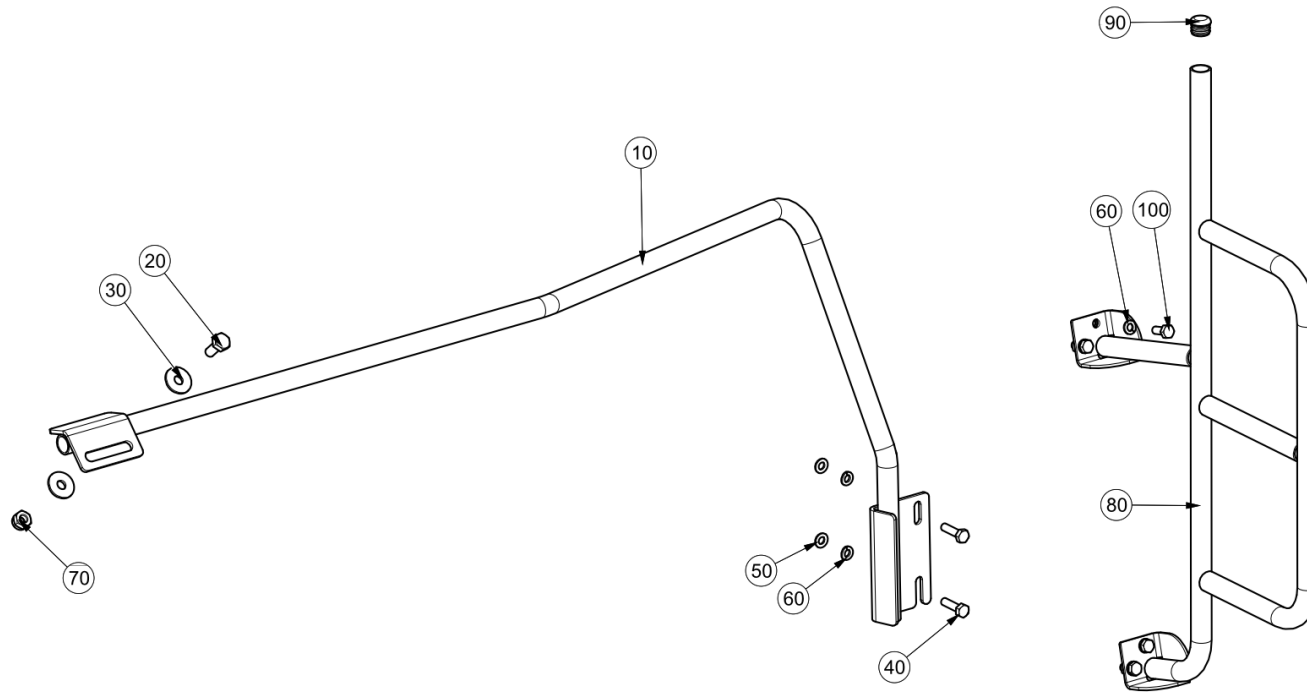
Hydraulic Manifold - Hydrostatic ()
Powapack\Hydraulics\Hydraulic Manifold - Hydrostatic



Hydraulic Manifold - Hydrostatic ()
Powapack\Hydraulics\Hydraulic Manifold - Hyrdrostatic

Item no.	Part no.	Description	QTY	Unit
10	7005626	Manifold - Hydraulic	1	PC
20	93212009-0	Plain Washer - M6	2	PC
30	93699708-0	Spring Washer - Plated M6	2	PC
40	92097299-0	Hex Head Screw - M6Cx16 - 8.8	2	PC
50	09572135-0	Sealing Plug VS-R 1/2 WD	1	PC
60	6601-1349	Stud Coupling Male G 1" x M36 x 2.0	2	PC
70	6601-1329	Stud Coupling Male G 1/2" x M22 x 1.5	3	PC
80	09570131-0	Stud Coupling Male G 1/2" x M18 x 1.	3	PC
90	6613-0508	Adjustable Male Elbow - M36 x 2.0	1	PC
100	6613-0505	Adjustable Male Elbow - M22 x 1.5	1	PC
110	7007943	Pipe - Hydraulic	1	PC

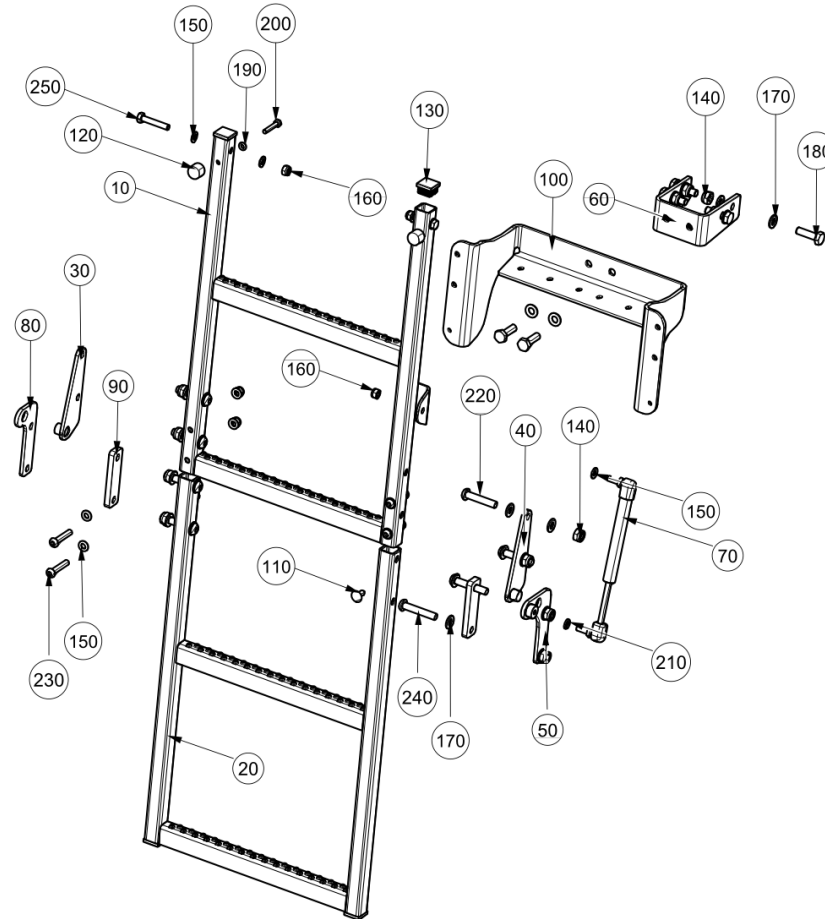
Handle ()
Powapack\Handle



Handle ()
Powapack\Handle

Item no.	Part no.	Description	QTY	Unit
10	7038403	Grab Handle - Powapack - Welded Assembly	1	PC
20	92097412-0	Hex Head Screw - M10Cx25 - 8.8	1	PC
30	93300510-0	Plain Large Washer M10	2	PC
40	92097378-0	Hex Head Screw - M8Cx30 - 8.8	2	PC
50	93212011-0	Plain Washer - M8	2	PC
60	93699710-0	Spring Washer - Plated M8	2	PC
70	93085806-0	Nyloc Hex Nut M10C - 8	1	PC
80	7023816	Grab Handle Welded Assembly	1	PC
90	220-65	Plug - Plastic	1	PC
100	92097374-0	Hex Head Screw - M8Cx20 - 8.8	4	PC

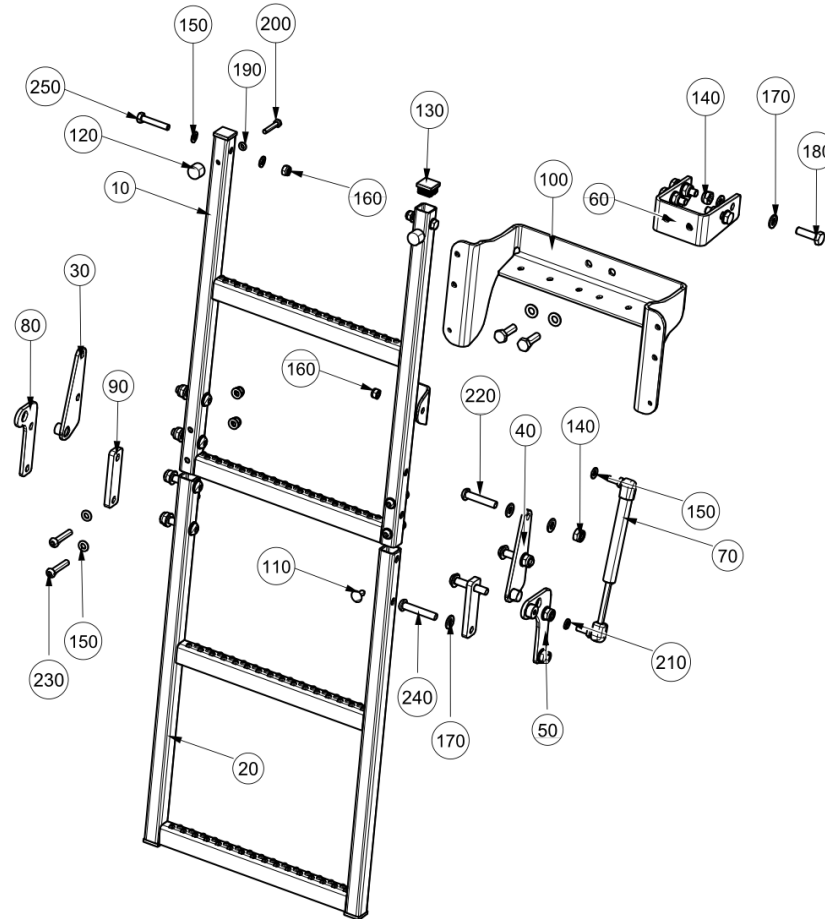
Access Ladder ()
Powapack\Access Ladder



Access Ladder ()
Powapack\Access Ladder

Item no.	Part no.	Description	QTY	Unit
10	7044583	Ladder W/Assy - Upper	1	PC
20	7044400	Ladder W/Assy - Lower	1	PC
30	7044396	Hinge - Ladder	1	PC
40	7044397	Hinge - Ladder	1	PC
50	7044619	Pivot RH - Ladder	1	PC
60	7035293	Ladder Support	1	PC
70	293-3	Spring - Gas	1	PC
80	7045317	Pivot LH - Ladder	1	PC
90	7045266	Plate - Ladder	2	PC
100	7044495	Ladder Mount	1	PC
110	440-20	Fastener - Panel (Pine Tree)	2	PC
120	290-31	Mount - Anti Vibration F M6	2	PC
130	44-77	Insert - Plastic Tube 25.4x25.4	4	PC
140	93085006-0	Nyloc Hex Nut M10C - 8	14	PC
150	93212011-0	Plain Washer - M8	10	PC
160	93085005-0	Nyloc Hex Nut M8C - 8	5	PC
170	93212012-0	Plain Washer - M10	28	PC
180	92067419-0	Hex Head Bolt - M10Cx35 - 8.8	6	PC
190	93212009-0	Plain Washer - M6	2	PC
200	92067308-0	Hex Head Bolt - M6Cx35 - 8.8	2	PC
210	93699710-0	Spring Washer - Plated M8	1	PC
220	138-162	Hex Skt Button Head Screw M10x50 - 10.9	4	PC
230	92330050-0	Hex Skt Button Head Screw M8x45 - 10.9	4	PC
240	138-163	Hex Skt Button Head Screw M10x55 - 10.9	4	PC

Access Ladder ()
Powapack\Access Ladder



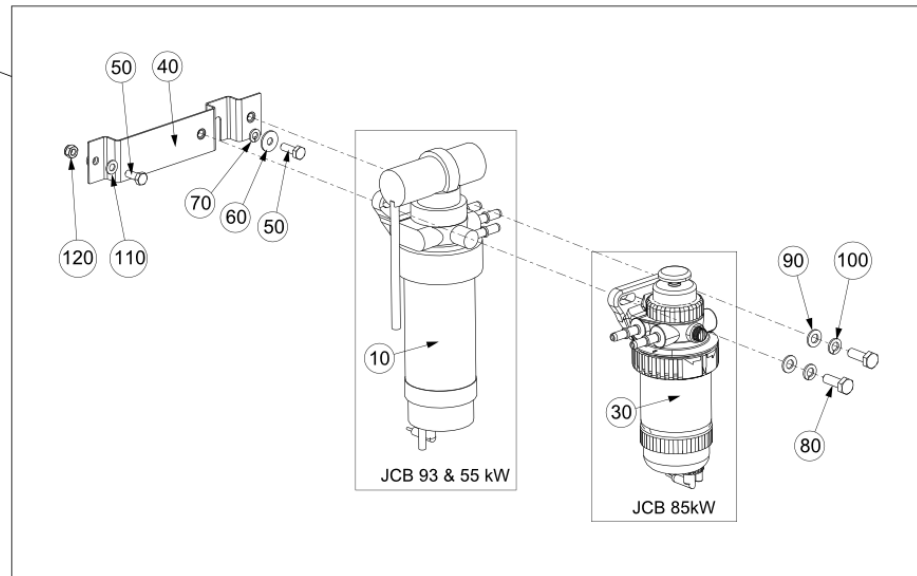
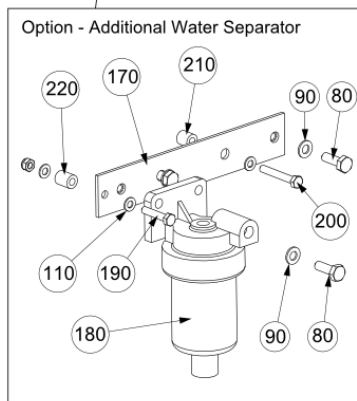
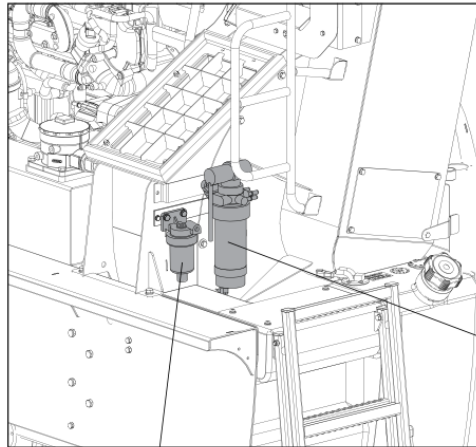
Access Ladder ()
Powapack\Access Ladder

Item no.	Part no.	Description	QTY	Unit
250	92067384-0	Hex Head Bolt - M8Cx45 8.8	2	PC

Fuel Filter ()

Powapack\Fuel Filter

Only callouts are interactive in this image.



Fuel Filter ()

Powapack\Fuel Filter

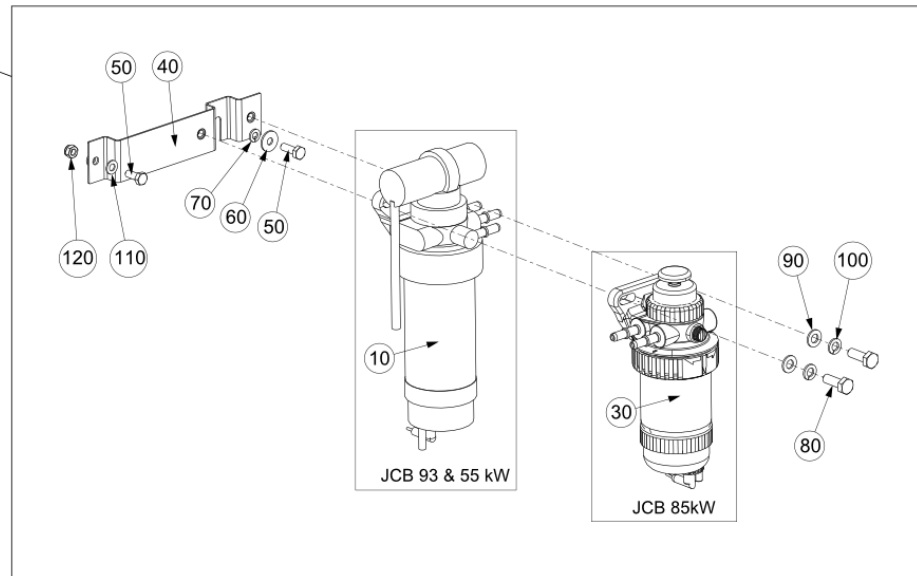
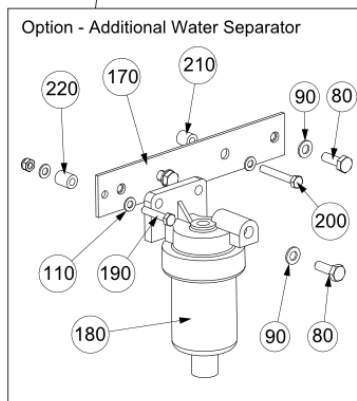
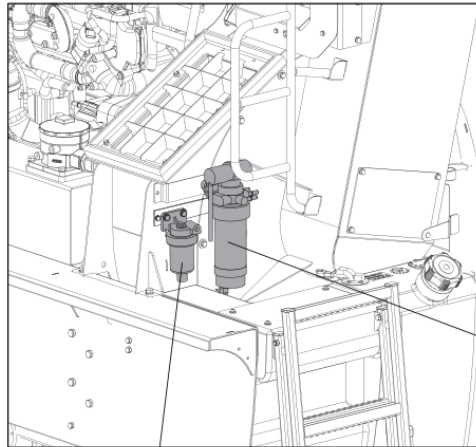
Only callouts are interactive in this image.

Item no.	Part no.	Description	QTY	Unit
10	855-121	Pump Fuel Lift	1	PC
11	7029972	JCB 55/93 Fuel Hose Assembly Ports A/B	1	PC
12	7054958	JCB 55/93 Fuel Hose Assy Ports C/D	1	PC
13	7029976	JCB 55/93 Fuel Hose Assembly Ports E/F	1	PC
14	7029977	JCB 55/93 Fuel Hose Assembly Ports G/H/I	1	PC
15	501-2	Hose Clip - Worm Drive (14-22)	4	PC
21	273-27	Fuel Hose 10mm I/D 17mm O/D	4,2	M
22	242-57	Elbow - 90° Swivel 11/16 UNC F to Barb	1	PC
30	855-134	Filter Fuel - 24v-30 Micron Assembly	1	PC
31	7033243	Fuel Line Assy, Ports A/B	1	PC
32	7033247	Fuel Line Assy, Ports C/D	1	PC
33	7033250	Fuel Line Assy, Ports E/F	1	PC
40	7026414	Fuel Filter Bracket Rivnut Assembly	1	PC
50	92097374-0	Hex Head Screw - M8Cx20 - 8.8	2	PC
60	93300509-0	Plain Large Washer - M8	1	PC
70	93699710-0	Spring Washer - Plated M8	1	PC
80	92097414-0	Hex Head Screw - M10Cx30 - 8.8	2	PC
90	93212012-0	Plain Washer - M10	2	PC
100	93699711-0	Spring Washer - Plated M10	2	PC
110	93212011-0	Plain Washer - M8	2	PC
120	93085005-0	Nyloc Hex Nut M8C - 8	1	PC
170	7045852	Water Filter Bracket W/Assy	1	PC
180	855-223	Water Seperator Assembly	1	PC
190	92097380-0	Hex Head Screw - M8Cx40 - 8.8	1	PC

Fuel Filter ()

Powapack\Fuel Filter

Only callouts are interactive in this image.



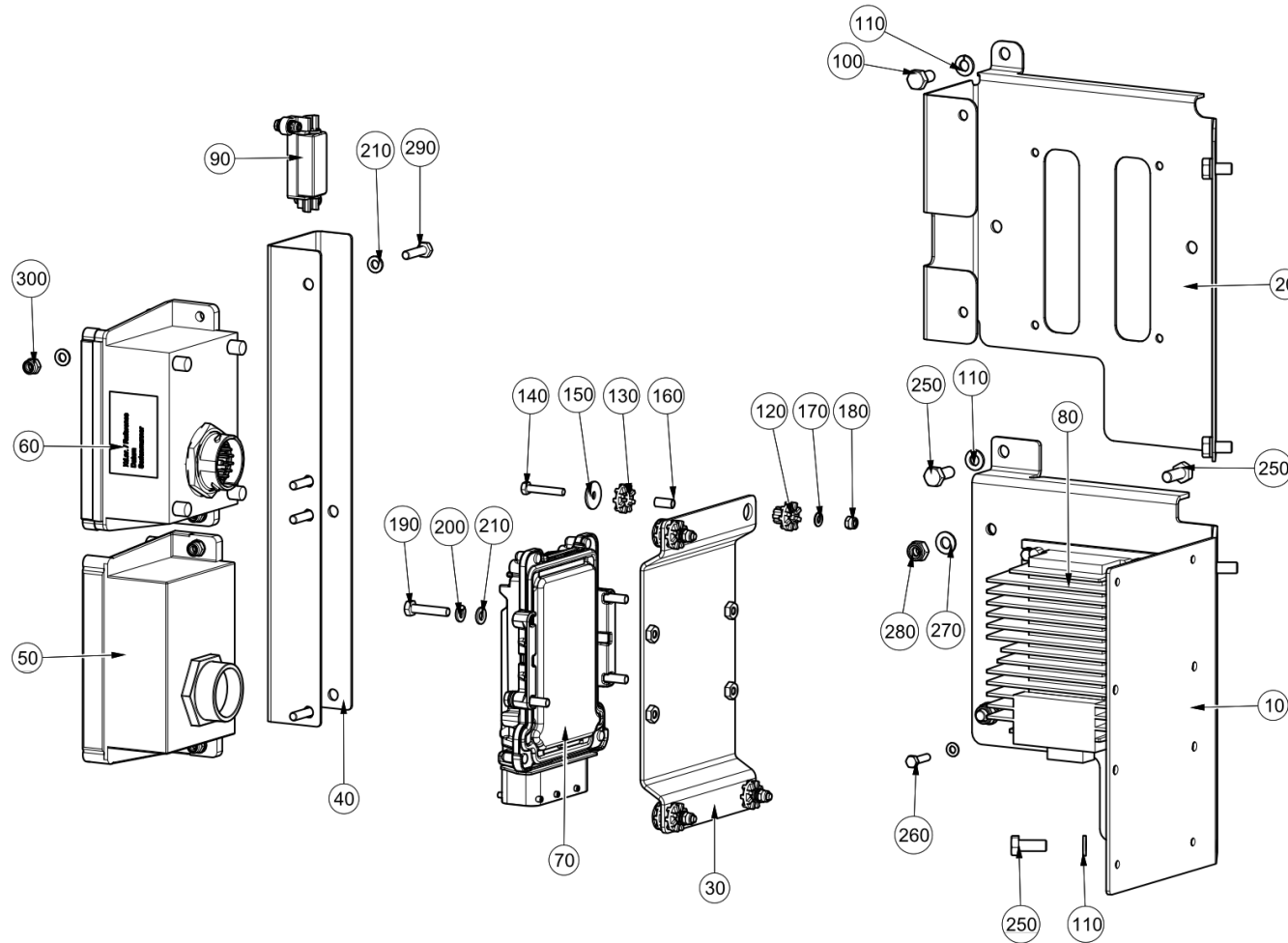
Fuel Filter ()

Powapack\Fuel Filter

Only callouts are interactive in this image.

Item no.	Part no.	Description	QTY	Unit
200	92097383-0	Hex Head Screw - M8Cx55 - 8.8	1	PC
210	56569-3	Spacer - 16 Dia x 17 M8	1	PC
220	56569-6	Spacer - 16 Dia x 20 M8	1	PC

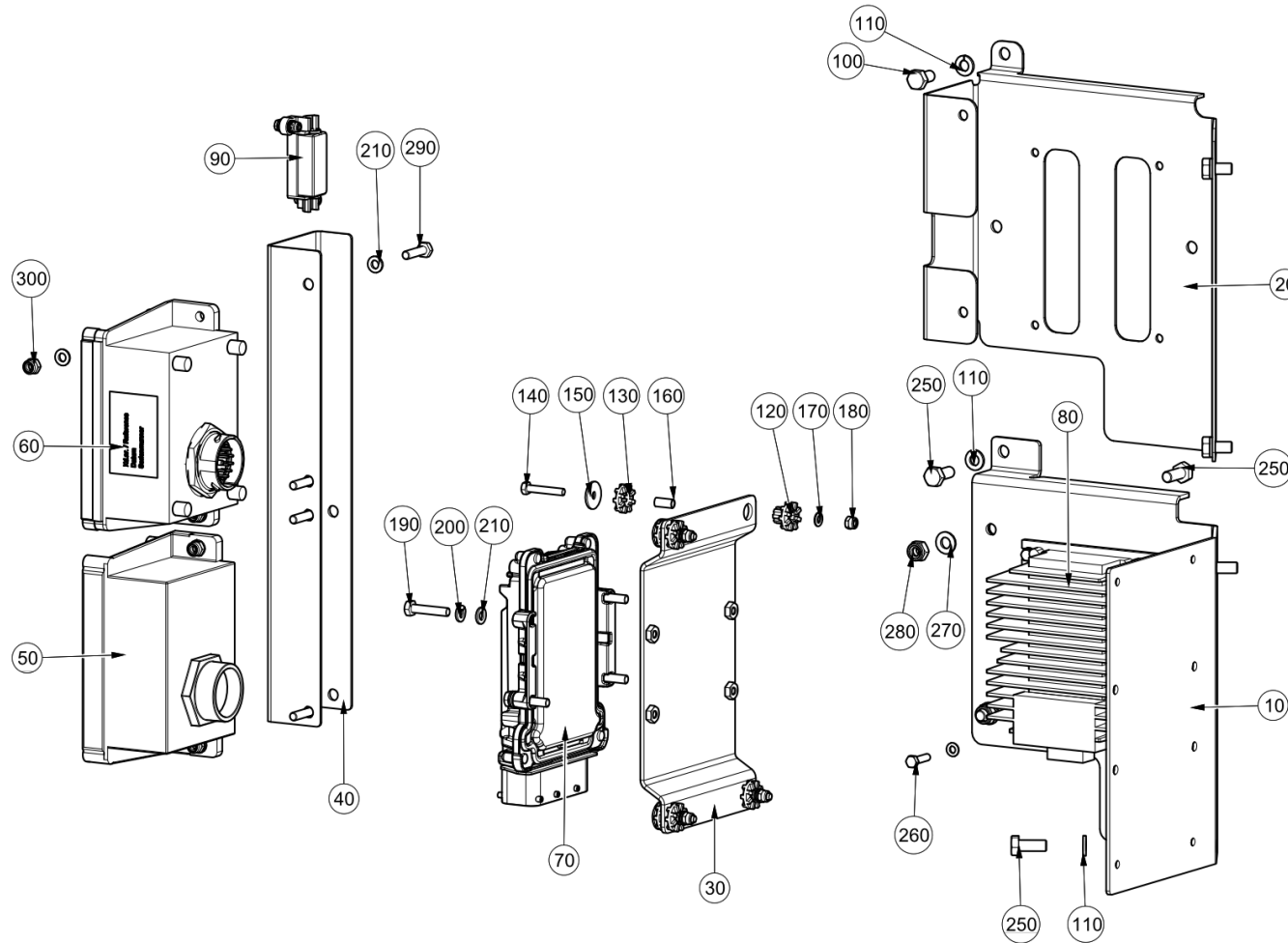
Pod Box ()
Powapack\Pod Box



Pod Box ()
Powapack\Pod Box

Item no.	Part no.	Description	QTY	Unit
10	7040151	JCB T4 Electrical Ancillaries Bracket	1	PC
20	7035809	Control box mount	1	PC
30	7043256	DCU AV Mount W/Assy	1	PC
40	7040164	Pod Box Bracket	1	PC
50	7022080	JCB Pod Box	1	PC
60	7038797	COM- JCB T4 Pod Box	1	PC
70	7037807	Dosing Control Unit (DCU)	1	PC
80	7034636	DC-DC Converter 24V-12V 20AMPS	1	PC
90	30-267	Fuse Holder - Midi	1	PC
100	92097372-0	Hex Head Screw - M8Cx16 - 8.8	3	PC
110	93699710-0	Spring Washer - Plated M8	3	PC
120	290-121	AV Mount - Bushing	4	PC
130	290-120	AV Mount - Ring	4	PC
140	92097269-0	Hex Head Screw - M5Cx30 - 8.8	4	PC
150	452-67	Washer - Repair M5 x 20 O/D x 1.5 Thick	4	PC
160	7040210	Spacer M5 x 14.3 x 6.4 OD	4	PC
170	93210109-0	Plain Washer M5	12	PC
180	93085003-0	Nyloc Hex Nut M5C - 8	8	PC
190	92097305-0	Hex Head Screw - M6Cx30 - 8.8	4	PC
200	93699708-0	Spring Washer - Plated M6	4	PC
210	93212009-0	Plain Washer - M6	12	PC
220	93212007-0	Plain Washer M4	4	PC
230	93085002-0	Nyloc Hex Nut M4C - 8	2	PC
240	92097227-0	Hex Head Screw - M4Cx16 - 8.8	2	PC

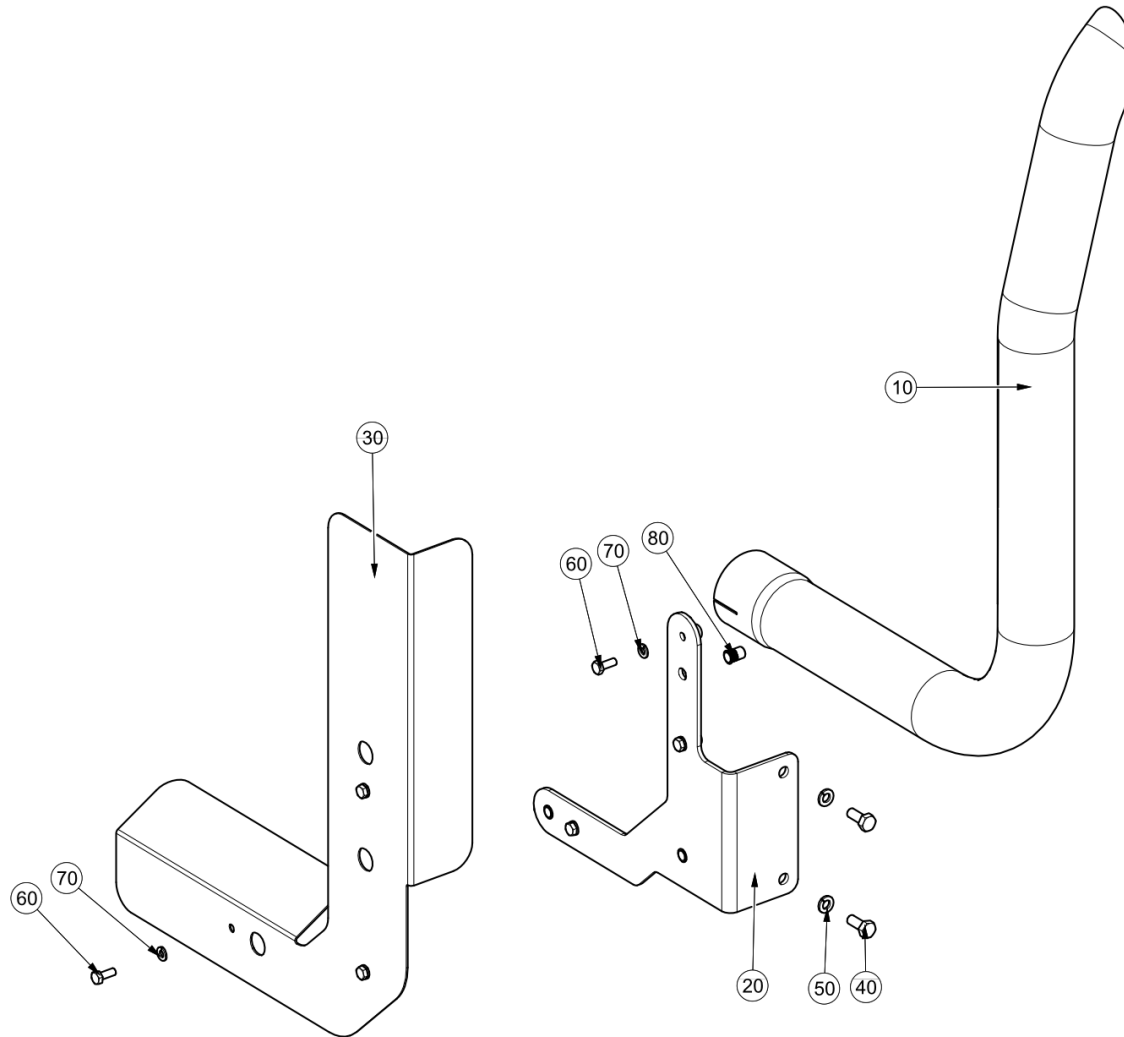
Pod Box ()
Powapack\Pod Box



Pod Box ()
Powapack\Pod Box

Item no.	Part no.	Description	QTY	Unit
250	92097374-0	Hex Head Screw - M8Cx20 - 8.8	5	PC
260	92097265-0	Hex Head Screw - M5Cx20 - 8.8	4	PC
270	93212011-0	Plain Washer - M8	4	PC
280	93085005-0	Nyloc Hex Nut M8C - 8	2	PC
290	92097303-0	Hex Head Screw - M6Cx25 - 8.8	4	PC
300	93085004-0	Nyloc Hex Nut M6C - 8	4	PC

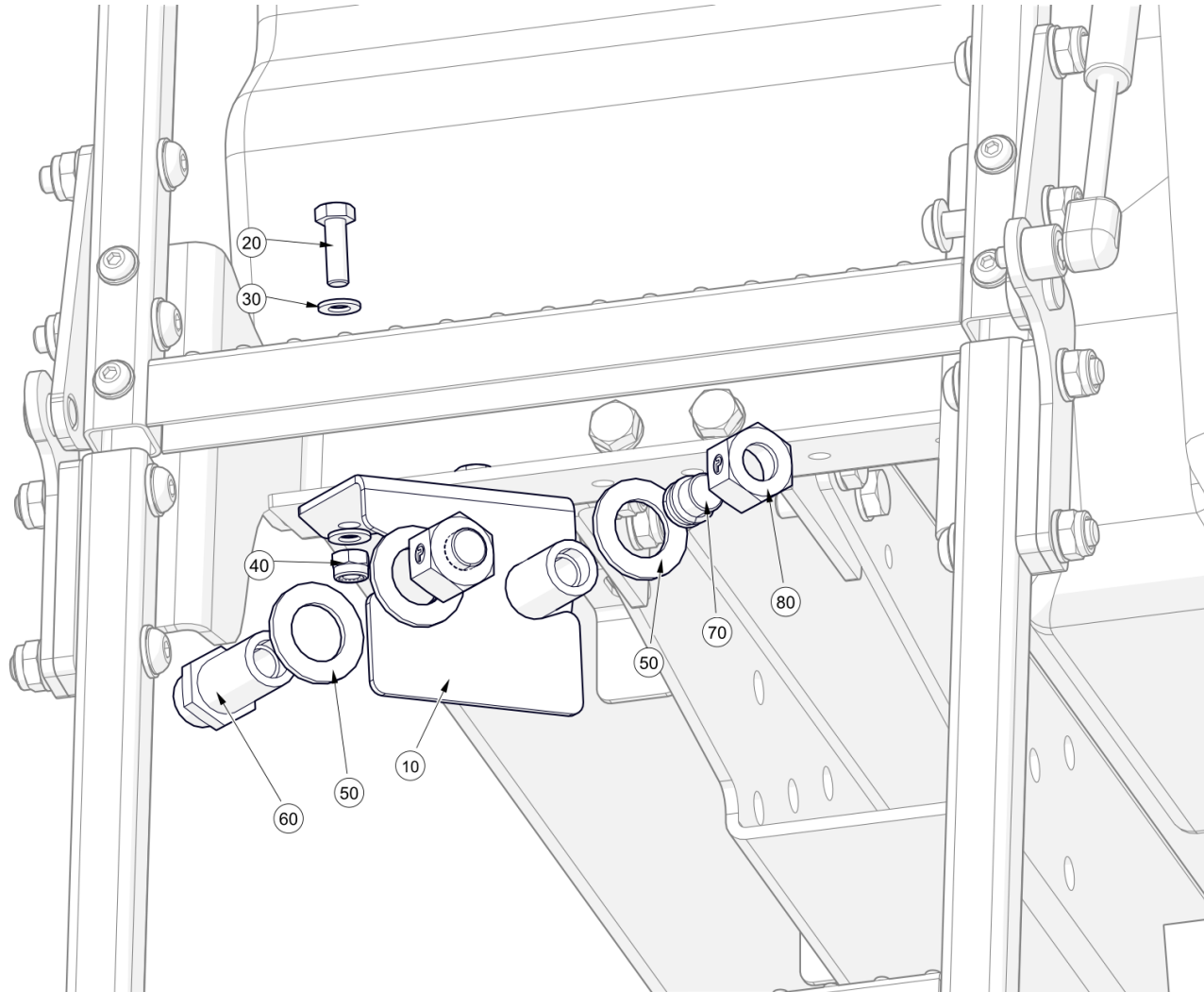
JCB Tailpipe ()
Powapack\JCB Tailpipe



JCB Tailpipe ()
Powapack\JCB Tailpipe

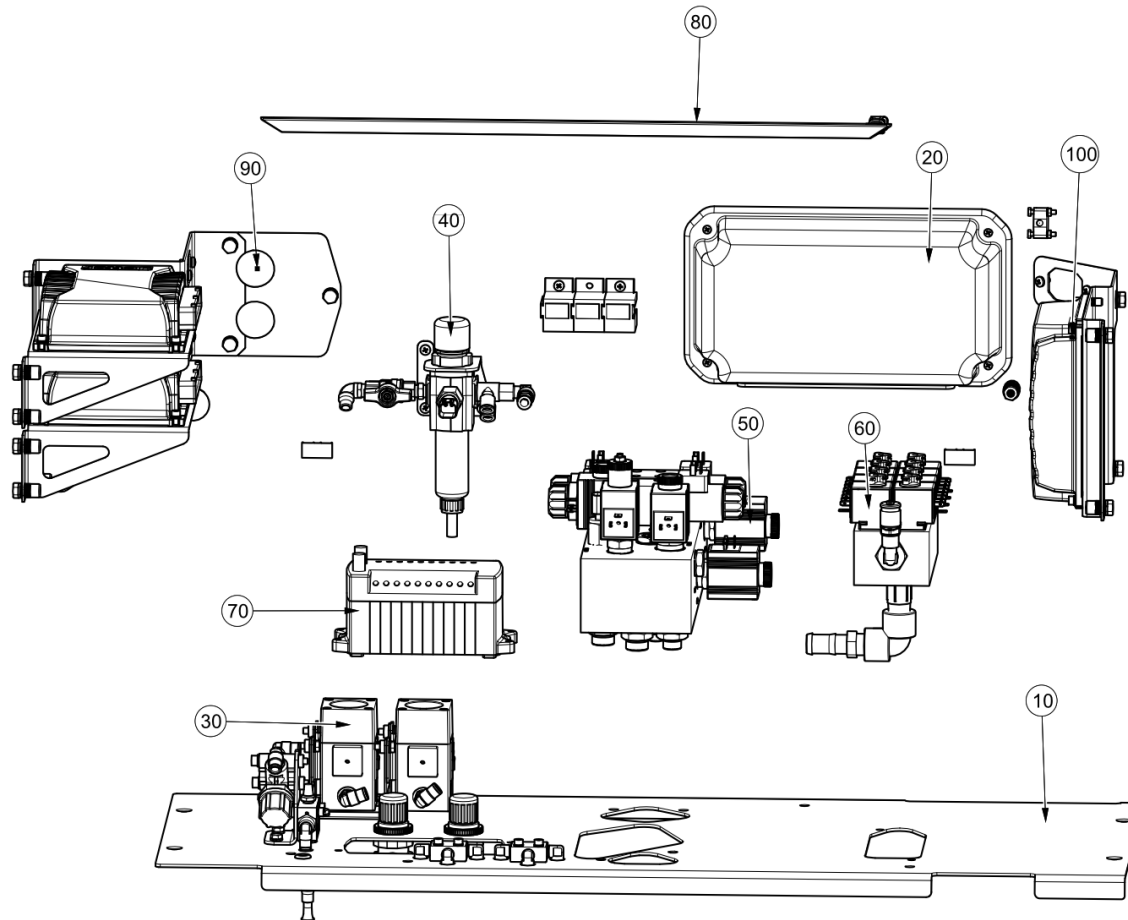
Item no.	Part no.	Description	QTY	Unit
10	7026263	JCB Tailpipe Low Welded Assembly	1	PC
10	7027501	JCB Tailpipe High Welded Assembly	1	PC
20	7039814	Tailpipe Bracket	1	PC
30	7039815	Tailpipe Cover	1	PC
40	92097374-0	Hex Head Screw - M8Cx20 - 8.8	2	PC
50	93699710-0	Spring Washer - Plated M8	2	PC
60	92097299-0	Hex Head Screw - M6Cx16 - 8.8	5	PC
70	93699708-0	Spring Washer - Plated M6	5	PC
80	433-104	Insert, Small Hd, M6, 0.7-4.2, Open, MS	2	PC

Engine Drain Installation ()
Powapack\Engine Drain Installation



Engine Drain Installation ()
Powapack\Engine Drain Installation

Item no.	Part no.	Description	QTY	Unit
10	7036870	Bracket - Engine Drain	1	PC
20	92097376-0	Hex Head Screw - M8Cx25 - 8.8	2	PC
30	93212011-0	Plain Washer - M8	4	PC
40	93085805-0	Nyloc Hex Nut M8C - 8	2	PC
50	93212019-0	Plain Washer M22	4	PC
60	302-3	Straight Bulkhead Connector - M22 x 1.5	2	PC
70	09572104-0	Plug Female - Tube O/D = 15mm	2	PC
80	09570009-0	Cap Nut - M22 x 1.5 (Tube O/D = 15mm)	2	PC
5000	H1SC12001-160	Hose - Hyd Straight x 45 Swept	1	PC
5010	H1SC12002-180	Hose - Hyd Straight x 90 Swept	1	PC



Chapter 3

System Wafer

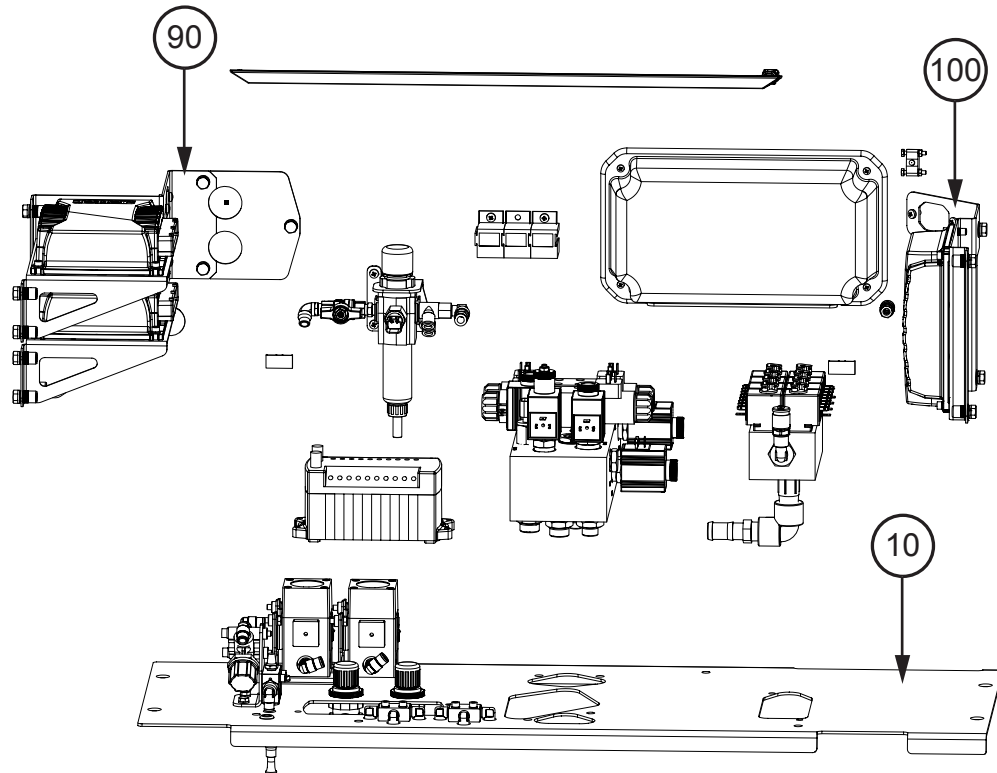
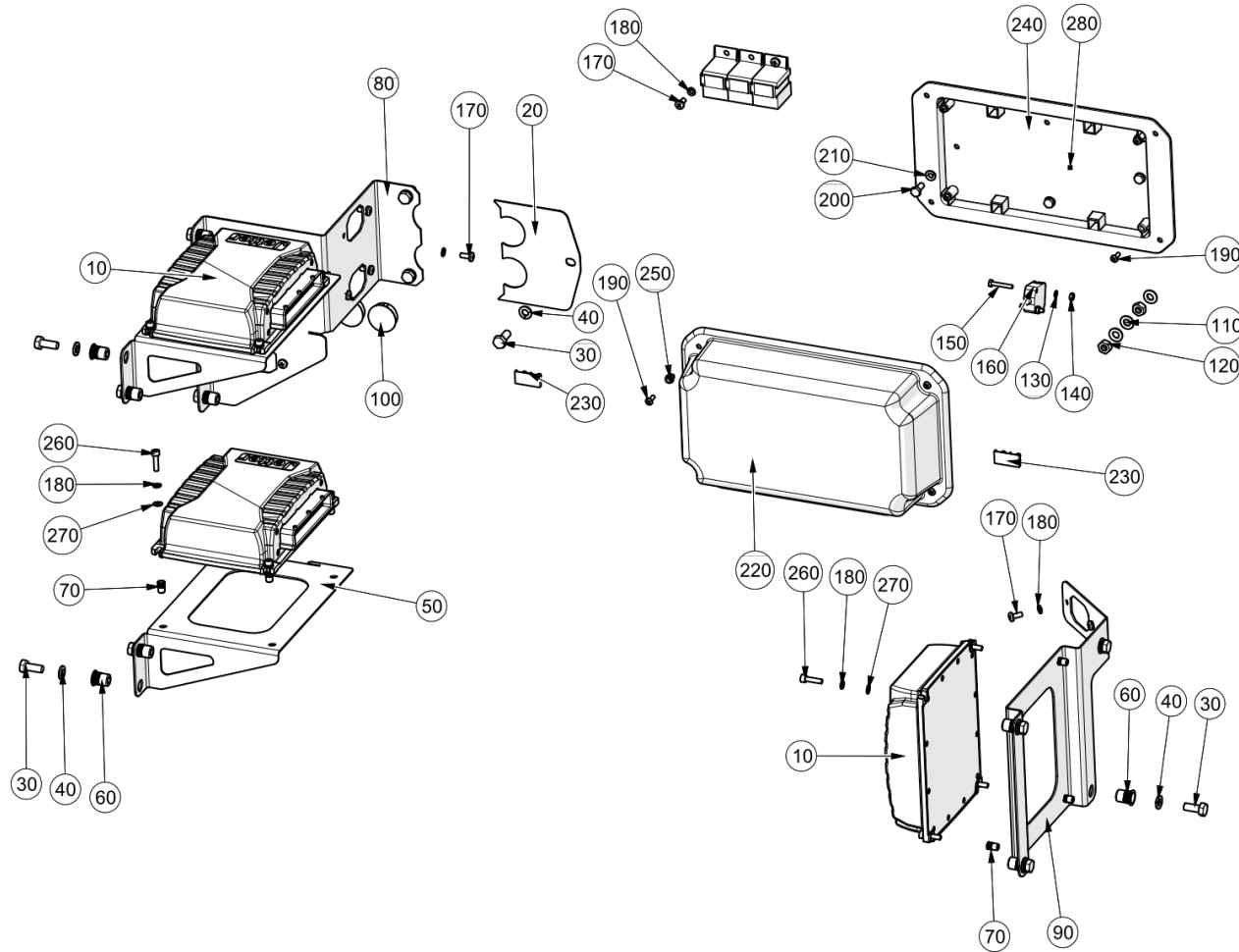


Table of Contents

Section	Page
3.1 Electrical Assembly.....	164
3.2 Systems Tray Assembly.....	168
3.3 Filter Regulator Unit.....	172
3.4 Hydraulic Sweep Manifold.....	174
3.5 Water Manifold.....	178
3.6 Pneumatic Valve Island.....	180
3.7 Systems Wafer Light.....	182

Item no.	Part no.	Description	QTY	Unit
10	7034335	Systems Wafer Dressing	1	PC
90	7032589	Systems Locker Power/Coms Harness	1	PC
100	7032715	Systems Locker Control Harness	1	PC
100	7032716	Systems Locker Control Harness	1	PC
100	7036557	Systems Locker Control Harness	1	PC

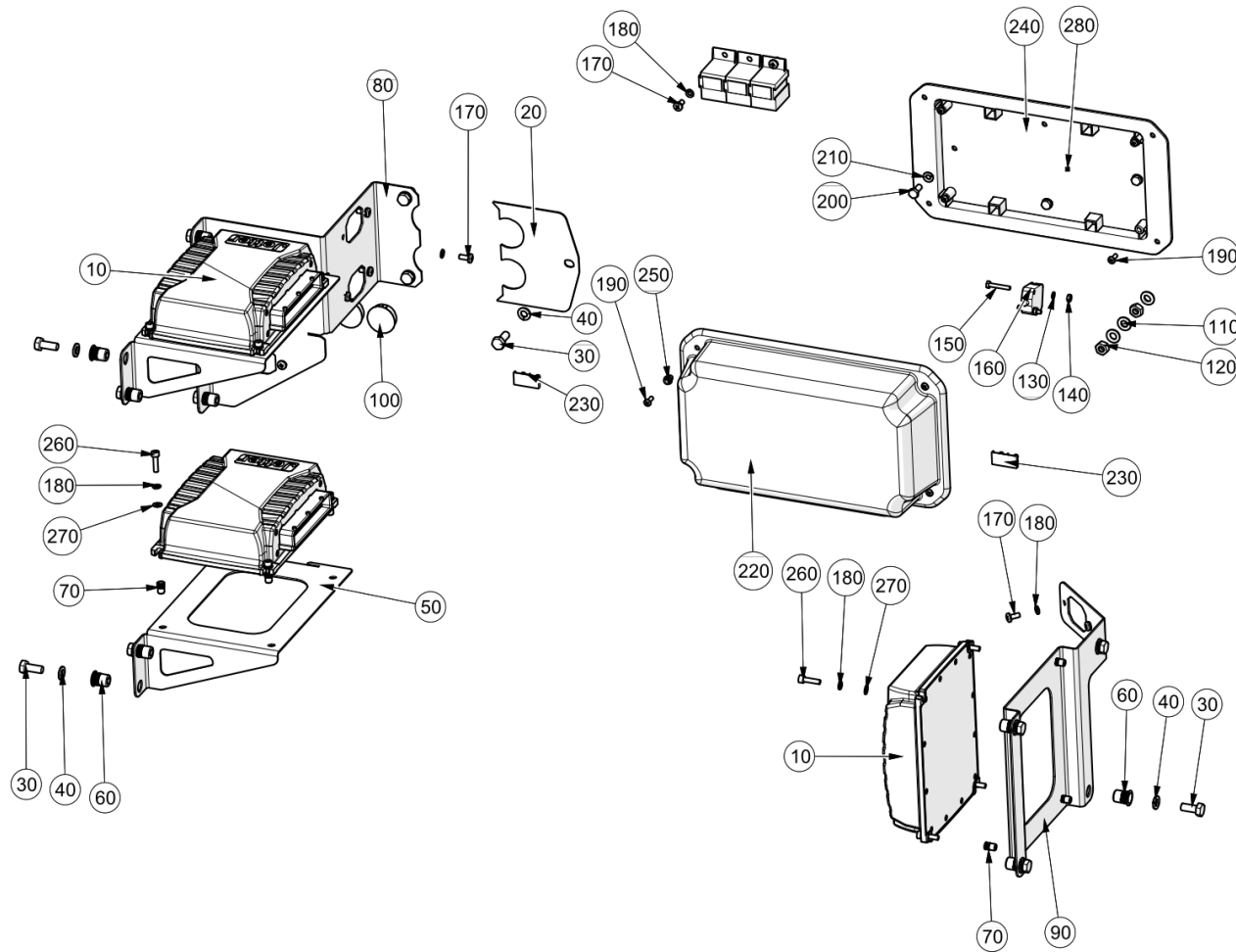
Electrical Assembly ()
Systems Wafer\Electrical Assembly



Electrical Assembly ()
Systems Wafer\Electrical Assembly

Item no.	Part no.	Description	QTY	Unit
10	7039112	Node - I/O JXM Universal	3	PC
20	7031557	Conduit Locking Plate	1	PC
30	92097374-0	Hex Head Screw - M8Cx20 - 8.8	13	PC
40	93699710-0	Spring Washer - Plated M8	13	PC
50	7031099	Bracket, Node platform	2	PC
60	433-121	Insert, Small Hd, M8, 0.7-3.8, Open, MS	4	PC
70	433-155	Insert, Small Hd, M5, 0.7-3.8, Open, MS	8	PC
80	7031098	Bracket, Bulkhead	1	PC
90	7031374	Bracket, Wafer Node	1	PC
100	44-33	Dome Plug Dia 30 Black	3	PC
110	93212011-0	Plain Washer - M8	3	PC
120	93056014-0	Hex Nut M8C-8	2	PC
130	93699706-0	Spring Washer - Plated M4	2	PC
140	93056010-0	Hex Nut M4C-8	2	PC
150	92097231-0	Hex Head Screw - M4Cx25 - 8.8	2	PC
160	48-382	Switch - N/O Push Button 16 A 400 V	1	PC
170	134-57	Pan Head Screw - M5Cx12 - 4.8	10	PC
180	93699707-0	Spring Washer - Plated M5	10	PC
190	134-42	Pan Head Screw - M4Cx12 - 4.8	8	PC
200	92097299-0	Hex Head Screw - M6Cx16 - 8.8	4	PC
210	93699708-0	Spring Washer - Plated M6	4	PC
220	7035821	Cover, P.C.B Enclosure	1	PC
230	24-17	Cable Tie Clip - Heavy Duty 15mm Wide	2	PC
240	7035822	Base, P.C.B Enclosure	1	PC

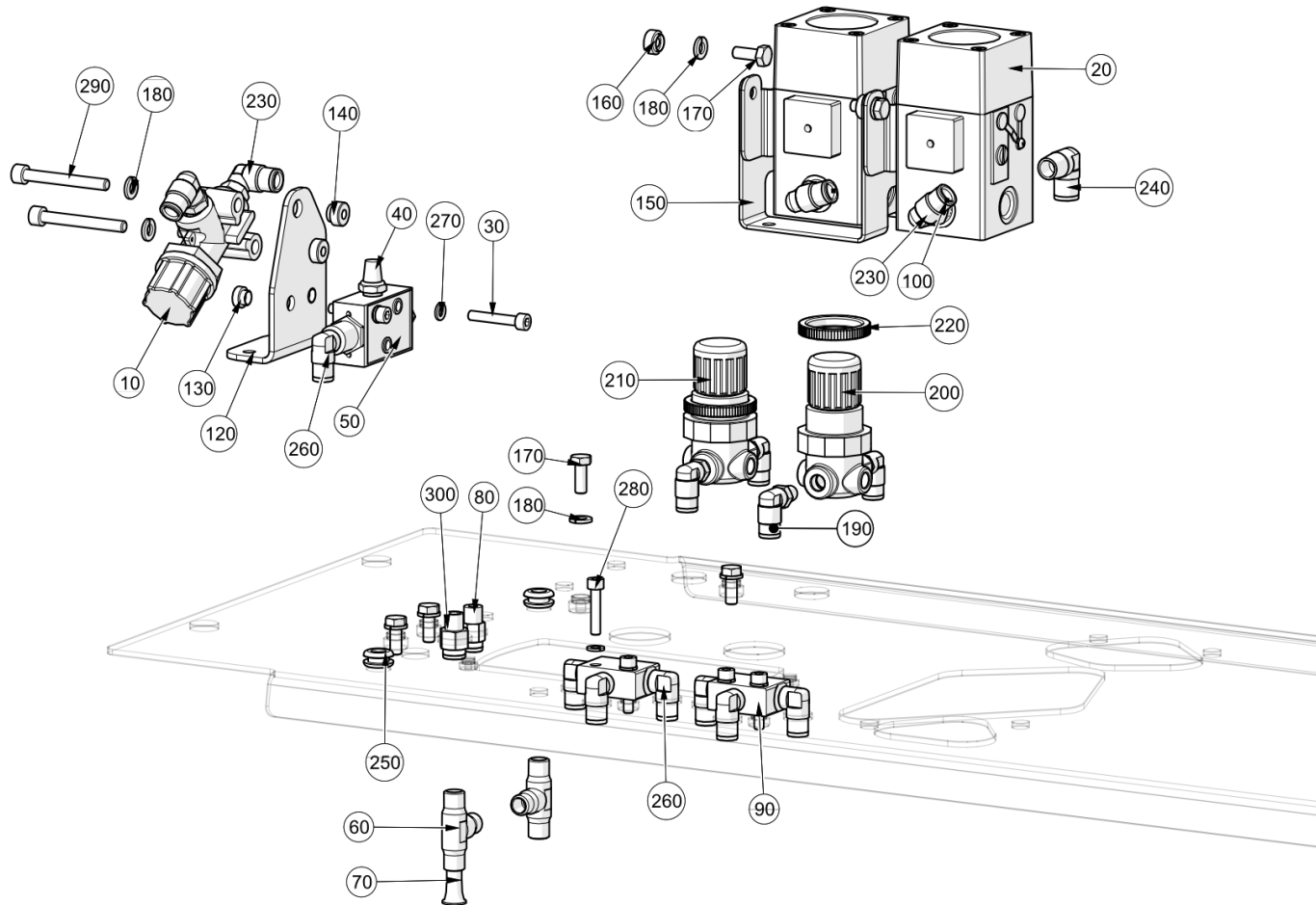
Electrical Assembly ()
Systems Wafer\Electrical Assembly



Electrical Assembly ()
Systems Wafer\Electrical Assembly

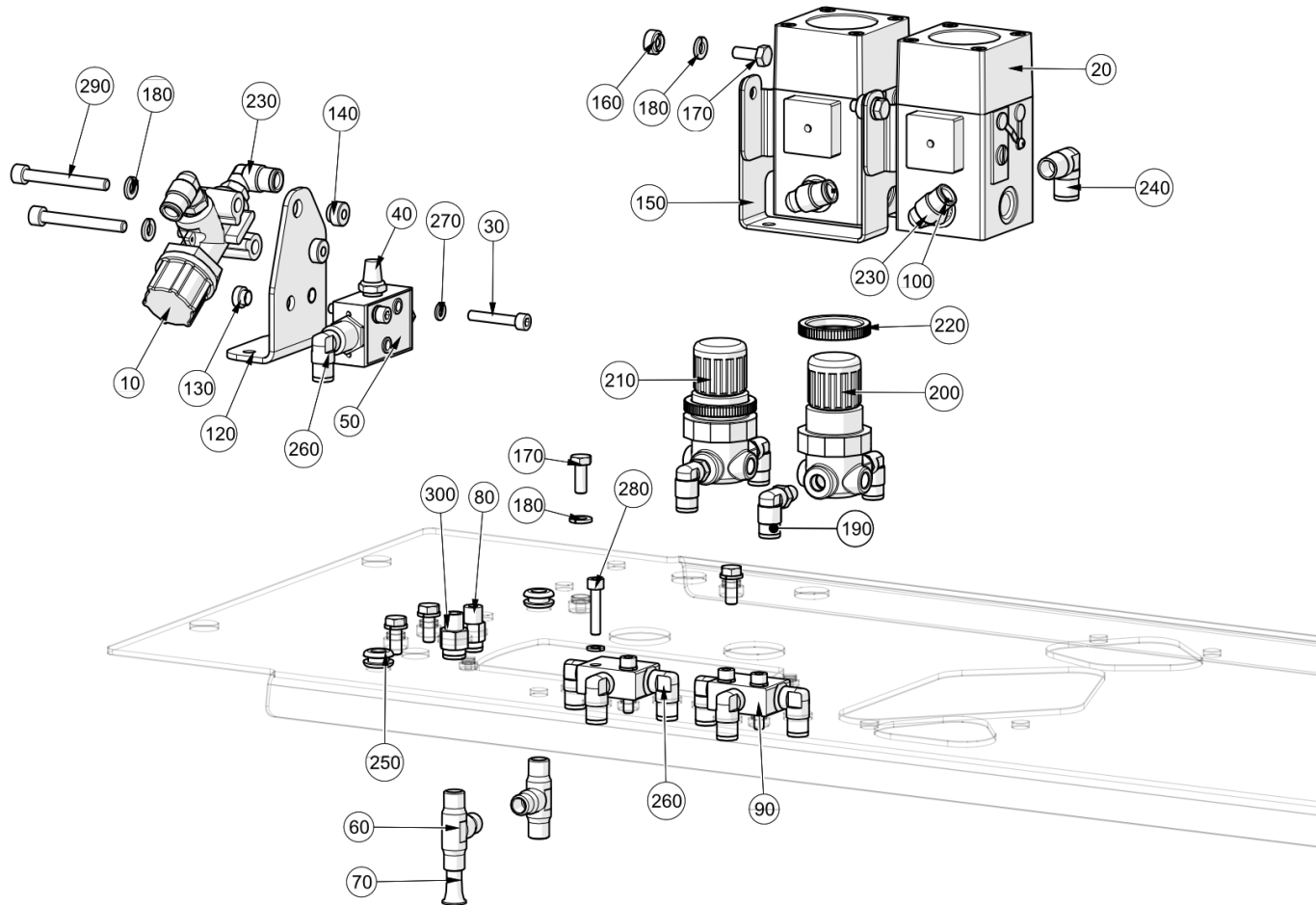
Item no.	Part no.	Description	QTY	Unit
250	433-9	Rivet Nut - S.CI Nut M4c g0.9-2.0 B Fla	4	PC
260	92137044-0	Hex Socket Cap Screw - M5Cx20 - 12.9	12	PC
270	93210109-0	Plain Washer M5	12	PC
280	7034173	24 Volt PCB Assembly	1	PC
280	7034175	12 Volt PCB Assembly	1	PC

Systems Tray Assembly ()
Systems Wafer\Systems Tray Assembly



Systems Tray Assembly ()
Systems Wafer\Systems Tray Assembly

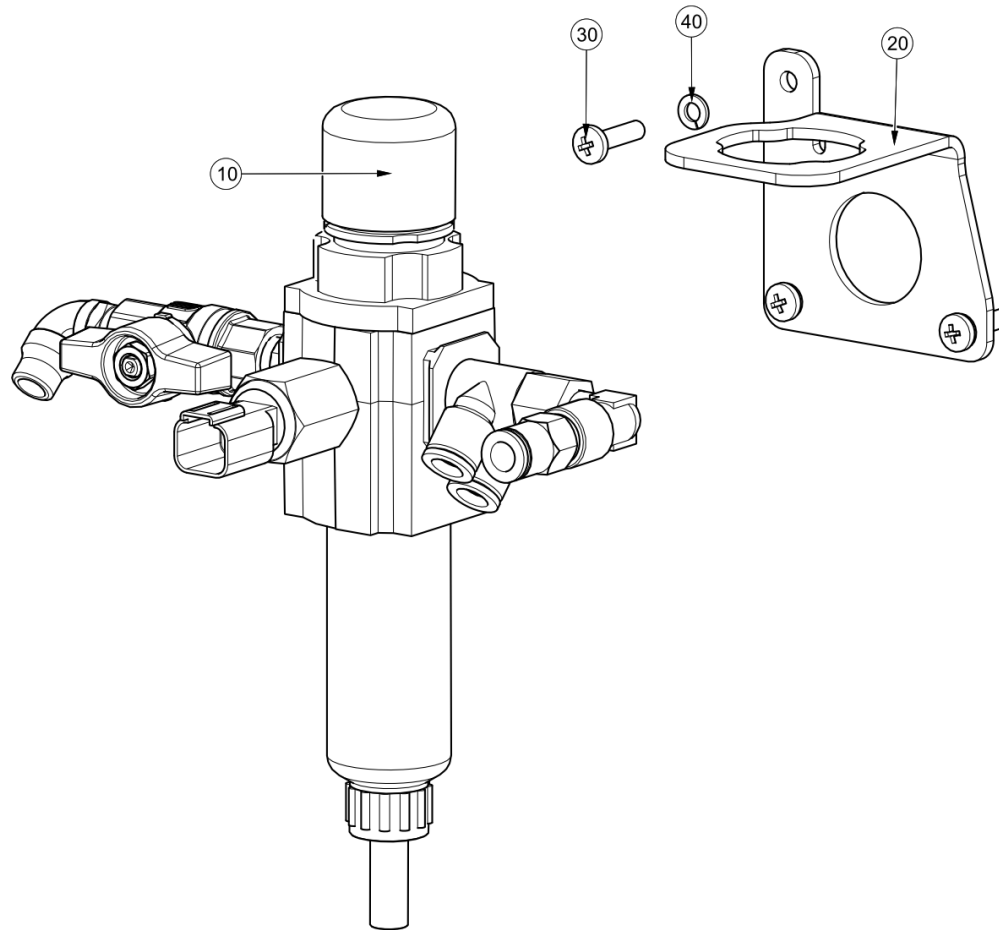
Item no.	Part no.	Description	QTY	Unit
10	6779	Valve Pressure Regulator	1	PC
20	7055400	4Bar Proportional Pressure Control Valve	2	PC
30	92137047-0	Hex Socket Cap Screw - M5Cx30 - 12.9	2	PC
40	72-17	Exhaust Silencer	1	PC
50	72-31	Valve - Pneumatic 3/2	1	PC
60	09598783-0	Pneumatic Tee Connector, Ø8mmTube(554-4)	2	PC
70	543-4	Plug - 8mm Push In Fittings	1	PC
80	537-3	Adaptor-Push In 6mm x 1/8 BSPT Straight	1	PC
90	72-1	Valve - Shuttle	2	PC
100	273-23	Tube - PA Type 12, 8mm O/D Red	1,8	M
110	273-20	Tube - PA Type 12, 6mm O/D Blue	1,4	M
120	7042679	Bracket - Pneumatic Valves	1	PC
130	427-56	Hank Bush - M5 Round Pattern (3mm plate)	2	PC
140	427-57	Hank Bush - M6 Round Pattern (3mm plate)	2	PC
150	7024302	Bracket - Proportional Pressure Valve	1	PC
160	427-52	Hank Bush-M6 Round Pattern (1.6mm plate)	4	PC
170	92097299-0	Hex Head Screw - M6Cx16 - 8.8	8	PC
180	93699708-0	Spring Washer - Plated M6	10	PC
190	09593147-0	Elbow Push-In Swivel 6mm x 1/8 BSPT	4	PC
200	283526-2	2.0 Bar Pre-Set Regulator	1	PC
210	283524-2	3.5 Bar Pre-Set Regulator	1	PC
220	72-15	Panel - Ring (Suit B72/14)	2	PC
230	09593151-0	Elbow Push-In Swivel 8mm x 1/4 BSPT	4	PC
240	552-8	Adaptor - Elbow 6mm x 1/4 BSPT	2	PC

Systems Tray Assembly ()
Systems Wafer\Systems Tray Assembly

Systems Tray Assembly ()
Systems Wafer\Systems Tray Assembly

Item no.	Part no.	Description	QTY	Unit
250	287-81	Grommet - Ø 11.1 O/D, 8.0 I/D 3.2 Thick	2	PC
260	09593162-0	Adaptor - Push In 6mm Fixed Elbow R1/8"	7	PC
270	93699707-0	Spring Washer - Plated M5	6	PC
280	92137046-0	Hex Socket Cap Screw - M5Cx25 - 12.9	4	PC
290	92137088-0	Hex Socket Cap Screw - M6Cx50 - 12.9	2	PC
300	537-4	Adaptor-Push In 8mm x 1/8 BSPT Straight	1	PC

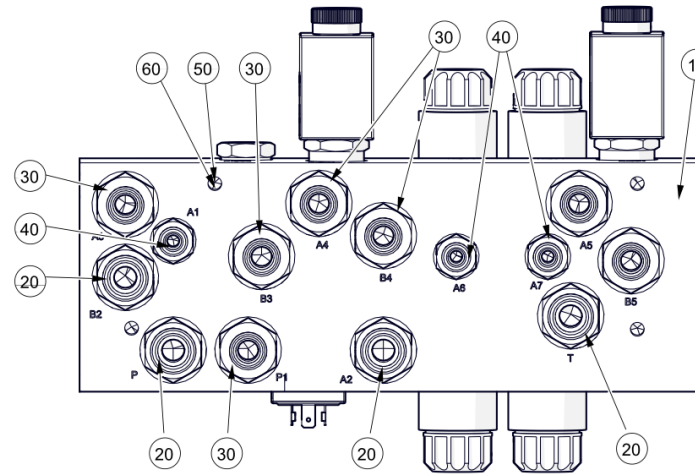
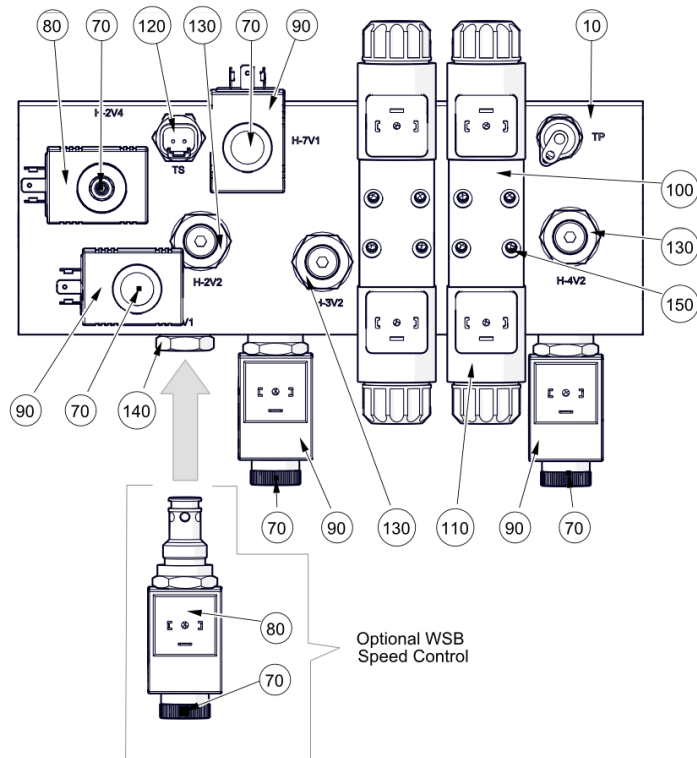
Filter Regulator Unit ()
Systems Wafer/Filter Regulator Unit



Filter Regulator Unit ()
Systems Wafer\Filter Regulator Unit

Item no.	Part no.	Description	QTY	Unit
10	7043296	Filter Regulator Unit*	1	PC
20	7043452	Filter Regulator Unit Bracket	1	PC
30	134-59	Pan Head Screw - M5Cx20 - 4.8	3	PC
40	93699707-0	Spring Washer - Plated M5	3	PC

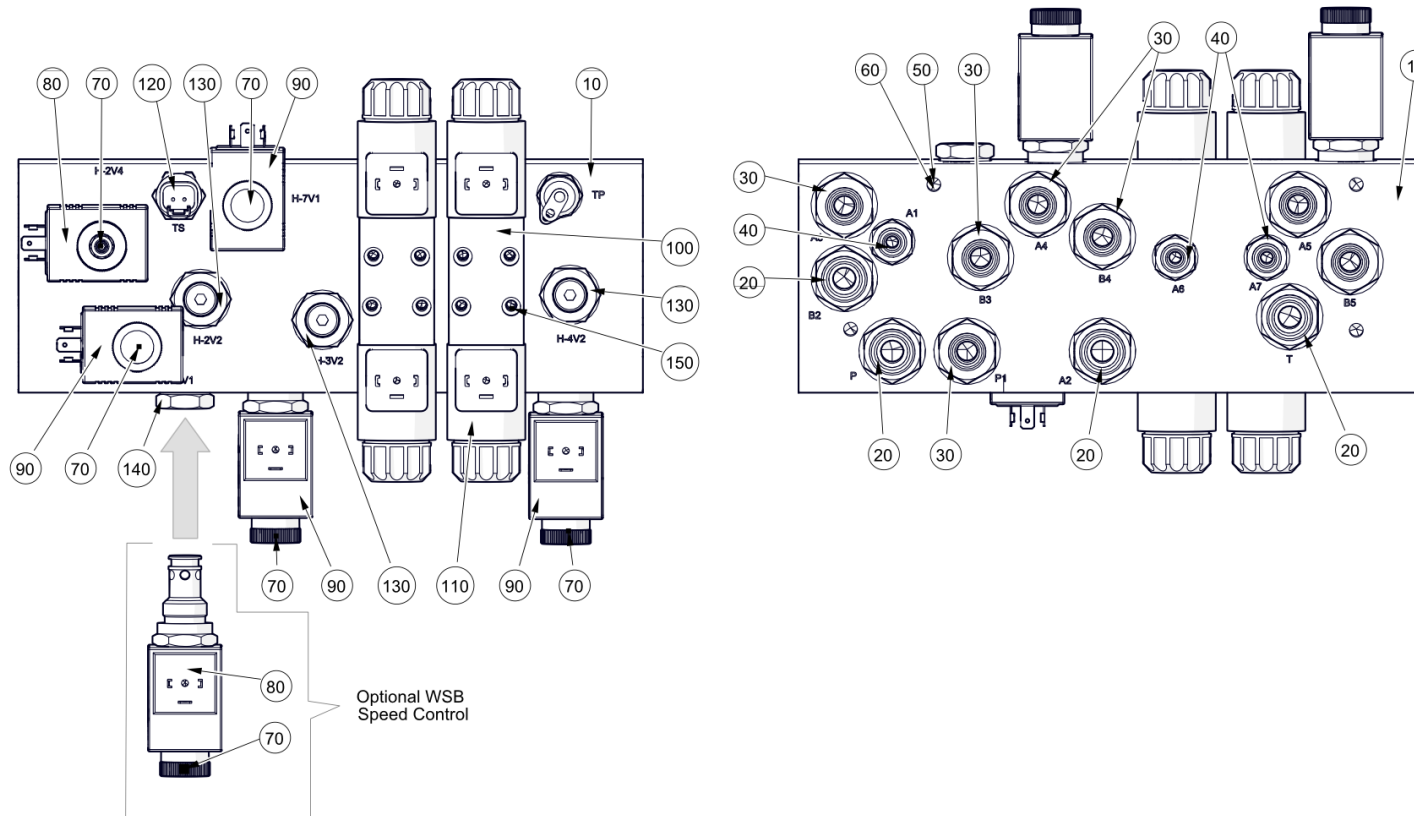
Hydraulic Sweep Manifold ()
Systems Wafer\Hydraulic Sweep Manifold



Hydraulic Sweep Manifold ()
Systems Wafer\Hydraulic Sweep Manifold

Item no.	Part no.	Description	QTY	Unit
10	7006095	Hydraulic Sweep Manifold 24v Single	1	PC
10	7005343	Hydraulic Sweep Manifold 24v Dual	1	PC
10	7024234	Hydraulic Sweep Manifold 12v Single	1	PC
10	7024235	Hydraulic Sweep Manifold 12v Dual	1	PC
20	6601-1329	Stud Coupling Male G 1/2" x M22 x 1.5	4	PC
30	09570131-0	Stud Coupling Male G 1/2" x M18 x 1.	5	PC
For single order 5				
40	09570126-0	Stud Coupling Male G 1/4" x M14x1.5 (8L)	3	PC
For single order 2				
50	92097374-0	Hex Head Screw - M8Cx20 - 8.8	4	PC
60	93699710-0	Spring Washer - Plated M8	4	PC
70	847-9	Coil - 12v 19 watt	5	PC
For single order 4				
70	847-80	Coil - 24v 19 watt	5	PC
For single order 4				
80	847-82	Cartridge Valve Prop Flow	1	PC
90	847-59	Cartridge Valve - No 210 bar	4	PC
For single order 3				
100	298-10	Valve Solenoid Operated Directional 12v	2	PC
Coils are included.				
100	298-20	Valve Solenoid Operated Directional 24v	2	PC
Coils are included.				
110	298-150	Coil (2A) 12v	4	PC
Refers to Coil only.				

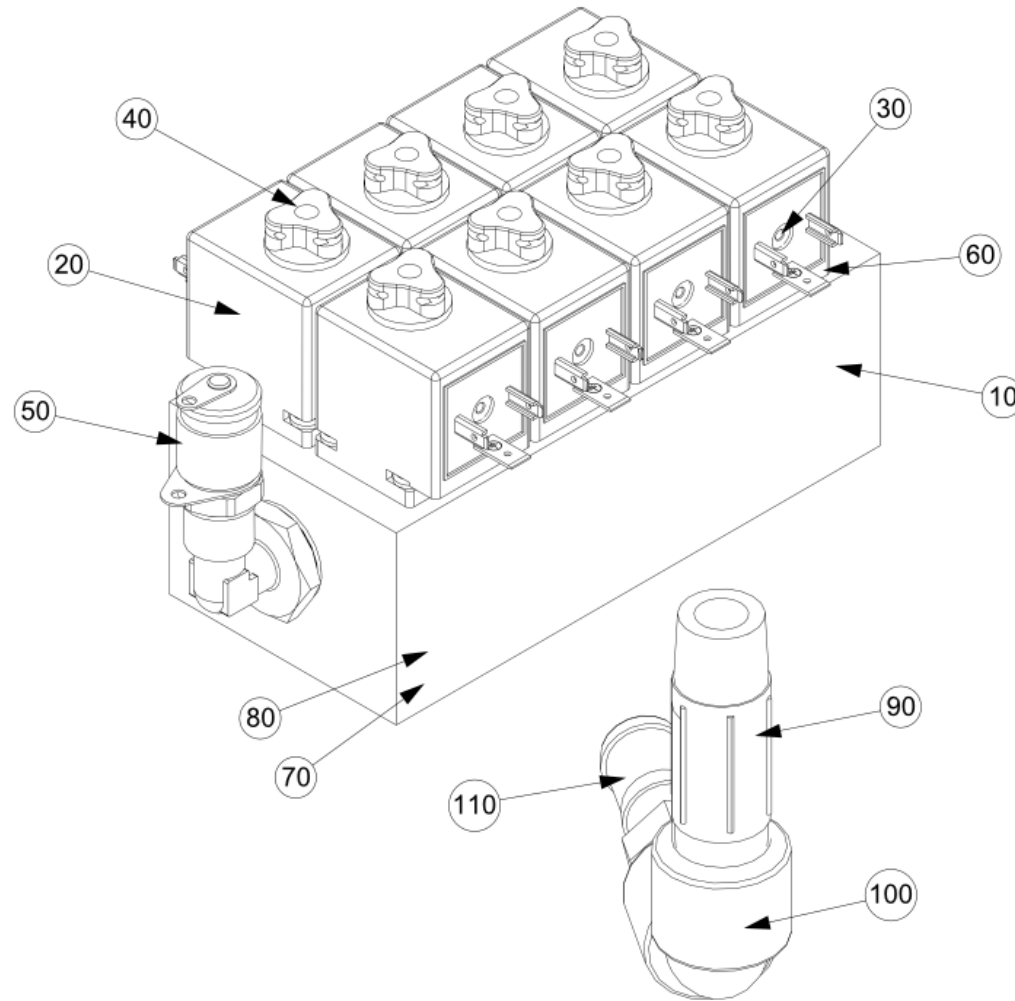
Hydraulic Sweep Manifold ()
Systems Wafer\Hydraulic Sweep Manifold



Hydraulic Sweep Manifold ()
Systems Wafer\Hydraulic Sweep Manifold

Item no.	Part no.	Description	QTY	Unit
110	298-124	Coil - 24v	4	PC
Refers to Coil only.				
120	282920-1	Temperature Switch - 90c 1/4 BSP	1	PC
130	847-132	Check Valve 3.5bar Crack, 80L/MIN 350bar	3	PC
For single order 2				
140	847-131	Cavity Blank	1	PC
150	847-144	Cap Head Screw 5 x 35	8	PC
For single order 4				

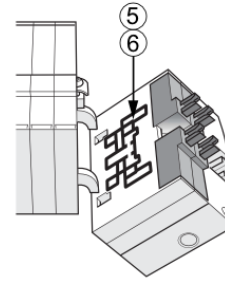
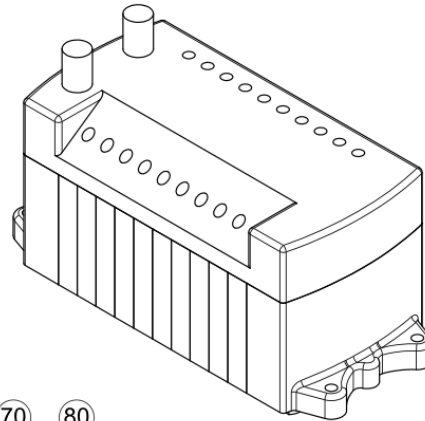
Water Manifold ()
Systems Wafer\Water Manifold



Water Manifold ()
Systems Wafer\Water Manifold

Item no.	Part no.	Description	QTY	Unit
10	7024457	Water Manifold Assembly Single 12v	1	PC
10	7024456	Water Manifold Assembly Single 24v	1	PC
10	7024331	Water Manifold Assembly Dual 12v	1	PC
10	7024322	Water Manifold Assembly Dual 24v	1	PC
20	7021285	Coil 12v Water Valve	6	PC
20	7021286	Coil 24v Water Valve	6	PC
30	7021284	Water Valve (No Coil)	1	PC
40	281372-5	Locknut - Valve Water Solenoid	1	PC
50	665-26	Valve - Testpoint G1/4 Type B	1	PC
60	7021289	O-Ring Water Valve	1	PC
70	93699708-0	Spring Washer - Plated M6	2	PC
80	92097301-0	Hex Head Screw - M6Cx20 - 8.8	2	PC
90	66-48	Nipple - G 1/2 M x G 3 M	1	PC
100	66-50	Elbow - Poly. 90 ° 1/2 F x 1/2 F	1	PC
110	66-49	Adaptor - Poly. G 1/2 x 3/4" Hose Tail	1	PC

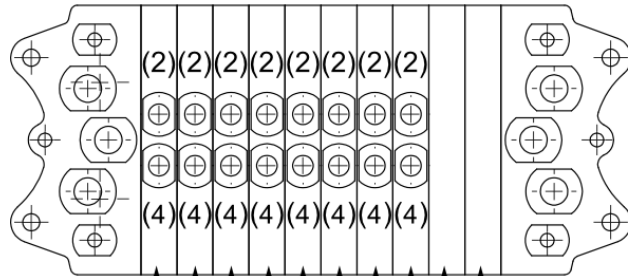
Pneumatic Valve Island ()
Systems Wafer\Pneumatic Valve Island



30 40 70 80

24V Standard Dual
SLICE

1 2 3 4 5 6 7 8 9 10

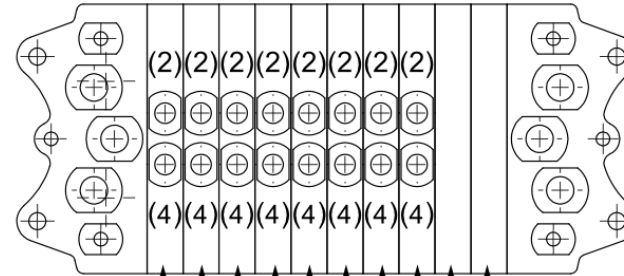


Standard Single	1	2	3	3	B	4	B	1	B	B
Option Single	1	2	3	3	B	4	B	1	1	1
Standard Dual	1	2	3	3	1	4	4	1	B	B
Option Dual	1	2	3	3	1	4	4	1	1	1

20 50 60 90

12V Standard Dual
SLICE

1 2 3 4 5 6 7 8 9 10

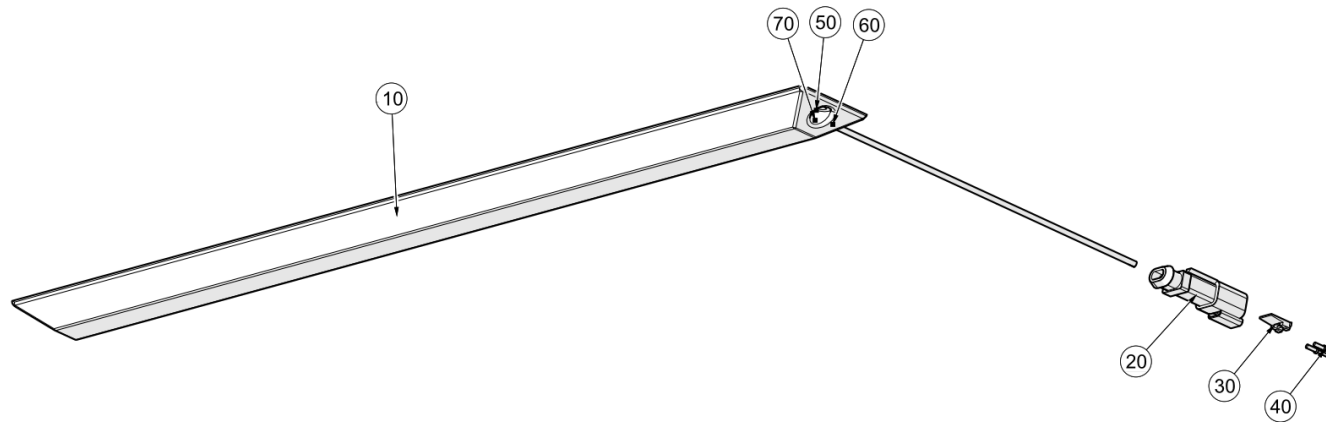


Standard Single	7	8	9	9	B	10	10	7	B	B
Option Single	7	8	9	9	B	10	10	7	7	7
Standard Dual	7	8	9	9	7	10	10	7	B	B
Option Dual	7	8	9	9	7	10	10	7	7	7

Pneumatic Valve Island ()
Systems Wafer\Pneumatic Valve Island

Item no.	Part no.	Description	QTY	Unit
B	860-30	Slice - Blank B000	4	PC
1	860-10	Slice 3/2 - (2xNC) 24v NA6U	5	PC
2	860-8	Slice 3/2 - (2xNO) 24v NB6U	1	PC
3	860-6	Slice 3/2 - (NO/NC) 24v NC6U	2	PC
4	860-4	Slice 5/2 - 24v NG6U	2	PC
5	860-1	Gasket - Black VM10 Valve Block	1	PC
6	860-2	Gasket - Red VM10 Valve Block	1	PC
7	860-9	Slice 3/2 - (2xNC) 12v TA6U	5	PC
8	860-7	Slice 3/2 - (2xNO) 12v TB6U	1	PC
9	860-5	Slice 3/2 - (NO/NC) 12v TC6U	2	PC
10	860-3	Slice 5/2 - 12v TG6U	2	PC
20	7012136	Pneumatic Valve Island 12v Dual	1	PC
30	7012139	Pneumatic Valve Island 24v Sng	1	PC
40	7012135	Pneumatic Valve Island 24v Dual	1	PC
50	7012141	Pneumatic Valve Island 12v Sng	1	PC
60	7012118	Pneumatic Valve Island 12v Dual Opts	1	PC
70	7012137	Pneumatic Valve Island 24v Sng Opts	1	PC
80	7012117	Pneumatic Valve Island 24v Dual Opts	1	PC
90	7012138	Pneumatic Valve Island 12v Sng Opts	1	PC

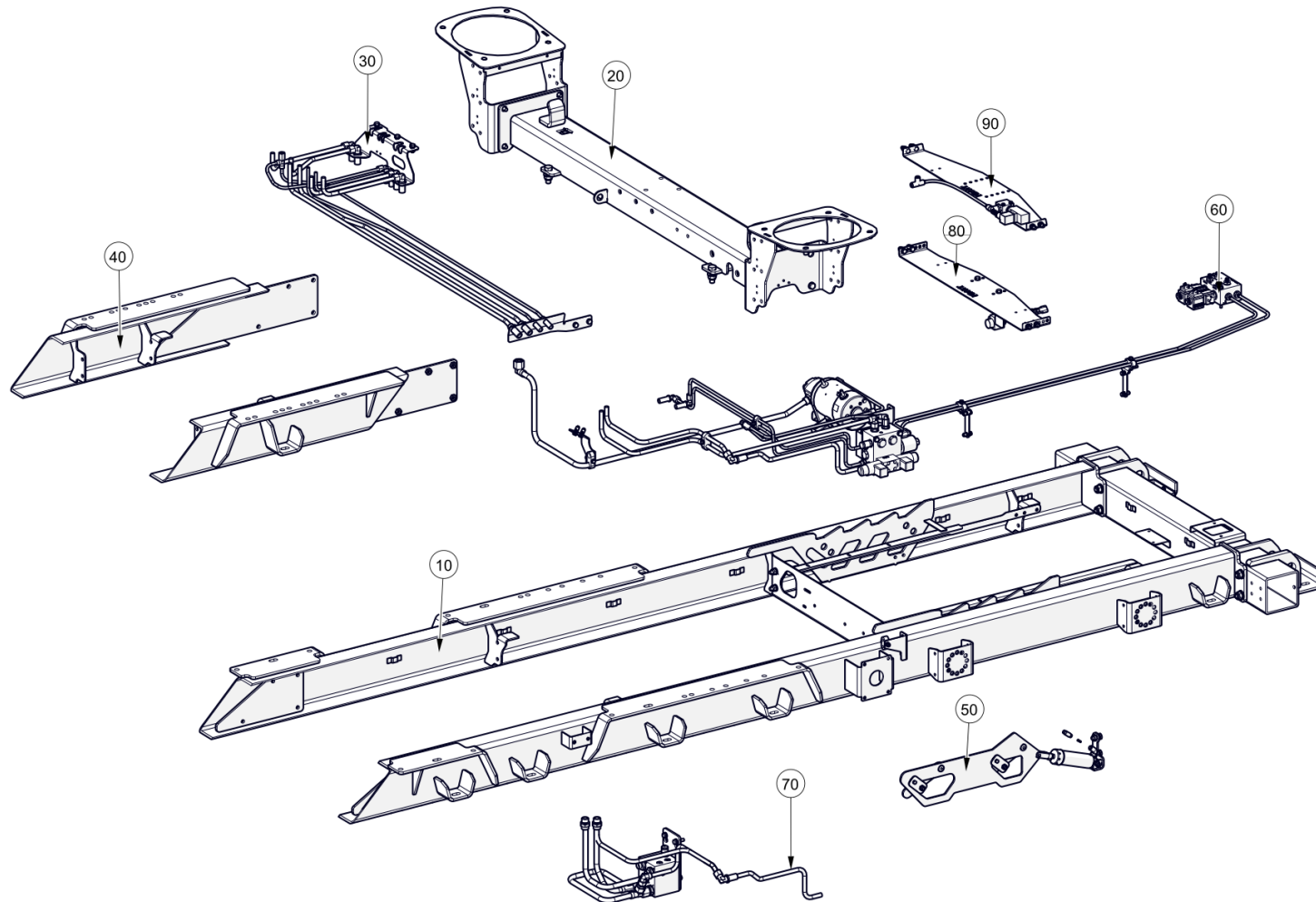
Systems Wafer Light ()
Systems Wafer\Systems Wafer Light



Systems Wafer Light ()
Systems Wafer\Systems Wafer Light

Item no.	Part no.	Description	QTY	Unit
10	745-83	Interior Lamp - 24v Nebula IP66	1	PC
10	745-82	Interior Lamp - 12v Nebula IP66	1	PC
20	31-252	Receptacle - Boot Adaptor, DT 2 Way	1	PC
30	31-253	Wedge - DT 2 Way, Receptacle	1	PC
40	710-80	Contact - Pin Size 16 (1.0-2.0mm ²)	2	PC
50	134-59	Pan Head Screw - M5Cx20 - 4.8	2	PC
60	67143-4	Spacer - 5mm (Plated)	2	PC
70	93210109-0	Plain Washer M5	2	PC

Subframe ()
Subframe



Chapter 4 Subframe

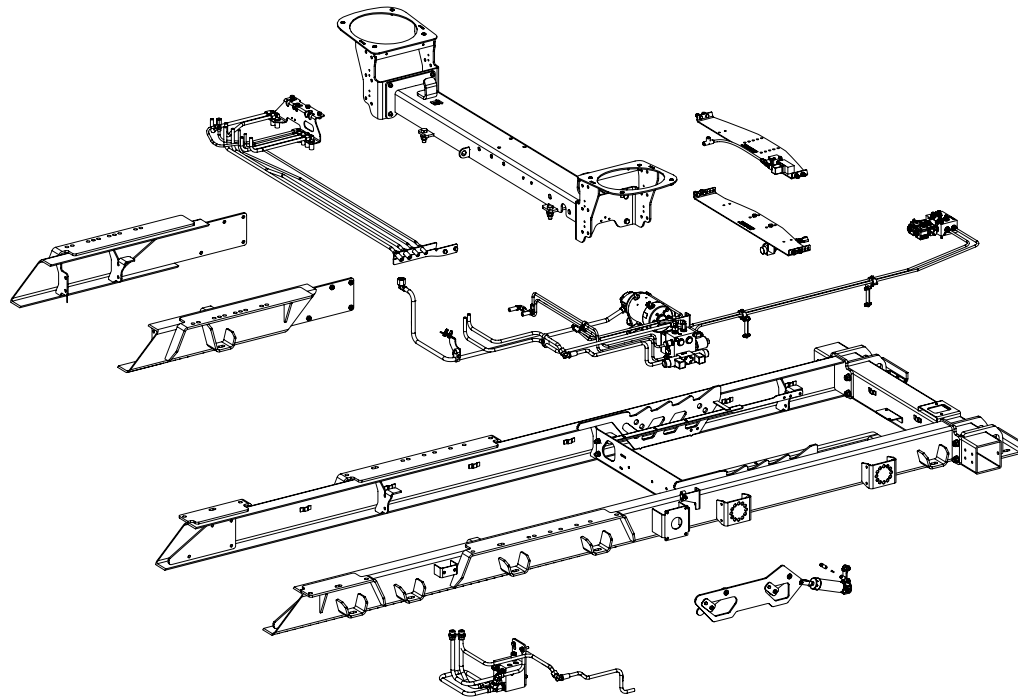
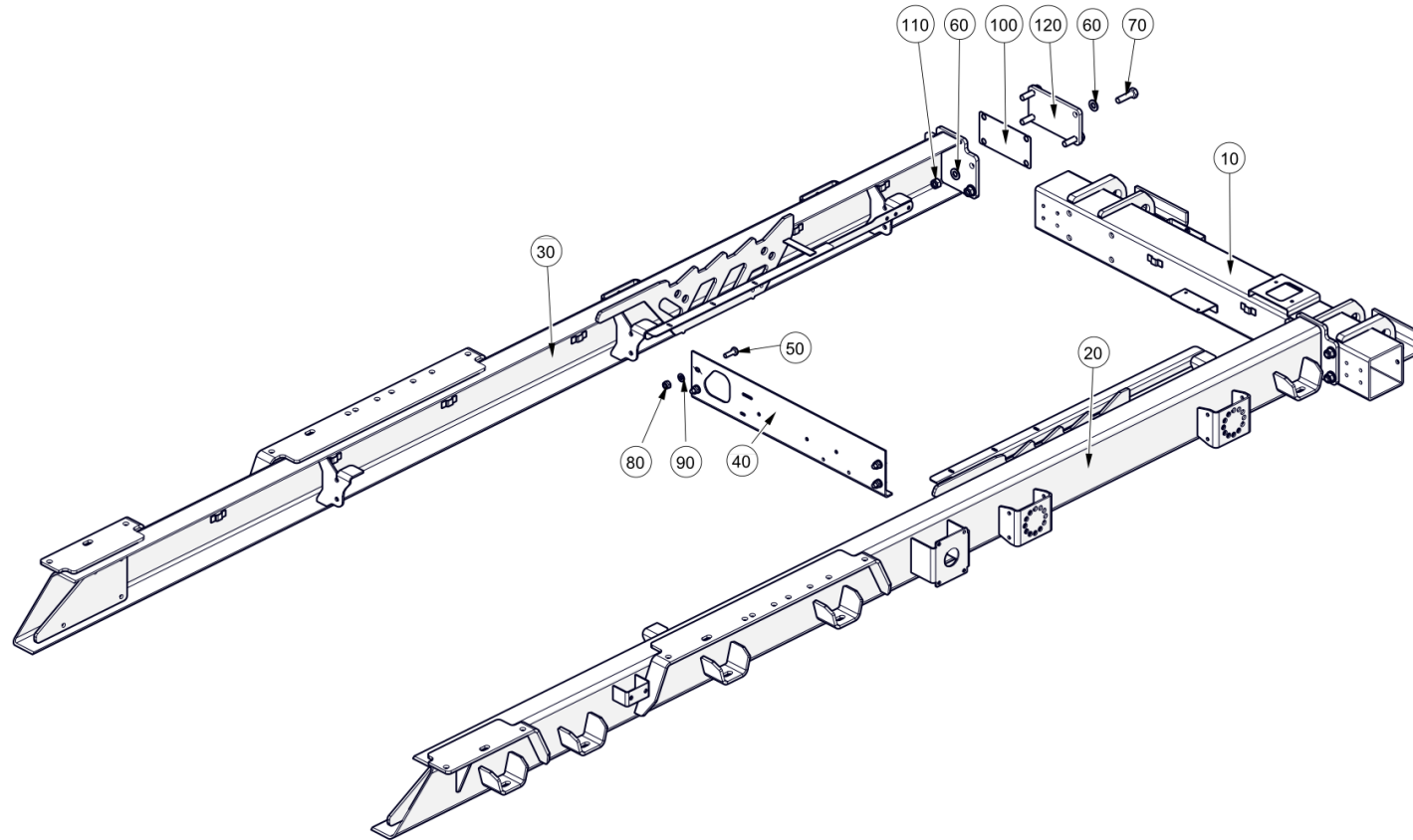


Table of Contents

Section	Page
4.1 Subframe Assembly.....	186
4.2 Crossmember and Intake Seat.....	188
4.3 Subframe Sweep Config.....	190
4.4 Subframe Extension.....	198
4.5 Prop Release Mechanism.....	200
4.6 Subframe Hose & Pipework.....	202
4.7 Tandem Pump Valve Block.....	212
4.8 Mechanical Weight Load Indicator.....	214
4.9 Weight Load Indicator.....	216

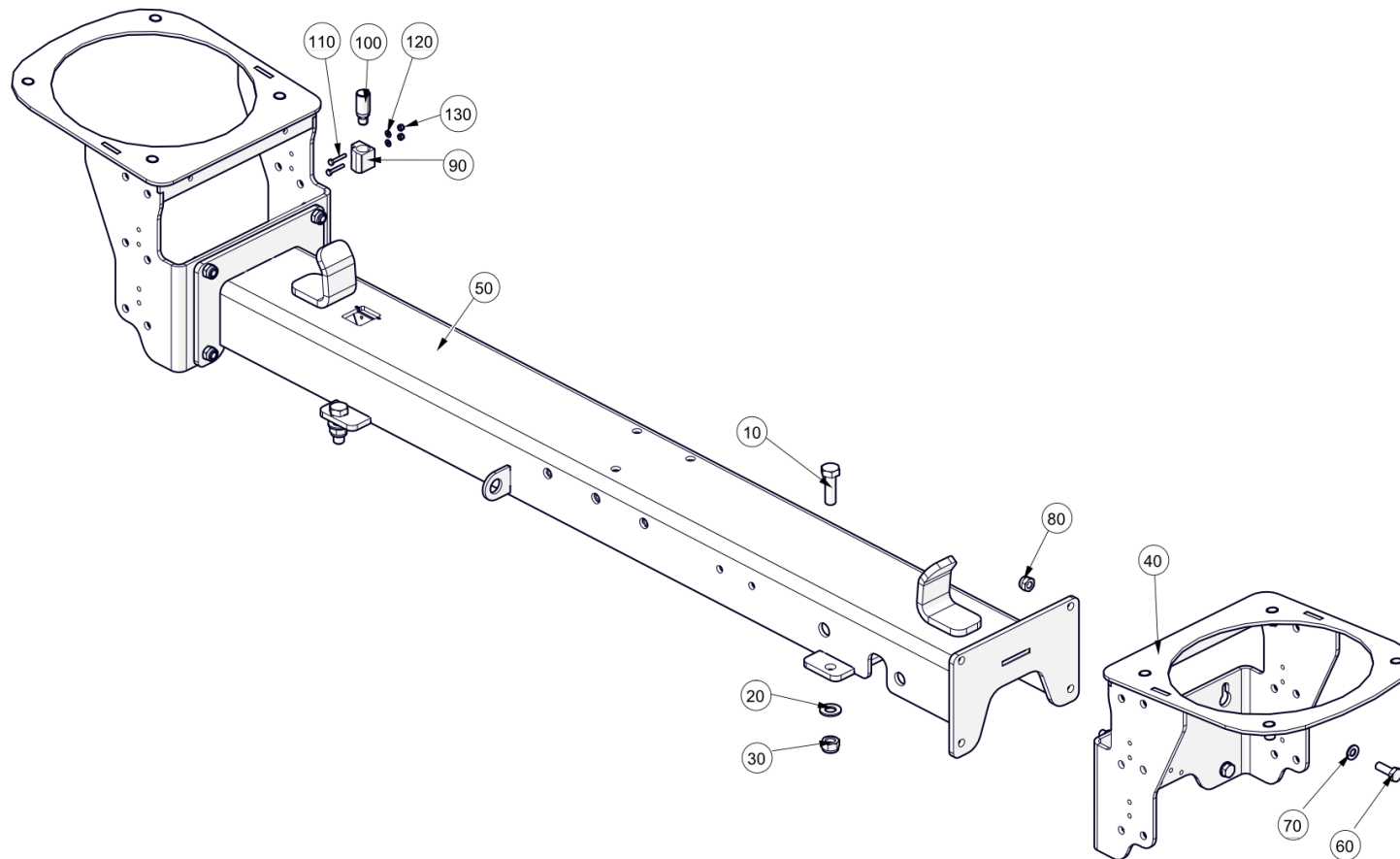
Subframe Assembly ()
Subframe\Subframe Assembly



Subframe Assembly ()
Subframe\Subframe Assembly

Item no.	Part no.	Description	QTY	Unit
10	7000316	Crossmember Rear	1	PC
20	7001451	RH Sidemember W/Assy 651 801	1	PC
Suitable for V652 and V802.				
20	7003332	RH Sidemember W/Assy 501	1	PC
Suitable for V502.				
30	7001450	LH Sidemember W/Assy 651 801	1	PC
Suitable for V652 and V802.				
30	7003301	LH Sidemember W/Assy 501	1	PC
Suitable for V502.				
40	7004312	Crossmember	1	PC
50	92097414-0	Hex Head Screw - M10Cx30 - 8.8	4	PC
60	93212015-0	Plain Washer M14	16	PC
70	92072213-0	Hex Head Bolt - M14Cx50 - 10.9	8	PC
80	93085806-0	Nyloc Hex Nut M10C - 8	4	PC
90	93212012-0	Plain Washer - M10	4	PC
100	7045726	Shim plate	2	PC
110	404-17	Hex Nyloc Nut - M14c x Grade 10	8	PC
120	7048222	Stretch Plate	2	PC

Crossmember and Intake Seat ()
Subframe\Crossmember and Intake Seat



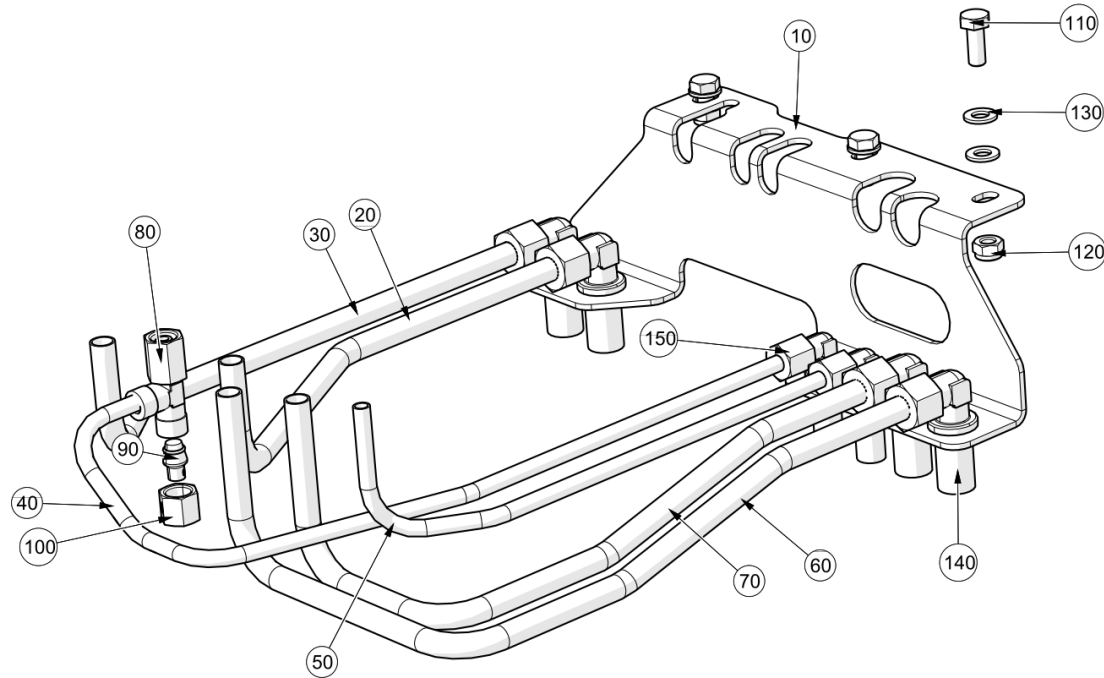
Crossmember and Intake Seat ()
Subframe\Crossmember and Intake Seat

Item no.	Part no.	Description	QTY	Unit
10	92072212-0	Hex Head Bolt - M14Cx45 - 10.9	4	PC
20	93212015-0	Plain Washer M14	4	PC
30	404-17	Hex Nyloc Nut - M14c x Grade 10	4	PC
40	7047448	Intake seat sub-assembly	2	PC
50	7044317	Crossmember Welded Assembly	1	PC
60	92097414-0	Hex Head Screw - M10Cx30 - 8.8	8	PC
70	93212012-0	Plain Washer - M10	8	PC
80	93085806-0	Nyloc Hex Nut M10C - 8	8	PC
90	7003202	Sensor Mount	1	PC
100	7003201	Sensor	1	PC
110	92097231-0	Hex Head Screw - M4Cx25 - 8.8	2	PC
120	93212007-0	Plain Washer M4	2	PC
130	93085002-0	Nyloc Hex Nut M4C - 8	2	PC

This page is intentionally left blank

This page is intentionally left blank

RH Single Subframe Config ()
Subframe\Subframe Sweep Config\RH Single Subframe Config

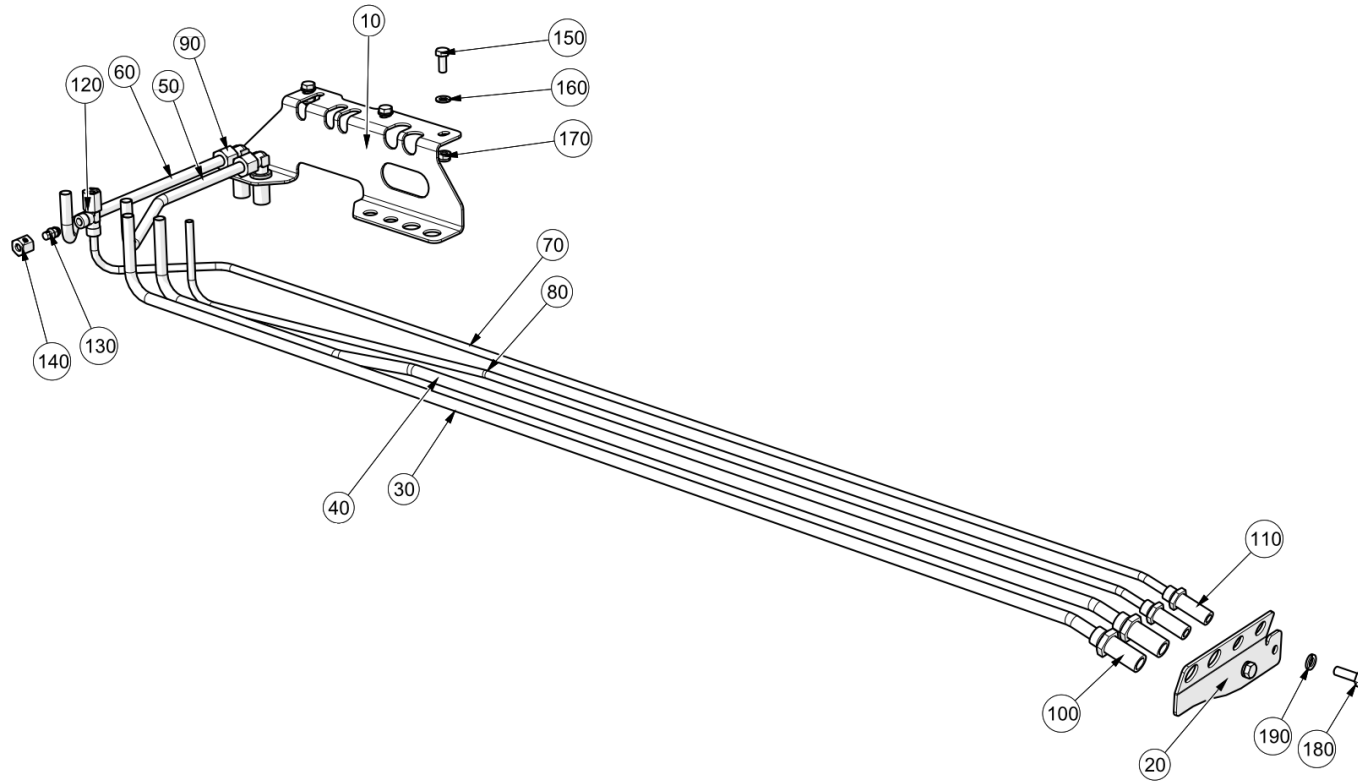


RH Single Subframe Config ()

Subframe\Subframe Sweep Config\RH Single Subframe Config

Item no.	Part no.	Description	QTY	Unit
10	7027630	Pipe Bracket	1	PC
20	7023418	Pipe - Hydraulic	1	PC
30	7023417	Pipe - Hydraulic	1	PC
40	7023454	Pipe - Hydraulic	1	PC
50	7023538	Pipe - Hydraulic	1	PC
60	7023541	Pipe - Hydraulic	1	PC
70	7023540	Pipe - Hydraulic	0	PC
80	308-1	Adjustable Male Tee - M14 x 1.5	1	PC
90	09572101-0	Plug Female - Tube O/D = 8mm	1	PC
100	09570007-0	Cap Nut - M14 x 1.5 (Tube O/D = 8mm)	1	PC
110	92097374-0	Hex Head Screw - M8Cx20 - 8.8	3	PC
120	93085005-0	Nyloc Hex Nut M8C - 8	3	PC
130	93212011-0	Plain Washer - M8	6	PC
140	09570472-0	Bulkhead Elbow Connector - M18 x 1.5	4	PC
150	09570473-0	Bulkhead Elbow Connector - M14 x 1.5	2	PC

LH Single Subframe Config ()
Subframe\Subframe Sweep Config\LH Single Subframe Config

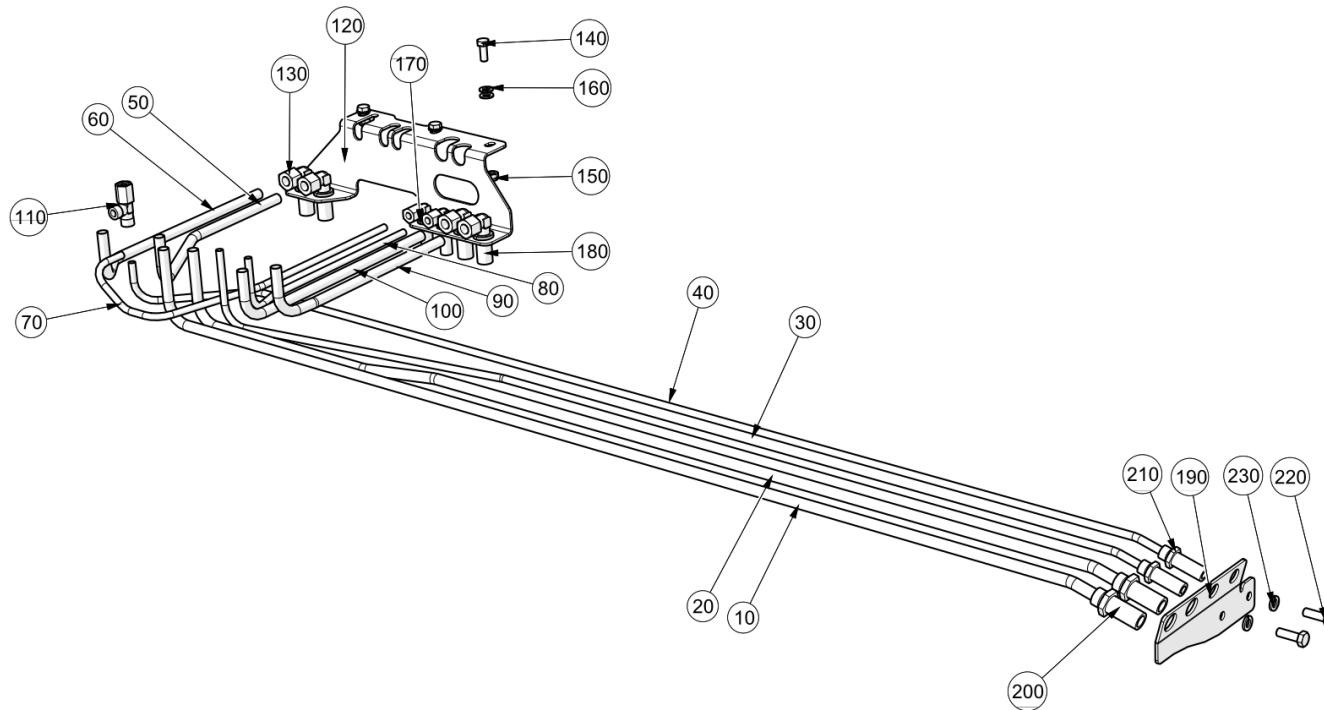


LH Single Subframe Config ()

Subframe\Subframe Sweep Config\LH Single Subframe Config

Item no.	Part no.	Description	QTY	Unit
10	7027630	Pipe Bracket	1	PC
20	7028065	Pipe Support	1	PC
30	7028075	Pipe - Hydraulic	1	PC
40	7028076	Pipe - Hydraulic	1	PC
50	7023418	Pipe - Hydraulic	1	PC
60	7023417	Pipe - Hydraulic	1	PC
70	7028078	Pipe - Hydraulic	1	PC
80	7028077	Pipe - Hydraulic	1	PC
90	09570472-0	Bulkhead Elbow Connector - M18 x 1.5	2	PC
100	302-2	Straight Bulkhead Connector M18 x 1.5	2	PC
110	09570456-0	Straight Bulkhead Connector M14 x 1.5	2	PC
120	308-1	Adjustable Male Tee - M14 x 1.5	1	PC
130	09572101-0	Plug Female - Tube O/D = 8mm	1	PC
140	09570007-0	Cap Nut - M14 x 1.5 (Tube O/D = 8mm)	1	PC
150	92097374-0	Hex Head Screw - M8Cx20 - 8.8	3	PC
160	93212011-0	Plain Washer - M8	6	PC
170	93085005-0	Nyloc Hex Nut M8C - 8	3	PC
180	92097376-0	Hex Head Screw - M8Cx25 - 8.8	2	PC
190	93699710-0	Spring Washer - Plated M8	2	PC

Dual Subframe Sweep Config ()
Subframe\Subframe Sweep Config\Dual Subframe Sweep Config

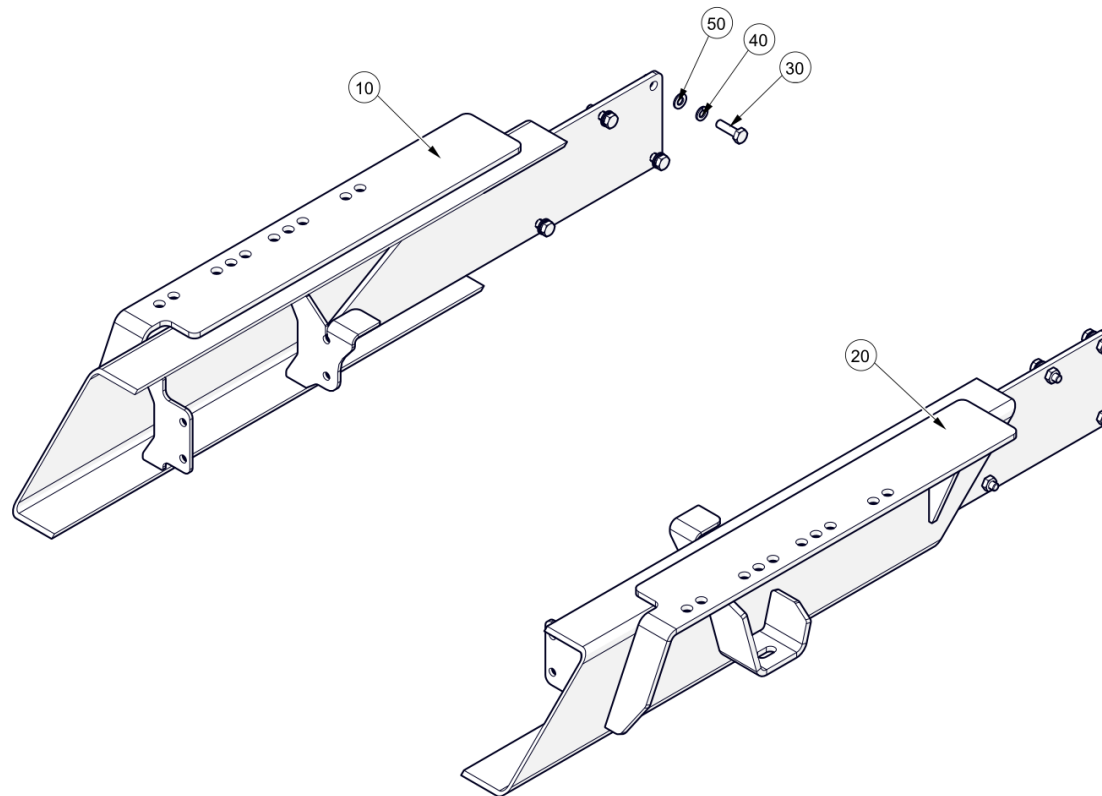


Dual Subframe Sweep Config ()

Subframe\Subframe Sweep Config\Dual Subframe Sweep Config

Item no.	Part no.	Description	QTY	Unit
10	7028075	Pipe - Hydraulic	1	PC
20	7028076	Pipe - Hydraulic	1	PC
30	7028077	Pipe - Hydraulic	1	PC
40	7028078	Pipe - Hydraulic	1	PC
50	7023418	Pipe - Hydraulic	1	PC
60	7023417	Pipe - Hydraulic	1	PC
70	7023454	Pipe - Hydraulic	1	PC
80	7023450	Pipe - Hydraulic	1	PC
90	7023443	Pipe - Hydraulic	1	PC
100	7023442	Pipe - Hydraulic	1	PC
110	308-1	Adjustable Male Tee - M14 x 1.5	1	PC
120	7027630	Pipe Bracket	1	PC
130	09570472-0	Bulkhead Elbow Connector - M18 x 1.5	2	PC
140	92097374-0	Hex Head Screw - M8Cx20 - 8.8	3	PC
150	93085005-0	Nyloc Hex Nut M8C - 8	3	PC
160	93212011-0	Plain Washer - M8	6	PC
170	09570473-0	Bulkhead Elbow Connector - M14 x 1.5	2	PC
180	09570472-0	Bulkhead Elbow Connector - M18 x 1.5	2	PC
190	7028065	Pipe Support	1	PC
200	302-2	Straight Bulkhead Connector M18 x 1.5	2	PC
210	09570456-0	Straight Bulkhead Connector M14 x 1.5	2	PC
220	92097376-0	Hex Head Screw - M8Cx25 - 8.8	2	PC
230	93699710-0	Spring Washer - Plated M8	2	PC

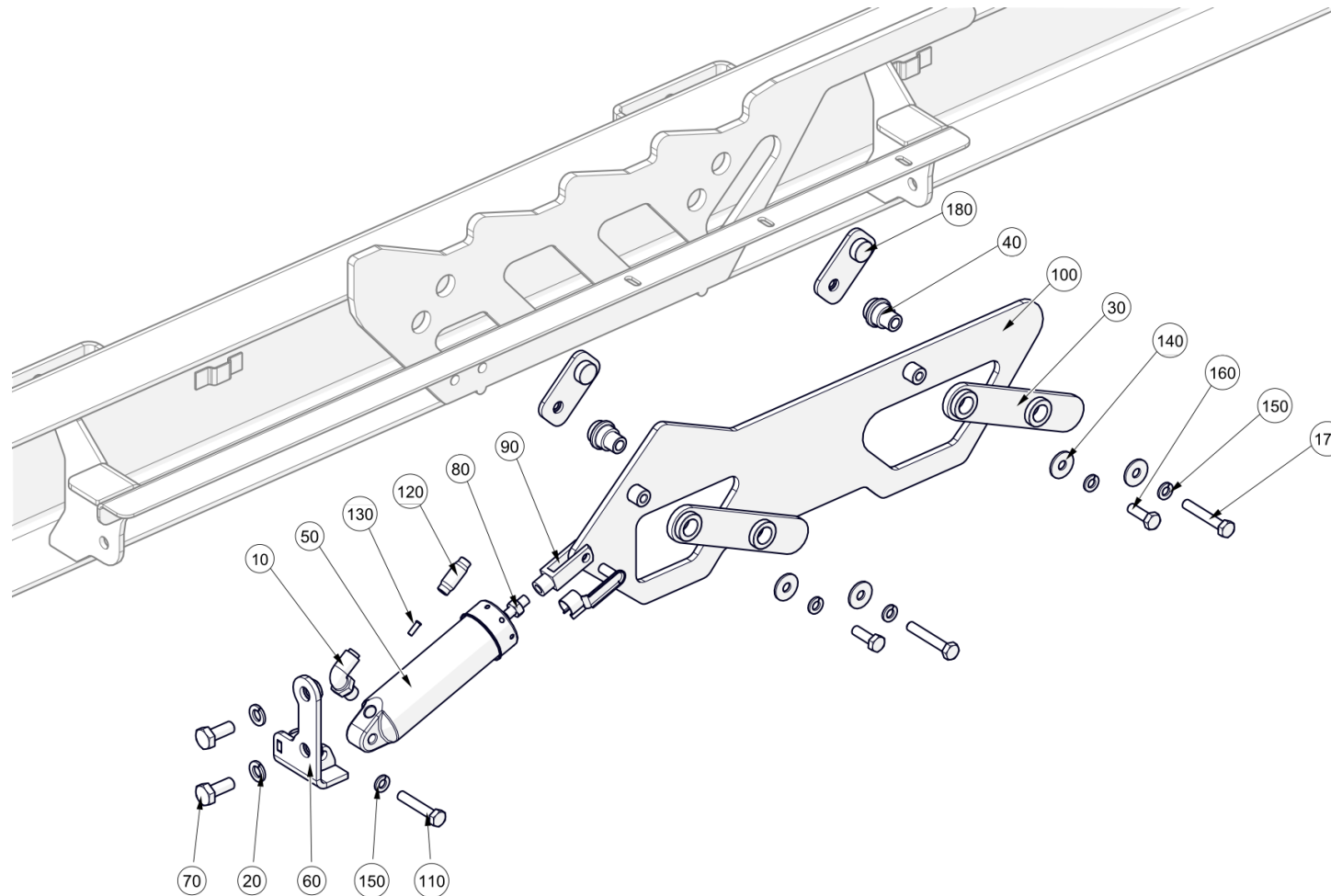
Subframe Extension ()
Subframe\Subframe Extension



Subframe Extension ()
Subframe\Subframe Extension

Item no.	Part no.	Description	QTY	Unit
10	7025441	Subframe Extension 750mm RH	1	PC
10	7011388	Subframe Extension 900mm RH	1	PC
10	7025457	Subframe Extension 600mm RH	1	PC
20	7025440	Subframe Extension 750mm LH	1	PC
20	7011387	Subframe Extension 900mm LH	1	PC
20	7025458	Subframe Extension 600mm LH	1	PC
30	92072120-0	Hex Head Bolt - M10Cx35 - 10.9	8	PC
40	93699711-0	Spring Washer - Plated M10	8	PC
50	93212012-0	Plain Washer - M10	8	PC

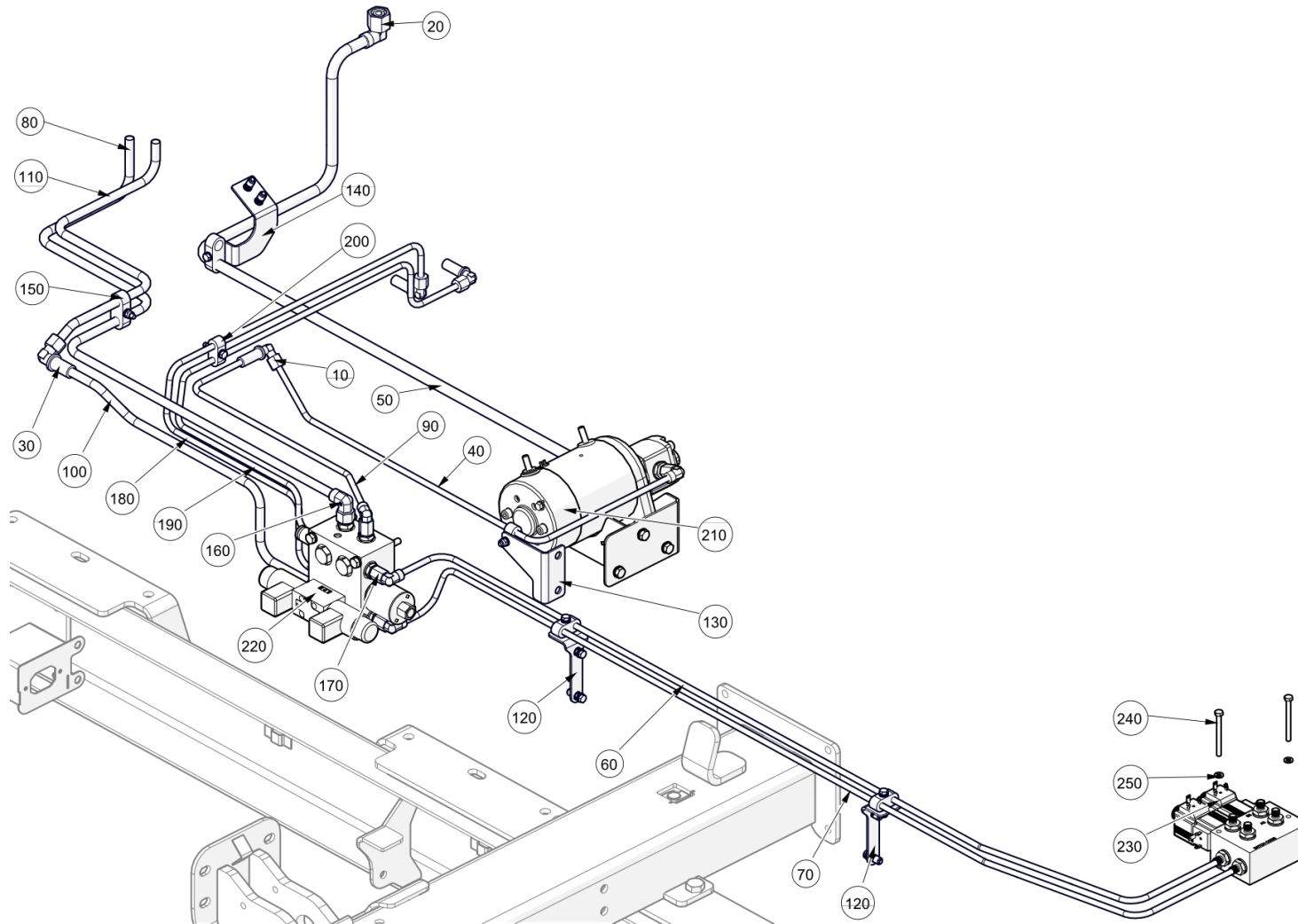
Prop Release Mechanism ()
Subframe\Prop Release Mechanism



Prop Release Mechanism ()
Subframe\Prop Release Mechanism

Item no.	Part no.	Description	QTY	Unit
10	560-40	Elbow - M12x1.5	1	PC
20	93699711-0	Spring Washer - Plated M10	2	PC
30	7056779	Link welded assembly	2	PC
40	7052593	Pivot boss	2	PC
50	7040115	Cylinder - Ø35 x 60	1	PC
60	7041060	Mounting bracket welded assembly	1	PC
70	92097412-0	Hex Head Screw - M10Cx25 - 8.8	2	PC
80	93056014-0	Hex Nut M8C-8	1	PC
90	6371-0081	Fork Joint	1	PC
100	7052591	Release plate welded assembly	1	PC
110	92067384-0	Hex Head Bolt - M8Cx45 8.8	1	PC
120	09598742-0	BL-nector - Straight 6mm	1	PC
130	41041-1-A	Sleeve - Support, Pipe	1	PC
140	93300509-0	Plain Large Washer - M8	4	PC
150	93699710-0	Spring Washer - Plated M8	5	PC
160	92097376-0	Hex Head Screw - M8Cx25 - 8.8	2	PC
170	92067385-0	Hex Head Bolt - M8Cx50 8.8	2	PC
180	7061227	Clamp plate welded assembly	2	PC

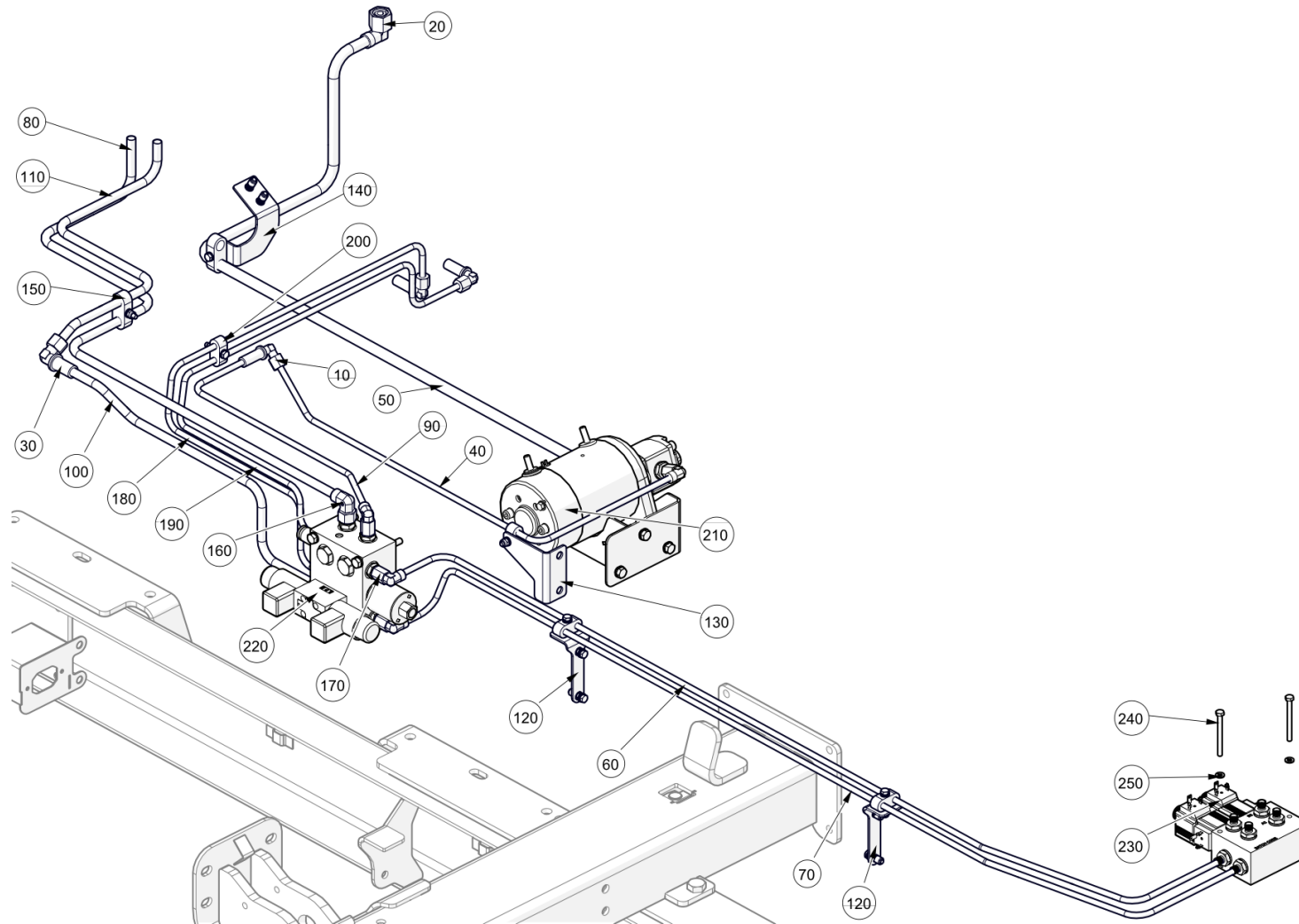
Subframe Hose & Pipework ()
Subframe\Subframe Hose & Pipework



Subframe Hose & Pipework ()
 Subframe\Subframe Hose & Pipework

Item no.	Part no.	Description	QTY	Unit
10	09570473-0	Bulkhead Elbow Connector - M14 x 1.5	3	PC
20	6613-0505	Adjustable Male Elbow - M22 x 1.5	1	PC
30	09570472-0	Bulkhead Elbow Connector - M18 x 1.5	1	PC
40	7034200	Pipe Hyd H-0P3 H8Z1(P2)	1	PC
Suitable for V802.				
40	7034198	Pipe Hyd H-0P3 H8Z1(P2)	1	PC
Suitable for V502.				
40	7033998	Pipe Hyd H-0P3 H8Z1(P2)	1	PC
Suitable for V652.				
50	7034199	Pipe Hyd H-0Z4 H-0P3	1	PC
Suitable for V802.				
50	7034197	Pipe Hyd H-0Z4 H-0P3	1	PC
Suitable for V502.				
50	7033997	Pipe Hyd H-0Z4 H-0P3	1	PC
Suitable for V652.				
60	7016405	Pipe - Hydraulic	1	PC
70	7016406	Pipe - Hydraulic	1	PC
80	7012335	Pipe Hyd H8Z1(P1) H-0Z4	1	PC
Suitable for V802.				
80	7007847	Pipe Hyd H8Z1(P1) H-0Z4	1	PC
Suitable for V652.				
80	7010626	Pipe Hyd H8Z1(P1) H-0Z4	1	PC
Suitable for V502.				

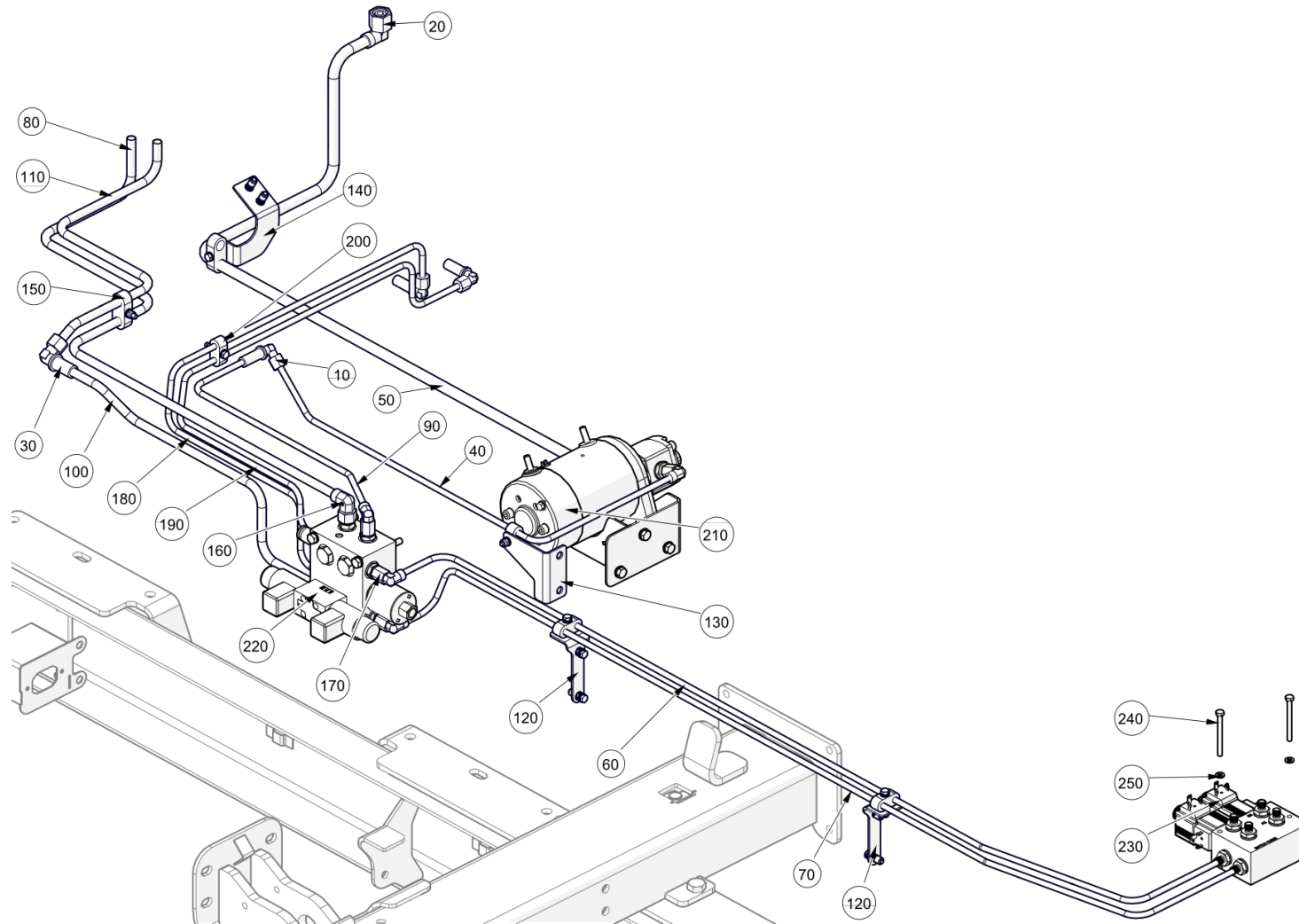
Subframe Hose & Pipework ()
Subframe\Subframe Hose & Pipework



Subframe Hose & Pipework ()
 Subframe\Subframe Hose & Pipework

Item no.	Part no.	Description	QTY	Unit
90	7035123	Pipe Hyd H-0P3 H8Z1(P2)	1	PC
Suitable for V802.				
90	7035112	Pipe - Hydraulic	1	PC
Suitable for V652.				
90	7035117	Pipe - Hydraulic	1	PC
Suitable for V502.				
100	7061457	Pipe Hydraulic	1	PC
100	7044286	Pipe Hyd H8Z1(T1) H-0Z4	1	PC
Suitable for V502.				
100	7059836	Pipe Hydraulic	1	PC
Suitable for V652.				
110	7044297	Pipe Hyd H8Z1(T1) H-0Z4	1	PC
120	7016391	Pipe Support Assy	2	PC
130	7044670	Pipe Clamp S/Assy	1	PC
140	7044673	Pipe Clamp S/Assy	1	PC
150	7044677	Pipe Clamp S/Assy	1	PC
160	6613-0504	Adjustable Male Elbow - M18 x 1.5	1	PC
170	303-1	Adjustable Male Elbow - M14 x 1.5	3	PC
180	7061454	Pipe Hydraulic	1	PC
Suitable for V802.				
180	7059834	Pipe Hydraulic	1	PC
Suitable for V652.				
180	7061496	Pipe Hydraulic	1	PC
Suitable for V502.				

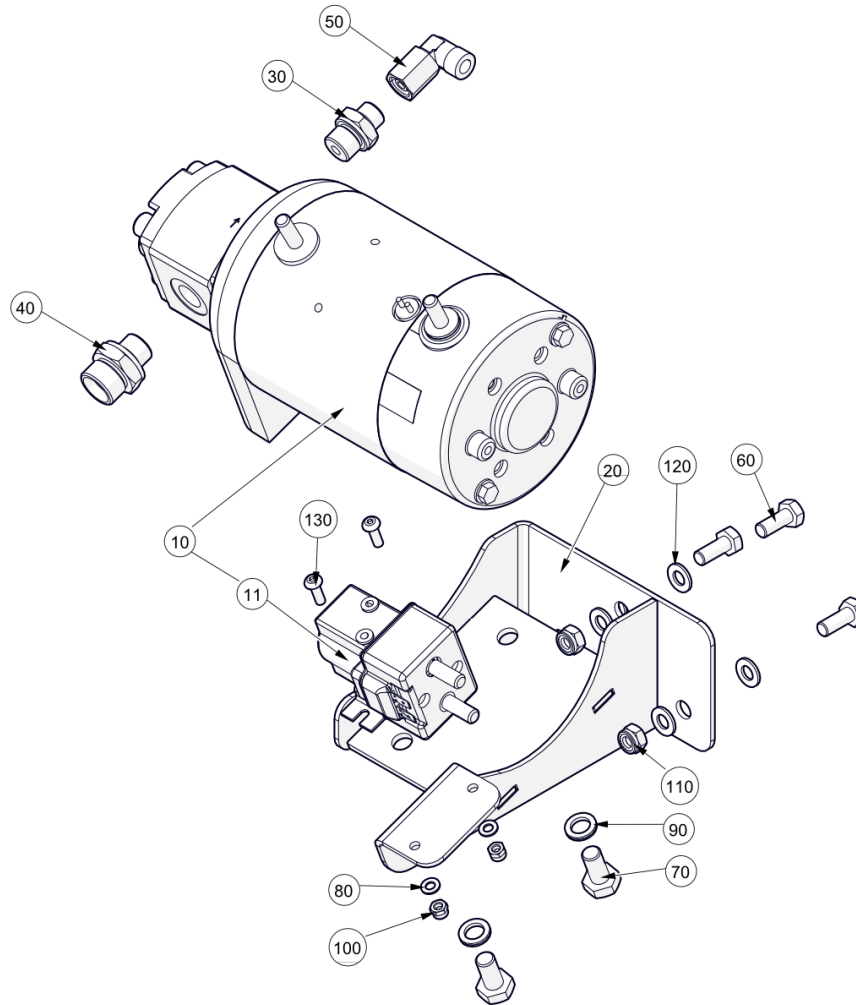
Subframe Hose & Pipework ()
Subframe\Subframe Hose & Pipework



Subframe Hose & Pipework ()
 Subframe\Subframe Hose & Pipework

Item no.	Part no.	Description	QTY	Unit
190	7061455	Pipe Hydraulic	1	PC
Suitable for V802.				
190	7061493	Pipe Hydraulic	1	PC
Suitable for V502.				
190	7059835	Pipe Hydraulic	1	PC
Suitable for V651.				
200	7044676	Pipe Clamp S/Assy	1	PC
Suitable only for V652 and V802.				
230	7063315	Rear Door Manifold 12 V	1	PC
230	7063311	Rear Door Manifold 24 V	1	PC
231	847-51	Coil Only for 847/50 + 847/15	2	PC
Suitable for 12V.				
231	847-138	Coil Only - 24v	2	PC
Suitable for 24V.				
232	847-133	Solenoid Cartridge Valve - Double Acting	2	PC
Item image is not available.				
240	6105-0771	Hex Head Bolt - M6Cx65 - 8.8	2	PC
250	93699708-0	Spring Washer - Plated M6	2	PC
5010	H2SC06002-65	Hose - Hyd Straight x 90 Swept	2	PC
Item image is not available.				
5020	H2SC06002-465	Hose - Hyd Straight x 90 Swept	2	PC
Item image is not available.				
5030	H2SC06002-55	Hose - Hyd Straight x 90 Swept	2	PC
Item image is not available.				

Electric Discharge Pump ()
Subframe\Subframe Hose & Pipework\Electric Discharge Pump

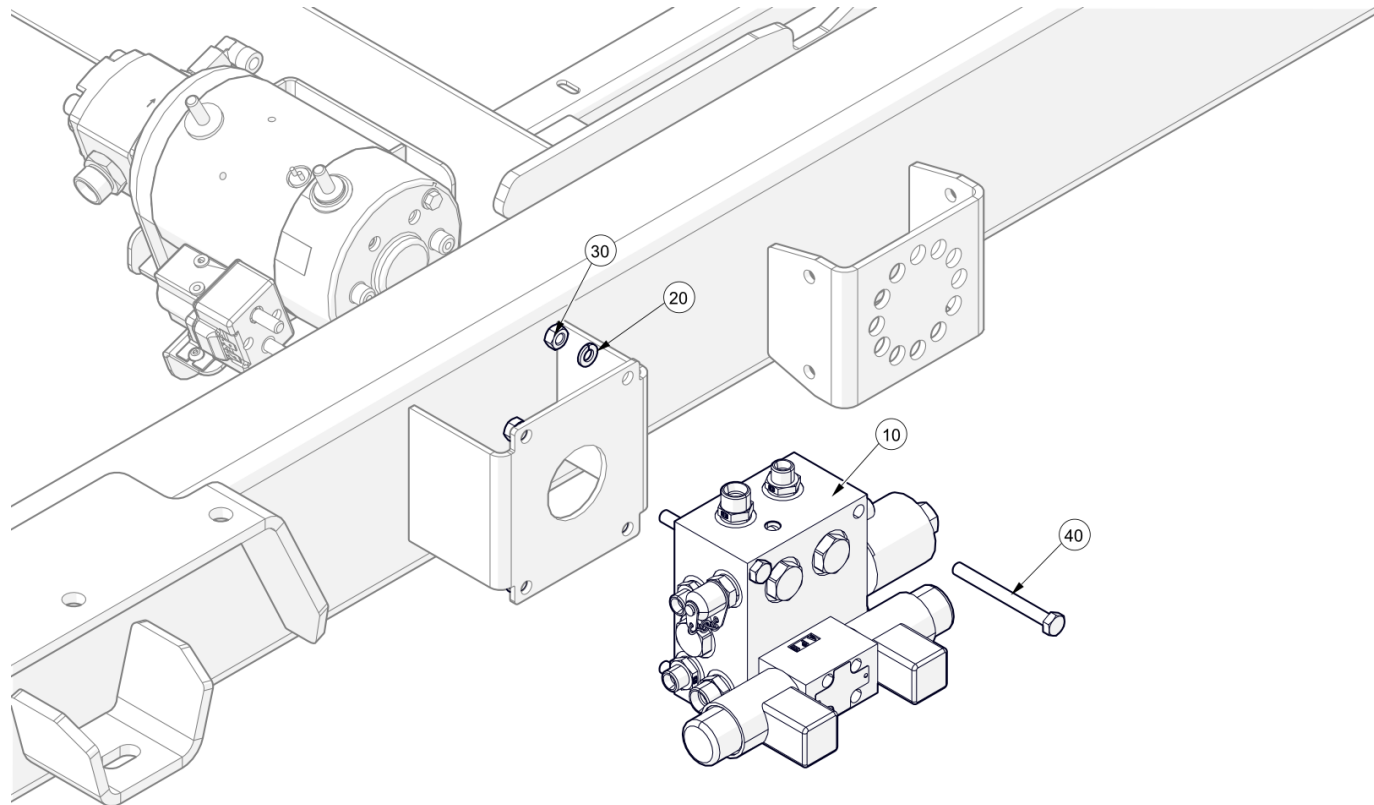


Electric Discharge Pump ()

Subframe\Subframe Hose & Pipework\Electric Discharge Pump

Item no.	Part no.	Description	QTY	Unit
10	7035297	Electric Discharge Pump 2.7cc 24v	1	PC
10	7035298	Electric Discharge Pump 2.7cc 12v	1	PC
11	7041460	Start Solenoid 24v	1	PC
11	7041459	Start Solenoid 12v	1	PC
20	7034074	Bracket W/Assy, Discharge Pump	1	PC
30	09570102-0	Stud Coupling Male G 3/8" x M14 x 1.5	1	PC
40	6601-1326	Stud Coupling Male G 3/8" x M22 x 1.5	1	PC
50	303-1	Adjustable Male Elbow - M14 x 1.5	1	PC
60	92097374-0	Hex Head Screw - M8Cx20 - 8.8	3	PC
70	92097410-0	Hex Head Screw - M10Cx20 - 8.8	2	PC
80	93210109-0	Plain Washer M5	2	PC
90	93361109-0	Washer Nord - Lock M10	2	PC
100	93085003-0	Nyloc Hex Nut M5C - 8	2	PC
110	93085005-0	Nyloc Hex Nut M8C - 8	3	PC
120	93212011-0	Plain Washer - M8	6	PC
130	92330009-0	Hex Skt Button Head Screw M5x16 - 10.9	2	PC

Discharge Manifold ()
Subframe\Subframe Hose & Pipework\Discharge Manifold

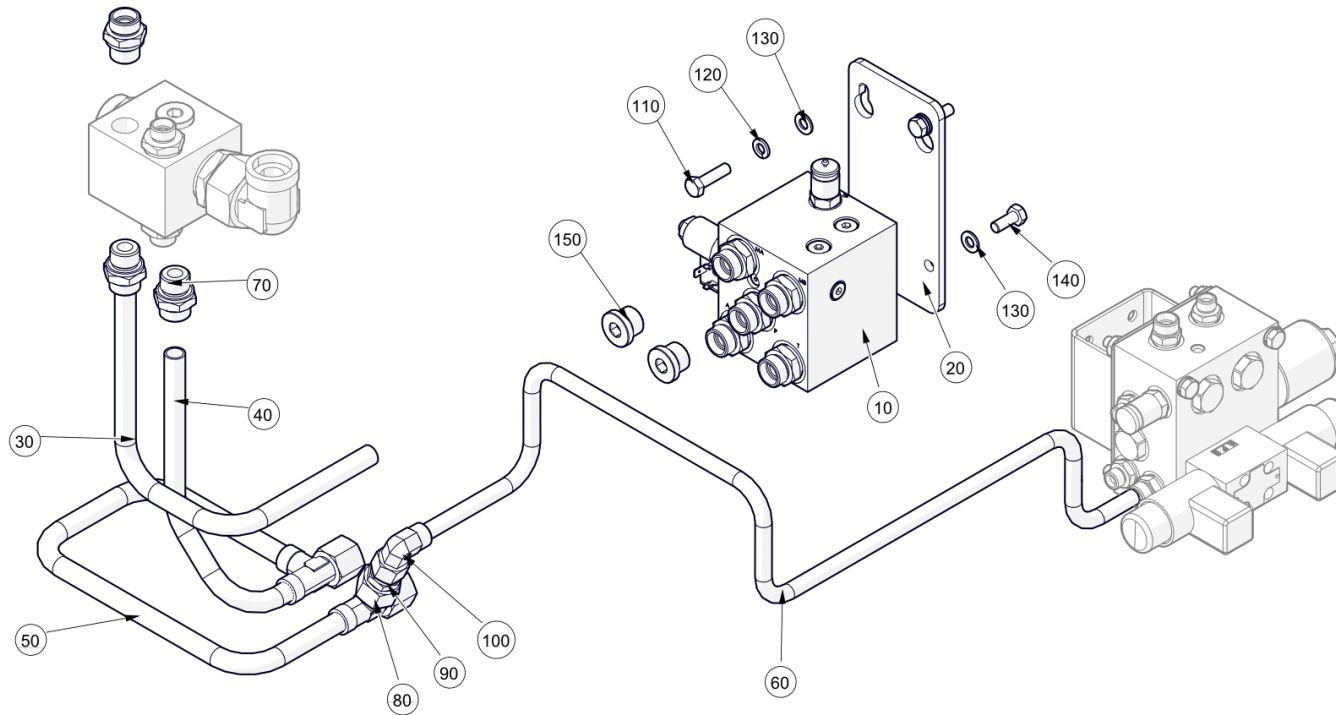


Discharge Manifold ()

Subframe\Subframe Hose & Pipework\Discharge Manifold

Item no.	Part no.	Description	QTY	Unit
10	7061411	Discharge Manifold 12 V	1	PC
10	7059486	Discharge Manifold 24 V	1	PC
11	298-11	Valve Solenoid Operated Directional 12v	1	PC
Coils are included.				
11	298-21	Valve Solenoid Operated Directional 24v	1	PC
Coils are included.				
12	298-150	Coil (2A) 12v	2	PC
Coil only.				
12	298-124	Coil - 24v	2	PC
Coil only.				
13	863-72	Coil E Series 24v DIN 43650	1	PC
14	863-66	Proportional Pressure Control Valve	1	PC
15	863-67	Pilot Operated Check Valve	1	PC
20	93699710-0	Spring Washer - Plated M8	4	PC
30	93056014-0	Hex Nut M8C-8	4	PC
40	92067391-0	Hex Head Bolt - M8Cx80 - 8.8	4	PC

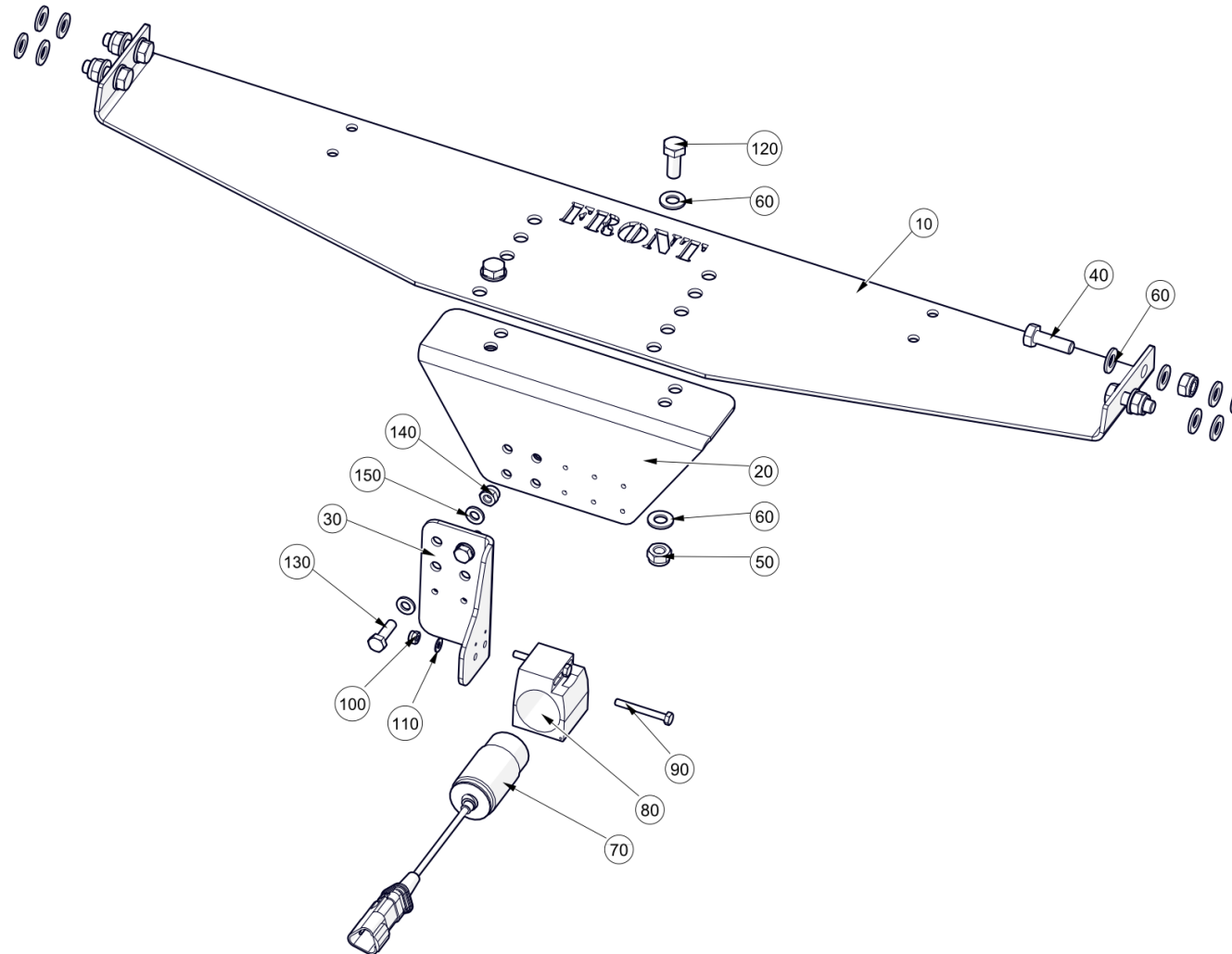
Tandem Pump Valve Block ()
Subframe\Tandem Pump Valve Block



Tandem Pump Valve Block ()
Subframe\Tandem Pump Valve Block

Item no.	Part no.	Description	QTY	Unit
10	7008195	Manifold - Hydraulic 24 Volt	1	PC
10	7008196	Manifold - Hydraulic 12 Volt	1	PC
20	7003608	Plate	1	PC
30	7007964	Pipe - Hydraulic	1	PC
40	7007879	Pipe - Hydraulic	1	PC
50	7007891	Pipe Hyd H12Z1(T) H12Z1(A)	1	PC
60	7013711	Pipe - Hydraulic	1	PC
70	6601-1329	Stud Coupling Male G 1/2" x M22 x 1.5	3	PC
80	6615-2320	Adjustable Male Tee - M22 x 1.5	2	PC
90	306-2	Reducing Connector - M22x1.5 - M18x1.5	1	PC
100	6613-0504	Adjustable Male Elbow - M18 x 1.5	1	PC
110	92097378-0	Hex Head Screw - M8Cx30 - 8.8	2	PC
120	93699710-0	Spring Washer - Plated M8	2	PC
130	93212011-0	Plain Washer - M8	4	PC
140	92097374-0	Hex Head Screw - M8Cx20 - 8.8	2	PC
150	09572135-0	Sealing Plug VS-R 1/2 WD	2	PC
160	7008003	Cable Assembly	1	PC

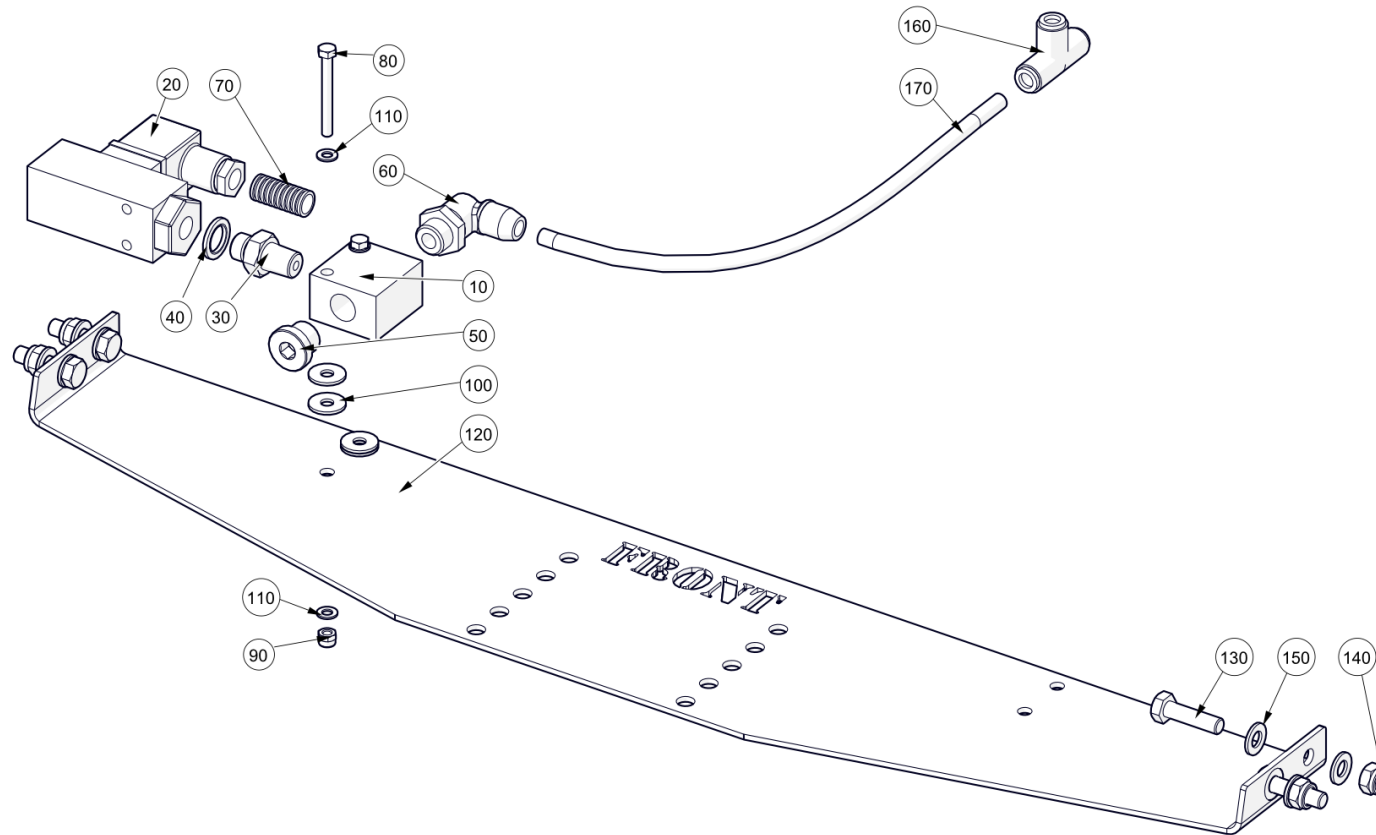
Mechanical Weight Load Indicator ()
Subframe\Mechanical Weight Load Indicator



Mechanical Weight Load Indicator ()
Subframe\Mechanical Weight Load Indicator

Item no.	Part no.	Description	QTY	Unit
10	7050104	Load Indicator - Subframe Mount Plate	1	PC
20	7056387	Load Indicator - Mech Vertical Mount	1	PC
30	7045610	Load Indicator - Sensor Mount	1	PC
60	92097376-0	Hex Head Screw - M8Cx25 - 8.8	4	PC
70	93085005-0	Nyloc Hex Nut M8C - 8	6	PC
80	93212011-0	Plain Washer - M8	20	PC
100	7056419	Proximity Sensor - With Connector	1	PC
110	739-12	Mounting Clamp - M 30	1	PC
120	92097234-0	Hex Head Screw - M4Cx35 - 8.8	1	PC
130	93085002-0	Nyloc Hex Nut M4C - 8	2	PC
140	93212007-0	Plain Washer M4	2	PC
170	92097374-0	Hex Head Screw - M8Cx20 - 8.8	2	PC
180	92097301-0	Hex Head Screw - M6Cx20 - 8.8	2	PC
190	93085004-0	Nyloc Hex Nut M6C - 8	2	PC
200	93212009-0	Plain Washer - M6	4	PC

Air Weight Load Indicator ()
Subframe\Air Weight Load Indicator



Air Weight Load Indicator ()
Subframe\Air Weight Load Indicator

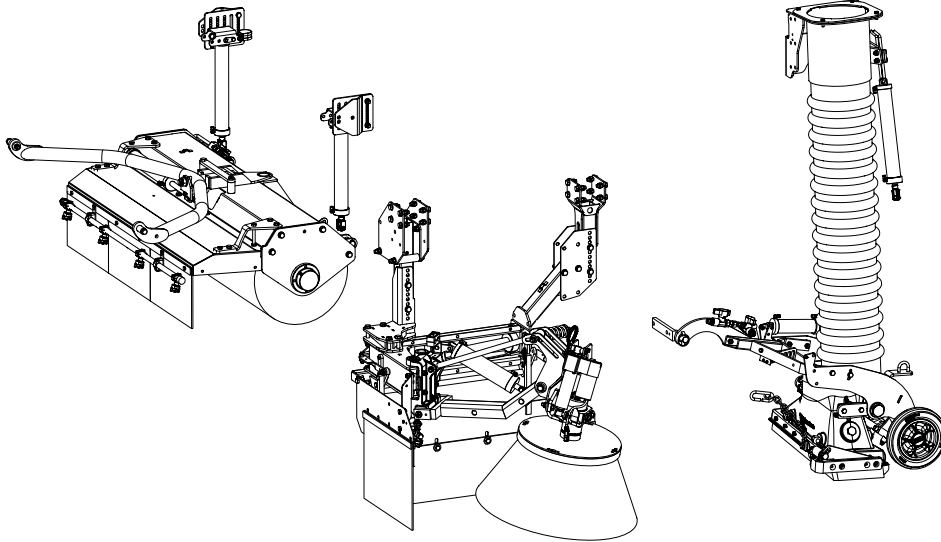
Item no.	Part no.	Description	QTY	Unit
10	802779-1	Air Switch Block M16x1.5 Atego	1	PC
20	72-52	Pneumatic Pressure Switch	1	PC
30	266-2	Adaptor M/M 1/4 - 1/4 BSP/BSPT	1	PC
40	451-17	Washer Bonded G1-4"	1	PC
50	09572123-0	Sealing Plug VS-M16X1,5 WD	1	PC
60	4505-469	Connector Elbow 8mm Tube	1	PC
70	7011221	Cable Assembly	1	PC
80	92067273-0	Hex Head Bolt - M5Cx45 - 8.8	2	PC
90	93085003-0	Nyloc Hex Nut M5C - 8	2	PC
100	93300507-0	Plain Large Washer M6	4	PC
110	93210109-0	Plain Washer M5	4	PC
120	7050104	Load Indicator - Subframe Mount Plate	1	PC
130	92097378-0	Hex Head Screw - M8Cx30 - 8.8	4	PC
140	93085005-0	Nyloc Hex Nut M8C - 8	4	PC
150	93212011-0	Plain Washer - M8	8	PC
160	277-54	Connector Equil Tee 8mm Pushin	0	PC
170	12870	Tube - Nylon Black 8mm O/D	3	M

This page is intentionally left blank

Chapter 5 Sweepgear

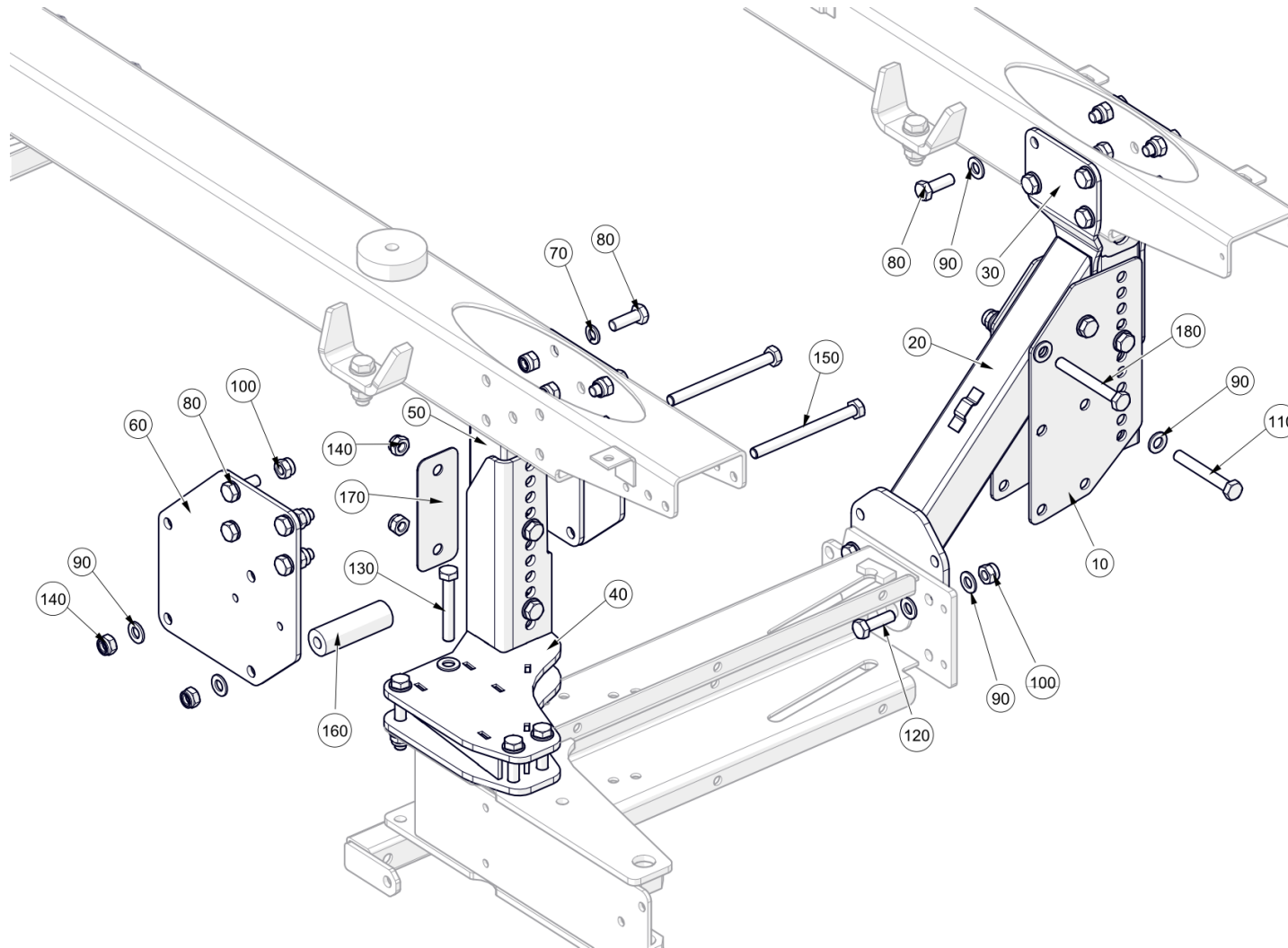
Table of Contents

Section	Page
5.1 Channel Brush.....	220
5.2 Wide Sweep Brush.....	250
5.3 Nozzle.....	274



This page is intentionally left blank

Channel Brush Installation ()
Sweepgear\Channel Brush\Channel Brush Installation



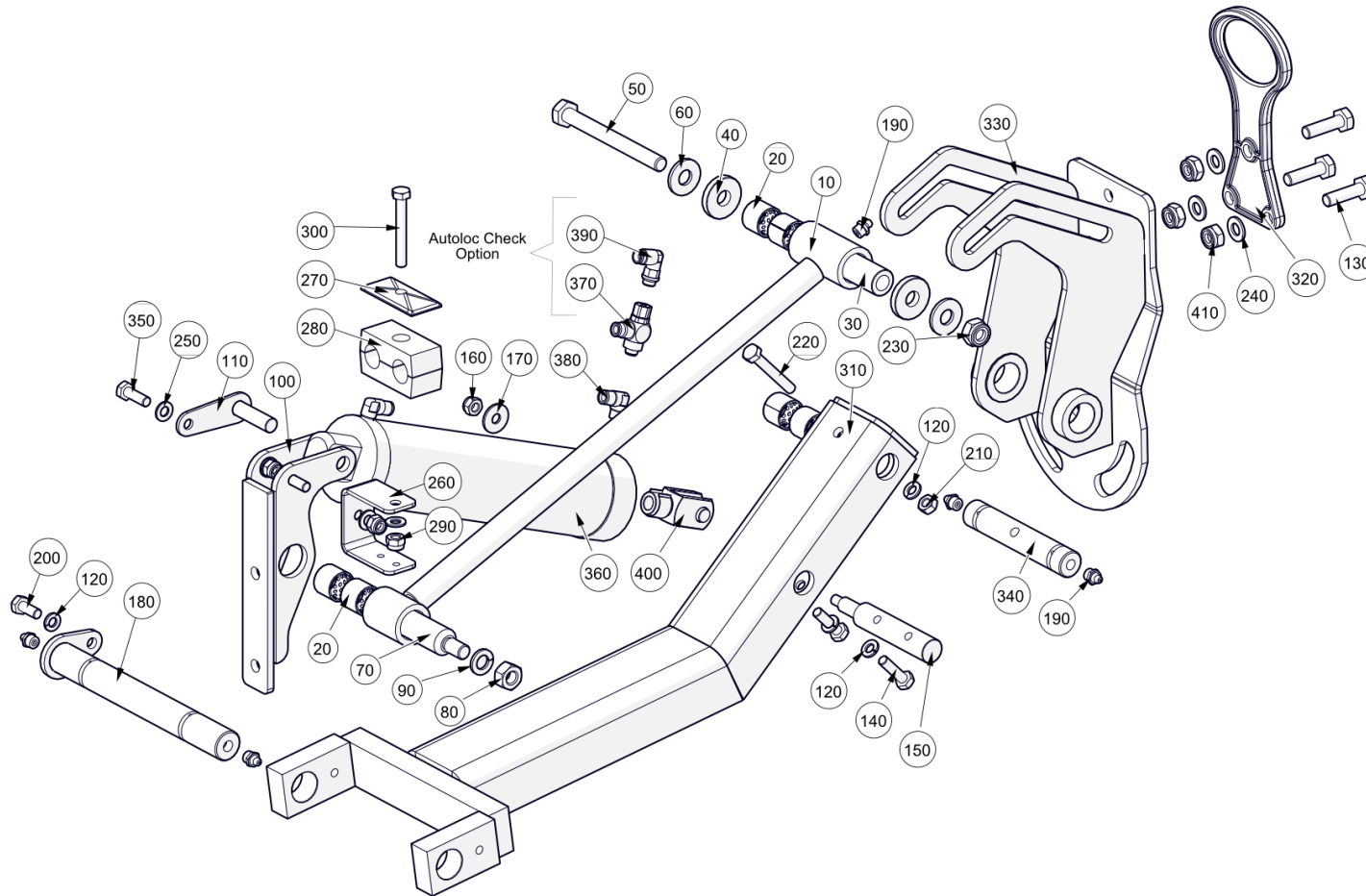
Channel Brush Installation ()
Sweepgear\Channel Brush\Channel Brush Installation

Item no.	Part no.	Description	QTY	Unit
10	7026400	Rear Leg Adjustment Plate	4	PC
20	7026401	Rear Channel Brush Arm Welded Assembly	2	PC
30	7026407	Leg Rear Welded Assembly	2	PC
40	7026975	Channel Brush Front Mount W/Assy	2	PC
50	7026930	Leg - Front Welded Assembly	2	PC
60	7026924	Mounting Plate - Sweepgear	4	PC
70	93699712-0	Spring Washer - Plated M12	8	PC
80	92097451-0	Hex Head Screw - M12Cx35 - 8.8	36	PC
90	93212013-0	Plain Washer M12	84	PC
100	93085807-0	Nyloc Hex Nut M12C - 8	49	PC
110	92067467-0	Hex Head Bolt - M12Cx90 - 8.8	8	PC
120	92067457-0	Hex Head Bolt - M12Cx40 - 8.8	4	PC
130	6105-1501	Hex Head Bolt - M12Cx80 - 8.8	8	PC
140	93085007-0	Nyloc Hex Nut M12C - 8	15	PC
150	92067473-0	Hex Head Bolt - M12Cx140 - 8.8	4	PC
160	45014-31	Spacer - 93mm	4	PC
170	7026966	Backing Plate - Sweepgear	2	PC
180	92067469-0	Hex Head Bolt - M12Cx100 - 8.8	4	PC

This page is intentionally left blank

This page is intentionally left blank

Upper Arm ()
Sweepgear\Channel Brush\Brush Arm\Upper Arm

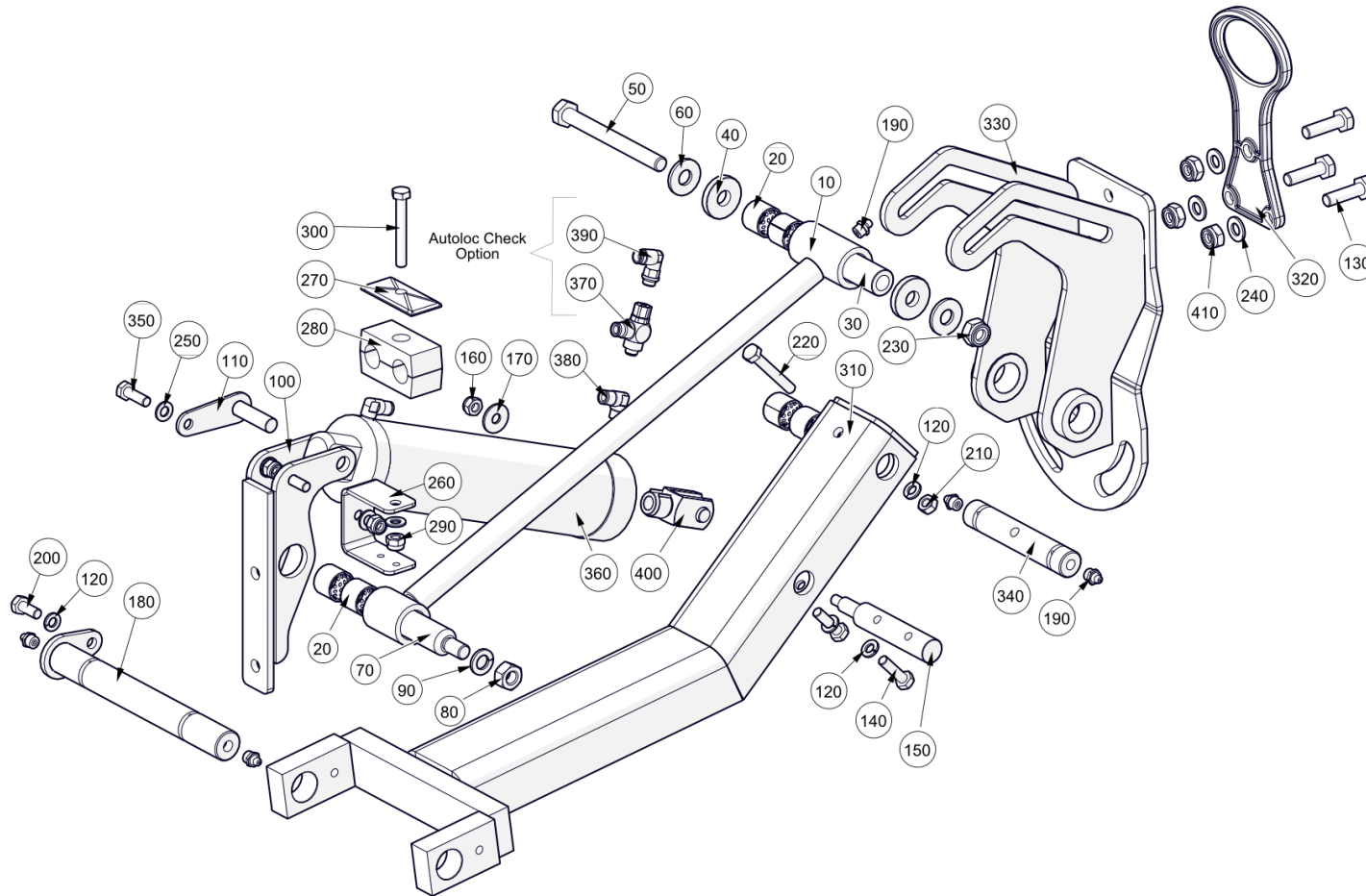


Upper Arm ()

Sweepgear\Channel Brush\Brush Arm\Upper Arm

Item no.	Part no.	Description	QTY	Unit
10	7056018	Upper Arm W/Assy-Channel Brush	1	PC
20	18-43	Bearing - Dry Metric 22mm I/D x 20Lg	6	PC
30	7016372	Bush - Upper Arm	1	PC
40	7016375	Washer - Upper Arm	2	PC
50	92067471-0	Hex Head Bolt - M12Cx120 - 8.8	1	PC
60	7016376	Washer - Upper Arm	2	PC
70	40361-1-D	Pin Pivot Arm Upper Channel Brush	1	PC
80	93056016-0	Hex Nut M12C-8	1	PC
90	93699712-0	Spring Washer - Plated M12	1	PC
100	7008886	Mast Welded Assembly	1	PC
110	7008889	Pin Welded Assembly	1	PC
120	93699710-0	Spring Washer - Plated M8	4	PC
130	92097415-0	Hex Head Screw - M10Cx35 - 8.8	3	PC
140	92097378-0	Hex Head Screw - M8Cx30 - 8.8	2	PC
150	7008958	Pin -Sweep gear	1	PC
160	93085005-0	Nyloc Hex Nut M8C - 8	1	PC
170	93300509-0	Plain Large Washer - M8	1	PC
180	282028-1	Pivot Pin Welded Assembly - Lower Arm	1	PC
190	38-1	Grease Nipple Straight 1/8 BSP	5	PC
200	92097374-0	Hex Head Screw - M8Cx20 - 8.8	1	PC
210	93056014-0	Hex Nut M8C-8	1	PC
220	92097383-0	Hex Head Screw - M8Cx55 - 8.8	1	PC
230	93085007-0	Nyloc Hex Nut M12C - 8	1	PC
240	93212012-0	Plain Washer - M10	4	PC

Upper Arm ()
Sweepgear\Channel Brush\Brush Arm\Upper Arm

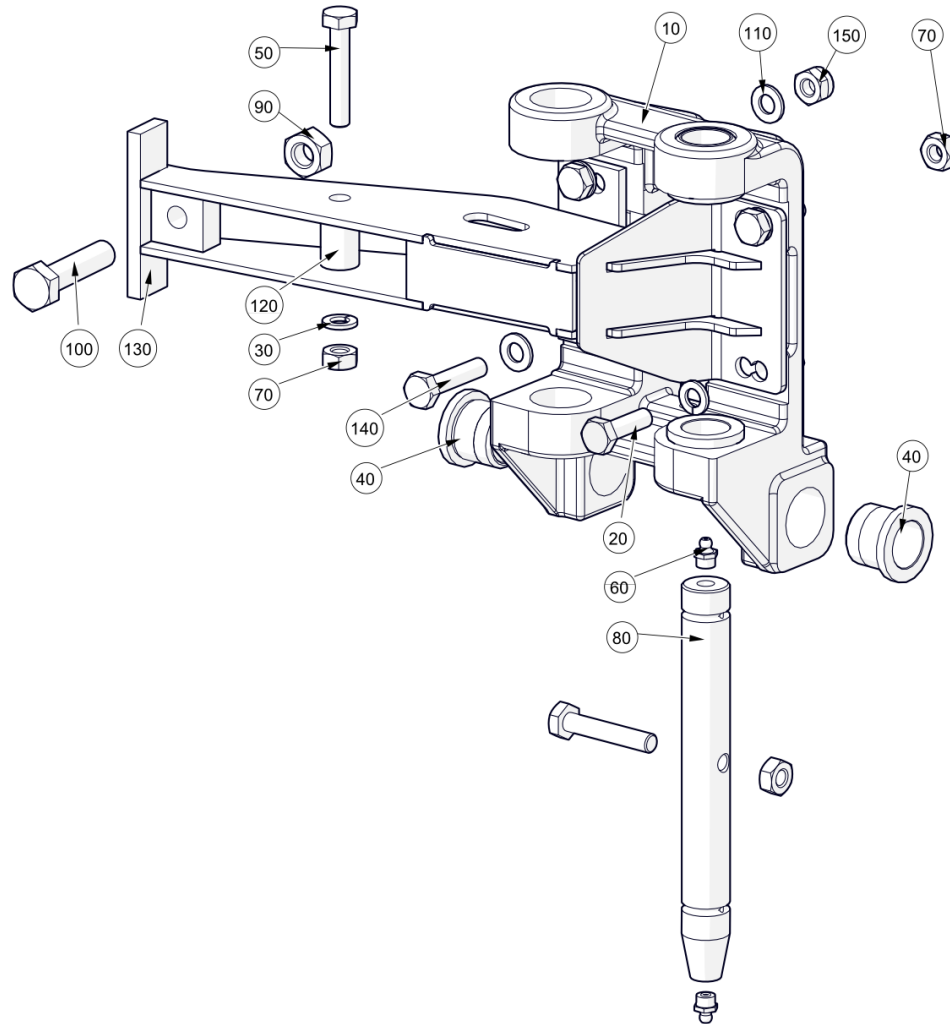


Upper Arm ()

Sweepgear\Channel Brush\Brush Arm\Upper Arm

Item no.	Part no.	Description	QTY	Unit
250	93212011-0	Plain Washer - M8	5	PC
260	7023826	Bracket - Channel Brush	1	PC
270	51-43	Top Clamp Plate - 65x30	1	PC
280	51-44	Clamp - Type 3 G1/2 G1/2	1	PC
290	93085805-0	Nyloc Hex Nut M8C - 8	3	PC
300	92067387-0	Hex Head Bolt - M8Cx60 - 8.8	1	PC
310	7062222	Lower Arm - Machined Assy	1	PC
320	7037992	Hose Guide	1	PC
330	7055980	Motor Mount - Welded Assembly	1	PC
340	40389-1-C	Pin Pivot	1	PC
350	92097376-0	Hex Head Screw - M8Cx25 - 8.8	2	PC
360	7003994	Cylinder Pneum-Dual-Act Ø63x190	1	PC
370	09598716-0	Pilot Check Valve-1/8" BSPx6mm	1	PC
Suitable for Autoloc Check Option. To install this option, one pc. of item 380 must be removed.				
380	09593162-0	Adaptor - Push In 6mm Fixed Elbow R1/8"	2	PC
390	6603-1381	Adaptor-Elbow 6mmxM5x0.8	1	PC
Suitable for Autoloc Check Option.				
400	7009106	Fork head Assembly M12x1.25xØ12	1	PC
410	93085006-0	Nyloc Hex Nut M10C - 8	3	PC

Pivot Head ()
Sweepgear\Channel Brush\Brush Arm\Pivot Head

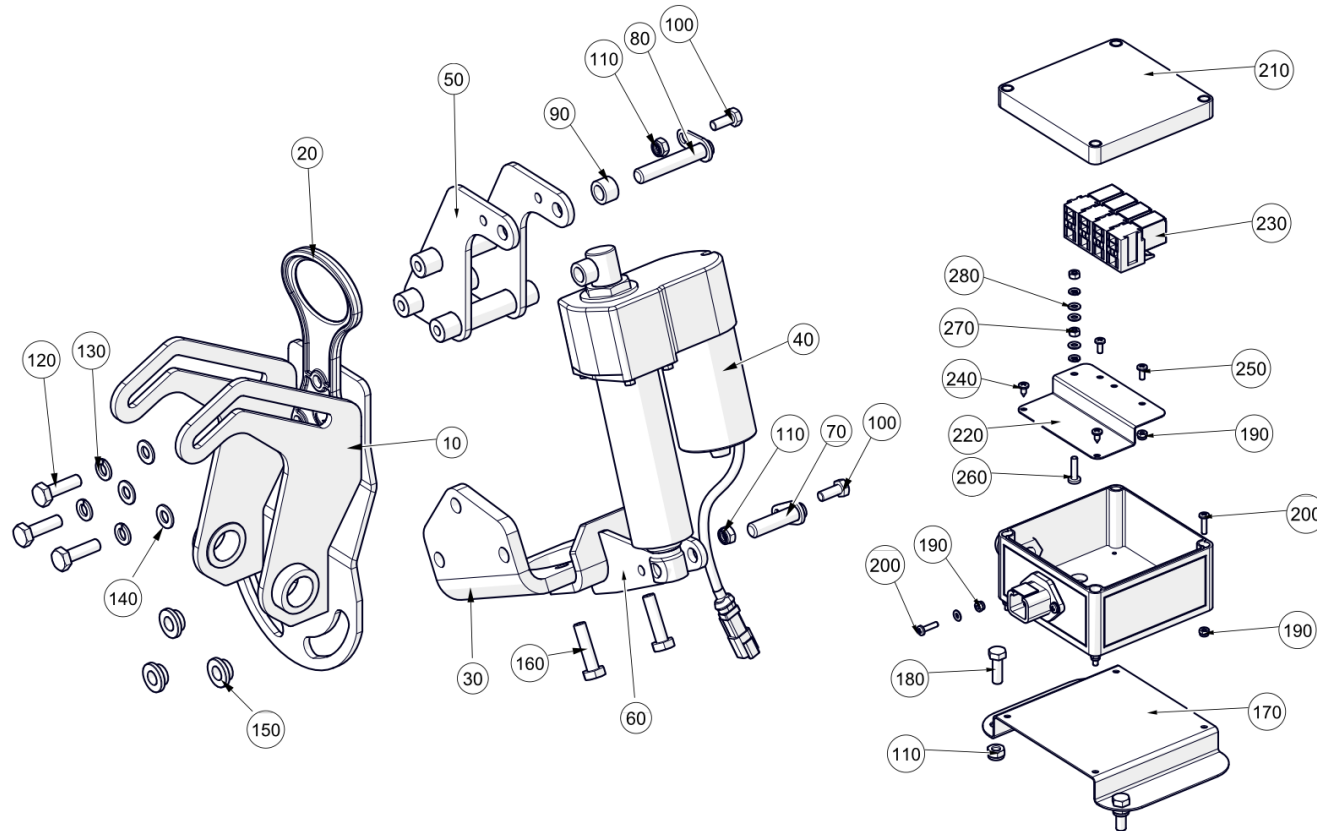


Pivot Head ()

Sweepgear\Channel Brush\Brush Arm\Pivot Head

Item no.	Part no.	Description	QTY	Unit
10	40272-2	Pivot Head Channel Brush DOT3	1	PC
20	92097415-0	Hex Head Screw - M10Cx35 - 8.8	2	PC
30	93699711-0	Spring Washer - Plated M10	3	PC
40	40292-1-D	Bush Channel Brush	4	PC
50	92097419-0	Hex Head Screw - M10Cx55 - 8.8	2	PC
60	38-1	Grease Nipple Straight 1/8 BSP	2	PC
70	93056015-0	Hex Nut M10C-8	4	PC
80	40360-1-E	Pin Pivot Channel Brush Head	1	PC
90	93056061-0	Hex Nut M14F-8	1	PC
100	92117122-0	Hex Head Screw - M14Fx1.50x60 - 8.8	1	PC
110	93212012-0	Plain Washer - M10	4	PC
120	40377-1-E	Bush	1	PC
130	7038679	Pivot Head Lever Welded Assembly	1	PC
140	92097417-0	Hex Head Screw - M10CX45 - 8.8	2	PC
150	93085806-0	Nyloc Hex Nut M10C - 8	2	PC

Rotatilt ()
Sweepgear\Channel Brush\Brush Arm\Rotatilt

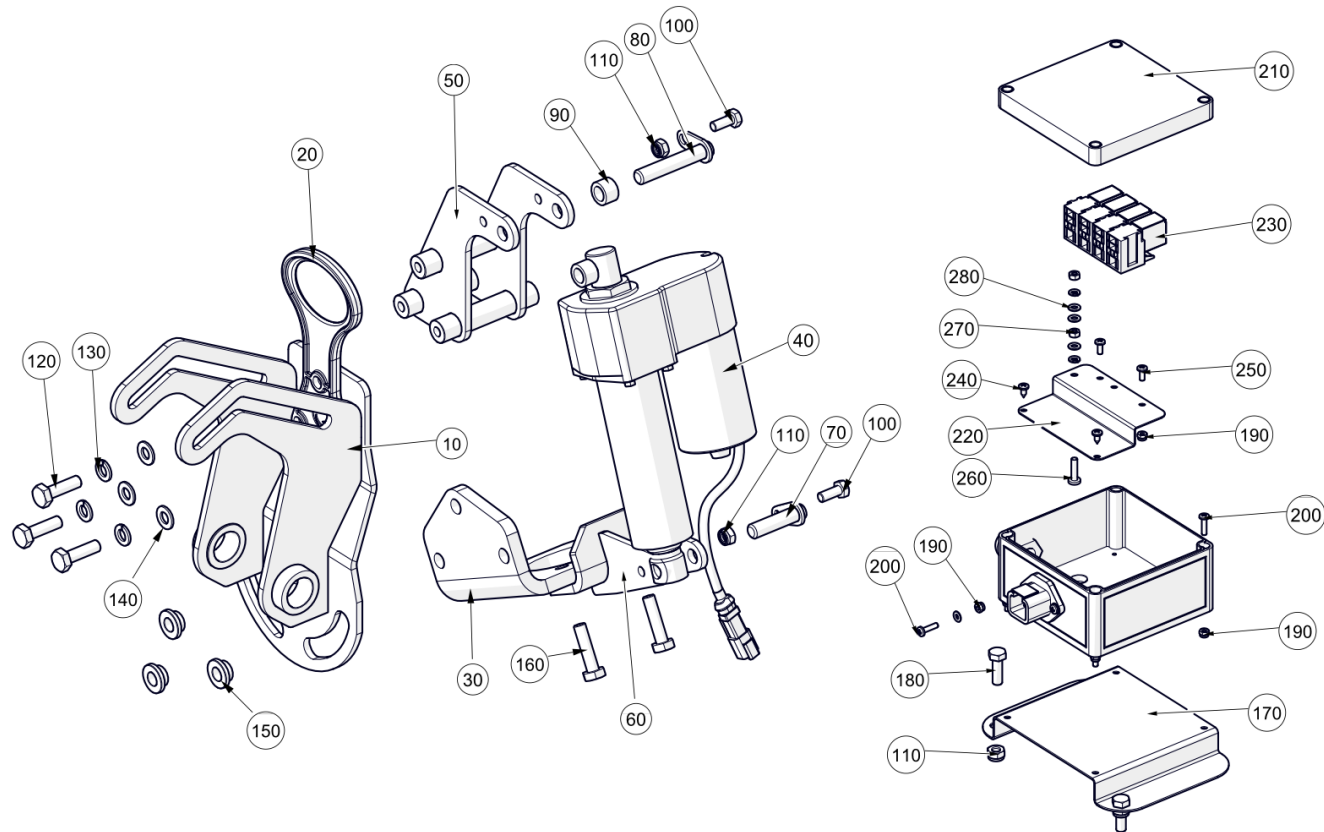


Rotatilt ()

Sweepgear\Channel Brush\Brush Arm\Rotatilt

Item no.	Part no.	Description	QTY	Unit
10	7055980	Motor Mount - Welded Assembly	1	PC
20	7037992	Hose Guide	1	PC
30	7016170	Mounting - Brush Motor	1	PC
40	282508-24	Linear Actuator - 24v	1	PC
40	282508-12	Linear Actuator - 12v	1	PC
50	7018341	Upper Bracket - Welded Assembly	1	PC
60	7018330	Lower Bracket - Welded Assembly	1	PC
70	7018352	Pivot Pin - Welded Assembly	1	PC
80	7018353	Pivot Pin - Welded Assembly	1	PC
90	7018354	Spacer	2	PC
100	92097374-0	Hex Head Screw - M8Cx20 - 8.8	2	PC
110	93085005-0	Nyloc Hex Nut M8C - 8	2	PC
120	92097415-0	Hex Head Screw - M10Cx35 - 8.8	3	PC
130	93699711-0	Spring Washer - Plated M10	3	PC
140	93212012-0	Plain Washer - M10	3	PC
150	281325-1	Bush - Motor Mount Rotatilt	3	PC
160	92097416-0	Hex Head Screw - M10Cx40 - 8.8	2	PC
170	7022791	Rotatilt Relay Box Mount	1	PC
180	92097376-0	Hex Head Screw - M8Cx25 - 8.8	2	PC
190	93085002-0	Nyloc Hex Nut M4C - 8	4	PC
200	134-43	Pan Head Screw - M4Cx16 - 4.8	4	PC
210	7022814	Rotatilt Relay Box	1	PC
220	7022792	Rotatilt Relay Mount	1	PC
230	725-153	Relay - 24v N/O, 5 Pin Diode Protected	4	PC

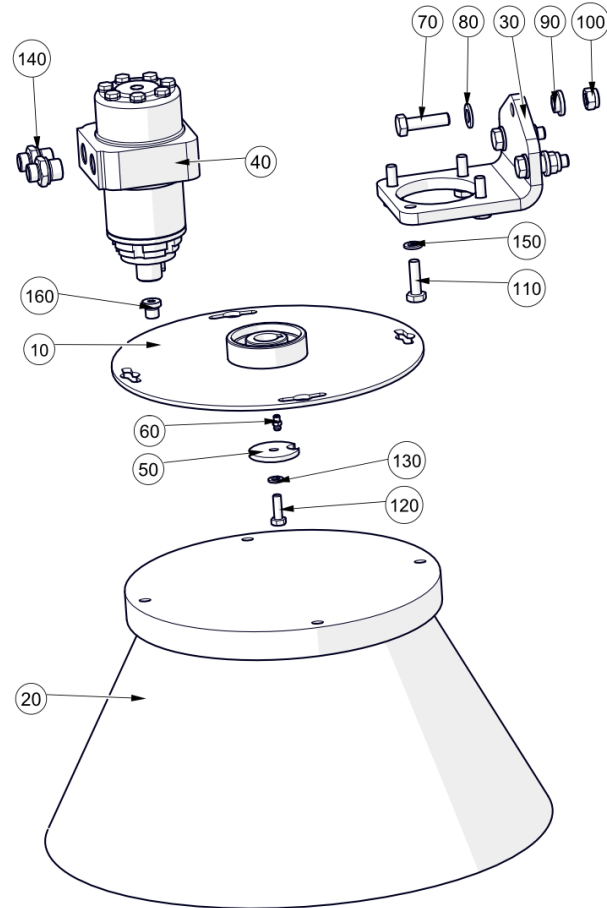
Rotatilt ()
Sweepgear\Channel Brush\Brush Arm\Rotatilt



Rotatilt ()
Sweepgear\Channel Brush\Brush Arm\Rotatilt

Item no.	Part no.	Description	QTY	Unit
230	725-152	Relay - 12v N/O, 5 Pin Diode Protected	4	PC
240	193-16	Pan Head Screw - 4.2x9.5 - 4.8	2	PC
250	134-41	Pan Head Screw - M4Cx10 - 4.8	2	PC
260	134-59	Pan Head Screw - M5Cx20 - 4.8	2	PC
270	93056011-0	Hex Nut M5C-8	2	PC
280	93210109-0	Plain Washer M5	3	PC
290	7022018	Cable Assembly Dual	1	PC
290	7022864	Cable Assembly Single	1	PC

Brush Head ()
Sweepgear\Channel Brush\Brush Arm\Brush Head

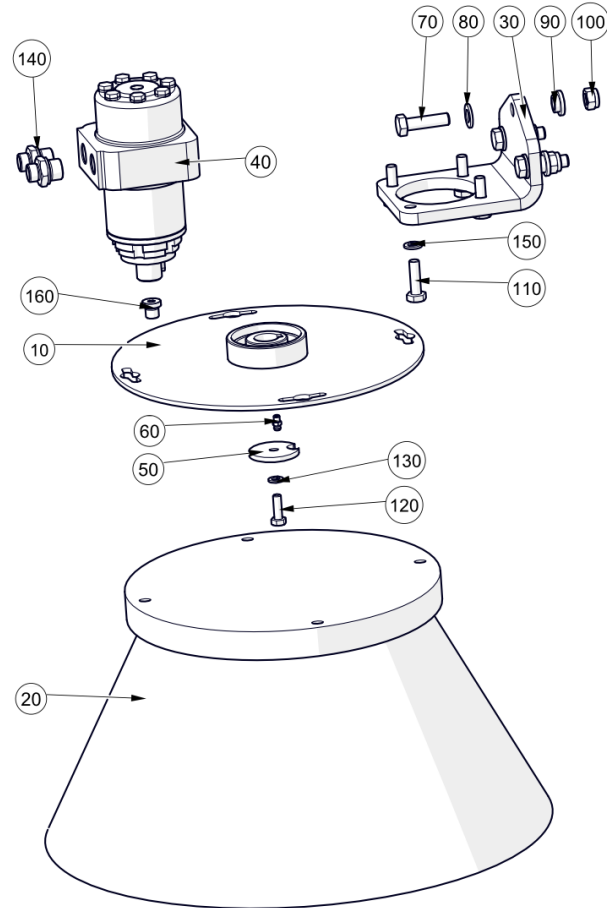


Brush Head ()

Sweepgear\Channel Brush\Brush Arm\Brush Head

Item no.	Part no.	Description	QTY	Unit
10	7024082	Drive Plate Ø500mm Brush	1	PC
Changed to yellow finish. 313 mm diameter.				
10	7024081	Drive Plate Ø650/710mm Brush	1	PC
Changed to yellow finish. 413 mm diameter.				
20	835-24	Channel Brush - Ø710mm Poly	2	PC
20	281899-10	Channel Brush - Ø650mm Poly	2	PC
20	46631-1-A	Channel Brush - Ø540mm Poly	2	PC
20	835-20	Brush Ø510mm Weedrip Steel	2	PC
20	9652098-010	Addit. Weedrip Brush x2 + Drive Plate	1	PC
20	835-55	Channel Brush - Ø500mm Steel	2	PC
20	835-66	Channel Brush - Ø650mm Steel	2	PC
20	835-60	Channel Brush - Ø710mm Steel	2	PC
30	7016170	Mounting - Brush Motor	1	PC
40	72250-1	Motor - Hydraulic OMPW 200	1	PC
50	7024133	Washer - Motor	1	PC
60	38-30	Grease Nipple M6 X 1	1	PC
70	92067458-0	Hex Head Bolt - M12Cx45 - 8.8	3	PC
80	93212013-0	Plain Washer M12	3	PC
90	281325-2	Bush - Motor Mount	3	PC
100	93085007-0	Nyloc Hex Nut M12C - 8	3	PC
110	92097415-0	Hex Head Screw - M10Cx35 - 8.8	4	PC
120	135-58	Hex Head Screw - 180° Patch M8Cx25	1	PC
130	93361108-0	Washer Nord - Lock M8	1	PC
140	09570131-0	Stud Coupling Male G 1/2" x M18 x 1.	2	PC

Brush Head ()
Sweepgear\Channel Brush\Brush Arm\Brush Head



Brush Head ()

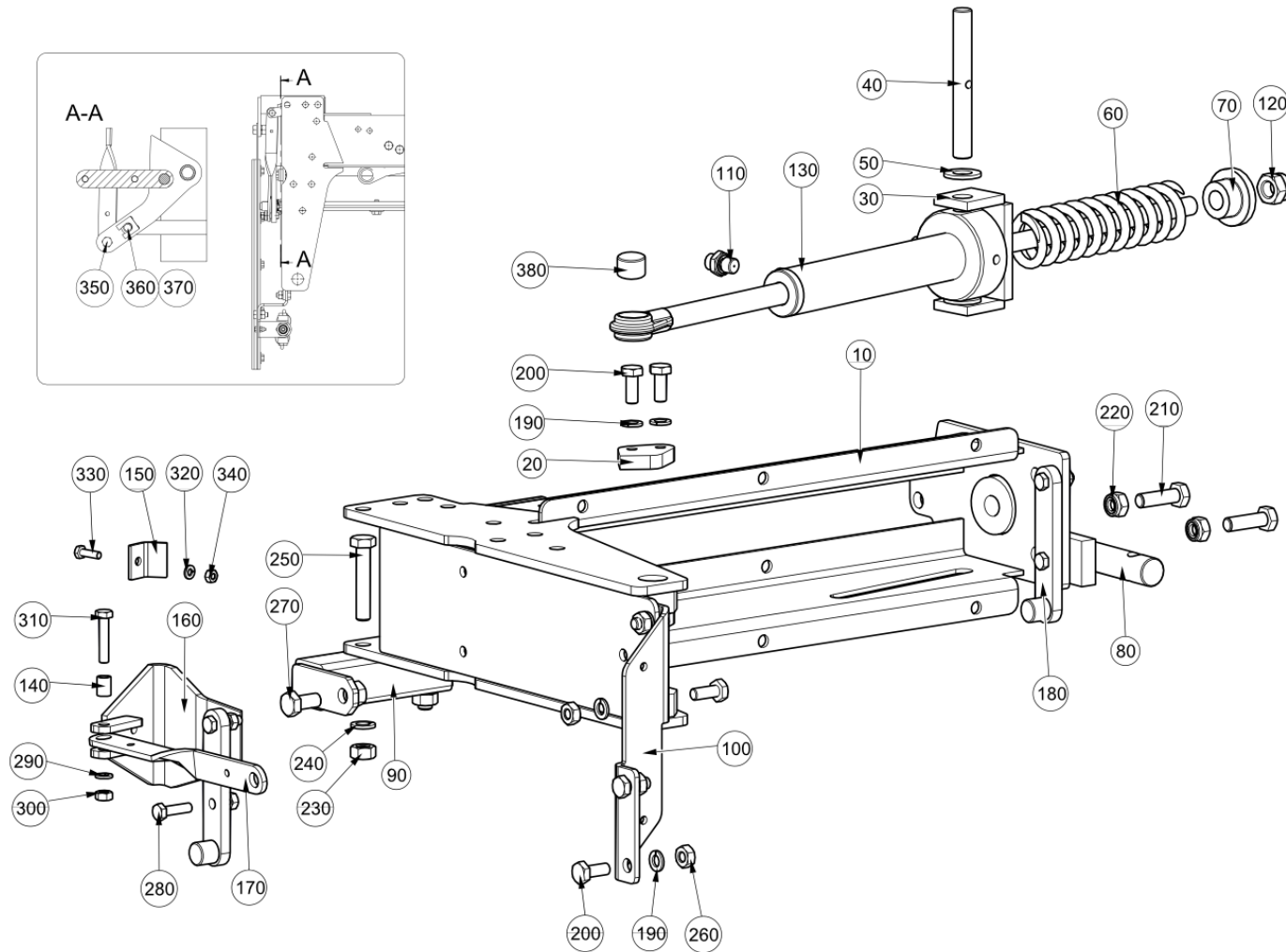
Sweepgear\Channel Brush\Brush Arm\Brush Head

Item no.	Part no.	Description	QTY	Unit
150	93212012-0	Plain Washer - M10	4	PC
160	09572133-0	Sealing Plug VS-R 1/4 WD	1	PC

This page is intentionally left blank

This page is intentionally left blank

Pivot Frame Assembly ()
Sweepgear\Channel Brush\Pivot Frame Assembly\Pivot Frame Assembly

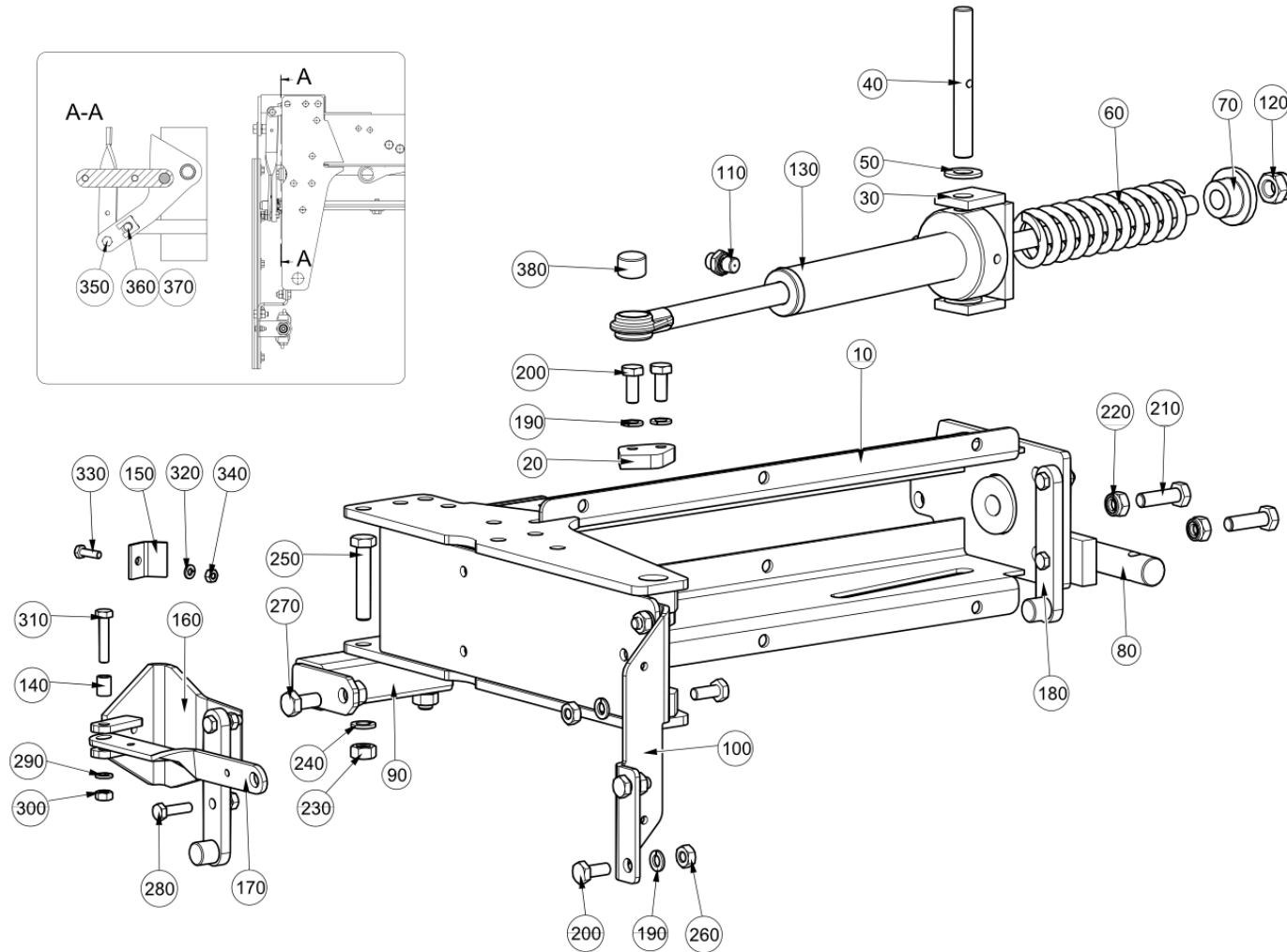


Pivot Frame Assembly ()

Sweepgear\Channel Brush\Pivot Frame Assembly\Pivot Frame Assembly

Item no.	Part no.	Description	QTY	Unit
10	200075-1	Pivot Frame - Channel Brush W/Assy	1	PC
20	281587-1	Stop - Channel Brush	2	PC
30	67348-1	Fork - Welded Assembly	1	PC
40	40420-1-B	Pin - Cylinder Channel Brush	1	PC
50	40421-1-F	Spacer - Cylinder Channel Brush	2	PC
60	41895-2	Spring - Compression Channel Brush	1	PC
70	41911-1	Nut - Kick Back Spring	1	PC
80	40295-1-F	Pin Welded Assembly - Tow, Nozzle	1	PC
90	810750-1	Box Towpoint - Weld Assy	1	PC
100	62822-1	Bracket - Mud Flap Mounting	1	PC
110	15062230-0	Adaptor - G 1/4 x M14x1.5	2	PC
120	93085009-0	Nyloc Hex Nut M16C - 8	1	PC
130	281601-1	Cylinder Assy C/Brush	1	PC
140	40383-1-B	Bush - Curtain, Channel Brush	1	PC
150	40384-1-B	Catch Curtain Lever Channel Brush	1	PC
160	800678-1	Lever - Brush Curtain Welded Assembly	1	PC
170	7038676	Curtain Link	1	PC
180	7038672	Davit Hinge Welded Assembly	2	PC
190	93699711-0	Spring Washer - Plated M10	8	PC
200	92097412-0	Hex Head Screw - M10Cx25 - 8.8	8	PC
210	92067457-0	Hex Head Bolt - M12Cx40 - 8.8	2	PC
220	93085007-0	Nyloc Hex Nut M12C - 8	2	PC
230	93056016-0	Hex Nut M12C-8	3	PC
240	93699712-0	Spring Washer - Plated M12	3	PC

Pivot Frame Assembly ()
 Sweepgear\Channel Brush\Pivot Frame Assembly\Pivot Frame Assembly

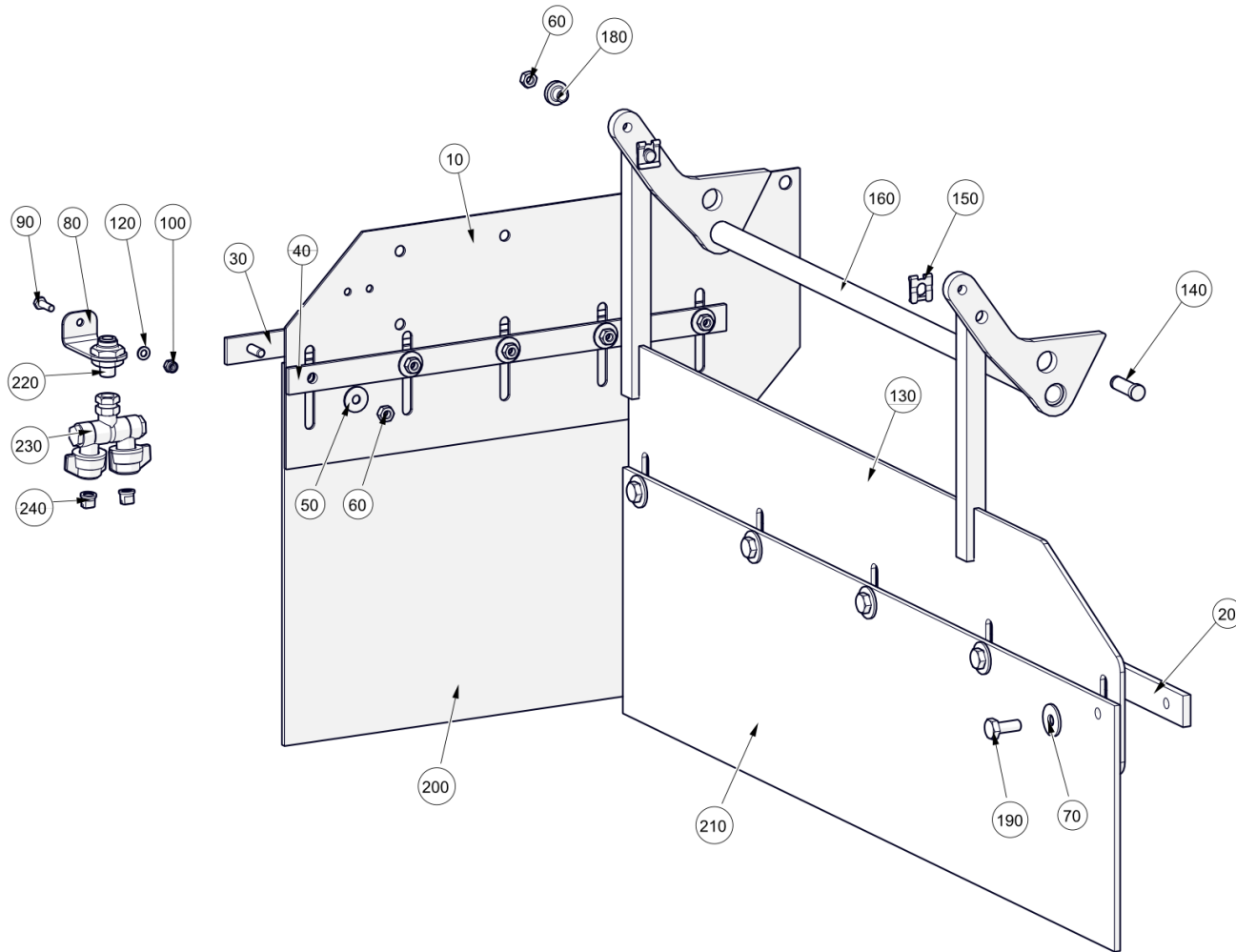


Pivot Frame Assembly ()

Sweepgear\Channel Brush\Pivot Frame Assembly\Pivot Frame Assembly

Item no.	Part no.	Description	QTY	Unit
250	92067462-0	Hex Head Bolt - M12Cx65 - 8.8	2	PC
260	93056015-0	Hex Nut M10C-8	4	PC
270	92097448-0	Hex Head Screw - M12Cx25 - 8.8	1	PC
280	92097378-0	Hex Head Screw - M8Cx30 - 8.8	4	PC
290	93699710-0	Spring Washer - Plated M8	5	PC
300	93056014-0	Hex Nut M8C-8	4	PC
310	92097380-0	Hex Head Screw - M8Cx40 - 8.8	1	PC
320	93699708-0	Spring Washer - Plated M6	1	PC
330	92097301-0	Hex Head Screw - M6Cx20 - 8.8	1	PC
340	93056012-0	Hex Nut M6C-8	1	PC
350	92097379-0	Hex Head Screw - M8Cx35 - 8.8	1	PC
360	7047290	Pin - CB curtain	2	PC
370	283-2	Clip - Spring Retaining	2	PC
380	29128-1-B	Bush - 20Lg	1	PC

Curtain/Flaps ()
Sweepgear\Channel Brush\Pivot Frame Assembly\Curtain/Flaps

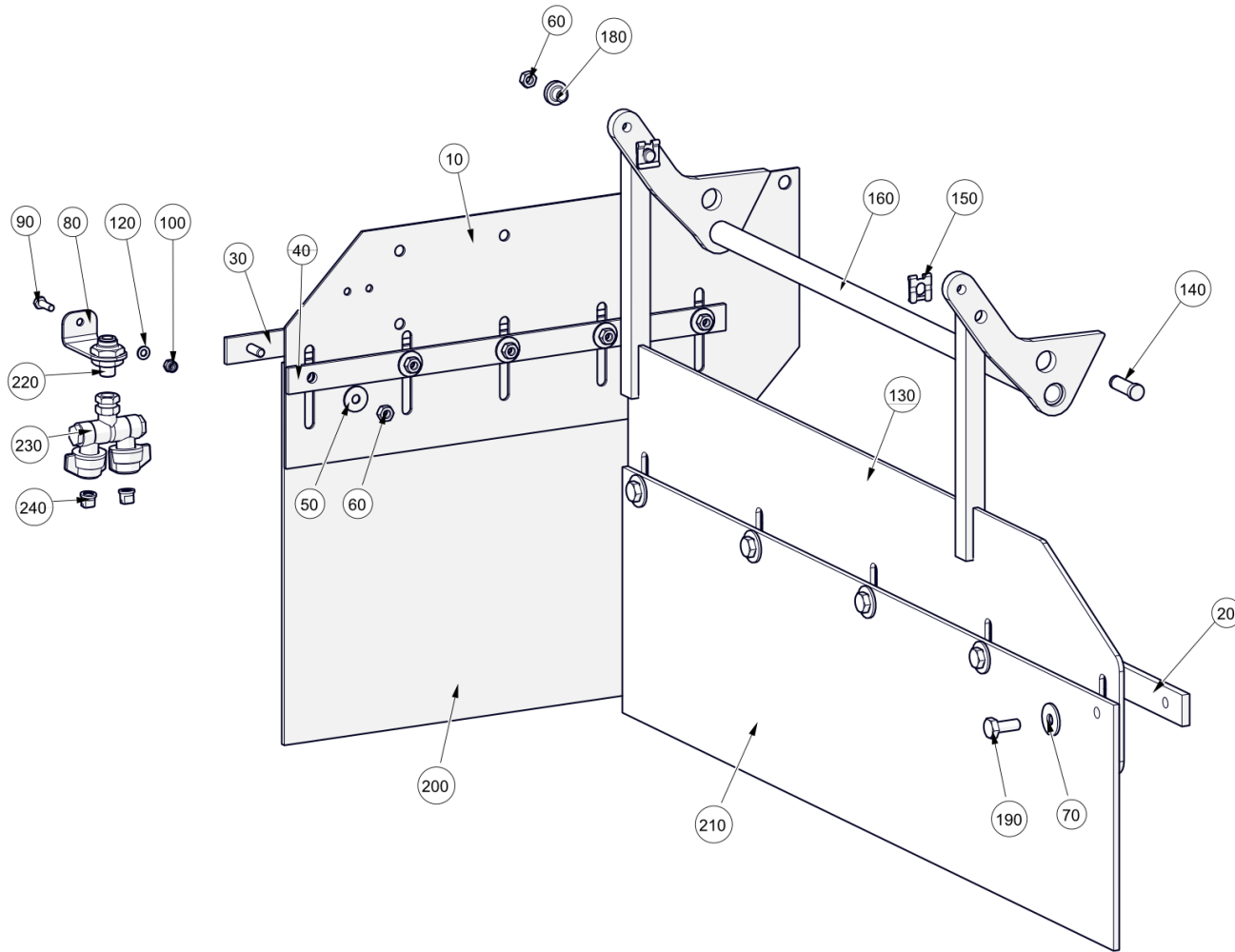


Curtain/Flaps ()

Sweepgear\Channel Brush\Pivot Frame Assembly\Curtain/Flaps

Item no.	Part no.	Description	QTY	Unit
10	67375-1	Plate - Mud Flap	1	PC
20	62454-1	Clamp - Strip	1	PC
30	67372-1	Clamp Strip Welded Assembly	1	PC
40	67378-1	Clamp Bar	1	PC
50	93300509-0	Plain Large Washer - M8	5	PC
60	93056014-0	Hex Nut M8C-8	6	PC
70	93300510-0	Plain Large Washer M10	5	PC
80	7018998	Mounting Bracket, Water Spray	1	PC
90	92097301-0	Hex Head Screw - M6Cx20 - 8.8	1	PC
100	93085004-0	Nyloc Hex Nut M6C - 8	1	PC
120	93212009-0	Plain Washer - M6	1	PC
130	7038654	Curtain Welded Assembly	1	PC
140	7047290	Pin - CB curtain	2	PC
150	283-2	Clip - Spring Retaining	2	PC
160	7038647	Davit Welded Assembly	1	PC
170	92097379-0	Hex Head Screw - M8Cx35 - 8.8	1	PC
180	40385-1-B	Pin Retaining Link	1	PC
190	92097412-0	Hex Head Screw - M10Cx25 - 8.8	5	PC
200	67368-1	Mud Flap	1	PC
210	63334-1	Curtain - Rubber Channel Brush	1	PC
220	7019026	Adaptor, G1/4" x 10mm Push-in	1	PC
230	21-67	Double Swivel Holder - Plastic	1	PC
240	21-78	Tip - Fan Yellow 80°	2	PC
Flow: 0.85Lpm				

Curtain/Flaps ()
Sweepgear\Channel Brush\Pivot Frame Assembly\Curtain/Flaps



Curtain/Flaps ()

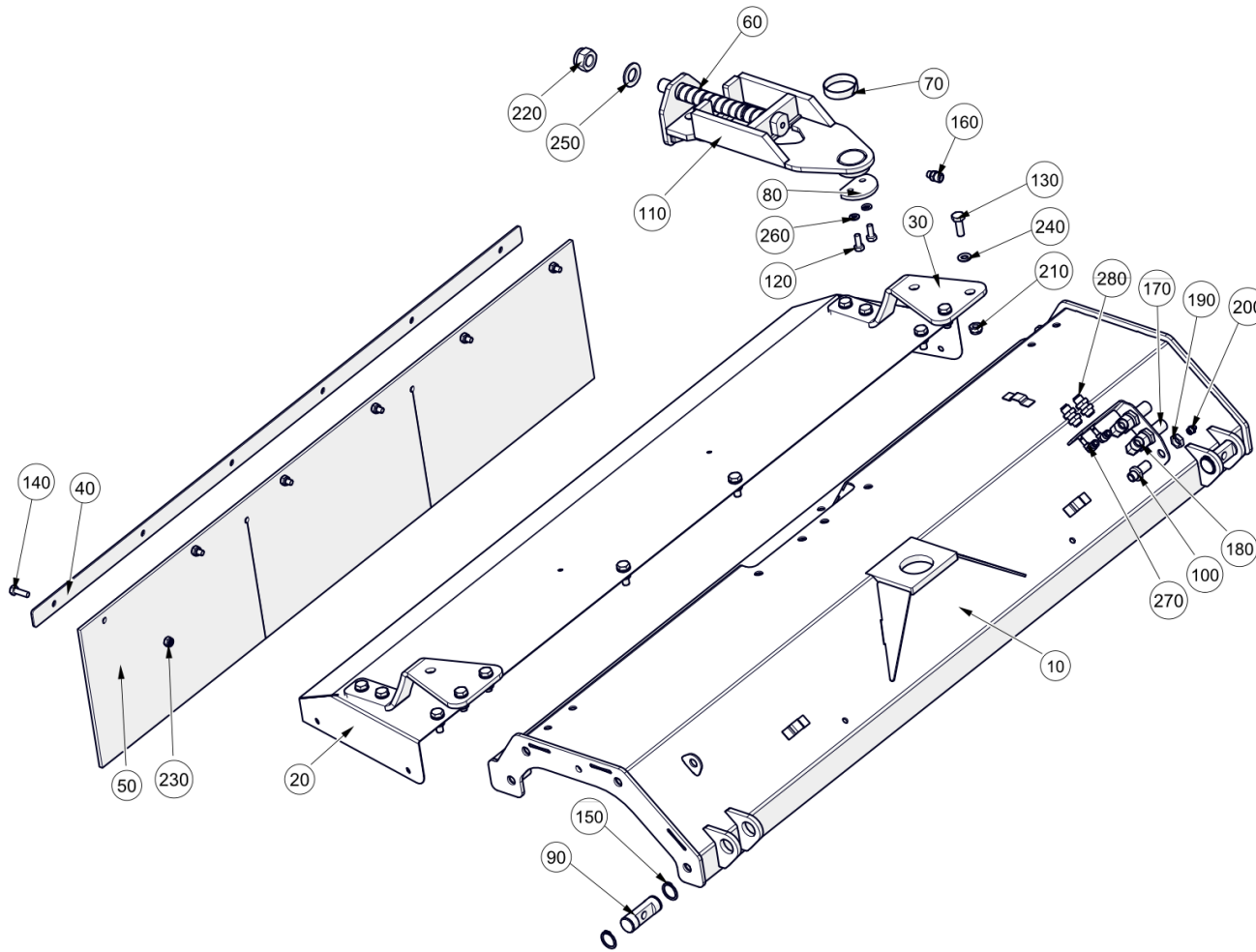
Sweepgear\Channel Brush\Pivot Frame Assembly\Curtain/Flaps

Item no.	Part no.	Description	QTY	Unit
240	21-66	Tip - Fan Red 80°	2	PC
Flow: 1.71Lpm				

This page is intentionally left blank

This page is intentionally left blank

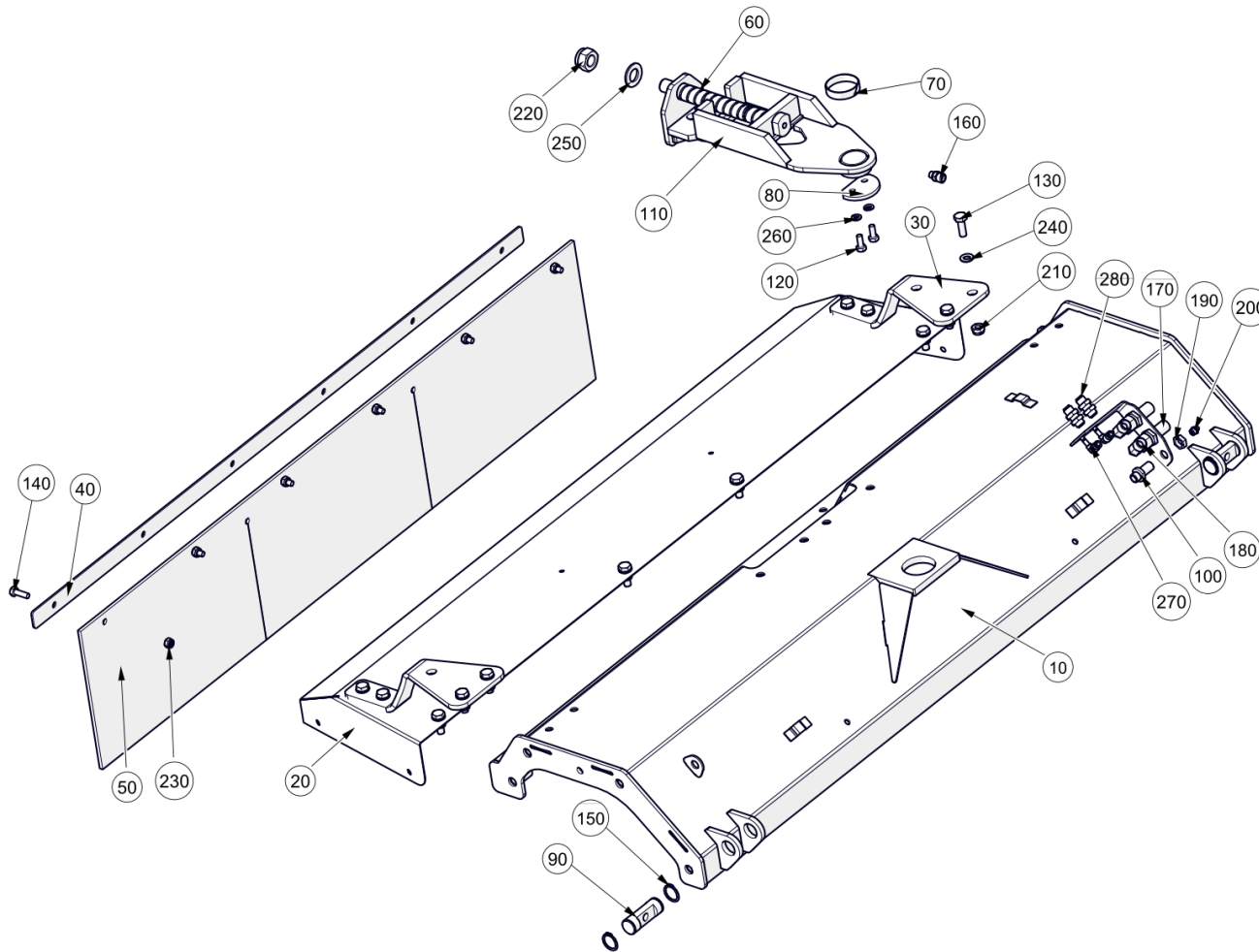
WSB Carriage ()
Sweepgear\Wide Sweep Brush\WSB Carriage



WSB Carriage ()
Sweepgear\Wide Sweep Brush\WSB Carriage

Item no.	Part no.	Description	QTY	Unit
10	7041824	Carriage Weld Assembly	1	PC
20	7037157	Curtain	1	PC
30	7036712	Curtain Support	2	PC
40	283126-1	Retaining Strip - Curtain WSB	1	PC
50	200055-1	Rubber Curtain (1275 WSB)	1	PC
60	283092-1	Shaft Compensator Assembly WSB	1	PC
70	29395-2	Bearing	1	PC
80	62095-1	Plate - Keeper	1	PC
90	62097-1	Pin Anchor - V650 +V800	2	PC
100	7023658	Bulkhead Adaptor	1	PC
110	7048930	Compensator welded assembly	1	PC
120	92097374-0	Hex Head Screw - M8Cx20 - 8.8	2	PC
130	92097414-0	Hex Head Screw - M10Cx30 - 8.8	12	PC
140	92097376-0	Hex Head Screw - M8Cx25 - 8.8	6	PC
150	09500025-0	Circlips-External DIN471 25x1,2	4	PC
160	09570120-0	Stud Coupling Male G 1/8" x M14 x 1.5	1	PC
170	302-2	Straight Bulkhead Connector M18 x 1.5	2	PC
180	6613-0504	Adjustable Male Elbow - M18 x 1.5	2	PC
190	315-1	Counter Nut - M14x1.5	1	PC
200	38-1	Grease Nipple Straight 1/8 BSP	1	PC
210	93085006-0	Nyloc Hex Nut M10C - 8	12	PC
220	93085036-0	Nyloc Hex Nut M20 x 1.5 - 8	1	PC
230	93085005-0	Nyloc Hex Nut M8C - 8	6	PC
240	93212012-0	Plain Washer - M10	12	PC

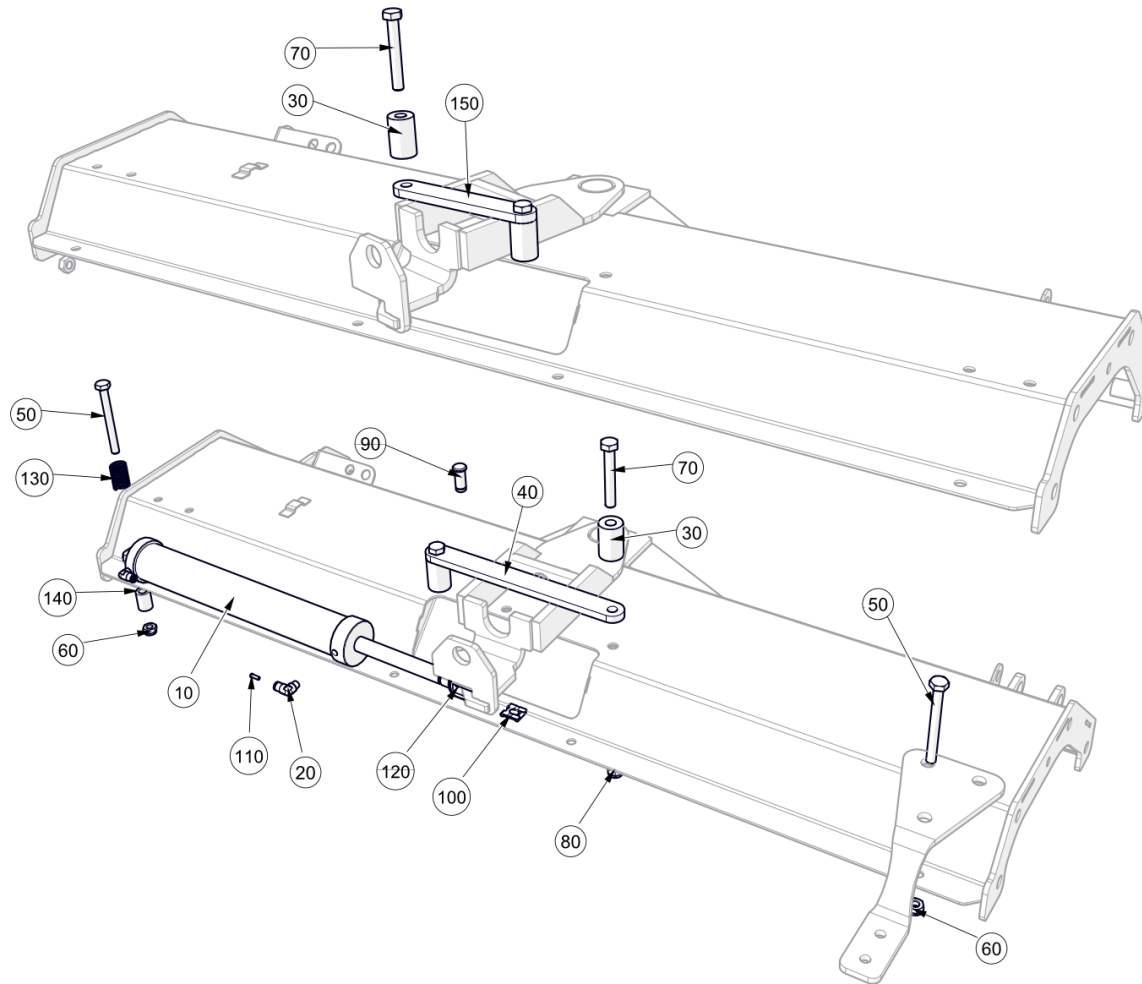
WSB Carriage ()
Sweepgear\Wide Sweep Brush\WSB Carriage



WSB Carriage ()
Sweepgear\Wide Sweep Brush\WSB Carriage

Item no.	Part no.	Description	QTY	Unit
250	93212018-0	Plain Washer M20	1	PC
260	93699710-0	Spring Washer - Plated M8	2	PC
270	551-1	Adaptor - Stem Elbow 6mm	2	PC
280	555-3	Adaptor Bulkhead 6mm x M14x1.5	2	PC

WSB Slew Assembly ()
Sweepgear\Wide Sweep Brush\WSB Slew Assembly

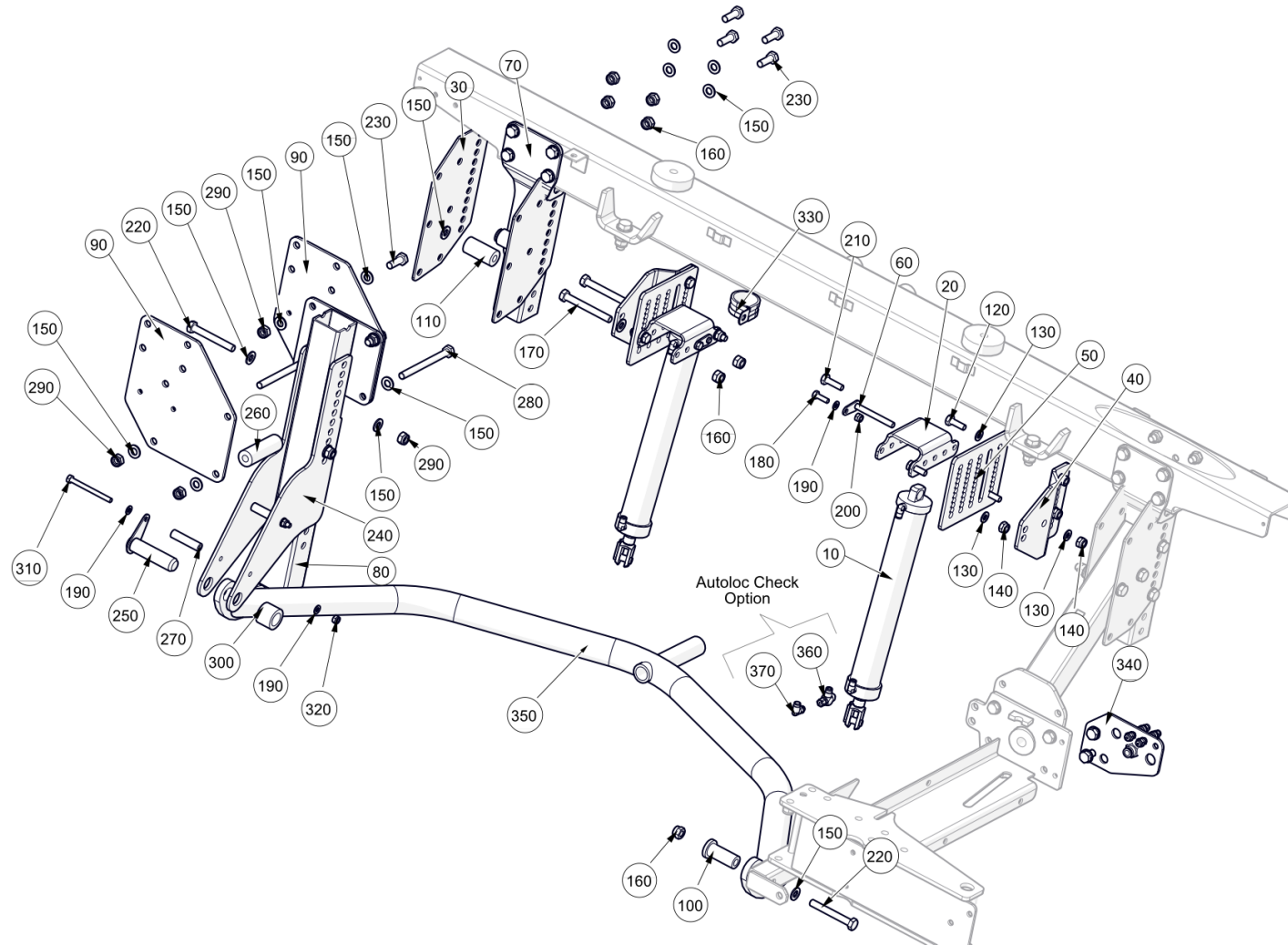


WSB Slew Assembly ()

Sweepgear\Wide Sweep Brush\WSB Slew Assembly

Item no.	Part no.	Description	QTY	Unit
10	7003988	Cylinder Pneum-Dual-Act Ø50x310	1	PC
20	09593162-0	Adaptor - Push In 6mm Fixed Elbow R1/8"	2	PC
30	283128-1	Spacer - Slew Retainer WSB	2	PC
40	283127-1	Slew Retainer WSB (DUAL)	1	PC
50	92067432-0	Hex Head Bolt - M10Cx100 - 8.8	2	PC
60	93085006-0	Nyloc Hex Nut M10C - 8	2	PC
70	6105-1501	Hex Head Bolt - M12Cx80 - 8.8	2	PC
80	93085007-0	Nyloc Hex Nut M12C - 8	2	PC
90	289-40	Pin - Clevis, Dia 12	1	PC
100	283-2	Clip - Spring Retaining	1	PC
110	41041-1-A	Sleeve - Support, Pipe	2	PC
120	7009106	Fork head Assembly M12x1.25xØ12	1	PC
130	285-14	Spring - Comp. 15/16"14 SWG 2" SS	1	PC
140	95200-6	Spacer - Bush 28mm x 11mm ID	1	PC
150	7043447	Slew Retainer (Single)	1	PC

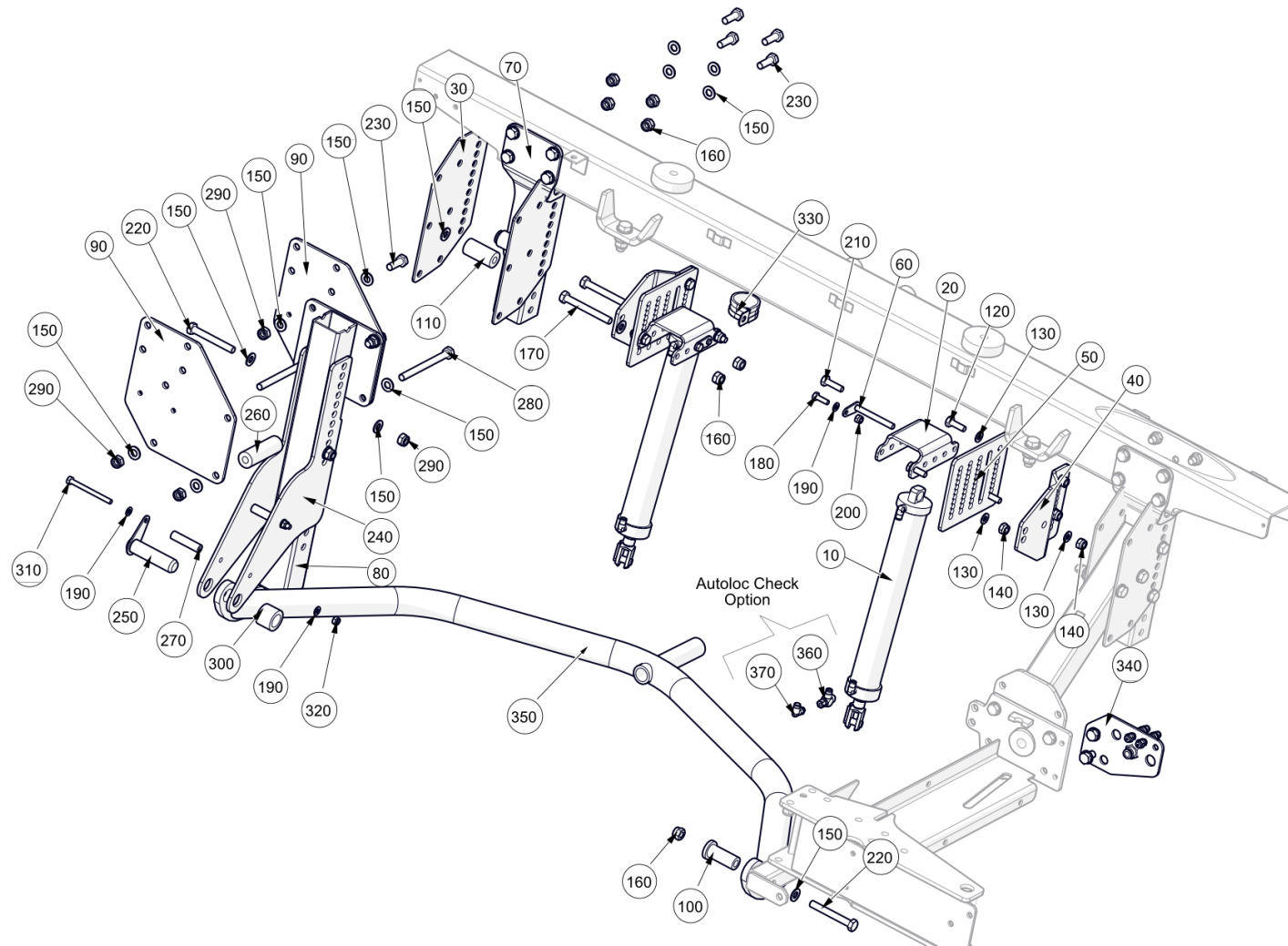
Wide Sweep Brush Installation ()
Sweepgear\Wide Sweep Brush\Wide Sweep Brush Installation



Wide Sweep Brush Installation ()
Sweepgear\Wide Sweep Brush\Wide Sweep Brush Installation

Item no.	Part no.	Description	QTY	Unit
10	7004696	Cylinder Assembly Ø50x310	2	PC
20	7027455	WSB Cylinder Height Adjustment Bracket	2	PC
30	7026400	Rear Leg Adjustment Plate	2	PC
40	7038691	WSB Cylinder Height Adjustment	2	PC
50	7038655	Adjustment Plate - WSB Cylinder	2	PC
60	7008793	Pin Welded Assembly	2	PC
70	7026407	Leg Rear Welded Assembly	1	PC
80	7026930	Leg - Front Welded Assembly	1	PC
90	7026924	Mounting Plate - Sweepgear	2	PC
100	62099-2	Bush - Tow Point 56 DIM.A	1	PC
110	45014-13-H	Spacer - 60mm	2	PC
120	92097414-0	Hex Head Screw - M10Cx30 - 8.8	7	PC
130	93212012-0	Plain Washer - M10	18	PC
140	93085806-0	Nyloc Hex Nut M10C - 8	9	PC
150	93212013-0	Plain Washer M12	25	PC
160	93085807-0	Nyloc Hex Nut M12C - 8	11	PC
170	92067469-0	Hex Head Bolt - M12Cx100 - 8.8	2	PC
180	92097376-0	Hex Head Screw - M8Cx25 - 8.8	2	PC
190	93212011-0	Plain Washer - M8	6	PC
200	93085805-0	Nyloc Hex Nut M8C - 8	2	PC
210	92097415-0	Hex Head Screw - M10Cx35 - 8.8	2	PC
220	92067467-0	Hex Head Bolt - M12Cx90 - 8.8	3	PC
230	92097451-0	Hex Head Screw - M12Cx35 - 8.8	10	PC
240	7033204	WSB Tow Plate (Single sweep)	2	PC

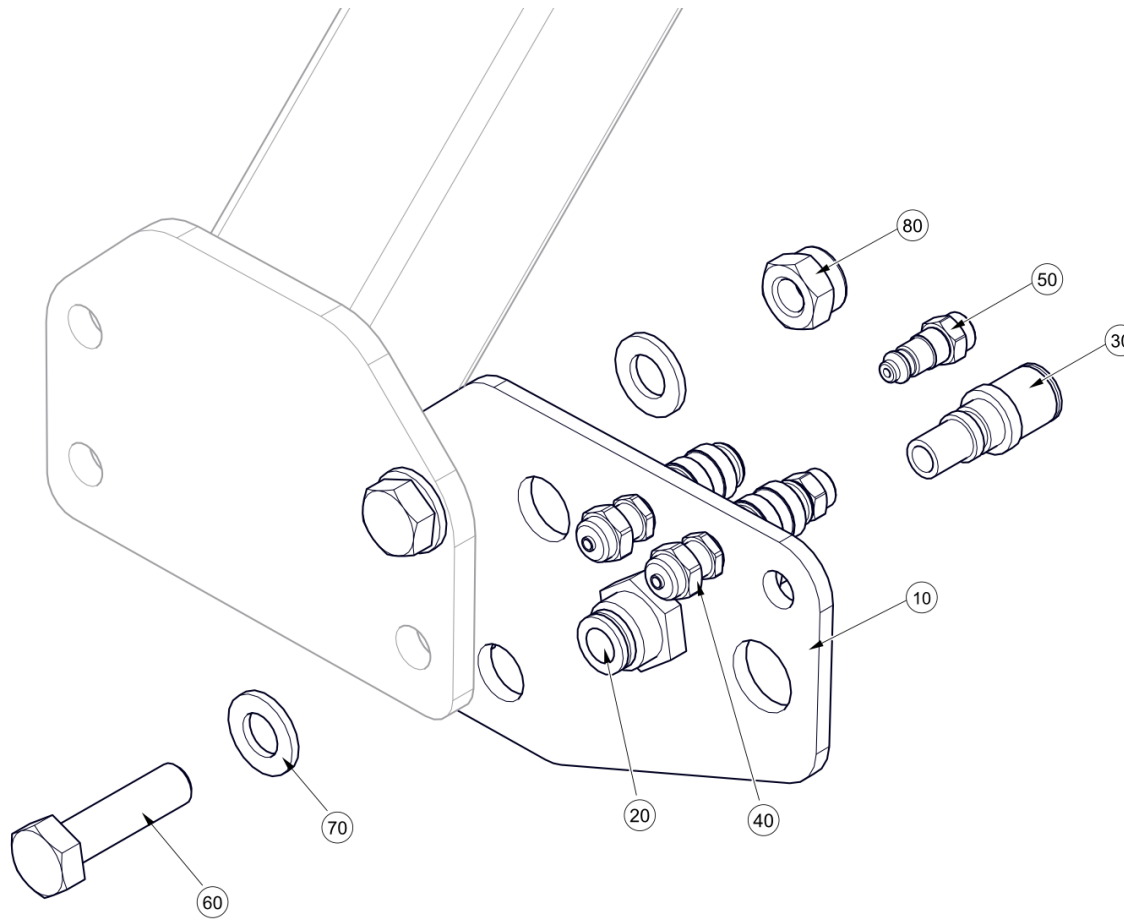
Wide Sweep Brush Installation ()
Sweepgear\Wide Sweep Brush\Wide Sweep Brush Installation



Wide Sweep Brush Installation ()
Sweepgear\Wide Sweep Brush\Wide Sweep Brush Installation

Item no.	Part no.	Description	QTY	Unit
250	7033210	Pivot pin welded assembly	1	PC
260	45014-31	Spacer - 93mm	2	PC
270	7033211	Spacer	2	PC
280	92067473-0	Hex Head Bolt - M12Cx140 - 8.8	2	PC
290	93085007-0	Nyloc Hex Nut M12C - 8	6	PC
300	7033217	Spacer	1	PC
310	92067393-0	Hex Head Bolt - M8Cx90 - 8.8	2	PC
320	93085005-0	Nyloc Hex Nut M8C - 8	2	PC
330	508-12	Clip - P Rubber Covered 44.50MM	1	PC
350	7037138	Towbar - 651/801	1	PC
350	7037151	Towbar - 501	1	PC
360	09598716-0	Pilot Check Valve-1/8" BSPx6mm	1	PC
Suitable for Autoloc Check Option.				
370	6603-1381	Adaptor-Elbow 6mmxM5x0.8	1	PC
Suitable for Autoloc Check Option.				

Nozzle Quick Release ()
Sweepgear\Wide Sweep Brush\Wide Sweep Brush Installation\Nozzle Quick Release

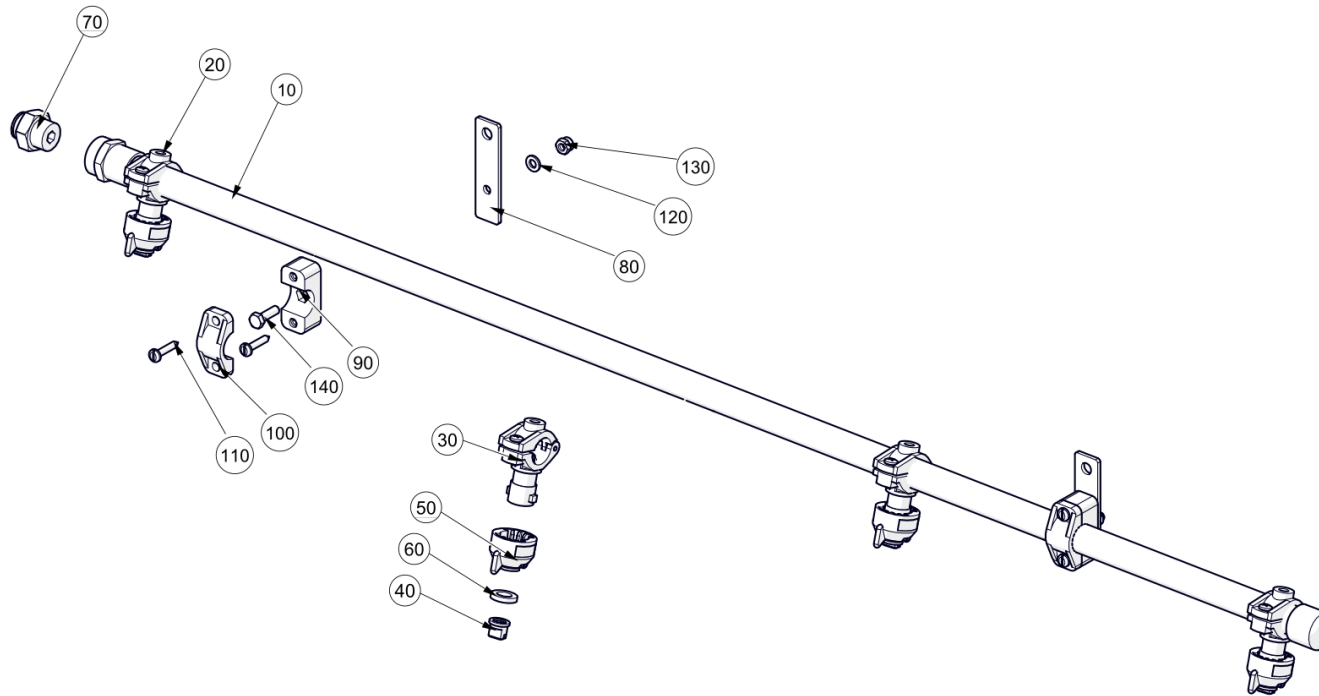


Nozzle Quick Release ()

Sweepgear\Wide Sweep Brush\Wide Sweep Brush Installation\Nozzle Quick Release

Item no.	Part no.	Description	QTY	Unit
10	7030819	Plate, Quick Release	1	PC
20	297-156	Socket-Bulkhead, Body 1/4 Tubing O/D 10	1	PC
30	297-106	Plug-Straight Body 1/4 Tubing O/D 10mm	1	PC
40	559-100	Carrier - Bulkhead G 1/8"	2	PC
50	559-101	Probe 6-4mm OD/ID Tube	2	PC
60	92067458-0	Hex Head Bolt - M12Cx45 - 8.8	1	PC
70	93212013-0	Plain Washer M12	2	PC
80	93085807-0	Nyloc Hex Nut M12C - 8	1	PC

WSB Spraybar ()
Sweepgear\Wide Sweep Brush\WSB Spraybar

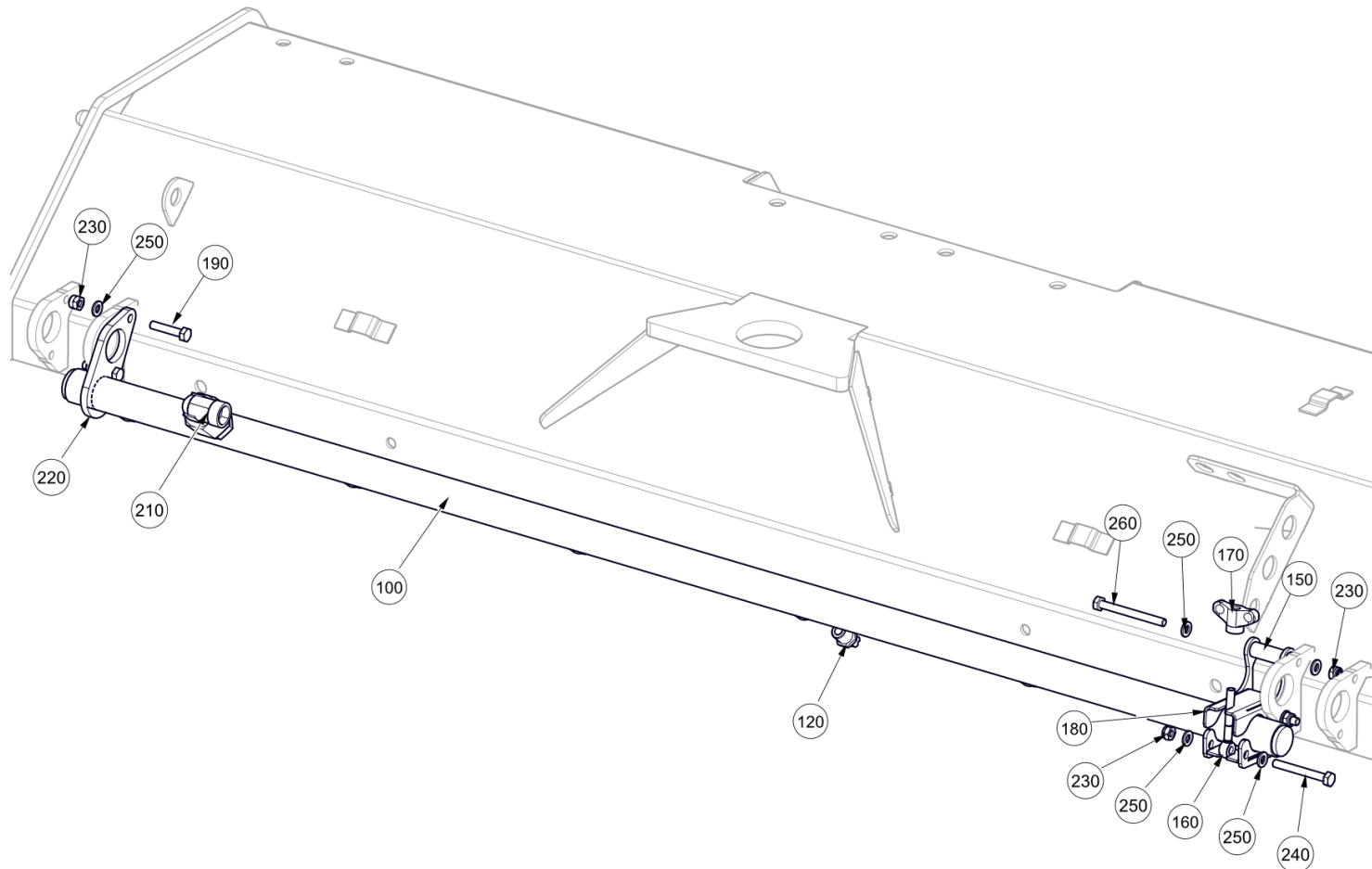


WSB Spraybar ()

Sweepgear\Wide Sweep Brush\WSB Spraybar

Item no.	Part no.	Description	QTY	Unit
10	21-334	Spraybar 1/2" NB PVC	1	PC
20	7019000	Nozzle Holder Assembly	4	PC
30	21-60	1/2" Quick Attachment Holder	1	PC
40	21-78	Tip - Fan Yellow 80°	1	PC
Flow: 0.85Lpm				
40	21-66	Tip - Fan Red 80°	1	PC
Flow: 1.71Lpm				
50	21-63	Cap - Bayonet	1	PC
60	21-64	Seal - Bayonet Cap	1	PC
70	537-17	Adaptor-Push In 10mm x 1/2 BSPT Straight	1	PC
80	808407-1	Plate - Spraybar Mount	2	PC
90	21-337	Half Clamp	2	PC
100	21-336	Saddle	2	PC
110	21-338	Self Tap Screw	4	PC
120	93212009-0	Plain Washer - M6	2	PC
130	93085004-0	Nyloc Hex Nut M6C - 8	2	PC
140	92097301-0	Hex Head Screw - M6Cx20 - 8.8	2	PC

WSB Supawash Spraybar ()
Sweepgear\Wide Sweep Brush\WSB Supawash Spraybar

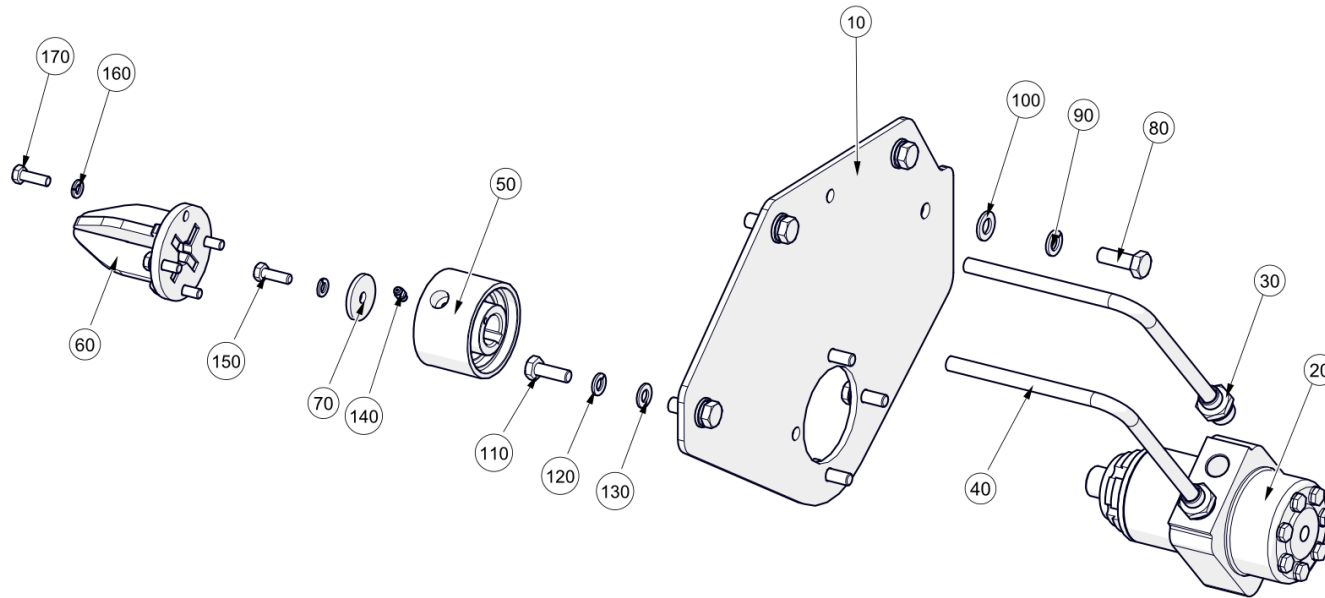


WSB Supawash Spraybar ()

Sweepgear\Wide Sweep Brush\WSB Supawash Spraybar

Item no.	Part no.	Description	QTY	Unit
100	7035620	Spraybar W/Assy	1	PC
120	21-31	Jet - Fan 65 deg. 1/4"	6	PC
150	7055418	Spray Bar Holder W/Assy	1	PC
160	135-241	Bolt-Swing M6x50 303 SS	1	PC
170	410-102	Nut - Wing M6 304 SS	1	PC
180	7055540	Spray Bar Clamp Plate	1	PC
210	6613-0505	Adjustable Male Elbow - M22 x 1.5	1	PC
220	7057655	Spraybar Mount plate	1	PC
230	93085604-0	Nyloc Hex Nut - M6c - A2	5	PC
240	92069312-0	Hex Head Bolt - M6Cx50 - A2-70	1	PC
250	93213009-0	Plain Washer M6 A2	12	PC
260	92069314-0	Hex Head Bolt - M6Cx60 - A2-70	1	PC
5000	H1SC12002-480	Hose - Hyd straight x 90swept	1	PC
Item image is not available.				
5010	266-4	Adaptor M/M 1/2 - 1/2 BSP / BSPT	1	PC
Item image is not available.				
5020	451-19	Washer - Bonded G1-2"	1	PC
Item image is not available.				
5030	88-33	Ball Valve 210 Bar 1/2" F	1	PC
Item image is not available.				
5040	6601-1329	Stud Coupling Male G 1/2" x M22 x 1.5	1	PC
Item image is not available.				

WSB Motor Assembly ()
Sweepgear\Wide Sweep Brush\WSB Motor Assembly

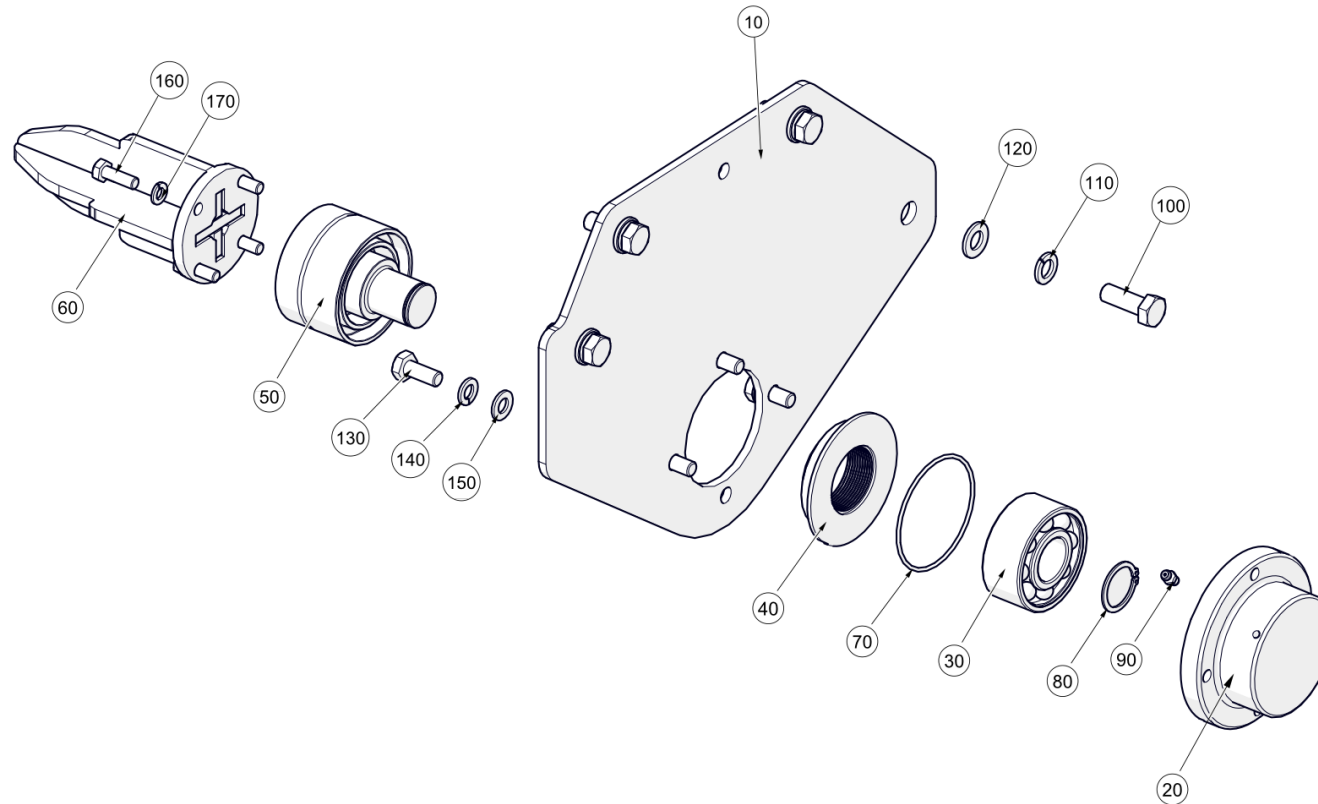


WSB Motor Assembly ()

Sweepgear\Wide Sweep Brush\WSB Motor Assembly

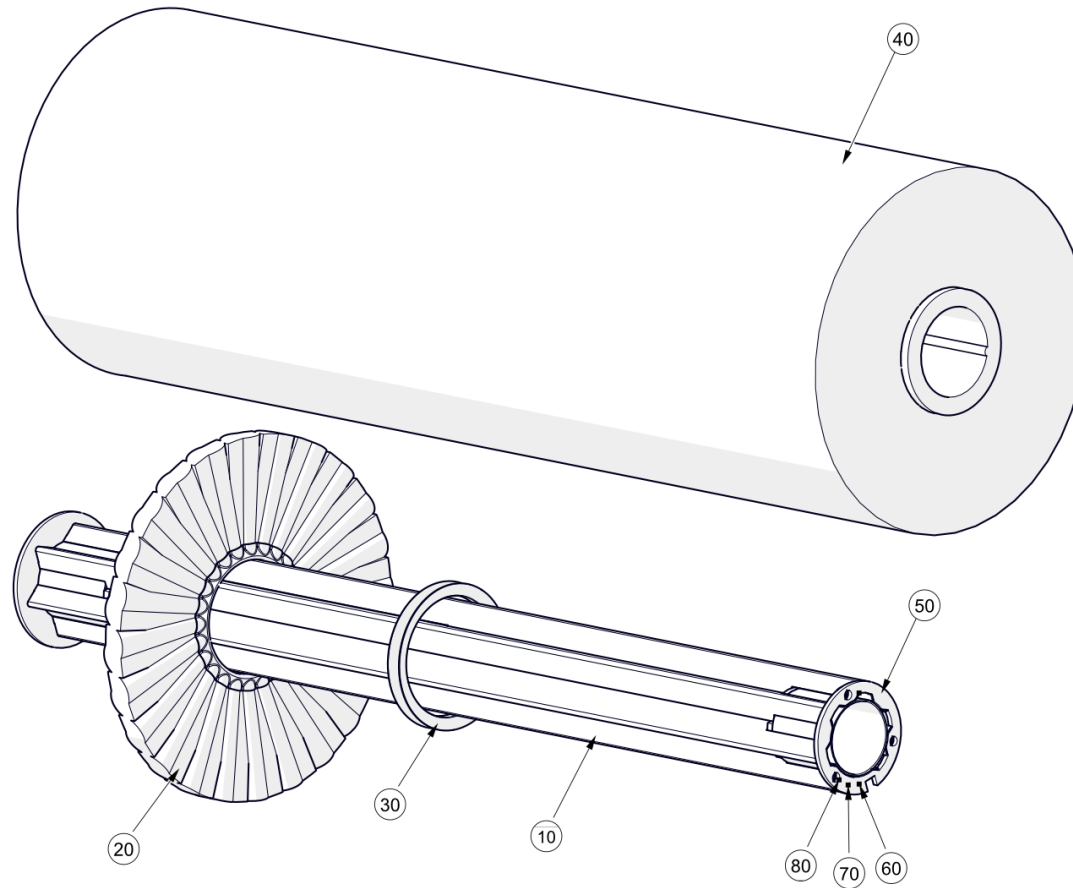
Item no.	Part no.	Description	QTY	Unit
10	7035856	End Plate V651 + 801	1	PC
20	72250-1	Motor - Hydraulic OMPW 200	1	PC
30	09570131-0	Stud Coupling Male G 1/2" x M18 x 1.	2	PC
40	7041820	Pipe (V651 V801)	2	PC
50	283109-1	Drive Adaptor Motor Wide Sweep Brush	1	PC
60	283105-1	Drive Dog Welded Assembly WSB	1	PC
70	62064-1	Washer - Special 38mm	1	PC
80	92097451-0	Hex Head Screw - M12Cx35 - 8.8	4	PC
90	93699712-0	Spring Washer - Plated M12	4	PC
100	93212013-0	Plain Washer M12	4	PC
110	92097414-0	Hex Head Screw - M10Cx30 - 8.8	4	PC
120	93699711-0	Spring Washer - Plated M10	4	PC
130	93212012-0	Plain Washer - M10	4	PC
140	38-30	Grease Nipple M6 X 1	1	PC
150	135-58	Hex Head Screw - 180° Patch M8Cx25	1	PC
160	93699710-0	Spring Washer - Plated M8	5	PC
170	92097376-0	Hex Head Screw - M8Cx25 - 8.8	4	PC

WSB Bearing Assembly ()
Sweepgear\Wide Sweep Brush\WSB Bearing Assembly



WSB Bearing Assembly ()
Sweepgear\Wide Sweep Brush\WSB Bearing Assembly

Item no.	Part no.	Description	QTY	Unit
10	7035856	End Plate V651 + 801	1	PC
20	283107-1	Housing - Bearing Wide Sweep Brush	1	PC
30	14-47	Bearing - 30x72x30.2 Double	1	PC
40	283121-1	Labyrinth - Bearing Wide Sweep Brush	1	PC
50	283108-1	Bearing - Drive Adaptor Wide Sweep Brush	1	PC
60	283106-1	Driven Dog Welded Assembly WSB	1	PC
70	80-94	O-Ring - Hole Dia.80	1	PC
80	09500030-0	Circlip - External A 30X1,5 F-ST A2B DIN	1	PC
90	38-30	Grease Nipple M6 X 1	1	PC
100	92099450-0	Hex Head Screw - M12Cx35 - A2	4	PC
110	93700212-0	Spring Washer M12 - A2	4	PC
120	93213012-0	Plain Washer M12 A2	4	PC
130	92097412-0	Hex Head Screw - M10Cx25 - 8.8	4	PC
140	93699711-0	Spring Washer - Plated M10	4	PC
150	93212012-0	Plain Washer - M10	4	PC
160	92097376-0	Hex Head Screw - M8Cx25 - 8.8	4	PC
170	93699710-0	Spring Washer - Plated M8	4	PC



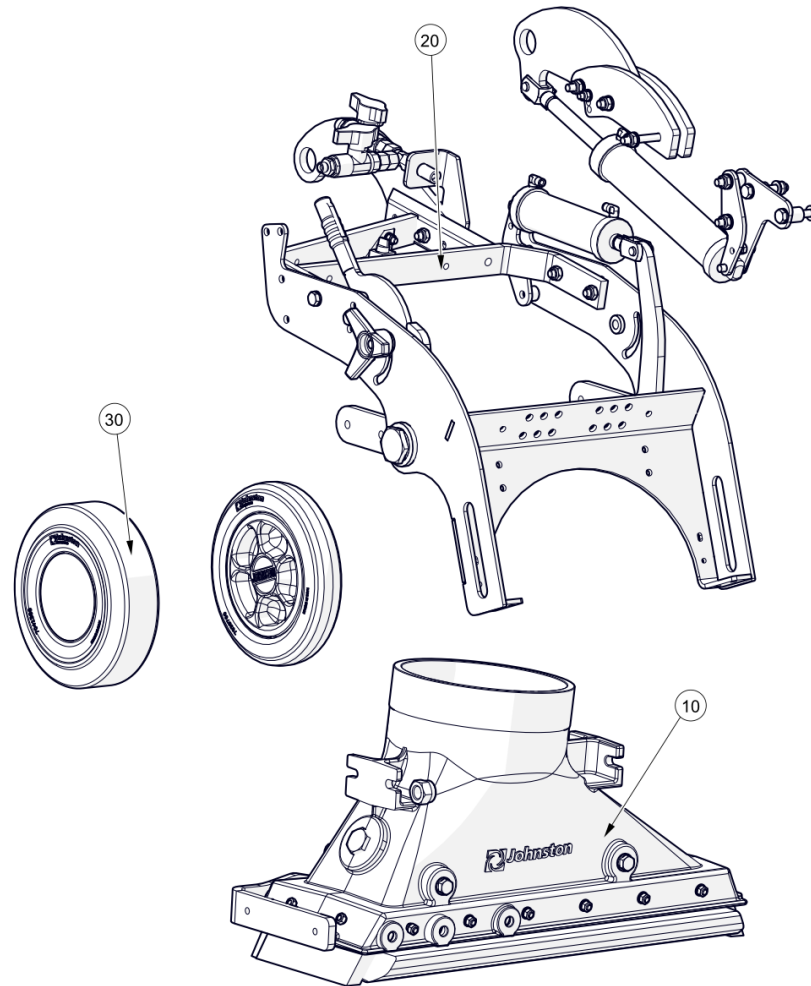
WSB Brush ()
Sweepgear\Wide Sweep Brush\WSB Brush

Item no.	Part no.	Description	QTY	Unit
10	283114-1	Stock Assembly - Wide Sweep Brush	1	PC
20	834-1	Segment - 1.2 x 406mm O/D WSB Poly	44	PC
20	834-3	Segment - 406mm O/D WSB Wire	22	PC
30	13515	Spacer - Segment Brush	42	PC
40	295050-406	TMS Cartridge	1	PC
50	283115-1	Plate - Closing Stock Assembly WSB	1	PC
60	118-137	Setscrew Hexagon Hd M8cx25 SS	3	PC
70	454-8	Washer Plain St.Stl M8x17	3	PC
80	458-8	Washer Spring Single Coil M8SS	3	PC

This page is intentionally left blank

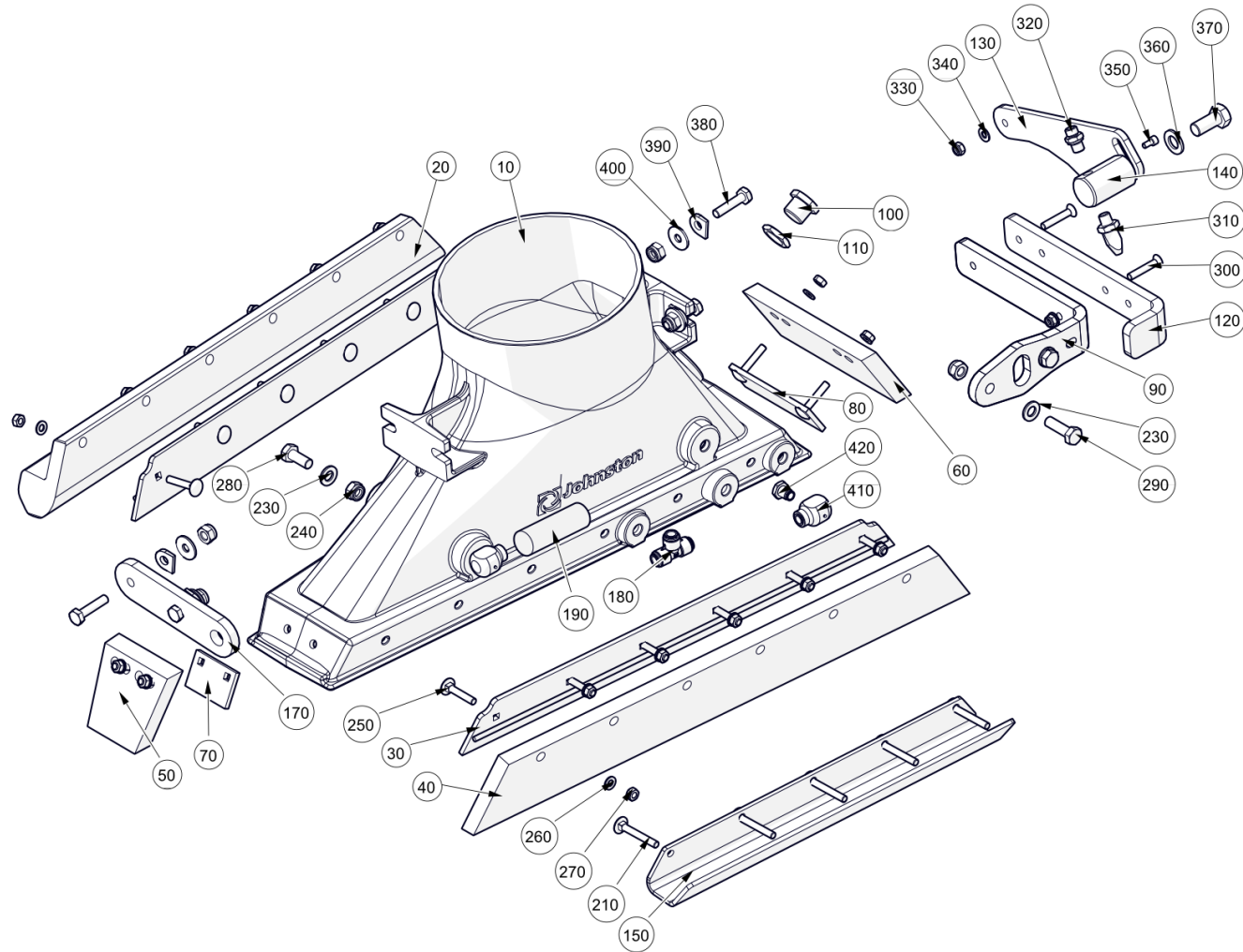
This page is intentionally left blank

Standard Nozzle ()
Sweepgear\Nozzle\Standard Nozzle



This page is intentionally left blank

Nozzle Assembly ()
Sweepgear\Nozzle\Standard Nozzle\Nozzle Assembly

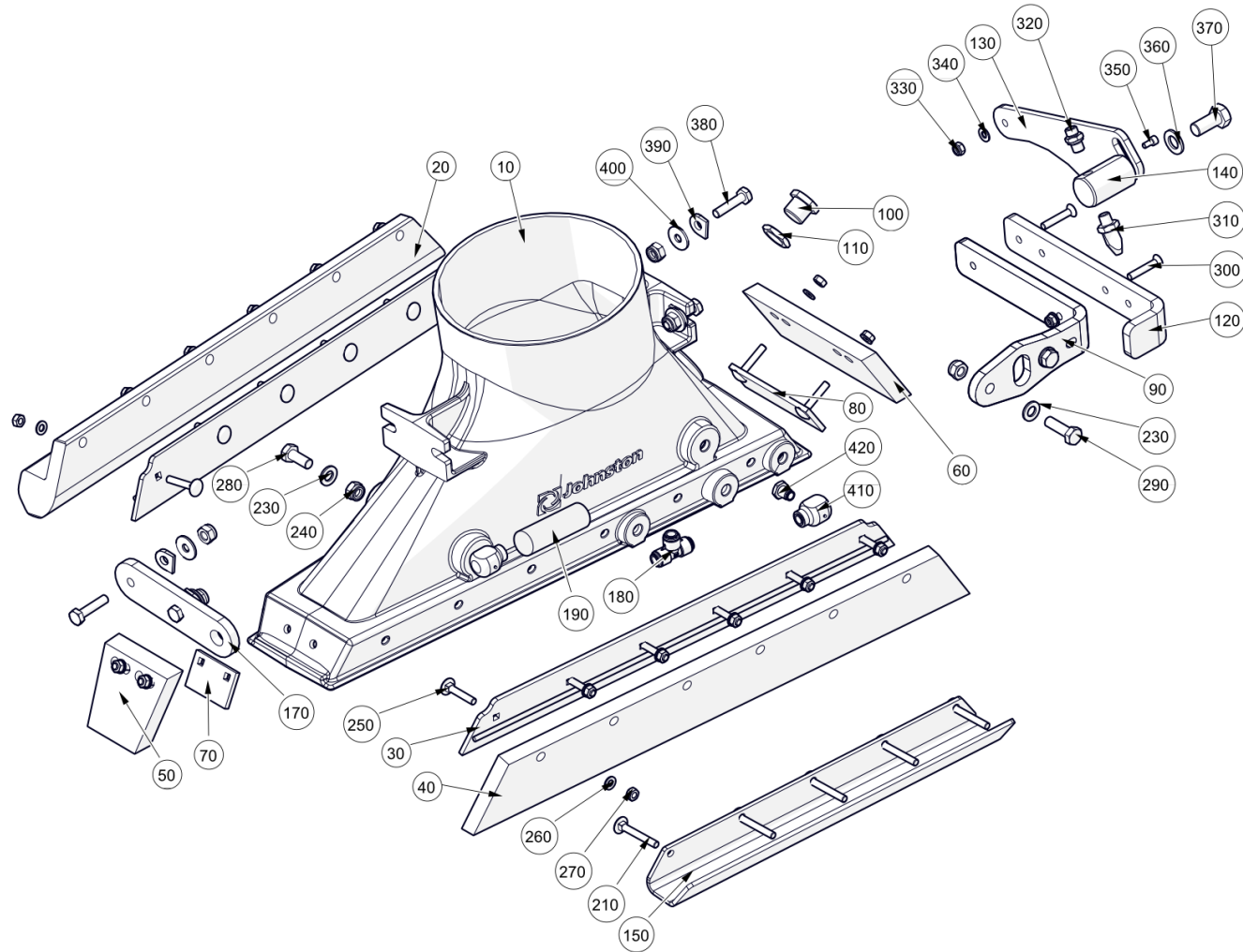


Nozzle Assembly ()

Sweepgear\Nozzle\Standard Nozzle\Nozzle Assembly

Item no.	Part no.	Description	QTY	Unit
10	281420-2	Nozzle - 250 Dia R Lined	1	PC
20	282230-1	J - Section Rubber 250 D Nozzle	1	PC
30	94017-1	Clamping Plate, J - Rubber	2	PC
40	62005-1	Rubber Curtain - Nozzle	1	PC
50	281045-1	End - Nozzle Curtain Small	1	PC
60	281044-1	End - Nozzle Curtain Large	1	PC
70	63667-1	Strip - Clamping (Short)	1	PC
80	63666-1	Strip - Clamping (Medium)	1	PC
90	281754-1	Bumper	1	PC
100	281755-1	Plug - Re-Circ Port 250 Nozzle	1	PC
110	410-57	Locknut - 3/4 BSP	1	PC
120	7022060	Wear Plate - Heavy Duty Bumper	1	PC
130	7026913	Nozzle Bracket	1	PC
140	7026918	Nozzle Mounting Boss	1	PC
150	7035520	Heavy Duty Nozzle Buffer	1	PC
170	7019275	Pivot Arm - Nozzle	1	PC
180	297-74	Tee Equal - Tube O/D 10	1	PC
190	297-1	Tubing - Polyurethane 10 Dia x 1.5 Wall	0,3	M
210	92555562-0	Round Head Square Neck Bolt-M8Cx60-4.6	5	PC
Suitable for Heavy Duty Buffer. This items replace 5pc. of item 250 (93057014-0).				
230	93212013-0	Plain Washer M12	5	PC
240	93085007-0	Nyloc Hex Nut M12C - 8	6	PC
250	92555559-0	Round Head Square Neck Bolt - M8Cx45 4.6	16	PC
260	93212011-0	Plain Washer - M8	16	PC

Nozzle Assembly ()
Sweepgear\Nozzle\Standard Nozzle\Nozzle Assembly



Nozzle Assembly ()

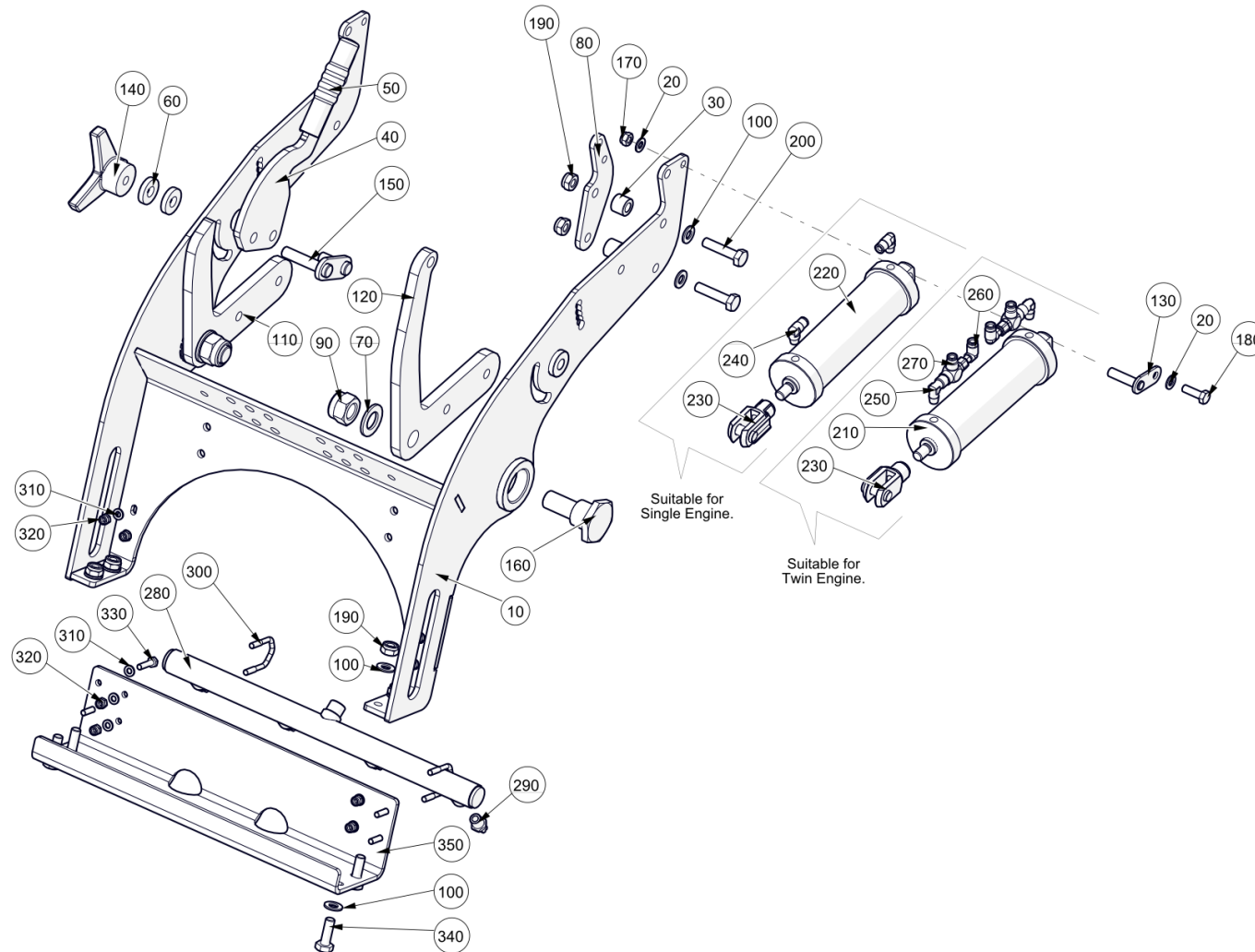
Sweepgear\Nozzle\Standard Nozzle\Nozzle Assembly

Item no.	Part no.	Description	QTY	Unit
270	93057014-0	Nut - MC Hex M8 S.Stl	16	PC
280	92097450-0	Hex Head Screw - M12Cx30 - 8.8	2	PC
290	92097452-0	Hex Head Screw - M12Cx40 - 8.8	2	PC
300	92153069-0	Hex Socket CSK Screw M8Cx45 10.9	2	PC
310	21-79	Flat Spray Nozzle 50 ° 303 S.Steel	1	PC
320	09570126-0	Stud Coupling Male G 1/4" x M14x1.5 (8L)	1	PC
330	425-14	Nut Nyloc Hex MC M8	2	PC
340	455-10	Washer Plain Plated Steel M8	2	PC
350	92137078-0	Hex Socket Cap Screw - M6Cx12 - 12.9	1	PC
360	455-14	Washer Plain Plated Steel M16	1	PC
370	92097523-0	Hex Head Screw - M16Cx35 - 8.8	1	PC
380	92097417-0	Hex Head Screw - M10CX45 - 8.8	4	PC
390	450-49	Washer Taper 3/8	4	PC
400	93300510-0	Plain Large Washer M10	4	PC
410	7019548	Water Jet - Body	2	PC
420	7019547	Jet, 1.6mm, Nozzle Spray	2	PC

This page is intentionally left blank

This page is intentionally left blank

Carriage Assembly ()
Sweepgear\Nozzle\Standard Nozzle\Carriage\Carriage Assembly

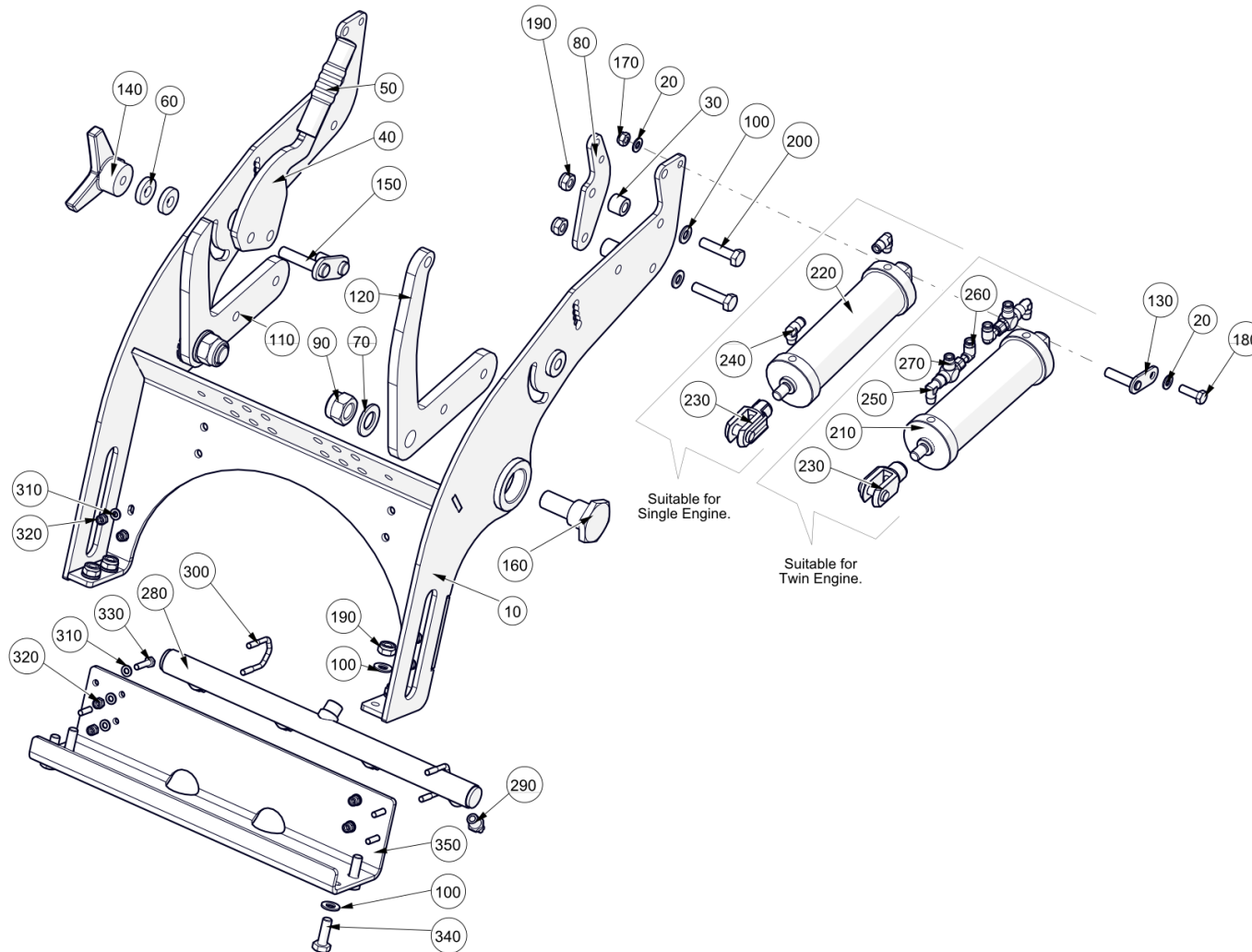


Carriage Assembly ()

Sweepgear\Nozzle\Standard Nozzle\Carriage\Carriage Assembly

Item no.	Part no.	Description	QTY	Unit
10	7046802	Cradle welded assembly	1	PC
20	93212011-0	Plain Washer - M8	2	PC
30	7008966	Spacer - Nozzle	2	PC
40	7042980	Cam	1	PC
50	671-2	Handgrip	1	PC
60	7055713	Spacer	2	PC
70	93212018-0	Plain Washer M20	2	PC
80	7008963	Eye - Sweep Gear	1	PC
90	93085011-0	Nyloc Hex Nut M20C - 8	2	PC
100	93212012-0	Plain Washer - M10	10	PC
110	7042981	Cam lever	1	PC
120	7008968	Lever - Nozzle	1	PC
130	7009104	Pin Welded Assembly	1	PC
140	23-22	Knob (M12) - Cross Type	1	PC
150	7055718	Cam pivot welded assembly	1	PC
160	283363-1	Pivot Bolt - Suction Nozzle	2	PC
170	93085005-0	Nyloc Hex Nut M8C - 8	1	PC
180	92097376-0	Hex Head Screw - M8Cx25 - 8.8	1	PC
190	93085006-0	Nyloc Hex Nut M10C - 8	6	PC
200	92097417-0	Hex Head Screw - M10CX45 - 8.8	2	PC
210	7004673	Cylinder Pneum-Dual-Act Ø50x75	1	PC
Suitable for Twin engine.				
220	7004670	Cylinder Pneum-Sng-Act Ø50x75	1	PC
Suitable for Single engine.				

Carriage Assembly ()
Sweepgear\Nozzle\Standard Nozzle\Carriage\Carriage Assembly

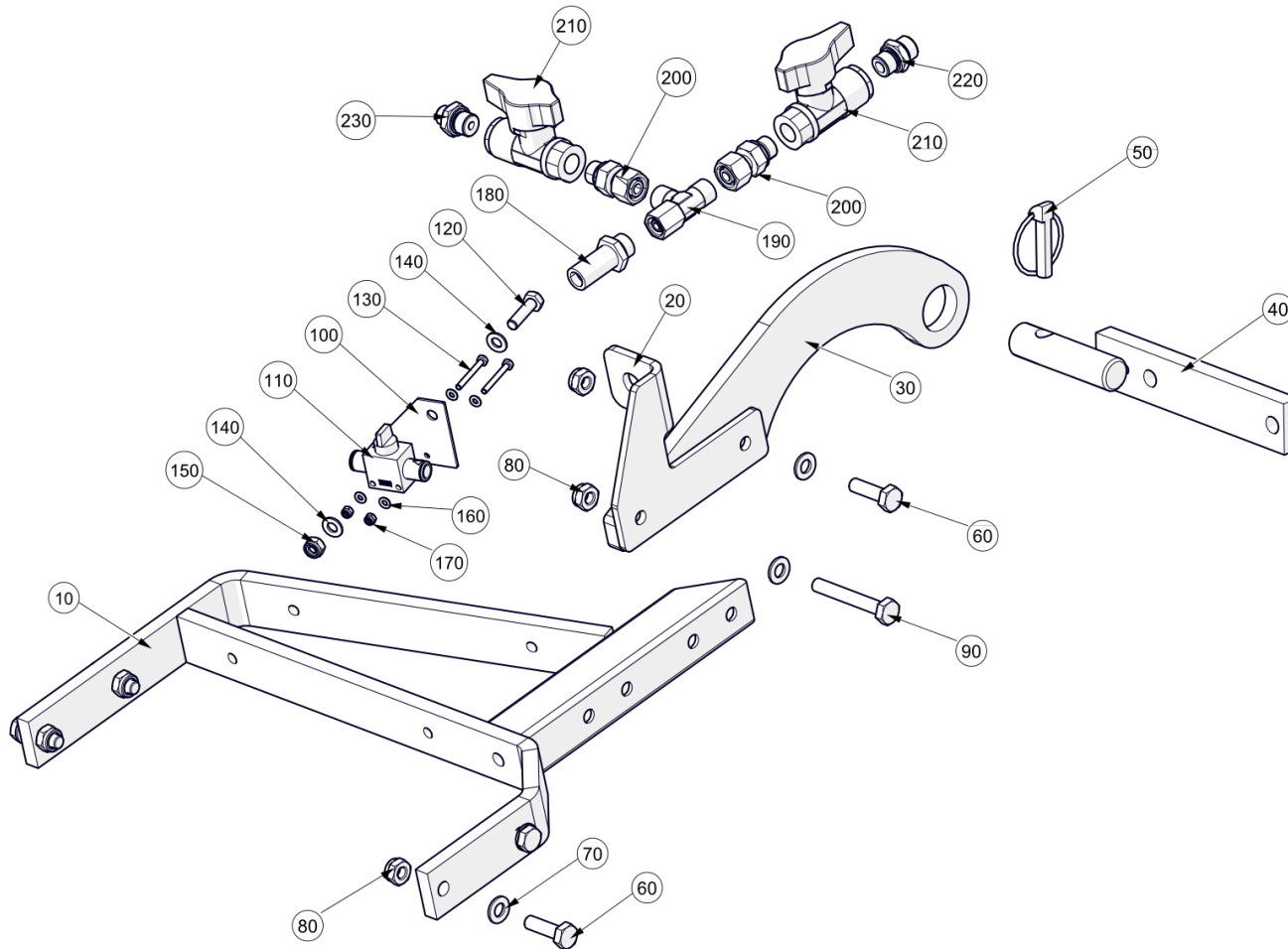


Carriage Assembly ()

Sweepgear\Nozzle\Standard Nozzle\Carriage\Carriage Assembly

Item no.	Part no.	Description	QTY	Unit
230	7009106	Fork head Assembly M12x1.25xØ12	1	PC
Quantity is considered per each Cylinder.				
240	09593162-0	Adaptor - Push In 6mm Fixed Elbow R1/8"	2	PC
Suitable for Single engine option.				
250	72-114	Elbow - R1/8M x G1/8F	2	PC
Suitable for Twin engine.				
260	6603-1381	Adaptor-Elbow 6mmxM5x0.8	2	PC
Suitable for Twin engine.				
270	09598716-0	Pilot Check Valve-1/8" BSPx6mm	2	PC
Suitable for Twin engine.				
280	7020074	Spraybar - Weld Assy	1	PC
290	21-31	Jet - Fan 65 deg. 1/4"	4	PC
300	6105-1-C	Bolt - U M6c	2	PC
310	93212009-0	Plain Washer - M6	12	PC
320	93085004-0	Nyloc Hex Nut M6C - 8	8	PC
330	92097303-0	Hex Head Screw - M6Cx25 - 8.8	4	PC
340	92097414-0	Hex Head Screw - M10Cx30 - 8.8	4	PC
350	7022068	Heavy Duty Nozzle Brace	1	PC
5000	297-1	Tubing - Polyurethane 10 Dia x 1.5 Wall	0,3	M
Item image is not available.				

Nozzle Frame ()
Sweepgear\Nozzle\Standard Nozzle\Carriage\Nozzle Frame

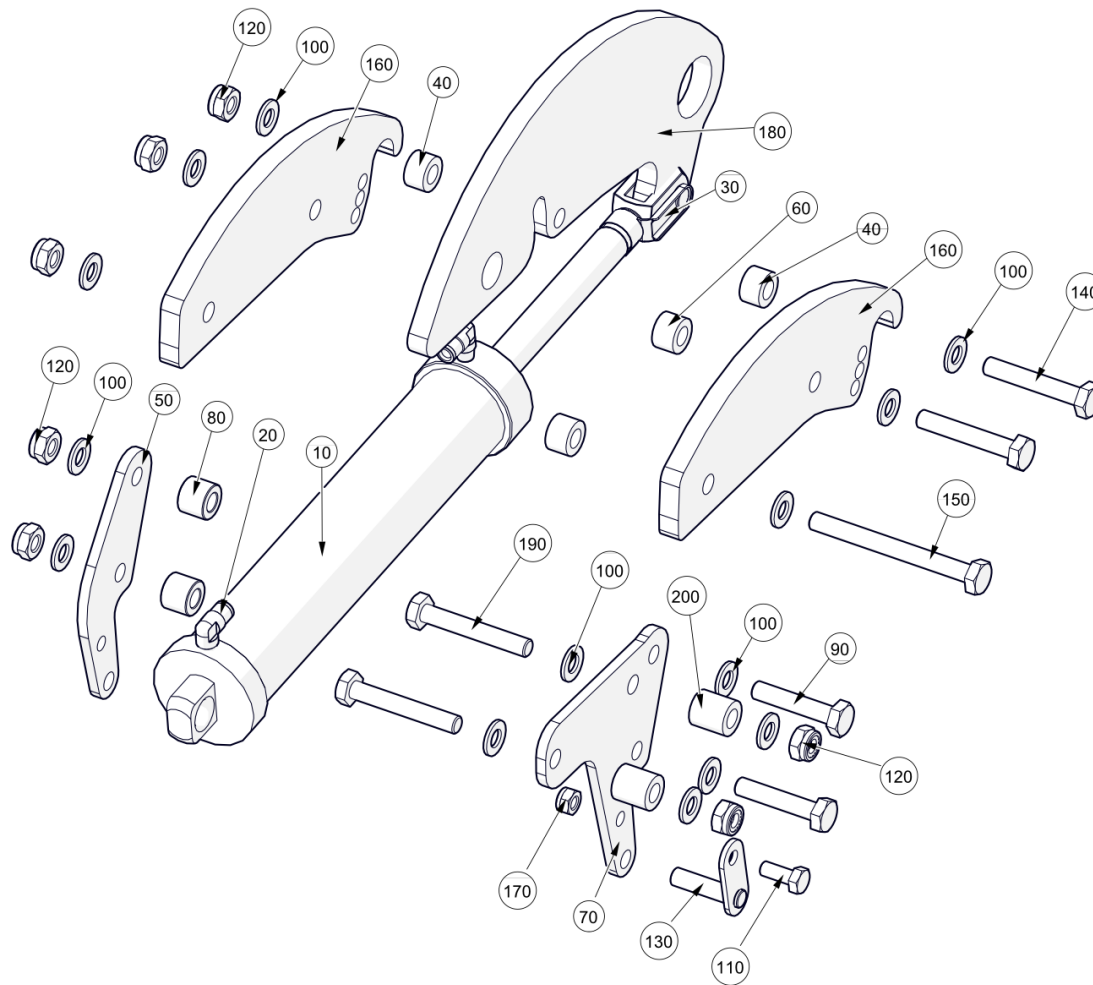


Nozzle Frame ()

Sweepgear\Nozzle\Standard Nozzle\Carriage\Nozzle Frame

Item no.	Part no.	Description	QTY	Unit
10	7019586	Nozzle Towbar - W/Assy	1	PC
20	7016530	Bracket, Bulkhead	1	PC
30	201227-1	Tow Eye - Drawbar DOT4	1	PC
40	40295-1-F	Pin Welded Assembly - Tow, Nozzle	1	PC
50	60-1	Pin Linch with Ring 11mm Dia	1	PC
60	92097415-0	Hex Head Screw - M10Cx35 - 8.8	5	PC
70	93212012-0	Plain Washer - M10	4	PC
80	93085006-0	Nyloc Hex Nut M10C - 8	4	PC
90	92097422-0	Hex Head Screw - M10Cx70 - 8.8	1	PC
100	7023753	Finger Valve Bracket	1	PC
110	7023752	Finger Valve	1	PC
120	92067381-0	Hex Head Bolt - M8Cx30 - 8.8	1	PC
130	92067234-0	Hex Head Bolt - M4Cx35 - 8.8	2	PC
140	93212011-0	Plain Washer - M8	2	PC
150	93085005-0	Nyloc Hex Nut M8C - 8	1	PC
160	93212007-0	Plain Washer M4	4	PC
170	93085002-0	Nyloc Hex Nut M4C - 8	2	PC
180	302-2	Straight Bulkhead Connector M18 x 1.5	1	PC
190	6615-2319	Adjustable Male Tee - M18 x 1.5	1	PC
200	09571131-0	Standpipe Adaptor G 3/8 x M18 x1.5	2	PC
210	88-49	Ball Valve 210 Bar 3/8" F	2	PC
220	6601-1322	Stud Coupling Male G 3/8" x M18 x 1.5	1	PC
230	09570102-0	Stud Coupling Male G 3/8" x M14 x 1.5	1	PC

Hi-Lift Nozzle ()
Sweepgear\Nozzle\Standard Nozzle\Carriage\Hi-Lift Nozzle

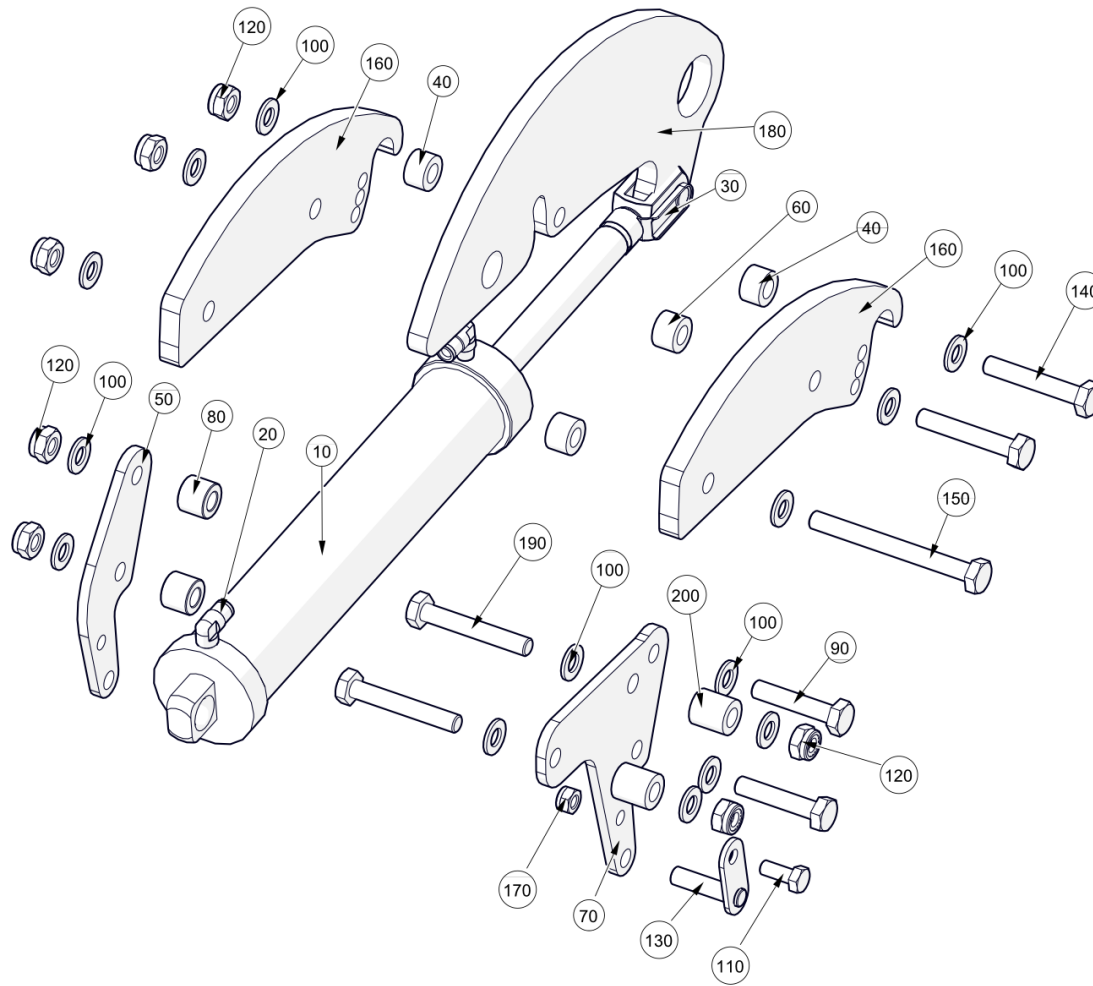


Hi-Lift Nozzle ()

Sweepgear\Nozzle\Standard Nozzle\Carriage\Hi-Lift Nozzle

Item no.	Part no.	Description	QTY	Unit
10	7003985	Cylinder Pneum-Dual-Act Ø50x210	1	PC
20	09593162-0	Adaptor - Push In 6mm Fixed Elbow R1/8"	2	PC
30	7009106	Fork head Assembly M12x1.25xØ12	1	PC
40	95200-1	Spacer - Bush 12mm x 11mm ID	2	PC
50	7008963	Eye - Sweep Gear	1	PC
60	95200-20	Spacer - Bush 13mm x 11mm ID	2	PC
70	7026688	Actuator Spacer Plate	1	PC
80	7008966	Spacer - Nozzle	2	PC
90	92097418-0	Hex Head Screw - M10Cx50 - 8.8	2	PC
100	93212012-0	Plain Washer - M10	14	PC
110	92097374-0	Hex Head Screw - M8Cx20 - 8.8	1	PC
120	93085006-0	Nyloc Hex Nut M10C - 8	7	PC
130	7009104	Pin Welded Assembly	1	PC
140	92097420-0	Hex Head Screw - M10Cx60 - 8.8	2	PC
150	92097428-0	Hex Head Screw - M10Cx100 - 8.8	1	PC
160	7056637	Hi-Lift Nozzle Adjustment plate	2	PC
170	93085005-0	Nyloc Hex Nut M8C - 8	1	PC
180	7056639	Hi-Lift Tow Eye Pivot Plate	1	PC
190	92097421-0	Hex Head Screw - M10Cx65 - 8.8	2	PC
200	95200-7	Spacer - Bush 21mm x 11mm ID	2	PC
5000	559-6	Connector - Parallel Y 6x6x6mm	3	PC
Item image is not available.				
5010	273-20	Tube - PA Type 12, 6mm O/D Blue	2	M
Item image is not available.				

Hi-Lift Nozzle ()
Sweepgear\Nozzle\Standard Nozzle\Carriage\Hi-Lift Nozzle

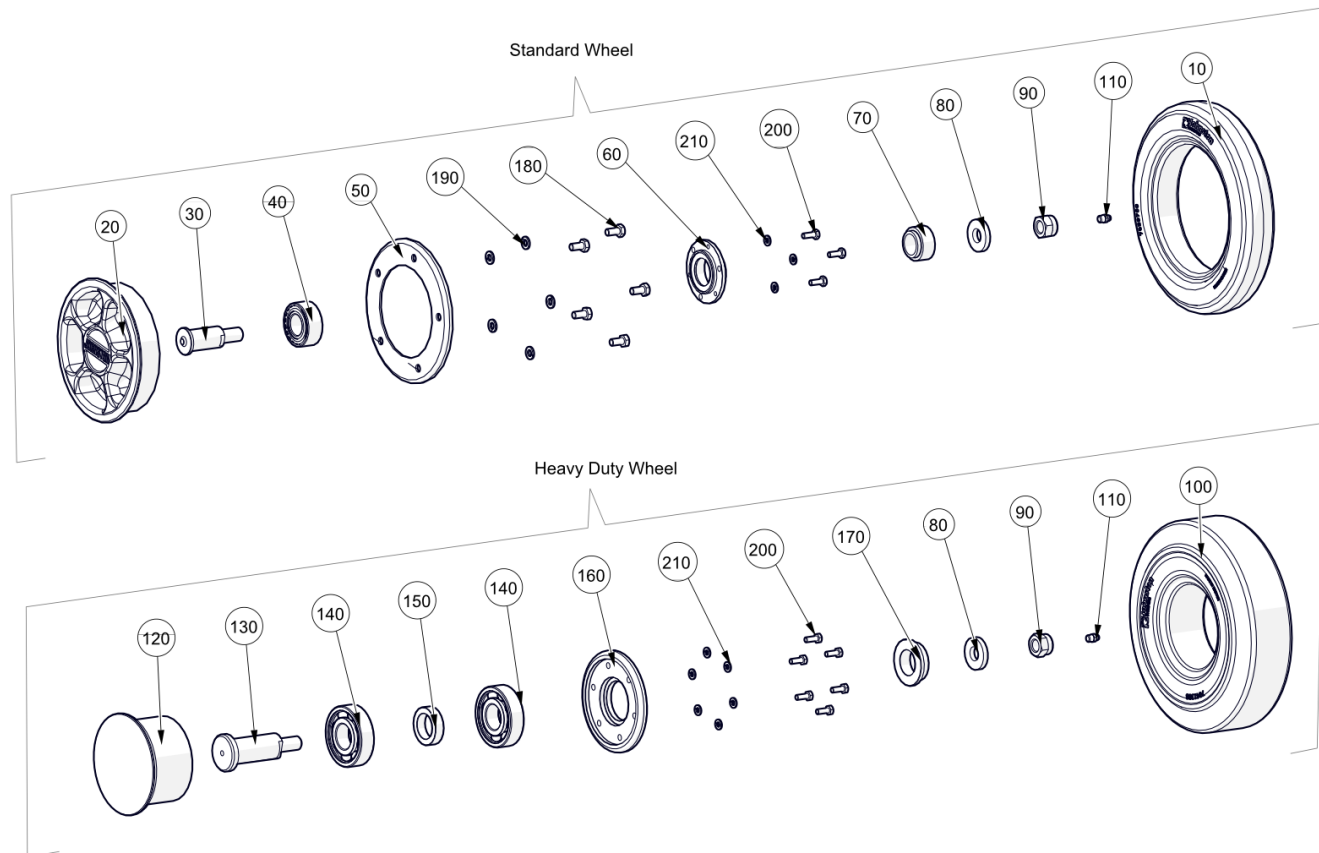


Hi-Lift Nozzle ()

Sweepgear\Nozzle\Standard Nozzle\Carriage\Hi-Lift Nozzle

Item no.	Part no.	Description	QTY	Unit
5020	12869	Tube - Nylon Black 6mm O/D	2	M
Item image is not available.				
5030	41041-1-A	Sleeve - Support, Pipe	1	PC
Item image is not available.				

Nozzle Wheels ()
Sweepgear\Nozzle\Standard Nozzle\Nozzle Wheels



Nozzle Wheels ()

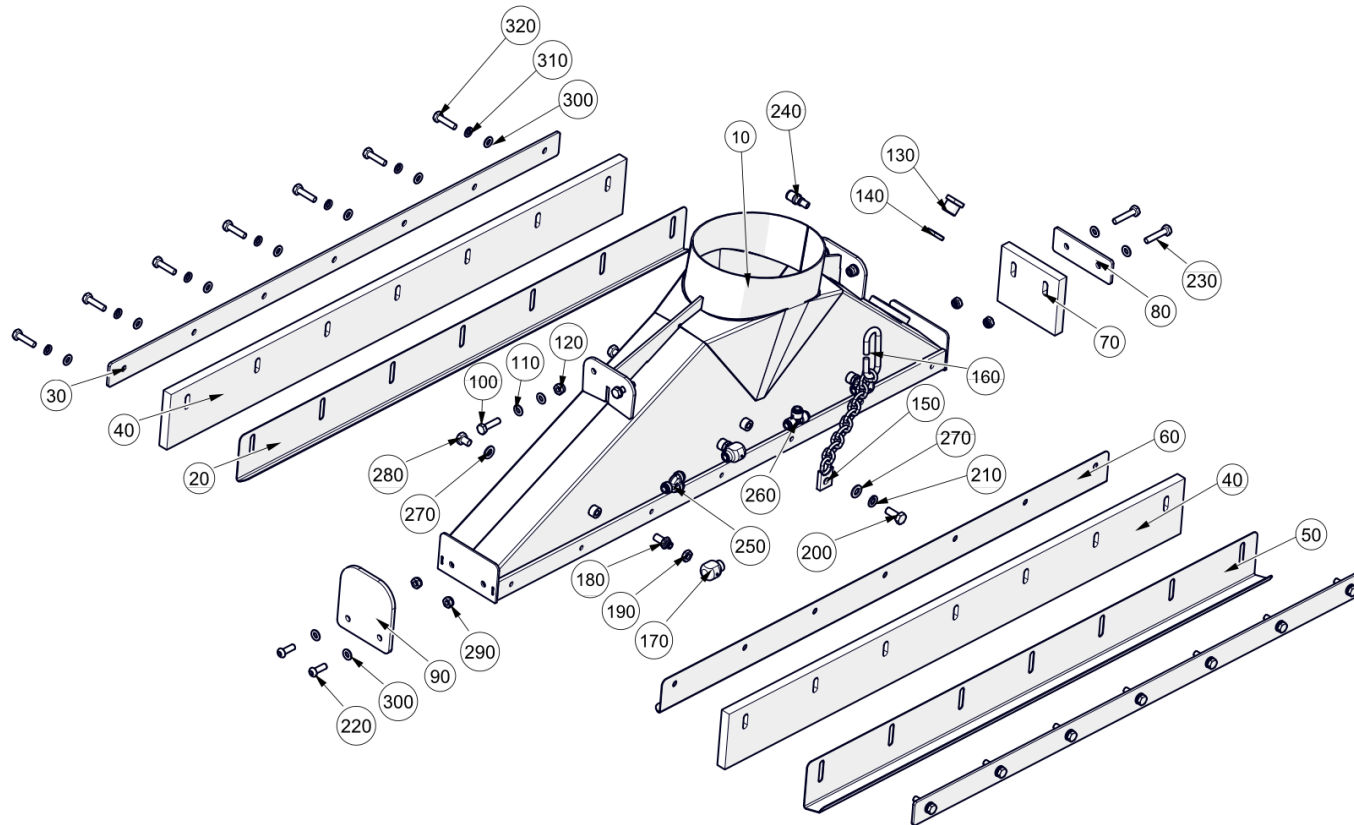
Sweepgear\Nozzle\Standard Nozzle\Nozzle Wheels

Item no.	Part no.	Description	QTY	Unit
10	7039700	Nozzle Tyre	1	PC
20	63493-1	Hub - Nozzle Wheel	1	PC
30	7044091	Spindle - Nozzle Wheel	1	PC
40	14-52	Bearing - 25x52x20.6	1	PC
50	16750-1-C	Plate - Back, Tyre	1	PC
60	63495-1	Retainer - Nozzle Wheel	1	PC
70	63494-1	Collar - Nozzle Wheel	1	PC
80	9114-2-F	Washer	2	PC
90	93085009-0	Nyloc Hex Nut M16C - 8	2	PC
100	7041388	Heavy Duty Nozzle Tyre	1	PC
110	38-36	Grease Nipple Straight M8 x 1.00	2	PC
120	283355-1	Hub - Nozzle Wheel Assembly	1	PC
130	7044094	Spindle - Nozzle Wheel, Heavy Duty	1	PC
140	14-62	Bearing - 30x72x19	2	PC
150	283354-1	Spacer - Nozzle Wheel Assembly	1	PC
160	283357-1	Flange - Nozzle Wheel Assembly	1	PC
170	283356-1	Labyrinth - Nozzle Wheel Assembly	1	PC
180	92097372-0	Hex Head Screw - M8Cx16 - 8.8	5	PC
190	93699710-0	Spring Washer - Plated M8	5	PC
200	92097299-0	Hex Head Screw - M6Cx16 - 8.8	9	PC
210	93699708-0	Spring Washer - Plated M6	9	PC

This page is intentionally left blank

This page is intentionally left blank

Wide Mouth Full Width Nozzle ()
Sweepgear\Nozzle\Full Width Nozzle\Wide Mouth Full Width Nozzle

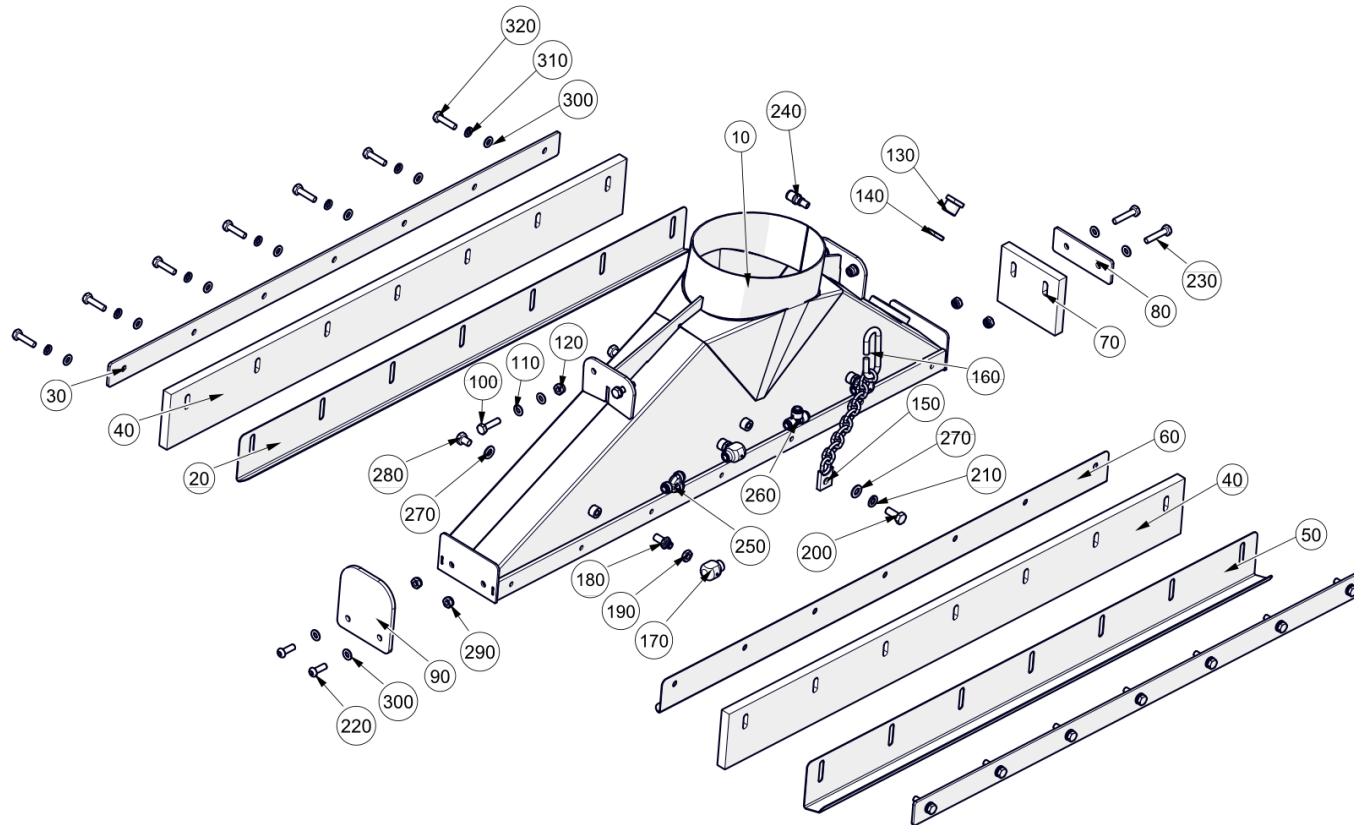


Wide Mouth Full Width Nozzle ()

Sweepgear\Nozzle\Full Width Nozzle\Wide Mouth Full Width Nozzle

Item no.	Part no.	Description	QTY	Unit
10	283460-1	Full Width Nozzle W/Assy Wide Mouth	1	PC
20	283494-1	Trailing Curtain Support	1	PC
30	283474-1	Curtain Retianer - Full Width Nozzle	2	PC
40	283471-1	Curtain - Full Width Nozzle	2	PC
50	283479-2	Leading Shoe - Full Width Nozzle	1	PC
60	283478-2	Deflector - Full Width Nozzle	1	PC
70	283473-1	Side Curtain - Full Width Nozzle	1	PC
80	283475-1	Curtain Retainer - Side Nozzle	1	PC
90	283537-1	Guide - Full Width Nozzle	1	PC
100	92097416-0	Hex Head Screw - M10Cx40 - 8.8	4	PC
110	93212012-0	Plain Washer - M10	8	PC
120	93085806-0	Nyloc Hex Nut M10C - 8	4	PC
130	281755-1	Plug - Re-Circ Port 250 Nozzle	1	PC
140	410-57	Locknut - 3/4 BSP	1	PC
150	62353-4	Link Manual Adjuster	1	PC
160	282968-1	Adjusting Link - Nozzle	1	PC
170	7019548	Water Jet - Body	3	PC
180	7019549	Water Jet - Adaptor	3	PC
190	416-12	Locknut - Stainless M12C	3	PC
200	92097450-0	Hex Head Screw - M12Cx30 - 8.8	1	PC
210	93699712-0	Spring Washer - Plated M12	1	PC
220	92330056-0	Hex Skt Button Head Screw M10x30 - 10.9	2	PC
230	92069422-0	Hex Head Bolt - M10Cx50 - A2-70	2	PC
240	297-106	Plug-Straight Body 1/4 Tubing O/D 10mm	1	PC

Wide Mouth Full Width Nozzle ()
Sweepgear\Nozzle\Full Width Nozzle\Wide Mouth Full Width Nozzle

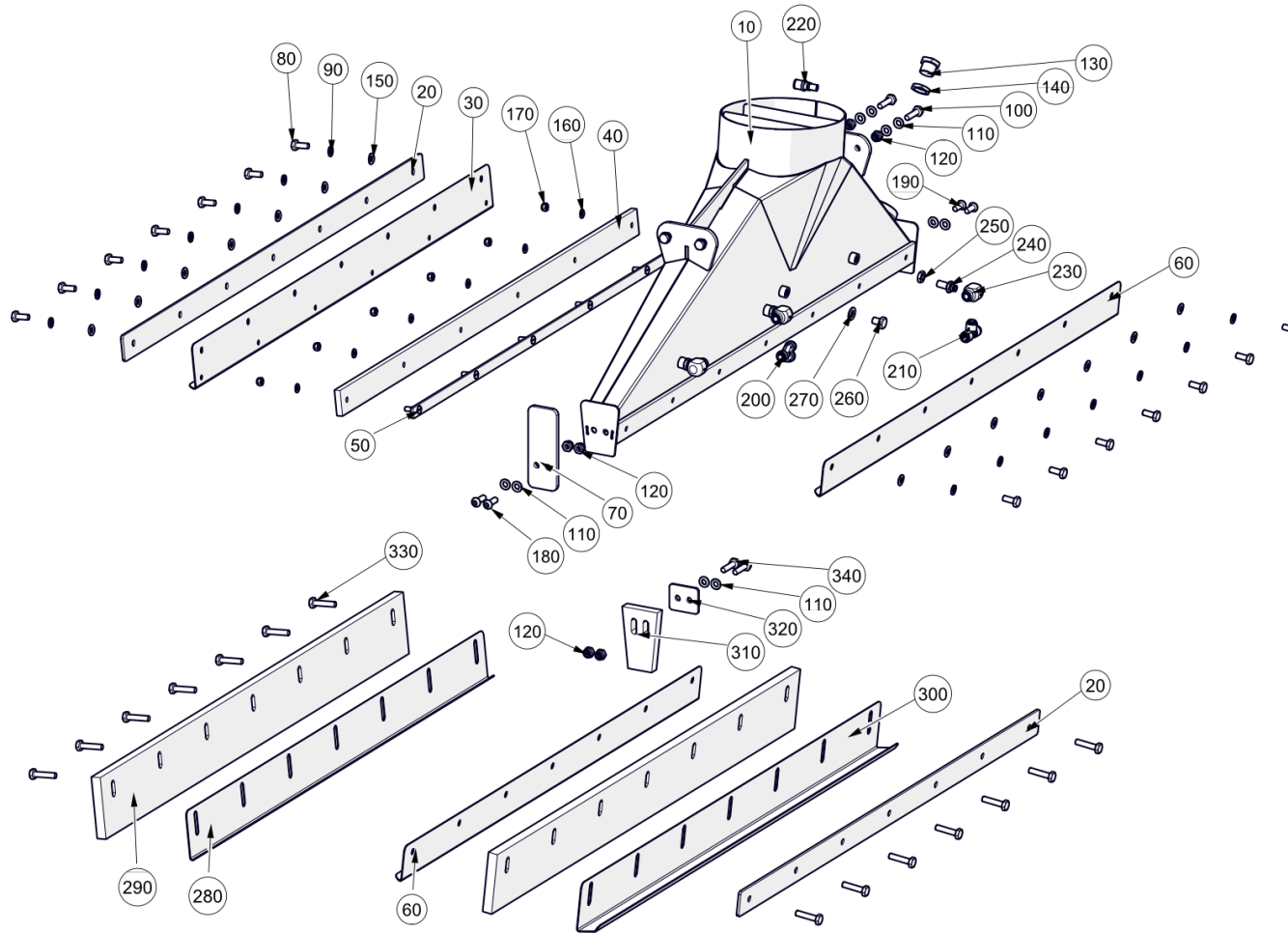


Wide Mouth Full Width Nozzle ()

Sweepgear\Nozzle\Full Width Nozzle\Wide Mouth Full Width Nozzle

Item no.	Part no.	Description	QTY	Unit
250	297-92	Two Way Divider - Tube O/D 10	1	PC
260	297-74	Tee Equal - Tube O/D 10	1	PC
261	297-1	Tubing - Polyurethane 10 Dia x 1.5 Wall	1,8	M
270	93212013-0	Plain Washer M12	5	PC
280	92097444-0	Hex Head Screw - M12Cx16 - 8.8	4	PC
290	93085606-0	Nyloc Hex Nut - M10c - A2	4	PC
300	93213011-0	Plain Washer M10 A2	18	PC
310	93700211-0	Spring Washer M10 - A2	14	PC
320	92069420-0	Hex Head Bolt - M10Cx40 - A2-70	14	PC

Narrow Full Width Nozzle ()
Sweepgear\Nozzle\Full Width Nozzle\Narrow Full Width Nozzle

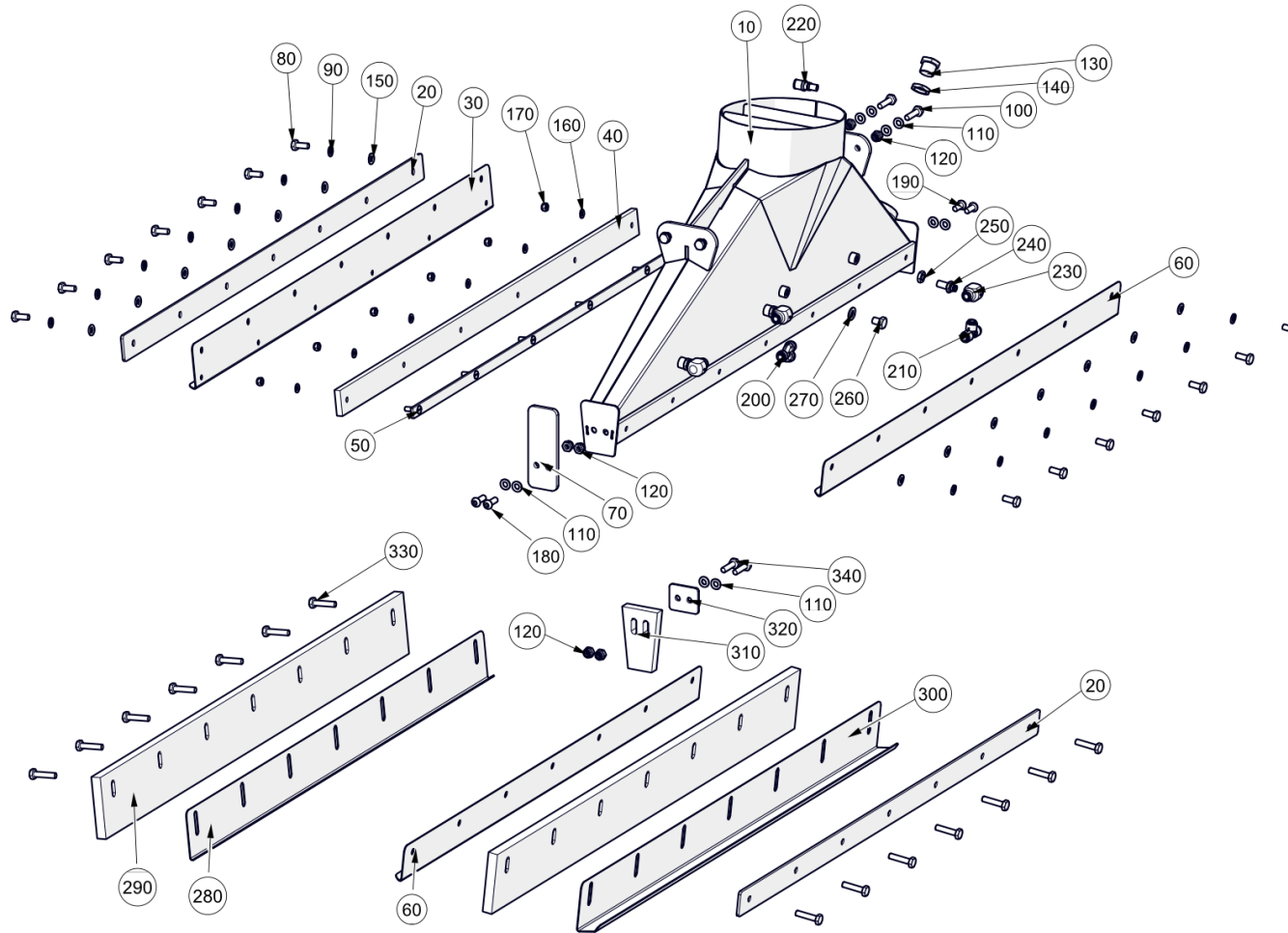


Narrow Full Width Nozzle ()

Sweepgear\Nozzle\Full Width Nozzle\Narrow Full Width Nozzle

Item no.	Part no.	Description	QTY	Unit
10	283470-1	Full Width Nozzle W/Assy Narrow Mouth	1	PC
20	283474-1	Curtain Retianer - Full Width Nozzle	2	PC
30	283477-2	Trailing Shoe - Full Width Nozzle	1	PC
40	40823-1-A	Rubber - Nozzle, Chipping	1	PC
50	40815-1-A	Clamp Strip W/Assy - Chipping Nozzle	1	PC
60	283478-2	Deflector - Full Width Nozzle	1	PC
70	283538-1	Guide - Full Width Nozzle Narrow Mouth	1	PC
80	92099409-0	Hex Head Screw - M10Cx25 - A2	14	PC
90	93700211-0	Spring Washer M10 - A2	14	PC
100	92097416-0	Hex Head Screw - M10Cx40 - 8.8	4	PC
110	93212012-0	Plain Washer - M10	12	PC
120	93085806-0	Nyloc Hex Nut M10C - 8	8	PC
130	281755-1	Plug - Re-Circ Port 250 Nozzle	1	PC
140	410-57	Locknut - 3/4 BSP	1	PC
150	93213011-0	Plain Washer M10 A2	14	PC
160	93213010-0	Plain Washer M8 A2	6	PC
170	93085605-0	Nyloc Hex Nut - M8c - A2	6	PC
180	92330056-0	Hex Skt Button Head Screw M10x30 - 10.9	2	PC
190	92330357-0	Hex Skt Button Head Screw M10x25 - 10.9	2	PC
200	297-92	Two Way Divider - Tube O/D 10	1	PC
210	297-74	Tee Equal - Tube O/D 10	1	PC
220	297-106	Plug-Straight Body 1/4 Tubing O/D 10mm	1	PC
230	7019548	Water Jet - Body	3	PC
231	297-1	Tubing - Polyurethane 10 Dia x 1.5 Wall	1,8	M

Narrow Full Width Nozzle ()
Sweepgear\Nozzle\Full Width Nozzle\Narrow Full Width Nozzle

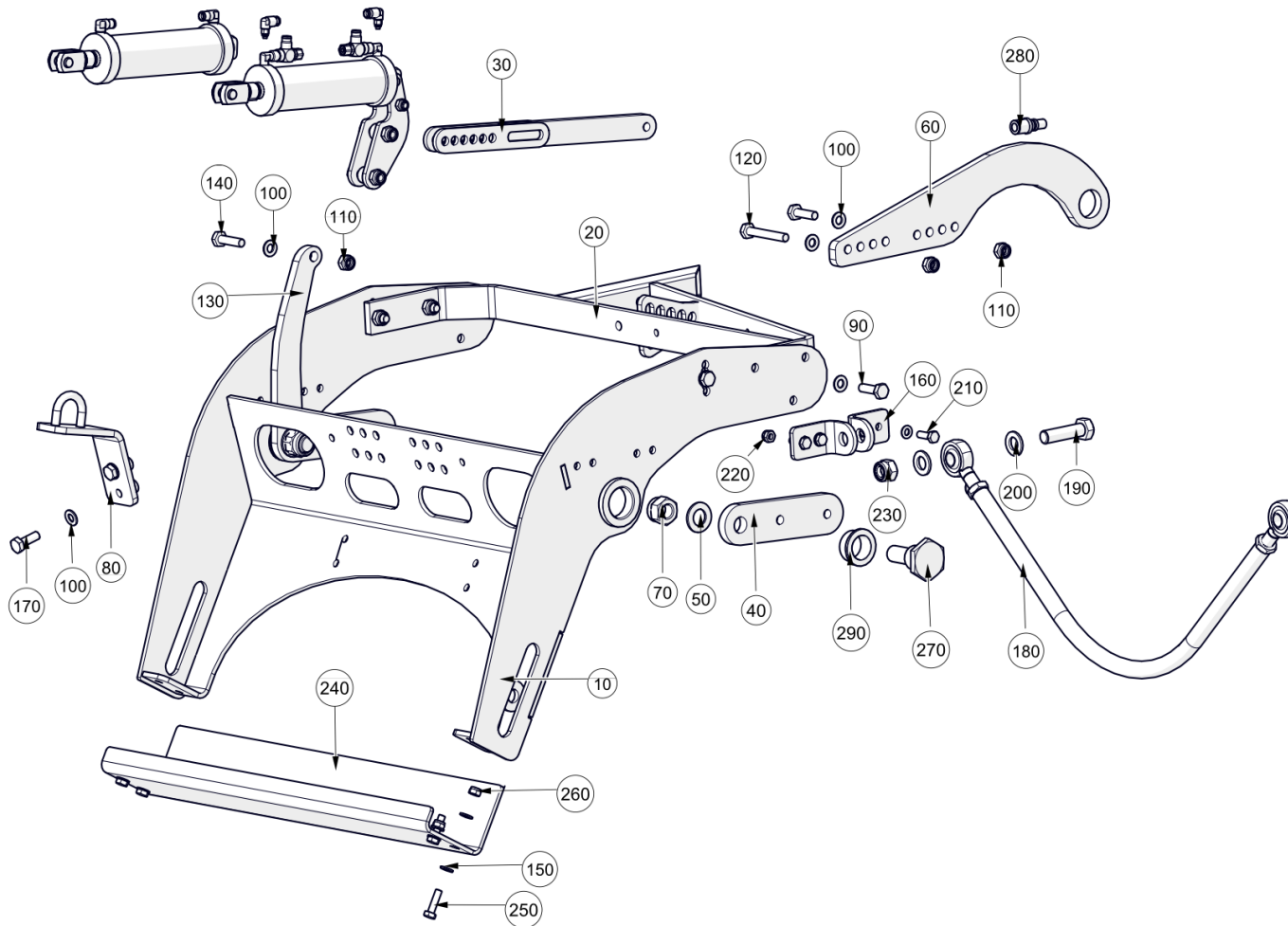


Narrow Full Width Nozzle ()

Sweepgear\Nozzle\Full Width Nozzle\Narrow Full Width Nozzle

Item no.	Part no.	Description	QTY	Unit
240	7019549	Water Jet - Adaptor	3	PC
250	416-12	Locknut - Stainless M12C	3	PC
260	92097444-0	Hex Head Screw - M12Cx16 - 8.8	5	PC
270	93212013-0	Plain Washer M12	5	PC
280	283494-1	Trailing Curtain Support	1	PC
290	283471-1	Curtain - Full Width Nozzle	2	PC
300	283479-2	Leading Shoe - Full Width Nozzle	1	PC
310	283472-1	Side Curtain - Full Width Nozzle	1	PC
320	283476-1	Curtain Retainer Side - Nozzle	2	PC
330	6105-1185	Hex Head Bolt - M10Cx45 - A2-70	14	PC
340	92069420-0	Hex Head Bolt - M10Cx40 - A2-70	2	PC

Nozzle Carriage ()
Sweepgear\Nozzle\Full Width Nozzle\Nozzle Carriage

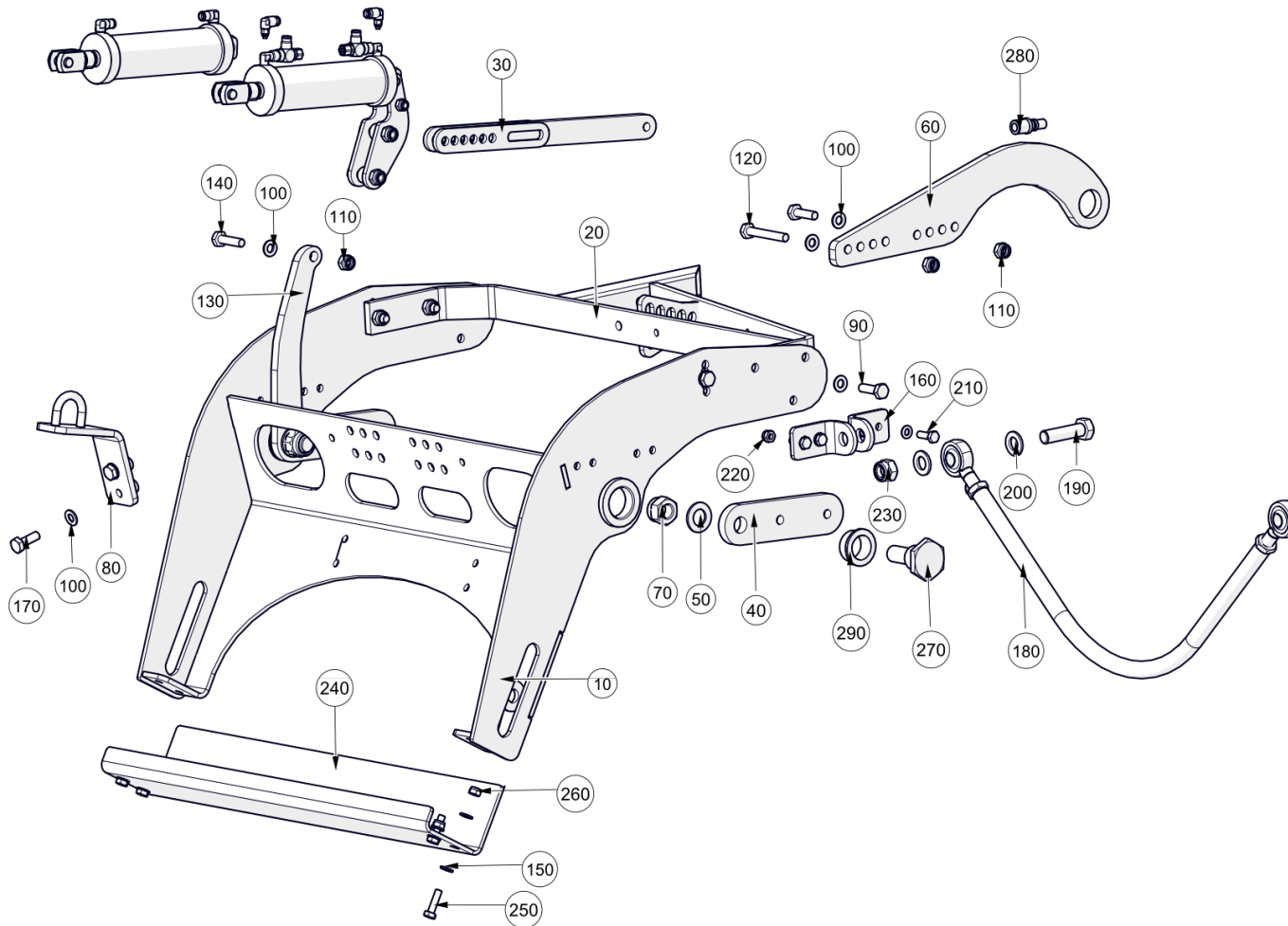


Nozzle Carriage ()

Sweepgear\Nozzle\Full Width Nozzle\Nozzle Carriage

Item no.	Part no.	Description	QTY	Unit
10	7020449	Carriage Welded Assembly	1	PC
20	7020620	Nozzle Drawbar Welded Assembly	1	PC
40	7019275	Pivot Arm - Nozzle	1	PC
50	93212018-0	Plain Washer M20	2	PC
60	283495-1	Tow Eye - Drawbar Full Width Nozzle	1	PC
70	93085011-0	Nyloc Hex Nut M20C - 8	2	PC
80	7037475	Bottom Bracket - Welded Assembly	1	PC
90	92097415-0	Hex Head Screw - M10Cx35 - 8.8	5	PC
100	93212012-0	Plain Washer - M10	10	PC
110	93085806-0	Nyloc Hex Nut M10C - 8	10	PC
120	92097422-0	Hex Head Screw - M10Cx70 - 8.8	1	PC
130	7008968	Lever - Nozzle	1	PC
140	92097416-0	Hex Head Screw - M10Cx40 - 8.8	1	PC
150	93212011-0	Plain Washer - M8	12	PC
160	283488-1	Link Arm Anchor Full Width Nozzle	2	PC
170	92097414-0	Hex Head Screw - M10Cx30 - 8.8	2	PC
180	283493-1	Link Arm Assembly Full Width Nozzle	1	PC
190	92067535-0	Hex Head Bolt - M16x60C - 8.8	2	PC
200	93210523-0	Plain Washer - M16	4	PC
210	92097376-0	Hex Head Screw - M8Cx25 - 8.8	4	PC
220	93085805-0	Nyloc Hex Nut M8C - 8	4	PC
230	93085009-0	Nyloc Hex Nut M16C - 8	4	PC
240	7022440	Full Width Nozzle Brace	1	PC
250	92097378-0	Hex Head Screw - M8Cx30 - 8.8	4	PC

Nozzle Carriage ()
Sweepgear\Nozzle\Full Width Nozzle\Nozzle Carriage

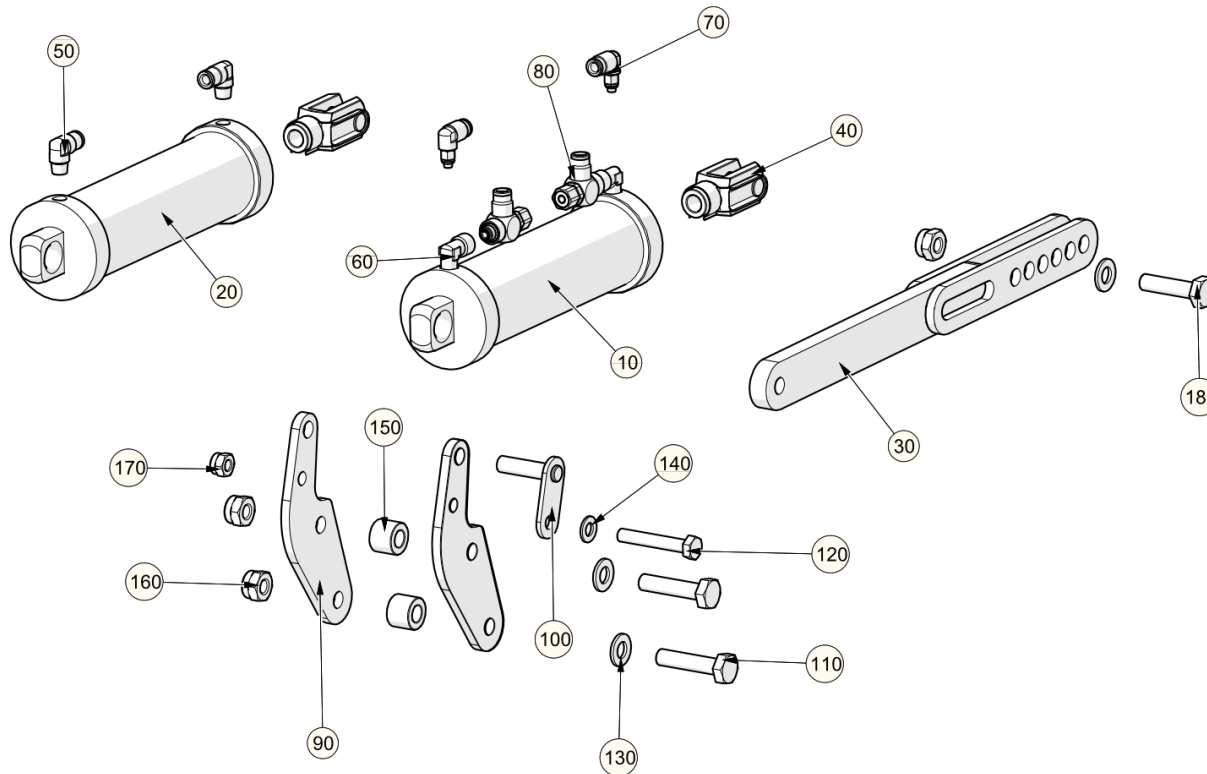


Nozzle Carriage ()

Sweepgear\Nozzle\Full Width Nozzle\Nozzle Carriage

Item no.	Part no.	Description	QTY	Unit
260	93085005-0	Nyloc Hex Nut M8C - 8	4	PC
270	283363-1	Pivot Bolt - Suction Nozzle	2	PC
280	297-106	Plug-Straight Body 1/4 Tubing O/D 10mm	1	PC
290	283374-1	Bush - Pivot Suction Nozzle	2	PC

Nozzle Adjustment ()
Sweepgear\Nozzle\Full Width Nozzle\Nozzle Carriage\Nozzle Adjustment

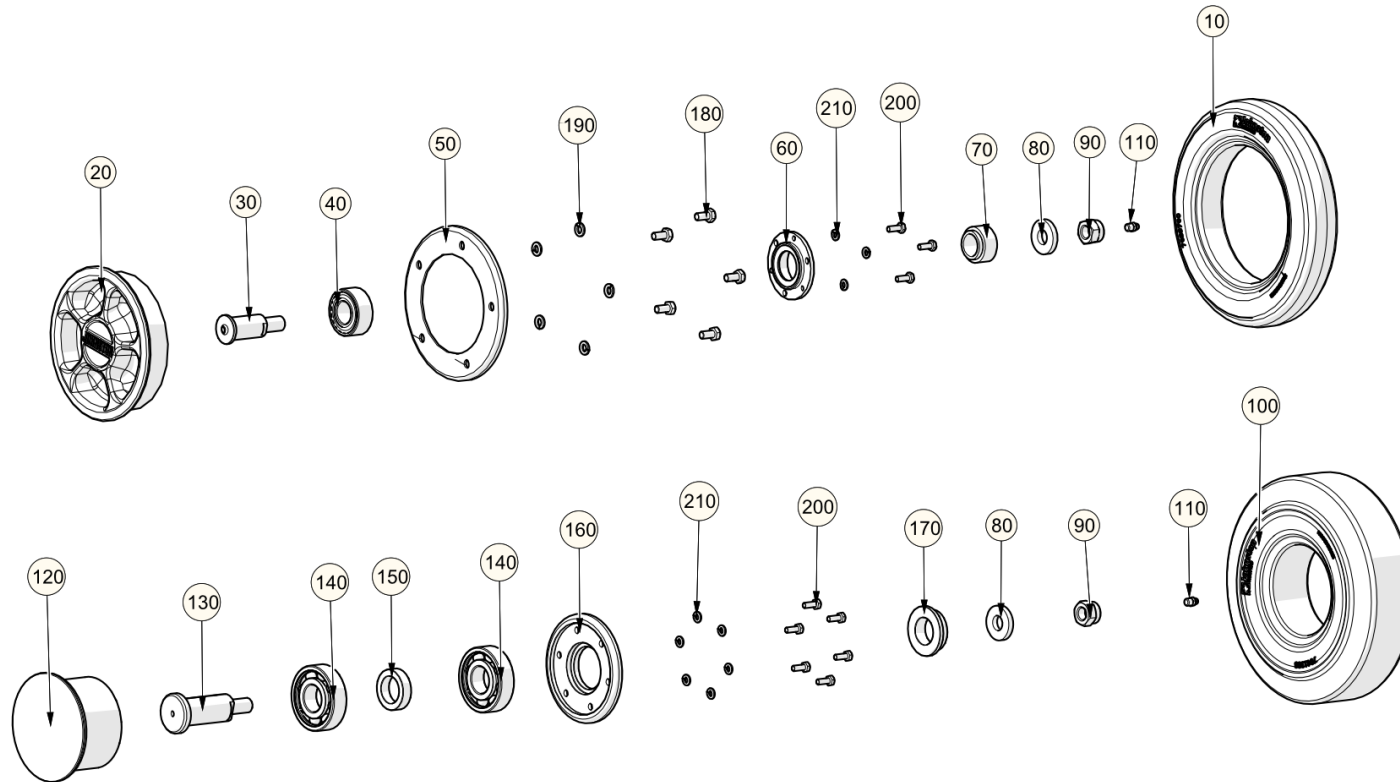


Nozzle Adjustment ()

Sweepgear\Nozzle\Full Width Nozzle\Nozzle Carriage\Nozzle Adjustment

Item no.	Part no.	Description	QTY	Unit
10	7004673	Cylinder Pneum-Dual-Act Ø50x75	1	PC
20	7004670	Cylinder Pneum-Sng-Act Ø50x75	1	PC
30	7020642	Adjuster Arm Welded Assembly	1	PC
40	7009106	Fork head Assembly M12x1.25xØ12	1	PC
50	09593162-0	Adaptor - Push In 6mm Fixed Elbow R1/8"	2	PC
60	72-114	Elbow - R1/8M x G1/8F	2	PC
70	6603-1381	Adaptor-Elbow 6mmxM5x0.8	2	PC
80	09598716-0	Pilot Check Valve-1/8" BSPx6mm	2	PC
90	7008963	Eye - Sweep Gear	2	PC
100	7009104	Pin Welded Assembly	1	PC
110	92097417-0	Hex Head Screw - M10CX45 - 8.8	2	PC
120	92097382-0	Hex Head Screw - M8Cx50 - 8.8	1	PC
130	93212012-0	Plain Washer - M10	2	PC
140	93212011-0	Plain Washer - M8	1	PC
150	7008966	Spacer - Nozzle	2	PC
160	93085806-0	Nyloc Hex Nut M10C - 8	2	PC
170	93085805-0	Nyloc Hex Nut M8C - 8	1	PC
180	92097416-0	Hex Head Screw - M10Cx40 - 8.8	1	PC

Nozzle Wheels ()
Sweepgear\Nozzle\Full Width Nozzle\Nozzle Wheels



Nozzle Wheels ()

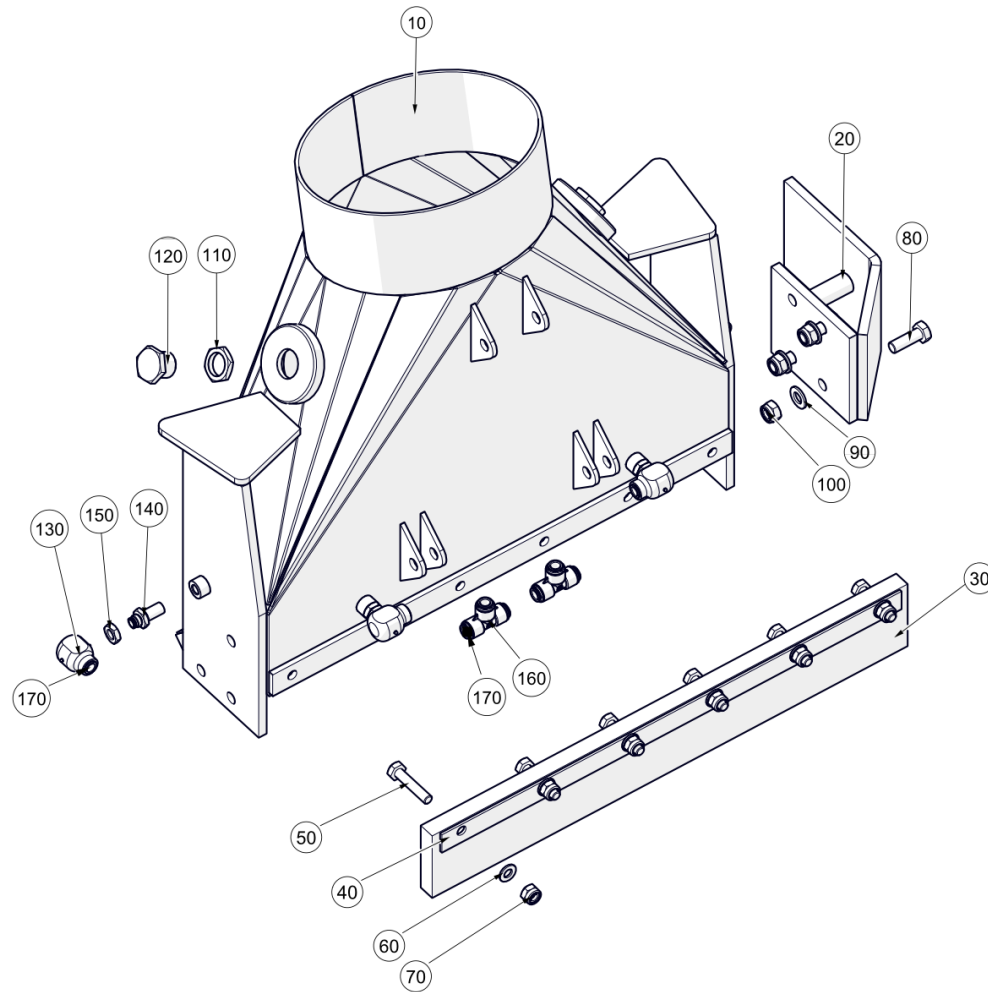
Sweepgear\Nozzle\Full Width Nozzle\Nozzle Wheels

Item no.	Part no.	Description	QTY	Unit
10	7039700	Nozzle Tyre	1	PC
20	63493-1	Hub - Nozzle Wheel	1	PC
30	7044091	Spindle - Nozzle Wheel	1	PC
40	14-52	Bearing - 25x52x20.6	1	PC
50	16750-1-C	Plate - Back, Tyre	1	PC
60	63495-1	Retainer - Nozzle Wheel	1	PC
70	63494-1	Collar - Nozzle Wheel	1	PC
80	9114-2-F	Washer	2	PC
90	93085009-0	Nyloc Hex Nut M16C - 8	2	PC
100	7041388	Heavy Duty Nozzle Tyre	1	PC
110	38-36	Grease Nipple Straight M8 x 1.00	2	PC
120	283355-1	Hub - Nozzle Wheel Assembly	1	PC
130	7044094	Spindle - Nozzle Wheel, Heavy Duty	1	PC
140	14-62	Bearing - 30x72x19	2	PC
150	283354-1	Spacer - Nozzle Wheel Assembly	1	PC
160	283357-1	Flange - Nozzle Wheel Assembly	1	PC
170	283356-1	Labyrinth - Nozzle Wheel Assembly	1	PC
180	92097372-0	Hex Head Screw - M8Cx16 - 8.8	5	PC
190	93699710-0	Spring Washer - Plated M8	5	PC
200	92097299-0	Hex Head Screw - M6Cx16 - 8.8	9	PC
210	93699708-0	Spring Washer - Plated M6	9	PC

This page is intentionally left blank

This page is intentionally left blank

Nozzle Assembly ()
Sweepgear\Nozzle\Combivak Nozzle\Nozzle Assembly

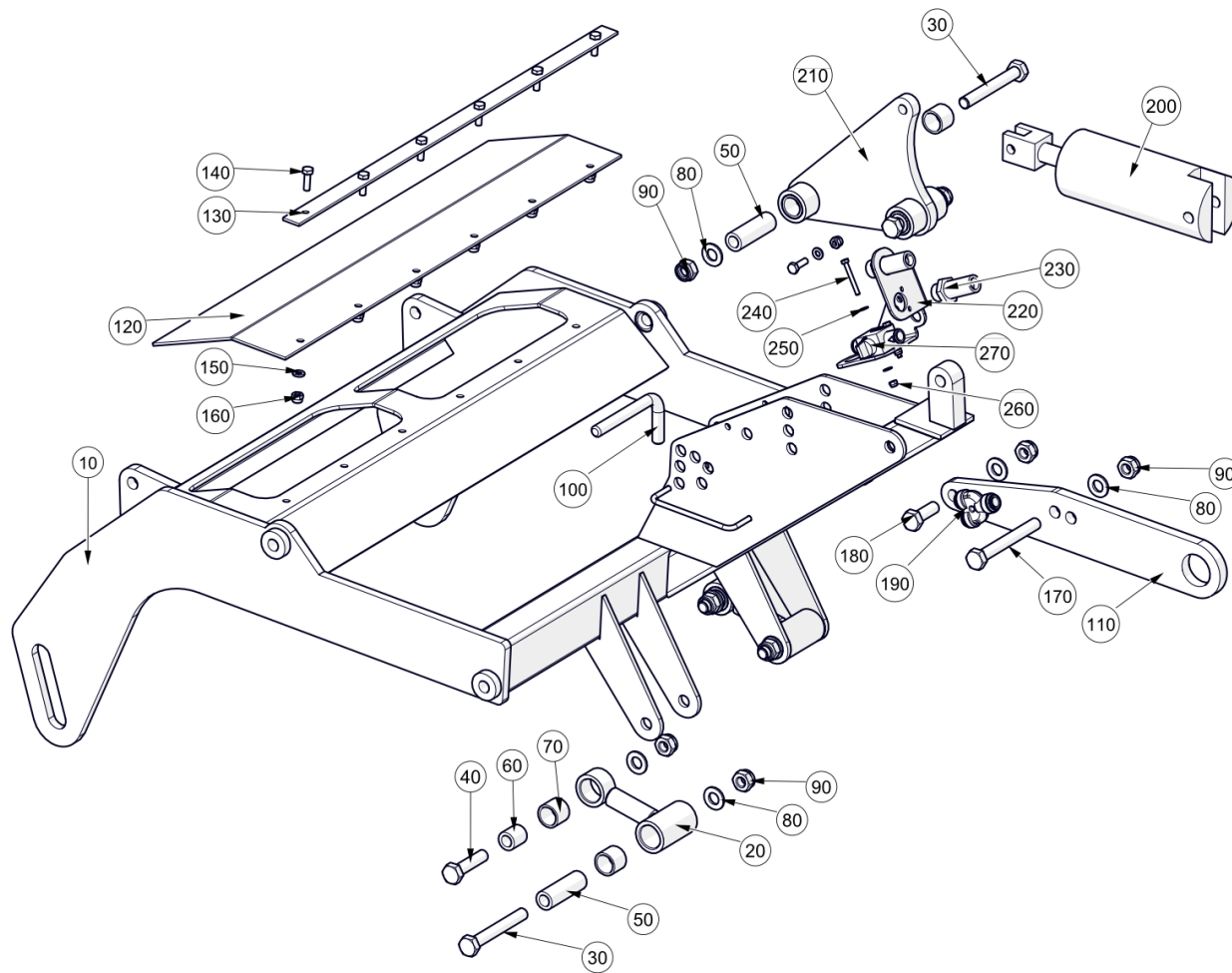


Nozzle Assembly ()

Sweepgear\Nozzle\Combivak Nozzle\Nozzle Assembly

Item no.	Part no.	Description	QTY	Unit
10	280920-2	Nozzle W/Assy - 250 Combivac Lined	1	PC
20	62170-1	Skid Welded Assembly	1	PC
30	62138-1	Nozzle - Front Rubber	1	PC
40	62148-1	Strip Clamp	1	PC
50	92097418-0	Hex Head Screw - M10Cx50 - 8.8	6	PC
60	93212012-0	Plain Washer - M10	6	PC
70	93085806-0	Nyloc Hex Nut M10C - 8	6	PC
80	92097451-0	Hex Head Screw - M12Cx35 - 8.8	3	PC
90	93212013-0	Plain Washer M12	3	PC
100	93085007-0	Nyloc Hex Nut M12C - 8	3	PC
110	410-57	Locknut - 3/4 BSP	2	PC
120	281755-1	Plug - Re-Circ Port 250 Nozzle	2	PC
130	7019548	Water Jet - Body	4	PC
140	7019549	Water Jet - Adaptor	4	PC
150	416-12	Locknut - Stainless M12C	4	PC
160	297-74	Tee Equal - Tube O/D 10	2	PC
170	297-1	Tubing - Polyurethane 10 Dia x 1.5 Wall	2,3	M

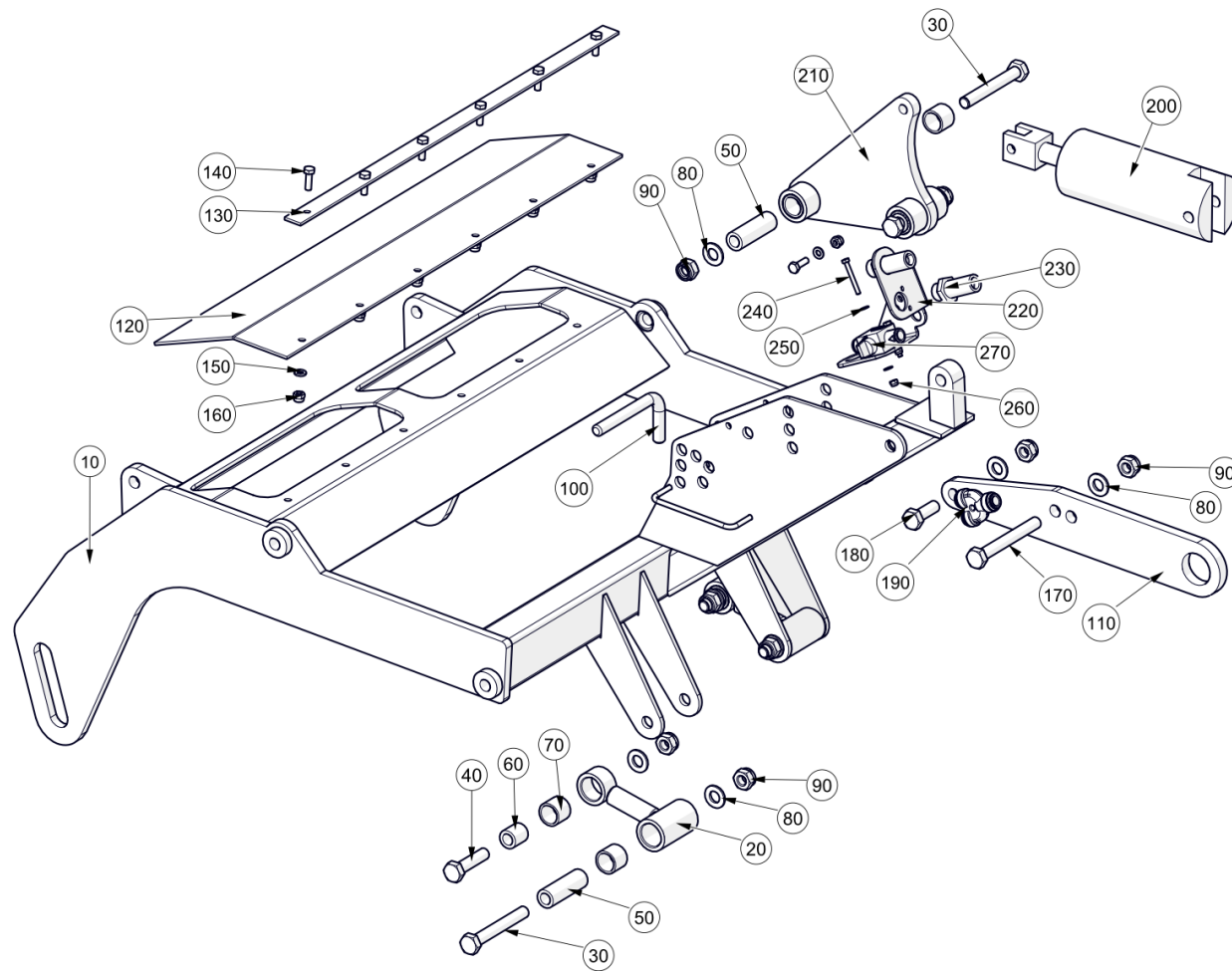
Combivak Carriage ()
Sweepgear\Nozzle\Combivak Nozzle\Combivak Carriage



Combivak Carriage ()
Sweepgear\Nozzle\Combivak Nozzle\Combivak Carriage

Item no.	Part no.	Description	QTY	Unit
10	62882-2	Carriage Welded Assembly - Combivac	1	PC
20	62567-1	Arm Pivot Welded Assembly - Nozzle	2	PC
30	92067467-0	Hex Head Bolt - M12Cx90 - 8.8	4	PC
40	92067459-0	Hex Head Bolt - M12Cx50 - 8.8	2	PC
50	42733-2	Bush - Bearing	4	PC
60	7062237	Bush - Bearing	2	PC
70	29128-1-B	Bush - 20Lg	10	PC
80	93212013-0	Plain Washer M12	8	PC
90	93085007-0	Nyloc Hex Nut M12C - 8	8	PC
100	62135-1	Bolt - Nozzle Stop	1	PC
110	200377-1	Tow Eye - V/Brush Combivak	1	PC
120	41615-1-A	Curtain - Rubber	1	PC
130	41457-1-A	Strip Clamping	1	PC
140	92097301-0	Hex Head Screw - M6Cx20 - 8.8	7	PC
150	93212009-0	Plain Washer - M6	7	PC
160	93085004-0	Nyloc Hex Nut M6C - 8	7	PC
170	92067469-0	Hex Head Bolt - M12Cx100 - 8.8	1	PC
180	92097451-0	Hex Head Screw - M12Cx35 - 8.8	1	PC
190	297-92	Two Way Divider - Tube O/D 10	1	PC
200	29362-2	Cylinder Combivac Nozzle Assembly	1	PC
210	281884-1	Actuator Welded Assembly	1	PC
220	7032453	Bracket, Bulkhead	1	PC
230	302-2	Straight Bulkhead Connector M18 x 1.5	2	PC
240	92067234-0	Hex Head Bolt - M4Cx35 - 8.8	2	PC

Combivak Carriage ()
Sweepgear\Nozzle\Combivak Nozzle\Combivak Carriage

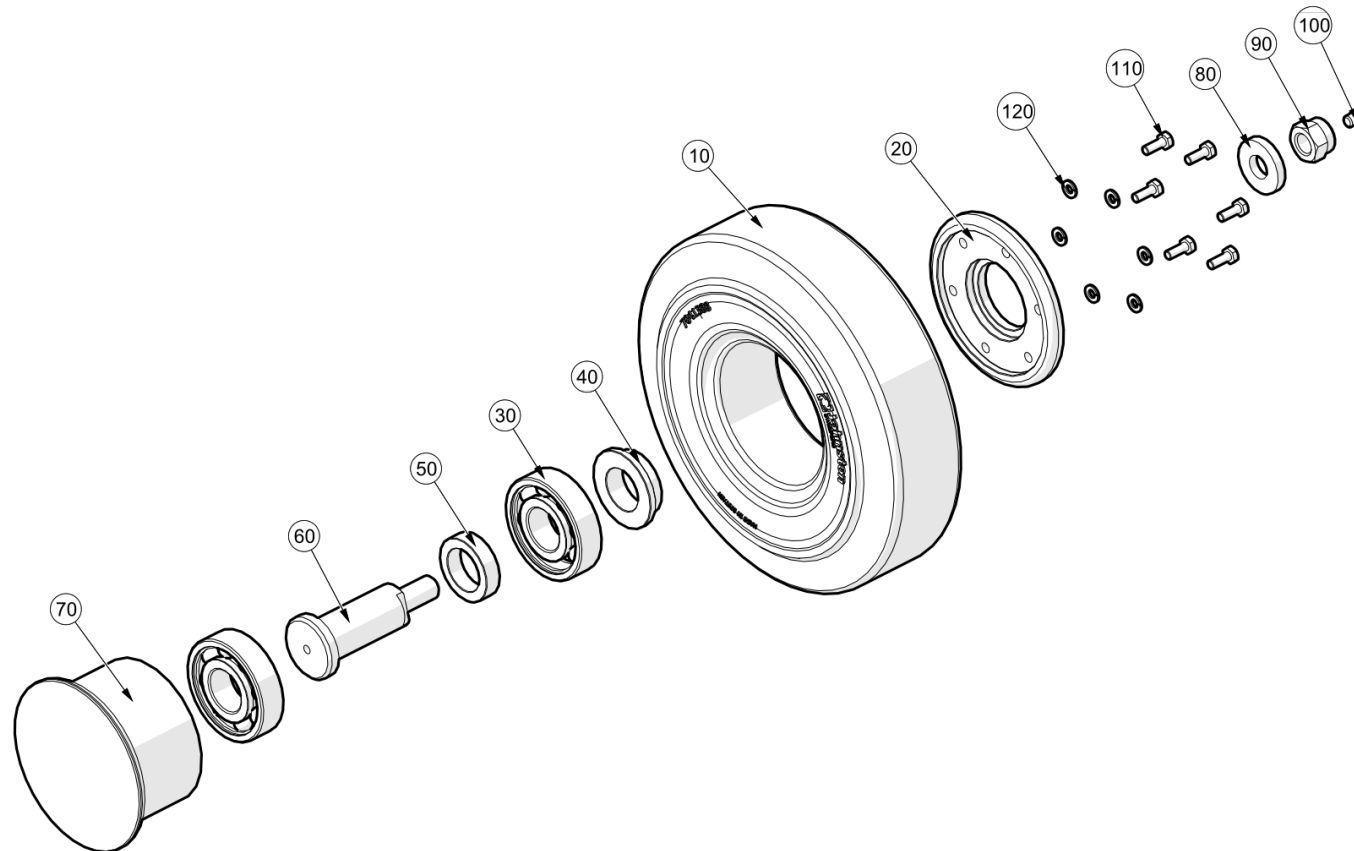


Combivak Carriage ()

Sweepgear\Nozzle\Combivak Nozzle\Combivak Carriage

Item no.	Part no.	Description	QTY	Unit
250	93212007-0	Plain Washer M4	4	PC
260	93085002-0	Nyloc Hex Nut M4C - 8	2	PC
270	7023752	Finger Valve	1	PC

Nozzle Wheels ()
Sweepgear\Nozzle\Combivak Nozzle\Nozzle Wheels

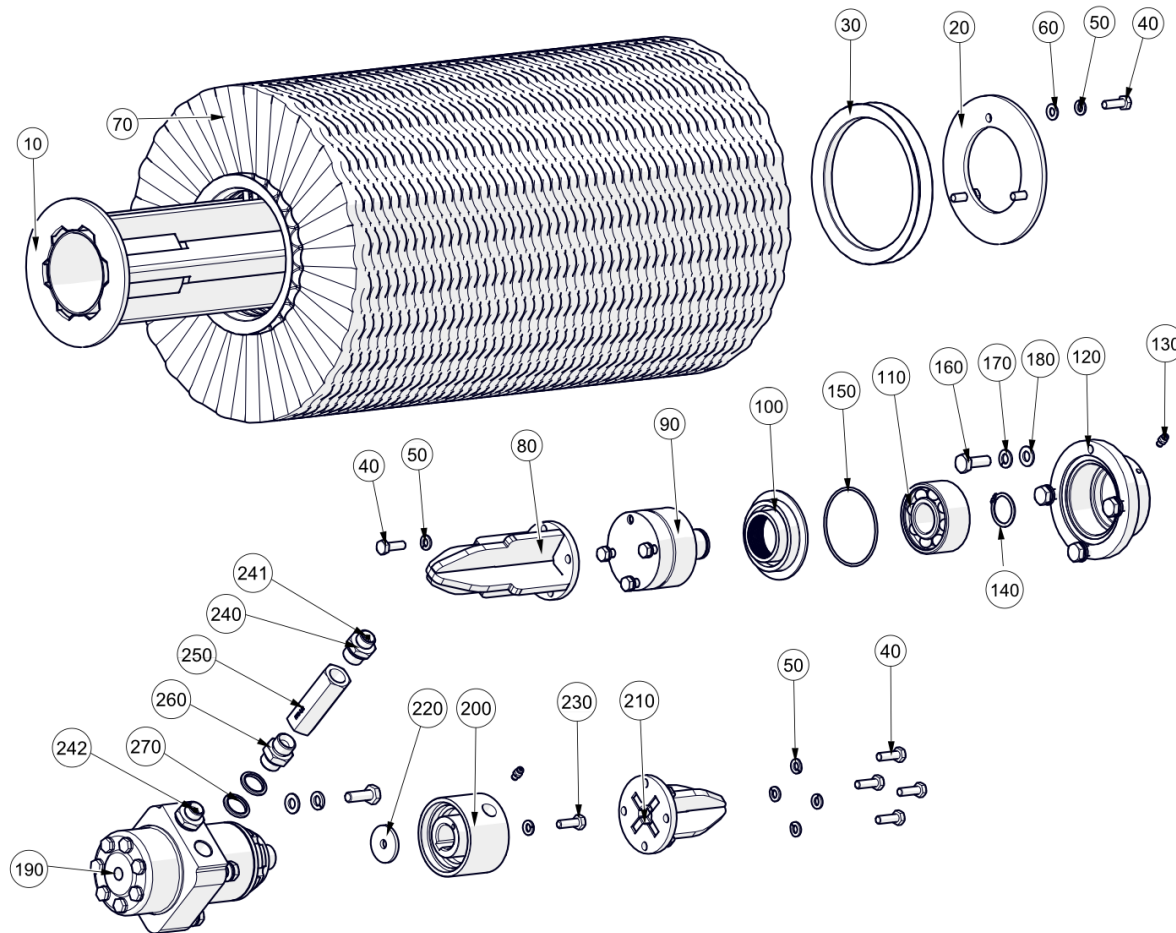


Nozzle Wheels ()

Sweepgear\Nozzle\Combivak Nozzle\Nozzle Wheels

Item no.	Part no.	Description	QTY	Unit
10	7041388	Heavy Duty Nozzle Tyre	2	PC
20	283357-1	Flange - Nozzle Wheel Assembly	2	PC
30	14-62	Bearing - 30x72x19	4	PC
40	283356-1	Labyrinth - Nozzle Wheel Assembly	2	PC
50	283354-1	Spacer - Nozzle Wheel Assembly	2	PC
60	7044094	Spindle - Nozzle Wheel, Heavy Duty	2	PC
70	283355-1	Hub - Nozzle Wheel Assembly	2	PC
80	9114-2-F	Washer	2	PC
90	93085009-0	Nyloc Hex Nut M16C - 8	2	PC
100	38-36	Grease Nipple Straight M8 x 1.00	2	PC
110	92097299-0	Hex Head Screw - M6Cx16 - 8.8	12	PC
120	93699708-0	Spring Washer - Plated M6	12	PC

Brush and Motor ()
Sweepgear\Nozzle\Combivak Nozzle\Brush and Motor

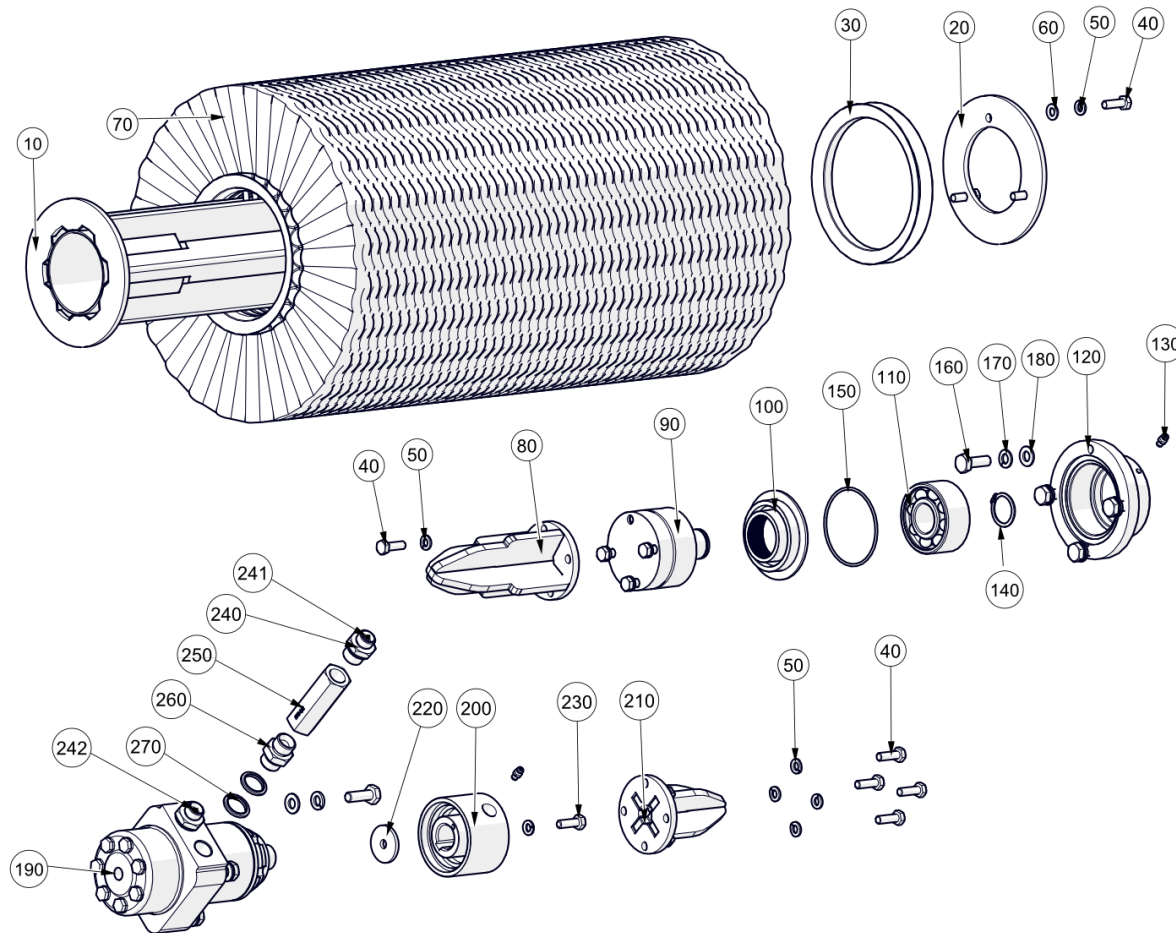


Brush and Motor ()

Sweepgear\Nozzle\Combivak Nozzle\Brush and Motor

Item no.	Part no.	Description	QTY	Unit
10	7020735	Combivak Stock	1	PC
20	283115-1	Plate - Closing Stock Assembly WSB	1	PC
30	13515	Spacer - Segment Brush	2	PC
40	92097376-0	Hex Head Screw - M8Cx25 - 8.8	7	PC
50	93699710-0	Spring Washer - Plated M8	3	PC
60	93212011-0	Plain Washer - M8	3	PC
70	283385-340	TMS 550 Segments	48	PC
80	283106-1	Driven Dog Welded Assembly WSB	1	PC
90	283108-1	Bearing - Drive Adaptor Wide Sweep Brush	1	PC
100	283121-1	Labyrinth - Bearing Wide Sweep Brush	1	PC
110	14-47	Bearing - 30x72x30.2 Double	1	PC
120	283107-1	Housing - Bearing Wide Sweep Brush	1	PC
130	38-30	Grease Nipple M6 X 1	1	PC
140	09500030-0	Circlip - External A 30X1,5 F-ST A2B DIN	1	PC
150	80-94	O-Ring - Hole Dia.80	1	PC
160	92097414-0	Hex Head Screw - M10Cx30 - 8.8	4	PC
170	93699711-0	Spring Washer - Plated M10	4	PC
180	93212012-0	Plain Washer - M10	4	PC
190	72250-1	Motor - Hydraulic OMPW 200	1	PC
200	283109-1	Drive Adaptor Motor Wide Sweep Brush	1	PC
210	283105-1	Drive Dog Welded Assembly WSB	1	PC
220	62064-1	Washer - Special 38mm	1	PC
230	135-58	Hex Head Screw - 180° Patch M8Cx25	1	PC
240	09570131-0	Stud Coupling Male G 1/2" x M18 x 1.	2	PC

Brush and Motor ()
Sweepgear\Nozzle\Combivak Nozzle\Brush and Motor

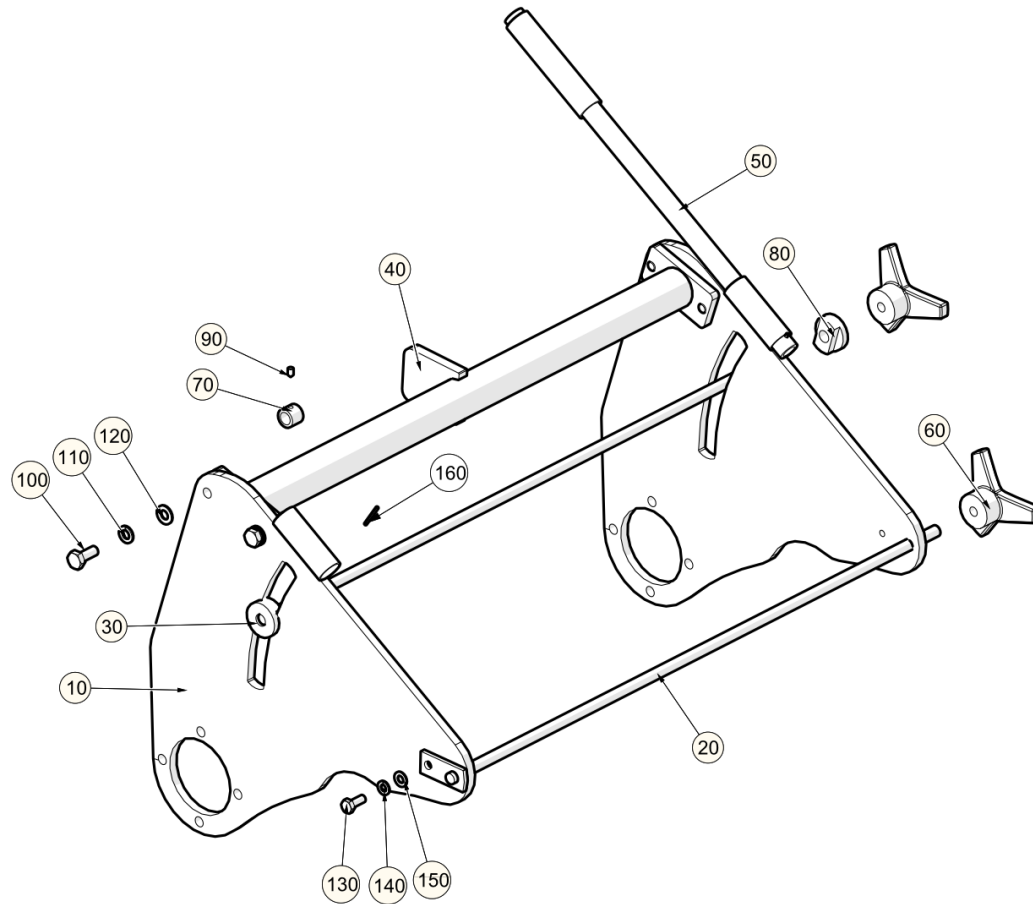


Brush and Motor ()

Sweepgear\Nozzle\Combivak Nozzle\Brush and Motor

Item no.	Part no.	Description	QTY	Unit
241	H2SC10000-75	Hose - Hydraulic	1	PC
242	H2SC10000-85	Hose - Hydraulic	1	PC
250	71457-1	Valve Check G1/2"	1	PC
260	263-4	Adaptor M/M 1/2 BSP BS5200	1	PC
270	451-19	Washer - Bonded G1-2"	2	PC

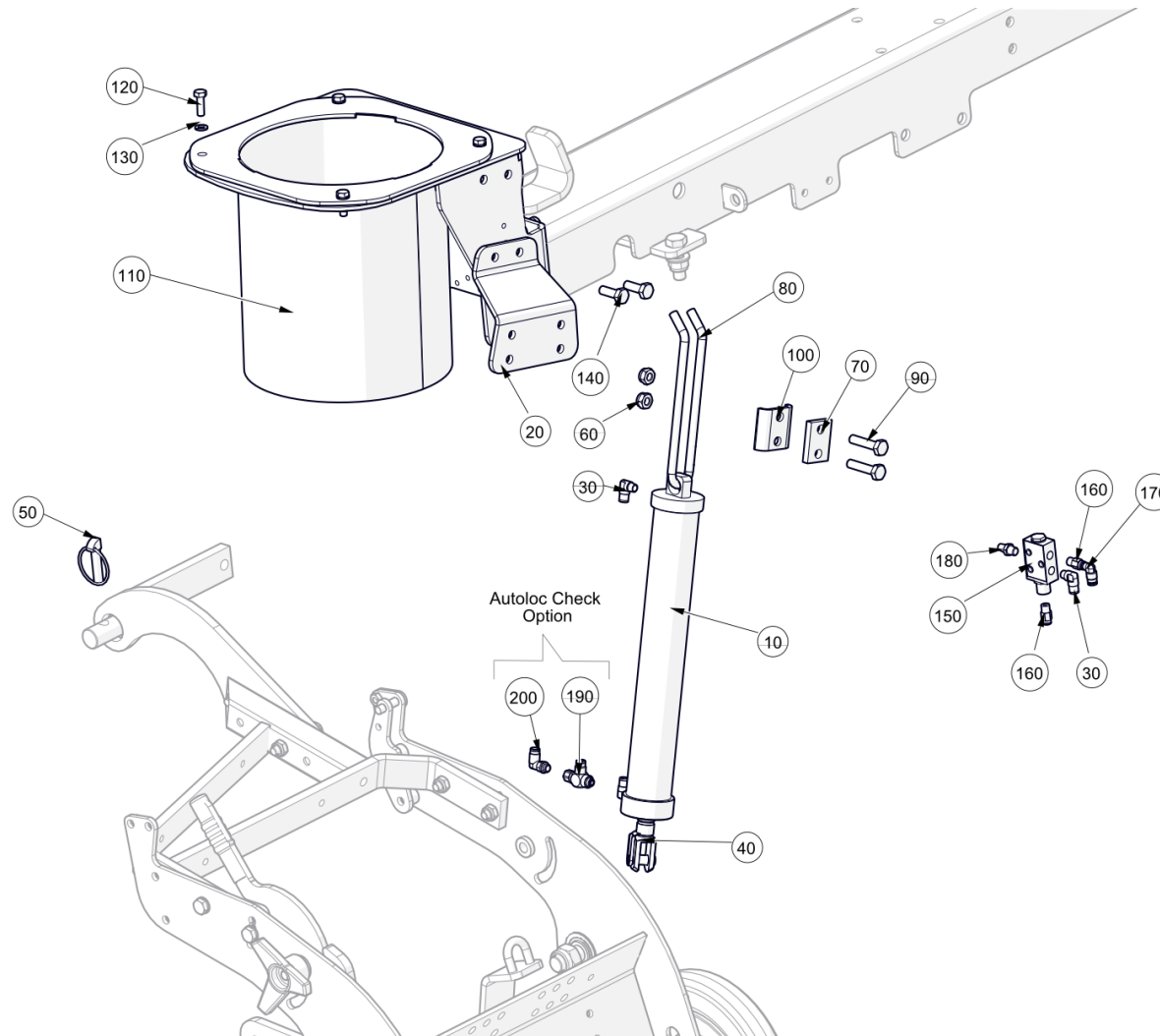
Nozzle Handle ()
Sweepgear\Nozzle\Combivak Nozzle\Nozzle Handle



Nozzle Handle ()

Sweepgear\Nozzle\Combivak Nozzle\Nozzle Handle

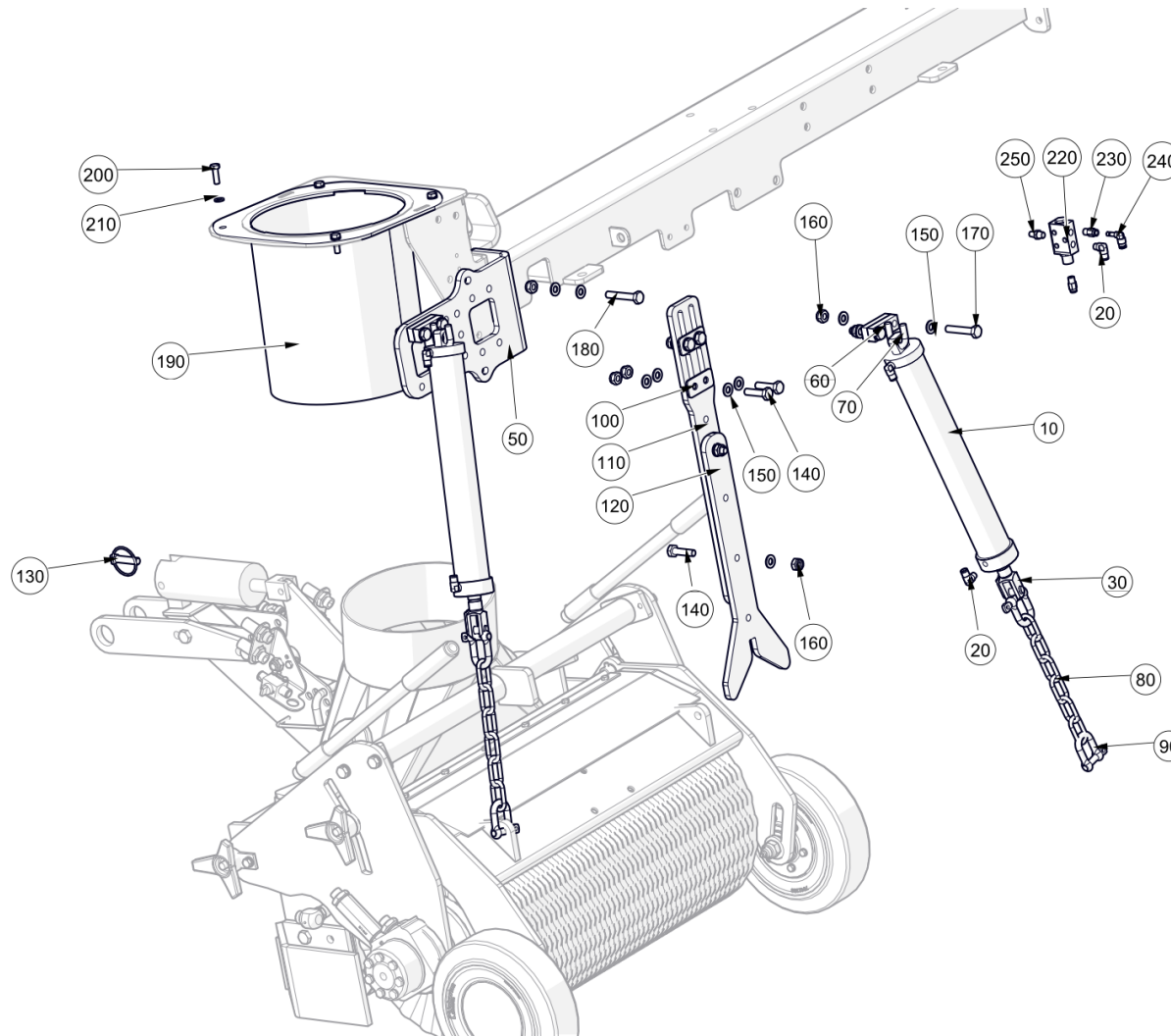
Item no.	Part no.	Description	QTY	Unit
10	7020736	Cheek Plate W/Assy	2	PC
20	7020816	Pivot pin	1	PC
30	7020820	Adjuster Welded Assembly	1	PC
40	62828-1	Beam - Cross Welded Assembly	1	PC
50	62167-1	Handle Welded Assembly	1	PC
60	23-22	Knob (M12) - Cross Type	2	PC
70	62157-1	Clamp - Tube	1	PC
80	62127-2	Slider - Zinc Plate + Passivate	1	PC
90	135-23	Grub Screw - Cone Point M6c cx 10 Lg	1	PC
100	92097412-0	Hex Head Screw - M10Cx25 - 8.8	4	PC
110	93699711-0	Spring Washer - Plated M10	4	PC
120	93212012-0	Plain Washer - M10	4	PC
130	92097374-0	Hex Head Screw - M8Cx20 - 8.8	1	PC
140	93699710-0	Spring Washer - Plated M8	1	PC
150	93212011-0	Plain Washer - M8	1	PC
160	59-26	Pin Tension Spring 3 O/Dx30Lg	1	PC

Nozzle Installation ()
Sweepgear\Nozzle\Nozzle Installation

Nozzle Installation ()
Sweepgear\Nozzle\Nozzle Installation

Item no.	Part no.	Description	QTY	Unit
10	7003988	Cylinder Pneum-Dual-Act Ø50x310	2	PC
20	284017-1	Nozzle Mounting - Anti Swing	2	PC
30	09593162-0	Adaptor - Push In 6mm Fixed Elbow R1/8"	4	PC
40	7009106	Fork head Assembly M12x1.25xØ12	2	PC
50	60-1	Pin Linch with Ring 11mm Dia	2	PC
60	93085006-0	Nyloc Hex Nut M10C - 8	8	PC
70	63345-1	Block - Clamp	2	PC
80	40405-1-B	Eye - Lifting Nozzle	2	PC
90	92097417-0	Hex Head Screw - M10CX45 - 8.8	4	PC
100	40404-1-C	Washer - Clamp, Carriage, Noz	2	PC
110	7056413	Duct 270mm W/Assy	1	PC
110	7028887	Duct 270mm - Rubber Lined Assembly	1	PC
Heavy Duty option				
120	92097376-0	Hex Head Screw - M8Cx25 - 8.8	8	PC
130	93699710-0	Spring Washer - Plated M8	8	PC
140	92097414-0	Hex Head Screw - M10Cx30 - 8.8	4	PC
150	72-31	Valve - Pneumatic 3/2	2	PC
160	537-3	Adaptor-Push In 6mm x 1/8 BSPT Straight	4	PC
170	551-1	Adaptor - Stem Elbow 6mm	2	PC
180	72-17	Exhaust Silencer	2	PC
190	09598716-0	Pilot Check Valve-1/8" BSPx6mm	1	PC
Suitable for Autoloc Check option.				
200	6603-1381	Adaptor-Elbow 6mmxM5x0.8	1	PC
Suitable for Autoloc Check option.				

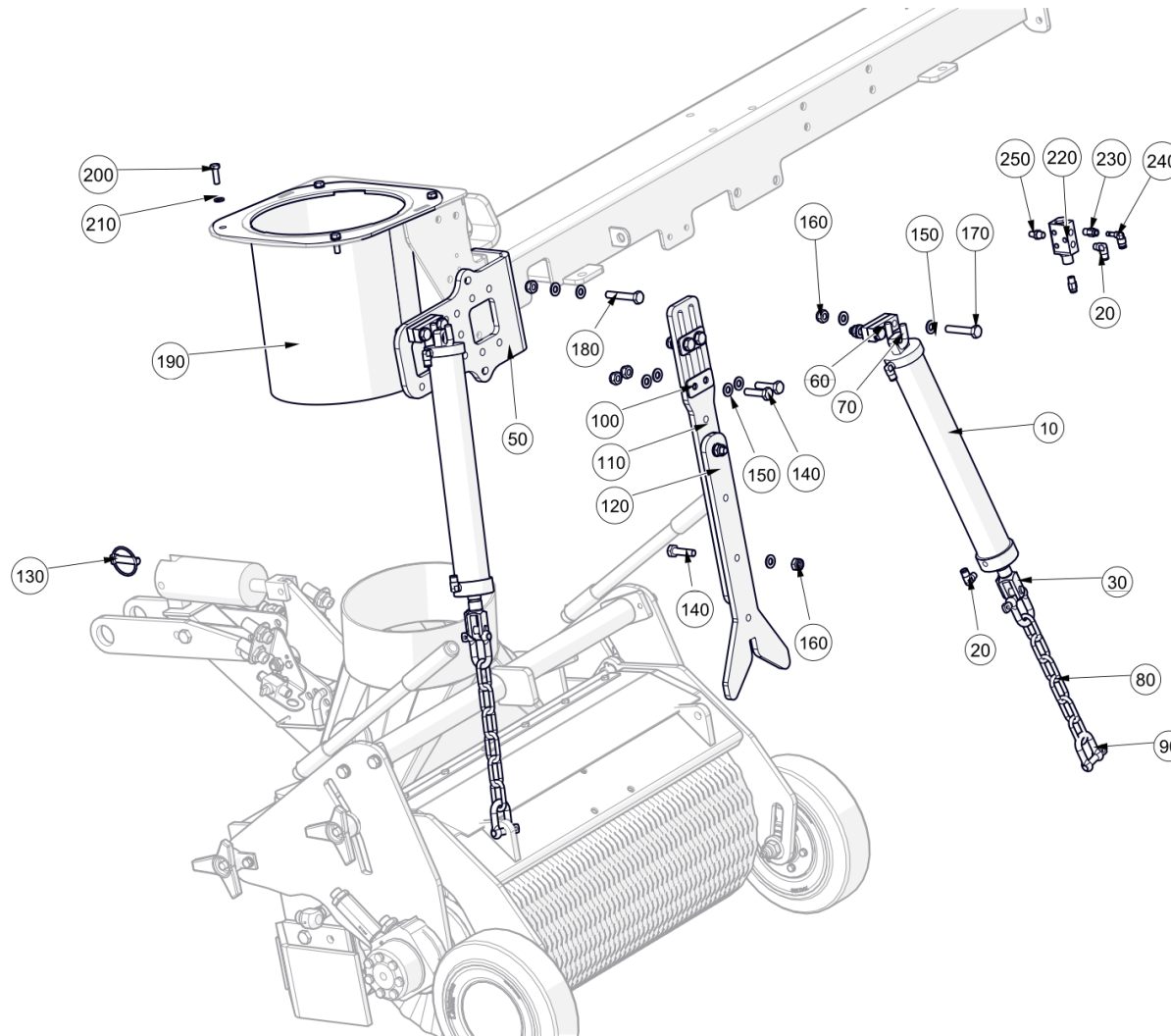
Combivak Nozzle Installation ()
Sweepgear\Nozzle\Combivak Nozzle Installation



Combivak Nozzle Installation ()
Sweepgear\Nozzle\Combivak Nozzle Installation

Item no.	Part no.	Description	QTY	Unit
10	7003988	Cylinder Pneum-Dual-Act Ø50x310	4	PC
20	09593162-0	Adaptor - Push In 6mm Fixed Elbow R1/8"	8	PC
30	7009106	Fork head Assembly M12x1.25xØ12	4	PC
50	283540-1	Bracket - Combivak	2	PC
60	40457-2	Bar - Lever Support	4	PC
70	40269-1-C	Hook Lifting Welded Assembly	4	PC
80	62165-6	Chain - 6 Links	4	PC
90	62172-1	Shackle D	8	PC
100	283567-1	Plate - Clamping	4	PC
110	7031955	Anti-swing Arm, Upper	2	PC
120	7031956	Anti-swing Arm, Lower	2	PC
130	60-1	Pin Linch with Ring 11mm Dia	2	PC
140	92097416-0	Hex Head Screw - M10Cx40 - 8.8	16	PC
150	93212012-0	Plain Washer - M10	44	PC
160	93085006-0	Nyloc Hex Nut M10C - 8	22	PC
170	92067423-0	Hex Head Bolt - M10Cx55 - 8.8	8	PC
180	92067424-0	Hex Head Bolt - M10Cx60 - 8.8	2	PC
190	94992-2	Nozzle Trunking 250mm HD (V-Range)	1	PC
190	7056413	Duct 270mm W/Assy	2	PC
200	92097376-0	Hex Head Screw - M8Cx25 - 8.8	8	PC
210	93699710-0	Spring Washer - Plated M8	8	PC
220	72-31	Valve - Pneumatic 3/2	2	PC
230	537-3	Adaptor-Push In 6mm x 1/8 BSPT Straight	4	PC
240	551-1	Adaptor - Stem Elbow 6mm	2	PC

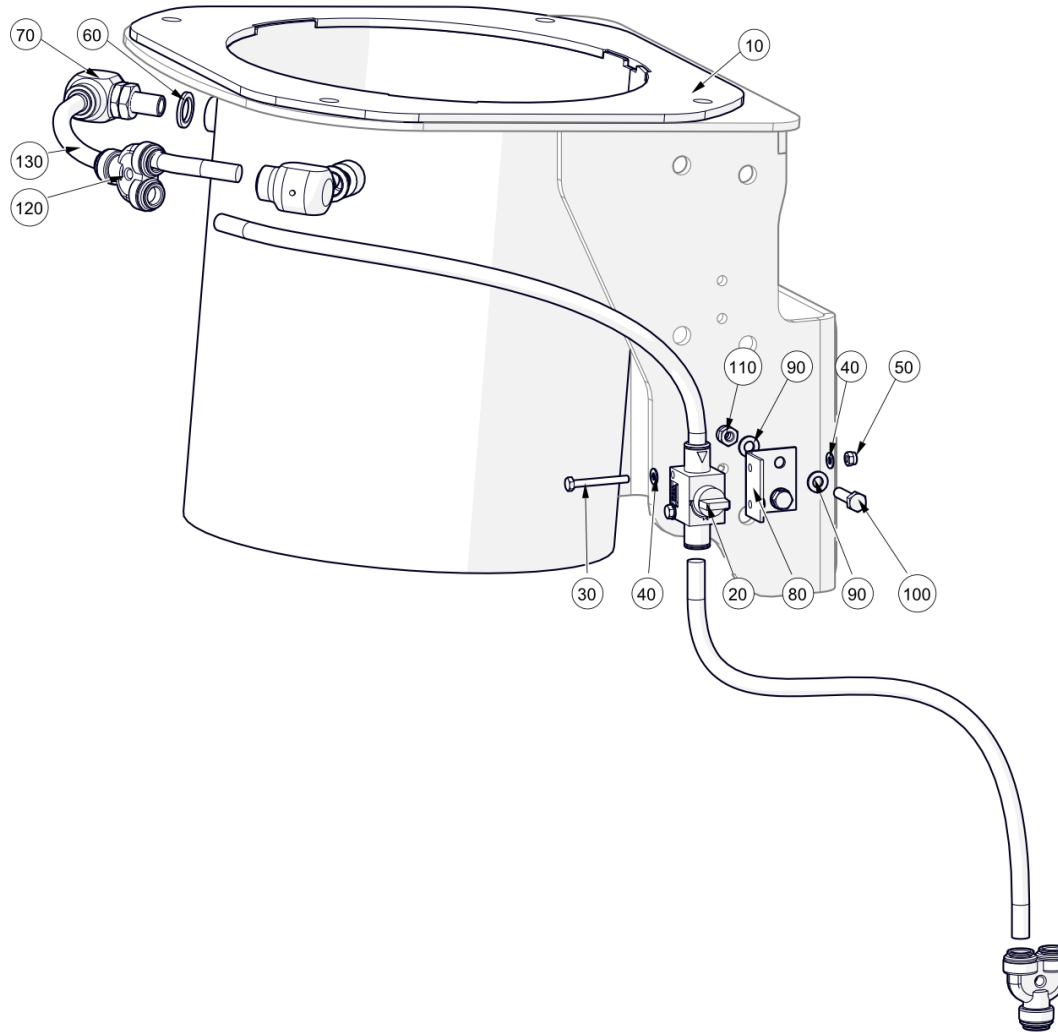
Combivak Nozzle Installation ()
Sweepgear\Nozzle\Combivak Nozzle Installation



Combivak Nozzle Installation ()
Sweepgear\Nozzle\Combivak Nozzle Installation

Item no.	Part no.	Description	QTY	Unit
250	72-17	Exhaust Silencer	2	PC
260	504-54	Hose Clip - Worm Drive (230-260)	1	PC
Order 2pc for DUAL Combivac Installation.				
270	92137048-0	Hex Socket Cap Screw - M5Cx35 - 12.9	4	PC
Suitable for DUAL Combivac Nozzle Installation.				
280	93085003-0	Nyloc Hex Nut M5C - 8	4	PC
Suitable for DUAL Combivac Nozzle Installation.				
290	443-3	Band Clamp-Hi Grip Quick Release 250-295	1	PC
Order 2pc for DUAL Combivac Installation.				
300	443-50	Pin - Band Clamp Retaining	1	PC
Order 2pc for DUAL Combivac Installation.				
310	H2SC10002-130	Hose - Hydraulic	2	PC
Order 4pc for DUAL Combivac Installation.				
320	273-20	Tube - PA Type 12, 6mm O/D Blue	7,9	M
Order 13,60m for DUAL Combivac Installation.				
330	12869	Tube - Nylon Black 6mm O/D	8	M
Order 12,00m for DUAL Combivac Installation.				

Nozzle Intake Water Jets ()
Sweepgear\Nozzle\Nozzle Intake Water Jets

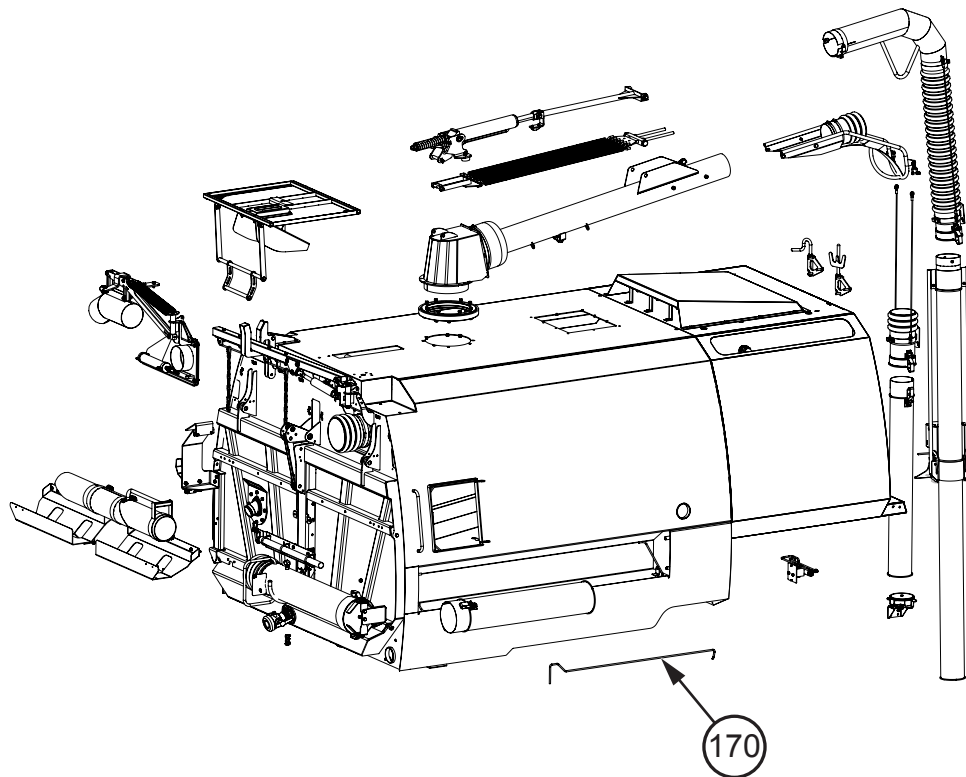


Nozzle Intake Water Jets ()
Sweepgear\Nozzle\Nozzle Intake Water Jets

Item no.	Part no.	Description	QTY	Unit
10	7055822	Duct 270mm - Rubber Lined Assy Add. Jets	1	PC
Heavy Duty option				
10	7053921	Duct 270mm - Additional Jets W/Assy	1	PC
20	7023752	Finger Valve	1	PC
30	92067234-0	Hex Head Bolt - M4Cx35 - 8.8	2	PC
40	93212007-0	Plain Washer M4	4	PC
50	93085002-0	Nyloc Hex Nut M4C - 8	2	PC
60	451-17	Washer Bonded G1-4"	2	PC
70	7019551	Water Jet Assembly	2	PC
80	7055820	Valve Bracket	1	PC
90	93212009-0	Plain Washer - M6	4	PC
100	92097303-0	Hex Head Screw - M6Cx25 - 8.8	2	PC
110	93085004-0	Nyloc Hex Nut M6C - 8	2	PC
120	297-92	Two Way Divider - Tube O/D 10	2	PC
130	297-1	Tubing - Polyurethane 10 Dia x 1.5 Wall	0,9	M

This page is intentionally left blank

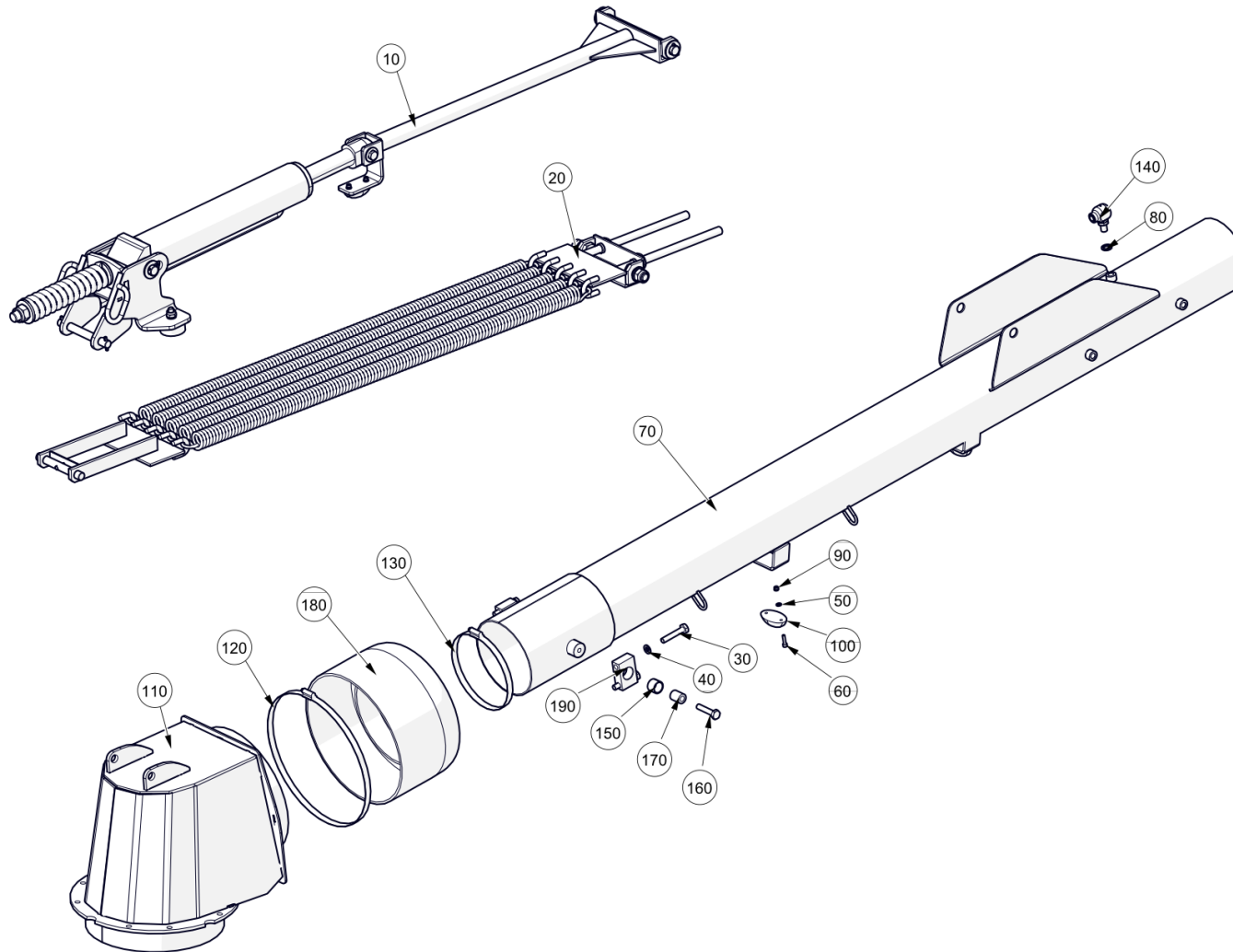
Chapter 6 Ancillary Equipment



Item no.	Part no.	Description	QTY	Unit
170	40781-1-B	Grab Wanderhose	1	PC

Table of Contents

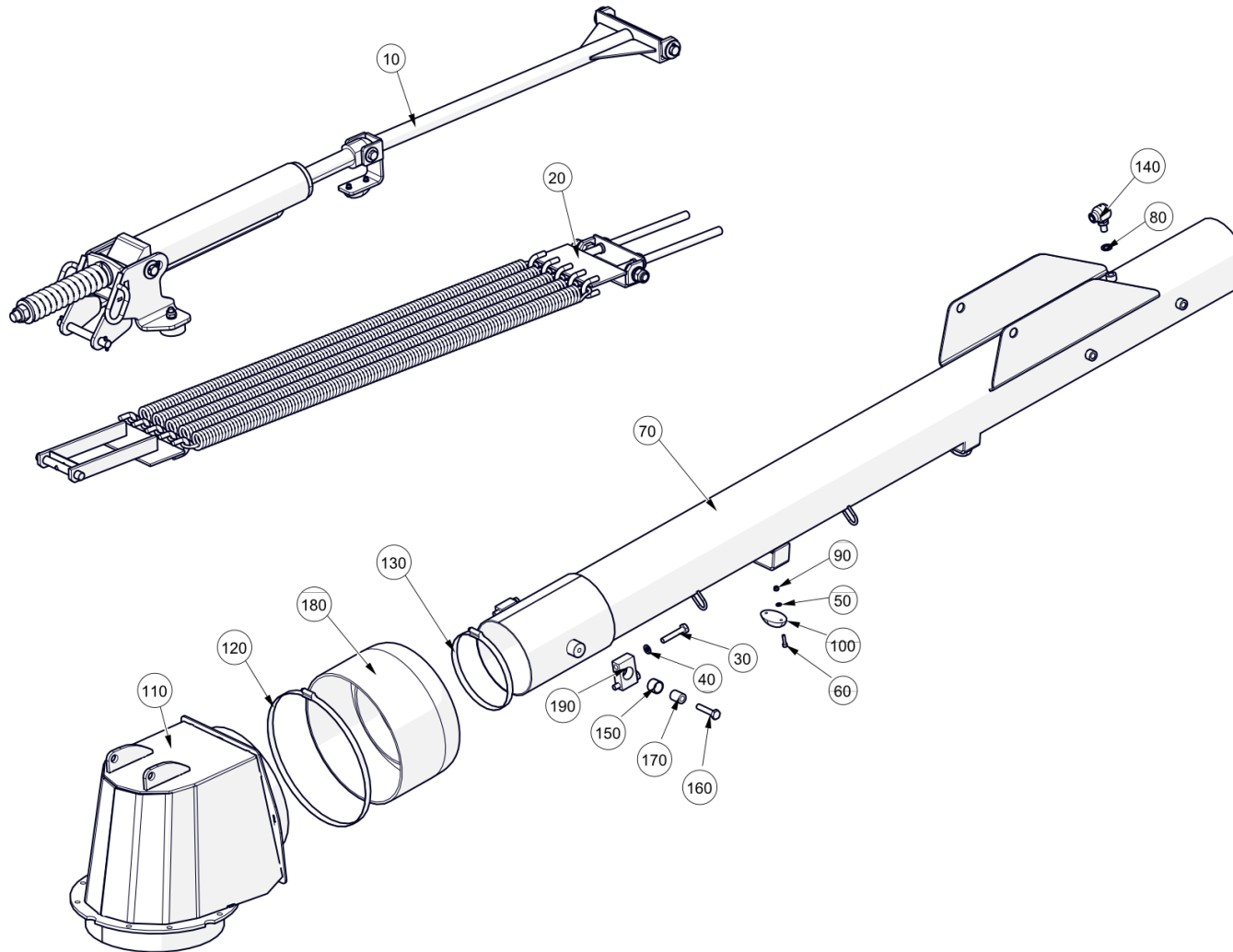
Section	Page
6.1 Top Mounted Wanderhose/Powaboom.....	340
6.2 Turntable Base for Top Mounted Ancillaries.....	350
6.3 T.M. Wanderhose Dressing.....	352
6.4 T.M. Wanderhose Extension.....	356
6.5 T.M. Wanderhose Hook Stowage.....	360
6.6 T.M. Powaboom Trident Stowage.....	362
6.7 Lower Stowage for Top Mounted Ancillaries.....	364
6.8 T.M. Wanderhose Autolubrication.....	366
6.9 Gulley Pack Dressing.....	368
6.10 Gulley Pack Extension.....	370
6.11 Littasnatch Installation.....	372
6.12 Mesh Deflector for Littasnatch/Rear Wanderhose.....	380
6.13 Rear Wanderhose	388
6.14 Broom & Shovel Stowage.....	382
6.14 Rear Wanderhose/Powaboom Controls.....	398
6.15 Shovel Stowage Rear Door.....	400
6.16 Broom Stowage Rear Door.....	402

Top Mounted Wanderhose/Powaboom ()
Ancillary Equipment\Top Mounted Wanderhose/Powaboom

Top Mounted Wanderhose/Powaboom ()
Ancillary Equipment\Top Mounted Wanderhose/Powaboom

Item no.	Part no.	Description	QTY	Unit
30	92067423-0	Hex Head Bolt - M10Cx55 - 8.8	4	PC
40	93699711-0	Spring Washer - Plated M10	4	PC
50	93210109-0	Plain Washer M5	4	PC
60	92137044-0	Hex Socket Cap Screw - M5Cx20 - 12.9	4	PC
70	7048860	Wanderhose Boom W/Assy (ø150)	1	PC
70	7048873	Wanderhose Boom W/Assy (ø200)	1	PC
80	451-17	Washer Bonded G1-4"	1	PC
90	93085003-0	Nyloc Hex Nut M5C - 8	2	PC
100	39382	Buffer	2	PC
110	41803-1	Turret - Lowline Wanderhose	1	PC
120	504-55	Hose Clip - Worm Drive (270-300)	1	PC
130	504-51	Hose Clip - Worm Drive (150-180)	1	PC
Suitable for 150mm diameter.				
130	504-52	Hose Clip - Worm Drive (190-220)	1	PC
Suitable for 200mm diameter.				
140	7019551	Water Jet Assembly	1	PC
150	292-4	Bush - Internal Tension Ø 25mm	2	PC
160	92099415-0	Hex Head Screw - M10Cx50 - A2	2	PC
Suitable for 150mm diameter.				
160	92099411-0	Hex Head Screw - M10Cx30 - A2	2	PC
Suitable for 200mm diameter.				
170	95200-4	Spacer - Bush 25mm x 11mm ID	2	PC
Suitable for 150mm diameter.				

Top Mounted Wanderhose/Powaboom ()
Ancillary Equipment\Top Mounted Wanderhose/Powaboom

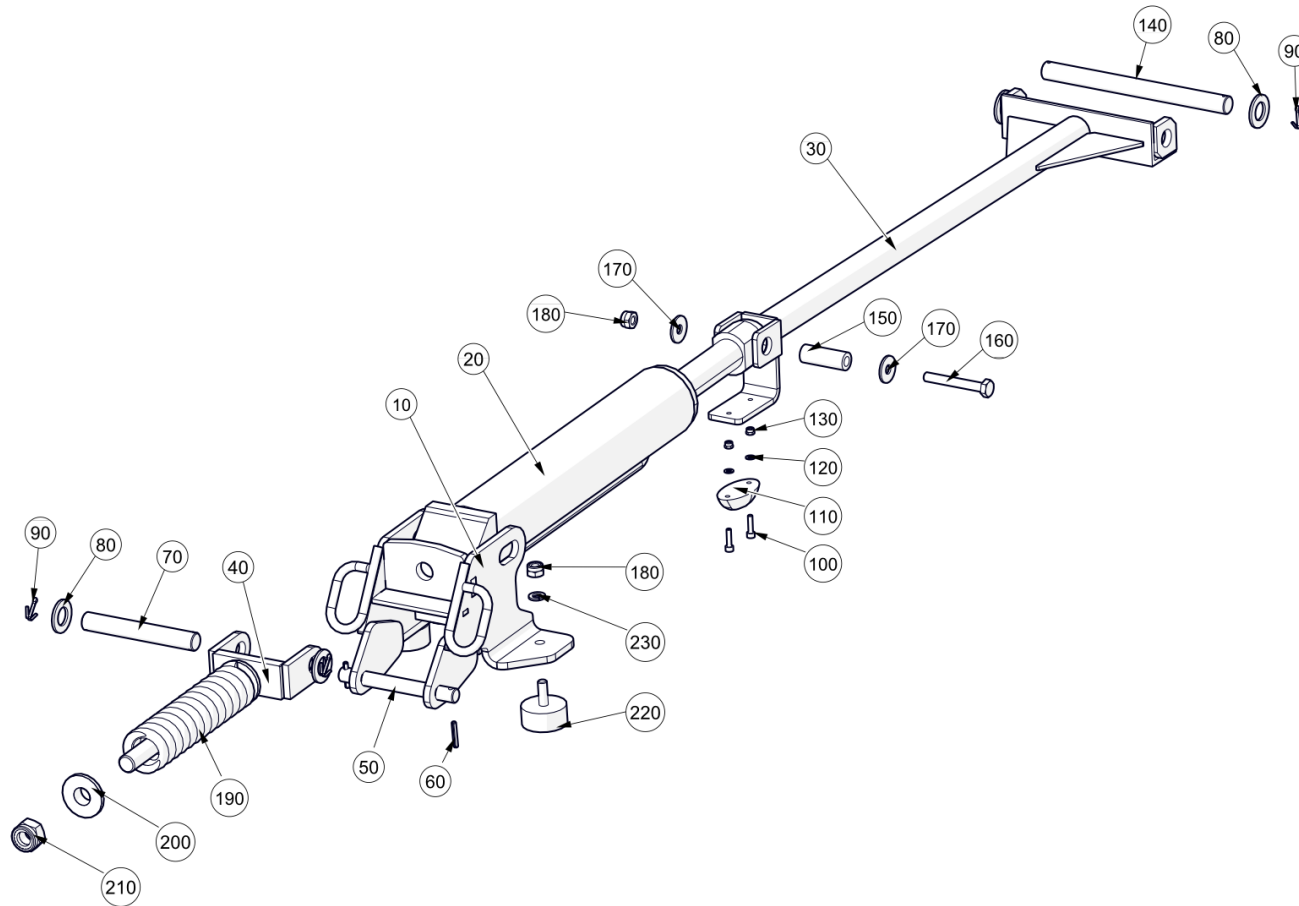


Top Mounted Wanderhose/Powaboom ()
Ancillary Equipment\Top Mounted Wanderhose/Powaboom

Item no.	Part no.	Description	QTY	Unit
170	95200-7	Spacer - Bush 21mm x 11mm ID	2	PC
Suitable for 200mm diameter.				
180	40780-1-B	Joint - Flexible, Wanderhose	1	PC
190	7048931	Bush housing	2	PC
5000	297-1	Tubing - Polyurethane 10 Dia x 1.5 Wall	8,5	M
Item image is not available.				
5010	H2SC06002-725	Hydraulic Hose Str x 90 Swept	2	PC
Item image is not available.				

Powaboom Suspension ()

Ancillary Equipment\Top Mounted Wanderhose/Powaboom\Powaboom Suspension



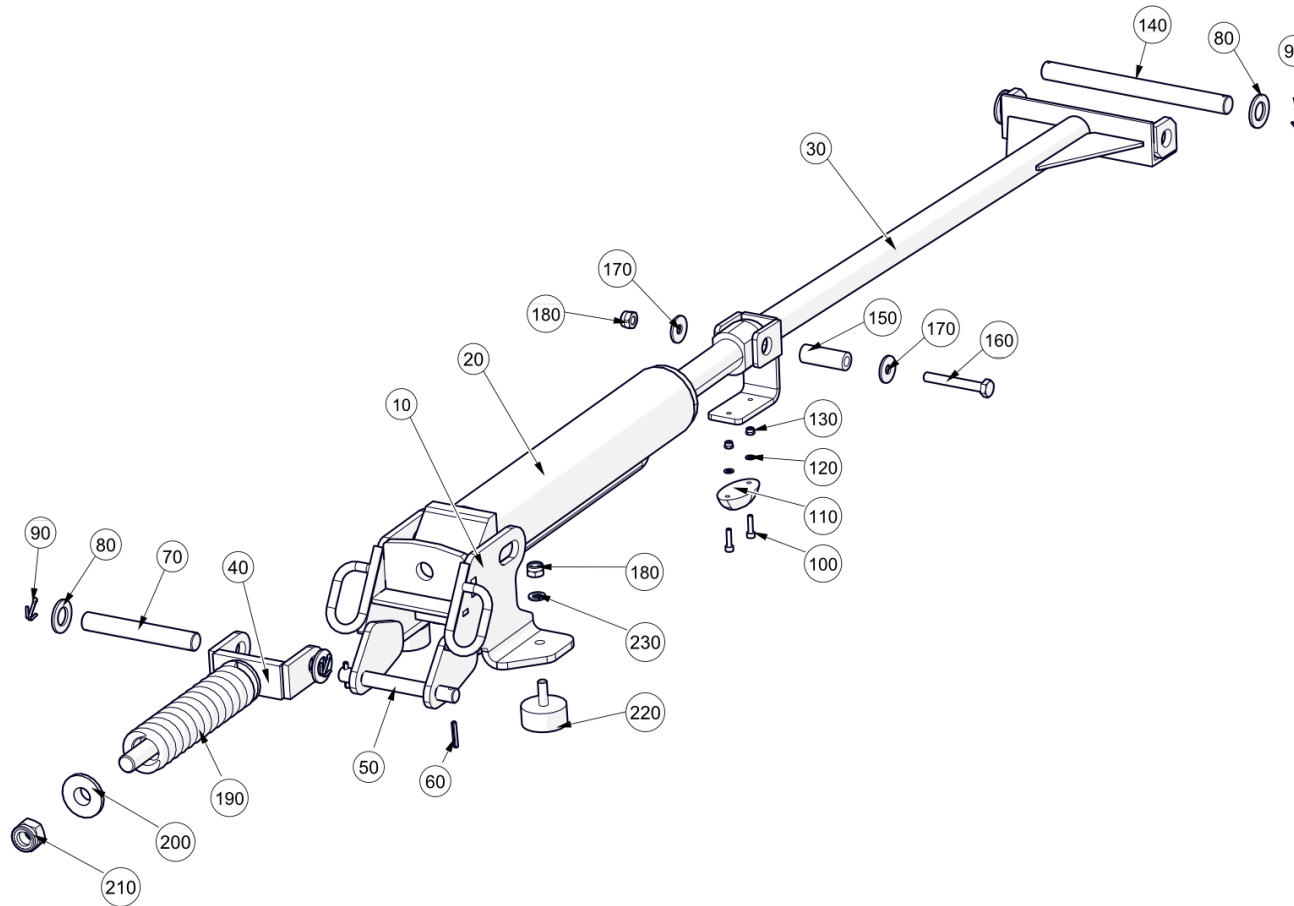
Powaboom Suspension ()

Ancillary Equipment\Top Mounted Wanderhose/Powaboom\Powaboom Suspension

Item no.	Part no.	Description	QTY	Unit
10	7033854	Anchor Welded Assembly	1	PC
20	7007583	Cylinder Assembly Ø70 x Ø35 x 324	1	PC
30	62953-1	Powaboom Extension W/Assy Ø150mm	1	PC
30	7050478	Powaboom Extension W/Assy Ø200mm	1	PC
40	7026325	Fork W/Assy	1	PC
50	41374-1-A	Pin - Powaslyd, Wanderhose	1	PC
60	93545287-0	Spring Pin (Slotted) - Ø5x30 C.Steel HD	2	PC
70	62365-1	Pin - Pivot	1	PC
80	93212018-0	Plain Washer M20	4	PC
90	500-106	Cotter Pin Split 3.2 x 32	4	PC
100	92137044-0	Hex Socket Cap Screw - M5Cx20 - 12.9	2	PC
110	39382	Buffer	1	PC
120	93210109-0	Plain Washer M5	2	PC
130	93085003-0	Nyloc Hex Nut M5C - 8	2	PC
140	62254-2	Pin - Pivot	1	PC
Suitable for 150mm diameter.				
140	62254-1	Pin - Pivot	1	PC
Suitable for 200mm diameter.				
150	40377-4-E	Bush	1	PC
160	92097423-0	Hex Head Screw - M10Cx75 - 8.8	1	PC
170	93300510-0	Plain Large Washer M10	2	PC
180	93085806-0	Nyloc Hex Nut M10C - 8	3	PC
190	13501	Spring - Comp. 11mm Wire x 200Lg	1	PC
200	44031-1-A	Locator	2	PC

Powaboom Suspension ()

Ancillary Equipment\Top Mounted Wanderhose/Powaboom\Powaboom Suspension



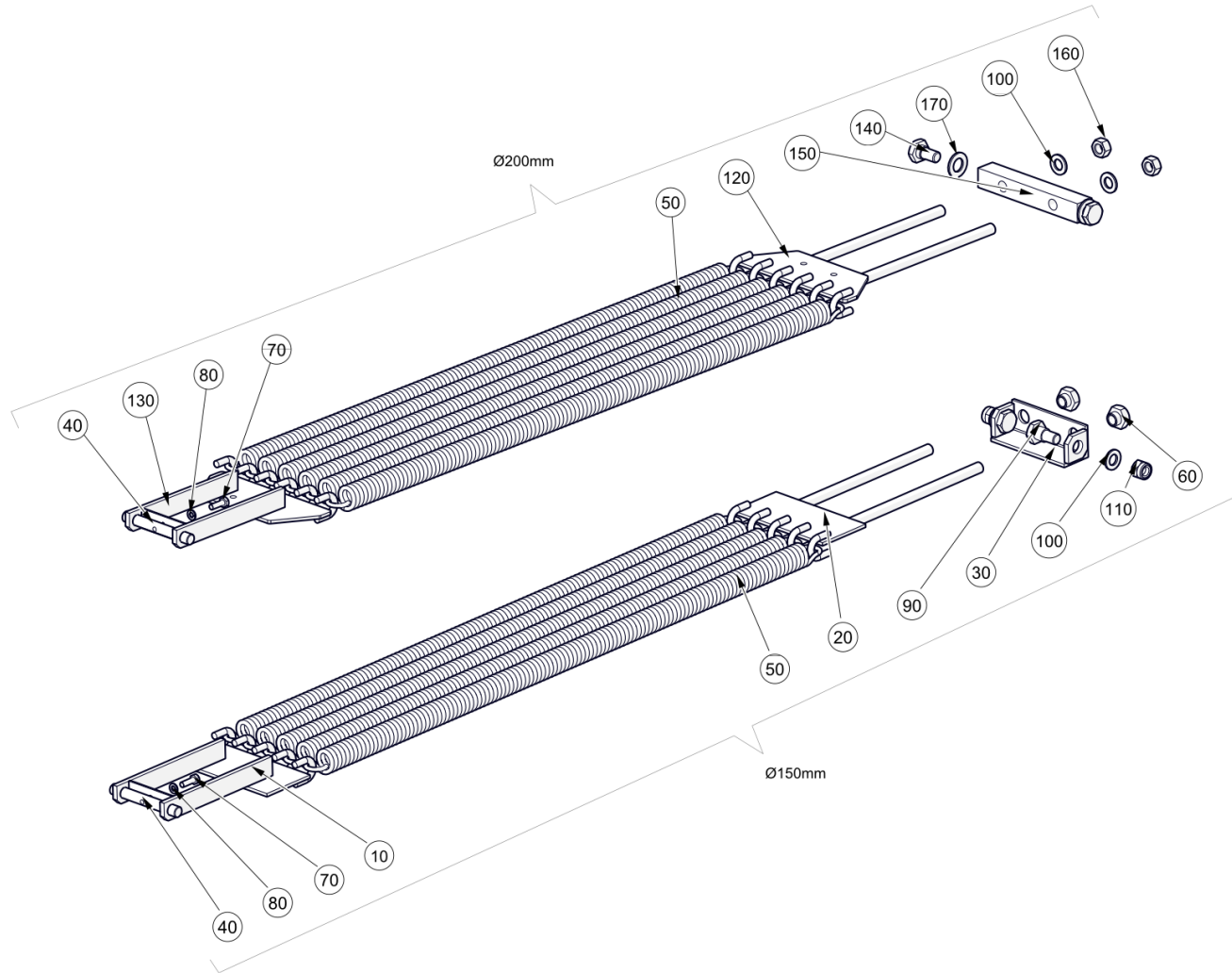
Powaboom Suspension ()

Ancillary Equipment\Top Mounted Wanderhose/Powaboom\Powaboom Suspension

Item no.	Part no.	Description	QTY	Unit
210	93085036-0	Nyloc Hex Nut M20 x 1.5 - 8	1	PC
220	290-43	Cylinder Rubber Buffer 50 O/D	2	PC
230	93699711-0	Spring Washer - Plated M10	2	PC

Wanderhose Suspension ()

Ancillary Equipment\Top Mounted Wanderhose/Powaboom\Wanderhose Suspension

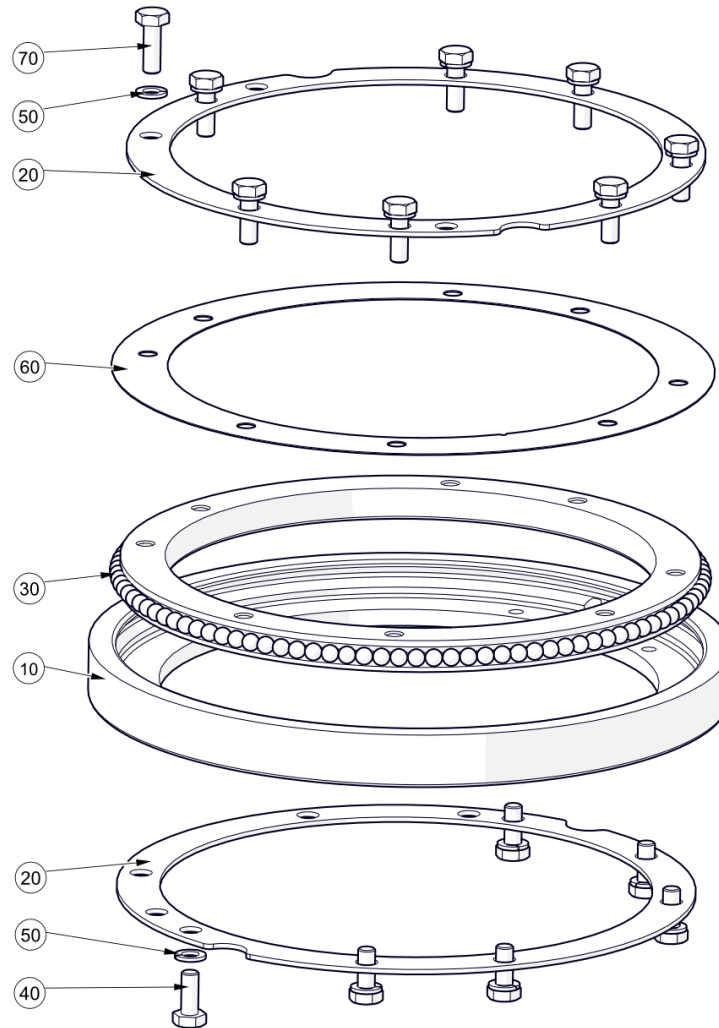


Wanderhose Suspension ()

Ancillary Equipment\Top Mounted Wanderhose/Powaboom\Wanderhose Suspension

Item no.	Part no.	Description	QTY	Unit
10	40746-1-D	Claw - Wanderhose Assembly Link / Angle	1	PC
20	40746-2-D	Claw - Wanderhose Assembly Studs	1	PC
30	62952-1	Pivot - Wanderhose Spring W/Assy	1	PC
40	40420-1-B	Pin - Cylinder Channel Brush	1	PC
50	40691-1-C	Spring - Wanderhose, Lowline	5	PC
60	41836-1	Nut - Special	2	PC
70	92097376-0	Hex Head Screw - M8Cx25 - 8.8	1	PC
80	93699710-0	Spring Washer - Plated M8	1	PC
90	49053-1	Pin - Pivot	2	PC
100	93210523-0	Plain Washer - M16	2	PC
110	93085009-0	Nyloc Hex Nut M16C - 8	2	PC
120	41814-2	Claw - Wanderhose Assembly Studs	1	PC
130	41814-1	Claw - Wanderhose Assembly Link / Angle	1	PC
140	49052-1	Pin - Pivot	2	PC
150	49051-1	Pivot - Lowline 200	1	PC
160	93056018-0	Hex Nut M16C-8	2	PC
170	93212018-0	Plain Washer M20	2	PC

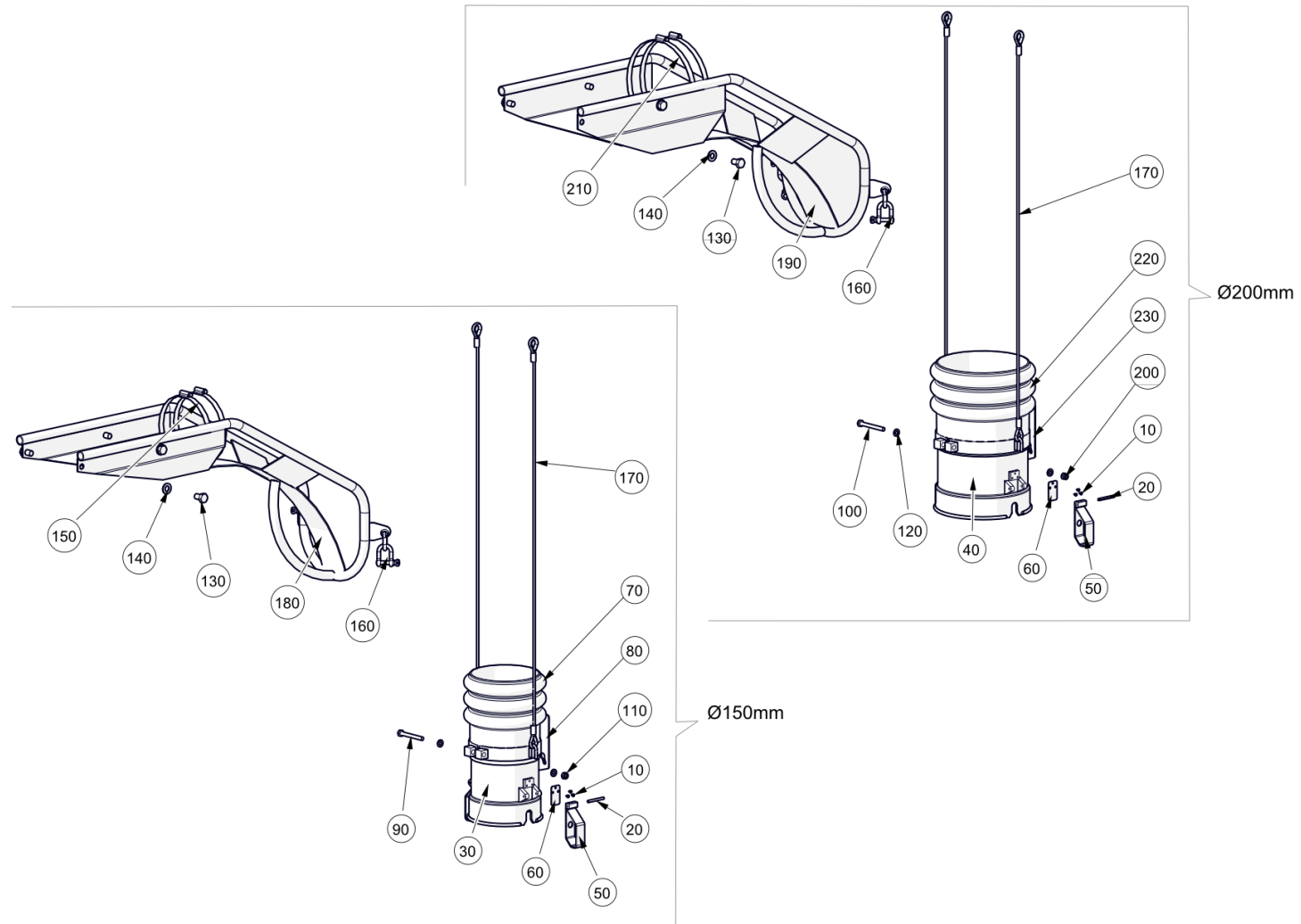
Turntable Base for Top Mounted Ancillaries ()
Ancillary Equipment\Turntable Base for Top Mounted Ancillaries



Turntable Base for Top Mounted Ancillaries ()
Ancillary Equipment\Turntable Base for Top Mounted Ancillaries

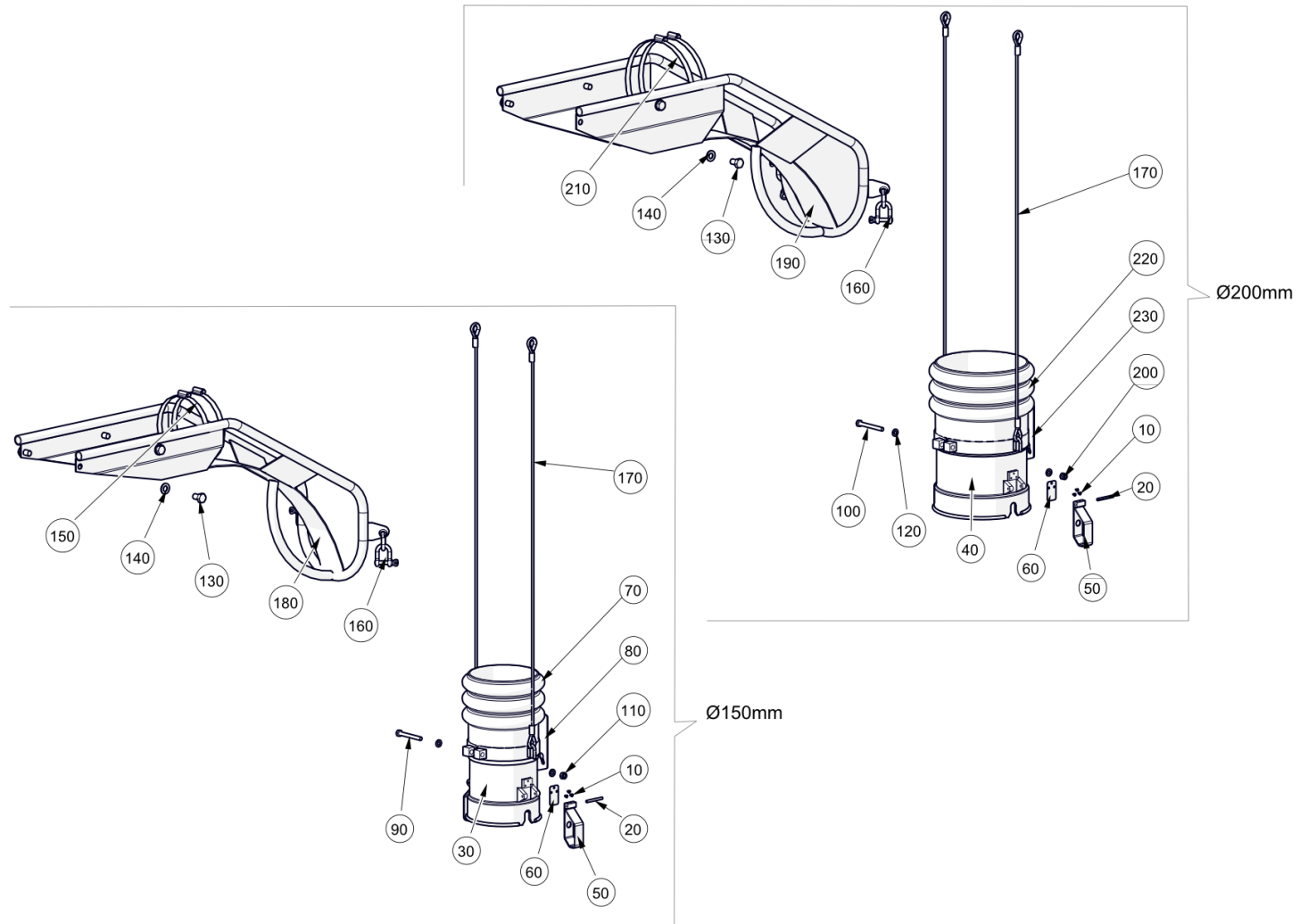
Item no.	Part no.	Description	QTY	Unit
10	7020278	Race Wanderhose	1	PC
20	5955-1	Seal	2	PC
30	22-8	Ball Steel 10	105	PC
40	92097412-0	Hex Head Screw - M10Cx25 - 8.8	6	PC
50	93699711-0	Spring Washer - Plated M10	14	PC
60	40723-1-C	Seal - Plate, Turntable, Wanderhose	1	PC
70	92097414-0	Hex Head Screw - M10Cx30 - 8.8	8	PC

T.M. Wanderhose Dressing ()
 Ancillary Equipment \ T.M. Wanderhose Dressing



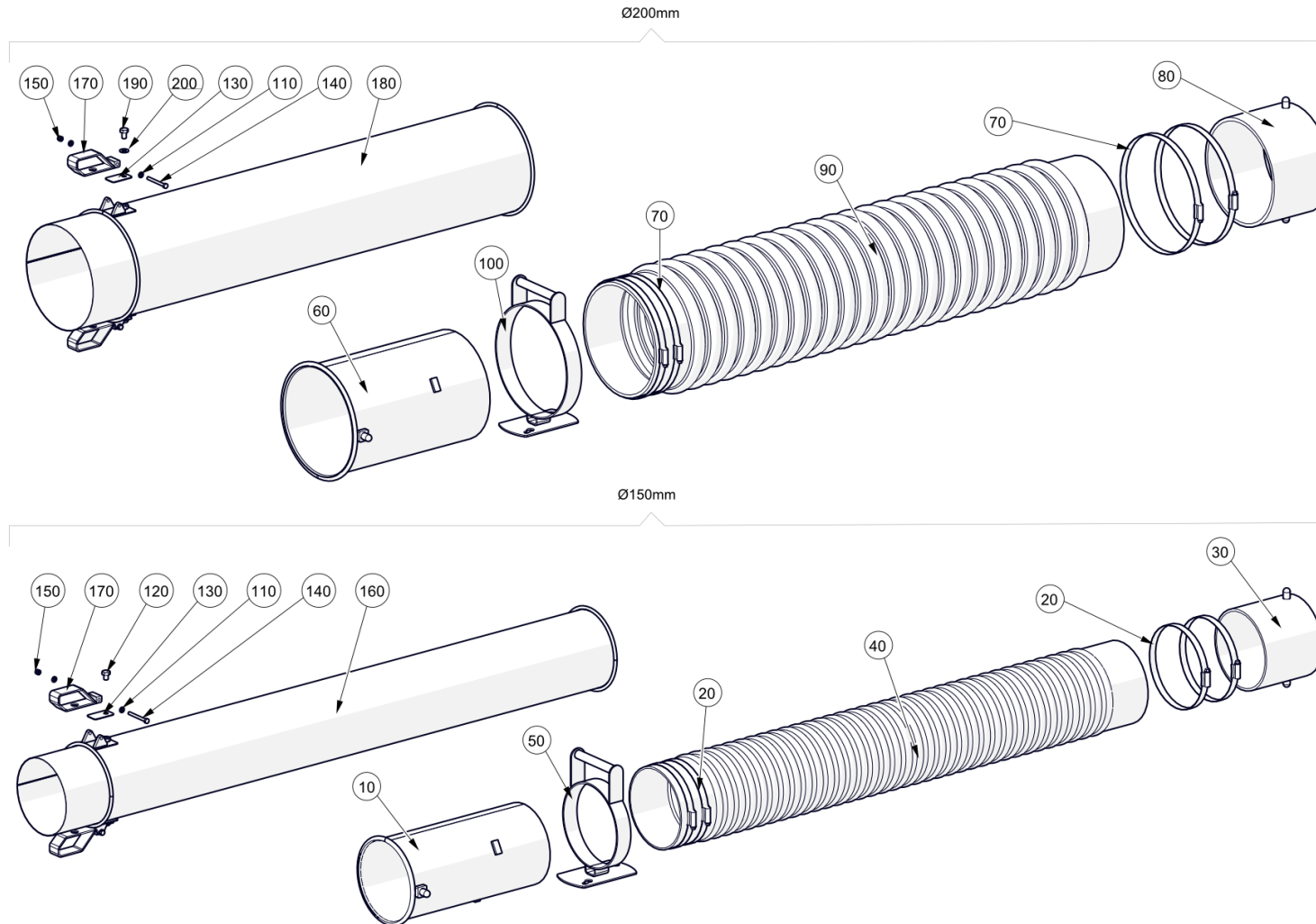
Item no.	Part no.	Description	QTY	Unit
10	193-1	Pan Head Screw - 2.9x6.5 - 4.8	6	PC
Suitable for V802.				
10	193-8	Screw Selftap Pan Hd No 6 x 9.5mm	6	PC
Suitable for V502 and V652.				
20	58-6	Pin - Adaptor 3/16 x 1 7/8"	2	PC
30	5992-1-E	Coupling 150/6"	1	PC
Suitable for V502 and V652.				
30	7045519	Coupling extension 150/6" V800	1	PC
Suitable for V802.				
40	15895-1-B	Coupling 200/8"	1	PC
Suitable for V502 and V652.				
40	7045520	Coupling 200 W/Hose V800	1	PC
Suitable for V802.				
50	7048473	Catch weld assembly	2	PC
60	6002-1-A	Spring - Coupling	2	PC
70	6004-1-C	Hose - Flexible 6"	1	PC
80	282637-1	Cable Supt Welded Assembly Ø150	1	PC
90	92067389-0	Hex Head Bolt - M8Cx70 - 8.8	1	PC
100	92067390-0	Hex Head Bolt - M8Cx75 - 8.8	1	PC
110	93085005-0	Nyloc Hex Nut M8C - 8	1	PC
120	93212011-0	Plain Washer - M8	2	PC
130	92097446-0	Hex Head Screw - M12Cx20 - 8.8	4	PC
140	93212013-0	Plain Washer M12	4	PC
Suitable V652 and V802.				

T.M. Wanderhose Dressing ()
 Ancillary Equipment \ T.M. Wanderhose Dressing



Item no.	Part no.	Description	QTY	Unit
140	93699712-0	Spring Washer - Plated M12	4	PC
Suitable for V802.				
150	504-51	Hose Clip - Worm Drive (150-180)	2	PC
160	6032-1-A	Shackle D	4	PC
170	21216-8-l	Cable - Lift (940mm)	2	PC
180	7049123	Jib w/assy (ø150)	1	PC
190	7049126	Jib w/assy (ø200)	1	PC
200	93085805-0	Nyloc Hex Nut M8C - 8	1	PC
210	504-52	Hose Clip - Worm Drive (190-220)	2	PC
220	15916-1-B	Hose - Flexible 8"	1	PC
230	282638-1	Cable Supt W/Assy Ø200 with Hook	1	PC
240	453-1	Washer - Fibre Red 2.4mm Thick	1	PC
Suitable only for V802. Item image is not available.				
250	92097448-0	Hex Head Screw - M12Cx25 - 8.8	1	PC
Suitable only for V802. Item image is not available.				

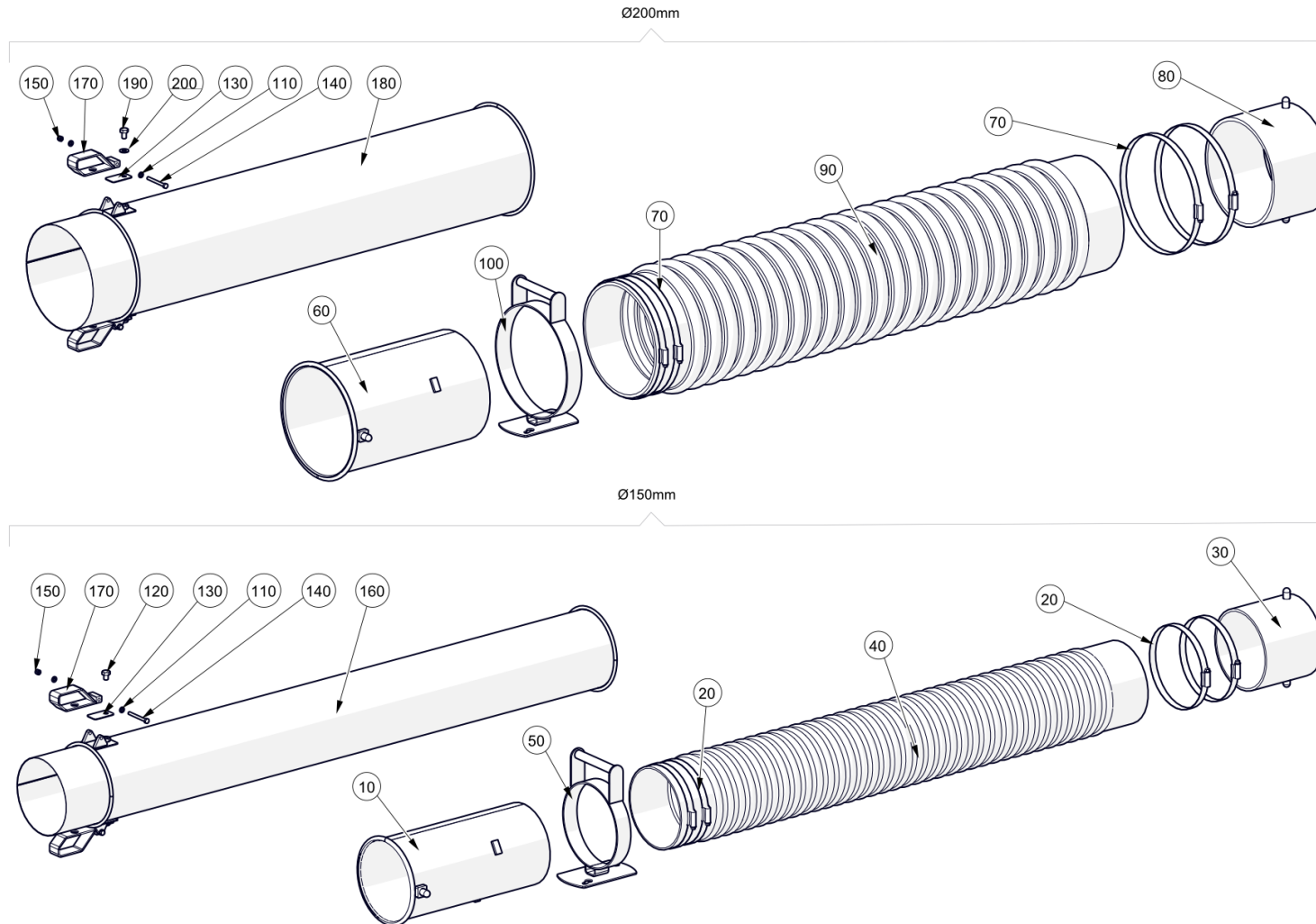
T.M. Wanderhose Extension ()
Ancillary Equipment\T.M. Wanderhose Extension



T.M. Wanderhose Extension ()
Ancillary Equipment\T.M. Wanderhose Extension

Item no.	Part no.	Description	QTY	Unit
10	7048765	Flexible extension end fitting (ø150)	1	PC
Suitable for V502.				
10	7048757	Flexible Extension End Fitting (ø150)	1	PC
Suitable for V652 and V802.				
20	504-51	Hose Clip - Worm Drive (150-180)	4	PC
30	5996-1-D	Sleeve - Ø150 W/Assy	1	PC
40	6005-1-B	Hose Extension - Flexible Ø150	1	PC
50	7048926	Wanderhose Handle W/Assy (ø150/Powaboom)	1	PC
60	7048778	Flexible Extension End Fitting (ø200)	1	PC
Suitable for V502.				
60	7048774	Flexible Extension End Fitting (ø200)	1	PC
Suitable for V652 and V802.				
70	504-52	Hose Clip - Worm Drive (190-220)	4	PC
80	5996-4	Sleeve - Ø200 W/Assy	1	PC
90	15917-1-B	Hose Extension - Flexible Ø200	1	PC
100	7048924	Wanderhose Handle W/Assy (ø200/Powaboom)	1	PC
110	93210109-0	Plain Washer M5	4	PC
120	92097370-0	Hex Head Screw - M8Cx10 - 8.8	2	PC
130	7048459	Spring	2	PC
140	92067274-0	Hex Head Bolt - M5Cx50 - 8.8	2	PC
150	93085003-0	Nyloc Hex Nut M5C - 8	2	PC
160	7048580	Tube W/Assy	1	PC
170	7048473	Catch weld assembly	2	PC
180	7048273	Tube W/Assy	1	PC

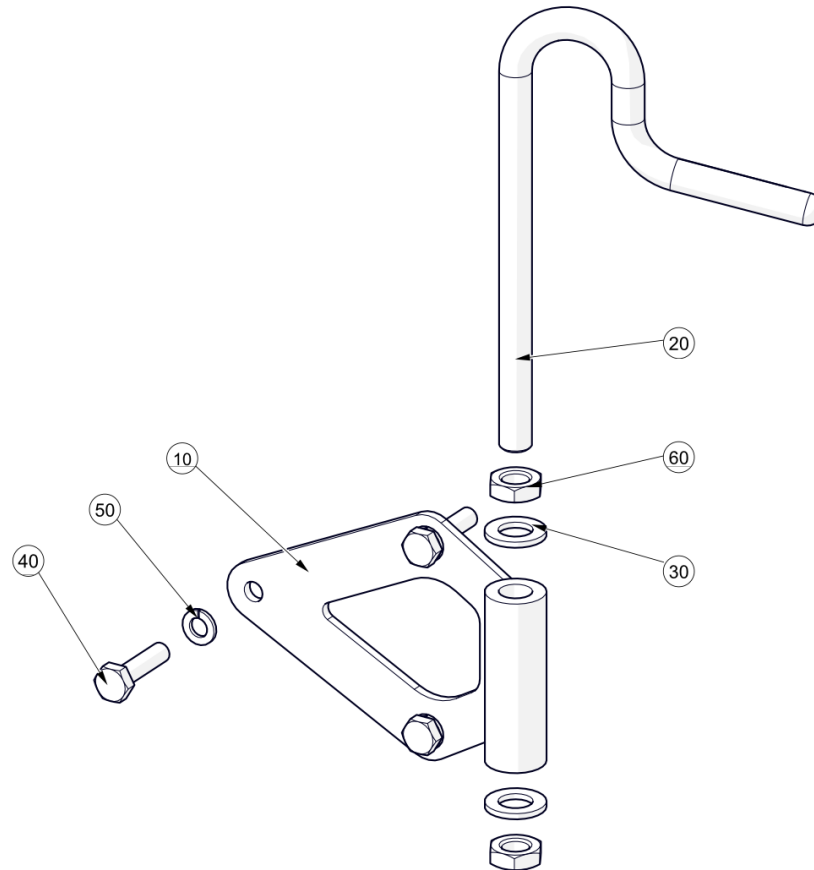
T.M. Wanderhose Extension ()
Ancillary Equipment\T.M. Wanderhose Extension



T.M. Wanderhose Extension ()
Ancillary Equipment\T.M. Wanderhose Extension

Item no.	Part no.	Description	QTY	Unit
190	92097371-0	Hex Head Screw - M8Cx12 - 8.8	2	PC
200	93212011-0	Plain Washer - M8	2	PC

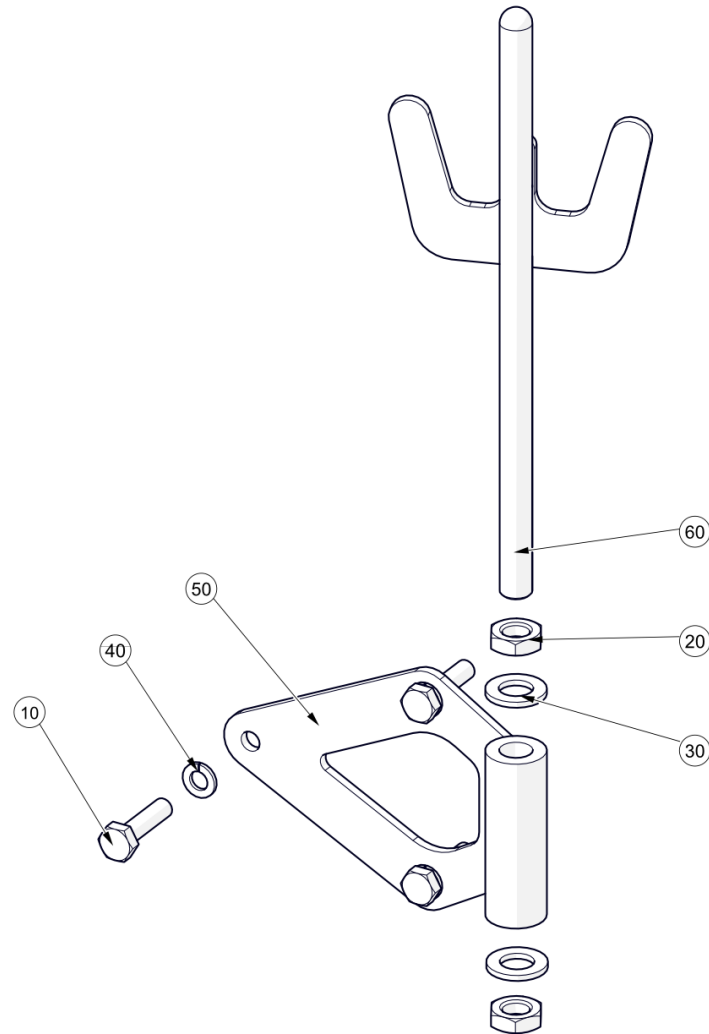
T.M. Wanderhose Hook Stowage ()
Ancillary Equipment\T.M. Wanderhose Hook Stowage



T.M. Wanderhose Hook Stowage ()
Ancillary Equipment\T.M. Wanderhose Hook Stowage

Item no.	Part no.	Description	QTY	Unit
10	7050558	Stowage mount welded assembly	1	PC
20	7050552	Stowage hook	1	PC
30	93210523-0	Plain Washer - M16	2	PC
40	92097416-0	Hex Head Screw - M10Cx40 - 8.8	3	PC
50	93699711-0	Spring Washer - Plated M10	3	PC
60	93077059-0	Locknut - MC Hex, M16 A2 Stainless	2	PC

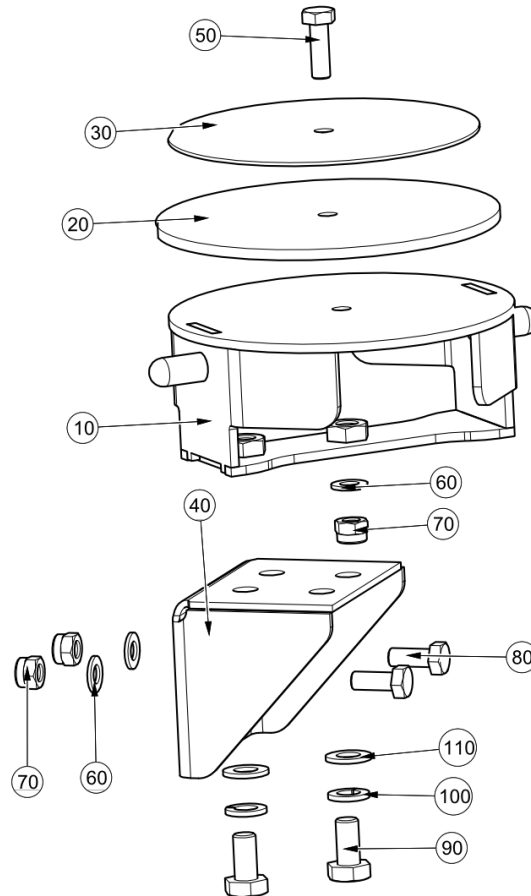
T.M. Powaboom Trident Stowage ()
Ancillary Equipment\T.M. Powaboom Trident Stowage



T.M. Powaboom Trident Stowage ()
Ancillary Equipment\T.M. Powaboom Trident Stowage

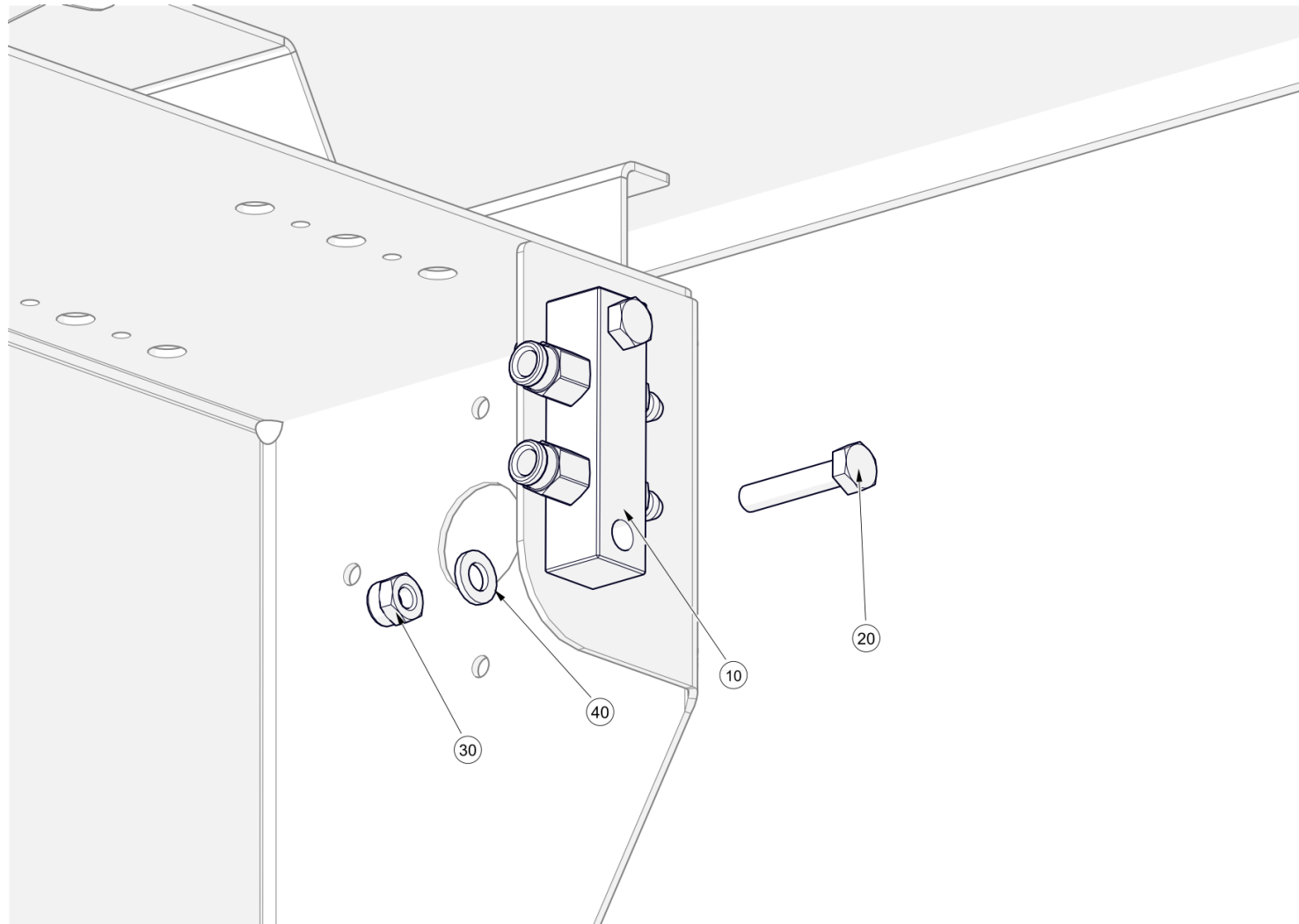
Item no.	Part no.	Description	QTY	Unit
10	92097416-0	Hex Head Screw - M10Cx40 - 8.8	3	PC
20	93077059-0	Locknut - MC Hex, M16 A2 Stainless	2	PC
30	93210523-0	Plain Washer - M16	2	PC
40	93699711-0	Spring Washer - Plated M10	3	PC
50	7050558	Stowage mount welded assembly	1	PC
60	7050551	Trident welded assembly	1	PC

Lower Stowage for Top Mounted Ancillaries ()
Ancillary Equipment\Lower Stowage for Top Mounted Ancillaries



Lower Stowage for Top Mounted Ancillaries ()
Ancillary Equipment\Lower Stowage for Top Mounted Ancillaries

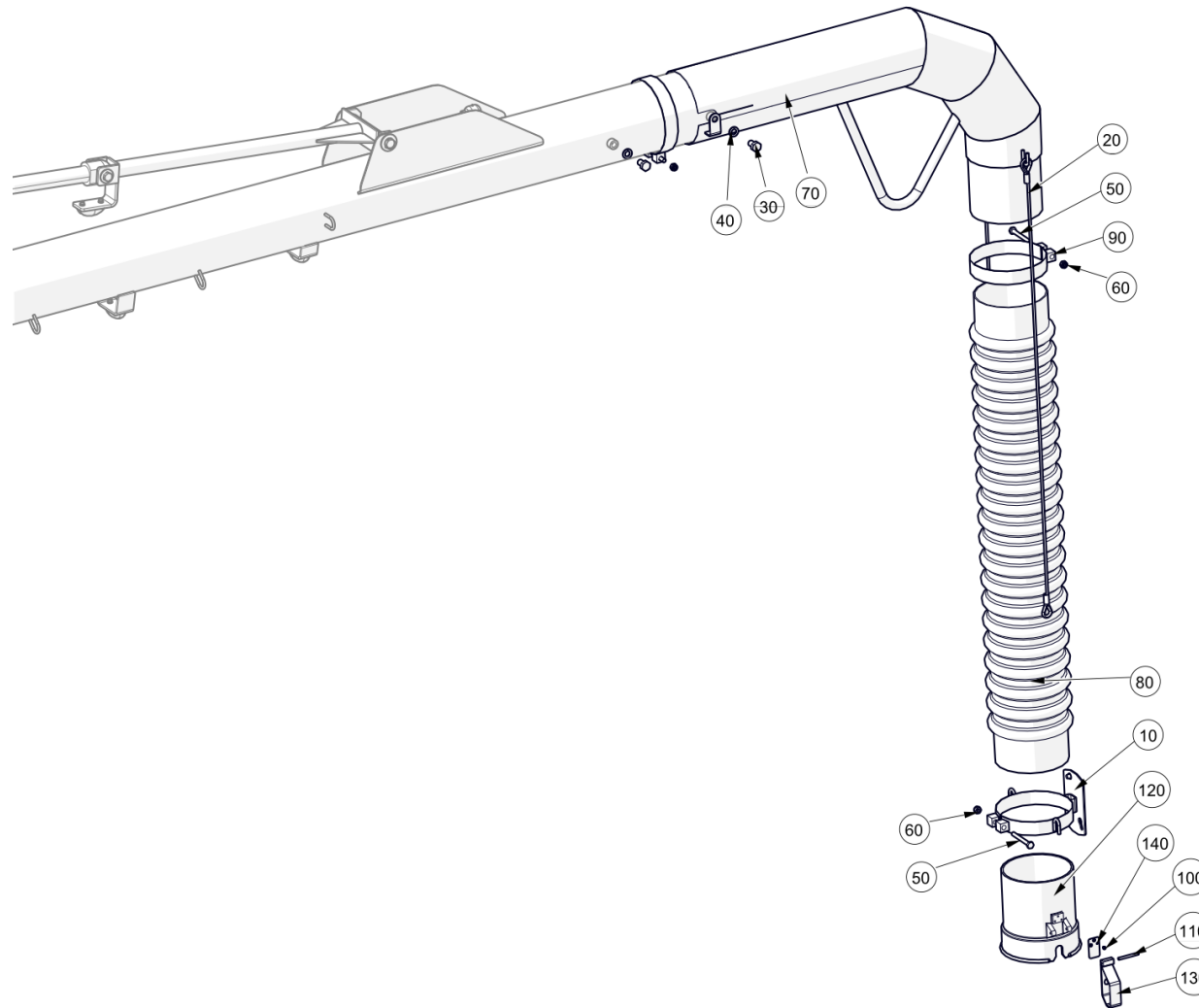
Item no.	Part no.	Description	QTY	Unit
10	7023952	Anchorage Welded Assembly 6"	1	PC
10	7023959	Anchorage Welded Assembly 8"	1	PC
20	5688-1-B	Disc, Rubber 6" Dia	1	PC
20	5688-2	Disc, Rubber 8" Dia	1	PC
30	6043-1-B	Adaptor Plate	1	PC
40	7026016	Stowage Bracket - V501 V651	1	PC
40	7020502	Stowage Bracket - V801	1	PC
50	92097376-0	Hex Head Screw - M8Cx25 - 8.8	1	PC
60	93212011-0	Plain Washer - M8	3	PC
70	93085805-0	Nyloc Hex Nut M8C - 8	3	PC
80	92097374-0	Hex Head Screw - M8Cx20 - 8.8	2	PC
90	92097410-0	Hex Head Screw - M10Cx20 - 8.8	2	PC
100	93699711-0	Spring Washer - Plated M10	2	PC
110	93212012-0	Plain Washer - M10	2	PC



T.M. Wanderhose Autolubrication ()
Ancillary Equipment\T.M. Wanderhose Autolubrication

Item no.	Part no.	Description	QTY	Unit
10	7013598	Remote Lubrication Kit - Wanderhose	1	PC
20	92097305-0	Hex Head Screw - M6Cx30 - 8.8	2	PC
30	93085004-0	Nyloc Hex Nut M6C - 8	2	PC
40	93212009-0	Plain Washer - M6	2	PC

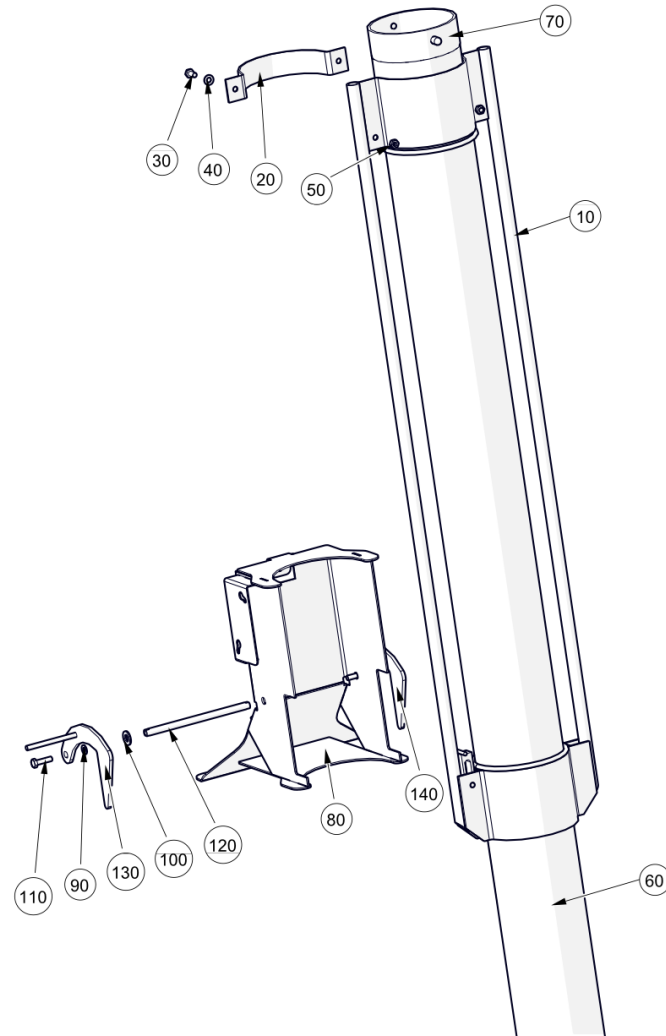
Gulley Pack Dressing ()
Ancillary Equipment\Gulley Pack Dressing



Gulley Pack Dressing ()
Ancillary Equipment\Gulley Pack Dressing

Item no.	Part no.	Description	QTY	Unit
10	282637-1	Cable Supt Welded Assembly Ø150	1	PC
20	21216-14	Cable - Lift (1040mm)	2	PC
30	92097446-0	Hex Head Screw - M12Cx20 - 8.8	4	PC
40	93699712-0	Spring Washer - Plated M12	4	PC
50	92067389-0	Hex Head Bolt - M8Cx70 - 8.8	3	PC
60	93085005-0	Nyloc Hex Nut M8C - 8	3	PC
70	7051742	Gulley Extension W/Assy	1	PC
80	48824-1	Hose - Flexible, Extension 6"	1	PC
90	282637-4	Cable Supt W/A Ø150(-Hook+Bkt)	2	PC
100	193-1	Pan Head Screw - 2.9x6.5 - 4.8	6	PC
110	58-6	Pin - Adaptor 3/16 x 1 7/8"	2	PC
120	5992-1-E	Coupling 150/6"	1	PC
130	7048473	Catch weld assembly	2	PC
140	6002-1-A	Spring - Coupling	2	PC

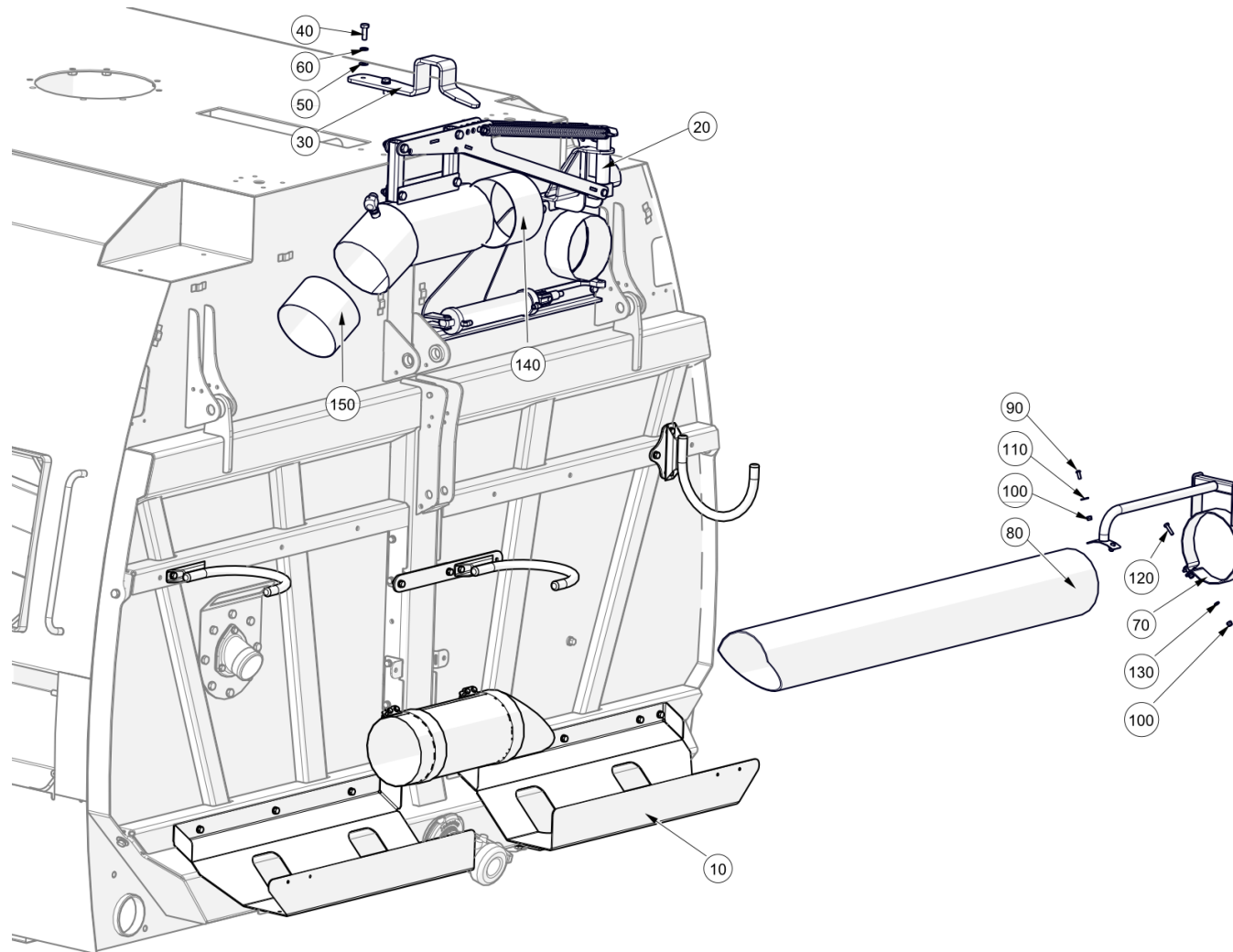
Gulley Pack Extension ()
Ancillary Equipment\Gulley Pack Extension



Gulley Pack Extension ()
Ancillary Equipment\Gulley Pack Extension

Item no.	Part no.	Description	QTY	Unit
10	41070-1-B	Cradle Hose Extension	1	PC
20	41063-1-B	Support - Gulley Emptier	1	PC
30	92097372-0	Hex Head Screw - M8Cx16 - 8.8	2	PC
40	455-10	Washer Plain Plated Steel M8	2	PC
50	420-14	Nut MC Hex M8	2	PC
60	41150-1-C	Tube Extension Gulley Emptier	1	PC
70	41067-1-C	Tube Extension	1	PC
80	7062148	Stowage Bracket W/Assy	1	PC
90	93212011-0	Plain Washer - M8	2	PC
100	93212013-0	Plain Washer M12	2	PC
110	92097378-0	Hex Head Screw - M8Cx30 - 8.8	2	PC
120	7062137	Crossbar	1	PC
130	7062132	Latch, Holster W/Assy	1	PC
140	7062130	Latch, Holster	1	PC

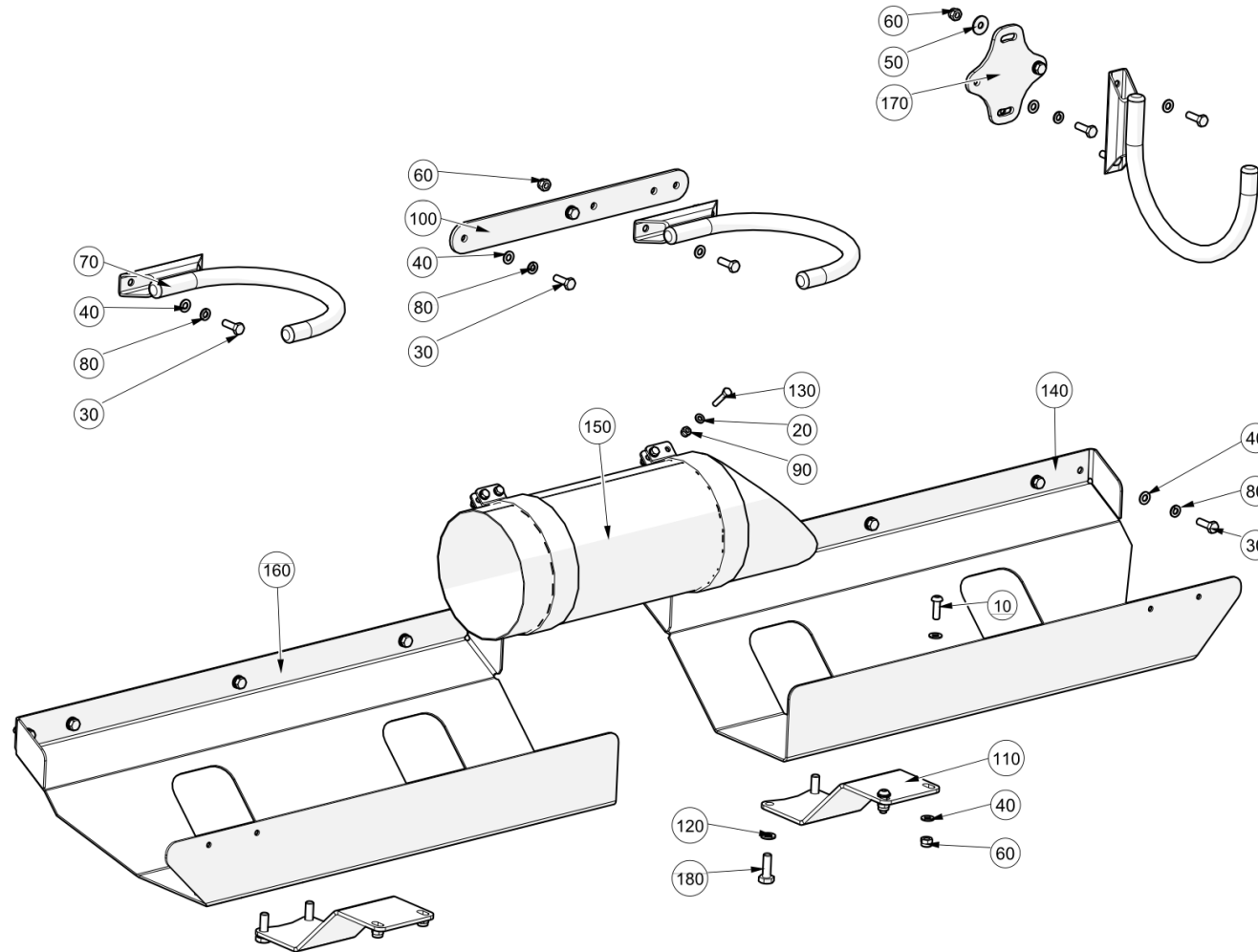
Littasnatch Installation ()
Ancillary Equipment\Littasnatch Installation



Littasnatch Installation ()
Ancillary Equipment\Littasnatch Installation

Item no.	Part no.	Description	QTY	Unit
30	7020256	Stowage Plate - 651/2 501/2	1	PC
40	92099411-0	Hex Head Screw - M10Cx30 - A2	2	PC
50	93213011-0	Plain Washer M10 A2	2	PC
60	93700211-0	Spring Washer M10 - A2	2	PC
70	60716-2	Handle - Long W/Assy Littasnatch	1	PC
80	60739-2	Tube - Suction 1200 Lg	1	PC
90	92330213-0	Hex Socket Button Head Screw M6Cx16 A2	2	PC
100	93085004-0	Nyloc Hex Nut M6C - 8	4	PC
110	93300507-0	Plain Large Washer M6	2	PC
120	92097303-0	Hex Head Screw - M6Cx25 - 8.8	2	PC
130	93212009-0	Plain Washer - M6	2	PC
140	60744-1	Duct - Plastic 750mm Long	1	PC
150	60744-4	Duct - Plastic 6250mm Long	1	PC
5000	504-51	Hose Clip - Worm Drive (150-180)	3	PC
5010	273-20	Tube - PA Type 12, 6mm O/D Blue	7	M
5020	547-4	Connector - 8mm Straight	1	PC
5030	297-1	Tubing - Polyurethane 10 Dia x 1.5 Wall	6	M

Option Beams Littasnatch ()
Ancillary Equipment\Littasnatch Installation\Option Beams Littasnatch

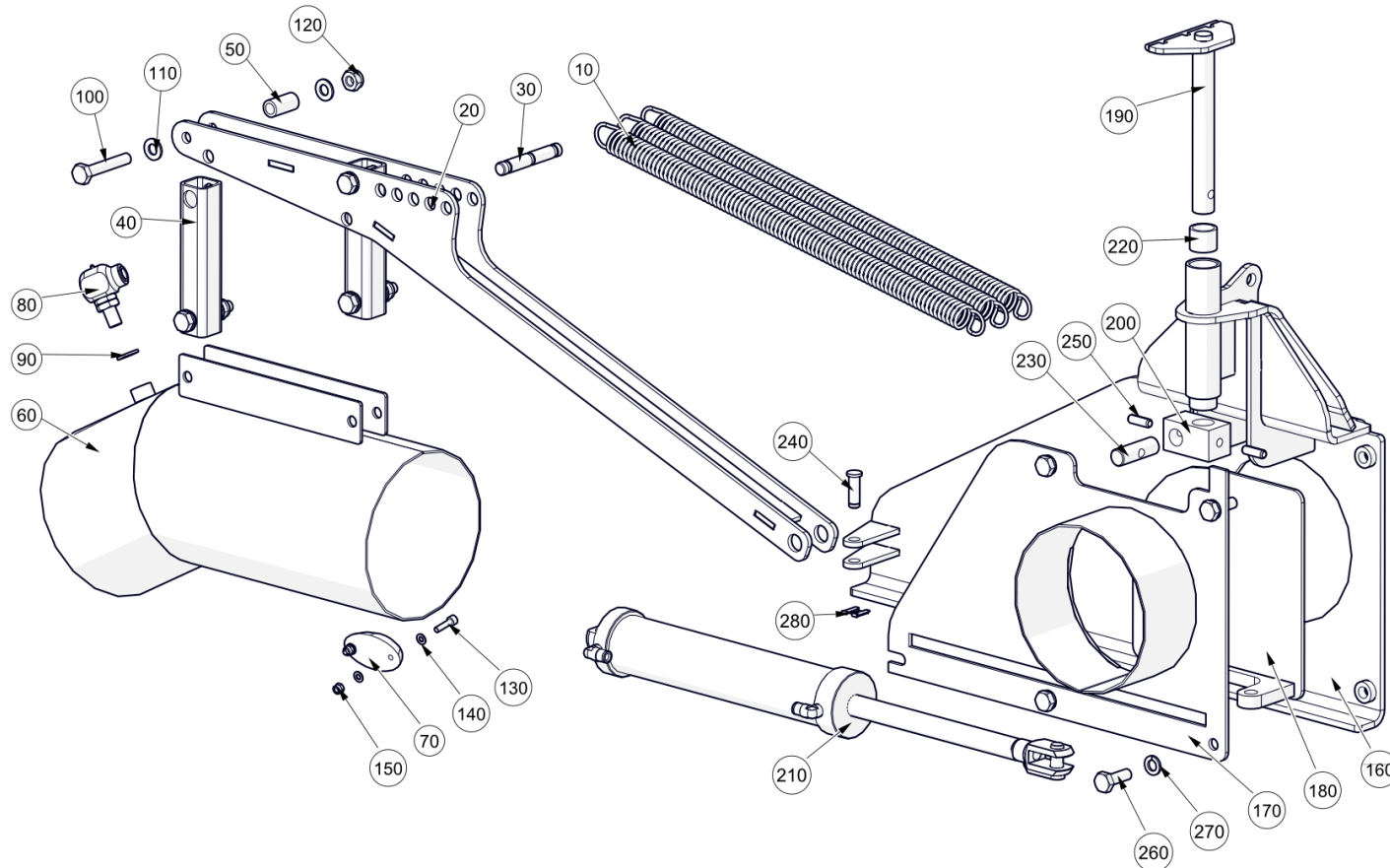


Option Beams Littasnatch ()

Ancillary Equipment\Littasnatch Installation\Option Beams Littasnatch

Item no.	Part no.	Description	QTY	Unit
10	92330046-0	Hex Skt Button Head Screw M8x25 - 10.9	4	PC
20	93212009-0	Plain Washer - M6	4	PC
30	92097376-0	Hex Head Screw - M8Cx25 - 8.8	18	PC
40	93212011-0	Plain Washer - M8	26	PC
50	93300509-0	Plain Large Washer - M8	2	PC
60	93085805-0	Nyloc Hex Nut M8C - 8	8	PC
70	282504-1	Hook - Littasnatch, Assembly	3	PC
80	93699710-0	Spring Washer - Plated M8	14	PC
90	93085004-0	Nyloc Hex Nut M6C - 8	4	PC
100	7042325	Stowage bracket	1	PC
110	7058291	Tray support	2	PC
120	93699711-0	Spring Washer - Plated M10	4	PC
130	92097305-0	Hex Head Screw - M6Cx30 - 8.8	4	PC
140	7057675	Hose tray welded assembly (RH)	1	PC
150	280560-1	Holster - Littasnatch	1	PC
160	7057674	Hose tray welded assembly (LH)	1	PC
170	281579-1	Plate - Hook Support	1	PC
180	92099411-0	Hex Head Screw - M10Cx30 - A2	4	PC

Gate and Davit Assembly ()
Ancillary Equipment\Littasnatch Installation\Gate and Davit Assembly

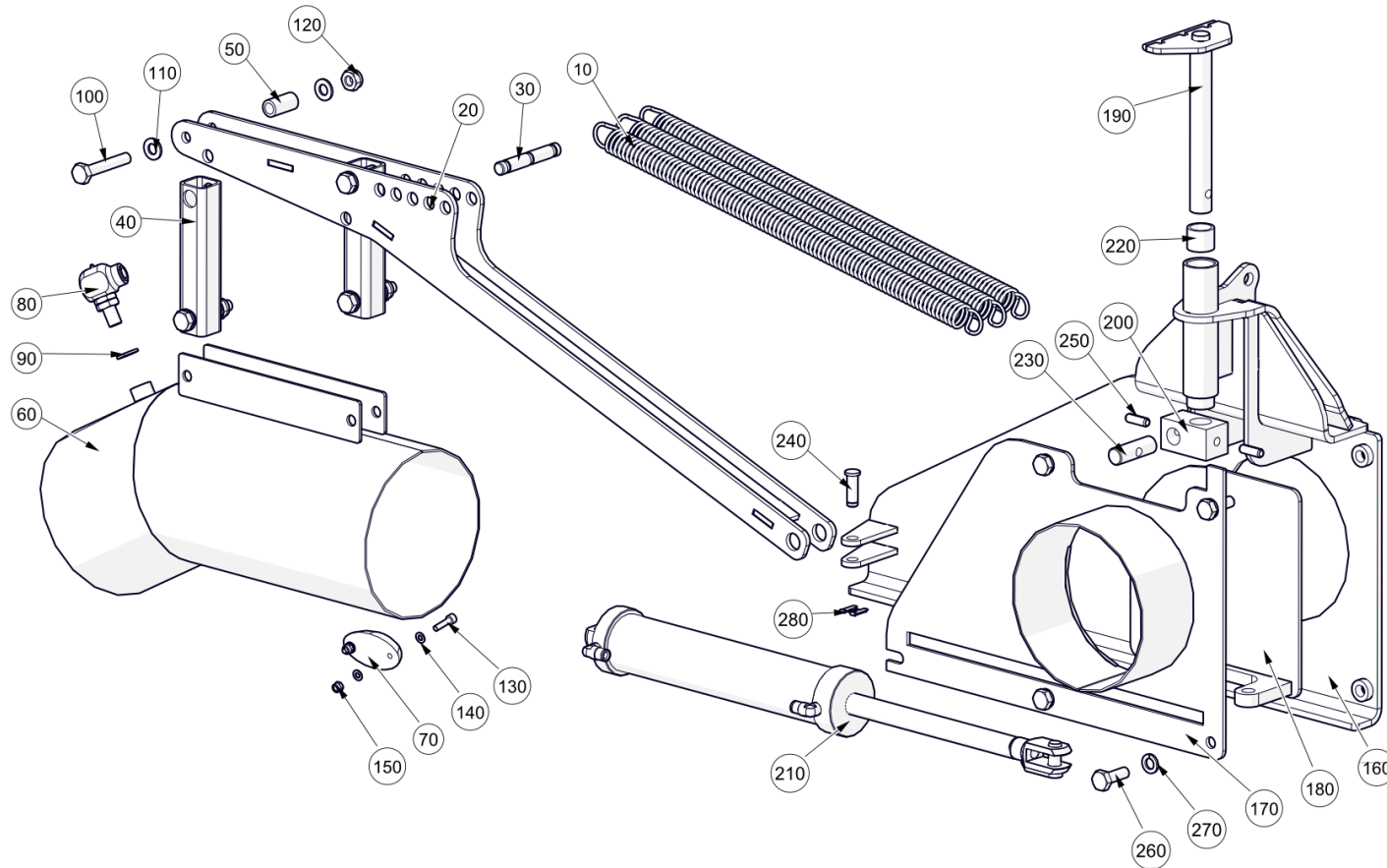


Gate and Davit Assembly ()

Ancillary Equipment\Littasnatch Installation\Gate and Davit Assembly

Item no.	Part no.	Description	QTY	Unit
10	3637-1	Spring - Tension	3	PC
20	282990-1	Davit - Rear Littasnatch Welded Assembly	1	PC
30	60326-1-A	Pin Spring Location	1	PC
40	60724-1	Link - Tube Suspension	2	PC
50	60734-1	Spacer Ø16 OD x Ø10.5 ID	4	PC
60	283328-1	Tube Wanderhose Connection	1	PC
70	39382	Buffer	1	PC
80	7019551	Water Jet Assembly	1	PC
90	451-17	Washer Bonded G1-4"	1	PC
100	92067424-0	Hex Head Bolt - M10Cx60 - 8.8	4	PC
110	93212012-0	Plain Washer - M10	8	PC
120	93085006-0	Nyloc Hex Nut M10C - 8	4	PC
130	92137044-0	Hex Socket Cap Screw - M5Cx20 - 12.9	2	PC
140	93210109-0	Plain Washer M5	4	PC
150	93085003-0	Nyloc Hex Nut M5C - 8	2	PC
160	7018669	Backplate Welded Assembly	1	PC
170	7018672	Front Plate Welded Assembly	1	PC
180	7018675	Gate Welded Assembly	1	PC
190	7018680	Pivot Welded Assembly	1	PC
200	60309-1-A	Joint Universal	1	PC
210	7004732	Cylinder Assembly Ø50x210	1	PC
220	29128-1-B	Bush - 20Lg	2	PC
230	60317-1-A	Pin Pivot	1	PC
240	29145-2-C	Clevis Pin (33mm Lg)	1	PC

Gate and Davit Assembly ()
Ancillary Equipment\Littasnatch Installation\Gate and Davit Assembly

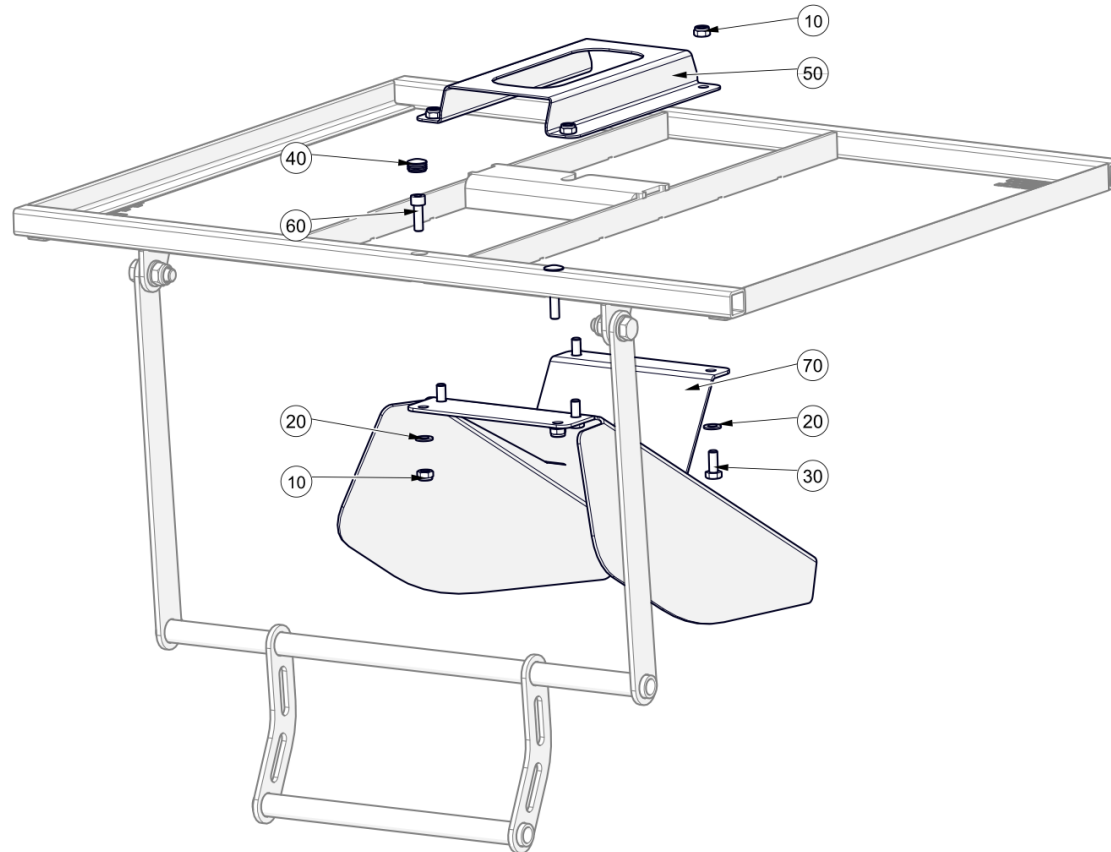


Gate and Davit Assembly ()

Ancillary Equipment\Littasnatch Installation\Gate and Davit Assembly

Item no.	Part no.	Description	QTY	Unit
250	93545352-0	Spring Pin (Slotted) - Ø8x24 C.Steel HD	2	PC
260	92099411-0	Hex Head Screw - M10Cx30 - A2	4	PC
270	93700211-0	Spring Washer M10 - A2	4	PC
280	39624	Slim Safety Fastener	1	PC

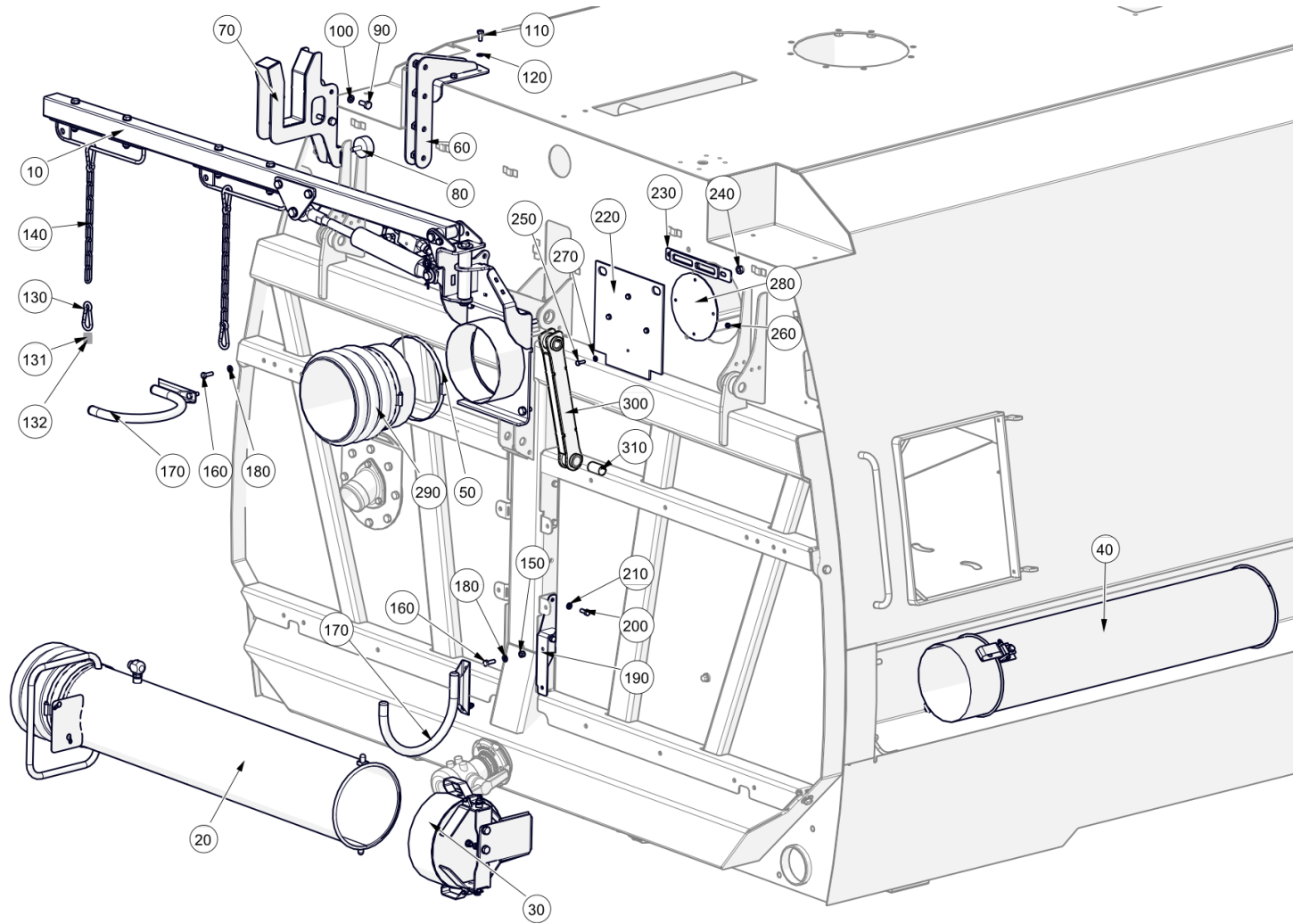
Mesh Deflector for Littasnatch/Rear Wanderhose ()
Ancillary Equipment\Mesh Deflector for Littasnatch/Rear Wanderhose



Mesh Deflector for Littasnatch/Rear Wanderhose ()
Ancillary Equipment\Mesh Deflector for Littasnatch/Rear Wanderhose

Item no.	Part no.	Description	QTY	Unit
10	93085605-0	Nyloc Hex Nut - M8c - A2	6	PC
20	93213010-0	Plain Washer M8 A2	6	PC
30	92099373-0	Hex Head Screw - M8Cx20 - A2	4	PC
40	288-33	Round Insert - 18mm (1-2.25)	2	PC
50	7020202	Spreader Plate	1	PC
60	92137120-0	Hex Socket Cap Screw - M8Cx25 - 12.9	2	PC
70	7020200	Deflector Welded Assembly	1	PC

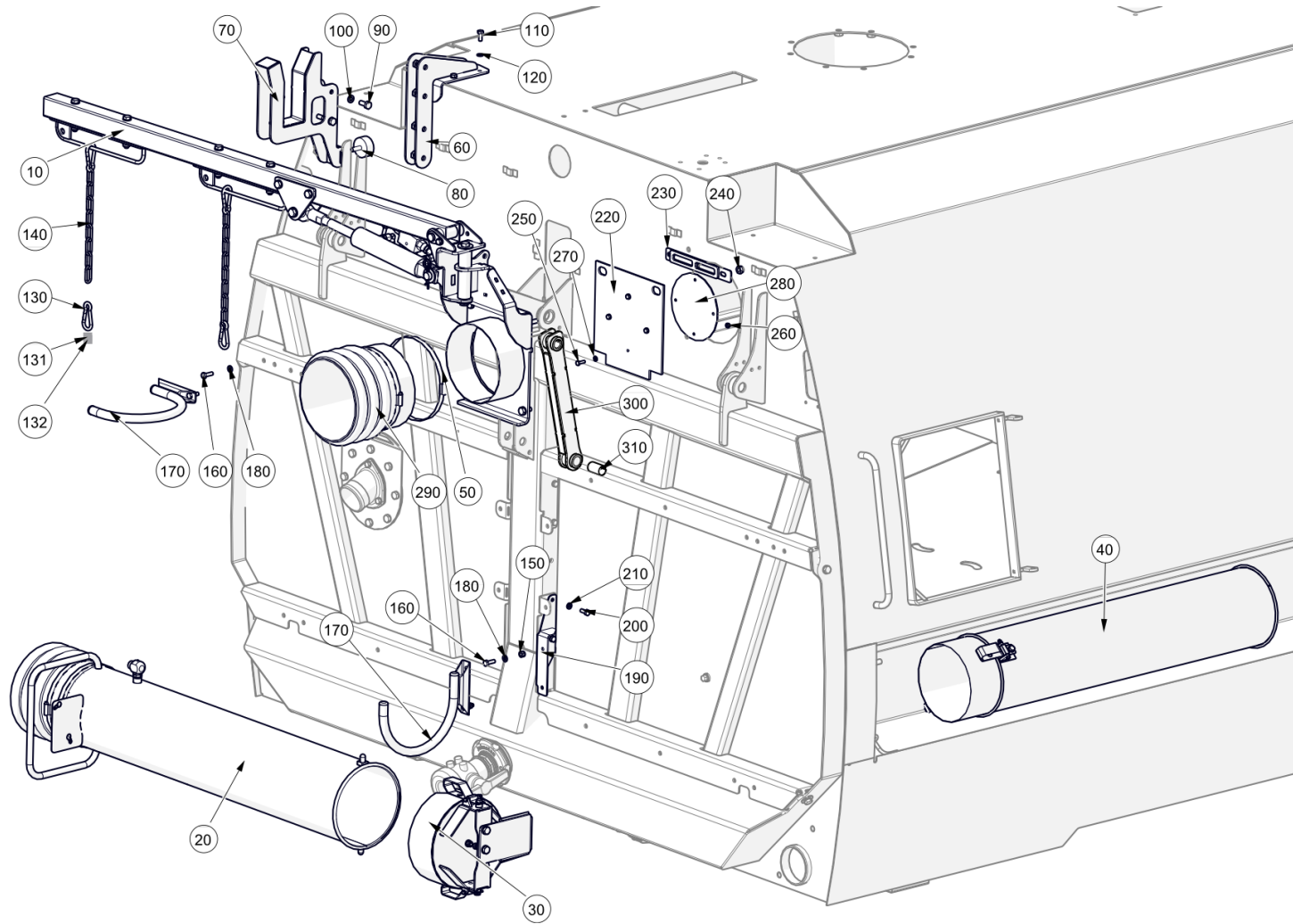
Rear Wanderhose ()
Ancillary Equipment\Rear Wanderhose



Rear Wanderhose ()
Ancillary Equipment\Rear Wanderhose

Item no.	Part no.	Description	QTY	Unit
50	504-52	Hose Clip - Worm Drive (190-220)	2	PC
60	7019992	Hook Mount Welded Assembly	1	PC
70	7040252	Stowage bracket welded assembly	1	PC
80	290-43	Cylinder Rubber Buffer 50 O/D	1	PC
90	92097412-0	Hex Head Screw - M10Cx25 - 8.8	4	PC
100	93699711-0	Spring Washer - Plated M10	4	PC
110	92099373-0	Hex Head Screw - M8Cx20 - A2	4	PC
120	93700210-0	Spring Washer M8 - A2	4	PC
130	09530792-0	Hook Carbine 60x6 DIN5299	4	PC
131	7403-0122	Protection Sleeve 680x240x4	2	PC
132	6483-0156	Hose Clip 220mm (cap head drive)	2	PC
140	7060164	Chain, 8 Link	2	PC
150	93085805-0	Nyloc Hex Nut M8C - 8	4	PC
160	92097376-0	Hex Head Screw - M8Cx25 - 8.8	4	PC
170	7052050	Hook Assembly, Wanderhose	2	PC
180	93212011-0	Plain Washer - M8	4	PC
190	7061109	Hook bracket	1	PC
200	92097374-0	Hex Head Screw - M8Cx20 - 8.8	2	PC
210	93699710-0	Spring Washer - Plated M8	2	PC
220	7049880	Flap	1	PC
230	7015072	Securing Plate	1	PC
240	93085606-0	Nyloc Hex Nut - M10c - A2	2	PC
250	92099301-0	Hex Head Screw - M6Cx20 - A2	4	PC
260	93085604-0	Nyloc Hex Nut - M6c - A2	4	PC

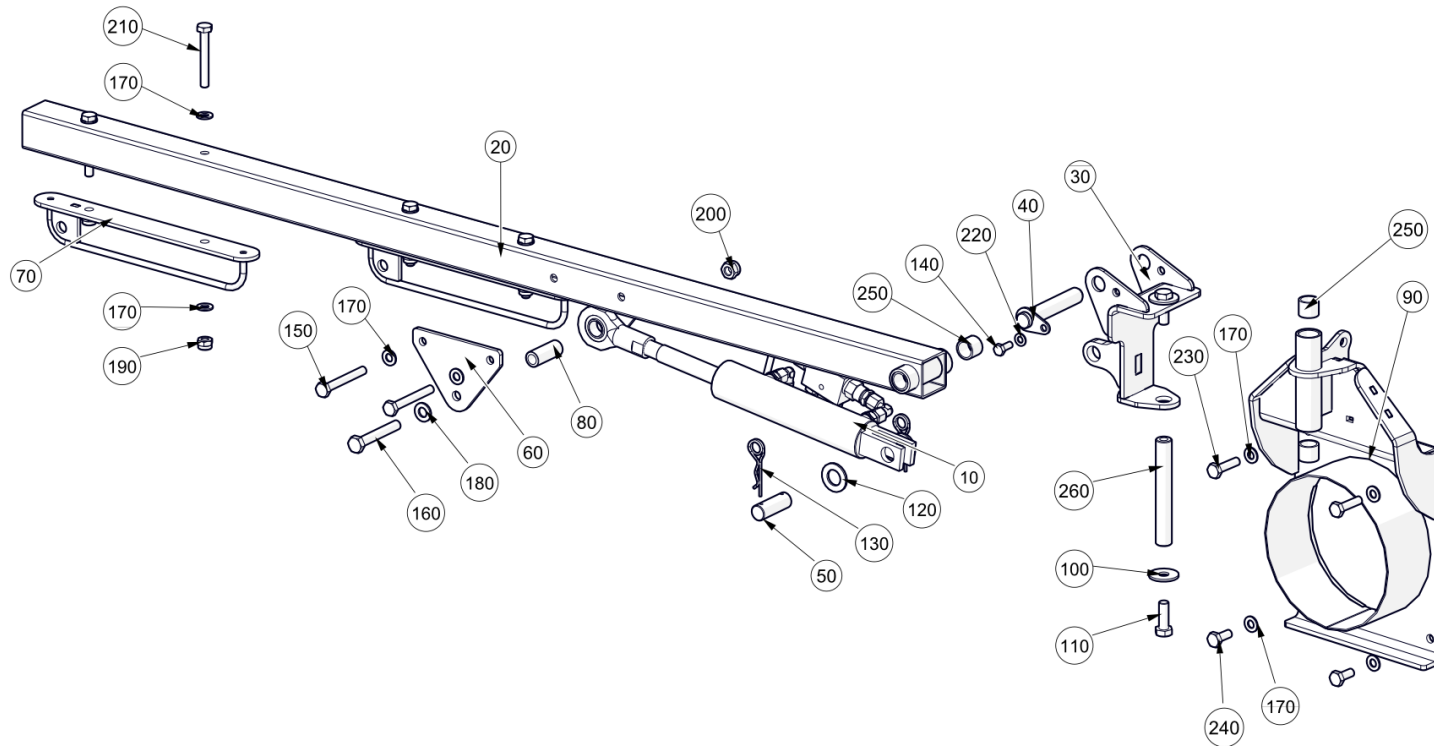
Rear Wanderhose ()
Ancillary Equipment\Rear Wanderhose



Rear Wanderhose ()
Ancillary Equipment\Rear Wanderhose

Item no.	Part no.	Description	QTY	Unit
270	93213009-0	Plain Washer M6 A2	4	PC
280	7058880	Plate, Flap	1	PC
290	7049629	Duct, Rear Wanderhose	1	PC
300	7042013	Link welded assembly - Extended	1	PC
This item must be fitted to prevent ohter item 10 hitting the hopper rear panel.				
310	28404	Bush - Elastic	2	PC
5000	297-1	Tubing - Polyurethane 10 Dia x 1.5 Wall	10	M
5010	24-10	Cable Tie - Black, 368 x 4.8 mm	20	PC
5020	H2SC06002-430	Hose - Hyd straight x 90swept	2	PC

Gantry Assembly ()
Ancillary Equipment\Rear Wanderhose\Gantry Assembly

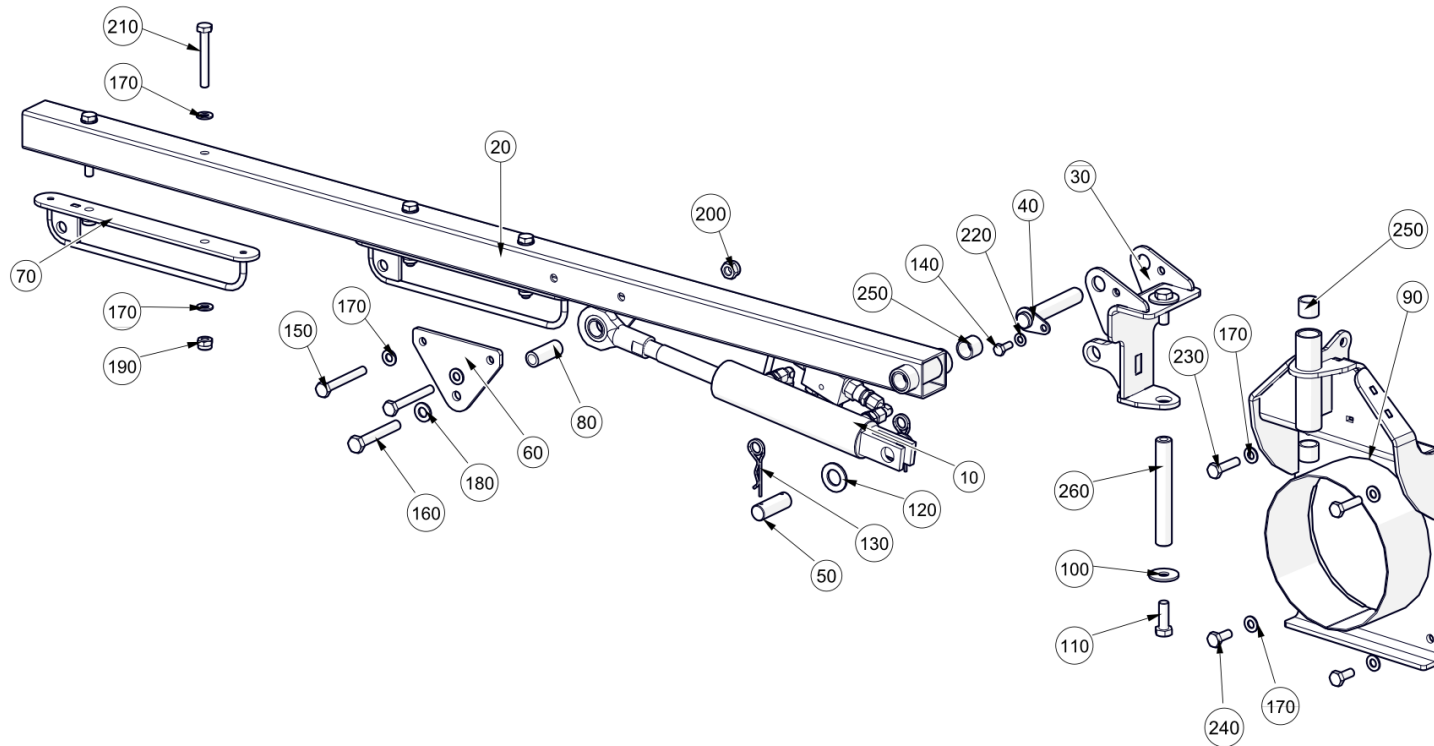


Gantry Assembly ()

Ancillary Equipment\Rear Wanderhose\Gantry Assembly

Item no.	Part no.	Description	QTY	Unit
20	7019772	Support Beam Welded Assembly	1	PC
30	7019770	Support Pivot Welded Assembly	1	PC
40	7019779	Pivot Pin Welded Assembly	1	PC
50	7019794	Pin - Cylinder Mount	1	PC
60	7019782	Eye - Lift Cylinder Mount	2	PC
70	7008574	Anchor Assembly	2	PC
80	7005983	Spacer - Rear Door	1	PC
90	7049470	Backplate W/Assy	1	PC
100	93300511-0	Plain Large Washer M12	2	PC
110	92097451-0	Hex Head Screw - M12Cx35 - 8.8	2	PC
120	93212018-0	Plain Washer M20	2	PC
130	09530003-0	Spring Cotter 3/16/73	2	PC
140	92097374-0	Hex Head Screw - M8Cx20 - 8.8	1	PC
150	92067428-0	Hex Head Bolt - M10Cx80 - 8.8	2	PC
160	6105-1511	Hex Head Bolt - M12Cx85 - 8.8	1	PC
170	93212012-0	Plain Washer - M10	16	PC
180	93212013-0	Plain Washer M12	2	PC
190	93085806-0	Nyloc Hex Nut M10C - 8	6	PC
200	93085807-0	Nyloc Hex Nut M12C - 8	1	PC
210	92067427-0	Hex Head Bolt - M10Cx75 - 8.8	4	PC
220	93212011-0	Plain Washer - M8	1	PC
230	92097416-0	Hex Head Screw - M10Cx40 - 8.8	2	PC
240	92097412-0	Hex Head Screw - M10Cx25 - 8.8	2	PC
250	29128-1-B	Bush - 20Lg	4	PC

Gantry Assembly ()
Ancillary Equipment\Rear Wanderhose\Gantry Assembly

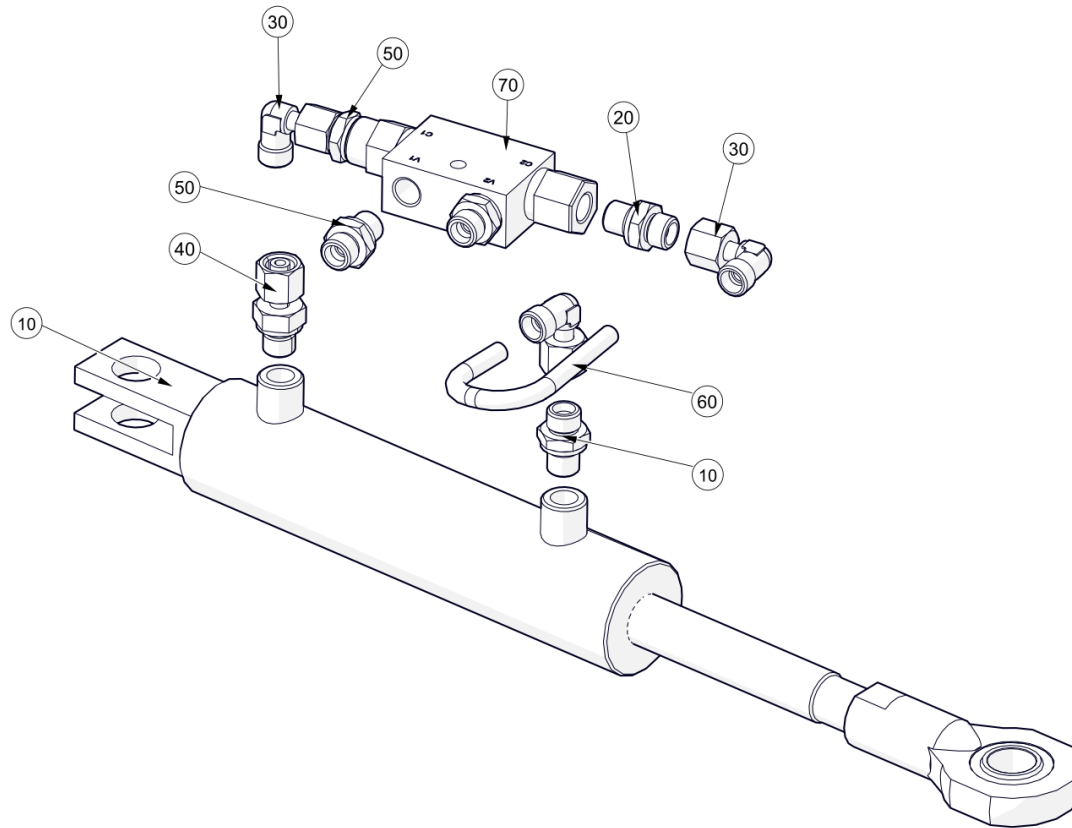


Gantry Assembly ()

Ancillary Equipment\Rear Wanderhose\Gantry Assembly

Item no.	Part no.	Description	QTY	Unit
260	7035417	Pivot Pin - Rear Wanderhose	1	PC

Hydraulic Cylinder ()
Ancillary Equipment\Rear Wanderhose\Gantry Assembly\Hydraulic Cylinder

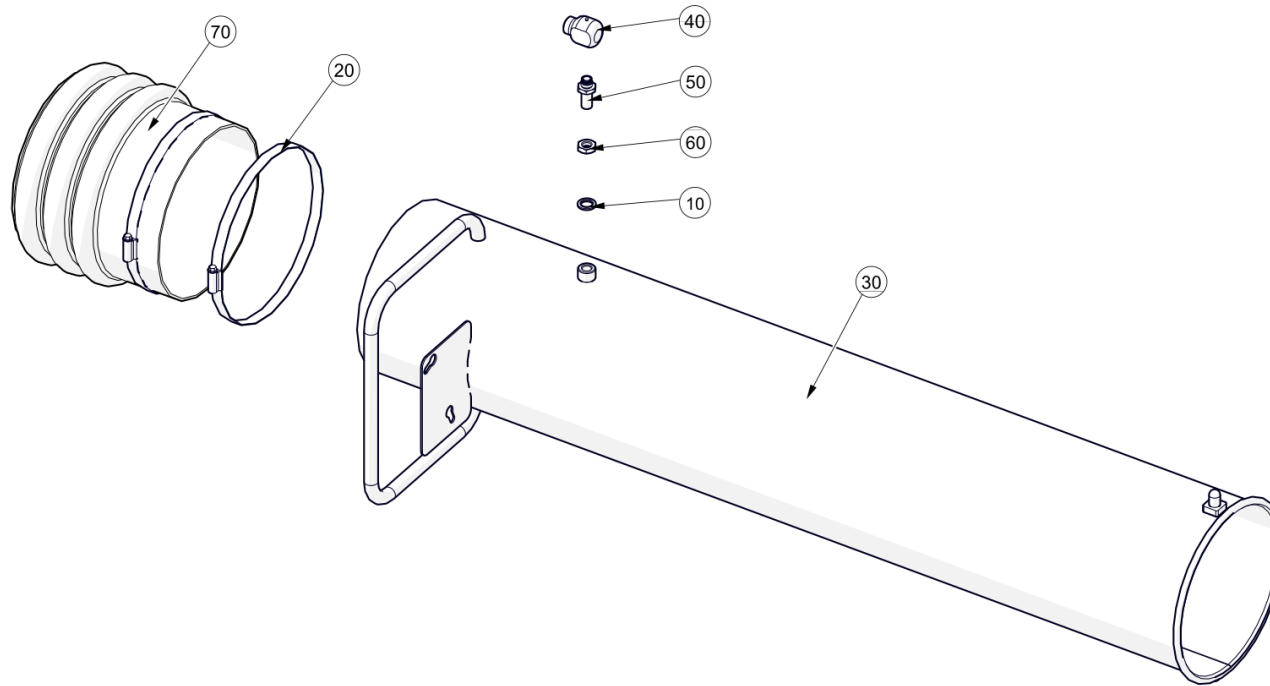


Hydraulic Cylinder ()

Ancillary Equipment\Rear Wanderhose\Gantry Assembly\Hydraulic Cylinder

Item no.	Part no.	Description	QTY	Unit
10	7014628	Hydraulic Cylinder	1	PC
20	15052908-0	Restrictor	2	PC
30	09571035-0	Adjustable Male Elbow - M14 x 1.5 A3C	3	PC
40	09571177-0	Male Stud Connector G 1/4	1	PC
50	09570126-0	Stud Coupling Male G 1/4" x M14x1.5 (8L)	3	PC
60	7032363	Pipe - Rear Wanderhose Cylinder	1	PC
70	72-124	Check Valve - PO 1/4 BSP Double	1	PC

Rear Wanderhose Tube ()
Ancillary Equipment\Rear Wanderhose\Rear Wanderhose Tube

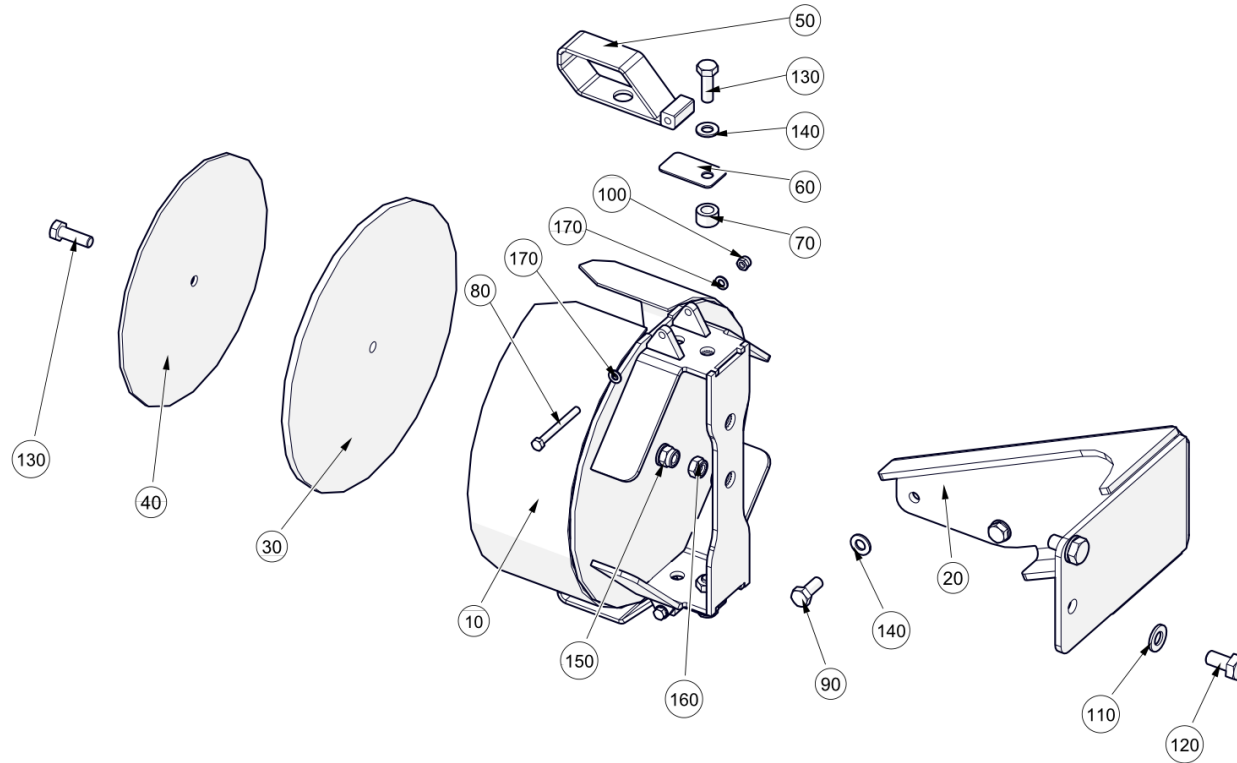


Rear Wanderhose Tube ()

Ancillary Equipment\Rear Wanderhose\Rear Wanderhose Tube

Item no.	Part no.	Description	QTY	Unit
10	451-17	Washer Bonded G1-4"	1	PC
20	504-52	Hose Clip - Worm Drive (190-220)	2	PC
30	7048266	Wanderhose Tube W/Assy	1	PC
40	7019548	Water Jet - Body	1	PC
50	7019549	Water Jet - Adaptor	1	PC
60	416-12	Locknut - Stainless M12C	1	PC
70	7049629	Duct, Rear Wanderhose	1	PC

Rear Wanderhose Stowage Assembly ()
Ancillary Equipment\Rear Wanderhose\Rear Wanderhose Stowage Assembly

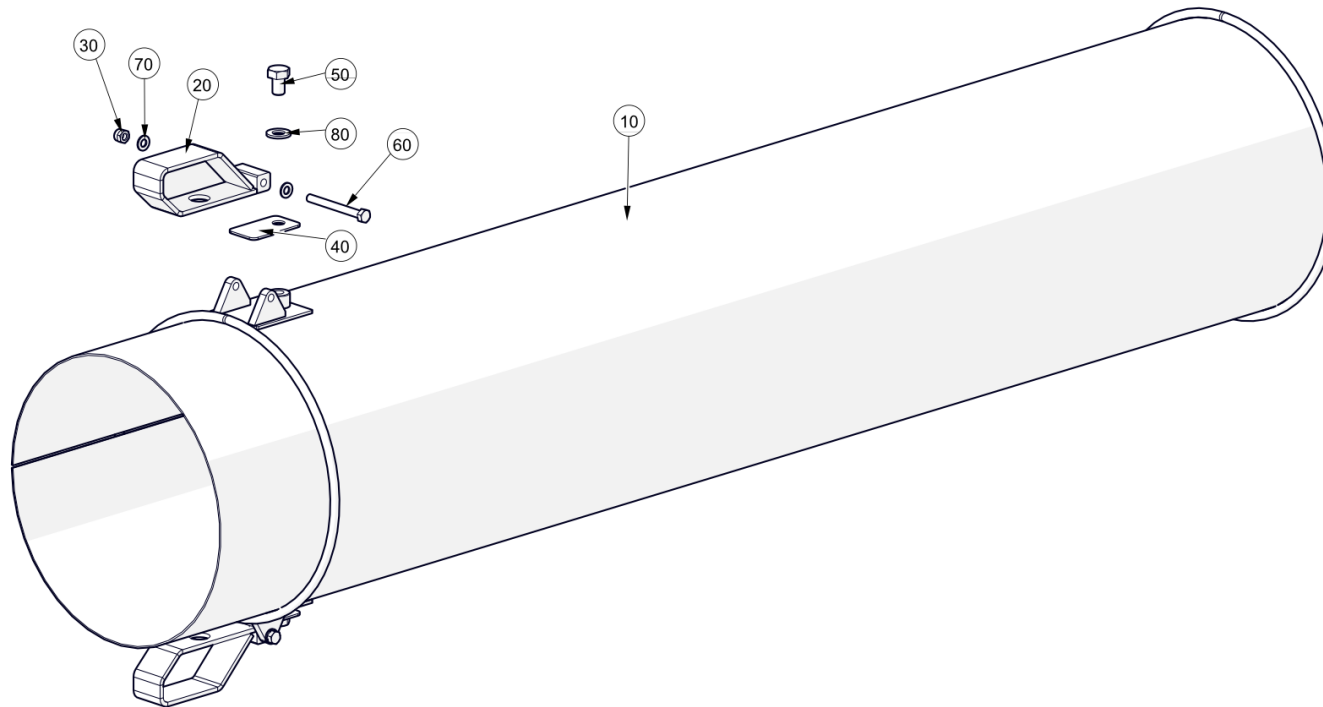


Rear Wanderhose Stowage Assembly ()

Ancillary Equipment\Rear Wanderhose\Rear Wanderhose Stowage Assembly

Item no.	Part no.	Description	QTY	Unit
10	7048113	Anchorage W/Assy	1	PC
20	7061106	Stow bracket	1	PC
30	5688-3	Disc, Rubber - Rear Wanderhose	1	PC
40	7048106	Sealing plate	1	PC
50	7048473	Catch weld assembly	2	PC
60	7048459	Spring	2	PC
70	7054907	Spacer	2	PC
80	92067274-0	Hex Head Bolt - M5Cx50 - 8.8	2	PC
90	92097374-0	Hex Head Screw - M8Cx20 - 8.8	2	PC
100	93085003-0	Nyloc Hex Nut M5C - 8	2	PC
110	93212012-0	Plain Washer - M10	2	PC
120	92097410-0	Hex Head Screw - M10Cx20 - 8.8	2	PC
130	92097376-0	Hex Head Screw - M8Cx25 - 8.8	3	PC
140	93212011-0	Plain Washer - M8	5	PC
150	93085805-0	Nyloc Hex Nut M8C - 8	1	PC
160	93085005-0	Nyloc Hex Nut M8C - 8	1	PC
170	93210109-0	Plain Washer M5	4	PC

Rear Wanderhose Extension ()
Ancillary Equipment\Rear Wanderhose\Rear Wanderhose Extension

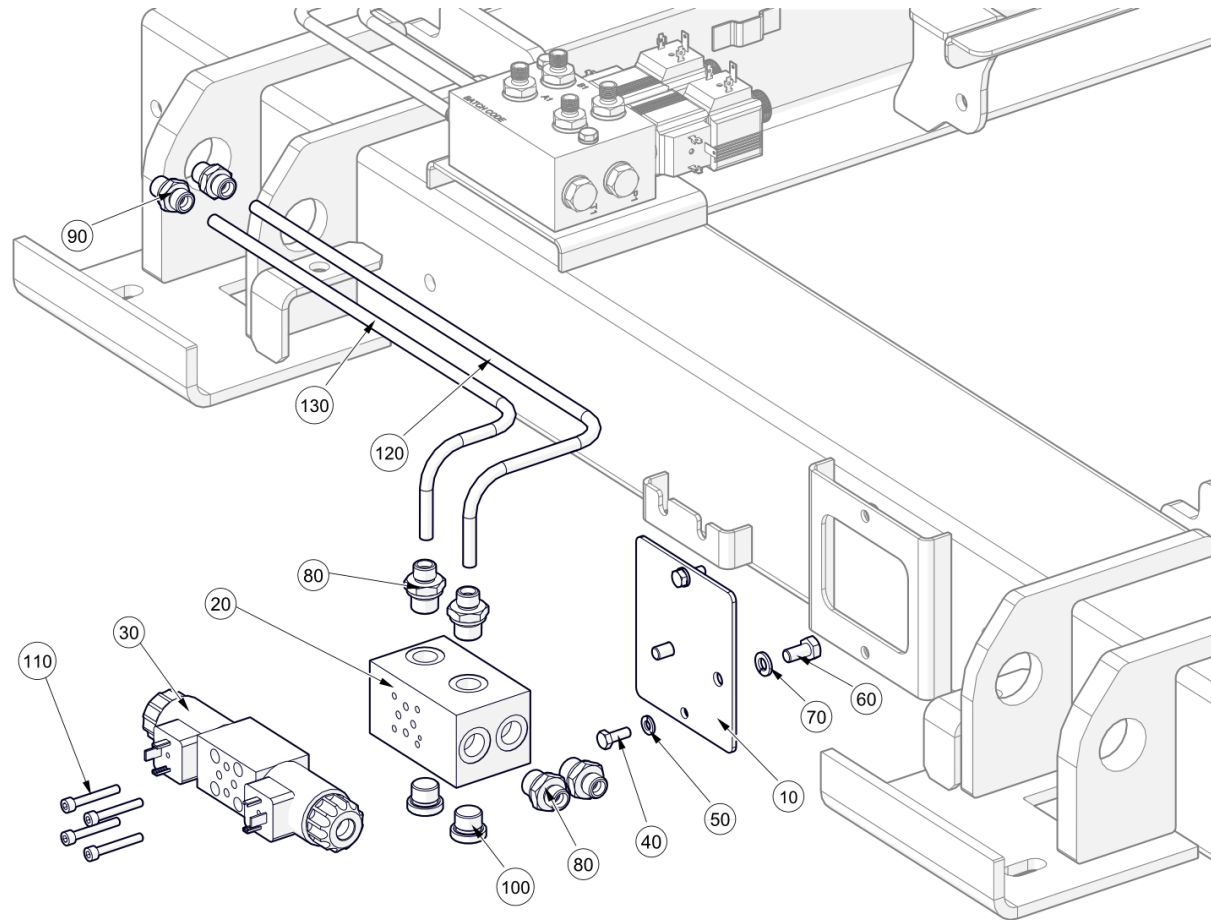


Rear Wanderhose Extension ()

Ancillary Equipment\Rear Wanderhose\Rear Wanderhose Extension

Item no.	Part no.	Description	QTY	Unit
10	7048273	Tube W/Assy	1	PC
20	7048473	Catch weld assembly	2	PC
30	93085003-0	Nyloc Hex Nut M5C - 8	2	PC
40	7048459	Spring	2	PC
50	92097371-0	Hex Head Screw - M8Cx12 - 8.8	2	PC
60	92067274-0	Hex Head Bolt - M5Cx50 - 8.8	2	PC
70	93210109-0	Plain Washer M5	4	PC
80	93212011-0	Plain Washer - M8	2	PC

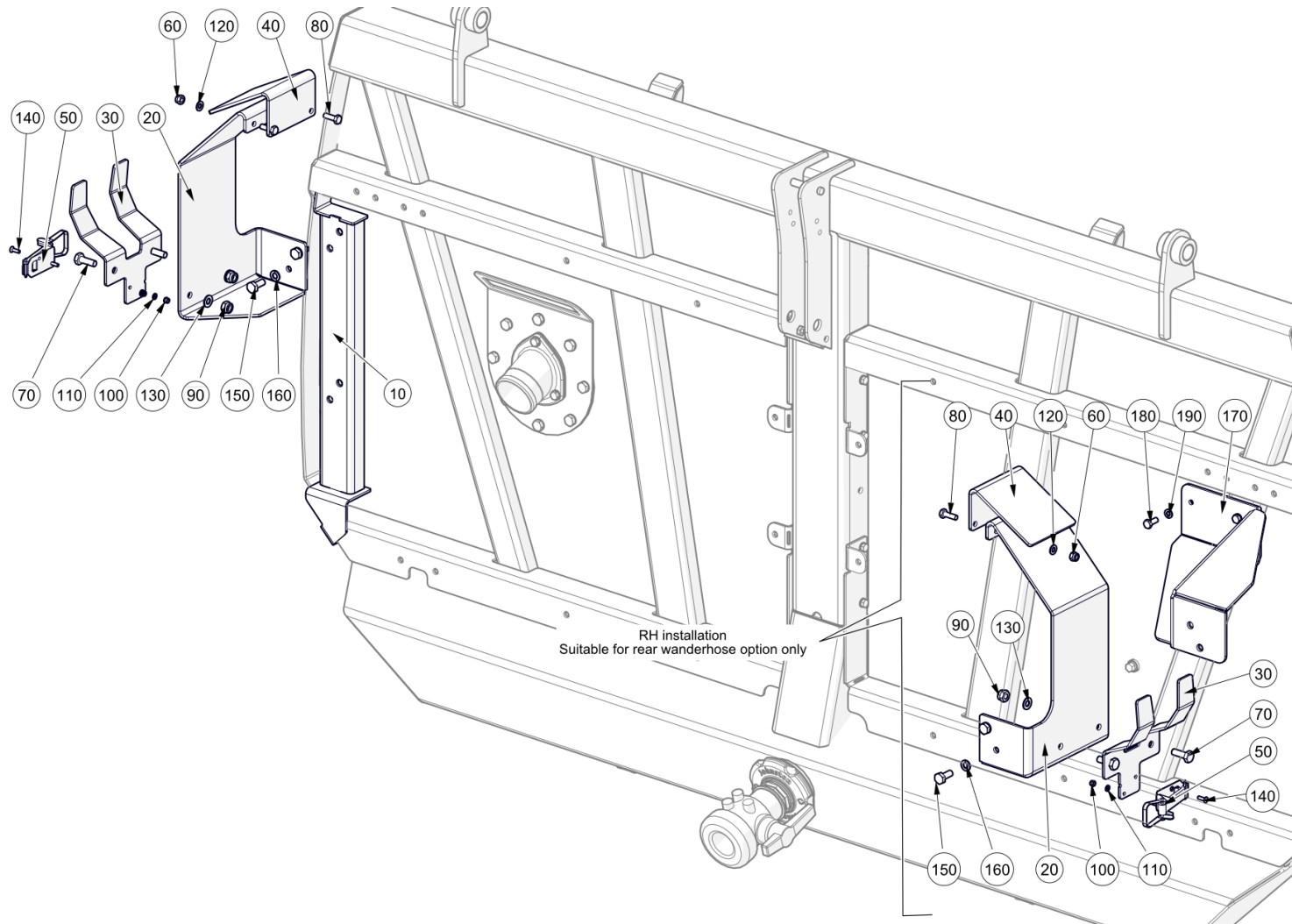
Rear Wanderhose/Powaboom Controls ()
Ancillary Equipment\Rear Wanderhose/Powaboom Controls



Rear Wanderhose/Powaboom Controls ()
Ancillary Equipment\Rear Wanderhose/Powaboom Controls

Item no.	Part no.	Description	QTY	Unit
10	7009707	Plate	1	PC
20	7009457	Manifold - Hydraulic CETOP2 (04)	1	PC
30	298-21	Valve Solenoid Operated Directional 24v	1	PC
Suitable for 24v.				
30	298-11	Valve Solenoid Operated Directional 12v	1	PC
Suitable for 12v.				
40	92097299-0	Hex Head Screw - M6Cx16 - 8.8	2	PC
50	93699708-0	Spring Washer - Plated M6	2	PC
60	92097372-0	Hex Head Screw - M8Cx16 - 8.8	2	PC
70	93699710-0	Spring Washer - Plated M8	2	PC
80	09570102-0	Stud Coupling Male G 3/8" x M14 x 1.5	4	PC
90	09570126-0	Stud Coupling Male G 1/4" x M14x1.5 (8L)	2	PC
100	09572134-0	Sealing Plug VS-R 3/8 WD	2	PC
110	92137048-0	Hex Socket Cap Screw - M5Cx35 - 12.9	4	PC
120	7013725	Pipe - Hydraulic	1	PC
130	7013726	Pipe - Hydraulic	1	PC

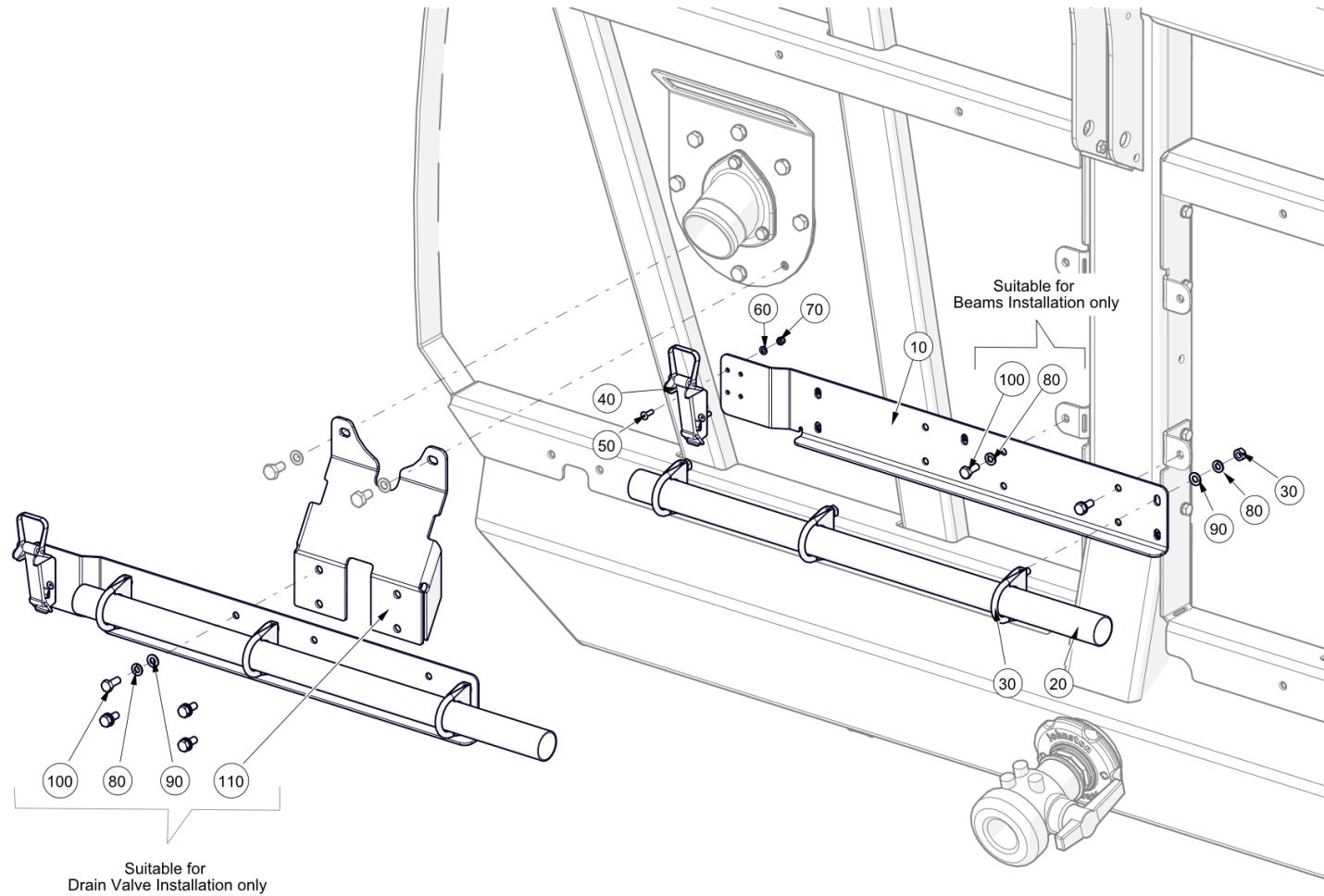
Shovel Stowage Rear Door ()
Ancillary Equipment\Shovel Stowage Rear Door



Shovel Stowage Rear Door ()
Ancillary Equipment\Shovel Stowage Rear Door

Item no.	Part no.	Description	QTY	Unit
10	7058297	Mounting post welded assembly	1	PC
20	7027071	Backing Plate	1	PC
30	7027101	Support Angle	1	PC
40	7027117	Guard Plate	1	PC
50	09532197-0	Lock	1	PC
60	93085805-0	Nyloc Hex Nut M8C - 8	2	PC
70	92097414-0	Hex Head Screw - M10Cx30 - 8.8	2	PC
80	92097376-0	Hex Head Screw - M8Cx25 - 8.8	2	PC
90	93085806-0	Nyloc Hex Nut M10C - 8	2	PC
100	93085003-0	Nyloc Hex Nut M5C - 8	2	PC
110	93210109-0	Plain Washer M5	2	PC
120	93212011-0	Plain Washer - M8	2	PC
130	93212012-0	Plain Washer - M10	2	PC
140	92153033-0	Hex Socket CSK Screw M5Cx16 10.9	2	PC
150	92097412-0	Hex Head Screw - M10Cx25 - 8.8	2	PC
160	93699711-0	Spring Washer - Plated M10	2	PC
170	7049868	Stowage bracket (RH) welded assembly	1	PC
Suitable for RH shovel installation. Use with rear wanderhose option only.				
180	92097374-0	Hex Head Screw - M8Cx20 - 8.8	2	PC
Suitable for RH shovel installation. Use with rear wanderhose option only.				
190	93699710-0	Spring Washer - Plated M8	2	PC
Suitable for RH shovel installation. Use with rear wanderhose option only.				

Broom Stowage Rear Door ()
Ancillary Equipment\Broom Stowage Rear Door

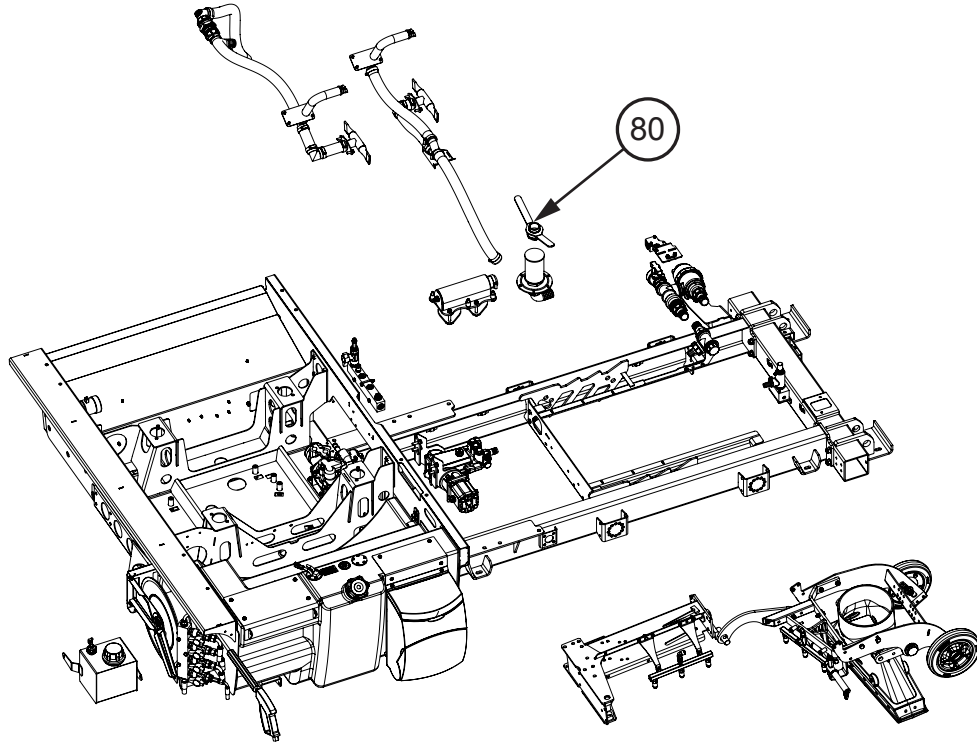


Broom Stowage Rear Door ()
Ancillary Equipment\Broom Stowage Rear Door

Item no.	Part no.	Description	QTY	Unit
10	7042328	Mounting plate	1	PC
20	50914-4	Tube - Crossmember	1	PC
30	6645-5	Clip - Exhaust Banelli 1 5/8"	3	PC
40	09532197-0	Lock	1	PC
50	92153033-0	Hex Socket CSK Screw M5Cx16 10.9	2	PC
60	93210109-0	Plain Washer M5	2	PC
70	93085003-0	Nyloc Hex Nut M5C - 8	2	PC
80	93699710-0	Spring Washer - Plated M8	6	PC
Use 2pc. extra for Beams installation. Use 4pc. extra for 4" Drain Valve installation.				
90	93212011-0	Plain Washer - M8	6	PC
Use 4pc. extra for 4" Drain Valve installation.				
100	92097374-0	Hex Head Screw - M8Cx20 - 8.8	0	PC
Use 4pc. for 4" Drain Valve installation. Use 2pc. for 4" Beams installation.				
110	7062220	Broom stow mount welded assembly	1	PC
Suitable for 4" Drain Valve installation only.				

This page is intentionally left blank

Chapter 7 Water System

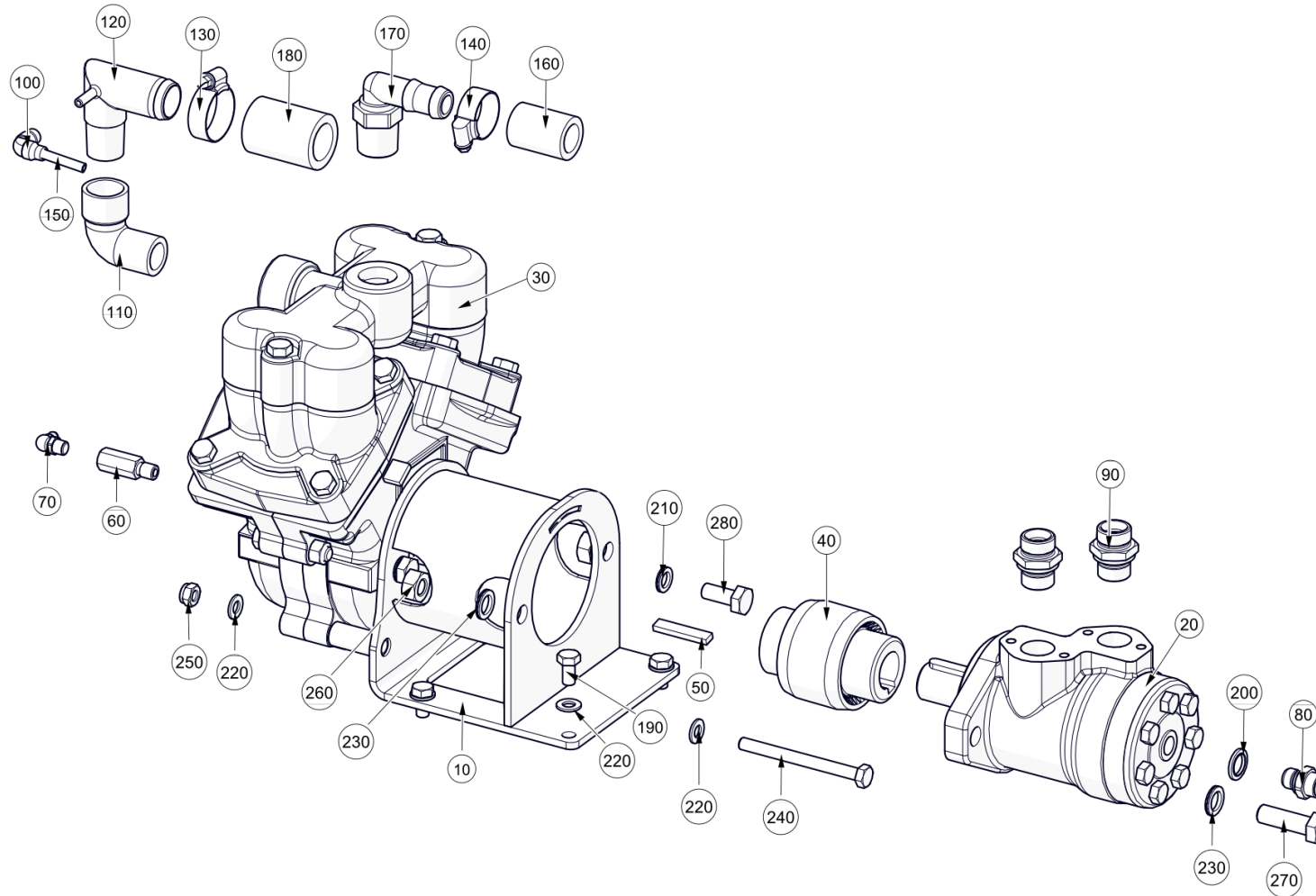


Item no.	Part no.	Description	QTY	Unit
80	282736-1-INST	Water Strainer Adaptor	1	PC

Table of Contents

Section	Page
7.1 Water Pump.....	406
7.2 Supawash.....	412
7.3 Supawash Pump.....	416
7.4 Water Recirculation System.....	420
7.5 Backflush System.....	424
7.6 Handwash Installation.....	426
7.7 Water Strainer Assembly.....	428
7.8 Water Relief Valve Installation.....	430
7.9 Tee Water Supply Installation.....	432
7.10 Water Filter Installation.....	434
7.11 Detergent Injection System.....	436
7.12 Ancillary Water Feed/Washdown.....	438
7.13 EasiClean - LH Fitment.....	442
7.14 EasiClean - RH Fitment.....	444
7.15 PM10 Dust Suppression.....	446

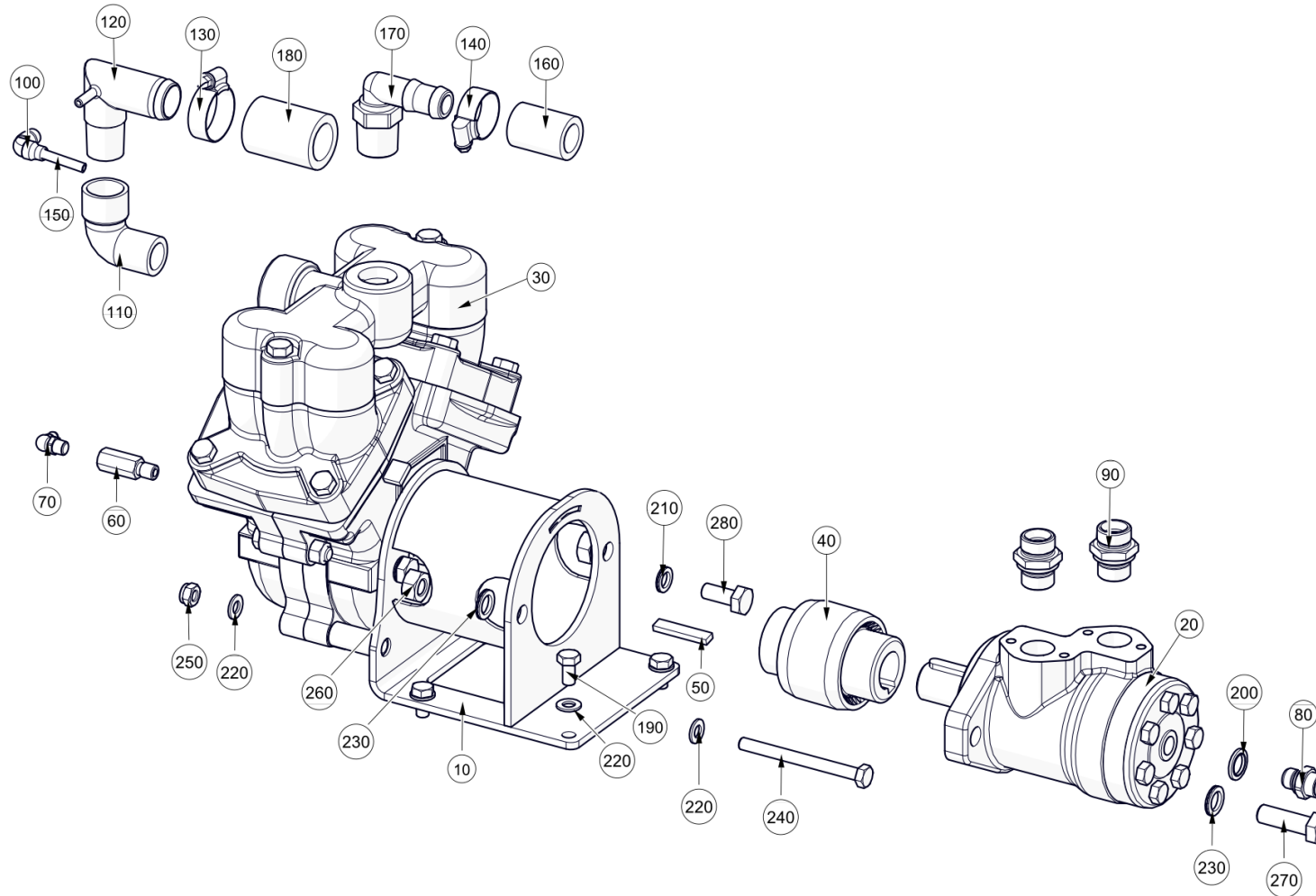
Water Pump ()
Water Systems\Water Pump



Water Pump ()
Water Systems\Water Pump

Item no.	Part no.	Description	QTY	Unit
10	7050935	Water Pump Bracket	1	PC
20	244-10	Motor - Hydraulic OMP32	1	PC
30	22599-1-B	Pump - Water	1	PC
40	282809-1	Coupling - Assembly	1	PC
50	282817-1	Key - Water Pump Coupling	1	PC
60	95780-1	Adaptor - G1/8 M-F	1	PC
70	38-8	Grease Nipple 1/8 BSP x 90 deg	1	PC
80	518-8	Adaptor Straight - 8 OD 1/4 BSP	1	PC
81	511-4	Olive - Tube 8mm O/D	3	PC
82	510-4	Nut - Tube 8mm O/D	3	PC
83	532-23	Tee - Stem 8mm	1	PC
84	41038-1-B	SLEEVE	2	PC
85	520-4	Plug Tubing O/D 8	1	PC
86	12870	Tube - Nylon Black 8mm O/D	1	M
90	6601-1329	Stud Coupling Male G 1/2" x M22 x 1.5	2	PC
100	542-3	Adaptor - Elbow 6mm Push In	1	PC
110	66-42	Elbow - Poly. 90 ° 3/4 F x 3/4 M	1	PC
120	7036081	Elbow, Low Pressure Suction	1	PC
130	09531009-0	Hose Clip - Worm Drive (30-40)	1	PC
140	501-25	Hose Clip - Worm Drive (25-35)	1	PC
150	273-20	Tube - PA Type 12, 6mm O/D Blue	0,5	M
160	497-H12	Hose - 3/4" Bore	0,6	M
170	277-231	Elbow - Poly. 90 ° 3/4 M x 3/4" Barb	1	PC
180	6117	1" Bore Premoflex Hose	0,6	M

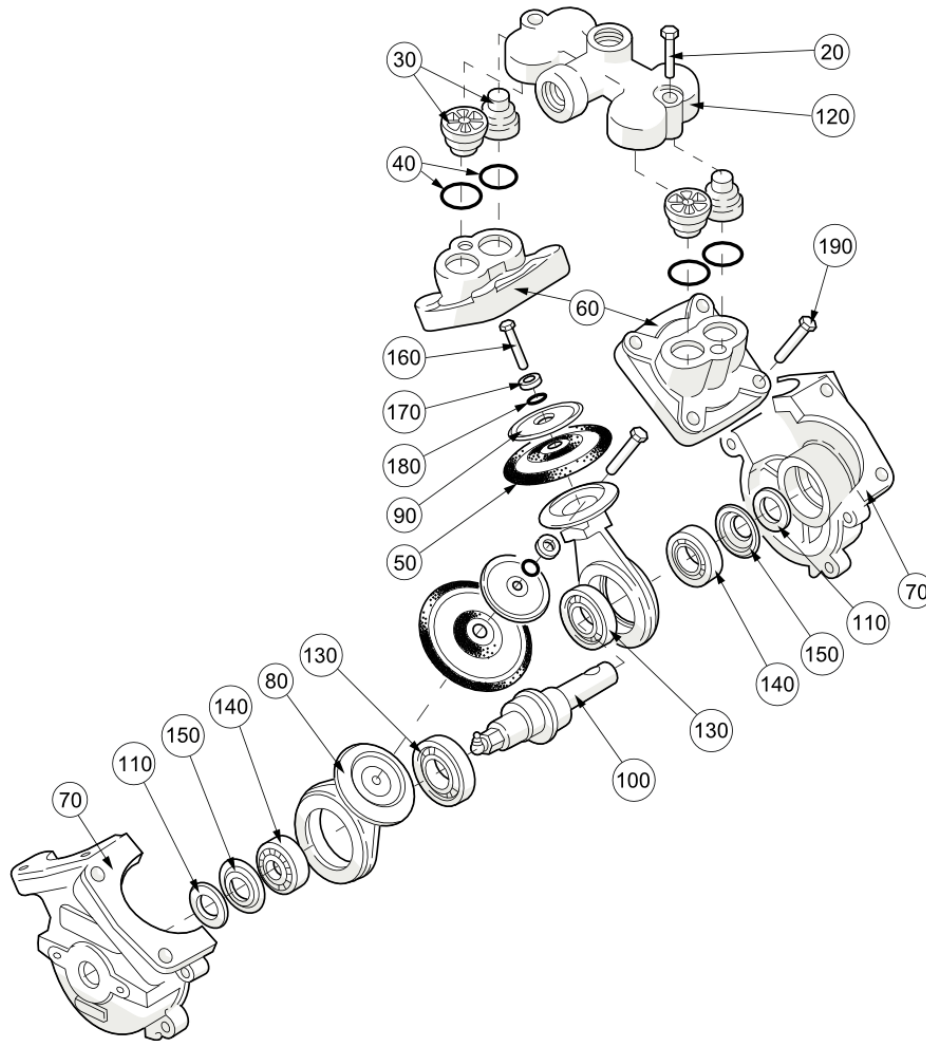
Water Pump ()
Water Systems\Water Pump



Water Pump ()
Water Systems\Water Pump

Item no.	Part no.	Description	QTY	Unit
190	92097372-0	Hex Head Screw - M8Cx16 - 8.8	4	PC
200	451-17	Washer Bonded G1-4"	1	PC
210	93361109-0	Washer Nord - Lock M10	2	PC
220	93212011-0	Plain Washer - M8	6	PC
230	93361111-0	Washer Nord - Lock M12	4	PC
240	92067393-0	Hex Head Bolt - M8Cx90 - 8.8	2	PC
250	93085005-0	Nyloc Hex Nut M8C - 8	2	PC
260	93056016-0	Hex Nut M12C-8	2	PC
270	92067457-0	Hex Head Bolt - M12Cx40 - 8.8	2	PC
280	92097412-0	Hex Head Screw - M10Cx25 - 8.8	2	PC

Water Pump Spares ()
Water Systems\Water Pump\Water Pump Spares
Only callouts are interactive in this image.

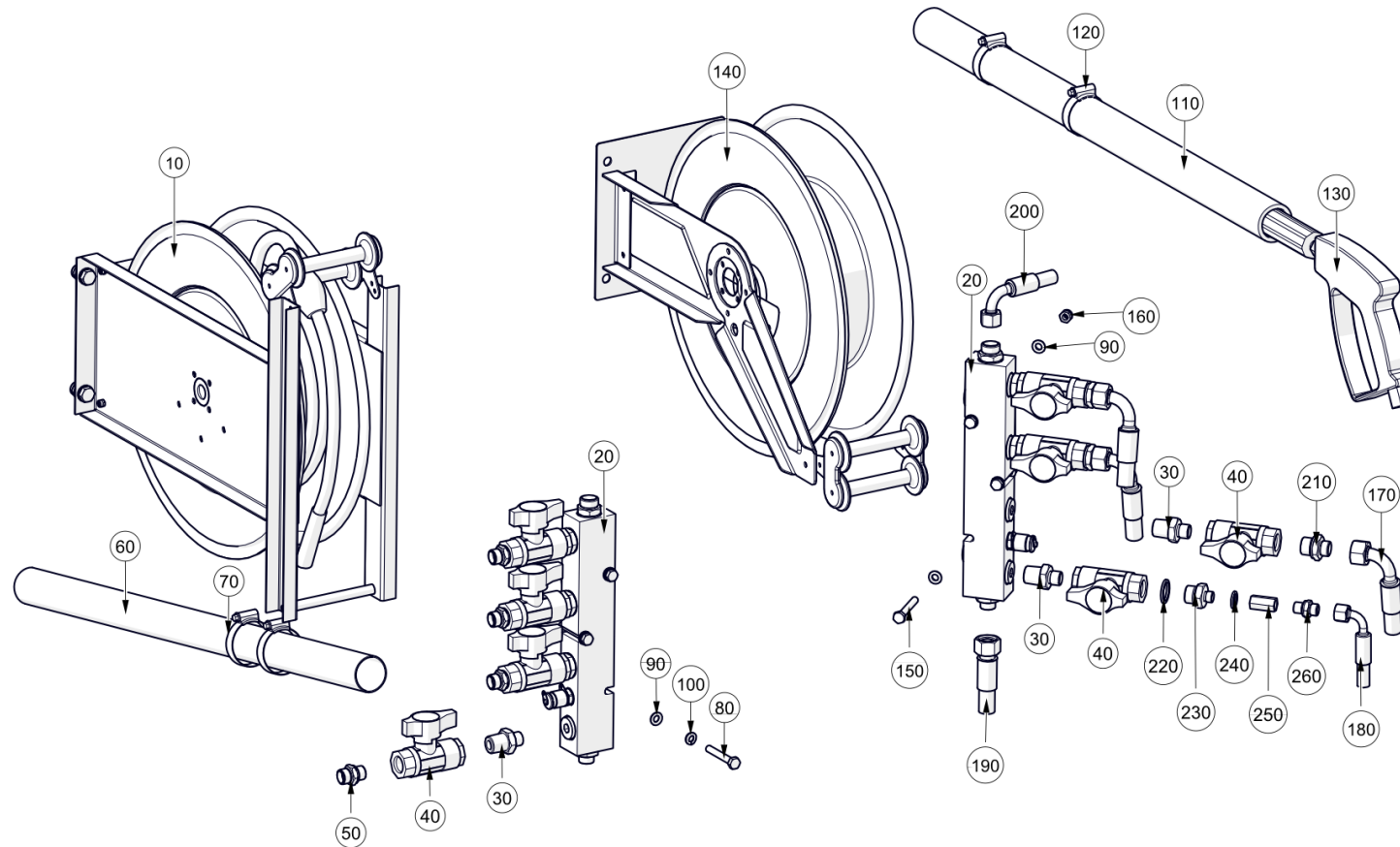


Water Pump Spares ()

Water Systems\Water Pump\Water Pump Spares

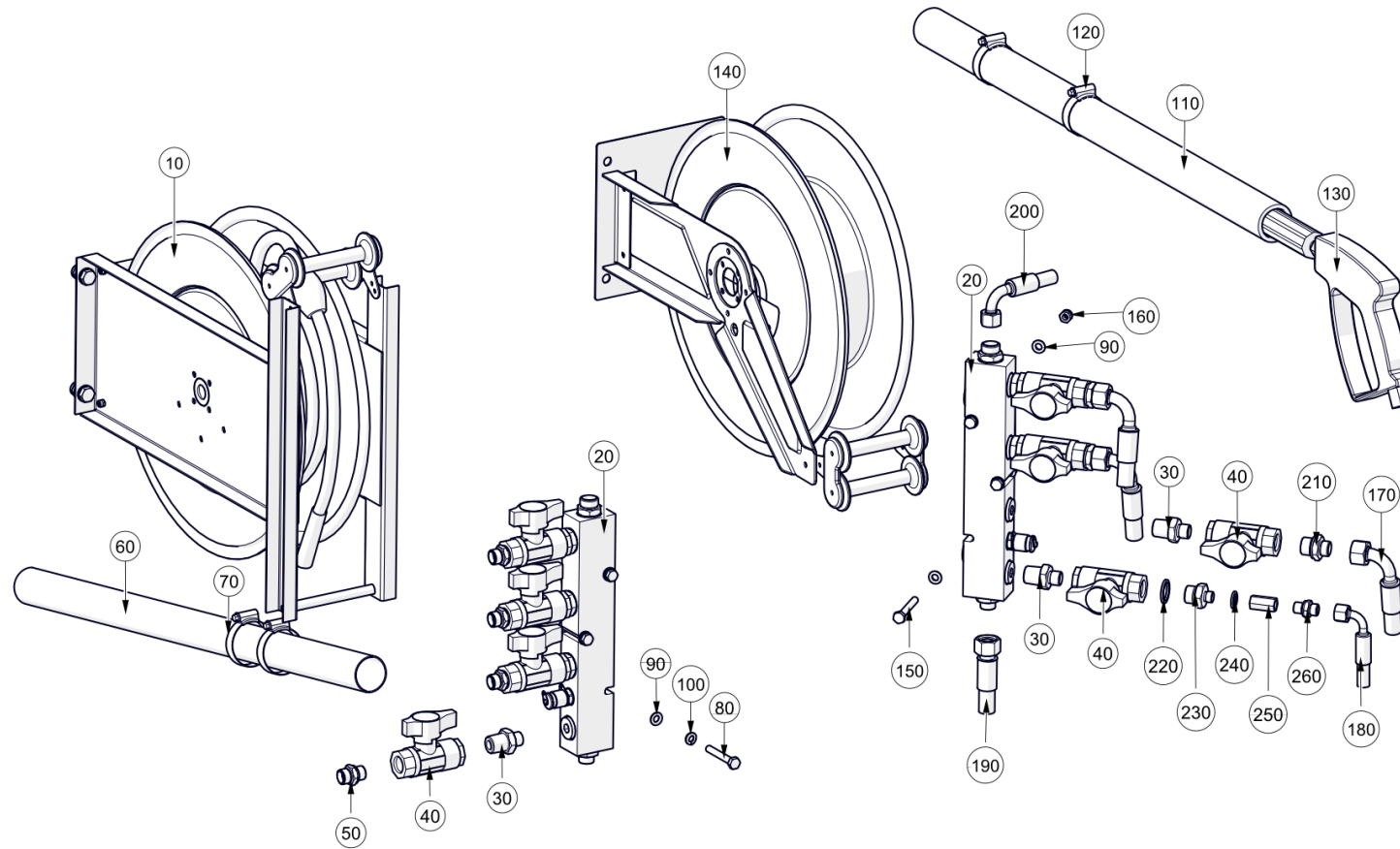
Only callouts are interactive in this image.

Item no.	Part no.	Description	QTY	Unit
10	15824-6	Kit Pump Spares	1	PC
Item image is not available.				
20	15824-2-E	Bolt	4	PC
30	15824-3-E	Valve Assy - Complete	4	PC
40	15824-4-E	Seal - O Ring	4	PC
50	15824-5	Diaphragm	2	PC
60	15824-7-E	Head - Cylinder	2	PC
70	15824-8-E	Crankcase	1	PC
80	15824-9-E	Rod - Connecting	2	PC
90	15824-10-E	Pad - Tension	2	PC
100	22599-2	Crankshaft	1	PC
110	15824-12	O Ring	2	PC
120	15824-13-E	Manifold	1	PC
130	14-18	Bearing - 35x62x14	2	PC
140	14-32	Bearing - 25x52x15	2	PC
150	15824-16-E	Cover - Dust	2	PC
160	15824-17	Bolt	2	PC
170	15824-18	Washer	2	PC
180	15824-19-E	O Ring	2	PC
190	15824-2-E	Bolt	8	PC



Item no.	Part no.	Description	QTY	Unit
10	667-49	Hose Reel 15 Metre Coil	1	PC
20	7020166	Water Manifold - Assembly	1	PC
30	266-4	Adaptor M/M 1/2 - 1/2 BSP / BSPT	4	PC
40	88-33	Ball Valve 210 Bar 1/2" F	4	PC
50	6601-1322	Stud Coupling Male G 3/8" x M18 x 1.5	4	PC
60	804906-1	Tube-Lance Hose Reel Front Mnt	1	PC
70	09531011-0	Hose Clip - Worm Drive (40-55)	2	PC
80	92097383-0	Hex Head Screw - M8Cx55 - 8.8	3	PC
90	93212011-0	Plain Washer - M8	3	PC
100	93699710-0	Spring Washer - Plated M8	3	PC
110	293411-1	Tube - Lance Stowage 550	1	PC
120	09549314-0	Hose Clip - Worm Drive (40-55)	2	PC
130	21-71	Hand Lance Assembly 700mm	1	PC
140	667-92	Hose Reel With 15m + 1m x 3/8" ID Hose	1	PC
150	92097384-0	Hex Head Screw - M8Cx60 - 8.8	3	PC
160	93085805-0	Nyloc Hex Nut M8C - 8	3	PC
170	H1SC12002-80	Hose - Hyd straight x 90swept	0	PC
180	H1SC08002-130	Hose Hydr Straight Female x 90 Swept	0	PC
190	H1SC12002-175	Hose - Hyd straight x 90swept	0	PC
200	H1SC10002-45	Hose - Hyd straight x 90swept	0	PC
210	09570131-0	Stud Coupling Male G 1/2" x M18 x 1.	3	PC
220	451-19	Washer - Bonded G1-2"	1	PC
230	265-3	Adaptor Reducing M/M 1/4 x 1/2 BSP	1	PC
240	451-17	Washer Bonded G1-4"	1	PC

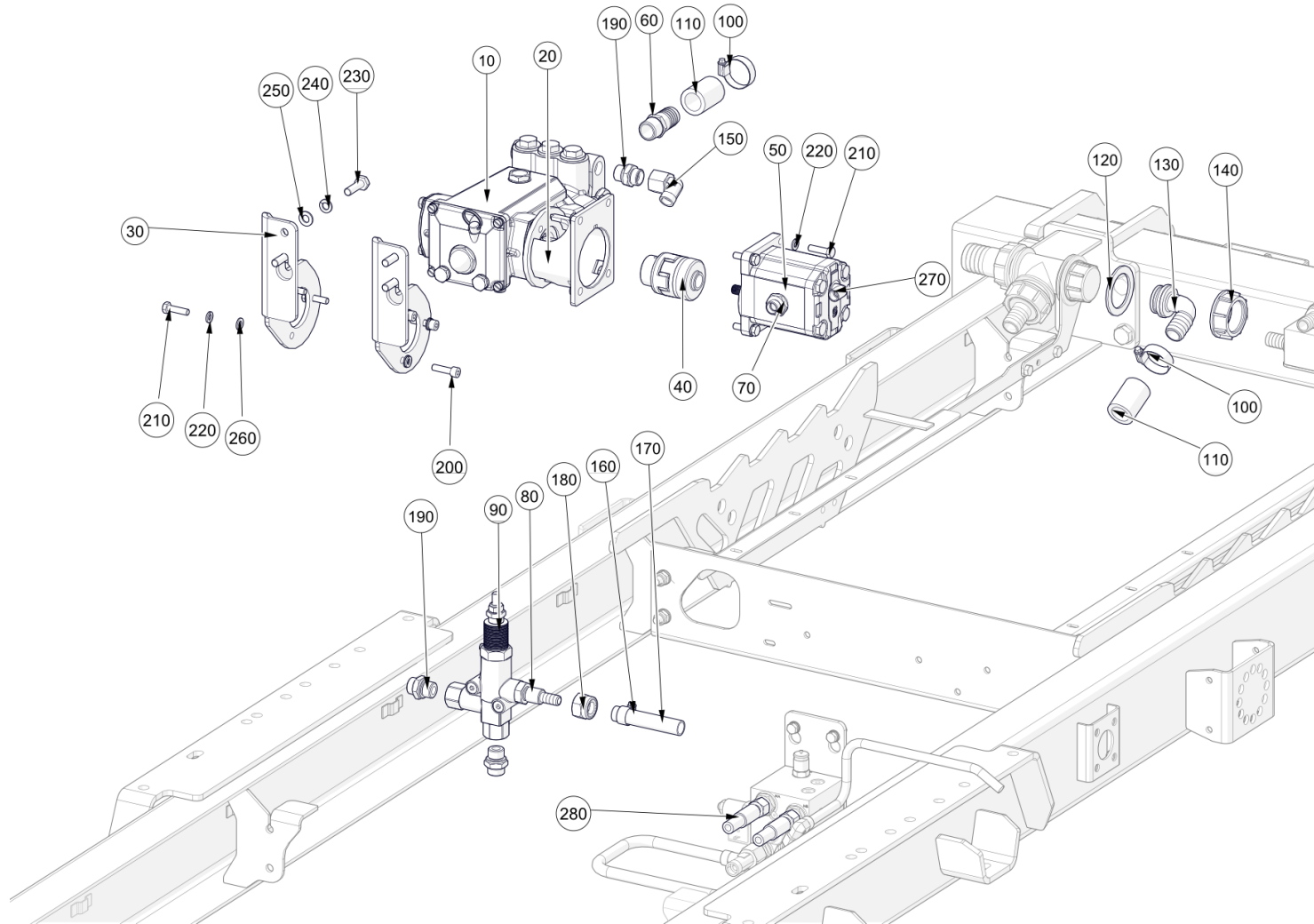
Supawash ()
Water Systems\Supawash



Supawash ()
Water Systems\Supawash

Item no.	Part no.	Description	QTY	Unit
250	241-279	Check Valve 1/4" F S/S	1	PC
260	09570126-0	Stud Coupling Male G 1/4" x M14x1.5 (8L)	1	PC

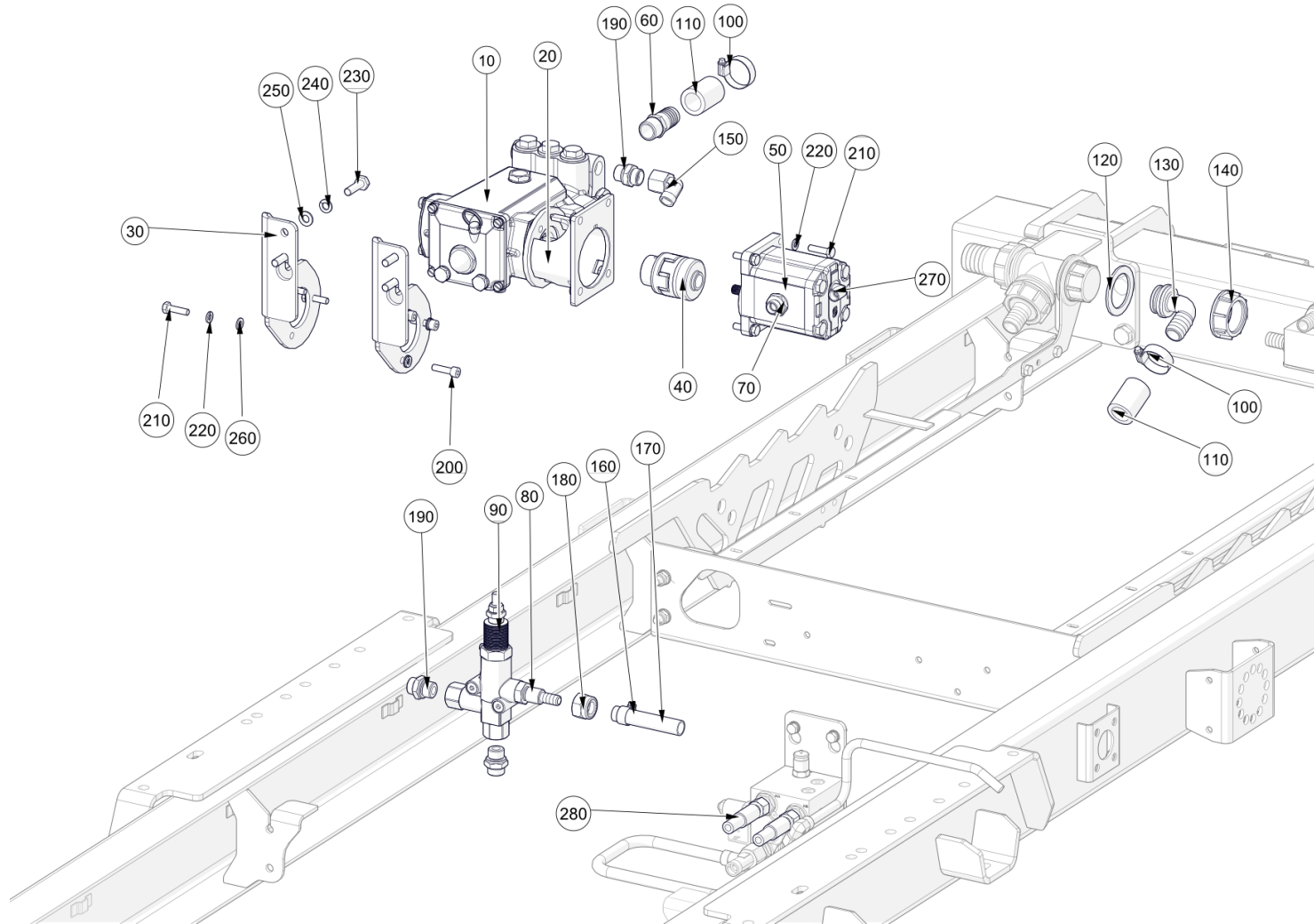
Supawash Pump ()
Water Systems\Supawash Pump



Supawash Pump ()
Water Systems\Supawash Pump

Item no.	Part no.	Description	QTY	Unit
10	7008031	Water Pump 100bar	1	PC
20	7008087	Frame - Water System	1	PC
30	7003006	Bracket High Pressure Waterpump	2	PC
40	283681-1	Drive Coupling Assembly SW Pump	1	PC
50	7008033	Motor - Hydraulic 19cc/rev	1	PC
60	231-65	Hosetail 3/4" BSPT x 1" Brass	1	PC
70	09570131-0	Stud Coupling Male G 1/2" x M18 x 1.	2	PC
80	7005320	Connector	1	PC
90	283702-1	Unloader - Supawash Pump	1	PC
100	09531009-0	Hose Clip - Worm Drive (30-40)	2	PC
110	6117	1" Bore Premoflex Hose	1,2	M
120	277-214	Gasket - 67mm O/D 47mm I/D	1	PC
130	277-244	Flynut Hosetail - 90° Barb = 25mm	1	PC
140	277-170	Flynut - 1 1/2 F	1	PC
150	6613-0505	Adjustable Male Elbow - M22 x 1.5	1	PC
160	501-2	Hose Clip - Worm Drive (14-22)	2	PC
170	6111	Hose - Water 1/2"	0,5	M
180	93085011-0	Nyloc Hex Nut M20C - 8	1	PC
190	6601-1329	Stud Coupling Male G 1/2" x M22 x 1.5	1	PC
200	92137121-0	Hex Socket Cap Screw - M8Cx30 - 12.9	3	PC
210	92067381-0	Hex Head Bolt - M8Cx30 - 8.8	7	PC
220	93699710-0	Spring Washer - Plated M8	10	PC
230	92097415-0	Hex Head Screw - M10Cx35 - 8.8	4	PC
240	93699711-0	Spring Washer - Plated M10	4	PC

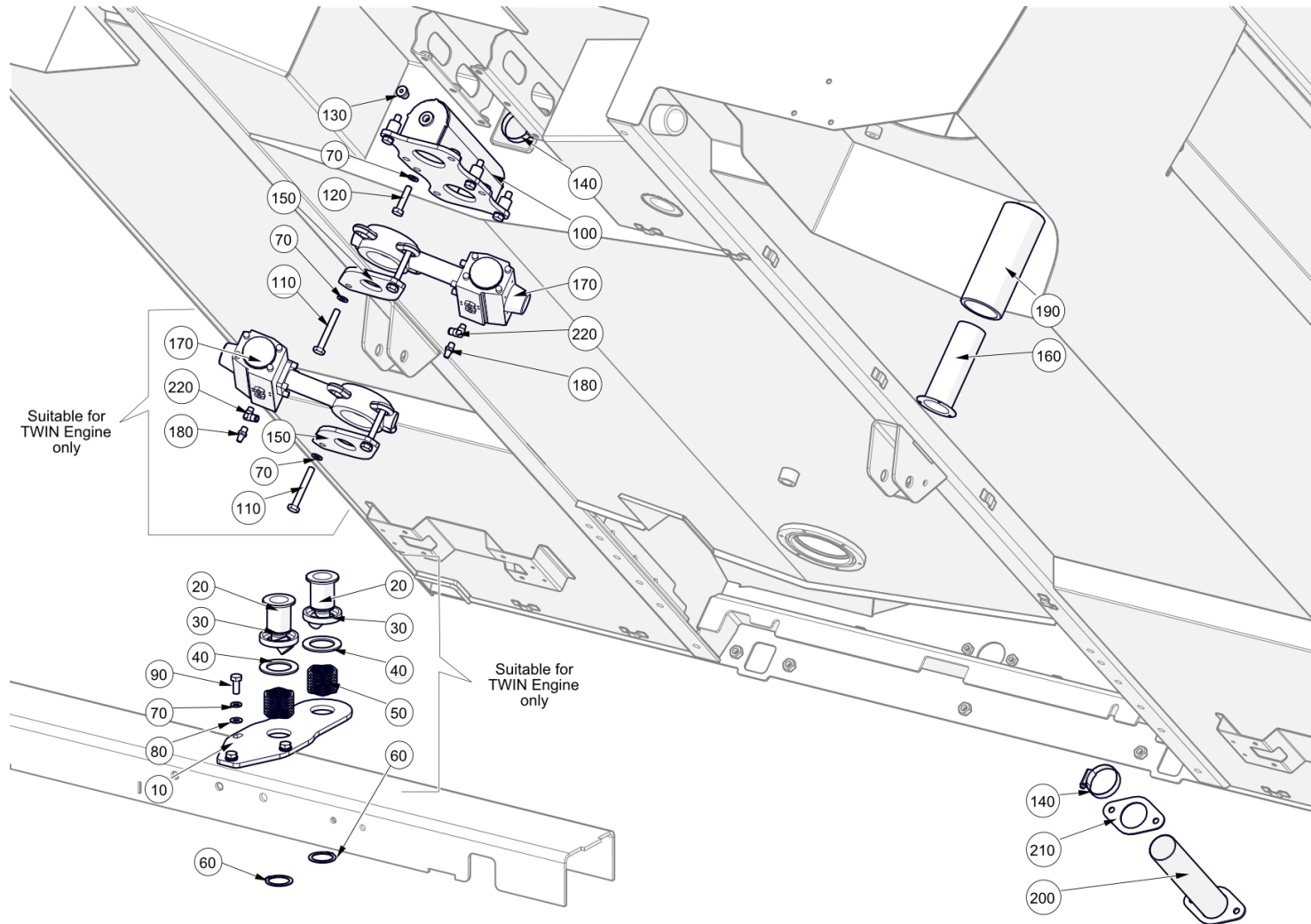
Supawash Pump ()
Water Systems\Supawash Pump



Supawash Pump ()
Water Systems\Supawash Pump

Item no.	Part no.	Description	QTY	Unit
250	93212012-0	Plain Washer - M10	4	PC
260	93212011-0	Plain Washer - M8	6	PC
270	521-8	Adaptor - Male Elbow 8 O/D 1/4 BSP	1	PC
280	H1SC10002-260	Hydraulic Hose Straight x 90 Swept	1	PC

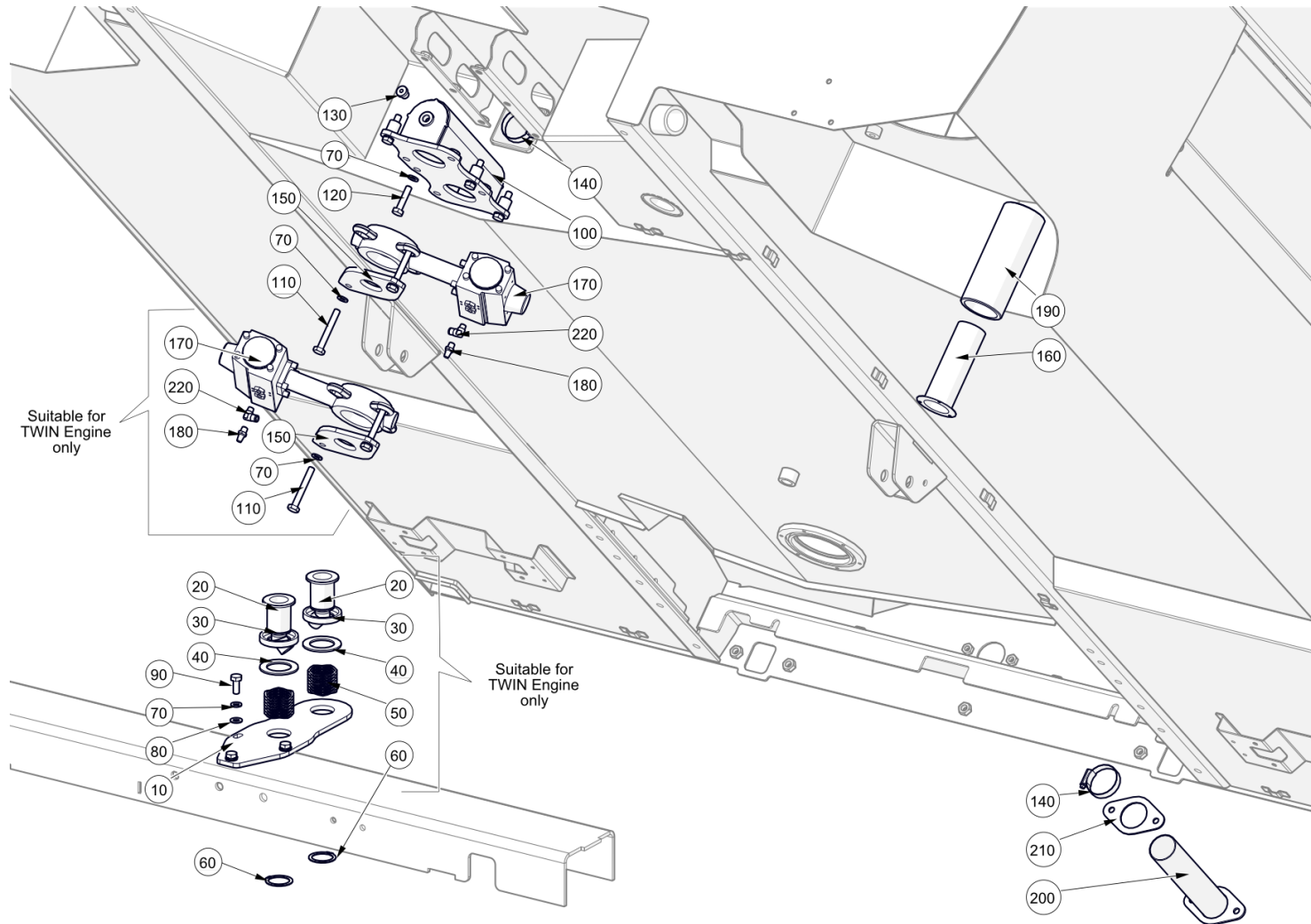
Water Recirculation System ()
Water Systems\Water Recirculation System



Water Recirculation System ()
Water Systems\Water Recirculation System

Item no.	Part no.	Description	QTY	Unit
10	200429-1	Mounting Plate Valve Stems	1	PC
20	7011134	Valve Stem - Welded Assembly	1	PC
Order 2pc. for TWIN Engine option.				
30	282765-1	Re-Circ Seal (Moulded)	1	PC
Order 2pc. for TWIN Engine option.				
40	282752-1	Seal Supt Water Re-Circ System	1	PC
Order 2pc. for TWIN Engine option.				
50	200174-1	Wave Spring	1	PC
Order 2pc. for TWIN Engine option.				
60	09500040-0	Circlips - External DIN471 40x1.85	1	PC
Order 2pc. for TWIN Engine option.				
70	93699711-0	Spring Washer - Plated M10	11	PC
80	93212012-0	Plain Washer - M10	3	PC
90	92097412-0	Hex Head Screw - M10Cx25 - 8.8	3	PC
100	7020152	Valve Box, Water Recirc, Welded Assembly	1	PC
110	92097423-0	Hex Head Screw - M10Cx75 - 8.8	4	PC
120	92067421-0	Hex Head Bolt - M10Cx45 - 8.8	4	PC
130	09572133-0	Sealing Plug VS-R 1/4 WD	1	PC
140	09531043-0	Hose Clip - Worm Drive (50-70)	2	PC
150	200431-1	Clamp Plate - Recirc Valve	2	PC
160	39402	Filter	1	PC
170	200402-1	50mm Diameter Butterfly Valve	1	PC
Order 2pc. for TWIN Engine option.				

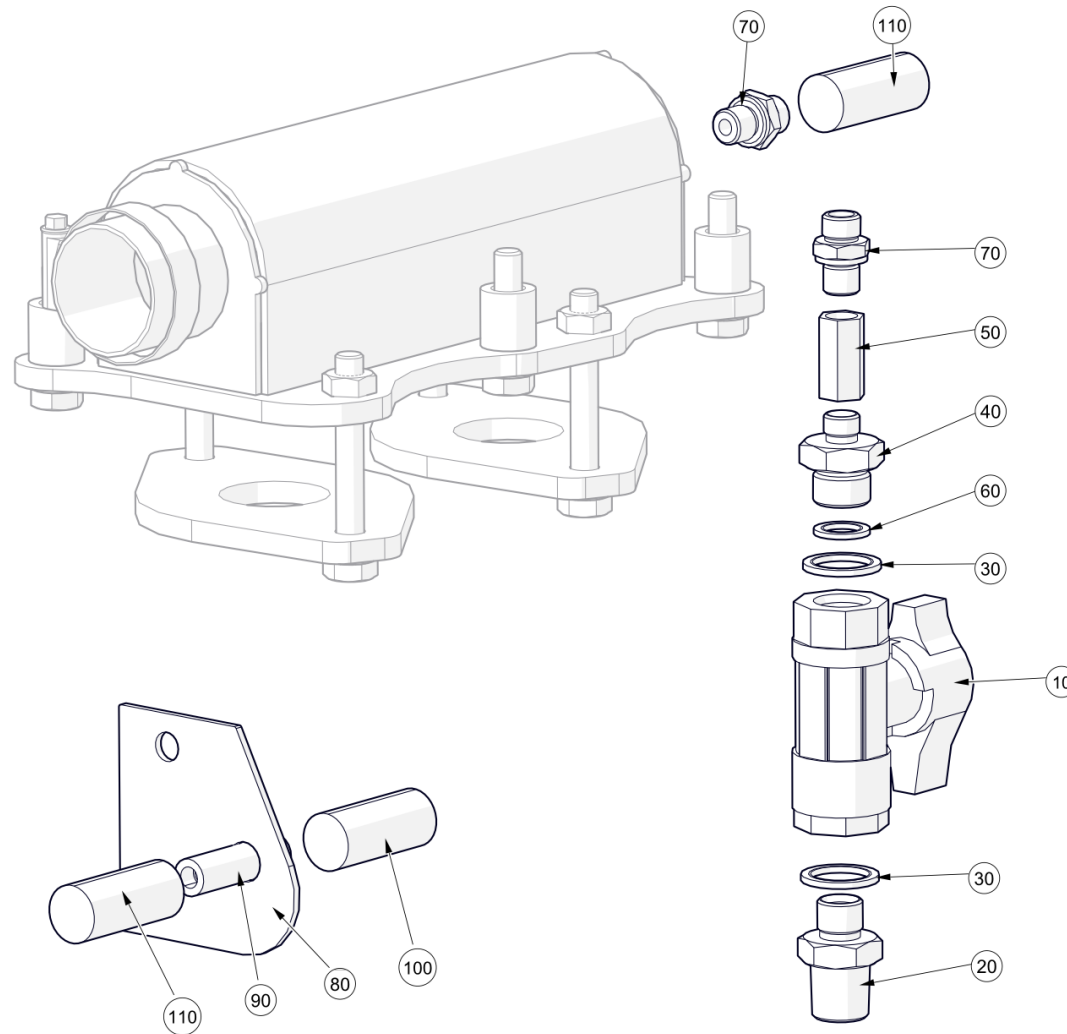
Water Recirculation System ()
Water Systems\Water Recirculation System



Water Recirculation System ()
Water Systems\Water Recirculation System

Item no.	Part no.	Description	QTY	Unit
180	72-17	Exhaust Silencer	1	PC
Order 2pc. for TWIN Engine option.				
190	7017527	Hydrant Filler - 187 x 50	1	PC
200	7020175	Tube, Welded Assembly	1	PC
210	282574-1	Flange Blank Gasket	1	PC
220	09593162-0	Adaptor - Push In 6mm Fixed Elbow R1/8"	1	PC
Order 2pc. for TWIN Engine option.				
5000	272-20	Clear Ducting 25mm Bore x 20m	2	M
Suitable for Nozzle Recirculation System. Order 4m for TWIN Engine option.				
5010	501-25	Hose Clip - Worm Drive (25-35)	4	PC
Suitable for Nozzle Recirculation System. Order 5pc. for TWIN Engine option.				
5020	200493-1	Elbow Welded Assembly	1	PC
Suitable for Nozzle Recirculation System. Order 2pc. for TWIN Engine option.				
5030	NQA281755-1	Negative - Plug G3/4"	1	PC
Suitable for Nozzle Recirculation System. Order 2pc. for TWIN Engine option.				
5040	410-57	Locknut - 3/4 BSP	2	PC
Suitable for Nozzle Recirculation System. Order 4pc. for TWIN Engine option.				
5050	667-31	Coupling - Stortz 2.5" BSP	1	PC
5060	18684-1-C	Hydrant Coupling - UK	1	PC

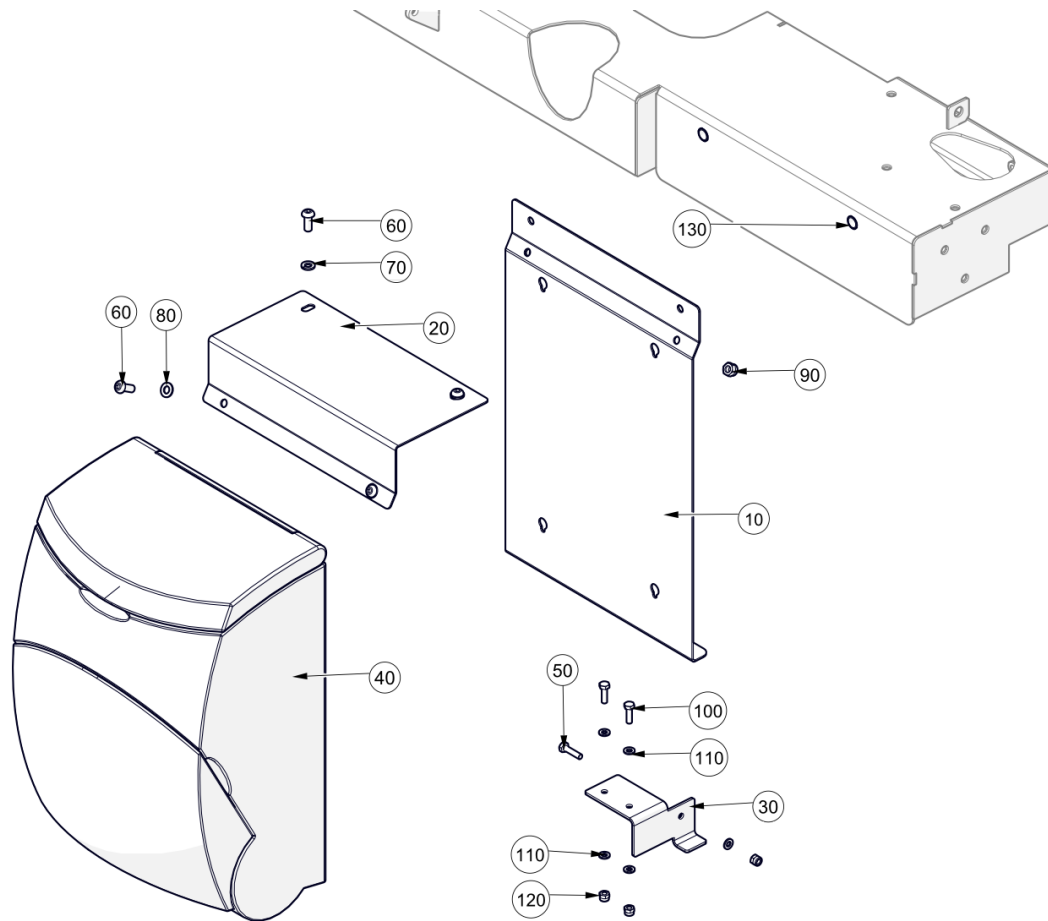
Backflush System ()
Water Systems\Backflush System



Backflush System ()
Water Systems\Backflush System

Item no.	Part no.	Description	QTY	Unit
10	88-33	Ball Valve 210 Bar 1/2" F	1	PC
20	266-4	Adaptor M/M 1/2 - 1/2 BSP / BSPT	1	PC
30	451-19	Washer - Bonded G1-2"	2	PC
40	265-3	Adaptor Reducing M/M 1/4 x 1/2 BSP	1	PC
50	241-279	Check Valve 1/4" F S/S	1	PC
60	451-17	Washer Bonded G1-4"	1	PC
70	09570126-0	Stud Coupling Male G 1/4" x M14x1.5 (8L)	2	PC
80	7028219	Bulkhead Plate	1	PC
90	09570456-0	Straight Bulkhead Connector M14 x 1.5	1	PC
100	H2SC06002-400	Hose-Hyd Straight femalex90 Swept	1	PC
110	H2SC06002-345	Hose-Hyd Straight femalex90 Swept	1	PC

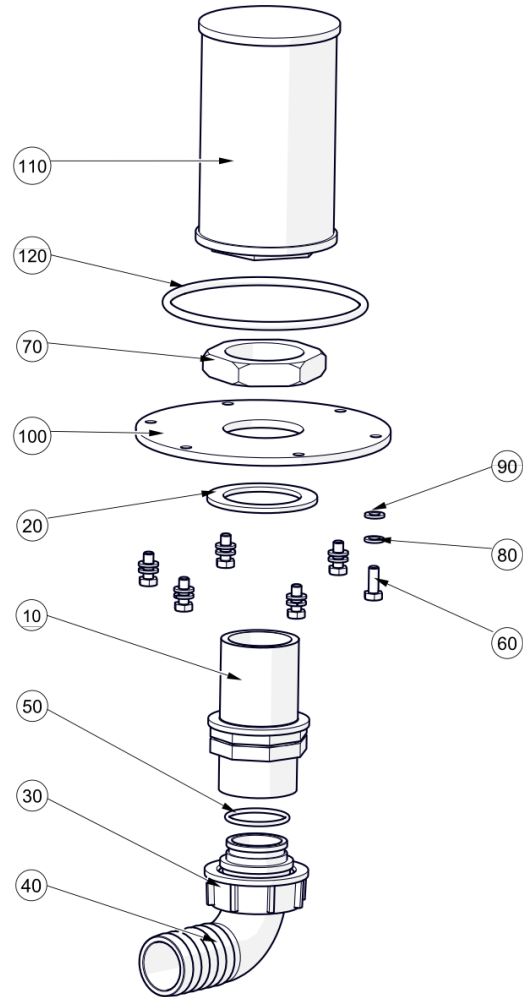
Handwash Installation ()
Water Systems\Handwash Installation



Handwash Installation ()
Water Systems\Handwash Installation

Item no.	Part no.	Description	QTY	Unit
10	7045100	Mounting bracket - Handwash	1	PC
20	7045111	Top bracket - Handwash	1	PC
Not required when an AdBlue Powapack is installed.				
30	7045098	Bottom bracket - Handwash	1	PC
40	222-93	Handwash 24v	1	PC
50	92097303-0	Hex Head Screw - M6Cx25 - 8.8	1	PC
60	92330045-0	Hex Skt Button Head Screw M8x20 - 10.9	4	PC
70	93699710-0	Spring Washer - Plated M8	2	PC
80	93212011-0	Plain Washer - M8	2	PC
90	93085805-0	Nyloc Hex Nut M8C - 8	2	PC
100	92097301-0	Hex Head Screw - M6Cx20 - 8.8	2	PC
110	93212009-0	Plain Washer - M6	5	PC
120	93085004-0	Nyloc Hex Nut M6C - 8	3	PC
130	433-121	Insert, Small Hd, M8, 0.7-3.8, Open, MS	2	PC
Required when an AdBlue Powapack is installed.				

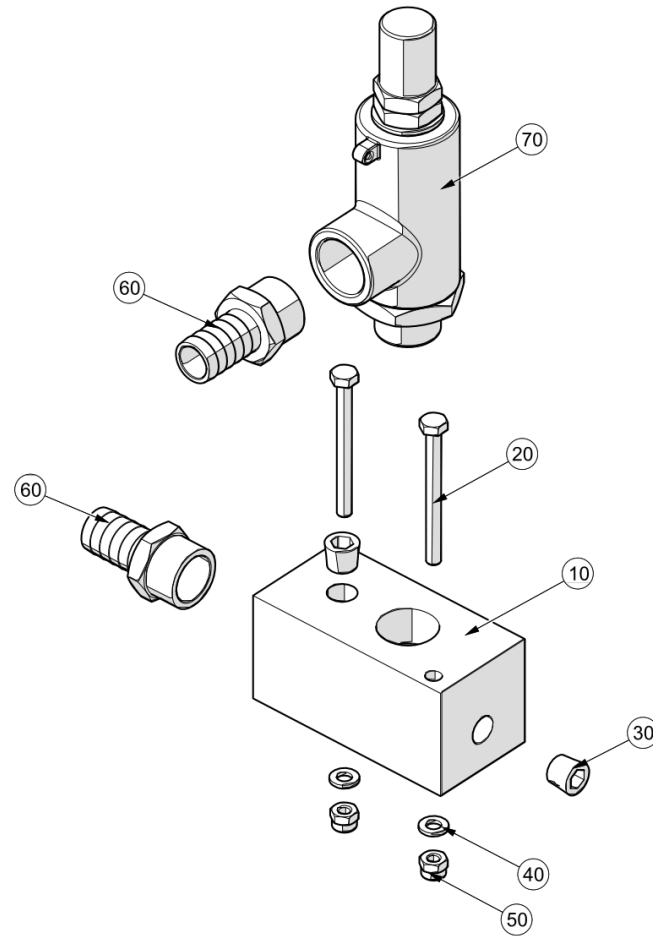
Water Strainer Assembly ()
Water Systems\Water Strainer Assembly



Water Strainer Assembly ()
Water Systems\Water Strainer Assembly

Item no.	Part no.	Description	QTY	Unit
10	277-212	Nipple - G 1 1/2 50 x 24mm	1	PC
20	277-214	Gasket - 67mm O/D 47mm I/D	1	PC
30	277-170	Flynut - 1 1/2 F	1	PC
40	277-213	Flynut Hosetail - 90° Barb = 38mm	1	PC
50	277-171	O-Ring	1	PC
60	92099299-0	Hex Head Screw - M6Cx16 - A2	6	PC
70	277-198	Backnut 1 1/2 F	1	PC
80	93700208-0	Spring Washer M6 - A2	6	PC
90	93213009-0	Plain Washer M6 A2	6	PC
100	7055038	Suction flange	1	PC
110	6974-1-C	Filter - Water Tank	1	PC
120	80-143	O-Ring	1	PC

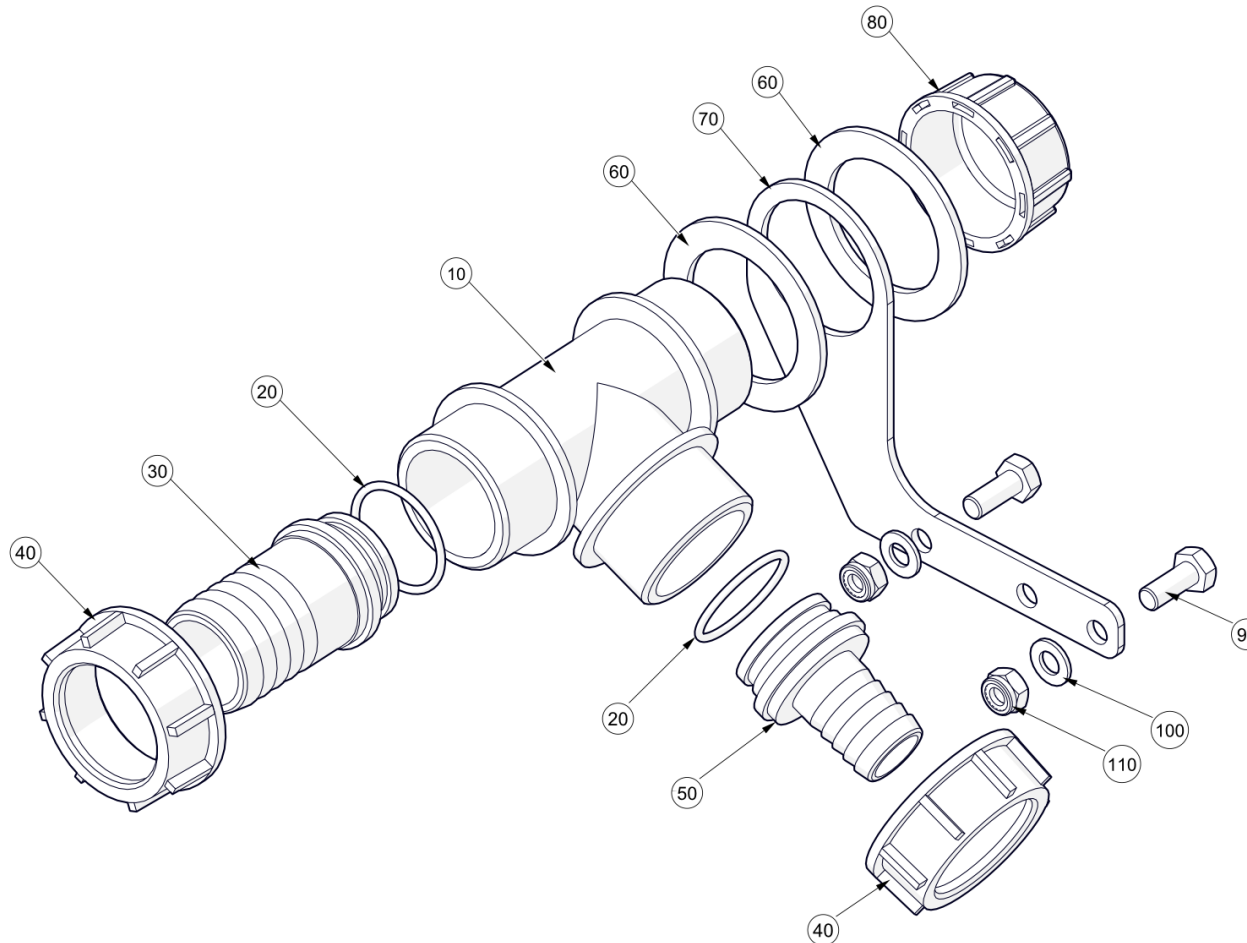
Water Relief Valve Installation ()
Water Systems\Water Relief Valve Installation



Water Relief Valve Installation ()
Water Systems\Water Relief Valve Installation

Item no.	Part no.	Description	QTY	Unit
10	7004096	Manifold -Water System	1	PC
20	6105-0771	Hex Head Bolt - M6Cx65 - 8.8	2	PC
30	9756	Plug - Tapered 1/4 BSP	2	PC
40	93212009-0	Plain Washer - M6	2	PC
50	93085004-0	Nyloc Hex Nut M6C - 8	2	PC
60	231-92	Adaptor - 3/4 BSPT Male x 3/4 I/D" Hose	2	PC
70	284150-1	Safety Relief Valve 3/4"	1	PC

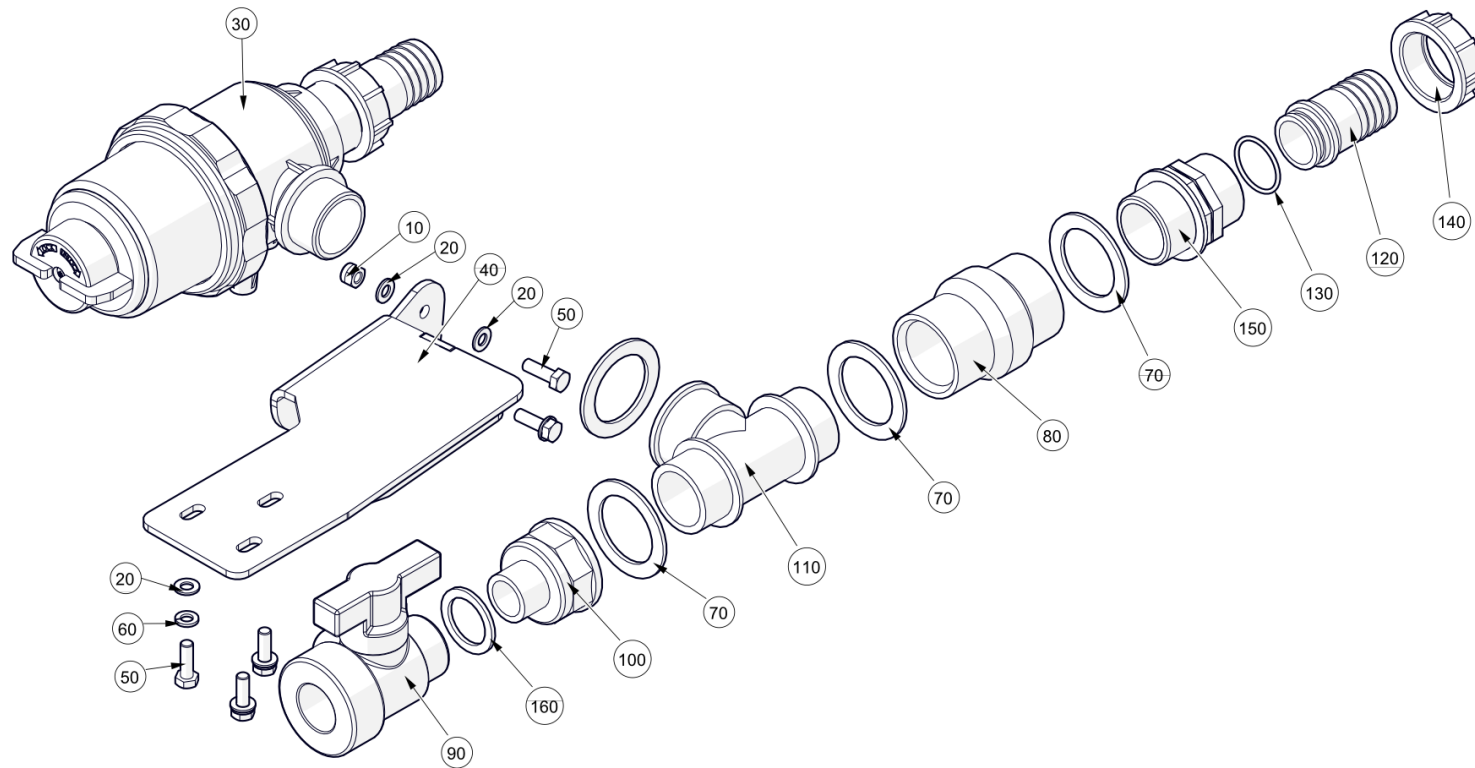
Tee Water Supply Installation ()
Water Systems\Tee Water Supply Installation



Tee Water Supply Installation ()
Water Systems\Tee Water Supply Installation

Item no.	Part no.	Description	QTY	Unit
10	277-215	Tee - 1 1/2" BSP	1	PC
20	277-171	O-Ring	2	PC
30	277-183	Flynut Hose Tail 38mm Barb	1	PC
40	277-170	Flynut - 1 1/2 F	2	PC
50	277-169	Flynut Hose Tail 25mm Barb	1	PC
60	277-214	Gasket - 67mm O/D 47mm I/D	2	PC
70	7010766	Support - Water Pipe	1	PC
80	277-203	Blanking Cap - 1 1/2"	1	PC
90	92097374-0	Hex Head Screw - M8Cx20 - 8.8	2	PC
100	93212011-0	Plain Washer - M8	2	PC
110	93085005-0	Nyloc Hex Nut M8C - 8	2	PC

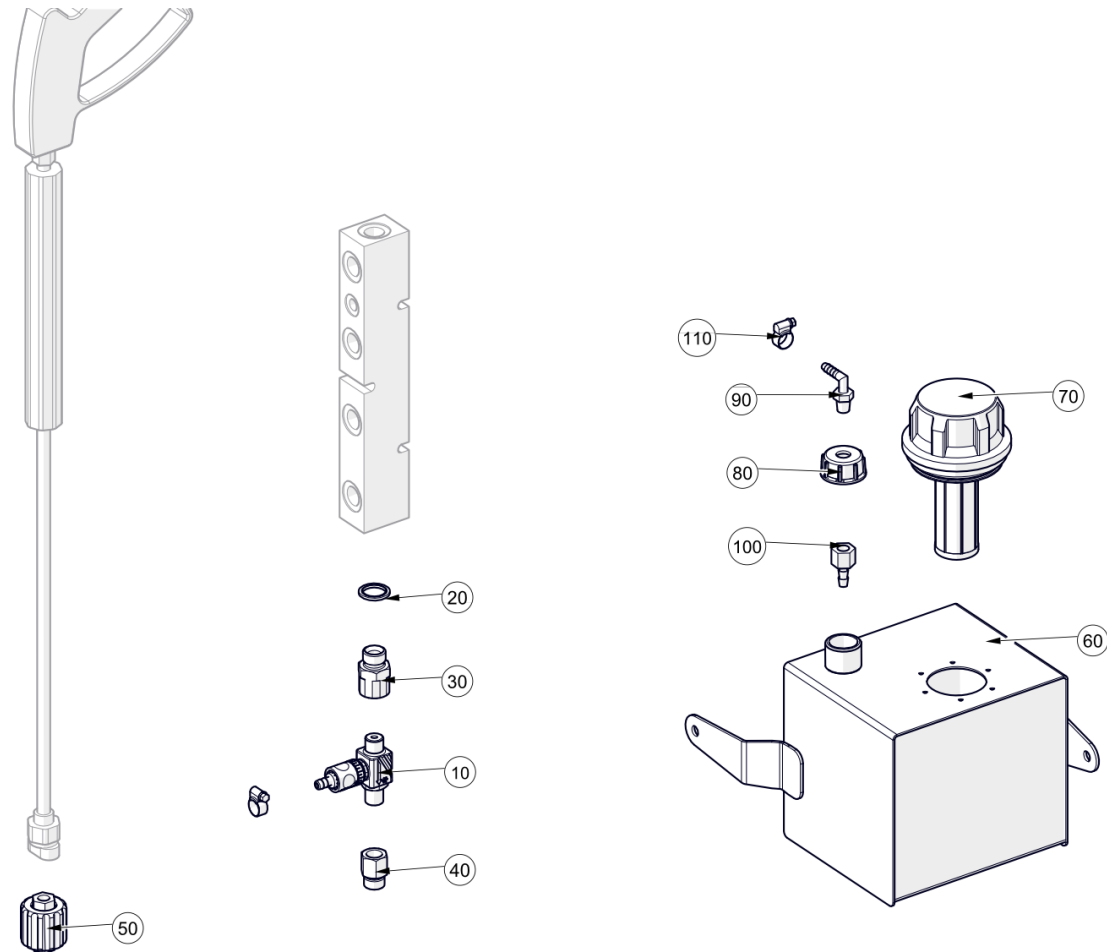
Water Filter Installation ()
Water Systems\Water Filter Installation



Water Filter Installation ()
Water Systems\Water Filter Installation

Item no.	Part no.	Description	QTY	Unit
10	93085805-0	Nyloc Hex Nut M8C - 8	2	PC
20	93212011-0	Plain Washer - M8	7	PC
30	281750-20	Body - Water Filter	1	PC
40	7053210	Water filter mount welded assembly	1	PC
50	92097376-0	Hex Head Screw - M8Cx25 - 8.8	5	PC
60	93699710-0	Spring Washer - Plated M8	3	PC
70	277-214	Gasket - 67mm O/D 47mm I/D	4	PC
80	277-278	Check Valve Polyprop 1 1/2"	1	PC
90	88-43	Ball Valve 1" Female	1	PC
100	277-192	Bush - Reducing 1 1/2" F 1" M	1	PC
110	277-306	Tee - G 1 1/2 F x G 1 1/2 M x G 1 1/2 M	1	PC
120	277-183	Flynut Hose Tail 38mm Barb	1	PC
130	277-171	O-Ring	1	PC
140	277-170	Flynut - 1 1/2 F	1	PC
150	277-313	Nipple - G 1 1/2 24 x 24mm	1	PC
160	277-262	Gasket - 45mm O/D 33mm I/D	1	PC

Detergent Injection System ()
Water Systems\Detergent Injection System



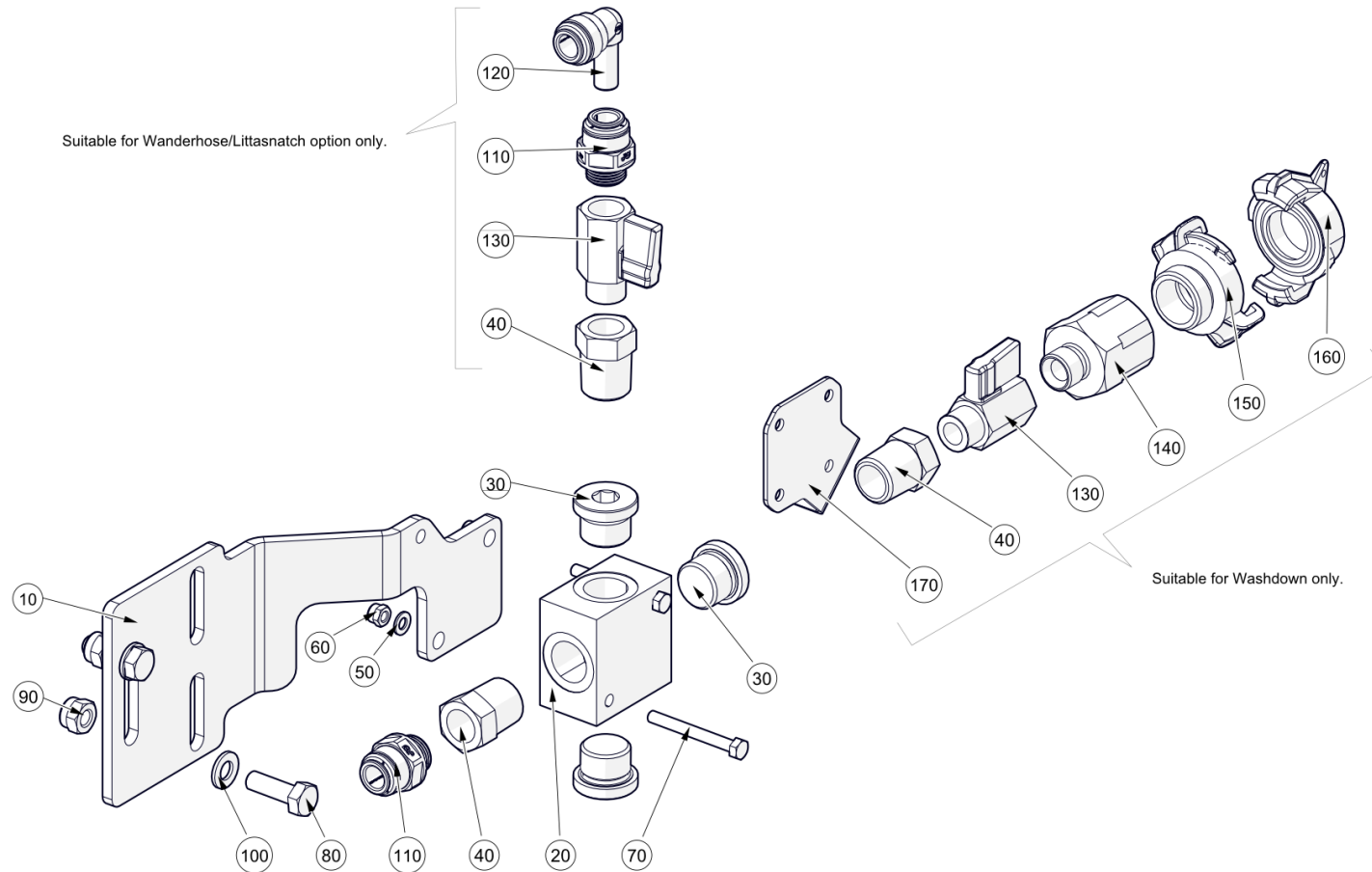
Detergent Injection System ()
Water Systems\Detergent Injection System

Item no.	Part no.	Description	QTY	Unit
10	21-350	Chemical Injector	1	PC
20	451-19	Washer - Bonded G1-2"	1	PC
30	492-13	Adaptor Reducing 1/2 BSP M x 3/8 BSP F	1	PC
40	09544297-0	Reducing Connector - G 3/8 - M18x1.5	1	PC
50	21-352	Adjustable Press Hd For Lance	1	PC
60	7022179	Detergent Tank W/Assy	1	PC
61	21-351	Chemical Filter	1	PC
70	69-30	Filler / Breather 10 Micron	1	PC
80	7022227	Blanking Cap 1" BSP - Drilled	1	PC
90	277-232	Elbow - Nylon. 90 ° G 1/4 x 1/4" Barb	1	PC
100	277-233	Hose Barb Female G 1/4 x 1/4"	1	PC
110	501-1	Hose Clip - Worm Drive (11-16)	2	PC
5000	272-35	Hose-Clear PVC, ID=8mm OD=11mm	2	PC

Ancillary Water Feed/Washdown ()

Water Systems\Ancillary Water Feed/Washdown

For Washdown or Wanderhose/Littasnatch options installation, 1pc of item 30 must be removed following the orientation shown in the picture.



Ancillary Water Feed/Washdown ()

Water Systems\Ancillary Water Feed/Washdown

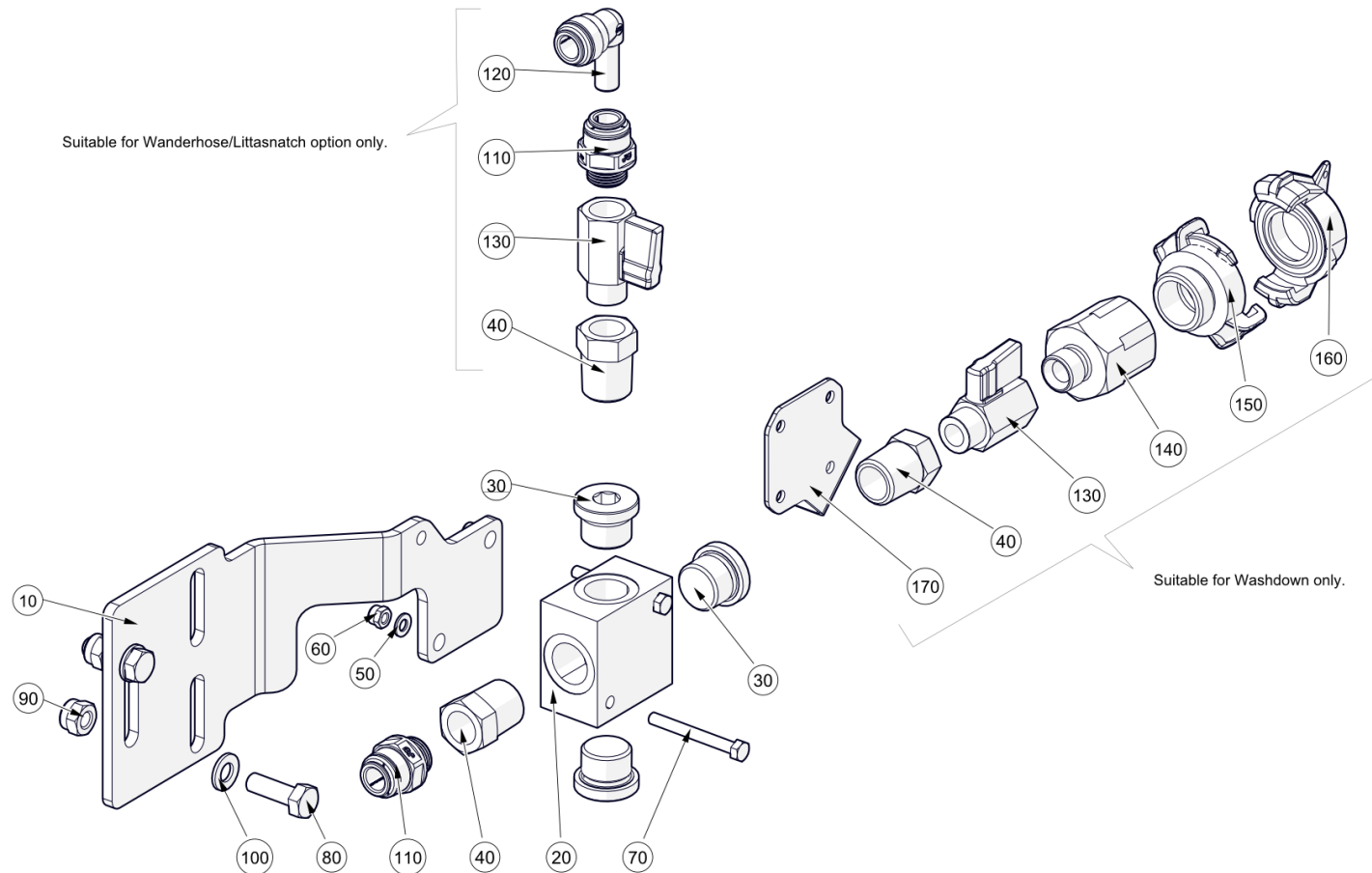
For Washdown or Wanderhose/Littasnatch options installation, 1pc of item 30 must be removed following the orientation shown in the picture.

Item no.	Part no.	Description	QTY	Unit
10	7022220	Washdown Bracket	1	PC
20	09517457-0	Cross Union, 1/2" ALU CFG: 00	1	PC
30	09572135-0	Sealing Plug VS-R 1/2 WD	3	PC
40	492-14	Adaptor - R 1/2 - R 3/8 M/F Fixed	1	PC
50	93210109-0	Plain Washer M5	2	PC
60	93085003-0	Nyloc Hex Nut M5C - 8	2	PC
70	92067273-0	Hex Head Bolt - M5Cx45 - 8.8	2	PC
80	92097376-0	Hex Head Screw - M8Cx25 - 8.8	2	PC
90	93085805-0	Nyloc Hex Nut M8C - 8	2	PC
100	93212011-0	Plain Washer - M8	2	PC
110	297-20	Adaptor Straight - 3/8 BSP	1	PC
120	297-44	Elbow Stem - Tube O/D 10	1	PC
Suitable for Wanderhose/Littasnatch option only.				
130	88-28	Ball Valve 3/8"MF Short Handle	1	PC
140	492-10	Adaptor Reducing 3/8 BSP M x 3/4 BSP F	1	PC
150	7503-0113	Rapid Coupling	1	PC
160	7503-0122	Dummy Coupling	1	PC
Connect to item 170 with chain (item 5020) to prevent loss.				
170	7024065	Stowage bracket	1	PC
5000	297-1	Tubing - Polyurethane 10 Dia x 1.5 Wall	2	M
5010	297-19	Adaptor Straight - 1/4 BSP	1	PC
5020	6733-0215	Chain	0	PC
Suitable for Washdown only.				

Ancillary Water Feed/Washdown ()

Water Systems\Ancillary Water Feed/Washdown

For Washdown or Wanderhose/Littasnatch options installation, 1pc of item 30 must be removed following the orientation shown in the picture.

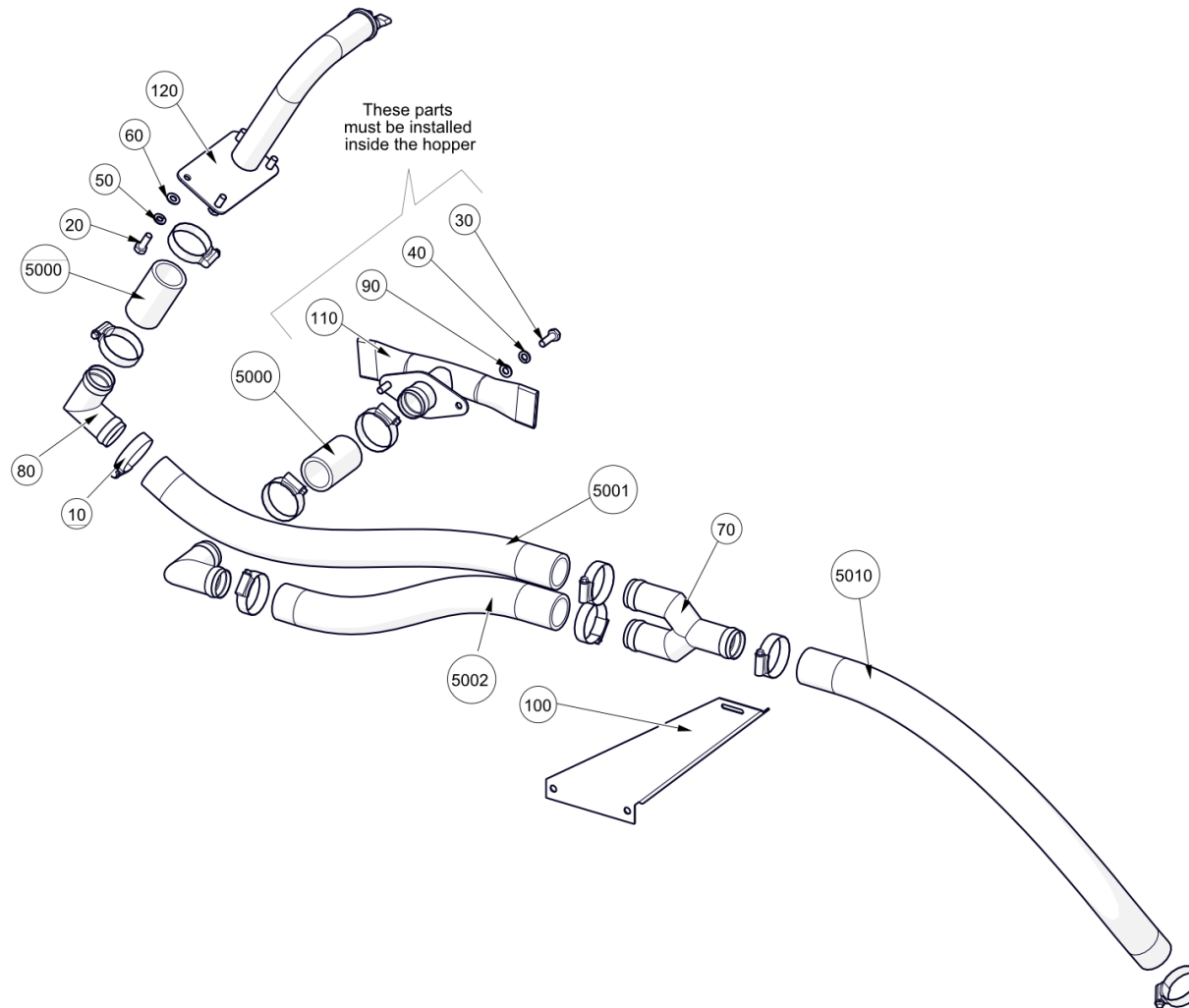


Ancillary Water Feed/Washdown ()

Water Systems\Ancillary Water Feed/Washdown

For Washdown or Wanderhose/Littasnatch options installation, 1pc of item 30 must be removed following the orientation shown in the picture.

Item no.	Part no.	Description	QTY	Unit
5030	277-321	Hosetail Connector - Ø 12-14mm	0	PC
Suitable for Washdown only.				
5040	6111	Hose - Water 1/2"	0	M
Suitable for Washdown only.				
5050	501-2	Hose Clip - Worm Drive (14-22)	0	PC
Suitable for Washdown only.				
5060	6137	Nozzle - Spray, 1/2" Bore	0	PC
Suitable for Washdown only.				
5070	3786	Strap + Buckle Leather	0	PC
Suitable for Washdown only.				

EasiClean - LH Fitment ()
Water Systems\EasiClean - LH Fitment

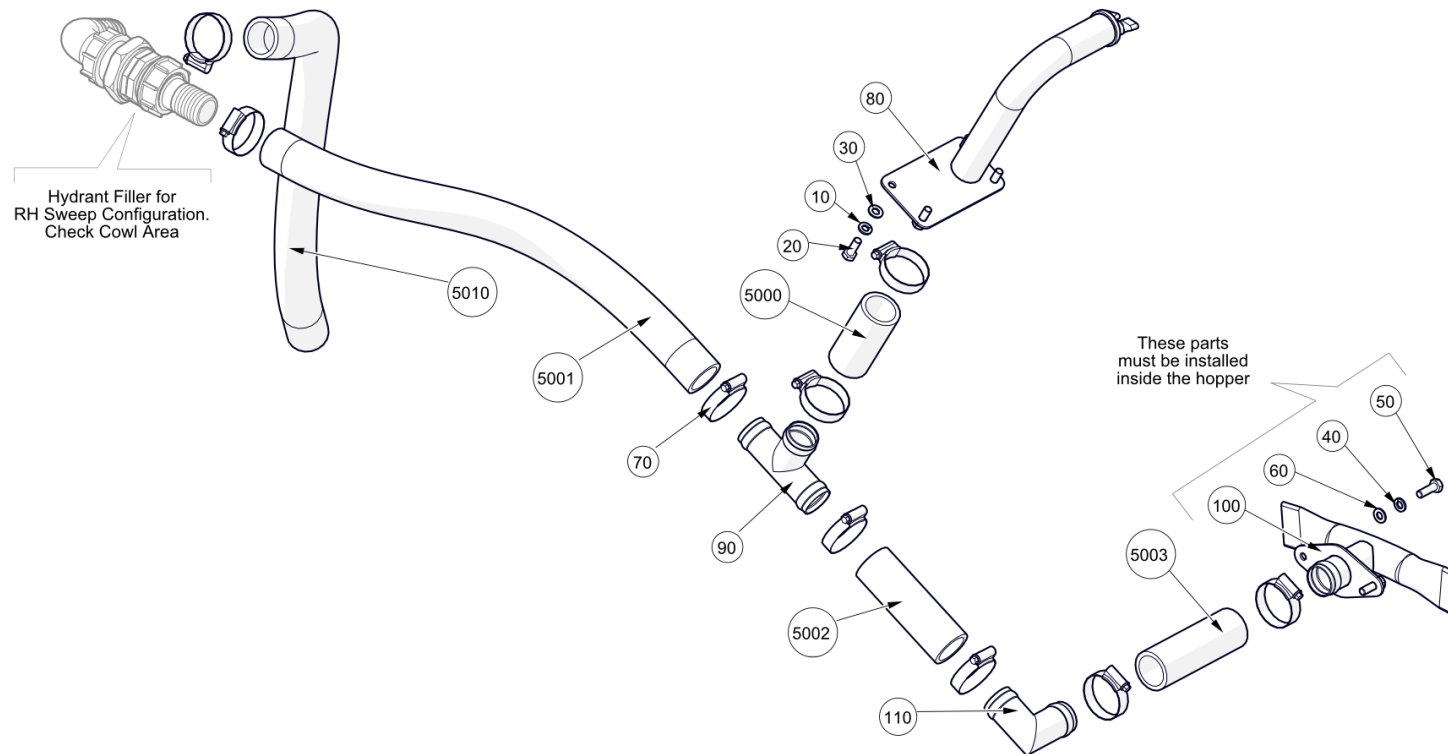
EasiClean - LH Fitment ()
Water Systems\EasiClean - LH Fitment

Item no.	Part no.	Description	QTY	Unit
10	501-11	Hose Clip - Worm Drive (35-50)	10	PC
20	92097375-0	Hex Head Screw - M8Cx22 - 8.8	4	PC
30	92099376-0	Hex Head Screw - M8Cx25 - A2	2	PC
40	93700210-0	Spring Washer M8 - A2	2	PC
50	93699710-0	Spring Washer - Plated M8	4	PC
60	93212011-0	Plain Washer - M8	4	PC
70	7062257	Splitter	1	PC
80	7062193	Elbow	2	PC
90	93213010-0	Plain Washer M8 A2	2	PC
100	7062277	Y Piece Support	1	PC
110	7058035	Spraybar Welded Assembly	1	PC
120	7058040	Roof Duct Spray Welded Assembly	1	PC
5000	272-17	Hose 35i/d Trichoflex (Water)	0,08	M
5001	272-17	Hose 35i/d Trichoflex (Water)	0,6	M
5002	272-17	Hose 35i/d Trichoflex (Water)	0,5	M
5010	272-21	Layflat Hose 1 1/2"	0,7	M

EasiClean - RH Fitment ()

Water Systems\EasiClean - RH Fitment

Hoses lengths are different in some cases for V502, V652 and V802. Check comments added on items 5000, 5001 and 5002.



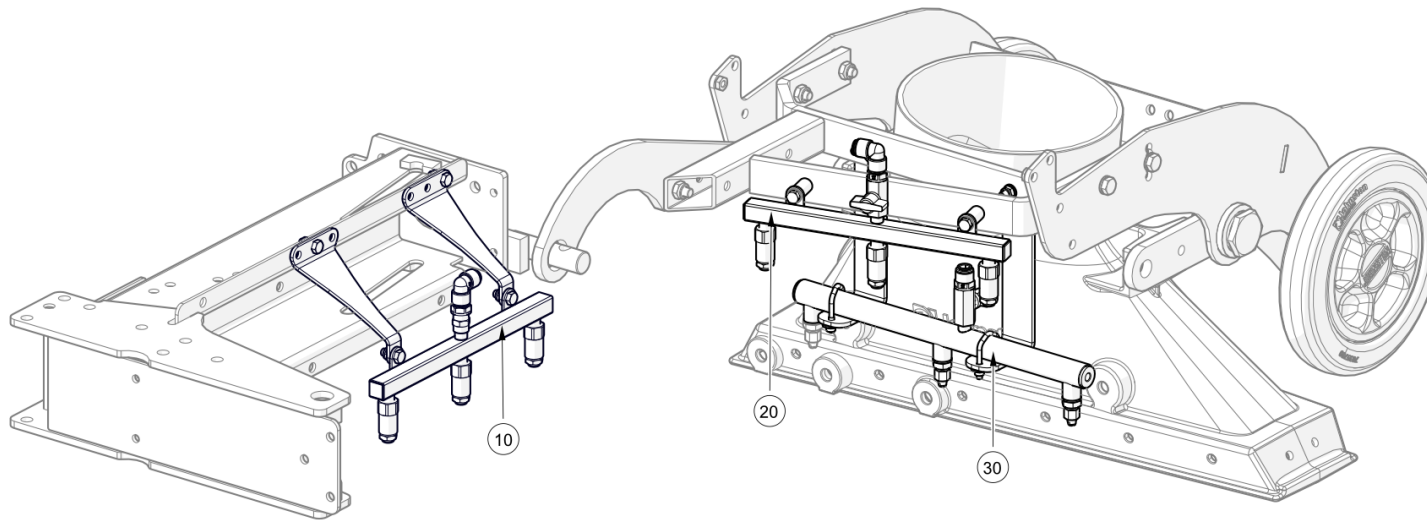
EasiClean - RH Fitment ()

Water Systems\EasiClean - RH Fitment

Hoses lengths are different in some cases for V502, V652 and V802. Check comments added on items 5000, 5001 and 5002.

Item no.	Part no.	Description	QTY	Unit
10	93699710-0	Spring Washer - Plated M8	4	PC
20	92097375-0	Hex Head Screw - M8Cx22 - 8.8	4	PC
30	93212011-0	Plain Washer - M8	4	PC
40	93700210-0	Spring Washer M8 - A2	2	PC
50	92099376-0	Hex Head Screw - M8Cx25 - A2	2	PC
60	93213010-0	Plain Washer M8 A2	2	PC
70	501-11	Hose Clip - Worm Drive (35-50)	9	PC
80	7058040	Roof Duct Spray Welded Assembly	1	PC
90	7059238	Tee	1	PC
100	7058035	Spraybar Welded Assembly	1	PC
110	7062193	Elbow	1	PC
5000	272-17	Hose 35i/d Trichoflex (Water)	0,08	M
Use 0,08m for V502 and V652. Use 0,11m for V802.				
5001	272-17	Hose 35i/d Trichoflex (Water)	0,52	M
Use 0,52m for V502 and V652. Use 0,54m for V802.				
5002	272-17	Hose 35i/d Trichoflex (Water)	0,15	M
Use 0,15m for V502 and V652. Use 0,30m for V802.				
5003	272-17	Hose 35i/d Trichoflex (Water)	0,11	M
5010	272-21	Layflat Hose 1 1/2"	1	M

PM10 Dust Suppression ()
Water Systems\Microtrap Dust Suppression System

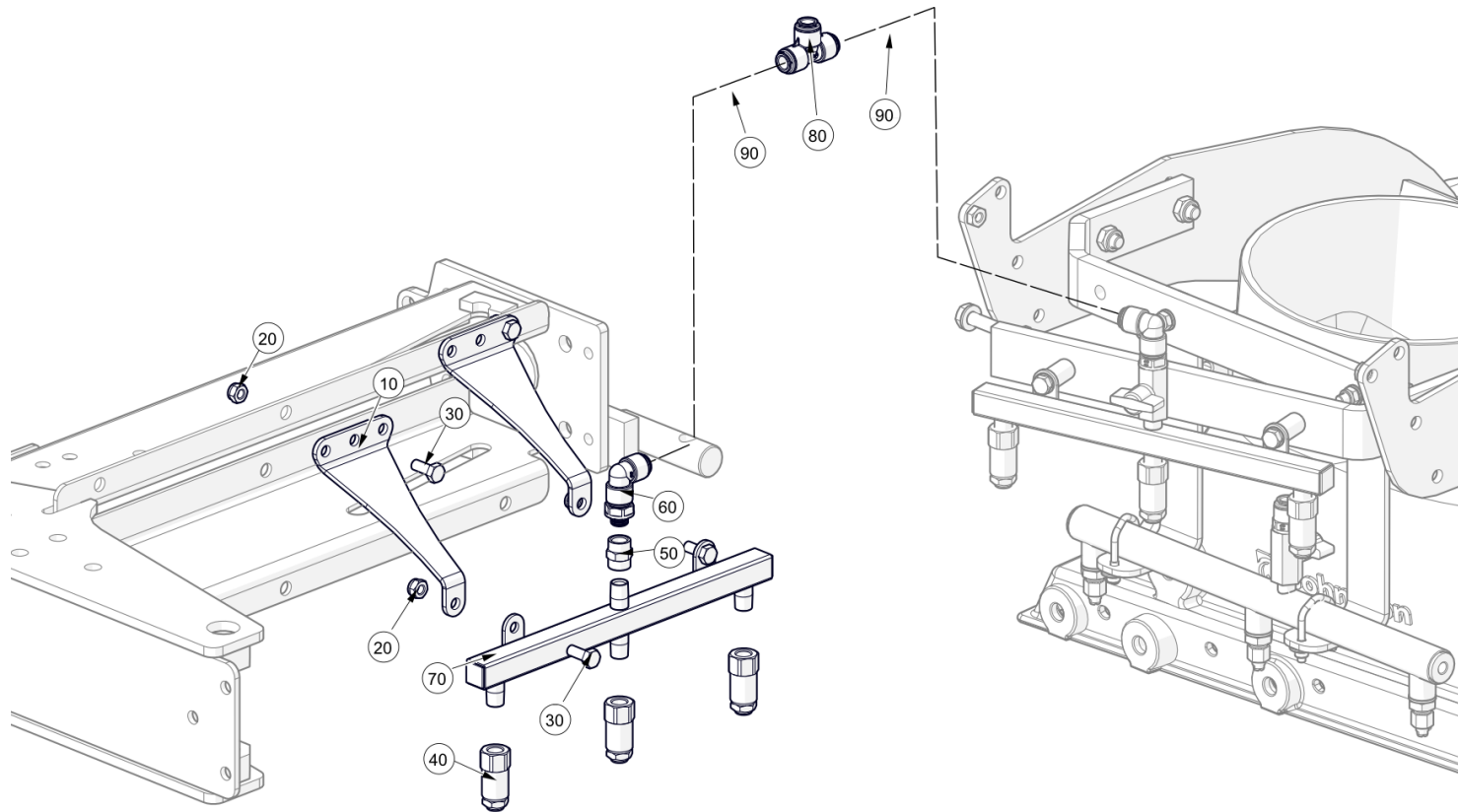


PM10 Dust Suppression ()
Water Systems\PM10 Dust Suppression

Item no.	Part no.	Description	QTY	Unit
5000	297-92	Two Way Divider - Tube O/D 10 Order 2pc for TWIN Engine.	1	PC
5010	297-1	Tubing - Polyurethane 10 Dia x 1.5 Wall Order 8,45m for TWIN Engine.	5,45	M

100µm Spraybar Channel Brush ()

Water Systems\PM10 Dust Suppression\100µm Spraybar Channel Brush
Order quantities x2 for TWIN Engine.



100µm Spraybar Channel Brush ()

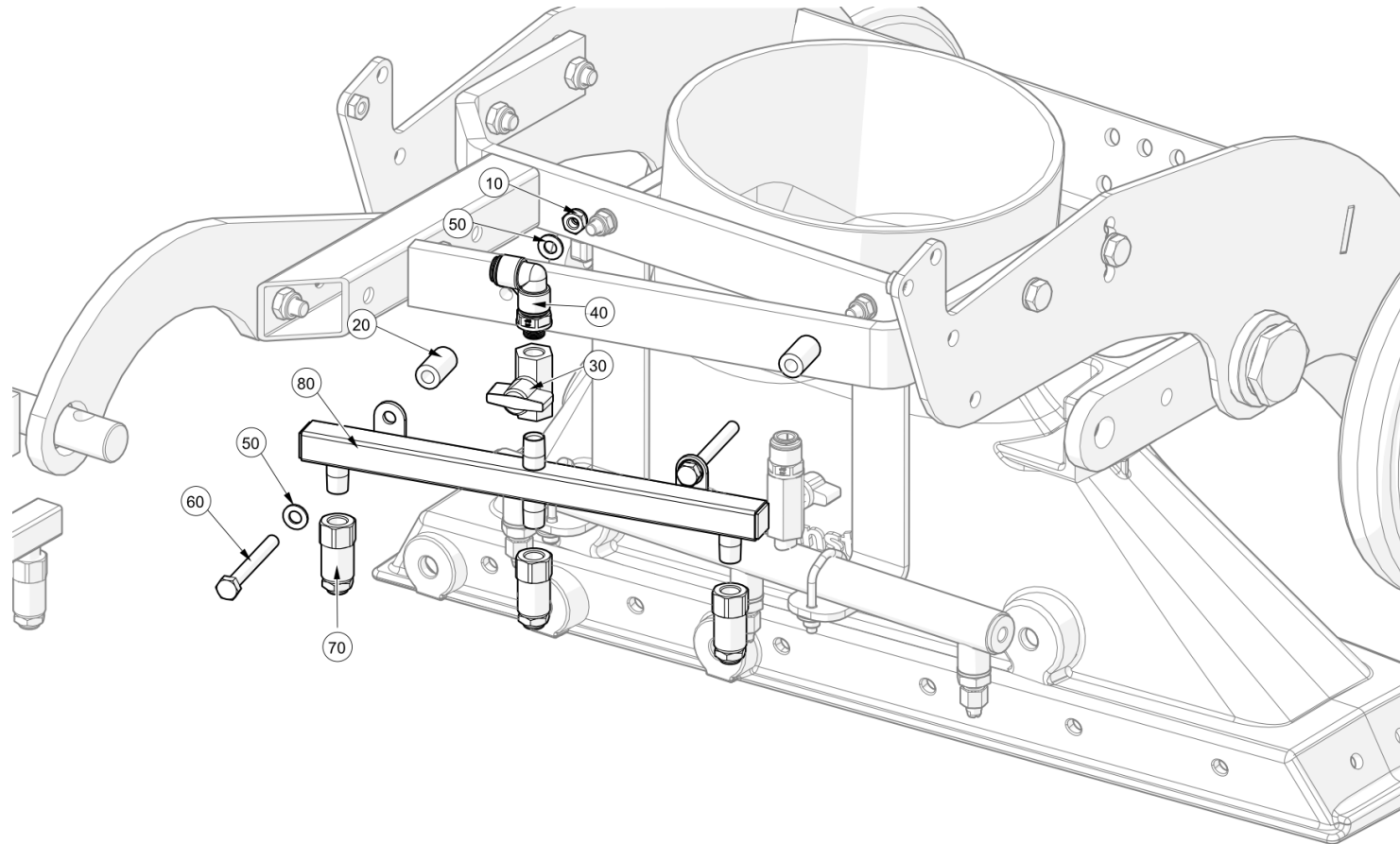
Water Systems\PM10 Dust Suppression\100µm Spraybar Channel Brush

Order quantities x2 for TWIN Engine.

Item no.	Part no.	Description	QTY	Unit
10	283317-1	Mntg Bracket PM10 CB Spraybar	2	PC
20	93085005-0	Nyloc Hex Nut M8C - 8	4	PC
30	92097374-0	Hex Head Screw - M8Cx20 - 8.8	4	PC
40	21-319	Nozzle - Water Atomising	3	PC
50	66-36	Adaptor - 1/4" BSPP x 22mm Lg	1	PC
60	297-59	Elbow Swivel - 1/4 BSP	1	PC
70	201076-1	Nozzle W/Assembly	1	PC
80	297-74	Tee Equal - Tube O/D 10	1	PC
90	297-1	Tubing - Polyurethane 10 Dia x 1.5 Wall	1,5	M

100µm Spraybar Nozzle ()

Water Systems\PM10 Dust Suppression\100µm Spraybar Nozzle
Order quantities x2 for TWIN Engine.



100µm Spraybar Nozzle ()

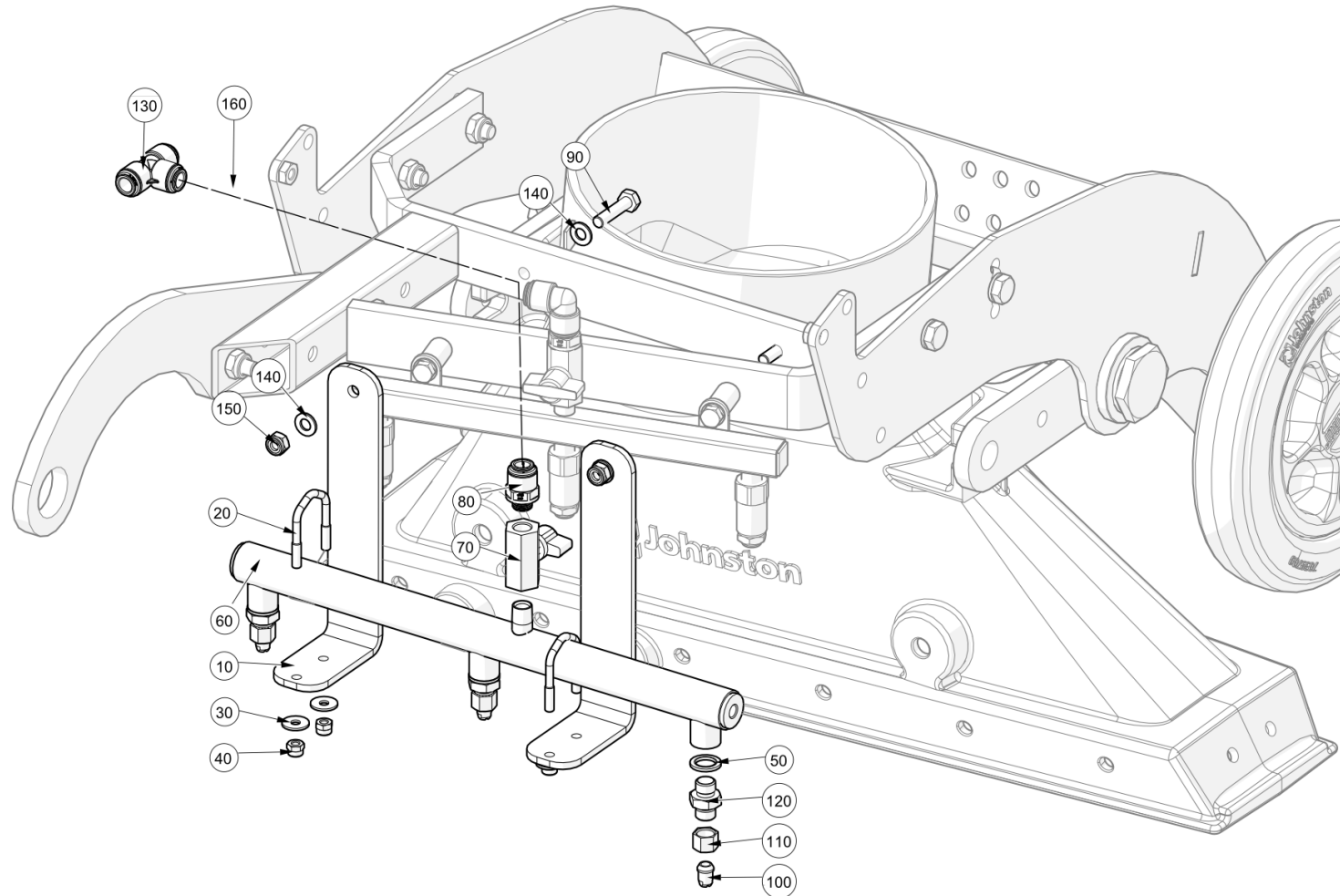
Water Systems\PM10 Dust Suppression\100µm Spraybar Nozzle

Order quantities x2 for TWIN Engine.

Item no.	Part no.	Description	QTY	Unit
10	93085005-0	Nyloc Hex Nut M8C - 8	2	PC
20	56569-8	Spacer - 16 Dia x 28 M8	2	PC
30	88-4	Tap - G1/4" (F) X G1/4" (F)	1	PC
40	297-59	Elbow Swivel - 1/4 BSP	1	PC
50	93212011-0	Plain Washer - M8	4	PC
60	92097386-0	Hex Head Screw - M8Cx70 - 8.8	2	PC
70	21-319	Nozzle - Water Atomising	3	PC
80	201076-1	Nozzle W/Assembly	1	PC

200µm Spraybar ()

Water Systems\PM10 Dust Suppression\200µm Spraybar
Order quantities x2 for TWIN Engine.



200µm Spraybar ()

Water Systems\PM10 Dust Suppression\200µm Spraybar

Order quantities x2 for TWIN Engine.

Item no.	Part no.	Description	QTY	Unit
10	7033937	Hanger - Spray Bar PM10	2	PC
20	6105-1-C	Bolt - U M6c	2	PC
30	93300507-0	Plain Large Washer M6	4	PC
40	93085004-0	Nyloc Hex Nut M6C - 8	4	PC
50	451-17	Washer Bonded G1-4"	3	PC
60	7026925	200 Micron Spray Bar	1	PC
70	88-4	Tap - G1/4" (F) X G1/4" (F)	1	PC
80	297-19	Adaptor Straight - 1/4 BSP	1	PC
90	92097379-0	Hex Head Screw - M8Cx35 - 8.8	2	PC
100	60690-1	Nozzle Spraybar - (Kurb-Side)	3	PC
110	60689-1	Nut - Union	0	PC
120	263-2	Adaptor M/M 1/4 BSP	3	PC
130	297-74	Tee Equal - Tube O/D 10	1	PC
140	93212011-0	Plain Washer - M8	4	PC
150	93085005-0	Nyloc Hex Nut M8C - 8	2	PC
160	297-1	Tubing - Polyurethane 10 Dia x 1.5 Wall	0,5	M

This page is intentionally left blank

Chapter 8 Hopper & Cowl

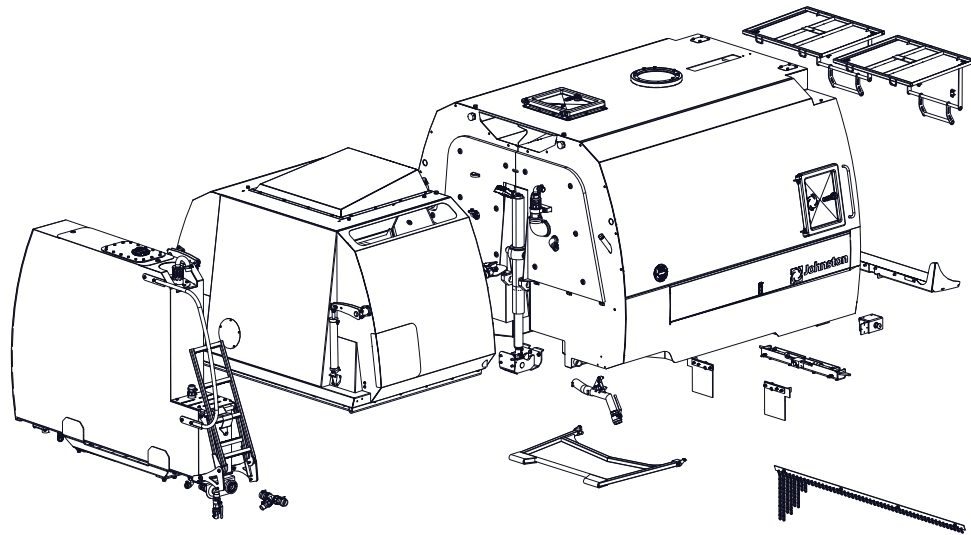
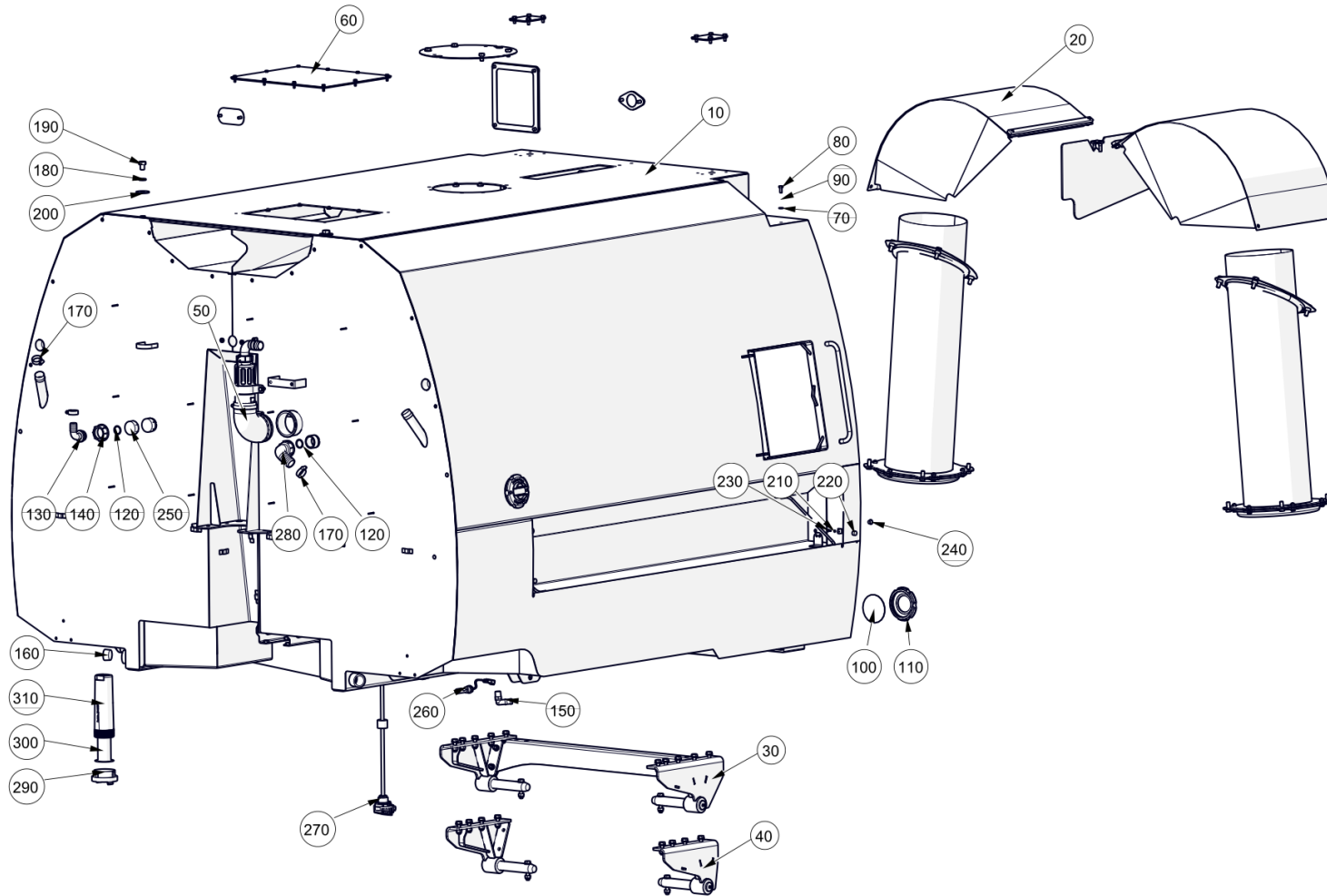


Table of Contents

Section	Page
8.1 Hopper.....	456
8.2 Cowl.....	472
8.3 Sound Insulation.....	482
8.4 Hopper Access Door.....	492
8.5 Tip Cylinder.....	494
8.6 Cowl mounted flap cylinders.....	496
8.7 Body Prop.....	498
8.8 Latch Cassette.....	500
8.9 Flushing Valve Assembly.....	502
8.10 Locker Doors.....	504
8.11 Discharge Chute.....	506
8.12 Hopper Controls.....	508
8.13 Hopper Mesh.....	510
8.14 Auxiliary Water/Fuel Tank.....	512
8.15 Aux Water Tank Install.....	526
8.16 Baffle Drop Link.....	528

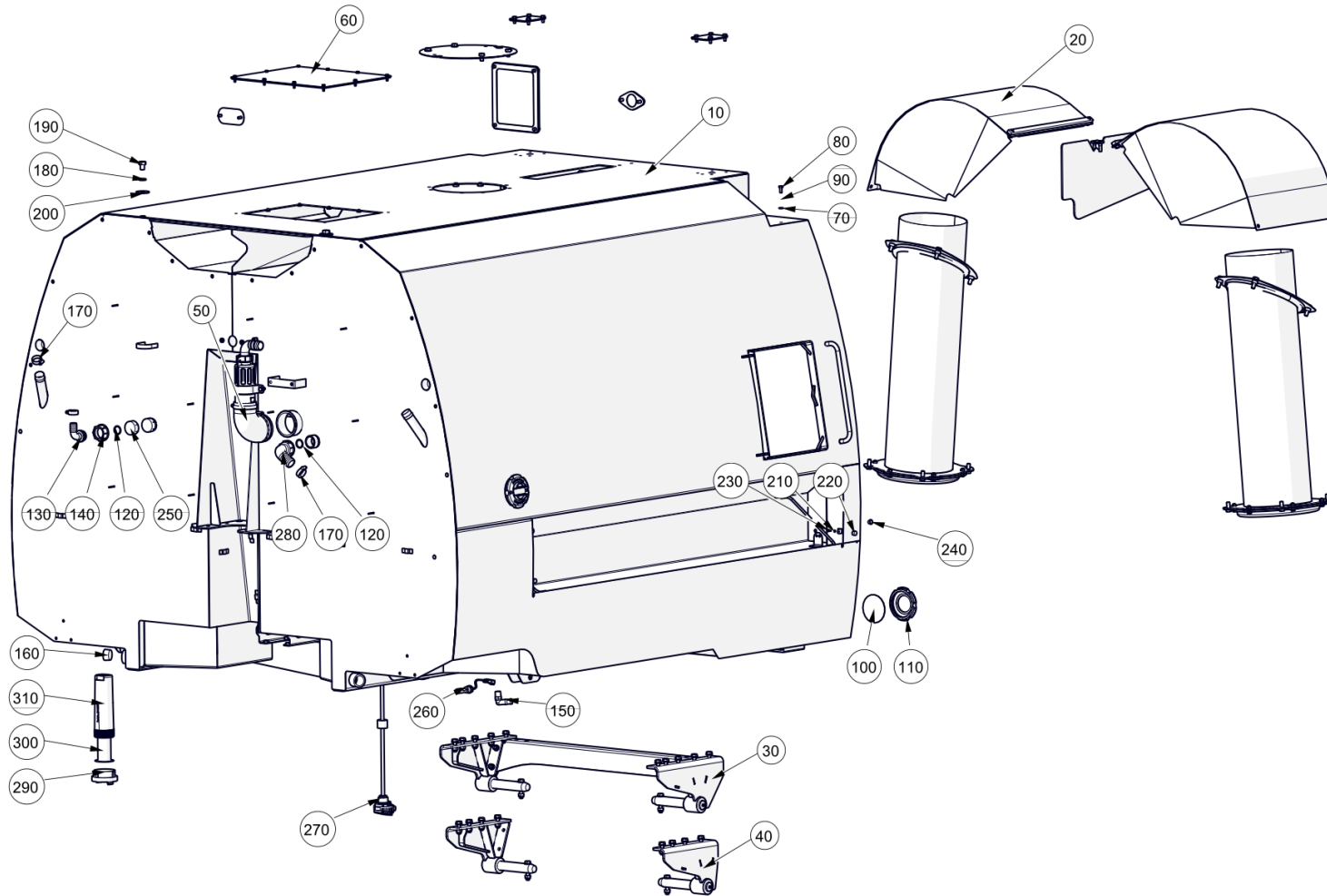
Hopper ()
Hopper & Cowl\Hopper



Hopper ()
Hopper & Cowl/Hopper

Item no.	Part no.	Description	QTY	Unit
10	7060652	Hopper welded assembly V652 (1.4301)	1	PC
Suitable for V652.				
10	7060651	Hopper welded assembly V652 (1.4003)	1	PC
Suitable for V652.				
10	7060801	Hopper welded assembly V802 (1.4003)	1	PC
Suitable for V802.				
10	7060653	Hopper welded assembly V652 2000 Lt	1	PC
Suitable for V652.				
10	7060802	Hopper welded assembly V802 (1.4301)	1	PC
Suitable for V802.				
10	7060502	Hopper welded assembly V502 (1.4301)	1	PC
Suitable for V502.				
10	7060501	Hopper welded assembly V502 (1.4003)	1	PC
Suitable for V502.				
70	93213010-0	Plain Washer M8 A2	4	PC
80	92099373-0	Hex Head Screw - M8Cx20 - A2	4	PC
90	93700210-0	Spring Washer M8 - A2	4	PC
100	40643-1-C	Washer - Seal, Drain, Water Tank	4	PC
110	284040-1	Cap - Water Tank Drain	4	PC
120	277-209	Seal - 1 1/2" BSP	2	PC
130	277-244	Flynut Hosetail - 90° Barb = 25mm	1	PC
140	277-170	Flynut - 1 1/2 F	1	PC
150	277-230	Elbow - Poly. 90 ° 1/2 M x 3/4" Barb	1	PC
160	55-4	Plug - 1 1/4" BSPT	1	PC

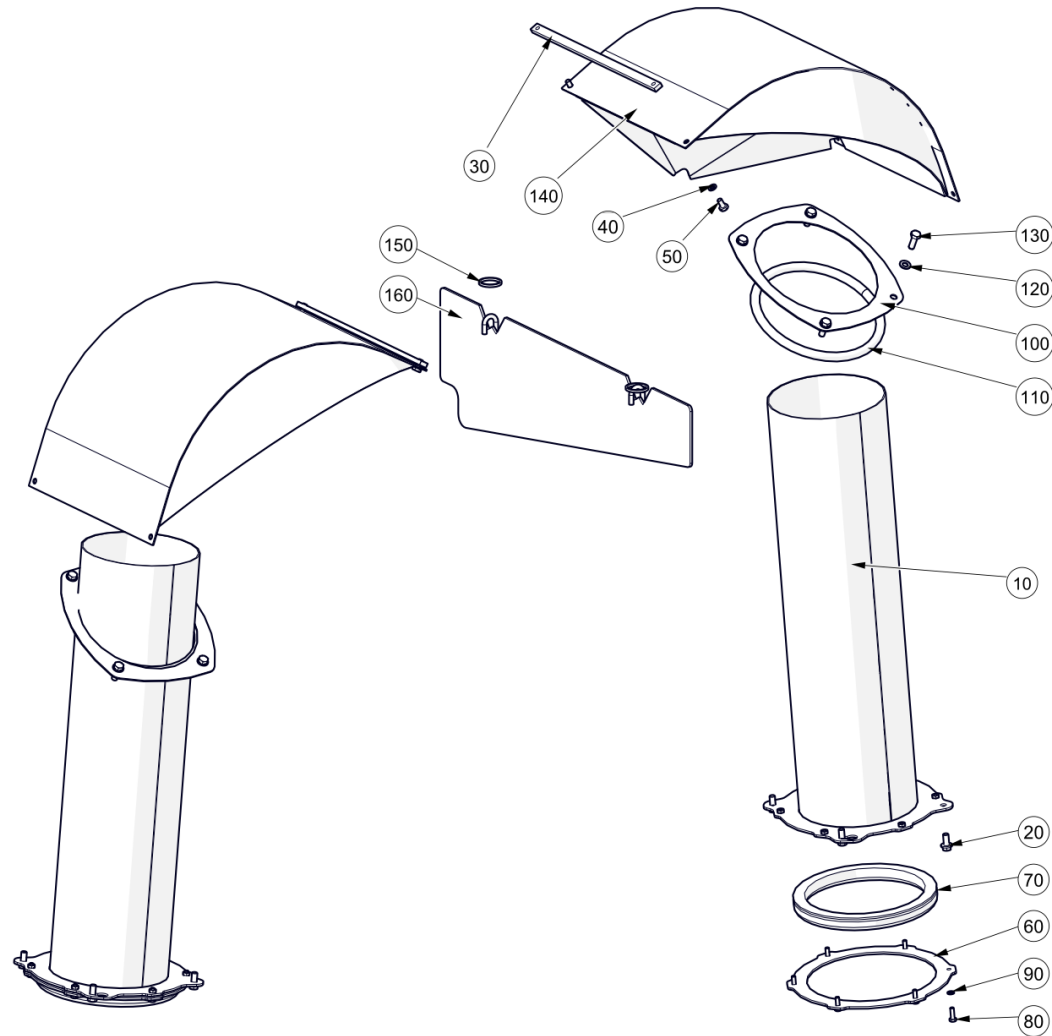
Hopper ()
Hopper & Cowl\Hopper



Hopper ()
Hopper & Cowl/Hopper

Item no.	Part no.	Description	QTY	Unit
170	501-25	Hose Clip - Worm Drive (25-35)	4	PC
180	93700214-0	Spring Washer M16 - A2	2	PC
190	92099517-0	Hex Head Bolt - M16Cx20 - A2-70	2	PC
200	93300613-0	Plain Large Washer M16 A2	1	PC
210	93699706-0	Spring Washer - Plated M4	4	PC
220	290-28	Bump Stop Rubber	4	PC
230	92097225-0	Hex Head Screw - M4Cx10 - 8.8	4	PC
240	288-39	Blanking Plug 17.5/13.2x8	2	PC
250	44-10	Cap Seal Outer Plastic RP 1 1/2	2	PC
260	48-328	Switch - Float and Deutsch Connector	1	PC
270	7002529	Level Sender	1	PC
280	277-208	Cap and Liner 90 Degree	1	PC
290	667-31	Coupling - Stortz 2.5" BSP	1	PC
300	39402	Filter	1	PC
310	7052265	Seal Housing (1.4301)	1	PC
5000	217-1	Grommet Strip Size 5	0,42	M
5010	272-17	Hose 35i/d Trichoflex (Water)	2,6	M
5020	6117	1" Bore Premoflex Hose	0,5	M
5030	7033110	Hopper Harness V range	1	PC
5040	700-159	Conduit - Harnessflex NC Ø 28mm	0,4	M

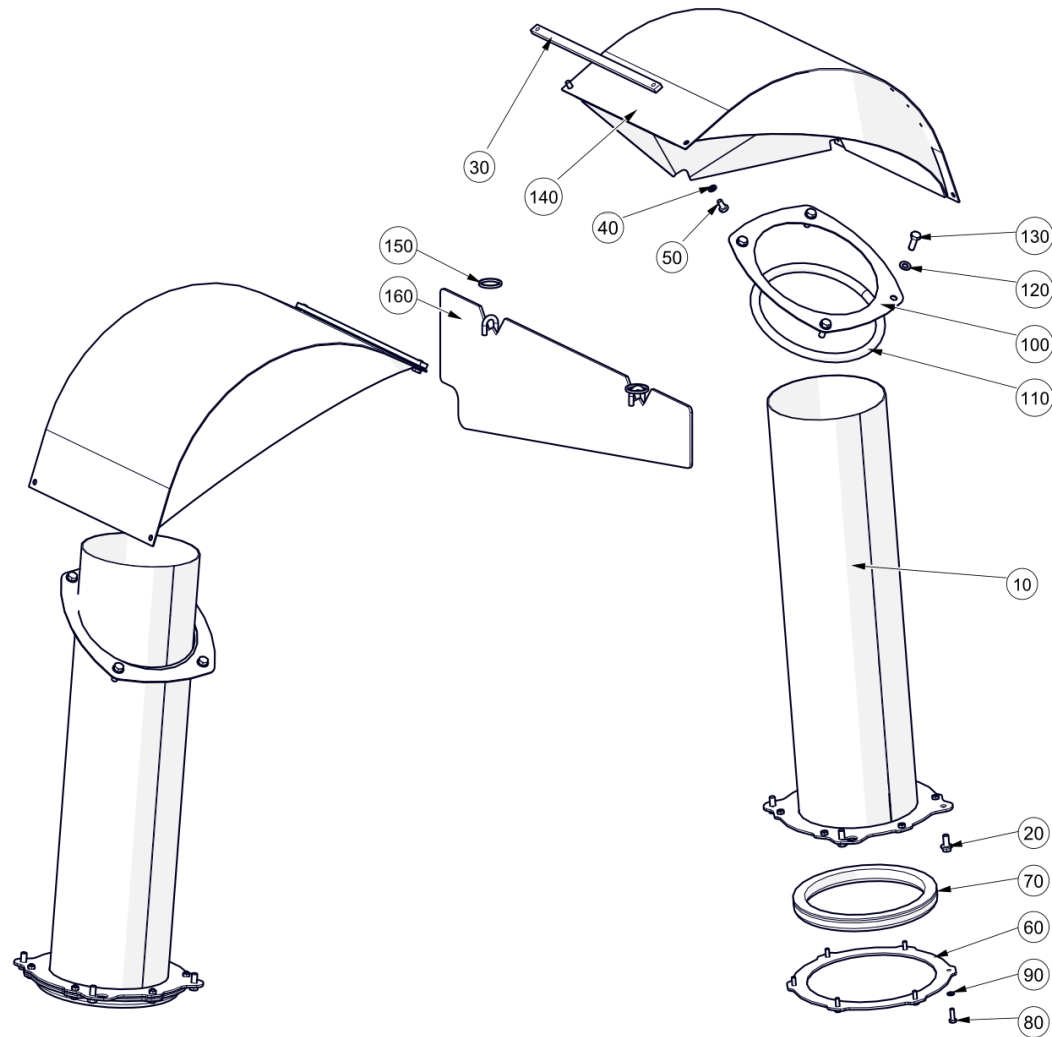
Inlet Duct and Wear Plates ()
Hopper & Cowl/Hopper/Inlet Duct and Wear Plates



Inlet Duct and Wear Plates ()
Hopper & Cowl\Hopper\Inlet Duct and Wear Plates

Item no.	Part no.	Description	QTY	Unit
10	7056422	Duct Inlet W/Assy	2	PC
Suitable for V502 and V652.				
10	7056614	Duct Inlet (Lined) W/Assy	2	PC
Suitable for V502 and V652.				
10	7056619	Duct Inlet 801 W/Assy	2	PC
Suitable for V802.				
10	7056681	Duct Inlet (Lined) 801 W/Assy	2	PC
Suitable for V802.				
10	7056705	Duct Inlet W/Assy Unpainted	2	PC
20	115-41	Bolt - M12 x 25 Flanged - 8.8	8	PC
30	40223-1-B	Clamp - Bar Wear Plate	2	PC
40	93700211-0	Spring Washer M10 - A2	4	PC
50	92099407-0	Hex Head Screw - M10Cx20 - A2	4	PC
60	7003890	Plate	2	PC
70	7003891	Seal	2	PC
80	92099376-0	Hex Head Screw - M8Cx25 - A2	12	PC
90	93700210-0	Spring Washer M8 - A2	12	PC
100	7012978	Clamp Welded Assembly	2	PC
110	93400-1	Seal - Intake Duct	2	PC
120	93213012-0	Plain Washer M12 A2	8	PC
130	92099450-0	Hex Head Screw - M12Cx35 - A2	8	PC
140	7019793	Wear Plate, Heavy Duty	2	PC
140	7015594	Wear Plate Weld Assembly Bonded	2	PC
150	41234-1-A	Locking Ring - Centre Baffle	2	PC

Inlet Duct and Wear Plates ()
Hopper & Cowl/Hopper/Inlet Duct and Wear Plates

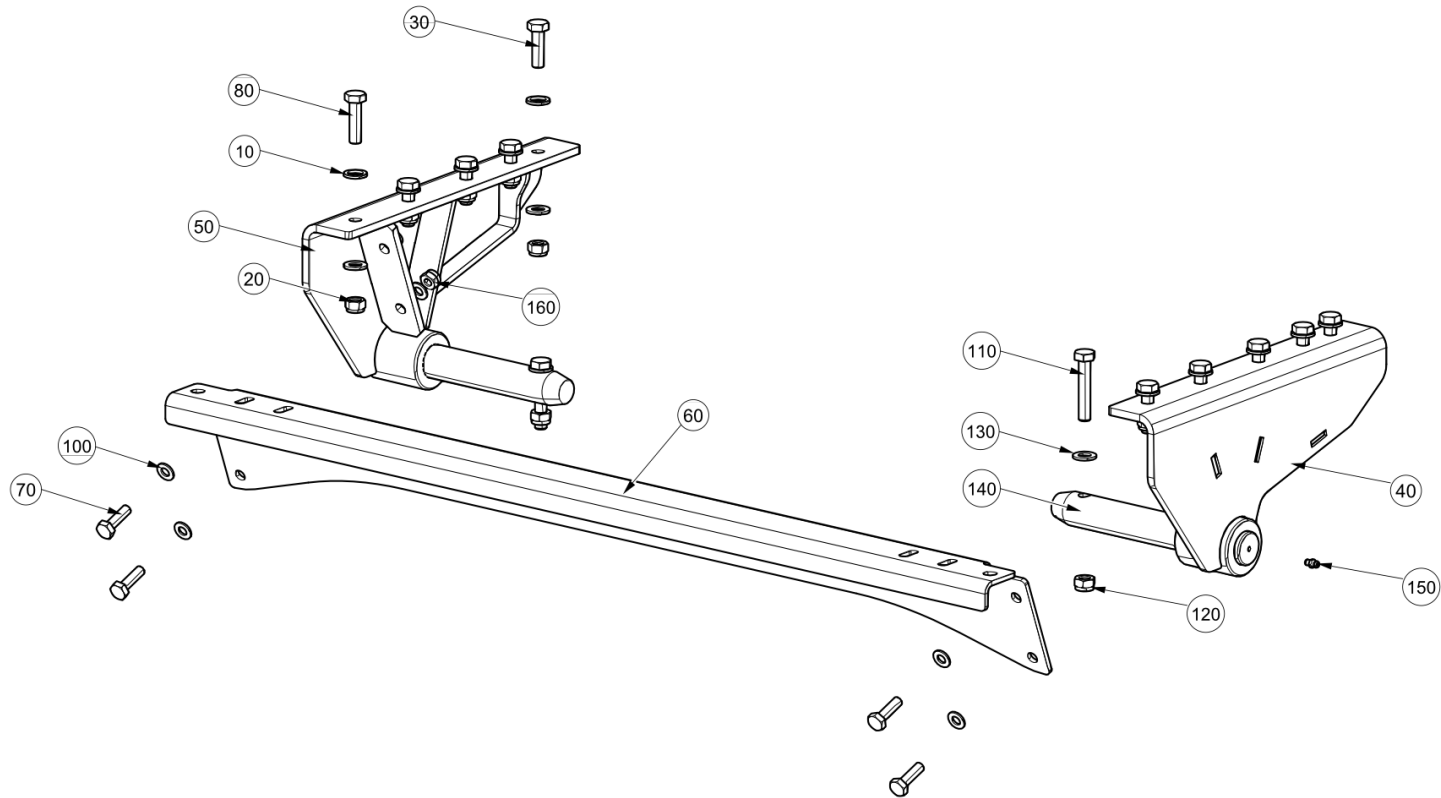


Inlet Duct and Wear Plates ()

Hopper & Cowl\Hopper\Inlet Duct and Wear Plates

Item no.	Part no.	Description	QTY	Unit
160	7022699	Baffle Welded Assembly	1	PC

Hopper Pivot Assembly 652 and 802 ()
Hopper & Cow\Hopper\Hopper Pivot Assembly 652 and 802

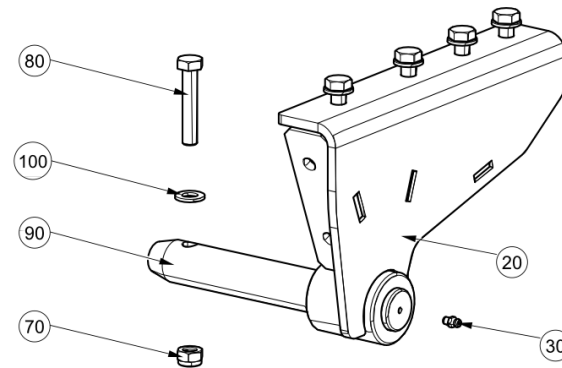
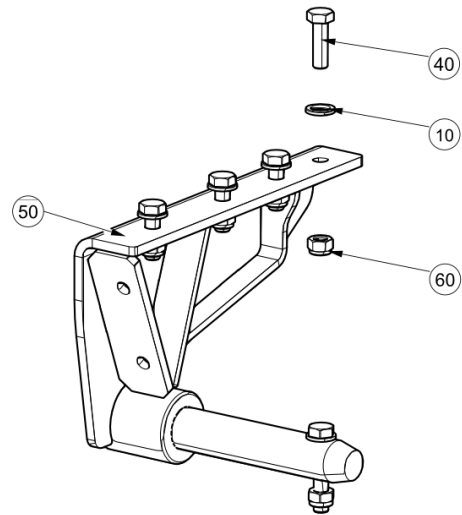


Hopper Pivot Assembly 652 and 802 ()

Hopper & Cowl\Hopper\Hopper Pivot Assembly 652 and 802

Item no.	Part no.	Description	QTY	Unit
10	93715020-0	M12x24 Hard Stl Heavy Washer Galv	20	PC
20	404-16	Hex Nyloc Nut - M12c x Grade 10	10	PC
30	92072181-0	Hex Head Bolt - M12Cx40 - 10.9	8	PC
40	7051295	Pivot bracket welded assembly (RH)	1	PC
50	7051294	Pivot bracket welded assembly (LH)	1	PC
60	7051296	Crossbrace	1	PC
70	92097415-0	Hex Head Screw - M10Cx35 - 8.8	4	PC
80	6105-1432	Hex Head Bolt - M12Cx45 - 10.9	2	PC
100	93212012-0	Plain Washer - M10	8	PC
110	92067462-0	Hex Head Bolt - M12Cx65 - 8.8	2	PC
120	93085007-0	Nyloc Hex Nut M12C - 8	2	PC
130	93212013-0	Plain Washer M12	2	PC
140	7051297	Pivot Pin	2	PC
150	38-30	Grease Nipple M6 X 1	2	PC
160	93085806-0	Nyloc Hex Nut M10C - 8	4	PC

Hopper Pivot Assembly 502 ()
Hopper & Cowl\Hopper\Hopper Pivot Assembly 502

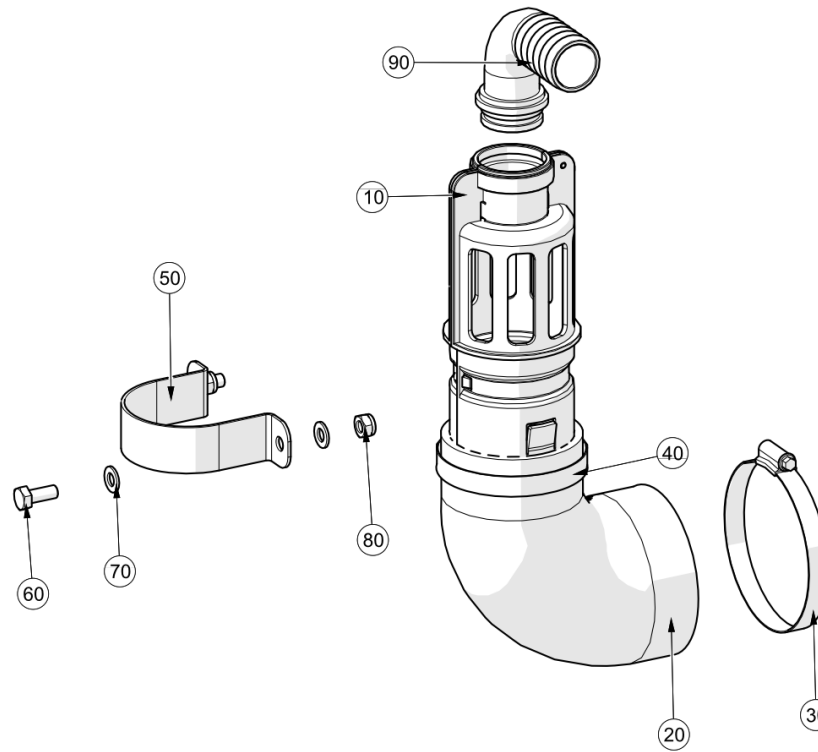


Hopper Pivot Assembly 502 ()

Hopper & Cowl\Hopper\Hopper Pivot Assembly 502

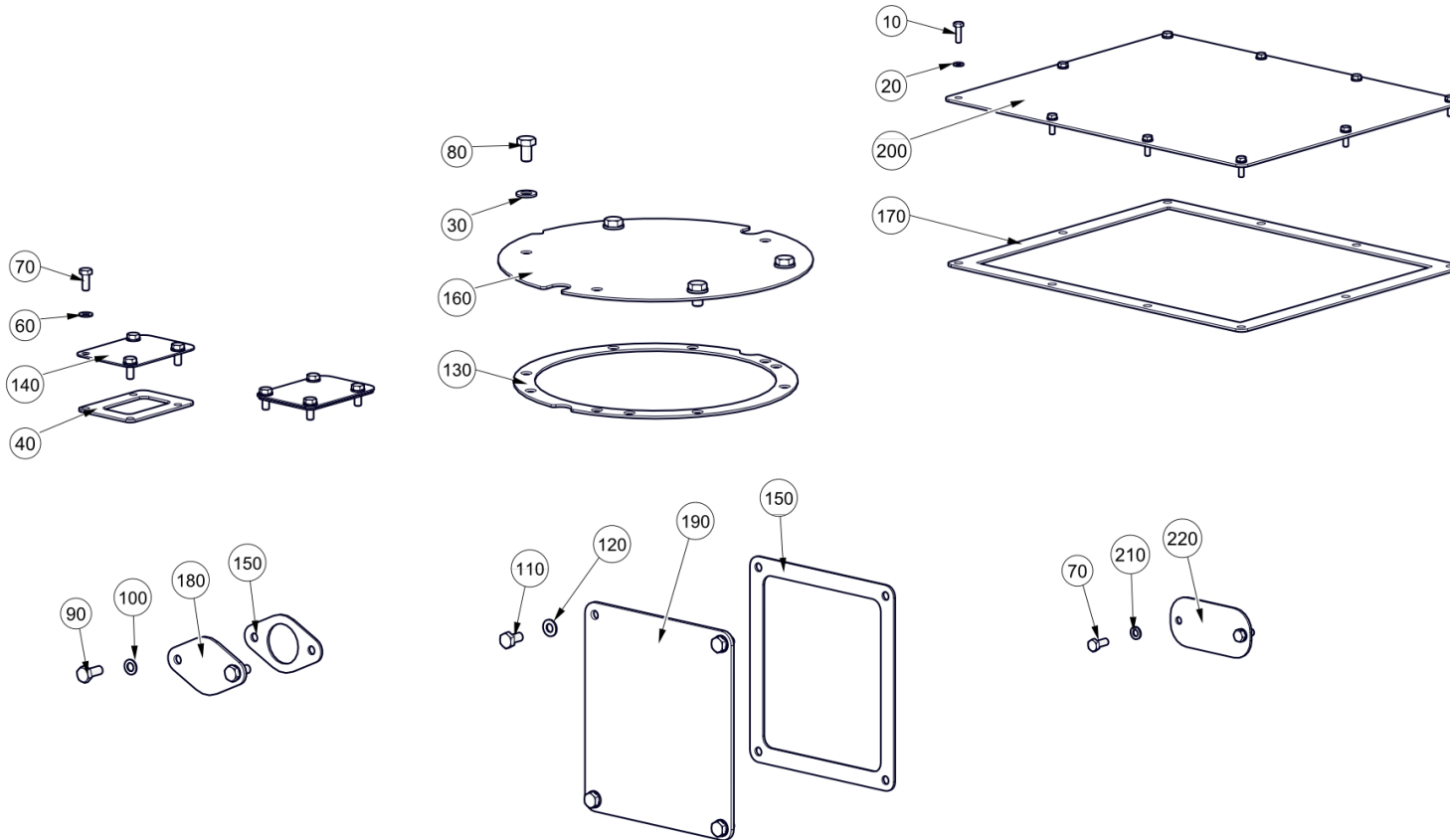
Item no.	Part no.	Description	QTY	Unit
10	93715020-0	M12x24 Hard Stl Heavy Washer Galv	16	PC
20	7051636	Pivot bracket welded assembly (RH)	1	PC
30	38-30	Grease Nipple M6 X 1	2	PC
40	92072181-0	Hex Head Bolt - M12Cx40 - 10.9	8	PC
50	7051634	Pivot bracket welded assembly (LH)	1	PC
60	404-16	Hex Nyloc Nut - M12c x Grade 10	8	PC
70	93085007-0	Nyloc Hex Nut M12C - 8	2	PC
80	92067462-0	Hex Head Bolt - M12Cx65 - 8.8	2	PC
90	7051297	Pivot Pin	2	PC
100	93212013-0	Plain Washer M12	2	PC

Water Break Assembly ()
Hopper & Cow\Hopper\Water Break Assembly



Water Break Assembly ()
Hopper & Cow\Hopper\Water Break Assembly

Item no.	Part no.	Description	QTY	Unit
10	7038288	Water Break - Half	2	PC
20	61096-2	Rubber Elbow	1	PC
30	501-9	Hose Clip - Worm Drive (90-120)	1	PC
40	09531001-0	Hose Clip - Worm Drive (70-90)	1	PC
50	7005457	Clamp	1	PC
60	92097374-0	Hex Head Screw - M8Cx20 - 8.8	2	PC
70	93212011-0	Plain Washer - M8	4	PC
80	93085005-0	Nyloc Hex Nut M8C - 8	2	PC
90	277-208	Cap and Liner 90 Degree	1	PC

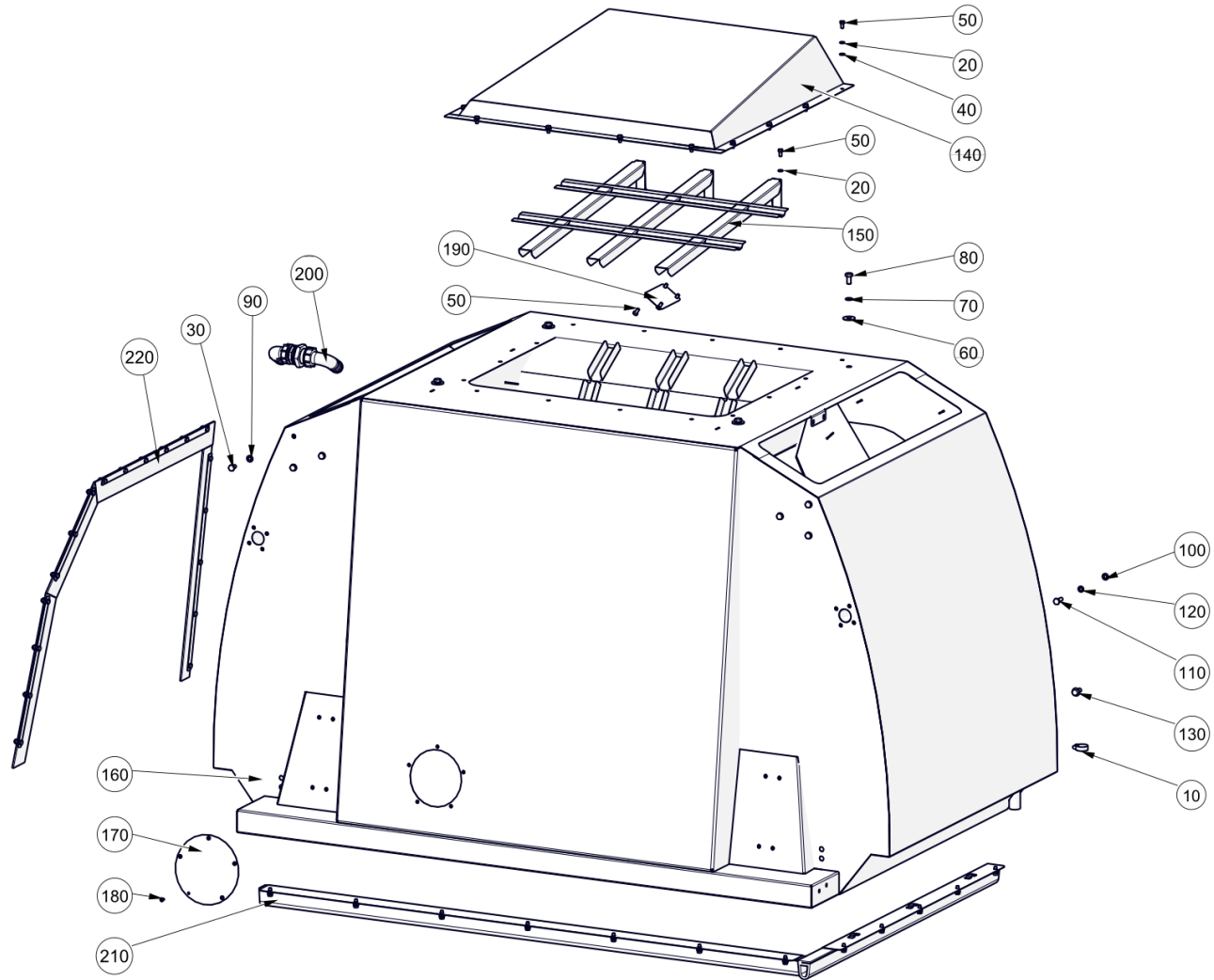
Blanking Plates ()
Hopper & Cowl\Hopper\Blanking Plates

Blanking Plates ()

Hopper & Cowl\Hopper\Blanking Plates

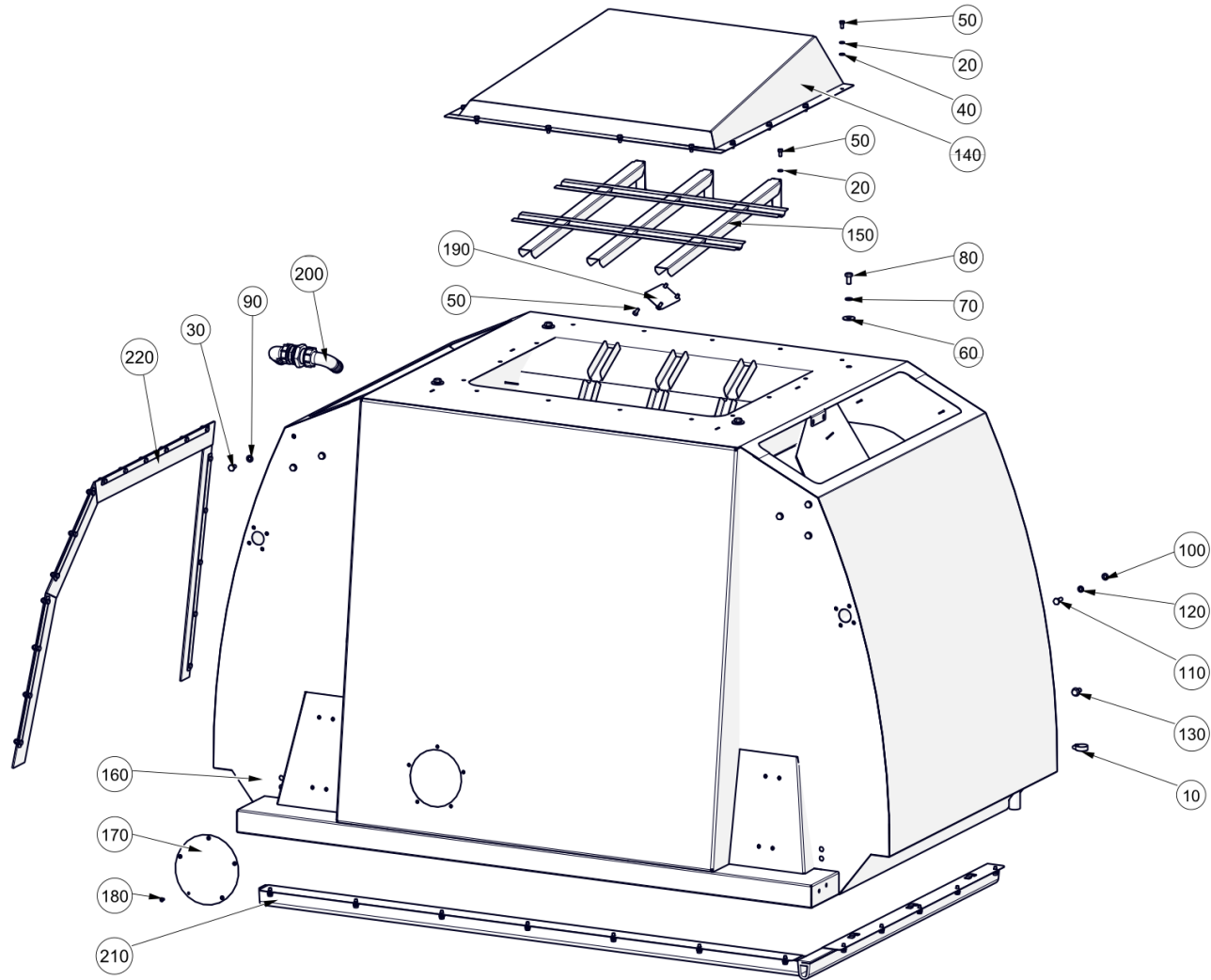
Item no.	Part no.	Description	QTY	Unit
10	92099301-0	Hex Head Screw - M6Cx20 - A2	10	PC
20	93213009-0	Plain Washer M6 A2	10	PC
30	93213012-0	Plain Washer M12 A2	4	PC
40	7052452	Gasket - Mesh Shaker	2	PC
50	7052454	Gasket - Littasnatch/Rear Wanderhose	1	PC
60	93213010-0	Plain Washer M8 A2	8	PC
70	92099373-0	Hex Head Screw - M8Cx20 - A2	10	PC
80	92099445-0	Hex Head Screw - M12Cx20 - A2	4	PC
90	92099409-0	Hex Head Screw - M10Cx25 - A2	0	PC
100	451-140	Plain Small Washer M10 Brass	2	PC
110	92099407-0	Hex Head Screw - M10Cx20 - A2	4	PC
120	93213011-0	Plain Washer M10 A2	4	PC
130	5955-1	Seal	1	PC
140	281377-2	Blanking Plate - Mesh Shaker	2	PC
150	282574-1	Flange Blank Gasket	1	PC
160	281376-2	Blanking Plate Wander Hose	1	PC
170	283613-1	Gasket - Access Panel Roof	1	PC
180	7012880	Flange Blanking Recirculation	1	PC
190	281947-2	Plate-Blanking Rr WH LS 4003	1	PC
200	7018545	Blanking Plate - Access Door	1	PC
210	93700210-0	Spring Washer M8 - A2	2	PC
220	7059616	Blanking panel	1	PC

Cowl ()
Hopper & Cowl\Cowl



Cowl ()
Hopper & Cowl\Cowl

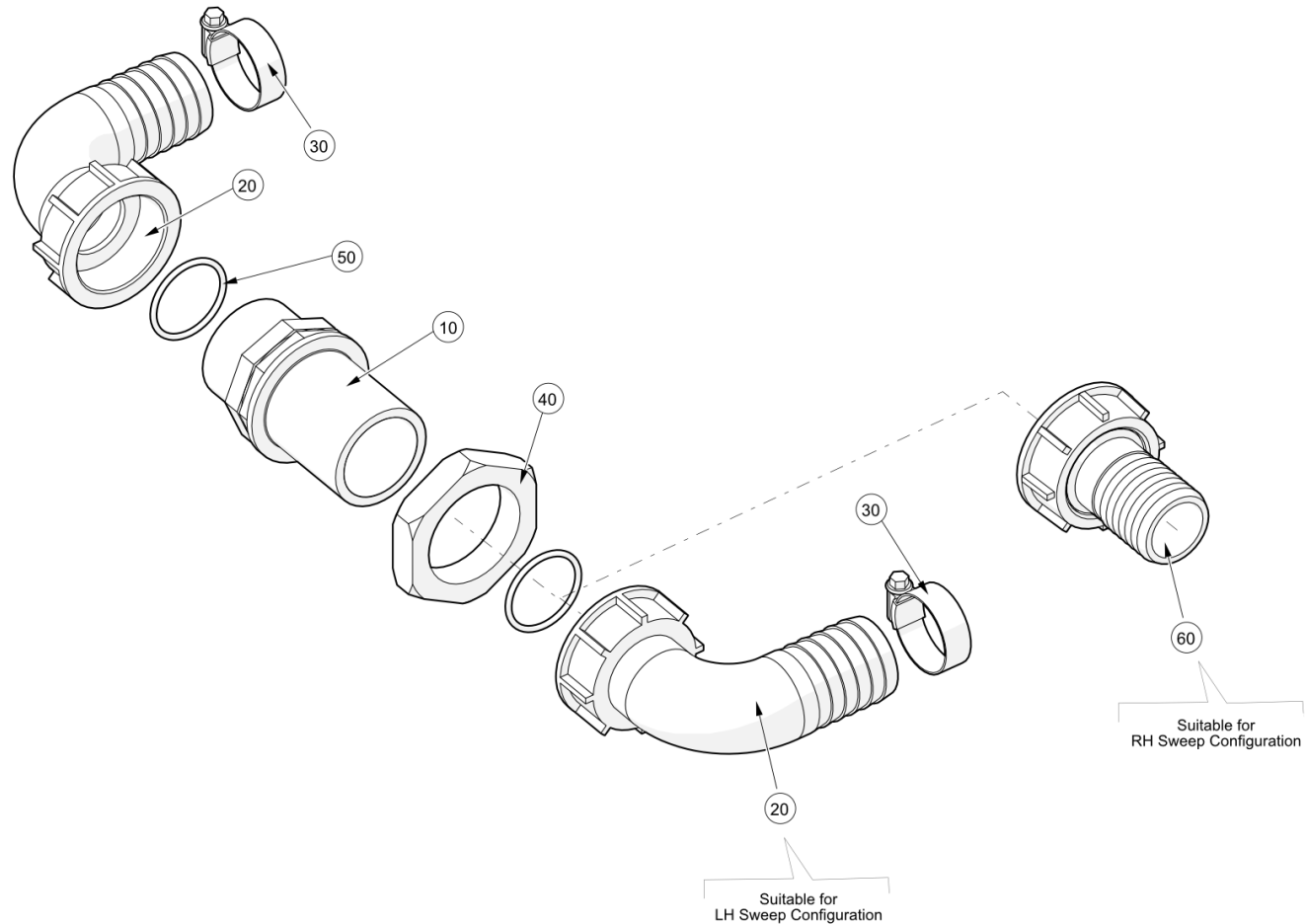
Item no.	Part no.	Description	QTY	Unit
10	501-25	Hose Clip - Worm Drive (25-35)	1	PC
20	93699710-0	Spring Washer - Plated M8	17	PC
30	92099407-0	Hex Head Screw - M10Cx20 - A2	6	PC
40	93212011-0	Plain Washer - M8	14	PC
50	92097372-0	Hex Head Screw - M8Cx16 - 8.8	21	PC
60	93300611-0	Plain Large Washer M12 A2	4	PC
70	93700212-0	Spring Washer M12 - A2	4	PC
80	92099447-0	Hex Head Screw - M12Cx25 - A2	4	PC
90	93213011-0	Plain Washer M10 A2	6	PC
100	93212012-0	Plain Washer - M10	14	PC
110	92097414-0	Hex Head Screw - M10Cx30 - 8.8	14	PC
120	93699711-0	Spring Washer - Plated M10	14	PC
130	115-41	Bolt - M12 x 25 Flanged - 8.8	4	PC
140	7058960	Hood welded assembly (1.0332)	1	PC
140	7058961	Hood welded assembly (1.4003)	1	PC
150	7052906	Top vane guide welded assembly (1.4003)	1	PC
160	7058753	Cowl welded assembly (1.0332) V802	1	PC
Suitable for V802.				
160	7058751	Cowl welded assembly (1.0332) V502 V652	1	PC
Suitable for V502 and V652.				
160	7058752	Cowl welded assembly (1.4003) V502 V652	1	PC
Suitable for V502 and V652.				
160	7058754	Cowl welded assembly (1.4003) V802	1	PC
Suitable for V802.				

Cowl ()
Hopper & Cowl\Cowl


Cowl ()
Hopper & Cowl\Cowl

Item no.	Part no.	Description	QTY	Unit
170	7019893	Cover Plate - Tank Access	1	PC
180	92330033-0	Hex Skt Button Head Screw M6x12 - 10.9	5	PC
190	7058945	Blanking panel	1	PC

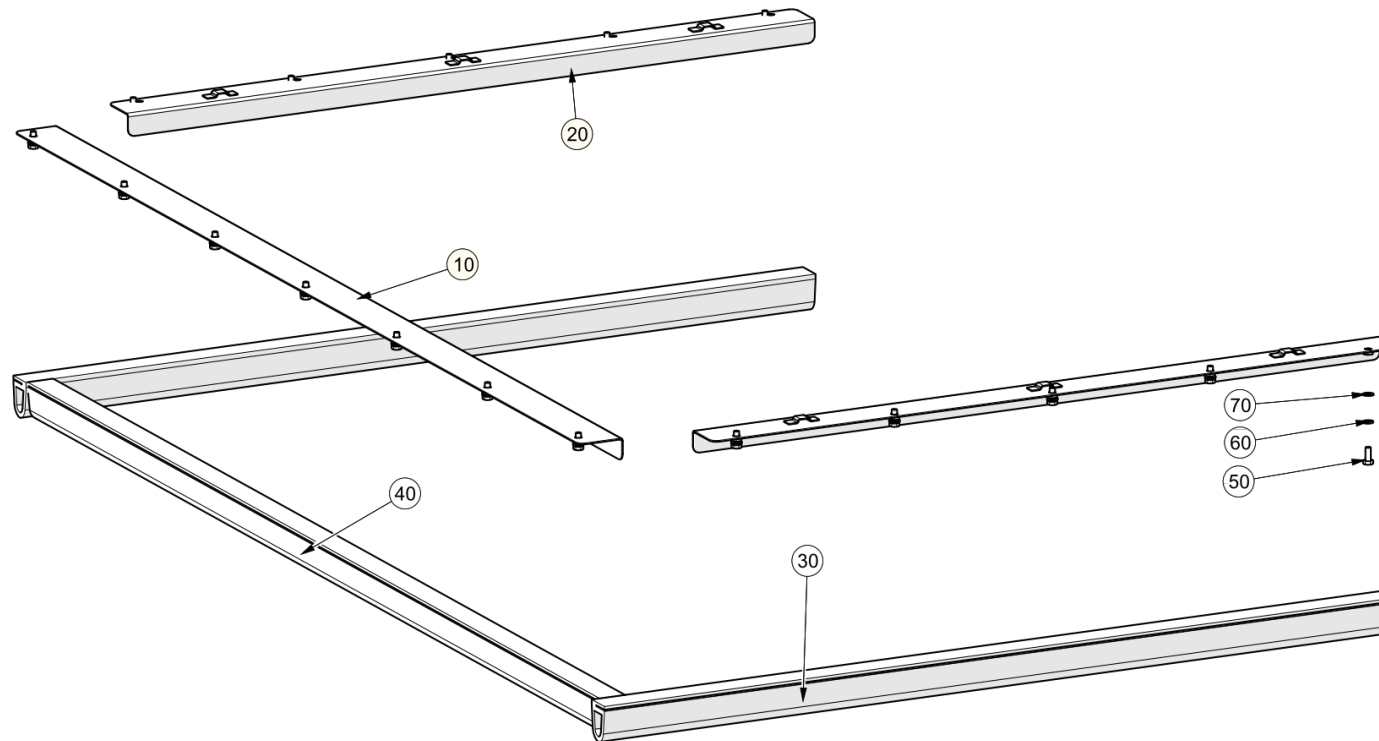
Water Connection - Hydrant Filler ()
Hopper & Cowl\Cowl\Water Connection - Hydrant Filler



Water Connection - Hydrant Filler ()
Hopper & Cowl\Cowl\Water Connection - Hydrant Filler

Item no.	Part no.	Description	QTY	Unit
10	277-212	Nipple - G 1 1/2 50 x 24mm	1	PC
20	277-208	Cap and Liner 90 Degree	2	PC
1 pc. must be removed for RH Sweep Configuration.				
30	501-25	Hose Clip - Worm Drive (25-35)	2	PC
40	277-198	Backnut 1 1/2 F	1	PC
50	277-171	O-Ring	2	PC
60	277-199	Spigoted 1 1/2" Cap + Liner	1	PC
Suitable for RH Sweep Configuration.				

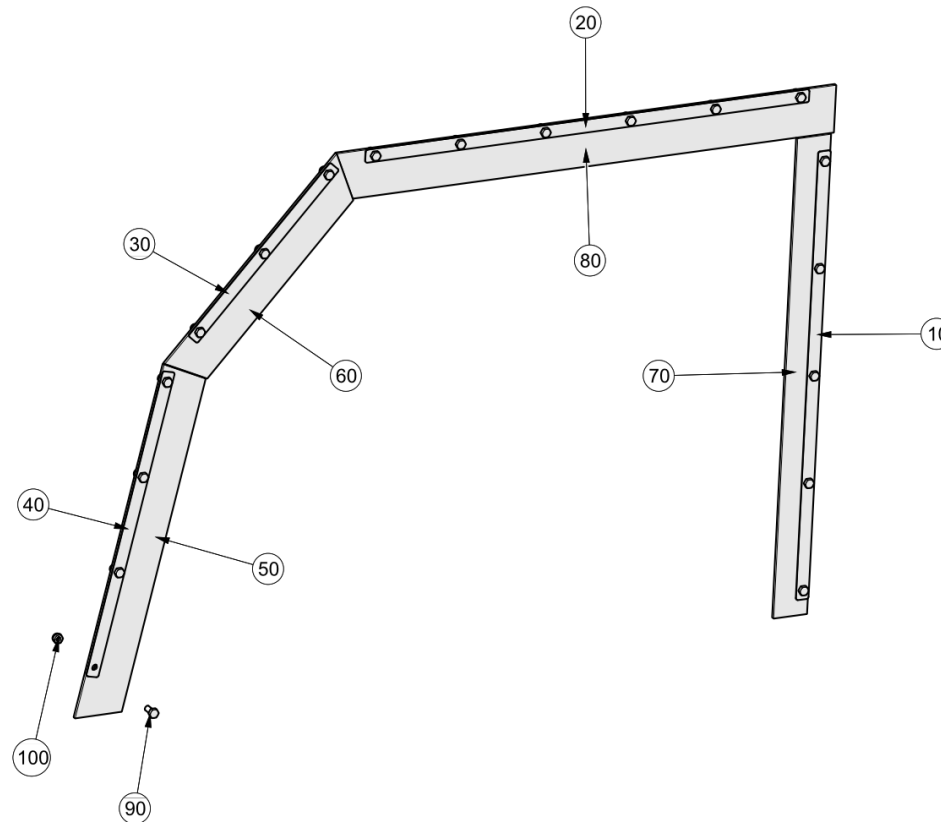
Cowl Seal Assembly ()
Hopper & Cowl\Cowl\Cowl Seal Assembly



Cowl Seal Assembly ()
Hopper & Cowl\Cowl\Cowl Seal Assembly

Item no.	Part no.	Description	QTY	Unit
10	7009998	Clamp Front Seal Welded Assembly	1	PC
20	7009984	Clamp Side Seal Welded Assembly	2	PC
30	7010257	Seal Side Cowl	2	PC
40	7010258	Seal Front Cowl	1	PC
50	92097374-0	Hex Head Screw - M8Cx20 - 8.8	17	PC
50	92099373-0	Hex Head Screw - M8Cx20 - A2	17	PC
60	93699710-0	Spring Washer - Plated M8	17	PC
60	93700210-0	Spring Washer M8 - A2	17	PC
70	93212011-0	Plain Washer - M8	17	PC
70	93213010-0	Plain Washer M8 A2	17	PC

Radiator Shroud Seal ()
Hopper & Cow\Cow\Radiator Shroud Seal



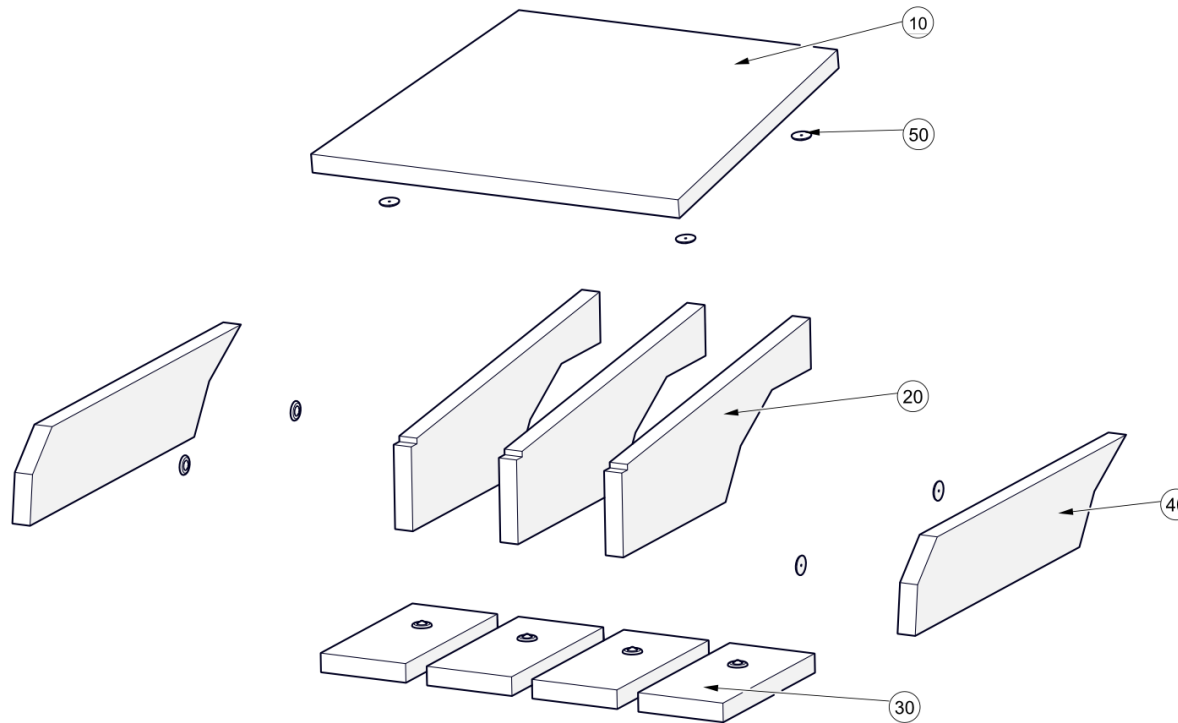
Radiator Shroud Seal ()
Hopper & Cow\Cow\Radiator Shroud Seal

Item no.	Part no.	Description	QTY	Unit
10	7020009	Retaining Strip Rear	1	PC
20	7019998	Retaining Strip Top	1	PC
30	7019996	Retaining Strip Chamfer	1	PC
40	7019994	Retaining Strip Front	1	PC
50	7010373	Seal Radiator Front	1	PC
60	7010371	Seal Radiator Chamfer	1	PC
70	7010368	Seal Radiator Rear	1	PC
80	7010367	Seal Radiator Top	1	PC
90	92097374-0	Hex Head Screw - M8Cx20 - 8.8	18	PC
100	93085005-0	Nyloc Hex Nut M8C - 8	18	PC

This page is intentionally left blank

This page is intentionally left blank

Fan Exhaust Insulation Kit ()
Hopper & Cowl\Sound Insulation\Fan Exhaust Insulation Kit

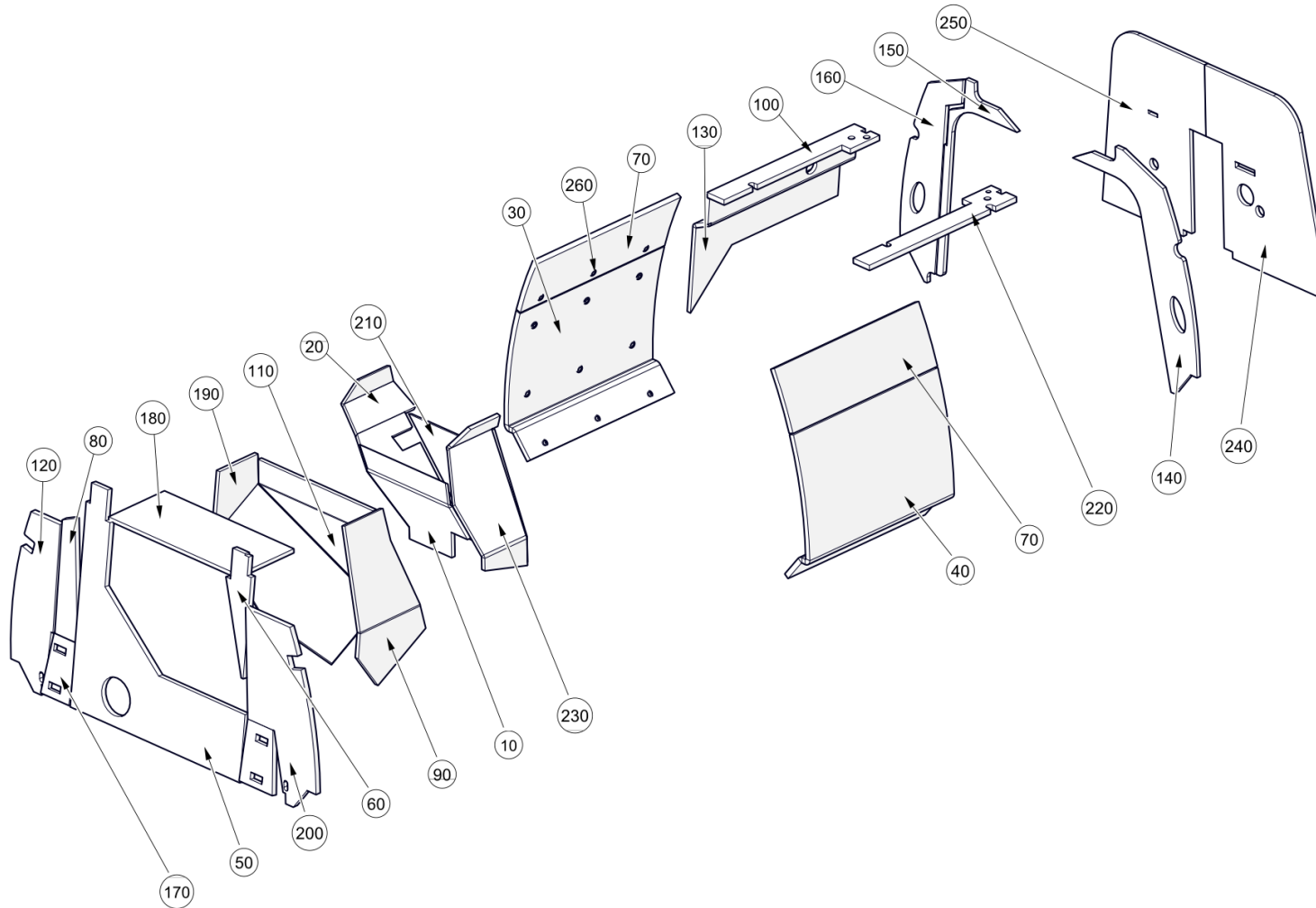


Fan Exhaust Insulation Kit ()

Hopper & Cow\Sound Insulation\Fan Exhaust Insulation Kit

Item no.	Part no.	Description	QTY	Unit
10	7045386	Insulation Panel - Fan Exhaust Hood	1	PC
20	7053437	Insulation Panel - Fan Exhaust Vane	3	PC
30	7053439	Insulation Panel - Fan Exhaust Floor	4	PC
40	7045385	Insulation Panel - Fan Exhaust Side Wall	2	PC
50	283-25	Spring Clip Ø3mm / Ø39mm	12	PC

Cowl Insulation Kit ()
Hopper & Cowl\Sound Insulation\Cowl Insulation Kit

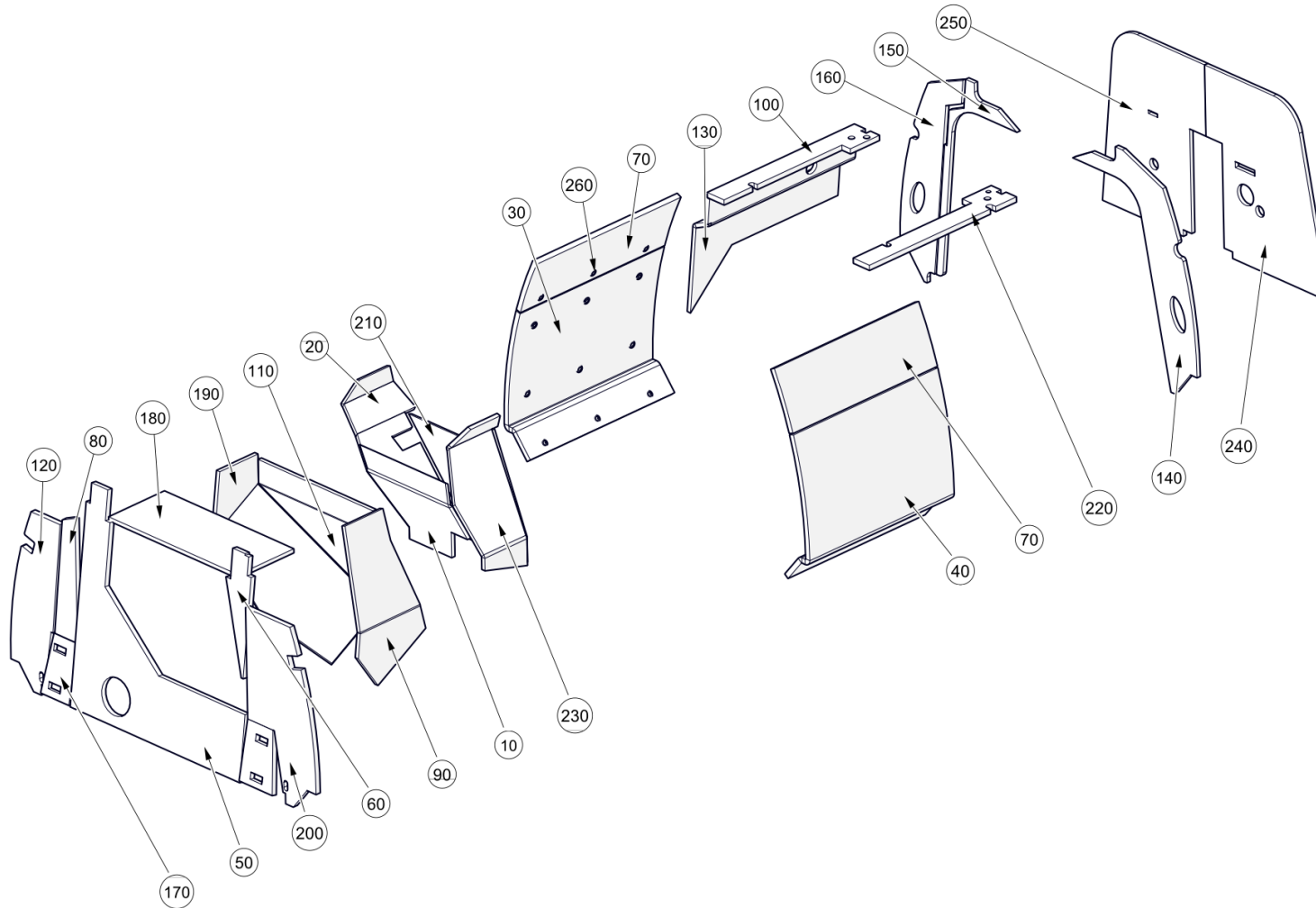


Cowl Insulation Kit ()

Hopper & Cowl\Sound Insulation\Cowl Insulation Kit

Item no.	Part no.	Description	QTY	Unit
10	7058947	Insulation Panel - Inlet Duct F 652 502	1	PC
V501/V651				
10	7058994	Insulation Panel - Inlet Duct F 802	1	PC
V801				
20	7058948	Insulation Panel - Inlet Duct RH 652 502	1	PC
V501/V651				
20	7058995	Insulation Panel - Inlet Duct RH 802	1	PC
V801				
30	7024813	Insulation Panel 651/2 501/2	1	PC
30	7023496	Insulation Panel 801/2	1	PC
40	7019843	Insulation Panel 651/2 501/2	1	PC
40	7023212	Insulation Panel 801/2	1	PC
50	7029986	Insulation Panel - Front RH 651/2 501/2	1	PC
Front panel for V502 and V652 is divided in two parts, LH panel (part n.7029984) and RH panel (part n.7029986).				
50	7029984	Insulation Panel - Front LH 651/2 501/2	1	PC
Front panel for V502 and V652 is divided in two parts, LH panel (part n.7029984) and RH panel (part n.7029986).				
50	7030174	Insulation Panel - Centre Front 801/2	1	PC
60	7029987	Insulation Panel - Top Front 651/2 501/2	1	PC
60	7030175	Insulation Panel - Top Front 801/2	1	PC
70	7019842	Insulation Panel 651/2 501/2	2	PC
70	7023213	Insulation Panel 801/2	2	PC
80	7019776	Insulation Panel 651/2 501/2	1	PC
80	7023151	Insulation Panel 801/2	1	PC
90	7029997	Insulation Panel - Ex LH 651/2 501/2	1	PC

Cowl Insulation Kit ()
Hopper & Cowl\Sound Insulation\Cowl Insulation Kit

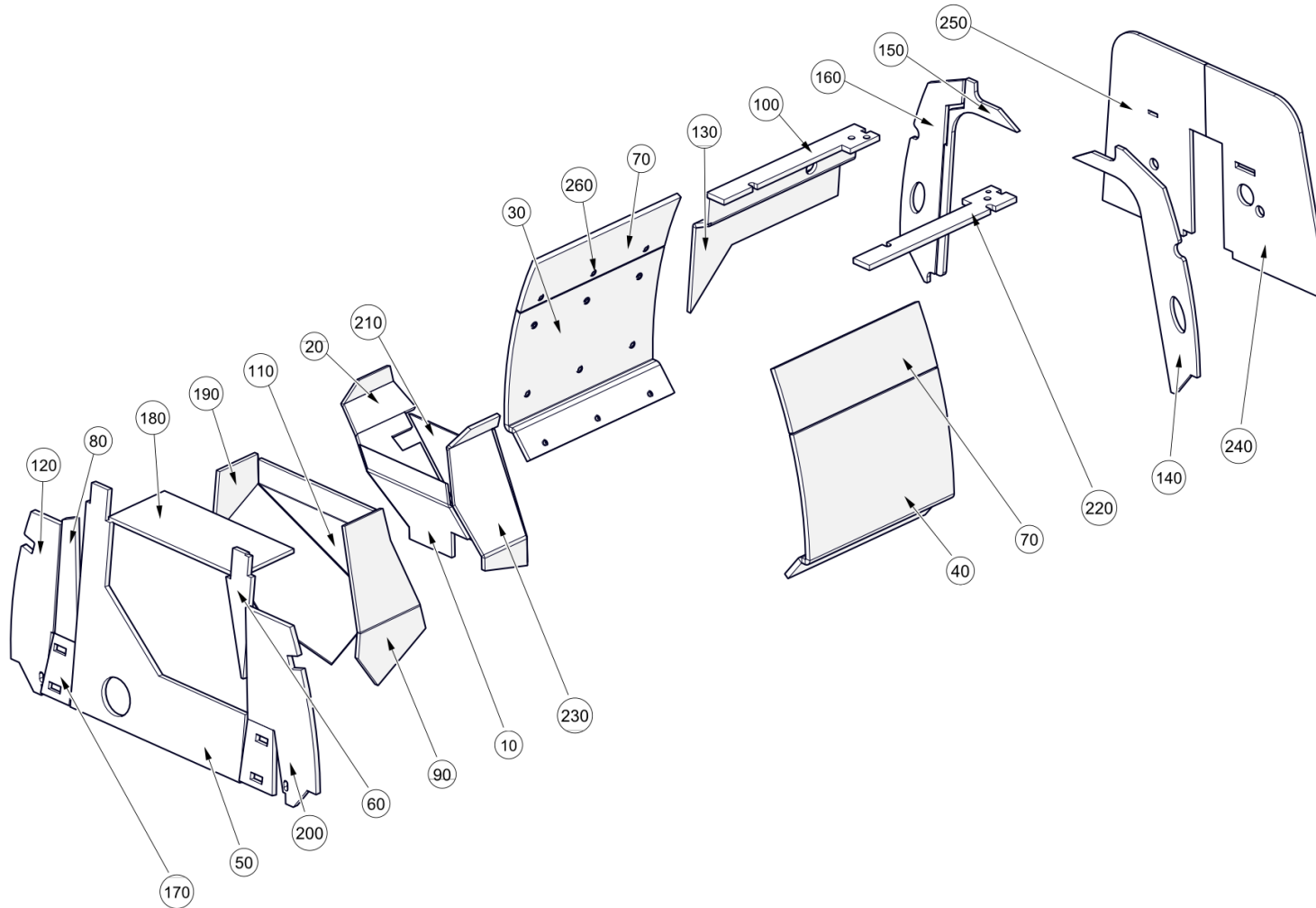


Cowl Insulation Kit ()

Hopper & Cowl\Sound Insulation\Cowl Insulation Kit

Item no.	Part no.	Description	QTY	Unit
90	7030165	Insulation Panel - Exhaust LH 801/2	1	PC
100	7029989	Insulation Panel - Roof RH 651/2 501/2	1	PC
100	7030177	Insulation Panel - Roof RH 801/2	1	PC
110	7029995	Insulation Panel - Ex Rear 651/2 501/2	1	PC
110	7030167	Insulation Panel - Exhaust Rear 801/2	1	PC
120	7019785	Insulation Panel 651/2 501/2	1	PC
120	7023215	Insulation Panel 801/2	1	PC
130	7019853	Insulation Panel 651/2 501/2	1	PC
130	7023211	Insulation Panel 801/2	1	PC
140	7019887	Insulation Panel 651/2 501/2	1	PC
140	7023221	Insulation Panel 801/2	1	PC
150	7019890	Insulation Panel 651/2 501/2	1	PC
150	7023220	Insulation Panel 801/2	1	PC
160	7019891	Insulation Panel 651/2 501/2	1	PC
160	7023218	Insulation Panel 801/2	1	PC
170	7019922	Insulation Panel 651/2 501/2	1	PC
170	7026365	Insulation Panel 801/2	1	PC
180	7030002	Insulation Panel - Duct Underside	1	PC
Suitable for V502/V652/V802.				
190	7030001	Insulation Panel - Ex RH 651/2 501/2	1	PC
190	7030166	Insulation Panel - Exhaust RH 801/2	1	PC
200	7019764	Insulation Panel 651/2 501/2	1	PC
200	7023152	Insulation Panel 801/2	1	PC
210	7029991	Insulation Panel - Duct Rear 651/2 501/2	1	PC

Cowl Insulation Kit ()
Hopper & Cowl\Sound Insulation\Cowl Insulation Kit

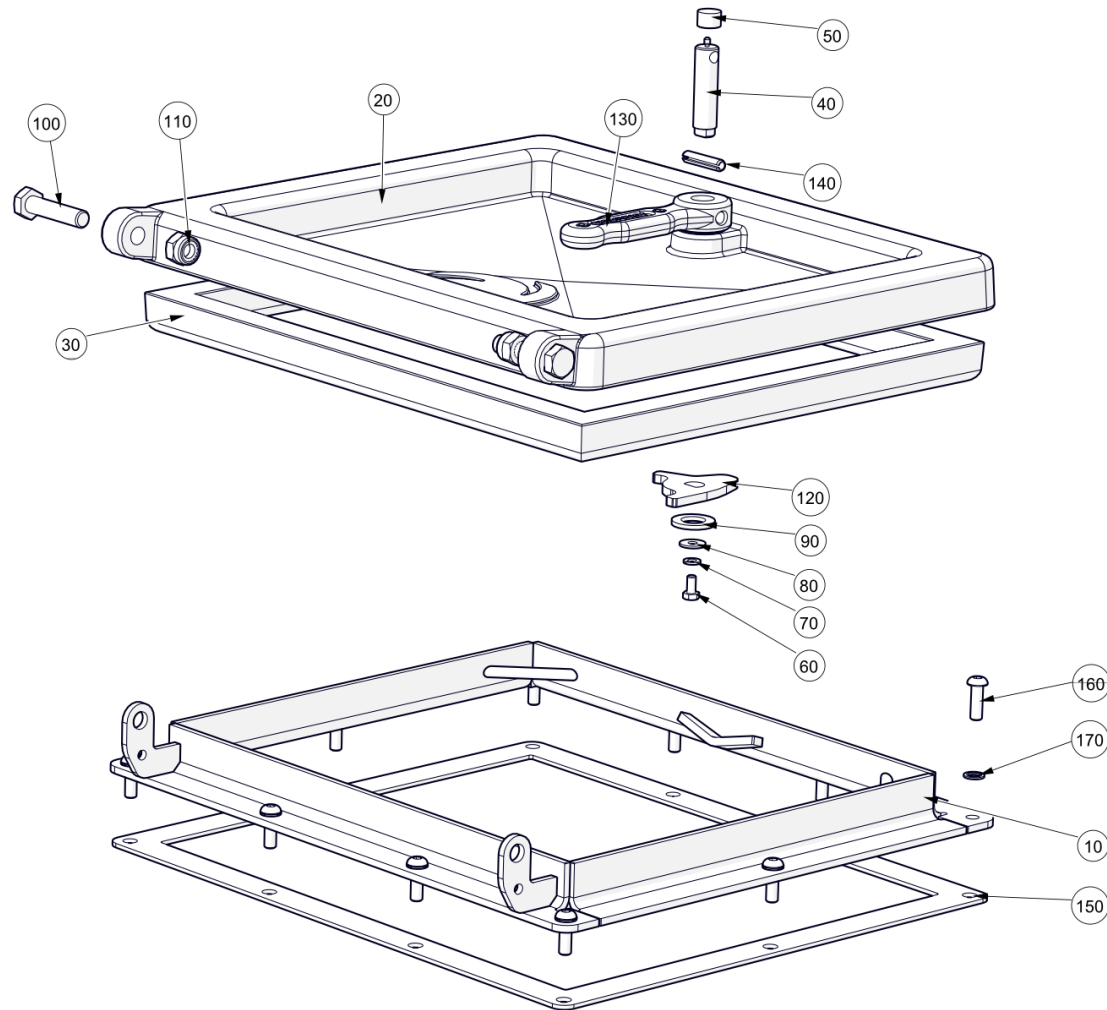


Cowl Insulation Kit ()

Hopper & Cowl\Sound Insulation\Cowl Insulation Kit

Item no.	Part no.	Description	QTY	Unit
210	7030173	Insulation Panel - Duct Rear 801/2	1	PC
220	7029988	Insulation Panel - Roof LH 651/2 501/2	1	PC
220	7030176	Insulation Panel - Roof LH 801/2	1	PC
230	7029992	Insulation Panel - I Duct LH 651/2 501/2	1	PC
230	7030168	Insulation Panel - Inlet Duct LH 801/2	1	PC
240	7059572	Insulation Panel - Hopper LH 802	1	PC
240	7059560	Insulation Panel - Hopper LH 652 502	1	PC
250	7059573	Insulation Panel - RH 802	1	PC
250	7059561	Insulation Panel - RH 652 502	1	PC
260	283-25	Spring Clip Ø3mm / Ø39mm	1	PC
Order 92pc for V502 and V652. Order 102pc for V802.				

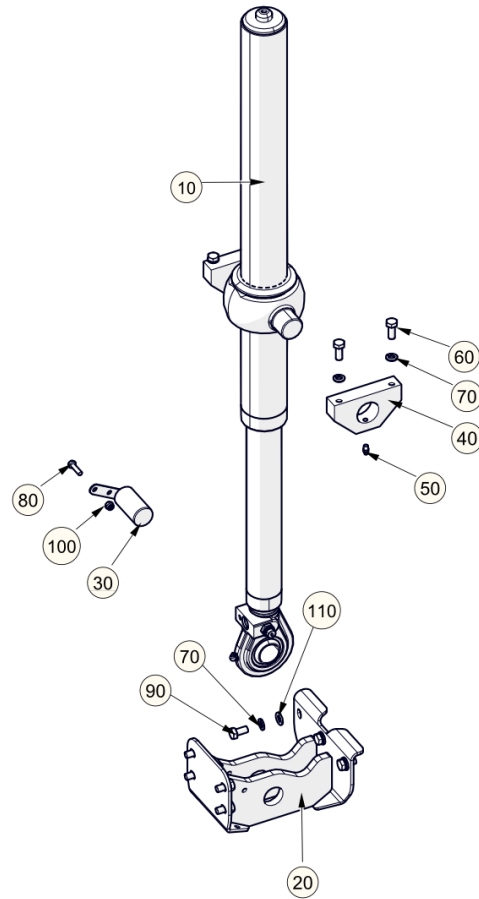
Hopper Access Door ()
Hopper & Cowl\Hopper Access Door



Hopper Access Door ()
Hopper & Cowl\Hopper Access Door

Item no.	Part no.	Description	QTY	Unit
10	283596-2	Frame W/Assy - Rear / Roof Acc Door	1	PC
20	284345-1	Access Door	1	PC
30	281217-1	Seal - Access Door Moulded	1	PC
40	284348-1	Spindle	1	PC
50	290-28	Bump Stop Rubber	1	PC
60	92099298-0	Hex Head Screw - M6Cx12 - A2	1	PC
70	93699708-0	Spring Washer - Plated M6	1	PC
80	93300507-0	Plain Large Washer M6	1	PC
90	93210523-0	Plain Washer - M16	1	PC
100	92067460-0	Hex Head Bolt - M12Cx55 - 8.8	2	PC
110	93085807-0	Nyloc Hex Nut M12C - 8	2	PC
120	200342-1	Lock	1	PC
130	7017706	Handle - Access Door	1	PC
140	93545357-0	Spring Pin (Slotted) - Ø8x36 C.Steel HD	1	PC
150	283613-1	Gasket - Access Panel Roof	1	PC
160	6122-2082	Hex Socket Button Head Screw M8Cx25 A2	10	PC
170	451-3	Washer Bonded Ø5-16" - Bolt	10	PC

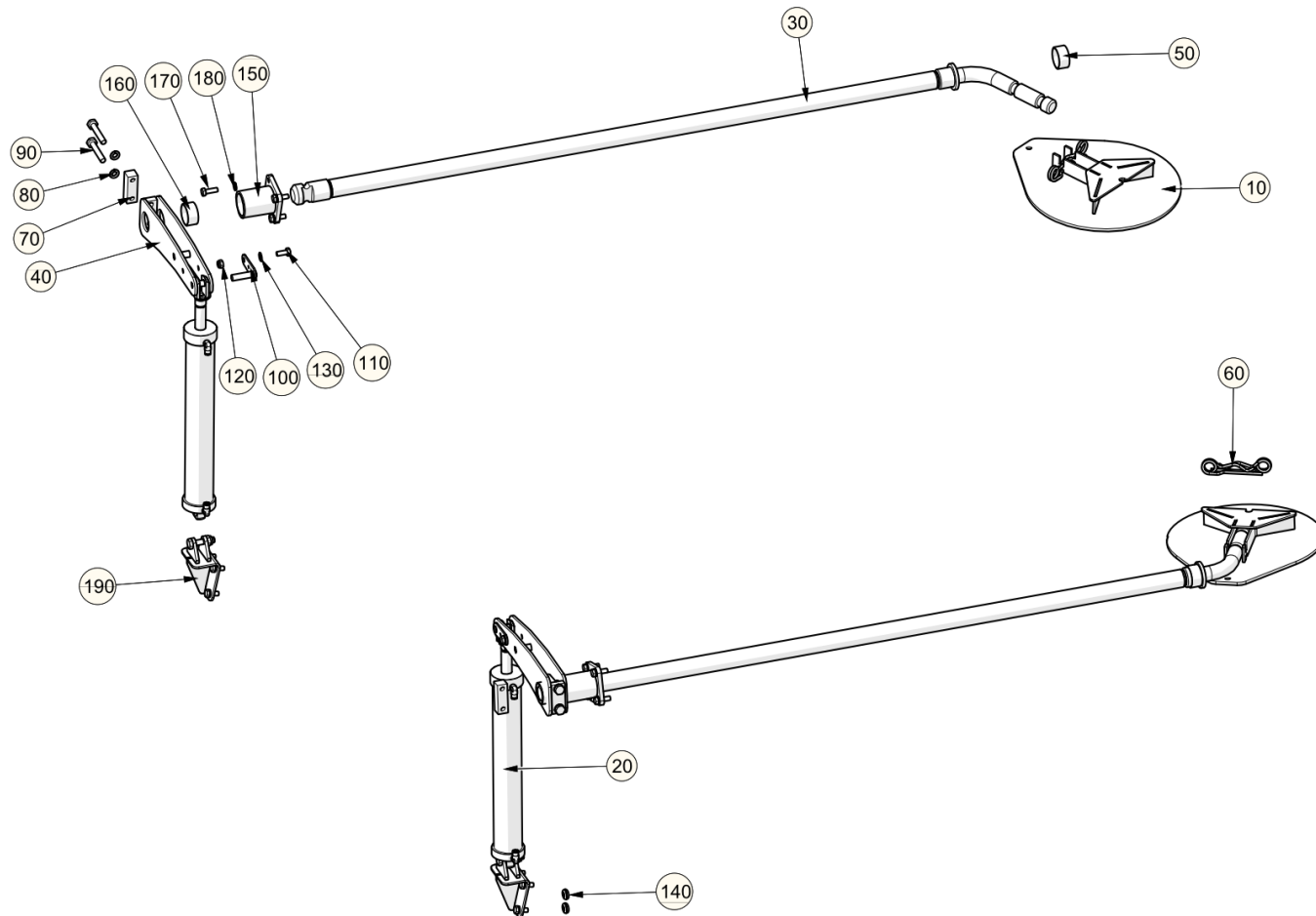
Tip Cylinder ()
Hopper & Cowl\Tip Cylinder



Tip Cylinder ()
Hopper & Cowl/Tip Cylinder

Item no.	Part no.	Description	QTY	Unit
10	7007541	Cylinder Assembly Ø75 x 1633 651	1	PC
10	7014581	Cylinder Assembly Ø75 x 1371 501	1	PC
10	7007939	Cylinder Assembly Ø75 x 1733 801	1	PC
20	7000862	Pivot Assembly	1	PC
30	42432-1-A	Pin - Pivot	1	PC
40	42072-1-A	Block Trunnion Cyl Tip Body	2	PC
50	38-1	Grease Nipple Straight 1/8 BSP	2	PC
60	92097450-0	Hex Head Screw - M12Cx30 - 8.8	4	PC
70	93699712-0	Spring Washer - Plated M12	11	PC
80	92097378-0	Hex Head Screw - M8Cx30 - 8.8	1	PC
90	92097448-0	Hex Head Screw - M12Cx25 - 8.8	7	PC
100	93085805-0	Nyloc Hex Nut M8C - 8	1	PC
110	93212013-0	Plain Washer M12	7	PC

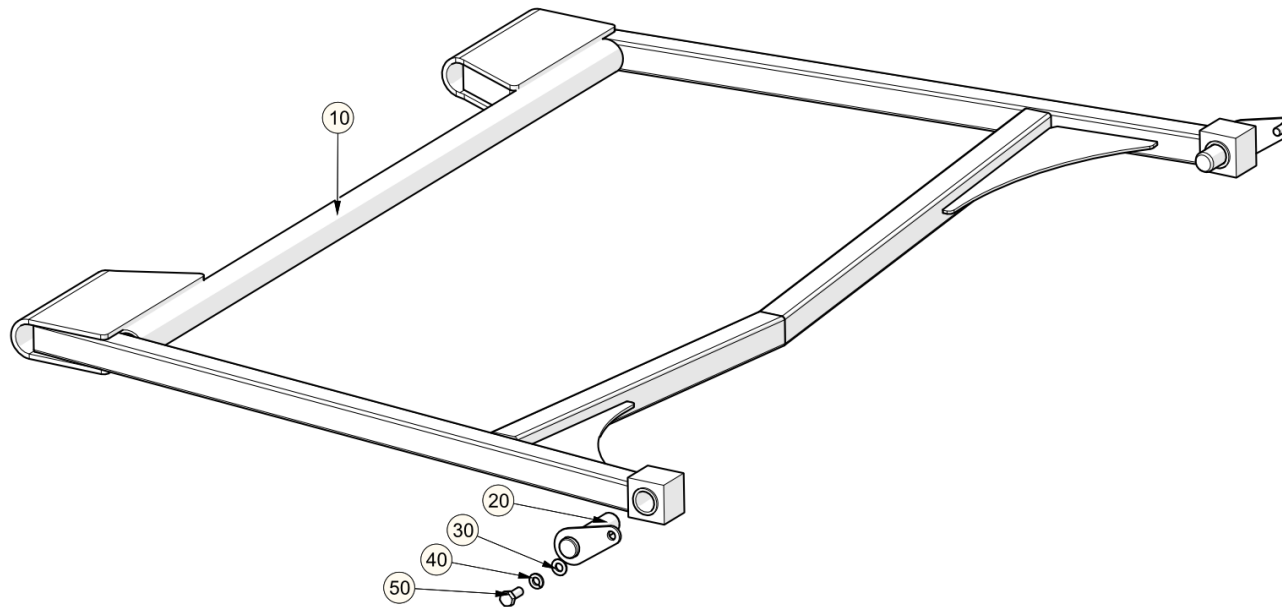
Cowl mounted flap cylinders ()
Hopper & Cowl\Cowl mounted flap cylinders



Cowl mounted flap cylinders ()
Hopper & Cowl\Cowl mounted flap cylinders

Item no.	Part no.	Description	QTY	Unit
10	282577-1	Intake Flap (V-Range)	2	PC
20	7004696	Cylinder Assembly Ø50x310	2	PC
30	7020088	Shaft Welded Assembly	2	PC
40	7038643	Actuator Arm - Welded Assembly	2	PC
50	29128-2-B	Bush	2	PC
60	40516-1-B	Spring Clip - Double Wound , Ø 19mm	4	PC
70	40456-2	Bar - Lever Mounting	2	PC
80	93699711-0	Spring Washer - Plated M10	4	PC
90	92097420-0	Hex Head Screw - M10Cx60 - 8.8	4	PC
100	7040101	Pin - 11.5 x 48 - W/Assy	2	PC
110	92097374-0	Hex Head Screw - M8Cx20 - 8.8	2	PC
120	93085005-0	Nyloc Hex Nut M8C - 8	2	PC
130	93212011-0	Plain Washer - M8	2	PC
140	287-38	Grommet - Ø 12.7 O/D, 8.0 I/D 1.6 Thick	4	PC
150	7034454	Flap bearing welded assembly	2	PC
160	29128-2-B	Bush	2	PC
170	92097376-0	Hex Head Screw - M8Cx25 - 8.8	8	PC
180	93699710-0	Spring Washer - Plated M8	8	PC
190	7020165	Flap Cylinder Bracket - Welded Assembly	2	PC

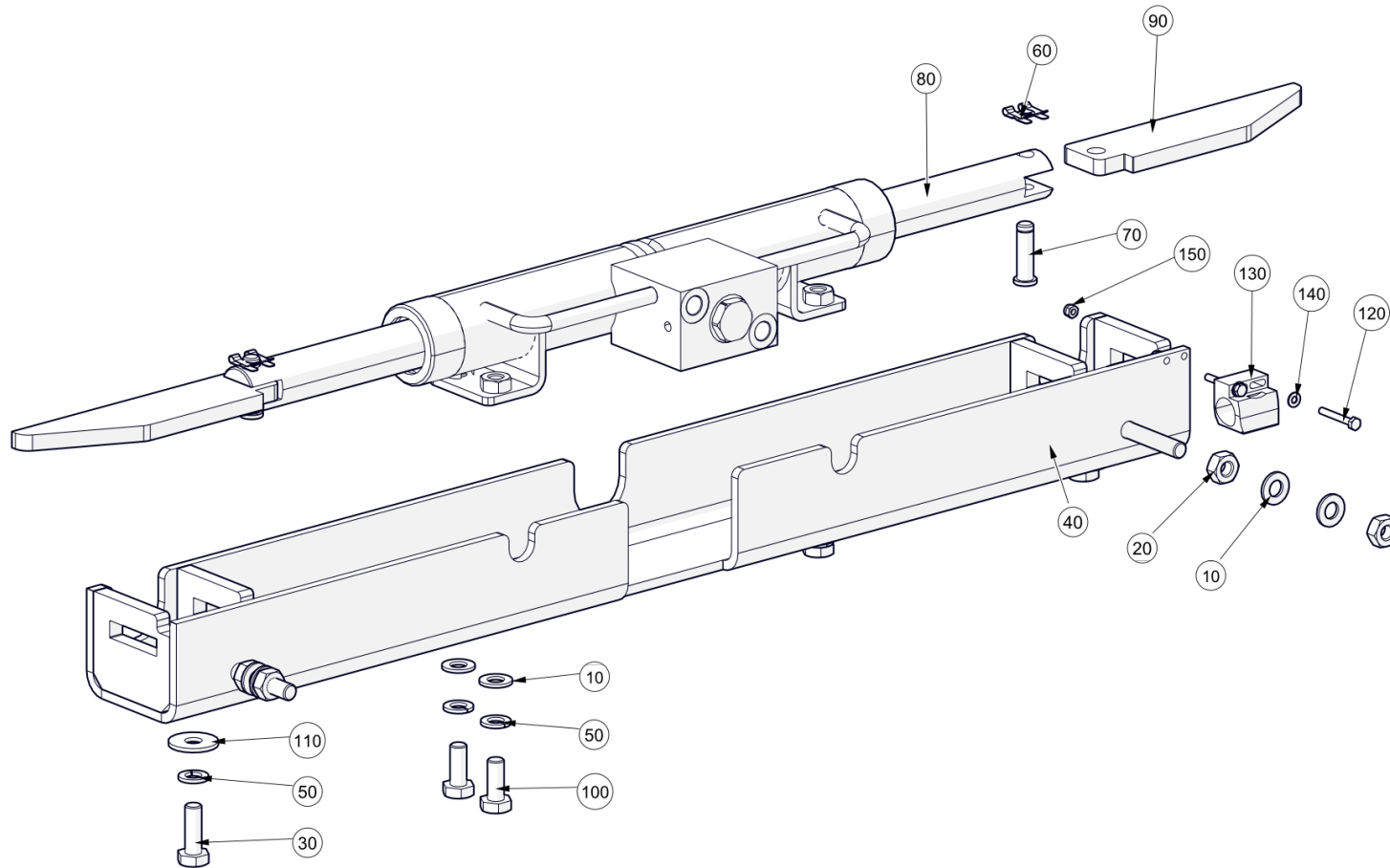
Body Prop ()
Hopper & Cow\Body Prop



Body Prop ()
Hopper & Cow\Body Prop

Item no.	Part no.	Description	QTY	Unit
10	7000965	Prop Assembly 651 801	1	PC
10	7005542	Prop Assembly 501	1	PC
20	7033385	Pin welded assembly	2	PC
30	93212011-0	Plain Washer - M8	2	PC
40	93699710-0	Spring Washer - Plated M8	2	PC
50	92097374-0	Hex Head Screw - M8Cx20 - 8.8	2	PC

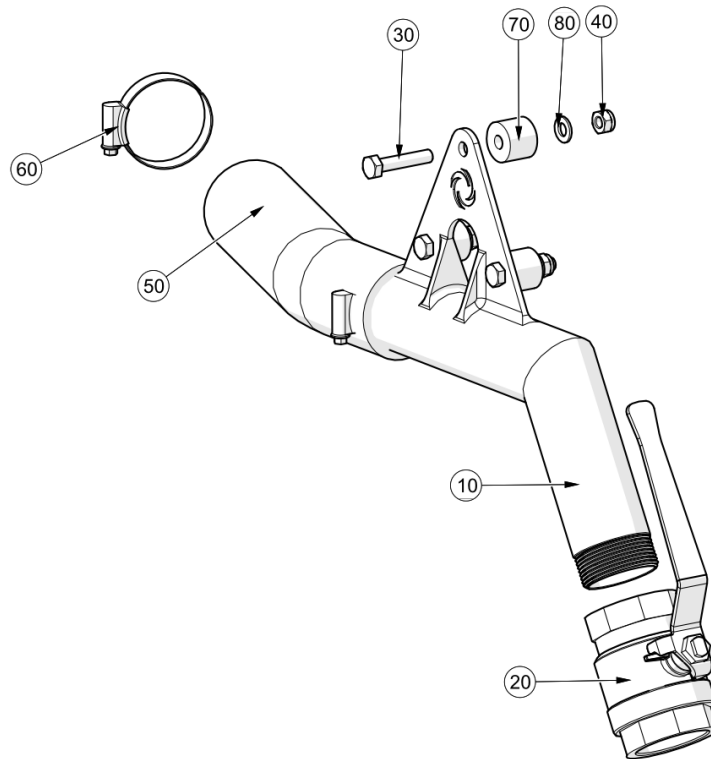
Latch Cassette ()
Hopper & Cow\Latch Cassette



Latch Cassette ()
Hopper & Cow\Latch Cassette

Item no.	Part no.	Description	QTY	Unit
10	93212012-0	Plain Washer - M10	8	PC
20	93056015-0	Hex Nut M10C-8	4	PC
30	92097414-0	Hex Head Screw - M10Cx30 - 8.8	2	PC
40	7061062	Channel W/Assy	1	PC
50	93699711-0	Spring Washer - Plated M10	6	PC
60	39624	Slim Safety Fastener	2	PC
70	29145-1-B	Clevis Pin (37.5mm Lg)	2	PC
80	7001169	Cylinder Rear Door Latch	1	PC
90	7001165	Latch	2	PC
100	92097412-0	Hex Head Screw - M10Cx25 - 8.8	4	PC
110	93300510-0	Plain Large Washer M10	2	PC
120	6107-0661	Hex Head Screw - M4Cx30 - 8.8	2	PC
130	7003202	Sensor Mount	1	PC
140	93212007-0	Plain Washer M4	2	PC
150	93085002-0	Nyloc Hex Nut M4C - 8	2	PC

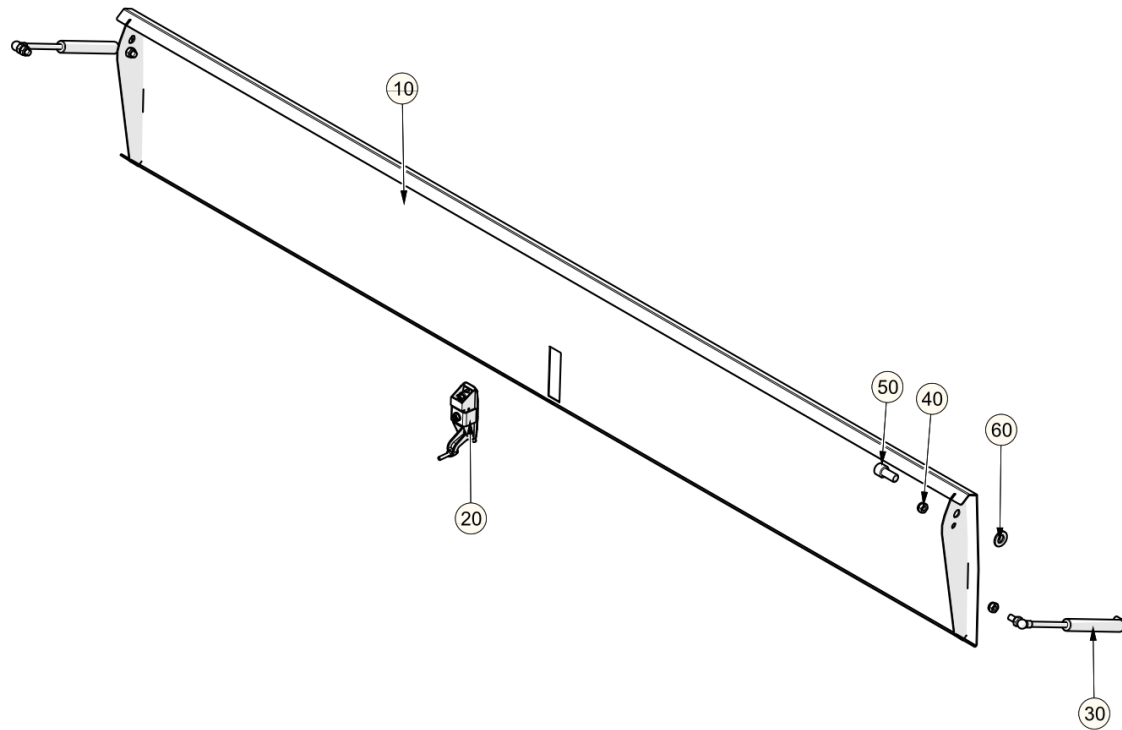
Flushing Valve Assembly ()
Hopper & Cow\Flushing Valve Assembly



Flushing Valve Assembly ()
Hopper & Cow\Flushing Valve Assembly

Item no.	Part no.	Description	QTY	Unit
10	7028740	Flushing Valve	1	PC
20	39253	Valve Ball 1 1/2 BSP	1	PC
30	92097380-0	Hex Head Screw - M8Cx40 - 8.8	3	PC
40	93085005-0	Nyloc Hex Nut M8C - 8	3	PC
50	42213-1-A	Hose Flushing Valve	1	PC
60	09531011-0	Hose Clip - Worm Drive (40-55)	2	PC
70	7023615	Spacer - Flushing Valve	3	PC
80	93212011-0	Plain Washer - M8	3	PC

Locker Doors ()
Hopper & Cowl/Locker Doors

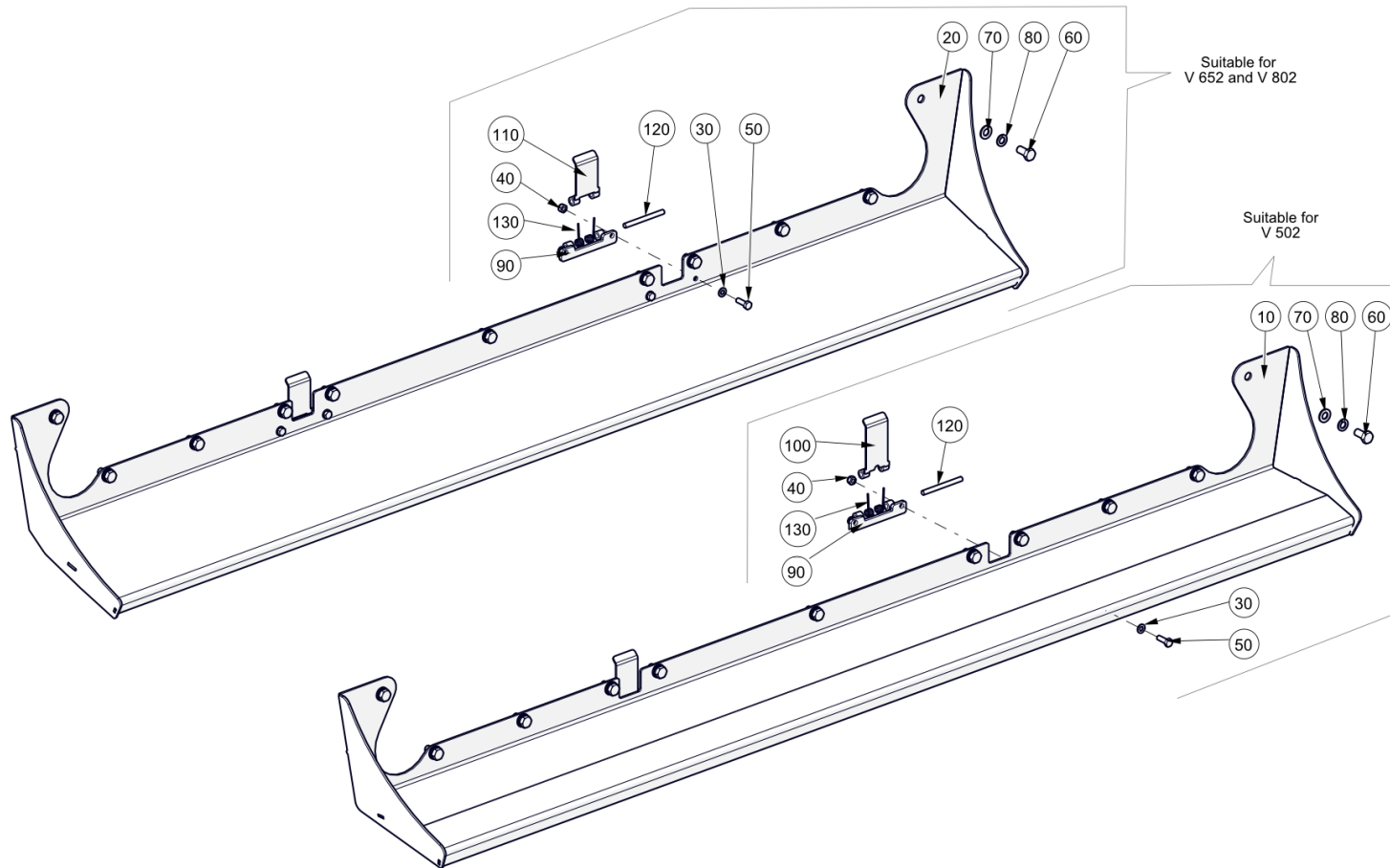


Locker Doors ()

Hopper & Cowl\Locker Doors

Item no.	Part no.	Description	QTY	Unit
10	7043384	Locker Door W/Assy, LH 1815mm 651 801	1	PC
10	7043385	Locker Door W/Assy, RH 1815mm 651 801	1	PC
10	7043354	Locker Door W/Assy, RH 1440mm 501	1	PC
10	7043353	Locker Door W/Assy, LH 1440mm 501	1	PC
20	211-77	Raised Trigger Handle Latch+Key+Fixings	1	PC
30	293-14	Strut - Gas 236mm Centres	2	PC
40	93085005-0	Nyloc Hex Nut M8C - 8	4	PC
50	92137194-0	Hex Socket Cap Screw - M12Cx25 - 12.9	1	PC
60	93212013-0	Plain Washer M12	1	PC

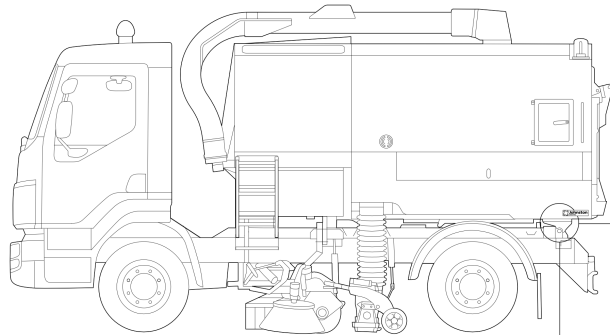
Discharge Chute ()
Hopper & Cowl\Discharge Chute



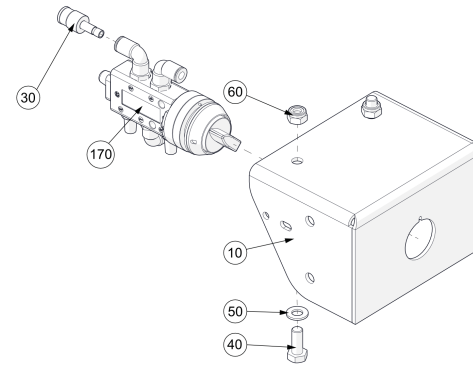
Discharge Chute ()
Hopper & Cowl\Discharge Chute

Item no.	Part no.	Description	QTY	Unit
10	7061558	Chute welded assembly (V-502)	1	PC
20	7060035	Chute welded assembly (V-652 V-802)	1	PC
30	93213010-0	Plain Washer M8 A2	4	PC
40	93085605-0	Nyloc Hex Nut - M8c - A2	4	PC
50	92099376-0	Hex Head Screw - M8Cx25 - A2	4	PC
60	92099447-0	Hex Head Screw - M12Cx25 - A2	11	PC
70	93213012-0	Plain Washer M12 A2	11	PC
80	93700212-0	Spring Washer M12 - A2	11	PC
90	7060063	Hinge welded assembly	2	PC
100	7061566	Flap welded assembly (V-502)	2	PC
110	7060064	Flap welded assembly (V-652 V-802)	2	PC
120	7060065	Pivot pin	2	PC
130	7061328	Torsion Spring	2	PC

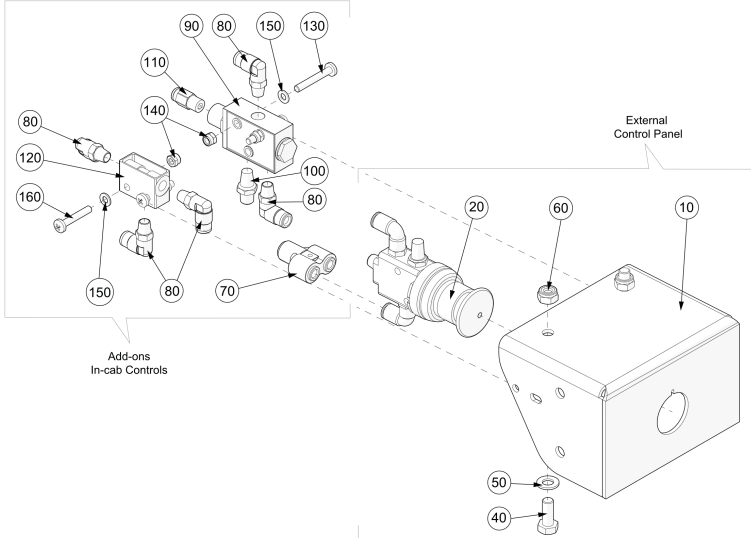
Hopper Controls ()
Hopper & Cowl/Hopper Controls
Only callouts are interactive in this image.



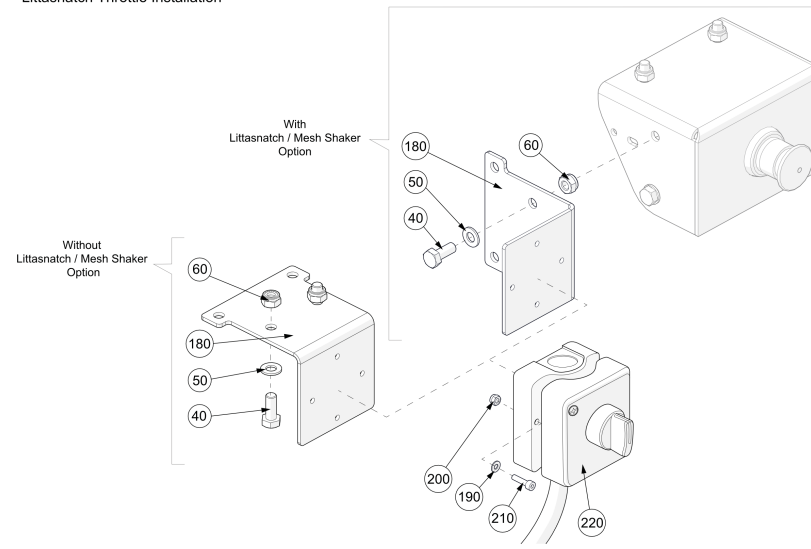
Littasnatch Controls



Mesh Shaker Controls



Littasnatch Throttle Installation



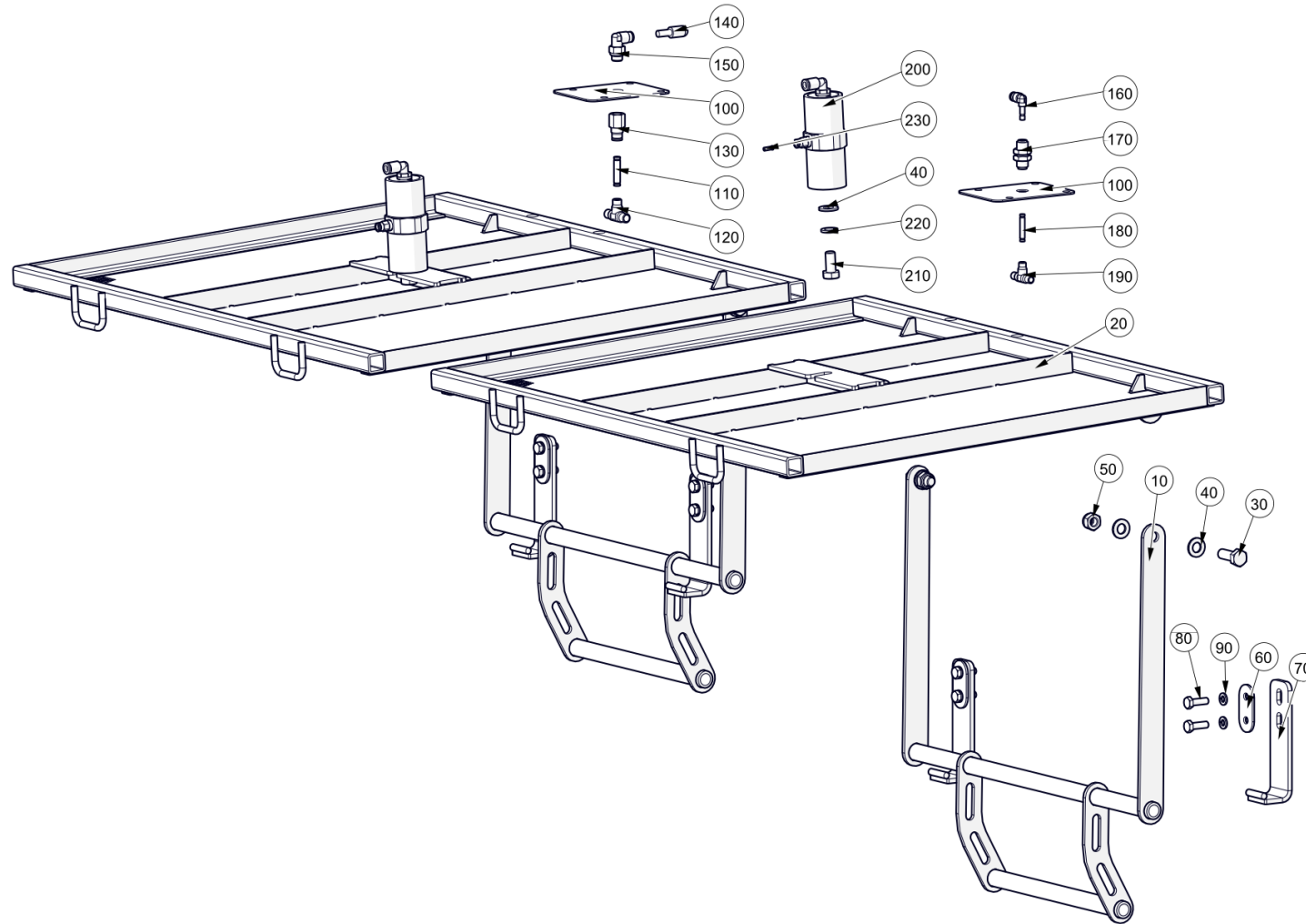
Hopper Controls ()

Hopper & Cowl/Hopper Controls

Only callouts are interactive in this image.

Item no.	Part no.	Description	QTY	Unit
10	7019819	Bracket, Pneumatic Control	1	PC
20	72-51	Push Button Pneu Switch	1	PC
30	548-20	Adaptor - Expanding 8mm x 6mm	1	PC
40	92097374-0	Hex Head Screw - M8Cx20 - 8.8	2	PC
50	93212011-0	Plain Washer - M8	2	PC
60	93085005-0	Nyloc Hex Nut M8C - 8	2	PC
70	559-9	Connector - Parallel Y 8x6x6mm	1	PC
80	09593147-0	Elbow Push-In Swivel 6mm x 1/8 BSPT	5	PC
90	72-31	Valve - Pneumatic 3/2	1	PC
100	72-17	Exhaust Silencer	1	PC
110	537-3	Adaptor-Push In 6mm x 1/8 BSPT Straight	1	PC
120	72-1	Valve - Shuttle	1	PC
130	134-61	Pan Head Screw - M5Cx30 - 4.8	2	PC
140	93085003-0	Nyloc Hex Nut M5C - 8	4	PC
150	93210109-0	Plain Washer M5	4	PC
160	134-62	Pan Head Screw-M5Cx35-4.8-Pozidriv	2	PC
170	7057615	Switch - Pneumatic 5/2 Sealed	1	PC
180	7029463	Bracket, External Throttle	1	PC
190	93212007-0	Plain Washer M4	2	PC
200	93085002-0	Nyloc Hex Nut M4C - 8	2	PC
210	92137012-0	Hex Socket Cap Screw - M4Cx16 - 12.9	2	PC
220	7033276	Harness - External Throttle MK2	1	PC

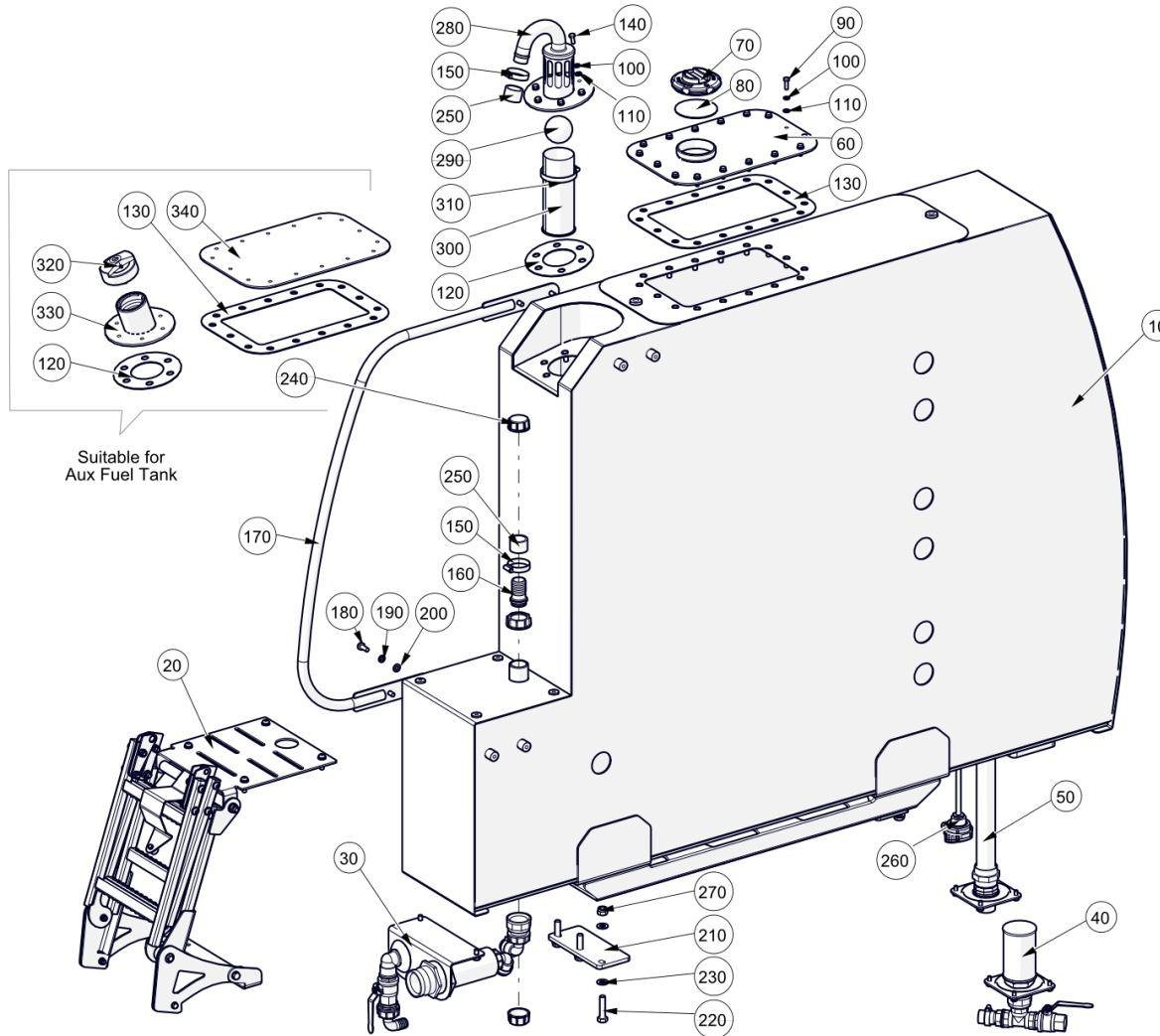
Hopper Mesh ()
Hopper & Cowl\Hopper Mesh



Hopper Mesh ()

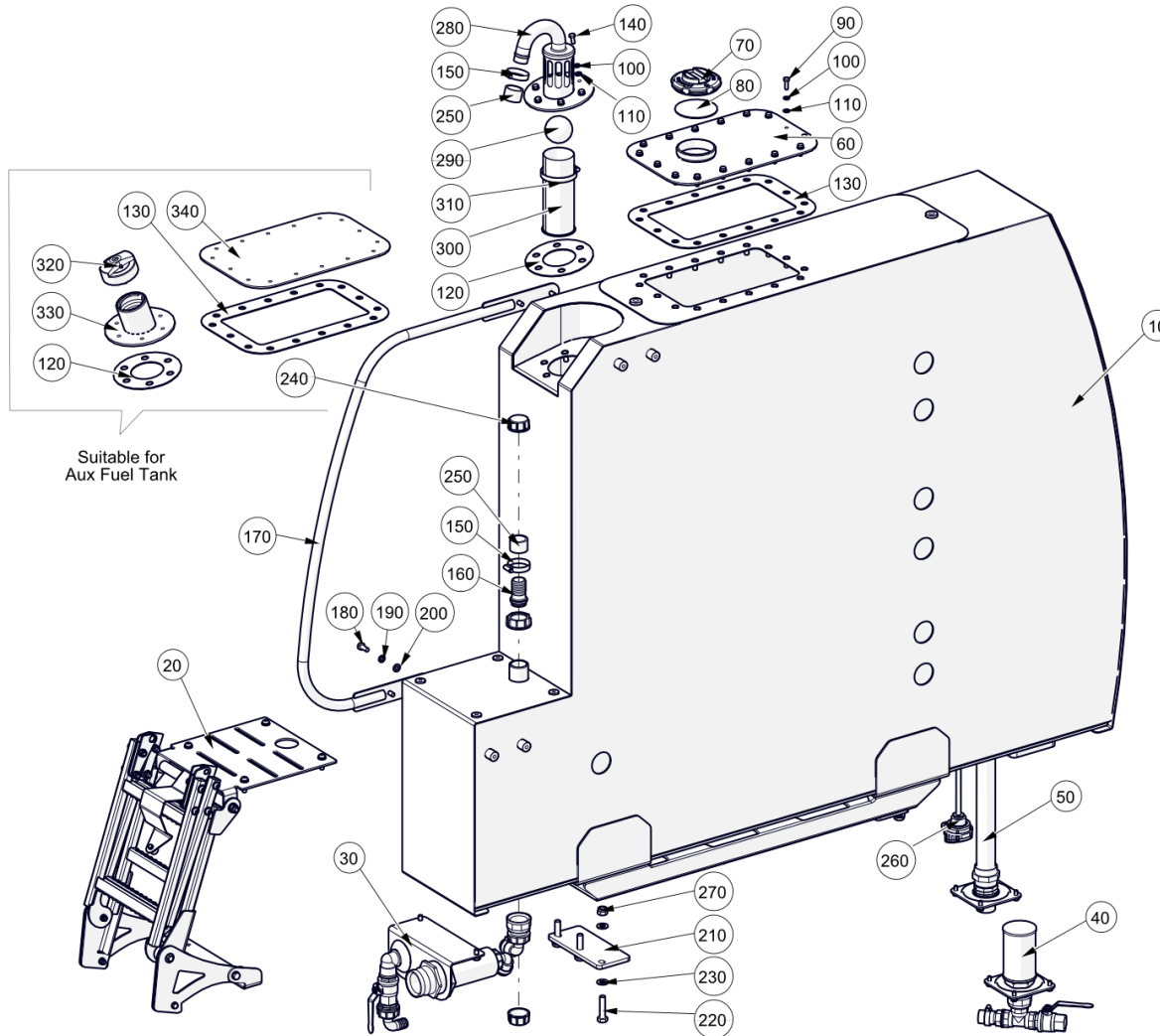
Hopper & Cowl\Hopper Mesh

Item no.	Part no.	Description	QTY	Unit
10	7054805	Mesh handle welded assembly	2	PC
20	7015783	Rear Mesh Welded Assembly	2	PC
30	92099450-0	Hex Head Screw - M12Cx35 - A2	4	PC
40	93213012-0	Plain Washer M12 A2	6	PC
50	93085607-0	Nyloc Hex Nut - M12c - A2	4	PC
60	7020237	Clamp Plate	4	PC
70	7062235	Mesh hook welded assembly	4	PC
80	92097376-0	Hex Head Screw - M8Cx25 - 8.8	8	PC
90	93699710-0	Spring Washer - Plated M8	8	PC
100	282515-2	Plate - Connection Vibrator Pneu	2	PC
110	549-4	Pneumatic Stem Connector, Ø8mm Tube	1	PC
120	09598783-0	Pneumatic Tee Connector, Ø8mm Tube(554-4)	1	PC
130	541-8	Adaptor - Female Straight 8mm x 1/4 BSP	1	PC
140	72-80	Silencer 8mm	1	PC
150	09598752-0	Elbow Push-In Swivel 8mmx1/4" BSP	1	PC
160	551-1	Adaptor - Stem Elbow 6mm	1	PC
170	555-3	Adaptor Bulkhead 6mm x M14x1.5	1	PC
180	549-3	Pneumatic Stem Connector, Ø6mm Tube	1	PC
190	09598782-0	Pneumatic Tee Connector, Ø6mm Tube	1	PC
200	283806-1	Pneumatic Piston Vibrator	2	PC
210	92099447-0	Hex Head Screw - M12Cx25 - A2	2	PC
220	93700212-0	Spring Washer M12 - A2	2	PC
230	41041-1-A	Sleeve - Support, Pipe	2	PC

Auxiliary Water/Fuel Tank ()
Hopper & Cowl/Auxiliary Water/Fuel Tank


Auxiliary Water/Fuel Tank ()
Hopper & Cowl\Auxiliary Water/Fuel Tank

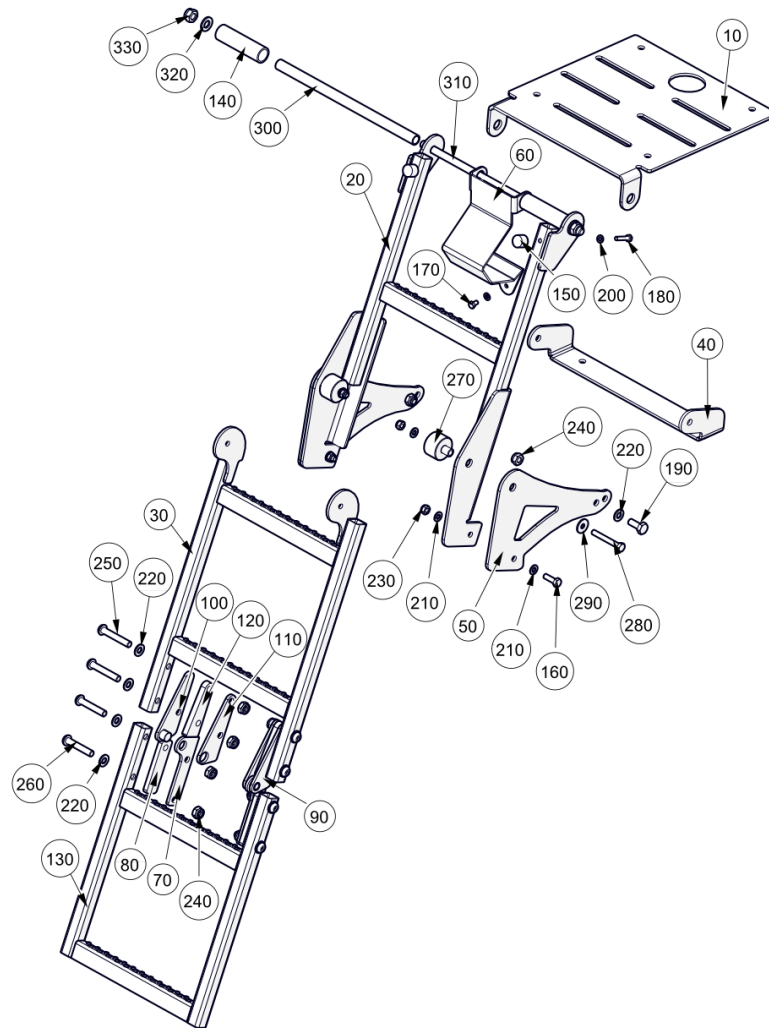
Item no.	Part no.	Description	QTY	Unit
10	7024413	Auxillary Water Tank Assembly	1	PC
10	7024655	Auxiliary Fuel Tank Assembly	1	PC
60	283024-1	Cover Plate W/Assy Aux Tank	1	PC
70	284040-1	Cap - Water Tank Drain	1	PC
80	40643-1-C	Washer - Seal, Drain, Water Tank	1	PC
90	92097376-0	Hex Head Screw - M8Cx25 - 8.8	16	PC
100	93699710-0	Spring Washer - Plated M8	22	PC
110	93212011-0	Plain Washer - M8	22	PC
120	283026-1	Gasket-Filler Flange Aux Tank	1	PC
130	283023-1	Gasket-Cover Plate Aux Tank	1	PC
140	92097374-0	Hex Head Screw - M8Cx20 - 8.8	6	PC
150	09531011-0	Hose Clip - Worm Drive (40-55)	2	PC
160	277-199	Spigoted 1 1/2" Cap + Liner	1	PC
170	283039-1	Grab Rail W/A Auxiliary Tank	1	PC
180	92097412-0	Hex Head Screw - M10Cx25 - 8.8	4	PC
190	93699711-0	Spring Washer - Plated M10	4	PC
200	93212012-0	Plain Washer - M10	4	PC
210	283073-1	Mount-Anti Vibration Aux Tank	2	PC
220	92072215-0	Hex Head Bolt - M14Cx60 - 10.9	6	PC
230	93212015-0	Plain Washer M14	12	PC
240	277-203	Blanking Cap - 1 1/2"	1	PC
250	272-17	Hose 35i/d Trichoflex (Water)	0,9	M
260	7002529	Level Sender	1	PC
270	93085008-0	Nyloc Hex Nut M14C - 8	6	PC

Auxiliary Water/Fuel Tank ()
Hopper & Cowl/Auxiliary Water/Fuel Tank


Auxiliary Water/Fuel Tank ()
Hopper & Cowl/Auxiliary Water/Fuel Tank

Item no.	Part no.	Description	QTY	Unit
280	283027-1	Water Break W/Assy Aux Tank	1	PC
290	22-12	Ball - Plastic 70mm dia	1	PC
300	283822-1	Valve Cage W/Assy Water Break	1	PC
310	09531054-0	Hose Clip - Worm Drive (70-90)	1	PC
320	69-27	Fuel Cap - Lockable 80mm	1	PC
330	283030-1	Fuel Filler Neck W/A-Aux Tank	1	PC
340	283569-1	Cover Plate-Auxiliary Tank 95	1	PC

Ladder ()
Hopper & Cowl\Auxiliary Water/Fuel Tank\Ladder

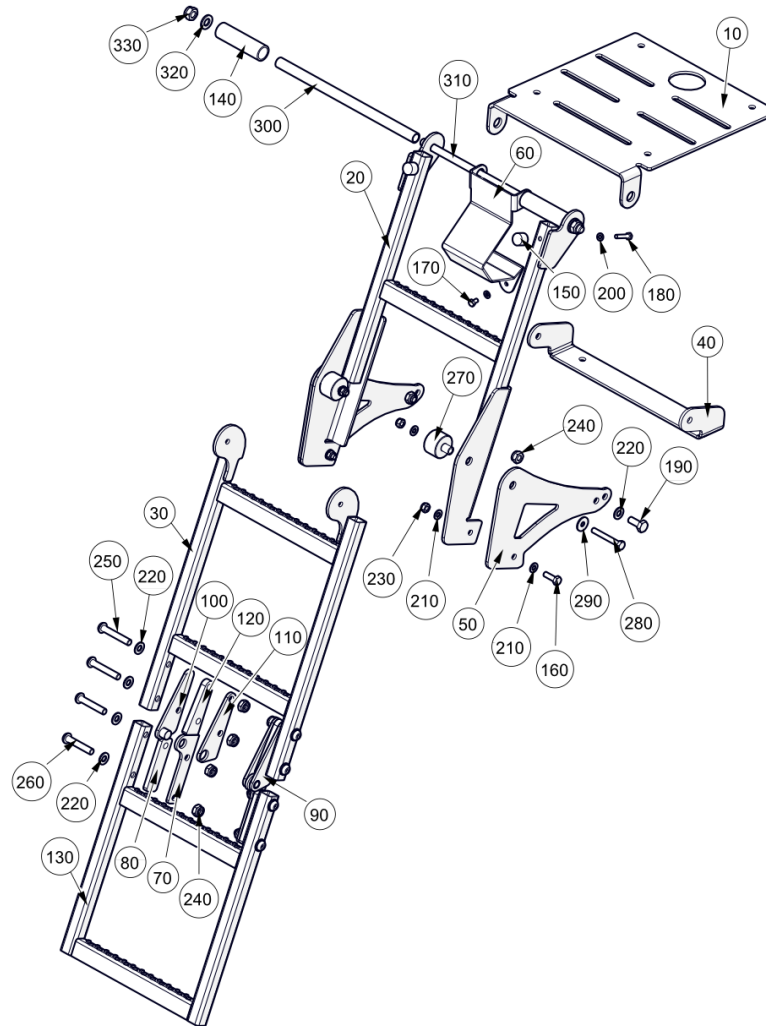


Ladder ()

Hopper & Cowl\Auxiliary Water/Fuel Tank\Ladder

Item no.	Part no.	Description	QTY	Unit
10	283043-1	Foot Plate Assy Auxiliary Tank	1	PC
20	283046-1	Upper Ladder W/Assy Aux Tank	1	PC
30	7063210	Middle Ladder W/Assy, Aux Tank	1	PC
40	283054-1	Bracket - Mounting Ladder Assy	1	PC
50	283288-1	Stay - Ladder Assy Aux Tank 95	2	PC
60	7063239	Hook - Ladder	1	PC
70	7063240	Pivot, Ladder	2	PC
80	7045266	Plate - Ladder	2	PC
90	7063226	Hinge W/Assy, Aux Ladder	1	PC
100	7063228	Hinge W/Assy RH, Aux Ladder	1	PC
110	7063242	Plate, Guide	2	PC
120	7063229	Support, Aux Ladder	2	PC
130	7063215	Lower Ladder W/Assy, Aux Tank	1	PC
140	283367-1	Hook Locator Ladder Assy	2	PC
150	290-31	Mount - Anti Vibration F M6	3	PC
160	92097376-0	Hex Head Screw - M8Cx25 - 8.8	2	PC
170	92097297-0	Hex Head Screw - M6Cx10 - 8.8	1	PC
180	92097305-0	Hex Head Screw - M6Cx30 - 8.8	2	PC
190	92097412-0	Hex Head Screw - M10Cx25 - 8.8	2	PC
200	93212009-0	Plain Washer - M6	3	PC
210	93212011-0	Plain Washer - M8	6	PC
220	93212012-0	Plain Washer - M10	10	PC
230	93085005-0	Nyloc Hex Nut M8C - 8	4	PC
240	93085006-0	Nyloc Hex Nut M10C - 8	10	PC

Ladder ()
Hopper & Cowl\Auxiliary Water/Fuel Tank\Ladder

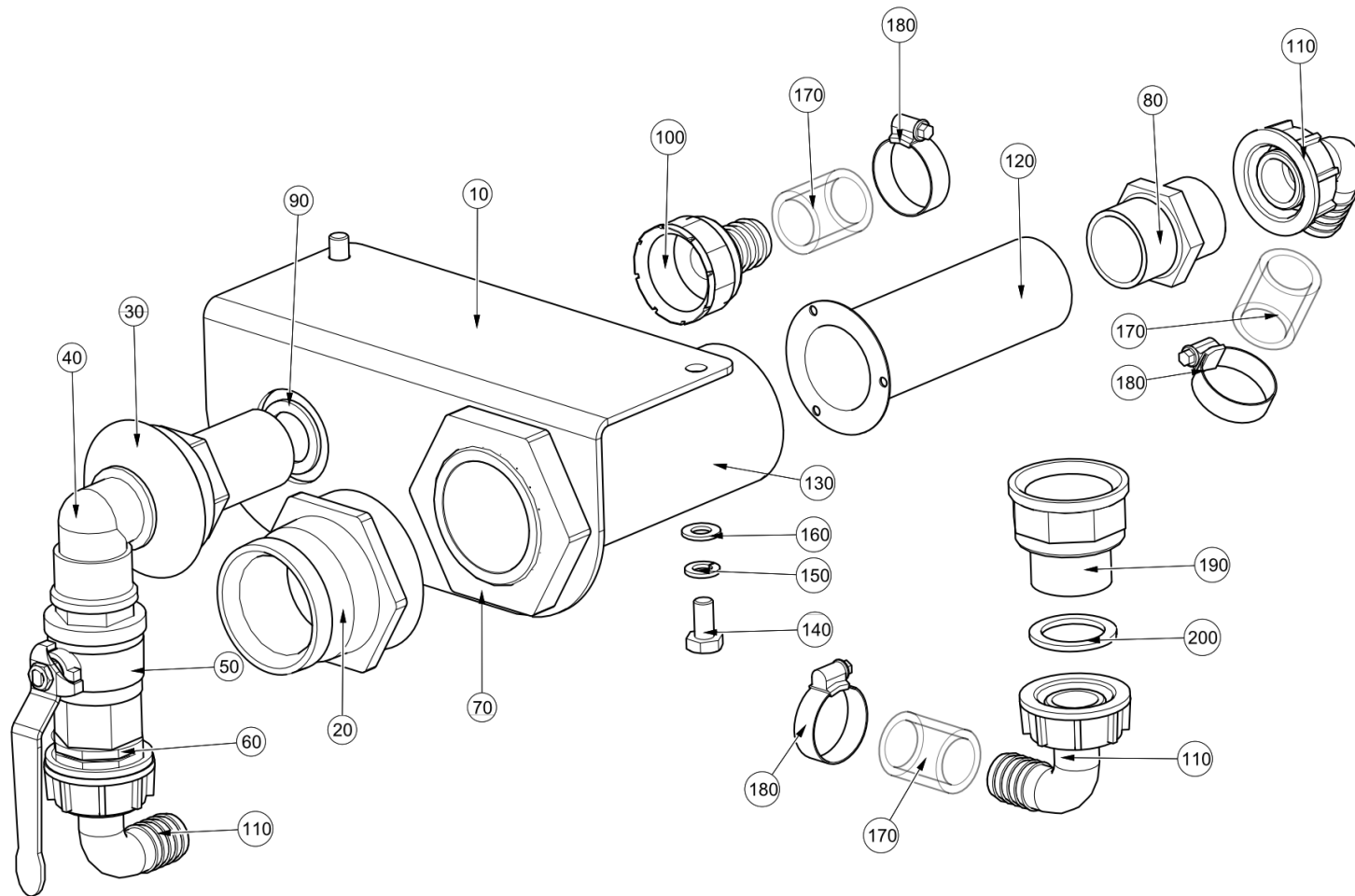


Ladder ()

Hopper & Cow\Auxiliary Water/Fuel Tank\Ladder

Item no.	Part no.	Description	QTY	Unit
250	138-164	Hex Skt Button Head Screw M10x60 - 10.9	4	PC
260	138-163	Hex Skt Button Head Screw M10x55 - 10.9	4	PC
270	283058-1	Spacer - Pivot Ladder Assy	2	PC
280	92067387-0	Hex Head Bolt - M8Cx60 - 8.8	2	PC
290	93300509-0	Plain Large Washer - M8	2	PC
300	283052-1	Pivot Tube Ladder Assy	1	PC
310	283053-1	Pivot Stud - Ladder Assy	1	PC
320	93212013-0	Plain Washer M12	2	PC
330	93085007-0	Nyloc Hex Nut M12C - 8	2	PC

Valve Plate Assembly ()
Hopper & Cow\Auxiliary Water/Fuel Tank\Valve Plate Assembly

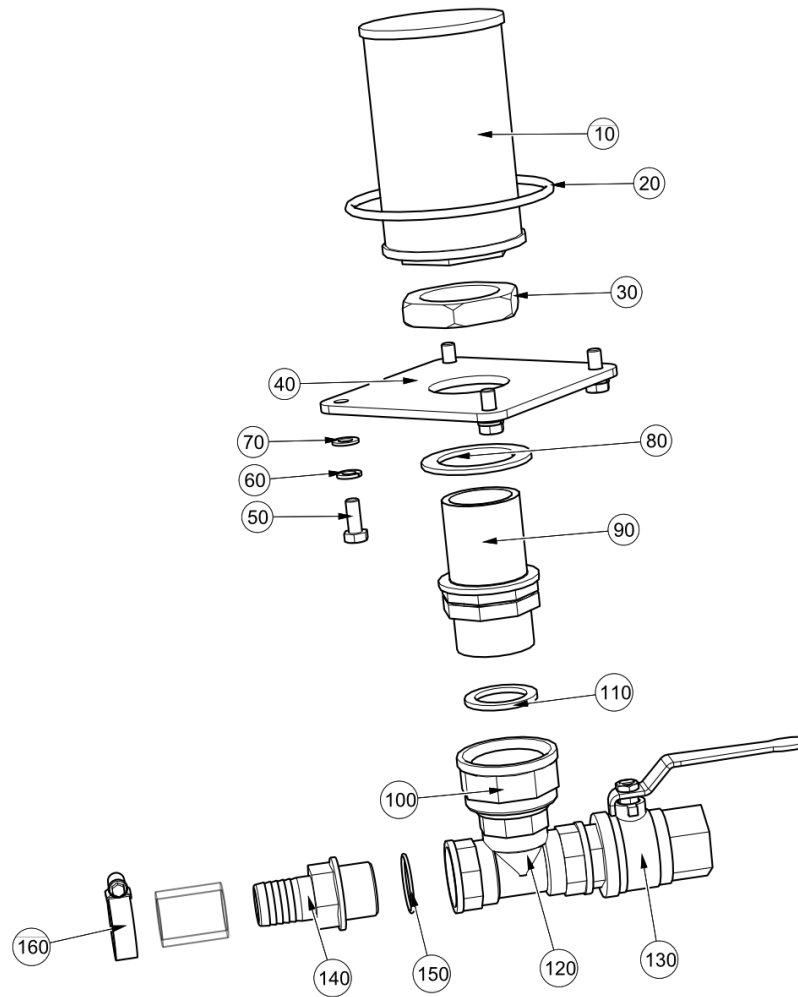


Valve Plate Assembly ()

Hopper & Cow\Auxiliary Water/Fuel Tank\Valve Plate Assembly

Item no.	Part no.	Description	QTY	Unit
10	283064-1	Plate Valve - Auxiliary Tank	1	PC
20	18684-1-C	Hydrant Coupling - UK	1	PC
30	277-195	Tank Outlet Bulkhead Ass 1"BSP	1	PC
40	277-196	Elbow 1" M / 1" F 90 Deg	1	PC
50	88-26	Ball Valve 1" BSP M/F	1	PC
60	277-197	Nipple-Reducing 1 - 1 1/4" BSP	1	PC
70	410-210	Backnut - 2 BSP	1	PC
80	277-194	Hexagonal Nipple - 1 1/4" BSP	1	PC
90	277-268	Gasket - 39.5 mm O/D 27.5mm I/D	1	PC
100	277-266	Hosetail - Female G 1 ¼" x 25mm	1	PC
110	277-140	Cap 1 1/4"BSP(F)+Liner 25mm 1"	3	PC
111	6117	1" Bore Premoflex Hose	4,5	M
112	504-4	Hose Clip - Worm Drive (27-40)	1	PC
120	39402	Filter	1	PC
130	7017527	Hydrant Filler - 187 x 50	1	PC
140	92097410-0	Hex Head Screw - M10Cx20 - 8.8	2	PC
150	93699711-0	Spring Washer - Plated M10	4	PC
160	93212012-0	Plain Washer - M10	4	PC
170	272-20	Clear Ducting 25mm Bore x 20m	2,1	M
180	09531009-0	Hose Clip - Worm Drive (30-40)	3	PC
190	277-138	Bush 1 1/2"BSP(F)x1 1/4"BSP(M)	1	PC
200	277-262	Gasket - 45mm O/D 33mm I/D	1	PC
210	283054-1	Bracket - Mounting Ladder Assy	1	PC

Water Filter Assembly ()
Hopper & Cowl\Auxiliary Water\Fuel Tank\Water Filter Assembly

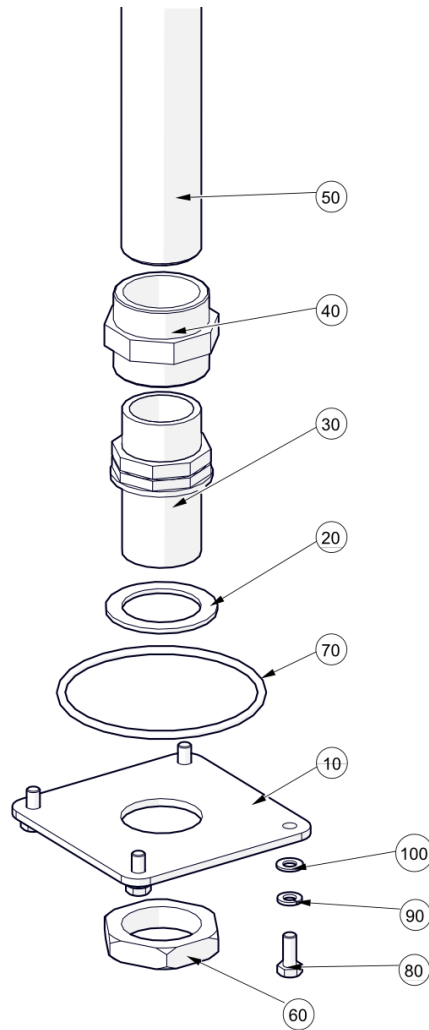


Water Filter Assembly ()

Hopper & Cowl\Auxiliary Water/Fuel Tank\Water Filter Assembly

Item no.	Part no.	Description	QTY	Unit
10	6974-1-C	Filter - Water Tank	1	PC
20	80-143	O-Ring	1	PC
30	277-198	Backnut 1 1/2 F	1	PC
40	283033-1	Flange - Auxiliary Tank	1	PC
50	92097374-0	Hex Head Screw - M8Cx20 - 8.8	4	PC
60	93699710-0	Spring Washer - Plated M8	4	PC
70	93212011-0	Plain Washer - M8	4	PC
80	277-214	Gasket - 67mm O/D 47mm I/D	1	PC
90	277-212	Nipple - G 1 1/2 50 x 24mm	1	PC
100	277-192	Bush - Reducing 1 1/2" F 1" M	1	PC
110	277-201	1" Rubber Washer (Male Thread)	1	PC
120	277-128	Tee Female - G 1 Equal	1	PC
130	88-26	Ball Valve 1" BSP M/F	1	PC
140	277-125	Hosetail 1" BSP	1	PC
150	277-149	Seal O-Ring For 1" Thread	1	PC
160	09531009-0	Hose Clip - Worm Drive (30-40)	1	PC

Overflow Assembly ()
Hopper & Cow\Auxiliary Water/Fuel Tank\Overflow Assembly

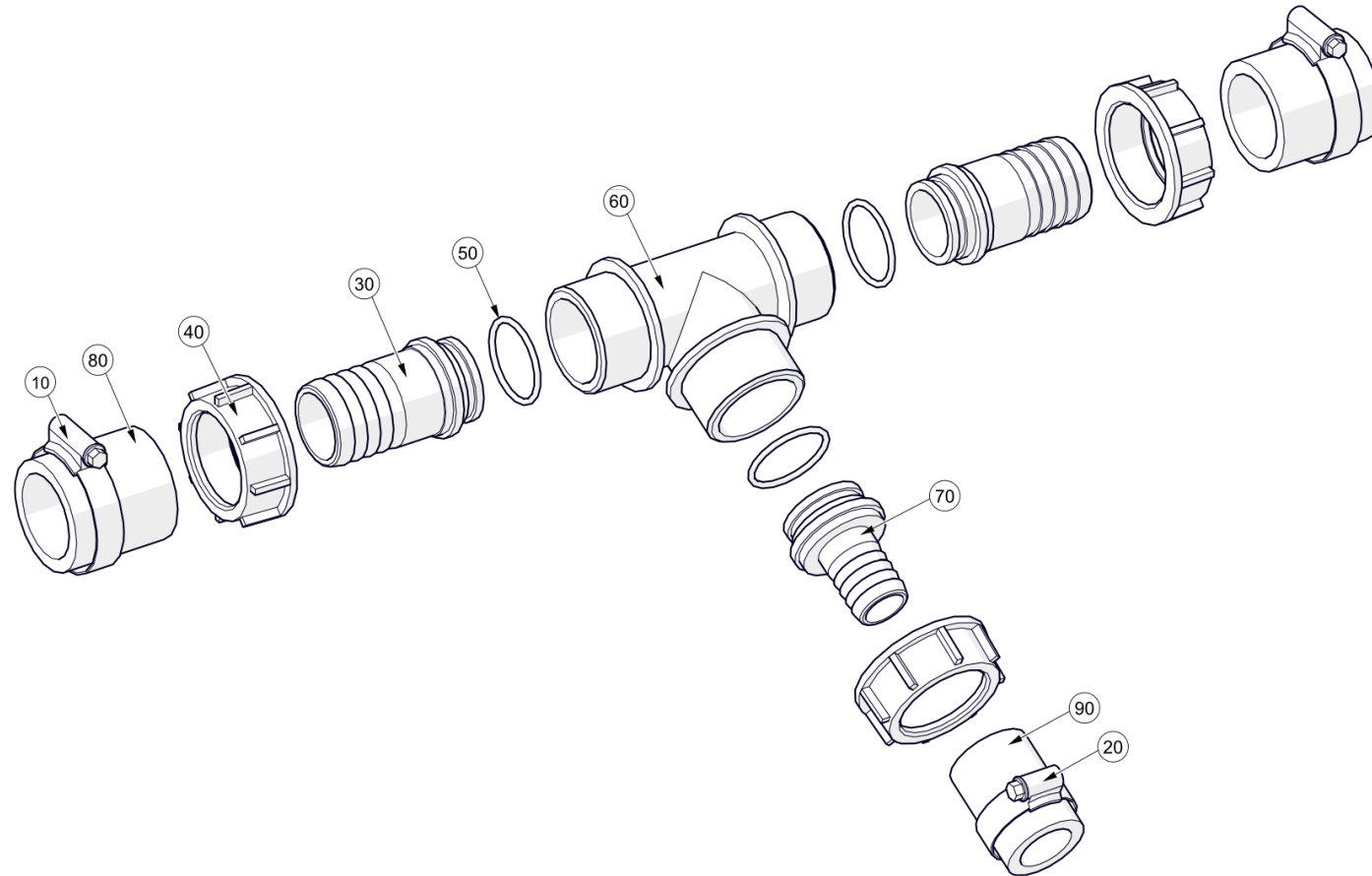


Overflow Assembly ()

Hopper & Cow\Auxiliary Water/Fuel Tank\Overflow Assembly

Item no.	Part no.	Description	QTY	Unit
10	283033-1	Flange - Auxiliary Tank	1	PC
20	277-214	Gasket - 67mm O/D 47mm I/D	1	PC
30	277-212	Nipple - G 1 1/2 50 x 24mm	1	PC
40	277-241	Socket - G 1 1/2 F x G 1 1/2 F	1	PC
50	283034-1	Tube - Overflow Auxiliary Tank	1	PC
60	277-198	Backnut 1 1/2 F	1	PC
70	80-143	O-Ring	1	PC
80	92097376-0	Hex Head Screw - M8Cx25 - 8.8	4	PC
90	93699710-0	Spring Washer - Plated M8	4	PC
100	93212011-0	Plain Washer - M8	4	PC

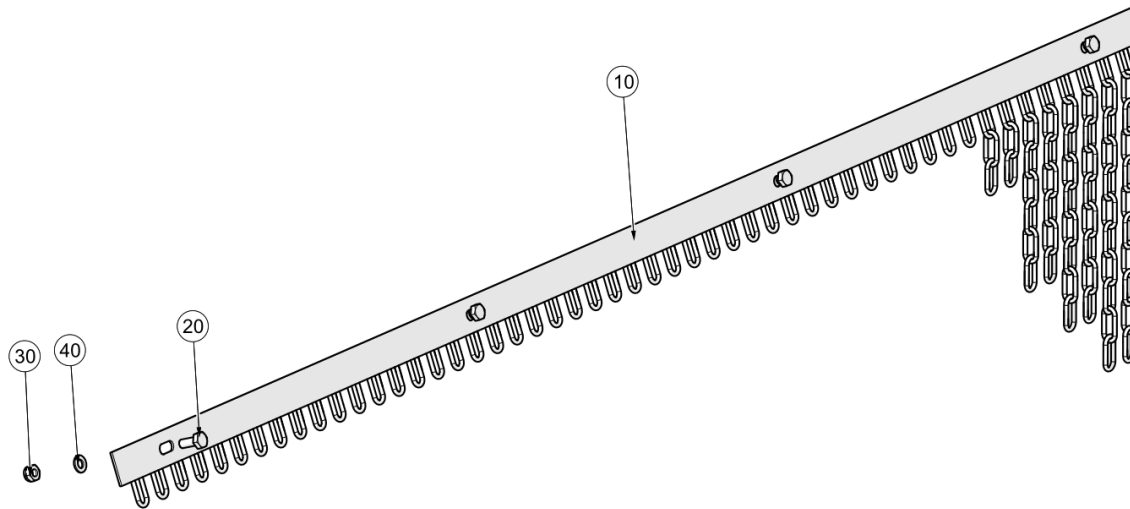
Aux Water Tank Install ()
Hopper & Cowl\Aux Water Tank Install



Aux Water Tank Install ()
Hopper & Cow\Aux Water Tank Install

Item no.	Part no.	Description	QTY	Unit
10	09549314-0	Hose Clip - Worm Drive (40-55)	2	PC
20	504-4	Hose Clip - Worm Drive (27-40)	1	PC
30	277-183	Flynut Hose Tail 38mm Barb	2	PC
40	277-170	Flynut - 1 1/2 F	3	PC
50	277-171	O-Ring	3	PC
60	277-215	Tee - 1 1/2" BSP	1	PC
70	277-169	Flynut Hose Tail 25mm Barb	1	PC
80	497-H24	1 1/2" Bore Premoflex Hose	0,15	M
90	6117	1" Bore Premoflex Hose	0	M

Baffle Drop Link ()
Hopper & Cow\Baffle Drop Link



Baffle Drop Link ()
Hopper & Cow\Baffle Drop Link

Item no.	Part no.	Description	QTY	Unit
10	50097-4	Baffle W/Assy Drop Link St.Steel	1	PC
20	92099409-0	Hex Head Screw - M10Cx25 - A2	4	PC
30	93085606-0	Nyloc Hex Nut - M10c - A2	4	PC
40	93213011-0	Plain Washer M10 A2	4	PC

This page is intentionally left blank

Chapter 9 Rear Door

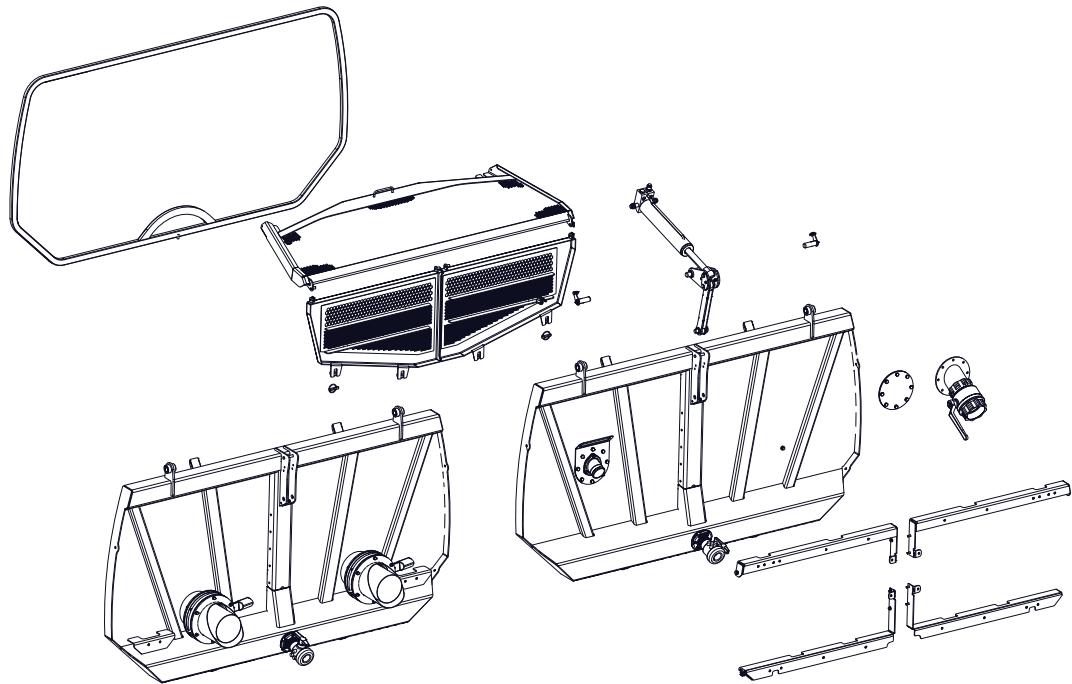
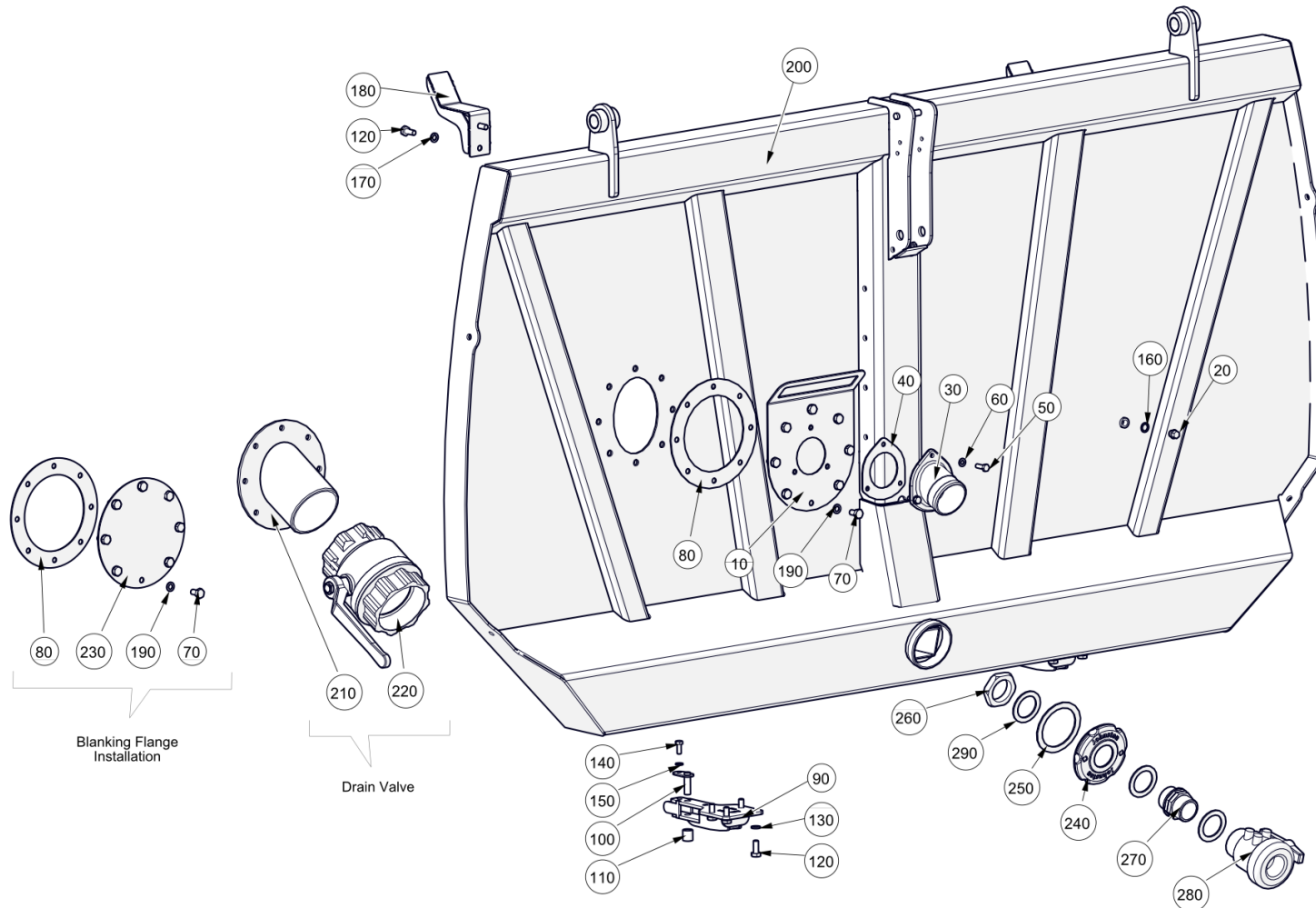


Table of Contents

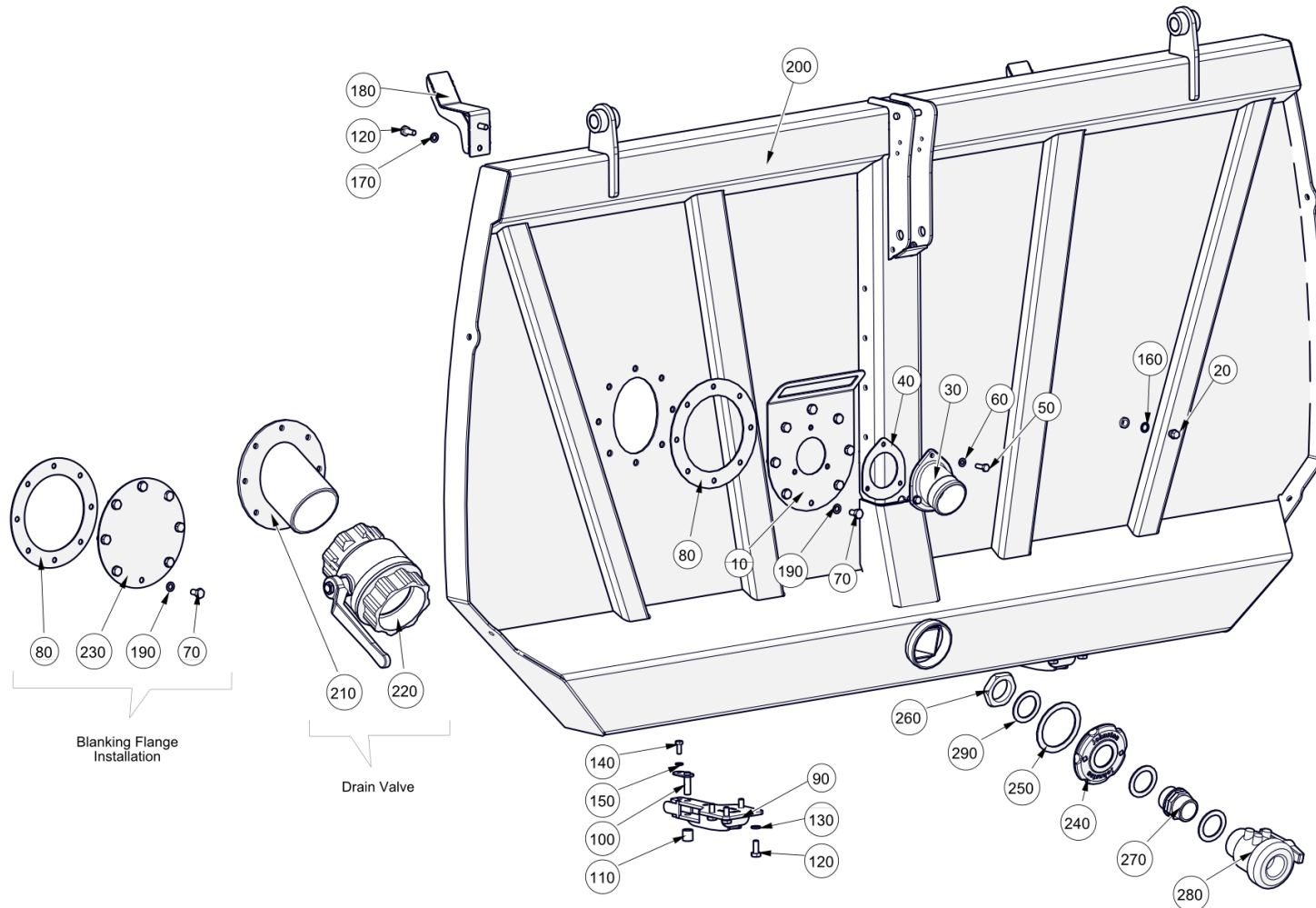
Section	Page
9.1 Standard Door.....	532
9.2 Contractor Door.....	536
9.3 Option Beams.....	538
9.4 Rear Door Installation.....	540
9.5 Rear Door Meshes.....	542
9.6 Door Seals.....	544

Standard Rear Door ()
Rear Door\Standard Rear Door



Standard Rear Door ()
Rear Door\Standard Rear Door

Item no.	Part no.	Description	QTY	Unit
10	282727-1	Stowage - Layflat W/Assy (1.4003)	1	PC
20	3162	Plug - Collar 1/4" BSP Brass	1	PC
30	284085-1	Spigot - Drain Rear Door (Nylon)	1	PC
40	281411-1	Gasket - Spigot Layflat Hose	1	PC
50	92099376-0	Hex Head Screw - M8Cx25 - A2	3	PC
60	93213010-0	Plain Washer M8 A2	3	PC
70	92099407-0	Hex Head Screw - M10Cx20 - A2	8	PC
Quantities are considered per each option.				
80	281395-1	Gasket	1	PC
Quantities are considered per each option.				
90	7060088	Latch welded assembly	2	PC
100	7060091	Pin welded assembly	2	PC
110	7060092	Roller	2	PC
120	92099409-0	Hex Head Screw - M10Cx25 - A2	12	PC
130	93699711-0	Spring Washer - Plated M10	8	PC
140	92099373-0	Hex Head Screw - M8Cx20 - A2	2	PC
150	93699710-0	Spring Washer - Plated M8	2	PC
160	451-124	Washer Copper 1/4" BSP	1	PC
170	93700211-0	Spring Washer M10 - A2	4	PC
180	7062047	Latch welded assembly	2	PC
190	451-140	Plain Small Washer M10 Brass	8	PC
Quantities are considered per each option.				
200	7057441	Rear door welded assembly (1.4003)	1	PC
200	7057442	Rear door welded assembly (1.4301)	1	PC

Standard Rear Door ()
 Rear Door\Standard Rear Door


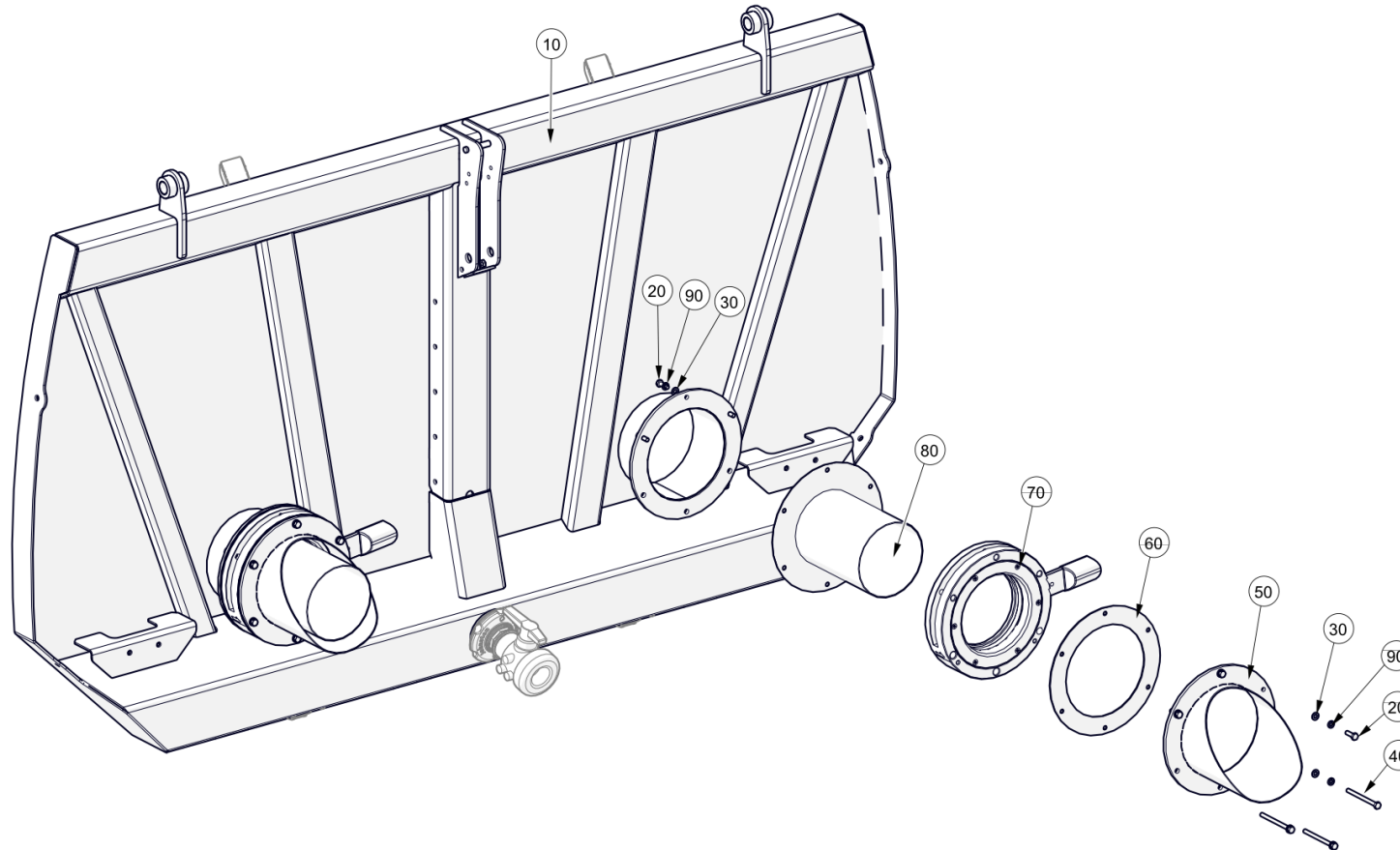
Standard Rear Door ()
Rear Door\Standard Rear Door

Item no.	Part no.	Description	QTY	Unit
210	7050498	Valve Flange W/Assy 4"	1	PC
220	88-24	Ball Valve 4" C/W Hand Drv F/F	1	PC
230	7002691	Plate	1	PC
240	7018121	Mounting Cap	1	PC
250	7018119	Gasket Ring	1	PC
260	277-198	Backnut 1 1/2 F	1	PC
270	277-313	Nipple - G 1 1/2 24 x 24mm	1	PC
280	88-46	Ball Valve 1 1/2" Female	1	PC
290	277-214	Gasket - 67mm O/D 47mm I/D	3	PC
5000	9983	Hose - Drain	1	M
5010	09531001-0	Hose Clip - Worm Drive (70-90)	1	PC

Contractor Door ()

Rear Door\Contractor Door

For detailed views of Lower Door Drain, Door Latches and Mesh Latches subassemblies, check Standard Rear Door area.



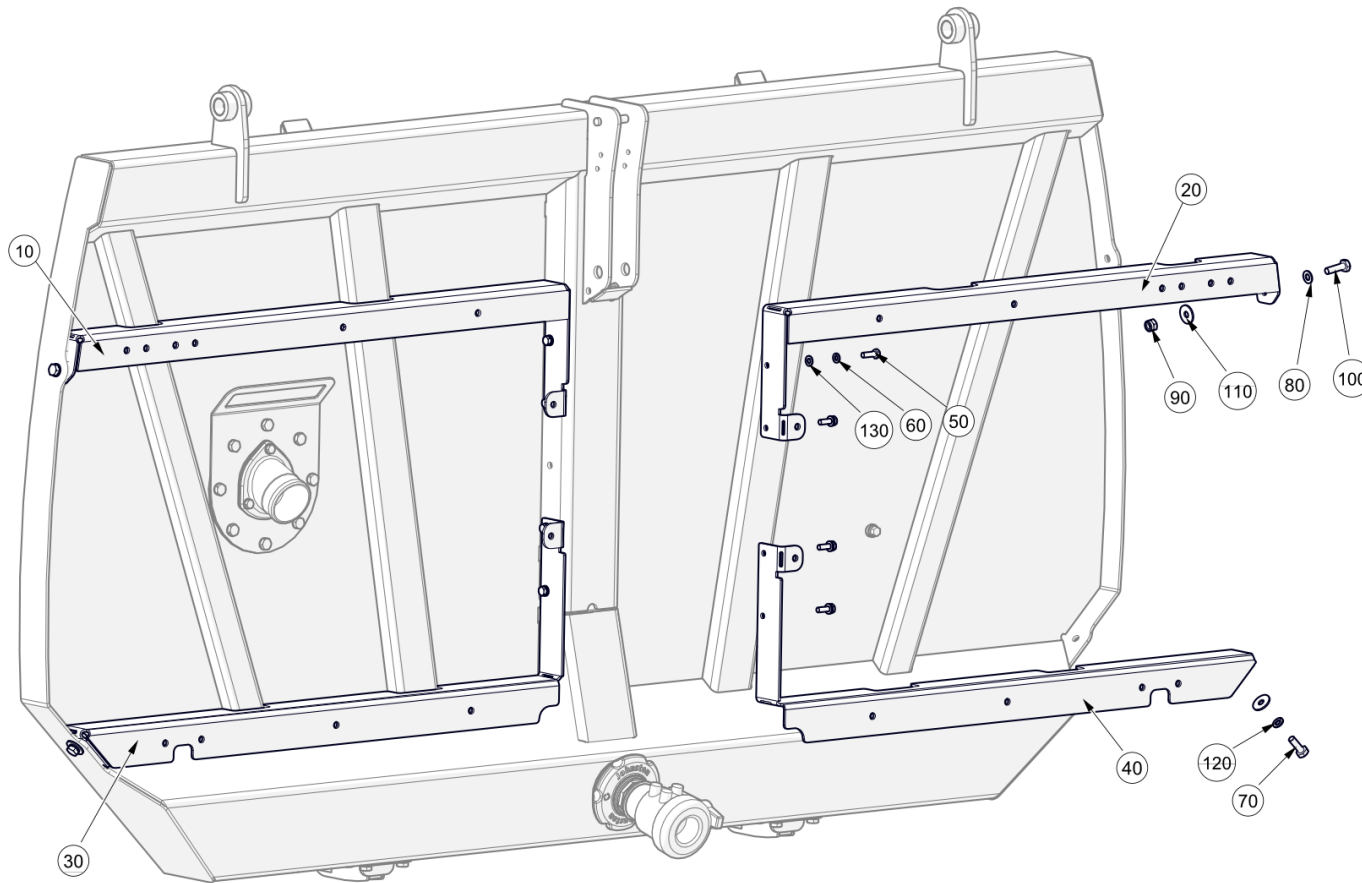
Contractor Door ()

Rear Door\Contractor Door

For detailed views of Lower Door Drain, Door Latches and Mesh Latches subassemblies, check Standard Rear Door area.

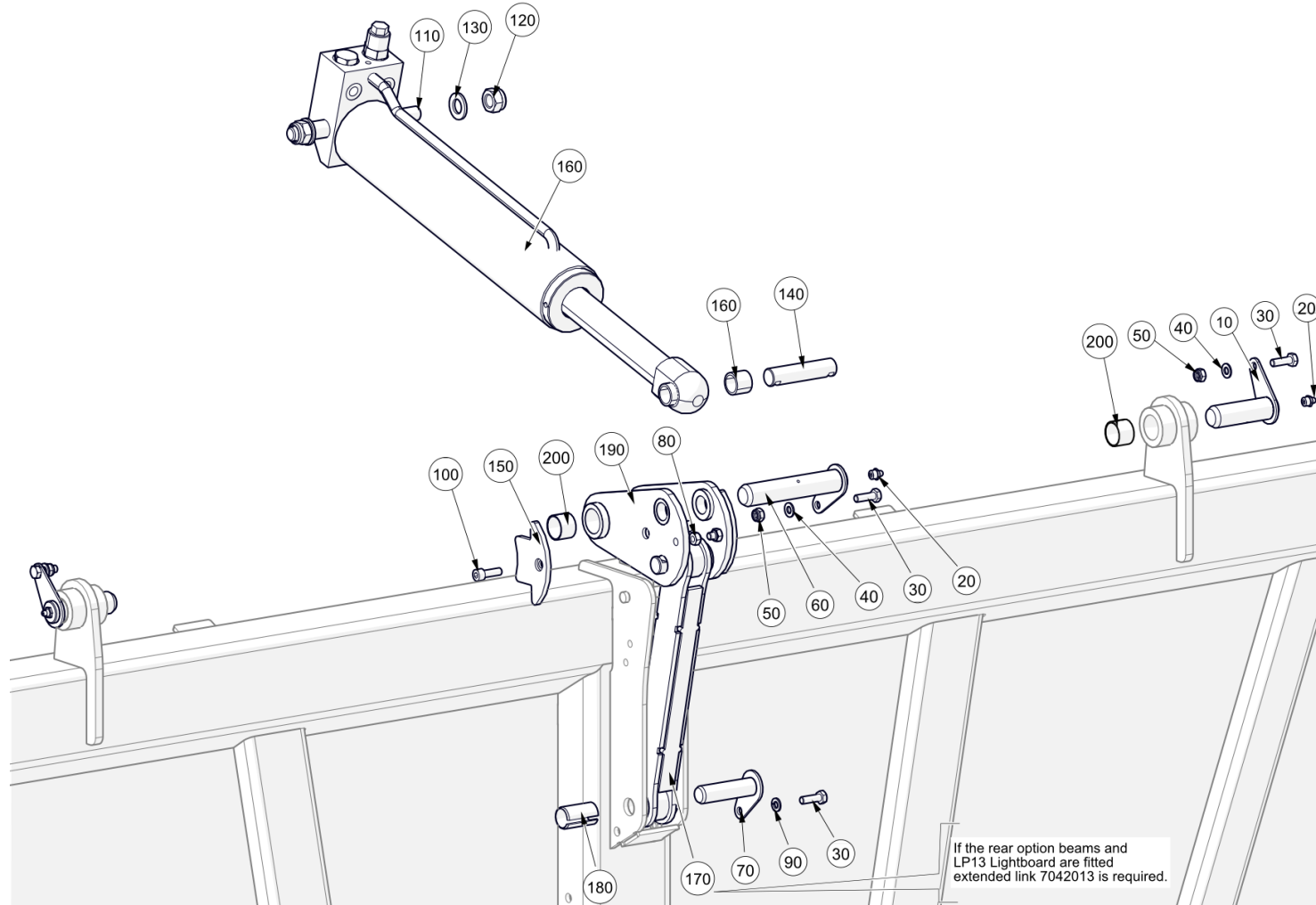
Item no.	Part no.	Description	QTY	Unit
10	7061883	Contractor door welded assembly	1	PC
20	92097376-0	Hex Head Screw - M8Cx25 - 8.8	12	PC
30	93212011-0	Plain Washer - M8	18	PC
40	92097392-0	Hex Head Screw - M8Cx100 - 8.8	6	PC
50	283864-1	Chute - Iris Valve Welded Assembly	2	PC
60	283866-1	Gasket - Iris Extension Tube	2	PC
70	88-45	8" Iris Valve	2	PC
80	88-48	Liner For 8" Iris Valve	2	PC
90	93699710-0	Spring Washer - Plated M8	18	PC

Option Beams ()
Rear Door\Option Beams



Option Beams ()
Rear Door\Option Beams

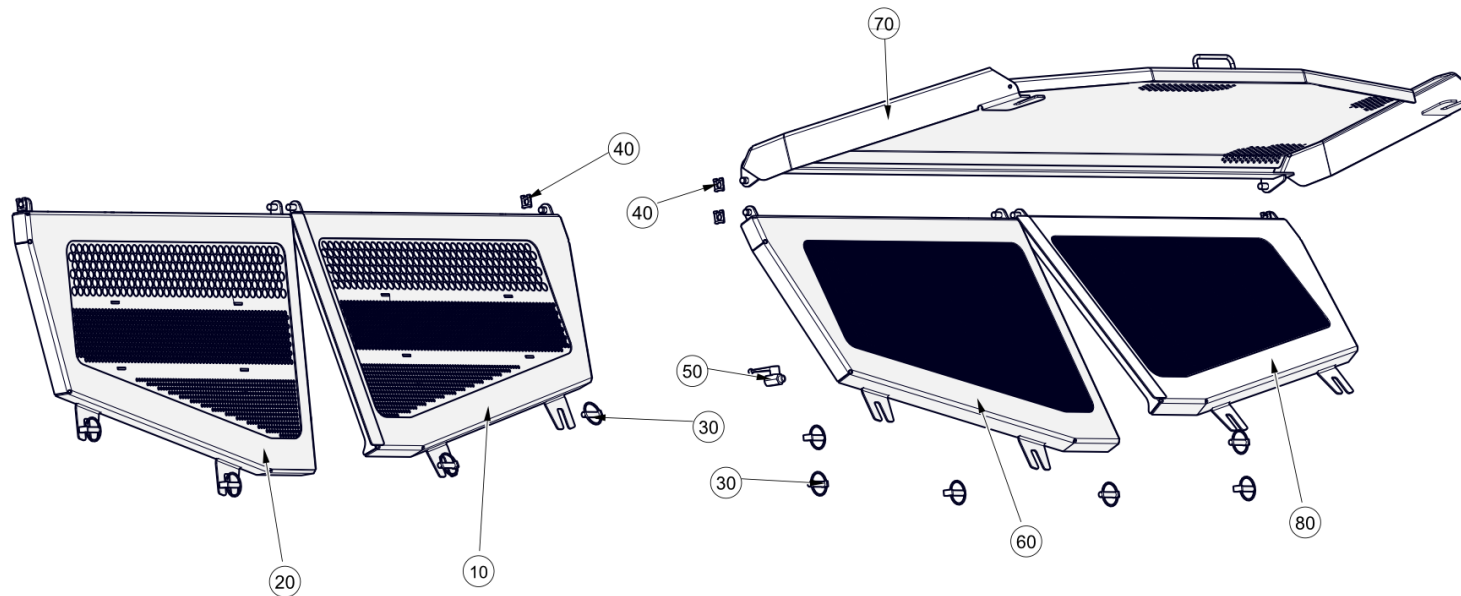
Item no.	Part no.	Description	QTY	Unit
10	7057660	Upper beam welded assembly (LH)	1	PC
20	7057661	Upper beam welded assembly (RH)	1	PC
30	7057662	Lower beam welded assembly (LH)	1	PC
40	7057663	Lower beam welded assembly (RH)	1	PC
50	92097376-0	Hex Head Screw - M8Cx25 - 8.8	8	PC
60	93699710-0	Spring Washer - Plated M8	8	PC
70	92097414-0	Hex Head Screw - M10Cx30 - 8.8	2	PC
80	93212012-0	Plain Washer - M10	2	PC
90	93085806-0	Nyloc Hex Nut M10C - 8	2	PC
100	92097415-0	Hex Head Screw - M10Cx35 - 8.8	2	PC
110	93300510-0	Plain Large Washer M10	4	PC
120	93699711-0	Spring Washer - Plated M10	2	PC
130	93212011-0	Plain Washer - M8	8	PC

Rear Door Installation ()
Rear Door\Rear Door Installation

Rear Door Installation ()
Rear Door\Rear Door Installation

Item no.	Part no.	Description	QTY	Unit
10	7017656	Hinge Pin Welded Assembly	1	PC
20	38-1	Grease Nipple Straight 1/8 BSP	3	PC
30	92099376-0	Hex Head Screw - M8Cx25 - A2	4	PC
40	93213010-0	Plain Washer M8 A2	3	PC
50	93085605-0	Nyloc Hex Nut - M8c - A2	3	PC
60	7017665	Hinge Pin Welded Assembly	1	PC
70	7039459	Pin welded assembly	1	PC
80	93086035-0	Nut S/Lock Philidas M8cx13x8	2	PC
90	93699710-0	Spring Washer - Plated M8	1	PC
100	92137120-0	Hex Socket Cap Screw - M8Cx25 - 12.9	2	PC
110	7040209	Pin - Hydraulic door cylinder pivot	1	PC
120	93085609-0	Nyloc Hex Nut - M16c - A2	2	PC
130	93213014-0	Plain Washer M16 A2	2	PC
140	7040139	Pin	2	PC
150	7040142	Keeper plate	2	PC
160	7007583	Cylinder Assembly Ø70 x Ø35 x 324	1	PC
170	7031765	Link welded assembly - Standard	1	PC
If the rear option beams and LP13 Lightboard are fitted the extended link 7042013 is required. Bushes 28404 are suitable for link 7042013 and link 7031765.				
170	7042013	Link welded assembly - Extended	1	PC
If the rear option beams and LP13 Lightboard are fitted the extended link 7042013 is required. Bushes 28404 are suitable for link 7042013 and link 7031765.				
180	28404	Bush - Elastic	2	PC
190	7031760	Relay welded assembly	1	PC
200	18-30	Bearing - Dry Metric 25mm I/D x 20Lg	2	PC

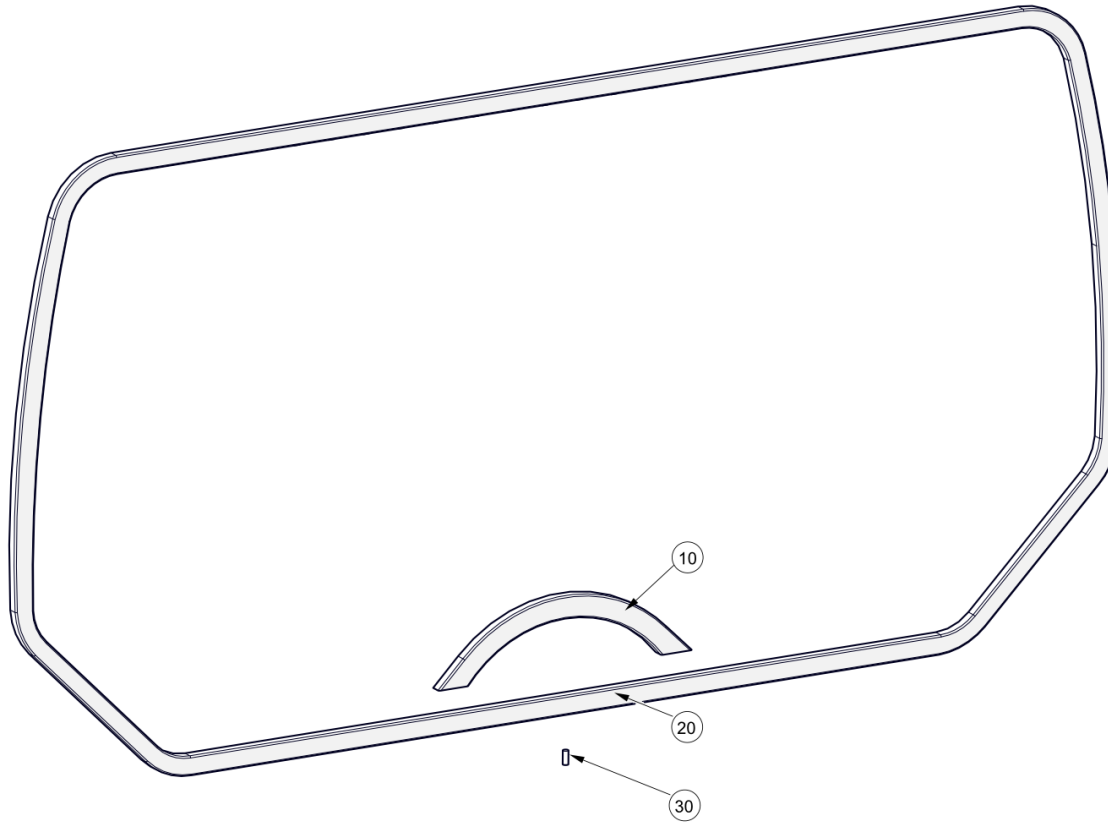
Rear Door Meshes ()
Rear Door/Rear Door Meshes



Rear Door Meshes ()
Rear Door\Rear Door Meshes

Item no.	Part no.	Description	QTY	Unit
10	7059521	Screen welded assembly (LH)	1	PC
20	7059522	Screen welded assembly (RH)	1	PC
30	60-1	Pin Linch with Ring 11mm Dia	10	PC
40	283-2	Clip - Spring Retaining	5	PC
50	88-15	Ball Valve 1/4" Long Handle	1	PC
60	7057554	Recirc water screen welded assembly (RH)	1	PC
70	7057515	Primary mesh welded assembly	1	PC
80	7057553	Recirc water screen welded assembly (LH)	1	PC

Door Seals ()
Rear Door\Door Seals



Door Seals ()
Rear Door\Door Seals

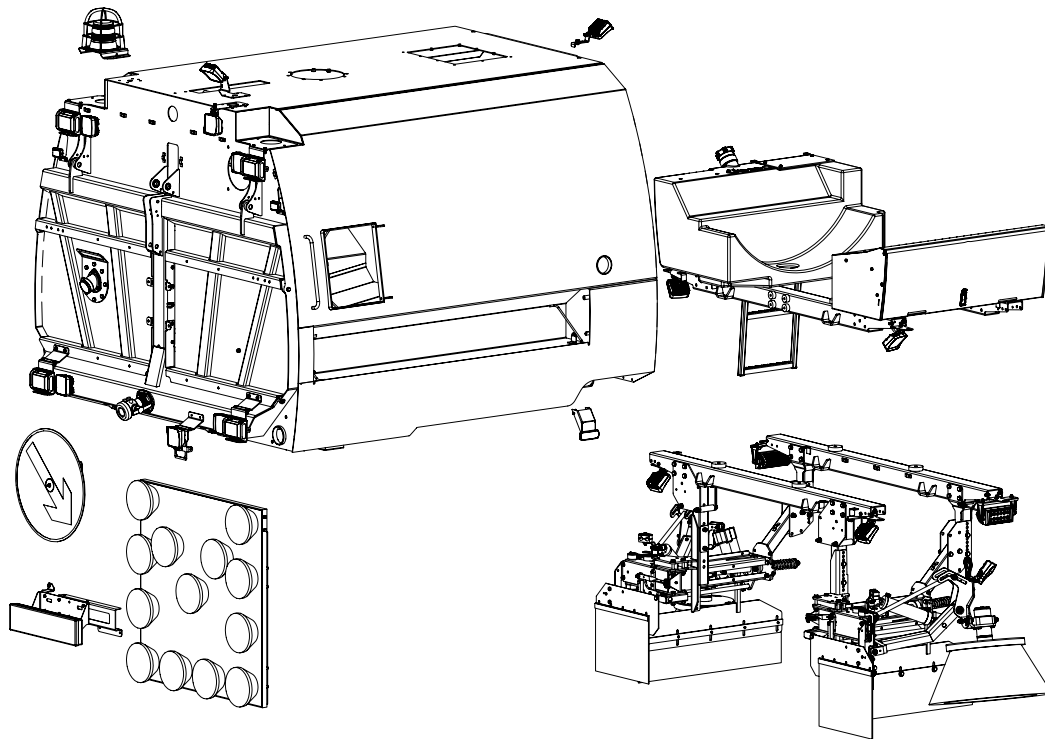
Item no.	Part no.	Description	QTY	Unit
10	7005517	Seal	1	PC
20	7036152	Seal - Rear Door	1	PC
30	7012779	Plug - Rear door seal	1	PC

This page is intentionally left blank

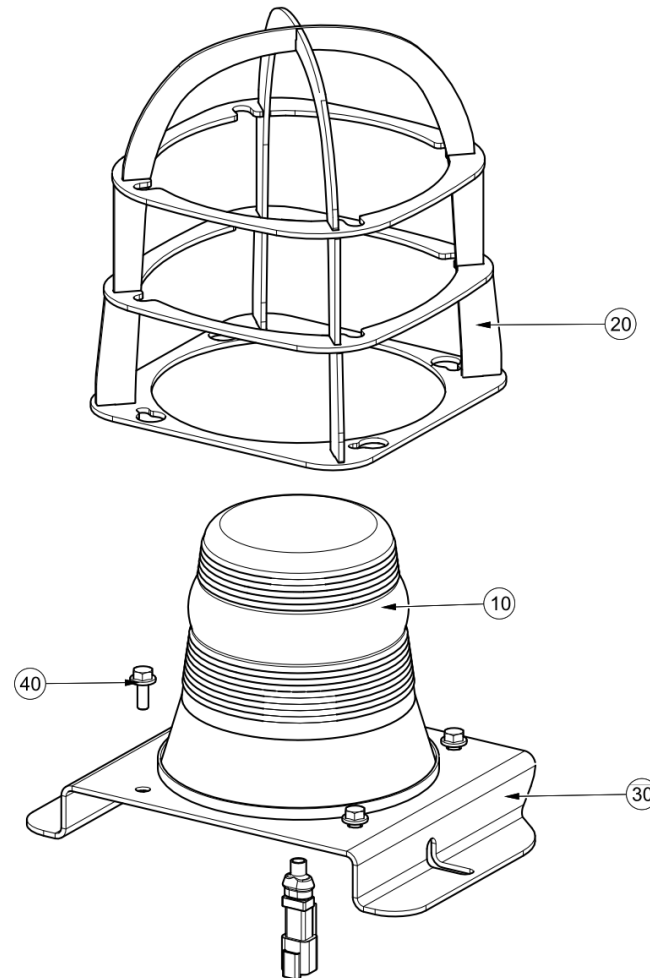
Chapter 10

Trim & Lights

Table of Contents



Section	Page
10.1 Beacons.....	548
10.2 Engine Bay Work Light.....	550
10.3 Rear Warning Amber LED Lights.....	552
10.4 Rear Work White Reverse Lights.....	556
10.5 Rear Work White Lights and Warning Amber LED Lights.....	558
10.6 Side Marker Lights.....	560
10.7 Rear Marker Lights.....	562
10.8 Double Sweepgear Lights.....	564
10.9 Triple Sweepgear Lights.....	566
10.10 Rear Arrow.....	568
10.11 LED Signboard.....	570
10.12 LP13 Arrow Signboard.....	572

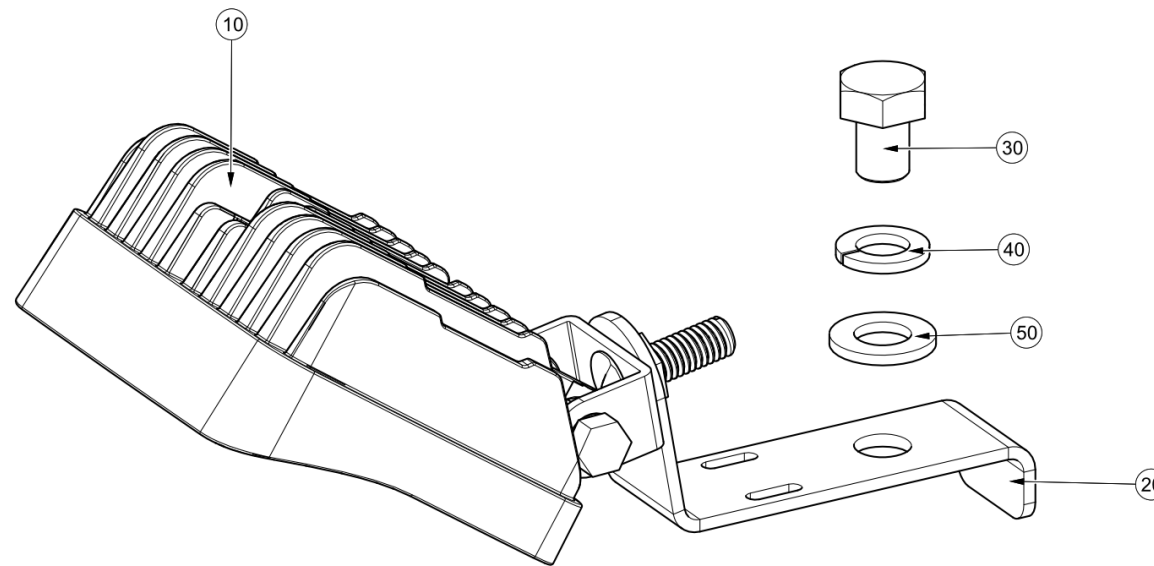


Beacons ()

Trim and Lights\Beacons

Item no.	Part no.	Description	QTY	Unit
10	46-426	LED Beacon 12/24	2	PC
10	282793-12	Beacon - Rotating Rear 12v	2	PC
10	282793-24	Beacon - Rotating Rear 24v	2	PC
10	282959-12	Beacon-Airport Flashing 12v	2	PC
10	282959-24	Beacon-Airport Flashing 24v	2	PC
20	295078-1	Beacon Cage W/Assy	2	PC
30	295079-1	Beacon Base R/Assy	2	PC
40	92119004-0	Hex Flange Bolt - M6Cx16 - 8.8	8	PC
5000	46-290	Lightbar-5ft Amber Rotating	1	PC
Item image is not available.				
5010	745-75	Light Bar 4 Module, Length 5 Foot	1	PC
This part is located in the cab. Item image is not available.				
5011	709-34	Pin Housing Male - 4 Way	1	PC
This part is suitable for item 5010. Item image is not available.				
5012	709-2	Pin Terminal - 1.5 - 2.0mm ²	2	PC
This part is suitable for item 5010. Item image is not available.				
5013	709-134	Contact Retainer - 4 Way	1	PC
This part is suitable for item 5010. Item image is not available.				

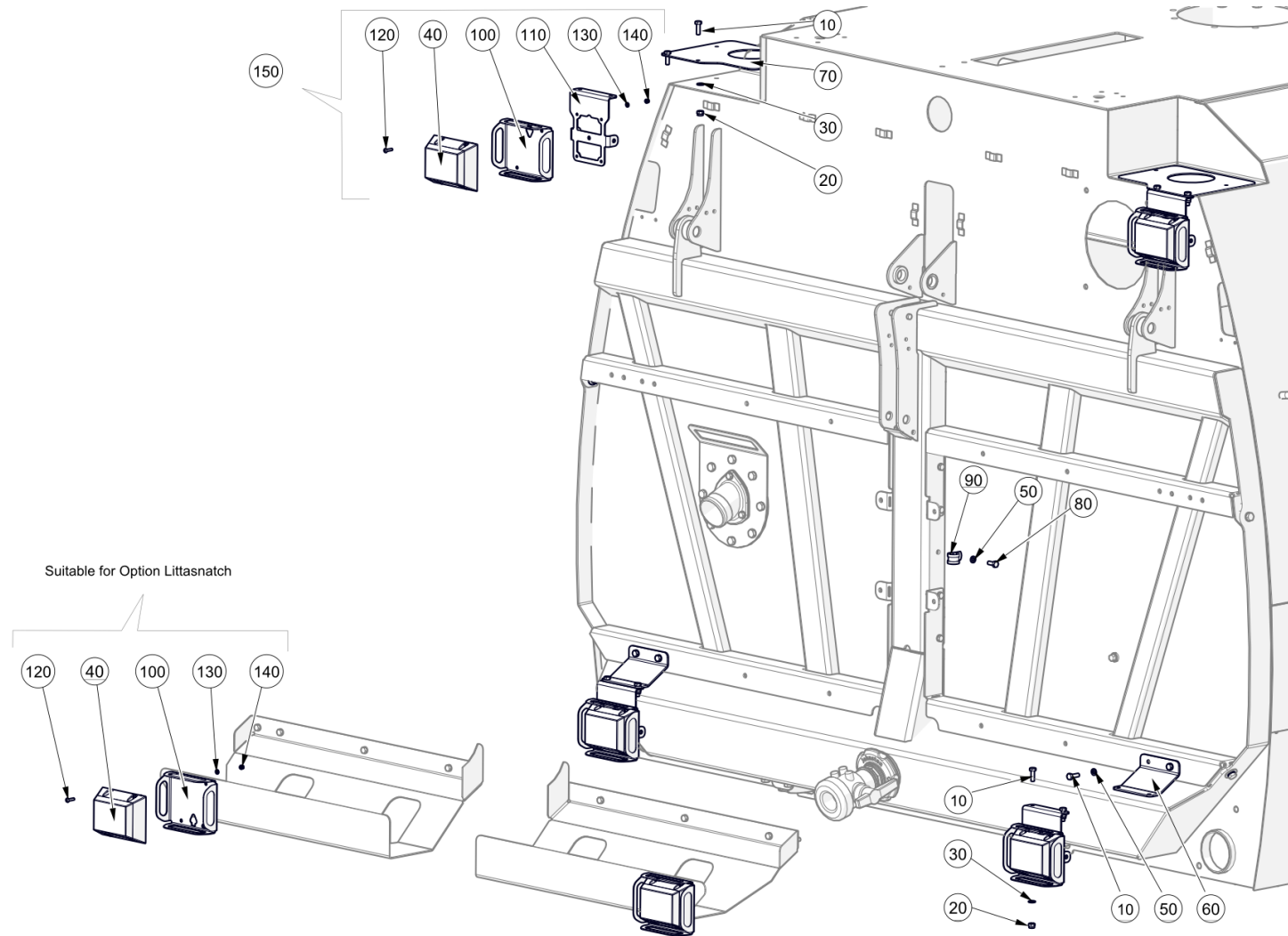
Engine Bay Work Light ()
Trim and Lights\Engine Bay Work Light



Engine Bay Work Light ()
Trim and Lights\Engine Bay Work Light

Item no.	Part no.	Description	QTY	Unit
10	7023519	LED Work Lamp 9 - 36v	1	PC
20	7029367	Worklight bracket	1	PC
30	92097444-0	Hex Head Screw - M12Cx16 - 8.8	1	PC
40	93699712-0	Spring Washer - Plated M12	1	PC
50	93212013-0	Plain Washer M12	1	PC

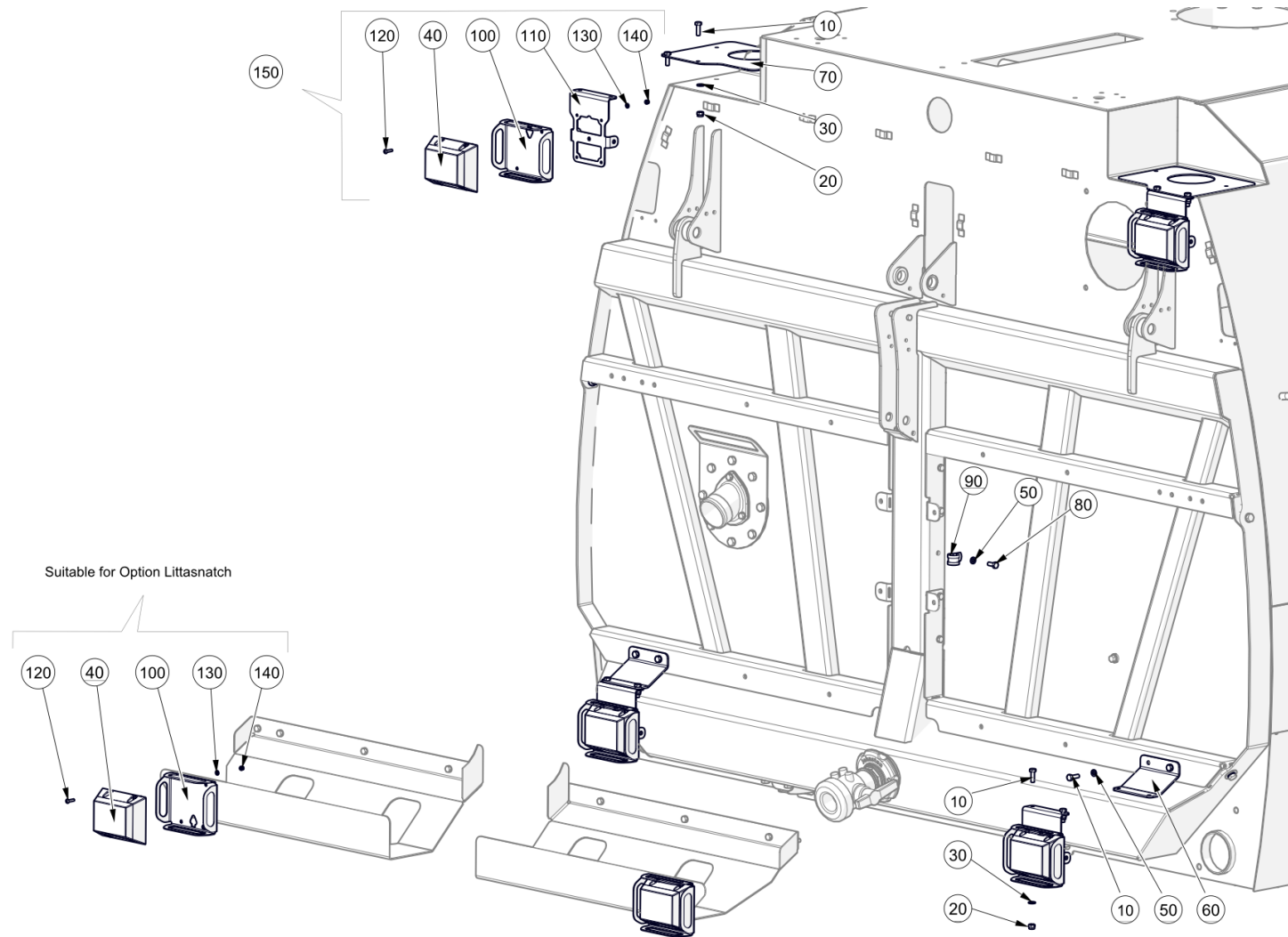
Rear Warning Amber LED Lights ()
 Trim and Lights\Rear Warning Amber LED Lights



Rear Warning Amber LED Lights ()
Trim and Lights\Rear Warning Amber LED Lights

Item no.	Part no.	Description	QTY	Unit
10	92097376-0	Hex Head Screw - M8Cx25 - 8.8	12	PC
20	93085805-0	Nyloc Hex Nut M8C - 8	8	PC
30	93212011-0	Plain Washer - M8	8	PC
40	7023785	LED Light with Connector	1	PC
Quantities are considered per each Light Assembly.				
50	93699710-0	Spring Washer - Plated M8	5	PC
60	7061123	Lower strobe mount	2	PC
70	7023847	Light Mount plate	2	PC
80	92097374-0	Hex Head Screw - M8Cx20 - 8.8	1	PC
90	508-4	Clip - P Rubber Covered 19.05mm	1	PC
100	7022612	Rear Strobe Guard	1	PC
Quantities are considered per each Light Assembly.				
110	7061124	Strobe bracket	1	PC
Quantities are considered per each Light Assembly.				
120	92330027-0	Hex Skt Button Head Screw M5x20 - 10.9	4	PC
Quantities are considered per each Light Assembly.				
130	93210109-0	Plain Washer M5	4	PC
Quantities are considered per each Light Assembly.				
140	93085003-0	Nyloc Hex Nut M5C - 8	4	PC
Quantities are considered per each Light Assembly.				
150	7061309	LED Light assembly	4	PC
5000	32-116	Cable Clip P Cable Dia 10	8	PC
Item image is not available.				

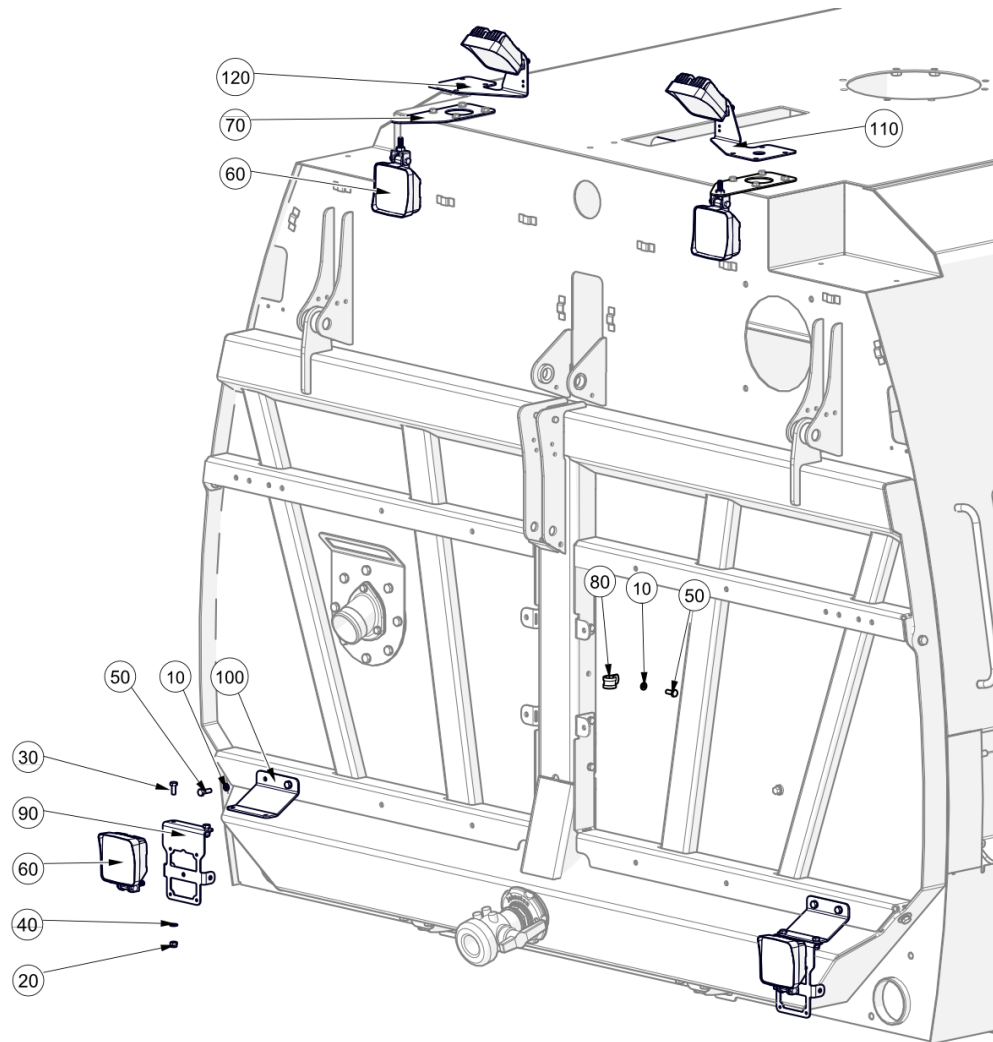
Rear Warning Amber LED Lights ()
 Trim and Lights\Rear Warning Amber LED Lights



Rear Warning Amber LED Lights ()
Trim and Lights\Rear Warning Amber LED Lights

Item no.	Part no.	Description	QTY	Unit
5010	7033319	Harness Rear Door LEDs/Warning MK2	1	PC
Item image is not available.				

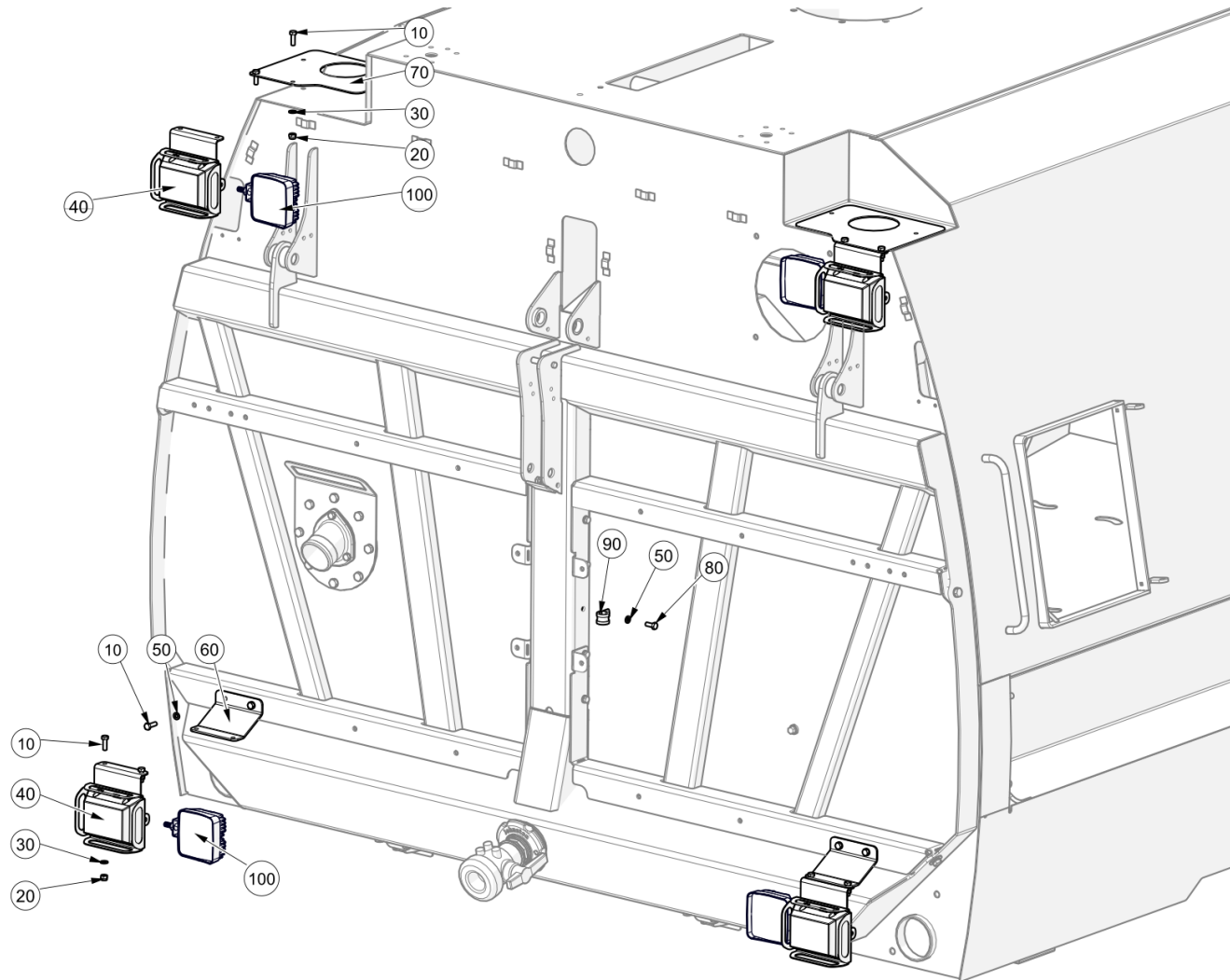
Rear Work White Reverse Lights ()
Trim and Lights\Rear Work White Reverse Lights



Rear Work White Reverse Lights ()
Trim and Lights\Rear Work White Reverse Lights

Item no.	Part no.	Description	QTY	Unit
10	93699710-0	Spring Washer - Plated M8	5	PC
20	93085805-0	Nyloc Hex Nut M8C - 8	4	PC
30	92097374-0	Hex Head Screw - M8Cx20 - 8.8	5	PC
40	93212011-0	Plain Washer - M8	4	PC
50	92097376-0	Hex Head Screw - M8Cx25 - 8.8	4	PC
60	7023519	LED Work Lamp 9 - 36v	4	PC
70	283976-1	Bracket, Rear Worklights - Unhanded Low	2	PC
80	508-4	Clip - P Rubber Covered 19.05mm	1	PC
90	7061124	Strobe bracket	2	PC
100	7061123	Lower strobe mount	2	PC
110	7016102	Bracket, Rear Worklights - RHS	1	PC
120	7016103	Bracket, Rear Worklights - LHS	1	PC
5000	7052149	Option Work/Reverse LED lights Harness	1	PC
Item image is not available				

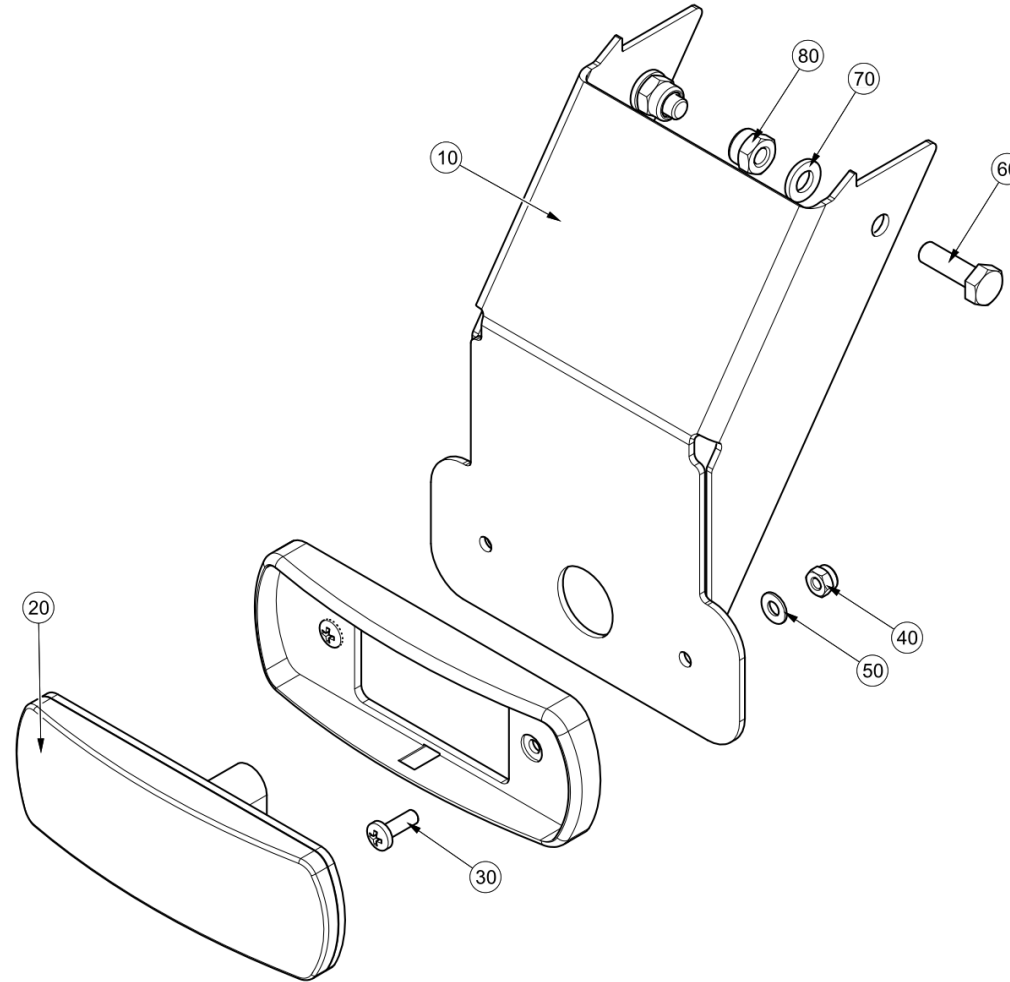
Rear Work White Lights and Warning Amber LED Lights ()
Trim and Lights\Rear Work White Lights and Warning Amber LED Lights



Rear Work White Lights and Warning Amber LED Lights ()
 Trim and Lights\Rear Work White Lights and Warning Amber LED Lights

Item no.	Part no.	Description	QTY	Unit
10	92097376-0	Hex Head Screw - M8Cx25 - 8.8	12	PC
20	93085805-0	Nyloc Hex Nut M8C - 8	8	PC
30	93212011-0	Plain Washer - M8	8	PC
40	7061309	LED Light assembly	4	PC
50	93699710-0	Spring Washer - Plated M8	5	PC
60	7061123	Lower strobe mount	2	PC
70	7023847	Light Mount plate	2	PC
80	92097374-0	Hex Head Screw - M8Cx20 - 8.8	1	PC
90	508-4	Clip - P Rubber Covered 19.05mm	1	PC
100	7023519	LED Work Lamp 9 - 36v	4	PC
5000	32-116	Cable Clip P Cable Dia 10	8	PC
Item image is not available.				
5010	7033319	Harness Rear Door LEDs/Warning MK2	1	PC
Item image is not available.				
5020	7052149	Option Work/Reverse LED lights Harness	1	PC
Item image is not available.				

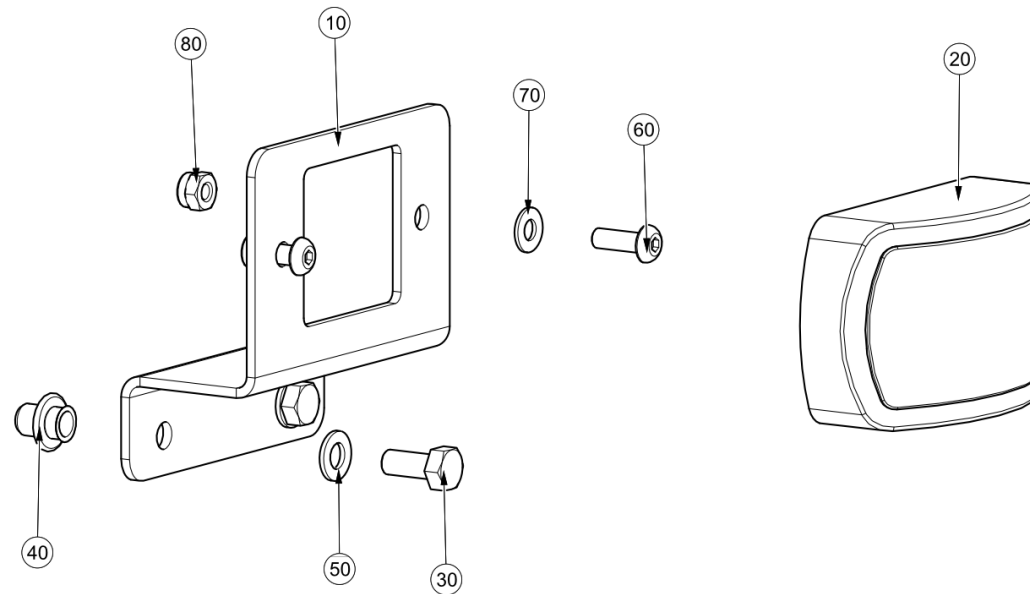
Side Marker Lights ()
Trim and Lights\Side Marker Lights



Side Marker Lights ()
Trim and Lights\Side Marker Lights

Item no.	Part no.	Description	QTY	Unit
10	7023194	Marker Light Mount	2	PC
20	46-267	Light - Amber LED Flush	2	PC
30	134-42	Pan Head Screw - M4Cx12 - 4.8	4	PC
40	93085002-0	Nyloc Hex Nut M4C - 8	4	PC
50	93212007-0	Plain Washer M4	4	PC
60	92097301-0	Hex Head Screw - M6Cx20 - 8.8	4	PC
70	93212009-0	Plain Washer - M6	4	PC
80	93085004-0	Nyloc Hex Nut M6C - 8	4	PC
90	7006987	Marker Light Harness	1	PC

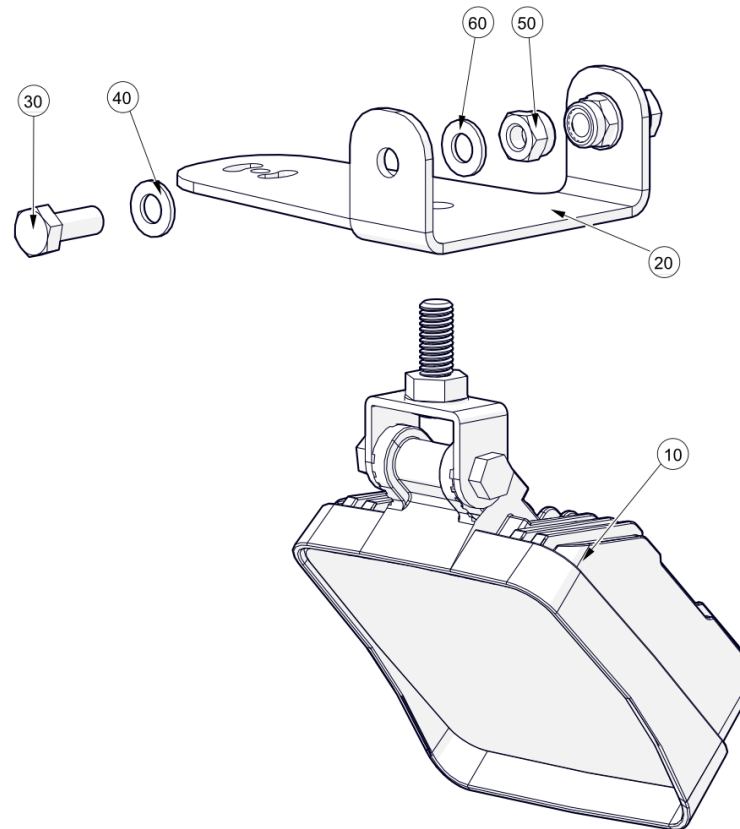
Rear Marker Lights ()
Trim and Lights\Rear Marker Lights



Rear Marker Lights ()
Trim and Lights\Rear Marker Lights

Item no.	Part no.	Description	QTY	Unit
10	7023529	Rear Marker Light Bracket	2	PC
20	46-270	Light - Red LED	2	PC
30	92097262-0	Hex Head Screw - M5Cx12 - 8.8	4	PC
40	433-1	Rivet Nut - S. CI Nut M5c g0.5-3.0 Blind	4	PC
50	93210109-0	Plain Washer M5	4	PC
60	92330015-0	Hex Skt Button Head Screw M4x12 - 10.9	4	PC
70	93212007-0	Plain Washer M4	4	PC
80	93085002-0	Nyloc Hex Nut M4C - 8	4	PC

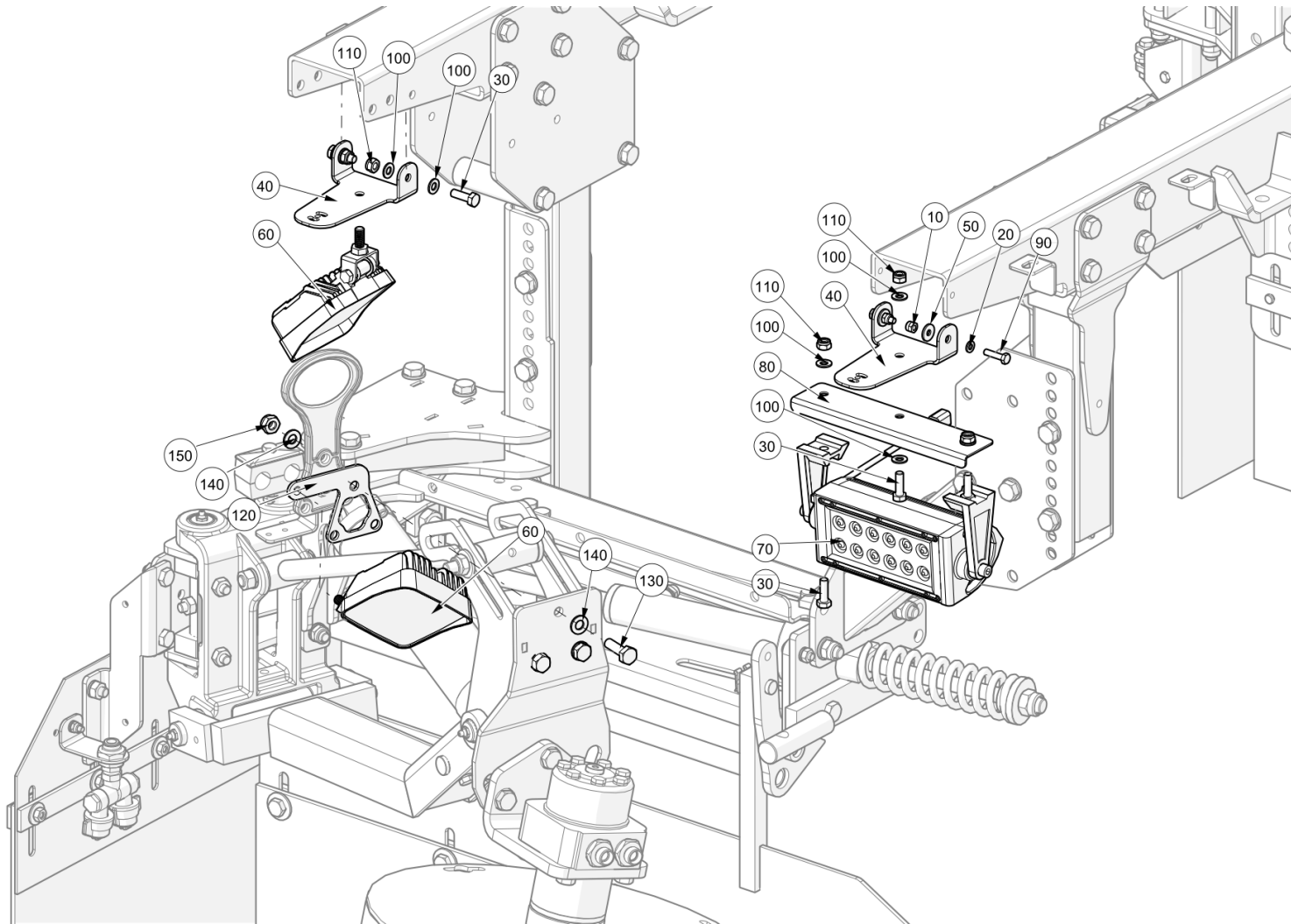
Double Sweepgear Lights ()
Trim and Lights\Double Sweepgear Lights



Double Sweepgear Lights ()
Trim and Lights\Double Sweepgear Lights

Item no.	Part no.	Description	QTY	Unit
10	7023519	LED Work Lamp 9 - 36v	1	PC
20	7036843	Side worklight and camera bracket	2	PC
30	92097303-0	Hex Head Screw - M6Cx25 - 8.8	4	PC
40	93300507-0	Plain Large Washer M6	2	PC
50	93212009-0	Plain Washer - M6	2	PC
60	93085004-0	Nyloc Hex Nut M6C - 8	2	PC
5000	7033440	Dual Side Work Lights Harness	1	PC

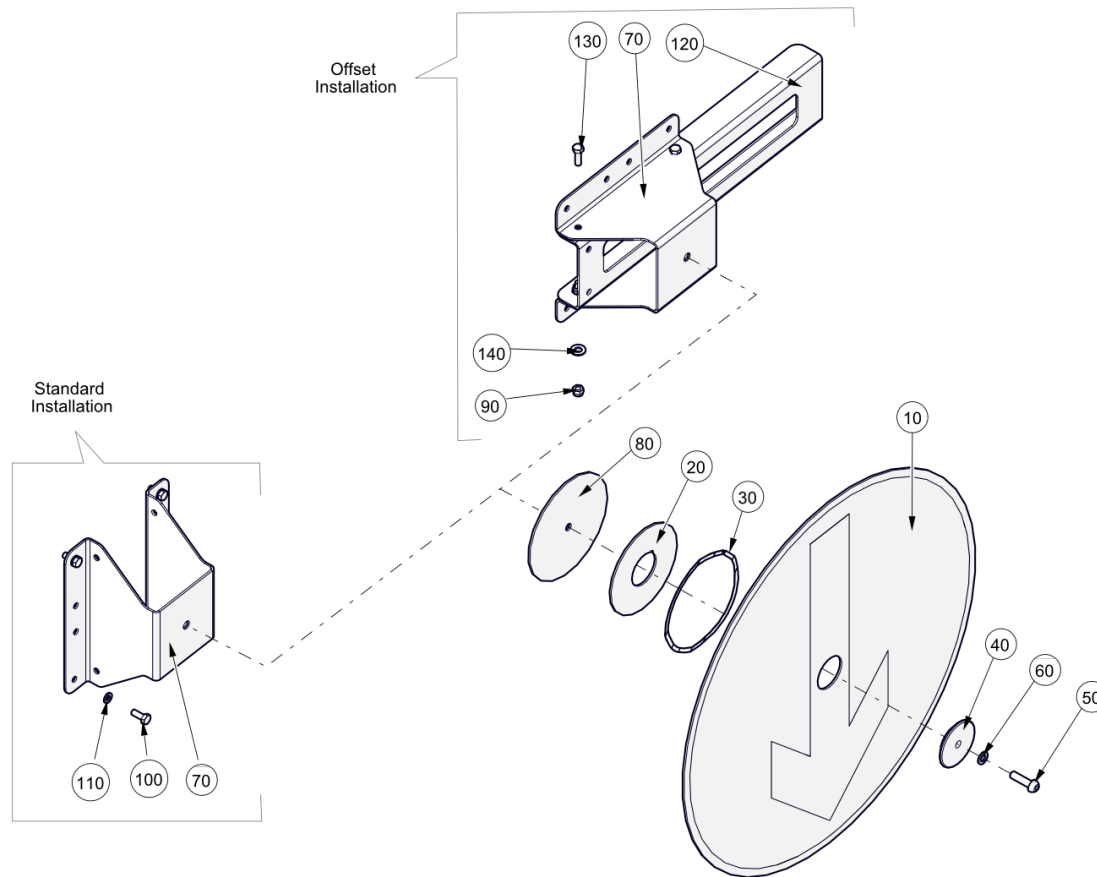
Triple Sweepgear Lights ()
Trim and Lights\Triple Sweepgear Lights



Triple Sweepgear Lights ()
Trim and Lights\Triple Sweepgear Lights

Item no.	Part no.	Description	QTY	Unit
10	93085004-0	Nyloc Hex Nut M6C - 8	2	PC
20	93212009-0	Plain Washer - M6	2	PC
30	92097376-0	Hex Head Screw - M8Cx25 - 8.8	5	PC
40	7036843	Side worklight and camera bracket	2	PC
50	457-2	Washer Plain Steel M6 Form G	2	PC
60	7023519	LED Work Lamp 9 - 36v	2	PC
70	7052492	LED Bar Work Light 203mm 12/24 Volt	1	PC
80	7052505	LED Light Bar Bracket	1	PC
90	92097303-0	Hex Head Screw - M6Cx25 - 8.8	2	PC
100	93212011-0	Plain Washer - M8	8	PC
110	93085005-0	Nyloc Hex Nut M8C - 8	5	PC
120	7056680	Support Plate	1	PC
130	92097415-0	Hex Head Screw - M10Cx35 - 8.8	3	PC
140	93212012-0	Plain Washer - M10	6	PC
150	93085006-0	Nyloc Hex Nut M10C - 8	3	PC
5000	7052667	Light Bar Option Harness	1	PC

Rear Arrow ()
Trim and Lights\Rear Arrow

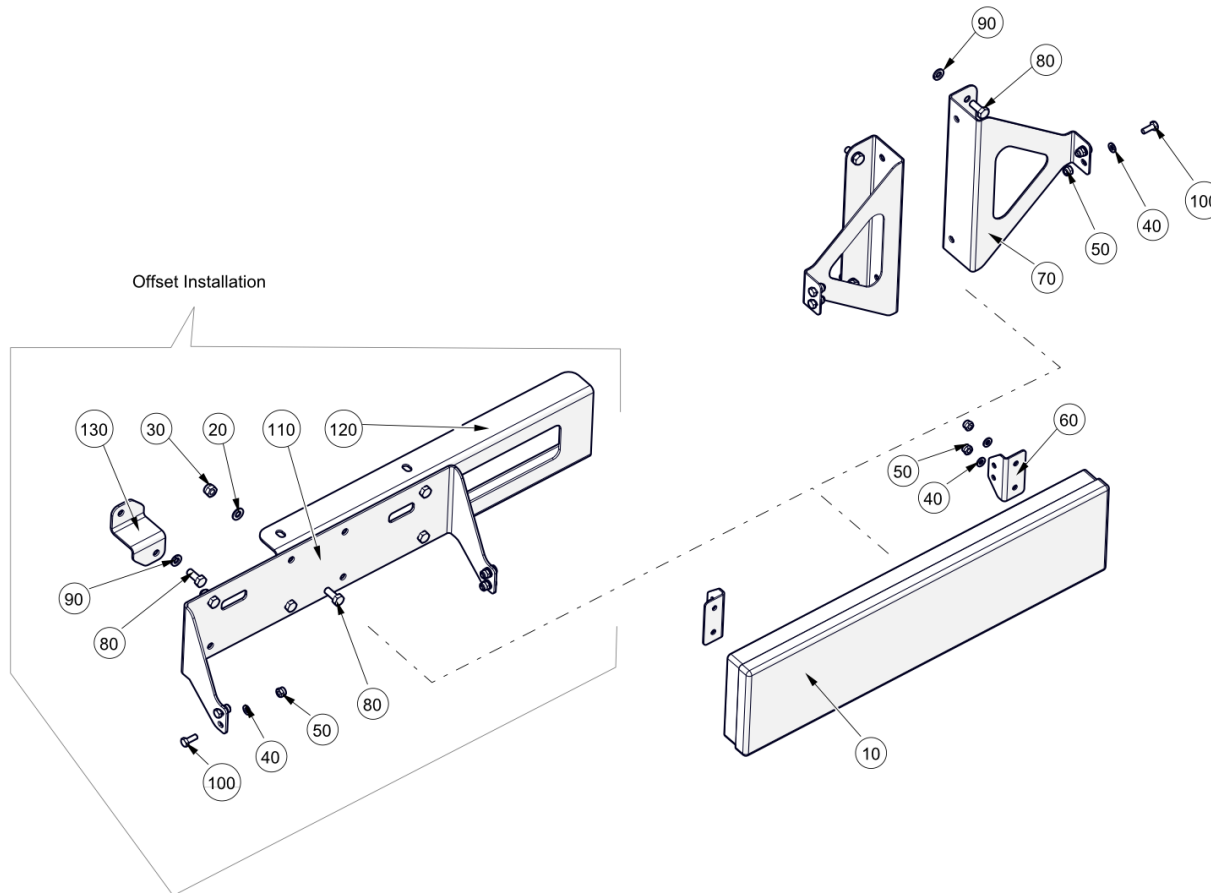


Rear Arrow ()

Trim and Lights\Rear Arrow

Item no.	Part no.	Description	QTY	Unit
10	282486-1	Arrow Advisor Rr Rotatable 95	1	PC
11	282844-1	Cover - Arrow Advisor DIA 600	1	PC
Item image is not available.				
20	282414-2	Disc - Rotatable Signboard 95	1	PC
30	285-26	Spring-Wave 95	1	PC
40	282413-1	Bush - Ctr Rotatable Signboard	1	PC
50	138-156	Screw - Skt Button Hd M10cx30	1	PC
60	460-11	Washer Spring Single Coil M10	1	PC
70	7042462	Universal mount welded assembly	1	PC
80	7042810	Disc - Arrow advisor	1	PC
90	93085805-0	Nyloc Hex Nut M8C - 8	4	PC
100	92097374-0	Hex Head Screw - M8Cx20 - 8.8	4	PC
Suitable for Standard Installation.				
110	93699710-0	Spring Washer - Plated M8	4	PC
Suitable for Standard Installation.				
120	7042398	Offset bracket	1	PC
Suitable for Offset Installation.				
130	92097376-0	Hex Head Screw - M8Cx25 - 8.8	4	PC
Suitable for Offset Installation.				
140	93212012-0	Plain Washer - M10	4	PC
Suitable for Offset Installation.				

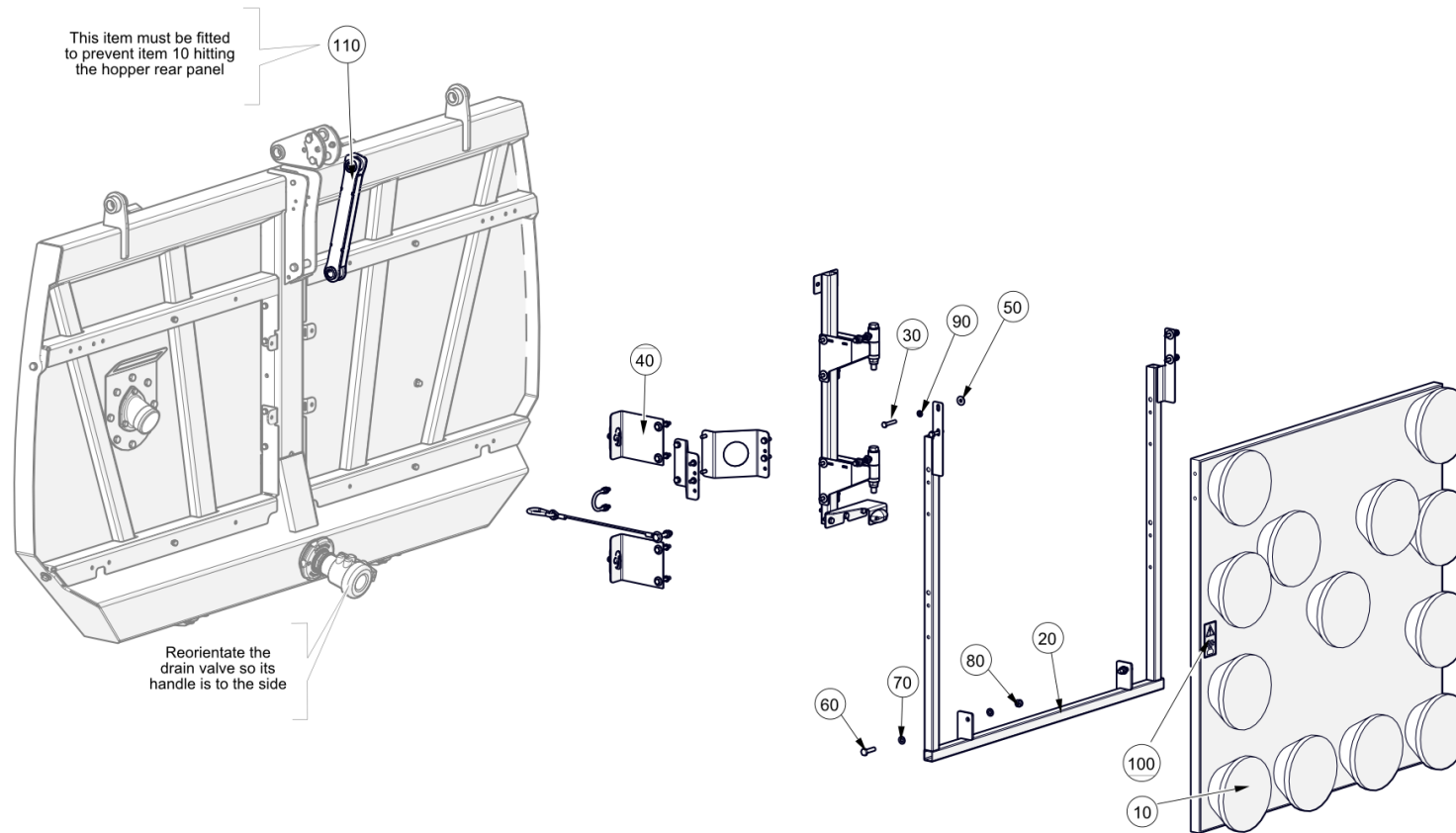
LED Signboard ()
Trim and Lights\LED Signboard



LED Signboard ()
Trim and Lights\LED Signboard

Item no.	Part no.	Description	QTY	Unit
10	745-150	LED Sign Board 12V	1	PC
20	93212011-0	Plain Washer - M8	4	PC
Suitable for Offset Installation.				
30	93085805-0	Nyloc Hex Nut M8C - 8	8	PC
Suitable for Offset Installation.				
40	93212009-0	Plain Washer - M6	8	PC
50	93085004-0	Nyloc Hex Nut M6C - 8	8	PC
60	7027232	Support Angle	2	PC
70	7042397	Mount	2	PC
80	92097374-0	Hex Head Screw - M8Cx20 - 8.8	4	PC
90	93699710-0	Spring Washer - Plated M8	4	PC
100	92097299-0	Hex Head Screw - M6Cx16 - 8.8	4	PC
110	7042688	Offset mount	1	PC
Suitable for Offset Installation.				
120	7042398	Offset bracket	1	PC
Suitable for Offset Installation.				
130	7045630	Support bracket	1	PC
Suitable for Offset Installation.				

LP13 Arrow Signboard ()
Trim and Lights\LP13 Arrow Signboard

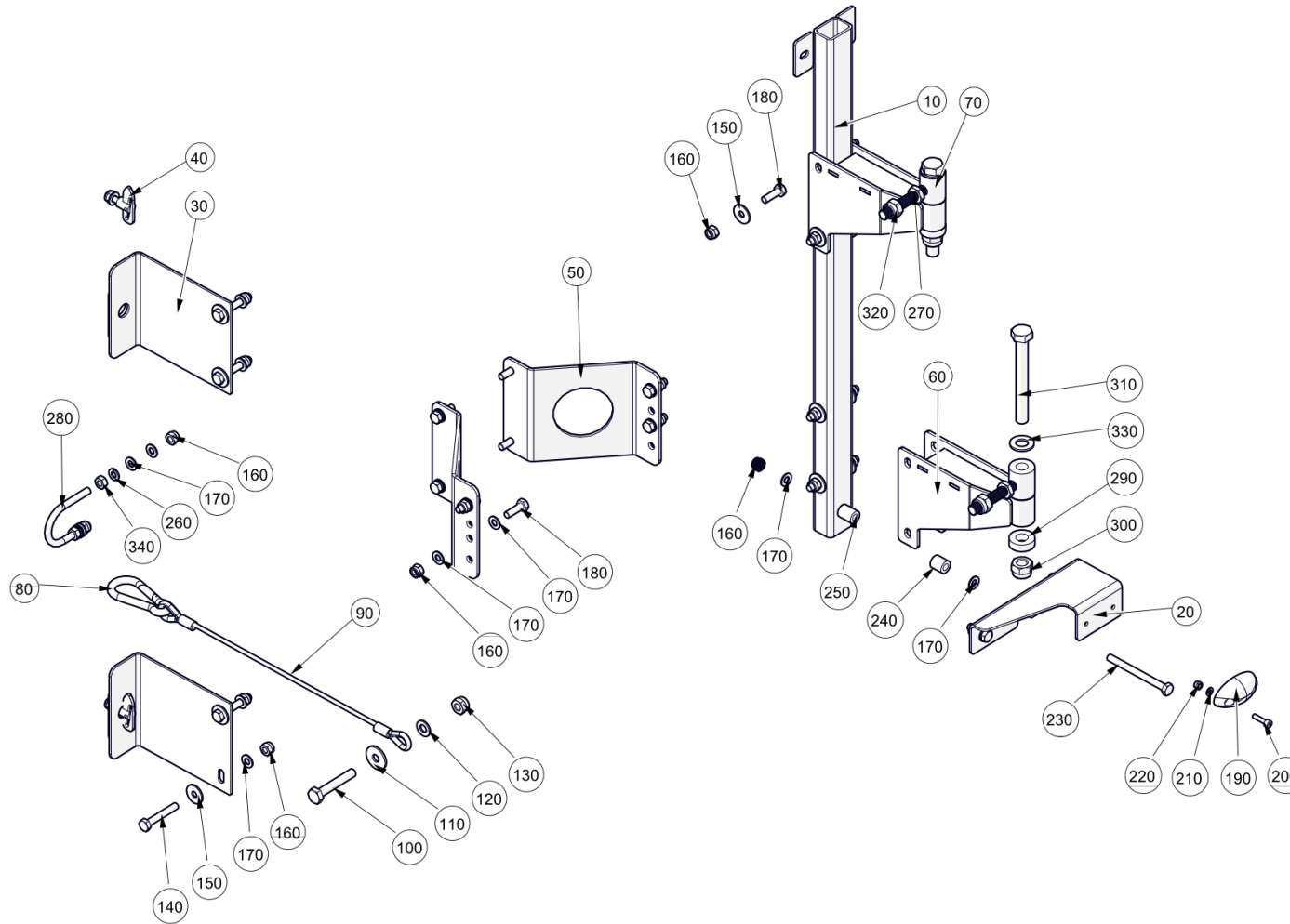


LP13 Arrow Signboard ()
Trim and Lights\LP13 Arrow Signboard

Item no.	Part no.	Description	QTY	Unit
10	745-140	Light Arrow LP 13 (LED)	1	PC
20	7009421	Subframe -Light arrow	1	PC
30	92097381-0	Hex Head Screw - M8Cx45 - 8.8	4	PC
50	93300509-0	Plain Large Washer - M8	4	PC
60	92097416-0	Hex Head Screw - M10Cx40 - 8.8	2	PC
70	93212012-0	Plain Washer - M10	4	PC
80	93085806-0	Nyloc Hex Nut M10C - 8	2	PC
90	93212011-0	Plain Washer - M8	4	PC
100	7012201	Decal LP15 Arrow Board	1	PC
110	7042013	Link welded assembly - Extended	1	PC

Extended door link 7042013 must be fitted to limit the door opening angle, preventing the LP13 signboard hitting the hopper rear panel. Door link 7031765 must be replaced by 7042013, that is identified by a squared end next to the upper pin. Bushes 28404 are suitable for link 7042013 and link 7031765.

LP13 Arrow Signboard Installation ()
Trim and Lights\LP13 Arrow Signboard\LP13 Arrow Signboard Installation



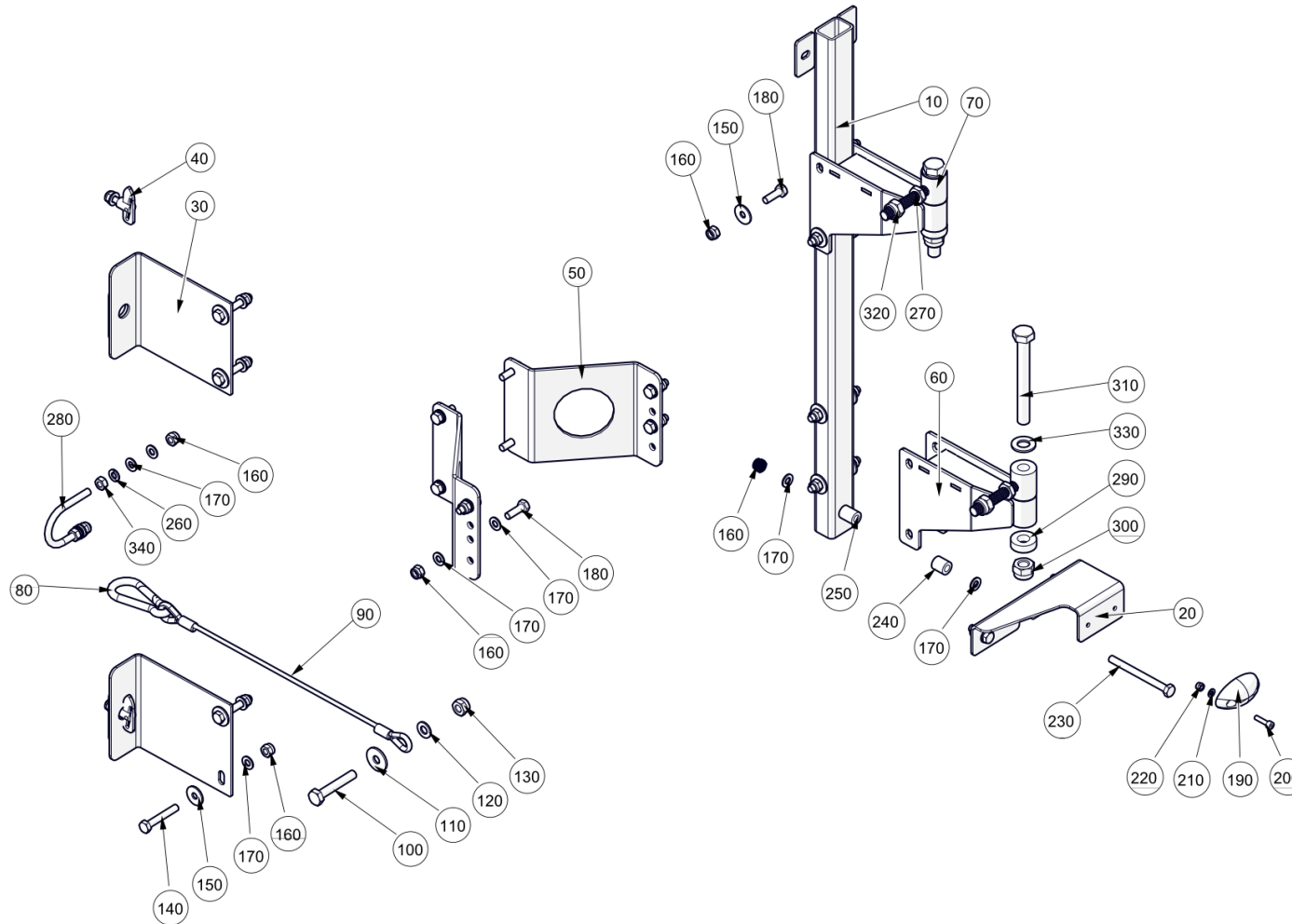
LP13 Arrow Signboard Installation ()

Trim and Lights\LP13 Arrow Signboard\LP13 Arrow Signboard Installation

Item no.	Part no.	Description	QTY	Unit
10	7041887	Vertical Strut - Alternative	1	PC
20	7037460	Stop Bracket	1	PC
30	7036948	Spacer Weld Assembly	2	PC
40	283-36	Pin - Antiluce 8mm x 21mm ZP	2	PC
50	7036946	Strengthening Bracket	2	PC
60	7036951	Pivot Weld Assembly	2	PC
70	7009941	Studding W/assy	2	PC
80	284-21	Hook Carbine - Zinc Plated	1	PC
90	21216-12	Cable - Lift(385mm)	1	PC
100	92097420-0	Hex Head Screw - M10Cx60 - 8.8	1	PC
110	93300510-0	Plain Large Washer M10	1	PC
120	93212012-0	Plain Washer - M10	1	PC
130	93085806-0	Nyloc Hex Nut M10C - 8	1	PC
140	92097382-0	Hex Head Screw - M8Cx50 - 8.8	4	PC
150	93300509-0	Plain Large Washer - M8	12	PC
160	93085805-0	Nyloc Hex Nut M8C - 8	21	PC
170	93212011-0	Plain Washer - M8	34	PC
180	92097376-0	Hex Head Screw - M8Cx25 - 8.8	18	PC
190	39382	Buffer	1	PC
200	92137044-0	Hex Socket Cap Screw - M5Cx20 - 12.9	2	PC
210	93210109-0	Plain Washer M5	2	PC
220	93085003-0	Nyloc Hex Nut M5C - 8	2	PC
230	92067393-0	Hex Head Bolt - M8Cx90 - 8.8	1	PC
240	56569-3	Spacer - 16 Dia x 17 M8	1	PC

LP13 Arrow Signboard Installation ()

Trim and Lights\LP13 Arrow Signboard\LP13 Arrow Signboard Installation



LP13 Arrow Signboard Installation ()
Trim and Lights\LP13 Arrow Signboard\LP13 Arrow Signboard Installation

Item no.	Part no.	Description	QTY	Unit
250	56569-6	Spacer - 16 Dia x 20 M8	1	PC
260	93699710-0	Spring Washer - Plated M8	6	PC
270	93076057-0	Locknut - MC Hex, M12	2	PC
280	6645-5	Clip - Exhaust Banelli 1 5/8"	1	PC
290	47264-19	Spacer - 9.5mm	2	PC
300	93085008-0	Nyloc Hex Nut M14C - 8	2	PC
310	92067508-0	Hex Head Bolt - M14Cx120 - 8.8	2	PC
320	93085807-0	Nyloc Hex Nut M12C - 8	2	PC
330	93212015-0	Plain Washer M14	2	PC
340	93056014-0	Hex Nut M8C-8	2	PC

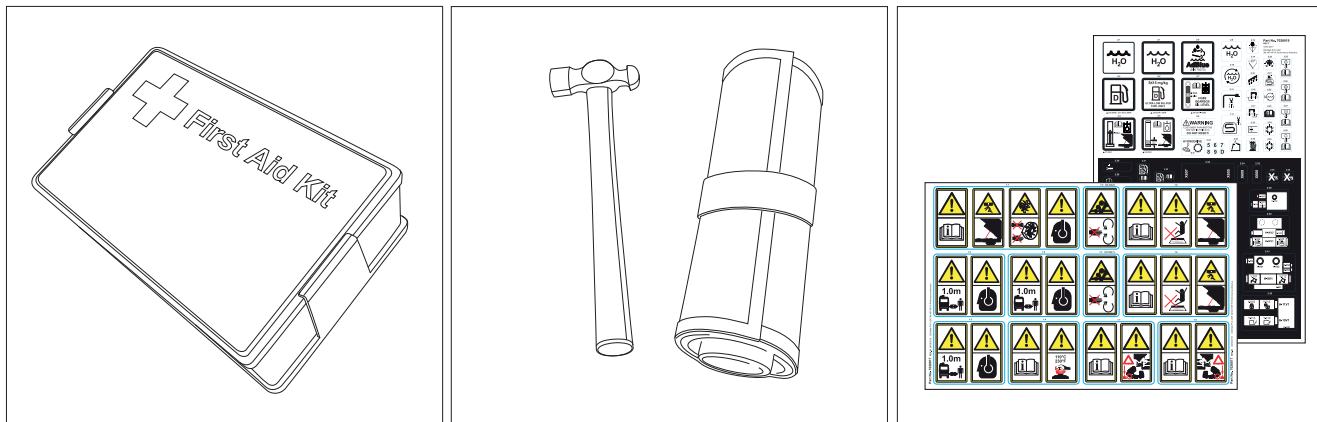
This page is intentionally left blank

Chapter 11

Miscellaneous

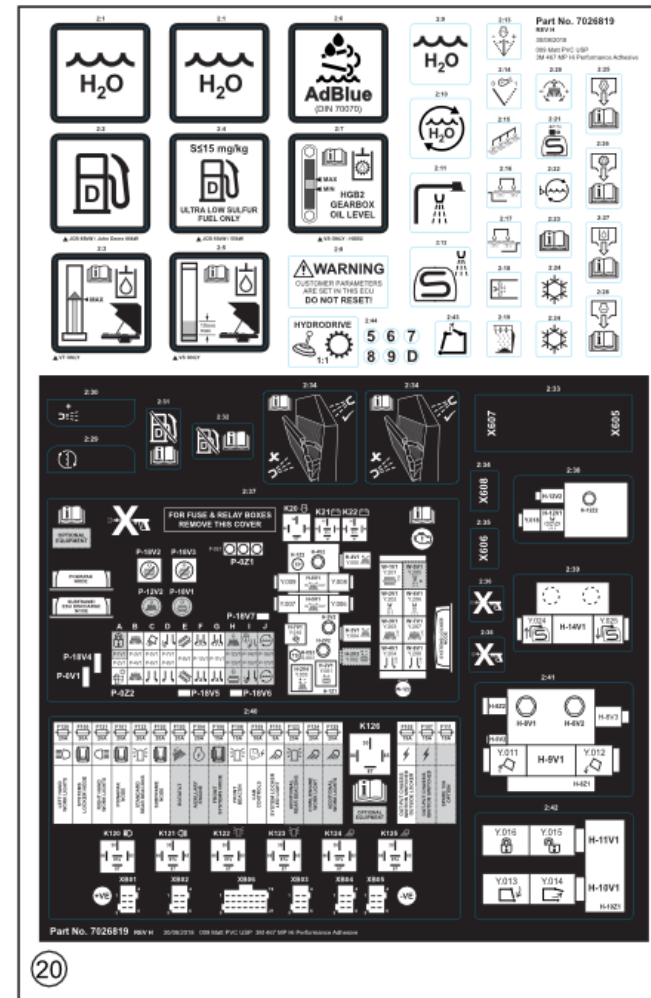
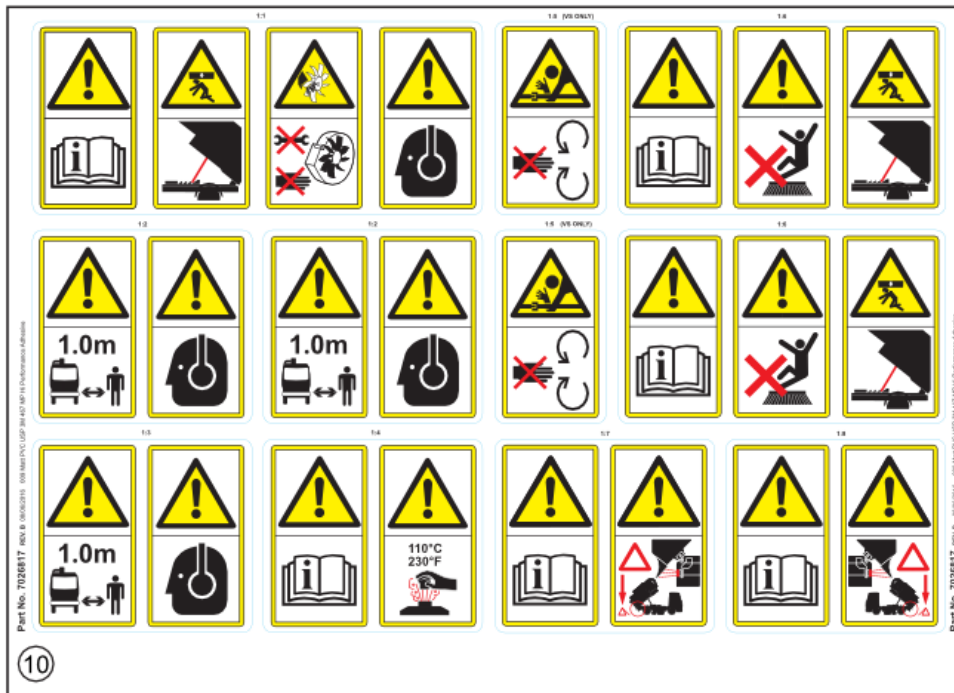
Table of Contents

Section	Page
11.1 Label Sets.....	580



Item no.	Part no.	Description	QTY	Unit
10	39523	First Aid Kit+Tray-Clayton1113	1	PC
20	282499-1	Tool Kit 94/95	1	PC

Label sets ()
 Miscellaneous\Label sets
 Only callouts are interactive in this image.



Label sets ()

Miscellaneous\Label sets

Only callouts are interactive in this image.

Item no.	Part no.	Description	QTY	Unit
10	7026817	Label Set - Warning	1	PC
20	7026819	Label Set - Information	1	PC