

# Technical data

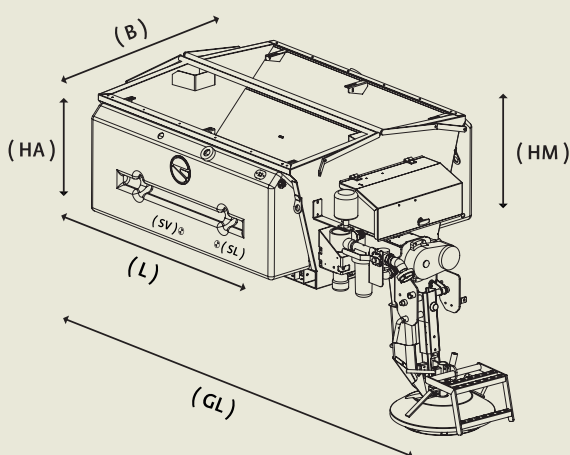
Husky range	400 V	500 V	700 W	800V NGS	1000V NGS	1000 V	1000 W	1100 W	1300W	S 1300 W	1500W	1800 W	
Number of augers	1	1	2	1	1	1	2	2	2	2	2	2	pcs.
Container volume, dry medium	0,4	0,5	0,7	0,8	1,0	1,0	1,0	1,1	1,3	1,3	1,5	1,8	m <sup>3</sup>
Container volume, brine	150	200	-	345	430	430	-	-	-	-	640	640	l
Container length (L)	900	1.200	1.200	1.590	1.590	1.790	1.450	1.790	1.990	1.990	2.130	2.130	mm
Overall length (GL)	1.745	2.035	2.000	2.435	2.435	2.635	2.250	2.590	2.790	2.790	2.965	2.965	mm
Container width without l. s. (B)	1.200	1.200	1.200	1.300	1.300	1.200	1.200	1.200	1.450	1.200	1.500	1.500	mm
Container width with l. s. (B)	1.200	1.200	-	1.500	1.500	1.200	-	-	-	-	1.500	1.500	mm
C. o. g. without l. s., empty (SL)	180	280	220	320	330	500	320	420	560	520	650	660	mm
C. o. g. without l. s., full (SV)	300	450	500	595	600	820	700	850	950	950	1.000	1.040	mm
C. o. g. with l. s., empty (SL)	50	220	-	350	360	440	-	-	-	-	540	550	mm
C. o. g. with l. s., full (SV)	350	500	-	645	650	870	-	-	-	-	1.000	1.040	mm
Container height at sides (HA)	735	735	619	800	900	775	690	619	600	660	763	888	mm
Container height at centre (HM)	771	771	660	841	941	814	730	660	650	700	815	940	mm
Unladen weight without l. s.	300	310	390	320	325	430	445	480	550	510	580	604	kg
Unladen weight with l. s.	380	390	-	398	403	520	-	-	-	-	680	704	kg
Unladen weight, twin cham.	-	-	420	-	-	-	475	510	585	545	615	646	kg
Unladen weight, twin cham./l. s.	-	-	-	-	-	-	-	-	-	-	715	746	kg
Spread coverage, salt	5 - 40	5 - 40	5 - 40	5 - 40	5 - 40	5 - 40	5 - 40	5 - 40	5 - 40	5 - 40	5 - 40	5 - 40	g/m <sup>2</sup>
Spread coverage, grit / sand	10 - 250	10 - 250	10 - 250	10 - 250	10 - 250	10 - 250	10 - 250	10 - 250	10 - 250	10 - 250	10 - 250	10 - 250	g/m <sup>2</sup>
Spread coverage, brine	1 - 30	1 - 30	-	1 - 30	1 - 30	1 - 30	-	-	-	-	1 - 30	1 - 30	%
Spread width	1 - 8	1 - 8	1 - 8	1 - 8	1 - 8	1 - 8	1 - 8	1 - 8	1 - 8	1 - 8	1 - 8	1 - 8	m

## Other standard equipment

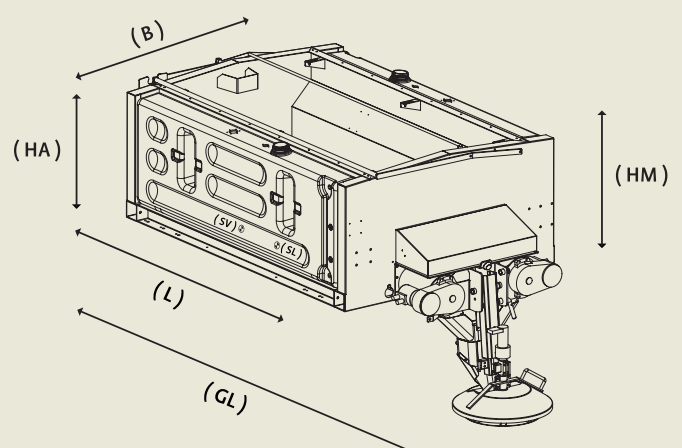
- Self-contained container construction
- Vehicle specific mountings
- Rubber aprons
- Electronic spreader disc shutdown

## Other optional equipment

- Off-shore paintwork
- Thermal imaging camera
- Special vehicle chassis
- Hooking points for crane



V-gritting machine



W-gritting machine