

## Technical specifications

General Data	6M <sup>3</sup>	8M <sup>3</sup>	11M <sup>3</sup>	14M <sup>3</sup>	20M <sup>3</sup>	24M <sup>3</sup>
Body capacity	6M <sup>3</sup>	8M <sup>3</sup>	11M <sup>3</sup>	14M <sup>3</sup>	20M <sup>3</sup>	24M <sup>3</sup>
Hopper bowl capacity	0.75M <sup>3</sup>		1.3m <sup>3</sup>		2.2m <sup>3</sup>	
Cab chassis configuration	(4x2) 7,500 - 9,000kg GVM	(4x2) 8,500 - 11,000kg GVM	(4x2) 11,000 - 14,000kg GVM	(4x2) or (6x4) 14,000 - 20,000kg GVM	(6x4) 22,500kg GVM	(6x4) 22,500kg GVM
Wheelbase (Approx)	3,365mm	4,250mm		4,800mm	5,000mm	5,200mm
Body length (Including tailgate)	3,911mm	4,611mm	4,875mm	5,675mm	6,495mm	7,295mm
Body height (Excluding Chassis)	1,500mm		1,800mm		2,350mm	
Body width	2,200mm		2,500mm			
Body weight (Including tailgate)	2,725 kg	2,935kg	4,145kg	4,415kg	5,660kg	5,930kg
Hopper opening width	2,052mm		2,150mm			
Tailgate opening angle	115 degrees					
Performance						
Payload*	2,000 - 2,500kg	3,500 - 4,000kg	4,000 - 4,500kg	4,000 - 6,700kg	8,500 - 10,500kg	8,500 - 10,500kg
Bin lifting capacity - Underbody bin lifter	600kg					
Bin lifting capacity - UCBL bin lifter	200kg (Single UCBL)			400kg (Twin UCBL)		
Bin suitability**	60L, 80L, 120L, 140L, 240L, 660L & 1,100L		60L, 80L, 120L, 140L, 240L, 660L, 1,100L		All bin sizes incl. Winch & Rolltop bins **	
Operating rpm*	950 rpm					
Compaction density***	400 kg/m <sup>3</sup>		480 kg/m <sup>3</sup>		500 kg/m <sup>3</sup>	
Compaction cycle time	13 seconds		16 seconds		22 seconds	
Material Listing						
Body side sheets	3mm grade 350 steel		3.2mm wear resistant steel*		3.2mm wear resistant steel*	
Body floor sheet	3.2mm wear resistant steel*		4mm wear resistant steel*		5mm grade 350 steel	
Body roof sheet	3mm grade HA300 steel		4mm grade 350 steel		3.2mm wear resistant steel*	
Tailgate side sheets	3mm grade 350 steel + wear resistant steel* liner		4mm wear resistant steel*			
Hopper bowl floor	4mm wear resistant steel*		6mm wear resistant steel*			
Sweep panel	5mm wear resistant steel*					
Slide panel	4mm wear resistant steel*					
Ejector blade	3mm grade 350 steel					
Ejector blade/tailgate wear pads	Replaceable wear pads (Oil filled Nylon)					
Controls and Hydraulics						
Control System	Bucher IQ CANBus control system					
Operator Interface (External)	Electronic push button controls on LH side of tailgate (RH Control option available)					
Operator Interface (Internal)	Electronic control console with 10" touch screen					
Hydraulic Pump	Load sensing variable displacement pump - Up to 130cc/rev					
Maximum System Pressure	240 bar					
Hydraulic Valving	Proportional hydraulic control valves (Danfoss)					
Hydraulic Piping	Zinc plated steel piping					
Hydraulic Filters	10 Micron (Pressure & Return), 200 Beta filters					
Hydraulic oil tank	130L		150L		230L	

\* Subject to loading conditions, waste type, fitted options and cab chassis selection

\*\* Subject to bin configuration, options and chassis selection

\*\*\* Subject to loading conditions & waste type

\* Hardox 450 or equivalent material, subject to availability

## Productivity specifications

Body Size		6m <sup>3</sup>	8m <sup>3</sup>
Cab chassis configuration		4x2	4x2
Compaction density (General Waste) <sup>*1</sup>		400 kg/m <sup>3</sup>	
Average Payload Capacity <sup>*2</sup>		2,000 - 2,500 kg	3,500 - 4,000 kg
Average number of 240L bins (General Waste) <sup>*3</sup>		Approx. 125 bins	Approx. 200 bins
Maximum lifting capacity	Underbody lifter	600kg	
	UCBL lifter	400kg	
Hopper Capacity (With steel Spill Tray)		0.75m <sup>3</sup>	
Number of bins in hopper before compaction is required	120L	6 bins	
	240L	3 bins	
	660L	1 bin	
	1,100L	1 bin	
Compactor operation times <sup>*4</sup>	Sweep Panel - Retract	3 Seconds	
	Side Panel - Lower	2 Seconds	
	Sweep Panel - Extend	3 Seconds	
	Slide Panel - Raise	5 Seconds	
	Total compactor cycle time	13 Seconds	
Body operation times <sup>*4</sup>	Tailgate - Open	22 Seconds	
	Tailgate - Close	22 Seconds	
	Eject Blade - Extend	13 Seconds	20 Seconds
	Eject Blade - Retract	12 Seconds	17 Seconds
Bin lifter operation times for 120L & 240L bins (Underbody Lifter) <sup>*4</sup>	Bin lifter - Raise	4 Seconds	
	Bin lifter - Lower	5 Seconds	
	Total bin lifter cycle time	9 Seconds	
Bin lifter operation times for 660L & 1,100L bins (Underbody lifter) <sup>*4</sup>	Bin lifter - Raise	9 Seconds	
	Bin lifter - Lower	9 Seconds	
	Total bin lifter cycle time	23 Seconds	
Suitable Bin Sizes <sup>*5</sup>	60/80L	Yes	
	120/140L	Yes	
	240L	Yes	
	360L	No	
	660L	Yes	
	1,100L	Yes	
	Winch bins	No	

**KEY:**

\*1 - Indicative values only. Subject to loading conditions and waste type.

\*2 - Indicative values only. Subject to loading conditions, waste type and cab chassis selection.

\*3 - Based on 20kg bin weight - 240L general waste bin (average weight obtained from independent Australian market research and may vary in some regions).

\*4 - Indicative values only. Subject to loading conditions, PTO ratio, Oil Temperature and cab chassis selection.

\*5 - Dependant on bin lifter configuration.

NOTE: Bucher Municipal exercises a program of continual product development, and in this context reserve the right to amend specifications without prior notice.

## Productivity specifications continued...

Body Size		11m <sup>3</sup>	14m <sup>3</sup>	
Cab chassis configuration		4x2	4x2	6x4
Compaction density (General Waste) <sup>*1</sup>		450kg/m <sup>3</sup>		
Average Payload Capacity <sup>*2</sup>		4,000 - 4,500 kg	4,000 - 6,700 kg	
Average number of 240L bins (General Waste) <sup>*3</sup>		Approx. 225 bins	Approx. 335 bins	
Maximum lifting capacity	Underbody lifter	600kg		
	UCBL lifter	400kg		
Hopper Capacity (With steel Spill Tray)		1.3m <sup>3</sup>		
Number of bins in hopper before compaction is required	120L	11 bins		
	240L	5 bins		
	660L	2 bins		
	1,100L	1 bin		
Compactor operation times <sup>*4</sup>	Sweep Panel - Retract	3 Seconds		
	Side Panel - Lower	3 Seconds		
	Sweep Panel - Extend	3 Seconds		
	Slide Panel - Raise	7 Seconds		
	Total compactor cycle time	16 Seconds		
Body operation times <sup>*4</sup>	Tailgate - Open	22.Seconds		
	Tailgate - Close	22 Seconds		
	Eject Blade - Extend	16 Seconds	22 Seconds	
	Eject Blade - Retract	25 Seconds	30 Seconds	
Bin lifter operation times for 120L & 240L bins (Underbody Lifter) <sup>*4</sup>	Bin lifter - Raise	4 Seconds		
	Bin lifter - Lower	4 Seconds		
	Total bin lifter cycle time	8 Seconds		
Bin lifter operation times for 660L & 1,100L bins (Underbody Lifter) <sup>*4</sup>	Bin lifter - Raise	6 Seconds		
	Bin lifter - Lower	6 Seconds		
	Total bin lifter cycle time	12 Seconds		
Suitable Bin Sizes <sup>*5</sup>	60/80L	Yes		
	120/140L	Yes		
	240L	Yes		
	360L	Yes		
	660L	Yes		
	1,100L	Yes		
	Winch bins	Yes		

**KEY:**

\*1 - Indicative values only. Subject to loading conditions and waste type.

\*2 - Indicative values only. Subject to loading conditions, waste type and cab chassis selection.

\*3 - Based on 20kg bin weight - 240L general waste bin (average weight obtained from independent Australian market research and may vary in some regions).

\*4 - Indicative values only. Subject to loading conditions, PTO ratio, Oil Temperature and cab chassis selection.

\*5 - Dependant on bin lifter configuration.

NOTE: Bucher Municipal exercises a program of continual product development, and in this context reserve the right to amend specifications without prior notice.

## Productivity specifications continued...

Body Size		20m <sup>3</sup>	24m <sup>3</sup>
Cab chassis configuration		6x4	6x4
Compaction density (General Waste) <sup>*1</sup>		480kg/m <sup>3</sup>	
Average Payload Capacity <sup>*2</sup>		9,000 - 10,500 kg	10,000 - 10,500 kg
Average number of 240L bins (General Waste) <sup>*3</sup>		Approx. 525 bins	
Maximum lifting capacity	Underbody lifter	600kg	
	UCBL lifter	400kg	
Hopper Capacity		2.2m <sup>3</sup>	
Number of bins in hopper before compaction is required	120L	18 bins	
	240L	9 bins	
	660L	3 bins	
	1,100L	2 bins	
Compactor operation times <sup>*4</sup>	Sweep Panel - Retract	4 Seconds	
	Side Panel - Lower	4 Seconds	
	Sweep Panel - Extend	5 Seconds	
	Slide Panel - Raise	9 Seconds	
	Total compactor cycle time	22 Seconds	
Body operation times <sup>*4</sup>	Tailgate - Open	22 Seconds	
	Tailgate - Close	22 Seconds	
	Eject Blade - Extend	16 Seconds	18 Seconds
	Eject Blade - Retract	23 Seconds	24 Seconds
Bin lifter operation times for 120L & 240L bins (Underbody Lifter) <sup>*4</sup>	Bin lifter - Raise	3 Seconds	
	Bin lifter - Lower	4 Seconds	
	Total bin lifter cycle time	8 Seconds	
Bin lifter operation times for 660L & 1,100L bins (Underbody Lifter) <sup>*4</sup>	Bin lifter - Raise	6 Seconds	
	Bin lifter - Lower	6 Seconds	
	Total bin lifter cycle time	12 Seconds	
Suitable Bin Sizes <sup>*5</sup>	60/80L	Yes	
	120/140L	Yes	
	240L	Yes	
	360L	Yes	
	660L	Yes	
	1,100L	Yes	
	Winch bins	Yes	

**KEY:**

\*1 - Indicative values only. Subject to loading conditions and waste type.

\*2 - Indicative values only. Subject to loading conditions, waste type and cab chassis selection.

\*3 - Based on 20kg bin weight - 240L general waste bin (average weight obtained from independent Australian market research and may vary in some regions).

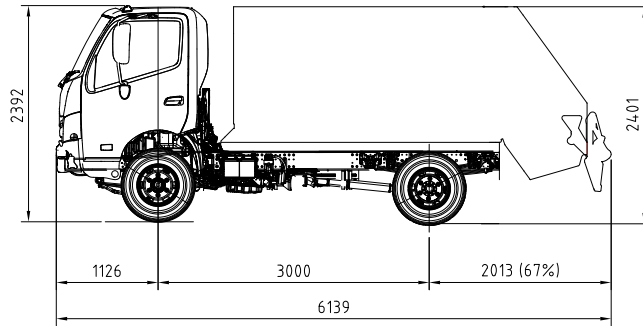
\*4 - Indicative values only. Subject to loading conditions, PTO ratio, Oil Temperature and cab chassis selection.

\*5 - Dependant on bin lifter configuration.

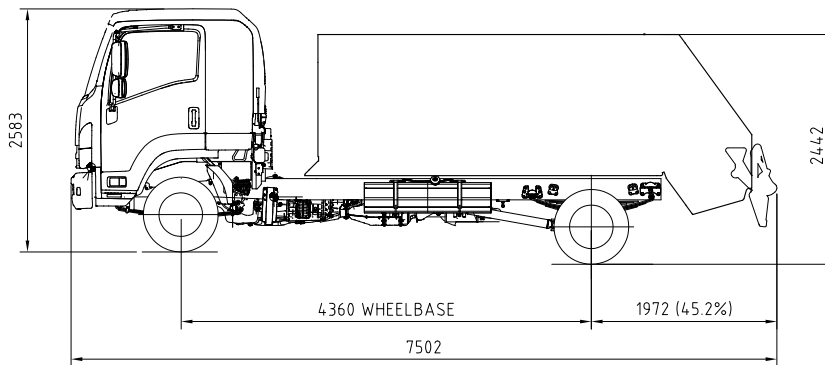
NOTE: Bucher Municipal exercises a program of continual product development, and in this context reserve the right to amend specifications without prior notice.

## Overall Dimensions

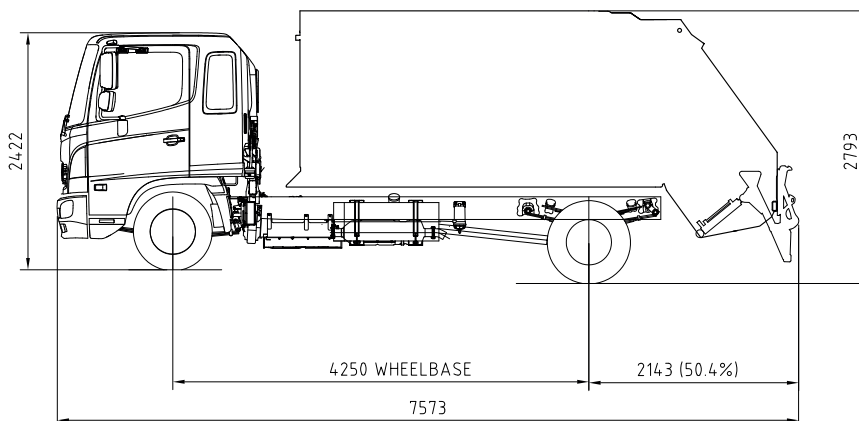
### Urbin Small 6m<sup>3</sup>



### Urbin Small 8m<sup>3</sup>



### Urbin Medium 11m<sup>3</sup>



Please Note:

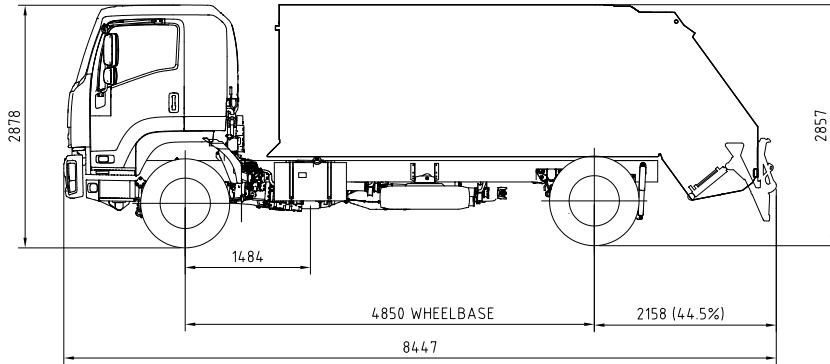
Layouts shown are for optimal wheelbase and axle configurations only and not specific to chassis make and model. Dimensions are subject to chassis, wheelbase and option selection. Refer NHVR or local state regulations for Rear Overhang allowances.

**Bucher Municipal** • 65-73 Nantilla Rd, Clayton North, Vic. 3168 AUS  
 Phone +61 3 9271 6400 • Fax +61 3 9271 6480  
 info@buchermunicipal.com.au • www.buchermunicipal.com.au

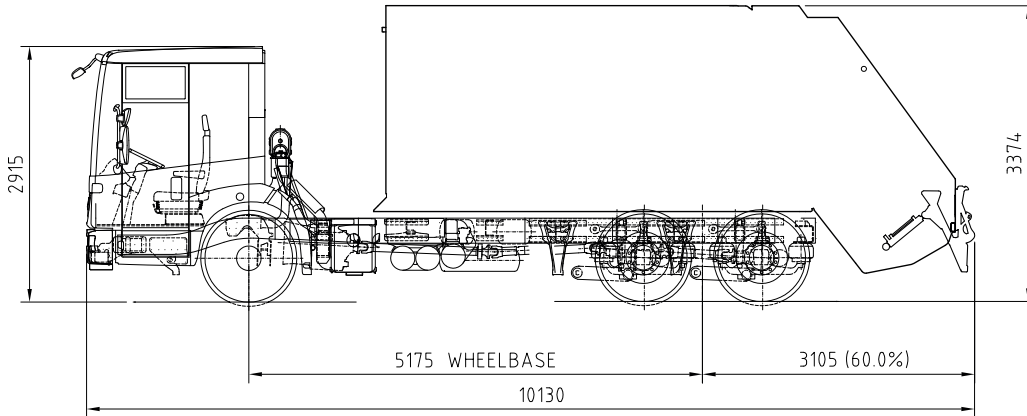
Due to continuous development Bucher Municipal reserves the right to alter specifications without prior notice.

## Overall Dimensions

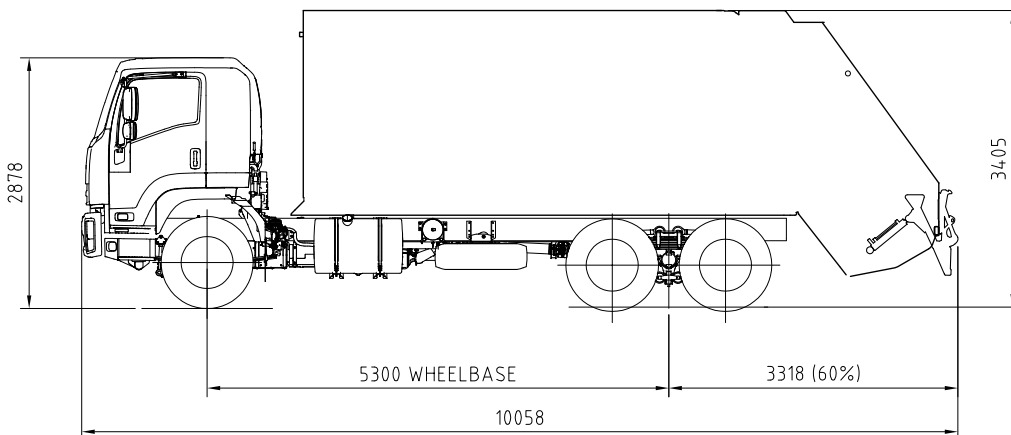
### Urbin Medium 14m<sup>3</sup>



### Urbin Large 20m<sup>3</sup>



### Urbin Large 24m<sup>3</sup>



Please Note:

Layouts shown are for optimal wheelbase and axle configurations only and not specific to chassis make and model.

Dimensions are subject to chassis, wheelbase and option selection.

Refer NHVR or local state regulations for Rear Overhang allowances.

**Bucher Municipal** • 65-73 Nantilla Rd, Clayton North, Vic. 3168 AUS

Phone +61 3 9271 6400 • Fax +61 3 9271 6480

info@buchermunicipal.com.au • www.buchermunicipal.com.au

Due to continuous development Bucher Municipal reserves the right to alter specifications without prior notice.