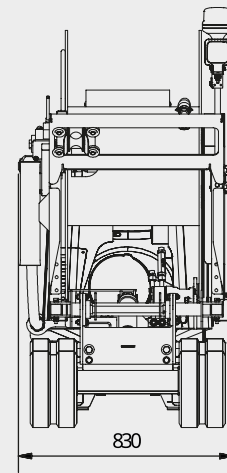
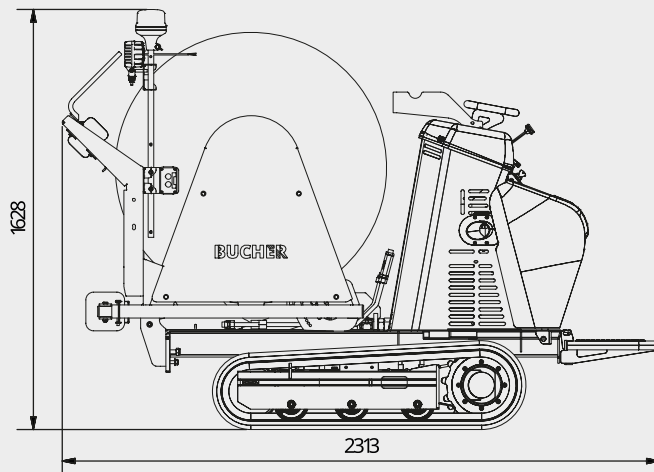


Bucher Remote Reel



Dimensions and weight

Length	2,313 mm
Width	830 mm
Height	1,628 mm
Track width	76 - 106 cm
Weight	850 kg
Inclines	Max 25°

Hose reel

Hydraulic operation	0-4 km/h
Manual operation	Free-run
Hose size (option 1)	1" 200 m
Hose size (option 2)	5/4" 150 m
Inclines	Yes, with support legs

Engine

Model	Honda
Horse power	11.7 HP
Fuel	Petrol
Gearbox	2-speed
Starter	Electric
Oil cooler	For hydraulic oil

Undercarriage

Model	Hinowa
Track crawler	Rubber
Motorized	Belt driven
Adjustable	Yes

Finish

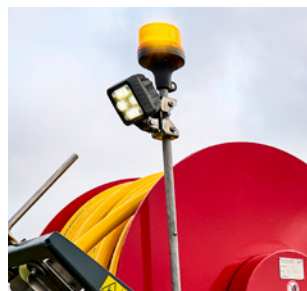
Paint colour	Red/Dark grey, as shown on picture
Paint quality	Corrosion class C3, 100-120 µm

Reach where traditional sewer cleaners units can't



Control panel

Easily manage all functions thanks to the intuitive control panel.



Work lamp and beacon*

Stay safe even at dark with the powerful lamp and beacon light.



Tool tray*

Store your work tools on the tray and take them wherever you go.



Cover hook holder*

Keep your cover hooks ready to use on the practical holder.

Bucher Remote Reel

Thanks to the smart design of the Bucher Remote Reel you can enjoy an easy start-up and precision manoeuvring.

Quick start

The Bucher Remote Reel connects fast and easy to the existing unit

Don't stop or delay a day's work due to lack of accessibility. Connect the Bucher Remote Reel to your sewer cleaning unit simple, fast and hassle free

One person

Its technology ensures the unit can be used by just one operator.

An operator's platform is located in the rear of the Bucher Remote Reel. It is equipped with an easy steering and intuitive controls.

Safe and Reliable

Tested and based on technology that increases safety and effectivity.

Compact and sturdy design allows a safe operation and access to uneven surfaces such as fields and stairs.

Hose reel

Choose between 1" 656 ft (200 m) or 5/4" 492 ft (150 m) jetting hose.

Access to difficult jetting jobs

Across the field or down the basement stairs? Not a problem

The Bucher Remote Reel is a small but powerful and versatile machine designed to work across all-terrain and where a normal vacuum cleaner cannot reach.

Adjustable undercarriage

Increases the safety on stretches with limited accessibility

The undercarriage's adjustable width gives a safer, more stable maneuvering in the areas where an ordinary sewer cleaner truck cannot get through.

Service all over the world

Built on standard modules for fast and easy access to spare parts.

The modules are mounted on a tracked undercarriage from a known supplier easing service and spare parts finding.

Control Panel

Manage the hose reel, speed and width of the undercarriage.

*Accessories

The accessories are the ideal set up to carry down a job with all the basic tools you need on the field.

- One work lamp
- One beacon light
- One tool tray
- One cover hook holder

The intuitive control panel and practical accessories allow for an easier operation of the Bucher Remote Reel on the field.

Contact us for more information.

Bucher Municipal



For local contact and support, please scan the QR code or visit

buchermunicipal.com

Driven by better



Bucher
Municipal
E-Shop