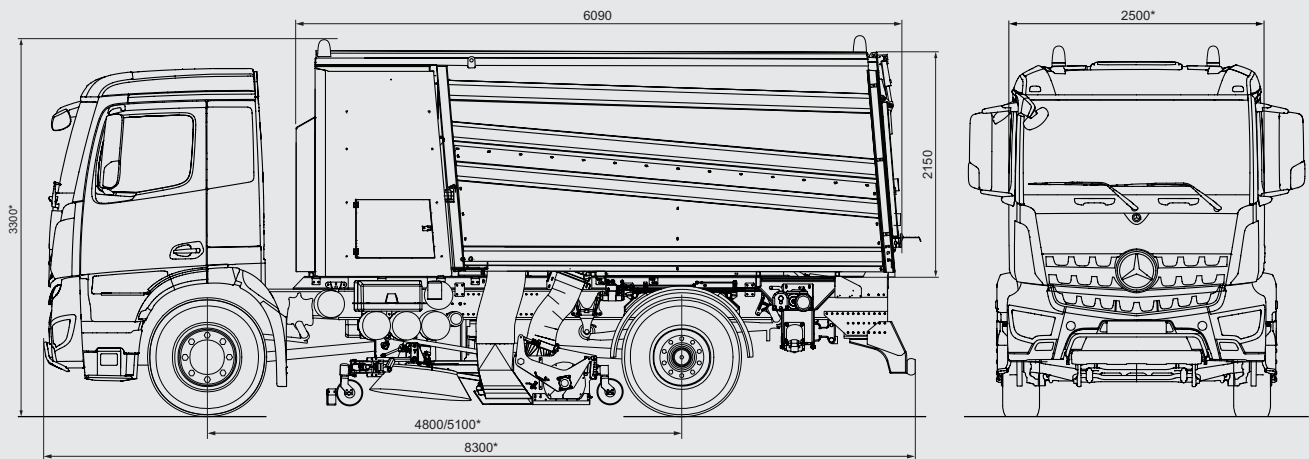


Bucher MaxPowa V95t aero



Dimensions

Length*	8300 mm
Width*	2500 mm
Height *	3300 mm
Wheelbase (E3/5 chassis)*	4800mm nominal
Wheelbase (E6 chassis)*	5100mm nominal
Weight (empty)*	14,400 kg

Noise level cab

<75 dB(A) *

Sweep gear and sweep speed

Swept width (no side brooms)	2500 mm
Swept width (with side brooms)	3400 mm
Sweep speed (no side brooms)	40 km/h
Sweep speed (with side brooms)	15 km/h

Chassis

GVM	18 tonne
Axle config	4x2

Diesel fuel tank

Capacity (shared sweeper & chassis)*	290 l
--------------------------------------	-------

Auxiliary engine

Mercedes Benz OM 906LA	Stage 3a**
Cylinders	6
Displacement	6400 cc
Gross Power	205 kW @ 2200 rpm
Max Torque	1100 Nm @ 1200 rpm

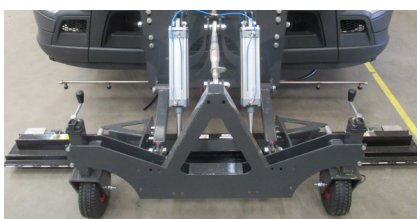
Optional auxiliary engine

Mercedes Benz OM 936LA	Stage 5
Cylinders	6
Displacement	7700 cc
Gross Power	210kW @ 1950 rpm
Max Torque	1200 Nm @ 1200 rpm

* Dependent on chassis and/or option selected

** Not for EU

Features



Magnet

Optional front or rear mounted permanent magnet bar fitted with hinged aluminium protection cover to enable easy cleaning and removal of ferrous material.



HMI Centre console

CAN bus enabled sweeper controls and information display integrated into an easy to navigate console which can be adjusted to suit the operators preferred position.



Rear Mounted Wanderhose

The powerful vacuum performance makes easy work of cleaning catch basins and detritus in confined areas that the sweepgear can't reach.

Bucher MaxPowa V95t aero

Controls

Centre cab mounted master control panel providing information on a wide range of sweeper functions. This CANbus control unit is designed to be intuitive and simple to use and also provides the operator with key warnings as necessary.

Exhauster fan

Operational speed	Max 3250rpm
Airflow	Max 520m ³ /min

The fan is mounted transversely behind the auxiliary engine.

Channel brushes (opt.)

Two slewable side brush units can be selected. Dependent upon the desired working width, they can be activated independently via the in cab master control panel.

Channel brush diameter	900mm
Channel brush speed	90-120rpm

Side blast nozzles

Side blast nozzles are fitted to both sides of the machine. They remove water, snow or detritus lying on the runway and taxiways. Control is via the in cab master control panel.

Electrical system

24 volt.

Pick-up unit

Located between the chassis axles, the unit picks up debris and liquid across the full width of the sweeper. V-formation channels direct debris under the primary suction nozzles for collection of larger FOD (foreign object debris). The primary suction nozzles are followed by a set of full width suction nozzles complete with a full width brush behind that picks up the finer debris.

The wide sweep brush operational speed and ground pressure is adjustable. The brush can be lifted altogether for applications such as glycol recovery where it is not required. In order to protect the machines the pickup unit lifts automatically when speed exceeds 40km/h.

Central broom length	2300mm
Central broom diameter	400mm

Dust suppression system

Dust suppression sprays are located in front of the pickup device, in the suction nozzles, at the channel brushes (where fitted) and across the front of the vehicle. The Pressadrain water purging system is provided as standard to protect the system in cold weather.

Dust suppression water pump	30 lpm
Dust suppression water pump	4 bar

Hopper

The hopper is a heavy duty fabrication construction complete with a stainless floor. The body prop is engaged automatically and remotely disengaged hydraulically.

Hopper voided volume	9.5 m ³
Hopper tilt angle	50 degrees

Water system

Water capacity	1500 l (std)
Additional rear tanks	+500 l (opt)
Additional tank behind cab	+2000 l (opt)
Water capacity (Max total)	4000 l (opt)

Options

- Channel brushes left and right, mounted and stowed behind the front axle, ø900mm, incl. adjustment of ground pressure
- Stainless steel hopper. 1.4003
- High pressure equipment: 15 l/min @ 150bar or 106 l/min @ 200 bar c/w hand lance and auto retract hose reel. Spray bar and jet options are also available
- Magnet - Front or Rear mounted
- Wanderhose, rear mounted with suction hose, ø200mm

Bucher Municipal



For local contact and support, please scan the QR code or visit

buchermunicipal.com

Driven by better



Bucher Municipal
E-Shop