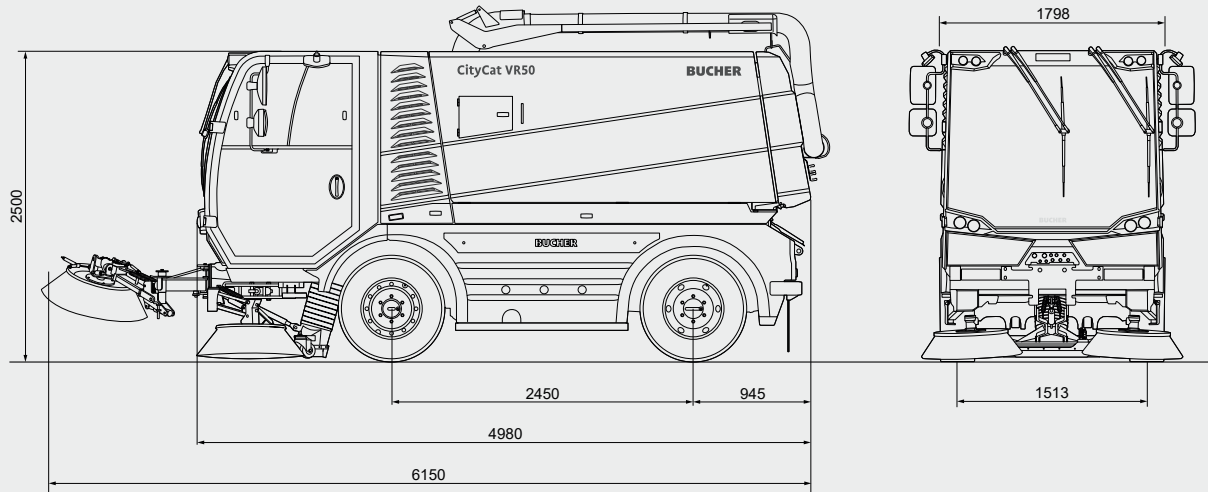


Bucher CityCat VR50



Dimensions

Length	4980 mm
Width	1798 mm
Height	2500 mm
Wheelbase	2450 mm
Track width	1513 mm
Cleaning width 2 brushes	2533 mm
Cleaning width 3 brushes	3520 mm
Cleaning width 3 brushes (RCB)	3768 mm
Turning radius	2950 mm

Tyres

265 / 70 R 19.5 143 / 141J

* According to national legislation

Driving Performance

Working speed	0-20 km/h
Travelling speed	0-80 km/h*
Climbing ability	up to 30 %

Noise emissions

Noise level L _{wa}	99 dB(A)
Noise level cab	63 dB(A)

Chassis

Bucher fabricated ladder frame chassis with "C" Rail construction	
GVW	10 500 kg
Empty weight	5500 kg
Payload	5000 kg

Engine Euro 6

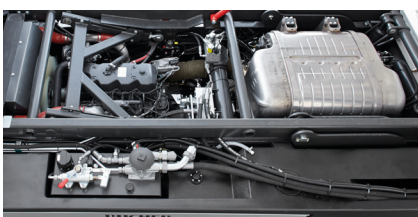
FPT, Iveco Euro 6	NEF 4 Euro VI
Engine displacement	4485 cm ³
Output	118 kW
Torque	580 Nm
AdBlue tank	30 l

Engine Stage IIIA*

FPT, Iveco Stage IIIA	NEF4 Stage III A
Engine displacement	4485 cm ³
Output	104 kW
Torque	608 Nm

Fuel tank	110 l
Electrical system	24 V

Bucher CityCat VR50: performance package in the compact class



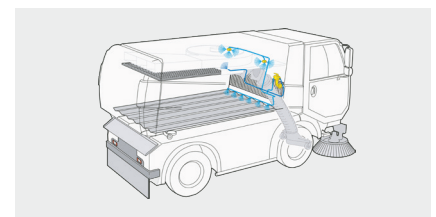
Low-emission Engine Euro 6

The smooth-running, high-torque Iveco Euro 6 diesel engine with extremely low fuel consumption and emission levels allows exceptionally reliable and economical operation.



Choose your settings

The CSense display (10.1 inch touch display) with intuitive design for extended functions, central overview of all settings and visual diagnostic system. The displayed vehicle set-up can be individually chosen by the driver.



EasyClean System

The operator simply activates the EasyClean self-cleaning function. The blower, filter screen, dirty water tank, side walls and other difficult to reach pockets of dirt are then sprayed by the cleaning nozzles. The machine is perfectly clean within a couple of minutes.

Bucher CityCat VR50

Steering

Hydrostatic controlled four wheel steering.

Axles

Drive-axle at the rear with differential and planetary hub reduction. Running axle at the front.

Hydraulic

The latest electronic control concept makes it possible to control the diesel engine in terms of optimal consumption and noise for a hydrostatic drive over the entire speed range. Without compromising on performance.

Diesel consumption and exhaust pollutant emissions have been greatly reduced thanks to the electronic control concept and the Euro 6 diesel engine. Valuable resources and the entire vehicle system are protected. Test drives have resulted in diesel savings of 30 % as well as a 20 % noise reduction when passing by in road travel mode. On top of that, the positive effect can also be seen in the operating costs.

Brakes

Hydraulic, dual-circuit high performance brake system with double callipers on each side on front axis and single calliper on rear axis. Manually operated parking brake, acting hydraulically on additional brakes disc ahead of differential.

Driver's cab

Comfortable, hydro bearing suspension, soundproofed cab. Windscreen made of heat-insulating, curved, low-reflection safety glass. 2 sliding windows in each door. Multi-speed heating fan. Sun visor. Windscreen wiper/washer system Air-sprung driver's seat and sprung passenger's seat, each individually adjustable. Steering column can be adjusted in both the angle and height. CSense display (10.1 inch touch display) with intuitive design for extended functions, central overview of all settings and visual diagnostic system. The displayed vehicle set-up can be individually chosen by the driver.

Pick-up system

Pick-up principle based on suction, with retracted, rust-proof suction nozzle in front of axis, can be hydraulically moved 400 mm laterally with the side brush. Hydraulic suction nozzle height adjustment. Stepless adjustable high-power suction fan.

Hopper

Volume 5.6 m³

hydraulic tipping and opening.

Dumping height, low dumping 930 mm

Dumping height, high dumping 1550 mm

Dumping width 1700 mm

Tipping angle 51 °

Water system

Water capacity 880 l

Water pump for water nozzles.

Brushes

2 side brushes left and right Ø 900 mm

Impact-proof brush suspension - impact protection

3rd front brush on Type XL for maximum cleaning width of 3520 mm, can be used left and right

Variable speed adjustment 0-150 rpm

Options

- Air conditioning
- Additional water tank 1120 l (total 2000 l - reduces hopper volume)
- Boom with reel and hand lance
- 100 bar or 200 bar water pump
- High dump
- Water recirculation system
- Wander hose
- Weed brush
- Hydraulic tilt of the side brushes
- Water flushing bar
- High pressure water system
- EasyClean system
- LED work light
- Rear view and suction nozzle camera
- Data capture

A variety of other options are available - contact us for more information.

Bucher Municipal



For local contact and support, please scan the QR code or visit

buchermunicipal.com

