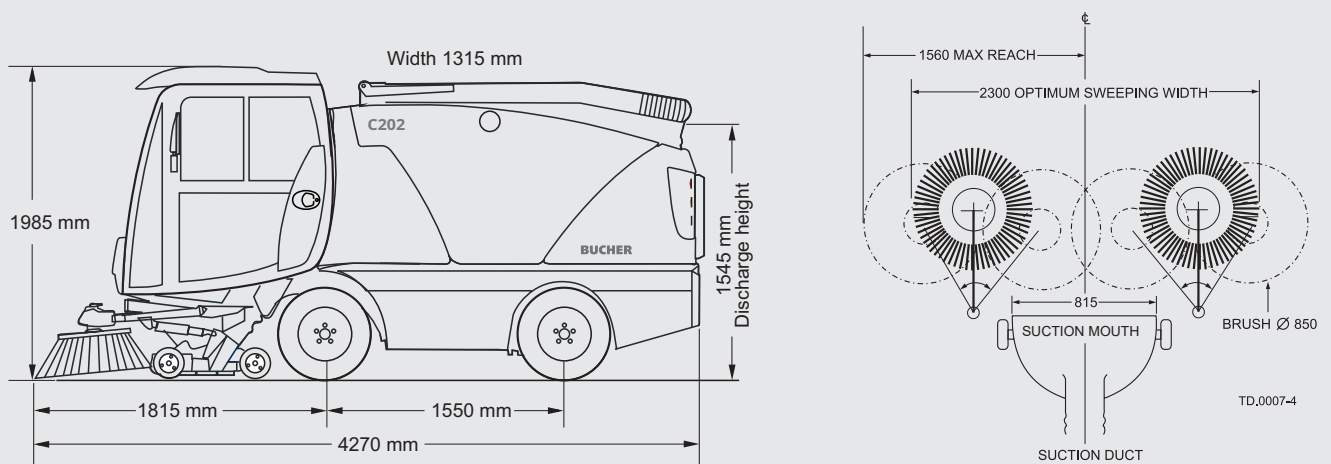


Bucher C202



Dimensions

| | |
|---------------------|----------------|
| Length | 4270 mm |
| Width | 1315 mm |
| Height | 1985 mm |
| Wheelbase | 1550 mm |
| Track | 1143 / 1158 mm |
| Max. cleaning width | 3120 mm |

Weight

| | |
|----------------|---------|
| Unladen weight | 2850 kg |
| Payload | 1650 kg |
| GVW | 4500 kg |

Tyres (Tubeless)

| | |
|-------|-------------------|
| Front | 6.50 R10 Radial |
| Rear | 225/75 R10 Radial |

Drive system

Infinitely variable, hydrostatic drive

Driving performance

| | |
|------------------------|------------|
| Working speed | 0-16 km/h |
| Travelling speed | 0-50 km/h* |
| Climbing ability up to | 30 % |

Low emission diesel Engine

| | |
|-------------------|-------------------------------|
| Type | R754EU6C / R754ISE5 / D754TE3 |
| Exhaust class | EU 6c / Stage 5 / Stage 3A |
| Displacement | 2970 cm ³ |
| Output (kW) | 62 / 55 / 54 |
| Torque (Nm) | 270 / 310 / 255 |
| Fuel tank | 52 l |
| Electrical system | 12 V |

* According to national legislation

Bucher C202: small and perfectly formed



Four-wheel steering

The four-wheel steering ensures maximum directional stability and manoeuvrability. The turning radius is thus 2110 mm (kerb to kerb).



Brush system

The individually and hydraulically operated side brushes are equipped with a collision shock absorber. The contact pressure control as well as the lifting and tilt adjustment can be adjusted more comfortably from the cab.



Driver's cab

Daily work is made easier thanks to excellent all-round visibility of the sweeping brushes and the work surface. The floor windows with a direct view of the suction mouth help to ensure efficient and clean sweeping.

Bucher C202

Electrics

12 volt system with 105 amp alternator.

Running gear

Four wheel coil spring suspension with Bucher spec gas over oil dampers and a front mounted anti-roll bar.

Steering

Full hydraulic power steering,
Turning radius:

| | |
|-------------------|---------|
| 2- Wheel steering | |
| Kerb to kerb | 2610 mm |
| Wall to wall | 3510 mm |

| | |
|----------------------------|---------|
| 4- Wheel steering (Option) | |
| Kerb to kerb | 2110 mm |
| Wall to wall | 3265 mm |

Noise

In cab: Noise between 67-75 dB(A), depending on operating speed.

External: Under sweeping conditions
Noise 97 dB(A)

Brakes

Front: Hydraulic in-board disc brakes with dual circuits between front and rear for added braking security.

Rear: Hydraulic drum brakes with integral parking break.

Hopper

| | |
|------------------------|-----------------------------|
| Stainless steel hopper | 1.8 m ³ |
| Discharge height | 1545 mm |
| Fresh water | 152 l (E6c & S5) 175 l (3A) |
| Recirculation system | 250 l |

Cab

Recirculating and fresh air blend heater with adjustable vents.

Fully glazed with tinted safety glass. Electrically heated "Quick-clear" windscreen.

Fully adjustable air suspension driver's seat with adjustable back support. Rigidly mounted passenger seat plus 3 point red seat belts.

Ergonomically designed for driver comfort. Overhead console incorporating lighting switches, stereo radio/mp3 player and 7 inch full-colour screen. A rear console containing ignition switch, tipping controls, suction fan and water switches. Arm rest containing all sweeping related controls for brushes, engine speed, brush balance, cruise control etc., is ergonomically positioned near to the driver.

Standard machine features

Display System (7 inch full-colour) alerts the driver in the event of a system problem, also records various data which may be downloaded via USB, 'Data Capture' feature as standard. Independent brush control, Stereo Radio MP3 Player c/w USB interface with 45 watt dual cone speakers, Reverse Warning: Audible warning device with night silent override.

Options

- 4-wheel steering
- Air Conditioning
- Autolube grease system
- CCTV reverse camera system
- Hydrant hose, standpipe & key
- Leaf flap on nozzle for ingestion of leaves
- Nozzle castor wheels
- Radio/CD
- Spare wheel
- Supawash: High pressure washing hand lance and pump (9 litres @ 68 bar) c/w reel and 10 metre hose.
- Third brush system allowing extended swept width.
- Wanderhose: Roof mounted with 3.7 metre reach.
- Winter Equipment: Snow plough, snow broom, rear-mounted gritter/spreader.

A range of options is available - contact us for more information.

Bucher Municipal



For local contact and support, please scan the QR code or visit

buchermunicipal.com

Driven by better



Bucher Municipal
E-Shop