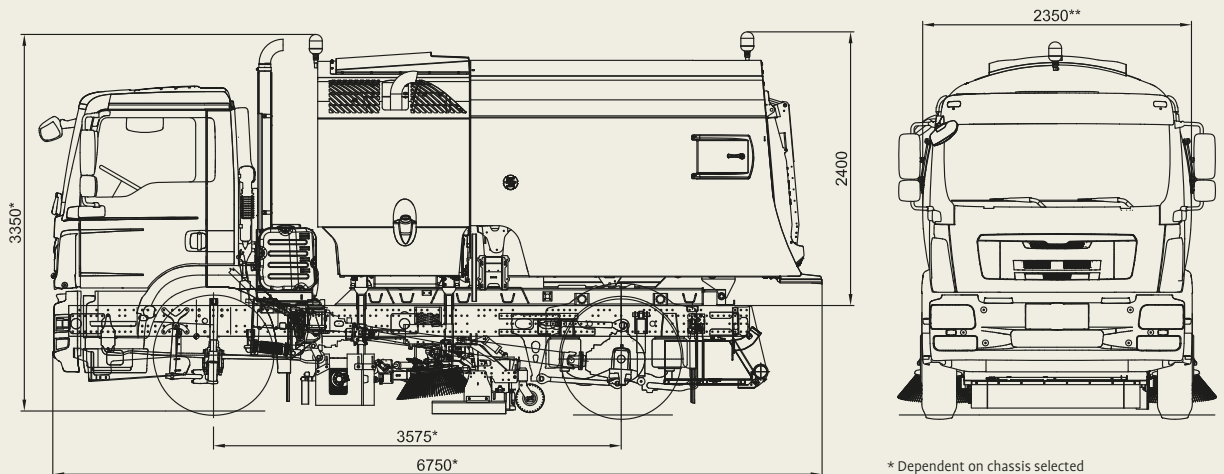


OptiFant 8000 Specifications



* Dependent on chassis selected
** Hopper width without side hatch

Auxiliary engine aggregate

Stage 3A	John Deere 86 kW
Stage 3B	John Deere 86 kW
Stage 4 (Tier)	JCB 93 kW

Alternative drives

Semi-hydrostatic	-
Hydrostatic	OptiFant 8000 H

Hopper

Hopper voided volume **	8 m ³
Water tank	2150 l / 4150 l
Diesel fuel tank	150l
Discharge angle	55°
Door opening angle	120°

Sweeping and suction unit

Width of suction nozzle	600mm
Channel brush	Ø 700 mm (opt. Ø 750 mm)
Width of roller brush	1500 mm
Sweeping path of suction nozzle and channel brush	1170mm
Sweeping path with roller brush	2300 mm
Sweeping path for double-sided pick up*	3900 mm

Chassis

GVW	> 17 t
Motor output with auxiliary engine	> 175 kW
Motor output with alternative drive	> 200 kW
Wheelbase*	≥ 3575 mm
Ambient temperatures	
Ready for operation at ambient temperatures of	+ 49°C
Cold start capability	-20°C

* Dependent on chassis and/or option selected

** All Bucher Municipal Hopper Capacities are measured in accordance with European Standard EN 15429 t.

OptiFant 8000: the innovative solution for tough applications



Telescopic pick-up unit The telescopic pick-up unit can be extended by an additional 250 millimetres to obtain the best cleaning results.

Hopper interior The inside of the hopper has been constructed to ensure that no dirt deposits can remain trapped inside. This feature ensures complete, perfect emptying.

Hydraulic suction hose boom For cleaning catch basins and waste containers and removing piles of leaves.

OptiFant 8000 Specifications

Control units

Central control panel

Auxiliary engine RPM, side brush speed, roller brush speed (optional), operating hours, fuel tank level, water tank level, coolant temperature display, auxiliary engine, status display of sweeping functions

Control panel on the driver's door

Channel brush, channel brush speed control, roller brush, suction nozzle, work pause / memory function, boost function, coarse dirt pick-up flap (optional), sweeping side change, auxiliary engine RPM control

Joystick function

Coarse dirt pick-up (tilt suction nozzle)
Retract sweeper units (optional)

Remote control

Open / close hopper door
Raise / lower hopper
Release safety prop

Travel speed*

Transit speed max.	100 km/h
Sweeping speed	2 - 18 km/h

Tyres * (depends on type of chassis)

315/80 R 22.5

Cab Ergonomic cab of a series-production truck.

Power Sweep System - (PSS) The CityFant 5000 is equipped with the new Power Sweep System (PSS). The operating and monitoring controls are clearly and ergonomically arranged. The system comprises a central control unit which starts up and monitors the machine via a flat screen colour monitor and controls optional equipment. A separate control unit for all of the standard sweeper unit functions in the area of the driver's door as well as a cable remote control for all hopper functions are also included.

Pick-up system Pick-up principle based on suction, with suction nozzle, swept up material fed through lateral gutter brush and central main brush under the vehicle.

Optionen

- Telescopic pick-up unit
- Camera system
- Front-mounted brush unit
- High-pressure washing system 30 l/min @ 100 bar
- Axle load display for chassis with air suspension
- Four-inch gate valve with Storz coupling
- Manual water valves in the driver's cab
- Hydrostatic drive system
- Hydraulic suction hose boom
- Water jet package for perfect fine dust (PM10) suppression
- Pneumatically operated large hopper flap to the right /left
- Soundproofing kit
- Fan flush unit
- Coated suction nozzle
- Low-pressure spray bars
- Stainless steel hopper
- High-pressure washing system 30 l/min @ 100 bar
- Water recycling
- Swept material pick-up on both sides at the same time
- High-pressure washing system

A range of optionals is available – contact us for more information.

* Dependent on chassis and/or option selected

** All Bucher Municipal Hopper Capacities are measured in accordance with European Standard EN 15429

Subject to technical changes.

Bucher Municipal AG

Murzlenstraße 80
CH-8166 Niederweningen
Tel. +41 44 857 22 11
Fax +41 44 857 24 10
sweepers@buchermunicipal.com
www.buchermunicipal.com/sweepers

simply great sweepers

Innovation • Competency • Reliability • Sustainability



Bucher
Municipal
E-Shop

